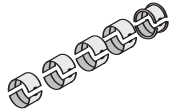


# GOLD VALUE





**GRILLS** ..... 3  
Grilles • Kühlergrills • Rejillas • Grelhas • Griglie • Grilles • Gitter



**CONROD AND CRANKSHAFT PARTS** ..... 4 - 7  
Pièces de bielle, vilebrequin • Teile der Pleuelstange, Kurbelwelle  
Biela, cigüeñal, partes • Parti della biella, dell'albero motore  
Peças da biela, cambota • Onderdelen drijfstang, krukas • Dele til plejstang, krumtapaksel



**ENGINE PARTS** ..... 8 - 11  
Pièces moteur • Motorteile • Partes del motor • Ricambi motore  
Peças do motor • Motoronderdelen • Motordele



**ENGINE GASKET** ..... 12 - 13  
Joint moteur • Motordichtung • Junta del motor  
Guarnizione motore • Junta do motor • Motorpakking • Motorpakning



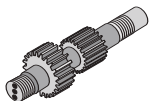
**EXHAUST** ..... 14  
Echappement • Auspuff • Escape • Sistema di scarico • Saída • Uitlaat • Udstødning



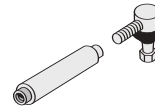
**CLUTCHES** ..... 15 - 19  
Embrayages • Kupplungen • Embragues • Frizioni • Embraiaçens • Koppelingen • Koblinger



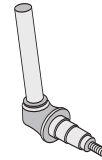
**BRAKES** ..... 20  
Freins • Bremsen • Frenos • Freni • Travões • Remmen • Bremser



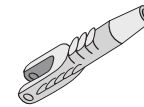
**PTO PARTS** ..... 21  
Pdf & transmission • Zapfwellenteile • Piezas de la caja velocidades & tdf  
Componenti PTO • Peças da tdf • Aftakasonderdelen • Reservedele til kraftudtag



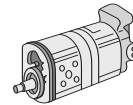
**STEERING PARTS** ..... 22 - 37  
Pièces direction • Teile der lenkung • Partes de la dirección  
Componenti Volante • Peças da direcção • Stuurinrichtingsonderdelen • Styretøjsdele



**FRONT AXLE PARTS** ..... 38 - 41  
Pièces essieu avant • Teile der vorderachse • Partes de eje delantero  
Parti dell'assale anteriore • Peças do eixo dianteiro • Voorsonderdelen  
Dele til foraksel



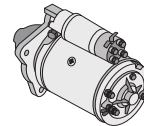
**LINKAGE** ..... 42  
Tringlerie • Gestänge • Articulación • Tiranteria • Ligaçao • Hefinrichtung • Forbindelsesled



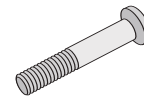
**PUMPS** ..... 43  
Pompe • Pumpe • Bomba • Pompa • Bomba • Pomp • Pumpe



**COOLING** ..... 44 - 46  
Refroidissement • Kühlung • Refrigeración • Impianto di raffreddamento  
Refrigeração • Koelsysteem • Køling



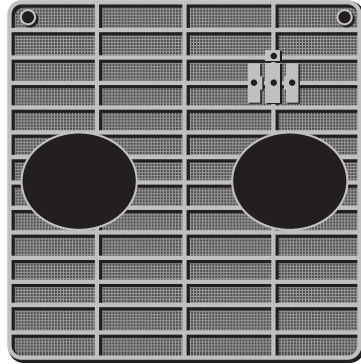
**ELECTRICS** ..... 47 - 48  
Système électrique • Elektrische anlage • Sistema eléctrico  
Componenti elettrici • Sistema eléctrico • Elektra • Elektrisk



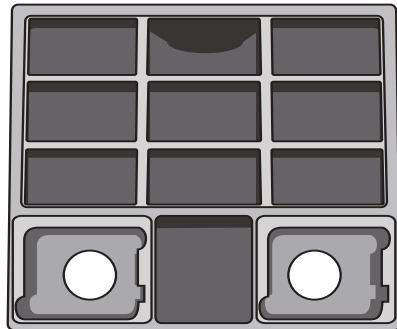
**VARIOUS** ..... 49  
Divers • Verschiedenes • Varios • Varie • Diversos • Diversen • Diverse



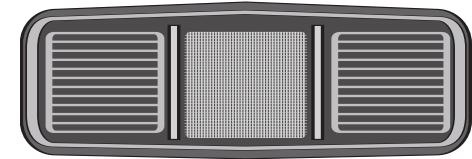
**STEYR LINE** ..... 50 - 53



323, 353, 383, 423, 453	<b>87718437</b>	786862R2
-------------------------	-----------------	----------



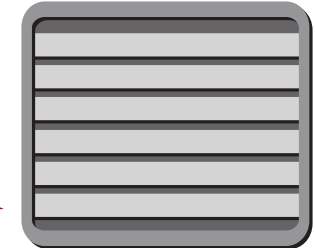
644, 743XL, 744, 745XL, 844, 844S, 844XL, 856XL, 946, 955, 955XL, 956, 956XL, 1046, 1055, 1055XL, 1056, 1056XL, 1246	<b>87718434</b>	3141785R92
--	-----------------	------------



644, 743XL, 744, 745XL, 844, 844S, 844XL, 856XL, 946, 955, 955XL, 956, 956XL, 1046, 1055, 1055XL, 1056, 1056XL, 1246	<b>87718433</b>	3402639R91
--	-----------------	------------



CASE IH : 1056(1/85-12/89), 1056XL(1/85-12/92), 743(1/85-12/86), 743XL(1/85-12/89), 745S(1/85-12/89), 745XL(1/85-12-90), 844S(1/85-12/89), 844XL(1/85-12/90), 845, 845XL(1/81-12/96), 856XL(1/85-12/91), 956(1/85-12/96), 956XL(1/85-12/96)	<b>87718435</b>	85639C1
---	-----------------	---------



	<b>87718436</b>	85640C2
--	-----------------	---------

**Grills**

• Grilles • Kühlergrills • Rejillas • Grelhas • Griglie • Grilles • Gitter



### SMALL END BUSH

Bague de bielle - Kolbenbolzenbuchse - Casquillo del pie de la biela  
Boccola estremiticcola - Casquilho de extremidade pequena  
Small-end-bus - Bøsning til den smalle ende

David Brown : 770, 780, 880, 885, 990, 995, 996, 1190,  
1194, 1200, 1210, 1212, 1290, 1294, 1390, 1394, 1410,  
1412, 1490, 1494, 1594, 1690, 1690T, 1694

**87555978**

K31669

Case IH : 353, 383, 423, 433, 440, 453, 523, 533, 540,  
553, 554, 624, 633, 640, 644, 654, 724, 733, 740, 743,  
744, 745, 824, 833, 840, 844, 844S, 845S, 845XL, 946,  
955, 956, 1046, 1055, 1056 / Case IH UK : 385, 395, 454,  
474, 484, 485, 495, 574, 584, 585, 595, 674, 684, 685,  
695, 784, 785, 795, 884, 885, 895, 3210, 3220, 3230,  
4210, 4220, 4230 (+XL) / 84-Hydro, 85-Hydro

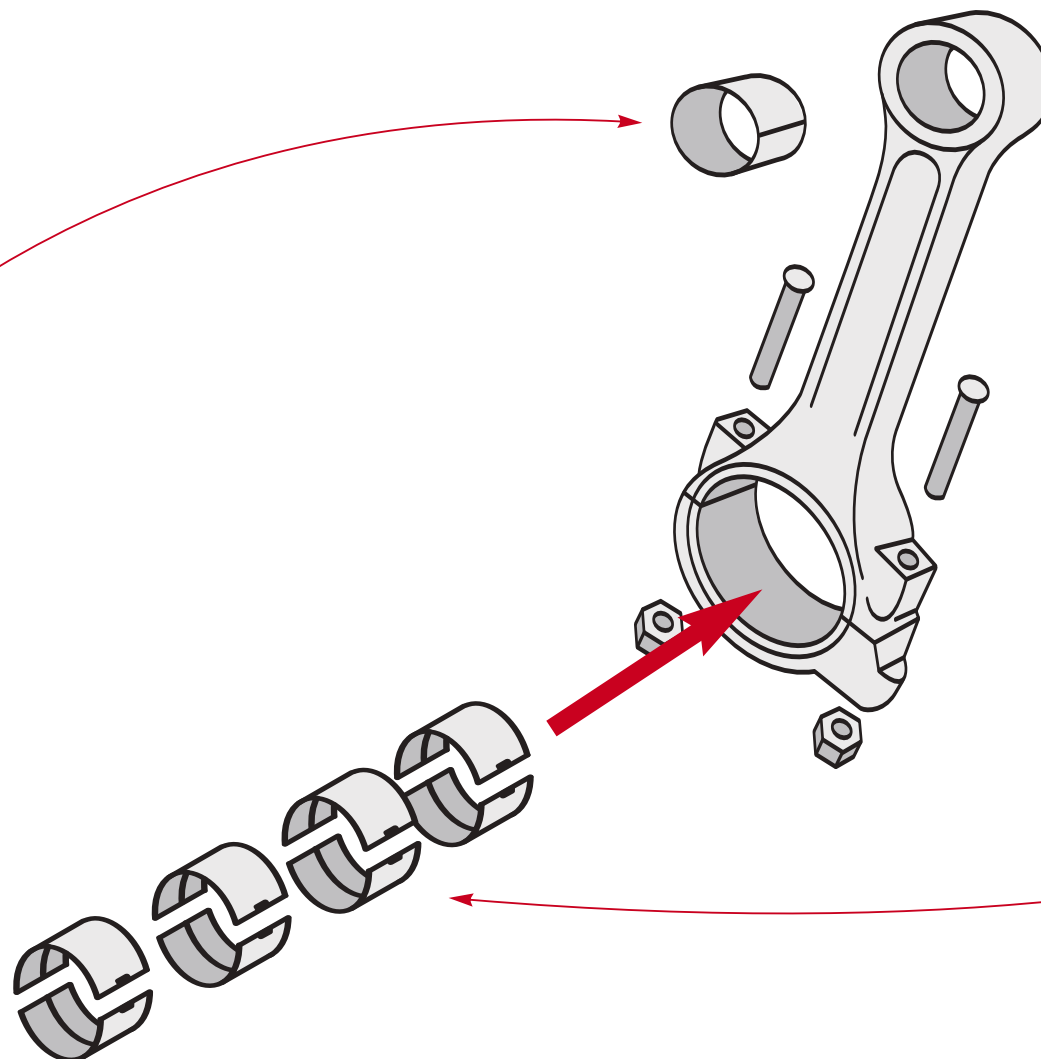
**3132018R2**

3132018R2

Case IH UK : 275, 276, 354, 374, 384, 414, 434, 444

**87555980**

3043611R1



# Conrod and Crankshaft parts

Pièces de bielle, vilebrequin • Teile der pleuelstange, kurbelwelle • Biela, cigüeñal, partes • Parti della biella, dell'albero motore  
Peças da biela, cambota • Onderdelen drijfstang, krukas • Dele til plejlstang, krumtapaksel

## CONROD BEARING SET

Jeu de coussinets de bielle - Pleuellagersatz  
Conjunto cojinetes de la biela - Set cuscinetto  
biella - Conjunto de chumaceira da biela  
Lagerset voor drijfstang - Plejlstangslejesæt

	Standard size		0,010"- 0,254mm Undersized		0,020"- 0,508mm Undersized		0,030"- 0,762mm Undersized	
David Brown : 770, 780, 880, 885, 1190, 1194	<b>87555942 x3</b>	K207436 x3	<b>87555943 x3</b>	K207497 x3	<b>87555944 x3</b>	K207498 x3		
David Brown 4cyl. : 990, 995, 996, 1200, 1210, 1212, 1290, 1294, 1390, 1394	<b>B512660 x4</b>	K207436 x4	<b>87555945 x4</b>	K207497 x4	<b>87555946 x4</b>	K207498 x4		
David Brown 4cyl. : 1410, 1412, 1490, 1494	<b>B513936 x4</b>	K929148 x4	<b>87555947 x4</b>	K946351 x4	<b>87555948 x4</b>	K946352 x4		
David Brown : 1594, 1690, 1690T, 1694	<b>87555949 x6</b>	K207436 x6	<b>87555950 x6</b>	K207497 x6	<b>87555951 x6</b>	K207498 x6		
Case-IH UK : 275, 276, 354, 374, 384, 414, 434, 444	<b>87555969 x4</b>	3070546R91 / 3070536R11 x4	<b>87555970 x4</b>	3070546R91 / 3070538R11 x4	<b>87555971 x4</b>	3070546R91 / 3070539R11 x4	<b>87555972 x4</b>	3070537R11 x4
Case-IH UK : 475	<b>87555973 x4</b>	3118135R1 x1	<b>87555974 x4</b>	3118136R1 x1	<b>87555975 x4</b>	3118137R1 x1	<b>87555976 x4</b>	3118138R1 x1
Case-IH : 353, 383, 423, 433, 440, 453, 523, 533, 540, 553, 633, 640 / Case-IH UK: 385, 395, 454, 484, 485, 495, 3210, 3220 (+XL)	<b>87555952 x3</b>	3055351R91 x3	<b>87555953 x3</b>	3056834R11 x3	<b>87555954 x3</b>	3056879R11 x3	<b>87555955 x3</b>	3055781R11 x3
Case-IH : 554, 624, 644, 654, 724, 733, 740, 743, 744, 745, 824, 833, 840, 844 / Case-IH UK : 474, 574, 584, 585, 595, 674, 684, 685, 695, 784, 785, 795, 3230, 4210, 4220 (+XL), 84-Hydro, 85-Hydro	<b>87555956 x4</b>	3055351R91 x4	<b>87555957 x4</b>	3056834R11 x4	<b>87555958 x4</b>	3056879R11 x4	<b>87555959 x4</b>	3055781R11 x4
Case-IH : 856XL	<b>87555960 x4</b>	3132101R91 x4						
Case-IH : 844, 844S, 845S, 845XL / Case-IH UK : 884, 885, 895, 4230 (+XL)	<b>87555961 x4</b>	3144688R92 x4	<b>87555962 x4</b>	3144876R92 x4	<b>87555963 x4</b>	3144881R92 x4	<b>87555964 x4</b>	3144886R92 x4
Case-IH : 946, 955, 956, 1046, 1055, 1056	<b>87555965 x6</b>	3055351R91 x6	<b>87555966 x6</b>	3056834R11 x6	<b>87555967 x6</b>	3056879R11 x6	<b>87555968 x6</b>	3055781R11 x6



### MAIN BEARING SET

Kit coussinets de palier - Hauptlagersatz  
 Kit del cojinete principal - Kit cuscinetto principale  
 Kit da chumaceira principal - Hoofdlagerset  
 Hovedlejesæt

	Standard size		0,010"- 0,254mm Undersized		0,020"- 0,508mm Undersized		0,030"- 0,762mm Undersized	
David Brown 3cyl.: 770, 780, 880, 885, 1190, 1194	<b>B513935 x8</b>	K928540 x8	<b>87555931 x8</b>	K928557 x8	<b>87555932 x8</b>	K928558 x8		
David Brown: 990, 995, 996, 1200, 1210, 1212, 1290, 1294, 1390, 1394	<b>87555933 x6</b>	K928541 x6	<b>87555934 x6</b>	K928554 x6	<b>87555935 x6</b>	K928555 x6		
David Brown: 1410, 1412, 1490, 1494	<b>87555936 x6</b>	K928997 x6	<b>87555937 x6</b>	K946345 x6	<b>87555938 x6</b>	K946346 x6		
David Brown: 1594, 1690, 1690T, 1694	<b>87555939 x12+2</b>	K917639 x2 K917637 x12	<b>87555940 x12+2</b>	K204971 x2 K204963 x12	<b>87555941 x12+2</b>	K204964		
Case IH UK: 275, 276, 354, 374, 384, 414, 434, 444	<b>B513028 (4cyl)</b>	708912R91						
Case IH UK: 475	<b>87555930</b>	3118150R1						
Case-IH: 353, 383, 423, 433, 440, 453, 523, 533, 540, 553, 633, 640 / Case-IH UK: 385, 395, 454, 484, 485, 495, 3210, 3220 (+XL)	<b>87555918 (3cyl)</b>	3055129R21 x1 3055130R21 x3	<b>87555919 (3cyl)</b>	3056820R11 x1 3056832R21 x3	<b>87555920 (3cyl)</b>	3056875R11 x1 3056877R21 x3	<b>87555921 (3cyl)</b>	3055776R11 x1 3055779R21 x3
CASE-IH: 554, 624, 644, 654, 724, 733, 740, 743, 744, 745, 824, 833, 840, 844, 844S, 845S, 845XL, 856XL / CASE-IH UK: 474, 584, 585, 595, 3230 (+XL)	<b>87555922</b>	3055129R21 x1 3055130R21 x4	<b>87555923</b>	3056820R11 x1 3056832R21 x4	<b>87555924</b>	3056875R11 x1 3056877R21 x4	<b>87555925</b>	3055776R11 x1 3055779R21 x4
CASE-IH: 955, 956, 1046, 1055, 1056, 1246, 1255, 1455 (+XL)	<b>87555926</b>	3055129R21 x1 3055130R21 x6	<b>87555927</b>	3056820R11 x1 3056832R21 x6	<b>87555928</b>	3056875R11 x1 3056877R21 x6	<b>87555929</b>	3055776R11 x1 3055779R21 x6



# Conrod and Crankshaft parts

Pièces de bielle, vilebrequin • Teile der Pleuelstange, Kurbelwelle • Biela, cigüeñal, partes • Parti della biella, dell'albero motore  
Peças da biela, cambota • Onderdelen drijfstang, krukas • Dele til plejlstang, krumtapaksel

## REAR OIL SEAL

Bague arrière pour vilebrequin - Hintere Öldichtung  
Junta aceite trasera - Paraolio posteriore - Vedante  
traseiro de óleo - Achterste oliekring - Bageste pakdåse

David Brown 3 & 4cyl.: 770, 780, 880, 885, 1190, 1194 /  
990, 995, 996, 1200, 1210, 1212, 1290, 1294, 1390, 1394

**B513932 x2**

K921611  
K262783

David Brown 4cyl.: 1410, 1412, 1490, 1494

**B513933**

K940135 - K262784

David Brown 6cyl.: 1594, 1690, 1690Turbo, 1694

**B513934**

K306765 - K262708

Case IH UK: 275, 276, 354, 374, 384, 414, 434, 444

**87555981**

3072092R91

Case IH UK: 475

**B513931**

795662R1

## FRONT OIL SEAL

Bague arrière pour vilebrequin - Hintere Öldichtung  
Junta aceite trasera - Paraolio posteriore - Vedante  
traseiro de óleo - Achterste oliekring - Bageste pakdåse

David Brown: 770, 780, 880, 885, 990, 995, 996, 1190,  
1194, 1200, 1210, 1212, 1290, 1294, 1390, 1394, 1410,  
1412, 1490, 1494, 1594, 1690, 1690T, 1694

**87555977**

K628127

Case IH: 353, 383, 423, 433, 440, 453, 523, 533, 540,  
553, 554, 624, 633, 640, 644, 654, 724, 733, 740, 743,  
744, 745, 824, 833, 840, 844, 844S, 845S, 845XL, 856XL,  
946, 955, 956, 1046, 1055, 1056, 1246, 1255, 1255XL,  
1455, 1455XL / Case UK: 385, 395, 454, 484, 485, 495,  
474, 584, 585, 595, 574, 674, 684, 685, 695, 784, 785,  
795, 884, 885, 895, 3210, 3230, 4210, 4220, 4230 (+XL)  
/ 84-Hydro, 85-Hydro

**87555979**

3228401R91

Case IH UK: 275, 276, 354, 374, 384, 414, 434, 444

**87555982**

3108650R91

Case IH UK: 475

**B513930**

3118128R91

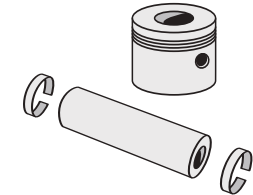
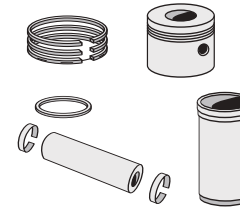
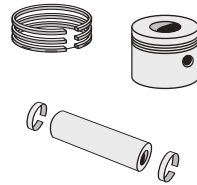
# GOLD VALUE

## CASE IH

AGRICULTURE



Piston, pin, clip, rings, liner, sealing ring and ring kit • Kit avec piston (axe et circlips inclus), segments, chemise et joint torique  
 Kolben, bolzen, ring, mantel und o-ring-satz • Pistón, pasador, anillos, camisa y kit de juntas tóricas  
 Kit pistone, perno, anello, spessore e anello toroidale • Kit de pistão, pino, anéis, calço e o-ring  
 Set met zuiger, pen, zuigerveer, voering en o-ring • Sæt med stempel, stift, ring, skål og o-ring



**PISTON, PIN, CLIPS,  
RINGS KIT**

**PISTON, PIN, CLIPS, RINGS, SEALING RING, LINER KIT**

**SINGLE PISTON WITH PIN AND CLIPS**

standard size

standard size

standard size

David Brown 770, 990, 1290 (= > 11052360)

**B5 12656** K949721

**B5 13127** K949721

David Brown 780, 880, 885, 995, 996, 1190, 1194, 1210, 1212, 1290(11052361 =>), 1294, 1390

**B5 13004** K949474

**B5 13128** K949474

David Brown 1410, 1412, 1394, 1490, 1494, 1690, 1690 Turbo

**B5 12657** K944573

David Brown 1594, 1694

**B5 13953** K206954

**87295450** K206954

Case IH UK: 275, 276, 354

**B5 13021** 751604R92

**B5 13016** 3048523R1

Case IH UK: 374, 384, 414, 434, 444

**B5 13013** 3044479R94

**B5 13015** 3044486R3

Case IH UK: 475

CASE-IH: 353, 383, 423, 433, 440, 453, 533, 540, 554, 624, 644, 645, 654, 733, 740, 946, 955 / CASE-IH UK: 385, 395, 474, 584, 585, 595, 3210, 3230 (+XL)

Al Fin  
No Al Fin

**B5 13022** 3139586R95  
**87555992** 3218758R95

**B5 13121** Not Serviced as OEM  
**87555993** Not Serviced as OEM

CASE-IH: 523, 553, 633, 640, 684, 724, 743, 744, 745, 833, 840, 955, 956, 1046, 1055, 1056 / CASE-IH UK: 454, 484, 485, 495, 574, 674, 684, 685, 695, 3220, 4210 (+XL)

Al Fin  
No Al Fin

**B5 13019** 3139591R96  
**87555994** 3218759R95

**B5 13125** Not Serviced as OEM  
**87555995** Not Serviced as OEM

Case-IH: 824, 844 / Case-IH UK: 784, 785, 795, 4220, 84-Hydro, 85-Hydro (+XL)

No Al Fin

**87556001** 3218668R94

**87556002** Not Serviced as OEM

Case-IH: 844S, 845S, 845XL, 884 / Case-IH UK: 884, 885, 895, 4230 (+XL)

Al Fin

**87556003** 3218461R95

**87579813** Not Serviced as OEM

Case IH: 856XL, 1246, 1246XL, 1255, 1255XL

Al Fin

**87555996** 3144516R97

**87555997** Not Serviced as OEM

Case-IH: 1455, 1455XL, YUMBO 650, HD.530

Al Fin

**87555998** 3218915R95

**87555999** Not Serviced as OEM



# Engine Parts

Pièces moteur • Motorteile • Partes del motor • Ricambi motore  
Peças do motor • Motoronderdelen • Motordele



RING SET		FULLY FINISHED LINER				SEALING RING (O'RING)	
standard size		standard size		0,100 oversized		standard size	
<b>B512658</b>	K261069	<b>B512665</b> semi-finished (less flange)	K964857				
<b>87714368</b> (0,020" oversized)	K261070						
<b>B513017</b>	3114775R91	<b>B513020</b>	704092R1	<b>B513118</b>	704092R1	<b>B513956</b>	704100R1
<b>B513018</b>	3114778R91	<b>B513014</b>	3044481R3	<b>B513120</b>	3044481R3	<b>B513956</b>	704100R1
<b>B513954</b>	3118131R1	<b>B513955</b>	796227R1				
<b>B513023</b>	3139594R91	<b>87556007</b>	3139587R3	<b>B513122</b>	3139587R3	<b>B513957 (5,0mm)</b>	3228344R1
<b>87556004</b>	3218416R92					<b>B513124 (4,7mm)</b>	3228348R1
<b>B513023</b>	3139594R91	<b>87556008</b>	3139592R4	<b>B513126</b>	3139592R4	<b>B513957 (5,0mm)</b>	3228344R1
<b>87556004</b>	3218416R92					<b>B513124 (4,7mm)</b>	3228348R1
<b>87556005</b>	3218669R91	<b>87556009</b>	3144682R3			<b>B513957 (5,0mm)</b>	3228344R1
						<b>B513124 (4,7mm)</b>	3228348R1
<b>87556006</b>	3144977R91	<b>87556009</b>	3144682R3			<b>B513957 (5,0mm)</b>	3228344R1
						<b>B513124 (4,7mm)</b>	3228348R1
<b>B513023</b>	3139594R91	<b>87556008</b>	3139592R4	<b>B513126</b>	3139592R4	<b>B513957 (5,0mm)</b>	3228344R1
						<b>B513124 (4,7mm)</b>	3228348R1
<b>87556000</b>	3218920R91	<b>87556009</b>	3144682R3			<b>B513957 (5,0mm)</b>	3228344R1
						<b>B513124 (4,7mm)</b>	3228348R1

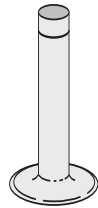
# GOLD VALUE

## CASE IH

AGRICULTURE



Valve guide, springs • Guide de soupape, ressort pour soupape  
 Ventilführung, feder • Guía de la válvula, resorte • Guida della valvola, molla • Guia de válvula, mola  
 Klepgeleider, veer • Ventilstyr, fjeder



TYPE	VALVE		VALVE GUIDE		TYPE	SPRINGS		VALVE SEAL	
	standard size		standard size			standard size		standard size	
Inlet	<b>B513961</b>	K928622			Inner				
Exhaust	<b>B513961</b>	K928622			Outer	<b>B513968</b>	K921436		
Inlet	<b>B513961</b>	K928622			Inner				
Exhaust					Outer	<b>B513968</b>	K921436		
Inlet	<b>B513961</b>	K928622			Inner				
Exhaust	<b>B513005</b>	K950100			Outer	<b>B513968</b>	K921436		
Inlet	<b>B513024</b>	3040361R1	<b>B513958</b>	704455R1	Inner	<b>B513965</b>	710347R2		
Exhaust	<b>B513025</b>	3043825R1	<b>B513959</b>	704456R1	Outer	<b>B513965</b>	710347R2		
Inlet	<b>B513024</b>	3040361R1	<b>B512662</b>	3044492R1	Inner	<b>B513963</b>	3044239R1		
Exhaust	<b>B513025</b>	3043825R1	<b>B512663</b>	3044493R1	Outer	<b>B513966</b>	3044240R1		
Inlet	<b>B513960</b>	795730R1			Inner	<b>B513964</b>	3118134R1		
Exhaust	<b>B513962</b>	3118132R1			Outer	<b>B513967</b>	3118133R1		
Inlet	<b>B513026</b>	3055055R2 3059459R1	<b>B512664</b>	3055022R2	Inner			<b>87714387</b>	3218399R91
Exhaust	<b>B513027</b>	3055056R2	<b>B512664</b>	3055022R2	Outer				

David Brown: 780(6039=>), 880(25306=>)

David Brown: 880(2984=>), 885, 990(15240=>), 995, 996, 1190, 1194, 1200(11930=>), 1210, 1212, 1290, 1294, 1390, 1690

David Brown: 1394, 1410, 1412, 1490, 1494, 1594, 1690Turbo, 1694

Case IH UK: 275, 276, 354

Case IH UK: 374, 384, 414, 434, 444

Case IH UK: 475

Case IH: 353, 383, 423, 433, 440, 453, 523, 533, 540, 553, 554, 624, 633, 640, 644, 654, 724, 733, 740, 743, 744, 745, 824, 833, 840, 844, 844S, 845S, 845, 946, 955, 956, 1046, 1055, 1056, 1246, 1255, 1455 (+XL) / 856XL / Case-IH UK: 385, 395, 454, 484, 485, 495.

# Engine Parts

Pièces moteur • Motorteile • Partes del motor • Ricambi motore  
Peças do motor • Motoronderdelen • Motordele



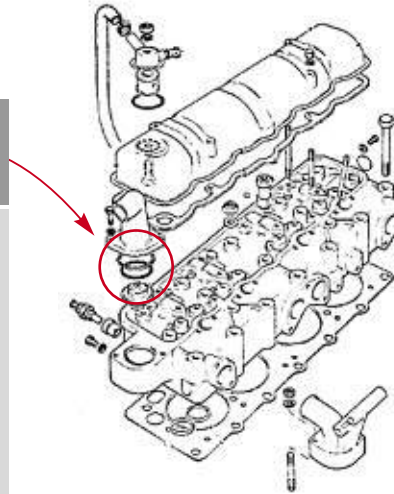
## O'RING

Joint torique - Kolben dichtring - Sello para pistón -  
Guarnizione pistone - Vedante do pistão -  
Zuigerafdichting - Stempelpakning

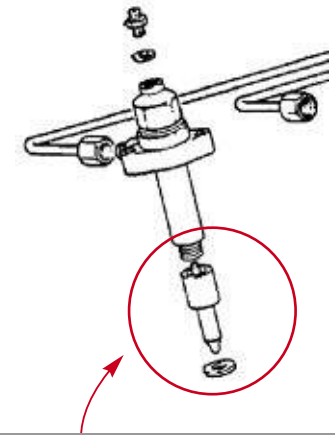
David Brown (cylinder head): 770, 780,  
850, 880, 885, 890, 950, 990, 995,  
996, 1190, 1194, 1200, 1210, 1212,  
1290, 1294, 1390, 1394, 1410, 1412,  
1490, 1494, 1594, 1690, 1690 TURBO,  
1694 / Case IH UK (PTO): 3210, 3220,  
3230, 4210, 4220, 4230, 4240 / MAG-  
NUM series (PTO): 7110, 7120, 7130,  
7140, 7150, 7210, 7220, 7230, 7240,  
7250, 8910, 8920, 8930, 8940, 8950 /  
CX series (PTO): CX50, CX60, CX70,  
CX80, CX90, CX100

87714377

238-5138  
K68951



## David Brown Engine Components



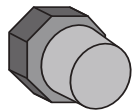
## INJECTOR NOZZLE

Nez d'injecteur - Einspritzdüse - Tobera de inyección -  
Iniettore - Pulverizador de inyector - Mondstuk verstuiver -  
Indsprøjtningdsyse

David Brown: 770, 780, 880, 885, 990,  
995, 996, 1190, 1194, 1200, 1210, 1212,  
1290, 1294, 1390, 1394, 1410, 1412,  
1490, 1494, 1594, 1690, 1690T, 1694

87714379

K942176  
5621637



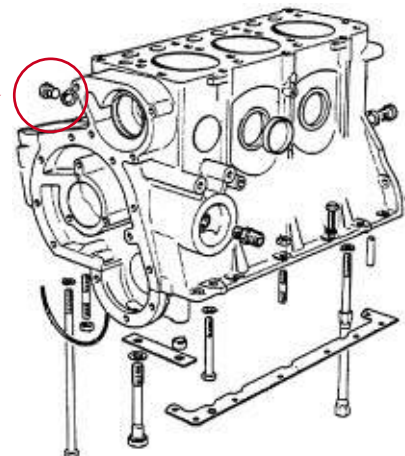
## DRAIN COCK

Bouchon bloc - Ablasshahn - Grifo de vaciado - Rubinetto di  
scarico - Bujão de drenagem - Aftapkraan - Aftapningsshane

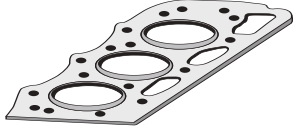
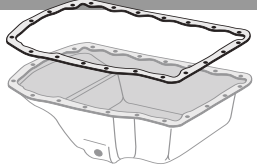

David Brown: 880, 990, 995, 996,  
1190, 1194, 1210, 1212, 1290, 1294,  
1390, 1394, 1410, 1412, 1490, 1494,  
1594, 1690, 1690 TURBO, 1694

87714378

K19581





TOP GASKETS KIT (including cylinder head gasket)		BOTTOM GASKETS KIT		CYLINDER HEAD GASKET		SUMP GASKET		ROCKER COVER GASKET	
<p>Pochette de joints de rodage (incluant joint de culasse) Obere Dichtungssätze (einschließlich Zylinderkopfdichtung) Conjuntos de junta superior (incluida junta de culata) Set di guarnizioni superiori (inclusa la guarnizione della testata) Conjuntos de juntas superiores (incluido junta da cabeça do cilindro) Sets voor bovenste pakking (inclusief cilinderkoppakking) Sæt med øverste pakninger (omfatter pakning til topstykke)</p>		<p>Pochette de joints complémentaires Untere Dichtungssätze Conjuntos de junta inferior Set di guarnizioni inferiori Conjuntos de juntas inferiores Sets voor onderste pakking Sæt med nederste pakninger</p>		 <p>Joint de culasse Zylinderkopfdichtung Junta de la culata Guarnizione della testata Junta da cabeça do cilindro Cilinderkoppakking Cylindertoppakning</p>		 <p>Joint de carter Ölvannendichtung Junta del colector Guarnizione coppa Junta do cárter Oliecarterpakking Sump pakning</p>		 <p>Joint de capot de culbuteur Ventildeckeldichtung Junta de tapa del balancín Guarnizione coperchio bilancieri Junta da tampa oscilante Kleppendekselpakking Pakning til vippearms dæksel</p>	
<b>B513938</b>	K964876	<b>B513943</b>	K964877	<b>B513948</b>	K956672			<b>87555907</b>	K907338
<b>B513940</b>	K260287	<b>B513944</b>	K260286						
<b>B513939</b>	K964883 - K260283 K260284 - K260285	<b>87555905</b>	K262765 K965803 K260282	<b>B513949</b>	K953783 K262750			<b>87555908</b>	K905229
<b>B513941</b>	K965964	<b>B513945</b>	K965963	<b>B513950</b>	K952527 x2			<b>87555909</b>	K918689
<b>B513008</b>	706105R93			<b>B513946</b>	703883R7	<b>87714386</b>	703840R1	<b>87555910</b>	3069767R1
<b>B513937</b>	3118124R91	<b>B513942</b>	3120516R91	<b>B513947</b>	3118173R1			<b>B513951</b>	3118186R1
<b>87714380</b>	3051140R92								
<b>87714381</b>	3051138R92								
<b>87714382</b>	3051142R92								
<b>87714383</b>	3051146R92								
<b>87714384</b>	3051144R92								

David Brown (3cyl) : 770, 780, 880, 885

David Brown (3cyl) : 1190, 1194

David Brown (4cyl) : 990, 995, 996, 1200, 1210, 1212, 1410, 1412, 1290, 1294, 1390, 1394, 1490, 1494

David Brown (6cyl) : 1594, 1690, 1690T, 1694

Case IH UK: 275, 276, 354, 374, 384, 414, 434, 444

Case IH UK: 475

D214, D215, D217F, D217S, D219

D212, D214, D214S, D215, DLD2


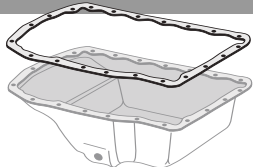

D320S, D322, DED-3

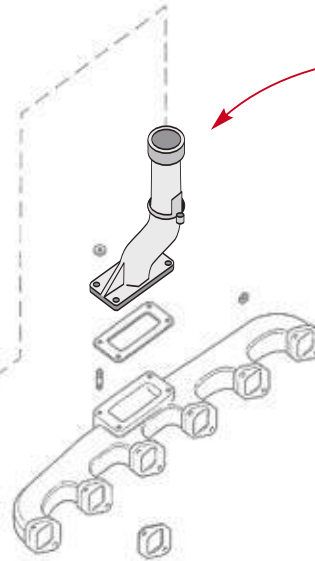
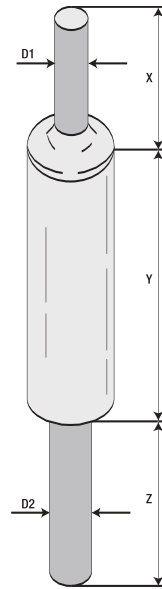
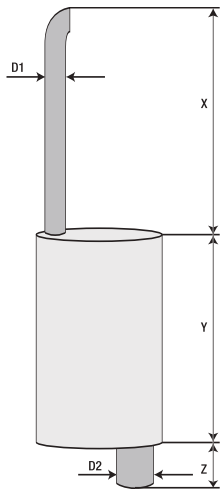
D430S, D432, D440, DGD4

D.324, D.326, 323

# Engine Gasket

Joint moteur • Motordichtung • Junta del motor • Guarnizione motore  
 Junta do motor • Motorpakking • Motorpakning

	TOP GASKETS KIT (including cylinder head gasket)		BOTTOM GASKETS KIT		CYLINDER HEAD GASKET		SUMP GASKET		ROCKER COVER GASKET	
	Pochette de joints de rodage (incluant joint de culasse) Obere Dichtungssätze (einschließlich Zylinderkopfdichtung) Conjuntos de junta superior (incluida junta de culata) Set di guarnizioni superiori (inclusa la guarnizione della testata) Conjuntos de juntas superiores (incluindo junta da cabeça do cilindro) Sets voor bovenste pakking (inclusief cilinderkoppakking) Sæt med øverste pakninger (omfatter pakning til topstykke)		Pochette de joints complémentaires Untere Dichtungssätze Conjuntos de junta inferior Set di guarnizioni inferiori Conjuntos de juntas inferiores Sets voor onderste pakking Sæt med nederste pakninger		 Joint de culasse Zylinderkopfdichtung Junta de la culata Guarnizione della testata Junta da cabeça do cilindro Cilinderkoppakking Cylindertoppakning		 Joint de carter Ölwanndichtung Junta del colector Guarnizione coppa Junta do cárter Oliecarterpakking Sumpapakning		 Joint de capot de culbuteur Ventildeckeldichtung Junta de tapa del balancín Guarnizione coperchio bilancieri Junta da tampa oscilante Kleppendekselpakking Pakning til vippearmens dæksel	
D.436, D.439, DTD.5	<b>87714385</b>	3051148R92								
Case IH: 554, 624, 644, 654, 724, 733, 740, 743, 744, 745, 824, 833, 840, 844, 844S, 845S, 845XL, 856XL / Case UK: 474, 584, 585, 595, 574, 674, 684, 685, 695, 784, 785, 795, 884, 885, 895, 3230, 4210, 4220, 4230 (+XL)	<b>B513007</b>	3136799R99 1967014C1	<b>B513033</b>	3136813R99 1967011C1	<b>B513029</b>	3228362R2	<b>87555916</b>	3055161R3	<b>87555912</b>	3138642R2
Case-IH (4cyl) : 844S, 845S, 845XL	<b>B513007</b>	3136799R99 1967014C1	<b>B513033</b>	3136813R99 1967011C1	<b>B513029</b>	3228362R2	<b>87555917</b>	3144697R2	<b>87555912</b>	3138642R2
Case IH: 946, 955, 956, 1046, 1055, 1056, 1246, 1255, 1455 (+XL), YUMBO 650, HD.530	<b>B513030</b>	3136801R99	<b>B513032</b>	3136817R99 1967013C1	<b>B513034</b>	3228019R2				
Case IH: 353, 383, 423, 433, 440, 453, 523, 533, 540, 553, 633, 640 / Case UK: 385, 395, 454, 484, 485, 495, 3210, 3220 (+XL)	<b>B513006</b>	3136798R99	<b>B513031</b>	3136802R99	<b>87555906</b>	3228361R2	<b>87555914</b>	3055160R3	<b>87555911</b>	3138641R1
Case IH: 946, 955, 956, 1046, 1055, 1056, 1246, 1255, 1455 (+XL), YUMBO 650, HD.530							<b>B513952</b>	3055987R93	<b>87555913</b>	3138688R2



**EXHAUST ELBOW**

Coûde d'échappement - Auspuffkrûmmer - Codo de escape - Tubo di scarico - Cotovelo de escape - Kniestuk uitlaat - Vinkelforskruning til udstødning

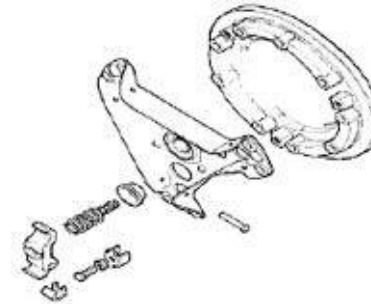
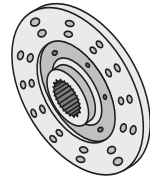
553, 654, 724, 824	<b>87714388</b>	3059921R1
743, 743XL, 745S, 844S, 845, 845XL, 745XL, 844XL	<b>87714389</b>	3402326R2
955, 1055, 956, 1056	<b>87714390</b>	3220368R1

David Brown: 770, 780, 850, 880, 885, 900, 950	<b>B513997</b>	K914137	<b>43</b>	<b>41/44</b>	<b>230</b>	<b>455</b>	<b>210</b>
Case IH UK: 275, 276, 354, 374, 384, 414, 434, 444	<b>B513012</b>	704616R96 3109792R92	<b>52</b>	<b>48/51</b>	<b>220</b>	<b>410</b>	<b>380</b>
Case IH UK: 454, 474, 574, 674	<b>B513995</b>	529372R1	<b>61</b>	<b>61/64</b>	<b>315</b>	<b>320</b>	<b>55</b>

Case IH UK: 385, 395, 484, 485, 495, 584, 585, 595, 684, 685, 695, 784, 785, 795, 884, 885, 895	<b>B513996</b>	83027C1	<b>na</b>	<b>61/65</b>	<b>760</b>	<b>455</b>	<b>55</b>
---	----------------	---------	-----------	--------------	------------	------------	-----------

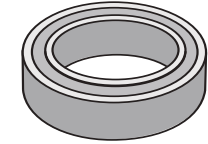
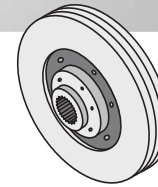
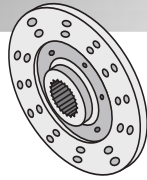
Muffler		D1	D2	X	Y	Z
B513997	K914137	43	41/44	230	455	210
B513012	704616R96 3109792R92	52	48/51	220	410	380
B513995	529372R1	61	61/64	315	320	55
B513996	83027C1	na	61/65	760	455	55





GOLD VALUE PN		SPECS	GOLD VALUE PN		SPECS						
<p><b>MAIN CLUTCH PLATE</b> Disque d'avancement Hauptkupplungsplatte Disco del embrague principal Disco frizione principale Prato da Embraiegem Principal Hoofdkoppelingsplaat Hovedkoblingsplade</p>						<p><b>COMPLETE CLUTCH ASSEMBLY</b> Embrayage complet Komplett kupplung Embrague Frizione Embraiegem Koppeling Kobling</p>					
<b>B513926</b>	3121506R92	4 pairs of pads - 280 - 10Z 23x29	<b>87556011</b>	1500655C91	11" / 280mm with cerametallic lining						
<b>B513920</b>	3121507R92	Cerametallic lining - 280 - 10Z 23x29	<b>87556012</b>	92602C91	11" / 280mm - double springs with cerametallic lining						
<b>B513921</b>	3129834R1	Cerametallic lining - 280 - 10Z 23x29									

Case IH UK: 385, 395, 454, 474, 475, 484, 485, 495, 574, 584, 585, 595, 674, 684, 685, 695, 784, 785, 795, 884, 885, 895



**MAIN CLUTCH PLATE**  
Disque d'avancement  
Hauptkupplungsplatte  
Disco del embrague principal  
Disco frizione principale  
Prato da Embraia gens Principal  
Hoofdkoppelingsplaat  
Hovedkoblingsplade

**PTO CLUTCH PLATE**  
Plateau friction prise de force  
Zapfwellen-kupplungsplatte  
Disco del embrague de la tdf  
Disco frizione pdf  
Prato da embraia gens da tdf  
Aftakaskoppelingsplaat  
Koblingsplade til kraftudtag

**RELEASE BEARING**  
Butée de debrayage  
Ausrücklager  
Cojinete de desembrague  
Cuscinetto di disinnesto  
Rolamento de encosto  
Druklager koppeling  
Udløsningsleje



**GOLD VALUE PN**

**SPECS**

**GOLD VALUE PN**

**SPECS**

**GOLD VALUE PN**

**SPECS**

Case IH UK: 275, 276, 354

**B513918**

709639R94

Main disc, engine side, loose -  
Asbestos free - organic lining -  
280 - 10Z 23x29

**B513922**

709640R92

PTO disc, transmission side,  
mounted - Asbestos free -  
organic lining - 230 - 10Z 38x45

**B513924**

3070635R91

70x103x21,5

**B513923**

751848R94

pilot bearing

Case IH UK: 275 (50976=>), 276, 354

**B513891**

3074827R91

Ceramic lining - 280 - 10Z 23x29

**B513924**

3070635R91

70x103x21,5

**B513923**

751848R94

pilot bearing

**B513925**

3048529R91

Asbestos free - organic lining -  
280 - 10Z 23x29

**B513923**

751848R94

pilot bearing

Case IH UK: 374, 384, 434, 444

**B513891**

3074827R91

Ceramic lining - 280 - 10Z 23x29

**B513924**

3070635R91

70x103x21,5

**B513923**

751848R94

pilot bearing

Case IH UK: 374, 384, 414, 434, 444

**B513919**

3108790R91

Main disc, engine side, loose -  
Asbestos free - organic lining -  
280 - 10Z 23x29

**B513922**

709640R92

PTO disc, transmission side,  
mounted - Asbestos free -  
organic lining - 230 - 10Z 38x45

**B513924**

3070635R91

70x103x21,5

**B513923**

751848R94

pilot bearing

Case IH UK: 414

**B513925**

3048529R91

Asbestos free - organic lining -  
280 - 10Z 23x29

**B513923**

751848R94

pilot bearing

Case IH UK: 414 (50915=>)

**B513891**

3074827R91

Ceramic lining - 280 - 10Z 23x29

**B513924**

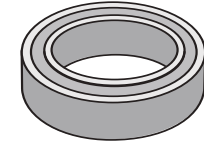
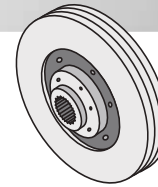
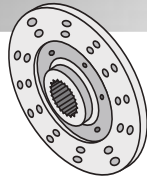
3070635R91

70x103x21,5

**B513923**

751848R94

pilot bearing



**MAIN CLUTCH PLATE**  
Disque d'avancement  
Hauptkupplungsplatte  
Disco del embrague principal  
Disco frizione principale  
Prato da Embraiegem Principal  
Hoofdkoppelingsplaat  
Hovedkoblingsplade

**PTO CLUTCH PLATE**  
Plateau friction prise de force  
Zapfwellen-kupplungsplatte  
Disco del embrague de la tdf  
Disco frizione pdf  
Prato da embraiegem da tdf  
Aftakaskoppelingsplaat  
Koblingsplade til kraftudtag

**RELEASE BEARING**  
Butée de débrayage  
Ausrücklager  
Cojinete de desembrague  
Cuscinetto di disinnesto  
Rolamento de encosto  
Druklager koppeling  
Udløsningsleje

**GOLD VALUE PN**

**SPECS**

**GOLD VALUE PN**

**SPECS**

**GOLD VALUE PN**

**SPECS**

**B513920** 3121507R92 Cerametallic lining - 280 - 10Z 23x29

**B513921** 3129834R1 Cerametallic lining - 280 - 10Z 23x29

**B513927** K14014 Main disc, engine side, loose - Asbestos free - organic lining - 250 - 10Z 26x32

**B513894** K89321 Main disc, engine side, loose - Asbestos free - organic lining - 250 - 10Z 38x45

**B513896** K910886 PTO disc, engine side, loose - Asbestos free - organic lining - 250 - 10Z 18x22,5

**B513900** K620182 52,3x85,7x19 pilot bearing: 87714369 22,2x50,8x14,2

**B513894** K89321 Main disc, engine side, loose - Asbestos free organic lining - 250 - 10Z 38x45

**B513897** K89322 PTO disc, engine side, loose - Asbestos free - organic lining - 250 - 10Z 23x29

**B513901** K19169 69,8x103,2x22,8 pilot bearing: 87714369 22,2x50,8x14,2

**B513895** K957254 Main disc, transmission side, mounted - Asbestos free organic lining - HUB thickness : 31mm (Std) - 280 - 10Z 38x45

**B513897** K89322 PTO disc, engine side, loose - Asbestos free - organic lining - 250 - 10Z 23x29

**B513901** K19169 69,8x103,2x22,8 pilot bearing: 87714369 22,2x50,8x14,2

**B513895** K957254 Main disc, transmission side, mounted - Asbestos free organic lining - HUB thickness : 31mm (Std) - 280 - 10Z 38x45

**B513898** K915827 PTO disc, engine side, loose - Asbestos free organic lining - Std + Hydrashift - 280 - 10Z 23x29

**B513901** K19169 69,8x103,2x22,8 pilot bearing: 87714369 22,2x50,8x14,2

**B513892** K957436 Main disc, transmission side, mounted - Asbestos free organic lining - HUB thickness : 38mm (hydrashift) - 280 - 10Z 38x45

**B513928** K202625 Main disc, transmission side, mounted - Asbestos free organic lining - 305 - 10Z 38x45

**B513899** K947089 PTO disc, engine side, loose - Asbestos free organic lining - 305 - 10Z 23x29

**B513901** K19169 69,8x103,2x22,8 pilot bearing: 87714369 22,2x50,8x14,2

Case IH UK: 3210, 3220, 3230, 3400, 3500

David Brown 250, 300, 850, 900, 950

David Brown 770

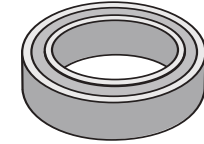
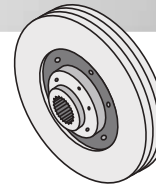
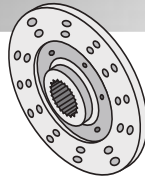
David Brown 775, 780, 880, 885, 950, 1194

David Brown 900, 990, 995

David Brown 996, 1190(=>1979), 1200, 1210(=>1154230), 1212, 1290, 1294(=>11059299), 1390 - Models Hydrashift : 996, 1200, 1212, 1190, 1290, 1390

David Brown 1190, 1194(80/-), 1210(1154231=>), 1294(11059300=>), 1394, 1410, 1412, 1490, 1494





**MAIN CLUTCH PLATE**  
Disque d'avancement  
Hauptkupplungsplatte  
Disco del embrague principal  
Disco frizione principale  
Prato da Embraia gem Principal  
Hoofdkoppelingsplaat  
Hovedkoblingsplade

**PTO CLUTCH PLATE**  
Plateau friction prise de force  
Zapfwellen-kupplungsplatte  
Disco del embrague de la tdf  
Disco frizione pdf  
Prato da embraia gem da tdf  
Aftakaskoppelingsplaat  
Koblingsplade til kraftudtag

**RELEASE BEARING**  
Butée de debrayage  
Ausrücklager  
Cojinete de desembrague  
Cuscinetto di disinnesto  
Rolamento de encosto  
Drukklager koppeling  
Udløsningsleje

GOLD VALUE PN		SPECS	GOLD VALUE PN		SPECS	GOLD VALUE PN		SPECS
<b>B513893</b>	K956052	Main disc, transmission side, mounted - Cerametallic lining - Asbestos free organic lining - 305 - 10Z 38x45	<b>B513899</b>	K947089	PTO disc, engine side, loose - Asbestos free organic lining - 305 - 10Z 23x29	<b>B513901</b>	K19169	69,8x103,2x22,8 pilot bearing: 87714369 22,2x50,8x14,2
			<b>B513889</b>	K952378	PTO disc, engine side, loose - Asbestos free - organic lining - 305 - 10Z 26x32	<b>B513901</b>	K19169	69,8x103,2x22,8 pilot bearing: 87714369 22,2x50,8x14,2
<b>B513902</b>	787515R91 1861266001	Asbestos free - organic lining - 225 - 13Z 21,7x25						
<b>B513903</b>	3225978R91	Main disc, engine side, outside - Asbestos free - organic lining - 250 - 13Z 22x25	<b>B513914</b>	3134885R92	PTO disc, transmission side, inside - Economic version - Asbestos free organic lining - 228 - 25Z 41x45			
<b>B513904</b>	3216397R91	Main disc, engine side, outside - Asbestos free - organic lining - 250 - 13Z 22x25						
<b>B513905</b>	3058676R92	Asbestos free organic lining - Economic version - Fixed - 250 - 13Z 21x25						
<b>B513906</b>	3148964R91	Springs - Asbestos free - organic lining - 250 - 13Z 21x25						
<b>B513907</b>	3057151R92	Asbestos free organic lining - Economic version - 280 - 10Z 26x32						
<b>B513908</b>	3059214R94	Asbestos free organic lining - Economic version - 280 - 10Z 23x29						

David Brown 1210, 1410, 1412, 1490, 1494 - 4WD

David Brown 1590, 1594, 1690, 1694

Case IH: 323

Case IH: 323, 353, 383, 423, 433, 440, 453, 533/A, 540

Case IH: 353, 383, 423

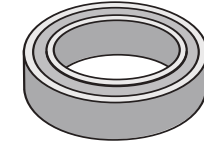
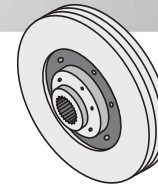
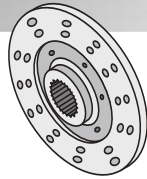
Case IH (= > 20469): 523, 624, 724

Case IH (20469 =>): 523, 624, 724



### Embrayages • Kupplungen • Embragues • Frizioni • Embraiegens • Koppelungen • Koblinger

## Clutches



**MAIN CLUTCH PLATE**  
Disque d'avancement  
Hauptkupplungsplatte  
Disco del embrague principal  
Disco frizione principale  
Prato da Embraiegem Principal  
Hoofdkoppelingsplaat  
Hovedkoblingsplade

**PTO CLUTCH PLATE**  
Plateau friction prise de force  
Zapfwellen-kupplungsplatte  
Disco del embrague de la tdf  
Disco frizione pdf  
Prato da embraiegem da tdf  
Aftakoppelingsplaat  
Koblingsplade til kraftudtag

**RELEASE BEARING**  
Butée de debrayage  
Ausrücklager  
Cojinete de desembrague  
Cuscinetto di disinnesto  
Rolamento de encosto  
Drukklager koppeling  
Udløsningsleje

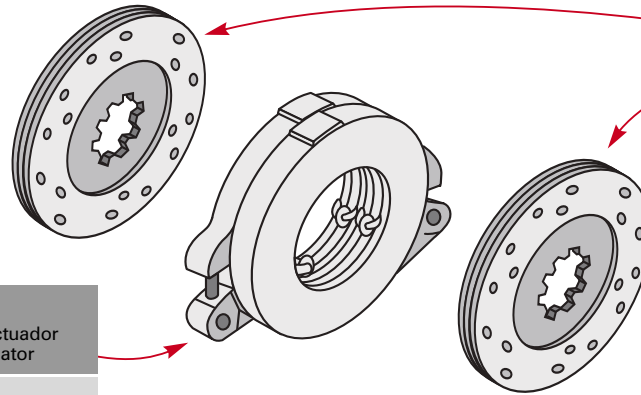
GOLD VALUE PN		SPECS	GOLD VALUE PN		SPECS	GOLD VALUE PN		SPECS
<b>B513909</b>	3225094R3	Main disc, engine side, outside - Cerametallic lining - 6 pairs of pads - Economic version - 295 - 10Z 23x29						
<b>B513910</b>	3225950R1	Main disc, engine side, outside - Asbestos free organic lining - Economic version - 295 - 10Z 23x29	<b>B513915</b>	3058404R93	PTO disc, transmission side, inside - Asbestos free organic lining - Economic version - 280 - 22Z 41x45			
<b>B513911</b>	3058405R93	Main disc, engine side, outside - Asbestos free organic lining - Economic version - 280 - 10Z 23x29						
<b>B513912</b>	3224546R92	Main disc, engine side, outside - Asbestos free - organic lining - Economic version - 290 - 13Z 21,5x25	<b>B513914</b>	3134885R92	PTO disc, transmission side, inside - Economic version - Asbestos free organic lining - 228 - 25Z 41x45			
<b>B513912</b>	3224546R92	Main disc, engine side, outside - Asbestos free - organic lining - Economic version - 290 - 13Z 21,5x25						
<b>B513913</b>	1964154C1	Main disc, engine side, outside - Cerametallic lining - 5 pairs of pads - 290 - 13Z 21,5x25						
			<b>B513917</b>	1964089C1	PTO disc, transmission side, inside - Cerametallic lining - 5 pairs of pads - 310 - 22Z 41x45			

Case IH: 523, 553, 554, 564, 624, 644,  
654, 724, 734, 743XL, 743XLA, 744, 745XL,  
745XLA, 754, 824, 834, 844S, 844XL,  
844XLA, 845, 845XL

Case IH: 533, 633, 640, 733, 733A, 740

Case IH: 633, 640, 733, 733A, 740,  
833, 840, 940

Case IH: 856XL, 856XLA, 955XL, 956XLA,  
1055XL, 1056XL, 1056XLA



### ACTUATOR ASSEMBLY

Plateau écarteur à billes - Stellgliedbaugruppe - Conjunto del actuador  
 Complessivo attuatore - Conjunto do actuador - Actuator - Aktuator

Case IH: 433, 523, 533, 614, 624, 633, 654, 724, 733, 824 **B512651** 787004R22

### BRAKE DISC

Disque de frein - Brems Scheibe - Disco de freno - Disco freno  
 Disco do travão - Remschijf - Bremseskive

Case IH UK: 250, 275(=>46662), 414(=>31374)	<b>B513884</b>	704422R93
Case IH: 433, 453, 533, 633 / Case IH UK: 275, 276, 354, 374, 384, 414, 434, 444,	<b>B513885</b>	3064170R91
Case IH: 523, 553, 624, 654, 724, 824	<b>B512652</b>	3134665R92
Case IH: 955, 1055, 956, 1056 (+XL)	<b>B513886</b>	3220450R94
44 series, 45 series, 856	<b>87718441</b>	3145546R92
955, 955XL, 956, 956XL, 1055, 1055XL, 1056, 1056XL	<b>87718442</b>	3220450R94

### FRICION DISC

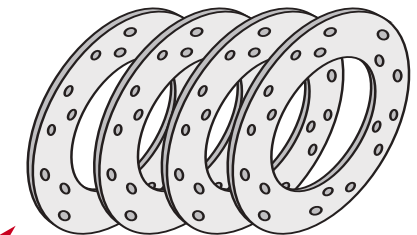
Disque de friction - Reibscheibe - Disco de fricción -  
 Disco di attrito - Disco de fricção - Frictieschijf - Friktionsskive

David Brown 2WD: 1490, 1494	<b>87718439</b>	K202905
David Brown: 1210, 1212, 1410, 1412, 1494, 1594, 1690, 1694	<b>87718440</b>	K945754

### INTERMEDIATE DISC

Disque intermédiaire - Zwischenscheibe - Disco intermedio  
 Disco intermedio - Disco intermédio - Tussenschijf  
 Mellemliggende skive

David Brown: 1490, 1690 2WD **B513888** K200550



### BRAKE DISC KIT (SET OF 4 WITH RIVETS)

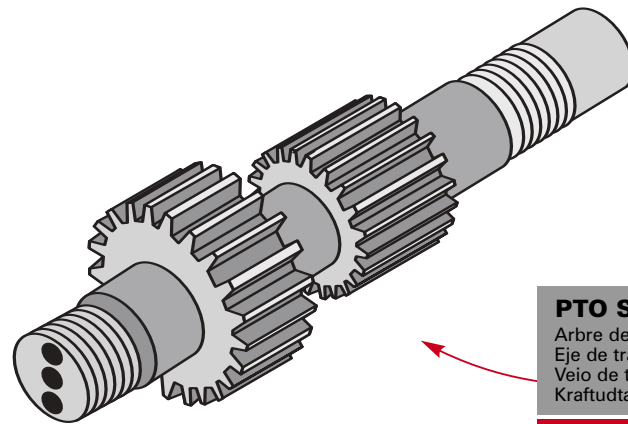
Kit de disque de frein (jeu de 4 avec rivets)  
 Brems Scheibensatz (satz mit 4 stück mit nieten)  
 Kit de disco de freno (conjunto de 4 con remaches)  
 Kit dischi freni (set da 4 con rivetti)  
 Kit de discos de travão (conjunto de 4 com rebites)  
 Remschijfset (set van 4 met klinknagels)  
 Bremseskivesæt (sæt med 4 med nitter)

Case IH: 523, 624, 433, 533, 633, 733, 614, 624, 654, 724, 824 **B513887** 3069460R91





Pdf & transmission • Zapfwellenteile • Piezas de la caja velocidades & tdf  
• Componenti PTO • Peças da tdf • Aftakasonderdelen • Reservedele til kraftudtag



### PTO SHAFT

Arbre de PDF - Zapfwellenantriebswelle  
Eje de transmisión de TDF - PTO Albero  
Veio de transmissão da TDF - Aandrijfvan de aftakas  
Kraftudtags drivaksel

5120, 5130, 5140, 5150, MX80C,  
MX90C, MX100C, MX100, MX110,  
MX120, MX135, MX150, MX170

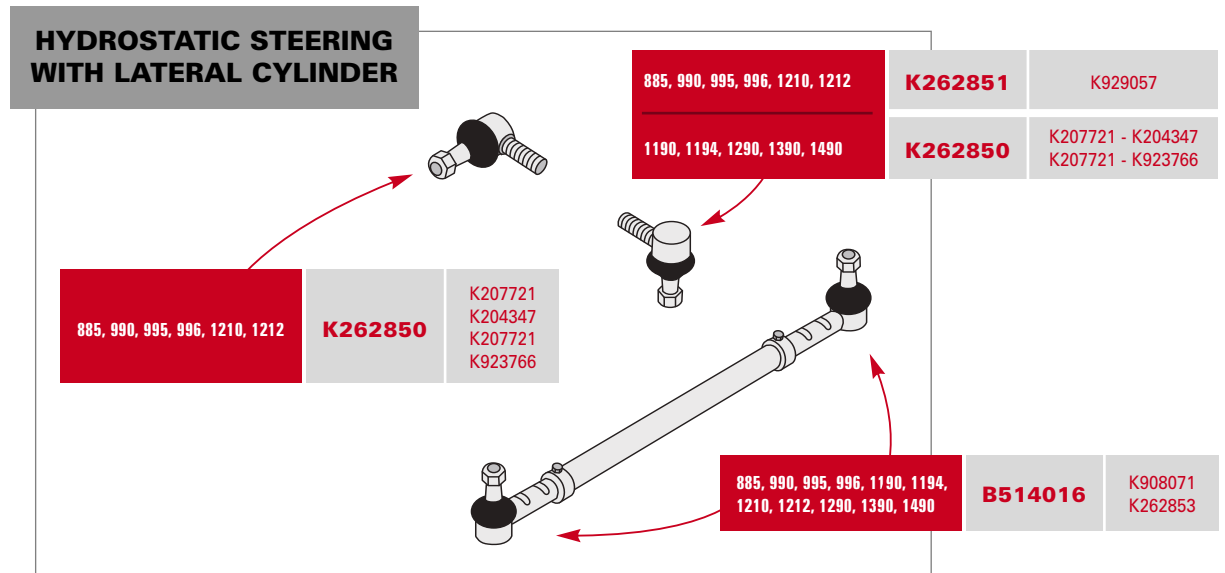
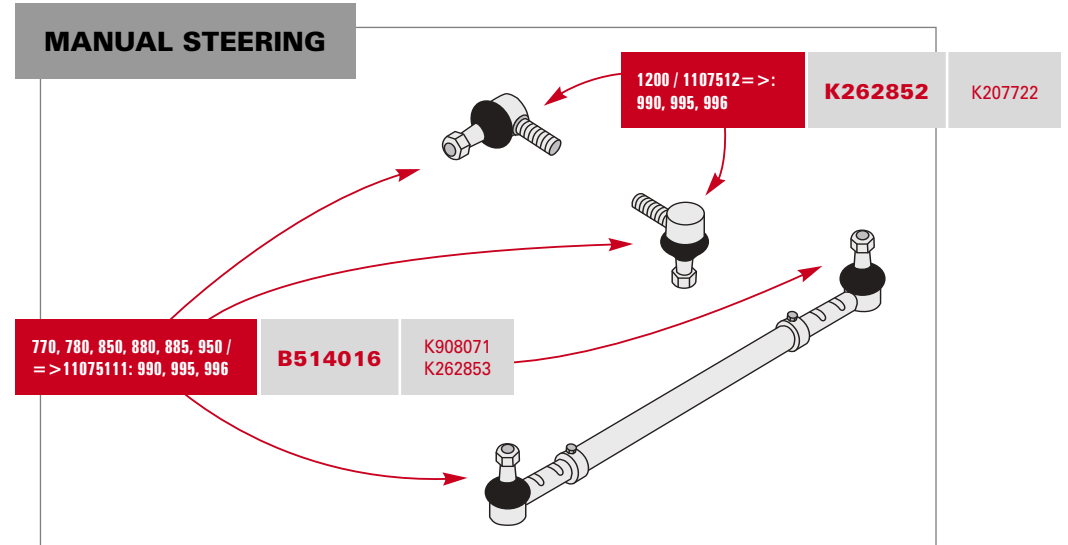
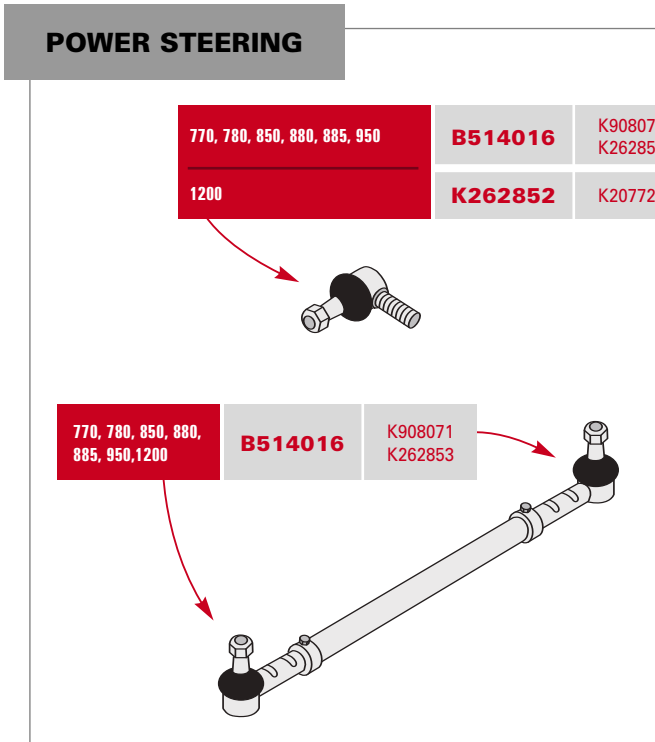
**87714367**

1995034C1  
226823A1



# Steering parts Tie Rods

Pièces direction • Teile der lenkung • Partes de la dirección • Componenti Volante  
• Peças da direcção • Stuurinrichtingsonderdelen • Styretøjsdele

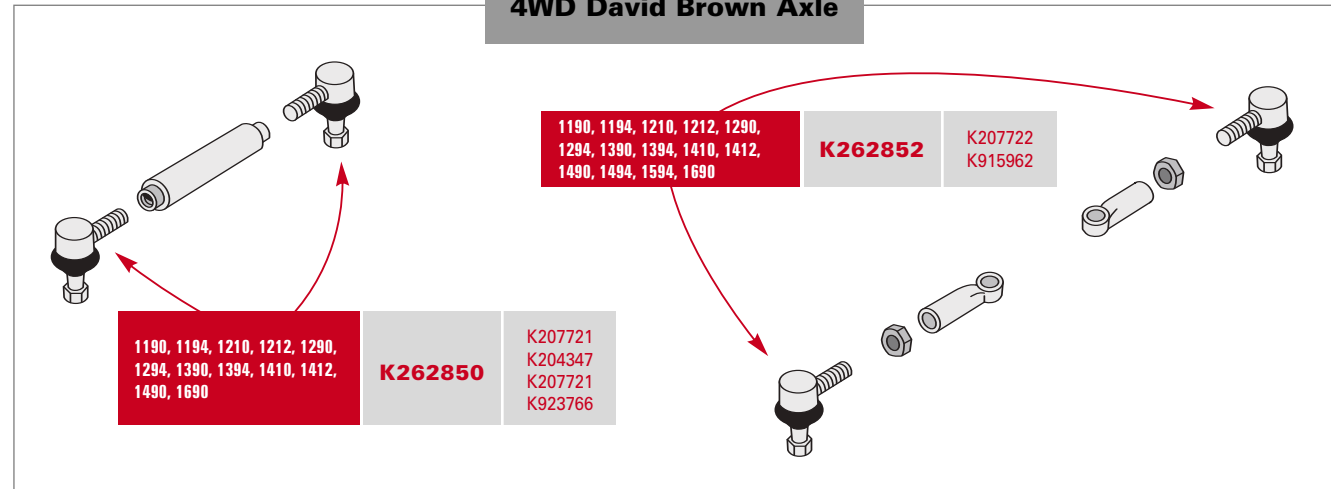




# Steering parts Tie Rods

Pièces direction • Teile der lenkung • Partes de la dirección • Componenti Volante  
• Peças da direcção • Stuurinrichtingsonderdelen • Styretøjsdele

## 4WD David Brown Axle



## 4WD Carraro Axle

990, 995, 996, 1290, 1390, 1490	<b>B514028</b>	K965269
1394, 1494, 1594, 1690, 1690T, 1694	<b>87714422</b>	K262981 - K260250 K262808 - K262887 K88482

990, 995, 996, 1290, 1390, 1490	<b>B514029</b>	K965270
1394, 1494, 1594, 1690, 1690T, 1694	<b>87714495</b>	K262982 - K260254 K262888 - K262809

## 4WD CASE POCLAIN

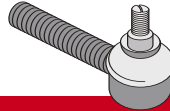
580F, 580G	<b>87714422</b>	K262981 - K260250 - K262808 K262887 - K88482
	<b>87714495</b>	K262982 - K260254 K262888 - K262809



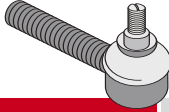
# Steering parts Tie Rods

Pièces direction • Teile der lenkung • Partes de la dirección • Componenti Volante  
• Peças da direção • Stuurinrichtingsonderdelen • Styretøjsdele

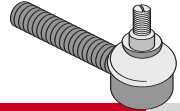
## 2WD MANUAL STEERING - EU Made



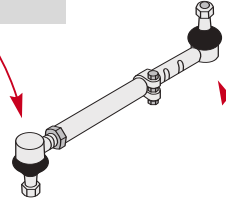
323, 353, 423	<b>B514019</b>	3131016R1
523, 553, 624, 724	<b>B514017</b>	3058207R92
433, 533, 554, 633, 644, 733, 743, 744, 844, 844S	<b>B514018</b>	3147510R1



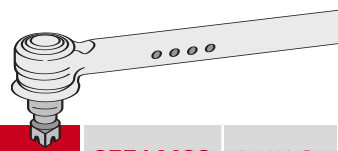
323, 353, 423, 523, 553, 624, 724	<b>B514032</b>	3058214R91
433, 533, 554, 633, 644(=>010667), 733, 743, 744(=>008669), 844(=>005275), 844S(=>010502)	<b>87714417</b>	3148926R1
644(010668=>), 743, 744(008670=>), 844(005276=>), 844S(010501=>)	<b>87714420</b>	3223997R1



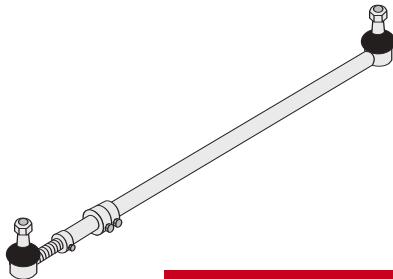
212, 242, 323, 353, 423	<b>87714430</b>	3131021R2
----------------------------	-----------------	-----------



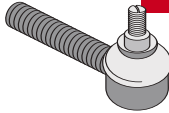
323, 353, 423, 523, 553, 624, 724	<b>B514024</b>	3058213R91
733	<b>B514025</b>	3401843R1
433, 533, 554, 633, 644 (=>010067), 743, 744 (=>008669), 844 (=>005275), 844S (=>010500)	<b>87714428</b>	3148923R1



433, 533, 554, 633, 733	<b>87714433</b>	3148925R1
644, 743, 744, 844, 844S	<b>B514015</b>	3147525R1



D320, D322, D324, D326, D430, D432, D436, D439, D440	<b>87714432</b>	717678R91 716195R91
---	-----------------	------------------------

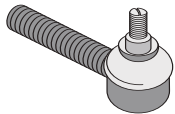




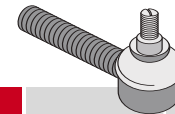
# Steering parts Tie Rods

Pièces direction • Teile der lenkung • Partes de la dirección • Componenti Volante  
• Peças da direcção • Stuurinrichtingsonderdelen • Styretøjsdele

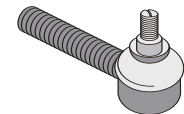
## 2WD MANUAL STEERING - UK Made



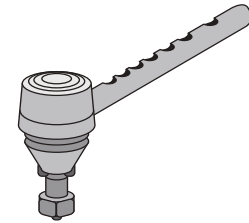
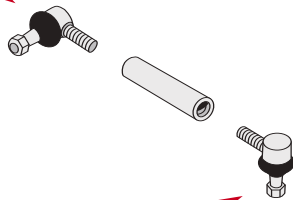
258, 385, 454, 474, 484, 485, 485XL, 574, 584, 585, 585XL, 595, 674, 684, 685, 685XL, 695, 784, 785XL, 884, 885, 895, 995, 2500, 3230, 4210, 4230, 4240, C50, C60, C70, C80, C90, 84-Hydro	<b>87714415</b>	527658R91
275, 276, 354, 374, 384, 414, 434, 444	<b>87714413</b>	3071056R91 3040922R92



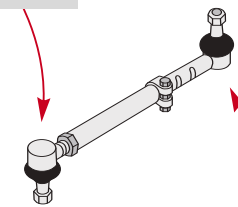
385, 395, 454, 474, 475, 484, 485, 495, 574, 584, 585, 595, 674, 684, 685, 685XL, 695, 695XL, 784, 785, 785XL, 795XL, 884, 885, 885XL, 895, 895XL	<b>B514030</b>	3116407R2
275, 276, 354, 374, 384, 414, 434, 444	<b>87714414</b>	3040920R92 3071097R91



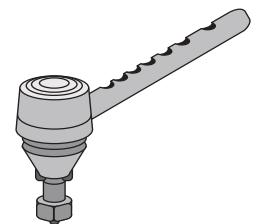
275, 276, 354, 374, 384, 414, 434, 444	<b>B514014</b>	3045309R91
685XL, 695XL, 785XL, 795XL, 885XL, 895XL	<b>B514038</b>	3141529R91



685XL, 695XL, 785XL, 795XL, 885XL, 895XL	<b>B514023</b>	3125171R1
--	----------------	-----------



684, 685, 595, 695, 784, 785, 884, 885, 895	<b>B514023</b>	3125171R1
Case-IH: 323, 353, 423, 523, 553, 624, 724	<b>B514021</b>	3116406R2
Case-IH: 733	<b>B514020</b>	3040919R92



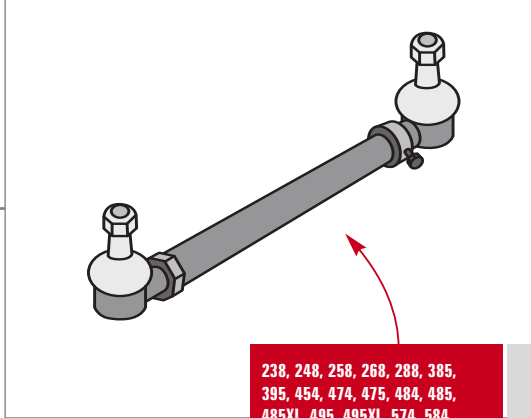
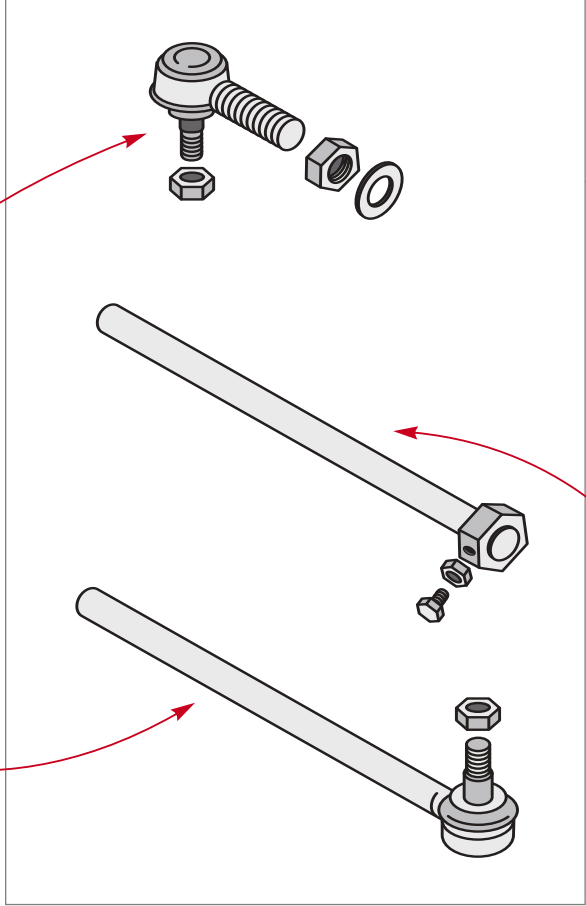


# Steering parts Tie Rods

Pièces direction • Teile der lenkung • Partes de la dirección • Componenti Volante  
• Peças da direcção • Stuurinrichtingsonderdelen • Styretøjsdele

## 2WD MANUAL STEERING - UK Made

**ADJUSTABLE TIE ROD**



238, 248, 258, 395, 495, 495XL, 595, 595XL, 695, 895, 995, 3210, 3220, 3230, 4210, 4220, 4230, 4240, C50, C60, C70, C80, C90, CX50, CX60, CX70, CX80, CX90, CX100, MX80C, MX90C, MX100C	<b>87714468</b>	1537872C1
---	-----------------	-----------

238, 248, 258, 268, 288, 395, 495, 495XL, 595, 595XL, 695, 695XL, 795, 795XL, 895, 895XL, 995XL, 3210, 3220, 3230, 4210, 4220, 4230, 4240, C50, C60, C70, C80, C90, CX50, CX60, CX70, CX80, CX90, CX100, MX80C, MX90C, MX100C	<b>87714422</b>	1332805C2
---	-----------------	-----------

238, 248, 258, 268, 288, 385, 395, 454, 474, 475, 484, 485, 485XL, 495, 495XL, 574, 584, 585, 585XL, 595, 595XL, 674, 684, 685, 685XL, 695, 695XL, 784, 785, 785XL, 795, 795XL, 884, 885, 885XL, 895, 895XL, 995XL	<b>87714466</b>	1538016C1 3116321R93 3113665R91 527497R91 527807R92
--	-----------------	---

268, 278, 288, 485XL, 495XL, 584, 585, 585XL, 595XL, 684, 685, 685XL, 695, 695XL, 784, 785, 795XL, 884, 885, 885XL, 895, 895XL, 995XL, 84 Hydro	<b>87714447</b>	3125172R1
238, 248, 258, 268, 288, 385, 395, 454, 475, 484, 485, 485XL, 495, 495XL, 574, 584, 585, 585XL, 595, 595XL, 674, 684, 685, 685XL, 695, 695XL, 784, 785, 785XL, 795, 795XL, 884, 885, 895, 895XL, 995XL, 2400, 2500, 84 Hydro	<b>87714465</b>	3116408R1



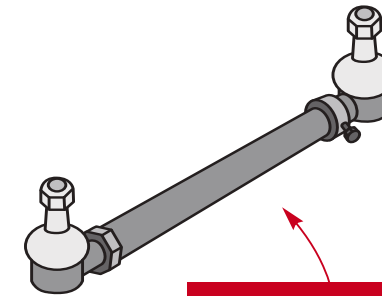
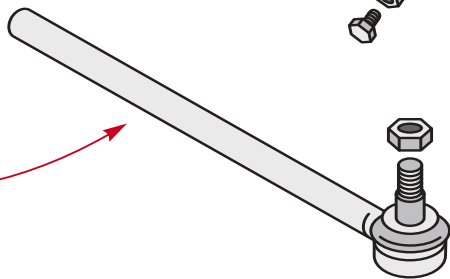
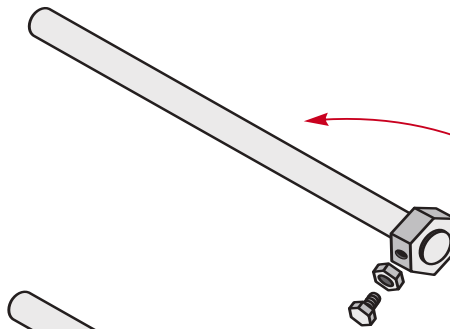
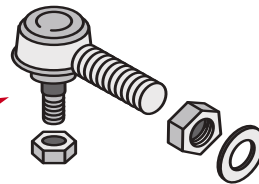


# Steering parts Tie Rods

Pièces direction • Teile der lenkung • Partes de la dirección • Componenti Volante  
• Peças da direção • Stuurinrichtingsonderdelen • Styretøjsdele

## AJUSTABLE STRAIGHT AXLE

### ADJUSTABLE TIE ROD



238, 248, 258, 395, 495, 495XL, 595, 595XL, 695, 895, 995, 3210, 3220, 3230, 4210, 4220, 4230, 4240, C50, C60, C70, C80, C90, CX50, CX60, CX70, CX80, CX90, CX100, MX80C, MX90C, MX100C

**87714468** 1537872C1

International: 544, 666, 686, 756, 766, 786, 826, 856, 966, 986, 1026, 1066, 1086, 1466, 1468, 1486, 1566, 1568, 1586, 2544, 2756, 2826, 3088, 3288, 3488, 3688, 4100, 4156, 4166, 4186, 5088, 5288, 5488, 21026, Hydro70, Hydro86, Hydro100, Hydro186 / Farmall: 656, 756, 826, 1456 / Case-IH Cotton Picker: 1822, 2022

**87714444** 384006R92

International: 544, 666, 686, 756, 766, 786, 886, 966, 986, 1066, 1086, 1466, 1468, 1486, 1566, 1568, 1586, 3088, 3288, 3488, 3688, 5088, 5288, 5488, Hydro70, Hydro86, Hydro100, Hydro186 / Case-IH Cotton Picker: 1822, 2022

**87714445** 359984R93

238, 248, 258, 268, 288, 395, 495, 495XL, 595, 595XL, 695, 695XL, 795, 795XL, 895, 895XL, 995XL, 3210, 3220, 3230, 4210, 4220, 4230, 4240, C50, C60, C70, C80, C90, CX50, CX60, CX70, CX80, CX90, CX100, MX80C, MX90C, MX100C

**87714422** 1332805C2

238, 248, 258, 268, 288, 385, 395, 454, 474, 475, 484, 485, 485XL, 495, 495XL, 574, 584, 585, 585XL, 595, 595XL, 674, 684, 685, 685XL, 695, 695XL, 784, 785, 785XL, 795, 795XL, 884, 885, 885XL, 895, 895XL, 995XL

**87714466**

1538016C1  
3116321R93  
3113665R91  
527497R91  
527807R92

268, 278, 288, 485XL, 495XL, 584, 585, 585XL, 595XL, 684, 685, 685XL, 695, 695XL, 784, 785, 795XL, 884, 885, 885XL, 895, 895XL, 995XL, 84Hydro

**87714447** 3125172R1

238, 248, 258, 268, 288, 385, 395, 454, 475, 484, 485, 485XL, 495, 495XL, 574, 584, 585, 585XL, 595, 595XL, 674, 684, 685, 685XL, 695, 695XL, 784, 785, 785XL, 795, 795XL, 884, 885, 895, 895XL, 995XL, 2400, 2500, 84Hydro

**87714465** 3116408R1

International: 544, 666, 686, 706, 756, 766, 786, 826, 856, 886, 966, 986, 1026, 1066, 1086, 1256, 1466, 1468, 1486, 1566, 1568, 1586, 2544, 2706, 2826, 2856, 3088, 3288, 3488, 3688, 5088, 5288, 5488, 21026, 21206, 21256, Hydro70, Hydro86, Hydro100, Hydro186 / Farmall: 544Gas, 656, 706, 756, 806, 826, 1206, 1456 / Case-IH Cotton Picker: 1822, 2022

**87714446** 383917R1

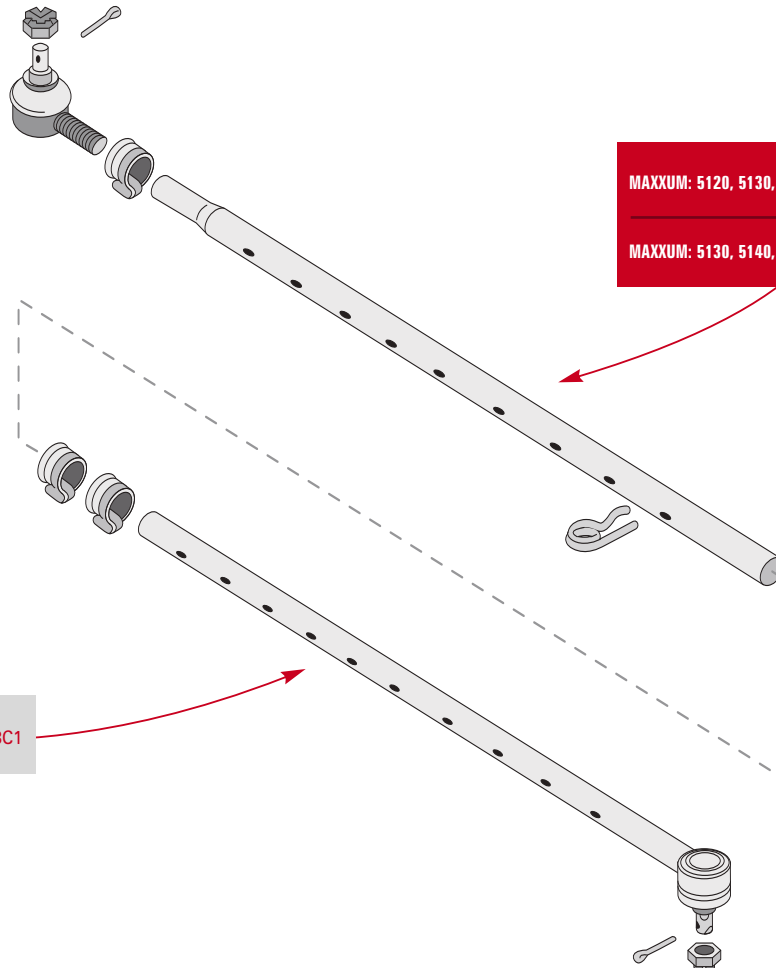


# Steering parts Tie Rods

Pièces direction • Teile der lenkung • Partes de la dirección • Componenti Volante  
• Peças da direcção • Stuurinrichtingsonderdelen • Styretøjsdele

## MAXXUM AXLE EXTENSION

AXLE EXTENSION



MAXXUM: 5120, 5130, 5140, 5220, 5230, 5240, 5250	<b>87714457</b>	1531204C1
--	-----------------	-----------

MAXXUM: 5120, 5130, 5140, 5220, 5230, 5240, 5250	<b>87714461</b>	1531201C1
MAXXUM: 5130, 5140, 5230, 5240, 5250	<b>87714455</b>	1534224C1

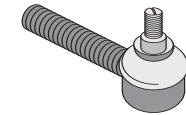
MAXXUM: 5120, 5130, 5140, 5220, 5230, 5240, 5250	<b>87714456</b>	1531203C1
--	-----------------	-----------



# Steering parts Tie Rods

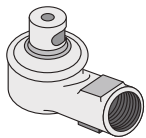
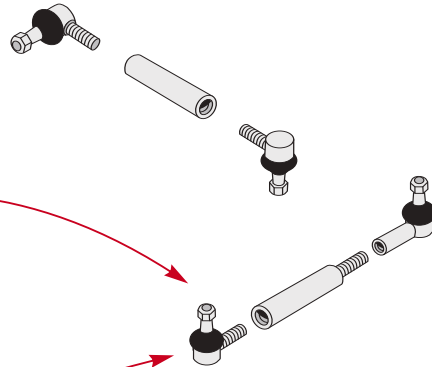
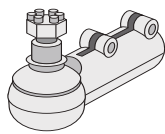
Pièces direction • Teile der lenkung • Partes de la dirección • Componenti Volante  
• Peças da direcção • Stuurinrichtingsonderdelen • Styretøjsdele

### 2WD POWER STEERING - EU Made



523, 624, 724	<b>B514036</b>	3059432R1
433, 533, 633, 644, 644XL, 733, 743, 743XL, 744, 744XL, 745, 745XL, 833, 946, 955, 956, 1046, 1055, 1056, 1246, 1255, 1255XL	<b>B514037</b>	3141530R91
856 / Front Axle =>1518: 844, 844XL, 844S, 845, 845XL / Heavy duty axle: 946, 955, 956, 1046, 1055, 1056, 1246, 1255, 1255XL	<b>B514040</b>	3224265R92

Heavy duty axle: 856, 946, 955, 956, 1046, 1055, 1056, 1246, 1255, 1255XL	<b>B514035</b>	3233186R91
---	----------------	------------

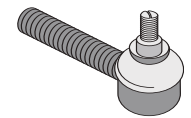


433, 440, 533, 540, 553, 633, 640, 644, 644XL, 654, 724, 733, 740, 743, 743XL, 744, 744XL, 745, 745XL, 824, 833, 946, 955, 956, 1046, 1055, 1056, 1246, 1255, 1255XL	<b>87714423</b> diam. 20mm	3141532R93
644, 644XL, 743XL, 743XL, 744, 744XL, 745, 745XL, 856, 946, 955, 956, 1046, 1055, 1056, 1246, 1255, 1255XL / Front Axle =>1518: 844, 844XL, 844S, 845, 845XL	<b>87714421</b> diam. 22mm	3224266R92



433, 533, 633, 644(=>010067), 644XL(=>010067), 733, 743, 743XL, 744(=>008669), 744XL(=>008669), 745, 745XL, 833	<b>B514026</b>	3217563R1
644(010068=>), 644XL(010068=>), 743, 743XL, 744(008670=>), 744XL(008670=>), 745, 745XL, 856 / Front Axle =>1518: 844, 844XL, 844S, 845, 845XL	<b>87714427</b>	3223996R1
946, 955(=>001422), 1046, 1055(=>001484), 1246(001636=>012932)	<b>B514027</b>	3148929R1
955(001423=>), 955XL, 956, 956XL, 1055(001485=>), 1055XL, 1056, 1056XL / Heavy Duty: 946, 1	<b>87714474</b>	3224261R1

433, 533, 633, 733, 833, 644, 644XL, 743, 743XL, 744, 744XL, 745, 745XL, 833, 844, 844S, 844XL, 845, 845XL, 946, 955, 956, 1046, 1055, 1056, 1246, 1255, 1255XL	<b>87714417</b>	3148926R1
644, 644XL, 743, 743XL, 744, 744XL, 745, 745XL, 745S, 844, 844S, 844XL, 845, 845XL, 856, 946, 955, 956, 1046, 1055, 1056, 1246, 1255, 1255XL	<b>87714420</b>	3223997R1
Heavy duty axle: 856, 946, 955, 956, 1046, 1055, 1056, 1246, 1255, 1255XL	<b>87714419</b>	3232877R92





# Steering parts Tie Rods

Pièces direction • Teile der lenkung • Partes de la dirección • Componenti Volante  
• Peças da direcção • Stuurinrichtingsonderdelen • Styretøjsdele

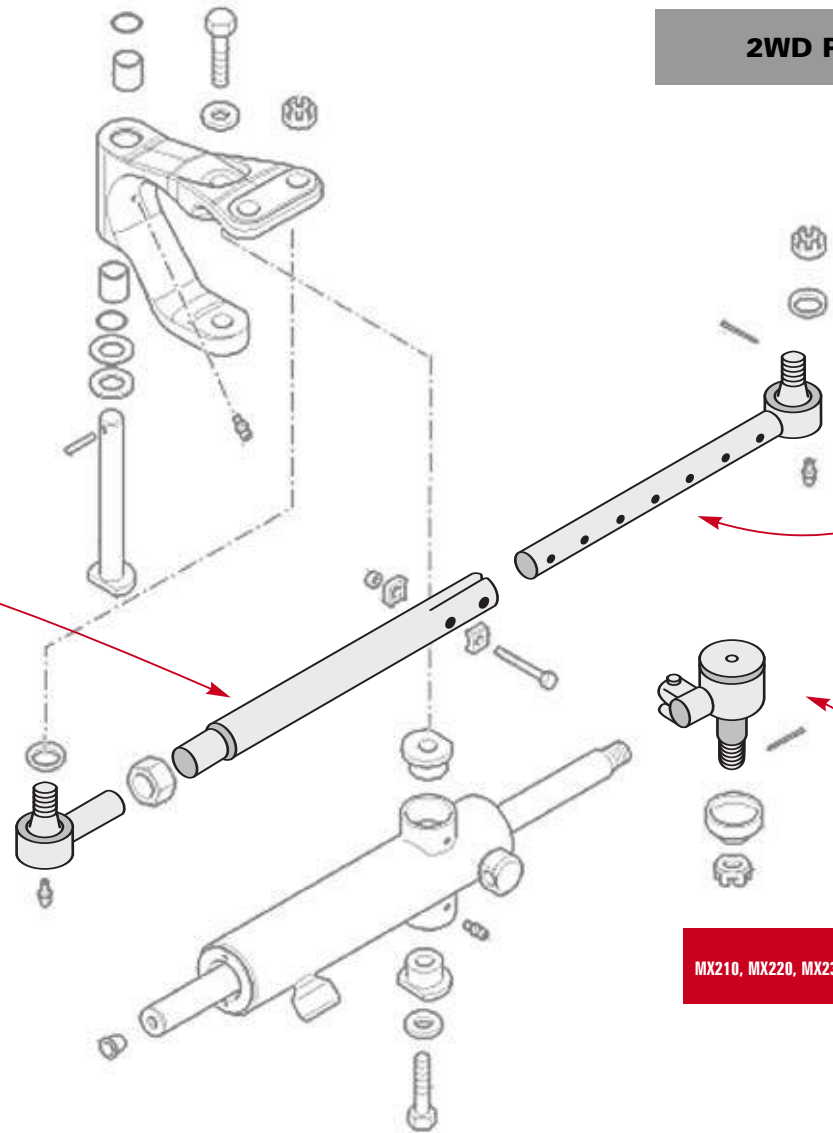
## 2WD POWER STEERING - Others

<p>Case IH Cotton Machines: 420, CPX420, 1800, 1844, 2022, 2044, 2055, 2155, 2555 / International Tractors: 5088, 5288, 5488 / Magnum: 7110, 7120, 7130, 7140, 7150, 7230, 7240, 7250, 8910, 8920, 8930, 8940, 8950 / MX series: MX100, MX110, MX120, MX135, MX150, MX170, MX180, MX200, MX220, MX240, MX270</p>	<b>87714454</b>	1280657C1
--	-----------------	-----------

<p>Case IH Cotton Machines: 1800, 1844, 2022, 2044, 2055, 2155, 2555 / International Tractors: 5088, 5288, 5488 / Magnum: 7110, 7120, 7130, 7140, 7150, 7230, 7240, 7250, 8910, 8920, 8930, 8940, 8950 / MX series: MX100, MX110, MX120, MX135, MX150, MX170, MX180, MX200, MX220, MX240, MX270</p>	<b>87714452</b>	1280658C1 406054A1
---	-----------------	-----------------------

<p>Case IH Cotton Machines: 1800, 1844, 2022, 2044, 2055, 2155, 2555 / International Tractors: 5088, 5288, 5488 / Magnum: 7110, 7120, 7130, 7140, 7150, 7230, 7240, 7250, 8910, 8920, 8930, 8940, 8950 / MX series: MX100, MX110, MX120, MX135, MX150, MX170, MX180, MX200, MX220, MX240, MX270</p>	<b>87714453</b>	1280662C1 406053A1
---	-----------------	-----------------------

<p>MX210, MX220, MX230, MX240, MX255, MX270, MX285</p>	<b>87714477</b>	435664A1 292562A1
--	-----------------	----------------------

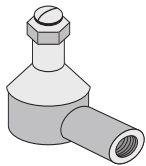
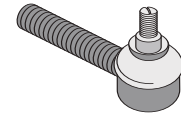




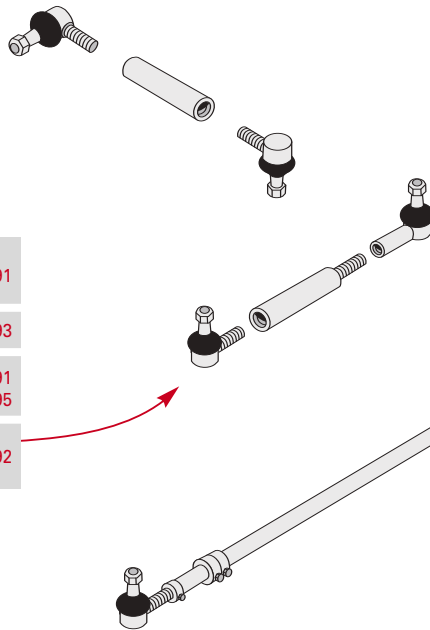
# Steering parts Tie Rods

Pièces direction • Teile der lenkung • Partes de la dirección • Componenti Volante  
• Peças da direcção • Stuurinrichtingsonderdelen • Styretøjsdele

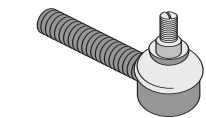
### 4WD POWER STEERING - EU Made



433(=>002918), 533(=>003405), 633(=>003668), 733, 833 / Front Axle =>1518: 946, 1046, 1246	<b>87714429</b>	3141531R91
644, 743, 744, 745, 844, 844S, 845, 856, 946, 1046, 1246	<b>B514041</b>	3146035R93
946, 955, 955XL, 956, 956XL, 1046, 1055, 1055XL, 1056, 1056XL, 1246, 1255, 1255XL, 1455, 1455XL	<b>87714424</b>	3221271R91 3221271R95
644(010068=>), 743, 744(008670=>), 844(005276=>), 844S(010501=>)	<b>87714431</b>	3221932R92

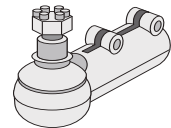


946, 955, 955XL, 956, 956XL, 1046, 1055, 1055XL, 1056, 1056XL, 1246, 1255, 1255XL, 1455, 1455XL	<b>87714426</b>	3221270R91
433(002919=>), 533(003406=>), 633(003669=>), 733, 833	<b>B514039</b>	3221931R91
433(=>002918), 533(=>003405), 633(003668=>), 644, 733, 743, 744, 745, 833, 844, 844S, 845, 856, 946, 1046, 1246	<b>B514038</b>	3141529R91



644, 733, 743, 744, 745, 844, 844S, 845, 856	<b>B514033</b>	3217279R1
955, 955XL, 956, 956XL, 1055, 1055XL, 1056, 1056XL, 1255, 1255XL, 1455, 1455XL	<b>87714418</b>	3230364R1

644, 743, 744, 745, 844, 844S, 845, 856, 946, 955, 956, 1046, 1055, 1246, 1255, 1255XL, 1455, 1455XL	<b>B514034</b> <b>140mm</b>	3146733R1
955, 956, 1055, 1056, 1255, 1255XL, 1455, 1455XL / Heavy duty axle: 946, 1046, 1246	<b>87714416</b> <b>150mm</b>	3140943R1

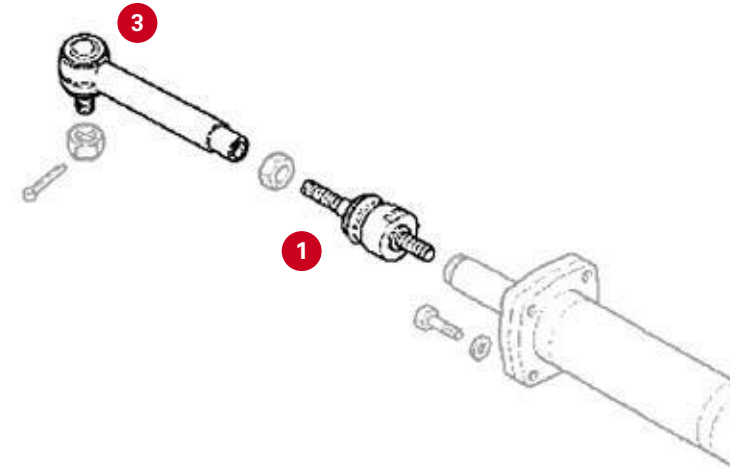




## Steering parts Tie Rods

Pièces direction • Teile der lenkung • Partes de la dirección • Componenti Volante  
• Peças da direcção • Stuurinrichtingsonderdelen • Styretøjsdele

### 4WD STEERING COUPLINGS



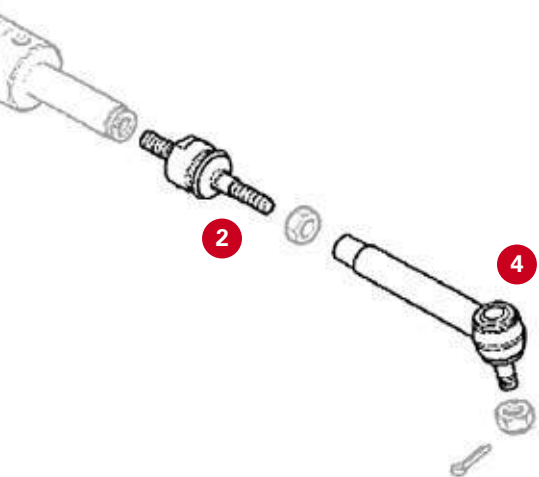
Left hand 1			Right hand 2	
1968463C1 1968468C1	<b>87714490</b>	ZF central axle APL330, APL335, APL345: 385, 395, 485, 585, 595, 685, 695, 743, 744, 745, 785, 795, 844, 845, 885, 895, 956, 1056	<b>87714490</b>	1968463C1 1968468C1
1966125C1 1-33-743-604	<b>87714489</b>	4WD CARRARO / SIGE: 238, 248, 258, 268, 288, 395, 495, 495XL, 595, 595XL, 695, 695XL, 795, 795XL, 895, 995, 995XL, 3210, 3220, 3230, 4210, 4220, 4230, 4240, 2120Narrow, 2130Narrow, 2140Narrow, 2150Narrow, C50, C60, C70, C80, C90, MX80C, MX90C, MX100C	<b>87714488</b>	1966127C1 1-33-743-602 1-33-741-675
1966125C1 1-33-743-604	<b>87714489</b>	4WD CARRARO / SIGE: CX50, CX60, CX70, CX80, CX90, CX100	<b>87714489</b>	1966125C1 1-33-743-604
1966127C1 1-33-743-602 1-33-741-675	<b>87714488</b>	STEYR: 9078, 9086, 9094	<b>87714489</b>	1966125C1 1-33-743-604
1-33-743-613	<b>87714435</b>	STEYR: 9125, 9145 / 1st serie: 9105, 9115	<b>87714435</b>	1-33-743-613
1966127C1 1-33-743-602 1-33-741-675	<b>87714488</b>	CASE/IH: CS48, CS58 / STEYR: M948, M958	<b>87714488</b>	1966127C1 1-33-743-602 1-33-741-675
354731A1	<b>87714476</b>	Case IH: CS78, CS80, CS86, CS90, CS94 / STEYR: 9080M, 9090M, 9100M, M9078, M9086, M9094	<b>87714476</b>	354731A1
1-33-743-011	<b>87718416</b>	STEYR: 964, 970, M948, M952, M958, M963, M968, M975 / CASE/IH: C64, C70, CS48, CS52, CS58, CS63, CS68, CS75	<b>87718416</b>	1-33-743-011
N14377	<b>87714487</b>	MX: MX80C, MX90C, MX100, MX100C, MX110, MX120, MX135, MX150, MX170	<b>87714487</b>	N14377
N14388	<b>87714486</b>	MAXXUM: 5120, 5130, 5140, 5150, 5220, 5230, 5240, 5250	<b>87714487</b>	N14377



# Steering parts Tie Rods

Pièces direction • Teile der lenkung • Partes de la dirección • Componenti Volante  
• Peças da direcção • Stuurinrichtingsonderdelen • Styretøjsdele

## 4WD STEERING COUPLINGS



Left hand <b>3</b>			Right hand <b>4</b>	
137048A1 1537612C1	<b>87714491</b>	4WD CARRARO / SIGE: 238, 248, 258, 268, 288, 395, 495, 495XL, 595, 595XL, 695, 695XL, 795, 795XL, 895, 995, 995XL, 3210, 3220, 3230, 4210, 4220, 4230, 4240, C50, C60, C70, C80, C90, MX80C, MX90C, MX100C	<b>87714492</b>	137047A1 1537611C1
137048A1 1537612C1	<b>87714491</b>	4WD CARRARO / SIGE: CX50, CX60, CX70, CX80, CX90, CX100	<b>87714491</b>	137048A1 1537612C1
1968469C1	<b>87714475</b>	956, 956XL, 1056, 1056XL	<b>87714480</b>	1968473C1
1968464C1	<b>87714412</b>	ZF central axle APL330, APL335, APL345: 385, 395, 485, 585, 595, 685, 695, 743, 744, 745, 785, 795, 844, 845, 885, 895, 956, 1056	<b>87714412</b>	1968464C1
126144A1 153326693	<b>87714493</b>	MAXXUM: 5120, 5130, 5140, 5150, 5220, 5230, 5240, 5250 STEYR: 8110, 8130	<b>87714497</b>	126145A1
135824A1 299935A1	<b>87714483</b>	Case IH: CS48, CS52, CS58, CS63 STEYR: M948, M952, M958, M963	<b>87714483</b>	135824A1 299935A1
354730A1	<b>87714478</b>	Case IH: CS78, CS80, CS86, CS90, CS94 / STEYR: 9080M, 9090M, 9100M, M9078, M9086, M9094	<b>87714478</b>	354730A1
135823A1 133741674	<b>87714484</b>	CASE/IH: CS48, CS58 / STEYR: M948, M958	<b>87714484</b>	135823A1 133741674
411904A1 133743611	<b>87714434</b>	Case IH: CS100, CS110, CS120, CS130, CS150, MX150, MX170 STEYR 1st serie: 9105, 9115, 9125, 9145	<b>87714434</b>	411904A1 133743611
1-33-743-603	<b>87714441</b>	CASE IH: CS78, CS86, CS94 / STEYR: M968, M975, 9078, 9086, 9094	<b>87714441</b>	1-33-743-603
1-33-743-619	<b>87714443</b>	CASE IH: CS130, CS150 STEYR 2nd serie: 9125, 9145	<b>87714442</b>	1-33-743-617
1-33-743-010	<b>87718415</b>	STEYR: 964, 970, M948, M952, M958, M963, M968, M975 / CASE/IH: C64, C70, CS48, CS52, CS58, CS63, CS68, CS75	<b>87718415</b>	1-33-743-010





# Steering parts Tie Rods

Pièces direction • Teile der lenkung • Partes de la dirección • Componenti Volante  
• Peças da direcção • Stuurinrichtingsonderdelen • Styretøjsdele

## 4WD POWER STEERING - Others

Left hand			Right hand	
1277452C1 DANA070TR114	<b>87714451</b>	MAGNUM: 7110, 7120, 7130, 7140, 7150	<b>87714449</b>	1277451C1

MAGNUM: 7110, 7120, 7130, 7140, 7150	<b>87714450</b>	1969842C1
---	-----------------	-----------

Left hand			Right hand	
302643A1	<b>87714482</b>	MAGNUM: MX180, MX200, MX210, MX220, MX230, MX240, MX255, MX270, MX285	<b>87714481</b>	302645A1
128609A1	<b>87714448</b>	MAGNUM: 7110, 7120, 7130, 7140, 7150, 7210, 7220, 7230, 7240, 7250, 8910, 8920, 8930, 8940, 8950	<b>87714459</b>	128604A1

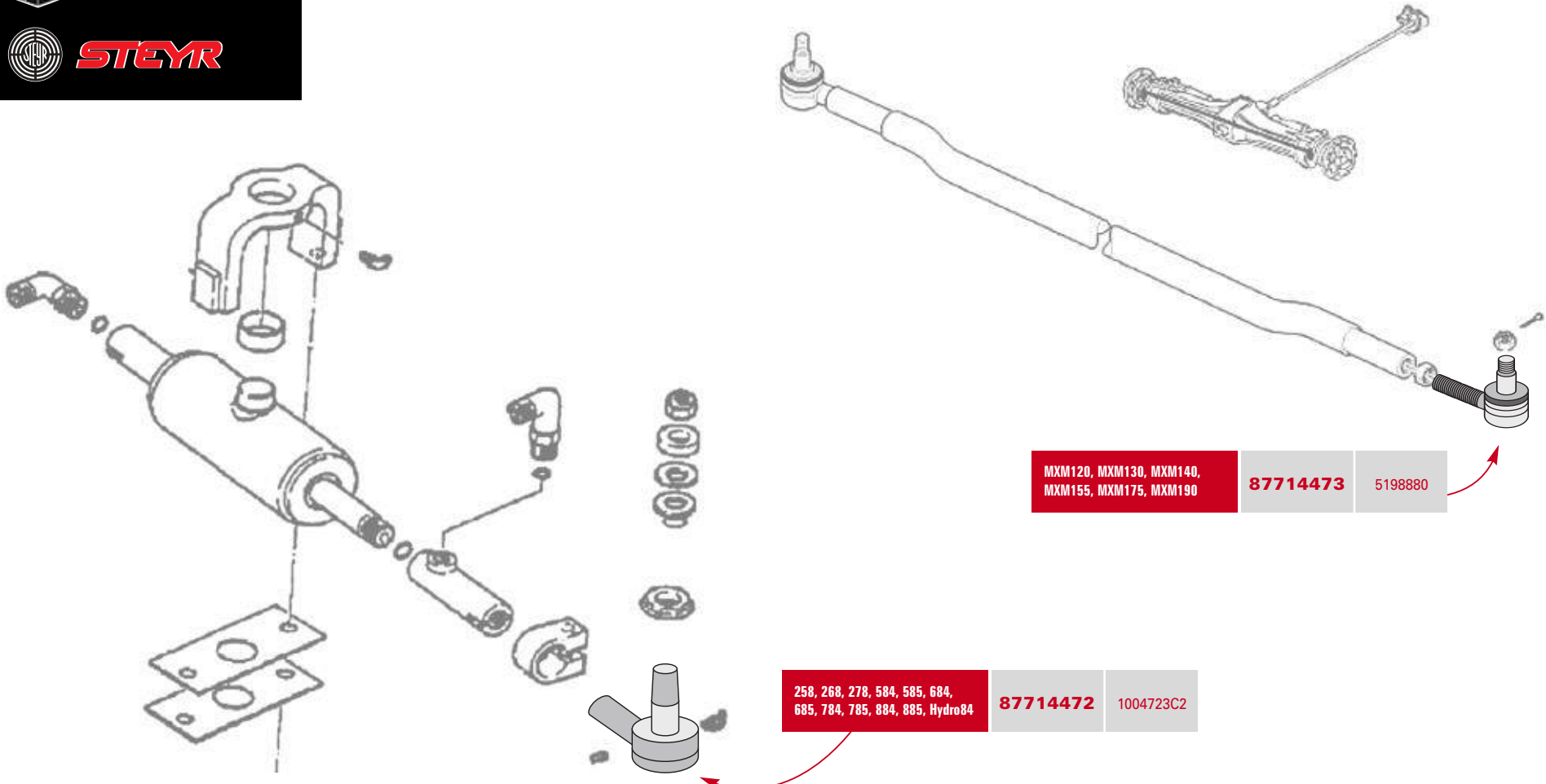
MAGNUM: 7210, 7220, 7230, 7240, 7250, 8910, 8920, 8930, 8940, 8950	<b>87714458</b>	247290A1
MAGNUM: 7110, 7120, 7130, 7140, 7150, 7210, 7220, 7230, 7240, 7250, 8910, 8920, 8930, 8940, 8950	<b>87714460</b>	128642A1



# Steering parts Tie Rods

Pièces direction • Teile der lenkung • Partes de la dirección • Componenti Volante  
• Peças da direção • Stuurinrichtingsonderdelen • Styretøjsdele

**4WD POWER STEERING - Others**



MXM120, MXM130, MXM140,  
MXM155, MXM175, MXM190

**87714473**

5198880

258, 268, 278, 584, 585, 684,  
685, 784, 785, 884, 885, Hydro84

**87714472**

1004723C2

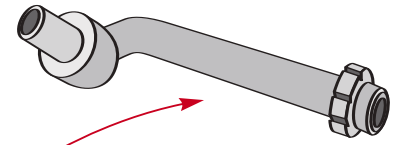
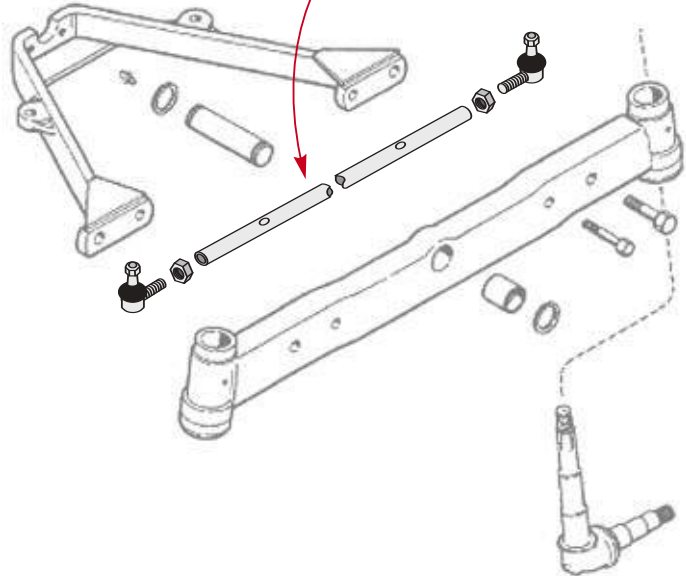


# Steering parts Tie Rods

Pièces direction • Teile der lenkung • Partes de la dirección • Componenti Volante  
• Peças da direcção • Stuurinrichtingsonderdelen • Styretøjsdele

## OTHER TIE RODS

CASE 580 KING TRACTOR	<b>87714462</b>	A35567
CASE 580 KING TRACTOR	<b>87714463</b>	A39120
CASE KING BACKHOE LOADER 480C, 480D, 480F, 580C, 580D	<b>87714464</b>	D73397



Maxxum: 5220, 5230, 5240, 5250 / Case Backhoe Loader: 580K, 580SK	<b>87714470</b>	E49590
---	-----------------	--------

## VARIOUS STEYR TIE RODS

STEYR: VARIOUS MODELS	<b>87718409</b>	1292 430737
	<b>87718410</b>	1292 430721
	<b>87718411</b>	520043003
	<b>87718412</b>	500430018
	<b>87718413</b>	1292 430738
	<b>87718414</b>	1292 430779
	<b>87718417</b>	1292 430718



**STEERING LEVER LH**

Levier de direction côté gauche - Spurhebel links -  
Palanca de dirección izquierda - Leva sinistra volante -  
Alavanca de direcção, lado esquerdo - Stuurhefboom links -  
Styrestang, venstre side

David Brown: 885, 990, 995, 996, 1190,  
1194, 1290, 1294, 1390, 1394

**87714411**

K942524

**STEERING LEVER RH**

Levier de direction côté droit - Spurhebel rechts -  
Palanca de dirección derecha - Leva sinistra volante -  
Alavanca de direcção, lado direito - Stuurhefboom rechts -  
Styrestang, højre side

David Brown: 885, 990, 995, 996, 1190,  
1194, 1290, 1294, 1390, 1394

**87714410**

K942525





### SPINDLE RH

Fusée droite - Spindel rechts - Cojinete derecho - Fuso DX -  
Veio do lado direito - Spindel rechts - Spindel, højre side

644, 743, 744, 745, 844, 845, 946, 955,  
956, 956XL, 1046, 1055, 1056, 1056XL,  
1246

**87714405**  
length 250 mm  
diameter 40 mm

3140079R94  
3405600R1

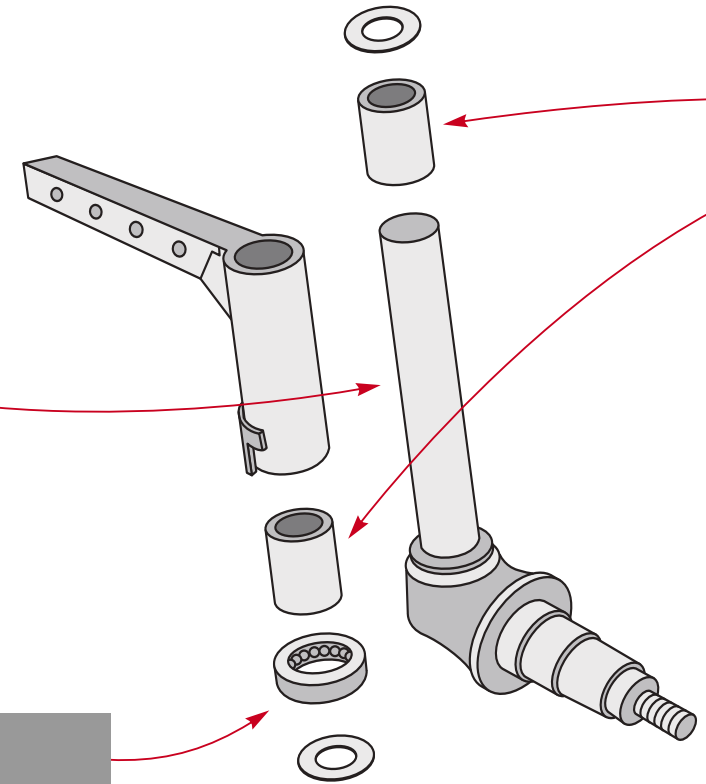
### SPINDLE LH

Fusée gauche - Spindel links - Cojinete izquierdo - Fuso SX -  
Veio do lado esquerdo - Spindel links - Spindel, venstre side

644, 743, 744, 745, 844, 845, 946, 955,  
956, 956XL, 1046, 1055, 1056, 1056XL,  
1246

**87714406**  
length 250 mm  
diameter 40 mm

3140078R94  
3405599R1



### HUB BEARING KIT

Kit de roulements pour moyeu de train avant - Nabenlagersatz  
Kit de cojinete de vástago - Kit cuscinetti mozzo  
Kit de rolamentos de cubo - Naaflagerset - Navleje-sæt

David Brown: 770, 780

KIT : A+B+C+D+E

**B513970**

K962984

David Brown: 850, 880, 885,  
950, 990, 995, 996

KIT : A+B+C+D+E

**B513971**

K962985

Case-IH UK: 275, 276, 354,  
374, 384, 414, 434

KIT : A+B+C+D+E

**B513973**

1094017R92

### SPINDLE BEARING

Roulement de fusée - Lager - Cojinete  
Cuscinetto - Chumaceira - Lager - Leje

Case IH UK: 275, 276, 354, 374, 384,  
414, 434

**B512659**

3070055R91

Case-IH: 323, 353, 383, 423, 433  
(=> 009581), 453, 523, 533  
(=> 010654), 624, 633 (=> 015892),  
644, 724, 743XL, 744, 745XL, 844XL,  
844S, 845XL

**B513976**

3057058R91

Case-IH UK: 238, 248, 258, 268, 288,  
385, 395, 454, 474, 475, 484, 485, 495,  
574, 584, 585, 595, 674, 684, 685, 695,  
784, 785, 795, 884, 885, 895, 995XL, 84,  
3210, 3220, 3230, 4210, 4220, 4230,  
4240

**87714409**

527295R91  
185106C91

# Front Axle parts

• Pièces essieu avant • Teile der vorderachse • Partes de eje delantero • Parti dell'assale anteriore  
• Peças do eixo dianteiro • Voorsonderdelen • Dele til foraksel

## UPPER AND LOWER BUSH

Bague supérieure et inférieure de fusée - Obere und untere Buchse  
Casquillo superior e inferior - Boccia superiore e inferiore  
Casquilho superior e inferior - Bovenste en onderste bus  
Øverste og nederste bøsning

Case-IH: 523, 624, 644, 724, 743, 744, 745,  
844, 844S, 844XL, 845, 845XL, 856, 946, 955,  
956, 956XL, 1046, 1055, 1056, 1056XL, 1246

**B513975**

3057051R1

## OIL SEAL

Bague d'étanchéité pour train avant - Öldichtung - Junta de  
aceite - Paraolio - Vedante de óleo - Oliekeerring - Pakdåse

Case-IH UK: 275, 276, 354, 374, 384, 414, 434

**B512666**

704083R92

Case-IH UK: 275, 276, 354, 374, 384, 414, 434

**B512667**

50259D

Case IH: 523, 624, 724

**B513974**

3057057R91

## FRONT HUB

Moyeu de train avant - Vordere nabe - Cubo delantero  
Mozzo anteriore - Cubo dianteiro - Voornaaf - Forreste nav

Case-IH: 644, 743, 744, 745, 844, 844S,  
844XL, 845, 845XL, 856, 946, 955, 956,  
956XL, 1046, 1055, 1056, 1246

**B513972**

3131012R31

## OUTER BEARING

Roulement extérieur - Außenlager - Cojinete externo - Cuscinetto esterno - Chumaceira exterior -  
Buitenlager - Yderste leje

David Brown: 880, 990, 995, 996, 1200, 1210, 1212, 1410,  
1412, 1490, 1494, 1594, 1690, 1694

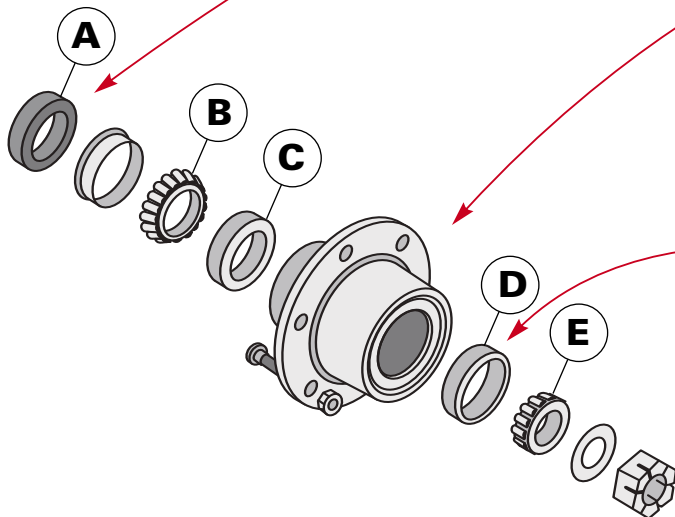
**87714407**

K19085

Case-IH UK: 238, 248, 258, 268, 288, 385, 395, 474, 475, 484, 485, 485XL, 495, 495XL,  
574, 584, 585, 585XL, 595, 595XL, 674, 684, 685, 685XL, 695, 695XL, 784, 785, 785XL,  
795, 795XL, 84, 884, 885, 885XL, 895, 895XL, 995XL, 3210, 3220, 3230, 4210, 4220,  
4230, 4240

**87714408**

536052R91  
399933C91



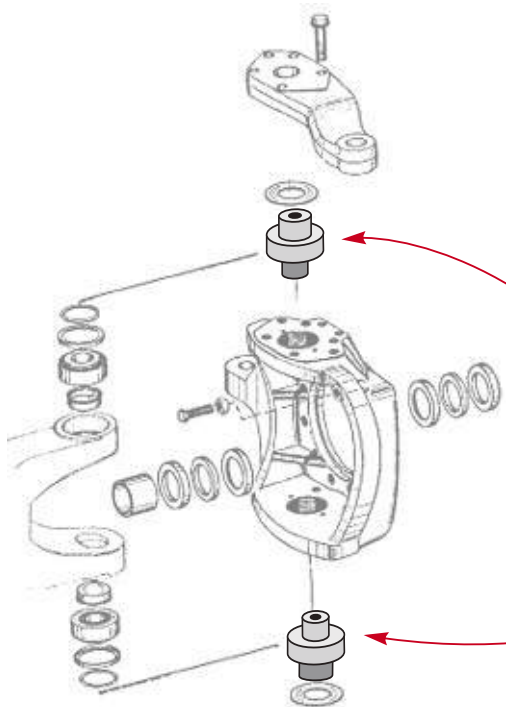
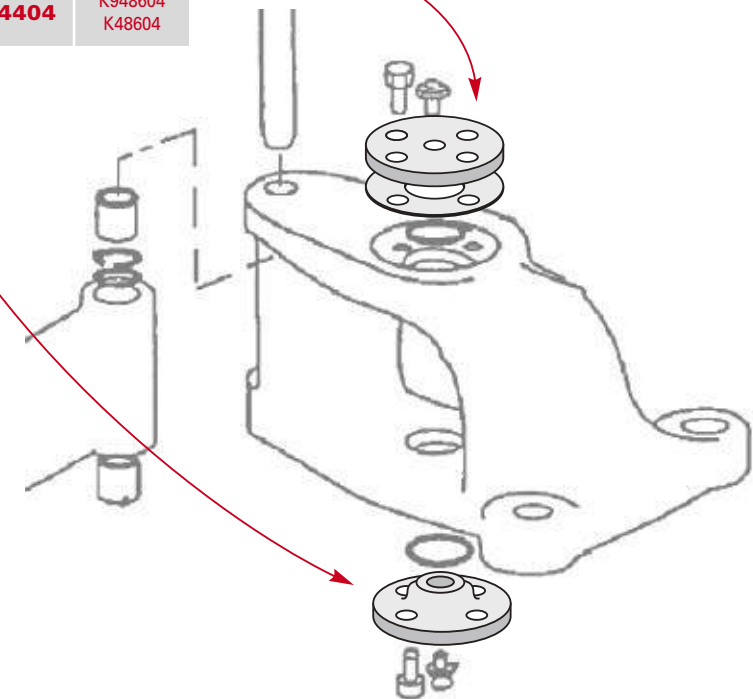


# Front Axle parts

• Pièces essieu avant • Teile der vorderachse • Partes de eje delantero • Parti dell'assale anteriore  
• Peças do eixo dianteiro • Voorsonderdelen • Dele til foraksel

**David Brown**  
**BALL PEG**  
Pivot d'essieu avant - Kugelzapfen - Clavija esférica - Spina sferica - Articulação esférica - Kogelspie - Tap med kuglehoved

David Brown: 1210, 1212, 1410, 1412, 1490, 1494, 1594, 1690	<b>87714404</b>	K948604 K48604
---	-----------------	-------------------



**ZF Axle**  
**FRONT AXLE PIN**  
Pivot d'essieu avant - Zapfen Vorderachse - Pasador del eje delantero - Perno assale anteriore - Perno do eixo dianteiro - Vooraspen - Stift til foraksel

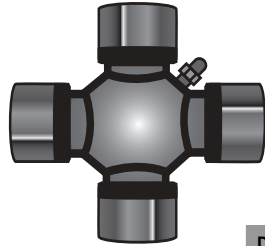
APL1551 / APL1552: 644, 744, 844, 844S, 955, 955XL, 956, 956XL, 1055, 1055XL, 1056, 1056XL	<b>87714403</b>	3147233R1
--	-----------------	-----------





• Pièces essieu avant • Teile der vorderachse • Partes de eje delantero • Parti dell'assale anteriore  
• Peças do eixo dianteiro • Voorsonderdelen • Dele til foraksel

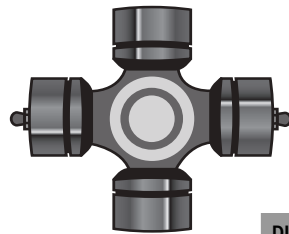
## Front Axle parts



27 x 82 / side greaser / graisseur latéral / ZF APL1251: 533, 633, 733, 833, 933, 540, 640, 740, 840, 940 / "LOBRO" ZF APL1351: 644, 743, 743XL, 744, 745S, 745XL, 844, 844S, 844XL, 856XL / ZF APL1351 (UK): 258, 268, 278, 485XL, 584, 585, 585XL, 684, 685, 685XL, 784, 785, 785XL, 884, 885, 885XL, 85Hydro

32 x 86 / side greaser / graisseur latéral / ZF APL345

		DIAMETER	LENGTH
<b>87685804</b>	3230277R1	27	82
<b>87685810</b>	1342708C1 83958381	32	86



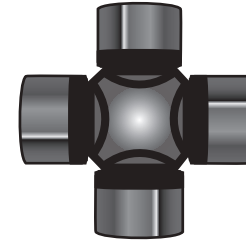
30 x 79 / greaser on nipple / graisseur sur 2 dés / David Brown - Carraro: 990, 995, 996, 1290, 1390, 1490 / Case-IH - ZF APL1251: 533, 633, 733, 833, 933, 540, 640, 740, 840, 940 / ZF APL1351 / ZF APL1552: 955, 955XL, 956, 956XL, 1055, 1055XL, 1056, 1056XL

30 x 83 / greaser on nipple / graisseur sur 2 cages / ZF APL1251

34 x 97 / greaser on nipple / graisseur sur 2 cages / "ELBE" ZF APL1551: 644, 744, 844, 844S / APL1552: 955, 955XL, 956XL, 1055, 1055XL, 1056, 1056XL / APL3052

38 x 106 / greaser on nipple / graisseur sur 2 cages / ZF APL3052, APL1056

		DIAMETER	LENGTH
<b>87685816</b>	K965215	30	79
<b>87685805</b>	3216691R1	30	83
<b>87685814</b>	3224325R1 3148651R1 83934998	34	97
<b>87685815</b>	3217467R1	38	106



23,8 x 61,3 / sealed long life / graissage à vie / Type "Carraro"

27 x 70 / sealed long life / graissage à vie / ZF APL335

27 x 74,6 / sealed long life / graissage à vie / David Brown: Carraro front axle

27 x 82 / sealed long life / graissage à vie / David Brown: Carraro front axle

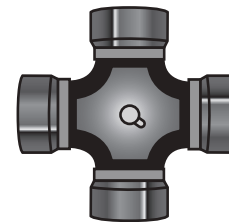
28 x 72 / sealed long life / graissage à vie

30 x 94 / sealed long life / graissage à vie / ZF APL3050

35 x 87 / sealed long life / graissage à vie / ZF APL1552 / ZF APL3052: 644, 743, 743XL, 744, 745S, 745XL, 844, 844S, 844XL, 856XL, 946, 955, 955XL, 956, 956XL, 1046, 1055, 1055XL, 1056, 1056XL, 1246, 1255, 1255XL / ZF APL3054: 1455, 1455XL

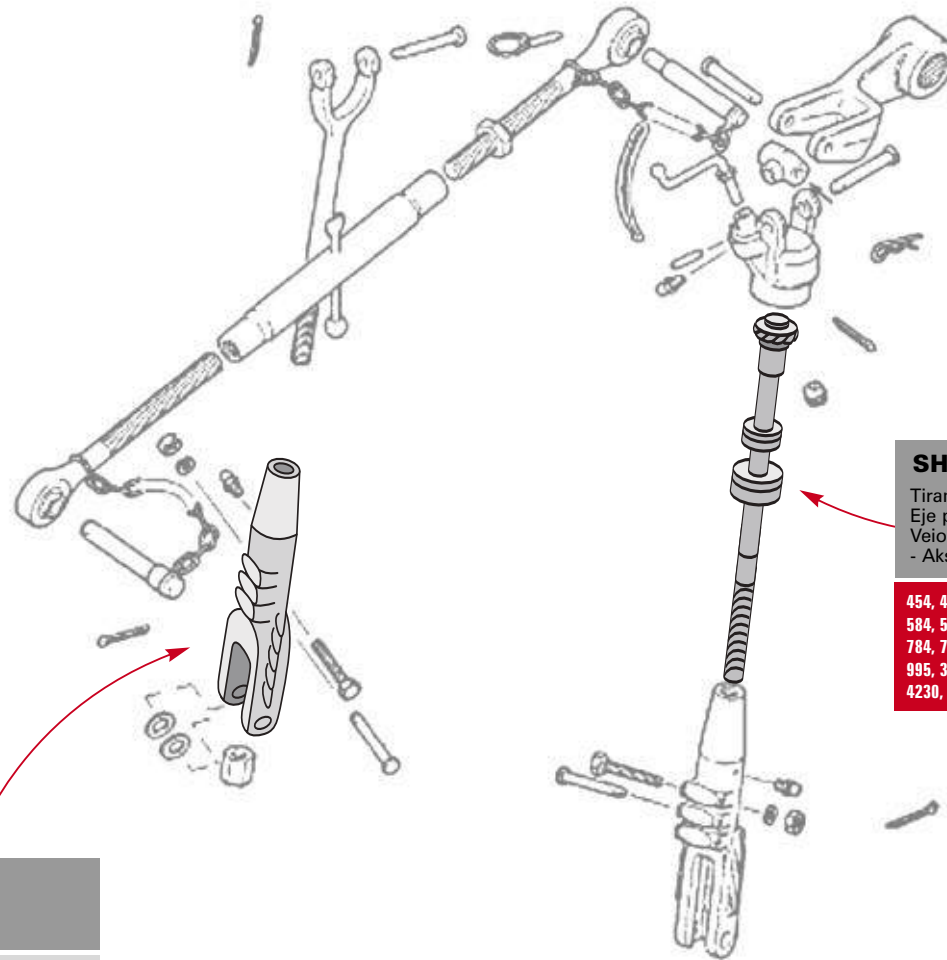
### FRONT AXLE UNIVERSAL JOINT

Croisillon de pont avant  
Kreuzgelenk vorderachse  
Junta universal de eje delantero  
Giunto cardanico assale anteriore  
Junta universal do eixo dianteiro  
Kruiskoppeling vooras  
Kardanled til foraksel



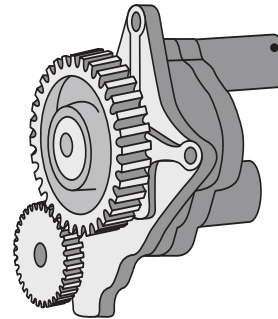
35 x 97 / center greaser / graisseur central / "LOBRO" ZF APL3052

		DIAMETER	LENGTH
<b>87685808</b>	100546A1	23,8	61,3
<b>87685809</b>	1342711C1	27	70
<b>87685817</b>	K262161	27	74,6
<b>87685818</b>	K965331 9923550 9961774 9962244	27	82
<b>87685806</b>	1342705C1	28	72
<b>87685812</b>	3223955R1	30	94
<b>87685811</b>	1975562C1 1975563C1	35	87
<b>87685807</b>	3133521R1	35	97



<b>FORK</b> Fourchette - Hebel - Horquilla - Forcella Forquilha - Vork - Gaffel		
238, 248, 258, 268, 288, 395, 454, 464, 484, 495, 495XL, 574, 584, 595, 674, 684, 685, 695, 695XL, 784, 795, 795XL, 884, 885, 895, 895XL, 959XL, 995, 995XL	<b>87714366</b>	3121964R1 402635R4

<b>SHAFT FOR LEVELLING BOX</b> Tirant pour suspente - Welle Hubkasten - Eje para caja niveladora - Albero per scatola di livellamento - Veio para caixa de nivelamento - Aandrijfvas voor nivelleerkast - Aksel til nivelleringsramme		
454, 474, 475, 484, 485, 495, 574, 584, 585, 595, 674, 684, 685, 695, 784, 785, 795, 884, 885, 895, 985, 995, 3210, 3220, 3230, 4210, 4220, 4230, 4240	<b>87714365</b>	3116725R91

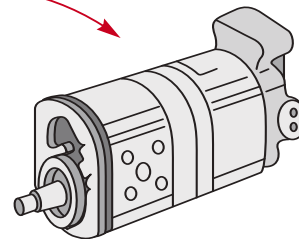


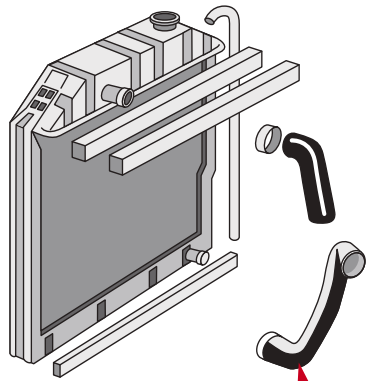
**OIL PUMP**  
Pompe à huile moteur - Ölpumpe - Bomba de aceite  
Pompa dell'olio - Bomba de óleo - Oliepomp - Oliepumpe

Case-IH: 353, 423, 433, 440, 453, 523, 533, 540, 553, 633, 640 / Case-IH UK: 238, 248, 385, 395, 454, 484, 485, 485XL, 495, 495XL, 3210, 3220	<b>87714393</b>	3136429R95
Case-IH: 554, 624, 644, 645, 654, 724, 733, 740, 743, 743XL, 744, 745S, 745XL, 824, 833, 840, 844, 844S, 844XL, 845, 845XL, 846, 940, / Case-IH UK: 258, 268, 288, 574, 584, 585, 585XL, 595, 595XL, 674, 684, 685, 685XL, 695XL, 784, 785, 785XL, 795, 795XL, 884, 885, 885XL, 895, 895XL, 995, 995XL, 3230, 4210, 4220, 4230, 4240, H84, H85	<b>87714392</b>	3136430R95
Case-IH: 756, 946, 955, 955XL, 956, 956XL, 1046, 1055, 1055XL, 1056, 1056XL	<b>B514000</b>	3136433R96
Case-IH: 856XL, 1246, 1255, 1255XL, 1455, 1455XL	<b>87714391</b>	3136432R95
<b>FERMEC: 300 LOADER, 50 TRACTOR</b>	<b>B513998</b>	41314182 41314054

**HYDRAULIC PUMP**  
Pompe hydraulique - Hydraulikpumpe - Bomba hidráulica  
Pompa idraulica - Bomba hidráulica - Hydraulische pomp -  
Hydraulisk pumpe

D 323	<b>87714394</b>	3054300R93
Hyd. DANFOSS : 946, 1046, 1246	<b>87714395</b>	3146446R93 3146450R91
Less Sensodraulic: 955, 956, 1055, 1056	<b>87714396</b>	3223932R93 3229392R93





### HOSES

Durites - Schläuche - Tubos flexibles - Tubi flessibili  
Mangueiras - Slangen - Slanger

Case IH: 554, 624, 644, 724, 743, 744, 745, 824, 844, 845, 856 (+XL)

733, 833

Case-IH: 955, 956, 1055, 1056 (+XL)

Case-IH: 733, 744, 844, 844S, 856, 956, 1046, 1055, 1056

353, 383, 423, 453, 523

Case-IH: 323, 423, 433, 523, 533, 633, 554, 624, 644, 946, 955, D series / Case-IH UK(with air conditioning): 585, 595, 685, 695, 785, 795, 885, 895 (+XL)

1255, 1455

Case-IH UK: 275

Case-IH UK: 275(=>46506)

Case-IH UK: 276, 414(30925=>), 434

Case-IH UK: 414(=>30924)

Case-IH UK: 276, 354, 374, 384, 414, 434, 444

Case-IH UK: 354, 374, 384, 444

Case-IH UK: 475

Case-IH UK: 474, 574, 584, 585, 595, 674, 684, 685, 695, 784, 785, 795, 884, 885, 895

Case-IH UK: 385, 395, 484, 485, 495, 584, 585, 595, 684, 685, 695, 784, 785, 795, 884, 885, 895

Case-IH UK: old models of 385, 395, 484, 495, 584, 585, 595, 684, 685, 695, 784, 785, 795, 884, 885, 895

David Brown: 770, 780

David Brown: 850, 880(=>\$550031), 950

David Brown: 880(\$55032=>)

David Brown: 900, 950

David Brown: 990 Implementatic

David Brown: 990 Selectamatic, 990 Synchro

David Brown: 1190 less cab

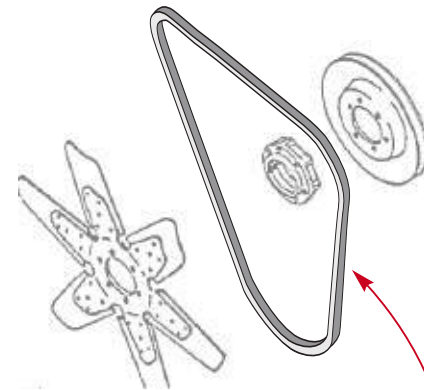
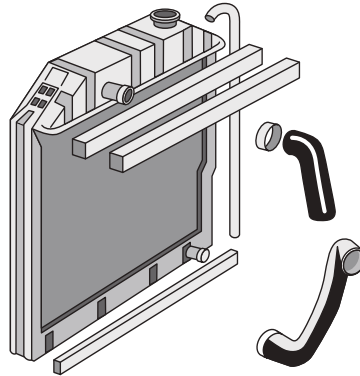
David Brown: 1190 with cab

David Brown: 1290, 1294, 1390, 1394

David Brown: 1410, 1412

David Brown: 1490, 1494

Bottom hose		Top hose		Water pump by pass	
<b>3057428R1</b>	3057428R1	<b>B513011</b>	3134507R1		
<b>87714372</b>	3134506R1				
<b>3220435R1</b>	3220435R1				
				<b>B513010</b>	
		<b>87714372</b>	3134506R1		
				<b>B513981</b>	
<b>87714370</b>	3226798R1				
<b>704287R2</b>	704287R2	<b>B513978</b>	3065130R1		
		<b>B512653</b>	704289R2		
		<b>B513979</b>	3065129R1		
		<b>B512654</b>	3042414R1		
<b>B513009</b>	3044009R1				
		<b>B512655</b>	3112067R1		
		<b>B513980</b>	3116665R2		
<b>402205R1</b>	402205R1	<b>402207R1</b>	402207R1		
				<b>3144028R1</b>	3144028R1
				<b>B513977</b>	3132144R1
<b>B513983</b>	K912034				
<b>B513984</b>	K904880				
<b>B513985</b>	K912039				
<b>B513986</b>	K88481				
<b>B513987</b>	K906875				
<b>B513991</b>	K926603				
<b>B513992</b>	K200874				
<b>B513993</b>	K203991				
<b>B513989</b>	K201976	<b>87714371</b>	K200730		
<b>B513988</b>	K945287				
<b>B513990</b>	K203350	<b>B513982</b>	K946849		



**RADIATOR**

Radiateur - Kühler - Radiador - Radiatore - Radiador - Radiateur - Køler

238, 248, 258, 268, 288, 385, 395, 484, 485, 495, 584, 585, 595, 684, 685, 695, 784, 785, 795, 884, 885, 895, 995XL

**87714373**

1536373C1  
84524C93

Maxxum 5100

**87579817**

104753A2

288, 595, 595XL, 795, 895

**87718424**

84673C6

353, 423, E353, E423

**87718425**

787141R92

440, 540, 640

**87718426**

3148115R94

644, 744, 844, 844S

**87718427**

3145499R92

740, 840, 940

**87718428**

3233229R92

644, 743, 744, 745S, 844, 844S, 845

**87718429**

3145498R93

740, 840, 940

**87718430**

1328723C92

1255, 1255XL, 1455, 1455XL

**87718431**

3226797R91

955XL, 956, 956XL, 1055XL, 1056, 1056XL

**87718432**

3399812R1

**BELTS**

Courroies - Riemen - Correias - Cinghie  
Correias - Riemen - Remme

David Brown: 1594, 1690, 1694

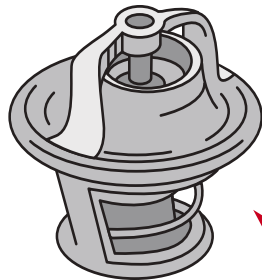
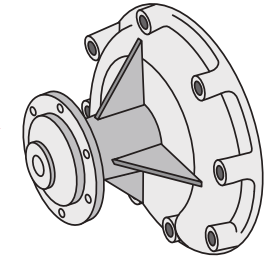
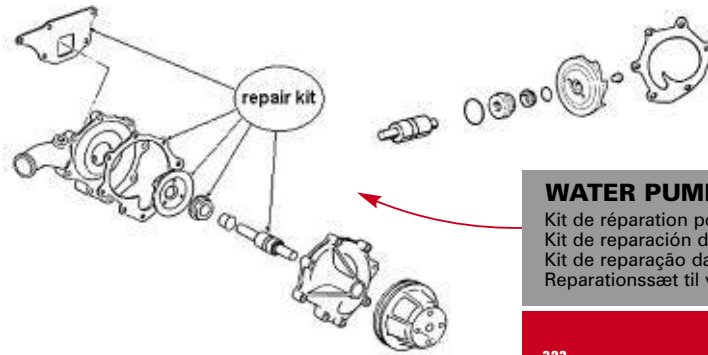
Belt

**B513969**

K949311

Length

AV.10-1250



### THERMOSTAT

Thermostat - Thermostat - Termostato - Thermostat - Termostato - Thermostat - Termostat

Case IH UK: 475

Case IH UK: 385, 395, 454, 474, 484, 485, 495, 574, 584, 585, 595, 674, 684, 685, 695, 784, 785, 795, 884, 885, 895, 995 (+XL), 3210, 3220, 3230, 4210, 4220, 4230, 4240

Part number		Open. temp.
<b>B514043</b>	3118127R1	78°C
<b>3059676R92</b>	3059676R91	82°C

### WATER PUMPS AND REPAIR KIT

Kit de réparation pour pompe à eau - Wasserpumpen-Reparaturatz - Kit de reparación de bomba de agua - Kit di riparazione pompa dell'acqua - Kit de reparação da bomba de água - Reparatieset voor waterpomp - Reparationssæt til vandpumpe

323

Case IH: 353, 383, 423, 453, 533 (D.155), 433, 523, 624, 633, 724 (D.179), 644, 733 (D.206), 743, 745, 744 (D.239), 844 (D.246), 844S, 845 (D.268), 856 (DT.239) +XL

Case IH: 946, 955 (D.310), 956, 1046, 1055, 1056, 1246, 1255 (D.358) +XL

Case IH: Engine Perkins, combine 841

David Brown: 770A, 770B, 780, 880A, 880B

David Brown: 780A, 880 (530001->563379), 885, 885N (11000001->), 885G, 990, 996, 1210, 1212

David Brown: 990A, 990B, AD4/47engine

David Brown: 990 Synchro, 995, 996, 1210(SIMMS), 1210(BOSCH), 1212, 1410, 1412

David Brown: 1190, 1190E, 1194

David Brown: 1490, 1494

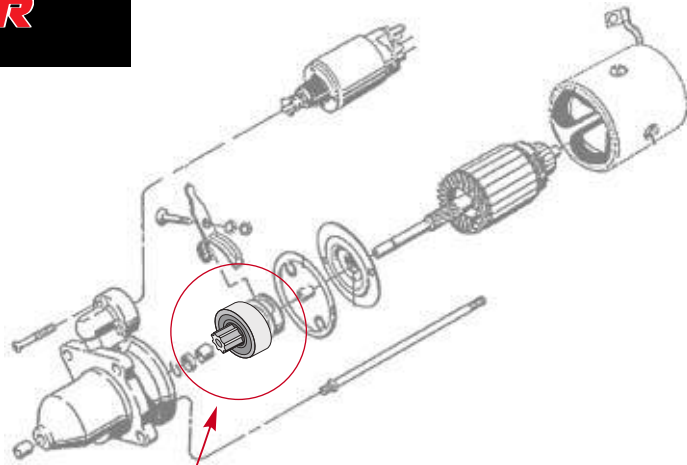
Case IH UK: B.250, 275, 276, 354, 374, 384, 414, 434, 444

David Brown: 1594, 1690(11210101 to 11214370), 1690T, 1694

Case IH UK: 475

Case IH UK: 385, 395, 454, 474, 484, 485, 495, 574, 584, 585, 595, 674, 684, 685, 695, 784, 785, 795, 884, 885, 895, 995 (+XL), 3210, 3220, 3230, 4210, 4220, 4230, 4240

	Pump		Repair kit	
<b>87714375</b>	716410R99 B509413 718891R97	<b>1094012R92</b>	1094012R91	
<b>3132738R94</b>	3136217R93 3132738R94			
<b>3132676R94</b>	3136217R93 3132738R94			
<b>B514044</b>	789818R91			
<b>B514045</b>	K911964			
<b>B514046</b>	K262898 K952713			
<b>87555989</b>	K961011			
<b>K262883</b>	K200822 K262883			
<b>B514047</b>	K203618 K200807			
<b>B514048</b>	K262961 K207578			
<b>B512669</b>	3119778R92 703820R97	<b>1094012R91</b>	1094012R92	
<b>87714374</b>	K200759 K262962			
<b>B514049</b>	3118125R91			
<b>3136053R93</b>	3136053R92 3132739R94	<b>1094012R91</b>	1094012R92	



### CLUTCH - DRIVE FOR STARTER MOTOR

Embrayage électrique pour démarreur - Anlasserkupplung  
Embrague para motor de arranque - Frizione per motorino di avviamento  
Embrague para motor de arranque - Bendix - Kobling-starter drev

Case IH Axial Flow combines: 1420, 1440, 1460, 1480, 1620, 1620E, 1640, 1640E, 1644, 1660, 1660E, 1666, 1680, 2144, 2166, 2188, 2344, 2365, 2366, 2388

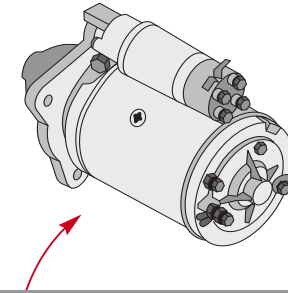
**87685832** A186235

Case IH Maxxum 5120(01/90 =>), 5220 / Case Power Units: 4390, 4390T, 6590, 6590T, 6590TA

**87685833** A187777

# Electrics

Systeme électrique • Elektrische anlage • Sistema eléctrico  
Componenti elettrici • Sistema eléctrico • Elektra • Elektrisk

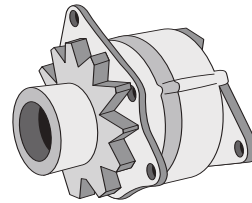


### STARTERS

Démarreur - Anlasser - Motor de arranque - Motorino d'avviamento - Motor de arranque - Startmotor - Startmotor

12V / 2,8KW	David Brown: 850, 950, 990 red, 995, 996, 1200, 1210, 1212, 1290, 1294, 1390, 1394, 1410, 1412, 1490, 1494 (80-83)	<b>B5 14003</b>	K308650
12V / 3,5KW	Case IH UK: B.275, 354, 374, 384, 414, 434, 444	<b>B5 14004</b>	3046890R91
12V / 2,8KW	Case IH UK: 384, 395, 454, 474, 484, 485, 495, 574, 584, 585, 595, 674, 684, 685, 695, 784, 785, 795, 884, 885, 895, 995, 3210, 3230, 4210, 4230	<b>B5 14002</b>	537140R92 K529965
	Case IH UK: 475, Case IH South Africa only : 485A, 585A, 685A	<b>B5 14001</b>	3116683R91
12V / 2,5KW	Case IH: 553, 654, 724, 824	<b>B5 14008</b>	3055414R92
12V / 3KW	Case IH: 946, 1046, 1246, engine D238-D310-D358	<b>B5 14009</b>	3055557R92
12V / 3KW	Case IH: 955, 1055, engine D155 - D179 - D239 - D246 - D268 - D310 - D358 - D402	<b>B5 14010</b>	3218677R9
	VIBROMAX: W1102, W1102D, W1102H, W1102HP, W1102PD, W1102S, W602BDP, W651, W651S, TYS, TY45, W1002, W1001, W1101, W1101S, W701, W801, TY2P, TX, FC30, TCB, TCS, FY30, W1251, W1251S / CASE: TC45	<b>B5 14007</b>	V941501
	Maxxum 5130, 5140, 5150, 5230, 5240, 5250, MX100, MX110, MX120, MX135, MX150, MX170	<b>87685822</b>	114799A1 A187597
	523, 553, 554, 624, 644, 654, 724, 743, 744, 745, 824, 844, 845, 856, 946, 955, 956, 1046, 1055, 1056, 1246, 1255, 1455 (+XL)	<b>87685827</b>	3228193R91

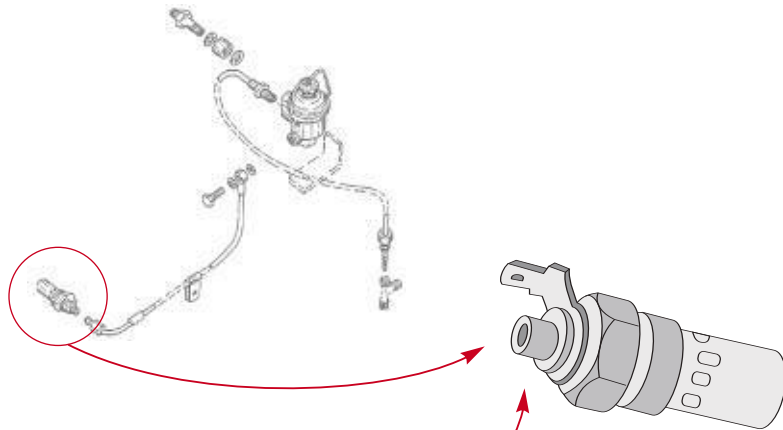




### ALTERNATORS

Alternateur - Generator - Alternador - Alternatore - Alternador - Dynamo - Generator

12V / 11A	David Brown: 770, 780, 880, 990, 1200 Case IH UK: 275, 276, 354, 414, 434, 444	<b>87295816</b>	K908882 3055228R91
14V / 85A	Maxxum 5120, 5130, 5140, 5150 / CS 68, 75, 78, 86, 94, 100, 110, 120, 130, 150 / MX 80C, 90C, 100, 100C, 110, 120, 135, 150, 170 / STEYR 9105, 9115, 9125, 9145	<b>87718438</b>	132000090095 700716128
	Case International 988(Cummins 6T5.90) / Case CDC Excavators 1088, 170C, 220B, 350, 488, 688, 1088 / Case CDC Crawler Tractor 450C, 850D, 455, 855D, 1150, 1150E, 1155E, 1550, 1550C / Case CDC Wheel Loaders: 621, 721, 821, 921, W11B, W14C, W36	<b>87685828</b>	A187916
	Case IH combines: 515, 521, 525, 527, CF60, CF70, CF80	<b>87685829</b>	060503192
	Maxxum 5120, 5130, 5140, 5150 / CS 68, 75, 78, 86, 94 / MX 80C, 90C, 100, 100C, 110, 120, 135, 150, 170	<b>87685831</b>	11.201.595 A187873



### HEATER PLUG

Bougie de préchauffage - Glühkerze - Tapón del calefactor -  
Tappo del riscaldatore - Tampão do aquecedor -  
Verwarmingstekker - Stik til varmeapparat

Case IH UK: 385, 395, 454, 474, 475, 484, 485, 495, 574, 584, 585, 595, 674, 684, 685, 695, 784, 785, 795, 884, 885, 895 (+XL) / David Brown: all engines

**87556015** 3112805R91  
K928523

Case IH UK: 250, 275, 276, 354, 374, 384, 414, 434, 444

**87556016** 710348R1

Case IH engine: DD.111, DU.111, DD.148, DU.148

**87556017** 3054716R91  
0250.200.021

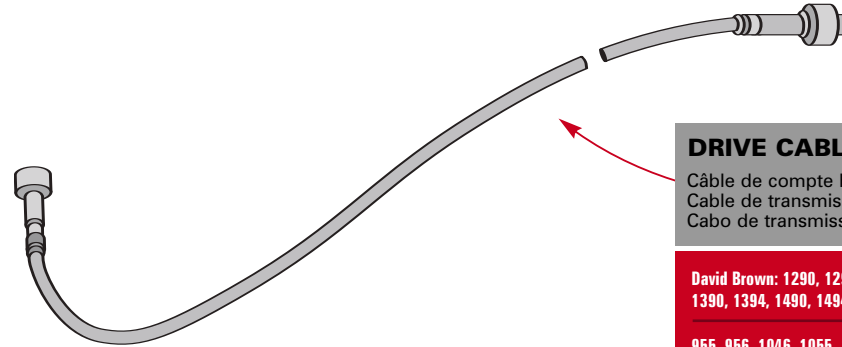


### STARTER BUTTON

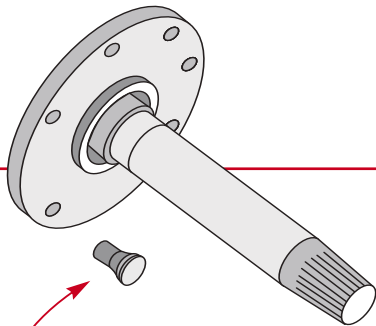
Bouton de démarrage - Startknopf - Botón del motor de arranque - Pulsante motorino di avviamento - Botão de arranque - Startknop - Startknop

International: 248, 385, 484, 485 /  
David Brown Implematic: 850, 880,  
950, 990A, 990B

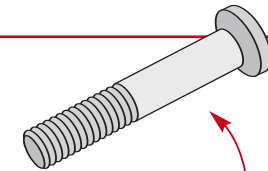
**87714376** K19903



<b>DRIVE CABLE</b>		
Câble de compte heures - Antriebswelle - Cable de transmisión - Cavo di azionamento - Cabo de transmissão - Aandrijfkabel - Drivkabel		
David Brown: 1290, 1294, 1390, 1394, 1490, 1494	<b>87714397</b>	K957379
955, 956, 1046, 1055, 1056, 1246, 1255, 1455	<b>87714398</b>	3229694R2



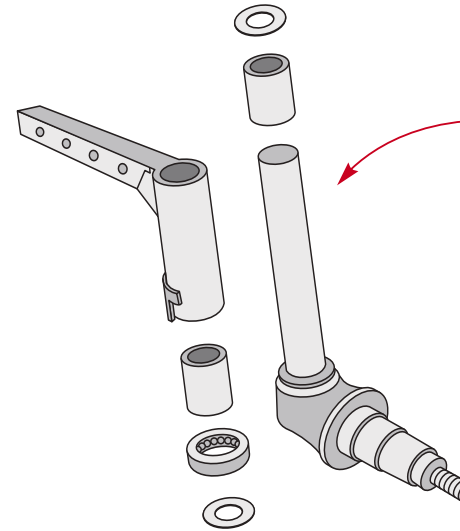
<b>STUDS &amp; SCREWS</b>
Goujons et vis pour roues arrières - Bolzen & Schrauben hinterrad Espárragos y tornillos de la rueda trasera - Prigionieri e viti ruota posteriore Pernos e parafusos da roda traseira - Tapeinde en bouten van achterwielen Tapper og skruer til baghjul



<b>REAR WHEEL RIM SCREW</b>		
Vis de jante - Schraube Felge Hinterrad - Tornillo de llanta de rueda trasera - Vite cerchio ruota posteriore Parafuso de jante da roda traseira - Bout velg achterwiel - Fælgskrue til baghjul		
David Brown: 770, 780, 880, 990, 995, 996, 1190, 1194, 1200, 1210, 1212, 1290, 1294, 1390, 1394, 1490, 1494, 1594, 1690, 1694 / Case IH UK: 238, 248, 258, 268, 275, 276, 288, 354, 374, 384, 385, 395, 414, 434, 444, 454, 474, 475, 484, 485, 495, 574, 584, 585, 595, 674, 684, 685, 695, 784, 785, 795, 884, 885, 895, 995XL, 3210, 3220, 3230, 4210, 4220, 4230, 4240	<b>87714402</b>	406951R2 K611270

<b>REAR WHEEL STUD</b>		
Vis de roue - Schraube Hinterrad - Tornillo de rueda trasera - Vite ruota posteriore - Parafuso de roda traseira - Bout achterwiel - Skruer til baghjul		
955, 956, 1055, 1056, 5120, 5130, 5140, 5150, MX100, MX110, MX120, MX135	<b>87714400</b> dia. 22,5	3220372R2 192708A1
323, 353, 383, 423, 433, 440, 453, 523, 533, 540, 553, 624, 633, 640, 644, 654, 724, 733, 740, 743, 744, 745S, 745XL, 824, 833, 840, 844, 844S, 844XL, 845, 856XL, 940	<b>87714401</b> dia. 21	3399467R1

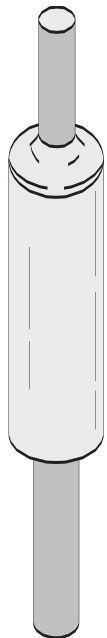
<b>REAR WHEEL AXLE</b>		
Goujon de roue - Radbolzen, hinten - Espárrago de rueda trasera - Prigioniero ruota posteriore - Perno da roda traseira - Tapeind achterwiel - Tap til baghjul		
275, 276, 354, 374, 384, 414, 434, 444, 2276, 3434	<b>87714399</b>	3047576R2



**STUB AXLE**

Fusée de roue - Achsschenkel - Mangueta - Assale a snodo -  
Manga de eixo - Asstomp - Akseltap

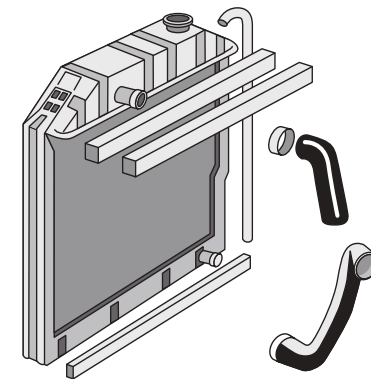
STEYR: Plus	<b>87718418</b>	1292 410777
STEYR: Plus	<b>87718419</b>	1292 410778



**MUFFLER**

Echappement - Auspuff - Escape - Sistema di scarico  
Saída - Uitleatdempers - Lyddæmpere

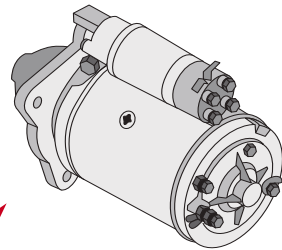
STEYR: Plus	<b>87718420</b>	1192 540091
-------------	-----------------	-------------



**RADIATOR**

Radiateur - Kühler - Radiador - Radiatore - Radiador -  
Radiateur - Køler

STEYR: Plus	<b>87718423</b>	1292 530014
-------------	-----------------	-------------



**STARTERS**

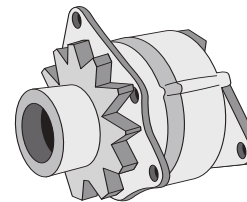
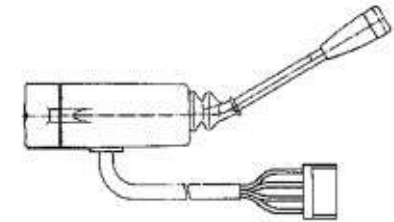
Démarrreur - Anlasser - Motor de arranque - Motorino d'avviamento - Motor de arranque - Startmotor - Startmotor

STEYR : 80, 84, 86, 188, 190, 30-Plus, 40-Plus, 430, 540, 545, 548	<b>B514011</b>	130800090017
STEYR : 288, 290, 50-Plus, 650, 658, 760, 768	<b>B514012</b>	140800090010
STEYR : 70-Plus, 90-Plus, 870, 980, 1090, 1100, 1200	<b>B514013</b>	141000090003
STEYR: 900/9000 MWM	<b>87555983</b>	130100090735
STEYR: M900 Perkins	<b>87555984</b>	130300090701
STEYR: Plus	<b>87555985</b>	141200090004
STEYR: BR80	<b>87555986</b>	161100090002
Steyr: 8100, 8120	<b>87685819</b>	B508640
Steyr: 900 Turkey, 188, 190, 30, 430, 540, 545, 548, 650, 658, 760, 768, 86	<b>87685820</b>	130800090030
Steyr: BR80, 8055, 8060, 8065, 8070, 8075, 8080, 8090, 950, 960, 970, WD411	<b>87685821</b>	141100090733

**FLASHER SWITCH**

Contacteur de clignotant - Blinkgeber Shalter - Direccional Contactor - Interruptor de lampeggiatore - Interruptor Do Pisca-pisca - Knipperlicht aan-uit Schakelaar - Blinklampe Kontakt

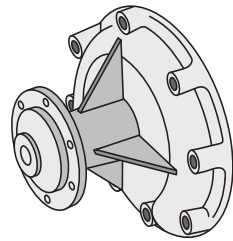
STEYR: Plus & BR80	<b>87556014</b>	1390 580058
--------------------	-----------------	-------------



**ALTERNATORS**

Alternateur - Generator - Alternador - Alternatore Alternador - Dynamo - Generator

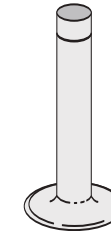
Steyr: Jubil. & Plus, 540, 545, 548, 658, 760, 768, 980, 988, 8055, 8060, 8065, 8070, 8075, 8080, 8090, 8100, 8110, 8120, 8130, 8140, 8150, 8160, 8170, 1100, 1108, 1200	<b>87685830</b>	131100090065
--	-----------------	--------------



**WATER PUMP**

Pompe à eau - Wasserpumpe - Bomba de agua - Pompa dell'acqua - Bomba de água - Waterpomp - Vandpumpe

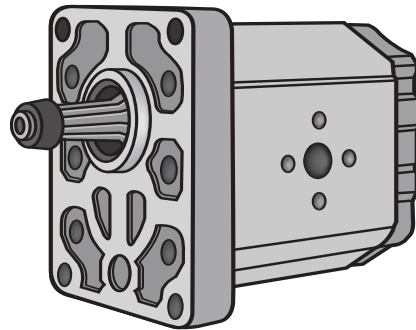
STEYR : 80, 84, 86, 180/30PS, 180, 182, 185, 280	<b>B514050</b>	12130 060090
STEYR : 8045, 650, 760, 548, 658, 768	<b>B514051</b>	130800060005
STEYR : 8060, 8065, 8070, 8075, 8080, 8090	<b>B514052</b>	131100060034
STEYR : 540, 545, 548, Plus-50, 650, 658, 760, 768	<b>B514053</b>	140800060014
STEYR : 8100, 8110, 8120, 8130	<b>B514054</b>	161100060017
STEYR: BR80, 8045, 8080, 8110, 8130	<b>87579819</b>	131100060093



**EXHAUST VALVE / INLET VALVE**

Soupape d'échappement / Soupape d'admission - Auslassventil / Einlassventil - Válvula de escape / Válvula de admisión - Valvola di scarico / Valvola di aspirazione - Válvula de saída / Válvula de entrada - Uitlaatklep / Inlaatklep - Udstødningsventil / Indsugningsventil

STEYR: 40, 540, 545, 548, 50, 650, 658, 60, 760, 768, 8045, 8055, 8060, 8065, 8070, 8075, 8080, 8085, 8090, 8100, 8120, 942, Plus & BR80	<b>87555990</b>	131100050015	Exhaust
	<b>87555991</b>	131100050014	Inlet



**HYDRAULIC PUMP**

Pompe hydraulique - Hydraulikpumpe -  
Bomba hidráulica - Pompa idraulica -  
Bomba hidráulica - Hydraulische pomp -  
Hyraulisk pumpe

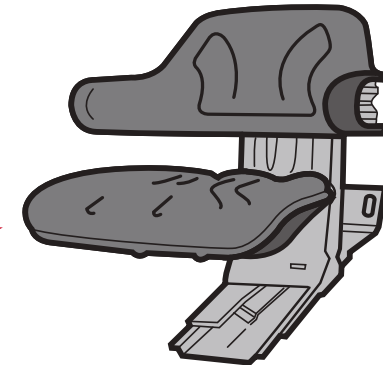
STEYR: Plus	<b>87555987</b>	1306 130003
STEYR: Plus	<b>87555988</b>	140800130029
STEYR: Jubiläum & Plus	<b>87718421</b>	1209 130135
STEYR: BR80	<b>87718422</b>	161100130025



**RELEASE BEARING**

Butée de débrayage - Ausrücklager -  
Cojinete de desembrague -  
Cuscinetto di disinnesto - Rolamento de encosto -  
Druklager koppeling - Udløsningsleje

STEYR: Plus	<b>87556010</b>	190003318484
-------------	-----------------	--------------



**SEAT**

Siège - Sitz - Asiento - Sedile - Assento -  
Spie - Saede

STEYR: Plus	<b>87556013</b>	1 93 510034
-------------	-----------------	-------------



A series of horizontal dotted lines for taking notes.





A series of horizontal dotted lines for taking notes, spanning the width of the page.



