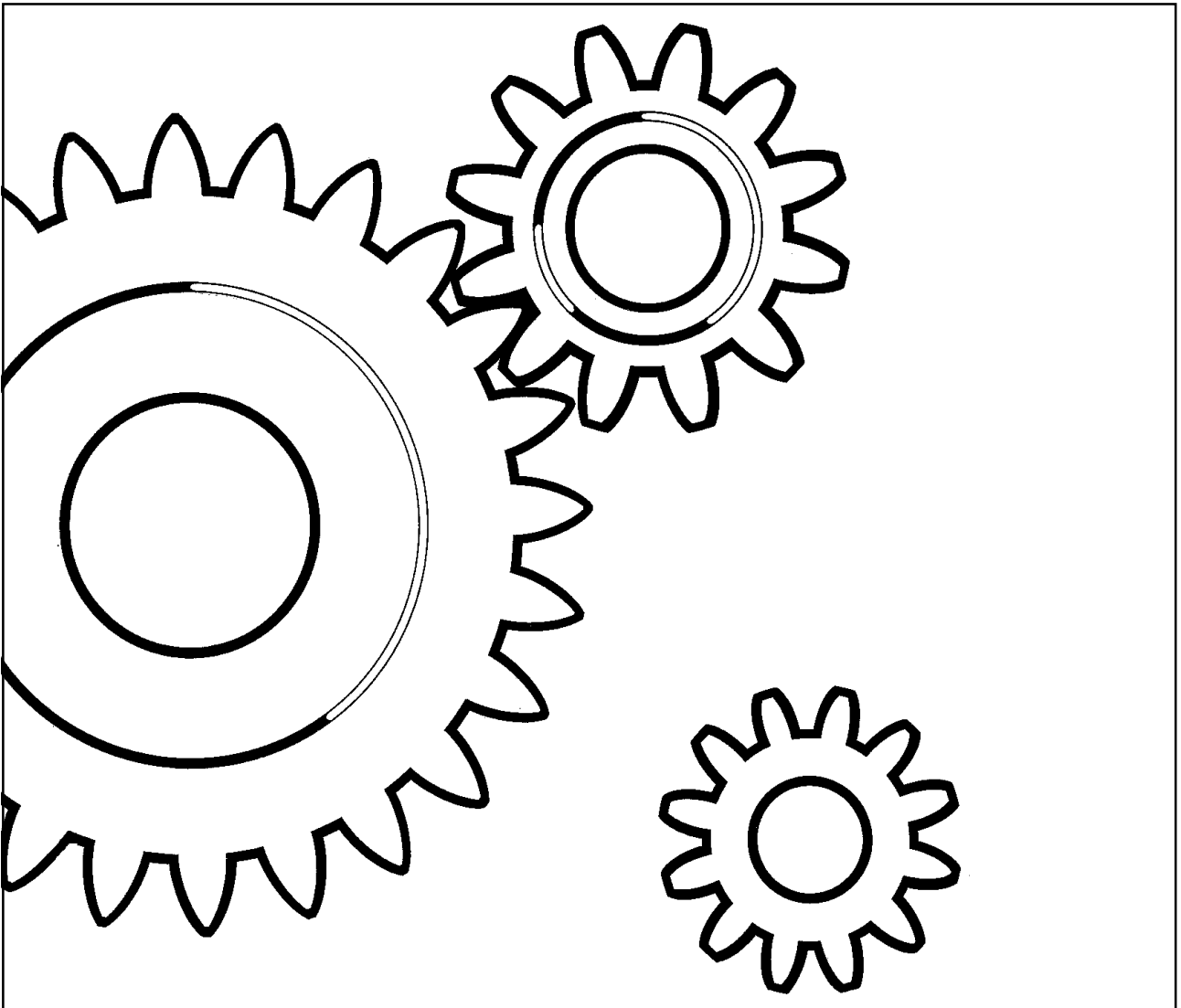


**DYNAPAC
CC524HF
SPARE PARTS
CATALOGUE
SCC524HF-CN1EN1**



DYNAPAC

Part of the Atlas Copco Group

Box 504, SE-371 23 Karlskrona, Sweden
Phone: +46 455 30 60 00, Fax: +46 455 30 60 10
www.dynapac.com

Vibratory Roller CC524HF

Spare Parts Catalogue SCC524HF-CN1EN1

Valid from roller serial number:

384C30001

Diesel engines:

Cummins QSB 4.5

Published catalogue issues valid for these rollers:

<i>Catalogue</i>	<i>Issue date</i>	<i>Valid for serial numbers</i>
<i>SCC524HF-CN1EN1</i>	<i>2008 -11</i>	<i>*384C30001 -</i>



RESERVDLSBESTÄLLNING

Följande uppgifter ska lämnas vid beställning av reservdelar för att undvika leveransfel:

1. Maskintyp.
2. Vältens serienummer.
3. Antal av önskad reservdel.
4. Reserdelens artikelnummer.
5. Reservdelens benämning.
6. Måttuppgifter vid beställning av metervara.

ORDERING SPARE PARTS

To avoid errors in delivery, please give the following information when ordering spare parts:

1. Type of machine.
2. Roller serial number.
3. Quantity required.
4. Part number.
5. Parts denomination.
6. Dimensions when ordering per length.

ERSATZTEILBESTELLUNG

Zur Vermeidung von Fehllieferungen sind bei der Bestellung von Ersatzteilen folgende Angaben zu machen:

1. Maschinentyp.
2. Herstellungsnummer.
3. Bestellmenge. (Quantity)
4. Ersatzteilnummer. (Part N°)
5. Ersatzteilbenennung. (Denomination)
6. Massangaben bei Bestellung von Meterware.

ORDINI DI RICAMBI

Per evitare errori nelle consegne di ricambi, Vi preghiamo di comunicarci le seguenti informazioni al momento dell'ordinazione:

1. Tipo di macchina.
2. Numero di serie della macchina.
3. Quantità dei pezzi desiderati. (Quantity)
4. Numero di codice del pezzo. (Part N°)
5. Descrizione del pezzo di ricambio. (Denomination)
6. Misura, in caso di ordine per metro.

PEDIDO DE RECAMBIOS

Para evitar errores en las entregas, deberán indicarse los siguientes datos al hacer un pedido de recambios:

1. Tipo de máquina.
2. Número de serie.
3. Cantidad de piezas deseadas. (Quantity)
4. Número de artículo de la pieza de recambio. (Part N°)
5. Denominación de la pieza. (Denomination)
6. Indíquese la medida al solicitar un artículo que se expide por metros.

COMMANDE DE PIÉCES DE RECHANGE

Les indications suivantes doivent être fournies lors de la commande de pièces de rechange, afin d'éviter toute erreur de livraison:

1. Type de machine.
2. Numéro de série.
3. Quantité désirée de pièce de rechange. (Quantity)
4. Numéro de la pièce de rechange. (Part N°)
5. Dénomination de la pièce de rechange. (Denomination)
6. Longueur en cas de commande au mètre.

YOUR AGENT/DEALER:

Text pages

The text pages is structured as the picture on the right.

1. This is the remarks for specific items and the descriptions of the remarks is at the bottom of the parts list.
2. Parts indicated by a dot and moved to the right are included when buying the assembled unit above.
3. Spare parts and service code for a specific part, mainly for internal use at Dynapac. "A" = Service part, "B" = Fast moving part, "C" = Suggested exchanged part and "D" = Regular spare part.

Cooling system					Weight: Dynapac AB
Ref. No.	Part No.	Rem.	Qty	Description	Code
1	222027		1	Water cooler	(3)
2	222022		1	Pressure cap	2
3	222025	①	2	Cool.	3
4	222023	A	1	Refrigerant	1
5	222024		1	Compressor	
6	222026		1	Refrigerant	
7	222021		1	Condenser	A
8	222028		1	Evaporator	B
9	222029		1	Expansion valve	
10	222030		1	Refrigerant	
11	222031		1	Refrigerant	
12	222032		1	Refrigerant	
13	222033		1	Refrigerant	
14	222034		1	Refrigerant	
15	222035		1	Refrigerant	
16	222036		1	Refrigerant	
17	222037		1	Refrigerant	
18	222038		1	Refrigerant	
19	222039		1	Refrigerant	
20	222040		1	Refrigerant	

①

- A: Service part
- B: Fast moving part
- C: Suggested exchanged part
- D: Regular spare part

Changes

PARTS INFO	SERVICE INFO	GROUP	PAGE	NOTES

Notes

PÄRMETIKETT

För att undvika fel vid reservdelsbeställning finns här nedan två etiketter som passar i fickorna på pärmarnas ryggar. På dessa kan man se från vilket vältnummer av aktuell maskin reservdelskatalogen gäller. Gör så här:

1. Tag denna sida ur pärmen.
2. Klipp ut etiketten till **VÄNSTER** (1) och sätt in den i fickan på **DENNA** pärmens rygg.
3. Finns det en etikett till **HÖGER** (2), kan denna användas på pärmen för **FÖREGÅENDE** utgåva av denna katalog.
4. Kasta detta papper.

KATALOG-BESCHRIFTUNG

Zur Vermeidung von Fehlern bei der Ersatzteilbestellung benutzen Sie bitte die unteren Beschriftungen, um die Kataloge auf der Rückseite zu kennzeichnen. Auf der Beschriftung ist angegeben, für welche Maschinennummern der jeweilige Katalog gültig ist. Ablauf:

1. Nehmen Sie dieses Blatt aus dem Katalog.
2. Schneiden Sie die **LINKE** Beschriftung (1) aus. Schieben Sie die Beschriftung in die tasche auf **DEM** Katalogrücke.
3. Sollte die Beschriftung unten **RECHTS** (2) mitgeliefert werden, kennzeichnen Sie damit bitte die **ÄLTERE** Ausführung dieses Kataloges.
4. Den Rest dieses Blattes bitte vernichten.

ETIQUETAPARALACARPETA

Para evitar errores al pedir repuestos utilicen las etiquetas abajo descritas para identificar los catálogos en la parte trasera de la carpeta. En la etiqueta se ven los números de referencia de la serie para la cual es válido el catálogo. Instrucciones:

1. Quitar esta página de la carpeta.
2. Corta la etiqueta **IZQUIERDA** (1) y ponerla en la parte trasera de la carpeta.
3. Si hay una etiqueta en la parte **DERECHA** (2) se puede utilizar en la carpeta para el catálogo que **PRECEDE** a esta.
4. Tirar esta hoja.

BINDER LABEL

To avoid errors when ordering spare parts use the labels below to identify the catalogues on the back of the binder. The label contain the serial number range for which the catalogue is valid. Do like this:

1. Remove this page from the binder.
2. Cut out the **LEFT** label (1) and put it on **THIS** binders back.
3. If there is a label to the **RIGHT** (2), it can be used on the binder for **PRECEDING** issue of this catalogue.
4. Throw away this paper.

ETICHETTA POSTA SUL RACCOGLITORE

Per evitare errori quando ordinate pezzi di ricambio, usate le etichette in calce che servono ad identificare i cataloghi sul retro del raccoglitore. L'etichetta indica il numero di matricola delle macchine prese in considerazione nel catalogo.

1. Rimuovete questa pagina dal raccoglitore.
2. Ritagliate l'etichetta posta a **SINISTRA** (1) e ponetela sul retro **DEL** raccoglitore.
3. Se trovate anche un'etichetta sulla **DESTRA** (2), ritagliatela e ponetela sul raccoglitore relativo alla **PRECEDENTE** edizione del catalogo.
4. Distruggete questo foglio.

ETIQUETAGE DU CATALOGUE

Afin d'éviter des erreurs lors de commandes de pièces de rechange, nous vous conseillons d'apposer les marquages ci-dessous à l'arrière du classeur, pour identifier les catalogues. Ce marquage indique les numéros de série pour lesquels le catalogue est adapté. Il convient de procéder de la façon suivante:

1. Retirez cette page du classeur.
2. Découpez l'étiquette de **GAUCHE** (1), et apposez-la à l'arrière de **CE** catalogue.
3. Si il y a une étiquette à **DROITE** (2), vous pourrez l'apposer sur le classeur de l'édition **PRECEDENTE** du catalogue.
4. Détruire cette feuille.

1.



TABLE OF CONTENTS

Page

CC524HF SN 384C30001 -	2
Service kits	4
945805 Service kit 50 h, Cummins QSB 4.5 T3	6
945806 Service kit 500 h, Cummins QSB 4.5 T3	8
945807 Service kit 1000 h, Cummins QSB 4.5 T3	10
Repair kits	12
950151 Scraper kit CC524HF	14
945903 Eccentric shaft kit CC424HF/524HF/624HF	16
938891 Drum rotation kit	18
945904 Shock absorber kit, drum CC424HF/524HF/624HF	20
Frame	22
Front frame	24
Front frame	26
391023 Steering cylinder	28
Tank structure module	30
Tank structure module	32
391307 Cover	34
Hitch module	36
Hitch link	38
Filling pipe module	40
Filling pipe	42
Cover module	44
Holder	46
Grab handle module	48
Rear frame	50
Rear frame	52
Cover, cpl	54
Engine structure, module	56
Engine structure	58
390157 Engine cover	60
390158 Engine cover	62
Oil cooler	64
Oil cooler	66
Fan	68
Fan	70
Noise suppression plates	72
Noise suppression, covers	74
Grab handle module	76
Sprinkler system	78
Sprinkler pump module	80
Sprinkler pump	82
Sprinkler pump, backup	84
Sprinkler pump, additional sprinkler	86
Sprinkler pump mount	88
Filling pipe module	40
Filling pipe	42
Cover lock module	90
Lock bracket	92
Locking device module	94
Water hoses	96
End frame, front	98
End frame, front	100
Frame	102
Fork, vibration side	104
Fork, propulsion side	106

TABLE OF CONTENTS

Page

	Cover plate	108
	Hose clamp, propulsion side	110
	Hose clamp, vibration side	112
	Step, vibration side	114
	Step	116
	Step, propulsion side	118
	Step	120
	Scraper module, without nozzles	122
	Scraper assy	124
	Scraper module, with nozzles	126
	Scraper assy with nozzles	128
394340	Scraper bracket, cpl	130
	Grab handle, release	132
	Grab handle, lift	134
	End frame, rear	136
	End frame, rear	138
	End frame, rear offset	140
	Frame	142
	Connection block	144
	Micro switch	146
391024	Steering cylinder	148
	Eyelet module	150
	Eyelet module	152
	SMV-sign module	154
	SMV-sign	156
	Grab handle, lift	134
	Drum	158
	Drum	160
	Drum bearing module	162
	Drum bearing	164
	Propulsion motor module	166
	Drive unit	168
390604	Drum gear	170
	Vibration motor module	172
	Vibrating unit Sauer	174
	Engine	176
	Engine room	178
	Engine	180
	Engine module	182
390832	Diesel engine 82kW	184
390831	Diesel engine 93kW	186
379624	Diesel engine 113kW	188
	Air cooler hoses	190
	Water cooler hoses	192
	Air cleaner module	194
	Air cleaner hose module	196
	Muffler	198
	Exhaust pipe module	200
	Fuel hose module	202
	Charge air cooler	204
	Water cooler	206
	Radiator, cpl	208
	Expansion tank assembly	210
394155	Expansion tank	212
	Coolant hoses	214
	Hydraulic system	216
	Hydraulic system, front drum	218

TABLE OF CONTENTS

Page

	Hydraulic system, rear drum std	220
	Hydraulic hoses, frame std	222
	Hydraulic system, steering Std	224
	Hydraulic valve module	226
	Hydraulic valve	228
	Hose bracket	230
	Hydraulic steering, sliding seat Std	232
	Steering, slideable	234
372424	Pilot valve, steering	236
	Hydraulic hoses, engine structure std	238
	Hydraulic pump module	240
	Hydraulic pump	242
390602	Hydraulic pump	244
	Hydraulic valve module, offset	246
	Hydraulic valve	248
	Electrical equipment	250
	Electric cables, power supply	252
	Battery disconnecter	254
	Battery disconnecter	256
	Electric cables, power supply cab	258
	Electric cables, engine-ECU	260
	Standard ECU module	262
	Standard ECU assembly	264
	Electric cables, sensors/ horn/ back-up alarm	266
	Back-up alarm	268
	Back-up alarm	270
	Horn module	272
	Horn	274
	Tachograph	276
	Tachograph holder module	278
	Cable harness kit	280
	Power supply module	282
	Driving & side direction lights	284
	Accessories ECU module	286
	Driving lights, front RH	288
	Driving lights, front LH	290
	Turn signals	292
	Driving lights, rear	294
	Steering column switch module	296
	Cable harness and switch module	298
	Registration plate light module	300
	Registration plate light	302
	Rotating beacon, working light	304
	Rotating beacon module	306
	Working light module H3	308
	Working light module Xenon	310
	Drivers platform	312
	Platform, no cab	314
	Platform no ROPS	316
	Hand rail, left	318
	Hand rail	320
	Hand rail, right	322
	Hand rail	324
	Hand rail	326
	Lunch box module	328
	Canopy	330
	Canopy assy	332
	Bracket	334

TABLE OF CONTENTS

Page

	Cab, asymmetric	336
390864	Cab, cpl	338
	Cab frame, right side	340
	Roof	342
	General parts	344
	Windshield wiper, front	346
	Windshield wiper, rear	348
	Windshield washer reservoir	350
	Electric equipment	352
	Front panel	354
	Door frame	356
395806	Door	358
	Cab screens	360
	Rear covers	362
	Air channel	364
	Heater unit	366
	Heater	368
	Heater controls	370
	Manual box	372
	Cab heater system	374
	Heater hoses	376
	Cab noise cover	378
	Radio and cd player	380
	Radio and cd player module	382
	Drivers seat	384
	Seat frame structure	386
	Seat frame	388
391163	Steering column	390
	Seat CE	392
	Seat with suspension	394
	Controls, slidable and turning	396
	Cross sliding	398
	Carrier	400
	Drive control, cpl	402
	Drive control	404
	Control panel cover	406
	Display unit	408
	Display	410
	Decals	412
	Decals	414
	Optional equipment	416
	Air conditioning	418
	Compressor module	420
	Condensor module	422
	Condensor	424
	Evaporator module	426
393584	Evaporator unit	428
	Hose kit AC	430
	Hose kit	432
	Hose kit Compressor	434
	Hose kit AC	436
	ACC module	438
	ACC controls	440
	Edge cutter	442
	Edge cutter, module	444
390998	Edge cutter, cpl	446
390999	Holder	448
391009	Bearing unit	450

TABLE OF CONTENTS

Page

387275	Hydraulic cylinder	452
	Pressing roller, module	454
	Hydraulic valve, module	456
	Hydraulic valve	458

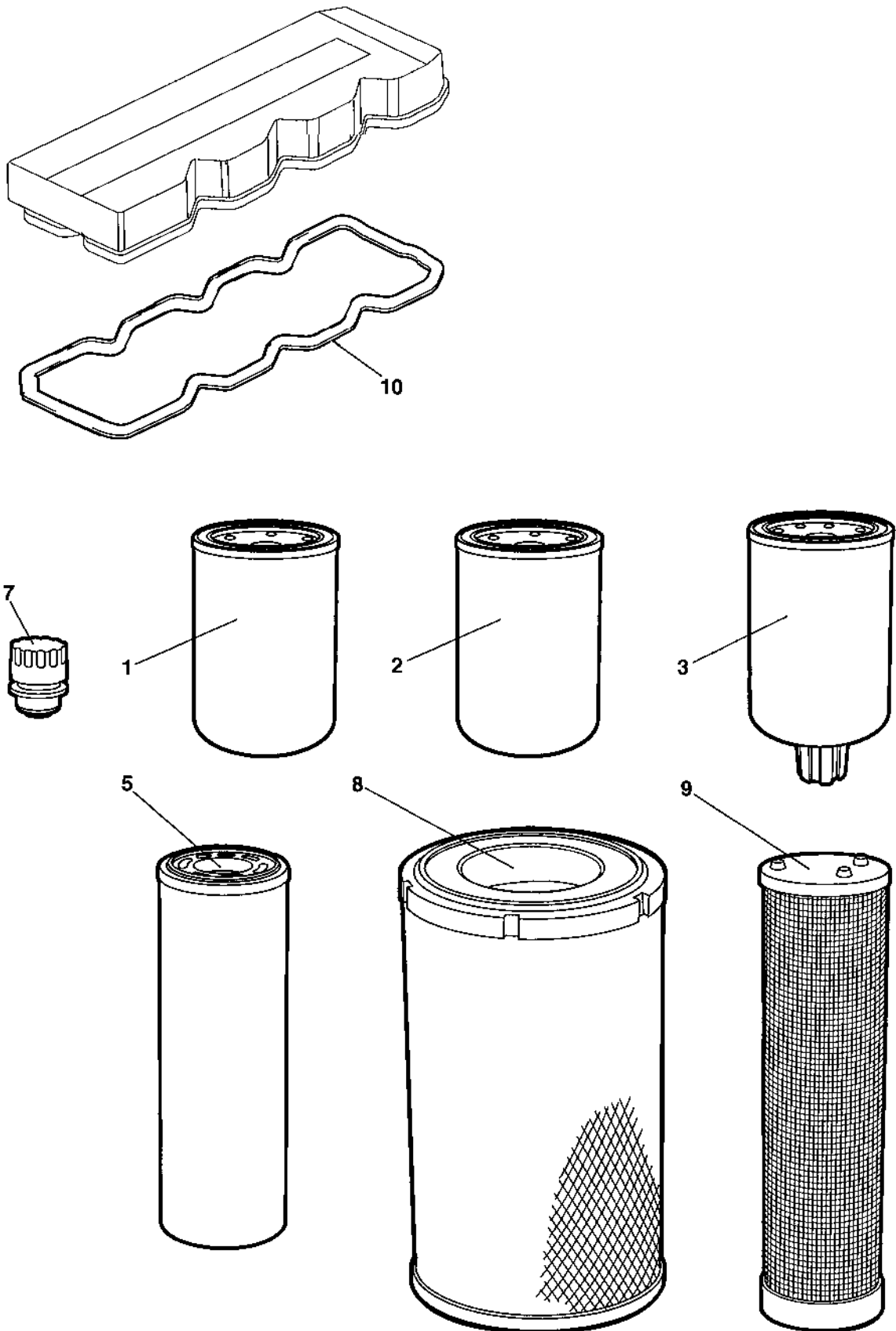


CC524HF SN 384C30001 -

Ref. No.	Part No.	Rem.	Qty	Description	Code
				Service kits (Page 4)	
				Repair kits (Page 12)	
1				Frame (Page 22)	
2				Drum (Page 158)	
3				Engine (Page 176)	
5				Hydraulic system (Page 216)	
6				Electrical equipment (Page 250)	
7				Drivers platform (Page 312)	
8				Decals (Page 412)	
9				Optional equipment (Page 416)	

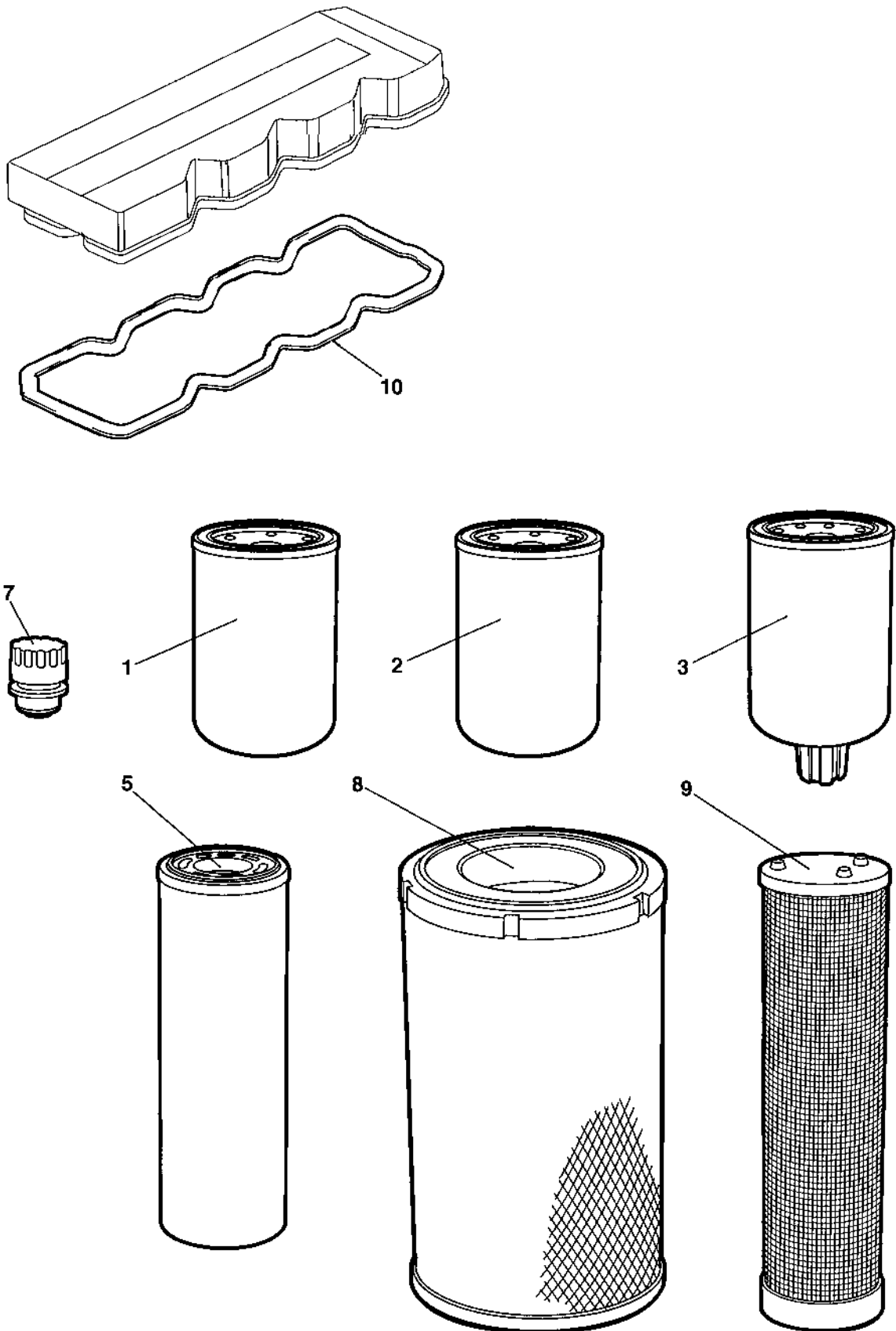
Service kits

Ref. No.	Part No.	Rem. Qty	Description	Code
1	945805	1	Service kit (Page 6)	50 h, Cummins QSB 4.5 T3
2	945806	1	Service kit (Page 8)	500 h, Cummins QSB 4.5 T3
3	945807	1	Service kit (Page 10)	1000 h, Cummins QSB 4.5 T3



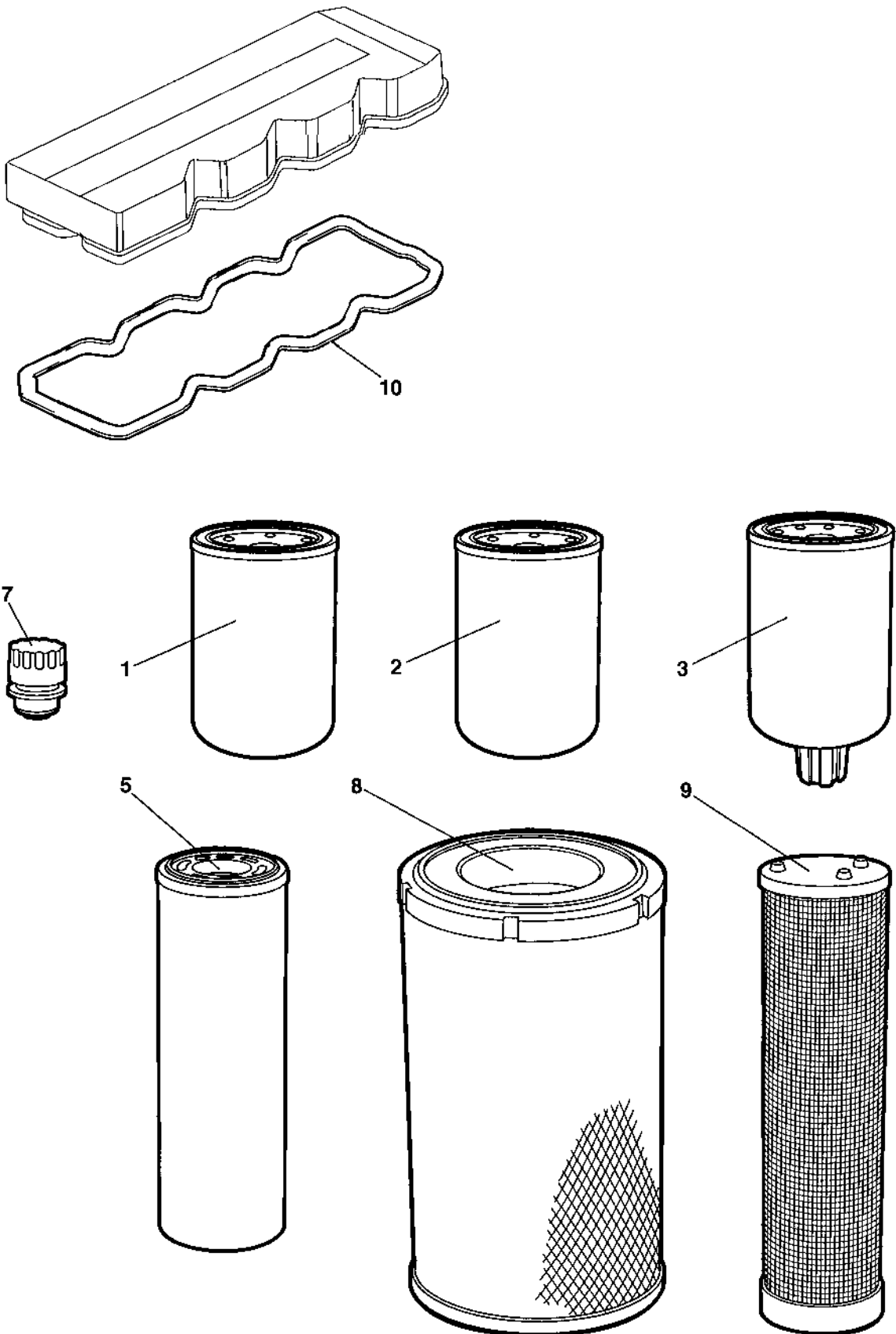
945805 Service kit 50 h, Cummins QSB 4.5 T3

Ref. No.	Part No.	Rem.	Qty	Description	Code
	945805			Service kit (Page 6)	50 h, Cummins QSB 4.5 T3
1	945145		1	Oil filter element	A
2	945624		1	Fuel filter element	A
3	945147		1	Pre-fuel filter element	A
5	391433		1	Filter element	A



945806 Service kit 500 h, Cummins QSB 4.5 T3

Ref. No.	Part No.	Rem.	Qty	Description	Code
	945806			Service kit (Page 8)	500 h, Cummins QSB 4.5 T3
1	945145		1	Oil filter element	A
2	945624		1	Fuel filter element	A
3	945147		1	Pre-fuel filter element	A



945807 Service kit 1000 h, Cummins QSB 4.5 T3

Ref. No.	Part No.	Rem.	Qty	Description	Code
	945807			Service kit (Page 10)	1000 h, Cummins QSB 4.5 T3
1	945145		1	Oil filter element	A
2	945624		1	Fuel filter element	A
3	945147		1	Pre-fuel filter element	A
5	391433		1	Filter element	A
7	391026	B	1	Ventilating filter	A
8	390995		1	Main filter element	A
9	390994		1	Safety filter element	A
10	945760		1	Valve cover gasket	

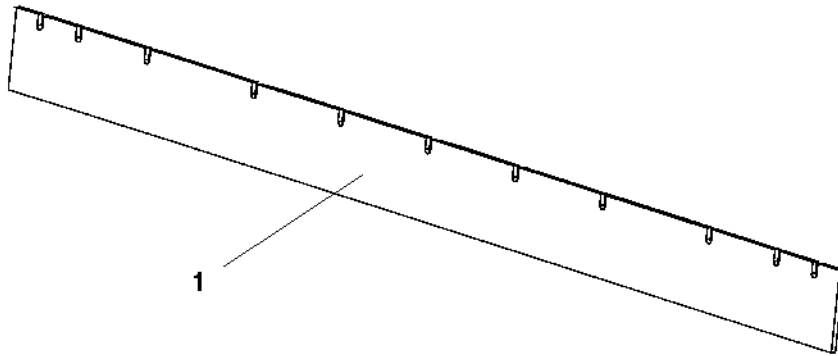
B) Ventilated oil filler cap for the hydraulic oil tank

Repair kits

Ref. No.	Part No.	Rem. Qty	Description	Code
-1			Repair kits	
1	950151	1	Scraper kit (Page 14)	CC524HF
2	945903	2	Eccentric shaft kit (Page 16)	CC424HF/524HF/624HF
3	938891	2	Drum rotation kit (Page 18)	
4	945904	2	Shock absorber kit, drum (Page 20)	CC424HF/524HF/624HF

950151 Scraper kit CC524HF

950151

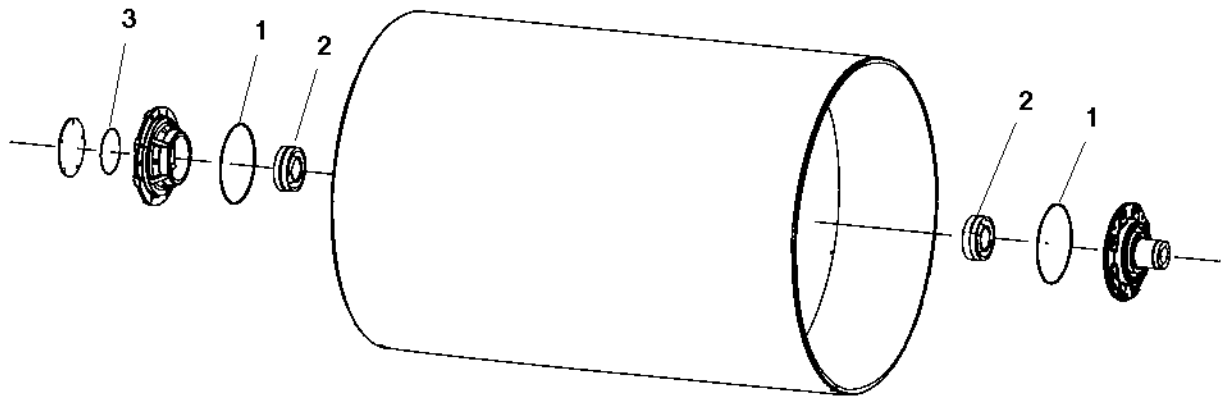


950151 Scraper kit CC524HF

Ref. No.	Part No.	Rem.	Qty	Description	Code
	950151			Scraper kit (Page 14)	CC524HF
1	395114		4	Scraper blade	

945903 Eccentric shaft kit CC424HF/524HF/624HF

945903

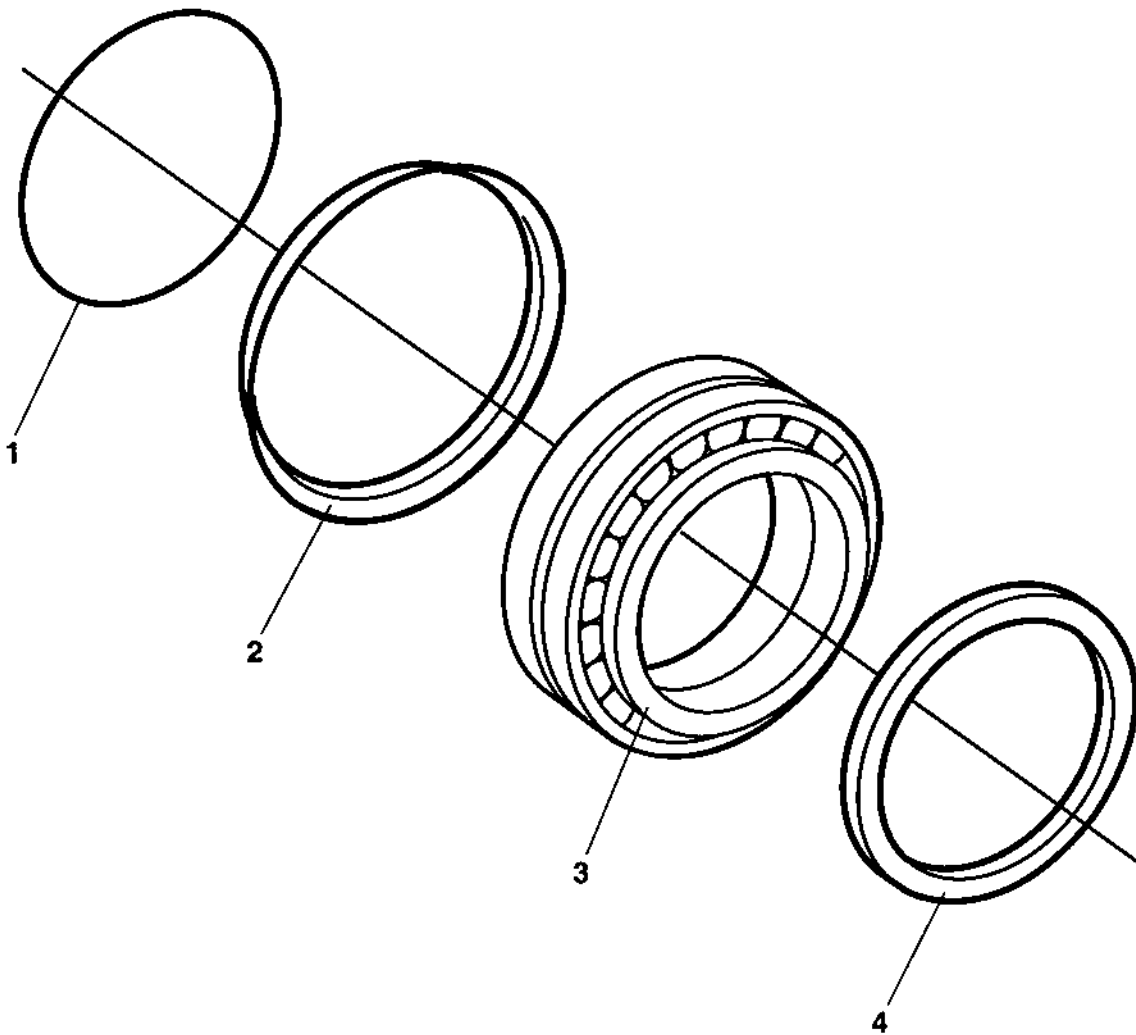


945903 Eccentric shaft kit CC424HF/524HF/624HF

Ref. No.	Part No.	Rem.	Qty	Description	Code
	945903			Eccentric shaft kit (Page 16)	CC424HF/524HF/624HF
1	160344		2	O-ring 70	D
2	792270		2	Spherical roller bearing	D
3	160045		1	O-ring 70	

938891 Drum rotation kit

RAMLAGER

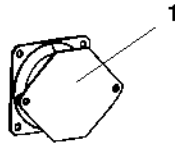


938891 Drum rotation kit

Ref. No.	Part No.	Rem.	Qty	Description	Code
	938891			Drum rotation kit (Page 18)	
1	160105		1	O-ring 70	D
2	929447		1	V-ring	D
3	116041		1	Taper roller bearing	D
4	386272		1	Sealing	D

945904 Shock absorber kit, drum CC424HF/524HF/624HF

945717



945904 Shock absorber kit, drum CC424HF/524HF/624HF

Ref. No.	Part No.	Rem.	Qty	Description	Code
	945904			Shock absorber kit, drum (Page 20)	CC424HF/524HF/624HF
1	394250	A	8	Shock absorber	B
2	394251	B	4	Shock absorber	

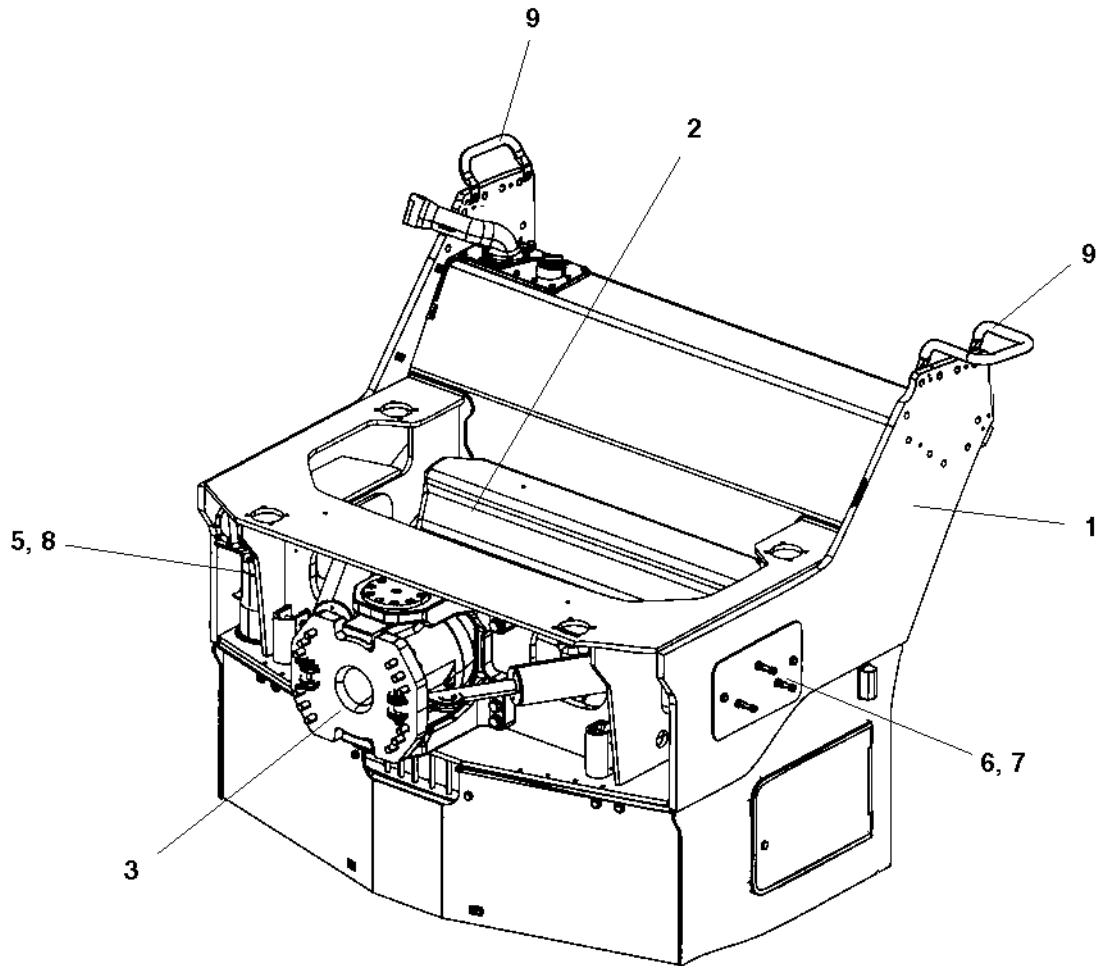
- A) Propulsion side
- B) Vibration side

Frame

Ref. No.	Part No.	Rem.	Qty	Description	Code
1				Front frame (Page 24)	
3				Rear frame (Page 50)	
4				Sprinkler system (Page 78)	
6				End frame, front (Page 98)	
7				End frame, rear (Page 136)	

Front frame

AR0025



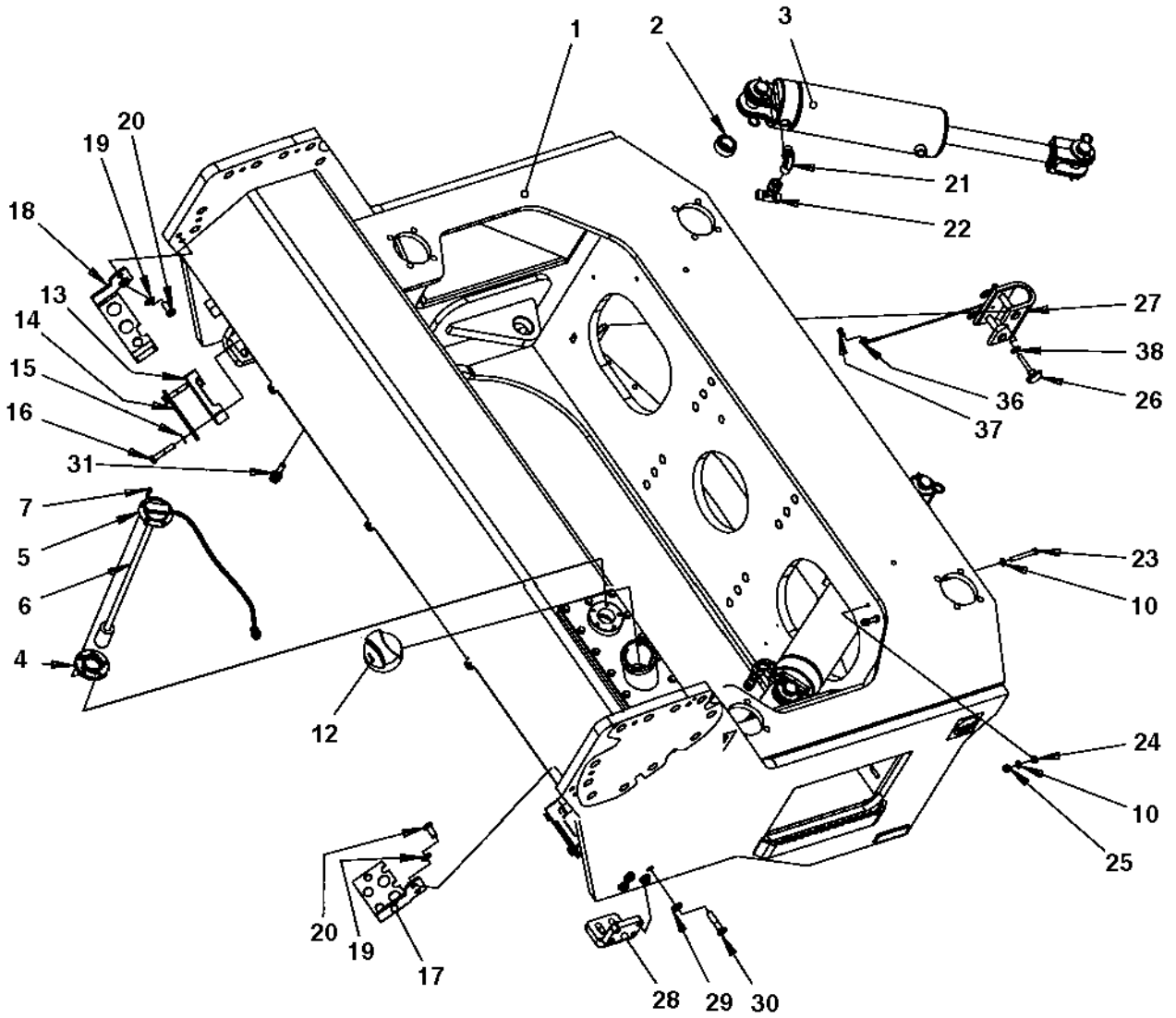
Front frame

Ref. No.	Part No.	Rem.	Qty	Description	Code
1			1	Front frame (Page 26)	
2			1	Tank structure module (Page 30)	
3			1	Hitch module (Page 36)	
5		1	2	Filling pipe module (Page 40)	
6			1	Cover module (Page 44)	
7			1	Holder (Page 46)	
8			1	Cover lock module (Page 90)	
9			2	Grab handle module (Page 48)	

- 1) Two pieces when use of tank with dual filling holes.

Front frame

395129

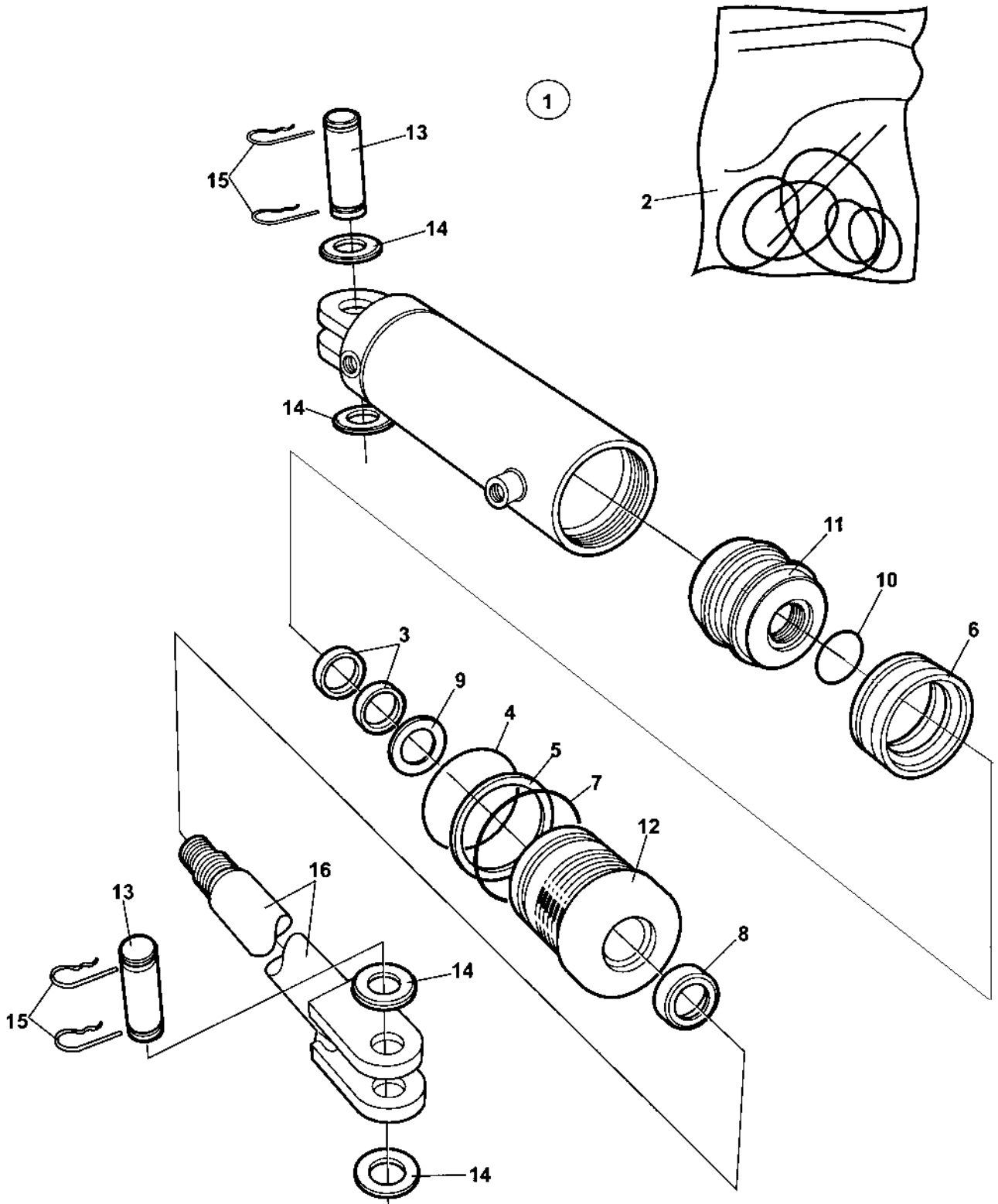


Front frame

Ref. No.	Part No.	Rem.	Qty	Description	Code
1	395128		1	Front frame	
2	792554		2	Radial spherical plain bearing	D
3	391023		2	Steering cylinder (Page 28)	
4	370745		1	Flange, cpl	
5	372718		1	Lid	
6	390934		1	Level sender	
7	904206		5	Screw	
12	373304		1	Cap	D
	902866		1	.Key	Marked "455"
13	343872		2	Hose clamp	D
14	335914		2	Cover plate	
15	904230		4	Washer	
16	500032		4	Screw	M10 x 55
17	391442		1	Hose clamp	
18	391443		1	Hose clamp	
19	904231		4	Washer	
20	500051		4	Screw	
21	792151		2	Elbow adapter 90	
22	791797		2	Tee-connector orfs	
23	925750		2	Screw	
24	570005		2	Nut	
25	586003		2	Lock nut	
26	791314		2	Handle knob	
27	392701		2	Steering hitch lock	
	924999		2	.Clevis pin	
	901178		2	.Hair pin	
	928381		1	.Washer	6,4x18x1,6
	394715		1	.Wire	
	903795		1	.Screw	
28	394400		2	Bracket	
29	904703		8	Washer	
30	500195		8	Screw	
31	792605		2	Quick connect coupling	
36	928381		2	Washer	6,4x18x1,6
37	903795		2	Screw	
38	904640		2	Washer	

391023 Steering cylinder

18811

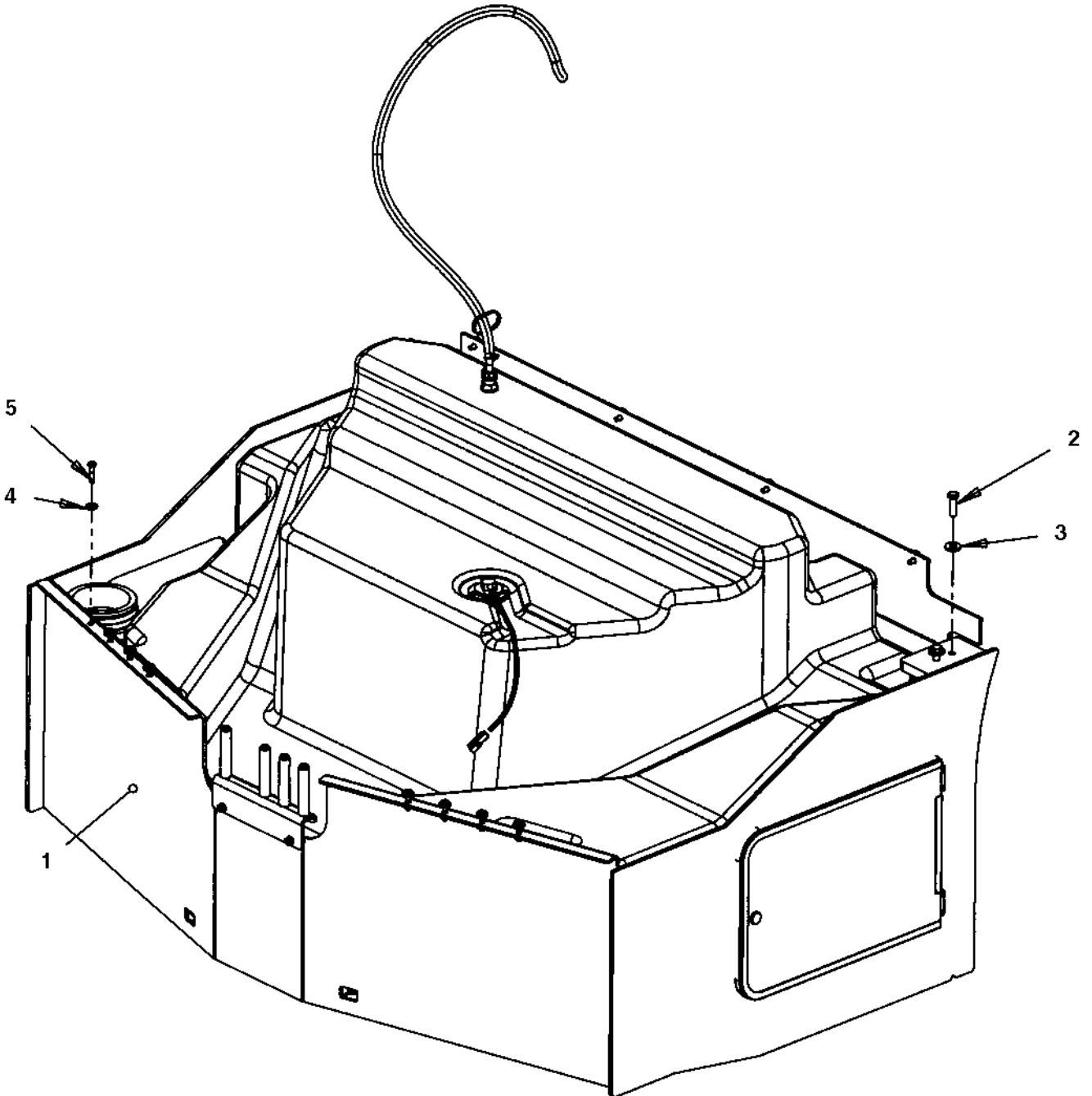


391023 Steering cylinder

Ref. No.	Part No.	Rem.	Qty	Description	Code
1	391023		1	Steering cylinder (Page 28)	
2	950417		1	.Seal kit	
3			2	..Seal	
4			1	..O-ring	
5			1	..Back-up ring	
6			1	..Seal	
7			1	..O-ring	
8			1	..Seal	
9			1	..Seal	
10			1	..O-ring	
11			1	.Piston block	
12			1	.Steering	
13	950222		2	.Shaft	
14			4	.Washer	
15	635061		4	.Hair clip	D
16			1	.Piston rod	D
17			1	.Cylinder	D

Tank structure module

394520

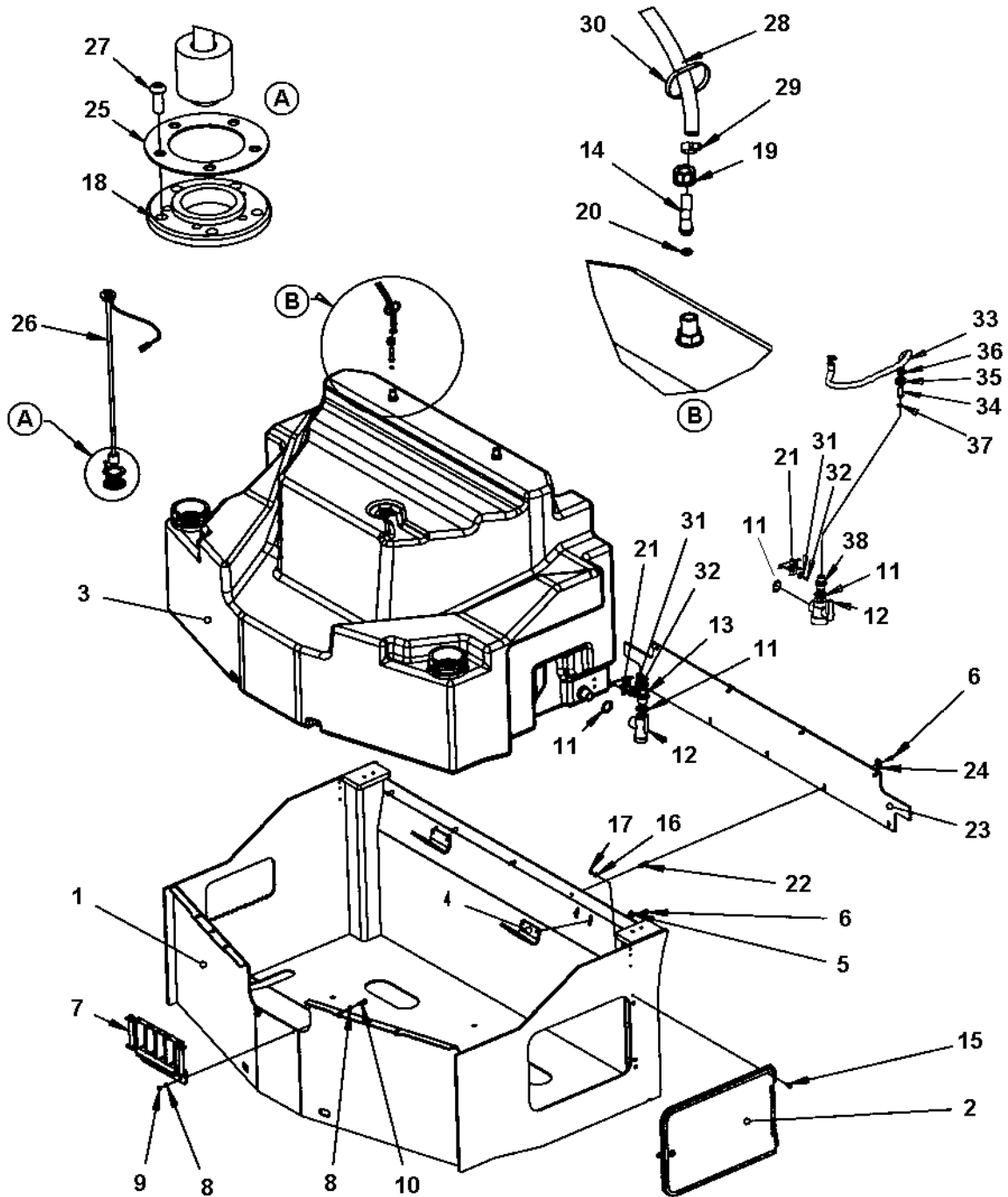


Tank structure module

Ref. No.	Part No.	Rem.	Qty	Description	Code
1			1	Tank structure module (Page 32)	
2	500194		4	Screw	
3	904213		4	Washer	
4	904213		6	Washer	
5	500194		6	Screw	

Tank structure module

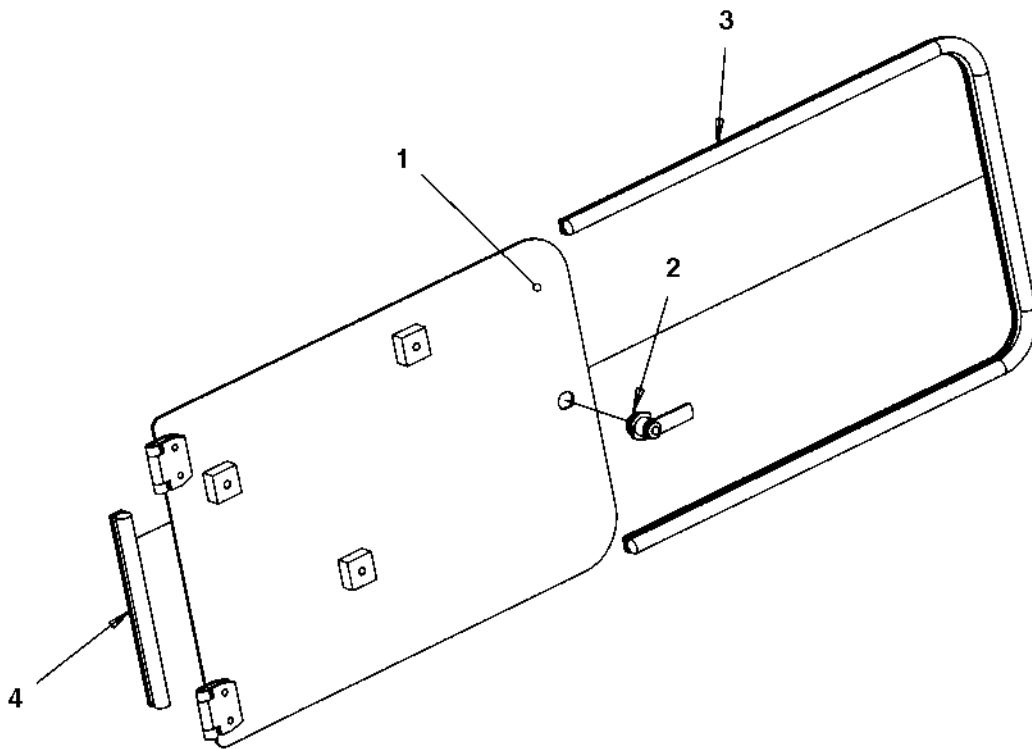
394521B



Tank structure module

Ref. No.	Part No.	Rem.	Qty	Description	Code
1	395131		1	Tank structure	
2	391307		1	Cover (Page 34)	
3	396496	1	1	Sprinkling tank	
4	391624		2	Bracket	
5	904640		4	Washer	
6	500053		13	Screw	
7	394022		1	Hose support	
8	904229		4	Washer	
9	570005		2	Nut	
10	500022		2	Screw	
11	392223		2	Plane gasket	
12	792782		1	Ball valve	
14	393542		2	Hose connection swivel	
15	928784		4	Screw	
16	603001		4	Washer	
17	586002		4	Lock nut	
18	370745		1	Flange, cpl	
19	392227		2	Swivel nut	
20	792600		2	O-ring	
21	396739		1	Bracket	
22	900672		5	Blind insert nut	
23	393412		1	Rubber cloth	
24	615050		9	Washer	
25	372718		1	Lid	
26	391353		1	Level sender	
27	904206		5	Screw	
28	904878	A	1XL	Hose reinforced	
29	313001		2	Hose clamp	
30	313102		N	Cable ties	
31	904228		2	Washer	
32	500012		2	Screw	
33	792073	B	1XL	Hose reinforced	D
34	792780		1	Hose connection swivel	
35	792779		1	Swivel nut	
36	313003		2	Hose clamp	D
37	480852		1	O-ring 70	
38	792781		1	Reducer nipple	

- 1) Tank with two filling holes.
- A) Length as required
- B) L= 0.7 m

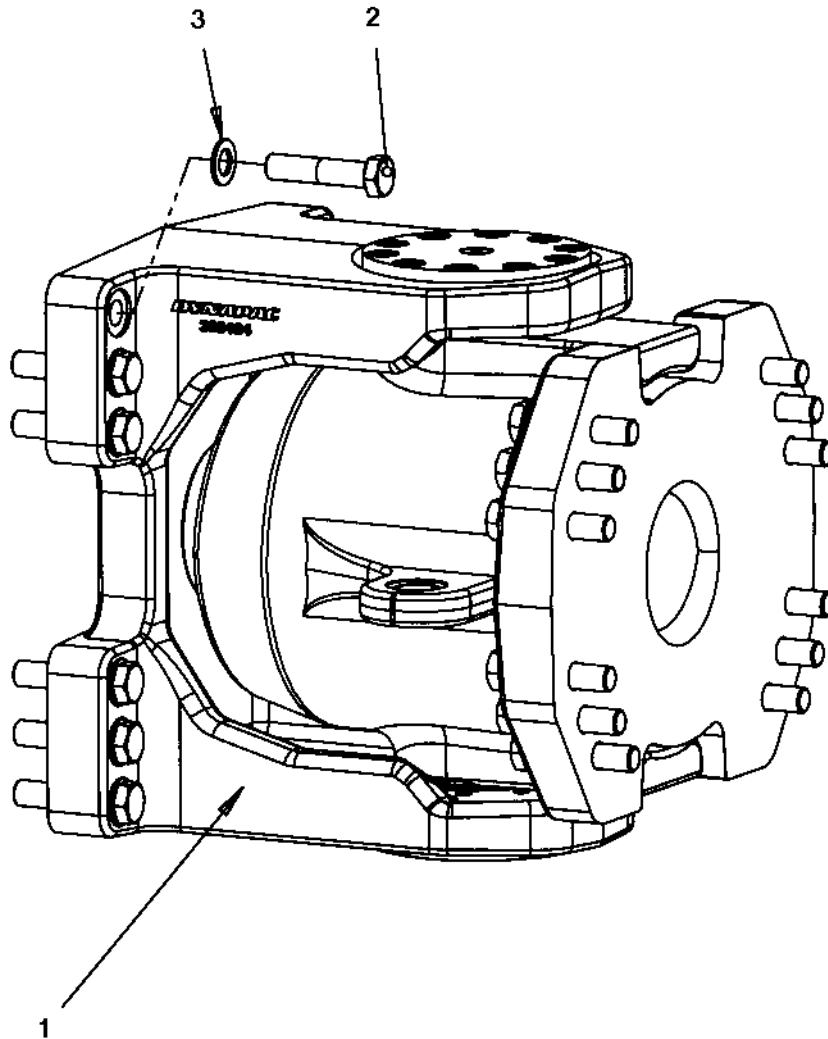


391307 Cover

Ref. No.	Part No.	Rem.	Qty	Description	Code
1	391308		1	Cover	
2	383626		1	Lock	
	902866		1	.Key	Marked "455" D
3	202057	A	1XL	Edge trim	D
4	202057	B	1XL	Edge trim	D
A)	L=1.33 m				
B)	L=0.21 m				

Hitch module

391615

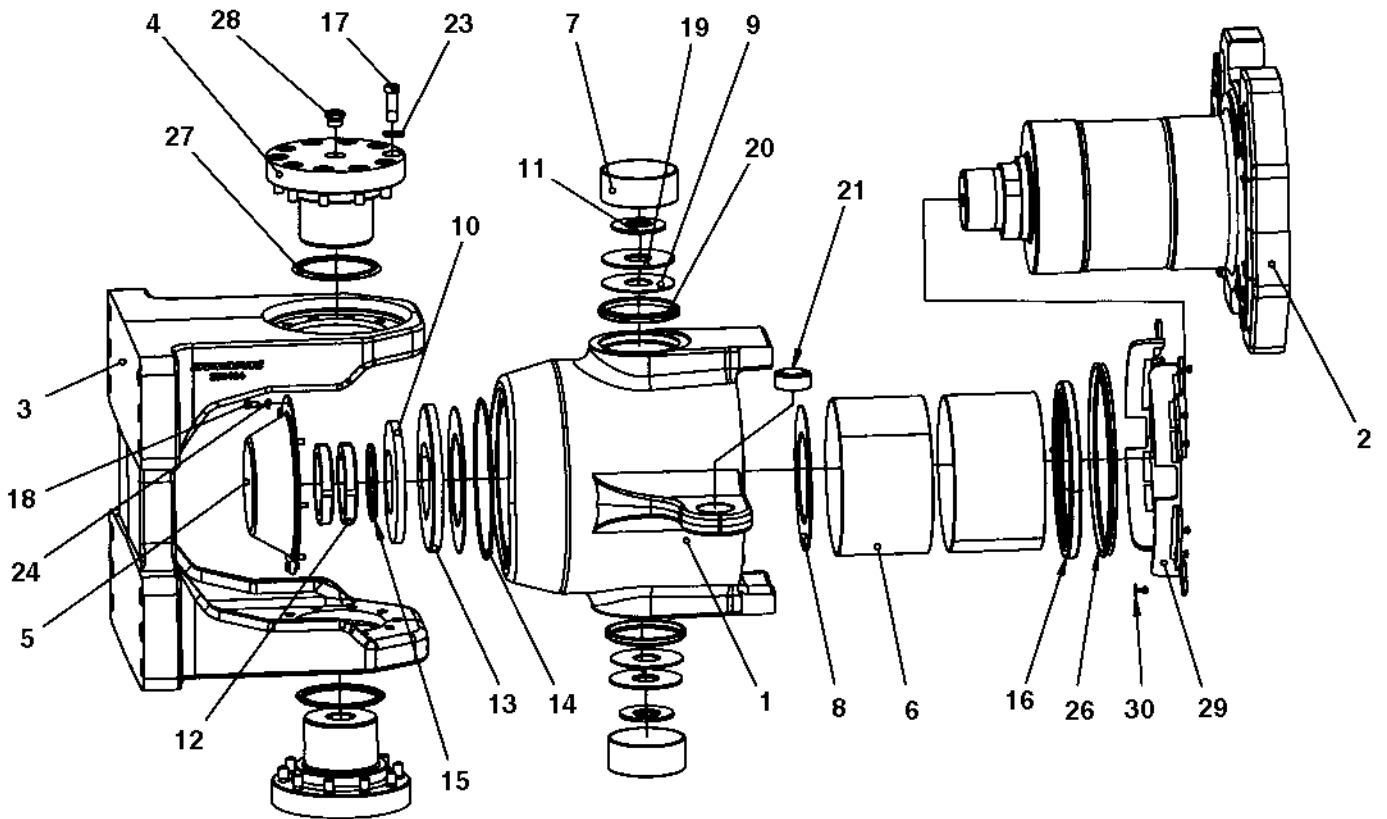


Hitch module

Ref. No.	Part No.	Rem.	Qty	Description	Code
1			1	Hitch link (Page 38)	
2	500287		24	Screw	
3	904233		24	Washer	

Hitch link

390532

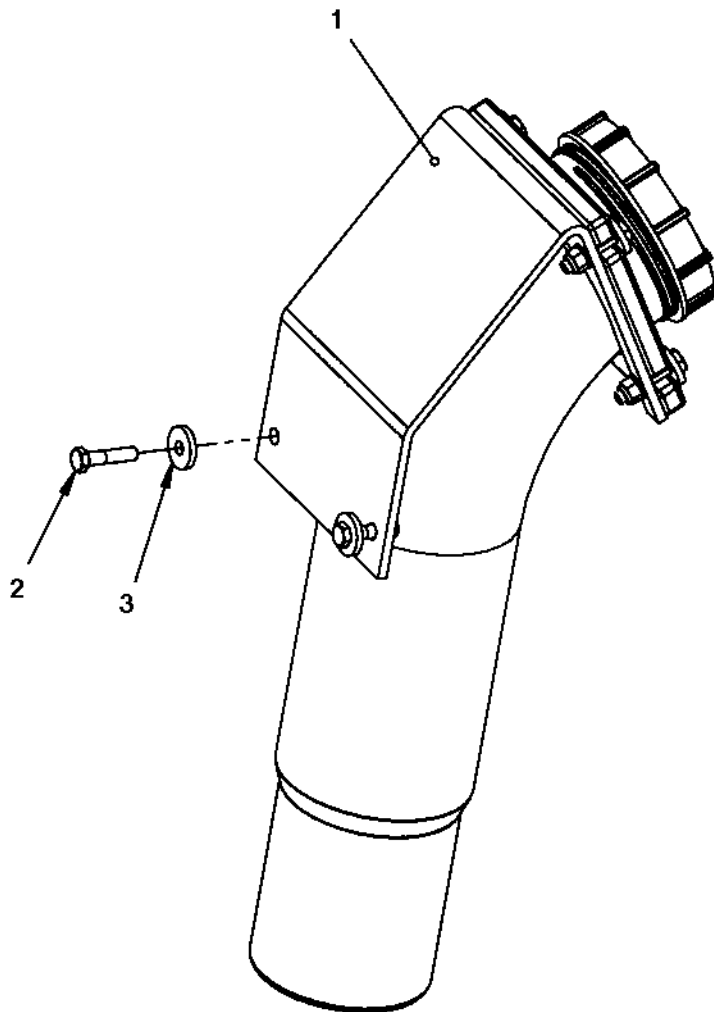


Hitch link

Ref. No.	Part No.	Rem.	Qty	Description	Code
1	390533		1	Hitch yoke	
2	390534		1	Shaft	
3	393464		1	Hitch holder	
4	393465		2	Shaft	
5	392550		1	Cover	
6	390538		2	Sleeve bearing	
7	390539		2	Sleeve bearing	
8	393523		2	Slide washer	
9	390541		2	Slide washer	
10	390542		1	Disc spring	
11	390543		2	Disc spring	
12	135015		2	Shaft nut	
13	393115		1	Thrust washer	
14	160277		1	O-ring	
15	393218		1	Back-up ring	
16	391031		1	Radial lip-type seal	
17	792394		20	Screw	
18	500012		8	Screw	
19	391566		2	Washer	
20	792517		2	Shear wiper	
21	792554		2	Radial spherical plain bearing	D
23	904231		20	Washer	
24	904228		8	Washer	
26	792515		1	Sealing, v-ring	
27	792518		2	Radial lip-type seal	
28	792295		2	Steel plug	
29	394207		2	Flush cover	
30	792325		12	Blind rivet	

Filling pipe module

391627

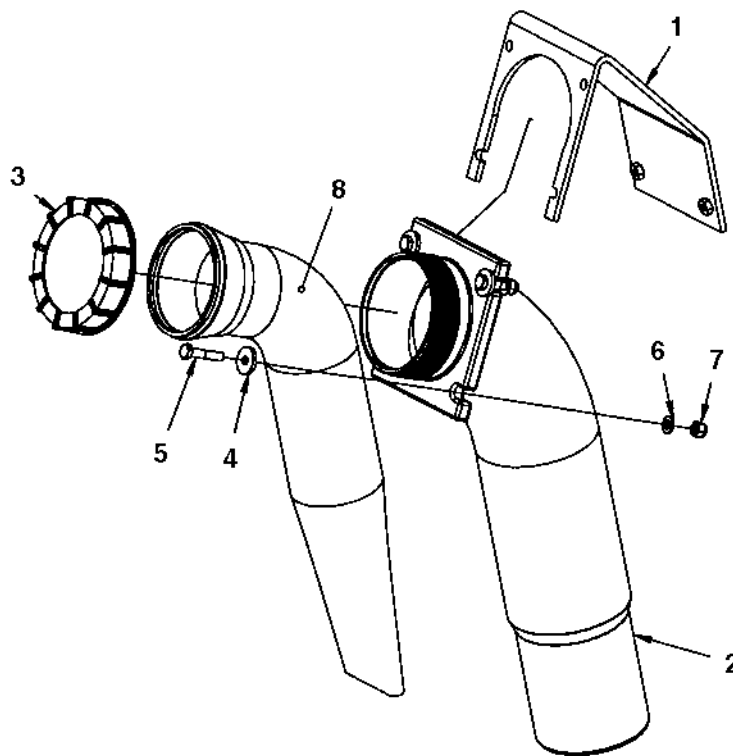


Filling pipe module

Ref. No.	Part No.	Rem.	Qty	Description	Code
1			1	Filling pipe (Page 42)	
2	500047		2	Screw	
3	904734		2	Washer	

Filling pipe

392098A

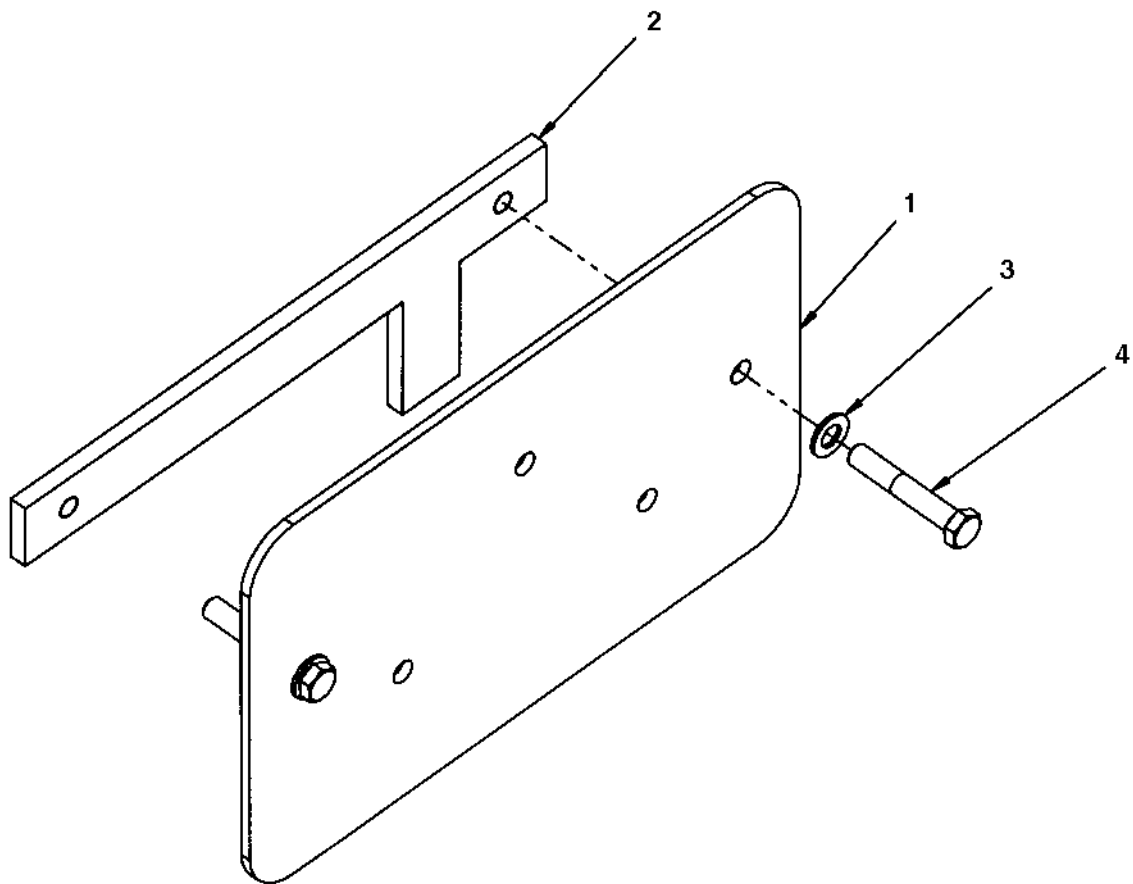


Filling pipe

Ref. No.	Part No.	Rem. Qty	Description	Code
1	391626	1	Bracket	
2	390613	1	Filling pipe	
3	920819	1	Filler cap	D
4	904734	4	Washer	
5	500023	4	Screw	M8-1,25x40 8,8
6	904229	4	Washer	
7	586003	4	Lock nut	
8	391444	1	Strainer	

Cover module

391646

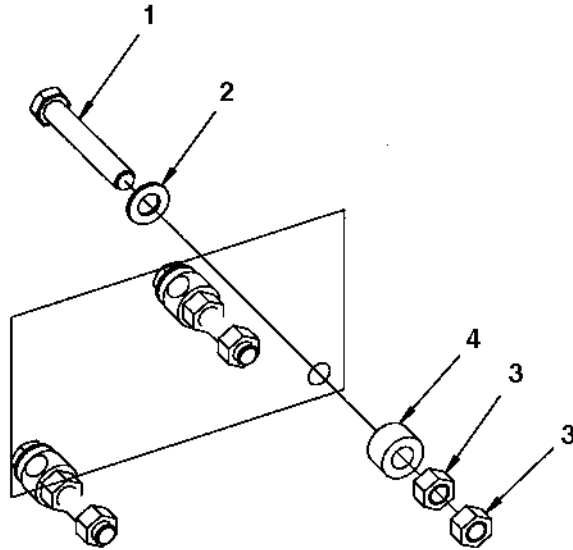


Cover module

Ref. No.	Part No.	Rem. Qty	Description	Code
1	391647	1	Cover	
2	391648	1	Bracket	
3	904231	2	Washer	
4	500133	2	Screw	

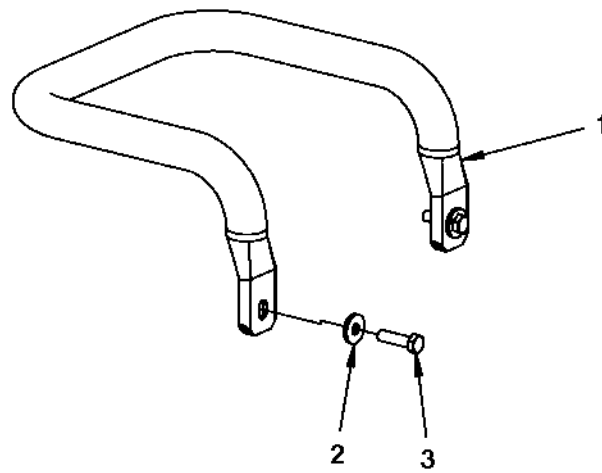
Holder

391649



Holder

Ref. No.	Part No.	Rem.	Qty	Description	Code
1	903898		3	Screw	
2	904231		3	Washer	
3	570007		6	Hexagon nut	M12
4	791572		3	Spacer washer	

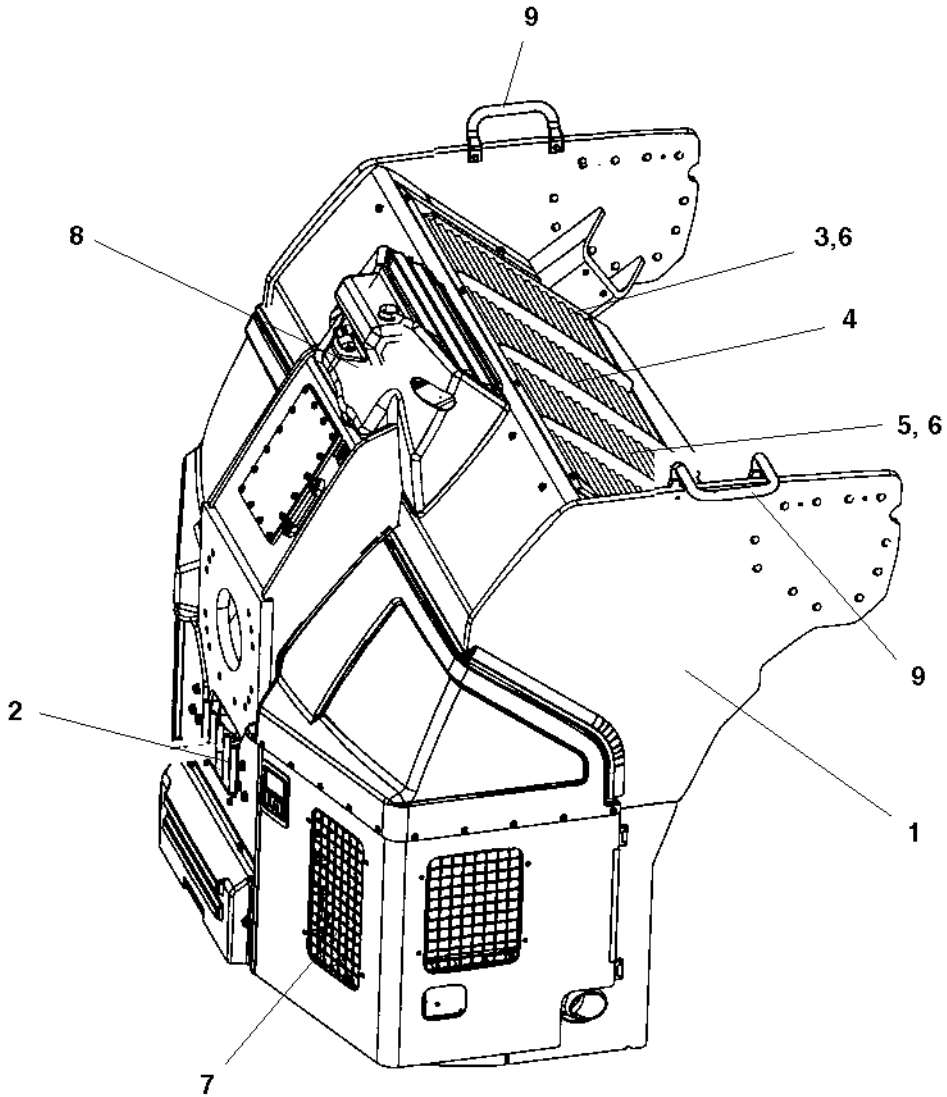


Grab handle module

Ref. No.	Part No.	Rem. Qty	Description	Code
1	394911	1	Grab handle	
2	904640	2	Washer	
3	500022	2	Screw	

Rear frame

AR0030

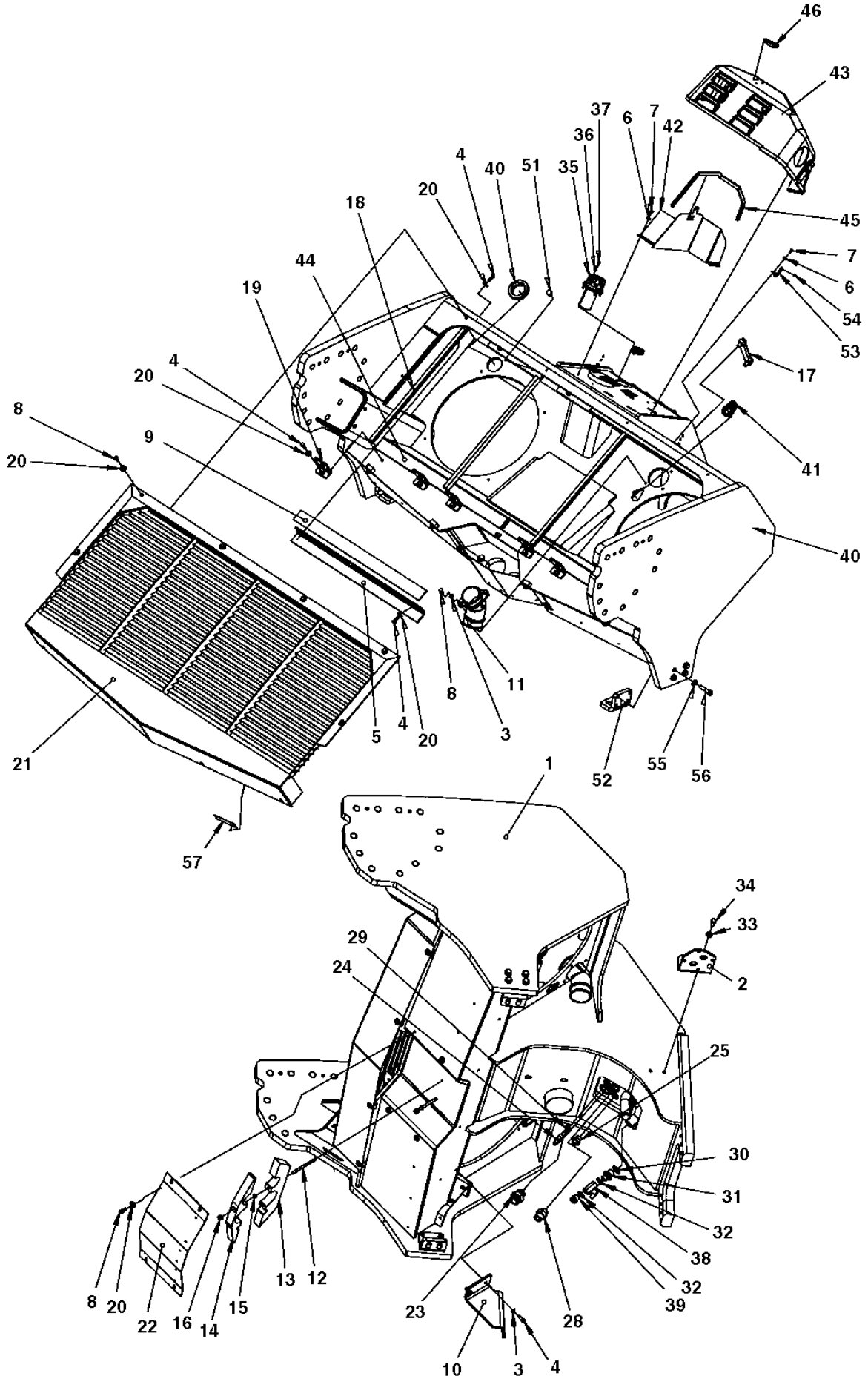


Rear frame

Ref. No.	Part No.	Rem.	Qty	Description	Code
1			1	Rear frame (Page 52)	
2			1	Engine structure, module (Page 56)	
3			1	Water cooler (Page 206)	
4			1	Charge air cooler (Page 204)	
5			1	Oil cooler (Page 64)	
6			2	Fan (Page 68)	
7			1	Noise suppression plates (Page 72)	
			1	Noise suppression, covers (Page 74)	
8			1	Expansion tank assembly (Page 210)	
9			2	Grab handle module (Page 48)	
		A	2	Grab handle module (Page 76)	
A)	Offset drum				

Rear frame

394528



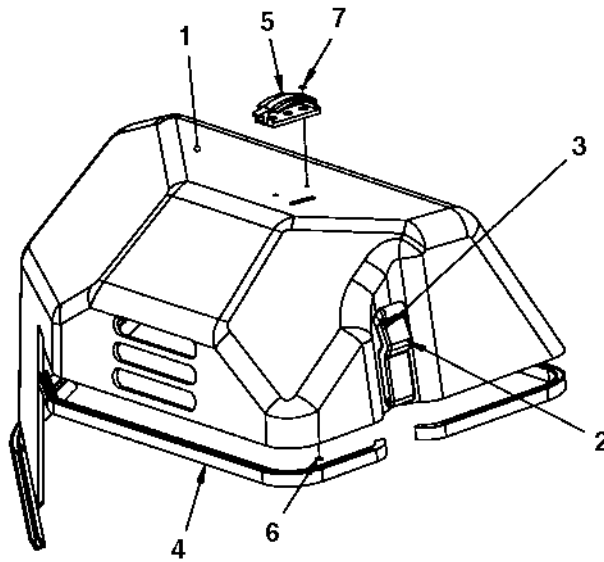
Rear frame

Ref. No.	Part No.	Rem.	Qty	Description	Code
1	394529		1	Rear frame	
2	392288		1	Bracket	
3	904229		4	Washer	
4	500021		16	Screw	
5	390780		2	Bracket	
6	603001		8	Washer	
7	500059		8	Screw	
8	500053		16	Screw	
9	391298		4	Rubber cloth	
10	391300		1	Bracket	
11	394000		1	Bulkhead elbow	
12	792326		2	Stud	
13	391375		1	Hose support	
14	391376		1	Hose support	
15	904044		2	Washer	
16	902286		2	Lock nut	
17	792492		1	Level gauge	D
18	391299	A	1XL	Rubber strip	
19	391296		6	Bracket	
20	904640		28	Washer	
21	390640		1	Cover	
22	391434		1	Cover	
23	792338		1	Straight connector	
24	792276		1	Temperature sensor	D
25	791405		1	Straight o-ring connector	
28	904728		1	Adapter	
29	162015		1	Seal ring	D
30	791120		1	Sealing washer	
31	792421		1	Straight connector	
32	162006		2	Seal ring	
33	904230		2	Washer	
34	500028		2	Screw	
35	391026		1	Ventilating filter	A
36	904281		6	Washer	
37	508020		6	Screw	
38	925599		1	Valve	
39	232056		1	Plug	
40	393001		2	Grommet	
41	393149		2	Grommet	
42	393281		1	Bracket	
43			1	Cover, cpl (Page 54)	
44	394459		2	Rubber cloth	
45	202028	B	N	Edge trim	
46	358881		1	Pad lock	
51	792607		6	Shock absorber	
52	394400		2	Bracket	
53	394297		1	Bracket	
54	624021		4	Pop rivet	
55	904703		8	Washer	
56	500195		8	Screw	
57	394513		1	Rubber cloth	

A) L= 2,34 m
B) L= 0,6 m

Cover, cpl

394298

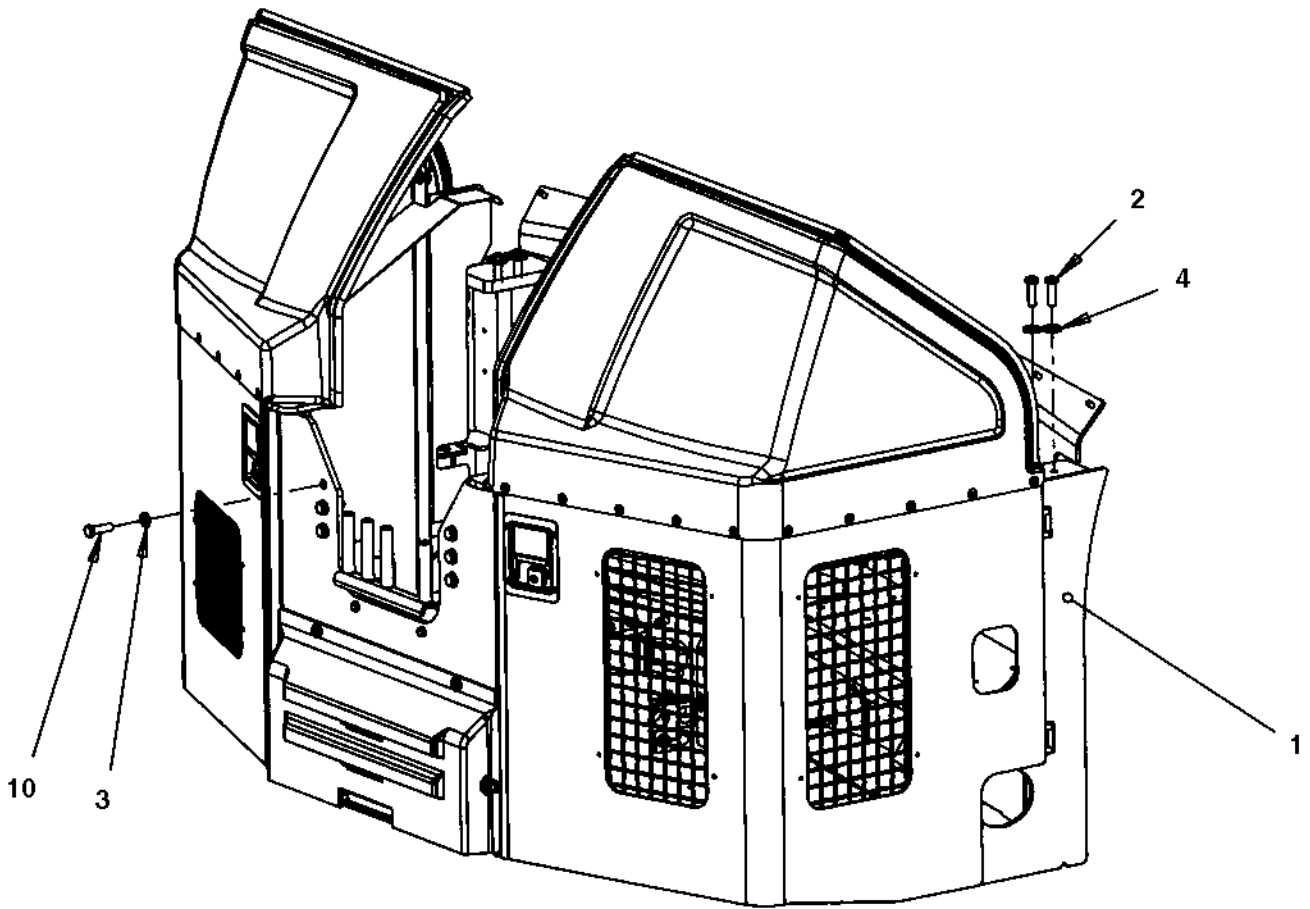


Cover, cpl

Ref. No.	Part No.	Rem.	Qty	Description	Code
1	391750		1	Cover	
2	388846		2	Latch	
3	624021		4	Pop rivet	
4	902166	A	1XL	Edge trim	
5	394536		1	Wiring clip	
6	904697		2	Washer	3,2x6x0,5
7	624018		2	Rivet	
A)	L=1.69 m				

Engine structure, module

394519

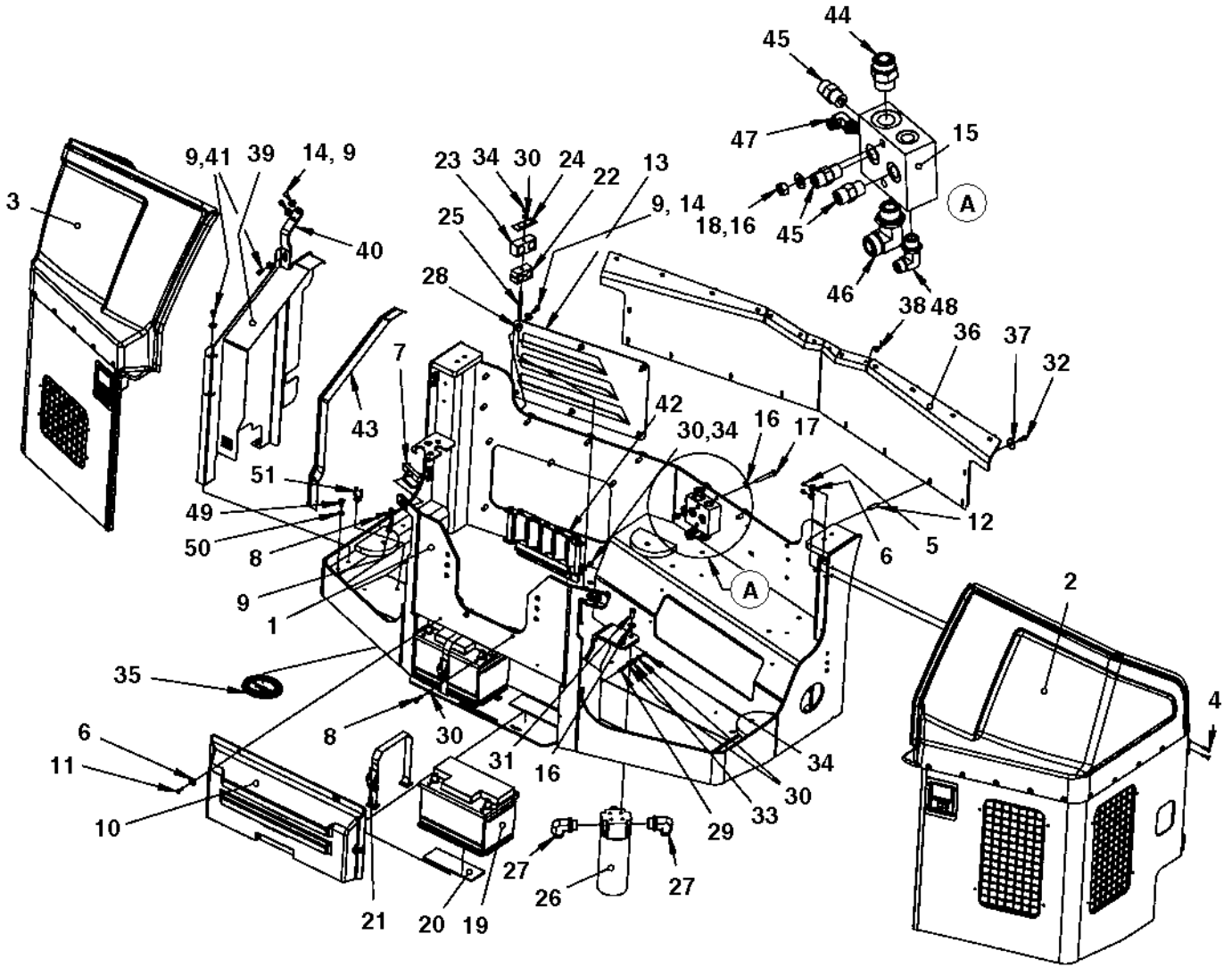


Engine structure, module

Ref. No.	Part No.	Rem.	Qty	Description	Code
1			1	Engine structure (Page 58)	
2	500194		4	Screw	
3	904231		6	Washer	
4	904213		4	Washer	
10	500195		6	Screw	

Engine structure

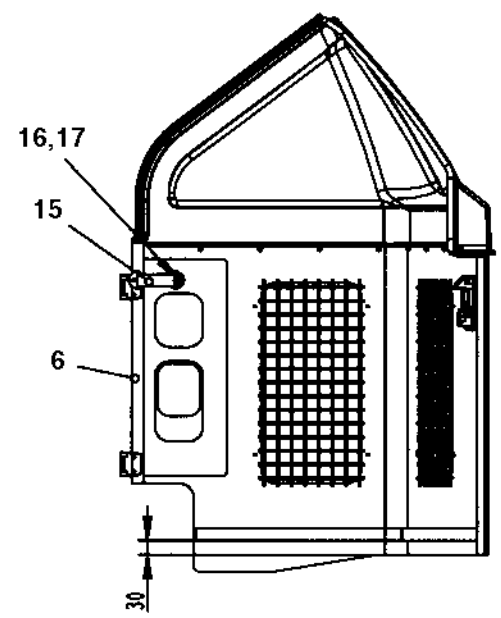
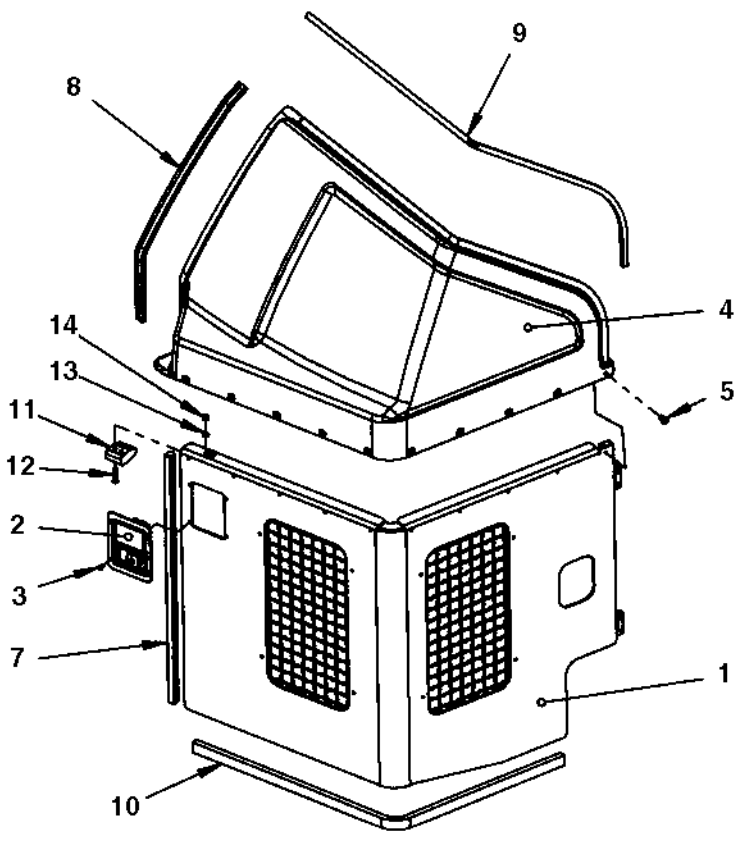
394533



Engine structure

Ref. No.	Part No.	Rem.	Qty	Description	Code
1	394514		1	Engine structure	
2	390157		1	Engine cover (Page 60)	
3	390158		1	Engine cover (Page 62)	
4	928784		8	Screw	
5	586002		8	Lock nut	
6	904735		12	Washer	
7	378310		2	Lock bracket	
8	500022		6	Screw	
9	904640		15	Washer	
10	390884		1	Cover	
11	500040		4	Screw	
12	900672		16	Blind insert nut	
13	392799		1	Grid	
14	500021		8	Screw	
15	391157		1	Connection block	
16	904230		6	Washer	
17	500092		2	Screw	
18	570006		2	Nut	
19	792311		2	Battery	
20	357459		4	Rubber cloth	
21	391441		2	Strap	
22	903456		1	Pipe clamp	
23	791711		1	Pipe clamp	
24	791712		1	Cover plate	
25	791861		1	Stud	
26	391025		1	Hydraulic oil filter	
	391433		1	.Filter element	A
27	791844		2	Elbow adapter 90	
28	791569		1	Blind insert nut	
29	903768		3	Threaded stud	
30	904229		11	Washer	
31	500028		2	Screw	
32	500053		18	Screw	
33	570005		3	Nut	
34	586003		6	Lock nut	
35	379992		1	Plug	
36	379974		1	Rubber cloth	
37	615050		18	Washer	
38	792325		6	Blind rivet	
39	391769		1	Belt guard	
40	391768		1	Bracket	
41	500019		3	Screw	
42	394022		1	Hose support	
43	792258	A	1XL	Edge trim	
44	791823		1	Straight connector orfs	
45	791799		3	Straight connector orfs	
46	791231		1	Elbow 90	D
47	792334		1	Elbow 90 orfs	
48	791840		1	Elbow adapter 90, O-ring with swivel	
49	500043		1	Screw	
50	904637		1	Washer	
51	394701		N	Wiring clip	

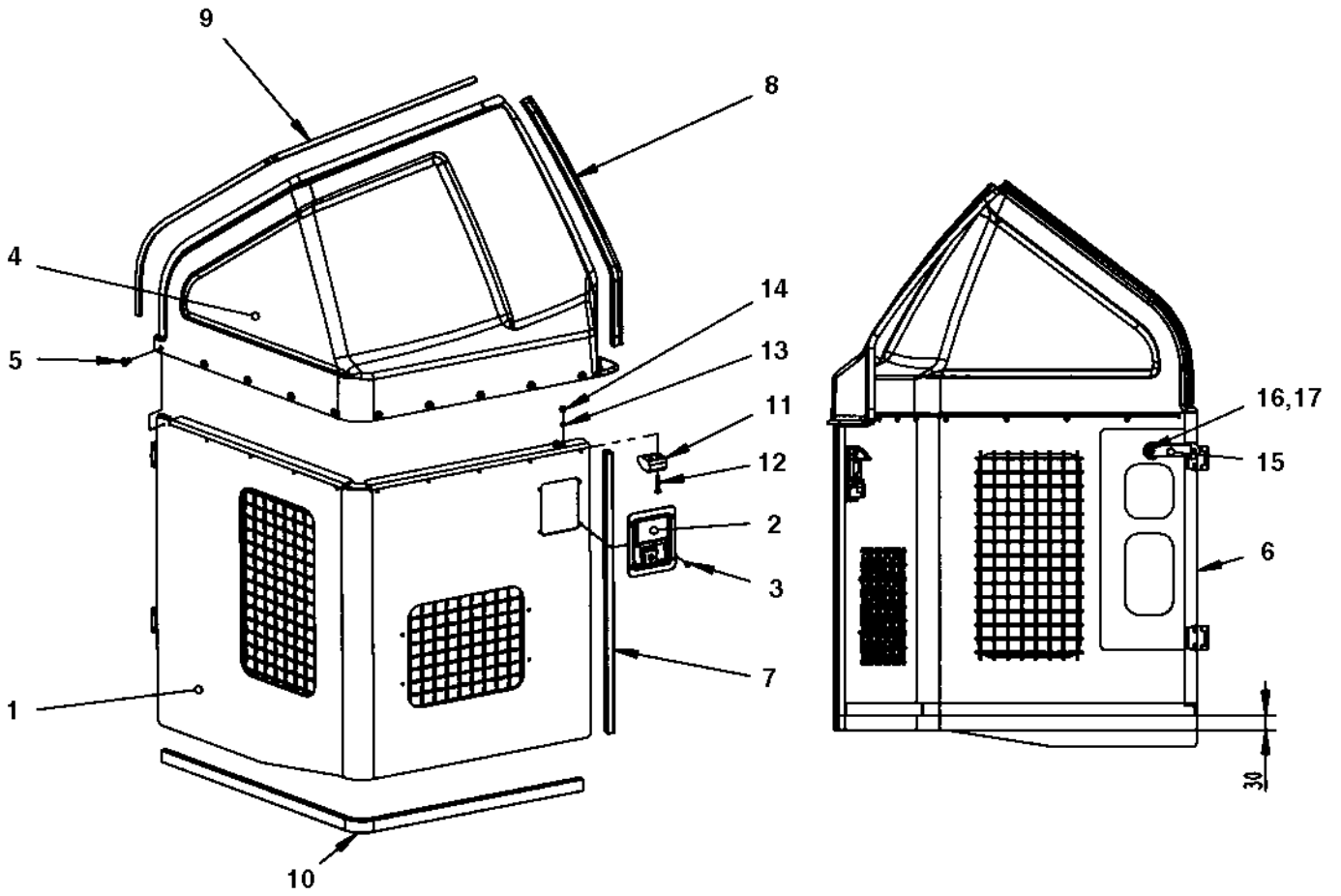
A) L=0.87 m



390157 Engine cover

Ref. No.	Part No.	Rem.	Qty	Description	Code
1	390166		1	Cover	
2	378309		1	Lock	
	902866		1	.Key	Marked "455" D
3	792669		4	Blind rivet	
4	379976		1	Cover	
5	792325		10	Blind rivet	
6	792718	A	1XL	Rubber strip	
7	202057	B	1XL	Edge trim	D
8	902166	C	1XL	Edge trim	
9	903953	D	1XL	Edge trim	
10	792718	E	1XL	Rubber strip	
11	390365		1	Spacer	
12	924875		2	Screw	
13	904228		2	Washer	
14	586002		2	Lock nut	
15	390545		1	Strap	
16	904735		1	Washer	
17	500059		1	Screw	

- A) L=0.5m
- B) L=0.625m
- C) L=0.6m
- D) L=1.2m
- E) L=1.3m



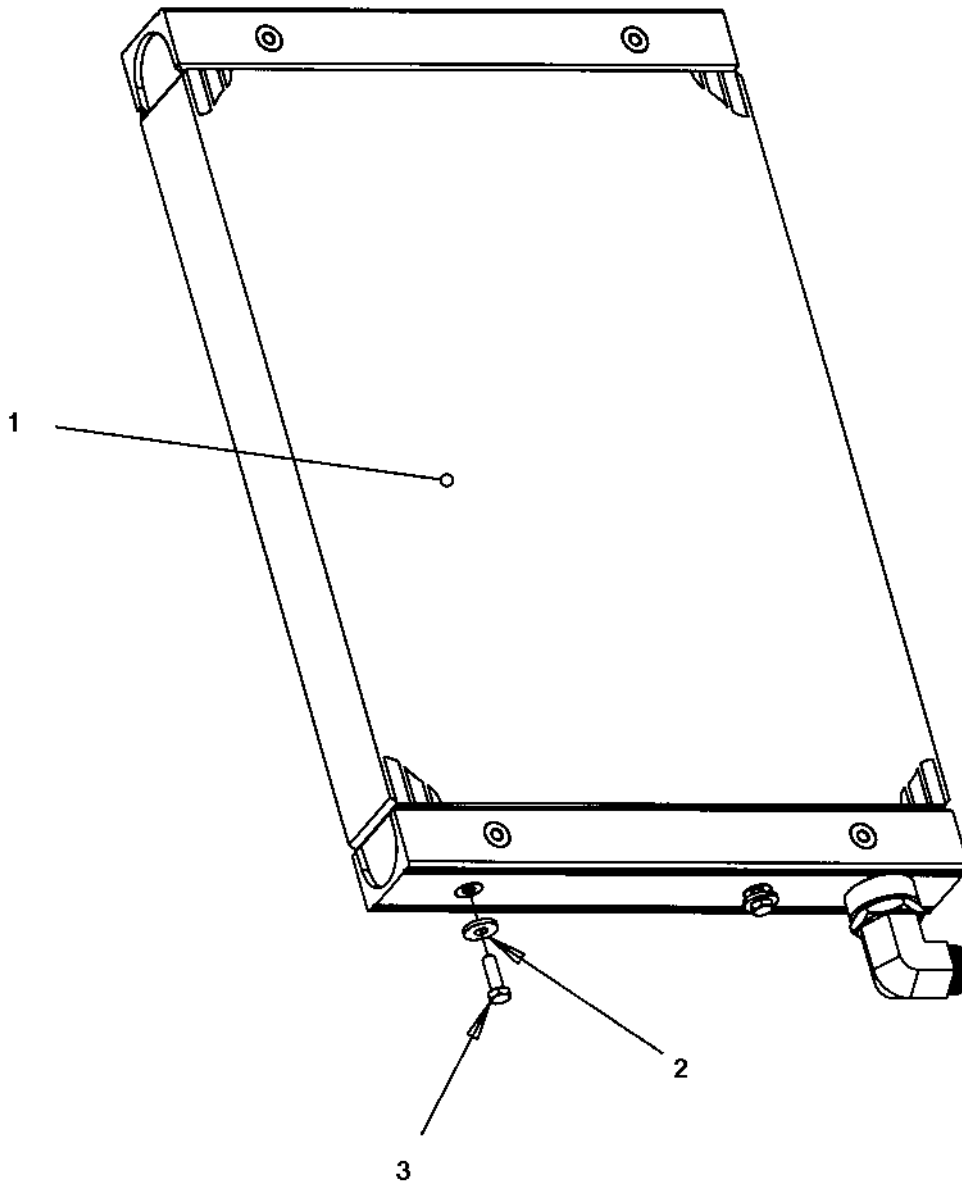
390158 Engine cover

Ref. No.	Part No.	Rem.	Qty	Description	Code
1	390167		1	Cover	
2	378309		1	Lock	
	902866		1	.Key	Marked "455" D
3	792669		4	Blind rivet	
4	379977		1	Cover	
5	792325		10	Blind rivet	
6	792718	A	1XL	Rubber strip	
7	202057	B	1XL	Edge trim	D
8	902166	C	1XL	Edge trim	
9	903953	D	1XL	Edge trim	
10	792718	E	1XL	Rubber strip	
11	390365		1	Spacer	
12	924875		2	Screw	
13	904228		2	Washer	
14	586002		2	Lock nut	
15	390545		1	Strap	
16	904735		1	Washer	
17	500059		1	Screw	

- A) L=0.6m
- B) L=0.625m
- C) L=0.6m
- D) L=1.2m
- E) L=1.45m

Oil cooler

391587

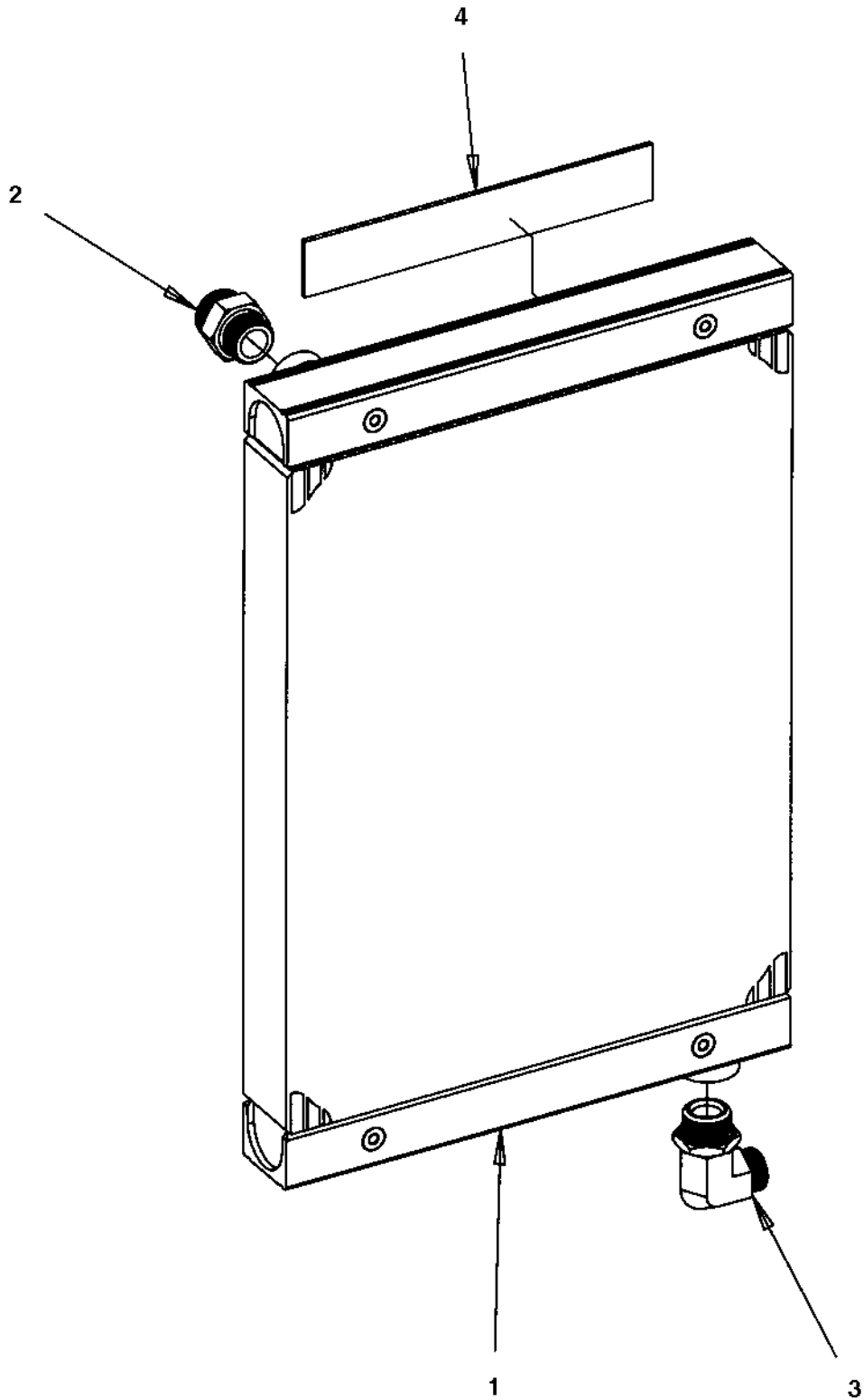


Oil cooler

Ref. No.	Part No.	Rem.	Qty	Description	Code
1			1	Oil cooler (Page 66)	
2	904640		2	Washer	
3	500021		2	Screw	

Oil cooler

391947

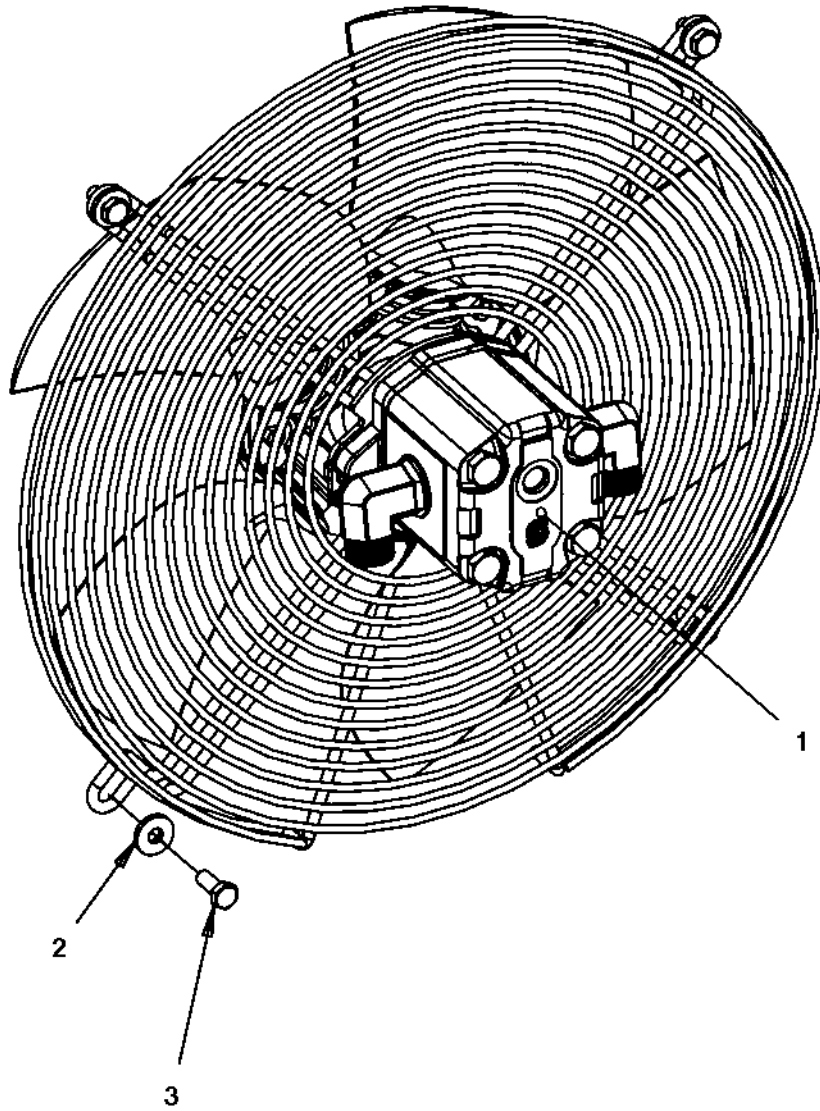


Oil cooler

Ref. No.	Part No.	Rem. Qty	Description	Code
1	390629	1	Oil cooler	C
2	792339	1	Straight connector orfs	
3	791321	1	Elbow adapter 90	
4	391297	1	Rubber cloth	

Fan

390338

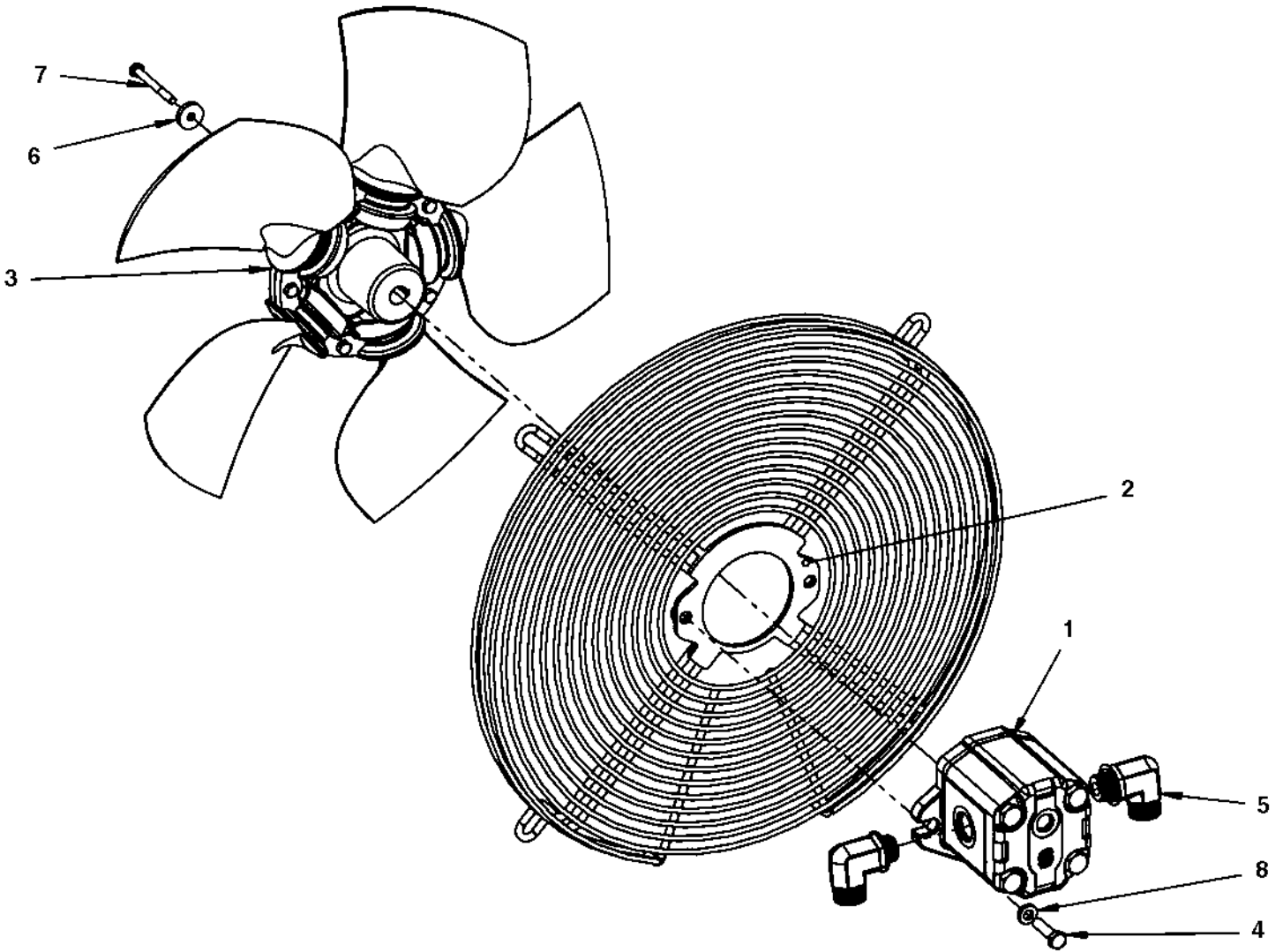


Fan

Ref. No.	Part No.	Rem.	Qty	Description	Code
1			1	Fan (Page 70)	
2	904640		4	Washer	
3	500053		4	Screw	

Fan

391937

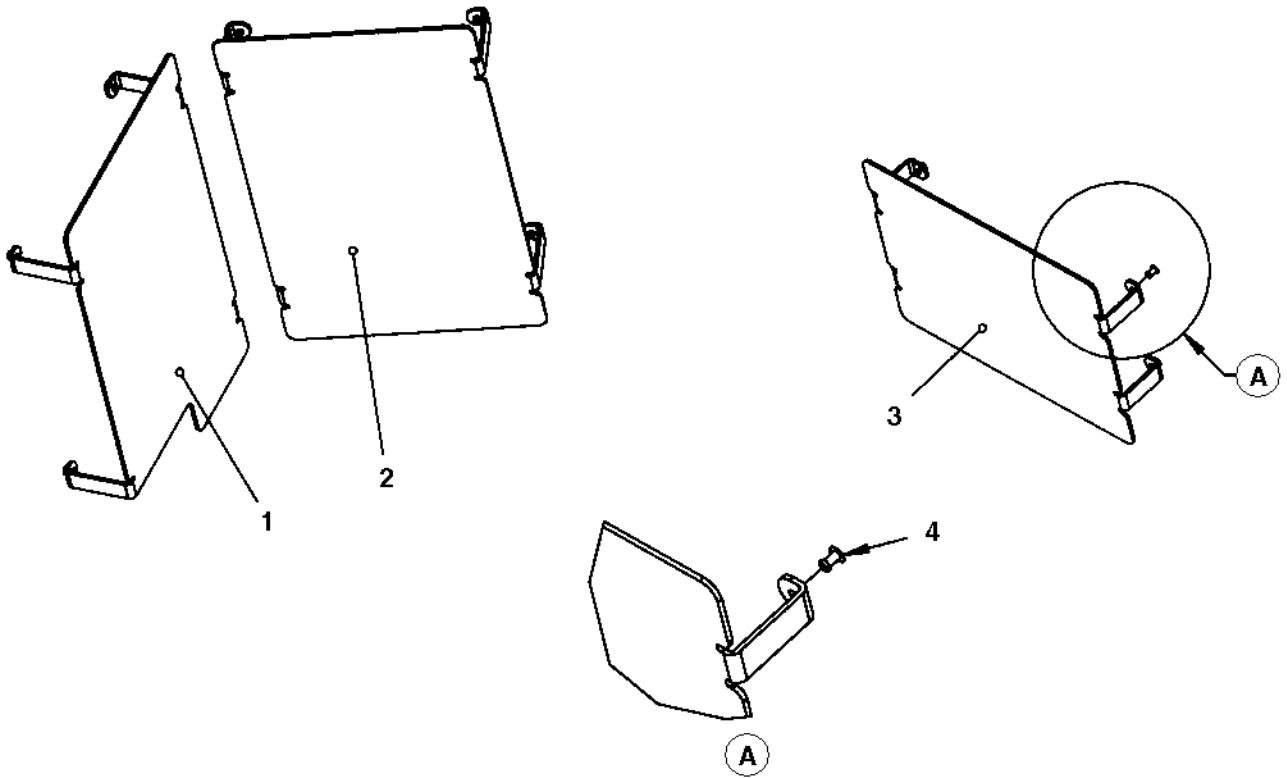


Fan

Ref. No.	Part No.	Rem.	Qty	Description	Code
1	390609		1	Hydraulic motor	D
2	390608		1	Fan guard	
3	390607		1	Fan	D
4	500022		2	Screw	
5	792332		2	Elbow 90 orfs	
6	904735		2	Washer	
7	500016		1	Screw	
8	904640		2	Washer	

Noise suppression plates

379988

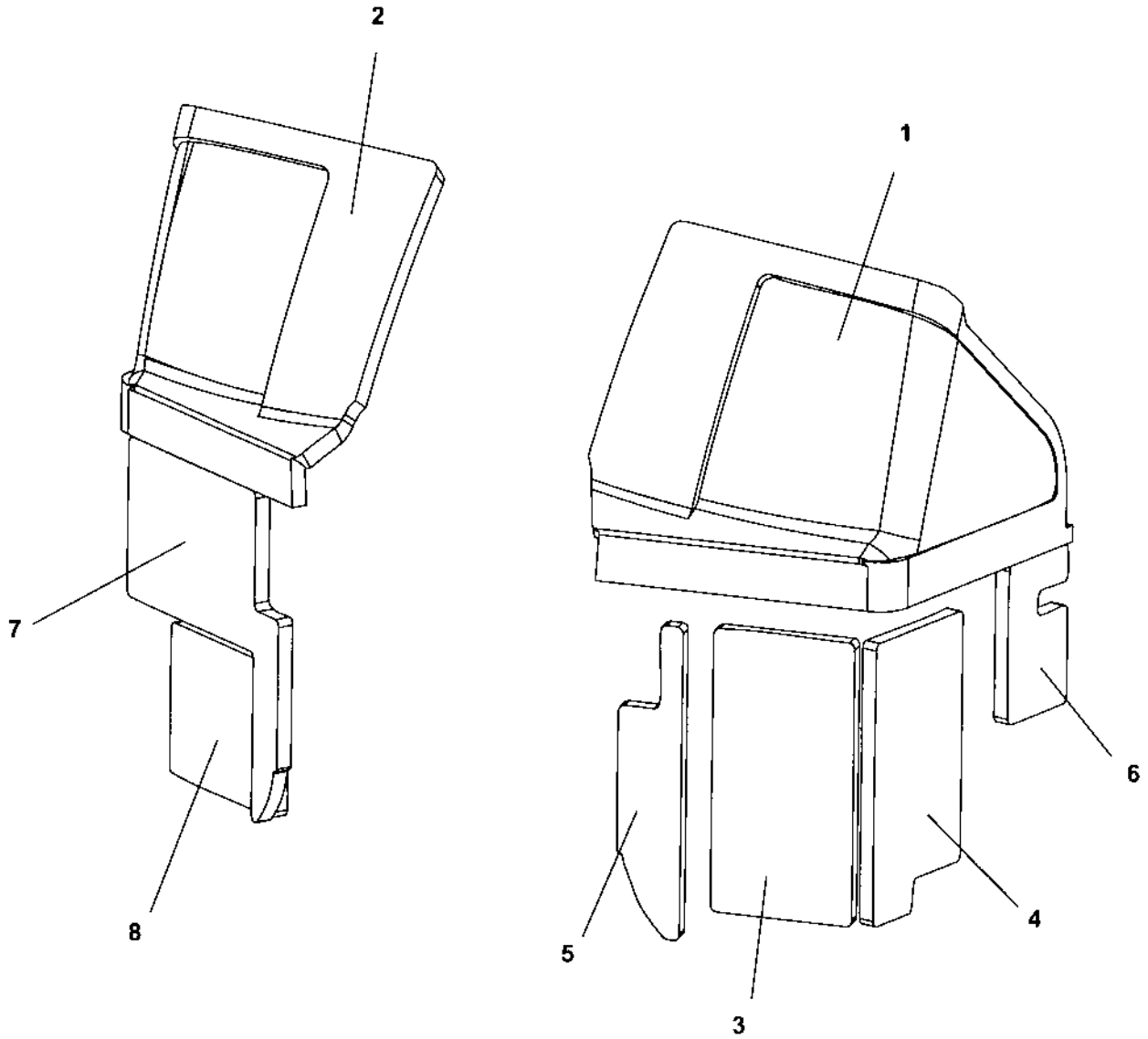


Noise suppression plates

Ref. No.	Part No.	Rem.	Qty	Description	Code
1	391369		1	Noise suppression plate	
2	391370		1	Noise suppression plate	
3	391371		1	Noise suppression plate	
4	792669		12	Blind rivet	

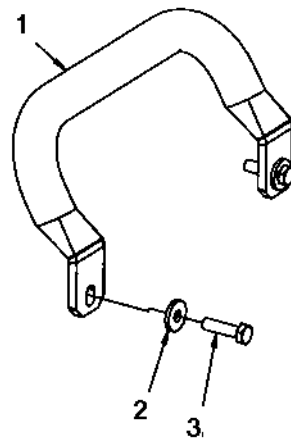
Noise suppression, covers

394566



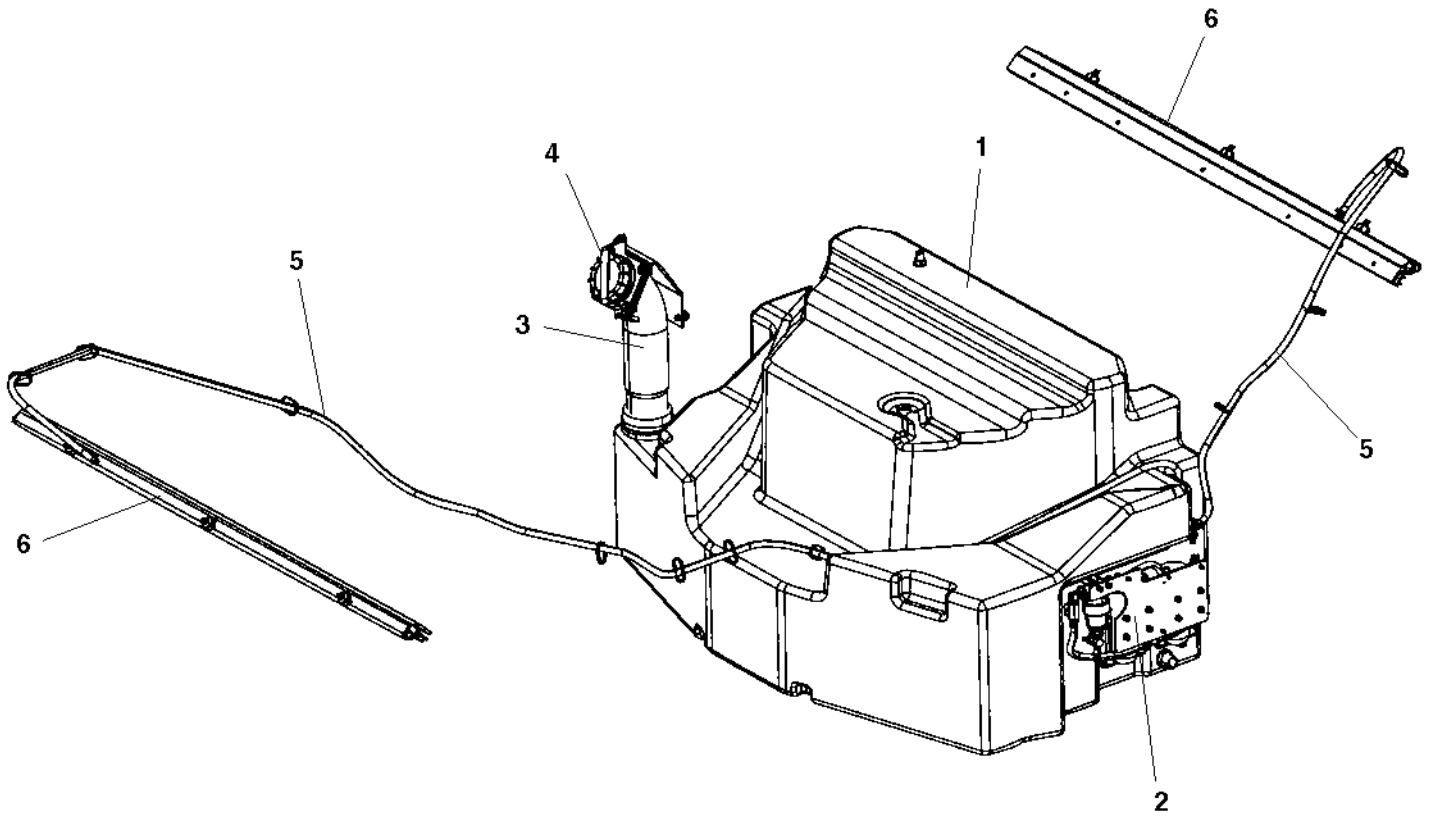
Noise suppression, covers

Ref. No.	Part No.	Rem. Qty	Description	Code
1	394567	1	Sound absorbent	
2	394568	1	Sound absorbent	
3	394569	1	Sound absorbent	
4	394570	1	Sound absorbent	
5	394571	1	Sound absorbent	
6	394572	1	Sound absorbent	
7	394573	1	Sound absorbent	
8	394575	1	Sound absorbent	



Grab handle module

Ref. No.	Part No.	Rem.	Qty	Description	Code
1	394545		1	Grab handle	
2	904640		2	Washer	
3	500022		2	Screw	



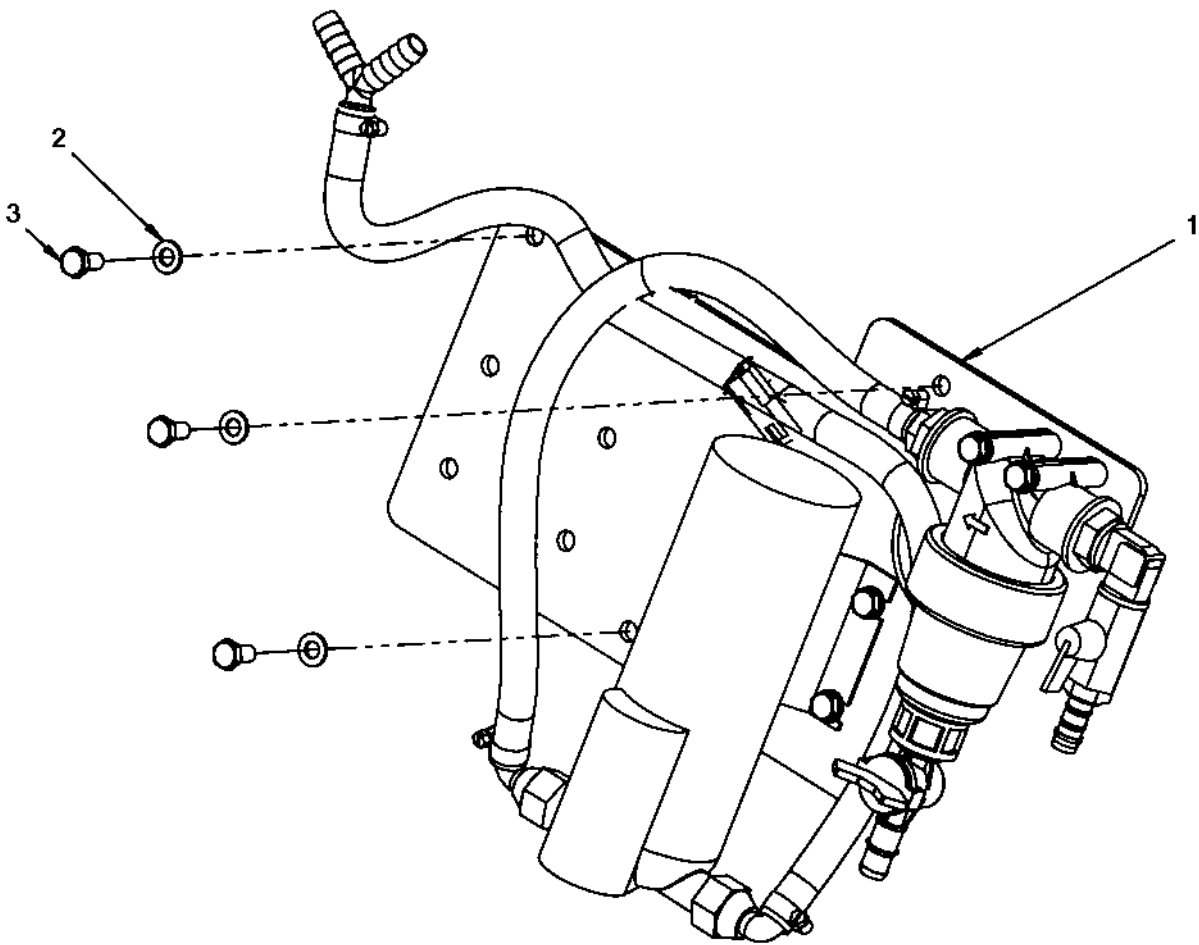
Sprinkler system

Ref. No.	Part No.	Rem.	Qty	Description	Code
1			1	Tank structure module (Page 30)	
2			1	Sprinkler pump module (Page 80)	
			1	Sprinkler pump, backup (Page 84)	
			1	Sprinkler pump, additonal sprinkler (Page 86)	
3		1	2	Filling pipe module (Page 40)	
4			1	Cover lock module (Page 90)	
			1	Locking device module (Page 94)	
5			1	Water hoses (Page 96)	
6			2	Scraper assy with nozzles (Page 128)	

1) Two pieces when use of tank with dual filling holes.

Sprinkler pump module

396722

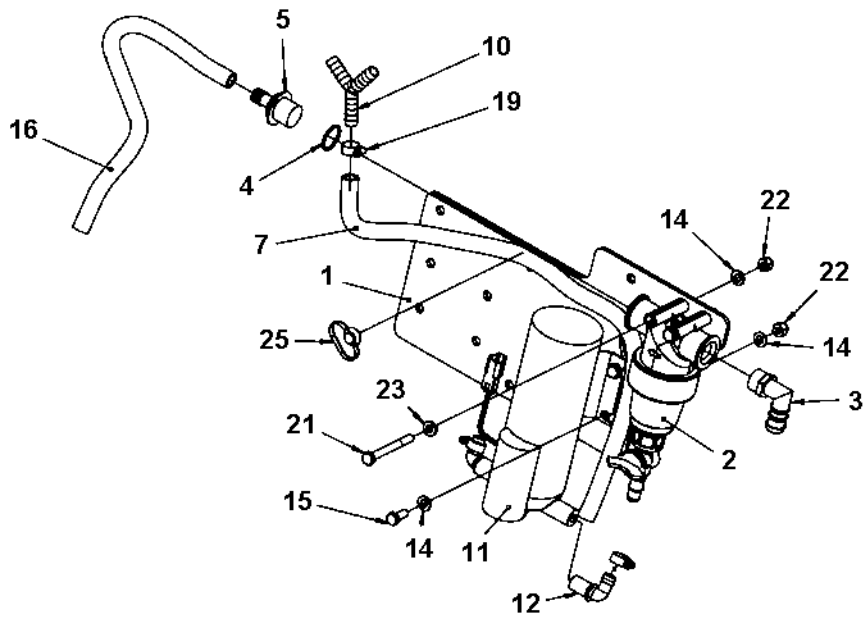


Sprinkler pump module

Ref. No.	Part No.	Rem.	Qty	Description	Code
1			1	Sprinkler pump (Page 82)	
2	904229		3	Washer	
3	500019		3	Screw	

Sprinkler pump

391971C



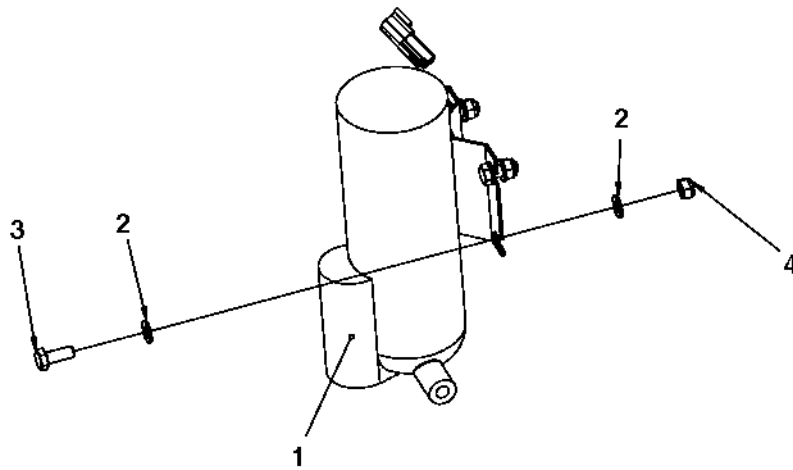
Sprinkler pump

Ref. No.	Part No.	Rem.	Qty	Description	Code
1	390400		1	Sprinkler plate	
2	791950		1	Water strainer, cpl	
	791959		1	.O-ring	
	791949		1	.Filter element	B
	791568		1	.Gasket	
	379009		1	.Valve	
3	792777		1	Hose connection	
4	160313		1	O-ring	
5	396672		1	Hose connection, plastic	
7	904878	B	1XL	Hose reinforced	
10	792386		1	Hose connection, plastic	
11	391495		1	Pump	
12	393765		2	Hose connection	
14	904229		10	Washer	
15	500053		4	Screw	
16	904878	A	1XL	Hose reinforced	
19	313001		4	Hose clamp	
21	500090		2	Screw	
22	586003		6	Lock nut	
23	904556		2	Washer	
25	792441		1	Cable tie with holder	

- A) L=0.70 m
- B) L=0.57 m

Sprinkler pump, backup

391617

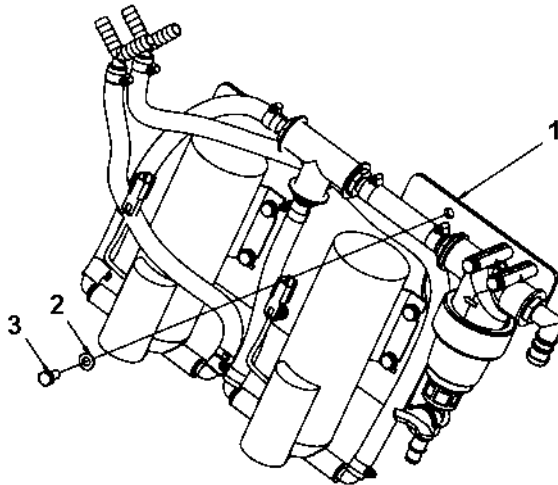


Sprinkler pump, backup

Ref. No.	Part No.	Rem.	Qty	Description	Code
1	391495		1	Pump	
2	904229		8	Washer	
3	500053		4	Screw	
4	791182		4	Lock nut	M8

Sprinkler pump, additional sprinkler

396663

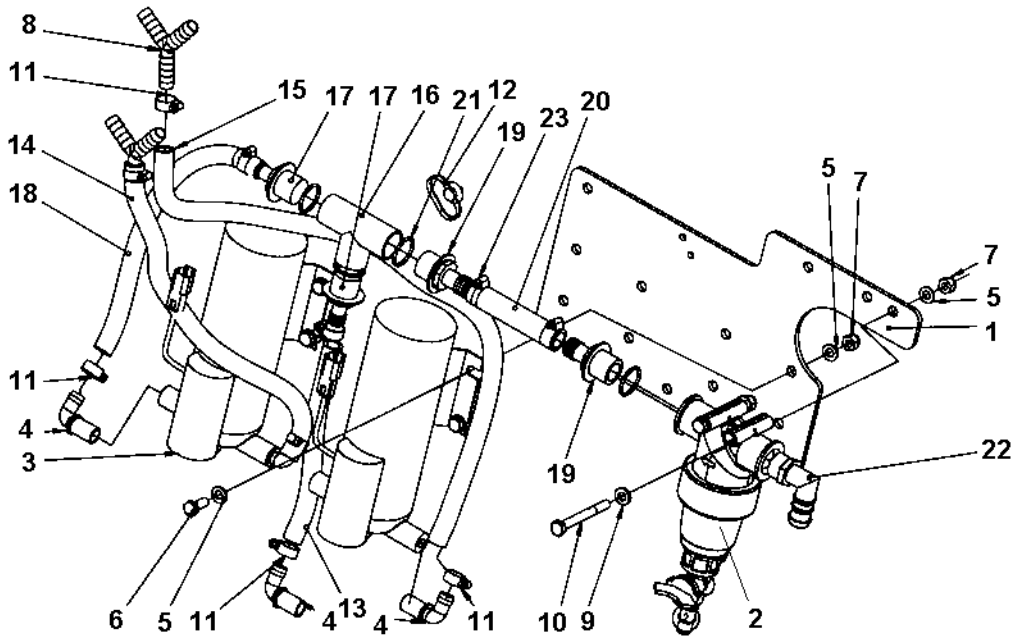


Sprinkler pump, additional sprinkler

Ref. No.	Part No.	Rem.	Qty	Description	Code
1			1	Sprinkler pump mount (Page 88)	
2	904229		3	Washer	
3	500019		3	Screw	

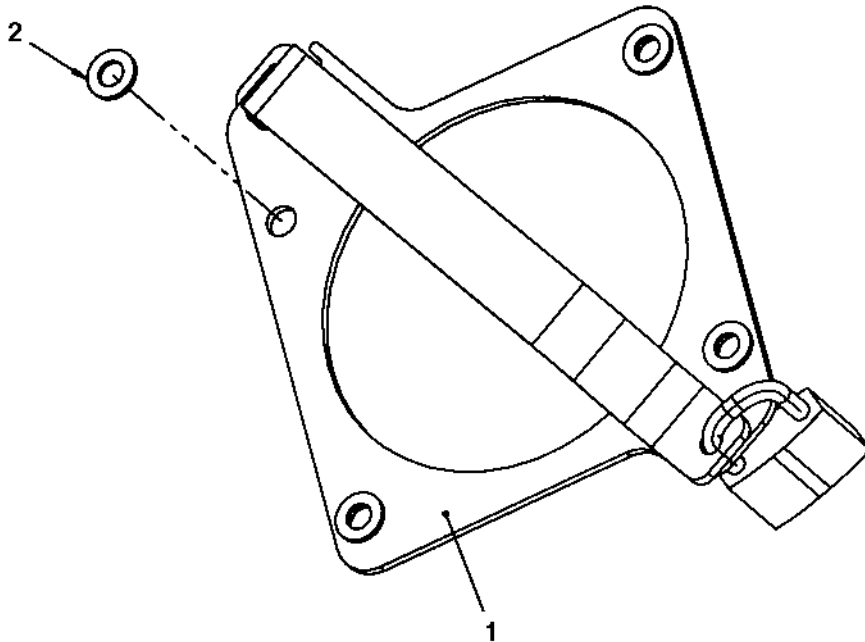
Sprinkler pump mount

396664



Sprinkler pump mount

Ref. No.	Part No.	Rem.	Qty	Description	Code
1	390400		1	Sprinkler plate	
2	791950		1	Water strainer, cpl	
	791959		1	.O-ring	
	791949		1	.Filter element	B
	791568		1	.Gasket	
	379009		1	.Valve	
3	391495		2	Pump	
4	393765		4	Hose connection	
5	904229		18	Washer	
6	500053		8	Screw	
7	586003		10	Lock nut	
8	792386		2	Hose connection, plastic	
9	904556		2	Washer	
10	500090		2	Screw	
11	313001		8	Hose clamp	
12	792441		N	Cable tie with holder	
13	904878	A	1XL	Hose reinforced	
14	904878	B	1XL	Hose reinforced	
15	904878	C	1XL	Hose reinforced	
16	792778		1	Tee-connector	
17	396672		2	Hose connection, plastic	
18	904878	D	1XL	Hose reinforced	
19	396673		2	Hose connection	
20	792073	E	1XL	Hose reinforced	D
21	160313		4	O-ring	
22	792777		4	Hose connection	
23	313003		2	Hose clamp	D
A)	L=0.20 m				
B)	L=0.38 m				
C)	L=0.61 m				
D)	L=0.31 m				
E)	L=0.10 m				

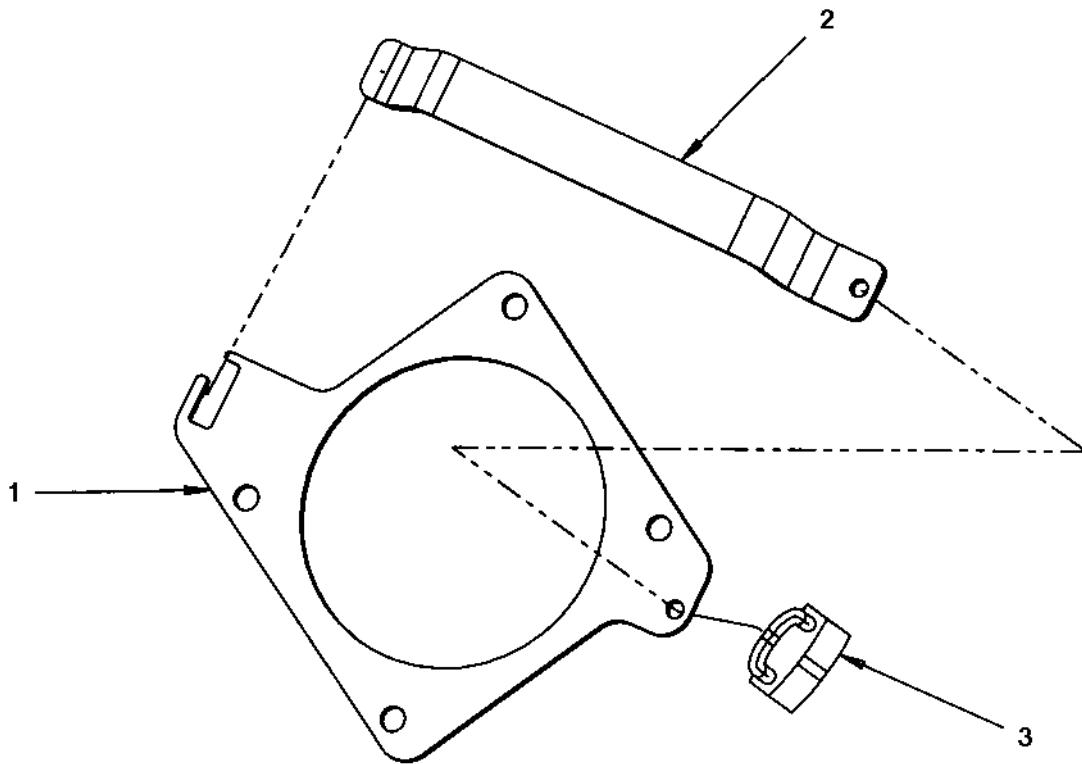


Cover lock module

Ref. No.	Part No.	Rem.	Qty	Description	Code
1			1	Lock bracket (Page 92)	
2	904229		4	Washer	

Lock bracket

391856

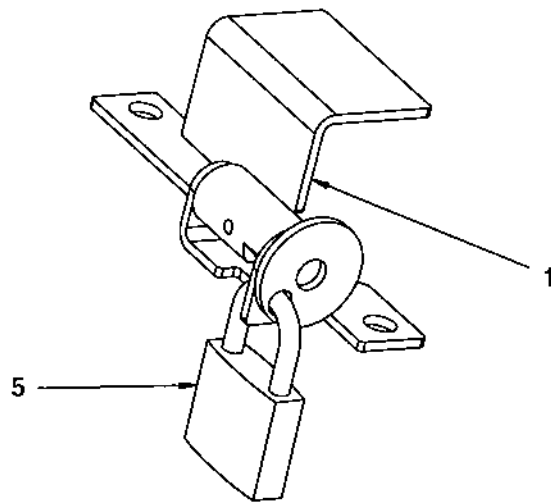


Lock bracket

Ref. No.	Part No.	Rem.	Qty	Description	Code
1	391857		1	Bracket	
2	391858		1	Bracket	
3	358881		1	Pad lock	

Locking device module

394928A

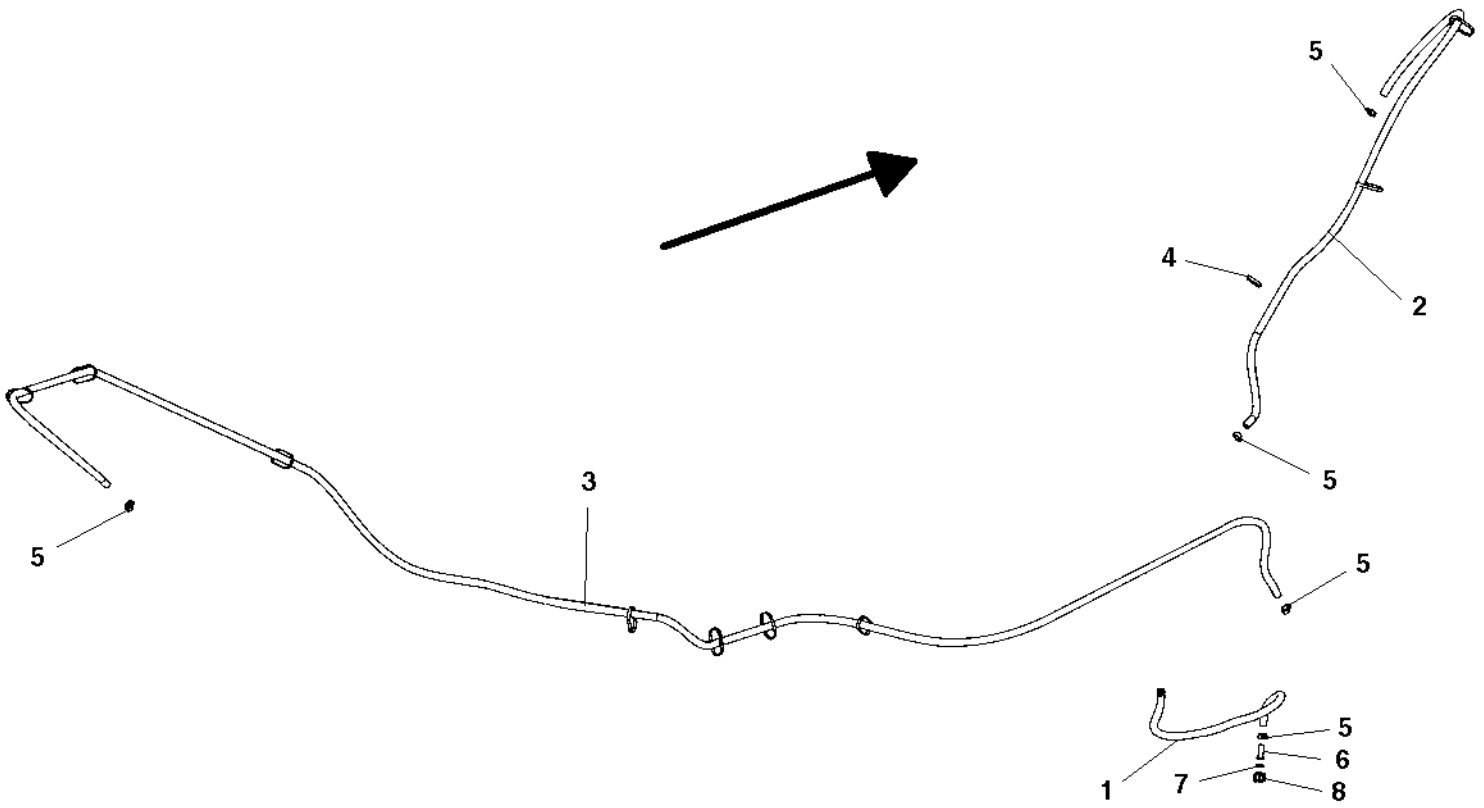


Locking device module

Ref. No.	Part No.	Rem.	Qty	Description	Code
1			1	Locking device	
	394587		1	.Bracket	
	394591		1	.Shaft	
	394590		1	.Lock bracket	
	629008		1	.Spring pin	
5	358881		1	Pad lock	

Water hoses

391907



Water hoses

Ref. No.	Part No.	Rem.	Qty	Description	Code
1	904878	A	1XL	Hose reinforced	
2	904878	B	1XL	Hose reinforced	
3	904878	C	1XL	Hose reinforced	
4	313102		N	Cable ties	
5	313001		6	Hose clamp	
6	392228		1	Hose connection swivel	
7	392229		1	Plane gasket	
8	392227		1	Swivel nut	

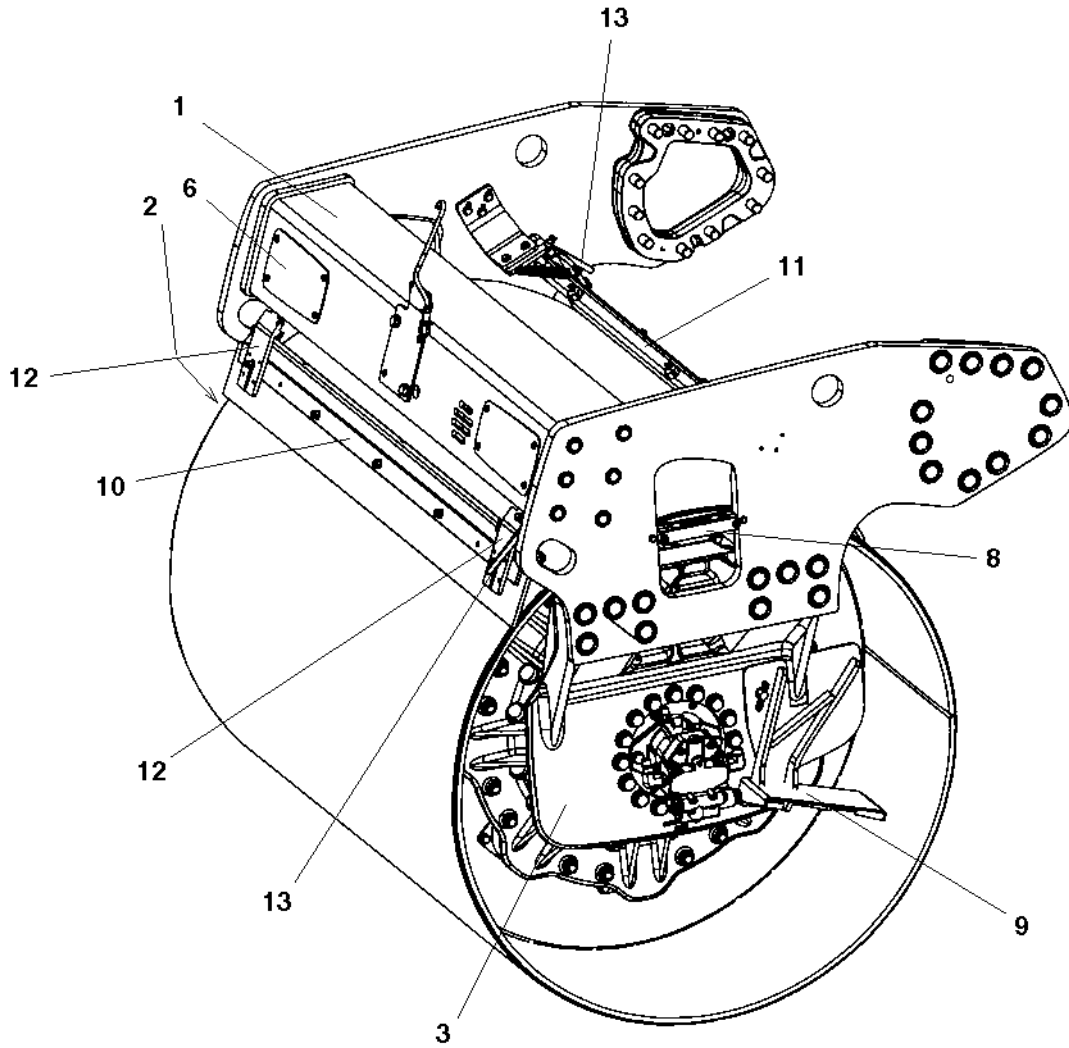
A) L=0.70 m

B) L=1.68 m, machine with offset L=1.65 m

C) L=4.46 m, machine with offset L=4.23 m

End frame, front

AR0020

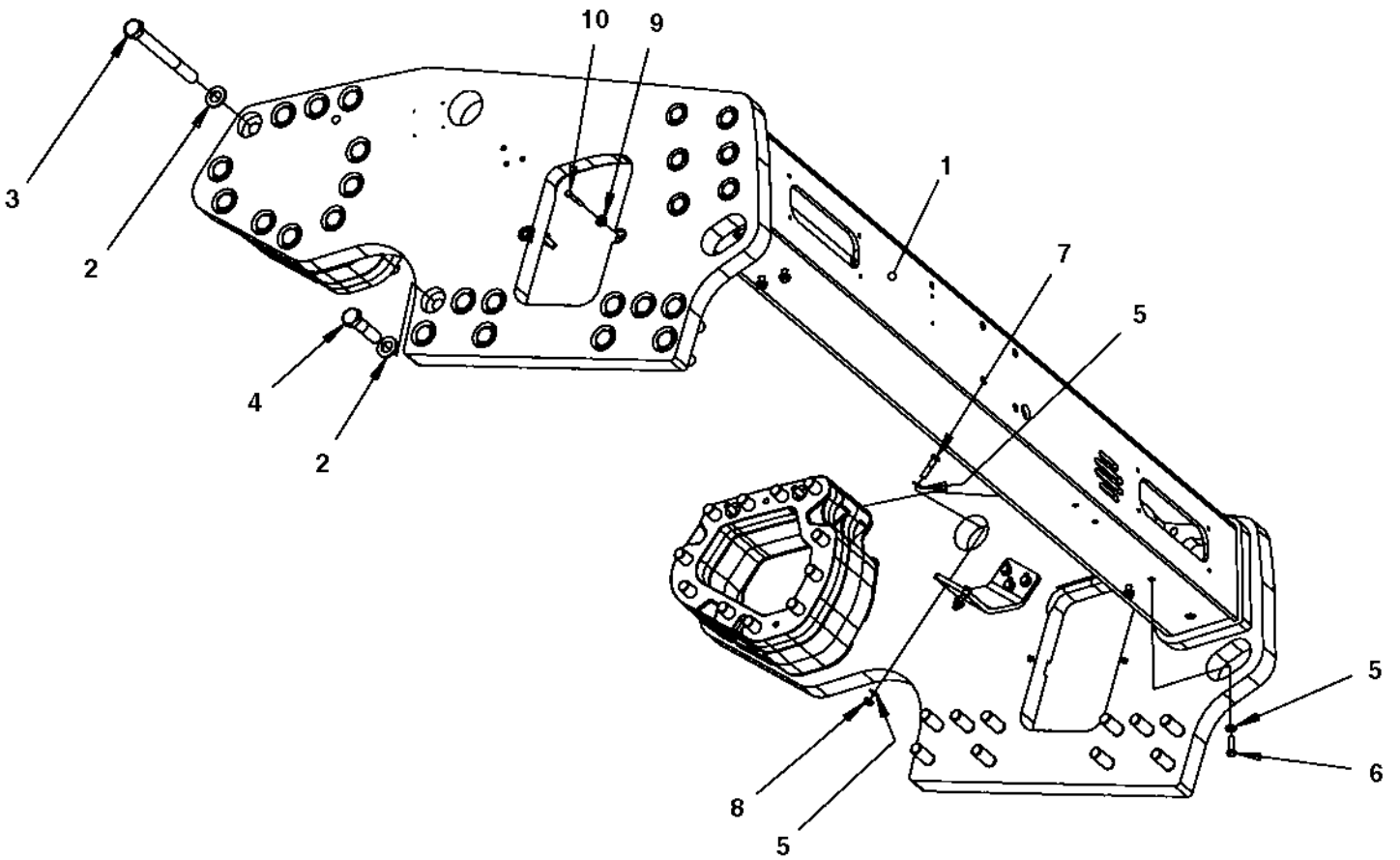


End frame, front

Ref. No.	Part No.	Rem.	Qty	Description	Code
1			1	End frame, front (Page 100)	
2			1	Fork, vibration side (Page 104)	
3			1	Fork, propulsion side (Page 106)	
6			2	Cover plate (Page 108)	
8			1	Hose clamp, propulsion side (Page 110)	
			1	Hose clamp, vibration side (Page 112)	
9			1	Step, vibration side (Page 114)	
			1	Step, propulsion side (Page 118)	
10			1	Scraper module, without nozzles (Page 122)	
11			1	Scraper module, with nozzles (Page 126)	
12	394340		2	Scraper bracket, cpl (Page 130)	
13			2	Grab handle, release (Page 132)	
14			1	Grab handle, lift (Page 134)	

End frame, front

390056

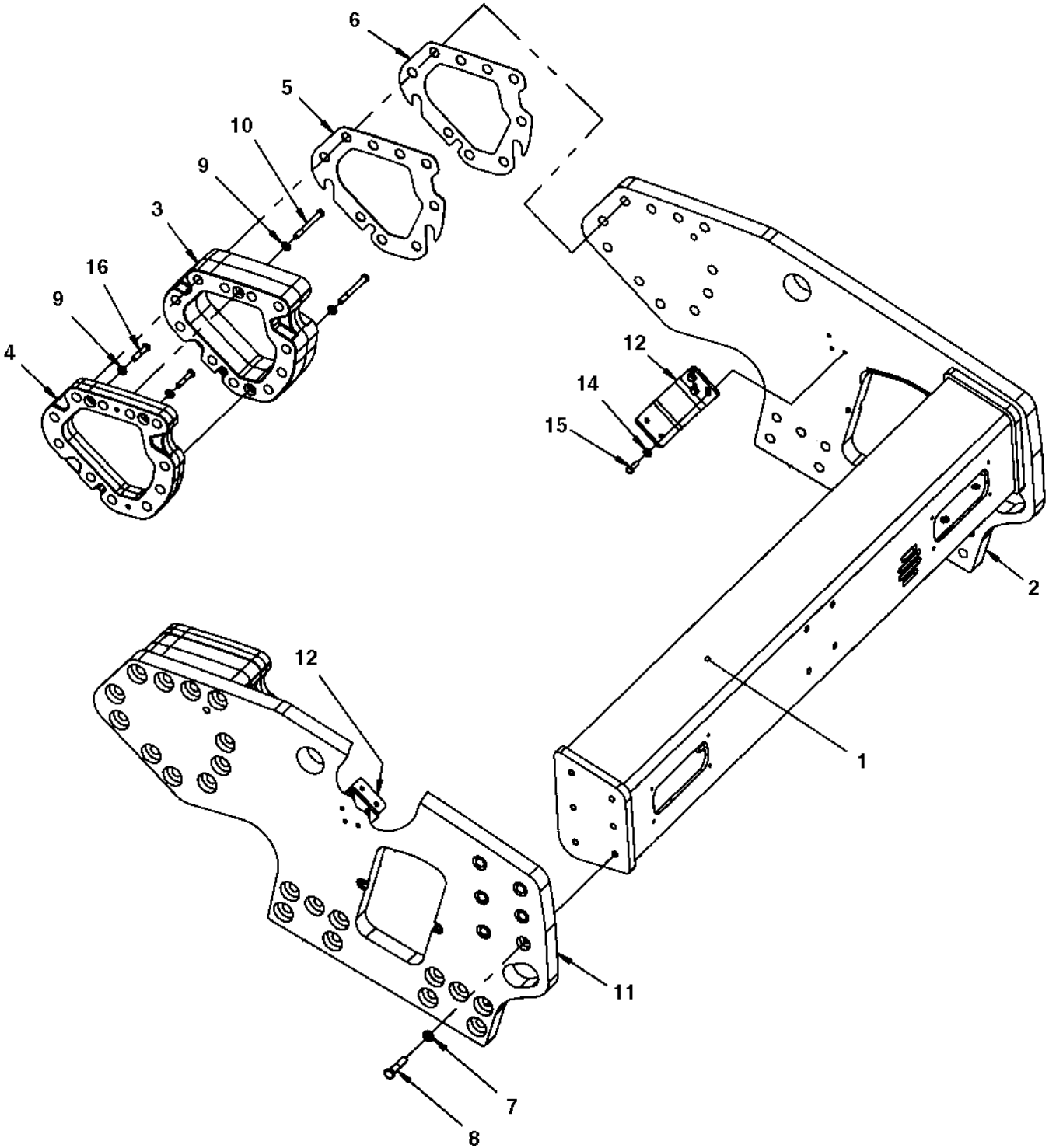


End frame, front

Ref. No.	Part No.	Rem.	Qty	Description	Code
1			1	Frame (Page 102)	
2	904234		42	Washer	
3	792534		22	Screw	M24x230
4	500130		20	Screw	M24x90
5	904230		12	Washer	
6	500030		4	Screw	
7	500161		4	Screw	
8	791172		4	Lock nut	
9	904640		4	Washer	
10	500025		4	Screw	M8-1,25x50 8,8

Frame

391554

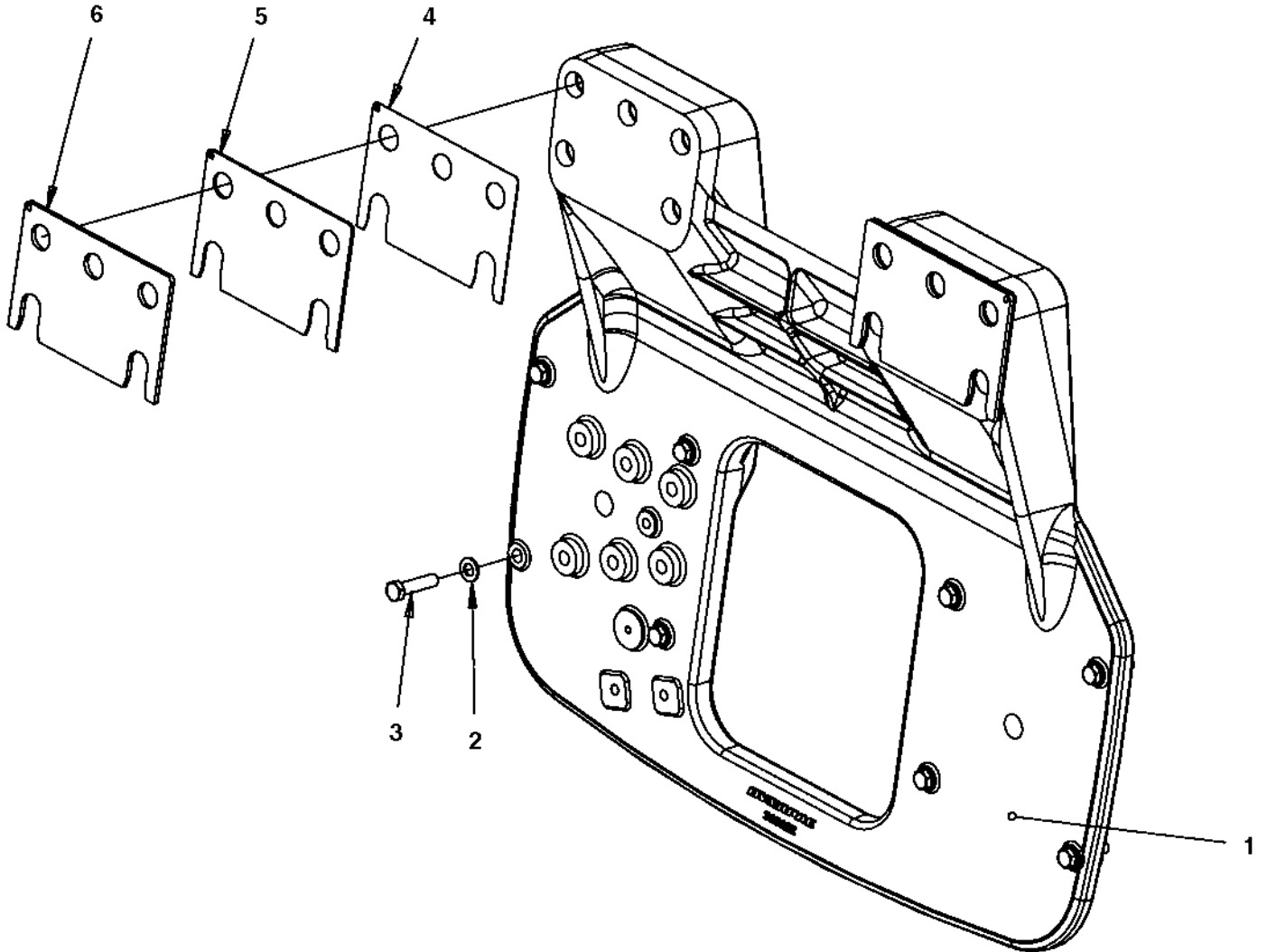


Frame

Ref. No.	Part No.	Rem.	Qty	Description	Code
1	390061		1	Cross beam	
2	390058		1	Side plate	
3	390076		2	Spacer	
4	390074		2	Spacer	
5	390470		N	Shim	
6	390469		N	Shim	
7	904233		12	Washer	
8	500207		12	Screw	M12x70
9	904231		8	Washer	
10	500267		4	Screw	M12x120 8,8 FZB
11	393429		1	Side plate	
12	394787		2	Holder	
14	904557		6	Washer	
15	500030		6	Screw	
16	500049		4	Screw	

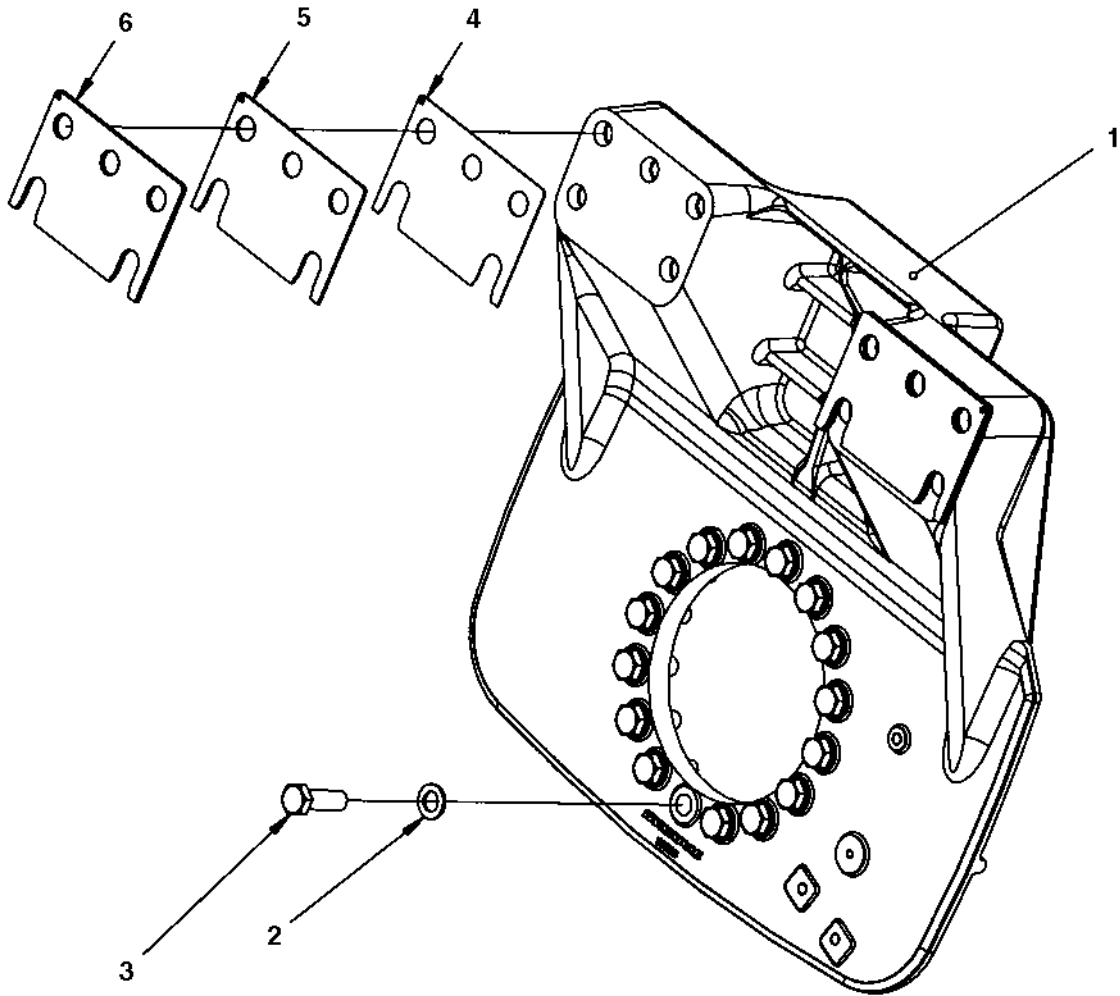
Fork, vibration side

391476



Fork, vibration side

Ref. No.	Part No.	Rem.	Qty	Description	Code
1	392622		1	Fork	
2	904231		8	Washer	
3	500269		8	Screw	
4	391754		N	Shim	
5	393009		N	Shim	
6	393010		N	Shim	

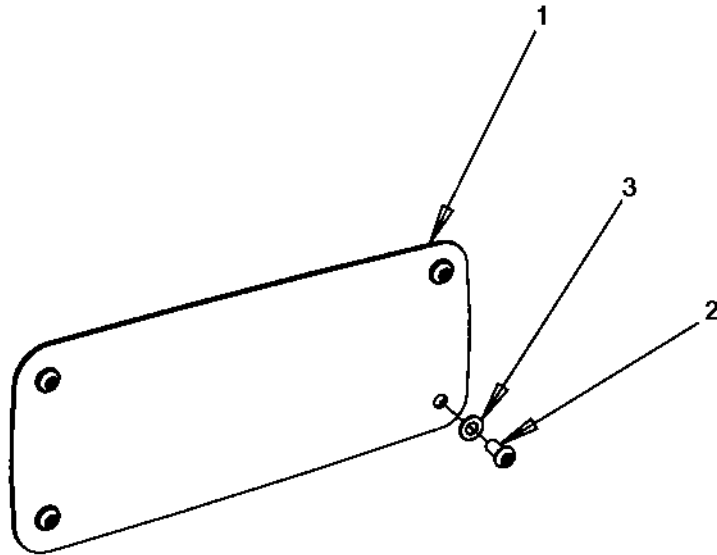


Fork, propulsion side

Ref. No.	Part No.	Rem.	Qty	Description	Code
1	391198		1	Fork	
2	904233		16	Washer	
3	500206		16	Screw	M20-2,5X60 8.8
4	391754		N	Shim	
5	393009		N	Shim	
6	393010		N	Shim	

Cover plate

391642

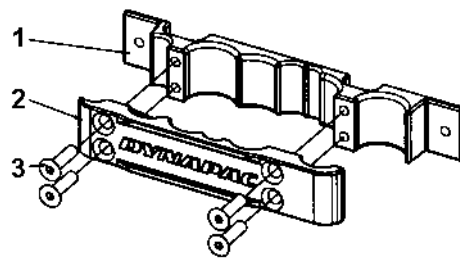


Cover plate

Ref. No.	Part No.	Rem.	Qty	Description	Code
1	390919		1	Cover plate	
2	904956		4	Screw	
3	904229		4	Washer	

Hose clamp, propulsion side

395424B

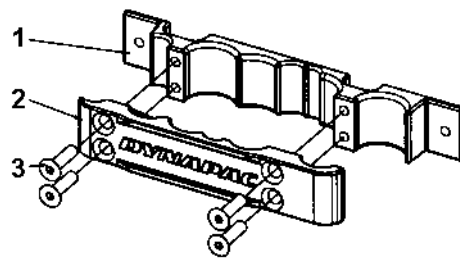


Hose clamp, propulsion side

Ref. No.	Part No.	Rem.	Qty	Description	Code
1	395428		1	Hose clamp	
2	395429		1	Cover	
3	792726		4	Hexagon socket countersunk screw	

Hose clamp, vibration side

395424B

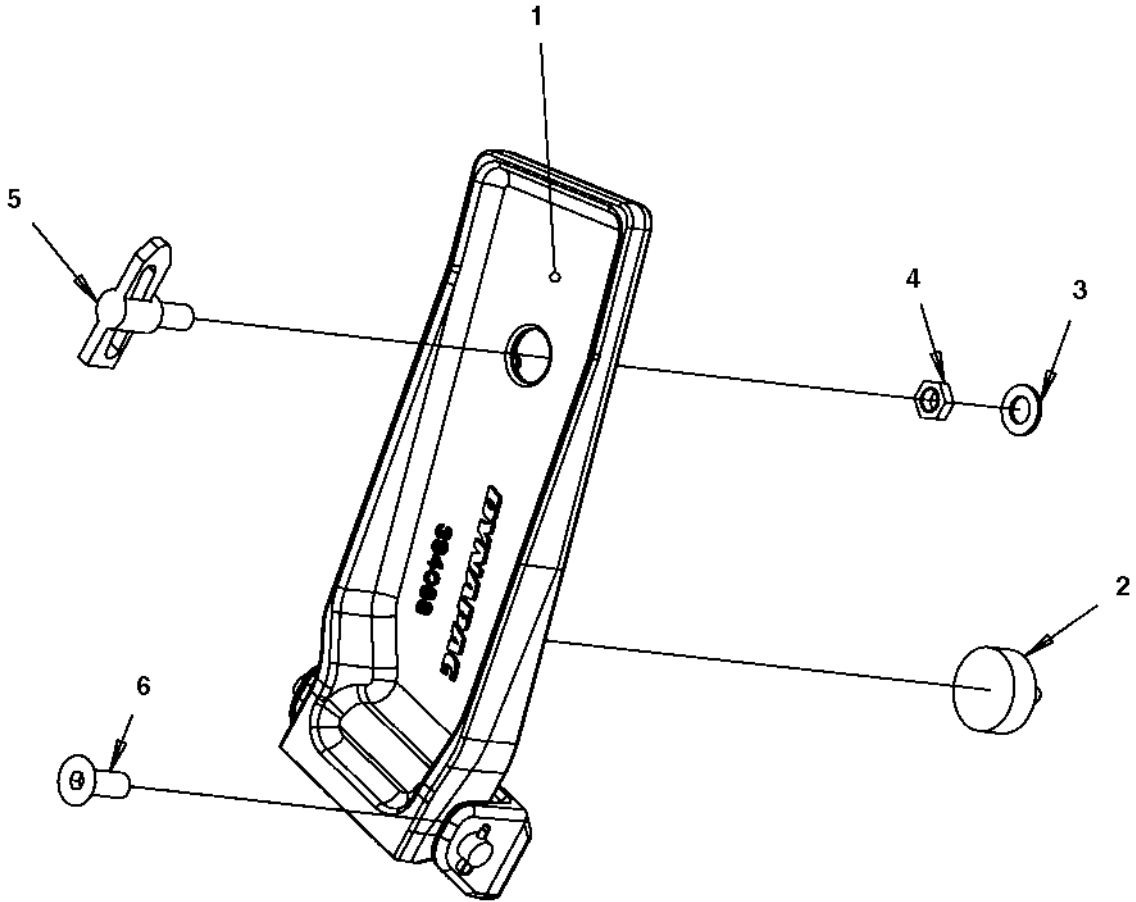


Hose clamp, vibration side

Ref. No.	Part No.	Rem.	Qty	Description	Code
1	395428		1	Hose clamp	
2	395430		1	Cover	
3	792726		4	Hexagon socket countersunk screw	

Step, vibration side

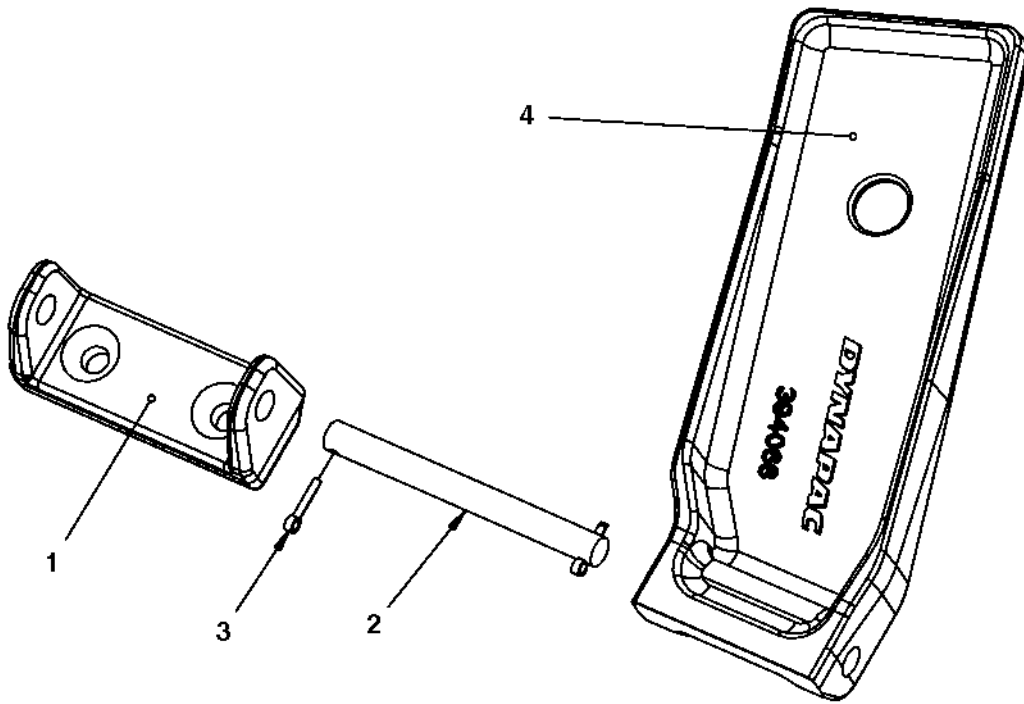
394352



Step, vibration side

Ref. No.	Part No.	Rem.	Qty	Description	Code
1			1	Step (Page 116)	
2	792601		1	Shock absorber	
3	904231		1	Washer	
4	927233		1	Nut	
5	475064		1	Lock	
6	513011		2	Hexagon socket head cap screw	

Step
394353

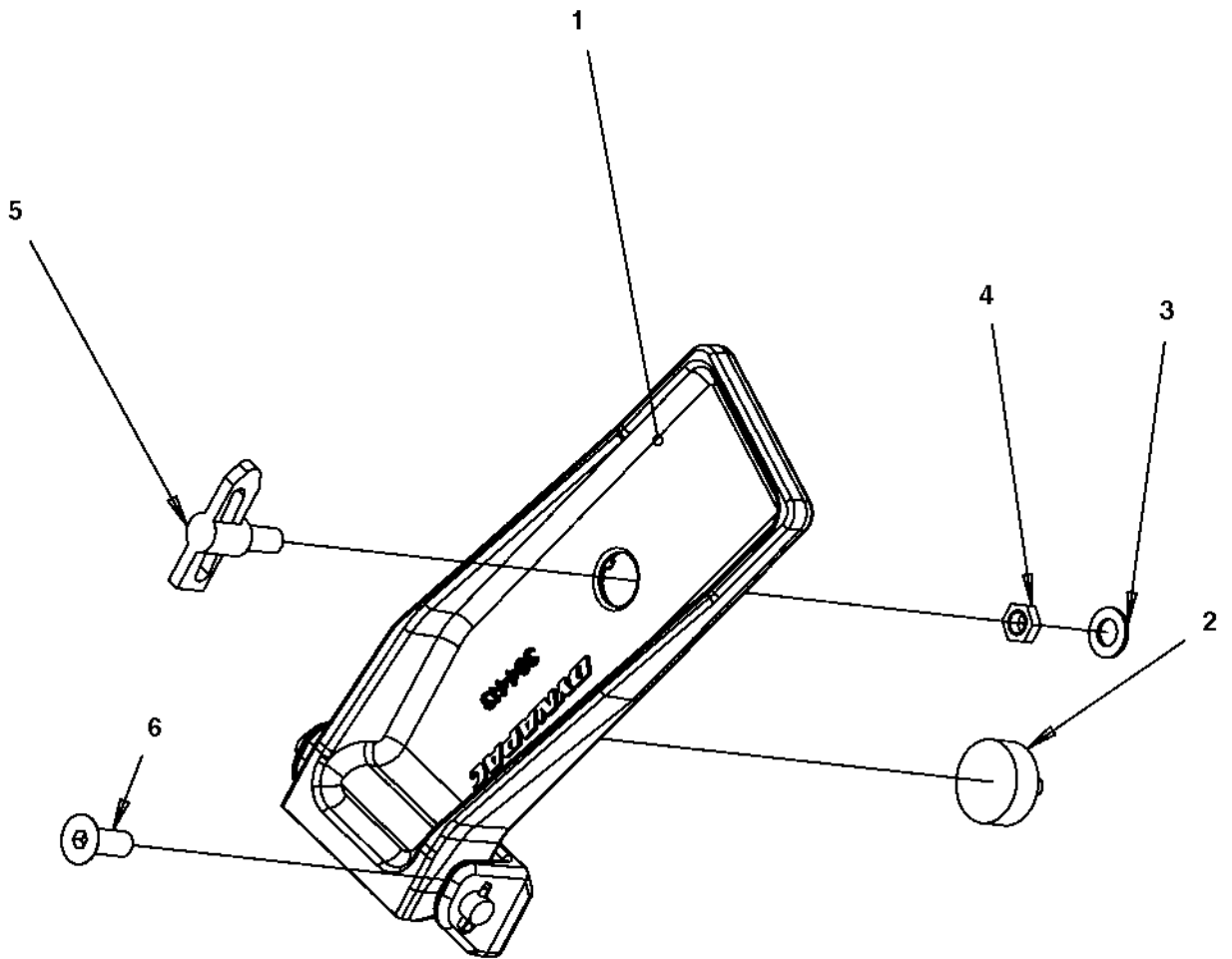


Step

Ref. No.	Part No.	Rem.	Qty	Description	Code
1	394070		1	Bracket	
2	394351		1	Shaft	
3	630012		2	Cotter pin	
4	394068		1	Step	

Step, propulsion side

394410

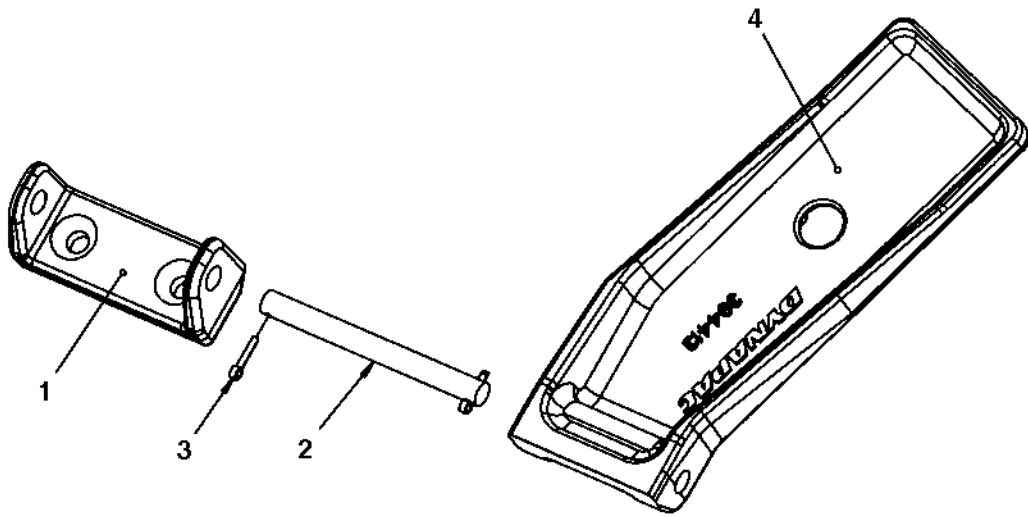


Step, propulsion side

Ref. No.	Part No.	Rem.	Qty	Description	Code
1			1	Step (Page 120)	
2	792601		1	Shock absorber	
3	904231		1	Washer	
4	927233		1	Nut	
5	475064		1	Lock	
6	513011		2	Hexagon socket head cap screw	

Step

394411

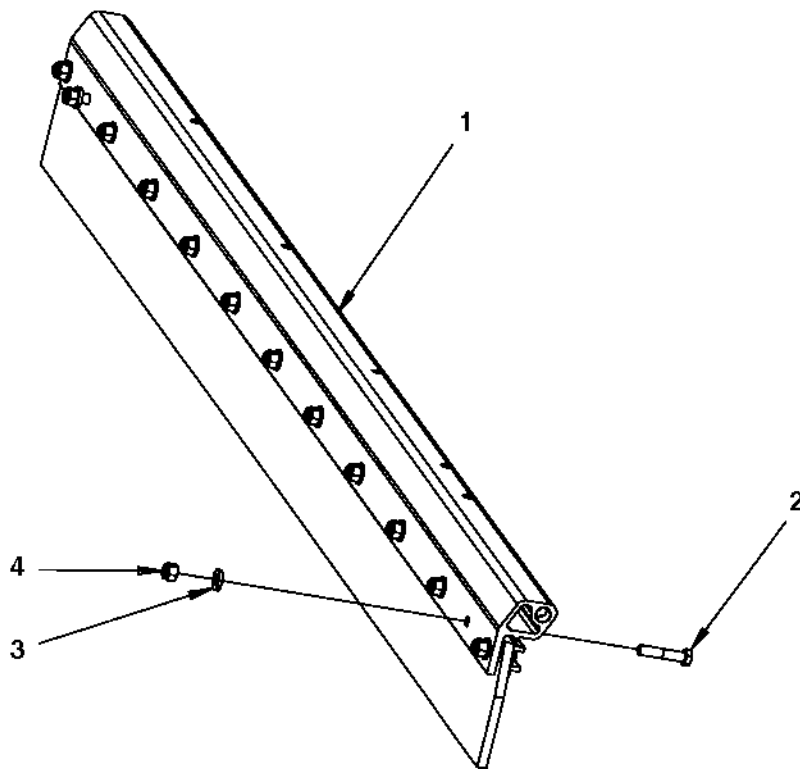


Step

Ref. No.	Part No.	Rem.	Qty	Description	Code
1	394070		1	Bracket	
2	394351		1	Shaft	
3	630012		2	Cotter pin	
4	394413		1	Step	

Scraper module, without nozzles

391228B

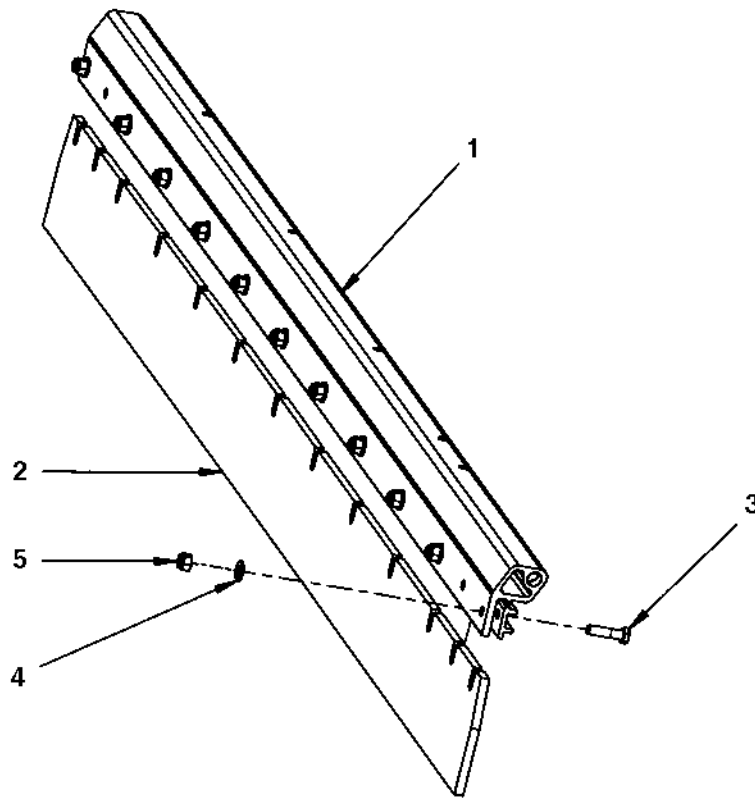


Scraper module, without nozzles

Ref. No.	Part No.	Rem.	Qty	Description	Code
1			1	Scraper assy (Page 124)	
2	500091		2	Screw	
3	904557		2	Washer	
4	586018		2	Lock nut	

Scraper assy

395251A

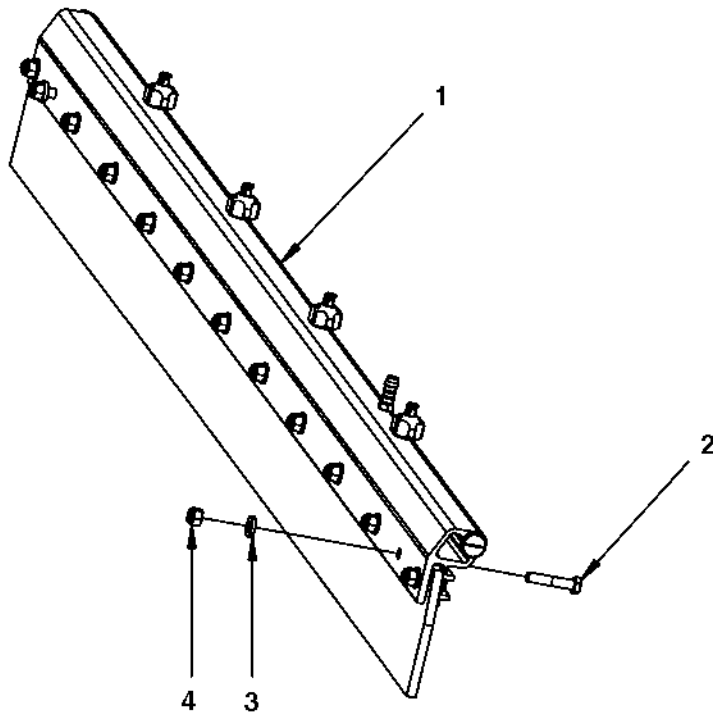


Scraper assy

Ref. No.	Part No.	Rem.	Qty	Description	Code
1	395113		1	Sprinkler pipe	
2	395114		1	Scraper blade	
3	500031		11	Screw	
4	904230		11	Washer	
5	586018		11	Lock nut	

Scraper module, with nozzles

391229D

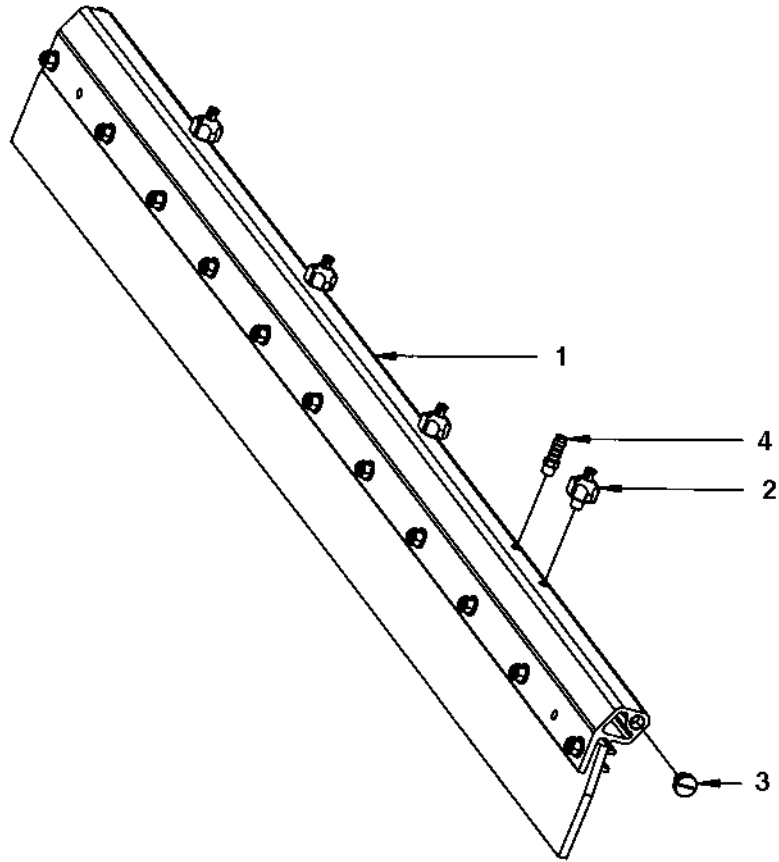


Scraper module, with nozzles

Ref. No.	Part No.	Rem.	Qty	Description	Code
1			1	Scraper assy with nozzles (Page 128)	
2	500091		2	Screw	
3	904557		2	Washer	
4	586018		2	Lock nut	

Scraper assy with nozzles

395252A

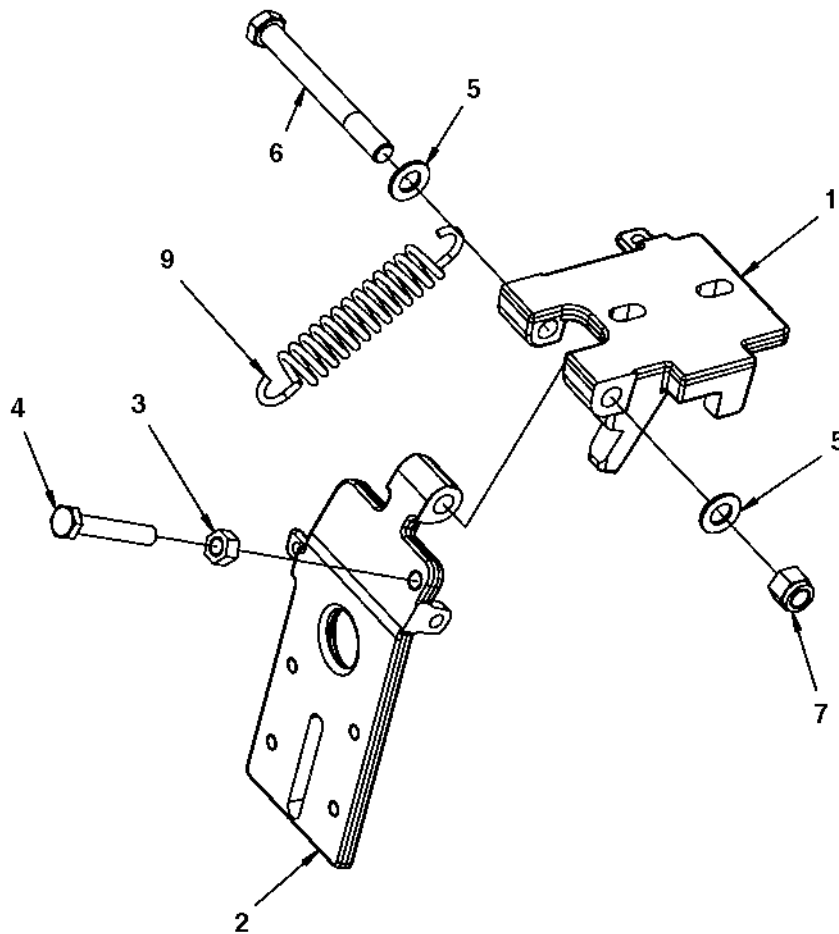


Scraper assy with nozzles

Ref. No.	Part No.	Rem.	Qty	Description	Code
1			1	Scraper assy (Page 124)	
2	392011		4	Spraying nozzle, cpl	
	392509		1	.Retainer, nozzle, strainer, yellow	0.8
	393697		1	..Nozzle and strainer, yellow	0.8
	390615	A	1	..Nozzle and strainer, blue	1.0
	390616	A	1	..Nozzle and strainer, red	1.2
	390619	A	1	..Nozzle and strainer, brown	1.3
3	792072		2	End plug	
4	791977		1	Hose connection	
A)	Option				

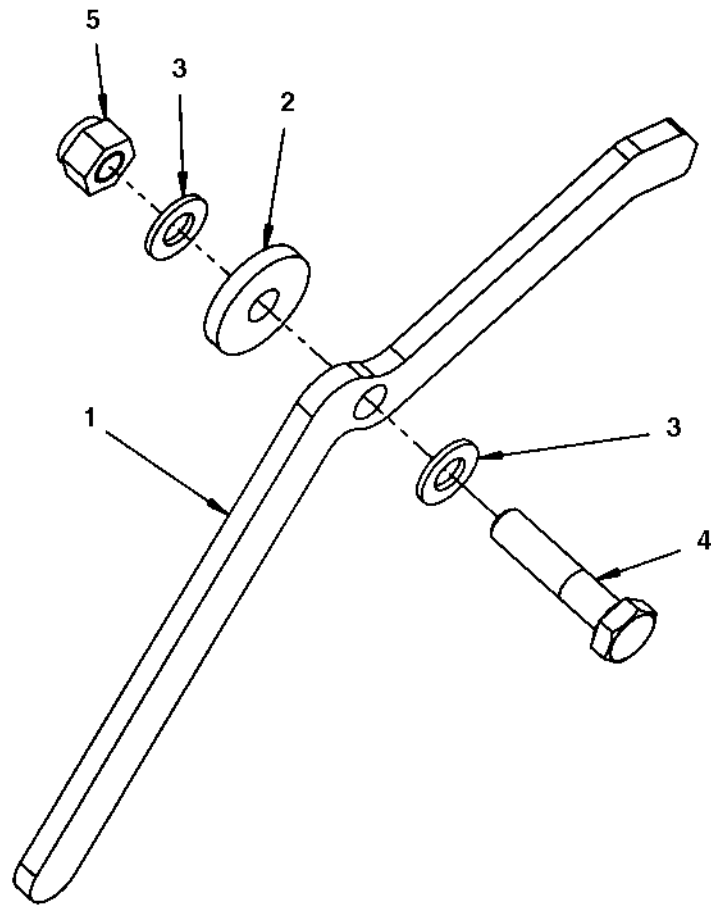
394340 Scraper bracket, cpl

394340



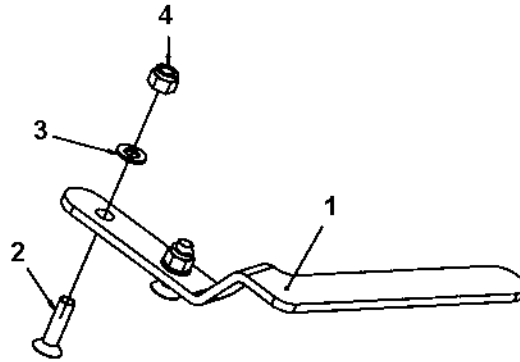
394340 Scraper bracket, cpl

Ref. No.	Part No.	Rem.	Qty	Description	Code
1			1	Scraper bracket	
2			1	Scraper bracket	
3	570006		1	Nut	
4	791082		1	Screw	
5	904231		2	Washer	
6	500198		1	Screw	
7	586019		1	Lock nut	
9	394806		1	Extension spring	



Grab handle, release

Ref. No.	Part No.	Rem.	Qty	Description	Code
1	393550		1	Grab handle	
2	904734		1	Washer	
3	904229		2	Washer	
4	500047		1	Screw	
5	586003		1	Lock nut	

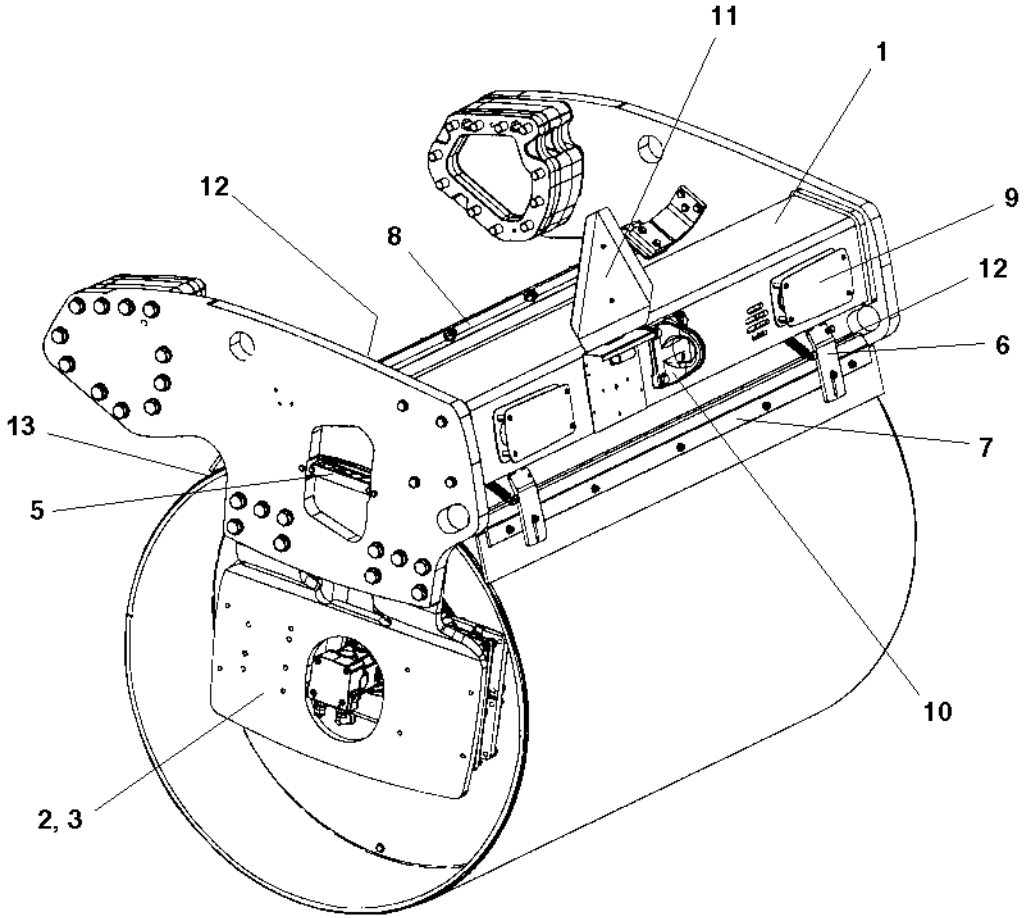


Grab handle, lift

Ref. No.	Part No.	Rem.	Qty	Description	Code
1	395390		1	Grab handle	
2	792540		2	Screw	
3	904229		2	Washer	
4	586003		2	Lock nut	

End frame, rear

AR0022

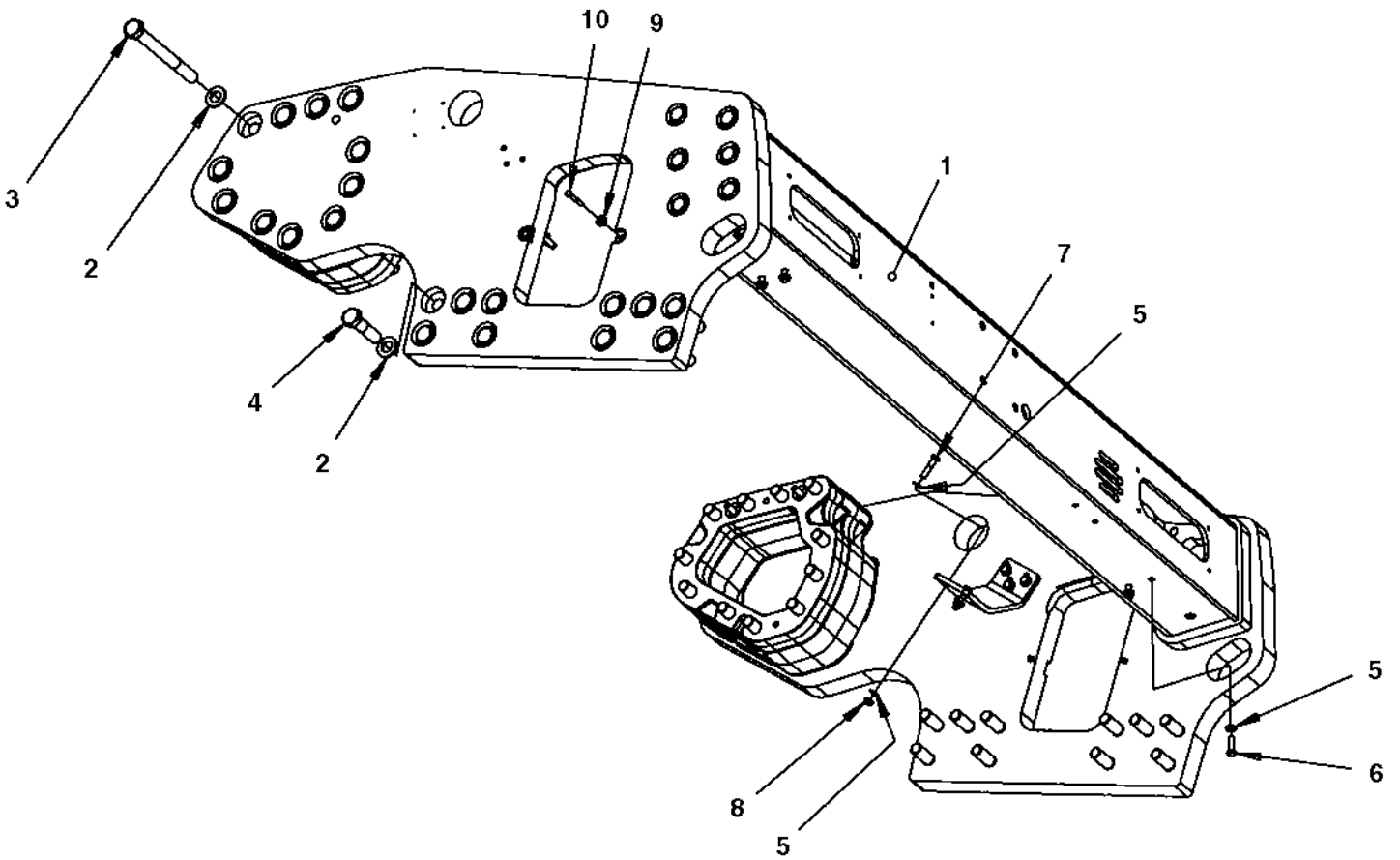


End frame, rear

Ref. No.	Part No.	Rem.	Qty	Description	Code
1			1	End frame, rear (Page 138)	
			1	End frame, rear offset (Page 140)	
2			1	Fork, vibration side (Page 104)	
3			1	Fork, propulsion side (Page 106)	
4			1	Step, vibration side (Page 114)	
			1	Step, propulsion side (Page 118)	
5			1	Hose clamp, propulsion side (Page 110)	
			1	Hose clamp, vibration side (Page 112)	
6	394340		2	Scraper bracket, cpl (Page 130)	
7			1	Scraper module, without nozzles (Page 122)	
8			1	Scraper module, with nozzles (Page 126)	
9			2	Cover plate (Page 108)	
10			1	Eyelet module (Page 150)	
			1	Eyelet module (Page 152)	
11			1	SMV-sign module (Page 154)	
12			2	Grab handle, release (Page 132)	
13			1	Grab handle, lift (Page 134)	
			1	Grab handle, lift offset	

End frame, rear

390056

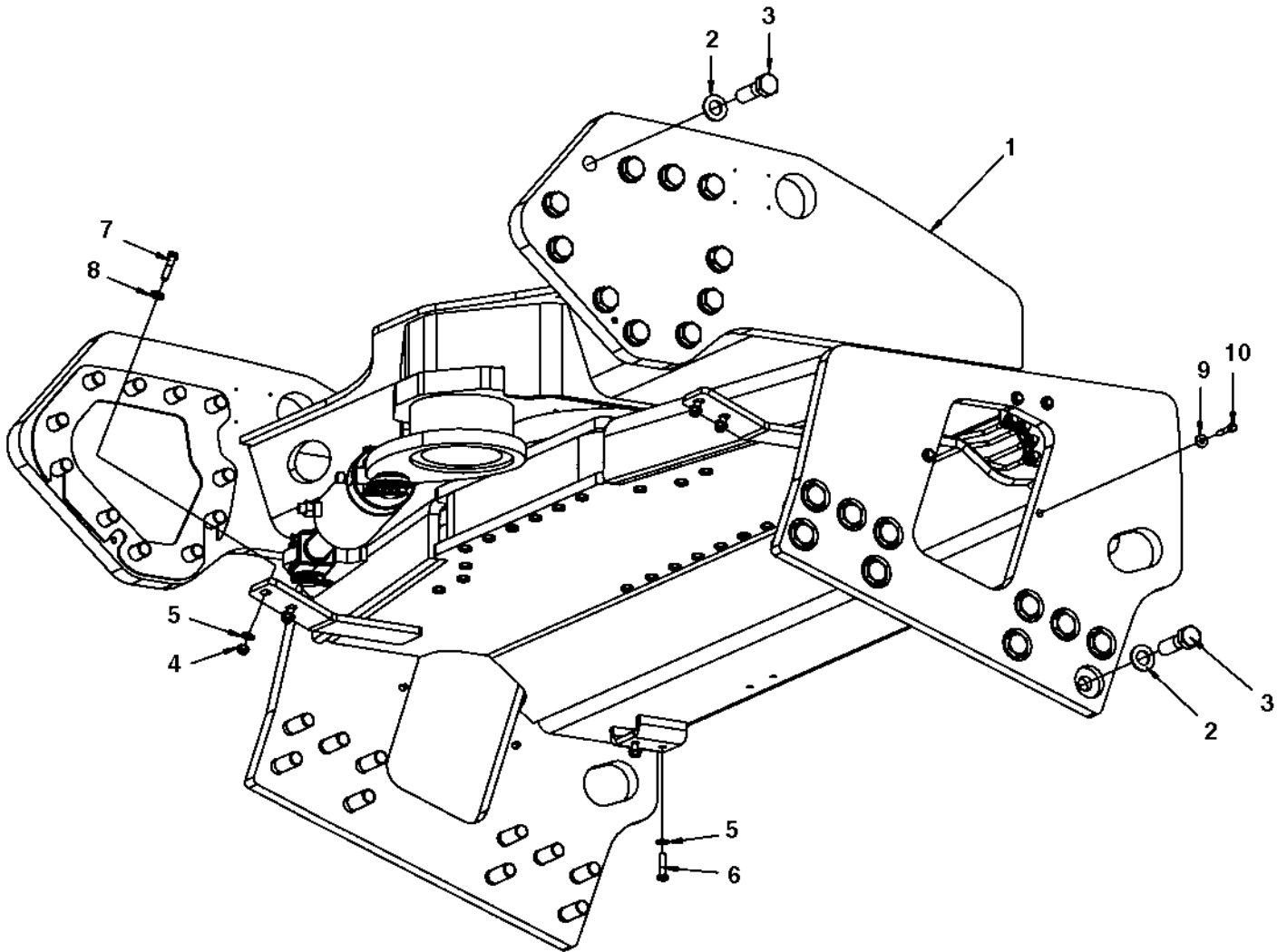


End frame, rear

Ref. No.	Part No.	Rem.	Qty	Description	Code
1			1	Frame (Page 102)	
2	904234		42	Washer	
3	792534		22	Screw	M24x230
4	500130		20	Screw	M24x90
5	904230		12	Washer	
6	500030		4	Screw	
7	500161		4	Screw	
8	791172		4	Lock nut	
9	904640		4	Washer	
10	500025		4	Screw	M8-1,25x50 8,8

End frame, rear offset

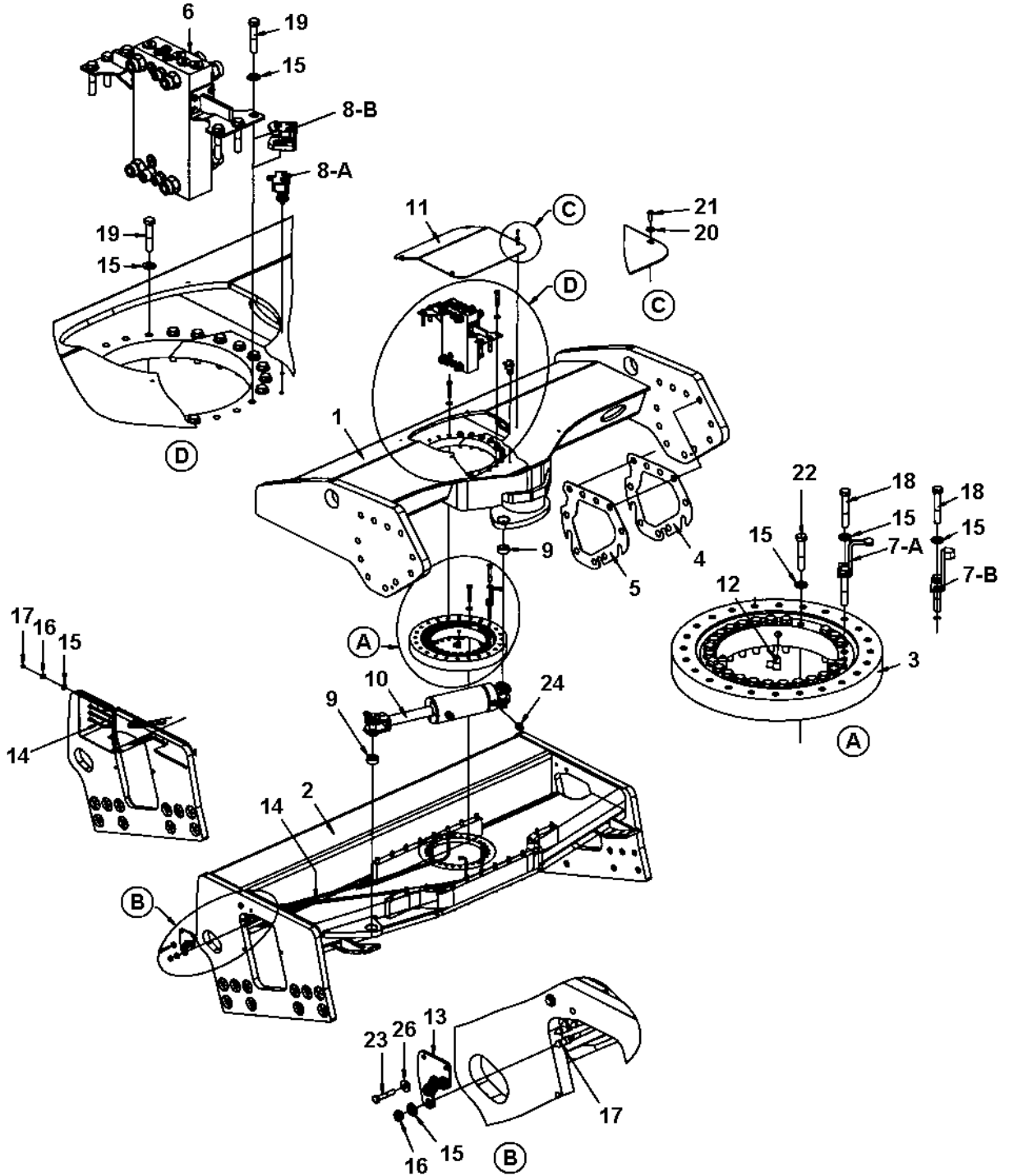
391620



End frame, rear offset

Ref. No.	Part No.	Rem.	Qty	Description	Code
1			1	Frame (Page 142)	
2	904234		42	Washer	
3	500297		42	Screw	M24x80
4	791172		4	Lock nut	
5	904230		8	Washer	
6	500031		4	Screw	
7	500161		4	Screw	
8	904557		4	Washer	
9	904640		4	Washer	
10	500023		4	Screw	M8-1,25x40 8,8

Frame
391619E

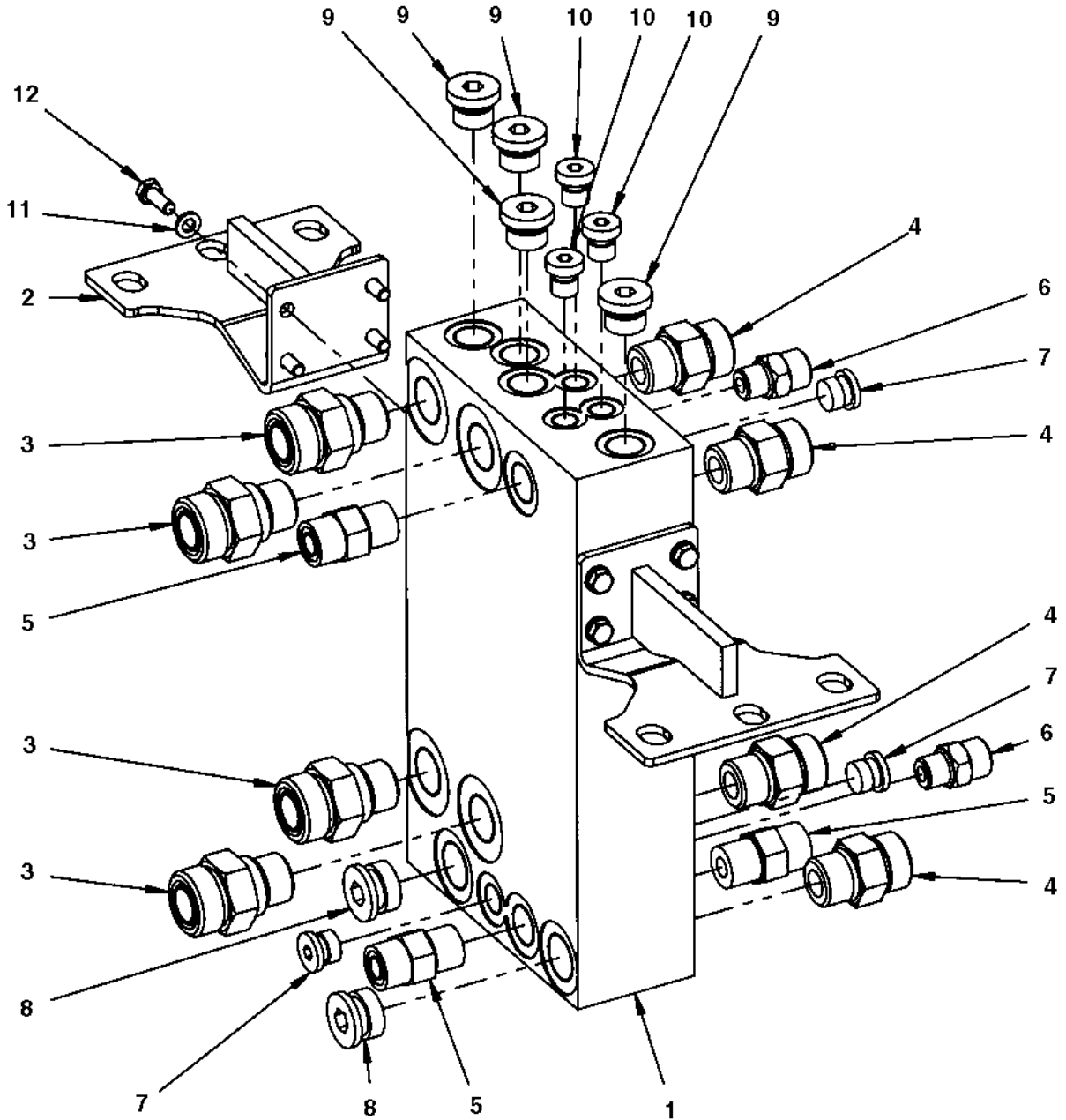


Frame

Ref. No.	Part No.	Rem.	Qty	Description	Code
1	391481		1	Frame	
2	391974		1	Yoke	
3	359192		1	Bearing	
4	390469		N	Shim	
5	390470		N	Shim	
6			1	Connection block (Page 144)	
7-B	395694		1	Cam	
8-B			1	Micro switch (Page 146)	
9	391430		2	Bearing	D
10	391024		1	Steering cylinder (Page 148)	
11	379987		1	Cover	
12	373183		4	Elbow 90	
13	392112		1	Bracket	
14	393345		4	Hydraulic hose	
15	904231		55	Washer	
16	903831		4	Nut	
17	926214		4	Grease fitting	D
18	903735		2	Screw	
19	500175		24	Screw	
20	603001		4	Washer	
21	904206		4	Screw	
22	947712		25	Screw	
23	500024		2	Screw	M8x45
24	792337		2	Straight connector orfs	
26	904640		2	Washer	

Connection block

390921

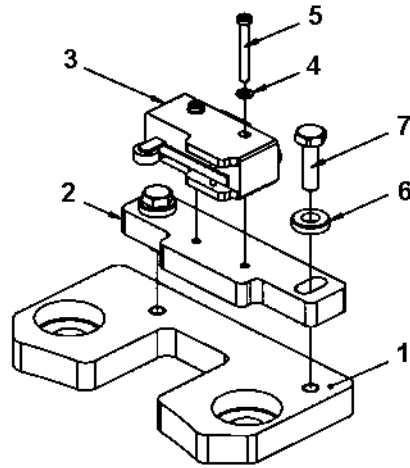


Connection block

Ref. No.	Part No.	Rem.	Qty	Description	Code
1	390463		1	Connection block	
2	391889		2	Bracket	
3	791539		4	Straight connector	
4	791743		4	Straight connector orfs	
5	791799		3	Straight connector orfs	
6	791409		2	Straight connector orfs	
7	792362		3	Steel plug	
8	792296		2	Steel plug	
9	792295		4	Steel plug	
10	904951		3	Plug	
11	904228		8	Washer	
12	500013		8	Screw	

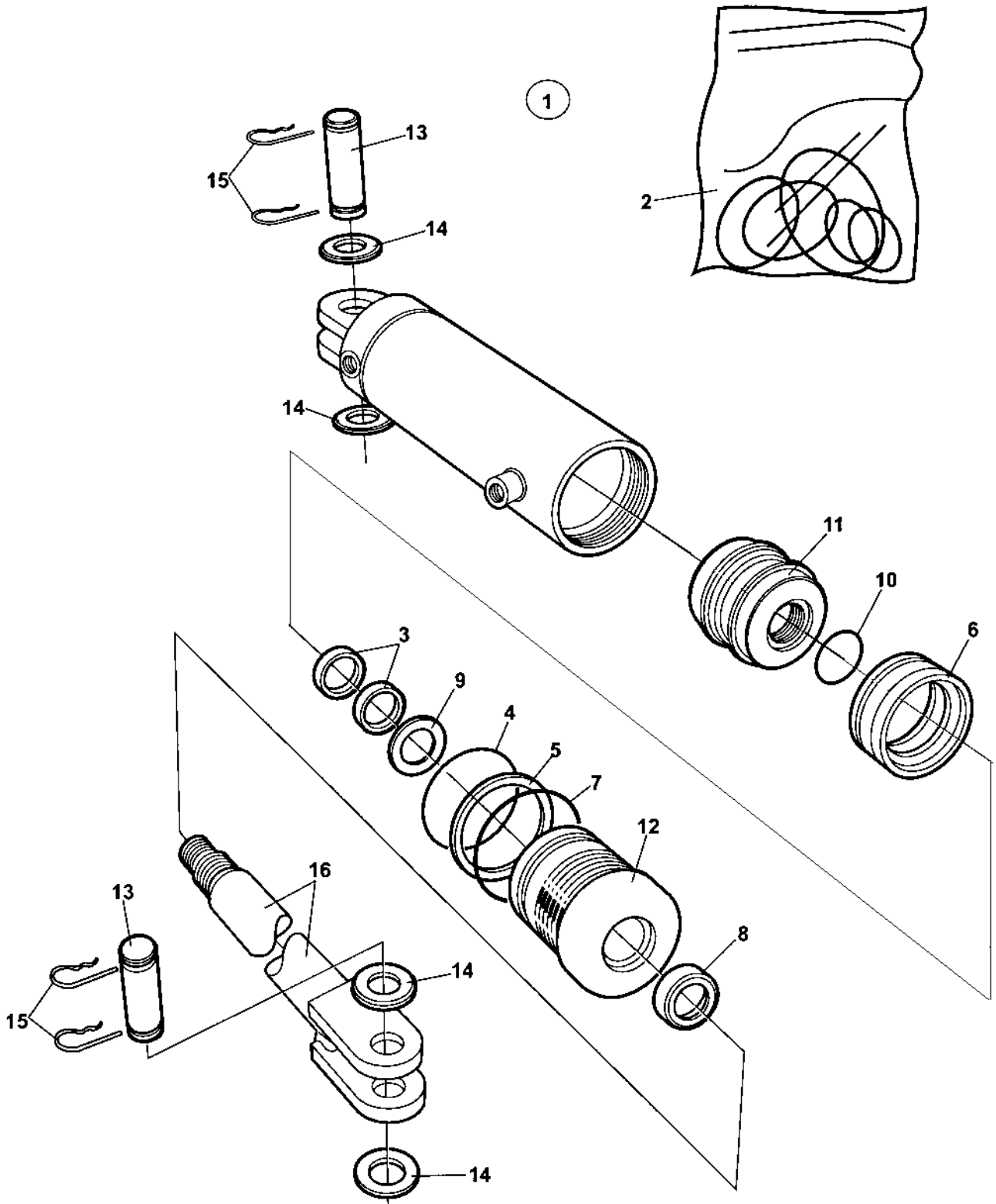
Micro switch

395695



Micro switch

Ref. No.	Part No.	Rem.	Qty	Description	Code
1	396179		1	Bracket	
2	395696		1	Holder plate	
3	930046		1	Micro switch	D
4	904697		2	Washer	3,2x6x0,5
5	533050		2	Screw	
6	603001		2	Washer	
7	500040		2	Screw	

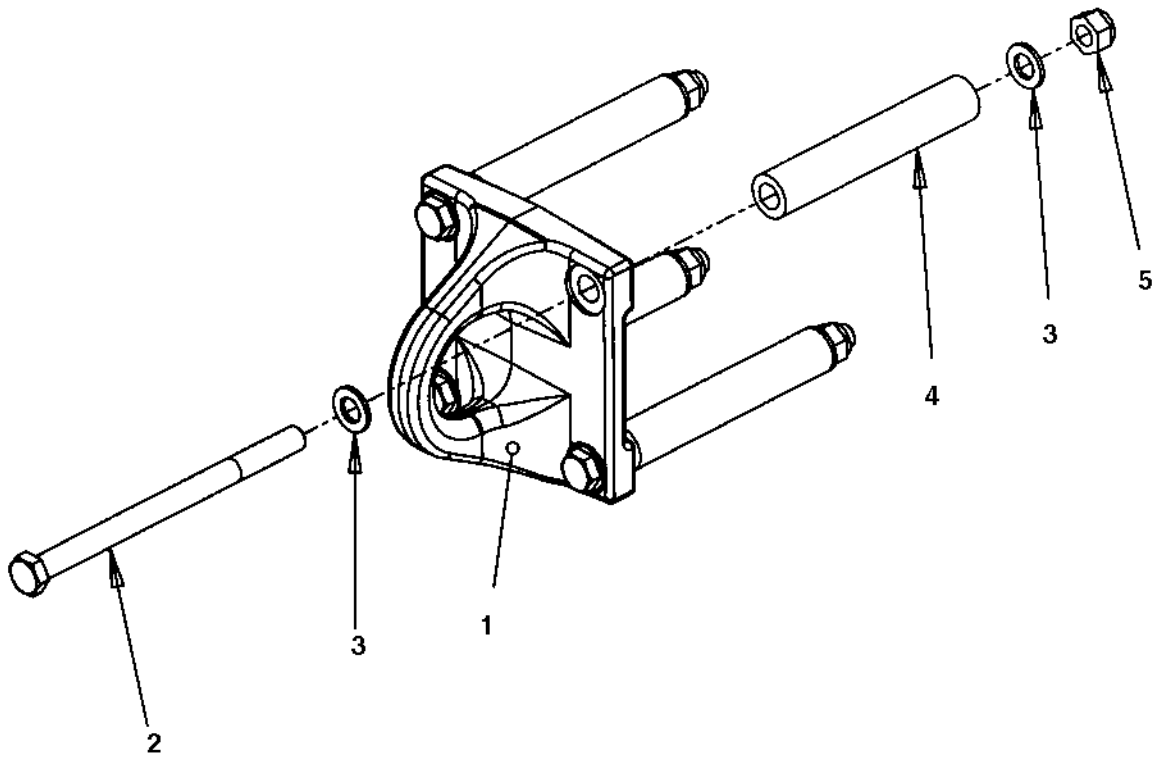


391024 Steering cylinder

Ref. No.	Part No.	Rem.	Qty	Description	Code
1	391024		1	Steering cylinder (Page 148)	
2	950417		1	.Seal kit	
3			2	..Seal	
4			1	..O-ring	
5			1	..Back-up ring	
6			1	..Seal	
7			1	..O-ring	
8			1	..Seal	
9			1	..Seal	
10			1	..O-ring	
11			1	.Piston block	
12			1	.Steering	
13	950222		2	.Shaft	
14			4	.Washer	
15	635061		4	.Hair clip	D
16			1	.Piston rod	D
17			1	.Cylinder	D

Eyelet module

390651

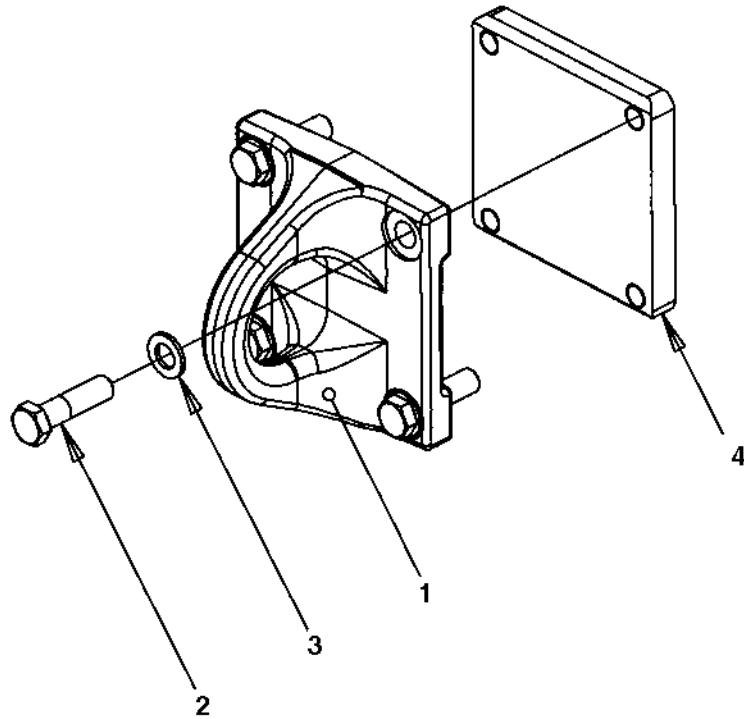


Eyelet module

Ref. No.	Part No.	Rem.	Qty	Description	Code
1	390080		1	Eyelet	
2	904330		4	Screw	
3	904232		8	Washer	
4	390652		4	Spacer sleeve	
5	902297		4	Lock nut	

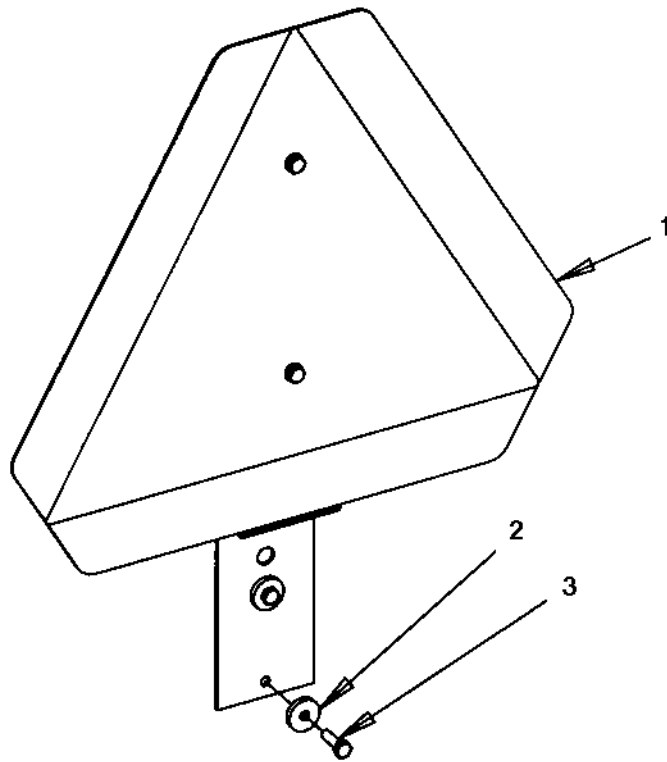
Eyelet module

392464



Eyelet module

Ref. No.	Part No.	Rem.	Qty	Description	Code
1	390080		1	Eyelet	
2	500134		4	Screw	
3	904232		4	Washer	
4	390072		1	Holder plate	

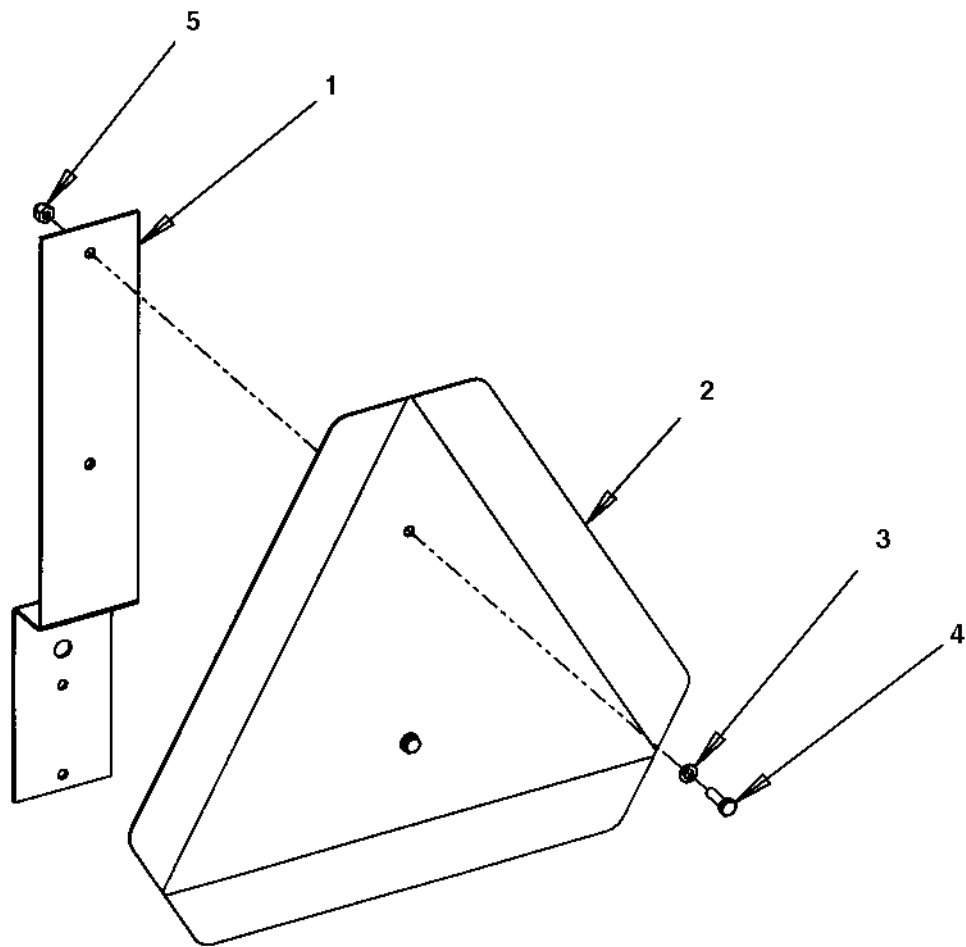


SMV-sign module

Ref. No.	Part No.	Rem.	Qty	Description	Code
1			1	SMV-sign (Page 156)	
2	904735		2	Washer	
3	500040		2	Screw	

SMV-sign

392290



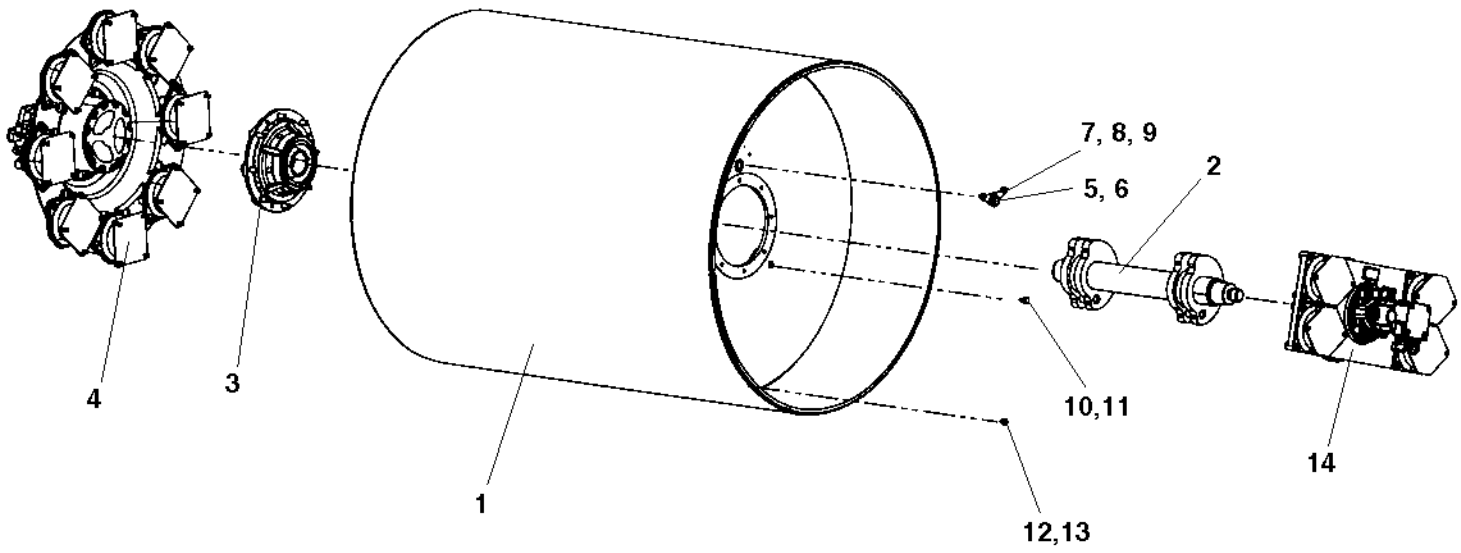
SMV-sign

Ref. No.	Part No.	Rem.	Qty	Description	Code
1	392291		1	Holder	
2	476019		1	SMV sign	D
3	904228		2	Washer	
4	500040		2	Screw	
5	586002		2	Lock nut	

Drum

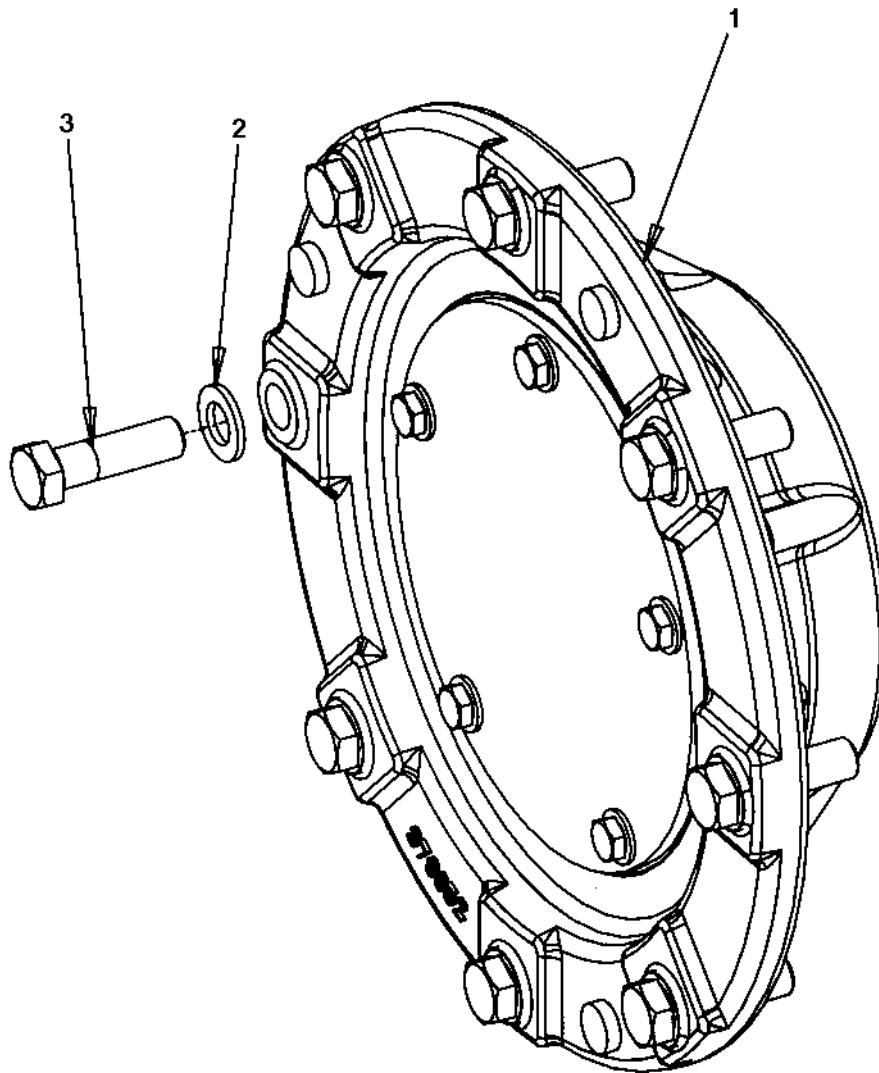
Ref. No.	Part No.	Rem.	Qty	Description	Code
1			2	Drum (Page 160)	

Drum
DRUM



Drum

Ref. No.	Part No.	Rem.	Qty	Description	Code
1	379749		1	Drum	
2	391106		1	Eccentric shaft	
	391109		1	Eccentric shaft	CE
3			1	Drum bearing module (Page 162)	
4			1	Propulsion motor module (Page 166)	
5	343744		1	Magnetic plug	D
6	162017		1	Seal ring	D
7	359955		1	Drop plate	
8	904229		2	Washer	
9	500019		2	Screw	
10	344196		1	Plug	M12 D
11	162027		1	Sealing	D
12	500163		1	Screw	M12x16
13	904231		1	Washer	
14			1	Vibration motor module (Page 172)	

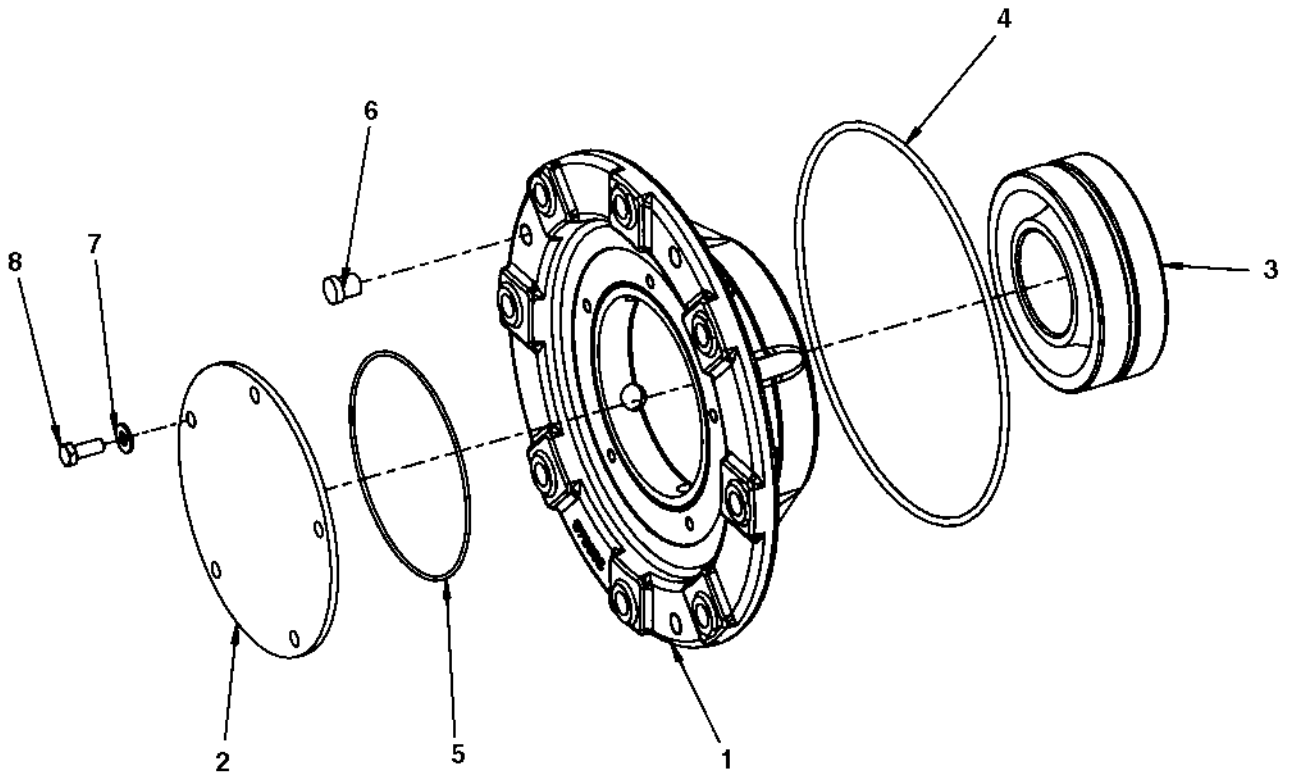


Drum bearing module

Ref. No.	Part No.	Rem.	Qty	Description	Code
1			1	Drum bearing (Page 164)	
2	904232		8	Washer	
3	500070		8	Screw	M16x50

Drum bearing

392167

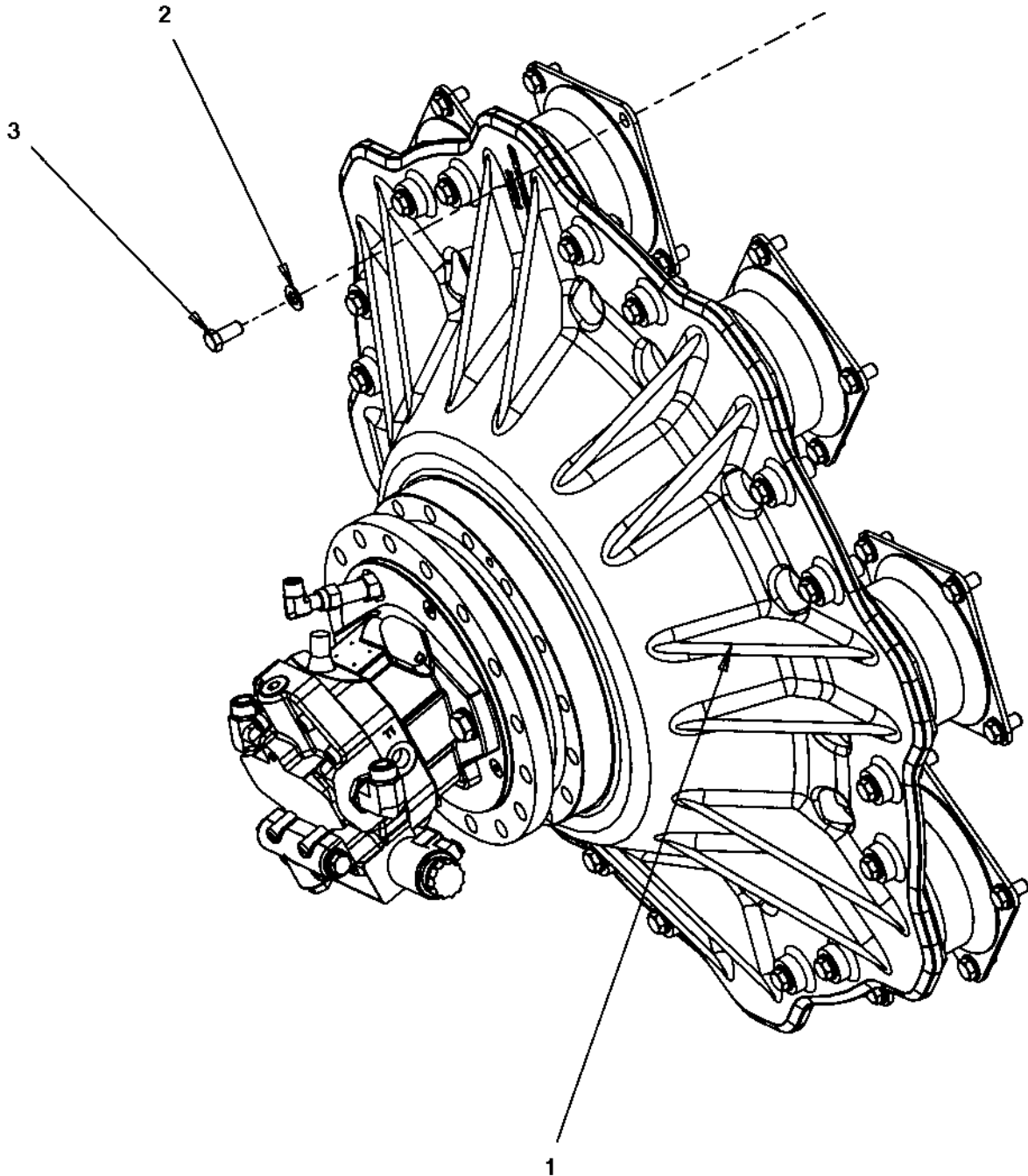


Drum bearing

Ref. No.	Part No.	Rem. Qty	Description	Code
1	379652	1	Bearing housing	
2	391029	1	Cover	
3	792270	1	Spherical roller bearing	D
4	160344	1	O-ring 70	D
5	160045	1	O-ring 70	
6	900775	3	Plug	
7	904230	5	Washer	
8	500028	5	Screw	

Propulsion motor module

379802

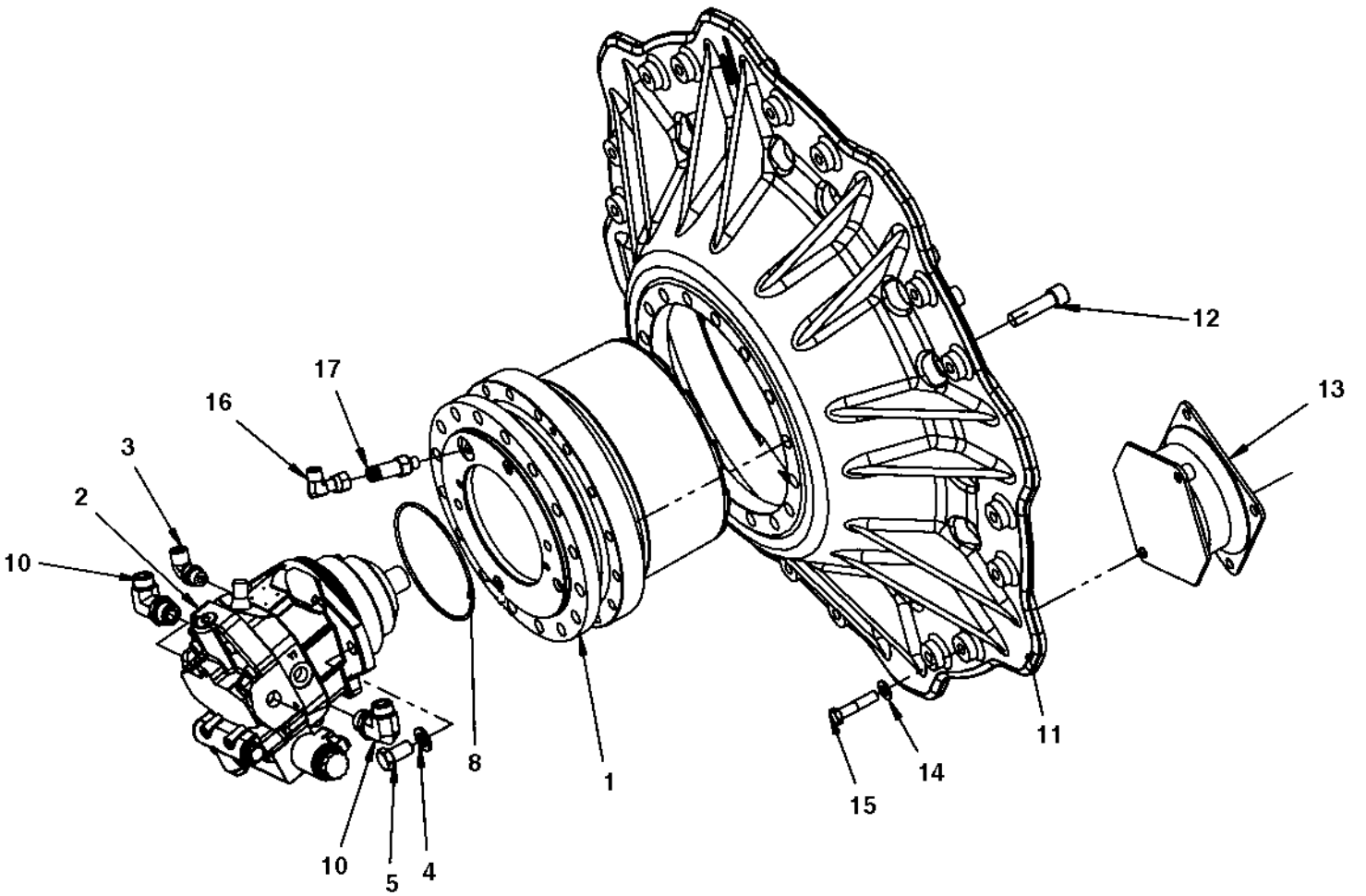


Propulsion motor module

Ref. No.	Part No.	Rem.	Qty	Description	Code
1			1	Drive unit (Page 168)	
2	904231		32	Washer	
3	500051		32	Screw	

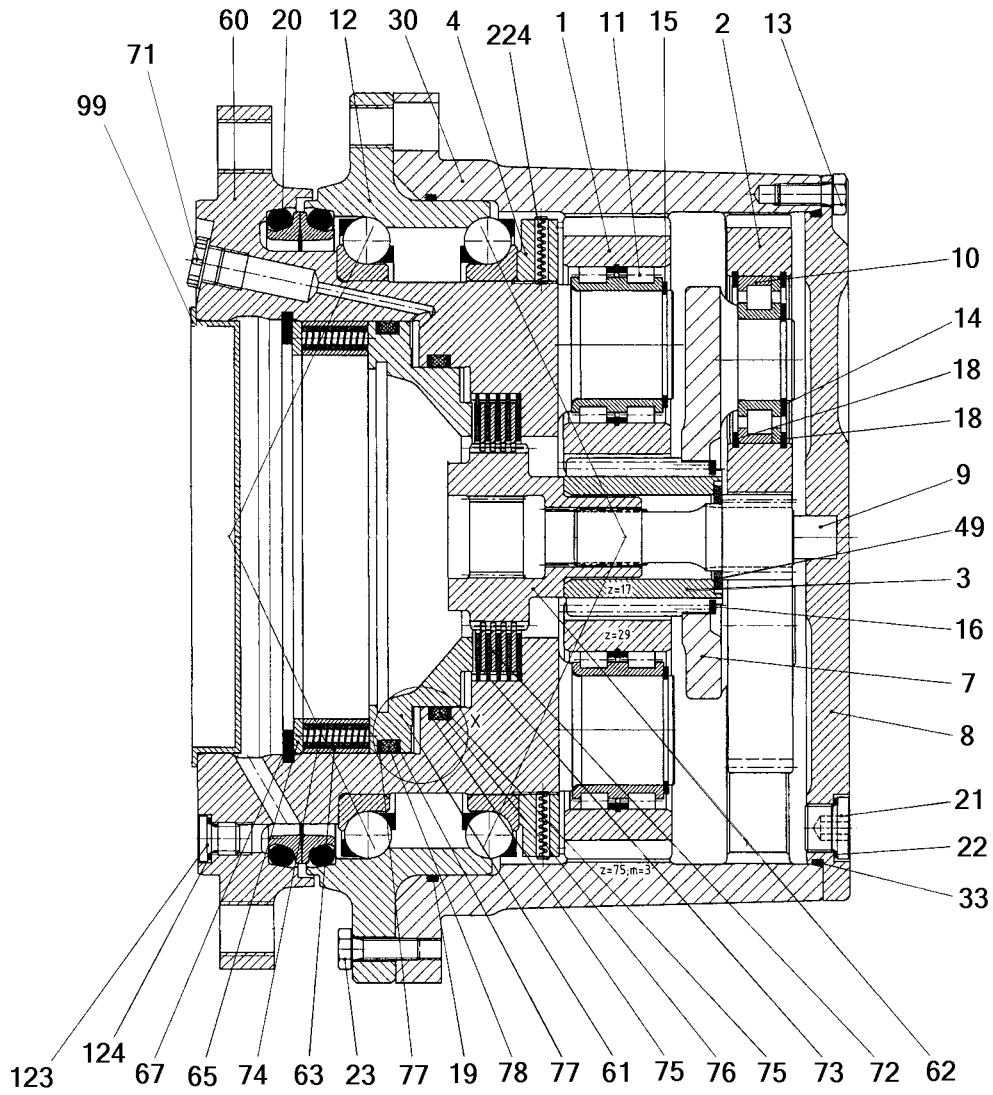
Drive unit

392150



Drive unit

Ref. No.	Part No.	Rem.	Qty	Description	Code
1	390604		1	Drum gear (Page 170)	C
2	390603		1	Hydraulic motor	C
3	792151		1	Elbow adapter 90	
4	904232		2	Washer	
5	500057		2	Screw	M16-2x30 8,8
8	160227		1	O-ring	D
10	792331		2	Elbow 90 orfs	
11	391724		1	Drive disc	
12	792506		16	Screw	
13	394250		8	Shock absorber	B
14	904231		16	Washer	
15	925519		16	Screw	
16	791401		1	Elbow 90, O-ring with swivel	
17	792507		1	Straight connector orfs	

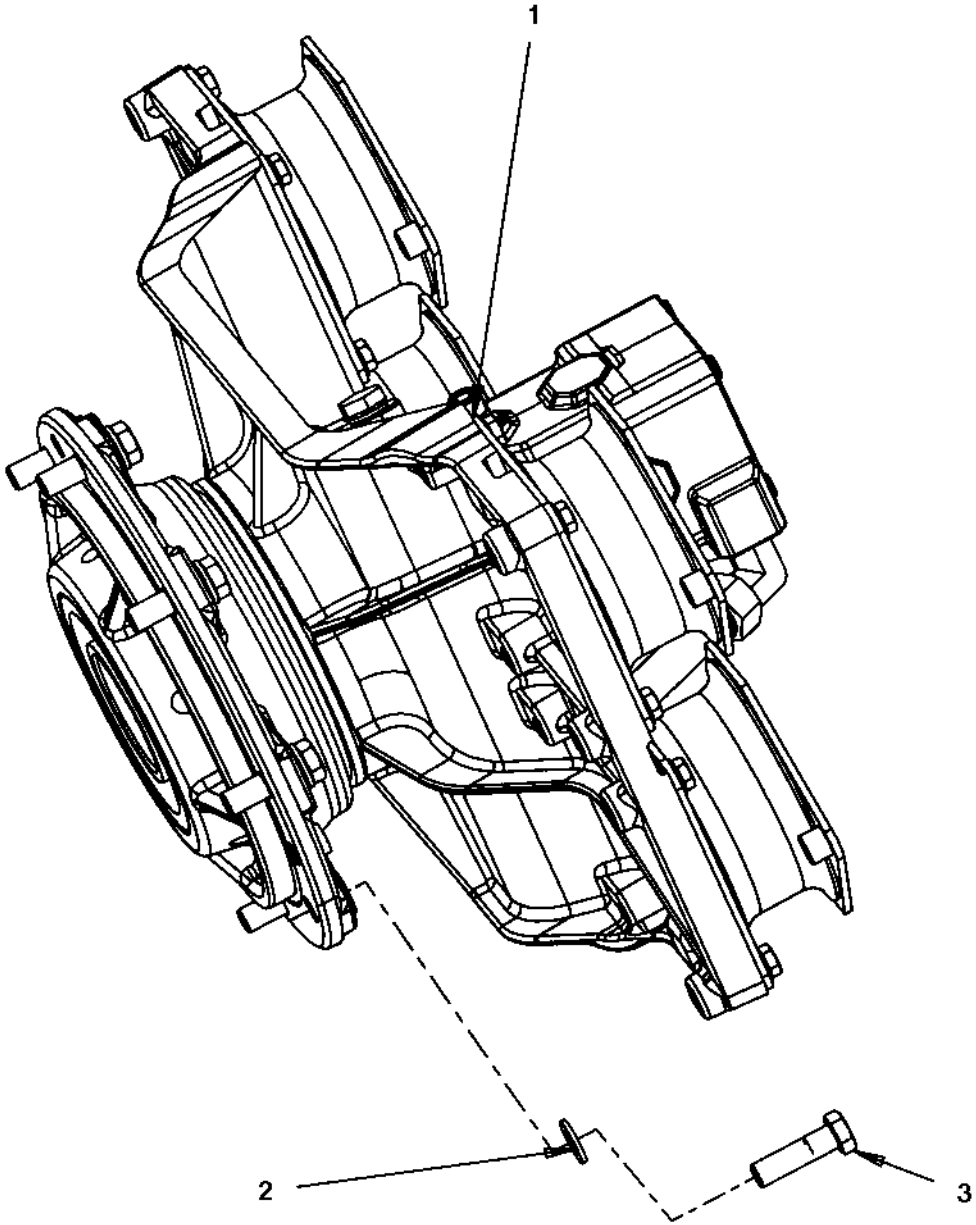


390604 Drum gear

Ref. No.	Part No.	Rem.	Qty	Description	Code
	390604		1	Drum gear (Page 170)	C
1			4	.Planet gear	C
2			3	.Planet gear	C
3			1	.Sun gear	C
4			1	.Shaft nut	C
7			1	.Planet carrier	C
8			1	.Cover	C
9			1	.Cylindrical roller	C
10	950520		3	.Cylindrical roller bearing	
11	950521		4	.Cylindrical roller bearing	
12	950522		1	.Ball bearing	
13			12	.Screw	
14			3	.Snap ring	
15			4	.Snap ring	
16			1	.Snap ring	
18			6	.Snap ring	
19	950523		1	.O-ring	
20	950524		1	.Seal	
21	950525		2	.Plug	
22	950492		2	.Seal ring	
23			2	.Screw	
30			1	.Ring gear	
33	950526		1	.O-ring	
44			1	.Sun gear shaft	
49			1	.Drum flange	
60			1	.Spindle	
61			1	.Piston	
62			1	.Coupler	
63			1	.Spacer	
65			1	.Disc	
67			1	.Snap ring	
71	950495		1	.Plug	
72	950527		4	.Inner disc	
73	950528		5	.Outer disc	
74			28	.Pressure spring	
75	950529		2	.Supporting ring	
76			1	.Supporting ring	
77	950531		2	.Supporting ring	
78	950532		1	.Piston seal	
99			1	.Plug	
123	950533		3	.Plug	
124	950534		3	.Seal ring	
224			2	.Spring dowel sleeve	

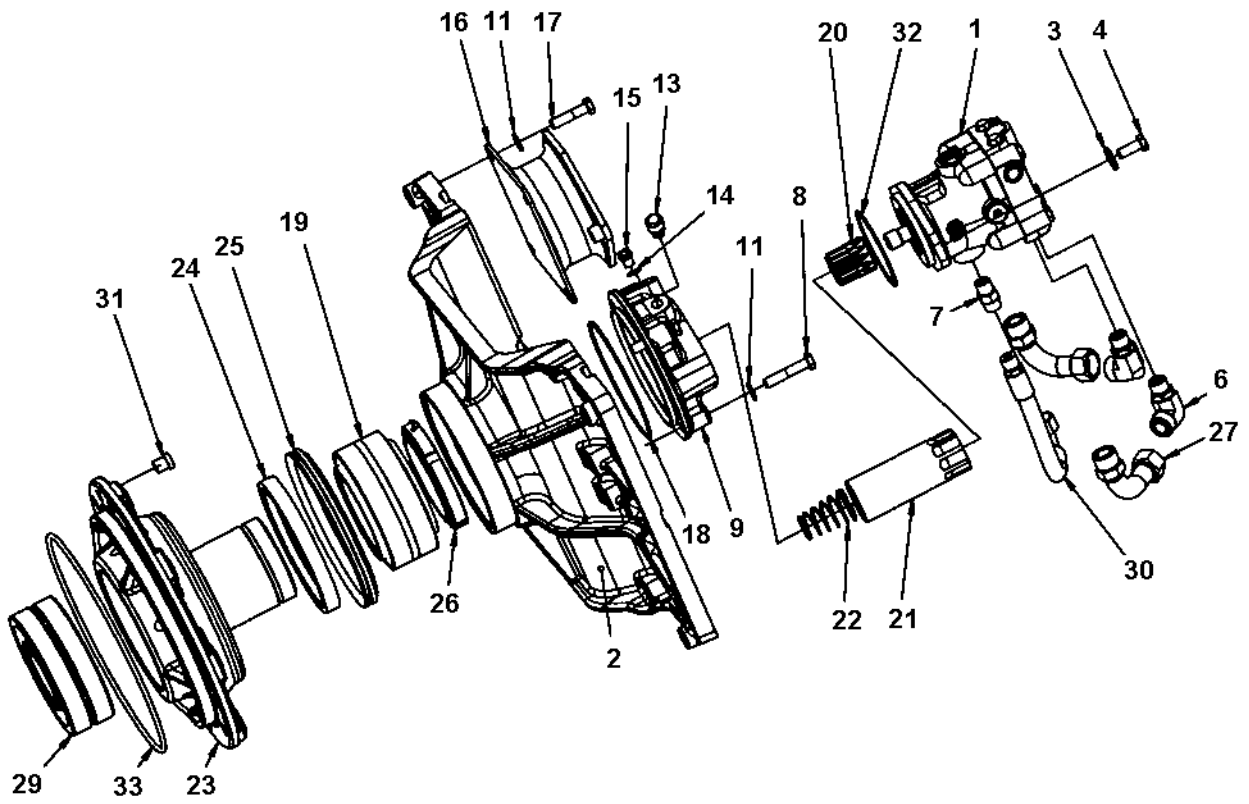
Vibration motor module

379803



Vibration motor module

Ref. No.	Part No.	Rem.	Qty	Description	Code
1			1	Vibrating unit (Page 174)	Sauer
2	904232		8	Washer	
3	500070		8	Screw	M16x50



Vibrating unit Sauer

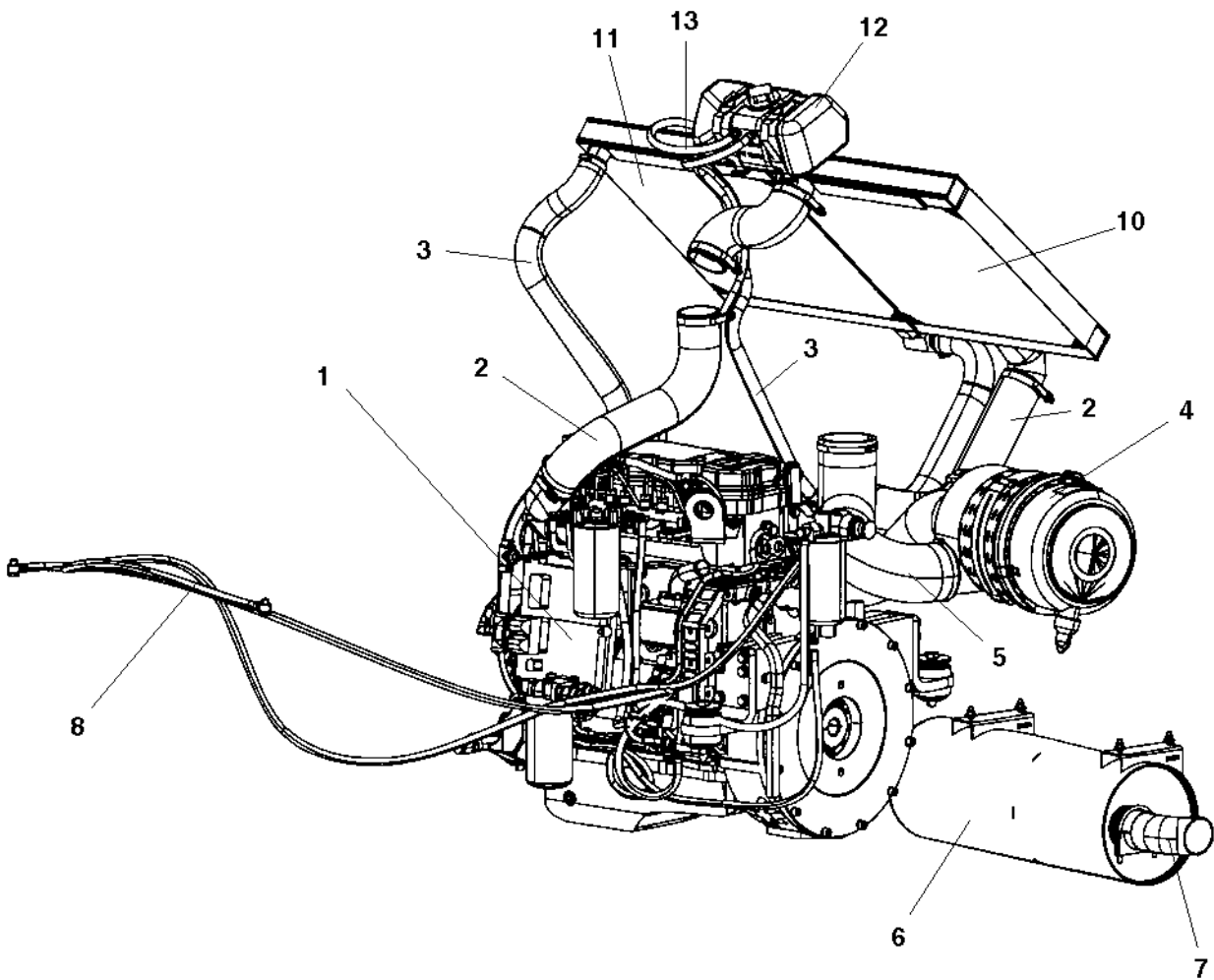
Ref. No.	Part No.	Rem.	Qty	Description	Code
1	395915		1	Hydraulic motor	
2	392364		1	Holder plate	
3	904213		2	Washer	
4	500046		2	Screw	
6	792746		2	Connector elbow 90 orfs	
7	791799		1	Straight connector orfs	
8	500049		4	Screw	
9	390160		1	Motor adapter	
11	904231		20	Washer	
13	926736		1	Breather	B
14	162027		1	Sealing	D
15	903726		1	Steel plug threaded	
16	394251		4	Shock absorber	
17	500195		16	Screw	
18	160105		1	O-ring 70	D
19	116041		1	Taper roller bearing	D
20	340862		1	Splined sleeve	
21	381027		1	Splined sleeve	
22	349715		1	Spring	
23	379650		1	Drum bearing housing	
24	386272		1	Sealing	D
25	929447		1	V-ring	D
26	390897		1	Shaft nut	
27	392748		2	Connector	
29	792270		1	Spherical roller bearing	D
30	484271		1	Hydraulic hose	
31	900775		3	Plug	
32	160279		1	O-ring	D
33	160344		1	O-ring 70	D

Engine

Ref. No.	Part No.	Rem.	Qty	Description	Code
8				Engine room (Page 178)	

Engine room

AR040

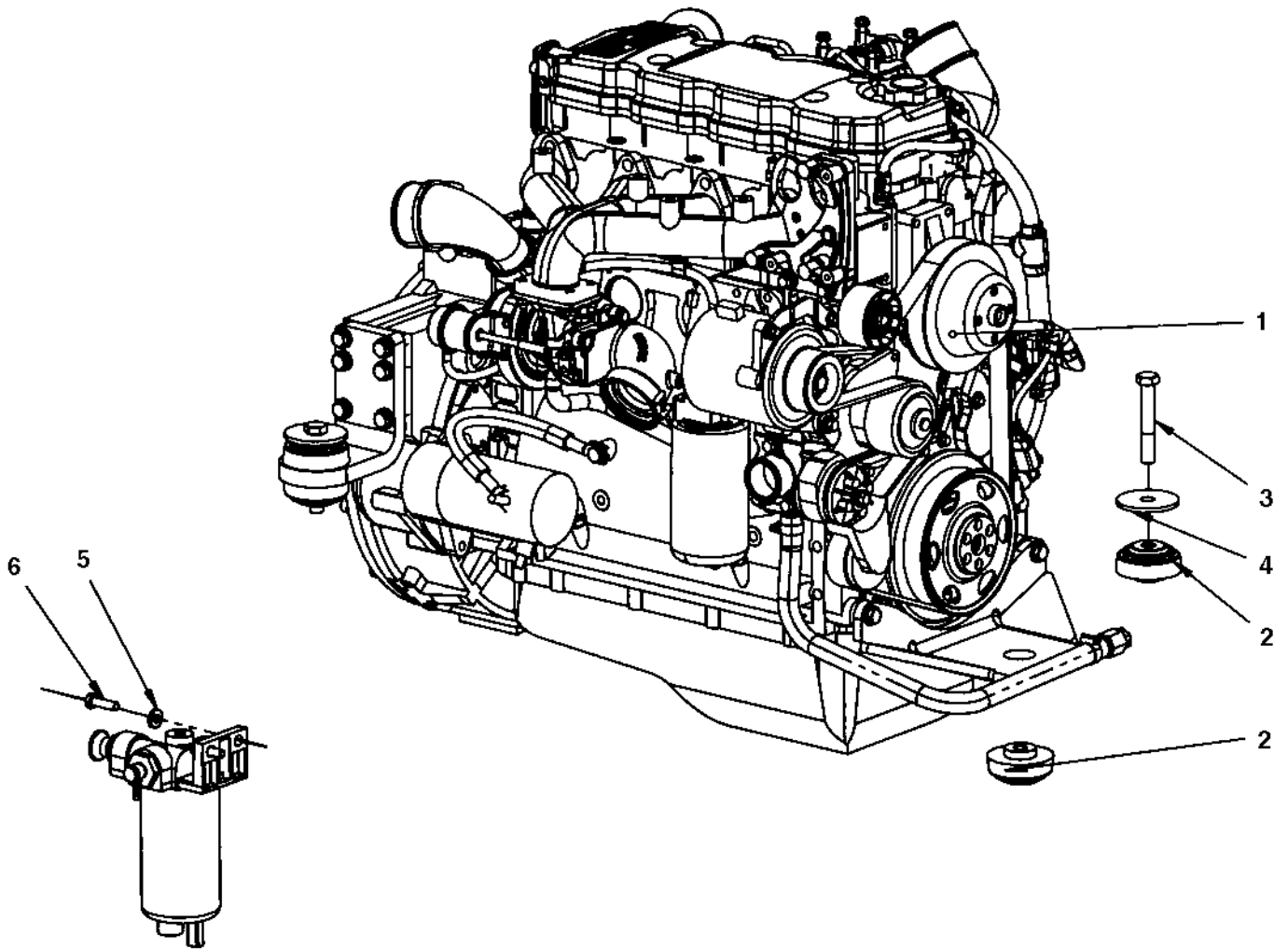


Engine room

Ref. No.	Part No.	Rem.	Qty	Description	Code
1				Engine (Page 180)	
2				Air cooler hoses (Page 190)	
3				Water cooler hoses (Page 192)	
4				Air cleaner module (Page 194)	
5				Air cleaner hose module (Page 196)	
6				Muffler (Page 198)	
7				Exhaust pipe module (Page 200)	
8				Fuel hose module (Page 202)	
10				Charge air cooler (Page 204)	
11				Water cooler (Page 206)	
12				Expansion tank assembly (Page 210)	
13				Coolant hoses (Page 214)	

Engine

394502

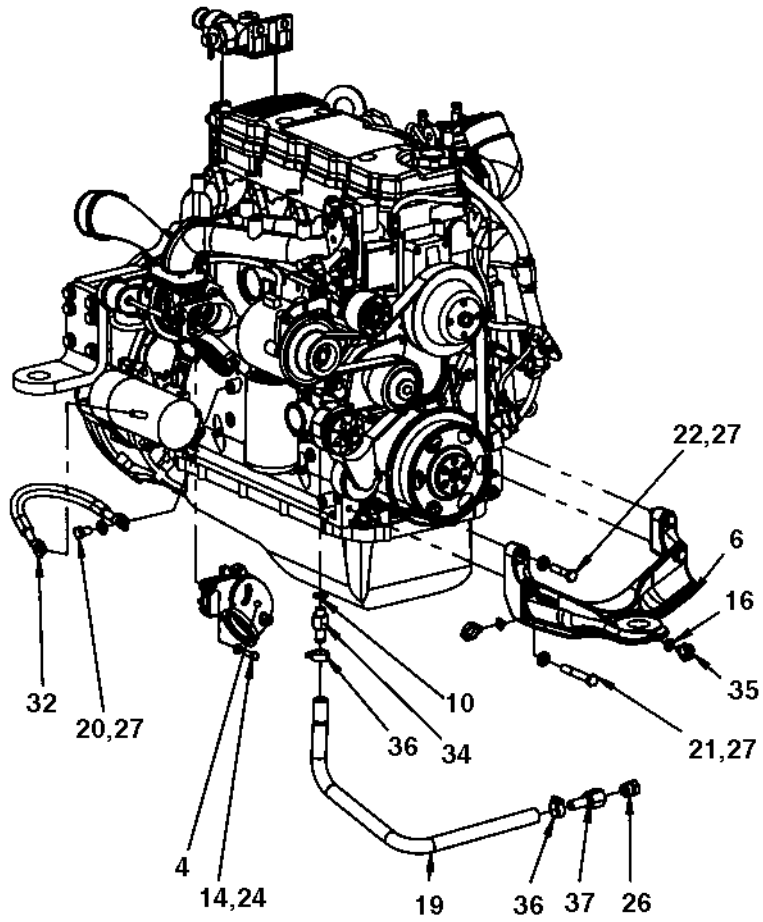
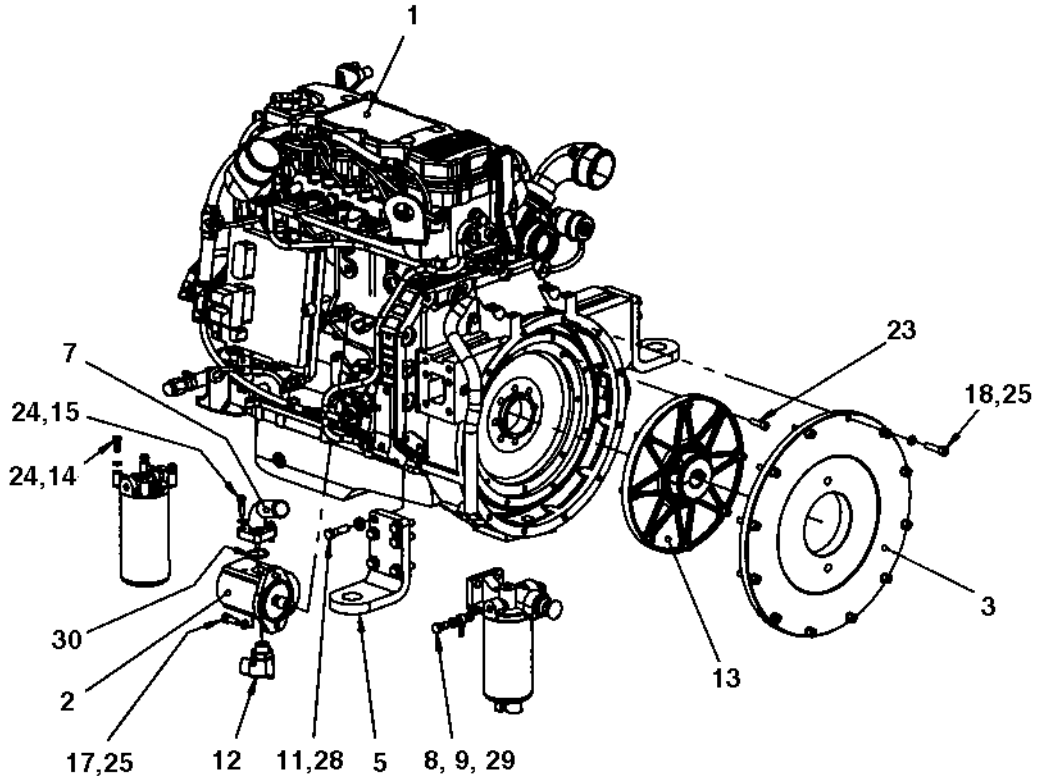


Engine

Ref. No.	Part No.	Rem. Qty	Description	Code
1		1	Engine module (Page 182)	
2	391165	6	Shock absorber	
3	500107	3	Screw	
4	345666	3	Steel spacer	
5	904557	2	Washer	
6	500030	2	Screw	

Engine module

394505



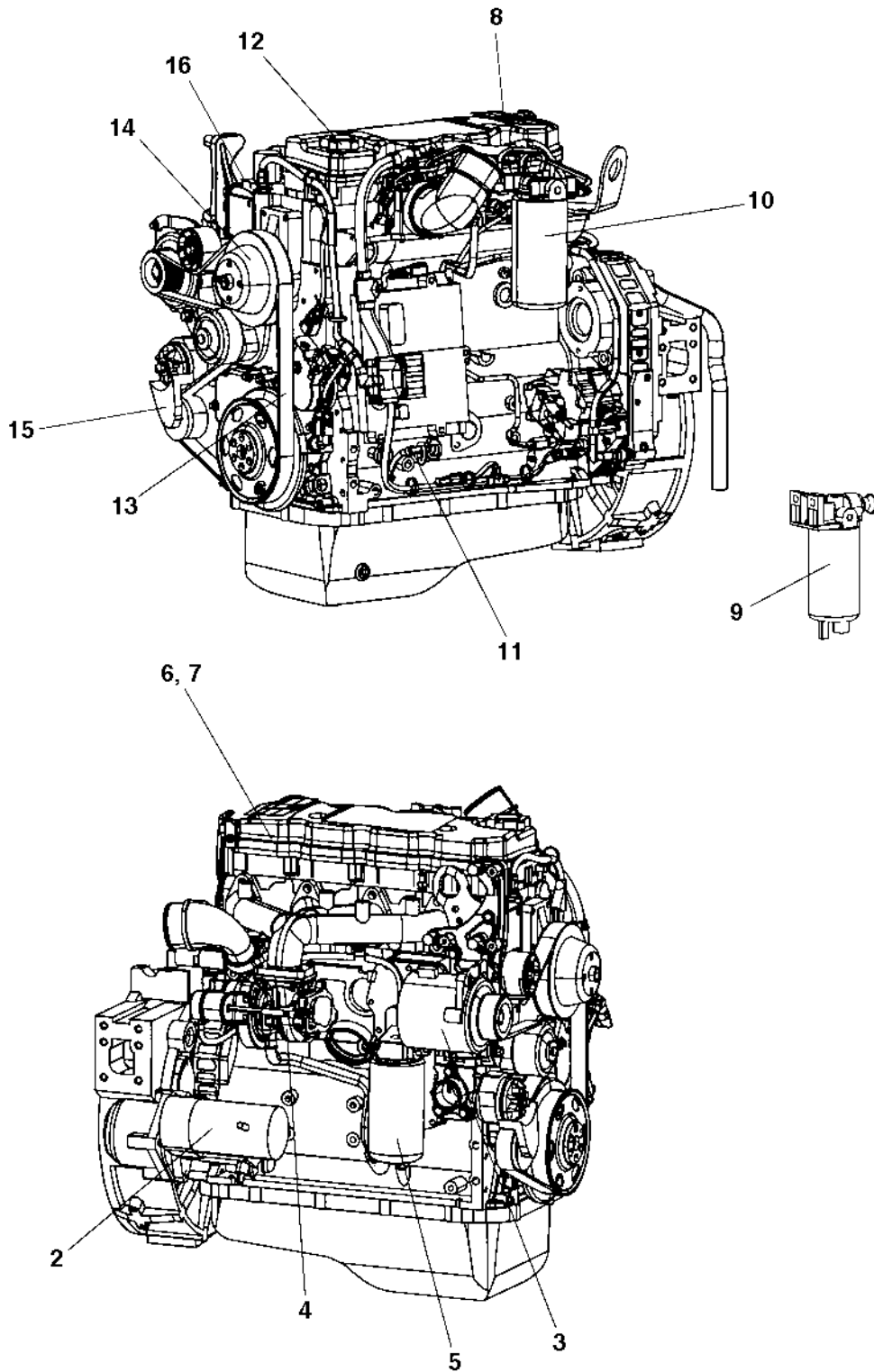
Engine module

Ref. No.	Part No.	Rem.	Qty	Description	Code
1	390832		1	Diesel engine (Page 184)	82kW
	390831		1	Diesel engine (Page 186)	93kW
	379624		1	Diesel engine (Page 188)	113kW
2	391020		1	Hydraulic pump	
3	394169		1	Pump bracket	
4	390618		1	Exhaust connection	
5	390233		2	Engine bracket	
6	393592		1	Engine bracket	
7	390018		1	Suction pipe	
8	792603		2	Quick connect coupling	
9	500049		2	Screw	
10	162011		1	Washer, sealing	D
11	500056		8	Screw	
12	791698		1	Elbow 90, O-ring with swivel	
13	391358		1	Coupling	
14	500021		8	Screw	
15	508048		4	Screw	
17	508096		2	Screw	
18	508080		12	Screw	
19	205112	A	1XL	Coolant hose	
20	500035		1	Screw	M12x020H
21	500197		2	Screw	12x90
23	509025		8	Screw	3/8-16UNCx32 8,8
24	904229		12	Washer	
25	904637		14	Washer	
26	232231		1	Plug	
27	904231		5	Washer	
28	904703		8	Washer	
30	813429		1	O-ring	
32	335607		1	Connection cable, coarse	
34	391303		1	Hose connection	
35	792418		2	Wiring clip	
36	313004		2	Hose clamp	
37	792502		1	Hose connection	
38	394322		1	Gasket	

A) L=0,6 m

390832 Diesel engine 82kW

390832

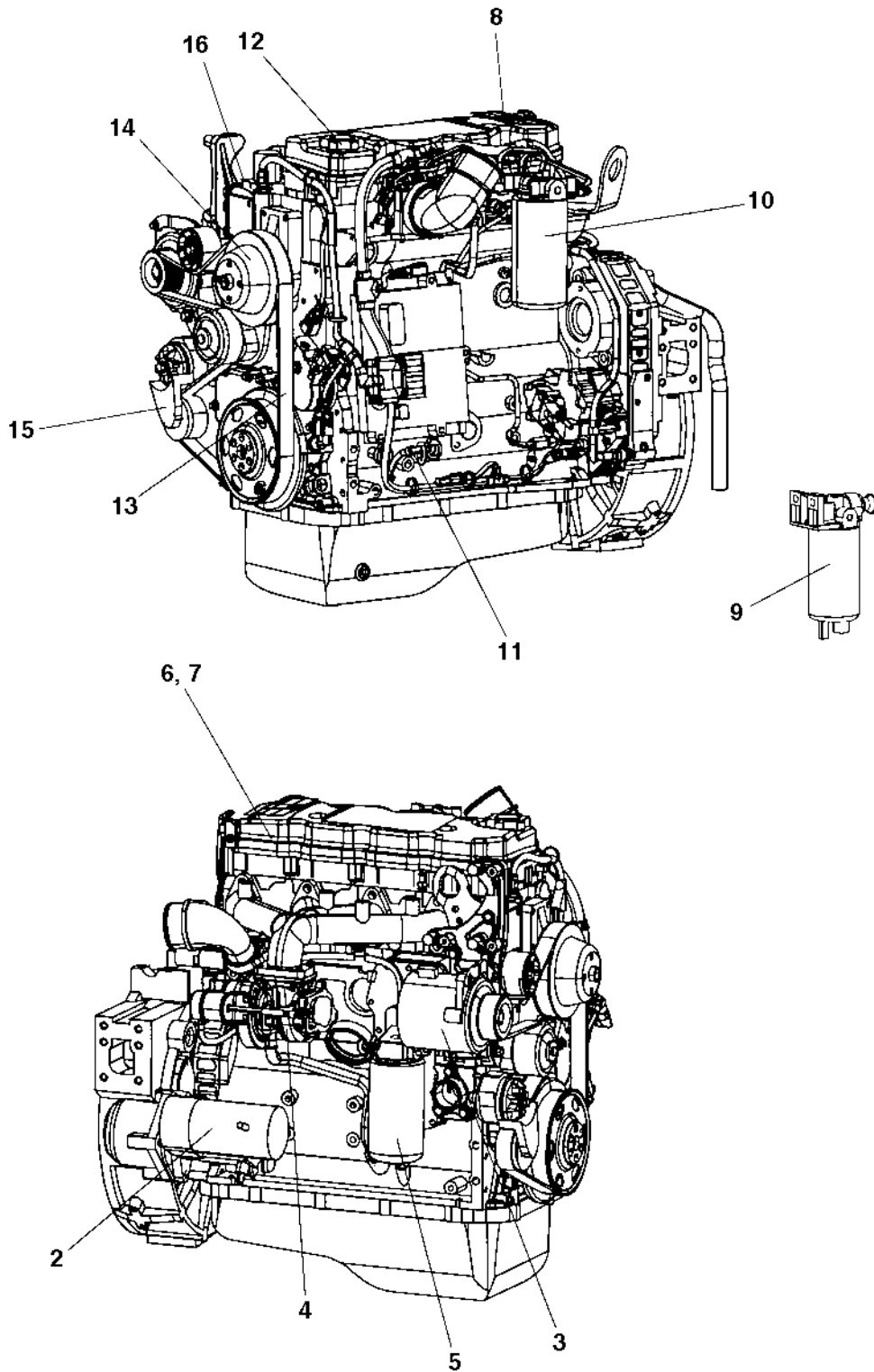


390832 Diesel engine 82kW

Ref. No.	Part No.	Rem.	Qty	Description		Code
1	390832		1	Diesel engine (Page 184)	82kW	
2	945767		1	.Starter		C
3	945768		1	.Alternator		C
4			1	.Turbo charger cpl		C
5	945145		1	.Oil filter element		A
6	945760		1	.Valve cover gasket		
7	945769		1	.Piston ring set		D
8	945626		1	.Injector		
9	945147		1	.Pre-fuel filter element		A
10	945624		1	.Fuel filter element		A
11	945770		1	.Oil dipstick		
12	945771		1	.Oil cap		
13	945772		1	.V-belt		B
14	945773		1	.V- belt pulley		
15	945774		1	.Belt tightener		
16	945887		1	.Sensor, Water temp		

390831 Diesel engine 93kW

390831

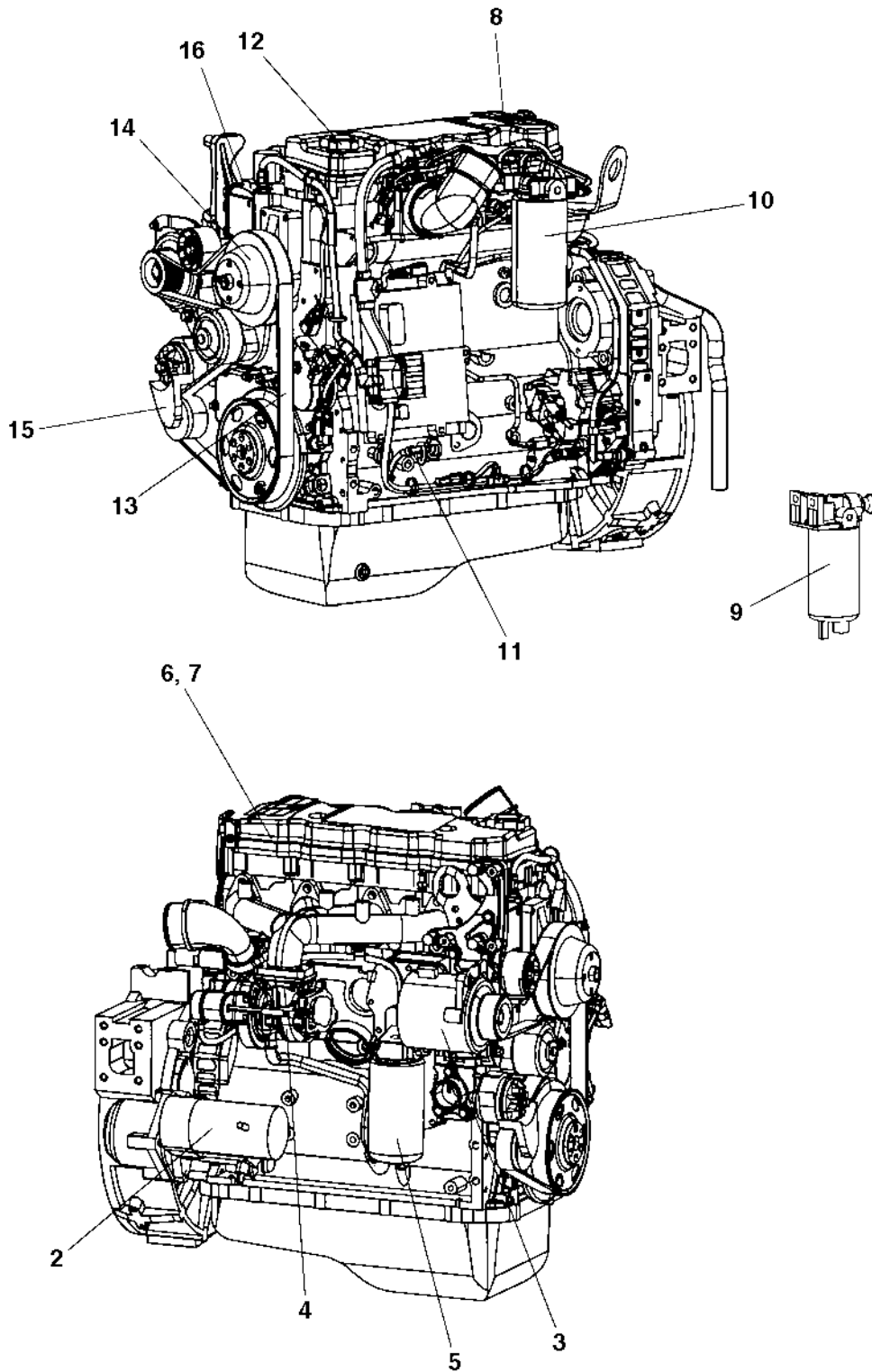


390831 Diesel engine 93kW

Ref. No.	Part No.	Rem.	Qty	Description		Code
1	390831		1	Diesel engine (Page 186)	93kW	
2	945767		1	.Starter		C
3	945768		1	.Alternator		C
4			1	.Turbo charger cpl		C
5	945145		1	.Oil filter element		A
6	945760		1	.Valve cover gasket		
7	945769		1	.Piston ring set		D
8	945626		1	.Injector		
9	945147		1	.Pre-fuel filter element		A
10	945624		1	.Fuel filter element		A
11	945770		1	.Oil dipstick		
12	945771		1	.Oil cap		
13	945772		1	.V-belt		B
14	945773		1	.V- belt pulley		
15	945774		1	.Belt tightener		
16	945887		1	.Sensor, Water temp		

379624 Diesel engine 113kW

379624

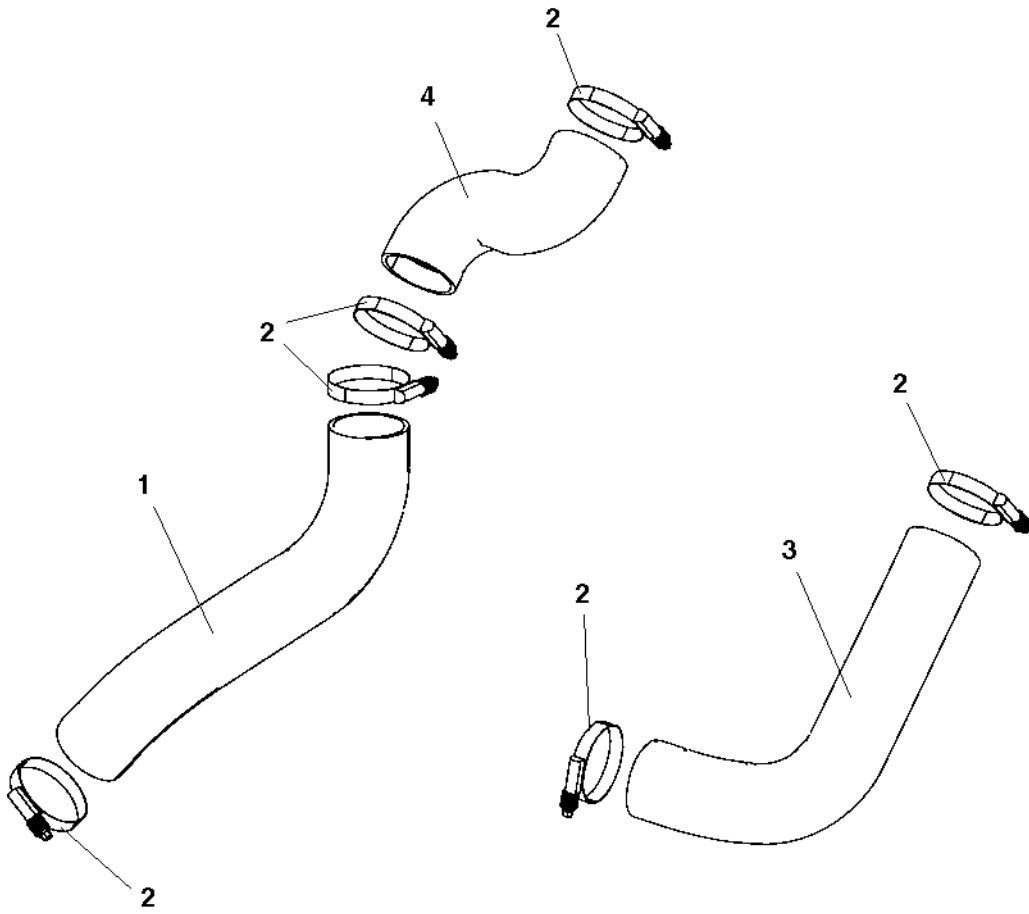


379624 Diesel engine 113kW

Ref. No.	Part No.	Rem.	Qty	Description		Code
1	379624		1	Diesel engine (Page 188)	113kW	
2	945767		1	.Starter		C
3	945768		1	.Alternator		C
4			1	.Turbo charger cpl		C
5	945145		1	.Oil filter element		A
6	945760		1	.Valve cover gasket		
7	945769		1	.Piston ring set		D
8	945626		1	.Injector		
9	945147		1	.Pre-fuel filter element		A
10	945624		1	.Fuel filter element		A
11	945770		1	.Oil dipstick		
12	945771		1	.Oil cap		
13	945772		1	.V-belt		B
14	945773		1	.V- belt pulley		
15	945774		1	.Belt tightener		
16	945887		1	.Sensor, Water temp		

Air cooler hoses

391594

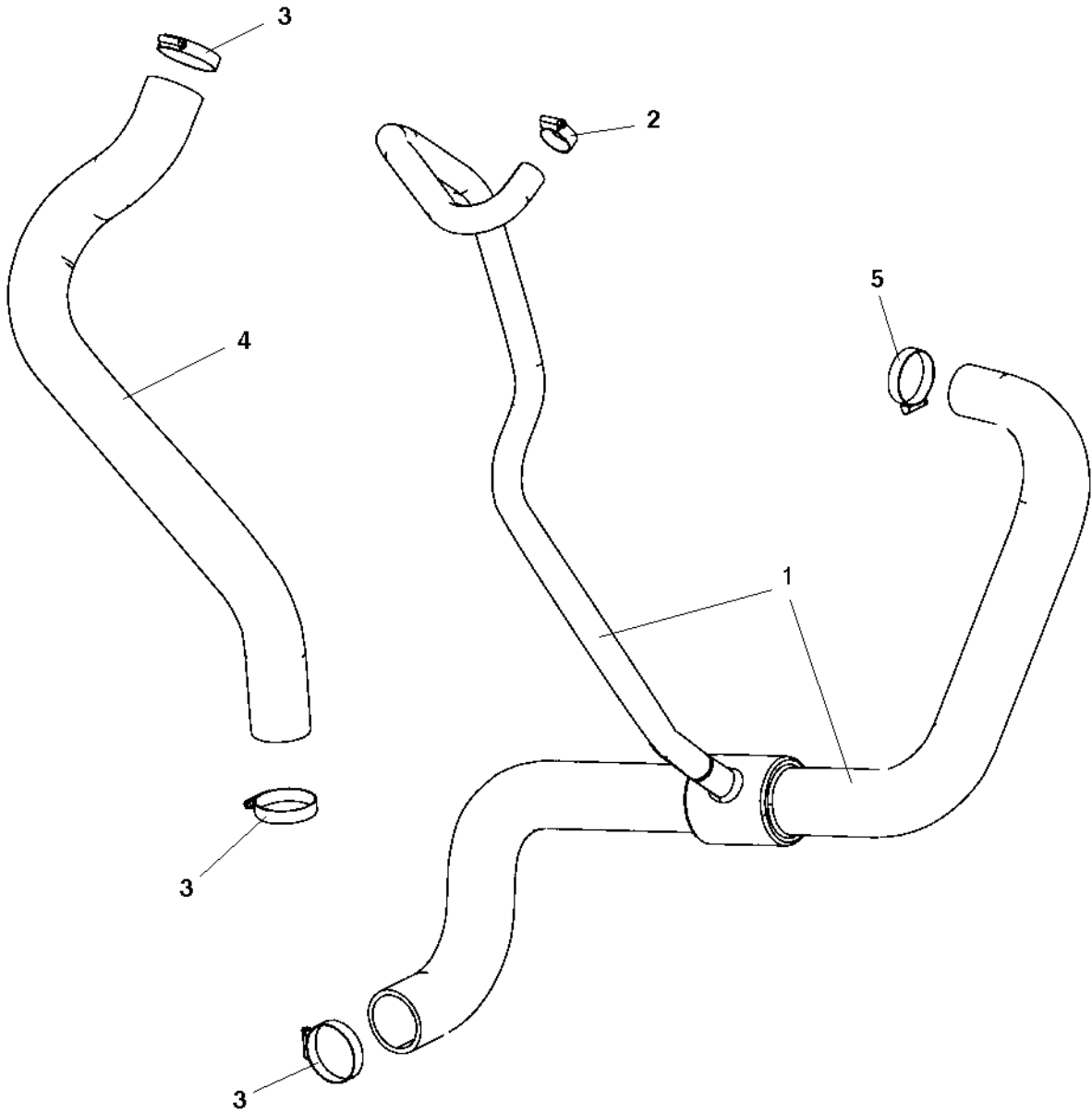


Air cooler hoses

Ref. No.	Part No.	Rem.	Qty	Description	Code
1	390020		1	Charge air hose	
2	386966		6	Hose clamp	2.3/4"-3.5/8"
3	390019		1	Charge air hose	
4	391263		1	Charge air hose	

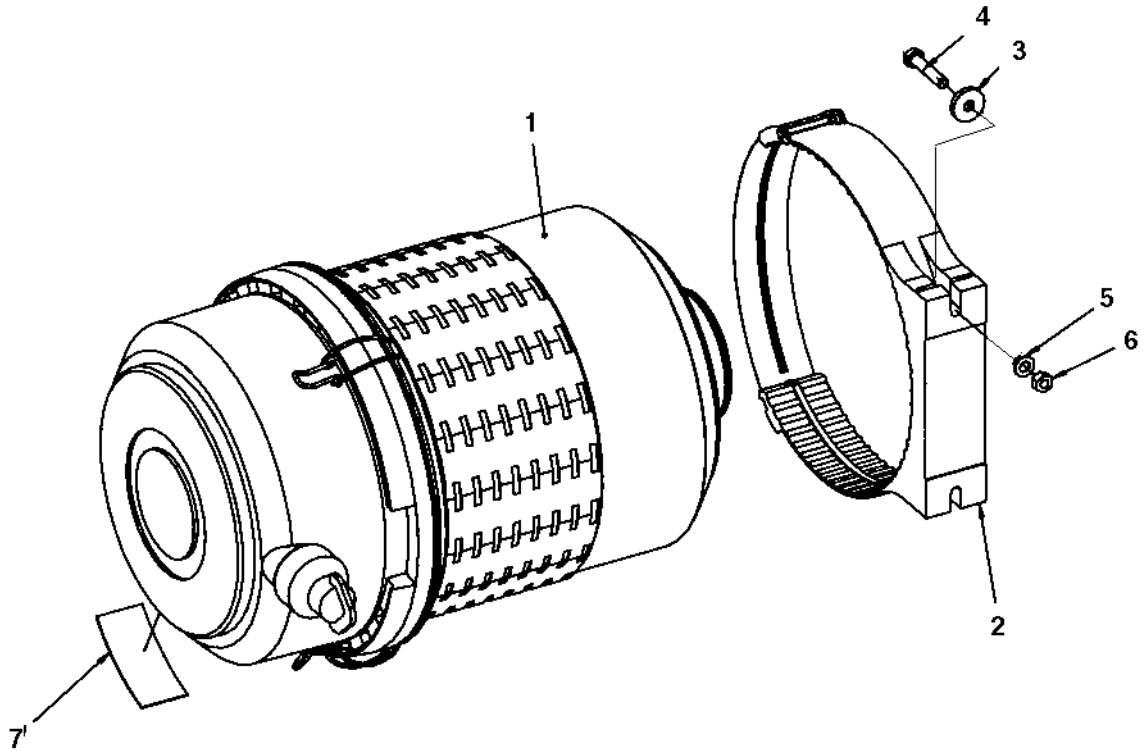
Water cooler hoses

394269



Water cooler hoses

Ref. No.	Part No.	Rem. Qty	Description	Code
1	394267	1	Coolant hose	
2	313004	1	Hose clamp	
3	313010	3	Hose clamp	
4	390024	1	Coolant hose	
5	313009	1	Hose clamp	

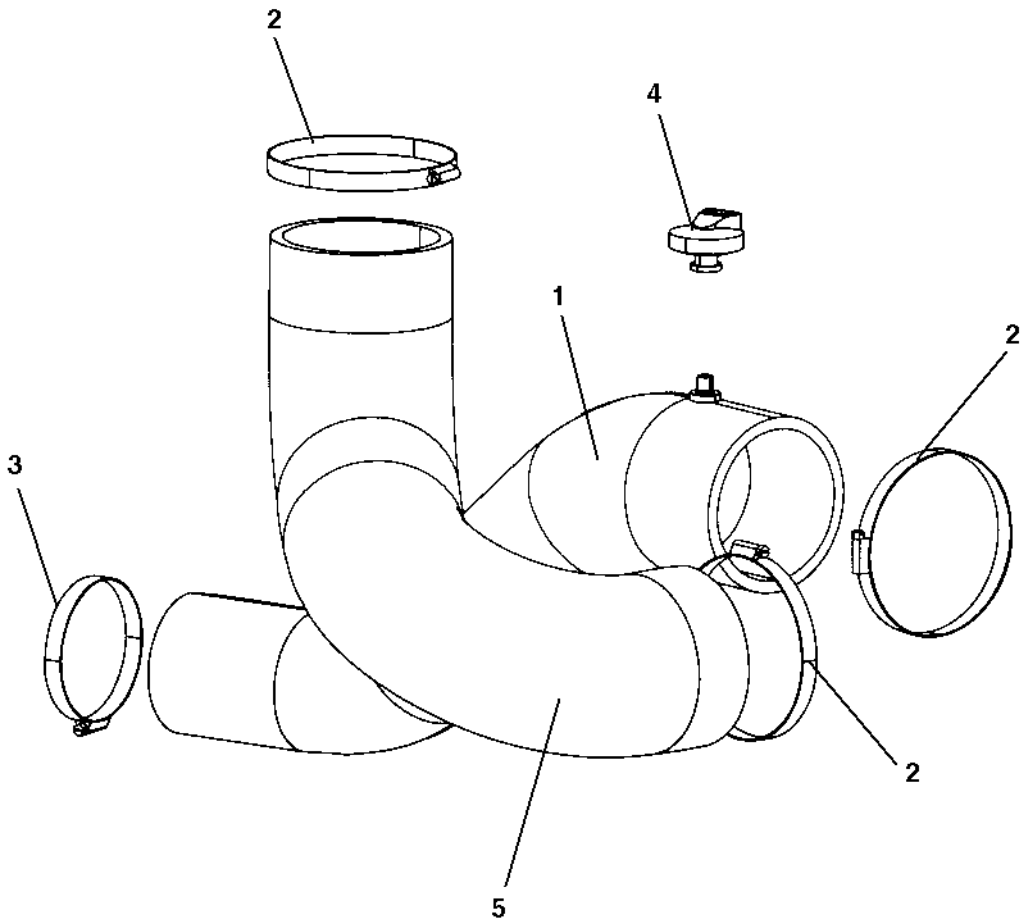


Air cleaner module

Ref. No.	Part No.	Rem.	Qty	Description	Code
1	390820		1	Air cleaner	
	390995		1	.Main filter element	A
	390994		1	.Safety filter element	A
2	390811		1	Bracket	
3	904734		2	Washer	
4	500023		2	Screw	M8-1,25x40 8,8
5	904229		2	Washer	
6	570005		2	Nut	
7	791642		1	Decal "WARNING"	Use of starting fluid prohib.

Air cleaner hose module

391590

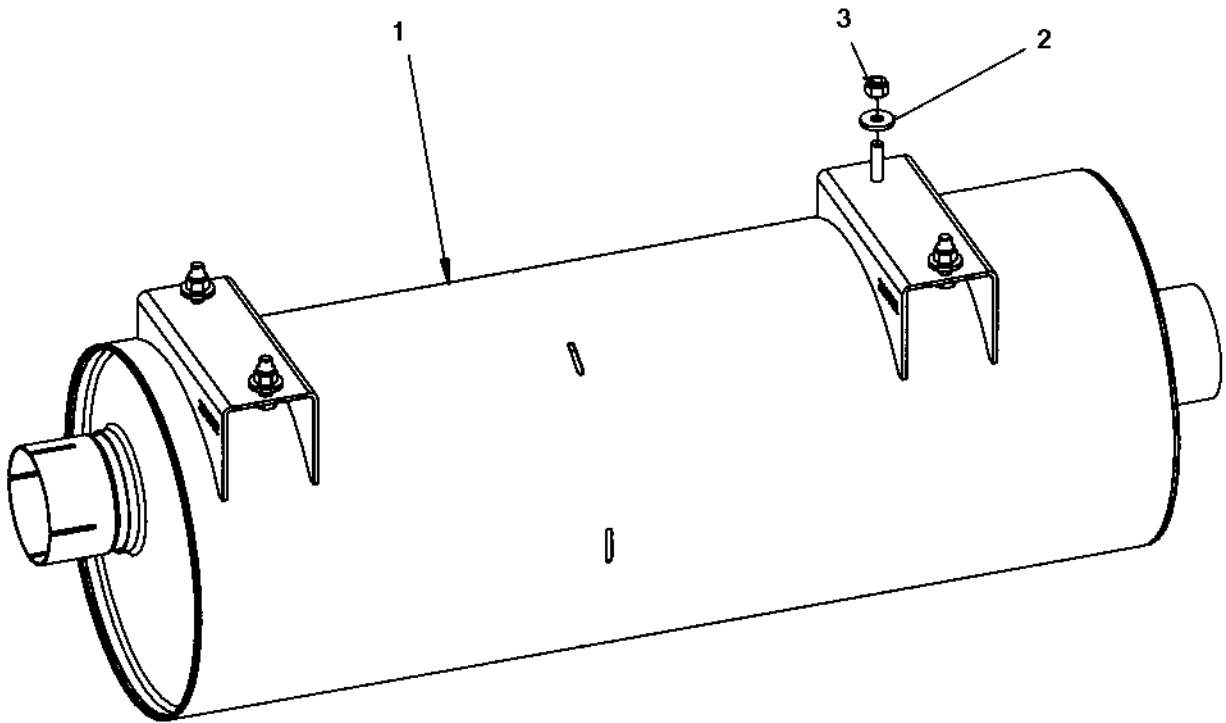


Air cleaner hose module

Ref. No.	Part No.	Rem.	Qty	Description	Code
1	390021		1	Hose	
2	313105		3	Hose clamp	
3	313033		1	Hose clamp	D
4	390830		1	Indicator	
5	390022		1	Hose	

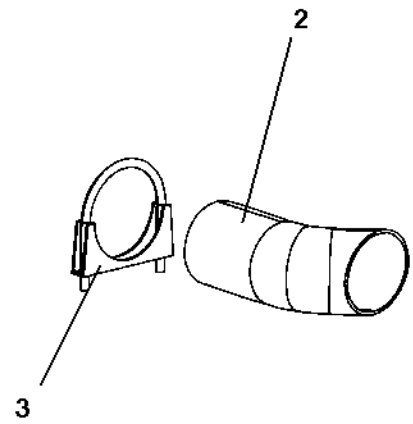
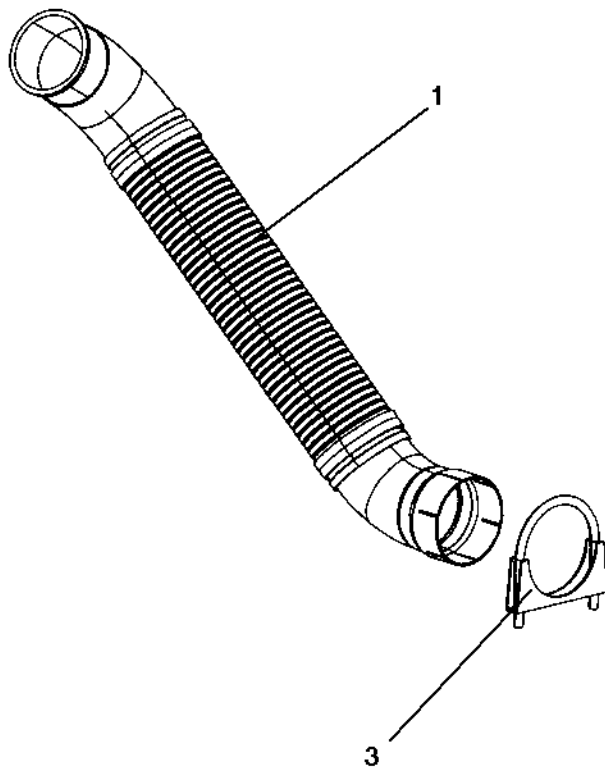
Muffler

391261



Muffler

Ref. No.	Part No.	Rem. Qty	Description	Code
1	390332	1	Muffler	
2	904640	4	Washer	
3	586003	4	Lock nut	

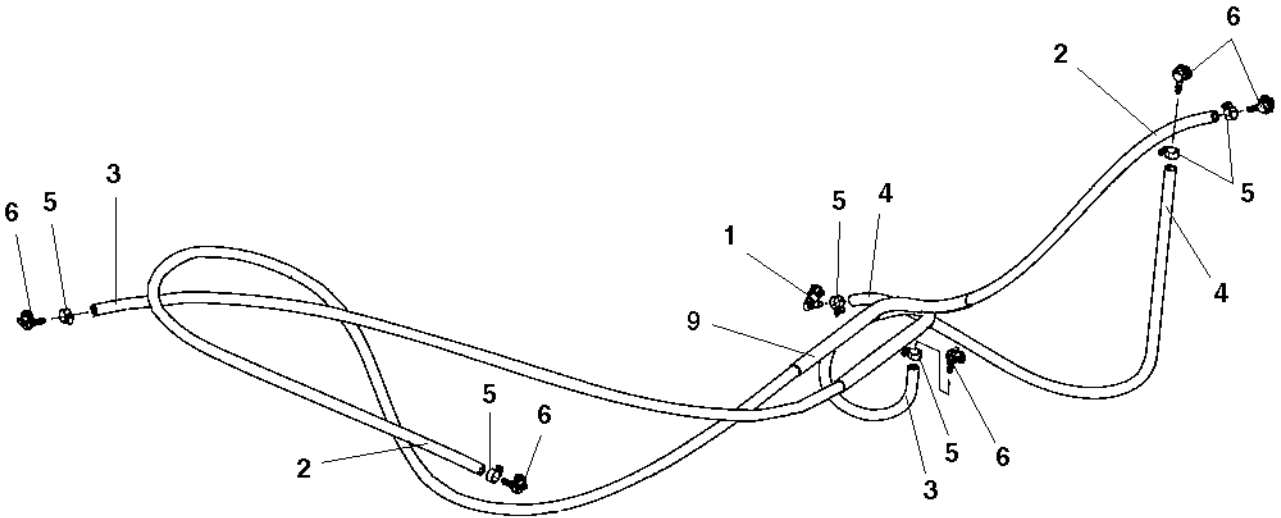


Exhaust pipe module

Ref. No.	Part No.	Rem. Qty	Description	Code
1	390902	1	Exhaust pipe	
2	390903	1	Exhaust pipe	
3	313094	2	Pipe clamp	

Fuel hose module

394456

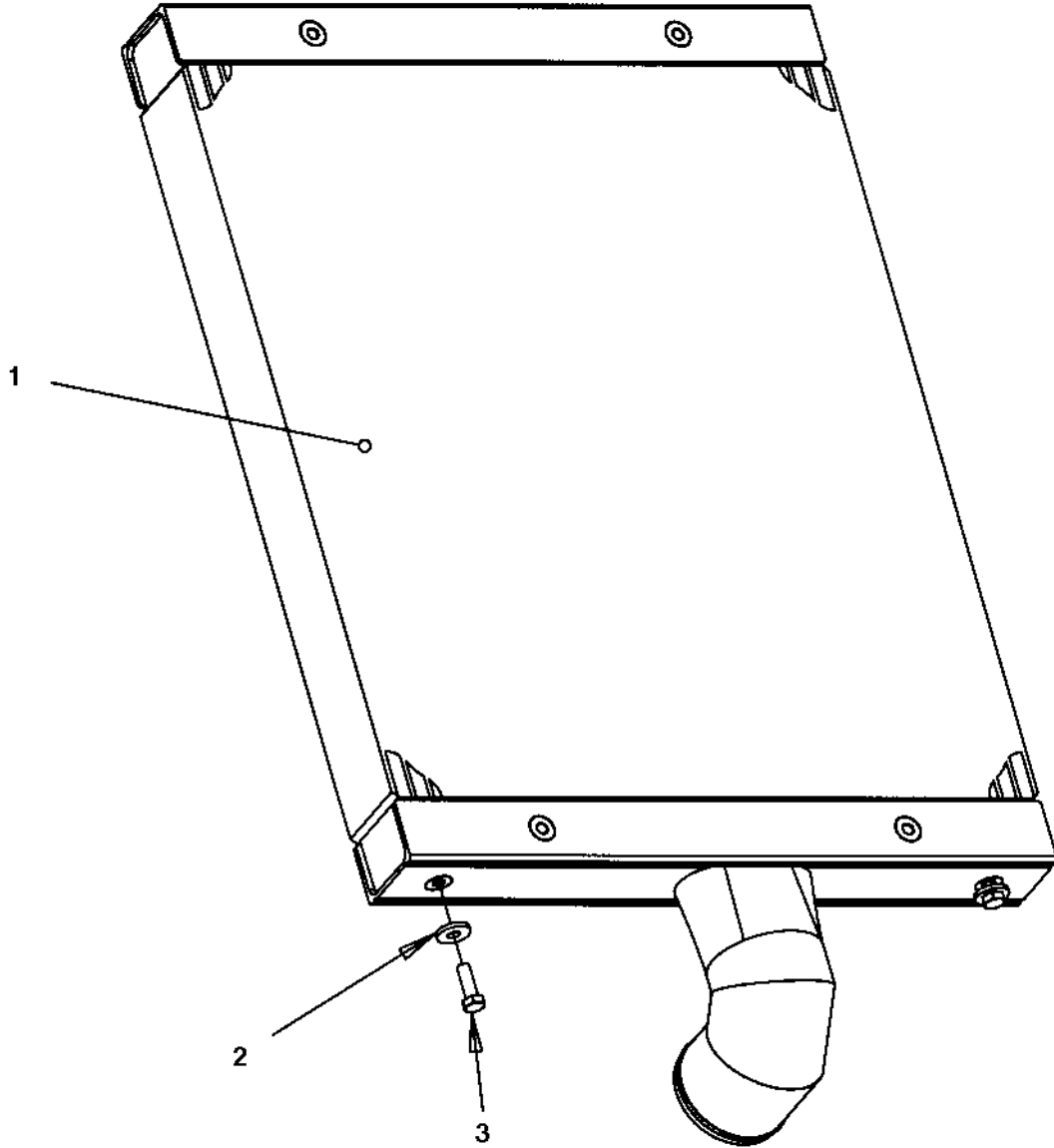


Fuel hose module

Ref. No.	Part No.	Rem.	Qty	Description	Code
1	792522		1	Quick connect coupling	
2	904984	A	1XL	Fuel hose	D
3	904984	B	1XL	Fuel hose	D
4	904984	C	1XL	Fuel hose	D
5	313001		6	Hose clamp	
6	792526		5	Quick connect coupling	
9	792695	D	1XL	Hose guard	
A)	L=2.9 m				
B)	L=1.8m				
C)	L=1.2m				
D)	L= 0,5 m				

Charge air cooler

391588

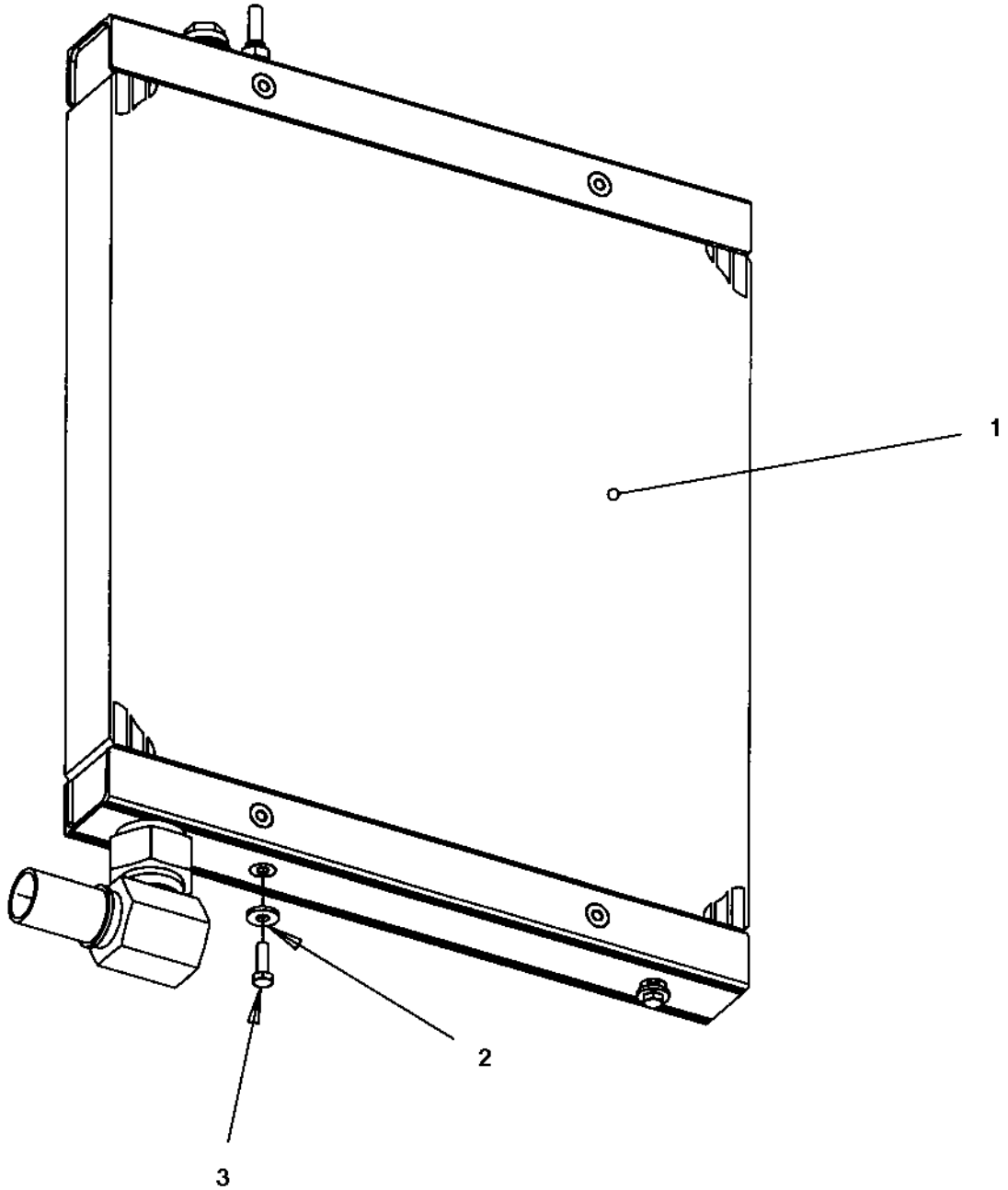


Charge air cooler

Ref. No.	Part No.	Rem.	Qty	Description	Code
1	390630		1	Charge air cooler	C
2	904640		2	Washer	
3	500021		2	Screw	

Water cooler

390336

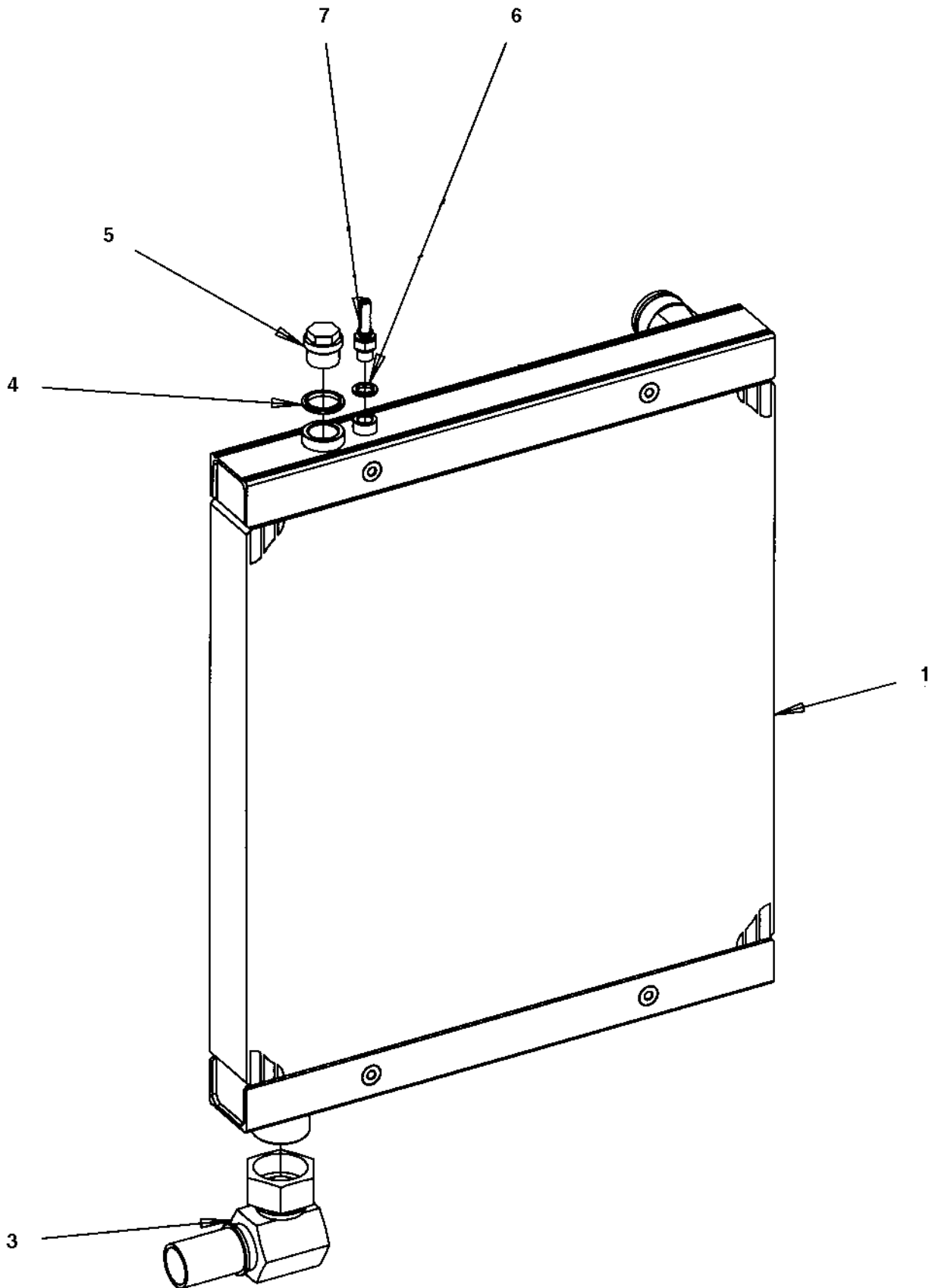


Water cooler

Ref. No.	Part No.	Rem.	Qty	Description	Code
1			1	Radiator, cpl (Page 208)	
2	904640		2	Washer	
3	500021		2	Screw	

Radiator, cpl

391945

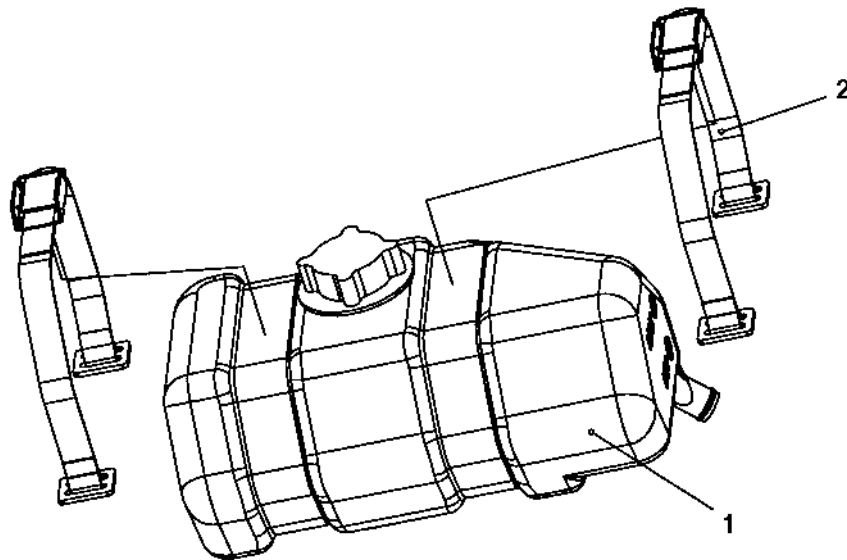


Radiator, cpl

Ref. No.	Part No.	Rem.	Qty	Description	Code
1	390627		1	Water cooler	C
3	792323		1	Hose connection	
4	791120		1	Sealing washer	
5	232039		1	Plug	G3/4
6	162004		1	Sealing	
7	792322		1	Hose connection	

Expansion tank assembly

394156

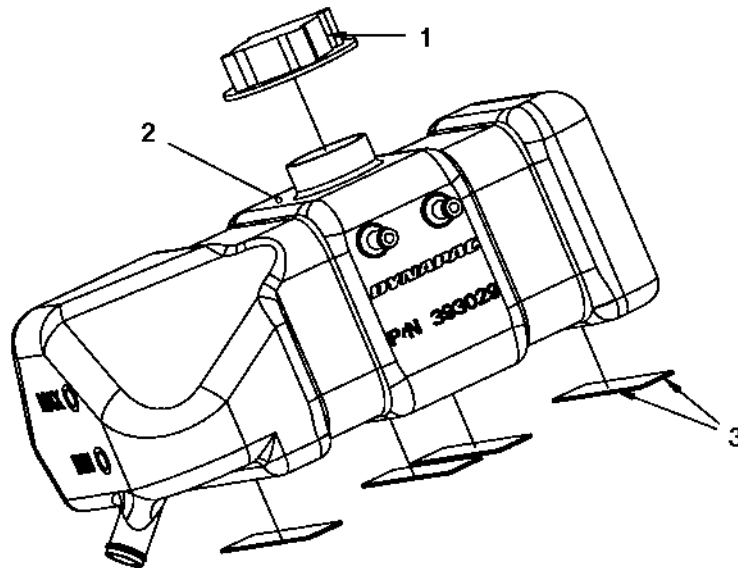


Expansion tank assembly

Ref. No.	Part No.	Rem.	Qty	Description	Code
1	394155		1	Expansion tank (Page 212)	
2	393235		2	Strap	

394155 Expansion tank

394155

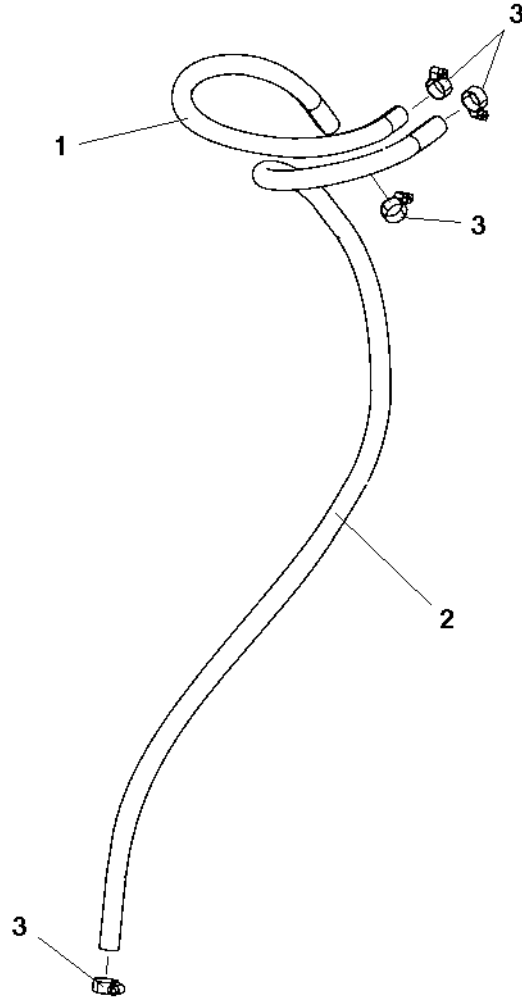


394155 Expansion tank

Ref. No.	Part No.	Rem.	Qty	Description	Code
1	903714		1	Cap	
2	393029		1	Expansion tank	
3	394229		4	Rubber strip	

Coolant hoses

391593



Coolant hoses

Ref. No.	Part No.	Rem.	Qty	Description	Code
1	246069	A	1XL	Fuel hose	3/8"
2	246069	B	1XL	Fuel hose	3/8"
3	313001		4	Hose clamp	

A) L= 0,54 m

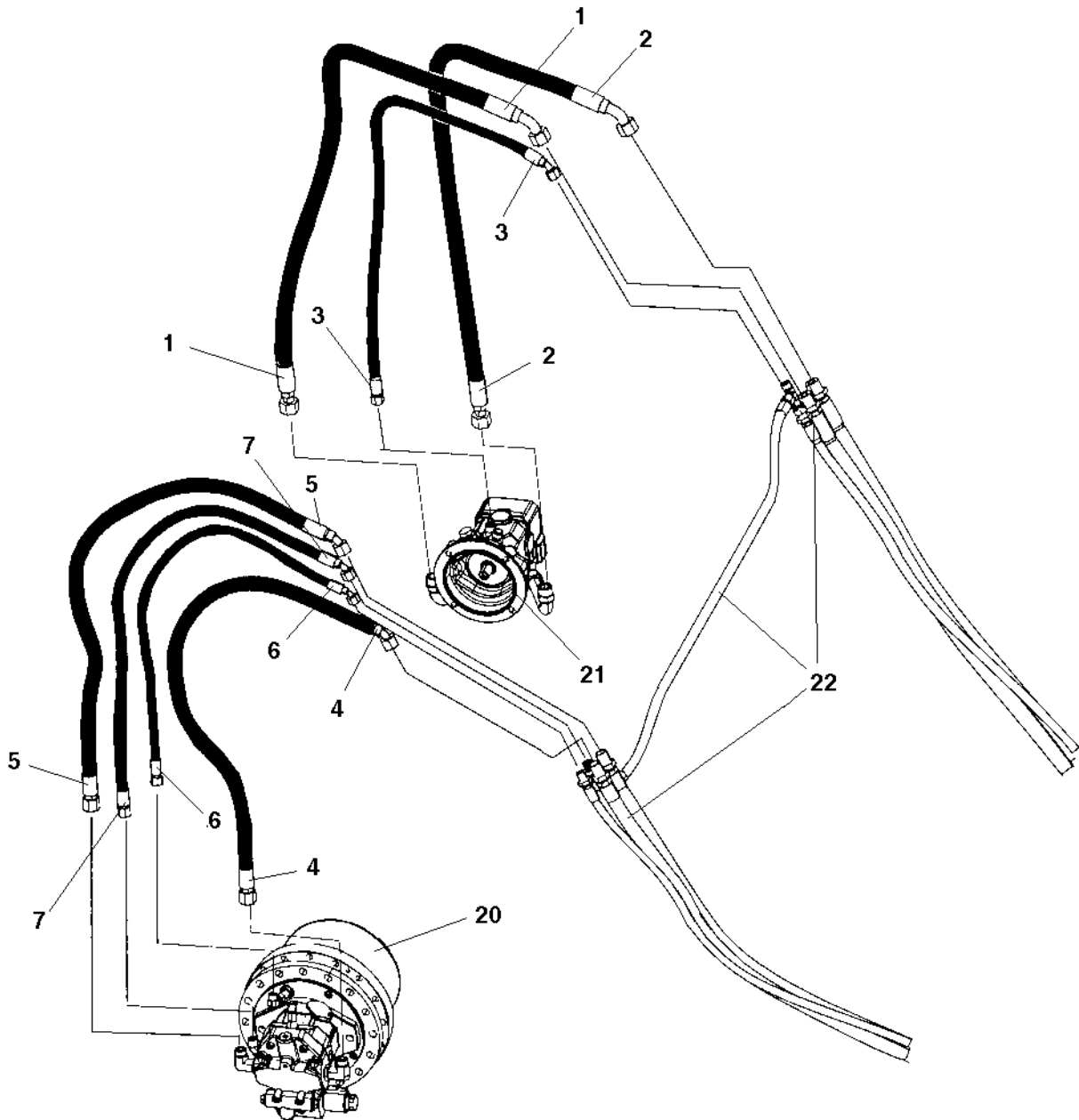
B) L= 1,19 m

Hydraulic system

Ref. No.	Part No.	Rem.	Qty	Description	Code
1				Hydraulic system, front drum (Page 218)	
2				Hydraulic system, rear drum std (Page 220)	
3				Hydraulic hoses, frame std (Page 222)	
4				Hydraulic system, steering (Page 224)	Std
5				Hydraulic steering, sliding seat (Page 232)	Std
7				Hydraulic hoses, engine structure std (Page 238)	
9			1	Hydraulic pump module (Page 240)	
10			1	Hydraulic valve module, offset (Page 246)	

Hydraulic system, front drum

391548

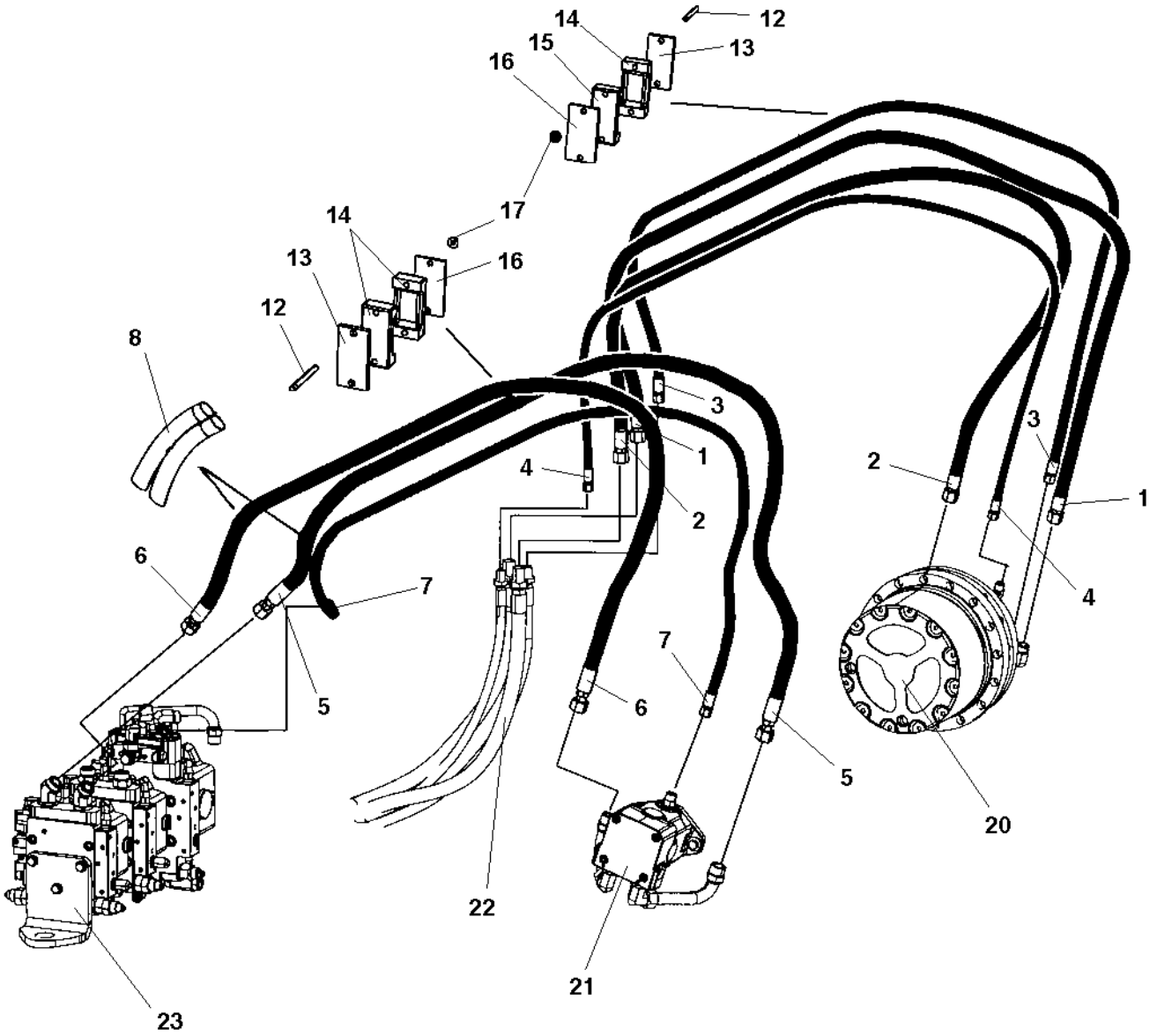


Hydraulic system, front drum

Ref. No.	Part No.	Rem.	Qty	Description	Code
1	484075		1	Hydraulic hose	
2	484076		1	Hydraulic hose	
3	484077		1	Hydraulic hose	
4	484078		1	Hydraulic hose	
5	484079		1	Hydraulic hose	
6	484080		1	Hydraulic hose	
7	484081		1	Hydraulic hose	
20				Drive unit (Page 168)	
21				Vibrating unit	Rexroth
				Vibrating unit (Page 174)	Sauer
22				Hydraulic hoses, frame	

Hydraulic system, rear drum std

391546



Hydraulic system, rear drum std

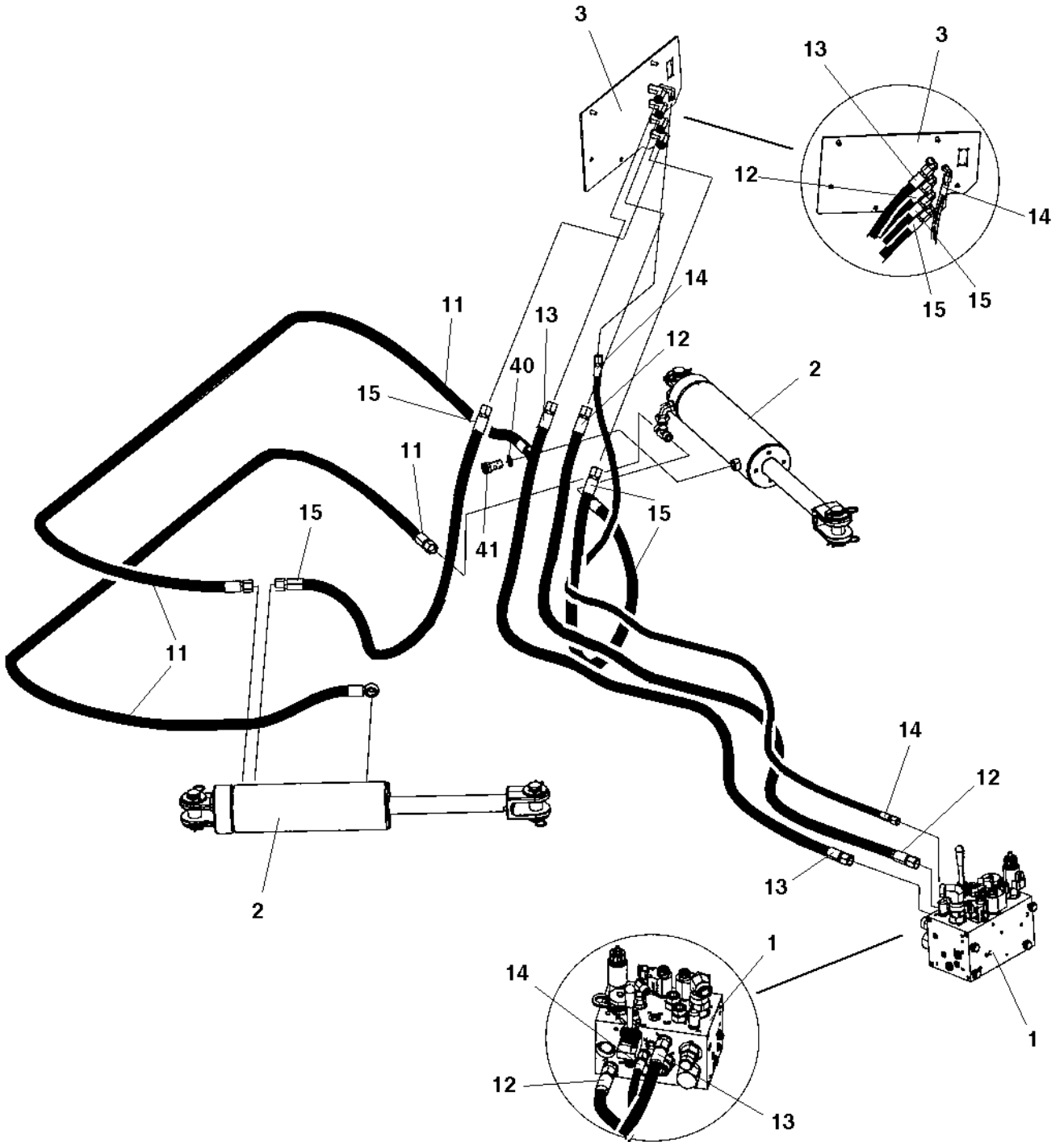
Ref. No.	Part No.	Rem.	Qty	Description	Code
1	484238		1	Hydraulic hose	
2	484237		1	Hydraulic hose	
3	484239		1	Hydraulic hose	
4	484085		1	Hydraulic hose	
5	484240		1	Hydraulic hose	D
6	483486		1	Hydraulic hose	D
7	484241		1	Hydraulic hose	
8	903082	N		Hose shield	
12	904629		4	Stud	
13	349210		2	Rubber plate	
14	343872		3	Hose clamp	D
15	343732		1	Hose clamp	
16	335914		2	Cover plate	
17	570103		4	Nut	
20				Drive unit (Page 168)	
21				Vibrating unit	Rexroth
				Vibrating unit (Page 174)	Sauer
22				Hydraulic hoses, frame	
23				Hydraulic pump	

Hydraulic hoses, frame std

Ref. No.	Part No.	Rem.	Qty	Description	Code
1	484014		1	Hydraulic hose	
2	484015		1	Hydraulic hose	
3	484016		1	Hydraulic hose	
4	484017		1	Hydraulic hose	
5	484018		1	Hydraulic hose	
6	484019		1	Hydraulic hose	
7	484020		1	Hydraulic hose	
8	484021		1	Hydraulic hose	
9	484022		1	Hydraulic hose	
10	484023		1	Hydraulic hose	
11	606009		1	Lock washer	
42	792454		2	Nut	
43	792453		4	Nut	
44	792452		1	Nut	
45	792451		2	Nut	
48	792344		1	Bulkhead union	
49	791798		1	T-connector	
54	792632		2	O-ring	
55	904008		1	O-ring	
56	904009		4	O-ring	D
57	904010		2	O-ring	
58	792790		2	Lock washer	

Hydraulic system, steering Std

393073_1

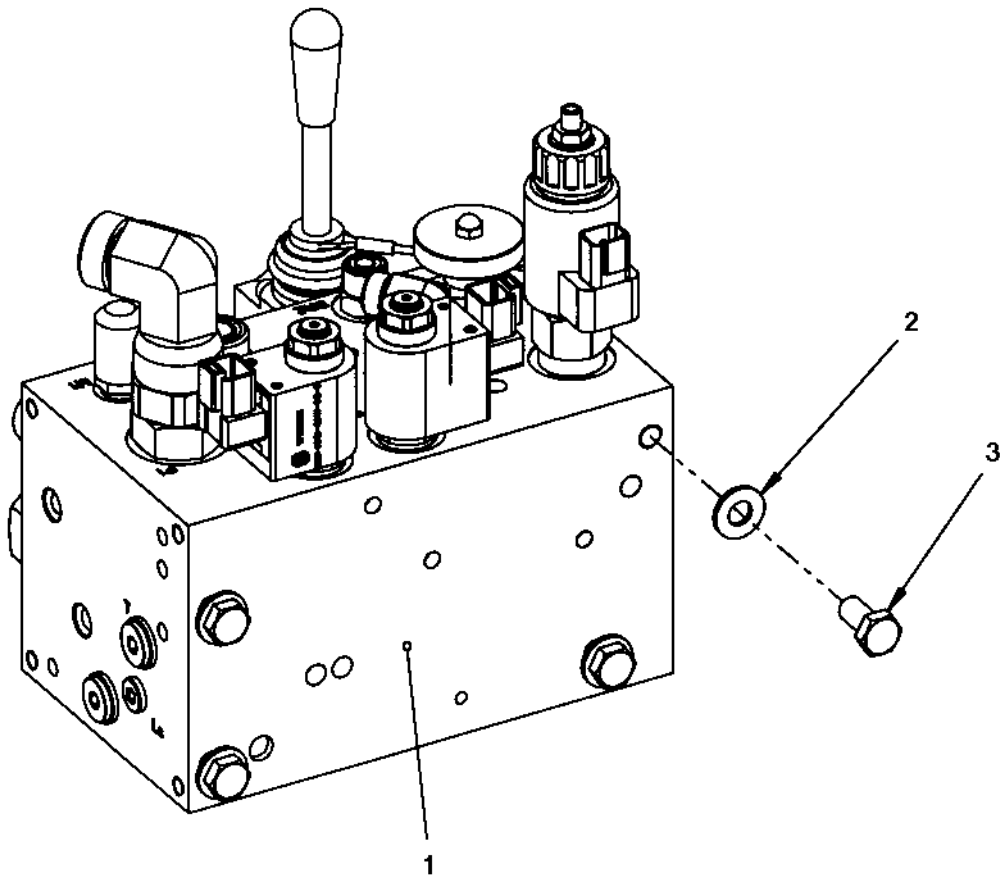


Hydraulic system, steering Std

Ref. No.	Part No.	Rem.	Qty	Description	Code
1			1	Hydraulic valve module (Page 226)	
2		A	2	Steering cylinder	
3			1	Hose bracket (Page 230)	
11	393364		2	Hydraulic hose	
12	484024		1	Hydraulic hose	
13	484025		1	Hydraulic hose	
14	484026		1	Hydraulic hose	
15	484027		2	Hydraulic hose	
40	162015		4	Seal ring	D
41	904292		2	Hollow screw	
A)	See section "Front frame"				

Hydraulic valve module

391564

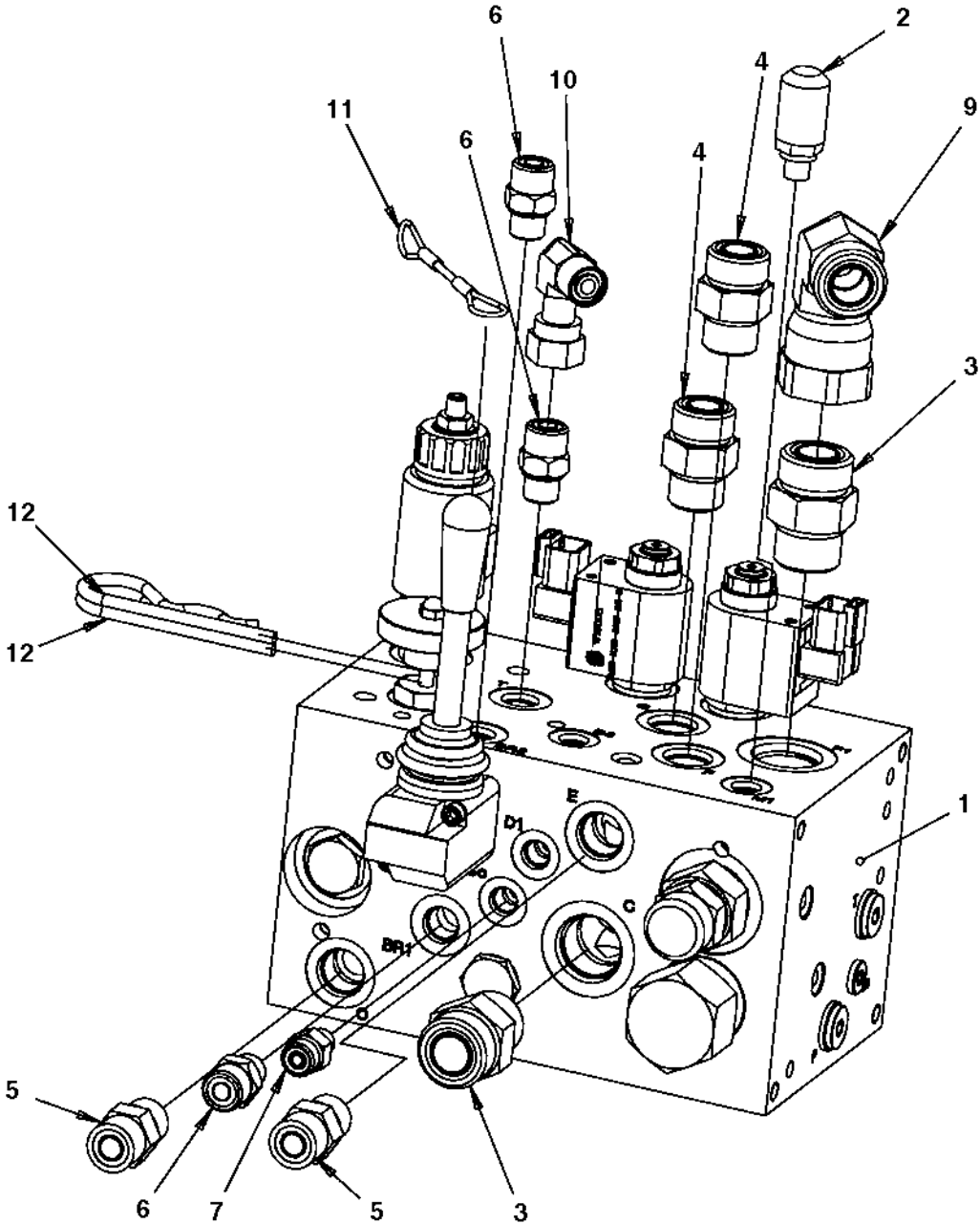


Hydraulic valve module

Ref. No.	Part No.	Rem.	Qty	Description	Code
1			1	Hydraulic valve (Page 228)	
2	904230		4	Washer	
3	500048		4	Screw	

Hydraulic valve

391563

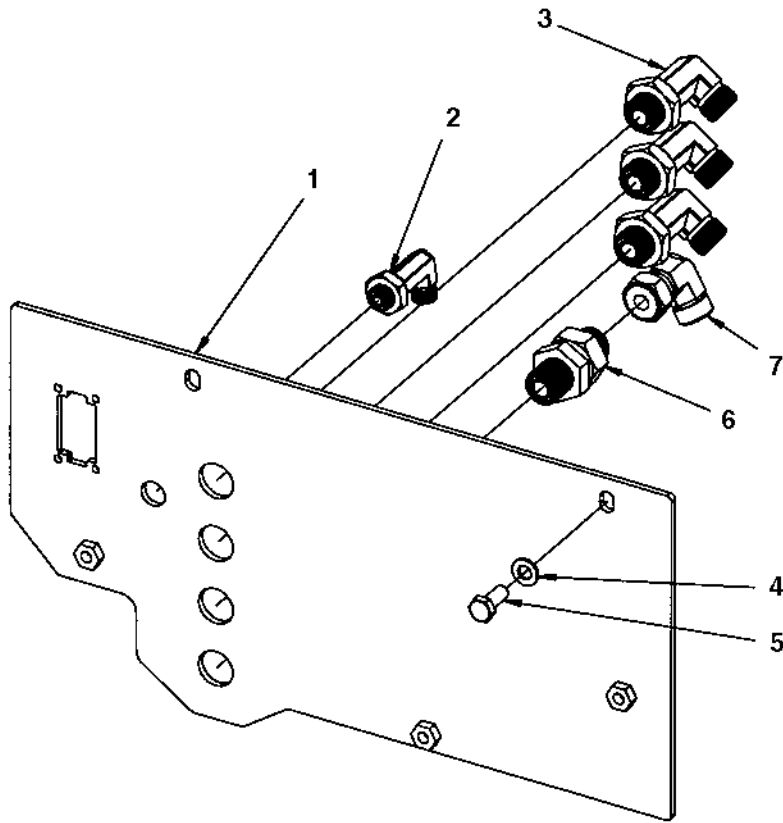


Hydraulic valve

Ref. No.	Part No.	Rem.	Qty	Description	Code
1	391016		1	Hydraulic valve	C
2	910162		1	Measuring nipple	D
3	791823		2	Straight connector orfs	
4	791743		2	Straight connector orfs	
5	791799		2	Straight connector orfs	
6	791409		3	Straight connector orfs	
7	791744		1	Straight connector	
9	904584		1	Elbow connector 90	
10	791401		1	Elbow 90, O-ring with swivel	
11	358732		1	Wire	
12	635057		2	Hair pin	

Hose bracket

391096B

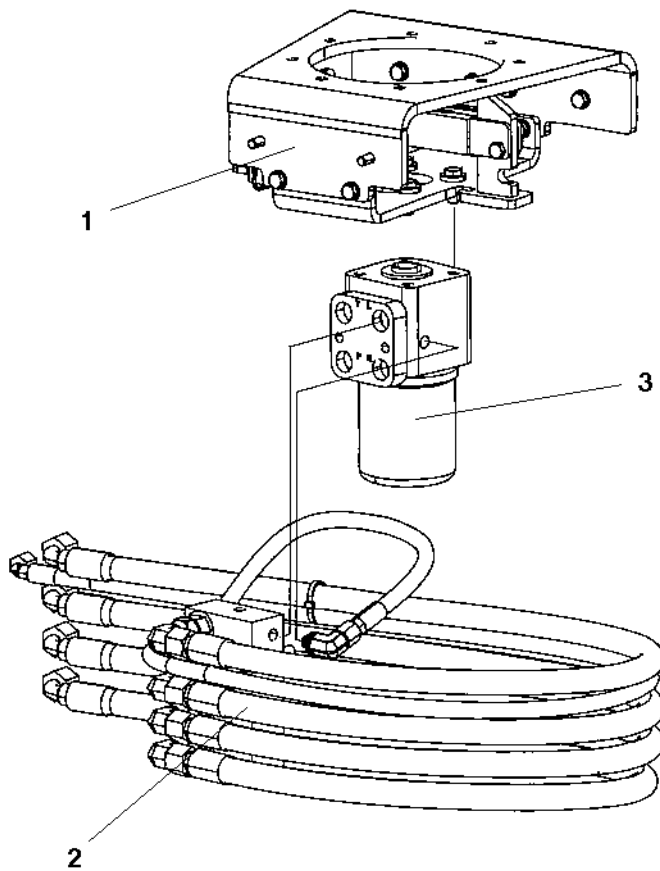


Hose bracket

Ref. No.	Part No.	Rem.	Qty	Description	Code
1	391192		1	Hose bracket	
2	792343		1	Bulkhead elbow	
3	792342		4	Bulkhead elbow	
4	904229		2	Washer	
5	500053		2	Screw	

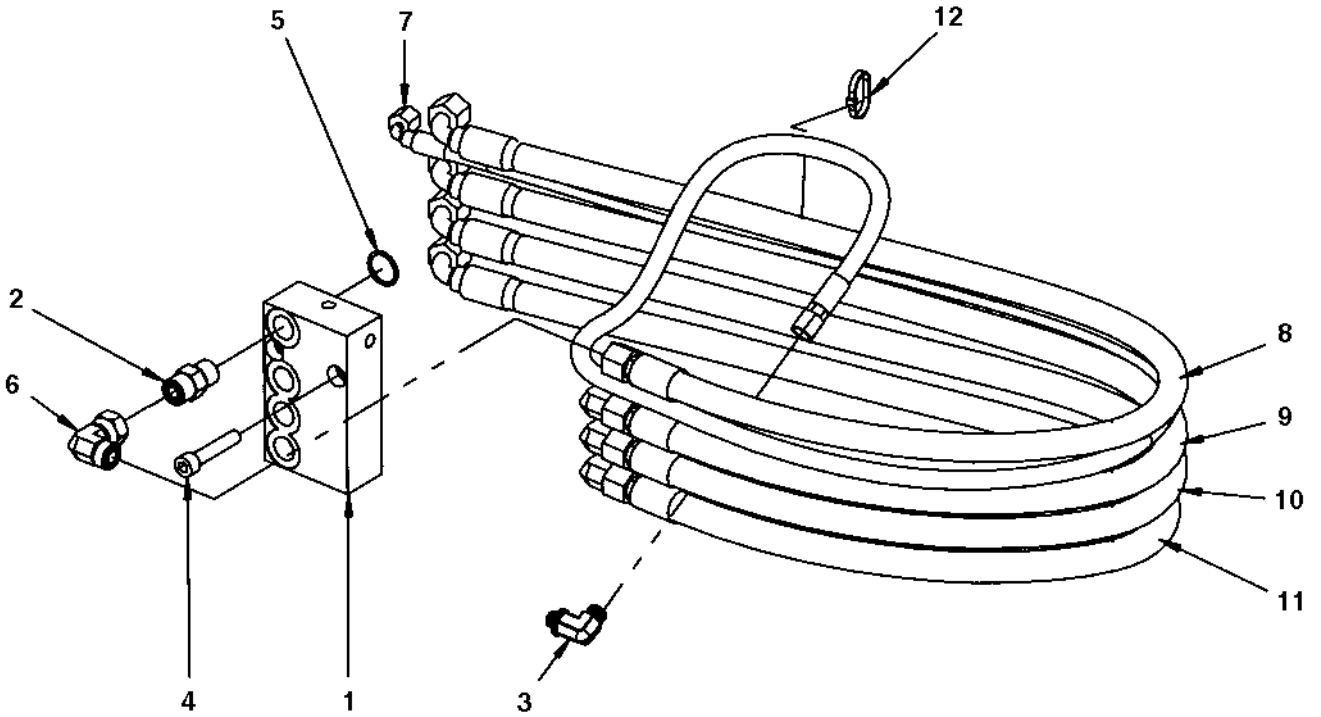
Hydraulic steering, sliding seat Std

18649



Hydraulic steering, sliding seat Std

Ref. No.	Part No.	Rem.	Qty	Description	Code
1			1	Carrier (Page 400)	
2			1	Steering, slideable (Page 234)	
3	372424		1	Pilot valve, steering (Page 236)	C
	392758		1	Pilot valve, emergency steering	

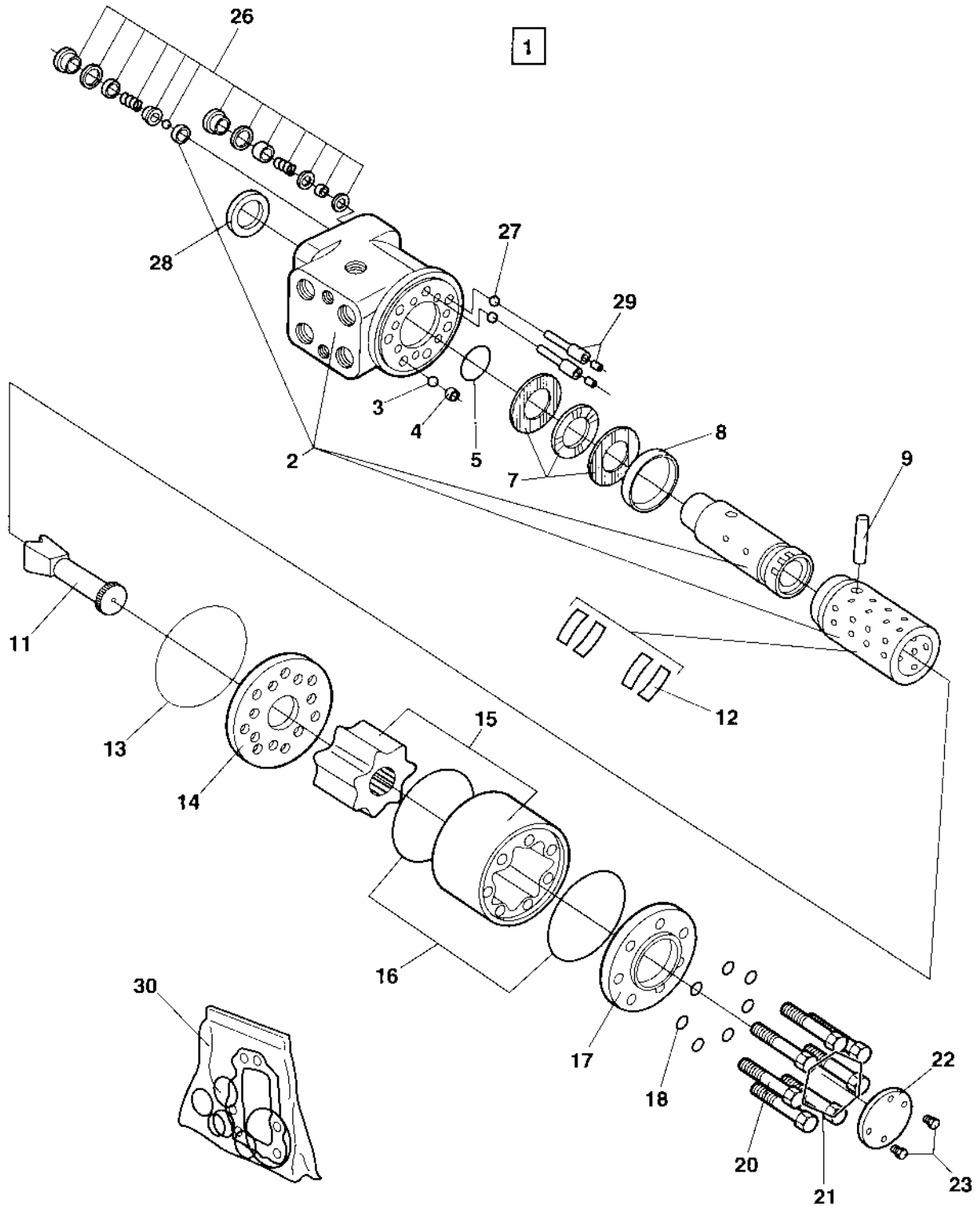


Steering, slideable

Ref. No.	Part No.	Rem.	Qty	Description	Code
1	370155		1	Valve block	
2	791799		4	Straight connector orfs	
3	792334		1	Elbow 90 orfs	
4	903773		2	Screw	M10x1x50 8,8
5	160287		4	O-ring	D
6	791745		4	Elbow 90, O-ring with swivel	
7	484006		1	Hydraulic hose	
8	484007		1	Hydraulic hose	
9	484007		1	Hydraulic hose	
10	484007		1	Hydraulic hose	
11	484007		1	Hydraulic hose	
12	313041		N	Cable ties	

372424 Pilot valve, steering

15981



372424 Pilot valve, steering

Ref. No.	Part No.	Rem.	Qty	Description	Code
1	372424		1	Pilot valve, steering (Page 236)	C
2			1	.Housing , spool and sleeve , cpl	C
3	480468		1	.Ball	
4	480446		1	.Threaded bushing	D
5		1	1	.O-ring	D
7	911620		1	.Bearing	D
8	480449		1	.Ring	
9	480447		1	.Cross pin	
11	902861		1	.Cardan shaft	
12	909211		1	.Set of springs	
13		1	1	.O-ring	
14	902862		1	.Valve plate	
15	903457		1	.Gear wheel set	
16		1	2	.O-ring	
17	480450		1	.End cap	
18		1	7	.Washer	
20	480456		1	.Screw with hole	
21	935428		6	.Screw	
22			1	.Name plate	
23			2	.Screw	
26	929012		2	.Shock valve	22,5-24,0 MPa
27	929013		2	.Ball	
28		1	1	.Seal ring	
29	929014		2	.Rolled pin	
30	935429		1	.Seal kit	

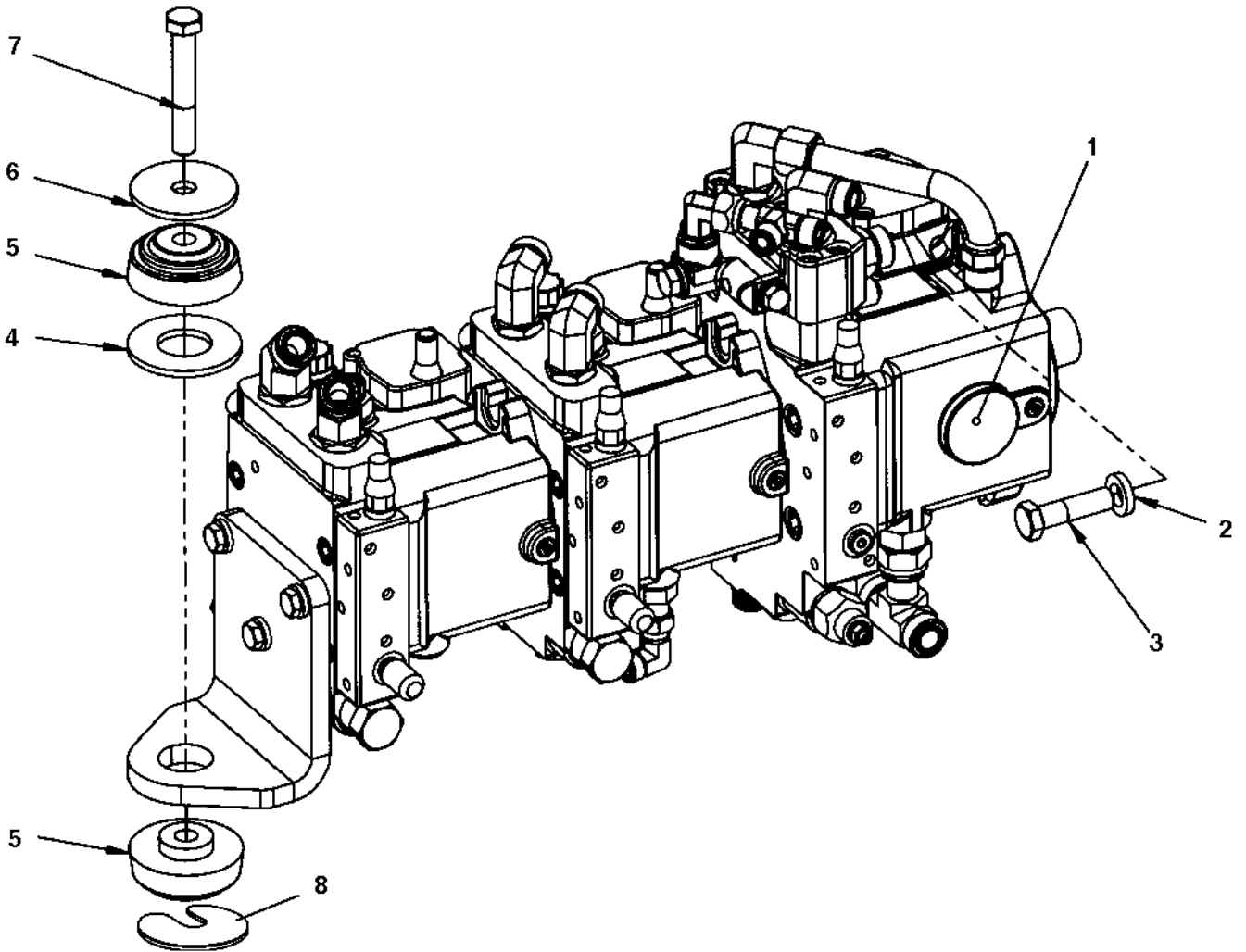
1) Included in seal kit item 30

Hydraulic hoses, engine structure std

Ref. No.	Part No.	Rem.	Qty	Description	Code
16	484028		1	Hydraulic hose	
17	484029		1	Hydraulic hose	
18	484030		1	Hydraulic hose	
19	484031		1	Hydraulic hose	
20	484032		1	Hydraulic hose	
21	484033		1	Hydraulic hose	
22	484034		1	Hydraulic hose	
23	484035		1	Hydraulic hose	
24	483729		1	Hydraulic hose	
25	484036		1	Hydraulic hose	
26	484037		1	Hydraulic hose	
27	484038		1	Hydraulic hose	
28	484039		1	Hydraulic hose	
29	484040		1	Hydraulic hose	
30	484161		1	Hydraulic hose	
31	483726		1	Hydraulic hose	
32	792533		1	Hydraulic hose	
33	484043		1	Hydraulic hose	
34	903082	N		Hose shield	
46	791397		1	Elbow 90, O-ring	
47	792340		1	Tee-connector orfs	
52	902295		2	Clamp	
53	792441		3	Cable tie with holder	

Hydraulic pump module

391562

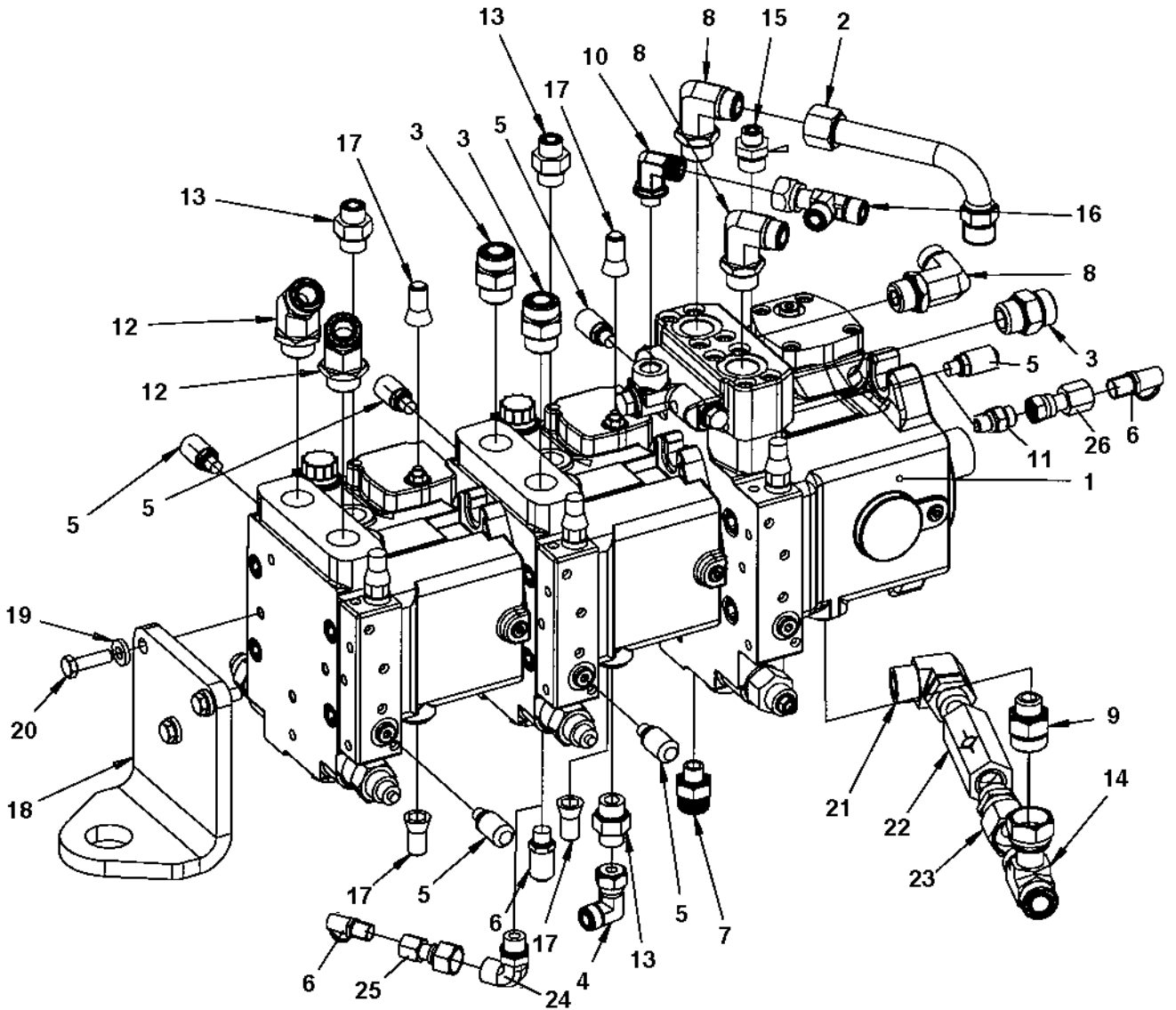


Hydraulic pump module

Ref. No.	Part No.	Rem.	Qty	Description	Code
1			1	Hydraulic pump (Page 242)	
2	904558		2	Washer	
3	500270		2	Screw	
4	393625		1	Spacer washer	
5	391165		2	Shock absorber	
6	345666		1	Steel spacer	
7	500107		1	Screw	
8	397270		1	Steel spacer	

Hydraulic pump

391561

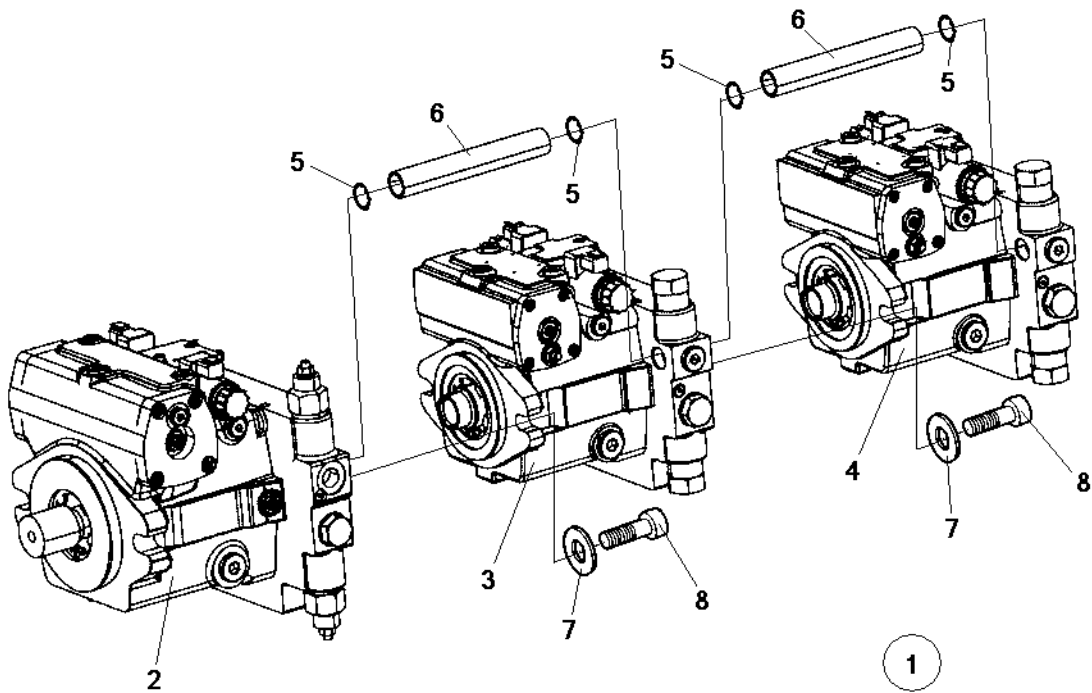


Hydraulic pump

Ref. No.	Part No.	Rem.	Qty	Description	Code
1	390602		1	Hydraulic pump (Page 244)	C
2	392048		1	Connector	
3	791853		3	Straight connector orfs	
4	791745		1	Elbow 90, O-ring with swivel	
5	901157		5	Measuring nipple	D
6	923405		2	Measuring nipple	D
7	792465		1	Straight connector orfs	
8	792331		3	Elbow 90 orfs	
9	792336		1	Straight connector orfs	
10	792333		1	Elbow 90 orfs	
11	791538		1	Straight connector	
12	792157		2	Elbow adapter 45	
13	791635		3	Straight connector	
14	791831		1	Tee-connector	
15	791634		1	Adapter	
16	791798		1	T-connector	
17	392534		4	Sealing	
18	393624		1	Engine bracket	
19	904557		3	Washer	
20	500030		3	Screw	
21	791698		1	Elbow 90, O-ring with swivel	
22	376922		1	Check valve	
23	791824		1	Straight connector	
24	792151		1	Elbow adapter 90	
25	792219		1	Straight connector	
26	792649		1	Straight connector orfs	

390602 Hydraulic pump

390602_1

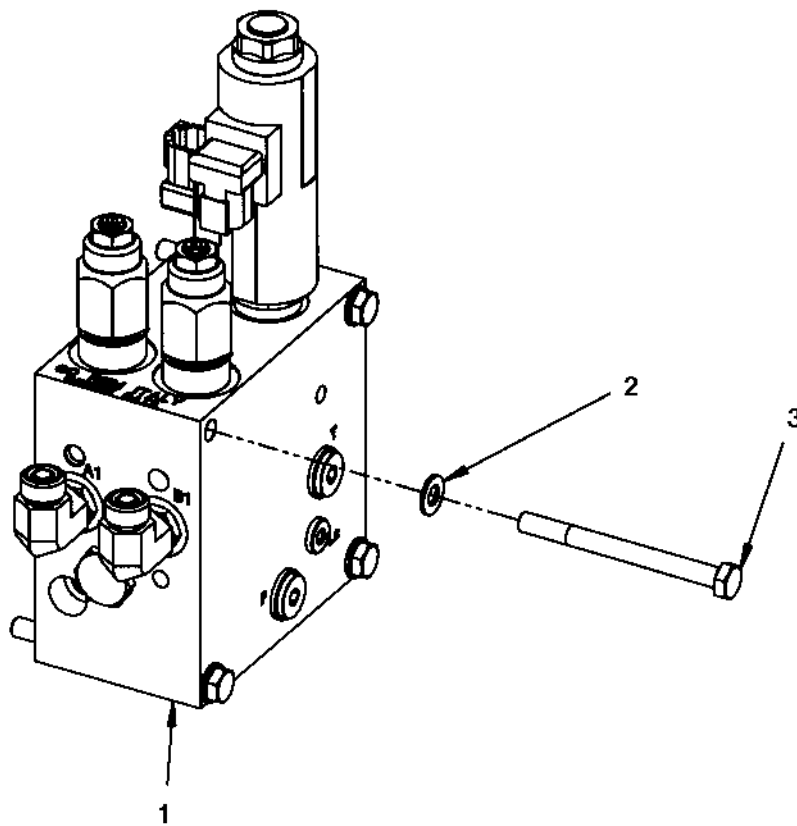


390602 Hydraulic pump

Ref. No.	Part No.	Rem.	Qty	Description	Code
1	390602		1	Hydraulic pump (Page 244)	C
2			1	.Hydraulic pump	C
3			1	.Hydraulic pump	C
4			1	.Hydraulic pump	C
5			4	.O-ring	C
6			2	.Socket pipe	C
7			4	.Washer	C
8			4	.Screw	C

Hydraulic valve module, offset

391575

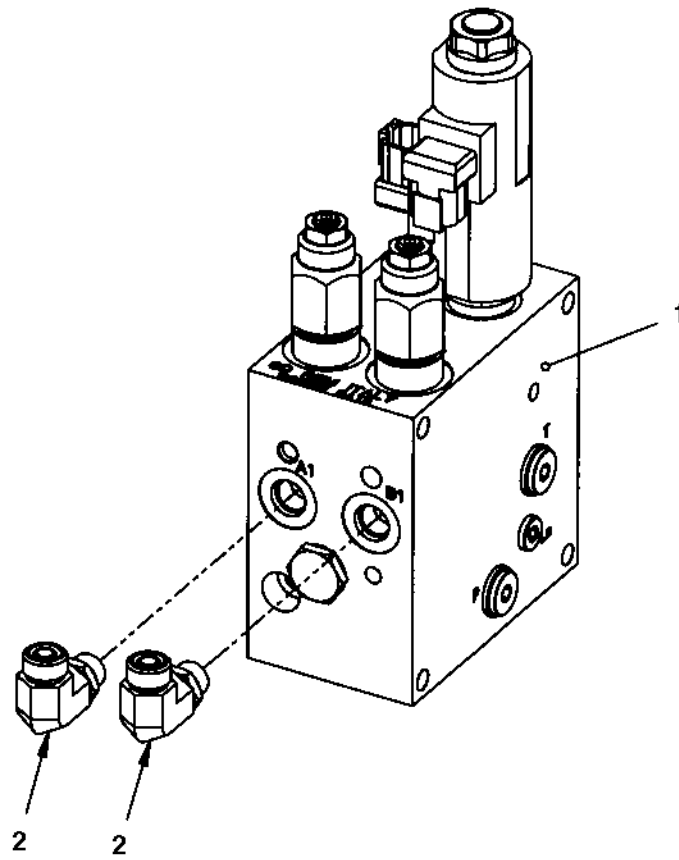


Hydraulic valve module, offset

Ref. No.	Part No.	Rem.	Qty	Description	Code
1			1	Hydraulic valve (Page 248)	
2	904229		4	Washer	
3	500115		4	Screw	M8-1,25x90 8.8

Hydraulic valve

391574



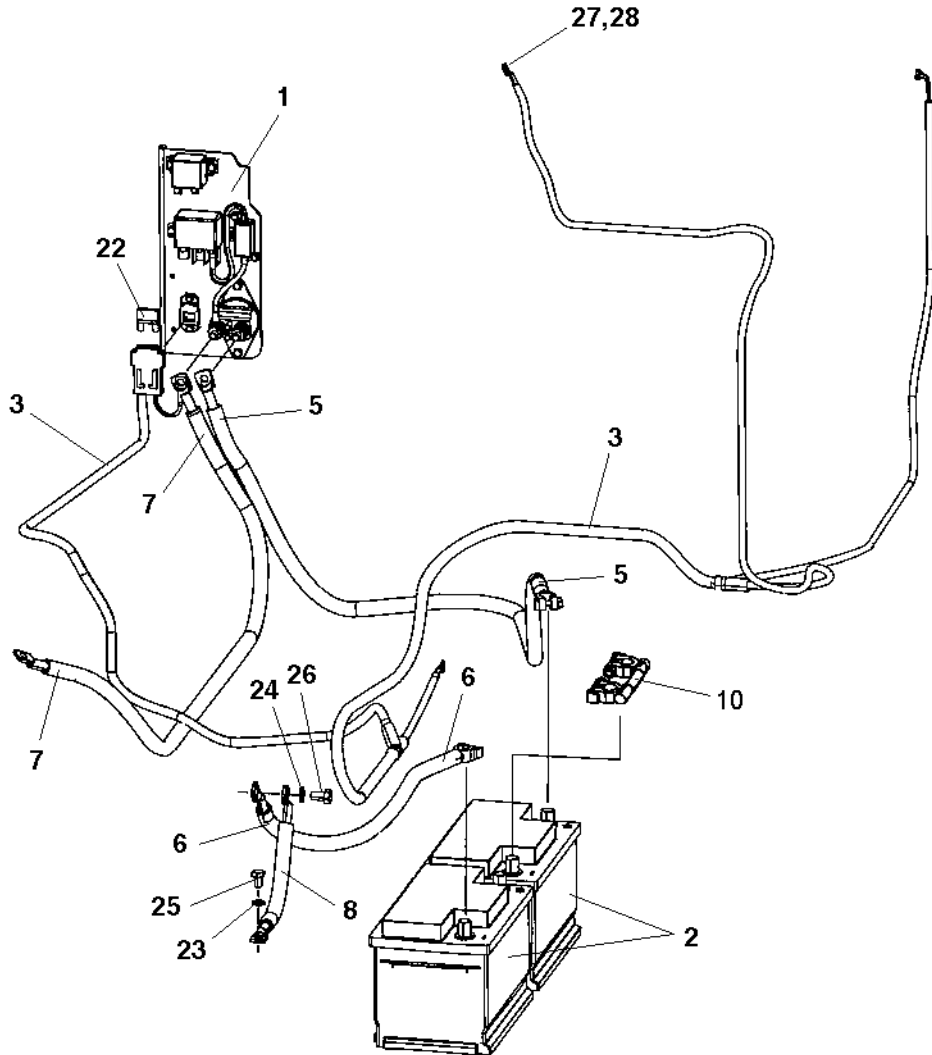
Hydraulic valve

Ref. No.	Part No.	Rem.	Qty	Description	Code
1	391017		1	Hydraulic valve	C
2	791846		2	Elbow 90, O-ring with swivel	

Ref. No.	Part No.	Rem.	Qty	Description	Code
1				Electric cables, power supply (Page 252)	
2				Electric cables, power supply cab (Page 258)	
3				Electric cables, engine-ECU (Page 260)	
5				Electric cables, sensors/ horn/ back-up alarm (Page 266)	
6				Tachograph (Page 276)	
8				Driving & side direction lights (Page 284)	
9				Rotating beacon, working light (Page 304)	

Electric cables, power supply

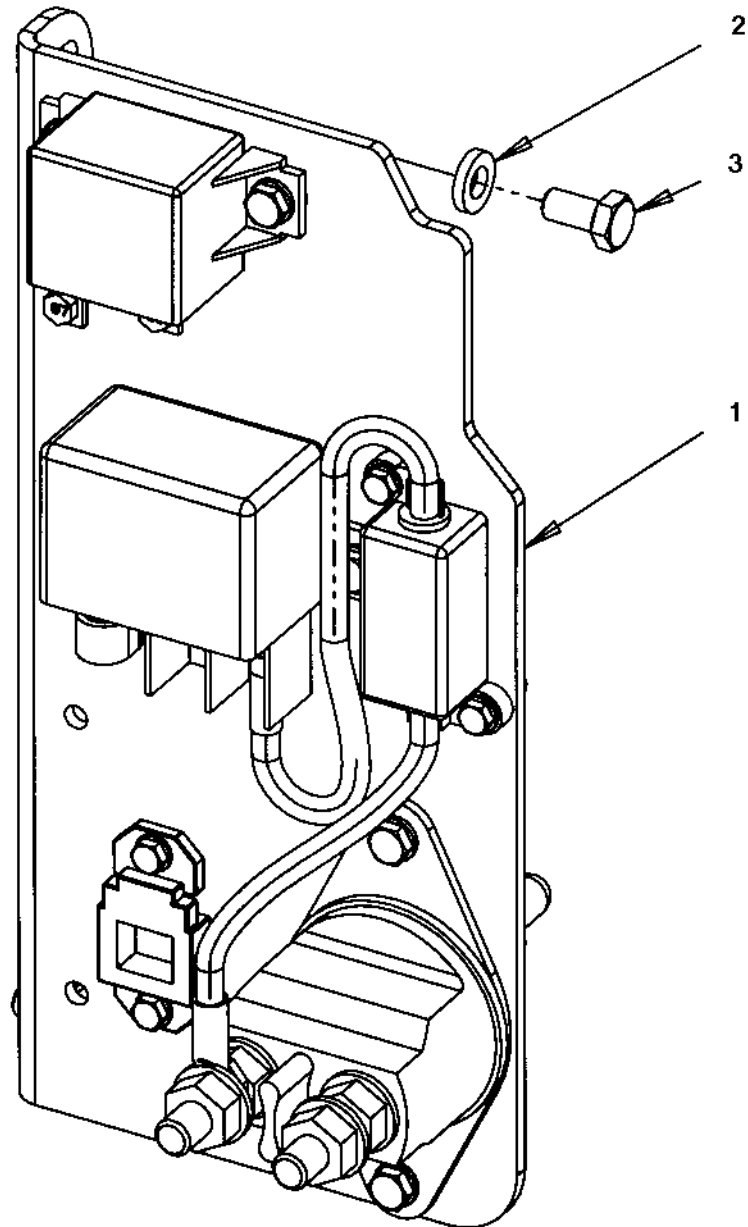
391686_1



Electric cables, power supply

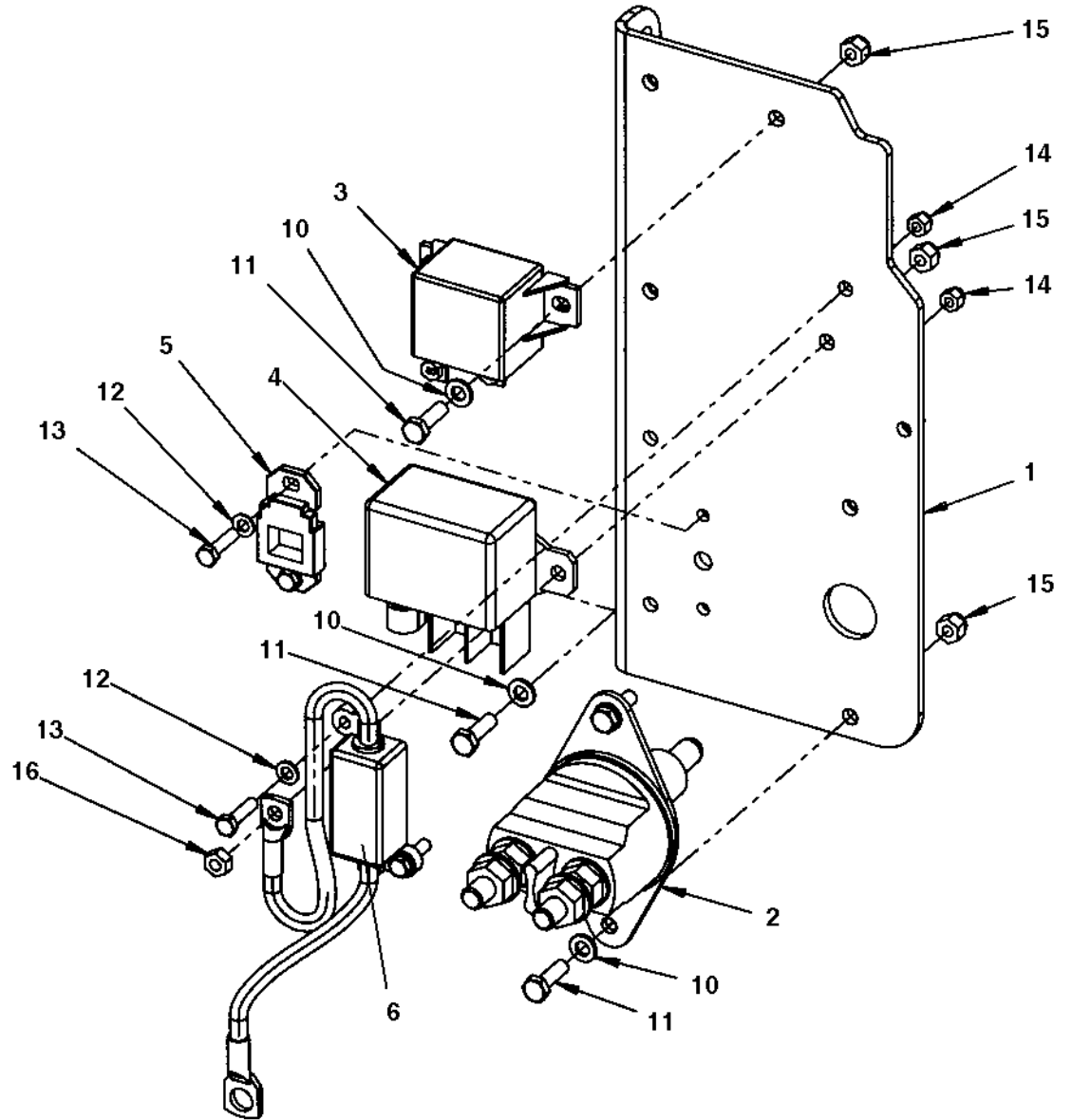
Ref. No.	Part No.	Rem.	Qty	Description		Code
1			1	Battery disconnecter (Page 254)		
2		A		Batteries		
3	391584		1	Cable harness, power supply		
5	792364		1	Battery cable	+	
6	792328		1	Battery cable	-	
7	792327		1	Connection cable, coarse		
8	335607		1	Connection cable, coarse		
10	792684		1	Battery union cable		
22	904039		1	Fuse	50A Red High	D
23	904637		1	Washer		
24	904638		1	Washer	12x22x2	
25	500043		1	Screw		
26	500035		1	Screw	M12x020H	
27	904229		1	Washer		
28	570005		1	Nut		

A) See section " Engine structure"



Battery disconnecter

Ref. No.	Part No.	Rem.	Qty	Description	Code
1			1	Battery disconnecter (Page 256)	
2	904556		3	Washer	
3	500019		3	Screw	



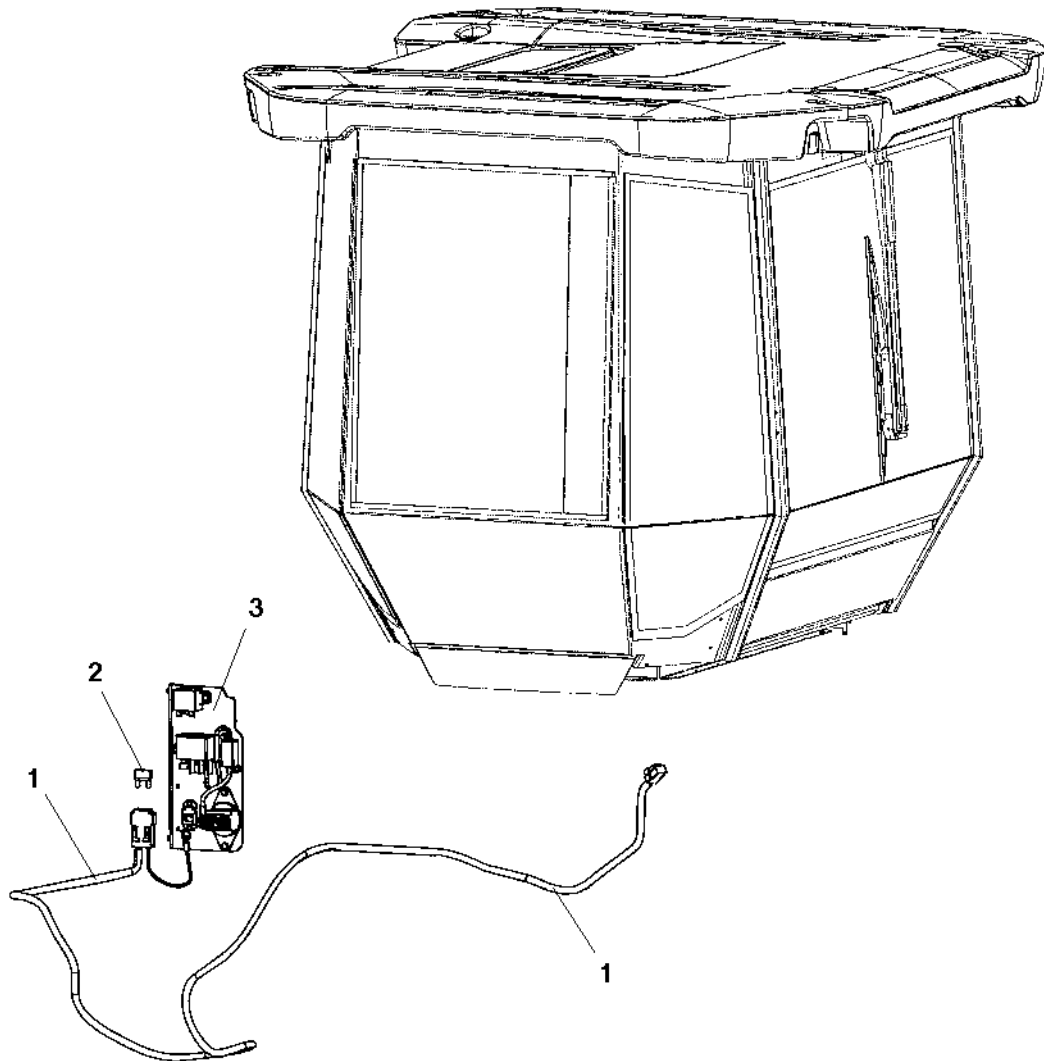
Battery disconnecter

Ref. No.	Part No.	Rem.	Qty	Description	Code
1	391269		1	Holder	
2	903640		1	Battery switch	D
	903641		1	.Key	D
3	792309		1	Relay	D
4	792310		1	Relay	
5	904036		1	Fuse holder	
6	391585	A	1	Cable harness	
	791479		1	.Fuse, Orange	125A
10	904228		6	Washer	
11	500040		6	Screw	
12	904281		4	Washer	
13	500060		4	Screw	M5-0,8x20 8.8
14	586001		4	Lock nut	
15	586002		6	Lock nut	
16	570004		1	Nut	M6

A) Pre-heater

Electric cables, power supply cab

392792

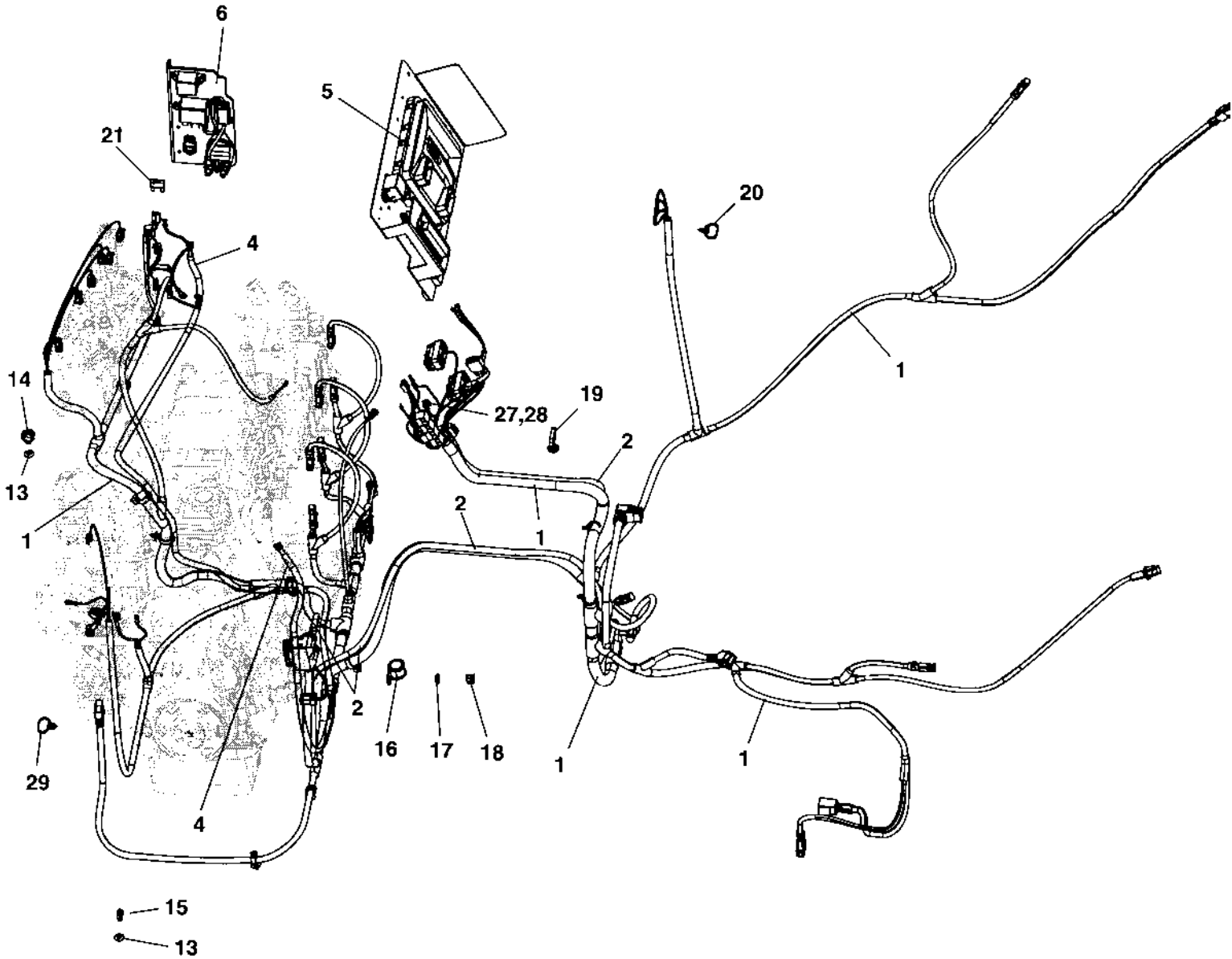


Electric cables, power supply cab

Ref. No.	Part No.	Rem.	Qty	Description		Code
1	392156		1	Cable harness, power supply	Cab	
2	904039		1	Fuse	50A Red High	D
3			1	Battery disconnecter (Page 254)		

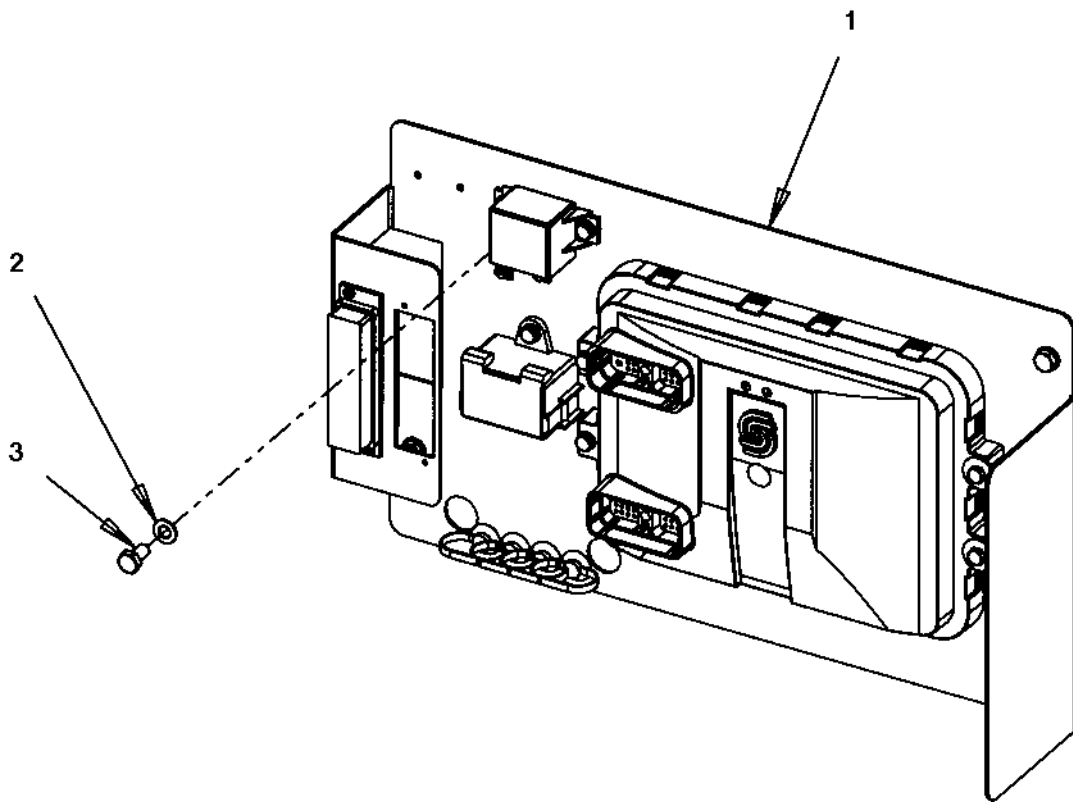
Electric cables, engine-ECU

391686_2



Electric cables, engine-ECU

Ref. No.	Part No.	Rem.	Qty	Description	Code
1	396257		1	Cable harness, ECU	
2	391958		1	Cable harness, CanBus	
4	792363		1	Connection cable, coarse	
5			1	Standard ECU module (Page 262)	
6			1	Battery disconnecter (Page 256)	
13	792419		19	T-stud	
14	792418		15	Wiring clip	
15	792417		4	Wiring clip	
16	921031		1	Clamp	
17	904228		1	Washer	
18	586002		1	Lock nut	
19	792442		1	Cable tie with holder	
20	792441		1	Cable tie with holder	
21	904037		1	Fuse	30A D
27	904229		2	Washer	
28	570005		2	Nut	
29	792602		1	Cable tie with holder	

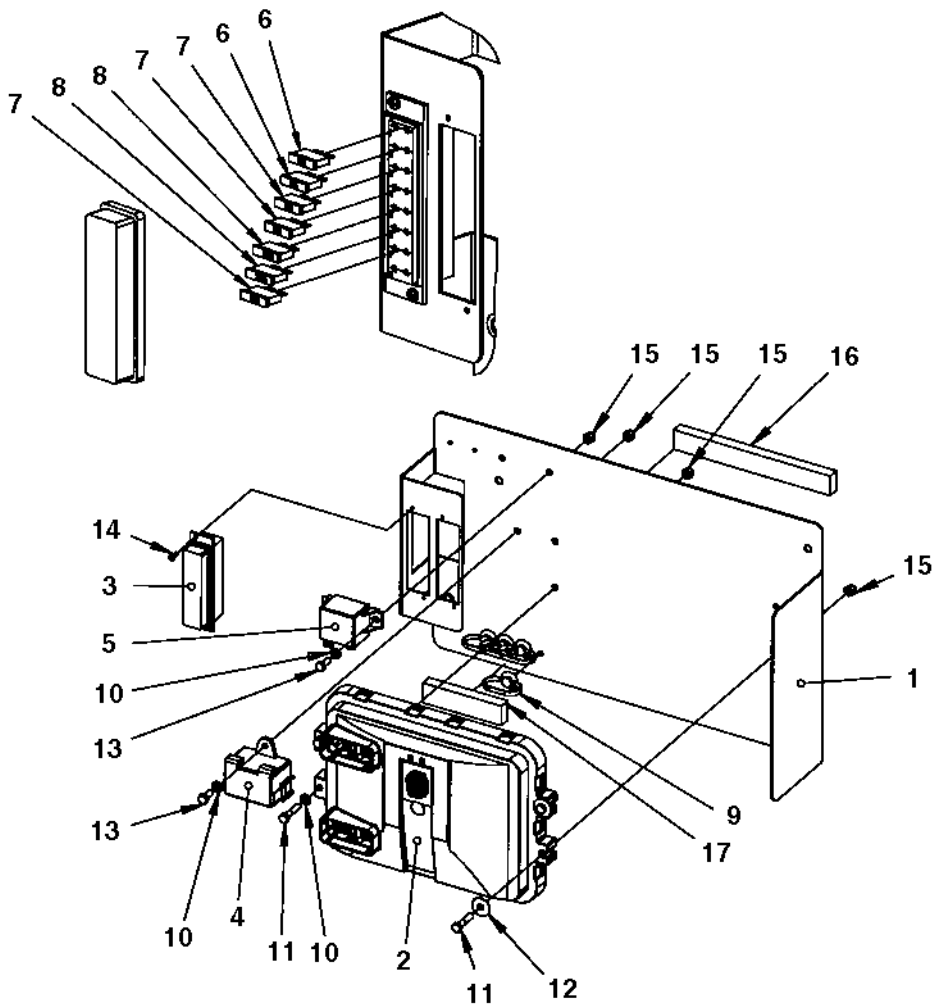


Standard ECU module

Ref. No.	Part No.	Rem.	Qty	Description	Code
1			1	Standard ECU assembly (Page 264)	
2	904229		4	Washer	
3	500019		4	Screw	

Standard ECU assembly

391633



Standard ECU assembly

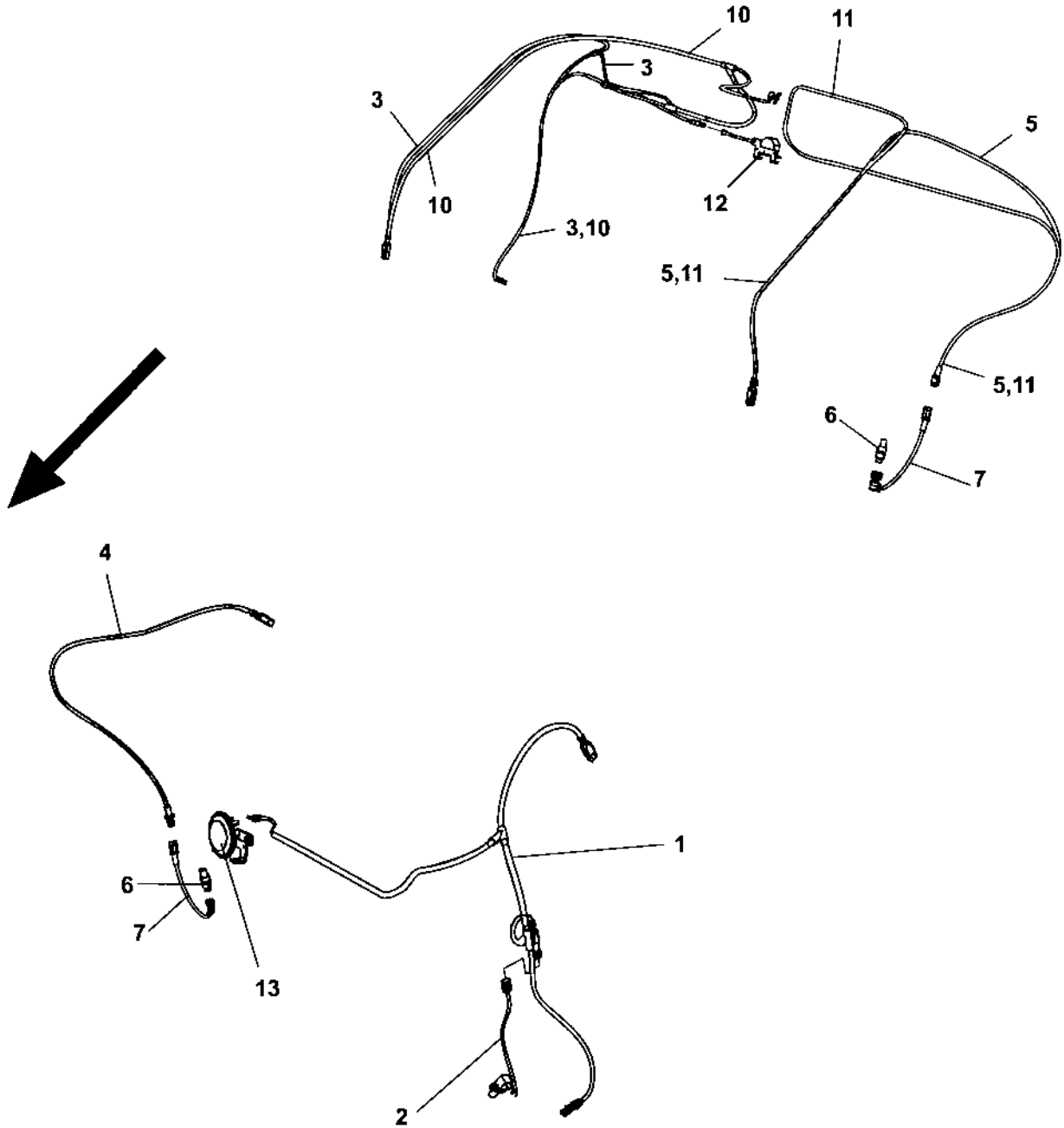
Ref. No.	Part No.	Rem.	Qty	Description	Code
1	391213		1	Mounting plate	
2	390860		1	Control unit	
3	791185		2	Fuse box	
4	791551		1	Junction block	
5	792309		1	Relay	D
6	901225		2	Fuse	5A B
7	901227		3	Fuse	10A B
8	903741		2	Fuse	20A Yellow Medium B
9	792441		4	Cable tie with holder	
10	904228		5	Washer	
11	500015		4	Screw	M6-1x30 8,8
12	928467		2	Washer	
13	500013		3	Screw	
14	901767		4	Screw	ST3,5x9,5 Black
15	586002		7	Lock nut	
16	791597	A	1XL	Rubber strip	
17	791597	B	1XL	Rubber strip	

A) L= 0,2 m

B) L= 0,1 m

Electric cables, sensors/ horn/ back-up alarm

18759-1



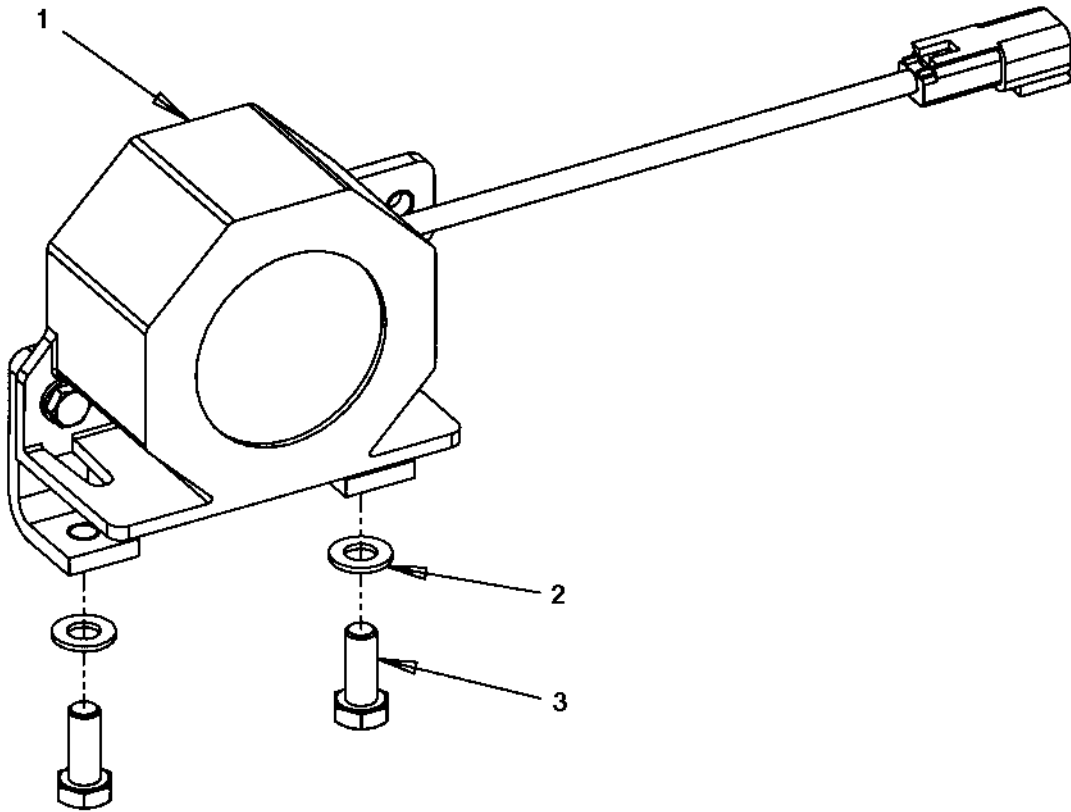
Electric cables, sensors/ horn/ back-up alarm

Ref. No.	Part No.	Rem.	Qty	Description	Code
1	391580	A,C	1	Cable harness	
2	390716		1	Speed sensor	
3	391583	B	1	Cable harness	
4	396259	A,D	1	Cable harness	
5	396260	B,D	1	Cable harness	
6	792731		2	Frequency sensor	
7	392221		2	Mount kit for sensor	
10	391955	E	1	Cable harness	
11	396261	D,E	1	Cable harness	
12			1	Back-up alarm (Page 268)	
13			1	Horn module (Page 272)	

- A) Front drum
- B) Rear drum, Std
- C) Speed
- D) Frequency
- E) Rear drum, offset

Back-up alarm

391636

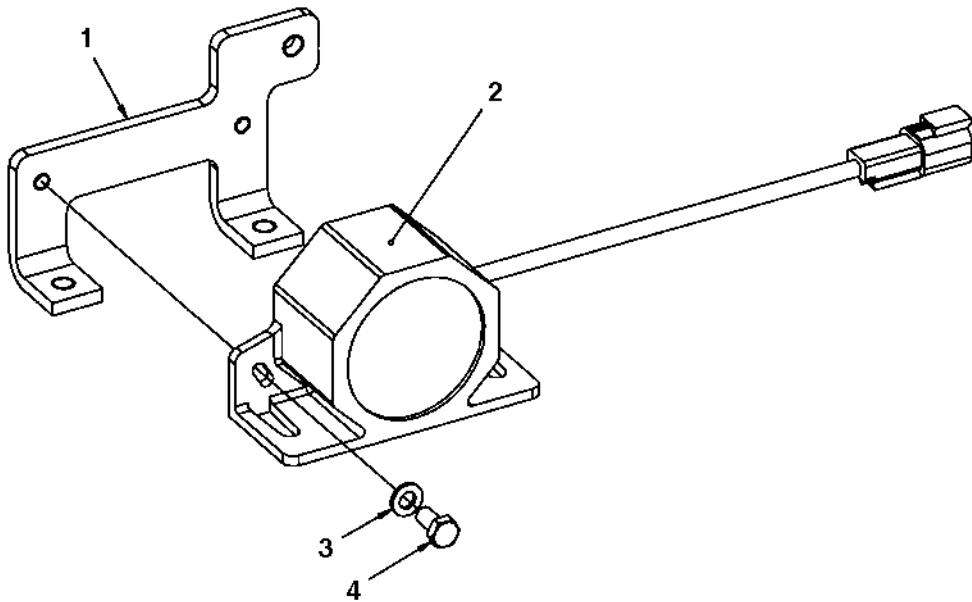


Back-up alarm

Ref. No.	Part No.	Rem.	Qty	Description	Code
1			1	Back-up alarm (Page 270)	
2	904229		2	Washer	
3	500053		2	Screw	

Back-up alarm

391637

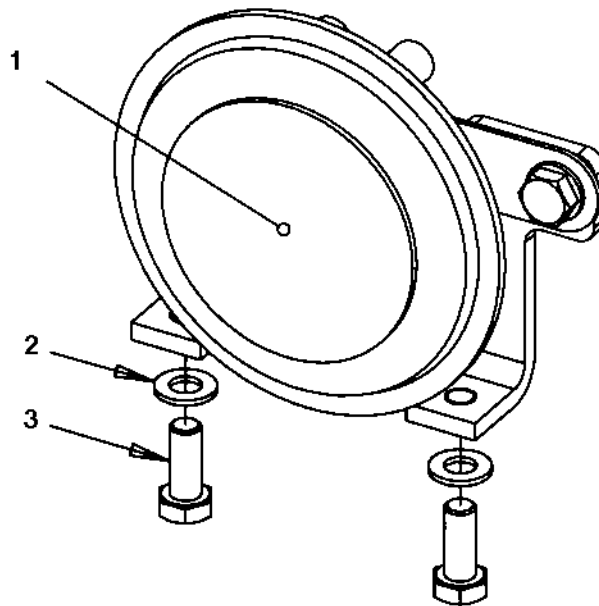


Back-up alarm

Ref. No.	Part No.	Rem. Qty	Description	Code
1	390826	1	Bracket	
2	904911	1	Back-up alarm	
3	904228	2	Washer	
4	500012	2	Screw	

Horn module

391638

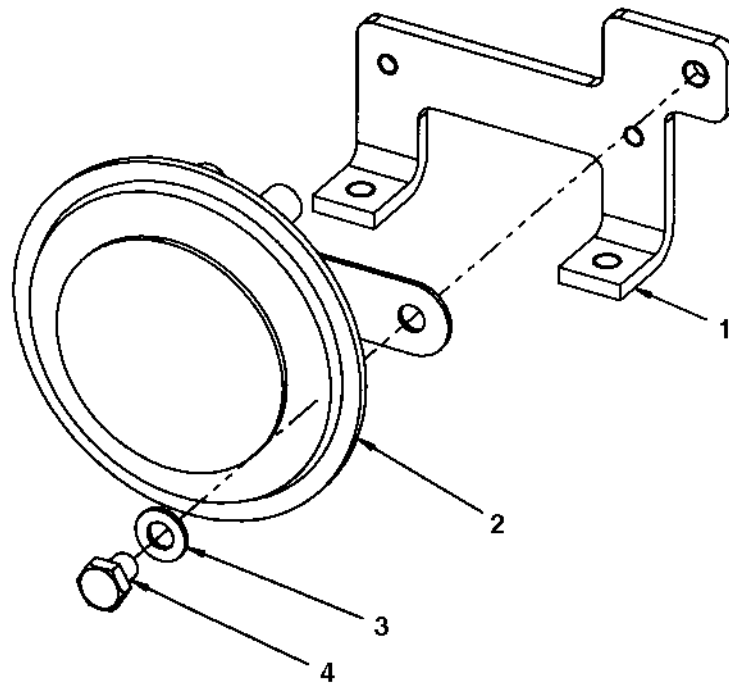


Horn module

Ref. No.	Part No.	Rem.	Qty	Description	Code
1			1	Horn (Page 274)	
2	904229		2	Washer	
3	500053		2	Screw	

Horn

391639

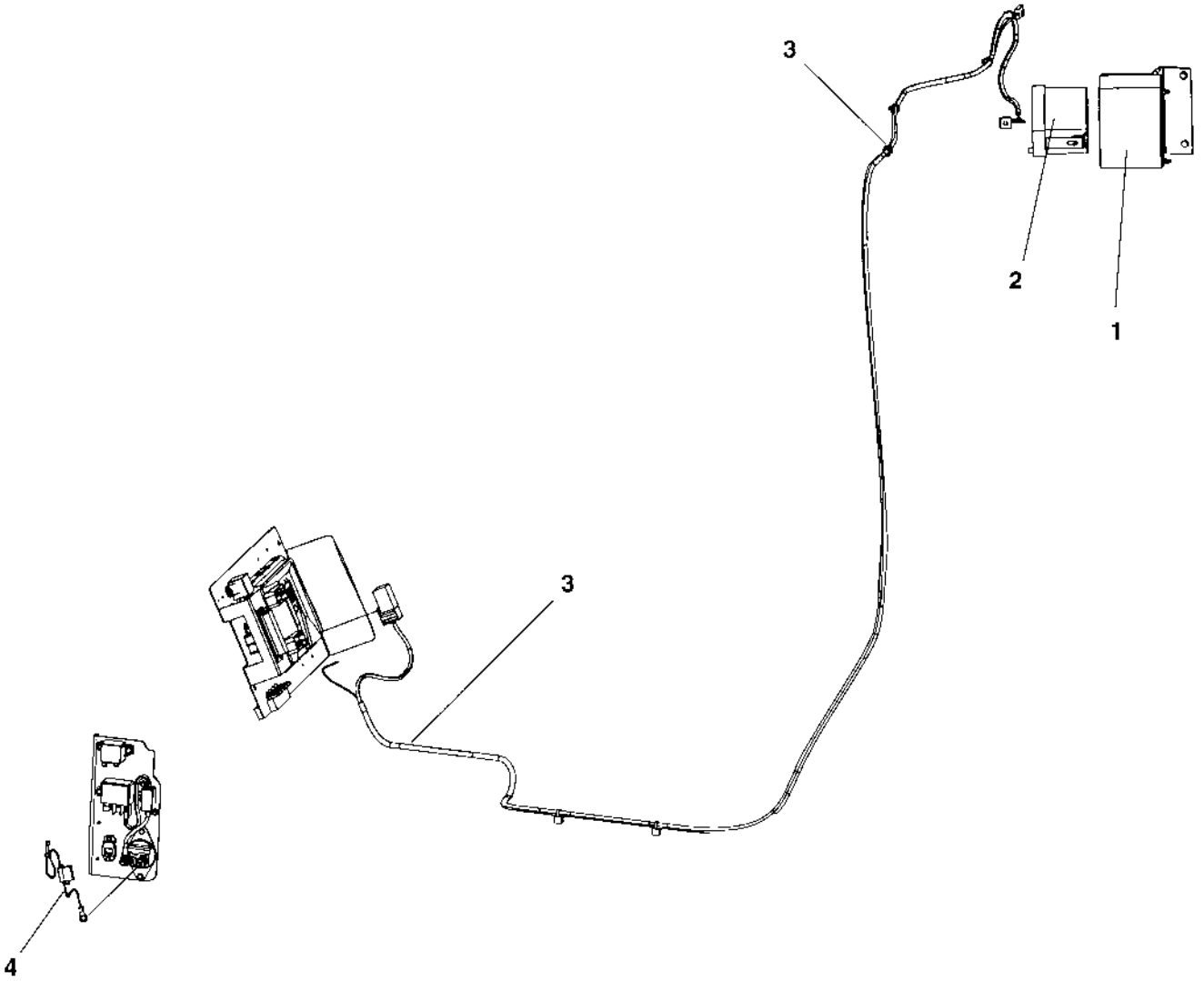


Horn

Ref. No.	Part No.	Rem.	Qty	Description	Code
1	390826		1	Bracket	
2	999014		1	Horn	
3	904229		1	Washer	
4	500042		1	Screw	

Tachograph

18687

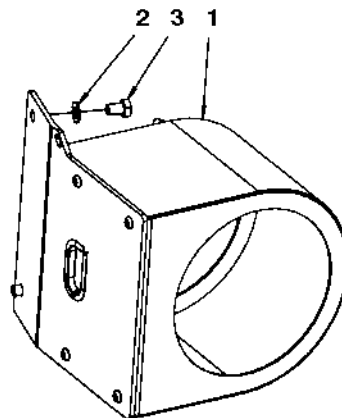


Tachograph

Ref. No.	Part No.	Rem.	Qty	Description	Code
1			1	Tachograph holder module (Page 278)	
2	395226		1	Tachograph	
3			1	Cable harness kit (Page 280)	
4			1	Power supply module (Page 282)	

Tachograph holder module

393812

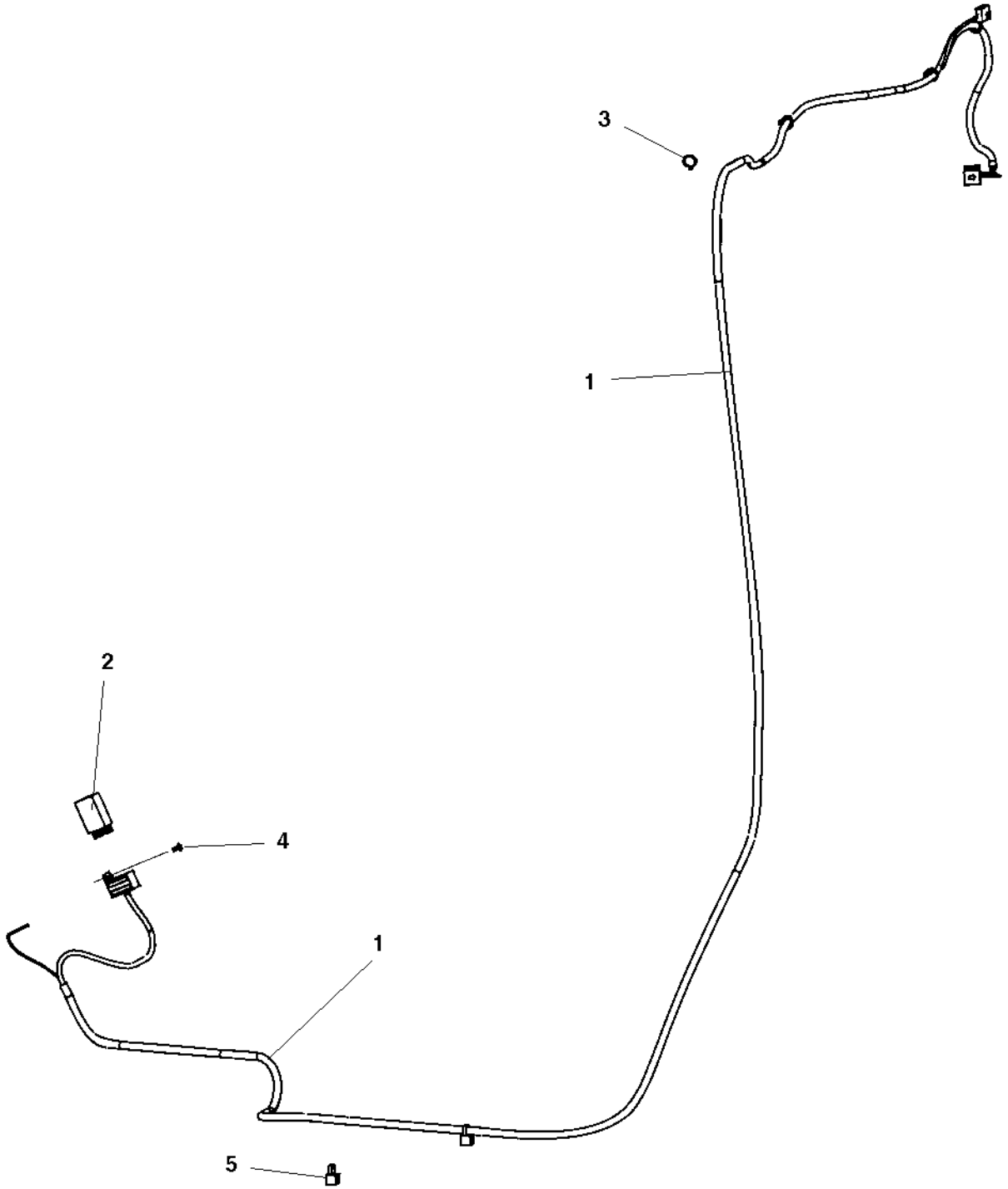


Tachograph holder module

Ref. No.	Part No.	Rem.	Qty	Description	Code
1	393776		1	Tachograph holder	
2	904229		2	Washer	
3	500018		2	Screw	M8-1,25x12 8,8

Cable harness kit

394930

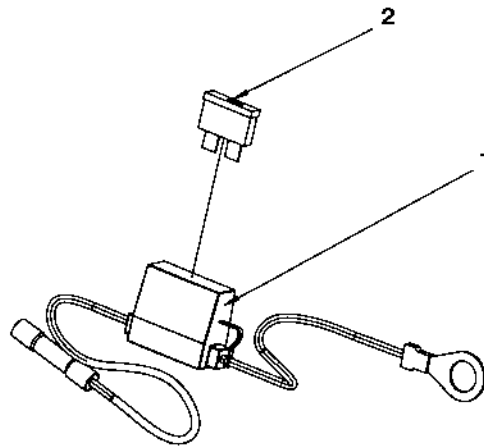


Cable harness kit

Ref. No.	Part No.	Rem.	Qty	Description	Code
1	394931		1	Cable harness	
2	395023		1	Frequency converter	
3	313041		8	Cable ties	
4	792210		1	Screw torx	
5	792667		2	Cable tie with holder	

Power supply module

394698

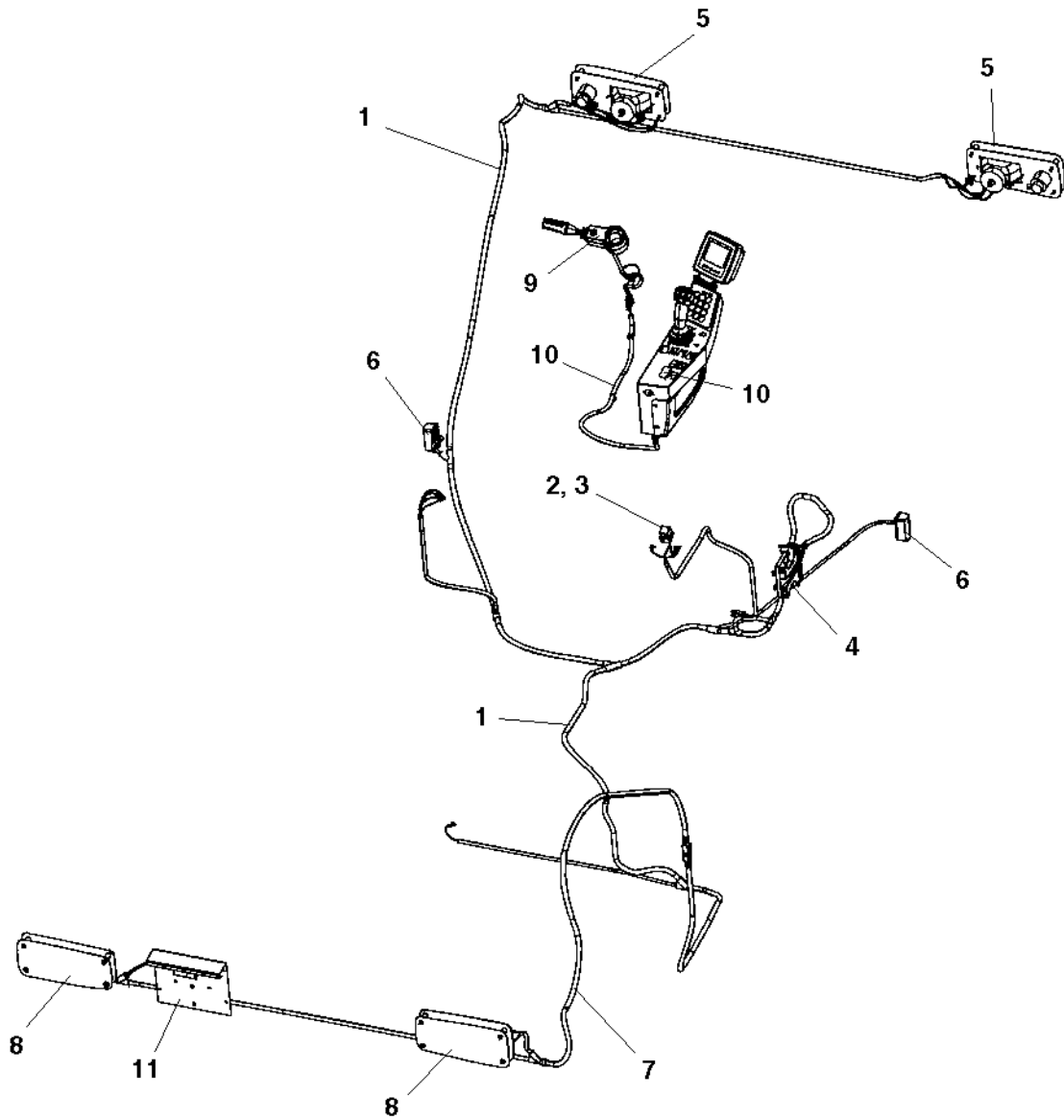


Power supply module

Ref. No.	Part No.	Rem.	Qty	Description	Code
1	394696		1	Power supply cable	
2	901227		1	Fuse	10A B

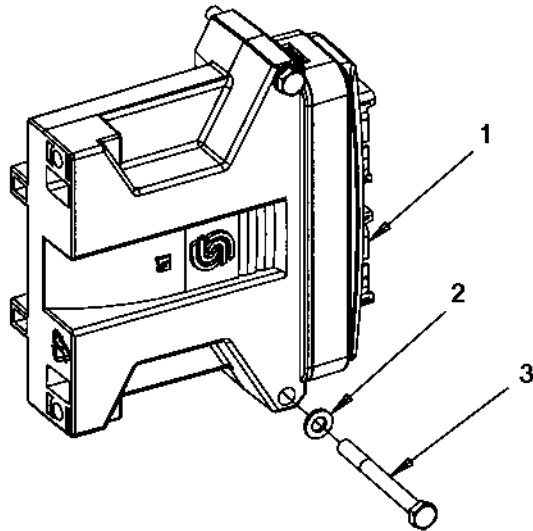
Driving & side direction lights

18646



Driving & side direction lights

Ref. No.	Part No.	Rem.	Qty	Description	Code
1	392152		1	Cable harness	
2	792422		1	Relay	
3	792210		1	Screw torx	
4			1	Accessories ECU module (Page 286)	
5			2	Driving lights, front (Page 288)	RH
			2	Driving lights, front (Page 290)	LH
6			2	Turn signals (Page 292)	
7	392154		1	Cable harness	Std
	392155		1	Cable harness	Off-set
8			2	Driving lights, rear (Page 294)	
9			1	Steering column switch module (Page 296)	
10			1	Cable harness and switch module (Page 298)	
11			1	Registration plate light module (Page 300)	



Accessories ECU module

Ref. No.	Part No.	Rem.	Qty	Description	Code
1	390862		1	Control unit without software	
2	904228		2	Washer	
3	500187		2	Screw	M6x60

Driving lights, front RH

391644

