

JINMA TRACTORS

600



604



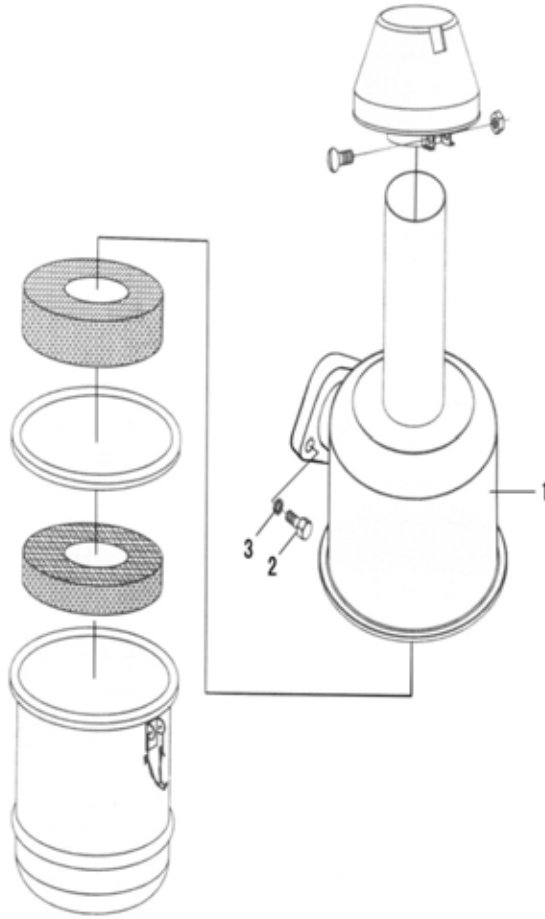
60 hp. Range.

0800 TRACTOR
0800 872 2767

Contents

Air Filter Assembly (I)	3
Air Filter Assembly (II)	4
Air Filter Assembly (III)	5
Cooling System Assembly	6
Exhaust System	8
Engine Control Mechanism	9
Single Stage Clutch	11
Single Stage Clutch (B)	12
Dual Stage Clutch (I)	14
Dual Stage Clutch (II)	16
Bracket & Sleeve	18
Front Axle Arm & Front Wheel Hub	20
Drag Link & Tie Rod	22
Front Ballast & Bracket	24
Tie rod (four wheel drive)	25
Front Central Drive (A) (Four wheel drive)	27
Front Central Drive (B) (Four wheel drive)	29
Front Final Drive Assembly (Four wheel drive)	31
Directive Wheel	34
Driving Wheel	36
Drawbar (I)	38
Drawbar (II)	39
Intermediate Axle & Transmission (A)	41
Intermediate Axle & Transmission (B)	43
Intermediate Axle & Transmission (C)	45
Gearbox Assembly with Shuttle-Action Gear Change (A)	48
Gearbox Assembly with Shuttle-Action Gear Change (B)	50
Control Mechanism of Shuttle-Action Gear Change	53
Rear Axle	55

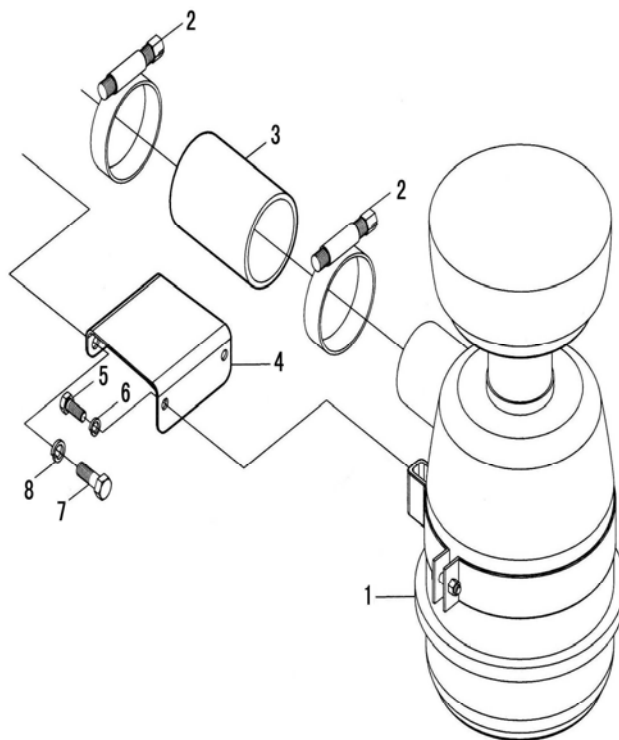
Rear Axle	56
Differential & Differential Lock	58
Creeper Control Mechanism	60
Power Take-off	61
Final Transmission	63
Steering Gear & Steering-wheel Assembly	65
Power Steering Assembly (I)	67
Power Steering Assembly (II)	70
Transfer Case (Four wheel drive)	73
Brake and Operating Mechanism	76
Seat (I)	78
Seat (II)	79
Hood	82
Front Baffle	83
Mud Shield (Left and Right)	84
Step (Left and Right)	86
Electrical System Assembly (A)	87
Electrical System Assembly (B)	89
Tool Box Assembly	91
Fuel Tank (I)	92
Fuel Tank (II)	94
Pump and pipe (I)	96
Pump and Pipe (II)	98
Hydraulic Take-off Pipe (I)	100
Hydraulic Take-off Pipe (II)	101
Suspension Mechanism	Error! Bookmark not defined.
Distributor Assembly	Error! Bookmark not defined.
Air Brake Device	Error! Bookmark not defined.



Air Filter Assembly (I)

Air Filter Assembly (I)

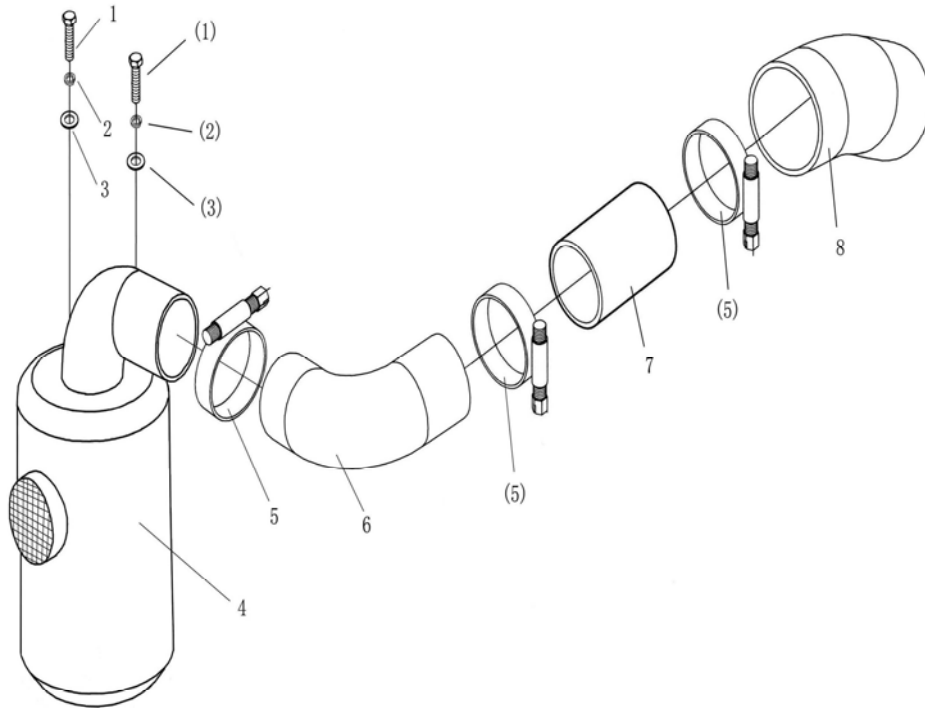
Ser No.	Part No.	Description	Qty
1	SL2105.11.010 LS2105.11.010A-1	TY395 Air filter assembly K4100 Air filter assembly	1
2	GB/T5783	Bolt M8 x 25	2
3	GB/T93	Washer 8	2



Air Filter Assembly (II)

Air Filter Assembly (II)

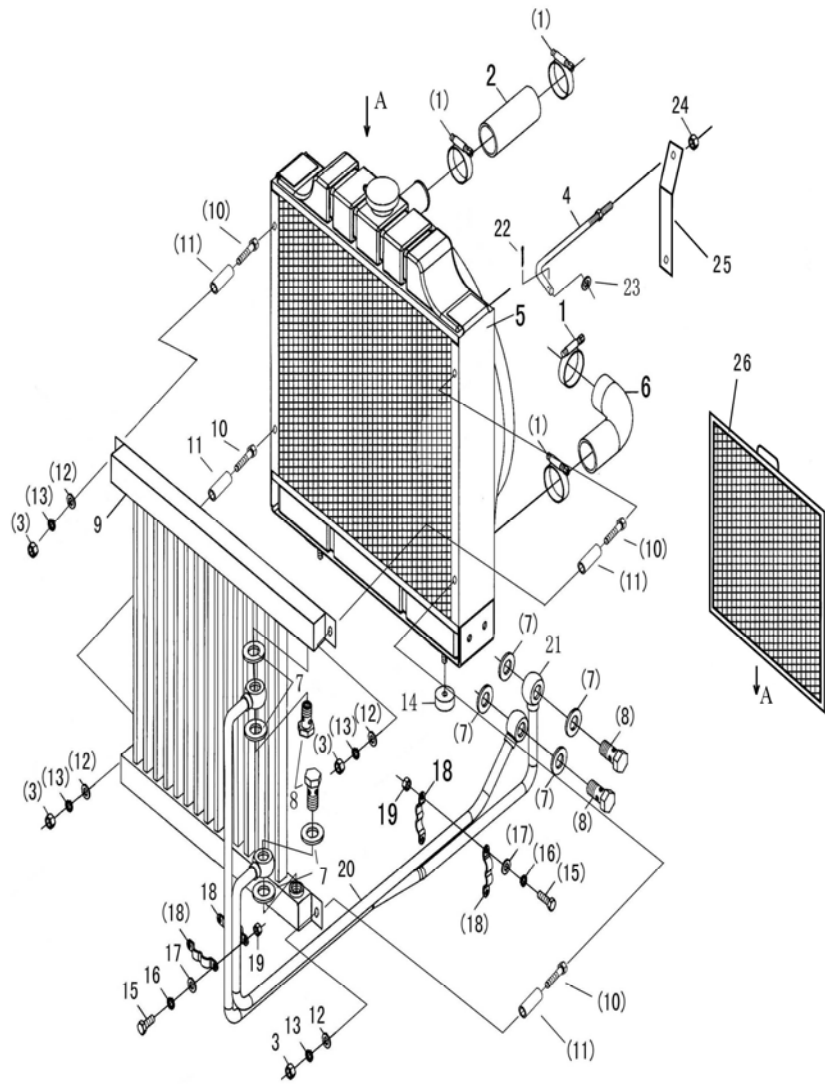
Ser No.	Part No.	Description	Qty
1	SL4105BT.030	Air filter assembly	
2	ZBJ15001	Clamp D90	
3	700.11.102	Air hose	
4	SL4105BT.015-1	Support weldment	
5	GB/T5783	Bolt M8 x 20	
6	GB/T93	Washer 8	
7	GB/T5783	Bolt M10 x 25	
8	GB/T93	Washer 10	



Air Filter Assembly (III)

Air Filter Assembly (III)

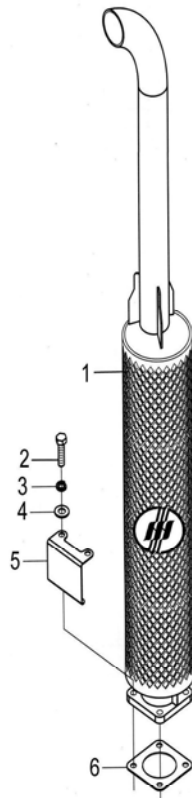
Ser No.	Part No.	Description	Qty
1	GB/T5783	Bolt M8 x 20	2
2	GB/T93	Washer 8	2
3	GB/T97.1	Washer 8	2
4	TY395.11.010A	Air filter assembly	1
	SL4105BT.030A	Air filter assembly	
5	ZBJ15001	Clamp D70	4
6	TY395.104	Hose	1
7	TY395.105-2	Hose	1
8	SL3105BT.202	Hose	1
	SL4105BT.118	Hose	



Cooling System Assembly

Cooling System Assembly

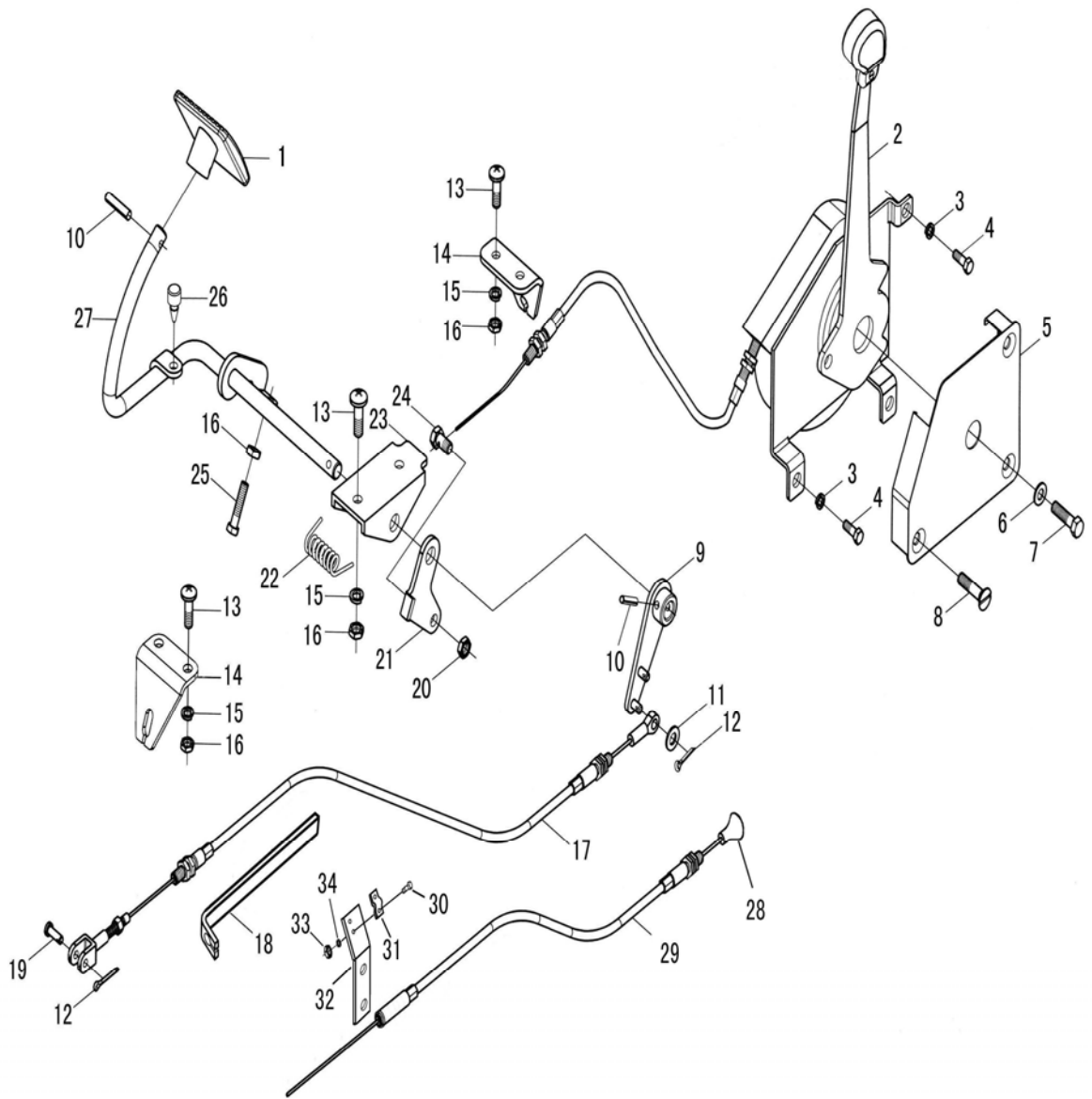
Ser No.	Part No.	Description	Qty
1	ZBJ15001	Clamp D35-51	4
2	SL3105BT.201	Inlet hose of water tank	1(a)
	495BT.101-2	Inlet hose of water tank	1(b)
	SL4105BT.105	Inlet hose of water tank	
	YTR105T56.015	Inlet hose of water tank	
3	GB/T6170	Nut M10	4
4	TY395.106	Bolt	1
	JD490T.110	Bolt	
5	495BT.010-2	Water tank assembly	1(a)
	SL3105.12.010-2	Water tank assembly	1(b)
	SL4105BT.010-3	Water tank assembly	
	SL4105ABT.010	Water tank assembly	
6	SL3105BT.203	Outlet hose of water tank	1(a)
	495BT.102	Outlet hose of water tank	1(b)
7		Compound washer	
8	700.13.130	Hollow bolt	
9	SL4105BT.013	Oil cooler assembly	
10	GB/T5783	Bolt M10 x 55	
11		Bush	
12	GB/T97.1	Washer 10	
13	GB/T93	Washer 10	
14	BL-178	Rubber washer	
15	GB/T5783	Bolt M6 x 16	2
16	GB/T97.1	Washer 6	4
17	GB/T93	Washer 6	4
18	700.13.123	Oil pipe keeper	4
19	GB/T6170	Nut M6	4
20	SL4105BT.011-2	Oil inlet pipe assembly for oil cooler	
	YTR4105T56.013-1	Oil inlet pipe assembly for oil cooler	
21	SL4105BT.012-2	Oil inlet pipe assembly for oil cooler	
	YTR4105T56.014-1	Oil inlet pipe assembly for oil cooler	
22	GB/T91	Pin 2 x 16	1
23	GB/T93	Washer 8	1
24	GB/T6170	Nut M8	2
25	Y385.10.200	Bracket	1(a)
	YTR4105T56.10.200	Bracket	
26	SL3105.13.130-1	Front skit (Selected by user)	1
	SL4105BT.130-1	Front skit (Selected by user)	



Exhaust System

Exhaust System

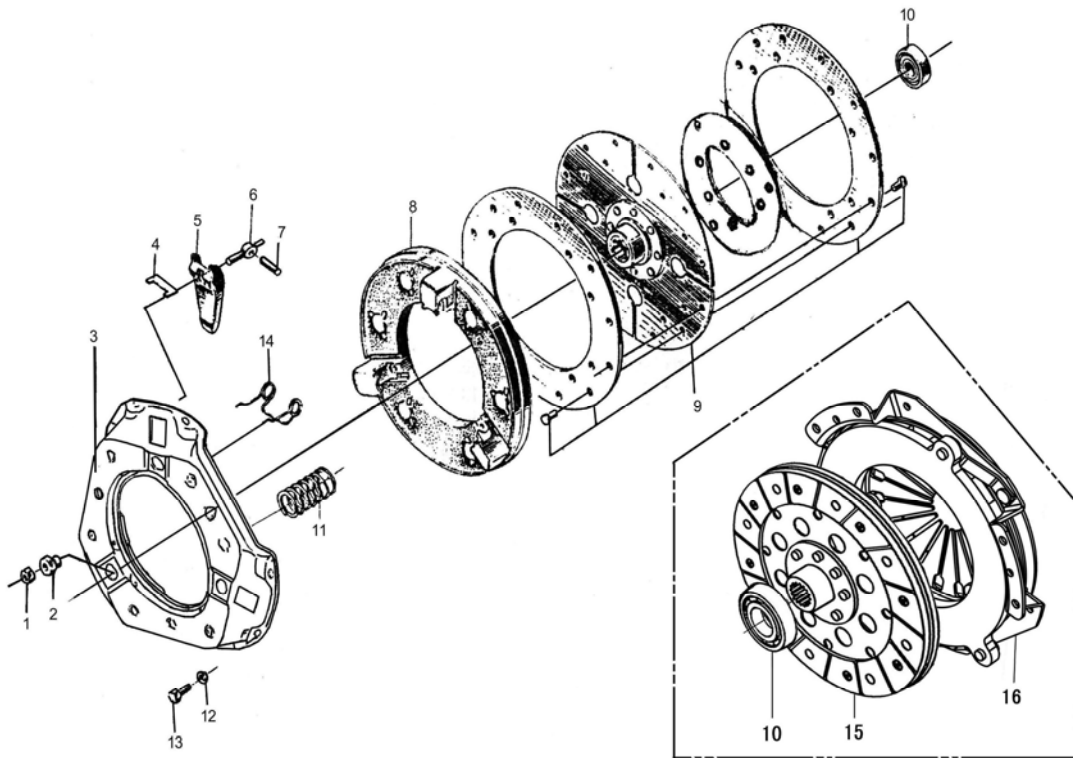
Ser No.	Part No.	Description	Qty
1	SL2105.10.010-1	Muffler	1
	700.22.001	Muffler	
2	GB/T5783	Bolt M8 x 25	4
3	GB/T93	Washer 8	4
4	GB/T97.1	Washer 8	4
5	180.47.301	Bracket for label, exhaust tube	1
	700.22.102	Bracket for label, exhaust tube	
6	Y385.19	Muffler washer	1
	700.22.103	Muffler washer	



Engine Control Mechanism

Engine Control Mechanism

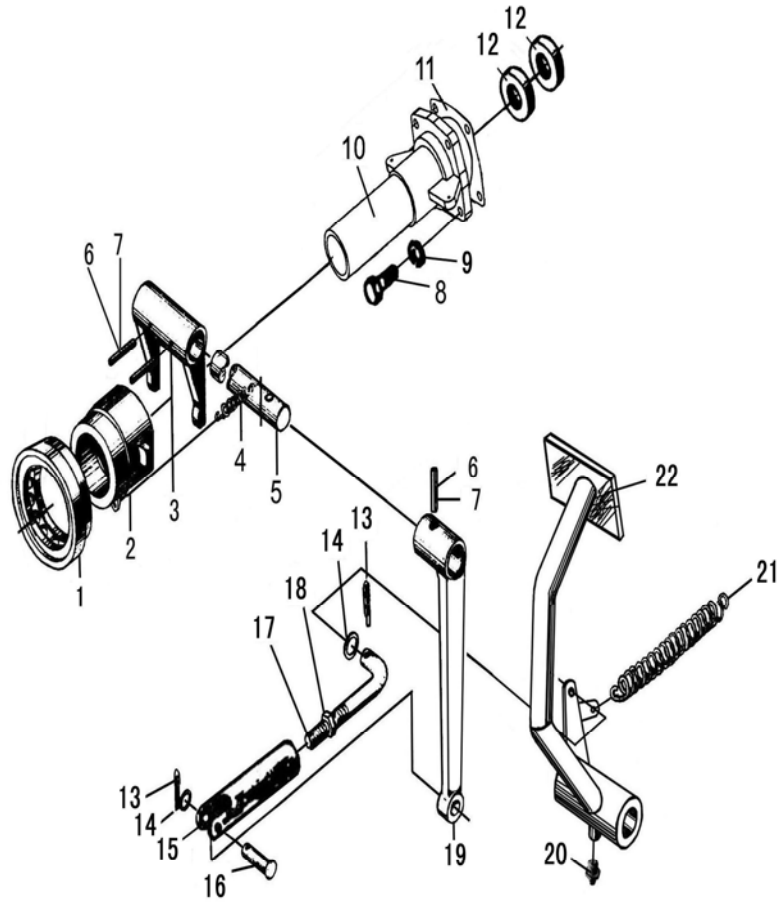
Ser. No	Part No.	Description	Qty
1	700.20.101	Foot pedal	1
2	400.20.023	Hand throttle assembly	1
3	GB/T93	Washer 6	3
4	GB/T5783	Bolt M6 x 16	3
5	400.20.127	Cover hand throttle	1
6	GB/T96	Washer 10	1
7	GB/T5783	Bolt M10 x 45	1
8	GB/T5783	Bolt M6 x 30	3
9	700.20.011	Foot throttle rocker weldment	1
10	GB/T879.1	Spring-type straight pin-slotted 5 x 20	2
11	GB/T97.1	Washer 6	1
12	GB/T91	Split pin 2 x 12	2
13	GB/T818	Screw M8 x 20	6
14	700.20.105	Bracket for wire	2
15	GB/T93	Washer 8	6
16	GB/T6170	Nut M8	7
17	550.20.015-2	Foot throttle wire assembly	1
	550.20.015A	Foot throttle wire assembly	
18	400.20.028-1	Bracket for wire	1(a)
	500.20.028	Bracket for wire	1(b)
	550.20.104	Bracket for wire	
19	GB/T882	Pin roll B5 x 20	1
20	GB/T6170	Nut M6	1
21	700.20.114	Hand throttle rocker	1
22	700.50.104	Torsion spring	1
23	700.20.108	Throttle bracket	1
24	700.20.133-1	Fastening bolt	1
25	GB/T5783	Bolt M8 x 45	1
26	700.20.107	Rubber plug	1
27	400.20.021	Foot pedal rocker weldment	1
28	184.20.028	Handle	1
29	400.20.025A	Choke assembly	1
30	GB/T5783	Bolt M5 x 16	2
31	184.20.163	Plate	1
32	550.20.159A	Shutdown support	
	550.20.105	Shutdown support	
33	GB/T6170	Nut M5	2
34	GB/T93	Washer 5	2



Single Stage Clutch

Single Stage Clutch

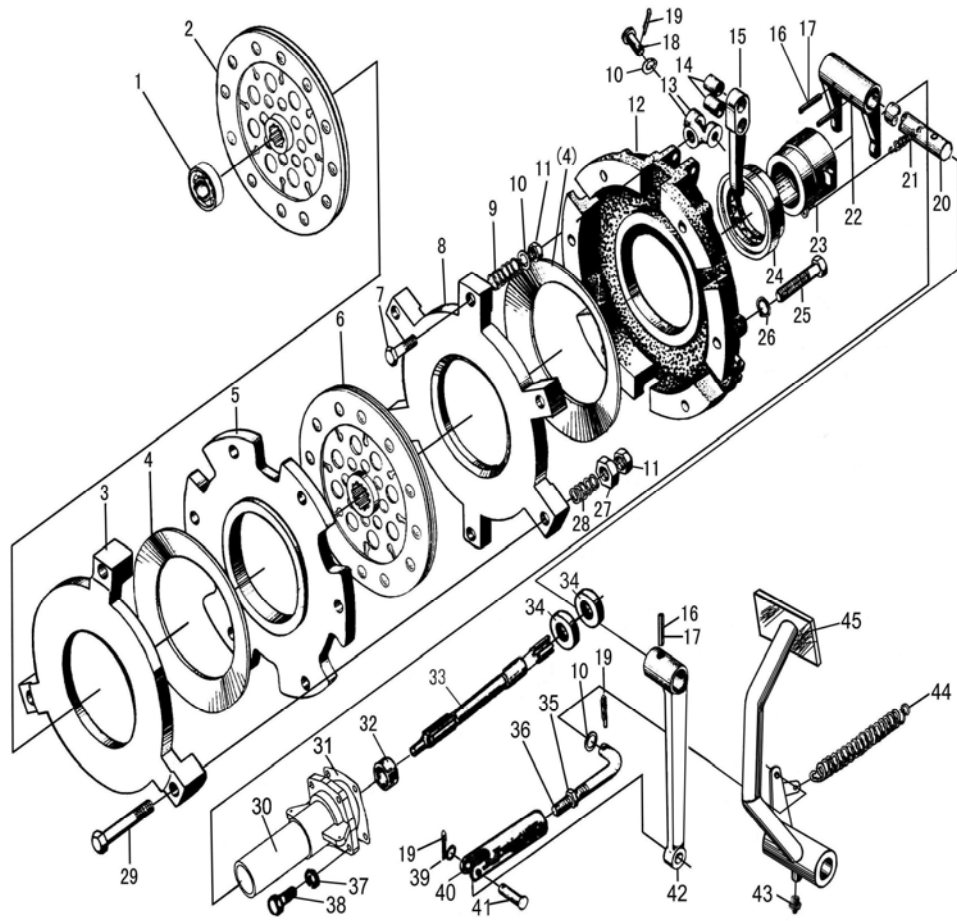
Ser No.	Part No.	Description	Qty
1	GB/T6173	Nut 10 x 1	3
2	130-160.1107	Adjusting nut, release lever	3
3	130-1601091B	Clutch cover	1
4	130-1601098B	Clamp iron, release lever	3
5	130-1601095B	Clutch release lever	3
6	130-1601104B	Adjusting bolt release lever	3
7	130-1601103B	Parallel pin release lever	3
8	130-1601093B	Clutch pressure disk	1
9	NJ-130	Clutch driven disk assembly	1
10	GB/T276	Rolling bearing 6204-2LS	1
11	130-1601115	Clutch compression spring	9
12	GB/T93	Spring lock washer 8	6
13	GB/T5783	Bolt M8 x 20	6
14	130-1601096	Spring release lever	9
15	DS300-200	Clutch driven disk assembly	
16	550.21.012	Clutch	



Single Stage Clutch (B)

Single Stage Clutch (B)

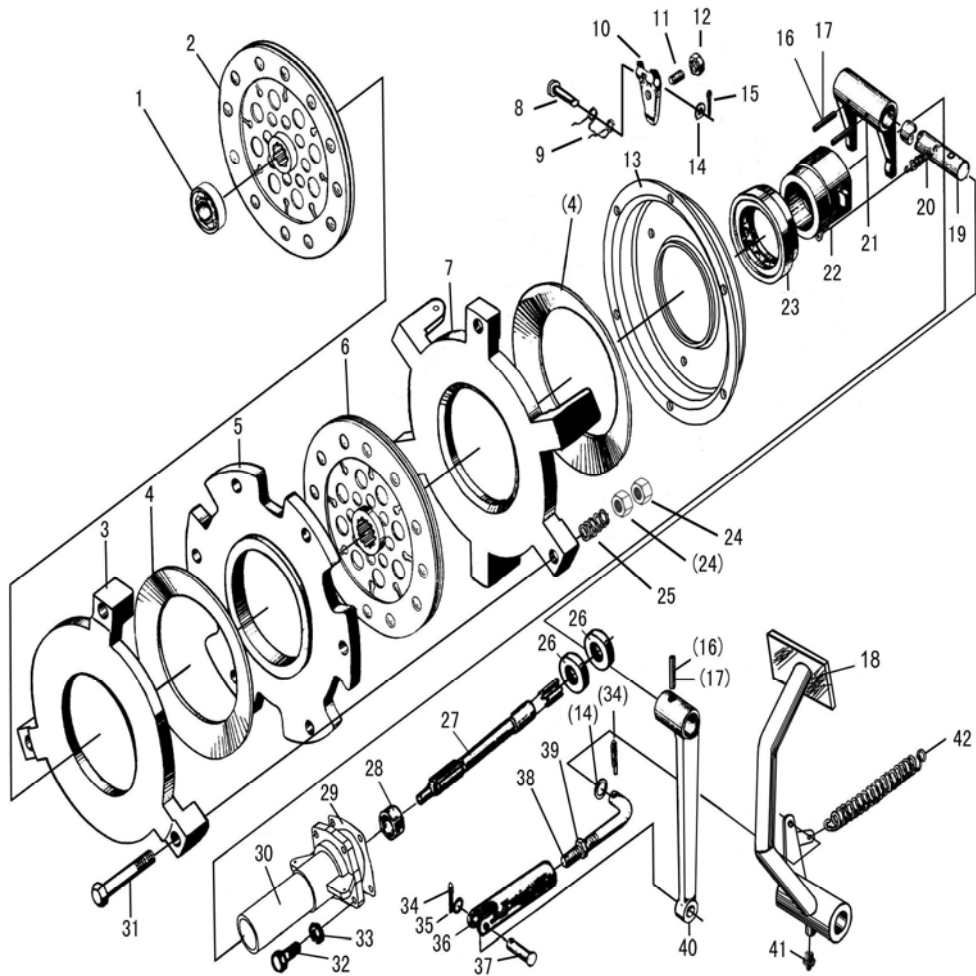
Ser No.	Part No.	Description	Qty
1	400.21.108	Bearing 989911	1
2	400.21S.104-1	Bearing seat	1
	550.21S.104-1	Bearing seat	
3	304.21S.102-1	York	1
4	160.21.109	Spring	2
5	400.21S.107-1	York shaft	1
6	GB/T879	Pin 8 x 40	3
7	GB/T879	Pin 5 x 40	3
8	GB/T5783	Bolt M8 x 25	4
9	GB/T93	Washer 8	4
10	400.21S.124	Cover	1
	550.21.124	Cover	
11	400.21S.125-1	Paper gasket	1
12	GB/T9877.1	Oil seal FB40 x 62 x 8	2
13	GB/T91	Pin 3.2 x 16	2
14	GB/T97.1	Washer 10	2
15	300.21.107	Adjustment fork, clutch push rod	1
16	GB/T882	Axis pin B8 x 30	1
17	300.21.106	Push rod	1
18	GB/T6170	Nut M10	1
19	400.21S.105	Release rock arm, clutch	1
20	GB/T9740.1	Oil cup M10 x 1	1
21	400.21.115	Pedal return spring	1
22	400.21S.015-1	Clutch pedal assembly	1



Dual Stage Clutch (I)

Dual Stage Clutch (I)

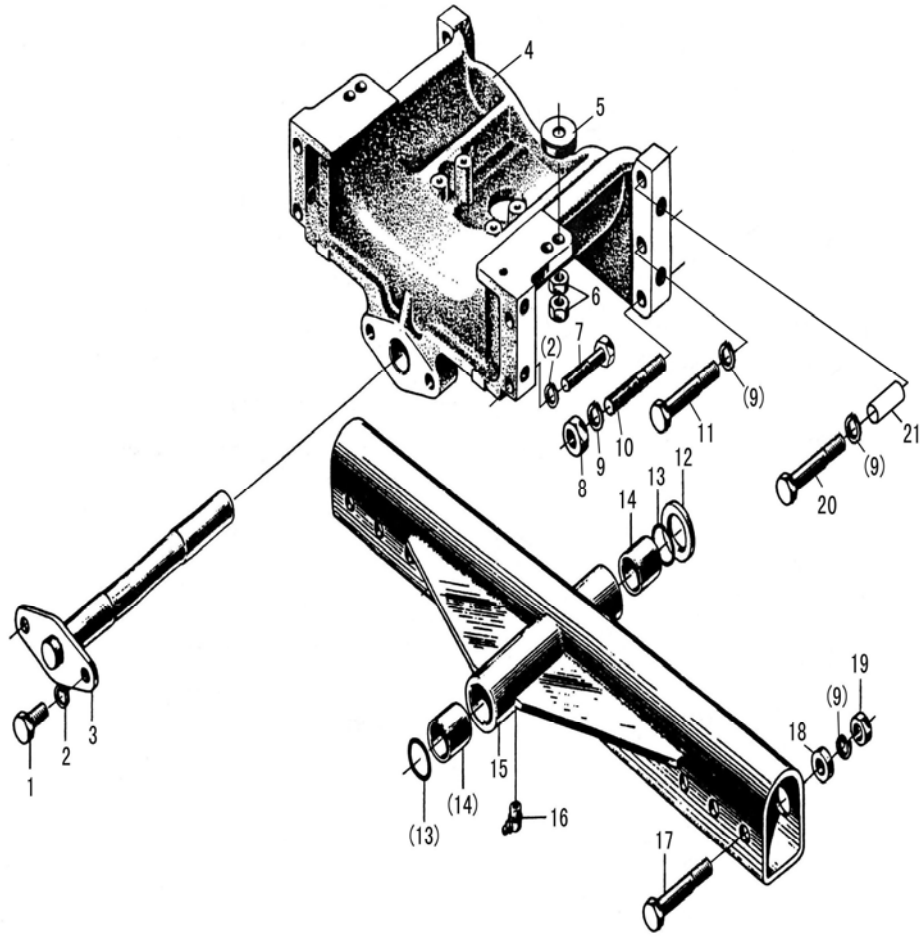
Ser No.	Part No.	Description	Qty
1	GB/T276	Rolling bearing 6204-1LS	1
2	304.21S.013	PTO clutch disc assy	1
3	304.21S.116	Pressure plate	1
4	400.21S.118	Spring	2
5	304.21S.117	Pressure plate	1
6	400.21S.018	Main clutch disc assy	1
7	184.21S.121	Adjusting bolt	3
8	304.21S.119	Main pressure plate	1
9	184.21S.122	Spring	3
10	GB/T97.1	Washer 10	10
11	GB/T6173	Nut M10 x 1	6
12	304.21S.120	Cover	1
13	184.21S.123	Connecting fork	3
14	184.212S.129	Bush	6
15	304.21S.130	Release lever	3
16	GB/T879	Pin 8 x 40	3
17	GB/T879	Pin 5 x 40	3
18	GB/T882	Axis pin B10 x 45	6
19	GB/T91	Pin 3.2 x 16	8
20	400.21S.107-1	York shaft	1
21	160.21S.109	Spring	2
22	304.21S.102-1	York	1
23	400.21S.104	Bearing seat	1
24	GB/T301	Bearing 996713	1
25	GB/T5783	Bolt M10 x 70	6
26	GB/T93	Washer 10	6
27	184.21S.125	Adjusting nut	3
28	184.21S.124	Spring	3
29	184.21S.115	Pull rod	3
30	400.21S.124	Cover	1
31	400.21S.125-1	Paper gasket	1
32	400.37.133	Compound bush	1
33	400.21S.101	Secondary clutch shaft	1
34	GB/T9877.1	Oil seal FB40 x 62 x 8	2
35	GB/T6170	Nut M10	1
36	300.21.106	Push rod	1
37	GB/T93	Washer 8	4
38	GB/T5783	Bolt M8 x 25	4
39	GB/T97.1	Washer 8	1
40	300.21.107	Adjustment fork, clutch push rod	1
41	GB/T882	Axis pin B8 x 30	1
42	400.21S.105	Release rock arm, clutch	1
43	GB/T7940.1	Oil cup M10 x 1	1
44	400.21.115	Pedal return spring	1
45	400.21S.015-1	Clutch pedal assembly	1



Dual Stage Clutch (II)

Dual Stage Clutch (II)

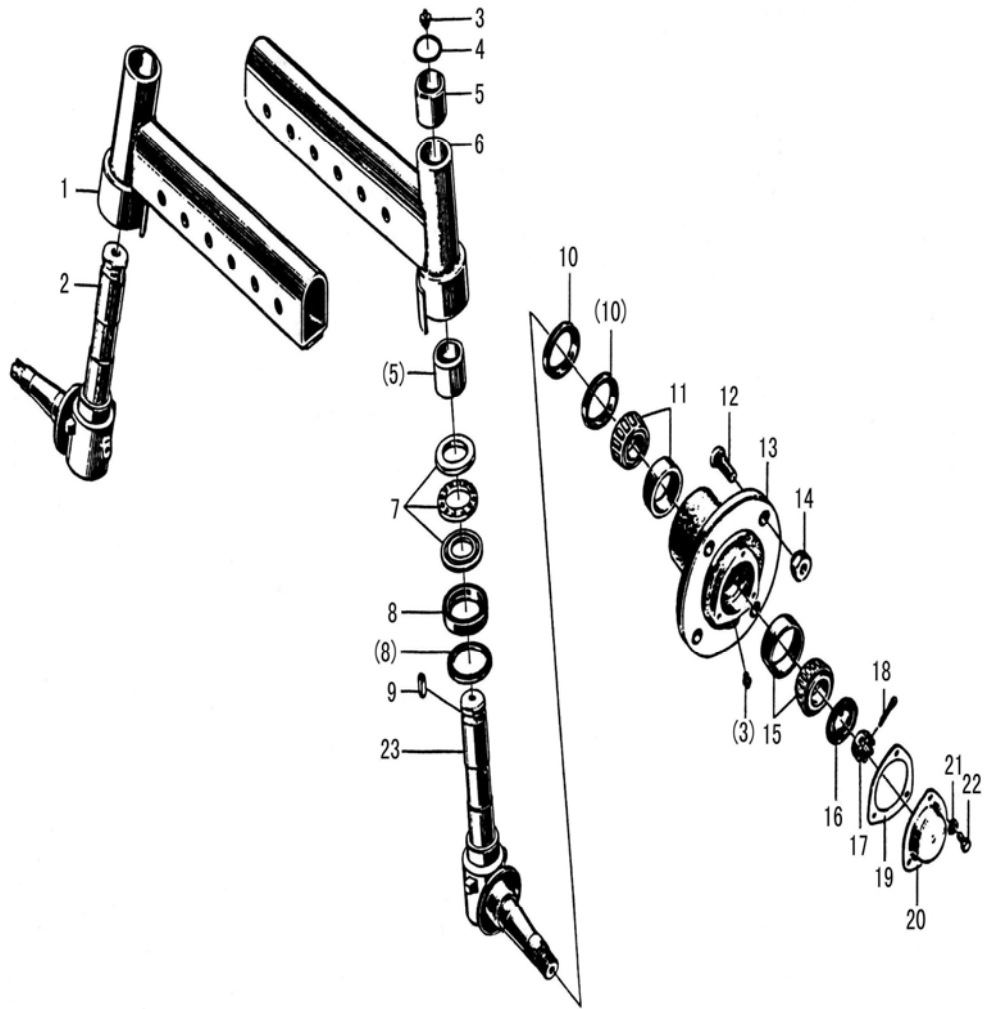
Ser No.	Part No.	Description	Qty
1	GB/T276	Rolling bearing 6204-2LS	
2	E500.21.011	PTO clutch disc assy	
3	E500.21.104	Pressure plate	
4	E500.21.102	Spring	
5	E500.21.105	Pressure plate	
6	E500.21.015	Main clutch disc assy	
7	E500.21.106	Main pressure plate	
8	E500.21.113	Axis pin	
9	E500.21.124	Spring	
10	E500.21.012	Release lever	
11	E500.21.101	Screw	
12	GB/T6173	Nut M12 x 1.25	
13	E500.21.013	Cover	
14	GB/T97.1	Washer 10	
15	GB/T91	Pin 3.2 x 20	
16	GB/T879	Pin 8 x 40	
17	GB/T879	Pin 5 x 40	
18	400.21S.015-1	Clutch pedal assembly	
19	400.21S.107-1	York shaft	
20	160.21.109	Spring	
21	304.21S.102-1	York	
22	550.21S.104	Bearing seat	
23		Bearing 996713	
24	GB/T6173	Nut M10 x 1	
25	E500.21.107	Spring	
26	GB/T9877.1	Oil seal FB40 x 62 x 8	
27	550.21S.101	Secondary clutch shaft	
28	400.37.133	Compound bush	
29	400.21S.125-1	Paper gasket	
30	550.21S.124	Cover	
31	E500.21.103	Pull rod	
32	GB/T5783	Bolt M8 x 25	
33	GB/T93	Washer 8	
34	GB/T91	Pin 3.2 x 16	
35	GB/T97.1	Washer 8	
36	300.21.107	Adjusting fork, clutch push rod	
37	GB/T882	Axis pin B8 x 30	
38	300.21.106	Push rod	
39	GB/T6170	Nut M10	
40	400.21S.105	Release rock arm, clutch	
41	GB/T7940.1	Oil cup M10 x 1	
42	400.21.115	Pedal return spring	



Bracket & Sleeve

Bracket & Sleeve

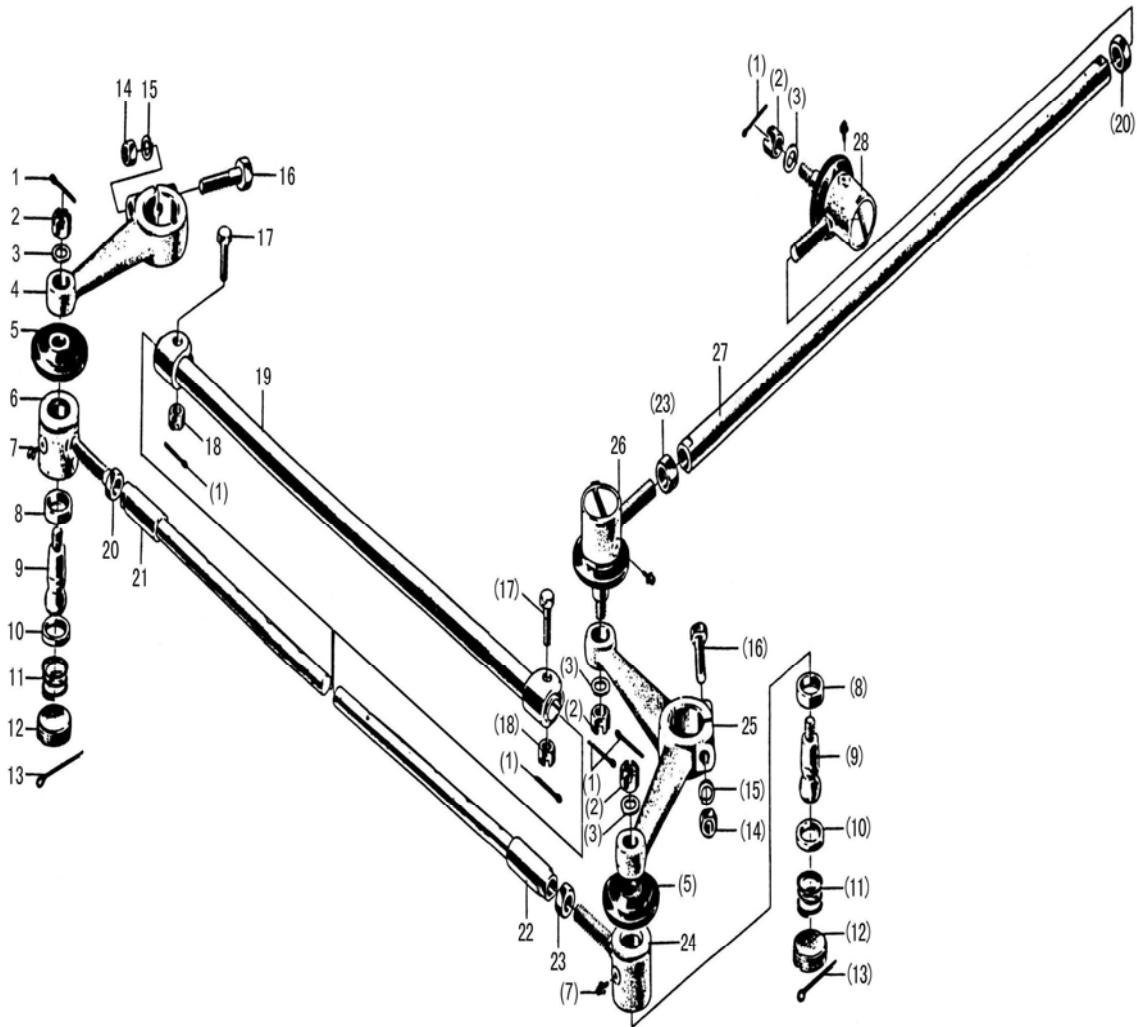
Ser No.	Part No.	Description	Qty
1	GB/T5783	Bolt M14 x 1.5 x 25	
2	GB/T93	Spring lock washer 14	
3	400.31.011	Pendulum shaft weldment assembly	
4	400.31.101-2	Bracket	
	550.31.101-1	Bracket	
5		Rubber pad	
6	GB/T6170	Nut M12	
7	GB/T5782	Bolt M14 x 70	
8	GB/T6175	Nut M16	
9	GB/T93	Washer 16	
10	GB/T898	Stud AM16 x 80	
11	GB/T5782	Bolt M16 x 80	
12	400.31.103	Washer of pendulum shaft	
13	GB/T3452.1	O-ring 34.5 x 3.55	
14	400.31.123	Bush of pendulum shaft	
15	400.31.024	Sleeve weldment assembly	
16	GB/T7940.1	Oil cup M10 x 1	
17	GB/T5785	Bolt M16 x 1.5 x 95	
18	400.31.105	Washer	
19	GB/T6176	Nut M16 x 1.5	
20	GB/T5782	Bolt M6 x 135	
21	700.31.106	Bush	



Front Axle Arm & Front Wheel Hub

Front Axle Arm & Front Wheel Hub

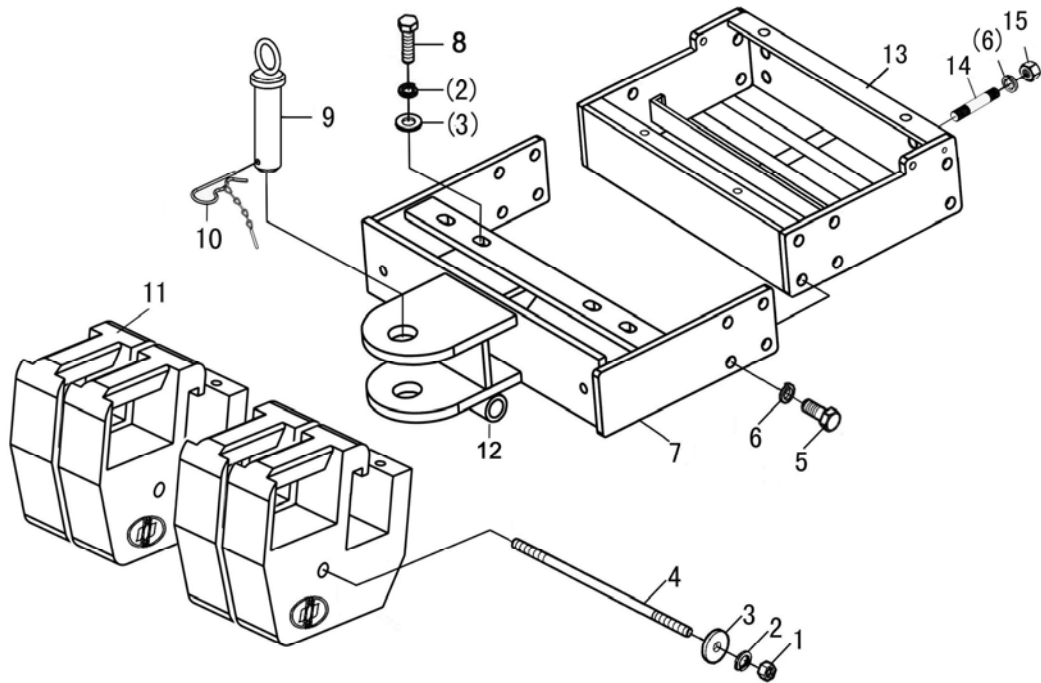
Ser No.	Part No.	Description	Qty
1	400.31.014	Front axle arm weldment assembly (right)	
2	400.31.015	Steering knuckle assembly	
3	GB/T7940.1	Oil cup M10 x 1	
4	GB/T3452.1	O-ring 34.5 x 3.55	
5	400.31.123	Bush	
6	400.31.013	Front axle arm weldment assembly (left)	
7	GB/T301	Bearing 51207	
8	GB/T9877.1	Oil seal FB 50 70 8	
9	GB/T1096	Key 10 x 25	
10	GB/T9877.1	Oil seal FB 55 80 8	
11	GB/T297	Rolling bearing 2207	
12	300.39.113	Wheel fixing screw	
13	400.31.102	Front wheel hub	
14	300.39.114	Wheel fixing nut	
15	GB/T297	Rolling bearing 32206	
16	400.31.111	Washer	
17	400.31.112	Nut M24 x 2	
18	GB/T91	Split pin 5 x 45	
19	400.31.114	Paper gasket	
20	400.31.113	Bearing cap	
21	GB/T93	Spring lock washer 6	
22	GB/T5783	Bolt M6 x 16	
23	400.31.015	Steering knuckle assembly	
	400.31.015A	Left steering knuckle assembly	



Drag Link & Tie Rod

Drag Link & Tie Rod

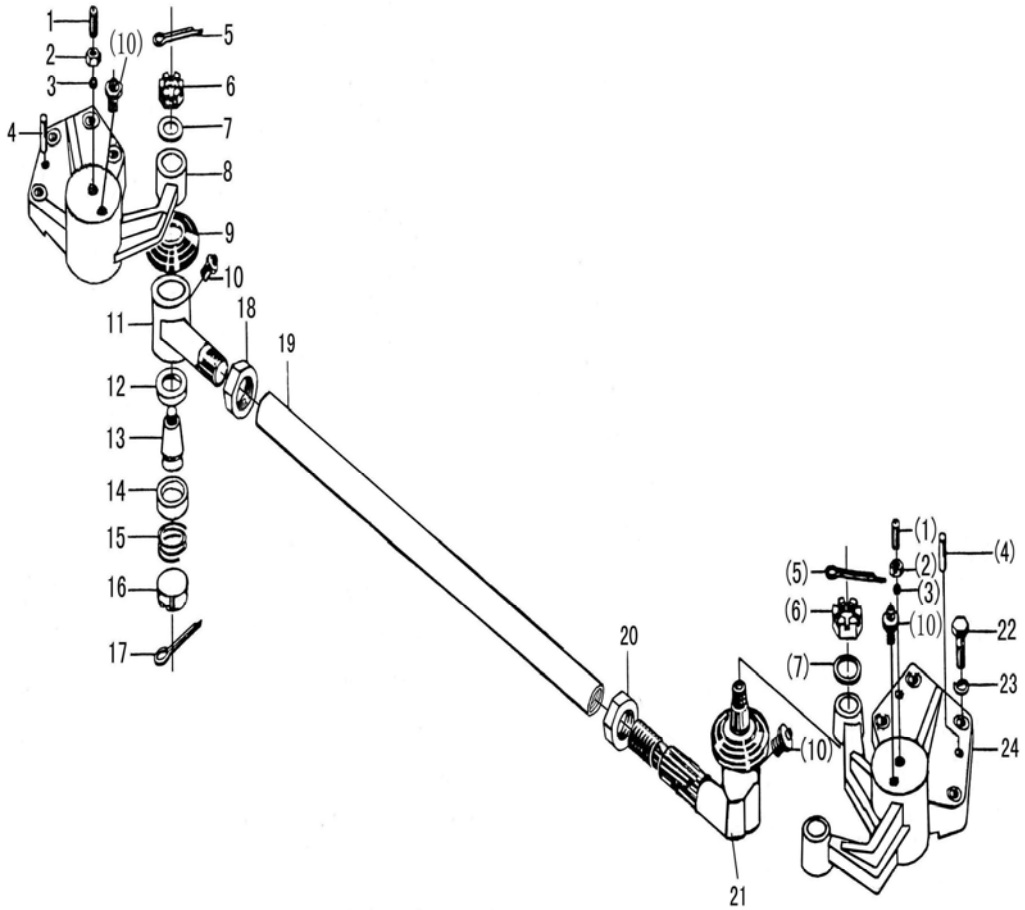
Ser No.	Part No.	Description	Qty
1	GB/T91	Split pin 3.2 x 26	
2	GB/T6181	Nut M14	
3	GB/T97.1	Plain washer 14	
4	300.31.104	Right steering knuckle arm	
5	300.31.145-2	Oil seal boot, joint	
6	400.31.133	Pull rod joint (right)	
7	GB/T7940.1	Oil cup M10 x 1	
8	300.31.140-1	Ball pin seat	
9	400.31.131	Ball pin	
10	300.31.141-1	Ball pin cap	
11	300.31.142-2	Compression spring	
12	300.31.143-1	Screw cap	
13	GB/T91	Split pin 2.5 x 50	
14	GB/T6170	Nut M12	
15	GB/T93	Spring lock washer 12	
16	GB/T5782	Bolt M12 x 75	
17	GB/T31.1	Bolt M14 x 50	
18	GB/T6181	Nut M14	
19	400.31.027-1	Main tie rod assembly	
20	GB/T6173	Nut M20 x 1.5	
21	400.31.023	Secondary tie rod assembly (right)	
22	400.31.022	Secondary tie rod assembly (left)	
23	GB/T6173	Nut M20 x 1.5 (left)	
24	400.31.132	Pull rod joint (left)	
25	300.31.103	Left steering knuckle arm	
26	400.31.020	Steering joint assembly (left)	
27	400.31.130	Drag link	
	500.31.130	Drag link	
	550.31.130	Drag link	
28	400.31.021	Steering joint assembly (right)	



Front Ballast & Bracket

Front Ballast & Bracket

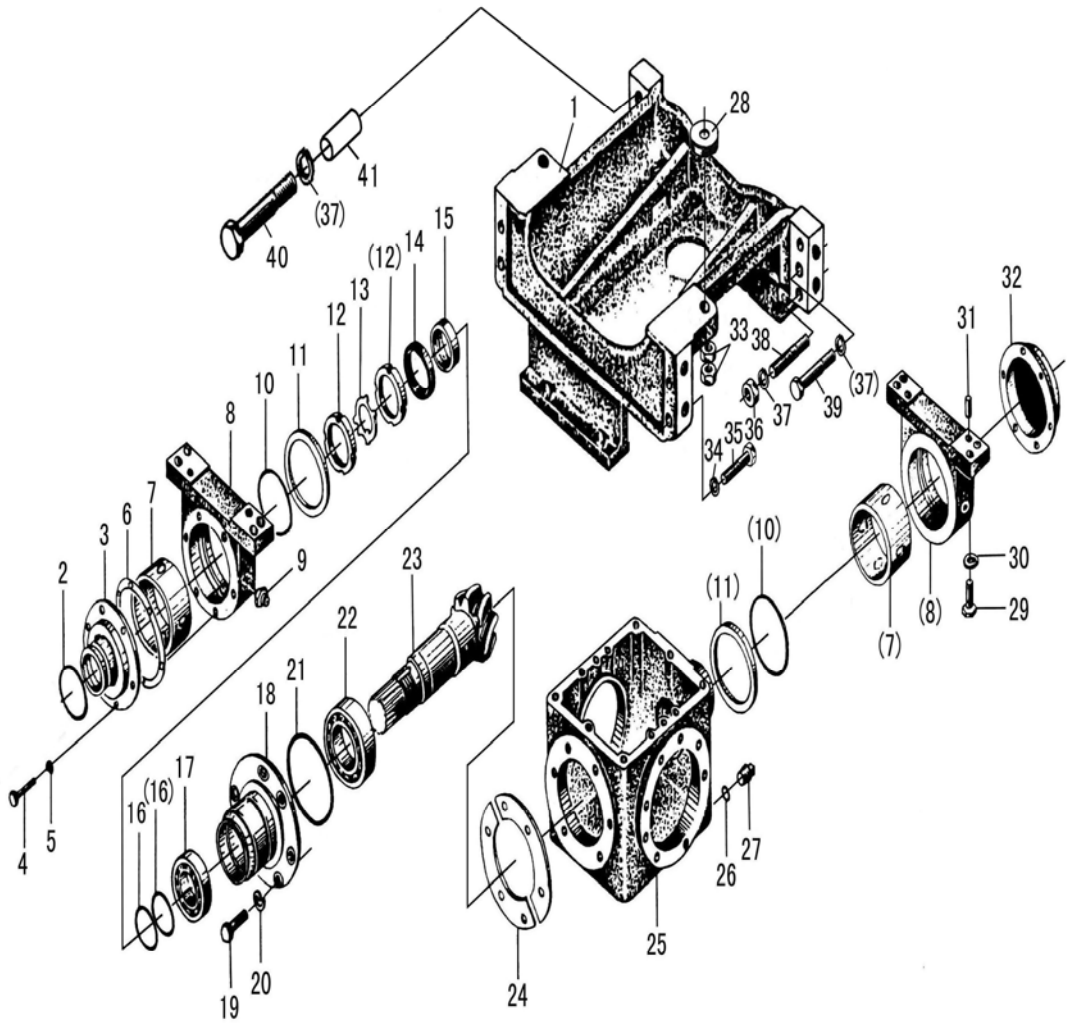
Ser No.	Part No.	Description	Qty
1	GB/T6107	Nut M16	2
2	GB/T93	Washer 16	6
3	GB/T97.1	Washer 16	6
4	400.31.305-1	Screw lever	1
5	GB/T5783	Bolt M14 x 35	8
6	GB/T93	Washer 14	12
7	400.31.030B	Bracket	1
8	GB/T5783	Bolt M16 x 35	4
9	300E.31.011	Connect pin	1
10	300E.35.020	Split pin	1
11	400.31.304-1	Front ballast	4
	400.31.304A-1	Front ballast (selected by user)	4
12	400.31.300	Bush	1
13	400.48.051	Batter support seat	1
14	GB/T898	Stud AM14 x 60	4
15	GB/T6170	Nut M14	4



Tie rod (four wheel drive)

Tie rod (four wheel drive)

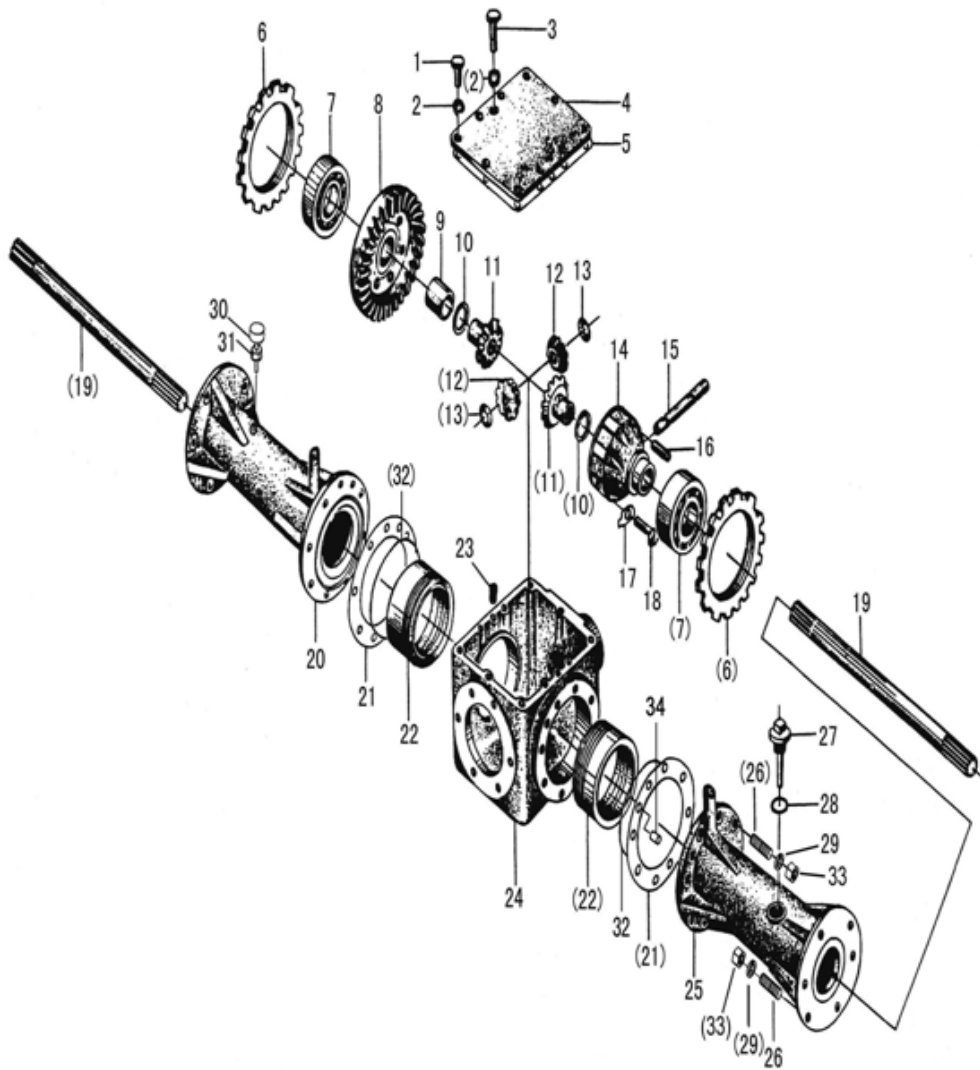
Ser No.	Part No.	Description	Qty
1	304.31.219	Set screw M10 x 1	2
2	GB/T6171	Nut M10 x 1	2
3	GB/T308	Steel ball 8.7312 G400b	2
4	GB/T119	Parallel pin 3.2 x 26	4
5	GB/T91	Split pin A8 x 20	2
6	GB/T9459	Nut M16 x 1.5	2
7	GB/T95	Plain washer 16	2
8	304.31.186-1	Right steering knuckle arm	1
9	300.31.145-1	Oil seal boot, joint	2
10	JBT7940.1	Oil cup M10 x 1	4
11	304.31.192-3	Tie rod joint (right)	1
12	300.31.140-1	Ball pin seat	2
13	404.31.131	Ball pin	2
14	300.31.141-1	Ball pin cap	2
15	300.31.142-1	Compression spring	2
16	304YZ.31.134-1	Hermetic cap	2
17	GB/T91	Split pin 2.5 x 50	2
18	GB/T6173	Nut M24 x 1.5	1
19	404.31.195	Connecting sleeve	1
20	GB/T6173	Nut M24 x 1.5 (left)	1
21	304.31.020-3	Tie rod joint assembly	1
22	GB/T5781	Bolt M12 x 35-8.8	8
23	GB/T93	Spring lock washer 12	8
24	304YZ.31.155-1	Left steering knuckle arm	1



Front Central Drive (A) (Four wheel drive)

Front Central Drive (A) (Four wheel drive)

Ser No.	Part No.	Description	Qty
1	404.31.101-2	Bracket	1
	554.31.101-1	Bracket	
2	GB/T3452.1	O-ring 48.7x3.55	1
3	304.31.211	Dust pipe seat	1
4	GB/T5780	Bolt M6 x 12	12
5	GB/T93	Spring lock washer 6	12
6	304.31.144	Paper gasket	2
7	304.31.123-1	Pendulum lining	2
8	304.31.124	Pendulum seat	2
9	GB/T7940.1	Oil cup M10 x 1	2
10	GB/T3452.1	O-ring 85 x 2.65	2
11	304.31.113	Thrust washer	2
12	GB/T810	Nut (M33 xx 1.5)	2
13	GB/T858	Washer 33	1
14	GB/T9877.1	Oil seal FB45 70 8	1
15	304.31.122	Supporting sleeve	1
16	GB/T3452.1	O-ring 32.5 x 2.65	2
17	GB/T297	Rolling bearing 32007	1
18	304.31.106	Shaft seat	1
19	GB/T5783	Bolt M10 x 30	6
20	GB/T93	Spring lock washer 10	6
21	GB/T3452.1	O-ring 95 x 2.65	1
22	GB/T297	Rolling bearing 30208	1
23	404.31.117	Driving gear	1
24	304.31.502	Adjusting shim 0.7	Δ
25	304.31.104-1	Main drive case	1
26	GB3452.1	O-ring 10 x 2.65	1
27	304.31.152	Bevel screw plug	1
28		Rubber pad	2
29	GB/T5783	Bolt M12 x 30	8
30	GB/T93	Spring lock washer 12	8
31	GB/T119	Parallel pin D8 x 16	4
32	304.31.111	Dust cap	1
33	GB/T6170	Nut M12	4
34	GB/T93	Spring lock washer 14	4
35	GB/T5782	Bolt M16 x 80	4
36	GB/T6175	Nut M16	2
37	GB/T93	Washer 16	6
38	GB/T898	Stud AM16 x 80	2
39	GB/T5782	Bolt M16 x 85	4
40	GB/T5782	Bolt M16 x 135	
41	700.31.106	Bush	



Front Central Drive (B) (Four wheel drive)