

Instructions for Parts Books

The heading at the top of the page will be the same for the picture of the parts as it is for the page with the part numbers.

Definition of column headings on part number pages:

REF.No → The number referring to the part on the picture page of the parts book.

Part No. → The number assigned to this part at the time of printing the parts book.

Part Name → Description of part.

Q'ty → Quantity of part used on that page.

S.No. → Serial number range of the equipment that this part will fit.

>= Your serial number should be greater than or equal to the number shown.

<= Your serial number should be lesser than or equal to the serial number shown.

I/C → Interchangeability of part shown.

= The part shown will work for the older and later serial number.

NI The part shown is not interchangeable with the other serial number.

Remarks → Notes about this particular part. Sometimes this may say except [FR] or [CA]

Note about Country Codes:

The parts books we use in the United States of America may also contain information about a part that would be

different in another country. It is important that you are aware of the country codes in some instances.

Symbol Country

A United States of America

CA Canada

FR France

GR Greece

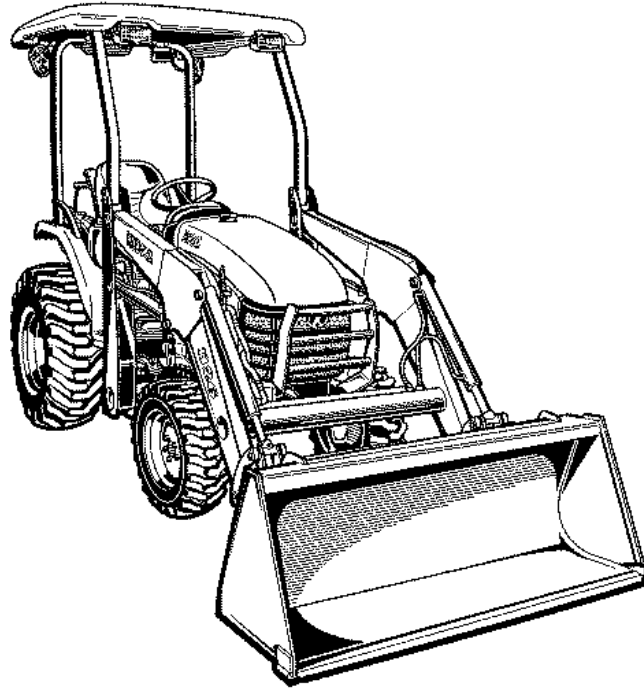
PO Portugal

AU Australia

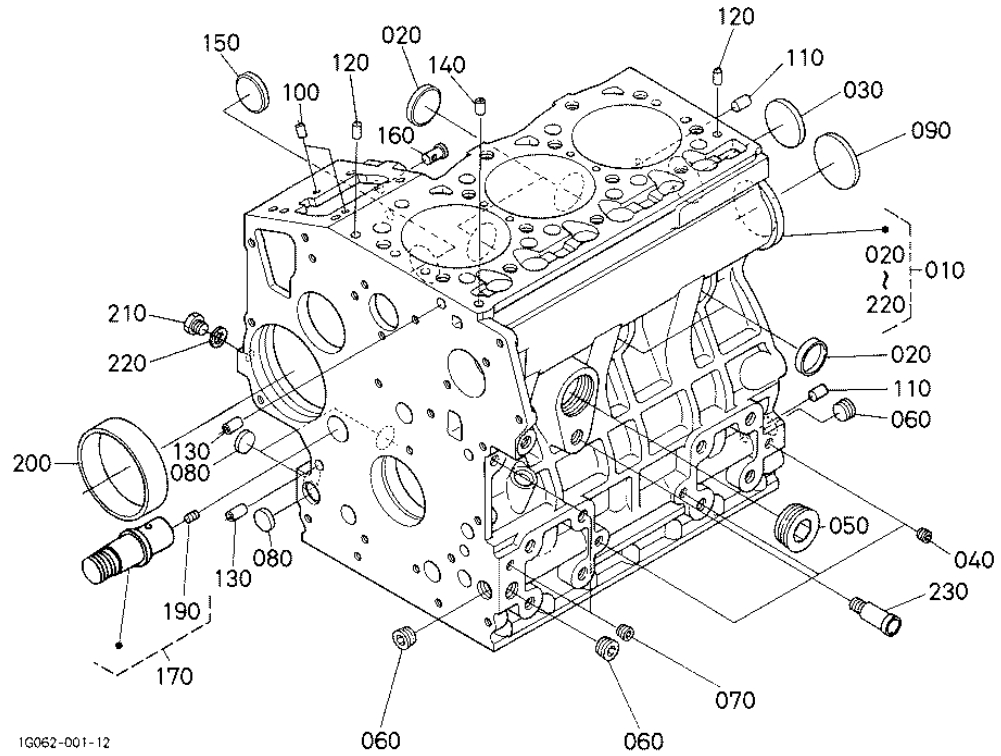
If the remarks column says for example EXCEPT [FR] this part works in all countries except France.

That means it will work here in the USA.

B26



CRANKCASE



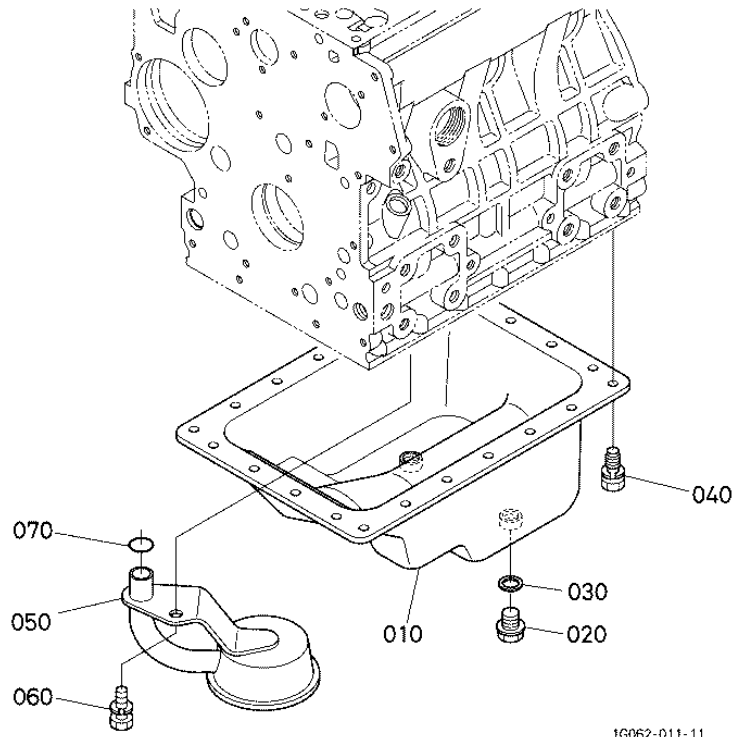
CRANKCASE

Ref	Part Number	Part Name	Qty	IC	S/N	Lbs	Remarks
010	1G062-01013	COMP.CRANKCASE	1			66	
020	15451-96270	CAP SEALING	4			0.002	
030	15221-03490	CAP SEALING	1			0.044	
040	15261-96010	PLUG	3			0.004	
050	16683-96020	PLUG	1			0.154	
060	16241-96010	PLUG	3			0.015	
070	15521-96020	PLUG	2			0.006	

CRANKCASE

Ref	Part Number	Part Name	Qty	IC	S/N	Lbs	Remarks
080	17391-96160	PLUG EXPANSION	3			0.006	
090	16271-96160	PLUG EXPANSION	1			0.055	
100	05012-00508	PIN STRAIGHT	2			0.002	
110	05012-00814	PIN STRAIGHT	2			0.013	
120	05012-00610	PIN STRAIGHT	2			0.006	
130	15231-33960	PIN PIPE	2			0.002	
140	16241-33650	PIN PIPE	1			0.004	
150	16241-96262	PLUG	1			0.015	
160	16261-56280	PIN START SPRING	1			0.008	
170	16251-24060	COMP SHAFT IDLE	1			0.396	
190	15521-93610	SCREW SET	1			0.004	
200	16271-55350	BUSH GOVERNOR GEAR	1			0.132	
210	15221-33610	PLUG	1			0.019	
220	15021-33660	GASKET	1			0.002	
230	15321-73340	PIPE WATER RETURN	1			0.035	

OIL PAN

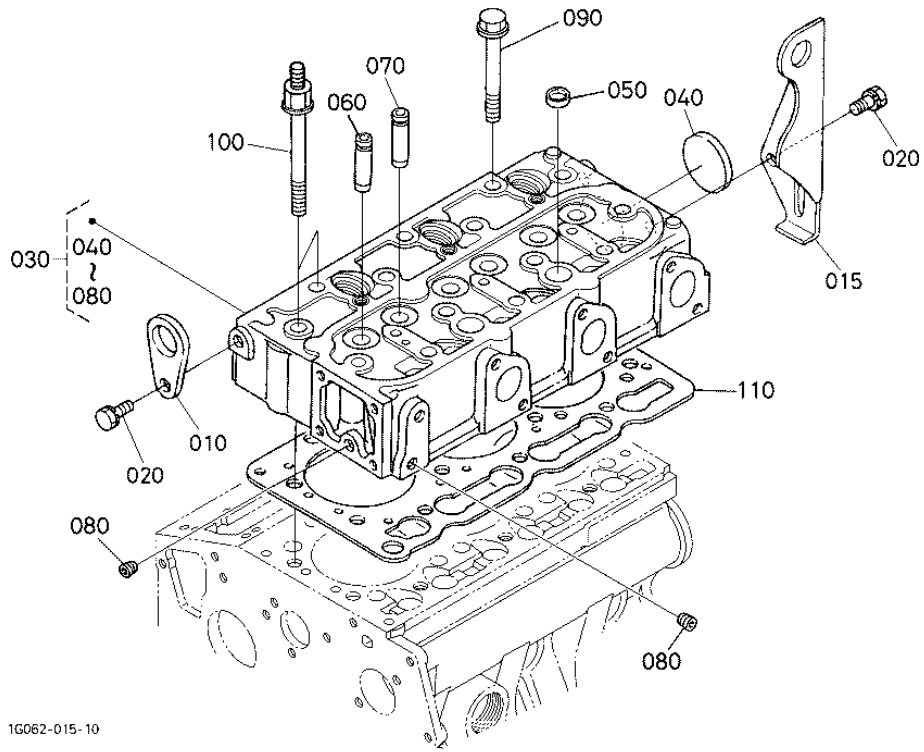


1G062-011-11

OIL PAN

Ref	Part Number	Part Name	Qty	IC	S/N	Lbs	Remarks
010	16326-01502	COMP.OIL PAN	1			2.915	
020	13901-33750	PLUG DRAIN	2			0.066	
030	6C090-58960	GASKET	2			0.004	
040	16221-91122	BOLT	22			0.011	
050	16326-32110	FILTER OIL	1			0.206	
060	01123-60816	BOLT	1			0.022	
070	04814-00160	O RING	1			0.002	

CYLINDER HEAD



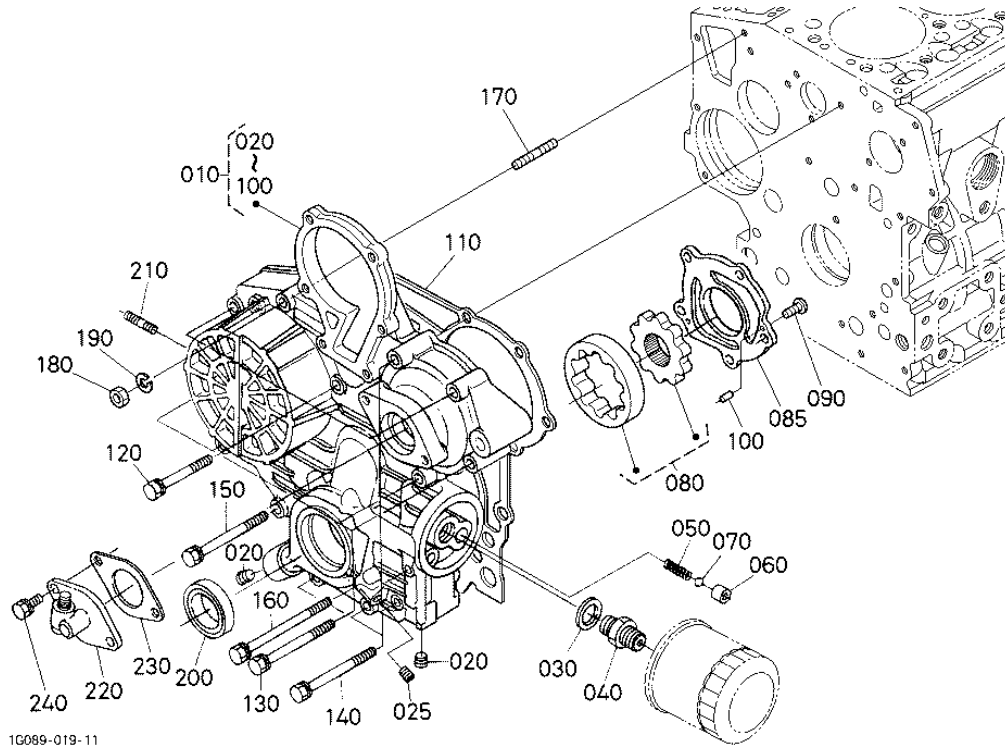
CYLINDER HEAD

Ref	Part Number	Part Name	Qty	IC	S/N	Lbs	Remarks
010	15221-01750	HOOK ENGINE	1			0.088	
015	16241-01770	HOOK ENGINE	1			0.385	
020	01123-60814	BOLT	2			0.022	
030	1G065-03043	COMP.CYLINDER HEAD	1	>>	>=7A0001	0	
030	1G065-03043	COMP.CYLINDER HEAD	1		<=6Z1449	0	
040	15321-96260	CAP SEALING	1			0.030	
050	15261-03370	CAP SEALING	2			0.011	

CYLINDER HEAD

Ref	Part Number	Part Name	Qty	IC	S/N	Lbs	Remarks
060	16261-13540	GUIDE INLET VALVE	3			0.044	
070	16261-13560	GUIDE EXHAUST VALVE	3			0.041	
080	15261-96010	PLUG	2			0.004	
090	16241-03450	BOLT CYLINDER HEAD	12			0.11	
100	16216-03450	BOLT CYLINDER HEAD	2			0.154	
110	1G063-03310	GASKET CYLINDER HEAD	1			0.352	

GEAR CASE



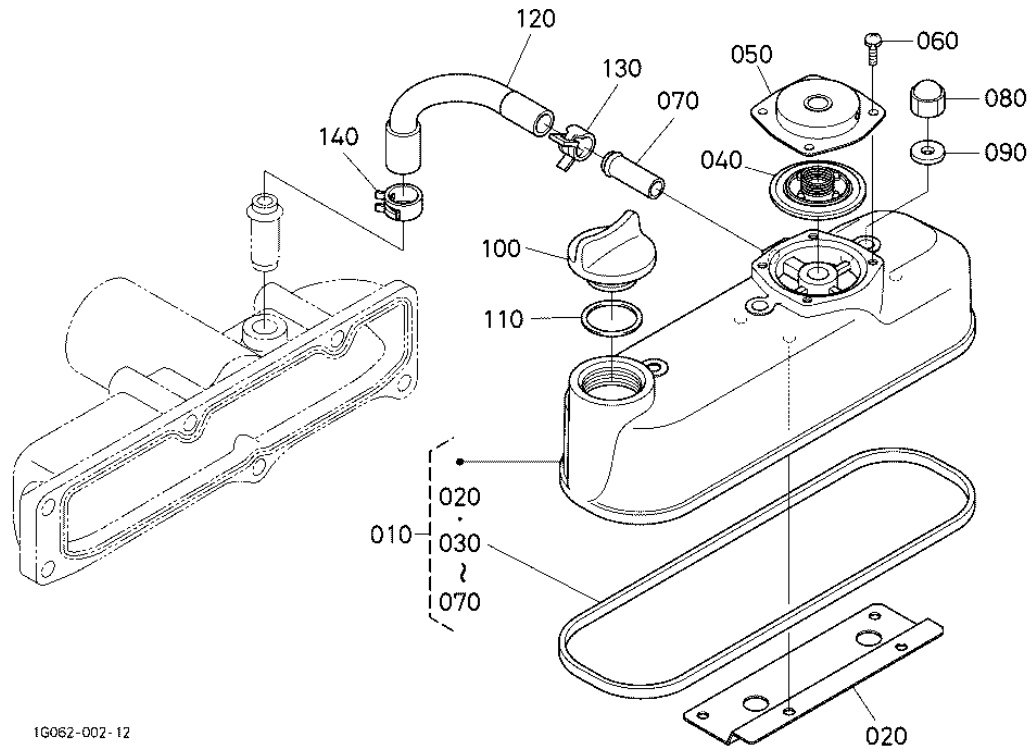
GEAR CASE

Ref	Part Number	Part Name	Qty	IC	S/N	Lbs	Remarks
010	16252-04022	COMP.CASE GEAR	1			5.412	
020	16241-96020	PLUG	2			0.033	
025	15521-96020	PLUG	1			0.006	
030	04011-50180	WASHER PLAIN	1			0.026	
040	15241-32290	JOINT PIPE	1			0.116	
050	16241-36950	SPRING	1			0.033	
060	16241-36930	SEAT VALVE	1			0.070	

GEAR CASE

Ref	Part Number	Part Name	Qty	IC	S/N	Lbs	Remarks
070	07715-00201	BALL	1			0.017	
080	16241-35070	ASSY ROTOR OIL PUMP	1			0.594	
085	16251-35130	COVER OIL PUMP	1			0.198	
090	03017-50620	SCREW CR-REC-BD-HD	5			0.011	
100	05012-00410	PIN STRAIGHT	2			0.002	
110	16264-04130	GASKET GEAR CASE	1			0	
120	01023-50645	BOLT	3			0.022	
130	01023-60650	BOLT	4			0.033	
140	01023-50655	BOLT	4			0.026	
150	01023-50665	BOLT	1			0.033	
160	16241-91040	BOLT	1			0.033	
170	16245-91530	STUD	1			0.022	
180	02056-50060	NUT	1			0.004	
190	04512-60060	WASHER SPRING	1			0.002	
200	16241-04212	SEAL OIL	1			0.026	
210	16245-91540	STUD	2			0.011	
220	58417-25950	ASSY GEAR CASE H/M	1			0.638	
230	16264-88130	GASKET H/METER UNIT	1			0.004	
240	01023-50618	BOLT	2			0.013	

HEAD COVER



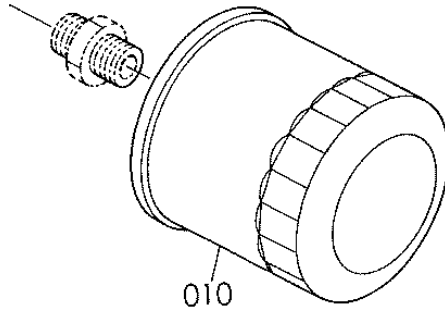
HEAD COVER

Ref	Part Number	Part Name	Qty	IC	S/N	Lbs	Remarks
010	1G032-14504	ASSY COVER CYL.HEAD	1			1.738	
020	1G032-05370	SHIELD OIL BREATHER	1			0.066	
030	16261-14520	GASKET HEAD COVER	1			0.022	
040	1G911-05203	COMP.VALVE BREATHER	1			0.022	
050	1G801-05120	COVER BREATHER	1			0.077	
060	03024-50510	SCREW WITH WASHER	4			0.004	
070	17331-73342	PIPE WATER RETURN	1			0.022	

HEAD COVER

Ref	Part Number	Part Name	Qty	IC	S/N	Lbs	Remarks
080	15952-92330	NUT	3			0.022	
090	15951-96660	GASKET	3			0.002	
100	E9151-33140	PLUG OIL FILLER	1			0.037	
110	04814-50300	O RING	1			0.002	
120	1G032-05510	TUBE BREATHER	1			0.037	
130	09318-88150	CLAMP HOSE	1			0.008	
140	16259-05580	CLAMP HOSE	1			0.066	

OIL FILTER

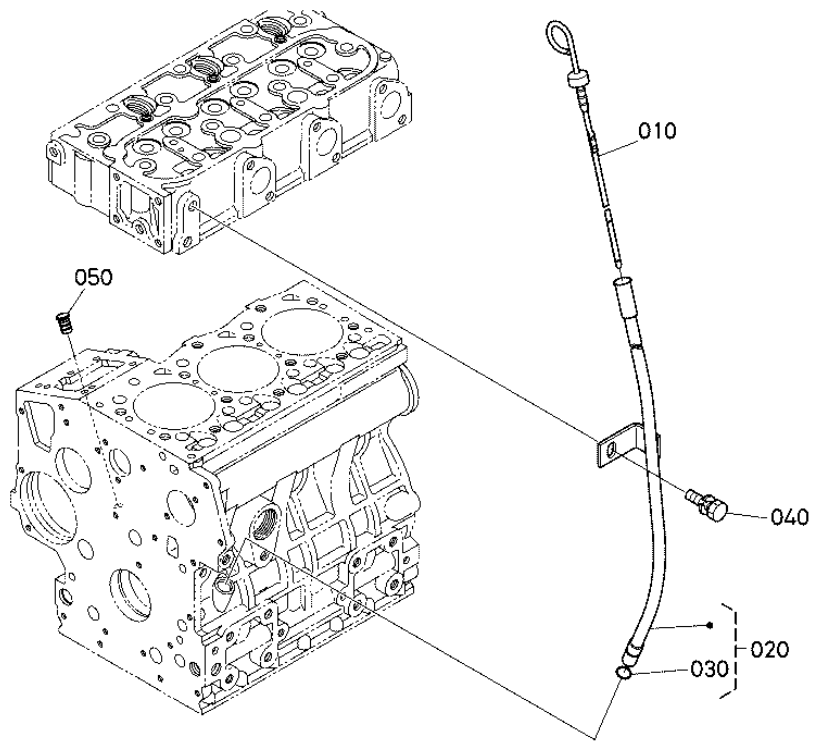


16615-003-10

OIL FILTER

Ref	Part Number	Part Name	Qty	IC	S/N	Lbs	Remarks
010	HH150-32094	CARTRIDGE OIL FILTER	1	>>		0.77	
010	15241-32094	CARTRIDGE OIL FILTER	1			0.77	

DIPSTICK AND GUIDE

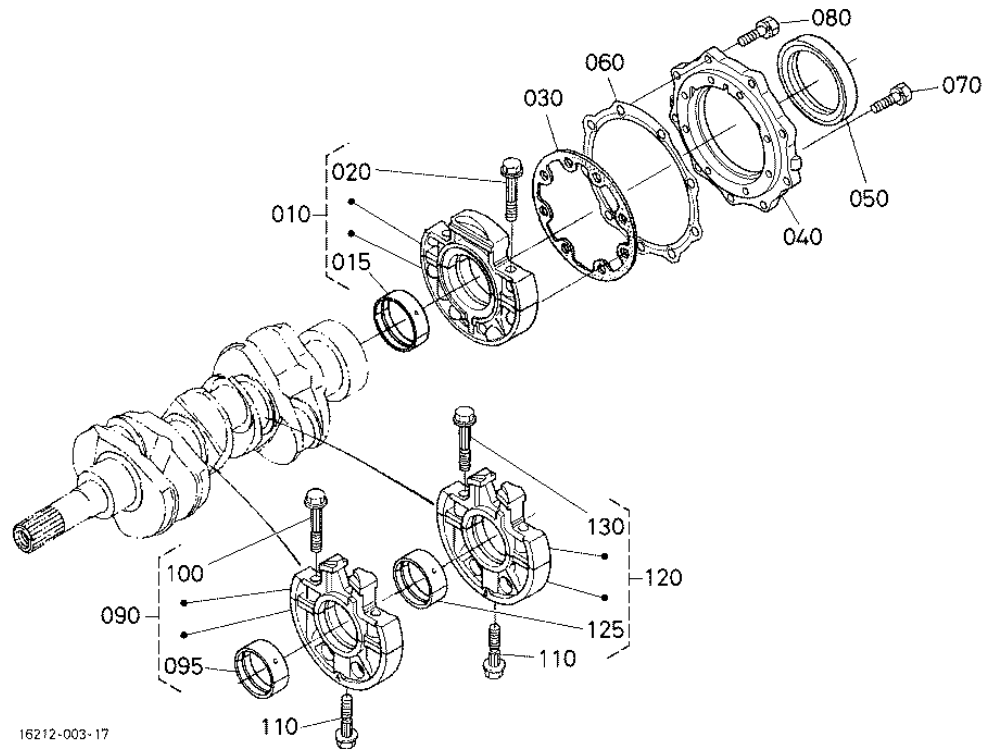


1G062-016-10

DIPSTICK AND GUIDE

Ref	Part Number	Part Name	Qty	IC	S/N	Lbs	Remarks
010	1G089-36410	GAUGE OIL	1			0.077	
020	1G089-36502	ASSY GUIDE OIL GAUGE	1			0.33	
030	04814-00090	O RING	1			0.002	
040	01123-60814	BOLT	1			0.022	
050	1G513-36550	PLUG OIL GAUGE	1			0.008	

MAIN BEARING CASE



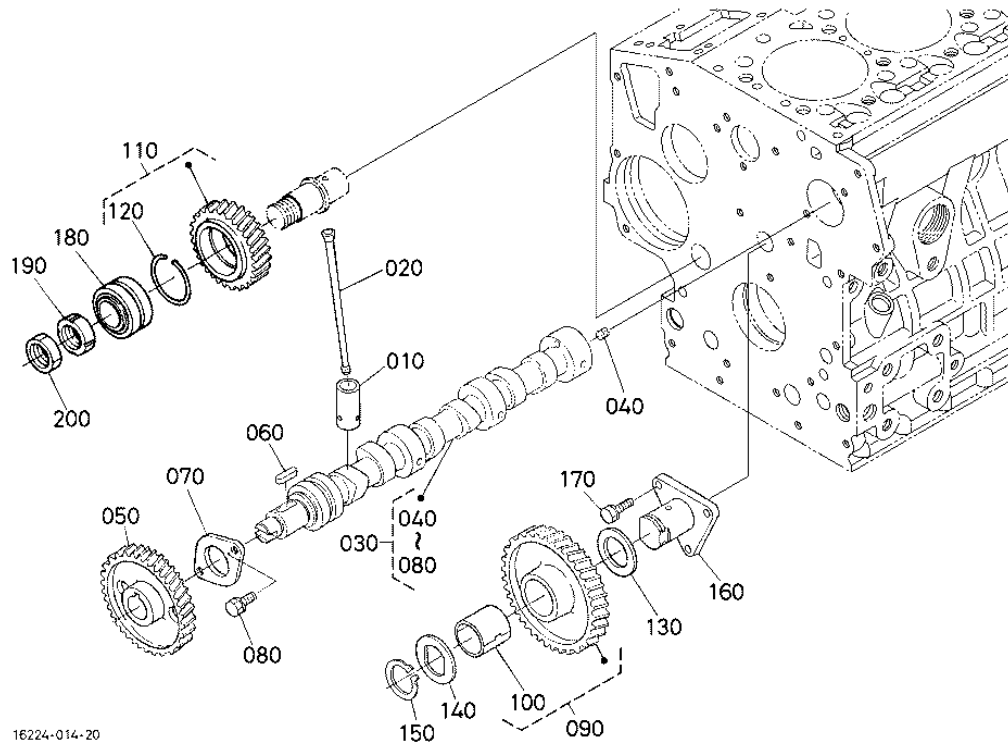
MAIN BEARING CASE

Ref	Part Number	Part Name	Qty	IC	S/N	Lbs	Remarks
010	16292-07095	ASSY BRG.CASE WHEEL	1			2.42	
015	16292-23494	METAL CRANKSHAFT	1			0.154	STD SET
020	16241-04540	BOLT BEARING CASE	2			0.044	
030	16264-04360	GASKET BRG.CASE	1			0.004	
040	16241-04815	COVER BEARING CASE	1			0.484	
050	16271-04460	SEAL OIL	1			0.088	
060	16264-04822	GASKET CASE COVER	1			0.017	

MAIN BEARING CASE

Ref	Part Number	Part Name	Qty	IC	S/N	Lbs	Remarks
070	01023-50625	BOLT	8			0.015	
080	01023-50620	BOLT	9			0.013	
090	16261-07045	ASSY BRG.CASE MAIN	1			1.892	
095	16241-23480	METAL CRANKSHAFT	1			0.11	STD SET
100	16241-04540	BOLT BEARING CASE	2			0.044	
110	16241-04560	BOLT BEARING CASE	2			0.066	
120	16261-07055	ASSY BRG.CASE MAIN	1			1.76	
125	16241-23480	METAL CRANKSHAFT	1			0.11	STD SET
130	16241-04540	BOLT BEARING CASE	2			0.044	

CAMSHAFT AND IDLE GEAR SHAFT



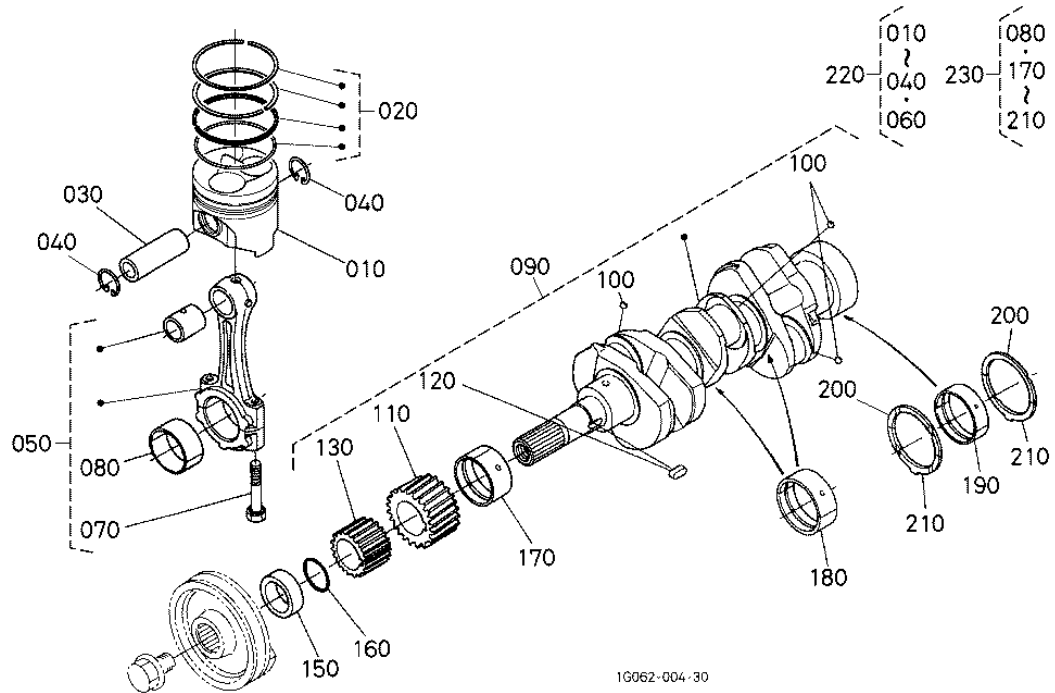
CAMSHAFT AND IDLE GEAR SHAFT

Ref	Part Number	Part Name	Qty	IC	S/N	Lbs	Remarks
010	1G673-15550	TAPPET	6			0.077	
020	16241-15110	PUSH ROD	6			0.066	
030	16261-16910	ASSY CAMSHAFT	1			3.74	
040	15521-93610	SCREW SET	1			0.004	
050	16241-16510	GEAR CAM	1			0.99	
060	05712-00518	KEY FEATHER	1			0.006	
070	16241-16270	STOPPER CAMSHAFT	1			0.088	

CAMSHAFT AND IDLE GEAR SHAFT

Ref	Part Number	Part Name	Qty	IC	S/N	Lbs	Remarks
080	01023-50616	BOLT	2			0.011	
090	16243-24010	COMP GEAR IDLE	1			1.32	
100	16251-24980	BUSH IDLE GEAR	1			0.077	ORDER BY REF.No.09
110	16251-24020	COMP GEAR IDLE	1			3.52	
120	16251-24320	CIR CLIP INTERNAL	1			0.022	
130	16251-24360	COLLAR IDLE GEAR	1			0.026	
140	15741-24370	COLLAR IDLE GEAR	1			0.033	
150	15741-24320	CIR CLIP IDLE GEAR	1			0.022	
160	16251-24250	SHAFT IDLE GEAR	1			0.792	
170	01023-50616	BOLT	3			0.011	
180	16251-24350	BEARING TAPER-ROLLER	1			0.462	
190	02410-00040	NUT BEARING	1			0.041	
200	16251-92210	NUT LOCK	1			0.022	

PISTON AND CRANKSHAFT



PISTON AND CRANKSHAFT

Ref	Part Number	Part Name	Qty	IC	S/N	Lbs	Remarks
010	16060-21914	PISTON	3			0.913	0.50mm
010	16060-21114	PISTON	3			0.88	STD
020	16292-21050	ASSY PISTON RING	3			0.002	STD
020	16292-21090	ASSY PISTON RING	3			0.030	0.50mm
030	16241-21310	PIN PISTON	3			0.297	
040	16241-21330	CIR CLIP PISTON PIN	6			0.004	
050	1G700-22010	ASSY ROD CONNECTING	3			1.144	

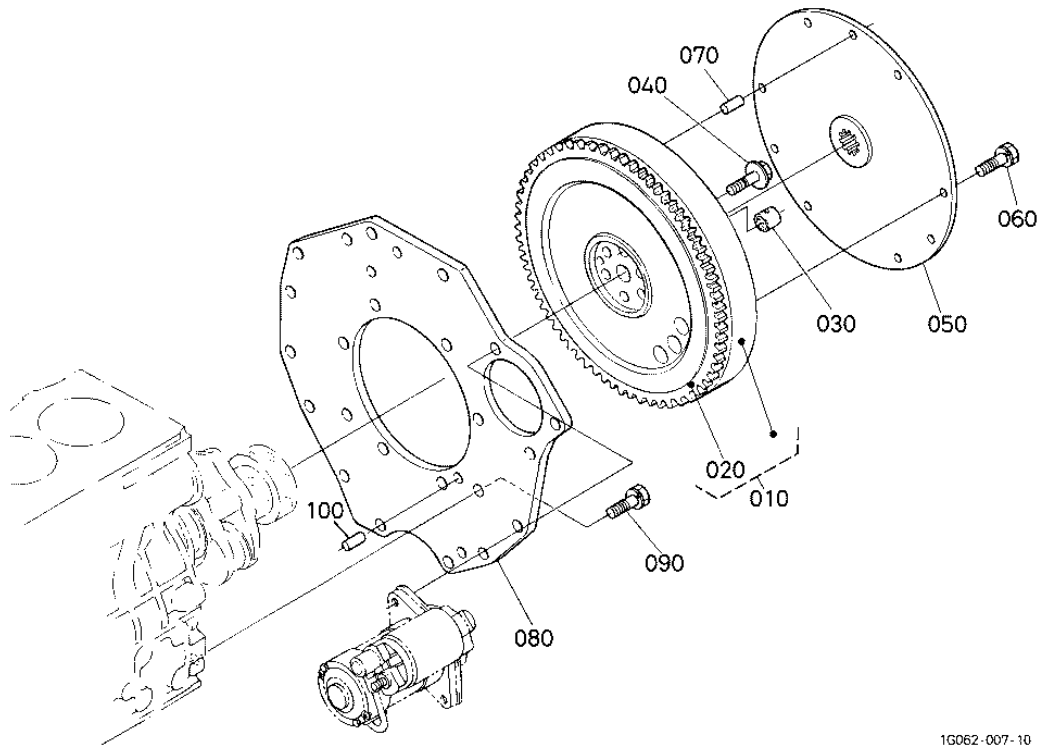
PISTON AND CRANKSHAFT

Ref	Part Number	Part Name	Qty	IC	S/N	Lbs	Remarks
070	16241-22142	BOLT CONNECTING ROD	6			0.052	
080	16241-22310	METAL CRANKPIN	6			0.083	STD SET
080	16241-22970	METAL CRANKPIN	3			0.176	-0.20mm SET
080	16241-22980	METAL CRANKPIN	3			0.22	-0.40mm SET
090	16261-23013	COMP.CRANKSHAFT	1			21.07	
100	07715-00401	BALL	3			0.002	
110	16241-24110	GEAR CRANK	1			0.33	
120	16271-95230	KEY	1			0.011	
130	16241-35630	GEAR OIL PUMP DRIVE	1			0.224	
150	16271-23250	COLLAR CRANKSHAFT	1			0.121	
160	04814-10280	RING	1			0.002	
170	16241-23910	METAL CRANKSHAFT	1			0.066	-0.20mm
170	16241-23920	METAL CRANKSHAFT	1			0.149	-0.40mm
170	16241-23470	METAL CRANKSHAFT	1			0.132	STD
180	16241-23480	METAL CRANKSHAFT	2			0.11	STD SET
180	16241-23930	METAL CRANKSHAFT	2			0.22	-0.20mm SET
180	16241-23940	METAL CRANKSHAFT	2			0.11	-0.40mm SET
190	16292-23494	METAL CRANKSHAFT	1			0.154	STD SET
190	16292-23864	METAL CRANKSHAFT	1			0.11	-0.20mm SET
190	16292-23874	METAL CRANKSHAFT	1			0.11	-0.40mm SET
200	15521-23530	METAL SIDE	2			0.022	STD
200	15521-23950	METAL SIDE	2			0.022	+0.20mm
200	15521-23960	METAL SIDE	2			0.022	+0.40mm
210	19202-23540	METAL SIDE	2			0.022	STD
210	19202-23970	METAL SIDE	2			0.022	+0.20mm
210	19202-23980	METAL SIDE	2			0.022	+0.40mm

PISTON AND CRANKSHAFT

Ref	Part Number	Part Name	Qty	IC	S/N	Lbs	Remarks
220	1G069-21775	KIT PISTON-RING	3			1.43	STD
220	1G069-21794	KIT PISTON-RING	3			0.143	+0.50mm
230	1G069-23776	KIT METAL ENGINE	1			0.761	-0.40mm/+0.40mm
230	1G069-23755	KIT METAL ENGINE	1			0.704	STD
230	1G069-23766	KIT METAL ENGINE	1			0.712	-0.20mm/+0.20mm

FLYWHEEL



1G062-007-10

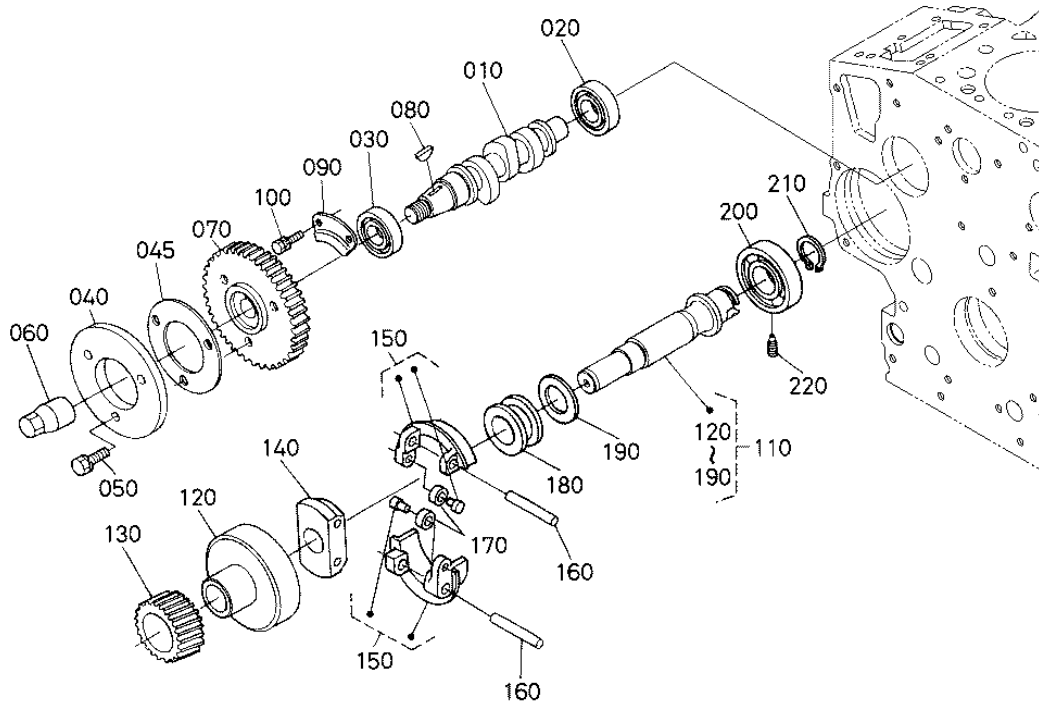
FLYWHEEL

Ref	Part Number	Part Name	Qty	IC	S/N	Lbs	Remarks
010	16261-25015	COMP.FLYWHEEL	1			37.84	
020	1G061-63820	GEAR RING	1			1.738	
030	66621-14120	BEARING DRY	1			0.013	
040	16271-25160	BOLT FLYWHEEL	6			0.079	
050	6C200-13412	PLATE	1			5.632	
060	01123-60816	BOLT	6			0.022	
070	05012-00814	PIN STRAIGHT	3			0.013	

FLYWHEEL

Ref	Part Number	Part Name	Qty	IC	S/N	Lbs	Remarks
080	6C040-58912	PLATE REAR END	1			8.008	
090	15261-91190	BOLT	8			0.066	
100	05012-00814	PIN STRAIGHT	1			0.013	

FUEL CAMSHAFT AND GOVERNOR SHAFT



16043-017-11

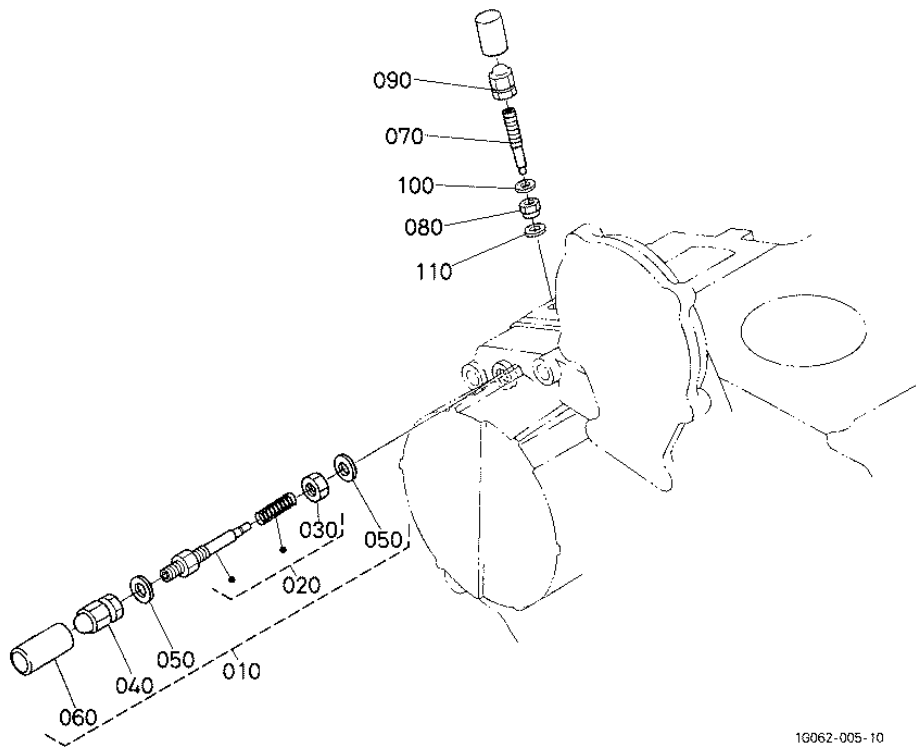
FUEL CAMSHAFT AND GOVERNOR SHAFT

Ref	Part Number	Part Name	Qty	IC	S/N	Lbs	Remarks
010	16020-16170	CAMSHAFT FUEL	1			0.836	
020	16261-97300	BEARING BALL	1			0.096	
030	08153-06204	BEARING BALL	1			0.242	
040	16241-51113	CAM FUEL	1			0.431	
045	16241-51190	WASHER	1			0.063	
050	01023-50618	BOLT	3			0.013	
060	16241-92330	NUT	1			0.077	

FUEL CAMSHAFT AND GOVERNOR SHAFT

Ref	Part Number	Part Name	Qty	IC	S/N	Lbs	Remarks
070	16272-51150	GEAR INJECTION PUMP	1			1.078	
080	16241-95230	KEY WOODRUFF	1			0.002	
090	16241-16320	STOPPER FUEL.C/SHAFT	1			0.088	
100	01023-50616	BOLT	2			0.011	
110	16261-55013	ASSY SHAFT GOVERNOR	1			2.42	
120	16241-55392	HOLDER GOVERNOR GEAR	1			0.748	
130	16271-55320	GEAR GOVERNOR	1			0.319	
140	16241-55270	HOLDER GOV.WEIGHT	1			0.187	
150	16271-55060	COMP.WEIGHT GOVERNOR	2			0.147	
160	16241-55260	SHAFT GOV. WEIGHT	2			0.028	
170	19484-55440	ROLLER	2			0.011	
180	16241-55450	SLEEVE GOVERNOR	1			0.088	
190	16241-55463	WASHER THRUST	1			0.011	
200	16261-97320	BEARING BALL	1			0.308	
210	16271-55410	CIR CLIP GOV.SHAFT	1			0.011	
220	16241-55554	SCREW SET	1			0.015	

IDLE APPARATUS



16062-005-10

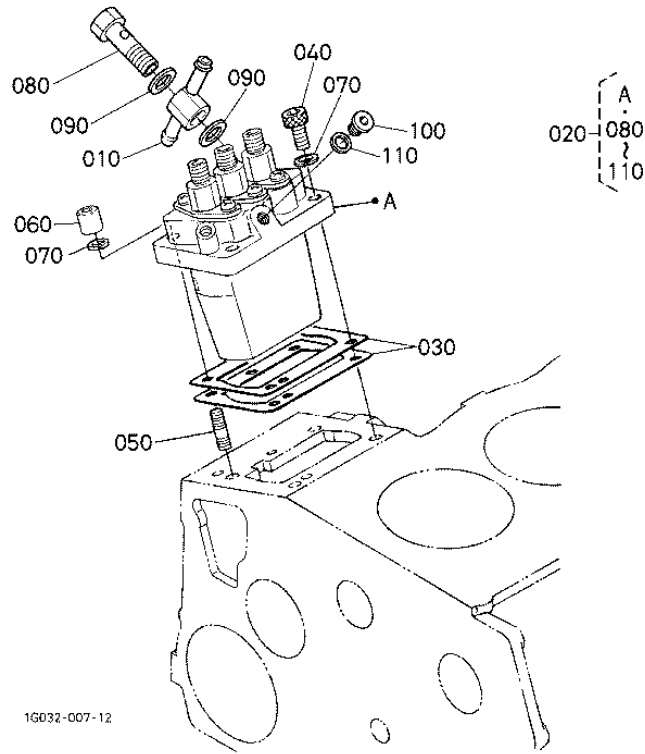
IDLE APPARATUS

Ref	Part Number	Part Name	Qty	IC	S/N	Lbs	Remarks
010	16271-54093	APPARATUS IDLING	1			0.063	
020	16241-54103	ASSY BOLT ADJUSTMENT	1			0.017	
030	15841-92020	NUT	1			0.008	
040	15852-92330	NUT	1			0.011	
050	15601-96650	GASKET	2			0.002	
060	16221-54420	CAP	1			0.002	
070	16241-54122	BOLT ADJUSTING	1			0.011	

IDLE APPARATUS

Ref	Part Number	Part Name	Qty	IC	S/N	Lbs	Remarks
080	1G031-54210	NUT LOCK	1			0.006	
090	15852-92330	NUT	1			0.011	
100	15601-96650	GASKET	1			0.002	
110	1G021-96650	GASKET	1			0.002	

INJECTION PUMP



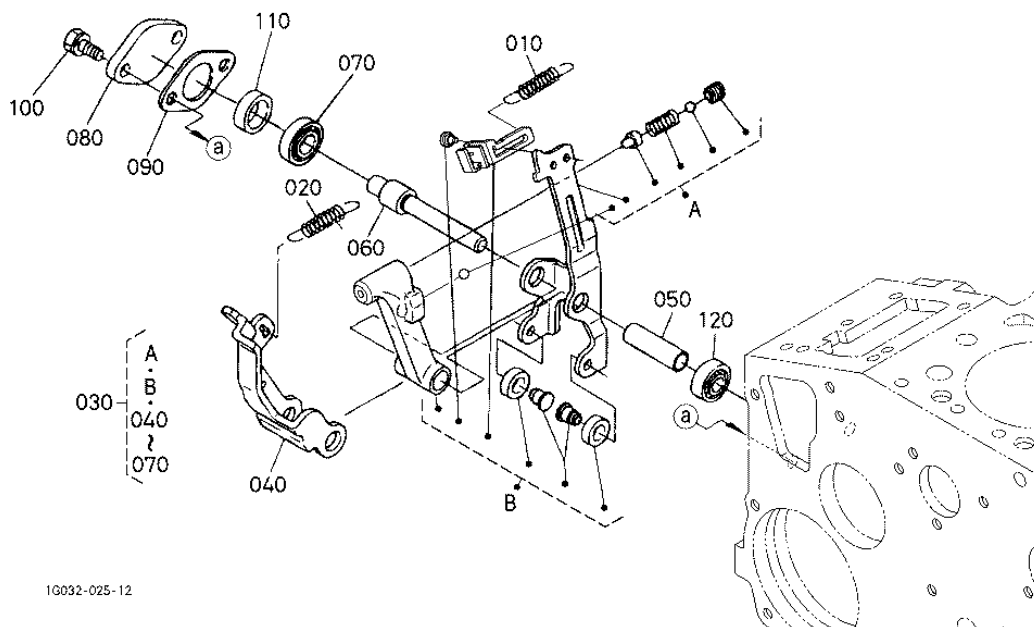
INJECTION PUMP

Ref	Part Number	Part Name	Qty	IC	S/N	Lbs	Remarks
010	16271-95690	JOINT EYE	1			0.101	
020	16032-51010	ASSY PUMP INJECTION	1			2.2	
030	16006-52122	SHIM INJECTION PUMP	1			0.013	0.300mm
030	16006-52112	SHIM INJECTION PUMP	1			0.008	0.250mm
030	16006-52092	SHIM INJECTION PUMP	1			0.008	0.200mm
030	1G700-52200	SHIM INJECTION PUMP	1			0.011	0.175mm
040	01311-10620	BOLT HEX-SOC-HD	2			0.026	

INJECTION PUMP

Ref	Part Number	Part Name	Qty	IC	S/N	Lbs	Remarks
050	15841-91500	STUD	2			0.044	
060	15841-92320	NUT	2			0.022	
070	04512-60060	WASHER SPRING	4			0.002	
080	16271-51320	SCREW HOLLOW	1			0.068	
090	15841-96650	GASKET	2			0.002	
100	16030-96010	PLUG	1			0.017	
110	15861-96650	GASKET	1			0.002	

GOVERNOR



1G032-025-12

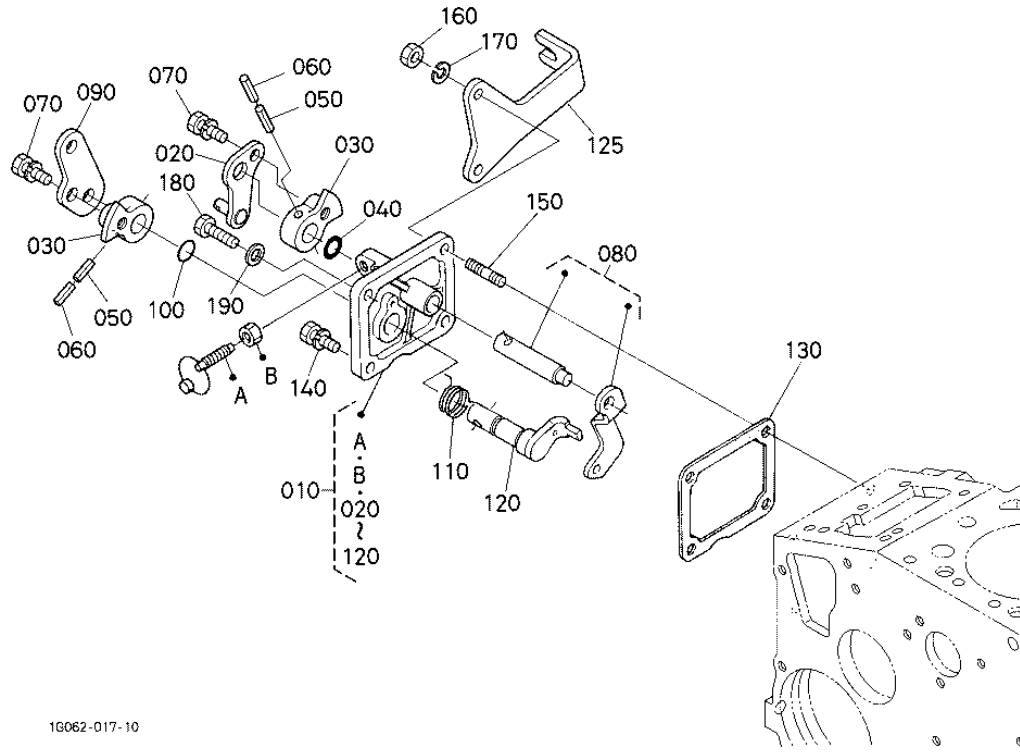
GOVERNOR

Ref	Part Number	Part Name	Qty	IC	S/N	Lbs	Remarks
010	17455-56480	SPRING START	1			0.002	
020	16285-56412	SPRING GOVERNOR	1			0.048	
030	1G062-56010	ASSY LEVER FORK	1			0.55	
040	1G032-56130	LEVER FORK	1			0.176	
050	1G032-56150	SHAFT FORK LEVER	1			0.015	
060	1G032-56470	SHAFT FORK LEVER	1			0.088	
070	16241-56330	BEARING MINIATURIZE	1			0.015	

GOVERNOR

Ref	Part Number	Part Name	Qty	IC	S/N	Lbs	Remarks
080	16241-56253	COVER FORK LEV.SHAFT	1			0.055	
090	16299-56260	GASKET	1			0.004	
100	01023-50612	BOLT	2			0.011	
110	16241-56210	COLLAR	1			0.017	
120	16241-56340	BEARING MINIATURIZE	1			0.015	

SPEED CONTROL PLATE



1G062-017-10

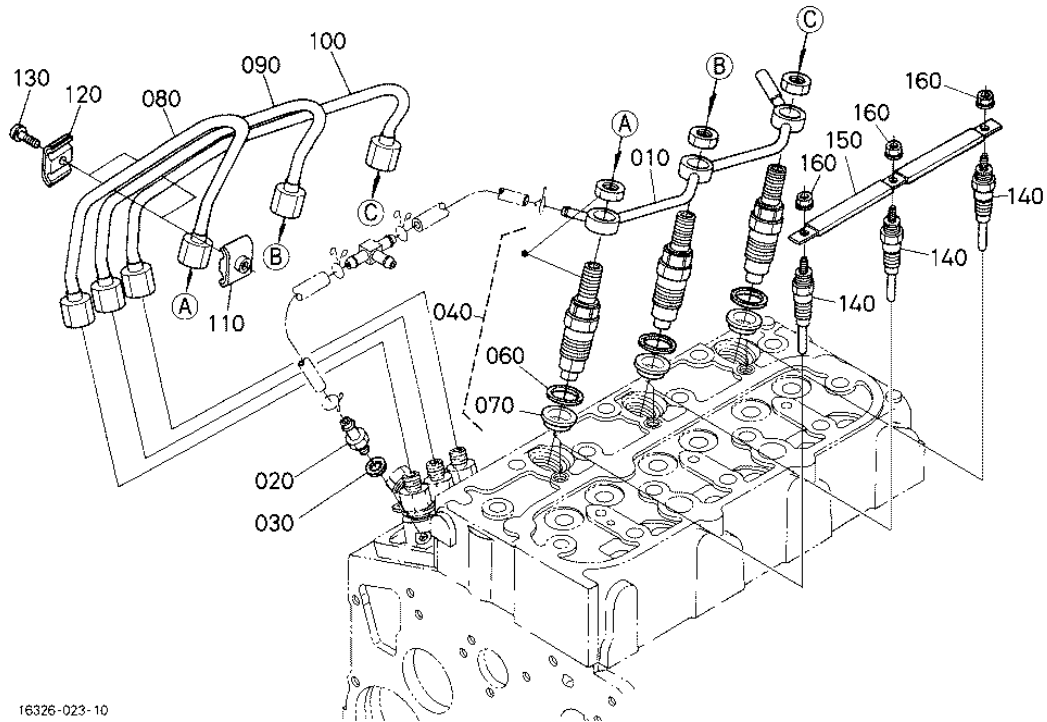
SPEED CONTROL PLATE

Ref	Part Number	Part Name	Qty	IC	S/N	Lbs	Remarks
010	1G062-57010	ASSY PLATE CONTROL	1			0.66	
020	1G062-57150	LEVER SPEED CONTROL	1			0.044	
030	16205-57162	LEVER SPEED CONTROL	2			0	
040	04814-00100	O RING	1			0.002	
050	05411-00420	PIN SPRING	2			0.002	
060	05411-02520	PIN SPRING	2			0.002	
070	01023-50612	BOLT	2			0.011	

SPEED CONTROL PLATE

Ref	Part Number	Part Name	Qty	IC	S/N	Lbs	Remarks
080	16205-56020	COMP.LEVER GOVERNOR	1			0.044	
090	16205-57720	LEVER ENGINE STOP	1			0.044	
100	04814-10070	O RING	1			0.002	
110	16205-57510	SPRING RETURN	1			0.004	
120	16205-57740	COMP.LEVER STOP	1			0.101	
125	32741-32140	STAY ACCEL WIRE	1			0	
130	16264-57210	GASKET	1			0.004	
140	01023-50616	BOLT	1			0.011	
150	16245-91540	STUD	2			0.011	
160	02056-50060	NUT	2			0.004	
170	04512-60060	WASHER SPRING	2			0.002	
180	01053-50618	BOLT	1			0.013	
190	15601-96650	GASKET	1			0.002	

NOZZLE HOLDER AND GLOW PLUG



16326-023-10

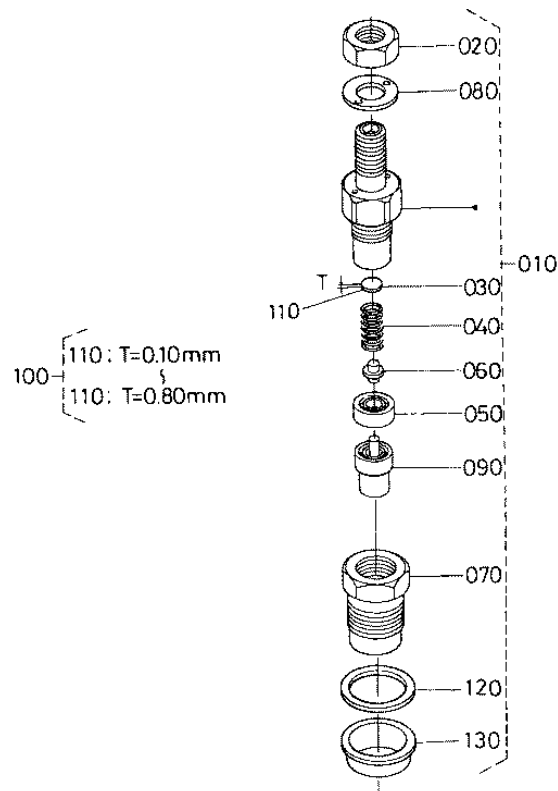
NOZZLE HOLDER AND GLOW PLUG

Ref	Part Number	Part Name	Qty	IC	S/N	Lbs	Remarks
010	16261-42502	ASSY PIPE OVER FLOW	1			0.088	
020	15841-51360	SCREW AIR BLEEDER	1			0.017	
030	15601-96650	GASKET	1			0.002	
040	1G065-53900	KIT HOLDER NOZZLE	3			0.332	
060	15841-53622	GASKET	3			0.004	
070	19077-53650	SEAL HEAT	3			0.011	
080	16231-53712	PIPE INJECTION	1			0.264	

NOZZLE HOLDER AND GLOW PLUG

Ref	Part Number	Part Name	Qty	IC	S/N	Lbs	Remarks
090	16231-53722	PIPE INJECTION	1			0.264	
100	16231-53732	PIPE INJECTION	1			0.264	
110	15841-53850	CLAMP PIPE	2			0.022	
120	15841-53860	CLAMP PIPE	2			0.019	
130	03024-50520	SCREW WITH WASHER	2			0.008	
140	16851-65512	GLOW PLUG	3			0.022	
150	16261-65560	CORD GLOW PLUG	1			0.022	
160	02761-50040	NUT FLANGE	3			0.004	

NOZZLE HOLDER [COMPONENT PARTS]



16347-015-10

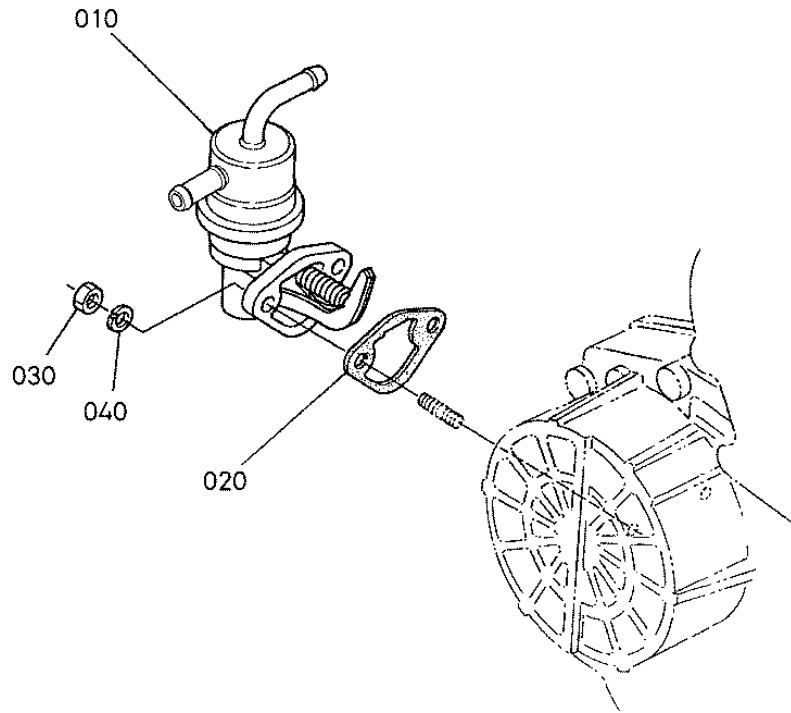
NOZZLE HOLDER [COMPONENT PARTS]

Ref	Part Number	Part Name	Qty	IC	S/N	Lbs	Remarks
010	1G065-53900	KIT HOLDER NOZZLE	3			0.332	
020	16032-92030	NUT	3			0.015	
030	16032-53230	WASHER ADJUSTING	3			0.002	
040	16032-53170	SPRING NOZZLE	3			0.015	
050	16032-53350	SPACER DISTANCE	3			0.044	
060	16032-53160	PUSH ROD	3			0.002	
070	16032-53280	NUT NOZZLE	3			0.081	

NOZZLE HOLDER [COMPONENT PARTS]

Ref	Part Number	Part Name	Qty	IC	S/N	Lbs	Remarks
080	16032-94040	WASHER PLAIN	3			0.004	
090	1G065-53610	PIECE NOZZLE	3			0.044	
100	16032-98100	ASSY WASHER ADJUST	3			0.035	OPTION
110	16032-98510	WASHER ADJUSTING	3			0.002	0.20mm
110	16032-98520	WASHER ADJUSTING	3			0.002	0.30mm
110	16032-98530	WASHER ADJUSTING	3			0.002	0.40mm
110	16032-98540	WASHER ADJUSTING	3			0.002	0.50mm
110	16032-98550	WASHER ADJUSTING	3			0.002	0.52mm
110	16032-98560	WASHER ADJUSTING	3			0.002	0.54mm
110	16032-98570	WASHER ADJUSTING	3			0.002	0.56mm
110	16032-98580	WASHER ADJUSTING	3			0.002	0.58mm
110	16032-98590	WASHER ADJUSTING	3			0.002	0.80mm
110	16032-98500	WASHER ADJUSTING	3			0.002	0.10mm
120	15841-53622	GASKET	3			0.004	
130	19077-53650	SEAL HEAT	3			0.011	

FUEL PUMP(MECHANICAL)

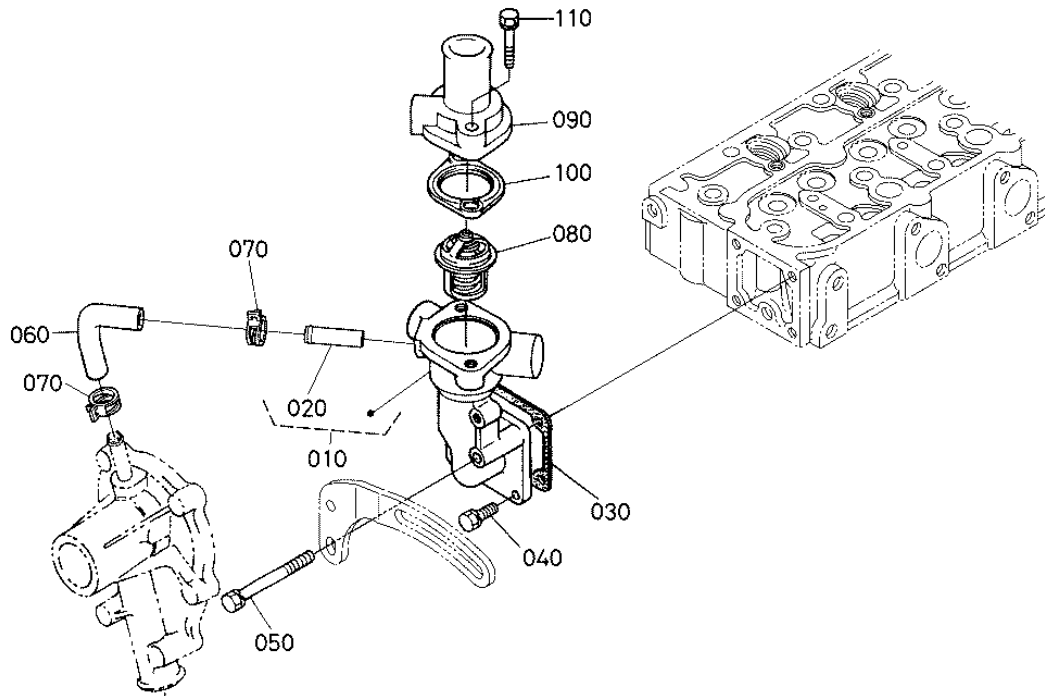


1G062-021-10

FUEL PUMP(MECHANICAL)

Ref	Part Number	Part Name	Qty	IC	S/N	Lbs	Remarks
010	16271-52032	ASSY PUMP FUEL	1			0.286	
020	16264-52140	GASKET FUEL PUMP	1			0.002	
030	02056-50060	NUT	2			0.004	
040	04512-60060	WASHER SPRING	2			0.002	

WATER FLANGE AND THERMOSTAT



1G062-020-10

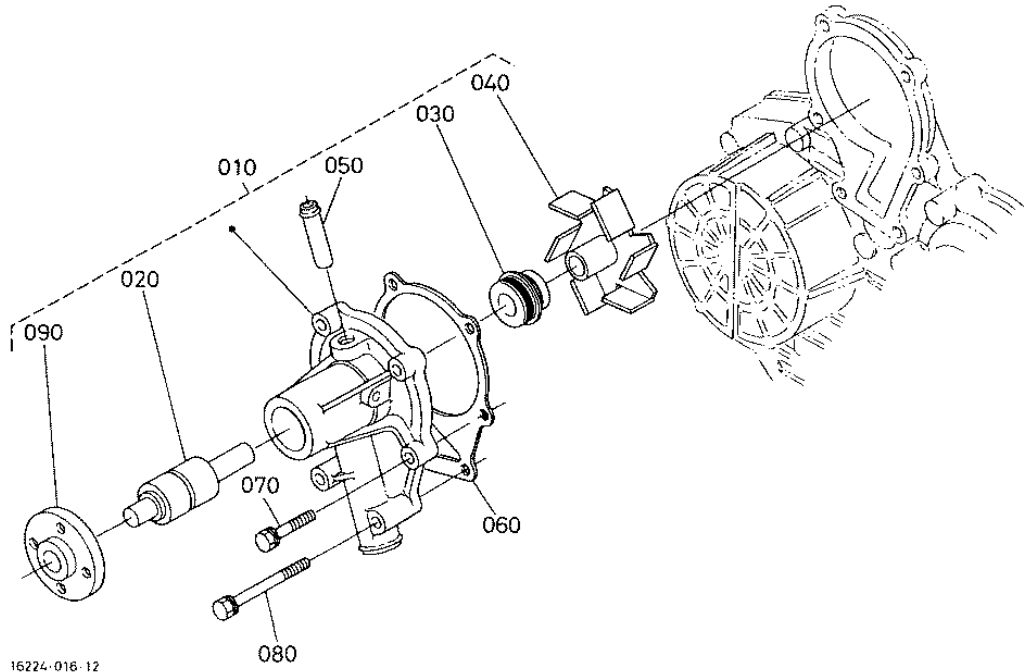
WATER FLANGE AND THERMOSTAT

Ref	Part Number	Part Name	Qty	IC	S/N	Lbs	Remarks
010	16203-72700	COMP.FLANGE WATER	1			0.55	
020	16241-73370	PIPE WATER RETURN	1			0.015	
030	16264-72920	GASKET WATER FLANGE	1			0.002	
040	01023-50616	BOLT	3			0.011	
050	01023-50655	BOLT	1			0.026	
060	16241-73350	PIPE WATER RETURN	1			0.033	
070	16241-73360	BAND PIPE	2			0.006	

WATER FLANGE AND THERMOSTAT

Ref	Part Number	Part Name	Qty	IC	S/N	Lbs	Remarks
080	15321-73014	ASSY THERMOSTAT	1			0.154	
090	16219-73260	COVER THERMOSTAT	1			0.217	
100	16221-73270	GASKET THERMOSTAT	1			0.002	
110	01123-50835	BOLT	2			0.044	

WATER PUMP



16224-018-12

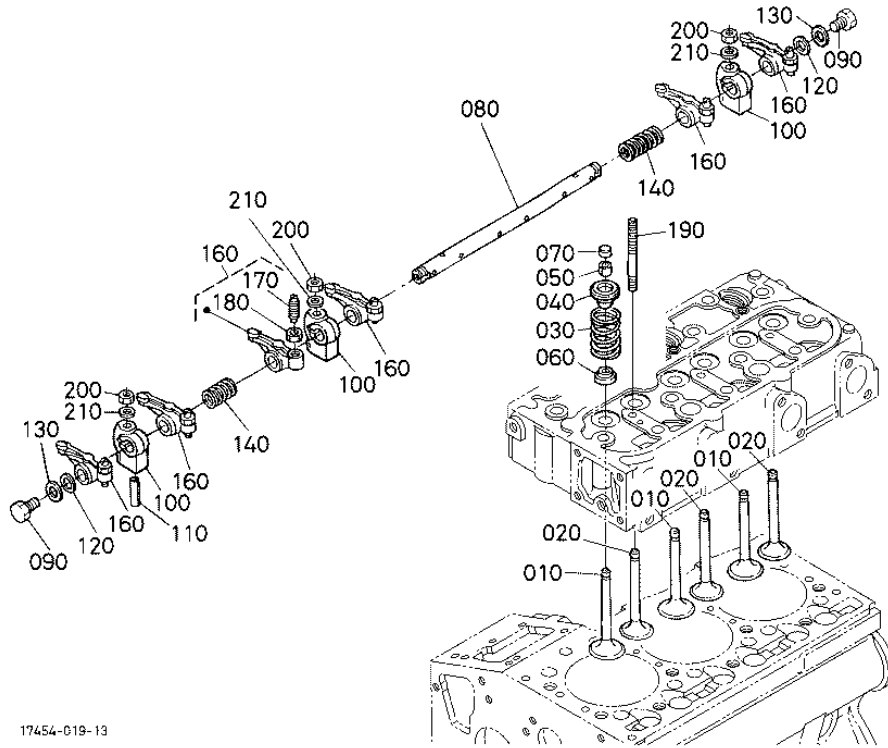
WATER PUMP

Ref	Part Number	Part Name	Qty	IC	S/N	Lbs	Remarks
010	16251-73034	ASSY PUMP WATER	1			1.76	
020	16259-73552	BEARING	1			0.462	
030	1G642-73050	ASSY SEAL MECHANICAL	1			0.066	
040	16259-73512	IMPELLER WATER PUMP	1			0.198	
050	16241-73370	PIPE WATER RETURN	1			0.015	
060	16239-73430	GASKET WATER PUMP	1			0.015	
070	01023-50630	BOLT	4			0.017	

WATER PUMP

Ref	Part Number	Part Name	Qty	IC	S/N	Lbs	Remarks
080	01023-50685	BOLT	2			0.039	
090	16259-73520	FLANGE WATER PUMP	1			0.33	

VALVE AND ROCKER ARM



17454-019-13

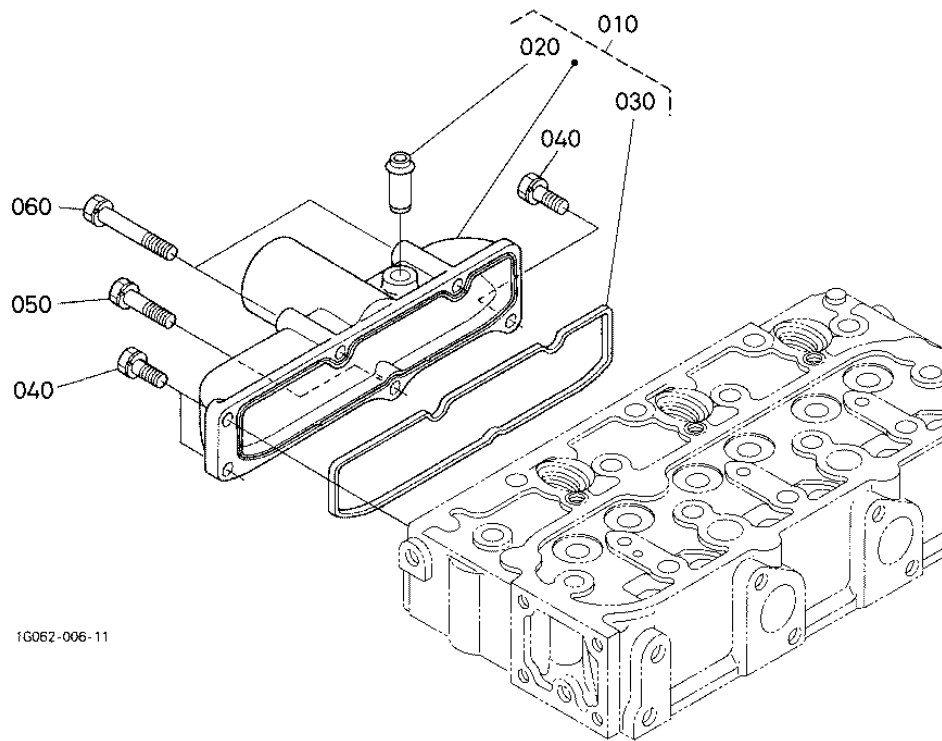
VALVE AND ROCKER ARM

Ref	Part Number	Part Name	Qty	IC	S/N	Lbs	Remarks
010	16241-13115	VALVE INLET	3			0.011	
020	16241-13126	VALVE EXHAUST	3			0.099	
030	16271-13240	SPRING VALVE	6			0.033	
040	16261-13330	RETAINER SPRING	6			0.035	
050	15261-13360	COLLET VALVE SPRING	6			0.002	SET
060	1C010-13150	SEAL VALVE STEM	6			0.004	
070	16241-13280	CAP VALVE	6			0.011	

VALVE AND ROCKER ARM

Ref	Part Number	Part Name	Qty	IC	S/N	Lbs	Remarks
080	16261-14264	SHAFT ROCKER ARM	1			0.352	
090	01023-50610	BOLT	2			0.011	
100	16241-14350	BRACKET ROCKER ARM	3			0.088	
110	05411-00428	PIN SPRING	1			0.004	
120	16241-14430	WASHER R-ARM.SHAFT	2			0.004	
130	15841-94022	WASHER PLAIN	2			0.011	
140	16241-14310	SPRING ROCKER ARM	2			0.008	
160	16241-14032	ASSY ROCKER ARM	6			0.114	
170	16241-14230	SCREW ADJUSTING	6			0.017	
180	16241-14240	NUT	6			0.008	
190	16241-14410	STUD	3			0.048	
200	15261-92010	NUT	3			0.011	
210	15261-94010	WASHER PLAIN	3			0.004	

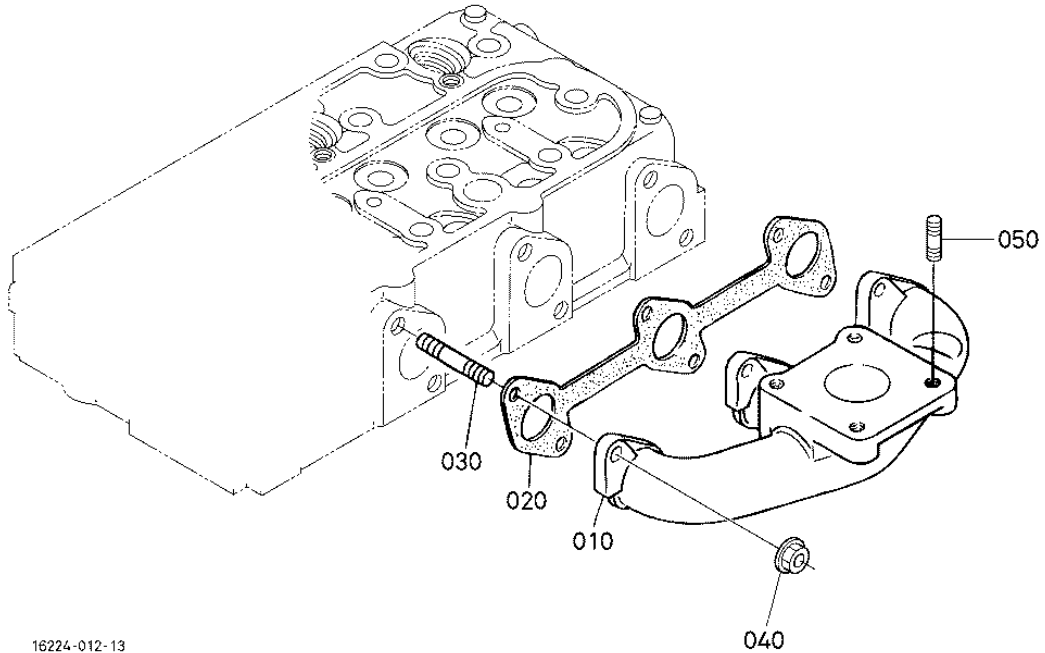
INLET MANIFOLD



INLET MANIFOLD

Ref	Part Number	Part Name	Qty	IC	S/N	Lbs	Remarks
010	17407-11770	ASSY MANIFOLD INLET	1			0.66	
020	16241-05550	JOINT BREATHER PIPE	1			0.044	
030	16261-11822	GASKET IN-MANIFOLD	1			0.022	
040	01023-50618	BOLT	3			0.013	
050	01023-50630	BOLT	1			0.017	
060	01023-60650	BOLT	2			0.033	

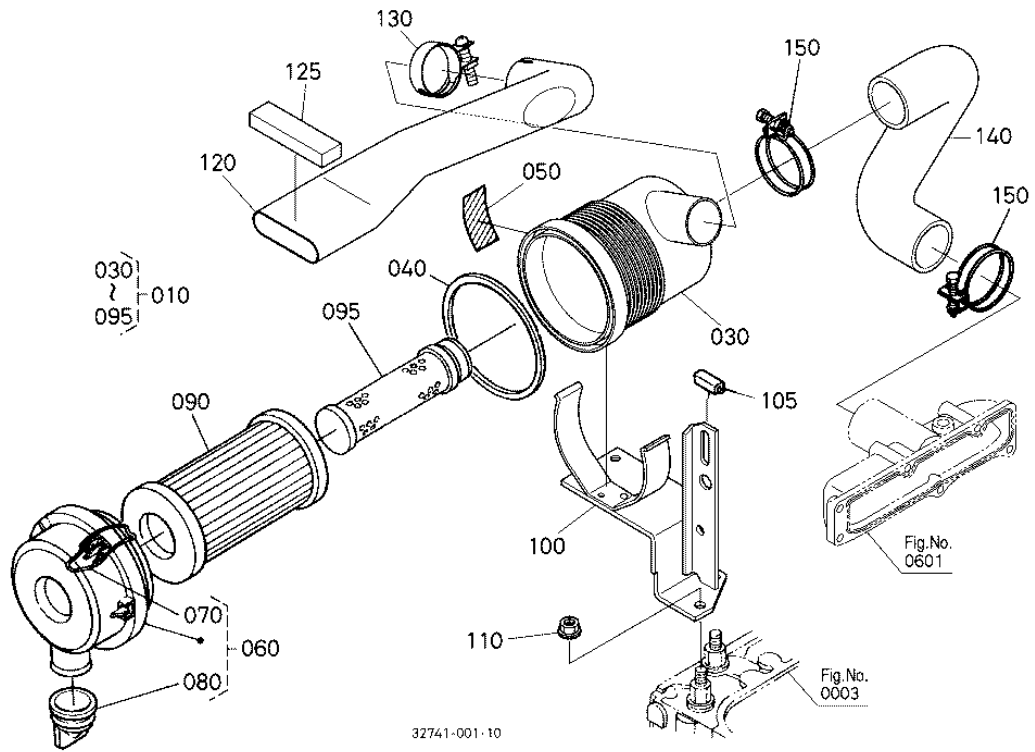
EXHAUST MANIFOLD



EXHAUST MANIFOLD

Ref	Part Number	Part Name	Qty	IC	S/N	Lbs	Remarks
010	16265-12312	MANIFOLD EXHAUST	1			2.97	
020	16261-12350	GASKET EX-MANIFOLD	1			0.041	
030	16241-91490	STUD	6			0.011	
040	16271-92010	NUT	6			0.008	
050	01513-50818	STUD	4			0.019	

AIR CLEANER



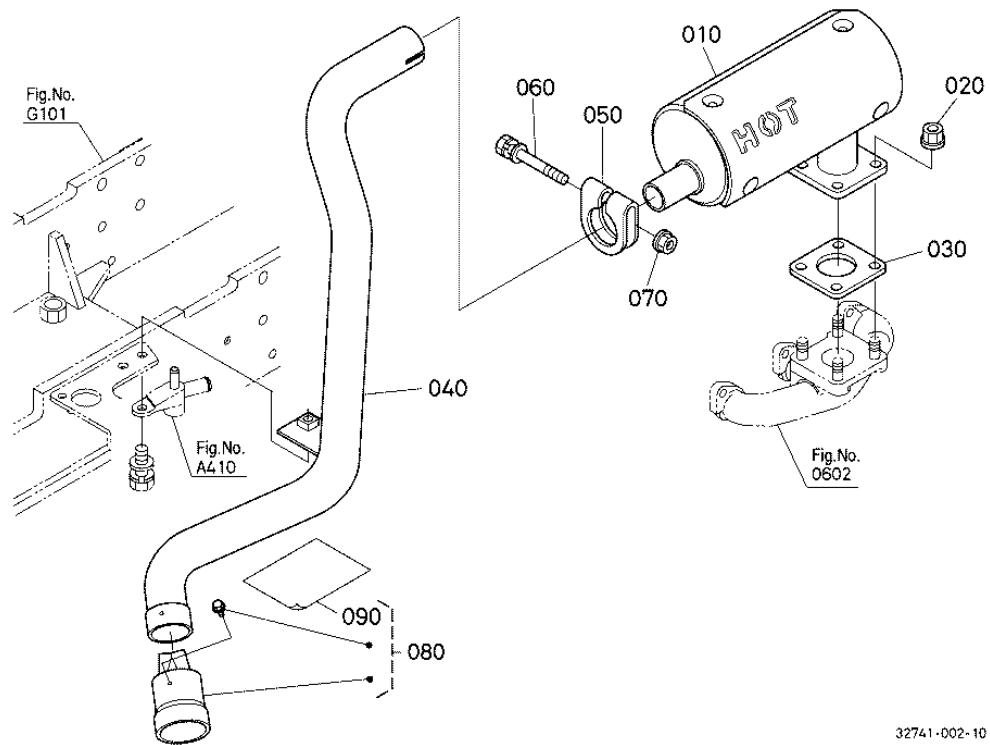
AIR CLEANER

Ref	Part Number	Part Name	Qty	IC	S/N	Lbs	Remarks
010	6C095-58200	ASSY CLEANER AIR	1			1.452	
030	6A100-82520	BODY AIR CLEANER	1			0.506	
040	6A100-82530	GASKET	1			0.066	
050	32721-58282	LABEL CAUTION	1			0.002	
060	6A100-82550	ASSY COVER A/C	1			0.393	
070	6A100-82570	SPRING	2			0.011	
080	67980-82580	VALVE UNLOADER	1			0.024	

AIR CLEANER

Ref	Part Number	Part Name	Qty	IC	S/N	Lbs	Remarks
090	6C060-99410	ASSY ELEMENT	1			0.66	
095	32721-58242	ELEMENT INNER	1			0.22	
100	32741-58230	BRACKET AIR CLEANER	1			0	
105	6C070-58240	CUSHION	1			0.002	
110	02783-50100	NUT FLANGE	2			0.022	
120	6C200-58250	HOSE INLET	1			0.198	
125	32741-58290	TAPE	1			0	
130	15261-11720	BAND PIPE	1			0.066	
140	32741-58260	HOSE INLET	1			0	
150	67955-58260	BAND AIR CLEANER	2			0.061	

MUFFLER



32741-002-10

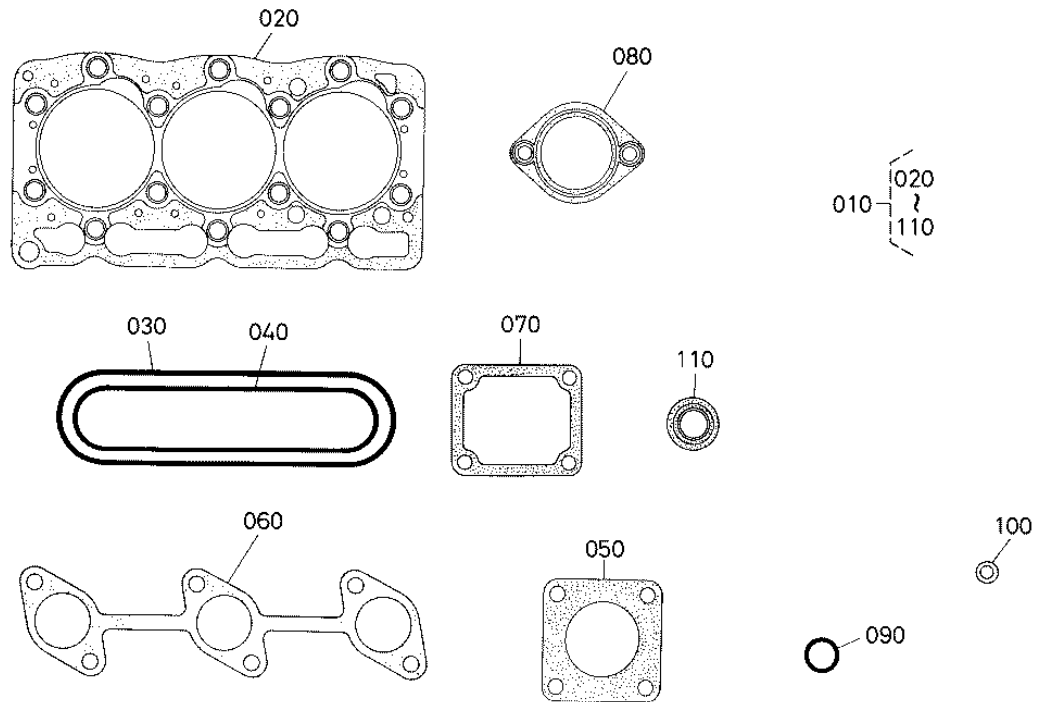
MUFFLER

Ref	Part Number	Part Name	Qty	IC	S/N	Lbs	Remarks
010	6A320-58406	COMP.MUFFLER	1			4.334	
020	02121-50080	NUT	4			0.022	
030	15263-12370	GASKET MUFFLER NA	1			0.033	
040	32741-58423	PIPE EXHAUST	1			0	
050	15221-12433	CLAMP MUFFLER PIPE	1			0.11	
060	01125-50855	BOLT	1			0.055	
070	02121-50080	NUT	1			0.022	

MUFFLER

Ref	Part Number	Part Name	Qty	IC	S/N	Lbs	Remarks
080	K7561-98300	KIT ADAPTER	1			0	
090	99999-99999	MANUAL INSTALLATION	1			0	

UPPER GASKET KIT



16054-001-10

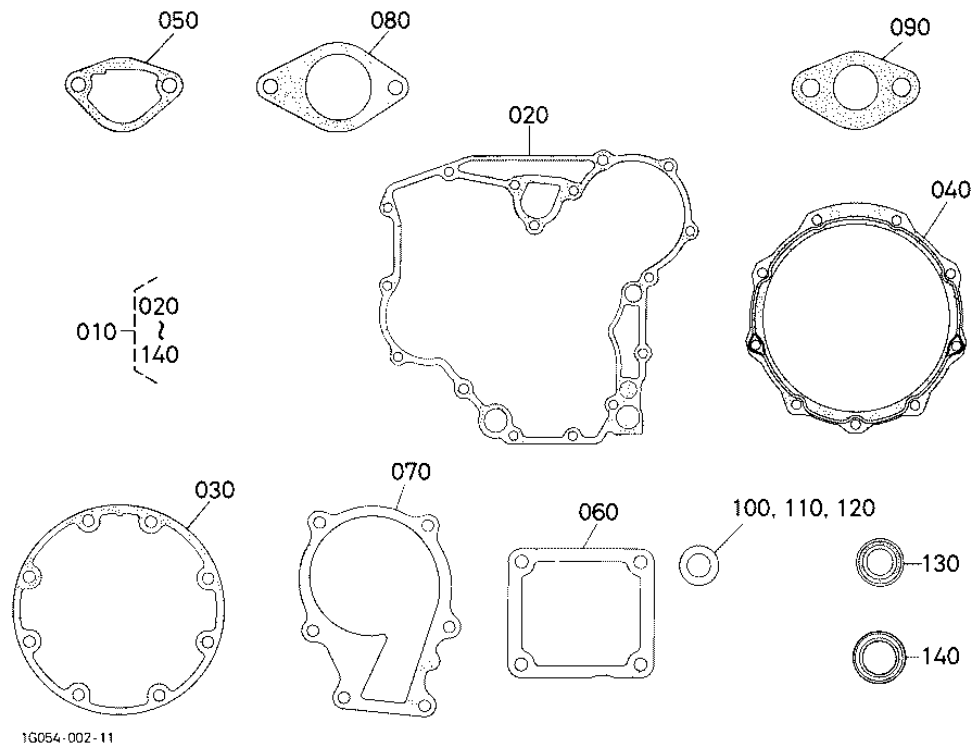
UPPER GASKET KIT

Ref	Part Number	Part Name	Qty	IC	S/N	Lbs	Remarks
010	1G062-99350	KIT GASKET UPPER	1			0.649	
020	1G063-03310	GASKET CYLINDER HEAD	1			0.352	
030	16261-14520	GASKET HEAD COVER	1			0.022	
040	16261-11822	GASKET IN-MANIFOLD	1			0.022	
050	15263-12370	GASKET MUFFLER NA	1			0.033	
060	16261-12350	GASKET EX-MANIFOLD	1			0.041	
070	16264-72920	GASKET WATER FLANGE	1			0.002	

UPPER GASKET KIT

Ref	Part Number	Part Name	Qty	IC	S/N	Lbs	Remarks
080	16221-73270	GASKET THERMOSTAT	1			0.002	
090	04814-50300	O RING	1			0.002	
100	15951-96660	GASKET	3			0.002	
110	1C010-13150	SEAL VALVE STEM	6			0.004	

LOWER GASKET KIT



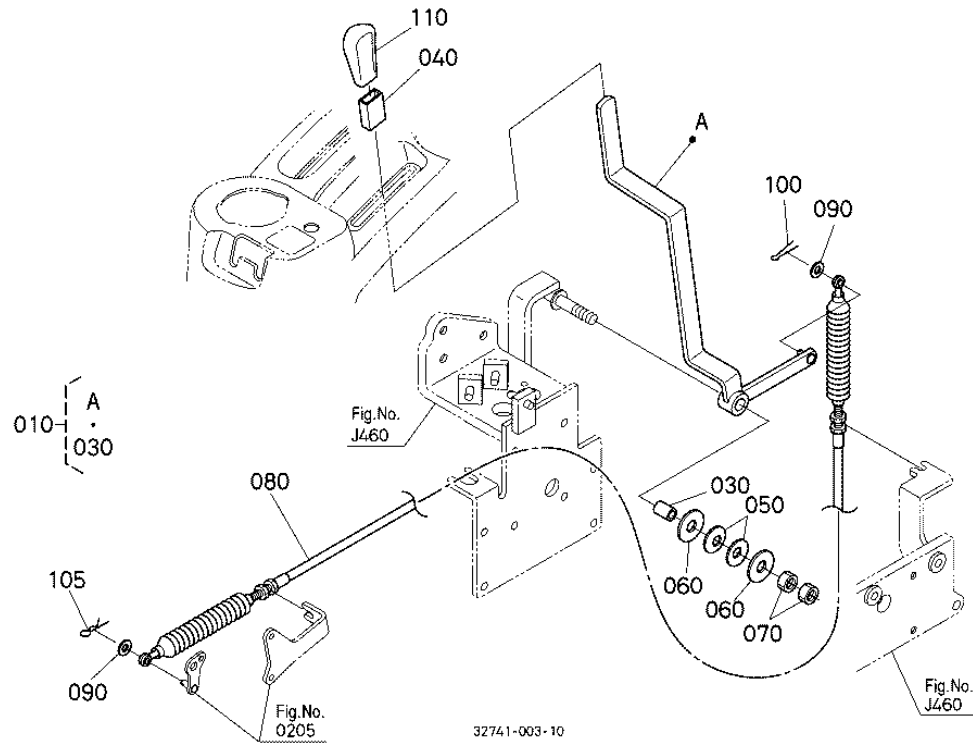
LOWER GASKET KIT

Ref	Part Number	Part Name	Qty	IC	S/N	Lbs	Remarks
010	1G062-99362	KIT GASKET LOWER	1			0.400	
020	16264-04130	GASKET GEAR CASE	1			0	
030	16264-04360	GASKET BRG.CASE	1			0.004	
040	16264-04822	GASKET CASE COVER	1			0.017	
050	16264-52140	GASKET FUEL PUMP	1			0.002	
060	16264-57210	GASKET	1			0.004	
070	16239-73430	GASKET WATER PUMP	1			0.015	

LOWER GASKET KIT

Ref	Part Number	Part Name	Qty	IC	S/N	Lbs	Remarks
080	16264-88130	GASKET H/METER UNIT	1			0.004	
090	16299-56260	GASKET	1			0.004	
100	15601-96650	GASKET	5			0.002	
110	6C090-58960	GASKET	2			0.004	
120	15841-53622	GASKET	3			0.004	
130	16241-04212	SEAL OIL	1			0.026	
140	16271-04460	SEAL OIL	1			0.088	

ACCELERATOR LEVER



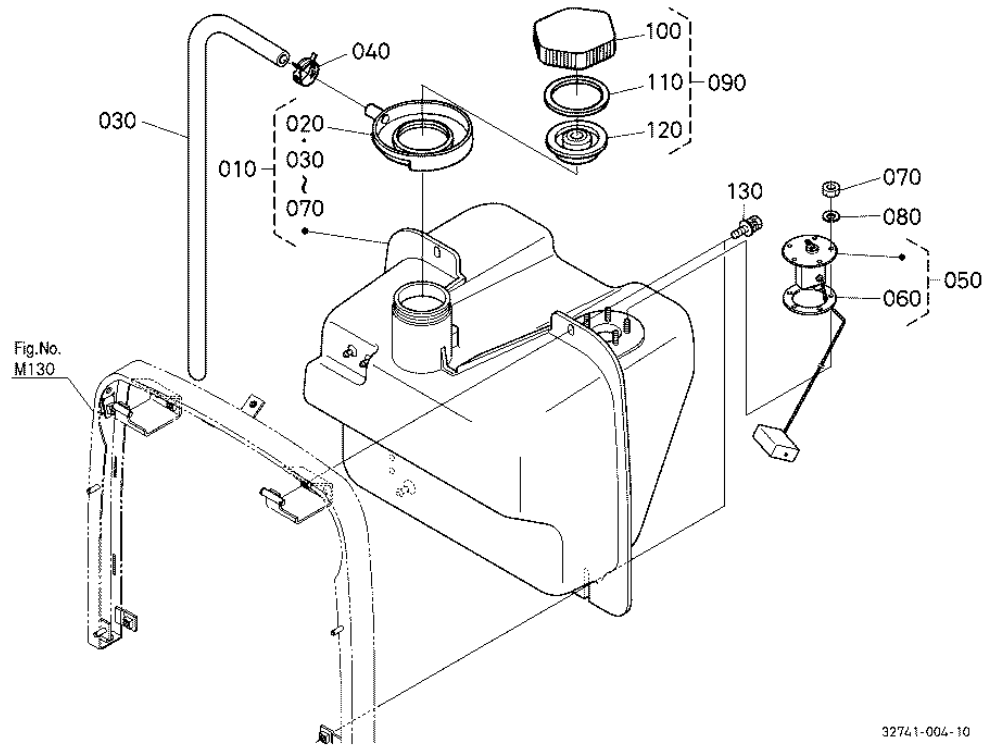
ACCELERATOR LEVER

Ref	Part Number	Part Name	Qty	IC	S/N	Lbs	Remarks
010	32741-43304	ASSY LEVER ACCEL.	1			0	
030	08511-01220	BUSH	1			0.008	
040	6C040-42760	CUSHION	1			0.006	
050	69191-65950	SPRING PLATE	2			0.011	
060	04015-60120	WASHER PLAIN	2			0.048	
070	02174-50120	NUT	2			0.022	
080	32771-44730	WIRE ACCEL.	1			1.1	

ACCELERATOR LEVER

Ref	Part Number	Part Name	Qty	IC	S/N	Lbs	Remarks
090	04013-60060	WASHER PLAIN	2			0.002	
100	52300-34110	PIN SNAP	1			0.004	
105	52300-34110	PIN SNAP	1			0.004	
110	6A700-18352	GRIP	1			0.114	

FUEL TANK



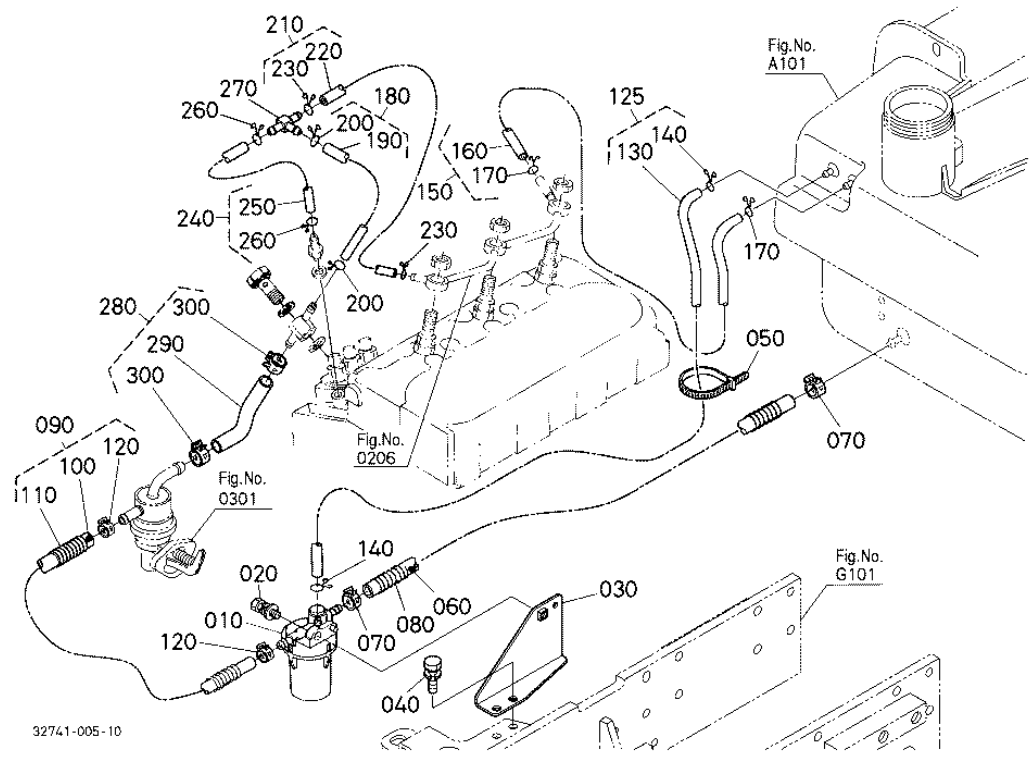
FUEL TANK

Ref	Part Number	Part Name	Qty	IC	S/N	Lbs	Remarks
010	32741-54700	ASSY TANK FUEL	1			7.436	
020	6C090-54740	TRAY FUEL	1			0.088	
030	32741-54760	PIPE	1			0	
040	09318-88185	CLAMP HOSE	1			0.008	
050	6C200-54750	GAUGE FUEL	1			0.308	
060	6A320-85812	GASKET GAUGE	1			0.011	
070	02054-50050	NUT	5			0.004	

FUEL TANK

Ref	Part Number	Part Name	Qty	IC	S/N	Lbs	Remarks
080	04512-60050	WASHER SPRING	5			0.004	
090	6A100-54910	ASSY CAP FUEL	1			0.231	
100	6A100-54920	CAP FUEL	1			0.090	
110	6A100-54942	SPACER	1			0.002	
120	6A100-54952	GASKET	1			0.044	
130	01127-50825	BOLT	4			0.022	

FUEL PIPE



32741-005-10

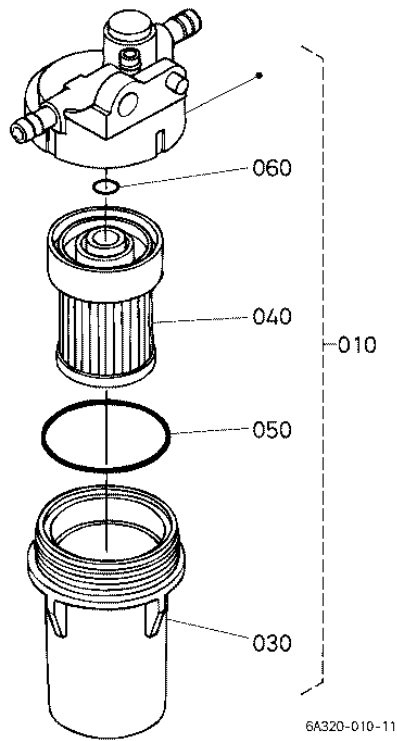
FUEL PIPE

Ref	Part Number	Part Name	Qty	IC	S/N	Lbs	Remarks
010	6A320-58862	ASSY FILTER FUEL	1			0.198	
020	01125-50825	BOLT	1			0.039	
030	32741-54880	STAY FUEL FILTER	1			0	
040	01123-60816	BOLT	2			0.022	
050	55311-41260	BAND CORD	1			0.015	
060	09661-70600	TUBE FUEL	1			0.154	
070	14911-42750	CLIP PIPE	2			0.004	

FUEL PIPE

Ref	Part Number	Part Name	Qty	IC	S/N	Lbs	Remarks
080	76630-53370	SPRING PIPE PROTECT.	1			0.037	
090	32741-59410	ASSY TUBE FUEL	1			0	
100	09661-70210	TUBE FUEL	1			0	
110	66591-54250	SPRING PIPE PROTECT.	1			0.022	
120	14911-42750	CLIP PIPE	2			0.004	
125	32741-59460	ASSY TUBE FUEL	1			0	
130	09661-40625	TUBE FUEL	1			0.066	
140	14971-42750	CLIP PIPE	2			0.002	
150	34670-35540	ASSY PIPE FUEL	1			0.055	
160	34670-35640	PIPE FUEL	1			0.044	
170	14971-42750	CLIP PIPE	2			0.002	
180	17208-42500	ASSY PIPE OVER FLOW	1			0.015	
190	15841-42520	PIPE FUEL OVER FLOW	1			0.013	
200	14971-42750	CLIP PIPE	2			0.002	
210	16282-42020	ASSY PIPE OVER FLOW	1			0.022	
220	09661-40040	TUBE FUEL	1			0.011	
230	14971-42750	CLIP PIPE	2			0.002	
240	17208-42030	ASSY PIPE OVER FLOW	1			0.013	
250	09661-40100	TUBE FUEL	1			0.013	
260	14971-42750	CLIP PIPE	2			0.002	
270	1G065-42360	JOINT T-PIPE	1			0.002	
280	16032-42010	ASSY TUBE FUEL	1			0.026	
290	09661-80075	TUBE FUEL	1			0.022	
300	14911-42750	CLIP PIPE	2			0.004	

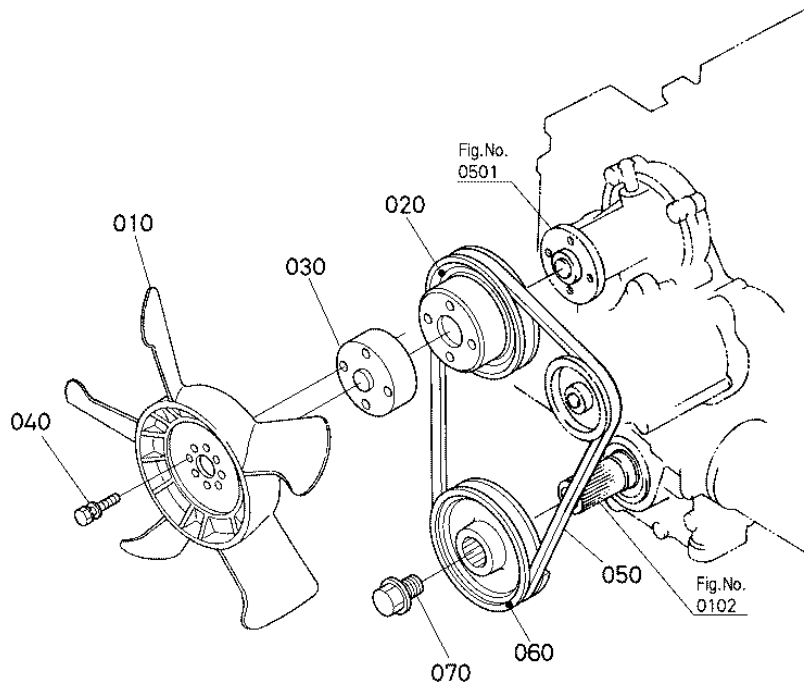
FUEL FILTER [COMPONENT PARTS]



FUEL FILTER [COMPONENT PARTS]

Ref	Part Number	Part Name	Qty	IC	S/N	Lbs	Remarks
010	6A320-58862	ASSY FILTER FUEL	1			0.198	
030	6A320-59920	CUP	1			0.066	
040	6A320-59930	FILTER	1			0.055	
050	6A320-59940	O-RING	1			0.002	
060	6A320-59950	O-RING	1			0.002	

FAN

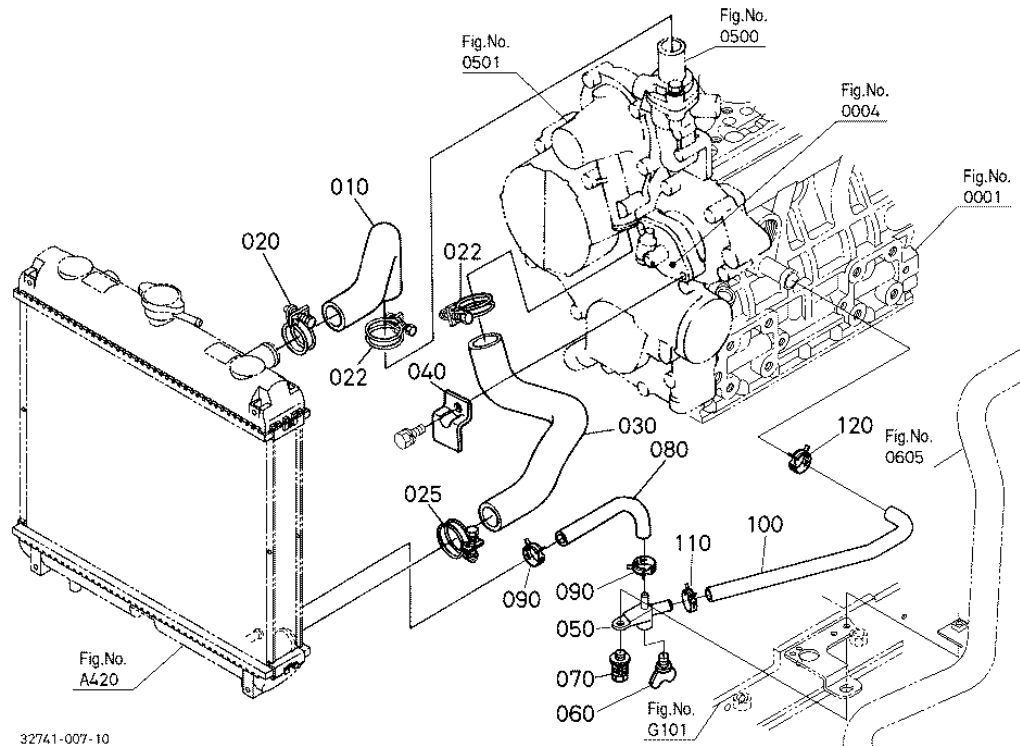


32741-006-10

FAN

Ref	Part Number	Part Name	Qty	IC	S/N	Lbs	Remarks
010	16264-74110	FAN	1			0.704	
020	16241-74250	PULLEY FAN	1			0.528	
030	17053-74150	COLLAR FAN	1			0.242	
040	01025-50635	BOLT	4			0.002	
050	16206-97010	BELT	1			0.154	
060	16261-74280	PULLEY FAN DRIVE	1			2.2	
070	16241-91020	BOLT FAN DRIVE	1			0.22	

WATER PIPE



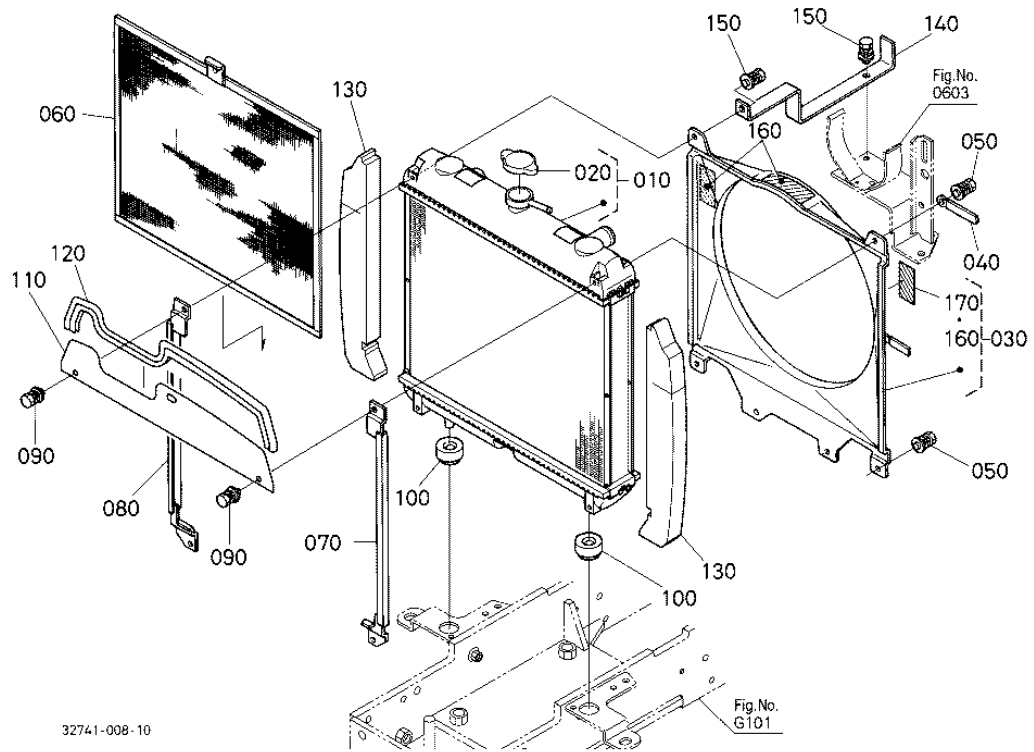
WATER PIPE

Ref	Part Number	Part Name	Qty	IC	S/N	Lbs	Remarks
010	6C070-58630	HOSE WATER	1			0.242	
020	67955-58630	CLAMP HOSE	1			0.055	
022	67955-58630	CLAMP HOSE	2			0.055	
025	67955-58630	CLAMP HOSE	1			0.055	
030	6C070-58570	HOSE WATER	1			0.385	
040	6C040-58640	CLAMP WATER HOSE	1			0.068	
050	6C040-58650	COCK	1			0.037	

WATER PIPE

Ref	Part Number	Part Name	Qty	IC	S/N	Lbs	Remarks
060	55364-82110	COCK DRAIN	1			0.011	
070	01125-50825	BOLT	1			0.039	
080	6C040-58680	HOSE DRAIN	1			0.050	
090	09318-88130	CLAMP HOSE	2			0.004	
100	6C070-58690	HOSE DRAIN	1			0.088	
110	6A671-58650	CLAMP HOSE	1			0.006	
120	6A671-58650	CLAMP HOSE	1			0.006	

RADIATOR



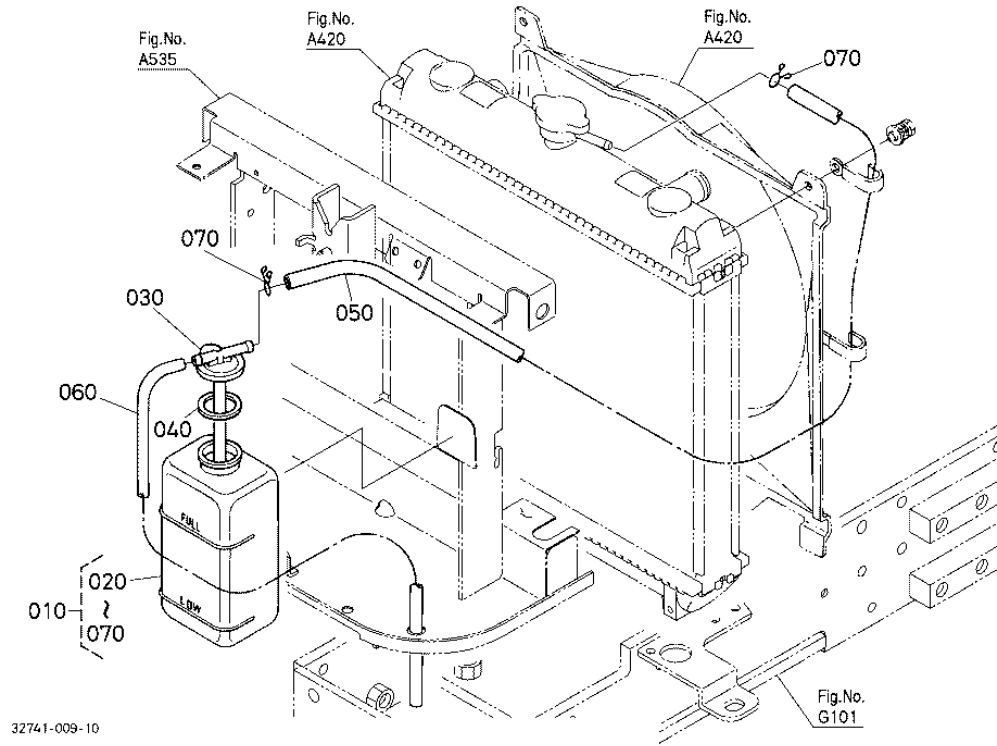
RADIATOR

Ref	Part Number	Part Name	Qty	IC	S/N	Lbs	Remarks
010	6C170-58520	ASSY RADIATOR	1			7.7	
020	17214-72020	ASSY CAP RADIATOR	1			0.11	
030	6C040-58602	KIT SHROUD FAN	1			1.54	
040	15272-67590	CLAMP CORD	1			0.008	
050	01025-50612	BOLT	3			0.011	
060	6C040-58530	NET RADIATOR	1			0.55	
070	6C040-58543	GUIDE RADIATOR NET L	1			0.250	

RADIATOR

Ref	Part Number	Part Name	Qty	IC	S/N	Lbs	Remarks
080	6C040-58553	GUIDE RADIATOR NET R	1			0.250	
090	01025-50612	BOLT	4			0.011	
100	6C040-58580	CUSHION RADIATOR	2			0.046	
110	32741-58560	PLATE SHUTTER	1			0	
120	6A671-58580	TRIM	1			0.22	
130	32741-54450	TAPE RADIATOR	2			0	
140	6C070-58592	STAY RADIATOR 2	1			0.44	
150	01025-50616	BOLT	2			0.011	
160	32751-49580	LABEL FAN BELT	2			0.002	
170	TA040-49580	LABEL MUFFLER	1			0.002	

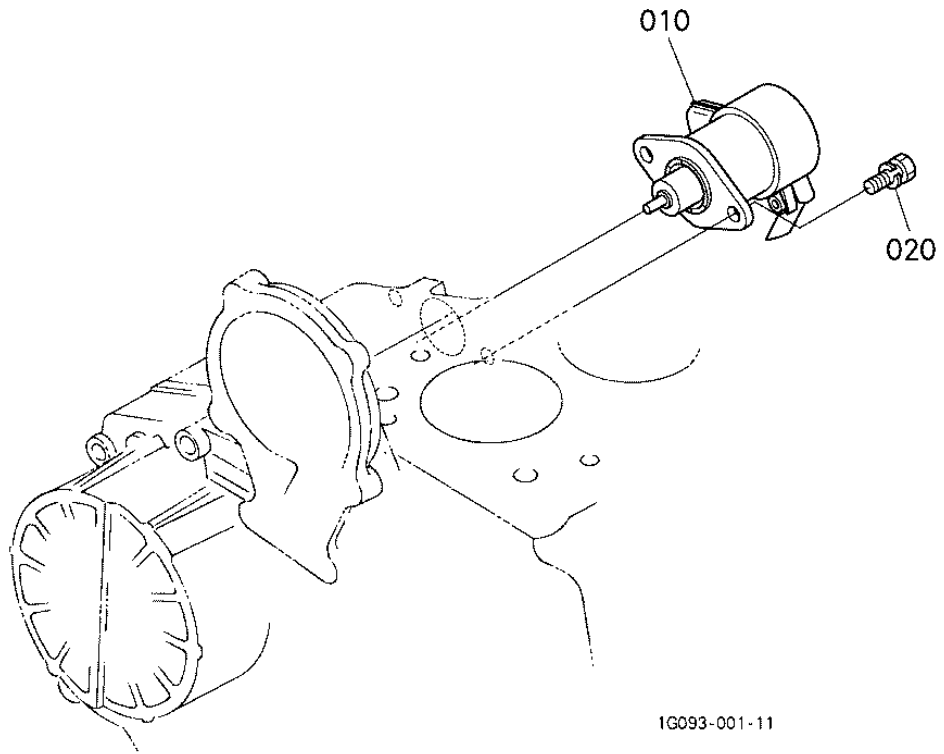
RESERVE TANK



RESERVE TANK

Ref	Part Number	Part Name	Qty	IC	S/N	Lbs	Remarks
010	6C070-58800	ASSY TANK RESERVE	1			0.594	
020	15531-72410	BODY TANK	1			0.88	
030	15531-72422	CAP	1			0.002	
040	15531-72432	GASKET	1			0.004	
050	15471-72440	PIPE WATER OVER FLOW	1			0.11	
060	6C070-58850	PIPE WATER OVER FLOW	1			0.055	
070	15501-72470	CLIP PIPE	2			0.011	

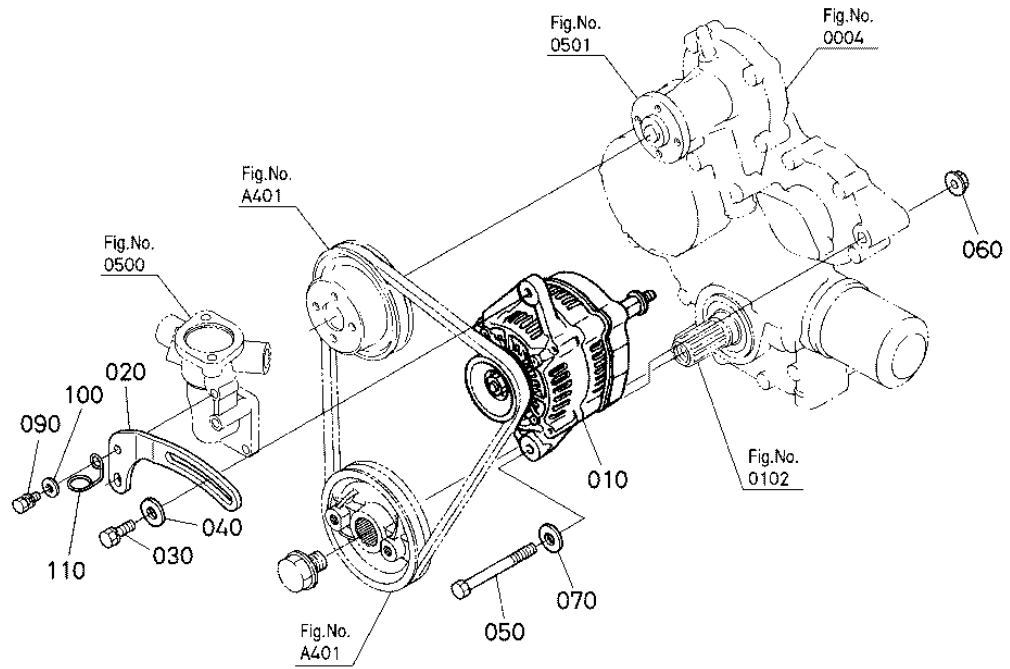
STOP SOLENOID



STOP SOLENOID

Ref	Part Number	Part Name	Qty	IC	S/N	Lbs	Remarks
010	32721-60012	SOLENOID STOP	1	>>	>=50033	0.616	
010	32721-60010	SOLENOID STOP	1		<=50032	0.616	
020	01202-50616	BOLT	2			0.013	

ALTERNATOR



32741-010-10

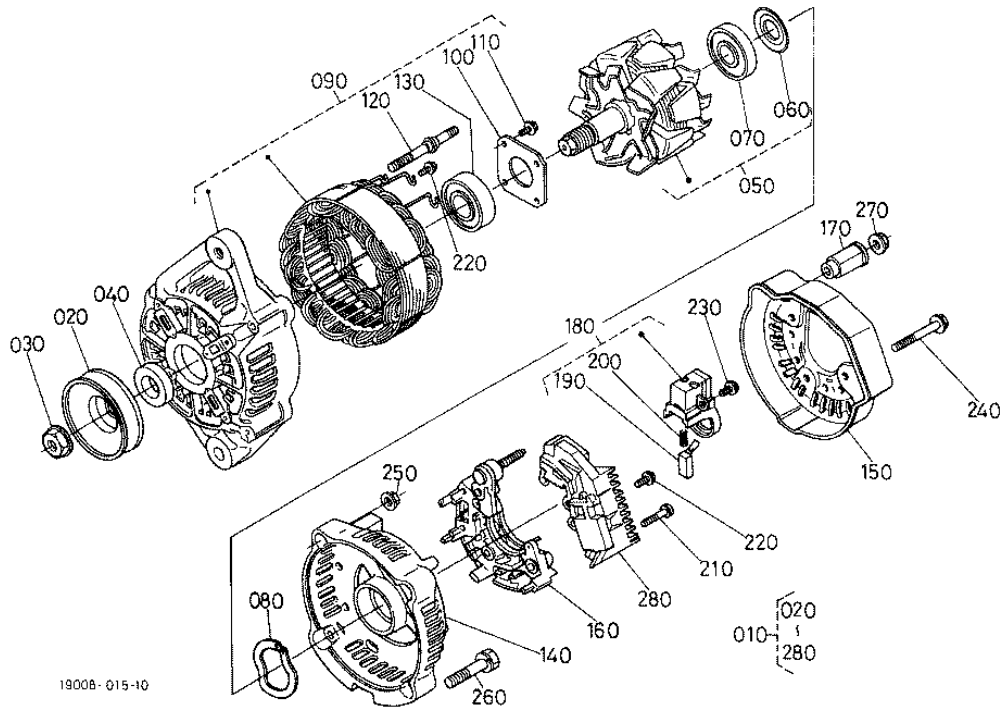
ALTERNATOR

Ref	Part Number	Part Name	Qty	IC	S/N	Lbs	Remarks
010	16241-64012	ASSY ALTERNATOR	1			6.6	
020	16241-64422	STAY DYNAMO	1			0.209	
030	01123-50825	BOLT	1			0.028	
040	04015-60080	WASHER PLAIN	1			0.022	
050	01173-51090	BOLT	1			0.121	
060	02131-50100	NUT	1			0.022	
070	04013-60100	WASHER PLAIN	1			0.006	

ALTERNATOR

Ref	Part Number	Part Name	Qty	IC	S/N	Lbs	Remarks
090	01023-50618	BOLT	1			0.013	
100	04012-50060	WASHER PLAIN	1			0.002	
110	16271-83370	CLAMP CORD	1			0.011	

ALTERNATOR [COMPONENT PARTS]



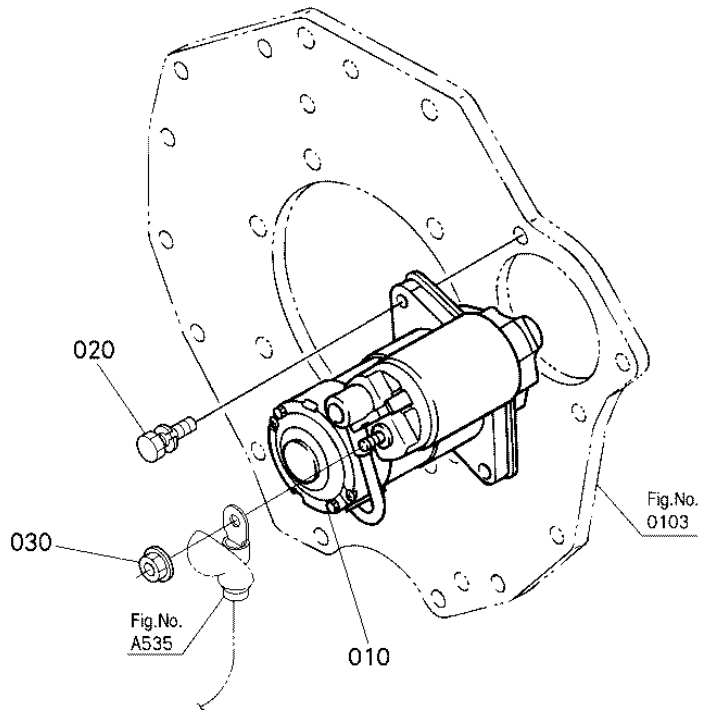
ALTERNATOR [COMPONENT PARTS]

Ref	Part Number	Part Name	Qty	IC	S/N	Lbs	Remarks
010	16241-64012	ASSY ALTERNATOR	1			6.6	
020	15881-64110	PULLEY DYNAMO	1			0.352	
030	15881-92010	NUT	1			0.044	
040	15881-64150	COLLAR	1			0.008	
050	66436-64040	ROTOR	1			2.64	
060	15881-64800	COVER BEARING	1			0.002	
070	16652-64770	BEARING BALL	1			0.099	

ALTERNATOR [COMPONENT PARTS]

Ref	Part Number	Part Name	Qty	IC	S/N	Lbs	Remarks
080	15881-64810	WASHER THRUST	1			0.004	
090	66436-64020	FRAME DRIVE END	1			2.442	
100	15881-64710	PLATE RETAINER	1			0.022	
110	15881-93010	SCREW ROUND HEAD	4			0.006	
120	15881-64260	BOLT THROUGH	2			0.022	
130	16652-64780	BEARING BALL	1			0.11	
140	16231-64060	FRAME END	1			0.374	
150	16231-64230	COVER END	1			0.077	
160	16231-64850	ASSY RECTIFIER	1			0.396	
170	16241-64900	BUSH INSULATION	1			0.015	
180	16652-64310	HOLDER BRUSH	1			0.055	
190	15881-64090	BRUSH	2			0.004	
200	15881-64330	SPRING BRUSH	2			0.004	
210	15881-93020	SCREW ROUND HEAD	2			0.011	
220	15881-93030	SCREW ROUND HEAD	6			0.006	
230	15881-93040	SCREW ROUND HEAD	1			0.006	
240	15881-91040	BOLT	3			0.011	
250	15881-92020	NUT	2			0.044	
260	15881-91050	BOLT	2			0.022	
270	14182-92030	NUT	1			0.006	
280	1K531-64602	ASSY REGULATOR	1			0.176	

STARTER

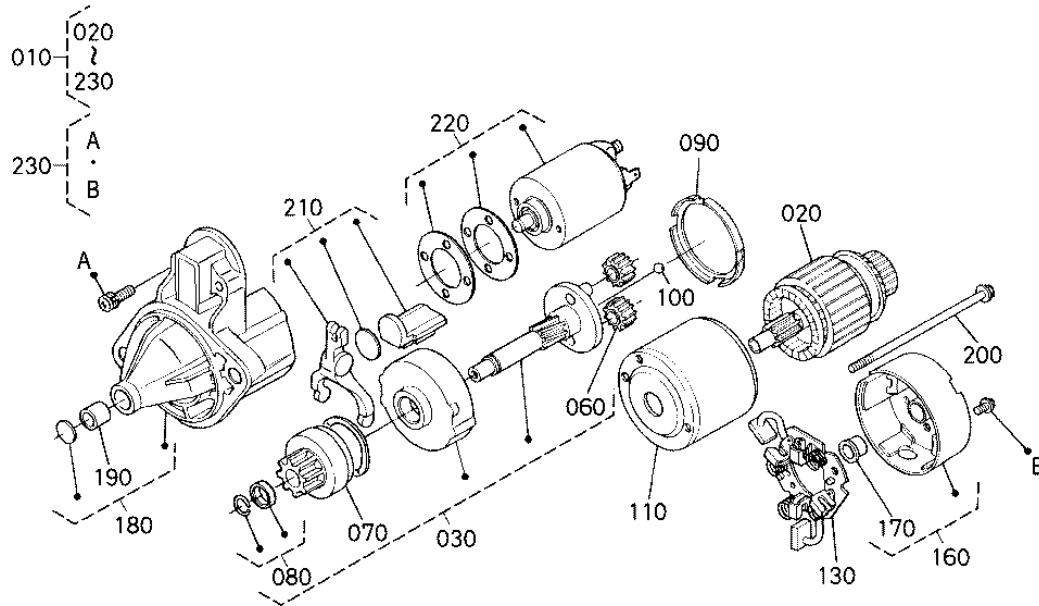


32741-011-10

STARTER

Ref	Part Number	Part Name	Qty	IC	S/N	Lbs	Remarks
010	6C070-59210	ASSY STARTER	1			7.04	
020	01123-50840	BOLT	2			0.039	
030	02121-50080	NUT	1			0.022	

STARTER [COMPONENT PARTS]



6C070-064-13

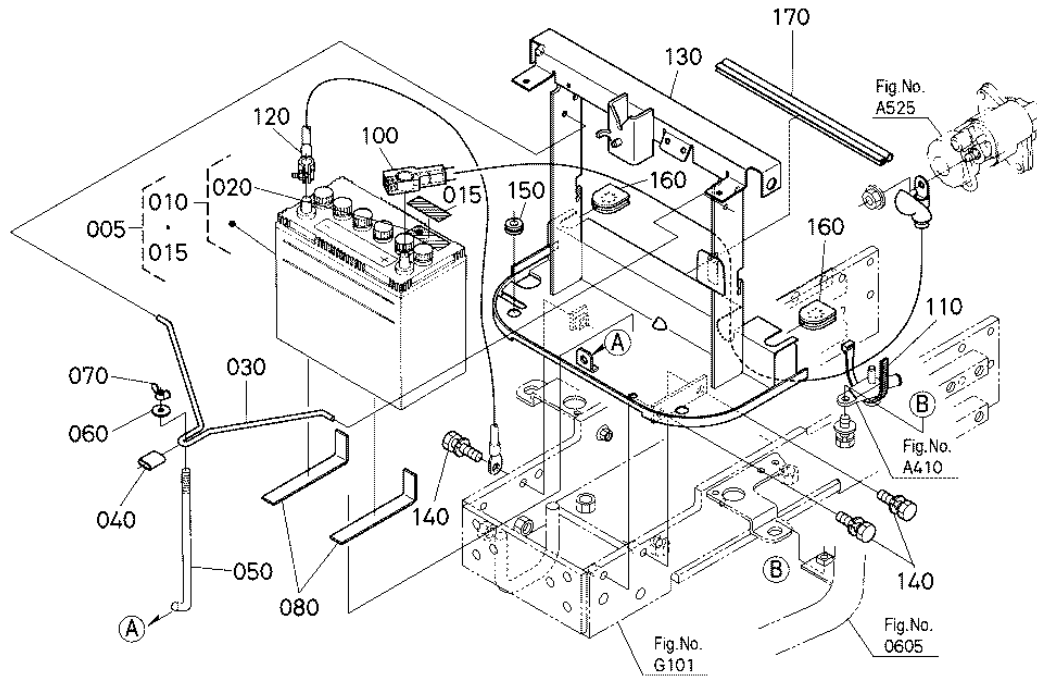
STARTER [COMPONENT PARTS]

Ref	Part Number	Part Name	Qty	IC	S/N	Lbs	Remarks
010	6C070-59210	ASSY STARTER	1			7.04	
020	6C070-82610	ARMATURE	1			1.76	
030	6C070-82620	ASSY SHAFT	1			1.144	
060	6C040-82650	GEAR PLANETARY	3			0.035	
070	16853-63040	CLUTCH OVER RUNNING	1			0.55	
080	6C040-82670	STOPPER	1			0.008	
090	6C070-82680	GASKET	1			0.008	

STARTER [COMPONENT PARTS]

Ref	Part Number	Part Name	Qty	IC	S/N	Lbs	Remarks
100	6C040-82690	BALL	1			0.002	
110	6C070-82700	YOKE	1			1.43	
130	6C070-82720	ASSY HOLDER BRUSH	1			0.154	
160	6C070-82750	ASSY BRACKET REAR	1			0.352	
170	6C040-82760	BUSH	1			0.011	
180	6C070-82770	ASSY BRACKET FRONT	1			1.254	
190	15852-63240	BUSH	1			0.013	
200	6C070-82780	BOLT	2			0.026	
210	6C070-82790	LEVER FORK	1			0.039	
220	6C040-82800	ASSY SWITCH MAGNETIC	1			1.386	
230	15852-93310	SCREW PAN-HEAD	1			0.044	

BATTERY



32741-012-10

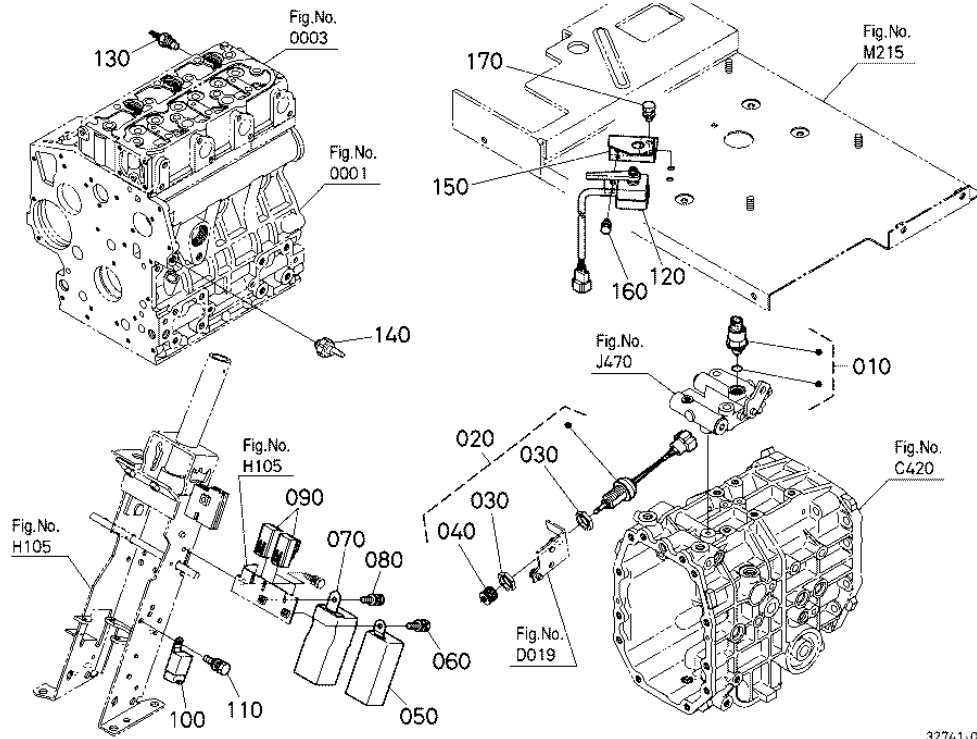
BATTERY

Ref	Part Number	Part Name	Qty	IC	S/N	Lbs	Remarks
005	99999-99999	KIT BATTERY (B)	1			0	FRENCH 55B24L
010	99999-99999	ASSY BATTERY	1			0	ENGLISH 55B24L
015	6C021-92120	LABEL BATTERY	1			0.002	FRENCH
020	6C040-55590	LABEL BATTERY	1			0.002	ENGLISH
030	32741-55553	RETAINER BATTERY	1			0	
040	6C040-55580	CUSHION	1			0.004	
050	6C040-55560	BOLT HOOK	1			0.083	

BATTERY

Ref	Part Number	Part Name	Qty	IC	S/N	Lbs	Remarks
060	04015-60060	WASHER PLAIN	1			0.011	
070	02810-50060	NUT WING	1			0.019	
080	34150-33220	CUSHION	2			0.033	
100	32721-55530	CORD BATTERY(+)	1			0.44	
110	53581-64150	BAND CORD	1			0.004	
120	6C040-55540	CORD BATTERY(-)	1			0.242	
130	32741-51223	BRACKET BATTERY	1			0	
140	01135-51030	BOLT	3			0.066	
150	17607-02950	GROMMET	2			0.006	
160	6C040-51290	RUBBER	2			0.006	
170	67980-51520	TRIM	1			0.088	

SWITCH



32741-013-10

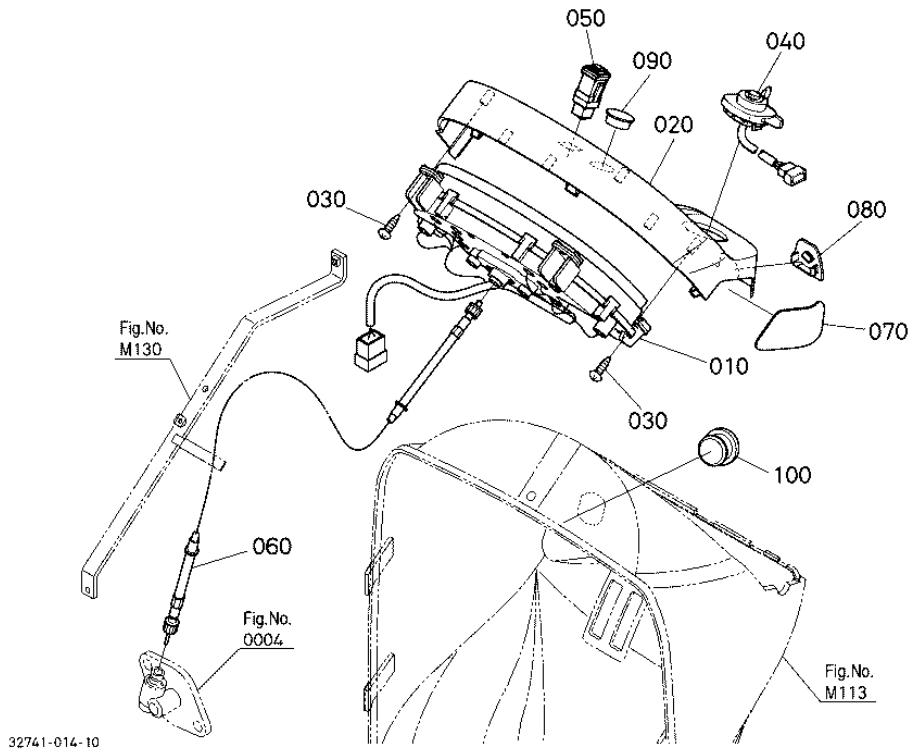
SWITCH

Ref	Part Number	Part Name	Qty	IC	S/N	Lbs	Remarks
010	6A700-18810	SWITCH SAFETY	1			0.114	
020	52320-42883	SWITCH SAFETY	1			0.264	
030	67111-55830	NUT SAFETY SWITCH	2			0.077	
040	67111-55840	CAP SAFETY SWITCH	1			0.004	
050	3F240-75430	UNIT FLASHER	1			0.132	
060	01025-50612	BOLT	1			0.011	
070	6C190-55510	CONTROLLER(OPC)	1			0.132	

SWITCH

Ref	Part Number	Part Name	Qty	IC	S/N	Lbs	Remarks
080	01025-50612	BOLT	1			0.011	
090	T1060-33720	RELAY STARTER	3			0.044	
100	68881-53540	COMP.RELAY	1			0.088	
110	01754-50612	BOLT FLANGE	1			0.011	
120	TD060-47902	SWITCH SEAT	1			0.066	
130	31351-32830	SENSOR THERMO	1			0.044	
140	1A024-39010	SWITCH OIL	1			0.077	
150	32741-47293	STAY SEAT SWITCH	1			0.22	
160	01025-50616	BOLT	1			0.011	
170	01123-60816	BOLT	2			0.022	

PANEL BOARD



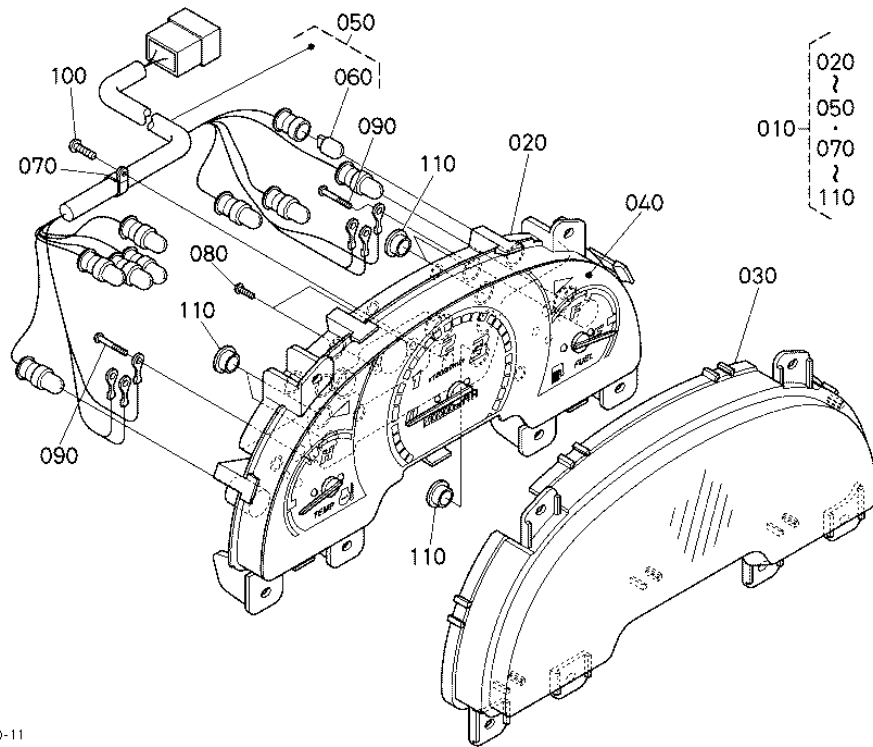
PANEL BOARD

Ref	Part Number	Part Name	Qty	IC	S/N	Lbs	Remarks
010	6C200-30200	ASSY PANEL METER	1			1.826	
020	6C200-53520	COVER METER PANEL	1			0.66	
030	03514-50416	SCREW TAPPING	6			0.004	
040	32741-55420	SWITCH COMBINATION	1			0	
050	6C070-55430	SWITCH HAZARD	1			0.041	
060	35300-99343	CABLE TRACTORMETER	1			0.484	
070	6C200-53562	COVER SHUTTLE	1			0.026	

PANEL BOARD

Ref	Part Number	Part Name	Qty	IC	S/N	Lbs	Remarks
080	6C200-53570	COVER TILT	1			0.008	
090	5H601-35270	CAP GUARD RH	1			0.015	
100	3A751-55790	PLUG	1			0.008	

PANEL BOARD [COMPONENT PARTS]



6C200-020-11

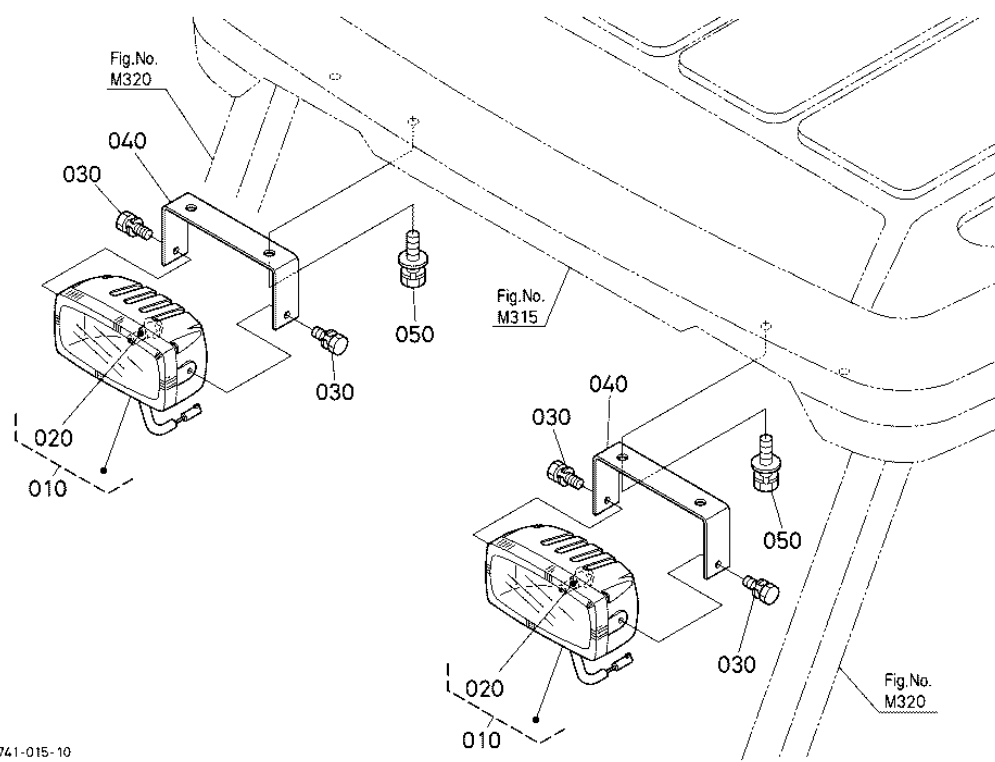
PANEL BOARD [COMPONENT PARTS]

Ref	Part Number	Part Name	Qty	IC	S/N	Lbs	Remarks
010	6C200-30200	ASSY PANEL METER	1			1.826	
020	6C200-30210	ASSY CASE	1			0.44	
030	6A700-30220	GLASS	1			0.44	
040	6C200-30230	CASE METER PANEL	1			0.704	
050	6C200-30250	ASSY WIRE HARNESS	1			0.242	
060	6A700-30270	LAMP	9			0.004	1.7W
070	6C200-30280	CLAMP	1			0.002	

PANEL BOARD [COMPONENT PARTS]

Ref	Part Number	Part Name	Qty	IC	S/N	Lbs	Remarks
080	6C040-55150	SCREW	2			0.004	
090	66101-55810	SCREW	6			0.002	
100	6A700-30240	SCREW TAPPING	1			0.004	
110	6C200-30270	PLUG	5			0.002	

HEAD LIGHT

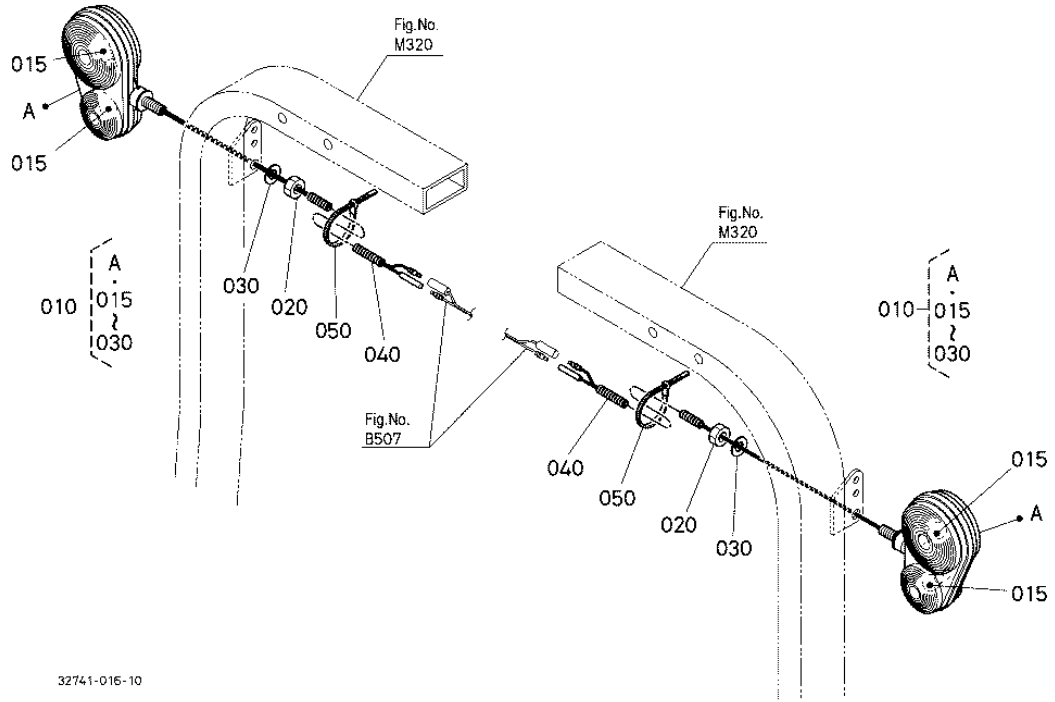


32741-015-10

HEAD LIGHT

Ref	Part Number	Part Name	Qty	IC	S/N	Lbs	Remarks
010	T1275-75302	LIGHT WORK	2			0.55	
020	T1275-91060	BULB	2			0.022	35W
030	T1275-91070	BOLT	4			0.015	
040	32781-75312	STAY	2			0	
050	01125-60816	BOLT	4			0.022	

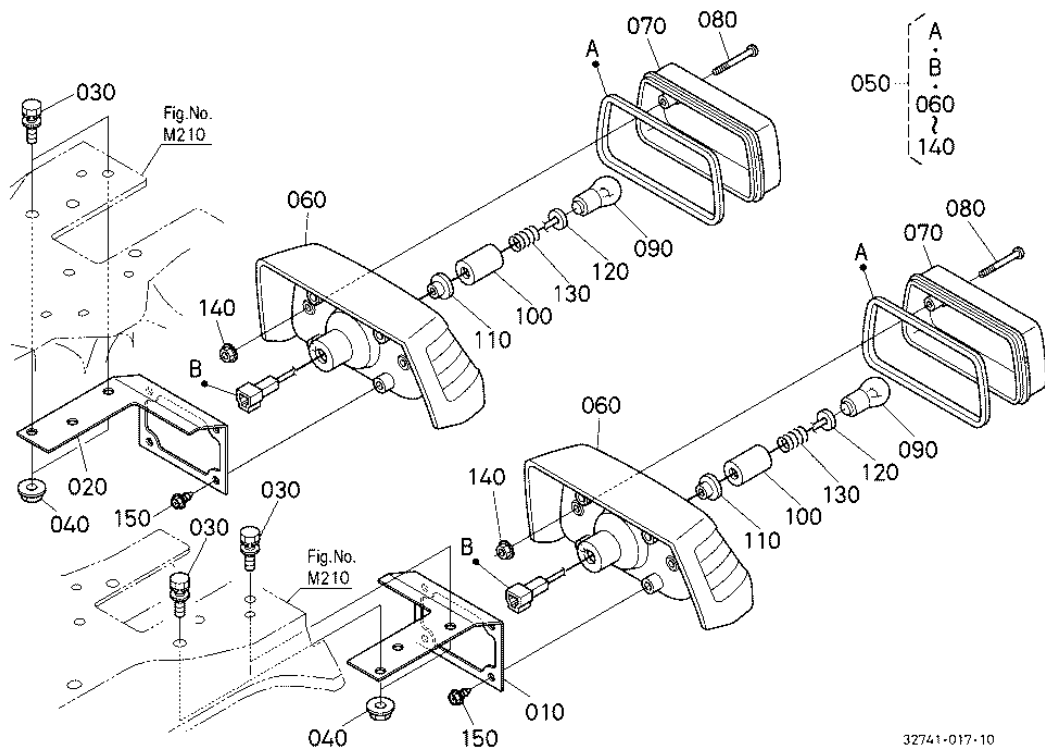
HAZARD LIGHT



HAZARD LIGHT

Ref	Part Number	Part Name	Qty	IC	S/N	Lbs	Remarks
010	K2581-62612	ASSY LAMP HAZARD	2			0	
015	K2561-62650	BULB LAMP	4			0	32W
020	75599-31025	HEX.NUT	2			0.033	
030	75599-33015	WASHER SPRING LOCK	2			0.013	
040	K2581-62620	TUBE GUARD HAZARD	2			0	
050	75590-64650	BAND CODE	2			0.022	

TAIL LIGHT



32741-017-10

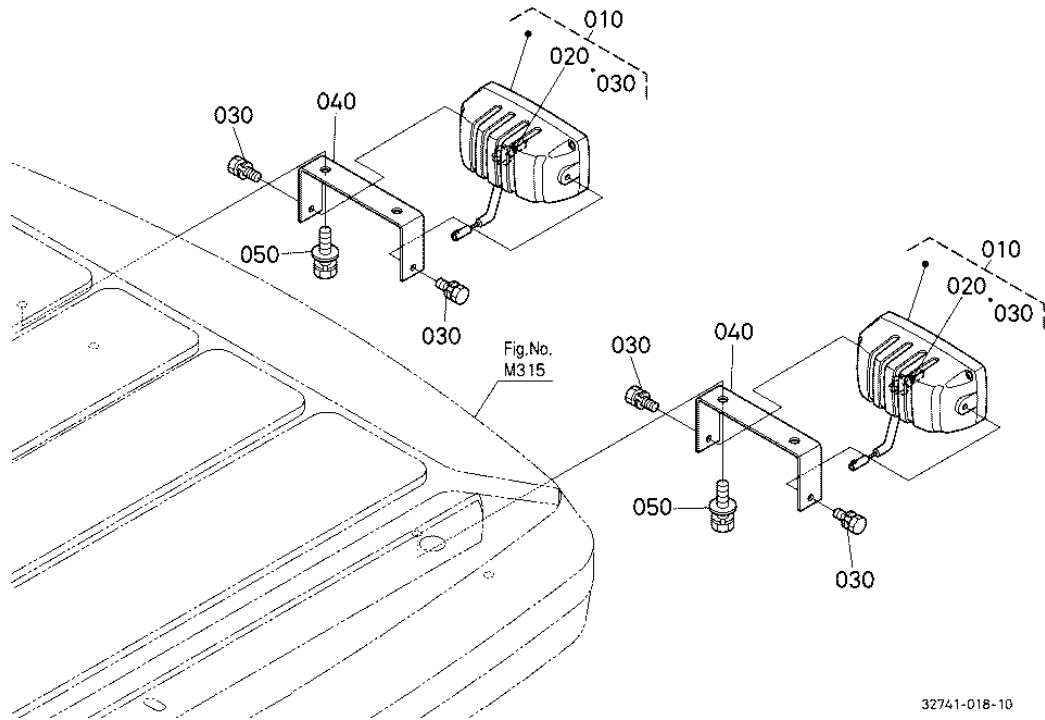
TAIL LIGHT

Ref	Part Number	Part Name	Qty	IC	S/N	Lbs	Remarks
010	6C200-52780	STAY LH COVER	1			0.44	
020	6C200-52790	STAY RH COVER	1			0.44	
030	01125-60816	BOLT	4			0.022	
040	02121-50080	NUT	4			0.022	
050	6C200-55472	ASSY LIGHT TAIL	2			0.66	
060	6C200-55480	BODY	2			0.44	
070	6C200-55490	LENS TAIL LIGHT	2			0.154	

TAIL LIGHT

Ref	Part Number	Part Name	Qty	IC	S/N	Lbs	Remarks
080	03054-50540	SCREW PAN-HEAD	4			0.006	
090	6C040-92150	BULB	2			0.013	8W
100	6C040-92160	SOCKET	2			0.015	
110	6C040-92170	BUSH RUBBER	2			0.002	
120	6C040-92180	INSULATOR	2			0.002	
130	6C040-92190	SPRING	2			0.002	
140	6C040-92230	NUT	4			0.004	
150	6A320-52152	SCREW	8			0.011	

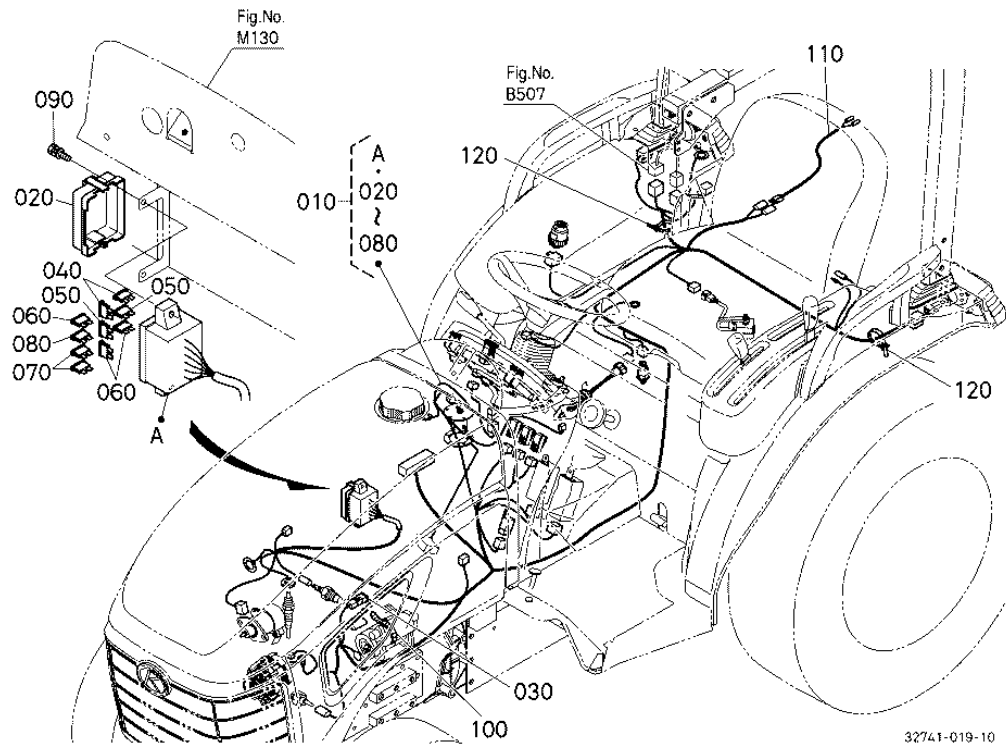
WORKING LIGHT



WORKING LIGHT

Ref	Part Number	Part Name	Qty	IC	S/N	Lbs	Remarks
010	T1275-75302	LIGHT WORK	2			0.55	
020	T1275-91060	BULB	2			0.022	35W
030	T1275-91070	BOLT	4			0.015	
040	32781-75312	STAY	2			0	
050	01125-60816	BOLT	4			0.022	

ELECTRICAL WIRING (BODY)



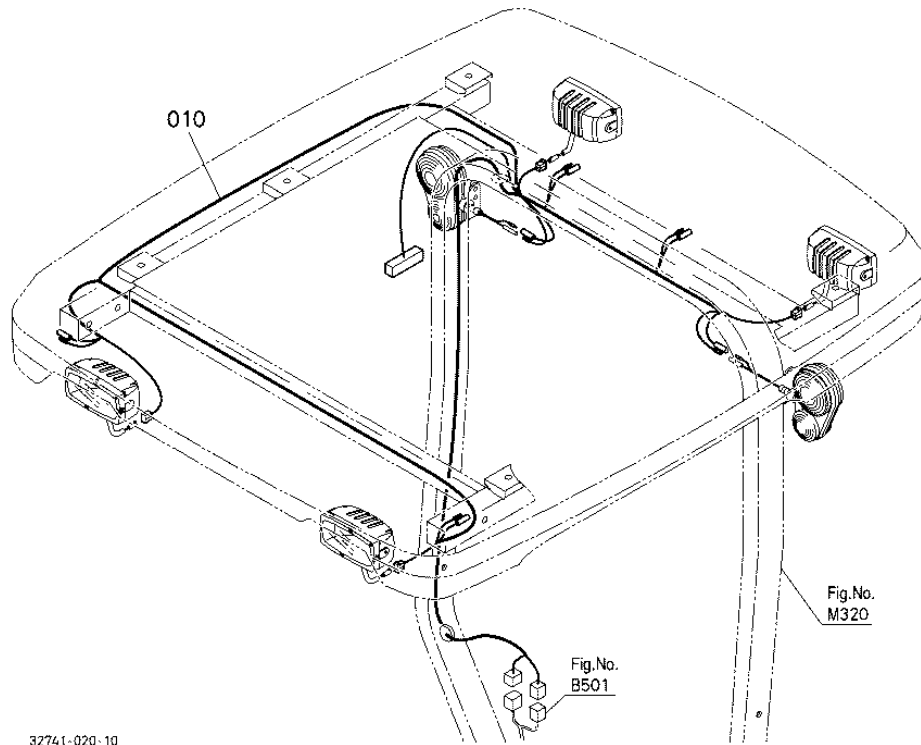
ELECTRICAL WIRING (BODY)

Ref	Part Number	Part Name	Qty	IC	S/N	Lbs	Remarks
010	32741-30402	ASSY WIRE HARNESS	1			0	
020	32741-30430	COVER FUSE CASE	1			0	
030	34670-34530	FUSE	1			0.006	40A
040	66426-80010	FUSE AUTO	2			0.022	5A
050	48100-55880	FUSE AUTO	2			0.022	10A
060	36919-56650	FUSE AUTO	3			0.004	20A
070	32741-30480	FUSE AUTO	2			0	25A

ELECTRICAL WIRING (BODY)

Ref	Part Number	Part Name	Qty	IC	S/N	Lbs	Remarks
080	52300-41630	FUSE AUTO	1			0.022	30A
090	01025-50620	BOLT	2			0.044	
100	55311-41260	BAND CORD	1			0.015	
110	32771-30564	WIRE HARNESS	1			0.055	
120	75546-66920	BAND CODE	2			0.019	

ELECTRICAL WIRING (CANOPY)

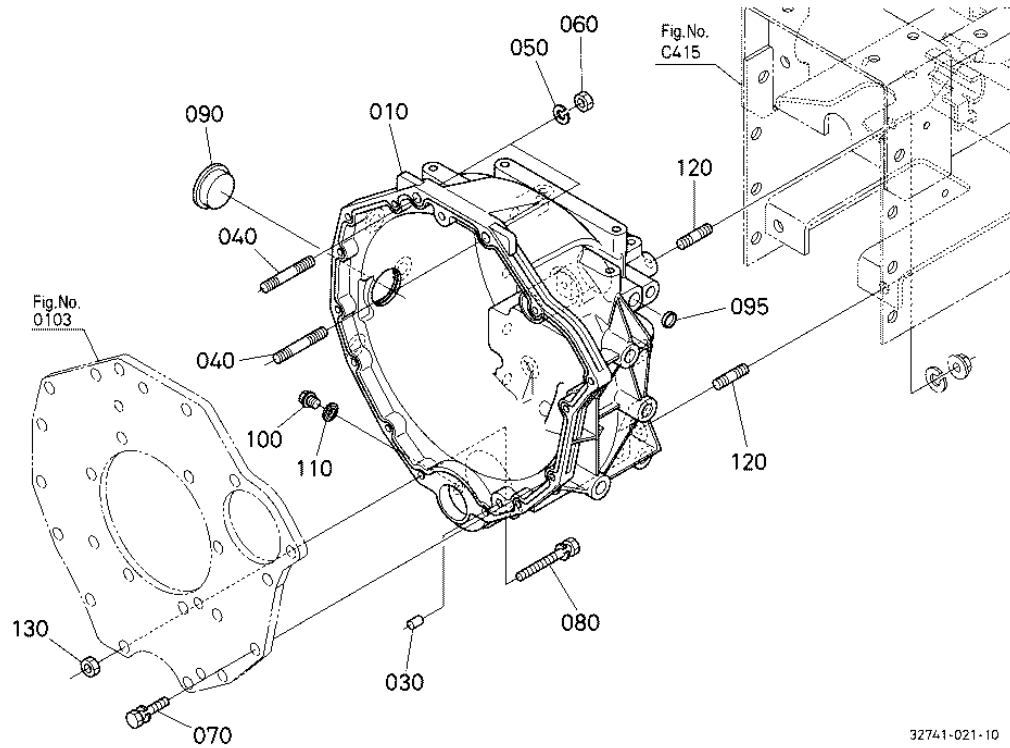


32741-020-10

ELECTRICAL WIRING (CANOPY)

Ref	Part Number	Part Name	Qty	IC	S/N	Lbs	Remarks
010	32741-30332	WIRE HARNESS H/LIGHT	1			0	

CLUTCH HOUSING



32741-021-10

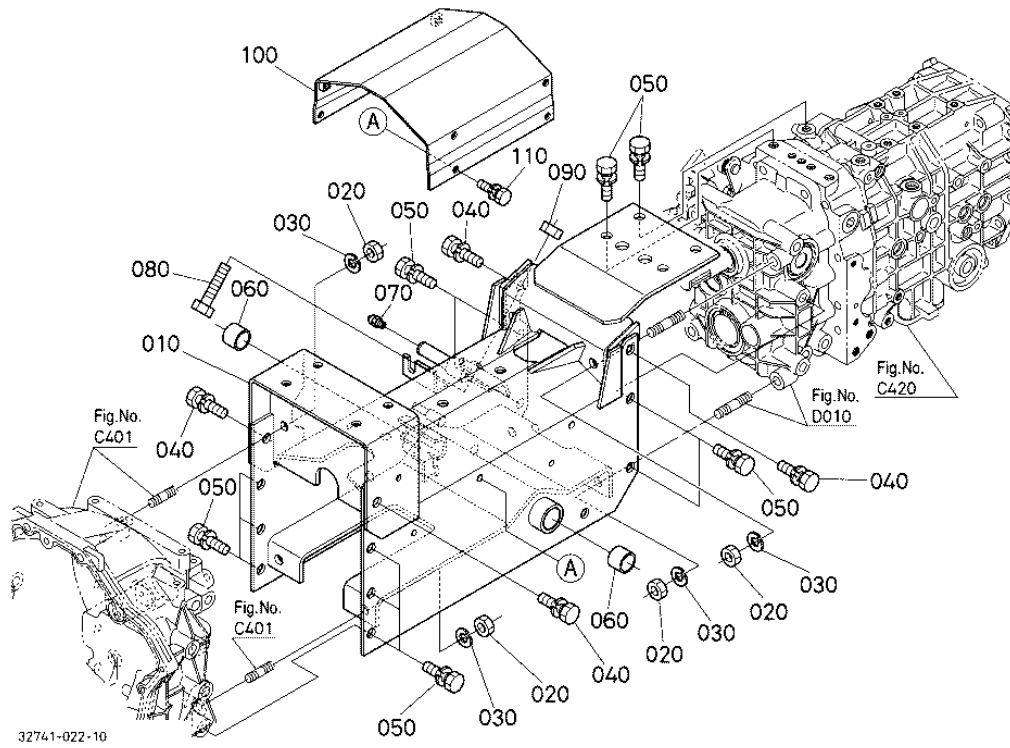
CLUTCH HOUSING

Ref	Part Number	Part Name	Qty	IC	S/N	Lbs	Remarks
010	6C200-13113	HOUSING CLUTCH	1			14.3	
030	66611-11160	PIN KNOCK	1			0.022	
040	01517-51045	STUD	2			0.070	
050	04512-60100	WASHER SPRING	2			0.004	
060	02118-50100	NUT	2			0.011	
070	01123-50830	BOLT	9			0.033	
080	01123-50870	BOLT	2			0.063	

CLUTCH HOUSING

Ref	Part Number	Part Name	Qty	IC	S/N	Lbs	Remarks
090	37410-13124	PLUG	1			0.044	
095	06311-85016	CAP SEALING	1			0.006	
100	01754-50812	BOLT FLANGE	1			0.022	
110	04717-00800	WASHER WITH RUBBER	1			0.002	
120	01555-51225	STUD	4			0.085	
130	02114-50080	NUT	2			0.011	

CENTER FRAME



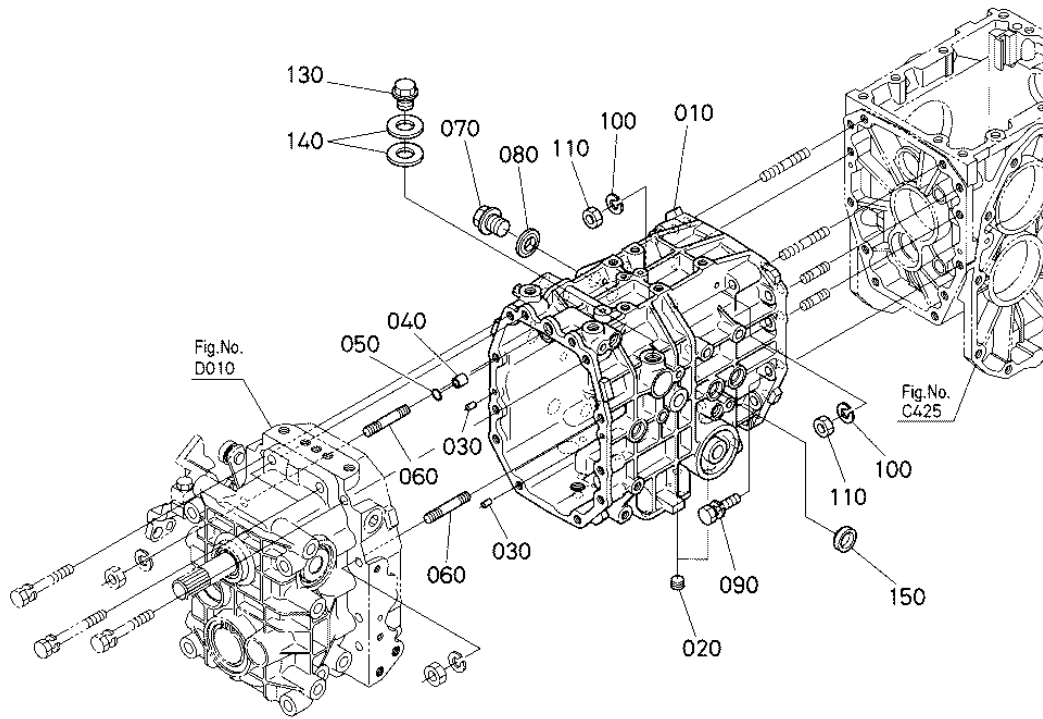
CENTER FRAME

Ref	Part Number	Part Name	Qty	IC	S/N	Lbs	Remarks
010	32741-51116	COMP.FRAME CENTER	1			42.28	
020	02174-50120	NUT	8			0.022	
030	04512-60120	WASHER SPRING	8			0.011	
040	01123-51240	BOLT	4			0.105	
050	01123-51230	BOLT	14			0.088	
060	08511-02515	BUSH	2			0.026	
070	06613-10675	NIPPLE GREASE	1			0.006	

CENTER FRAME

Ref	Part Number	Part Name	Qty	IC	S/N	Lbs	Remarks
080	66711-13320	BOLT ADJUSTING	1			0.061	
090	02118-50100	NUT	1			0.011	
100	32741-51150	PLATE CENTER	1			0	
110	01123-50820	BOLT	4			0.024	

TRANSMISSION CASE



32741-023-10

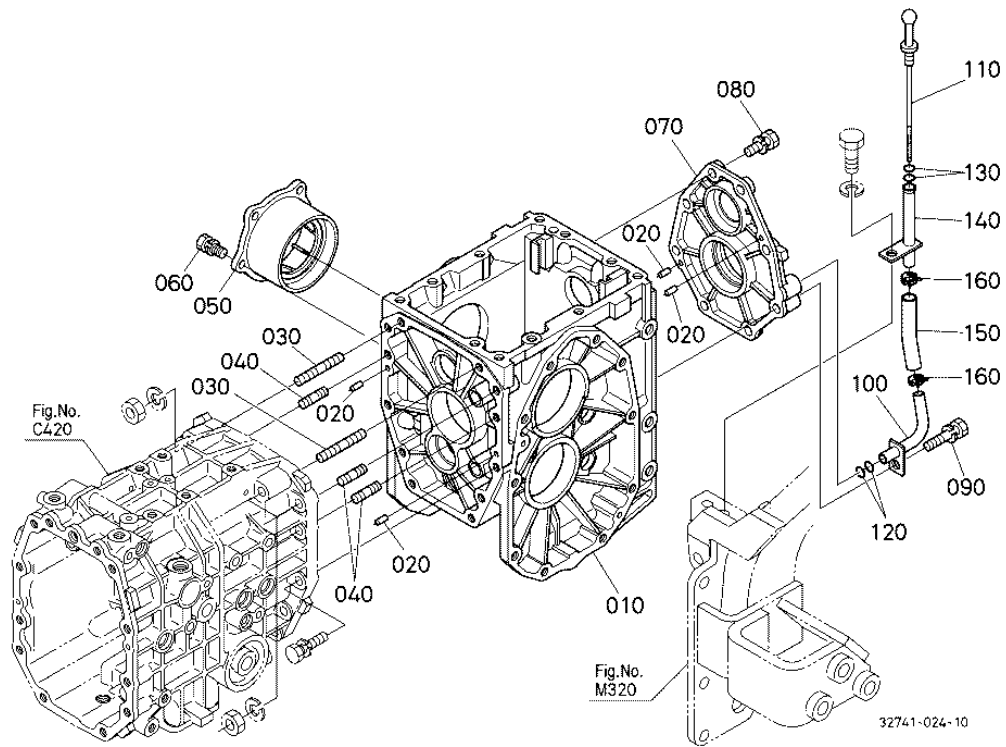
TRANSMISSION CASE

Ref	Part Number	Part Name	Qty	IC	S/N	Lbs	Remarks
010	6C200-11113	CASE TRANSMISSION	1			13.2	
020	RA111-62470	PLUG	2			0.006	
030	05012-00614	PIN STRAIGHT	2			0.008	
040	11420-94940	PIPE KNOCK	1			0.002	
050	04811-10100	O RING	1			0.002	
060	01555-51070	STUD	2			0.107	
070	06311-55030	PLUG	1			0.11	

TRANSMISSION CASE

Ref	Part Number	Part Name	Qty	IC	S/N	Lbs	Remarks
080	04717-01700	WASHER WITH RUBBER	1			0.006	
090	01123-51040	BOLT	7			0.066	
100	04512-60100	WASHER SPRING	5			0.004	
110	02118-50100	NUT	5			0.011	
130	06331-35014	PLUG	1			0.066	
140	04724-00140	GASKET	2			0.004	
150	06311-75020	PLUG EXPANSION	1			0.008	

DIFFERENTIAL GEAR CASE



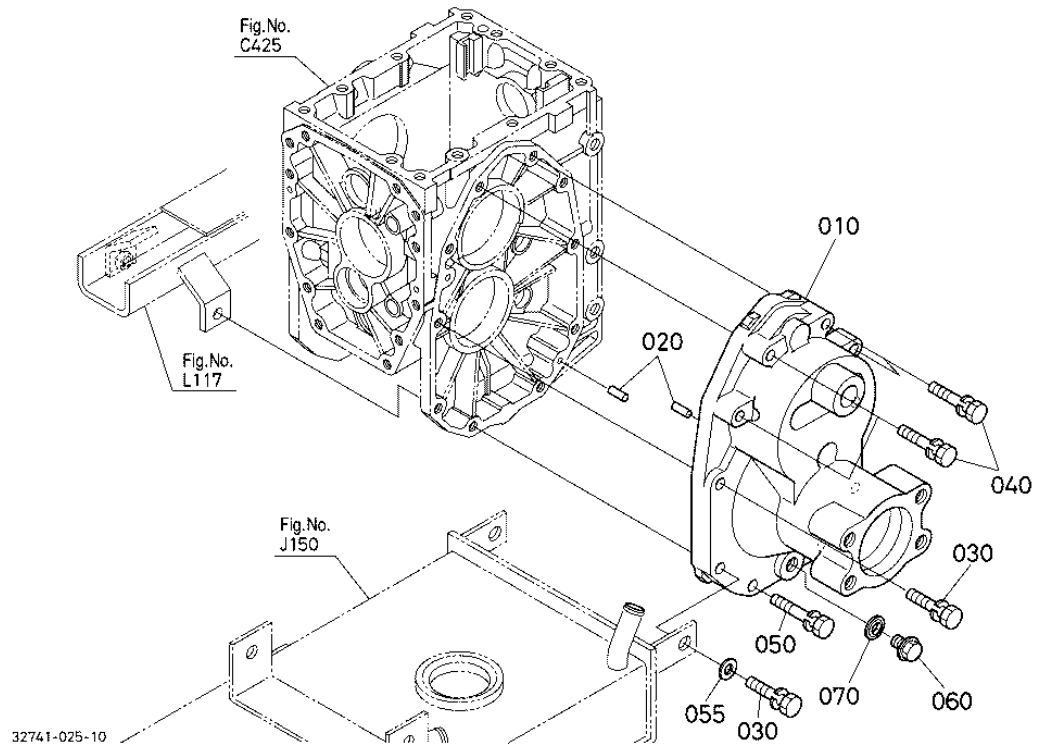
DIFFERENTIAL GEAR CASE

Ref	Part Number	Part Name	Qty	IC	S/N	Lbs	Remarks
010	6A700-11173	CASE DIFF.GEAR	1			14.3	
020	05012-00614	PIN STRAIGHT	4			0.008	
030	01555-51065	STUD	2			0.105	
040	01555-51035	STUD	3			0.063	
050	6A600-11810	HOLDER DIFF.BRG.	1			0.55	
060	01123-50825	BOLT	4			0.028	
070	6A700-12210	COVER PTO	1			1.188	

DIFFERENTIAL GEAR CASE

Ref	Part Number	Part Name	Qty	IC	S/N	Lbs	Remarks
080	01123-51030	BOLT	7			0.055	
090	01123-51050	BOLT	1			0.077	
100	6C200-11150	PIPE OIL GAUGE	1			0.088	
110	6C040-11160	GAUGE OIL	1			0.022	
120	04816-00120	O RING	2			0.002	
130	04816-00060	O RING	2			0.002	
140	6C200-11160	PIPE OIL GAUGE	1			0.11	
150	6C200-11190	HOSE	1			0.033	
160	09318-88155	CLAMP HOSE	2			0.011	

REAR AXLE CASE LH



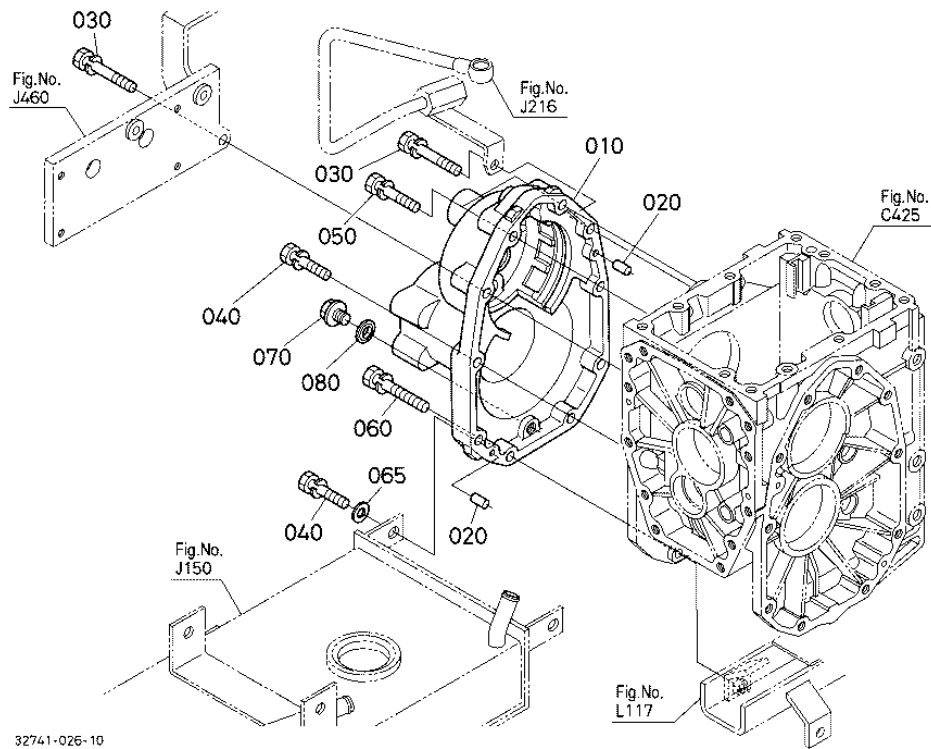
REAR AXLE CASE LH

Ref	Part Number	Part Name	Qty	IC	S/N	Lbs	Remarks
010	6C070-12610	CASE AXLE LH	1			16.72	
020	05012-00614	PIN STRAIGHT	2			0.008	
030	01123-51050	BOLT	5			0.077	
040	01123-51060	BOLT	4			0.11	
050	01133-51075	BOLT	1			0.066	
055	04013-60100	WASHER PLAIN	1			0.006	
060	01774-51212	BOLT FLANGE	1			0.061	

REAR AXLE CASE LH

Ref	Part Number	Part Name	Qty	IC	S/N	Lbs	Remarks
070	04717-01200	WASHER WITH RUBBER	1			0.004	

REAR AXLE CASE RH



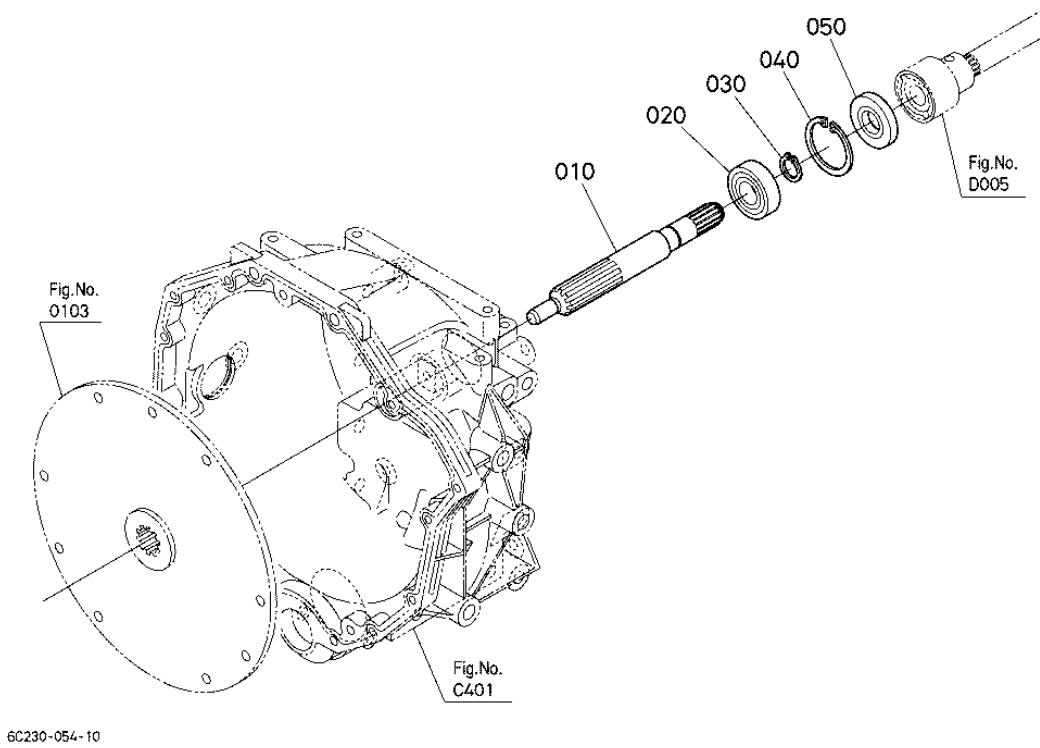
REAR AXLE CASE RH

Ref	Part Number	Part Name	Qty	IC	S/N	Lbs	Remarks
010	6C070-12620	CASE AXLE RH	1			16.5	
020	05012-00614	PIN STRAIGHT	2			0.008	
030	01123-51070	BOLT	2			0.11	
040	01123-51050	BOLT	5			0.077	
050	01123-51060	BOLT	2			0.11	
060	01133-51075	BOLT	1			0.066	
065	04013-60100	WASHER PLAIN	1			0.006	

REAR AXLE CASE RH

Ref	Part Number	Part Name	Qty	IC	S/N	Lbs	Remarks
070	01774-51212	BOLT FLANGE	1			0.061	
080	04717-01200	WASHER WITH RUBBER	1			0.004	

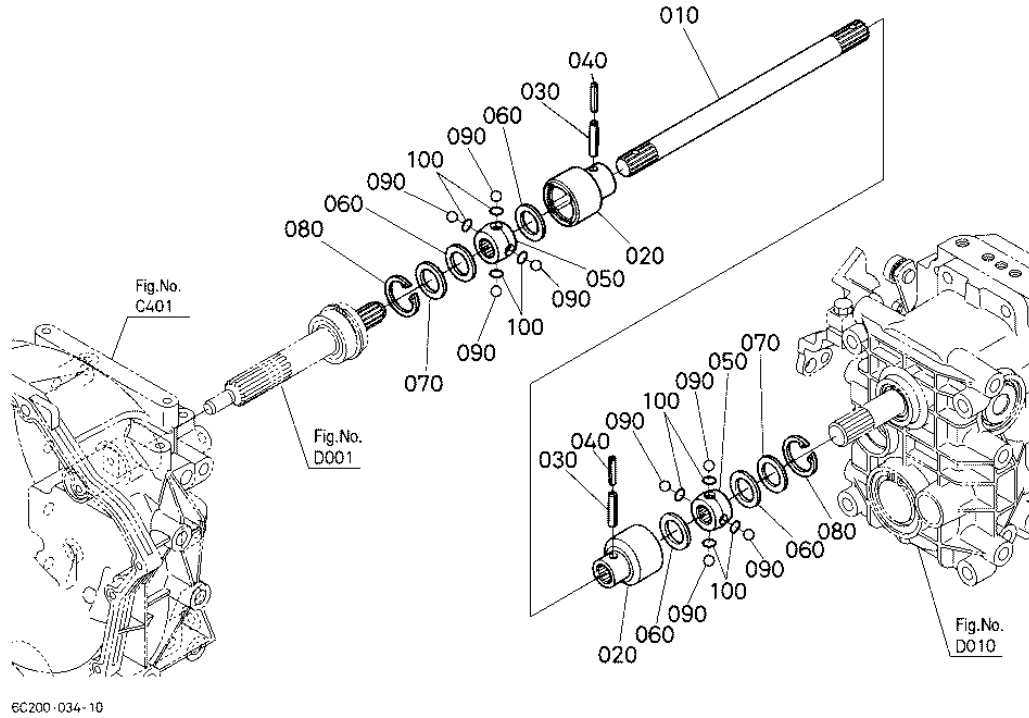
CLUTCH SHAFT



CLUTCH SHAFT

Ref	Part Number	Part Name	Qty	IC	S/N	Lbs	Remarks
010	6C200-13310	SHAFT CLUTCH	1			1.342	
020	08141-06204	BEARING BALL	1			0.222	
030	04612-00200	CIR CLIP EXTERNAL	1			0.002	
040	04611-00470	CIR CLIP INTERNAL	1			0.013	
050	09500-20477	SEAL OIL	1			0.039	

PROPELLER SHAFT



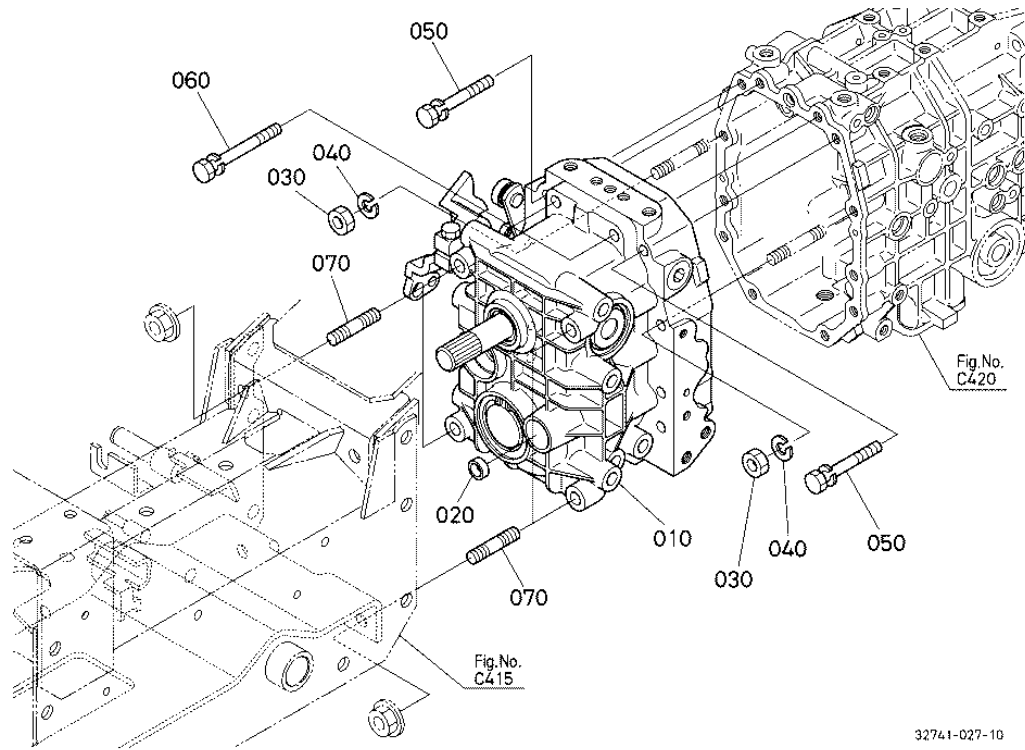
PROPELLER SHAFT

Ref	Part Number	Part Name	Qty	IC	S/N	Lbs	Remarks
010	6C200-13610	SHAFT PROPELLING	1			1.54	
020	67111-13710	COUPLING BALL OUTER	2			0.495	
030	05411-00630	PIN SPRING	2			0.008	
040	T0270-15310	PIN SPRING	2			0.004	
050	67211-14133	COUPLING BALL INNER	2			0.165	
060	67111-13730	GASKET BALL JOINT	4			0.004	
070	67111-13740	SUPPORT GASKET	2			0.008	

PROPELLER SHAFT

Ref	Part Number	Part Name	Qty	IC	S/N	Lbs	Remarks
080	04611-00350	CIR CLIP INTERNAL	2			0.006	
090	07715-00803	BALL	8			0.008	
100	04811-10060	O RING	8			0.002	

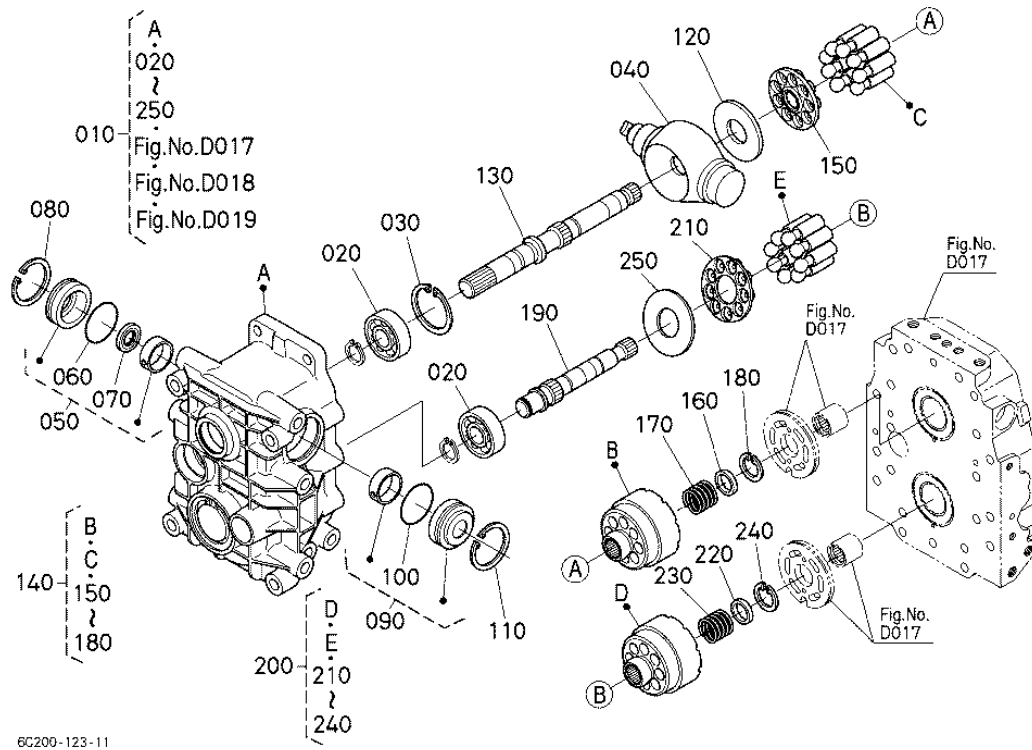
HST



HST

Ref	Part Number	Part Name	Qty	IC	S/N	Lbs	Remarks
010	6C200-11604	ASSY HST	1			46.77	
020	06311-85018	CAP SEALING	1			0.008	
030	02118-50100	NUT	2			0.011	
040	04512-60100	WASHER SPRING	2			0.004	
050	01123-51075	BOLT	8			0.11	
060	01123-51090	BOLT	2			0.121	
070	01555-51225	STUD	4			0.085	

HST [COMPONENT PARTS] 1



6C200-123-11

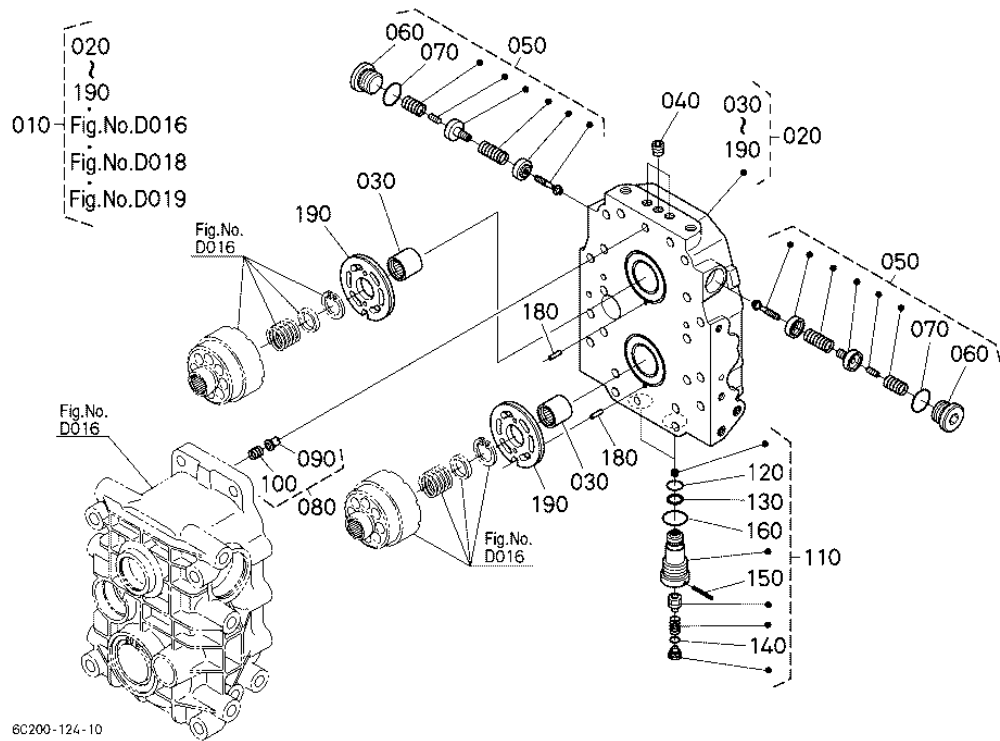
HST [COMPONENT PARTS] 1

Ref	Part Number	Part Name	Qty	IC	S/N	Lbs	Remarks
010	6C200-11604	ASSY HST	1			46.77	
020	37410-14320	BEARING BALL	2			0.319	
030	04611-00520	CIR CLIP INTERNAL	1			0.019	
040	6A710-11710	PLATE	1			2.2	
050	6A110-35020	ASSY COVER A	1			0.528	
060	04811-50550	O RING	1			0.004	
070	6A110-35140	SEAL OIL	1			0.019	

HST [COMPONENT PARTS] 1

Ref	Part Number	Part Name	Qty	IC	S/N	Lbs	Remarks
080	04611-00620	CIR CLIP INTERNAL	1			0.024	
090	6A110-35030	ASSY COVER B	1			0.528	
100	04811-50550	O RING	1			0.004	
110	04611-00620	CIR CLIP INTERNAL	1			0.024	
120	32721-35150	COLLAR THRUST	1			0.057	
130	6A710-11720	SHAFT	1			1.034	
140	32721-35040	ASSY BLOCK CYL.	1			2.398	
150	32721-35180	PLATE RETAINER	1			0.044	
160	66415-39240	HOLDER SPRING	1			0.008	
170	66415-39250	SPRING	1			0.011	
180	66415-39470	CIR CLIP INTERNAL	1			0.044	
190	6A710-11810	SHAFT	1			0.99	
200	32721-35070	ASSY BLOCK CYL.	1			2.398	
210	32721-35180	PLATE RETAINER	1			0.044	
220	66415-39240	HOLDER SPRING	1			0.008	
230	66415-39250	SPRING	1			0.011	
240	66415-39470	CIR CLIP INTERNAL	1			0.044	
250	32721-35150	COLLAR THRUST	1			0.057	

HST [COMPONENT PARTS] 2



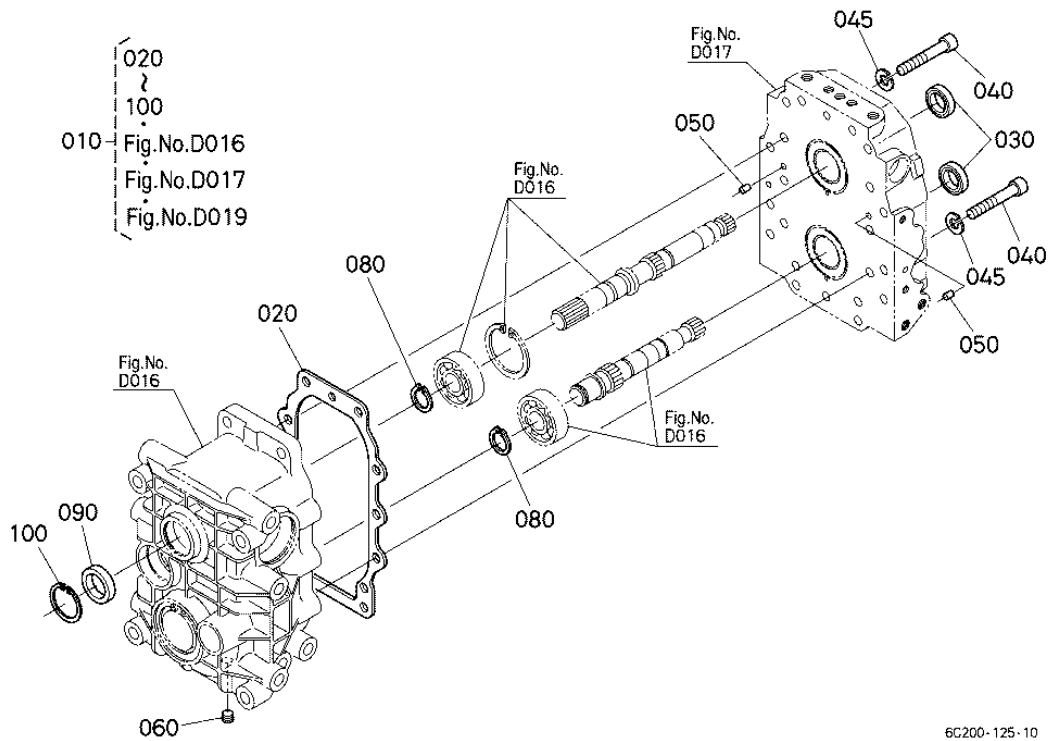
HST [COMPONENT PARTS] 2

Ref	Part Number	Part Name	Qty	IC	S/N	Lbs	Remarks
010	6C200-11604	ASSY HST	1			46.77	
020	6A710-11902	ASSY COVER PORTBLOCK	1			26.4	
030	6A610-35320	BEARING NEEDLE	2			0.055	
040	K7001-39620	PLUG	3			0.011	
050	6A710-11960	ASSY VALVE	2			0.182	
060	5H600-11820	PLUG	2			0.011	
070	04817-00180	O RING	2			0.006	

HST [COMPONENT PARTS] 2

Ref	Part Number	Part Name	Qty	IC	S/N	Lbs	Remarks
080	37590-39900	ASSY VALVE RELIEF	1			0.015	
090	66363-39710	POPPET L	1			0.013	
100	66363-39720	SPRING L	1			0.022	
110	6C070-11650	ASSY VALVE NUETRAL	2			0.22	
120	04817-00120	O RING	2			0.002	
130	66363-39630	RING BACK UP	2			0.002	
140	04817-00100	O RING	2			0.002	
150	05411-00325	PIN SPRING	2			0.002	
160	04817-00180	O RING	2			0.006	
180	05411-00414	PIN SPRING	2			0.002	
190	6A710-11740	PLATE VALVE	2			0.275	

HST [COMPONENT PARTS] 3



6C200-125-10

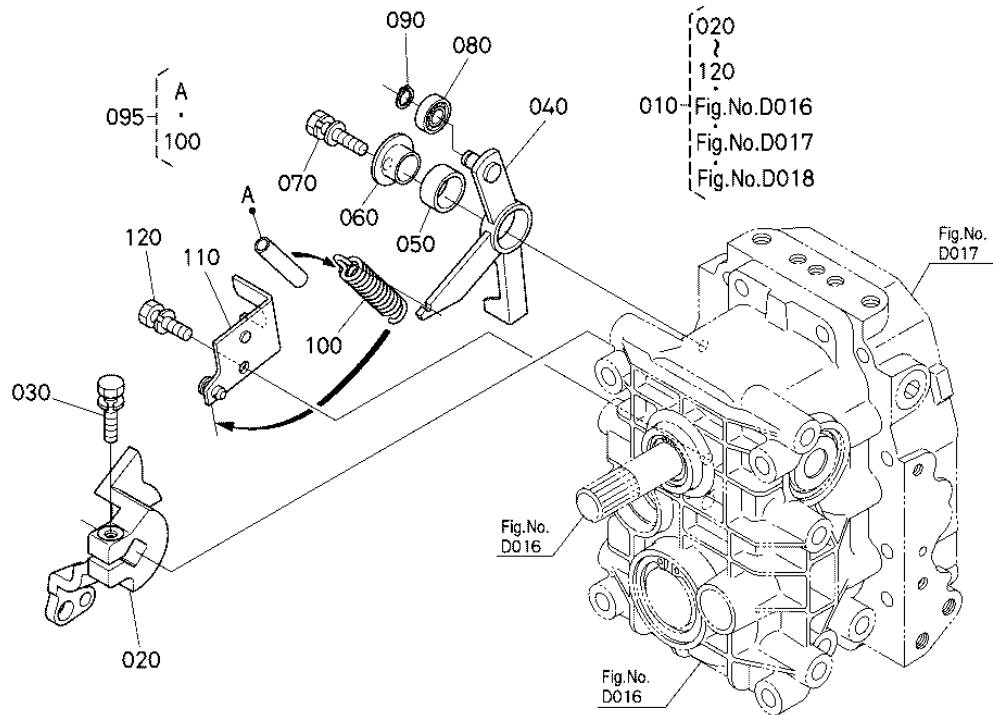
HST [COMPONENT PARTS] 3

Ref	Part Number	Part Name	Qty	IC	S/N	Lbs	Remarks
010	6C200-11604	ASSY HST	1			46.77	
020	6A710-11622	GASKET	1			0.033	
030	32721-35380	SEAL OIL	2			0.004	
040	01311-11060	BOLT HEX-SOC-HD	9			0.099	
045	66415-39560	WASHER SPRING	9			0.006	
050	K7561-11180	PIN STRAIGHT	2			0.011	
060	32721-35450	PLUG	1			0.004	

HST [COMPONENT PARTS] 3

Ref	Part Number	Part Name	Qty	IC	S/N	Lbs	Remarks
080	04612-00200	CIR CLIP EXTERNAL	2			0.002	
090	66363-39560	SEAL OIL	1			0.022	
100	04611-00350	CIR CLIP INTERNAL	1			0.006	

HST [COMPONENT PARTS] 4



6C200-036-12

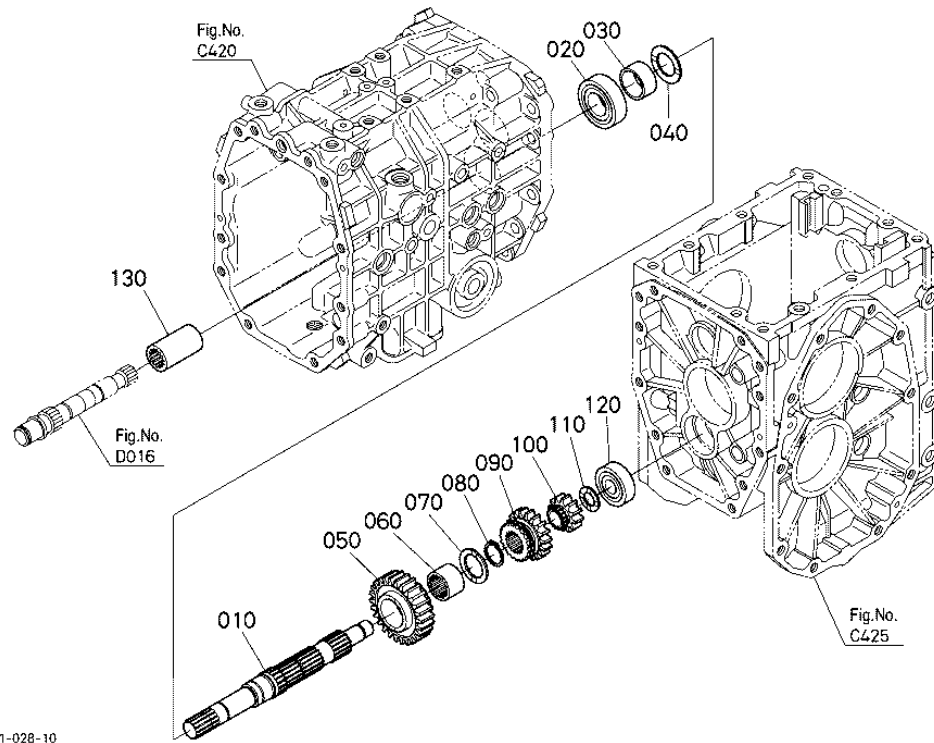
HST [COMPONENT PARTS] 4

Ref	Part Number	Part Name	Qty	IC	S/N	Lbs	Remarks
010	6C200-11604	ASSY HST	1			46.77	
020	6C200-18110	HOLDER NEUTRAL	1			1.276	
030	01123-50835	BOLT	1			0.044	
040	6C200-18153	ARM NEUTRAL	1			0.352	
050	66204-43572	BUSH	1			0.004	
060	66204-43352	SHAFT HOLDER	1			0.158	
070	01125-50835	BOLT	1			0.037	

HST [COMPONENT PARTS] 4

Ref	Part Number	Part Name	Qty	IC	S/N	Lbs	Remarks
080	08121-06000	BEARING BALL	1			0.044	
090	04612-00100	CIR CLIP EXTERNAL	1			0.002	
095	6C200-18160	ASSY SPRING	1			0.099	
100	6C050-43470	SPRING	1			0.103	
110	6C200-18340	STAY NEUTRAL SWITCH	1			0.198	
120	01123-50820	BOLT	1			0.024	

RANGE GEAR SHAFT



3274.1-028-10

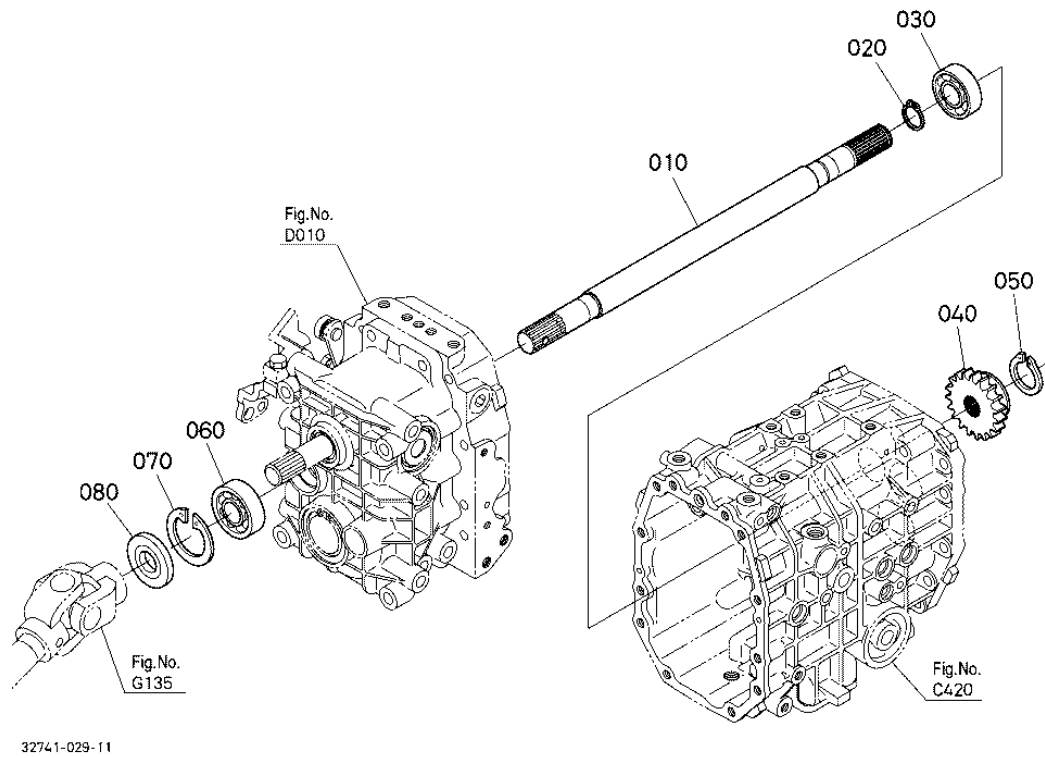
RANGE GEAR SHAFT

Ref	Part Number	Part Name	Qty	IC	S/N	Lbs	Remarks
010	6C200-14710	SHAFT RANGE GEAR	1			1.276	
020	6A700-16570	BEARING BALL	1			0.279	
030	6C200-14760	COLLAR	1			0.077	
040	67061-14380	COLLAR	1			0.022	
050	6C200-14720	GEAR	1			0.924	26T
060	6A700-14870	RING INNER	1			0.088	
070	6A700-14880	COLLAR THRUST	1			0.019	

RANGE GEAR SHAFT

Ref	Part Number	Part Name	Qty	IC	S/N	Lbs	Remarks
080	6C200-14860	CIR CLIP EXTERNAL	1			0.022	
090	6C200-14730	GEAR	1			0.347	18T
100	6C200-14740	GEAR	1			0.143	12T
110	67910-12330	COLLAR	1			0.013	
120	6A700-16610	BEARING BALL	1			0.176	
130	6C050-14520	COUPLING	1			0.217	

REVERSE SHAFT



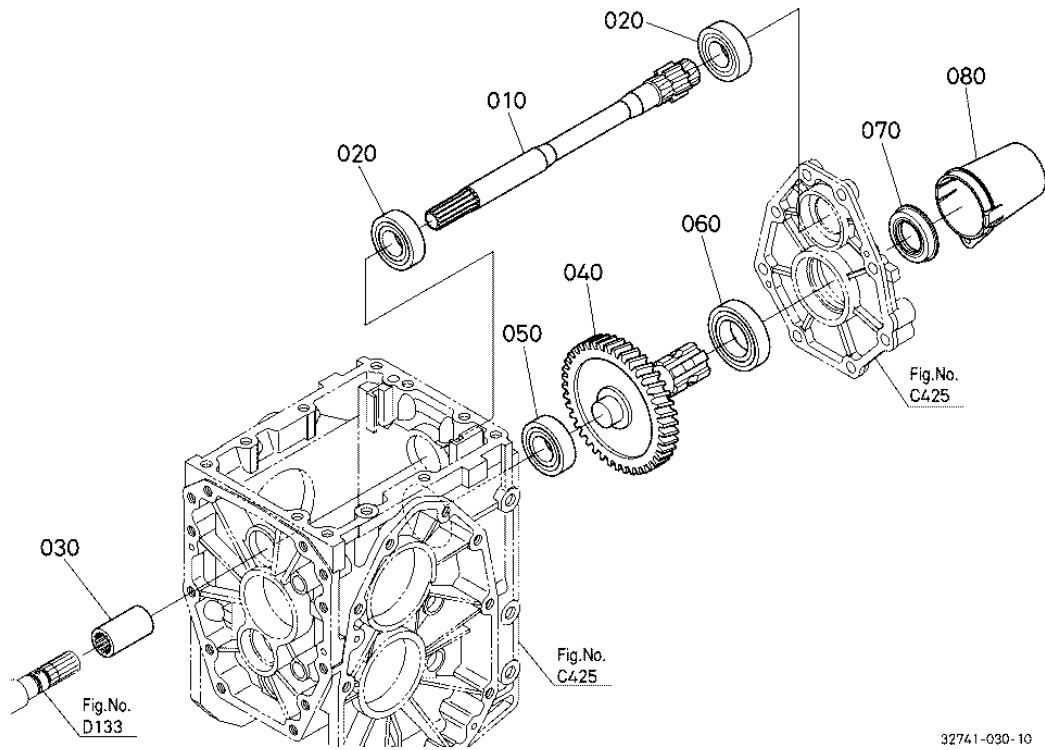
REVERSE SHAFT

Ref	Part Number	Part Name	Qty	IC	S/N	Lbs	Remarks
010	6C200-16110	SHAFT REVERSE	1			2.53	
020	15875-24320	RING SNAP	1			0.006	
030	52300-16180	BEARING	1			0.226	
040	6C040-14840	GEAR FWD	1			0.506	20T
050	04612-00190	CIR CLIP EXTERNAL	1			0.002	
060	52300-21660	BEARING	1			0.154	
070	04611-00420	CIR CLIP INTERNAL	1			0.013	

REVERSE SHAFT

Ref	Part Number	Part Name	Qty	IC	S/N	Lbs	Remarks
080	09500-20428	SEAL OIL	1			0.026	

PTO COUNTER SHAFT



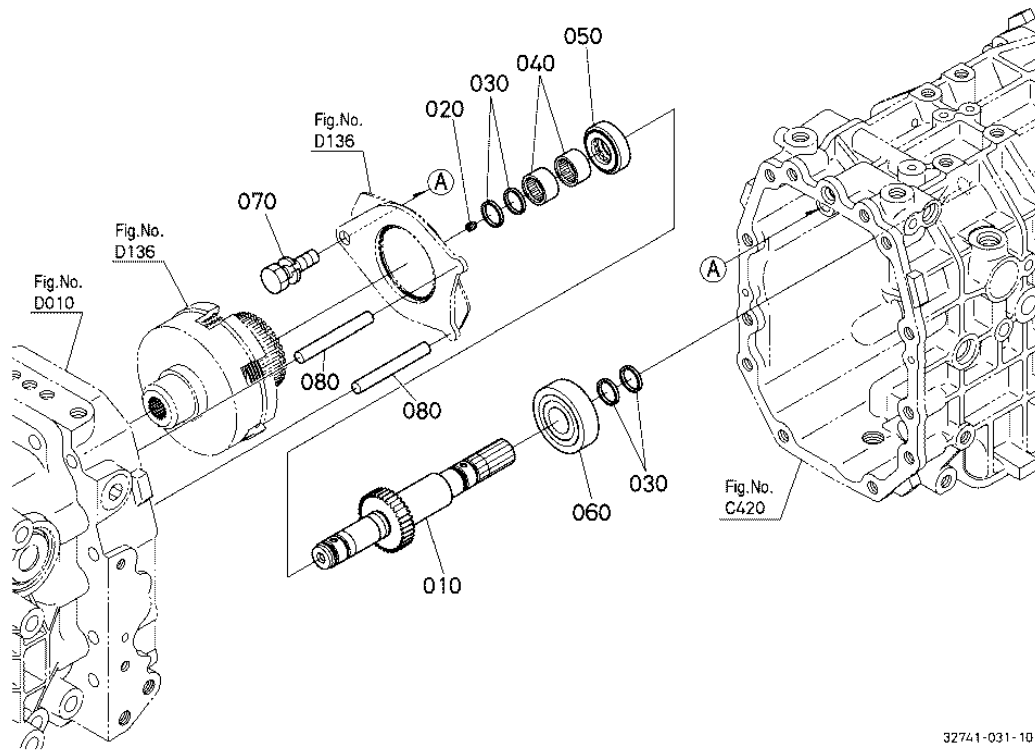
PTO COUNTER SHAFT

Ref	Part Number	Part Name	Qty	IC	S/N	Lbs	Remarks
010	6C200-14412	SHAFT PTO DRIVE	1			1.892	8T
020	08101-06205	BEARING BALL	2			0.002	
030	6C050-14520	COUPLING	1			0.217	
040	6C200-14510	SHAFT PTO GEAR	1			4.29	41T
050	08101-06205	BEARING BALL	1			0.002	
060	08101-06007	BEARING BALL	1			0.352	
070	37410-16550	SEAL OIL	1			0.066	

PTO COUNTER SHAFT

Ref	Part Number	Part Name	Qty	IC	S/N	Lbs	Remarks
080	37410-63112	CAP PTO SHAFT	1			0.121	

PTO CLUTCH SHAFT



32741-031-10

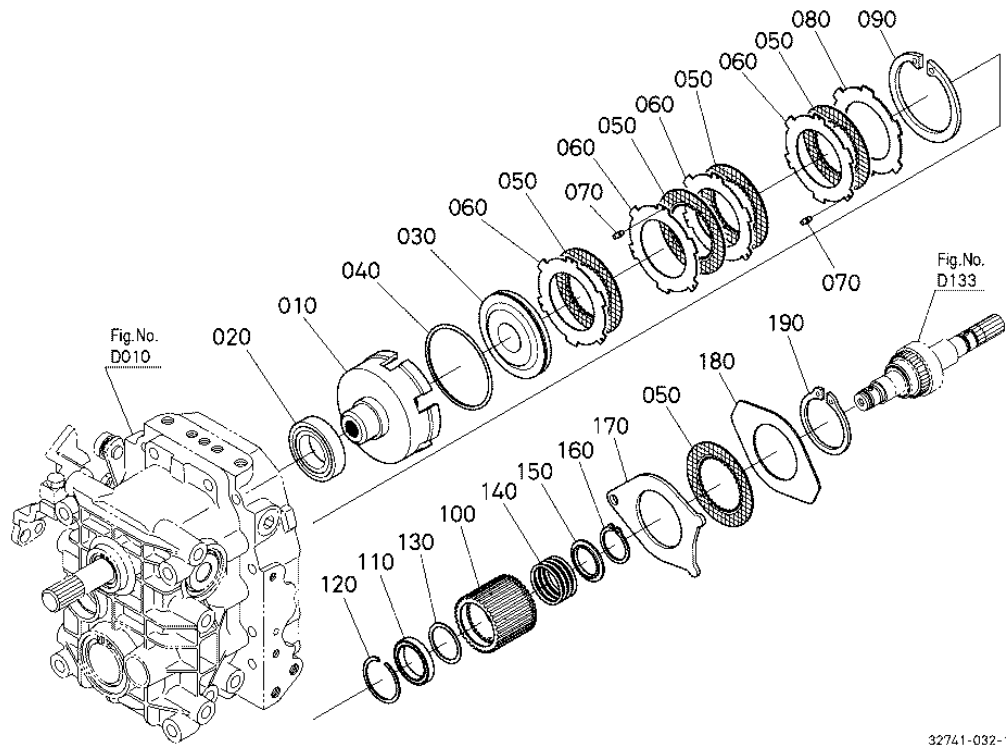
PTO CLUTCH SHAFT

Ref	Part Number	Part Name	Qty	IC	S/N	Lbs	Remarks
010	32741-14210	SHAFT PTO CLUTCH	1			0	
020	3F740-40330	PLUG	1			0.004	
030	59240-15850	RING SEAL	4			0.011	
040	08822-02413	BEARING NEEDLE	2			0.022	
050	6C200-14330	BEARING THRUST BALL	1			0.070	
060	08101-06304	BEARING BALL	1			0.321	
070	01123-51025	BOLT	1			0.044	

PTO CLUTCH SHAFT

Ref	Part Number	Part Name	Qty	IC	S/N	Lbs	Remarks
080	6C200-14290	SHAFT PLATE	2			0.077	

PTO CLUTCH



32741-032-10

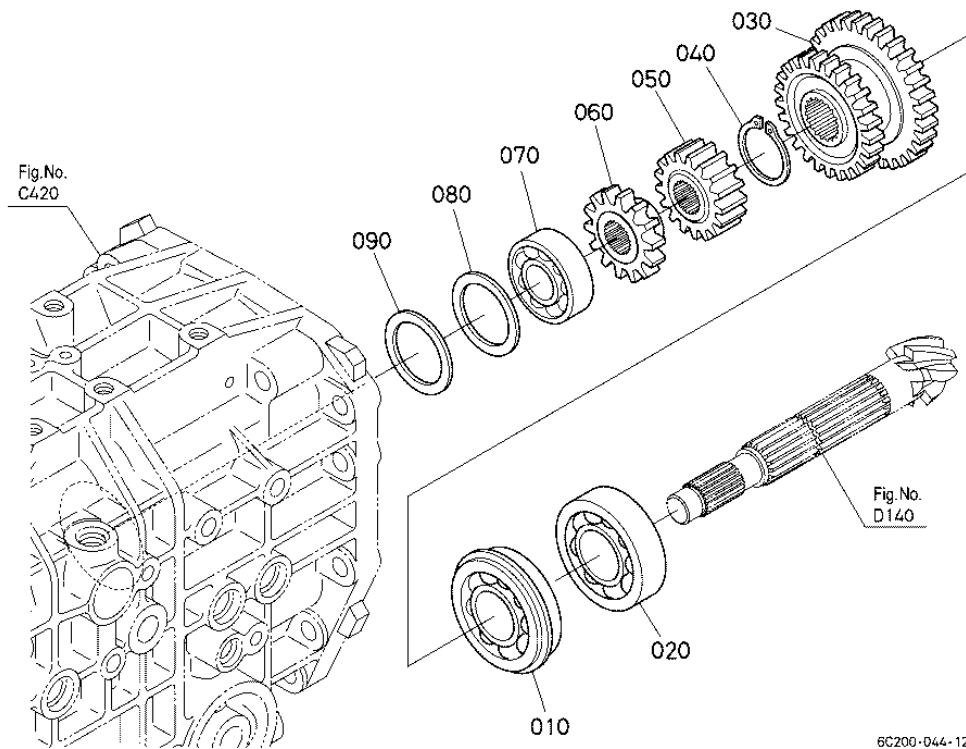
PTO CLUTCH

Ref	Part Number	Part Name	Qty	IC	S/N	Lbs	Remarks
010	6C200-14224	CASE PTO CLUTCH	1			1.826	
020	08101-06007	BEARING BALL	1			0.352	
030	6C200-14232	PISTON CLUTCH	1			0.572	
040	37410-75370	D RING	1			0.004	
050	6A700-13750	DISK CLUTCH	5			0.081	
060	6A700-13762	PLATE CLUTCH	4			0.081	
070	TA040-69090	RUBBER	6			0.002	

PTO CLUTCH

Ref	Part Number	Part Name	Qty	IC	S/N	Lbs	Remarks
080	6A700-13770	PLATE CLUTCH	1			0.002	
090	04611-00920	CIR CLIP INTERNAL	1			0.088	
100	6C200-14252	BOSS SPLINE	1			0.77	
110	08101-06807	BEARING BALL	1			0.066	
120	36280-41360	CIR-CLIP	1			0.006	
130	6C200-14350	COLLAR BEARING	1			0.004	
140	6C200-14340	SPRING CLUTCH	1			0.099	
150	6C200-14240	COLLAR SPRING	1			0.033	
160	04612-00300	CIR CLIP EXTERNAL	1			0.006	
170	6C200-14280	PLATE BRAKE	1			0.363	
180	6C200-14380	PLATE BRAKE	1			0.171	
190	04612-00600	CIR CLIP EXTERNAL	1			0.026	

BEVEL GEAR SHAFT/RANGE GEAR



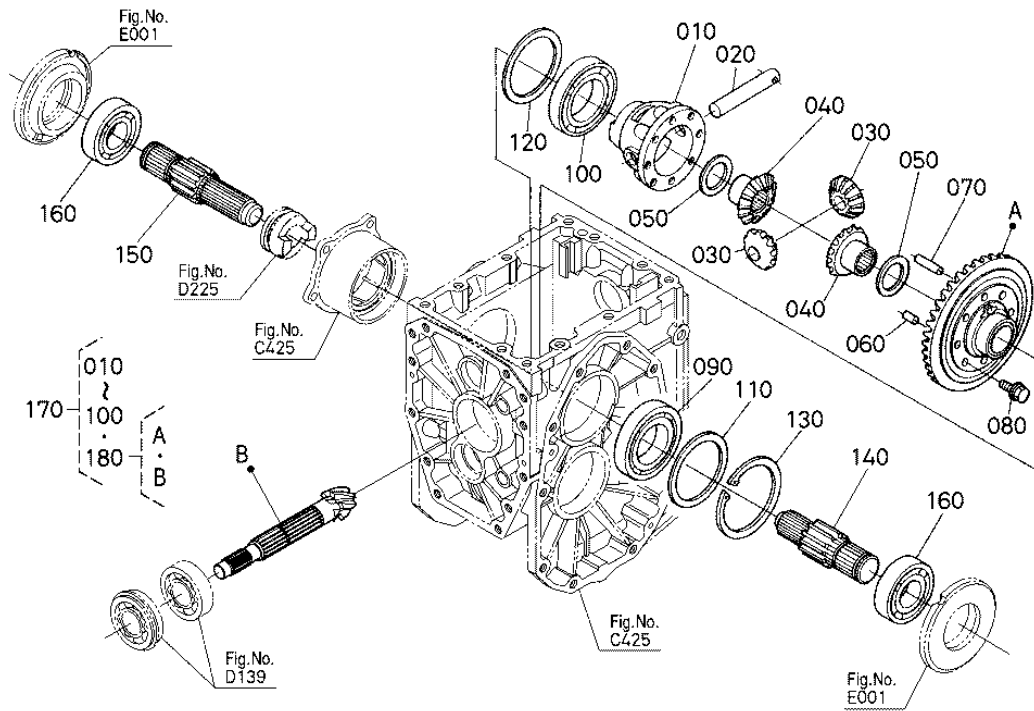
BEVEL GEAR SHAFT/RANGE GEAR

Ref	Part Number	Part Name	Qty	IC	S/N	Lbs	Remarks
010	38430-21590	BEARING BALL	1			0.55	
020	6A700-16640	BEARING BALL	1			0.506	
030	6C200-14830	GEAR	1			1.716	25-31T
040	6C200-14860	CIR CLIP EXTERNAL	1			0.022	
050	6C200-14840	GEAR	1			0.407	17T
060	6C200-14850	GEAR FWD	1			0.253	13T
070	08221-07303	BEARING BALL	1			0.255	

BEVEL GEAR SHAFT/RANGE GEAR

Ref	Part Number	Part Name	Qty	IC	S/N	Lbs	Remarks
080	66591-14720	SPACER	1			0.004	
090	66611-14690	SHIM	1			0.002	0.2mm
090	66611-14680	SHIM	1			0.022	1.8mm
090	66611-14670	SHIM	1			0.017	1.4mm

REAR DIFFERENTIAL



32741-033-10

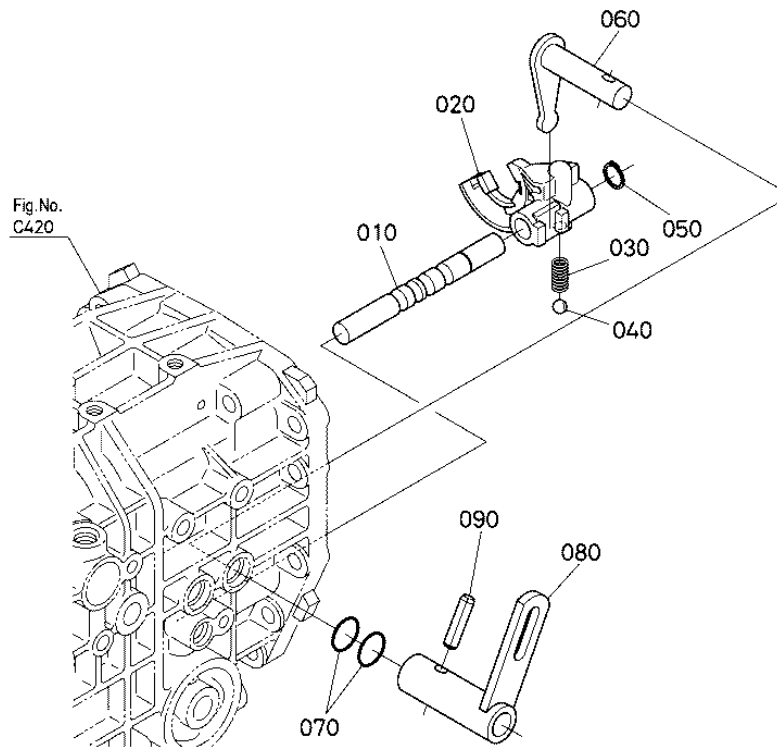
REAR DIFFERENTIAL

Ref	Part Number	Part Name	Qty	IC	S/N	Lbs	Remarks
010	6C040-14973	CASE DIFFERENTIAL	1			1.54	
020	67711-14912	SHAFT DIFF.PINION	1			0.308	
030	6C170-14923	GEAR BEVEL	2			0.242	12T
040	6C040-14930	GEAR DIFF.SIDE	2			0.363	14T
050	67211-15160	SHIM	2			0.022	1.0mm
050	67211-15170	SHIM	2			0.017	0.8mm
050	67211-15180	SHIM	2			0.022	1.2mm

REAR DIFFERENTIAL

Ref	Part Number	Part Name	Qty	IC	S/N	Lbs	Remarks
060	66591-14792	PIN KNOCK	1			0.006	
070	66591-14783	PIN STRAIGHT	1			0.022	
080	67810-56680	BOLT UBS	6			0.028	
090	08101-06009	BEARING BALL	1			0.484	
100	08101-06010	BEARING BALL	1			0.576	
110	66591-14980	SHIM DIFF.SIDE	1			0.011	0.5mm
110	66591-14990	SHIM DIFF.SIDE	1			0.004	0.2mm
120	66611-15140	SHIM DIFF.SIDE	1			0.013	0.5mm
120	66611-15150	SHIM DIFF.SIDE	1			0.004	0.2mm
130	04611-00750	CIR CLIP INTERNAL	1			0.041	
140	6A671-14940	SHAFT DIFF.GEAR LH	1			1.298	
150	6A671-14950	SHAFT DIFF.GEAR RH	1			1.496	
160	08101-06306	BEARING BALL	2			0.737	
170	6C200-97912	ASSY DIFFERENTIAL	1			9.24	
180	6C200-97920	ASSY GEAR BEVEL	1			4.598	

RANGE GEAR SHIFT FORK



6C200-046-12

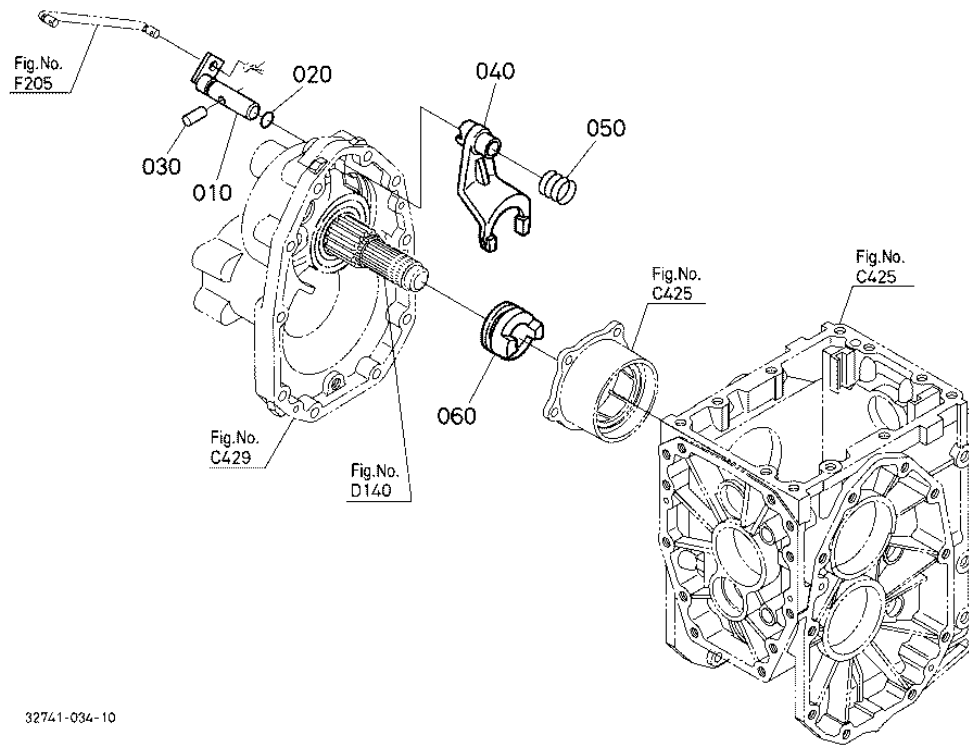
RANGE GEAR SHIFT FORK

Ref	Part Number	Part Name	Qty	IC	S/N	Lbs	Remarks
010	6A700-18410	ROD FORK	1			0.33	
020	6C200-18422	FORK RANGE SHIFT	1			0.209	
030	62061-18260	SPRING STOPPER	1			0.004	
040	07715-01605	BALL	1			0.006	
050	04612-00140	CIR CLIP EXTERNAL	1			0.002	
060	6A700-18510	ARM RANGE SHIFT	1			0.308	
070	04816-00160	O RING	2			0.006	

RANGE GEAR SHIFT FORK

Ref	Part Number	Part Name	Qty	IC	S/N	Lbs	Remarks
080	6C200-18522	LEVER SHIFT ARM	1			0.528	
090	05411-00832	PIN SPRING	1			0.077	

DIFFERENTIAL LOCK SHIFT FORK

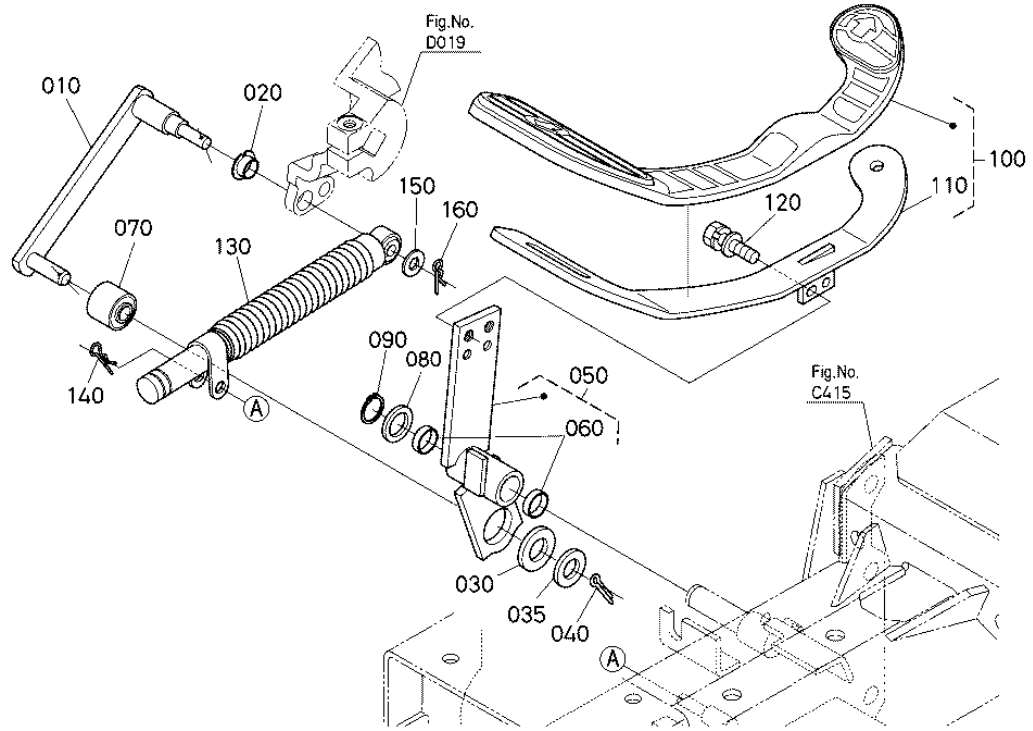


32741-034-10

DIFFERENTIAL LOCK SHIFT FORK

Ref	Part Number	Part Name	Qty	IC	S/N	Lbs	Remarks
010	32721-19120	ROD FORK	1			0.374	
020	04816-06120	O RING	1			0.004	
030	6A100-19130	PIN	1			0.037	
040	6C040-19110	FORK DIFF.LOCK SHIFT	1			0.484	
050	6A700-19130	SPRING	1			0.026	
060	66611-15130	CLUTCH DIFF.LOCK	1			0.44	

SPEED CONTROL PEDAL



32741-038-10

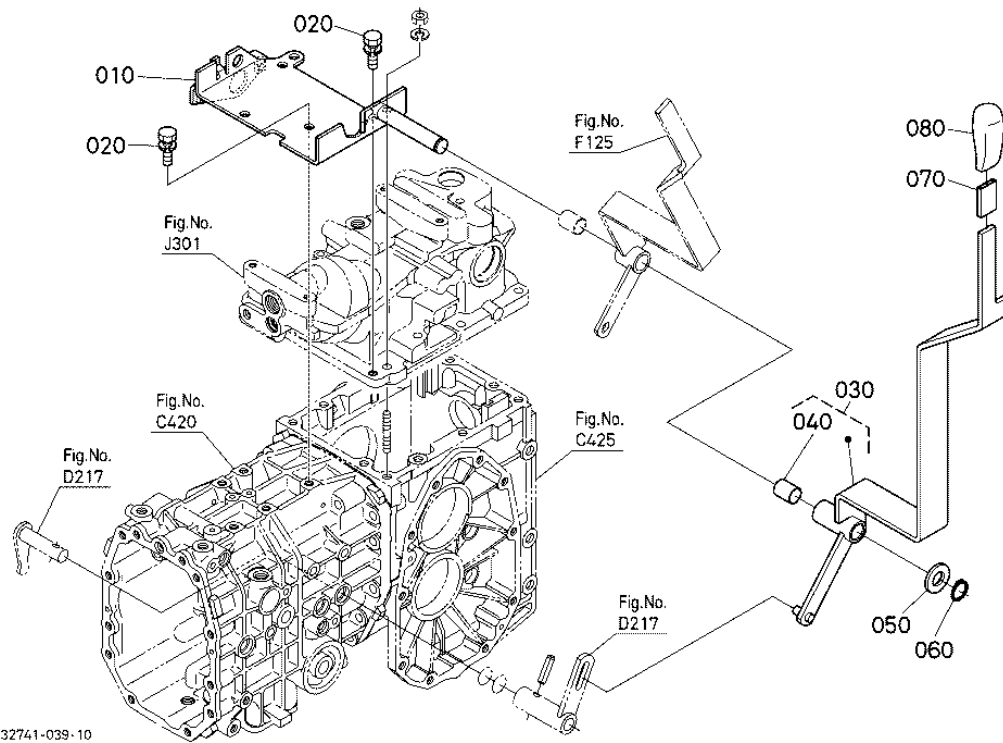
SPEED CONTROL PEDAL

Ref	Part Number	Part Name	Qty	IC	S/N	Lbs	Remarks
010	6C200-18220	PLATE HST	1			0.484	
020	6A100-44680	BUSH	1			0.006	
030	04013-60140	WASHER PLAIN	1			0.022	
035	04013-60100	WASHER PLAIN	1			0.006	
040	05511-50320	PIN SPLIT	1			0.004	
050	32741-18200	ASSY LEVER HST	1			0	
060	08511-01610	BUSH	2			0.011	

SPEED CONTROL PEDAL

Ref	Part Number	Part Name	Qty	IC	S/N	Lbs	Remarks
070	6A000-12180	CUSHION RUBBER	1			0.079	
080	45403-41330	COLLAR DISTANCE	1			0.022	
090	04612-00160	CIR CLIP EXTERNAL	1			0.002	
100	TD060-55543	PEDAL HST CONTROL	1			2.64	
110	TD060-55113	PEDAL HST	1			1.837	
120	01125-60820	BOLT	2			0.033	
130	32721-43350	DAMPER HST	1			0.572	
140	05525-50800	PIN SNAP	1			0.002	
150	04013-60080	WASHER PLAIN	1			0.004	
160	05525-50800	PIN SNAP	1			0.002	

RANGE GEAR SHIFT LEVER



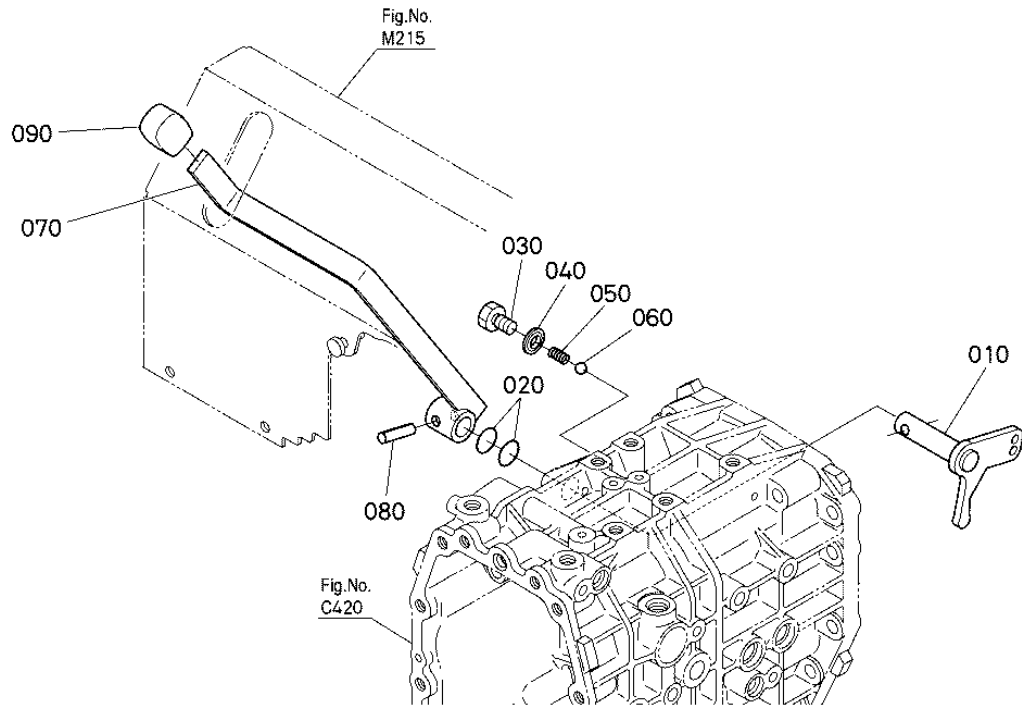
RANGE GEAR SHIFT LEVER

Ref	Part Number	Part Name	Qty	IC	S/N	Lbs	Remarks
010	6C200-11180	BRACKET	1			3.454	
020	01123-51025	BOLT	4			0.044	
030	32741-18502	LEVER RANGE SHIFT	1			0	
040	08511-01825	BUSH	1			0.022	
050	04013-50180	WASHER PLAIN	1			0.033	
060	04612-00180	CIR CLIP EXTERNAL	1			0.002	
070	6C040-42760	CUSHION	1			0.006	

RANGE GEAR SHIFT LEVER

Ref	Part Number	Part Name	Qty	IC	S/N	Lbs	Remarks
080	6A700-18352	GRIP	1			0.114	

FRONT WHEEL DRIVE LEVER



32741-040-10

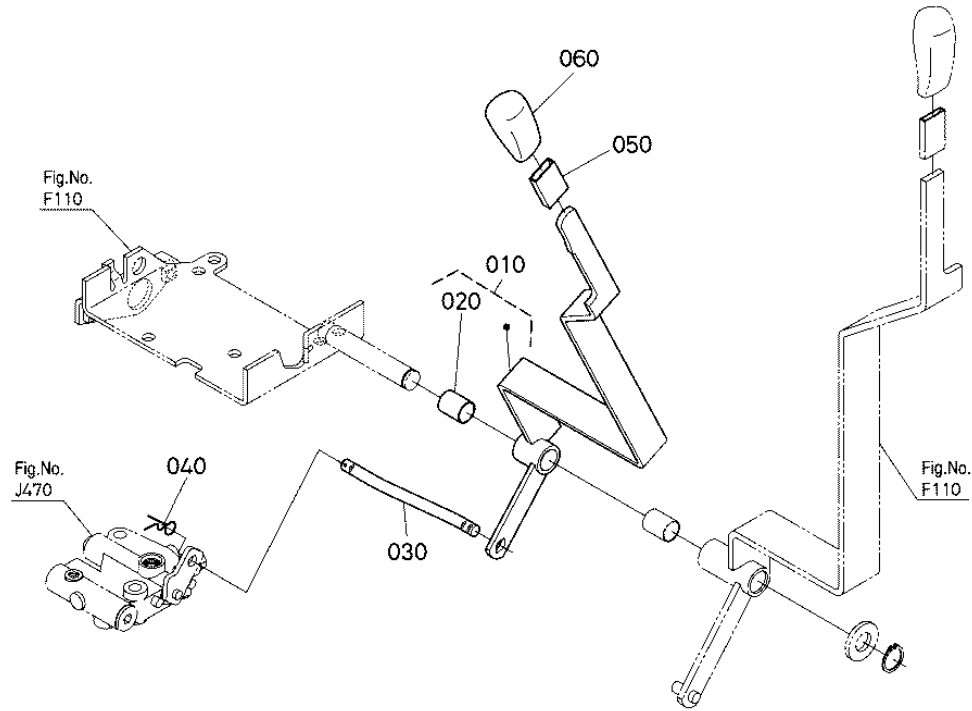
FRONT WHEEL DRIVE LEVER

Ref	Part Number	Part Name	Qty	IC	S/N	Lbs	Remarks
010	6A700-19210	ARM 4WD SHIFT	1			0.44	
020	04816-00160	O RING	2			0.006	
030	6C040-19222	BOLT	1			0.033	
040	04717-01000	WASHER WITH RUBBER	1			0.002	
050	62061-18260	SPRING STOPPER	1			0.004	
060	07715-01605	BALL	1			0.006	
070	32741-18910	LEVER FWD	1			0	

FRONT WHEEL DRIVE LEVER

Ref	Part Number	Part Name	Qty	IC	S/N	Lbs	Remarks
080	05411-00832	PIN SPRING	1			0.077	
090	6A320-42630	GRIP LEVER	1			0.041	

PTO GEAR SHIFT LEVER

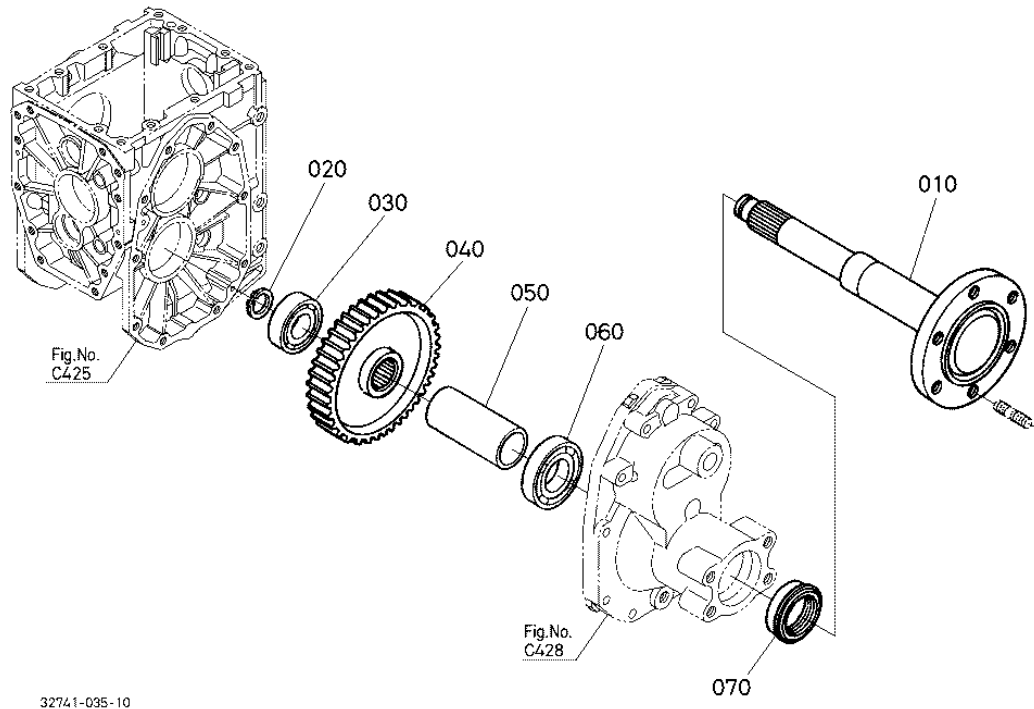


32741-041-10

PTO GEAR SHIFT LEVER

Ref	Part Number	Part Name	Qty	IC	S/N	Lbs	Remarks
010	32741-18800	ASSY LEVER PTO	1			0	
020	08511-01825	BUSH	1			0.022	
030	6C200-18830	ROD PTO	1			0.275	
040	05525-61000	PIN SNAP	1			0.004	
050	6C040-42760	CUSHION	1			0.006	
060	6C200-18790	GRIP	1			0.088	

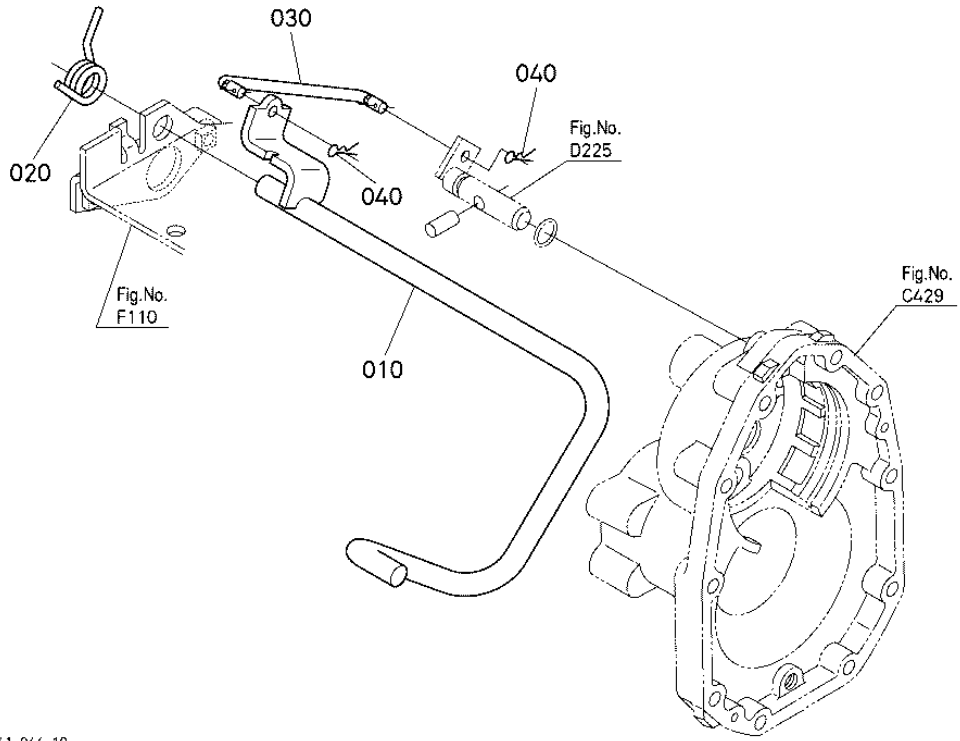
REAR AXLE



REAR AXLE

Ref	Part Number	Part Name	Qty	IC	S/N	Lbs	Remarks
010	32721-17113	SHAFT REAR AXLE	2			16.06	
020	04612-00300	CIR CLIP EXTERNAL	2			0.006	
030	08101-06306	BEARING BALL	2			0.737	
040	6A600-17130	GEAR	2			6.314	58T
050	6C040-17140	COLLAR	2			0.572	
060	6A700-16590	BEARING BALL	2			0.792	
070	32721-17150	SEAL OIL	2			0.154	

DIFFERENTIAL LOCK PEDAL

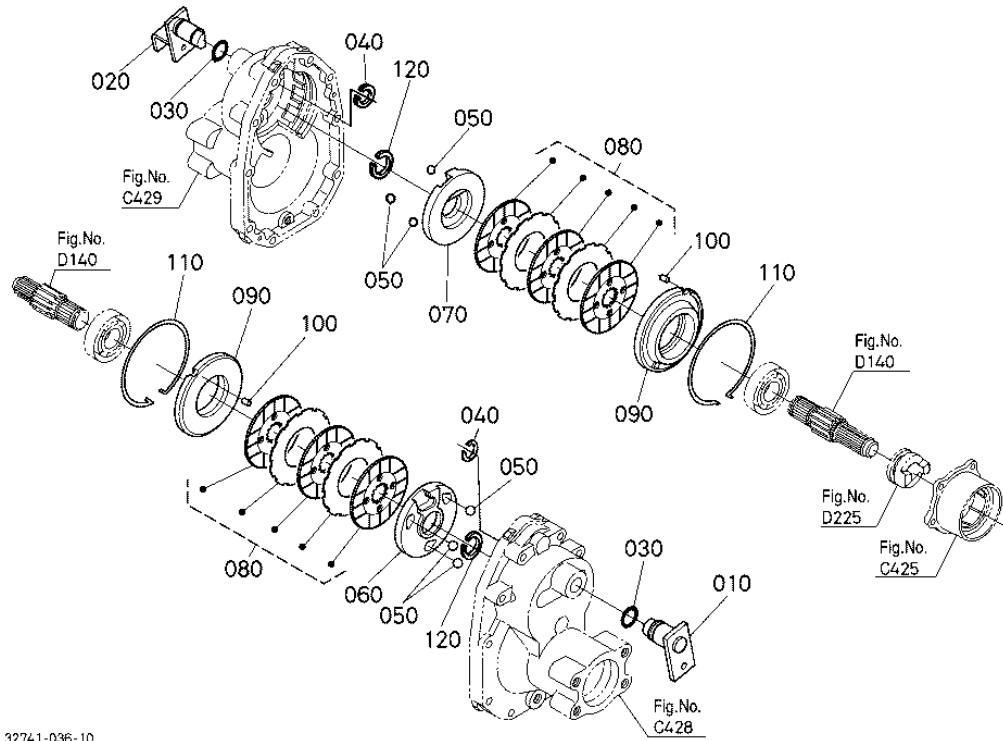


32741-044-10

DIFFERENTIAL LOCK PEDAL

Ref	Part Number	Part Name	Qty	IC	S/N	Lbs	Remarks
010	32741-42413	PEDAL DIFF.LOCK	1			0	
020	6C050-42890	SPRING	1			0.088	
030	6C200-42440	ROD DIFF.LOCK	1			0.176	
040	05525-50800	PIN SNAP	2			0.002	

BRAKE



32741-036-10

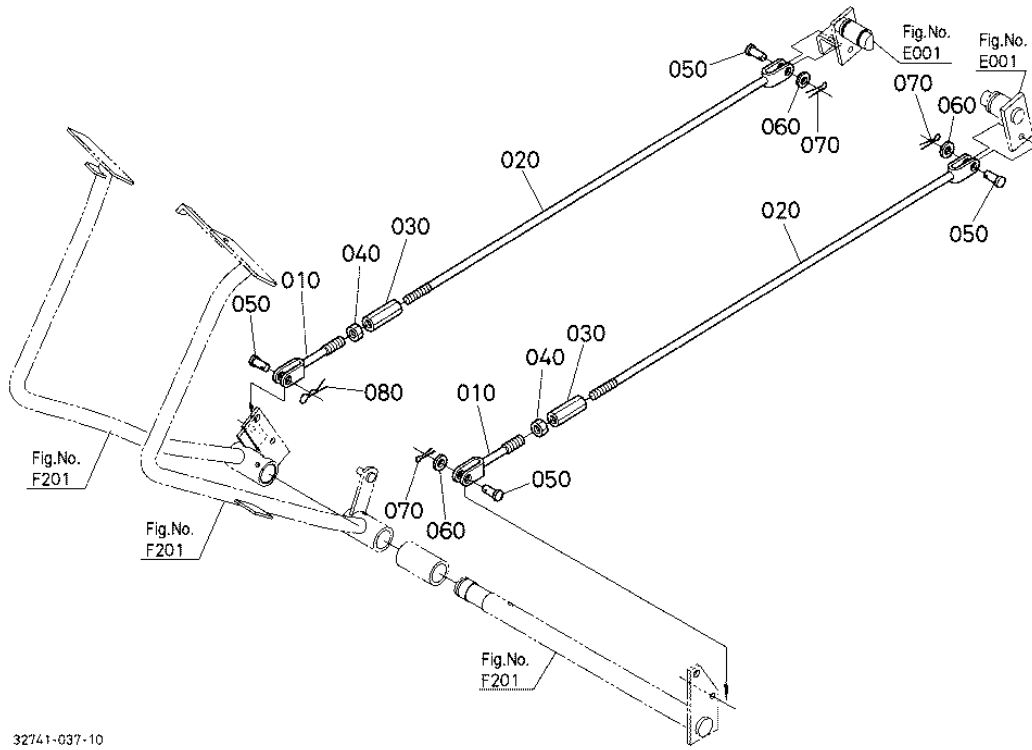
BRAKE

Ref	Part Number	Part Name	Qty	IC	S/N	Lbs	Remarks
010	6A600-22360	LEVER CAM LH	1			0.682	
020	32741-22460	LEVER CAM RH	1			0	
030	04816-00210	O RING	2			0.008	
040	67061-14370	CIR-CLIP	2			0.004	
050	07715-00805	BALL	6			0.035	
060	6A320-22320	ACTUATOR LH	1			1.408	
070	6A320-22420	ACTUATOR RH	1			1.386	

BRAKE

Ref	Part Number	Part Name	Qty	IC	S/N	Lbs	Remarks
080	6A700-22300	ASSY BRAKE	2			1.65	
090	6C170-22380	HOLDER BEARING	2			2.2	
100	6C040-22440	PIN	2			0.008	
110	6C070-22390	CIR-CLIP INTERNAL	2			0.088	
120	70435-51590	CIR-CLIP	2			0.004	

BRAKE ROD



32741-037-10

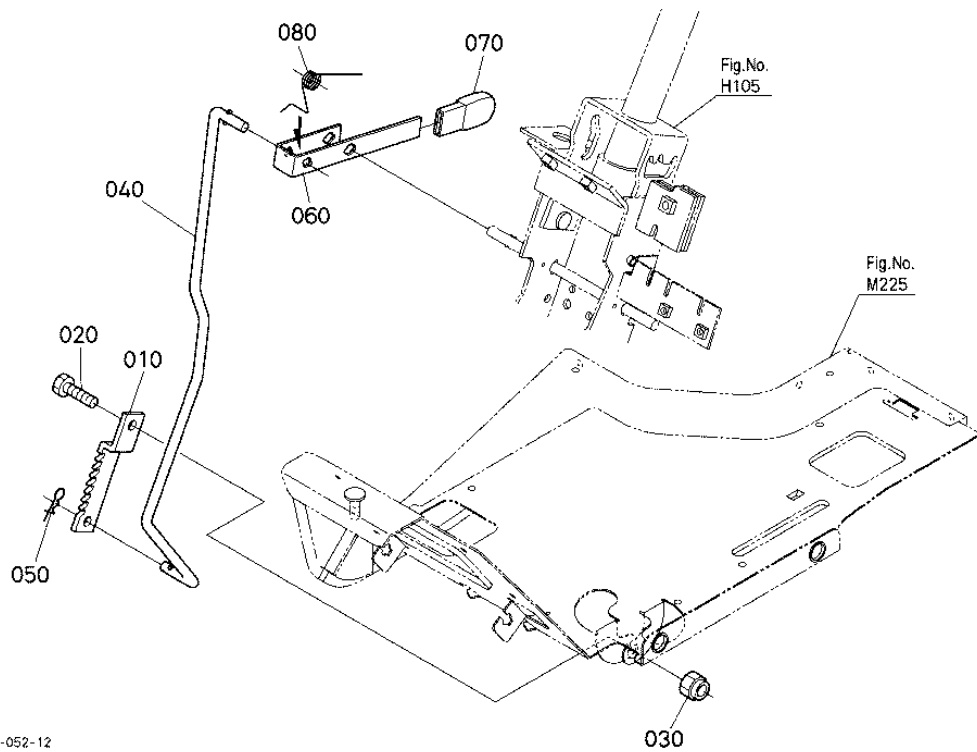
BRAKE ROD

Ref	Part Number	Part Name	Qty	IC	S/N	Lbs	Remarks
010	6C200-42370	ROD BRAKE FRONT	2			0.151	
020	6A600-42360	ROD BRAKE REAR	2			0.396	
030	66591-42410	TURNBUCKLE	2			0.101	
040	02114-50080	NUT	2			0.011	
050	05122-50822	PIN JOINT	4			0.022	
060	04013-60080	WASHER PLAIN	3			0.004	
070	05511-50218	PIN SPLIT	3			0.002	

BRAKE ROD

Ref	Part Number	Part Name	Qty	IC	S/N	Lbs	Remarks
080	05525-50800	PIN SNAP	1			0.002	

PARKING BRAKE LEVER



6C200-052-12

PARKING BRAKE LEVER

Ref	Part Number	Part Name	Qty	IC	S/N	Lbs	Remarks
010	6C200-42250	PLATE BRAKE LOCK	1			0.160	
020	01153-50816	BOLT	1			0.022	
030	50591-62370	NUT	1			0.011	
040	6C200-42263	ROD PARKING	1			0.484	
050	52300-34120	PIN SNAP	1			0.002	
060	6A700-42270	LEVER BRAKE	1	>>	>=50478	0.22	
060	6A700-42290	LEVER BRAKE	1		<=50477	0.242	ORDER BY REF.No.06

PARKING BRAKE LEVER

Ref	Part Number	Part Name	Qty	IC	S/N	Lbs	Remarks
070	6C040-41360	GRIP LEVER	1			0.026	
080	6C040-41380	SPRING RETURN	1			0.017	