

Instructions for Parts Books

The heading at the top of the page will be the same for the picture of the parts as it is for the page with the part numbers.

Definition of column headings on part number pages:

REF.No → The number referring to the part on the picture page of the parts book.

Part No. → The number assigned to this part at the time of printing the parts book.

Description → Description of part.

Q'ty → Quantity of part used on that page.

S.No. → Serial number range of the equipment that this part will fit.

>= Your serial number should be greater than or equal to the number shown.

<= Your serial number should be lesser than or equal to the serial number shown.

I/C → Interchangeability of part shown.

↔ The part shown will work for the older and later serial number.

The part shown is not interchangeable with the other serial number.

← new for old

→ old for new

Remarks → Notes about this particular part. Sometimes this may say except [FR] or [CA]

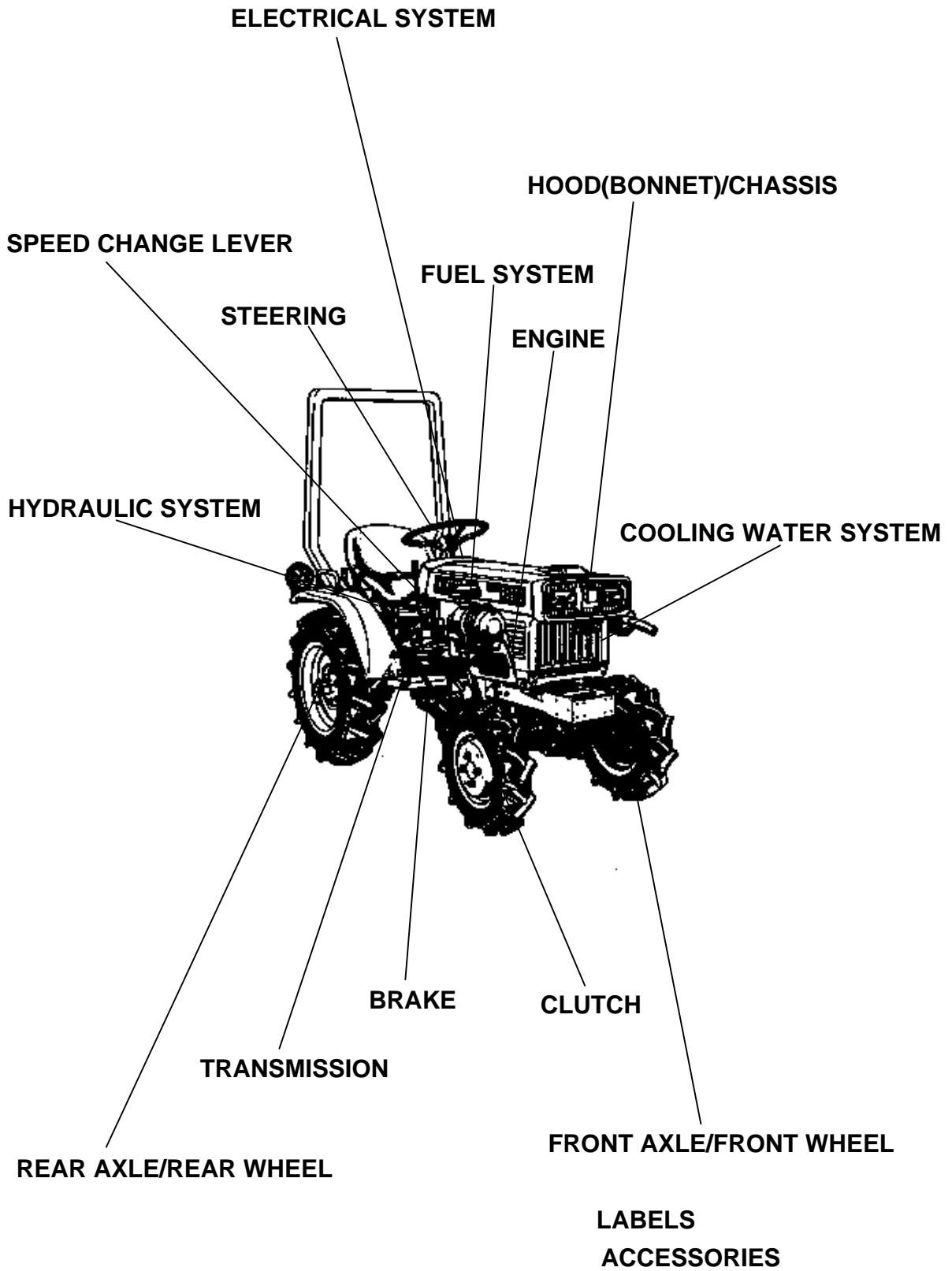
Note about Country Codes:

The parts books we use in the United States of America may also contain information about a part that would be different in another country. It is important that you are aware of the country codes in some instances.

Symbol	Country
A	United States of America
CA	Canada
FR	France
GR	Greece
PO	Portugal
AU	Australia

If the remarks column says for example EXCEPT [FR] this part works in all countries except France. That means it will work here in the USA.

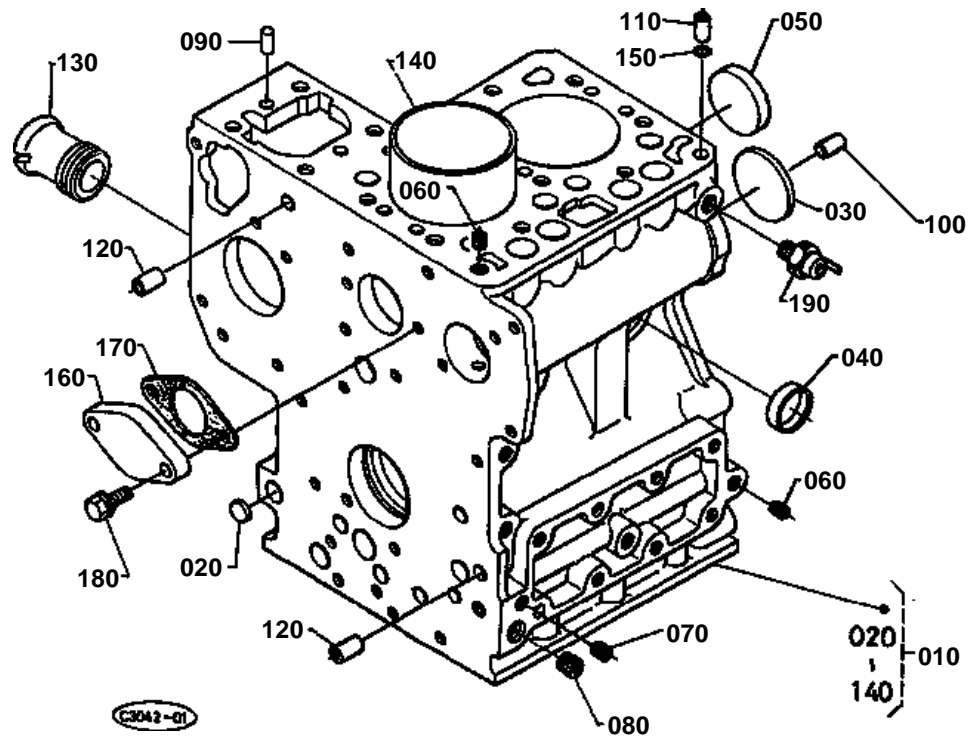
ALL PRODUCT INDEX
B4200D



Item	Part No.	Description	Book	
ENGINE	01T001	CRANKCASE	100K0315	
	01T002	OIL PAN	100K0315	
	01T003	PISTON/CRANKSHAFT	100K0315	
	01T004	MAIN BEARING CASE	100K0315	
	01T005	FLYWHEEL	100K0315	
	01T006	CYLINDER HEAD	100K0315	
	01T007	VALVE/ROCKER ARM	100K0315	
	01T008	NOZZLE HOLDER [A] [CA] [FR] [AU]	100K0315	
	01T010	NOZZLE HOLDER (COMPONENT PARTS)	100K0315	
	01T011	CYLINDER HEAD COVER	100K0315	
	01T012	INLET MANIFOLD	100K0315	
	01T014	EXHAUST MANIFOLD	100K0315	
	01T016	CAMSHAFT	100K0315	
	01T017	GEAR CASE	100K0315	
	01T018	HYDRAULIC GEAR PUMP	100K0315	
	01T019	HYDRAULIC GEAR PUMP (COMPONENT PARTS)	100K0315	
	01T020	FUEL PUMP	100K0315	
	01T021	INJECTION PUMP	100K0315	
	01T022	INJECTION PUMP (COMPONENT PARTS)	100K0315	
	01T023	SPEED CONTROL PLATE	100K0315	
	01T024	GOVERNOR	100K0315	
	ELECTRICAL SYSTEM	01T029	DYNAMO/FAN [A] [CA] [FR] [AU] [WG]	100K0315
		01T030	DYNAMO (COMPONENT PARTS) [A] [CA] [FR] [AU] [WG]	100K0315
	CLUTCH	01T048	CLUTCH	100K0315
LABELS	01T096	LABEL	100K0315	
ENGINE	01T013	AIR CLEANER	100K0315	
	01T015	MUFFLER	100K0315	
	01T025	ACCELERATOR	100K0315	
FUEL SYSTEM	01T026	FUEL TANK	100K0315	
	01T027	FUEL FILTER	100K0315	
COOLING WATER SYSTEM	01T028	RADIATOR	100K0315	
ELECTRICAL SYSTEM	01T035	STARTER	100K0315	
	01T036	STARTER (COMPONENT PARTS)	100K0315	
	01T037	BATTERY	100K0315	
	01T038	PANEL WIRING [A] [CA]	100K0315	
	01T041	LIGHT/HORN [A] [CA] [U]	100K0315	
	01T047	SWITCH	100K0315	
	CLUTCH	01T049	CLUTCH PEDAL/PROPELLER SHAFT	100K0315
		01T050	CLUTCH HOUSING	100K0315
	TRANSMISSION	01T051	TRANSMISSION CASE	100K0315
		01T052	CASE COVER	100K0315
01T053		1ST SHAFT 4TH SHAFT	100K0315	
01T054		2ND SHAFT REVERSE SHAFT	100K0315	
01T055		3RD SHAFT 5TH SHAFT PTO SHAFT [A] [CA] [U]	100K0315	
01T057		MID P.T.O.	100K0315	
SPEED CHANGE LEVER		01T058	MAIN GEAR SHIFT LEVER	100K0315
	01T059	HI-LO GEAR SHIFT LEVER	100K0315	
REAR AXLE/REAR WHEEL	01T060	DIFFERENTIAL REAR	100K0315	
	01T061	AXLE CASE	100K0315	
	01T062	REAR WHEEL (7-16)	100K0315	
	01T063	REAR WHEEL (212/80D-15) [A] [CA]	100K0315	
BRAKE	01T065	BRAKE	100K0315	
	01T066	BRAKE PEDAL [A] [CA] [FR] [U] [AU]	100K0315	
FRONT AXLE/FRONT WHEEL	01T069	DRIVE SHAFT	100K0315	
	01T070	FRONT AXLE CASE	100K0315	
	01T071	FRONT WHEEL GEAR CASE	100K0315	
	01T072	DIFFERENTIAL FRONT	100K0315	
	01T073	FRONT AXLE JOINT	100K0315	
	01T074	FRONT WHEEL DRIVE LEVER	100K0315	
	01T075	FRONT WHEEL (4.50-10)	100K0315	

Item	Part No.	Description	Book
FRONT AXLE/FRONT WHEEL	01T076	FRONT WHEEL (20 X 8.00-10)	100K0315
	01T077	FRONT AXLE FRAME [A] [CA] [FR] [U] [AU]	100K0315
STEERING	01T079	KNUCKLE ARM	100K0315
	01T080	STEERING	100K0315
HYDRAULIC SYSTEM	01T081	HYDRAULIC PIPE [A] [CA] [FR] [U] [AU]	100K0315
	01T083	CONTROL VALVE (COMPONENT PARTS)	100K0315
	01T084	HYDRAULIC LIFT ARM	100K0315
	01T085	HYDRAULIC CYLINDER CAP	100K0315
	01T086	3-POINT LINKAGE [A] [CA] [FR] [U] [AU]	100K0315
HOOD(BONNET)/CHASSIS	01T088	HOOD(BONNET) [A] [CA] [U]	100K0315
	01T090	REARVIEW MIRROR (OPTION) [A] [CA] [U]	100K0315
	01T091	FENDER [A] [CA] [FR] [U] [AU]	100K0315
	01T093	SEAT [A] [CA] [FR] [U] [AU]	100K0315
	01T095	STEP/FOOT COVER	100K0315
LABELS	01T097	LABEL	100K0315
ACCESSORIES	01T098	ACCESSORIES	100K0315

CRANKCASE



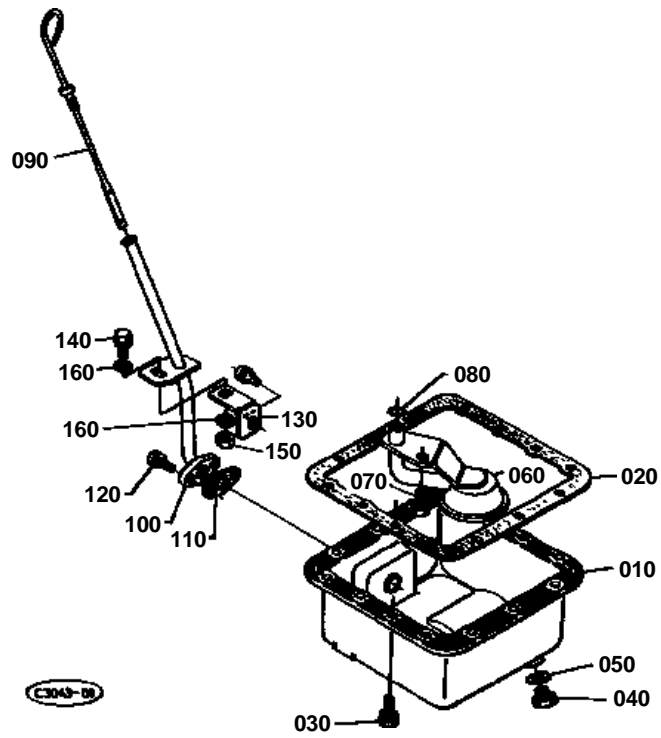


CRANKCASE

↔ Interchangeable; ≠ not interchangeable; ← new for old; → old for new

REF.No	Part No.	Description	Q'ty	S.No.	I/C	REMARKS	Weight (kgf)	Weight (lb)
	15951-01010							
	15261-96170						0.005	
	15261-96160						0.02	
	15321-96260						0.014	
	15221-03490						0.02	
	15261-96010						0.002	
	15521-96020						0.003	
	15521-96030						0.007	
	05012-00609						0.003	
	05012-00814						0.006	
	15221-33650						0.004	
	15231-33960						0.001	
	15261-72880						0.07	
	15901-02310						0.398	
	15221-33700						0.001	
	15261-73910						0.13	
	15261-73920							
	01023-50618						0.006	
	15531-39010						0.032	

OIL PAN



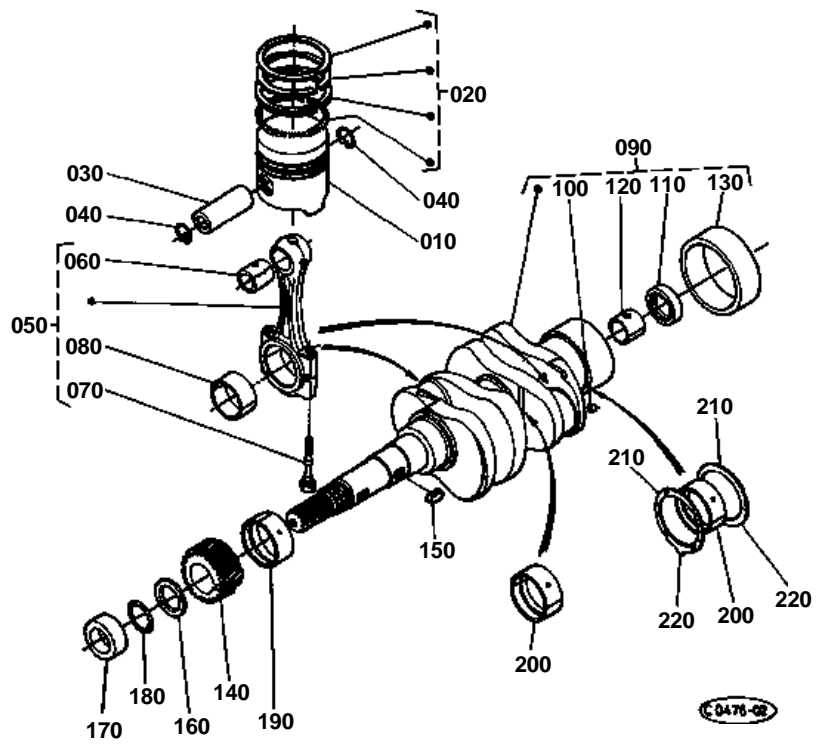


OIL PAN

↔ Interchangeable; ≠ not interchangeable; ← new for old; → old for new

REF.No	Part No.	Description	Q'ty	S.No.	I/C	REMARKS	Weight (kgf)	Weight (lb)
010	15262-01610	OIL PAN	1				1.12	2.464
020	15261-01620	GASKET OIL PAN	1				0	0
030	15381-91092	BOLT	14				0.002	0.0044
040	15221-33750	PLUG	1				0.032	0.0704
050	15109-33660	GASKET	1				0.001	0.0022
060	15262-32110	FILTER OIL	1				0.15	0.33
070	01123-50816	BOLT	1				0.011	0.0242
080	04811-00140	RING	1				0.001	0.0022
090	15261-36410	GAUGE OIL	1				0.031	0.0682
100	15262-36420	GUIDE OIL GAUGE	1				0.175	0.385
110	15261-36430	GASKET OIL GAUGE	1				0	0
120	01023-50618	BOLT	2				0.006	0.0132
130	15262-36440	SUPPORT OIL GAUGE	1				0.036	0.0792
140	01153-50820	BOLT	1				0.012	0.0264
150	02114-50080	NUT	1				0.005	0.011
160	04013-50080	WASHER PLAIN	2				0	0

PISTON/CRANKSHAFT



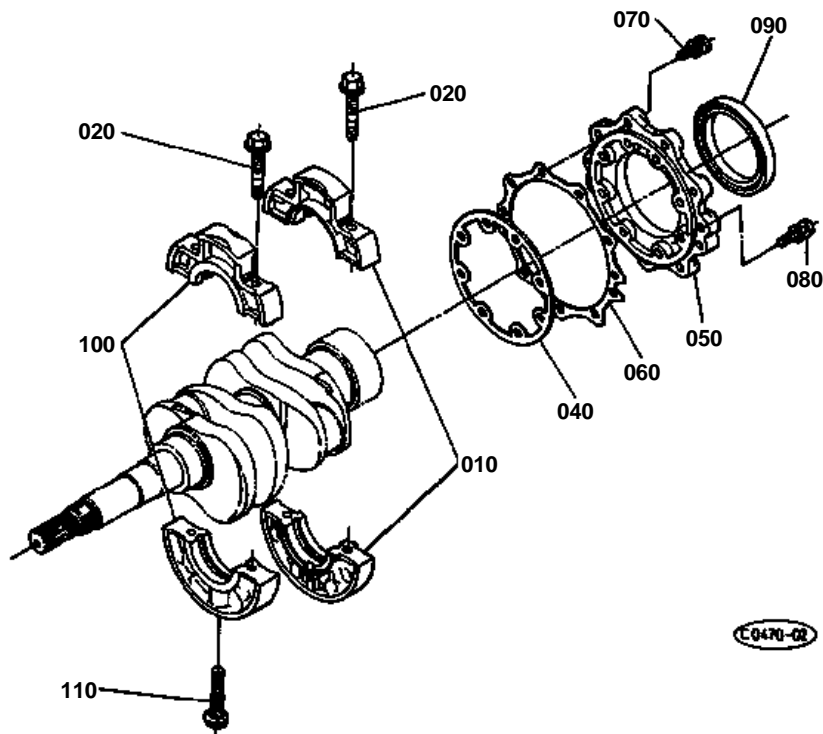


PISTON/CRANKSHAFT

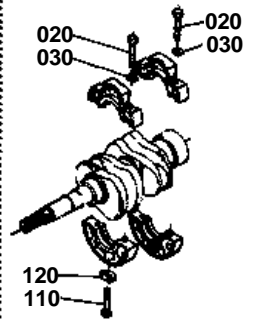
↔ Interchangeable; ≠ not interchangeable; ← new for old; → old for new

REF.No	Part No.	Description	Q'ty	S.No.	I/C	REMARKS	Weight (kgf)	Weight (lb)
010	15956-21110	PISTON	2			STD	0.32	0.704
010	15956-21910	PISTON	2			+0.5MM	0.33	0.726
020	15901-21050	ASSY PISTON RING	2			STD	0.03	0.066
020	15901-21090	ASSY PISTON RING	2			+0.5MM	0.033	0.0726
030	15261-21310	PIN PISTON	2				0.102	0.2244
040	15261-21330	CIR-CLIP PISTON PIN	4				0.001	0.0022
050	15531-22010	ASSY CONNECTING ROD	2	<=599855			0	0
050	15381-22010	ASSY CONNECTION ROD	2	>=599856	≠		0	0
050	15694-22010	ASSY CONNECTION ROD	2	>=751430	↔		0.5	1.1
060	15261-21980	BUSH PISTON PIN	2				0.012	0.0264
070	15261-22140	BOLT CONNECTING ROD	4	<=599855			0	0
070	15381-22140	BOLT CONNECTING ROD	4	>=599856	≠		0.02	0.044
080	15531-22310	METAL CRANKPIN	2	<=751429		SET.STD	0	0
080	15694-22310	METAL CRANKPIN	2	>=751430	↔	SET.STD	0.02	0.044
080	15531-22970	METAL CRANKPIN	2	<=751429		SET.-0.2MM	0	0
080	15694-22970	METAL CRANKPIN	2	>=751430	↔	SET.-0.2MM	0.025	0.055
080	15531-22980	METAL CRANKPIN	2	<=751429		SET.-0.4MM	0	0
080	15694-22980	METAL CRANKPIN	2	>=751430	↔	SET.-0.4MM	0.02	0.044
090	15263-23010	COMP.CRANKSHAFT	1	<=599855			0	0
090	15263-23012	COMP.CRANKSHAFT	1	>=599856	≠		6.84	15.048
100	15131-01380	PLUG PIN	2				0.001	0.0022
110	09400-14247	SEAL OIL	1				0.004	0.0088
120	66621-14120	BEARING DRY	1				0.006	0.0132
130	19215-23280	SLEEVE CRANKSHAFT	1				0.05	0.11
140	15261-24110	GEAR CRANKSHAFT	1				0.164	0.3608
150	05712-00515	KEY FEATHER	1				0.003	0.0066
160	15261-23310	SLINGER OIL	1				0.008	0.0176
170	15532-23250	COLLAR CRANKSHAFT	1				0.029	0.0638
180	04811-10220	RING	1				0.001	0.0022
190	15261-23470	METAL CRANKSHAFT	1	<=751429		STD	0	0
190	15694-23470	METAL CRANKSHAFT	1	>=751430	↔	STD	0.035	0.077
190	15261-23910	METAL CRANKSHAFT	1	<=751429		-0.2MM	0	0
190	15694-23910	METAL CRANKSHAFT	1	>=751430	↔	-0.2MM	0.04	0.088
190	15261-23920	METAL CRANKSHAFT	1	<=751429		-0.4MM	0	0
190	15694-23920	METAL CRANKSHAFT	1	>=751430	↔	-0.4MM	0.045	0.099
200	15261-23480	METAL CRANKSHAFT	2	<=751429		SET.STD	0	0
200	15694-23480	METAL CRANKSHAFT	2	>=751430	↔	SET.STD	0.04	0.088
200	15261-23930	METAL CRANKSHAFT	2	<=751429		SET.-0.2MM	0	0
200	15694-23930	METAL CRANKSHAFT	2	>=751430	↔	SET.-0.2MM	0.05	0.11
200	15261-23940	METAL CRANKSHAFT	2	<=751429		SET.-0.4MM	0	0
200	15694-23940	METAL CRANKSHAFT	2	>=751430	↔	SET.-0.4MM	0.046	0.1012
210	15261-23530	METAL SIDE	2			STD	0.006	0.0132
210	15261-23950	METAL SIDE	2			+0.2MM	0.006	0.0132
210	15261-23960	METAL SIDE	2			+0.4MM	0.007	0.0154
220	15261-23540	METAL SIDE	2			STD	0.007	0.0154
220	15261-23970	METAL SIDE	2			+0.2MM	0.006	0.0132
220	15261-23980	METAL SIDE	2			+0.4MM	0.007	0.0154

MAIN BEARING CASE



- 020 15261-0454-0
- 030 15261-0457-0
- 110 15261-0456-0
- 120 15261-0459-0



0470-02

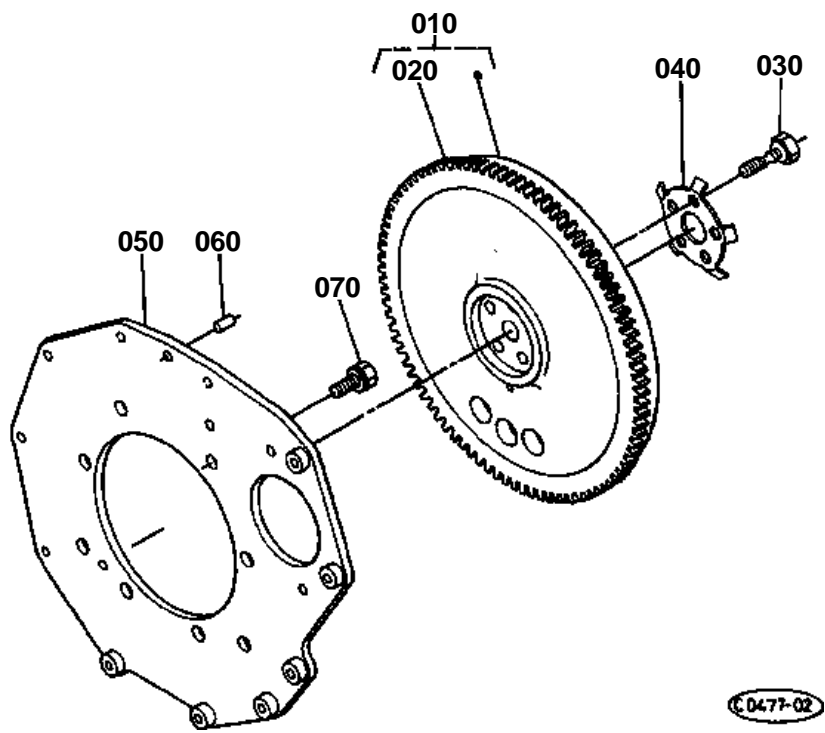


MAIN BEARING CASE

↔ Interchangeable; ≠ not interchangeable; ← new for old; → old for new

REF.No	Part No.	Description	Q'ty	S.No.	I/C	REMARKS	Weight (kgf)	Weight (lb)
010	15261-04090	ASSY CASE MAIN BRG.	1				0.8	1.76
020	15261-04540	BOLT BEARING CASE	4	≤596387			0.02	0.044
020	15381-04540	BOLT BEARING CASE	4	≥596388	≠		0.02	0.044
030	15261-04570	WASHER BEARING CASE	4	≤596387			0.001	0.0022
040	15261-04360	GASKET BRG.CASE	1				0	0
050	15549-04810	COVER BEARING CASE	1				0.2	0.44
060	15261-04820	GASKET BRG.CASE COV.	1				0	0
070	01023-50620	BOLT	9				0.006	0.0132
080	01023-50625	BOLT	8				0.007	0.0154
090	19215-04460	SEAL OIL	1				0.03	0.066
100	15261-04040	ASSY CASE MAIN BRG.	1				0.687	1.5114
110	15261-04560	BOLT BEARING CASE	1	≤596387			0.02	0.044
110	15381-04560	BOLT BEARING CASE	1	≥596388	≠		0.02	0.044
120	15261-04590	WASHER BEARING CASE	1	≤596387			0.004	0.0088

FLYWHEEL



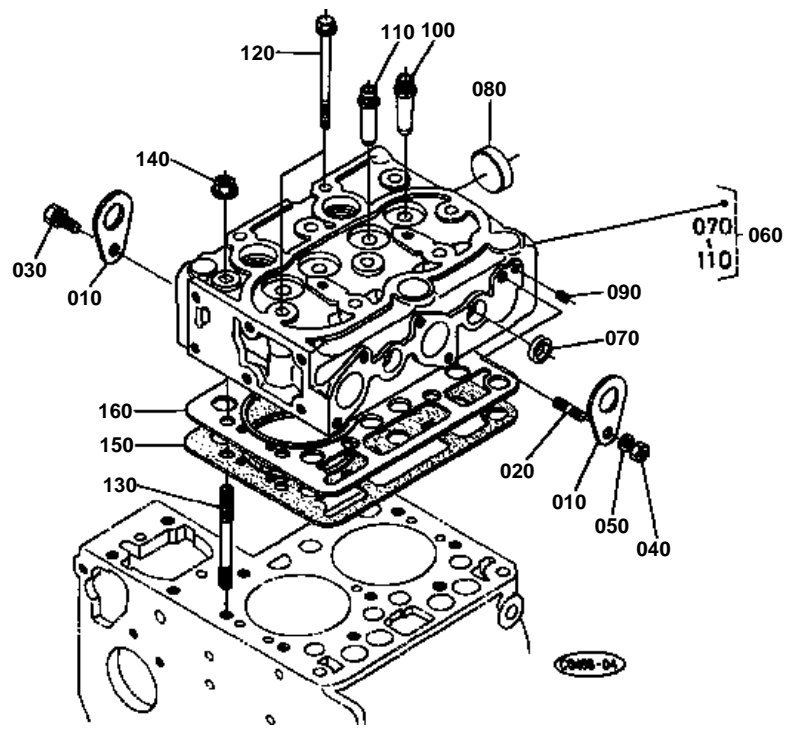
0477-02

**FLYWHEEL**

↔ Interchangeable; ≠ not interchangeable; ← new for old; → old for new

REF.No	Part No.	Description	Q'ty	S.No.	I/C	REMARKS	Weight (kgf)	Weight (lb)
010	15261-25010	COMP.FLYWHEEL	1	<=507063			0	0
010	15261-25012	COMP.FLYWHEEL	1	>=507064	←		12	26.4
020	15261-63820	GEAR RING	1				0	0
030	15261-25160	BOLT FLYWHEEL	5				0.03	0.066
040	15261-25170	WASHER FLYWHEEL	1				0.02	0.044
050	15261-04620	PLATE REAR END	1				2.71	5.962
060	05012-00814	PIN STRAIGHT	1				0.006	0.0132
070	15261-91190	BOLT	8				0.03	0.066

CYLINDER HEAD



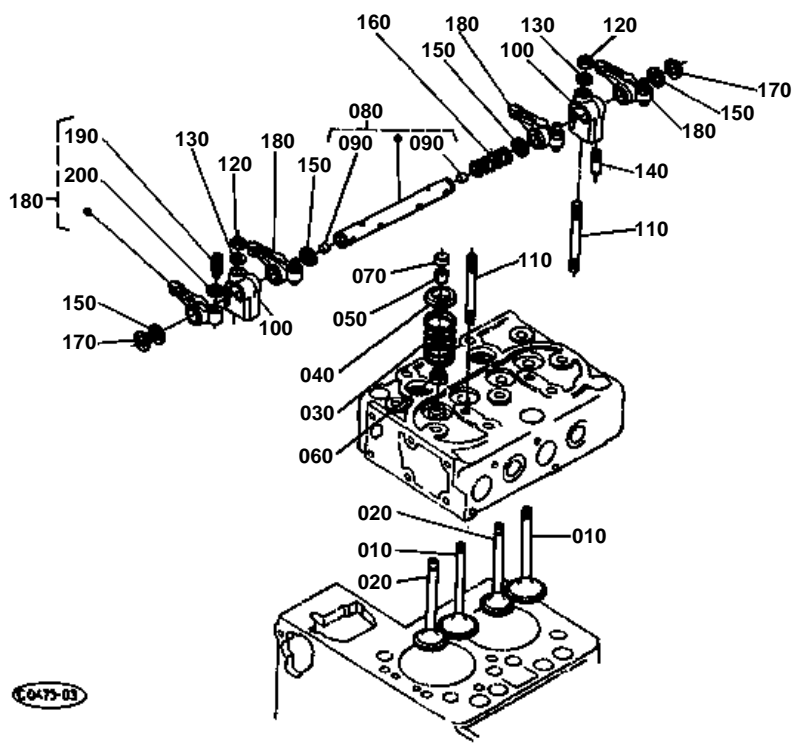


CYLINDER HEAD

↔ Interchangeable; ≠ not interchangeable; ← new for old; → old for new

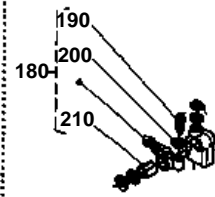
REF.No	Part No.	Description	Q'ty	S.No.	I/C	REMARKS	Weight (kgf)	Weight (lb)
010	15221-01750	HOOK ENGINE	2				0.04	0.088
020	01513-50816	STUD	1				0.009	0.0198
030	01123-50816	BOLT	1				0.011	0.0242
040	02156-50080	NUT	1				0.004	0.0088
050	04512-50080	WASHER SPRING	1				0	0
060	15951-03040	COMP.CYLINDER HEAD	1				7.1	15.62
070	15261-03370	CAP SEALING	3				0.005	0.011
080	15321-96260	CAP SEALING	1				0.014	0.0308
090	15261-96010	PLUG	2				0.002	0.0044
100	15261-13540	GUIDE INLET VALVE	2				0.02	0.044
110	15261-13560	GUIDE EXHAUST VALVE	2				0.02	0.044
120	19215-03450	BOLT CYLINDER HEAD	10			[A] [CA] [FR] [AU]	0.047	0.1034
120	19215-03450	BOLT CYLINDER HEAD	9			[U] [WG]	0.047	0.1034
130	15532-03410	STUD CYLINDER HEAD	1			[U] [WG]	0.052	0.1144
140	19215-03512	NUT CYLINDER HEAD	1			[U] [WG]	0.009	0.0198
150	15901-03314	GASKET CYLINDER HEAD	1				0	0
160	15901-03320	SHIM CYL.HEAD GASKET	1				0.025	0.055

VALVE/ROCKER ARM



0475-03

180 19264-1403-0
210 19264-1418-0

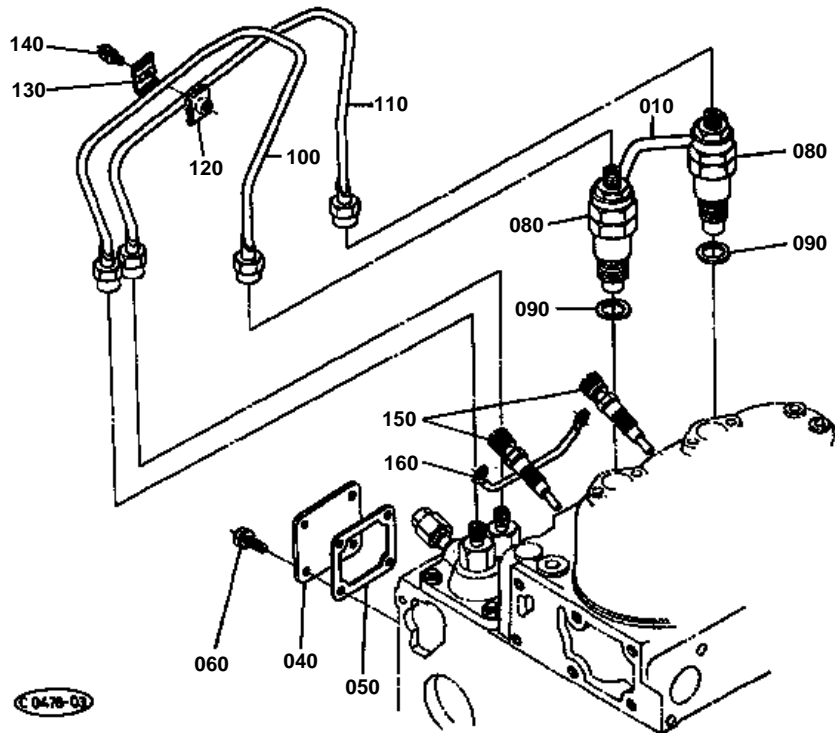




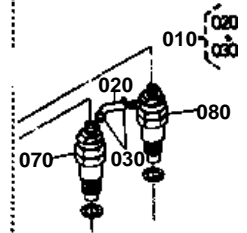
VALVE/ROCKER ARM

↔ Interchangeable; ≠ not interchangeable; ← new for old; → old for new

REF.No	Part No.	Description	Q'ty	S.No.	I/C	REMARKS	Weight (kgf)	Weight (lb)
010	15393-13110	VALVE INLET	2				0.048	0.1056
020	15393-13120	VALVE EXHAUST	2				0.048	0.1056
030	15261-13240	SPRING VALVE	4				0.02	0.044
040	15261-13330	RETAINER VALVE SP.	4	≤536567			0	0
040	16241-13330	RETAINER VALVE SP.	4	≥536568	↔		0.012	0.0264
050	15261-13360	COLLET VALVE SPRING	4				0.004	0.0088
060	15261-13150	SEAL VALVE STEM	4				0.001	0.0022
070	15261-13280	CAP VALVE	4				0	0
080	15901-14053	ASSY SHAFT R-ARM	1				0.08	0.176
090	15381-93610	SCREW SET	2				0.001	0.0022
100	15381-14350	BRACKET ROCKER ARM	2				0.05	0.11
110	15952-14410	STUD	2				0	0
120	15261-92010	NUT	2				0.005	0.011
130	15261-94010	WASHER PLAIN	2				0.002	0.0044
140	15261-14420	SCREW SET	1				0.002	0.0044
150	15261-14430	WASHER	4				0.001	0.0022
160	15261-14310	SPRING ROCKER ARM	1				0.003	0.0066
170	04612-00110	CIR-CLIP EXTERNAL	2				0.001	0.0022
180	19264-14030	ASSY ROCKER ARM	4	≤581056			0	0
180	15381-14030	ASSY ROCKER ARM	4	≥581057	≠		0.05	0.11
190	15261-14232	SCREW ADJUSTING	4				0.006	0.0132
200	15261-14240	NUT	4				0.002	0.0044
210	19264-14180	BUSH ROCKER ARM	4	≤581056			0.005	0.011



- 010 15261-4250-0
- 020 15261-4251-0
- 030 14971-4275-0
- 070 15271-5300-0
- 080 15271-5302-0



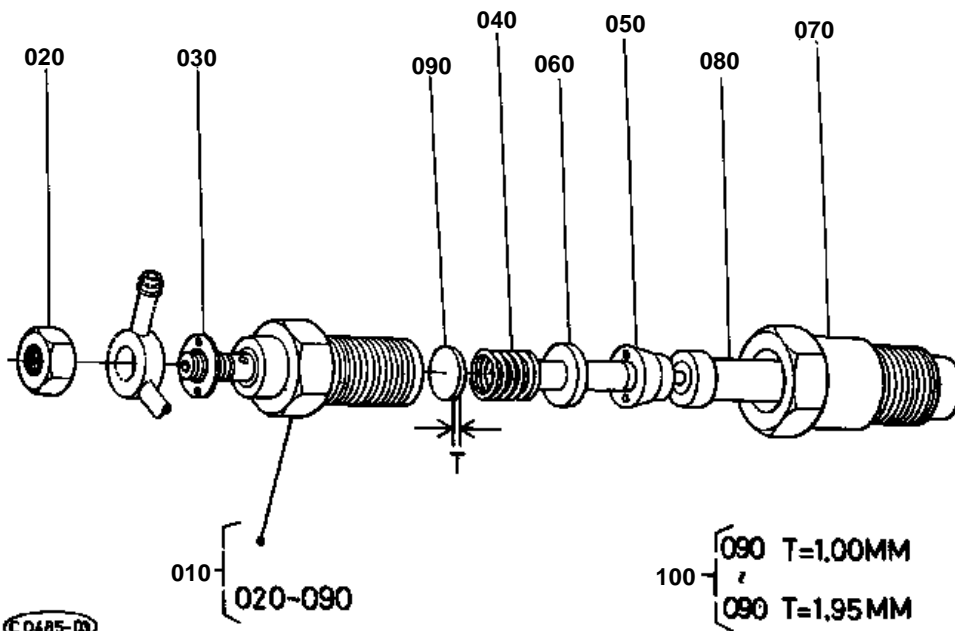


NOZZLE HOLDER [A] [CA] [FR] [AU]

↔ Interchangeable; ≠ not interchangeable; ← new for old; → old for new

REF.No	Part No.	Description	Q'ty	S.No.	I/C	REMARKS	Weight (kgf)	Weight (lb)
010	15261-42500	ASSY PIPE OVER FLOW	1	<=585582			0.02	0.044
010	15262-42502	ASSY PIPE OVER FLOW	1	>=585583	≠		0.04	0.088
020	15261-42510	PIPE FUEL OVER FLOW	1	<=585582			0.004	0.0088
030	14971-42750	CLIP PIPE	2	<=585582			0.001	0.0022
040	15241-51650	COVER INJECTION PUMP	1				0.082	0.1804
050	15231-05130	GASKET BREATHER	1				0	0
060	01023-50614	BOLT	4				0.005	0.011
070	15271-53000	ASSY HOLDER NOZZLE	1	<=585582		REFER TO L.No.0B06-R0 FOR COMPONENTS.	0.26	0.572
080	15271-53020	ASSY HOLDER NOZZLE	1	<=585582		REFER TO L.No.0B06-R0 FOR COMPONENTS.	0.26	0.572
080	15261-53020	ASSY HOLDER NOZZLE	1	>=585583	≠	REFER TO L.No.0B06-R0 FOR COMPONENTS.	0	0
090	17011-53620	GASKET	2				0.003	0.0066
100	15261-53710	PIPE INJECTION	1				0.103	0.2266
110	15261-53720	PIPE INJECTION	1				0.1	0.22
120	15841-53850	CLAMP PIPE	1				0.01	0.022
130	15841-53860	CLAMP PIPE	1				0.009	0.0198
140	03024-50520	SCREW WITH WASHER	1				0.004	0.0088
150	15951-65510	PLUG GLOW	2				0.03	0.066
160	15261-65560	CORD GLOW PLUG	1				0.005	0.011

NOZZLE HOLDER (COMPONENT PARTS)



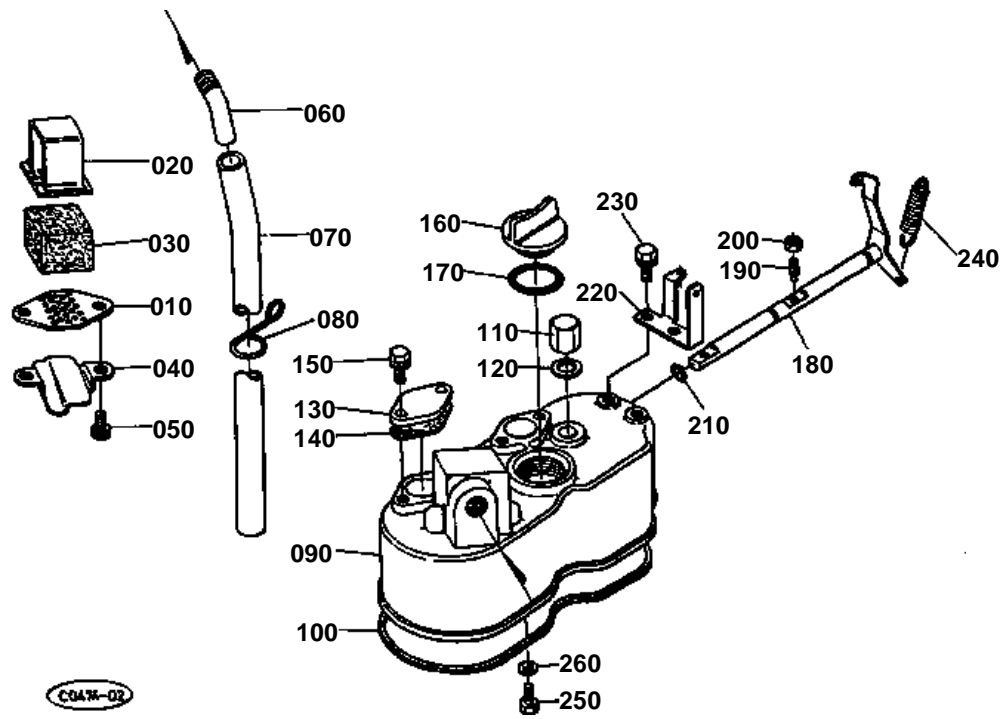
- 010 15271-5302-0
 - 015 15271-5300-0
 - 110 15221-9568-0
 - 120 15221-9569-0
-
- 110
 - 120
 - 015 { 020-090
 - 010 { 020-090
 - 120

**NOZZLE HOLDER (COMPONENT PARTS)**

↔ Interchangeable; ≠ not interchangeable; ← new for old; → old for new

REF.No	Part No.	Description	Q'ty	S.No.	I/C	REMARKS	Weight (kgf)	Weight (lb)
010	15271-53020	ASSY HOLDER NOZZLE	1	≤585582			0.26	0.572
010	15261-53020	ASSY HOLDER NOZZLE	2	≤585583	≠		0	0
015	15271-53000	ASSY HOLDER NOZZLE	1	≤585582			0.26	0.572
020	15221-92020	NUT	2				0.011	0.0242
030	15221-94020	WASHER PLAIN	2				0.002	0.0044
040	15221-53170	SPRING NOZZLE	2				0.01	0.022
050	15221-53350	PIECE DISTANCE	2				0.016	0.0352
060	15221-53160	PUSH ROD	2				0.003	0.0066
070	15221-53280	NUT NOZZLE	2				0.068	0.1496
080	15021-53610	PIECE NOZZLE	2				0	0
090	15221-98110	WASHER ADJUSTING	2			1.00MM	0.001	0.0022
090	15221-98120	WASHER ADJUSTING	2			1.05MM	0.001	0.0022
090	15221-98130	WASHER ADJUSTING	2			1.10MM	0.001	0.0022
090	15221-98140	WASHER ADJUSTING	2			1.15MM	0.001	0.0022
090	15221-98150	WASHER ADJUSTING	2			1.20MM	0.001	0.0022
090	15221-98160	WASHER ADJUSTING	2			1.25MM	0.001	0.0022
090	15221-98170	WASHER ADJUSTING	2			1.30MM	0.001	0.0022
090	15221-98180	WASHER ADJUSTING	2			1.35MM	0.001	0.0022
090	15221-98190	WASHER ADJUSTING	2			1.40MM	0.002	0.0044
090	15221-98200	WASHER ADJUSTING	2			1.45MM	0.001	0.0022
090	15221-98210	WASHER ADJUSTING	2			1.50MM	0.001	0.0022
090	15221-98220	WASHER ADJUSTING	2			1.55MM	0.003	0.0066
090	15221-98230	WASHER ADJUSTING	2			1.60MM	0.003	0.0066
090	15221-98240	WASHER ADJUSTING	2			1.65MM	0.002	0.0044
090	15221-98250	WASHER ADJUSTING	2			1.70MM	0.002	0.0044
090	15221-98260	WASHER ADJUSTING	2			1.75MM	0.002	0.0044
090	15221-98270	WASHER ADJUSTING	2			1.80MM	0.002	0.0044
090	15221-98280	WASHER ADJUSTING	2			1.85MM	0.002	0.0044
090	15221-98290	WASHER ADJUSTING	2			1.90MM	0.002	0.0044
090	15221-98300	WASHER ADJUSTING	2			1.95MM	0.003	0.0066
100	15221-98100	ASSY WASHER	2				0.03	0.066
110	15221-95680	JOINT	1	≤585582			0.021	0.0462
120	15221-95690	JOINT	1	≤585582			0.022	0.0484

CYLINDER HEAD COVER



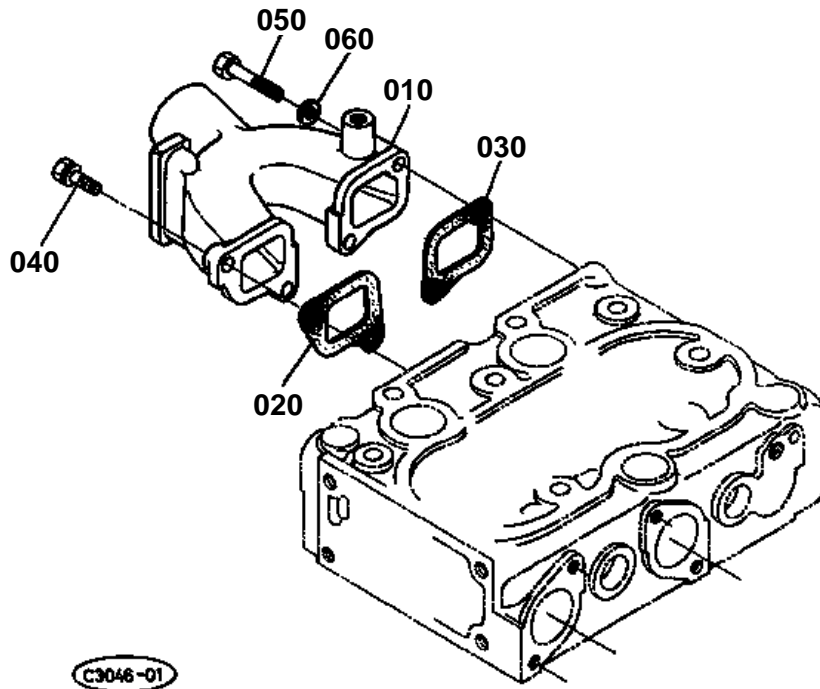


CYLINDER HEAD COVER

↔ Interchangeable; ≠ not interchangeable; ← new for old; → old for new

REF.No	Part No.	Description	Q'ty	S.No.	I/C	REMARKS	Weight (kgf)	Weight (lb)
010	15951-05140	PLATE ELEMENT	1				0.005	0.011
020	15521-05150	PLATE ELEMENT	1				0.01	0.022
030	15521-05670	ELEMENT BREATHER	1				0.01	0.022
040	15951-05370	OIL SHIELD BREATHER	1				0.005	0.011
050	03024-50510	SCREW WITH WASHER	2				0.002	0.0044
060	15521-05550	JOINT BREATHER PIPE	1				0.04	0.088
070	15261-05510	PIPE BREATHER	1				0.069	0.1518
080	15951-05590	CLAMP PIPE	1				0.003	0.0066
090	15951-14510	COVER CYL.HEAD	1				1.913	4.2086
100	15261-14520	GASKET HEAD COVER	1				0.003	0.0066
110	15951-92330	NUT CAP	2				0	0
120	15951-96660	GASKET	2				0.001	0.0022
130	15261-66630	COVER DECOMP.OPENING	2				0.023	0.0506
140	15261-66640	GASKET DECOMP.OPEN.	2				0	0
150	01023-50614	BOLT	4				0.005	0.011
160	15221-33140	PLUG OIL FILLER	1				0.038	0.0836
170	04811-50300	RING	1				0.001	0.0022
180	15951-66040	COMP.SHAFT DECOMP.	1				0.145	0.319
190	15261-66350	BOLT DECOMPRESS	2				0.002	0.0044
200	02056-50050	NUT	2				0.002	0.0044
210	04811-00080	RING	1				0.001	0.0022
220	15261-66190	HOLDER DECOMP.WIRE	1				0.03	0.066
230	01023-50614	BOLT	2				0.005	0.011
240	15221-66280	SPRING DECOMPRESS	1				0.008	0.0176
250	15221-66410	BOLT	1				0.005	0.011
260	04512-50060	WASHER SPRING	1				0	0

INLET MANIFOLD

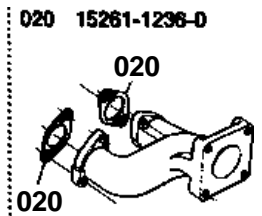
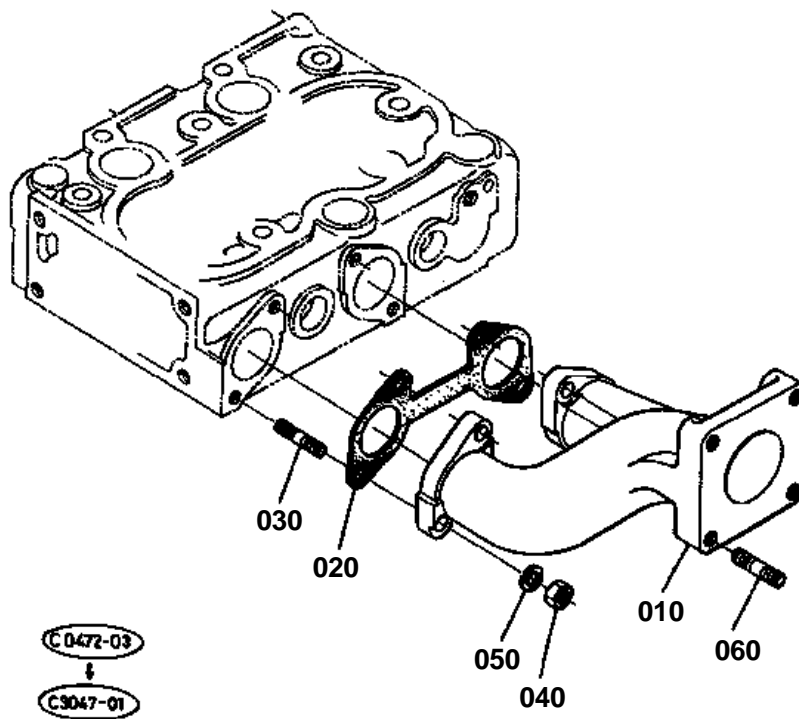


**INLET MANIFOLD**

↔ Interchangeable; ≠ not interchangeable; ← new for old; → old for new

REF.No	Part No.	Description	Q'ty	S.No.	I/C	REMARKS	Weight (kgf)	Weight (lb)
010	15262-11760	MANIFOLD INLET	1				0.328	0.7216
020	15261-11820	GASKET	1				0	0
030	15261-11830	GASKET	1				0	0
040	01023-50620	BOLT	3				0.006	0.0132
050	01053-50650	BOLT	1				0.011	0.0242
060	04512-50060	WASHER SPRING	1				0	0

EXHAUST MANIFOLD



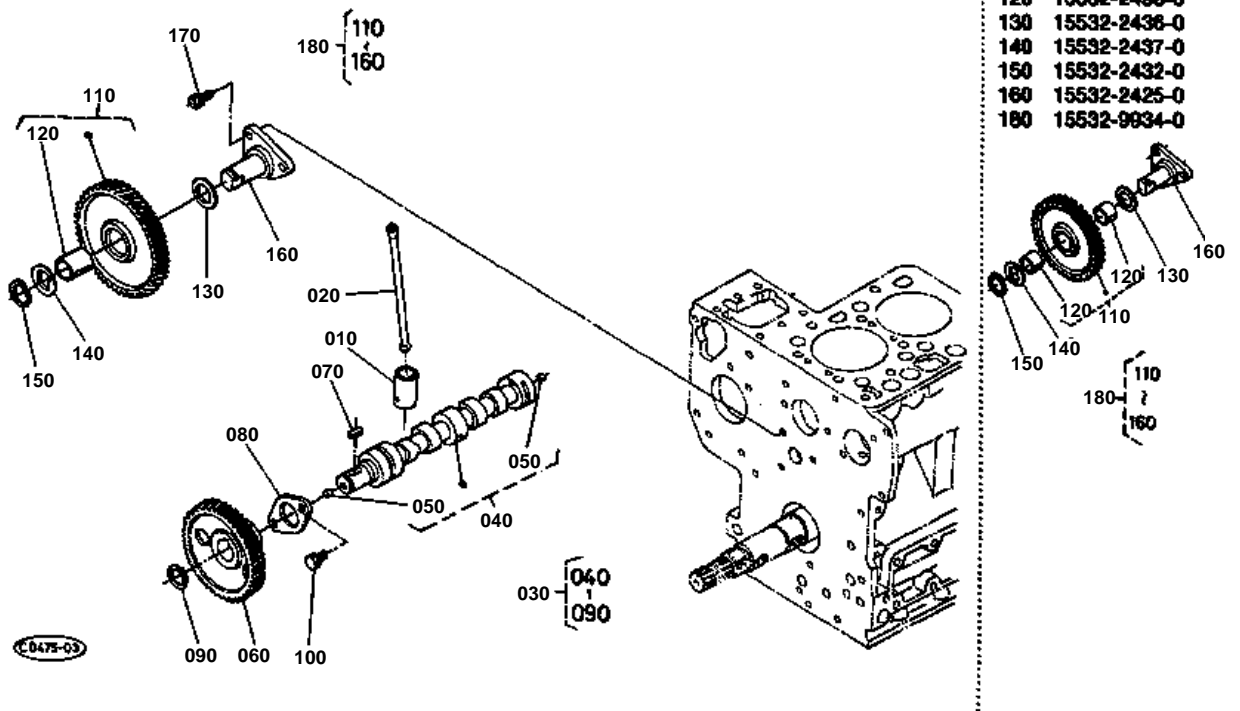


EXHAUST MANIFOLD

↔ Interchangeable; ≠ not interchangeable; ← new for old; → old for new

REF.No	Part No.	Description	Q'ty	S.No.	I/C	REMARKS	Weight (kgf)	Weight (lb)
010	15262-12310	MANIFOLD EXHAUST	1				1.19	2.618
020	15261-12360	GASKET EX-MANIFOLD	2	<=532175			0	0
020	15272-12360	GASKET EX-MANIFOLD	1	>=532176	≠		0	0
030	15381-91532	STUD	4				0.005	0.011
040	02056-50060	NUT	4				0.002	0.0044
050	04512-50060	WASHER SPRING	4				0	0
060	01513-50822	STUD	4				0.01	0.022

CAMSHAFT

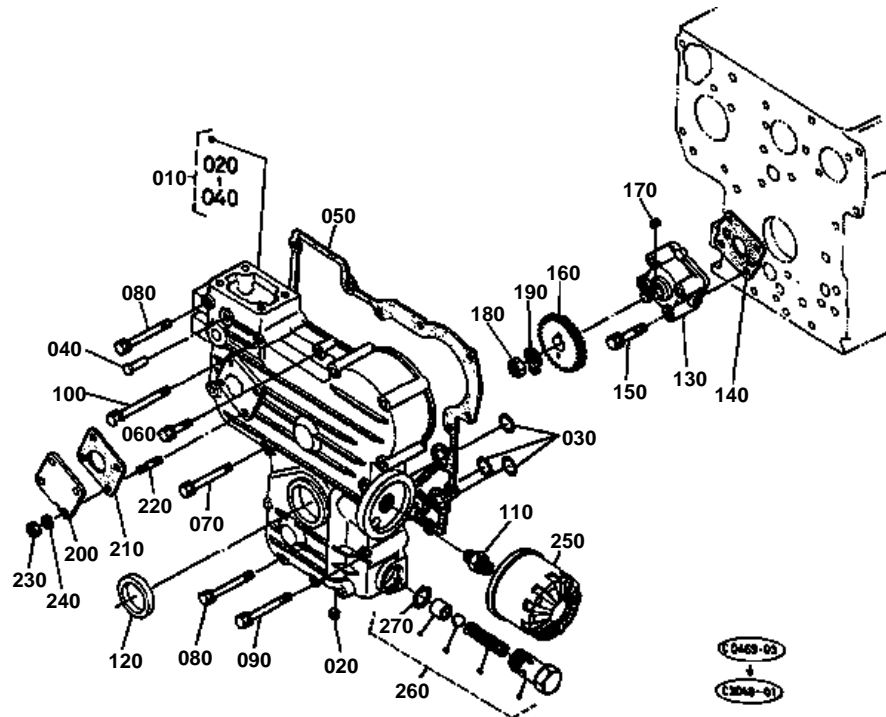


**CAMSHAFT**

↔ Interchangeable; ≠ not interchangeable; ← new for old; → old for new

REF.No	Part No.	Description	Q'ty	S.No.	I/C	REMARKS	Weight (kgf)	Weight (lb)
010	15261-15550	TAPPET	4				0.03	0.066
020	15261-15110	PUSH ROD	4				0.022	0.0484
030	15261-16010	ASSY CAMSHAFT	1				1.1	2.42
040	15261-16110	COMP.CAMSHAFT	1				0.225	0.495
050	15261-96880	PLUG BLIND	2				0.002	0.0044
060	15261-16510	GEAR CAMSHAFT	1				0.354	0.7788
070	05712-00515	KEY FEATHER	1				0.003	0.0066
080	15261-16270	STOPPER CAMSHAFT	1				0.034	0.0748
090	04612-00180	CIR-CLIP EXTERNAL	1				0.001	0.0022
100	01023-50614	BOLT	2				0.005	0.011
110	15532-24010	COMP.GEAR IDLE	1	←=599855			0.63	1.386
110	15741-24010	COMP.GEAR IDLE	1	>=599856	≠		0.64	1.408
120	15532-24980	BUSH IDLE GEAR	2	←=599855			0.011	0.0242
120	15741-24980	BUSH IDLE GEAR	1	>=599856	≠		0.03	0.066
130	15532-24360	COLLAR IDLE GEAR	1	←=599855			0.01	0.022
130	15741-24360	COLLAR IDLE GEAR	1	>=599856	≠		0.04	0.088
140	15532-24370	COLLAR IDLE GEAR	1	←=599855			0.01	0.022
140	15741-24370	COLLAR IDLE GEAR	1	>=599856	≠		0.015	0.033
150	15532-24320	CIR-CLIP IDLE GEAR	1	←=599855			0.003	0.0066
150	15741-24320	CIR-CLIP IDLE GEAR	1	>=599856	≠		0.01	0.022
160	15532-24250	SHAFT IDLE GEAR	1	←=599855			0.275	0.605
160	15741-24250	SHAFT IDLE GEAR	1	>=599856	≠		0.35	0.77
170	01023-50616	BOLT	3				0.005	0.011
180	15532-99340	ASSY GEAR IDLE SER/V	1	←=599855			0.9	1.98
180	15741-99340	ASSY GEAR IDLE	1	>=599856	←		1.1	2.42

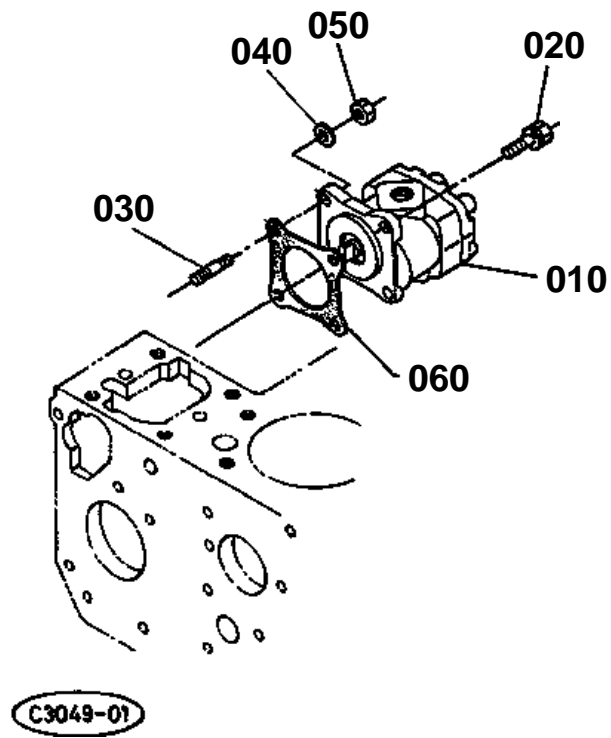
GEAR CASE



**GEAR CASE**

↔ Interchangeable; ≠ not interchangeable; ← new for old; → old for new

REF.No	Part No.	Description	Q'ty	S.No.	I/C	REMARKS	Weight (kgf)	Weight (lb)
010	15381-04020	COMP.CASE GEAR	1				0	0
020	15261-96020	PLUG	2				0	0
030	04811-06130	RING	3				0.001	0.0022
040	15221-56280	PIN START SPRING	1				0.006	0.0132
050	15261-04132	GASKET GEAR CASE	1				0	0
060	01023-50630	BOLT	1				0.008	0.0176
070	01023-50660	BOLT	3				0.01	0.022
080	01023-50665	BOLT	8				0.015	0.033
090	01023-50670	BOLT	1				0	0
100	01023-50675	BOLT	1				0.01	0.022
110	15241-32290	JOINT PIPE	1				0.053	0.1166
120	09550-00008	SEAL OIL	1				0.01	0.022
130	15261-35010	ASSY PUMP OIL	1				0.32	0.704
140	15261-35150	GASKET OIL PUMP	1				0	0
150	15261-91022	BOLT	4				0.012	0.0264
160	15954-35660	GEAR OIL PUMP DRIVE	1				0.14	0.308
170	05712-00410	KEY FEATHER	1				0.001	0.0022
180	02016-50100	NUT	1				0.009	0.0198
190	04211-50100	WASHER WITH CLAW	1				0.002	0.0044
200	15223-83340	COVER	1				0.152	0.3344
210	15221-88130	GASKET H/METER UNIT	1				0	0
220	15221-88210	STUD	4				0.005	0.011
230	02056-50060	NUT	4				0.002	0.0044
240	04512-50060	WASHER SPRING	4				0	0
250	15241-32090	ASSY CARTRIDGE OIL	1				0.35	0.77
260	15261-36070	ASSY VALVE RELIEF	1				0.078	0.1716
270	04810-00150	RING	1				0.001	0.0022



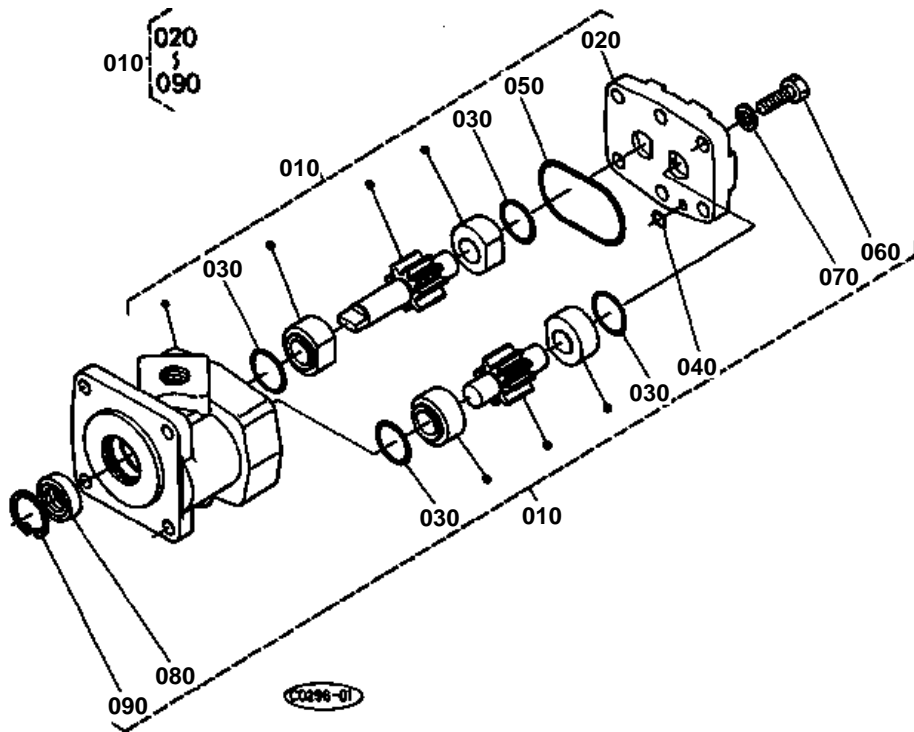


HYDRAULIC GEAR PUMP

↔ Interchangeable; ≠ not interchangeable; ← new for old; → old for new

REF.No	Part No.	Description	Q'ty	S.No.	I/C	REMARKS	Weight (kgf)	Weight (lb)
010	67211-76100	ASSY PUMP GEAR	1			REFER TO L.No.0B14-L0 FOR COMPONENTS	1.45	3.19
020	01123-50822	BOLT	3				0.012	0.0264
030	01513-50822	STUD	1				0.01	0.022
040	04512-50080	WASHER SPRING	1				0	0
050	02156-50080	NUT	1				0.004	0.0088
060	15231-87130	GASKET	1				0	0
		HYD.PUMP						

HYDRAULIC GEAR PUMP (COMPONENT PARTS)

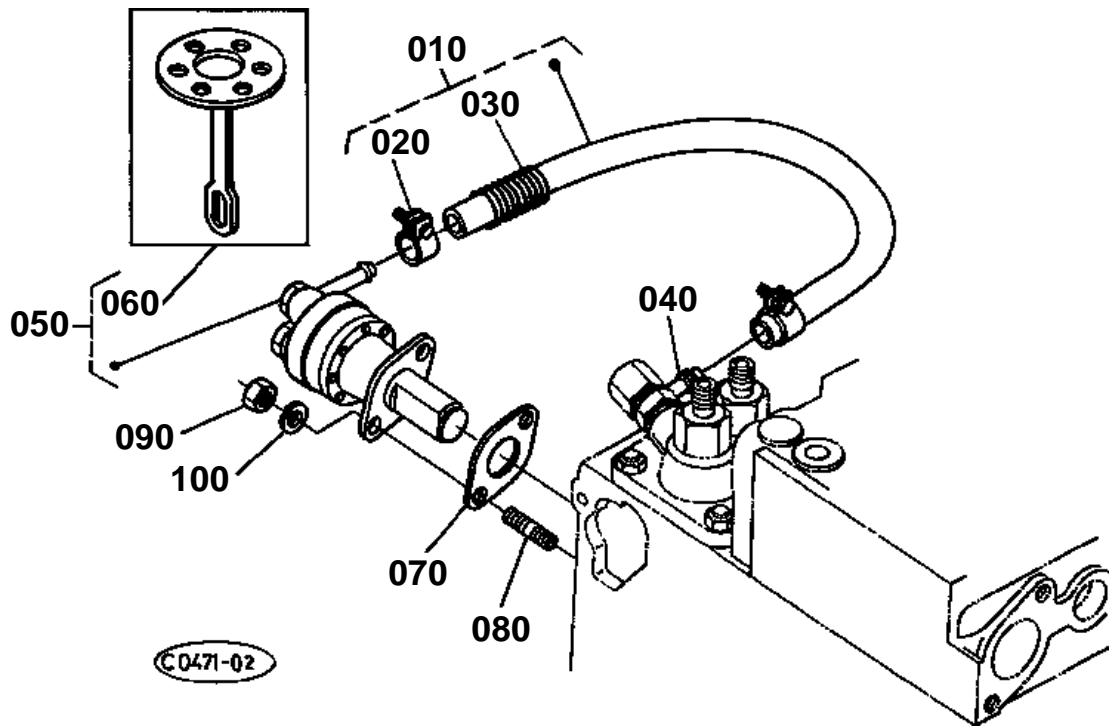




HYDRAULIC GEAR PUMP (COMPONENT PARTS)

↔ Interchangeable; ≠ not interchangeable; ← new for old; → old for new

REF.No	Part No.	Description	Q'ty	S.No.	I/C	REMARKS	Weight (kgf)	Weight (lb)
010	67211-76100	ASSY PUMP GEAR	1				1.45	3.19
020	67211-76120	COVER	1				0.18	0.396
030	04810-00220	RING	4				0.001	0.0022
040	04810-00050	RING	1				0.001	0.0022
050	04810-50500	RING	1				0.005	0.011
060	67211-76240	BOLT	6				0.014	0.0308
070	04512-50080	WASHER SPRING	6				0	0
080	31381-76190	SEAL OIL	1				0.007	0.0154
090	04611-00280	CIR-CLIP INTERNAL	1				0.002	0.0044

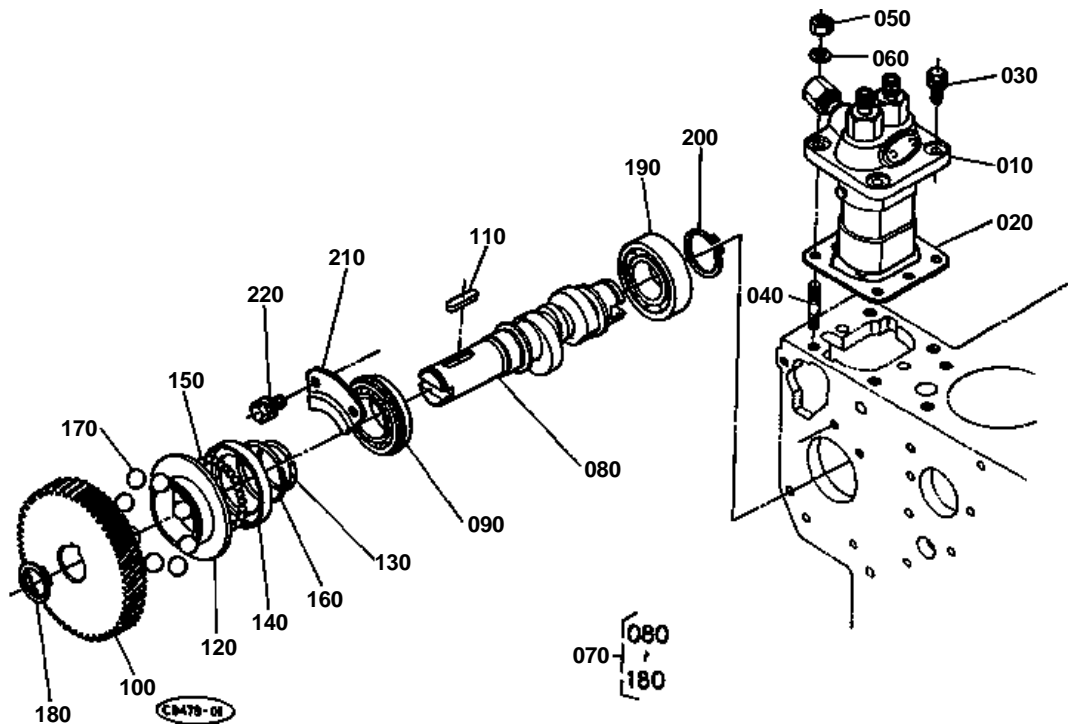


**FUEL PUMP**

↔ Interchangeable; ≠ not interchangeable; ← new for old; → old for new

REF.No	Part No.	Description	Q'ty	S.No.	I/C	REMARKS	Weight (kgf)	Weight (lb)
010	15263-42010	ASSY PIPE FUEL	1				0.04	0.088
020	14301-42750	CLIP PIPE	2				0.005	0.011
030	66591-54250	SPRING PIPE PROTECT.	1				0.01	0.022
040	14111-42410	JOINT	1				0.025	0.055
050	15381-52030	ASSY PUMP FUEL	1				0	0
060	15381-52040	COMP.DIAPHRAGM	1				0	0
070	15241-52140	GASKET FUEL PUMP	1				0	0
080	01513-50616	STUD	2				0.004	0.0088
090	02056-50060	NUT	2				0.002	0.0044
100	04512-50060	WASHER SPRING	2				0	0

INJECTION PUMP

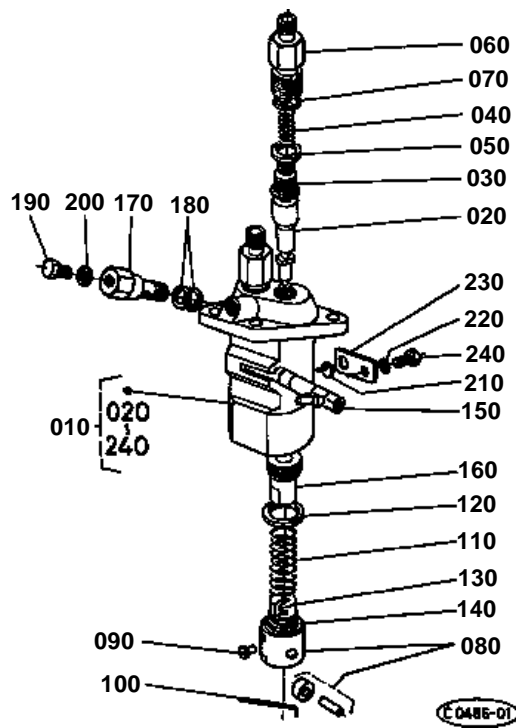


**INJECTION PUMP**

↔ Interchangeable; ≠ not interchangeable; ← new for old; → old for new

REF.No	Part No.	Description	Q'ty	S.No.	I/C	REMARKS	Weight (kgf)	Weight (lb)
010	15261-51010	ASSY PUMP INJECTION	1			REFER TO L.No.0B16-L0 FOR COMPONENTS.	1.45	3.19
020	15221-52110	SHIM INJECTION PUMP	1				0.002	0.0044
020	15261-52110	SHIM INJECTION PUMP	2				0.008	0.0176
030	01123-50822	BOLT	2				0.012	0.0264
040	15221-91530	STUD	2				0.011	0.0242
050	02156-50080	NUT	2				0.004	0.0088
060	04512-50080	WASHER SPRING	2				0	0
070	15262-16020	ASSY CAMSHAFT FUEL	1				1.08	2.376
080	15262-16170	CAMSHAFT FUEL	1				0.335	0.737
090	08153-06004	BEARING BALL	1				0.07	0.154
100	15261-51150	GEAR INJECTION PUMP	1				0.463	1.0186
110	05712-00520	KEY FEATHER	1				0.004	0.0088
120	15261-55450	SLEEVE GOVERNOR	1				0.058	0.1276
130	15261-55470	CIR-CLIP GOV.SLEEVE	1				0.002	0.0044
140	15261-55690	CASE GOVERNOR BALL	1				0	0
150	07715-03205	BALL	30				0.001	0.0022
160	15261-55740	CIR-CLIP	1				0.002	0.0044
170	07715-03217	BALL	8				0.01	0.022
180	04612-00180	CIR-CLIP EXTERNAL	1				0.001	0.0022
190	08103-06004	BEARING BALL	1				0.066	0.1452
200	04612-00200	CIR-CLIP EXTERNAL	1				0.001	0.0022
210	15261-16320	STOPPER	1				0.037	0.0814
220	01023-50612	BOLT	2			0.005	0.011	

INJECTION PUMP (COMPONENT PARTS)



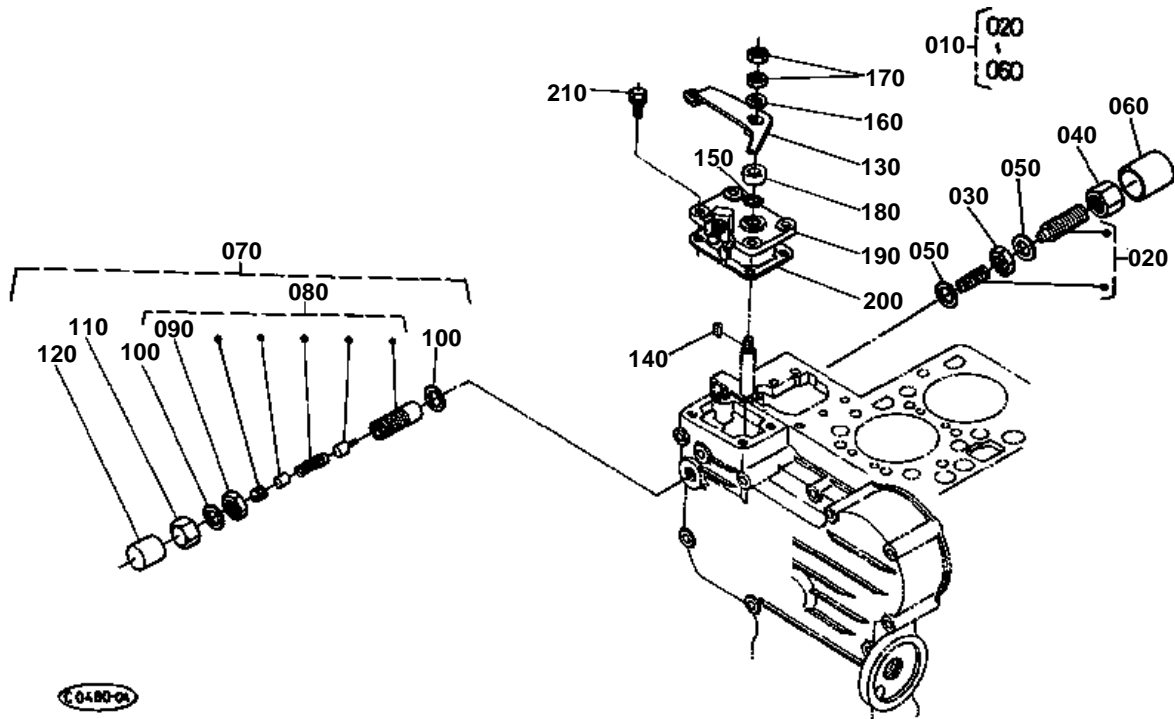


INJECTION PUMP (COMPONENT PARTS)

↔ Interchangeable; ≠ not interchangeable; ← new for old; → old for new

REF.No	Part No.	Description	Q'ty	S.No.	I/C	REMARKS	Weight (kgf)	Weight (lb)
010	15261-51010	ASSY PUMP INJECTION	1				1.45	3.19
020	15261-51050	PLUNGER PUMP	2				0.04	0.088
030	15261-51030	VALVE DELIVERY	2				0.011	0.0242
040	15331-51230	SPRING DELIV.VALVE	2				0.001	0.0022
050	15331-51240	GASKET DELIV.VALVE	2				0.001	0.0022
060	15331-51220	HOLDER DELIV.VALVE	2				0.053	0.1166
070	15331-96760	O RING	2				0.001	0.0022
080	15331-51070	ASSY TAPPET	2				0.036	0.0792
090	15331-51250	PIN TAPPET GUIDE	2				0.001	0.0022
100	15331-51430	PIN CLAMP	1				0.001	0.0022
110	17331-51280	SPRING PLUNGER	2				0.017	0.0374
120	15331-51270	SEAT SPRING UPPER	2				0.001	0.0022
130	15331-51290	SEAT SPRING LOWER	2				0.001	0.0022
140	15261-51490	SHIM	1				0.01	0.022
150	15241-51060	RACK CONTROL	1				0.03	0.066
160	15331-51380	SLEEVE CONTROL	2				0.012	0.0264
170	15241-51320	SCREW HOLLOW	1				0.034	0.0748
180	15331-96650	GASKET	2				0.001	0.0022
190	14107-51352	SCREW	1				0.01	0.022
200	14111-53380	GASKET	1				0.001	0.0022
210	15331-51480	COLLAR	1				0.005	0.011
220	04512-50060	WASHER SPRING	1				0	0
230	15241-51390	PLATE ADJUSTING	1				0.01	0.022
240	15331-91010	BOLT	1				0.034	0.0748

SPEED CONTROL PLATE

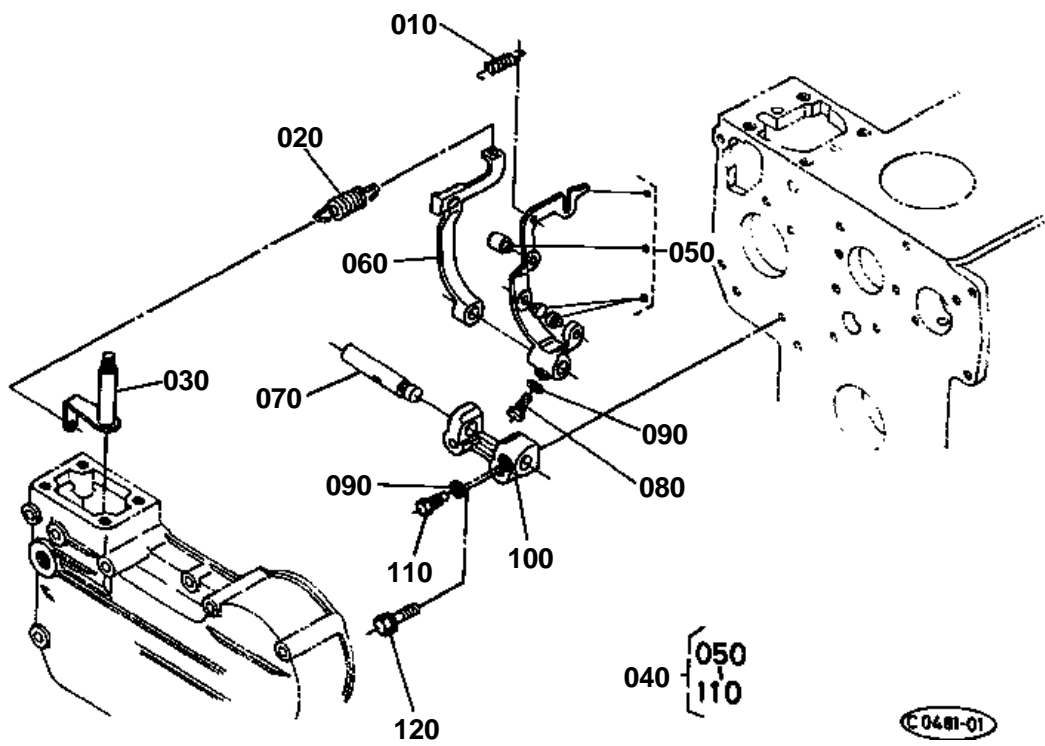




SPEED CONTROL PLATE

↔ Interchangeable; ≠ not interchangeable; ← new for old; → old for new

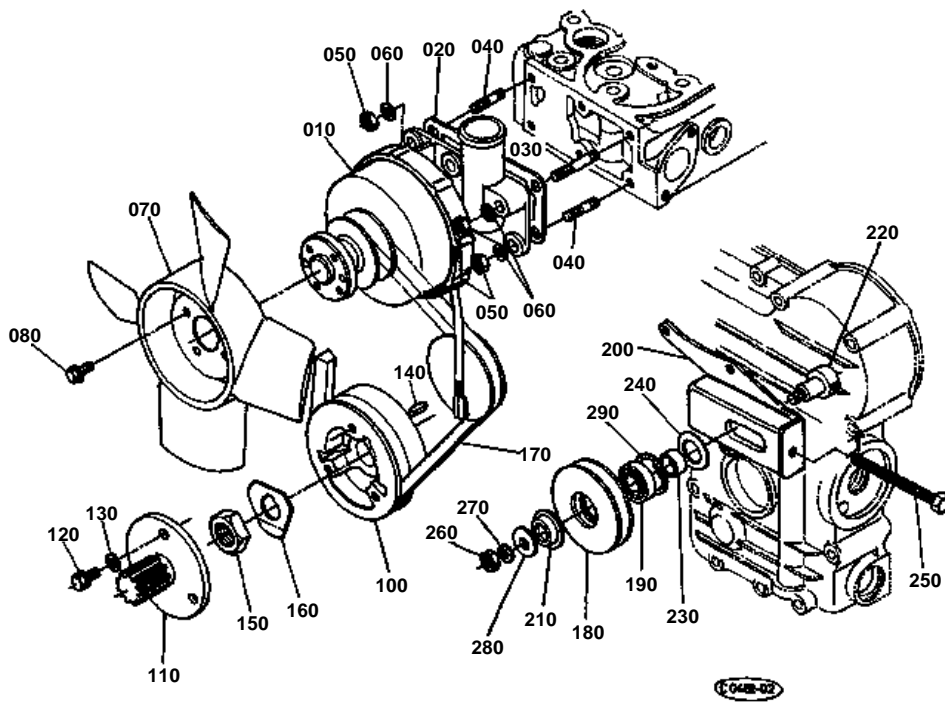
REF.No	Part No.	Description	Q'ty	S.No.	I/C	REMARKS	Weight (kgf)	Weight (lb)
010	15261-54090	ASSY APPARATUS I/D.	1				0.027	0.0594
020	15261-54100	ASSY BOLT ADJUSTING	1				0.008	0.0176
030	15261-92020	NUT	1				0.004	0.0088
040	15261-92330	NUT CAP	1				0.01	0.022
050	15021-33660	GASKET	2				0.001	0.0022
060	15261-54270	CAP	1				0.002	0.0044
070	15381-54020	APPARATUS FUEL LIMIT	1				0.06	0.132
080	15381-54030	APPARATUS FUEL LIMIT	1				0.04	0.088
090	15261-54370	NUT LOCK	1				0.007	0.0154
100	15109-33660	GASKET	2				0.001	0.0022
110	15261-54220	NUT CAP	1				0.02	0.044
120	14301-54420	CAP	1				0.005	0.011
130	15371-57150	LEVER SPEED CONTROL	1				0.035	0.077
140	15261-95010	KEY FEATHER	1				0.001	0.0022
150	04811-00070	RING	1				0.001	0.0022
160	04013-50060	WASHER PLAIN	1				0	0
170	02012-50060	NUT	2				0	0
180	15261-57380	DISK FRICTION	1				0	0
190	15261-57110	PLATE SPEED CONTROL	1				0.06	0.132
200	15261-57210	GASKET	1				0	0
210	01023-50620	BOLT	4				0.006	0.0132



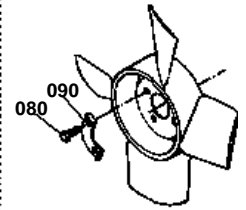
**GOVERNOR**

↔ Interchangeable; ≠ not interchangeable; ← new for old; → old for new

REF.No	Part No.	Description	Q'ty	S.No.	I/C	REMARKS	Weight (kgf)	Weight (lb)
010	15221-56480	SPRING START	1				0.008	0.0176
020	15381-56410	SPRING GOVERNOR	1				0.006	0.0132
030	15261-56020	COMP.LEVER GOVERNOR	1				0.026	0.0572
040	15381-56050	ASSY LEVER FORK	1				0.254	0.5588
050	15381-56040	COMP.LEVER FORK	1				0.114	0.2508
060	15261-56130	LEVER FORK	1				0.063	0.1386
070	15261-56150	SHAFT FORK LEVER	1				0.032	0.0704
080	01053-50516	BOLT	1				0.003	0.0066
090	04512-50050	WASHER SPRING	2				0	0
100	15261-56230	HOLDER FORK LEVER	1				0.038	0.0836
110	15261-66410	BOLT	1				0.003	0.0066
120	01023-50628	BOLT	2				0.015	0.033



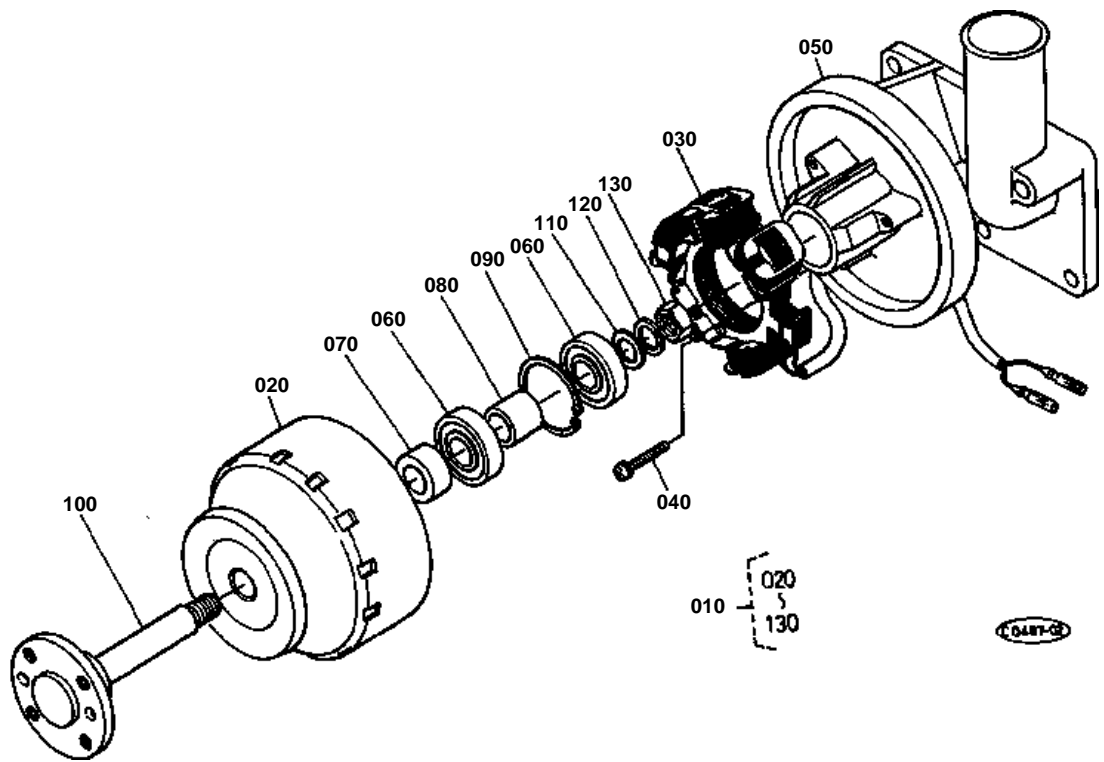
080 01053-50610
090 15131-7423-0





↔ Interchangeable; ≠ not interchangeable; ← new for old; → old for new

REF.No	Part No.	Description	Q'ty	S.No.	I/C	REMARKS	Weight (kgf)	Weight (lb)
010	15973-64010	ASSY DYNAMO	1			REFER TO L.No.0C07-L0 FOR COMPONENTS	1.66	3.652
020	15261-72920	GASKET WATER FLANGE	1				0	0
030	01513-50645	STUD	1				0.011	0.0242
040	01513-50616	STUD	5				0.004	0.0088
050	02056-50060	NUT	6				0.002	0.0044
060	04512-50060	WASHER SPRING	5				0	0
070	15673-74110	FAN	1				0.3	0.66
080	01053-50610	BOLT	4	<=577012			0.004	0.0088
080	01754-50610	BOLT FLANGE	4	>=577013	≠		0.006	0.0132
090	15131-74230	WASHER FAN	2	<=577012			0.005	0.011
100	15263-74280	PULLEY FAN DRIVE	1				0.85	1.87
110	66704-88530	FLANGE PTO	1				0.4	0.88
120	01123-50825	BOLT	3				0.013	0.0286
130	04013-50080	WASHER PLAIN	3				0	0
140	05712-00515	KEY FEATHER	1				0.003	0.0066
150	15261-23360	NUT CRANKSHAFT	1				0.034	0.0748
160	15372-23380	WASHER CRANKSHAFT	1				0.007	0.0154
170	15231-72530	BELT FAN	1				0.066	0.1452
180	14301-74320	PULLEY TENSION	1				0	0
190	15271-74190	BEARING BALL	1				0.065	0.143
200	15371-74410	SUPPORT TEN.PULLEY	1				0.33	0.726
210	15231-74770	COVER TENSION PULLEY	1				0.004	0.0088
220	15231-74330	SHAFT TENSION PULLEY	1				0.093	0.2046
230	15261-74430	COLLAR	1				0.013	0.0286
240	14301-74780	COVER TENSION PULLEY	1				0.005	0.011
250	15371-74970	BOLT TENSION	1				0.032	0.0704
260	02018-50100	NUT	1				0.011	0.0242
270	04512-50100	WASHER SPRING	1				0	0
280	04013-50100	WASHER PLAIN	1				0	0
290	04611-00400	CIR-CLIP INTERNAL	1			0.005	0.011	

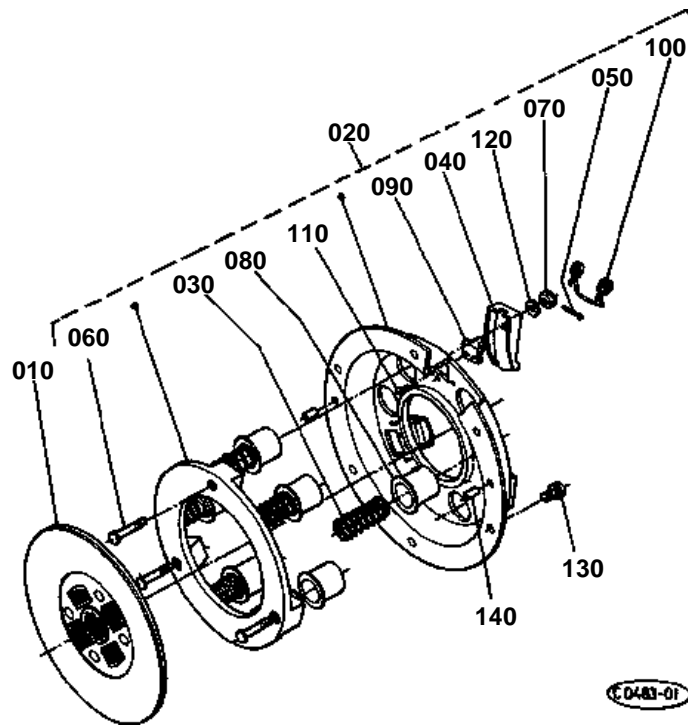


**DYNAMO (COMPONENT PARTS) [A] [CA] [FR] [AU] [WG]**

↔ Interchangeable; ≠ not interchangeable; ← new for old; → old for new

REF.No	Part No.	Description	Q'ty	S.No.	I/C	REMARKS	Weight (kgf)	Weight (lb)
010	15973-64010	ASSY DYNAMO	1				1.66	3.652
020	15372-64040	ROTOR	1				0.95	2.09
030	15973-64290	ASSY STATOR	1				0.3	0.66
040	15261-93010	SCREW ROUND HEAD	2				0.003	0.0066
050	15372-64362	BASE STATOR	1				0.4	0.88
060	15531-74180	BEARING BALL	2				0.04	0.088
070	15261-64140	COLLAR	1				0.025	0.055
080	15261-64150	COLLAR	1				0.02	0.044
090	15261-95470	CIR-CLIP INTERNAL	1				0.002	0.0044
100	15372-74140	SHAFT FAN	1				0.22	0.484
110	15261-94020	WASHER PLAIN	1				0.007	0.0154
120	15261-94070	WASHER SPRING	1				0.003	0.0066
130	15261-92030	NUT	1				0.01	0.022

CLUTCH

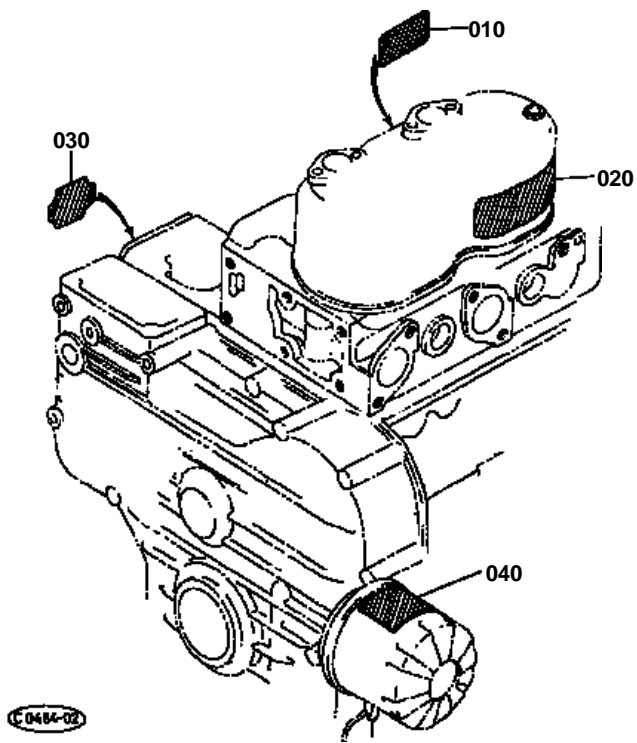




CLUTCH

↔ Interchangeable; ≠ not interchangeable; ← new for old; → old for new

REF.No	Part No.	Description	Q'ty	S.No.	I/C	REMARKS	Weight (kgf)	Weight (lb)
010	66591-13300	ASSY DISK CLUTCH	1				0.9	1.98
020	66591-13400	ASSY PLATE PRESSURE	1				3.1	6.82
030	66591-13310	SPRING PRESSURE	6				0.058	0.1276
040	32200-14540	LEVER CLUTCH	3				0.05	0.11
050	32130-14560	PIN SPLIT	3				0.001	0.0022
060	32200-14570	BOLT LEVER	3				0.009	0.0198
070	32130-14580	NUT LEVER	3				0.003	0.0066
080	32130-14590	CAP	6				0.024	0.0528
090	32130-14620	SEAT LEVER	3				0.017	0.0374
100	32130-14630	SPRING RETURN	3				0.006	0.0132
110	32130-14640	RIVET	6				0.001	0.0022
120	32130-14650	WASHER RELEASE YOKE	3				0.002	0.0044
130	01123-50816	BOLT	6				0.011	0.0242
140	05012-00614	PIN STRAIGHT	2				0.004	0.0088



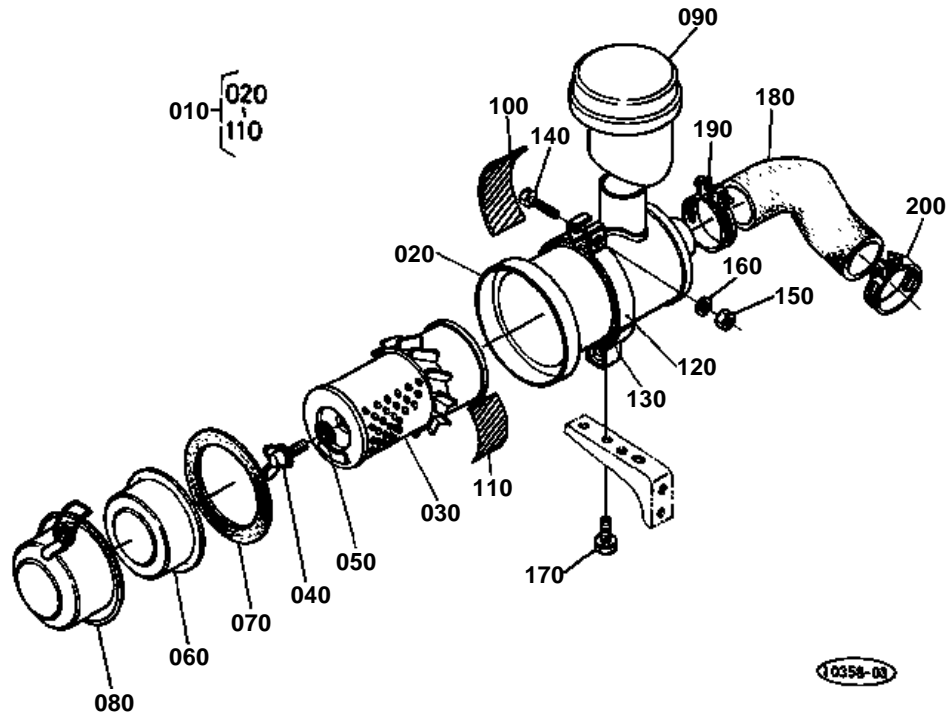


LABEL

↔ Interchangeable; ≠ not interchangeable; ← new for old; → old for new

REF.No	Part No.	Description	Q'ty	S.No.	I/C	REMARKS	Weight (kgf)	Weight (lb)
010	15232-88210	LABEL GLOW PLUG	1				0.001	0.0022
020	15263-87310	LABEL OIL	1				0.26	0.572
030	15372-87230	LABEL CAUTION	1				0.001	0.0022
040	15372-87210	LABEL CAUTION	1				0.001	0.0022

AIR CLEANER

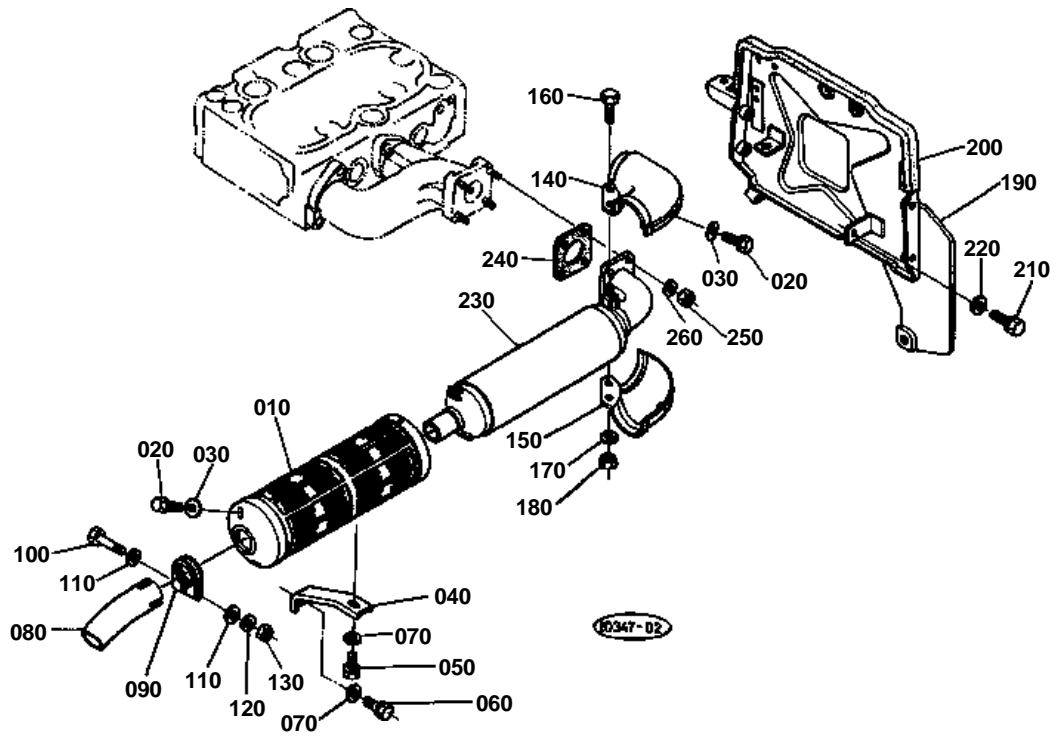


**AIR CLEANER**

↔ Interchangeable; ≠ not interchangeable; ← new for old; → old for new

REF.No	Part No.	Description	Q'ty	S.No.	I/C	REMARKS	Weight (kgf)	Weight (lb)
010	15372-11010	ASSY CLEANER AIR	1			[A] [CA] [FR] [U]	0	0
010	15972-11010	ASSY CLEANER AIR	1			[WG] [AU]	1.8	3.96
020	15241-11150	BODY AIR CLEANER	1				0.69	1.518
030	15222-11220	ELEMENT AIR CLEANER	1				0.344	0.7568
040	15221-92620	BOLT WING	1				0.04	0.088
050	15221-94430	WASHER WITH RUBBER	1				0.004	0.0088
060	15221-11410	COVER BAFFLE	1				0.104	0.2288
070	15221-11170	GASKET A/C COVER	1				0.01	0.022
080	15241-11160	COVER AIR CLEANER	1				0.255	0.561
090	15241-11350	CAP AIR CLEANER	1				0.48	1.056
100	15372-87452	LABEL AIR CLEANER	1			[A] [CA] [FR] [U]	0.001	0.0022
100	15972-87450	LABEL AIR CLEANER	1			[WG] [AU]	0.001	0.0022
110	15227-87480	LABEL ELEMENT A/C	1			[A] [CA] [FR] [U]	0.004	0.0088
110	15972-87480	LABEL ELEMENT A/C	1			[WG] [AU]	0.002	0.0044
120	15371-11252	BAND AIR CLEANER	1				0.21	0.462
130	15371-11870	CUSHION	1				0.025	0.055
140	01222-50830	BOLT	1				0.013	0.0286
150	02114-50080	NUT	1				0.005	0.011
160	04512-50080	WASHER SPRING	1				0	0
170	01123-50816	BOLT	2				0.011	0.0242
180	15262-11620	PIPE INLET	1				0.2	0.44
190	15221-11720	BAND PIPE	1				0.03	0.066
200	15261-11720	BAND PIPE	1				0.03	0.066

MUFFLER

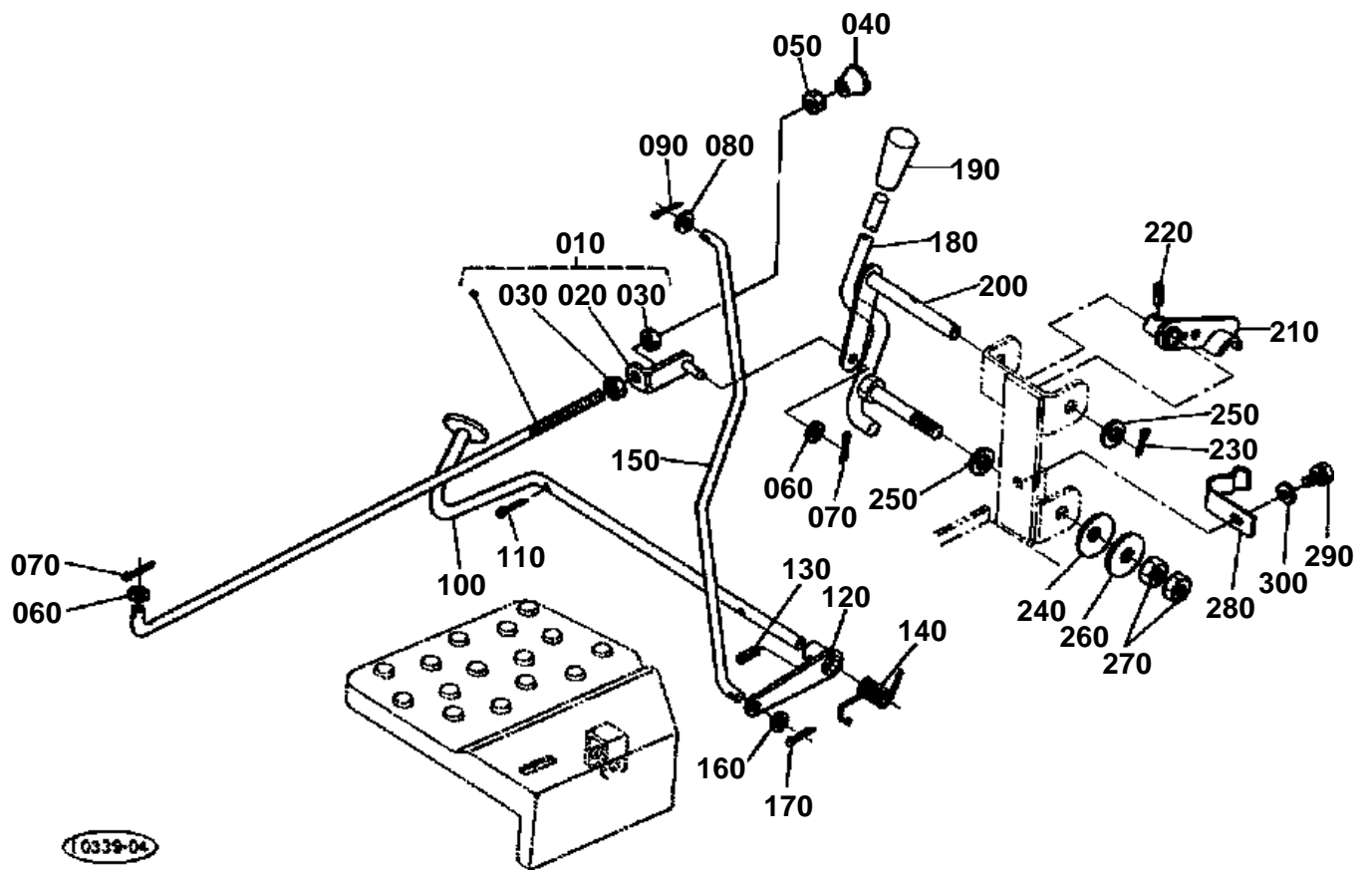


**MUFFLER**

↔ Interchangeable; ≠ not interchangeable; ← new for old; → old for new

REF.No	Part No.	Description	Q'ty	S.No.	I/C	REMARKS	Weight (kgf)	Weight (lb)
010	66811-54510	COVER MUFFLER	1				0.666	1.4652
020	01202-50612	BOLT	4				0.005	0.011
030	04013-50060	WASHER PLAIN	4				0	0
040	66711-54530	STAY MUFFLER	1				0.096	0.2112
050	01123-50814	BOLT	1				0	0
060	01123-50818	BOLT	1				0.012	0.0264
070	04013-50080	WASHER PLAIN	2				0	0
080	67001-54510	PIPE MUFFLER	1				0.14	0.308
090	67800-53420	BAND PIPE	1				0.04	0.088
100	01153-50865	BOLT	1				0.025	0.055
110	04013-50080	WASHER PLAIN	2				0	0
120	04512-50080	WASHER SPRING	1				0	0
130	02114-50080	NUT	1				0.005	0.011
140	66711-54550	COVER MUFFLER FLANGE	1				0.137	0.3014
150	66711-54560	COVER MUFFLER FLANGE	1				0.135	0.297
160	01053-50628	BOLT	2				0.008	0.0176
170	04512-50060	WASHER SPRING	2				0	0
180	02014-50060	NUT	2				0.003	0.0066
190	66811-54560	PLATE SHUTTER	1	<=51365			1.3	2.86
190	66811-54565	PLATE SHUTTER	1	>=51366	≠		0.97	2.134
200	66711-54620	TAPE SOFT	1				0.005	0.011
210	01123-50818	BOLT	1				0.012	0.0264
220	04013-50080	WASHER PLAIN	1				0	0
230	15262-12110	MUFFLER	1			[A] [CA] [U]	2.15	4.73
230	66496-54510	MUFFLER	1			[FR] [WG] [AU]	2.04	4.488
240	15263-12370	GASKET MUFFLER	1				0.015	0.033
250	02114-50080	NUT	4				0.005	0.011
260	04512-50080	WASHER SPRING	4				0	0

ACCELERATOR

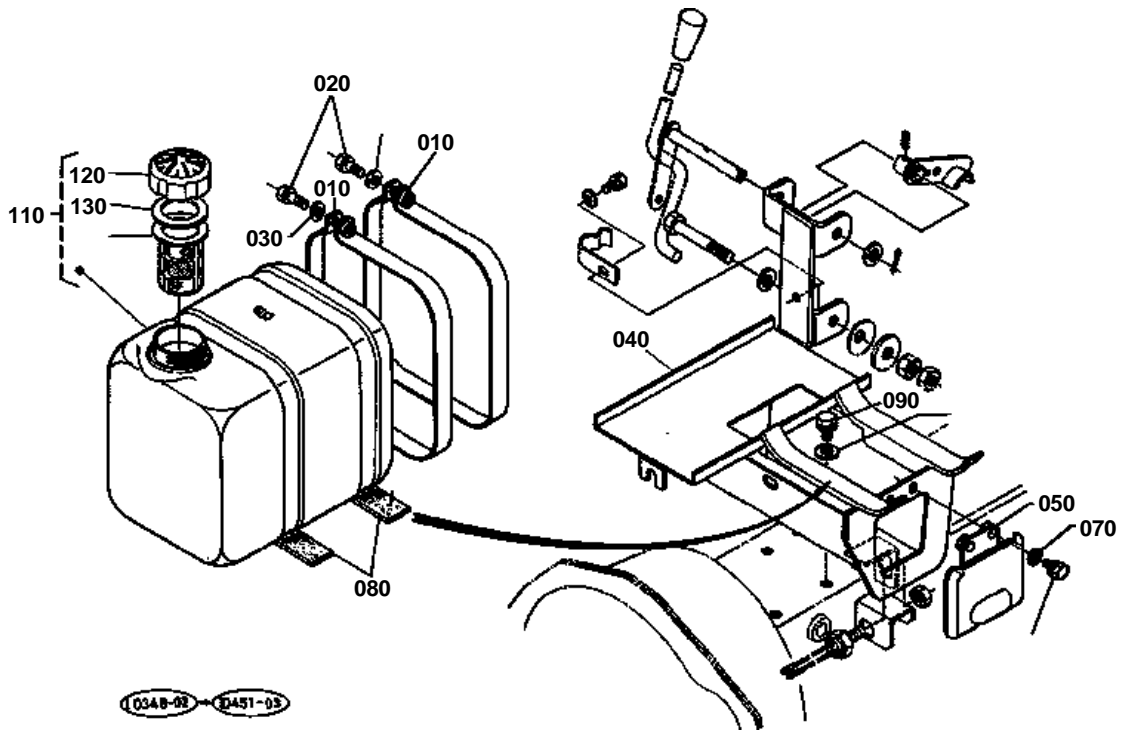


**ACCELERATOR**

↔ Interchangeable; ≠ not interchangeable; ← new for old; → old for new

REF.No	Part No.	Description	Q'ty	S.No.	I/C	REMARKS	Weight (kgf)	Weight (lb)
010	67001-43400	ASSY ROD RELEASE	1				0.18	0.396
020	67001-43420	MATERIAL L	1				0.023	0.0506
030	02014-50060	NUT	2				0.003	0.0066
040	67156-55150	GRIP	1				0.003	0.0066
050	02014-50060	NUT	1				0.003	0.0066
060	04013-50060	WASHER PLAIN	2				0	0
070	05511-51612	PIN SPLIT	2				0.001	0.0022
080	04013-50060	WASHER PLAIN	1				0	0
090	05511-51612	PIN SPLIT	1				0.001	0.0022
100	66711-43410	PEDAL ACCEL.	1				0.17	0.374
110	05511-50318	PIN SPLIT	1				0.001	0.0022
120	66711-43420	RETAINER ACCEL.PEDAL	1				0.048	0.1056
130	05411-00314	PIN SPRING	1				0.001	0.0022
140	66711-43430	SPRING ACCEL.PEDAL	1				0.005	0.011
150	66404-43430	ROD ACCEL.PEDAL	1				0.08	0.176
160	04013-50060	WASHER PLAIN	1				0	0
170	05511-51612	PIN SPLIT	1				0.001	0.0022
180	66704-43340	LEVER RELEASE	1				0.2	0.44
190	06914-00100	GRIP LEVER	1				0.02	0.044
200	66704-43320	ARM RELEASE	1				0.1	0.22
210	66704-43350	LEVER ENGINE STOP	1				0.07	0.154
220	66704-43360	PIN SPRING	1				0.005	0.011
230	05511-50320	PIN SPLIT	1				0.002	0.0044
240	32210-17190	SPRING	1				0.005	0.011
250	04011-50100	WASHER PLAIN	2				0.002	0.0044
260	04015-50100	WASHER PLAIN	1				0.016	0.0352
270	02116-50100	NUT	2				0.004	0.0088
280	67001-54770	SPRING ENGINE STOP	1				0.011	0.0242
290	01023-50612	BOLT	1				0.005	0.011
300	04013-50060	WASHER PLAIN	1				0	0

FUEL TANK



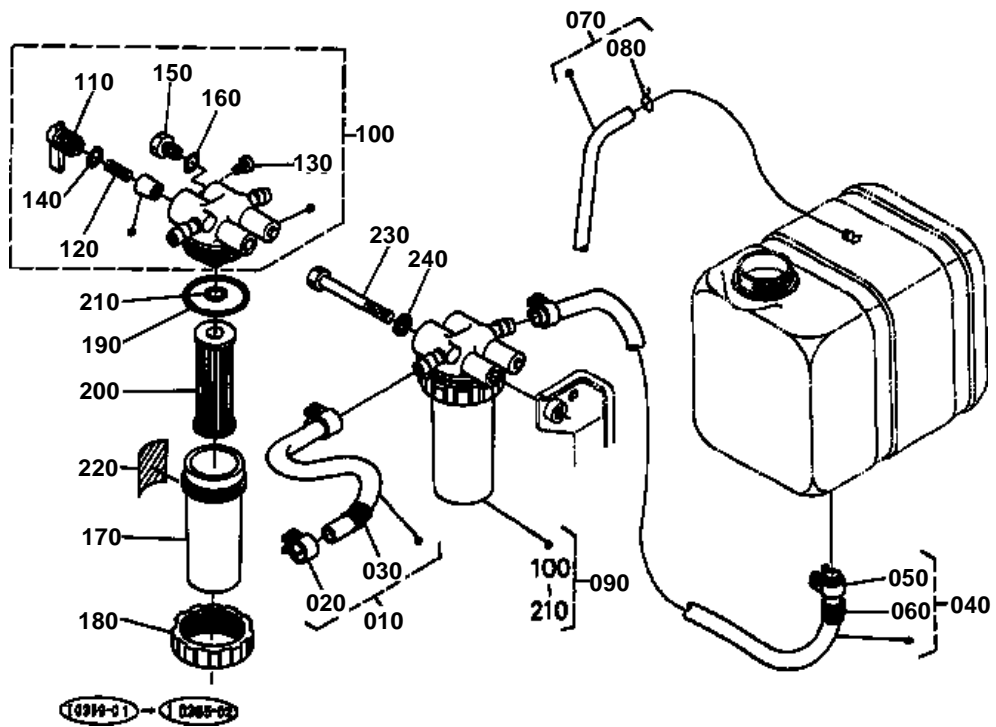


FUEL TANK

↔ Interchangeable; ≠ not interchangeable; ← new for old; → old for new

REF.No	Part No.	Description	Q'ty	Ud/C	REMARKS	Weight (kgf)	Weight (lb)
010	66621-54760	BAND FUEL TANK	2			0.22	0.484
020	01123-50830	BOLT	2			0.015	0.033
030	04013-50080	WASHER PLAIN	2			0	0
040	66404-54773	SUPPORT TANK BATTERY	1			2.85	6.27
050	66571-54520	CAP SIDE	1			0.085	0.187
060	01202-50612	BOLT	2			0.005	0.011
070	04013-50060	WASHER PLAIN	2			0	0
080	66641-54740	CUSHION TANK	2			0.065	0.143
090	01123-50820	BOLT	4			0.011	0.0242
100	04013-50080	WASHER PLAIN	4			0	0
110	66621-54802	COMP.TANK FUEL	1			0.88	1.936
120	66621-54820	COMP.CAP FUEL TANK	1			0.028	0.0616
130	10211-41340	GASKET	1			0.003	0.0066
140	13251-41060	FILTER FUEL	1			0.01	0.022

FUEL FILTER

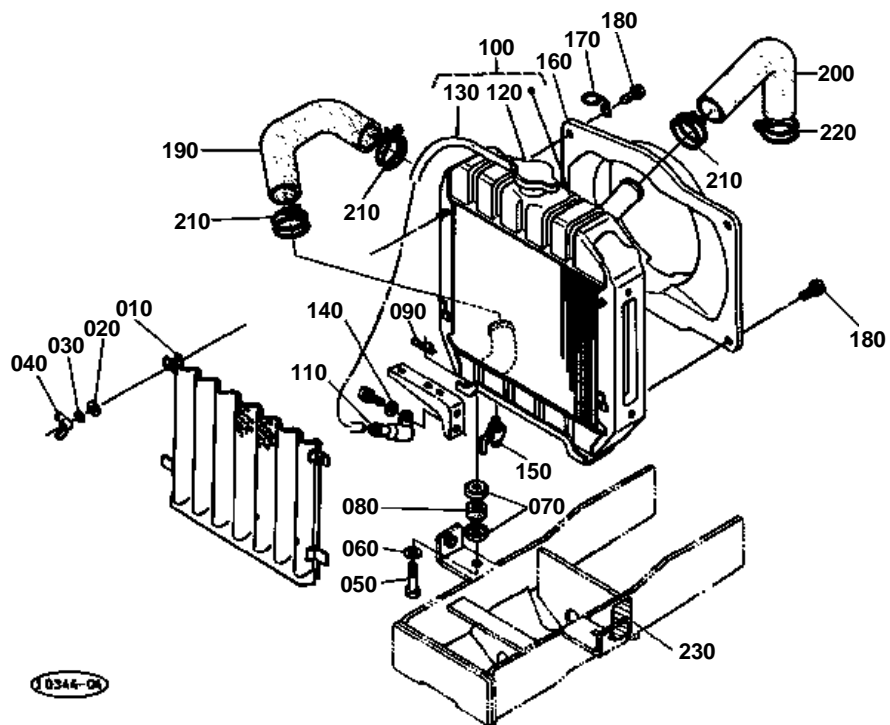


**FUEL FILTER**

↔ Interchangeable; ≠ not interchangeable; ← new for old; → old for new

REF.No	Part No.	Description	Q'ty	S.No.	I/C	REMARKS	Weight (kgf)	Weight (lb)
010	67211-58340	ASSY PIPE FUEL	1				0	0
020	14301-42750	CLIP PIPE	2				0.005	0.011
030	67111-58320	SPRING PIPE PROTECT.	1				0.02	0.044
040	66811-35630	ASSY PIPE FUEL	1				0.028	0.0616
050	14301-42750	CLIP PIPE	2				0.005	0.011
060	67111-53790	SPRING PIPE PROTECT.	1				0.01	0.022
070	66621-35660	ASSY PIPE OVER FLOW	1				0.025	0.055
080	10244-42320	CLIP PIPE	2				0.001	0.0022
090	15372-43010	ASSY FILTER FUEL	1				0	0
100	15261-43110	COMP.BODY COCK	1				0.3	0.66
110	14301-43522	LEVER COCK	1				0.024	0.0528
120	14301-43820	SPRING VALVE	1				0.001	0.0022
130	14301-43830	SCREW	1				0.001	0.0022
140	14301-43840	O RING LEVER	1				0.001	0.0022
150	15231-43283	SCREW AIR BREATHER	2				0.003	0.0066
160	04810-00060	RING	2				0.001	0.0022
170	15000-34832	CUP FILTER	1				0.07	0.154
180	14301-43590	RING RETAINING	1				0.054	0.1188
190	14301-43650	O RING FILTER	1				0.001	0.0022
200	15231-43560	ASSY ELEMENT	1				0.03	0.066
210	04811-00100	O RING FILTER	1				0.001	0.0022
220	66706-58310	LABEL FUEL FILTER	1			[A] [CA] [FR] [U]	0.001	0.0022
220	66709-58310	LABEL FUEL FILTER	1			[WG] [AU]	0.001	0.0022
230	01153-50865	BOLT	1				0.025	0.055
240	04512-50080	WASHER SPRING	1				0	0

RADIATOR

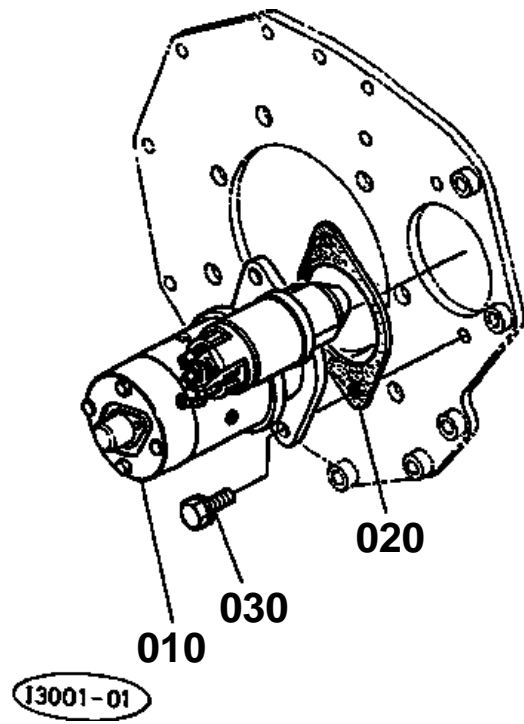




RADIATOR

↔ Interchangeable; ≠ not interchangeable; ← new for old; → old for new

REF.No	Part No.	Description	Q'ty	S.No.	I/C	REMARKS	Weight (kgf)	Weight (lb)
010	67001-53310	NET DUSTPROOF	1				0	0
020	04013-50060	WASHER PLAIN	2				0	0
030	04512-50060	WASHER SPRING	2				0	0
040	66621-55440	NUT WING	2				0.006	0.0132
050	66711-51340	BOLT RADIATOR	2				0.032	0.0704
060	04013-50100	WASHER PLAIN	2				0	0
070	15111-72200	WASHER	4				0.013	0.0286
080	15111-72180	CUSHION	2				0.015	0.033
090	05515-51000	PIN SNAP	2				0	0
100	67001-58500	ASSY RADIATOR	1	≤51365			0	0
100	67001-58502	ASSY RADIATOR	1	≥51366	←		4.5	9.9
110	55411-21792	WHISTLE STEAM	1				0.01	0.022
120	15101-72030	CAP RADIATOR	1				0.075	0.165
130	67001-58510	PIPE WATER OVER FLOW	1				0.036	0.0792
140	04013-50080	WASHER PLAIN	1				0	0
150	14301-73110	COCK DRAIN	1				0.094	0.2068
160	15262-74470	COVER FAN	1				0	0
170	66621-53260	STAY BREATHER PIPE	2				0.04	0.088
180	01202-50612	BOLT	4				0.005	0.011
190	15261-72850	PIPE WATER	1				0.154	0.3388
200	15261-72940	PIPE WATER	1	≤51365			0.135	0.297
200	67001-72940	PIPE WATER	1	≥51366	≠		0.115	0.253
210	15261-72780	BAND	3				0.024	0.0528
220	15108-72870	BAND	1				0.027	0.0594
230	66706-58810	LABEL RADIATOR	1			[A] [CA] [FR] [U]	0.001	0.0022
230	66709-58810	LABEL RADIATOR	1			[WG] [AU]	0.001	0.0022



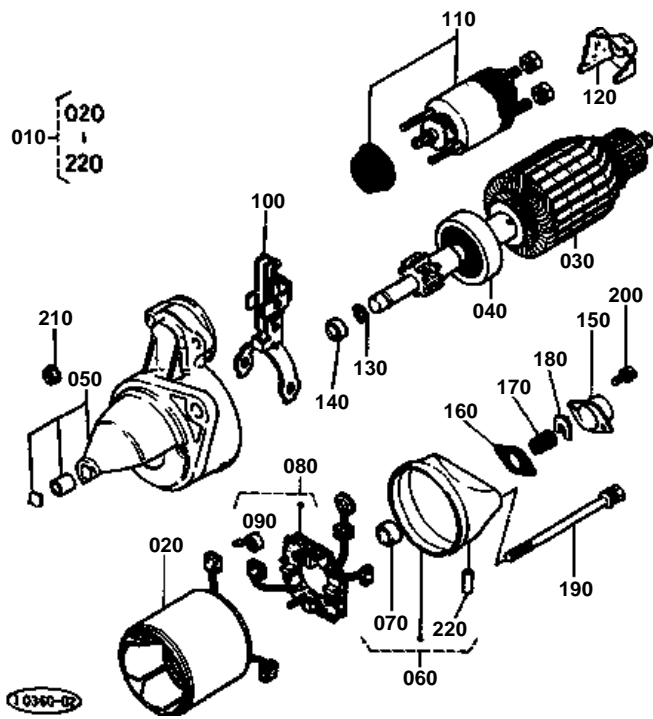


STARTER

↔ Interchangeable; ≠ not interchangeable; ← new for old; → old for new

REF.No	Part No.	Description	Q'ty	S.No.	I/C	REMARKS	Weight (kgf)	Weight (lb)
010	15231-63015	ASSY STARTER	1			REFER TO L.No.0C11-L0 FOR COMPONENTS.	4.7	10.34
020	66591-51160	GASKET	1				0	0
030	01123-50828	BOLT	2				0.014	0.0308

STARTER (COMPONENT PARTS)



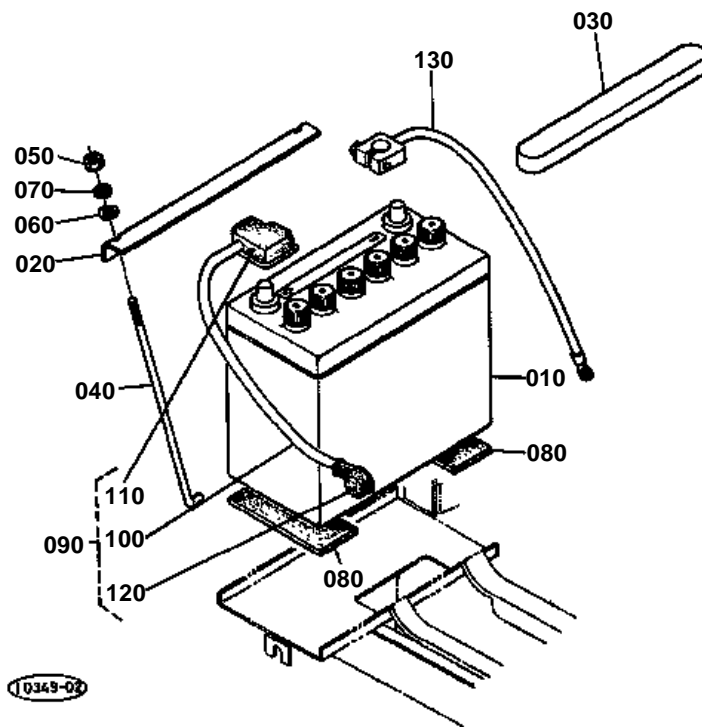


STARTER (COMPONENT PARTS)

↔ Interchangeable; ≠ not interchangeable; ← new for old; → old for new

REF.No	Part No.	Description	Q'ty	S.No.	I/C	REMARKS	Weight (kgf)	Weight (lb)
010	15231-63015	ASSY STARTER	1				4.7	10.34
020	14278-63080	YOKE	1				1.42	3.124
030	14278-63070	ARMATURE	1				1.25	2.75
040	14278-63040	CLUTCH OVER RUNNING	1				0.32	0.704
050	15231-63032	ASSY HOUSING	1				0.39	0.858
060	14278-63200	ASSY FRAME END	1				0.2	0.44
070	14278-63250	BUSH	1				0.002	0.0044
080	14278-63380	ASSY HOLDER BRUSH	1				0.06	0.132
090	14278-63390	SPRING BRUSH	4				0.003	0.0066
100	14278-63050	LEVER DRIVE	1				0.06	0.132
110	15231-63022	SWITCH MAGNETIC	1				0.65	1.43
120	14278-63120	COVER CORD	1				0.003	0.0066
130	15221-94820	PIN SNAP	1				0.001	0.0022
140	15321-63250	NUT PINION STOP	1				0.005	0.011
150	14278-63510	CAP END FRAME	1				0.015	0.033
160	14278-63520	GASKET	1				0.001	0.0022
170	14278-63190	SPRING BRAKE	1				0.01	0.022
180	14278-63180	SHOE BRAKE	1				0.005	0.011
190	14278-63320	BOLT THROUGH	2				0.02	0.044
200	03024-50414	SCREW WITH WASHER	2				0.002	0.0044
210	14278-92010	NUT	2				0.001	0.0022
220	14278-63570	PIPE BREATHER	1				0.001	0.0022

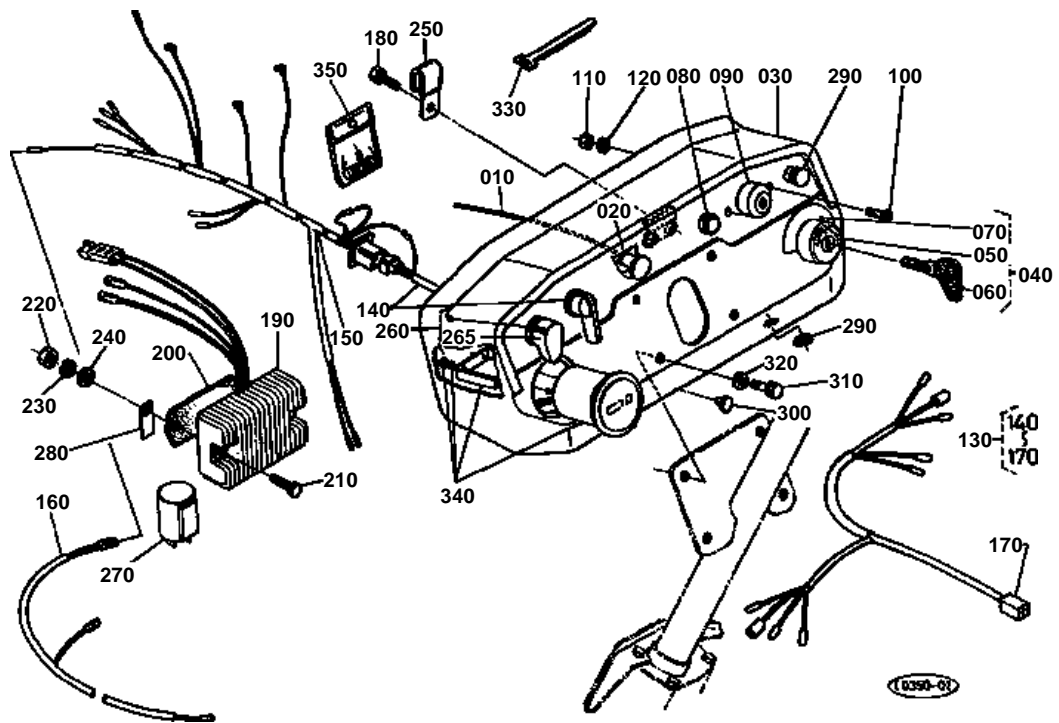
BATTERY



**BATTERY**

↔ Interchangeable; ≠ not interchangeable; ← new for old; → old for new

REF.No	Part No.	Description	Q'ty	S.No.	I/C	REMARKS	Weight (kgf)	Weight (lb)
010	66704-55412	ASSY BATTERY	1				7	15.4
020	66811-55420	RETAINER BATTERY	1				0.082	0.1804
030	66621-55430	COVER BATTERY	1				0.059	0.1298
040	66591-54490	BOLT BATTERY SET	2				0.048	0.1056
050	02014-50060	NUT	2				0.003	0.0066
060	04013-50060	WASHER PLAIN	2				0	0
070	04512-50060	WASHER SPRING	2				0	0
080	34150-33220	CUSHION	2				0.015	0.033
090	66709-55450	ASSY CORD BATTERY(+)	1				0.25	0.55
100	66709-55480	CORD BATTERY(+)	1				0.25	0.55
110	66704-55270	CAP TERMINAL	1	<=50973			0.015	0.033
110	66709-55490	CAP TERMINAL	1	>=50974	↔		0	0
120	66591-55190	CAP TERMINAL	1	<=50799			0.012	0.0264
120	67211-55470	CAP TERMINAL	1	>=50800	↔		0.002	0.0044
130	66704-55460	CORD BATTERY(-)	1				0.165	0.363

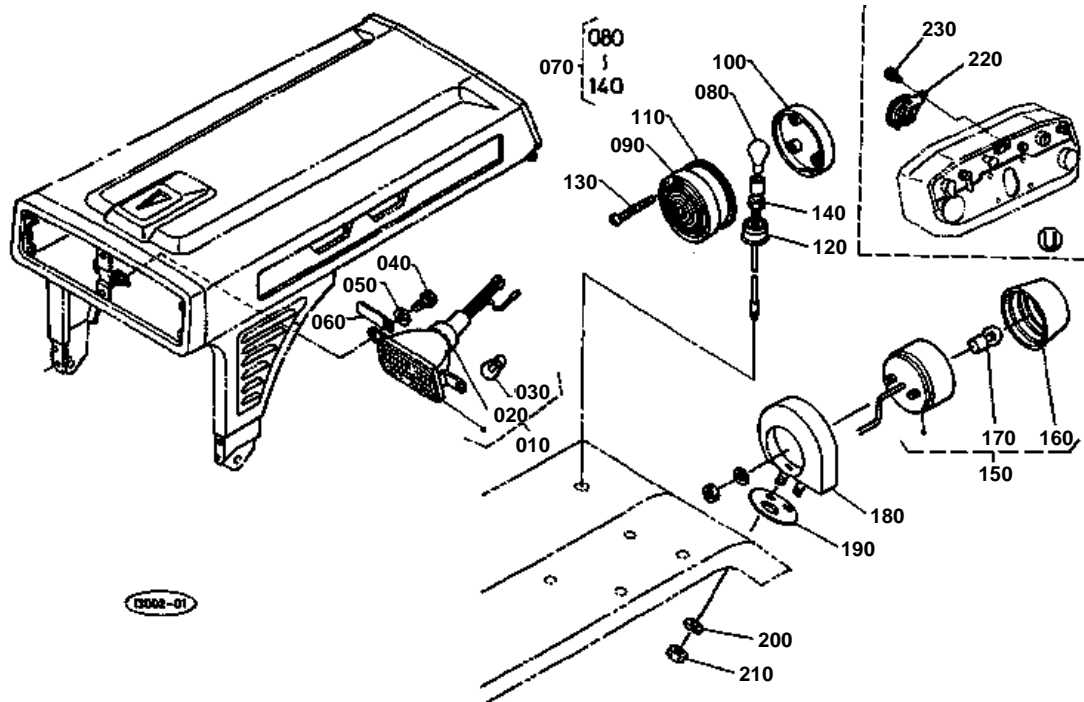




PANEL WIRING [A] [CA]

↔ Interchangeable; ≠ not interchangeable; ← new for old; → old for new

REF.No	Part No.	Description	Q'ty	S.No.	I/C	REMARKS	Weight (kgf)	Weight (lb)
010	66711-43510	WIRE DECOMPRESS	1				0.093	0.2046
020	04011-50100	WASHER PLAIN	1				0.002	0.0044
030	66704-55114	PANEL	1				1.05	2.31
040	66706-55120	ASSY SWITCH STARTER	1				0.256	0.5632
050	66711-55130	SWITCH STARTER	1				0.241	0.5302
060	66711-55240	ASSY KEY START	1				0.02	0.044
070	66706-55150	LABEL STARTER SWITCH	1				0.001	0.0022
080	66711-55290	ASSY LAMP OIL	1				0.016	0.0352
090	15221-65950	INDICATOR GLOW PLUG	1				0.052	0.1144
100	01053-50512	BOLT	2				0.002	0.0044
110	02054-50050	NUT	2				0.002	0.0044
120	04512-50050	WASHER SPRING	2				0	0
130	67001-55160	ASSY WIRE HARNESS	1				0.7	1.54
140	67001-55170	WIRE HARNESS	1				0	0
150	67001-55180	WIRE HARNESS	1				0.325	0.715
160	67001-55190	WIRE HARNESS	1				0.023	0.0506
170	67001-55210	WIRE HARNESS	1				0.13	0.286
180	01202-50612	BOLT	2				0.005	0.011
190	15372-64600	ASSY REGULATOR	1				0.22	0.484
200	66704-55260	RUBBER	1				0.009	0.0198
210	01053-50640	BOLT	2				0.011	0.0242
220	02014-50060	NUT	2				0.003	0.0066
230	04512-50060	WASHER SPRING	2				0	0
240	04013-50060	WASHER PLAIN	2				0	0
250	13313-69750	ASSY CLAMP CORD	1				0	0
260	55311-41120	SWITCH LIGHT	1				0.05	0.11
265	67401-99120	ASSY KNOB LIGHT SW.	1				0.005	0.011
270	66706-55810	UNIT FLASHER	1				0.023	0.0506
280	66204-55820	STAY UNIT	1				0.01	0.022
290	35110-32420	PLUG	3				0.002	0.0044
300	13151-67160	PLUG BLIND	2				0.01	0.022
310	01123-50818	BOLT	4				0.012	0.0264
320	04013-50080	WASHER PLAIN	4				0	0
330	66711-55470	CLAMP CORD	3				0.001	0.0022
340	66704-55310	METER TRACTOR	1				0.22	0.484
350	67800-55750	ASSY BAG SPARE FUSE	1				0.005	0.011



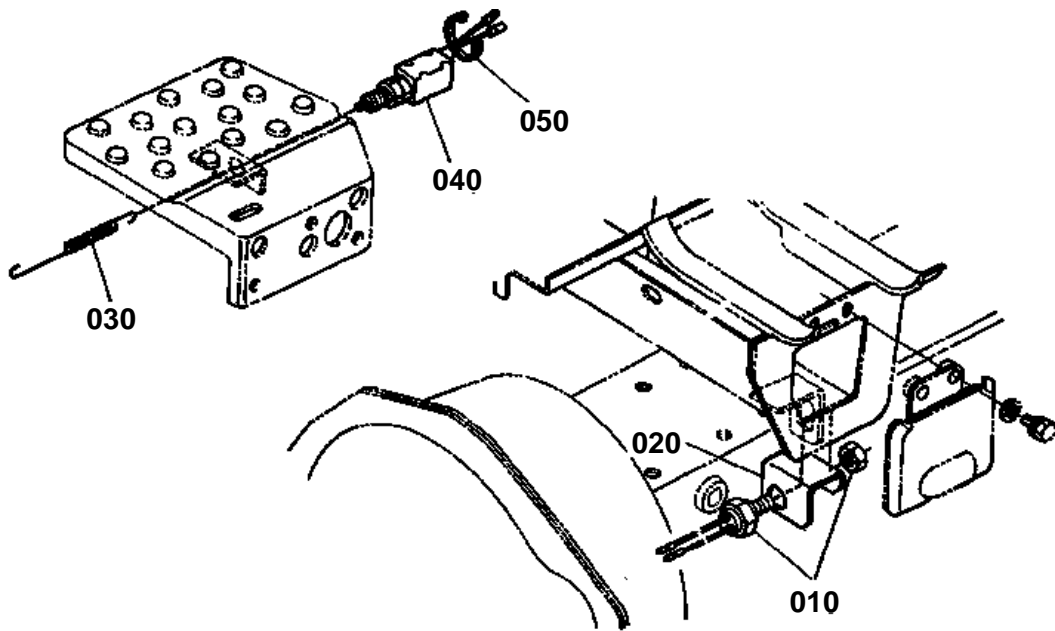


LIGHT/HORN [A] [CA] [U]

↔ Interchangeable; ≠ not interchangeable; ← new for old; → old for new

REF.No	Part No.	Description	Q'ty	S.No.	I/C	REMARKS	Weight (kgf)	Weight (lb)
010	67211-55700	ASSY LIGHT HEAD	2				0.2	0.44
020	67111-55780	SOCKET HEAD LIGHT	2				0.03	0.066
030	67211-55790	BULB HEAD LIGHT	2				0.02	0.044
040	01202-50614	BOLT	4				0.006	0.0132
050	04013-50060	WASHER PLAIN	4				0	0
060	34150-34480	CLAMP CORD	1				0.002	0.0044
070	35450-75010	ASSY LIGHT FLASHER	2				0.3	0.66
080	35450-75022	BULB HAZARD FLASHER	2				0.008	0.0176
090	35450-75110	LENS	2				0.07	0.154
100	35450-75050	LENS	2				0.07	0.154
110	35450-75060	GASKET SEAL	2				0.02	0.044
120	35450-75070	HOUSING	2				0.04	0.088
130	35450-75080	SCREW	6				0.005	0.011
140	35450-75090	ASSY SOCKET	2				0.035	0.077
150	34350-34100	ASSY LIGHT TAIL	2				0.13	0.286
160	34350-34120	LENS TAIL LIGHT	2				0.05	0.11
170	34350-34140	BULB TAIL LIGHT	2				0.008	0.0176
180	67800-55540	BRACKET TAIL LIGHT	2	≤#52835			0.11	0.242
180	66416-55540	BRACKET TAIL LIGHT	2	≥#52836	≠		0.11	0.242
190	67800-55530	CUSHION	2				0.015	0.033
200	04512-50060	WASHER SPRING	4				0	0
210	02014-50060	NUT	4				0.003	0.0066
220	66591-55300	ASSY HORN	1			[U]	0.15	0.33
230	01202-50612	BOLT	2			[U]	0.005	0.011

SWITCH



13005-01



SWITCH

↔ Interchangeable; ≠ not interchangeable; ← new for old; → old for new

Part No.	Description	S.No./REMARK	Weight (kgf)	Weight (lb)
37150-32240	SWITCH SAFETY		0.12	0.264
67008-54792	COVER SAFETY SWITCH	[WG]	0.03	0.066
66945-83120	SPRING STOP SWITCH	[WG]	0.12	0.264
36330-75480	SWITCH STOP	[WG]	0.08	0.176
66361-51180	CLAMP CORD	[WG]	0.001	0.0022

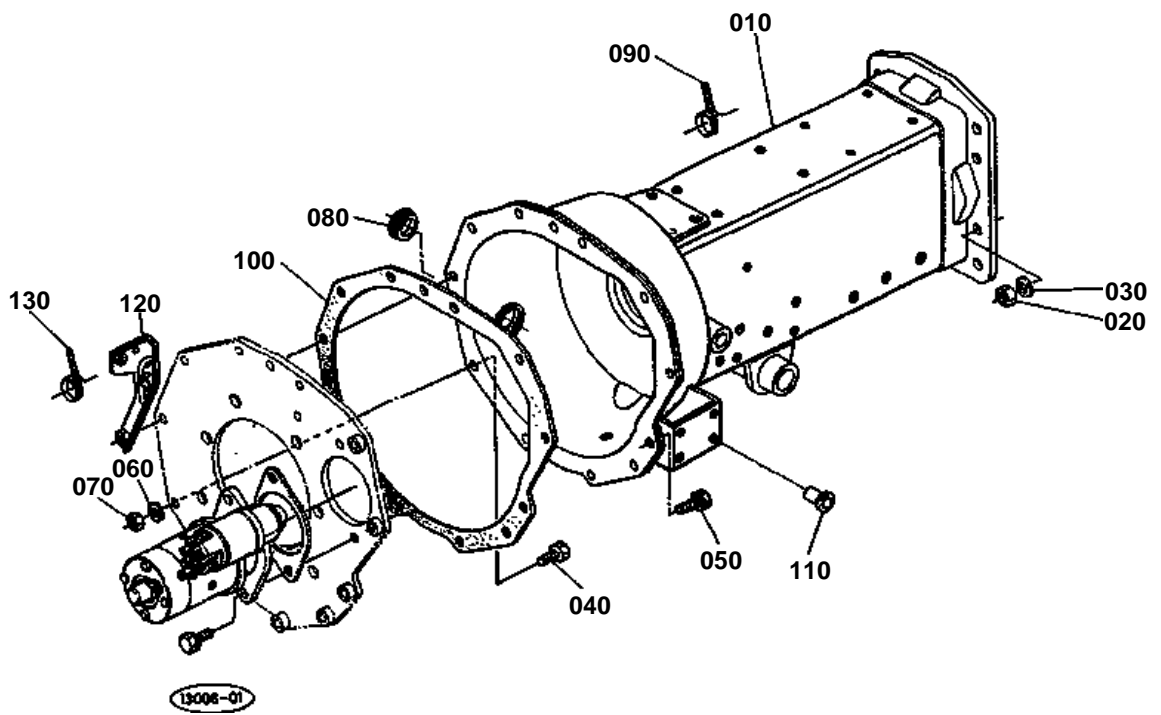


CLUTCH PEDAL/PROPELLER SHAFT

↔ Interchangeable; ≠ not interchangeable; ← new for old; → old for new

REF.No	Part No.	Description	Q'ty	S.No.	I/C	REMARKS	Weight (kgf)	Weight (lb)
010	66621-13314	HOLDER BEARING	1				0.63	1.386
020	09030-20357	SEAL OIL	1				0.009	0.0198
030	09030-20328	SEAL OIL	1				0.009	0.0198
040	06613-10675	NIPPLE GREASE	1				0.003	0.0066
050	32150-14820	BEARING RELEASE	1				0.2	0.44
060	66611-13340	SPRING RELEASE	1				0.006	0.0132
070	01202-50610	BOLT	1				0.004	0.0088
080	04013-50060	WASHER PLAIN	1				0	0
090	66494-13410	ROD CLUTCH	1				0.35	0.77
100	66601-54750	BOLT	1				0.016	0.0352
110	02112-50080	NUT	1				0.003	0.0066
120	66621-13350	FORK CLUTCH RELEASE	1				0.095	0.209
130	66621-13420	SPRING RETURN	1				0.04	0.088
140	04011-50140	WASHER PLAIN	1				0.007	0.0154
150	05511-50320	PIN SPLIT	1				0.002	0.0044
160	66711-13320	BOLT ADJUSTING	1				0.028	0.0616
170	02116-50100	NUT	1				0.004	0.0088
180	66811-14110	SHAFT PROPELLER	1				1.136	2.4992
190	66611-14100	ASSY JOINT BALL	1				0.307	0.6754
200	66611-14140	COUPLING BALL OUTER	1				0.2	0.44
210	66611-14150	GASKET BALL JOINT	2				0	0
220	66611-14160	COUPLING BALL INNER	1				0.076	0.1672
230	07715-00803	BALL	4				0.004	0.0088
240	04611-00350	CIR-CLIP INTERNAL	1				0.003	0.0066
250	66611-14170	SUPPORT GASKET	1				0	0
260	05411-00532	PIN SPRING	1				0.003	0.0066
270	66611-14130	PIN SET	1				0.001	0.0022
280	04717-00500	WASHER WITH RUBBER	1				0.001	0.0022
290	66611-14120	PIN JOINT	1				0	0
300	66811-43110	PEDAL CLUTCH	1				0.927	2.0394
310	66811-43100	ASSY ROD CLUTCH	1				0	0
320	66811-43120	ROD CLUTCH	1				0.065	0.143
330	66621-43130	HOLDER	1				0.06	0.132
340	02112-50080	NUT	1				0.003	0.0066
350	05122-50825	PIN JOINT	1				0.011	0.0242
360	05122-50820	PIN JOINT	1				0.009	0.0198
370	04012-50080	WASHER PLAIN	2				0.001	0.0022
380	05511-50215	PIN SPLIT	2				0.001	0.0022
390	66711-42150	SPACER PEDAL	1				0.027	0.0594
400	66706-47250	NAME PLATE SPACER	1			[A] [CA] [FR] [U]	0.001	0.0022
400	66709-47250	NAME PLATE SPACER	1			[WG] [AU]	0.001	0.0022
410	66621-51420	SEAL OIL	1				0.011	0.0242

CLUTCH HOUSING



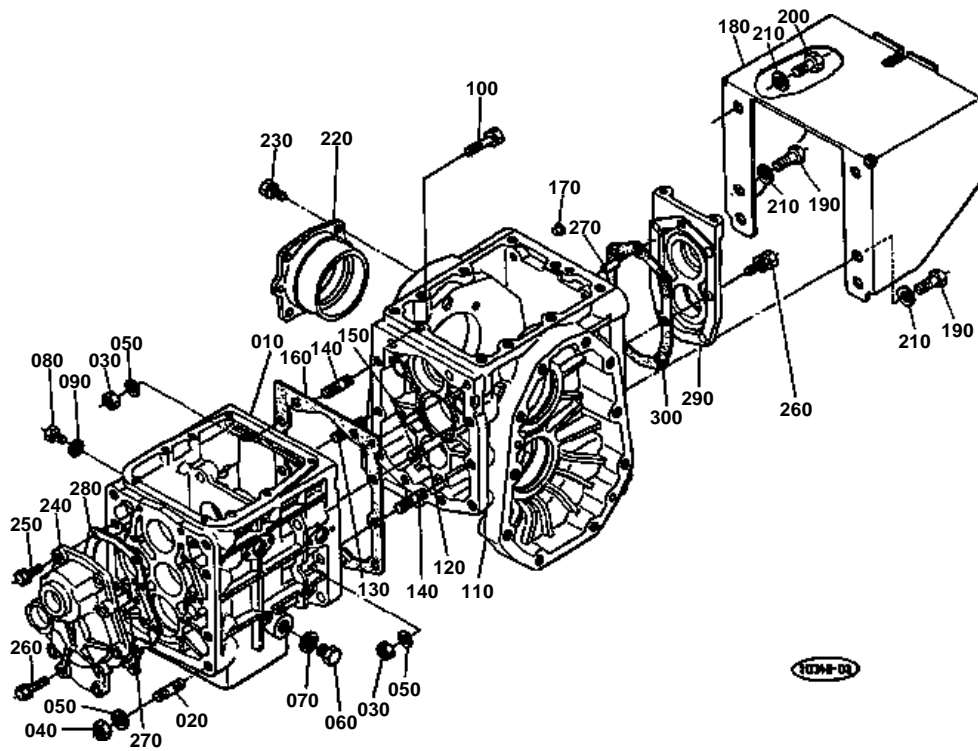


CLUTCH HOUSING

↔ Interchangeable; ≠ not interchangeable; ← new for old; → old for new

REF.No	Part No.	Description	Q'ty	S.No.	I/C	REMARKS	Weight (kgf)	Weight (lb)
010	67001-51100	COMP.HOUSING CLUTCH	1				14	30.8
020	02118-50100	NUT	8				0.005	0.011
030	04512-50100	WASHER SPRING	8				0	0
040	01153-50825	BOLT	1				0.012	0.0264
050	01123-50825	BOLT	10				0.013	0.0286
060	04512-50080	WASHER SPRING	1				0	0
070	02114-50080	NUT	1				0.005	0.011
080	66704-51190	COVER TIMING HOLE	1				0.009	0.0198
090	53581-64150	BAND CORD	1			[FR] [WG] [AU]	0.002	0.0044
100	66621-51410	GASKET	1				0	0
110	66591-54390	PLUG BLIND	10			EXCEPT[WG]	0.001	0.0022
110	66591-54390	PLUG BLIND	18			[WG]	0.001	0.0022
120	66811-51450	STAY FUEL	1				0.102	0.2244
130	53581-64150	BAND CORD	2				0.002	0.0044

TRANSMISSION CASE



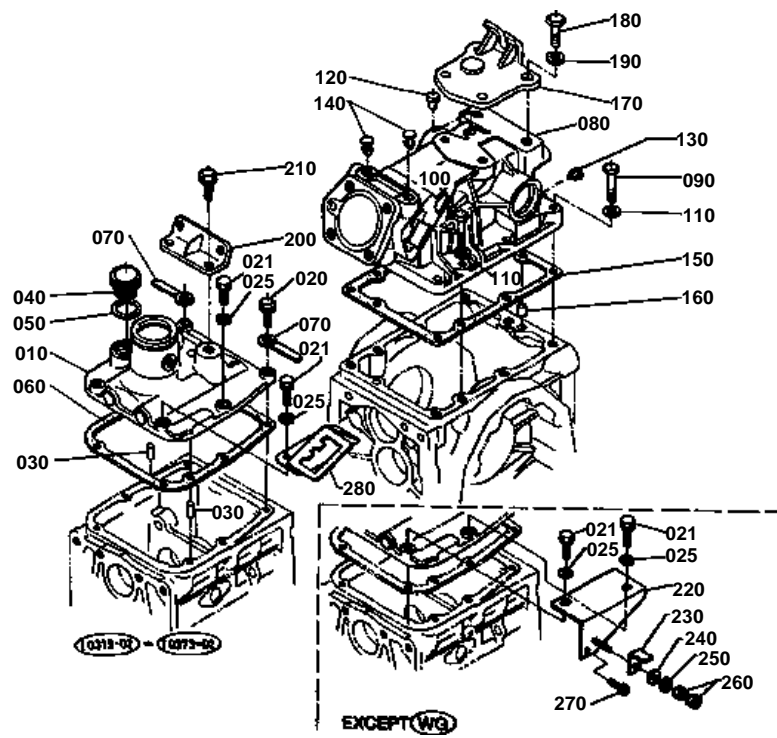


TRANSMISSION CASE

↔ Interchangeable; ≠ not interchangeable; ← new for old; → old for new

REF.No	Part No.	Description	Q'ty	S.No.	I/C	REMARKS	Weight (kgf)	Weight (lb)
010	67001-11110	CASE TRANSMISSION	1				4	8.8
020	01551-51022	STUD	8				0	0
030	02176-50100	NUT	8				0.005	0.011
040	02118-50100	NUT	8				0.005	0.011
050	04512-50100	WASHER SPRING	18				0	0
060	06331-35016	PLUG	1				0.04	0.088
070	04717-01600	WASHER WITH RUBBER	1				0.003	0.0066
080	01053-50612	BOLT	1				0.004	0.0088
090	04717-00600	WASHER WITH RUBBER	1				0.001	0.0022
100	01123-51055	BOLT	2				0.038	0.0836
110	66621-11135	CASE DIFF.GEAR	1				7.3	16.06
120	01555-51075	STUD	1				0.05	0.11
130	01555-51085	STUD	1				0.06	0.132
140	01555-51035	STUD	6				0.029	0.0638
150	66611-11160	PIN KNOCK	2				0.01	0.022
160	66621-11140	GASKET	1				0	0
170	66611-17450	PLUG BLIND	2				0.001	0.0022
180	66494-11210	COVER PTO	1				1.6	3.52
190	01153-51235	BOLT	4				0.039	0.0858
200	01153-51225	BOLT	2				0.032	0.0704
210	04512-50120	WASHER SPRING	4				0	0
220	66621-11250	HOLDER DIFF.BEARING	1				0.718	1.5796
230	01123-50822	BOLT	4				0.012	0.0264
240	66621-12110	COVER SHAFT	1				0.308	0.6776
250	01123-50825	BOLT	4				0.013	0.0286
260	01123-50832	BOLT	11				0.016	0.0352
270	05012-00816	PIN STRAIGHT	2				0.007	0.0154
280	66621-12120	GASKET	1				0	0
290	66494-12210	COVER REAR	1				1.2	2.64
300	66621-12220	GASKET	1				0	0

CASE COVER

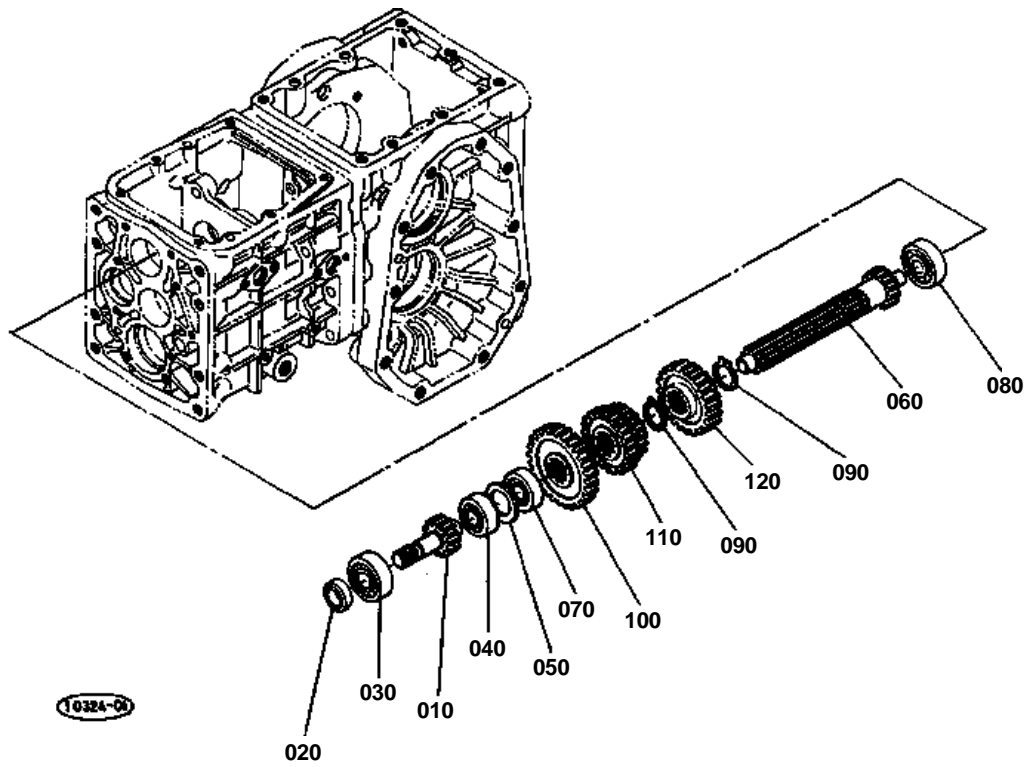




CASE COVER

↔ Interchangeable; ≠ not interchangeable; ← new for old; → old for new

REF.No	Part No.	Description	Q'ty	S.No.	I/C	REMARKS	Weight (kgf)	Weight (lb)
010	66621-12312	COVER UPPER FRONT	1				0.74	1.628
020	01123-50830	BOLT	4				0.015	0.033
021	01123-50835	BOLT	2				0.02	0.044
025	04013-50080	WASHER PLAIN	2				0	0
030	05012-00816	PIN STRAIGHT	2				0.007	0.0154
040	66591-11460	CAP	1				0.016	0.0352
050	04713-00400	GASKET	1				0.001	0.0022
060	66621-12320	GASKET	1				0	0
070	13816-67580	CLAMP CORD	2			[A] [CA] [FR] [U] [AU]	0.004	0.0088
070	32240-34490	CLAMP CORD	2			[WG]	0.003	0.0066
080	66611-12510	COVER UPPER REAR	1				3.83	8.426
090	01153-51040	BOLT	3				0.03	0.066
100	01153-51035	BOLT	6				0.025	0.055
110	04512-50100	WASHER SPRING	9				0	0
120	66591-11350	BREATHER	1				0.002	0.0044
130	67211-11140	PLUG BLIND	2				0.001	0.0022
140	67211-51120	PLUG BLIND	2				0.001	0.0022
150	66611-12520	GASKET	1				0	0
160	05012-00816	PIN STRAIGHT	2				0.007	0.0154
170	66611-11910	BRACKET CHAIN	1				0.607	1.3354
180	01153-51230	BOLT	2				0.036	0.0792
190	04512-50120	WASHER SPRING	2				0	0
200	66621-12550	STAY	1				0.98	2.156
210	01133-51020	BOLT	2				0.02	0.044
220	67001-12410	HOLDER PTO CHECK	1			[A] [CA] [FR] [U] [AU]	0.1	0.22
230	67001-12420	HOLDER PTO CHECK	1			[A] [CA] [FR] [U] [AU]	0.03	0.066
240	04013-50080	WASHER PLAIN	1			[A] [CA] [FR] [U] [AU]	0	0
250	67401-52790	SPRING PLATE	1			[A] [CA] [FR] [U] [AU]	0.002	0.0044
260	02114-50080	NUT	2			[A] [CA] [FR] [U] [AU]	0.005	0.011
270	03014-50608	SCREW PAN HEAD	1			[A] [CA] [FR] [U] [AU]	0.002	0.0044
280	66498-42170	GUIDE SPEED CHANGE	1			[WG]	0.15	0.33



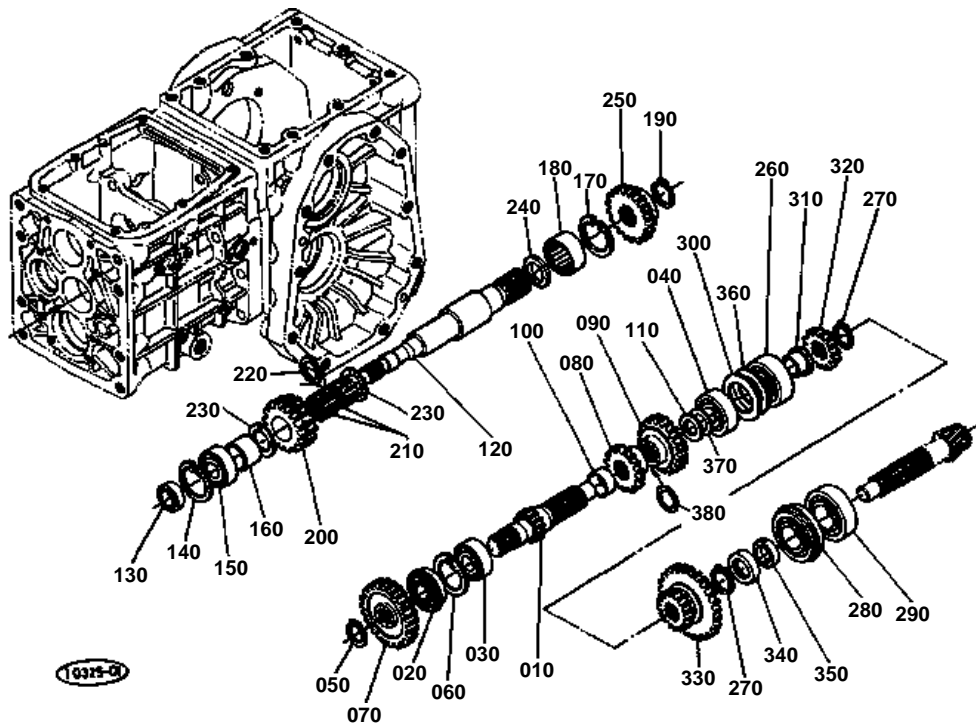


1ST SHAFT 4TH SHAFT

↔ Interchangeable; ≠ not interchangeable; ← new for old; → old for new

REF.No	Part No.	Description	Q'ty	S.No.	I/C	REMARKS	Weight (kgf)	Weight (lb)
010	67001-12120	SHAFT	1	≤50057			0	0
010	67001-12130	SHAFT	1	≥50058	≠		0.207	0.4554
020	09500-17308	SEAL OIL	1				0.009	0.0198
030	08101-06303	BEARING BALL	1				0.112	0.2464
040	08101-06203	BEARING BALL	1				0.063	0.1386
050	66621-14220	SPACER	1				0.005	0.011
060	66621-14510	SHAFT	1				0.58	1.276
070	08101-06203	BEARING BALL	1				0.063	0.1386
080	08101-06302	BEARING BALL	1				0.084	0.1848
090	04612-00220	CIR-CLIP EXTERNAL	2				0.001	0.0022
100	66621-14520	GEAR	1			29T	0.322	0.7084
110	67001-14420	GEAR	1			20-15T	0.32	0.704
120	66621-14540	GEAR	1			26T	0.254	0.5588

2ND SHAFT REVERSE SHAFT

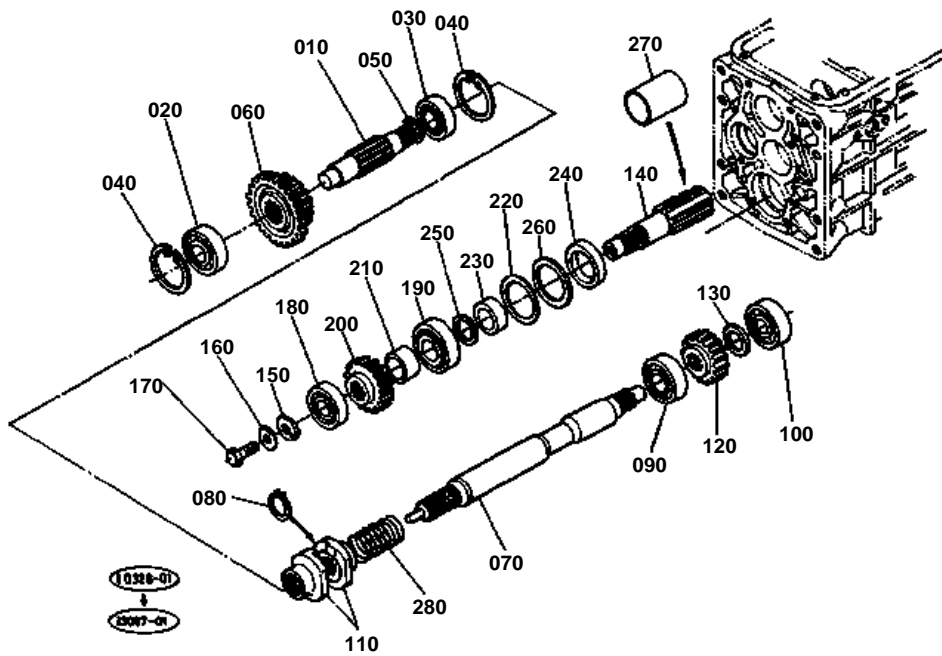




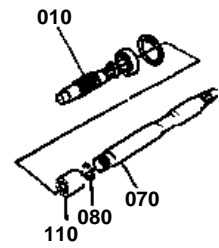
2ND SHAFT REVERSE SHAFT

↔ Interchangeable; ≠ not interchangeable; ← new for old; → old for new

REF.No	Part No.	Description	Q'ty	S.No.	I/C	REMARKS	Weight (kgf)	Weight (lb)
010	66621-14312	SHAFT	1				0.3	0.66
020	08151-06203	BEARING BALL	1				0.07	0.154
030	08101-06203	BEARING BALL	1				0.063	0.1386
040	08101-06302	BEARING BALL	1				0.084	0.1848
050	04612-00160	CIR-CLIP EXTERNAL	1				0.001	0.0022
060	04611-00400	CIR-CLIP INTERNAL	1				0.005	0.011
070	67001-14320	GEAR	1	≤=50057		21T	0.28	0.616
070	67001-14310	GEAR	1	>=50058	≠	21T	0.26	0.572
080	67001-14330	GEAR	1			13T	0.14	0.308
090	67001-14340	GEAR	1			16T	0.188	0.4136
100	66621-14360	COLLAR	1				0.004	0.0088
110	66621-14350	SPACER	1				0.002	0.0044
120	66621-14610	SHAFT REVERSE	1				0.542	1.1924
130	09500-17308	SEAL OIL	1				0.009	0.0198
140	04611-00400	CIR-CLIP INTERNAL	1				0.005	0.011
150	08101-06203	BEARING BALL	1				0.063	0.1386
160	66811-14670	COLLAR BACK SHAFT	1				0.039	0.0858
170	04611-00300	CIR-CLIP INTERNAL	1				0.004	0.0088
180	08852-03015	BEARING NEEDLE	1				0.037	0.0814
190	04612-00190	CIR-CLIP EXTERNAL	1				0.001	0.0022
200	66621-14622	GEAR	1			19-16T	0.222	0.4884
210	08822-02410	BEARING NEEDLE	2				0.015	0.033
220	66621-14660	COLLAR	1				0.004	0.0088
230	62231-14770	COLLAR	2				0	0
240	66621-14640	COLLAR	1				0.006	0.0132
250	66404-14650	GEAR	1			22T	0.18	0.396
260	08211-07204	BEARING BALL	1				0.105	0.231
270	04612-00190	CIR-CLIP EXTERNAL	2				0.001	0.0022
280	08151-06304	BEARING BALL	1				0.148	0.3256
290	08101-06304	BEARING BALL	1				0.146	0.3212
300	66591-14720	SPACER	1				0.002	0.0044
310	66591-14733	BUSH	1				0.02	0.044
320	66404-14840	GEAR	1			13T	0.059	0.1298
330	66621-14850	GEAR	1			14-29T	0.354	0.7788
340	66621-14860	COLLAR	1				0.014	0.0308
350	66591-14770	COLLAR STOP	2				0.003	0.0066
360	66611-14670	SHIM	1				0.008	0.0176
360	66611-14680	SHIM	1				0.01	0.022
360	66611-14690	SHIM	1				0.001	0.0022
370	66621-14370	SHIM	1				0.001	0.0022
370	66621-14380	SHIM	1				0.001	0.0022
380	66591-56910	SHIM	1				0.001	0.0022
380	66591-56920	SHIM	1				0.001	0.0022



- 010 66621-1441-0
- 070 66621-1471-0
- 080 04612-00190
- 110 66621-1472-0

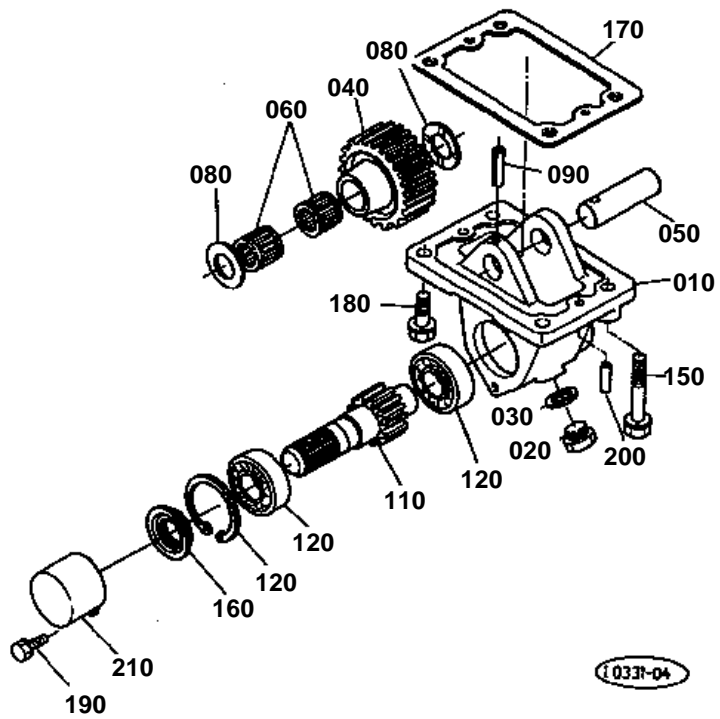




3RD SHAFT 5TH SHAFT PTO SHAFT [A] [CA] [U]

↔ Interchangeable; ≠ not interchangeable; ← new for old; → old for new

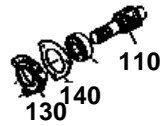
REF.No	Part No.	Description	Q'ty	S.No.	I/C	REMARKS	Weight (kgf)	Weight (lb)
010	66621-14410	SHAFT	1	≤50645			0.36	0.792
010	67001-14410	SHAFT	1	≥50646	≠		0.8	1.76
020	08101-06303	BEARING BALL	1				0.112	0.2464
030	08101-06204	BEARING BALL	1				0.102	0.2244
040	04611-00470	CIR-CLIP INTERNAL	2				0.006	0.0132
050	64135-14290	COLLAR	1				0	0
060	67001-14530	GEAR	1			17-22T	0.4	0.88
070	66621-14710	SHAFT	1	≤50645			0.93	2.046
070	67001-14710	SHAFT	1	≥50646	≠		0.9	1.98
080	04612-00190	CIR-CLIP EXTERNAL	1	≤50645			0.001	0.0022
080	04612-00170	CIR-CLIP EXTERNAL	1	≥50646	≠		0.001	0.0022
090	08101-06204	BEARING BALL	1				0.102	0.2244
100	08101-06303	BEARING BALL	1				0.112	0.2464
110	66621-14720	BOSS SPLINE	1	≤50645			0.095	0.209
110	67001-14380	CAM ONE WAY CLUTCH	2	≥50646	≠		0.13	0.286
120	66494-14730	GEAR	1			17T	0.17	0.374
130	62081-14260	COLLAR	1				0.005	0.011
140	66706-14710	SHAFT PTO	1				0.61	1.342
150	66704-14720	WASHER	1				0.009	0.0198
160	63753-32430	WASHER LOCK	1				0.001	0.0022
170	66704-14730	BOLT	1				0.012	0.0264
180	08711-30204	BEARING TAPER-ROLLER	1				0.116	0.2552
190	08711-30205	BEARING TAPER-ROLLER	1				0.148	0.3256
200	66494-14920	GEAR	1			25T	0.336	0.7392
210	66494-14740	COLLAR PTO	1				0.036	0.0792
220	66611-14750	SHIM PTO	1				0.002	0.0044
220	66611-14760	SHIM PTO	1				0.002	0.0044
220	66611-14770	SHIM PTO	1				0.001	0.0022
230	66611-14730	BUSH	1				0.042	0.0924
240	09180-35488	SEAL OIL	1				0.019	0.0418
250	66611-14740	COLLAR PTO	1				0.004	0.0088
260	66706-14782	COLLAR	1				0.006	0.0132
270	66706-14810	COVER PTO	1				0.024	0.0528
280	67001-14390	SPRING ONE-WAY	1	≥50646			0.022	0.0484



070 67061-2125-0
090 01153-50820
100 04512-50080



110 67001-2124-0
130 67061-2126-0
140 96380-2518-0

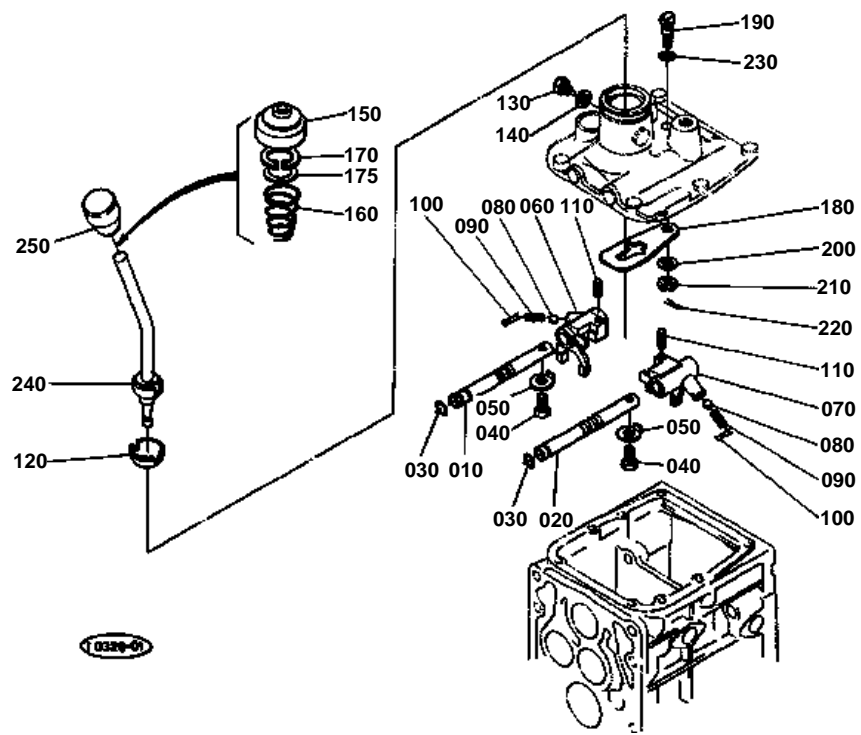




↔ Interchangeable; ≠ not interchangeable; ← new for old; → old for new

REF.No	Part No.	Description	Q'ty	S.No.	I/C	REMARKS	Weight (kgf)	Weight (lb)
010	67061-21213	CASE	1	←=52070			0.71	1.562
010	67061-21215	CASE	1	>=52071	≠		0.78	1.716
020	06331-35016	PLUG	1				0.04	0.088
030	04717-01600	WASHER WITH RUBBER	1				0.003	0.0066
040	67001-21220	GEAR	1	←=52070		23T	0.46	1.012
040	67001-21222	GEAR	1	>=52071	≠		0.46	1.012
050	67061-21230	SHAFT IDLE	1	←=52070			0.176	0.3872
050	67061-21232	SHAFT IDLE	1	>=52071	≠		0.2	0.44
060	67061-21270	BEARING NEEDLE	2				0.03	0.066
070	67061-21250	COLLAR	1	←=52070			0.006	0.0132
080	96380-25140	COLLAR SHAFT	2				0.014	0.0308
090	01153-50820	BOLT	1	←=52070			0.012	0.0264
090	05411-00618	PIN SPRING	1	>=52071	≠		0.003	0.0066
100	04512-50080	WASHER SPRING	1	←=52070			0	0
110	67001-21240	GEAR SHAFT	1	←=52070		12T	0	0
110	67001-21242	GEAR SHAFT	1	>=52071	≠		0.57	1.254
120	08101-06205	BEARING BALL	2				0.14	0.308
130	67061-21260	COVER CASE	1	←=52070			0.25	0.55
140	96380-25180	GASKET	1	←=52070			0.002	0.0044
150	01123-50830	BOLT	3	←=52070			0.015	0.033
150	01123-50816	BOLT	1	>=52071	≠		0.011	0.0242
160	66301-15850	SEAL OIL	1	←=52070			0.025	0.055
160	32430-25540	SEAL OIL	1	>=52071	≠		0.04	0.088
170	66204-21220	GASKET	1				0	0
180	01123-51032	BOLT	2	←=52070			0.026	0.0572
180	01123-51028	BOLT	2	>=52071	≠		0.025	0.055
190	01123-51040	BOLT	2				0.03	0.066
200	05012-00816	PIN STRAIGHT	2				0.007	0.0154
210	66204-21250	COVER MID-PTO	1				0.07	0.154

MAIN GEAR SHIFT LEVER



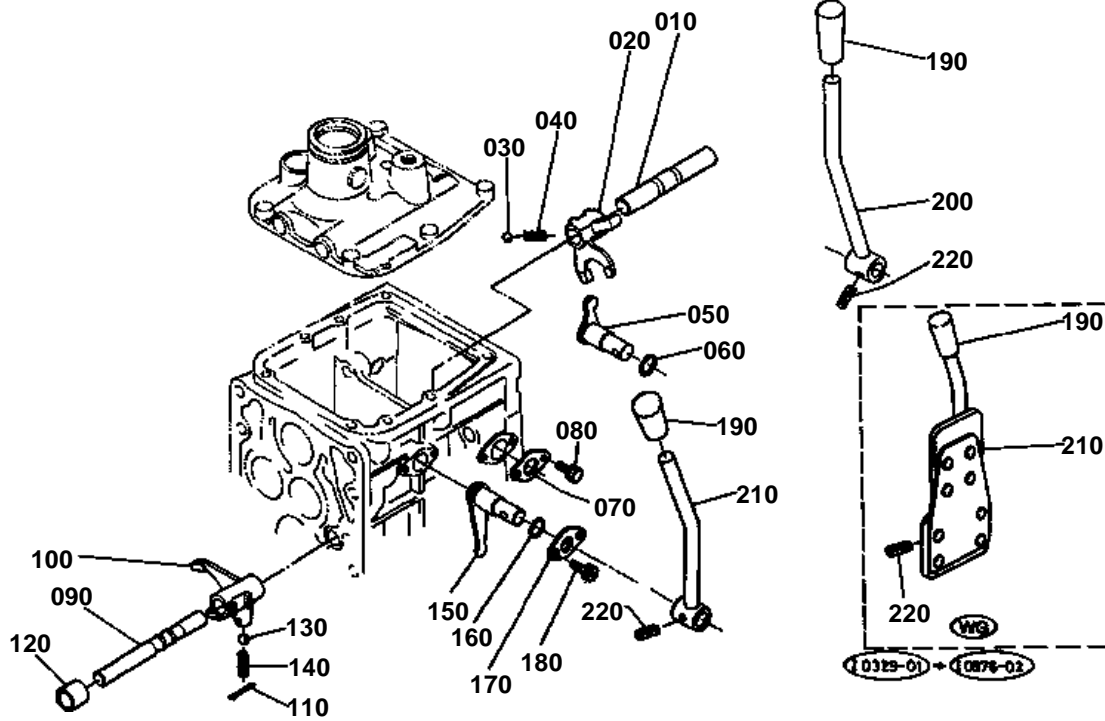


MAIN GEAR SHIFT LEVER

↔ Interchangeable; ≠ not interchangeable; ← new for old; → old for new

REF.No	Part No.	Description	Q'ty	S.No.	I/C	REMARKS	Weight (kgf)	Weight (lb)
010	67001-18110	SHAFT FORK	1				0.18	0.396
020	67001-18120	SHAFT FORK	1				0.18	0.396
030	04811-06100	RING	2				0.001	0.0022
040	01153-50816	BOLT	2				0.01	0.022
050	04111-50080	WASHER	2				0.001	0.0022
060	66621-18130	FORK BACK SHIFT	1				0.193	0.4246
070	66621-18140	FORK SHIFT	1				0.133	0.2926
080	07715-01605	BALL	2				0.003	0.0066
090	62061-18260	SPRING STOPPER	2				0.002	0.0044
100	05511-50322	PIN SPLIT	2				0.002	0.0044
110	05411-00520	PIN SPRING	2				0.002	0.0044
120	66591-18410	BUSH	1				0.004	0.0088
130	66515-18240	PIN ROD GUIDE	2				0.01	0.022
140	04714-00080	GASKET	2				0.001	0.0022
150	66591-18420	COVER MAIN S-CHANGE	1				0.014	0.0308
160	66591-18430	SPRING	1				0.024	0.0528
170	04611-00380	CIR-CLIP INTERNAL	1				0.004	0.0088
175	34150-21560	WASHER	1				0.01	0.022
180	66591-18443	INTERLOCKER	1				0.06	0.132
190	66591-18450	BOLT INTERLOCKER SET	1				0.024	0.0528
200	04011-50100	WASHER PLAIN	1				0.002	0.0044
210	02372-50100	NUT	1				0.005	0.011
220	05511-50218	PIN SPLIT	1				0.001	0.0022
230	04811-10100	RING	1				0.001	0.0022
240	66711-42320	LEVER MAIN S-CHANGE	1				0.295	0.649
250	66711-42310	GRIP LEVER	1				0.033	0.0726

HI-LO GEAR SHIFT LEVER

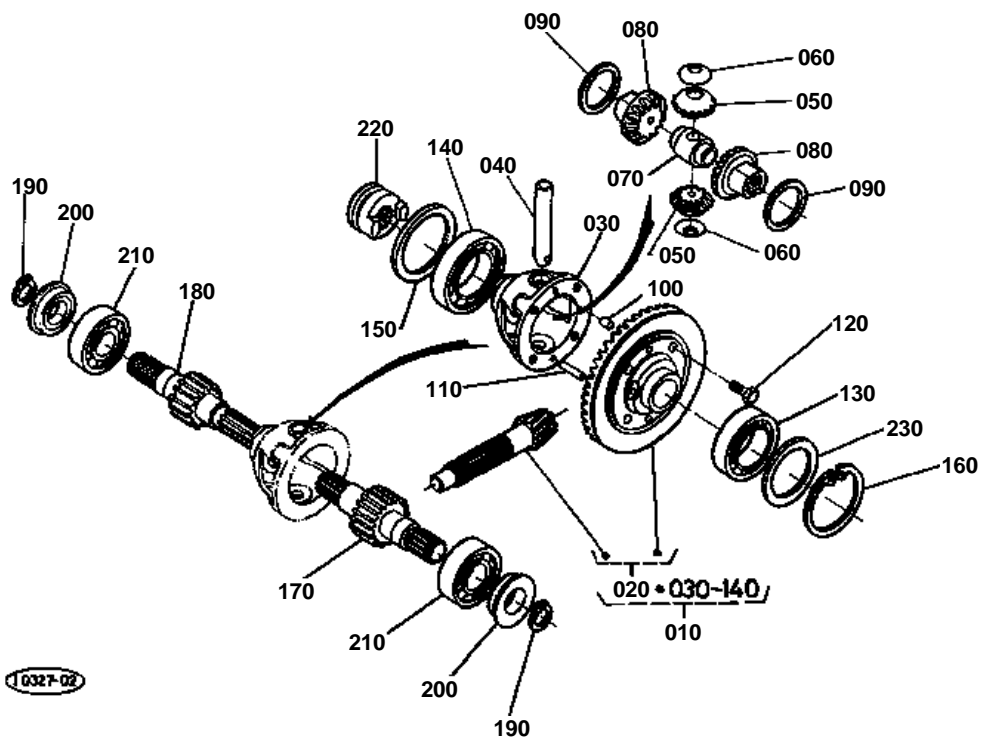


**HI-LO GEAR SHIFT LEVER**

↔ Interchangeable; ≠ not interchangeable; ← new for old; → old for new

REF.No	Part No.	Description	Q'ty	S.No.	I/C	REMARKS	Weight (kgf)	Weight (lb)
010	66621-18310	SHAFT FORK	1				0.121	0.2662
020	66621-18323	FORK AUX.S-C SHIFT	1				0.133	0.2926
030	07715-01605	BALL	1				0.003	0.0066
040	62061-18260	SPRING STOPPER	1				0.002	0.0044
050	66621-18340	ARM AUX.S-CHANGE	1				0.093	0.2046
060	04811-00160	RING	1				0.001	0.0022
070	66591-18180	RETAINER FORK ROD	1				0.012	0.0264
080	01202-50614	BOLT	2				0.006	0.0132
090	67001-18410	SHAFT PTO FORK	1				0.14	0.308
100	66621-18423	FORK SHIFT	1				0.14	0.308
110	05511-50322	PIN SPLIT	1				0.002	0.0044
120	66621-18430	COLLAR	1				0.02	0.044
130	07715-01605	BALL	1				0.003	0.0066
140	62061-18260	SPRING STOPPER	1				0.002	0.0044
150	66621-18450	ARM	1				0.11	0.242
160	04811-00160	RING	1				0.001	0.0022
170	66591-18180	RETAINER FORK ROD	1				0.012	0.0264
180	01202-50614	BOLT	2				0.006	0.0132
190	54201-23270	GRIP	2				0.02	0.044
200	66621-42130	LEVER AUX.S-CHANGE	1			[A] [CA] [FR] [U] [AU]	0.228	0.5016
200	66498-42510	LEVER AUX.S-CHANGE	1			[WG]	0.234	0.5148
210	66621-42140	LEVER	1			[A] [CA] [FR] [U] [AU]	0.207	0.4554
210	66498-42713	LEVER	1			[WG]	0.5	1.1
220	05411-00630	PIN SPRING	2				0.004	0.0088

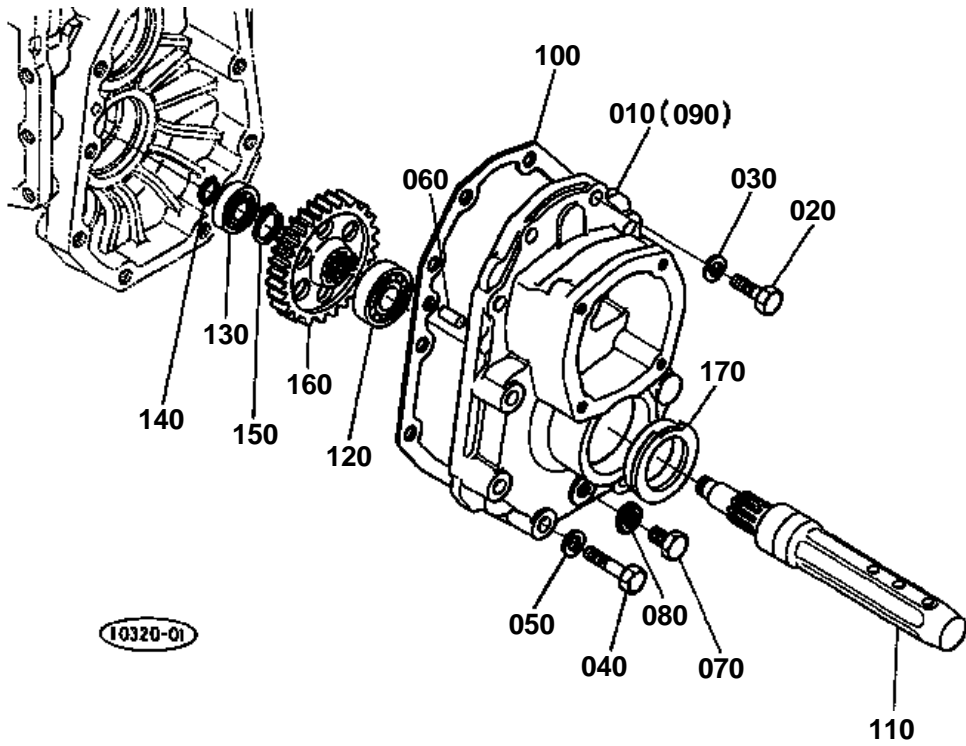
DIFFERENTIAL REAR



**DIFFERENTIAL REAR**

↔ Interchangeable; ≠ not interchangeable; ← new for old; → old for new

REF.No	Part No.	Description	Q'ty	S.No.	I/C	REMARKS	Weight (kgf)	Weight (lb)
010	66494-81100	ASSY DIFF. REAR	1				3.55	7.81
020	66621-82710	ASSY GEAR BEVEL	1				1.6	3.52
030	66591-15114	CASE DIFFERENTIAL	1				0.65	1.43
040	67910-56640	SHAFT DIFF.PINION	1				0.12	0.264
050	67910-56660	GEAR DIFF.PINION	2			11T	0.1	0.22
060	66591-14850	COLLAR PINION THRUST	2				0.006	0.0132
070	66591-14860	COLLAR THRUST	1				0.102	0.2244
080	66591-14870	GEAR DIFF.SIDE	2			15T	0.18	0.396
090	67910-56670	SHIM	1				0.006	0.0132
090	67910-56680	SHIM	1				0.008	0.0176
100	66591-14792	PIN KNOCK	1				0.003	0.0066
110	66591-14783	PIN STRAIGHT	1				0.01	0.022
120	67810-56680	BOLT UBS	4				0.013	0.0286
130	08101-06008	BEARING BALL	1				0.19	0.418
140	08101-06009	BEARING BALL	1				0.22	0.484
150	66591-14920	SHIM DIFF.SIDE	1				0.006	0.0132
150	66591-14930	SHIM DIFF.SIDE	1				0.002	0.0044
150	66591-14980	SHIM DIFF.SIDE	1				0.005	0.011
150	66591-14990	SHIM DIFF.SIDE	1				0.002	0.0044
160	04611-00680	CIR-CLIP INTERNAL	1				0.016	0.0352
170	66494-15210	SHAFT DIFF.GEAR LH	1			10T	0.55	1.21
180	66494-15220	SHAFT DIFF.GEAR RH	1			10T	0.599	1.3178
190	04612-00220	CIR-CLIP EXTERNAL	2				0.001	0.0022
200	66611-14940	SEAL OIL	2				0.02	0.044
210	08101-06305	BEARING BALL	2				0.23	0.506
220	66591-14962	CLUTCH DIFF.LOCK	1				0.148	0.3256
230	66621-15240	SHIM DIFF.GEAR SHAFT	1				0.001	0.0022
230	66621-15250	SHIM DIFF.GEAR SHAFT	1				0.003	0.0066
230	66621-15260	SHIM DIFF.GEAR SHAFT	1				0.006	0.0132

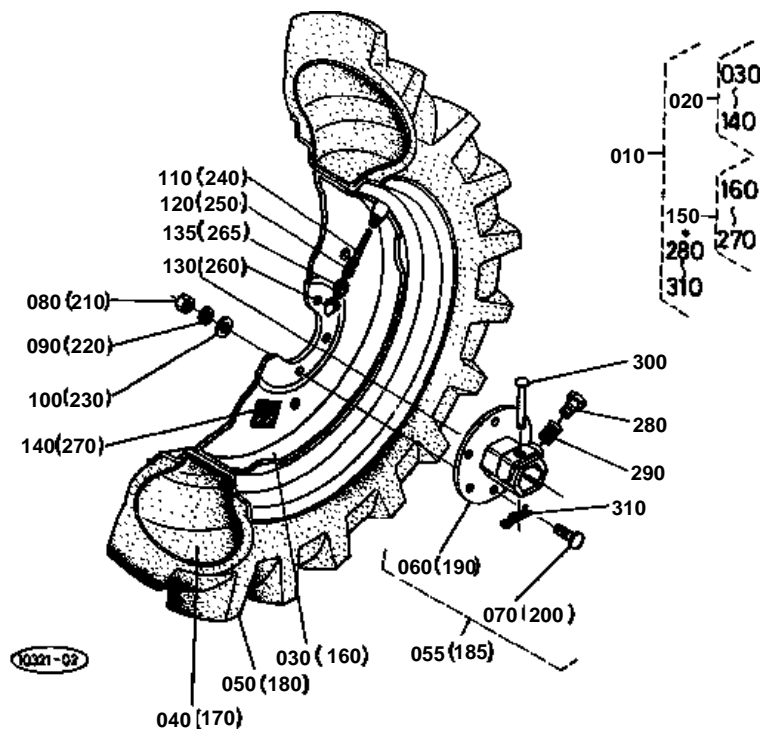




AXLE CASE

↔ Interchangeable; ≠ not interchangeable; ← new for old; → old for new

REF.No	Part No.	Description	Q'ty	S.No.	I/C	REMARKS	Weight (kgf)	Weight (lb)
010	66811-12610	CASE AXLE LH	1				2	4.4
020	01153-51035	BOLT	8				0.025	0.055
030	04512-50100	WASHER SPRING	8				0	0
040	01153-51265	BOLT	12				0.065	0.143
050	04512-50120	WASHER SPRING	12				0	0
060	05012-00816	PIN STRAIGHT	4				0.007	0.0154
070	06331-35012	PLUG	2				0.022	0.0484
080	04717-01200	WASHER WITH RUBBER	2				0.002	0.0044
090	66811-12620	CASE AXLE RH	1				3.2	7.04
100	67910-12630	GASKET	2				0	0
110	66621-17113	AXLE REAR	2				4.95	10.89
120	08101-06208	BEARING BALL	2				0.355	0.781
130	08101-06206	BEARING BALL	2				0.196	0.4312
140	04612-00300	CIR-CLIP EXTERNAL	2				0.003	0.0066
150	04612-00400	CIR-CLIP EXTERNAL	2				0.005	0.011
160	66494-17120	GEAR	2			52T	1.68	3.696
170	66911-17810	SEAL OIL	2				0.058	0.1276

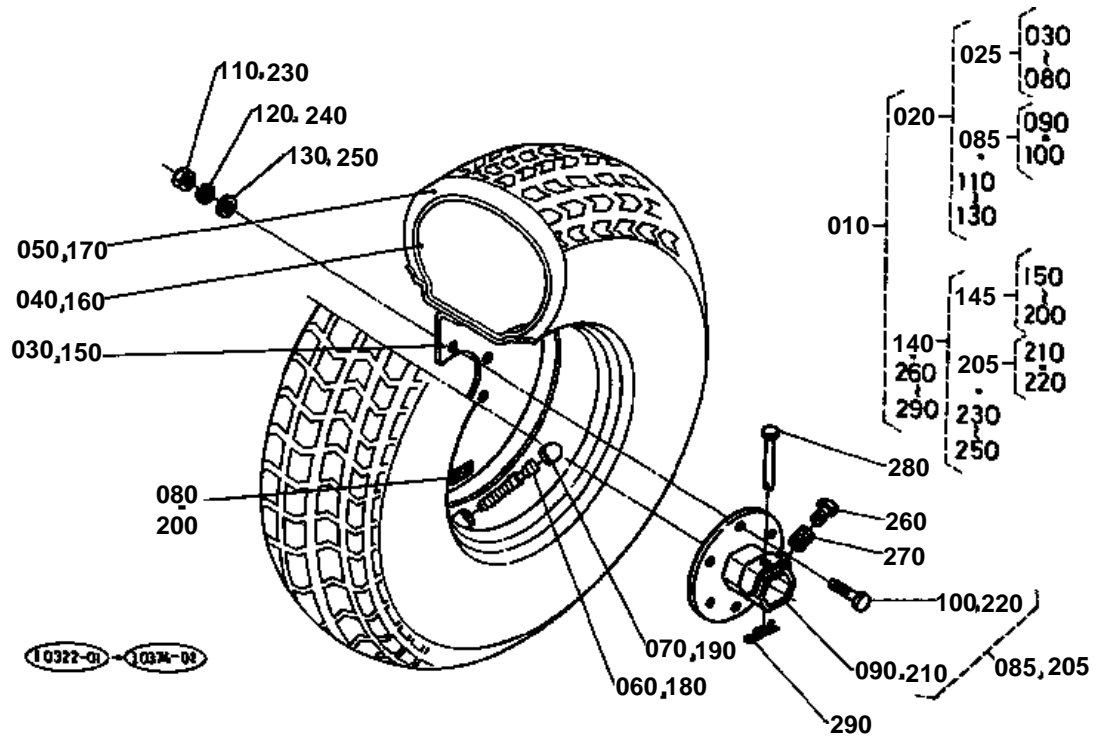




REAR WHEEL (7-16)

↔ Interchangeable; ≠ not interchangeable; ← new for old; → old for new

REF.No	Part No.	Description	Q'ty	S.No.	I/C	REMARKS	Weight (kgf)	Weight (lb)
010	96017-24030	ASSY REAR WHEEL	1	<=52835			53.8	118.36
010	67011-17400	ASSY REAR WHEEL	1	>=52836	≠		0	0
020	96017-24300	ASSY REAR WHEEL LH	1	<=52835			0	0
020	67011-17410	ASSY REAR WHEEL LH	1	>=52836	≠		0	0
030	96018-05110	WHEEL	1	<=52835			11	24.2
030	66414-17520	WHEEL	1	>=52836	≠		11	24.2
040	96017-23310	TUBE	1				1.42	3.124
050	96017-23220	TIRE	1				11.5	25.3
055	66704-17303	ASSY HUB BOLT	1				0	0
060	66704-17150	HUB WHEEL	1				2.6	5.72
070	66704-17313	BOLT	6				0.049	0.1078
080	02074-50140	NUT	6				0.021	0.0462
090	04512-50140	WASHER SPRING	6				0	0
100	04013-50140	WASHER PLAIN	6				0	0
110	32150-27740	CORE VALVE	1				0.003	0.0066
120	32270-27730	HOUSING VALVE CORE	1				0.014	0.0308
130	38240-11690	CAP VALVE	1				0.001	0.0022
135	32270-27710	NUT RIM	1				0.006	0.0132
140	96017-24340	LABEL LH	1				0	0
150	96017-24400	ASSY REAR WHEEL RH	1	<=52835			0	0
150	67011-17440	ASSY REAR WHEEL RH	1	>=52836	≠		0	0
160	96018-05110	WHEEL	1	<=52835			11	24.2
160	66414-17520	WHEEL	1	>=52836	≠		11	24.2
170	96017-23310	TUBE	1				1.42	3.124
180	96017-23220	TIRE	1				11.5	25.3
185	66704-17303	ASSY HUB BOLT	1				0	0
190	66704-17150	HUB WHEEL	1				2.6	5.72
200	66704-17313	BOLT	6				0.049	0.1078
210	02074-50140	NUT	6				0.021	0.0462
220	04512-50140	WASHER SPRING	6				0	0
230	04013-50140	WASHER PLAIN	6				0	0
240	32150-27740	CORE VALVE	1				0.003	0.0066
250	32270-27730	HOUSING VALVE CORE	1				0.014	0.0308
260	38240-11690	CAP VALVE	1				0.001	0.0022
265	32270-27710	NUT RIM	1				0.006	0.0132
270	96017-24350	LABEL RH	1				0	0
280	63733-17250	SCREW	2				0.08	0.176
290	63512-17230	SPRING SET BOLT	2				0.014	0.0308
300	66621-17160	PIN AXLE	2				0.05	0.11
310	62131-17290	PIN	2				0.004	0.0088

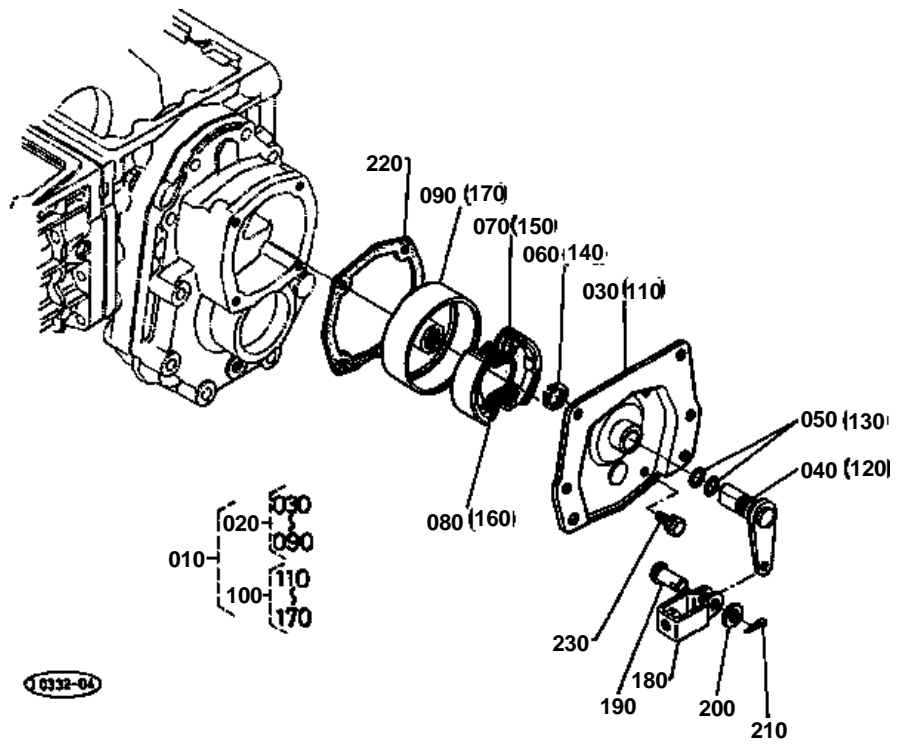




REAR WHEEL (212/80D-15) [A] [CA]

↔ Interchangeable; ≠ not interchangeable; ← new for old; → old for new

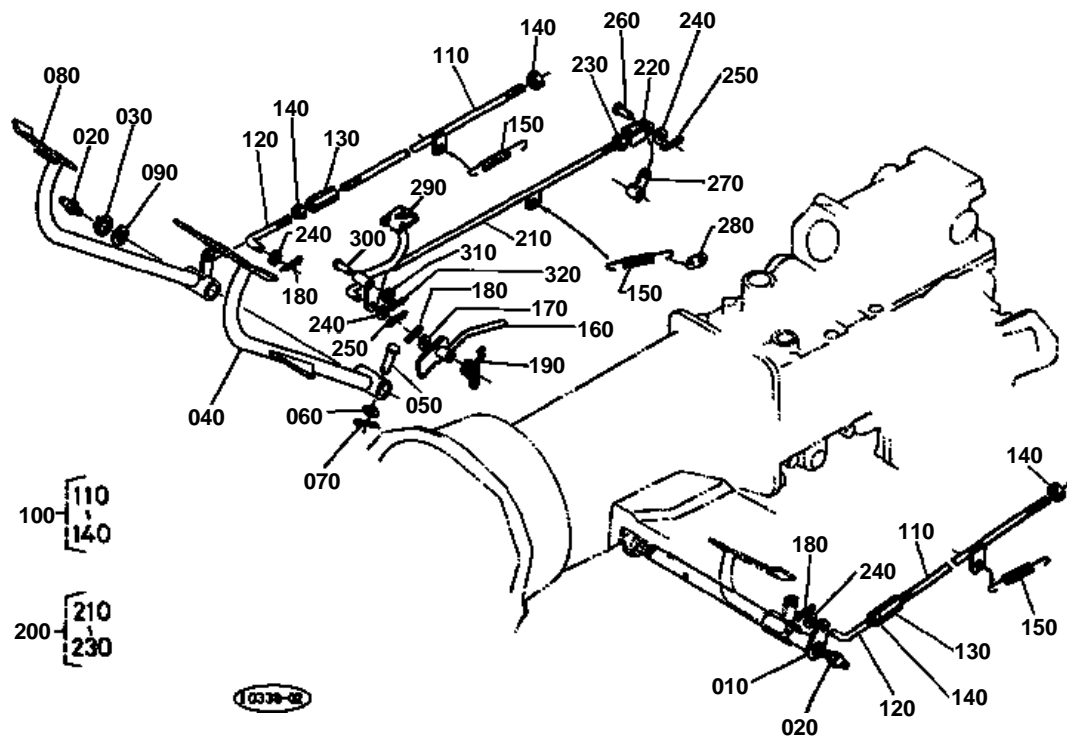
REF.No	Part No.	Description	Q'ty	S.No.	I/C	REMARKS	Weight (kgf)	Weight (lb)
010	96016-53000	ASSY WHEEL	1	<=52835			55.6	122.32
010	67011-17500	ASSY WHEEL	1	>=52836	≠		0	0
020	96016-53010	REAR WHEEL LH	1	<=52835			27.5	60.5
020	67011-17510	REAR WHEEL LH	1	>=52836	≠		0	0
025	96016-53020	ASSY WHEEL LH	1	<=52835			0	0
025	67011-17610	ASSY WHEEL LH	1	>=52836	≠		0	0
030	96016-53110	WHEEL	1	<=52835			11.3	24.86
030	67011-17420	WHEEL	1	>=52836	≠		0	0
040	96016-53120	TUBE	1				1.71	3.762
050	96016-53130	TIRE	1				12	26.4
060	32150-27740	CORE VALVE	1				0.003	0.0066
070	38240-11690	CAP VALVE	1				0.001	0.0022
080	96016-53140	LABEL LH	1	<=52835			0	0
080	67011-17430	LABEL LH	1	>=52836	≠		0	0
085	66704-17303	ASSY HUB BOLT	1	<=52835			0	0
085	66722-17300	ASSY HUB BOLT	1	>=52836	≠		0	0
090	66704-17150	HUB WHEEL	1	<=52835			2.6	5.72
090	66722-17150	HUB WHEEL	1	>=52836	≠		2.8	6.16
100	66704-17313	BOLT	6				0.049	0.1078
110	02074-50140	NUT	6				0.021	0.0462
120	04512-50140	WASHER SPRING	6				0	0
130	04013-50140	WASHER PLAIN	6				0	0
140	96016-53030	REAR WHEEL RH	1	<=52835			0	0
140	67011-17540	REAR WHEEL RH	1	>=52836	≠		0	0
145	96016-53040	ASSY WHEEL RH	1	<=52835			0	0
145	67011-17640	ASSY WHEEL RH	1	>=52836	≠		0	0
150	96016-53110	WHEEL	1	<=52835			11.3	24.86
150	67011-17420	WHEEL	1	>=52836	≠		0	0
160	96016-53120	TUBE	1				1.71	3.762
170	96016-53130	TIRE	1				12	26.4
180	32150-27740	CORE VALVE	1				0.003	0.0066
190	38240-11690	CAP VALVE	1				0.001	0.0022
200	96016-53150	LABEL RH	1	<=52835			0	0
200	67011-17460	LABEL RH	1	>=52836	≠		0	0
205	66704-17303	ASSY HUB BOLT	1	<=52835			0	0
205	66722-17300	ASSY HUB BOLT	1	>=52836	≠		0	0
210	66704-17150	HUB WHEEL	1	<=52835			2.6	5.72
210	66722-17150	HUB WHEEL	1	>=52836	≠		2.8	6.16
220	66704-17313	BOLT	6				0.049	0.1078
230	02074-50140	NUT	6				0.021	0.0462
240	04512-50140	WASHER SPRING	6				0	0
250	04013-50140	WASHER PLAIN	6				0	0
260	63733-17250	SCREW	2				0.08	0.176
270	63512-17230	SPRING SET BOLT	2				0.014	0.0308
280	66621-17160	PIN AXLE	2				0.05	0.11
290	62131-17290	PIN	2				0.004	0.0088



**BRAKE**

↔ Interchangeable; ≠ not interchangeable; ← new for old; → old for new

REF.No	Part No.	Description	Q'ty	S.No.	I/C	REMARKS	Weight (kgf)	Weight (lb)
010	67001-22100	ASSY BRAKE	1				0	0
020	67001-22200	ASSY BRAKE LH	1				2.2	4.84
030	67001-22310	COVER BRAKE LH	1				0.75	1.65
040	66621-22320	CAM BRAKE LH	1				0.205	0.451
050	04811-05170	RING	2				0.001	0.0022
060	04612-00200	CIR-CLIP EXTERNAL	1				0.001	0.0022
070	66611-88800	SHOE BRAKE	2				0	0
080	66591-22350	SPRING RETURN	2				0.003	0.0066
090	66811-22360	DRUM BRAKE	1				0.9	1.98
100	67001-22400	ASSY BRAKE RH	1				2.2	4.84
110	67001-22410	COVER BRAKE RH	1				0.75	1.65
120	66621-22420	CAM BRAKE RH	1				0.2	0.44
130	04811-05170	RING	2				0.001	0.0022
140	04612-00200	CIR-CLIP EXTERNAL	1				0.001	0.0022
150	66611-88800	SHOE BRAKE	2				0	0
160	66591-22350	SPRING RETURN	2				0.003	0.0066
170	66811-22360	DRUM BRAKE	1				0.9	1.98
180	63753-42350	YOKE	2				0.038	0.0836
190	05122-50820	PIN JOINT	2				0.009	0.0198
200	04012-50080	WASHER PLAIN	2				0.001	0.0022
210	05511-50215	PIN SPLIT	2				0.001	0.0022
220	66621-22380	GASKET	2				0	0
230	01123-50822	BOLT	8				0.012	0.0264



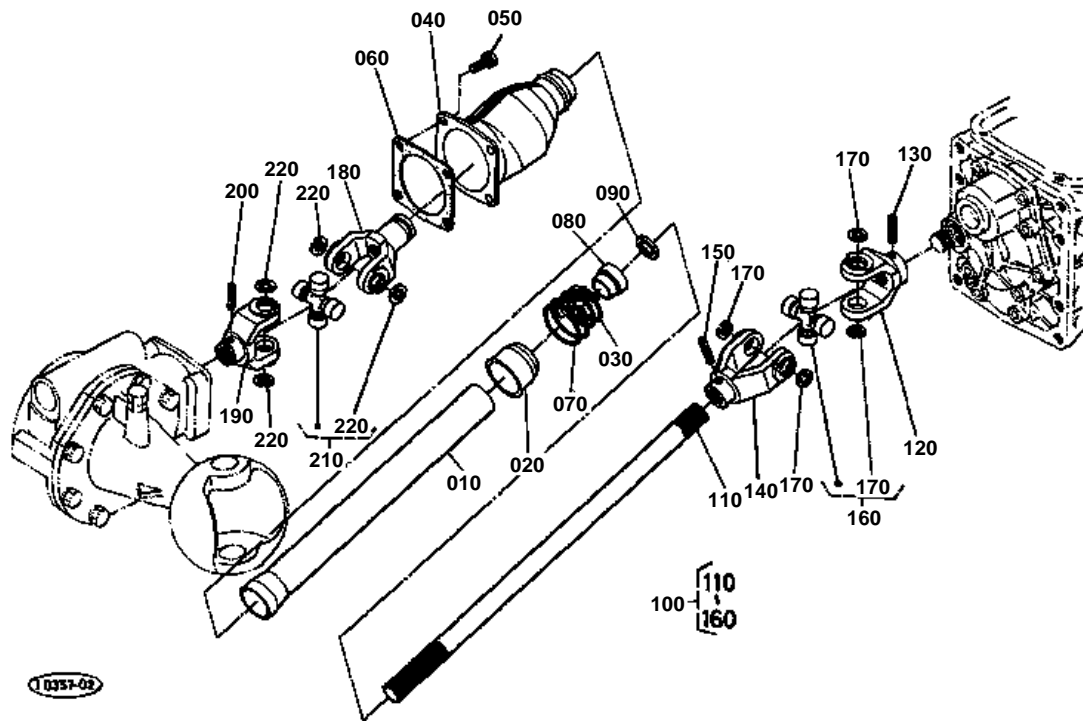


BRAKE PEDAL [A] [CA] [FR] [U] [AU]

↔ Interchangeable; ≠ not interchangeable; ← new for old; → old for new

REF.No	Part No.	Description	Q'ty	S.No.	I/C	REMARKS	Weight (kgf)	Weight (lb)
010	66711-42910	SHAFT BRAKE PEDAL	1				1.26	2.772
020	06613-10010	NIPPLE GREASE	2				0.006	0.0132
030	04612-00240	CIR-CLIP EXTERNAL	1				0.002	0.0044
040	67136-42920	PEDAL BRAKE LH	1				0.92	2.024
050	05112-50840	PIN JOINT	1				0.017	0.0374
060	04012-50080	WASHER PLAIN	3				0.001	0.0022
070	05511-50215	PIN SPLIT	1				0.001	0.0022
080	67136-42930	PEDAL BRAKE RH	1				0.9	1.98
090	66591-43233	COLLAR	1				0.004	0.0088
100	66811-43200	ASSY ROD BRAKE	2				0.27	0.594
110	66621-43260	ROD BRAKE	2				0.208	0.4576
120	66621-43250	ROD BRAKE FRONT	2				0.024	0.0528
130	66591-42410	TURNBUCKLE	2				0.046	0.1012
140	02112-50080	NUT	4				0.003	0.0066
150	66621-43270	SPRING BRAKE RETURN	3				0.04	0.088
160	66711-42850	LEVER BRAKE LOCK	1				0.116	0.2552
170	04011-50100	WASHER PLAIN	1				0.002	0.0044
180	05511-50318	PIN SPLIT	3				0.001	0.0022
190	66711-42860	SPRING BRAKE LOCK	1				0.005	0.011
200	66811-43300	ASSY ROD DIFF.LOCK	1				0	0
210	66621-43320	ROD DIFF.LOCK	1				0.232	0.5104
220	63753-42350	YOKE	1				0.038	0.0836
230	02112-50080	NUT	1				0.003	0.0066
240	04012-50080	WASHER PLAIN	2				0.001	0.0022
250	05511-50215	PIN SPLIT	2				0.001	0.0022
260	05122-50820	PIN JOINT	1				0.009	0.0198
270	66621-43340	LEVER DIFF.LOCK	1				0	0
280	67910-12720	HOLDER SPRING	1				0.012	0.0264
290	66711-42950	PEDAL DIFF.LOCK	1				0.325	0.715
300	05112-51450	PIN JOINT	1				0.064	0.1408
310	04011-50140	WASHER PLAIN	1				0.007	0.0154
320	05511-50425	PIN SPLIT	1				0.003	0.0066

DRIVE SHAFT



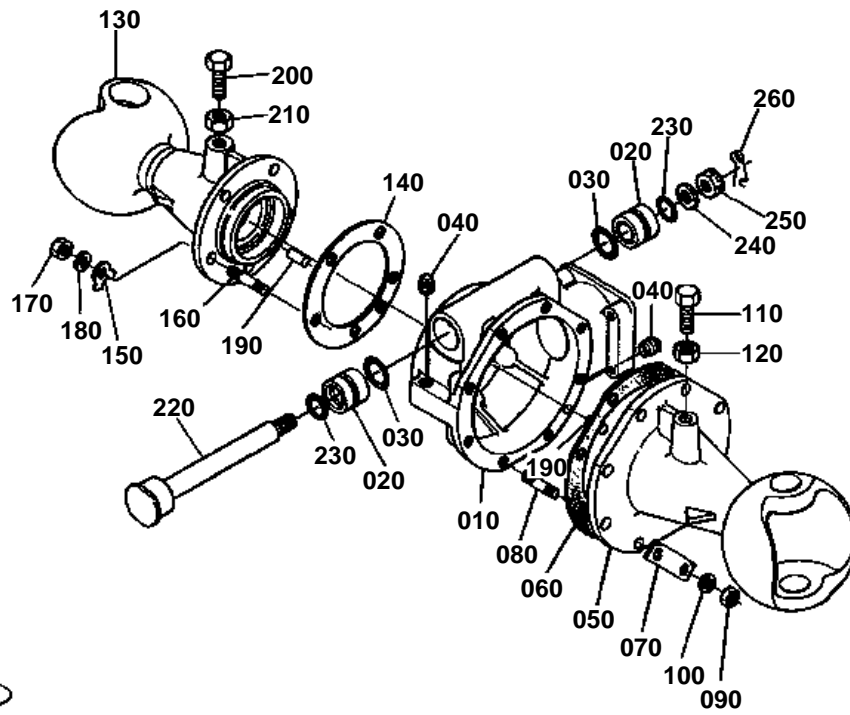


DRIVE SHAFT

↔ Interchangeable; ≠ not interchangeable; ← new for old; → old for new

REF.No	Part No.	Description	Q'ty	S.No.	I/C	REMARKS	Weight (kgf)	Weight (lb)
010	66591-57164	PIPE	1				0.429	0.9438
020	66591-57170	PIPE	1				0.046	0.1012
030	15108-72870	BAND	1				0.027	0.0594
040	66621-57214	CASE JOINT	1				0.5	1.1
050	01123-50825	BOLT	4				0.013	0.0286
060	66621-57220	GASKET	1	≤54660			0	0
070	66591-57190	BAND	1				0.029	0.0638
080	66591-57120	BUSH	1				0.014	0.0308
090	09230-20325	SEAL OIL	1				0.007	0.0154
100	67001-57300	ASSY SHAFT DRIVE	1				2	4.4
110	66711-57210	SHAFT DRIVE	1				1.32	2.904
120	66621-57320	YOKE JOINT	1				0.275	0.605
130	05411-00430	PIN SPRING	1				0.002	0.0044
140	66591-56410	JOINT	1				0.252	0.5544
150	05411-00628	PIN SPRING	1				0.004	0.0088
160	66591-56320	ASSY JOINT UNIVERSAL	1				0.185	0.407
170	04611-00200	CIR-CLIP INTERNAL	4				0.001	0.0022
180	66591-56340	JOINT	1				0.338	0.7436
190	66621-57320	YOKE JOINT	1				0.275	0.605
200	05411-00430	PIN SPRING	1				0.002	0.0044
210	66591-56320	ASSY JOINT UNIVERSAL	1				0.185	0.407
220	04611-00200	CIR-CLIP INTERNAL	4				0.001	0.0022

FRONT AXLE CASE



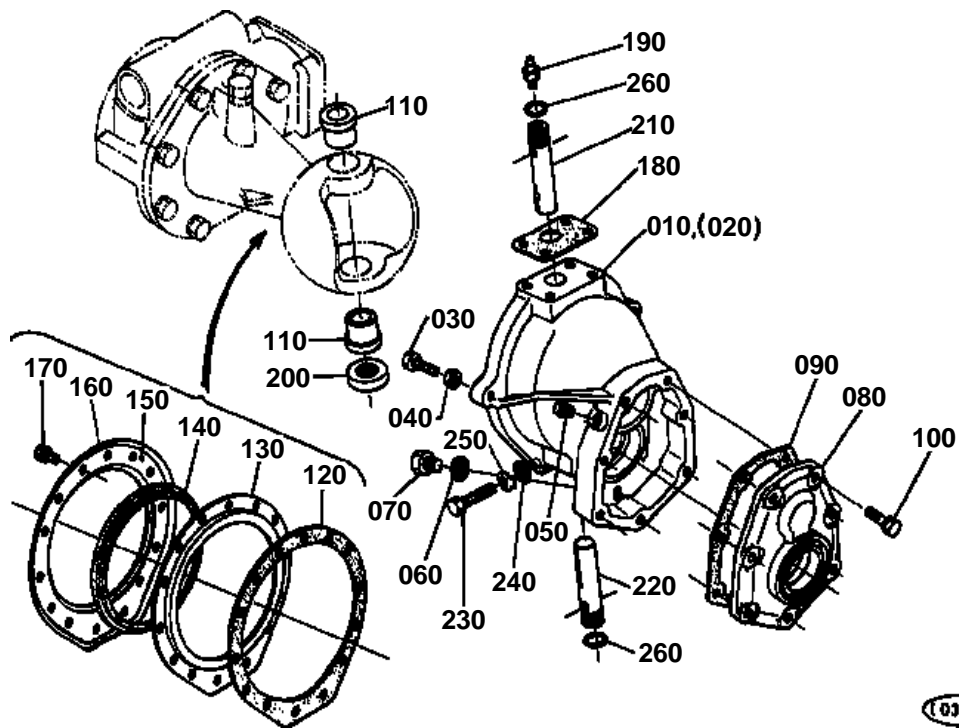


FRONT AXLE CASE

↔ Interchangeable; ≠ not interchangeable; ← new for old; → old for new

REF.No	Part No.	Description	Q'ty	S.No.	I/C	REMARKS	Weight (kgf)	Weight (lb)
010	66811-56110	CASE FRONT BEVEL	1				4	8.8
020	66591-56120	BUSH	2				0.074	0.1628
030	04811-50250	RING	2				0.001	0.0022
040	06312-10020	PLUG	2				0.015	0.033
050	66811-56210	CASE FRONT AXLE LH	1				5.9	12.98
060	66621-56220	GASKET	1				0	0
070	66811-56620	WASHER LOCK	4				0.01	0.022
080	01518-50820	STUD	8				0.012	0.0264
090	02114-50080	NUT	8				0.005	0.011
100	04512-50100	WASHER SPRING	8				0	0
110	66591-56282	BOLT	1				0.04	0.088
120	02112-50120	NUT	1				0.007	0.0154
130	66811-56310	CASE FRONT AXLE RH	1				5	11
140	66621-56320	GASKET	1				0	0
150	66611-56610	WASHER	5				0.003	0.0066
160	01555-51022	STUD	5				0.021	0.0462
170	02176-50100	NUT	5				0.005	0.011
180	04512-50100	WASHER SPRING	5				0	0
190	05012-01018	PIN STRAIGHT	2				0.012	0.0264
200	67401-56280	BOLT	1				0.035	0.077
210	02112-50120	NUT	1				0.007	0.0154
220	66621-57152	PIN CENTER	1				0.52	1.144
230	04811-40140	RING	2				0.001	0.0022
240	04011-50180	WASHER PLAIN	1				0.012	0.0264
250	02372-50180	NUT	1				0.019	0.0418
260	66611-57150	SPRING SET	1				0.02	0.044

FRONT WHEEL GEAR CASE



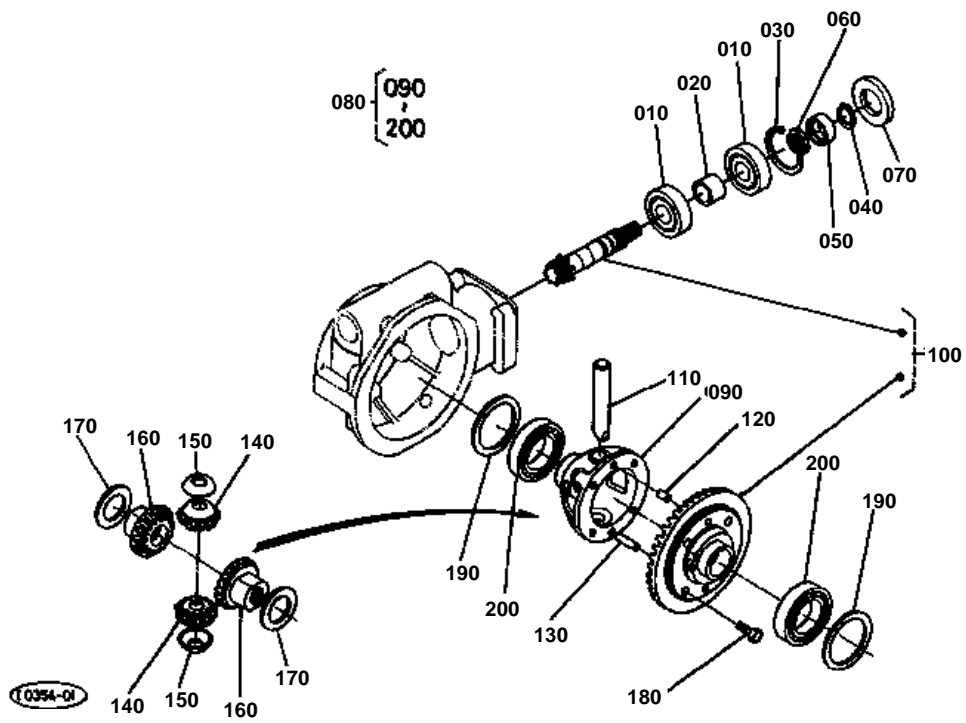


FRONT WHEEL GEAR CASE

↔ Interchangeable; ≠ not interchangeable; ← new for old; → old for new

REF.No	Part No.	Description	Q'ty	S.No.	I/C	REMARKS	Weight (kgf)	Weight (lb)
010	66711-56410	CASE FRONT AXLE LH	1				4.5	9.9
020	66711-56420	CASE FRONT AXLE RH	1				5.2	11.44
030	67810-56440	BOLT ADJUSTING	2				0.025	0.055
040	02112-50100	NUT	2				0.004	0.0088
050	06312-10020	PLUG	2				0.015	0.033
060	04717-01000	WASHER WITH RUBBER	2				0.001	0.0022
070	06331-35010	PLUG	2				0.012	0.0264
080	66711-56430	COVER GEAR CASE	2				1.078	2.3716
090	66711-56440	GASKET	2				0	0
100	01123-50828	BOLT	14				0.014	0.0308
110	66711-56470	BUSH KINGPIN	4				0.064	0.1408
120	66711-56560	GASKET DUST COVER	2				0	0
130	66711-56570	HOLDER DUST SEAL	2				0.096	0.2112
140	66711-56580	SEAL DUST	2				0.016	0.0352
150	66711-56490	GASKET FELT	2				0.011	0.0242
160	66711-56590	COVER DUST	2				0.19	0.418
170	01202-50614	BOLT	28				0.006	0.0132
180	66711-56480	GASKET	2				0	0
190	06613-20010	NIPPLE GREASE	2				0.01	0.022
200	08400-00010	BEARING THRUST BALL	2				0.046	0.1012
210	66711-56450	KINGPIN UPPER	2				0.15	0.33
220	66711-56460	KINGPIN UNDER	2				0.151	0.3322
230	01173-51035	BOLT	4				0.025	0.055
240	04717-01000	WASHER WITH RUBBER	4				0.001	0.0022
250	66611-56610	WASHER	4				0.003	0.0066
260	04811-10180	RING	4				0.001	0.0022

DIFFERENTIAL FRONT

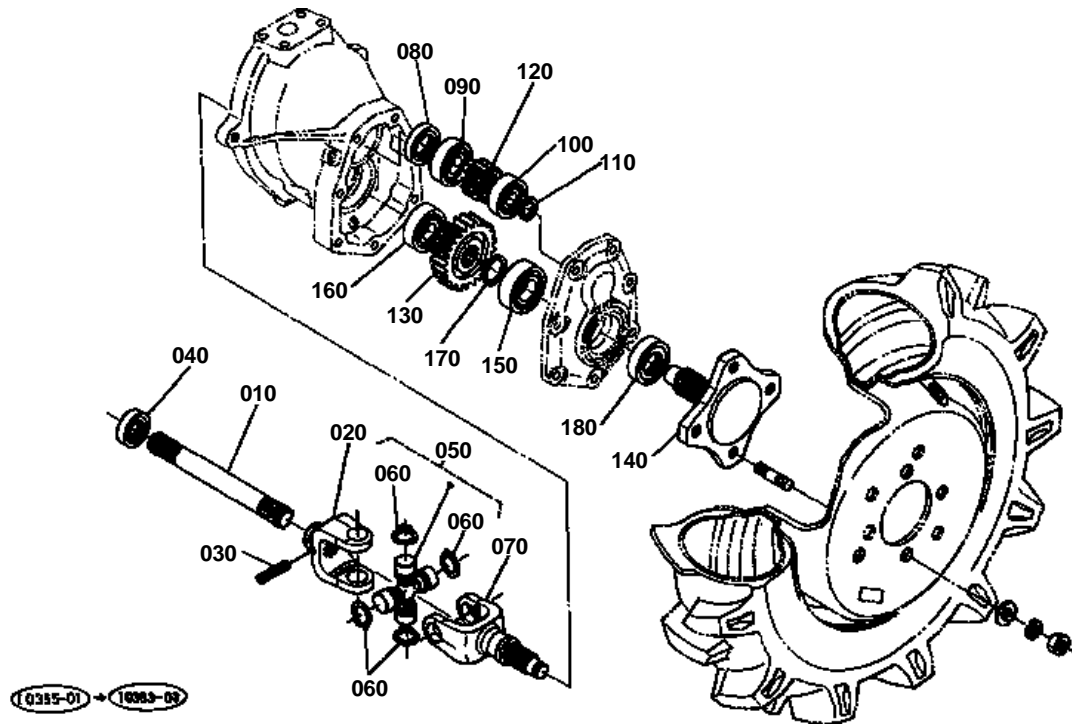


**DIFFERENTIAL FRONT**

↔ Interchangeable; ≠ not interchangeable; ← new for old; → old for new

REF.No	Part No.	Description	Q'ty	S.No.	I/C	REMARKS	Weight (kgf)	Weight (lb)
010	76611-56320	BEARING BALL	2	<=54706			0	0
010	37415-17710	BEARING BALL	2	>=54707	↔		0.15	0.33
020	66621-56620	COLLAR	1				0.033	0.0726
030	04611-00520	CIR-CLIP INTERNAL	1				0.009	0.0198
040	04612-00200	CIR-CLIP EXTERNAL	1				0.001	0.0022
050	66621-56630	BUSH PINION SHAFT	1				0.028	0.0616
060	66591-14770	COLLAR STOP	2				0.003	0.0066
070	09500-32528	SEAL OIL	1				0.017	0.0374
080	66621-82900	ASSY DIFF FRONT	1				3.5	7.7
090	66711-56712	CASE FRONT DIFF.	1				0.81	1.782
100	66621-82810	ASSY GEAR BEVEL	1				1.47	3.234
110	67910-56640	SHAFT DIFF.PINION	1				0.12	0.264
120	66591-14792	PIN KNOCK	1				0.003	0.0066
130	66591-14783	PIN STRAIGHT	1				0.01	0.022
140	67910-56660	GEAR DIFF.PINION	2			11T	0.1	0.22
150	66591-14850	COLLAR PINION THRUST	2				0.006	0.0132
160	66591-14870	GEAR DIFF.SIDE	2			15T	0.18	0.396
170	67910-56670	SHIM	2				0.006	0.0132
170	67910-56680	SHIM	1				0.008	0.0176
180	67810-56680	BOLT UBS	4				0.013	0.0286
190	66591-14920	SHIM DIFF.SIDE	1				0.006	0.0132
190	66591-14930	SHIM DIFF.SIDE	1				0.002	0.0044
200	08101-06008	BEARING BALL	2				0.19	0.418

FRONT AXLE JOINT



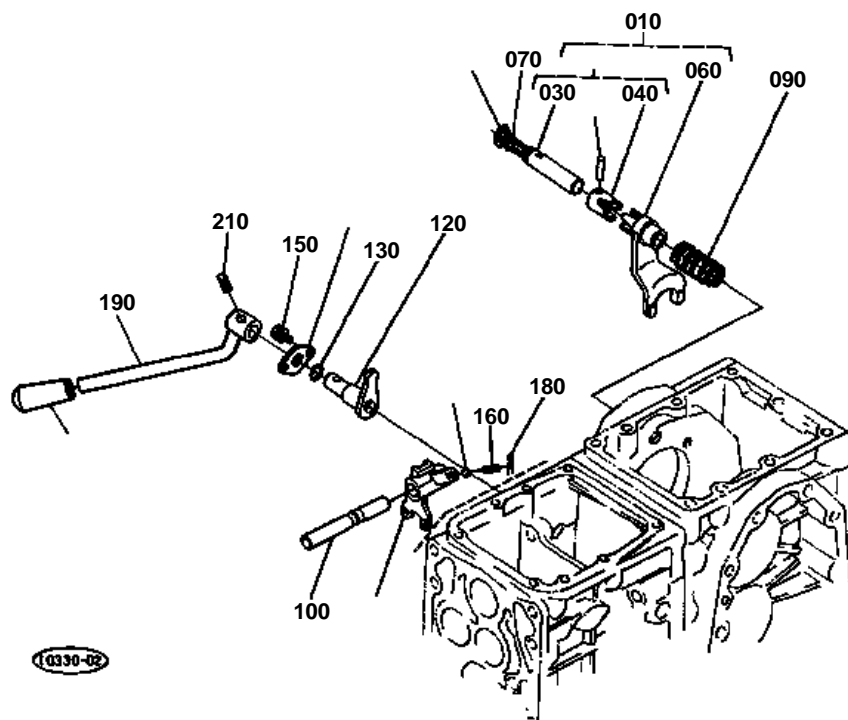


FRONT AXLE JOINT

↔ Interchangeable; ≠ not interchangeable; ← new for old; → old for new

REF.No	Part No.	Description	Q'ty	S.No.	I/C	REMARKS	Weight (kgf)	Weight (lb)
010	66811-56810	SHAFT	2				0.491	1.0802
020	66711-56920	JOINT FRONT AXLE	2				0.428	0.9416
030	05411-00635	PIN SPRING	2				0.005	0.011
040	09500-21407	SEAL OIL	2				0.01	0.022
050	66716-31160	ASSY JOINT UNIVERSAL	2				0.32	0.704
060	66716-31170	CIR-CLIP EXTERNAL	8				0.002	0.0044
070	66711-56930	SHAFT JOINT	2				0.618	1.3596
080	09230-25405	SEAL OIL	2				0.001	0.0022
090	08101-06204	BEARING BALL	2				0.102	0.2244
100	08101-06303	BEARING BALL	2				0.112	0.2464
110	04612-00170	CIR-CLIP EXTERNAL	2				0.001	0.0022
120	66704-56950	GEAR	2			12T	0.162	0.3564
130	66704-56960	GEAR	2			25T	0.58	1.276
140	66591-56555	HUB FRONT WHEEL	2				0.85	1.87
150	08101-06206	BEARING BALL	2				0.196	0.4312
160	08101-06205	BEARING BALL	2				0.14	0.308
170	04612-00290	CIR-CLIP EXTERNAL	2				0.003	0.0066
180	63733-17150	SEAL OIL	2				0.04	0.088

FRONT WHEEL DRIVE LEVER

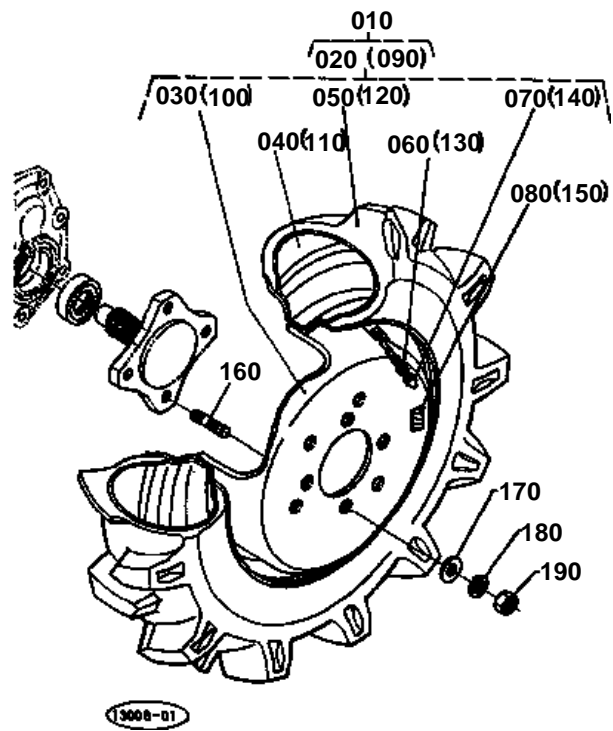




FRONT WHEEL DRIVE LEVER

↔ Interchangeable; ≠ not interchangeable; ← new for old; → old for new

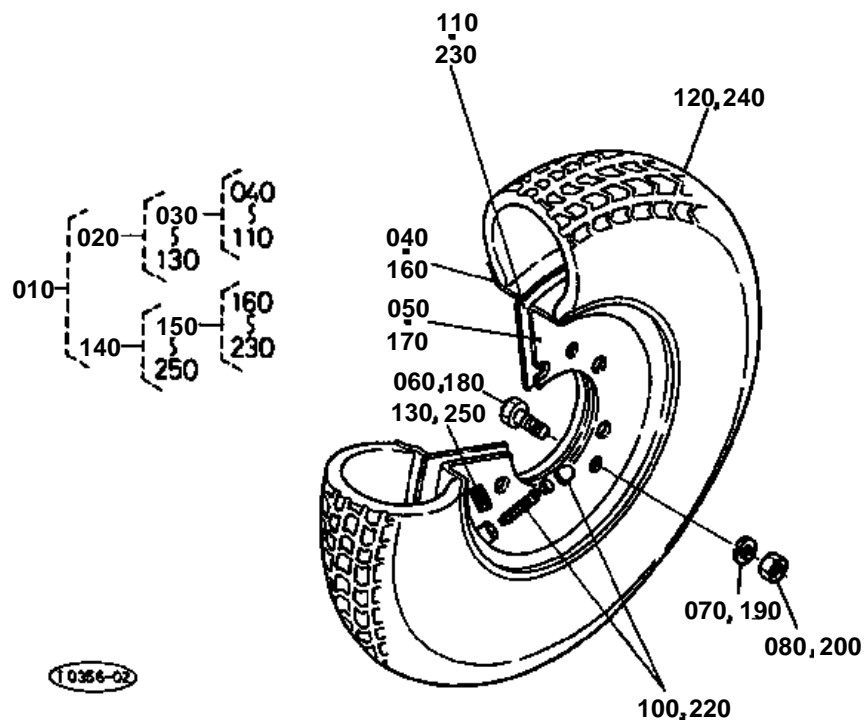
REF.No	Part No.	Description	Q'ty	S.No.	I/C	REMARKS	Weight (kgf)	Weight (lb)
010	66621-18500	ASSY CAM DIFF.LOCK	1				0.3	0.66
020	66621-18510	COMP.ROD FORK	1				0.126	0.2772
030	66621-18520	ROD DIFF.LOCK FORK	1				0.1	0.22
040	66591-18290	CAM DIFF.LOCK	1				0.022	0.0484
050	05012-00425	PIN STRAIGHT	1				0.003	0.0066
060	66621-18540	FORK DIFF.LOCK SHIFT	1				0.16	0.352
070	04811-10120	RING	1				0.001	0.0022
080	04612-00110	CIR-CLIP EXTERNAL	1				0.001	0.0022
090	66591-18320	SPRING	1				0.02	0.044
100	66621-18610	SHAFT FORK	1				0.12	0.264
110	66621-18620	FORK SHIFT	1				0.127	0.2794
120	66621-18630	ARM.F.WHEEL DRIVE	1				0.09	0.198
130	04811-00160	RING	1				0.001	0.0022
140	66591-18180	RETAINER FORK ROD	1				0.012	0.0264
150	01202-50614	BOLT	2				0.006	0.0132
160	62061-18260	SPRING STOPPER	1				0.002	0.0044
170	07715-01605	BALL	1				0.003	0.0066
180	05511-50325	PIN SPLIT	1				0.002	0.0044
190	67311-42710	LEVER	1			[A] [CA] [FR] [U] [AU]	0.208	0.4576
190	66611-42710	LEVER	1			[WG]	0.237	0.5214
200	54201-23270	GRIP	3				0.02	0.044
210	05411-00630	PIN SPRING	3				0.004	0.0088



**FRONT WHEEL (4.50-10)**

↔ Interchangeable; ≠ not interchangeable; ← new for old; → old for new

REF.No	Part No.	Description	Q'ty	S.No.	I/C	REMARKS	Weight (kgf)	Weight (lb)
010	96014-32010	ASSY TIRE	1	<=52835			17	37.4
010	67011-57010	ASSY TIRE	1	>=52836	≠		0	0
020	96014-32100	ASSY TIRE LH	1	<=52835			0	0
020	67011-57020	ASSY TIRE LH	1	>=52836	≠		0	0
030	96014-31312	WHEEL	1	<=52835			4	8.8
030	67011-57030	WHEEL	1	>=52836	≠		0	0
040	92014-61120	TUBE	1				0.55	1.21
050	96014-32120	TIRE	1				5	11
060	32150-27740	CORE VALVE	1				0.003	0.0066
070	38240-11690	CAP VALVE	1				0.001	0.0022
080	96014-32140	LABEL LH	1	<=52835			0	0
080	67011-57040	LABEL LH	1	>=52836	≠		0	0
090	96014-32110	ASSY TIRE RH	1	<=52835			8.4	18.48
090	67011-57050	ASSY TIRE RH	1	>=52836	≠		0	0
100	96014-31312	WHEEL	1	<=52835			4	8.8
100	67011-57030	WHEEL	1	>=52836	≠		0	0
110	92014-61120	TUBE	1				0.55	1.21
120	96014-32120	TIRE	1				5	11
130	32150-27740	CORE VALVE	1				0.003	0.0066
140	38240-11690	CAP VALVE	1				0.001	0.0022
150	96014-32150	LABEL RH	1	<=52835			0	0
150	67011-57060	LABEL RH	1	>=52836	≠		0	0
160	66758-56970	BOLT STUD	8				0.03	0.066
170	04013-50120	WASHER PLAIN	8				0	0
180	04512-50120	WASHER SPRING	8				0	0
190	02174-50120	NUT	8				0.01	0.022

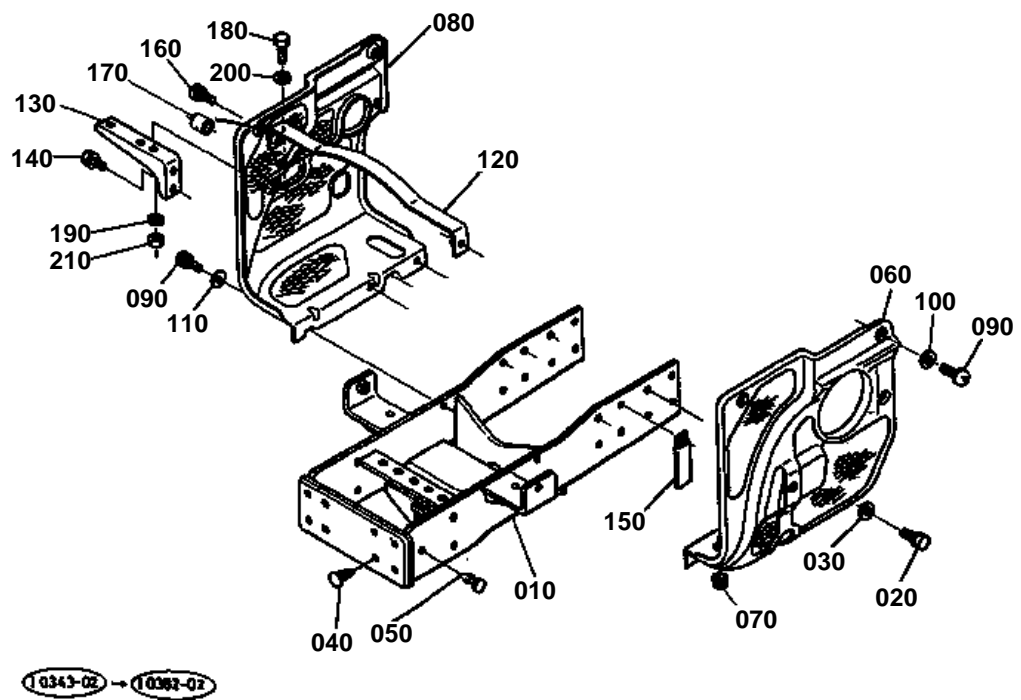




FRONT WHEEL (20 X 8.00-10)

↔ Interchangeable; ≠ not interchangeable; ← new for old; → old for new

REF.No	Part No.	Description	Q'ty			Weight	Weight
010				<=52835		22.7	
	67011-57110			>=52836	≠	24	
	96015-16012			<=52835			
	67011-57120			>=52836	≠	0	0
030				<=52835		5.8	
	67011-57130			>=52836	≠	0	0
040						2.6	
	96015-16122						6.6
060						0.019	
	04512-50100						
	02118-50100					0.005	
	99999-99999						
	34159-11850					0.013	
	34159-11860					0.05	
	34159-11810					5.6	
	96015-16140			<=52835			
	67011-57140			>=52836	≠	0	0
140				<=52835			
	67011-57150			>=52836	≠	0	0
150				<=52835		5.8	
	67011-57130			>=52836	≠	0	0
160						2.6	
	96015-16122						6.6
180						0.019	
	04512-50100						
	02118-50100					0.005	
	99999-99999						
	34159-11850					0.013	
	34159-11860					0.05	
	34159-11810					5.6	
	96015-16150			<=52835			
	67011-57160			>=52836	≠	0	0



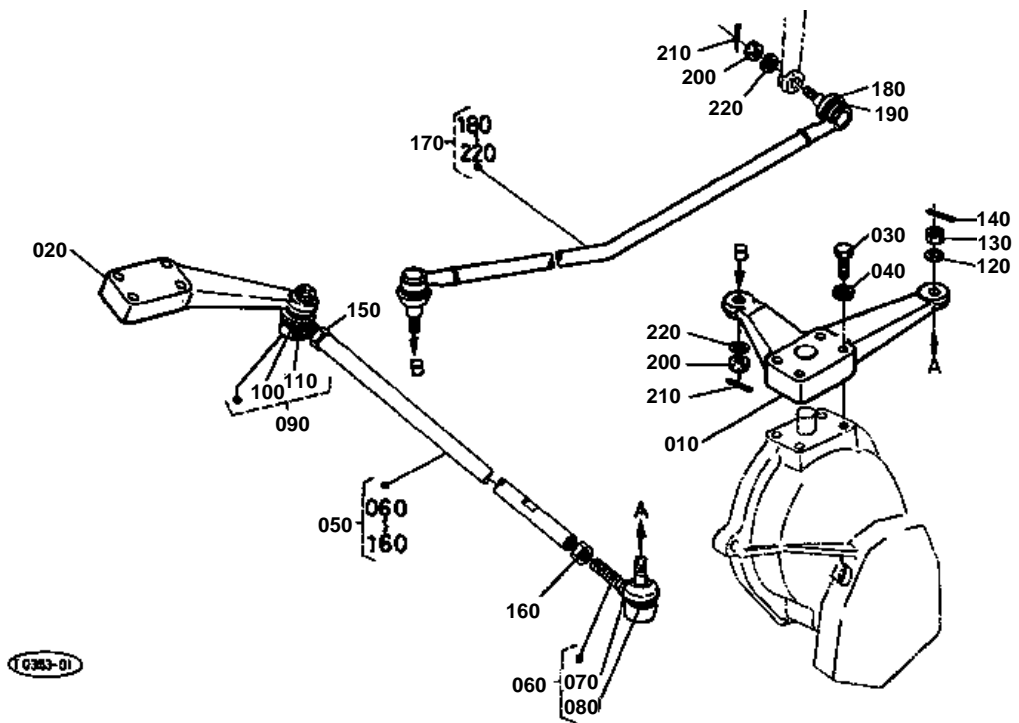


FRONT AXLE FRAME [A] [CA] [FR] [U] [AU]

↔ Interchangeable; ≠ not interchangeable; ← new for old; → old for new

REF.No	Part No.	Description	Q'ty			Weight	Weight
010	01133-51025					13.7	
	04013-50100					0.023	
	67211-51120					0.001	
	67211-11140					0.001	
	66494-53810					0.65	
	66484-53810						1.188
070	66811-53820					0.003	
	66815-53820					0.736	1.496
090	03004-50614					0.006	
	04013-50060					0.006	
	04015-50060						
	66811-53830					0.21	
	66711-54310		1				0.6732
140	37150-34460					0.011	
	03004-50620					0.03	
	37300-33450					0.005	
	01153-50816					0.005	
	04512-50080					0.01	
	04012-50080					0.001	
	02114-50080					0.001	
						0.005	

KNUCKLE ARM



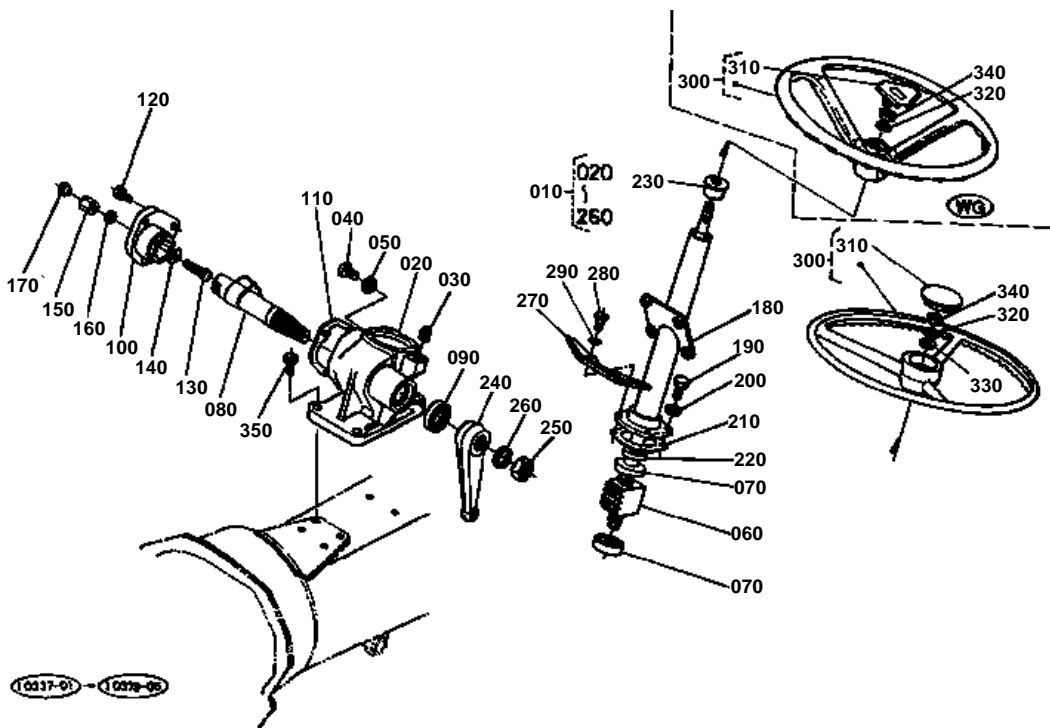


KNUCKLE ARM

↔ Interchangeable; ≠ not interchangeable; ← new for old; → old for new

REF.No	Part No.	Description	Q'ty	S.No.	I/C	REMARKS	Weight (kgf)	Weight (lb)
010	67001-56510	ARM KNUCKLE LH	1				1.03	2.266
020	67001-56520	ARM KNUCKLE RH	1				0.76	1.672
030	01153-51035	BOLT	8				0.025	0.055
040	04512-50100	WASHER SPRING	8				0	0
050	67001-56500	ASSY ROD TIE	1				0.95	2.09
060	67121-56520	END TIE ROD LH	1				0.24	0.528
070	67121-56560	COVER DUST	1				0.008	0.0176
080	67121-56570	CLIP	1				0.003	0.0066
090	67121-56530	END TIE ROD RH	1				0.23	0.506
100	67121-56560	COVER DUST	1				0.008	0.0176
110	67121-56570	CLIP	1				0.003	0.0066
120	04512-50100	WASHER SPRING	2				0	0
130	66591-56780	NUT	2				0.01	0.022
140	05511-52520	PIN SPLIT	2				0.001	0.0022
150	02172-50120	NUT	1				0.01	0.022
160	67121-56540	NUT	1				0.007	0.0154
170	67001-57100	COMP.LINK DRAG	1				2.2	4.84
180	67121-56560	COVER DUST	2				0.008	0.0176
190	67121-56570	CLIP	2				0.003	0.0066
200	66591-56780	NUT	2				0.01	0.022
210	05511-52528	PIN SPLIT	2				0.001	0.0022
220	04512-50100	WASHER SPRING	2				0	0

STEERING

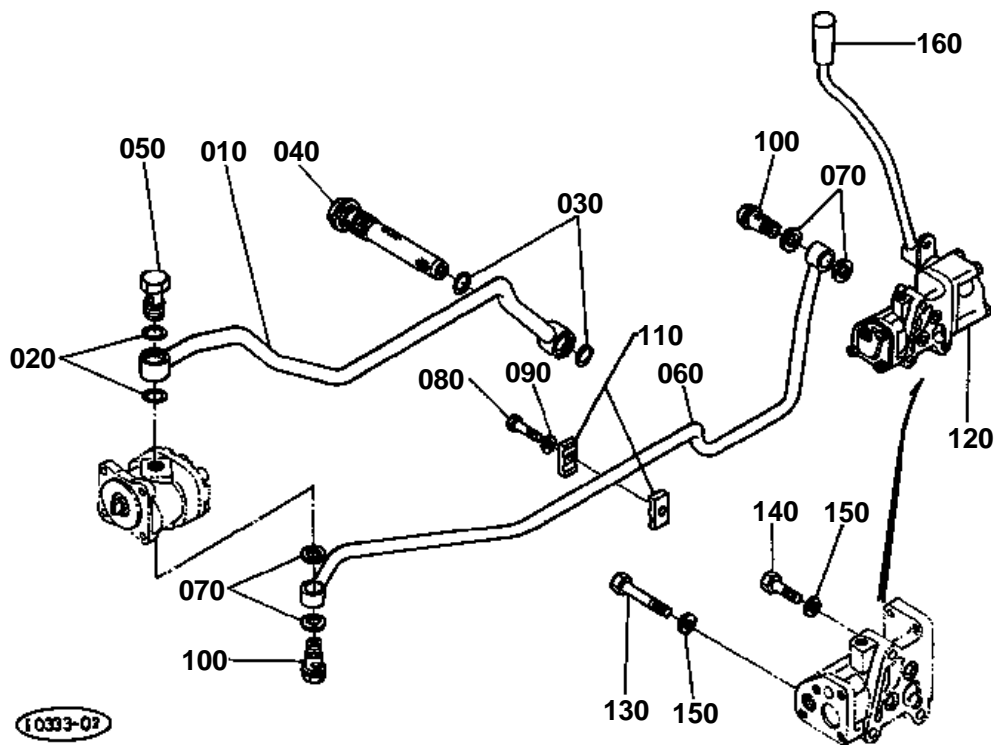




STEERING

↔ Interchangeable; ≠ not interchangeable; ← new for old; → old for new

REF.No	Part No.	Description	Q'ty	S.No.	I/C	REMARKS	Weight (kgf)	Weight (lb)
010	67001-41100	ASSY STEERING	1					
	66811-41110							
	34150-16640						0.015	
	06331-35010						0.012	
	04717-01000						0.001	
	66811-41200						1.11	
	66811-41140						0.045	
	66811-41150						0.52	
	09500-22358						0.01	
	66811-41160						0.3	
	66811-41170							
	01123-50822						0.012	
	66811-41180						0.013	
	66811-41190						0.002	
	66811-41210						0.001	
	66811-41220						0.001	
	66811-41230						0.001	
	66811-41240						0.001	
	66811-41250						0.027	
	04714-00080						0.001	
	61011-18140						0.002	
	66811-41310						1.1	
	01153-50820						0.012	
	04512-50080							
	66811-41320						0.001	
	66811-41340						0.001	
	66811-41350						0.001	
	66811-41360						0.003	
	09500-16287						0.01	
	67211-41150						0.016	
	67910-41140						0.38	
	02172-50160						0.017	
	04512-50160							
	66711-41130						0.11	
	01153-50820						0.012	
	04512-50080							
	66611-41400							
	66021-41000							
	66611-41420						0.026	
	66021-41020							
	04512-50120							
	04013-50120							
	02172-50120						0.01	
	01123-50828						0.014	

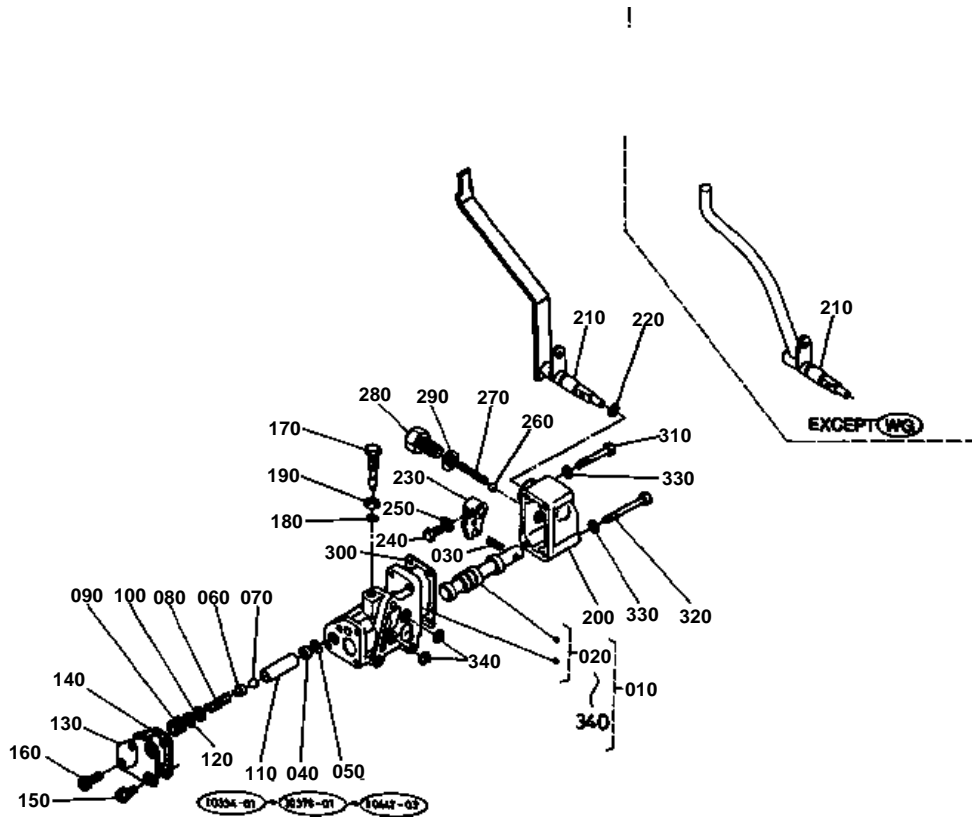


**HYDRAULIC PIPE [A] [CA] [FR] [U] [AU]**

↔ Interchangeable; ≠ not interchangeable; ← new for old; → old for new

REF.No	Part No.	Description	Q'ty	S.No.	I/C	REMARKS	Weight (kgf)	Weight (lb)
010	66811-36110	PIPE SUCTION	1				0.635	1.397
020	04811-00220	RING	2				0.001	0.0022
030	04811-10300	RING	2				0.001	0.0022
040	66611-36120	FILTER OIL	1	<=54283			0.2	0.44
040	66021-36390	FILTER OIL	1	>=54284			0.185	0.407
050	32170-38170	BOLT HYD.PIPE JOINT	1				0.09	0.198
060	66811-36150	PIPE DELIVERY	1				0.545	1.199
070	67111-37180	GASKET	4				0.003	0.0066
080	01053-50645	BOLT	1				0.012	0.0264
090	04015-50060	WASHER PLAIN	1				0	0
100	54203-36150	JOINT	2				0.079	0.1738
110	66711-36140	CLAMP PIPE	2				0.007	0.0154
120	66711-36200	ASSY VALVE CONTROL	1			REFER TO L.No.0F06-R0 FOR COMPONENTS.	2.665	5.863
130	01153-50875	BOLT	2				0.028	0.0616
140	01153-50845	BOLT	1				0.018	0.0396
150	04512-50080	WASHER SPRING	3				0	0
160	54201-23270	GRIP	1				0.02	0.044

CONTROL VALVE (COMPONENT PARTS)

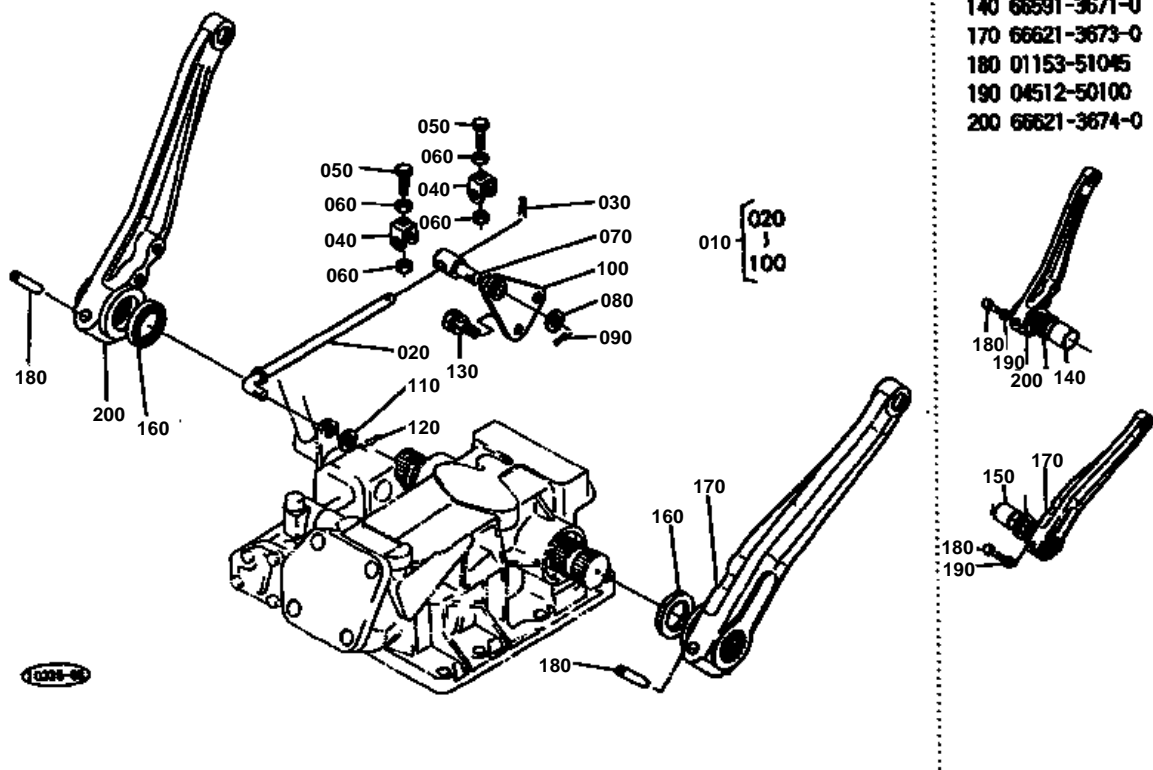


**CONTROL VALVE (COMPONENT PARTS)**

↔ Interchangeable; ≠ not interchangeable; ← new for old; → old for new

REF.No	Part No.	Description	Q'ty	S.No.	I/C	REMARKS	Weight (kgf)	Weight (lb)
010	66711-36200	ASSY VALVE CONTROL	1			[A] [CA] [FR] [U] [AU]	2.665	5.863
010	67008-36200	ASSY VALVE CONTROL	1			[WG]	0	0
020	66611-36300	ASSY BODY CONT.VALVE	1				2	4.4
030	05411-00620	PIN SPRING	1				0.002	0.0044
040	66591-36330	SEAT VALVE	1				0.008	0.0176
050	04811-15120	RING	1				0.001	0.0022
060	66611-36222	STOPPER SPRING	1				0.008	0.0176
070	07715-03211	BALL	1				0.003	0.0066
080	66591-36350	SPRING	1				0.01	0.022
090	66591-36360	SCREW ADJUSTING	1				0.012	0.0264
100	04012-50060	WASHER PLAIN	1				0.001	0.0022
110	66591-36370	COLLAR	1				0.016	0.0352
120	66611-36330	SHIM ADJUSTING	1				0.001	0.0022
130	66611-36260	COVER RELIEF	1				0.03	0.066
140	66591-36390	GASKET	1				0	0
150	01202-50618	BOLT	2				0.006	0.0132
160	01202-50622	BOLT	2				0.007	0.0154
170	66591-36413	BOLT ADJUSTING	1				0.028	0.0616
180	04811-10040	RING	1				0.001	0.0022
190	02112-50100	NUT	1				0.004	0.0088
200	66591-36430	COVER VALVE	1				0.18	0.396
210	66711-36250	LEVER CONTROL	1			[A] [CA] [FR] [U] [AU]	0.392	0.8624
210	67008-36250	LEVER CONTROL	1			[WG]	0.35	0.77
220	04811-00100	RING	1				0.001	0.0022
230	66591-36450	ARM VALVE GUIDE	1				0.05	0.11
240	66591-36480	BOLT	1				0.004	0.0088
250	04111-50060	WASHER	1				0.001	0.0022
260	07715-00803	BALL	1				0.004	0.0088
270	62061-18270	SPRING STOPPER	1				0.003	0.0066
280	66591-36460	BOLT	1				0.054	0.1188
290	04714-00300	GASKET	1				0.002	0.0044
300	66591-36470	GASKET	1				0	0
310	01053-50650	BOLT	2				0.011	0.0242
320	01053-50665	BOLT	2				0.015	0.033
330	04512-50060	WASHER SPRING	4				0	0
340	04811-00120	RING	2				0.001	0.0022

HYDRAULIC LIFT ARM



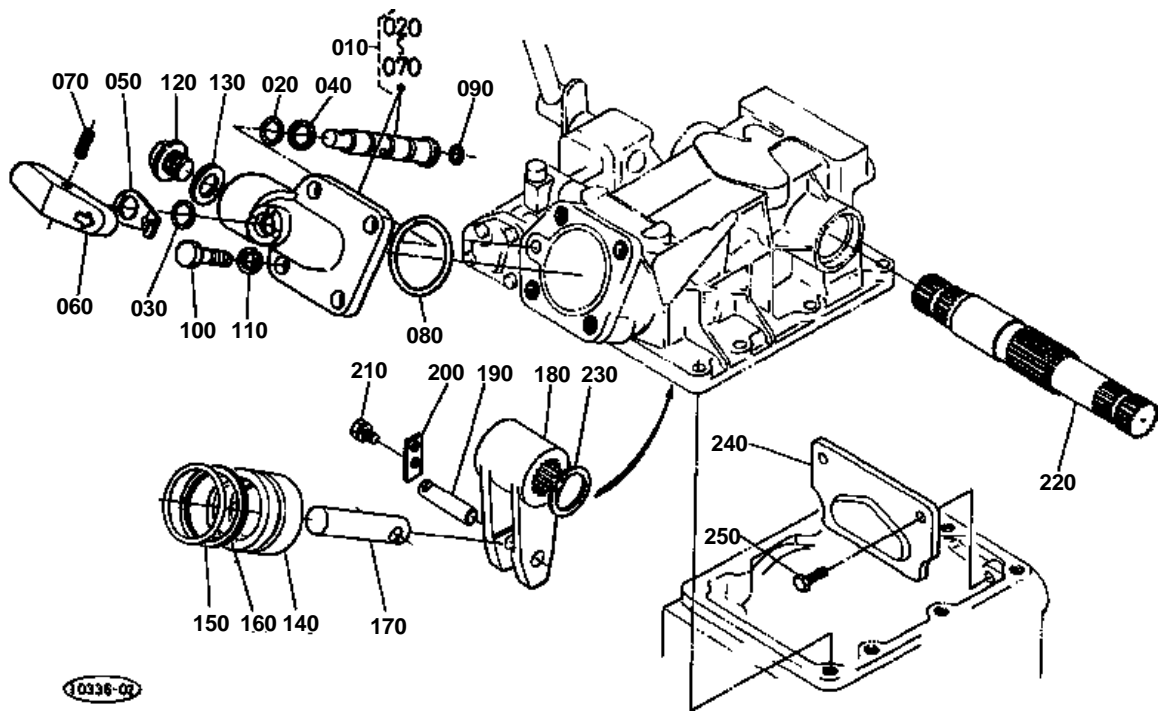


HYDRAULIC LIFT ARM

↔ Interchangeable; ≠ not interchangeable; ← new for old; → old for new

					REMARKS	Weight (kgf)	Weight (lb)
010	66494-36300	ASSY ROD CHECK	1			0.254	0.5588
020	66494-36510	ROD INTERLOCKER	1			0.074	0.1628
030	05511-50215	PIN SPLIT	1			0.001	0.0022
040	66611-36320	INTERLOCKER	2			0.022	0.0484
050	01153-50822	BOLT	2			0.011	0.0242
060	02112-50080	NUT	4			0.003	0.0066
070	66591-36540	SHAFT LOCK	1			0.034	0.0748
080	04011-50100	WASHER PLAIN	1			0.002	0.0044
090	05511-50318	PIN SPLIT	1			0.001	0.0022
100	66591-36550	SUPPORT INTERLOCKER	1			0.072	0.1584
110	04012-50080	WASHER PLAIN	1			0.001	0.0022
120	05511-50215	PIN SPLIT	1			0.001	0.0022
130	01123-50822	BOLT	2			0.012	0.0264
140	66591-36710	BUSH	1	←=54614		0.049	0.1078
150	66591-36720	BUSH	1	←=54614		0.044	0.0968
160	09230-28405	SEAL OIL	2			0.006	0.0132
170	66621-36730	ARM LIFT LH	1	←=54614		1.22	2.684
170	66621-36733	ARM LIFT LH	1	>=54615		1.3	2.86
180	01153-51045	BOLT	2	←=54614		0.031	0.0682
180	05411-01050	PIN SPRING	2	>=54615		0.019	0.0418
190	04512-50100	WASHER SPRING	2	←=54614		0	0
200	66621-36740	ARM LIFT RH	1	←=54614		1.15	2.53
200	66621-36743	ARM LIFT RH	1	>=54615		1.25	2.75

HYDRAULIC CYLINDER CAP

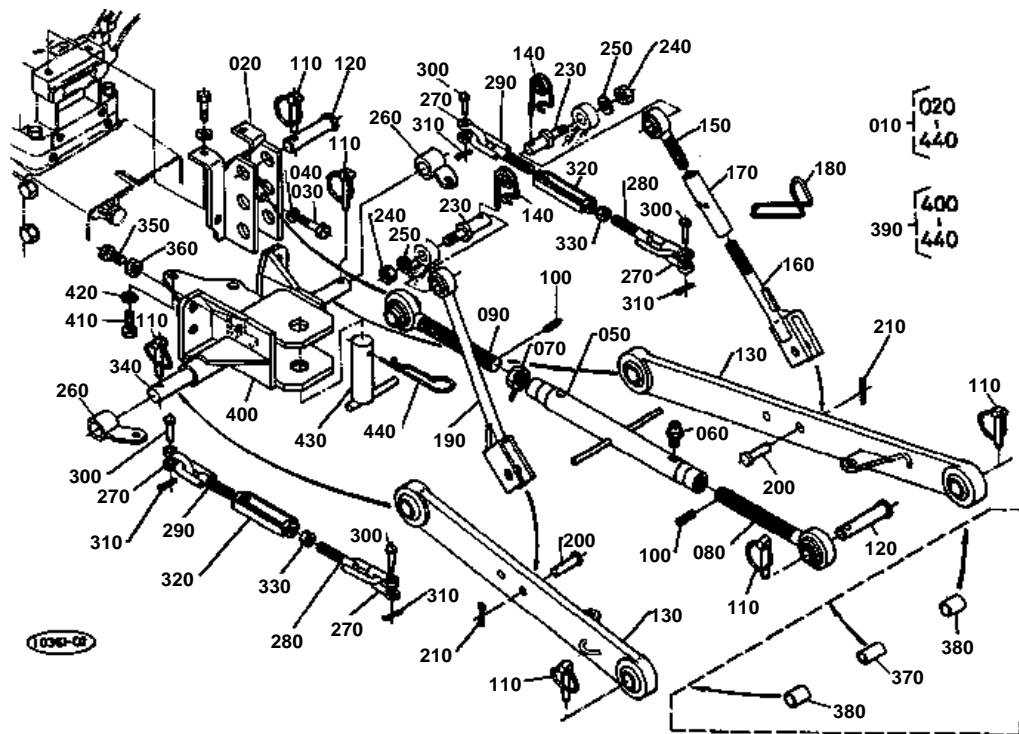




HYDRAULIC CYLINDER CAP

↔ Interchangeable; ≠ not interchangeable; ← new for old; → old for new

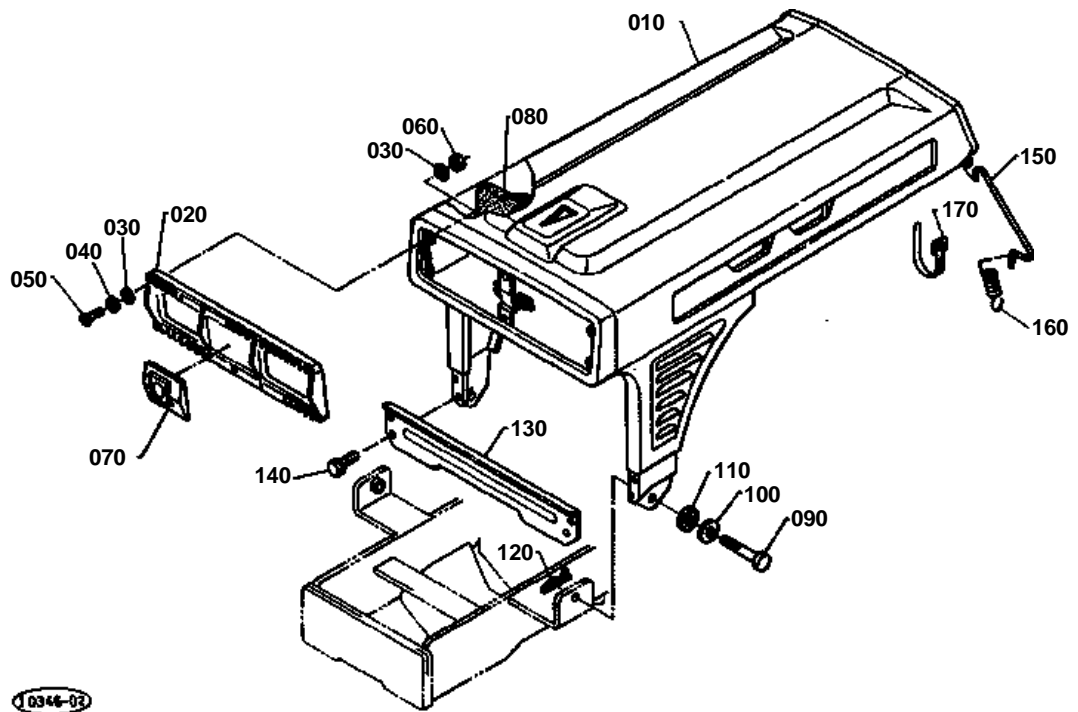
REF.No	Part No.	Description	Q'ty	S.No.	I/C	REMARKS	Weight (kgf)	Weight (lb)
010	66404-36600	ASSY CAP CYLINDER	1				1.17	2.574
020	04811-00120	RING	1				0.001	0.0022
030	04811-00160	RING	1				0.001	0.0022
040	96319-01430	WASHER THRUST	1				0.002	0.0044
050	96319-01440	SPRING	1				0.002	0.0044
060	96319-01450	KNOB	1				0.04	0.088
070	05411-00520	PIN SPRING	1				0.002	0.0044
080	04810-50550	RING	1				0.002	0.0044
090	04810-05110	O RING	1				0.001	0.0022
100	66711-36440	BOLT	2				0.045	0.099
110	04512-50120	WASHER SPRING	2				0	0
120	06311-25040	PLUG	1				0.09	0.198
130	66611-36420	GASKET	1				0.006	0.0132
140	67211-36410	PISTON HYD.	1				0.55	1.21
150	04810-08500	RING	1				0.005	0.011
160	67211-36420	RING BACK UP	1				0.003	0.0066
170	66591-36640	ROD HYD.PISTON	1				0.31	0.682
180	66591-36650	ARM HYDRAULIC	1				0.8	1.76
190	66591-36660	PIN ARM	1				0.045	0.099
200	66591-36670	STOPPER	1				0.01	0.022
210	01202-50614	BOLT	2				0.006	0.0132
220	66591-36694	SHAFT HYD.ARM	1	≤54614			0	0
220	66591-36695	SHAFT HYD.ARM	1	≥54615	←		1.15	2.53
230	04612-00320	CIR-CLIP EXTERNAL	1				0.004	0.0088
240	66621-36750	PLATE HYD.ARM	1				0.34	0.748
250	67211-36610	BOLT	2				0.015	0.033



**3-POINT LINKAGE [A] [CA] [FR] [U] [AU]**

↔ Interchangeable; ≠ not interchangeable; ← new for old; → old for new

REF.No	Part No.	Description	Q'ty	S.No.	I/C	REMARKS	Weight (kgf)	Weight (lb)
010	66494-65100	ASSY 3-POINT LINKAGE	1				27.6	60.72
020	96316-06110	BRACKET TOP LINK	1				1.22	2.684
030	01153-51230	BOLT	2				0.036	0.0792
040	04512-50120	WASHER SPRING	2				0	0
050	66706-65332	LINK TOP	1				1	2.2
060	67211-42940	NIPPLE GREASE	2				0.001	0.0022
070	66706-65340	NUT TOP LINK	1				0.05	0.11
080	66706-65352	JOINT TOP LINK LH	1				0.73	1.606
090	66706-65362	JOINT TOP LINK RH	1				0.77	1.694
100	05411-00422	PIN SPRING	2				0.001	0.0022
110	34150-37640	PIN SET	6				0.06	0.132
120	31150-71360	PIN JOINT	2				0.166	0.3652
130	66494-65210	COMP.LINK LOWER	2				5	11
140	66713-34340	PIN SET	2				0.013	0.0286
150	66494-65230	ROD LIFT RH	1				0.237	0.5214
160	66494-65240	ROD LIFT LOWER LH	1				0.559	1.2298
170	66706-65250	NUT	1				0	0
180	66706-65260	SPRING	1				0.041	0.0902
190	66494-65270	COMP.ROD LIFT LH	1				0.86	1.892
200	05122-51240	PIN JOINT	2				0.039	0.0858
210	05511-50425	PIN SPLIT	2				0.003	0.0066
220	99999-99999	BLANK	0				0	0
230	66706-65280	PIN LIFT	2				0.082	0.1804
240	02174-50120	NUT	2				0.01	0.022
250	04512-50120	WASHER SPRING	2				0	0
260	66494-65290	HOLDER CHECK CHAIN	2				0.167	0.3674
270	66706-65370	JOINT CHAIN	4				0.07	0.154
280	66706-65310	BOLT TURNBUCKLE RH	2				0.153	0.3366
290	66706-65320	BOLT TURNBUCKLE LH	2				0.153	0.3366
300	66706-65380	PIN SET	4				0.021	0.0462
310	05511-50320	PIN SPLIT	4				0.002	0.0044
320	96316-05580	TURNBUCKLE	2				0.14	0.308
330	02112-50120	NUT	2				0.007	0.0154
340	66704-86110	PIN LOWER LINK	1				1.19	2.618
350	66704-65120	BOLT SET	1				0.023	0.0506
360	02118-50100	NUT	1				0.005	0.011
370	66494-65310	BUSH	1				0.02	0.044
380	66494-65320	BUSH	2				0.05	0.11
390	66494-00550	ASSY HITCH	1				5.4	11.88
400	66494-01550	COMP.HITCH	1				5.38	11.836
410	01153-51232	BOLT	3				0.04	0.088
420	04512-50120	WASHER SPRING	3				0	0
430	96316-06320	PIN HITCH	1				0.46	1.012
440	31150-29730	PIN SPRING	1				0.044	0.0968

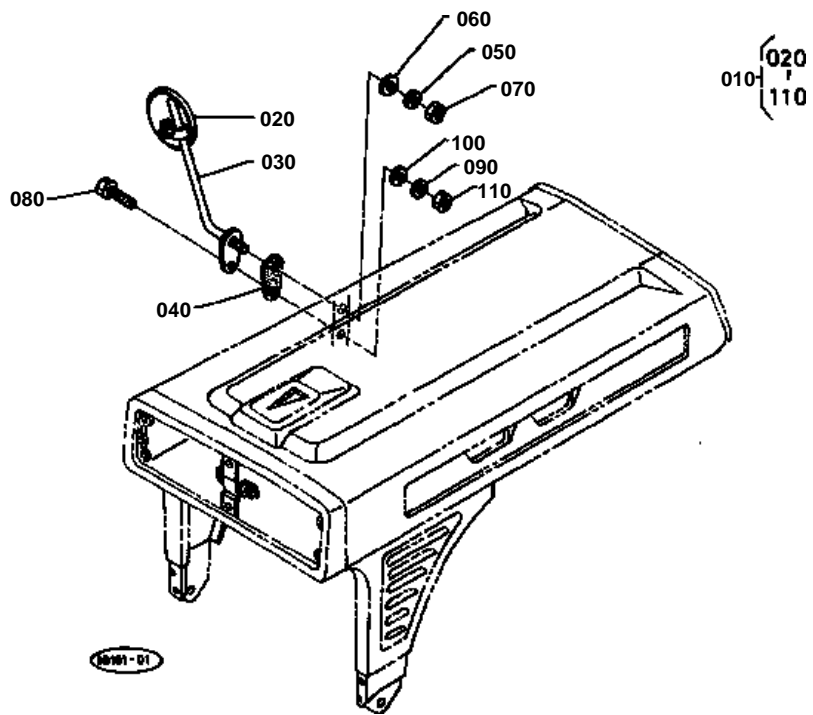




HOOD(BONNET) [A] [CA] [U]

↔ Interchangeable; ≠ not interchangeable; ← new for old; → old for new

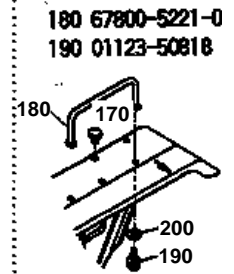
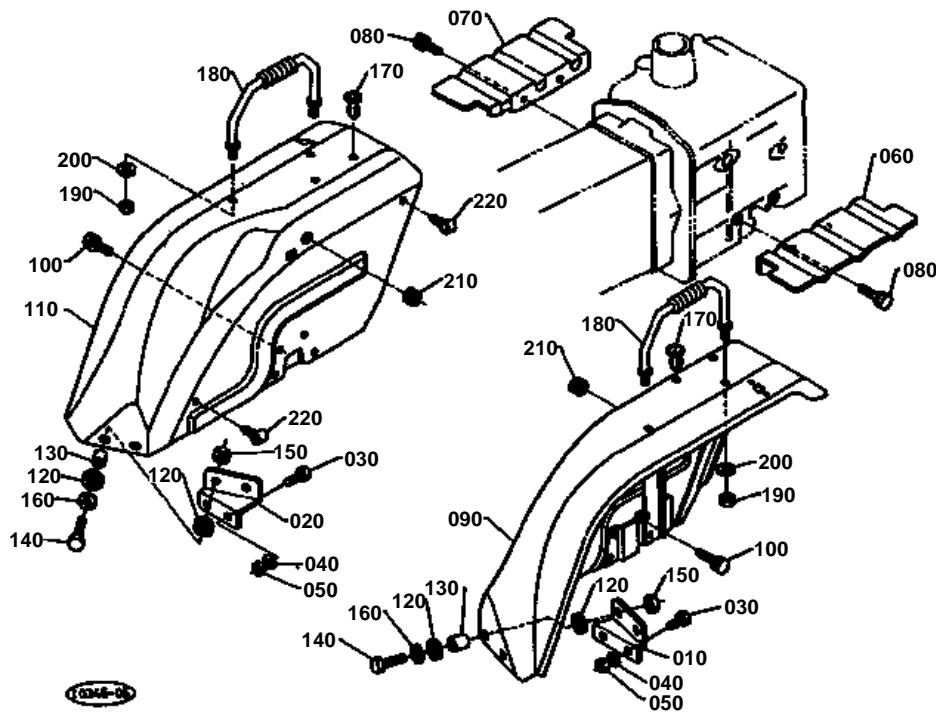
REF.No	Part No.	Description	Q'ty	S.No.	I/C	REMARKS	Weight (kgf)	Weight (lb)
010	67001-54110	COMP.BONNET	1	<=52835			6.2	13.64
010	67011-54110	COMP.BONNET	1	>=52836	≠		6.12	13.464
020	67111-54210	GRILLE LIGHT	1				0.16	0.352
030	04012-50050	WASHER PLAIN	12				0.001	0.0022
040	04512-50050	WASHER SPRING	6				0	0
050	03054-50520	SCREW PAN HEAD	6				0.005	0.011
060	02054-50050	NUT	6				0.002	0.0044
070	66361-54240	MASCOT	1				0	0
080	67001-54410	BLOCK	1				0.07	0.154
090	66711-54150	BOLT	2				0.026	0.0572
100	04015-50100	WASHER PLAIN	2				0.016	0.0352
110	34150-18180	CUSHION	2				0.003	0.0066
120	05515-51000	PIN SNAP	2				0	0
130	67001-54480	STAY BONNET	1				0.24	0.528
140	01123-50816	BOLT	4				0.011	0.0242
150	66811-55210	HOOK BONNET	2				0.033	0.0726
160	66711-55220	SPRING	2				0.01	0.022
170	66704-55510	BAND CORD	1				0.002	0.0044



**REARVIEW MIRROR (OPTION) [A] [CA] [U]**

↔ Interchangeable; ≠ not interchangeable; ← new for old; → old for new

REF.No	Part No.	Description	Q'ty	S.No.	I/C	REMARKS	Weight (kgf)	Weight (lb)
010	66704-81100	KIT REARVIEW MIRROR	1				0.307	0.6754
020	66711-61130	ASSY MIRROR	1				0.104	0.2288
030	66711-61110	SUPPORT R.MIRROR	1				0.142	0.3124
040	66711-61120	CUSHION	1				0.002	0.0044
050	04512-50100	WASHER SPRING	1				0	0
060	04013-50100	WASHER PLAIN	1				0	0
070	02118-50100	NUT	1				0.005	0.011
080	01053-50618	BOLT	1				0.006	0.0132
090	04512-50060	WASHER SPRING	1				0	0
100	04013-50060	WASHER PLAIN	1				0	0
110	02014-50060	NUT	1				0.003	0.0066
120	66704-81110	MANUAL CONSTRUCTION	1				0	0



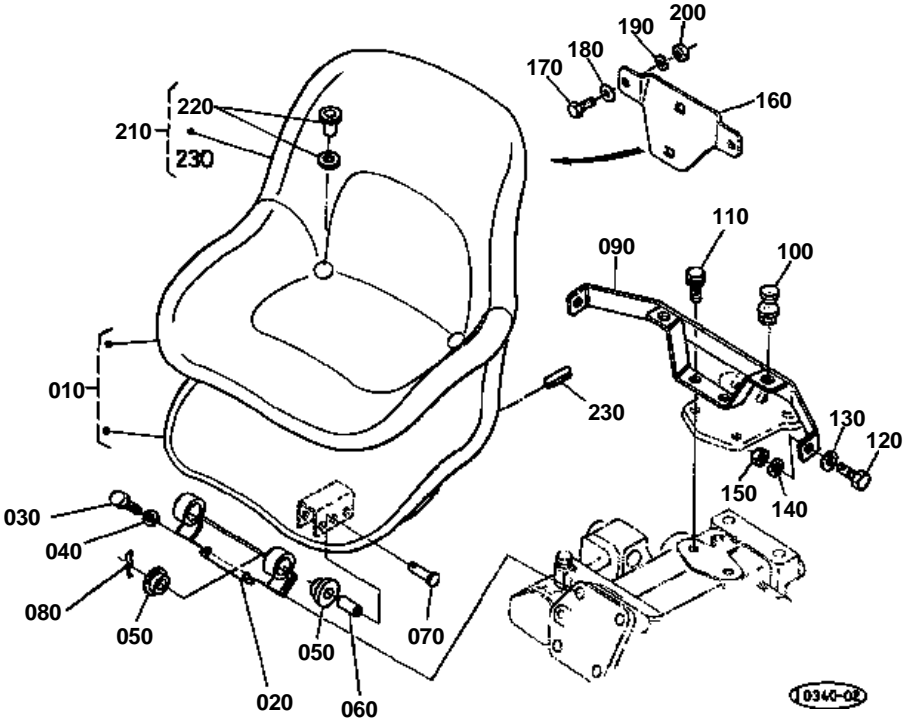
180 67800-5221-0
190 01123-50818



FENDER [A] [CA] [FR] [U] [AU]

↔ Interchangeable; ≠ not interchangeable; ← new for old; → old for new

REF.No	Part No.	Description	Q'ty	S.No.	I/C	REMARKS	Weight (kgf)	Weight (lb)
010	67001-52140	STAY FENDER LH	1	<=52835			0.135	0.297
010	67011-52140	STAY FENDER LH	1	>=52836	≠		0.14	0.308
020	67001-52150	STAY FENDER RH	1	<=52835			0.133	0.2926
020	67011-52150	STAY FENDER RH	1	>=52836	≠		0.13	0.286
030	01222-50614	BOLT	4				0.004	0.0088
040	04512-50060	WASHER SPRING	4				0	0
050	02014-50060	NUT	4				0.003	0.0066
060	66621-53410	COVER MUD GUARD LH	1				0.53	1.166
070	66621-53420	COVER MUD GUARD RH	1				0.46	1.012
080	01123-50816	BOLT	4				0.011	0.0242
090	67001-53500	COMP.FENDER LH	1	<=52835			5.1	11.22
090	67011-53500	COMP.FENDER LH	1	>=52836	≠		0	0
090	67011-53504	COMP.FENDER LH	1	>=52918	≠		5	11
100	01123-50818	BOLT	8				0.012	0.0264
110	67001-53600	COMP.FENDER RH	1	<=52835			5.1	11.22
110	67011-53600	COMP.FENDER RH	1	>=52836	≠		7	15.4
110	67011-53604	COMP.FENDER RH	1	>=52918	≠		5	11
120	67111-52160	CUSHION	8				0.003	0.0066
130	37300-35140	SPACER	4				0.006	0.0132
140	01153-50825	BOLT	4				0.012	0.0264
150	02114-50080	NUT	4				0.005	0.011
160	04015-50080	WASHER PLAIN	4				0	0
170	38240-29570	PLUG	8				0.001	0.0022
180	67800-52210	BALUSTRIDE	2	<=52835			0.2	0.44
180	66418-52210	BALUSTRIDE	2	>=52836	≠		0.2	0.44
180	34670-29440	BALUSTRIDE	2	>=52918	≠		0.1	0.22
190	01123-50818	BOLT	4	<=52917			0.012	0.0264
190	02174-50140	NUT	4	>=52918	≠		0.014	0.0308
200	04013-50080	WASHER PLAIN	4	<=52917			0	0
200	04013-50140	WASHER PLAIN	4	>=52918	≠		0	0
210	32150-29180	CAP RUBBER	2				0.002	0.0044
220	67211-52770	CLIP WIRE	2				0.005	0.011



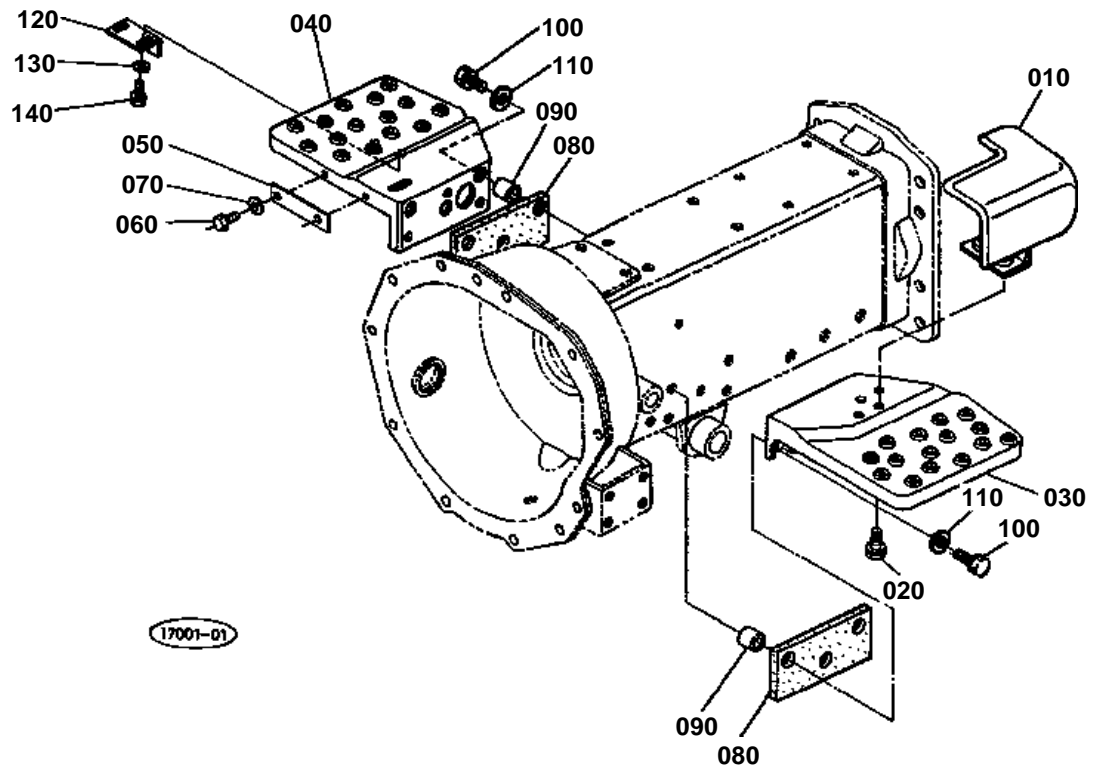


SEAT [A] [CA] [FR] [U] [AU]

↔ Interchangeable; ≠ not interchangeable; ← new for old; → old for new

REF.No	Part No.	Description	Q'ty	S.No.	I/C	REMARKS	Weight (kgf)	Weight (lb)
010	66711-45900	ASSY SEAT	1	<=52835			4.8	10.56
010	66732-45900	ASSY SEAT	1	>=52836	≠		5.5	12.1
020	66811-45930	SUPPORT SEAT FRONT	1				0.715	1.573
030	66711-36440	BOLT	2				0.045	0.099
040	04512-50120	WASHER SPRING	2				0	0
050	66591-41540	CUSHION	4				0.01	0.022
060	66591-41550	COLLAR	2				0.02	0.044
070	05122-51045	PIN JOINT	2				0	0
080	05516-51000	PIN SNAP	2				0	0
090	66811-45940	SUPPORT SEAT REAR	1				0.597	1.3134
100	32240-18440	CUSHION SEAT	2				0.043	0.0946
110	01123-50820	BOLT	2				0.011	0.0242
120	01153-50825	BOLT	2				0.012	0.0264
130	04013-50080	WASHER PLAIN	2				0	0
140	04512-50080	WASHER SPRING	2				0	0
150	02114-50080	NUT	2				0.005	0.011
160	66704-54950	BRACKET SMV	1	<=52835		[A] [CA] [U]	0	0
160	66416-54950	BRACKET SMV	1	>=52836	≠	[A] [CA] [U]	0	0
170	01053-50616	BOLT	2			[A] [CA] [U]	0.005	0.011
180	04013-50060	WASHER PLAIN	2			[A] [CA] [U]	0	0
190	04512-50060	WASHER SPRING	2			[A] [CA] [U]	0	0
200	02014-50060	NUT	2			[A] [CA] [U]	0.003	0.0066
210	66704-83500	ASSY COVER SEAT	1				0.4	0.88
220	35110-85050	EYELET	4				0.005	0.011
230	35110-85060	PROTECTOR	3				0.01	0.022

STEP/FOOT COVER

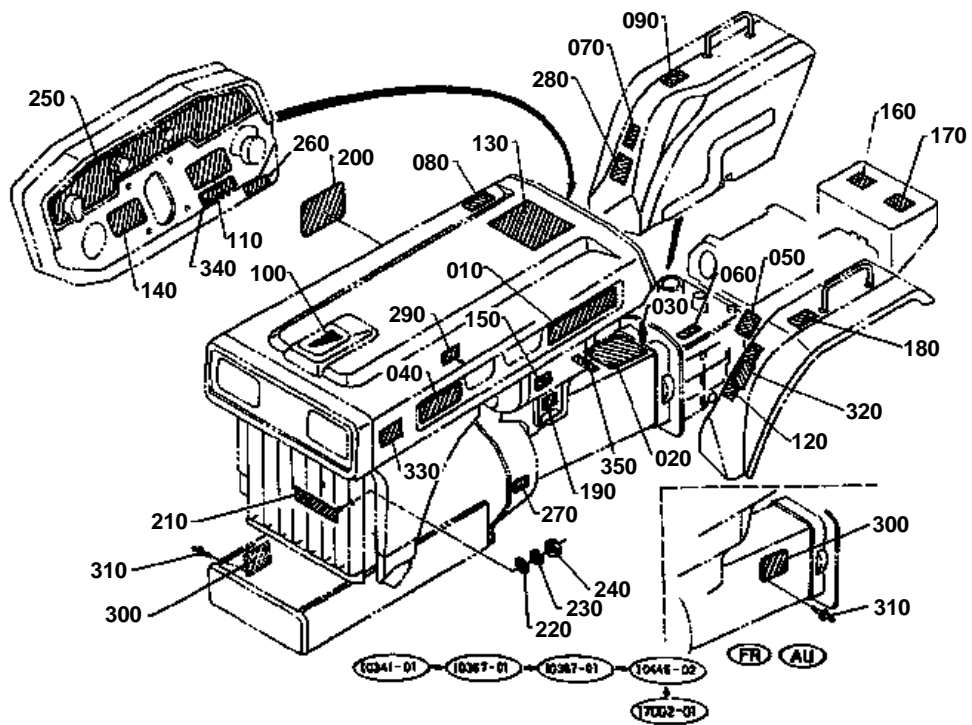




STEP/FOOT COVER

↔ Interchangeable; ≠ not interchangeable; ← new for old; → old for new

REF.No	Part No.	Description	Q'ty	S.No.	I/C	REMARKS	Weight (kgf)	Weight (lb)
010	67401-82610	COVER FOOT	1	<=52385			0.23	0.506
010	67405-82610	COVER FOOT	1	>=52386	≠		0.22	0.484
020	01123-50814	BOLT	2				0	0
030	67001-52110	STEP LH	1	<=52835			1.88	4.136
030	67011-52110	STEP LH	1	>=52836	≠		1.84	4.048
040	67001-52120	STEP RH	1	<=52835		[A] [CA] [FR] [U] [AU]	2	4.4
040	67011-52120	STEP RH	1	>=52836	≠	[A] [CA] [FR] [U] [AU]	1.92	4.224
040	67008-52120	STEP RH	1			[WG]	2.02	4.444
050	66711-51180	PLATE FEEDING ADJ	1				0.045	0.099
060	01123-50818	BOLT	2				0.012	0.0264
070	04013-50080	WASHER PLAIN	2				0	0
080	67001-52130	CUSHION	2				0.07	0.154
090	67401-51260	COLLAR	6				0.005	0.011
100	01123-50828	BOLT	6				0.014	0.0308
110	04012-50080	WASHER PLAIN	6				0.001	0.0022
120	67008-52160	STAY BRAKE SWITCH	1			[WG]	0.1	0.22
130	04013-50080	WASHER PLAIN	2			[WG]	0	0
140	01123-50818	BOLT	2			[WG]	0.012	0.0264





LABEL

↔ Interchangeable; ≠ not interchangeable; ← new for old; → old for new

REF.No	Part No.	Description	Q'ty	S.No.	I/C	REMARKS	Weight (kgf)	Weight (lb)
010	67001-47110	LABEL KUBOTA	2				0.002	0.0044
020	66706-47110	LABEL	1				0.02	0.044
030	54102-24410	RIVET	4				0.001	0.0022
040	67001-47140	LABEL	2				0.003	0.0066
050	66706-47120	LABEL	1			[A] [CA] [FR] [U]	0.001	0.0022
050	66709-47120	LABEL	1			[WG] [AU]	0.001	0.0022
060	66498-47160	LABEL	1			[AU]	0.001	0.0022
060	67001-47160	LABEL PTO S-CHANGE	1			[A] [CA] [FR] [U]	0.001	0.0022
060	67008-47160	LABEL PTO S-CHANGE	1			[WG]	0.001	0.0022
070	66706-47150	LABEL	1			[A] [CA] [FR] [U]	0	0
070	66709-47150	LABEL	1			[WG] [AU]	0.001	0.0022
080	66704-47330	LABEL RELEASE	1			[A] [CA] [FR] [U]	0.001	0.0022
080	66709-47232	LABEL RELEASE	1			[WG] [AU]	0.001	0.0022
090	66706-47140	LABEL	1			[A] [CA] [FR] [U]	0	0
090	66709-47140	LABEL	1			[WG] [AU]	0.001	0.0022
100	67001-47190	LABEL CENTER	1				0	0
110	66907-47240	LABEL GLOW PLUG	1			[A] [CA] [FR] [U]	0.001	0.0022
110	66709-47370	LABEL STARTER SWITCH	1			[WG] [AU]	0.001	0.0022
120	35260-34912	LABEL SAFETY	1	≤53803		[A] [CA] [U]	0	0
120	35260-34913	LABEL SAFETY	1	>=53804	←	[A] [CA] [U]	0.005	0.011
120	67840-47190	LABEL SAFETY	1			[FR]	0.007	0.0154
130	35820-98632	LABEL START CAUTION	1			[A] [CA] [U]	0.003	0.0066
140	66706-47270	LABEL DECOMPRESS	1			[A] [CA] [FR] [U]	0.001	0.0022
140	66709-47270	LABEL DECOMPRESS	1			[WG] [AU]	0.001	0.0022
150	66706-47420	LABEL FUEL TANK	1			[A] [CA] [FR] [U]	0.001	0.0022
150	66709-47420	LABEL FUEL TANK	1			[WG] [AU]	0.001	0.0022
160	35260-29790	LABEL DRAWBAR	1			[A] [CA] [U]	0.002	0.0044
160	67601-47230	LABEL DRAWBAR	1			[FR]	0.002	0.0044
170	35200-25340	LABEL PTO	1			[A] [CA] [U]	0.002	0.0044
170	67601-47210	LABEL PTO	1			[FR]	0.002	0.0044
170	66709-47460	LABEL	1			[WG] [AU]	0.002	0.0044
180	35260-29782	LABEL ROPS CAUTION	1			[A] [CA] [U]	0.001	0.0022
180	66709-47470	LABEL	1			[WG] [AU]	0.001	0.0022
190	66706-47260	MARK TOOLS CASE	1			[A] [CA] [FR] [U]	0.001	0.0022
190	66709-47260	MARK TOOLS CASE	1			[WG] [AU]	0.001	0.0022
200	66706-47280	LABEL BATTERY	1			[A] [CA] [FR] [U]	0.003	0.0066
200	66709-47280	LABEL BATTERY	1			[WG] [AU]	0.002	0.0044
210	66601-47230	NAME PLATE FRONT	1				0.02	0.044
220	04013-50040	WASHER PLAIN	2				0	0
230	04512-50040	WASHER SPRING	2				0	0
240	02054-50040	NUT	2				0.001	0.0022
250	66204-47410	LABEL PANEL	1			[A] [CA]	0.02	0.044
250	66706-47313	LABEL PANEL	1			[FR] [U]	0.015	0.033
250	66709-47310	LABEL PANEL	1			[WG] [AU]	0.01	0.022
260	67401-47320	LABEL ENGINE STOP	1				0.001	0.0022
270	66706-47330	LABEL OIL INSPECTION	1			[A] [CA] [FR] [U]	0.001	0.0022
270	66709-47330	LABEL OIL INSPECTION	1			[WG] [AU]	0.001	0.0022
280	66706-47350	LABEL DIFF.LOCK	1			[A] [CA] [FR] [U]	0.001	0.0022
280	66709-47350	LABEL DIFF.LOCK	1			[WG] [AU]	0.001	0.0022
290	66706-47360	LABEL BRAKE	1			[A] [CA] [FR] [U]	0.002	0.0044
300	67001-47460	NAME PLATE BODY	1			[A] [CA] [U]	0.009	0.0198
300	67006-47410	NAME PLATE MAKER	1			[FR] [AU]	0.008	0.0176
300	67008-47410	NAME PLATE MAKER	1			[WG]	0	0
310	54102-24410	RIVET	4				0.001	0.0022
320	66709-47490	LABEL CAUTION	1			[WG] [AU]	0.001	0.0022
330	66204-47550	MARK 4-WHEEL DRIVE	2	>=50414		[A] [CA] [U]	0.003	0.0066
340	66709-47480	LABEL SWITCH	1			[WG]	0.001	0.0022
350	18682-88830	LABEL ASBESTOS	2			[U]	0.005	0.011

IMAGE NOT AVAILABLE



ACCESSORIES

↔ Interchangeable; ≠ not interchangeable; ← new for old; → old for new

REF.No	Part No.	Description	Q'ty	S.No.	I/C	REMARKS	Weight (kgf)	Weight (lb)
010	67001-62912	MANUAL INSTRUCTION	1			[A] [CA] [U]	0	0
010	67006-62910	MANUAL INSTRUCTION	1			[FR]	0	0
010	67008-88120	MANUAL INSTRUCTION	1			[WG]	0	0
010	67008-88130	MANUAL INSTRUCTION	1			[AU]	0.1	0.22
020	67006-62920	PARTS LIST	1			[FR]	0	0
020	67008-88140	PARTS LIST	1			[AU]	0	0
020	67008-88152	PARTS LIST	1			[WG]	0	0
030	66704-61200	TOOLS	1			[FR] [WG] [AU] REF.NO.040 TO 110	1.8	3.96
040	07012-11012	SPANNER	1			[FR] [WG] [AU]	0.041	0.0902
050	07012-11214	SPANNER	1			[FR] [WG] [AU]	0.05	0.11
060	63733-61610	FEEDER OIL	1			[FR] [WG] [AU]	0.02	0.044
070	10242-91410	FUNNEL	1			[FR] [WG] [AU]	0.028	0.0616
080	32240-18800	SQUEEZER OIL	1			[FR] [WG] [AU]	0.4	0.88
090	07013-00012	SPANNER BOX	1			[FR] [WG] [AU]	0.136	0.2992
100	07013-50022	SPANNER BOX	1			[FR] [WG] [AU]	0.22	0.484
110	07013-40180	HANDLE	1			[FR] [WG] [AU]	0.11	0.242
120	07012-11417	SPANNER	1			[FR] [WG] [AU]	0.084	0.1848
130	07012-12126	SPANNER	1			[FR] [WG] [AU]	0.244	0.5368
140	07211-10150	PLIERS	1			[FR] [WG] [AU]	0.16	0.352
150	07012-11922	SPANNER	1			[FR] [WG] [AU]	0.2	0.44
160	15241-86610	WRENCH FILTER	1				0.133	0.2926