

Table of contents

Group A		
Other Tractors – Iseki & Kubota		
Group 1 - Yanmar		5
	ELECTRICAL	5
Group 2		15
	ENGINE & COOLING	15
	THERMOSTART PLUG	55
Group 3		60
	FRONT AXLE & STEERING	60
Group 4		98
	TRANSMISSION & PTO	108
Group 5		123
	REAR AXLE & BRAKES	123
Group 6		154
	BODY & SEATS	154
Group 7		171
	3 – POINT	171
Group 8		181
	TILLER	181
Group 9		186
	BEARINGS & SEALS	186
Group 10		192
	MISCELLANEOUS	192

Prices subject to change without notice.

- Payment:** We accept Visa, MasterCard, Discover and American Express. UPS fee for COD shipments is \$9.00. This does not include the shipping charges.
- Freight policy:** **Effective January 1, 2010**, Order values of \$2,750.00 or more (new parts only for **Yanmar & JD**) will be freight PREPAID, Eastern & Central time zones. Pacific and Western time zones are PREPAID on order values of \$3,750.00 or more. The risk of loss, as well as the title of to the equipment, transfers to the customer upon shipment from our warehouse. Claims for product damages or lost in transit are the responsibility of the buyer and should be filed with the carrier immediately.
- Returned goods:** All returns must be authorized by Fredricks Importing, Inc. and must be in good condition. Used or installed parts will not be accepted. Parts must be returned within 30 days of purchase and be PREPAID. Returned goods subject to 25% handling charge. Returns, including cores, must be totally assembled. Disassembled items will not be accepted. Cores must be in condition to be rebuilt. Electrical parts are not returnable.

Note: OEM part numbers are used for identification and reference only

Group A

Iseki – Page 3

John Deere – See JD catalog

Kubota – Page 3

Parts for Iseki

FF-3262 Fuel filter TS1610, TS1910
Repl. 1415-102-0110-0

Parts for Kubota

SC-1550 Steering column L175, L185, L225, L245, L1500, L1501, L1511, L1801, L1802, L2000, L2001, L2002, L2010, L2201, L2202, L2210 Repl. 34150-16200
(bearings not included)

SSS-4740 Steering sector shaft, L185, L245, L1500, L2000 Repl. 34150-16120

SB-750 Steering column bearing **(B)**
Repl. 34150-16220

26x38x7TC Steering box horizontal shaft seal, B1550, B1750, B2150, L175, L185, L225, L235, L245, L275, L1500, L2000, L2050, L2250, L2350, L2500, L2600, L2650, L2850, L2950, L3250 Repl. 09500-26387

AS-1610 Rear axle seal L1500, L2000
Repl. 34150-27560

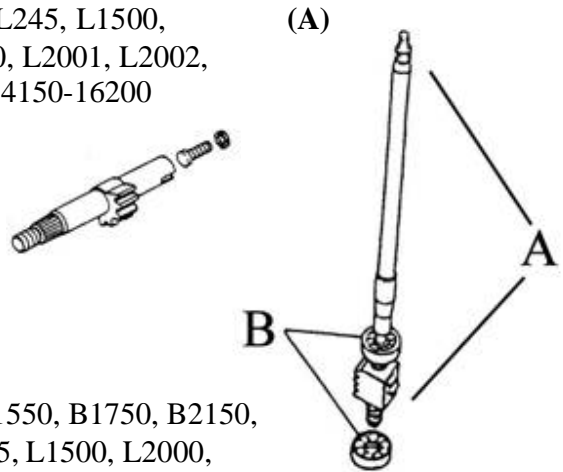
GP-778 Glow plug L175, L185, L225, L245, L285, L295, L305, L345, L1500, L1501, L1801, L2000, L2200, L2201, L2600, L2601, L3001, M4000, M4500
Repl. 15221-65513 & 15221-65954

FF-3507 Fuel filter L235, L275, L2250DT & F, L2550DT & F, L2602, L2802, L2850DT & F, L2900DT & F, L2950DT & F
Repl. 15521-43160

FF-3263 Fuel filter – 3.49” tall
Repl. 16271-43560

AF-2276 Air filter w/fin L2550DT & F, L2550DT & F
Repl. 70000-11081

AF-6270 Air filter w/fin L1500, L2000, L2201, L2050
Repl. 70000-11221



Group 1 - Yanmar

Electrical

Light Bulbs

LB-4151 Head light bulb, 12v, 25w/25w
Repl.194151-55810



LB-4550 Head light bulb, 12v, 35w F18, FX18, F20, FX20, F24, FX24, FX26, FX28, FX32, F37D, FX42, F46D, F255, FX255, FX285, FX305, 2020, 2202, 2220, 2402, 2420, 2620, 2820, 3220, 4220 Repl. 194550-55810

LB-4520 Head light bulb, 12v, 25/25w F14, F15, F16, FX26, FX28, FX175, 1602, 1702, 1720, 1802, 1820, 2002
Repl. 194520-55810



LB-4155 Head light bulb, 12v-35/25w, 195, 240, 276, 330, 1500, 1700, 2000, 2001, 2010, 2210, 2210B, 2301, 2310, 2500, 2610, 3000, 3810, 4300, 4500
Repl. 194155-55810 (old # 194190-55810)



LB-4262 Head light bulb, 12v, 25w, 135, 140, 147, 155, 165, 169, 180, 186, 187, 220, 226, 250, 1100, 1110, 1300, 1301, 1401, 1502, 1510, 1601, 1610, 1810, 2200
Repl. 194262-53080



LB-97 Turn signal light bulb, 12v
Repl. 194081-55820; 2210 Repl. 194080-55820



LB-55 Dash light bulb, 12v, 1.7w, 195, 240, 1500, 1700, 2000, 2210, 2500, 2610, 3000
Repl. 194155-55820

LB-97

LB-55

LB-161 Dashboard light bulb for F, FX and 20 series
Repl. 194555-55820 (old # 194155-55820)

Head Lights

HL-4550 Head light assembly 2020, 2202, 2220, 2402
2420, 2620, 2820, 3220, 4220 Repl. 194550-53100



HL-4190 Head light assembly 1500
Repl. 194190-53100



HL-4155 Head light assembly 195, 240, 1700, 1700B,
2000, 2000B, 2210, 2210B Repl. 194155-53100
Will fit 1600, 1900, 2200 (Repl. 794081-53100) when
replaced as complete light



HL-4520 Head light assembly 1602, 1702, 1720, 1802,
1820, 2002, F14, F15, F16, F17, FX175
Repl. 194520-53100

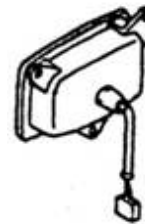


HL-4201 Head light assembly 140, 147, 169, 180, 186, 187,
220, 226, 250, 1301, 1401, 1502, 1510, 1601, 1610
YMG1800, 1810, YMG2000 Repl. 194201-53051



HL-4262 Head light assembly 155, 165, 1100, 1300
Repl. 194262-53051

HL-4145 Head light assembly 276, 330, 2500, 2610,
3000, 3110, 3810, 4300, 4500 Repl. 194145-53200



HL-4312 Head light assembly 2001, 2010,
2301, 2310 Repl. 194312-53100



HL-4555 Head light assembly F18, F20, FX20, F22,
FX22, F24, FX24, FX26, FX28, FX32, FX42, F215, FX215,
F255, FX255, FX285, FX305, FX335, FX435 Repl. 194555-53100

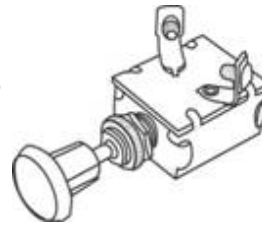
Head Light Switches

LS-4130 Light switch 155, 165, 195, 240, 1100,
1300, 1500, 1600, 1700, 1900, 2000, 2200,
2210, 2500, 2610, 3000, 3810 Repl. 194130-52121

LS-4420 Light switch 140, 147, 169, 186, 187, 220, 226,
250, 276, 1301, 1401, 1502, 1510, 1601, 1602,
1610, 1702, 1720, YMG1800, 1802, 1810, 1820,
YMG2000, 2001, 2002, 2010, 2020, 2202, 2210B,
2220, 2301, 2310, 2402, 2420, 2620, 2820, 3220, 4220
Repl. 194420-52120 (old # 194440-52120)



Light Switches



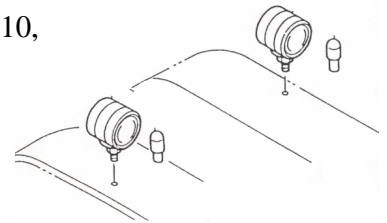
PPS-42200 Push-pull switch, 15 amp

Fender Lights



FL-4150 Fender light, two bolt mount for 195, 240, 1500, 1600, 1700, 1900, 2000, 2210, 2210B, 2500 Repl. 794150-53400

FL-4440 Fender light, post mount for 1301, 1401, 1510, 1601, 1602, 1610, 1702, 1720, YMG 1800, 1802, 1810, 1820 YMG 2000, 2001, 2002, 2010, 2020, 2202, 2220, 2301, 2310, 2402, 2420, F14, F15, F16, FF145D, FF155D Repl. 194440-53400 (**approx. 2-1/4" dia.**)



FL-6012 Fender light, post mount for 330, 2500, 2610, 2620, 2820, 3000, 3810 Repl. 194242-53400 (old #194320-53400 & 194145-53400) (**approx. 3-1/4" dia.**)

TSS-4080 Turn Signal Switch 195, 240, 330, 1100, 1110, 1300, 1500, 1600, 1700, 1900, 2000, 2210, 2500, 2610, 2620, 2820, 3000, 3810 Repl. 194080-52132



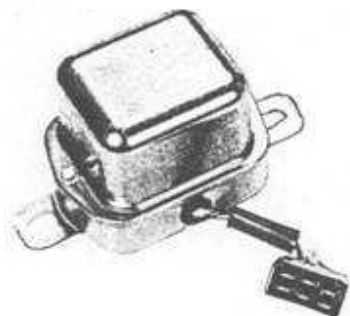
TSS-4080 Turn signal switch 1401, 1510, 1601, 1602, 1610, 1702, 1720, YMG1800, 1802, 1810, 1820, YMG2000, 2001, 2002, 2010, 2020, 2202, 2210B, 2220, 2301, 2310, 2402, 2420, 2620, 2820, 3220, 4220, 4300
Repl. 194440-52130 by changing wire terminal ends

F-552 Flasher, 2 prong, 12V Common to many models
Repl. 194555-57200 (old # 194080-57202)

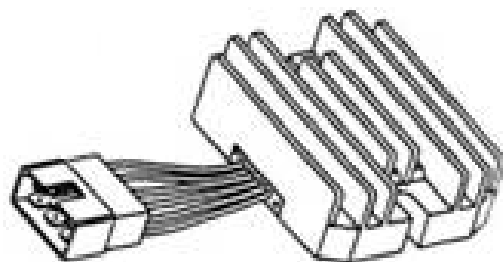
WH-455 Fusible link 1702, 1720, 1802, 1810, 1820, 2001, 2002, 2010, 2020, 2202, 2220, 2301, 2310, 2402, 2420, 2620, 2820, 3220, 4220, 4300, FX26D, FX28D, FX32, F37D, FX42D, F46D, F235, FX235, F255, FX255, FX265D, FX285, FX305, FX335, FX435
Repl. 194550-51220 (old # 194312-51220)

Voltage Regulators

From this
Mechanical VR

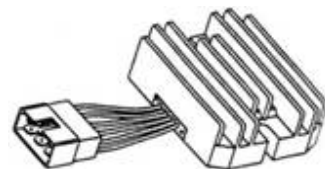


to this **SOLID
STATE** version



VR-550 Voltage regulator – Our **NEW** solid state regulator replaces the old mechanical type. 195, 240, 330, 336, 1700, 2000, 2200, 2210, 2500, 2610, 2700, 3000, 3110, 3810, 4300 Repl. 124550-77710

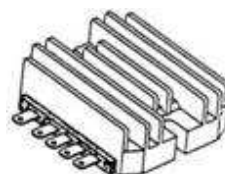
VR-522 Voltage regulator, **6-plug**, 180, 186, 187, 220, 1601, 1610, 1702, 1720, YMG1800, 1802, 1810, 1820, YMG2000, 2001, 2002, 2010, 2020, 2202, 2220, 2301, 2310, 2402, 2420 Repl. 121522-77790, 121450-77710, 121450-77790
(**122, 126, 140, 142, 146, 147, 226, 1510, F14, F15** Repl. 121450-77711)



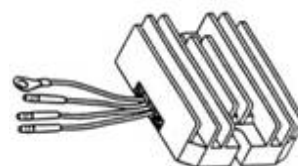
WH-522 Wiring harness used with VR-522 if originally equipped with 4 wire plug



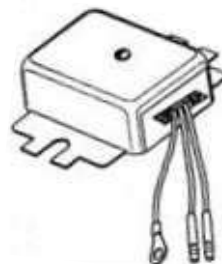
VR-150 Voltage regulator – F series F37D, F49D, F215 Repl. 129150-77710



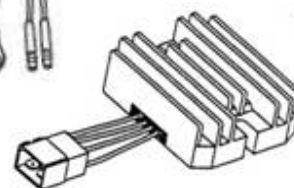
VR-160 Voltage regulator –**4 wire**, 1100, **1300, 1500** Repl. 124160-77710



VR-660 Voltage Regulator – **3 wire**, 135, 155, 165, 169, 1110, **1300, 1500 (typically with diodes)** Repl. 124660-77710



VR-462 Voltage regulator, **4-plug**, 1301, 1401 Repl. 121462-77710



Alternators

AL-1235 Alternator, 12V – 35Amp, 195, 240, 330, 336
1700, 2000, 2210, 2500, 2610, 3000, 3110, 3810, 4300
Repl. 124756-77200 & 124756-77210 (LT115-52)
1600, 1900, 2200, 2700 Needs different wire ends.

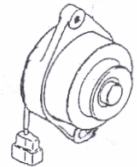


AL-1220 Alternator 12V – 40Amp 2620, 2820, 3220, 4220
Repl. 121400-77201 (**built in regulator**)

AL-1215 Alternator, 12V – 15 Amp 140, 142, 146, 147, 169, 180, 186, 187,
220, 226, 250, 276, 1401, 1502, 1510, 1601, 1602, 1610,
1702, 1720, YMG1800, 1802, 1810, 1820, YMG2000, 2001,
2002, 2010, 2020, 2202, 2220, 2301, 2310, 2402, 2420,
F14, F15, F16 Repl. 121450-77200



AL-1500 Alternator, 12V 1500 Repl. 124660-77991

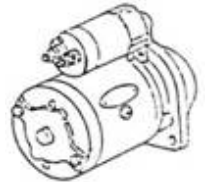


AL-9150 Alternator, 12V-20 Amp F17, F18, F20, F22, F24, FX26, FX28,
FX32, F37, FX42, F46, F195, F215, F235, F255, F265, FX285,
FX305, FX335, FX435 Repl. 129150-77200 & 77201

(1)

Starters (*Specify New or Rebuilt)

- SM-1277*** Starter motor – 12v – 15 tooth drive, 220, 226, 250, 276, 330, 336, YMG1800, 1802, 1810, 1820, YMG2000, 2001, 2002, 2010, 2020, 2200, 2202, 2210, 2220, 2301, 2310, 2402, 2420, 2500, 2610, 2620, 2700, 2820, 3000, 3110, 3220, 3810, 4220, FX26, FX28, FX32, FX42
Hitachi S12-77 Repl. 124250-77012, Hitachi S12-23 & S12-52
- SM-203** Starter motor – 12v – 11 tooth drive, 1100, 1300, **1500**, Repl. **S114-203** only available as rebuilt. **Can use SM-219 for 1500**
- SM-219*** Starter motor – 12v – 11 tooth drive, 1300, 1301, 1401, **1500**, 135, 155, 165, 169 **Hitachi S114-219**, S114-230 Repl. 124070-77010 & 124060-77010
- SM-235*** Starter motor – 12V – 11 tooth drive, 140, 142, 146, 147, 180, 186, 187, 1510, 1601, 1610, FF145D, FF155D, F165D Hitachi S114-235 Repl. 121450-77010 **YM1702 & YM1720 with S114-235**
- SM-146*** Starter motor – 12v – 15 tooth drive, 1600, 1700, 1900, 2000 F16, **195, 240** Repl. 124450-77010
Hitachi S114-146 – **1702 & 1720 with S114-146**



Starter Drives

- SD-502** Starter drive – **15 tooth** - fits S114-146 starter F16, 195, 240, 1600, 1700, 1900, 2000 Repl. X211445002
- SD-511** Starter drive – **11 tooth** - fits S114-203, S114-219, S114-230, S114-235 140, 142, 146, 147, 155, 165, 1100, 1500, 1702, 1720, F14, F15, FF145D, FF155D Repl. X2114-55003 (Old # 947704-49307)
- SD-515** Starter drive – **15 tooth** – 220, 250, 330, YMG1800, 1802, YMG2000 2001, 2002, 2010, 2020, 2202, 2210, 2220, 2240, 2301, 2310, 2402, 2610, 2620, 2820, 3000, 3220, 4220, FX26, FX28, FX32, FX42
For Hitachi S12-77 starters Repl. 121254-77660 (old # 124250-77210 & X212045001)



Flywheel Ring Gear

FWRG-550 Flywheel ring gear F18, FX18, F20, FX20, F22, FX22, FX26, FX28, FX32, F37D, FX42, F47D, F255, FX255, FX285, FX305, FX335, FX435, 195, 240, 336, 1600, 1700, 1900, 2000, 2200, 2202, 2220, 2402, 2420, 2500, 2610, 2620, 2700, 2820, 3000, 3110, 4300 Repl.124550-21600



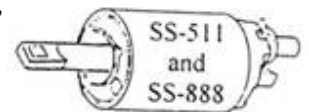
Solenoid Switch

SS-502 Solenoid (**4mm bolt**) – 12v, 3-terminal, fits **S114-146 & S12-23** 220, 226, 250, 330, 336, YMG1800, 1802, 1810, YMG2000, 2001, 2002, 2010, 2020, 2200, 2202, 2210, 2220, 2301, 2310, 2402, 2420 2500, 2610, 2620, 2700, 2820, 3000, 3110, 3220, 4220, FX26, FX20. Repl. 124250-77310 (old # X212037002)



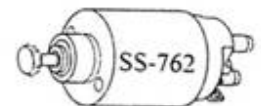
SS-688 Solenoid (**6 mm bolt**) - 12v, 3-terminal fits **S12-77 & S12-52**
Same applications as above.

SS-511 Solenoid – 12v, 3-terminal, fits S114-146, S114-203, S114-219, S114-235 starters – 140, 142, 146, 147, 165, 169, 186, 195, 240, 1100, 1500, 1600, 1700, 1702, 1720, 1900, 2000, F14, F15, F18, FX18, F20, FX20, F24, FX24, F235, F255, FX255, FF145D, FF155D Repl. 171008-77531 & 124060-77300 (Old # X211497004 & X211447007)



SS-888 Solenoid – 12v, 3-terminal, Fits S12-52 starters (large rect. hole)

SS-762 Solenoid w/ hex end for Hitachi DD starters
12v – 3 terminal, used on S12-24, S12-41A, S12-59, S13-06A
Optional on YM195 & YM240



Armature

SA-511 Starter armature for S12-77, 12v – CW rotation
12 spline, 330, 2001, 2220, 2301, 2420, 2620, 2820, 3220, 4220 Repl. 124250-77500 (old # X21207100)



SA-502 Starter armature for S114-146, S114-219, S114-230, S114-235, 12v – CW rotation Repl. X211491001

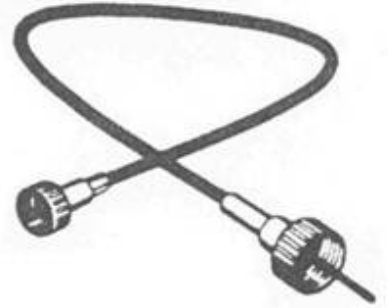
SA-203 Starter armature for S114-203 Repl. X211421002

BP-502 Brush plate for S114-146, S114-203, S114- 219
Repl. X21141360



BF-502 Field brush (insulated) for BP-502 plate (2 req'd)

Hour Meter Cable



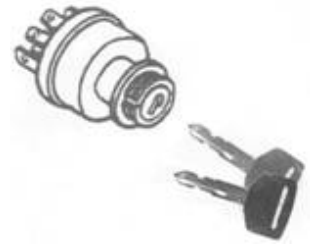
- HMC-4167** Hour meter cable 140, 147, 169, 186, 1301, 1401, 1502, 1510, 1601, 1602, 1610, 1702, 1720, YMG1800, 1802, 1810, 1820, YMG2000, 2000B, 2002, 2210B, F17, F18, F20, F22, F24, FX24 Repl 194167-56900 (Old # 194440-56900) Approx. 48" long
- HMC-1400** Hour meter cable 180, 187, 195, 220, 226, 240, 250, 1300, 1500, 1600, 1700, 1900, 2000, 2001, 2010, 2301, 2310, F14, F15, F16, FF145D, FF155D Repl. 121400-91140
- HMC-1400** Hour meter cable 165, 2001, 2010, 2020, 2202, 2220, 2301, 2310, 2402, 2420 (Approx. 42" long) Repl. 194190-56900
- HMC-4150** Hour meter cable 2210 Repl. 794150-56900 approx. 45-1/4" long
- HMC-4275** Hour meter cable 276, 330, 2500, 2610, 2620, 2820, 3000, 3110, 3220, 3810, 4220, 4300, FX26, FX28, FX32, FX42 Repl. 194275-56900 (old # 194145-56901) Approx. 54-1/2" long
- HMC-2200** Hour meter cable 2200, 2700 Repl. 794100-56900

Tach / Hour meter

- HM-4151** Tach/Hour meter 1500, 1700, 2000 (1) Repl. 194151-56100
- HM-2500** Tach/Hour meter 2500, 2610, 3000, 3110 Repl. 194145-56101

Ignition Switch

IS-52110 Ignition Switch 140, 147, 155, 165, 169, 180, 186, 187, 195, 226, 220, 226, 240, 250, 276, 1300, 1510, 1601, 1702, 1720, YMG1800, 1802, 1810, 1820, YMG2000, 2001, 2002, 2010, 2020, 2202, 2210, 2220, 2301, 2310, 2402, 2420, 2500, 2610, 2620, 2820, 3110, 3220, 4220, 4300, FF145D, FF155D
Repl. 194322-52110 (old #194155-52110)



IK-5216 Flat steel key for ignition switch Repl. 194155-52160

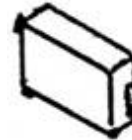
Indicator Lamp Assembly

ILA-4151 Indicator lamp assembly 195, 240, 330, 1700, 2000, 2210, 2500, 2610, 3000, 3810 Repl. 194151-55100



Fuse Box

FBC-524 Fuse box cover 140, 147, 155, 169, 1401, 1510, 1610, 2620, F16, F18, FX18, F20, FX20, F22, FX22, FX32
Repl. 194440-52420



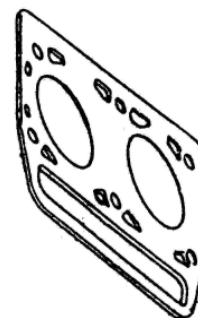
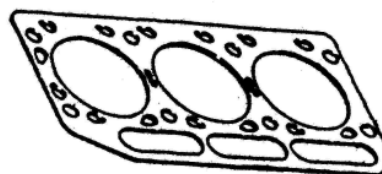
F-15A Fuse link – 15A 195, 240, 1300, 1500, 1600, 1700, 1900, 2000
Repl. 194080-52840



Group 2

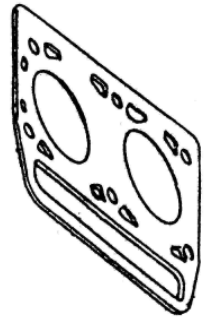
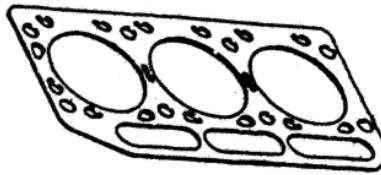
Engine & Cooling

Head Gaskets



Our number	Model number	Replaces	Engine	# Cyls.
HG-1300	1300 / 155 / 165	124060-01330	2TR13	2 Cyl.
HG-1415	1401 / 169 / 180	121000-01330	3T72SB	3 Cyl.
HG-1415	1410 / 186 / 187	121000-01330	3T72SB	3 Cyl.
HG-160	1500	124160-01330	2TR15	2 Cyl.
HG-1415	1502	121000-01330	3T72SA-B	3 Cyl.
HG-1415	1510	121000-01330	3T72SA	3 Cyl.
HG-1700	1600	124450-01331	2TR16	2 Cyl.
HG-470	1601/1602	121470-01332	3T75U	3 Cyl.
HG-470	1610	121470-01332	3T75U	3 Cyl.
HG-1700	1700 Red	124450-01331	2TR17	2 Cyl.
HG-1700	1700 Green	124450-01331	2TR17	2 Cyl.
HG-470	1702	121470-01332	3T75U-NA	3 Cyl.
HG-470	1720	121470-01332	3T75U-NA	3 Cyl.
HG-567	1802	121567-01330	3T80U-NB	3 Cyl.
HG-1810	220 / 250/1810 / 226	121550-01331	3T75H	3 Cyl.
HG-567	1820	121567-01330	3T80U-NB	3 Cyl.
HG-2000	195 / 2000 Red / 240	124763-01331	2TR20A	2 Cyl.
HG-772	1900 / 2000 Grn	124772-01330	2TR20	2 Cyl.
HG-351	2001	129351-01330	3T82B	3 Cyl.
HG-567	2002	121567-01330	3T80U-NA	3 Cyl.
HG-351	2010	129351-01330	3T82B	3 Cyl.
HG-351	2020	129351-01330	3T82B-N	3 Cyl.
HG-550	2200	124550-01330	2TGR22	2 Cyl.
HG-322	2202 / 276	129322-01330	3T84H-NB	3 Cyl.
HG-2000	2210 / 2210B	124763-01330	2T90	2 Cyl.
HG-322	2220	129322-01330	3T84H-NB	3 Cyl.
HG-322	2301	129322-01330	3T84H-S	3 Cyl.
HG-322	2310	129322-01330	3T84H-S	3 Cyl.
HG-322	2402	129322-01330	3T84H-NA	3 Cyl.
HG-322	2420	129322-01330	3T84H-NA	3 Cyl.
HG-150	2500	121150-01330	3T80	3 Cyl.
HG-150	2610	121150-01330	3T80	3 Cyl.
HG-250	2620	121250-01331	3T84	3 Cyl.
HG-550	2700	124550-01330	2TR27L	2 Cyl.
HG-250	2820	121250-01331	3T84-NB	3 Cyl.
HG-250	3000 / 330 / 336	121250-01331	3TR84	3 Cyl.
HG-250	3110	121250-01331	3T84D	3 Cyl.
HG-250	3220 / 4220	121250-01331	3T84-NA	3 Cyl.
HG-250	3810	121250-01331	3T84T	3 Cyl.
HG-567	YMG1800	121520-01331	3T80U-SB	3 Cyl.
HG-567	YMG2000	121520-01331	3T80U-SA	3 Cyl.
HG-1300	155 / 165	124060-01330	2TR13	2 Cyl.
HG-950	4300	121423-01331	3T90T	3 Cyl.
HG-250	330 / 336	121250-01331	3T84A-N	3 Cyl.
HG-865	F17 / FX17	119865-01331	3TN75U-A	3 Cyl.
HG-553	FX26 / FX28	129553-01350	4TNA78U	4 Cyl.
HG-553	FX32 / FX42	129553-01350	4TNA78U	4 Cyl.
HG-553	FX285 / FX305	129553-01350	4TNA78U	4 Cyl.
HG-157	F235 / FX235	129157-01332	3TNB84-RB	3 Cyl.
HG-553	FX335 / FX435	129553-01350	4TNA78-RN	4 Cyl.

Continued on next page

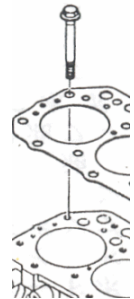


Head Gaskets continued

HG-157	F255 / FX255	129157-01333	3TNB84-RA	3 Cyl.
HG-9155	F18 / FX18 / F195	129155-01332	3TNB80U	3 Cyl.
HG-1415	F15	121000-01330	3T72H-N	3 Cyl.
HG-470	F16	121470-01332	3T75U-NC	3 Cyl.
HG-156	F20 / FX20 / F215	129156-01333	3TN82U	3 Cyl.
HG-157	F22 / F265/ FX265	129157-01333	3TN84U-B	3 Cyl.
HG-157	F22 / F24 / FX24	129157-01333	3TN84U-B	3 Cyl.

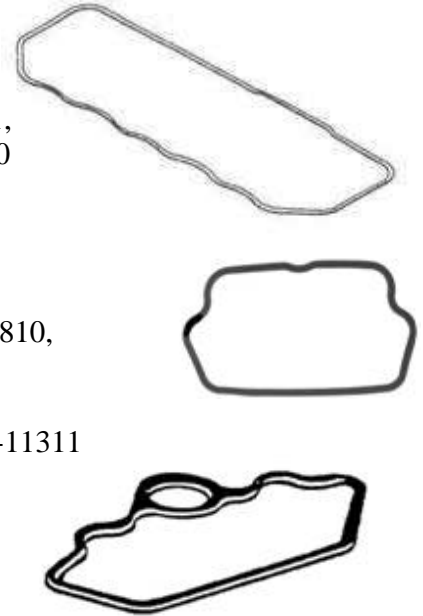
Head Bolt, Nut & Washer

- HB-9150** Head bolt F18, F20, F22, F24, FX26, FX28, FX32, FX42, F195, F215, F235, F255, F265, FX285, FX305, FX335, FX435
Repl. 129150-01200
- HBN-4300** Nut, head bolt 1500, 2500, 2610
Repl. 104300-01220
- HBW-3338** Washer, head bolt 1500, 2500, 2610
Repl. 103338-01240
- HB-1252** Head bolt 2620, 2820, 3110, 3220, 3810
Repl. 121252-01230
- HBN-4450** Nut, head bolt 195, 240, 330, 336, 1600, 1700, 1900, 2000, 2210, 2620, 2820, 3110, 3220, 3810, 4220, 4300, 4500 Repl. 124450-01250
- HBW-4450** Washer, head bolt 195, 240, 330, 336, 1600, 1700, 1900, 2000, 2210, 2620, 2820, 3110, 3220, 3810, 4220, 4300, 4500 Repl. 124450-01240



Valve Cover Gaskets

- VCG-1150** Valve cover gasket 2500, 2610 Repl. 121150-11350
- VCG-1250** Valve cover gasket 330, 336, 2620, 2820, 3000, 3110, 3220, 3810, 4220
Repl. 121250-11350 (Old # 121370-11310)
- VCG-1310** Valve cover gasket 186, 1301, 1401, 1502, 1510, 1601, 1602, 1610, 1702, 1720, F15, F16 Repl. 121450-11310
- VCG-1450** Valve cover gasket 276, 2001, 2010, 2020, 2202, 2220, 2301, 2310, 2402, 2420 Repl. 129350-11310
- VCG-1550** Valve cover gasket 220, 226, 250, YMG1800, 1802, 1810, YMG2000, 2002 Repl. 121550-11310
- VCG-4060** Valve cover gasket 135, 155, 165, 1300 Repl. 124060-11311
- VCG-4160** Valve cover gasket 1500 Repl. 124160-11310
- VCG-4450** Valve cover gasket 195, 240, 1600, 1700, 1900, 2000, 2210, 2210B Repl. 124450-11310
- VCG-9150** Valve cover gasket F18, F20, F22, F24, FX24, F215, F235, F255, F265 Repl. 129150-11310
- VCG-9550** Valve cover gasket FX26, FX28, FX32, FX42, FX285, FX305, FX335, FX435 Repl. 129550-11310
- VCG-2700** Valve cover gasket 2200, 2700 Repl. 124550-11310
- VCB-4460** Nut, valve cover 195, 240, 336, 1700, 2000, 3000
Repl. 124460-11360

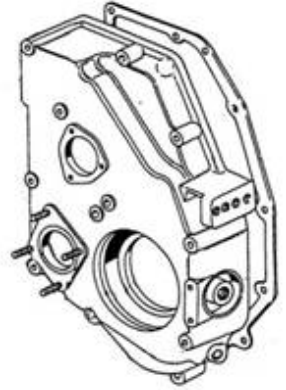


Front Cover Gasket

FCG-4450 Front cover gasket 195, 240, 330, 336, 1500, 1600, 1700, 1900, 2000, 2210, 2210B, 2500, 2610, 2620, 2820, 3000, 3110, 3220, 3810, 4220, 4300
Repl. 124450-01512 (Old # 124450-01510 & 124450-01511)

FCG-1450 Front cover gasket 142, 146, 169, 186, 187, 220, 226, 250, 276, 1301, 1401, 1502, 1510, 1601, 1602, 1610, 1702, 1720, YMG1800, 1810, 1820, YMG2000, 2002, 2010, 2020, 2202, 2220, 2310, 2402, 2420, F14, F15, F16 Repl. 121450-01511

FCG-9150 Front cover gasket FX26, FX28, FX32, FX42



Main Bearing Housing Gasket

MBHG-4160 Main brg housing gasket 1500, 2500, 2610
Repl. 124160-02150

MBHG-4460 Main brg housing gasket 195, 240, 330, 336, 1600, 1700, 1900, 2000, 2210, 2210B, 2620, 2820, 3000, 3110, 3220, 3810, 4220, 4300, 4500
Repl. 124460-02150 (Old # 124450-02050)

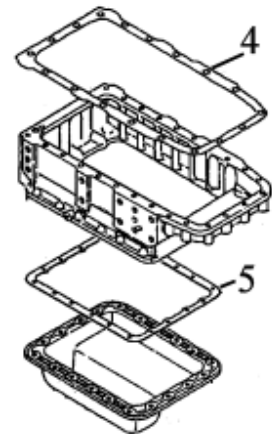
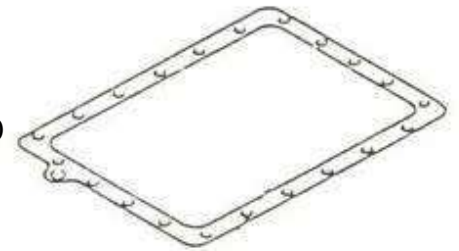
MBHG-9150 Main brg housing gasket F22, FX22, F24, FX24, FX26, FX28, FX32, FX42, F235, FX235 Repl. 129150-01660

OR-1350 Oring, main brg housing 220, 250, 276, 2010, 2310
Repl. 24341-001350



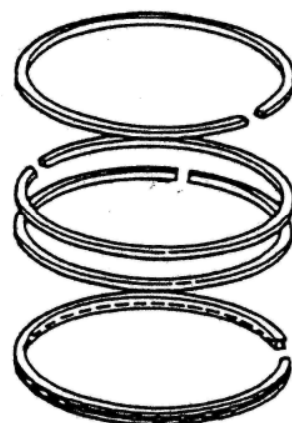
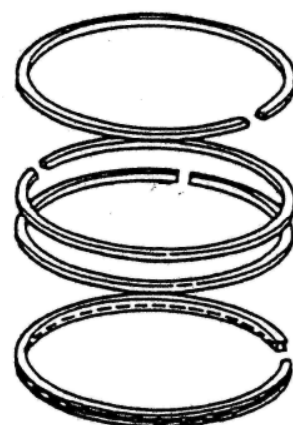
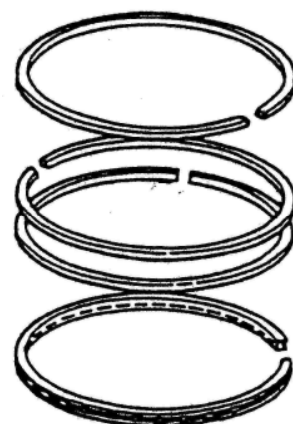
Oil Pan Gaskets

- OPG-1150** Oil pan gasket 2500, 2610 Repl. 121150-01751
- OPG-1250** Oil pan gasket 330, 336, 2620, 2820, 3000, 3110, 3220, 4220, 4300 Repl. 121250-01751
- OPG-1575** Oil pan gasket 220, 226, 250, 276, YMG1800, 1802, 1810, 1820, YMG2000, 2002, 2010, 2020, 2202, 2220, 2310, 2402, 2420 Repl. 121575-01750
- OPG-1751** Oil pan gasket 169, 180, 186, 187, 1401, 1502, 1510, 1601, 1602, 1610, 1702, 1720, F14, F15, F16 Repl. 121000-01751 (old # 121450-01751)
- OPG-4250** Oil pan gasket 2200, 2700 Repl. 124250-01730
- OPG-4450** Oil pan gasket 1600, 1700 **Green**, 1900, 2000 **Green** Repl. 124450-01751
- OPG-4465** Oil pan gasket 195, 240, 1700 **Red**, 2000 **Red**, 2210, 2210B Repl. 124465-01751
- OPG-4160** Oil pan gasket 1500 Repl.124160-01742
- OPG-4060** Oil pan gasket 135, 155, 165, 1100, 1300 Repl. 124060-01742
- OPG-1730** Oil pan gasket (**UPPER**) FX26, FX28, (4) FX32, FX42
- OPG-9550** Oil pan gasket (**LOWER**) FX26, FX28, (5) FX32, FX42 Repl. 129550-01730



Piston Ring Sets

MODEL	Part #	Replaces
1100 / 135	RS-660	724660-22500
1300/155 /165	RS-400	724066-22501 / 705400-22503
1401/169/180	RS-450	721450-22500
1500	RS-300	704300-22502
1502	RS-450	721450-22500
1510 / 186	RS-450	721450-22500
1600	RS-1700	724450-22500
1601/1602/146	RS-575	721575-22500 / 705311-22501
1610 / 140/ 147	RS-575	721575-22500 / 705311-22501
1700	RS-1700	724450-22500
1702 / 142	RS-575	721575-22500
1720 / 226 /F16	RS-575	721575-22500 / 705311-22501
1802 / F18	RS-520	721520-22500 / 729158-22500
1810 / 220 /250	RS-575	721575-22500
1820 /F195/F220	RS-520	721520-22500 / 729158-22500
1900	RS-750	724750-22500
2000 Green	RS-750	724750-22500
2000 Red / 240	RS-763	724763-22500
2001 / F37D	RS-351	729351-22500
2002 / FX195	RS-520	721520-22500
2010	RS-351	729351-22500
2020	RS-351	729351-22500
2200	RS-550	724550-22501
2210 / 4500	RS-763	724763-22500
2202 / 2220	RS-350	729350-22501
2301 / 276	RS-350	729350-22501
2310	RS-350	729350-22501
2402	RS-350	729350-22501
2420	RS-350	729350-22501
2500	RS-300	704300-22502
2610	RS-300	704300-22502
2620	RS-262	(3 ring) 721262-22500
2700	RS-550	724550-22501
2820	RS-262	(3 ring) 721262-22500
3000 / 195 / 336	RS-252	(4 ring) 721252-22500
3110 /3810/330	RS-252	(4 ring) 721252-22500
3220 / 4220	RS-262	(3 ring) 721262-22500
F14, F15	RS-450	721450-22500
F22, F24, FX255	RS-350	129105-22500 / 729157-22500
F20 F42D F215	RS-351	729402-22500 / 729151-22500
F20, F42D	RS-351A	0.25mm OS 729156-22950
YMG1800 / YMG2000/ F18	RS-520	721520-22500 / 729158-22500 / 729150-22500
F235 / F255	RS-350	729157-22501



Piston w/ pin & clips

(NOTE: Order rings separate except as noted)

- EP-1252** Piston w/ pin & clips 195, 330, 336, 3000, 3110, 3810 (**4 rings**) Repl. 121252-22090, 121250-22090 & 721250-22750 (**84mm**)
2620, 2820, 3220, 4220 (**3 rings**) Repl. 121262-22090
(Use **RS-252** ring set with this piston)
- EP-1450** Piston w/pin & clips 169, 180, 186, 187, 1401, 1502, 1510, F15
Repl. 121450-22091 (old # 721450-22721) (72mm)
- EP-1467** Piston w/ pin & clips 140, 142, 146, 147, 1601, 1602, 1610, 1702, 1720, F16 Repl. 121467-22090 (75mm)
- RS-575** Ring set – STD. (75mm) Repl. 721575-22500
- EP-1467A** 0.25mm OS piston w/ pin & clips Repl. 721467-22900
- RS-575A** 0.25mm OS ring set Repl. 721467-22540
- EP-1467B** 0.50mm OS piston w/ pin & clips
- RS-575B** 0.50mm OS ring set
- EP-1575** Piston w/pin 220, 226, 250, 1810 Repl 121575-22090
- EP-1567** Piston w/ pin & clips 1802, 1820, 2002 Repl. 121567-22090
YMG1800, YMG2000 Repl. 121520-22090 (80mm)
- RS-520** Ring set – STD. Repl. 721520-22500 (80mm)
- EP-1567A** 0.25mm OS piston w/ pin & clips
- RS-520A** 0.25mm OS ring set Repl. 721520-22540
- EP-1567B** 0.50mm OS piston w/ pin & clips
- RS-520B** 0.50mm OS ring set
- EP-4060** Piston w/ pin (75mm) 155, 165, 1300 Repl. 724060-22722
- EP-4160** Piston w/ pin & clips 1500, 2500, 2610 Repl. 124160-22090 (80mm)
- EP-4450** Piston w/ pin & clips 1600, 1700 Repl. 124450-22090 (85mm)
- EP-4660** Piston w/ pin & clips (73mm) 135, 1100 Repl. 724660-22720
- EP-4763** Piston w/ pin & clips 240, 2000 **RED**, 2210 Repl. 124763-22090 (90mm)
- EP-4750** Piston w/ pin & clips 1900, 2000 **Green** Repl. 124750-22090 (88mm)
- EP-2200** Piston w/ pin & clips 2200, 2700 Repl. 124550-22251



Continued on next page

Continued from previous page

EP-9367	Piston w/ pin & clips 276, 2202, 2220, 2301, 2310, 2402, 2420 Repl. 129367-22090 (Old # 129350-22090) (84mm)
EP-9369	Piston w/ pin & clips 2001, 2010, 2020 Repl. 129369-22090 (82mm) (Old # 129351-22090)
EP-9158	Piston w/ pin & clips F18, FX18 Repl. 129158-22090 (80mm)
RS-520	Ring set – Standard Repl. 721520-22500
EP-9158A	0.25mm OS Piston w/ pin & clips F18, FX18
RS-520A	0.25mm OS ring set Repl. 721520-22540
EP-9158B	0.50mm OS Piston w/ pin & clips F18, FX18
RS-520B	0.50mm OS ring set Repl. 721520-22540
EP-9156	Piston w/ pin & clips F20, FX20 (82mm) Repl. 129156-22090
RS-351	Ring set – STD Repl. 729151-2250
EP-9156A	0.25mm OS Piston w/pin & clips F20, FX20 Repl. 729156-22900
RS-351A	Ring set – 0.25OS Repl. 729156-22950
EP-9156B	0.50mm OS Piston w/pin & clips F20, FX20
RS-351B	Ring set – 0.50OS
EP-2224	Piston w/pin & clips (STD.) F22, F24 Repl. 129157-22090 (84mm)
RS-350	Ring set – STD Repl. 729350-22501
EP-2224A	Piston w/pin & clips 0.25mm oversize for above
RS-350A	0.25mm OS ring set Repl. 729157-22951
EP-2224B	Piston w/pin & clips 0.50mm oversize for above
RS-350B	0.50mm OS ring set Repl. 129105-22970
EP-9555	Piston w/pin & clips (STD.) FX26, FX28, FX32, FX42, FX335, FX435 Repl.129555-22080(78mm)
RS-403	Ring set (STD) FX26, FX28, FX32, FX42, FX335, FX435 Repl. 729403-22500 (old # 729550-22500) (78mm)
EP-9555A	Piston w/pin & clips 0.25mm oversize Repl. 729555-22900
RS-403A	Ring set 0.25mm Same as above Repl. 729550-22950
EP-9555B	Piston w/pin & clips 0.50mm oversize Repl. 129500-22920
RS-403B	Ring set 0.50mm Same as above Repl. 129100-22970

Continued on next page

Continued from previous page

EP-9157 Std. Piston w/**rings** 3TN84 Industrial,
Repl. 129105-22090 (cupped or dished piston) (84MM)

EP-9157A 0.25mm Oversize piston w/**rings** 3TN84 Industrial
engine (cupped or dished piston) Repl. 729105-22910

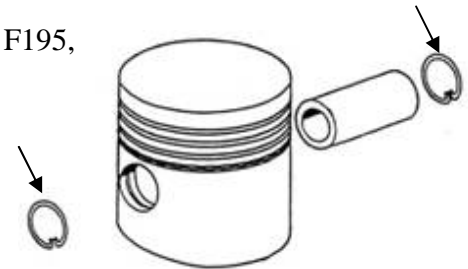


Piston Pin Clips

PPC-1100 Piston pin **clip** F18, F20, F24, FX24, FX32, FX42, F195,
F255, FX255, 2202, 2402 Repl. 121100-22400

PPC-3338 Piston pin **clip** 276, 1500, 2001, 2301,
2310, 2500, 2610 Repl. 103338-22400

PPC-4600 Piston pin **clip** 195, 240, 330, 1600, 1700,
1900, 2000, 2620, 2820, 3000, 4300 Repl. 104600-22400



Piston Pin Bushing

PPB-4060 Piston pin bushing 135, 155, 165, 220, 1100, 1300, 1802,
1810, 2002 Repl. 124060-23910 (old # 124060-23100)

PPB-4160 Piston pin bushing 1500, 2500, 2610 Repl. 124160-23100

PPB-4450 Piston pin bushing 195, 240, 330, 1600, 1700,
1900, 2000, 2210, 2620, 2820, 3000, 3110, 3220,
4220, 4300 Repl. 124450-23910 (Old # 124450-23100)

PPB-5225 Piston pin bushing 142, 146, 169, 180, 186, 187, 1401, 1502,
1510, 1601, 1602, 1610, 1702, 1720
Repl. 105225-23180 (old # 105225-23100)

PPB-9100 Piston pin bushing 276, 2202, 2220, 2310, 2402, 24020,
F18, F20, F22, F24, FX24, FX26, FX28,
F37D, F195, F215, FX215, F255, FX255, FX335, FX435
Repl. 129100-23910 (Old # 129100-23100 & 129350-23100)



Sleeves Wet and Dry

- WS-73** Wet sleeve w/o-rings 135, 1100
Repl. 724660-01900 (2T73A)
- WS-75** Wet sleeve w/o-rings 155, 165, 1300
Repl. 724060-01900 (2TR13A)
- WS-80** Wet sleeve w/o-rings 1500, 2500, 2610
Repl. 721120-01900 (old # 724160-01900)
- OR-1300** O-ring for WS-80 Repl. 124160-01300
- WS-84** Wet sleeve w/o-rings 195, 330, 336, 2620,
2820, 3000, 3110, 3220, 3810, 4220
Repl. 721250-01900
- WS-85** Wet sleeve w/o-rings 1600, 1700
Repl. 724450-01900
- WS-88** Wet sleeve w/o-rings 1900, 2000 **Green**,
Repl. 724750-01900
- WS-90** Wet sleeve w/o-rings 240, 2000 **Red**, 2210,
2210B Repl. 721420-01900 (Old # 724763-01900)
- OR-1000** O-ring for WS-84, WS-85, WS-88 & WS-90
Repl. 24321-001000 & 124550-01300
- WS-2200** Wet sleeve w/o-rings 2200
Repl. 724550-01900
- DS-72** **Dry sleeve** 169, 180, 186, 187, 1401,
1502, 1510, F15 Repl. 121450-01100
- DS-75** **Dry sleeve** 220, 226, 250, 1810
Repl. 121551-01100
- DS-82** **Dry sleeve** 2001, 2010, 2020
Repl. 129351-01100
- DS-84** **Dry sleeve** 276, 2202, 2220, 2301,
2310, 2402, 2420 Repl. 129350-01100



Connecting Rod

W/ bushing

- CR-213** Connecting rod w/ bushing 135, 155, 165, 1100, 1300
Repl. 724660-23100 (old # 724060-23101)
- CR-215** Connecting rod w/ bushing 1500, 2500, 2610 Repl. 724160-23100
- CR-372** Connecting rod w/ bushing 142, 146, 169, 186, 187, 1301, 1401,
1502, 1510, 1601, 1602, 1610, 1702, 1720, F14, F15
Repl. 728171-23100 (old # 705225-23100 & 705311-23100)
- CR-375** Connecting rod w/ bushing 220, 226, 250, YMG1800,
1802, 1810, YMG2000, 2002 Repl. 721550-23100 & 721520-23100
- CR-382** Connecting rod w/ bushing 180, 276, 2001, 2010, 2020,
2202, 2220, 2301, 2310, 2402, 2420 Repl. 729350-23100
- CR-384** Connecting rod w/ bushing 195, 240, 330, 336, 1600,
1700, 1900, 2000 Red or Green, 2210, 2210B, 2620, 2820,
3000, 3110, 3220, 3810, 4220, 4300 Repl. 724450-23100
- CR-9150** Connecting rod w/ bushing F18, F20, F22, F24, FX24, F37D,
F195, FX195, F2115, FX215, F235, FX235, F255, FX255, F265,
FX265 Repl. 729402-23100 (Old # 729150-23701)
- CR-478** Connecting rod w/bushing FX26, FX28, FX32, FX42,
FX335, FX435 Repl. 729550-23700



Connecting Rod Bolt

- CRB-225** Connecting rod **BOLT** 142, 146, 169, 180, 186, 187,
269, 1301, 1401, 1502, 1510, 1601, 1602, 1610, 1702,
1720, F14, F15, F16 Repl. 105225-23200
- CRB-450** Connecting rod **BOLT** 195, 240, 330, 336, 1700, 2000,
2620, 2820, 3000, 3220, 4220, 4300 Repl. 124450-23200
- CRB-500** Connecting rod **BOLT** 122, 126, 135, 155, 165, 276,
1100, 1300, 1500, 2001, 2010, 2202, 2301, 2310, 2402,
2500, 2610 Repl. 104500-23201 (old # 124060-23201)
- CRB-550** Connecting rod **BOLT** 220, 226, 1802, 1810, 2002,
F18, F20, F22, F24, FX26, FX28, F37D, F195,
F255, FX255 Repl. 121550-23200





Engine Bearing



Model	Part # Standard	Replaces Standard	Part # .010	Replaces .25 under	
135, 155, 165, 1100, 1300					
Front Main	MB-555	121550-02110	MB-555A	124064-02130	MB-555C
Rear Main	MB-555	121550-02110	MB-555A	124064-02130	MB-555C
Rod Bearing	RB-6	124060-23300	RB-6A	724064-23610	RB-6C
YM 1500					
Front main	MB-516	124160-02101	MB-516A	124160-02130	MB-516C
Rear main	MB-516	124160-02101	MB-516A	124160-02130	MB-516C
Rod bearing	RB-16	124160-23600	RB-16A	124160-23380	RB-16C
169/180/186/187/1301/1401/1502/1510/1601/1602/1610/1702/1720/F14/F15/F16					
Front main 140/147	MB-145	121450-02100	MB-145A	121450-02310	MB-145C
2nd main	MB-245	121450-02170	MB-245A	121450-02380	MB-245C
3rd main- flanged 146	MB-345	121450-02160	MB-345A	121450-02370	MB-345C
Rear main 140/147	MB-445	121450-02110	MB-445A	121450-02320	MB-445C
Rod bearing 140/147	RB-31	705311-23600	RB-31A	105311-23380	RB-31C
195/240/1600/1700/1900/2000/2210					
Front main	MB-525	121250-02101	MB-525A	124764-02130	MB-525C
Rear main	MB-525	121250-02101	MB-525A	124764-02130	MB-525C
Rod bearing YM4500	RB-45	124450-23600	RB-45A	124764-23380	RB-45C
2500/2610					
Front main	MB-516	124160-02101	MB-516A	124160-02130	MB-516C
2nd main	MB-315	121150-02800	MB-315A	121150-02370	MB-315C
3rd main - flanged	MB-215	121150-02810	MB-215A	121150-02380	MB-215C
Rear main	MB-516	124160-02101	MB-516A	124160-02130	MB-516C
Rod bearing	RB-16	124160-23600	RB-16A	124160-23380	RB-16C
330/336/2620/2820/3000/3110/3220/3810/4220/4300					
Front main YM4500	MB-525	121250-02101	MB-525A	124764-02130	MB-525C
2nd main	MB-225	121250-02810	MB-225A	121254-02380	MB-225C
3rd main - flanged	MB-325	121250-02800	MB-325A	121254-02370	MB-325C
Rear main	MB-425	121250-02111	MB-425A	121254-02140	MB-425C
Rod bearing YM4500	RB-45	124450-23600	RB-45A	124450-23350	RB-45C
276/2001/2010/2301/2310/2020/2202/2220/2402/2420					
Front main	MB-135	129350-02100	MB-135A	129350-02310	MB-135C
2nd main	MB-235	729350-02810	MB-235A	129350-02350	MB-235C
3rd main - flanged	MB-335	729350-02800	MB-335A	129350-02330	MB-335C
Rear main	MB-555	121550-02110	MB-555A	121550-02320	MB-555C
Rod bearing	RB-6	124060-23300	RB-6A	724064-23610	RB-6C
220/226/1802/1810/1820/2002/YMG1800/YMG2000					
Front main	MB-152	121520-02100	MB-152A	121520-02310	MB-152C
2nd main	MB-255	721550-02810	MB-255A	121550-02350	MB-255C
3rd main - flanged	MB-355	721550-02800	MB-355A	121550-02330	MB-355C
Rear main	MB-555	121550-02110	MB-555A	121550-02320	MB-555C
Rod bearing	RB-55	721550-23600	RB-55A	121550-23380	RB-55C

Engine Bearings

RB-9150 Rod brg., Std F18, F20, F22, F24, FX24, FX26, FX28, FX32, F37D, FX42, F195, FX195, F215, FX215, F235, FX235, F255, FX255, F265, FX265, FX285, FX305, FX335, FX435
Repl. 129150-23600 (old # 729150-23600)



RB-9150A Rod brg., .010 (.25 mm) Same application as RB-9150
Repl. 129150-23610

RB-9150C Rod brg., .030 (.75 mm) Same application as RB-9150

MB-9150 Main brg., Std F18, F20, F22, F24, FX24, FX26, FX28, FX32, F37D, FX42, F195, FX195, F215, FX215, F235, FX235, F255, FX255, F265, FX265, FX285, FX305, FX335, FX435
Repl. 129150-02800 (old # 729150-02800)



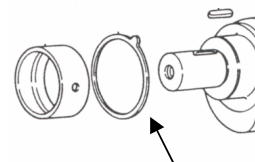
MB-9150A Main brg., .010 (.25 mm) Same application as MB-9150
Repl. 129150-02870

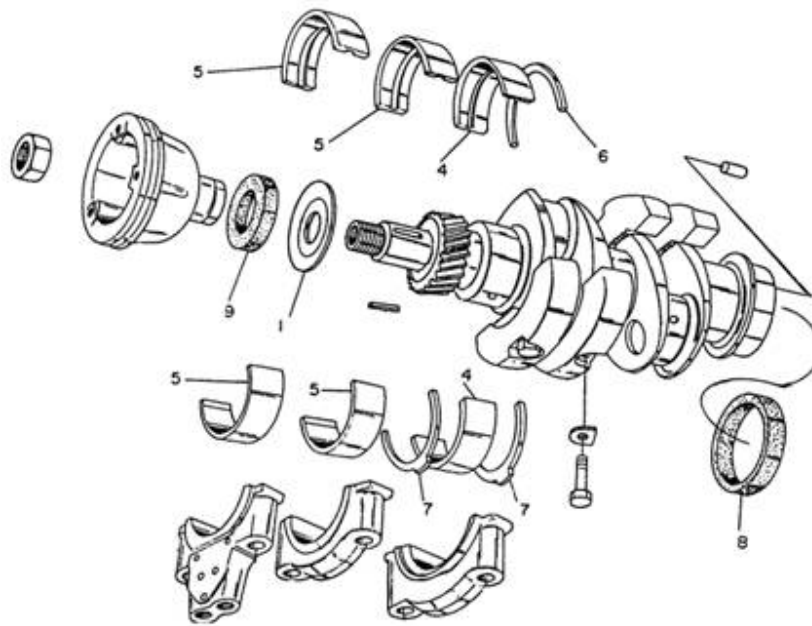
MB-9150C Main brg., .030 (.75 mm) Same application as MB-9150

TB-150 Thrust bearing kit (2 pc) F18, F20, F22, F24, FX24, FX26, FX28, FX32, F37D, FX42, F195, F215, F255, FX255, FX285, FX305
Repl 129150-02940 (Old # 729150-02930)

TB-4060 Thrust bearing 135, 155, 165, 1300 Repl. 124060-02110

TB-4450 Thrust bearing (2 req'd) 195, 240, **1500**, 1600, 1900, 2210B Repl. 124450-02110



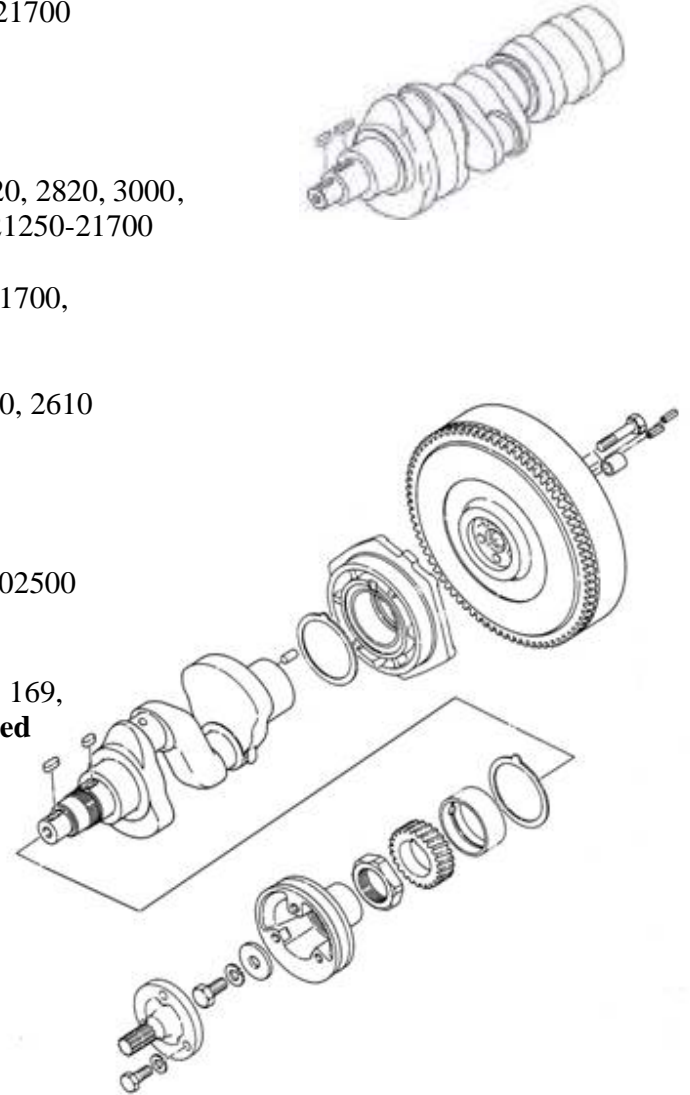


Engine Parts for YM2200 and YM2700

OSD-4160	Oil shield disc 195, 240, 1500, 1700, 2000, 2200, 2500, 2610, 2620, 2700, 2820, 3000 Repl. 124160-21700	(1)
MB-210	Front & center main bearing STD 2200, 2700 Repl. 124550-02100	(5)
MB-210A	Front & center main bearing .25mm (.010) 2200, 2700	(5)
MB-212	Rear main bearing STD 2200, 2700 Repl. 124550-02120	(4)
MB-212A	Rear main bearing .25mm (.010) 2200, 2700	(4)
TW-215	Thrust washer 2200, 2700 Repl. 124550-02150	(6)
TW-27	Thrust washer, tabbed (2 required) 2200, 2700 Repl. 124550-02160	(7)
CS-1800	Seal, front crank 2200 2700 Repl. 124250-01800	(9)
CS-1250	Seal, rear crankshaft 2200, 2700 Repl. 121250-02220 & 124250-01810	(8)
RB-27	Rod bearing, STD 2200, 2700 Repl. 124550-23300	
RB-27A	Rod bearing, .25mm (.010) 2200, 2700	

Crankshaft Parts

- CS-2000** Crankshaft 195, 240, 1600, 1700, 1900, 2000, 2210
Repl. 724450-21702 & 724764-21700
- CS-380** Crankshaft w/ keys 2500, 2610
Repl. 721150-21700
- CS-384** Crankshaft w/keys 330, 336, 2620, 2820, 3000,
3110, 3220, 3810, 4220 Repl. 721250-21700
- MBH-1720** Main bearing housing 195, 240, 1700,
2000, 2210 Repl. 724465-02500
- MBH-4160** Main bearing housing 1500, 2500, 2610
Repl. 724160-02500
- MBH-1250** Main bearing housing 330, 336,
2620, 2820, 3000, 3110, 3220,
3810, 4220, 4300 Repl. 721250-02500
- PTO-4060** Front mount PTO 135, 155, 165, 169,
1100, 1110, **optional on 1300 Red**
Repl. 124060-21680



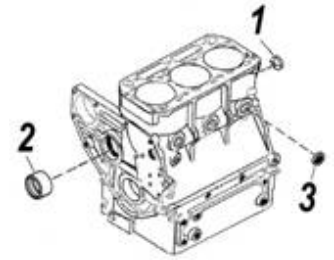
Continued on next page

Continued from previous page

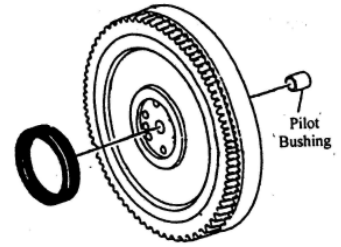
- FWB-1250** Flywheel **bolt** 3000, 3110 Repl. 121250-21500; (7)
330, 336, 2620, 2820, 3220, 3810, 4220, 4300, 4500
Repl. 124220-21130
- FWB-4160** Flywheel **bolt** 1300, 1500, 2500, F17, F24, F215, F255 (7)
Repl.124160-21500
- FWB-5225** Flywheel **bolt** 180, 186, 187, 220, 226, 250, 276, (7)
1401, 1510, 1601, 1602, 1610, 1702, 1720,
YMG1800, 1802, 1810, 1820, 2001, 2002, YMG2000,
2010, 2020, 2202, 2220, 2301, 2310, 2402, 2420, 2610
F16 Repl. 105225-21501
- PB-4450** 135, 140, 147, 155, 195, 220, 226, 240, 250, 276, 330, 336, (8)
1100, 1300, 1500, 1600, 1700, YMG1800, 1802, 1820, 1900, 2000,
YMG2000, 2001, 2002, 2010, 2020, 2202, 2210, 2220,
2301, 2310, 2402, 2420, 2500, 2610, 2620, 2820, 3000,
3110, 3220, 3810, 4220, F18, F20, F22, FX22, F24, FX24, FF145D,
FF155D, F195, F215, F235, F255, FX255, F265, FX265
Replaces 124450-21230
- PB-4950** 142, 146, 180, 186, 187, 1110, 1301, 1401, 1502, 1510, (8)
1601, 1602, 1610, 1702, 1720, F14, F15, F16,
F17, FF145D, FF155D, F165 Repl. 124950-21230
- 6203-2RS** Pilot Bearing FX26, FX28, FX32, FX42 Repl. 121820-21690; (8)
4300 Repl. 24104-062034; 4500 Repl. 24107-062034
- FWRG-550** Flywheel **ring gear** F18, FX18, F20, FX20, F22,
FX22, FX26, FX28, FX32, FX42, F47D, F215, F255,
FX255, FX285, FX305, FX335, FX435, 195, 240, 1600,
1700, 1900, 2000, 2200, 2202, 2220, 2402, 2420, 2500,
2610, 2620, 2700, 2820, 3000, 3110, 3810, 4300
Repl.124550-21600



Continued from previous page



- CSB-9795** Camshaft bushing F17, FX17, F18, FX18, F20, FX20, (2)
F22, FX22, F24, FX24, FX26, FX28, FX32, FX42, F195,
F215, F235, FX235, F255, FX255, FX285, FX305, FX335,
FX435 Repl. 129795-02411
- FP-40** Camshaft plug 195, 240, 336, 1600, 1700, 1900, 2000, (1)
2210, 2620, 2820, 3000, 3110, 3220, 3810, 4220, 4300
Repl. 27233-400000 (old # 27231-400000)
- FP-45** Camshaft plug 1500, 2500, 2610 (1)
Repl. 27233-450000 (old 27231-450000)
- FP-50** Camshaft plug F17, F18, F20, F22, F24, FX26, FX28, (1)
FX32, FX42, F215, F235, F255, F265, FX285, FX305, FX335,
FX435 Repl. 27233-500000 (Repl. 27231-500000)
- FP-30** Freeze plug, engine block 135, 155, 186, 187, 276, 336, 1300, (3)
1301, 1401, 1502, 1510, 1601, 1602, 1610, 1700, 1702, 1720,
YMG1800, 1802, 1810, 1820, 2000, YMG2000, 2001, 2002,
2010, 2020, 2202, 2210, 2220, 2301, 2310, 2402, 2420, 2500, 2610,
2620, 2820, 3110, 3220, 3810, 4220, 4300, F14, F15, F16, F17,
F18, F20, F22, F24, FX26, FX28, FX32, FX42, FF145D, FF155D,
F195, F215, F235, F255, F265, FX285, FX305, FX335, FX435
Repl. 27243-300000 (old # 27241-300000)

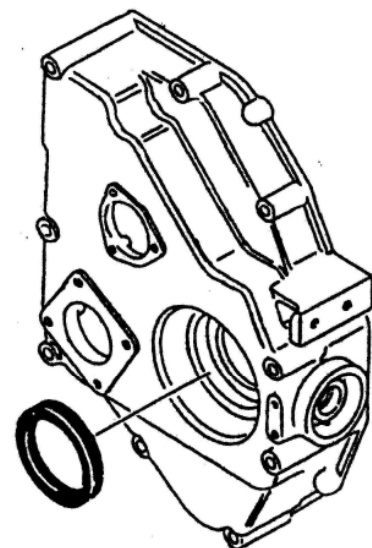


Pilot Bushings and Bearings

- PB-4450** 135, 140, 147, 155, 195, 220, 226, 240, 250, 276, 330, 336,
1100, 1300, 1500, 1600, 1700, YMG1800, 1802, 1820, 1900, 2000,
YMG2000, 2001, 2002, 2010, 2020, 2202, 2210, 2220,
2301, 2310, 2402, 2420, 2500, 2610, 2620, 2820, 3000,
3110, 3220, 3810, 4220, F18, F20, F22, FX22, F24, FX24, FF145D,
FF155D, F195, F215, F235, F255, FX255, F265, FX265
Replaces 124450-21230
- PB-4950** 142, 146, 180, 186, 187, 1110, 1301, 1401, 1502, 1510, 1601, 1602,
1610, 1702, 1720, F14, F15, F16,
F17, FF145D, FF155D, F165 Repl. 124950-21230
- 6203-2RS** Pilot Bearing FX26, FX28, FX32, FX42 Repl. 121820-21690;
4300 Repl. 24104-062034; 4500 Repl. 24107-062034

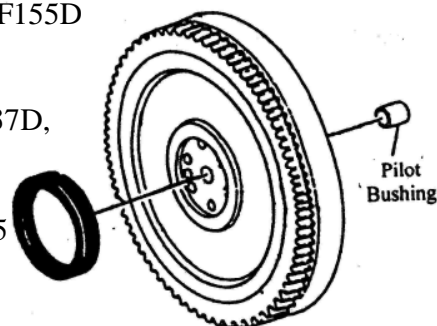
Front Crankshaft Seals

- CS-3154** 135, 155, 165, 195, 240, 330, 336, 1100, 1300, 1500, 1600, 1700, 1900, 2000, 2210, 2500, 2610, 2620, 2820, 3000, 3110, 3220, 3810, 4220, 4300, 4500 Repl. 124450-01800
- CS-1450** 140, 142, 146, 147, 169, 180, 186, 187, 220, 226, 250, 276, 1301, 1401, 1502, 1510, 1601, 1602, 1610, 1702, 1720, **YMG1800**, 1802, 1810, 1820, **YMG2000**, 2001, 2002, 2010, 2020, 2202, 2220, 2301, 2310, 2402, 2420, F14, F15, F16 Repl. 121450-01801 & 121450-01800
- CS-9795** F17, F18, F20, FX20, F22, FX22, F24, FX24, FX26, FX28, FX32, F37D, FX42, F165D, F195, FX195, F215, FX215, F235, FX235, F255, FX255, F265, FX265, FX285, FX305, FX335, FX435 Repl. 129795-01800
- CS-1800** 2200, 2700 Repl. 124250-01800



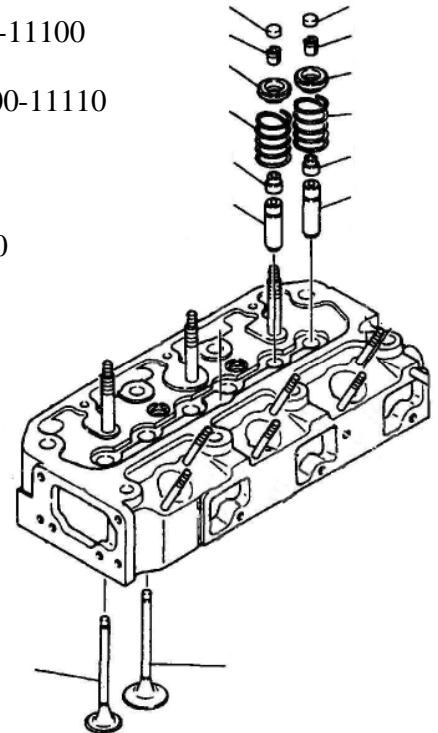
Rear Crankshaft Seals

- CS-1250** 330, 336, 2200, 2620, 2700, 2820, 3000, 3110, 3220, 3810, 4220, 4300, 4500 Repl. 121250-02220
- CS-1551** 135, 155, 165, 220, 226, 250, 276, 1100, 1300, 1802, 1810, 1820, 2001, 2002, 2010, 2020, 2202, 2220, 2301, 2310, 2402, 2420, **YMG1800**, **YMG2000**, Repl. 121551-02220 & 124060-02220
- CS-4085** 140, 142, 146, 147, 169, 180, 186, 187, 195, 240, 1110, 1301, 1401, 1502, 1510, 1600, 1601, 1602, 1610, 1700, 1702, 1720, 1900, 2000, 2210, F14, F15, F16, FF145D, FF155D Repl. 124085-02220 (old # 124450-02220)
- CS-9120** F18, F20, F22, FX24, FX26, FX28, FX32, F37D, FX42, F195, FX195, F215, FX215, F235, FX235, F255, FX255, F265, FX265, FX285, FX305, FX335, FX435 Repl. 129120-01780 (old # 129795-01780)
- CS-4160** 1500, 2500, 2610 Repl. 124160-02220



Valves

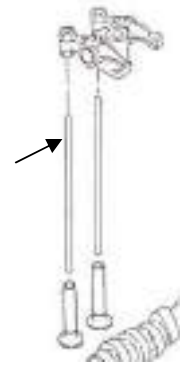
IV-1300	Intake valve 135, 155, 165, 1100, 1300 Repl. 104200-11100
EV-1300	Exhaust valve 135, 155, 165, 1100, 1300 Repl. 104200-11110
IV-1218	Valve, intake 1500, 2500, 2610 Repl. 101218-11100
EV-1218	Valve, exhaust 1500, 2500, 2610 Repl. 101218-11110
IV-1422	Intake valve 3810, 4300 Repl. 121422-11100 (old # 121400-11101 & 121400-11103)
EV-1422	Exhaust valve 3810, 4300 Repl. 121422-11110 (old # 121400-11110)
IV-4600	Valve, intake 195, 240, 330, 336, 1600, 1700, 1900, 2000, 2210, 3000, 3110, 4500 Repl. 104600-11100
EV-4600	Valve, exhaust 195, 240, 330, 336, 1600, 1700, 1900, 2000, 2210, 3000, 3110, 4500 Repl. 104600-11110
IV-5225	Valve, intake 142, 146, 187, 1301, 1401, 1502, 1510, 1601, 1602, 1610, 1702, 1720, F14, F15 Repl. 105225-11100
EV-5225	Valve, exhaust 142, 146, 187, 1301, 1401, 1502, 1510, 1601, 1602, 1610, 1702, 1720, F14, F15 Repl. 105225-11110
IV-9100	Valve, intake F18, F20, FX20, F22, FX22, F24, FX24, FX26, FX28, FX32, F37D, FX42, F215, FX215, F255, FX255, FX285, FX305 Repl. 129100-11100 (old # 129150-11100)
EV-9100	Valve, exhaust F18, F20, FX20, F22, FX22, F24, FX24, FX26, FX28, FX32, F37D, FX42, F215, FX215, F255, FX255, FX285, FX305 Repl. 129100-11110 (old # 129152-11110)
IV-9350	Intake valve 276, 2001, 2010, 2020, 2202, 2220, 2301, 2310, 2402, 2420 Repl. 129350-11100
EV-9350	Exhaust valve 276, 2001, 2010, 2020, 2202, 2220, 2301, 2310, 2402, 2420 Repl. 129350-11110



Push Rods

PR-4450 Push rod 195, 240, 1600, 1700, 1900, 2000,
2210, 2620, 2820, 3000, 3110, 3220, 4220, 4300
Repl. 124450-14400

PR-9171 Push rod F18, FX18, F20, FX20, FX22, FX24, F215,
FX215, F255, FX255 Repl. 119171-14400 (old # 129150-14400);
FX26, FX28, F37D, F42D, FX285, FX305, FX335, FX435
Repl. 129550-14400



Valve Guides

IG-1180 Guide, intake 142, 146, 165, 187, 220, 250, 1100, 1110,
1300, 1301, 1401, 1502, 1510, 1601, 1602, 1610,
YMG1800, YMG2000, F14, F15, F16
Repl. 124060-11800 (Old # 124060-11160)
Intake & Exhaust F17, FX17 Repl. 119810-11160

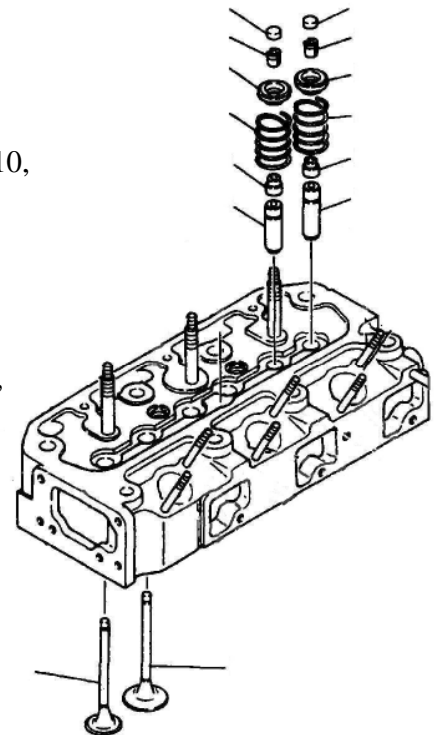
EG-1181 Guide, exhaust 165, 187, 220, 250, 1100, 1110, 1300,
1301, 1401, 1502, 1510, 1601, 1602, 1610,
YMG1800, YMG2000, F14, F15, F16
Repl. 124060-11810 (Old # 124060-11170)

IG-4160 Guide, intake 1500, 2500, 2610
Repl. 124160-11161

EG-4160 Guide, exhaust 1500, 2500, 2610
Repl. 124160-11810 (Old # 124160-11171)

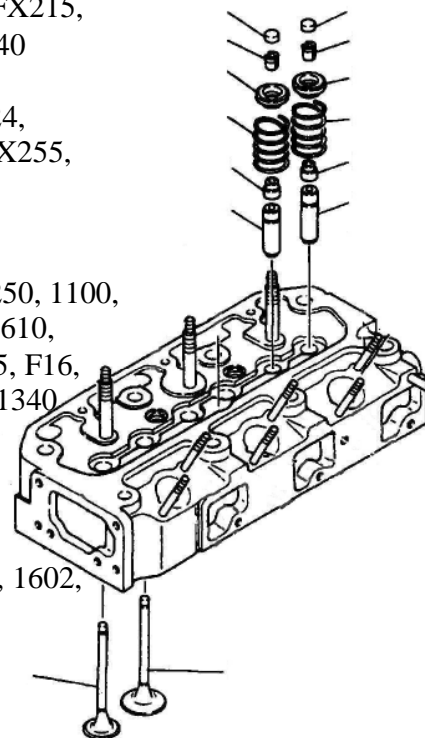
IG-4450 Guide, intake 195, 240, 276, 330, 336, 1600, 1700, 1900,
2000, 2001, 2010, 2020, 2202, 2210, 2301, 2310, 2402,
2620, 2820, 3000, 3110, 3220, 3810, 4220, 4300,
F20, FX20, F24, F37D, F215, FX215, F255, FX255
Repl. 120130-11860 (old # 120130-11160 & 124450-11161)
F18, F22, FX32, FX42 Repl. 129150-11160

EG-4450 Guide, exhaust 195, 240, 276, 330, 336, 1600, 1700, 1900,
2000, 2001, 2010, 2020, 2202, 2210, 2301, 2310, 2402,
2620, 2820, 3000, 3110, 3220, 3810, 4220, 4300, F18,
F22, F24, FX32, F37D, FX42, F215, FX215, F255, FX255
Repl. 129150-11810 (old # 129150-11170 & 124450-11810)



Valve Train Parts

- VS-4460** Valve stem seal 195, 240, 276, 330, 336, 1600, 1700, 1900, 2000, 2001, 2010, 2020, 2202, 2210, 2220, 2301, 2310, 2402, 2420, 2620, 2820, 3000, 3110, 3220, 4220, 4300, (F20, F22, F24, FX26, FX28, FX32, FX42, F215, FX215, F255, FX255, X285 & FX305 **intake**) Repl. 124460-11340
- VS-1400** Exhaust valve stem seal 4500, F20, FX20, F22, FX22, F24, FX24, FX26, FX28, FX32, FX42, F215, FX215, F255, FX255, F265, FX265, FX285, FX305, FX335, FX435
Repl. 121400-11340 (**Intake & Exhaust F18, FX18**)
- VS-4160** Valve stem seal 135, 142, 146, 155, 165, 186, 187, 220, 250, 1100, 1110, 1300, 1301, 1401, 1500, 1502, 1510, 1601, 1602, 1610, YMG1800, 1802, YMG2000, 2002, 2500, 2610, F14, F15, F16, F17, FF145D, FF155D Repl. 124950-11340 & 124160-11340
- VS-4211** Valve spring 1500, 2500, 2610 Repl. 104211-11120
- VS-4060** Valve spring 135, 142, 146, 155, 165, 187, 220, 250, 1100 w/ 2T73, 1110, 1300, 1301, 1401, 1502, 1510, 1601, 1602, 1610, 2002, F14, F15, F16 Repl. 124060-11120
- VS-4511** Valve spring 276, 330, 336, 2001, 2010, 2020, 2202, 2301, 2310, 2402, 2620, 2820, 3000, 3220, 3810, 4220, 4300 Repl. 104511-11120
- VS-4450** Valve spring 195, 240, 1600, 1700, 1900, 2000, 2210 Repl. 124450-11120
- VS-9795** Valve spring F18, F20, F24, FX26, FX28, F37D, F215, F235, F255
Repl. 129795-11120



Continued on next page

Continued from previous page

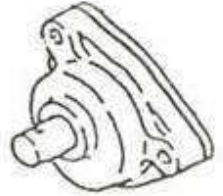
- VR-1158** Valve keeper (1 pair) 135, 155, 165, 187, 220, 250, 1100, 1110, 1300, 1301, 1401, 1500, 1502, 1510, 1601, 1610, 2002, 2500, 2610, F14, F15, F17, FF145D, FF155D Repl. 27310-070001 (Old # 101158-11190)
- SR-8000** Valve keeper (1 pair) 195, 240, 276, 330, 336, 1600, 1700, 1900, 2000, 2001, 2010, 2020, 2202, 2301, 2310, 2402, 2620, 2820, 3000, 3810, 4300, F18, F20, FX20, FX24, FX26, FX28, F37D, F255, FX255 Repl. 27310-080001 (old #103338-11190)
- SR-4200** Valve spring retainer 135, 155, 165, 187, 1100, 1110, 1300, 1301, 1401, 1502, 1510, 1601, 1602, 1610, 2002, F14, F15 Repl. 104200-11180
- SR-3338** Valve spring retainer 195, 240, 276, 330, 336, 1600, 1700, 1900, 2000, 2001, 2010, 2020, 2301, 2310, 2620, 2820, 3000, 3110, 3220, 3810, 4220, 4300, F215, FX215 Repl. 103338-11180
- SR-4160** Valve spring retainer 1500, 2500, 2610 Repl. 124160-11180
- SR-9795** Valve spring retainer F18, F20, F24, FX26, FX28, F37D, F215 Repl. 129795-11180

Oil Pump

OP-1423 Oil pump 330, 336, 2500, 2610, 2620, 2820,
3000, 3110, 3220, 3810, 4220, 4300
Repl. 721423-32100 (old # 721390-32100 & 721252-32100)

CHECK for ANGLE or STRAIGHT tooth gear before ordering

OP-4790 Oil pump (**angle tooth gear**) 195, 240,
1700, 2000, 2210, 2210B Repl. 124790-32001
(Old # 124465-32000 & 724460-32700)



OP-4450 Oil pump (**straight tooth gear**) 1500 Red or Green, 1600, 1900
Repl. 724450-32700, **2000 Green**

OPG-3202 Oil pump gasket for **OP-1423, OP-4450 & OP-4790**
applications Repl. 124450-32020

OP-9350 Oil pump 140, 142, 146, 147, 169, 180, 186, 187, 220, 226,
250, 276, 1301, 1401, 1502, 1510, 1601, 1602, 1610, 1702,
1720, YMG1800, 1802, 1810, 1820, YMG2000,
2001, 2002, 2010, 2020, 2202, 2220, 2301, 2310, 2402, 2420,
F14, F15, F16 Repl. 729350-32100(old #129350-32090 & 121450-32090)



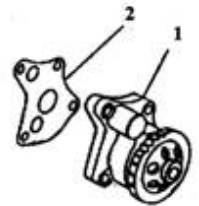
OPG-1450 Gasket for **OP-9350** oil pump Repl. 121450-32021

OP-4060 Oil pump 135, 155, 165, 1100, 1300
Repl. 724060-32701 & 124060-32011



OPG-1300 Gasket for **OP-4060** Repl. 124060-32092 & 124060-32091

OP-9553 Oil pump F18, F20, F22, F24, FX26, FX28, FX32, F37D, FX42, F46D,
F195, F215, F235, F255, F265, FX285, FX305, FX335, FX435
Repl. 129553-32000 (old # 129150-32000 & 129418-32000)



OPG-9150 Gasket for OP-9553 Repl. 129150-32020

Oil Filters and Oil Lines

OF-1334 Oil filter, spin-on – **3.19” tall** F20, F175, 135, 155, 195, 240, 1300, 1301, 1400, 1500, F18
Repl. 119660-35150, 129150-35150 & 129150-35151

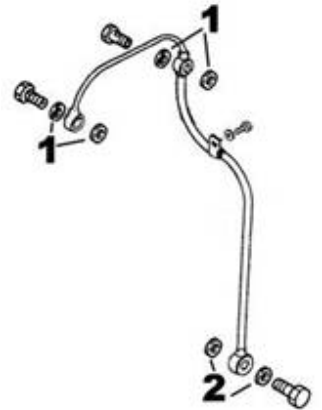


OF-4085 Oil filter, spin-on – **3.75” tall** 2500, 3000, F215, F22 Repl. 124085-35112 & 124085-35111
FX26, FX28 Repl. 129150-35150

OP-39450 Oil pressure sending switch F18, FX18, F20, FX20, F24, FX24, FX32, FX42, F255, 187, 330, 1401, 1500, 1700, 2000, 2500, 2610, 2620, 2820, 3000, 3110, 3220, 4220, 4300 Repl. 121252-39450 & 124160-39450



FLP-800 Copper packing, oil line 187, 195, 240, 276, 336, 1110, (1) 1401, 1600, 1610, 1700, YMG1800, 1900, 2000, YMG2000, 2202, 2220, 2402, 2420, 2500, 2610, 3000, F16, F18, F20, FX20, F255, FX255 Repl. 23414-080000



FLP-1000 Copper packing, oil line 187, 195, 240, 276, 336, 1110, (2) 1401, 1610, 1700, YMG1800, 2000, YMG2000, 2220, 2420, 2610, F16, F18, F20, FX20, F255, FX255
Repl. 23414-100000

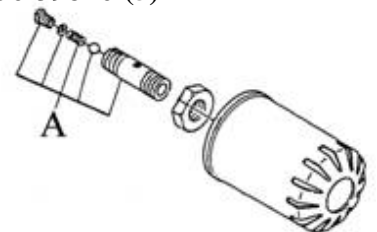
FLP-120 Copper packing, oil line 135, 155, 240, 1110
Repl. 23414-120000

OL-4465 Oil line 195, 240, 1700, 2000, 2210 Repl. 124465-39200 (3)

BB-4160 Banjo bolt 1500, 1700, 2000, 2202, 2402 Repl. 124160-39140 (4)

BB-4550 Banjo bolt 270, 1500, 1700, 2000, 2202, 2402 Repl. 124550-59820 (5)

FV-4085 Oil filter valve assby 135, 155, 165, 186, 195, (A) 220, 226, 240, 250, 336, 1110, 1300, 1401, 1510, 1601, 1602, 1610, 1700, 1802, 2000, 2001, 2002, 2202, 2220, 2301, 2402, 2420, 2500, 2610, 2620, 2820, 3000, 4300, F16
Repl. 124085-35300 (old # 121250-35300)



Oil Level Dipstick

- DS-1250** Oil level dipstick 195, 1700 Red, 2000 Red, 2210, (1)
2210B, 3000, 3110, 3810, 4300 Repl. 121250-01791
- OR-420** O-ring for dipstick Repl. 121420-01760 (2)
- DS-4450** Oil level dipstick 240, 1600, 1700 Grn, (3)
1900, 2000 Grn Repl. 124450-34800 (A = 3-3/4")
- DS-4550** Oil level dipstick 2200 Repl. 124550-34800 (3)
(A = 6")
- DS-4560** Oil lever dipstick 2700 Repl. 124560-34800 (3)
(A = 7")
- DS-4160** Oil level dipstick 1500 Repl. 124160-34800 (3)
- DS-467** Oil level dipstick 180, 186, 1401, 1510 (3)
Repl. 121467-34800
- DS-3480** Oil level dipstick 220 Repl. 121520-34800 (3)
- DS-9550** Oil level dipstick FX26, FX28, FX32, FX42
Repl. 124550-34800
- TDS-242** Transmission Dipstick 1500, Repl. 194200-24250



Drain Plugs

- DP-110** Drain plug – M10 Repl. 129350-49120
- DP-112** Drain plug – M12, 1401 oil pan drain
Repl. 23491-120002 (old # 124060-01640)
- OR-112** O-ring for DP-110 & DP-112 Repl. 24311-000140
- DP-114** Drain plug – M14 Repl. 23491-140002
- OR-160** O-ring for DP-114 drain plug Repl. 24311-000160



Hydraulic Filters

HF-1120 Hydraulic filter, spin-on – for '02 & '20 series
F14, F15, F20, F22, F24, F215 Repl. 194250-48310



Fuel System Parts

P-4060 Fuel bleeder plug 187, 226, 1500, 1510, 1600, 1900, 2500, 3000 (5)
Repl. 124060-59380 (old # 101720-55750)

PG-3418 Gasket for P-4060 Repl. 23418-060000 (10)

FB-1 Fuel bowl 122, 126, 135, 140, 142, 146, 147, 155, (2)
165, 195, 240, 1500, 1510, 1700, 2000,
2210, F16, FX16 Repl. 124064-55510

OR-4321 O-ring for FB-1 fuel bowl 195, 226, 240, 336 (3)
1500, 1700, 2000 Repl. 102103-55520

FF-3262 Fuel filter, **2.717" tall, 1.378" OD** 122, 126, (1)
142, 146, 165, 169, 1100, 1110, 1300, 1500, 1700, 2000,
2210, F16, FX16, F175 Repl. 104500-55710

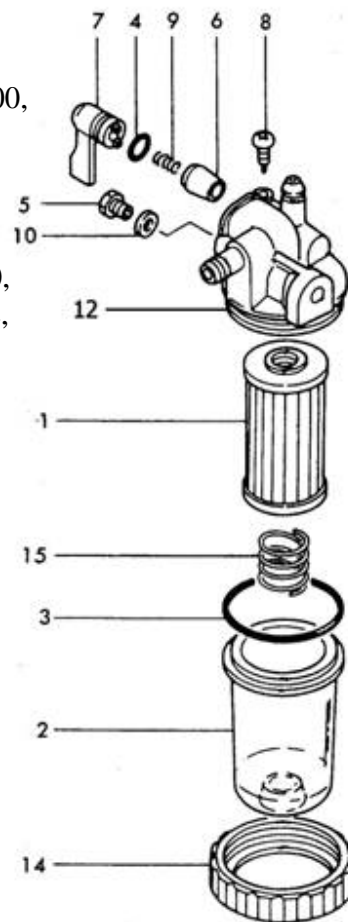
FF-3263 Fuel filter, **3.49" tall, 1.378" OD** F22, F24, (1)
FX26, FX28, FX32, FX42, F195, F215, F235, F255,
F265, 220, 250, 276, 330, 336, YMG1800, 1802, 1820,
YMG2000, 2001, 2002, 2020, 2202, 2220, 2301, 2402,
2420, 2610, 2620, 2820, 3220, 3810, 4220, 4300
Repl. 124450-55700 & 124550-55700

FF-3507 Fuel filter, **3.50" tall, 1.969" OD** F18, F20, (1)
F22, F24, FX26, FX28, FX32, F37D, FX42,
F46D, FX285, FX305, FX335, FX435
Repl. 124550-55700, 129100-55650 & 129155-55700

FB-9107 Fuel bowl F195, F215, F235, F255, F265 (2)
Repl. 129107-55510

FB-9155 Fuel bowl F18, F24, FX24, FX26, FX28, (2)
FX32, F37D, FX42, F46D Repl. 129155-55680
FX285, FX305, FX335, FX435 Repl. 129100-55680

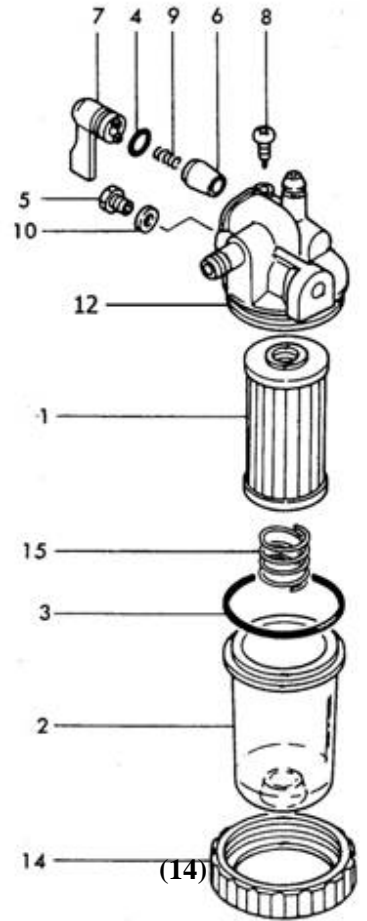
OR-650 O-ring for FB-9155 fuel bowl (3)
Repl. 24321-000650 & 24321-00651



Continued on next page

Continued from previous page

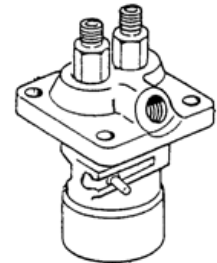
- TV-4200** Taper valve for fuel shutoff 226, 336, **(6)**
1510, 1600, 1900 Repl. 104200-55321
- H-5534** Fuel shutoff handle 336, 1500, 1700, 2000 **(7)**
Repl. 104200-55341
- TVS-553** Taper valve spring 226, 336, 1510, 1600, **(9)**
1900 Repl. 104200-55330
- OR-240** O-ring for H-5534 handle Repl. 24311-240100 **(4)**
- FBH-552** Fuel bowl head 1500, 1700, 2000 **(12)**
Repl. 724160-55200
- FBR-250** Fuel bowl retainer ring for FBH-552 fuel bowl head
Repl. 110250-55610 **(14)**
- FBR-556** **FUEL BOWL RETAINER RING FOR FB-9155 FUEL BOWL**
Repl. 129100-55690



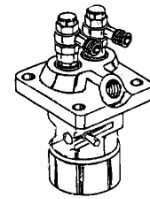
Injector Pump WITH STRAIGHT FITTINGS AS SHOWN

- IP-200** Injector pump 1500, 1700 Green Repl. 724160-51701;
1700 Repl. 724460-51701;
195, 240, 2000, 2200, 2210, 2210B Repl. 724761-51701

NEW – No core to return



- IP-375** Injector pump 187, 220, 226, 250, 1301, 1401, 1502,
1510, 1601, 1610, 1702, YMG1800, 1802, 1810, YMG2000,
2001, 2002, 2010, 2020, 2202, 2220, 2240, 2301, 2310, 2402, 2420



- IP-390** Injector pump 2500, 2610, 3000, 3110, 3810
Repl. 721420-51700



Injector Repair Parts

- IPG-1250** Injector pump shim 330, 2500, 2610, 2620, 2820, 3000, 3110, 4300 Repl. 121250-01950
- IPG-1450** Injector pump shim 187, 220, 226, 250, 1301, 1401, 1502, 1510, 1601, 1610, 1702, YMG1800, 1802, 1810, YMG2000, 2001, 2002, 2010, 2020, 2202, 2220, 2240, 2301, 2310, 2402, F14, F15 Repl. 121450-01951
- IA-2227** **Injector assembly 2200, 2700 Repl. 724550-53100 (1)**
- IA-4060** Injector assembly 135, 155, 220, 226, 250, 1300, YMG1800, (1) 1802, 1810, 1820, YMG2000, 2002 Repl. 724060-53101
- IA-4085** Injector assembly 180, 186, 187, 1301, 1401, (1) 1601, 1602, 1610, 1702, 1720, **F14, F15, F16** Repl. 724085-53100 (old # 724950-53100)
- IA-4160** Injector assembly 1500, 2500, 2610 (1) Repl. 724160-53101 (old # 721150-53100)
- IA-4571** Injector assembly 276, 2001, 2010, 2020, 2202, 2220, (1) 2301, 2310, 2402, 2420 Repl. 704571-53100
- IA-4770** Injector assembly 195, 240, 330, 336, 1600, (1) 1700, 1900, 2000, 2210, 2620, 2820, 3000, 3110, 3220, 3810, 4220, 4300, 4500 Repl. 724770-53100
- IA-9158** Injector assembly F18, F20, F22, F24, FX26, FX32, (1) FX42 Repl. 729158-53700



Continued on next page

Continued from previous page

IN-2100 Injector nozzle 135, 142, 146, 155, 165, 169, 180, 195, 226, 240, 276, 330, 336, 1110, 1300, 1500, 1510, 1600, 1700, YMG1800, 1802, 1810, 1820, 1900, 2000, YMG2000, 2001, 2002, 2010, 2020, 2202, 2210, 2220, 2301, 2310, 2402, 2420, 2500, 2610, 2620, 2820, 3000, 3110, 3220, 3810, 4220, 4300, 4500, F14, F15, F16, F17, F18, FX18, F20, FX20, F22, FX22, F24, FX24, FX26, FX28, FX32, FX42, F165, (A)
 Repl. 172100-53000



IN-4770 Injector nozzle 180, 186, 187, 1301, 1401, 1601, 1602, 1610, (A)
 1702, 1720 Repl. 124770-53000

IN-4900 Injector nut 195, 240, 330, 336, 1600, 1700, 1900, 2000, (B)
 2620, 2820, 3000, 3110, 3220, 3810, 4220, 4300
 Repl. 104900-53080



IN-4300 Injector nut 1500, 2500, 2610 Repl. 104300-53080 (B)

IW-1147 Fuel Injection Valve Insulator 187, 1401, 1502, 1510, (1)
 1601, 1602, 1610, F14, F15 Repl. 101147-11490

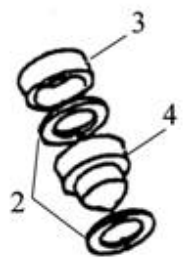
IW-3854 Fuel Injection Valve Insulator 135, 155, 195, 220, (1)
 240, 276, 336, 1100, 1300, 1500, 1600, 1700, YMG1800, 1810, 1900, 2000, YMG2000, 2001, 2010, 2202, 2210, 2220, 2301, 2310, 2402, 2420, 2500, 2610, 2620, 2820, 3000, 3110, 3220, 3810, 4300
 Repl. 103854-11490



GW-3288 Chamber gasket 1500, 2500, 2610 Repl. 103288-11450 (2)

GW-4900 Chamber gasket 195, 240, 336, 1600, 1700, 1900 (2)
 2000, 2210, 2620, 2700, 2820, 3000, 3110, 3220, 3810
 Repl. 104900-11450

GW-4950 Chamber gasket 187, 1401, 1502, 1510, 1601, (2)
 1602, 1610, F14, F15, F16 Repl. 124950-11450



GW-1704 Chamber gasket 276, 2001, 2010, 2202, 2220, (2)
 2310, 2402, 2420 Repl. 101704-11450

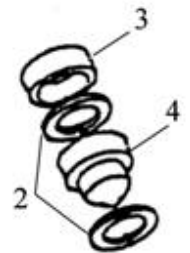
GW-1550 Chamber gasket YMG1800, YMG2000 Repl. 121550-11451 (2)

FLP-9795 Injector seal F18, F20, F22, F24, FX26, FX28, FX32, FX42 (2)
 Repl. 129795-11460 (1 per injector)

Continued on next page

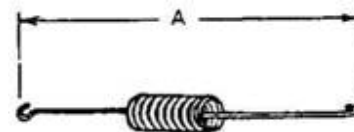
Continued from previous page

- IC-1141** Injector chamber, rear 195, 240, 336, 1600, 1700, 1900, 2000, 2210, 2620, 2820 3000, 3110, 3220, 3810, 4220, 4500 Repl. 124450-11410 (old # 104900-11410) (3)
- IC-4450** Injector chamber, front 195, 240, 336, 1600, 1700, 1900, 2000, 2620, 2820, 3000, 3110, 3220, 4220 Repl. 124450-11401 (old # 124450-11420) **2210** Repl. 124770-11420; 4500 Repl. 124750-11420 (4)
- IC-4400** Inj. chamber, rear 1500, 2500, 2610 Repl. 104400-11410 (3)
- IC-4160** Inj. chamber, front 1500, 2500, 2610 Repl. 124160-11401 (old # 124160-11420) (4)
- IC-4950** Inj. chamber, rear 1301, 1401, 1601, 1602, 1610, 1702, 1720 Repl. 124950-11410 (3)
- IC-5311** Inj. chamber, front 1301, 1601, 1610 Repl. 105311-11420 (4) 1401 Repl. 121450-11420
- IC-9350** Inj. chamber, rear 2001, 2010, 2020, 2202, 2220, 2301, 2310, 2402, 2420 Repl. 129350-11410 (3)
- IC-1140** Inj. chamber, front 2010, 2202, 2220, 2310, 2402, 2420 Repl. 129350-11400 (4)
- IC-2227** Inj. Chamber, 2200, 2700



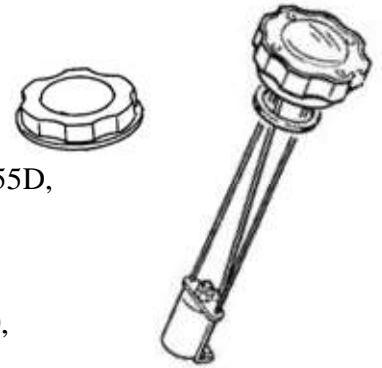
Governor Springs

- GS-4465** Governor spring 195, 240, 1700 Repl. 124465-66010
A = 241mm
- GS-1250** Governor spring 336, 3000 Repl. 121250-66010
- GS-1150** Governor spring **2000, 2210** Repl. 124768-66011 (old # 124765-66010) **2500** Repl. 121150-66010.
A = 173mm



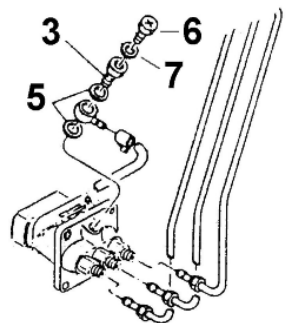
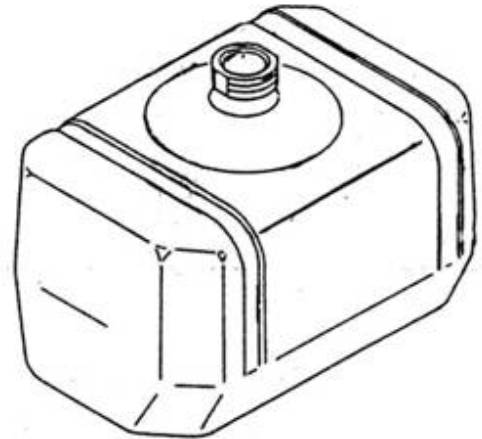
Fuel Tank Cap

- TC-155** Fuel cap w/ sealing washer (Red plastic) 1110, 1300, 1401, 1500, 1510, 1600, 1700, 1900, 2000, 2500, 2610, 3000 Repl. 194155-04120
- TC-5504** Fuel tank cap (Metal) 1601, 1610, 1700B, 1702, 1720, YMG1800, 1802, 1810, 1820, YMG2000, 2000B, 2002, 2010, 2020, 2200, 2202, 2210B, 2220, 2301, 2310, 2402, 2420, 2620, 2700, 2820, 4300, F14, F16, F18, F20, F22, FX22, F24, FX24, FX26, FX28, FF145D, FF155D, Repl. 101504-55041 (Old # 101504-55040) **F17, F255, FX255** Repl. 194555-04390
- TC-4145** Fuel tank cap w/ gauge 140, 147, 186, 180, 187, 226, 330, 336, 2210, 2500, 2610, 3000, 3810 Repl. 194145-04302



Fuel Tank

- FT-22** Fuel tank – plastic 195, 240, 1500, 1600, 1700, 1900, 2000, 2210 Repl. 194151-04111
- FT-32** Fuel tank – plastic 336, 2500, 3000, 3110, 3810 Repl. 194145-04112
- FLP-120** Copper packing (fuel) 240, (5) 1600, 1700, 1900, 2000, F255, FX255 Repl. 23414-120000 (old # 23415-120000) (12mm)
- FLP-800** Copper packing (fuel) 1110, 1600, 1610, 1700, 1900, 2000 Repl. 23414-080000 (8mm)
- FLP-4200** Copper packing (fuel) F18, FX18, F255, FX255, (5) 135, 155, 195, 226, 240, 1110, 1300, 1610, YMG1800, YMG2000, 2610, 2620, 2820, 3110 Repl. 104200-59170
- FLP-414** Copper packing (fuel) 187, YMG1800, YMG2000, 2202, 2220, 2402, 2420, 2610 Repl. 23414-080012
- FLP-1000** Copper packing (fuel) YMG1800, YMG2000, 2210, 2620, 2820, 3810 Repl. 23414-100000 (10mm)
- BB-3854** Banjo bolt 1500, 1700, 2000, 2500, 2610, 3000, 3110 Repl. 103854-59191(old # 124060-59391) (3)
- P-4060** Fuel bleeder plug 1500, 1510, 1600, 1900, 2210, 2500, 3000 (6) Repl. 124060-59380 (old # 101720-55750)
- PG-3418** Bleeder plug gasket Repl. 23418-060000 (7)



Radiators

- RA-4060** Radiator w/cap 135, 155, 165, 1100, 1300
Repl. 124064-44500 & 124064-44500

- RA-1462** Radiator w/cap 1301, 1401, 1502, 1510 Repl. 121462-44500

- RA-1468** Radiator w/cap 1601, 1602, 1610, 1702, 1720
Repl. 121468-44500 & 121470-44500;
1810 Repl. 121551-44500
YMG1800, 1802, 1820, YMG2000, 2002
Repl. 121567-44500

- RA-4160** Radiator w/cap 1500 Red Repl. 124160-44501
(note: lower mounting nuts on 8-3/4" centers)

- RA-4460** Radiator w/cap 240, 1700 Red, 2000 Red
Repl. 124460-44501

- RA-1247** Radiator w/cap 2210, 2210B Repl. 124768-44500
w/round overflow bottle

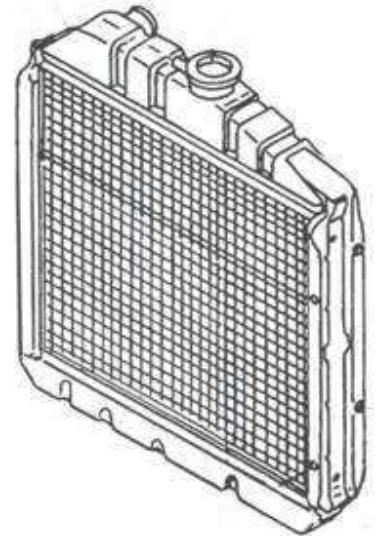
- RA-4768** **2000B** Repl. (w/rectangular overflow bottle)

- RA-9350** Radiator w/cap 2001, 2010, 2020, 2202, 2220,
2301, 2310, 2402, 2420 Repl. 129350-44500

- RA-1250** Radiator **2500** Repl. 121250-44500;
2610 Repl. 121150-44500

- RA-4450** Radiator 3000, 3110

- RA-9157** Radiator F & FX20, F & FX22, F & FX24 Repl. 129157-44500

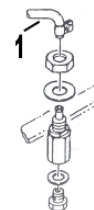
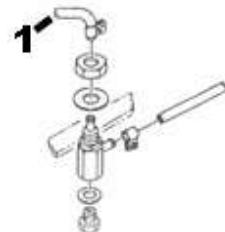


Radiator Drain Cock Assembly

- RD-1250** Drain cock (3 way) assembly 2000 Red, 2000B, 2210,
2500, 2610, 3000, 3110, 3810, 4300, 4500
Repl. 121250-49100

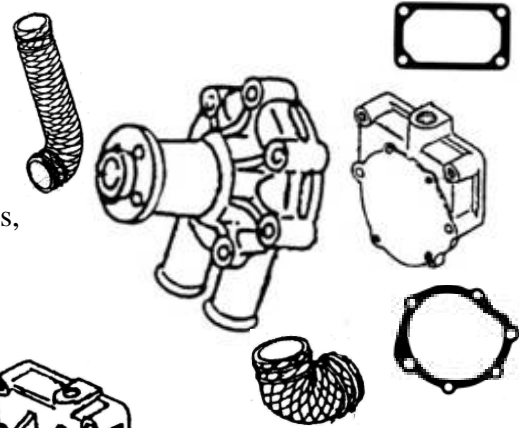
- RD-4460** Drain cock assembly 1500, 1700 Red & Green, 2000 Green
Repl. 124460-49100

- RH-4915** Drain cock hose 1700, 2000, 2210 (1)
Repl. 124460-49150

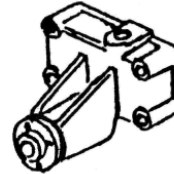


Water Pumps and Gaskets

WPC-1700 **Water pump kit** for 1700. Includes water pump, BP-2000 back plate, 4 – M6x38 & 2 - M8x70 bolts, belt pulley, WP gasket, back plate gasket, lower radiator hose, bypass hose.



FM-1700 Fan mount YM 1700 Repl. 129460-44600



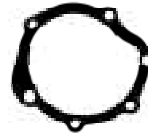
WP-2200 Water pump (NEW) 270, 2200, 2700 Repl. 724550-42700

WP-2000 Water pump (NEW) 330, 336, 1700B, 1900, 2000, 2000B, 2500, 2610, 2620, 2820, 3000, 3110, 3810, 4300
240 (2" hub or fan mount) (check bolt pattern)
Repl. 121250-42011 & 721250-42700

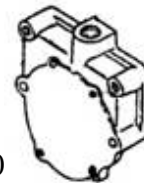


WP-2210 Water pump (NEW) **195, 2210 (2-1/4" hub or fan mount) 240 (2-1/4" hub) (check bolt pattern)**
Repl. 724768-42700

WPG-2000 Gasket water pump to back plate 195, 240, 330, 336, 1900, 2000, 2210, 2500, 2610, 2620, 2820, 3000, 3110, 3220, 3810, 4220
Repl. 124750-42051 (old # 124750-42050)



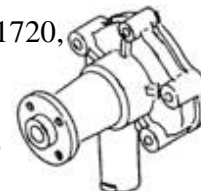
BP-2000 Water pump mount or back plate 330, 240, 2000, 2210, 2500, 2610, 3000 Repl. 121250-42120



WPG-4450 Gasket, back plate to head 1600, 1700, 1900, 2000, 2210, 2500, 2610, 2620, 2820, 3000, 3110, 3220, 3810, 4220 Repl. 124450-44410



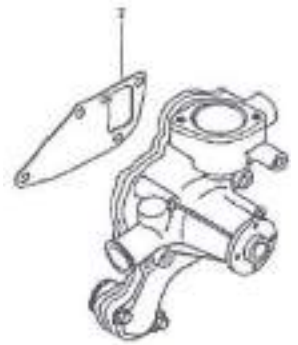
WP-4201 Water pump (NEW) 169, 180, 186, 187, 220, 226, 250, 276, 1301, 1401, 1502, 1510, 1601, 1602, 1610, 1702, 1720, 1802, 1810, 1820, 2001, 2002, 2010, 2020, 2202, 2220, 2301, 2310, 2402, 2420,
YMG1800, YMG2000, F14, F15 Repl. 121023-42100, 121450-42010 & 129350-42010



Continued on next page

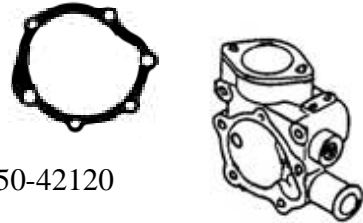
Continued from Previous Page

WP-9107 Water pump FX26, FX28, FX32, F37D, FX42, F255, FX255 (1)
Repl. 129107-42002 (old # 129150-42000)



WPG-9150 Gasket, water pump F17, F18, F20, F22, F24, FX26, FX28, (2)
FX32, F37D, FX42, F165D, F195, F215, F235, F255, F265
Repl. 129150-42020 & 129486-42050

WPG-1450 Gasket, water pump to back plate for WP-4201
Repl. 121450-42050 (old # 121023-42051)



BP-9350 Water pump mount or back plate 2001, 2010,
2202, 2220, 2301, 2310, 2402, 2420 Repl. 129350-42120

WPG-4441 Gasket, back plate to head 186, 226, 276, 1401, 1502,
1510, 1601, 1602, 1610, 1702, 1720, 1802, 2002,
Repl. 121450-44410



WPG-9350 Gasket, back plate to head 2010, 2202, 2220, 2310,
2402, 2420 Repl. 129350-44410

WPP-4235 Water pump pulley 330, 336, 2000, 2500, 2610, 3000,
3110, 3810, 4300 Repl. 124750-42350



WPP-1450 Water pump pulley 1301, 1401, 1502, 1510, 1601, 1602, 1610, 1702,
1720, YMG1800, 1802, 1810, 1820, YMG2000, 2001, 2002, 2010, 2020,
2202, 2220, 2301, 2310, 2402, 2420, 3220, 4220, F14, F15
Repl. 121450-42350

Radiator Hoses

RH-9011 Upper radiator hose 2500, 3000, 3110
Repl. 121250-49011; **2610** Repl. 121150-49010
2000B Repl. 124768-49010; **330** Repl. 121254-49010

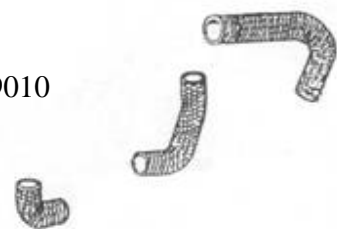
RH-1254 Lower radiator hose 186, 220, 330, 2500, 2610,
3110 Repl. 121254-49020 (Old # 121150-49020)

RH-1150 Bypass hose 2500, 2610 Repl. 121150-49030

RH-4460 Upper radiator hose 195, 240, 1500, 1700, 2000,
2210, 2210B Repl. 124460-49010 & 124768-49010
135, 155, 165, 1300 Repl. 124060-49010

RH-4465 Lower radiator hose **135, 155, 165, 1300** Repl. 124060-49020
1500 Repl. 124160-49020, **1700** Repl. **124465-49020**

Continued on next page



Continued from previous page

RH-4761 Lower radiator hose 195, 240, 1900, 2000, 2210, 2210B Repl. 124761-49020 & 121250-49020; **1700B, 2000B** Repl. 124768-49020



RH-1250 Bypass hose 195, 240, 330, 2000, **2000B**, 2210, 2210B, 2620, 2820, 3000, 3110, 3220, 4220 Repl. 121250-49030



RH-1267 Upper hose 2620, 2820, 3220, 4220 Repl. 121267-49010

RH-2620 Lower hose 2620, 2820, 3220, 4220 Repl. 121262-49020

RH-4915 Drain cock hose 1700, 2000, 2210 Repl. 124460-49150

RH-1291 Upper radiator hose F18, F20, F22, F24, FX24, F195, F215, FX215, F235, FX235, F255, FX255 Repl. 129150-49010 (old # 121950-49010)



RH-9150 Lower radiator hose F18, F20, F22, F24, FX24, F195, F215, F235, F255, F265 Repl. 129150-49020 (old # 121950-49020)

RH-2200 Upper radiator hose 2200, 2700 Repl. 124550-49010

RH-2700 Lower radiator hose 2200, 2700 Repl 124550-49030

RH-4550 Bypass hose 2200, 2700 Repl. 124550-49020

RH-4901 Upper radiator hose 187, 220, 226, 250, 276, 1301, 1401, 1502, 1510, 1601, 1602, 1610, 1702, 1720, YMG1800, 1820, YMG2000, 2010, 2020, 2220, 2310, 2420 Repl. 121450-49010(Also Repl. 129350-49010, upper hose on 169, 180, 186, some 276, 1802, 1810, 2001, 2002, 2202, 2301, 2402 models)



RH-4902 Lower radiator hose 169, 180, 186, 187, 220, 226, 250, 276, 1301, 1401, 1502, 1510, 1601, 1602, 1610, 1702, 1720, YMG1800, 1802, 1810, 1820, YMG2000, 2001, 2002, 2010, 2020, 2202, 2220, 2301, 2310, 2402, 2420 Repl. 121450-49020 (Old # 129350-49020)



RH-4903 Bypass hose 142, 146, 155, 169, 180, 186, 187, 220, 226, 250, 276, 1301, 1401, 1502, 1510, 1601, 1602, 1610, 1702, 1720, YMG1800, 1802, 1810, 1820, YMG2000, 2001, 2002, 2010, 2020, 2202, 2220, 2301, 2310, 2402, 2420, F14, F15, F16 Repl. 121450-49030



Continued on next page

Continued from previous page

- RH-336** **Upper** radiator hose 336, 3810, 4300
Repl. 121422-49011, 121252-49010 & 121120-49010
- RH-3810** **Lower** radiator hose 336 Repl. 121253-49020;
3810 Repl. 121252-49020
- RH-1252** **Bypass** hose 336, 3810, 4300 Repl. 121252-49030

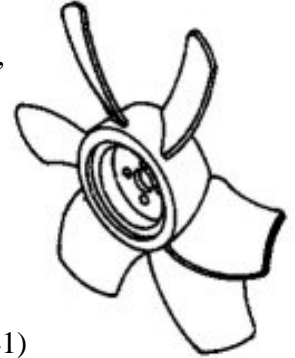
Fan Belts

- FB-27** Fan belt some model 1300s Repl. 125112-002700 (old # 124936-44290)
- FB-28** Fan belt 135, 155, 165, some 1100s, some 1300s Repl. 25112-002800
- FB-30** Fan belt some 1100s Repl. 124060-44290 & 124064-44290
- FB-31** Fan belt 1510 Repl. 121023-42290
- FB-32** Fan belt 1500 Repl. 124160-77290
- FB-34** Fan belt Repl. 25112-003400
- FB-35** Fan belt Repl. 25132-003500 & 25112-003501
- FB-33** Fan belt 142, 146, 169, 180, 187, 220, 226, 250, 1301, 1401,
1502, 1601, 1602, 1610, 1702, 1720, YMG1800,
1802, 1810, 1820, 2002, YMG2000, 2010, F14, F15
Repl. 25112-003300; **2202, 2402** Repl. 121456-42290
- FB-36** Fan belt 2500, 2610 Repl. 25112-003601 (old # 121150-42290)
- FB-37** Fan belt 1700, 2000, 2000B, 2620, 2820, 3000, 3110 Repl. 25112-003700
227, 276, 330 Repl. 25132-003700
- FB-38** 276 W/ 3T84HA-S engine, **3220, 4220** Repl. 121492-42290
195, 240, 2210 Repl. 25112-003801
- FB-39** Fan belt F18, FX18, F20, FX20, F22, FX22, F24, FX24, FX26,
FX28, FX32, FX42, 2620, 2820 Repl. 25132-003900
- FB-40** Fan belt 1600, 1900, 2200, 2700, 3810 Repl. 25132-004000;
336, 3810 Repl. 121252-42290 ;
F215, FX215, F255, FX255, FX285, FX305 Repl. 124722-42290



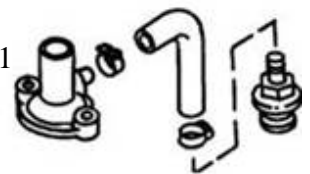
Radiator Cooling Fan

- CF-4474** Fan 140, 147, 1300, 1900 Repl. 124750-44740
- CF-4474** Fan 165, 1500, 1600, 1700, 2000, FF145D, FF155D Repl. 124450-44740
- CF-4474** Fan 186, 220, 226, 1301, 1401, 1502, 1510, 1601, 1602, 1610, 1702, 1720, YMG1800, 1802, 1810, 1820, YMG2000, 2002 Repl. 121450-44740
- CF-4474** Fan 195, 240, 2020, 2202, 2210, 2210B, 2220, 2402, 2420, 2620, 2820 Repl. 124768-44740
- CF-4474** Fan 2001, 2010, 2301, 2310 Repl. 129350-44740
- CF-4474** Fan 2200, 2500, 2610 Repl. 124251-44740
- CF-9120** Fan 3220, 4220, FX26, FX28, FX32, FX42, FX285, FX305, FX335, FX435 Repl. 129120-44741 (old # 121267-44741)
- CF-9354** Fan 3810, F20, F22, F24, F37D, F255 Repl. 129354-44740 (old # 121252-44740)



Thermostat and Related Parts

- HT-9350** Thermostat 160 degrees 140, 142, 146, 147, 169, 180, 187, 226, 276, 336, YMG1800, 1802, 1810, YMG2000, 2002, 2010, 2310, 2620, 2820, 4220, 4300 Repl. 129350-49800
- HT-9150** Thermostat F17, F20, F22, F24 Repl. 129150-49800
- HT-9155** Thermostat F18, FX26, FX28, F37D, FX42, F195, FX195, F215, FX215, F255, FX255, FX285, FX305 Repl. 129155-49800
- TG-9350** Thermostat **gasket** 336, YMG1800, 1802, YMG2000, 2001, 2002, 2220, 2301, 2310, 2420, F17, F20, F22, F24, FX26, FX28, FX32, FX42 Repl. 129350-49541 & 124736-49540
- TG-9350** Thermostat **gasket** F18, F37D, F195, F215, F255, FX285, FX305 Repl. 129795-49550
- THC-9350** Thermostat hsg cover YMG1800, 1802, 1810, YMG2000, 2001, 2010, 2220, 2301, 2310, 2420, F17, F18, FX26, FX28, FX32, FX42, F195, FX195, F215, FX215, F255, F265 Repl. 129350-49530
- THC-4732** Thermostat hsg cover 2620, 2820, 3810, 4300 Repl. 124732-49351
- BH-4732** Thermostat by pass hose 2620, 2820, 3810 Repl. 124732-49251



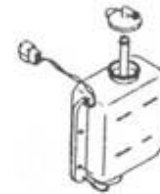
Radiator Parts

- RC-28** Radiator cap, common to many models
- RC-65** Radiator cap F255, FX255, FX285, FX305
(65mm dia) Repl. 129107-44590 / 129171-44630

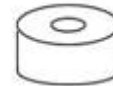


- OFT-4450** Round over-flow tank 122, 126, 142, 146,
220, 250, 1500, 1510, 1600, 1700, 1900, 2000, 2500,
2610, 3000, 4300 Repl. 124450-44510

- OFT-1470** Rect. Over-flow tank 1602, 1610, 1702, 1720,
YMG1800, 1802, 1810, YMG2000, 2001, 2002, 2010,
2020, 2202, 2220, 2301, 2310, 2402, 2420,
2620, 2820, F24, FX24 Repl. 121470-44510



- RSA-446** Radiator shock absorber 1700, 2000
Repl. 121400-44640 (old # 124450-44650)



- RSA-550** Radiator shock absorber F18, F20, F24, FX26, FX28,
FX32, F37D, FX42, F46D, F195, F215, F255, F265,
FX285, FX305, FX335, FX435 Repl. 129550-44660



Temperature Sending Switch

- TS-44901** Temp sending switch for tractors w/warning light 122, 126,
140, 142, 146, 147, 169, 186, 195, 220, 240, 276, 330, 336
1100, 1500, 1502, 1510, 1600, 1700, 1900, 2000, 2210,
2500, 2610, 3000, 3110, 3810 Repl. 121250-44901;
135, 155, 1300 Repl. 124450-44902



- TS-1470** Temp sending switch for tractors with gauge
1601, 1602, 1610, 1702, 1720, 1802,
1820, 2002, 2202, 2220, 2402, 2620, 2820, 3220, 4220,
F16 Repl. 121470-44900

- TS-44901** Temp sending switch YMG1800, 1810, 2000B, YMG2000,
2001, 2010, 2020, 2301, 2310, 2420, F18, FX18, F20, FX20,
F24, FX24, FX32, F37D, FX42, FF145D, FF155D, F215, FX215,
F255, FX255, FX335, FX435 Repl. 124250-49350

Thermostart Plugs and Related Parts

TE-1520 Thermostart plug 140, 147, 1502, 1802, 1820, 2002, 2020, 2202, 2220, 2402, 2420, 3110, F16 Repl. 121520-77910

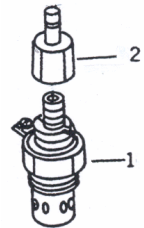


TE-4450 Thermostart plug 135, 140, 147, 155, 165, 169, 186, 187, 220, 226, 250, 276, 336, 1100, 1110, 1300, 1401, 1500, 1510, 1600, 1601, 1610, 1700, 1900, 2000, 2210, 2500, 2610, 3000, 3110, 3810, 4300, 4500
Repl. 124450-77910 & 121023-77910



TE-766 Adaptor for TE-4450 Repl. 124460-77660 (2)

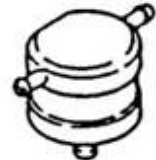
TE-9350 Thermostart plug YMG1800, 1810, YMG2000, 2001, 2010, 2301, 2310, 2620, 2820, 3220, 4220
Use TE-4450 and TE-766
Repl. 129350-77910



HT-4460 Thermostart tank assembly 135, 155, 165, 1110, 1500, 1700, 2000, 2210, 2500, 3000 Repl. 124460-77802



HT-1750 Thermostart tank assembly 140, 147, 187, 220, 226, 250, 336, 1401, 1502, 1510, 1610, 1702, 1720, YMG1800, 1802, 1810, 1820, YMG2000, 2001, 2002, 2010, 2020, 2202, 2220, 2301, 2310, 2402, 2420, 2620, 2820, 3220, 3810, 4220, 4300, F16 Repl. 121750-77800



Glow Plugs

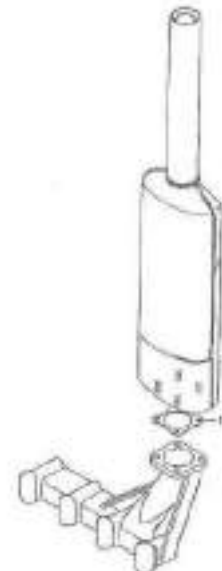
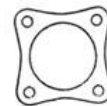
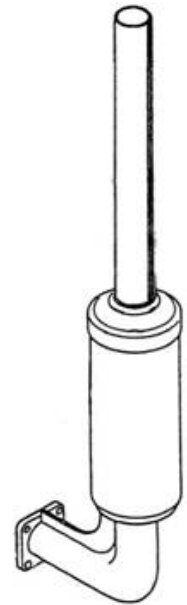
GP-778 Glow plug for Yanmar "F" series, KE2D, KE3A, KE3D, KE4A, KE4D Repl. 129155-77801



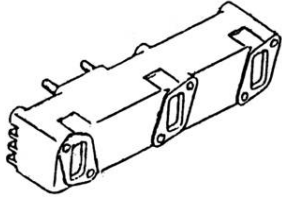
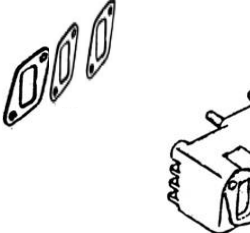
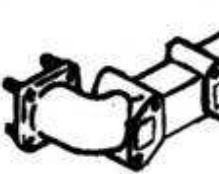





GP-2200 Glow plug 2200, 2700 Repl. 124250-11500

Muffler

- MA-250** Muffler with elbow, mounting flange and pipe
 195, 240, 330, 336, 1300, 1401, 1500, 1600, 1700, 1802,
 1900, 2000, 2001, 2002, 2202, 2210, 2220, 2301, 2310,
 2402, 2420, 3000, 3110, 3220, 3810, 4220, 4500
 Repl. 721250-13700
- ME-22** Muffler spacer extension - extends muffler from
 exhaust manifold by 22 mm (used on 1401, 1601, 1610,
 1702, 1720 & others)
- MG-1450** Muffler to manifold gasket 195, 220, 226, 240, 250, (1)
 276, 330, 336, 1300, 1401, 1500, 1502, 1510, 1600,
 1601, 1602, 1610, 1700, 1702, 1720,
 YMG1800, 1802, 1820, 1900, YMG2000, 2000, 2210,
 2202, 2220, 2301, 2310, 2402, 2420, 2610, 2500,
 3000, 3110, 3220, 3810, 4220, 4500, F18, F20, F22,
 F24, FX26, FX28, FX32, F36D, F47D, FX42
 Repl. 124701-11911
 (old # 121450-13201 & 124450-11900)
- MG-2700** Gasket, manifold to head 2200, 2700 (2)
 (2 required) Repl. 124550-13200
- MG-2200** Gasket, Manifold to muffler 2200, 2700 (3)
 Repl. 124250-13210
- MA-134** Muffler & pipe F18, FX18, F20, FX20, F22, FX22,
 F24, FX24, FX26, FX28, FX32, F36D, FX42, F47D
 Repl. 121855-13491 & 129155-13491
 (old # 129550-13491)
- WC-3** Weather cap for 1-3/4" pipe
 Fits **MA-134** and **MA-250**



Manifolds and Gaskets

- EM-1158** Exhaust Manifold 2500, 2610 Repl. 721158-13500 
- MG-150** Manifold to head **gasket**, 2500, 2610
Repl. 121150-13520 (3 required)
- MG-1250** Manifold to head **gasket**, 330, 336, 2620,
2820, 3000, 3110, 3810, 4300
Replaces 121250-13520 (3 required) 
- EM-1258** Exhaust Manifold 336, 3000, 3110
Repl. 721258-13500 (Old #'s 721250-13500 & 721420-13501)
- EM-1551** Exhaust Manifold 220, 226, 250,
YMG1800, 1802, 1810, YMG2000, 2002
Repl. 721551-13500 
- MG-1550** **Gasket**, manifold to head, 220, 226, 250, YMG1800,
1802, 1810, YMG2000, 2002 Repl. 121550-13521
- EM-9350** Exhaust Manifold 2001, 2010, 2020, 2202,
2220, 2301, 2310, 2402, 2420 Repl. 729350-13500 
- EM-4160** Exhaust manifold 1500 Repl. 124160-13510
- EM-4460** Exhaust manifold 195, 1700, 2000, 2210 Repl. 124460-13510
- MG-1450** Manifold to head **gasket** 195, 240, 1500, 1600, 1700, 1900,
2000, 2210
Repl. 124701-11911 (old # 121450-13201 & 124450-11900) 
- MG-1325** Manifold to head **gasket** 186, 187, 1401, 1502, 1510, 1601,
1602, 1610, 1702, 1720, F14, F15, F16 Repl. 121450-13251
- MG-9322** Manifold to head **gasket** 276, 2001, 2010,
2020, 2202, 2220, 2301, 2310, 2402, 2420
Repl. 129322-13521 (old # 129350-13250) 
- MG-9150** Manifold to head **gasket** F18, F20, FX20, F22,
FX22, F24, FX24, F215, FX215, F235, FX235,
F255, FX255 Repl. 129150-13110 
- MG-9550** Manifold to head **gasket** (4 Cyl.) FX26, FX28, FX32,
F37D, FX42, FX285, FX305, FX335, FX435 Repl. 129550-13110 

Continued on next page

Continued from previous page

IMG-1250 Intake manifold gasket 330, 336, 3000
Repl. 121250-12710

IMG-1150 Intake manifold gasket 2500, 2610
Repl. 121150-12710

IMG-1551 Intake manifold gasket YMG1800, 1802, 1810,
1820, YMG2000, 2002 Repl. 121551-12710

IMG-9350 Intake manifold gasket 2001, 2010, 2202, 2220,
2301, 2310, 2402, 2420 Repl. 129350-12710



Air Filters

AC-4450 Air filter canister w/o filter Repl. 124450-12500 &
Repl. 124763-12500

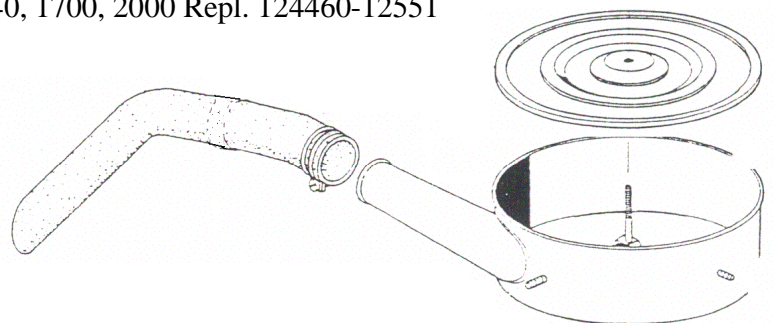
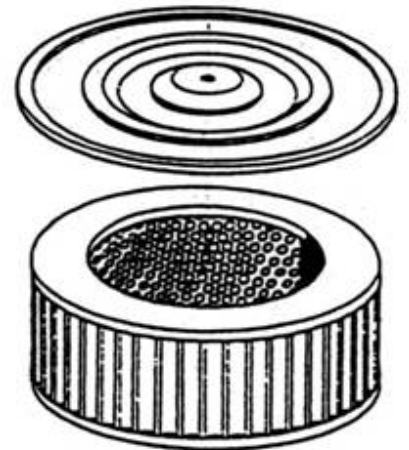
AC-4451 Top cover w/ rubber seal.

BS-250 Seal, air cleaner collar for tractors using
AF-6022M air filter element

AF-6022M Air Filter – Metal Frame like OEM
195, 240, 1500, 1600, 1700, 1900, 2000, 2500, 3000
Repl. 124295-12560 (old # 124763-12510)
(approx. 7.44" OD)

ABH-4160 Air breather hose 1500 Repl. 124160-12550

ABH-4460 Air breather hose 195, 240, 1700, 2000 Repl. 124460-12551

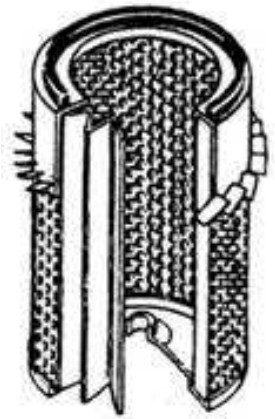


Continued on next page

Continued from previous page

AF-2710 Air filter, **5.50" OD 1100**, 1300
135, 155 Repl. 124060-12510

AF-2276 Air filter w/fin (**10.375"** tall) 276, 330, 336, 2610, 2620,
2810, 2820, 3110, 3220, 3810, 4300, F18, F20,
FX20, F22, FX22, F24, FX24, FX26, FX28,
FX32, F37D, FX42, F195, F255, FX285, FX305,
FX335 Repl. 121120-12901,
121253-12510, 121256-12510, 129150-12510



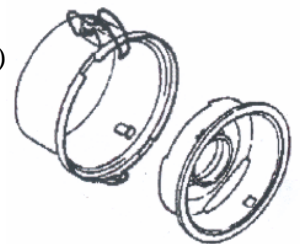
AF-6262 Air filter w/fin (**7.90"** tall) 2001, 2010, 2020, 2202,
2210, 2210B, 2220, 2301, 2310, 2402, 2420
Repl. 129350-12900 & 124756-12510

AF-6270 Air filter w/fin (**7.25"** tall) 122, 126, 140, 142,
146, 147, 165, 169, 180, 187, 220, 226, 250, 255, 1301,
1401, 1502, 1510, 1601, 1602, 1610, 1702, 1720, YMG1800,
1802, 1810, 1820, YMG2000, 2002, F14, F15, F16
Repl. 121465-12510, 124066-12510 & 171022-12530
**For 135 & 155 w/precleaner, 186 & 226 remove
plastic cover and fins. Repl. 124064-12510**



AFS-100 Air filter cap clip (clip only)

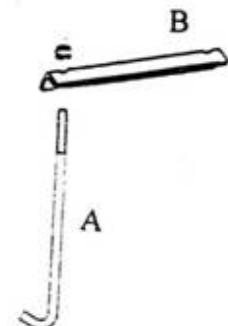
AFC-9350 Air filter cap (Repl. 129350-12530) & cover (Repl.129350-12540)
2 pc set for 2001, 2010, 2020, 2202, 2220, 2301, 2310, 2402,
2420 Clips included



Battery Hold Down

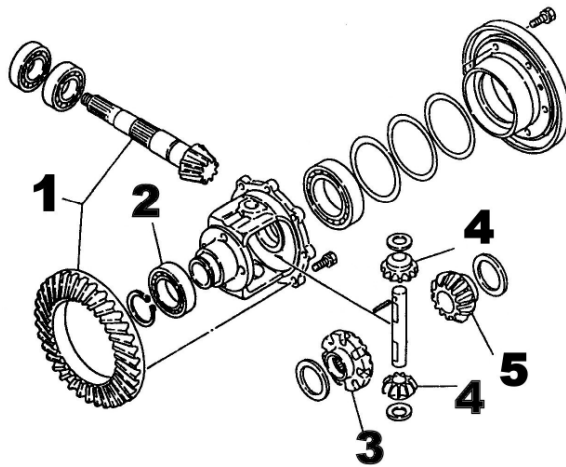
BR-617 Battery hold down rod w/nut. 4" threaded area. (A)
Replaces 194190-61740

BH-515 Battery hold down Repl 194190-61750 (B)



Group 3

Front Axle & Steering



Steering Wheels and Parts

SW-150 Steering wheel w/cap, **keyed**, 1500, 1600, 1700, 1900, 2000, 2200, 2210, 2210B, 2500, 2700, 3000
Repl. 194145-15710, 194150-15710, 194130-15710



WK-519 Woodruff key for SW-150 steering wheel Repl. 22522-050190

SW-420 Steering wheel w/cap, **fine spline**, 187, 220, 226, 1300, 1601, 1610, 1700B, 1702, 1720, YMG1800, 1802, 1820, 2000B, YMG2000, 2002, 2010, 2020, 2202, 2220, 2301, 2310, 2402, 2420, 2610, 2620, 2820, 3110, 3220, **F17, FX17**
Repl. 194420-15700, 194420-15710 (**36 spline**)



SW-440 Steering wheel w/cap, **coarse spline**, F14, F15, F16, 140, 147, 165, 169, 1100, 1300, 1301, 1401, 1502, 1510, 1602 Repl. 194440-15700, 194440-15800 (**18 spline**)

SW-555 Steering wheel w/cap, **fine spline**, F18, FX18, F20, FX20, F22, FX22, F24, FX24, FX26, FX28, FX32, F37, FX42, F46 FX285, FX305 Repl. 194555-15700

SWN-120 **Steering wheel nut** 140, 147, 226, 1100, 1110, 1301, 1401, 1502, 1510, 1601, 1602, 1610, 1700B, 1702, 1720, 1802, 1810, 1820, 2000B, 2002, 2010, 2020, 2202, 2220, 2301, 2310, 2402, 2610, 4300, F18, F20, F22, F24
Repl. 26776-120002, 26356-120002 & 26777-120002

SWN-4130 **Steering wheel nut** 1500, 1600, 1700, 2000, 2200, 2210, 2210B, 2500, 2700, 3000 Repl. 194130-15530

SWN-6716 **Steering wheel nut** 1300 Repl. 26716-120000 (old # 26717-120002)

SW-4930 Steering wheel center cap, common to many models. A = 49.30mm



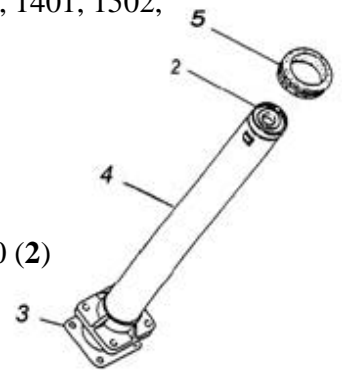
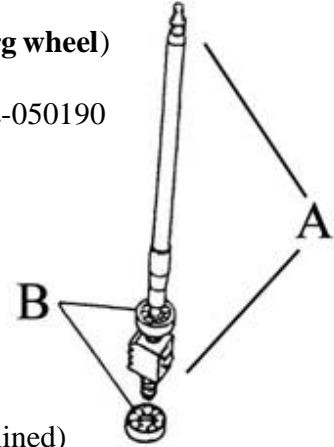
SW-6320 Steering wheel center cap, common to many models. A = 63.20mm



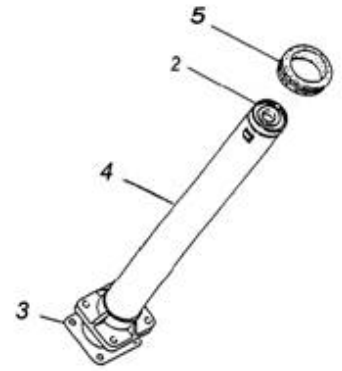
Steering Column and Related Parts



- SC-1300** Strg stub shaft w / worm gear 1300 **GREEN only**
- SC-1550** Steering shaft w/ worm gear 195, 240, 1500, 1600, 1700, 1900 (A)
2000, 2200, 2700 Repl. 794130-15500 (**Brgs not included**) (keyed)
- SC-2500** Steering shaft w/worm gear 330, 2500, 3000 (A)
Repl. 194145-15500 (**Brgs not included**)(keyed)
2610, 3110 Repl. 194330-15500 (**Req. purchase of SW-150 strg wheel**)
- WK-519** Woodruff key for SC-1550 & SC-2500 strg column Repl. 22522-050190
- SC-4166** Steering shaft w/worm gear (2-pc) 1601, 1610, YMG1800, (A)
1802, 1810, 1820, YMG2000, 2001, 2002, 2010, 2020, 2202,
2220, 2301, 2310, 2402, 2420 Repl. 194166-15500; (Splined)
Purchase of SW-420 required for 2210, 2210B
Repl. 194310-15500 (Brgs not included) (Splined)
- SC-4440** Steering shaft w/worm gear (2-pc) 140, 147, old 186, (A)
1401, 1510, F175 Repl. 194440-15500 (**Brgs not included**) (Splined)
- SC-4340** Steering shaft w/worm gear 1100, 1300 Red (A)
15.5 mm diameter shaft (Splined) **Brgs not included**
- SB-750** Steering column brg. (2 per column) 155 w/**19mm** shaft, 165, 169, (B)
180, New 186, 187, 195, 220, 226, 240, 250, 1500, 1600, 1601,
1610, 1700D, 1702, 1720, YMG1800, 1802, 1810, 1820, 2000,
YMG2000, 2001, 2002, 2010, 2020, 2200, 2202, 2210, 2220, 2301,
2310, 2402, 2420, F17, FX17, F18, FX18 Repl. 194750-15520
- SB-4145** Steering column bearing (2 per column) 276, 330, 330D, 1300, 2500, (B)
2610, 2620, 2820, 3000, 3110, F20, FX20, F24, FX24, F215, FX215,
F235, FX235, F255, FX255, F265, FX265 Repl. 194145-15310
- SB-262** Steering column bearing (2 per column) F13, F14, F15, (B)
F16, 122, 126, 135, 140, 142, 146, 147, old 186, 1100, 1301, 1401, 1502,
1510, 1602, FF145D, FF155D, F165D Repl. 194262-15520
- SCG-42** Steering column grommet 195, 240, 1601, 1610, 1700, (5)
1702, 1802, 2000, 2002, 2210, 2310, 2500, 3000, 3810
Repl. 194990-72050 & 194145-15650
- SCB-4750** Strg. column bushing 1700, 2000, 2610 Repl. 194750-15310 (2)
- SCS-1** Steering column shim 0.1 thick Repl. 194750-15280 (3)

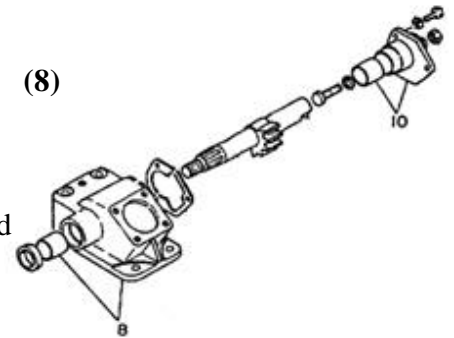


- SCS-2 Steering column shim 0.2 thick Repl. 194750-15290 (3)
- SCS-3 Steering column shim 0.3 thick (3)
- SC-4190 Steering column tube includes # 2, 1500, 1700, 2000 (4)
Repl. 194190-15200



Steering Box and Related Parts

- SC-1515 Side cover w/bushing 1601, 1610, YMG1800, (10)
YMG2000, 2010, 2210B Repl 194310-15150;
1500, 1600, 1700, 1900, 2000 Repl. 194197-15150
- SCB-1511 Steering box 187, 1500, 1600, 1700, YMG1800, (8)
1900, 2000, YMG2000, 2010, 2020, 2210
Repl. 194241-15110



- SB-2616 Bushing 1500, 1700, 2000 (short) for adjustment end
- SB-2630 Bushing 2210, 2610
- SB-2637 Bushing for output or seal side of shaft 1500, 1700, 2000

- SSS-4262 Steering sector shaft, horizontal F13, F165D, 122, 126, 135, 135D,
140, 142, 146, 147, 186, 1300 **Red**, 1301, 1401, 1502,
1510, 1602 Repl. 194262-15410
155, 155D, 165, 165D Repl. 194340-15140



- SSS-4310 Steering sector shaft, horizontal 187, **195D**, 220, 226, **240D**, 1601, 1610,
1700D, YMG1800, 1802, 1810, YMG2000, 2001, 2002, 2202, 2210,
2210B, 2220, 2301, 2310, 2402, 2420 Repl. 194310-15411
- SSS-4740 Steering sector shaft, horizontal **195 2wd**, **240 2wd**, 1500, 1600,
1700, 1900, 2000, 2200, 2700 Repl. 194740-55140
- SSS-4145 Steering sector shaft, horizontal 330, 2500, 2610,
2620, 2820, 3000, 3110, 3810 Repl. 194274-15410 (old # 194145-15410)

SEALS – Steering output shaft seals listed on next page

Continued from previous page

26x38x7TC Steering output shaft seal 135, 155, 165, 169, new 186, 195, 226, 240, 1500, 1600, 1601, 1610, 1700, YMG1800, 1900, 2000, YMG2000, 2010, 2020, 2200, 2210, 2220, 2310, 2420, F17, FX17 Repl. 194740-55620

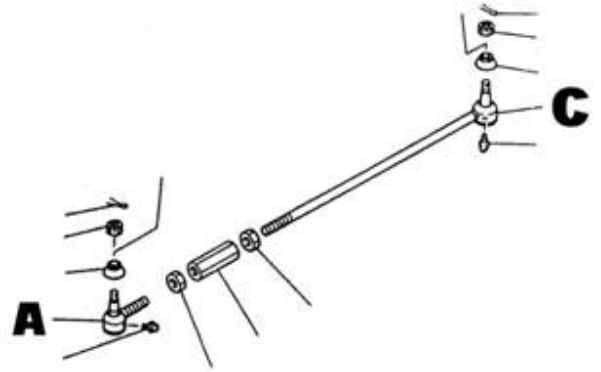
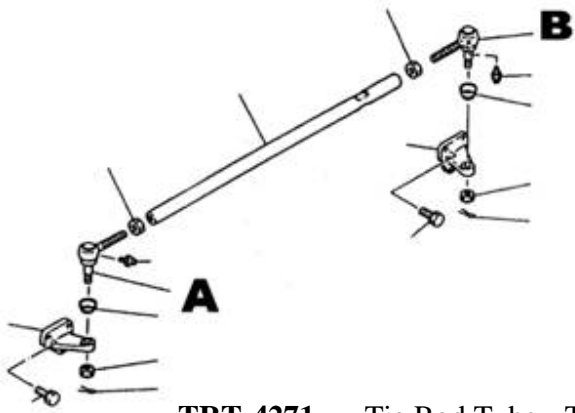
22x35x8TC Steering output shaft seal 122, 126, 140, 142, 146, 147, old 186, 1300, 1301, 1401, 1502, 1510, 1602, F14, F15, FF145D, FF155D, F165D Repl. 24423-223508 (old # 194262-15140)

SBS-4080 Steering output shaft seal 330, 2500, 2610, 2620, 2820, 3000, F20, FX20, F24, FX24, F255, FX255 Repl. 194080-15140

Power Steering Seal

20x32x7TC Seal, PS top 336, 3110, 4300, 4500 Repl. 194454-15390

Tie Rods

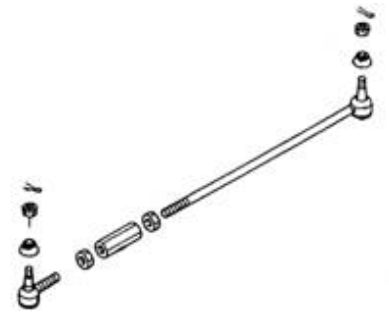


- TRT-4271** Tie Rod Tube - Tube between tie rod ends 330D, 336D, (D)
2610D, 3110D, 3810D Repl.194271-12310 (194321-12310 OLD)
- DC-4730** Dust cover, ball joint, common to most models
Repl. 194730-57220
- TR-1812** Tie rod end LH thread for right side 195D, 226, 226D, 240D, (B)
276, 276D, 330D, 336, 336D, 1610D, 1700D, YMG1800D, 1802D,
1810D, 1820D, 2000D, YMG2000D, 2001D, 2002D, 2010D,
2200, 2202D, 2210BD, 2210D, 2220D, 2301D, 2310D, 2402D, 2420D,
2500, 2610, 2610D, 2700, 3000, 3110, 3110D, 3810, 3810D, 4300D,
F17D, FX17D, F18D, FX18D, F20, F20D, FX20, FX20D,
F24, F24D, FX24, FX24D Repl. 198291-18120 (Old # 794730-57132-X)
- TR-1813** Tie rod end RH thread for left side 135, 135D, 155, 155D, (A)
165, 195D, 226, 226D, 240D, 276, 276D, 330D, 336, 336D, 1300,
1300D, 1401, 1602, 1610D, 1700D, YMG1800D, 1802D, 1810D, 1820D,
2000D, YMG2000D, 2001D, 2002D, 2010D, 2200, 2202D, 2210BD,
2210D, 2220D, 2301D, 2310D, 2402D, 2420D, 2500, 2610, 2610D,
2700, 3000, 3110, 3110D, 3810, 3810D, 4300D, F17D, FX17D,
F18D, FX18D, F24, F24D, FX24, FX24D
Repl. 198291-18130 (Old # 794730-57122-X)
- TR-4150** Tie rod end, RH (long) 186, 186D, 187D, 195, 240, 1500, (C)
1600, 1610, 1700, 1900, 2000, F17, FX17, F18, FX18
Repl. 194150-12300 (Old # 794150-12301)
- TR-8290** Tie rod end, LH (short) 1700, 1820, 2000, 2010 (A)
Repl. 198290-18140;
**186, 186D, 187D, 195, 240, 1500, 1500D, 1510, 1510D, 1600, 1610,
1802, 1810, 1820, 1900, 2001, 2002, 2202, 2210, 2220, 2301,
2310, 2402, 2420, F17, FX17, F18, FX18** Repl. 794730-57112

Continued on next page

TR-1500 Complete tie rod assembly 1500D Red or Green

TR-2000 Complete tie rod assembly 1700, 1802, 2000, 2002

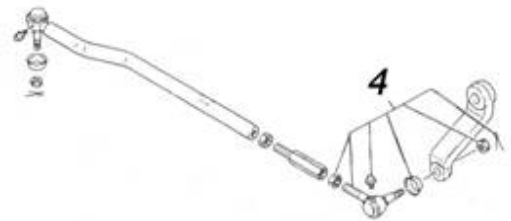


Drag Rods

TR-1813 (4) Drag rod end 226, 2500, 3000,
3810 Repl. 794730-57122-X

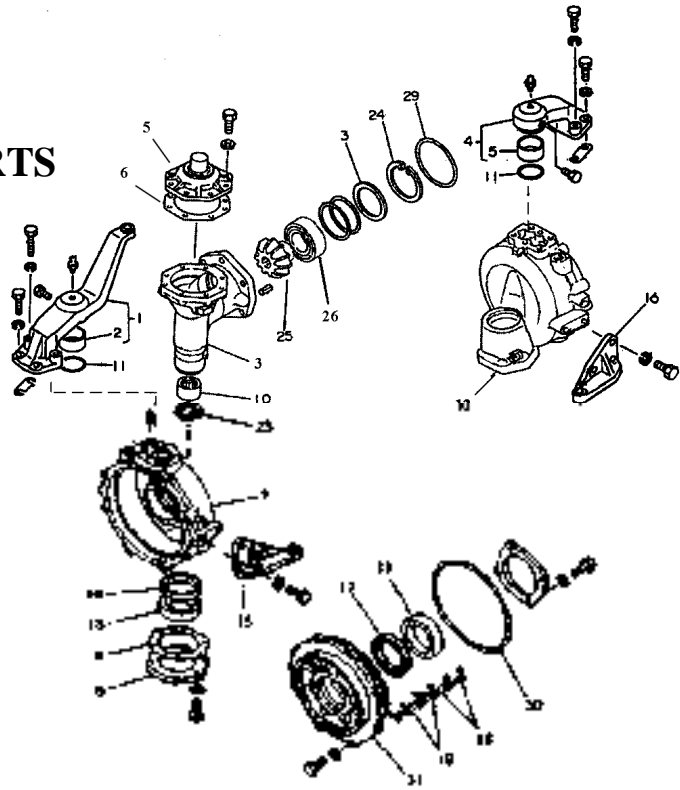
TR-1813 (6) Drag rod end 4300
Repl. 794730-57122-X

TR-1812 (6) Drag rod end 2500, 3000
Repl. 794730-57132



4WD FRONT AXLE PARTS

Page 1 of 3



- SA-1901** LH steering arm 330D, 336D, 2610D, 3110D, 3810D Repl. 194321-11901 (1)
- SB-4321** Bushing 330D, 336D, 2610D, 3110D, 3810D, 4300D, 4500D Repl. 194321-11921 (2 & 5)
- SH-1370** Spindle hsg 330D, 336D, 2610D, 3110D, 3810D Repl. 194321-13700 (3)
- SA-1950** RH steering arm 330D, 336D, 2610D, 3110D, 3810D Repl. 194321-11950 (4)
- SC-1372** Cover, top hsg 330D, 336D, 2610D, 3110D, 3810D Repl. 194321-13720 (5)
- CG-4321** Gasket, top cover, for SC-1372 Repl. 194321-13730 (6)
- FGC4274** LH lower hsg 330D, 336D, 2610D, 3110D, 3810D Repl. 194274-13711, 194321-13740 & 194321-14310 (7)
- GHC-4321** Cover, lower hsg 330D, 336D, 2610D, 3110D, 3810D, 4300D Repl. 194321-13750 (8)
- CG-1376** Gasket, lower cover, for GHC-4321 Repl. 194321-13760 (9)

4WD FRONT AXLE PARTS

Page 2 of 3

NB-3110 Needle bearing 330D, 336D, 2610D, 3110D, (10)
3810D, 4300D Repl. 194321-13860

FGC-4321 RH lower hsg 330D, 336D, 2610D, 3110D, (12)
3810D Repl. 194321-13910

NOTE: There are several options for the front axle seals on the model series listed below. CHECK your seal sizes before ordering.

60x75x9TC Seal early 330D, early 336D, old style 2610D,
3110D, 3810D, 4300D Repl. 194321-13920

60x75x6VC Dust seal early 330D, early 336D, old style 2610D
3110D, 3810D, 4300D Repl. 194321-13930

AC-4274 Collar 330D, 336D, 3110D, 4300D Repl. 194274-13910

58x75x7TC Seal 3110D (for knuckle that has been turned)

64x80x13TC Seal 336D w/HD frt. axle, 2610D, 3110D, 3810D, (13 & 14)
4300D Repl 194274-13920 (use with **FGC-4274 & FGC-4321**)

AS-4465 Seal 330D, 336D, 3110D Repl. 194465-13920
60mm ID x 75mm OD x 13mm Thick

60x80x12TC Seal 2610D, 3110D Repl. 194136-32800

AS-3110 Seal, front knuckle 2610D, 3110D
64mm ID x 75mm OD

AS-4279 Sleeve 330D, 336D, 3110D, 4300D
60mm ID x 64mm OD Repl.194279-13900

AS-6064 Repair sleeve w/o lip 330D, 336D,
3110D, 4300D 60mm ID x 64mm OD

TRB-1211 LH tie rod bracket 336D, 2610D, 3110D, 3810D, (15)
4300D Repl. 194321-12110

TRB-1221 RH tie rod bracket 336D, 2610D, 3110D, 3810D, (16)
4300D Repl. 194321-12210

65x88x5VC Dust seal 330D, 336D, 2610D, 3110D (17)
3810D, 4300D Repl. 24430-658805 (old # 194321-13970)

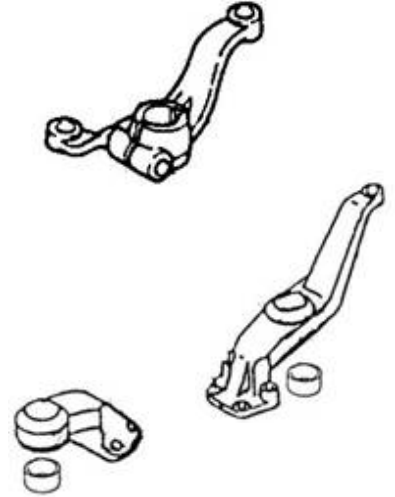
4WD FRONT AXLE PARTS

Page 3 of 3

- SS-4321** Shim set (16 ea .20 & .30 mm thick) 330D, 336D, 2610D, (18)
3110D, 3810D, 4300D Repl. 194321-13980 & 194321-13990
- 65x88x12TC** Seal 330D, 336D, 2610D, 3110D, 3810D, (21)
4300D Repl. 24423-658812 (old # 194321-13960)
- SR-450** Snap ring 330D, 336D, 2610D, 3110D, (23)
3810D, 4300D Repl. 22262-000450
- SR-850** Snap ring 330D, 336D, 2610D, 3110D, (24)
3810D, 4300D Repl. 22262-000850
- SG-3110** Gear 330D, 336D, 2610D, 3110D, 3810D, (25)
4300D Repl. 194321-13520
- 6209-2RS** Bearing 330D, 336D, 2610D, 3110D, 3810D, (26)
4300D Repl. 24101-062094
- OR-1000** Oring 330D, 336D, 2610D, 3110D, 3810D, (29)
4300D Repl. 24321-001000
- OR-2000** Oring 330D, 336D, 2610D, 3110D, 3810D, (30)
4300D Repl. 24321-002000
- SAH-4321** Stub axle cover 330D, 336D, 2610D, 3110D, (31)
3810D, 4300D Repl. 194321-13950

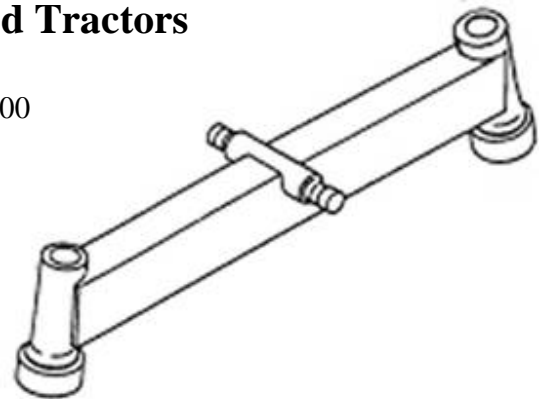
Steering Arm and Spindles

- SA-1700** Steering arm, LH 195, 240, 1500, 1600, 1700, 1900, 2000 Repl. 194151-12110
- SA-2000** Steering arm, RH 195, 240, 1500, 1600, 1700, 1900, 2000 Repl. 194151-12210
- SA-1211** Steering arm, LH 330, 336, 3000, 3110, 3810 Repl. 194145-12111
- SA-1901** Steering arm, LH 330D, 336D, 2610D, 3110D, 3810D Repl. 194321-11901 (includes bushing)
- SA-1950** Steering arm, RH 330D, 336D, 2610D, 3110D, 3810D Repl. 194321-11950 (includes bushing)
- SB-4321** Steering arm and cap bushing 330D, 336D, 3110D, 3810D Repl. 194321-11921 (for SA-1901 & SA-1950)



Front Axle Components – 2wd Tractors

- FAH-4190** Front axle housing 1500 Repl. 194190-11200
- FAH-4151** Front axle housing 1700, 2000 Repl. 194151-11201



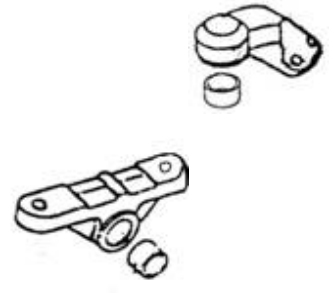
Continued on next page

Continued from previous page

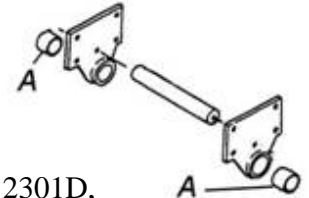
SB-4321 Steering arm and cap bushing 330D, 336D, 3110D, 3810D Repl. 194321-11921



SB-4306 Bushing, axle pivot 195, 240, 1600, (A) 1700, 1900, 2000 Repl. 194306-13830 (old # 194150-11350)



APB-4191 Axle pivot bushing 195D, 1300, 1500D Red & Green, (A) 1610D Repl. 194191-22120

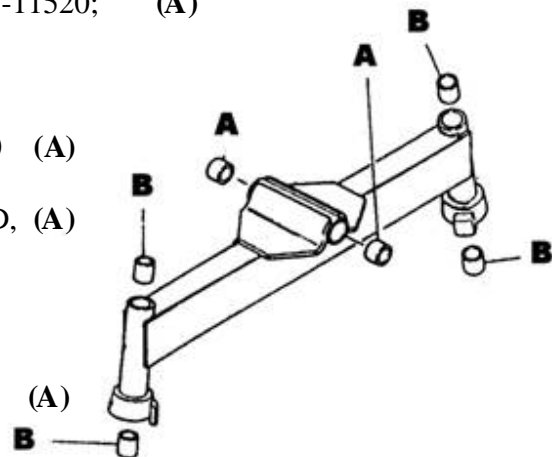


APB-4312 Axle pivot bushing, 220, 226, 226D, 276, 1802, 1820, 2001, 2001D, 2010D, 2002, 2202, 2202D, 2210D, 2220, 2220D, 2301, 2301D, 2310, 2402, 2402D, 2420, 2420D Repl. 194312-11520; (A) **240D, 2210BD** Repl. 194311-13420

APB-4515 Axle pivot bushing F17, F17D, FX17, FX17D, F18, F18D, FX18, FX18D Repl. 194515-13220 (A)

APB-4321 Axle pivot bushing 330D, 336D, 2610D, 2620D, (A) 2820D, 3110D, 3220D, 3810D, 4220D, 4300D Repl. 194376-11620 (old # 194321-11620)

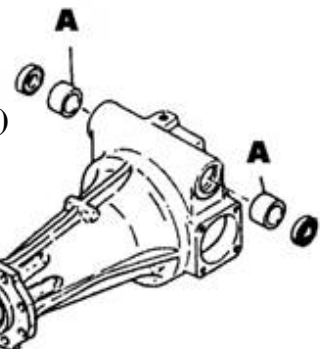
SB-4321 Axle pivot bushing F20, FX20, F22, FX22, F24, FX24, F255, FX255 Repl. 194321-11921 (A)



SB-4440 Spindle bushing 165, 195, 186, 187, 240, 1401, 1502, 1510, 1601, 1602, 1700, 1802, 1820, 2000, 2002, F14, F15, F16 Repl. 194440-11360 (old # 194151-11360) (B)

SB-4306 Spindle bush. 1600, 1700 Green, 1900, 2000 Green (B) Repl. 194306-13830 (old # 194150-11350)

SB-4464 Spindle bushing F20, FX20, F22, FX22, (B) F24, FX24, FX26, FX28, F255, FX255, 330, 226, 2001, 2202, 2210, 2210B, 2220, 2301, 2310, 2402, 2420, 2500, 2610, 2620, 2820, 3000, 3110, 3220, 3810, 4220, 4300 Repl. 194464-11340 & 194145-11840; **2200, 2700** Repl. 194990-47050 (A & B) **2210, 2210B** Repl. 194310-11560 (A)



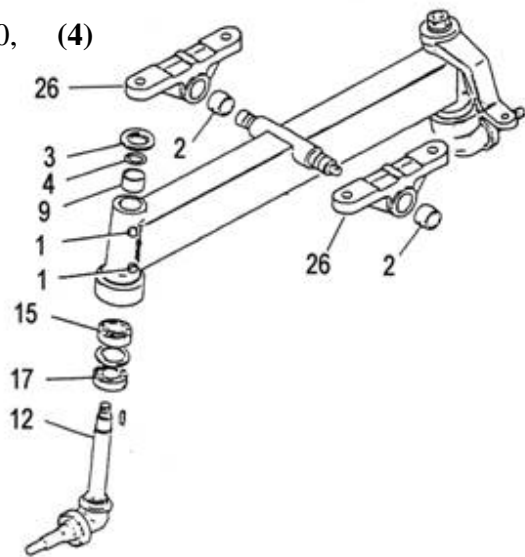
30x42x7TC Seal, axle pivot 226D, YMG1800D, YMG2000D, 2010D, 2210BD, 2210D, 2220D, 2420D Repl. 194311-13430

35x41x5VB Seal, axle pivot F20, FX20, F22, FX22, F255, FX255 Repl. 194321-11940

Continued on next page

Continued from previous page

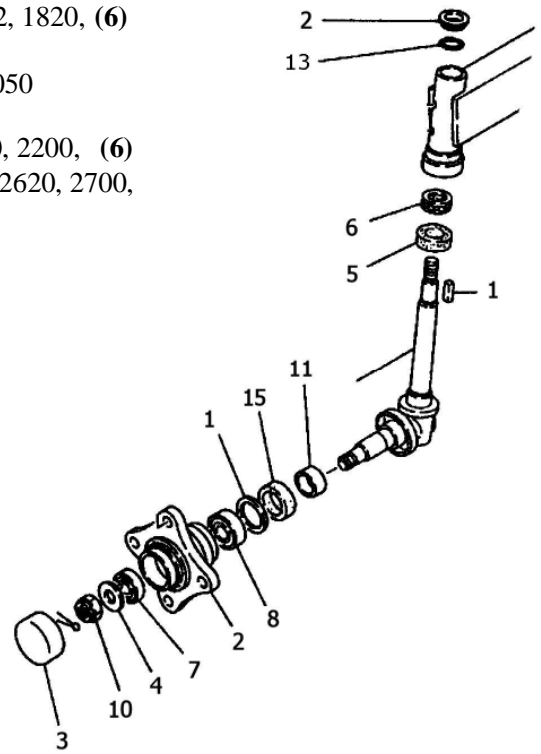
- GF-6** Grease fitting Repl. 194151-11480 (1)
- CPS-4151** Center pin support 195, 240, 1600, 1700, 1900, 2000 Repl. 194151-11500 (w/ bushing & grease fitting) (26)
- SW-4151** Spindle cover washer 240, 1500, 1510, 1601, 1610, 1700, YMG1800, 1802, 2000, YMG2000, 2002, F18 Repl. 194151-11840 (3)
- OR-212** Spindle cover o-ring 240, 1500, 1510, 1610, 1700, YMG1800, 1802, 2000, YMG2000, 2002, F18 Repl. 194151-11860 (4)
- FAH-4190** Front axle housing 1500 Repl. 194190-11200 (8)
- FAH-4151** Front axle housing 1700, 2000 Repl. 194151-11201 (8)
- SB-4440** Spindle bushing 1700, 2000 Repl. 194440-11360 (old # 194151-11360) (9)
- SB-4464** Spindle bushing 2500, 3000, 3810 Repl. 194145-11840 (9)
- SA-4151** Spindle 180, 187, 240, 1500, 1700 Red, 2000 Red Repl. 194151-11600 & 194880-11800X (12)
- SA-4145** Spindle 2500, 3000, 3110, 3810 Repl. 194145-11801 (12)
- 6205-2RS** Spindle bearing 1500, 1700, 2000 Repl. 24101-062054 (15)
- 35x52x11TC** Seal 1500, 1600, 1700, 1900, 2000 Repl. 194150-12720 (17)
- 35x48x10TC** Seal 1510, 1601, 1602, 1610, 1702, 1720, YMG1800, 1802, YMG2000, 2002, F16, F18 Repl. 194440-11870 (17)
- SB-4306** Support bushing 195, 240, 1700, 2000 Repl. 194150-11350 (2)
- APB-4191** Front axle pivot bushing 1500 Repl. 194190-11520 (2)



Continued on next page

Continued from previous page

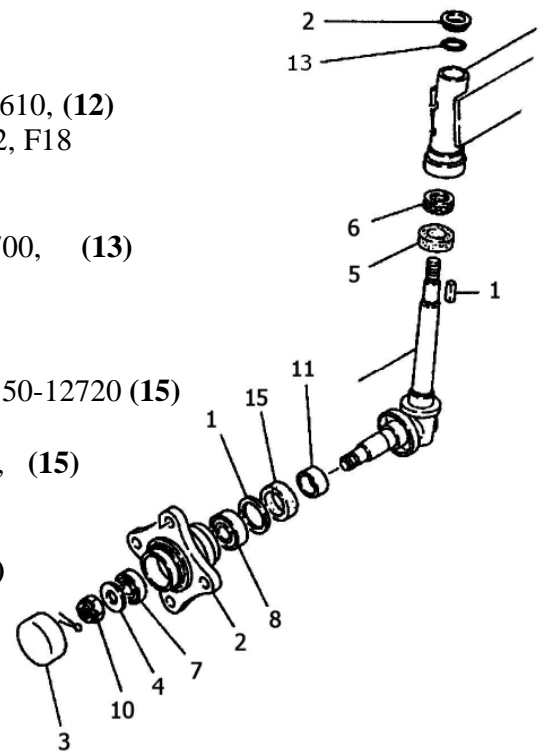
- SW-1167** Spacer washer 187, 1500, 1700, 2000 (1)
Repl. 194151-11670
- FH-4151** Frt. hub 140, 147, 186, 187, 195, 240, 1500, 1502, 1510, 1602, (2)
1610, 1700, 1702, 1720, YMG1800, 1802, 1810, 1900 (needs HC-4150) 2000,
YMG2000, 2002, F16, F18 Repl. 194151-12610
- FH-4200** Front hub F15, 135, 155, 1300, 1301, 1401 Repl. 194200-11801 (2)
- HC-4151** Hub cap 135, 140, 147, 155, 165, 186, 187, 195, 240, 1110, 1300, (3)
1401, 1500, 1502, 1510, 1602, 1700, YMG1800, 1802, 1820,
2000, 2000B, YMG2000, 2002, F14, F15, F16, F18 Repl. 194151-12620
- HC-4134** Hub cap, 4 bolt 2001, 2010, 2202, 2210B, 2220, 2301, 2310, (3)
2402, 2420, 2500, 2610, 2620, 2820, F20, FX20, FX26,
FX28, F255, FX255 Repl. 194134-12620
- HC-4145** Hub cap, 4 bolt 3000, 3110, 3220, 4220 Repl. 194145-12640 (3)
- 51105** Spindle bearing 187, 1510, 1602, YMG1800, 1802, 1820, (6)
YMG2000, 2002, F16, F18 Repl. 194210-14300
1610 Repl. 1A3810-22060; F18 Repl. 24520-511050
- 51106** Spindle brg. 226, 276, 330, 336, 2001, 2010, 2210, 2200, (6)
2202, 2220, 2301, 2310, 2402, 2420, 2500, 2610, 2620, 2700,
2820, 3000, 3110, 3220, 3810, 4220, F20,
FX20, FX26, FX28, F255, FX255
Repl. 24520-51106 (old # 1A1030-12200)
- 6204-2RS** Outer wheel brg 165, 186, 195, 240, (7)
1401, 1602, 1700, YMG1800, 1820, 2000,
YMG2000, F16, F18 Repl. 24101-062044
- 38x52x9TC** Spindle seal 226, 276, 330, 336, 2210, 2500, (5)
2610, 2620, 2820, 3000, 3110, FX26, FX28,
F255, FX255 Repl. 194145-11860
- 35x52x11TC** Spindle seal 135, 155, 165, 187, 195, (5)
240, 1110, 1401, 1500, 1600,
1700, 1900, 2000, F16, F18 Repl. 24421-355211
- 35x48x10TC** SPINDLE SEAL F18, 1601, 1610, YMG1800, (5)
YMG2000, 2002 REPL. 194440-11870



Continued on next page

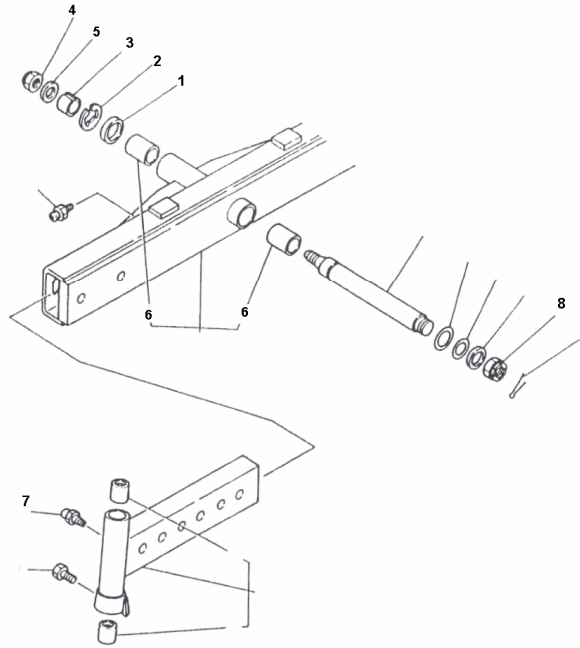
Continued from previous page

- 6205-2RS** Spindle bearing 135, 155, 1110, 1401, (6)
1600, 1900 Repl. 24101-062054
- 30205** Outer wheel brg 226, 2210, 2500, 2620, 2820 (7)
3000, 3110, 3220, 4220, 4300, FX26, FX28
Repl. 24142-302050 (old # 194145-11910)
- 6205-2RS** Inner wheel brg 165, 186, 195, 240, 1110, (8)
1401, 1602, 1700, YMG1800, 1820, 2000,
YMG2000, F16, F18 Repl. 24101-062054
- 32007** Inner wheel brg 226, 2210, 2210B, 2500, 2620, (8)
2820, 3000, 3110, 3220, 4220, 4300, FX26, FX28
Repl 24141-320070
- LN-211** Spindle nut 1600, 1700 Green, 1900, (10)
2000 Green Repl. 24211-020002
- LW-20** Spindle LW 1600, 1700 Green, 1900, (4)
2000 Green Repl. 24237-020000 (old # 24231-020000)
- LN-20** Spindle nut 195, 240, 1110, 1300, 1401, 1500, (10)
1700 Red, 2000 Red
Repl. 26837-200002 (old # 26831-200002)
- SW-4151** Spindle cover washer 240, 1500, 1510, 1601, 1610, (12)
1700, YMG1800, 1802, 2000, YMG2000, 2002, F18
Repl. 194151-11840
- OR-212** Spindle cover o-ring 240, 1500, 1510, 1610, 1700, (13)
YMG1800, 1802, 2000, YMG2000, 2002, F18
Repl. 194151-11860
- 35x52x11TC** Front spindle seal 1500, 1700, 2000 Repl. 194150-12720 (15)
- 40x62x19TC** Front spindle seal 226, 2200, 2210, 2500, 2610, (15)
2700, 3000 Repl. 194130-12720
- AS-4314** Front spindle seal F20, FX26, FX28, 2001, (15)
2220, 2301, 2420, 2620, 2820
Repl. 194314-12720



Continued next page

Continued from previous page



SW-4145 Seal washer 330, 336, 2500, 2610, 2620, 2820, 3000, 3110, (1)
3220, 3810, 4220, 4300 Repl. 194145-11550

35x41x5VB Seal FX26, FX28, FX32, FX42, FX335, FX435 (1)
Repl. 194321-11940

SR-32 Snap ring (E-clip) 330, 336, 2500, 2610, 2620, 2820, 3000, (2)
3110, 3220, 3810, 4220, 4300, FX26, FX28, FX32, FX42
Repl. 194145-11521

SB-1157 Spacer 330, 336, 2500, 2610, 2620, 2820, 3000, 3110, (3)
3220, 3810, 4220, 4300, FX26, FX28, FX32, FX42
Repl. 194145-11570

Nut, M20 Repl. 26346-200002 (4)

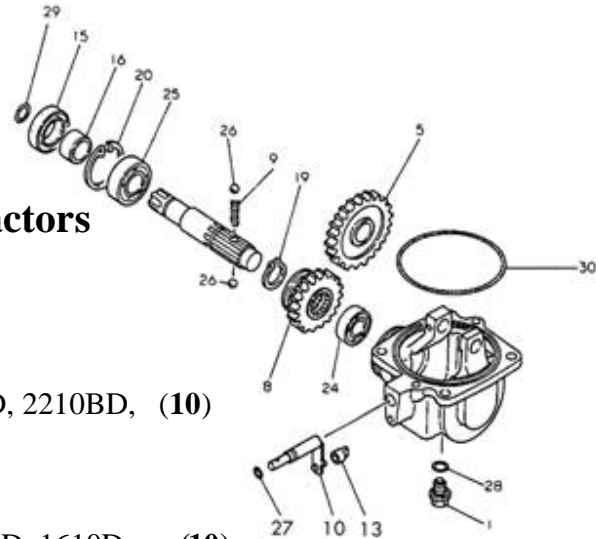
Washer, 20 mm Repl. 22137-200000 (5)

APB-4145 Bushing 330, 336, 2500, 2610, 2620, 2820, 3000, 3110, (6)
3220, 3810, 4220, 4300, FX26, FX28, FX32, FX42, FX335,
FX435 Repl. 194145-11580 & 194464-11220

GF-6 Grease fitting (7)

Nut, M24 Repl. 194130-11580 (8)

Drop Box Parts – 4wd Tractors

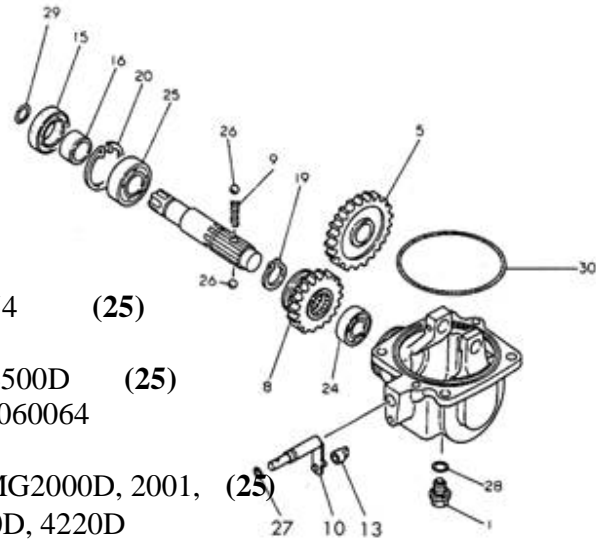


- DBA-4311** Drop box arm 2001D, 2020D, 2202D, 2210D, 2210BD, (10)
2220D, 2301D, 2310D, 2402D, 2420D
Repl. 194311-28311
- DBA-4421** Drop box shift arm 220D, 226D, 250D, 1601D, 1610D, (10)
1702D, 1720D, 1802D, 1810D, 1820D 2002D
Repl. 194421-28310
- OR-110** O-ring for DBA-4421 & DBA-4311 arm Repl. 24311-000110 (27)
- SB-4191** Shift block, drop box 220D, 226D, 250D, 1610D, 1810D, 2002D, (13)
2202D, 2210D, 2220D, 2402D, 2420D, 2610D, 2620D, 2820D,
3110D, 3220D, 3810D, 4220D, F24D, FX26D, FX28D,
FX32D, FX42D Repl. 194191-28451
- 30x40x7SC** Drop box seal 1500D RED, 1700D, 2000D Repl. 194191-28370 (15)
- 30x52x8TC** Drop box seal 186D, 220D, 226D, 250D, 276D, 1601D, 1610D, (15)
1702D, 1720D, 1802D, 1810D, YMG1800D, YMG2000D, 2001D,
2002D, 2010D, 2202D, 2220D, 2301D, 2310D, 2402D, 2420D
Repl. 24421-305208 (Old # 1A1040-28820)
- 30x47x8TC** Drop box seal 195D, 240D, 1700D, 2000D, 2210D, 2210BD (15)
Repl. 24423-304708 (Old # 194311-28120)
- 35x55x8TC** Drop box seal 2620D, 2820D, 3220D, 4220D (15)
Repl. 194420-24340 (old #195100-12430)
- 35x55x11TC** Drop box seal 330D, 4300D Repl. 24421-355511 (15)
- 40x55x8TC** Drop box seal 2610D, 3110D, 3810D, 4500D Repl. 194321-28120 (15)
- 25x42x8TC** Seal, Trans to front drive shaft 186D, 1510D, FX18 (15)
Repl. 24423-254208 (Old # 194301-28240)

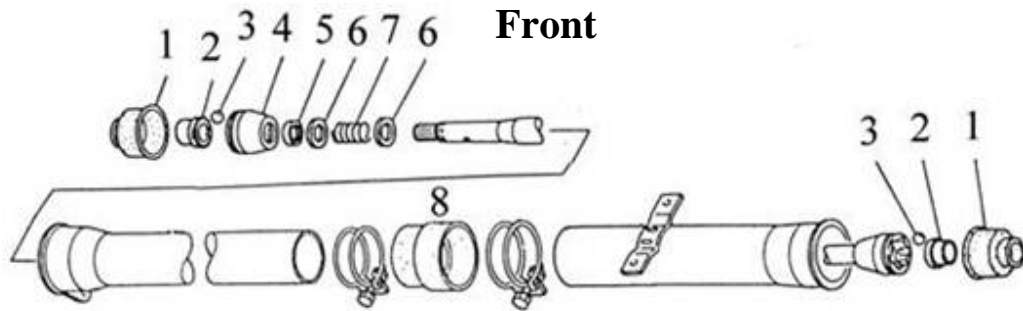
Continued on next page

Continued from previous page

- 6005-2RS** Ball bearing 195D, 240D Repl. 24101-060054 (25)
- 6006-2RS** Ball bearing 330D, 2620D, 2820D, 3110D, 4500D (25)
3220D, 3810D, 4220D, 4300D Repl. 24101-060064
- 6205-2RS** Ball bearing 226D, 1802D, YMG1800D, YMG2000D, 2001, (25)
2002D, 2301D, 2310D, 2620D, 2820D, 3220D, 4220D
Repl. 24101-062054
- 6005-2RS** Ball bearing 220D, 226D, YMG1800D, 1802D, YMG2000D, (24)
2001D, 2002D, 2301D, 2310D Repl. 24101-060054
- 6204-2RS** Ball bearing 195D, 240D Repl. 24101-062044 (24)
- 6205-2RS** Ball bearing 330D, 3110D, 4300D, 4500D Repl. 24101-062054 (24)
- SB-8000** Steel ball 187D, YMG1800, YMG2000, (26)
F24D, FX26D, FX28D Repl. 24190-080003
- SS-6190** Drop box seal sleeve 220D, 250D, 1601D, 1610D, 1702D, 1720D, (16)
YMG1800D, 1802D, 1810D, 1820D, YMG2000D, 2001D, 2002D,
2010D, 2020D, 2202D, 2210D, 2220D, 2301D, 2310D, 2402D, 2420D
Repl. 1E6190-54080 & 194320-24470
- SS-4274** Drop box seal sleeve 330D, 2620D, 2820D, 3220D (16)
4220D, 4300D Repl. 194274-28240
- SC-2824** Drop box seal sleeve 336D, 2610D, 3110D, 3810D (16)
Repl. 194321-28240
- DBG-2816** Drop box gear (42 teeth) YMG1800D, 1802D, 1820D (5)
Repl. 194073-28160; **can repl. 194431-28160 (39 teeth) on 1810,
YMG2000 and 2002 when purchased as a set with DBG-2822**
- DBG-2822** Drop box gear (26 teeth) YMG1800D, 1802D, 1820D (8)
Repl. 194073-28220; **can repl. 194431-28220 (32 teeth) on 1810,
YMG2000 and 2002 when purchased as a set with DBG-2816**



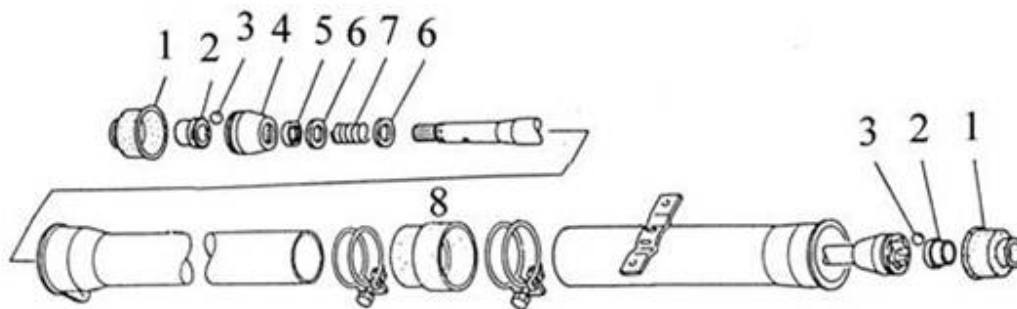
Drive Shaft Parts



- SS-4191** Splined shaft seal 195D, 220D, 240D, 250D, 1500D, 1601D, 1610D, 1702D, 1720D, YMG1800D, 2000BD, YMG2000D, 2001D, 2020D, 2202D, 2210D, 2301D, 2310D, 2402D, F20D, FX20D, F24D, FX24D, F255D, FX255D Repl. 194191-13340 (5)
- DC-4191** Coupling 195D, 220D, 240D, 250D, 276D, 1500D, 1601D, 1610D, 1702D, 1720D, YMG1800D, 2000BD, YMG2000D, 2020D, 2202D, 2220D, 2310D, 2402D, 2420D, F20D, FX20D, F24D, FX24D, F255D, FX255D Repl. 194191-13331 (4)
- DC-4321** Coupling 2610D, 2620D, 2820D, 3110D, 3810D, 4300D Repl. 194321-13340 (4)
- CB-4191** Coupling boot (rubber) 195D 220D, 240D, 250D, 1500D, 1601D, 1610D, 1702D, 1720D, YMG1800D, 2000BD, YMG2000D, 2001D, 2020D, 2202D, 2210BD, 2210D, 2220D, 2310D, 2402D, 2420D, F20D, FX20D, F24D, FX24D, F255D, FX255D Repl. 194640-13340 (old # 194191-13370) (1)
- CB-4321** Coupling boot (rubber) 2610D, 2620D, 2820D, 3110D, 3810D, 4300D Repl. 194321-13350 (1)
- DW-4191** Washer, spring retainer 195D, 220D, 240D, 250D, 1500D, 1601D, 1610D, 1702D, 1720D, YMG1800D, 2000BD, YMG2000D, 2020D, 2220D, 2310D, 2420D, F20D, FX20D, F24D, FX24D, F255D, FX255D Repl. 194191-13350 (194191-13360 for **YM 1500**) (6)

Continued on next page

Continued from previous page



- DW-4321** Washer, spring retainer 2610D, 2620D, 2820D, 3110D, 3810D, 4300D (6)
Repl. 194321-13360

- DS-4311** Spring 195D, 220D, 240D, 250D, 1500D, 1601D, 1610D, 1702D, (7)
1720D, YMG1800D, 2000BD, YMG2000D, 2020D, 2202D, 2210D,
2220D, 2310D, 2402D, 2420D, F20D, FX20D, F24D,
FX24D, F255D, FX255D Repl. 194311-13360

- DS-4191** Sleeve 195D, 220D, 240D, 250D, 276D, 1500D, 1601D, 1610D, 1702D,
1720D, YMG1800D, 2000BD, YMG2000D, 2020D, 2202D, 2210D,
2220D, 2310D, 2402D, 2420D Repl. 194191-13270 (2)

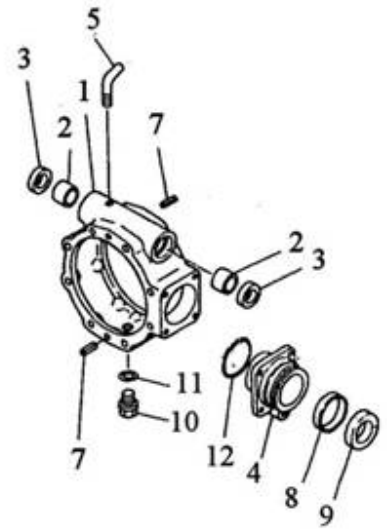
- SB-4190** Steel ball 195D, 220D, 240D, 250D, 276D, 1500D, 1601D, 1702D,
1720D, YMG1800D, YMG2000D, 2020D, 2202D, 2210D, 2220D,
2310D, 2402D, 2420D, F24D, FX24D, F255D, FX255D (3)
Repl. 24190-100003 (old # 24190-100001)

- SB-1132** Steel ball, front drive shaft 2620D, 2820D, 3110D (3)
FX26D, FX28D Repl. 24190-110001 (old# 24190-110003)

- DSB-4321** Drive shaft coupling boot 330D, 336D, 2610D, 2620D, 2820D, (8)
3110D, 3220D, 3810D, 4220D, 4300D, 4500D
Repl. 194321-14650

Center Axle Housing and Components

- CH-4158** Center axle housing 195D, 1601D, 1610D, 1700D, (1)
1702D, 1720D Repl. 194158-13401
- APB-4191** Axle pivot bushing 195D, 1601D, 1610D, 1700D, (2)
1702D, 1720D Repl. 194190-11520
- CB-4150** Axle pivot bushing 135D, 155D, 165D, (2)
1100D, 1300D, 1301D, 1401D Repl. 194210-13520
- 22x32x7SC** Axle pivot seal 195D, 1500D, 1601D, 1610D, (3)
1700D, 1702D, 1720D Repl. 194191-13420
- RP-820** Roll pin Repl. 22351-080020 (7)
- RP-520** Roll pin Repl. 22351-050020 (7a)
- SC-3662** Spacer 195D, 1610D, 1702D, 1720D, 2010D, (8)
2210D, 2310D Repl. 194191-13662
- 40x55x8TC** Seal 195D, 1601D, 1610D, 1700D, 1702D, 1720D (9)
Repl. 194191-13681
- DP-114** Drain plug Repl. 194151-24770 (10)
- OR-160** O-ring for DP-114 Repl. 24311-000160 (11)
- OR-630** O-ring for pinion housing 195D, 1601D, 1610D, 1700D, (12)
1702D, 1720D, YMG1800D Repl. 24341-000630



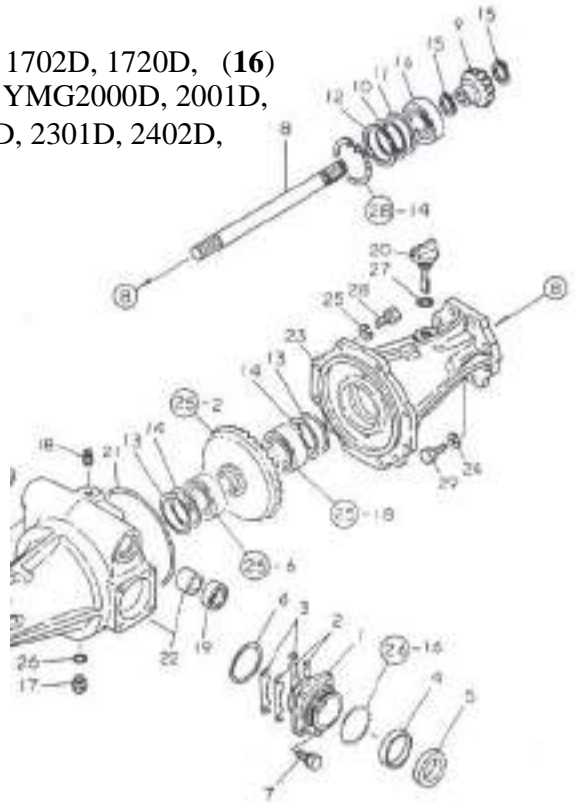
Front Axle Seal Case

- FAC-1300** Front axle seal case 155D, 165D, 1100D, 1300D,
1301D, 1401D Repl. 194210-13930



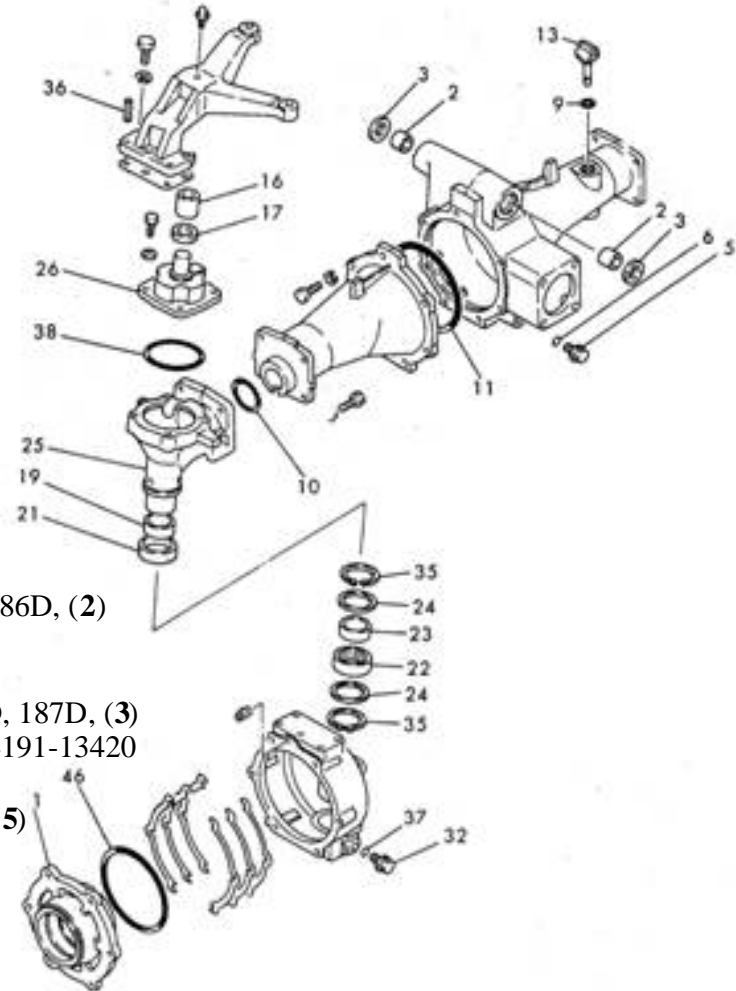
Housing to Knuckle Gears and Components

- SG-1352** Gear, front axle 195D, 220D, 226D, 240D, 250D, 276D, (9)
1601D, 1610D, 1700D, 1702D, 1720D, YMG1800D, 1802D,
1810D, 1820D, 2000D, YMG2000D, 2001D, 2002D, 2010D,
2020D, 2202D, 2210BD, 2210D, 2220D, 2301D,
2310D, 2402D, 2420D Repl. 194311-13520
- SR-24** Snap ring, front axle 195D, 240D, 1601D, 1610D, 1702D, 1720D,
YMG1800D, 1802D, 2000D, YMG2000D, 2002D, 2010D, 2020D,
2202D, 2402D Repl. 22242-000240 (2 required) (15)
- SR-25** Snap ring, front axle 1500D, 2210D, 2301D, 2310D (15)
Repl. 22242-000250 (2 required)
- 6207-2RS** Bearing 226D, 276D, 1601D, 1610D, 1702D, 1720D, (16)
YMG1800D, 1802D, 1820D, 2000D, YMG2000D, 2001D,
2002D, 2010D, 2020D, 2202D, 2220D, 2301D, 2402D,
2420D Repl. 24101-062074



Continued on next page

Continued from previous page



- APB-4191** Front axle center pivot bushing 186D, (2)
187D Repl. 194190-11520
- 22x32x7SC** Front axle center pivot seal 186D, 187D, (3)
1500D, 1502D, 1602D Repl. 194191-13420
- DP-114** Drain plug 186D, 187D, 1510D (5)
Repl. 194151-24770
- OR-160** O-ring for DP-114 drain plug (6)
Repl. 24311-000160
- OR-500** O-ring, between axle hsg & elbow 186D, (10)
187D, 1502D, 1602D Repl. 24321-000500
- SB-4321** Bushing, king pin 186D, 187D (16)
Repl. 194321-11921;
1502D, 1602D Repl. 194194-13840
- 35x41x5VB** Seal, king pin 186D, 187D, 1502D, (17)
1602D Repl. 194321-11940
- AC-1364** Seal collar 186D, 187D, 1502D, 1602D (19)
Repl. 194447-13640
- 44x57x11.5TC** Seal 186D, 187D, 1502D, 1602D, (21)
F18D, FX18D Repl. 194447-13650

Steering Arm and Spindles for YM1500D

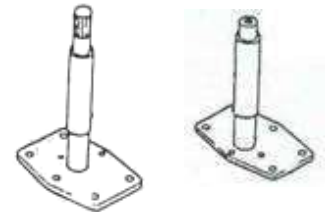
SA-1500 Steering arm 1500D Red or Green Repl. 194191-14611

S-701 Spindle, LH 1500D **Green** Repl. 194191-13701
(4-3/4" wide bottom plate)

S-801 Spindle, RH 1500D **Green** Repl. 194191-13801
(4-3/4" wide bottom plate)

S-137 Spindle, LH 1500D **Red** Repl. 194191-13170
(5-1/2" wide bottom plate)

S-138 Spindle, RH 1500D **Red** Repl. 194191-13900
(5-1/2" wide bottom plate)



S-137
S-701

S-138
S-801

Knuckle Components for YM1500D

115x140x15TC Seal, front knuckle 1500D RED (2)
Repl. 194191-13130

105x135x14TC Seal, front knuckle 1500D GREEN
Repl. 194191-13632 (2)

SA-1500 Steering arm 1500D Red or Green
Repl. 194191-14611 (3)

S-701 Spindle, LH 1500D **Green** (1)
Repl. 194191-13701 (4-3/4" wide
bottom plate)

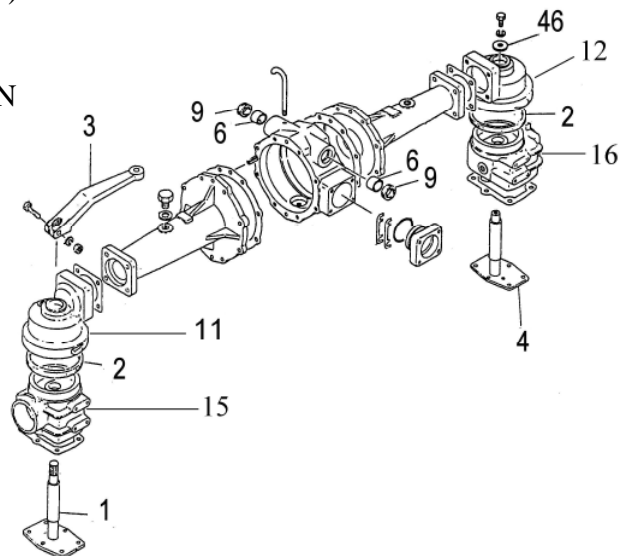
S-801 Spindle, RH 1500D **Green** (4)
Repl. 194191-13801 (4-3/4" wide
bottom plate)

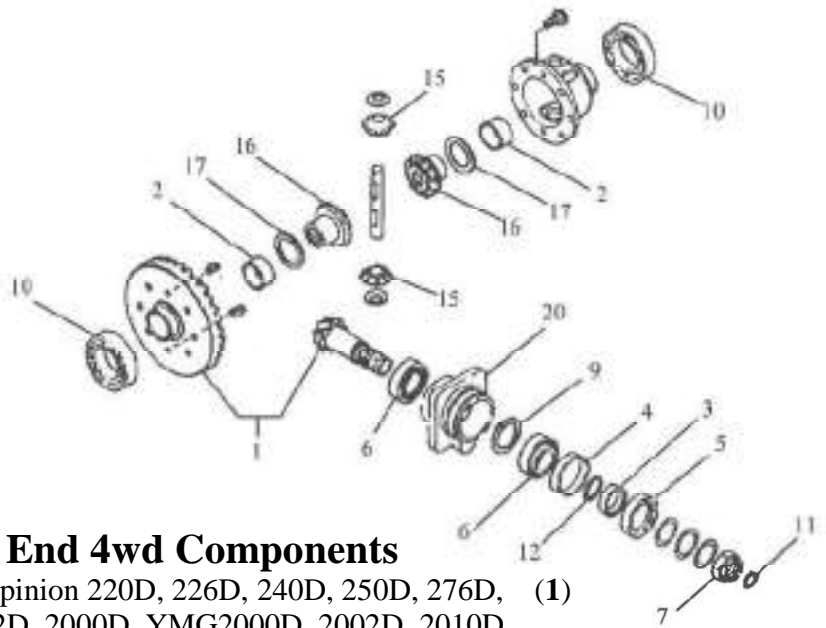
S-137 Spindle, LH 1500D **Red** (1)
Repl. 194191-13170 (5-1/2" wide bottom plate)

S-138 Spindle, RH 1500D **Red** Repl. 194191-13900 (4)
(5-1/2" wide bottom plate)

FW-1385 Washer, spindle thrust, RH 1500D **Green** (46)
Repl. 194191-13850

FW-1394 Washer, spindle thrust, RH 1500D **Red** (46)
Repl. 194191-139





Front End 4wd Components

- RGP-4311** Front ring gear & pinion 220D, 226D, 240D, 250D, 276D, (1)
 YMG1800D, 1802D, 2000D, YMG2000D, 2002D, 2010D,
 2020D, 2202D, 2210D, 2220D, 2301D,
 2310D, 2402D, 2420D Repl. 194311-13101

- RGB-4190** Ring gear bushing 1702D, 1720D, YMG1800D, (2)
 YMG2000D, 2202D, 2310D, 2402D Repl. 194190-31490

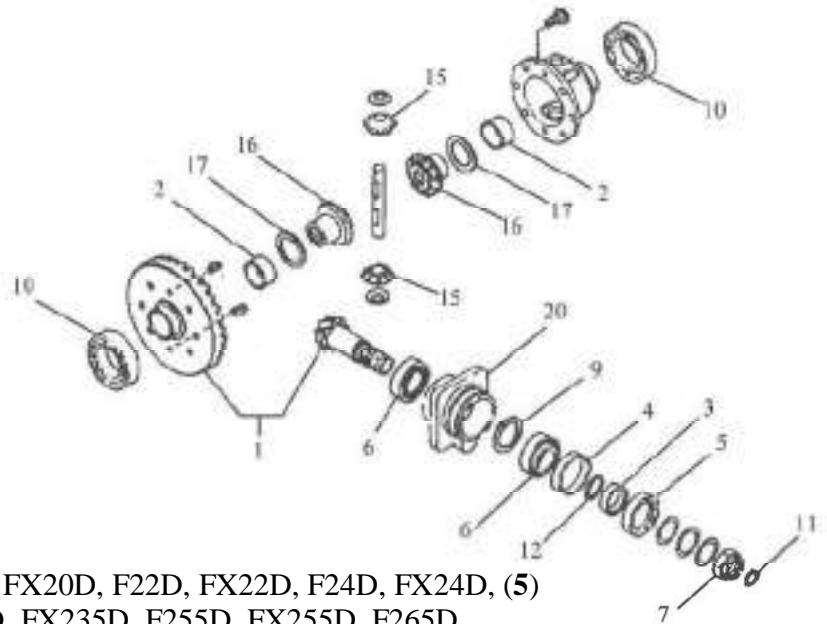
- SC-1317** Collar, seal 330D, 336D, 2610D, 2620D, 2820D, 3110D, (3)
 3220D, 3810D, 42220D, 4300D, 4500D, FX26D, FX28D,
 FX32D, F37D, FX42D, F46D Repl. 194321-13170

- SC-4305** Collar, seal F20D, FX20D, F22D, FX22D, F24D, FX24D, (3)
 F215D, FX215D, F235D, FX235D, F255D, FX255D, F265D,
 FX265D Repl. 194556-13190

- SC-3662** Spacer collar 1500D, 1610D, 1702D, 1720D, (4)
 YMG1800D, YMG2000D, 2010D, 2202D,
 2210BD, 2210D, 2310D, 2402D Repl. 194191-13662

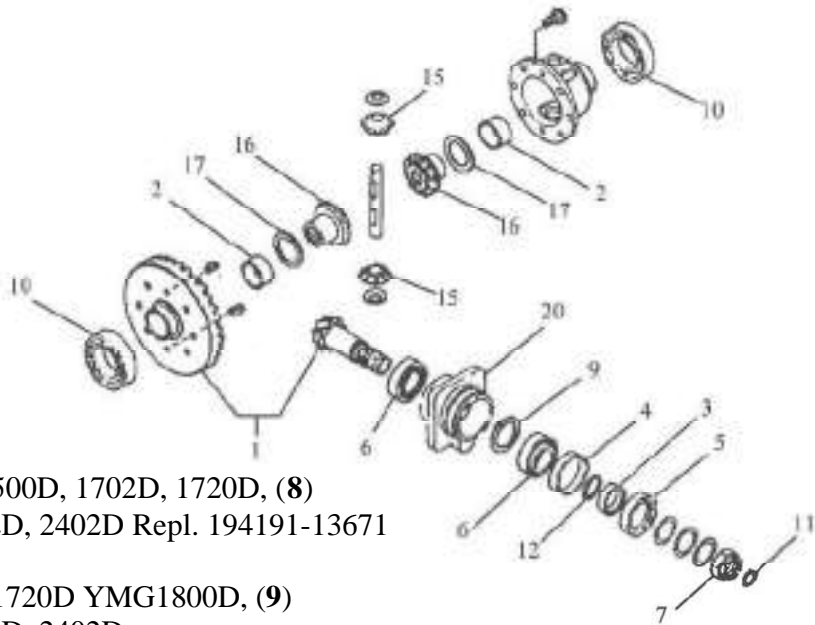
Continued on next page

Continued from previous page



- 35x52x7TC** Seal, front pinion F20D, FX20D, F22D, FX22D, F24D, FX24D, (5)
F215D, FX215D, F235D, FX235D, F255D, FX255D, F265D,
FX265D Repl. 194990-53460
- 40x55x8TC** Seal, front pinion 226D, 1500D, 1610D, 1700D, 1702D, 1720D, (5)
YMG1800D, 2000D, YMG2000D, 2001D, 2202D, 2210BD, 2210D,
2301D, 2310D, 2402D Repl. 24421-405508 (old # 194191-13681)
- 45x62x9TC** Seal, frt. pinion 330D, 336D, 2610D, 2620D, 2820D, 3110D, 3220D, (5)
3810D, 4220D, 4300D, 4500D, FX26D, FX28D, FX32D,
FX42D, F37D, F46D Repl. 24423-456209 (old # 194321-13490)
- 32006** Pinion bearing 226D, 1702D, 1720D, YMG1800D, YMG2000D, (6)
2210BD, 2202D, 2310D, 2402D
Repl. 24141-320060 (old # 194191-13530)
- 32007** Pinion bearing 330D, 336D, 2610D, 2620D, 2820D, 3110D, 3220D, (6)
3810D, 4220D, 4300D, 4500D, FX26D, FX28D, FX32D, F37D, FX42D,
F46D Repl. 24141-320070 (old # 194145-11920 & 194321-13160)
- LN-28** Pinion nut 226D, 1500D **RED**, 1610D, 1702D, (7)
1720D, YMG1800D, 2001D, 2202D, 2210BD, 2210D, 2301D,
2310D, 2402D Repl. 194191-13540

Continued from previous page



- SC-4191** Pinion seal collar 226D, 1500D, 1702D, 1720D, **(8)**
YMG1800D, 2010D, 2202D, 2402D Repl. 194191-13671
- OR-630** Pinion hsg o-ring 1702D, 1720D YMG1800D, **(9)**
YMG2000D, 2202D, 2210D, 2402D
Repl. 24341-000630 (old # 194200-43140)
- 6009-2RS** Ring gear bearing 1702D, 1720D, YMG1800D **(10)**
YMG2000D, 2202D, 2402D Repl. 24101-060094
- OR-210** O-ring 1500D red, 1610D, 1702D, 1720D, **(11)**
YMG1800D Repl. 24311-000210
- OR-250** Pinion shaft o-ring 1500D red, 1610D, **(12)**
1702D, 1720D, YMG1800D, 2202D, 2310D,
2402D Repl. 24341-000250
- PG-4420** Pinion gear (10 teeth) 1610D, 1702D, 1720D, **(15)**
F22D, FX22D, F24D, FX24D Repl. 194420-31800
- PG-4740** Pinion gear 1810D, 2010D, 2210D, 2310D **(15)**
Repl. 194740-10850
- PG-3151** Pinion gear (16 teeth) 1601D, 1610D, 1702D, 1720D **(16)**
Repl. 194420-31510
- PG-4190** Pinion gear 1500D, 1810D, 2010D, 2210D, 2310D **(16)**
Repl. 194190-31510
- SW-4740** Spacer washer, spider gear 1700D, YMG1800D, **(17)**
2202D, 2310D, 2402D Repl. 194740-10880
- PH-4311** Pinion housing 226D, 240D, 250D, YMG1800D, 1802D, 1810D, **(20)**
1820D, 2000D, YMG2000D, 2001D, 2002D, 2010D, 2020D, 2202D,
2210D, 2220D, 2301D, 2310D, 2402D, 2420D Repl. 194311-13450
- PH-4158** Pinion housing 195D, 1601D, 1610D, 1700D, 1702D, 1720D **(20)**
Repl. 194158-13450

Front Axle and Knuckle Components – 4wd Tractors

- AS-1363** Front axle hsg collar F16D, F17D, FX17D, F18D, (1)
FX18D, FF145D, FF155D, F165D, F195D, FX195D,
140D, 147D, 169D Repl. 194306-13630

- AS-4306** Front axle hsg sleeve F16D, F17D, FX17D, (2)
F18D, FX18D, FF145D, FF155D, F165D, F195D,
FX195D, 140D, 147D, 169D Repl. 194306-13640

- 44x57x11.5TC** Front axle hsg seal F14D, F15D, F16D, F17D, (2A)
F18D, FX18D, FF145D, FF155D, F165D, F195D,
FX195D, 140D, 147D, 169D Repl. 194447-13650

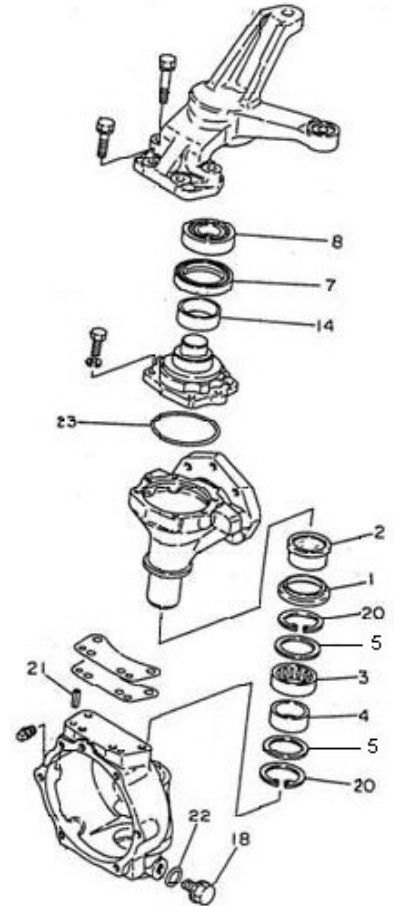
- AW-4447** Washer F14D, F15D, F16D, F17D, FX17D, F18D, (5)
FX18D, FF145D, FF155D Repl. 194447-13680

- 50x68x12.5** Seal, top cover F17D, FX17D, F18D, FX18D (7)
Repl. 194516-13780

- 6206-2RS** Ball bearing F17D, FX17D, F18D, FX18D (8)
Repl. 24104-062064

- DP-114** Drain plug Repl. 194151-24770 (18)

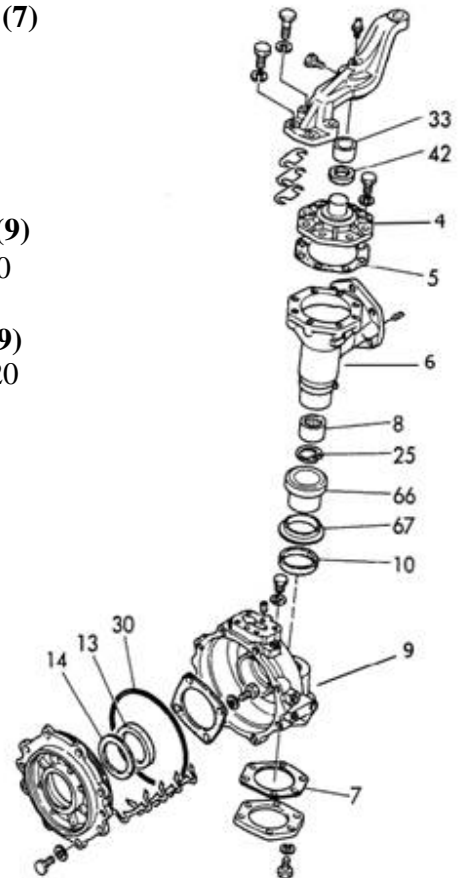
- OR-160** O-ring for DP-114 drain plug Repl. 24311-000160 (22)



Continued on next page

Continued from previous page

- SC-1372** Spindle cover 330D, 336D, 2610D, (4)
3110D, 3810D Repl. 194321-13720
- CG-4321** Spindle cover gskt 330D, 336D, 2610D, (5)
3110D, 3810D, 4300D Repl. 194321-13730
- SH-1370** Spindle hsg 330D, 336D, 2610D, 3110D, 3810D Repl. 194321-13700 (6)
- CG-1376** Lower spindle cover gskt 330D, 336D, 2610D, (7)
3110D, 3810D, 4300D Repl 194321-13760
- NB-3110** Needle brg 330D, 336D, 2610D, (8)
3110D, 3810D, 4300D Repl. 194321-13860
- FGC-4274** Lower gear case, **LH** 330D, 336D, 2610D, 3110D, (9)
3810D, 4300D Repl. 794274-13711 & 194321-13740
- FGC-4321** Lower gear case, **RH** 330D, 336D, 2610D, 3110D, (9)
3810D, 4300D, Repl. 194321-13911 & 194321-14320
- GHC-4321** Cover, final gear housing 330D, 336D, 2610D, (11)
3110D, 3810D, 4300D Repl. 194321-13750
- 65x88x12TC** Seal 330D, 336D, 2610D, 3110D, (13)
3810D, 4300D Repl. 24423-658812
- 65x88x05TC** Seal 330D, 336D, 2610D, 3110D, (14)
3810D, 4300D Repl. 24430-658805
- SAH-4321** Stub axle housing 330D, 336D, 2610D, (15)
3110D, 3810D, 4300D Repl. 194321-13950
- SR-450** Snap ring 330D, 336D, 2610D, (25)
3110D, 3810D Repl. 22262-000450
- OR-2000** O-ring 330D, 336D, 2610D, 3110D, 3810D, (30)
4300D Repl. 24321-002000
- OR-190** O-ring 2610D Repl. 24321-001900 (30)
- SB-4321** Bushing 330D, 336D, 3110D, 3810D, 4300D, (33)
4500D Repl. 194321-11921



Continued on next page

Continued from previous page

- 35x41x5VB** Seal 187D, 330D, 336D, 2610D, 3110D, 4300D **(42)**
Repl. 194321-11940

- AC-4274** Collar 330D, 336D, 3110D, 4300D Repl. 194274-13910 **(67)**

- 58x75x7TC** Seal 3110D (for knuckle that has been turned) **(10)**

- 64x80x13TC** Seal 336D w/HD frt. axle, 2610D, 3110D, 3810D, **(10)**
4300D Repl 194274-13920 (use with FGC-4274 & FGC-4321)

- AS-4465** Seal 330D, 336D, 3110D Repl. 194465-13920 **(10)**
60mm ID x 75mm OD x 13mm Thick

- 60x75x9TC** Seal 330D, 336D, 2610D, 3110D, 3810D **(10)**
Repl. 24421-607509 (old # 194321-13920)

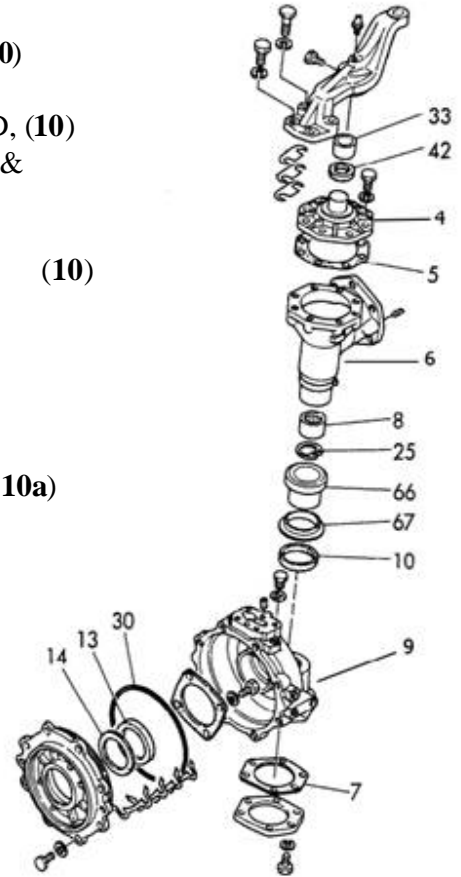
- 60x75x6VC** Dust seal 330D, 336D, 2610D, 3110D, 3810D **(10a)**
Repl. 194321-13930

- 60x80x12TC** Seal 2610D, 3110D Repl. 194136-32800 **(10)**

- AS-3110** Seal, front knuckle 2610D, 3110D **(10)**
64mm ID x 75mm OD

- AS-4279** Sleeve 330D, 336D, 3110D, 4300D **(66)**
60mm ID x 64mm OD Repl.194279-13900

- AS-6064** Repair sleeve w/o lip 330D, 336D, **(66)**
3110D, 4300D 60mm ID x 64mm OD



Continued on next page

Continued from previous page

6205-2RS Ball bearing, sealed, upper spindle, front axle (A)
1610D, 2220D, 2310D, 2420D Repl. 24101-062054

6013-2RS Ball bearing, sealed, lower spindle, front axle (B)
1610D, 2001D, 2301D, 2310D – Repl. 24101-060134

NB-4311 Needle bearing 220D, 226D, 250D, 1601D, 1610D, (C)
1820D, 2000D, 2020D, 2202D, 2210D, 2310D, 2402D
Repl. 194311-13880

6007-2RS Ball bearing, sealed, outer stub axle 1601D, (D)
1610D – Repl. 24101-060074

6008-2RS Ball bearing, sealed, outer stub axle 2010D, (D)
2210D, 2310D Repl. 24101-060084

6307-2RS Ball bearing, sealed, inner stub axle 1601D, (E)
1610D Repl. 24101-063074

6211-2RS Ball bearing, sealed, inner stub axle 2001D, (E)
2010D, 2210D, 2301D, 2310D Repl. 24101-062114

AS-6831 Stub axle seal, 195D, 1601D, 1610D (F)
1700D, 1702D, 1720D Repl. 194158-13790

SC-4321 Stub axle seal collar w/o-ring 336D, (F)
2610D, 3110D, 3810D Repl. 194321-14170

50x68x12.5 Stub axle seal 2010D, 2202D, 2220D, 2402D, (F)
2420D Repl. 194313-13790

50x68x14.3TCFY Stub axle seal 240D, 2000D, 2210D Repl. 194311-13790 (F)

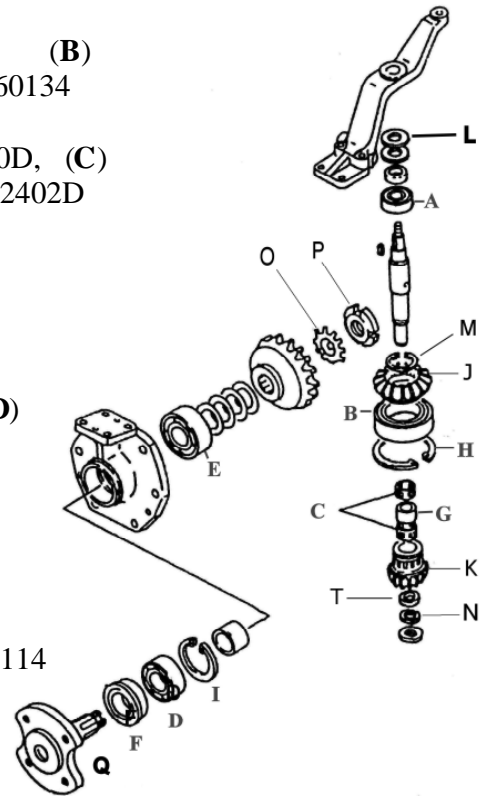
SC-4311 Stub axle seal collar 195D, 220D, 240D, 250D, (F)
2000D, 2010D, 2210D, 2310D Repl. 194311-14172

65x88x05TC Seal, front knuckle side 2610D, 3110D
3810D, 4300D Repl. 24430-658805 (F)

65x88x12TC Seal, front knuckle side 2610D, 3110D, (F)
3810D, 4300D Repl. 24423-658812

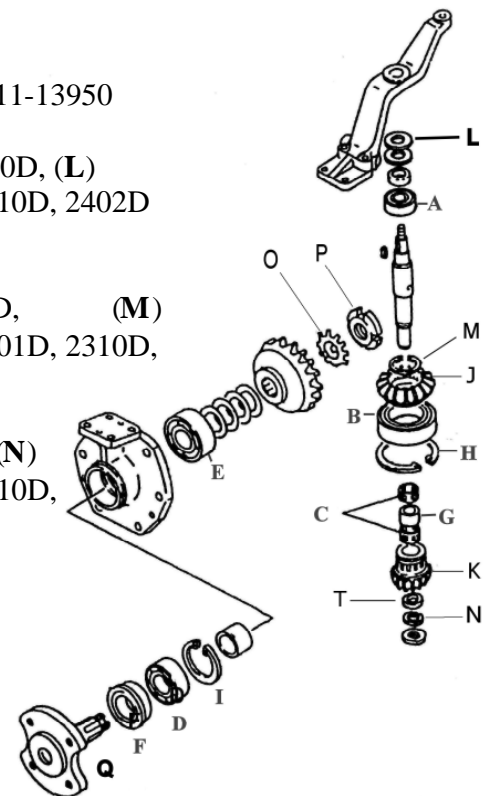
6211-2RS Ball bearing, sealed 3110D, 3810D, (D)
4300D Repl. 24101-062114

Continued on next page



Continued from previous page

- SB-4311** Spacer 220D, 226D, 240D, 250D, 276D, 1802D, 1810D, (G)
1820D, 2000D, 2000BD, 2001D, 2002D, 2010D, 2202D,
2210D, 2301D, 2310D, 2402D, 2420D Repl. 194311-13890
- SW-4311** Spacer 220D, 226D, 240D, 250D, 276D, 1802D, 1810D, (T)
1820D, 2000D, 2000BD, 2001D, 2002D, 2010D, 2202D,
2210D, 2301D, 2310D, 2402D, 2420D Repl. 194311-13910
- SB-4158** Spacer 195D, 1601D, 1610D, 1700D, 1702D, 1720D (G)
Repl. 194158-13890
- SB-1391** Spacer 195D, 1601D, 1610D, 1700D, 1702D, 1720D (T)
Repl. 194158-13910
- SR-100** Snap ring 1700D, 2000D, 2202D, 2210D, 2310D, 2402D (H)
Repl. 22252-001000
- SR-680** Snap ring 276D, 2000D, 2001D, 2210D, 2301D, 2310D
Repl. 22252-000680 (I)
- SG-1394** Upper spindle gear 195D, 240D, 250D, 276D, 1601D, 1610D, (J)
1700D, 1702D, 1720D, 1810D, 2000D, 2001D, 2010D, 2020D,
2202D, 2210D, 2301D, 2310D, 2402D Repl. 194311-13940
- SG-4311** Lower spindle gear 220D, 240D, 250D, 276D, (K)
1810D, 1820D, 2000D, 2001D, 2010D, 2020D,
2202D, 2210D, 2301D, 2310D, 2402D Repl. 194311-13950
- SW-1386** Washer, upper 1601D, 1610D, 1700D, 1702D, 1720D, (L)
1820D, 2000D, 2010D, 2020D, 2202D, 2210D, 2310D, 2402D
Repl. 194311-13860
- SR-4311** Snap ring, front axle 1601D, 1610D, 1702D, 1720D, (M)
1820D, 2001D, 2010D, 2020D, 2202D, 2210D, 2301D, 2310D,
2402D Repl. 194311-13960
- SR-28** Snap ring 1601D, 1610D, 1702D, 1720D, 1820D, (N)
2001D, 2010D, 2020D, 2202D, 2210D, 2301D, 2310D,
2402D Repl. 194311-13920
- LW-30** Lock washer 1601D, 1610D, 1702D, 1720D (O)
Repl. 194158-14130



Continued on next page