



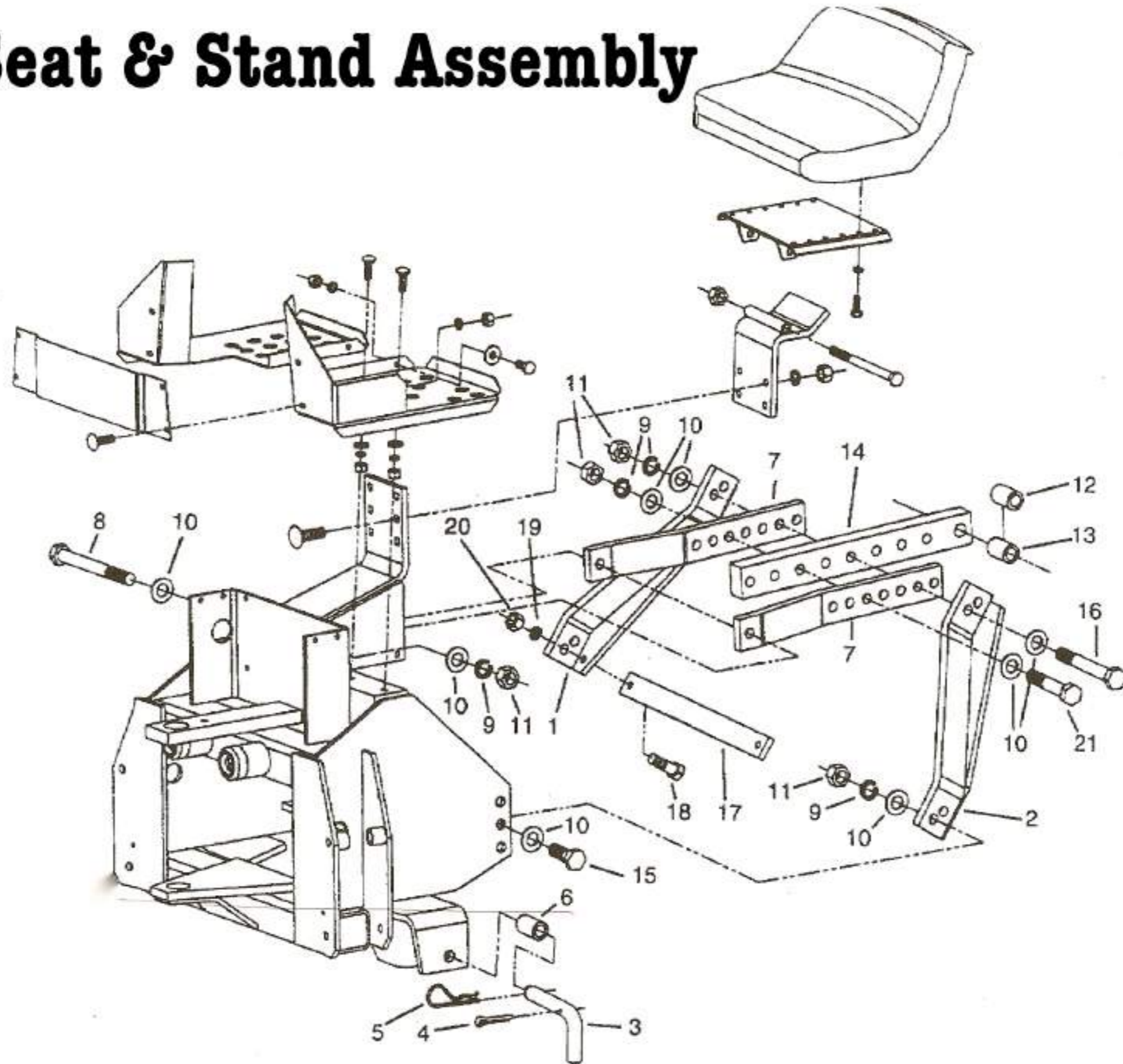
**# BH-100 Backhoe 6.6'**

**Buckets available  
7" , 14" and 28"**

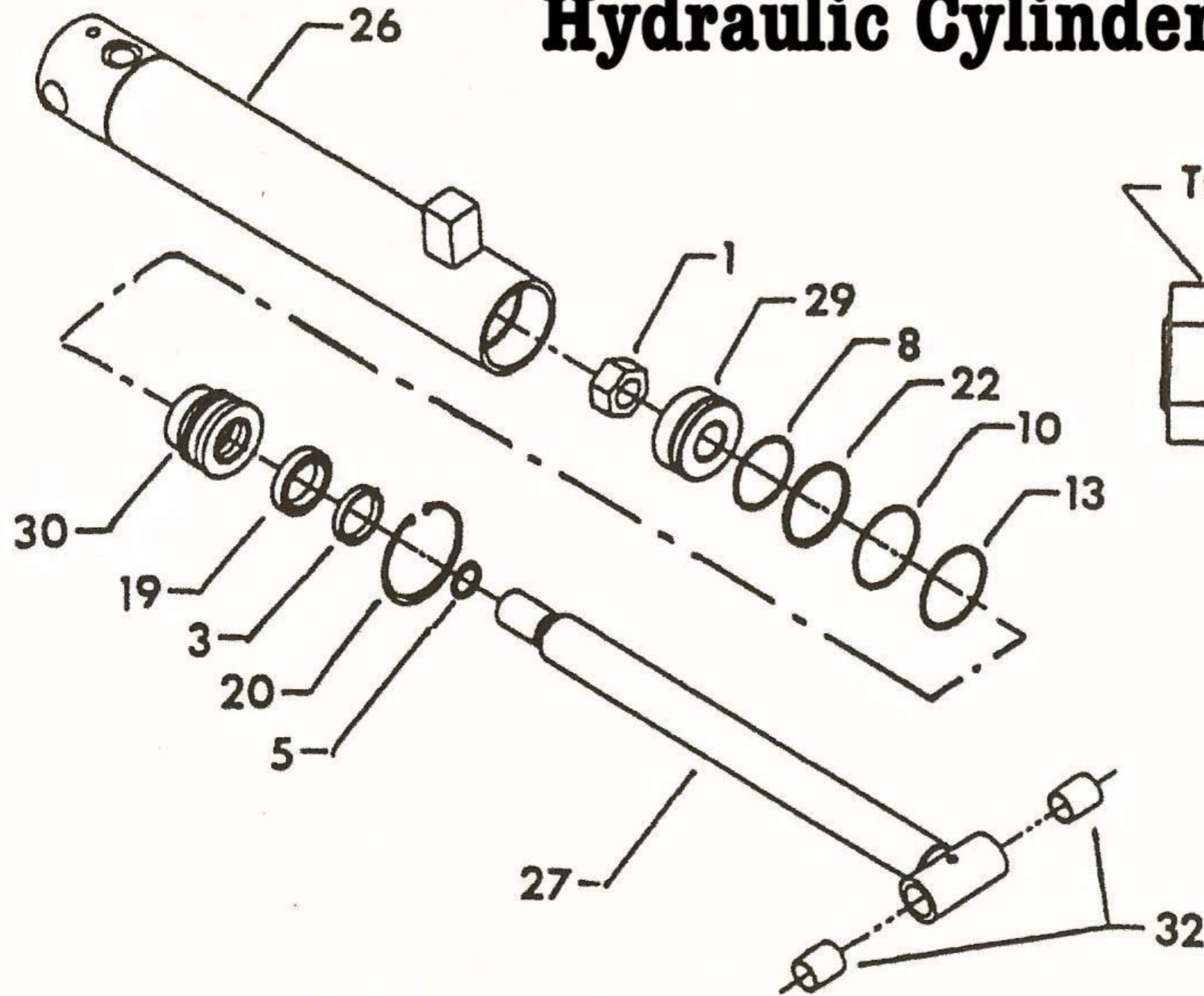
**+ Includes 1 set of flat pods  
and 1ea set of spiked pods**



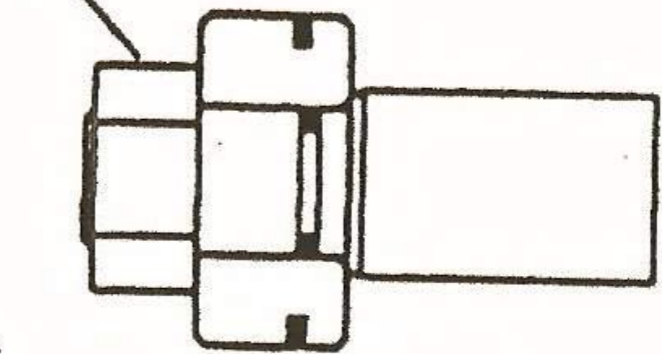
# Seat & Stand Assembly



# Hydraulic Cylinder Breakdown



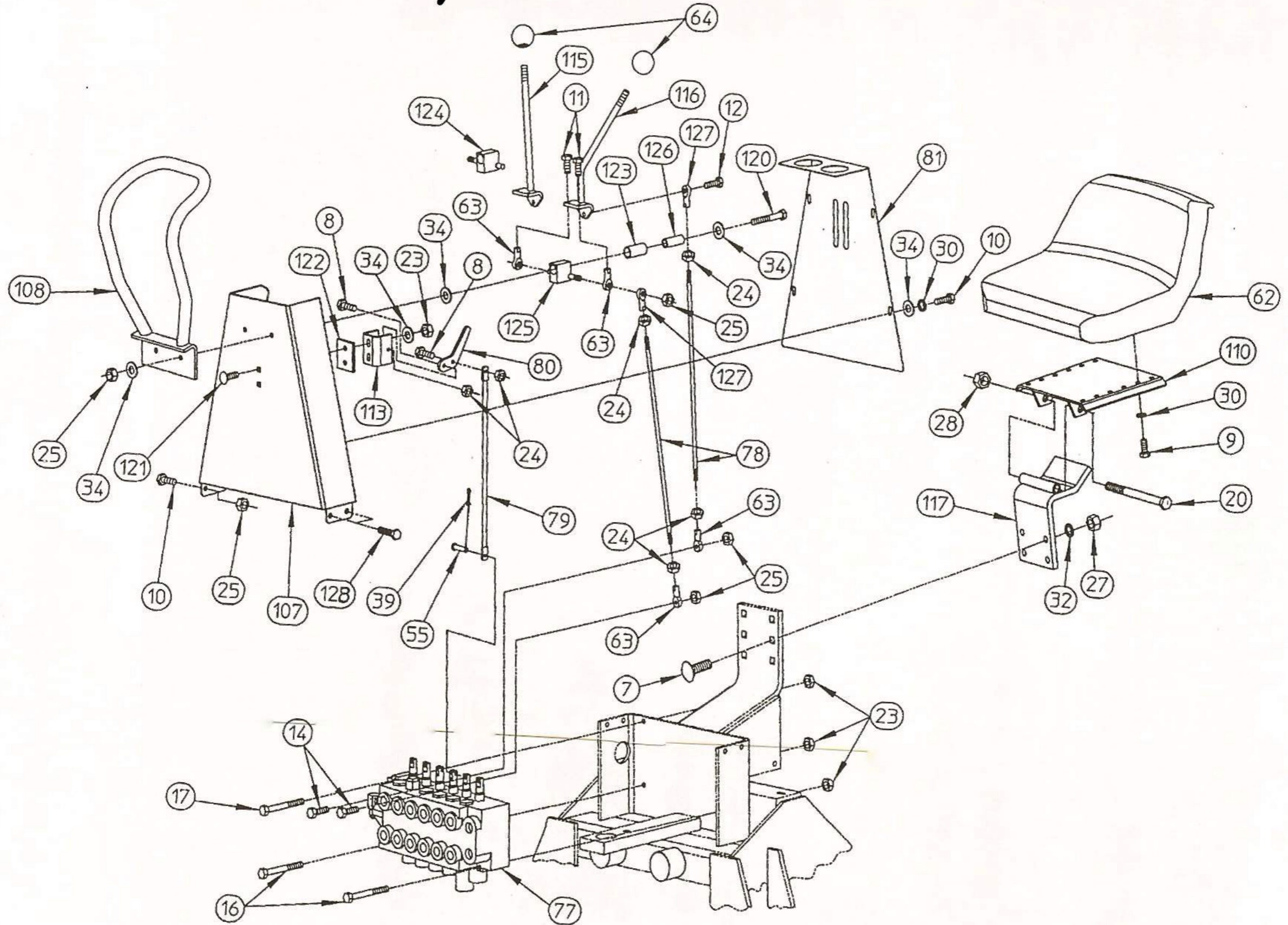
TORQUE: 200 LB-FT



Proper Piston Assembly

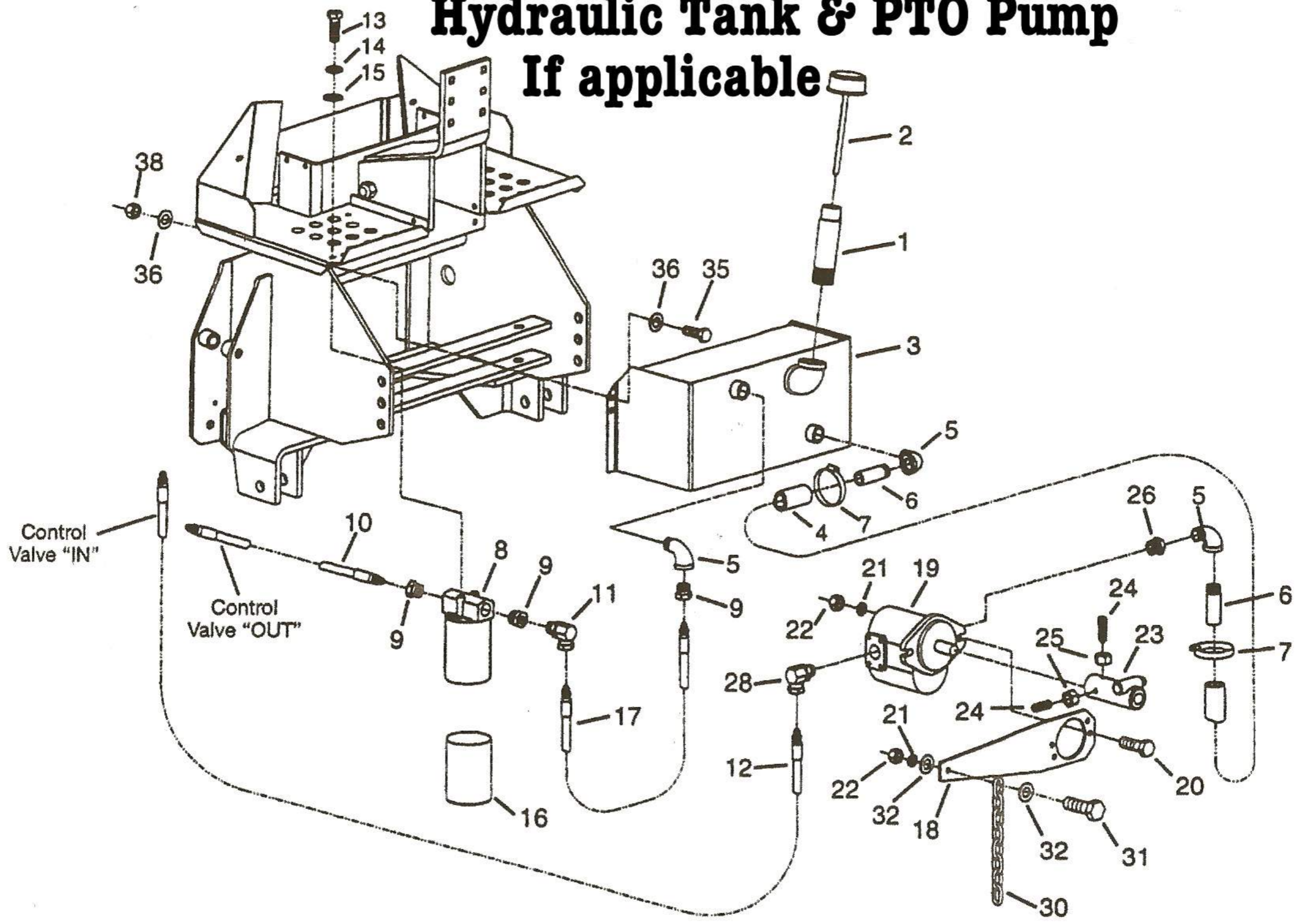


# Controls, main valve & seat





# Hydraulic Tank & PTO Pump If applicable



# Basic Backhoe Identification Locations

