



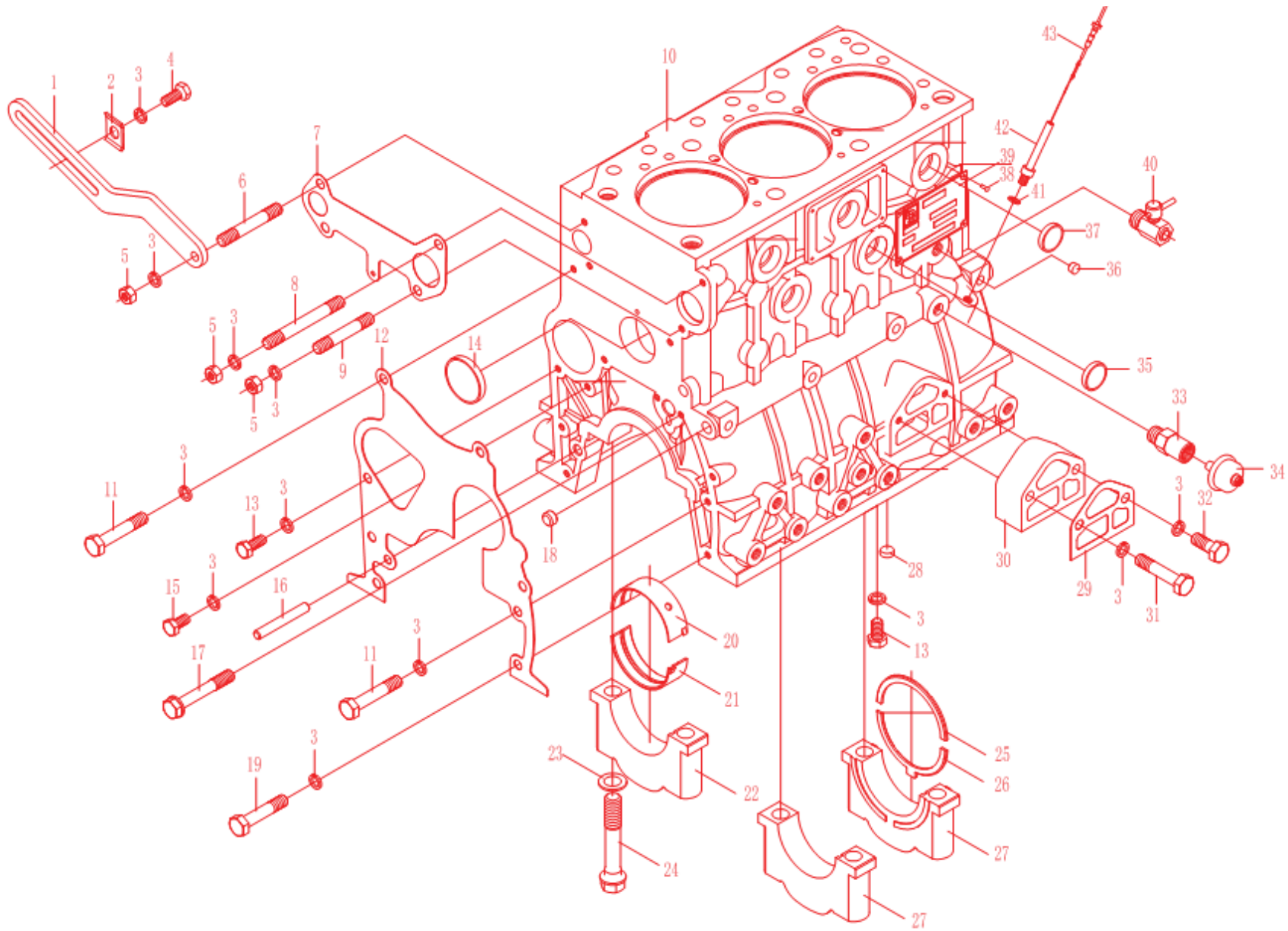
L Aidong KM385BT ENGINE PARTS MANUAL

Fitted to: ZB25

Contents

Cylinder Block Assembly (One).....	4
Cylinder Block Assembly (Two).....	8
Cylinder Block Assembly (Three).....	10
Cylinder Block Assembly (Four).....	12
Cylinder Block Assembly (Five).....	14
Timing Gear and Camshaft Assembly	18
Cylinder Head Assembly.....	20
Piston-connecting Rod Assembly.....	24
Crankshaft-fly wheel Assembly.....	26
Cooling System Assembly.....	28
Intake Manifold Assembly	32
Exhaust Manifold Assembly.....	34
Lubricating System Assembly.....	36
Fuel System Assembly.....	38
Electric System Assembly.....	40

KM385BT-01000 机体总成 (一) Cylinder Block Assembly (One)



Cylinder Block Assembly (One) 机体总成 (一)

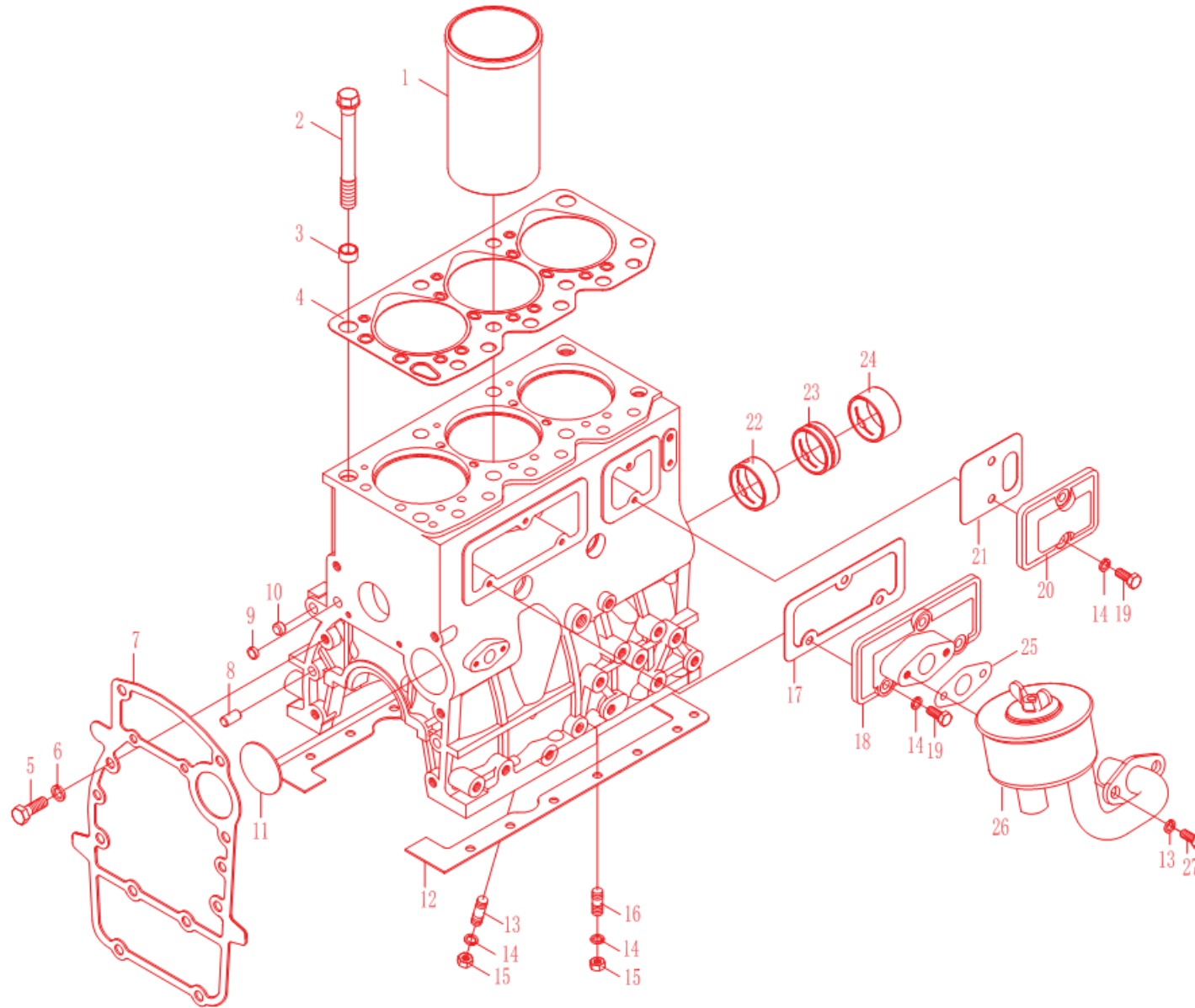
序号 Ser No	图号 Parts No	名称 Name of Parts	数量 Qty	备注 Remarks
1	KM385T-01029	发电机调整支架	1	
2	GB97.1-85	垫圈 8	1	
3	GB93-87	垫圈 8	34/50	
4	GB5783-86	螺栓 M8×35	1	
5	GB6170-86	螺母 M8	4	
6	GB898-88	螺柱 M8×65	1	
7	L375-01006	水泵后盖垫片	1	
8	GB898-88	螺柱 M8×90	1	
9	GB898-88	螺柱 M8×60	2	
10	KM385TE-01111	机体	1	
11	GB5782-86	螺柱 M8×55	6	
12	L375-01007	齿轮室垫片	1	
13	GB5783-86	螺栓 M8×20	2	
14	D495QB-01024	碗形塞片 φ55	1	
15	GB5783-86	螺栓 M8×16	2	
16	GB119-86	销 B8×50	3	
17	4L22BT-01021	惰齿轮螺栓	2	
18	L375-01104	主油道堵塞	1/2	
19	L375-01106	主轴承盖定位套	2	
20	KM485QB-01015	主轴瓦上瓦	5	
21	KM485QB-01016	主轴瓦下瓦	5	
22	KM485QB-01112	主轴承盖	3	
23	L375-01110	主轴承盖螺栓垫圈	10	
24	L375-01111	主轴承盖螺栓	10	

Cylinder Block Assembly (One) 机体总成 (一)

序号 Ser No	图号 Parts No	名称 Name of Parts	数量 Qty	备注 Remarks
25	KM485QB-01007	曲轴上止推片 Upper thrust piece of crankshaft	2	
26	KM485QB-01008	曲轴下止推片 Lower thrust piece of crankshaft	2	
27	KM485QB-01113	后主轴承盖 Rear main bearing cover	1	
28	D495QB-03109	碗形塞片 φ12 Blind plug φ12	1	
29	L375-01027	机油滤清器垫片 Oil filter gasket	1	
30	KM385T-01027	机油滤清器垫块 Oil filter padding block	1	
31	GB5782-86	螺栓 M8×50 Bolt M8×50	1	
32	GB5783-86	螺栓 M8×25 Bolt M8×50	1	
33	KM385T-01035	机油压力表接头 Connecting pipe for pressure sensor	1	
34	L375-12500	机油压力感应塞 Oil pressuer sensor	1	
35	D495QB-01014	碗形塞 Bowl shape plug	2	
36	L375-01105-1	锥堵 Taper plug	4	
37	D495QB-01024	碗形塞片 φ32 Blind plug φ32	3	
38	GB827-86	铆钉 2×6 Rivet2×6	4	
39	L375-03302-8	铭牌 Brand mark plate	1	
40	4L22BT-01600	放水开关 Water drain cock	1	
41	195-13007	垫圈 (铜) Washer	1	
42	L375-01320-1	机油尺管焊接件 Dipstick sleeve weldment	1	
43	KM385T-01310	机油尺部件 Oil level dipstick	1	

This page
intentionally blank

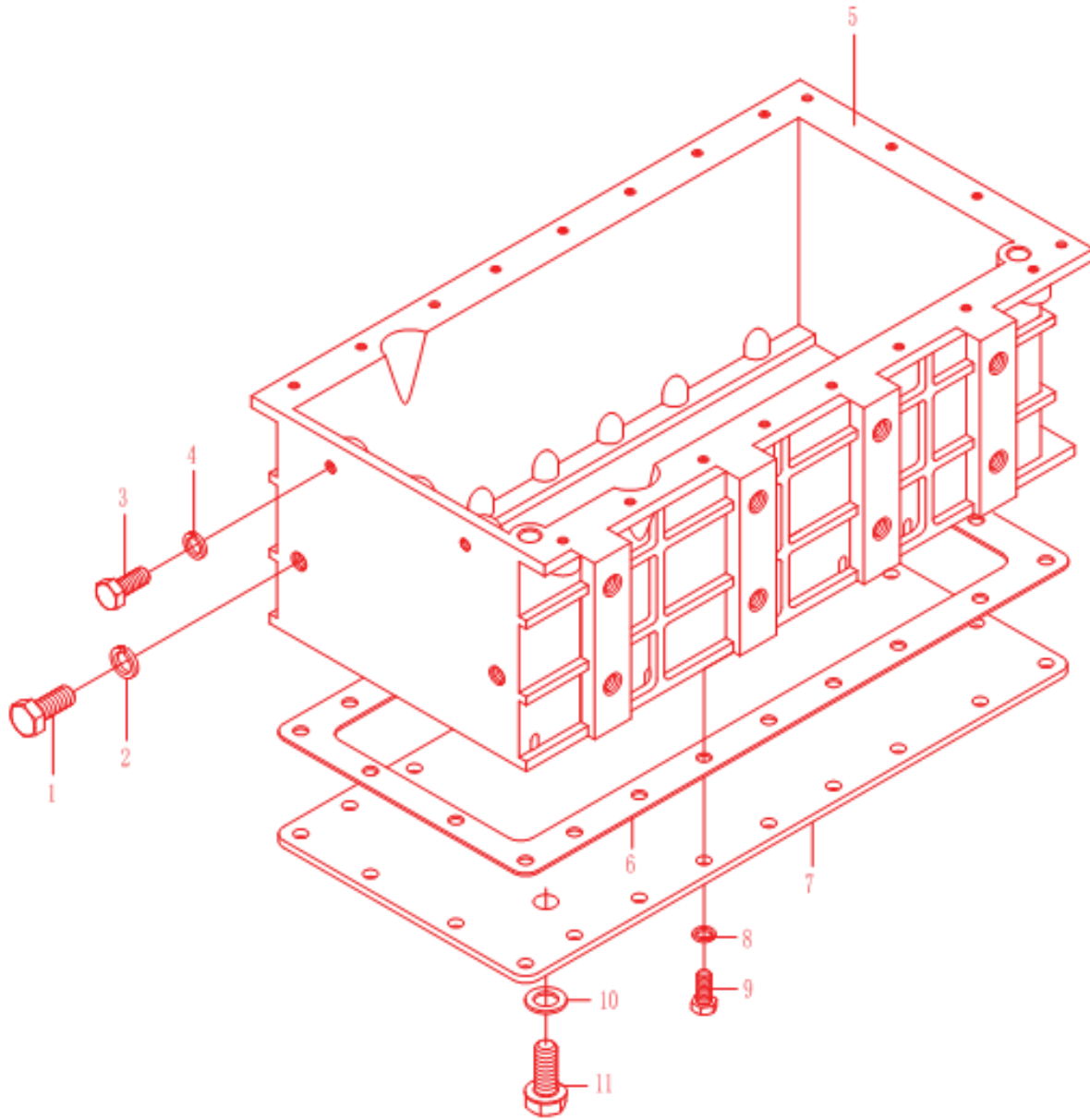
机体总成 (二) Cylinder Block Assembly (Two)



Cylinder Block Assembly (Two) 机体总成 (二)

序号 Ser No	图号 Parts No	名称 Name of Parts	数量 Qty	备注 Remarks
1	KM485QB--01003	气缸套 Cylinder liner	3	
2	KM485QB-01005	缸盖螺栓 Cylinder head stud	8	
3	L375-01103	定位套 Locating sleeve	2	
4	KM385QB-01002	气缸盖垫片 Cylinder head gasket	1	
5	GB5783-86	螺栓 M10×30 Bolt M10×30	6	
6	GB93-87	垫圈 10 Washer 10	6	
7	KM385T-01018	飞轮壳垫片 Flywheel housing gasket	1	
8	GB119-86	销 B10×20 Pin B10×20	2	
9	L375-01115	碗形塞片 φ10 Blind plug φ10	2	
10	L375-01104	主油道堵塞 Main oil chanel plug	1/2	
11	L375-01102	塞片 φ55 Plug φ55	1	
12	KM385T-01017	油底壳垫片 Oil sump gasket	1	
13	GB898-88	螺柱 M8×22 Bolt M8×22	1	
14	GB93-87	垫圈 8 Washer8	28	
15	GB6170-86	螺母 M8 Nut M8	22	
16	GB898-88	螺柱 M8×16 Stud M8×25	16	
17	KM385T-01014	侧盖 (I) 垫片 Side cover (I) spacer	1	
18	LL480-01013-3	侧盖 (II) Side cover (I)	1	
19	GB5783-86	螺栓 M10×25 Bolt M10×25	5	
20	LL380-01012	侧盖 (II) Side cover (II) spacer	1	
21	LL380-01015	侧盖 (II) 垫片 Side cover (II)	1	
22	L375-01114	凸轮轴后衬套 Front bush of camshaft	1	
23	L375-01113	凸轮轴中衬套 Middle bush of camshaft	1	
24	L375-01112	凸轮轴前衬套 Rear bush or camshaft	1	
25	KM485QB-01011	呼吸器垫片 Respirator gasket	1	
26	KM385T-01200-1	呼吸器部件 respirator	1	
27	GB5783-86	螺栓 M8×18 Bolt M8×18	2	

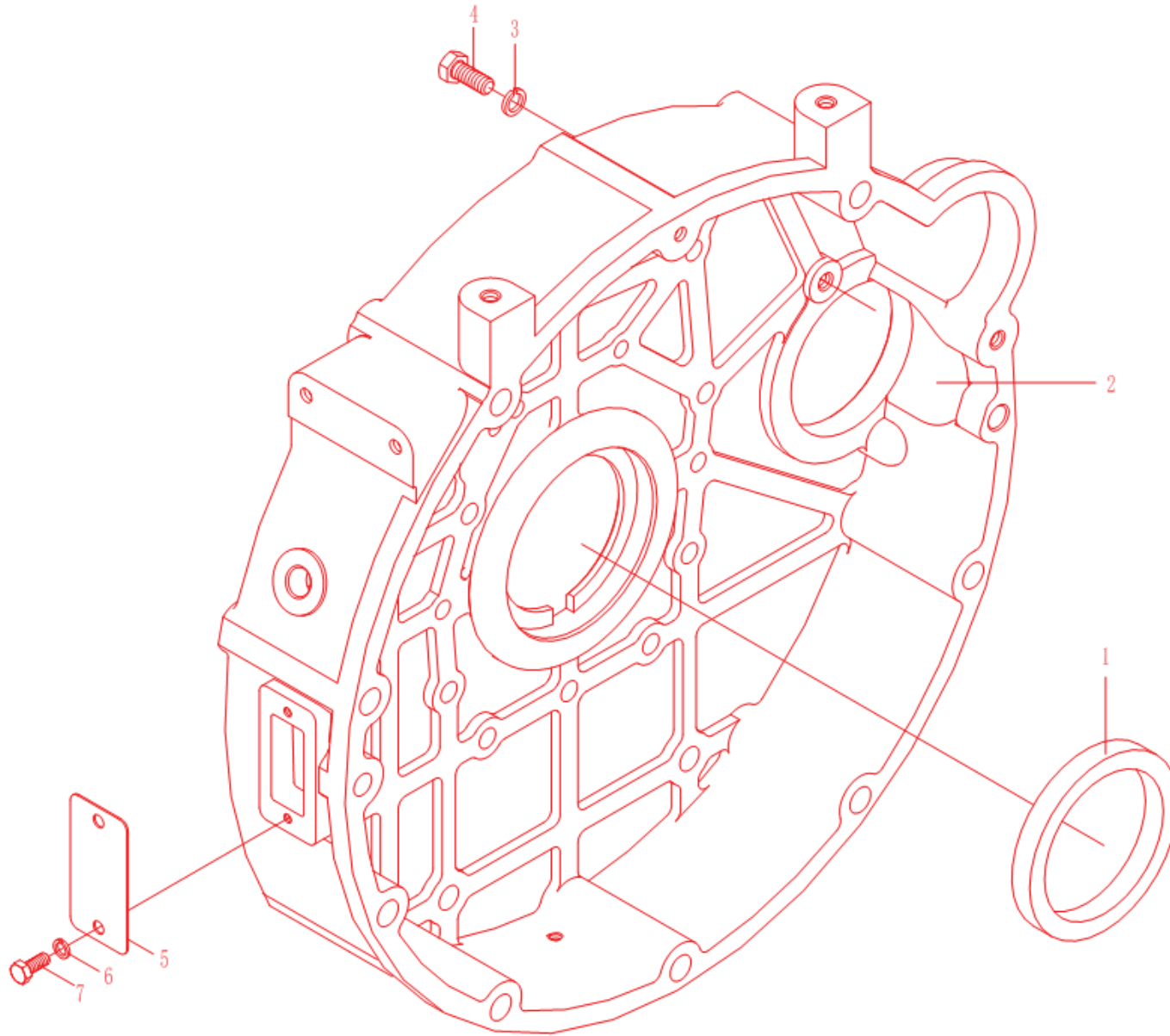
KM385BT机体总成 (三) Cylinder Block Assembly (Three)



Cylinder Block Assembly (Three) 机体总成 (三)

序号 Ser No	图号 Parts No	名称 Name of Parts	数量 Qty	备注 Remarks
1	GB5783-86	螺栓 M12×25 Bolt M12×25	2	
2	GB93-87	垫圈 12 Washer12	2	
3	GB5783-86	螺栓 M10×25 Bolt M10×25	2	
4	GB93-87	垫圈 10 Washer10	2	
5	KM385T-015101	油底壳 Oil sump	1	
6	KM385T-015111	油底壳盖垫片 Oil sump cover gasket	1	
7	KM385T-015104	油底壳盖 Oil sump cover	1	
8	GB93-87	垫圈 8 Washer 8	18	
9	GB5783-86	螺栓 M8×18 Bolt M8×18	18	
10	LL380-01503	A 形组合垫圈 A type washer	1	
11	LL380-01501	放油螺塞 Oil drain plug	1	

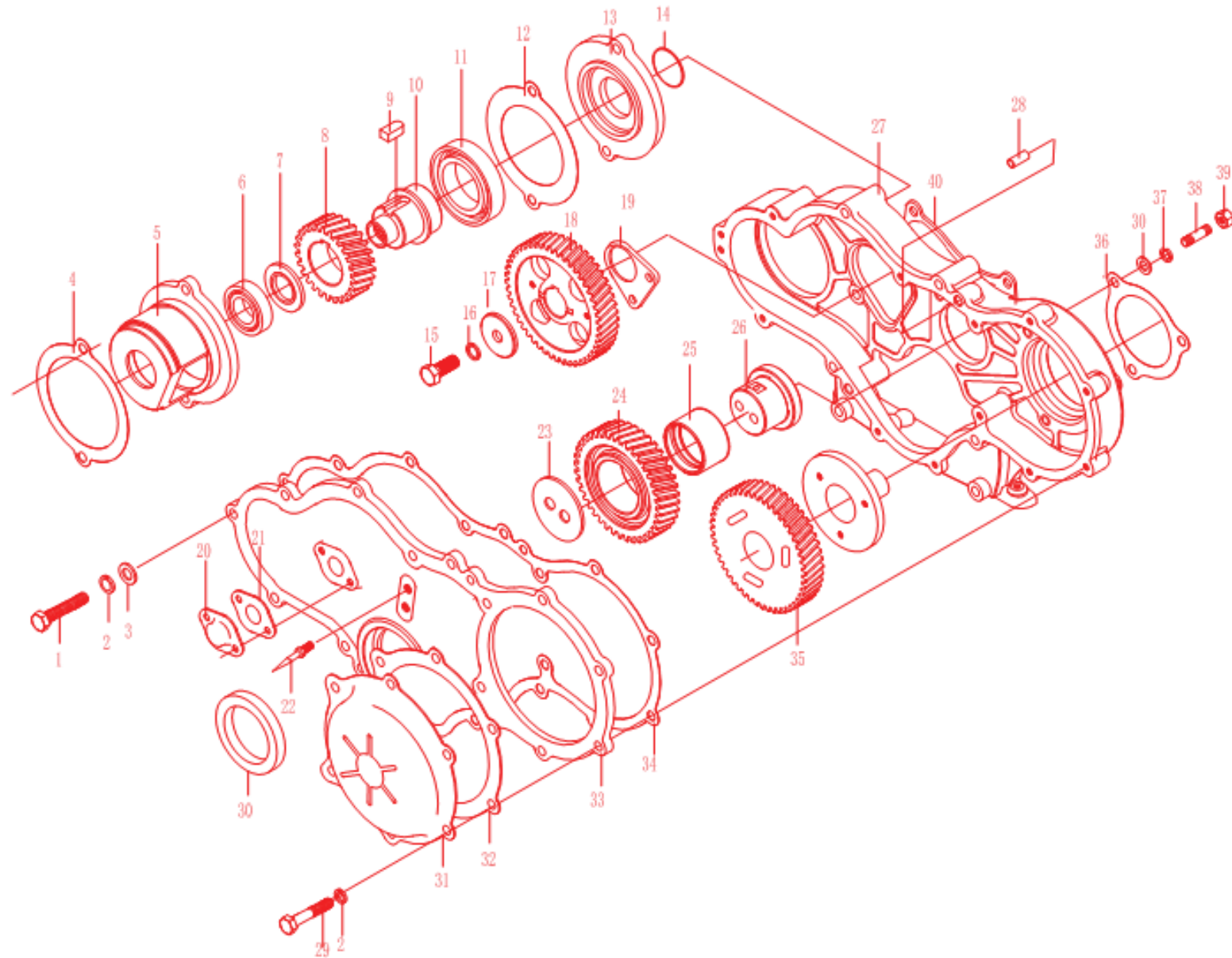
KM385TE-01000 机体总成(四) Cylinder Block Assembly (Four)



Cylinder Block Assembly (Four) 机体总成 (四)

序号 Ser No	图号 Parts No	名称 Name of Parts	数量 Qty	备注 Remarks
1	JB2600-80	油封 DL80×100×12 Oil seal DL80×100×12	1	
2	KM385T-01010-4	飞轮壳 Fly wheel housing	1	
3	GB93-87	垫圈 10 Washer 10	2	
4	GB5783-86	螺栓 M10×30 Bolt M10×30	2	
5	LL480-01025	盖板 Cover board	1	
6	GB93-87	垫圈 8 Washer 8	2	
7	GB5783-86	螺栓 M8×18 Bolt M8×18	2	

KM385BT-01000机体总成 (五) Cylinder Block Assembly (Five)



Cylinder Block Assembly (Five) 机体总成 (五)

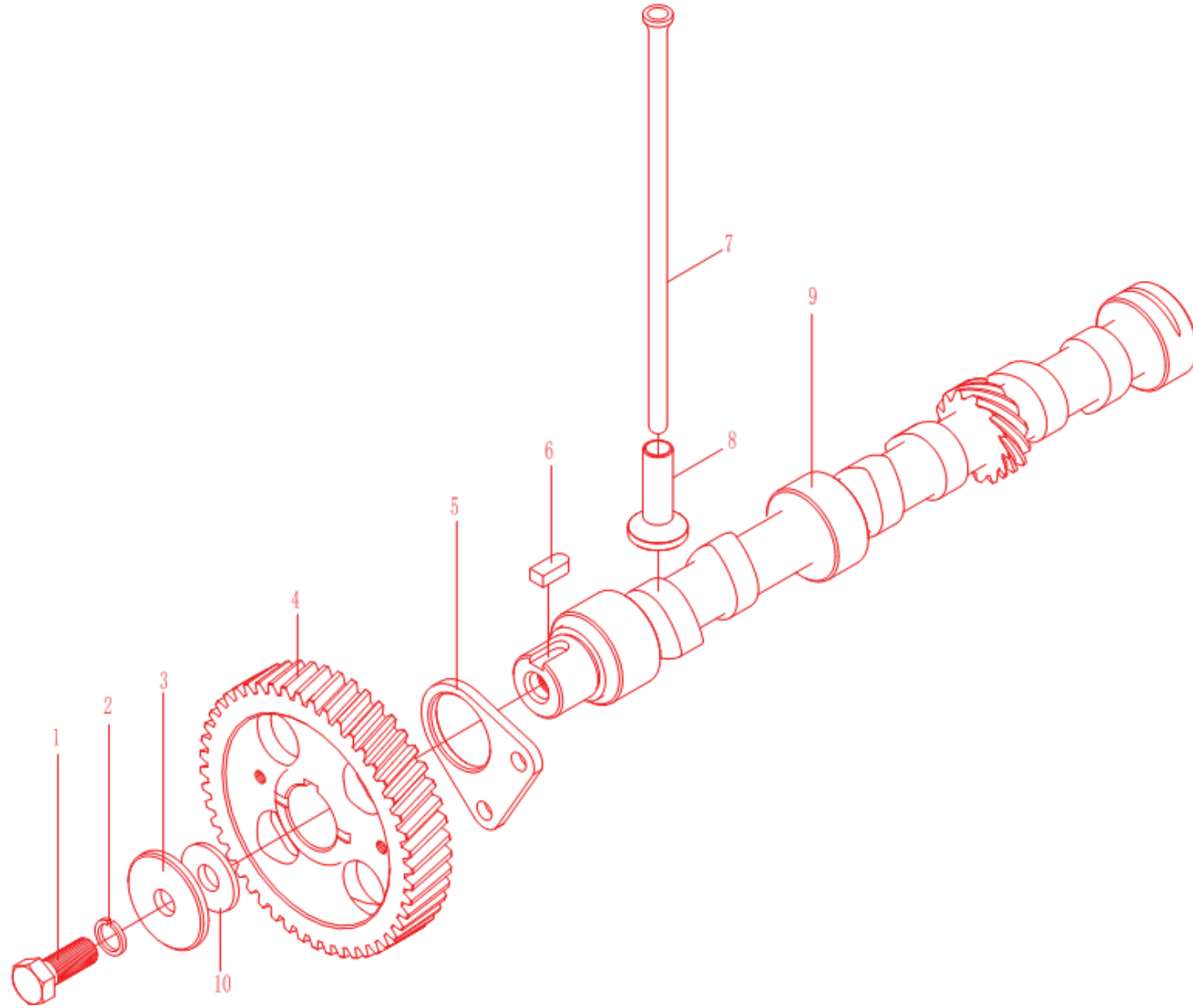
序号 Ser No	图号 Parts No	名称 Name of Parts	数量 Qty	备注 Remarks
1	GB5783-86	螺钉 M8×30 Bolt M8×30	1	
2	GB97.1-85	垫圈 8 -100HV Washer 8-100HV	2	
3	GB93-87	垫圈 8 Washer 8	1	
4	KM385T-01708	液压泵连接过渡板垫片 Hydraulic pump transition connecting plate	1	
5	KM385T-01703	液压泵传动轴承座 Hydraulic pump	1	
6	GB276-94	深沟球轴承 Bearing	1	
7	KM385T-01706	轴承垫圈 Bearing holddown circlip	1	
8	KM385T-01704	液压泵传动齿轮 Hydraulic pump transition gear	1	
9	GB1096-79	平键 C10×22 Key C10×22	1	
10	KM385T-01702	液压泵传动轴 Hydraulic pump transition axle	1	
11	GB292-94	角接触球轴承 Bearing 7008C	1	
12	KM385T-01708	液压泵连接过渡板垫片 Hydraulic pump transition connecting plat	1	
13	KM385T-01701	液压泵连接过渡板 Hydraulic pump transition connecting plate	1	
14	GB/T3452.1-2005	O 形圈 37.5×2.65 O- ring 37.5 ×2 .65	1	
15	GB5783-86	螺栓 M12×35 Bolt M12×35	1	
16	GB97.1-85	垫圈 12-100HV Washer 12-100HV	1	
17	KM385T-02013	凸轮轴正时齿轮压板 Camshaft timing gear holddown	1	
18	KM385T-02003	凸轮轴正时齿轮 Camshaft timing gear	1	
19	L375-02004	凸轮轴正时齿轮挡圈 Camshaft timing gear block ring	1	
20	KM385T-01012	正时齿轮室盖盖板 Timing gear case cover	1	
21	KM385T-01036	转速传感器垫片 Sensor gasket	1	
22	KM385T-01034	上止点指针 Upper death point showing needle	1	
23	L375-01014	惰齿轮压板 Idle gear holddown	1	
24	KM385T-01402	惰齿轮 Idle gear	1	

Cylinder Block Assembly (Five) 机体总成 (五)

序号 Ser No	图号 Parts No	名称 Name of Parts	数量 Qty	备注 Remarks
25	KM385T-01401	正时惰齿轮衬套 Idle gear bushing	1	
26	LL480-01015	正时惰齿轮轴 Idle gear axle	1	
27	KM385T-01007-1	正时齿轮室 Timing gear case	1	
28	GB119-86	销 B8 Pin8	1	
29	GB5782-86	螺栓 M8×55 Bolt M8×55	1	
30	JB2600-80	骨架油封 DR55×75×12 Cased rubber oil seal	1	
31	L375-01025-1	齿轮室前盖 Gear case front cover	1	
32	L375-01030	齿轮室前盖垫片 Gear case front cover gasket	1	
33	KM385T-01015	正时齿轮室盖 Timing gear case cover	1	
34	KM385T-01009	齿轮室盖垫片 Gasket of gear case cover gasket	1	
35	KM385T-10900	提前器总成 Oil injection advacer assy	1	
36	L375-01010	喷油泵垫片 Fuel pump fasten gasket	1	
37	GB93-87	垫圈 8 Washer 8	1	
38	GB898-88	双头螺柱 M8×20 Stud M8×20	1	
39	GB6170-86	螺母 M8 Nut M8	1	
40	L375-01007	齿轮室垫片 Gear case gasket	1	
41	L375-01012	喷油泵齿轮联接盘 Fuel pump gear linker	1	
	KM385T-01700-1	液压泵传动部件 Hydraulic pump transition Assy		

This page
intentionally blank

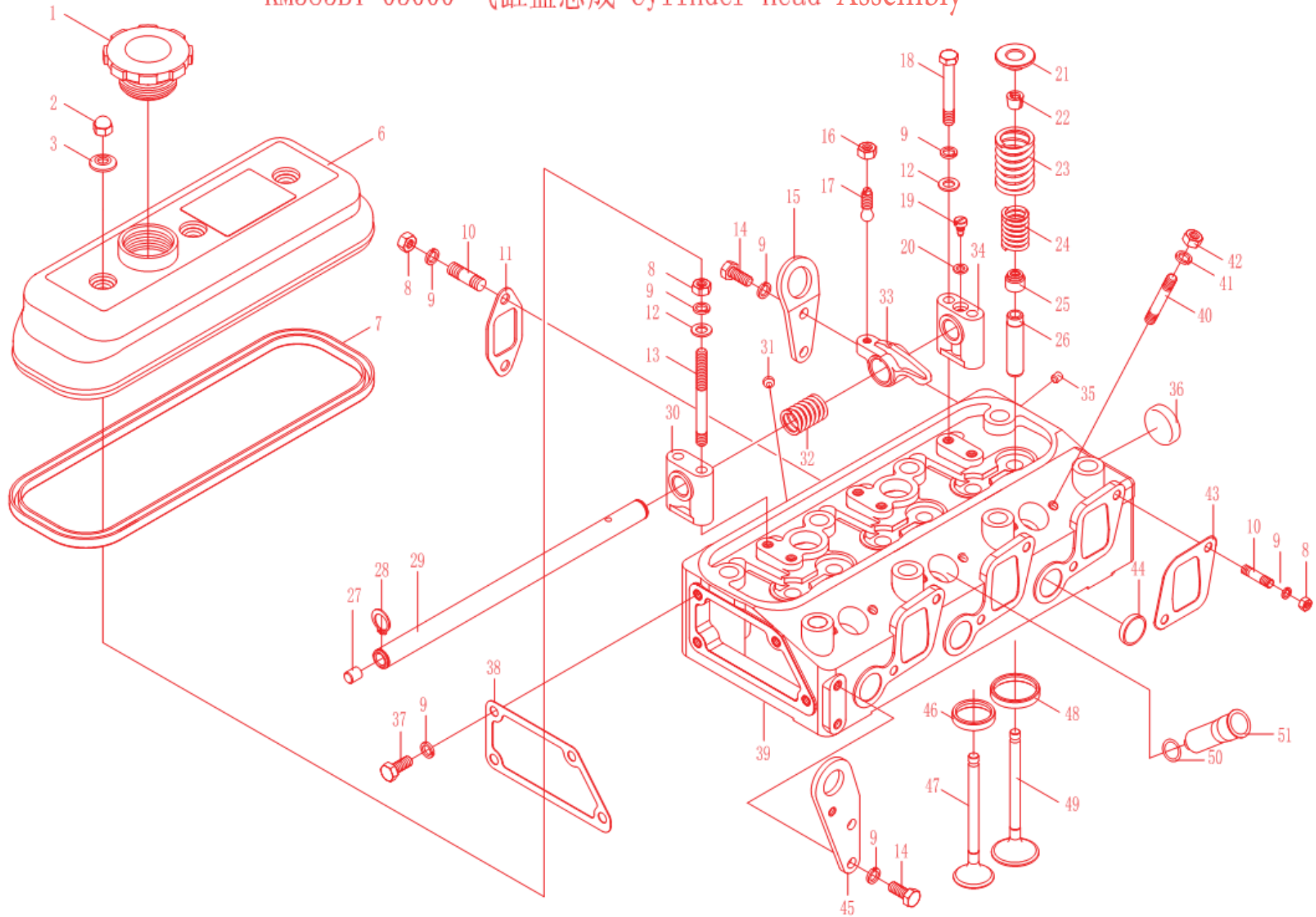
KM385BT-02000凸轮轴总成 Timing Gear and Camshaft Assembly



Timing Gear and Camshaft Assembly 凸轮轴总成

序号 Ser No	图号 Parts No	名称 Name of Parts	数量 Qty	备注 Remarks
1	GB5783-86	螺栓 M12×35 Bolt M12×35	1	
2	GB93-87	垫圈 12 Washer 12	1	
3	KM385T-02012	凸轮轴齿轮挡圈 (I) Camshaft gear circlip	1	
4	KM385T-02003	凸轮轴正时齿轮 Camshaft gear	1	
5	L375-02002	凸轮轴止推板 Camshaft thrust gasket	1	
6	GB1096-79	键 C8×18 Key C8×18	1	
7	LL480-02003	推杆 Valve push rod	6	
8	L375-02005	挺柱 Valve tappet	6	
9	L375-02001	凸轮轴 Camshaft	1	
10	KM385T-02013	凸轮轴齿轮挡圈 (II) Camshaft gear circlip	1	

KM385BT-03000 气缸盖总成 Cylinder Head Assembly



KM385BT-03000 气缸盖总成 Cylinder Head Assembly

序号 Ser No.	图号 Parts No	名称 Name of Parts	数量 Qty	备注 Remarks
1	L375-03005	加机油口盖 Filler cap	1	
2	GB923-76	盖形螺母 M8 Nut M8	3	
3	L375-03302-5	防漏垫圈 φ8 Antileak washer	3	
6	LL380B-03301	气缸盖罩 Cylinder head cover	1	
7	LL380B-03002	气缸盖罩垫片 Cylinder head cover gasket	1	
8	GB6170-86	螺母 M8 Nut M8	15	
9	GB93-87	垫圈 8 Washer 8	26	
10	GB898-88	螺柱 M8×25 Bolt M8×25	12	
11	KM485QB-03006	排气管垫片 Exhaust pipe gasket	3	
12	GB97.1-85	垫圈 8 Washer 8	6	
13	L375-03001	摇臂座固定螺栓 Rocker arm seat fixed bolt	3	
14	GB5783-86	螺栓 M8×20 Bolt M8×20	4	
15	L375-03012	后吊环 Rear slinger	1	
16	GB6171-86	螺母 M8×1 Bolt M8×1	6	
17	LL480B-03201	气门间隙调整螺钉 Valve clearance adjusting screw	6	
18	GB5782-86	螺栓 M8×60 Bolt M8×60	3	
19	L375-03206	摇臂轴定位螺钉 Rockershaft locating screw	1	
20	GB848-85	垫圈 6-100HV Washer 6-100HV	1	
21	LL480B-03009	气门弹簧上座 Valve spring seat(upper)	6	
22	LL480B-03008	气门锁夹 Valve clamp	12	

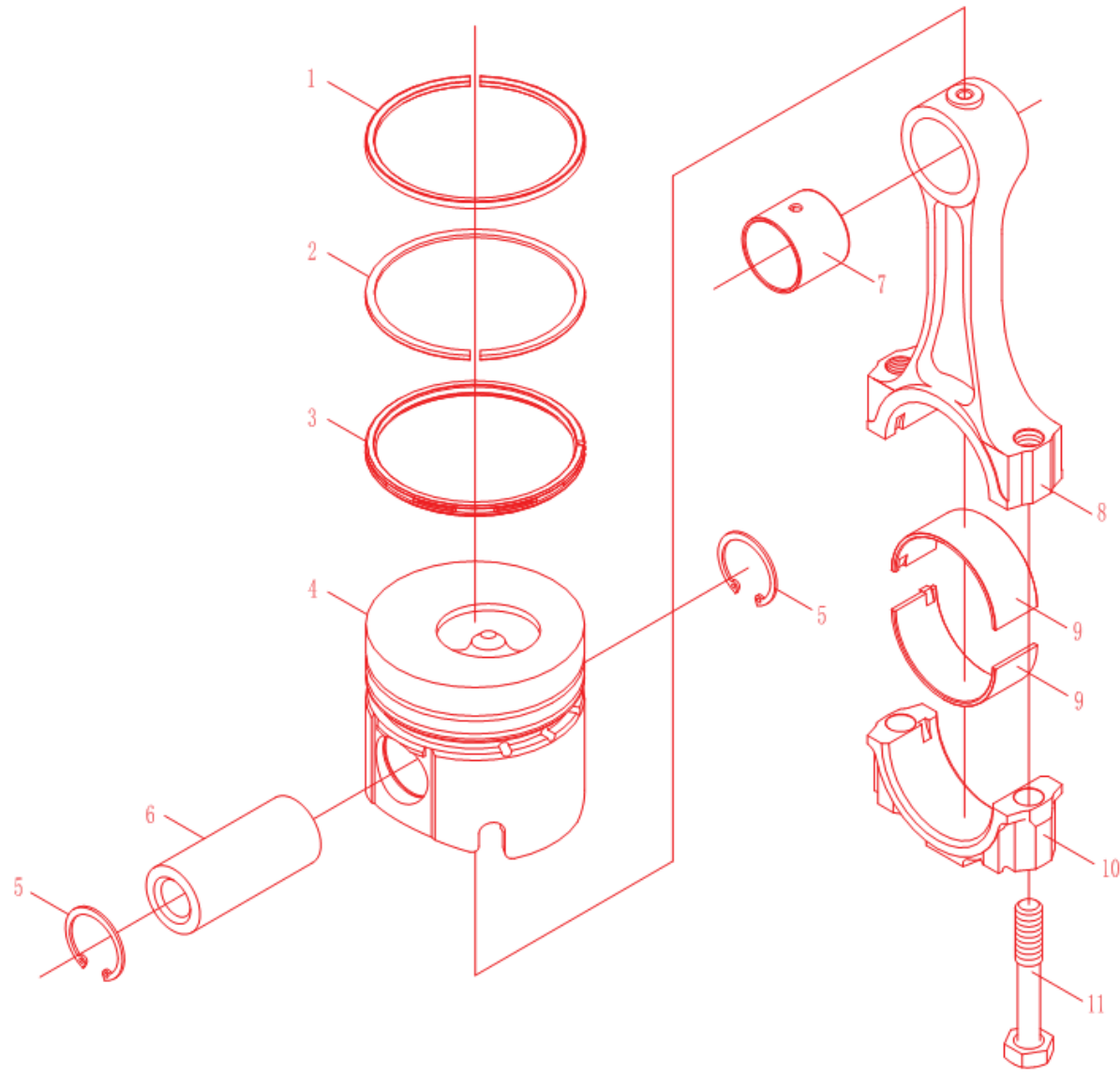
KM385BT-03000 气缸盖总成 Cylinder Head Assembly

序号 Ser No.	图号 Parts No	名称 Name of Parts	数量 Qty	备注 Remarks
23	L375-03015	气门外弹簧 Valve outer spring	6	
24	L375-03007	气门内弹簧 Valve inner spring	6	
25	LL480B-03019	气门油封 Valve oil seal	6	
26	KM485QB-03102	气门导管 Valve guide	6	
27	L375-01115	碗形塞片 φ10 Blind plugφ10	2	
28	GB894.1-86	挡圈 16 Circlip16	2	
29	L375-03205	摇臂轴 Rockshaft	1	
30	L375-03202	摇臂轴支座 Rockshaft bracket	2	
31	L375-03107	碗形塞片 φ8.3 Blind plugφ8.3	4	
32	L375-03204	摇臂轴弹簧 Valve rocker shaft spring	2	
33	LL480B-03210	气门摇臂加工合件 Valve rocker arm	6	
34	L375-03207	摇臂轴后支座 Rockershaft rear arm	1	
35	D495QB-03110	油道堵塞 φ6 Stopperφ6	1	
36	D495QB-01024	碗形塞片 φ32 Blind plugφ32	1	
37	GB5783-86	螺栓 M8×25 Bolt M8×25	4	
38	L375-03010	节温器壳垫片 Thermostat housing gasket	1	
39	KM385QB-03101	气缸盖 Cylinder head	1	
40	LL480B-03114	喷油器固定螺栓 Fuel injector bolt	6	
41	GB93-87	垫圈 6 Washer 6	6	
42	GB804-88	螺母 M6 Nut M6	6	
43	LL480B-03013	进气管垫片 Intake pipe gasket	3	

KM385BT-03000 气缸盖总成 Cylinder Head Assembly

序号 Ser No.	图号 Parts No	名称 Name of Parts	数量 Qty	备注 Remarks
44	L375-03106	碗形塞片 φ25 Blind plugφ25	5	
45	L375-03011-1	前吊环焊接部件 Front stationary rings	1	
46	LL480B-03104	排气门座 Exhaut valve seat	3	
47	LL480B-03015	排气门 Exhaut valae	3	
48	LL480B-03103	进气门座 Intake valve seat	3	
49	LL480B-03014	进气门 Intake valve	3	
50	LL480B-03113	O型圈 O-ring	3	
51	LL480B-03111	喷油器镶套 Nozzle busing	3	

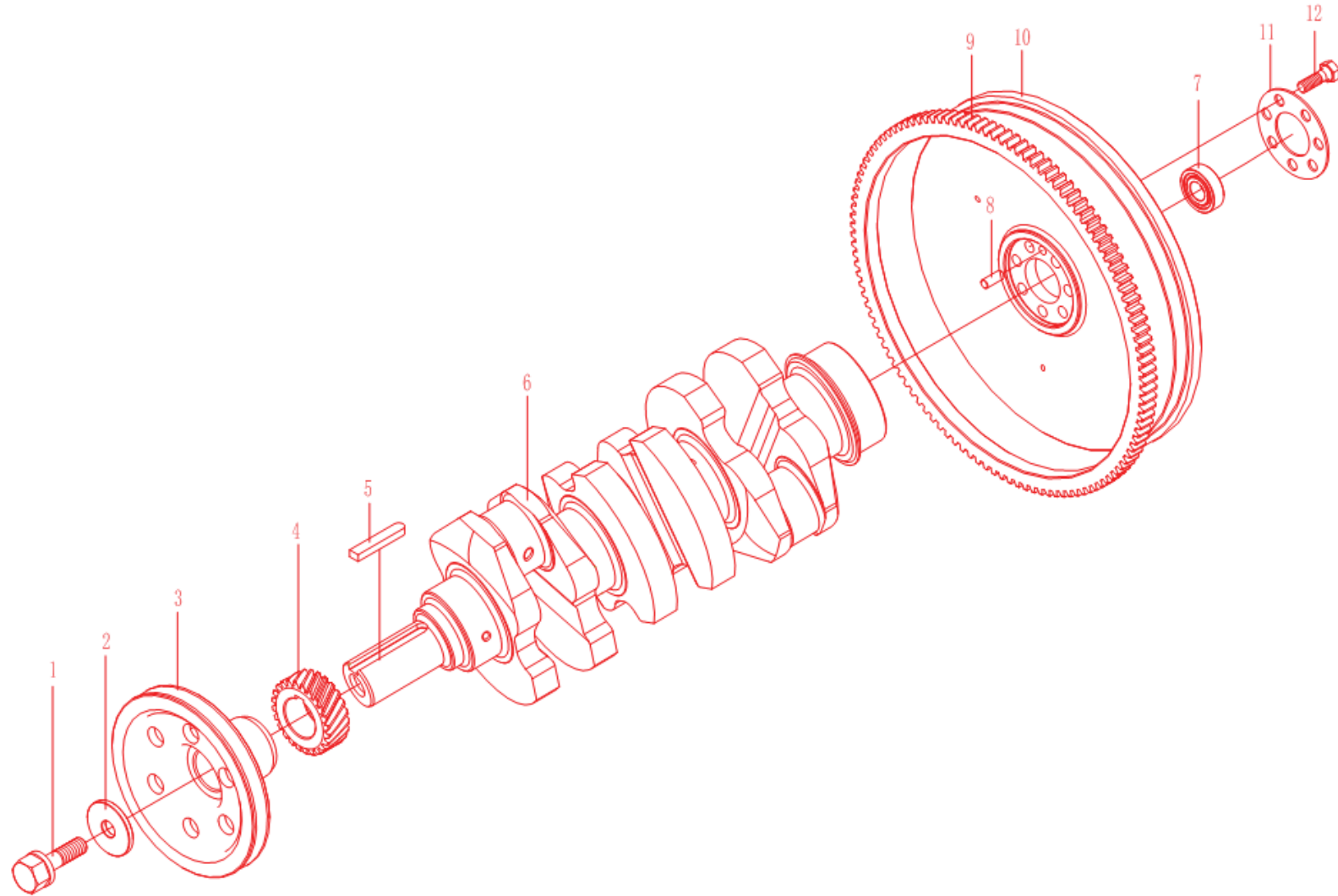
KM385BT-04000 活塞连杆总成 Piston-connecting Rod Assembly



KM385BT 活塞连杆总成 Piston-connecting Rod Assembly

序号 No	图号 Parts No	名称 Name of Parts	数量 Qty
1	KM485QB-04001	第一道气环 1st compression ring	1
2	KM485QB-04002	第二道气环 2nd compression ring	1
3	KM485QB-04100	油环部件 Oil sraper ring	1
4	KM485QB-04005	活塞 Piston	1
5	KM485QB-04004	活塞销 Piston pin	1
6	GB893.1-86	活塞销挡圈 φ28 Circlipφ28	2
7	KM485QB-04201	连杆衬套 Connecting rod bushing	1
8	KM485QB-04202	连杆 Connecting rod	1
9	KM485QB-04003	连杆轴瓦 Connecting rod bearing	2
10	KM485QB-04203	连杆盖 Connecting rod cover	1
11	LL480-04204	连杆螺栓 Connecting rod bolt	2

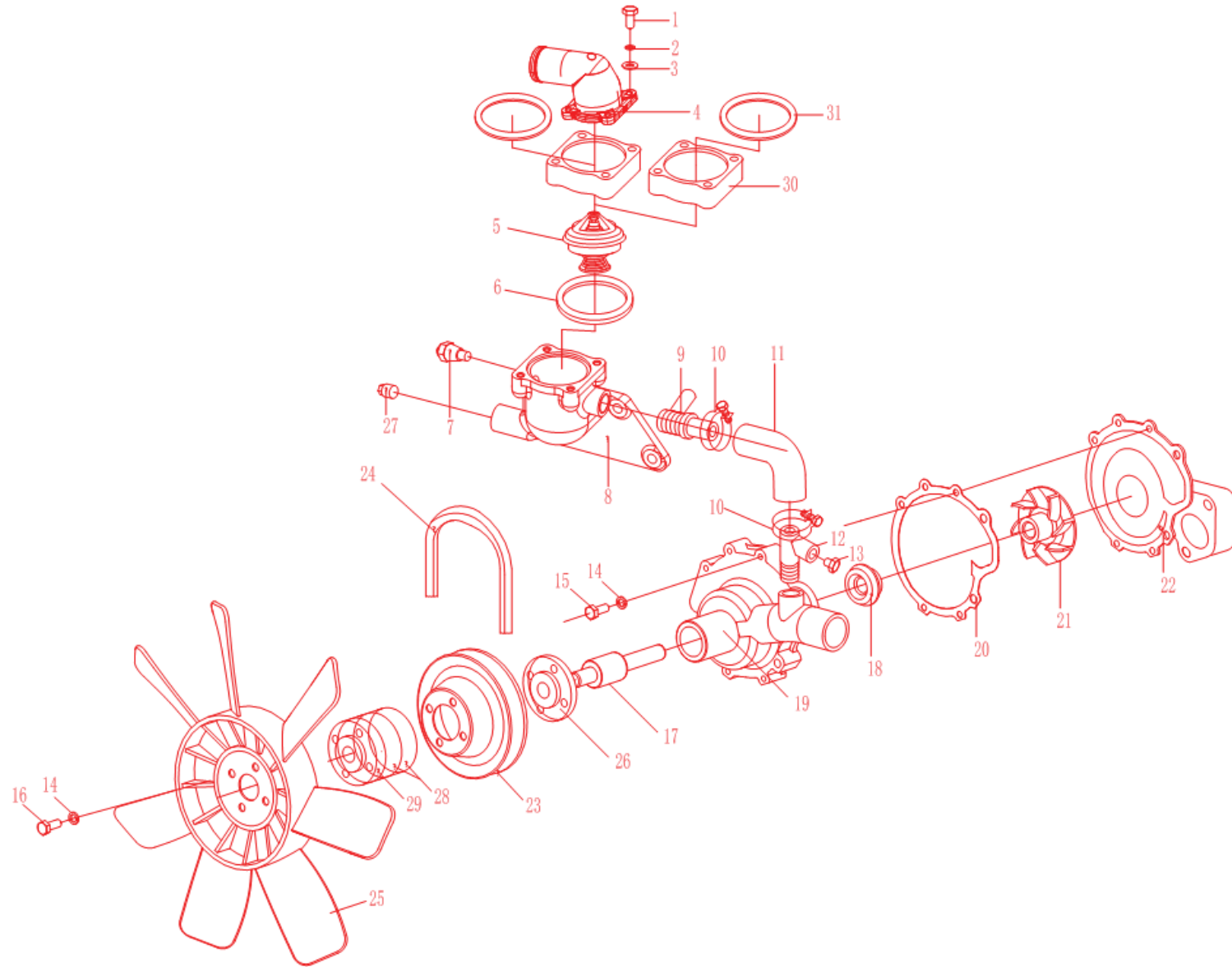
KM385BT-05000曲轴飞轮总成 Crankshaft-fly wheel Assembly



KM385BT 曲轴飞轮总成 Crankshaft-fly wheel Assembly

序号 No	图号 Parts No	名称 Name of Parts	数量 Qty
1	KM385T-05006	起动爪 Starting claw	1
2	L375-05005	起动爪垫板 Starting claw washer	1
3	KM385T-05005-4	曲轴皮带轮 Crankshaft belt pulley	1
4	KM385T-05007	曲轴正时齿轮 Crankshaft timing gear	1
5	GB1096-79	键 C10×63 Key C10×63	1
6	KM385QB-05003	曲轴 Crankshaft	1
7	GB/T276-94	深沟球轴承 6203 Bearing 6203	1
8	GB119-86	销 B8×20 Pin B8×20	1
9	LL480-05102	飞轮齿圈 Gear ring for fly wheel	1
10	KM385T -05101-5	飞轮 Fly wheel	1
11	L375-05002	飞轮螺栓垫板 Fly wheel bolt backing plate	1
12	KM385T-05001	飞轮螺栓 Fly wheel	6

KM385BT-06000冷却系统总成 Cooling System Assembly



KM385BT 冷却系统总成 Cooling System Assembly

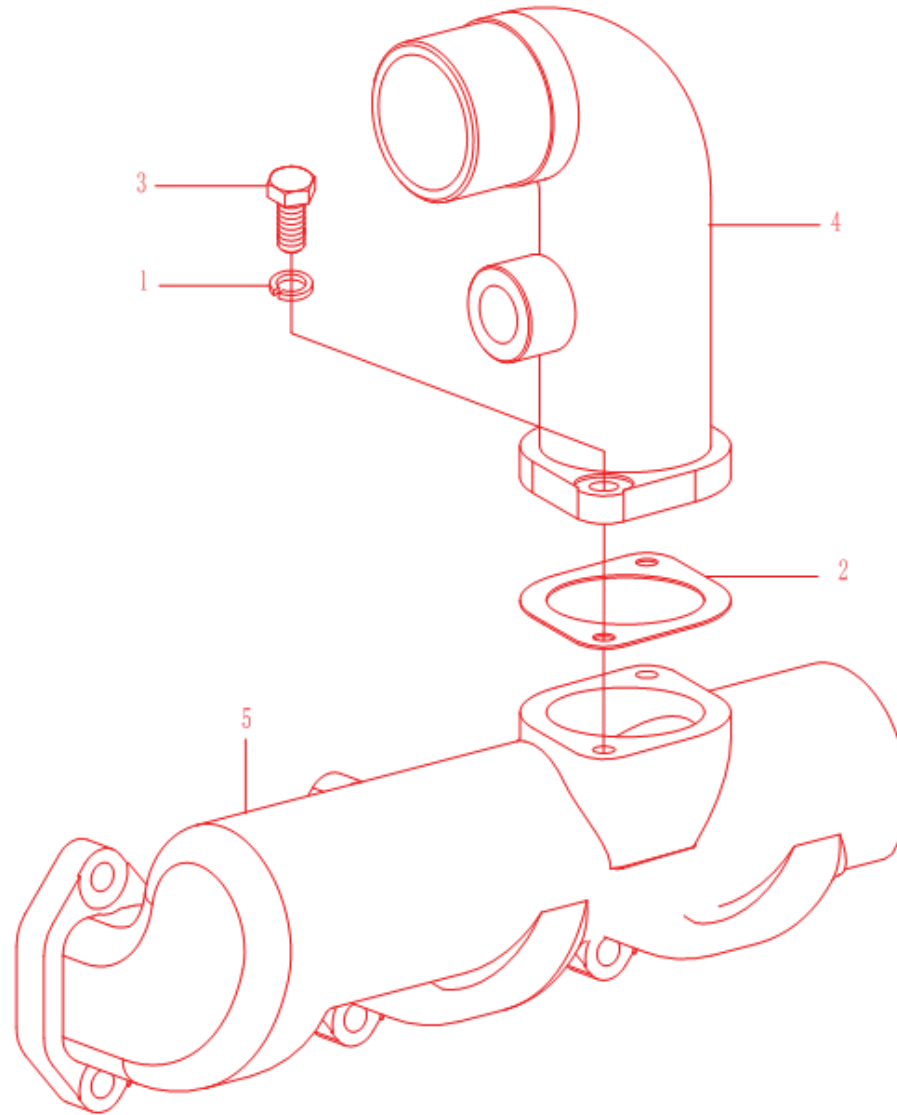
序号 Ser No	图号 Parts No	名称 Name of Parts	数量 Qty	备注 Remarks
1	GB/T898-1988	螺柱 M6×105 Bolt M6×105	4	
2	GB93-87	垫圈 6 Washer 6	4	
3	GB848-85	垫圈 6 -140HV Washer 6-140HV	4	
4	LL380-06201-1	节温器盖 Thermostat cover	1	
5	L375-06203	节温器 Thermostat	1	
6	L375-06202	节温器盖衬垫 Thermostat cover gasket	1	
7	L375-06206	水温感应塞 Water temprature transmitter	1	
8	L375-06204	节温器壳 Thermostat housing	1	
9	LL480-06303	小循环接管 Small circulating water pipe	1	
10	ZBT32005.1-88	双钢丝式环箍 26 Clamp 26	2	
11	LL380-06001	水泵分水胶管 Hose	1	
12	L375Y3-14-06110	三通接管 Water pipe	1	
13	L375Y3-14-06111	螺堵 Stopper	1	
14	GB93-87	垫圈 8 Washer8	6	
15	GB5783-86	螺栓 M8×30 Bolt M8×30	2	
16	GB5780-86	螺栓 M8×95 Bolt M8×95	4	
17	LL480-06106	水泵轴连轴承 Water pump bearin	1	
18	IIF-15	水封 Water seal	1	
19	LL480-06103-1	水泵壳体 Water pump housing	1	
20	L375-06107	水泵垫片 Water pump gasket	1	

KM385BT 冷却系统总成 Cooling System Assembly

序号 No	图号 Parts No	名称 Name of Parts	数量 Qty
21	LL480-06105	水泵叶轮 Water pump impeller	1
22	L375-06108	水泵后盖 Water pump rear cover	1
23	LL480-06102	水泵皮带轮 Belt pulley	1
	LL480-06100	水泵部件 Water pump assembly	
24	GB/T12732-1996	齿形带 AV13-1125 Belt AV13-1125	1
25	L475-06300	风扇部件 Fan	1
26	LL480-06113	水泵皮带轮毂 Belt pulley hub	1
27	D495QB-06111-1	螺堵 Stopper	1
28	4L22-06113-1	风扇垫块 (25) Fan mat	2
29	4L22-06113-2	风扇垫块 (12) Fan mat	1
30	KM385T-06208	节温器垫块 (40) Thermostat mat	2
31	KM385T-06209	节温器盖垫片 Thermostat cover gasket	2

This page
intentionally blank

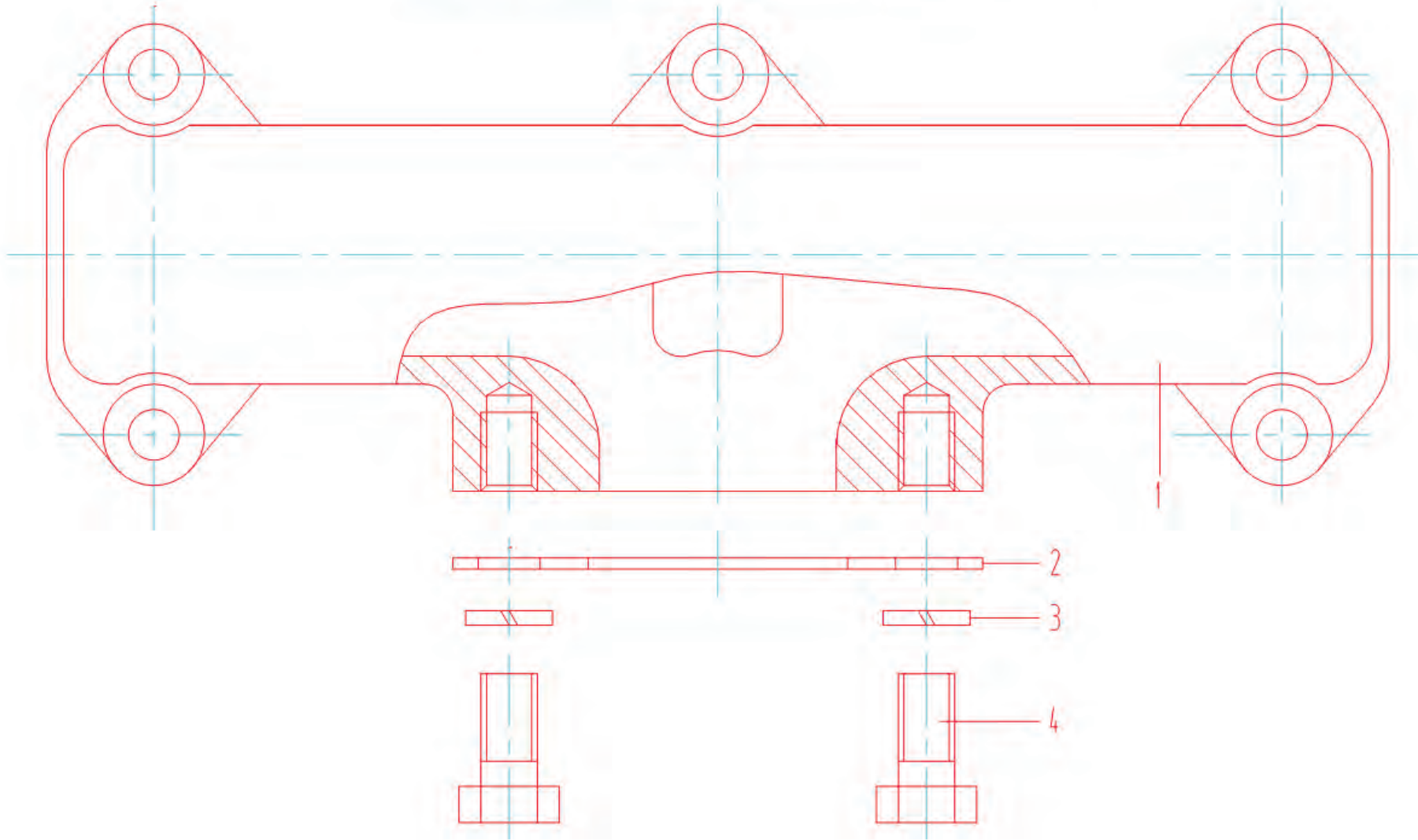
KM385BT-07000进气系统总成 Intake Manifold Assembly



KM385BT 进气管总成 Intake Manifold Assembly

序号 No	图号 Parts No	名称 Name of Parts	数量 Qty
1	GB93-87	垫圈 10 Washer 10	2
2	L375Y3-07003	进气管端盖垫片 Intake manifold cover gasket	1
3	GB5783-86	螺栓 M10×30 Bolt M10×30	2
4	KM385T-07004-6	进气管接头 Intake manifold cover joint pipe	1
5	KM385BT-07001-2	进气管 Intake manifold	1

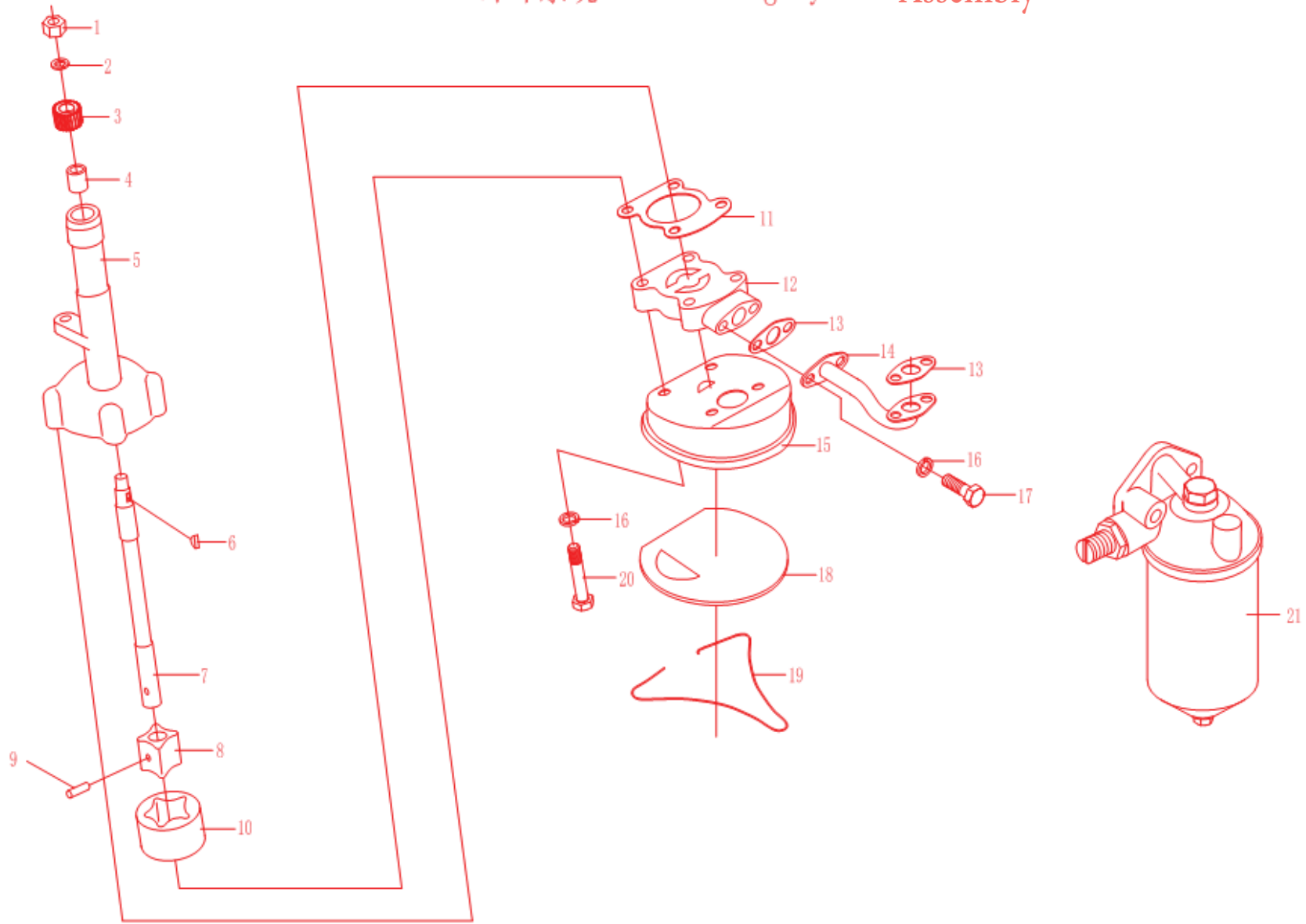
KM385BT-08000排气系统总成 Exhaust Manifold Assembly



KM385BT 排气管总成 Exhaust Manifold Assembly

序号 Ser No	图号 Parts No	名称 Name of Parts	数量 Qty	备注 Remarks
1	KM385-08001	排气管 Exhaust manifold	1	
2	KM385T-08002	排气总管垫片 Exhaust manifold gasket	1	
3	GB93-87	垫圈 10 Washer 10	2	
4	GB5783-86	螺栓 M10×30 Bolt M10×30	2	

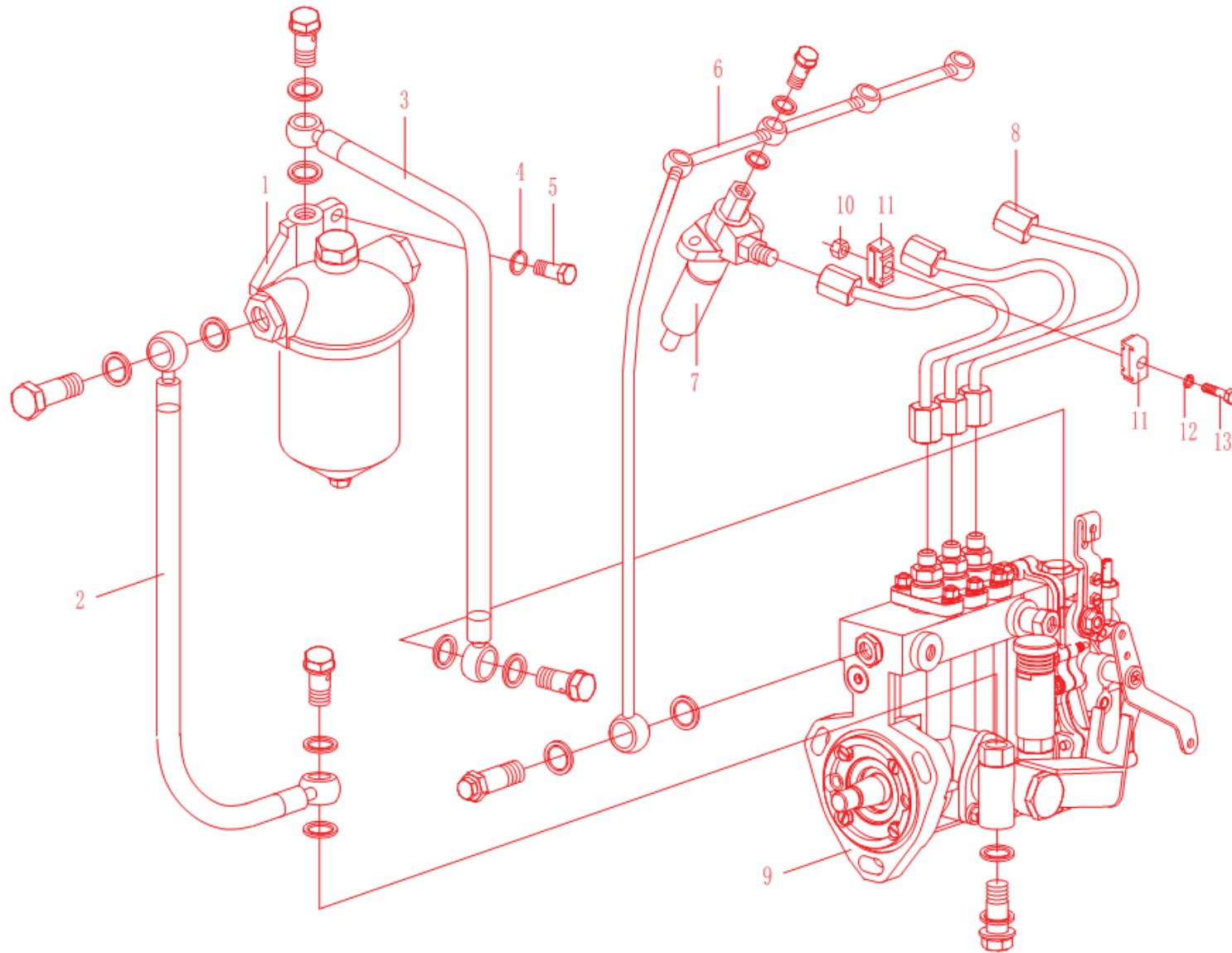
KM385BT冷却系统 Lubricating System Assembly



KM385BT 润滑系统总成 Lubricating System Assembly

序号 Ser No	图号 Parts No	名称 Name of Parts	数量 Qty	备注 Remarks
1	GB6170-86	螺母 M10	1	
2	GB93-87	垫圈 10	1	
3	LL480-09107	机油泵传动齿轮	1	
4	4L22-09121	机油泵体衬套	1	
5	4L22-09122	机油泵体	1	
6	GB1099-79	半圆键 3×5×13	1	
7	4L22-09111	机油泵轴	1	
8	4L22-09112	内转子	1	
9	LL480-09113	销 A5×18	1	
10	4L22-09101	外转子	1	
11	4L22-09105	机油泵垫片	1	
12	4L22-09104-1	机油泵盖	1	
13	L375-09001	出油管法兰垫片	1	
14	LL480T-09200	机油管路部件	1	
15	4L22-09103	滤网体	1	
16	GB93-87	垫圈 8	8	
17	GB5783-86	螺栓 M8×20	4	
18	4L22-09130	滤网焊合件	1	
19	4L22-09108	滤油网撑	1	
20	GB5782-86	螺栓 M8×45	4	
	4L22-09100-1C	机油泵 (英文铭牌)		
21	KM385T-09300	机油滤清器部件	1	
22	4L22-09001	出油管法兰垫片	1	

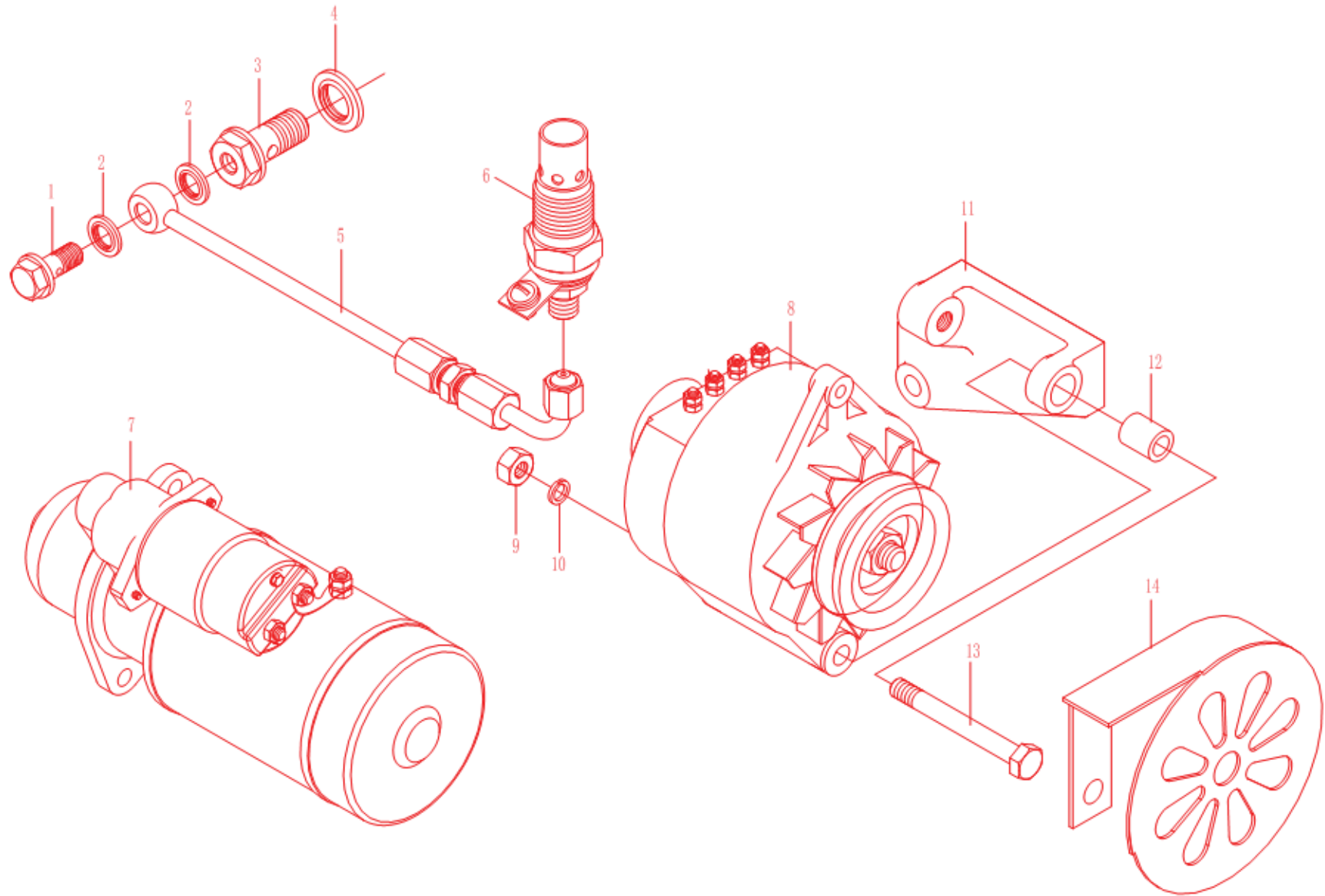
KM385BT-10000燃油系统总成 Fuel System Assembly



KM385BT 燃油系统总成 Fuel System Assembly

序号 Ser No	图号 Parts No	名称 Name of Parts	数量 Qty	备注 Remarks
1	L375-10500-1	燃油滤清器部件 Fuel filter	1	
2	KM385T-10700	输油泵至燃油滤清器油管 Line from feed pump to filter	1	
3	KM385T-10600	燃油滤清器至喷油泵油管 Line from filter to injection pump	1	
4	GB93-87	垫圈 8 Washer 8	1	
5	GB5783-86	螺栓 M8×25 Bolt M8×25	1	
6	KM385T-10400-3	回油管部件 Fuel return pipe	1	
7	KM385T-10300	喷油器总成 Fuel injector	3	
8	KM385T-10200	高压油管部件 Fuel injection pipe	1	
9	KM385T-10100 (3QF99B1)	三缸 BQ 喷油泵总成 Three cylinder BQ type injection pump assy	1	
10	GB6170-86	螺母 M6 Nut M6	2	
11	D495QB-10600	高压油管锁夹合件 Fuel injection pipe clamp	4	
12	GB93-87	垫圈 6 Washer 6	2	
13	GB65-85	螺钉 M6×30 Screw M6×30	2	

KM385BT-12000电器系统总成 Electric System Assembly



KM385BT 电器系统总成 Electric System Assembly

序号 Ser No	图号 Parts No	名称 Name of Parts	数量 Qty	备注 Remarks
1	KM485QB-12603	M8 铰接螺栓	1	
2	L375-03017	防漏垫圈	2	
3	KM485QB-12602	M12 铰接螺栓	1	
4	KM485QB-12607	Φ 12 组合垫圈	1	
5	KM485QB-12604-1	预热塞输油管	1	
6	KM485QB-12601	预热塞	1	
7	KM385T-12300-QD1332A	起动电机	1	
8	KM385T-12100-1	发电机 (350W,14V)	1	
9	GB6170-86	螺母 M10	1	
10	GB93-87	垫圈 10	1	
11	KM385T-01028	发电机固定支架	1	
12	L375-01031	发电机支架垫套	1	
13	GB5782-86	螺栓 M10×100	1	
14	KM385T-12110	发电机安全护罩	1	

DONG FENG



Midway Sales Australia
252 Eastern Service Road
Burpengary Qld 4505
Australia

Email: midway@midwaysales.com.au

Website: www.midwaysales.com.au

phone: 1300 TRACTOR

Fax: (07)3888 3180