



**Verieri**  
**UMAK**  
**MULTIFUNCTIONAL MACHINES**

8.23F | 10.23D

<https://tractormanualz.com/>



### ALWAYS CLEAN AIR

The new air cleaning system offers you a two-stage filtration through high-efficiency primary filters and safety filters that can be integrated with a **“cyclone” pre-filter** for maximum engine protection.



### NEW TIER 4i/STAGE IIIB ENGINE

The new **Deutz** engine complies with the latest emission standards delivering high torque at low rpm.



### AUTOMOTIVE DISK BRAKE SYSTEM

The **split double braking system** (optional on VF 8.23F), operating on each single axle, guarantees the machine a **minimum braking distance**.



### TYRE RANGE FOR ANY KIND OF APPLICATION

**Wide range of tyres** selected for any kind of terrain and application, both **industrial** and **agricultural**.



### TOTAL STABILITY

The oscillating rear axle, fixed to the frame with **unlimited duration, maintenance-free** supports and controlled by a double-acting cylinder, functions as a damper and suspension **block to ensure total stability**.



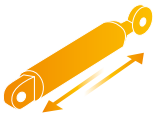
### CLOSE ATTENTION TO FUEL SAVING

The new electrically controlled **dual speed cooling** fan adjusts the rotation speed according to all working conditions, **reducing the average fuel consumption (8% approx.) and noise (12 dB approx.)**.



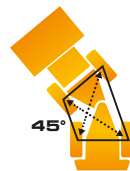
### TWO MACHINES IN ONE

New completely redesigned linkage for **maximum breakout and lifting force**, which are impossible to find in a traditional backhoe with parallel linkage. In addition, **we guarantee full attachments interchangeability with our previous models and main competitors**.



### LOADER ARM SPEED

The **energy recovery** function eliminates all the “downtimes” in the lowering of the boom, thus **improving its response time and performance**.



### CENTRAL ARTICULATION

Tight curves, slight slopes, each job is different. Thanks to the central articulation, the machine **can easily operate even in tiny spaces**.



### BE COOL

The **brand-new ventilation system** guarantees the operator maximum comfort. You can choose between the **automatic climate control** or the **air conditioner**, thus obtaining the **perfect temperature** inside your cabin.



### 360° 3D VIEW

Full control of the whole working area as well as front and rear attachments, thanks to the **360° visibility** of the Venieri Cabin (certified ROPS/FOPS II° level).



### NO LIMITS FOR ADDITIONAL ATTACHMENTS

The new **High Flow Kit** allows a **42% increase of oil flow to the attachment versus the standard one**.



### HYDRAULIC ADDITIONAL CIRCUITS

The front and rear part of **the machine can be simultaneously equipped with a number of different hydraulic circuits** to perform **any kind of job**.



### HYDROSTATIC TRANSMISSION

Compared with a traditional PowerShift, **high-pressure Bosch-Rexroth hydrostatic transmission with automatic change** improves the machine's performance in terms of **towing force, speed and reduced fuel consumption**.

# 8.23F

MULTIFUNCTIONAL MACHINE  
ARTICULATED



## DIESEL ENGINE

Engine: inline-four cylinder, turbocharged, charge air cooling, Common Rail injection system electronically controlled, external exhaust gas recirculation, water cooled, dry filtration, oxidation catalyst (DOC). Emissioned according to CEE 97/68 Stage IIIB/Tier 4i.

Type	Deutz TCD 3.6 L4
Max power	78 kW - 106 HP
Rated RPM	2.300
Power ISO/TR 14396	74,4 kW - 101 HP
Power EEC 80/1269	74,4 kW - 101 HP
Max torque	410 N.m
Bore	mm 98
Stroke	mm 120
Displacement	cm <sup>3</sup> 3.620



## ELECTRIC SYSTEM

Battery	12 Volt
Capacity EN 60095-1	110 Ah - 1100 A
Alternator rating	95 A
Reverse warning	Standard
Wiring according with	IP 67 DIN 40050



## TRANSMISSION

Hydrostatic transmission with automatic power regulation and closed circuit with variable displacement pump and motor. Gearbox with 2 mechanical selections: 2 work speeds (fwd/rev) and 2 road speeds (fwd/rev).

Work speed	Forward	Reverse
1 <sup>st</sup> gear km/h	0÷6	0÷6
2 <sup>nd</sup> gear km/h	0÷12	0÷12

Road speed	Forward	Reverse
1 <sup>st</sup> gear km/h	0÷18	0÷18
2 <sup>nd</sup> gear km/h	0÷40	0÷40



## AXLES

Designed for Heavy Duty • All-wheel drive • Planetary final drives in each wheel.

Front axle: rigid • Rear axle: oscillating up to a total angle of 20° and "Limited Slip" differential. Hydraulic locking device on the rear oscillating axle.



## BRAKES

Service: Multi disc oil brakes on rear axle working on all the wheels. Parking: mechanical brake operating on the transmission shaft manually actuated.



## TYRES

Standard	16/70 - 24
Option	15-22.5 • 405/70 R24



## STEERING

Central articulated frame with servo assisted through LOAD SENSING.

Total steering angle	80°
Inner tyres turning radius	mm 2.500
Outer tyres turning radius	mm 4.600
Outer bucket turning radius	mm 5.100



## HYDRAULIC SYSTEM

Composed of two gear pumps, the first for the loader circuit and steering, the second for the circuit of the fan, having a double speed of rotation. "Combined Flow" circuit for feeding the rear control valve.

Modular two-element control valve for the loader, modular six-element control valve for the backhoe regenerative type. Double acting hydraulic cylinder. Cylinder 1st backhoe arm with brake at maximum height. Hydraulic oil cooling radiator. Full-flow oil filter on the leakage pipe.

Standard flow	lt/1'	88
Max flow	lt/1'	125
Loader relief valve pressure	bar	230
Steering relief valve pressure	bar	175
Lift cylinder	mm	85x580
Bucket cylinder	mm	90x402

### Loader control

Single lever arm-control with 4-position lifting system and with 3-position bucket system.

### Backhoe control

Two levers backhoe control, "cloche" type. Two hydraulic-control independent stabilizers. Side translation with four hydraulic locking devices.



## SERVICES CAPACITIES

Engine	lt	8
Front axle + gear box	lt	10,5
Rear axle	lt	9,2
Hydraulic circuit	lt	85
Brake system	lt	0,6
Fuel	lt	82
Water cooling	lt	24



## TECHNICAL FEATURES

### Loader

Standard bucket capacity	m <sup>3</sup>	1,10
Bucket width	mm	2.200
Breakout force	kg	6.900
Lifting capacity on the bucket pin up to max height	kg	4.100
Dump clearance	mm	3.350
Dump height at 40°	mm	2.700
Reach at 40°	mm	800

### Backhoe Loader

Type	VF	4.35C
Standard bucket capacity	lt	150
Bucket width	mm	500
Dipperstick max penetration capacity	kg	2.550
Max breakout force on the bucket type	kg	4.560
Lifting capacity on the bucket pin up to max height	kg	1.400
Rotating		180°
A - Max digging depth	mm	4.600
B - Standard digging depth (SAE)	mm	4.300
C - Max digging depth with telescopic (opt.)	mm	5.400
D - Standard digging depth with telescopic (opt)	mm	5.100



## DIMENSIONS AND WEIGHT

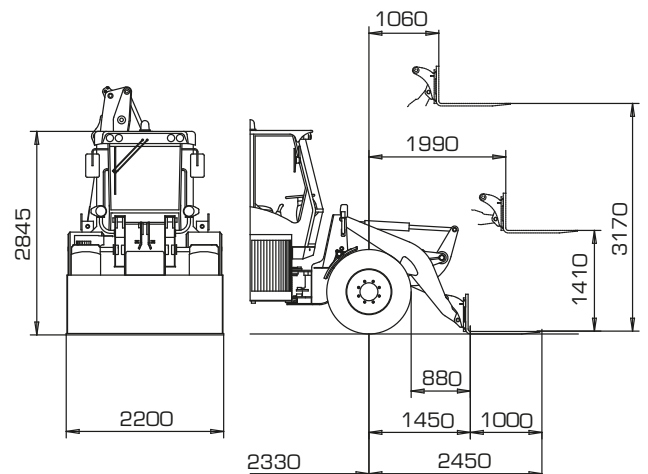
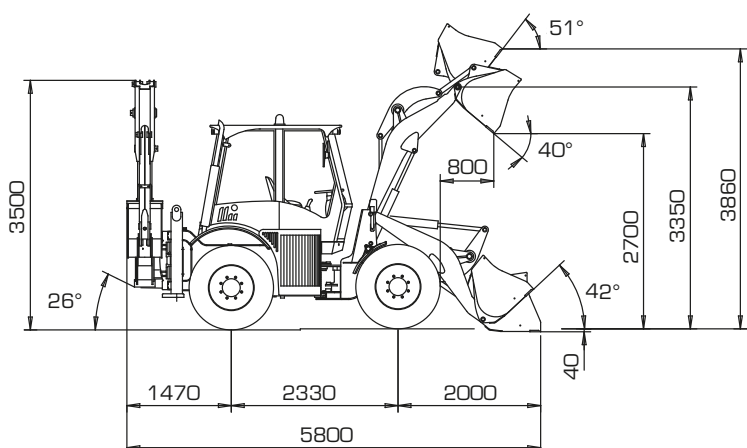
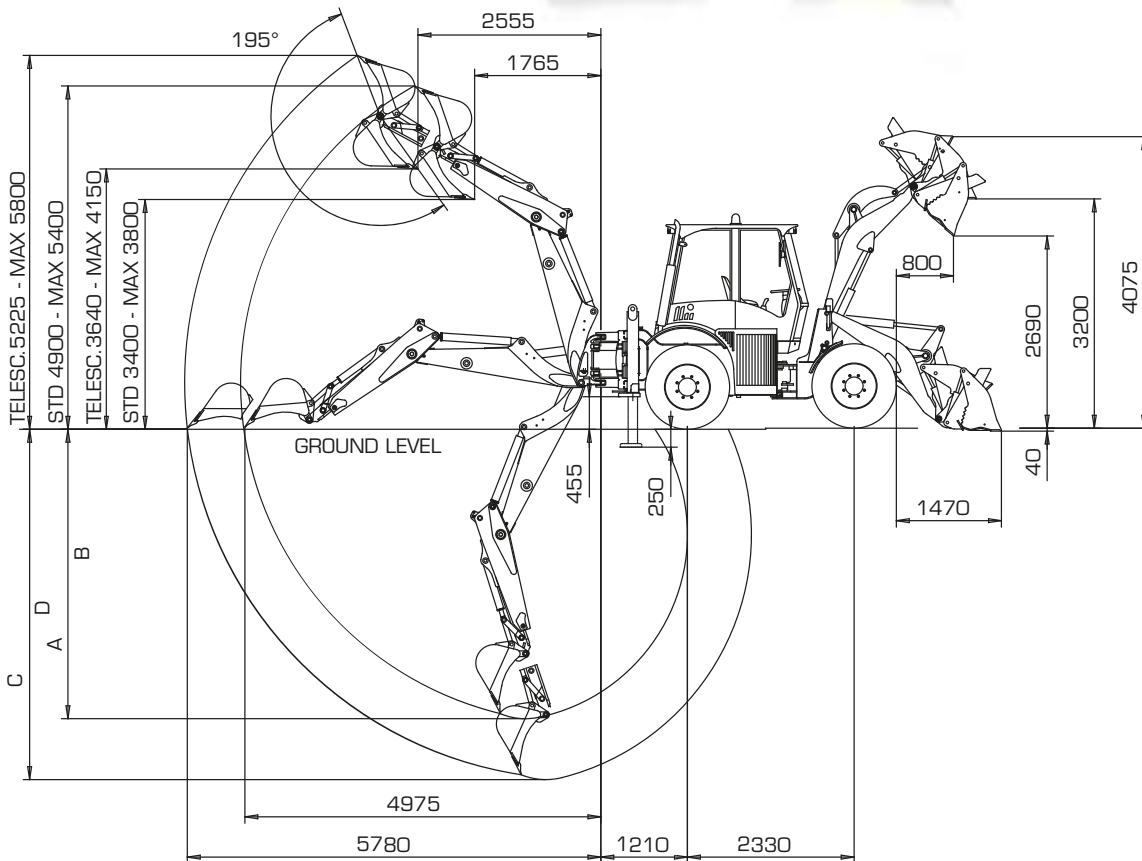
Max length in transfer position	mm	5.900
Max width in transfer position	mm	2.200
Width across tyre	mm	2.060
Tracks width	mm	1.650
Maximum height (Standard arm)	mm	3.500
Ground clearance	mm	320
Standard weight in running order	kg	7.500
Max permissible weight	kg	8.490

**Loading bucket (kg)**

Static tipping load, full turn	4.950
Payload (50%)	2.475

**Loading fork (kg) - centre of gravity 500 mm**

Static tipping load, full turn	3.900
Payload EN 474-3 (80%)	3.120
Payload EN 474-3 (60%)	2.340
Payload DIN 24094 (50%)	1.950



# 10.23D

## MULTIFUNCTIONAL MACHINE

### ARTICULATED



### DIESEL ENGINE

Engine: inline-four cylinder, turbocharged, charge air cooling, Common Rail injection system electronically controlled, external exhaust gas recirculation, water cooled, dry filtration, oxidation catalyst (DOC) Emissioned according to CEE 97/68 Stage IIIB/Tier 4i.

Type	Deutz TCD 3.6 L4
Max power	78 kW - 106 HP
Rated RPM	2.300
Power ISO/TR 14396	74,4 kW - 101 HP
Power EEC 80/1269	74,4 kW - 101 HP
Max torque	410 N.m
Bore	mm 98
Stroke	mm 120
Displacement	cm <sup>3</sup> 3.620



### ELECTRIC SYSTEM

Battery	12 Volt
Capacity EN 60095-1	110 Ah - 1100 A
Alternator rating	95 A
Reverse warning	Standard
Wiring according with	IP 67 DIN 40050



### TRANSMISSION

Hydrostatic transmission with automatic power regulation and closed circuit with variable displacement pump and motor. Gearbox with 2 mechanical selections: 2 work speeds (fwd/rev) and 2 road speeds (fwd/rev).

Work speed	Forward	Reverse
1 <sup>st</sup> gear km/h	0÷6	0÷6
2 <sup>nd</sup> gear km/h	0÷13	0÷13

#### Road speed

1 <sup>nd</sup> gear km/h	0÷18	0÷18
2 <sup>nd</sup> gear km/h	0÷40	0÷40



### AXLES

Designed for Heavy Duty • All-wheel drive • Planetary final drives in each wheel.

Front axle: rigid • Rear axle: oscillating up to a total angle of 20° and "Limited Slip" differential. Hydraulic locking device on the rear oscillating axle.



### BRAKES

Service: hydraulic multi-disk oil brakes on each wheels with two separate circuits.

Parking: band-type on the split outlet hand-operated.



### TYRES

Standard	17.5L 24
Option	15.5-25 • 15R 25 • 405/70 R24 • 19.5L 24



### STEERING

Central articulated frame with servo assisted through LOAD SENSING.

Total steering angle	80°
Inner tyres turning radius	mm 2.800
Outer tyres turning radius	mm 4.900
Outer bucket turning radius	mm 5.500



### HYDRAULIC SYSTEM

Composed of two gear pumps, the first for the loader circuit and steering, the second for the circuit of the fan, having a double speed of rotation. "Combined Flow" circuit for feeding the rear control valve.

Modular two-element control valve for the loader, modular six-element control valve for the backhoe regenerative type, with unloading valve for reducing consumption during transfer.

Double acting hydraulic cylinder. Cylinder 1st backhoe arm with brake at maximum height. Hydraulic oil cooling radiator. Full-flow oil filter on the leakage pipe.

Standard flow	lt/1'	105
Max flow	lt/1'	145
Loader relief valve pressure	bar	250
Steering relief valve pressure	bar	175
Lift cylinder	mm	90x665
Bucket cylinder	mm	110x445

#### Loader control

Single lever arm-control with 4-position lifting system and with 3-position bucket system.

#### Backhoe control

Two levers backhoe control, "cloche" type.

Two hydraulic-control independent stabilizers.

Side translation with four hydraulic locking devices.



### SERVICES CAPACITIES

Engine	lt	8
Front axle	lt	11,8
Rear axle	lt	11,8
Gear box	lt	1,6
Hydraulic circuit	lt	85
Brake system	lt	2
Fuel	lt	118
Water cooling	lt	24



### TECHNICAL FEATURES

#### Loader

Standard bucket capacity	m <sup>3</sup>	1,30
Bucket width	mm	2.350
Breakout force	kg	10.800
Max hydraulic lifting capacity at maximum height	kg	5.800
Dump clearance	mm	3.500
Dump height at 42°	mm	2.800
Reach at 42°	mm	775

#### Backhoe loader

Type	VF	4.65B
Standard bucket capacity	lt	200
Bucket width	mm	600
Dipperstick max penetration capacity	kg	4.700
Max breakout force on the bucket type	kg	6.100
Lifting capacity on the bucket pin up to max height	kg	2.200
Rotating		180°
A - Max digging depth	mm	5.000
B - Standard digging depth (SAE)	mm	4.600
C - Max digging depth with telescopic (opt.)	mm	6.000
D - Standard digging depth with telescopic (opt)	mm	5.600



### DIMENSIONS AND WEIGHT

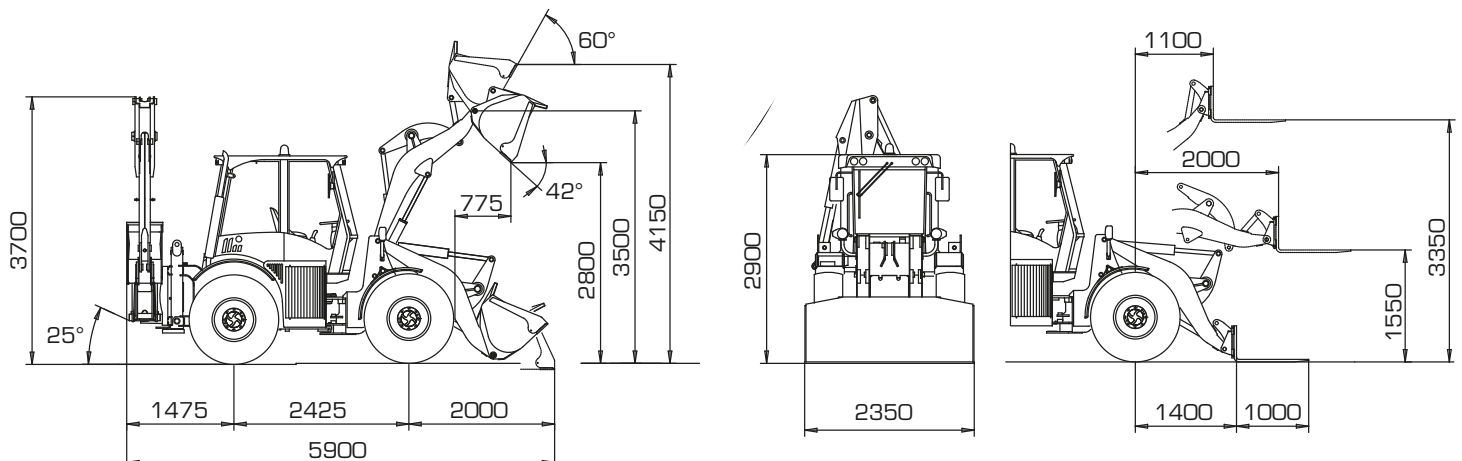
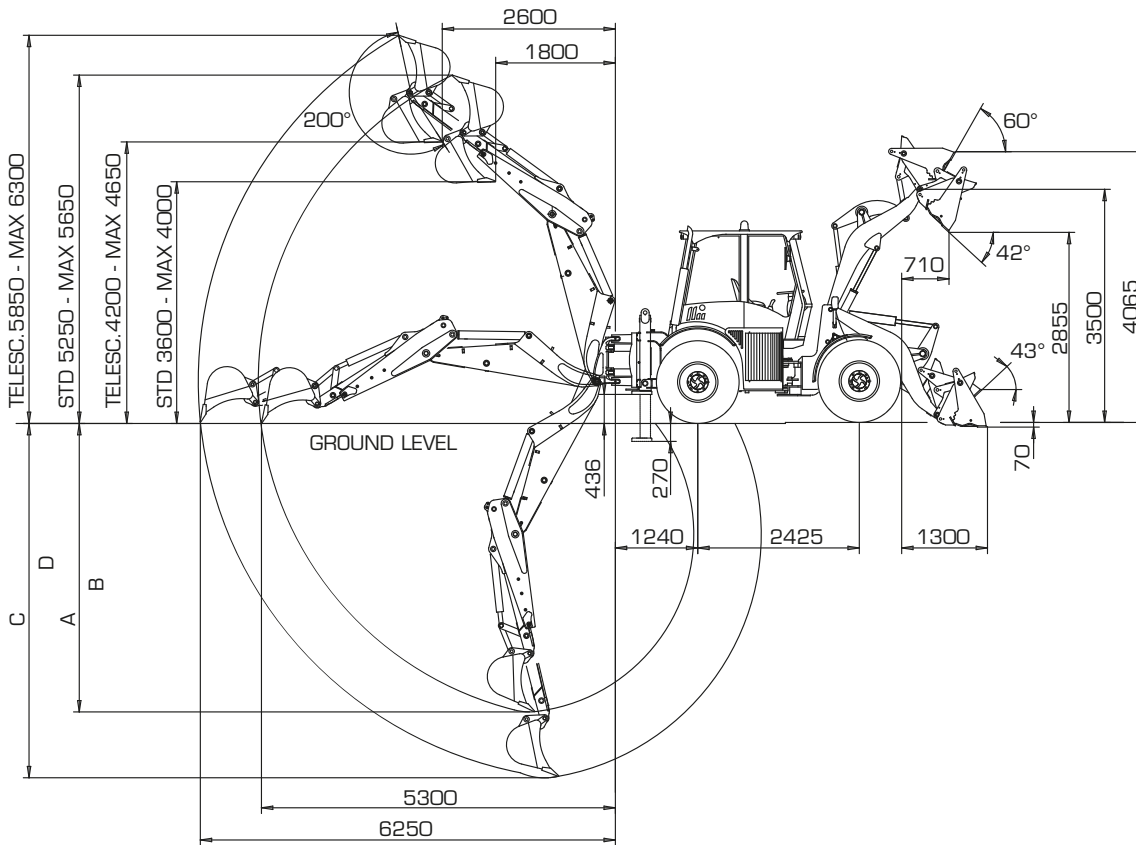
Max length in transfer position	mm	6.000
Max width in transfer position	mm	2.350
Width across tyres	mm	2.100
Tracks width	mm	1.650
Max height (Standard arm)	mm	3.700
Ground clearance	mm	450
Standard operating weight	kg	8.600
Max permissible weight	kg	9.920

**Loading bucket (kg)**

Static tipping load, full turn	5.800
Payload (50%)	2.900

**Loading fork (kg) - centre of gravity 500 mm**

Static tipping load, full turn	4.600
Payload EN 474-3 (80%)	3.700
Payload EN 474-3 (60%)	2.700
Payload DIN 24094 (50%)	2.300



# Venieri UMAK

WE HAVE RE-DESIGNED THE  
FUTURE OF BACKHOE LOADERS.

THE NEED TO COMBINE **HIGH PRODUCTIVITY** AND **PROFESSIONAL VERSATILITY** RESULTED IN THE **UMAK** REVOLUTION: THE NEW VENIERI MULTIFUNCTIONAL MACHINE

## HIGH PRODUCTIVITY

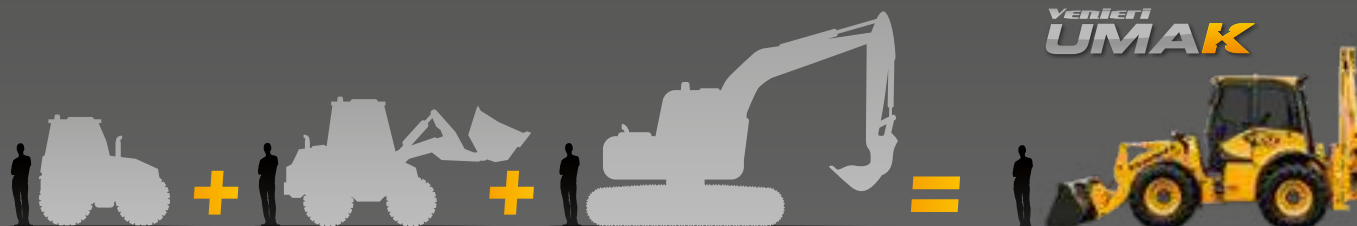
The Venieri UMAK can satisfy any purpose, thus replacing different traditional machines and allowing for significant **cuts in terms of maintenance and staff costs**.

## VERSATILITY, SPEED AND POWER

Thanks to the power of **hydrostatic transmission** and the efficiency of their **hydraulic system**, as well as the complete and full **disengagement of the rear excavator**, our multifunctional machines are authentic **universal tool carriers**. In addition, the engine is mounted in a transverse/central position to achieve an **equal distribution of the load on both axles**, better tipping over **resistance, towing force and stability with the lowest centre of gravity**.

## REDUCE CONSUMPTION AND SAVE THE ENVIRONMENT

The employment of a **single machine** to perform all tasks allows you to considerably **reduce the levels of fuel consumption, exhaust gas emissions and noise**.



DIFFERENT MACHINES, MULTIPLE OPERATORS  
FOR DIFFERENT PURPOSES

**1 MACHINE, 1 OPERATOR  
FOR ANY PURPOSE**

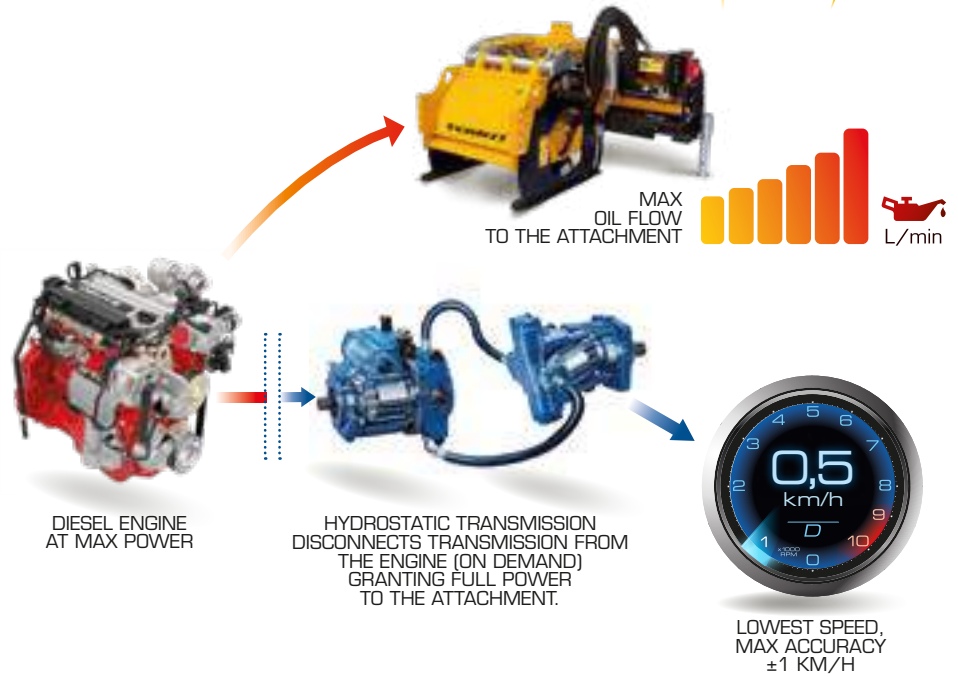
<https://tractormanualz.com/>



## HYDROSTATIC TRANSMISSION

The **Power Management System (PMS)** developed by Venieri allows **balancing the power available, in favour of the attachment.**

Using the Engine at maximum RPM, you can have the **maximum oil flow to the attachment** and, at the same time you can **adjust the speed, with precision of 1 km/h**; a function lacking in traditional transmissions.



## PERFECT WEIGHT DISTRIBUTION

Thanks to a typical wheel loader's weight distribution, **40% on the front axle and 60% on the rear axle**, UMAK guarantees **maximum safety when working with bouncing attachments (ex. hydraulic shredder)**, with **no need of additional stabilisers.**

## "MAX POWER" FLOW RATE

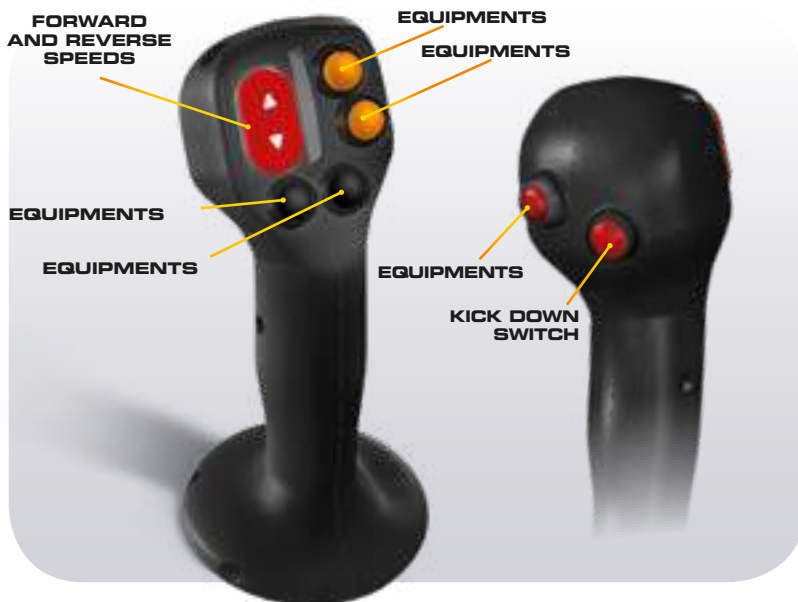
The **Bosch-Rexroth** hydrostatic transmission is made according with VENIERI specifications.

Thanks to the **"automotive"** control, it automatically regulates the hydraulic flow and pressure depending on your working conditions: this **allows for maximum hydraulic power and limited consumption all the time.**



# TYRES RANGE FOR ANY KIND OF APPLICATION

Stability, traction control and wheel-terrain interaction: trust our experience in the field to choose the most suitable tyres range for any of your specific needs.



## 99 FUNCTIONS IN ONE JOYSTICK

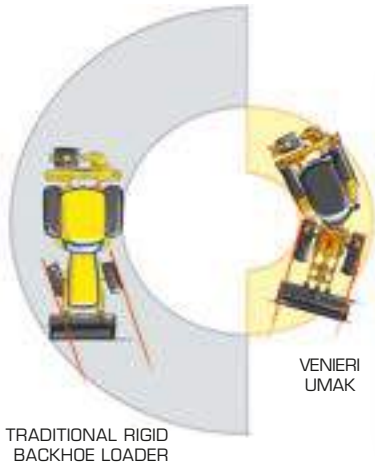
The new cutting-edge joystick performs extremely well with all the **99 additional and homologated attachments.**

## REAR ARM DISENGAGEMENT

The plug and play system is now available. **Remove the backhoe safely every time you want to achieve every kind of purpose** (towing carnival floats, for example!)



# BENEFITS OF PROGRESS AND INNOVATION



TRADITIONAL RIGID BACKHOE LOADER

VENIERI UMAK

## EXTREMELY RADIUS STEERING ANGLE

The **central articulation** of our multifunctional machines allows an **extremely radius steering angle and the ongoing alignment of the front axle with the bucket**, thus improving their performance in terms of **flexibility and efficiency**.



VENIERI UMAK

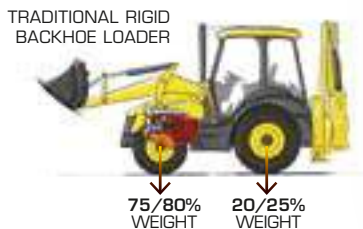
## FLUSH TO THE WALL

With the rear standard bucket width. mm. 500, our machines are able to dig flush to the wall, unlike the traditional ones.



VENIERI UMAK

40% WEIGHT  
60% WEIGHT



TRADITIONAL RIGID BACKHOE LOADER

75/80% WEIGHT  
20/25% WEIGHT

## ENGINE CENTRAL POSITION

The **central/transverse** position of the engine on our multifunctional machines has several functions:

- It contributes to a better **weight distribution** on the axles
- It improves the machine's longitudinal/transverse **stability**, reducing travel dumping
- It allows for a **full view** of the working area due to the lack of bonnets (engine)
- **Extremely compact machine**



VENIERI UMAK



TRADITIONAL RIGID BACKHOE LOADER

## "Z" LINKAGE

- Increased **breaking force** thanks to the use of bucket cylinders with a pushing instead of pulling function.
- Improved **visibility**
- Similar to wheel loader



VENIERI UMAK



TRADITIONAL BACKHOE LOADER FRONT ENGINE

## MINIMUM DISCHARGE DISTANCE

The lack of engine bonnet grants protections and a **minimum discharge distance in all working conditions**.



VENIERI UMAK



TRADITIONAL BACKHOE LOADER FRONT ENGINE

## RADIATOR SIDE POSITION

The side/external-frame position of the radiator (2 speed cooling fan) guarantees a **perfect cooling**. Thanks to its position, the radiator always works with clean air (dust from front and rear is avoided).

SPECIALIZATION AREA  
**EARTH-MOVING**



**Excavating, digging up, breaking, filling, leveling, etc...**  
The Venieri UMAK fully satisfies all your working needs in every condition.  
Work in the best way and in the shortest time: this is our mission.



SPECIALIZATION AREA  
**CONSTRUCTION**



**Handling, trenching, excavating foundations, setting drainage beds, covering, levelling etc...**  
A Venieri is so flexible and high-performing that no other operating machine is needed,  
a Venieri UMAK is enough.



SPECIALIZATION AREA

# ROADS AND PIPING FOCUS



In road, highway or urban construction sites (inside town municipalities) the Venieri UMAK is the best solution which meets all your needs: **cleaning and removal road surface**, distribution of **stabilising materials**, **opening/closure of channels for pipes and cables**.

An extremely high transfer speed, an exceptionally compact dimension, **as well as an incomparable turning radius** allow the operator to work **without stopping the traffic flow**.



SPECIALIZATION AREA  
**MUNICIPALITIES,  
ARMY AND  
CIVIL DEFENSE**



**Shredding, planting, cleaning ditches, removing snow, scattering anti-freeze substances or cleaning the road surface. Agility and speed**, combined with a proven ability to carry out different kinds of public works, make the Venieri UMAK an **ideal and cost-effective solution for municipalities, civil defense and the army.**



# Venieri GLOBAL

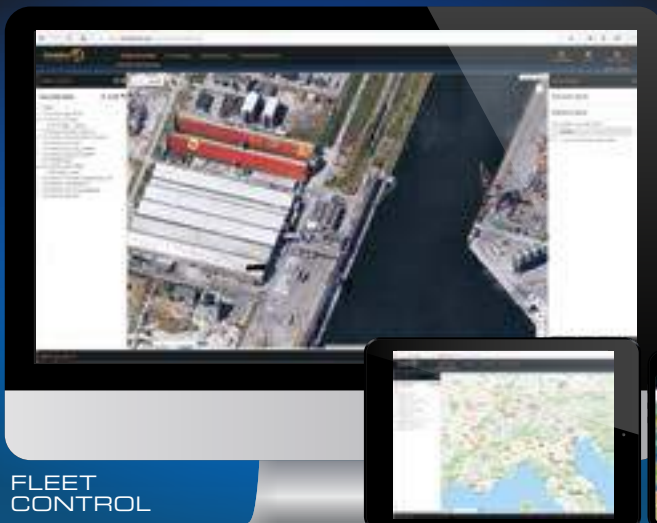
CONTROL YOUR FLEET

**Venieri GLOBAL™** is our brand-new satellite monitoring system, which guarantees an increase in productivity by providing detailed information about the fleet and attachments, as well as an incredible amount of data to ensure the highest performance levels and greater economic efficiency.

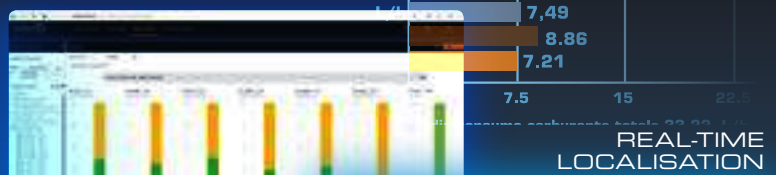
## A V A I L A B L E F E A T U R E S

Machine localisation	✓	Work shifts alarm	✓
Alerts history	✓	Standard operating procedure history	0
Maintenance plan	✓	Energy-saving guidelines history	0
Maintenance history	✓	Location log	✓
Load information	✓	(map with locations and operating procedures)	✓
Working hours	✓	Information about diesel particulate filter	✓
Security control (engine block)	0	Geo-fencing	✓
Fuel consumption (total and partial)	✓	Localisation and management fleet	✓
Fuel consumption while working	✓	Multiuser control with specific access policies	✓
Machine efficiency (while working)	✓	List of "sleeping" machines	✓
Detailed working hours	✓	Sms/e-mail notification	✓
Motion sensor alarm	✓	Anti-theft alarm	✓
Curfew alarm setting	✓	Parameters setting upon request	0

✓ Standad    0 Optional    X Not available



### PRODUCTIVITY REPORT



### REAL-TIME LOCALISATION



APP FOR SMARTPHONE  
IOS™ AND ANDROID™



# SMART INNOVATION.

## CLEAN ENERGY CLOSE-TO-ZERO CONSUMPTION BRAND-NEW DEUTZ ENGINE TIER 4I/STAGE IIIB

The VF 8.23F and the VF 10.23D are powered by the **new Deutz TCD 3.6 L4**, a 3620 cm<sup>3</sup> four-cylinder unit **awarded as the best engine in its class**. The impressive performance, reliability and durability distinguishing this engine are made possible by adopting the most cutting-edge technology, such as: an **electronically-controlled common rail injection**, a **turbocharger with intercooler**, a **waste-gate valve** and a proportional speed viscocstatic fan, to mention but a few. The result is a minimum specific fuel consumption of **just 210 g/kWh** - an outstanding figure for an engine of this size - which, through the use of an external exhaust gas recirculation system and the diesel oxidation catalyst (**DOC**), complies with the latest **Tier 4i** emissions standards.

### › COMMON RAIL

In Deutz engines, injection pressure of **1600 bar** ensures that the fuel is perfectly atomised for **maximised combustion efficiency**, which not only **reduces fuel consumption, but also increases torque and power**.

### › THE DOC CATALYST

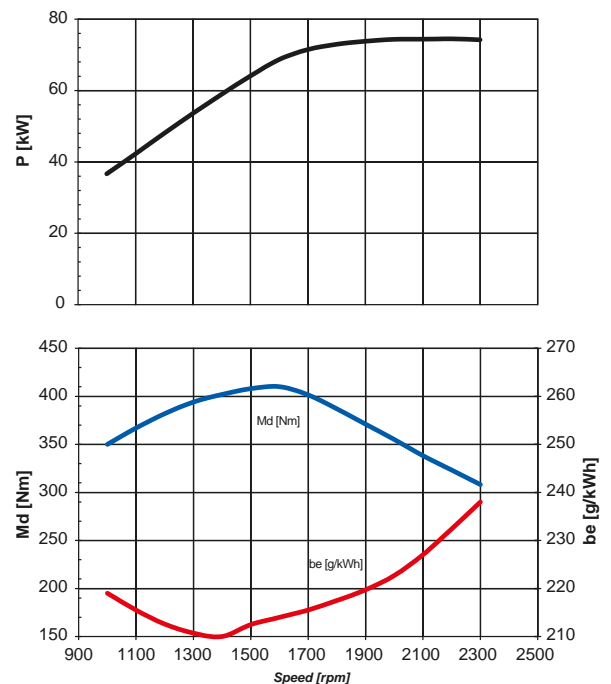
Installed above the engine, the **DOC** (Diesel Oxidation Catalyst) is a **catalyst converter** which **transforms the most undesirable components of exhaust gas into harmless substances for the environment**. Unlike a conventional DPF (Diesel Particulate Filter), a DOC does not require any additive reagents, so it is **exempt from routine maintenance**.

### › ENGINE MANAGEMENT

In order to avoid unnecessary and unproductive fuel consumption, the engine **is entirely electronically-controlled** to deliver only the power effectively needed for a specific job.



Deutz TCD 3.6 L4 - 78 kW - 106 CV



## BASIC MACHINE



## CABIN EQUIPMENT



	8.23F	10.23D
Battery main switch	✓	✓
Tool box	✓	✓
Fuel preheating (cold climates)	○	○
Locking fuel filler cap	✓	✓
Proportional self lock front differential	○	○
Proportional self lock rear differential	✓	✓
Recovery hitch	✓	✓
Warning beacon	✓	✓
Twin beacons LED	○	○
Soundproofing	✓	✓
Spare parts catalogue	✓	✓
User manual	✓	✓
Type-approval for road traffic	✓	✓
Safety clamp for bucket and lifting cylinders	✓	✓
Safety block valves on lifting and bucket cylinders	○	○
Safety block valves on backhoe cylinders	○	○
Safety block valves on backhoe cylinders and overload device with eye for lifting	○	○
Loader servocontrol	○	○
Backhoe servocontrol	○	○
Speed selection on joystick	○	○
Transmission selector on steering column	✓	✓
40 km/h travel speed	✓	✓
"Venieri GLOBAL" system	○	○
Reversible fan (for radiator cleaning)	○	○
Double speed fan	✓	✓
Hydraulic negative parking brake	✗	✗
Service brake on both axles with separate circuits	○	✓
Automatic centralized greasing system	○	○
Ride control	○	○
Engine preheating system	○	○
Environmentally-friendly hydraulic oil	○	○
Hydraulic oil ISO 46 (cold climates)	○	○
Cyclone dust separator	✓	✓
Air intake scavenge system	✗	✗
Road lights front and rear	✓	✓
Reverse light	○	○
Plastic front and rear fenders	✓	✓
Hand throttle	✓	✓
ROPS/FOPS 2nd Level, pressurized and soundproofed	✓	✓
Double entrance door	✗	✗
Front and rear windscreen wiper with washer	✓	✓
Halogen work lights (4 front + 2 rear)	✓	✓
LED work lights (4 front + 2 rear)	○	○
Mobile phone compartment	○	○
Bottle holder	✓	✓
Document compartment	✓	✓
Seat with mechanical suspension	✓	✓
Seat with pneumatic suspension	○	○
Seat with pneumatic suspension with heating	○	○
Seat armrests	○	○
Adjustable joystick control console and armerst	✗	✗
Buzzer	✓	✓
Cabin carpet	✓	✓
Radio preparation	✓	✓
Supplementary socket 12V	✓	✓
Manual Air Conditioning	○	○
"Climatronic Venieri" system	○	○
Ceiling lamp	✓	✓
Sun visor	○	○
Rear view mirrors	✓	✓
Heatable rear view mirrors	○	○
First-aid kit	○	○
Fire extinguisher 2kg	○	○
Seat belt	✓	✓
Instrumentation and dashboard with LCD display	✓	✓
Safety glass breaker	○	○
Tilt and telescopic steering column	✓	✓
Reverse camera with colour screen	○	○

✓ Standard

○ Optional

✗ Not available

8.23F 10.23D

**FRONT  
LOADER  
EQUIPMENT**

Hydraulic quick coupler	0	0
Mechanical quick coupler	X	X
Digging bucket	0	0
High tipping bucket	0	0
Light material bucket	0	0
Cement mixing bucket	0	0
Multipurpose bucket (4 in 1)	0	0
6 in 1 bucket	0	0
Hydraulic reach mowers	0	0
Asphalt planner	0	0
Snow blower	0	0
Lifting forks	0	0
Snow blade and "V" type snow blade	0	0
Angle-tilt dozer blade	0	0
Hand operating hammer	0	0
Polishing brush	0	0
Trencher	0	0
High flow kit	0	0
Unpressurized return pipe	0	0
Auxiliary line	0	0
Double auxiliary line	0	0



**BACKHOE  
LOADER  
EQUIPMENT**

Hydraulic quick coupler	0	0
Mechanical quick coupler	0	0
Digging bucket	0	0
Ditch cleaning	0	0
Trapezoidal bucket	0	0
Backhoe bucket with mechanical ejector	0	0
Brush cutters	0	0
Asphalt planner	0	0
Hydraulic Hammer	0	0
Hydraulic augers	0	0
Hydraulic line single effect (for hammer)	0	0
Hydraulic line double effect (for augers)	0	0
Backhoe quick disengagement (including counterweights)	0	0
Extending dipperstick	0	0
Rubber pads for stabilizers feet	0	0



✓ Standard    0 Optional    X Not available





*The illustrations on the present folder do not necessarily show the product standard version. Data and dimensions described in this folder are not binding. Venieri reserves the right of carrying out possible changes at any time and without previous notice because of its policy of steady development and improvement of the products.*



<https://tractormanz.com/>

Via Piratello, 106 - 48022 Lugo (RA) - ITALY  
Tel. +39 0545 904411 Fax +39 0545 30389  
e-mail: [info@vf-venieri.com](mailto:info@vf-venieri.com) | [www.vf-venieri.com](http://www.vf-venieri.com)

**Spare Parts**  
Tel. +39 0545 904429 Fax +39 0545 24555  
e-mail: [ricambi@vf-venieri.com](mailto:ricambi@vf-venieri.com)