

35/45/60

SECTION 1

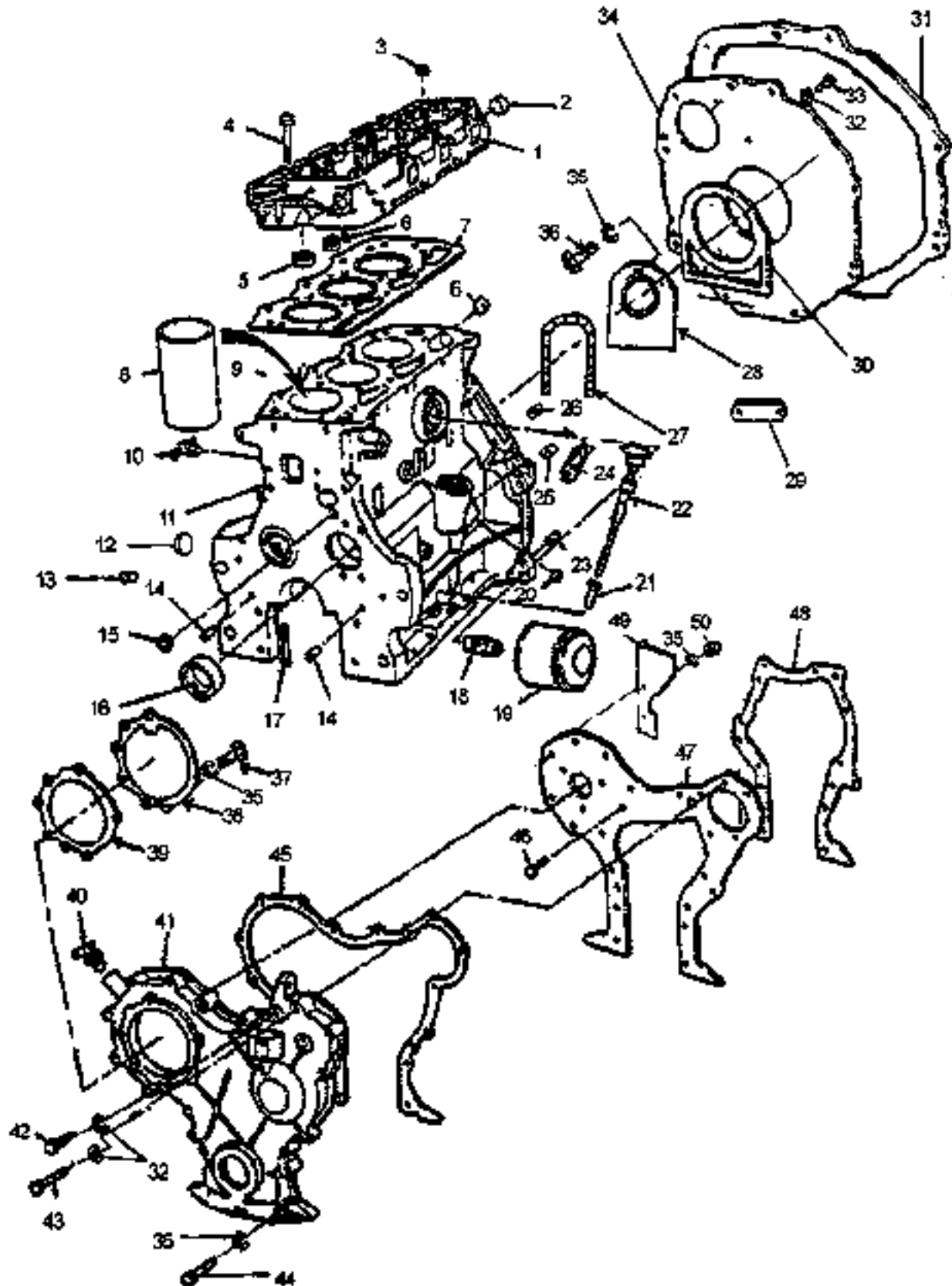
ENGINE



Long Agribusiness

COMMON SENSE SOLUTIONS

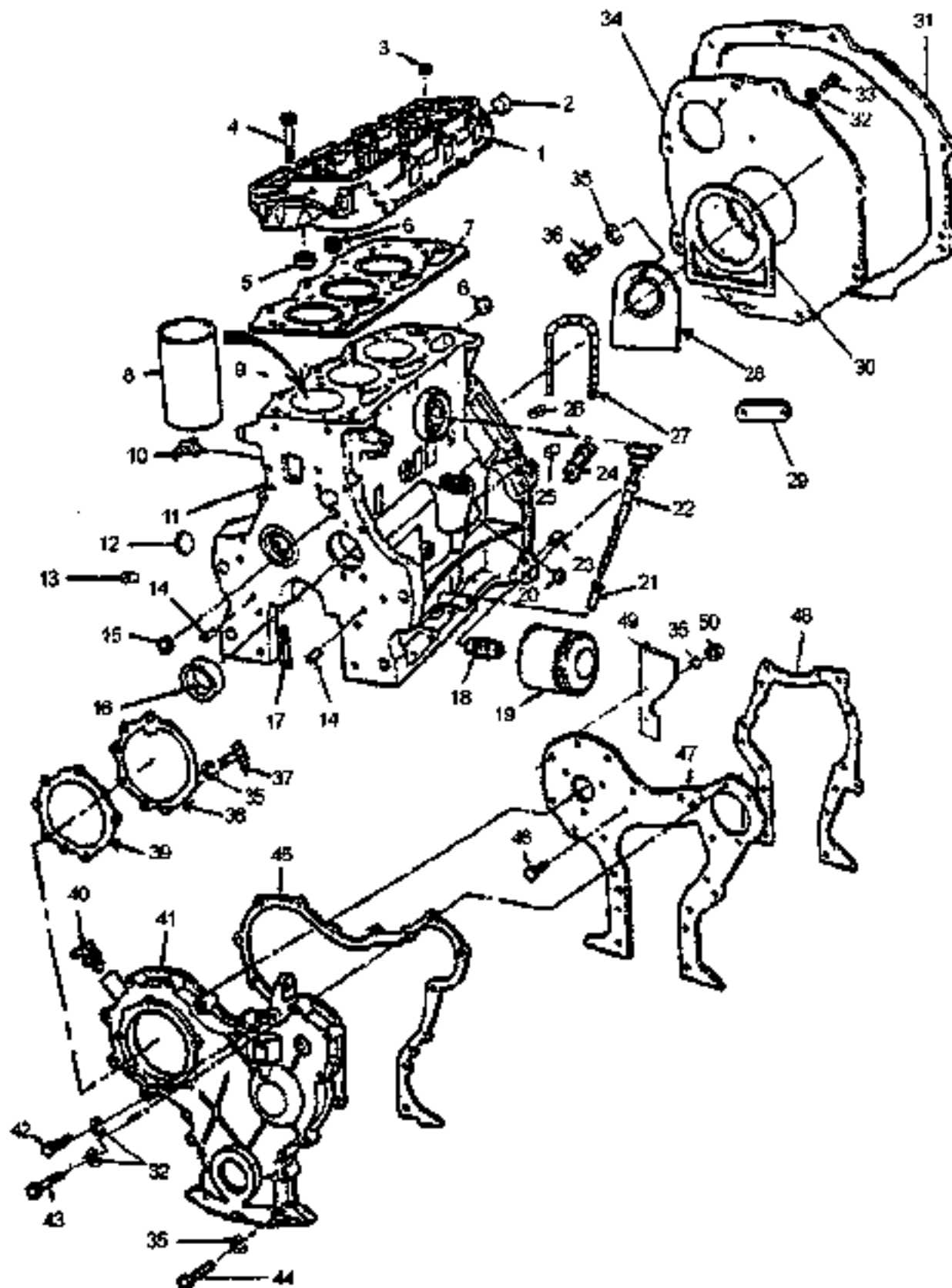
<https://tractormanualz.com/>



CYLINDER BLOCK & CYLINDER HEAD

45/60

ITEM	LONG #	VENDOR #	DESCRIPTION	Qty.	
				45	60
1	Ⓢ ESL12036	E7NN-6090-BA	Head Assembly, Cylinder (Includes Items #2-5)	1	1
2	ESL10041	390629-S36	Plug (1.814 Cup, Outer Dia) O/S	3	3
3	ESL10032	390625-S36	Plug Cup (1.185 - Outer Dia) O/S	3	3
4	ESL11737	89NH-6065-AA	Bolt, Hex Head (9/16)	10	10
5	Ⓢ ESL12032	11-65057-AA	Insert, Exhaust Valve Seat	3	3
6	Ⓢ ESL12031	11-65087-AA	Insert, Intake Valve Seat	3	3
7	ESL10039	90NH-6051-AA	Gasket, Cylinder Head	-	1
-	ESL12054	90NH-6051-BB	Gasket, Cylinder Head	1	-
8	ESL10051	D8NN-6N009-AA	Sleeve - Block Assembly (For Service Only)	-	3
-	ESL10049	93NH-6055-AA	Sleeve - Block Assembly (For Service Only)	3	-
9	ESL10120	E7NN-6A008-AA	Dowel	2	2
10	Ⓢ 87651-S8	87651-S36	Plug, Pipe Drain	1	1
11	ESL10093	92NH-6010-BA	Block Assembly, Cylinder	-	1
-	ESL12065	93NH-6010-AA	Block Assembly, Cylinder	1	-
12	ESL13095	390627-S	Plug Cup - (1.56 Outer Dia)	2	2
13	ESL11189	87838-S36	Plug, Sock Hex Head (3/8x0.42)	3	3
14	ESL10043	73329-S	Pin, Dowel (3/8x1.125)	2	2
15	ESL10089	378338-S36	Plug - Cup	1	1
16	ESL10167	SPF.994.001	Cam Bush Set (Set of 4 Bushes)	1	1
17	ESL11738	379548-S	Bolt (9/16-12x4.45)	6	6
18	ESL10082	D0NN-6890-A	Mounting Bolt, Oil Filter	1	1
19	ESL10083	79NH-6714-AA	Filter Assembly, Engine Oil	1	1
20	ESL10088	87650-S36	Plug - 1/8-27 - Hex Head	1	1
21	ESL10052	73NH-6784-A	Tube, Oil Level Indicator	1	1
22	ESL10054	93NH-6750-AA	Indicator Oil Level	1	1
23	ESL10071	385466-S	Pin, 1/2x1.00 Dowel	2	2
24	ESL10072	74NH-6436-A	Cover, Flywheel Access	1	1
25	ESL10045	87652-S36	Plug, Hex Head (3/8-18)	1	1
26	ESL10047	390486-S36	Plug - Rear Thread	1	1
27	Ⓢ ESL10066	E5HN-6N305-AA	Gasket, Crankshaft Rear, Oil	1	1
28	Ⓢ ESL10087	E5HN-6N306-AA	Plate, Crankshaft Oil Seal Rear	-	1
29	ESL10081	D0NN-6N011-A	Stiffener, Rear Cover Plate	1	1
30	ESL10070	C7NN-6N008-A	Gasket, Block to Rear Plate	1	1
31	ESL10080	D0NN-6N012-A	Gasket, Rear Plate to Transmission	1	1
32	34807-S8	34807-S36	Washer, Lock (3/8)	16	16
33	304650-S8	304650-S36	Bolt, Hex (3/8-16 x 0.75)	1	1
34	ESL10069	73NH-6A373-A	Plate, Engine Rear Cover	1	1
35	34808-S8	34808-S36	Washer, Lock (5/16)	8	8
36	304682-S8	304682-S36	Bolt, Hex Head (5/16-18x1.00)	-	1
37	304648-S8	304648-S36	Bolt, Hex Head (5/16-18 x 0.75)	4	4



CYLINDER BLOCK & CYLINDER HEAD

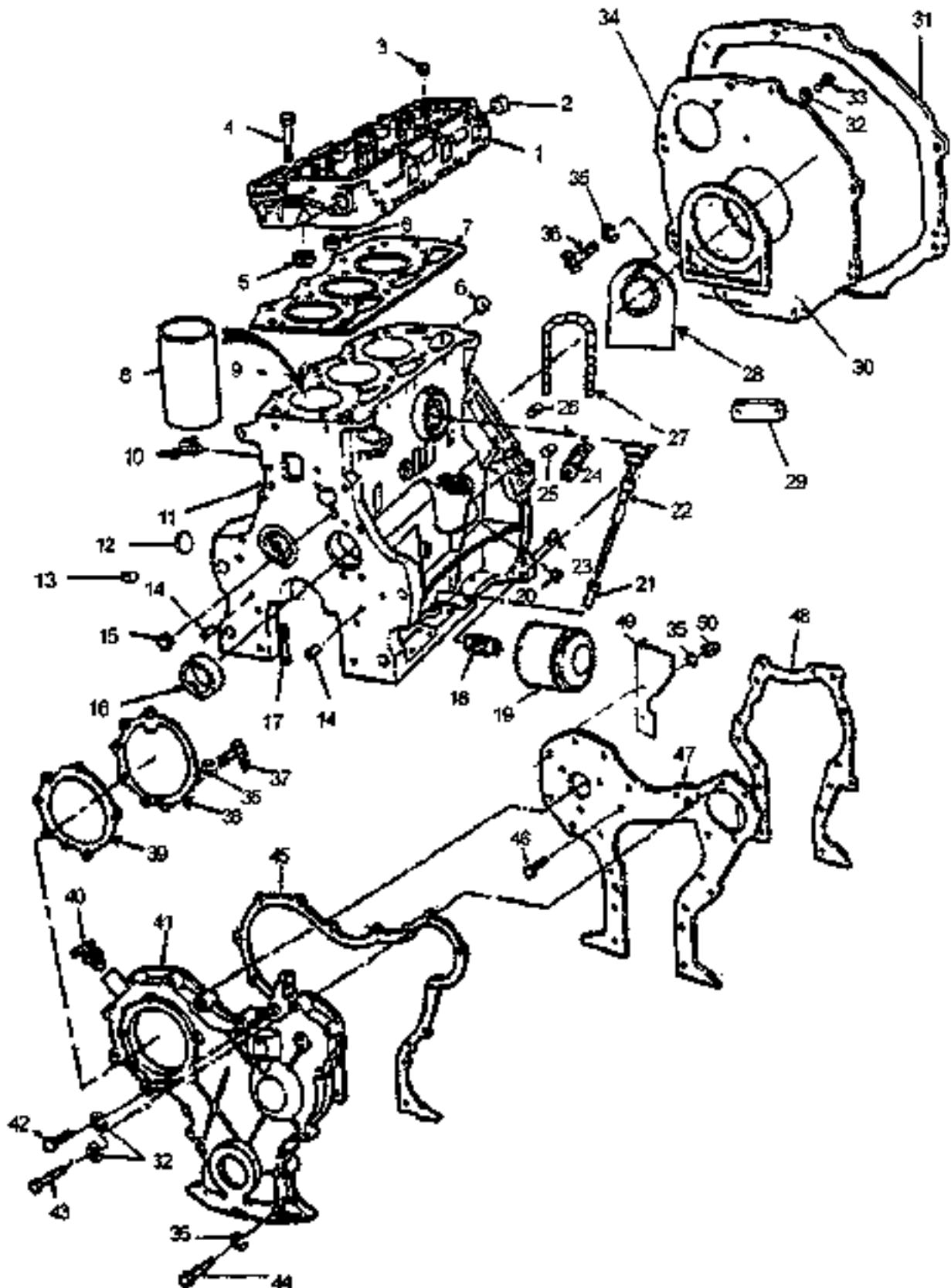
ITEM	LONG #	VENDOR #	DESCRIPTION	Qty.	
				45	60
38	ESL10073	C7NN-8GS24-A	Cover, FIP Timing	1	1
39	ESL10075	C5NE-8F586-A	Gasket, Timing Cover	1	1
40	ESL10080	93NH-8N608-AA	Cap. Oil Filter Tube	1	1
41	ESL13323	11-81059-AA	Cover, Cylinder Front	1	1
42	58639-S8	58639-S36	Bolt, Hex Head (3/8-16 x 2.25)	8	8
43	304790-S8	304760-S38	Bolt, Hex Head (3/8-18 x 1.50)	7	7
44	300866-S8	300866-S36	Bolt, Hex Head (5/16-18 x 2.12)	3	3
45	ESL13324	11-81021-AA	Gasket, Engine Front Cover	1	1
46	45964-S8	45964-S36	Bolt, Hex Head (5/16-18x0.75)	4	4
47	ESL10068	82835331	Plate, Engine Front Cover	1	1
48	ESL10068	E6NN-8C045-BA	Gasket, Engine Front Plate	1	1

Service Kits & Sub-Assemblies:

A	ESL12077	26-80080-AA	Engine Assembly, Complete with Electricals	1	-
B	ESL14550	26-80070-AA	Engine Assembly, Complete w/o Electricals	1	-
C	ESL12076	15-80050-AA	Engine Assembly - Complete with Electricals	-	1
D	ESL12066	15-80070-AA	Engine Assembly - Complete w/o Electricals	-	1
E	ESL12106	SPF.782.004	Engine, Overhauling Gasket Set	1	-
F	ESL13321	SPF.787.002	Engine Overhauling Gasket Set	-	1
G	ESL12111	SPF.783.004	Decarbonising Kit	1	-
H	ESL10095	SPF.788.001	Decarbonising Kit	-	1
I	ESL10096	SPF.794.000	Engine Plug Kit - Std.	1	1
J	ESL10097	SPF.794.001	Engine Plug Kit - Oversized	1	1
K	ESL12116	SPF.224.000	Engine Overhauling Kit - 010	1	-
-	ESL12117	SPF.225.000	Engine Overhauling Kit - 020	1	-
-	ESL12118	SPF.226.000	Engine Overhauling Kit - 030	1	-
-	ESL12123	SPF.228.000	Engine Overhauling Kit - 010	-	1
-	ESL12124	SPF.229.000	Engine Overhauling Kit - 020	-	1
-	ESL12125	SPF.230.000	Engine Overhauling Kit - 030	-	1
L	904435	-	Engine Block Heater Kit	1	1

Service Serial Number Breaks:

1	ESL10092	88NH-6049-AA	Head Assembly, Cylinder	⌚ 259837	-	1
6	ESL10018	82NH-8057-AA	Insert, Exhaust Valve Seat	⌚ 259837	-	3
6	ESL10017	82NH-8E087-AA	Insert, Intake Valve Seat	⌚ 259837	-	3
10	ESL10492	C5NN-8115-B	Drain, Cock Assembly	⌚ 195279	-	1
27	ESL10801	87035-S94	O-Ring	⌚ 278324	-	1

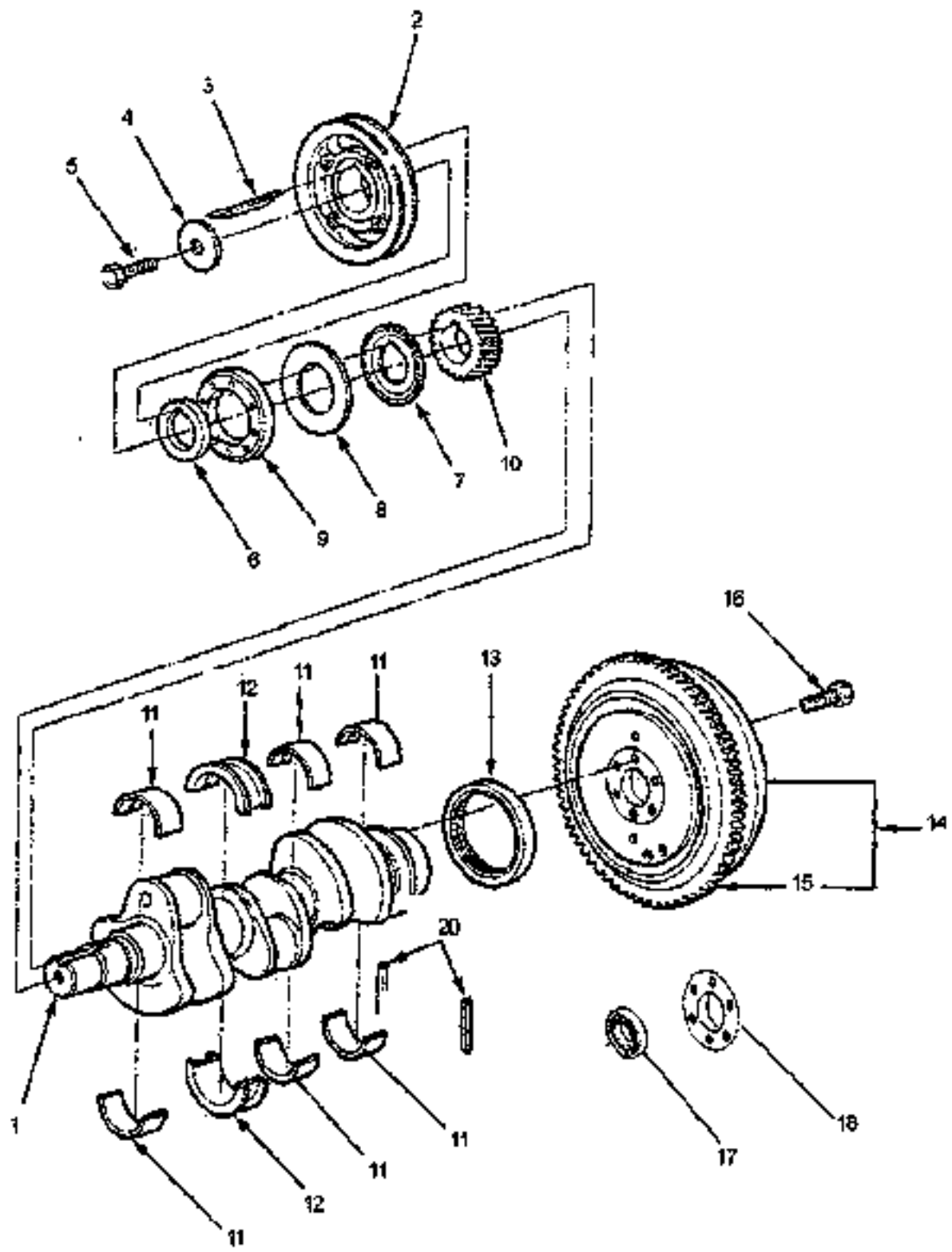


CYLINDER BLOCK & CYLINDER HEAD

ITEM	LONG #	VENDOR #	DESCRIPTION		QTY.
					45 60
28	ESL10087	E5HN-6N306-AA	Plate, Crankshaft Oil Seal Rear	✓ 278324	- 1
40	ESL10059	78NH-6N509-AA	Cap, Oil Filter Tube	✓ 211739	- 1
41	ESL10057	82835334	Cover, Cylinder Front	✓ 270539	- 1
45	ESL10083	82835337	Gasket, Engine Front Cover	✓ 270539	- 1
49	ESL10079	93NH-6N530-AA	Deflector, Fan/Air, RH	✓ 298814	1 1
50	33797-38	33797-536	Nut, Hex (5/16-18)	✓ 208514	1 1
F	ESL10094	SPF.787.001	Engine Overhauling Gasket Set	✓ 259837	- 1
K	ESL10098	SPF.211.088	Engine Overhauling Kit - 010	✓ 259837	- 1
-	ESL10089	SPF.212.088	Engine Overhauling Kit - 020	✓ 259837	- 1
-	ESL10100	SPF.213.088	Engine Overhauling Kit - 030	✓ 259837	- 1

NOTE: Contents of Service Kits:

1	Engine Overhauling Gasket Set	Section 1A:1 Section 1A:3 Section 1A:5 Section 2:2 Section 3B:1 Section 4B:1 Section 4B:2 Section 10:7	Item # 7,30,45,48 Item # 1,20 Item # 14,19,19 Item # 8,12,15 Item #1,8 Item #11 Item #15 Item #29
2	Decarbonizing Kit	Section 1A:1 Section 1A:3 Section 2:2 Section 3B:1 Section 4B:2	Item #7 Item #1,20 Item #12,15 Item #1,8 Item # 15
3	Engine Overhauling Kit	Section 1A:1 Section 1A:2 Section 1A:3 Section 1A:4 Section 3B:6	Item #19, E or F Item #9,13,19 Item #22,31 Item #1,4 Item #2,3



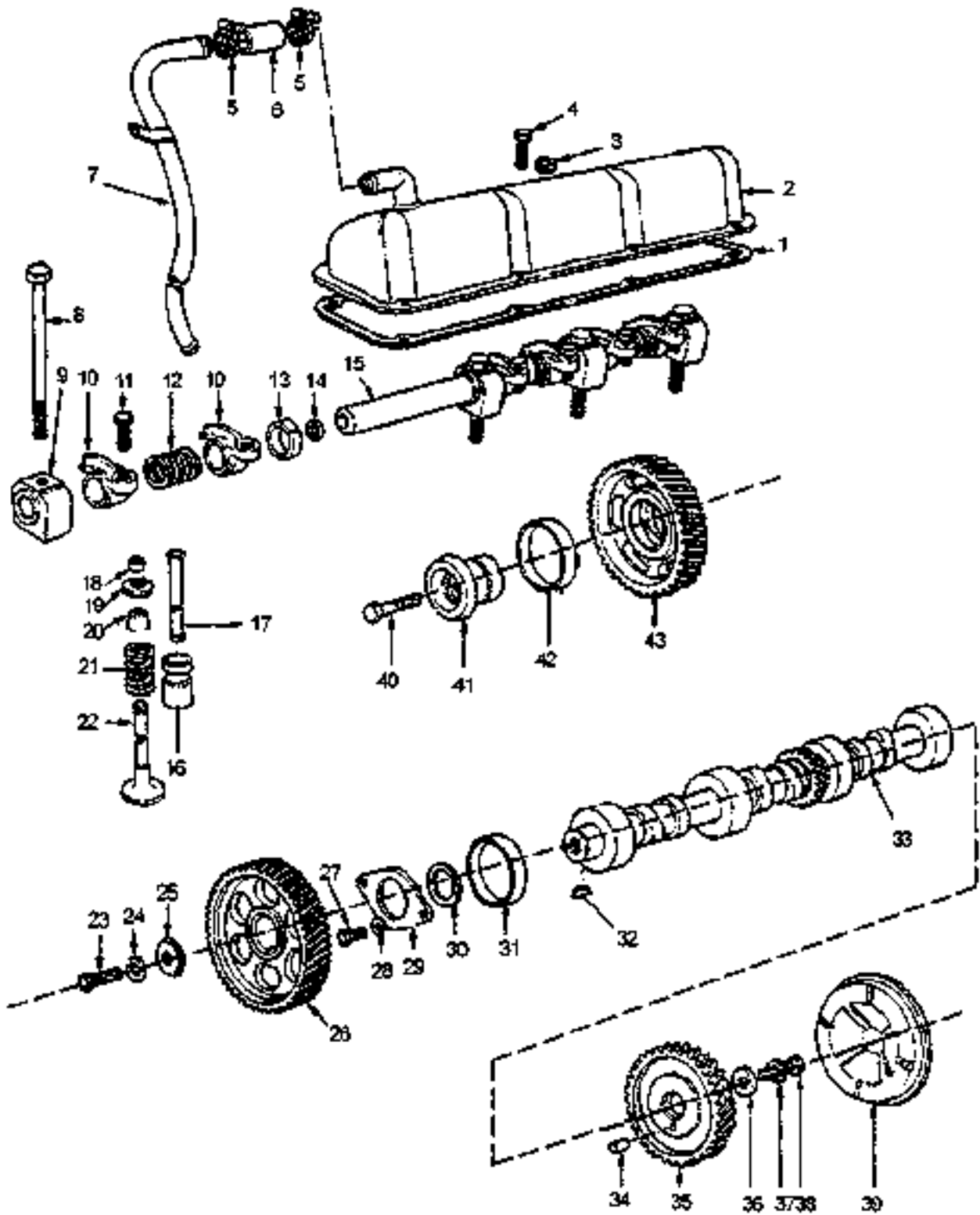
CRANKSHAFT & FLYWHEEL ASSEMBLY

ITEM	LONG #	VENDOR #	DESCRIPTION	Qty.	
				45	60
1	ESL10126	82835009	Crankshaft & Gear Assy. (Includes Item #10)	1	1
2	ESL10103	C6NE-6312-F	Pulley, Crankshaft (Single Groove)	1	1
3	ESL10105	F0NN-6N300-AA	Key	1	1
4	ESL11643	382675-S	Washer, Flat (3/4)	1	1
5	304807-S8	304807-836	Bolt, Hex Head (3/4 - 16 x 1.75)	1	1
6	ESL10108	11-61306-AA	Spacer, Crankshaft Pulley	1	1
7	ESL10109	87133	'O' Seal	1	1
8	ESL10110	C6NE-6B309-A	Seal, Crankshaft Dust	1	1
9	ESL12624	67800696	Seal Assembly Oil, Front	1	1
10	ESL10113	91NH-6306-AA	Gear, Crankshaft	1	1
11,12					
-	ESL13271	SPF.381.100	Main Bearing Set - Std.	1	1
-	ESL12149	SPF.383.110	Main Bearing Set - 0.10	1	1
-	ESL12150	SPF.384.120	Main Bearing Set - 0.20	1	1
-	ESL12151	SPF.385.130	Main Bearing Set - 0.30	1	1
-	ESL12152	SPF.386.140	Main Bearing Set - 0.40	1	1
			(Consists of 4 pairs of Main Bearings)		
13	ESL10115	8188937	Seal Assembly, Crankshaft Rear Oil	1	1
14	ESL10016	85NH-6375-AB	Flywheel Assembly	1	1
15	ESL10118	E2NN-6384-AA	Gear, Flywheel	1	1
16	ESL11918	43164-S2	Bolt (9/16-18 x 1.625)	6	6
17	ESL10892	C5NN-7800-A	Bearing Clutch Pilot	1	1
18	ESL10893	C5NN-7809-B	Retainer Clutch Pilot Bearing	1	1
19	ESL10121	SPF.491.100	Engine Brg Set - Standard	1	1
-	ESL10122	SPF.492.110	Engine Brg Set - 0.10 O/S	1	1
-	ESL10174	SPF.493.120	Engine Brg Set - 0.20 O/S	1	1
-	ESL10175	SPF.494.130	Engine Brg Set - 0.30 O/S	1	1
-	ESL10176	SPF.495.140	Engine Brg Set - 0.40 O/S	1	1
			(Consists Of Main Bearings & Rod Bearings for an Engine)		
20	ESL12128	E4NN-6336-AB	Seal, Rear Main Bearing Cap	2	-

Service Serial Number Breaks:

3	ESL10104	C9NN-6N250-A	Key	↳ 155931	-	1
6	ESL10106	72NH-6B306-A	Spacer, Crankshaft Pulley	↳ 155932	-	1
-	ESL10107	91NH-6B306-AA	Spacer, Crankshaft Pulley	↳ 240019	-	1
10	ESL10112	C6NE-6306-A	Gear, Crankshaft	↳ 155931	-	1
-	ESL10114	C6NE-6310-B	Slinger	↳ 155931	-	1

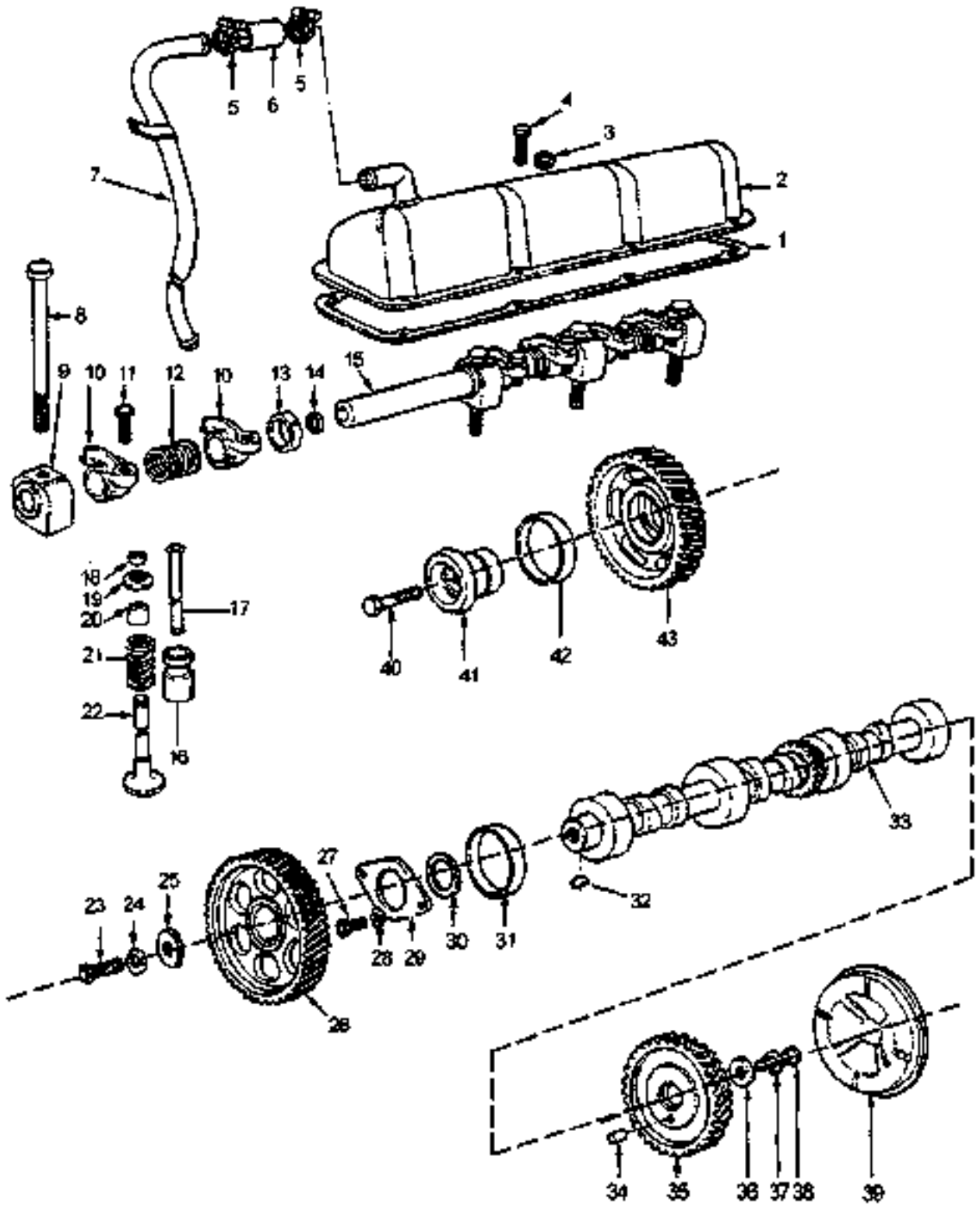
CRANKSHAFT & FLYWHEEL ASSEMBLY



CAMSHAFT & ROCKER ARM

ITEM	LONG #	VENDOR #	DESCRIPTION	Qty.	
				45	60
1	ESL10141	C7NN-6584-B	Gasket, Rocker Arm Cover	1	1
2	ESL10140	D7NN-6582-C	Cover Assembly, Valve Rocker Arm	1	1
3	34806-S8	34806-S36	Washer, Lock (5/16)	8	8
4	304834-S8	304834-S36	Bolt, Hex Head (5/16 - 18 x 0.625)	8	8
5	ESL10161	81NH-6628-A	Clamp, Crankcase Vent Tube	2	2
6	ESL10157	C5NE-6853-A	Hose, Crankcase Vent	1	1
7	ESL12626	11-68578-AA	Tube Assembly, Crankcase Vent	1	1
8	ESL11739	89NH-6065-BA	Bolt, Cylinder Head (9/16")	4	4
9	ESL10133	D6NN-6531-A	Support, Valve Rocker Arm	4	4
10	ESL10168	C5NE-6529-A	Arm Assembly, Valve Rocker (Includes Item #11)	6	6
11	ESL10131	89NH-6548-AA	Screw, Rocker Arm Adjusting	6	6
12	ESL10134	C5NE-6587-A	Spring, Rocker Arm Locating	3	3
13	ESL10136	71NH-6590-A	Spacer, Rocker Arm	3	3
14	ESL10046	376099-S	Plug (0.761 Dia)	2	2
15	ESL10132	E7NN-6563-AA	Shaft, Valve Rocker Arm	1	1
16	ESL10127	C7NN-6500-B	Tappet Valve	6	6
17	ESL10128	C5NE-6567-B	Rod, Valve Push	6	6
18	ESL10138	83NH-6518-AA	Key, Valve Spring Retainer	12	12
19	ESL10137	D0NN-8514-A	Retainer, Valve Spring	6	6
20	ESL10139	91NH-6571-AA	Seal, Valve Stem	6	6
21	ESL10136	C7NN-6513-A	Spring, Valve	6	6
22	Ⓢ ESL12030	SPF.587.000	Valve Set INEX, Standard	1	1
-	ESL12138	SPF.587.005	Valve Set INEX, 0.005 O/S	1	1
-	ESL12137	SPF.587.010	Valve Set INEX, 0.010 O/S	1	1
-	ESL12138	SPF.587.015	Valve Set INEX, 0.015 O/S	1	1
-	ESL12139	SPF.587.030	Valve Set INEX, 0.030 O/S	1	1
23	304724-S8	304724-S36	Bolt, Hex Head (7/16-14x1.25)	1	1
24	34808-S8	34808-S36	Washer, Lock (7/16)	1	1
25	ESL11644	C5NE-6278-A	Washer, Camshaft Gear	1	1
26	ESL10149	C9NN-8N251-A	Gear Assembly, Camshaft Drive	1	1
27	304648-S8	304648-S36	Bolt, Hex Head (8/16-18x0.75)	2	2
28	34806-S8	34806-S36	Washer, Lock (5/16)	2	2
29	Ⓢ ESL10152	D8NN-6269-AA	Plate, Camshaft Thrust	1	1
30	ESL10160	C5NE-6266-A	Spacer, Camshaft Gear	1	1
31	ESL10167	SPF.994.001	Cam Bush Set (Consists of 4 Bushes)	1	1
32	74178-S8	74178-S	Key, Woodruff (3/16x0.75)	1	1
33	Ⓢ ESL10143	82835182	Camshaft, Engine	1	1
34	ESL10165	382015-S	Pin, Dowel (5/16x0.625)	1	1
35	ESL10164	C5NE-907-C	Gear, Hydraulic Pump Drive	1	1
36	ESL11644	C5NE-6278-A	Washer, Camshaft Gear	1	1

CAMSHAFT & ROCKER ARM



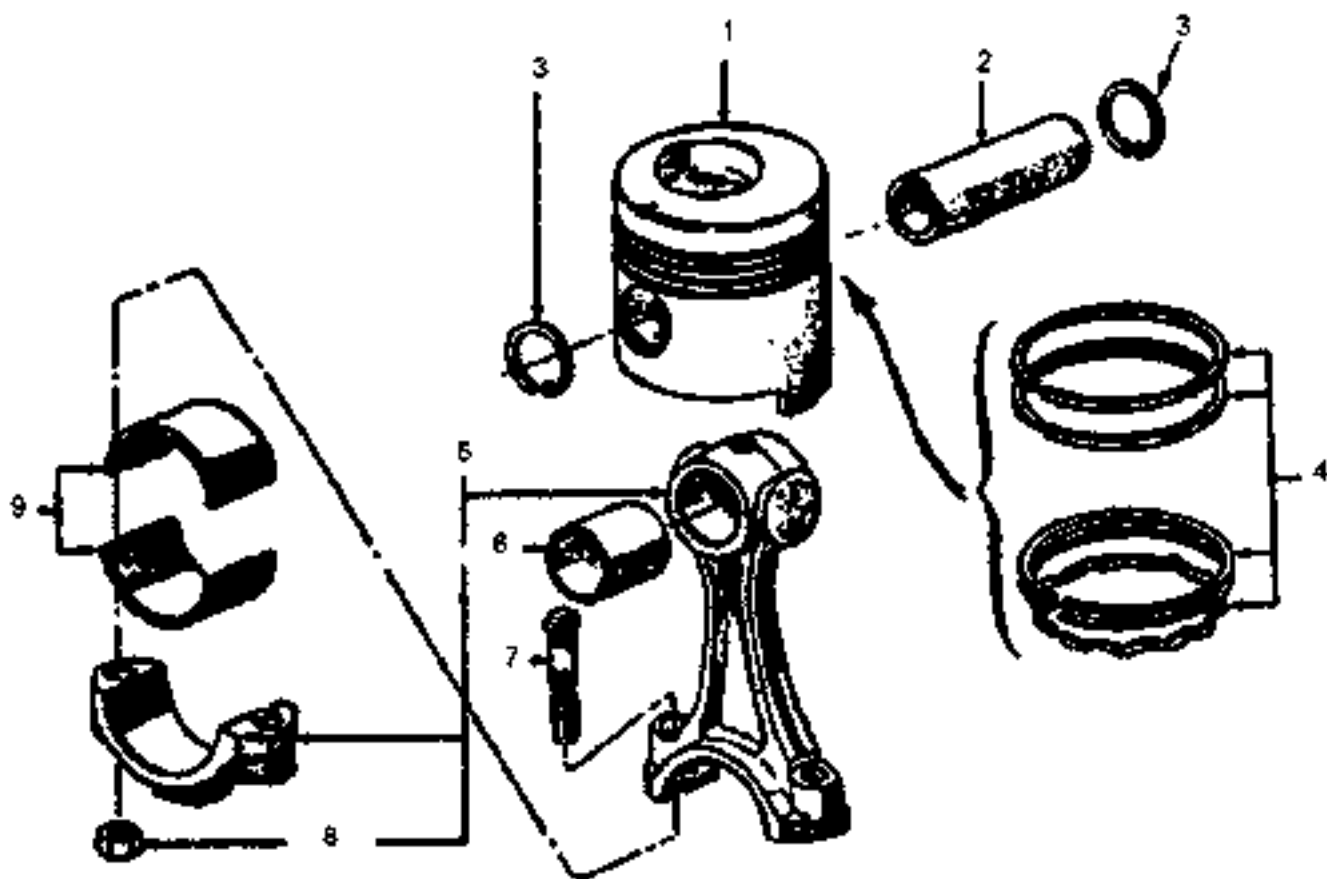
CAMSHAFT & ROCKER ARM

43/60

ITEM	LONG #	VENDOR #	DESCRIPTION	Qty.	
				45	60
37	34808-S8	34808-S36	Washer, Lock (7/16)	1	1
38	304724-S8	304724-S36	Bolt	1	1
39	ESL10156	C5NN-D851-B	Cover, Camshaft Rear End	1	1
40	ESL11919	43191-S2	Bolt, Cam Drive Gear Adapter	1	1
41	ESL10147	93NH-6A255-AA	Adapter, Camshaft Drive Gear	1	1
42	ESL10146	C5NE-6A254-A	Bush, Camshaft Drive Gear	1	1
43	ESL10145	C9NN-6A253-A	Gear Assembly, Camshaft Drive	1	1

Service Serial Number Breaks:

22	ESL10162	SPF.586.000	Valve Set INEX, Standard	K 259837	-	1
-	ESL10163	SPF.586.005	Valve Set INEX, 0.005 O/S	K 259837	-	1
-	ESL10164	SPF.586.010	Valve Set INEX, 0.010 O/S	K 259837	-	1
-	ESL10165	SPF.586.015	Valve Set INEX, 0.015 O/S	K 259837	-	1
-	ESL10166	SPF.586.030	Valve Set INEX, 0.020 O/S	K 259837	-	1
29	ESL10151	E6NN-8269-AA	Plate, Camshaft Thrust	K 172583	-	1
33	ESL10142	88NH-8250-AA	Camshaft, Engine	K 235622	-	1



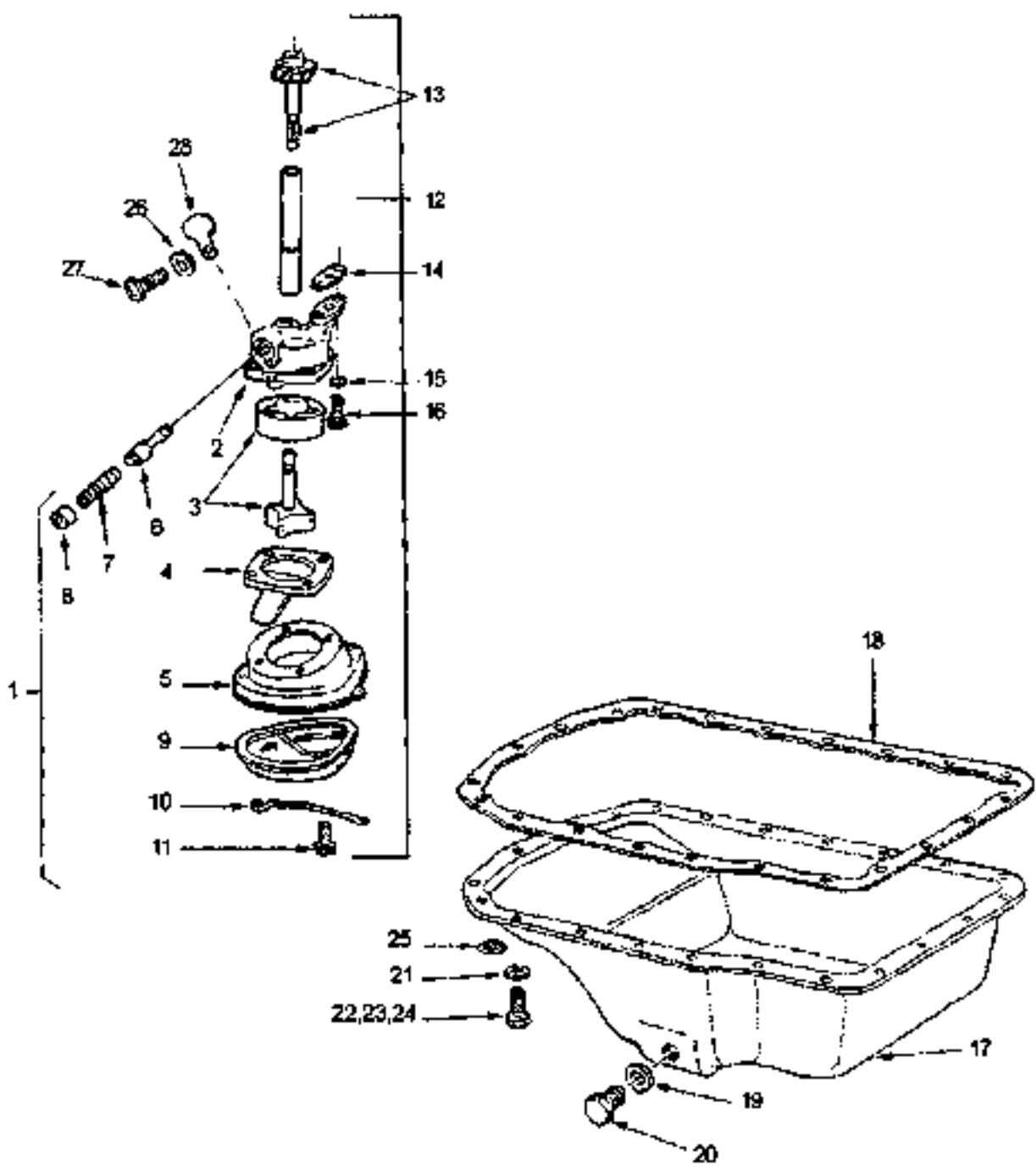
PISTON & CONNECTING ROD

35/45/60

ITEM	LONG #	VENDOR #	DESCRIPTION	Qty.
1	ESL12033	SPF.195.000	Piston Assembly Set (Includes Items #2,3 for all cylinders)	45 60
- (S)	ESL12089	SPF.362.500	Piston Assembly Set (Includes Items #2,3 for all cylinders)	1 -
2	-	-	Pin, Piston (NSS)	- 1 3 3
3	-	-	Retainer, Pin Piston - (NSS)	6 6
4	ESL10171	SPF.290.100	Ring Set, Piston (Includes rings for all Cylinders)	- 1
-	ESL12034	SPF.295.000	Ring Set, Piston (Includes rings for all Cylinders)	1 -
6	ESL10172	B2NH-6200-AB	Rod Assembly, Connecting (Includes Items # 6-8)	3 3
6	ESL10173	SPF.487.000	Bush Set, Connecting Rod (Set of 3 bushes)	1 1
7	ESL11740	E4TN-6214-AB	Ball Connecting Rod (7/16 - 20)	6 6
8	ESL11780	370864-S	Nut, Hex Lock (7/16 - 20)	6 6
9	ESL10177	SPF.487.100	Con Rod Brg Set - Std.	1 1
-	ESL10178	SPF.483.110	Con Rod Brg Set - 010 U/S	- -
-	ESL10179	SPF.484.120	Con Rod Brg Set - 020 U/S	- -
-	ESL10180	SPF.485.130	Con Rod Brg Set - 030 U/S	- -
-	ESL10181	SPF.486.140	Con Rod Brg Set - 040 U/S	- -

Service Serial Number Breaks:

1	ESL12145	SPF.361.500	Piston Assembly, Set (Includes Items #2,3 for all cylinders)	↳ 259837	- 1
---	----------	-------------	---	----------	-----

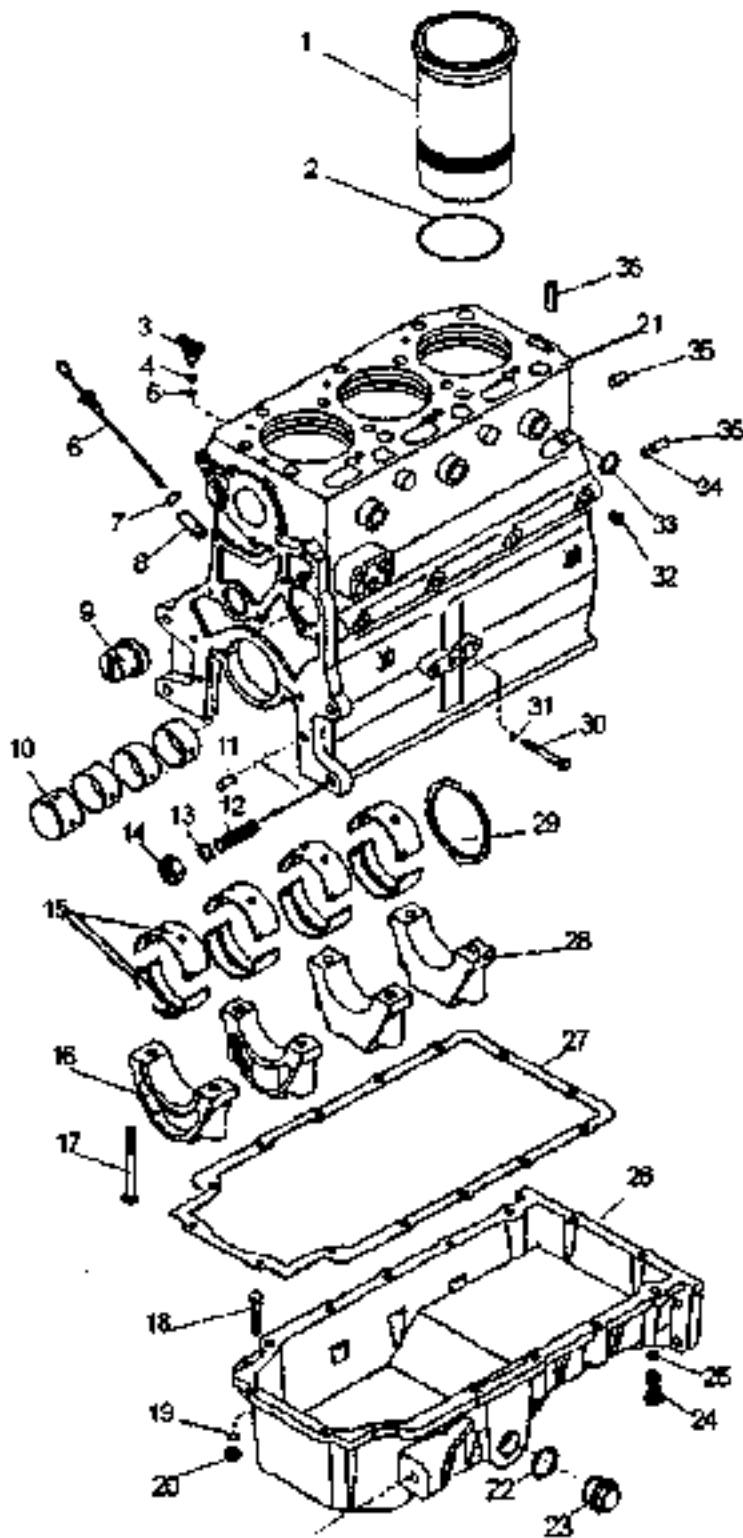


OIL PUMP & OIL PAN

ITEM	LONG #	VENDOR #	DESCRIPTION	QTY.	
				45	60
1	ESL10203	82835192	Pump Assembly, Engine Oil	1	1
2	-	-	Body, Oil Pump (NSS)	1	1
3 (S)	ESL12629	82835193	Rotor & Shaft Assembly	1	1
4	-	-	Cover, Oil Pump (NSS)	1	1
5	-	-	Cover, Oil Pump Screen (NSS)	1	1
6	ESL10188	D1NN-6A809-A	Valve, Oil Pump Relief	1	1
7	ESL10189	D1NN-6B70-A	Spring, Oil Pump Relief Valve	1	1
8	ESL10190	D1NN-6B74-A	Plug, Oil Pump Relief, Valve	1	1
9	ESL10191	C7NN-6B23-A	Screen Assembly, Oil Pump	1	1
10 (S)	ESL10193	T1-66828-AA	Spring, Oil Pump Screen	1	1
11 (S)	ESL11779	82835446	Bolt (M6-1x25)	4	4
12 (S)	ESL10195	82835075	Shaft, Oil Pump, Intermediate	1	1
13	ESL10198	D3NN-6A820-E	Shaft & Gear Assy. - Oil Pump	1	1
14	ESL10197	C7NN-6659-A	Gasket, Oil Pump to Block	1	1
15	ESL11645	73NH-6K632-A	Washer, Lock	2	2
16	378310-S8	378310-S36	Bolt Hex (3/8-16x1.38)	2	2
17	ESL10198	C9NN-6675-A	Pan Assembly, Oil	1	1
18	ESL10200	82835253	Gasket, Oil Pan	1	1
19	ESL10201	C9NN-6734-A	Gasket, Oil Pan Drain Plug	1	1
20	ESL11741	C9NN-6730-B	Bolt, Oil Pump Drain	1	1
21	34792-S8	34792-S36	Washer, Lock (3/8)	22	22
22	304686-S8	304686-S36	Bolt Hex-Head (3/8 - 16 x 0.875)	19	19
23	304684-S8	304684-S36	Bolt Hex-Head (3/8 - 16 x 1.00), (For Bracket Steering Pipe RH)	2	2
24	304722-S8	304722-S36	Bolt Hex-Head (3/8 - 16 x 1.25), (For Bracket Steering Pipe LH)	1	1
25	44726-S8	44726-S36	Washer, 3/8 - Flat	22	22
26	N-630173-S8	N-630173-S36	Washer, Lock (M8)	1	1
27	N-605531-S8	N-605531-S36	Bolt Hex-Head (M8 x 1.25 - 20)	1	1
28	ESL11646	80NH-6W693-AA	Stop Oil Pump Relief Valve	1	1

Service Serial Number Breaks:

3	ESL10185	80NH-6B08-AA	Rotor & Shaft Assembly	↳ 189456	-	1
10	ESL14206	C5NE-6628-AA	Spring, Oil Pump Screen	↳ 215823	-	1
11	ESL11920	N-605519-S	Bolt, Oil Pump	↳ 211058	-	4
-	34805-S8	34805-S36	Washer	↳ 211058	-	4
12	ESL10194	C7NN-6A605-A	Shaft, Oil Pump Intermediate	↳ 185644	-	1



CYLINDER BLOCK

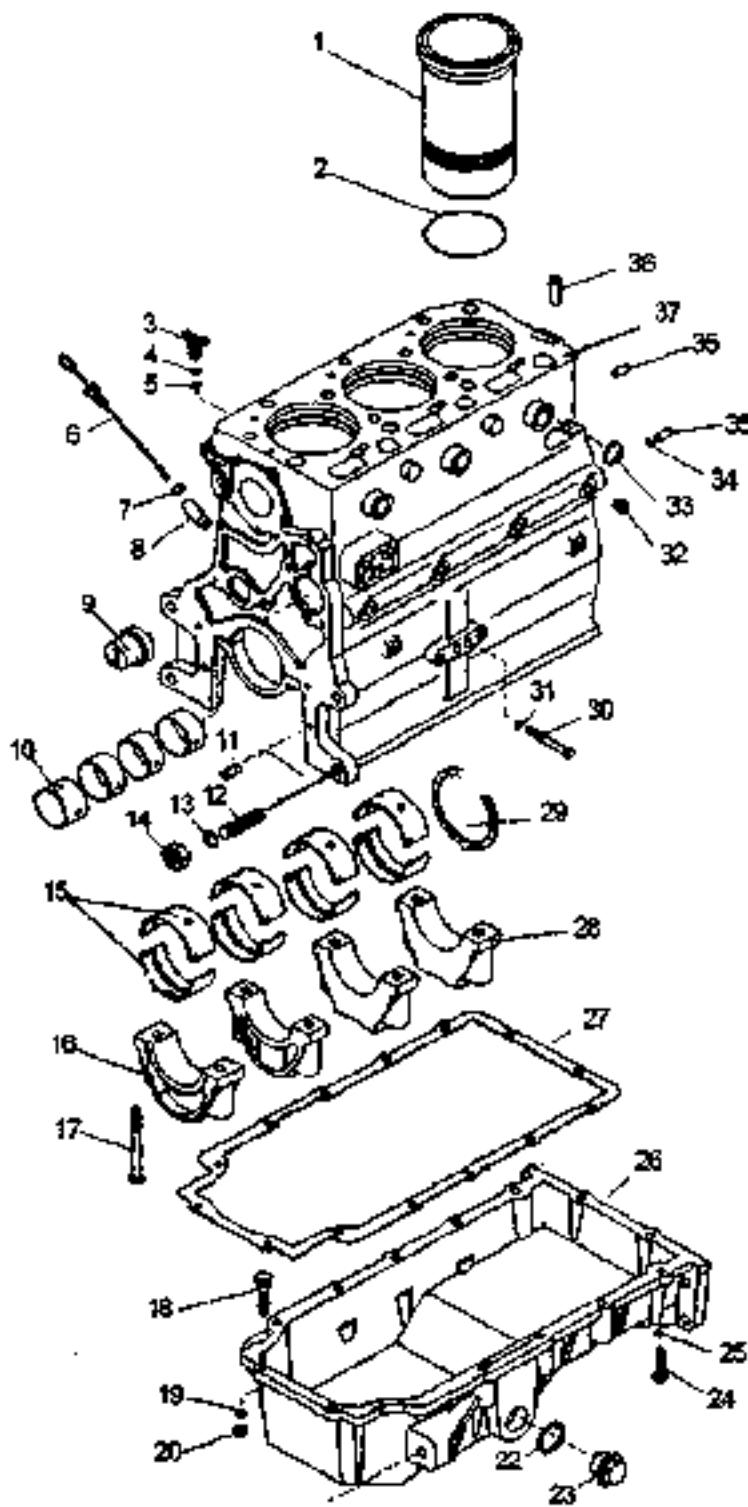
1B:1

Ⓢ INDICATES SERVICE SERIAL NUMBER BREAKS.

K- INDICATES UP TO AND INCLUDING THAT SERIAL NUMBER

ITEM	LONG #	VENDOR #	DESCRIPTION	Qty. 35
1	ESL14207	T77.01.011.0	Cylinder Liner	3
2	ESL14208	T77.01.010.0a	Cylinder Liner Seal	6
3	ESL14209	50.00025.0	Water Drain Cock Assembly	1
4	ESL14210	50.00026.0	Washer	1
5	ESL14211	50.00023.0a	Sealing Washer, Drain Cock.	1
6	ESL14212	T77.01.802.0	Oil Dip Stick	1
7	ESL14213	T72.01.028.0	O'Ring	2
8	ESL14214	T72.01.029.0b	Tube	1
9	ESL14215	T73.21.013.0	Shaft Intermediate Gear	1
10	ESL14216	SPD.394.000	Cam Bush Set	1
11	ESL14217	T77.01.006.0	Positioning Dowel	2
12	ESL14218	T77.01.031.0	Stud, Front Axle Support	4
13	ESL14219	22-30056-AA	Spring Washer (M20)	4
14	ESL14220	22-30057-AA	Nut (M20x1.5-8)	4
15	ESL14221	SPD.315.000	Main Bearing Set Standard	1
-	ESL14222	SPD.315.010	Main Bearing Set - 10	1
-	ESL14223	SPD.315.020	Main Bearing Set - 20	1
-	ESL14224	SPD.315.030	Main Bearing Set - 30	1
16	ESL14225	T77.01.002.0a	Cap, 1st, 2nd, 3rd Main Bearing	3
17	ESL14226	T77.01.003.0	Bolt, Main Bearing Cap	8
18	N-605536-S8	N-605535-S36	Bolt (M8x40-8.8)	2
19	N-630173-S8	N-630173-S36	Washer, Lock (M8)	2
20	N-630013-S8	N-630013-S36	Nut (M8-8)	2
21	ESL14237	T77.01.807.0	Cylinder Block Assembly	1
22	ESL14227	50.10134.0	Washer	1
23	ESL14228	42.011.050	Drain Plug Assembly	1
24	N-605545-S8	N-605546-S36	Screw (M10x30)	12
25	N-630089-S8	N-630089-S36	Washer (M10)	12
26	ESL14229	T77.01.020.0a	Oil Sump	1
27	ESL14290	T77.01.019.0	Gasket, Oil Sump	1
28	ESL14231	T77.01.007.0a	Cap, Thrust Main Bearing	1
29	ESL14232	SPD.380.000	Thrust Washers Set	1
30	N-605547-S8	N-605547-S36	Bolt (M10x38-8.8)	2
31	N-630174-S8	N-630174-S36	Spring Washer	2
32	ESL14233	T77.01.022.0	Pipe Plug (Taper Oil Gallery)	4
33	ESL14234	T73.21.007.0a	Plug, Cylinder Block	3
34	ESL14235	T77.01.024.0	Washer, Oil Gallery	3
35	ESL14236	T77.01.021.0	Dowel, Plug (Cylinder Block Oil Gallery)	3
36	ESL14238	T77.01.025.0	Dowel Sleeve	2

CYLINDER BLOCK



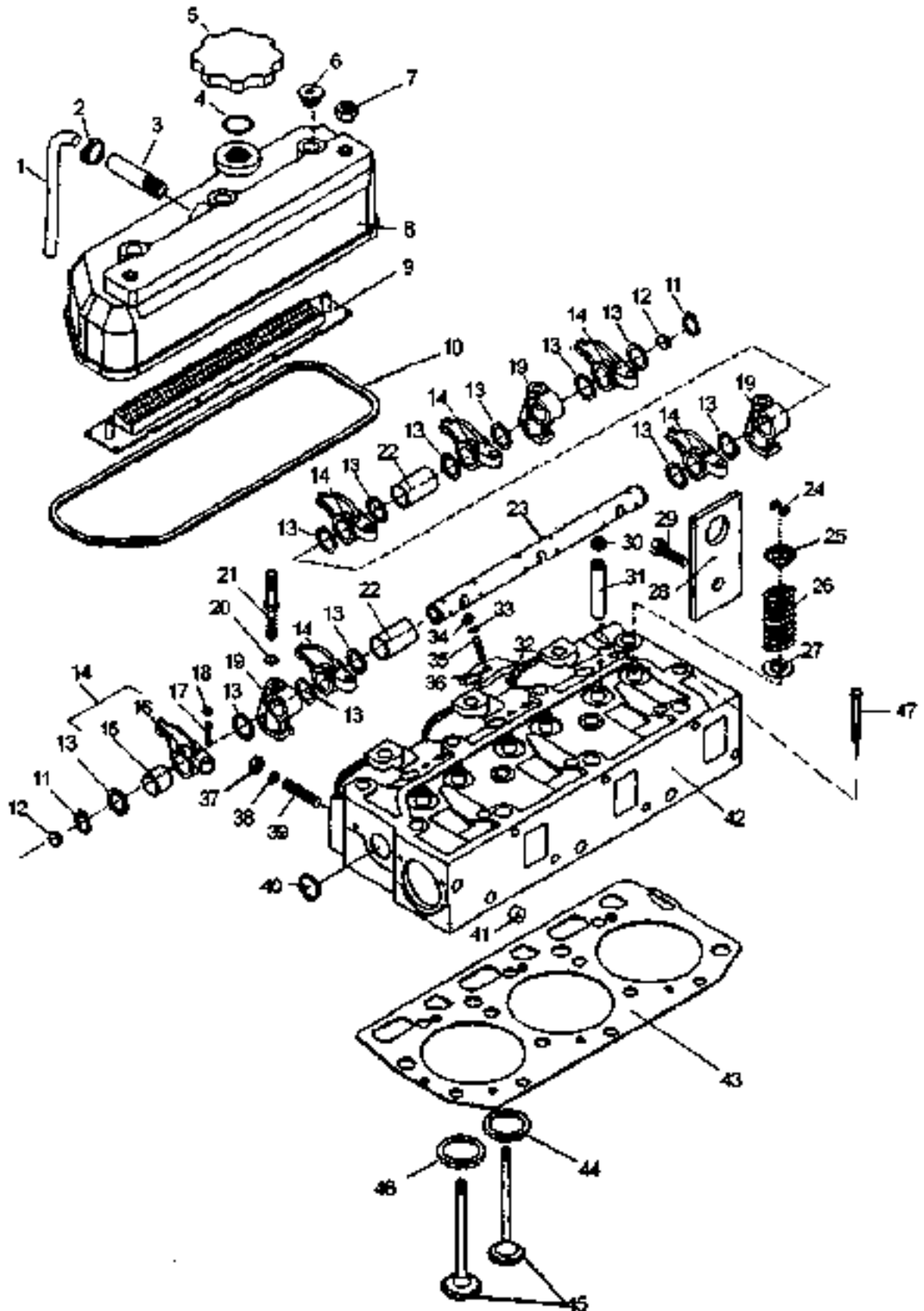
CYLINDER BLOCK

1B-3

Ⓢ - INDICATES SERVICE SERIAL NUMBER BREAKS.

Ⓜ - INDICATES UP TO AND INCLUDING THAT SERIAL NUMBER

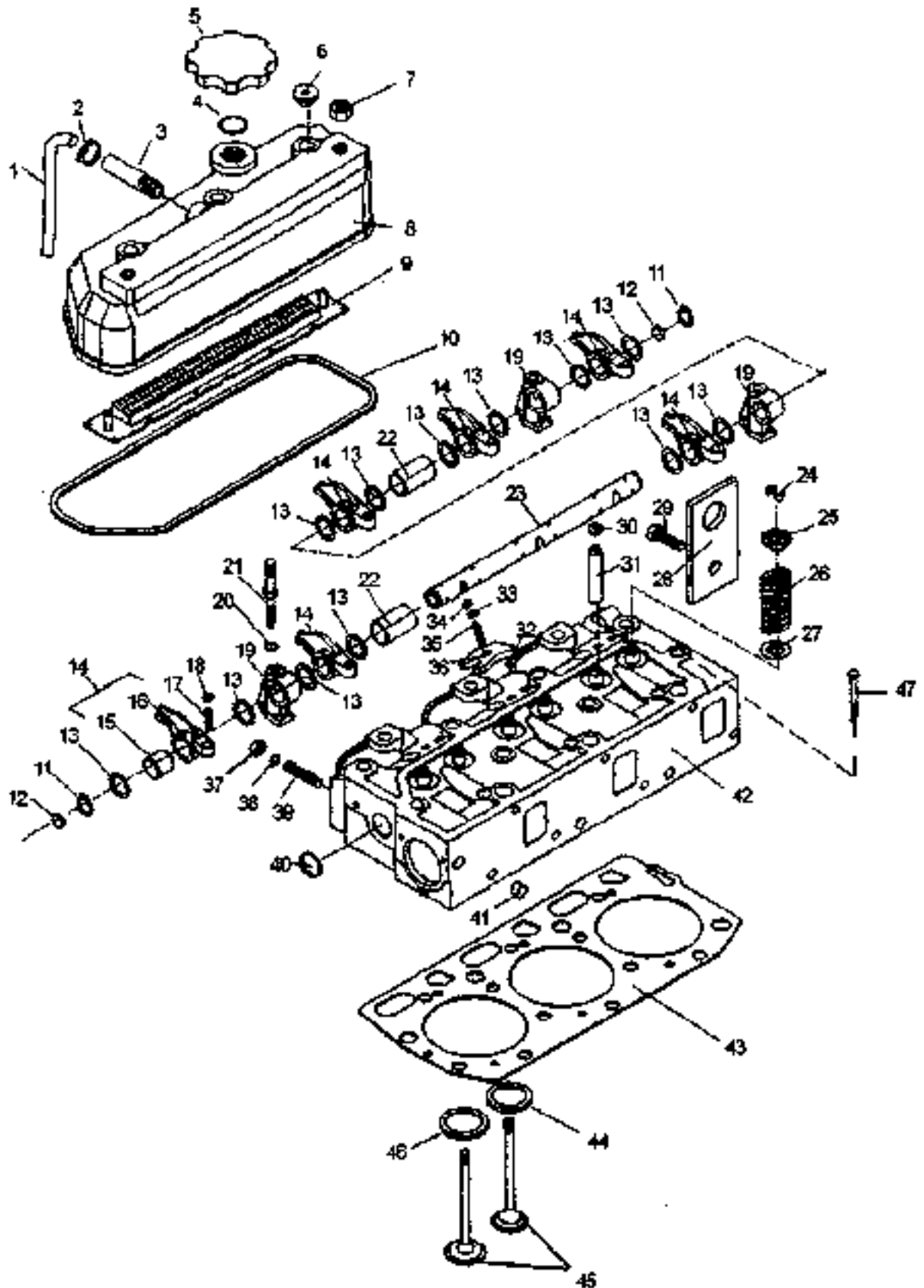
ITEM	LONG #	VENDOR #	DESCRIPTION	QTY.
Service Kits & Sub Assemblies				
39	ESL14239	SPD.728.000	Engine Overhaul Gasket Set	1
40	ESL14240	SPD.719.000	D.C Gasket Kit	1
41	ESL14241	SPD.744.999	Engine Overhauling Kit	1
42	ESL14242	SPD.630.000	Engine Bearing Set - Standard	1
-	ESL14243	SPD.630.025	Engine Bearing Set - 10	1
-	ESL14244	SPD.630.050	Engine Bearing Set - 20	1
-	ESL14245	SPD.630.075	Engine Bearing Set - 30	1
43	ESL14246	T00.06.830.0	Engine Assembly	1



CYLINDER HEAD

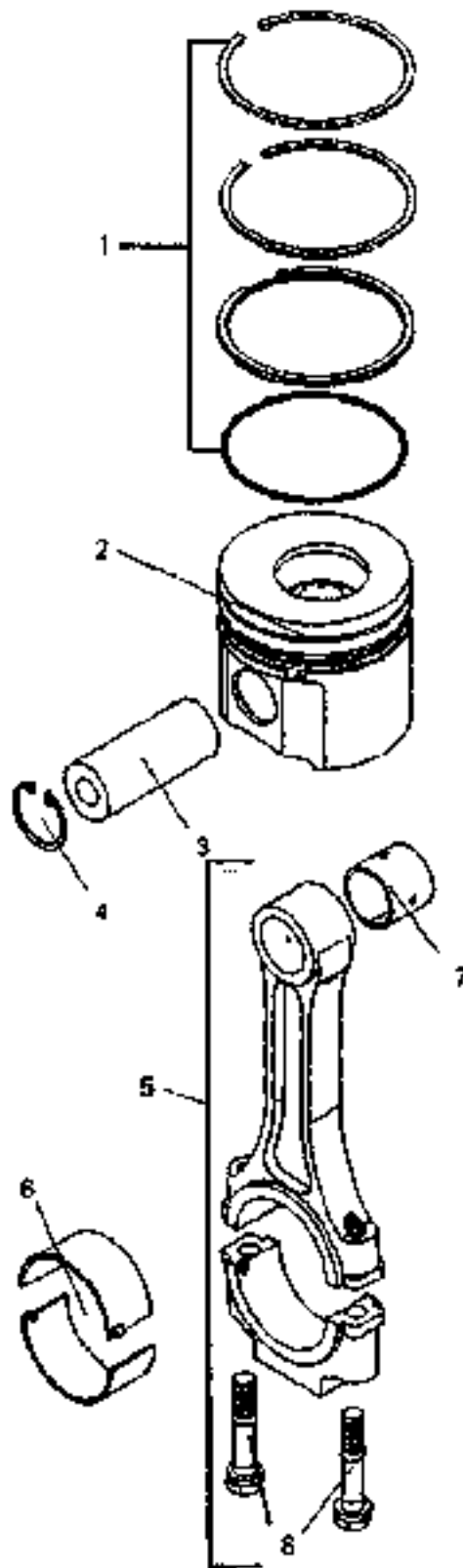
ITEM	LONG #	VENDOR #	DESCRIPTION	QTY.
				35
1	ESL14247	T77.02.086.1	Hose, Breather	1
2	ESL14248	Z2-61101-AA	Hose Clip	2
3	ESL14249	T77.02.823.0	Tube	1
4	ESL14250	T77.02.036.0	O'Ring Oil Filling Neck	1
5	ESL14251	T77.02.067.0	Cap, Oil Filling	1
6	ESL14252	T73.22.015.0	Washer Seal	3
7	ESL14253	#6.08	Nylock Nut	3
8	ESL14254	T77.02.068.0	Cylinder Head Cover	1
9	ESL14255	T77.02.8002.0	Baffle Plate Assembly	1
10	ESL14256	T77.02.048.0	Seal, Cylinder Head Cover	1
11	ESL14257	C1.22x1.2	Circlip-C (22x1.22)	2
12	ESL14258	T73.22.035.0	Welch Plug	2
13	ESL14259	T73.22.029.0b	Washer, Rocker Shaft	12
14	ESL14260	T77.02.807.0	Rocker Arm Assembly	6
15	ESL14261	T73.22.031.0	Bush, Rocker Arm	6
16	ESL14262	T77.02.014.0	Rocker Arm	6
17	ESL14263	50.00121.2b	Adjusting Screw (M10x1)	6
18	N-620014-S8	N-620014-S36	Nut (M10x1)	6
19	ESL14264	T77.02.016.0	Bracket, Rocker Shaft	3
20	N-630174-S8	N-630174-S36	Washer, Lock (M10)	3
21	ESL14265	T77.02.047.0	Bolt, R.A. Bracket	3
22	ESL14266	T77.02.025.0	Spacer, Rocker Arm Shaft	2
23	ESL14267	T77.02.808.0	Rocker Arm Shaft Assembly	1
24	ESL14268	T77.02.044.0	Cotter, Valve	12
25	ESL14269	T77.02.040.0	Disc Valve Spring	6
26	ESL14270	T77.02.041.0	Valve Spring	6
27	ESL14271	T77.02.039.0	Seal, Valve Spring Lower	6
28	ESL14272	T73.22.044.0	Lifting Plate	2
29	N-605632-S8	N-605632-S36	Screw (M10x25-6.8)	2
30	ESL14273	T77.02.043.1	Seal, Valve Stem	6
31	ESL14274	T77.02.004.0	Valve Guide	6
32	ESL14275	T77.02.023.1	Pin, Nozzle Holder	3
33	ESL14276	T77.02.028.0	Washer Nozzle Holder	3
34	N-620013-S8	N-620013-S36	Nut, Hex (M8)	3
35	ESL14277	T77.02.007.1	Stud Nozzle Holder	3
36	ESL14278	T77.02.027.0b	Clamp, Injector	3
37	N-620014-S8	N-620014-S36	Nut (M10-8)	6
38	N-630174-S8	N-630174-S36	Spring Washer (M10)	6
39	ESL14279	54.21.10.29e	Stud (M10x30-8.8)	6
40	ESL14280	T73.21.007.0a	Plug, Welch	6

CYLINDER HEAD



CYLINDER HEAD

ITEM	LONG #	VENDOR #	DESCRIPTION	QTY.
				35
41	ESL14281	T73.22.007.0b	Plug Cylinder Head (12")	3
42	ESL14282	T77.22.801.0h	Cylinder Head Assembly (Without Valves)	1
43	ESL14283	T77.02.801.0	Gasket, Cylinder Head	1
44	ESL14284	T77.02.019.0c	Seat Ring, Intek Valve	3
45	ESL14285	SPD.519.520	Valve Set	3
46	ESL14286	T77.02.020.0c	Seat Ring, Exhaust Valve	3
47	ESL14287	T77.01.012.0	Bolt, Cylinder Head	14



PISTON & CONNECTING ROD

1B.9

Ⓢ - INDICATES SERVICE SERIAL NUMBER BREAKS,

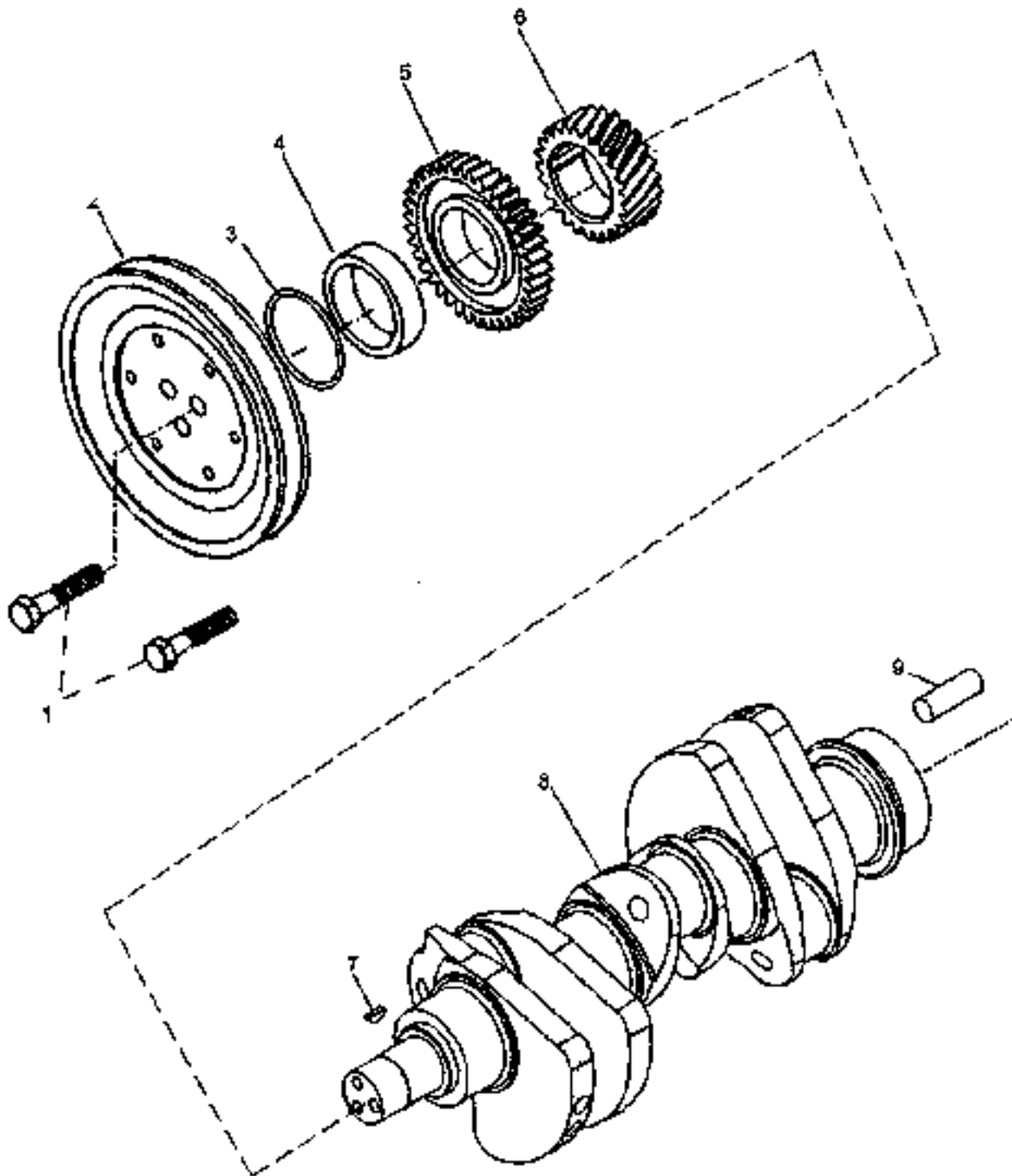
✓ - INDICATES UP TO AND INCLUDING THAT SERIAL NUMBER

ITEM	LONG #	VENDOR #	DESCRIPTION	Qty.
				35
1	ESL14288	SPD.181.000	Ring Set (Engine Set)	1
2	ESL14289	SPD.182.100	Piston Assembly (Engine Set With Rings)	1
3	-	-	Pin, Piston (NSS)	3
4	ESL14290	T77.03.001.0	Inner Circlip	6
5	ESL14291	T77.23.801.0	Connecting Rod Assembly	3
6	ESL14292	SPD.430.000	Connecting Rod Bearing Set - Standard	1
-	ESL14293	SPD.430.010	Connecting Rod Bearing Set - 10	1
-	ESL14294	SPD.430.020	Connecting Rod Bearing Set - 20	1
-	ESL14295	SPD.430.030	Connecting Rod Bearing Set - 30	1
7	ESL14296	SPD.649.000	Bush Set Small End (Set of 3 Bushes)	1
8	ESL14297	T77.03.011.0	Bolt, Connecting Rod	6

PISTON & CONNECTING ROD

S - INDICATES SERVICE SERIAL NUMBER BREAKS.

K - INDICATES UP TO AND INCLUDING THAT SERIAL NUMBER



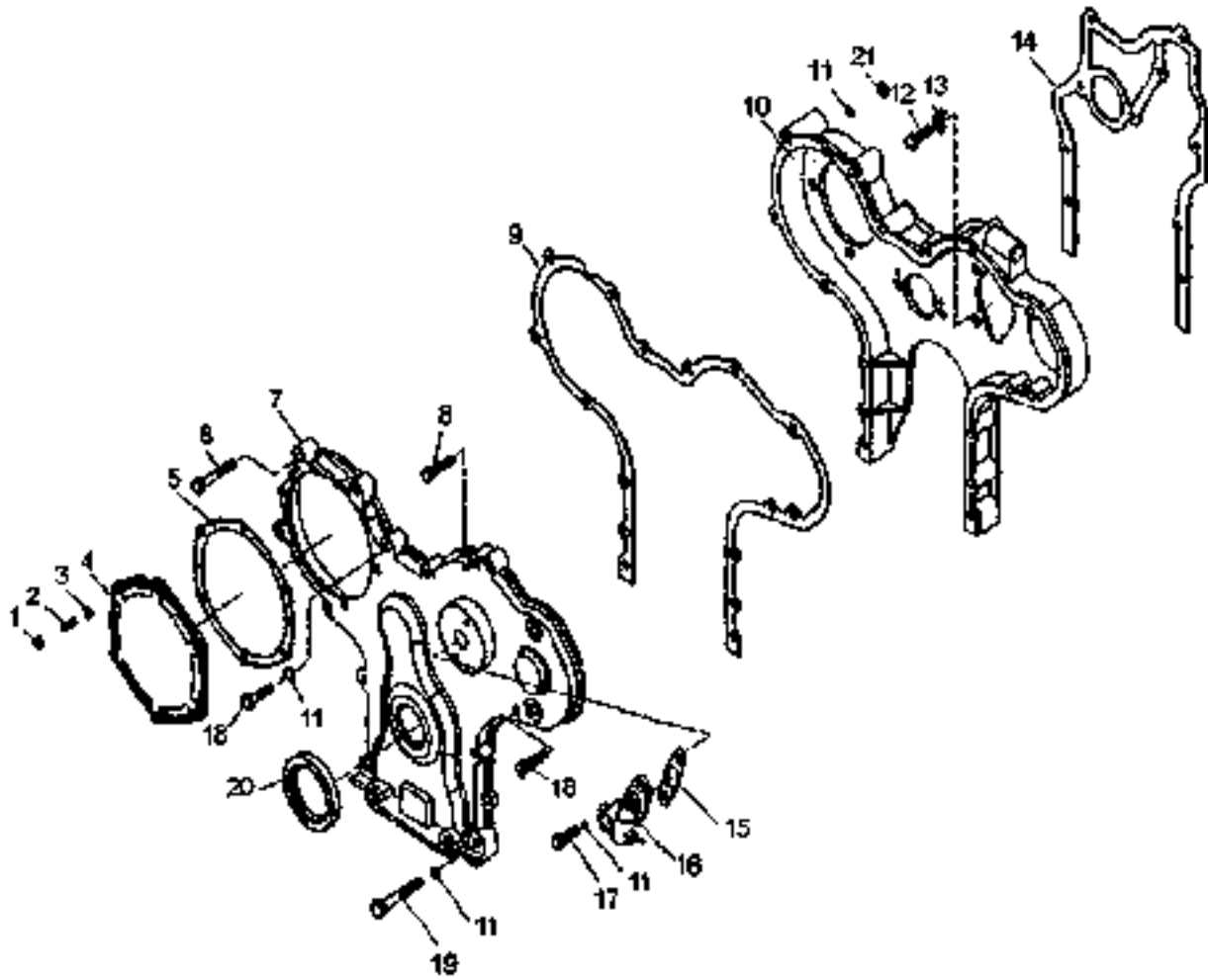
CRANKSHAFT & PULLEY

ITEM	LONG #	VENDOR #	DESCRIPTION	Qty.
				35
1	ESL14296	T77.04.006.0	Bolt	3
2	ESL14299	T77.04.004.0	Crank Pulley	1
3	ESL14300	T77.04.005.0	O'Ring For Spacer	1
4	ESL14301	T77.04.003.0	Spacer, Crank Pulley	1
5	ESL14302	T77.04.002.0a	Gear, Crank Shaft L.O.P.	1
6	ESL14303	T77.04.007.0	Gear (Z-24)	1
7	ESL14304	5.28.04.0	Woodruff Key	1
8	ESL14305	T77.24.001.0	Crank Shaft	1
9	ESL14306	50.10256.0a	Positioning Dowel	2

CRANKSHAFT & PULLEY

Ⓢ - INDICATES SERVICE SERIAL NUMBER BREAKS,

↳ - INDICATES UP TO AND INCLUDING THAT SERIAL NUMBER



TIMING GEAR COVER & SEALING

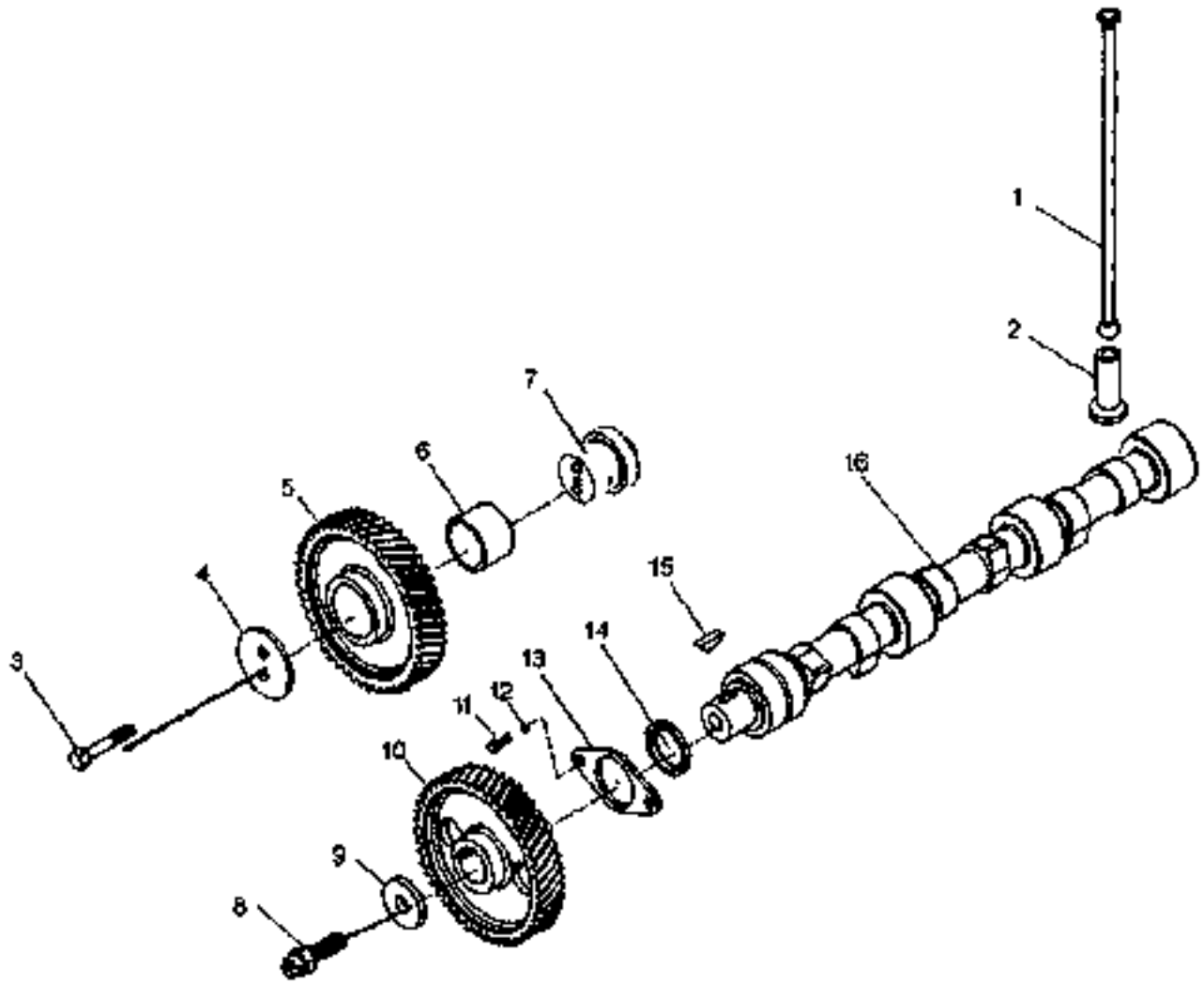
1B:13

Ⓢ - INDICATES SERVICE SERIAL NUMBER BREAKS,

Ⓛ - INDICATES UP TO AND INCLUDING THAT SERIAL NUMBER

ITEM	LONG #	VENDOR #	DESCRIPTION	QTY.
				35
1	N-620012-S8	N-620012-S36	Nut (M6)	6
2	ESL14307	T72.05.008.0a	Stud, Inspection Cover	5
3	N-630172-S8	N-630172-S36	Spring Washer	6
4	ESL14308	T77.05.007.0a	Inspection Cover	1
5	ESL14309	T77.05.006.0a	Gasket, Inspection Cover	1
6	N-605539-S8	N-605539-S36	Bolt	5
7	ESL14310	T77.05.018.0	Timing Gear Cover	1
8	N-605532-S8	N-605532-S36	Bolt (M8x25)	1
9	ESL14311	T77.05.020.0b	Gasket Timing Gear Cover	1
10	ESL14312	T77.05.019.0a	Timing Gear Housing	1
11	N-630173-S8	N-630173-S36	Spring Washer (M8)	17
12	N-605531-S8	N-605531-S36	Bolt	5
13	ESL14313	54.61.05.02	Tab Washer	5
14	ESL14314	T77.05.004.0	Gasket, Timing Gear Housing	1
15	ESL14315	T72.05.014.0	Gasket, Tacho Drive Unit	1
16	ESL14316	T77.05.802.0	Tacho Drive Unit	1
17	ESL14317	54.21.06.28	Screw (M6-16)	2
18	ESL14318	B1.08.65-8.8	Bolt	7
19	ESL14319	B1.08.80-8.8	Bolt	2
20	ESL14320	T73.24.010.0	Oil Seal (Viton)	1
21	N-620013-S8	N-620013-S36	Nut (M8-8)	6

TIMING GEAR COVER & SEALING



TIMING GEAR & CAMSHAFT

1B-15

Ⓢ - INDICATES SERVICE SERIAL NUMBER BREAKS.

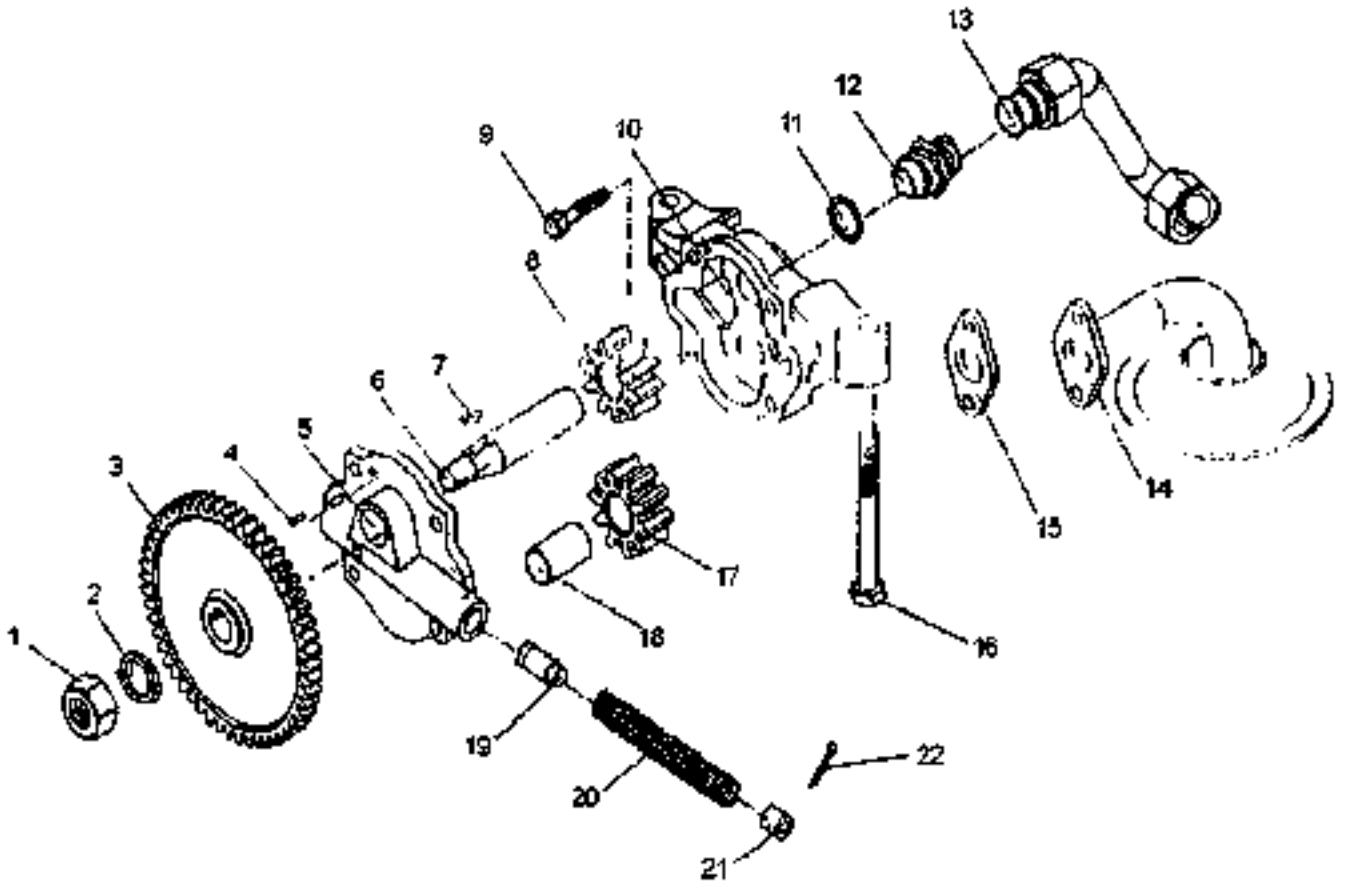
↳ - INDICATES UP TO AND INCLUDING THAT SERIAL NUMBER

ITEM	LONG #	VENDOR #	DESCRIPTION	Qty.
				35
1	ESL14335	T77.06.002.0	Push Rod	6
2	ESL14334	T77.06.003.0	Tappet	6
3	ESL14321	B1.08.70-8.8	Bolt	2
4	ESL14322	T73.26.004.0a	Thrust Plate (For Idler Gear)	1
5	ESL14323	T77.06.801.0	Intermediate Gear Assembly	1
6	ESL14324	50.00211.0	Bush, Intermediate Gear	1
7	ESL14325	T73.21.013.0	Shaft, Intermediate Gear	1
8	ESL14326	T73.26.008.0	Bolt, Cam Shaft (For Tacho Drive)	1
9	ESL14327	T73.26.001.0a	Thrust Plate, Cam Shaft	1
10	ESL14328	T77.06.007.0	Gear, Camshaft (Z-48)	1
11	ESL14329	54.21.06.28	Bolt (M8x20)	2
12	N-830173-S8	N-830173-S38	Spring Washer (M8)	2
13	ESL14330	T77.06.004.0	Thrust Flange, Camshaft	1
14	ESL14331	T77.06.005.0	Ring, Thrust Flange	1
15	ESL14332	5.28.04.0	Woodruff Key	1
16	ESL14333	T77.06.001.0	Cam Shaft	1

TIMING GEAR & CAMSHAFT

Ⓢ - INDICATES SERVICE SERIAL NUMBER BREAKS,

Ⓛ - INDICATES UP TO AND INCLUDING THAT SERIAL NUMBER



LUBE OIL PUMP

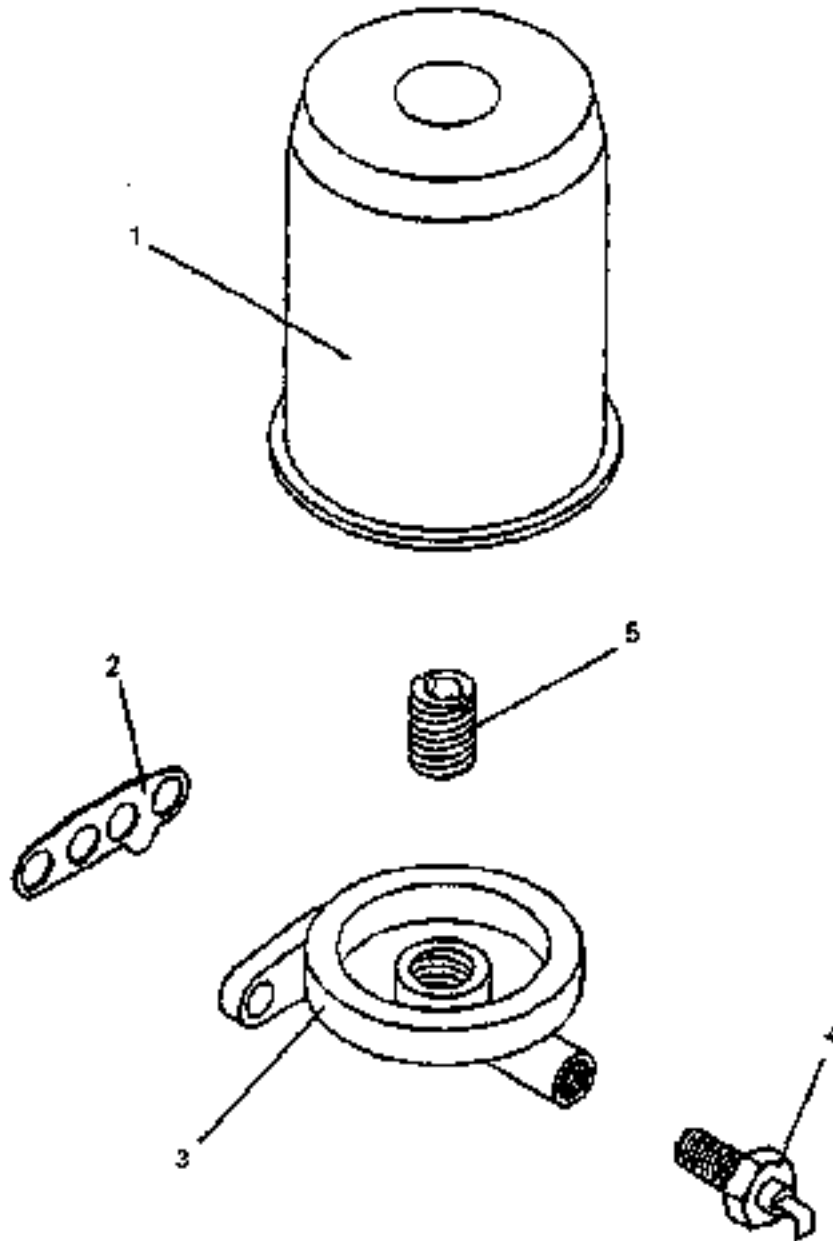
18:17

Ⓢ - INDICATES SERVICE SERIAL NUMBER BREAKS.

↳ - INDICATES UP TO AND INCLUDING THAT SERIAL NUMBER

ITEM	LONG #	VENDOR #	DESCRIPTION	Qty.
-	ESL14336	T77.11.807.1	Lube Oil Pump Assembly (without Driving Gear)	1
1	N-620016-S8	N-620016-S36	Nut, Hex (M14x1.5-8)	1
2	N-630176-S8	N-630176-S36	Spring Washer	1
3	ESL14337	T77.11.001.2	Gear, Pump Driving	1
4	ESL14338	54.27.01.042a	Dowel, Lube Oil Pump	2
5	-	-	Pump Cover (NSS)	1
6	ESL14339	T77.11.009.1	L.O.P. Driving Shaft	1
7	ESL14340	T77.11.006.0	Woodruff Key	2
8	ESL14341	T77.11.007.1a	Gear Driving	1
9	N-605529-S8	N-605529-S36	Bolt (M8x18-8.8)	4
10	-	-	Oil Pump Body (NSS)	1
11	ESL14342	50.02116.0	Sealing Washer	1
12	ESL14343	8.11.29.0	Adaptor	2
13	ESL14344	T77.11.802.0	Delivery Pipe Assembly	1
14	ESL14345	T77.11.801.0	Suction Pipe Assembly	1
15	ESL14346	50.10310.0	Gasket, Suction Assembly	1
16	N-605549-S8	N-605549-S36	Bolt	2
17	ESL14347	T77.11.008.1b	Gear Driven	1
18	ESL14348	T77.11.010.0a	Shaft, Driven Gear	1
19	ESL14349	50.10053.0	Valve Plunger (Valve Piston)	1
20	ESL14350	T77.11.011.0	Spring	1
21	ESL14351	50.10308.0	Regulation Pipe	1
22	ESL14352	54.28.01.16	Split Pin (3.2x32)	1

LUBE OIL PUMP



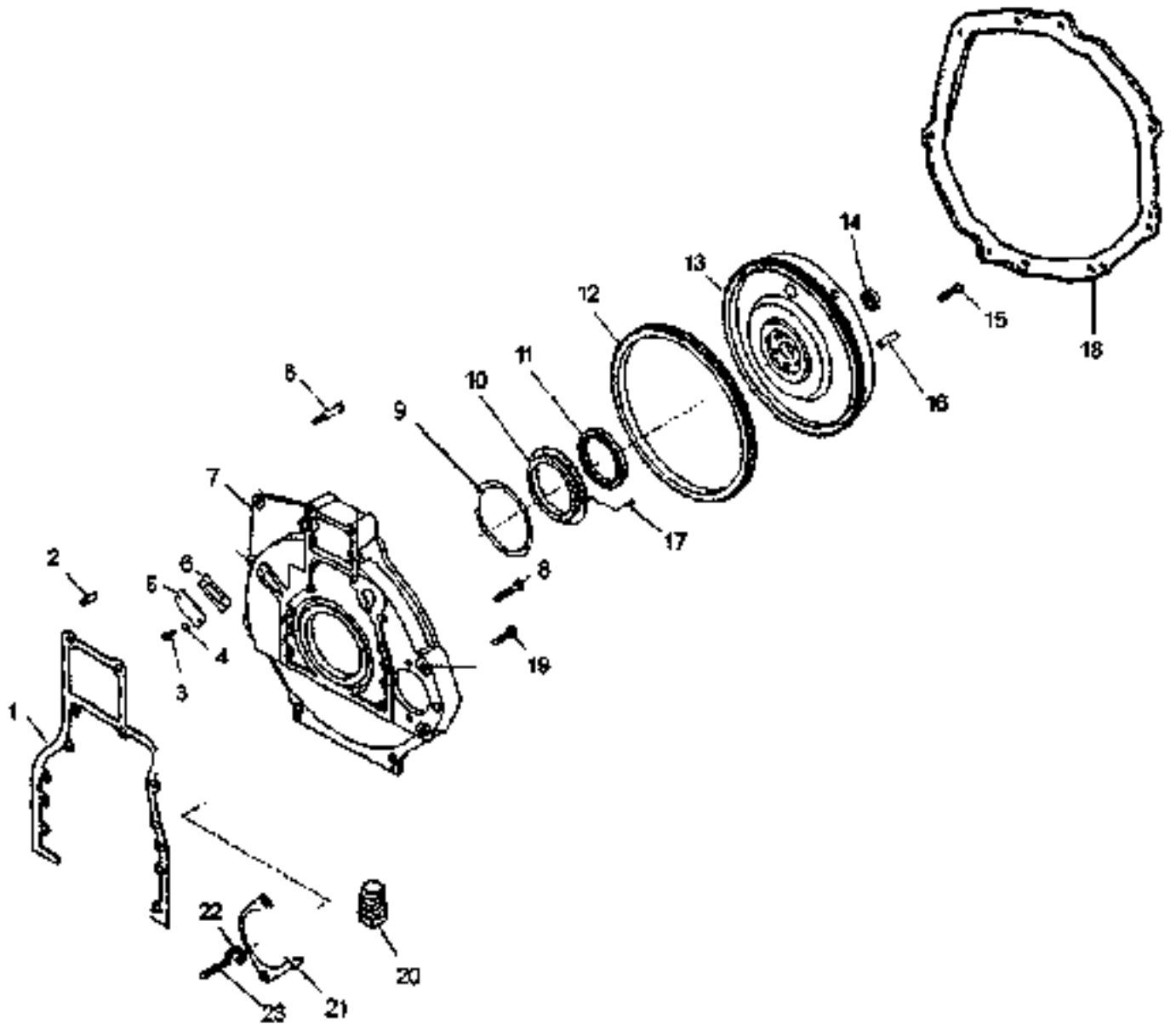
OIL FILTER ASSEMBLY

ITEM	LONG #	VENDOR #	DESCRIPTION	Qty.
				35
1	ESL10083	79NH-6714-AA	Oil Filter Assembly	1
2	ESL14561	T77.12.001.0	Gasket	1
3	ESL14562	T77.32.001.0	Bracket Oil Filter	1
4	ESL11400	F1NN-9278-A	Switch Assembly Oil Pressure	1
5	ESL10082	D0NN-6890-A	Insert Oil Filter Mounting Bolt	1

OIL FILTER ASSEMBLY

⑤ - INDICATES SERVICE SERIAL NUMBER BREAKS.

K - INDICATES UP TO AND INCLUDING THAT SERIAL NUMBER



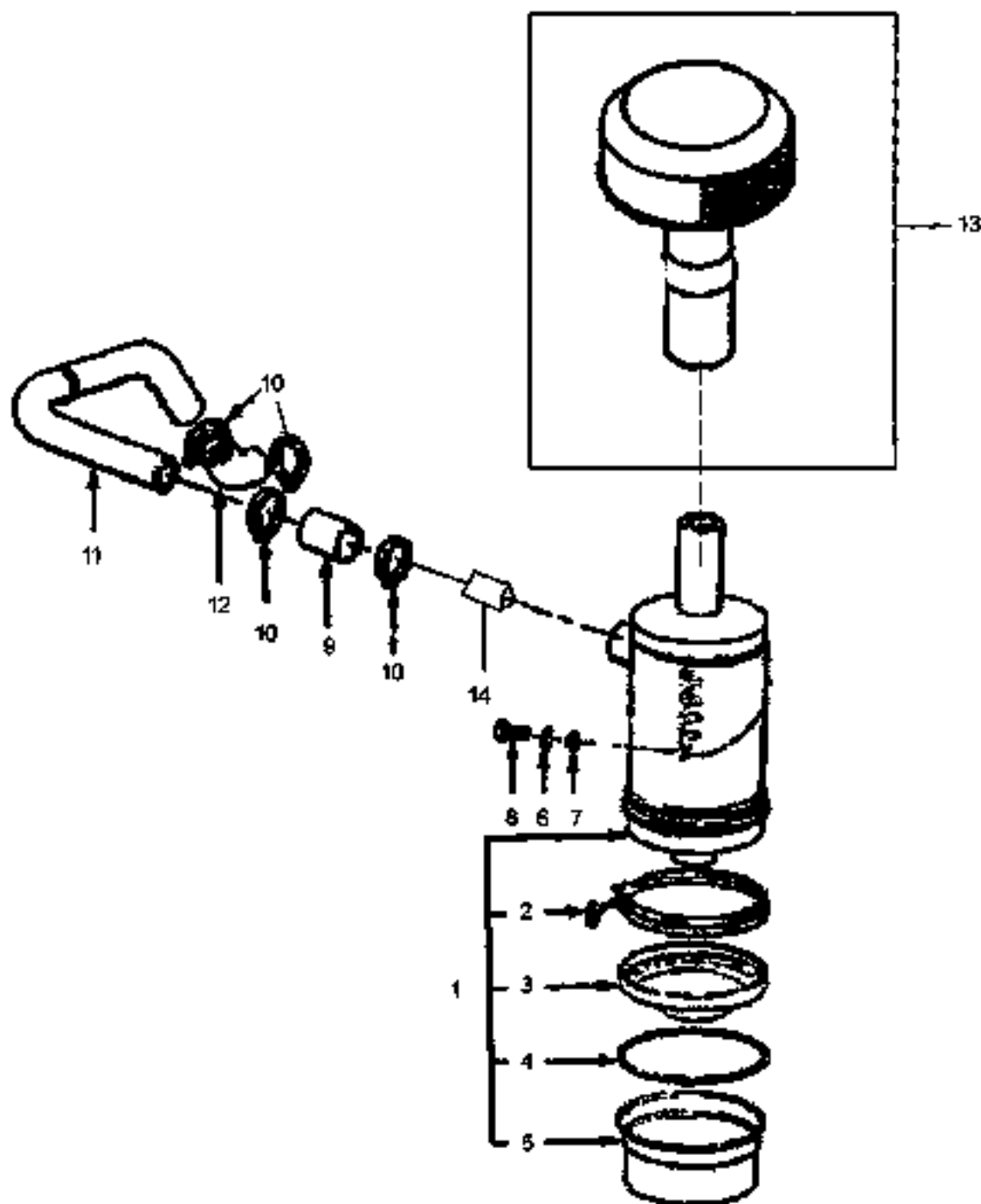
ADAPTER PLATE & FLYWHEEL

ITEM	LONG #	VENDOR #	DESCRIPTION	Qty.
				35
1	ESL14353	T77.16.003.0a	Gasket, Flywheel Housing	1
2	ESL14354	T73.16.002.0	Dowel	1
3	ESL14355	22-60441-AA	Screw, Hex (M8x15-8.6)	2
4	N-630172-S8	N-630172-S36	Washer, Lock (M8)	2
5	ESL14356	22-60438-AA	Cover Plate Flywheel Access	1
6	ESL14357	22-60439-AB	Gasket, Cover Plate Flywheel Access	1
7	ESL14358	T77.16.013.0B	Adapter Plate M/C	1
8	ESL14359	50.10161.0a	Bolt (M12x45-10.9)	3
9	ESL14360	T77.16.005.0	Gasket, Seal Carrier	1
10	ESL14553	T77.16.004.1	Seal Carrier	1
11	ESL14361	S4.51.02.01/F	Oil Seal (Sealing Ring)	1
	ESL14362	T73.24.011.0	Oil Seal (Viton)	1
12	ESL14363	T77.16.015.0a	Gear Ring, Fly Wheel	1
13	ESL14364	T77.36.807.0	Fly Wheel Assembly	1
14	ESL14365	8.18.02.01	Bearing, Clutch Pilot	1
16	ESL14366	50.00558.0a	Bolt (Fly Wheel Mounting to Crank Shaft)	6
16	ESL14367	5.16.14.0a	Positioning Dowel	1
17	N-605515-S8	N-605515-S36	Bolt, Seal Carrier (M6x12)	6
18	ESL10060	DOMN-6N012-A	Gasket Adapter Plate to Transmission Housing	1
19	ESL14585	50.00022.0f	Screw (M12x35-10.9)	8
20	ESL14369	8.16.07.0	Taper Plug	1
21	ESL14370	22-13101-AA	Gasket Starter Motor	1
22	34607-S8	34607-S36	Washer (3/8)	3
23	304722-S8	304722-S36	Bolt (3/8)	3

ADAPTER PLATE & FLYWHEEL

NOTES

AIR INTAKE & EXHAUST SYSTEM



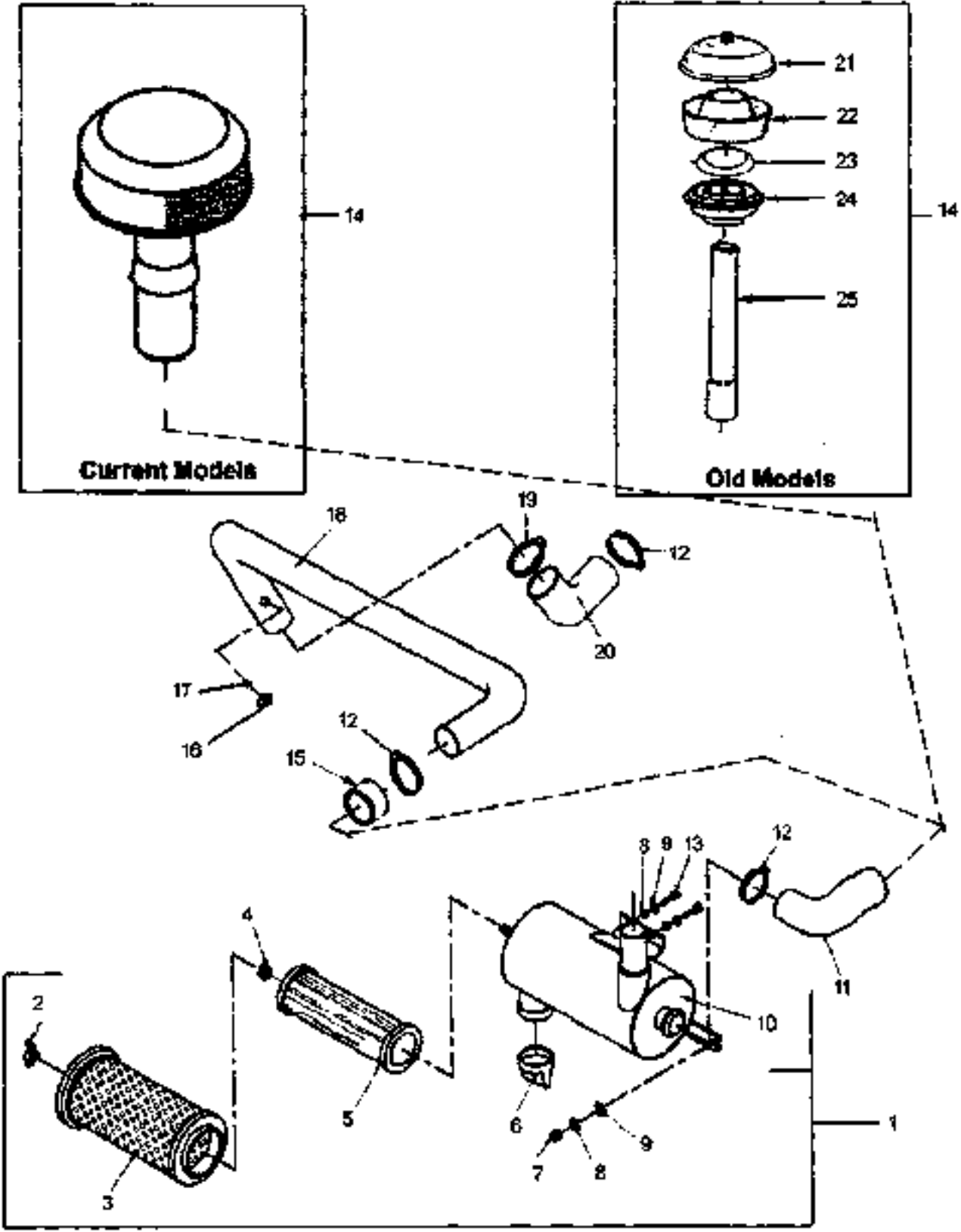
AIR CLEANER - OIL BATH TYPE (FT45 - OLD VERSION)

35/45/60

ITEM	LONG #	VENDOR #	DESCRIPTION	Qty.		
				35	45	60
1	ESL12164	82835393	Air Cleaner Assembly	-	1	-
2	ESL10204	C5NE-9628-B	Clamp Assembly	-	1	-
3	ESL12153	71NH-84638-A	Plate, Oil Baffle	-	1	-
4	ESL10206	82835391	Sealing Ring	-	1	-
5	ESL12154	C7NN-9858-C	Cup, Air Cleaner Oil	-	1	-
6	34806-S3	34806-S36	Washer, Lock (5/16)	-	4	-
7	44722-S3	44722-S36	Washer, Flat (5/16)	-	4	-
8	304649-S3	304649-S36	Bolt, Hex Head (5/16 - 24 x 3/4)	-	4	-
9	ESL10208	82NH-8N623-AA	Hose, Tube Connector	-	1	-
10	ESL10227	81NH-8813-AA	Clamp Assembly	-	4	-
11	ESL12162	82NH-9B642-A	Tube, Air Cleaner Outlet	-	1	-
12	ESL10224	82NH-9B640-AA	Hose, Air Cleaner Outlet	-	1	-
13	ESL12070	12-90890-AB	Cap & Extension Assembly (Note: Up To & including BSN #289924)	-	1	-
14	375057-S	375057-S	Grommet (Radiator Shell) (NI)	-	1	-
15	ESL14371	82NH-9N943-AA	Strap, Air Cleaner	-	1	-
16	ESL14372	12-90820-AA	Bracket, Air Cleaner Mounting	-	1	-
17	N-605545-S	N-605545-S	Bolt (M10)	-	2	-

NOTE: Used only on FT-45 up to Serial Number #289924

36/45/60



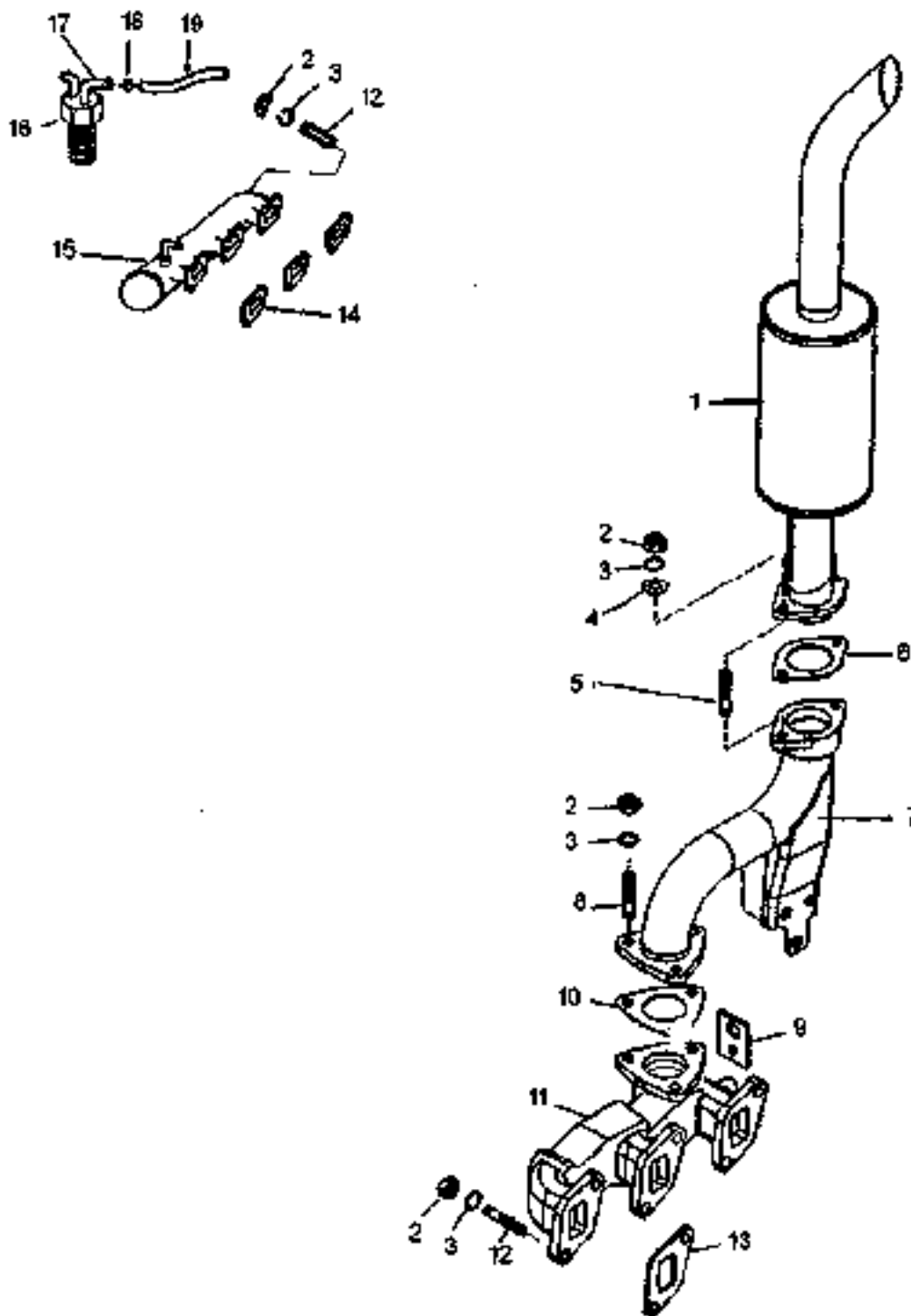
AIR CLEANER - DRY ELEMENT TYPE

35/45/60

ITEM	LONG #	VENDOR #	DESCRIPTION	Qty.		
				35	45	60
1	ESL12513	11-90420-AA	Air Cleaner Assembly, Dry (Includes Items 2-10)	1	1	1
2	ESL11836	11-90105-AA	Wing Nut	1	1	1
3	ESL10221	D6NN-9B618-A	Filter Element, Primary	1	1	1
4	N-605542-S6	N-605542-S36	Nut	1	1	1
5	ESL10222	D5NN-9R500-A	Filter Element, Safety (Inner)	1	1	1
6	ESL10229	11-90109-AA	Bleed Valve	1	1	1
7	N-620042-S6	N-620042-S36	Nut	2	2	2
8	N-630174-S8	N-630174-S36	Washer, Lock (M10)	4	4	4
9	ESL11866	N-630069-S36	Washer, Flat (M10x21x2.25)	4	4	4
10	-	-	Housing, Dry Air Cleaner (NSS)	1	1	1
11	ESL11837	11-90107-AA	Hose, Air Cleaner Outlet	1	1	1
12	ESL12083	12-90380-AA	Clamp Assembly	-	3	3
13	304650-S8	304650-S36	Bolt, Hex Head (3/8-16x0.75)	2	2	2
14	Ⓢ ESL12071	12-90680-AB	Cap & Extension Assembly	1	1	1
15	ESL10231	11-90575-AA	Grommet	1	1	1
16	ESL12617	12-90522-AA	Indicator	1	1	1
17	ESL12618	12-90515-AA	Gasket Indicator	1	1	1
18	Ⓢ ESL12515	82835439	Tube Assembly - Dry Air Cleaner Outlet	-	1	1
-	ESL14373	22-90540-AA	Tube Assembly - Dry Air Cleaner Outlet	1	-	-
19	ESL10227	81NH-9B613-AA	Clamp Assembly	1	1	1
20	ESL12618	11-90540-BB	Hose, Air Cleaner Outlet, Lower	-	1	1
-	ESL14374	22-90542-AA	Hose, Air Cleaner Outlet, Lower	1	-	-

Service Serial Number Breaks:

14	ESL10219	83NH-9A660-AA	Pre-Cleaner Assembly, Air	⌞ 269701	-	-	1
18	ESL12632	11-90540-AA	Tube Assembly, Dry Air Cleaner Outlet	⌞ 269701	-	-	1
21	ESL14375	82NH-9A664-AA	Cover Assembly, Air Pre-Cleaner	⌞ 269701	-	-	1
22	ESL10210	82NH-9A663-AA	Body, Air Pre-Cleaner	⌞ 269701	-	-	1
23	ESL10214	83NH-9N660-AA	Shroud, Pre-Cleaner	⌞ 269701	-	-	1
24	ESL10213	93NH-9A667-AA	Base Assembly, Air Pre-Cleaner	⌞ 269701	-	-	1
25	ESL14376	11-90770-AA	Extension Assembly, Dry Air Cleaner	⌞ 269701	-	-	1



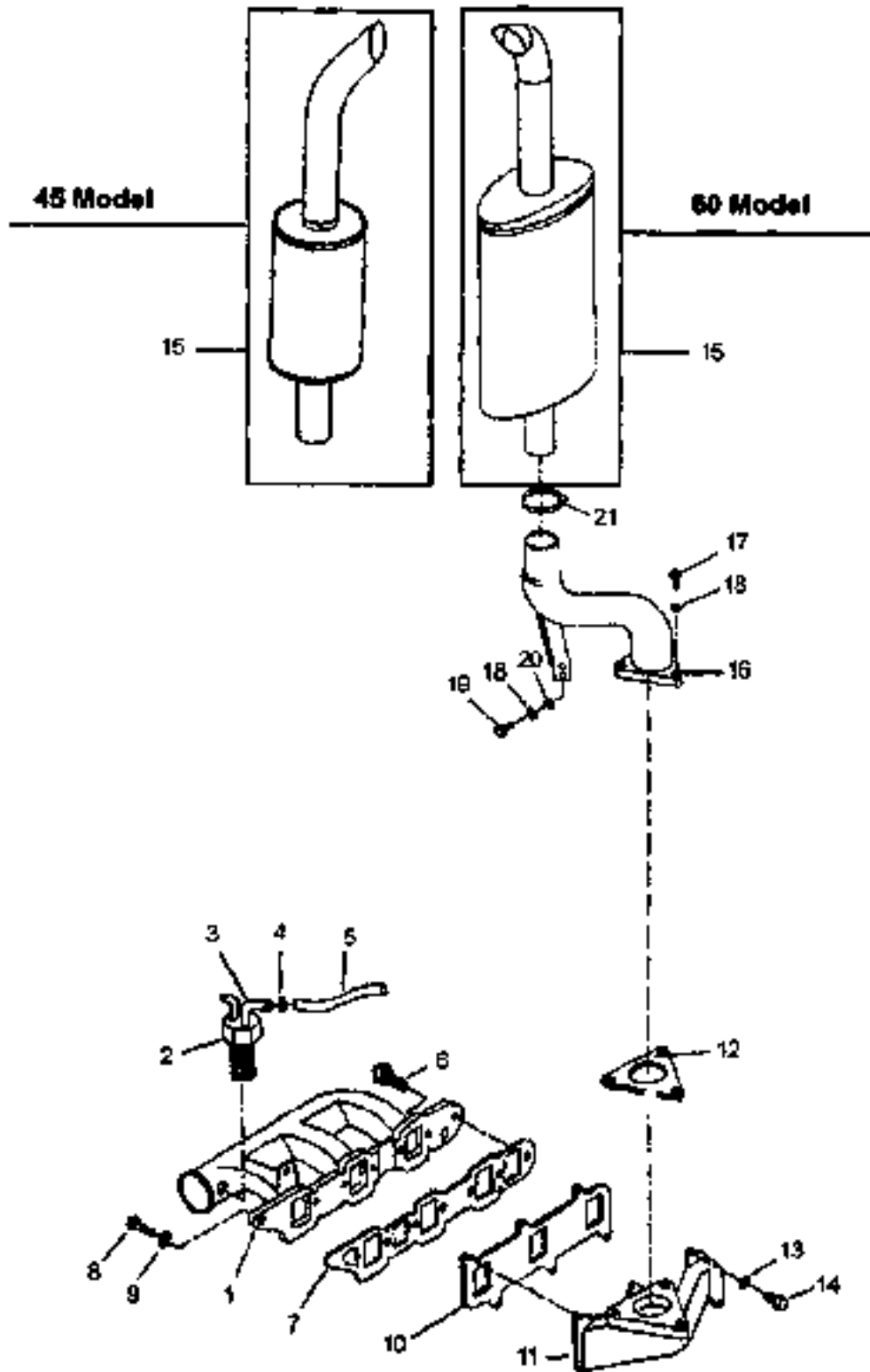
INTAKE MANIFOLD & EXHAUST SYSTEM

2.5

Ⓢ - INDICATES SERVICE SERIAL NUMBER BREAKS.

Ⓛ - INDICATES UP TO AND INCLUDING THAT SERIAL NUMBER.

Item	LONG #	VENDOR #	DESCRIPTION	Qty.
				35
1	ESL14377	22-50430-AA	Muffler Assembly (Vertical)	1
2	ESL14378	N-620014-AA	Nut, Hex (M10)	17
3	N-630174-S8	N-630174-S36	Washer, Lock (M10)	17
4	N-630069-S8	N-630069-S36	Washer, Flat (M10)	2
5	ESL14379	22-50449-AA	Stud	2
6	ESL14380	22-50448-AA	Gasket Silencer	1
7	ESL14381	T12.90.920.0	Pipe Assembly Silencer Inlet Flanged	1
8	ESL14382	50 10052.0	Stud	3
9	ESL14383	T73.24.046.0	Adaptor for Lifting Hook	1
10	ESL10245	O3NN-5C250-BA	Gasket, Elbow	1
11	ESL14384	T77.29.001.0	Exhaust Manifold	1
12	ESL14385	54.21.10.29a	Stud (M10)	11
-	ESL14386	T73.29.005.0	Stud (M10)	1
13	ESL14387	T77.09.002.0	Gasket, Exhaust Manifold	3
14	ESL14554	T77.06.002.0	Gasket, Intake Manifold	3
15	ESL14388	T77.08.011.0	Intake Manifold	1
16	ESL14389	11-60463-AB	Thermostat Assembly	1
17	ESL14390	T77.30.002.0	Tube Thermostat	1
18	ESL14391	11-60462-AA	Clamp	1
19	ESL14392	22-60461-AA	Hose, Fuel Leak Off	1



INTAKE MANIFOLD & EXHAUST SYSTEM

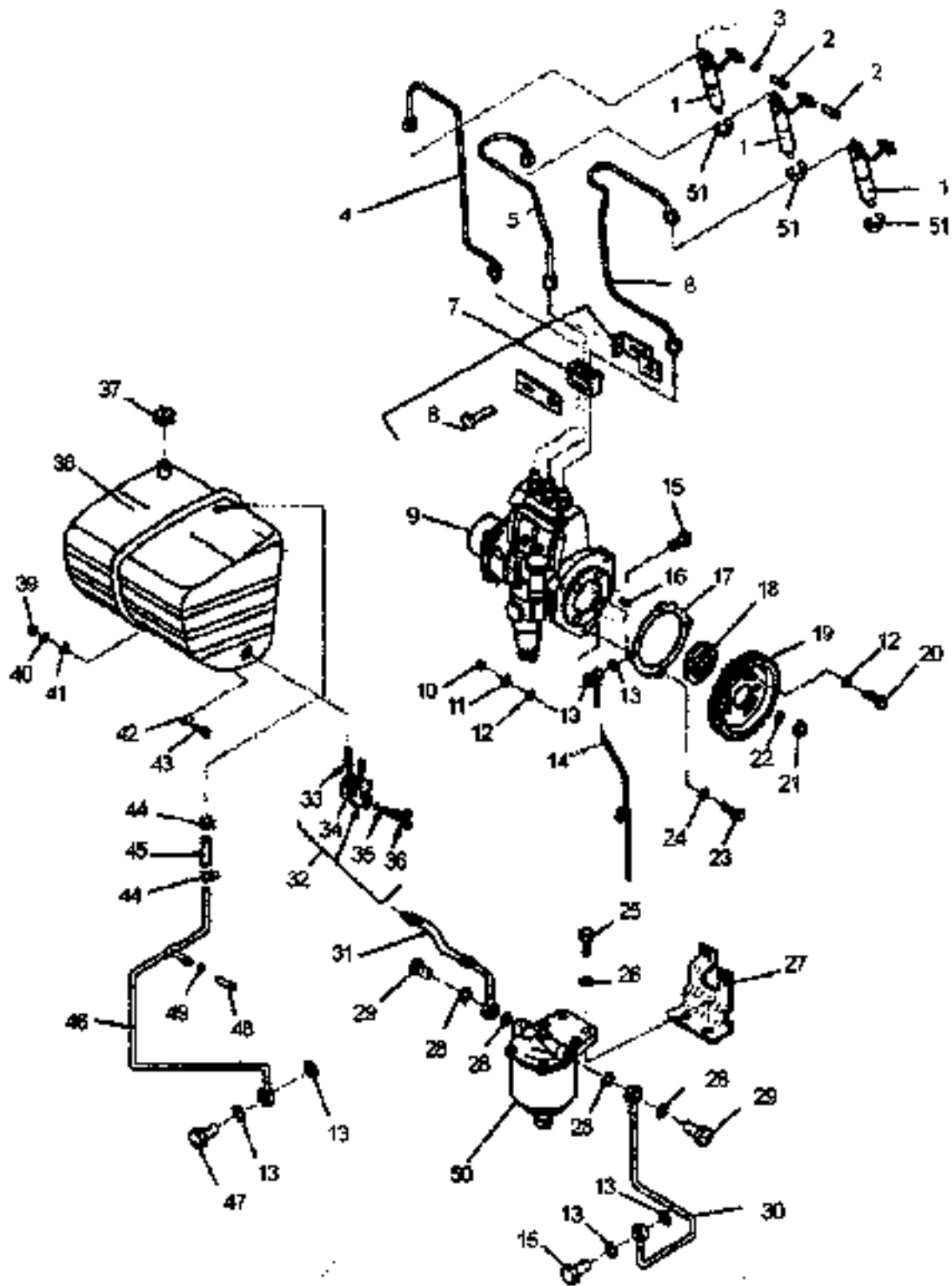
Item	Long #	Vendor #	Description	Qty.
				45 60
1	Ⓢ ESL12029	11-68369-AA	Manifold, Intake	1 1
2	TX12346	11-60463-AB	Thermostarter Assembly	1 1
3	ESL10288	11-60660-AB	Tube Assembly, Thermostarter	1 1
4	ESL10284	11-60462-AA	Clamp	2 2
5	ESL10285	11-60461-AB	Nylon Tube Thermostarter	1 1
6	ESL10238	11-12109-AA	Sensor, Water Temperature	1 1
7	Ⓢ ESL12168	82835247	Gasket, Intake Manifold to Block	1 1
8	304722-S8	304722-S36	Bolt, Hex Head (3/8 - 16 x 1.25)	7 7
9	34807-S8	34792-S36	Washer, Lock (3/8)	7 7
10	ESL10243	E8NN-9448-AA	Gasket, Exhaust Manifold	1 1
11	ESL10241	D3NN-9430-A	Manifold, Exhaust	1 1
12	ESL10245	D3NN-5C250-BA	Gasket, Muffler Inlet Pipe	1 1
13	378881-S	378881-S	Washer, Lock Tab (3/8)	6 6
14	304780-S8	304780-S36	Bolt, Hex Head (3/8 - 16 x 1.50)	6 6
15	ESL10247	82835089	Muffler Assembly (Vertical)	- 1
-	ESL10246	85NH-5230-AC	Muffler Assembly (Vertical)	1 -
16	ESL10244	D6NN-5246-N	Pipe, Muffler Inlet	1 1
17	46008-S8	46008-S36	Bolt, Hex Head (3/8 - 16 x 1.00)	3 3
18	34807-S8	34807-S36	Washer, Lock (3/8)	5 5
19	304850-S8	304850-S36	Bolt, Hex Head (3/8 - 16 x 0.75)	2 2
20	44726-S8	44726-S36	Washer, Flat (3/8)	2 2
21	ESL10248	D6NN-5252-B	Clamp Assembly	1 1

Service Serial Number Breaks:

1	ESL10234	84NH-9425-AB	Manifold, Intake	↳ 259837	- 1
7	ESL10240	D3NN-9439-A	Gasket, Intake Manifold	↳ 259837	- 1

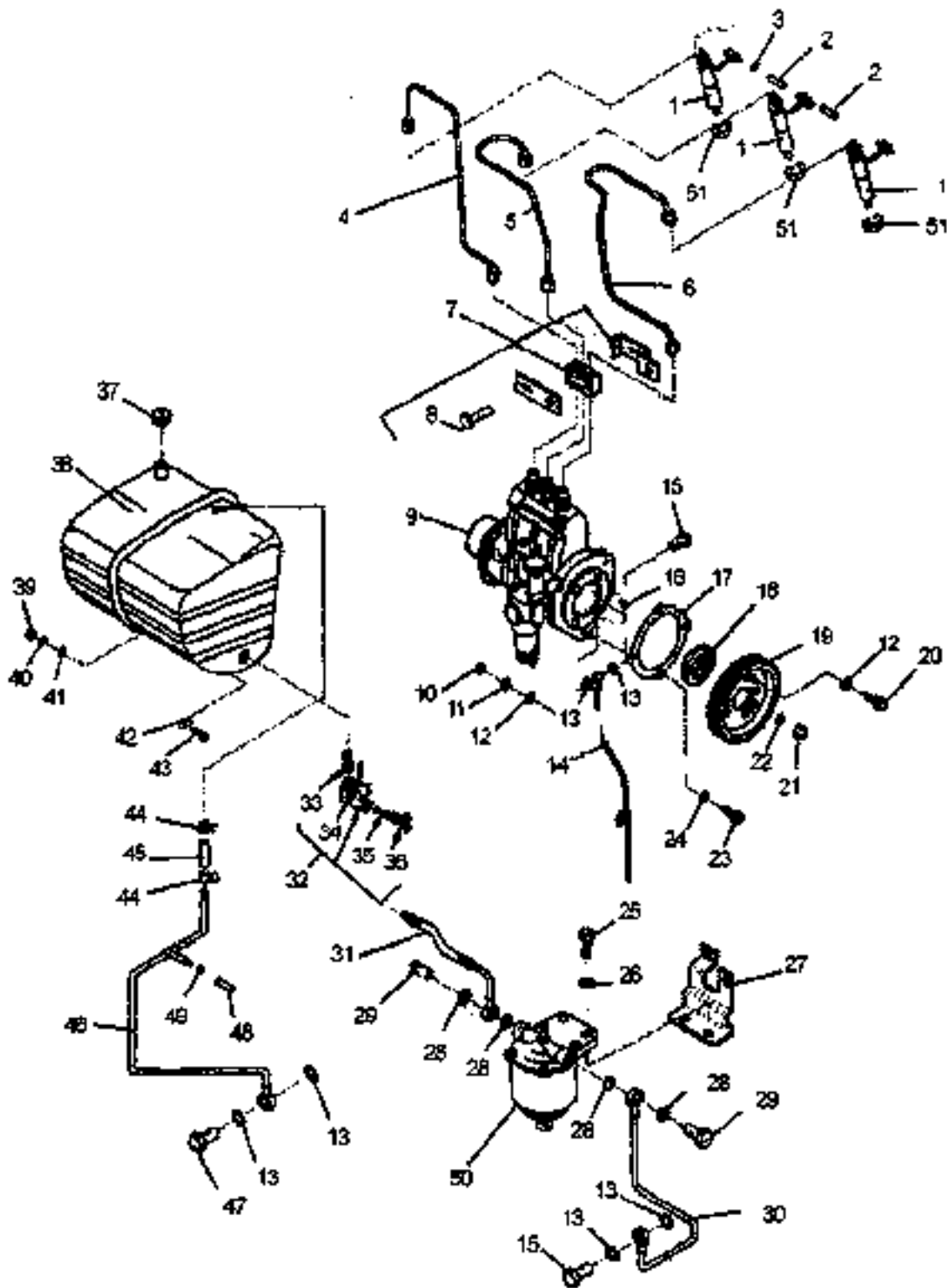
Notes

FUEL SYSTEM & THROTTLE LINKAGES



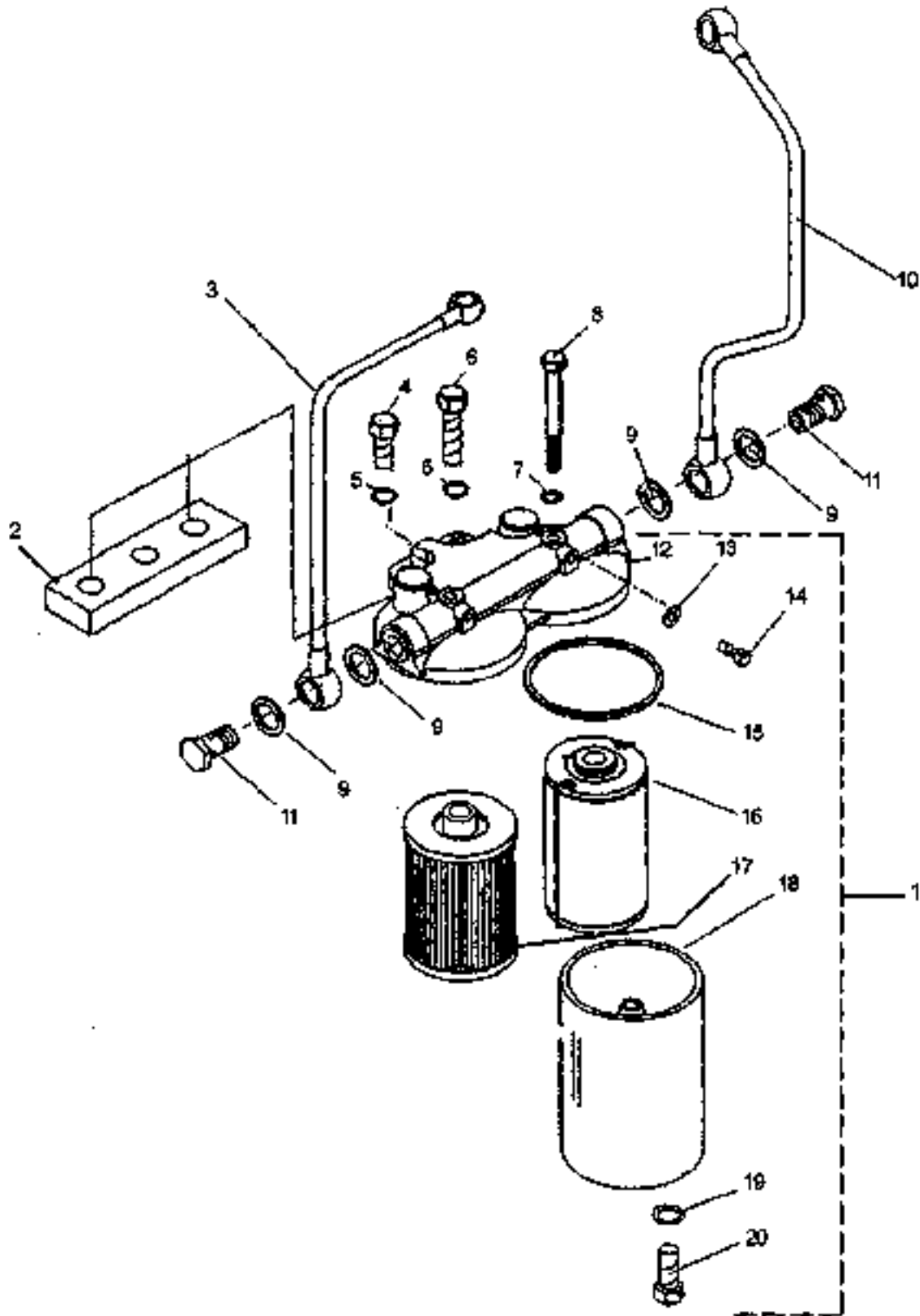
FUEL SYSTEM

ITEM	LONG #	VENDOR #	DESCRIPTION	Qty.
				35
1	ESL14393	T77.27.811.0	Injector Assembly	3
2	ESL14394	T77.07.005.0	Injector Overflow Pipe	2
3	ESL14395	T73.27.018.0	Clamp, Fuel O/F Pipe	6
4	ESL14396	T77.27.817.0	High Pressure Pipe Assembly 3rd Cylinder	1
5	ESL14397	T77.27.818.0	High Pressure Pipe Assembly 2nd Cylinder	1
6	ESL14398	T77.27.815.0	High Pressure Pipe Assembly 1st Cylinder	1
7	ESL14399	T73.07.804.0a	Clamp Assembly	1
8	ESL14400	T73.07.012.0	Hex Head Screw with Slot	1
9	ESL14401	T77.27.810.0	Fuel Injection Pump	1
10	N-620013-S8	N-620013-S36	Nut, Hex (M8)	4
11	N-630173-S8	N-630173-S36	Spring Washer (M8)	4
12	ESL14402	50.10466.0	Washer	7
13	ESL14403	22-61167-AA	Washer	8
14	ESL14404	8.07.10.0	Pipe (Pump Leak Off)	1
15	ESL14405	22-61166-AA	Banjo Bolt	4
16	ESL14555	54.26.01.03	Woodruff Key (18x6.5x3)	1
17	ESL14406	50.00429.0	Gasket F.I.P Flange	1
18	ESL14407	T77.07.029.0	Hub, F.I.P.	1
19	ESL14408	T77.07.030.0	Gear, Injection Pump (Z-43)	1
20	ESL14409	T77.27.006.0	Bolt F.I.P Locking	3
21	N-630016-S8	N-630016-S36	Nut, Hex (M14x1.5)	1
22	N-630175-S8	N-630175-S36	Spring Washer (M12)	1
23	N-605534-S8	N-605534-S36	Bolt, Hex Head (M8x35)	4
24	ESL14410	50.00012.0	Washer	4
25	-	-	Bolt	1
26	-	-	Washer	1
27	-	-	Bracket	1
28	ESL10357	82835036	Washer, Sealing	4
29	ESL11778	74NH-9N663-A	Banjo Bolt	2
30	ESL14411	22-89280-AA	Fuel Pipe, Water Separator to Feed Pump	1
31	ESL14412	22-89281-AB	Flexible Hose Fuel Tank to W/S	1
32	ESL10257	E2NH-9N024-AA	Tap & Screen Assembly	1
33	ESL10258	D9NH-9N187-AA	Filter, Fuel Tap & Priming Pump	1
34	-	-	Spring, Fuel Control Valve Retainer	1
35	-	-	Ring Fuel Control Valve, Retaining	1
36	-	-	Valve & Seal Assembly, Fuel Control Tap	1
37	ESL12068	11-89030-AA	Cap Assembly Fuel Tank	1
38	ESL10250	92NH-9002-AA	Tank Assembly Fuel	1
39	33798-S8	33798-S36	Nut, Hex (5/16-18)	3
40	44722-S8	44722-S36	Washer, Flat (5/16)	3



FUEL SYSTEM

<i>ITEM</i>	<i>LONG #</i>	<i>VENDOR #</i>	<i>DESCRIPTION</i>	<i>QTY.</i>
				35
41	34941-58	34941-838	Washer, External Tooth (5/16)	3
42	ESL10259	Q9NH-9N071-A	Spacer	1
43	304882-58	304682-S36	Bolt (5/16x19x1.00)	3
44	ESL10298	73NH-9N279-A	Clamp Assembly, Fuel Tube Return	2
45	ESL10297	71NH-9N035-A	Connector, Fuel Tank Return Tube	1
46	ESL14413	22-90337-BA	Fuel Pipe, Pump to Tank	1
47	ESL14414	1 417 413 012	Relief Valve	1
48	ESL14392	22-90461-AA	Hose Fuel Injection Leak Off	1
49	ESL10298	97325-S35	Clamp, Spring wire	2
50	ESL14415	22-29290-AA	Fuel Water Separator	1
51	ESL14394	T77.07.005.0	Copper Washer	3



FUEL FILTER ASSEMBLY

3A:5

Ⓢ - INDICATES SERVICE SERIAL NUMBER BREAKS.

↳ - INDICATES UP TO AND INCLUDING THAT SERIAL NUMBER

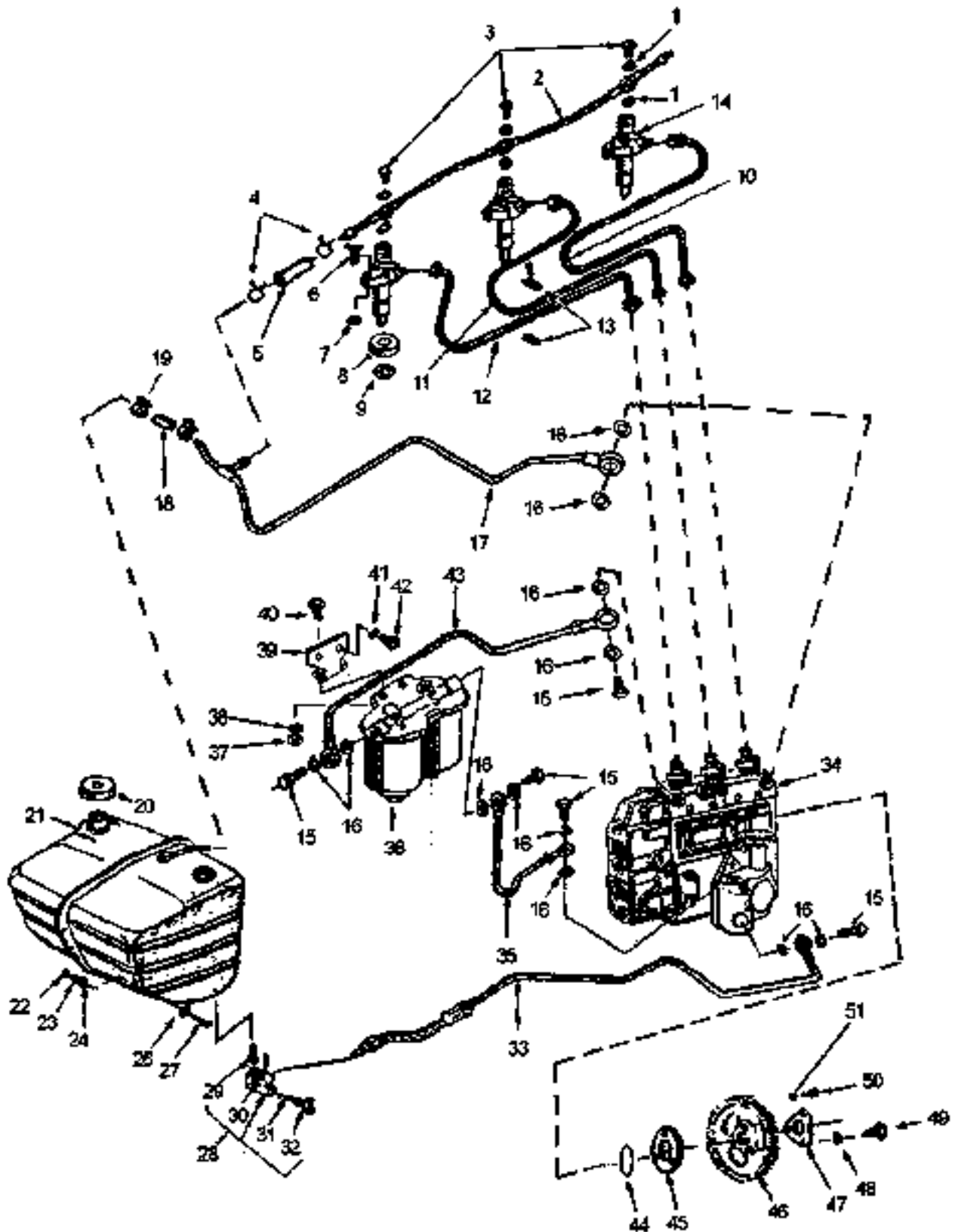
ITEM	LONG #	VENDOR #	DESCRIPTION	Qty.
				35
1	ESL14416	22-61150-AA	Fuel Filter Assembly (Includes Item #12-20)	1
2	ESL14417	22-61180-AA	Mounting Bracket, Fuel Filter	1
3	ESL14418	22-61573-AA	Fuel Pipe, Feed Pump to Filter	1
4	ESL14419	22-61163-AA	Bolt	1
5	34809-S8	34809-S36	Spring Washer	2
6	N-601796-S8	N-601796-S36	Bolt	1
7	ESL14420	22-61158-AA	Sealing Washer	2
8	ESL14421	22-61159-AA	Bolt	2
9	ESL14403	22-61167-AA	Sealing Washer	4
10	ESL14422	22-61270-AA	Fuel Pipe, Filter to F.I. Pump	1
11	ESL14405	22-61169-AA	Banjo Bolt	2
12	ESL14423	22-61151-AA	Cover, Filter	1
13	ESL14424	22-61160-AA	Washer, Air Vent Screw	2
14	ESL14425	22-61161-AA	Air Vent Screw	2
15	ESL14426	22-61162-AA	Sealing Ring	2
16	ESL14427	22-61153-AA	Filter Element Primary	1
17	ESL14428	22-61155-AA	Filter Element Secondary	1
18	ESL14429	22-61154-AA	Filter Bowl	2
19	ESL14430	22-61158-AA	Washer	2
20	ESL14431	22-61157-AA	Sludge Screw	2

cash & carry
paper } 906367

FUEL FILTER ASSEMBLY

Ⓢ - INDICATES SERVICE SERIAL NUMBER BREAKS,

L - INDICATES UP TO AND INCLUDING THAT SERIAL NUMBER



FUEL SYSTEM

3B:1

Ⓢ - INDICATES SERVICE SERIAL NUMBER BREAKS.

↳ - INDICATES UP TO AND INCLUDING THAT SERIAL NUMBER

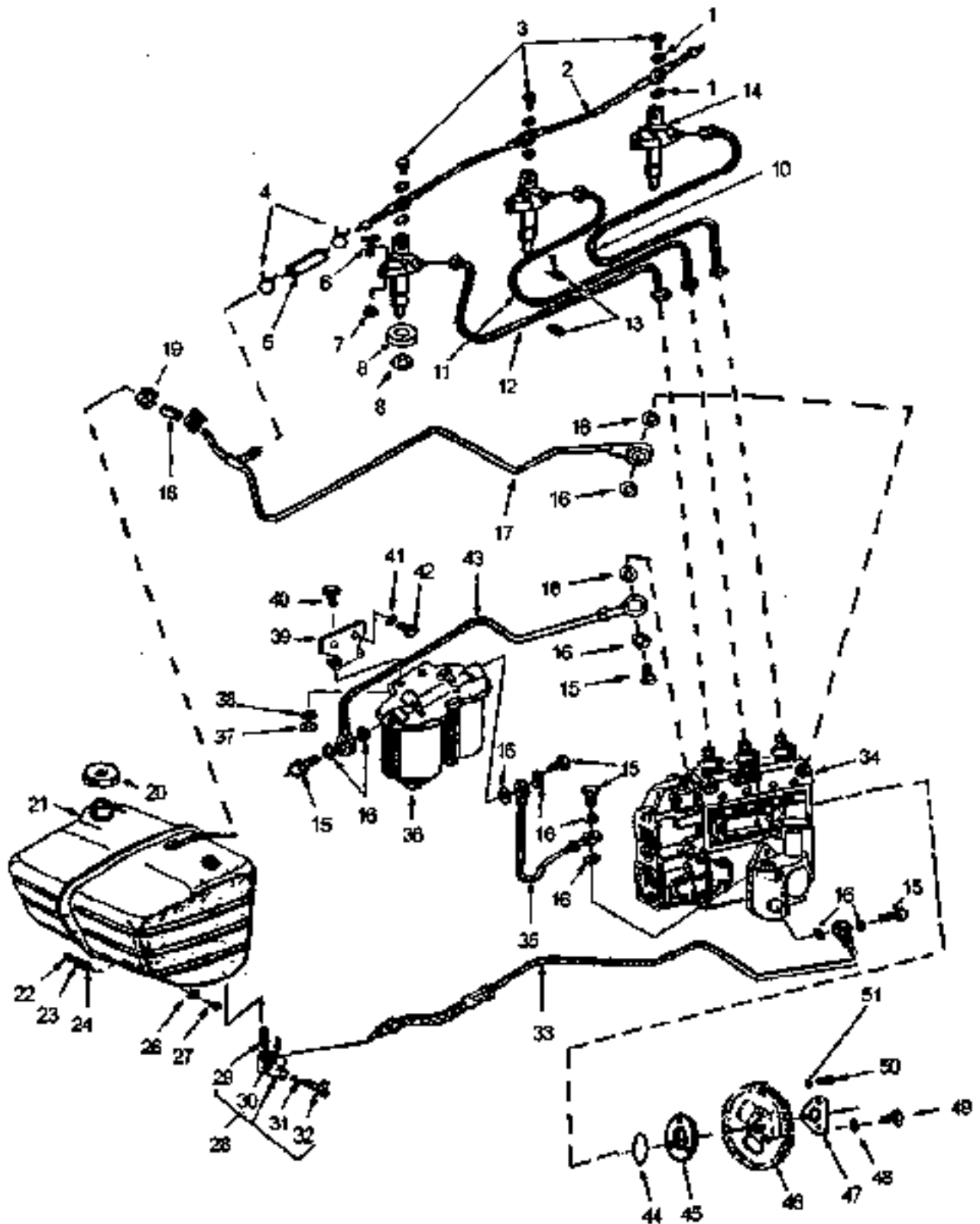
45/60

Item	Long #	Vendor #	DESCRIPTION	Qty.	
				45	60
1	Ⓢ ESL14582	2916710602	Washer	6	6
2	Ⓢ ESL12037	15-84580-AA	Tube Assy - Fuel Injector Leak-off	1	1
3	Ⓢ ESL14581	9491033422	Bolt, Banjo	3	3
4	ESL10298	97325-S35	Clamp, Spring Wire	2	2
5	ESL12052	11-90563-AA	Hose, Fuel Injector Leak-off	1	1
6	304758-S8	304758-S36	Bolt, Hex Head (5/16-18x1.50)	6	6
7	34806-S8	34806-S36	Washer, Lock (5/16)	6	6
8	ESL10299	73NH-9F508-A	Seal, Fuel Injector	6	6
9	ESL11652	72NH-9E529-A	Sealing Washer, Nozzle	3	3
10	Ⓢ ESL12026	13-84555-AA	Tube Assy Fuel Injector - 1st Cylinder	1	1
11	Ⓢ ESL12027	13-84556-AA	Tube Assy Fuel Injector - 2nd Cylinder	1	1
12	Ⓢ ESL12028	13-84557-AA	Tube Assy Fuel Injector - 3rd Cylinder	1	1
13	ESL10293	377485-S100	Clamp Assembly	2	2
14	Ⓢ ESL12057	13-84590-AA	Injector Assembly - Fuel	-	3
-	ESL12024	14-84590-AA	Injector Assembly, Fuel	3	-
15	ESL11778	74NH-9N853-A	Banjo Bolt	5	5
16	ESL10357	82835036	Sealing Washer	13	13
17	ESL10294	85NH-8A337-AA	Tube Assembly - Fuel Tank Return	1	1
18	ESL10297	71NH-9N035-A	Connector, Fuel Tank Return Tube	1	1
19	ESL10298	73NH-9N279-A	Clamp Assy, Fuel Tube Return	2	2
20	ESL12088	11-39030-AA	Cap, Fuel Tank	1	1
21	ESL10250	92NH-9002-AA	Tank Assembly, Fuel	1	1
22	33798-S8	33798-S36	Nut, Hex Head (5/16-24)	3	3
23	44722-S8	44722-S36	Washer, Flat (5/16)	3	3
24	34941-S8	34941-S36	Washer, External Tooth (5/16)	3	3
25	ESL12025	11-64691-AA	Mounting Flange, Injector Assembly	3	3
26	ESL10256	C5NH-9N071-A	Spacer, Fuel Tank Mounting	1	1
27	304682-S8	304682-S36	Bolt, Hex Head (5/16-18x1.00)	3	3
28	ESL10257	E2NH-9N024-AA	Tap & Screen Assembly, Fuel	1	1
29	ESL10258	D9NH-9N167-AA	Filter, Fuel Tap & Priming Pump	1	1
30	-	-	Spring, Fuel Control Valve Retainer (NSS)	1	1
31	-	-	Ring, Fuel Control Valve Retaining (NSS)	1	1
32	-	-	Valve & Seal Assembly, Fuel Control Tap (NSS)	1	1
33	Ⓢ ESL10268	12-89280-AA	Tube Assembly, Tank to Feed Pump	-	1
-	ESL10264	11-89280-AA	Tube Assembly, Tank to Feed Pump	1	-
34	Ⓢ ESL12078	15-64540-AA	Pump Assembly, Fuel Injection	-	1
-	ESL12023	26-64540-AA	Pump Assembly, Fuel Injection	1	-
35	Ⓢ ESL10270	92NH-9B273-AA	Tube Assembly, Feed Pump to Filter	-	1
-	ESL10268	72NH-9B273-A	Tube Assembly, Feed Pump To Filter	1	-
36	Ⓢ ESL13313	13-64150-AA	Filter Assembly - Fuel	1	1

FUEL SYSTEM

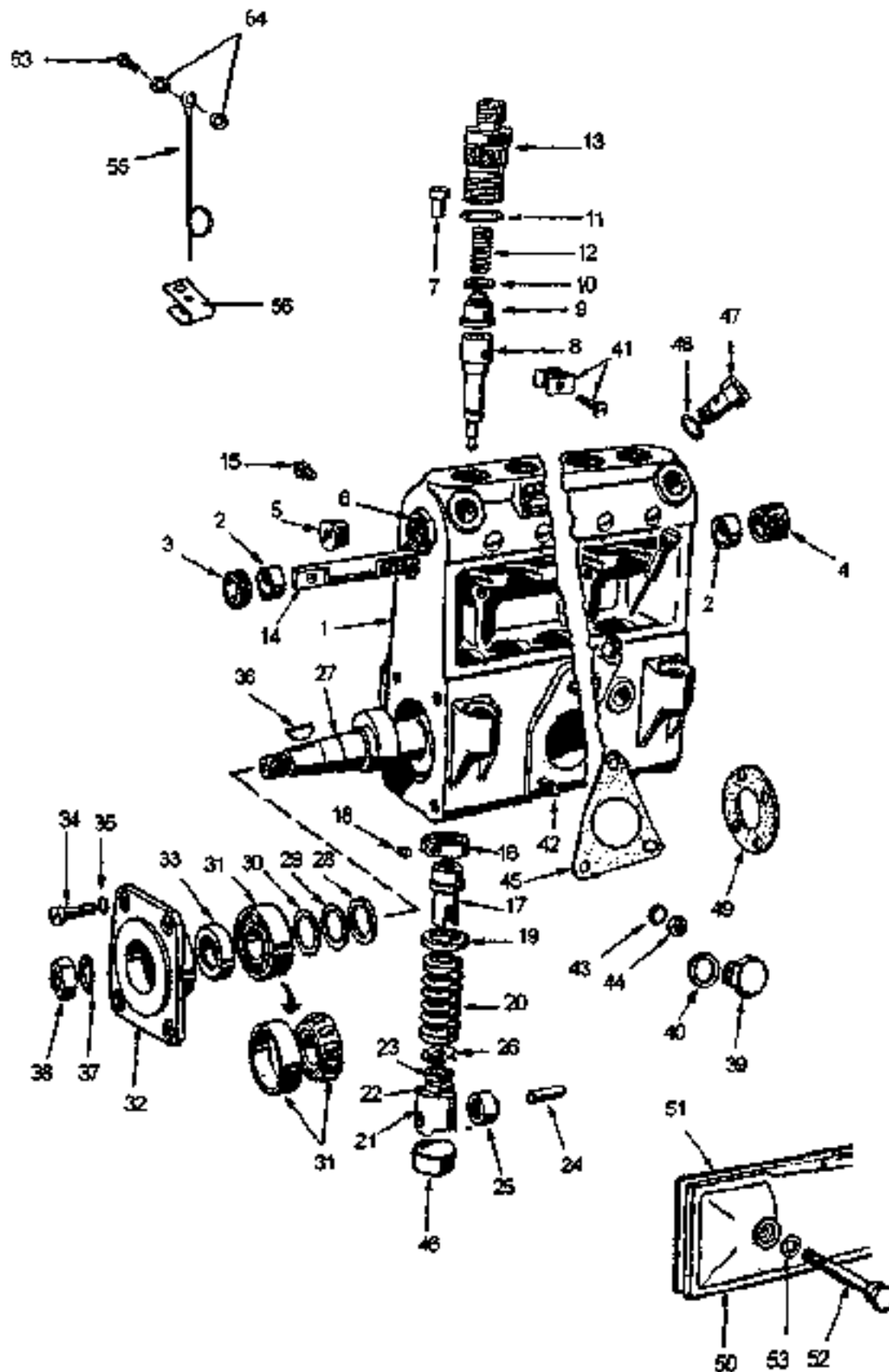
Ⓢ - INDICATES SERVICE SERIAL NUMBER BREAKS.

K - INDICATES UP TO AND INCLUDING THAT SERIAL NUMBER



FUEL SYSTEM

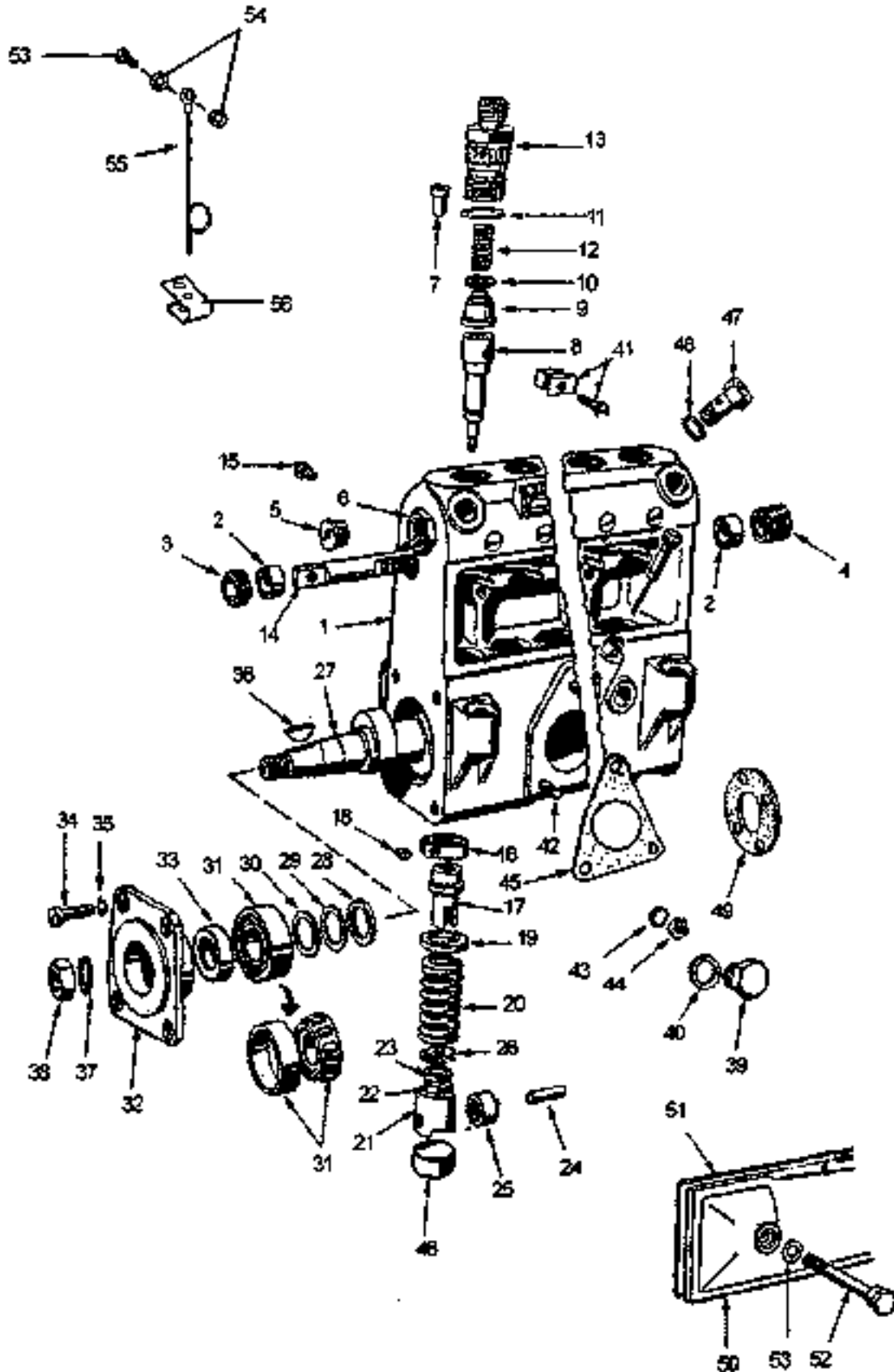
ITEM	LONG #	VENDOR #	DESCRIPTION	QTY.	
				45	60
37	ESL11782	74NH-9N102-A	Nut	2	2
38	ESL12018	34809-S36	Washer, Lock (1/2)	2	2
39	ESL10280	80NH-9A335-AA	Bracket, Fuel Filter Mounting	1	1
40	ESL11743	74NH-9N101-A	Bolt	2	2
41	44726-S8	44726-S36	Washer, Flat (3/8)	2	2
42	304666-S8	304666-S36	Bolt, Hex Head (3/8-16x0.875)	2	2
43 (S)	ESL10273	92NH-9N575-AA	Tube Assembly, Filter to Pump	1	1
44 (S)	ESL13682	12-61035-AA	O-Ring, Fuel Injection Pump	1	1
45	ESL10030	91NH-9M525-AA	Coupling Half - FIP Driving	1	1
46	ESL10278	CSNE-9F539-D	Gear, Fuel Injection Pump	1	1
47	ESL10275	CSNE-9F536-A	Plate, Fuel Injection Pump	1	1
48	ESL11849	380201-S36	Washer, Flat - (5/16x0.63x0.06)	3	3
49	42974-S8	42974-S36	Bolt, Hex Head (5/16-24x0.625)	3	3
50	ESL11742	73NH-9N646-A	Bolt, Fuel Injection Pump	3	3
51	ESL11848	73NH-9N647-A	Washer	3	3
Service Serial Number Breaks:					
1	ESL11050	73NH-9N661-A	Washer	↳ 259837	- 6
2	ESL10283	11-60560-AA	Tube Assembly, Fuel Injector Leak Off	↳ 259837	- 1
3	ESL11744	73NH-9N662-A	Bolt, Banjo	↳ 259837	- 3
10	ESL10288	85NH-9A555-BA	Tube Assembly, Fuel Injector, 1st Cyl.	↳ 259837	- 1
11	ESL10290	85NH-9A556-BA	Tube Assembly, Fuel Injector, 2nd Cyl.	↳ 259837	- 1
12	ESL10292	85NH-9A557-BA	Tube Assembly, Fuel Injector, 3rd Cyl.	↳ 259837	- 1
14	ESL10422	86NH-9F593-AA	Injector Assembly, Fuel	↳ 259837	- 3
33	ESL10265	84NH-9282-AA	Tube Assembly, Tank to Feed Pump	↳ 221972	- 1
34	ESL10364	82B35136	Pump Assembly, Fuel Injection	↳ 259837	- 1
35	ESL10269	86NH-9B273-AA	Tube Assembly, Feed Pump to Filter	↳ 259837	- 1
36	ESL10448	73NH-9155-A	Filter Assembly, Fuel	↳ 259837	- 1
43	ESL10272	86NH-9N575-AA	Tube Assembly, Filter to Pump	↳ 210686	- 1
44	ESL10901	67035-S94	O-Ring, Fuel Injection Pump	↳ 237044	- 1
-	ESL10300	11-61035-AA	O-Ring, Fuel Injection Pump	↳ 272878	- 1



FUEL INJECTION PUMP

ITEM	LONG #	VENDOR #	DESCRIPTION	Qty.	
				45	60
1	-	-	Housing, Fuel Injection Pump (NSS)	1	1
2	-	-	Guide Bush (NSS)	2	2
3	-	-	Threaded Ring (NSS)	1	1
4	-	-	Threaded Bush (NSS)	1	1
5	-	-	Closing Plug (NSS)	1	1
6	ESL10308	EXP-13410-AA	Reducing Nipple	1	1
7	ESL10362	EXP-13462-AA	Peg for Delivery Valve Holder	3	3
8 (S)	ESL12210	EXP-14098-CA	Element (LH Helix: 15mm Pitch)	3	3
9 (S)	ESL12211	EXP-14100-BA	Delivery Valve	3	3
10	ESL10093	EXP-14115-AA	Washer, Delivery Valve	3	3
11	ESL10312	EXP-13416-AA	Sealing Ring (Holder Delivery Valve)	3	3
12	ESL10313	EXP-13417-AA	Spring, Delivery Valve	3	3
13 (S)	ESL12212	EXP-13418-BA	Holder, Delivery Valve	3	3
14	-	-	Control Rack (NSS)	1	1
15	-	-	Screw, Control Rack Locating (NSS)	1	1
16	-	-	Toothed Quadrant, Normal Size (NSS)	3	3
17	-	-	Regulating Sleeve (Includes Item#18) (NSS)	3	3
18	-	-	Clamping Screw (NSS)	3	3
19	-	-	Spring Plate, Upper (NSS)	3	3
20	-	-	Plunger Spring (NSS)	3	3
21	-	-	Tappet, Roller (NSS)	3	3
22	-	-	Nut, Lock (NSS)	3	3
23	-	-	Screw, Adjusting (NSS)	3	3
24	-	-	Pin, Roller (NSS)	3	3
25	-	-	Roller (NSS)	3	3
26	-	-	Spring Plate, Lower (NSS)	3	3
27	-	-	Camshaft, Fuel Injection Pump (NSS)	1	1
28	-	-	Spacer for Camshaft, Pump End 1 (NSS)	1	1
-	-	-	Spacer for camshaft, Pump End 2 (NSS)	1	1
29	ESL10328	EXP-13436-AA	Shim, Pump End 1 (0.10mm)	AR	AR
-	ESL10329	EXP-13436-AB	Shim, Pump End 1 (0.12mm)	AR	AR
-	ESL10330	EXP-13436-AC	Shim, Pump End 1 (0.14mm)	AR	AR
-	ESL10331	EXP-13436-AD	Shim, Pump End 1 (0.16mm)	AR	AR
-	ESL10332	EXP-13436-AE	Shim, Pump End 1 (0.18mm)	AR	AR
-	ESL10333	EXP-13436-AF	Shim, Pump End 1 (0.30mm)	AR	AR
-	ESL10334	EXP-13436-AG	Shim, Pump End 1 (0.60mm)	AR	AR
-	ESL10335	EXP-13436-AH	Shim, Pump End 1 (1.00mm)	AR	AR
30	ESL10336	EXP-13437-AA	Shim, Pump End 2 (0.10mm)	AR	AR
-	ESL10337	EXP-13437-AB	Shim, Pump End 2 (0.12mm)	AR	AR
-	ESL10338	EXP-13437-AC	Shim, Pump End 2 (0.14mm)	AR	AR
-	ESL10339	EXP-13437-AD	Shim, Pump End 2 (0.16mm)	AR	AR

45/60



FUEL INJECTION PUMP

3B:7

Ⓢ INDICATES SERVICE SERIAL NUMBER BREAKS,

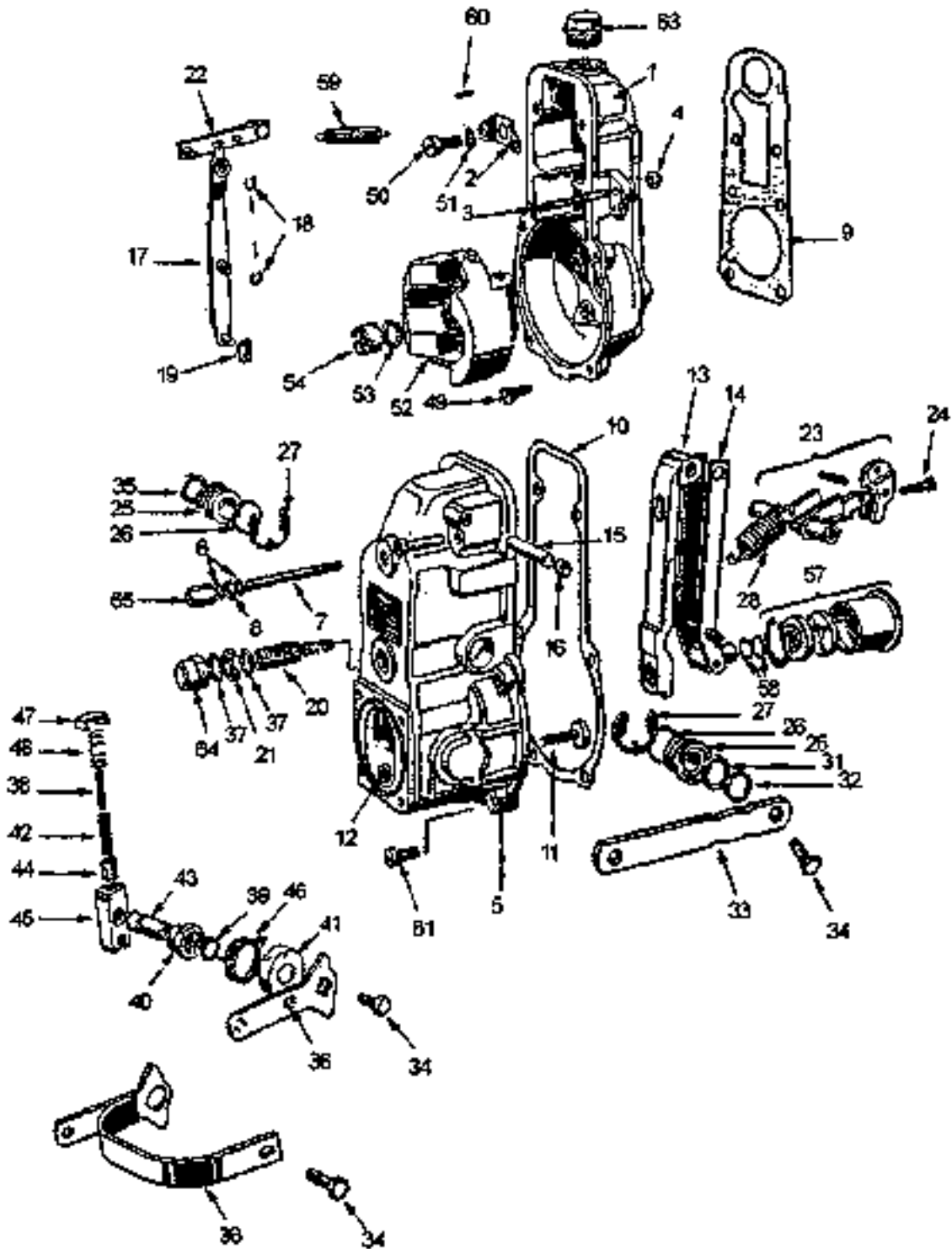
↳ INDICATES UP TO AND INCLUDING PARTS MANUFACTURED

45/60

ITEM	LONG #	VENDOR #	DESCRIPTION	QTY.
-	ESL10340	EXP-13437-AE	Shim, Pump End 2 (0.18mm)	45 AR
-	ESL10341	EXP-13437-AF	Shim, Pump End 2 (0.30mm)	50 AR
-	ESL10342	EXP-13437-AG	Shim, Pump End 2 (0.50mm)	AR AR
-	ESL10343	EXP-13437-AH	Shim, Pump End 2 (1.00mm)	AR AR
31	-	-	Bearing, Tapper Roller, Pump End 1 (NSS)	1 1
-	-	-	Bearing, Tapper Roller, Pump End 2 (NSS)	1 1
32	-	-	Flange, Bearing (NSS)	1 1
33	-	-	Oil Seal (NSS)	1 1
34	-	-	Screw, Bearing Flange (NSS)	4 4
35	-	-	Spring Washer (NSS)	4 4
36	-	-	Key, Woodruff (NSS)	1 1
37	-	-	Spring Washer (NSS)	1 1
38	-	-	Nut, Round (NSS)	1 1
39	ESL10309	EXP-13411-AA	Inspection Plug	1 1
40	ESL10358	EXP-13412-AA	Sealing Washer	1 1
41	ESL12205	72NH-9D510-A	Clamping Jaw Set	2 2
42	-	-	Stud (NSS)	3 3
43	-	-	Spring Washer (NSS)	3 3
44	-	-	Nut, Hex (NSS)	3 3
45	ESL10351	EXP-13453-AA	Gasket, Feed Pump	1 1
46	-	-	Base, Closing Plug (NSS)	3 3
47	ESL10361	EXP-13488-AA	Overflow Valve	1 1
48	ESL13406	EXP-13486-AA	Sealing Washer	2 2
49	ESL10353	EXP-13455-AA	Gasket	1 1
50	ESL10384	EXP-13458-AA	Inspection Cover	1 1
51	ESL10355	EXP-13458-AA	Gasket	1 1
52	ESL11842	EXP-13458-AA	Screw	2 2
53	ESL11745	EXP-13447-AA	Banjo Bolt	1 1
54	ESL10359	EXP-13448-AA	Sealing Washer	2 2
55	ESL10302	91NH-9D548-BA	Tube Assembly, FIP Outlet	1 1
56	ESL10303	C5NE-9E528-B	Clip, Tube FIP Outlet	1 1
57	-	-	Screw, Tamper Proof (M)	1 1

Service Serial Number Breaks:

8	ESL10310	EXP-14088-AA	Element	✓ 259837	- 1
9	ESL10311	EXP-14100-AA	Delivery Valve	✓ 259837	- 1
13	ESL10314	EXP-13418-AA	Holder Delivery Valve	✓ 259837	- 1



FIP GOVERNOR - MECHANICAL

35/45/80

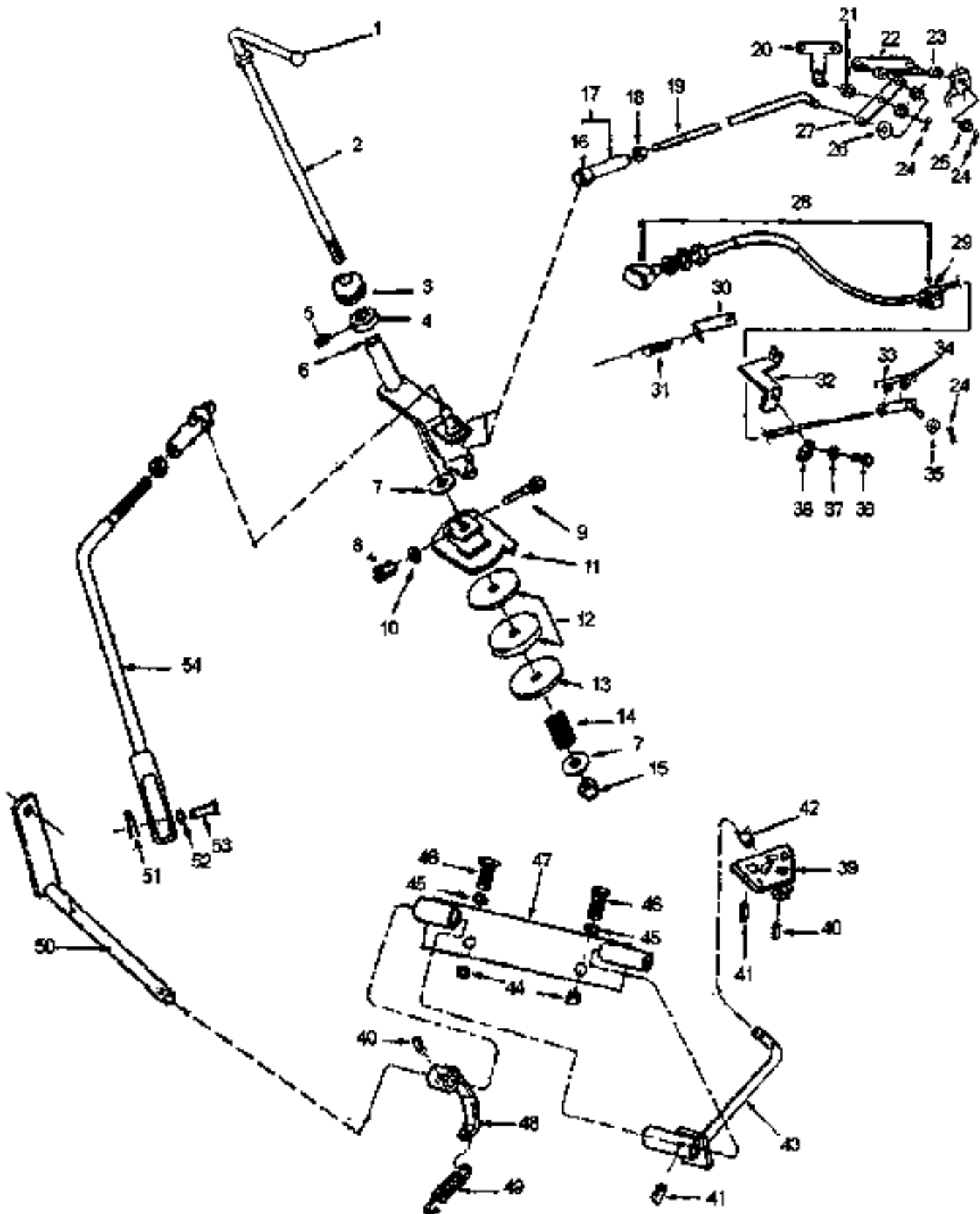
ITEM	LONG #	VENDOR #	DESCRIPTION	QTY.		
				35	45	60
1	ESL14432	73NH-8N723-A	Knob, Hand Throttle	1	1	1
2	ESL10450	92NH-9805-AA	Lever Assembly, Hand Throttle (Includes Item #1)	1	1	1
3	ESL12636	82835409	Grommet	1	1	1
4	ESL10490	92NH-98829-AA	Stop, Throttle Control Lever	1	1	1
5	N-806500-S8	N-806500-S36	Bolt, Hex Head (M5x0.8-8)	1	1	1
6	Ⓢ ESL10455	82835105	Arm Assembly, Throttle Control	1	1	1
7	44728-S8	44728-S36	Washer, Flat (3/8)	2	2	2
8	Ⓢ ESL10455	82835179	Nut, Hex (5/16-24)	1	1	1
9	379586-S8	379586-S36	Bolt (5/16-24*1.25)	1	1	1
10	352321-S8	352321-S36	Washer, Flat (5/16)	1	1	1
11	ESL10461	92NH-8N720-AA	Plate Assembly, Throttle Control	1	1	1
12	Ⓢ ESL10457	93NH-98746-AA	Disc, Throttle Control Friction	2	2	2
13	ESL10480	11-91720-AA	Plate, Throttle Lever Friction	1	1	1
14	ESL10452	E1ADKN-19243	Spring, Main Control Lever	1	1	1
15	377360-S8	377360-S36	Nut, Thick Lock (3/8-24)	1	1	1
16	ESL10483	85NH-9A791-AA	Clip, Throttle Control	1	1	1
17	ESL10462	85NH-9740-AA	Connector, Throttle Control Rod	1	1	1
18	33796-S8	33796-S36	Nut, Hex (1/4-28)	1	1	1
19	ESL10491	85NH-9779-AA	Rod Assembly, Throttle Control (Includes Items 16-18)	-	1	1
-	ESL14433	22-91779-AA	Rod Assembly, Throttle Control (Includes Items 16-18)	1	-	-
20	ESL10472	85NH-9N856-BA	Bracket Assembly Fuel Shut Off	-	1	1
-	ESL14434	22-91760-AA	Bracket Assembly, Fuel Shut Off	1	-	-
21	ESL10478	87NH-3N948-AA	Spacer	1	1	1
22	ESL10473	85NH-9N856-CA	Plate Assembly, Throttle Control	1	1	1
23	ESL10474	87NH-3N948-BA	Spacer	2	2	2
24	ESL12688	NH-72003-S8	Pin, Cotter (1/16x0.60)	5	5	5
25	ESL10475	87NH-3N948-CA	Spacer	3	3	3
26	44719-S8	44719-S36	Washer, Flat (1/4)	1	1	1
27	ESL10477	85NH-9A780-DA	Plate	1	1	1
28	ESL10468	84NH-9C331-AA	Control Assembly, Fuel Shut Off	1	1	1
29	ESL10469	78NH-8D270-AA	Clamp, Fuel Shut Off Cable	1	1	1
30	ESL12361	82835133	Bracket Acceleration Return Spring	1	1	1
31	ESL10480	93NH-2472-AA	Spring	1	1	1
32	ESL10472	85NH-9N856-AA	Bracket Assembly, Shut Off Cable	1	1	1
33	ESL10471	85NH-9N857-AA	End, Fuel Shut Off Cable (Includes Item #23)	1	1	1
34	31037-S8	31037-S36	Screw	2	2	2
35	ESL11678	73NH-9N658-A	Washer, Fuel Shut Off	1	1	1
36	64042-S8	54042-S36	Screw (10-24)	1	1	1
37	34803-S8	34803-S36	Washer, Lock (10)	1	1	1
38	ESL10478	71NH-9792-A	Clamp, Fuel Shut Off Cable	1	1	1

THROTTLE & ACCELERATION CONTROLS

Ⓢ - INDICATES SERVICE SERIAL NUMBER BREAKS

K - INDICATES UP TO AND INCLUDING THAT SERIAL NUMBER

33/45/60



THROTTLE & ACCELERATION CONTROLS

35/45/60

ITEM	LONG #	VENDOR #	DESCRIPTION	QTY.		
				35	45	60
39	Ⓢ ESL10482	82835080	Pad & Hub Assembly	1	1	1
40	305064-S2	305088-S2	Pin, Spring (3/16x1.25)	2	2	2
41	305061-S2	305061-S2	Pin, Spring (3/16x0.8125)	2	2	2
42	ESL10483	92NH-2472-BA	Spring, Pad Return	1	1	1
43	Ⓢ ESL12079	82835077	Pedal Assembly Foot Accelerator	1	1	1
44	33796-S8	33796-S36	Nut, Hex (1/4-28)	2	2	2
45	44719-S8	44719-S36	Washer, Flat (1/4)	2	2	2
46	304633-S8	304633-S36	Bolt, Hex Head (1/4-28x0.62)	2	2	2
47	ESL10485	92NH-9D823-AB	Bracket Acc. Pedal	1	1	1
48	ESL10479	92NH-9N735-AA	Bracket & Hub Assembly	1	1	1
49	ESL10480	93NH-2472-AA	Spring, Pedal Foot Accelerator	1	1	1
50	Ⓢ ESL10487	82835083	Arm Assembly Acceleration Control	1	1	1
51	ESL12079	NH-72016-S8	Pin Cotter (3/32x0.75)	1	1	1
52	44726-S8	44726-S36	Washer, Flat (3/8)	1	1	1
53	76023-S8	76023-S36	Pin, Clevis (3/8x13/16)	1	1	1
54	Ⓢ ESL10489	82835180	Rod Assembly Acceleration Control	1	1	1

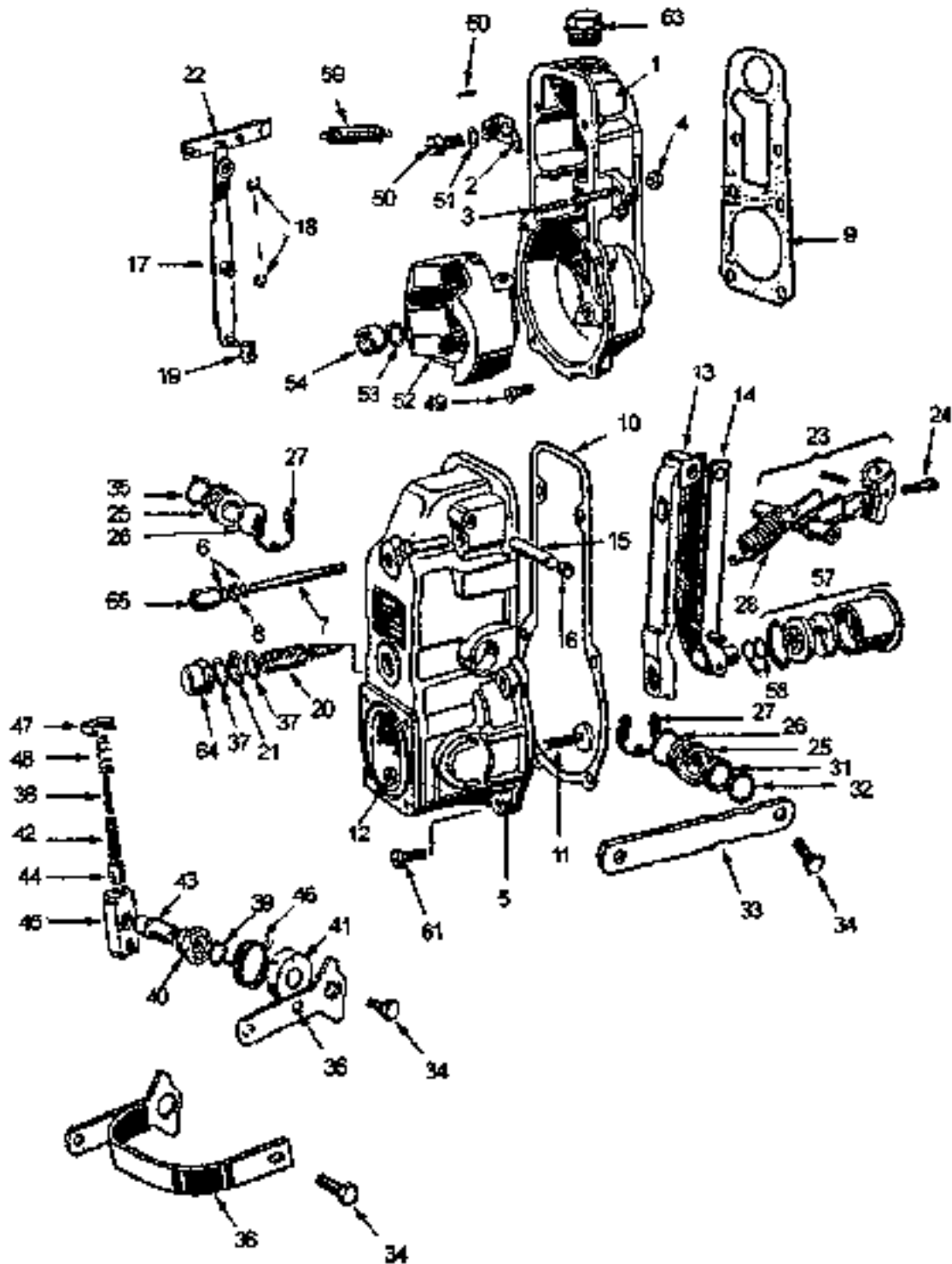
Service Serial Number Breaks:

6	ESL10454	92NH-8807-A	Arm Assembly, Throttle Control	↳ 220218	-	-	1
8	33796-S8	33796-S36	Nut, Hex (5/16)	↳ 252535	-	-	1
12	ESL10456	C5NN-9E748-A	Disc, Throttle Control Friction	↳ 165481	-	-	2
39	ESL10481	92NH-9N859-AB	Pad & Hub Assembly	↳ 225471	-	-	1
43	ESL10484	92NH-9735-AB	Pedal Assembly, Foot Acceleration	↳ 225471	-	-	1
50	ESL10486	92NH-9N719-AB	Rod Assembly, Acceleration Control	↳ 225471	-	-	1
54	ESL10488	92NH-9B811-AC	Rod Assembly, Acceleration Control	↳ 225471	-	-	1

THROTTLE & ACCELERATION CONTROLS

Notes

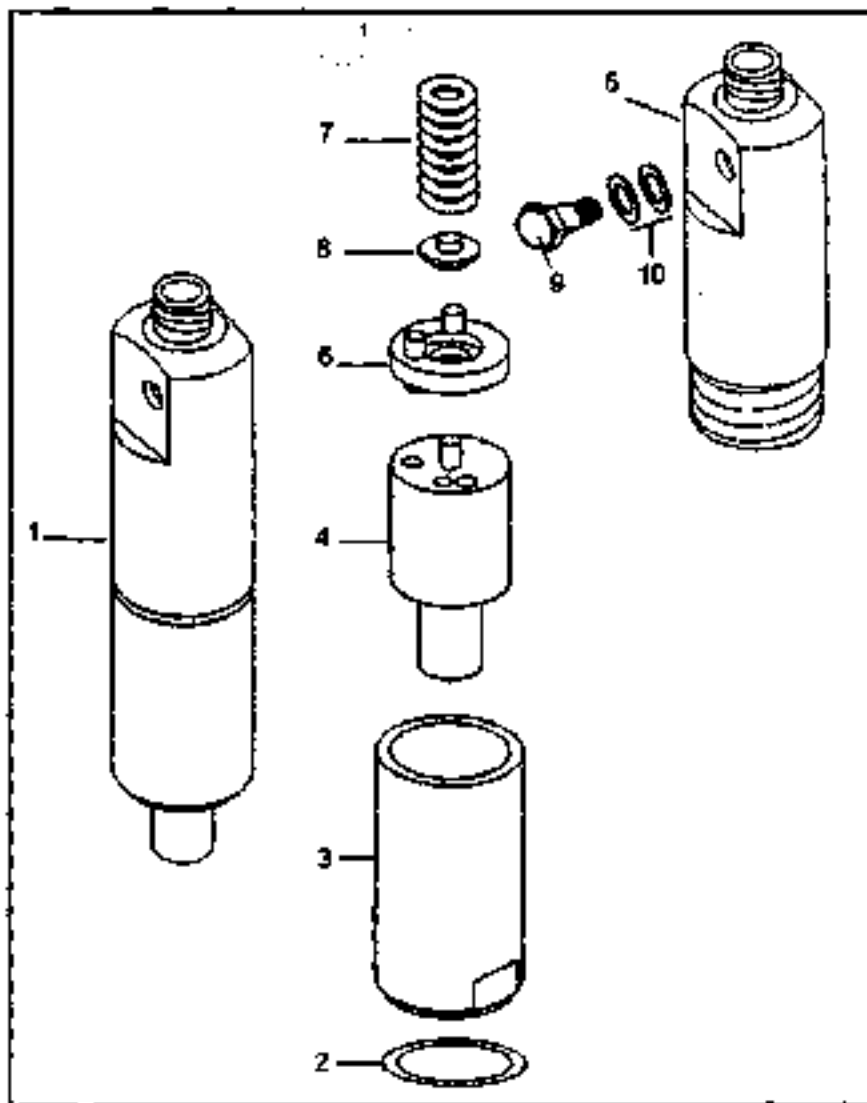
ITEM	LONG #	VENDOR #	DESCRIPTION	Qty.	
				45	60
1	-	-	Housing, Governor (Mechanical) (NSS)	1	1
2	-	-	Shackle (NSS)	1	1
3	-	-	Screw, Maximum Speed Stop (NSS)	1	1
4	-	-	Nut, Maximum Speed Stop Screw (NSS)	1	1
5	-	-	Cover (NSS)	1	1
6	ESL10368	EXP-13478-AA	Sealing Washer	2	2
7	ESL11846	EXP-13479-AA	Screw, Idling Adjusting	1	1
8	ESL11787	EXP-13480-AA	Nut	1	1
9	ESL10404	EXP-13527-AA	Gasket	1	1
10	ESL10405	EXP-13528-AA	Gasket	1	1
11	ESL11846	EXP-13481-AA	Screw, Full Load Stop	1	1
12	ESL11788	EXP-13482-AA	Nut, Full Load Stop Screw	1	1
13	-	-	Tension Lever (NSS)	1	1
14	-	-	Guide Lever (NSS)	1	1
15	-	-	Lever Shaft (NSS)	1	1
16	-	-	Sealing Plug (NSS)	2	2
17	-	-	Floating Lever (NSS)	1	1
18	-	-	Cirdip, Shackle & Floating Lever (NSS)	2	2
19	-	-	Slider (NSS)	1	1
20	-	-	Screw Assembly, Supplementary Idling (NSS)	1	1
21	-	-	Nut (NSS)	1	1
22	-	-	Shackle (NSS)	1	1
23	-	-	Swiveling Lever Assembly (NSS)	1	1
24	-	-	Notch Screw (NSS)	1	1
25	-	-	Bearing Bush (NSS)	2	2
26	-	-	O' Ring (NSS)	2	2
27	-	-	Cirdip (NSS)	2	2
28	-	-	Spring, Governor (NSS)	1	1
29	-	-	Washer (NI) (NSS)	1	1
30	-	-	Spring Washer (NI) (NSS)	2	2
31	-	-	O' Ring (NSS)	1	1
32	-	-	Washer (0.5 mm Thick) (NSS)	2	2
-	-	-	Washer (1.0 mm Thick) (NSS)	AR	AR
33	-	-	Control Lever (NSS)	1	1
34	ESL11847	EXP-13505-AA	Screw	2	2
35	-	-	Cap (NSS)	1	1
36	ESL10384	EXP-14107-AA	Stop Lever With Bracket	1	1
37	ESL10385	EXP-13507-AA	Sealing Washer	2	2
38	-	-	Spring (NSS)	1	1
39	-	-	O' Ring (NSS)	1	2



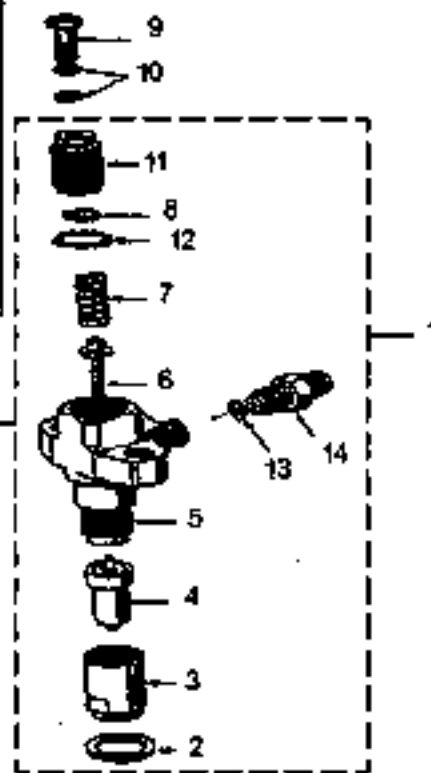
FIP GOVERNOR - MECHANICAL

ITEM	LONG #	VENDOR #	DESCRIPTION	QTY.	
				45	60
40	-	-	Bearing Bush (NSS)	1	1
41	-	-	Cap (NSS)	1	1
42	-	-	Spring (NSS)	1	1
43	-	-	Shaft (NSS)	1	1
44	-	-	Spring Capsule (NSS)	1	1
45	-	-	Supporting Lever (NSS)	1	1
46	-	-	Spring (NSS)	1	1
47	-	-	Fixing Bracket (NSS)	1	1
48	-	-	Spring (NSS)	1	1
49	-	-	Screw (NSS)	6	6
50	-	-	Screw (NSS)	1	1
51	-	-	Spring Washer (NSS)	1	1
52	-	-	Flyweight Assembly (NSS)	1	1
53	-	-	Spring Washer (NSS)	1	1
54	-	-	Nut, Round (NSS)	1	1
55	-	-	Spring, Ring (NSS)	1	1
56	-	-	Washer (NSS)	1	1
57	-	-	Bearing Bush (NSS)	1	1
58	-	-	Compensating Washer, 0.2mm (NSS)	AR	AR
-	-	-	Compensating Washer, 0.3mm (NSS)	AR	AR
-	-	-	Compensating Washer, 0.4mm (NSS)	AR	AR
-	-	-	Compensating Washer, 1.0mm (NSS)	AR	AR
59	-	-	Starting Spring (NSS)	1	1
60	-	-	Sleeve, Starting Spring (NSS)	2	2
61	-	-	Screw (Lower) (NSS)	4	4
62	-	-	Screw (Upper) (NSS)	2	2
63	ESL10402	EXP-13523-AA	Closing Plug	1	1
64	ESL11652	EXP-13524-AA	Cap Nut	1	1
65	ESL11653	EXP-13525-AA	Cap Nut	1	1
66	-	-	Fixing Bracket (NI) (NSS)	1	1

Current Version



Old Version

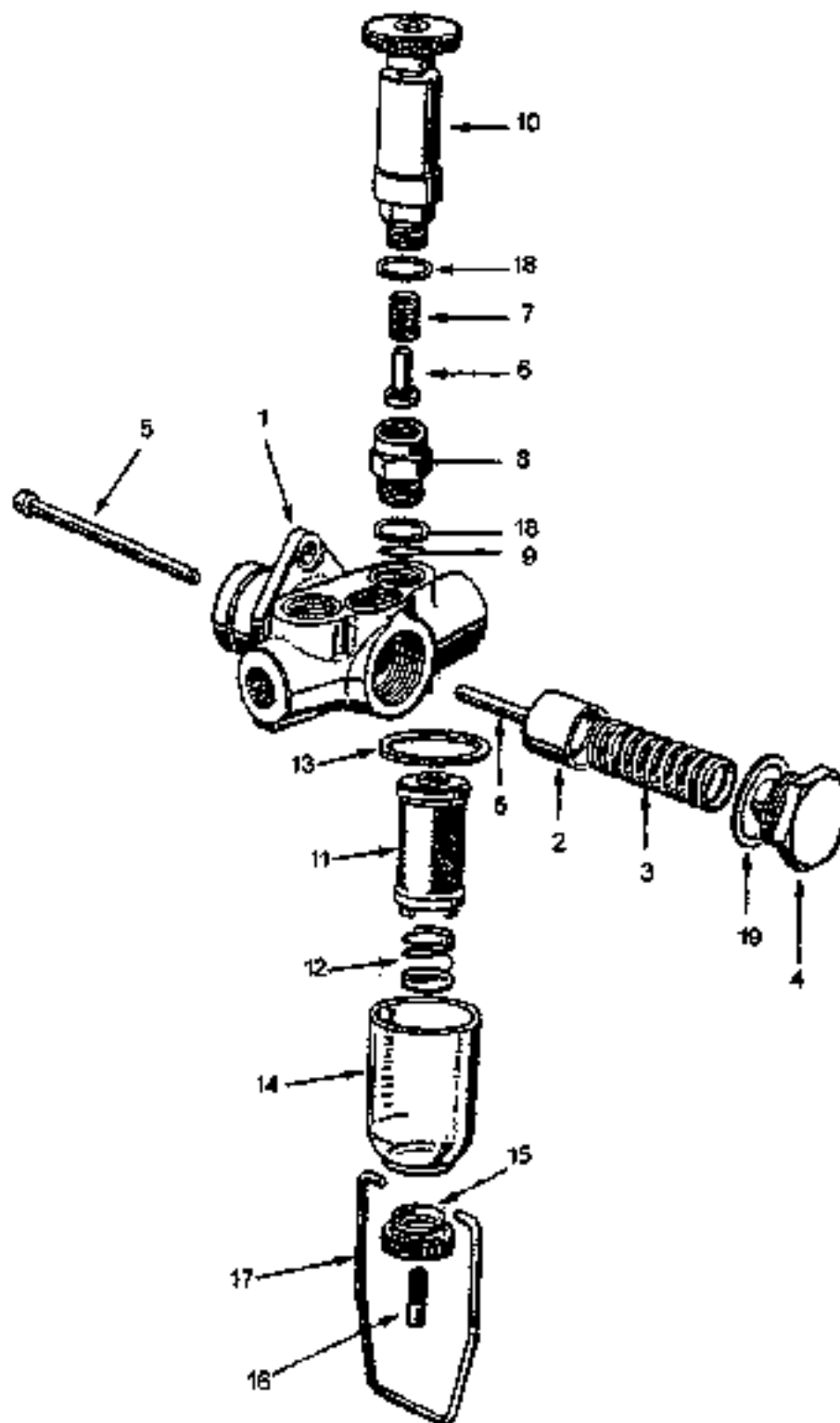


INJECTOR ASSEMBLY

ITEM	LONG #	VENDOR #	DESCRIPTION	QTY.	45	60
1	ESL12024	14-64590-AA	Injector Assembly (Includes Items #1-6, 9-12)	3	-	-
1	ESL12057	13-64590-AA	Injector Assembly (Includes Items #1-6, 9-12)	-	3	-
2	ESL11652	72NH-9E529-A	Nozzle Sealing Washer (NSS)	3	3	-
3	-	-	Cap, Nut Nozzle (NSS)	3	3	-
4	ESL13277	F002-C30-108	Nozzle	3	3	-
5	-	-	Nozzle Holder (NSS)	3	3	-
6	-	-	Pressure Disc or Bolt	3	3	-
7	-	-	Spring	-	3	-
8	-	-	Seal, Spring (NSS)	3	3	-
9	ESL14591	9431033422	Bolt, Banjo (M8x1)	3	3	-
10	ESL14592	2916710602	Washer	6	6	-

Service Serial Number Breaks:

1	ESL10422	36NH-9F593-AA	Injector Assembly	✓ 259837	-	3
4	ESL10421	75NH-9E527-A	Nozzle	✓ 259837	-	3
7	ESL10406	EXP-10325	Spring	✓ 259837	-	3
8	ESL10409	EXP-10330	Shim, Spring PA (0.30mm)	✓ 259837	-	AR
-	ESL10410	EXP-10331	Shim, Spring PA (0.65mm)	✓ 259837	-	AR
-	ESL10411	EXP-10332	Shim, Spring PA (0.40mm)	✓ 259837	-	AR
-	ESL10412	EXP-10333	Shim, Spring PA (0.45mm)	✓ 259837	-	AR
-	ESL10413	EXP-10334	Shim, Spring PA (0.50mm)	✓ 259837	-	AR
-	ESL10414	EXP-10335	Shim, Spring PA (0.55mm)	✓ 259837	-	AR
-	ESL10415	EXP-10336	Shim, Spring PA (0.60mm)	✓ 259837	-	AR
-	ESL10416	EXP-10337	Shim, Spring PA (1.00mm)	✓ 259837	-	AR
-	ESL10417	EXP-10338	Shim, Spring PA (2.00mm)	✓ 259837	-	AR
-	ESL10418	EXP-10339	Shim, Spring PA (0.10mm)	✓ 259837	-	AR
9	ESL13883	73NH-9N663-A	Bolt, Banjo (M8x1)	✓ 2598373	-	3
10	ESL11650	73NH-9N661-A	Washer	✓ 259837	-	6
11	-	-	Cap Nut, Spring (NSS)	✓ 259837	-	3
12	ESL11669	EXP-10327	Washer	✓ 259837	-	3
13	ESL11670	72NH-9G547-A	Washer	259837	-	3
14	-	-	Inlet Connection Stud (NSS)	259837	-	3



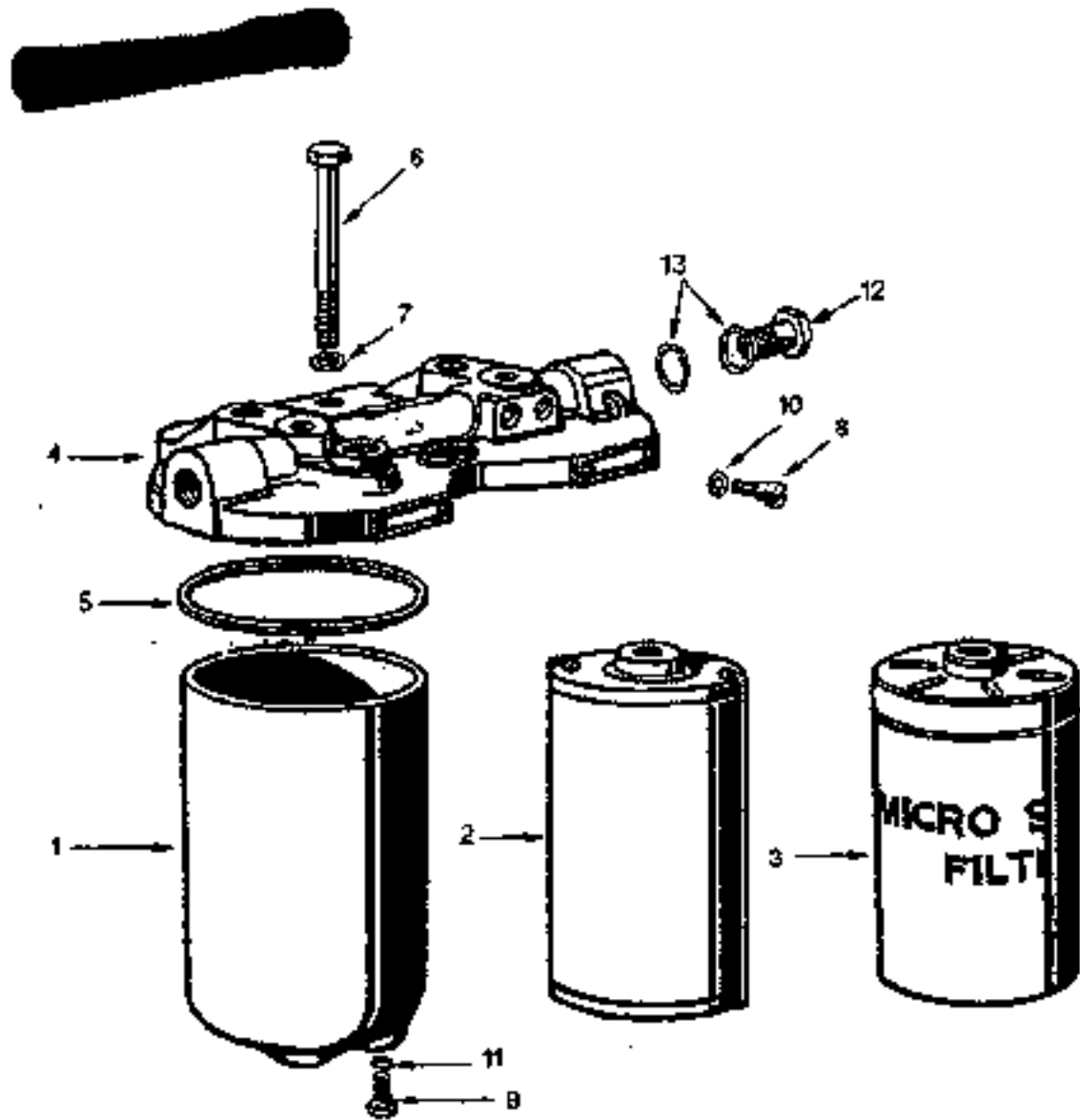
FUEL FEED PUMP & PRE-FILTER

ITEM	LONG #	VENDOR #	DESCRIPTION	QTY.	
				45	60
-	ESL10442	76NH-9350-A	Fuel Feed Pump Assembly (Includes Items #1-2a)	1	1
1	-	-	Housing, Fuel Feed Pump (NSS)	1	1
2	-	-	Pump Plunger (NSS)	1	1
3	ESL10426	EXP-10144	Spring, Pump Plunger	1	1
4	ESL10427	EXP-10145	Closing Plug	1	1
5	ESL10428	EXP-10142	Pressure Spindle	1	1
6	ESL10429	EXP-10152	Valve	1	1
7	ESL10430	EXP-10153	Spring	1	1
8	ESL10431	EXP-10154	Reducing Nipple	1	1
9	ESL13406	24-40210-009	O' Ring	1	1
10	ESL10432	EXP-10156	Hand Primer	1	1
11	ESL10433	EXP-10906-A	Prefilter Sieve	1	1
12	ESL10434	EXP-10909-A	Spring	1	1
13	ESL10436	EXP-10907-A	Sealing Washer	1	1
14	ESL10436	EXP-10906-A	Prefilter Housing	1	1
15	ESL10437	EXP-10911-A	Clamping Nut	1	1
16	ESL10438	EXP-10912-A	Stud	1	1
17	ESL10439	EXP-10913-A	Clip	1	1
18	ESL10440	EXP-10155	Sealing Ring	2	2
19	ESL10441	EXP-10146	Sealing Ring	1	1

FUEL FEED PUMP & PRE-FILTER

S - INDICATES SERVICE SERIAL NUMBER BREAKS.

L - INDICATES UP TO AND INCLUDING TRAY SERIAL NUMBER



FUEL FILTER ASSEMBLY

ITEM	LONG #	VENDOR #	DESCRIPTION	QTY.
				45 00
1-13 (S)	ESL13313	13-64150-AA	Filter Assembly, Fuel	1 1
1	ESL10443	EXP-10342	Filter Bowl	2 2
2	ESL10444	72NH-9176-B	Filter Fuel, Secondary	1 1
3	ESL10445	72NH-9176-A	Filter Fuel, Primary	1 1
4	ESL10446	72NH-9165-A	Cover, Filter	1 1
5	ESL11671	72NH-9D325-A	Washer	2 2
6	ESL11855	EXP-10345	Screw, Fixing	2 2
7	ESL11672	72NH-9F278-A	Washer	2 2
8	ESL11856	EXP-10343	Screw, Air Vent	2 2
9	ESL11857	EXP-10897-A	Sludge Screw	2 2
10	ESL11673	EXP-10344	Washer	2 2
11	ESL10447	EXP-10896-A	Sealing Washer	2 2
12	ESL11778	74NH-9N633-A	Banjo Bolt	2 2
13	ESL10357	82835036	Sealing Washer	4 4

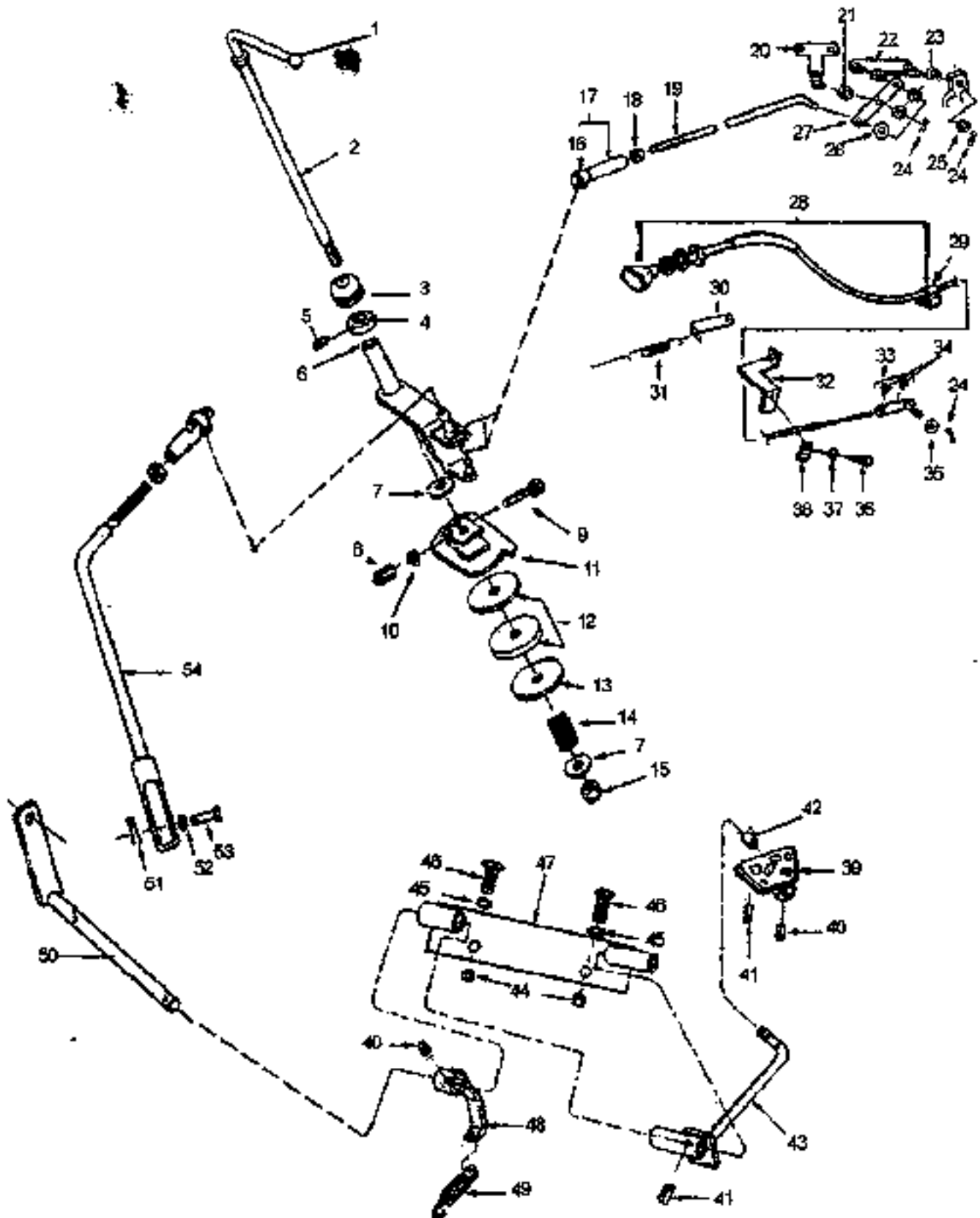
Service Serial Number Breaks:

1-13	ESL10448	73NH-9155-A	Filter Assembly, Fuel	K-250037	1
------	----------	-------------	-----------------------	----------	---

Service Kits:

A	908367	94510374045	Filter Set, Primary & Secondary (Includes Items #2 & 3)		1 1
---	--------	-------------	--	--	-----

35/45/60



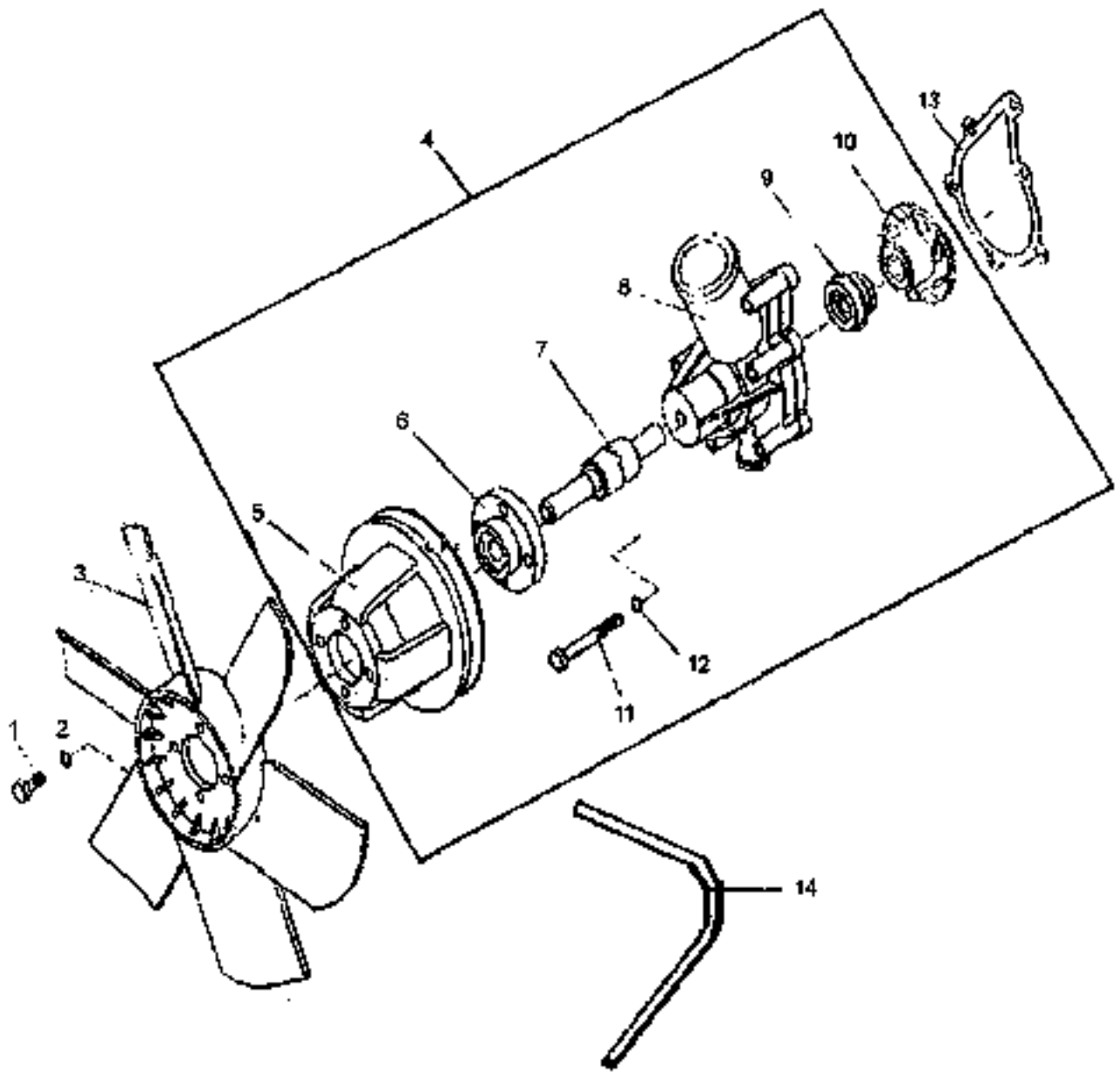
THROTTLE & ACCELERATION CONTROLS

3B:19

Ⓢ - INDICATES SERVICE SERIAL NUMBER BREAKS.

K - INDICATES UP TO AND INCLUDING THAT SERIAL NUMBER

COOLING SYSTEM



WATER PUMP

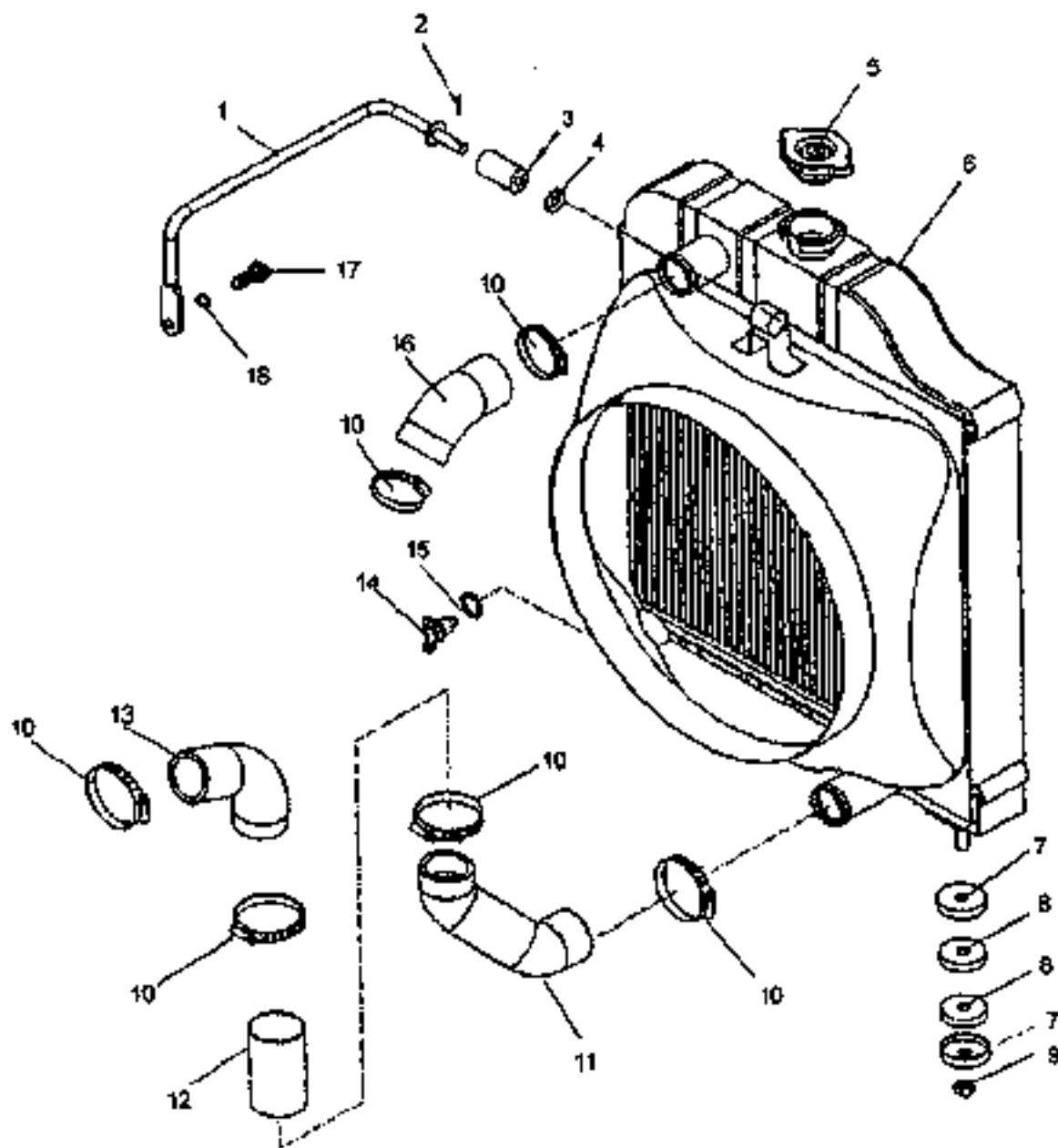
4A:1

③ - INDICATES SERVICE SERIAL NUMBER BREAKS.

K- INDICATES UP TO AND INCLUDING THAT SERIAL NUMBER

ITEM	LONG #	VENDOR #	DESCRIPTION	QTY.
				35
1	N-605531-S8	N-605531-S36	Screw (M8x20)	4
2	34806-S8	34806-S36	Washer, Lock (M8)	4
3	ESL14435	22-80900-BA	Fan Radiator (Plastic)	1
4	ESL14436	T77.14.802.1	Water Pump Assembly	1
5	ESL14437	T77.14.007.1	Water Pump Pulley	1
6	ESL14438	T77.14.013.0	Hub	1
7	ESL14439	T77.14.003.0	Integral Shaft Bearing	1
8	-	-	Water Pump Body (NSS)	1
9	ESL14440	8.14.908.0	Water Pump Seal Assembly	1
10	ESL14441	T77.14.008.0a	Impeller	1
11	N-605534-S8	N-605534-S36	Bolt	4
12	N-630173-S8	N-630173-S36	Spring Washer (W2.08)	5
13	ESL14442	T77.14.010.0	Gasket, Water Pump	1
14	ESL14443	22-10801-AA	Drive Belt, Rubber	1

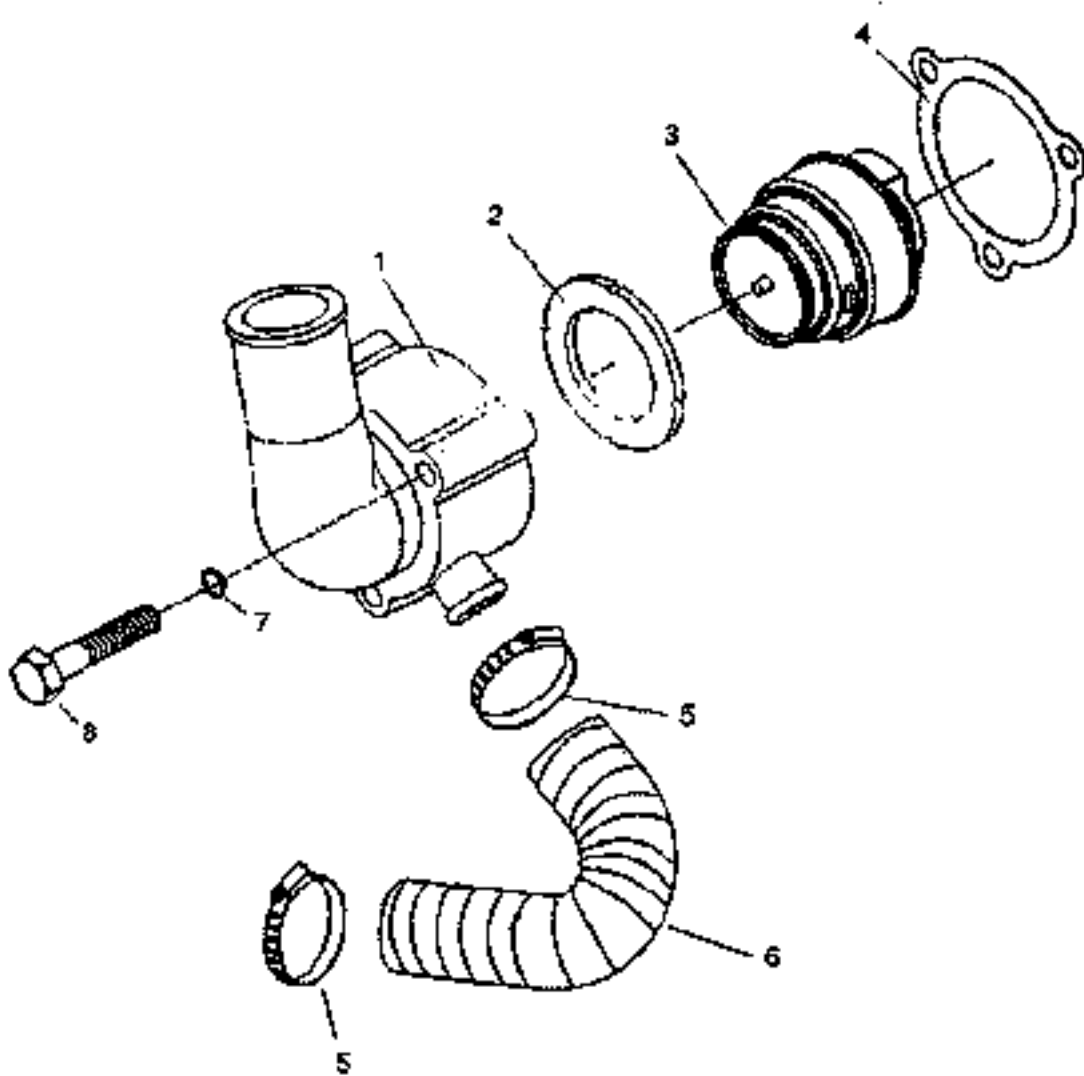
WATER PUMP



RADIATOR

ITEM	LONG #	VENDOR #	DESCRIPTION	QTY.
				35
1	ESL14444	22-80150-AA	Radiator Support	1
2	ESL14445	22-80093-AA	Split Pin	1
3	ESL14446	22-80091-AA	Rubber Bush	1
4	ESL14447	22-80092-AA	Washer, Radiator Support	1
5	ESL14556	22-80100-AA	Filler Cap	1
6	ESL14448	22-80050-CA	Radiator Assembly	1
7	ESL14449	22-80118-AA	Radiator Mounting Cup	4
8	ESL14450	22-80116-AA	Rubber Pad	4
9	ESL14557	22-80117-AA	Nylock Nut (M10)	2
10	ESL14451	22-80111-AA	Clamp Hose	6
11	ESL14452	22-80288-AA	Hose Band	1
12	ESL14453	22-80287-AA	Tube Sisel	1
13	ESL14454	22-80286-CB	Hose, Lower	1
14	ESL14455	22-80115-AA	Drain Cock	1
15	ESL14558	22-80096-AA	Washer	1
16	ESL14456	22-80280-BA	Hose, Upper	1
17	ESL14457	22-80094-AA	Screw (M10x21)	1
18	N-630174-S8	N-630174-S36	Spring Washer (M10)	1
19	ESL14458	22-80290-AA	Radiator Sealing Kit	1

RADIATOR



THERMOSTAT

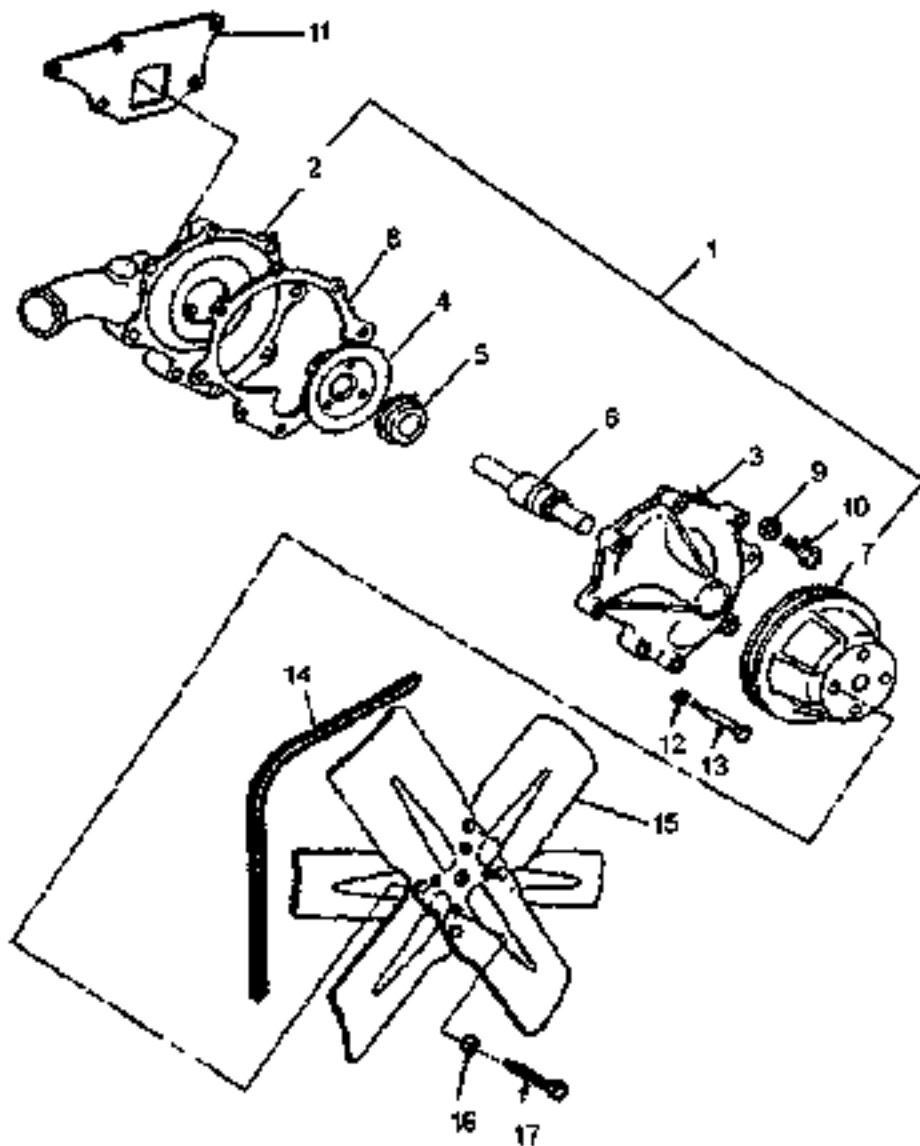
4A.5

Ⓢ - INDICATES SERVICE SERIAL NUMBER BREAKS,

↳ - INDICATES UP TO AND INCLUDING THAT SERIAL NUMBER

ITEM	LONG #	VENDOR #	DESCRIPTION	Qty.
				35
1	ESL14459	22-60463-AA	Thermostat Housing	1
2	ESL14460	22-60451-AA	Sealing Ring	1
3	ESL14461	22-60452-AA	Thermostat Unit	1
4	ESL14462	22-60453-AA	Gasket, Thermostat Housing	1
5	ESL14463	22-60456-AA	Hose Clamp	2
6	ESL14464	22-60457-AA	Hose, W/P to Thermostat Housing	1
7	N-630173-S8	N-630173-S36	Spring Washer	3
8	ESL14465	22-60454-AA	Bolt (M8x55-6.6)	3

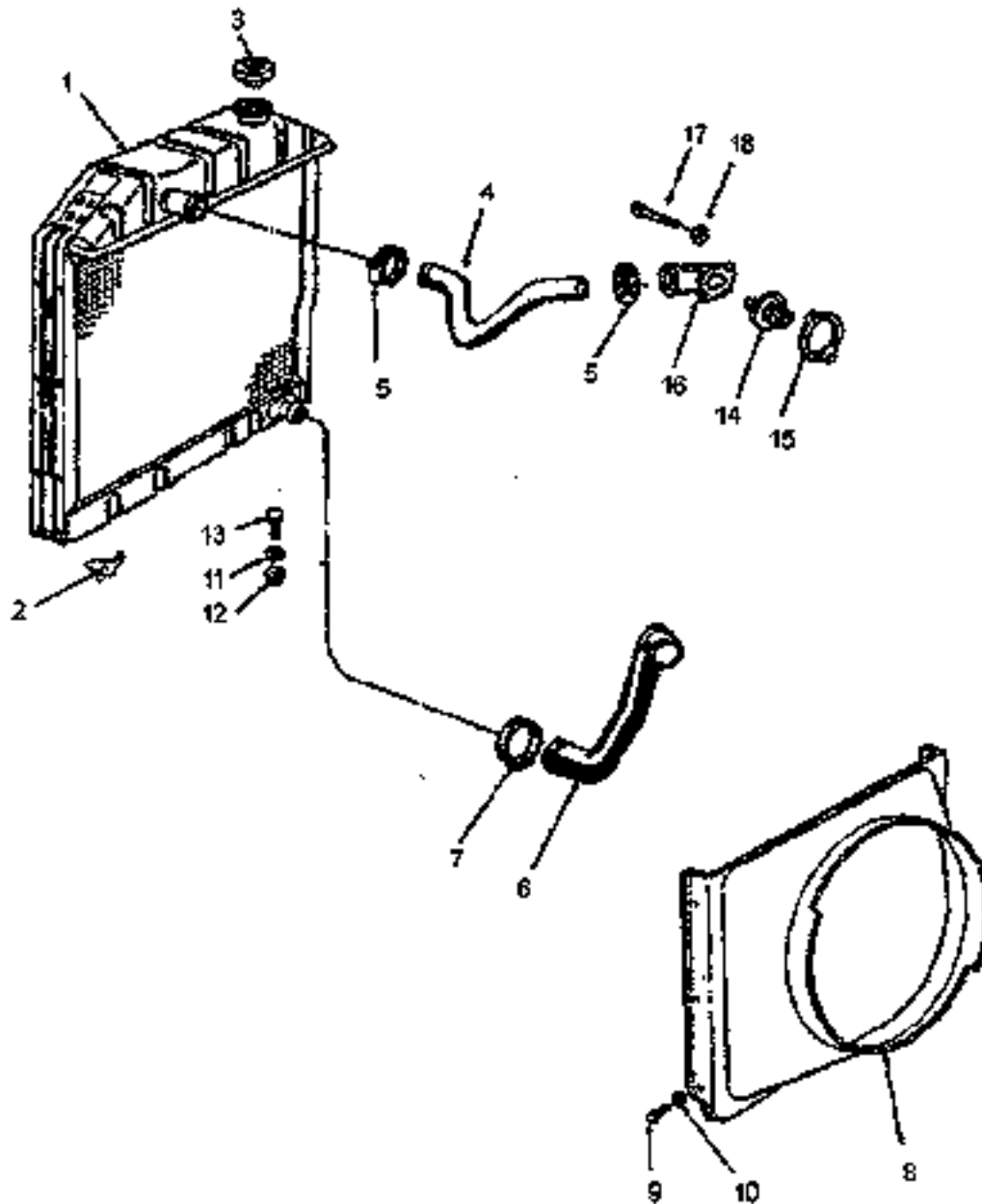
THERMOSTAT



WATER PUMP

ITEM	LONG #	VENDOR #	DESCRIPTION	QTY.	
				45	60
1	ESL10520	82835059	Water Pump Assembly (Includes Item #2-13)	1	1
2	-	-	Housing, Water Pump (NSS)	1	1
3	-	-	Cover, Water Pump Housing (NSS)	1	1
4	-	-	Impeller, Water Pump (NSS)	1	1
5	-	-	Bearing, Water Pump (NSS)	1	1
6	ESL10510	92NH-8A559-AA	Seal & Seat Assembly	1	1
7	ESL10511	C5NE-8509-A	Pulley, Water Pump	1	1
8	ESL10512	C5NE-8513-A	Gasket, Water Pump Cover	1	1
9	34806-S8	34806-S36	Washer, Lock (5/16)	4	4
10	304758-S8	304758-S36	Bolt, Hex Head (5/16-18x1.50)	4	4
11	ESL10514	E5NN-8507-AA	Gasket, Water Pump	1	1
12	34806-S8	34806-S36	Washer, Lock (7/16)	4	4
13	302549-S8	302549-S36	Bolt, Hex Head	4	4
14	ESL10516	D9NH-10C318-C	Belt Drive	1	1
15	ESL10518	90NH-8600-AB	Fan Assembly	1	1
16	34806-S8	34806-S36	Washer, Lock (5/16)	4	4
17	304685-S8	304685-S36	Bolt, Hex Head (5/16-24x0.88)	4	4
-	ESL13307	SPF.793-000	Water Pump Repair Kit (Includes Items #4-6, 8, 11)	1	1

WATER PUMP



RADIATOR

ITEM	LONG #	VENDOR #	DESCRIPTION	QTY.	
				45	60
1	ESL11999	12-80100-AA	Radiator & Shroud Assembly	1	-
-	ESL10505	11-80010-AA	Radiator & Shroud Assembly	-	1
2	ESL10492	C5NN-8115-B	Cock Assembly, Radiator Drain	1	1
3	ESL10493	82NH-8100-AA	Cap Assembly, Pressure	1	1
4	ESL10494	71NH-S260-A	Hose Radiator, Upper	1	1
5	ESL10495	74NH-S287-A	Clamp, Radiator Hose, Upper	2	2
6	ESL10496	C5NN-8286-B	Hose Radiator, Lower	1	1
7	ESL10497	81NH-8N111-AA	Clamp, Radiator Hose, Lower	2	2
8	ESL10498	82835422	Shroud Fan	1	1
9	ESL11859	357522-S36	Screw & Lockwasher Assembly (0.832x0.37)	6	6
10	44710-S8	44710-S36	Washer, Flat	6	6
11	ESL10500	C5NN-8125-A	Insulator, Radiator Support	2	2
12	34978-S8	34978-S36	Nut, Lock (7/16-14)	2	2
13	23607-S8	23607-S36	Bolt, Round Head (7/16-14x3.50)	2	2
14	ESL13310	12-69750-AA	Thermostat Assembly, Water	1	1
15	ESL10502	C2DE-8255-A	Gasket, Water Outlet Connection	1	1
16	ESL10503	C7NH-8594-B	Connection, Water Outlet	1	1
17	304701-S8	304701-S36	Bolt, Hex Head (5/16-18x.125)	2	2
18	34806-S8	34806-S36	Washer, Lock (5/16)	2	2
19	ESL11494	90NH-8N036-AA	Sealing Pad (NI)	1	1

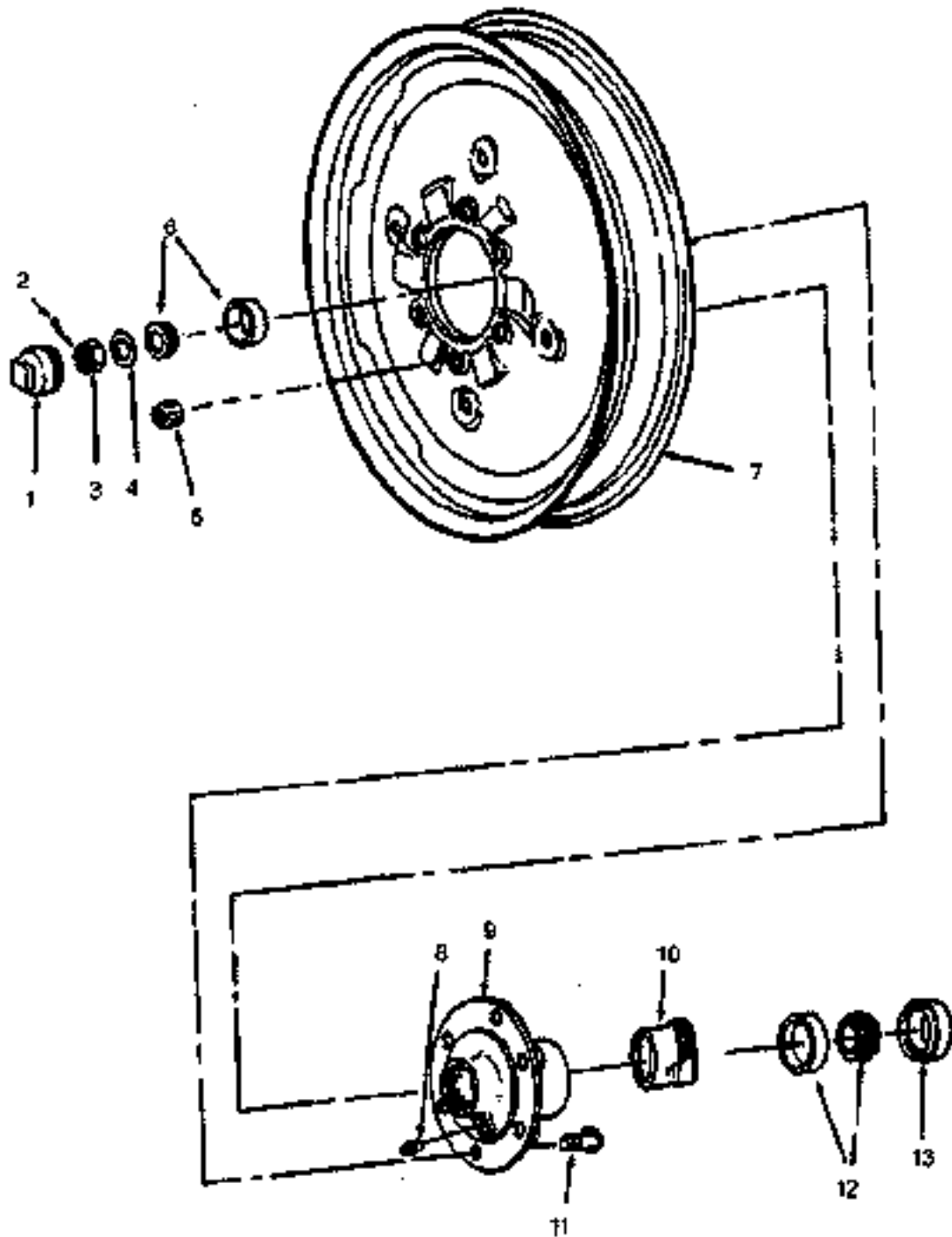
RADIATOR

Notes

[REDACTED]



FRONT END & STEERING



FRONT WHEEL ASSEMBLY

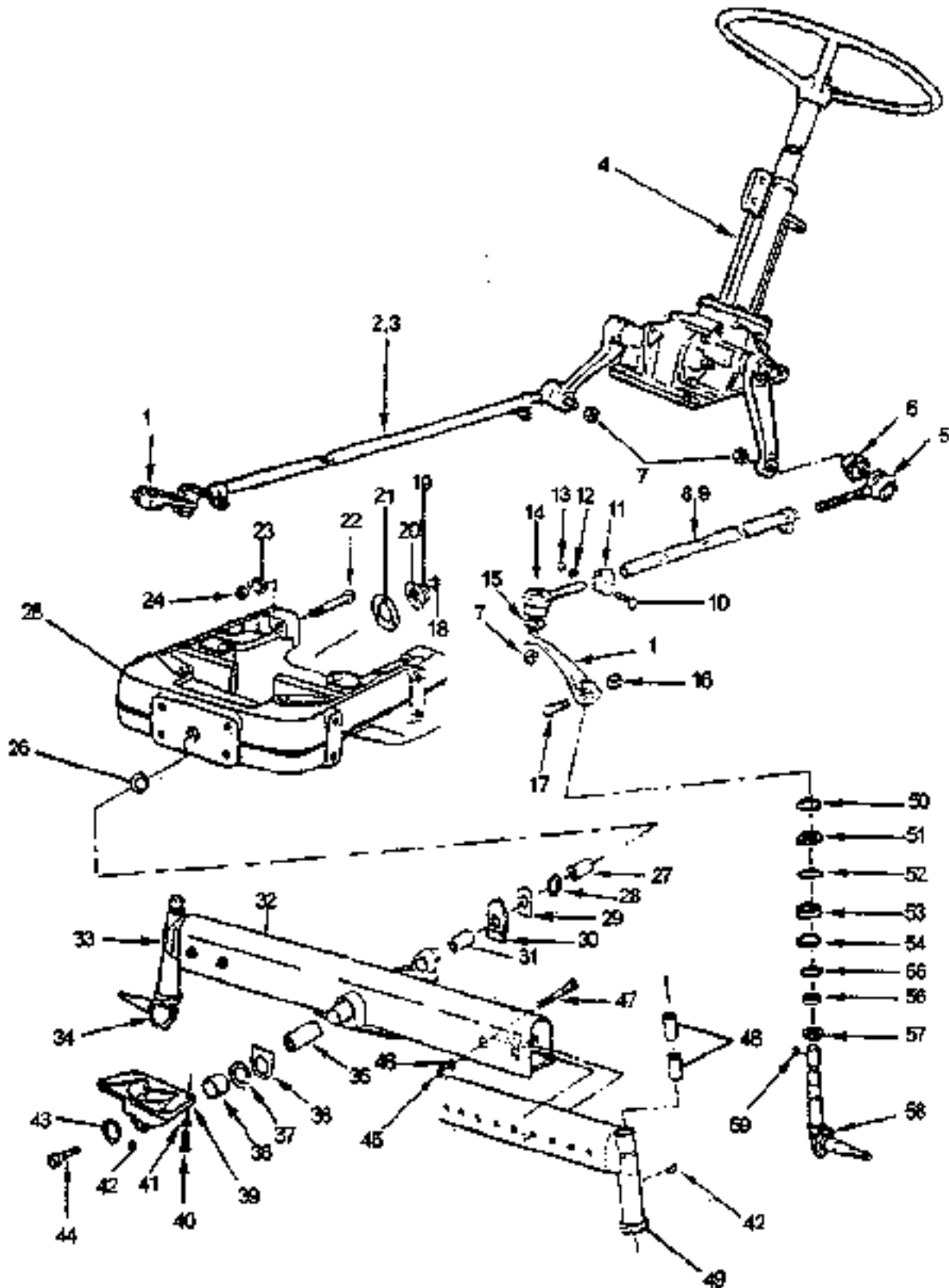
35/45/60

ITEM	LONG #	VENDOR #	DESCRIPTION	QTY.		
				35	45	60
1	Ⓢ ESL10526	11-30139-AA	Cap, Front Wheel Hub Grease	2	2	2
2	Ⓢ 72090-S8	72090-S8	Pin, Cotter (5/32"-1.75)	2	2	2
3	Ⓢ ESL12412	11-30387-AA	Nut, Slotted Hex (1"-12)	2	2	2
4	Ⓢ ESL11860	11-30196-AA	Washer, Hub Retainer	2	2	2
5	ESL11793	C5NN-1012-B	Nut, Front Wheel Bolt	12	12	12
6	Ⓢ ESL10524	11-30220-AB	Bearing Assembly, Front Wheel Outer	2	2	2
7	Ⓢ ESL12226	11-01010-AA	Wheel Assembly, Front (6.00x16 Tires)	2	2	-
-	ESL12085	25-01010-AA	Wheel Assembly, Front (7.50x16 Tires)	-	-	2
8	ESL10542	87901-S38	Grease Nipple (1/2-27)	2	2	1
9	Ⓢ ESL10528	11-30106-AA	Hub, Front Wheel	2	2	2
10	ESL10528	91NH-1N014-AA	Bush, Front Wheel Hub	2	2	2
11	ESL11747	C6NN-1107-F	Bolt, Front Wheel Hub	12	12	12
12	ESL10522	88NH-1200-AA	Bearing Assembly, Front Wheel Inner	2	2	2
13	ESL10521	91NH-1N013-AA	Seal Assembly, Front Wheel Hub Dust	2	2	2

Service Serial Number Breaks:

1	ESL10525	63NH-1139-AA	Cap, Front Wheel Hub Grease	Ⓢ 229493	-	-	2
2	72054-S8	72054-S8	Pin, Cotter (5/32-1.25)	Ⓢ 229493	-	-	2
3	ESL12411	387930-S36	Nut, Slotted Hex (3/4-16)	Ⓢ 229493	-	-	2
4	ESL11877	957E-1105	Washer, Hub Retainer	Ⓢ 229493	-	-	2
6	ESL10523	D5NN-1215-A	Bearing Assembly Front	Ⓢ 229493	-	-	2
7	ESL12060	74NH-1007-B	Wheel Assembly, Front	Ⓢ 250541	-	-	2
9	ESL10527	91NH-1108-AA	Hub, Front Wheel	Ⓢ 229493	-	-	2

FRONT WHEEL ASSEMBLY



AXLE & STEERING PARTS

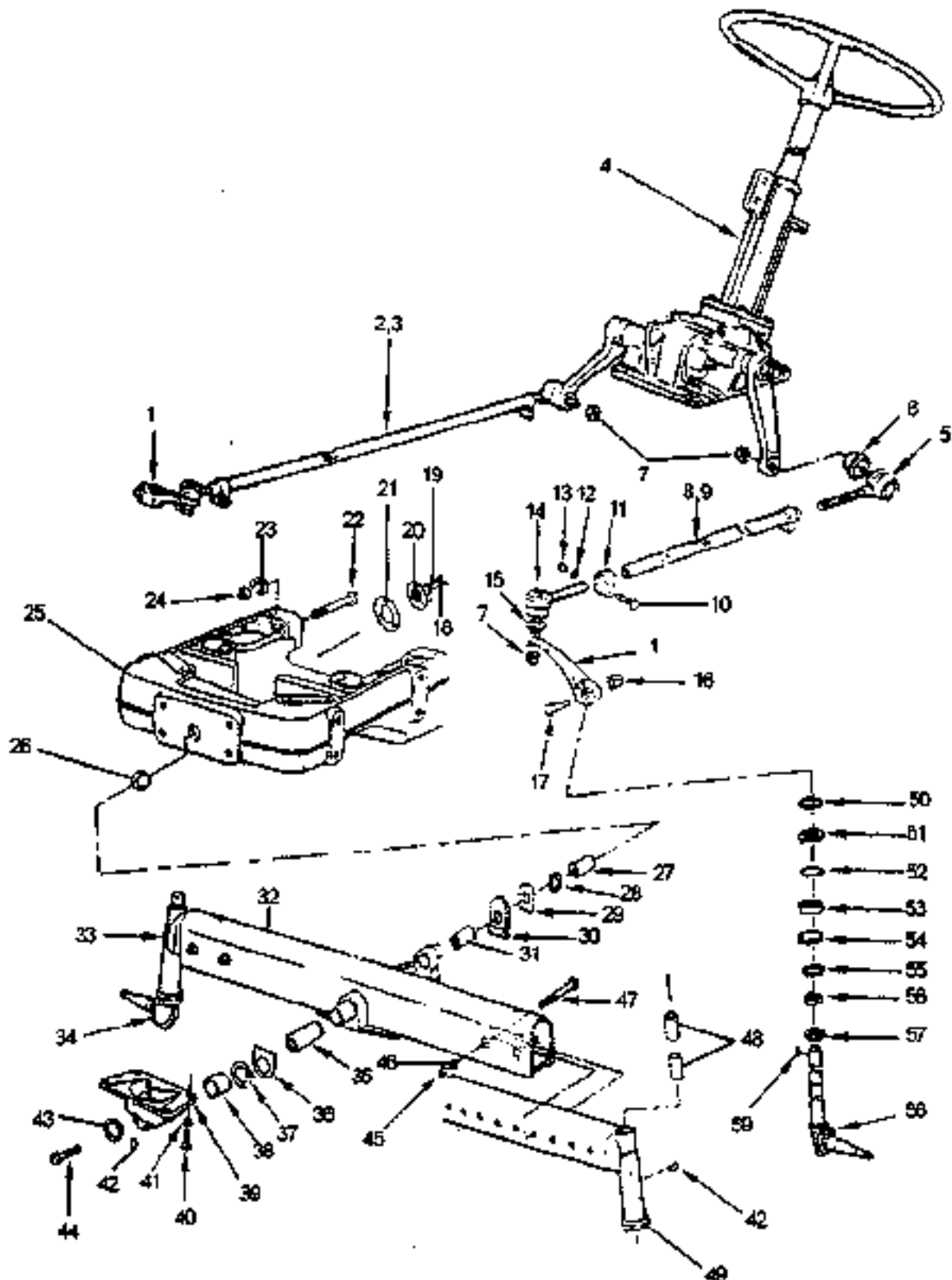
5A:3

Ⓢ INDICATES SERVICE SERIAL NUMBER BREAKS.

Ⓛ INDICATES UP TO AND INCLUDING THAT SERIAL NUMBER

ITEM	LONG #	VENDOR #	DESCRIPTION	QTY.
				35
1	ESL15048	90NH-310799-AA	Arm, Steering Spindle	2
2	ESL14577	22-31310-AA	Drag Link Assembly, RH	1
3	ESL10533	90NH-3314-AA	Sleeve RH, Steering Drag Link	1
4	ESL14680	90NH-3503-AB	Steering Gear Assembly	1
6	ESL10631	92NH-3307-BA	End Assembly, Rear Steering Drag Link	2
6	ESL10632	91NH-3N303-BA	Cover, Steering Drag Link Rear	2
7	ESL11882	92NH-3N306-AA	Nut (1/2"20)	4
8	ESL14678	22-31300-AA	Drag Link Assembly, LH	1
9	ESL10534	92NH-3A319-AA	Sleeve LH, Steering Drag Link	1
10	N-600212-S8	N-600212-S36	Bolt, Hex Head (M8x1.25x35)	4
11	ESL10537	71NH-3N295-A	Clamp, Steering Drag Link	4
12	34806-S8	34806-S36	Washer, Lock (5/16)	4
13	N620013-S8	N620013-S36	Nut, Hex (M8x1.25)	4
14	ESL10535	92NH-3290-BA	End Assembly Front Steering Drag Link	2
15	ESL10536	91NH-3N303-AA	Cover Steering Drag Link Front	2
16	34870-S8	34870-S36	Nut, Hex (7/16-14)	2
17	304862-S8	304862-S36	Bolt, Hex Head (7/16-14*2.25)	2
18	N-605515-S8	N-605515-S36	Bolt Hex Head (M6x1-12)	3
19	N-630067-S8	N-630067-S36	Washer, Flat	3
20	ESL14575	22-30054-AB	Plate & Nut Assembly, Axle Support	1
21	ESL14583	22-30055-AA	Gasket	1
22	ESL14574	T77.01.031.01	Stud, Front Axle Support	4
23	ESL14219	22-30056-AA	Washer, Lock (M20)	4
24	ESL14220	22-30057-AA	Nut, Hex (M20x1.8)	4
25	ESL14573	22-30042-AA	Support, Front Axle	1
26	ESL10558	82835297	Plug Dust Front Cover	1
27	ESL10553	90NH-3A443-AA	Bush, Front Axle	1
28	ESL10550	90NH-3N227-AA	O'Seal, Support	1
29	ESL12413	11-30072-AA	Washer, Thrust, Front Axle Rear	1
30	ESL12424	11-30073-AA	Washer, Front Axle Center Trunion	1
31	ESL10549	93NH-3A443-AB	Sleeve, Front Axle Center	1
32	ESL10538	93NH-3011-AB	Axle, Front Center	1
33	ESL10540	93NH-3008-AB	Axle, Front RH	1
34	ESL12898	12-30150-AA	Spindle Assembly, Front Wheel RH	1
35	ESL10551	90NH-3N052-BA	Sleeve Front Axle Center Trunion	1
36	ESL11630	93NH-3A070-AA	Washer, Thrust, Axle Pin	1
37	ESL10558	92NH-3N071-AA	Shim, Front Axle Pin (NI)	AR
-	ESL10558	92NH-3N071-BA	Shim, Front Axle Pin (NI)	AR
-	ESL12415	82835070	Shim, Front Axle Pin (NI)	AR
38	ESL10554	90NH-3N052-AA	Bush, Front Axle Trunion Retainer	1

AXLE & STEERING PARTS



AXLE & STEERING PARTS

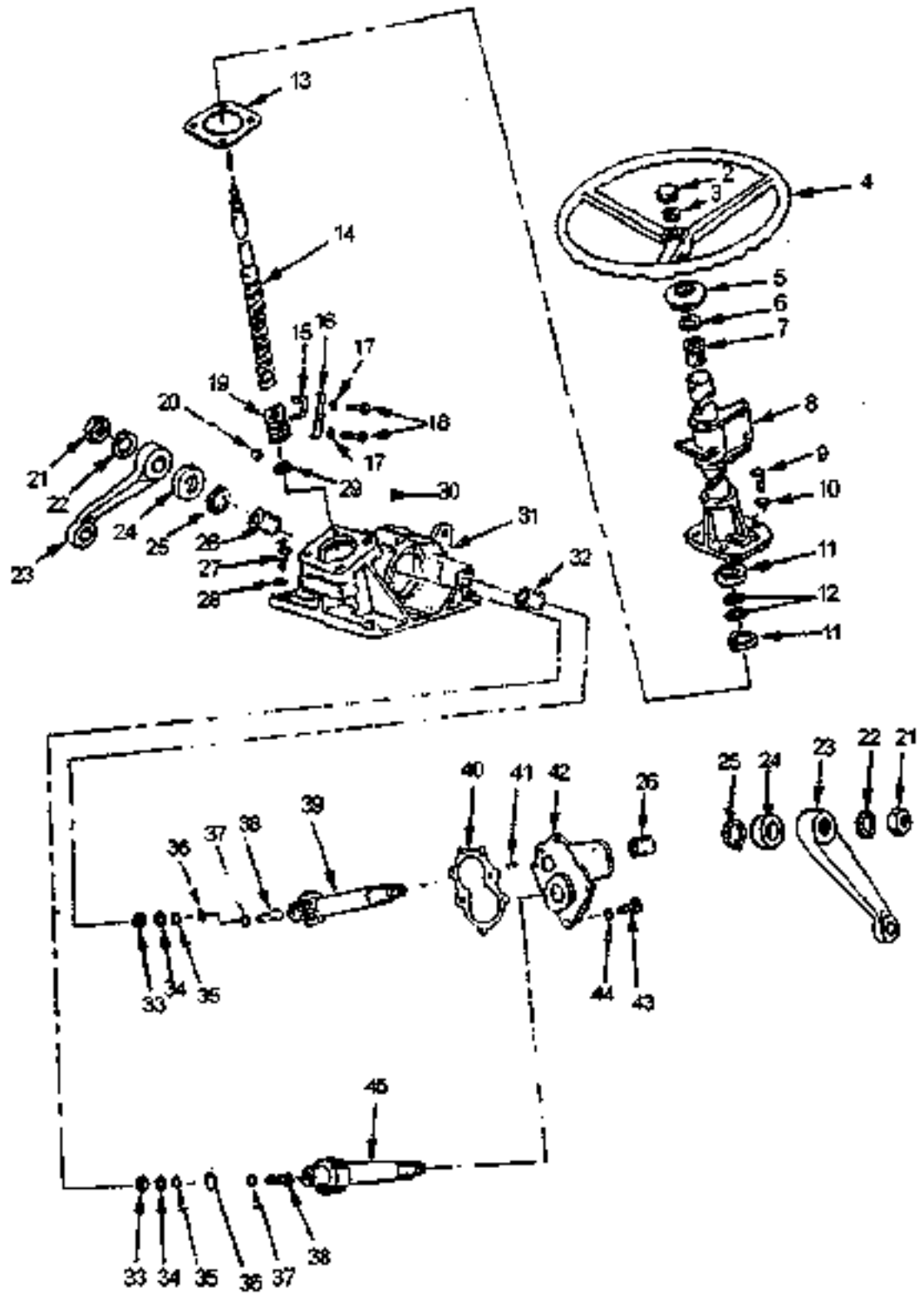
5A:5

Ⓢ - INDICATES SERVICE SERIAL NUMBER BREAKS.

↳ - INDICATES UP TO AND INCLUDING THAT SERIAL NUMBER

ITEM	LONG #	VENDOR #	DESCRIPTION	QTY.
				35
39	ESL10556	93NH-3N051-AA	Bracket, Front Axle Trunion	1
40	ESL11752	90NH-3N788-AA	Bolt, Bracket Front axle Trunion	4
41	377490-S8	377490-S76	Washer, Flat (1/2)	4
42	87901-S8	87901-S38	Grease Nipple (1/8-27)	3
43	ESL10557	93NH-3054-AA	Plug & Nut Assembly, Axle Trunion	1
44	87650-S8	87650-S36	Screw Plug (1/8-27)	1
45	304962-S8	304962-S36	Bolt, Hex Head	4
46	ESL10543	93NH-351505-AA	Spacer, Front Axle	4
47	33849-S8	33849-S36	Nut, Hex (5/8-11)	4
48	ESL10557	SPF.966.000	Spindle Bush Set (2 each Upper & Lower)	1
49	ESL10541	93NH-3009-AB	Axle, Front LH	1
50	ESL10547	C5NH-3125-A	Seal, Spindle Pin Dust	2
51	ESL10563	93NH-3A125-AA	Seal Dust Cover, Upper	2
52	ESL10581	93NH-3A208-AA	Seal Upper, Spindle	2
53	ESL10544	90NH-3123-AA	Bearing Assembly Front Wheel Spindle	2
54	ESL10560	93NH-3A208-BA	Seal Lower, Spindle	2
55	ESL10565	93NH-3367-AA	Seal, Spindle Front	2
56	ESL10564	93NH-3A367-AA	Spacer, Spindle Front	2
57	ESL10562	93NH-3A125-DA	Seal Dust Cover, Lower	2
58	ESL12699	12-30160-AA	Spindle Assembly, Front Wheel LH	1
59	ESL13304	74181-S	Key, Woodruff (1/4*7/8)	2

AXLE & STEERING PARTS



STEERING GEAR ASSEMBLY

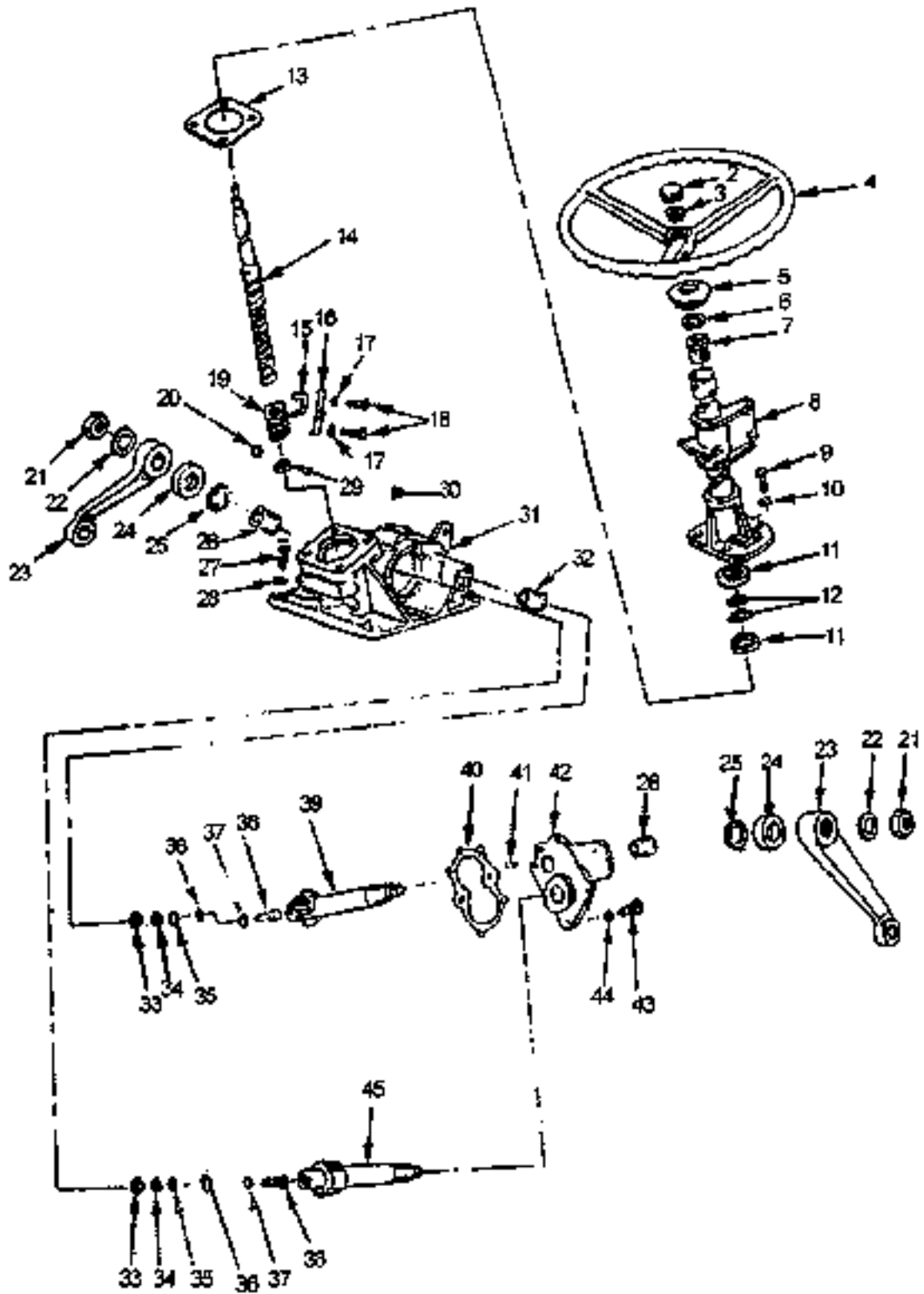
5A:7

(S) - INDICATES SERVICE SERIAL NUMBER BREAKS

(L) - INDICATES UP TO AND INCLUDING THAT SERIAL NUMBER

ITEM	LONG #	VENDOR #	DESCRIPTION	QTY.
				35
1	ESL10600	92NH-3503-AA	Steering Gear Assembly	1
-	-	-	Housing Assembly, Steering Gear (NSS)	1
2	ESL10597	C7NN-3655-B	Cap, Steering Wheel Hub	1
3	ESL11796	D5NN-3N802-A	Nut, Steering Wheel Retainer	1
4	ESL10596	90NH-3600-AA	Wheel Assembly, Steering	1
6	ESL12422	11-33566-AA	Grommet, Steering Column Shroud	1
6	ESL10599	D8NN-3N896-AA	Seal, Steering Column Dust	1
7	ESL10576	80NH-3517-AA	Bush Assembly, Steering Column	1
8	ESL10577	82635345	Column Assembly, Steering Gear	1
9	ESL14578	80NH-3N863-AA	Bolt Column Assembly to Housing (M10x30M)	1
10	ESL10578	80NH-3N851-AA	Washer Spring, Column to Housing	4
11	ESL10571	80NH-3552-AA	Adjuster Ball Race, Steering Column	2
12	ESL10572	80NH-3647-BA	Steel Ball, Steering Column (3/8")	22
13	ESL10580	80NH-3695-AA	Shim (0.050mm)	AR
-	ESL10581	80NH-3695-BA	Shim (0.127mm)	AR
-	ESL10582	80NH-3695-CA	Shim (0.250mm)	AR
14	ESL10601	80NH-3A710-AA	Main Nut & Shaft Assembly, Steering (Includes Item #15-20)	1
15	-	-	Transfer Tube, Main Nut (NSS)	2
16	-	-	Retainer Strap, Main Nut (NSS)	1
17	-	-	Lock Washer (NSS)	2
18	-	-	Bolt, Retainer Strap (NSS)	2
19	-	-	Main Nut, Steering Column (NSS)	1
-	ESL10579	80NH-3593-AA	Washer, Joint (NI)	
20	ESL10574	80NH-3647-AA	Steel Ball, Steering Column (9/32")	62
21	34694-S8	34694-S36	Nut, Hex (7/8-14)	2
22	34814-S8	34814-S36	Washer, Lock (7/8)	2
23	ESL12230	C5NN-3590-F	Arm, Steering Gear	2
24	ESL10587	C5NN-3586-A	Seal, Steering Rocker Shaft (Felt)	AR
25	ESL10586	80NH-3C615-AA	Seal, Steering Pitman Shaft	2
26	-	-	Bush, Rocker Shaft Outer (NSS)	2
27	ESL11751	C5NN-3C765-A	Nut, Steering Case	3
-	ESL14579	90NH-3C765-A	Bolt, Breather	1
28	34809-S8	30809-S36	Washer, Lock (1/2)	4
29	ESL10575	80NH-3772-AA	Inner Ball Race, Main Nut	1
30	ESL10570	80NH-3N531-AA	Oil Plug, Steering Oil Level	1
31	ESL10602	82NH-3548-AA	Housing Assembly, Steering (Includes Items #26, 32, 42)	1
32	-	-	Bush, Rocker Shaft Inner (NSS)	2
33	ESL11785	82NH-3N649-AA	Lock Nut, Adjusting Screw	2

STEERING GEAR ASSEMBLY



STEERING GEAR ASSEMBLY

5A.9

Ⓢ - INDICATES SERVICE SERIAL NUMBER BREAKS.

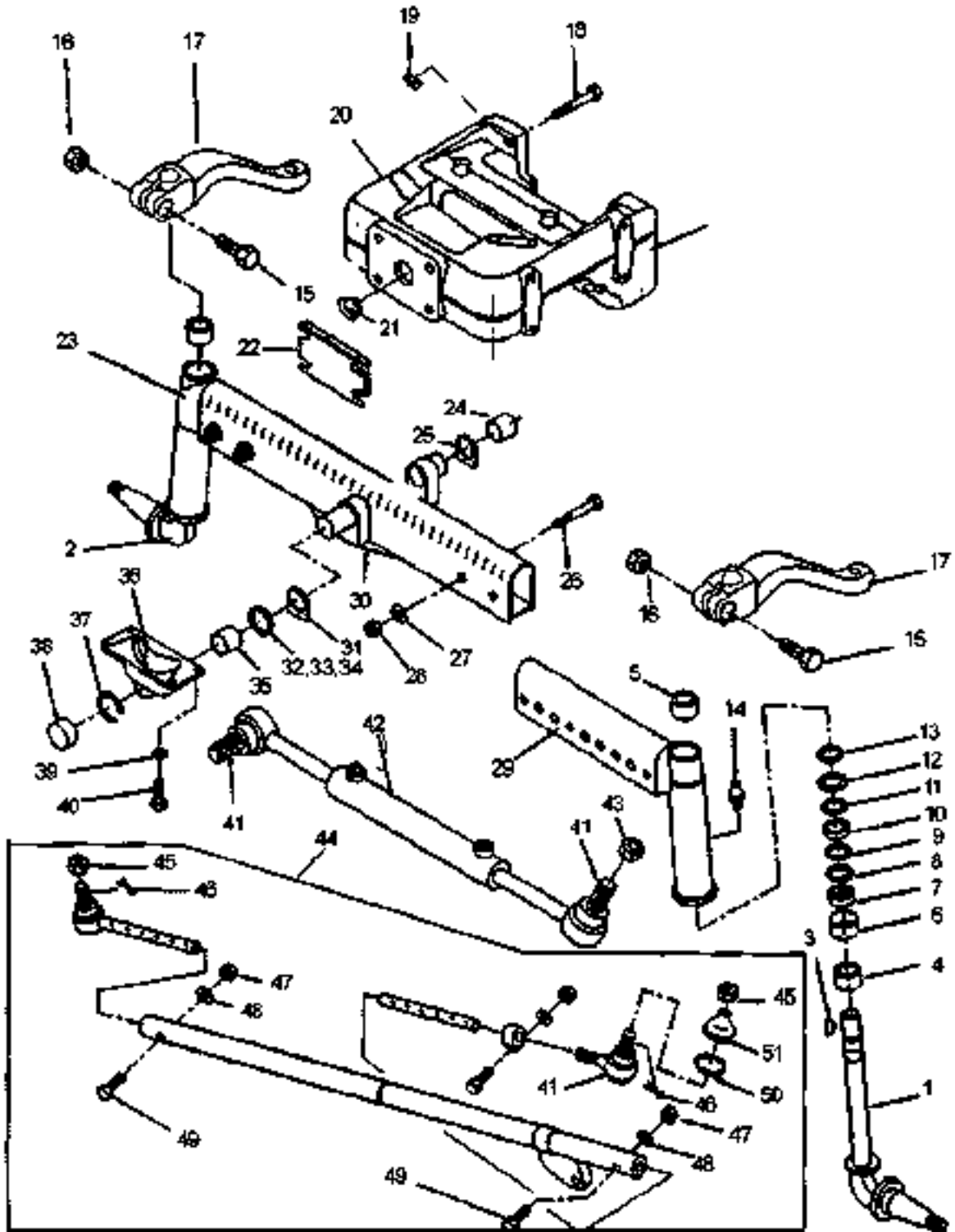
↳ - INDICATES UP TO AND INCLUDING THAT SERIAL NUMBER

ITEM	LONG #	VENDOR #	DESCRIPTION	QTY.
				35
34	ESL10585	80NH-3N947-AA	Circle, Rocker Shaft	2
35	ESL10593	80NH-3N946-AA	Circle, Adjusting Screw	2
36	ESL10588	80NH-3N952-AA	Shim, Adjusting Screw (0.002)	AR
-	ESL10589	80NH-3N952-BA	Shim, Adjusting (0.003)	AR
.	ESL10590	80NH-3N952-CA	Shim, Adjusting Screw (0.004)	AR
.	ESL10691	80NH-3N952-DA	Shim, Adjusting Screw	2
37	ESL11795	82NH-3N948-AA	Spacer, Adjusting Screw	2
38	ESL11863	82NH-3C539-AA	Adjusting Screw	2
39	ESL10584	82NH-3N675-AA	Shaft, Rocker Secondary	1
40	ESL10574	80NH-3581-AA	Gasket, Side Cover to Housing	1
41	ESL10573	80NH-3N942-AA	Dowel, Cover Plate to Housing	1
42	-	-	Cover Plate, Housing (NSS)	1
43	ESL11750	80NH-3N950-AA	Bolt, side Cover to Housing	6
44	N-630173-S8	N-630173-S36	Spring Washer (M8)	6
45	ESL10583	82NH-3N576-AA	Shaft, Rocker Primary	1

STEERING GEAR ASSEMBLY

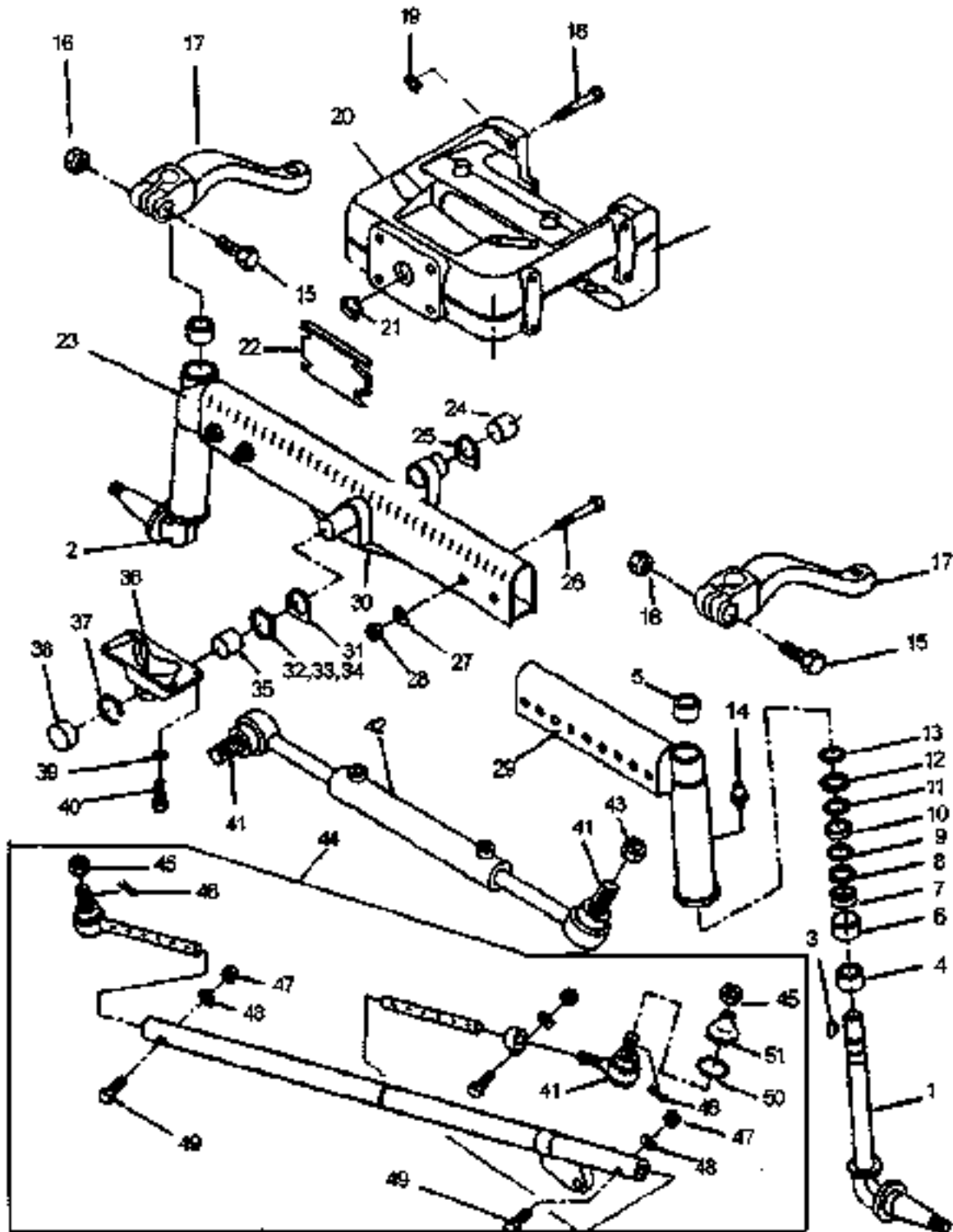
(S) - INDICATES SERVICE SERIAL NUMBER BREAKS,

(K) - INDICATES UP TO AND INCLUDING THAT SERIAL NUMBER



AXLE & STEERING PARTS - HYDROSTATIC

Item	Long #	Vendor #	DESCRIPTION	Qty.	
				45	60
1	Ⓢ ESL12699	25-30160-AA	Spindle Assembly, LH	1	1
2	Ⓢ ESL12698	25-30160-AA	Spindle Assembly, RH	1	1
3	ESL13304	74181-S	Key, Woodruff (1/4x7/8)	2	2
4-5	ESL10567	SPF998 000	Spindle, Bush Set	1	1
6	ESL10562	93NH-3A125-DA	Seal Dust Cover, Lower	2	2
7	ESL10564	93NH-3A367-AA	Spacer, Spindle Front	2	2
8	ESL10565	93NH-3367-AA	Seal, Spindle Front	2	2
9	ESL10560	93NH-3A208-BA	Seal, Spindle, Lower	2	2
10	ESL13303	957E-3123-A	Bearing Assembly, Front Wheel Spindle	2	2
11	ESL10561	93NH-3A208-AA	Seal Upper, Spindle	2	2
12	ESL10563	93NH-3A125-AA	Seal Dust Cover, Upper	2	2
13	ESL10547	C5NN-3125-A	Seal, Spindle Pin Dust	2	2
14	ESL10542	87901-S36	Grease Nipple (1/8-27)	2	2
15	304862-S8	304862-S36	Bolt, Hex Head (7/16-14x2.25)	2	2
16	34670-S8	34670-S36	Nut, Hex (7/16-14)	2	2
17	ESL10610	82835375	Arm, Steering Spindle	2	2
18	304964-S8	304964-S36	Bolt, Hex Head (3/4-10x4.00)	4	4
19	34674-S8	34674-S36	Nut, Hex Head (3/4-10)	4	4
20	ESL10606	E9NN-3A042-AB	Support, Front Axle	1	1
21	ESL10658	82835297	Plug, Dust Cover Front Axle Support	1	1
22	ESL13678	906043	Front Weight Spacer (Optional)	1	1
23	Ⓢ ESL11949	11-30060-AB	Front Axle Extension, RH	1	1
24	ESL10611	C5NN-3A443-A	Bush, Front Axle, Rear	1	1
25	ESL11681	C5NN-3A072-A	Washer Thrust, Rear	1	1
26	304962-S8	304962-S36	Bolt, Hex Head (5/8"-11)	4	4
27	ESL10543	93NH-351505-AA	Spacer, Front Axle	4	4
28	33849-S8	33849-S36	Nut, Hex (5/8"-11)	4	4
29	Ⓢ ESL11950	11-30070-AB	Front Axle Extension, LH	1	1
30	Ⓢ ESL11944	11-30011-AC	Axle Assembly, Front Center	1	1
31	ESL11682	C5NN-3A070-A	Washer, Thrust, Front	1	1
32	ESL10615	C5NN-3N071-A	Shim	AR	AR
33	ESL10616	C5NN-3N071-B	Shim	AR	AR
34	ESL10614	C5NN-3N071-C	Shim	AR	AR
35	ESL10612	C5NN-3N052-A	Bush, Front Axle, Front	1	1
36	ESL10606	11-30051-AA	Bracket FA Tunion, Front	1	1
37	ESL10617	11-30063-AA	Clip, Bush Retainer	1	1
38	ESL10613	C5NN-3N054-B	Plug	1	1
39	ESL11642	377490-S	Washer, Flat (1/2)	4	4
40	ESL11752	90NH-3N766-AA	Bolt, Hex Head (1/2 - 13x1.50)	4	4
41	ESL10620	11-33289-AA	End Assembly	3	3



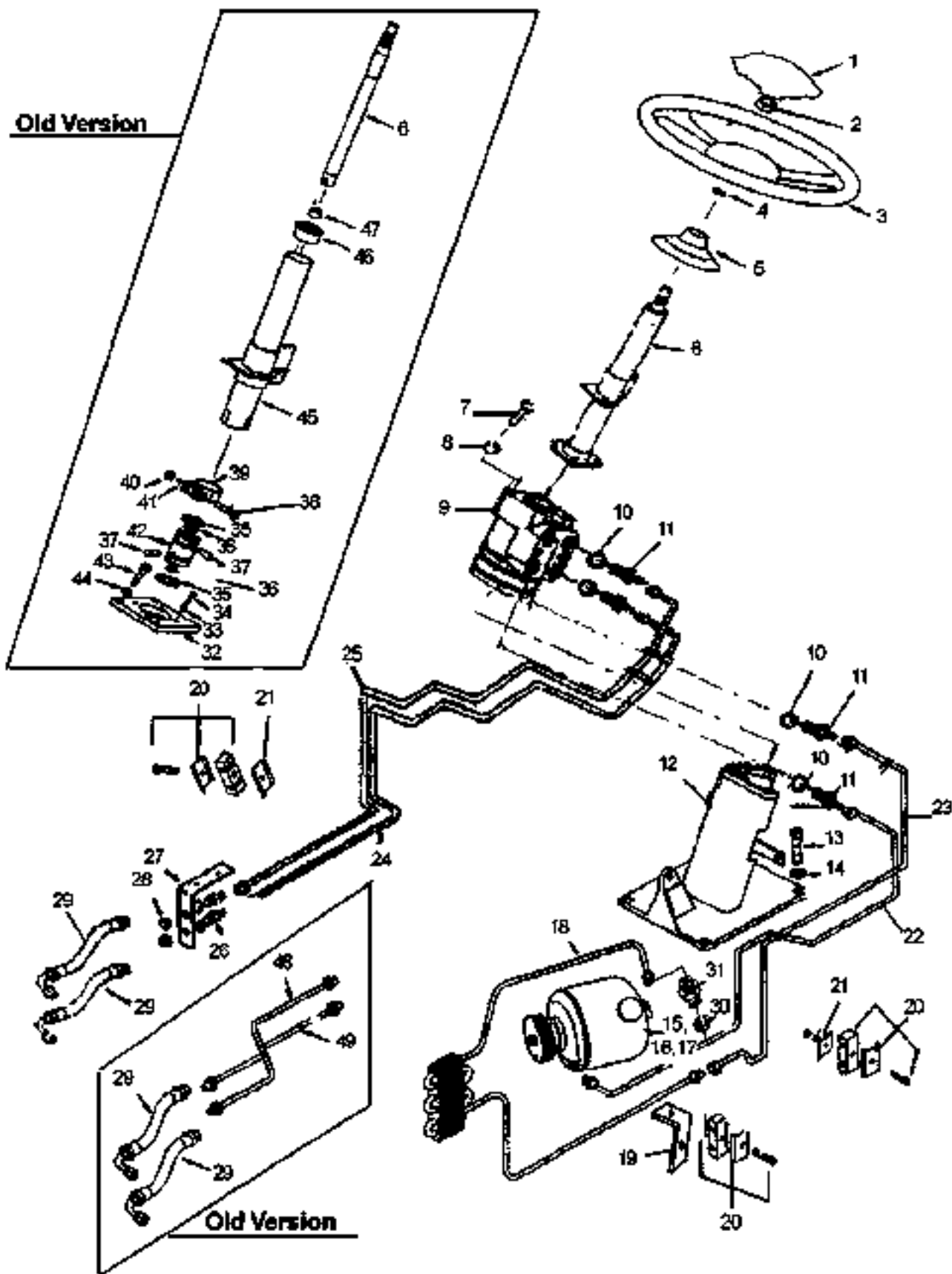
AXLE & STEERING PARTS - HYDROSTATIC

45/60

ITEM	LONG #	VENDOR #	DESCRIPTION	Qty.	
				45	60
42	Ⓢ ESL12713	11-33540-BD	Cylinder Assembly	1	1
43	ESL11797	11-33542-AA	Nut, Lock	2	2
44	Ⓢ ESL11951	11-33280-AC	Tie Rod Assembly	1	1
45	ESL14559	25-33281-AA	Castle Nut (M14x1.5)	2	2
46	72035-S8	72035-S8	Pin, Split	2	2
47	N-820012-S8	N-820012-S36	Nut (M6)	2	2
48	N-830067-S8	N-830067-S36	Washer, Flat (M8)	2	2
49	ESL11937	N-805515-S36	Bolt, Hex Head (M6x1-12)	2	2
50	ESL12236	EXP-25001-AA	Retainer Ring, Dust Cap	2	2
51	ESL12235	EXP-25000-AA	Dust Cap, Tie Rod	2	2
52	ESL14204	SPF.718.000	Seal Kit, Steering Cylinder (Applicable only for tractors with Serial Number 268327 and later)	1	1

Service Serial Number Breaks:

1	ESL12698	12-30150-AA	Spindle Assembly, RH	↳ 268326	1	1
2	ESL12699	12-30160-AA	Spindle Assembly, LH	↳ 268326	1	1
23	ESL10808	11-30090-AA	Front Axle Extension, RH	↳ 268326	1	1
29	ESL10807	11-30070-AA	Front Axle Extension, LH	↳ 268326	1	1
30	ESL10809	11-30011-AB	Axle Assembly, Front Center	↳ 268326	1	1
42	ESL10619	11-33540-AB	Cylinder Assembly	↳ 268326	1	1
44	ESL10621	11-33280-BA	Tie Rod Assembly	↳ 268326	1	1



STEERING MOTOR & PIPES - HYDROSTATIC

5B.15

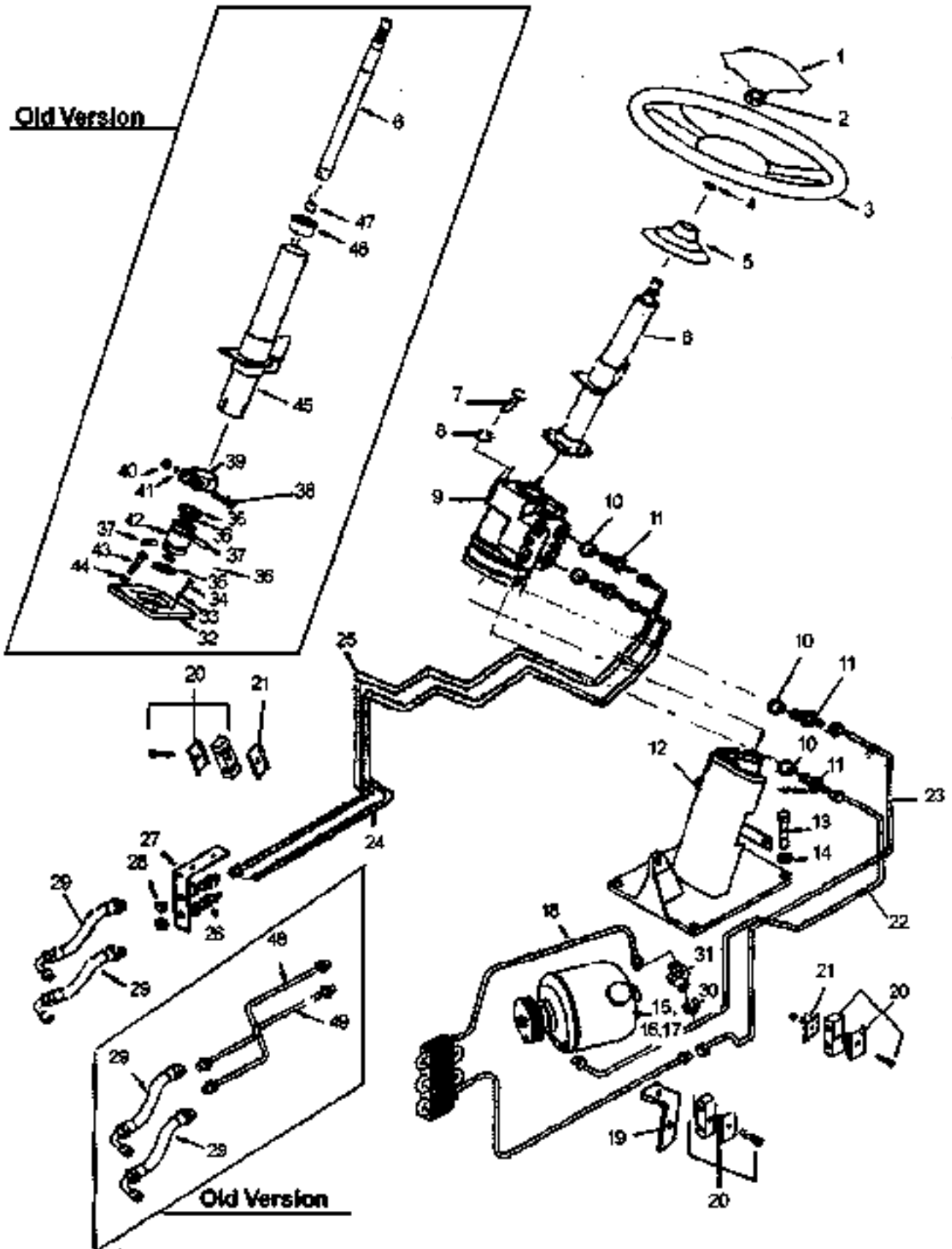
Ⓢ - INDICATES SERVICE SERIAL NUMBER BREAKS,

Ⓛ - INDICATES UP TO AND INCLUDING THAT SERIAL NUMBER

ITEM	LONG #	VENDOR #	DESCRIPTION	QTY.	
				45	60
1	ESL10650	11-33365-AA	Cap, Steering Wheel	1	1
2	ESL11796	D5NN-3N802-A	Nut, Steering Wheel Retainer	1	1
3	ESL10649	11-33360-AA	Steering Wheel (Includes Item#1)	1	1
4	ESL10589	D5NN-3N898-AA	Seal, Column Dust	1	1
6	ESL12422	11-33566-AA	Grommet, Column Shroud	1	1
6	Ⓢ ESL14580	12-33520-AA	Steering Column Assembly	1	1
7	N-605548-S8	N-605548-S38	Bolt, Hex Head (M10x1.5x40)	4	4
8	N-630174-S8	N-630174-S36	Washer, Lock (M10)	4	4
9	Ⓢ ESL12501	13-33240-AA	Motor Assembly, Steering	1	1
10	Ⓢ ESL10021	86483-S85	O'Ring	4	4
11	Ⓢ ESL12507	12-33532-AA	Adapter, Steering Motor	4	4
12	Ⓢ ESL14561	12-33529-AA	Bracket Assembly	1	1
13	ESL11751	G5NN-3C765-A	Bolt	4	4
14	ESL12016	34806-S36	Washer, Lock (1/2)	4	4
15	ESL10622	12-33514-AA	Pump Assembly, Steering	1	1
16	90491B	-	Cap, Pump Assembly	1	1
17	83936985	EDPN3K756-A	Filter, Pump Assembly	1	1
18	Ⓢ ESL12490	12-33420-AA	Tube Assembly, Cooler to Pump	1	1
19	Ⓢ ESL12520	13-33585-AA	Bracket, Hydrostatic Steering Tube, LH	1	1
20	Ⓢ ESL12731	26-33586-AA	Clamp Assembly	2	2
21	ESL12523	13-33582-AA	Bracket, Tube Holding, LH	2	2
22	Ⓢ ESL12491	12-33400-BA	Tube, Pump to Gear	1	1
23	Ⓢ ESL12492	12-33410-BA	Tube Assembly, Gear to Cooler	1	1
24	Ⓢ ESL12493	13-33430-AA	Tube Assembly, Gear to Adapter, Right Turn	1	1
25	Ⓢ ESL12484	13-33450-AA	Tube Assembly, Gear to Adapter, Left Turn	1	1
26	ESL10646	86196-S36	Adapter	2	2
27	Ⓢ ESL14563	12-33546-AA	Bracket, Hose to Sump, RH	1	1
28	ESL13685	90NH-354226-AA	Nut, Hex (5/16-16)	2	2
29	ESL10645	11-33590-BA	Hose Assembly, Cylinder	2	2
30	ESL14562	11-33535-BA	O'Ring	1	1
31	ESL12423	11-33532-AA	Adapter (5/16)	1	1

Service Serial Number Breaks:

6	ESL10635	11-33520-AB	Shaft & Steering Column Assembly	↳ 289202	-	1
9	ESL10623	12-33240-AA	Motor Assembly, Hydrostatic Steering	↳ 289202	-	1
10	ESL10624	11-33535-AA	O'Ring	↳ 289202	-	4
11	ESL12423	11-33532-AA	Adapter (5/16)	↳ 289202	-	4
12	ESL10625	11-33529-AB	Bracket Assembly	↳ 289202	-	1



STEERING MOTOR & PIPES - HYDROSTATIC

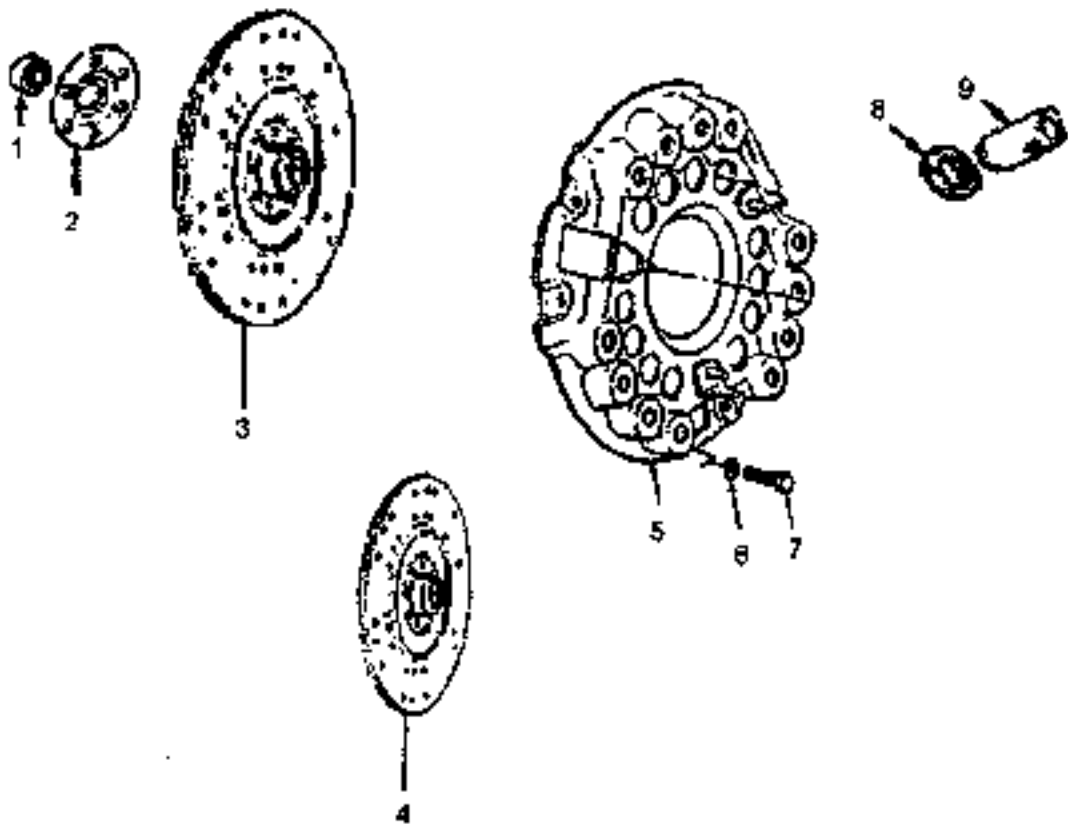
45/60

ITEM	LONG #	VENDOR #	DESCRIPTION		QTY.	
					45	60
18	ESL10638	11-33420-AA	Tube Assembly, Cooler To Pump	K 289202	-	1
19	ESL10647	11-33585-AA	Bracket, Hydrostatic Steering Tube	K 289202	-	1
20	ESL10636	11-33589-AA	Bracket, Hydrostatic Steering Tube	K 289202	-	5
-	ESL10637	11-33585-AA	Rubber Pad, Hydraulic	K 289202	-	3
-	N-600112-S8	N-600112-S36	Bolt (M6x1x35)	K 289202	-	3
-	N-630067-S8	N-630067-S36	Washer, Spring (M6)	K 289202	-	3
-	N-620012-S8	N-620012-S36	Nut (M6)	K 289202	-	3
22	ESL10639	11-33400-AA	Tube Assembly, Pump to Gear	K 252829	-	1
-	ESL12237	11-33400-AB	Tube Assembly, Pump to Gear	K 289202	-	1
23	ESL10640	11-33410-AA	Tube Assembly, Gear to Cooler	K 289202	-	1
-	ESL12238	11-33410-AB	Tube Assembly, Gear to Cooler	K 289202	-	1
24	ESL10641	11-33430-AA	Tube Assembly, Gear to Adapter, RT	K 252829	-	1
-	ESL12239	11-33430-AB	Tube Assembly, Gear to Adapter, RT	K 289202	-	1
25	ESL10643	11-33460-AA	Tube Assembly, Gear to Adapter, LT	K 252829	-	1
-	ESL12240	11-33460-AB	Tube Assembly, Gear to Adapter, LT	K 289202	-	1
27	ESL10646	11-33546-AA	Bracket, Hose to Sump, RH	K 268326	-	1
-	ESL11947	11-33546-AB	Bracket, Hose to Sump, RH	K 289202	-	1
-	ESL11946	11-33440-BB	Tube Assembly, Adapter to Hose, RT	K 289202	-	1
32	ESL10626	11-33526-AA	Plate, Gear Mounting	K 289202	-	1
33	34791-S8	34791-S36	Washer (5/16)	K 289202	-	4
34	304646-S8	304646-S36	Bolt, UNC (5/16-16)	K 289202	-	4
35	ESL10632	11-33244-AA	Retaining Ring	K 289202	-	2
36	ESL10630	11-33247-AA	O'Ring	K 289202	-	2
37	ESL10631	11-33241-AA	Pin	K 289202	-	2
38	ESL11759	11-33338-AA	Bolt (M6x60)	K 289202	-	1
39	ESL10628	11-33243-AA	Clamp	K 289202	-	1
40	ESL11798	11-33341-AA	Nut (M6)	K 289202	-	1
41	ESL11864	11-33339-AA	Spring Washer	K 289202	-	1
42	ESL10629	11-33245-AA	Coupling	K 289202	-	1
43	ESL11683	11-33538-AA	Bolt (M10x1.5-25)	K 289202	-	3
44	ESL12419	11-33537-AA	Washer (M10)	K 289202	-	4
45	ESL10627	11-33334-AA	Outer Tube & Bracket Assembly	K 289202	-	1
46	ESL10633	11-33527-AA	Wheel End (Rubber)	K 289202	-	1
47	ESL10634	11-33242-AA	Bush Column Assembly	K 289202	-	1
48	ESL10644	11-33460-AA	Tube Assembly, Adapter to Hose, LT	K 268326	-	1
-	ESL11945	11-33460-BB	Tube Assembly, Adapter to Hose, LT	K 289202	-	1
49	ESL10642	11-33440-AA	Tube Assembly, Adapter to Hose, RT	K 268326	-	1

NOTE: Item #30-47 are used only on old version tractors up to serial Number #289202

Notes

CLUTCH



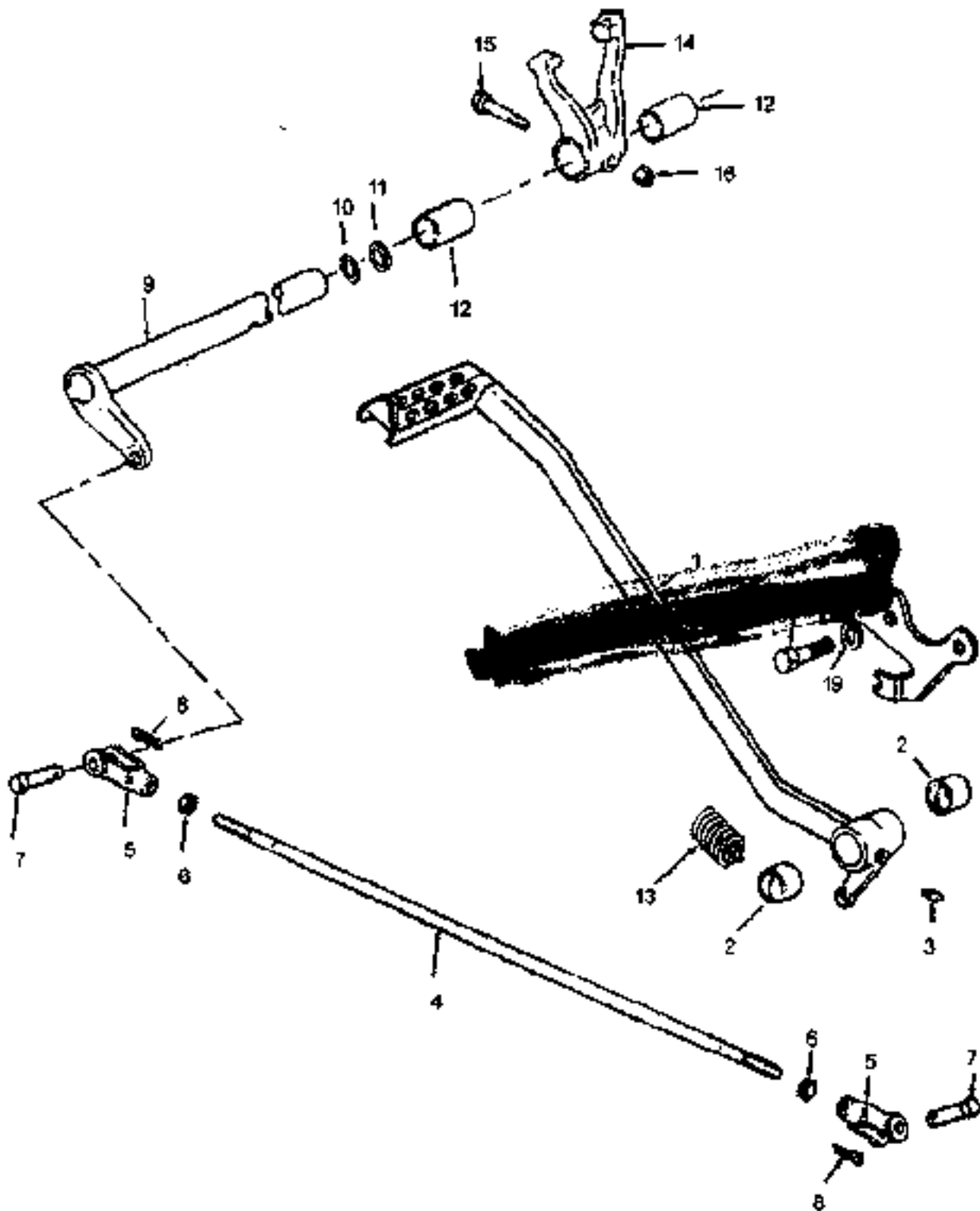
CLUTCH ASSEMBLY (DOUBLE PLATE; LIVE PTO)

35/45/80

ITEM	LONG #	VENDOR #	DESCRIPTION	QTY.		
				35	45	60
1	ESL10692	C5NN-7600-A	Bearing, Clutch Pilot	1	1	1
2	ESL10693	C5NN-7609-B	Retainer, Clutch Pilot Bearing	1	1	1
3	ESL10696	D1NN-7550-A	Disc Assembly, Main (11")	-	1	1
-	ESL14467	11-75550-AB	Disc Assembly, Main (12")	1	-	-
4	ESL10698	E2NN-B595-AA	Disc Assembly, PTO (8.5")	-	1	1
-	ESL14468	13-75590-AB	Disc Assembly, PTO Clutch (11")	1	-	-
5	ESL14469	13-75500-AB	Dual Clutch Assembly (12"x11") (Includes Item #4)	1	-	-
-	ESL10716	E0NN-7502-AB	Dual Clutch Assembly (11"x8.5") (Includes Item #4)	-	1	1
6	34806-S8	34806-S36	Washer, Lock (5/16)	12	8	8
7	ESL11754	C5NN-7N569-A	Bolt	-	6	8
-	N-600213-S8	N-600213-S36	Bolt (M8)	12	-	-
8	ESL10695	D8NN-7530-BB	Bearing, Clutch Release	1	1	1
9	ESL10694	C7NN-7571-B	Hub, Clutch Release Bearing	1	1	1



CLUTCH ASSEMBLY (DOUBLE PLATE; LIVE PTO)



CLUTCH CONTROLS

35/45/60

ITEM	LONG #	VENDOR #	DESCRIPTION	QTY.		
				35	45	60
1	ESL10652	D1NN-7519-A	Pedal Assembly, Clutch	1	1	1
2	ESL10653	C5NN-7A57B-A	Bush, Clutch Pedal	2	2	2
3	ESL10654	87907-S8	Grease Nipple (1/4 - 28)	1	1	1
4	ESL10670	84NH-7D081-AA	Rod & Clevis Assembly, Clutch Release (Includes #556)	1	1	1
5	97013-S8	97013-S36	Clevis (3/8 - 24 x 2.50)	2	2	2
6	33925-S8	33925-S36	Nut, Hex (3/8 - 24)	2	2	2
7	73919-S8	73919-S36	Pin, Clevis (3/8 x 1.14)	2	2	2
8	72017-S8	72017-S8	Pin, Split (1/8 x 0.75)	2	2	2
9	Ⓢ ESL12527	11-75010-AA	Shaft, Clutch Release	1	1	1
10	Ⓢ ESL10660	93NH-7R502-A	O'Ring, Clutch Release Shaft	1	1	1
11	ESL11684	93NH-7A510-AA	Washer, Clutch Release Shaft	1	1	1
12	Ⓢ ESL10668	SPE.983.000	Bush Set, Clutch Release Shaft	1	1	1
13	ESL10663	C7NN-7N598-A	Spring, Clutch Pedal Assist	1	1	1
14	ESL10664	C7NN-7N515-J	Fork, Clutch Release Shaft	1	1	1
15	ESL14470	D7NN-7N639-A	Bolt, Hex (3/8 - 16 x 2.00)	1	1	1
16	34987-S8	34987-S7	Nut, Hex (3/8 - 16)	1	1	1
17	ESL10666	D7NN-7N617-D	Bracket, Pedal Spring Rear	1	1	1
18	304724-S8	304724-S36	Bolt, Hex (7/16 - 14 x 1.25)	2	2	2
19	34808-S8	34808-S36	Washer, Lock (7/16)	2	2	2
20	ESL10667	NH-398949-5	Plug	1	1	1

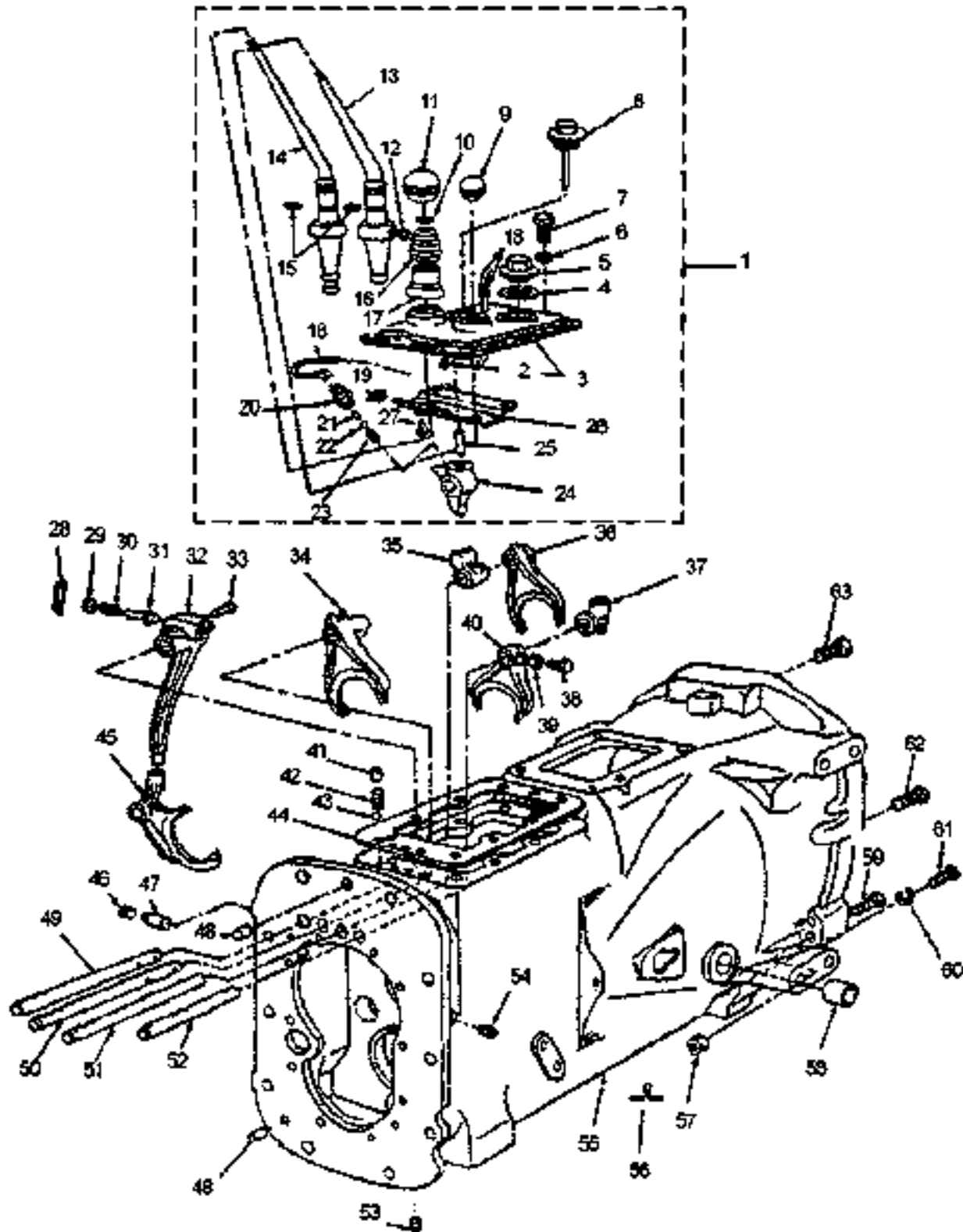
Service Serial Number Breaks:

8	ESL10657	78NH-7503-A	Shaft Assembly, Clutch Release	K 177877	-	-	1
10	ESL10659	76NH-7R502-A	O'Ring, Clutch Release Shaft	K 177877	-	-	1
12	ESL10661	C5NN-7A615-A	Bush, Clutch Release Shaft	K 177877	-	-	1

Notes

GEARBOX

35/45/60

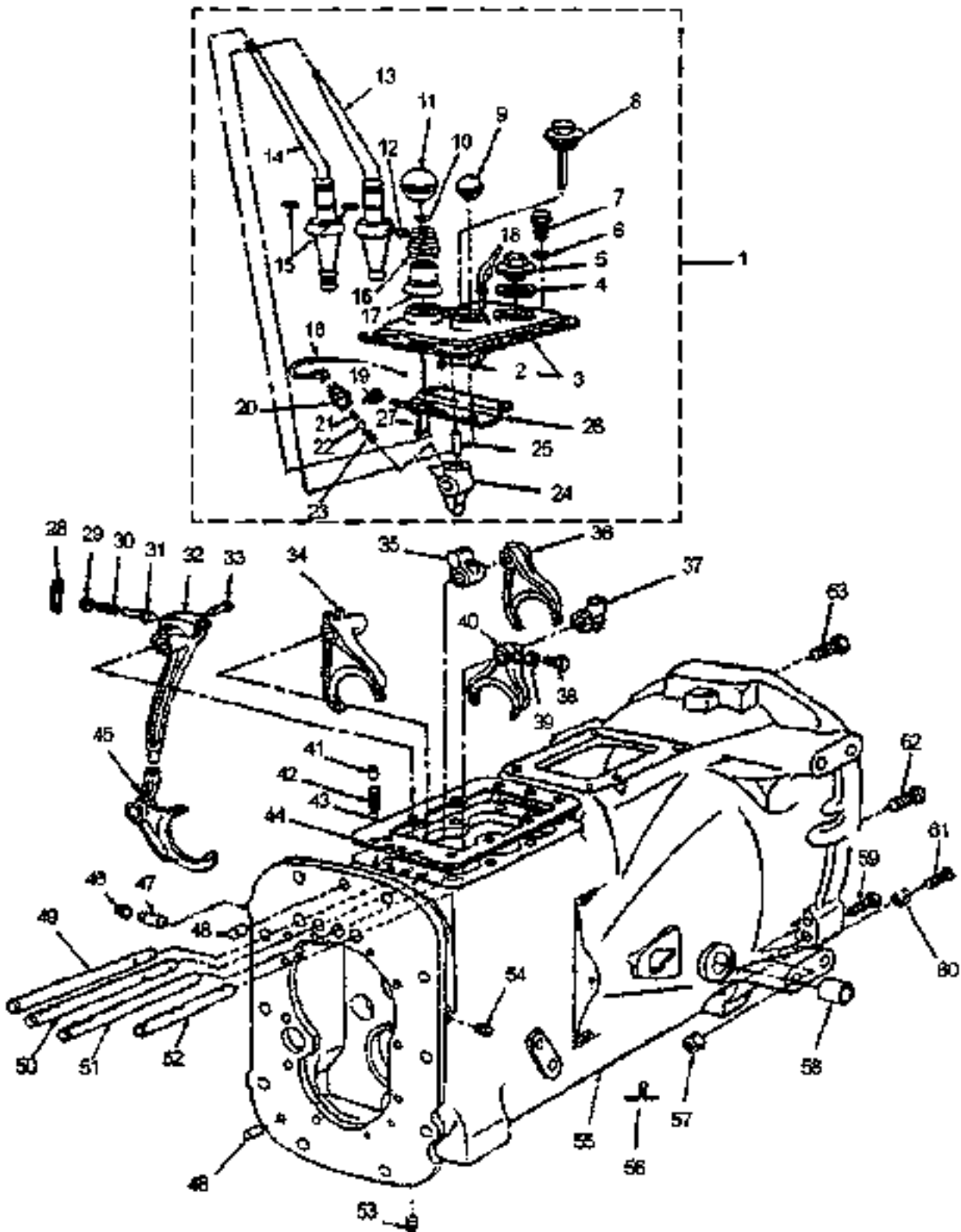


TRANSMISSION CASE & SHIFT LEVERS

35/45/60

ITEM	LONG #	VENDOR #	DESCRIPTION	Qty.		
				35	45	60
1	Ⓢ ESL12248	93NH-7201-AA	Cover & Lever Assembly, Transmission	1	1	1
2	ESL10752	C5NN-7N181-A	Dowel, Case Cover	1	1	1
3	ESL10739	93NH-7222-AA	Cover, Transmission Case	1	1	1
4	ESL10740	D9NN-7037-AA	Gasket, Filler Plug	1	1	1
5	Ⓢ ESL11915	82835046	Breather, Transmission Case	1	1	1
6	34807-S8	34807-S36	Washer, Lock (3/8)	9	9	9
7	304664-S8	304664-S36	Bolt, Hex (3/8 - 16 x 1.00)	9	9	9
8	ESL10759	93NH-7A020-AA	Indicator Assembly, Transmission Oil	1	1	1
9	ESL10903	E440-GB-9	Ball, High Low Gear Shift	1	1	1
-	ESL10749	91NH-7277-AA	Rubber Boot, Gear Shift Lever (N)	2	2	2
10	ESL10747	N-7228	Snap Ring, Gear Shift Lever	2	2	2
11	ESL10748	C5NN-7213-A	Ball, Main Shift Lever	1	1	1
12	ESL10744	D7NN-7C402-A	Pin, Gear Shift Lever Socket	2	2	2
13	ESL10742	92NH-7210-AA	Lever, High Low Gear	1	1	1
14	ESL10741	92NH-7210-BA	Lever, Main Gear	1	1	1
15	ESL10743	87016-S84	O'Ring Seal (0.626 x 0.07)	2	2	2
16	ESL10746	C7NN-7227-A	Spring, Gear Shift Lever	2	2	2
17	ESL10745	C5NN-7N309-A	Retainer, Gear Shift Lever Ball	2	2	2
18	ESL10757	91NH-7A486-AA	Harness Assembly, Transmission	1	1	1
19	ESL10758	D0NN-14N204-B	Clip, Switch Cable	1	1	1
20	ESL10753	C7NN-7A247-A	Switch Assembly, Transmission	1	1	1
21	ESL10756	C5NN-11467-R	Plunger, Safety Starter Switch	1	1	1
22	ESL10735	370924-S	Ball (3/8)	1	1	1
23	ESL10755	C5NN-11N003-B	Spring, Safety Starter Switch	1	1	1
24	ESL10754	C6NN-11N002-A	Retainer, Safety Starter Switch	1	1	1
25	ESL10751	C5NN-11N001-A	Pin, Safety Switch Locating	1	1	1
26	ESL10750	C5NN-7B226-L	Stop, Gear Shift Lever	1	1	1
27	355431-S8	355431-S36	Bolt, Hex Head (5/16 - 18 x 0.56)	4	4	4
28	72003-S8	72003-S8	Pin, Cotter (1/16 x 0.50)	1	1	1
29	ESL10726	C5NN-7N456-A	Retainer, Plunger Spring	1	1	1
30	ESL10725	C7NN-7N458-A	Spring, Selector Stop Plunger	1	1	1
31	ESL10724	D7NN-7R427-A	Plunger, Selector Stop	1	1	1
32	ESL10723	C5NN-7410-C	Arm, Gear Shift Rocker	1	1	1
33	76237-S8	76237-S36	Pin, Clevis (3/16 x 1.219)	1	1	1
34	ESL10721	C5NN-7231-S	Fork, Gear Shift	1	1	1
35	ESL10733	E5NN-7N103-AA	Connector, Gear Shift Lever	1	1	1
36	ESL10719	C5NN-7231-A	Fork, Gear Shift	1	1	1
37	ESL10732	C5NN-7279-A	Gate, Gear Shift Lever	1	1	1
38	ESL11889	957E-7245	Screw Gear Shift, Fork Lock	6	6	6
39	33925-S8	33925-S36	Nut, Lock Screw (3/8 - 24)	6	6	6

TRANSMISSION CASE & SHIFT LEVERS



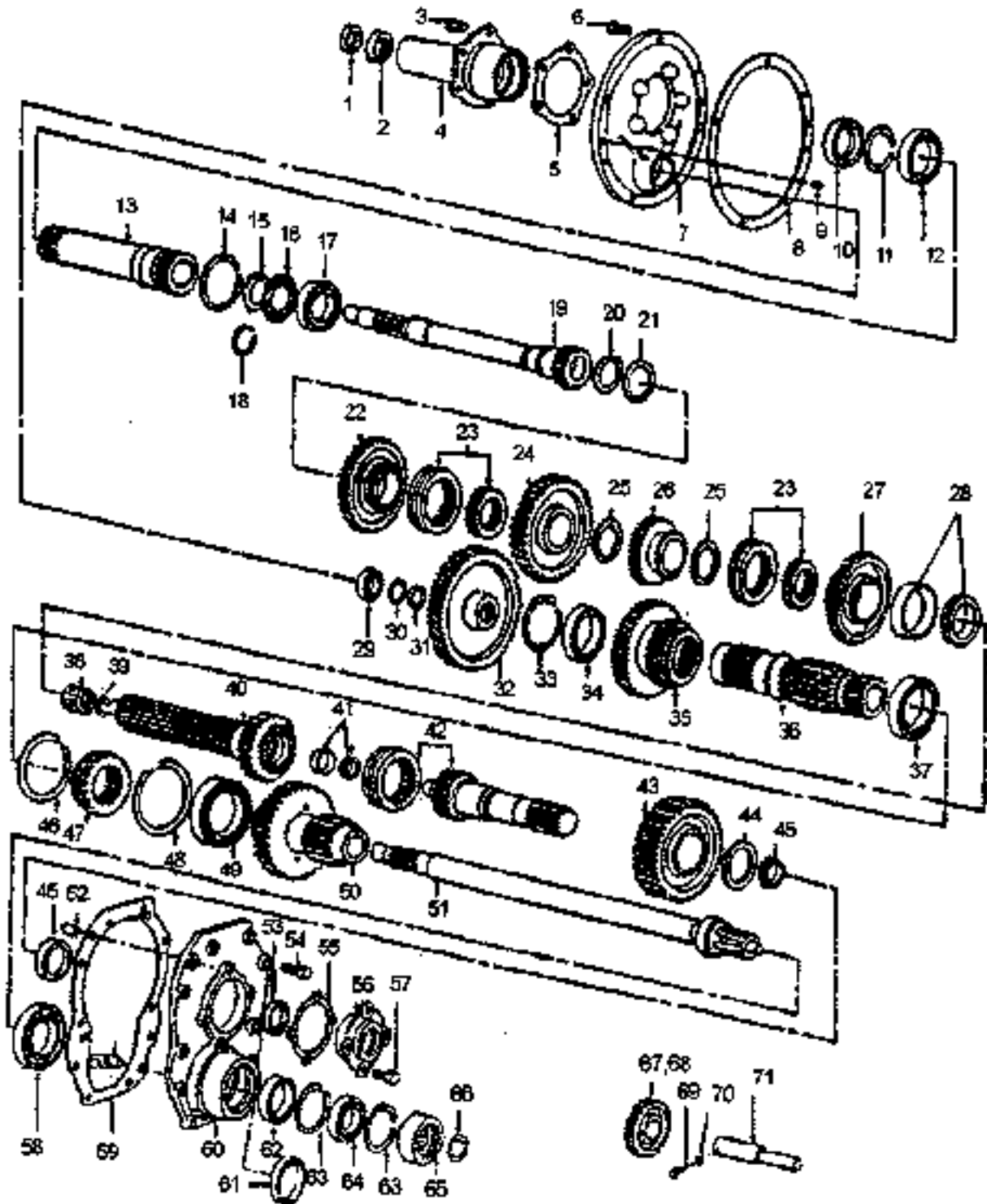
TRANSMISSION CASE & SHIFT LEVERS

35/45/60

ITEM	LONG #	VENDOR #	DESCRIPTION	QTY.		
				35	45	60
40	ESL10720	C5NN-7221-C	Fork, Gear Shift	1	1	1
41	379678-S	379678-S	Pin, Main Gear Rail (3/8 x 1.28/1 - 27)	3	3	3
-	ESL10737	82835213	Pin, High/Low Rail	1	1	1
42	ESL10902	BB-7234	Spring, Gear Shift Rail	4	4	4
43	ESL10736	370924-S	Ball, Rail Detent (3/8)	4	4	4
44	ESL10738	C5NN-7N225-C	Gasket, Gear Shift Housing	1	1	1
45	ESL10722	91NH-7231-AA	Fork, Gear Shift	1	1	1
46	ESL10044	87651-836	Plug, Pipe (1/4 - 18 - PTF)	1	1	1
47	ESL10727	C5NN-7229-B	Interlock, Gear Shift Rail	2	2	2
48	379304-S	349304-S	Pin, Dowel (1/2x0.8125)	2	2	2
49	ESL10731	C5NN-7240-L	Rail, Gear Shift	1	1	1
50	ESL10730	C5NN-7240-B	Rail, Gear Shift	1	1	1
51	ESL10728	C5NN-7240-A	Rail, Gear Shift	1	1	1
52	ESL10729	C5NN-7240-AD	Rail, Gear Shift	1	1	1
53	Ⓢ ESL12529	11-40747-AA	Plug, Case Drain (3/4 - 14)	1	1	1
54	ESL10718	87709-S36	Plug (3/4 - 18)	1	1	1
55	ESL10717	79NH-7005-AB	Case Assembly, Transmission	1	1	1
56	Ⓢ 72055-S8	72055-S8	Pin (3/16x1.25)	1	1	1
57	33849-S8	33849-S36	Nut, Hex (5/8 - 11)	2	2	2
58	Ⓢ ESL10668	SPF.963.000	Bush Set, Clutch Release Cross Shaft (Consists of 2 Bushes)	1	1	1
59	58726-S8	58726-S36	Bolt, Hex (5/8-11x3.25)	2	-	-
-	304955-S8	304955-S36	Bolt, Hex (5/8 - 11 x 3.75)	-	2	2
60	34793-S8	34793-S36	Washer, Lock (7/16)	2	2	2
61	304724-S8	304724-S36	Bolt, Hex (7/16 - 14 x 1.25)	2	2	2
62	304883-S8	304883-S36	Bolt, Hex (5/8 - 11 x 2.375)	-	2	2
-	58719-S8	58719-S36	Bolt, Hex (5/8-11x1.50)	2	-	-
63	304912S8	304912-S36	Bolt, Hex (3/4 - 16 x 2.75)	2	2	2

Service Serial Number Breaks:

1	ESL10763	74NH-7201-A	Cover & Lever Assembly, Transmission	K243588	-	1	1
5	ESL10004	E6NN-7Z165-AA	Plug Filter W/Breather	K243588	-	1	1
53	87747-S8	87747-S36	Plug, Case Drain	K273008	-	1	1
56	304622-S8	304622-S36	Bolt, Hex Head (5/8-18x0.375)	K225736	-	-	1
-	ESL11650	73NH-9N681-A	Washer	K225736	-	-	1
58	ESL10681	C5NN-7A815-A	Bush, Clutch Release Shaft	K177877	-	-	2



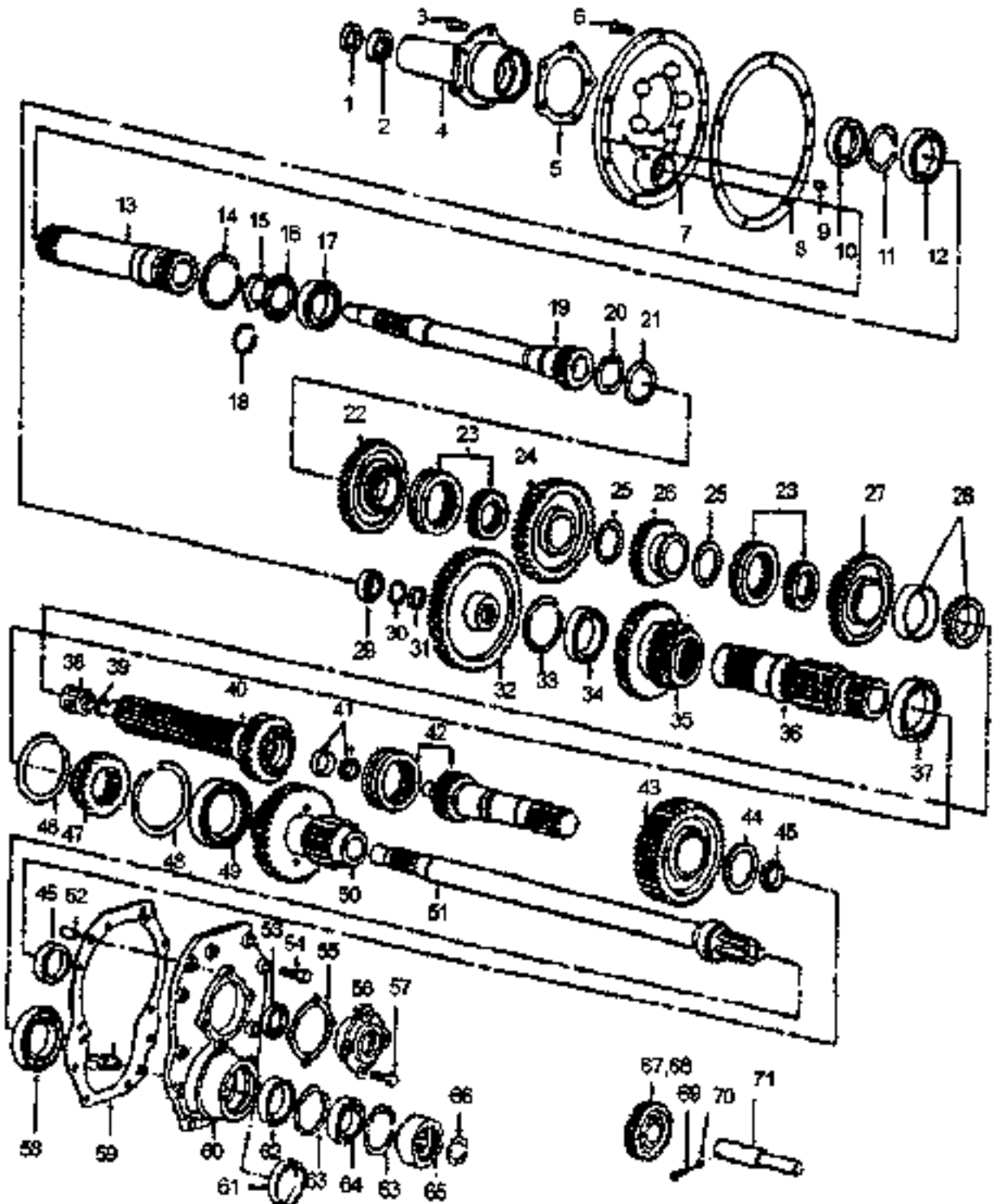
TRANSMISSION GEARS

35/45/60

ITEM	LONG #	VENDOR #	DESCRIPTION	Qty.		
				35	45	60
1	ESL10777	957E-727-A	Seal, PTO Input Shaft	1	1	1
2	ESL10789	E61-GE-8	Bearing, PTO Input Shaft	1	1	1
3	48007-SB	48007-S38	Bolt, Hex Head (3/8 - 16 x 0.875)	5	5	5
4	ESL10780	C5NN-7050-C	Retainer, Input Shaft Bearing	1	1	1
5	ESL10781	C5NN-7N051-B	Gasket, Clutch Bearing Hub Support	1	1	1
6	48009-SB	48009-S36	Bolt, Hex (3/8 - 16 x 1.125)	7	7	7
7	ESL10784	C7NN-7N055-C	Plate, Release Bearing Support	1	1	1
8	ESL10785	93NH-7N057-AA	Gasket, Plate	1	1	1
9	73269-SB	73269-S	Pin, Dowel (3/8 x 0.687)	2	2	2
10	ESL10776	D6NN-C729-AA	Oil Seal, Trans Input Shaft	1	1	1
11	ESL10772	957E-732	Snap Ring	1	1	1
12	ESL10778	N-115069-B	Bearing, Drive Gear Inner	1	1	1
13	ESL10787	C5NN-772-A	Shaft, PTO Input	1	1	1
14	ESL10774	C5NN-7N064-A	Ring	1	1	1
15	ESL10773	85NH-7N300-AA	Ring, Drive Bearing	1	1	1
16	ESL12249	C5NN-7N301-C	Plate, Input Shaft Bearing	1	1	1
17	ESL10768	C5NN-7A452-A	Bearing, Trans Input Shaft	1	1	1
18	ESL10771	608E-7064-A	Snap Ring	1	1	1
19	ESL14472	22-70015-AA	Shaft, Transmission Input (18 Splines)	1	-	-
-	ESL10766	85NH-7017-AB	Shaft, Transmission Input (19 Splines)	-	1	1
20	ESL10795	C5NN-7064-A	Snap Ring, Main Shaft	1	1	1
21	ESL11686	957E-7071-B	Washer, Main Shaft Thrust	1	1	1
22	ESL10794	C5NN-7B340-A	Gear, 3rd Speed	1	1	1
23	Ⓢ ESL10791	D6NN-7N072-A	Connector & Coupling	2	2	2
24	ESL10793	C5NN-7100-F	Gear, 1st Speed	1	1	1
25	ESL11685	957E-7728	Washer, Main Shaft Thrust	2	2	2
26	ESL10792	C5NN-7K013-E	Gear, Main Shaft Reverse	1	1	1
27	ESL10789	C5NN-7102-F	Gear, 2nd Speed	1	1	1
28	ESL10786	C5NN-7N430-A	Bearing, Taper Roller	1	1	1
29	ESL10819	11-74109-AA	Bearing, PTO Countershaft Front	1	1	1
30	ESL10820	C7NN-B781-A	Ring Snap	1	1	1
31	ESL11688	C7NN-B777-B	Washer, PTO Countershaft	1	1	1
32	ESL10817	C7NN-792-B	Gear, PTO Countershaft	1	1	1
33	ESL10774	C5NN-7N064-A	Lock Ring	1	1	1
34	ESL10818	N-115069-B	Bearing, Front	1	1	1
35	ESL10816	91NH-7113-AA	Gear, Transmission Countershaft Main	-	1	1
-	ESL14473	22-70113-AB	Gear, Transmission Countershaft Main	1	-	-
36	ESL10813	C5NN-7111-N	Countershaft, Main Transmission	1	1	1
37	ESL10814	E1ADDN-7025-A	Bearing, Rear	1	1	1
38	ESL10797	92NH-7120-AA	Bearing, Main Shaft Pilot	1	1	1

TRANSMISSION GEARS

35/45/60



TRANSMISSION GEARS

35/45/60

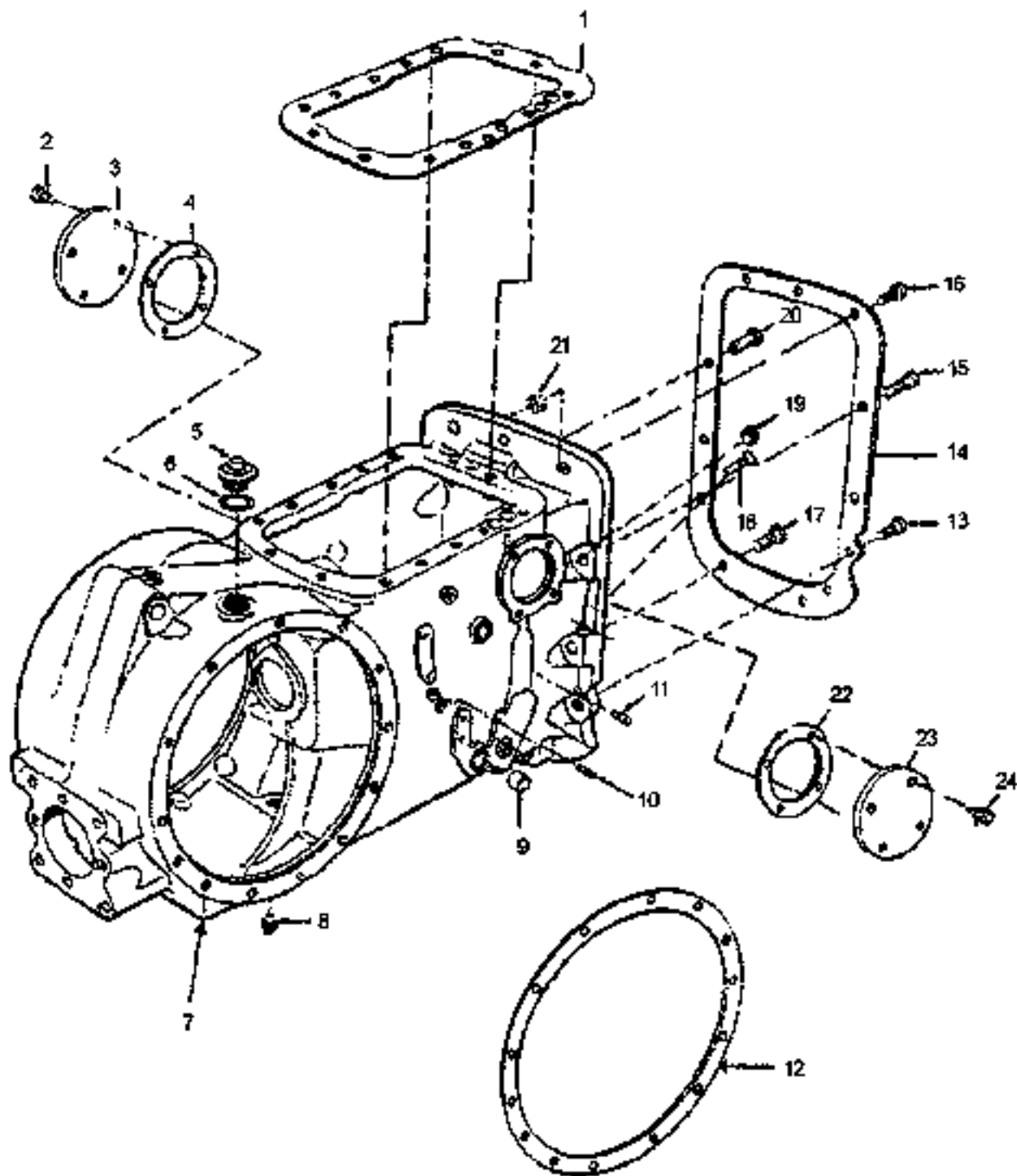
ITEM	LONG #	VENDOR #	DESCRIPTION	QTY.		
				35	45	60
39	ESL11687	85NH-7N036-AA	Washer	2	2	2
40	ESL10787	C5NN-7C095-D	Shaft, Main (Rear)	1	1	1
41	ESL10788	C5NN-7N044-A	Bearing, Taper Roller	1	1	1
42	ESL10790	87NH-7N071-AA	Shaft & Coupling Assembly, Output	1	1	1
43	ESL10800	87NH-7145-AA	Gear, Output Shaft	1	1	1
44	ESL11688	87NH-7A385-AA	Washer, Output Shaft Thrust	1	1	1
45	ESL10801	D1NN-8731-A	Bearing, Taper Roller	1	1	1
46	ESL10815	E1ADKN-77014	Lock Ring	1	1	1
47	ESL10821	C5NN-7106-D	Coupling, Trans Countershaft, Rear	1	1	1
48	ESL10824	C5NN-7N180-A	Lock Ring	1	1	1
49	ESL10823	C5NN-7127-B	Bearing, Rear	1	1	1
50	ESL10822	C5NN-7113-B	Gear, Trans Countershaft Rear	1	1	1
51	ESL10811	C7NN-702-B	Countershaft, PTO	1	1	1
52	379304-S	379304-S	Pin, Dowel (1/2 x 0.8125)	2	2	2
53	ESL10809	C5NN-77086-A	Seal, Output Shaft	1	1	1
54	46009-S8	46009-S38	Bolt, Hex (3/8 - 16 x 1.125)	10	10	10
55	ESL10805	C5NN-7N135-A	Shim (0.003)	AR	AR	AR
-	ESL10806	C5NN-7N135-B	Shim (0.005)	AR	AR	AR
-	ESL10807	C5NN-7N135-C	Shim (0.012)	AR	AR	AR
56	ESL10808	C9NN-7049-D	Retainer, Output Shaft Bearing	1	1	1
57	46007-S8	46007-S38	Bolt, Hex (3/8 - 16 x 0.875)	4	4	4
58	ESL10825	C5NN-7127-A	Bearing, PTO Countershaft Front	1	1	1
59	ESL10802	C5NN-7086-A	Gasket, Output Retainer Plate	1	1	1
60	ESL10803	C5NN-7049-E	Retainer Assembly, Trans Output Shaft	1	1	1
61	ESL10804	115422-ES	Plug, Retainer Expansion	AR	AR	AR
62	ESL10826	E62-GE-8	Seal Assembly, PTO Countershaft Rear	1	1	1
63	ESL10827	857E-790	Snap Ring, PTO Countershaft Rear	2	2	2
64	ESL10828	E75-GE-8	Bearing, PTO Countershaft Rear	1	1	1
65	ESL10829	C5NN-N705-A	Sleeve, PTO Intermediate Shaft	1	1	1
66	ESL10830	E1ADKN-7256	Lock Ring, Sleeve & Gear	1	1	1
67	ESL10832	87NH-7141-AA	Gear Assembly, Reverse Idler (Includes #68)	1	1	1
68	ESL10833	887E-7143-A	Bush, Reverse Idler Gear	1	1	1
69	ESL11755	C5NN-7N011-B	Bolt (3/8-16)	1	1	1
70	ESL10834	C5NN-7N144-A	Seal Idler Shaft	1	1	1
71	ESL10831	C5NN-7140-B	Shaft, Transmission Reverse Idler	1	1	1

Service Serial Number Breaks:

23	ESL10790	91NH-7N072-AA	Connector & Coupling, Gear Shift	⌞185444	-	-	2
42	ESL14474	C8NN-7N071-A	Coupling & Shaft Assembly, Output	⌞185444	-	-	1

Notes

REAR END & P.T.O.



CENTER HOUSING

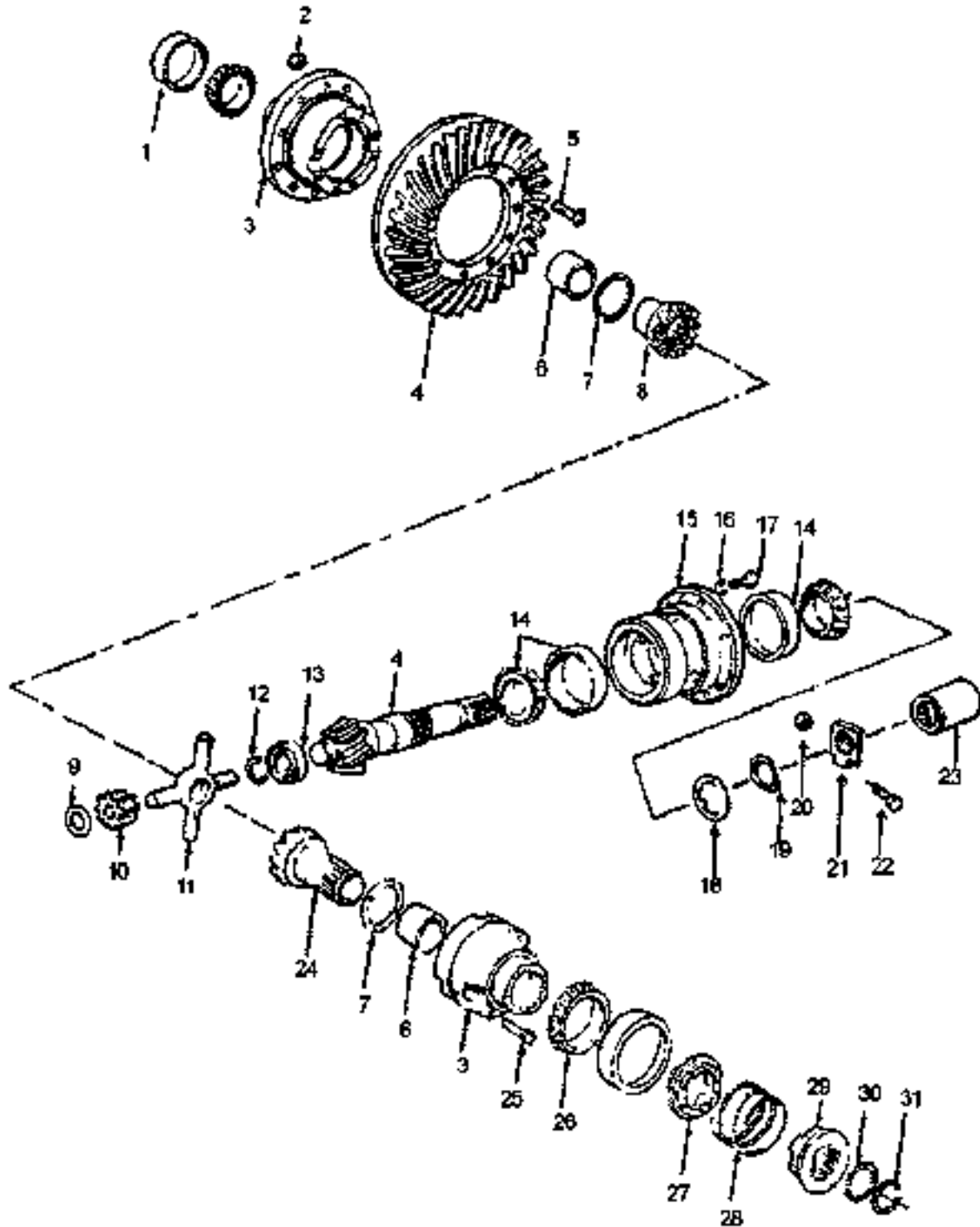
35/45/60

ITEM	LONG #	VENDOR #	DESCRIPTION	QTY.		
				35	45	60
1	ESL10841	C5NN-502-A	Gasket, Hydraulic Lift Cover	1	1	1
2	ESL11971	304668-S36	Bolt, Hex (7/16 - 14 x 0.875)	2	2	2
3	ESL10848	S1NH-4N020-AA	Cover	1	1	1
4	ESL10845	E5NN-4N021-BA	Gasket, Cover	1	1	1
5	ESL10842	957E-7010	Plug, Center Housing Filter	1	1	1
6	ESL10740	D9NN-7037-AA	Gasket, Filter Plug	1	1	1
7	ESL10836	82835340	Housing, Rear Axle Center	1	1	1
8	Ⓢ ESL12529	11-40747-AA	Plug, Drain (3/4 - 14)	1	1	1
9	ESL10847	SPF.967.000	Bush Set, Brake Pedal Shaft	1	1	1
10	ESL10838	87657-S36	Plug (1/4 - 18)	1	1	1
11	ESL10837	C5NN-N951-B	Pin	1	1	1
12	ESL10883	C5NN-4885-C	Gasket (0.1524-0.2032mm Thick)	AR	AR	AR
-	ESL10884	C5NN-4885-D	Gasket (0.279-0.329mm Thick)	AR	AR	AR
-	ESL10885	C5NN-4885-E	Gasket (0.3810-0.4310mm Thick)	AR	AR	AR
13	58678-S8	58678-S36	Bolt, Hex (1/2 - 13 x 1.75)	1	1	1
14	ESL10840	E2NN-4N507-AA	Gasket	1	1	1
15	58677-S8	58677-S36	Bolt, Hex (1/2 - 13 x 2.00)	1	1	1
16	58699-S8	58699-S36	Bolt, Hex (9/16 - 12 x 2.00)	2	2	2
17	58701-S8	58701-S36	Bolt, Hex (9/16 - 12 x 2.50)	2	2	2
18	58679-S8	58679-S36	Bolt, Hex (1/2 - 13 x 2.50)	1	1	1
19	33845-S8	33845-S36	Nut, Hex (1/2 - 13)	6	6	6
20	58678-S8	58678-S36	Bolt, Hex (1/2 - 13 x 2.25)	3	3	3
21	33847-S8	33847-S36	Nut, Hex (9/16 - 12)	4	4	4
22	ESL11970	11-20021-AA	Gasket, Cover FCV Opening*	1	-	-
-	ESL11202	C5NN-N949-A	Gasket, Flow Control Valve	-	1	1
23	ESL11968	11-20019-AA	Cover, FCV Opening*	1	-	-
24	304668-S8	304668-S36	*Bolt, Hex (7/16-14x0.875)	4	-	-

Service Serial Number Breaks:

8	ESL10839	87747-S36	Plug Drain (3/4-14)	K.273009	-	1	1
---	----------	-----------	---------------------	----------	---	---	---

*Used Only when Flow Control Valve is not installed



DIFFERENTIAL & GEAR SET

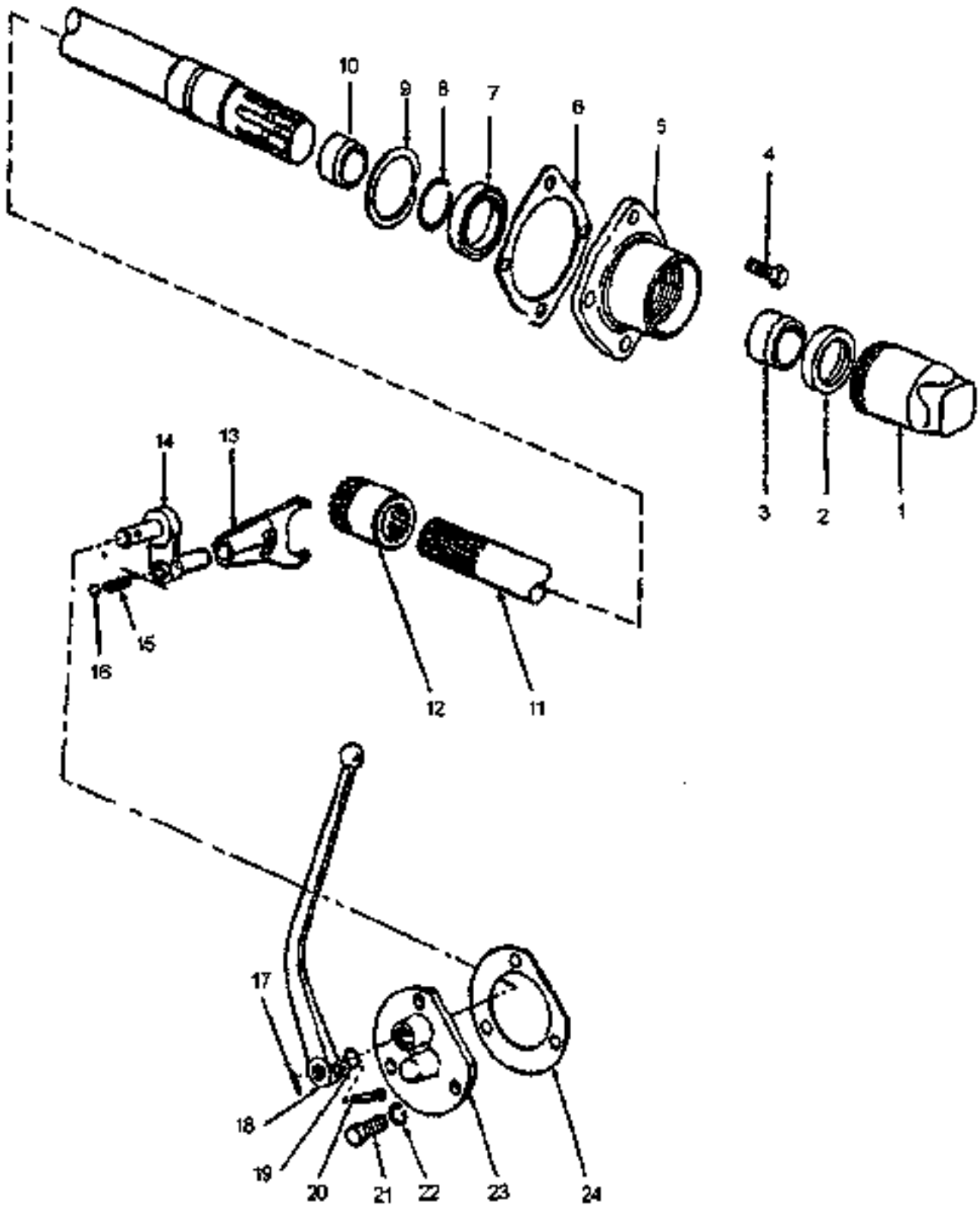
35/45/60

ITEM	LONG #	VENDOR #	DESCRIPTION	QTY.		
				35	45	60
1	ESL14475	11-4220-AA	Bearing Assembly, Taper Roller	1	1	1
2	ESL14478	12-45135-AA	Nut, Hex Lock (1/2 - 20)	12	12	12
3	ESL10850	91NH-4204-AA	Case, Rear Axle Differential	1	1	1
4	ESL10851	D1NH-4208-B	Gear Set, Rear Axle Matched	1	1	1
5	ESL11900	91NH-390777-AA	Bolt, Flange Head (1/2 - 20 x 1.62)	12	12	12
6	ESL10858	E185-EB-9	Bush, Differential Case	2	2	2
7	ESL11690	957E-4228	Washer, Thrust Differential	2	2	2
8	ESL10852	78NH-4A162-AA	Gear, Differential Side LH	1	1	1
9	ESL11671	508E-4230-A	Washer, Thrust Differential	4	4	4
10	ESL10855	75NH-4292-A	Pinion, Differential	4	4	4
11	ESL10854	81NH-4211-AA	Spider, Rear Axle Differential	1	1	1
12	ESL10662	960E-4627	Ring, Drive Pinion Pilot Bearing	1	1	1
13	ESL10661	86NH-4A242-AA	Bearing, Drive Pinion Pilot	1	1	1
14	ESL10663	960E-4615	Bearing, Taper Roller	2	2	2
15	ESL10664	86NH-4614-AA	Retainer, Drive Pinion Bearing	1	1	1
16	34810-S8	34810-S36	Washer, Lock (9/16)	4	4	4
17	304728-S8	304728-S36	Bolt, Hex (9/16 - 12 x 1.25)	4	4	4
18	ESL11691	E6NN-4A056-AA	Washer, Bearing Thrust	1	1	1
19	ESL11692	E6NN-4667-AA	Washer, Thrust, Drive Pinion	1	1	1
20	ESL11804	376421-S7	Nut, Lock	1	1	1
21	ESL10865	C5NN-4A053-B	Clamp, Drive Pinion	1	1	1
22	376415-S8	376415-S36	Bolt	1	1	1
23	ESL10866	C5NN-4684-A	Coupling, Drive Shaft	1	1	1
24	ESL10859	78NH-4236-A	Gear, Differential Side RH	1	1	1
25	43104-S8	43104-S36	Screw, Hex (1/2 - 13 x 0.88)	8	8	8
26	ESL10848	957E-4220	Bearing, Taper Roller	1	1	1
27	ESL10857	E186-EB-9	Adapter, Differential Lock Case	1	1	1
28	ESL10858	E188-EB-9	Spring, Differential Lock Coupling	1	1	1
29	ESL10859	E187-EB-9	Coupling, Differential Lock	1	1	1
30	ESL11872	E189-EB-9	Washer, Lock Coupling	1	1	1
31	ESL10890	E1ADDN-4288	Ring, Differential Lock Coupling	1	1	1

Service Serial Number Breaks:

1	ESL10848	91NH-4220-AA	Bearing Assembly, Taper Roller	K.234887	1	1	1
---	----------	--------------	--------------------------------	----------	---	---	---

DIFFERENTIAL & GEAR SET

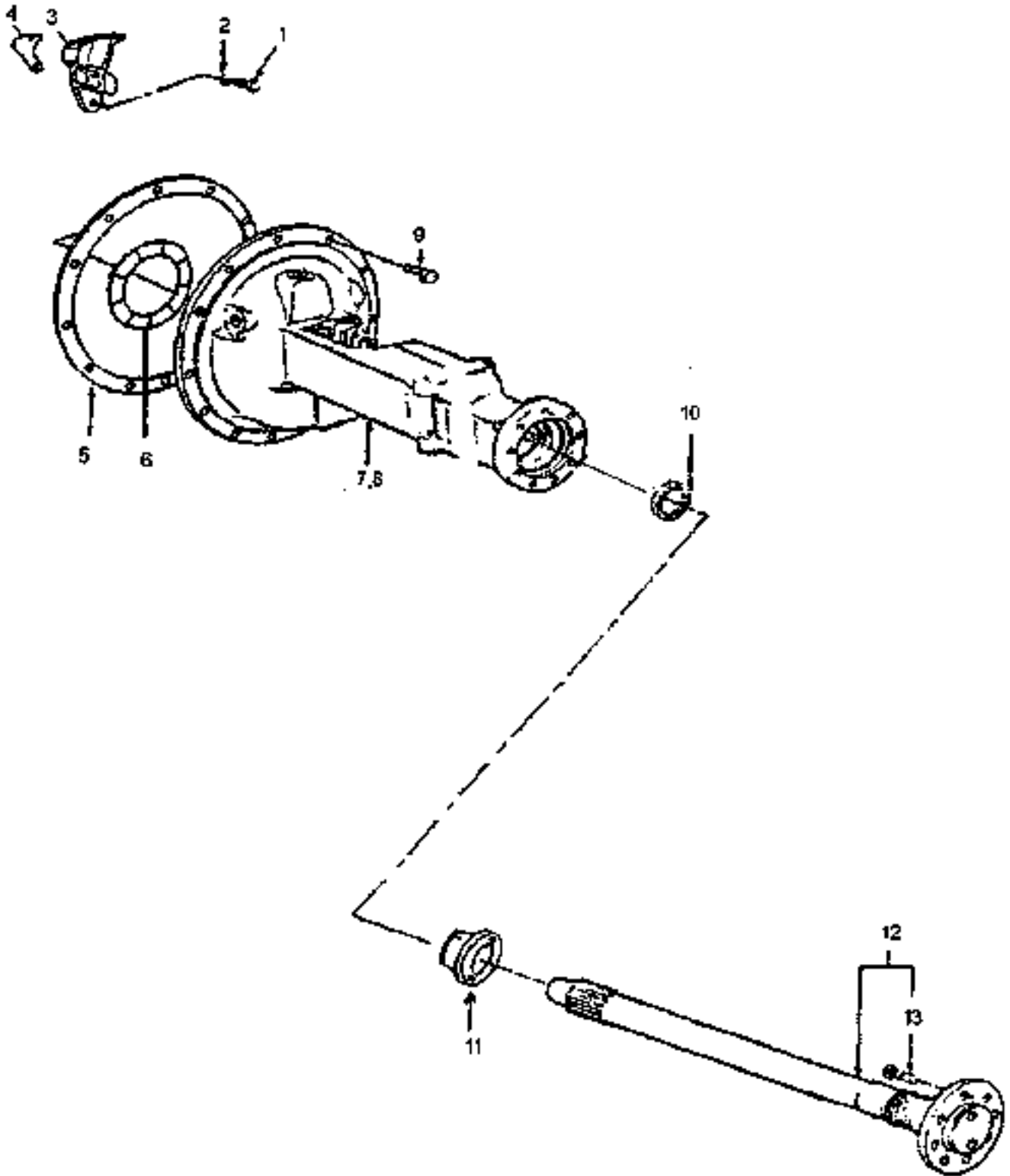


POWER TAKE OFF ASSEMBLY

ITEM	LONG #	VENDOR #	DESCRIPTION	Qty.		
				35	45	60
1	ESL10917	310088	Cap. PTO Shaft Rear	1	1	1
2	ESL12532	11-40703-AA	Oil Seal, Rear PTO Shaft	1	1	1
3	ESL10913	NH-310087	Sleeve, PTO Shaft Rear	1	1	1
4	304724-S8	304724-S38	Bolt, Hex (7/16 - 14 x 1.14)	4	4	4
5	ESL10915	E2NN-753-AA	Cover, PTO Shaft Rear	1	1	1
6	ESL10916	C5NN-747-A	Gasket, Rear Cover	1	1	1
7	ESL10910	8A-7085-A	Bearing Rear, PTO Shaft	1	1	1
8	ESL10911	310088	Snap Ring	1	1	1
9	ESL10912	314267	Snap Ring	1	1	1
10	ESL10909	11-07716-A	Bush, PTO Rear Shaft	1	1	1
11	Ⓢ ESL10908	82835249	Shaft, PTO Rear	1	1	1
12	ESL10906	C5NN-717-A	Sleeve, PTO Countershaft	1	1	1
13	ESL10905	C5NN-720-A	Fork, PTO Shifter	1	1	1
14	ESL10900	C7NN-N740-A	Arm, PTO Shifter	1	1	1
15	ESL10902	EB-7234	Spring, PTO Shifter Arm	1	1	1
16	ESL10735	370924-S	Ball, PTO Shifter Arm	1	1	1
17	72003-S8	72003-S8	Pin, Cotter, Bolt to Lever	1	1	1
18	ESL10904	C5NN-723-A	Lever, PTO Shifter	1	1	1
19	ESL10300	11-81035-AA	O'Ring (0.625 x 0.103)	1	1	1
20	305080-S8	305080-S2	Pin, Roll (1/4 x 1)	1	1	1
21	304686-S8	304686-S36	Bolt, Hex (7/16 - 14 x 1.00)	3	3	3
22	34808-S8	34808-S36	Washer, Lock (7/16)	3	3	3
23	ESL10898	C7NN-721-A	Plate, PTO Shifter	1	1	1
24	ESL10899	C5NN-N722-B	Gasket, PTO Shifter Plate	1	1	1

Service Serial Number Breaks:

11	ESL10907	79NH-A728-AA	Shaft Assembly, PTO Rear	⌞ 202896	-	-	1
----	----------	--------------	--------------------------	----------	---	---	---



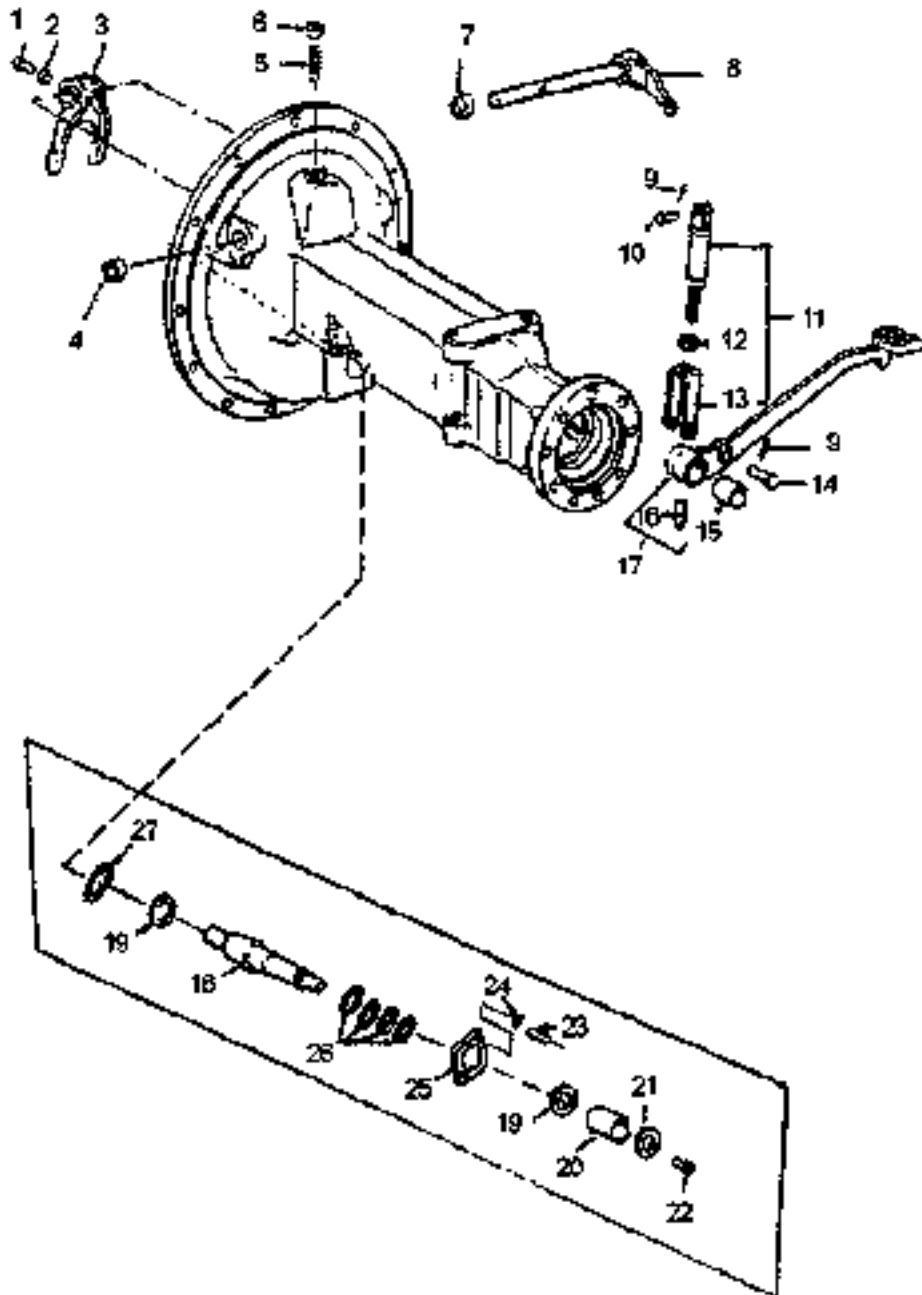
REAR AXLE

35/45/60

ITEM	LONG #	VENDOR #	DESCRIPTION	QTY.		
				35	45	60
1	304884-S8	304884-S36	Bolt, Hex (3/8 - 16 x 1.00)	2	2	2
2	34807-S8	34807-S36	Washer, Lock (3/8)	2	2	2
3	ESL10896	92NH-4194-AA	Block, Drive Gear Thrust	1	1	1
4	ESL10897	92NH-4A194-AA	Shim, Thrust Block (0.004)	AR	AR	AR
5	ESL10883	C5NH-4885-C	Gasket (0.152 - 0.203)	AR	AR	AR
-	ESL10884	C5NH-4885-D	Gasket (0.279 - 0.329)	AR	AR	AR
-	ESL10885	C5NH-4885-E	Gasket (0.381 - 0.432)	AR	AR	AR
6	ESL10889	90NH-4229-AA	Shim (2.297)	AR	AR	AR
-	ESL10890	90NH-4229-AB	Shim (0.203 - 0.254)	AR	AR	AR
-	ESL10891	90NH-4229-AC	Shim (0.381 - 0.439)	AR	AR	AR
-	ESL10892	90NH-4229-AD	Shim (0.508 - 0.559)	AR	AR	AR
-	ESL10893	90NH-4229-AE	Shim (0.762 - 0.813)	AR	AR	AR
-	ESL10894	90NH-4229-AF	Shim (1.250 - 1.300)	AR	AR	AR
7	Ⓢ ESL14477	11-40010-AB	Housing, Rear Axle RH	1	1	1
8	Ⓢ ESL14478	11-40020-AB	Housing, Rear Axle LH	1	1	1
9	ESL11901	C5NH-4N027-A	Bolt, Hex (9/16 - 12 x 1.38)	26	26	26
10	ESL10888	88NH-4233-AD	Seal Assembly, Inner	2	2	2
11	Ⓢ ESL12426	11-41069-AA	Mud Shield & Retainer	2	2	2
12	ESL10886	91NH-4244-BA	Shaft and Bolt Assembly	2	2	2
13	ESL11759	B2835212	Bolt, Rear Wheel Disc	16	16	16

Service Serial Number Breaks:

7	ESL10881	90NH-4010-AA	Housing Assembly, Rear Axle RH	⌞ 237870	-	1	1
8	ESL10882	91NH-4011-BA	Housing Assembly, Rear Axle LH	⌞ 237871	-	1	1
11	ESL10887	91NH-4968-AA	Mud Shield & Retainer Assembly	⌞ 232820	2	2	2
-	N-605528-S8	N-605528-S36	Bolt, Hex Head (M8*1.25-12)	⌞ 232820	4	4	4



DIFFERENTIAL LOCK COUPLING

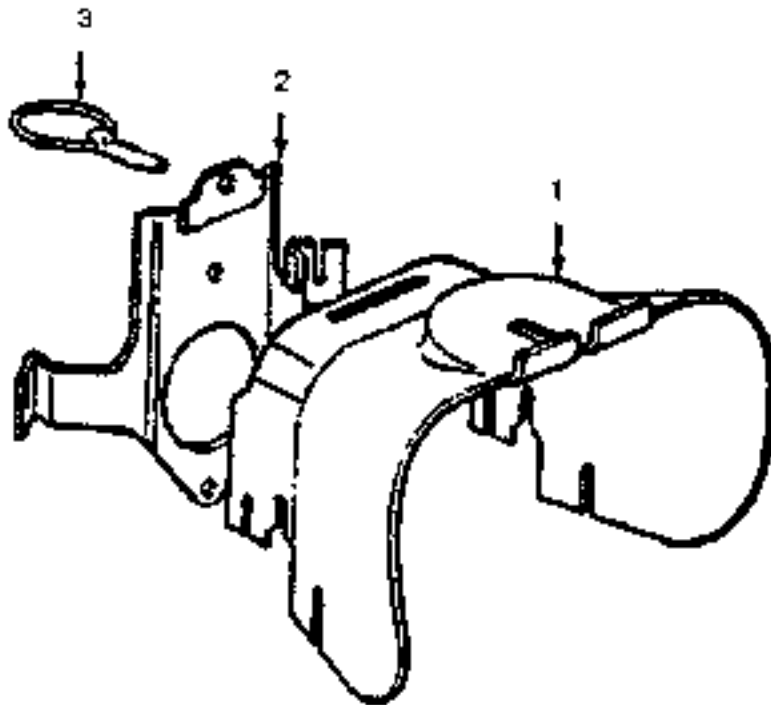
35/45/60

ITEM	LONG #	VENDOR #	DESCRIPTION	QTY.		
				35	45	60
1	ESL11889	957E-7245	Screw, Differential Lock Coupling Fork	1	1	1
2	33825-S8	33825-S36	Nut, Fork Lock Screw, Hex (3/8-24)	1	1	1
3	ESL10880	C5NN-4N053-A	Fork, Differential Lock Coupling	1	1	1
4	ESL10879	E193-EB-8	Plug, Differential Lock Lever Shaft	1	1	1
5	ESL11873	E2F1-EB9	Screw, Differential Lock Fork Stop	1	1	1
6	33924-S8	33924-S36	Nut, Hex (3/8-16)	1	1	1
7	ESL10878	E196-EB-8	Seal, Differential Lock Lever Shaft	1	1	1
8	ESL10877	73NH-4N107-A	Shaft & Lever Assembly, Differential Lock	1	1	1
9	72017-S8	72017-S8	Pin, Cotter (1/8x0.75)	2	2	2
10	73871-S8	73871-S36	Pin, Clevis (5/16x0.75)	1	1	1
11	ESL10875	71NH-4N105-A	Linkage Assembly, Rear Axle Differential Lock	1	1	1
12	ESL11808	C9NN-4N106-A	Nut, Differential Lock Adjusting	1	1	1
13	ESL10876	71NH-4N103-A	Clevis, Differential Lock	1	1	1
14	70232-S8	70232-S36	Pin, Clevis to Pedal (5/16x1.24)	1	1	1
15	ESL10869	74NH-2N451-A	Bush, Differential Lock Pedal	1	1	1
16	ESL10868	B7907-S36	Grease Nipple (1/4 - 28)	1	1	1
17	ESL10867	93NH-4N191-AA	Pedal Assembly, Differential Lock	1	1	1
18	Ⓢ ESL14565	11-55583-AA	Shaft Lower Link	2	2	2
19	Ⓢ ESL11694	92NH-D849-AB	Washer, Shaft Link	4	4	4
20	ESL10874	90NH-4N086-AA	Sleeve, Differential Lock Pedal (RH Side Only)	1	1	1
21	44746-S8	44746-S36	Washer, Flat (3/4")	2	2	2
22	ESL11764	90NH-4N087-AA	Bolt, Differential Lock Pedal to Shaft Link	2	2	2
23	304684-S8	304684-S36	Bolt, Hex Head (3/8-16x1.00)	4	4	4
24	44881-S8	44881-S36	Washer, Flat Head (3/8)	4	4	4
25	ESL10873	90NH-5N063-AA	Retainer Lock	2	2	2
26	Ⓢ ESL10872	87026-S94	'O' Seal	8	8	8

Service Serial Number Breaks:

18	ESL11131	92NHN563-AA	Shaft Lower Link, RH	K.176045	-	-	1
-	ESL11132	92NHN563-AB	Shaft Lower Link, RH	K.237670	-	1	1
19	ESL11693	92NH-D849-AA	Washer, Shaft Link	K.176045	-	4	4
26	ESL10671	93NH-5E063-AA	Seal, Shaft Link	K.236772	-	2	2

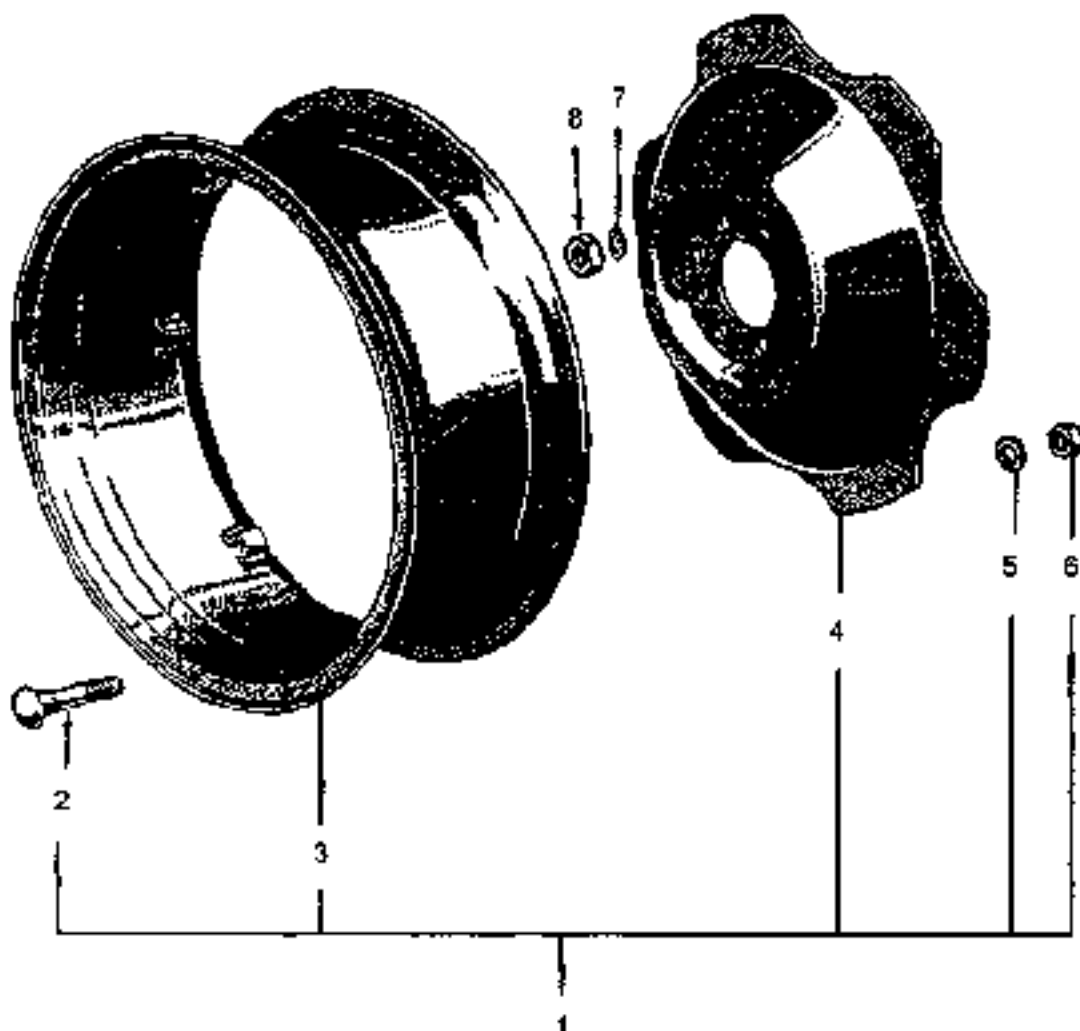
ITEM	LONG #	VENDOR #	DESCRIPTION	QTY.		
				35	45	60
1	ESL10918	D1NN-A788-A	PTO Guard	1	1	1
2	ESL10919	D1NN-P780-A	Support, PTO Guard	1	1	1
3	ESL11126	2N-608	Pin Assembly, Linch Lock	1	1	1



PTO GUARD KIT

35/45/60

ITEM	LONG #	VENDOR #	DESCRIPTION	Qty.		
				35	45	60
1	ESL14196	62835072	Rear Wheel Assembly (W11)	2	-	-
-	ESL10923	93NH-1100-BA	Rear Wheel Assembly (W12)	-	2	2
2	ESL14479	78NH-1N012-AA	Bolt, Rear Wheel Rim to Disc	12	12	12
3	ESL10921	88NH-1050-AA	Rim, Rear Wheel	-	2	2
-	ESL14480	74NH-1050-AA	Rim, Rear Wheel	2	-	-
4	ESL10920	93NH-1017-AA	Disc, Rear Wheel	2	2	2
5	ESL11923	88NH-1N020-AA	Washer, Disc to Rim	12	12	12
6	ESL11899	88NH-1N021-AA	Nut, Disc to Rim	12	12	12
7	ESL11695	93NH-1N058-AA	Washer, Disc to Rear Axle	18	18	18
8	ESL11808	93NH-1120-AA	Nut, Disc to Axle Flange	18	18	18



REAR WHEELS

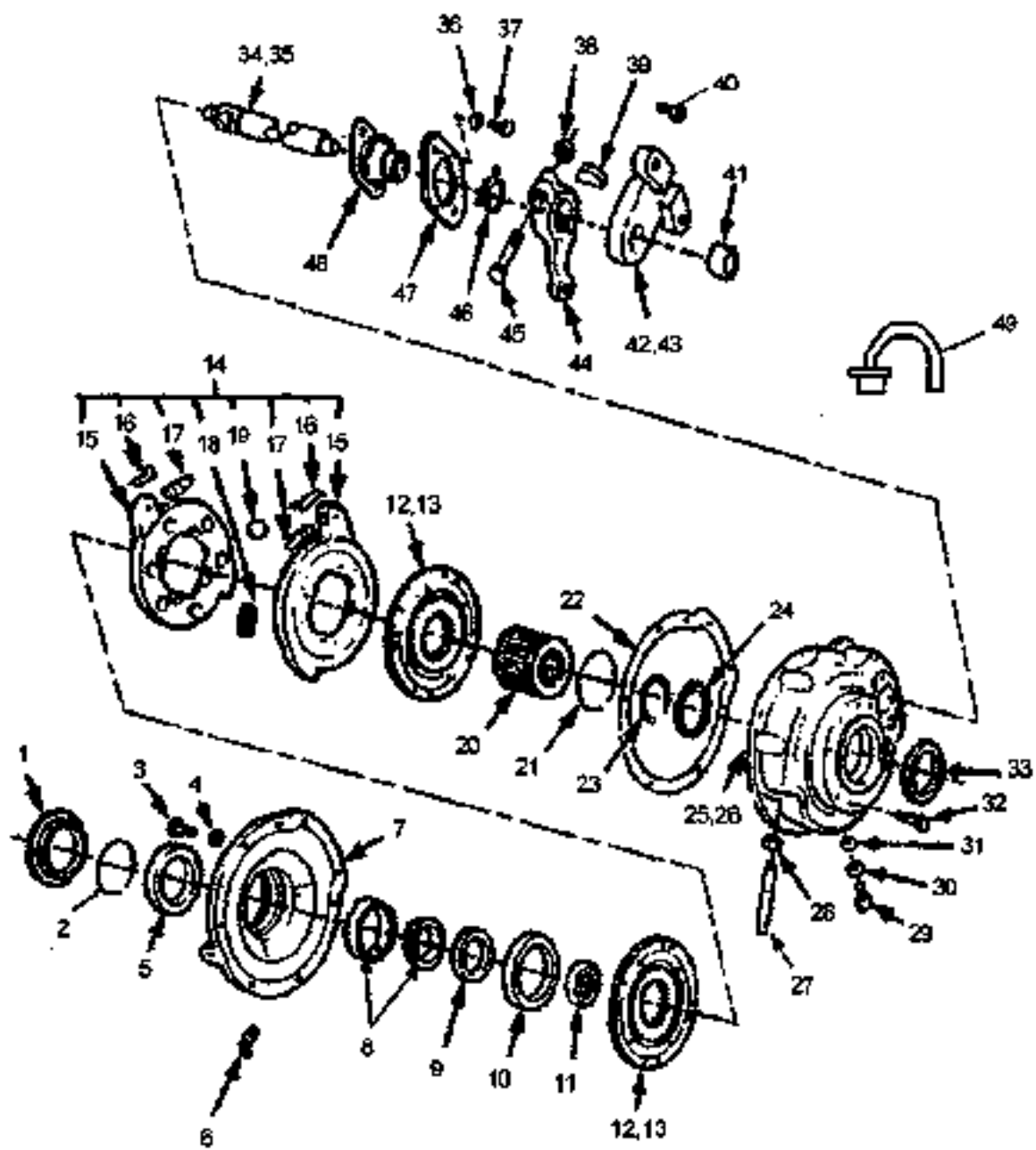
Ⓢ - INDICATES SERVICE SERIAL NUMBER BREAKS.

Ⓚ - INDICATES UP TO AND INCLUDING THAT SERIAL NUMBER

Notes

BRAKE SYSTEM

36/46/60

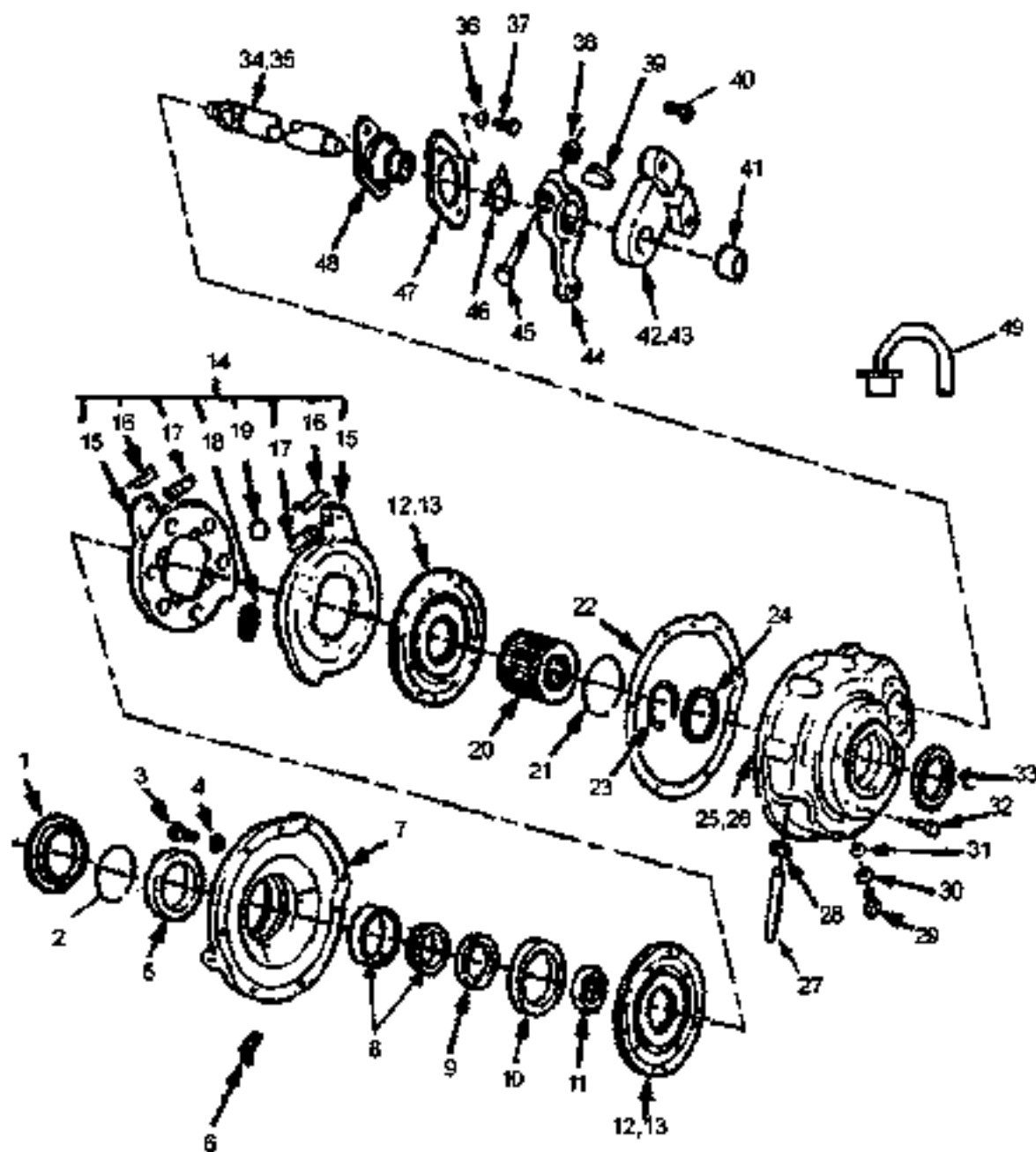


BRAKES - MECHANICAL DISC TYPE

35/45/60

ITEM	LONG #	VENDOR #	DESCRIPTION	Qty.		
				35	45	60
1	ESL10927	91NH-2N128-AA	Bush, Rear Axle Housing	2	2	2
2	ESL14481	87NH-4N031-AA	Retainer, Seal Outer Housing	2	2	2
3	ESL14482	88NH-4N074-AA	Bolt, Hex (1/2 - 13 x 1)	8	8	8
4	ESL11642	377490-S36	Washer, Flat (1/2)	8	8	8
5	ESL10928	91NH-2N134-AB	Seal, Outer Housing	2	2	2
6	ESL10929	87913-S8	Grease Nipple	2	2	2
7	ESL10930	91NH-2N127-BA	Housing, Brake Outer	2	2	2
8	ESL10931	91NH-4B73-AA	Bearing, Taper Roller	2	2	2
9	ESL10932	91NH-4B74-BA	Spacer, Shaft Bearing	2	2	2
10	ESL10933	86NH-2N135-AA	Seal, Inner, Rear Axle Shaft	2	2	2
11	ESL11810	91NH-4N001-BA	Lock Nut, Rear Axle Bearing	2	2	2
12	ESL10934	D0NN-2N154-A	Disc & Lining Assembly, Friction	4	4	4
13	ESL10984	SPF.997.100	Friction Lining & Rivet Set (For Repairs Only)	1	1	1
14	ESL10935	85NH-2B002-AA	Actuator Assembly, Brake Disc	2	2	2
15	-	-	Disc, Brake Actuating (NSS)	4	4	4
16	ESL10939	D0NN-2N138-A	Retainer Clip	4	4	4
17	ESL10938	D0NN-2N139-A	Push Rod, Brake Actuator	4	4	4
18	ESL10937	C5NN-2N320-A	Spring, Brake Disc Return	6	6	6
19	ESL10936	D0NN-2N141-A	Ball, Brake Actuating	2	2	2
20	ESL10941	91NH-2N136-AA	Sleeve, Splined	2	2	2
21	ESL10942	87NH-2N138-AB	Spring, Disc Brake Sleeve	2	2	2
22	ESL10943	D0NN-2N129-AA	Gasket, Outer Brake Housing	2	2	2
23	ESL10944	C0NN-A783-A	Ring Snap, Brake Camshaft	2	2	2
24	ESL11696	C9NN-2N132-A	Washer Thrust, Brake Camshaft	2	2	2
25	ESL10945	90NH-2N125-AA	Housing Inner RH, Brake	1	1	1
26	ESL10946	90NH-2N124-AA	Housing Inner LH, Brake	1	1	1
27	ESL11675	85NH-2N041-AA	Screw Adjusting, Brake	2	2	2
28	33845-S8	33845-S36	Nut, Hex (1/2 - 13)	2	2	2
29	304650-S8	304650-S36	Bolt, Hex (3/8 - 16 x 0.75)	2	2	2
30	44726-S8	44726-S36	Washer, Flat (3/8)	2	2	2
31	ESL11699	87NH-4230-AA	Washer, Spring	2	2	2
32	ESL11759	86NH-2N133-AA	Bolt, Hex (9/16 - 12)	18	18	18
33	ESL10947	86NH-4N109-AC	Seal Assembly, Outer	2	2	2
34	ESL10948	86NH-2247-AB	Camshaft, Brake Actuating LH	1	1	1
35	ESL10949	86NH-2248-AB	Camshaft, Brake Actuating RH	1	1	1
36	34606-S8	34606-S36	Washer, Lock (5/16)	4	4	4
37	304664-S8	304664-S36	Bolt (5/16 - 18 x 0.38)	4	4	4
38	34670-S8	34670-S36	Nut, Hex (7/16 - 14)	2	2	2
39	74166-S8	74166-S	Key (1/4 x 1.25)	2	2	2
40	ESL11760	C5NN-E987-A	Bolt, Arm Assembly	2	2	2

BRAKES - MECHANICAL DISC TYPE

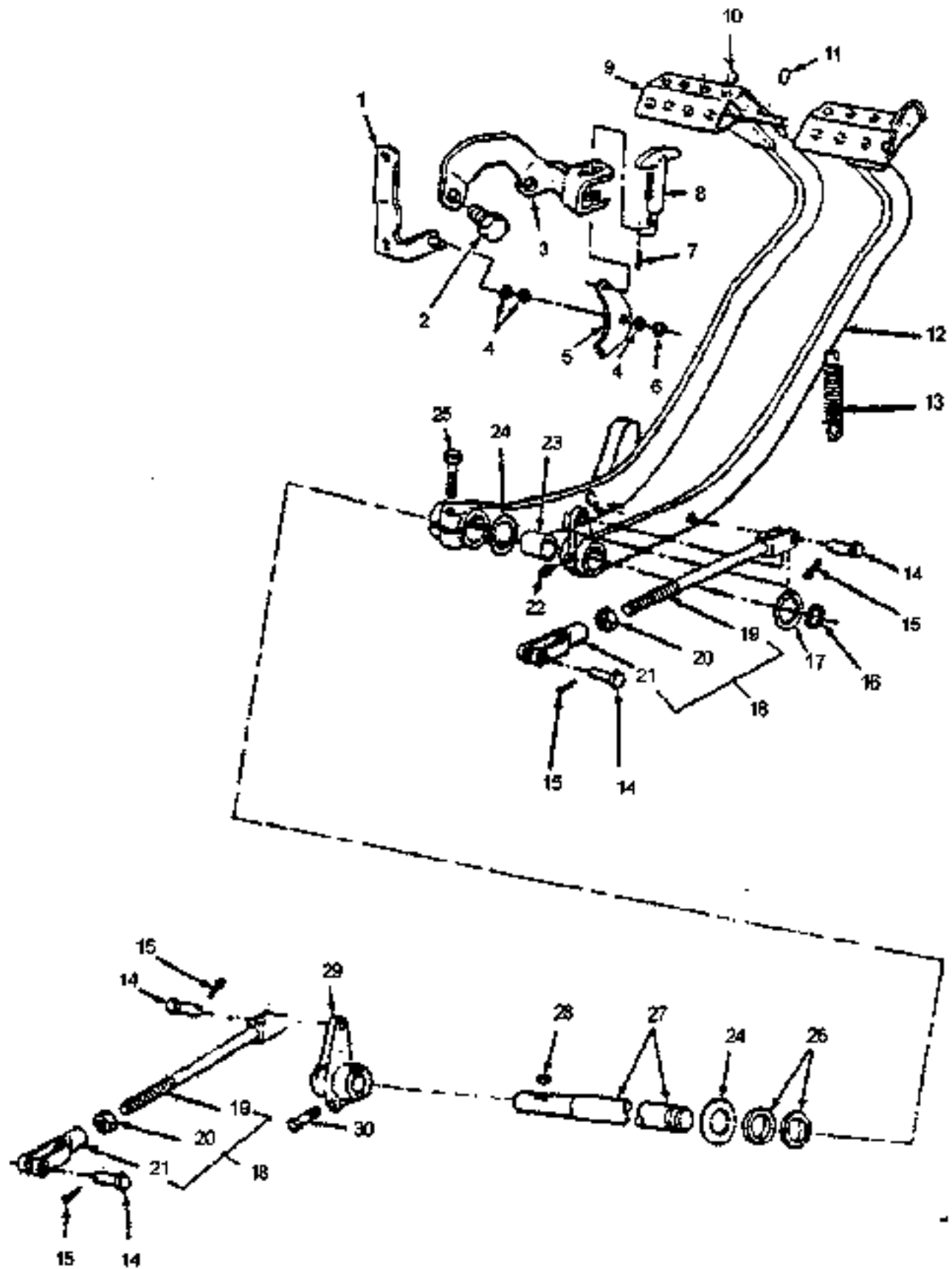


BRAKES - MECHANICAL DISC TYPE

35/45/60

ITEM	LONG #	VENDOR #	DESCRIPTION	QTY.		
				35	45	60
41	ESL10956	78E-2477	Bush, Support Arm	2	2	2
42	ESL10955	C9NN-2N120-A	Arm, Camshaft Support, RH	1	1	1
43	ESL10954	C9NN-2N121-A	Arm, Camshaft Support, LH	1	1	1
44	ESL10953	86NH-2315-AA	Lever, Brake Camshaft	1	1	1
45	304890-S8	304890-S36	Bolt (7/16 - 14 x 2.50)	2	2	2
46	ESL10952	97342-S36	Clamp, Brake Camshaft	1	1	1
47	ESL10951	C9NN-2N131-A	Retainer, Brake Camshaft	2	2	2
48	ESL10950	C9NN-2N117-A	Boot, Brake Camshaft	2	2	2
49	ESL10962	11-16850-AA	Tube & Breather Assembly	2	2	2

35/45/60



BRAKE CONTROLS

35/45/60

ITEM	LONG #	VENDOR #	DESCRIPTION	QTY.		
				35	45	60
1	ESL10966	E2NN-2N652-AA	Bracket, Parking Pawl	1	1	1
2	304724-S8	304724-S36	Bolt, Hex (7/16 - 14 x 1.25)	2	2	2
-	304886-S8	304886-S36	Bolt, Hex (7/16 - 14 x 1.00)	2	2	2
3	ESL10969	D8NN-2795-A	Bracket, Parking Brake Control	1	1	1
4	354235-S8	354235-S36	Washer, Flat (1/2)	3	3	3
5	ESL10970	C5NN-2N430-A	Pawl, Parking Brake Lever	1	1	1
6	ESL10971	97413-S36	Ring Retaining (1/2)	1	1	1
7	72003-S8	72003-S8	Pin Cotter (1/16 x 1/2)	1	1	1
8	ESL10967	79NH-2824-AA	Rod, Parking Brake Control	1	1	1
9	ESL10979	92NH-2A188-AA	Pedal Assembly, Brake LH	1	1	1
10	ESL10978	C7NN-2N145-A	Handle, Brake Pedal Interlock	1	1	1
11	ESL11824	305023-S	Pin, Spring Roll (1/8 x 4.37)	1	1	1
12	ESL10960	87NH-2455-AA	Pedal Assembly, Brake RH	1	1	1
13	ESL13342	C5NN-2472-B	Spring, Pedal Retainer	2	2	2
14	73919-S8	73919-S36	Pin, Clevis (3/8 x 1.14)	4	4	4
15	72017-S8	72017-S8	Pin, Cotter (1/8 x 0.75)	4	4	4
16	ESL10983	E27N-7547	Lock Ring, Pedal Shaft	1	1	1
17	ESL11701	77NH-2N547-A	Washer Thrust, Pedal Shaft	1	1	1
18	ESL10984	88NH-2463-AA	Rod & Clevis Assembly			
19	-	-	Rod Clevis, Brake Control (NSS)	2	2	2
20	33925-S8	33925-S36	Nut, Hex (3/8 - 24)	2	2	2
21	97013-S8	97013-S36	Clevis (3/8 - 24 x 2.50)	2	2	2
22	ESL10968	87907-S36	Grease Nipple (1/4 - 28)	1	1	1
23	ESL10847	SPF.987.000	Bush Set, Brake Pedal Shaft	1	1	1
24	ESL11700	C5NN-2N547-B	Washer, Brake Pedal Shaft	2	2	2
25	304743-S8	304743-S36	Bolt, Hex (7/16 - 14 x 1 3/8)	1	1	1
26	ESL10977	91NH-2N289-AA	Seal, Brake Pedal Shaft	2	2	2
27	ESL10974	D9NN-2N337-FA	Shaft, Brake Cross	1	1	1
28	74181-S8	74181-S	Key, Lever to Shaft (1/4 x 7/8)	2	2	2
29	ESL10972	D2NN-2N511-C	Lever, Pedal Shaft to Clevis	1	1	1
30	59558-S8	58655-S36	Bolt, Hex (7/16 - 14 x 1.50)	1	1	1

BRAKE CONTROLS

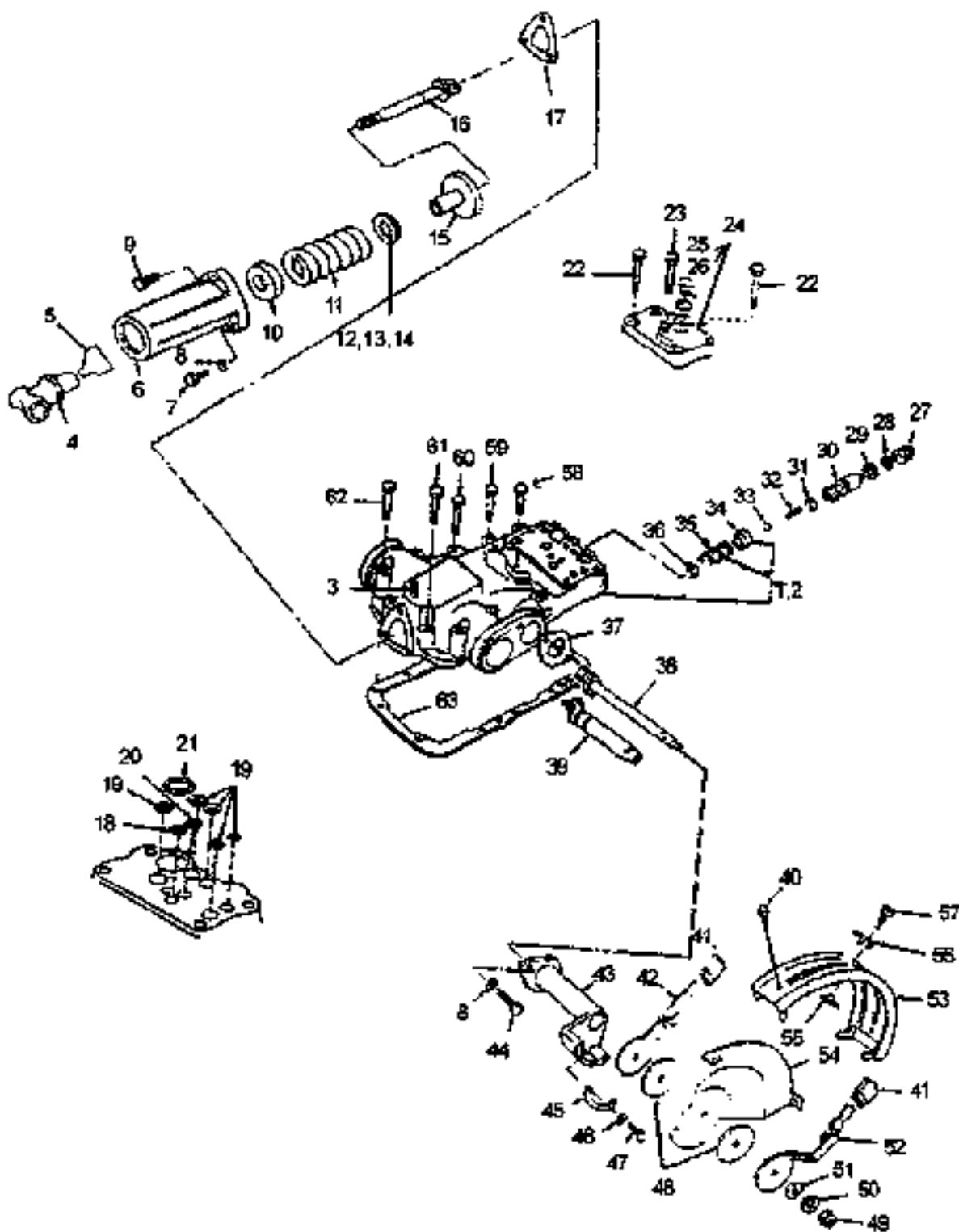
Notes

HYDRAULICS SYSTEM



Long Agribusiness

COMMON SENSE SOLUTIONS

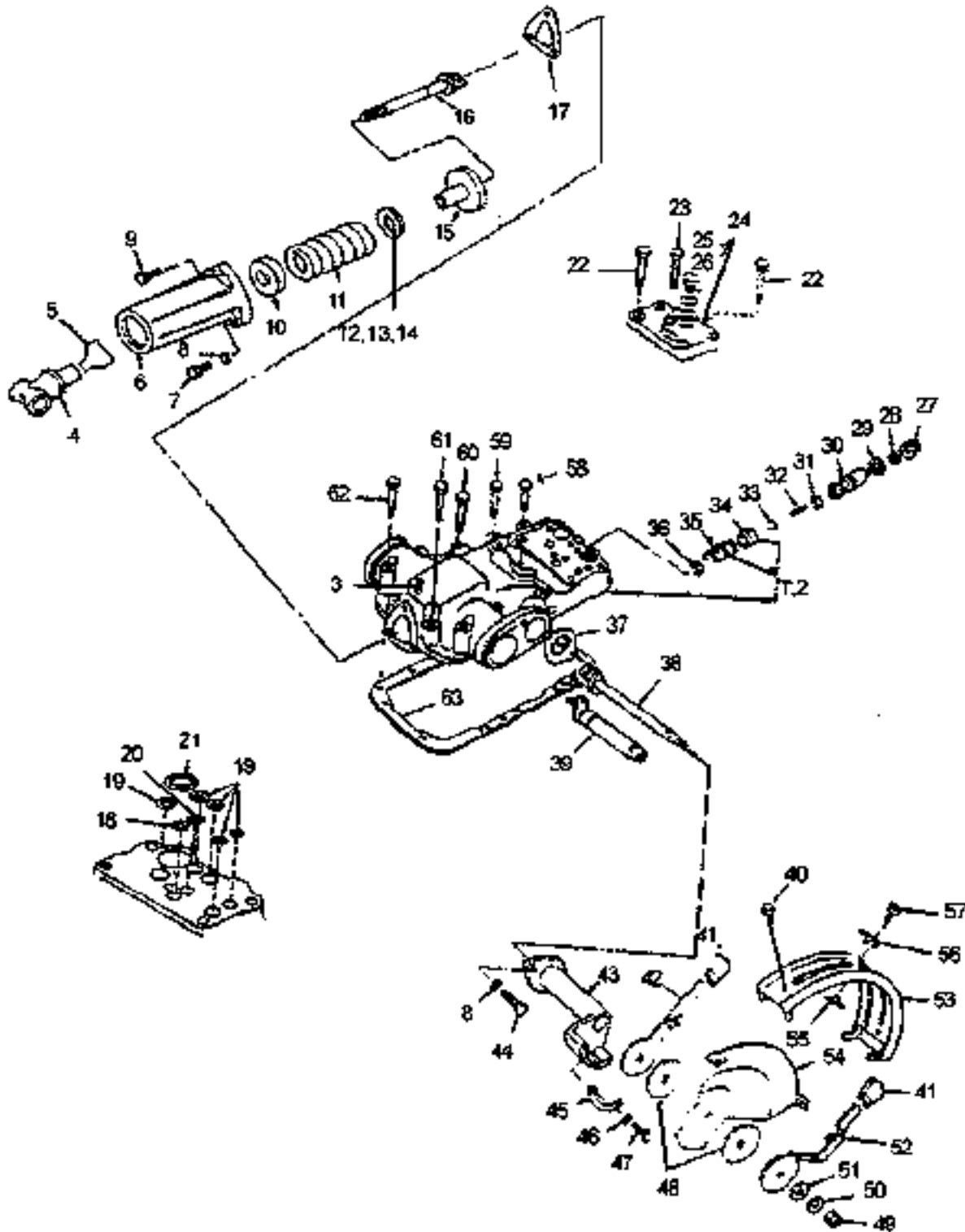


HYDRAULIC LIFT COVER

35/45/60

ITEM	LONG #	VENDOR #	DESCRIPTION	Qty.		
				35	45	60
1	ESL11028	82835339	Hydraulic Lift Assembly (Includes Items #2-21, 27-54&59 of Section 10:1 and all items of Section 10-2 except Items #5-7)	1	1	1
2	ESL10985	89NH-537-AA	Top Cover, Hydraulic Lift	1	1	1
3	ESL12496	89NH-669-AA	Pin	1	1	1
4	ESL11014	92NH-546-AA	Yoke, Hydraulic Lift	1	1	1
5	ESL11016	93NH-C546-AA	Boot Yoke, Hydraulic Lift	1	1	1
6	ESL11017	92NH-N905-AA	Housing, Draft Control	1	1	1
7	ESL11909	381714-S36	Bolt (7/16 - 14 x 2.88)	2	2	2
8	34793-S8	34793-S36	Washer, Lock (7/16)	3	3	3
9	ESL11763	82NH-4N032-AA	Bolt	1	1	1
10	ESL11018	C5NN-A985-B	Seal, Draft Control Spring	1	1	1
11	ESL11019	C5NN-547-B	Spring, Lift Draft Control	1	1	1
12	ESL11020	C5NN-K834-B	Shim, Draft Control (0.015)	AR	AR	AR
13	ESL11021	C5NN-K834-C	Shim, Draft Control (0.020)	AR	AR	AR
14	ESL11022	C5NN-K834-D	Shim, Draft Control (0.025)	AR	AR	AR
15	ESL11023	C6NN-525-B	Seat, Hydraulic Lift Spring	1	1	1
16	ESL11024	E9NN-541-AA	Plunger, Draft Control	1	1	1
17	ESL11025	93NH-C905-AA	Gasket, Draft Control Housing	1	1	1
18	ESL10011	87012-S95	Seal 'O' Ring (0.5 x 0.07)	1	1	1
19	ESL10008	87034-S95	Seal 'O' Ring (9/16 x 0.103)	5	5	5
20	ESL10010	87010-S95	Seal 'O' Ring (0.437 x 0.07)	1	1	1
21	ESL10992	87044-S95	Seal 'O' Ring (13/16 x 0.103)	1	1	1
22	379409-S8	379409-S36	Bolt (7/16 - 14)	2	2	-
23	304777-S8	304777-S36	Bolt, Hex (5/16 - 18 x 1.5)	1	1	-
24	ESL10989	C6NN-475-B	Cover Assembly, Hydraulic Lift (Includes Items #25,26)	1	1	-
25	371433-S8	371433-S36	Bolt, Hex (9/16 - 18 x 0.62)	1	1	-
26	ESL10990	C5NN-N991-B	Seal, ASC Cover (9/16)	1	1	-
27	ESL11008	957E-832	Plug, Lift Check Valve	1	1	1
28	ESL11010	E0NN-N475-AA	Seal (0.364 x 0.066)	2	2	2
29	ESL11011	E0NN-N475-BA	Seal (0.489 x 0.066)	2	2	2
30	ESL11009	E0NN-N482-AA	Retainer, Lift Check Valve	1	1	1
31	ESL10901	87035-S95	'O' Ring (0.82 x 0.13)	1	1	1
32	ESL11012	D3NN-645-A	Spring, Lift Check Valve	1	1	1
33	ESL11013	351666-S	Ball (15/32)	1	1	1
34	ESL10968	89NH-N895-AA	Seat, Check Valve	1	1	1
35	ESL10987	D8NN-P910-AA	Sleeve, Check Valve	1	1	1
36	ESL10668	87016-S35	'O' Ring, Seal	1	1	1
37	ESL10996	957E-532	Gasket	1	1	1

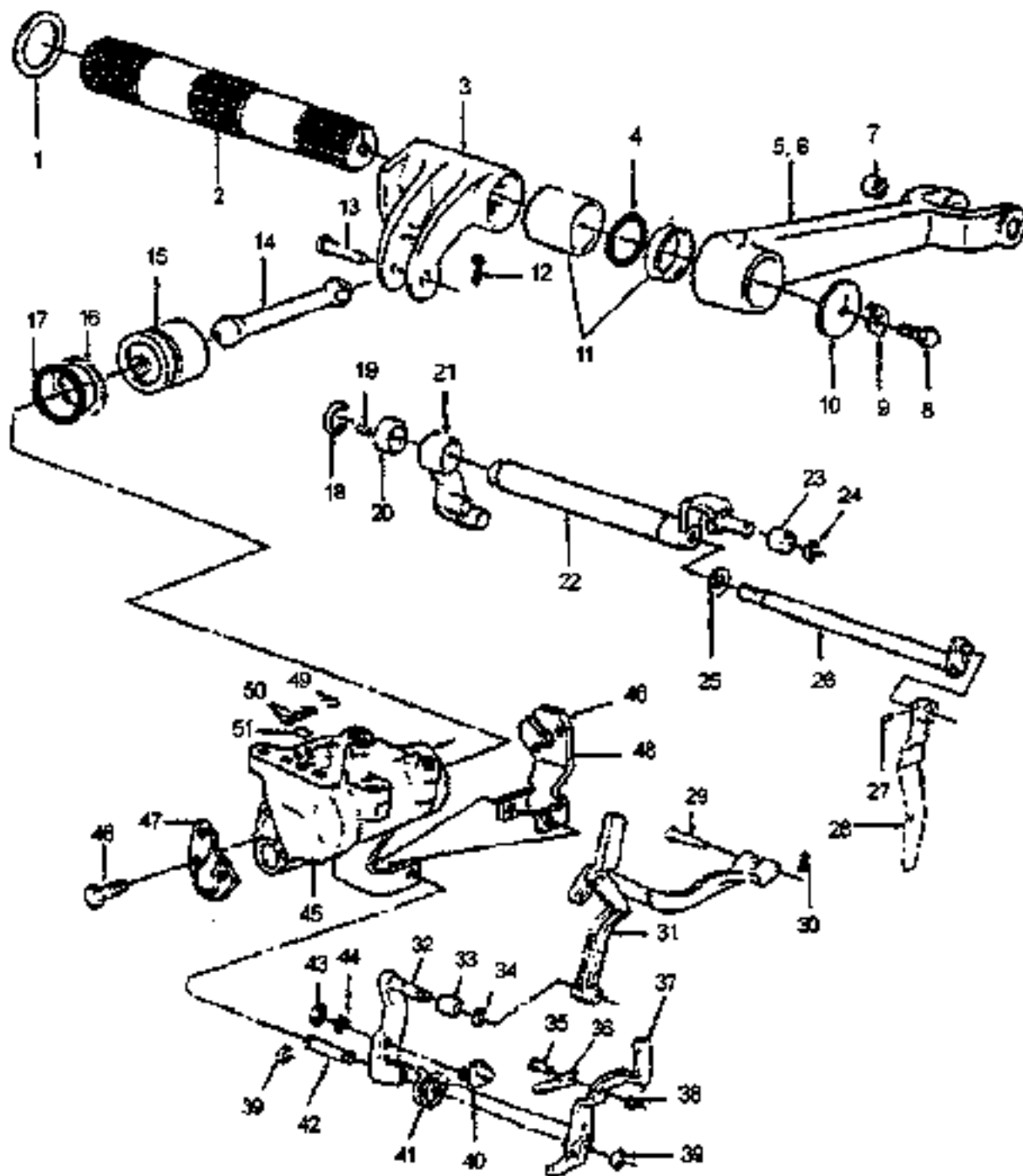
HYDRAULIC LIFT COVER



HYDRAULIC LIFT COVER

ITEM	LONG #	VENDOR #	DESCRIPTION	QTY.		
				35	45	60
38	ESL10986	E1NN-517-AA	Shaft, Lift Control Lever	1	1	1
39	ESL10984	D3NN-B911-B	Shaft, Draft Selection	1	1	1
40	56801-S8	56801-S2	Bolt, Hex Head (1/4 - 20 x 0.5)	2	2	2
41	ESL11005	87NH-L892-AA	Knob, Handle	2	2	2
42	ESL11003	E0NN-B505-DA	Handle, Draft Control	1	1	1
43	ESL10997	D3NN-F982-A	Quadrant, Lift Control	1	1	1
44	304688-S8	304686-S36	Bolt, Hex (7/16 - 14 x 1.00)	2	2	2
45	ESL11001	D3NN-J977-A	Spacer, Control Lever	AR	AR	AR
46	34792-S8	34792-S36	Washer, Lock (3/8)	2	2	2
47	304722-S8	304722-S36	Bolt, Hex (3/8 - 16 x 1.25)	2	2	2
48	ESL10989	C5NN-518-B	Disc, Lift Control Friction	2	2	2
49	34422-S8	34422-S36	Nut, Hex Lock (7/16 - 20)	1	1	1
50	ESL11703	E1ADDN-522-B	Washer, Spring	1	1	1
51	ESL11702	C7NN-A811-A	Washer, Shaft Cup	1	1	1
52	ESL11004	E0NN-D943-CA	Handle, Position Control	1	1	1
53	ESL11002	D3NN-N625-A	Quadrant, Lift Control	1	1	1
54	ESL11000	D3NN-516-A	Plate, Lift Control	1	1	1
55	34464-S8	34464-S36	Nut, Tee	1	1	1
56	ESL11008	D4NN-634-A	Stop, Lift Control Lever	1	1	1
57	ESL11007	77NH-A806-A	Knob, Lift Control Stop	1	1	1
58	58655-S8	58655-S36	Bolt, Hex (7/16 - 14 x 1.50)	3	3	3
59	379414-S8	379414-S36	Bolt, Hex (7/16 - 20 x 1.75)	3	3	3
60	58657-S8	58657-S36	Bolt, Hex (7/16 - 14 x 2.00)	1	1	1
61	58682-S8	58682-S36	Bolt, Hex (7/16 - 14 x 3.25)	4	4	2
62	58683-S8	58683-S36	Bolt, Hex (7/16 - 14 x 3.50)	5	5	5
63	ESL10841	C5NN-502-A	Gasket, Hydraulic Lift Cover	1	1	1

35/45/60



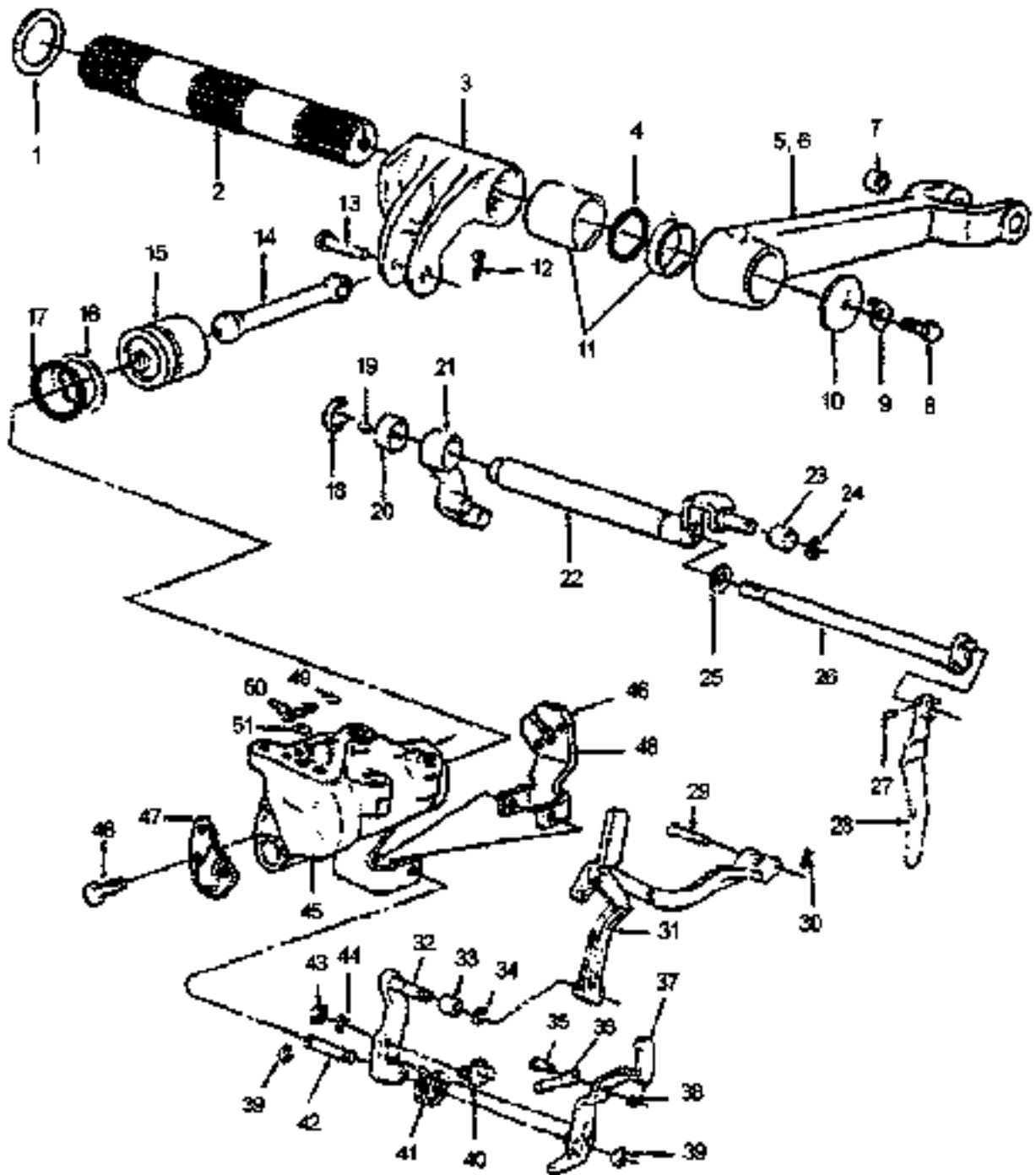
HYDRAULIC LIFT SHAFTS

35/45/60

ITEM	LONG #	VENDOR #	DESCRIPTION	QTY.		
				35	45	60
1	ESL11704	E117-GF9	Washer, Lift Shaft Thrust	1	1	1
2	ESL11070	80NH-544-AA	Shaft, Hydraulic Lift	1	1	1
3	ESL11089	83NH-545-AA	Arm, Hydraulic Lift Ram	1	1	1
4	ESL11073	87108-S94	'O' Ring (2.00 x 0.21)	2	2	2
5	ESL11074	92NH-B920-AA	Arm Assembly RH Hydraulic (Includes Item #7)	1	1	1
6	ESL11075	92NH-B921-AA	Arm Assembly LH, Hydraulic (Includes Item #7)	1	1	1
7	ESL11076	E27N-994909	Bush, Hydraulic Lift Arm	4	4	4
8	304689-S8	304689-S36	Boil, Hex Head (1/2 - 20 x 1.00)	2	2	2
9	ESL11706	967E-650	Washer, Lock	2	2	2
10	ESL11705	967E-651	Washer	2	2	2
11	ESL11098	SPF.975.000	Bush, Hydraulic Lift Shaft (Consist of 2 each)	2	2	2
12	72005-S8	72005-S8	Pin, Cotter (1/8 x 0.50)	1	1	1
13	74034-S8	74034-S36	Pin, Clevis (5/16 x 2.0)	1	1	1
14	ESL11077	B8NH-525-AA	Rod, Connecting Hydraulic Lift	1	1	1
15	ESL11078	C5NN-530-B	Piston, Hydraulic Lift Cylinder	1	1	1
16	ESL11079	NCA-533-A	'O' Ring, Hydraulic Lift Piston	1	1	1
17	ESL11090	D1NN-473-C	Sealing Ring, Hydraulic Lift Piston	1	1	1
18	ESL11085	97480-S36	Ring, Control Shaft Retainer	1	1	1
19	ESL11211	74142-S	Key, Cam	1	1	1
20	ESL10995	D3NN-N970-A	Cam, FC Valve Override Actuator	1	1	1
21	ESL11084	D4NN-J975-A	Lever Assembly, Lift Position Control	1	1	1
22	ESL10994	D3NN-B911-B	Shaft Assembly, Draft Control Selection	1	1	1
23	ESL11082	D3NN-J836-D	Roller, Lift Position Cam	1	1	1
24	ESL11083	97468-S	Ring, Retainer (3/8)	1	1	1
25	ESL11707	D3NN-N533-B	Washer, Lift Shaft Thrust	1	1	1
26	ESL10996	E1NN-517-AA	Shaft, Lift Control Lever	1	1	1
27	305052-S8	305052-S2	Pin, Spring Roll (1/8 x 0.75)	1	1	1
28	ESL11086	D3NN-518-A	Lever, Hydraulic Lift Control	1	1	1
29	379276-S8	379276-S36	Pin, Clevis (3/8 - 1 - 21/32)	1	1	1
30	72017-S8	72017-S8	Pin, Cotter (1/8 - 0.75)	1	1	1
31	ESL11088	D4NN-B503-B	Lever Assembly, Draft Control	1	1	1
32	ESL11067	D5NN-504-A	Lever Assembly, Lift Control Valve	1	1	1
33	ESL11089	D3NN-J835-C	Roller, Cam Flow	1	1	1
34	97470-S8	97470-S36	Ring, Snap (7/16)	2	2	2
35	ESL11094	D3NN-F868-D	Pin, Lift Actuator Pivotal	1	1	1
36	ESL11093	D3NN-B501-A	Actuator, Lift Valve	1	1	1
37	ESL11092	D4NN-A876-A	Lever, Lift Control Valve	1	1	1
38	97410-S	97410-S	Ring, Retaining (5/16)	1	1	1
39	97413-S8	97413-S36	Ring, Retaining (1/2)	2	2	2
40	ESL11091	D3NN-517-A	Shaft, Hydraulic Lift Control Lever	1	1	1

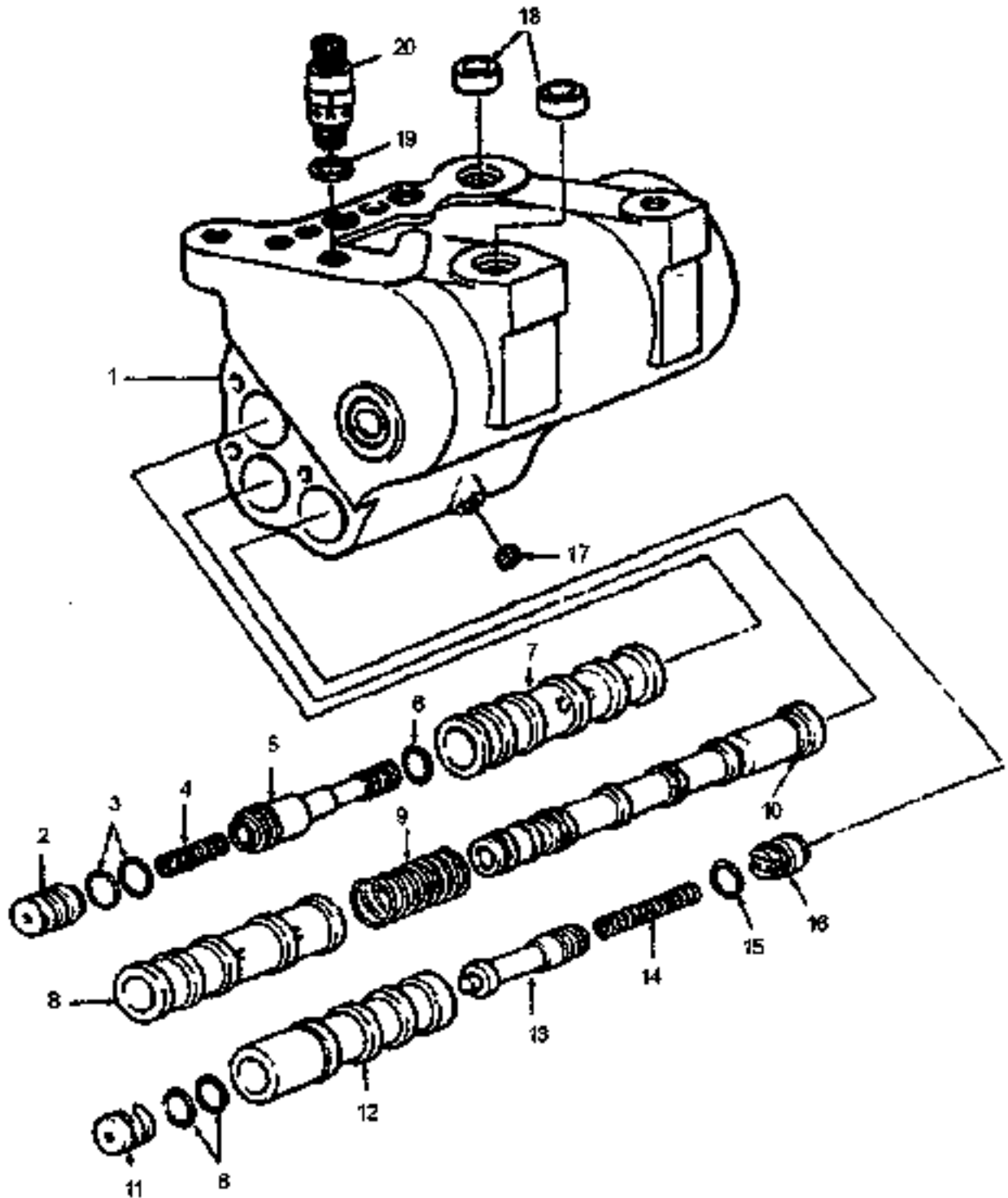
HYDRAULIC LIFT SHAFTS

35/45/60



HYDRAULIC LIFT SHAFTS

ITEM	LONG #	VENDOR #	DESCRIPTION	Qty.		
				35	45	60
41	ESL11096	D3NN-J985-A	Spring, Lift Control Valve	1	1	1
42	ESL11094	D3NN-F869-D	Pin, Lift Actuator Pivot	1	1	1
43	33799-S8	33799-S6	Nut, Hex (3/8-16)	1	1	1
44	34792-S8	34792-S36	Washer, Lock (3/8)	1	1	1
45	ESL11067	84NH-477-AA	Cylinder & Valve Assembly (Includes Items #46-48)	1	1	1
46	369873-S8	369873-S2	Bolt, Hex Flange (5/16 - 18 x 0.75)	6	6	6
47	ESL11081	E0NN-848-AB	Baffle, Lift Cylinder Oil	1	1	1
48	ESL11066	E0NN-921-BB	Plate, Valve Retainer, Rear	1	1	1
49	ESL10011	87012-S95	Seal 'O'Ring	2	2	2
50	87006-S95	87006-S95	Seal 'O'Ring	2	2	2
51	ESL10010	87010-S85	Seal 'O'Ring	1	1	1

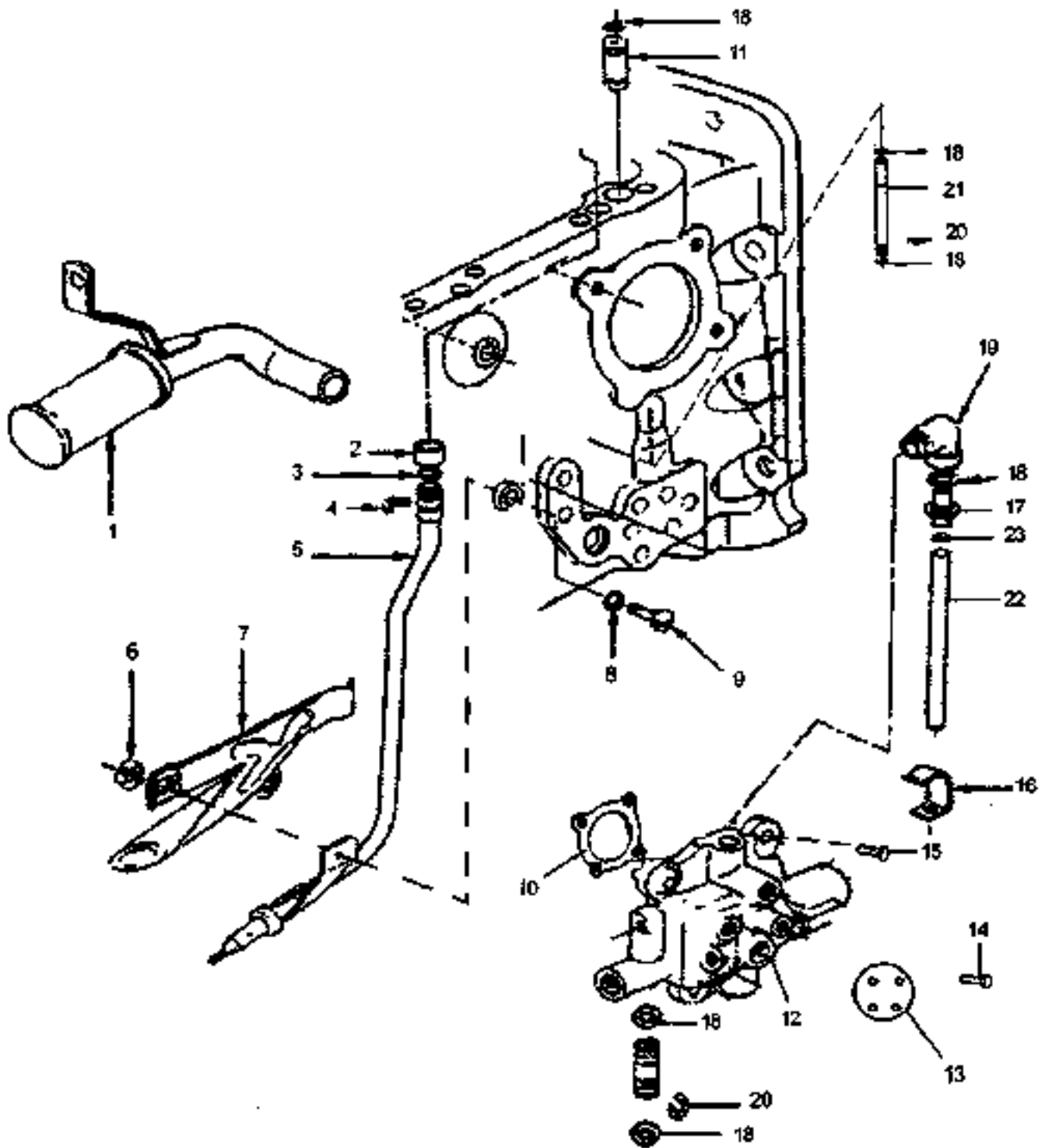


HYDRAULIC LIFT CYLINDER

35/45/60

ITEM	LONG #	VENDOR #	DESCRIPTION	Qty.		
				35	45	60
1	ESL10067	84NH-477-AA	Cylinder & Valve Assembly (See Section 9:2 for Details. Also includes all items of this section)	1	1	1
2	ESL11029	D3NN-916-K	Plug, Lift Unload Valve	1	1	1
3	ESL11030	87014-S95	'O' Ring (0.562 x 0.07)	2	2	2
4	ESL11031	D3NN-K941-A	Spring, Lift Unload Valve	1	1	1
5	ESL11032	E0NN-482-AB	Valve Unload, Hydraulic Lift	1	1	1
6	ESL10011	87012-S95	'O' Ring (0.5 x 0.07)	3	3	3
7	-	-	Bushing, Unload Valve Rear (NSS)	1	1	1
8	-	-	Bushing, Control Valve (NSS)	1	1	1
9	ESL11061	C6NN-924-A	Spring, Control Valve	1	1	1
10	-	-	Valve & Sleeve Assembly (White) (NSS)	1	1	1
11	ESL11046	E0NN-F947-A	Plug, Lift Feathering Valve	1	1	1
12	-	-	Bushing Feathering Valve (NSS)	1	1	1
13	-	-	Feathering Valve (NSS)	1	1	1
14	ESL11047	E0NN-N958-AA	Spring, Lift Feathering Valve	1	1	1
15	ESL10010	87010-S95	'O' Ring (0.437 x 0.07)	1	1	1
16	ESL11046	E0NN-F947-FA	Plug, Lift Feathering Valve	1	1	1
17	ESL11065	87708-36	Plug, Pipe (1/8-27)	4	4	4
18	ESL11064	957E-837	Ring, Hydraulic Cylinder Dowel	2	2	2
19	ESL11063	84NH-D985-AA	Gasket, Lift Safety Valve	1	1	1
20	ESL11062	957E-984-B	Valve Assembly, Lift Safety	1	1	1

HYDRAULIC LIFT CYLINDER



HYDRAULIC FLOW SYSTEM

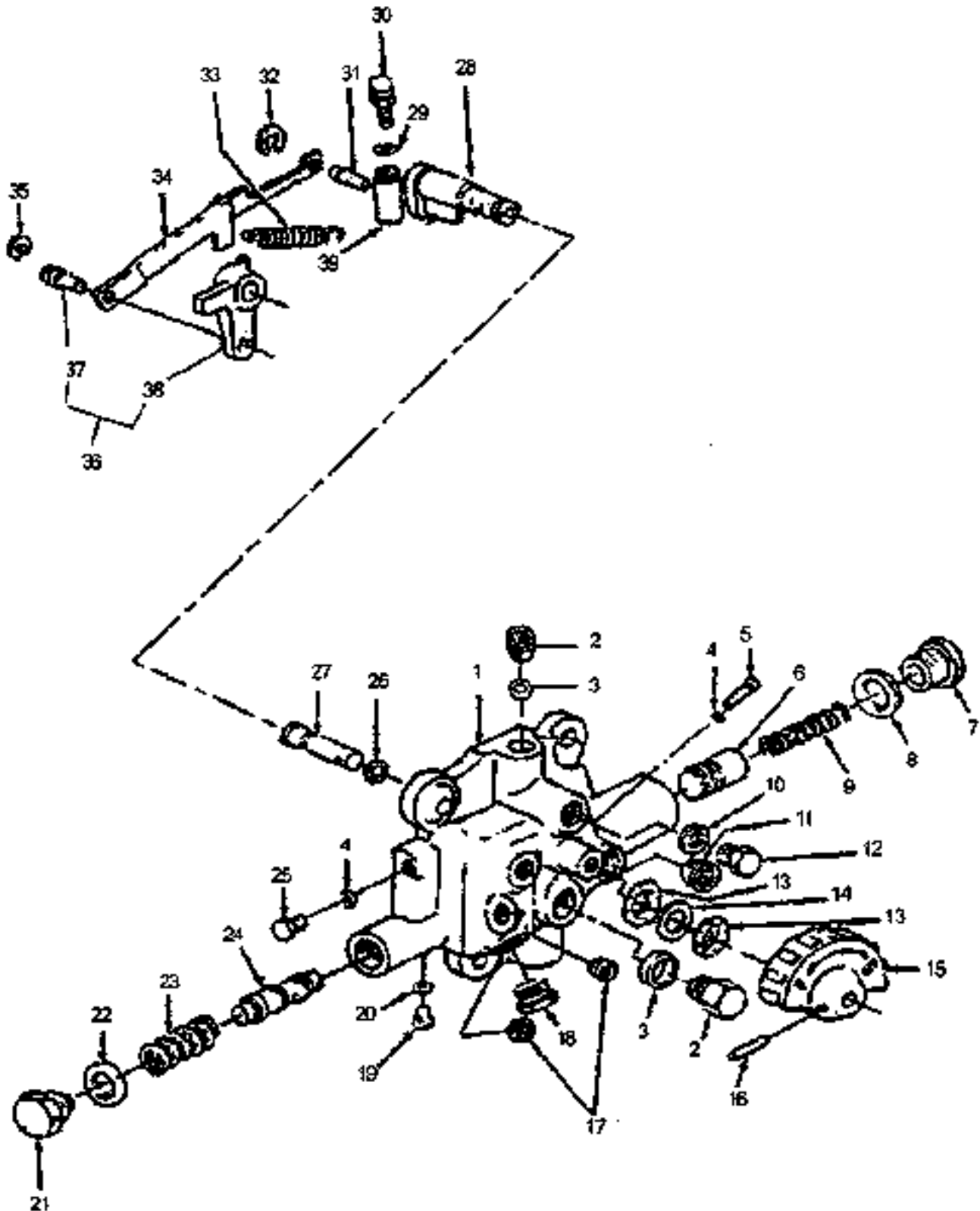
ITEM	LONG #	VENDOR #	DESCRIPTION	QTY.		
				35	45	60
1	ESL11112	D3NN-N994-A	Filter & Pipe Assembly, Intake	1	1	1
2	ESL11107	D3NN-N838-B	Spacer, Sump Return	1	1	1
3	ESL11109	87010-ES	Seal 'O' Ring (0.437 x 0.07)	1	1	1
4	ESL11108	D3NN-G498-A	Retainer, Return Pipe	2	2	2
5	Ⓢ ESL11108	11-96532-AA	Tube, Lift Sump Return	1	1	1
6	ESL14485	D6NN-L972-A	Nut (5/16 - 24)	1	1	1
7	ESL11110	D3NN-C443-B	Tube and Bracket Assembly	1	1	1
8	ESL11111	E84-GF9	Seal, Oil Passage (5/16)	1	1	1
9	36308-58	36308-S8	Screw, Pan Head (5/16 - 24 x 1.12)	1	1	1
10	ESL11202	C5NN-N949-A	Gasket, Flow Control Valve	-	1	1
-	ESL11970	11-20021-AA	Gasket, Cover FCV Opening	1	-	-
11	ESL11099	C5NN-B853-B	Tube, Hydraulic	-	2	2
12	ESL11212	E1NN-N982-CA	Valve, Flow Control	-	1	1
13	ESL11969	11-20019-AA	Cover, Flow Control Valve Opening	1	-	-
14	304683-S8	304683-S36	Bolt, Hex Head (7/16-14x0.875)	4	-	-
15	304683-S8	304683-S36	Bolt, Hex Head (7/16-14x1.00)	-	4	4
16	ESL11104	D6NN-K938-A	Clip	1	1	1
17	ESL12435	11-96532-AA	Tube, Hydraulic Oil	-	1	1
18	ESL10011	87012-S95	'O' Ring	2	4	4
19	ESL14588	D3NN-K943-A	Elbow, Oil Flow Control Tube	-	1	1
20	ESL11103	C7NN-N859-A	Ring, Snap	1	1	1
21	ESL11101	82835367	Tube, Hydraulic Lift Pressure	1	-	-
-	ESL11102	C7NN-B853-A	Tube, Hydraulic Lift Pressure	-	1	1
22	ESL12253	D8NN-22B-AA	Hose, Flow Control Valve	-	1	1
23	ESL14483	73NH-9N278-AA	Clamp	-	1	1

Service Serial Number Breaks:

5	ESL14484	D6NN-N853-AA	Tube Assembly, Lift Sump Return	Ⓢ 293615	-	1	-
---	----------	--------------	---------------------------------	----------	---	---	---

(Note: For earlier versions of FT45 with 4.5 gpm hydraulics, refer to FT35 column for applicable Part Numbers and quantity.)

35/45/60



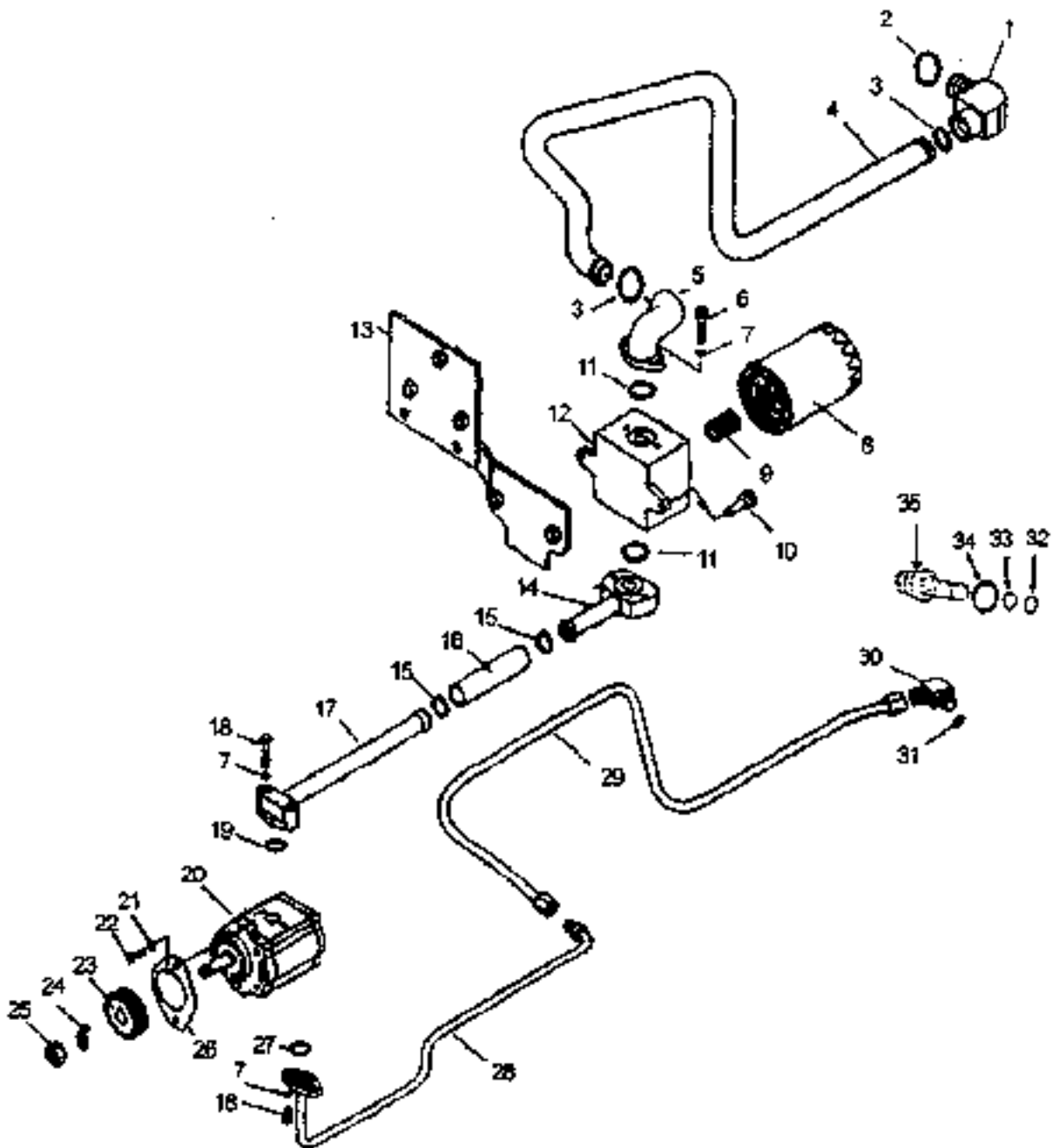
FLOW CONTROL VALVE (WITH 9 US GPM HYDRAULIC PUMP ONLY)

35/45/60

ITEM	LONG #	VENDOR #	DESCRIPTION	Qty.		
				35	45	60
1	ESL11212	E1NN-N982-CA	Flow Control Valve Assembly	-	1	1
2	ESL11185	D3NN-G931-A	Plug	-	1	1
3	ESL11188	E1ADKN-994570	Seal	-	1	1
4	ESL11193	E80-WP-9	Seal, Hydraulic Oil (1/4)	-	2	2
5	ESL11192	C5NN-N912-A	Pin, Restrictor Retainer	-	1	1
6	ESL11201	D3NN-G928-B	Spool, Valve Assembly	-	1	1
7	ESL11198	D3NN-N918-A	Plug	-	1	1
8	ESL11199	D3NN-K931-A	Seal	-	1	1
9	ESL11200	E1NN-K930-AA	Spring, Valve Assembly	-	1	1
10	ESL11187	E1ADKN-994567	Seal, Hydraulic Oil (7/16)	-	1	1
11	ESL11189	87838-S36	Plug	-	1	1
12	304631-S8	304631-S36	Bolt	-	1	1
13	373573-S8	373573-S36	Spring Washer	-	2	2
14	44730-S8	44730-S36	Washer	-	1	1
15	ESL11183	D6NN-L936-B	Knob, Flow Control Valve	-	1	1
16	ESL11184	305076-S36	Roll Pin	-	1	1
17	ESL11188	87837-S36	Plug	-	2	2
18	ESL11191	363810-S36	Plug	-	1	1
19	ESL11879	113575-S36	Screw	-	1	1
20	ESL11190	E200-WP-9	Seal	-	1	1
21	ESL11194	C5NN-N916-A	Plug, Valve Plunger	-	1	1
22	ESL11195	C5NN-N917-A	Seal (3/4)	-	1	1
23	ESL11196	E69-WP-9	Spring, Valve Plunger	-	1	1
24	-	-	Plunger, Flow Control Valve (NSS)	-	1	1
25	ESL11765	D2NN-J958-A	Bolt	-	1	1
26	ESL11182	87007-S84	Seal	-	1	1
27	ESL11181	D3NN-K935-A	Restrictor Shaft	-	1	1
28	ESL11179	D3NN-N936-A	Restrictor	-	1	1
29	ESL11204	C5NN-N988-A	Shim, Flow control Valve	-	AR	AR
30	ESL11203	C7NN-N941-A	Follower, Flow Control Valve	-	1	1
31	ESL11180	C5NN-N934-A	Pin	-	1	1
32	ESL11207	97411-S36	Ring	-	1	1
33	ESL11208	D4NN-L837-A	Spring, Hydraulic Lift Tension	-	1	1
34	ESL11209	D4NN-N944-A	Link, Flow Control Valve Retainer	-	1	1
35	ESL11210	97409-S36	Ring	-	1	1
36	ESL12279	D4NN-L863-A	Lever Assembly	-	1	1
37	-	-	Pin (NSS)	-	1	1
38	-	-	Lever (NSS)	-	1	1
39	ESL11205	D3NN-N947-A	Adjuster, Flow Control Valve	-	1	1

[Note: Not Applicable to earlier versions of FT45 with 4.5 gpm hydraulics.]

FLOW CONTROL VALVE (WITH 9 US GPM HYDRAULIC PUMP ONLY)



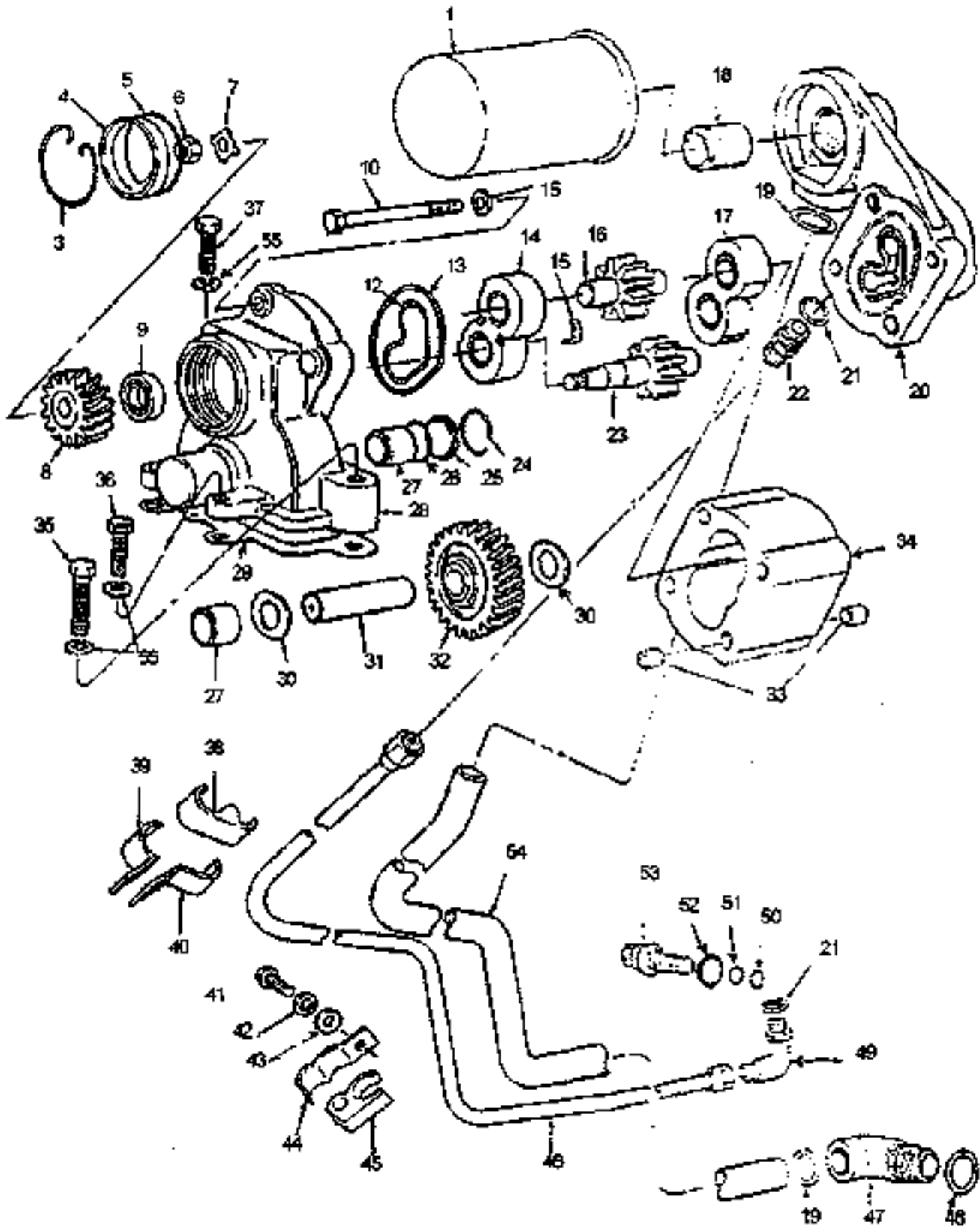
HYDRAULIC PUMP

10-15

Ⓢ - INDICATES SERVICE SERIAL NUMBER BREAKS,

↳ - INDICATES UP TO AND INCLUDING THAT SERIAL NUMBER

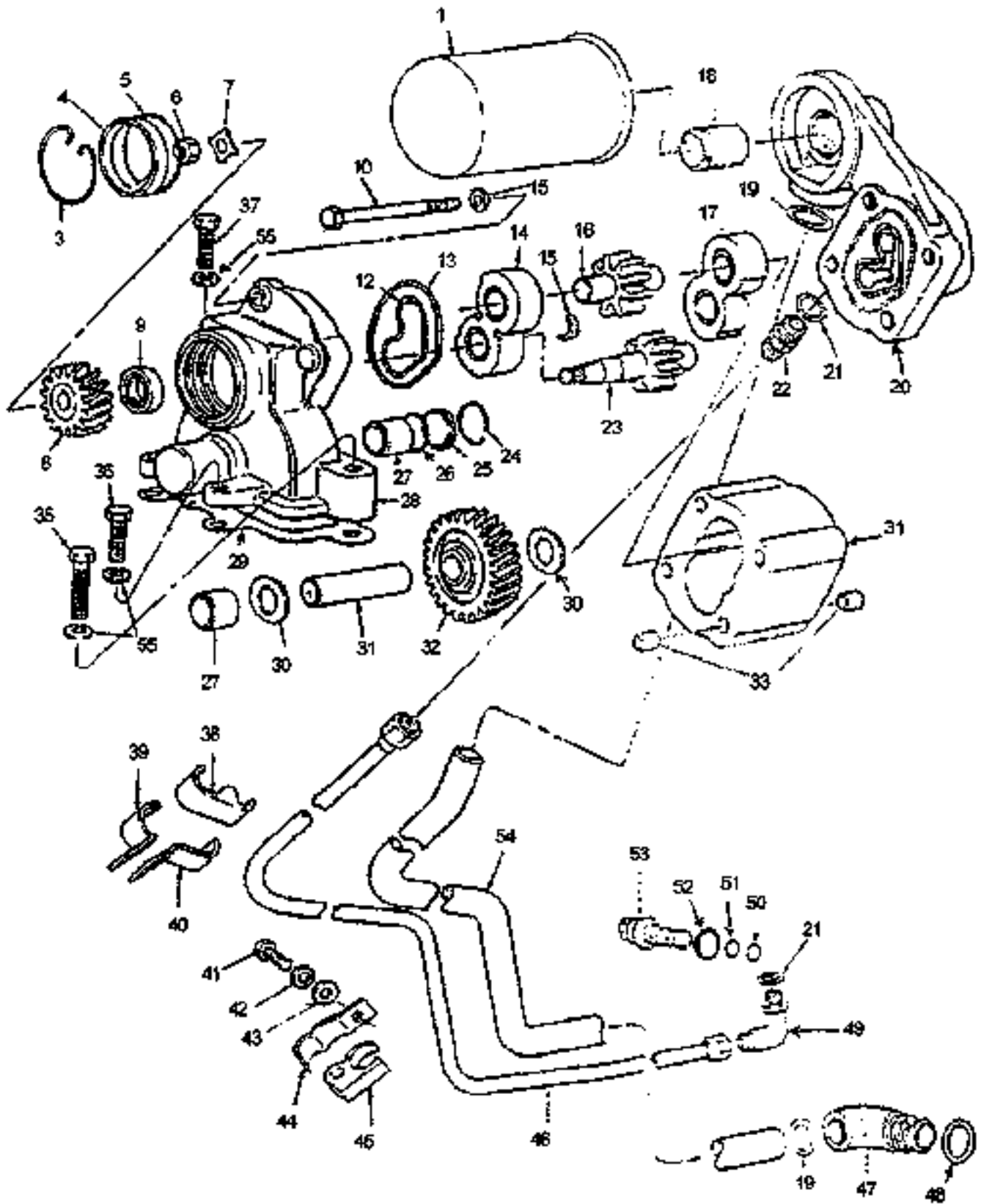
ITEM	LONG #	VENDOR #	DESCRIPTION	QTY.
				35
1	ESL11269	D3NN-E883-A	Elbow, Pump Inlet	1
2	ESL11270	87057-S94	O'Ring	1
3	ESL11238	87056-S94	O'Ring	2
4	ESL14486	13-05535-AC	Tube Assembly Housing to Fitter	1
5	ESL14487	22-12280-AC	Flange	1
6	N-606632-S8	N-605532-S36	Bolt	2
7	N-630173-S8	N-630173-S36	Washer, Lock	8
8	ESL11255	D8NN-B486-A	Hydraulic Filter	1
9	ESL13284	25-05105-AC	Adapter Hydraulic Filter	1
10	N-605559-S8	N-605559-S36	Bolt (M12-1.75x30)	2
11	ESL13672	25-05107-AA	O'Ring Adapter	2
12	ESL14488	13-05111-AA	Adapter Assembly	1
13	ESL14489	22-06477-BA	Bracket Hydraulic Pump Filter	1
14	ESL14490	22-05550-AA	Tube Assembly Inlet Filter to Hose	1
15	ESL14491	74NH-6828-A	Clamp	2
16	ESL14492	13-06153-AA	Hose	1
17	ESL14493	22-06530-AB	Tube Assembly Inlet Pump to Hose	1
18	N-605536-S8	N-605536-S36	Bolt (M8x45)	4
19	ESL13280	87058-S96	O'Ring	1
20	ESL13281	26-33660-AA	Hydraulic Pump Assembly	1
21	34807-S8	34807-S36	Washer, Lock 3/8	2
22	300880-S8	300880-S36	Bolt (3/8-16x2.5)	2
23	ESL14494	22-06561-AA	Gear Pump Drive	1
24	ESL14495	22-06563-AA	Lock Plate	1
25	ESL14496	22-06562-AA	Nut	1
26	ESL14497	22-08911-AA	Gasket Hydraulic Pump	1
27	ESL10901	87035-S94	O'Ring	1
28	ESL14499	22-05540-AB	Tube Assembly Pressure Pump to Tube	1
29	ESL14505	13-05180-AC	Tube Assembly Center Housing Side	1
30	86327-S8	86327-S36	Elbow	1
31	ESL14506	86486-S95	O'Ring	1
32	ESL11274	D4NN-K998-A	O'Ring	1
33	ESL11273	D4NN-N629-B	O'Ring	1
34	ESL11272	D4NN-N629-A	O'Ring	1
35	ESL11271	78NH-838-AA	Valve Assembly, Pump Relief	1



HYDRAULIC PUMP

ITEM	LONG #	VENDOR #	DESCRIPTION	Qty.	
				45	60
1	ESL11255	D6NN-B488-A	Filter Assembly	1	1
2	Ⓢ ESL11278	D4NN-600-B	Pump Assembly, Hydraulic (9 gpm) (Includes Items #3-20,23-34)	1	1
3	ESL11251	D4NN-L830-A	Circlip	1	1
4	-	-	Cover, External Gear (NSS)	1	1
5	ESL11250	87145-S94	'O' Ring Seal	1	1
6	34890-S8	34890-S	Nut	1	1
7	Ⓢ ESL11881	957E-894633	Spring Washer	1	1
8	ESL12280	D4NN-908-C	Gear, External	1	1
9	ESL11239	84NH-3N529-AA	Seal, Shaft	1	1
10	ESL11767	D4NN-D931-A	Bolt, Hex Head	4	4
11	34807-S8	34807-S36	Spring Washer	4	4
12	-	-	Ring, Pressure Loading (NSS)	2	2
13	-	-	Sealing Ring (NSS)	2	2
14	-	-	Bearing Assembly (NSS)	1	1
15	-	-	Stiffener Strip (NSS)	2	2
16	-	-	Gear, Driven (NSS)	1	1
17	-	-	Bearing Assembly (Used only in 4.5 gpm Pump)	1	1
18	ESL11252	D4NN-H972-A	Adaptor, Filter	1	1
19	ESL11238	87055-S94	'O' Ring (1.125 x 0.139)	2	2
20	-	-	Cover (NSS)	1	1
21	86483-S95	86483-S95	'O' Ring (1.00" x 0.139)	2	2
22	86301-S8	86301-S36	Connector (1/2-3/4-16)	1	1
23	-	-	Gear, Driving (NSS)	1	1
24	ESL11237	D8NN-K990-AA	Circlip	1	1
25	ESL11245	D4NN-K991-A	Plug	1	1
26	ESL11244	87024-S94	'O' Ring	1	1
27	-	-	Bushing (NSS)	2	2
28	-	-	Housing Assembly (NSS)	1	1
29	ESL11258	E4NN-911-AA	Gasket, Pump to Block	1	1
30	ESL11862	D4NN-K994-A	Washer	2	2
31	-	-	Body, Hydraulic Pump (NSS)	1	1
32	ESL12281	D4NN-873-A	Gear, Idler	1	1
33	ESL11248	C6NN-3N532-A	Dowel	4	4
34	ESL11236	D4NN-872-A	Shaft, Idler Gear	1	1
35	353374-S8	353374-S36	Bolt, Hex Head (3/8 - 16" x 2.38)	1	1
36	304760-S8	304760-S36	Bolt, Hex Head (3/8 - 16" x 1.50)	2	2
37	365884-S8	365884-S36	Bolt, Hex Head (3/8 - 16" x 1.50)	1	1
38	ESL11263	D5NN-N871-A	Grommet	1	1
39	Ⓢ ESL11280	D5NN-N885-B	Bracket	1	1
40	Ⓢ ESL11282	D4NN-N885-B	Bracket	1	1

HYDRAULIC PUMP

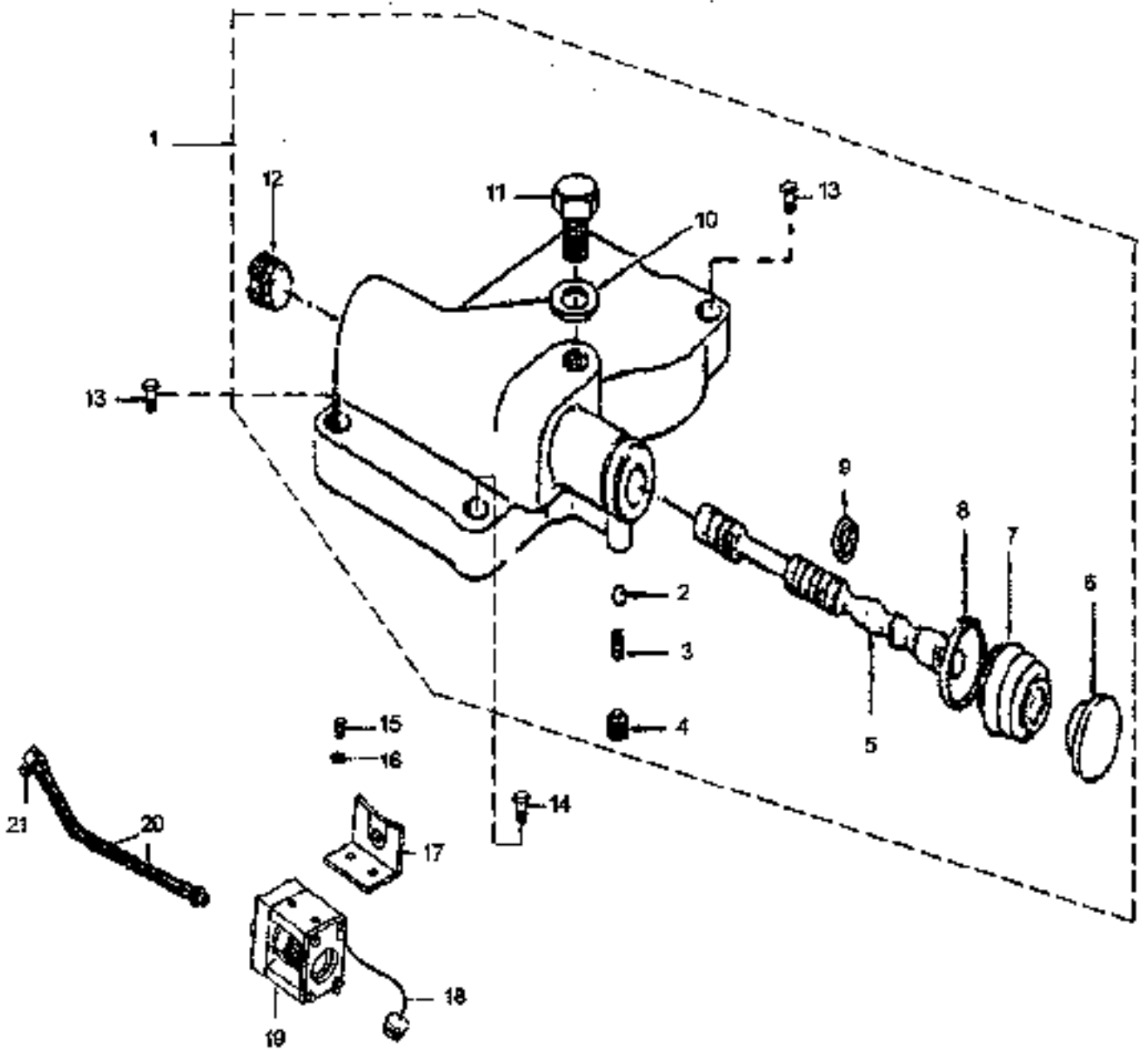


HYDRAULIC PUMP

ITEM	LONG #	VENDOR #	DESCRIPTION	Qty.	
				45	60
41	304684-S8	304684-S36	Bolt, Hex Head (3/8-16*1.00)	1	1
42	44728-S38	44728-S36	Washer, Flat (3/8)	1	1
43	34807-S8	34807-S36	Spring Washer	1	1
44	Ⓢ ESL11265	E0NN-N885-AA	Bracket	1	1
45	ESL11258	D3NN-N871-E	Grommet	1	1
46	ESL11267	D4NN-E897-B	Tube, Pump Pressure	1	1
47	ESL11269	D3NN-E883-A	Elbow, Pump Inlet	1	1
48	87057-S84	87057-S84	O'Ring (1.25*0.139)	1	1
49	86327-S8	86327-S36	Elbow, Pressure Tube	1	1
50	ESL11274	D4NN-K988-A	O'Ring	1	1
51	ESL11273	D4NN-N629-B	O'Ring	1	1
52	ESL11272	D4NN-N629-A	O'Ring	1	1
53	ESL11271	78NH-638-AA	Valve Assembly, Pump Relief	1	1
54	ESL11266	83NH-B835-AA	Tube, Pump Inlet	1	1
55	34807-S8	34807-S36	Washer, Lock (3/8)	4	4

Service Serial Number Breaks:

2	ESL11275	84NH-600-AA	Pump Assembly, Hydraulic (4.5 gpm)	⌚ 293615	1	-
7	ESL11880	EXP-13021-AA	Spring Washer	⌚ 293615	1	-
39	ESL11269	82NH-N885-AA	Bracket	⌚ 293615	1	-
40	ESL11261	82NH-N885-SA	Bracket	⌚ 293615	1	-
44	ESL11264	D3NN-N885-J	Bracket	⌚ 293615	1	-

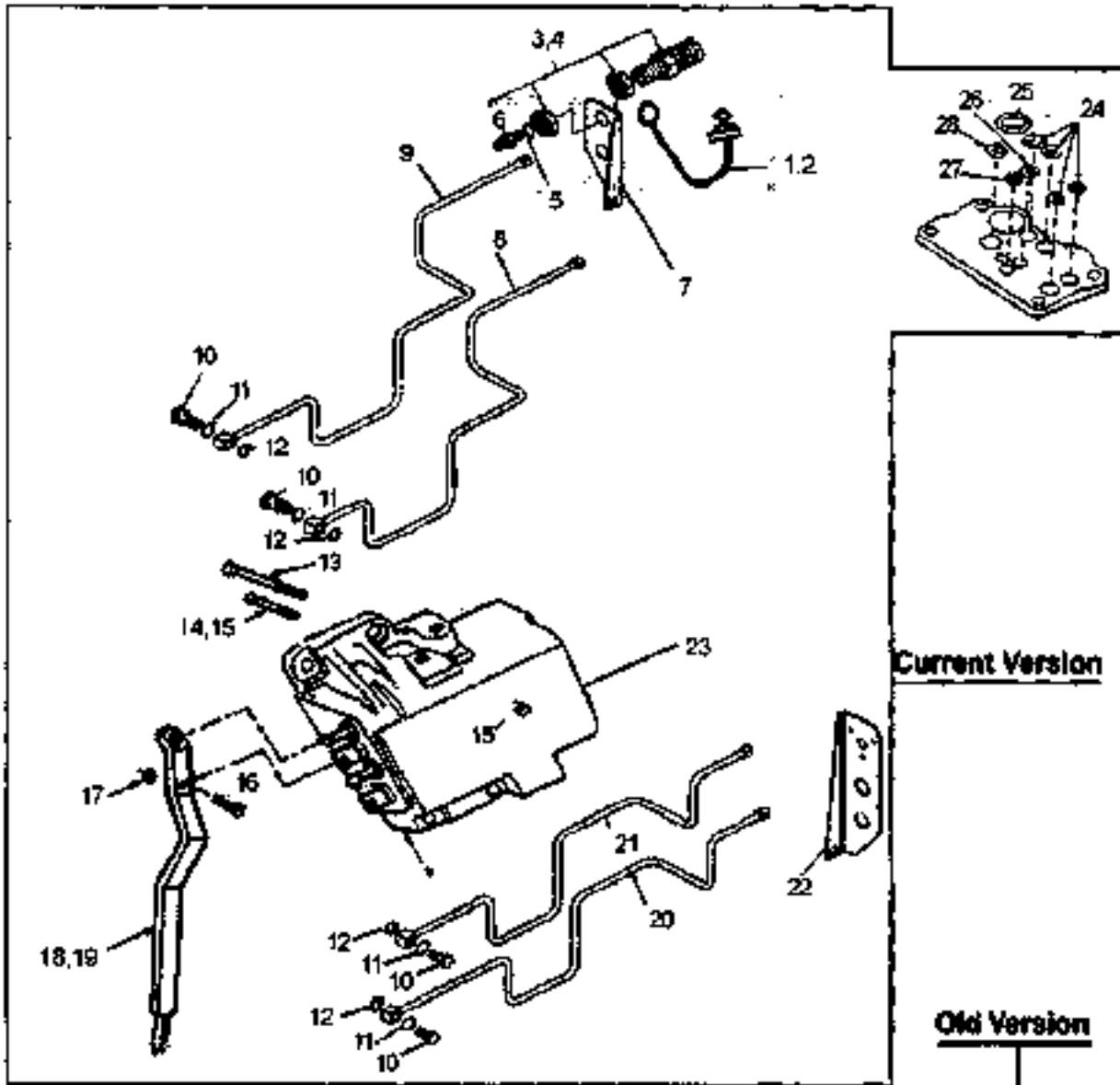


AUXILIARY SERVICE CONTROL VALVE

ITEM	LONG #	VENDOR #	DESCRIPTION	Qty.		
				35	45	60
1	ESL11227	E0NN-D960-AA	Valve Assembly, Selector (Includes Items #2-12)	-	1	-
2	-	-	Plunger, ASC Valve (NSS)	-	1	-
3	ESL11215	CSPN-P961-A	Spring, ASC Valve	-	1	-
4	ESL12435	C5HN-D969-A	Screw	-	1	-
5	-	-	Spool, ASC Valve (NSS)	-	1	-
6	ESL11218	C5NH-N513-A	Knob, ASC Valve	-	1	-
7	ESL11217	C5NH-D961-A	Boot	-	1	-
8	ESL11219	381707-S8	Clamp, Hose (1 x 1/4)	-	1	-
9	ESL11213	87010-S94	Seal	-	1	-
10	ESL10990	C5NN-N991-B	Seal (9/16)	-	1	-
11	ESL11925	371433-S36	Bolt, Hex (9/16 - 18 x 0.62)	-	1	-
12	ESL11216	87711-S36	Plug	-	1	-
13	ESL11762	379409-S36	Bolt, UNC (7/16 - 14)	-	2	-
14	304777-S8	304777-S36	Bolt, Hex (5/16 - 18 x 1.50)	-	1	-
15	304684-S8	304684-S36	Bolt, Hex (3/8 - 18 x 1.00)	-	2	-
16	34807-S8	34807-S36	Washer, Lock (3/8)	-	2	-
17	ESL10026	11-96579-AA	Bracket, ASC Valve	-	1	-
18	ESL10028	11-96410-AA	Dust Cap, Quick Coupling	-	1	-
19	ESL11226	11-96390-AA	Quick Coupling Assembly	-	1	-
20	ESL11221	E4NN-B968-BC	Hose Assembly	-	1	-
21	ESL10022	D2NN-B997-A	Seal	-	2	-
22	ESL11766	E4NN-H923-AA	Bolt (NI)	-	1	-
23	ESL10024	87032-S95	Seal (0.424 x 0.103) (NI)	-	1	-
24	903048	-	Seal Kit, Coupling Assembly (NI)	-	1	-

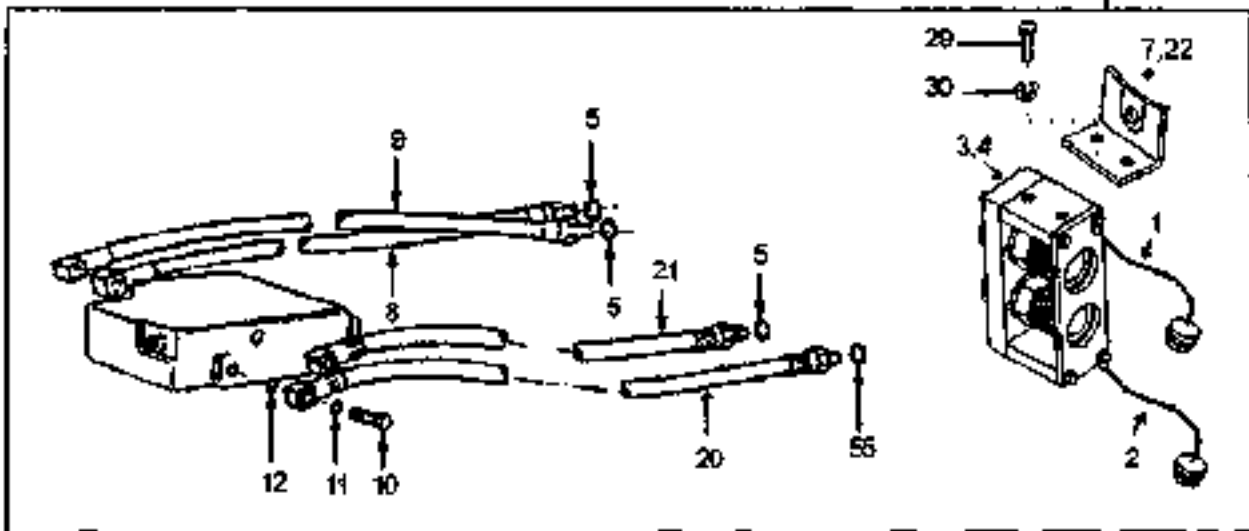
(Note: Applicable only to earlier versions of FT45 with 4.5 gpm hydraulics.)

35/45/00



Current Version

Old Version



DOUBLE-ACTING TWO SPOOL VALVE

35/45/60

ITEM	LONG #	VENDOR #	DESCRIPTION	QTY.		
				35	45	60
1	Ⓢ ESL13656	25-66391-AA	Dust Plug, Red	-	-	2
2	Ⓢ ESL13656	25-66392-AA	Dust Plug, Blue	-	-	2
3	Ⓢ ESL12604	25-66390-AB	Coupling (With Red Plug)	-	-	2
4	Ⓢ ESL12606	25-66390-BA	Coupling (With Blue Plug)	-	-	2
5	Ⓢ ESL10021	66483-S95	Seal	-	-	4
6	ESL11257	66301-S36	Adapter	-	-	4
7	Ⓢ ESL12607	11-96579-CA	Bracket Coupling, RH	-	-	1
8	Ⓢ ESL12602	11-96130-AA	Tube Spool Valve, Lower RH	-	-	1
9	Ⓢ ESL12601	11-96120-AA	Tube Spool Valve, Upper RH	-	-	1
10	ESL10023	311113	Bolt, Hydraulic Spool Valve	-	-	4
11	ESL10024	87032-S95	Seal (0.424x0.103)	-	-	4
12	ESL10022	D2NN-B997-A	Seal	-	-	4
13	56663-S8	56663-S36	Bolt, Hex Head (7/16-14x3.50)	-	-	2
14	304686-S8	304686-S36	Bolt, Hex Head (7/16-14x1.00)	-	-	1
15	304652-S8	304652-S36	Bolt, Hex Head (7/16-14x0.75)	-	-	1
16	ESL10015	D2NN-H889-A	Pin	-	-	2
17	ESL10016	C9NN-H891-A	Null Pin	-	-	2
18	ESL10013	D4NN-B936-F	Handle, Spool Valve	-	-	1
19	ESL10014	D4NN-B936-G	Handle, Spool Valve	-	-	1
20	Ⓢ ESL12603	11-96140-AA	Tube Spool Valve, Lower LH	-	-	1
21	Ⓢ ESL12600	11-96110-AA	Tube Spool Valve, Upper LH	-	-	1
22	Ⓢ ESL12606	11-96579-BA	Bracket Coupling, LH	-	-	1
23	ESL10006	11-96590-AA	Double-Acting Two Spool Valve	-	-	1
24	ESL10008	87034-S95	O'Ring (9/16x0.103)	-	-	4
25	ESL10009	D7NN-B999-A	Seal	-	-	1
26	ESL10010	87010-S95	O'Ring	-	-	1
27	ESL10011	87012-S96	O'Ring (0.50x0.07)	-	-	1
28	ESL10012	C0NN-B999-A	O'Ring	-	-	1

Service Serial Number Breaks:

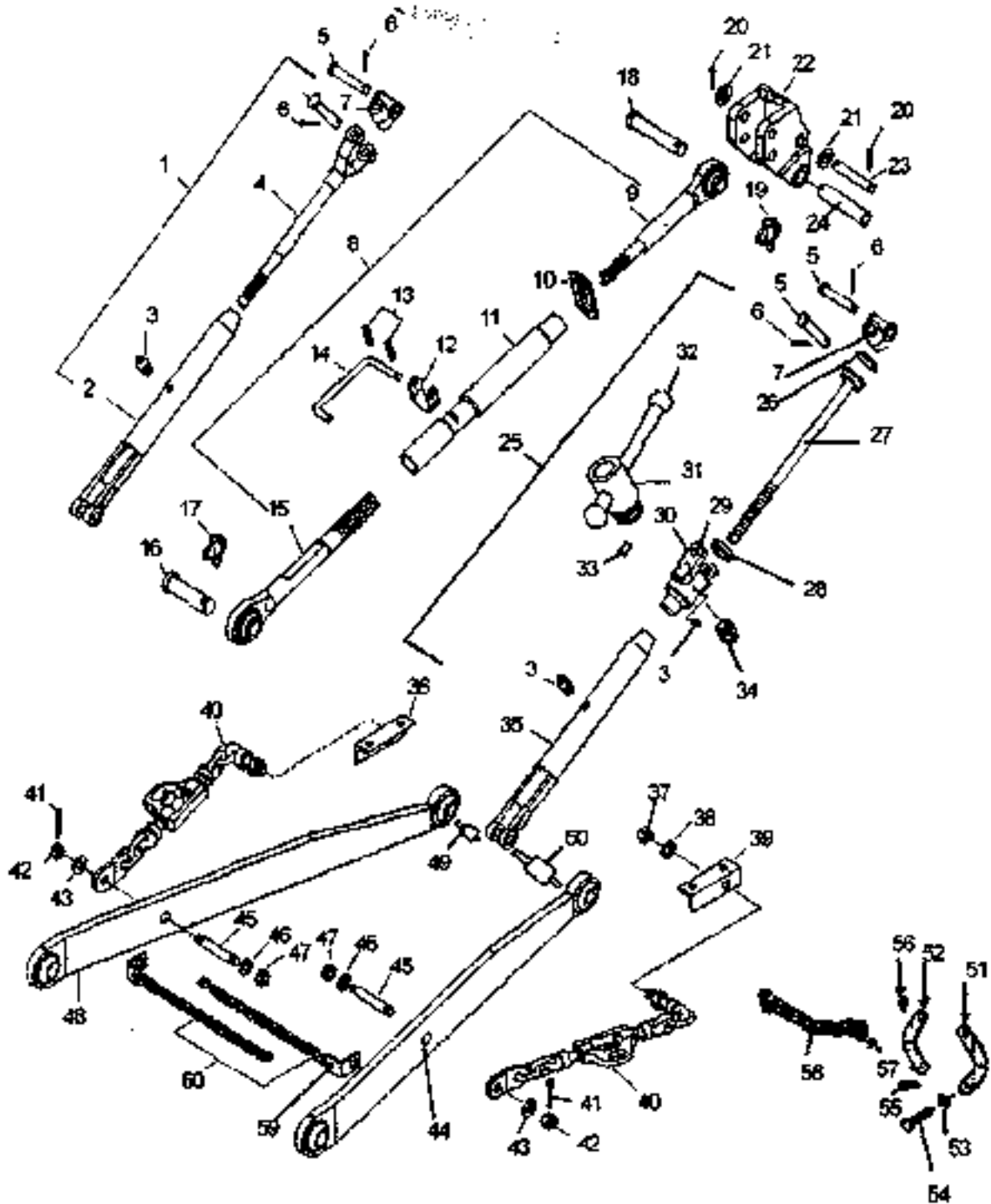
1	ESL10028	11-96410-AA	Dust Cap Pressure (Red)	⊗ 290493	-	-	2
2	ESL10029	11-96420-AA	Dust Cap Return (Blue)	⊗ 290493	-	-	2
3-4	ESL10025	11-96390-AA	Coupling Assembly	⊗ 290493	-	-	2
5	903048	-	Seal Kit, Coupling Assembly	⊗ 290493	-	-	4
7,22	ESL10026	11-96579-AA	Bracket Coupling Assembly	⊗ 290493	-	-	2
8,9							
20-21	ESL10020	D1NN-B968-N	Hose Assembly	⊗ 290493	-	-	4
29	304684-S8	304684-S36	Bolt, Hex Head (3/8-16x1.00)	⊗ 290493	-	-	4
30	34807-S8	34807-S8	Washer, Lock (3/8)	⊗ 290493	-	-	4

DOUBLE-ACTING TWO SPOOL VALVE

Ⓢ - INDICATES SERVICE SERIAL NUMBER BREAKS,

⊗ - INDICATES UP TO AND INCLUDING THAT SERIAL NUMBER

35/45/60



HYDRAULIC LIFT LINKAGES

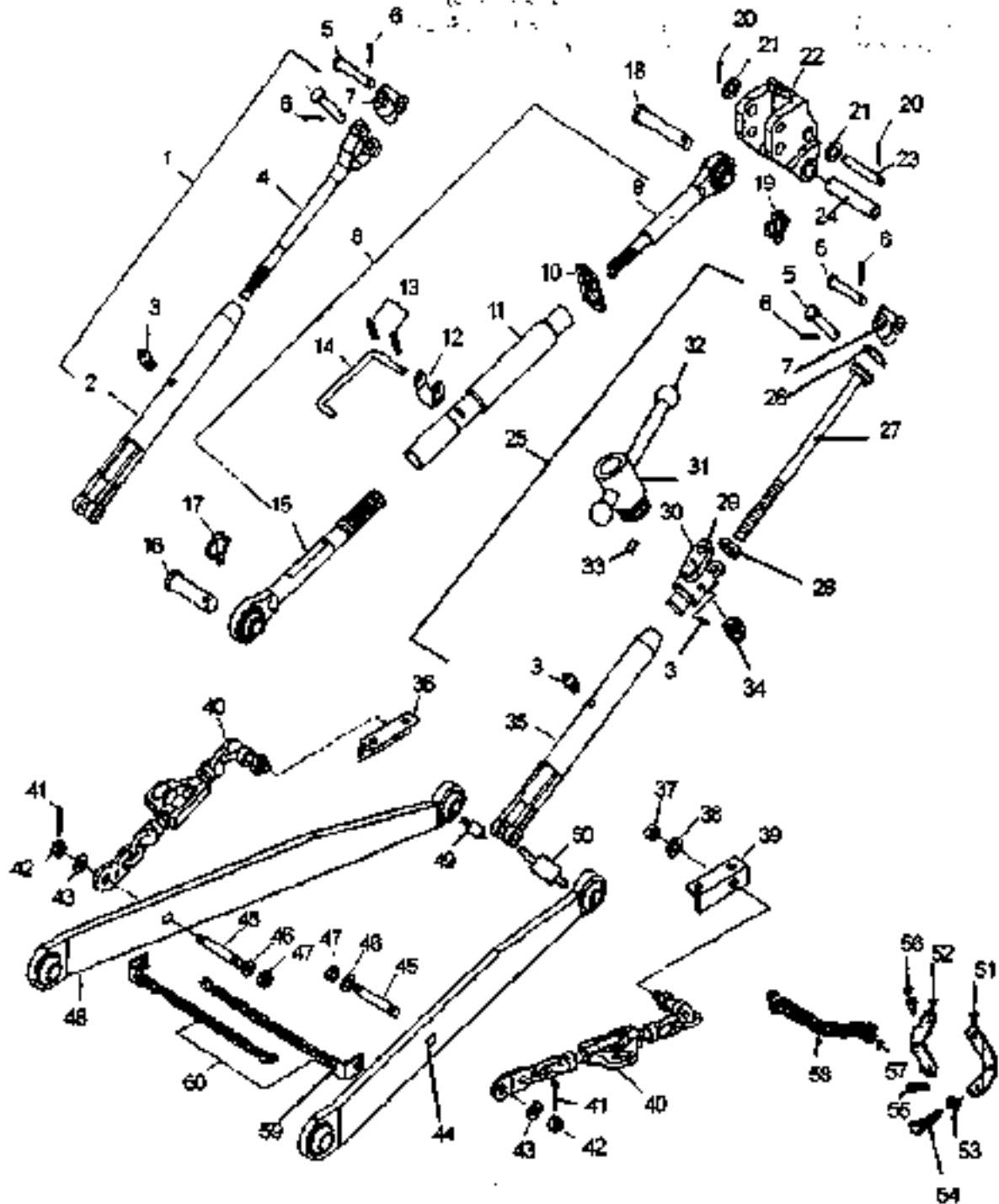
35/45/60

ITEM	LONG #	VENDOR #	DESCRIPTION	QTY.		
				35	45	60
1	ESL11164	92NH-564-AA	Rod Assembly, LH	1	1	1
2	-	-	Fork, Lift Level Rod (NSS)	1	1	1
3	ESL10868	87907-S36	Grease Nipple (1/4-28)	3	3	3
4	-	-	Rod, Hydraulic Lift Link (NSS)	1	1	1
6	ESL11143	E27N-995282	Pin, Link to Lift Arm	4	4	4
6	72035-S8	72035-S8	Pin, Cotter (1/8x1.00)	4	4	4
7	ESL11141	957E-566	Knuckle, Rod Assembly LH	2	2	2
8	Ⓢ ESL14566	12-06576-AA	Link Assembly, Upper Lift (Cat)	1	1	1
9	ESL11122	93NH-N664-AA	Link & Ball, RH Thread	1	1	1
10	ESL11120	E0NN-M865-CA	Retainer, Upper Lift Link	1	1	1
11	-	-	Housing, Upper Link (NSS)	1	1	1
12	-	-	Clamp, Upper Link (NSS)	1	1	1
13	-	-	Pin (NSS)	2	2	2
14	ESL11117	D0NN-A910-A	Latch, Upper Link	1	1	1
15	Ⓢ ESL14588	12-00663-AA	Link & Ball, LH Thread	1	1	1
16	Ⓢ ESL11125	90NH-560-AA	Pin, Upper Lift Link	1	1	1
17	Ⓢ ESL11126	2N-808	Pin & Ring Assembly, Linch	1	1	1
18	ESL11125	90NH-560-AA	Pin, Upper Lift Link	1	1	1
19	ESL11126	2N-808	Pin & Ring Assembly, Linch	1	1	1
20	72055-S8	72055-S8	Pin, Cotter (3/16 x 1.25)	2	2	2
21	ESL11708	C5NH-N850-D	Washer, Rocker to Yoke Pin	2	2	2
22	ESL11113	90NH-535-AB	Rocker, Hydraulic Lift Upper	1	1	1
23	ESL11116	90NH-K840-AA	Pin, Rocker to Yoke Clevis	1	1	1
24	ESL11114	91NH-B631-AA	Bush, Hydraulic Lift Rocker	1	1	1
25	ESL11166	11-05560-AA	Box Assembly, Lift Leveling	1	1	1
26	ESL11159	74127-S	Plug, Expansion	1	1	1
27	-	-	Shaft, Lift Leveling Gear (NSS)	1	1	1
28	ESL11147	957E-554-B	Bearing Assembly, Lift Lever Gear	1	1	1
29	-	-	Box Hydraulic Lift Lever (NSS)	1	1	1
30	383904-S8	383904-S36	Washer, Spring (0.50)	1	1	1
31	ESL11151	D5NH-594-A	Lever, Hydraulic Lift Leveling	1	1	1
32	ESL11154	D5NH-L939-A	Lever, Knob, Hydraulic Lift Leveling	1	1	1
33	ESL11155	60466-S	Rivet	1	1	1
34	ESL11149	71NH-568-A	Gear, Hydraulic Lift Leveling Lever	1	1	1
35	-	-	Fork, Lift Level Rod (NSS)	1	1	1
36	900645	11-57526-AA	Bracket, LH, Check Chain	1	1	1
37	N620016-S8	N620016-S36	Nut	2	2	2
38	N630072-S8	N630072-S36	Washer	2	2	2
39	900646	11-57527-AC	Bracket RH, Check Chain	1	1	1
40	ESL12081	11-57520-AD	Check Chain & Bracket Assembly	2	2	2

HYDRAULIC LIFT LINKAGES

Ⓢ - INDICATES SERVICE SERIAL NUMBER BREAKS.

K - INDICATES UP TO AND INCLUDING THAT SERIAL NUMBER



HYDRAULIC LIFT LINKAGES

35/45/60

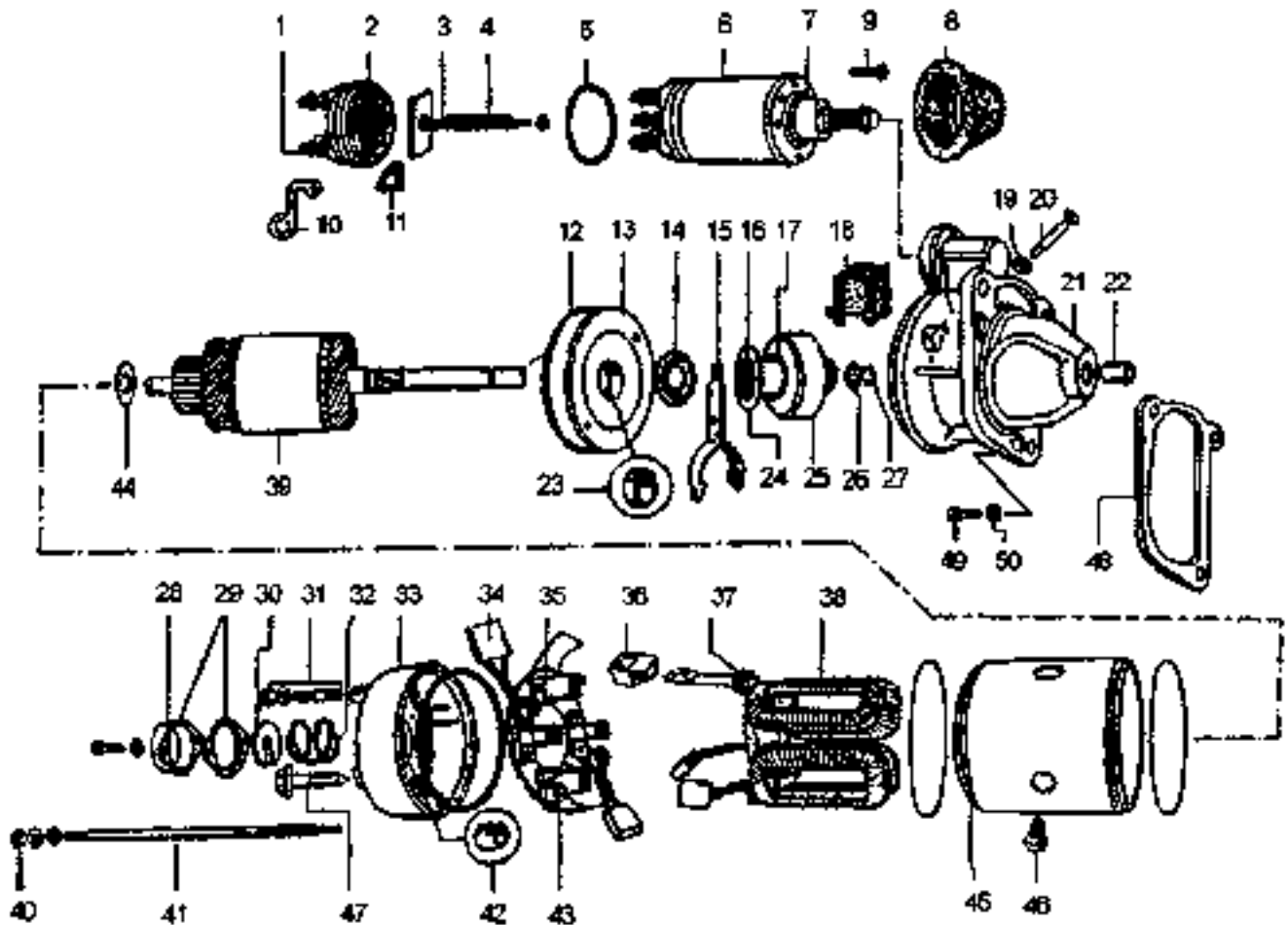
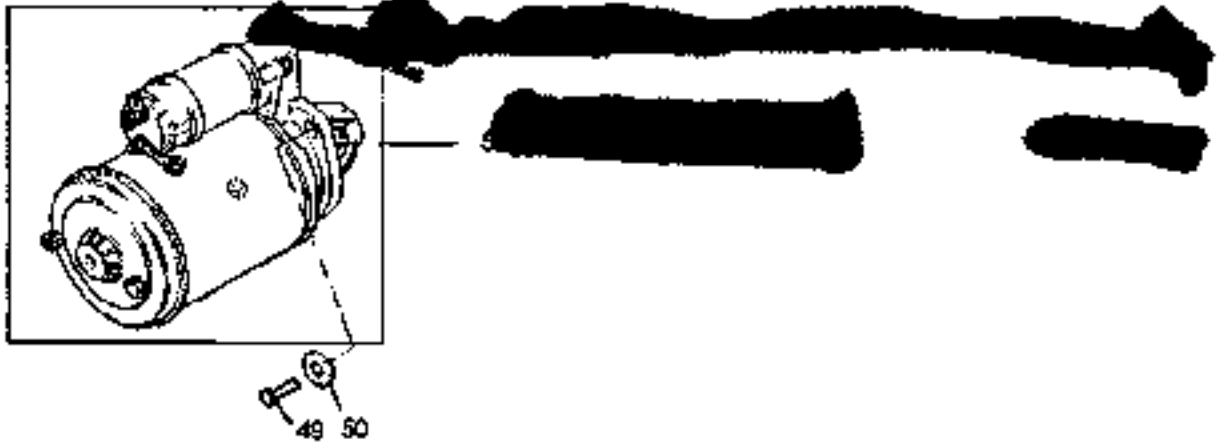
ITEM	LONG #	VENDOR #	DESCRIPTION	QTY.		
				35	45	60
41	72053-S8	72053-S36	Pin, Cotter (1/8-1.25)	2	2	2
42	33987-S8	33987-S36	Nut (5/8-18)	2	2	2
43	44742-S8	44742-S36	Washer (5/8)	2	2	2
44	Ⓢ ESL14507	12-55580-BA	Lower Link Assembly RH (CAT I)	1	1	1
45	Ⓢ ESL12067	11-57595-AB	Pin	2	2	2
46	377184-S8	377184-S36	Washer, Flat	2	2	2
47	351090-S8	351090-S36	Nut, Hex Lock (7/16-20)	2	2	2
48	Ⓢ ESL14508	12-55550-BA	Lower Link Assembly LH (CAT I)	1	1	1
49	ESL11134	92NH-563-AB	Shaft, Lower Link Support LH	1	1	1
50	ESL11132	92NH-563-AB	Shaft, Lower Link Support RH	1	1	1
51	ESL11138	92NH-596-AA	Anchor, RH	1	1	1
52	ESL11140	92NH-597-AA	Anchor, LH	1	1	1
53	34808-S8	34808-S2	Washer, Lock (7/16)	4	4	4
54	359264-S36	359264-S36	Bolt, Hex Head (7/16-14x1.38)	4	4	4
55	380793-S8	380793-S36	Pin, Clevis (3/8x1.68)	4	4	4
56	72026-S8	72026-S8	Pin, Cotter (1/8-0.875)	4	4	4
57	ESL11136	C5NN-A945-C	Clevis, Lower Lift Link	4	4	4
58	ESL11135	C7NN-591-A	Check Chain Assembly, Link	2	2	2
59			Bracket	2	2	2

Service Serial Number Breaks:

8	ESL11163	93NH-578-AA	Link Assembly, Upper Lift (CAT II)	Ⓚ 310362	-	1	1
15	ESL11122	93NH-N663-AA	Link & Ball, LH Thread (CAT II)	Ⓚ 310362	-	1	1
16	ESL11123	C9NH-B927-A	Pin, Upper Lift Link (CAT II)	Ⓚ 310362	-	1	1
17	ESL11124	E27N-996216	Pin & Ring Assembly Link (CAT II)	Ⓚ 310362	-	1	1
44	ESL12534	11-55560-BA	Lower Link Assembly, RH (CAT II)	Ⓚ 310362	-	1	1
45	ESL11162	91NH-595-AA	Pin	Ⓚ 310362	-	1	1
48	ESL12535	11-55550-BA	Lower Link Assembly, LH (CAT II)	Ⓚ 310362	-	1	1
60	ESL12082	11-67548-AB	Chain Assembly, Internal (Includes Item #59)	Ⓚ 310362	-	1	1

Notes

ELECTRICALS, GAUGES & LIGHT SYSTEM



STARTER MOTOR & RELAY ASSEMBLY

35/45/60

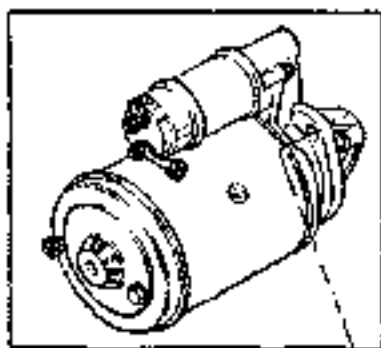
ITEM	LONG #	VENDOR #	DESCRIPTION	QTY.		
				35	45	60
1			Main Terminal (Solenoid) (NSS)	2	2	2
2			Terminal Base Assembly (NSS)	1	1	1
3			Spindle Assembly (NSS)	1	1	1
4			Plunger Return Spring (NSS)	1	1	1
5	ESL13444	11-13555-AA	Sealing Ring (Solenoid)	1	1	1
6	Ⓢ ESL13446	11-13556-AA	Solenoid Switch Assembly (3 bolt mounting)	1	1	1
7	-	-	Plunger Assembly (NSS)	1	1	1
8	-	-	Shroud (NSS)	1	1	1
9	-	-	Screw (Solenoid Fixing) (NSS)	3	3	3
10	ESL13449	11-13560-AA	Connector	1	1	1
11	-	-	Seal (NSS)	1	1	1
12	ESL13451	11-13562-AA	Sealing Ring (DE & CE)	2	2	2
13	-	-	Intermediate Bracket Assembly (NSS)	1	1	1
14	ESL13453	11-13564-AA	Oil Seal	1	1	1
15	-	-	Engaging Lever Assembly (NSS)	1	1	1
16	-	-	Jump Ring (Pinion) (NSS)	1	1	1
17	-	-	Spring Pinion (NSS)	1	1	1
18	-	-	Grommet (NSS)	1	1	1
19	-	-	Nut (Pivot) (NSS)	1	1	1
20	-	-	Pivot Pin (NSS)	1	1	1
21	-	-	Fixing Bracket Assembly (NSS)	1	1	1
22	Ⓢ ESL13461	11-13572-AA	Bearing Bush (Fixing Bracket)	1	1	1
23	Ⓢ ESL13462	11-13573-AA	Bearing Bush (Inter Bracket)	1	1	1
24	-	-	Operating Plate (Pinion) (NSS)	1	1	1
25	Ⓢ ESL13464	11-13575-AA	Drive Assembly	1	1	1
26	Ⓢ ESL13465	11-13576-AA	Thrust Collar	1	1	1
27	Ⓢ ESL13466	11-13577-AA	Jump Ring	1	1	1
28	-	-	End Cover (NSS)	1	1	1
29	ESL13468	11-13579-AA	Seal (End Cover)	2	2	2
30	-	-	O'Washer (NSS)	1	1	1
31	ESL13470	11-13581-AA	Earth Terminal	1	1	1
32	-	-	Spring (End Cover) (NSS)	1	1	1
33	-	-	C & E Bracket Assembly (NSS)	1	1	1
34	ESL13473	11-13584-AA	Brush Set	1	1	1
35	Ⓢ ESL13474	11-13585-AA	Brush Corner Assembly	1	1	1
36	ESL13475	11-13586-AA	Lead Assembly	1	1	1
37	-	-	Grommet (NSS)	1	1	1
38	Ⓢ ESL13477	11-13588-AA	Field Coil Assembly	1	1	1
39	Ⓢ ESL13478	11-13589-AA	Armature Assembly	1	1	1
40	ESL13479	11-13590-AA	Nut (Fixing Stud)	2	2	2

STARTER MOTOR & RELAY ASSEMBLY

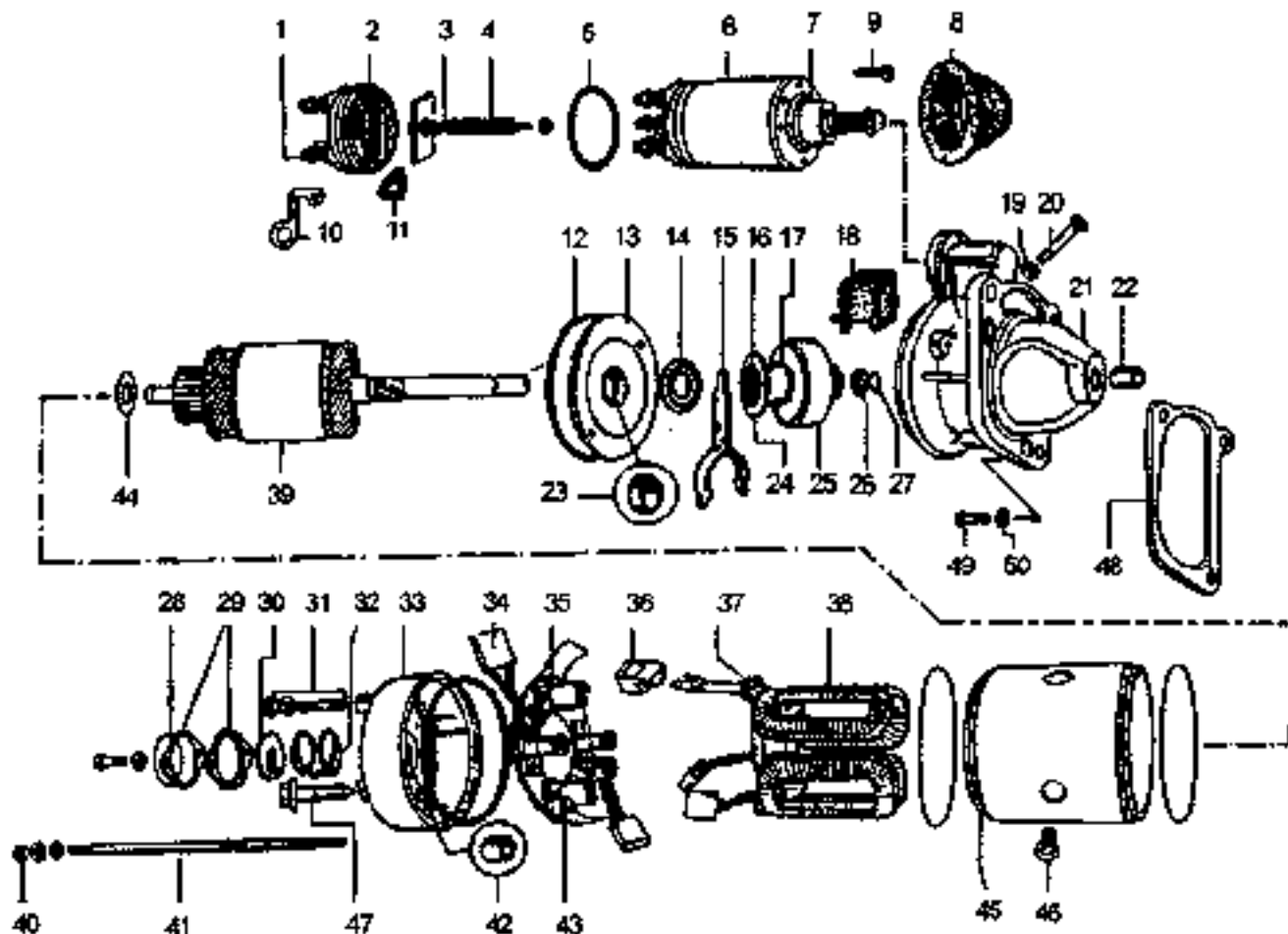
Ⓢ - INDICATES SERVICE SERIAL NUMBER BREAKS.

K - INDICATES UP TO AND INCLUDING THAT SERIAL NUMBER

35/45/60



49 50



STARTER MOTOR & RELAY ASSEMBLY

35/45/60

ITEM	LONG #	VENDOR #	DESCRIPTION	Qty.		
				35	45	60
41	-	-	Fixing Stud (NSS)	1	1	1
42	Ⓢ ESL13481	11-13592-AA	Bearing Bush	1	1	1
43	Ⓢ ESL13482	11-13593-AA	Brush Spring	4	4	4
44	-	-	Stop Washer (NSS)	1	1	1
45	-	-	Insulation Yoke (NSE)	1	1	1
46	-	-	Pole Screw (NSS)	4	4	4
47	-	-	Screw (NSS)	2	2	2
48	ESL11297	76NH-11N076-A	Gasket Starter Motor	-	1	1
-	ESL14370	22-13101-AA	Gasket, Starter Motor	1	-	-
49	304722-58	304722-536	Bolt, Hex Head (3/8-16x1.25)	-	3	3
-	ESL14509	22-13102-AA	Bolt, Hex Head	3	-	-
50	34807-58	34807-536	Washer, Lock (3/8)	-	3	3
-	N-630174-58	N-630174-536	Washer, Lock (M10)	3	-	-
61	ESL11481	62935101	Clip, Wiring (NI)	1	1	1
52	ESL12587	25-13100-AA	Starter Motor Assembly	-	1	1
-	ESL14510	22-13100-CA	Starter Motor Assembly	1	-	-

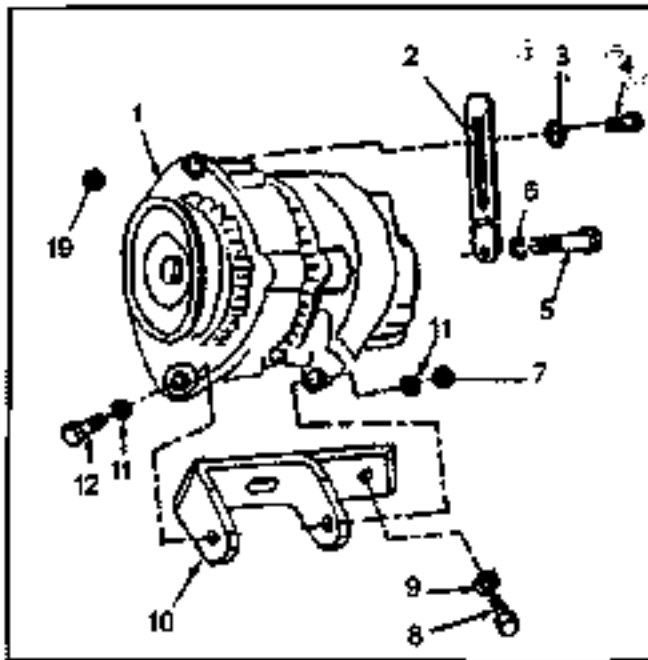
Service Serial Number Breaks:

6	ESL11278	87NH-11K134-AA	Solenoid Switch Assembly (2 bolt mounting)	↳ 284497	-	1	1
22	ESL11287	72NH-11448-A	Bearing Bush, Fixing Bracket	↳ 284497	-	1	1
23	ESL11279	72NH-11135-A	Bearing Bush, Inter Bracket	↳ 284497	-	1	1
25	ESL11281	87NH-11350-AA	Drive Assembly	↳ 284497	-	1	1
26	ESL11282	EXP-10087	Thrust Collar	↳ 284497	-	1	1
27	ESL11283	EXP-10088	Jump Ring	↳ 284497	-	1	1
35	ESL11293	72NH-11085-A	Brush Carrier Assembly	↳ 284497	-	1	1
36	ESL11295	72NH-11082-A	Field Coil Assembly	↳ 284497	-	1	1
39	ESL11296	87NH-11005-AA	Armature Assembly	↳ 284497	-	1	1
42	ESL11291	72NH-10052-A	Bearing Bush	↳ 284497	-	1	1
43	ESL11292	72NH-11059-A	Brush Spring	↳ 284497	-	1	1

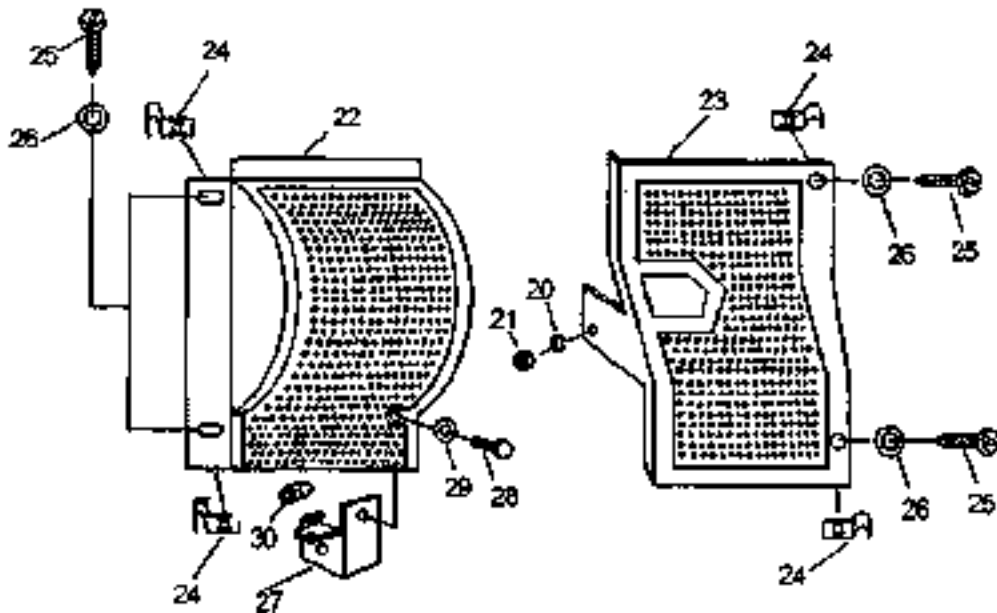
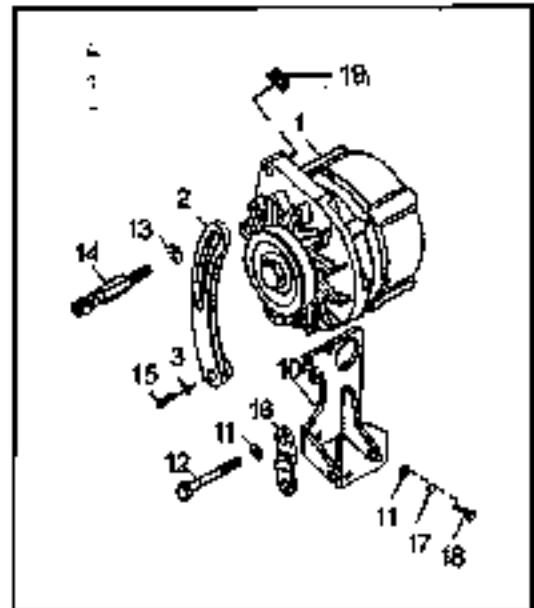
STARTER MOTOR & RELAY ASSEMBLY

35/45/60

FT45-60



FT35



ALTERNATOR & GUARD



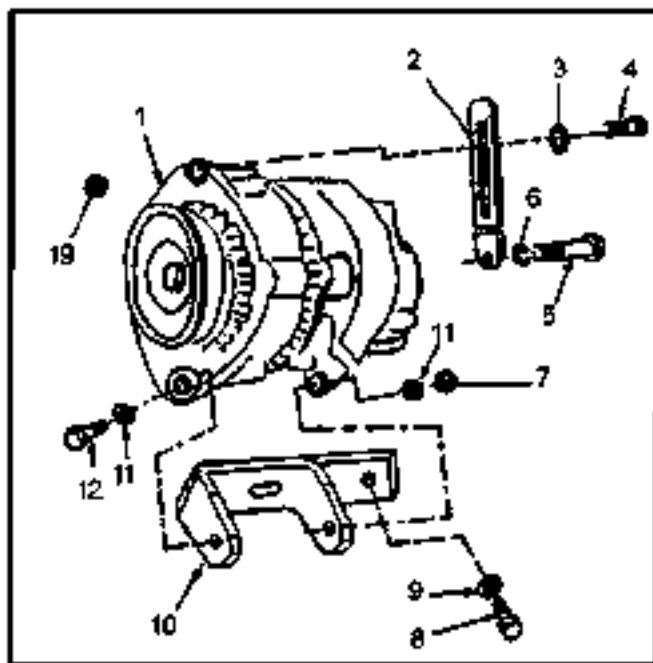
35/45/60

ITEM	LONG #	VENDOR #	DESCRIPTION	QTY.		
				35	45	60
1	ESL11954	11-10376-AA	Alternator & Regulator Assembly	1	1	-
-	Ⓢ ESL12505	12-10376-BA	Alternator & Regulator Assembly	-	-	1
2	Ⓢ ESL11961	11-10145-AA	Arm, Alternator Belt Adjusting	-	1	1
-	ESL14511	22-10304-AA	Arm, Alternator Belt Adjusting	1	-	-
3	Ⓢ ESL11720	E-630028-S71	Washer, Flat (M8x19x3)	1	1	1
4	Ⓢ ESL11958	E-802189-S72	Bolt, Hex Head (M8x1.25x30)	-	1	1
5	302549-S8	302549-S36	Bolt, Hex (7/16)	-	1	1
6	34793-S8	34793-S36	Washer (7/16)	-	1	1
7	Ⓢ ESL11957	N-620014-S36	Nut (M10-1.5)	-	1	1
8	42997-S8	42997-S36	Bolt, Hex (3/8-16x0.875)	-	2	2
9	ESL11719	73NH-10N005-A	Washer, Bracket Mounting	-	2	2
10	Ⓢ ESL11960	11-10239-AA	Bracket, Alternator Mounting	-	1	1
-	ESL14515	T12.97.852.0a	Bracket, Alternator Mounting	1	-	-
11	Ⓢ ESL11956	N-630069-S36	Washer (M10)	2	1	1
12	Ⓢ ESL11955	N-600322-S36	Bolt (M10-1.5x90)	-	1	1
-	ESL14516	22-10305-AA	Bolt, Hex (M10x100)	1	-	-
13	ESL14512	22-10303-AA	Washer, Plain	1	-	-
14	ESL14513	22-10302-AA	Adjusting Bolt	1	-	-
15	N-605532-S8	N-605532-S36	Bolt, Hex (M8x1.25x25)	1	-	-
16	ESL14514	T12.97.090.0	Clamp, Alternator Bracket	1	-	-
17	N-630174-S8	N-630174-S36	Washer, Lock (M10)	1	-	-
18	N-605545-S8	N-605545-S36	Bolt, Hex (M10x1.5x25)	1	-	-
19	N-620013-S8	N-620013-S36	Nut, Hex (M8)	1	1	1
20	34791-S8	34791-S36	Washer (5/16-18)	-	1	1
-	N-630173-S8	N-630173-S36	Washer, Lock (M8)	1	-	-
21	33797-S8	33797-S36	Nut, Hex (5/16-18)	-	1	1
-	N-620013-S8	N-620013-S36	Nut, Hex (M8)	1	-	-
22	Ⓢ ESL13491	11-93334-6A	Guard, Alternator & Fan, LH	-	1	1
-	ESL14517	22-93334-AA	Guard, Alternator & Fan, LH	1	-	-
23	ESL12002	11-93333-AA	Guard Assembly, Alternator & Fan, RH	-	1	1
-	ESL14518	22-93333-AA	Guard Assembly, Alternator & Fan, RH	1	-	-
24	ESL12042	45256-S2	Nut, Spring U (1/2-14)	4	4	4
25	ESL14519	E-602188-S71	Screw, Pan Head	4	-	-
-	ESL11933	56009-S36	Screw, Pan Head (1/4-14x2.00)	4	4	4
26	ESL12046	E-630023-S71	Washer, Flat (1/4)	4	4	4
27	Ⓢ ESL12067	11-33425-AA	Bracket Assembly	-	1	1
-	ESL14520	22-93235-AA	Bracket Assembly	1	-	-
28	ESL12073	N-605517-S36	Bolt, Hex Head (M6-1x16)	1	1	1
29	N-630067-S8	N-630067-S36	Washer, Flat (M5)	1	1	1

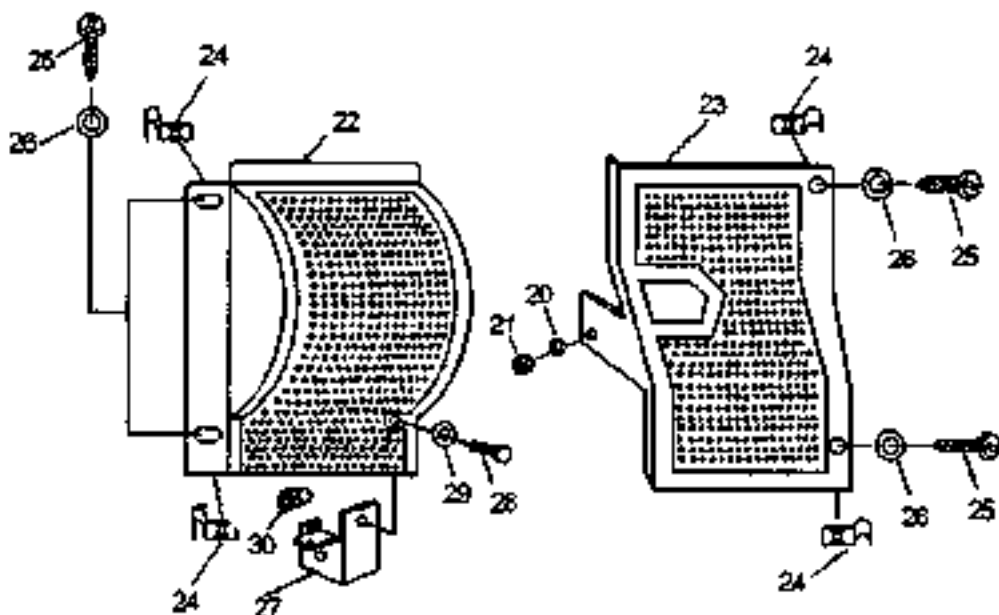
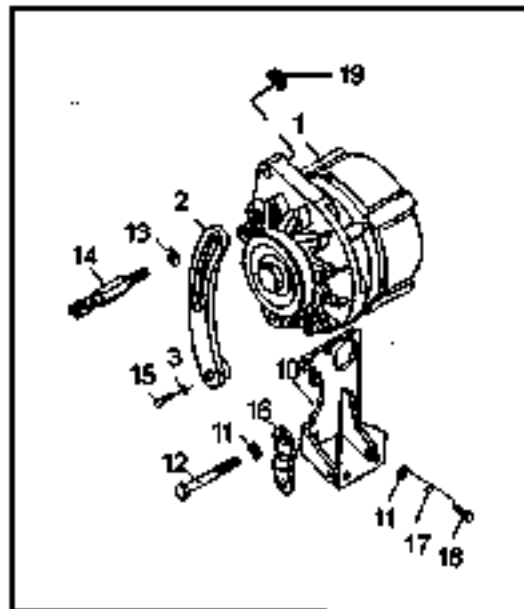
ALTERNATOR & GUARD

35/45/60

FT45-60



FT35



ALTERNATOR & GUARD

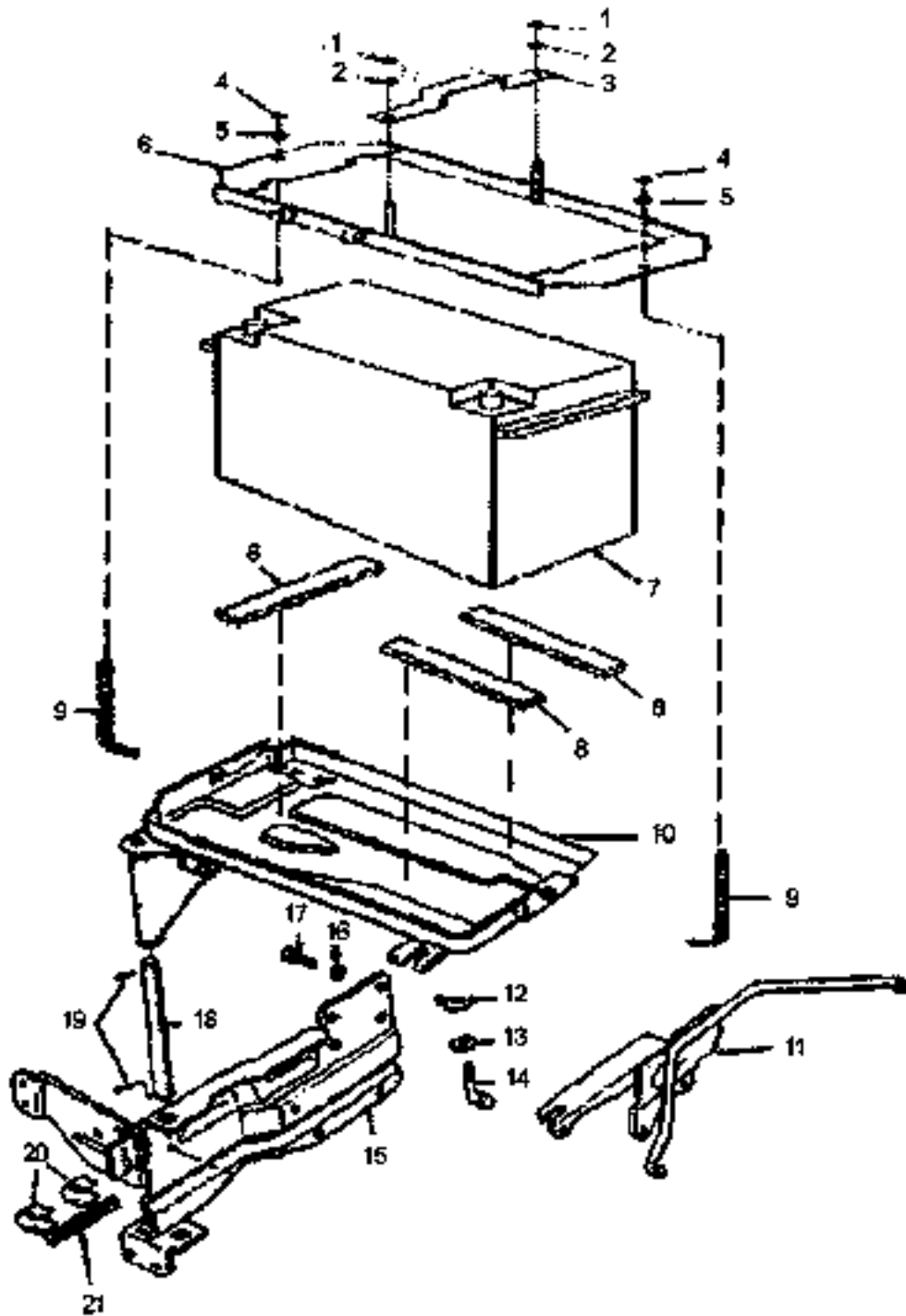
35/45/60

ITEM	LONG #	VENDOR #	DESCRIPTION	Qty.		
				35	45	60
30	ESL12072	11-33432-AA	Rubber Bush	1	1	1

Service Serial Number Breaks:

1	ESL11339	E7NN-10B376-A	Alternator & Regulator Assembly	↳ 298614	-	-	1
.	901260	.	Voltage Regulator	↳ 298614	-	-	1
2	ESL11335	E6NN-10145-DA	Arm, Alternator Belt Adjusting	↳ 298614	-	-	1
3	ESL11720	E-630028-S71	Washer, Flat	↳ 298614	-	-	2
4	ESL11771	E-600212-572	Bolt, Hex	↳ 218630	-	-	1
.	ESL11770	73NH-10N004-A	Bolt, Hex	↳ 298614	-	-	1
7	33797-S8	33797-S36	Nut, Hex (5/16-18)	↳ 298614	-	-	2
11	44723-S8	44723-S36	Washer, Flat (5/16)	↳ 298614	-	-	2
12	304720-S8	304720-S36	Bolt, Hex (5/16-18x1.25)	↳ 298614	-	-	1
.	376415-S8	376415-S36	Bolt, Hex (5/16-16x1.75)	↳ 298614	-	-	1
22	ESL11336	E0NN-10N334-AC	Guard Assembly, LH	↳ 256975	-	-	1
27	ESL12069	11-93310-AA	Bracket Assembly	↳ 256975	-	-	1

ALTERNATOR & GUARD



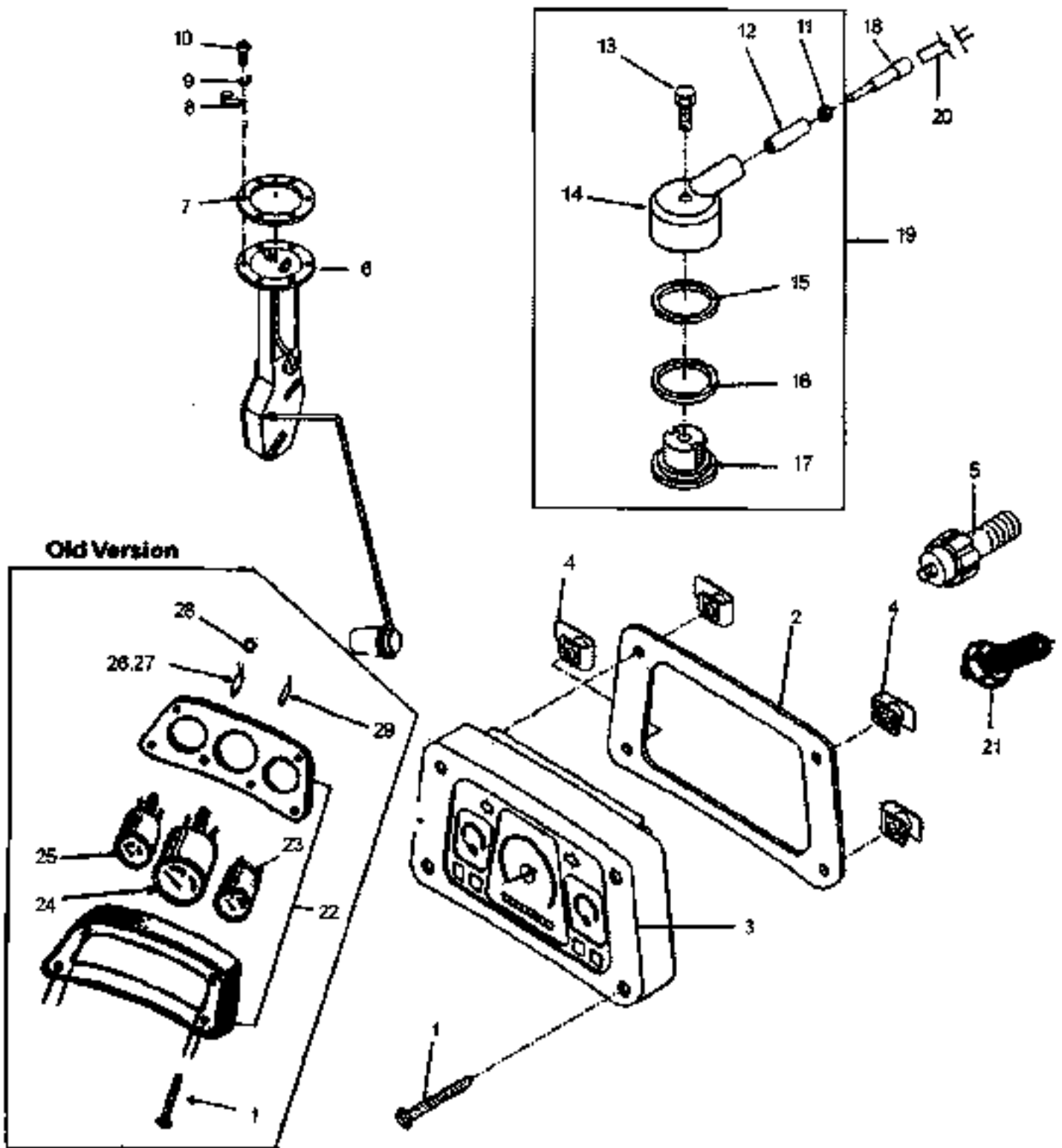
BATTERY & BATTERY SUPPORT

35/45/60

ITEM	LONG #	VENDOR #	DESCRIPTION	Qty.		
				35	45	60
1	33796-S8	33796-S36	Nut, Hex Head (1/4)	2	2	2
2	44719-S8	44719-S36	Washer, Flat (1/4)	2	2	2
3	ESL12547	12-10116-AA	Top Plate, Battery Hold Down	1	1	1
4	383705-S8	383705-S36	Nut, Hex Lock (5/16-18)	2	2	2
5	44722-S8	44722-S36	Washer, Flat (5/16)	2	2	2
6	ESL12545	12-10160-AA	Clamp, Battery Hold Down	1	1	1
7	799716		Battery Assembly	1	1	1
8	ESL12548	12-10118-AA	Pad, Battery	3	3	3
9	ESL12546	12-10107-AA	Rod, Battery Hold Down	2	2	2
10	Ⓢ ESL12285	32835263	Tray Assembly, Battery	1	1	1
11	ESL14521	22-16100-AA	Support, Radiator Shell, Upper	1	-	-
-	ESL11352	91NH-6N096-AA	Support, Radiator Shell, Upper	-	1	1
12	388769-S	388769-S	Nut, Wing (5/16)	1	1	1
13	44724-S8	44724-S36	Washer, Flat (5/16)	1	1	1
14	ESL11773	C5NN-10N768-B	Bolt, Battery Hold Down	1	1	1
15	ESL11342	71NH-10769-A	Bracket Assembly, Battery Support	1	1	1
16	34608-S8	34608-S36	Washer, Lock (7/16)	4	4	4
17	304652-S8	304652-S36	Bolt, Hex Head (7/16-14x0.75)	4	4	4
18	ESL11350	C5NN-10N680-B	Pin, Battery Tray	1	1	1
19	ESL13420	72054-S8	Pin, Cotter (5/32x1.25)	2	2	2
20	ESL11354	C7NN-10N683-A	Clip, Battery Cable Pad	2	2	2
21	ESL11353	C7NN-10N682-A	Pad, Battery Cable	1	1	1
22	ESL11367	C7NN-14450-A	Terminal, Battery Cable, Positive (NI)	1	1	1
23	ESL11366	C5NN-14277-D	Cover, Terminal Insulation (NI)	1	1	1
24	ESL11358	C7NN-14452-C	Terminal, Battery Cable, Earth (NI)	1	1	1
25	ESL11355	73NH-14277-A	Boot, Terminal Insulation (NI)	1	1	1
26	23017-S2	23017-S2	Bolt, Terminal (5/16-18x1.25) (NI)	2	2	2
27	33797-S2	33797-S2	Nut, Hex, Terminal (5/16-18) (NI)	2	2	2

Service Serial Number Breaks:

10	ESL11344	91NH-10723-AA	Tray Assembly, Battery	↳ 288614	-	-	1
----	----------	---------------	------------------------	----------	---	---	---



INSTRUMENT CLUSTER, TECHODRIVE & SENSORS

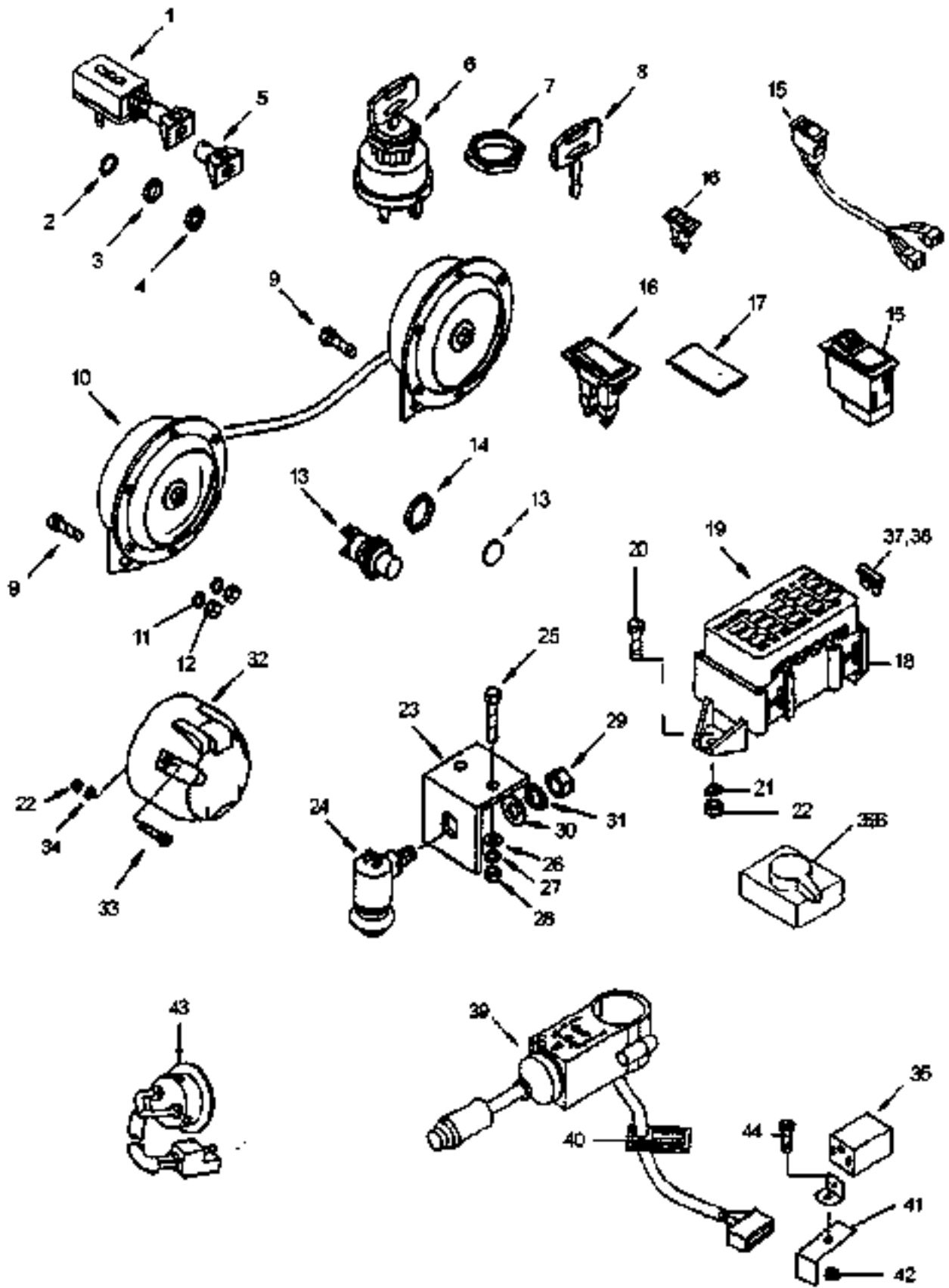
35/45/60

ITEM	LONG #	VENDOR #	DESCRIPTION	QTY.		
				35	45	60
1	ESL11889	EXP-12158-A	Screw, Bezel Retaining	4	4	4
2	ESL13505	11-12949-AA	Gasket, Instrument Cluster	1	1	1
3	ESL14599	22-12360-AA	Cluster Assembly, Instrument	1	-	-
-	ESL12591	12-12360-BA	Cluster Assembly, Instrument	-	1	1
4	ESL11823	78NH-10N649-AA	Nut, Bezel Retaining	4	4	4
5	ESL11400	F1NN-9278-AA	Switch Assembly, Oil Pressure	1	1	1
6	ESL11390	11-12310-AA	Float Assembly, Fuel Tank Sender	1	1	1
7	ESL14522	11-12278-AB	Gasket, Fuel Tank Sender	1	1	1
8	ESL11394	D8NN-9N179-AB	Clip	1	1	1
9	ESL12559	12-89145-AA	Washer, Fuel Tank Float	5	5	5
10	ESL12588	11-12477-AB	Screw, Hex Head (10-32*0.625)	5	5	5
11	ESL13514	80NH-17N271-AA	Seal, Tachodrive Adapter	-	1	1
12	ESL13515	80NH-17N268-AA	Bearing Bush, Shaft Adapter	-	1	1
13	N-605531-S8	N-605531-S36	Bolt, Hex Head (M8x1.25-20)	-	1	1
14	-	-	Body, Tachodrive Shaft (NSS)	-	1	1
15	ESL11408	87067-S94	O'Ring	-	1	1
16	ESL11407	D3NN-17N269-A	Ring, Tachodrive Shaft	-	1	1
17	-	-	Base, Tachodrive Adapter (NSS)	-	1	1
18	ESL11409	91NH-17N275-AA	Shaft & Cable Assembly	-	1	1
19	ESL13518	D3NN-17N264-B	Adapter Assembly, Tachodrive	-	1	1
20	Ⓢ ESL13716	11-12360-CA	Cable Assembly, Tachometer	-	1	1
-	ESL14523	T11.17.828.0	Cable Assembly, Tachometer	1	-	-
21	ESL10238	11-12109-AA	Sensor, Water Temperature	-	1	1
-	ESL14524	Z2-12831-BA	Sensor, Water Temperature	1	-	-

Service Serial Number Breaks:

20	ESL11402	82835140	Cable Assembly, Tachometer	K 227508	-	1	1
-	ESL11403	11-12360-AA	Cable Assembly, Tachometer	K 298614	-	1	1
22	ESL11384	92NH-10A883-AA	Bezel Instrument Cluster	K 298614	-	1	1
23	ESL11396	11-12863-AB	Gauge Assembly, Water Temperature	K 298614	-	1	1
24	ESL14525	12-12970-AA	Hour Cam, RPM Meter	K 298614	-	1	1
25	ESL11388	11-12900-AA	Gauge Assembly, Fuel	K 298614	-	1	1
26	ESL11397	91NH-10241-AA	Lamp, Warning (Generator/Oil Pressure)	K 298614	-	2	2
27	ESL11393	ETP-3222	Bulb, Warning Lamp	K 298614	-	2	2
28	ESL11399	93NH-10241-AA	Dial Washer for Lamp	K 298614	-	2	2
29	ESL11389	73NH-17N279-A	Bulb, Instrument Gauge	K 298614	-	3	3

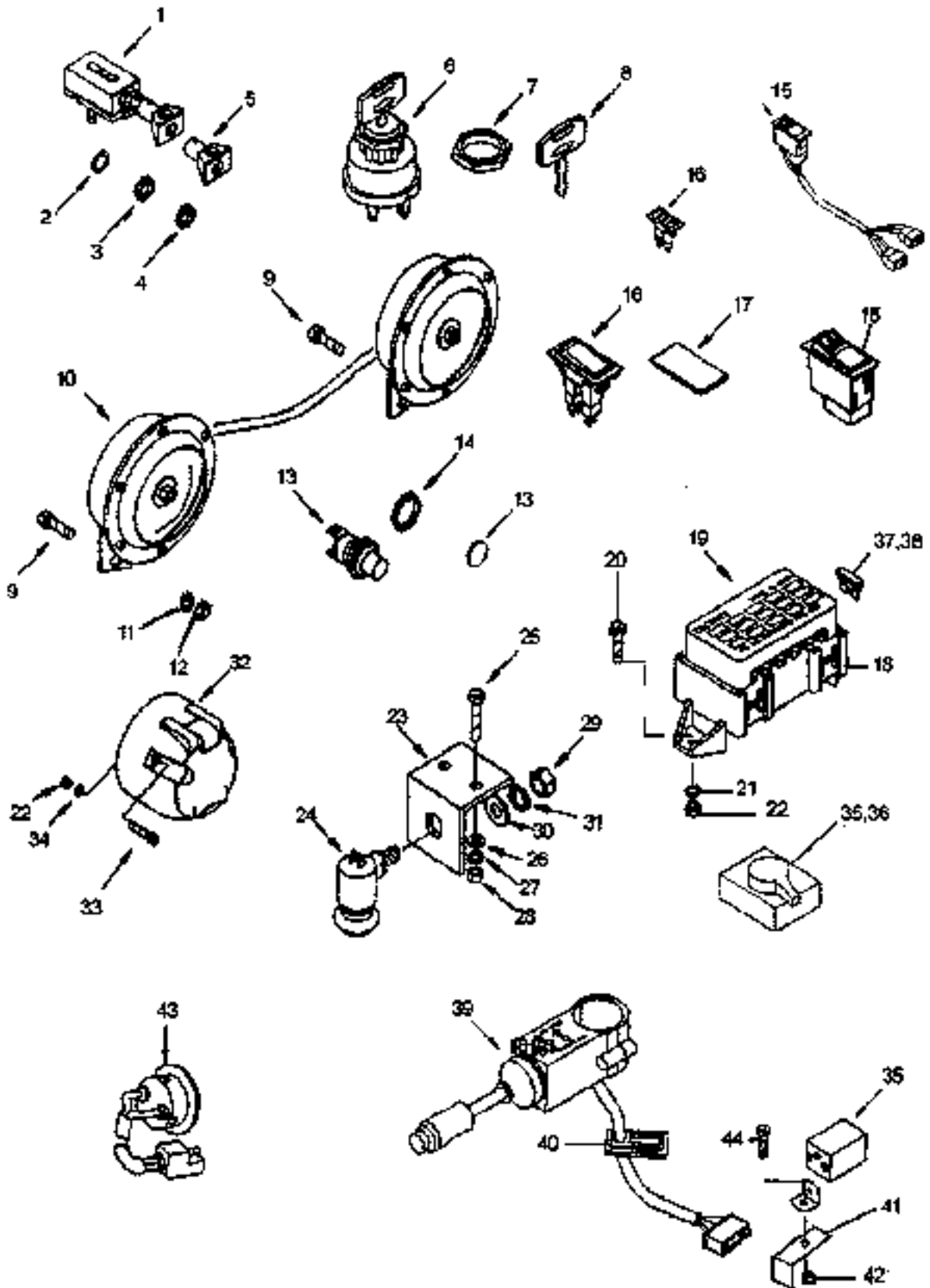
35/45/60



ELECTRICAL SWITCHES

35/45/60

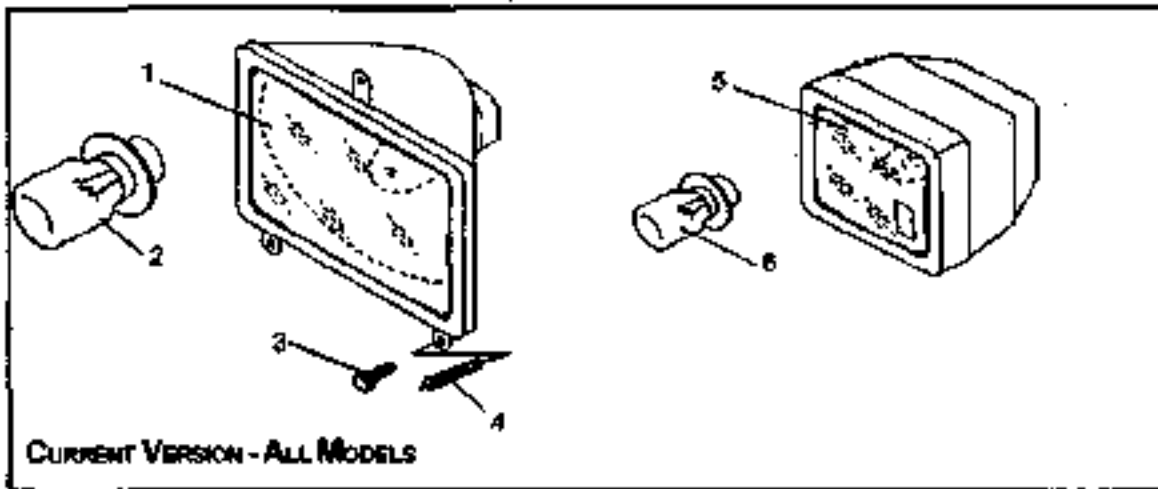
ITEM	LONG #	VENDOR #	DESCRIPTION	QTY.		
				35	45	60
1	Ⓢ ESL12291	E7NN-11654-AA	Switch Assembly, Lighting (Rotary Type)	1	1	1
2	ESL11723	92NH-11N854-AA	Washer	1	1	1
3	ESL11819	92NH-11662-A	Nut, Lighting Switch	1	1	1
4	ESL11820	92NH-11662-BA	Nut, Lighting Switch	1	1	1
5	ESL11380	E1NN-11667-AA	Knob, Light Switch	1	1	1
6	ESL13499	11-11510-AA	Switch Assembly, Heat & Starter	1	1	1
7	ESL11821	C5NN-11N496-A	Nut, Starter Switch	1	1	1
8	ESL11382	82835125	Key, Ignition Lock	1	1	1
9	304882-S8	304882-S36	Bolt, Hex Head (5/16-18x1.00)	2	2	2
10	ESL11365	92NH-13802-AA	Horn Assembly, Dual Tone	1	1	1
11	34941-S8	34941-S36	Washer (5/16)	2	2	2
12	33799-S8	33797-S36	Nut (5/16)	2	2	2
13	Ⓢ ESL13501	E6NN-13A806-AA	Button Assembly, Horn Blowing	1	1	1
14	ESL12454	E62A-11502	Nut, Horn Blowing	1	1	1
15	Ⓢ ESL13641	13-12850-AA	Switch Assembly, Emergency Warning	1	1	1
16	Ⓢ ESL12573	13-13428-AB	Switch Assembly, Worklamp	1	1	1
17	ESL11372	82835347	Grommet	1	1	1
18	Ⓢ ESL11374	18-13030-AA	Fuse Box Assembly (Includes Item #19)	1	1	1
19	Ⓢ ESL13734	18-13031-AA	Cover, Fuse Box	1	1	1
20	ESL11887	54351-S36	Screw, Pan Head (M10-24*0.62)	2	2	2
21	34803-S8	34803-S36	Washer, Lock (M10)	2	2	2
22	34053-S8	34053-S36	Nut, Hex (M10-24)	5	5	5
23	ESL11378	93NH-13A438-CA	Bracket, Stop Lamp Switch Mounting	1	1	1
24	ESL13504	11-13480-AA	Switch Assembly, Stop Lamp	1	1	1
25	N-606321-S8	N-606321-S36	Bolt Carriage (M6x1.25x20)	2	2	2
26	44722-S8	44722-S36	Washer, Flat (5/16)	2	2	2
27	N-630173-S8	N-630173-S36	Washer, Lock (M6)	2	2	2
28	N-620013-S8	N-620013-S36	Nut (M6)	2	2	2
29	ESL12017	33799-S36	Nut (3/8-16)	1	1	1
30	ESL12074	358420-S36	Washer, Flat	1	1	1
31	34807-S8	34807-S36	Washer, Lock	1	1	1
32	ESL11381	E6NN-13A450-AA	Socket Assembly	1	1	1
33	54049-S8	54049-S36	Screw (10-24x11.12)	3	3	3
34	34903-S8	34903-S36	Washer, Lock Internal Tooth (10)	3	3	3
35	Ⓢ 789918	25-13380-BA	Flasher - Indicator Assembly	1	1	1
36	792640	-	Handle Kit, Flasher	1	1	1
37	ESL13735	18-13032-AA	Fuse (10A)	2	2	2
38	ESL13736	18-13033-AA	Fuse (15A)	4	4	4



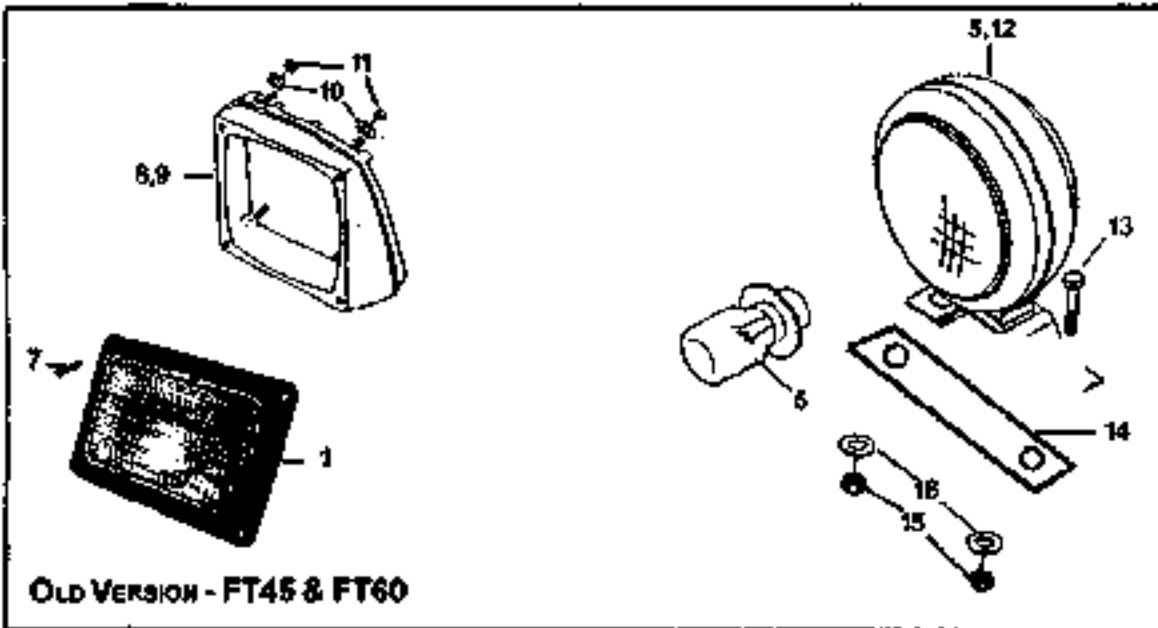
ELECTRICAL SWITCHES

35/45/60

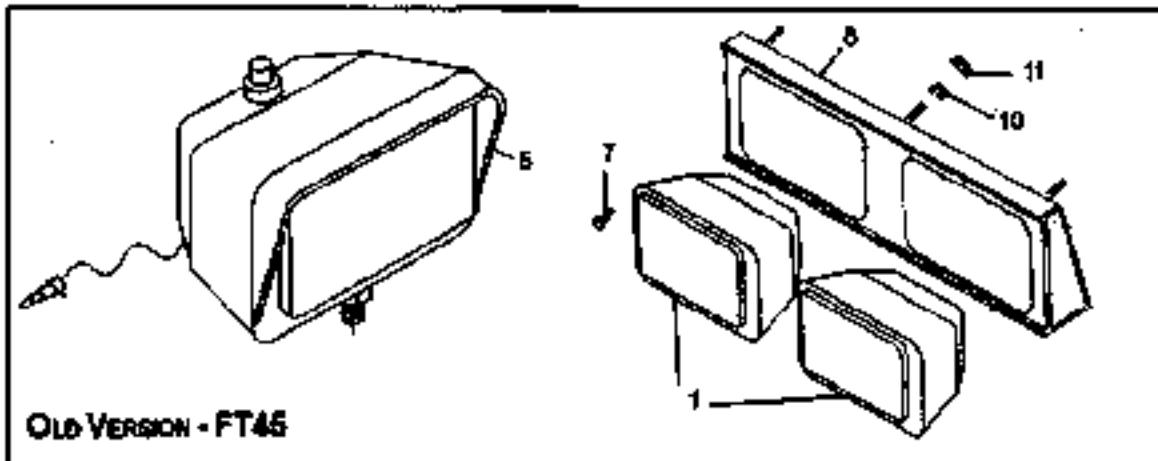
ITEM	LONG #	VENDOR #	DESCRIPTION		QTY.		
					35	45	60
Service Serial Number Breaks:							
1	ESL11359	92NH-11654-AA	Switch Assembly, Lighting (Pull Type)	⊣ 298614	-	1	1
13	ESL11363	92NH-390127-AA	Grommet (Horn)	⊣ 298614	-	1	1
15	ESL12484	E4NN-13A350-AA	Switch and Wire Assembly				
			Emergency Warning	⊣ 264280	-	-	1
-	ESL11364	92NH-13A350-AA	Switch Assembly, Emergency Warning	⊣ 233492	-	-	1
16	ESL11368	E4NN-100915-BA	Lamp Assembly, Indicator Warning	⊣ 264280	-	-	1
-	ESL11988	11-13915-AA	Lamp Assembly, Indicator Warning	⊣ 298614	-	1	1
18	ESL14580	11-13030-AA	Fuse Box Assembly	⊣ 298614	-	1	1
19	ESL11376	93NH-14N060-BA	Cover Fuse Box (NSS)	⊣ 298614	-	1	1
35	ESL11371	D8NN-13N380-B6	Flasher Assembly, Indicator	⊣ 264280	-	-	1
-	ESL11370	92NH-13N380-AA	Flasher Assembly, Indicator	⊣ 298614	-	1	1
39	ESL11366	93NH-13R331-AA	Switch Assembly, Combination	⊣ 233491	-	-	1
-	ESL11367	11-13040-AA	Switch Assembly, Combination	⊣ 264280	-	-	1
40	ESL11996	11-94236-AA	Grommet	⊣ 264280	-	-	1
41	ESL12303	11-13302-AA	Bracket Assembly, Flasher	⊣ 298614	-	1	1
42	N-620012-S8	N-620012-S38	Nut, Hex (M6)	⊣ 298614	-	1	1
43	ESL11333	D3NN-10N311-A	Sensor Assembly, Battery				
			Temperature	⊣ 298614	-	-	1
44	N-605515-S8	N-605515-S39	Bolt, Hex Head (M6x1x12)	⊣ 298614	-	1	1



CURRENT VERSION - ALL MODELS



OLD VERSION - FT45 & FT60



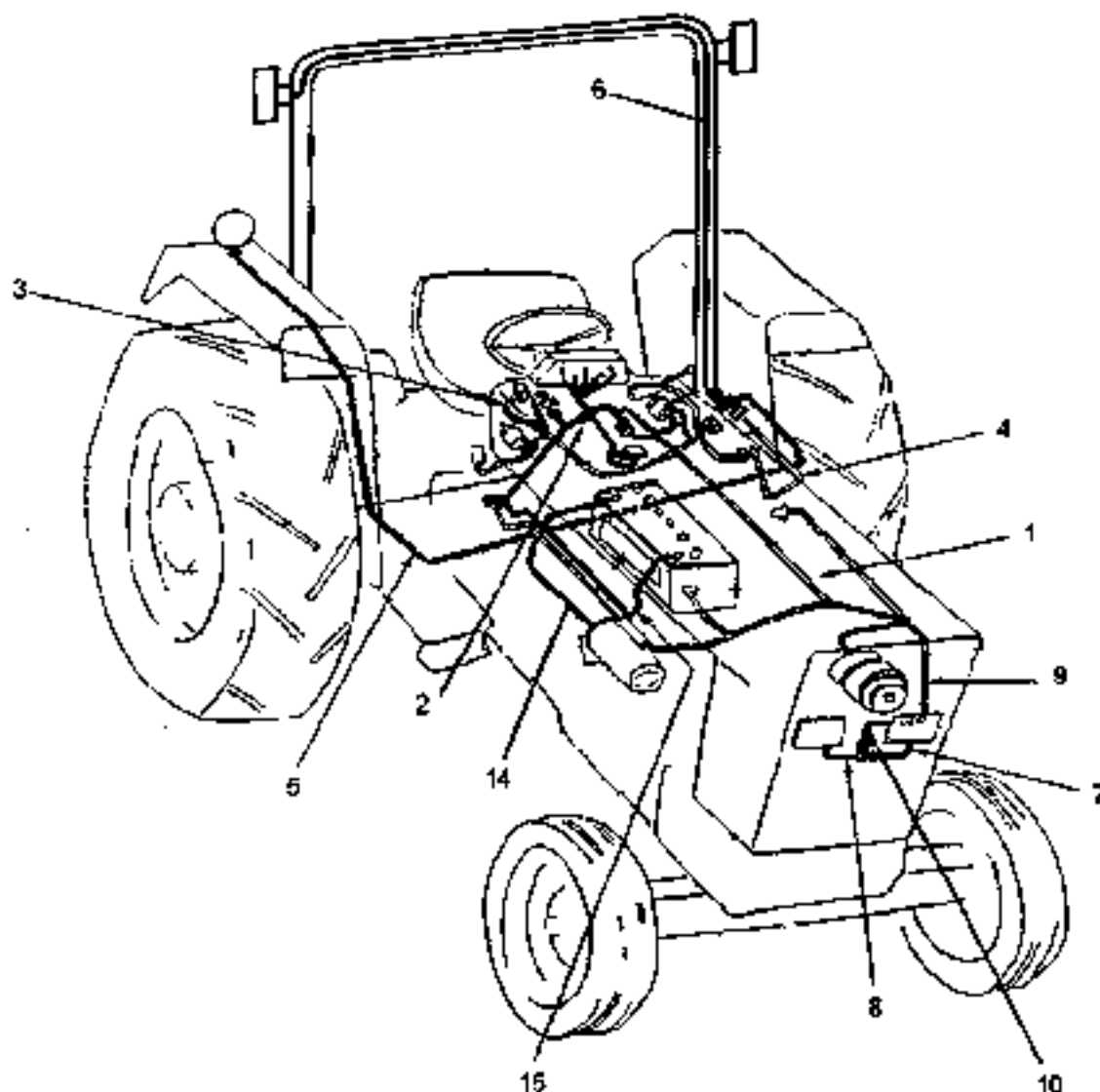
OLD VERSION - FT45

LIGHTS

ITEM	LONG #	VENDOR #	DESCRIPTION	QTY.		
				35	45	60
1	Ⓢ ESL12571	25-13010-BA	Head Lamp Assembly	2	2	2
2	ESL13523	25-13009-AA	Bulb, Head Lamp (12 volts)	2	2	2
3	ESL13737	25-13011-AA	Screw, Head Lamp Adjusting	6	6	6
4	ESL13738	25-13012-AA	Spring	6	6	6
5	Ⓢ ESL14528	13-13420-AA	Worklamp Assembly	1	1	1
6	Ⓢ ESL13524	13-13331-AA	Bulb, Worklamp	1	1	1

Service Serial Number Breaks:

1	902419		Head Lamp Assembly (LH & RH)	Ⓜ 298614	-	2	-
-	791359		Head Lamp Assembly (LH & RH)	Ⓜ 298614	-	-	2
5	ESL11480	93NH-13N427-AA	Plough Lamp Assembly	Ⓜ 298614	-	-	1
-	901212		Worklamp Assembly	Ⓜ 298614	-	1	-
6	ESL11470	80NH-15330-A	Bulb, Plough Lamp	Ⓜ 298614	-	-	1
7	ESL11894	EXP-14749-AA	Screw, Head Lamp Mounting	Ⓜ 298614	-	8	6
8	ESL11481	11-13048-AB	Bezel Head Lamp, LH	Ⓜ 298614	-	-	1
-	ESL11891	12-13048-AB	Bezel Head Lamp	Ⓜ 298614	-	1	-
9	ESL11482	11-13048-AB	Bezel Head Lamp, RH	Ⓜ 298614	-	-	1
10	N-630066-S8	N-630066-S36	Washer	Ⓜ 298614	-	6	8
11	ESL11830	93NH-17N713-AA	Nyloc Nut	Ⓜ 298614	-	6	8
12	ESL11472	EXP-10416-A	Switch, Implement Lamp	Ⓜ 298614	-	-	1
13	ESL11775	C5NH-N448-A	Bolt (3/8-24)	Ⓜ 298614	-	-	2
14	ESL11471	74NH-13R312-A	Plate, Plough Lamp Mounting	Ⓜ 298614	-	-	1
15	377380-S8	377360-S36	Nut, Nyloc (3/8-24)	Ⓜ 298614	-	-	2
16	44728-S8	44728-S36	Washer, Flat (3/8)	Ⓜ 298614	-	-	2

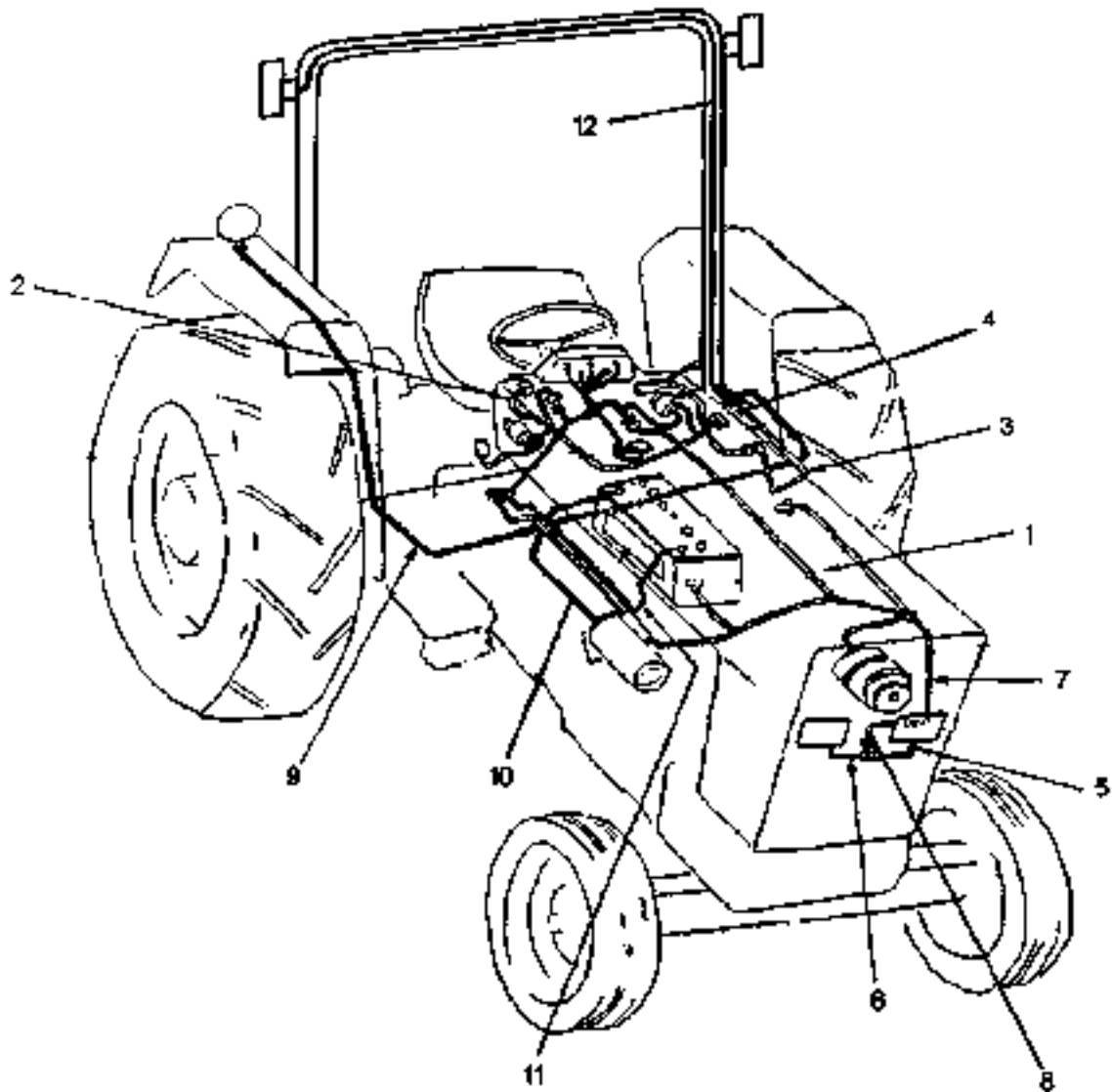


WIRING HARNESS SYSTEM

35/45/60

ITEM	LONG #	VENDOR #	DESCRIPTION	K	Qty.		
					35	45	60
SECTION A							
1	ESL11419	12-11130-AA	Wiring Harness, Main Front	✓ 247329	-	-	1
-	ESL11913	12-11130-CB	Wiring Harness, Main Front	✓ 259837	-	-	1
2	ESL11421	12-11140-AB	Wiring Harness, Main Rear	✓ 247329	-	-	1
-	ESL11912	12-11140-CA	Wiring Harness, Main Rear	✓ 259837	-	-	1
3	ESL11424	12-13110-AC	Wiring Harness, Switch to Fender	✓ 233492	-	-	1
-	ESL11425	12-13110-BA	Wiring Harness, Switch to Fender	✓ 259837	-	-	1
4	ESL11429	12-13190-AA	Wiring Harness, Switch to R. Board	✓ 233492	-	-	1
-	ESL11430	12-13190-BA	Wiring Harness, Switch to R. Board	✓ 259837	-	-	1
5	ESL11433	12-13460-AA	Wiring Harness, Fender RH	✓ 244014	-	-	1
-	ESL14567	12-13460-BB	Wiring Harness, Fender RH	✓ 259837	-	-	1
6	ESL12328	12-13180-AA	Wiring Harness, ROPS Lamp	✓ 233492	-	-	1
-	ESL12329	12-13180-BA	Wiring Harness, ROPS Lamp	✓ 284280	-	-	1
7	ESL11437	12-11150-AA	Wiring Harness, Head Lamp LH	✓ 259837	-	-	1
8	ESL11438	12-11120-AA	Wiring Harness, Head Lamp RH	✓ 259837	-	-	1
9	ESL11447	11-12420-AA	Wire Assembly, Gauge Supply Ext.	✓ 298614	-	-	1
10	ESL11444	93NH-13N860-CA	Wire Assembly, Ground	✓ 298614	-	-	1
11	ESL10239	11-12800-AA	Wire, Temperature Sensor	✓ 247329	-	-	1
12	ESL10236	11-11010-AA	Wire, Thermostat (NI)	✓ 298614	-	-	1
13	ESL11446	83NH-14K084-AA	Wire Assembly, Instrument Lamp	✓ 298614	-	-	1
14	ESL11441	73NH-14N330-A	Cable Assembly, Battery to Starter		-	-	1
15	ESL11439	73NH-14301-A	Cable Assembly, Battery to Ground		-	-	1
16	ESL11354	C7NH-10N683-A	Clip, Battery Cable (NI)		-	-	1
17	ESL11466	73NH-14N004-A	Strap, Battery Cable (NI)		-	-	4
18	ESL11463	D5NH-14197-A	Clip, Wiring (NI)		-	-	1
19	ESL14529	89NH-14N004-AA	Strap, Wiring (NI)		-	-	1
20	ESL11480	82835100	Clip, Wiring (NI)		-	-	1
21	ESL11461	82836101	Clip, Wiring (NI)		-	-	1

NOTE: Use Section A only for tractors having serial number up to and including #259837 (Tractors equipped with combination switch)



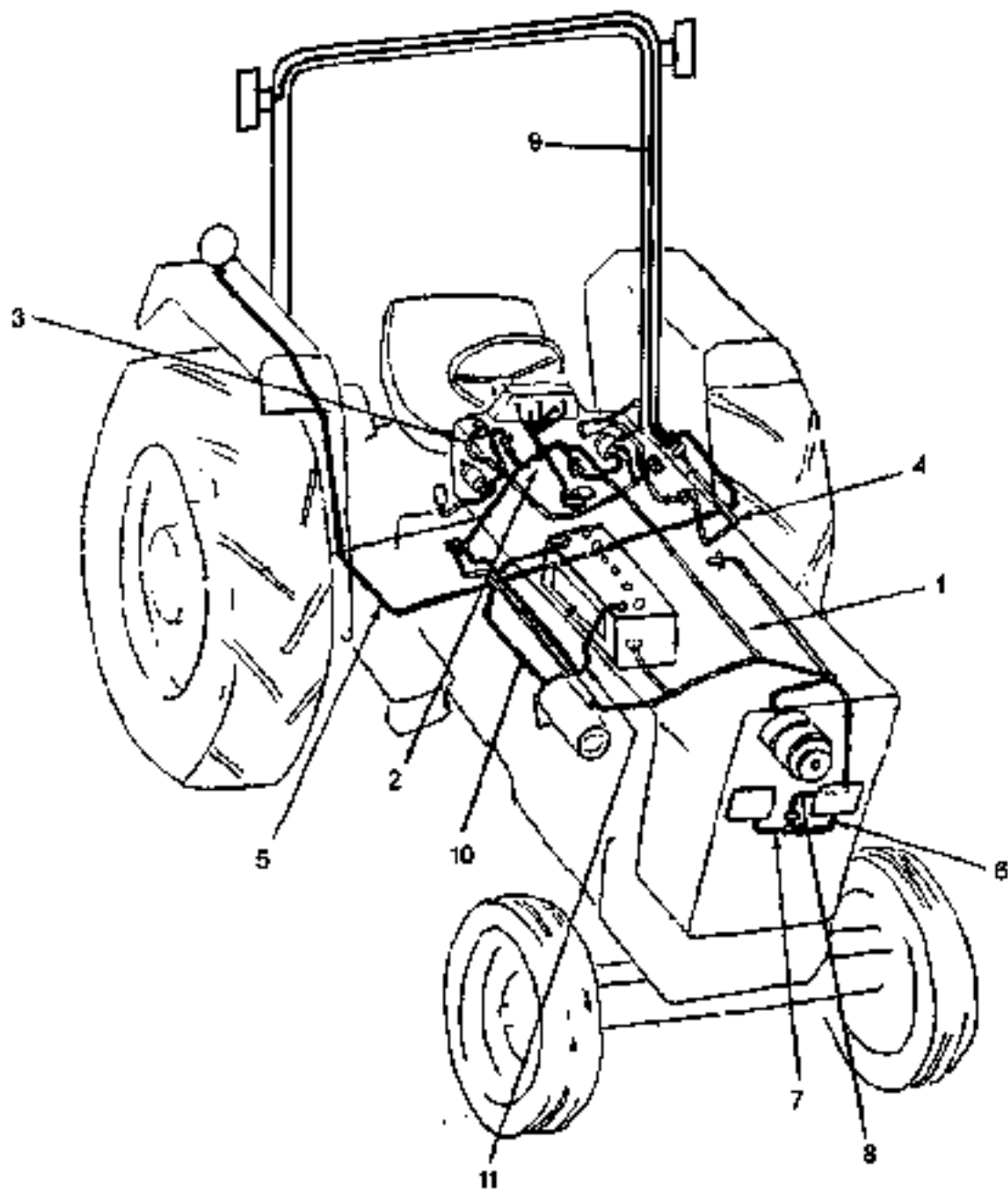
WIRING HARNESS SYSTEM

ITEM	LONG #	VENDOR #	DESCRIPTION		Qty.		
					35	45	60
SECTION B							
1	ESL14535	16-13300-AA	Wiring Harness, Main Front	K 264280	-	-	1
2	ESL12320	12-13110-AA	Wiring Harness, Switch to Fender	K 264280	-	-	1
3	ESL12321	13-13190-AA	Wiring Harness, Switch to R. Board	K 264280	-	-	1
4	ESL12327	12-13440-AA	Wiring Harness, Fender LH	K 264280	-	-	1
5	ESL11992	13-11150-AA	Wiring Harness, Head Lamp LH	K 298614	-	-	1
6	ESL11993	13-11120-AA	Wiring Harness, Head Lamp RH	K 298614	-	-	-
7	ESL11447	11-12420-AA	Wire Assembly, Gauge Supply Ext.	K 298614	-	-	1
8	ESL11444	93NH-13N650-CA	Wire Assembly, Ground	K 298614	-	-	1
9	ESL12323	14-13460-AA	Wiring Harness, Fender RH	K 264280	-	-	1
10	ESL11441	73NH-14N330-A	Cable Assembly, Battery to Starter		-	-	1
11	ESL11439	73NH-14301-A	Cable Assembly, Battery to Ground		-	-	1
12	ESL12329	12-13180-BA	Wiring Harness, ROPS Lamp	K 264280	-	-	1
13	ESL10236	11-11010-AA	Wire, Thermostat (NI)	K 298614	-	-	1
14	ESL11446	93NH-14K064-AA	Wire Assembly, Instrument Lamp (NI)	K 298614	-	-	1
15	ESL11354	C7NN-10N853-A	Clip, Battery Cable (NI)		-	-	1
16	ESL11485	73NH-14N004-A	Strap, Battery Cable (NI)		-	-	4
17	ESL11483	D5NN-14197-A	Clip, Wiring (NI)		-	-	1
18	ESL14529	89NH-14N004-AA	Strap, Wiring (NI)		-	-	1
19	ESL11460	82835100	Clip, Wiring (NI)		-	-	1
20	ESL11461	82835101	Clip, Wiring (NI)		-	-	1

NOTE: Use Section B only for tractors having serial number from #259835 to #264280 (Tractors equipped with combination switch)



WIRING HARNESS SYSTEM

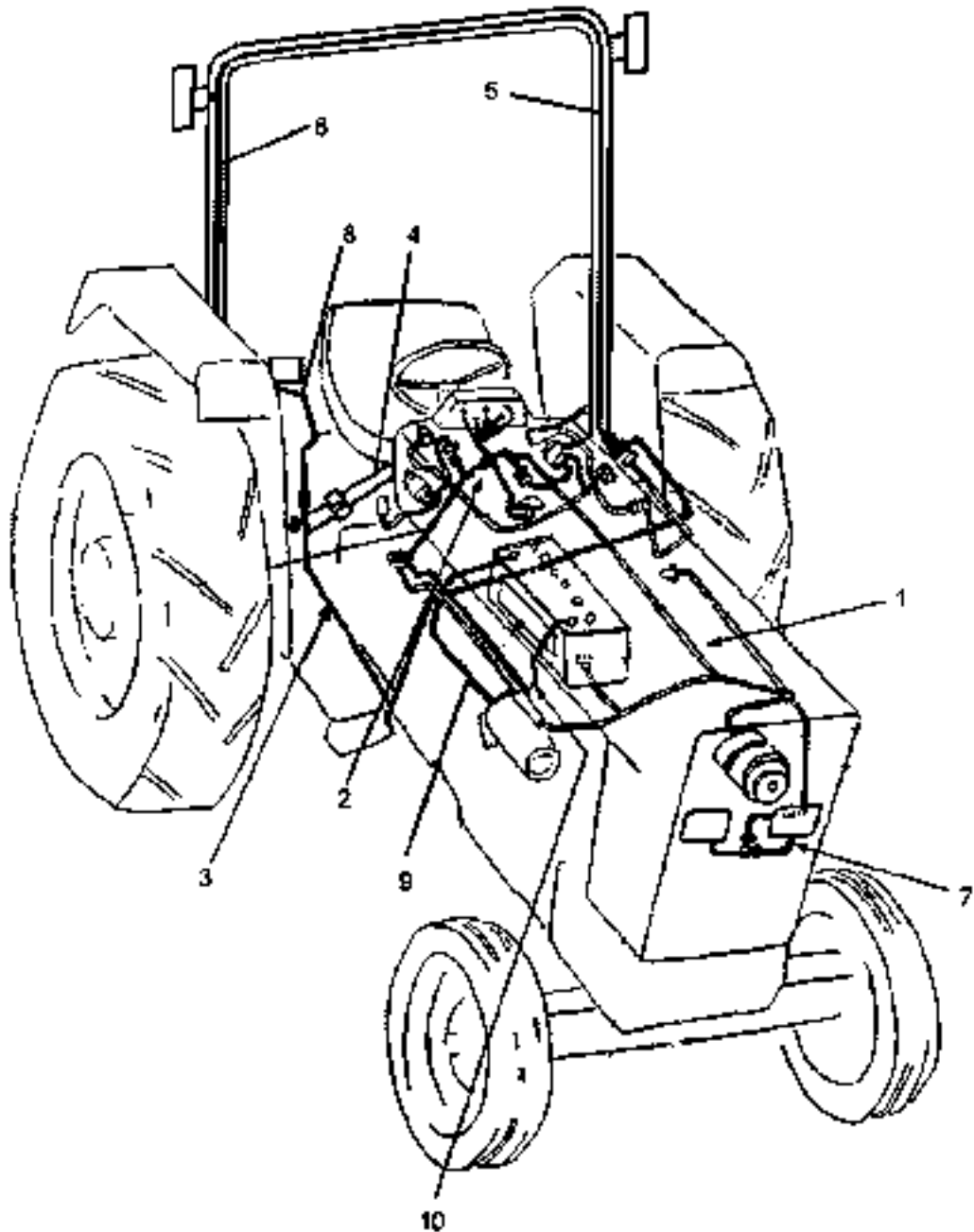


WIRING HARNESS SYSTEM

35/45/60

ITEM	LONG #	VENDOR #	DESCRIPTION		QTY.		
					35	45	60
SECTION C							
1	ESL11984	14-11130-AA	Wiring Harness, Main Front	↳ 289725	-	1	-
-	ESL11913	12-11130-CB	Wiring Harness, Main Front	↳ 298814	-	-	1
2	ESL11985	14-11140-AA	Wiring Harness, Main Rear	↳ 298814	-	1	1
3	ESL11885	13-13110-AA	Wiring Harness, Switch to Fender	↳ 298814	-	1	1
4	ESL11986	14-13190-AA	Wiring Harness, Switch to R. Board	↳ 298614	-	1	1
5	ESL11990	13-13460-AA	Wiring Harness, Fender RH	↳ 298814	-	1	1
6	ESL12330	14-11150-AA	Wiring Harness, Head Lamp LH	↳ 280861	-	1	-
-	ESL11982	13-11150-AA	Wiring Harness, Head Lamp LH	↳ 298814	-	-	1
7	ESL12331	14-11120-AA	Wiring Harness, Head Lamp LH	↳ 280861	-	1	-
-	ESL11983	13-11120-AA	Wiring Harness, Head Lamp RH	↳ 298814	-	-	1
8	ESL11444	93NH-13N850-CA	Wire Assembly, Ground	↳ 298614	-	1	1
9	ESL11989	13-13180-AA	Wiring Harness, ROPS Lamp	↳ 298614	-	1	1
10	ESL11441	73NH-14N330-A	Cable Assembly, Battery to Starter		-	1	1
11	ESL11439	73NH-14301-A	Cable Assembly, Battery to Ground		-	1	1
12	ESL10238	11-11010-AA	Wire, Thermostat (NI)	↳ 298814	-	1	1
13	ESL11446	93NH-14K054-AA	Wire Assembly, Instrument Lamp (NI)	↳ 298614	-	1	1
14	ESL11354	C7NH-10N663-A	Clip, Battery Cable (NI)		-	1	1
15	ESL11485	73NH-14ND04-A	Strap, Battery Cable (NI)		-	4	4
16	ESL11463	D5NH-14197-A	Clip, Wiring (NI)		-	1	1
17	ESL14529	89NH-14ND04-AA	Strap, Wiring (NI)		-	1	1
18	ESL11460	82835100	Clip, Wiring (NI)		-	1	1
19	ESL11461	82835101	Clip, Wiring (NI)		-	1	1

NOTE: Use Section C only for tractors having serial number from #264281 to #288614/289725 (Tractors not equipped with combination switch)



WIRING HARNESS SYSTEM

35/45/60

ITEM	LONG #	VENDOR #	DESCRIPTION	Qty.		
				35	45	60
SECTION D						
1	Ⓢ ESL13705	27-13140-BA	Wiring Harness, Main	1	1	1
2	Ⓢ ESL13711	27-13130-BA	Wiring Harness, Instrument Panel	1	1	1
3	Ⓢ ESL14530	20-13110-BA	Wiring Harness, Tail	1	1	1
4	ESL14531	27-13160-AB	Wiring Harness, Tractor Socket (Used only on Serial Number 304174 and up)	1	1	1
5	Ⓢ ESL13708	27-13170-AA	Wiring Harness, ROPS Lamp, LH	1	1	1
6	Ⓢ ESL12565	27-13180-AA	Wiring Harness, ROPS Lamp, RH	1	1	1
7	ESL12567	27-13180-AA	Wiring Harness, Earth (Head Lamp)	1	1	1
8	Ⓢ ESL14532	20-13200-AA	Wiring Harness, Work Lamp	1	1	1
9	ESL14533	22-13230-AA	Cable Assembly, Battery to Starter	1	-	-
-	ESL11441	73NH-14N330-A	Cable Assembly, Battery to Starter	-	1	1
10	ESL14534	22-13201-AB	Cable Assembly, Battery to Ground	1	-	-
-	ESL11439	73NH-14301-A	Cable Assembly, Battery to Ground	-	1	1
11	ESL11354	C7NH-10N653-A	Clip, Battery Cable (NI)	1	1	1
12	ESL11466	73NH-14N004-A	Strap, Battery Cable (NI)	4	4	4
13	ESL11463	D5NH-14197-A	Clip, Wiring (NI)	1	1	1
14	ESL14529	89NH-14N004-AA	Strap, Wiring (NI)	1	1	1
15	ESL11460	82835100	Clip, Wiring (NI)	1	1	1
16	ESL11461	82835101	Clip, Wiring (NI)	1	1	1

Service Serial Number Breaks:

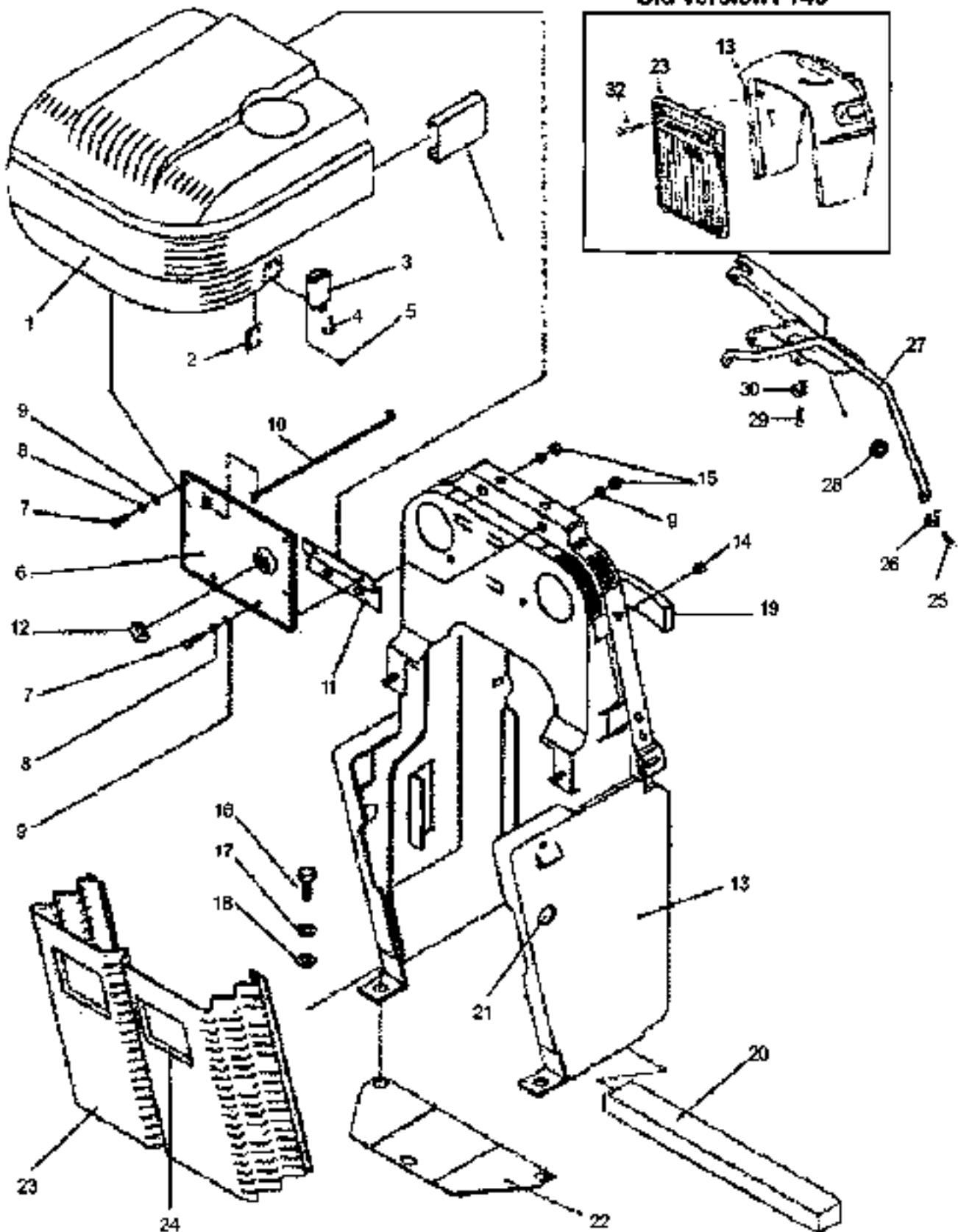
1	ESL12568	27-13140-AA	Wiring Harness, Main	Ⓢ 304173	-	1	1
2	ESL12569	27-13130-AA	Wiring Harness, Instrument Panel	Ⓢ 304173	-	1	1
3	ESL12563	20-13110-AA	Wiring Harness, Tail	Ⓢ 304173	-	1	1
5,6	ESL12565	27-13180-AA	Wiring Harness, ROPS Lamp	Ⓢ 304173	-	2	2
8	ESL14568	27-13200-AB	Wiring Harness, Work Lamp	Ⓢ 304173	-	1	1

NOTE: Use Section D only for tractors having serial number #298615 and later
(Tractors not equipped with combination switch)

Notes

SHEET METAL & ACCESSORIES

Old Version FT45



RADIATOR SHELL

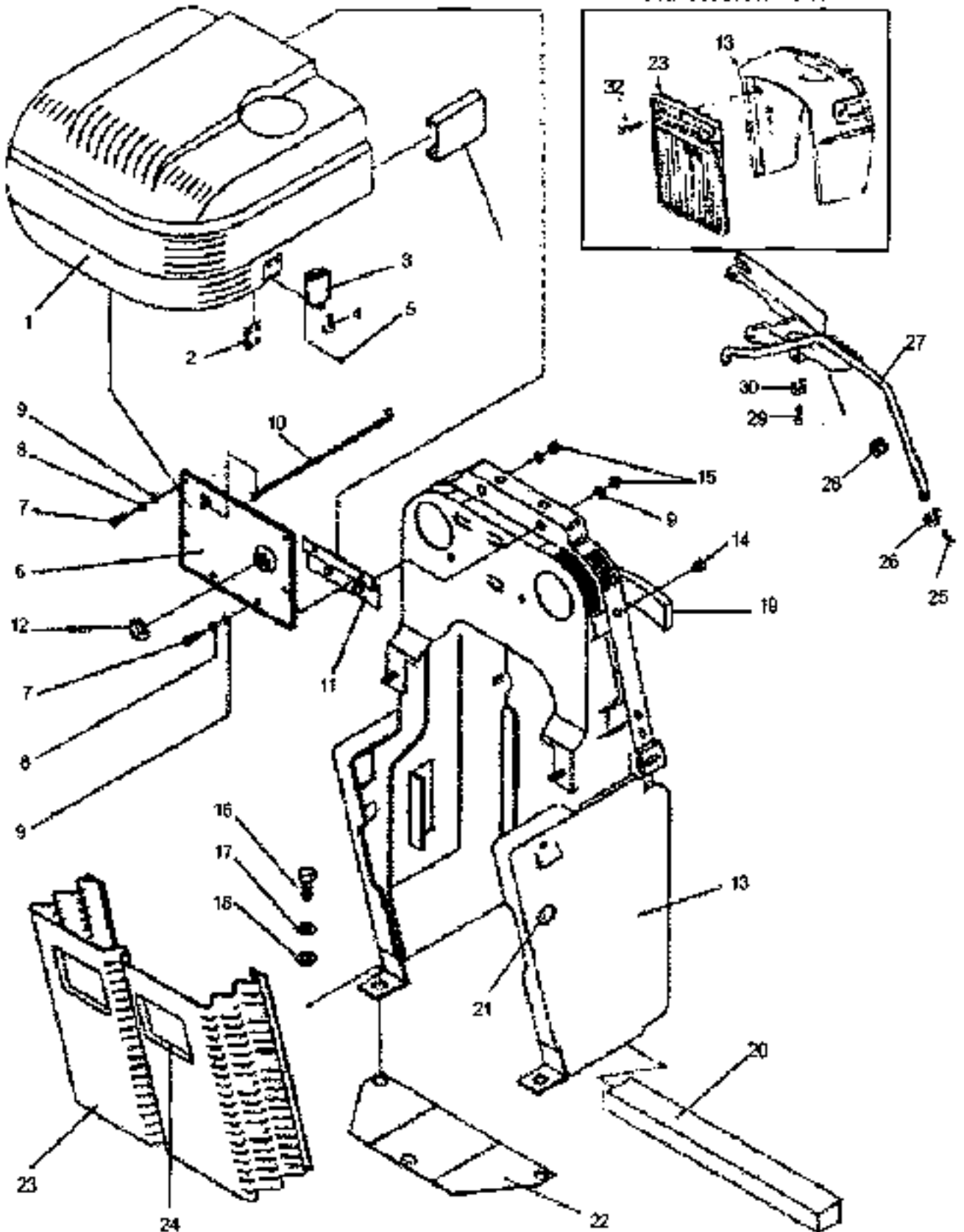
35/45/60

ITEM	LONG #	VENDOR #	DESCRIPTION	QTY.		
				35	45	60
1	S ESL11498	91NH-16A837-AA	Panel Assembly, Hood Top	1	1	1
2	ESL11500	E1NH-16874-AA	Plate Hood Latch	2	2	2
3	ESL13537	11-18570-AA	Latch Assembly, Hood (Includes Item #4)	2	2	2
4	ESL11895	11-19701-AA	Adjusting Screw, Hood Latch	2	2	2
5	ESL11501	87NH-16N785-AA	Adjusting Screw, Hood Latch	2	2	2
6	ESL11502	87NH-16N910-AC	Plate, Hood Top Front	1	1	1
7	ESL11937	N-605515-S36	Bolt, Hex Head (M6x1.00-12)	6	6	6
8	N-630317-S8	N-630317-S36	Washer, External Tooth	6	6	6
9	N-630067-S8	N-630067-S36	Washer, Flat (M6)	8	8	8
10	ESL11504	E0NN-16N908-AA	Prop. Hood Top Front Panel	1	1	1
11	ESL13719	93NH-16N906-AA	Hinge Assembly, Hood Top Front Panel	1	1	1
12	ESL11505	E0NN-16N900-AB	Bumper, Hood Top	1	1	1
13	Ⓢ ESL11490	82835432	Shell Assembly, Radiator	1	1	1
14	ESL11507	C5NN-16N655-A	Pad, Hood Mounting	14	14	14
15	N-620012-S8	N-620012-S36	Nut (M6x1.0)	2	2	2
16	304650-S8	304650-S36	Bolt, Hex Head (3/8-16x0.75)	4	4	4
17	44728-S8	44728-S36	Washer, Flat (3/8)	4	4	4
18	34942-S8	34942-S36	Washer, Flat Tooth (3/8)	4	4	4
19	Ⓢ ESL11493	90NH-8N301-AA	Seal Radiator	-	3	3
20	Ⓢ ESL11494	90NH-8N036-AA	Seal Radiator	-	1	1
21	ESL10230	11-64214-AA	Grommet, Round	2	2	2
22	ESL11519	93NH-8N095-AA	Baffle Assembly, Front Axle Support	1	1	1
23	Ⓢ ESL12809	25-18250-BA	Grill Assembly, Front (Includes Item #24)	1	1	1
24	ESL12810	25-18251-AA	Rubber Beading, Head Lamp	2	2	2
25	304665-S8	304665-S36	Bolt, Hex Head (5/16-24x0.88)	2	2	2
26	44722-S8	44722-S36	Washer, Flat (5/16)	2	2	2
27	Ⓢ ESL14521	22-16100-AA	Support, Radiator Shell	1	-	-
-	ESL11352	91NH-8N096-AA	Support, Radiator Shell	-	1	1
28	33798-S8	33798-S36	Nut, Hex (5/16-24)	2	2	2
29	304652-S8	304652-S36	Bolt, Hex Head (7/16-14x0.75)	-	2	2
-	ESL14457	22-80094-AA	Bolt, Hex Head	2	-	-
30	44730-S8	44730-S36	Washer, Lock (7/16)	-	2	2
-	N-630174-S8	N-630174-S36	Washer, Lock (M10)	2	-	-
31	ESL11489	87NH-16N900-AA	Bumper	6	6	6

Service Serial Number Breaks:

1,13	ESL11997	11-18220-AB	Shell Assembly, Radiator	KL 298726	-	1	-
------	----------	-------------	--------------------------	-----------	---	---	---

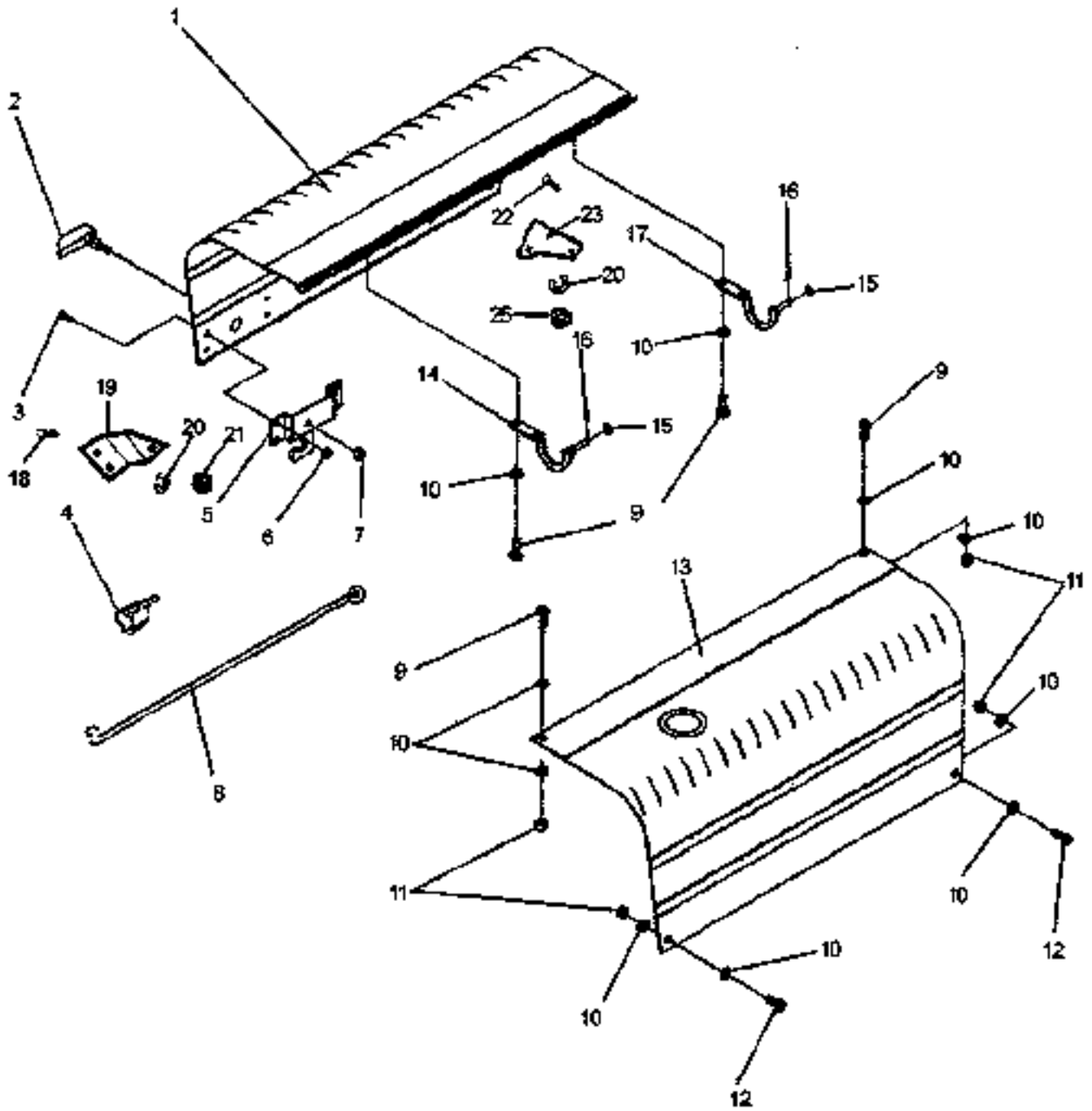
Old Version FT45



RADIATOR SHELL

ITEM	LONG #	VENDOR #	DESCRIPTION		QTY.		
					35	45	60
19	ESL12344	C5NN-8348-B	Seal, Radiator Side	↳ 299726	-	2	-
20	ESL12343	C5NN-8A256-A	Seal, Radiator Center	↳ 299726	-	1	-
23	ESL11497	82635435	Grille Assembly, Front	↳ 298514	-	-	1
-	ESL11998	12-19200-AA	Grille Assembly, Front	↳ 299726	-	1	-
27	ESL12348	D0NN-8N096-C	Support Assembly, Shell Upper	↳ 299726	-	1	-
32	ESL12066	11-19213-AA	Screw, Radiator Grille	↳ 299726	-	2	-

RADIATOR SHELL



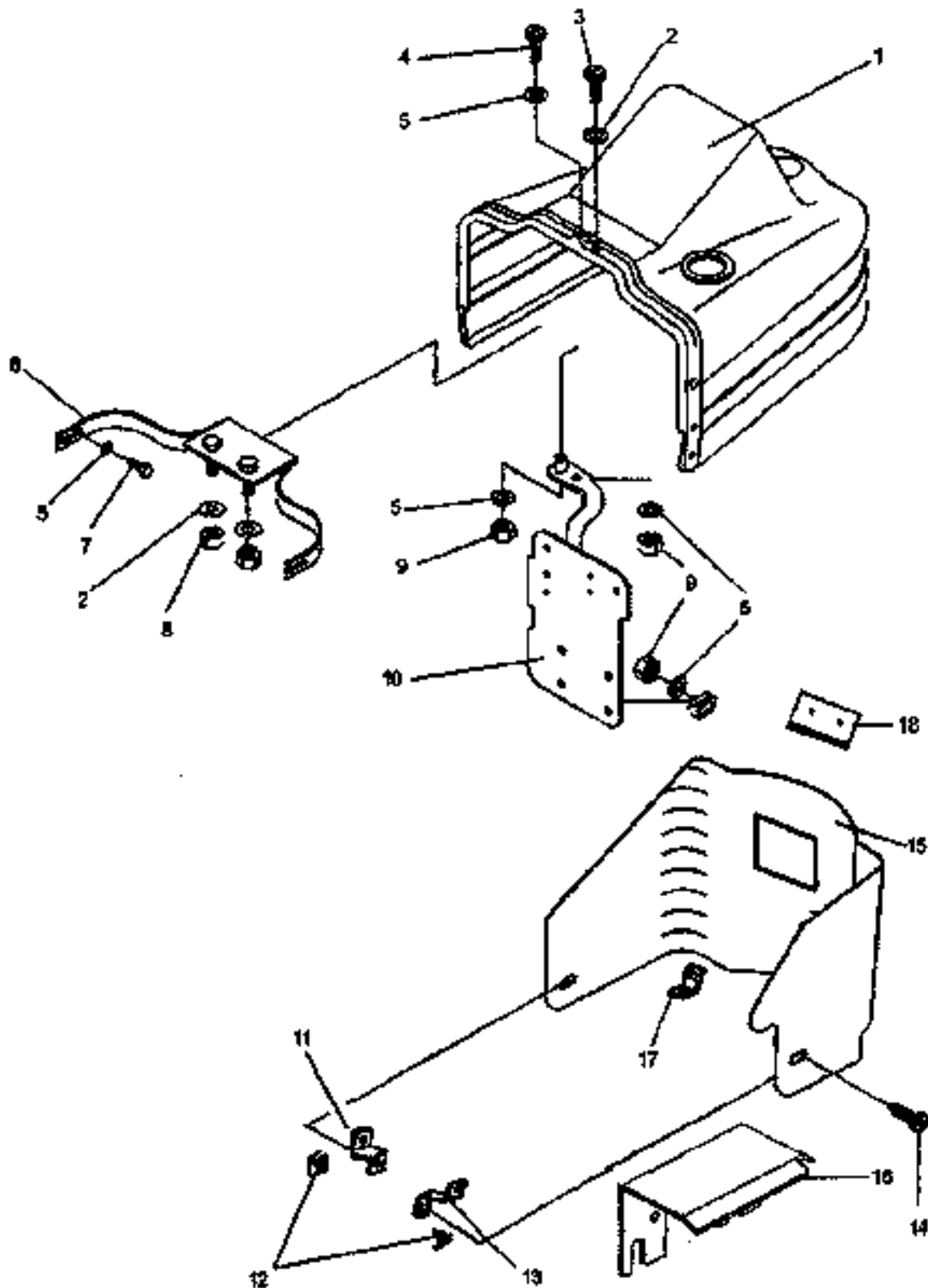
SIDE PANELS

ITEM	LONG #	VENDOR #	DESCRIPTION	QTY.		
				35	45	60
1	ESL14537	22-16625-AA	Panel Assembly, Hood RH	1	-	-
-	ESL11524	C7NN-16625-M	Panel Assembly, Hood RH	-	1	1
2	ESL11529	C5NN-16N644-B	Handle Assembly, Hood RH	2	2	2
3	Ⓢ ESL11896	11-18712-AA	Screw, Pan Head (M4x10)	8	8	8
4	ESL11521	C7NN-16N658-A	Clip, Hood Support Rod	1	1	1
5	ESL11528	E1ADKN-16858	Lock Assembly, Hood RH	2	2	2
6	Ⓢ ESL11827	11-18713-AA	Nut, Nyloc (M4)	8	8	8
7	55670-S8	55670-S71	Nut, Hex Lock (1/4-28)	2	2	2
8	ESL11534	C7NN-8042-A	Support Rod Panel	1	1	1
9	50528-S8	50528-S36	Screw, Pan Head (1/4-28x0.625)	4	4	4
10	44719-S8	44719-S36	Washer, Flat (1/4)	12	12	12
11	ESL11828	76NH-16N802-A	Nut, Hood Panel, LH	4	4	4
12	ESL13724	76NH-16N803-A	Screw	2	2	2
13	Ⓢ ESL11532	D3NN-16526-L	Panel Assembly, Hood LH	-	1	1
-	ESL14538	22-16520-AA	Panel Assembly, Hood LH	1	-	-
14	ESL11526	C6NN-16N632-A	Hinge Rod	1	1	1
15	ESL11729	C5NN-16N647-A	Washer, Hinge	2	2	2
16	ESL12679	NH-72016-S8	Pin, Cotter	2	2	2
17	ESL11625	C6NN-16N631-B	Rod Assembly, Hinge	1	1	1
18	ESL14539	304665	Bolt, Hex Head (5/16-24x0.88)	2	2	2
19	ESL13583	93NH-16N757-AA	Bracket, Hood Catch, Front	1	1	1
20	44722-S8	44722-S36	Washer, Flat (5/16)	2	2	2
21	33798-S8	33798-S36	Nut, Hex (5/16-24)	2	2	2
22	304633-S8	304633-S36	Bolt, Hex Head (1/4-28x0.62)	2	2	2
23	ESL12355	93NH-16N773-AA	Bracket, Hood Catch Rear	1	1	1
24	33796-S8	33796-S36	Nut, Hex (1/4-28)	2	2	2

Service Serial Number Breaks:

3,8	ESL11527	63757-S36	Rivet, Hood Latch	K.235328	-	8	8
13	ESL12356	82635399	Panel Assembly, Hood	K.280660	-	1	-

35/45/60



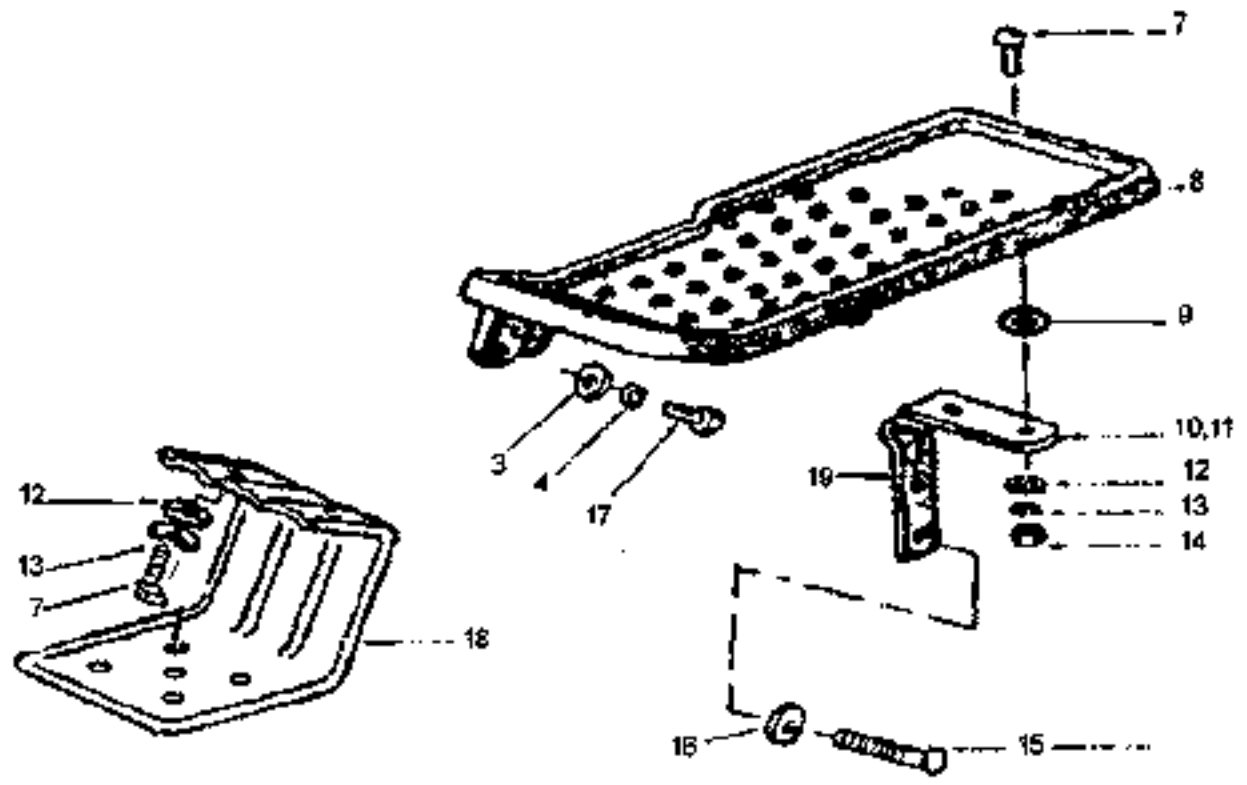
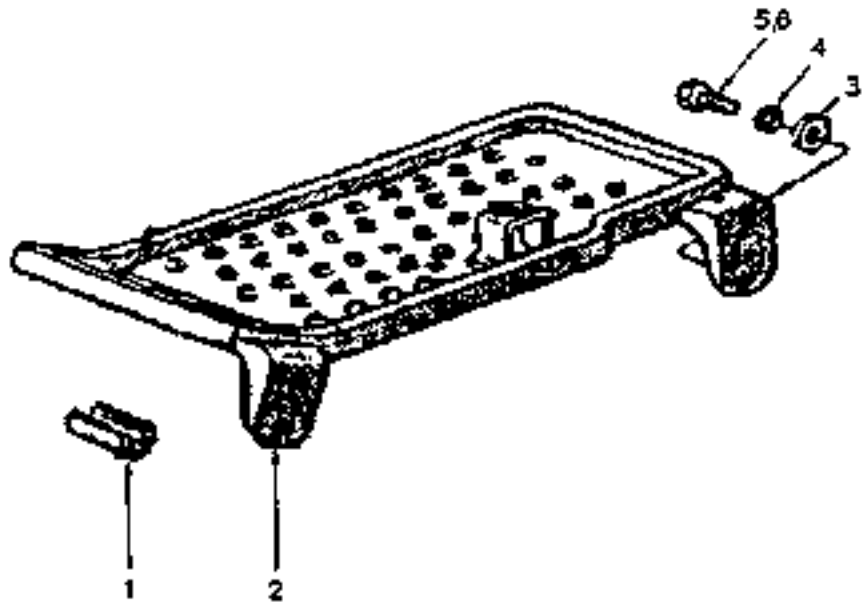
REAR HOOD

35/45/60

ITEM	LONG #	VENDOR #	DESCRIPTION	QTY.		
				35	45	60
1	Ⓢ ESL14540	30-16410-CA	Panel Assembly, Hood Rear	1	1	1
2	44722-S8	44722-S36	Washer, Flat (5/16)	6	6	6
3	304665-S8	304665-S36	Bolt, Hex Head (5/16-24x0.88)	2	2	2
4	ESL13724	76NH-16N803-A	Screw	1	1	1
5	44719-S8	44719-S36	Washer, Flat (1/4)	7	7	7
6	ESL11522	76NH-16N591-AA	Bracket & Support Assembly	1	1	1
7	304632-S8	304632-S36	Bolt, Hex Head (1/4-20x0.62)	4	4	4
8	33797-S8	33797-S36	Nut, Hex (5/16-18)	2	2	2
9	ESL11828	76NH-16N802-A	Nut, Hood LH Panel	2	2	2
10	Ⓢ ESL12582	11-16900-AA	Support Assembly Hood Rear	-	1	1
-	ESL14541	22-16800-AA	Support Assembly, Hood Rear	1	-	-
11	Ⓢ ESL12580	11-16785-AB	Bracket, Front RH	1	1	1
12	ESL11824	D1NH-3N212-A	Nut, U-Type	6	6	6
13	Ⓢ ESL12581	11-16786-AB	Bracket, Front LH	1	1	1
14	ESL11891	74NH-3E616-A	Screw	8	8	8
15	Ⓢ ESL12625	14-16301-BA	Cover Steering Gear	1	1	1
16	Ⓢ ESL14185	25-12062-AA	Rain Shield, Fuse Box	1	1	1
17	ESL11515	74NH-16N651-AA	Bracket, Rear	1	1	1
18	Ⓢ ESL11509	82835303	Plate, Steering Cover	1	1	1

Service Serial Number Breaks:

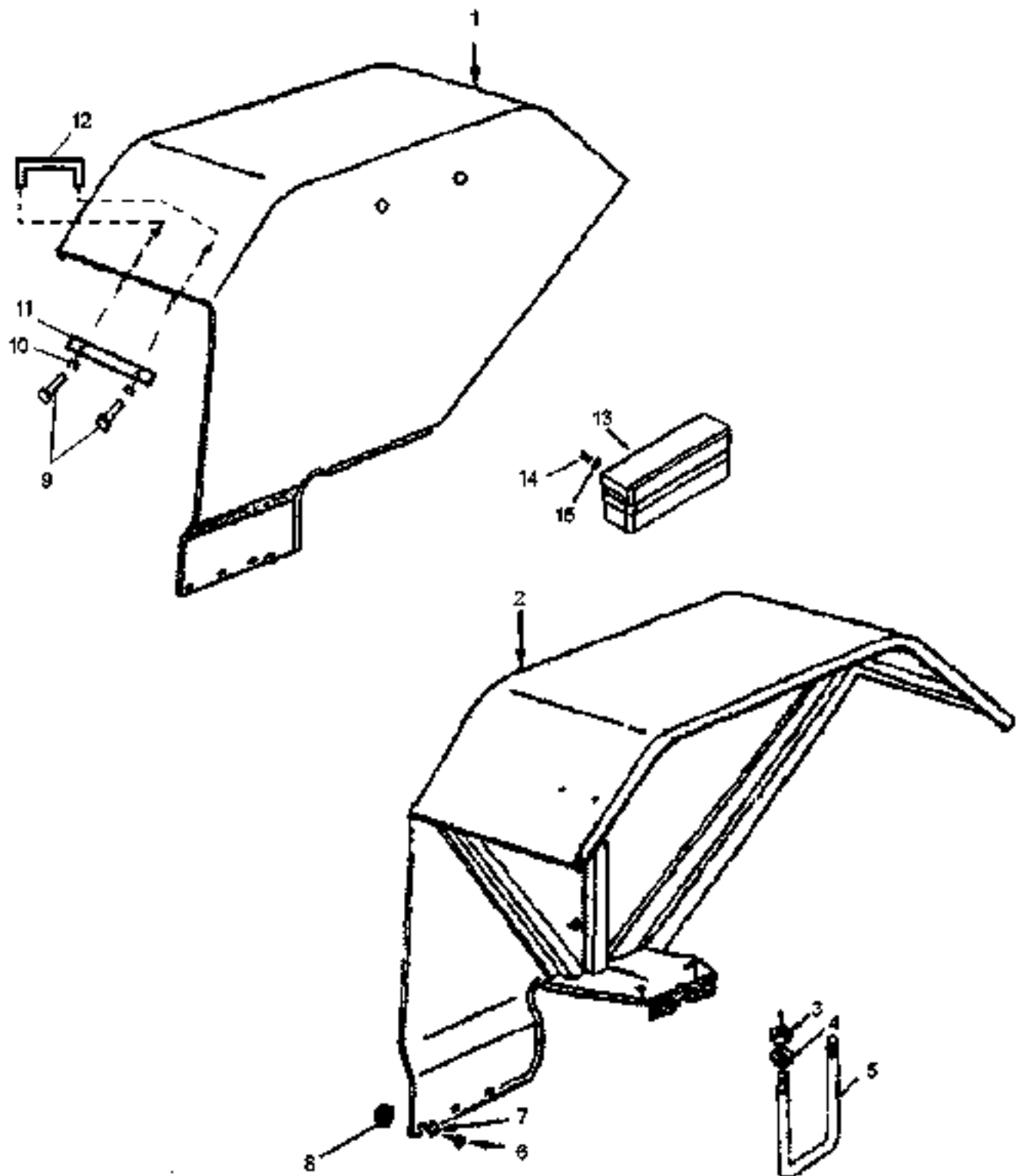
-	ESL12349	82835019	Panel Assembly, Hood Rear	Ⓜ 280660	-	1	-
1	ESL11520	92NH-16S48-AB	Panel Assembly, Hood Rear	Ⓜ 288614	-	1	1
10	ESL11523	71NH-16N600-A	Support Assembly, Hood Rear	Ⓜ 281715	-	1	1
11	ESL11513	73NH-3R785-B	Bracket, Front RH	Ⓜ 289202	-	1	1
13	ESL11514	73NH-3R786-A	Bracket, Front	Ⓜ 289202	-	1	1
15	ESL11512	11-16300-AA	Cover, Steering Gear	Ⓜ 258614			
16	ESL11853	11-12062-AA	Rain Shield, Fuse Box	Ⓜ 298614	-	1	1
18	ESL11506	82NH-3R655-AA	Plate, Steering Cover	Ⓜ 214402	-	1	1



RUNNING BOARDS

ITEM	LONG #	VENDOR #	DESCRIPTION	Qty.		
				35	45	60
1	ESL11553	C5NN-2B184-A	Bumper, Brake Pedal	1	1	1
2	ESL11548	93NH-16450-AB	Running Board, RH	1	1	1
3	44726-S8	44726-S36	Washer, Flat (3/8)	6	6	6
4	34807-S8	34807-S36	Washer, Lock (3/8)	6	6	6
5	304666-S8	304666-S36	Bolt (3/8 - 16 x 0.88)	1	1	1
6	304650-S8	304650-S36	Bolt (3/8 - 16 x 0.75)	3	3	3
7	304665-S8	304665-S36	Bolt, Hex (5/16 - 24 x 0.88)	6	6	6
8	ESL11549	92NH-16451-AA	Running Board, LH	1	1	1
9	ESL11552	D0NN-16N499-C	Spacer, Running Board Support	4	4	4
10	ESL11550	92NH-16N478-AA	Support, Running Board, LH	1	1	1
11	ESL11551	D0NN-16474-G	Support, Running Board, RH	1	1	1
12	44722-S8	44722-S36	Washer, Flat (5/16)	6	6	6
13	34806-S8	34806-S36	Washer, Lock (5/16)	6	6	6
14	33798-S8	33798-S36	Nut, Hex (5/16 - 24)	6	6	6
15	304724-S8	304724-S36	Bolt, Hex (7/16 - 14 x 1.25)	2	2	2
16	34808-S8	34808-S36	Washer, Lock (7/16)	2	2	2
17	304722-S8	304722-S36	Bolt, Hex (3/8 - 16 x 1.25)	2	2	2
18	ESL11554	90NH-16N477-AA	Step, Running Board, LH	1	1	1
19	ESL12361	82935133	Bracket	1	1	1

RUNNING BOARDS



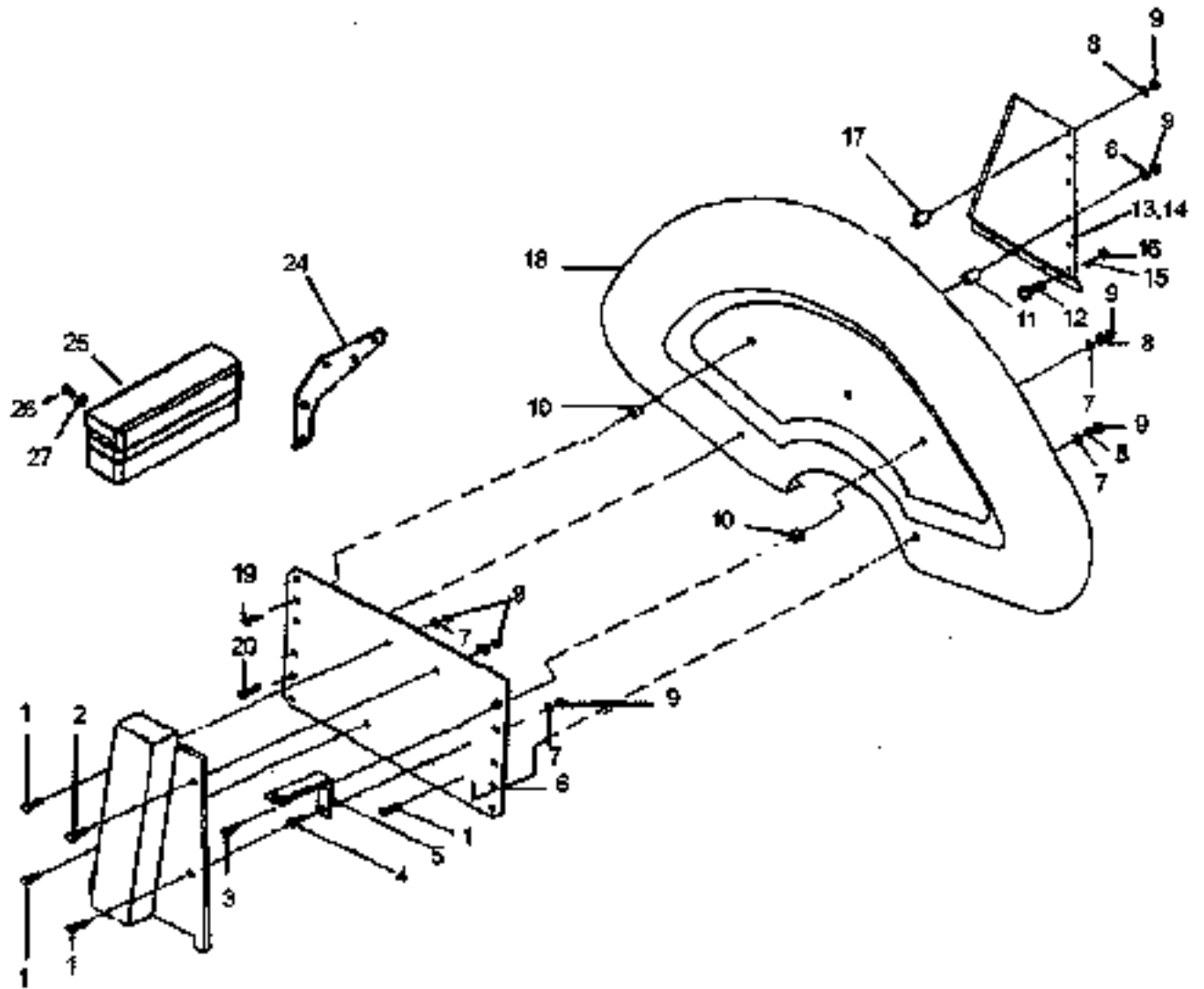
RECTANGULAR FENDERS

ITEM	LONG #	VENDOR #	DESCRIPTION	Qty.		
				35	45	60
1	ESL11542	11-16320-AC	Fender Assembly, RH	-	-	1
2	ESL11546	11-16310-AC	Fender Assembly, LH	-	-	1
3	33845-S8	33845-S8	Nut, Hex (1/2 - 13)	-	-	4
4	44736-S8	44736-S8	Washer, Flat (1/2)	-	-	4
6	900121	-	U-Bolt, Fender to Rear Axle	-	-	2
6	304633-S8	304633-S36	Bolt, Hex Head (1/4 - 28 x 0.62)	-	-	6
7	44719-S8	44719-S36	Washer, Flat (1/4)	-	-	6
8	33796-S8	33796-S36	Nut (1/4-28)	-	-	6
9	304682-S8	304682-S36	Bolt, Hex (5/16 - 18 x 1.00)	-	-	4
10	34806-S8	34806-S36	Washer, Lock (5/16)	-	-	4
11	ESL11556	92NH-16N341-AA	Plate, Hold Down Mounting	-	-	2
12	ESL11556	92NH-16N340-AA	Hold Down	-	-	2
13	ESL13600	11-T7000-AA	Box Assembly Tool	-	-	1
14	304634-S8	304634-S36	Bolt, Hex Head (5/16-18x0.625)	-	-	3
15	34941-S8	34941-S36	Washer, External Tooth (5/16)	-	-	3

Notes:

- A. Used only on tractors \leq 296614
- B. Complete rectangular fender kit for changing to clam shell fenders is available under part #906419.

RECTANGULAR FENDERS

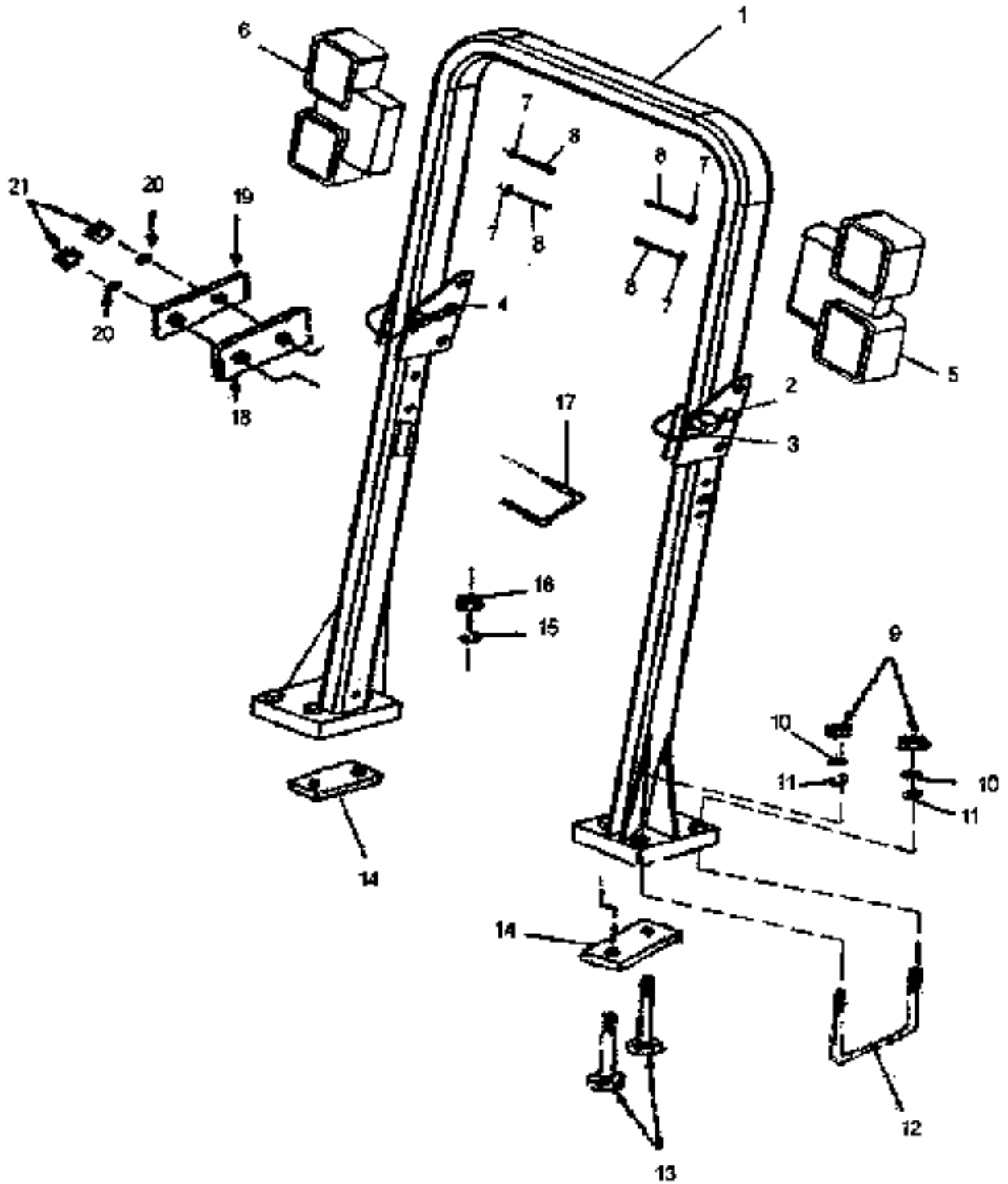


CLAM SHELL FENDERS

ITEM	LONG #	VENDOR #	DESCRIPTION	QTY.		
				35	45	60
1	-	-	Bolt, Carriage (3/8-16x1")	9	9	9
2	-	-	Bolt, Carriage (3/8-16x1") RH	1	1	1
-	-	-	Bolt, Hex Head (3/8-16x2") LH	1	1	1
3	ESL12011	23470-S36	Bolt, Carriage (3/8 - 1B x 1.50)	2	2	2
4	23380-S8	23380-S36	Bolt, Carriage (3/8 - 16 x 0.75)	1	1	1
5	ESL12373	12-16508-AA	Bracket, Worklight	1	1	1
6	ESL12007	12-16328-AA	Support, Clam Shell Fender	2	2	2
7	44728-S8	44728-S36	Washer, Flat (3/8)	5	5	5
8	34807-S8	34807-S36	Washer, Lock (3/8)	17	17	17
9	33799-S8	33799-S36	Nut, Hex (3/8-16)	18	18	18
10	ESL12008	12-16501-AA	Spacer, Fender (0.52" Long)	4	4	4
11	-	-	Spacer, Fender (1.75" Long)	2	2	2
12	304633-S8	304633-S36	Bolt, Hex (1/4 - 28 x 0.62)	6	6	6
13	ESL12371	12-16347-AB	Extension RH, Clam Shell Fender	1	1	1
14	ESL12372	12-16348-AB	Extension LH, Clam Shell Fender	1	1	1
15	44719-S8	44719-S36	Washer, Flat (1/4)	6	6	6
16	33796-S8	33796-S36	Nut, Hex (1/4 - 28)	6	6	6
17	-	-	Spacer, Fender (1.25" Long)	2	2	2
18	ESL12370	12-16312-AA	Fender Assembly, Clam Shell L/RH	2	2	2
19	-	-	Bolt, Carriage (3/8-16x2.75")	2	2	2
20	-	-	Bolt, Carriage (3/8-16x2.50")	2	2	2
21	-	-	Bolt, Carriage (3/8 - 16 x 1.75)	1	1	1
22	-	-	Spacer, Fender (5/8" Long)	1	1	1
23	-	-	Spacer, Fender (1" Long)	1	1	1
24	ESL12058	12-16506-AB	Bracket, Tool Box Mounting	1	1	1
25	ESL13600	11-17000-AA	Tool Box Assembly	1	1	1
26	304634-S8	304634-S36	Bolt, Hex Head (5/16-18x0.625)	3	3	3
27	34941-S8	34941-S36	Washer, External Tooth (5/16)	3	3	3

CLAM SHELL FENDERS

35/45/60



ROLL-BARS (ROPS)

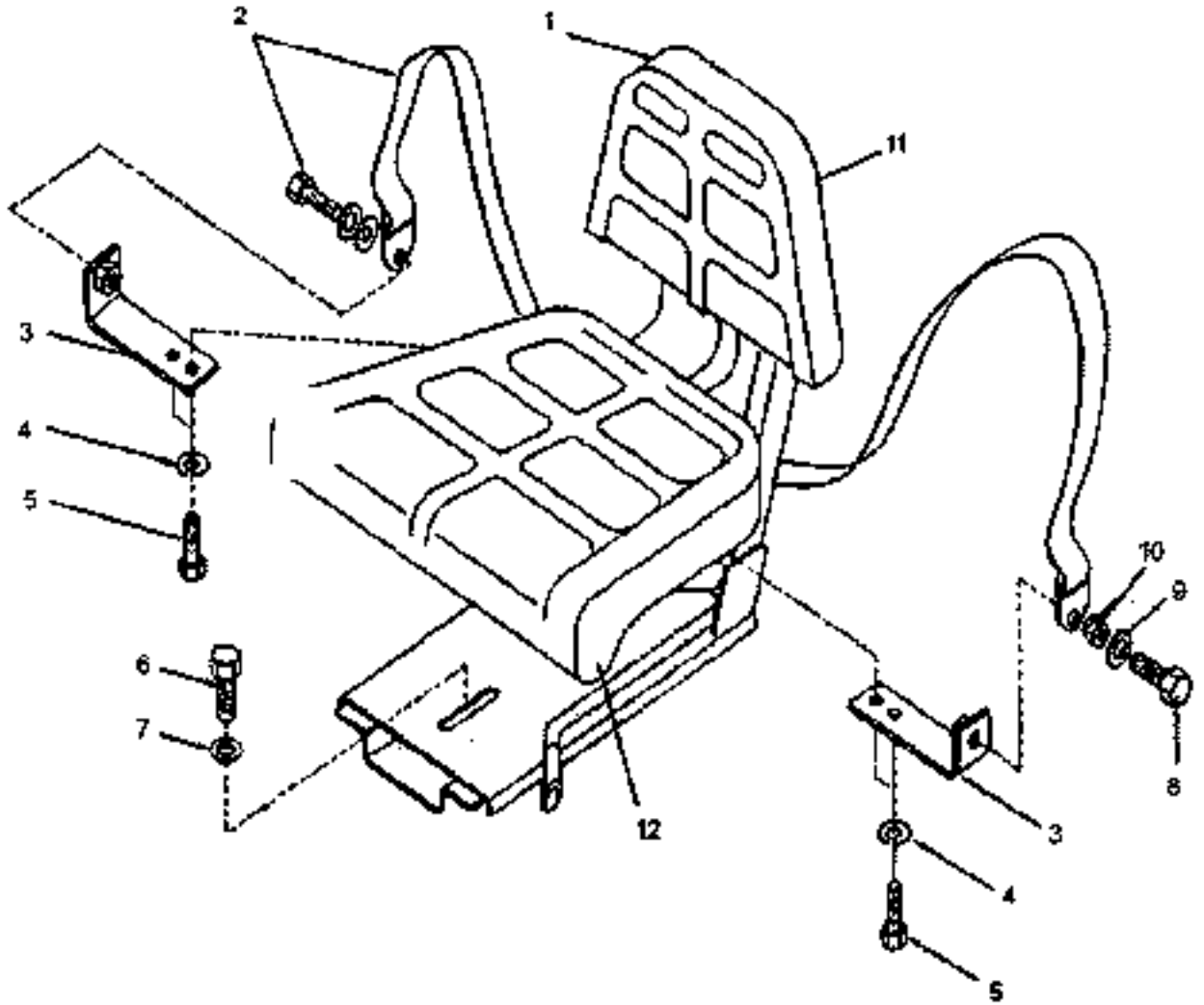
35/45/60

ITEM	LONG #	VENDOR #	DESCRIPTION	QTY.		
				35	45	60
1	902547	-	Roll-Bar Assembly, Fixed	1	1	1
-	902535	-	Roll-Bar Assembly, Foldable	1	1	1
2	304940-S8	202982283	Bolt, Hex Head (1/2-13x3 1/2)	2	2	2
3	905730	230296000	Pin, Clevis Assembly	2	2	2
4	34879-S8	292506383	Nut, Previous Torque (1/2-13)	2	2	2
5	Ⓢ 905781	-	Lollipop Signal Light, LH	1	1	1
6	Ⓢ 905782	-	Lollipop Signal Light, RH	1	1	1
7	Ⓢ N-630173-S8	N-630173-S8	Washer, Lock (M6)	4	4	4
8	Ⓢ N-600218-S8	N-600218-S8	Bolt (M8-1.25x65)	4	4	4
9	ESL12019	33846-S36	Nut, Hex (1/2-20)	4	4	4
10	34809-S8	34809-S36	Washer, Lock (1/2)	4	4	4
11	44736-S8	44736-S8	Washer, Flat (1/2)	4	4	4
12	ESL12005	12-16321-AA	U-Bolt	2	2	2
13	302610-S8	302610-S36	Bolt, Hex Head (5/8 - 18 x 8.00)	4	4	4
14	900122	-	Lower Plate	2	2	2
15	34806-S8	34806-S36	Washer, Lock (5/8)	4	4	4
16	33850-S8	33850-S36	Nut, Hex, (5/8 - 18)	4	4	4
17	ESL12487	EXP-14566-AA	U-Bolt (Rectangular Fenders Only)	2	2	2
18	ESL12420	EXP-14565-AA	Rubber Pad (Rectangular Fenders Only)	2	2	2
19	ESL11796	EXP-14053-AA	Side Plate, Fender (Rectangular Fenders Only)	2	2	2
20	34809-S8	34809-S36	Washer, Lock (1/2) (Rectangular Fenders Only)	4	4	4
21	33846-S8	33846-S36	Nut, Hex (1/2 - 20) (Rectangular Fenders Only)	4	4	4

Service Serial Number Breaks:

5	798763	-	Lamp, Signal	Ⓢ 298614	1	1	1
6	798763	-	Lamp, Signal	Ⓢ 298614	1	1	1
7	N-630173-S8	N-630173-S36	Washer, Lock (8mm)	Ⓢ 298614	4	4	4
8	N-600218-S8	N-600218-S36	Bolt (8mmx1.25x65mm) 98,8 PT	Ⓢ 298614	4	4	4

35/45/60



DELUXE SEAT ASSEMBLY

ITEM	LONG #	VENDOR #	DESCRIPTION	QTY.		
				35	45	60
1	ESL12508	25-04100-BB	Seat Assembly, Driver	1	1	1
2	ESL11585	12-04450-BA	Belt, Driver Seat	1	1	1
3	902083	YSP09	Bracket	2	2	2
4	-	-	Washer	2	2	2
5	-	-	Bolt	2	2	2
6	304724-SB	304724-S36	Bolt, Hex Head (7/16-14x1.25)	1	1	1
7	ESL12074	356420-S36	Washer, Flat (7/16)	1	1	1
8	N-605532-SB	N-605532-S36	Bolt, Hex (M8x1.25x25)	2	2	2
9	N-630068-SB	N-630068-S36	Washer (M8)	2	2	2
10	N-620013-SB	N-620013-S36	Nut (M8)	2	2	2

Service Serial Number Breaks:

11	ESL11580	11-04401-AA	Cushion, Seat, Back	298614	1	1	1
12	ESL11581	11-04403-AA	Cushion, Seat, Bottom	298614	1	1	1

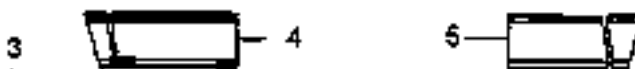
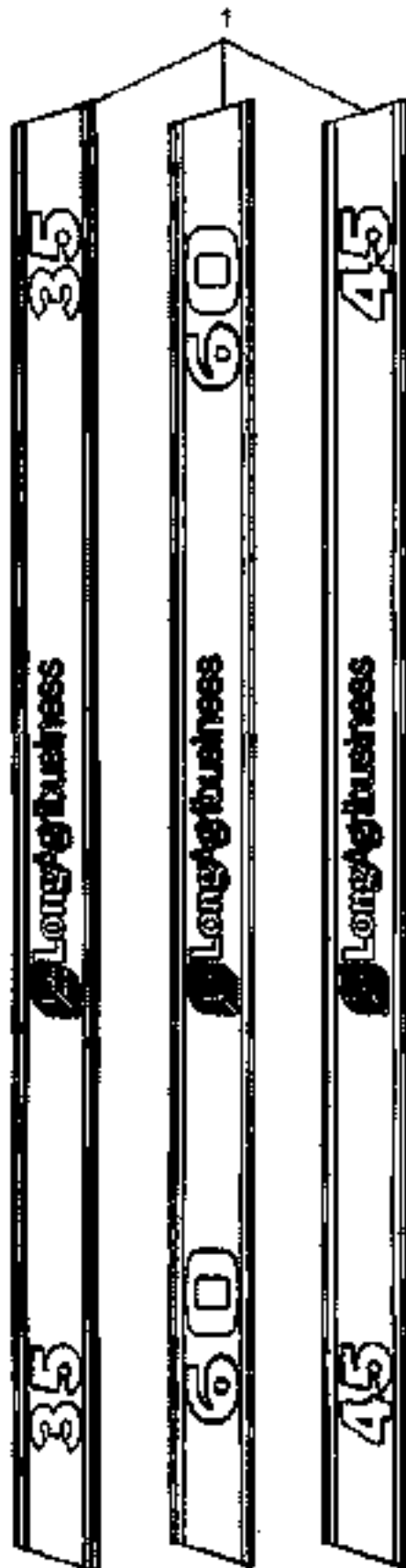
Notes



DECALS

No Longer Available

35/45/60



**LOOSEN DRAIN PLUG
AND DRAIN OFF WATER
ONCE EVERY WEEK.**

**CAUTION
DO NOT OPERATE**
NEVER OPERATE THE TRACTOR WITH
A DEFECTIVE PTO. A STOP OF ANY OF THE SAFETY
FEATURES MUST BE IMMEDIATELY STOPPED.



WARNING

- Pull only from controls. Pulling from any other point may cause injury.
- Do not operate with excluded PTO.
- Always PTO and stop engine before working together or independently or working with rotating implements.
- Position operator at 14" back and at PTO and tractor axle for 500 RPM.
- Always use proper seat belt safety.

ALWAYS FOLLOW ANY OF THE INSTRUCTIONS WHICH CAN CAUSE INJURY DUE TO THE OPERATION OF EQUIPMENT.



WATCH YOUR HOUR - METER HOURS
LUBRICATION AND MAINTENANCE SERVICE INTERVALS


MODEL	ITEM	INTERVAL	ITEM	INTERVAL
35	Oil	100	Oil	100
	Water	100	Water	100
	Oil	200	Oil	200
	Water	200	Water	200
	Oil	400	Oil	400
	Water	400	Water	400
	Oil	800	Oil	800
	Water	800	Water	800
	Oil	1600	Oil	1600
	Water	1600	Water	1600
45	Oil	100	Oil	100
	Water	100	Water	100
	Oil	200	Oil	200
	Water	200	Water	200
	Oil	400	Oil	400
	Water	400	Water	400
	Oil	800	Oil	800
	Water	800	Water	800
	Oil	1600	Oil	1600
	Water	1600	Water	1600
60	Oil	100	Oil	100
	Water	100	Water	100
	Oil	200	Oil	200
	Water	200	Water	200
	Oil	400	Oil	400
	Water	400	Water	400
	Oil	800	Oil	800
	Water	800	Water	800
	Oil	1600	Oil	1600
	Water	1600	Water	1600

1. Oil and water levels should be checked before starting the engine.
2. Oil and water levels should be checked after 100 hours of operation.
3. Oil and water levels should be checked after 200 hours of operation.
4. Oil and water levels should be checked after 400 hours of operation.
5. Oil and water levels should be checked after 800 hours of operation.
6. Oil and water levels should be checked after 1600 hours of operation.
7. Oil and water levels should be checked after 3200 hours of operation.
8. Oil and water levels should be checked after 6400 hours of operation.
9. Oil and water levels should be checked after 12800 hours of operation.
10. Oil and water levels should be checked after 25600 hours of operation.

35/45/60

ITEM	LONG #	VENDOR #	DESCRIPTION	QTY.		
				35	45	60
1	Ⓢ ESL14570	22-98298-AA	Decal Model Identification Front	1	-	-
-	ESL12611	11-78300-BB	Decal Model Identification Front	-	1	-
-	ESL12612	11-78349-AB	Decal Model Identification, Front	-	-	1
2	ESL11611	82835283	Decal, Model Identification Center, RH	-	1	1
-	ESL14543	22-98285-AA	Decal, Model Identification Center, RH	1	-	-
3	ESL11610	82835284	Decal, Model Identification Center, LH	-	1	1
-	ESL14544	22-98284-AA	Decal, Model Identification, Center, LH	1	-	-
4	Ⓢ ESL11613	82835241	Decal, Model Identification, Rear, LH	1	1	1
5	Ⓢ ESL11614	82835242	Decal, Model Identification, Rear, RH	1	1	1
6	ESL11616	11-78292-AA	Decal, Transmission Shift Pattern	-	1	1
-	ESL14545	22-78294-AA	Decal, Transmission Shift Pattern	1	-	-
7	ESL11622	81NH-9B226-AA	Decal, Filter Cleanliness	2	2	2
8	ESL11618	E2NN-N515-A	Decal, Hydraulic Pump & Lift	1	1	1
9	ESL13697	11-98128-AA	Decal, Caution	1	1	1
10	ESL11628	82972948	Decal, PTO Control	1	1	1
11	ESL14546	11-98123-AA	Decal, PTO Guard (NI)	1	1	1
12	ESL12060	E2NN-94000R86-AA	Decal, Warning Sign	1	1	1
13	ESL11621	82835148	Decal, Tractor Maintenance Service	1	1	1

35/45/60

14 OPERATOR  **WARNING**

WHENEVER YOU ARE IN THE STRIPPER IT IS VERY IMPORTANT BE ALERT TO YOUR SAFETY AND BE AWARE OF THE INFORMATION BELOW. ALWAYS WEAR YOUR SEATBELT AND ALWAYS WEAR YOUR SAFETY BELT. ALWAYS WEAR YOUR SAFETY BELT AND ALWAYS WEAR YOUR SAFETY BELT.

1. THE STRIPPER MUST BE STOPPED BEFORE YOU GET OFF THE STRIPPER.

2. ALWAYS WEAR YOUR SAFETY BELT AND ALWAYS WEAR YOUR SAFETY BELT.

3. ALWAYS WEAR YOUR SAFETY BELT AND ALWAYS WEAR YOUR SAFETY BELT.

4. ALWAYS WEAR YOUR SAFETY BELT AND ALWAYS WEAR YOUR SAFETY BELT.

5. ALWAYS WEAR YOUR SAFETY BELT AND ALWAYS WEAR YOUR SAFETY BELT.

6. ALWAYS WEAR YOUR SAFETY BELT AND ALWAYS WEAR YOUR SAFETY BELT.

7. ALWAYS WEAR YOUR SAFETY BELT AND ALWAYS WEAR YOUR SAFETY BELT.

8. ALWAYS WEAR YOUR SAFETY BELT AND ALWAYS WEAR YOUR SAFETY BELT.

9. ALWAYS WEAR YOUR SAFETY BELT AND ALWAYS WEAR YOUR SAFETY BELT.

10. ALWAYS WEAR YOUR SAFETY BELT AND ALWAYS WEAR YOUR SAFETY BELT.

11. ALWAYS WEAR YOUR SAFETY BELT AND ALWAYS WEAR YOUR SAFETY BELT.

12. ALWAYS WEAR YOUR SAFETY BELT AND ALWAYS WEAR YOUR SAFETY BELT.

13. ALWAYS WEAR YOUR SAFETY BELT AND ALWAYS WEAR YOUR SAFETY BELT.

14. ALWAYS WEAR YOUR SAFETY BELT AND ALWAYS WEAR YOUR SAFETY BELT.

15. ALWAYS WEAR YOUR SAFETY BELT AND ALWAYS WEAR YOUR SAFETY BELT.

16. ALWAYS WEAR YOUR SAFETY BELT AND ALWAYS WEAR YOUR SAFETY BELT.

17. ALWAYS WEAR YOUR SAFETY BELT AND ALWAYS WEAR YOUR SAFETY BELT.

18. ALWAYS WEAR YOUR SAFETY BELT AND ALWAYS WEAR YOUR SAFETY BELT.

19. ALWAYS WEAR YOUR SAFETY BELT AND ALWAYS WEAR YOUR SAFETY BELT.

20. ALWAYS WEAR YOUR SAFETY BELT AND ALWAYS WEAR YOUR SAFETY BELT.

21. ALWAYS WEAR YOUR SAFETY BELT AND ALWAYS WEAR YOUR SAFETY BELT.

22. ALWAYS WEAR YOUR SAFETY BELT AND ALWAYS WEAR YOUR SAFETY BELT.

23. ALWAYS WEAR YOUR SAFETY BELT AND ALWAYS WEAR YOUR SAFETY BELT.

24. ALWAYS WEAR YOUR SAFETY BELT AND ALWAYS WEAR YOUR SAFETY BELT.

25. ALWAYS WEAR YOUR SAFETY BELT AND ALWAYS WEAR YOUR SAFETY BELT.

15  **WARNING**

FASTEN SEAT BELT

THIS TRACTOR IS EQUIPPED WITH ROLL OVER PROTECTIVE STRUCTURE THEREFORE SEAT BELT MUST BE WORN.

16 CAUTION TO FASTEN SEAT BELT CORRECTLY IN SEAT IN BUZZER OR BEEP.


18  **WARNING**

THE DIFFERENTIAL LOCK IS PROVIDED FOR USE ON SLIPPERY SURFACES. IT MUST NOT BE USED ON THE ROAD.

17  **CAUTION**

AFTER FIRST HOUR OF OPERATION, FRONT AND REAR WHEEL LUG NUTS AND BOLTS SHOULD BE CHECKED FOR PROPER TORQUE - THERE AFTER CHECK DAILY.


23

16  **WARNING**


AVOID POSSIBLE INJURY OR DEATH FROM A MACHINE FLAMMABILITY

- Do not start engine by shoving across switch terminals. Machine will start in gear and move if normal starting circuitry is bypassed.
- Start engine only from operator seat with transmission in neutral or park. NEVER start engine while standing on the ground.

21 **FUSE LAYOUT**



23



24 **WARRANTY EXCLUSIONS**

THE LIMITED WARRANTY OF THE MANUFACTURER FOR THE PRODUCT DOES NOT COVER:

- THE MERCHANTABILITY OF OR FITNESS FOR A PARTICULAR USE
- THE IMPLIED WARRANTIES OF ANY KIND
- LIABILITY FOR CONSEQUENTIAL DAMAGES SUCH AS LOSS OF PROFITS, LOSS OF DATA, OR LOSS OF BUSINESS OR REPUTATION
- INSTALLATION OF ANY PARTS OTHER THAN THE ORIGINAL AND AUTHORIZED SERVICE PARTS
- REPAIRS OR PARTS REPLACEMENTS REQUIRED AS A RESULT OF MISUSE, ABUSE, OR IMPROPER MAINTENANCE
- REPAIRS OR PARTS REPLACEMENTS REQUIRED AS A RESULT OF THE OPERATION OF THE PRODUCT IN A MANNER NOT INTENDED BY THE MANUFACTURER

SEE OWNER'S MANUAL FOR FULL TEXT OF WARRANTY TERMS AND CONDITIONS.

25

FSCORTE LIMITED, FARIDABAD
(PUNJAB, INDIA)

NAME	MODEL	TYPE OF MACHINERY
DATE OF PURCHASE	DATE OF DELIVERY	
DEALER'S NAME	DEALER'S ADDRESS	

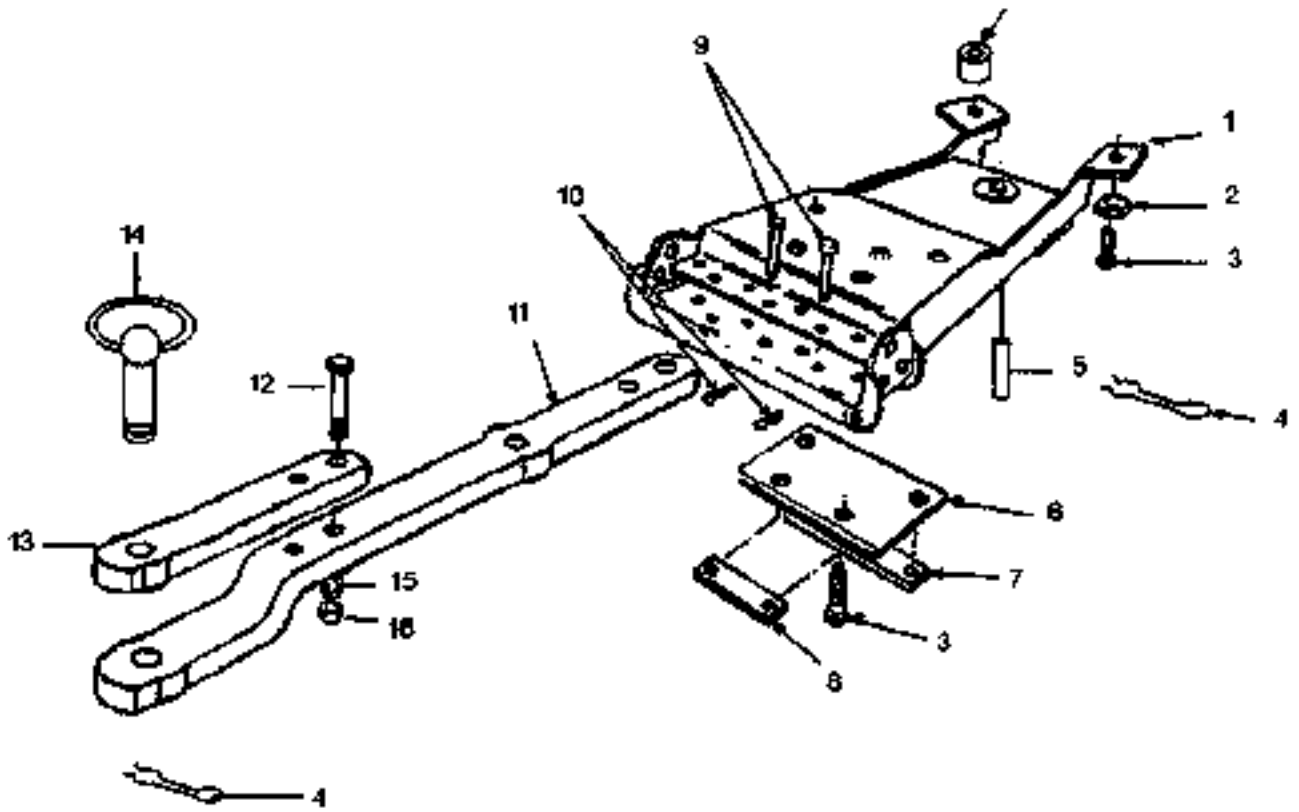
35/45/80

ITEM	LONG #	VENDOR #	DESCRIPTION	Qty.		
				35	45	60
14	ESL11637	82835414	Decal, Warning Instructions	1	1	1
15	ESL13696	11-98127-AA	Decal, Seat Belt	1	1	1
16	ESL13695	11-98126-AA	Decal, Tractor Warning	1	1	1
17	ESL13694	11-98125-AA	Decal, Torque	1	1	1
18	ESL13693	11-98124-AA	Decal, Starting Warning	1	1	1
19	ESL13619	82835398	Heat Reflective Tape	1	1	1
20	ESL11617	92NH-16A901-AA	Decal, Operator Instruction (NI)	1	1	1
21	ESL11623	93NH-14N099-AA	Decal, Fuse Box	1	1	1
22	ESL11640	11-78478-AA	Decal, Thermostat (NI)	1	1	1
23	ESL11639	E9NN-10K694-AA	Decal, Battery Warning	1	1	1
24	ESL11632	82835418	Decal, Warranty Disclaimer	1	1	1
26	ESL11633	82835420	Plate, Vehicle Identification	1	1	1
26	ESL14547	22-96130-AA	Decal, EPA Engine (NI)	2	-	-
-	ESL14548	11-98130-AE	Decal, EPA Engine (NI)	-	2	-
-	ESL14549	12-96130-AE	Decal, EPA Engine (NI)	-	-	2

Service Serial Number Breaks:

1	ESL11960	82835285	Decal, Model Identification, Front, LH	↳ 289924	-	1	-
-	ESL11961	82835286	Decal, Model Identification, Front, RH	↳ 289924	-	1	-
4	ESL11982	12-78589-AA	Decal, Model Identification, Rear, LH	↳ 289924	-	1	-
6	ESL11983	12-78588-AA	Decal, Model Identification, Rear, RH	↳ 289924	-	1	-

OPTIONS

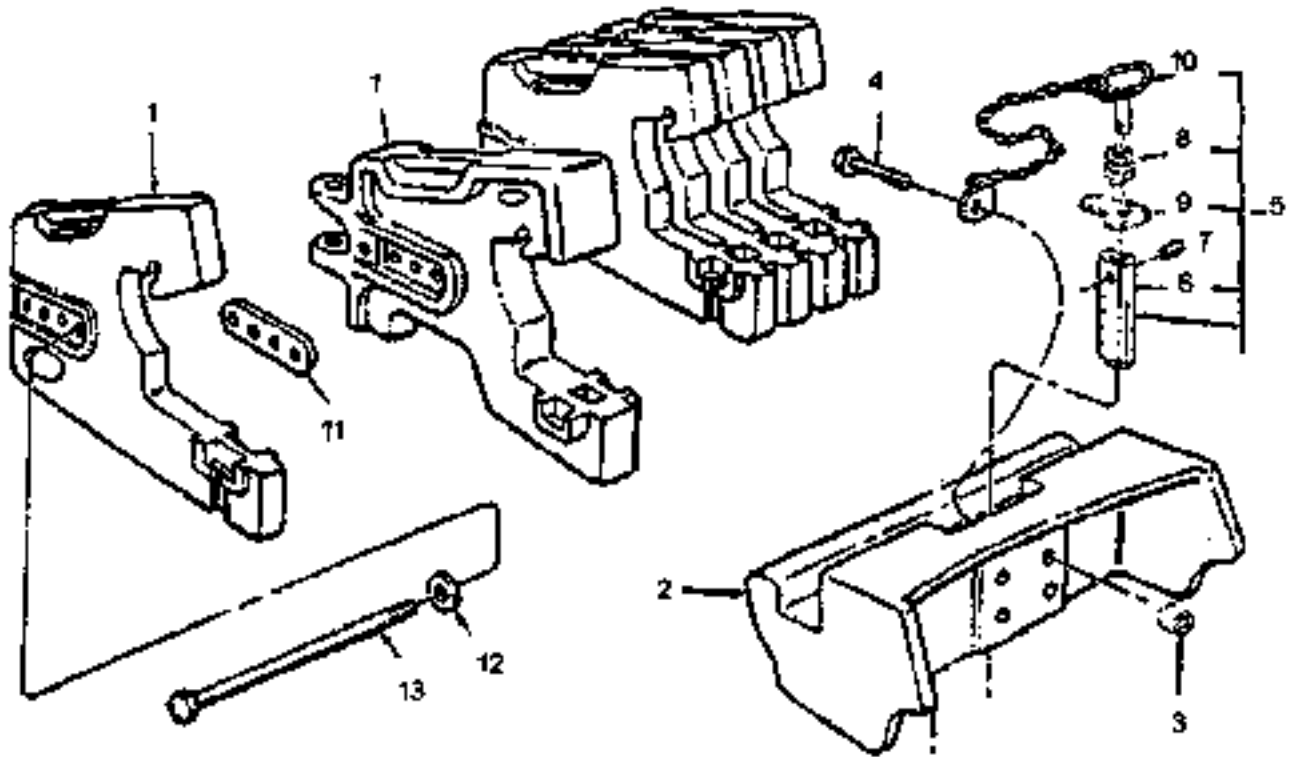


SWINGING DRAWBAR

ITEM	LONG #	VENDOR #	DESCRIPTION	Qty.		
				35	45	60
1	ESL12589	11-97809-AA	Hanger Assembly, Drawbar	1	1	1
2	ESL11712	C5NN-N828-A	Washer, Drawbar Hanger	2	2	2
3	304768-S8	304768-S36	Bolt, Hex (5/8 - 11 x 1.50)	6	6	6
4	ESL11169	93NH-311920-AA	Spring, Drawbar Pin	2	2	2
5	ESL11677	C5NN4-607-D	Pin, Drawbar	1	1	1
6	ESL11172	C5NN-A804-A	Plate, Drawbar Hanger	1	1	1
7	ESL11176	C5NN-N819-F	Strap	1	1	1
8	ESL11175	C5NN-N819-E	Strap	1	1	1
9	ESL11177	C5NN-N823-G	Pin, Drawbar Adjusting	2	2	2
10	ESL12590	30-16391-AA	Pin, Clip	2	2	2
11	Ⓢ ESL12588	11-97805-AA	Drawbar, Swinging	1	1	1
12	ESL12599	304944-S36	Bolt (5/8-11x3.50)	2	2	2
13	Ⓢ ESL13713	11-97028-AA	Strap Drawbar Clevis	1	1	1
14	ESL13714	12-97126-CA	Pin, Drawbar Clevis	1	1	1
15	34811-S8	44811-S36	Washer, Lock (5/8)	2	2	2
16	33849-S8	33849-S36	Nut, Hex (5/8 - 11)	2	2	2

Service Serial Number Breaks:

11	ESL11173	C5NN-805-D	Drawbar, Swinging	↳ 299726	-	1	1
13	ESL11174	C5NN-A828-B	Strap, Drawbar Clevis	↳ 299726	-	1	1



FRONT END WEIGHTS

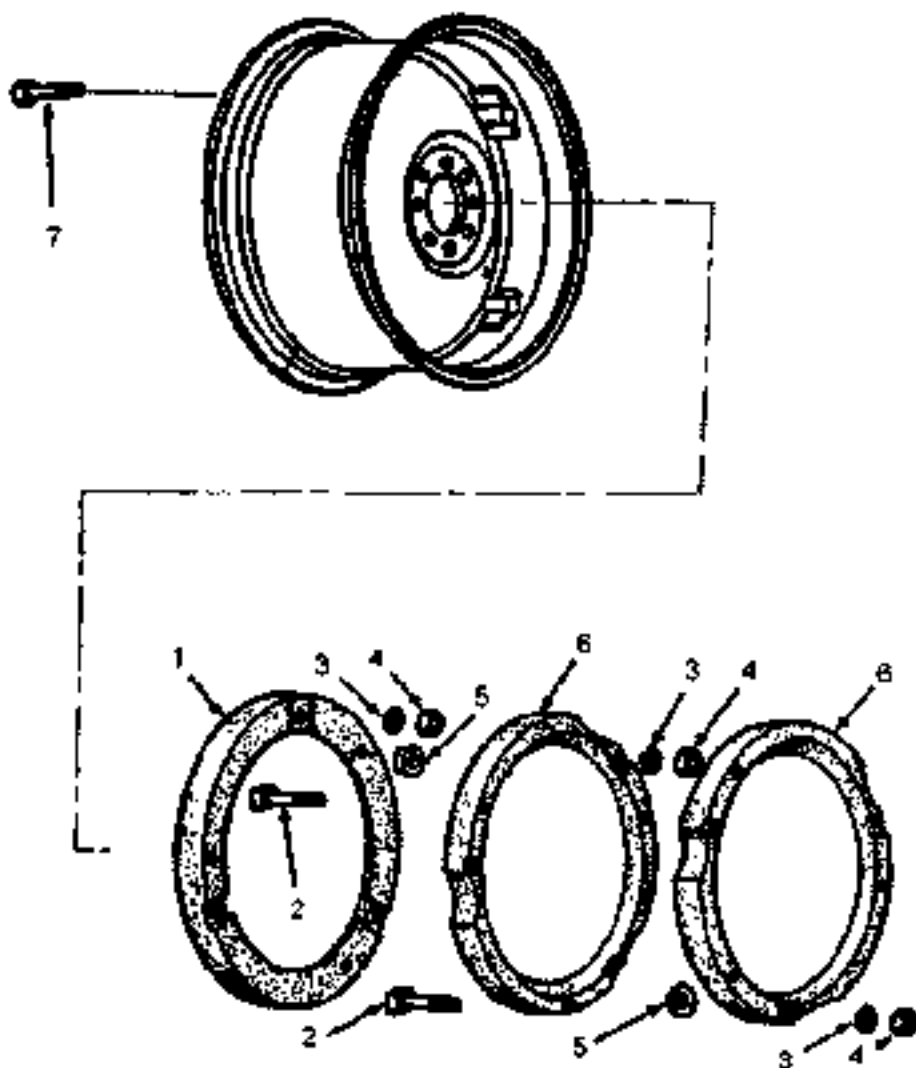
35/45/60

ITEM	LONG #	VENDOR #	DESCRIPTION	QTY.		
				35	45	60
1	ESL13626	E0NN-3A370-AA	Weight, Front End	6	6	6
2	ESL13627	E9NN-3N241-AB	Carrier, Front End Weight	1	1	1
3	ESL13628	F0NN-10A652-AA	Spacer	4	4	4
4	304946-SB	304946-S3B	Bolt, Hex Head (3/4-10x3.50)	4	4	4
5	ESL13629	82835172	Pin Assembly, Front End Weight Retainer	1	1	1
6	ESL13630	E0NN-3N238-AA	Pin, Front Weight Retainer	1	1	1
7	ESL13631	E-843262-S	Pin	1	1	1
8	ESL13632	E0NN-3N244-AA	Spring, Front End Weight Retainer	1	1	1
9	ESL13633	E0NN-3N243-AA	Bracket, Front End Retainer	1	1	1
10	ESL13634	82835171	Chain & Clevis Only	1	1	1
11	ESL13635	E0NN-3N245-AA	Plate, Front End Weight Clamp	1	1	1
12	E630036-S6	E630036-S71	Washer, Flat (M16)	4	4	4
13	82835166	82835166	Bolt, Front End Weight	4	4	4

FRONT END WEIGHTS

35/45/60

ITEM	LONG #	VENDOR #	DESCRIPTION	QTY.		
				35	45	60
1	ESL0924	960E-1065-A	Weight, Rear Wheel Center	2	2	2
2	380304-S8	340304-S36	Bolt, Square Head (5/8-11x3.00)	12	12	12
3	34811-S8	34811-S36	Washer, Lock (5/8)	18	18	18
4	33849-S8	33849-S36	Nut, Hex (5/8-11)	18	18	18
5	-	-	Washer, Weight Bolt Retainer (N55)	12	12	12
6	ESL10926	960E-1076	Weight, Rear Wheel Auxiliary	4	4	4
7	304933-S8	304933-S36	Bolt, Hex Head (5/8-11x3.25)	6	6	6
8	ESL10925	73NH-1045-A	Spacer, Rear Wheel Weight	8	6	6



REAR WHEEL WEIGHTS

NUMERICAL INDEX

35/45/60 FARMTRAC PART NUMBERS w/CORRESPONDING PAGE NUMBER

PART #	PAGE #	PART #	PAGE #	PART #	PAGE #	PART #	PAGE #
789910	11-14	304650-S8	9-2	304760-S8	10-18	33849-S8	5A-6
791359	11-18	304652-S8	10-24	304760-S8	1A-4	33849-S8	5B-12
792640	11-14	304652-S8	11-10	304760-S8	2-8	33849-S8	7-4
798763	12-18	304652-S8	12-2	304768-S8	14-2	33850-S8	12-16
799716	11-10	304664-S8	9-2	304777-S8	10-2	33924-S8	8-10
900121	12-12	304665-S8	12-10	304777-S8	10-22	33925-S8	6-4
900122	12-16	304665-S8	12-2	304807-S8	1A-8	33925-S8	7-2
901212	11-18	304665-S8	12-6	304862-S8	5A-4	33925-S8	8-10
901250	11-8	304666-S8	12-10	304862-S8	5B-12	33925-S8	9-6
902083	12-18	304666-S8	1A-16	304863-S8	7-4	33987-S8	10-28
902419	11-18	304666-S8	3B-4	304890-S8	9-4	34053-S8	11-14
902535	12-16	304668-S8	10-12	304812S8	7-4	34422-S8	10-4
902547	12-16	304668-S8	8-2	304893-S8	14-6	34464-S8	10-4
903048	10-22	304882-S8	11-14	304940-S8	12-16	34670-S8	5A-4
903048	10-24	304882-S8	1A-2	304948-S8	14-4	34670-S8	5B-12
904435	1A-4	304882-S8	3A-4	304955-S8	7-4	34670-S8	9-2
904540	13-5	304882-S8	3B-2	304962-S8	5A-6	34674-S8	5B-12
904916	5B-19	304884-S8	10-20	304982-S8	5B-12	34690-S8	10-18
905730	12-16	304684-S8	10-22	304964-S8	5B-12	34694-S8	5A-8
905781	12-18	304684-S8	10-24	305052-S8	10-6	34791-S8	11-6
905782	12-19	304684-S8	1A-16	305061-S2	3B-22	34791-S8	5B-18
906397	3B-18	304684-S8	7-2	305060-S8	8-6	34792-S8	10-4
906845	10-23	304684-S8	8-10	305064-S2	3B-22	34792-S8	10-8
906846	10-25	304684-S8	8-8	31037-S8	3B-20	34792-S8	1A-16
82835186	14-4	304685-S8	4B-2	33796-S8	11-10	34793-S8	10-2
83936685	5B-18	304686-S8	10-12	33796-S8	12-12	34793-S8	11-8
23017-S2	11-10	304686-S8	10-24	33796-S8	12-14	34793-S8	7-4
23380-S8	12-14	304686-S8	10-4	33796-S8	12-6	34803-S8	11-14
23607-S8	4B-4	304686-S8	8-6	33796-S8	3B-20	34803-S8	3B-20
300866-S8	1A4	304686-S8	9-6	33796-S8	3B-22	34805-S8	1A-18
300880-S8	10*16	304689-S8	10-6	33797-S2	11-10	34806-S8	12-10
302549-S8	11*6	304701-S8	4B-4	33797-S8	11-6	34806-S8	12-12
302549-S8	4B2	304720-S8	11-8	33797-S8	11-8	34808-S8	12-18
302810-S8	12-16	304722-S8	10-4	33797-S8	12-8	34808-S8	1A-10
304622-S8	7-4	304722-S8	11-4	33797-S8	1A-6	34808-S8	1A-10
304631-S8	10-14	304722-S8	12-10	33798-S8	12-10	34808-S8	1A-2
304632-S8	12-8	304722-S8	1A-16	33798-S8	12-2	34808-S8	2-2
304633-S8	12-12	304722-S8	1B-22	33798-S8	12-6	34808-S8	3B-2
304633-S8	12-14	304722-S8	2-8	33798-S8	3A-2	34808-S8	4A-2
304633-S8	12-6	304724S8	9-6	33798-S8	3B-2	34808-S8	4B-2
304633-S8	3B-22	304724-S2	12-10	33798-S8	3B-22	34808-S8	4B-2
304634-S8	12-12	304724-S8	12-18	33799-S8	10-8	34808-S8	4B-4
304634-S8	12-14	304724-S8	1A-10	33799-S8	11-14	34808-S8	5A-4
304634-S8	1A-10	304724-S8	1A-12	33799-S8	12-14	34808-S8	8-2
304648-S8	1A-10	304724-S8	8-4	33845-S8	12-12	34808-S8	9-2
304648-S8	1-A2	304724-S8	7-4	33845-S8	8*2	34807-S8	10-16
304648-S8	5B-16	304724-S8	8-6	33845-S8	9-2	34807-S8	10-18
304649-S8	2-2	304728-S8	8-4	33846-S8	12-16	34807-S8	10-20
304650-S8	12-10	304743-S8	9-6	33847-S8	8-2	34807-S8	10-20
304650-S8	12-2	304758-S8	3B-2	33849-S8	14-2	34807-S8	10-22
304650-S8	1A-2	304758-S8	4B-2	33849-S8	14-6		

35/45/60 FARMTRAC PART NUMBERS W/CORRESPONDING PAGE NUMBER

PART #	PAGE #	PART #	PAGE #	PART #	PAGE #	PART #	PAGE #
34807-S8	10-24	377380-S8	3B-20	44728-S8	3B-20	73871-S8	8-10
34807-S8	11-14	377490-S8	5A-8	44730-S8	10-14	73919-S8	6-4
34807-S8	11-4	378310-S8	1A-16	44730-S8	12-2	73919-S8	9-6
34807-S8	12-10	378881-S	2-8	44736-S8	12-12	74034-S8	10-6
34807-S8	12-14	379278-S8	10-6	44736-S8	12-16	74178-S8	1A-12
34807-S8	1A-2	379304-S	7-4	44742-S8	10-28	74181-S8	9-6
34807-S8	1B-22	379304-S	7-8	44748-S8	8-10	74188-S8	9-2
34807-S8	2-8	379409-S8	10-2	44881-S8	8-10	78023-S8	3B-22
34807-S8	2-8	379414-S8	10-4	45964-S8	1A-4	78232-S8	8-10
34807-S8	7-2	379585-S8	3B-20	46007-S8	7-6	78237-S8	7-2
34807-S8	8-8	379678-S	7-4	46007-S8	7-8	88301-S8	10-18
34808-S8	10-28	380304-S8	14-5	46008-S8	2-8	88327-S8	10-16
34808-S8	11-10	380793-S8	10-28	46009-S8	7-8	88327-S8	10-20
34808-S8	12-10	38308-S8	10-12	46009-S8	7-8	88483-S95	10-18
34808-S8	1A-10	383705-S8	11-10	50528-S8	12-6	87006-S95	10-8
34808-S8	1A-12	383904-S8	10-26	54042-S8	3B-20	87057-S94	10-20
34808-S8	4B-2	385894-S8	10-18	54049-S8	11-14	87650-S8	5A-8
34808-S8	6-4	388789-S	11-10	55870-S8	12-8	87747-S8	7-4
34808-S8	6-6	389873-S8	10-8	56801-S8	10-4	87901-S8	5A-6
34809-S8	12-16	42974-S8	3B-4	58839-S8	1A-4	87013-S8	6-4
34809-S8	12-16	42997-S8	11-6	58855-S8	10-4	87013-S8	9-6
34809-S8	3A-8	43104-S8	8-4	58855-S8	9-8	97410-S	10-6
34809-S8	5A-8	44710-S8	4B-4	58857-S8	10-4	97413-S8	10-6
34809-S8	5A-8	44719-S8	11-10	58862-S8	10-4	97470-S8	10-6
34810-S8	8-4	44719-S8	12-12	58863-S8	10-24	E530038-S8	14-4
34811-S8	14-2	44719-S8	12-14	58863-S8	10-4	ESL0924	14-5
34811-S8	14-6	44719-S8	12-8	58876-S8	8-2	ESL10004	7-4
34814-S8	5A-8	44719-S8	12-8	58877-S8	8-2	ESL10005	10-24
34903-S8	11-14	44719-S8	3B-20	58878-S8	8-2	ESL10008	10-2
34941-S8	11-14	44719-S8	3B-22	58879-S8	8-2	ESL10008	10-24
34941-S8	12-12	44722-S8	11-10	58899-S8	8-2	ESL10009	10-24
34941-S8	12-14	44722-S8	11-14	58701-S8	8-2	ESL10010	10-10
34941-S8	3A-4	44722-S8	12-10	58719-S8	7-4	ESL10010	10-2
34941-S8	3B-2	44722-S8	12-2	58728-S8	7-4	ESL10010	10-24
34942-S8	12-2	44722-S8	12-6	72003-S8	7-2	ESL10010	10-8
34978-S8	4B-4	44722-S8	12-8	72003-S8	8-6	ESL10011	10-10
34979-S8	12-16	44722-S8	2-2	72003-S8	9-8	ESL10011	10-12
34987-S8	6-4	44722-S8	3A-2	72005-S8	10-6	ESL10011	10-2
351090-S8	10-28	44722-S8	3B-2	72017-S8	10-6	ESL10011	10-24
352321-S8	3B-20	44723-S8	11-8	72017-S8	6-4	ESL10011	10-8
353374-S8	10-18	44724-S8	11-10	72017-S8	8-10	ESL10012	10-24
354235-S8	9-6	44726-S8	11-18	72017-S8	9-6	ESL10013	10-24
355431-S8	7-2	44726-S8	12-10	72026-S8	10-28	ESL10014	10-24
359264-S38	10-28	44726-S8	1A-16	72035-S8	10-28	ESL10015	10-24
371433-S8	10-2	44726-S8	2-8	72035-S8	5B-14	ESL10016	10-24
373579-S8	10-14	44726-S8	3B-22	72063-S8	10-28	ESL10016	1A-8
375057-S	2-2	44726-S8	3B-4	72054-S8	5-2	ESL10017	1A-4
376415-S8	11-8	44728-S8	9-2	72055-S8	10-28	ESL10018	1A-4
376415-S8	8-4	44728-S38	10-20	72055-S8	7-4	ESL10020	10-24
377184-S8	10-28	44728-S8	12-14	72090-S8	5-2	ESL10021	10-24
377380-S8	11-18	44728-S8	12-2	73269-S8	5-2	ESL10021	5B-16

35/45/60 FARMTRAC PART NUMBERS W/CORRESPONDING PAGE NUMBER

PART #	PAGE #	PART #	PAGE #	PART #	PAGE #	PART #	PAGE #
ESL10022	10-22	ESL10089	1A-2	ESL10155	1A-12	ESL10230	12-2
ESL10022	10-24	ESL10092	1A-4	ESL10156	1A-12	ESL10231	2-4
ESL10023	10-24	ESL10093	1A-2	ESL10157	1A-10	ESL10234	2-8
ESL10024	10-22	ESL10094	1A-6	ESL10161	1A-10	ESL10238	11A-20
ESL10024	10-24	ESL10095	1A-4	ESL10162	1A-12	ESL10238	11B-22
ESL10025	10-24	ESL10096	1A-4	ESL10163	1A-12	ESL10238	11C-24
ESL10026	10-22	ESL10097	1A-4	ESL10164	1A-12	ESL10238	11-12
ESL10026	10-24	ESL10098	1A-6	ESL10165	1A-12	ESL10238	2-8
ESL10028	10-22	ESL10099	1A-6	ESL10166	1A-12	ESL10239	11A-20
ESL10028	10-24	ESL10100	1A-6	ESL10167	1A-10	ESL10240	2-8
ESL10029	10-24	ESL10103	1A-8	ESL10167	1A-2	ESL10241	2-8
ESL10030	3B-4	ESL10104	1A-8	ESL10168	1A-10	ESL10243	2-8
ESL10032	1A-2	ESL10105	1A-8	ESL10171	1A-14	ESL10244	2-8
ESL10039	1A-2	ESL10106	1A-8	ESL10172	1A-14	ESL10245	2-6
ESL10041	1A-2	ESL10107	1A-8	ESL10173	1A-14	ESL10245	2-8
ESL10043	1A-2	ESL10108	1A-8	ESL10174	1A-8	ESL10246	2-8
ESL10044	7-4	ESL10109	1A-8	ESL10175	1A-8	ESL10247	2-8
ESL10045	1A-2	ESL10110	1A-8	ESL10176	1A-8	ESL10248	2-8
ESL10046	1A-10	ESL10112	1A-8	ESL10177	1A-14	ESL10250	3A-2
ESL10047	1A-2	ESL10113	1A-8	ESL10178	1A-14	ESL10250	3B-2
ESL10049	1A-2	ESL10114	1A-8	ESL10179	1A-14	ESL10256	3A-4
ESL10051	1A-2	ESL10115	1A-8	ESL10180	1A-14	ESL10256	3B-2
ESL10052	1A-2	ESL10118	1A-8	ESL10181	1A-14	ESL10257	3A-2
ESL10054	1A-2	ESL10120	1A-2	ESL10185	1A-18	ESL10257	3B-2
ESL10057	1A-8	ESL10121	1A-8	ESL10188	1A-18	ESL10258	3A-2
ESL10058	5B-12	ESL10122	1A-8	ESL10189	1A-16	ESL10258	3B-2
ESL10059	1A-8	ESL10126	1A-8	ESL10190	1A-16	ESL10264	3B-2
ESL10060	1A-4	ESL10127	1A-10	ESL10191	1A-18	ESL10265	3B-4
ESL10063	1A-8	ESL10128	1A-10	ESL10193	1A-18	ESL10266	3B-2
ESL10066	1A-4	ESL10131	1A-10	ESL10194	1A-18	ESL10268	3B-2
ESL10067	10-10	ESL10132	1A-10	ESL10195	1A-18	ESL10269	3B-4
ESL10068	1A-4	ESL10133	1A-10	ESL10196	1A-18	ESL10270	3B-2
ESL10069	1A-2	ESL10134	1A-10	ESL10197	1A-18	ESL10272	3B-4
ESL10070	1A-2	ESL10135	1A-10	ESL10198	1A-18	ESL10273	3B-4
ESL10071	1A-2	ESL10136	1A-10	ESL10200	1A-16	ESL10275	3B-4
ESL10072	1A-2	ESL10137	1A-10	ESL10201	1A-16	ESL10276	3B-4
ESL10073	1A-4	ESL10138	1A-10	ESL10203	1A-16	ESL10280	3B-4
ESL10075	1A-4	ESL10139	1A-10	ESL10204	2-2	ESL10283	3B-4
ESL10076	1A-4	ESL10140	1A-10	ESL10206	2-2	ESL10284	2-8
ESL10080	1A-2	ESL10141	1A-10	ESL10208	2-2	ESL10285	2-8
ESL10080	1B-22	ESL10142	1A-12	ESL10210	2-4	ESL10286	2-8
ESL10081	1A-2	ESL10143	1A-12	ESL10213	2-4	ESL10288	3B-4
ESL10082	1A-2	ESL10145	1A-12	ESL10214	2-4	ESL10290	3B-4
ESL10082	1B-20	ESL10146	1A-12	ESL10219	2-4	ESL10292	3B-4
ESL10083	1A-2	ESL10147	1A-12	ESL10221	2-4	ESL10293	3B-2
ESL10083	1B-20	ESL10149	1A-10	ESL10222	2-4	ESL10294	3B-2
ESL10086	1A-2	ESL10150	1A-10	ESL10224	2-2	ESL10296	3A-4
ESL10087	1A-2	ESL10151	1A-12	ESL10227	2-2	ESL10296	3B-2
ESL10087	1A-6	ESL10152	1A-10	ESL10227	2-4	ESL10297	3A-4
ESL10088	1A-2	ESL10154	1A-12	ESL10229	2-4	ESL10297	3B-2

35/45/60 FARMTRAC PART NUMBERS W/CORRESPONDING PAGE NUMBER

PART #	PAGE #	PART #	PAGE #	PART #	PAGE #	PART #	PAGE #
ESL10298	3A-4	ESL10409	3B-14	ESL10471	3B-20	ESL10531	5A-4
ESL10298	3B-2	ESL10410	3B-14	ESL10472	3B-20	ESL10532	5A-4
ESL10299	3B-2	ESL10411	3B-14	ESL10472	3B-20	ESL10533	5A-4
ESL10300	3B-4	ESL10412	3B-14	ESL10473	3B-20	ESL10534	5A-4
ESL10300	B-6	ESL10413	3B-14	ESL10474	3B-20	ESL10535	5A-4
ESL10302	3B-8	ESL10414	3B-14	ESL10475	3B-20	ESL10538	5A-4
ESL10303	3B-8	ESL10415	3B-14	ESL10476	3B-20	ESL10537	5A-4
ESL10306	3B-6	ESL10416	3B-14	ESL10477	3B-20	ESL10538	5A-4
ESL10309	3B-6	ESL10417	3B-14	ESL10478	3B-20	ESL10540	5A-4
ESL10310	3B-8	ESL10418	3B-14	ESL10479	3B-22	ESL10541	5A-6
ESL10311	3B-8	ESL10421	3B-14	ESL10480	3B-20	ESL10542	5-2
ESL10312	3B-6	ESL10422	3B-14	ESL10480	3B-22	ESL10542	5B-12
ESL10313	3B-6	ESL10422	3B-4	ESL10481	3B-22	ESL10543	5A-8
ESL10314	3B-8	ESL10426	3B-16	ESL10482	3B-22	ESL10543	5B-12
ESL10328	3B-6	ESL10427	3B-16	ESL10483	3B-22	ESL10544	5A-6
ESL10329	3B-6	ESL10428	3B-16	ESL10484	3B-22	ESL10547	5A-6
ESL10330	3B-6	ESL10429	3B-16	ESL10485	3B-22	ESL10547	5B-12
ESL10331	3B-6	ESL10430	3B-16	ESL10486	3B-22	ESL10549	5A-4
ESL10332	3B-6	ESL10431	3B-16	ESL10487	3B-22	ESL10550	5A-4
ESL10333	3B-6	ESL10432	3B-16	ESL10488	3B-22	ESL10551	5A-4
ESL10334	3B-6	ESL10433	3B-16	ESL10489	3B-22	ESL10553	5A-4
ESL10335	3B-6	ESL10434	3B-16	ESL10491	3B-20	ESL10554	5A-4
ESL10336	3B-6	ESL10435	3B-16	ESL10492	1A-4	ESL10556	5A-6
ESL10337	3B-6	ESL10436	3B-16	ESL10492	4B-4	ESL10557	5A-6
ESL10338	3B-6	ESL10437	3B-16	ESL10493	4B-4	ESL10557	5A-6
ESL10339	3B-6	ESL10438	3B-16	ESL10494	4B-4	ESL10558	5A-4
ESL10340	3B-8	ESL10439	3B-16	ESL10495	4B-4	ESL10558	5A-4
ESL10341	3B-8	ESL10440	3B-16	ESL10496	4B-4	ESL10559	5A-4
ESL10342	3B-8	ESL10441	3B-16	ESL10497	4B-4	ESL10560	5A-6
ESL10343	3B-8	ESL10442	3B-16	ESL10498	4B-4	ESL10560	5B-12
ESL10351	3B-8	ESL10443	3B-18	ESL10500	4B-4	ESL10561	5A-8
ESL10353	3B-8	ESL10444	3B-18	ESL10502	4B-4	ESL10561	5B-12
ESL10354	3B-6	ESL10445	3B-18	ESL10503	4B-4	ESL10562	5A-6
ESL10355	3B-8	ESL10446	3B-18	ESL10505	4B-4	ESL10562	5B-12
ESL10357	3A-2	ESL10447	3B-18	ESL10510	4B-2	ESL10563	5A-6
ESL10357	3B-16	ESL10448	3B-18	ESL10511	4B-2	ESL10563	5B-12
ESL10357	3B-2	ESL10448	3B-4	ESL10512	4B-2	ESL10564	5A-6
ESL10358	3B-6	ESL10450	3B-20	ESL10514	4B-2	ESL10564	5B-12
ESL10358	3B-8	ESL10452	3B-20	ESL10518	4B-2	ESL10565	5A-6
ESL10361	3B-8	ESL10454	3B-22	ESL10518	4B-2	ESL10565	5B-12
ESL10362	3B-6	ESL10455	3B-20	ESL10520	4B-2	ESL10567	5A-6
ESL10364	3B-4	ESL10455	3B-20	ESL10521	5-2	ESL10567	5B-12
ESL10366	3B-10	ESL10456	3B-22	ESL10522	5-2	ESL10570	5A-6
ESL10384	3B-10	ESL10457	3B-20	ESL10523	5-2	ESL10571	5A-6
ESL10385	3B-10	ESL10460	3B-20	ESL10524	5-2	ESL10572	5A-8
ESL10393	3B-6	ESL10461	3B-20	ESL10525	5-2	ESL10573	5A-10
ESL10402	3B-12	ESL10462	3B-20	ESL10526	5-2	ESL10574	5A-10
ESL10404	3B-10	ESL10463	3B-20	ESL10527	5-2	ESL10574	5A-8
ESL10405	3B-10	ESL10468	3B-20	ESL10528	5-2	ESL10575	5A-8
ESL10408	3B-14	ESL10469	3B-20	ESL10529	5-2	ESL10576	5A-8

**35/45/60 FARMTRAC PART NUMBERS W/CORRESPONDING PAGE NUMBER**

PART #	PAGE #	PART #	PAGE #	PART #	PAGE #	PART #	PAGE #
ESL10577	5A-8	ESL10633	5B-18	ESL10725	7-2	ESL10781	7-6
ESL10578	5A-8	ESL10634	5B-18	ESL10729	7-2	ESL10784	7-6
ESL10579	5A-8	ESL10635	5B-16	ESL10727	7-4	ESL10785	7-6
ESL10580	5A-8	ESL10636	5B-16	ESL10728	7-4	ESL10786	7-6
ESL10581	5A-8	ESL10637	5B-16	ESL10729	7-4	ESL10787	7-8
ESL10582	5A-8	ESL10638	5B-16	ESL10730	7-4	ESL10788	7-8
ESL10583	5A-10	ESL10639	5B-18	ESL10731	7-4	ESL10789	7-6
ESL10584	5A-10	ESL10640	5B-18	ESL10732	7-2	ESL10790	7-8
ESL10585	5A-8	ESL10641	5B-18	ESL10733	7-2	ESL10791	7-6
ESL10586	5A-8	ESL10642	5B-18	ESL10735	7-2	ESL10792	7-6
ESL10587	5A-8	ESL10643	5B-18	ESL10735	7-4	ESL10793	7-6
ESL10588	5A-8	ESL10644	5B-18	ESL10735	8-6	ESL10794	7-6
ESL10589	5A-8	ESL10645	5B-16	ESL10737	7-4	ESL10795	7-6
ESL10590	5A-10	ESL10646	5B-18	ESL10738	7-4	ESL10797	7-8
ESL10591	5A-10	ESL10647	5B-16	ESL10739	7-2	ESL10799	7-8
ESL10593	5A-8	ESL10648	5B-16	ESL10740	7-2	ESL10800	7-8
ESL10596	5A-8	ESL10649	5B-16	ESL10740	8-2	ESL10801	7-8
ESL10597	5A-8	ESL10650	5B-16	ESL10741	7-2	ESL10802	7-8
ESL10599	5A-8	ESL10652	6-4	ESL10742	7-2	ESL10803	7-8
ESL10599	5B-18	ESL10653	6-4	ESL10743	7-2	ESL10804	7-8
ESL10600	5A-8	ESL10654	6-4	ESL10744	7-2	ESL10805	7-8
ESL10601	5A-8	ESL10657	6-4	ESL10745	7-2	ESL10806	7-8
ESL10602	5A-8	ESL10659	6-4	ESL10746	7-2	ESL10807	7-8
ESL10605	5B-12	ESL10660	6-4	ESL10747	7-2	ESL10808	7-8
ESL10606	5B-12	ESL10661	6-4	ESL10748	7-2	ESL10809	7-8
ESL10607	5B-14	ESL10661	7-4	ESL10749	7-2	ESL10811	7-8
ESL10608	5B-14	ESL10663	6-4	ESL10750	7-2	ESL10813	7-6
ESL10609	5B-14	ESL10664	6-4	ESL10751	7-2	ESL10814	7-6
ESL10610	5B-12	ESL10666	6-4	ESL10752	7-2	ESL10815	7-8
ESL10611	5B-12	ESL10667	6-4	ESL10753	7-2	ESL10816	7-6
ESL10612	5B-12	ESL10668	6-4	ESL10754	7-2	ESL10817	7-6
ESL10613	5B-12	ESL10669	7-4	ESL10755	7-2	ESL10818	7-6
ESL10614	5B-12	ESL10670	6-4	ESL10756	7-2	ESL10819	7-6
ESL10615	5B-12	ESL10692	1A-8	ESL10757	7-2	ESL10820	7-6
ESL10616	5B-12	ESL10692	6-2	ESL10758	7-2	ESL10821	7-8
ESL10617	5B-12	ESL10693	1A-8	ESL10759	7-2	ESL10822	7-8
ESL10619	5B-14	ESL10693	6-2	ESL10763	7-4	ESL10823	7-8
ESL10620	5B-12	ESL10694	6-2	ESL10766	7-6	ESL10824	7-8
ESL10621	5B-14	ESL10695	6-2	ESL10767	7-6	ESL10825	7-8
ESL10622	5B-16	ESL10696	6-2	ESL10768	7-6	ESL10826	7-8
ESL10623	5B-16	ESL10698	6-2	ESL10769	7-6	ESL10827	7-8
ESL10624	5B-16	ESL10718	6-2	ESL10771	7-6	ESL10828	7-8
ESL10625	5B-16	ESL10717	7-4	ESL10772	7-6	ESL10829	7-8
ESL10626	5B-18	ESL10718	7-4	ESL10773	7-6	ESL10830	7-8
ESL10627	5B-18	ESL10719	7-2	ESL10774	7-6	ESL10831	7-8
ESL10628	5B-18	ESL10720	7-4	ESL10774	7-6	ESL10832	7-8
ESL10629	5B-18	ESL10721	7-2	ESL10776	7-6	ESL10833	7-8
ESL10630	5B-18	ESL10722	7-4	ESL10777	7-6	ESL10834	7-8
ESL10631	5B-18	ESL10723	7-2	ESL10778	7-6	ESL10836	8-2
ESL10632	5B-18	ESL10724	7-2	ESL10780	7-6	ESL10637	8-2

35/45/60 FARMTRAC PART NUMBERS W/CORRESPONDING PAGE NUMBER

PART #	PAGE #	PART #	PAGE #	PART #	PAGE #	PART #	PAGE #
ESL10838	8-2	ESL10884	8-8	ESL10930	9-2	ESL10996	10-8
ESL10839	8-2	ESL10885	8-2	ESL10934	9-2	ESL10997	10-4
ESL10840	8-2	ESL10885	8-8	ESL10935	9-2	ESL10998	10-2
ESL10841	10-4	ESL10886	8-8	ESL10936	9-2	ESL10999	10-4
ESL10841	8-2	ESL10887	8-8	ESL10937	9-2	ESL11000	10-4
ESL10842	8-2	ESL10888	8-8	ESL10938	9-2	ESL11001	10-4
ESL10845	8-2	ESL10888	8-8	ESL10939	9-2	ESL11002	10-4
ESL10846	8-2	ESL10890	8-8	ESL10941	9-2	ESL11003	10-4
ESL10847	8-2	ESL10891	8-8	ESL10942	9-2	ESL11004	10-4
ESL10847	9-6	ESL10892	8-8	ESL10943	9-2	ESL11005	10-4
ESL10848	8-4	ESL10893	8-8	ESL10944	9-2	ESL11006	10-4
ESL10849	8-4	ESL10894	8-8	ESL10945	9-2	ESL11007	10-4
ESL10850	8-4	ESL10896	8-8	ESL10946	9-2	ESL11008	10-2
ESL10851	8-4	ESL10897	8-8	ESL10947	9-2	ESL11009	10-2
ESL10852	8-4	ESL10898	8-6	ESL10948	9-2	ESL11010	10-2
ESL10853	8-4	ESL10899	8-6	ESL10949	9-2	ESL11011	10-2
ESL10854	8-4	ESL10900	8-6	ESL10950	9-4	ESL11012	10-2
ESL10855	8-4	ESL10901	10-16	ESL10951	9-4	ESL11013	10-2
ESL10856	8-4	ESL10901	10-2	ESL10952	9-4	ESL11014	10-2
ESL10856	8-4	ESL10901	1A-4	ESL10953	9-4	ESL11016	10-2
ESL10857	8-4	ESL10901	3B-4	ESL10954	9-4	ESL11017	10-2
ESL10858	8-4	ESL10902	7-4	ESL10955	9-4	ESL11016	10-2
ESL10859	8-4	ESL10902	8-6	ESL10956	9-4	ESL11019	10-2
ESL10860	8-4	ESL10903	7-2	ESL10962	9-4	ESL11020	10-2
ESL10861	8-4	ESL10904	8-6	ESL10964	9-2	ESL11021	10-2
ESL10862	8-4	ESL10905	8-6	ESL10966	9-6	ESL11022	10-2
ESL10863	8-4	ESL10906	8-6	ESL10967	9-6	ESL11023	10-2
ESL10864	8-4	ESL10907	8-6	ESL10968	9-6	ESL11024	10-2
ESL10865	8-4	ESL10908	8-6	ESL10970	9-6	ESL11025	10-2
ESL10866	8-4	ESL10909	8-6	ESL10971	9-6	ESL11028	10-2
ESL10867	8-10	ESL10910	8-6	ESL10972	9-6	ESL11029	10-10
ESL10868	10-28	ESL10911	8-6	ESL10974	9-6	ESL11030	10-10
ESL10868	8-10	ESL10912	8-6	ESL10977	9-6	ESL11031	10-10
ESL10868	9-6	ESL10913	8-6	ESL10978	9-6	ESL11032	10-10
ESL10869	8-10	ESL10915	8-6	ESL10979	9-6	ESL11046	10-10
ESL10871	8-10	ESL10916	8-6	ESL10980	9-6	ESL11047	10-10
ESL10872	8-10	ESL10917	8-6	ESL10983	9-6	ESL11061	10-10
ESL10873	8-10	ESL10918	8-11	ESL10984	9-6	ESL11062	10-10
ESL10874	8-10	ESL10919	8-11	ESL10985	10-2	ESL11063	10-10
ESL10875	8-10	ESL10920	8-12	ESL10986	10-2	ESL11064	10-10
ESL10876	8-10	ESL10921	8-12	ESL10987	10-2	ESL11065	10-10
ESL10877	8-10	ESL10923	8-12	ESL10988	10-2	ESL11066	10-8
ESL10878	8-10	ESL10925	14-5	ESL10989	10-2	ESL11067	10-8
ESL10879	8-10	ESL10926	14-5	ESL10990	10-2	ESL11069	10-8
ESL10880	8-10	ESL10927	9-2	ESL10990	10-22	ESL11070	10-6
ESL10881	8-8	ESL10928	9-2	ESL10992	10-2	ESL11073	10-6
ESL10882	8-8	ESL10929	9-2	ESL10994	10-4	ESL11074	10-6
ESL10883	8-2	ESL10930	9-2	ESL10994	10-6	ESL11075	10-6
ESL10883	8-8	ESL10931	9-2	ESL10995	10-6	ESL11076	10-8
ESL10884	8-2	ESL10932	9-2	ESL10996	10-4	ESL11077	10-8

35/45/60 FARMTRAC PART NUMBERS w/CORRESPONDING PAGE NUMBER

PART #	PAGE #	PART #	PAGE #	PART #	PAGE #	PART #	PAGE #
ESL11078	10-8	ESL11136	10-28	ESL11384	11-12	ESL11274	10-16
ESL11079	10-6	ESL11138	10-28	ESL11208	10-14	ESL11274	10-20
ESL11080	10-6	ESL11140	10-28	ESL11209	10-14	ESL11275	10-20
ESL11081	10-8	ESL11141	10-26	ESL11210	10-14	ESL11276	10-18
ESL11082	10-6	ESL11143	10-26	ESL11211	10-6	ESL11278	11-4
ESL11083	10-6	ESL11147	10-26	ESL11212	10-12	ESL11279	11-4
ESL11084	10-6	ESL11149	10-26	ESL11212	10-14	ESL11281	11-4
ESL11085	10-6	ESL11151	10-26	ESL11213	10-22	ESL11282	11-4
ESL11086	10-6	ESL11154	10-26	ESL11215	10-22	ESL11283	11-4
ESL11087	10-6	ESL11155	10-26	ESL11216	10-22	ESL11287	11-4
ESL11088	10-6	ESL11159	10-26	ESL11217	10-22	ESL11291	11-4
ESL11089	10-6	ESL11183	10-28	ESL11218	10-22	ESL11292	11-4
ESL11091	10-6	ESL11182	10-28	ESL11219	10-22	ESL11293	11-4
ESL11092	10-6	ESL11184	10-28	ESL11221	10-22	ESL11295	11-4
ESL11093	10-6	ESL11186	10-28	ESL11226	10-22	ESL11296	11-4
ESL11094	10-8	ESL11189	14-2	ESL11227	10-22	ESL11297	11-4
ESL11094	10-8	ESL11172	14-2	ESL11236	10-18	ESL11333	11-16
ESL11098	10-8	ESL11173	14-2	ESL11237	10-18	ESL11335	11-8
ESL11098	10-6	ESL11174	14-2	ESL11238	10-18	ESL11338	11-8
ESL11099	10-12	ESL11175	14-2	ESL11238	10-18	ESL11339	11-8
ESL11101	10-12	ESL11176	14-2	ESL11239	10-18	ESL11342	11-10
ESL11102	10-12	ESL11177	14-2	ESL11244	10-18	ESL11350	11-10
ESL11103	10-12	ESL11179	10-14	ESL11245	10-18	ESL11352	11-10
ESL11104	10-12	ESL11180	10-14	ESL11246	10-18	ESL11352	12-2
ESL11106	10-12	ESL11181	10-14	ESL11250	10-18	ESL11353	11-10
ESL11106	10-12	ESL11182	10-14	ESL11251	10-18	ESL11354	11-10
ESL11107	10-12	ESL11183	10-14	ESL11252	10-18	ESL11354	11A-20
ESL11108	10-12	ESL11184	10-14	ESL11255	10-18	ESL11354	11B-22
ESL11109	10-12	ESL11185	10-14	ESL11255	10-18	ESL11354	11C-24
ESL11110	10-12	ESL11186	10-14	ESL11258	10-18	ESL11354	11D-26
ESL11111	10-12	ESL11187	10-14	ESL11257	10-24	ESL11355	11-10
ESL11112	10-12	ESL11188	10-14	ESL11258	10-20	ESL11358	11-10
ESL11113	10-26	ESL11189	10-14	ESL11259	10-20	ESL11357	11-10
ESL11114	10-26	ESL11189	1A-2	ESL11260	10-18	ESL11358	11-10
ESL11115	10-26	ESL11190	1014	ESL11261	10-20	ESL11359	11-16
ESL11117	10-26	ESL11191	10-14	ESL11262	10-18	ESL11360	11-14
ESL11120	10-26	ESL11192	10-14	ESL11263	10-18	ESL11362	11-14
ESL11122	10-26	ESL11193	10-14	ESL11264	10-20	ESL11363	11-16
ESL11122	10-28	ESL11194	10-14	ESL11265	10-20	ESL11366	11-16
ESL11123	10-28	ESL11195	10-14	ESL11266	10-20	ESL11384	11-16
ESL11124	10-28	ESL11196	10-14	ESL11267	10-20	ESL11385	11-14
ESL11125	10-26	ESL11198	10-14	ESL11269	10-16	ESL11367	11-16
ESL11125	10-28	ESL11199	10-14	ESL11269	10-20	ESL11369	11-16
ESL11126	10-26	ESL11200	10-14	ESL11270	10-16	ESL11370	11-16
ESL11126	10-26	ESL11201	10-14	ESL11271	10-16	ESL11371	11-16
ESL11126	8-11	ESL11202	10-12	ESL11271	10-20	ESL11372	11-14
ESL11131	8-10	ESL11202	8-2	ESL11272	10-16	ESL11374	11-14
ESL11132	10-28	ESL11203	10-14	ESL11272	10-20	ESL11376	11-16
ESL11132	8-10	ESL11204	10-14	ESL11273	10-16	ESL14590	11-16
ESL11134	10-28	ESL11205	10-14	ESL11273	10-20	ESL11378	11-14
ESL11135	10-28	ESL11207	10-14			ESL11381	11-14

**35/45/60 FARMTRAC PART NUMBERS W/CORRESPONDING PAGE NUMBER**

PART #	PAGE #	PART #	PAGE #	PART #	PAGE #	PART #	PAGE #
ESL11388	11-12	ESL11463	11B22	ESL11552	12-10	ESL11686	7-8
ESL11389	11-12	ESL11463	11C24	ESL11553	12-10	ESL11687	7-8
ESL11390	11-12	ESL11463	11D28	ESL11554	12-10	ESL11688	7-8
ESL11394	11-12	ESL11465	11A20	ESL11555	12-12	ESL11689	7-8
ESL11395	11-12	ESL11465	11B22	ESL11558	12-12	ESL11690	8-4
ESL11397	11-12	ESL11465	11C24	ESL11580	12-18	ESL11691	8-4
ESL11398	11-12	ESL11465	11D28	ESL11581	12-18	ESL11692	8-4
ESL11399	11-12	ESL11470	11-18	ESL11585	12-18	ESL11693	8-10
ESL11400	11-12	ESL11471	11-18	ESL11610	13-2	ESL11694	8-10
ESL11400	1B-20	ESL11472	11-18	ESL11611	13-2	ESL11695	8-12
ESL11402	11-12	ESL11480	11-18	ESL11613	13-2	ESL11696	8-12
ESL11403	11-12	ESL11481	11-18	ESL11614	13-2	ESL11698	9-2
ESL11407	11-12	ESL11482	11-18	ESL11616	13-2	ESL11699	9-2
ESL11408	11-12	ESL11490	12*2	ESL11617	13-4	ESL11700	9-6
ESL11409	11-12	ESL11493	12*2	ESL11618	13-2	ESL11701	9-6
ESL11419	11A-20	ESL11494	12*2	ESL11621	13-2	ESL11702	10-4
ESL11421	11A-20	ESL11494	4B4	ESL11622	13-2	ESL11703	10-4
ESL11424	11A-20	ESL11497	12*4	ESL11623	13-4	ESL11704	10-6
ESL11425	11A-20	ESL11498	12*2	ESL11628	13-2	ESL11705	10-6
ESL11429	11A-20	ESL11499	12*2	ESL11632	13-4	ESL11706	10-6
ESL11430	11A-20	ESL11500	12*2	ESL11633	13-4	ESL11707	10-6
ESL11433	11A-20	ESL11501	12*2	ESL11637	13-4	ESL11708	10-28
ESL11436	11B-22	ESL11502	12*2	ESL11639	13-4	ESL11712	14-2
ESL11437	11A-20	ESL11504	12*2	ESL11640	13-4	ESL11719	11-6
ESL11438	11A-20	ESL11505	12*2	ESL11642	5B-12	ESL11720	11-6
ESL11439	11A-20	ESL11507	12*2	ESL11642	9-2	ESL11720	11-8
ESL11439	11B-22	ESL11508	12*8	ESL11643	1A-8	ESL11721	11-6
ESL11439	11C-24	ESL11509	12*8	ESL11644	1A-10	ESL11723	11-14
ESL11439	11D-28	ESL11512	12*8	ESL11644	1A-12	ESL11729	12-8
ESL11441	11A-20	ESL11513	12*8	ESL11645	1A-16	ESL11737	1A-2
ESL11441	11B-22	ESL11514	12-8	ESL11648	1A-16	ESL11738	1A-2
ESL11441	11C-24	ESL11516	12-8	ESL11648	3B-4	ESL11739	1A-10
ESL11441	11D-28	ESL11519	12-2	ESL11649	3B-4	ESL11740	1A-14
ESL11444	11A-20	ESL11520	12-8	ESL11650	3B-14	ESL11741	1A-16
ESL11444	11B-22	ESL11521	12-8	ESL11650	3B-2	ESL11742	3B-4
ESL11444	11C-24	ESL11522	12-8	ESL11650	7-4	ESL11743	3B4
ESL11446	11A-20	ESL11523	12-8	ESL11652	3B-14	ESL11744	3B-2
ESL11446	11B-22	ESL11524	12-8	ESL11652	3B-2	ESL11745	3B-8
ESL11446	11C-24	ESL11525	12-8	ESL11689	3B-14	ESL11747	5-2
ESL11447	11A-20	ESL11526	12-8	ESL11670	3B-14	ESL11750	5A-10
ESL11447	11B-22	ESL11527	12-8	ESL11671	3B-18	ESL11751	5A-8
ESL11460	11A-20	ESL11528	12-8	ESL11672	3B-18	ESL11751	5A-8
ESL11480	11B-22	ESL11529	12-8	ESL11673	3B-18	ESL11751	5B-18
ESL11480	11C-24	ESL11532	12-8	ESL11676	3B-20	ESL11752	5A-8
ESL11480	11D-28	ESL11534	12-8	ESL11677	5-2	ESL11752	5B-12
ESL11481	11-4	ESL11542	12-12	ESL11680	5A-4	ESL11753	5B-18
ESL11461	11A-20	ESL11546	12-12	ESL11681	5B-12	ESL11754	6-2
ESL11481	11B-22	ESL11548	12-10	ESL11682	5B-12	ESL11755	7-8
ESL11481	11C-24	ESL11549	12-10	ESL11683	5B-18	ESL11758	8-8
ESL11481	11D-28	ESL11550	12-10	ESL11684	6-4	ESL11759	9-2
ESL11463	11A-20	ESL11551	12-10	ESL11685	7-6	ESL11760	9-2

35/45/60 FARMTRAC PART NUMBERS W/CORRESPONDING PAGE NUMBER

PART #	PAGE #	PART #	PAGE #	PART #	PAGE #	PART #	PAGE #
ESL11762	10-22	ESL11860	5-2	ESL11961	11-6	ESL12052	3B-2
ESL11763	10-2	ESL11862	5A-4	ESL11969	10-12	ESL12054	1A-2
ESL11764	8-10	ESL11863	5A-10	ESL11969	8-2	ESL12055	1A-2
ESL11765	10-14	ESL11864	5B-18	ESL11970	10-12	ESL12056	1A-4
ESL11766	10-22	ESL11869	7-2	ESL11970	8-2	ESL12057	3B-14
ESL11767	10-18	ESL11869	8-10	ESL11971	8-2	ESL12057	3B-2
ESL11770	11-8	ESL11871	8-4	ESL11980	13-4	ESL12058	12-14
ESL11771	11-8	ESL11873	8-10	ESL11981	13-4	ESL12060	5-2
ESL11773	11-10	ESL11875	9-2	ESL11982	13-4	ESL12065	12-4
ESL11775	11-16	ESL11877	14-2	ESL11983	13-4	ESL12067	11-6
ESL11776	3A-2	ESL11879	10-14	ESL11985	11C-24	ESL12068	3A-2
ESL11778	3B-18	ESL11880	10-20	ESL11986	11C-24	ESL12068	3B-2
ESL11778	3B-2	ESL11881	10-18	ESL11988	11-16	ESL12069	11-8
ESL11779	1A-16	ESL11882	10-18	ESL11989	11C-24	ESL12070	2-2
ESL11780	1A-14	ESL11887	11-14	ESL11990	11C-24	ESL12071	2-4
ESL11782	3B-4	ESL11889	11-12	ESL11991	11-18	ESL12072	11-6
ESL11787	3B-10	ESL11891	12-8	ESL11992	11B-22	ESL12073	11-6
ESL11788	3B-10	ESL11894	11-16	ESL11992	11C-24	ESL12074	11-14
ESL11793	5-2	ESL11895	12-2	ESL11993	11B-22	ESL12074	12-18
ESL11795	5A-10	ESL11896	12-6	ESL11993	11C-24	ESL12076	1A-4
ESL11795	6A-8	ESL11900	8-4	ESL11994	11C-24	ESL12077	1A-4
ESL11798	12-16	ESL11901	8-8	ESL11995	11C-24	ESL12078	3B-2
ESL11796	5A-8	ESL11909	10-2	ESL11996	11-16	ESL12079	3B-22
ESL11796	5B-16	ESL11912	11A-20	ESL11997	12-2	ESL12080	13-2
ESL11797	5B-14	ESL11913	11A-20	ESL11998	12-4	ESL12081	10-26
ESL11798	5B-18	ESL11913	11C-24	ESL11999	4B-4	ESL12082	10-28
ESL11804	8-4	ESL11915	7-2	ESL12002	11-6	ESL12083	2-4
ESL11808	8-10	ESL11918	1A-8	ESL12005	12-16	ESL12085	5-2
ESL11808	8-12	ESL11919	1A-12	ESL12007	12-14	ESL12067	10-28
ESL11810	9-2	ESL11920	1A-16	ESL12009	12-14	ESL12088	1A-14
ESL11819	11-14	ESL11923	8-12	ESL12011	12-14	ESL12106	1A-4
ESL11820	11-14	ESL11924	9-6	ESL12017	11-14	ESL12111	1A-4
ESL11821	11-14	ESL11925	10-22	ESL12018	3B-4	ESL12116	1A-4
ESL11823	11-12	ESL11933	11-6	ESL12018	5B-16	ESL12117	1A-4
ESL11824	12-8	ESL11937	12-2	ESL12019	12-16	ESL12118	1A-4
ESL11827	12-6	ESL11937	5B-14	ESL12023	3B-2	ESL12123	1A-4
ESL11828	12-6	ESL11944	5B-12	ESL12024	3B-14	ESL12124	1A-4
ESL11828	12-8	ESL11945	5B-18	ESL12024	3B-2	ESL12125	1A-4
ESL11830	11-18	ESL11946	5B-18	ESL12026	3B-2	ESL12128	1A-6
ESL11836	2-4	ESL11947	5B-18	ESL12026	3B-2	ESL12136	1A-10
ESL11837	2-4	ESL11949	5B-12	ESL12027	3B-2	ESL12137	1A-10
ESL11842	3B-8	ESL11960	5B-12	ESL12028	3B-2	ESL12138	1A-10
ESL11845	3B-10	ESL11951	5B-14	ESL12029	2-8	ESL12138	1A-10
ESL11846	3B-10	ESL11953	12-8	ESL12030	1A-10	ESL12145	1A-14
ESL11847	3B-10	ESL11954	11-6	ESL12031	1A-2	ESL12149	1A-8
ESL11852	3B-12	ESL11955	11-6	ESL12032	1A-2	ESL12150	1A-8
ESL11853	3B-12	ESL11956	11-8	ESL12033	1A-14	ESL12151	1A-8
ESL11855	3B-18	ESL11956	2-4	ESL12034	1A-14	ESL12152	1A-8
ESL11856	3B-18	ESL11957	11-6	ESL12036	1A-2	ESL12153	2-2
ESL11857	3B-18	ESL11958	11-6	ESL12037	3B-2	ESL12154	2-2
ESL11859	4B-4	ESL11960	11-6	ESL12042	11-8	ESL12182	2-2

35/45/60 FARMTRAC PART NUMBERS W/CORRESPONDING PAGE NUMBER

PART #	PAGE #	PART #	PAGE #	PART #	PAGE #	PART #	PAGE #
ESL12164	2-2	ESL12419	5B-18	ESL12582	12-6	ESL13323	1A-4
ESL12168	2-8	ESL12422	5A-8	ESL12587	11-4	ESL13324	1A-4
ESL12205	3B-8	ESL12422	5B-16	ESL12588	11-12	ESL13342	9-6
ESL12210	3B-6	ESL12423	5B-16	ESL12588	14-2	ESL13402	11-10
ESL12211	3B-6	ESL12423	5B-16	ESL12589	14-2	ESL13405	3B-8
ESL12212	3B-6	ESL12424	5A-4	ESL12590	14-2	ESL13406	3B-16
ESL12224	4B-2	ESL12426	8-8	ESL12599	14-2	ESL13444	11-2
ESL12226	5-2	ESL12434	10-26	ESL12600	10-24	ESL13445	11-2
ESL12230	5A-6	ESL12435	10-22	ESL12601	10-24	ESL13449	11-2
ESL12235	5B-14	ESL12441	10-10	ESL12602	10-24	ESL13451	11-2
ESL12236	5B-14	ESL12454	11-14	ESL12603	10-24	ESL13453	11-2
ESL12237	5B-18	ESL12454	11-16	ESL12604	10-24	ESL13481	11-2
ESL12238	5B-18	ESL12467	12-16	ESL12605	10-24	ESL13462	11-2
ESL12239	12-16	ESL12490	5B-16	ESL12606	10-24	ESL13464	11-2
ESL12239	5B-18	ESL12491	5B-16	ESL12607	10-24	ESL13465	11-2
ESL12240	5B-18	ESL12492	5B-16	ESL12609	12-2	ESL13466	11-2
ESL12246	7-2	ESL12493	5B-16	ESL12610	12-2	ESL13468	11-2
ESL12249	7-6	ESL12494	5B-16	ESL12611	13-2	ESL13470	11-2
ESL12253	10-12	ESL12496	10-2	ESL12612	13-2	ESL13473	11-2
ESL12267	10-26	ESL12501	5B-16	ESL12616	2-4	ESL13474	11-2
ESL12279	10-14	ESL12505	11-6	ESL12617	2-4	ESL13475	11-2
ESL12280	10-18	ESL12507	5B-16	ESL12618	2-4	ESL13477	11-2
ESL12281	10-18	ESL12508	12-18	ESL12624	1A-8	ESL13478	11-2
ESL12285	11-10	ESL12513	2-4	ESL12626	1A-10	ESL13479	11-2
ESL12291	11-14	ESL12515	2-4	ESL12629	1A-16	ESL13481	11-4
ESL12303	11-16	ESL12520	5B-16	ESL12632	2-4	ESL13482	11-4
ESL12320	11B-22	ESL12523	5B-16	ESL12636	3B-20	ESL13491	11-6
ESL12321	11B-22	ESL12525	12-8	ESL12679	12-6	ESL13499	11-14
ESL12323	11B-22	ESL12527	6-4	ESL12679	3B-22	ESL13501	11-14
ESL12327	11B-22	ESL12529	7-4	ESL12688	3B-20	ESL13504	11-14
ESL12328	11A-20	ESL12529	8-2	ESL12698	6A-4	ESL13506	11-12
ESL12329	11A-20	ESL12532	8-8	ESL12698	5B-12	ESL13514	11-12
ESL12330	11C-24	ESL12534	10-28	ESL12698	5B-14	ESL13515	11-12
ESL12331	11C-24	ESL12536	10-28	ESL12699	5A-6	ESL13516	11-12
ESL12343	12-4	ESL12546	11-10	ESL12699	5B-12	ESL13524	11-16
ESL12344	12-4	ESL12546	11-10	ESL12699	5B-14	ESL13537	12-2
ESL12346	2-3	ESL12547	11-10	ESL12713	5B-14	ESL13583	12-6
ESL12348	12-4	ESL12548	11-10	ESL12731	5B-16	ESL13600	12-12
ESL12349	12-8	ESL12559	11-12	ESL13095	1A-2	ESL13600	12-14
ESL12355	12-6	ESL12560	11-12	ESL13096	1A2	ESL13619	13-4
ESL12358	12-6	ESL12561	11-12	ESL13271	1A-8	ESL13626	14-4
ESL12361	12-10	ESL12563	11D-26	ESL13277	3B-14	ESL13627	14-4
ESL12361	3B-20	ESL12565	11D-26	ESL13280	10-16	ESL13628	14-4
ESL12370	12-14	ESL12565	11D-26	ESL13281	10-16	ESL13629	14-4
ESL12371	12-14	ESL12567	11D-26	ESL13303	5B-12	ESL13630	14-4
ESL12372	12-14	ESL12568	11D-26	ESL13304	5A-6	ESL13631	14-4
ESL12373	12-14	ESL12569	11D-26	ESL13304	5B-12	ESL13632	14-4
ESL12411	5-2	ESL12671	11-18	ESL13310	4B-4	ESL13633	14-4
ESL12412	5-2	ESL12573	11-14	ESL13313	3B-2	ESL13634	14-4
ESL12413	5A-4	ESL12580	12-8	ESL13313	3B-18	ESL13635	14-4
ESL12415	6A-4	ESL12581	12-8	ESL13321	1A-4		

35/45/60 FARMTRAC PART NUMBERS W/CORRESPONDING PAGE NUMBER

PART #	PAGE #	PART #	PAGE #	PART #	PAGE #	PART #	PAGE #
ESL13841	11-14	ESL14222	1B-2	ESL14272	1B-6	ESL14322	1B-16
ESL13655	10-24	ESL14223	1B-2	ESL14273	1B-6	ESL14323	1B-16
ESL13656	10-24	ESL14224	1B-2	ESL14274	1B-6	ESL14324	1B-16
ESL13672	10-16	ESL14225	1B-2	ESL14275	1B-6	ESL14325	1B-16
789918	11-14	ESL14226	1B-2	ESL14276	1B-6	ESL14326	1B-16
ESL13678	5B-12	ESL14227	1B-2	ESL14277	1B-6	ESL14327	1B-16
ESL13682	3B-4	ESL14228	1B-2	ESL14278	1B-6	ESL14328	1B-16
ESL13683	9B-14	ESL14229	1B-2	ESL14279	1B-6	ESL14329	1B-16
ESL13686	5B-16	ESL14230	1B-2	ESL14280	1B-6	ESL14330	1B-16
ESL13693	13-4	ESL14231	1B-2	ESL14281	1B-8	ESL14331	1B-16
ESL13694	13-4	ESL14232	1B-2	ESL14282	1B-8	ESL14332	1B-16
ESL13695	13-4	ESL14233	1B-2	ESL14283	1B-8	ESL14333	1B-16
ESL13696	13-4	ESL14234	1B-2	ESL14284	1B-8	ESL14334	1B-16
ESL13697	13-2	ESL14235	1B-2	ESL14285	1B-8	ESL14335	1B-16
ESL13705	11D-26	ESL14236	1B-2	ESL14286	1B-8	ESL14336	1B-16
ESL13709	11D-26	ESL14237	1B-2	ESL14287	1B-8	ESL14337	1B-16
ESL13711	11D-26	ESL14238	1B-2	ESL14288	1B-10	ESL14338	1B-16
ESL13713	14-2	ESL14239	1B-4	ESL14289	1B-10	ESL14339	1B-16
ESL13714	14-2	ESL14240	1B-4	ESL14290	1B-10	ESL14340	1B-16
ESL13716	11-12	ESL14241	1B-4	ESL14291	1B-10	ESL14341	1B-16
ESL13719	12-2	ESL14242	1B-4	ESL14292	1B-10	ESL14342	1B-16
ESL13724	12-6	ESL14243	1B-4	ESL14293	1B-10	ESL14343	1B-16
ESL13724	12-8	ESL14244	1B-4	ESL14294	1B-10	ESL14344	1B-16
ESL13732	11-18	ESL14245	1B-4	ESL14295	1B-10	ESL14345	1B-16
ESL13734	11-14	ESL14246	1B-4	ESL14296	1B-10	ESL14346	1B-16
ESL13735	11-14	ESL14247	1B-6	ESL14297	1B-10	ESL14347	1B-16
ESL13736	11-14	ESL14248	1B-6	ESL14298	1B-12	ESL14348	1B-16
ESL13737	11-18	ESL14249	1B-6	ESL14299	1B-12	ESL14349	1B-16
ESL13738	11-18	ESL14250	1B-6	ESL14300	1B-12	ESL14350	1B-16
ESL14195	12-8	ESL14251	1B-6	ESL14301	1B-12	ESL14351	1B-16
ESL14196	8-12	ESL14252	1B-6	ESL14302	1B-12	ESL14352	1B-16
ESL14204	5B-14	ESL14253	1B-6	ESL14303	1B-12	ESL14353	1B-22
ESL14206	1A-16	ESL14254	1B-6	ESL14304	1B-12	ESL14354	1B-22
ESL14207	1B-2	ESL14255	1B-6	ESL14305	1B-12	ESL14355	1B-22
ESL14208	1B-2	ESL14256	1B-6	ESL14306	1B-12	ESL14356	1B-22
ESL14209	1B-2	ESL14257	1B-6	ESL14307	1B-14	ESL14357	1B-22
ESL14210	1B2	ESL14258	1B-6	ESL14308	1B-14	ESL14358	1B-22
ESL14211	1B-2	ESL14259	1B-6	ESL14309	1B-14	ESL14359	1B-22
ESL14212	1B-2	ESL14260	1B-6	ESL14310	1B-14	ESL14360	1B-22
ESL14213	1B-2	ESL14261	1B-6	ESL14311	1B-14	ESL14361	1B-22
ESL14214	1B-2	ESL14262	1B-6	ESL14312	1B-14	ESL14362	1B-22
ESL14215	1B-2	ESL14263	1B-6	ESL14313	1B-14	ESL14363	1B-22
ESL14216	1B-2	ESL14264	1B-6	ESL14314	1B-14	ESL14364	1B-22
ESL14217	1B-2	ESL14265	1B-6	ESL14315	1B-14	ESL14365	1B-22
ESL14218	1B-2	ESL14266	1B-6	ESL14316	1B-14	ESL14366	1B-22
ESL14219	1B-2	ESL14267	1B-6	ESL14317	1B-14	ESL14367	1B-22
ESL14219	6A-4	ESL14268	1B-6	ESL14318	1B-14	ESL14369	1B-22
ESL14220	1B-2	ESL14269	1B-6	ESL14319	1B-14	ESL14370	114
ESL14220	5A-4	ESL14270	1B-6	ESL14320	1B-14	ESL14370	1B-22
ESL14221	1B-2	ESL14271	1B-6	ESL14321	1B-16	ESL14371	2-2

35/45/60 FARMTRAC PART NUMBERS W/CORRESPONDING PAGE NUMBER

PART #	PAGE #	PART #	PAGE #	PART #	PAGE #	PART #	PAGE #
ESL14372	2-2	ESL14418	3A-8	ESL14468	6-2	ESL14524	11-12
ESL14373	2-4	ESL14419	3A-6	ESL14469	6-2	ESL14525	11-12
ESL14374	2-4	ESL14420	3A-8	ESL14470	6-4	ESL14526	11-18
ESL14375	2-4	ESL14421	3A-6	ESL14472	7-6	ESL14529	11A-20
ESL14376	2-4	ESL14422	3A-8	ESL14473	7-6	ESL14529	11B-22
ESL14377	2-6	ESL14423	3A-6	ESL14474	7-8	ESL14529	11C-24
ESL14378	2-6	ESL14424	3A-6	ESL14475	8-4	ESL14529	11D-26
ESL14379	2-6	ESL14425	3A-6	ESL14476	8-4	ESL14530	11D-26
ESL14380	2-6	ESL14426	3A-6	ESL14477	8-8	ESL14531	11D-26
ESL14381	2-6	ESL14427	3A-8	ESL14478	8-8	ESL14532	11D-26
ESL14382	2-6	ESL14428	3A-8	ESL14479	8-12	ESL14533	11D-26
ESL14383	2-6	ESL14429	3A-8	ESL14480	8-12	ESL14534	11D-26
ESL14384	2-6	ESL14430	3A-6	ESL14481	9-2	ESL14535	11B-22
ESL14385	2-6	ESL14431	3A-6	ESL14482	9-2	ESL14537	12-6
ESL14386	2-6	ESL14432	3B-20	ESL14483	10-12	ESL14538	12-6
ESL14387	2-6	ESL14433	3B-20	ESL14484	10-12	ESL14539	12-6
ESL14388	2-6	ESL14434	3B-20	ESL14485	10-12	ESL14540	12-6
ESL14389	2-6	ESL14435	4A-2	ESL14486	10-16	ESL14541	12-6
ESL14390	2-6	ESL14436	4A-2	ESL14487	10-16	ESL14543	13-2
ESL14391	2-6	ESL14437	4A-2	ESL14488	10-16	ESL14544	13-2
ESL14392	2-6	ESL14438	4A-2	ESL14489	10-16	ESL14545	13-2
ESL14392	3A-4	ESL14439	4A-2	ESL14490	10-16	ESL14546	13-2
ESL14393	3A-2	ESL14440	4A-2	ESL14491	10-16	ESL14547	13-4
ESL14394	3A-2	ESL14441	4A-2	ESL14492	10-16	ESL14548	13-4
ESL14394	3A-4	ESL14442	4A-2	ESL14493	10-16	ESL14549	13-4
ESL14395	3A-2	ESL14443	4A-2	ESL14494	10-16	ESL14550	1A-4
ESL14396	3A-2	ESL14444	4A-4	ESL14495	10-16	ESL14551	1B-20
ESL14397	3A-2	ESL14445	4A-4	ESL14496	10-16	ESL14552	1B-20
ESL14398	3A-2	ESL14446	4A-4	ESL14497	10-16	ESL14553	1B-22
ESL14399	3A-2	ESL14447	4A-4	ESL14499	10-16	ESL14554	2-6
ESL14400	3A-2	ESL14448	4A-4	ESL14505	10-16	ESL14555	3A-2
ESL14401	3A-2	ESL14449	4A-4	ESL14506	10-16	ESL14556	4A-4
ESL14402	3A-2	ESL14450	4A-4	ESL14507	10-28	ESL14557	4A-4
ESL14403	3A-2	ESL14451	4A-4	ESL14508	10-28	ESL14558	4A-4
ESL14403	3A-6	ESL14452	4A-4	ESL14509	11-4	ESL14559	5B-14
ESL14404	3A-2	ESL14453	4A-4	ESL14510	11-4	ESL14560	5B-16
ESL14406	3A-2	ESL14454	4A-4	ESL14511	11-6	ESL14561	5B-16
ESL14406	3A-8	ESL14455	4A-4	ESL14512	11-6	ESL14562	5B-16
ESL14406	3A-2	ESL14456	4A-4	ESL14513	11-6	ESL14563	5B-16
ESL14407	3A-2	ESL14457	12-2	ESL14514	11-6	ESL14568	8-10
ESL14408	3A-2	ESL14457	4A-4	ESL14515	11-6	ESL14566	10-26
ESL14409	3A-2	ESL14458	4A-4	ESL14516	11-6	ESL14567	11A-20
ESL14410	3A-2	ESL14459	4A-6	ESL14517	11-6	ESL14568	11D-26
ESL14411	3A-2	ESL14460	4A-6	ESL14518	11-6	ESL14570	13-2
ESL14412	3A-2	ESL14461	4A-6	ESL14519	11-6	ESL14573	5A-4
ESL14413	3A-4	ESL14462	4A-6	ESL14520	11-6	ESL14573	5A-4
ESL14414	3A-4	ESL14463	4A-6	ESL14521	11-10	ESL14574	5A-4
ESL14415	3A-4	ESL14464	4A-6	ESL14521	12-2	ESL14575	5A-4
ESL14416	3A-8	ESL14465	4A-6	ESL14522	11-12	ESL14576	5A-4
ESL14417	3A-6	ESL14487	6-2	ESL14523	11-12	ESL14577	5A-4

35/45/60 FARMTRAC PART NUMBERS W/CORRESPONDING PAGE NUMBER

PART #	PAGE #	PART #	PAGE #	PART #	PAGE #	PART #	PAGE #
ESL14578	5A-8	N620013-S8	5A-4	N-630175-S8	3A-2		
ESL14579	5A-8	N-620013-S8	11-14	N-630176-S8	1B-18		
ESL14579	5A8	N-620013-S8	11-6	N-630317-S8	12-2		
ESL14580	5A-4	N-620013-S8	11-6				
ESL14583	5A-4	N-620013-S8	12-18				
ESL14585	1B-22	N-620013-S8	1B-14				
ESL14586	10-12	N-620013-S8	1B6				
ESL14587	10-18	N-620013-S8	3A-2				
ESL14588	10-26	N-620014-S8	1B-6				
ESL14589	11-12	N-620014-S8	1B-6				
ESL14590	11-18	N620016-S8	10-28				
ESL16048	5A-4	N-620016-S8	1B-18				
N-600112-S8	6B-16	N-620042-S8	2-4				
N-600212-S8	5A-4	N-630012-S8	5B-16				
N-600213-S8	6-2	N-630013-S8	1B-2				
N-600216-S8	12-16	N-630016-S8	3A-2				
N-600218-S8	12-16	N-630066-S8	11-18				
N-601796-S8	3A-6	N-630067-S8	11-6				
N-605500-S8	3B-20	N-630067-S8	12-2				
N-605515-S8	11-16	N-630067-S8	5A-4				
N-605515-S8	1B-22	N-630067-S8	5B-14				
N-605515-S8	5A-4	N-630067-S8	5B-18				
N-605528-S8	8-8	N-630068-S8	12-18				
N-605529-S8	1B-18	N-630069-S8	1B-2				
N-605531-S8	11-12	N-630069-S8	2-6				
N-605531-S8	1A-16	N630072-S8	10-26				
N-605531-S8	1B-14	N-630172-S8	1B-14				
N-605531-S8	4A-2	N-630172-S8	1B-22				
N-605532-S8	10-16	N-630173-S8	10-16				
N-605532-S8	11-6	N-630173-S8	11-14				
N-605532-S8	12-18	N-630173-S8	11-6				
N-605532-S8	1B-14	N-630173-S8	12-18				
N-605532-S8	1B-6	N-630173-S8	12-16				
N-605534-S8	3A-2	N-630173-S8	1A-16				
N-605534-S8	4A-2	N-630173-S8	1B-14				
N-605535-S8	1B-2	N-630173-S8	1B-16				
N-605536-S8	10-16	N-630173-S8	1B-2				
N-605539-S8	1B-14	N-630173-S8	3A-2				
N-605542-S8	2-4	N-630173-S8	4A-2				
N-605545-S	2-2	N-630173-S8	4A-6				
N-605545-S8	11-6	N-630173-S8	5A-10				
N-605546-S8	1B-2	N-630174-S8	11-4				
N-605547-S8	1B-2	N-630174-S8	11-6				
N-605548-S8	6B-16	N-630174-S8	12-2				
N-605549-S8	1B-18	N-630174-S8	1B-2				
N-605559-S8	10-16	N-630174-S8	1B-6				
N-606321-S8	11-14	N-630174-S8	1B-6				
N-620012-S8	11-16	N-630174-S8	2-4				
N-620012-S8	12-2	N-630174-S8	2-6				
N-620012-S8	1B-14	N-630174-S8	4A-4				
N-620012-S8	5B-14	N-630174-S8	5B-16				

35/45/60 FARMTRAC PART NUMBERS W/CORRESPONDING PAGE NUMBER

PART #	PAGE #	PART #	PAGE #	PART #	PAGE #	PART #	PAGE #
87133	1A-8	82835253	1A-16	11-12278-AB	11-12	11-20019-AA	8-2
304666	12-8	82835263	11-10	11-12310-AA	11-12	11-20021-AA	10-12
310086	8-8	82835283	13-2	11-12380-AA	11-12	11-20021-AA	8-2
310088	8-8	82835284	13-2	11-12360-CA	11-12	11-30011-AB	5B-14
311113	10-24	82835286	13-4	11-12420-AA	11A-20	11-30011-AC	5B-12
314267	8-8	82835286	13-4	11-12420-AA	11B-22	11-30051-AA	5B-12
808043	5B-12	82835297	5B-12	11-12477-AB	11-12	11-30053-AA	5B-12
81869637	1A-8	82835297	5A-4	11-12883-AB	11-12	11-30060-AA	5B-14
82835009	1A-8	82835303	12-8	11-12900-AA	11-12	11-30060-AB	5B-12
82835019	12-8	82835331	1A-4	11-12948-AA	11-12	11-30070-AA	5B-14
82835036	3A-2	82835334	1A-6	11-13030-AA	11-16	11-30070-AB	5B-12
82835036	3B-16	82835337	1A-6	11-13040-AA	11-16	11-30072-AA	5A-4
82835036	3B-2	82835339	10-2	11-13048-AB	11-18	11-30073-AA	5A-4
82835046	7-2	82835340	8-2	11-13049-AB	11-18	11-30106-AA	5-2
82835059	4B-2	82835345	5A-8	11-13302-AA	11-18	11-30139-AA	5-2
82835070	5A-4	82835347	11-14	11-13480-AA	11-14	11-30195-AA	5-2
82835072	8-12	82835357	10-12	11-13555-AA	11-2	11-30220-AB	5-2
82835075	1A-16	82835375	5B-12	11-13556-AA	11-2	11-30387-AA	5-2
82835077	3B-22	82835391	2-2	11-13560-AA	11-2	11-33241-AA	5B-18
82835080	3B-22	82835393	2-2	11-13562-AA	11-2	11-33242-AA	5B-18
82835083	3B-22	82835396	13-4	11-13564-AA	11-2	11-33243-AA	5B-18
82835089	2-8	82835399	12-8	11-13572-AA	11-2	11-33244-AA	5B-18
82835100	11A-20	82835409	3B-20	11-13573-AA	11-2	11-33245-AA	5B-18
82835100	11B-22	82835414	13-4	11-13575-AA	11-2	11-33247-AA	5B-18
82835100	11C-24	82835418	13-4	11-13576-AA	11-2	11-33280-AC	5B-14
82835100	11D-26	82835420	13-4	11-13577-AA	11-2	11-33280-BA	5B-14
82835101	11-4	82835422	4B-4	11-13579-AA	11-2	11-33289-AA	5B-12
82835101	11A-20	82835432	12-2	11-13581-AA	11-2	11-33334-AA	5B-18
82835101	11B-22	82835435	12-4	11-13584-AA	11-2	11-33338-AA	5B-18
82835101	11C-24	82835439	2-4	11-13585-AA	11-2	11-33339-AA	5B-18
82835101	11D-26	82835446	1A-16	11-13586-AA	11-2	11-33341-AA	5B-18
82835105	3B-20	82872948	13-2	11-13588-AA	11-2	11-33360-AA	5B-18
82835105	3B-20	87800698	1A-8	11-13589-AA	11-2	11-33365-AA	5B-18
82835125	11-4	202882283	12-16	11-13590-AA	11-2	11-33400-AA	5B-18
82835133	12-10	230296000	12-16	11-13592-AA	11-4	11-33400-AB	5B-18
82835133	3B-20	292608383	12-16	11-13593-AA	11-4	11-33410-AA	5B-18
82835136	3B-4	1 417 413 012	3A-4	11-13915-AA	11-16	11-33410-AB	5B-18
82835140	11-12	11-01010-AA	5-2	11-16300-AA	12-8	11-33420-AA	5B-18
82835148	13-2	11-04401-AA	12-18	11-16310-AC	12-12	11-33425-AA	11-6
82835168	14-4	11-04403-AA	12-18	11-16320-AC	12-12	11-33430-AA	5B-18
82835171	14-4	11-05590-AA	10-28	11-16600-AA	12-8	11-33430-AB	5B-18
82835172	14-4	11-07716-A	8-6	11-16765-AB	12-8	11-33432-AA	11-6
82835180	3B-22	11-10145-AA	11-6	11-16766-AB	12-8	11-33440-AA	5B-18
82835182	1A-12	11-10239-AA	11-6	11-16850-AA	9-4	11-33440-BB	5B-18
82835192	1A-16	11-10376-AA	11-6	11-17000-AA	12-14	11-33450-AA	5B-18
82835193	1A-16	11-11010-AA	11A-20	11-18220-AB	12-2	11-33450-AB	5B-18
82835212	8-8	11-11010-AA	11B-22	11-18570-AA	12-2	11-33480-AA	5B-18
82835213	7-4	11-11010-AA	11C-24	11-18712-AA	12-8	11-33480-BB	5B-18
82835241	13-2	11-11510-AA	11-14	11-18713-AA	12-8	11-33520-AB	5B-18
82835242	13-2	11-12062-AA	12-8	11-19213-AA	12-4	11-33527-AA	5B-18
82835247	2-8	11-12109-AA	11-12	11-19701-AA	12-2	11-33528-AA	5B-18
82835249	8-6	11-12109-AA	2-8	11-20019-AA	10-12	11-33529-AB	5B-18

35/45/60 FARMTRAC PART NUMBERS W/CORRESPONDING PAGE NUMBER

PART #	PAGE #	PART #	PAGE #	PART #	PAGE #	PART #	PAGE #
11-33532-AA	5B-16	11-68369-AA	2-8	11-98128-AA	13-4	12-33410-BA	5B-16
11-33532-AA	5B-16	11-68578-AA	1A-10	11-98127-AA	13-4	12-33420-AA	5B-16
11-33535-AA	5B-16	11-74109-AA	7-6	11-98128-AA	13-2	12-33514-AA	5B-16
11-33535-BA	5B-16	11-75010-AA	6-4	11-98130-AE	13-4	12-33520-AA	5B-16
11-33537-AA	5B-18	11-75550-AB	6-2	11-T7000-AA	12-12	12-33529-AA	5B-16
11-33538-AA	5B-18	11-78292-AA	13-2	12-00863-AA	10-16	12-33532-AA	5B-16
11-33540-AB	5B-14	11-78300-BB	13-2	12-04450-BA	12-18	12-33548-AA	5B-16
11-33540-BD	5B-14	11-78349-AB	13-2	12-06576-AA	10-28	12-45135-AA	8-4
11-33542-AA	5B-14	11-78478-AA	13-4	12-10107-AA	11-10	12-65550-BA	10-28
11-33548-AA	5B-18	11-80010-AA	4B-4	12-10116-AA	11-10	12-65660-BA	10-28
11-33548-AB	5B-18	11-89030-AA	3A-2	12-10118-AA	11-10	12-61035-AA	3B-4
11-33565-AA	5B-16	11-89030-AA	3B-2	12-10180-AA	11-10	12-69750-AA	4B-4
11-33566-AA	5A-8	11-89280-AA	3B-2	12-10376-BA	11-8	12-78588-AA	13-4
11-33568-AA	5B-16	11-90105-AA	2-4	12-11120-AA	11A-20	12-78888-AA	13-4
11-33585-AA	5B-16	11-90107-AA	2-4	12-11130-AA	11A-20	12-80100-AA	4B-4
11-33589-AA	5B-16	11-90109-AA	2-4	12-11130-CB	11A-20	12-89145-AA	11-12
11-33590-BA	5B-16	11-90420-AA	2-4	12-11130-CB	11C-24	12-89280-AA	3B-2
113575-S38	10-14	11-90540-AA	2-4	12-11140-AB	11A-20	12-90360-AA	2-4
11-40010-AB	8-8	11-90563-AA	3B-2	12-11140-CA	11A-20	12-90515-AA	2-4
11-40020-AB	8-8	11-90575-AA	2-4	12-11150-AA	11A-20	12-90622-AA	2-4
11-40703-AA	8-6	11-90640-BB	2-4	12-12370-AA	11-12	12-90620-AA	2-2
11-40747-AA	7-4	11-90770-AA	2-4	12-12380-BA	11-12	12-90680-AB	2-2
11-40747-AA	8-2	11-91720-AA	3B-20	11-12600-AA	11A-20	12-90680-AB	2-4
11-41069-AA	8-8	11-93310-AA	11-8	12-13048-AB	11-18	12-97126-CA	14-2
11-42220-AA	8-4	11-93333-AA	11-8	12-13110-AA	11B-22	12-99130-AE	13-4
115422-ES	7-6	11-93334-BA	11-8	12-13110-AC	11A-20	13-05111-AA	10-16
11-55550-BA	10-28	11-94214-AA	12-2	12-13110-BA	11A-20	13-05163-AA	10-16
11-55680-BA	10-28	11-94238-AA	11-16	12-13180-AA	11B-22	13-05190-AC	10-16
11-55863-AA	8-10	11-98110-AA	10-24	12-13180-AA	11A-20	13-05535-AC	10-16
11-57520-AD	10-26	11-98120-AA	10-24	12-13180-BA	11A-20	13-11120-AA	11B-22
11-57526-AA	10-28	11-98130-AA	10-24	12-13190-AA	11A-20	13-11120-AA	11C-24
11-57527-AC	10-28	11-98140-AA	10-24	12-13190-BA	11A-20	13-11150-AA	11B-22
11-57548-AB	10-28	11-98380-AA	10-22	12-13440-AA	11B-22	13-11150-AA	11C-24
11-57585-AB	10-28	11-98390-AA	10-24	12-13460-AA	11A-20	13-12350-AA	11-14
11-60481-AB	2-8	11-98410-AA	10-22	12-13460-BB	11A-20	13-13110-AA	11C-24
11-60482-AA	2-8	11-98410-AA	10-24	12-16312-AA	12-14	13-13180-AA	11C-24
11-60482-AA	2-6	11-98420-AA	10-24	12-16321-AA	12-16	13-13190-AA	11B-22
11-60483-AB	2-8	11-98532-AA	10-12	12-16328-AA	12-14	13-13331-AA	11-18
11-60483-AB	2-6	11-98532-AA	10-12	12-16346-AB	12-14	13-13420-AA	11-18
11-60580-AA	3B-4	11-98579-AA	10-22	12-16347-AB	12-14	13-13428-AB	11-14
11-60680-AB	2-8	11-98579-AA	10-24	12-16501-AA	12-14	13-13460-AA	11C-24
11-61021-AA	1A-4	11-98579-BA	10-24	12-16505-AB	12-14	13-33240-AA	5B-16
11-61035-AA	3B-4	11-98579-CA	10-24	12-16508-AA	12-14	13-33430-AA	5B-16
11-61035-AA	8-8	11-98590-AA	10-24	12-19200-AA	12-4	13-33450-AA	5B-16
11-61059-AA	1A-4	11-97028-AA	14-2	12-30150-AA	5A-4	13-33562-AA	5B-16
11-61306-AA	1A-8	11-97805-AA	14-2	12-30150-AA	5B-14	13-33585-AA	5B-16
11-64591-AA	3B-2	11-97809-AA	14-2	12-30160-AA	5A-6	13-64150-AA	3B-2
11-65067-AA	1A-2	11-98123-AA	13-2	12-30160-AA	5B-14	13-64150-AA	3B-18
11-65067-AA	1A-2	11-98124-AA	13-4	12-33240-AA	5B-16	13-64555-AA	3B-2
11-68628-AA	1A-16	11-98125-AA	13-4	12-33400-BA	5B-16	13-64558-AA	3B-2

35/45/60
35/45/60 FARMTRAC PART NUMBERS W/CORRESPONDING PAGE NUMBER

PART #	PAGE #	PART #	PAGE #	PART #	PAGE #	PART #	PAGE #
13-64557-AA	3B-2	22-16520-AA	12-6	22-70113-AB	7-6	25-13012-AA	11-18
13-64590-AA	3B-14	22-16600-AA	12-8	22-78294-AA	13-2	25-13100-AA	11-4
13-64690-AA	3B-2	22-16625-AA	12-6	22-80050-CA	4A-4	25-13360-BA	11-14
13-75500-AB	6-2	22-30042-AA	5A-4	22-80091-AA	4A-4	25-18250-BA	12-2
13-75590-AB	6-2	22-30042-AA	5A-4	22-80092-AA	4A-4	25-18251-AA	12-2
14-11120-AA	11C-24	22-30054-AB	5A-4	22-80093-AA	4A-4	25-30150-AA	5B-12
14-11130-AA	11C-24	22-30055-AA	5A-4	22-80094-AA	12-2	25-30160-AA	5B-12
14-11140-AA	11C-24	22-30056-AA	1B-2	22-80094-AA	4A-4	25-33261-AA	5B-14
14-11150-AA	11C-24	22-30056-AA	5A-4	22-80098-AA	4A-4	25-33580-AA	10-16
14-13190-AA	11C-24	22-30057-AA	1B-2	22-80100-AA	4A-4	25-33596-AA	5B-16
14-13480-AA	11B-22	22-30057-AA	5A-4	22-80111-AA	4A-4	25-96390-AB	10-24
14-16301-BA	12-8	22-31300-AA	5A-4	22-80115-AA	4A-4	25-96390-BA	10-24
14-64590-AA	3B-14	22-31310-AA	5A-4	22-80116-AA	4A-4	25-96391-AA	10-24
14-64590-AA	3B-2	22-50430-AA	2-6	22-80117-AA	4A-4	25-96392-AA	10-24
15-60070-AA	1A-4	22-50443-AA	2-6	22-80118-AA	4A-4	26-80070-AA	1A-4
15-60080-AA	1A-4	22-50449-AA	2-6	22-80150-AA	4A-4	26-80080-AA	1A-4
15-64540-AA	3B-2	22-60438-AA	1B-22	22-80260-BA	4A-4	26-64540-AA	3B-2
15-64560-AA	3B-2	22-60439-AB	1B-22	22-80286-CB	4A-4	27-13130-AA	11D-26
16-13300-AA	11B-22	22-60441-AA	1B-22	22-80287-AA	4A-4	27-13130-BA	11D-26
18-13030-AA	11-14	22-60451-AA	4A-6	22-80288-AA	4A-4	27-13140-AA	11D-26
18-13031-AA	11-14	22-60452-AA	4A-6	22-80290-AA	4A-4	27-13140-BA	11D-26
18-13032-AA	11-14	22-60453-AA	4A-6	22-80600-BA	4A-2	27-13160-AB	11D-26
18-13033-AA	11-14	22-60454-AA	4A-6	22-89280-AA	3A-2	27-13170-AA	11D-26
20-13110-AA	11D-26	22-60456-AA	4A-6	22-89281-AB	3A-2	27-13180-AA	11D-26
20-13110-BA	11D-26	22-60457-AA	4A-6	22-89290-AA	3A-4	27-13180-AA	11D-26
20-13200-AA	11D-26	22-60481-AA	2-6	22-90337-BA	3A-4	27-13190-AA	11D-26
22-05530-AB	10-16	22-60481-AA	3A-4	22-90540-AA	2-4	27-13200-AB	11D-26
22-05540-AB	10-16	22-60483-AA	4A-6	22-90542-AA	2-4	2N-606	10-26
22-05550-AA	10-16	22-61101-AA	1B-6	22-91760-AA	3B-20	2N-606	10-26
22-06477-BA	10-16	22-61150-AA	3A-6	22-91779-AA	3B-20	2N-606	8-11
22-06561-AA	10-16	22-61151-AA	3A-6	22-93235-AA	11-6	300968-S36	1A-4
22-06562-AA	10-16	22-61152-AA	3A-6	22-93333-AA	11-6	300980-S36	10-16
22-06563-AA	10-16	22-61153-AA	3A-6	22-93334-AA	11-6	30-16391-AA	14-2
22-06911-AA	10-16	22-61154-AA	3A-6	22-98130-AA	13-4	30-16410-CA	12-8
22-10901-AA	4A-2	22-61155-AA	3A-6	22-98264-AA	13-2	302549-S36	11-6
22-10902-AA	11-6	22-61156-AA	3A-6	22-98285-AA	13-2	302549-S36	4B-2
22-10903-AA	11-6	22-61157-AA	3A-6	22-98298-AA	13-2	302610-S36	12-16
22-10904-AA	11-6	22-61158-AA	3A-6	23017-S2	11-10	304622-S36	7-4
22-10905-AA	11-6	22-61159-AA	3A-6	23380-S36	12-14	304631-S36	10-14
22-12280-AB	10-16	22-61160-AA	3A-6	23470-S36	12-14	304632-S36	12-8
22-12380-AA	11-12	22-61161-AA	3A-6	23607-S36	4B-4	304633-S36	12-12
22-12831-BA	11-12	22-61163-AA	3A-6	24-40210-009	3B-16	304633-S36	12-14
22-13100-CA	11-4	22-61166-AA	3A-2	25-01010-AA	5-2	304633-S36	12-8
22-13101-AA	11-4	22-61166-AA	3A-6	25-04100-BB	12-18	304633-S36	3B-22
22-13101-AA	1B-22	22-61167-AA	3A-2	25-05106-AC	10-16	304634-S36	12-14
22-13102-AA	11-4	22-61167-AA	3A-6	25-05107-AA	10-16	304634-S36	1A-10
22-13201-AB	11D-26	22-61180-AA	3A-6	25-12062-AA	12-8	304634-S36	12-12
22-13230-AA	11D-26	22-61270-AA	3A-6	25-13009-AA	11-18	304648-S36	1A-10
22-16100-AA	11-10	22-61573-AA	3A-6	25-13010-BA	11-18	304648-S36	1A-2
22-16100-AA	12-2	22-70015-AA	7-6	25-13011-AA	11-18	304648-S36	5B-18

35/45/60 FARMTRAC PART NUMBERS W/CORRESPONDING PAGE NUMBER

PART #	PAGE #	PART #	PAGE #	PART #	PAGE #	PART #	PAGE #
304649-S36	2-2	304724-S36	6-4	33798-S36	12-14	34806-S36	4A-2
304650-S36	12-10	304724-S36	7-4	33799-S36	11-14	34806-S36	4B-2
304650-S36	12-2	304724-S36	8-8	33799-S6	10-8	34806-S36	4B-2
304650-S36	1A-2	304728-S36	8-4	33845-S36	8-2	34806-S36	4B-4
304660-S36	2-4	304743-S36	9-6	33845-S36	9-2	34806-S36	5A-4
304660-S36	2-8	304758-S36	3B-2	33845-S8	12-12	34806-S36	6-2
304660-S36	8-2	304758-S36	4B-2	33848-S36	12-16	34806-S36	9-2
304662-S36	10-24	304760-S36	10-18	33845-S36	12-16	34807-S36	10-16
304662-S36	11-10	304760-S36	1A-4	33847-S36	8-2	34807-S36	10-18
304662-S36	12-2	304760-S36	2-8	33849-S36	14-2	34807-S36	10-20
304664-S36	9-2	304768-S36	14-2	33849-S36	14-5	34807-S36	10-20
304665-S36	12-10	304777-S36	10-2	33849-S36	5A-8	34807-S36	10-22
304665-S36	12-2	304777-S36	10-22	33849-S36	5B-12	34807-S36	11-14
304665-S36	12-8	304807-S36	1A-8	33849-S36	7-4	34807-S36	11-4
304668-S36	12-10	304862-S36	5A-4	33850-S36	12-16	34807-S36	12-10
304668-S36	1A-16	304862-S36	5B-12	33924-S36	8-10	34807-S36	12-14
304668-S36	3B-4	304883-S36	7-4	33925-S36	6-4	34807-S36	1A-2
304668-S36	10-12	304890-S36	8-4	33925-S36	7-2	34807-S36	1B-22
304668-S36	8-2	304912-S36	7-4	33925-S36	8-10	34807-S36	2-8
304668-S36	8-2	304933-S36	14-5	33925-S36	9-6	34807-S36	7-2
304682-S36	11-14	304944-S36	14-2	33987-S36	10-28	34807-S36	8-6
304682-S36	1A-2	304946-S36	14-4	340304-S36	14-5	34807-S8	10-24
304682-S36	3A4	304985-S36	7-4	34053-S36	11-14	34808-S2	10-28
304682-S36	3B-2	304982-S36	5A-8	34422-S36	10-4	34808-S36	11-10
304684-S36	10-20	304982-S36	5B-12	34484-S36	10-4	34808-S36	12-10
304684-S36	10-22	304984-S36	5B-12	34670-S36	5A-4	34808-S36	1A-10
304684-S36	10-24	305023-S	9-6	34670-S36	5B-12	34808-S36	1A-12
304684-S36	1A-16	305052-S2	10-6	34670-S36	9-2	34808-S36	4B-2
304684-S36	7-2	305061-S2	3B-22	34674-S36	5B-12	34808-S36	8-4
304684-S36	8-10	305075-S36	10-14	34690-S	10-18	34808-S36	8-6
304684-S36	8-8	305080-S2	8-6	34694-S36	5A-8	34809-S36	12-16
304685-S36	4B-2	306086-S2	3B-22	34791-S36	11-6	34809-S36	12-16
304686-S36	10-12	31037-S36	3B-20	34791-S36	5B-18	34809-S36	3A8
304686-S36	10-24	33796-S36	11-10	34792-S36	10-4	34809-S36	5A-8
304686-S36	10-4	33796-S36	12-12	34792-S36	10-8	34809-S36	5A-8
304686-S36	8-8	33796-S36	12-14	34792-S36	1A-16	34809-S36	3B-4
304686-S36	9-6	33796-S36	12-6	34792-S36	2-8	34809-S36	5B-16
304689-S36	10-8	33796-S36	3B-20	34793-S36	10-2	34810-S36	8-4
304701-S36	4B-4	33796-S36	3B-22	34793-S36	11-6	34811-S36	14-5
304720-S36	11-8	33797-S2	11-10	34793-S36	7-4	34814-S36	5A-8
304722-S36	10-4	33797-S36	11-6	34803-S36	11-14	34903-S36	11-14
304722-S36	11-4	33797-S36	11-8	34803-S36	3B-20	349304-S	7-4
304722-S36	12-10	33797-S36	12-8	34805-S36	1A-16	34941-S36	11-14
304722-S36	1A-16	33797-S36	1A-6	34806-S36	12-10	34941-S36	12-12
304722-S36	1B-22	33797-S36	11-14	34806-S36	12-12	34941-S36	12-14
304722-S36	2-8	33798-S36	12-10	34806-S36	12-16	34941-S36	3A-4
304724-S36	9-6	33798-S36	12-2	34806-S36	1A-10	34941-S36	3B-2
304724-S36	12-10	33798-S36	12-6	34806-S36	1A-10	34942-S36	12-2
304724-S36	12-18	33798-S36	3A-2	34806-S36	1A-2	34978-S36	4B-4
304724-S36	1A-10	33798-S36	3B2	34808-S36	2-2	34987-S7	6-4
304724-S36	1A-12	33798-S36	3B-22	34808-S36	3B-2	351090-S36	10-28

35/45/60 FARMTRAC PART NUMBERS W/CORRESPONDING PAGE NUMBER

PART #	PAGE #	PART #	PAGE #	PART #	PAGE #	PART #	PAGE #
361666-S	10-2	387830-S36	5-2	45258-S2	11-6	58663-S36	10-24
352321-S36	3B-20	386769-S	11-10	45964-S36	1A-4	58663-S36	10-4
353374-S36	10-18	386873-S2	10-8	46007-S36	7-6	58675-S36	8-2
353810-S36	10-14	390488-S36	1A-2	46007-S36	7-8	58677-S36	8-2
354236-S36	9-6	390625-S36	1A-2	46008-S36	2-8	58678-S36	8-2
355431-S36	7-2	390827-S	1A-2	46009-S36	7-6	58679-S36	8-2
356420-S36	11-14	390629-S36	1A-2	46009-S36	7-8	58701-S36	8-2
356420-S36	12-16	42.011.050	1B-2	5.16.14.0a	1B-22	58718-S36	7-4
357622-S36	4B-4	42974-S36	3B-4	5.28.04.0	1B-12	66726-S36	7-4
359264-S36	10-28	42967-S36	11-6	5.28.04.0	1B-16	69699-S36	8-2
370664-S	1A-14	43104-S36	8-4	50.00012.0	3A-2	60486-S	10-26
370624-S	7-2	43164-S2	1A-8	50.00022.0f	1B-22	63767-S36	12-6
370924-S	7-4	43191-S2	1A-12	50.00023.0a	1B-2	71NH-10769-A	11-10
370624-S	8-6	44710-S36	4B-4	50.00025.0	1B-2	71NH-16N600-A	12-8
371433-S36	10-2	44719-S36	11-10	50.00026.0	1B-2	71NH-3N295-A	5A-4
371433-S36	10-22	44719-S36	12-12	50.00121.2b	1B-8	71NH-4N103-A	8-10
373573-S36	10-14	44719-S36	12-14	50.00211.0	1B-16	71NH-4N105-A	8-10
375057-S	2-2	44719-S36	12-6	50.00429.0	3A-2	71NH-568-A	10-26
376089-S	1A-10	44719-S36	12-8	50.00558.0a	1B-22	71NH-6590-A	1A-10
376415-S36	11-8	44719-S36	3B-20	50.02116.0	1B-18	71NH-8250-A	4B-4
376415-S36	8-4	44719-S36	3B-22	50.10052.0	2-6	71NH-9792-A	3B-20
376421-S7	8-4	44722-S36	11-10	50.10053.0	1B-18	71NH-9A638-A	2-2
377184-S36	10-28	44722-S36	11-14	50.10134.0	1B-2	71NH-9N035-A	3A-4
377360-S36	11-18	44722-S36	12-10	50.10161.0a	1B-22	71NH-9N035-A	3B-2
377360-S36	3B-20	44722-S36	12-2	50.10256.0a	1B-12	72003-S8	7-2
377485-S100	3B-2	44722-S36	12-6	50.10306.0	1B-18	72003-S8	8-6
377490-S	5B-12	44722-S36	12-8	50.10310.0	1B-18	72003-S8	9-6
377490-S36	9-2	44722-S36	2-2	50.10466.0	3A-2	72005-S8	10-6
377490-S76	5A-6	44722-S36	3A-2	50528-S36	12-6	72017-S8	10-6
378310-S36	1A-16	44722-S36	3B-2	508E-4230-A	8-4	72017-S8	6-4
378336-S36	1A-2	44723-S36	11-8	508E-7064-A	7-8	72017-S8	8-10
378861-S	2-8	44724-S36	11-10	54.21.06.28	1B-14	72017-S8	9-6
379276-S36	10-8	44726-S36	11-18	54.21.06.28	1B-16	72026-S8	10-28
379304-S	7-8	44726-S36	12-10	54.21.10.29a	1B-6	72035-S8	10-26
379409-S36	10-2	44726-S36	1A-16	54.21.10.29a	2-6	72035-S8	5B-14
379409-S36	10-22	44726-S36	2-8	54.26.01.03	3A-2	72053-S36	10-26
379414-S36	10-4	44726-S36	3B-22	54.27.01.042a	1B-18	72054-S8	5-2
379548-S	1A-2	44726-S36	3B-4	54.28.01.16	1B-18	72054-S8	11-10
379586-S36	3B-20	44726-S36	9-2	54.51.02.01F	1B-22	72055-S8	10-26
379678-S	7-4	44728-S36	10-20	54.61.05.02	1B-14	72055-S8	7-4
380201-S36	3B-4	44728-S36	12-14	54042-S36	3B-20	72090-S8	5-2
380763-S36	10-28	44728-S36	12-2	54049-S36	11-14	72NH-10052-A	11-4
381707-S8	10-22	44728-S36	3B-20	54351-S36	11-14	72NH-11055-A	11-4
381714-S36	10-2	44730-S36	10-14	55670-S71	12-6	72NH-11059-A	11-4
382015-S	1A-12	44730-S36	12-2	56009-S36	11-6	72NH-11082-A	11-4
382676-S	1A-8	44736-S8	12-12	56301-S2	10-4	72NH-11135-A	11-4
38306-S8	10-12	44736-S8	12-16	58639-S36	1A-4	72NH-11448-A	11-4
383705-S36	11-10	44742-S36	10-28	58655-S36	10-4	72NH-8B306-A	1A-8
383904-S36	10-26	44746-S36	8-10	58655-S36	9-8	72NH-9185-A	3B-18
385458-S	1A-2	44811-S36	14-2	58657-S36	10-4	72NH-9176-A	3B-18
385894-S36	10-18	44881-S36	8-10	58662-S36	10-4	72NH-9176-B	3B-18

35/45/60 FARMTRAC PART NUMBERS W/CORRESPONDING PAGE NUMBER

PART #	PAGE #	PART #	PAGE #	PART #	PAGE #	PART #	PAGE #
72NH-98273-A	3B-2	74127-S	10-26	79NH-A728-AA	8-6	82NH-6E087-AA	1A-4
72NH-9D325-A	3B-18	74142-S	10-6	8.07.10.0	3A-2	82NH-8100-AA	4B-4
72NH-9D610-A	3B-8	74178-S	1A-12	8.11.29.0	1B-18	82NH-9A663-AA	2-4
72NH-9E529-A	3B-14	74181-S	9-6	8.14.908.0	4A-2	82NH-9A864-AA	2-4
72NH-9E629-A	3B-2	74181-S	5A-6	8.16.07.0	1B-22	82NH-9B840-AA	2-2
72NH-9F278-A	3B-18	74181-S	5B-12	8.18.02.0/1	1B-22	82NH-9B842-A	2-2
72NH-9G547-A	3B-14	74188-S	9-2	80NH-15330-A	11-18	82NH-9N623-AA	2-2
73269-S	5-2	74NH-1007-B	5-2	80NH-17N268-AA	11-12	82NH-9N643-AA	2-2
73328-S	1A-2	74NH-1050-AA	8-12	80NH-17N271-AA	11-12	82NH-N885-AA	10-20
73871-S36	8-10	74NH-13R312-A	11-18	80NH-3517-AA	5A-8	82NH-N885-BA	10-20
73919-S36	6-4	74NH-16N551-AA	12-8	80NH-3552-AA	5A-8	83NH-1139-AA	5-2
73919-S36	9-6	74NH-2N481-A	8-10	80NH-3581-AA	6A-10	83NH-545-AA	10-6
73NH-1046-A	14-5	74NH-3E616-A	12-8	80NH-3593-AA	5A-8	83NH-651B-AA	1A-10
73NH-10N004-A	11-8	74NH-6438-A	1A-2	80NH-3595-AA	5A-8	83NH-EB835-AA	10-20
73NH-10N005-A	11-6	74NH-6828-A	10-16	80NH-3595-BA	5A-8	84NH-3N529-AA	10-18
73NH-14277-A	11-10	74NH-7201-A	7-4	80NH-3595-CA	5A-8	84NH-477-AA	10-10
73NH-14301-A	11A-20	74NH-8287-A	4B-4	80NH-3647-AA	5A-8	84NH-477-AA	10-8
73NH-14301-A	11B-22	74NH-9N101-A	3B-4	80NH-3647-BA	5A-8	84NH-600-AA	10-20
73NH-14301-A	11C-24	74NH-9N102-A	3B-4	80NH-3772-AA	5A-8	84NH-7D081-AA	6-4
73NH-14301-A	11D-26	74NH-9N963-A	3A-2	80NH-3A710-AA	5A-8	84NH-8282-AA	3B-4
73NH-14N004-A	11A-20	74NH-9N963-A	3B-18	80NH-3C915-AA	5A-8	84NH-9425-AB	2-8
73NH-14N004-A	11B-22	74NH-9N963-A	3B-2	80NH-3N531-AA	5A-8	84NH-9C331-AA	3B-20
73NH-14N004-A	11C-24	75NH-4262-A	8-4	80NH-3N883-AA	5A-8	84NH-D685-AA	10-10
73NH-14N004-A	11D-26	75NH-9E527-A	3B-14	80NH-3N942-AA	5A-10	85NH-5230-AC	2-6
73NH-14N330-A	11A-20	76023-S36	3B-22	80NH-3N946-AA	5A-8	85NH-8375-AB	1A-8
73NH-14N330-A	11B-22	76232-S36	8-10	80NH-3N947-AA	5A-8	85NH-7017-AB	7-6
73NH-14N330-A	11C-24	76237-S36	7-2	80NH-3N950-AA	5A-10	85NH-7N036-AA	7-8
73NH-14N330-A	11D-26	76NH-11N078-A	11-4	80NH-3N951-AA	5A-8	85NH-7N300-AA	7-6
73NH-17N279-A	11-12	76NH-16N802-A	12-6	80NH-3N952-AA	5A-8	85NH-9740-AA	3B-20
73NH-3R765-B	12-8	76NH-16N802-A	12-8	80NH-3N952-BA	5A-8	85NH-9779-AA	3B-20
73NH-3R766-A	12-8	76NH-16N803-A	12-6	80NH-3N952-CA	5A-10	85NH-9A337-AA	3B-2
73NH-4N107-A	8-10	76NH-16N803-A	12-8	80NH-3N952-DA	5A-10	85NH-9A556-BA	3B-4
73NH-6784-A	1A-2	76NH-1N012-AA	8-12	80NH-544-AA	10-6	85NH-9A556-BA	3B-4
73NH-8A373-A	1A-2	76NH-7R502-A	6-4	80NH-6608-AA	1A-16	85NH-9A557-BA	3B-4
73NH-8K632-A	1A-16	76NH-9350-A	3B-16	80NH-6N663-AA	1A-16	85NH-9A780-DA	3B-20
73NH-9156-A	3B-18	77NH-2N547-A	9-6	80NH-9A335-AA	3B-4	85NH-9A791-AA	3B-20
73NH-9156-A	3B-4	77NH-A908-A	10-4	81NH-4211-AA	8-4	85NH-9N656-AA	3B-20
73NH-9F596-A	3B-2	78E-2477	9-4	81NH-4N020-AA	8-2	85NH-9N656-BA	3B-20
73NH-9N279-A	3A-4	78NH-10N249-AA	11-12	81NH-6828-A	1A-10	85NH-9N656-CA	3B-20
73NH-9N279-A	3B-2	78NH-16N591-AA	12-8	81NH-8N111-AA	4B-4	85NH-9N657-AA	3B-20
73NH-9N279-AA	10-12	78NH-4236-A	8-4	81NH-8613-AA	2-2	86198-S36	5B-16
73NH-9N646-A	3B-4	78NH-4A162-AA	8-4	81NH-9313-AA	2-4	86301-S36	10-18
73NH-9N647-A	3B-4	78NH-638-AA	10-16	81NH-9B226-AA	13-2	86301-S36	10-24
73NH-9N668-A	3B-20	78NH-638-AA	10-20	82NH-3546-AA	5A-8	86327-S36	10-16
73NH-9N661-A	3B-14	78NH-6N609-AA	1A-6	82NH-3C539-AA	5A-10	86327-S36	10-20
73NH-9N661-A	3B-2	78NH-7503-A	6-4	82NH-3N575-AA	5A-10	86483-S95	10-18
73NH-9N661-A	7-4	78NH-9D270-AA	3B-20	82NH-3N576-AA	5A-10	86483-S95	10-24
73NH-9N662-A	3B-2	79NH-2B24-AA	9-6	82NH-3N648-AA	5A-10	86483-S95	5B-16
73NH-9N663-A	3B-14	79NH-6714-AA	1A-2	82NH-3N949-AA	5A-8	86486-S95	10-16
73NH-9N723-A	3B-20	79NH-6714-AA	1B-20	82NH-4N032-AA	10-2	86NH-2248-AB	9-2
74034-S36	10-8	79NH-7005-AB	7-4	82NH-6057-AA	1A-4	86NH-2247-AB	9-2



35/45/60 FARMTRAC PART NUMBERS W/CORRESPONDING PAGE NUMBER

PART #	PAGE #	PART #	PAGE #	PART #	PAGE #	PART #	PAGE #
86NH-2N041-AA	9-2	87651-S36	1A-2	88NH-689-AA	10-2	91NH-2N136-AA	9-2
86NH-2N135-AA	9-2	87651-S36	7-4	88NH-6085-AA	1A-2	91NH-2N289-AA	9-6
86NH-2315-AA	9-4	87652-S36	1A-2	88NH-6085-BA	1A-10	91NH-3B0777-AA	8-4
86NH-2463-AA	9-6	87657-S36	8-2	88NH-6549-AA	1A-10	91NH-3N303-AA	5A-4
86NH-2B002-AA	9-2	87708-S36	10-10	88NH-N895-AA	10-2	91NH-3N303-BA	5A-4
86NH-4233-AD	8-8	87709-S36	7-4	8A-7085-A	8-6	91NH-4013-BA	8-8
86NH-4614-AA	8-4	87711-S36	10-22	90NH-16N477-AA	12-10	91NH-4204-AA	8-4
86NH-4A242-AA	8-4	87747-S36	7-4	90NH-2N124-AA	9-2	91NH-4220-AA	8-4
86NH-4N074-AA	9-2	87747-S36	8-2	90NH-2N125-AA	9-2	91NH-4244-BA	8-8
86NH-4N109-AC	9-2	87837-S36	10-14	90NH-310799-AA	5A-4	91NH-4374-BA	9-2
86NH-9B273-AA	3B-4	87838-S36	10-14	90NH-3123-AA	5A-8	91NH-4873-AA	9-2
86NH-9F593-AA	3B-14	87838-S36	1A-2	90NH-3314-AA	5A-4	91NH-4888-AA	8-8
86NH-9F593-AA	3B-4	87901-S36	5A-8	90NH-354228-AA	5B-16	91NH-4N001-BA	9-2
86NH-9N575-AA	3B-4	87901-S36	5-2	80NH-3600-AA	5A-8	91NH-595-AA	10-28
87006-S95	10-8	87901-S36	5B-12	90NH-3A443-AA	5A-4	91NH-6306-AA	1A-8
87007-S94	10-14	87907-S36	10-28	90NH-3C785-A	5A-8	91NH-6571-AA	1A-10
87010-ES	10-12	87907-S36	8-10	90NH-3C785-A	5A-8	91NH-6B306-AA	1A-8
87010-S94	10-22	87907-S36	9-6	90NH-3N052-AA	5A-4	91NH-7113-AA	7-6
87010-S95	10-10	87907-S8	6-4	90NH-3N052-BA	5A-4	91NH-7231-AA	7-4
87010-S95	10-2	87913-S8	9-2	90NH-3N227-AA	5A-4	91NH-7277-AA	7-2
87010-S95	10-24	87NH-11005-AA	11-4	90NH-3N766-AA	5A-8	91NH-7A488-AA	7-2
87010-S95	10-8	87NH-11350-AA	11-4	90NH-3N766-AA	5B-12	91NH-7N072-AA	7-8
87012-S86	10-10	87NH-11K134-AA	11-4	90NH-4010-AA	8-8	91NH-8N096-AA	11-10
87012-S95	10-12	87NH-16N785-AA	12-2	90NH-4228-AA	8-8	91NH-8N096-AA	12-2
87012-S95	10-2	87NH-16N900-AA	12-2	90NH-4229-AB	8-8	91NH-9D546-BA	3B-8
87012-S95	10-24	87NH-16N910-AC	12-2	90NH-4229-AC	8-8	91NH-9M525-AA	3B-4
87012-S95	10-8	87NH-2455-AA	9-6	90NH-4229-AD	8-8	91NH-B681-AA	10-28
87014-S95	10-10	87NH-2N138-AB	9-2	90NH-4229-AE	8-8	92NH-10A883-AA	11-12
87016-S35	10-2	87NH-3N948-AA	3B-20	90NH-4229-AF	8-8	92NH-11654-AA	11-16
87016-S94	7-2	87NH-3N948-BA	3B-20	90NH-4N086-AA	8-10	92NH-11662-A	11-14
87024-S94	10-18	87NH-3N948-CA	3B-20	90NH-4N087-AA	8-10	92NH-11662-BA	11-14
87028-S94	8-10	87NH-4230-AA	9-2	90NH-535-AB	10-28	92NH-11N654-AA	11-14
87032-S85	10-22	87NH-4N031-AA	9-2	90NH-560-AA	10-28	92NH-13602-AA	11-14
87032-S95	10-24	87NH-7141-AA	7-8	90NH-560-AA	10-28	92NH-13A350-AA	11-16
87034-S95	10-2	87NH-7145-AA	7-8	90NH-5N083-AA	8-10	92NH-13N360-AA	11-16
87034-S95	10-24	87NH-7A385-AA	7-8	90NH-6051-AA	1A-2	92NH-15451-AA	12-10
87035-S94	10-16	87NH-7N071-AA	7-8	90NH-6051-BB	1A-2	92NH-16948-AB	12-8
87035-S94	1A-4	87NH-L892-AA	10-4	90NH-8800-AB	4B-2	92NH-18A901-AA	13-4
87035-S94	3B-4	88NH-1050-AA	8-12	90NH-8N036-AA	12-2	92NH-16N340-AA	12-12
87035-S95	10-2	88NH-1200-AA	5-2	90NH-8N036-AA	4B-4	92NH-16N341-AA	12-12
87044-S95	10-2	88NH-1N020-AA	8-12	90NH-8N301-AA	12-2	92NH-16N476-AA	12-10
87065-S94	10-16	88NH-1N021-AA	8-12	90NH-K840-AA	10-28	92NH-2472-BA	3B-22
87085-S94	10-18	88NH-2N133-AA	9-2	91NH-10241-AA	11-12	92NH-2A186-AA	9-8
87087-S94	10-20	88NH-528-AA	10-6	91NH-1108-AA	5-2	92NH-3290-BA	5A-4
87087-S94	10-16	88NH-6049-AA	1A-4	91NH-16A837-AA	12-2	92NH-3307-BA	5A-4
87089-S96	10-16	88NH-6250-AA	1A-12	91NH-17N275-AA	11-12	92NH-3503-AA	5A-8
87087-S94	11-12	88NH-14N004-AA	11A-20	91NH-1N013-AA	5-2	92NH-390127-AA	11-16
87106-S94	10-6	88NH-14N004-AA	11B-22	91NH-1N014-AA	5-2	92NH-3A319-AA	5A-4
87145-S94	10-18	88NH-14N004-AA	11C-24	91NH-2N127-BA	9-2	92NH-3N071-AA	5A-4
87850-S36	5A-6	88NH-14N004-AA	11D-26	91NH-2N128-AA	9-2	92NH-3N071-BA	5A-4
87850-S36	1A-2	89NH-537-AA	10-2	91NH-2N134-AB	9-2	92NH-3N306-AA	5A-4

35/45/60 FARMTRAC PART NUMBERS W/CORRESPONDING PAGE NUMBER

PART #	PAGE #	PART #	PAGE #	PART #	PAGE #
92NH-3R655-AA	12-8	93NH-16N757-AA	12-6	93NH-C546-AA	10-2
92NH-4194-AA	8-8	93NH-16N773-AA	12-8	93NH-C905-AA	10-2
92NH-4A194-AA	8-8	93NH-16N906-AA	12-2	93NH-N663-AA	10-28
92NH-648-AA	10-2	93NH-17N713-AA	11-18	93NH-N684-AA	10-26
92NH-663-AB	10-28	93NH-1N058-AA	8-12	957E-1195	5-2
92NH-564-AA	10-26	93NH-2472-AA	3B-20	957E-3123-A	5B-12
92NH-598-AA	10-28	93NH-2472-AA	3B-22	957E-4220	8-4
92NH-697-AA	10-28	93NH-3008-AB	5A-4	957E-4228	8-4
92NH-8010-BA	1A-2	93NH-3009-AB	5A-6	957E-532	10-2
92NH-6200-AB	1A-14	93NH-3011-AB	5A-4	957E-550	10-6
92NH-7120-AA	7-6	93NH-3054-AA	5A-6	957E-551	10-6
92NH-7210-AA	7-2	93NH-3054-AA	5A-6	957E-554-B	10-26
92NH-7210-BA	7-2	93NH-311920-AA	14-2	957E-565	10-28
92NH-8A559-AA	4B-2	93NH-3367-AA	5A-6	957E-7010	8-2
92NH-9002-AA	3A-2	93NH-3367-AA	5B-12	957E-7071-B	7-6
92NH-9002-AA	3B-2	93NH-3503-AB	5A-4	957E-7245	7-2
92NH-9735-AB	3B-22	93NH-351505-AA	5A-6	957E-7245	8-10
92NH-9805-AA	3B-20	93NH-351505-AA	5B-12	957E-727-A	7-6
92NH-9807-A	3B-22	93NH-3A070-AA	6A-4	957E-732	7-6
92NH-9B273-AA	3B-2	93NH-3A125-AA	5A-6	957E-7726	7-6
92NH-9B811-AC	3B-22	93NH-3A125-AA	5B-12	957E-780	7-8
92NH-9D623-AB	3B-22	93NH-3A125-DA	5A-6	957E-832	10-2
92NH-9N575-AA	3B-4	93NH-3A125-DA	5B-12	957E-837	10-10
92NH-9N719-AB	3B-22	93NH-3A208-AA	5A-6	957E-984-B	10-10
92NH-9N720-AA	3B-20	93NH-3A208-AA	5B-12	957E-994633	10-18
92NH-9N735-AA	3B-22	93NH-3A208-BA	5A-6	960E-1065-A	14-6
92NH-9N859-AB	3B-22	93NH-3A208-BA	5B-12	960E-1076	14-5
92NH-B920-AA	10-8	93NH-3A367-AA	5A-6	960E-4616	8-4
92NH-B921-AA	10-8	93NH-3A367-AA	5B-12	960E-4627	8-4
92NH-D848-AA	8-10	93NH-3A443-AB	5A-4	97013-S36	8-4
92NH-D849-AB	8-10	93NH-3N051-AA	5A-6	97013-S36	9-6
92NH-N563-AA	8-10	93NH-4N191-AA	8-10	97325-S35	3A-4
92NH-N563-AB	10-28	93NH-576-AA	10-28	97325-S35	3B-2
92NH-N563-AB	8-10	93NH-5E063-AA	8-10	97342-S36	9-4
92NH-N905-AA	10-2	93NH-6010-AA	1A-2	97409-S36	10-14
93NH-1017-AA	8-12	93NH-6066-AA	1A-2	97410-S	10-8
93NH-10241-AA	11-12	93NH-6750-AA	1A-2	97411-S36	10-14
93NH-1100-BA	8-12	93NH-6A255-AA	1A-12	97413-S36	10-6
93NH-1120-AA	8-12	93NH-6N609-AA	1A-	97413-S36	9-6
93NH-13A439-CA	11-14	93NH-7201-AA	7-2	97468-S	10-6
93NH-13N427-AA	11-18	93NH-7222-AA	7-2	97470-S36	10-6
93NH-13N850-CA	11A-20	93NH-7A020-AA	7-2	97480-S36	10-6
93NH-13N850-CA	11B-22	93NH-7A510-AA	6-4	987E-7143-A	7-8
93NH-13N850-CA	11C-24	93NH-7N057-AA	7-6	9451037404/5	3B-18
93NH-13AR31-AA	11-16	93NH-7R502-A	6-4	E1.08.65-8.8	1B-14
93NH-14N060-BA	11-16	93NH-8N065-AA	12-2	E1.08.70-8.8	1B-16
93NH-14K064-AA	11A-20	93NH-8N630-AA	1A-4	E1.08.80-8.8	1B-14
93NH-14K064-AA	11B-22	93NH-9A660-AA	2-4	EB-7234	7-4
93NH-14K064-AA	11C-24	93NH-9A667-AA	2-4	EB-7234	5-6
93NH-14N069-AA	13-4	93NH-9B746-AA	3B-20	CONN-A783-A	9-2
93NH-16450-AB	12-10	93NH-9N880-AA	2-4	CONN-B699-A	10-24

35/45/60 FARMTRAC PART NUMBERS W/CORRESPONDING PAGE NUMBER

PART #	PAGE #	PART #	PAGE #	PART #	PAGE #
C1.22x1.2	1B-6	C5NN-3A443-A	5B-12	C5NN-7279-A	7-2
C2DE-8255-A	4B-4	C5NN-3C765-A	5A-8	C5NN-7410-C	7-2
C5NH-D969-A	10-22	C5NN-3C766-A	5A-8	C5NN-747-A	8-8
C5NE-6265-A	1A-10	C5NN-3C765-A	5B-16	C5NN-7600-A	1A-8
C5NE-6278-A	1A-10	C5NN-3N052-A	5B-12	C5NN-7600-A	6-2
C5NE-6278-A	1A-12	C5NN-3N054-B	5B-12	C5NN-7609-B	1A-8
C5NE-6306-A	1A-8	C5NN-3N071-A	5B-12	C5NN-7609-B	6-2
C5NE-6310-B	1A-8	C5NN-3N071-B	5B-12	C5NN-77088-A	7-8
C5NE-6312-F	1A-8	C5NN-3N071-C	5B-12	C5NN-772-A	7-6
C5NE-6529-A	1A-10	C5NN-3N532-A	10-18	C5NN-7A452-A	7-6
C5NE-6567-B	1A-10	C5NN-4684-A	8-4	C5NN-7A578-A	6-4
C5NE-6587-A	1A-10	C5NN-475-B	10-2	C5NN-7A616-A	6-4
C5NE-6828-AA	1A-16	C5NN-4885-C	8-2	C5NN-7A815-A	7-4
C5NE-6853-A	1A-10	C5NN-4885-C	8-8	C5NN-7B226-L	7-2
C5NE-6A254-A	1A-12	C5NN-4885-D	8-2	C5NN-7B340-A	7-6
C5NE-6B309-A	1A-8	C5NN-4885-D	8-8	C5NN-7C085-D	7-8
C5NE-6509-A	4B-2	C5NN-4885-E	8-2	C5NN-7K013-E	7-6
C5NE-8513-A	4B-2	C5NN-4885-E	8-8	C5NN-7N011-B	7-8
C5NE-907-G	1A-12	C5NN-4A053-B	8-4	C5NN-7N044-A	7-8
C5NE-9628-B	2-2	C5NN-4N027-A	8-8	C5NN-7N051-B	7-8
C5NE-9E528-B	3B-8	C5NN-4N053-A	8-10	C5NN-7N084-A	7-6
C5NE-9F586-A	3B-4	C5NN-502-A	10-4		
C5NE-9F589-D	3B-4	C5NN-502-A	8-2		
C5NE-9F596-A	1A-4	C5NN-518-B	10-4		
C5NH-D961-A	10-22	C5NN-525-B	10-2		
C5NH-N513-A	10-22	C5NN-530-B	10-6		
C5NN-1012-B	5-2	C5NN-547-B	10-2		
C5NN-10N880-B	11-10	C5NN-7049-E	7-8		
C5NN-10N768-B	11-10	C5NN-7050-C	7-6		
C5NN-1107-F	5-2	C5NN-7084-A	7-6		
C5NN-11467-R	7-2	C5NN-7088-A	7-8		
C5NN-11N001-A	7-2	C5NN-7100-F	7-6		
C5NN-11N002-A	7-2	C5NN-7102-F	7-6		
C5NN-11N003-B	7-2	C5NN-7108-D	7-8		
C5NN-11N496-A	11-14	C5NN-7111-N	7-8		
C5NN-14277-D	11-10	C5NN-7113-B	7-8		
C5NN-16N631-B	12-6	C5NN-7127-A	7-6		
C5NN-16N644-B	12-6	C5NN-7127-B	7-6		
C5NN-16N647-A	12-6	C5NN-7140-B	7-6		
C5NN-16N655-A	12-2	C5NN-717-A	8-6		
C5NN-2472-B	9-6	C5NN-720-A	8-6		
C5NN-2B184-A	12-10	C5NN-7213-A	7-2		
C5NN-2N320-A	8-2	C5NN-7221-C	7-4		
C5NN-2N430-A	8-8	C5NN-7229-B	7-4		
C5NN-2N547-B	9-6	C5NN-7231-A	7-2		
C5NN-3125-A	5A-6	C5NN-7231-S	7-2		
C5NN-3125-A	5B-12	C5NN-723-A	8-6		
C5NN-3586-A	5A-8	C5NN-7240-A	7-4		
C5NN-3580-F	5A-8	C5NN-7240-AD	7-4		
C5NN-3A070-A	5B-12	C5NN-7240-B	7-4		
C5NN-3A072-A	5B-12	C5NN-7240-L	7-4		

35/45/60 FARMTRAC PART NUMBERS W/CORRESPONDING PAGE NUMBER

PART #	PAGE #	PART #	PAGE #	PART #	PAGE #
C5NN-7N064-A	7-6	C5NN-N958-A	10-14	C9NN-2N132-A	9-2
C5NN-7N135-A	7-8	C5NN-N891-B	10-2	C9NN-4N108-A	8-10
C5NN-7N135-B	7-8	C5NN-N891-B	10-22	C9NN-6675-A	1A-18
C5NN-7N135-C	7-8	C5PN-P951-A	10-22	C9NN-6730-B	1A-18
C5NN-7N144-A	7-8	C7NN-10N662-A	11-10	C9NN-6734-A	1A-16
C5NN-7N180-A	7-8	C7NN-10N663-A	11-10	C9NN-6A253-A	1A-12
C5NN-7N181-A	7-2	C7NN-10N663-A	11A-20	C9NN-6N250-A	1A-8
C5NN-7N225-C	7-4	C7NN-10N663-A	11B-22	C9NN-6N251-A	1A-10
C5NN-7N301-C	7-6	C7NN-10N683-A	11C-24	C9NN-7049-D	7-8
C5NN-7N308-A	7-2	C7NN-10N683-A	11D-26	C9NN-7N071-A	7-8
C5NN-7N430-A	7-6	C7NN-14450-A	11-10	C9NN-B927-A	10-28
C5NN-7N458-A	7-2	C7NN-14452-C	11-10	C9NN-H891-A	10-24
C5NN-7N569-A	8-2	C7NN-16625-M	12-6	D0NN-14N204-B	7-2
C5NN-805-D	14-2	C7NN-16N658-A	12-6	D0NN-16474-G	12-10
C5NN-807-D	14-2	C7NN-2N145-A	9-6	D0NN-16N499-C	12-10
C5NN-8115-B	1A-4	C7NN-3655-B	5A-8	D0NN-2N129-AA	9-2
C5NN-8115-B	4B-4	C7NN-551-A	10-28	D0NN-2N138-A	9-2
C5NN-8125-A	4B-4	C7NN-6500-B	1A-10	D0NN-2N139-A	9-2
C5NN-8286-B	4B-4	C7NN-6513-A	1A-10	D0NN-2N141-A	9-2
C5NN-8348-B	12-4	C7NN-6584-B	1A-10	D0NN-2N154-A	9-2
C5NN-8A256-A	12-4	C7NN-6623-A	1A-16	D0NN-6514-A	1A-10
C5NN-824-A	10-10	C7NN-6659-A	1A-16	D0NN-6890-A	1A-2
C5NN-9B746-A	3B-22	C7NN-6A605-A	1A-16	D0NN-6890-A	1B-20
C5NN-9N071-A	3A-4	C7NN-6N006-A	1A-2	D0NN-6N011-A	1A-2
C5NN-9N071-A	3B-2	C7NN-702-B	7-8	D0NN-6N012-A	1A-2
C5NN-A804-A	14-2	C7NN-721-A	8-6	D0NN-6N012-A	1B-22
C5NN-A828-B	14-2	C7NN-7227-A	7-2	D0NN-8N098-C	12-4
C5NN-A945-C	10-28	C7NN-7371-B	6-2	D0NN-A910-A	10-26
C5NN-A965-B	10-2	C7NN-792-B	7-6	D102	12-18
C5NN-B853-B	10-12	C7NN-7A247-A	7-2	D111	12-18
C5NN-D851-B	1A-12	C7NN-7N055-C	7-6	D1NN-4209-B	8-4
C5NN-E987-A	9-2	C7NN-7N458-A	7-2	D1NN-473-C	10-6
C5NN-K834-B	10-2	C7NN-7N515-J	6-4	D1NN-6670-A	1A-16
C5NN-K834-C	10-2	C7NN-7N598-A	6-4	D1NN-6674-A	1A-18
C5NN-K834-D	10-2	C7NN-8042-A	12-6	D1NN-6A209-A	1A-18
C5NN-N446-A	11-18	C7NN-8E94-B	4B-4	D1NN-7519-A	6-4
C5NN-N705-A	7-6	C7NN-9658-C	2-2	D1NN-7550-A	6-2
C5NN-N722-B	8-6	C7NN-9G524-A	1A-4	D1NN-7N817-D	6-4
C5NN-N819-E	14-2	C7NN-A611-A	10-4	D1NN-8N212-A	12-6
C5NN-N819-F	14-2	C7NN-B777-B	7-6	D1NN-A788-A	8-11
C5NN-N823-G	14-2	C7NN-B781-A	7-6	D1NN-8731-A	7-8
C5NN-N826-A	14-2	C7NN-B853-A	10-12	D1NN-B968-N	10-24
C5NN-N850-D	10-26	C7NN-N740-A	8-6	D1NN-P780-A	8-11
C5NN-N917-A	10-14	C7NN-N859-A	10-12	D2NN-2N511-C	9-6
C5NN-N918-A	10-14	C7NN-N941-A	10-14	D2NN-B997-A	10-22
C5NN-N934-A	10-14	C9NN-16N632-A	12-6	D2NN-B997-A	10-24
C5NN-N942-A	10-14	C9NN-2N117-A	9-4	D2NN-H899-A	10-24
C5NN-N949-A	10-12	C9NN-2N120-A	9-4	D2NN-J858-A	10-14
C5NN-N949-A	8-2	C9NN-2N121-A	8-4	D3NN-10C318-C	4B-2
C5NN-N951-B	8-2	C9NN-2N131-A	9-4	D3NN-10N311-A	11-16

35/45/60 FARMTRAC PART NUMBERS W/CORRESPONDING PAGE NUMBER

PART #	PAGE #	PART #	PAGE #	PART #	PAGE #
D3NN-1682B-L	12-8	D4NN-B836-F	10-24	D8NN-3N888-AA	5B-18
D3NN-17N264-B	11-12	D4NN-B836-G	10-24	D8NN-8269-AA	1A-10
D3NN-17N265-A	11-12	D4NN-DG31-A	10-18	D8NN-8N009-AA	1A-2
D3NN-516-A	10-4	D4NN-E897-B	10-20	D8NN-7580-BB	8-2
D3NN-517-A	10-6	D4NN-H972-A	10-18	D8NN-9N179-AB	11-12
D3NN-519-A	10-6	D4NN-J837-A	10-14	D8NN-K980-AA	10-18
D3NN-5C250-BA	2-6	D4NN-J978-A	10-6	D8NN-P910-AA	10-2
D3NN-5C250-BA	2-8	D4NN-K991-A	10-18	D8NN-228-AA	10-12
D3NN-845-A	10-2	D4NN-K994-A	10-18	D8NN-2N337-FA	9-6
D3NN-8A820-E	1A-16	D4NN-K998-A	10-18	D8NN-7037-AA	7-2
D3NN-916-K	10-10	D4NN-K998-A	10-20	D8NN-7037-AA	8-2
D3NN-8430-A	2-8	D4NN-L830-A	10-18	D8NN-9N187-AA	3A-2
D3NN-8439-A	2-8	D4NN-L863-A	10-14	D8NN-9N187-AA	3B-2
D3NN-B496-A	10-12	D4NN-N629-A	10-16	D8NN-C729-AA	7-8
D3NN-B501-A	10-6	D4NN-N629-A	10-20	EDPN3K758-A	5B-18
D3NN-B911-B	10-4	D4NN-N629-B	10-16	E0NN-10N334-AC	11-8
D3NN-B911-B	10-6	D4NN-N629-B	10-20	E0NN-16N900-AB	12-2
D3NN-C443-B	10-12	D4NN-N635-B	10-18	E0NN-16N908-AA	12-2
D3NN-E883-A	10-18	D4NN-N944-A	10-14	E0NN-3A370-AA	14-4
D3NN-E883-A	10-20	D5NN-1215-A	5-2	E0NN-3N238-AA	14-4
D3NN-F868-D	10-6	D5NN-14197-A	11A-20	E0NN-3N243-AA	14-4
D3NN-F868-D	10-8	D5NN-14197-A	11B-22	E0NN-3N244-AA	14-4
D3NN-F947-A	10-10	D5NN-14197-A	11C-24	E0NN-3N245-AA	14-4
D3NN-F982-A	10-4	D5NN-14197-A	11D-26	EDNN-482-AB	10-10
D3NN-G928-B	10-14	D5NN-3N802-A	5A-8	E0NN-7502-AB	6-2
D3NN-G931-A	10-14	D5NN-3N802-A	5B-16	EDNN-848-AB	10-8
D3NN-J835-C	10-6	D5NN-604-A	10-6	E0NN-921-BB	10-8
D3NN-J835-D	10-6	D5NN-594-A	10-26	EDNN-8505-DA	10-4
D3NN-J977-A	10-4	D5NN-8531-A	1A-10	E0NN-D943-CA	10-4
D3NN-J985-A	10-8	D5NN-9B618-A	2-4	E0NN-D980-AA	10-22
D3NN-K841-A	10-10	D5NN-9R500-A	2-4	E0NN-F947-A	10-10
D3NN-K931-A	10-14	D5NN-K939-A	10-12	E0NN-M865-CA	10-26
D3NN-K935-A	10-14	D5NN-L839-A	10-26	E0NN-N475-AA	10-2
D3NN-K943-A	10-12	D5NN-L972-A	10-12	E0NN-N475-BA	10-2
D3NN-N533-B	10-6	D5NN-N871-A	10-18	E0NN-N482-AA	10-2
D3NN-N625-A	10-4	D5NN-N885-B	10-18	EDNN-N885-AA	10-20
D3NN-N838-B	10-12	D6NN-2795-A	9-6	EDNN-N958-AA	10-10
D3NN-N871-E	10-20	D6NN-5246-N	2-8	E117-GF9	10-6
D3NN-N885-J	10-20	D6NN-5252-B	2-8	E185-EB-9	8-4
D3NN-N918-A	10-14	D6NN-7N072-A	7-8	E186-EB-9	8-4
D3NN-N938-A	10-14	D6NN-B486-A	10-16	E187-EB-9	8-4
D3NN-N947-A	10-14	D6NN-B486-A	10-18	E188-EB-9	8-4
D3NN-N970-A	10-6	D6NN-K936-B	10-14	E189-EB-9	8-4
D3NN-N994-A	10-12	D6NN-N853-AA	10-12	E193-EB-9	8-10
D4NN-534-A	10-4	D7NN-6582-C	1A-10	E196-EB-9	8-10
D4NN-800-B	10-18	D7NN-7C402-A	7-2	E1ADDN-4286	8-4
D4NN-872-A	10-18	D7NN-7N539-A	6-4	E1ADDN-522-B	10-4
D4NN-873-A	10-18	D7NN-7R427-A	7-2	E1ADDN-7025-A	7-6
D4NN-908-C	10-18	D7NN-B999-A	10-24	E1ADKN-16658	12-6
D4NN-A876-A	10-6	D8NN-13N360-BB	11-16	E1ADKN-19243	5B-20
D4NN-B503-B	10-6	D8NN-3N898-AA	5A-8	E1ADKN-7256	7-8

35/45/80 FARMTRAC PART NUMBERS W/CORRESPONDING PAGE NUMBER

PART #	PAGE #	PART #	PAGE #	PART #	PAGE #
E1ADKN-77014	7-8	E69-WP-9	10-14	EXP-10697-A	3B-18
E1ADKN-994657	10-14	E6NN-10145-DA	11-8	EXP-10906-A	3B-16
E1ADKN-994670	10-14	E6NN-13A450-AA	11-14	EXP-10907-A	3B-16
E1NN-11687-AA	11-14	E6NN-4667-AA	8-4	EXP-10908-A	3B-16
E1NN-16674-AA	12-2	E6NN-4A056-AA	8-4	EXP-10909-A	3B-16
E1NN-617-AA	10-4	E6NN-6269-AA	1A-12	EXP-10911-A	3B-16
E1NN-517-AA	10-6	E6NN-6C045-BA	1A-4	EXP-10912-A	3B16
E1NN-K930-AA	10-14	E6NN-7Z165-AA	7-4	EXP-10913-A	3B16
E1NN-N682-CA	10-14	E75-GE-9	7-8	EXP-12158-A	11-12
E1NN-N982-CA-	10-12	E7NN-10B375-A	11-8	EXP-13021-AA	10-20
E209-WP-9	10-14	E7NN-11654-AA	11-14	EXP-13410-AA	3B-6
E211-EB9	8-10	E7NN-6090-BA	1A-2	EXP-13411-AA	3B-8
E27N-7547	9-6	E7NN-6563-AA	1A-10	EXP-13412-AA	3B8
E27N-994609	10-6	E7NN-6A008-AA	1A-2	EXP-13416-AA	3B-6
E27N-995216	10-28	E80-WP-9	10-14	EXP-13417-AA	3B-6
E27N-995282	10-28	E84-GF9	10-12	EXP-13418-AA	3B8
E2NN-2N652-AA	8-6	E8NN-9448-AA	2-8	EXP-13418-BA	3B-6
E2NN-4N607-AA	8-2	E9NN-10K694-AA	13-4	EXP-13436-AA	3B-6
E2NN-6384-AA	1A-8	E9NN-3A042-AB	5B-12	EXP-13436-AB	3B-6
E2NN-733-AA	8-6	E9NN-3N241-AB	14-4	EXP-13436-AC	3B-6
E2NN-94000R88-AA	13-2	E9NN-541-AA	10-2	EXP-13436-AD	3B-6
E2NN-9N024-AA	3A-2	ETP-3222	11-12	EXP-13436-AE	3B-6
E2NN-9N024-AA	3B-2	EXP-10068	11-4	EXP-13436-AF	3B-6
E2NN-B595-AA	6-2	EXP-10097	11-4	EXP-13436-AG	3B-6
E2NN-N515-A	13-2	EXP-10142	3B-16	EXP-13436-AH	3B-6
E440-GB-9	7-2	EXP-10144	3B-16	EXP-13437-AA	3B-6
E4NN-10C915-BA	11-16	EXP-10145	3B-16	EXP-13437-AB	3B-6
E4NN-13A350-AA	11-16	EXP-10146	3B-16	EXP-13437-AC	3B-6
E4NN-6336-AB	1A-6	EXP-10152	3B-16	EXP-13437-AD	3B-6
E4NN-911-AA	10-18	EXP-10153	3B-16	EXP-13437-AE	3B-6
E4NN-B968-BC	10-22	EXP-10154	3B-16	EXP-13437-AF	3B-6
E4NN-H823-AA	10-22	EXP-10155	3B-16	EXP-13437-AG	3B-6
E4TN-6214-AA	1A-4	EXP-10156	3B-16	EXP-13437-AH	3B-6
E5NN-6N305-AA	1A-2	EXP-10325	3B-14	EXP-13447-AA	3B-6
E5NN-6N306-AA	1A-2	EXP-10327	3B-14	EXP-13448-AA	3B-6
E5NN-6N306-AA	1A-6	EXP-10330	3B-14	EXP-13453-AA	3B-6
E5NN-13A806-AA	11-14	EXP-10331	3B-14	EXP-13455-AA	3B-6
E5NN-4N021-BA	8-2	EXP-10332	3B-14	EXP-13456-AA	3B-6
E5NN-7N103-AA	7-2	EXP-10333	3B-14	EXP-13458-AA	3B-6
E5NN-8507-AA	4B-2	EXP-10334	3B-14	EXP-13459-AA	3B-6
E-600212-S72	11-8	EXP-10335	3B-14	EXP-13462-AA	3B-6
E-602188-S71	11-8	EXP-10336	3B-14	EXP-13468-AA	3B-6
E-602189-S72	11-8	EXP-10337	3B-14	EXP-13468-AA	3B-6
E61-GE-9	7-6	EXP-10338	3B-14	EXP-13473-AA	3B-10
E62A-11502	11-14	EXP-10339	3B-14	EXP-13479-AA	3B-10
E62-GE-9	7-8	EXP-10342	3B-18	EXP-13480-AA	3B-10
E-630023-S71	11-6	EXP-10343	3B-18	EXP-13481-AA	3B-10
E-630028-S71	11-6	EXP-10344	3B-18	EXP-13482-AA	3B-10
630028-S71	11-8	EXP-10345	3B-18	EXP-13505-AA	3B-10
E630038-S71	14-4	EXP-10416-A	11-18	EXP-13507-AA	3B-10
E-643262-S	14-4	EXP-10896-A	3B-18	EXP-13523-AA	3B-12