



435 2WD / 535 2WD

PART'S MANUAL

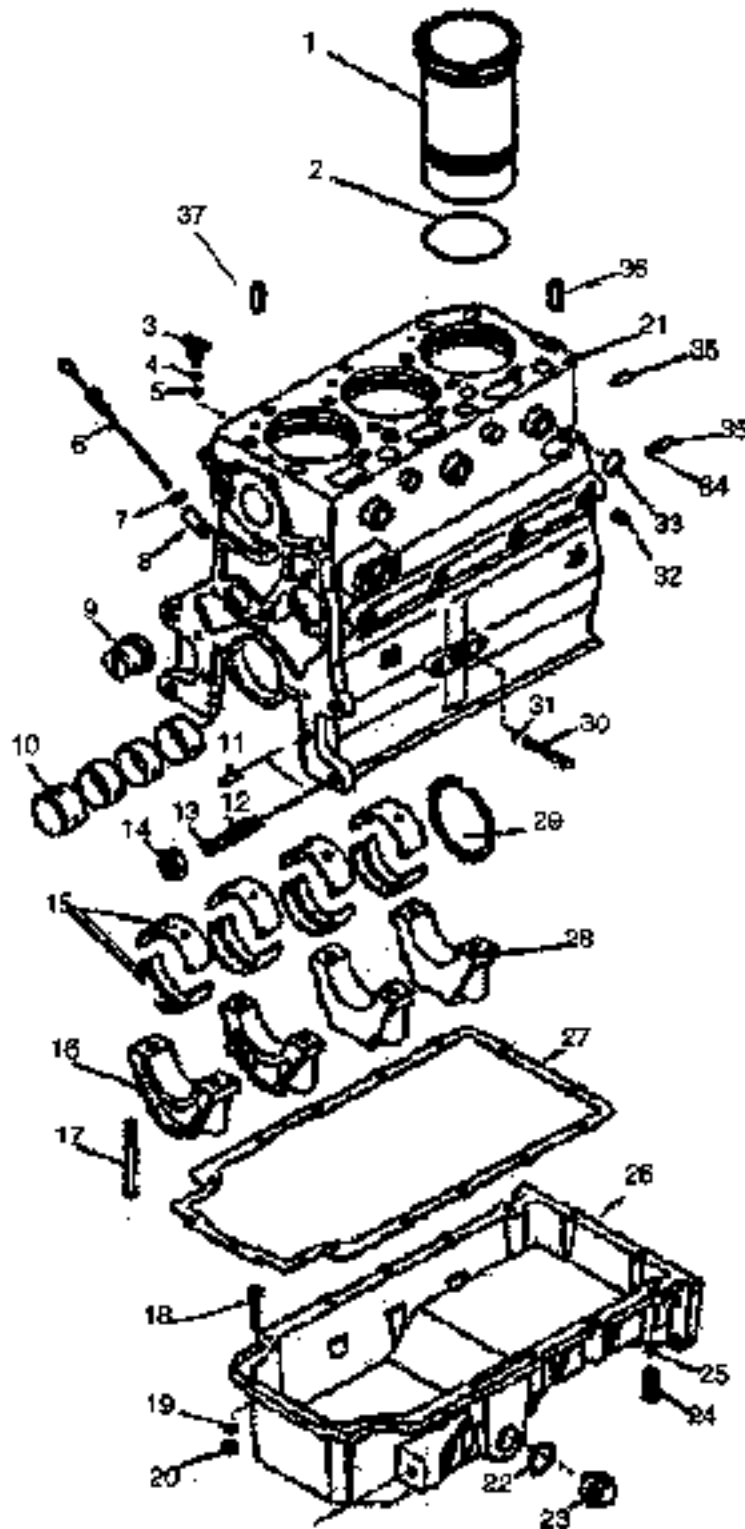
435 | 535 DTS

SECTION 1

ENGINE



435 / 535



CYLINDER BLOCK

1:1

● - SERIAL NUMBER BREAK,

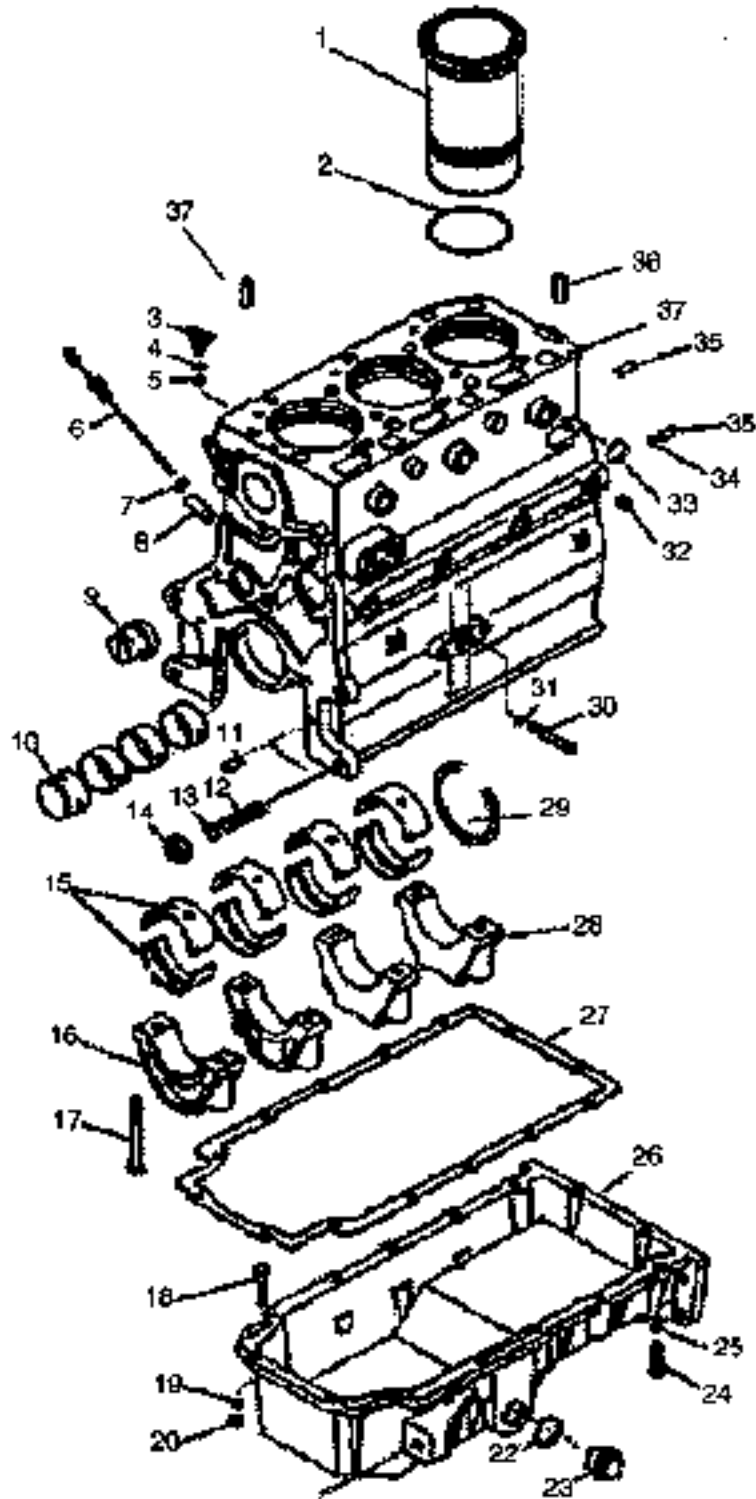
⊥ - INDICATES UP TO AND INCLUDING THAT SERIAL NUMBER

435 / 535

| ITEM No | PART No. | DESCRIPTION | VENDOR No. | QUANTITY 435 535 | |
|---------|-----------|--|------------|---------------------|----|
| 1 | ESL14207 | Cylinder Liner | D10009220 | 3 | 3 |
| 2 | ESL14208 | Cylinder Liner Seal | D10010040 | 6 | 6 |
| 3 | ESL14967 | Water Drain Cock Assembly | D10008570 | 1 | 1 |
| 4 | ESL14210 | Washer | D10008900 | 2 | 2 |
| 5 | ESL14211 | Sealing Washer, Drain Cock | D10000000 | 1 | 1 |
| 6 | ESL14212 | Oil Dip Stick | D10009080 | 1 | 1 |
| 7 | ESL14213 | O'Ring | D10007700 | 2 | 2 |
| 8 | ESL14214 | Tube | D10009090 | 1 | 1 |
| 9 | ESL14215 | Shaft Intermediate Gear | D10009310 | 1 | 1 |
| 10 | ESL14216 | Cam Bush Set | D10075760 | 1 | 1 |
| 11 | ESL14217 | Positioning Dowel | D10009340 | 2 | 2 |
| 12 | ESL14218 | Stud, Front Axle Support | D10035680 | 4 | 4 |
| 13 | ESL14219 | Spring Washer (M20) | D10032940 | 4 | 4 |
| 14 | ESL14220 | Nut (M20x1.5-8) | D10032950 | 4 | 4 |
| 15 | ESL14221 | Main Bearing Set Standard | D10073760 | 1 | 1 |
| - | ESL14222 | Main Bearing Set - 10 | D10075700 | 1 | 1 |
| - | ESL14223 | Main Bearing Set - 20 | D10075710 | 1 | 1 |
| - | ESL14224 | Main Bearing Set - 30 | D10075720 | 1 | 1 |
| 16 | ESL14225 | Cap, 1st, 2nd,3rd,Main Bearing | - | 3 | 3 |
| 17 | ESL14226 | Bolt, Main BearingCap | D10009510 | 8 | 8 |
| 18 | N605536S8 | Bolt (M8x40-8.8) | - | 2 | 2 |
| 19 | N630173S8 | Washer, Lock (M8) | D85500130 | 2 | 2 |
| 20 | N630013S8 | Nut (M8-8) | D83500060 | 2 | 2 |
| 21 | ESL14297 | Cylinder Block Assembly | D10047490 | 1 | 1 |
| 22 | ESL14227 | Washer | D10052670 | 1 | 1 |
| 23 | ESL14228 | Drain Plug Assembly | D10050310 | 1 | 1 |
| 24 | N605546S8 | Screw (M10x30) | - | 12 | 12 |
| 26 | N630069S8 | Washer (M10) | N630069S36 | 12 | 12 |
| 26 | ESL14229 | Oil Sump | D10009100 | 1 | 1 |
| 27 | ESL14230 | Gasket, Oil Sump | D10009110 | 1 | 1 |
| 28 | ESL14231 | Cap, Thrust Main Bearing | - | 1 | 1 |
| 29 | ESL14292 | Thrust Washers Set | D10073780 | 1 | 1 |
| 30 | N605547S8 | Bolt (M10x38-8.8) | - | 2 | 2 |
| 31 | N630174S8 | Spring Washer | N630174S36 | 2 | 2 |
| 32 | ESL14233 | Pipe Plug (Taper Oil Gallery) | D10085650 | 4 | 4 |
| 33 | ESL14234 | Plug, Cylinder Block | D10008890 | 3 | 3 |
| 34 | ESL14235 | Washer, Oil Gallery | D10009430 | 3 | 3 |
| 35 | ESL14236 | Dowel, Plug (Cylinder Block Oil Gallery) | D10009990 | 3 | 3 |
| 36 | ESL14238 | Dowel Sleeve | D87500070 | 2 | 2 |
| 37 | ESL14306 | Positioning Dowel | D87500080 | 2 | 2 |

CYLINDER BLOCK

435 / 535



CYLINDER BLOCK



ENGINE

435 / 535

| ITEM NO | PART NO. | DESCRIPTION | VENDOR NO. | QUANTITY |
|--|----------|-------------------------------|------------|----------|
| | | | | 435 535 |
| Service Kits & Sub Assemblies | | | | |
| 38 | ESL14239 | Engine Overhaul Gasket Set | D10073710 | 1 1 |
| 39 | ESL14240 | D.C Gasket Kit | D10073640 | 1 1 |
| 40 | ESL14241 | Engine Overhauling Kit | D10000000 | 1 1 |
| 41 | ESL14242 | Engine Bearing Set - Standard | D10073720 | 1 1 |
| - | ESL14243 | Engine Bearing Set - 10 | D10073730 | 1 1 |
| - | ESL14244 | Engine Bearing Set - 20 | D10073740 | 1 1 |
| - | ESL14245 | Engine Bearing Set - 30 | D10073750 | 1 1 |
| 42 | ESL15468 | Engine Assembly | D10100430 | 1 1 |

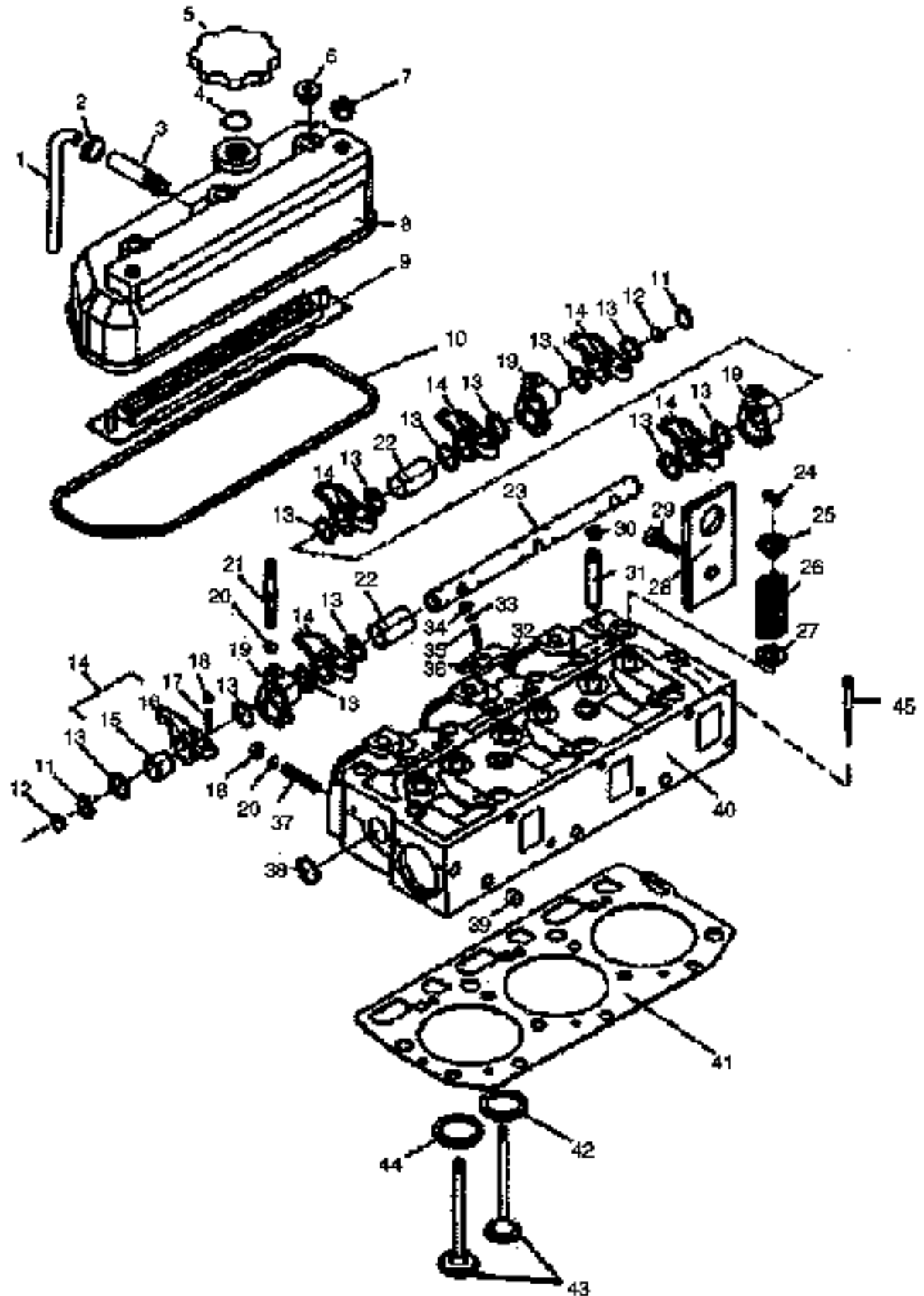
CYLINDER BLOCK

<https://tractormanualz.com/>

● - SERIAL NUMBER BREAK ,

◀ - INDICATES UP TO AND INCLUDING THAT SERIAL NUMBER

435 / 535

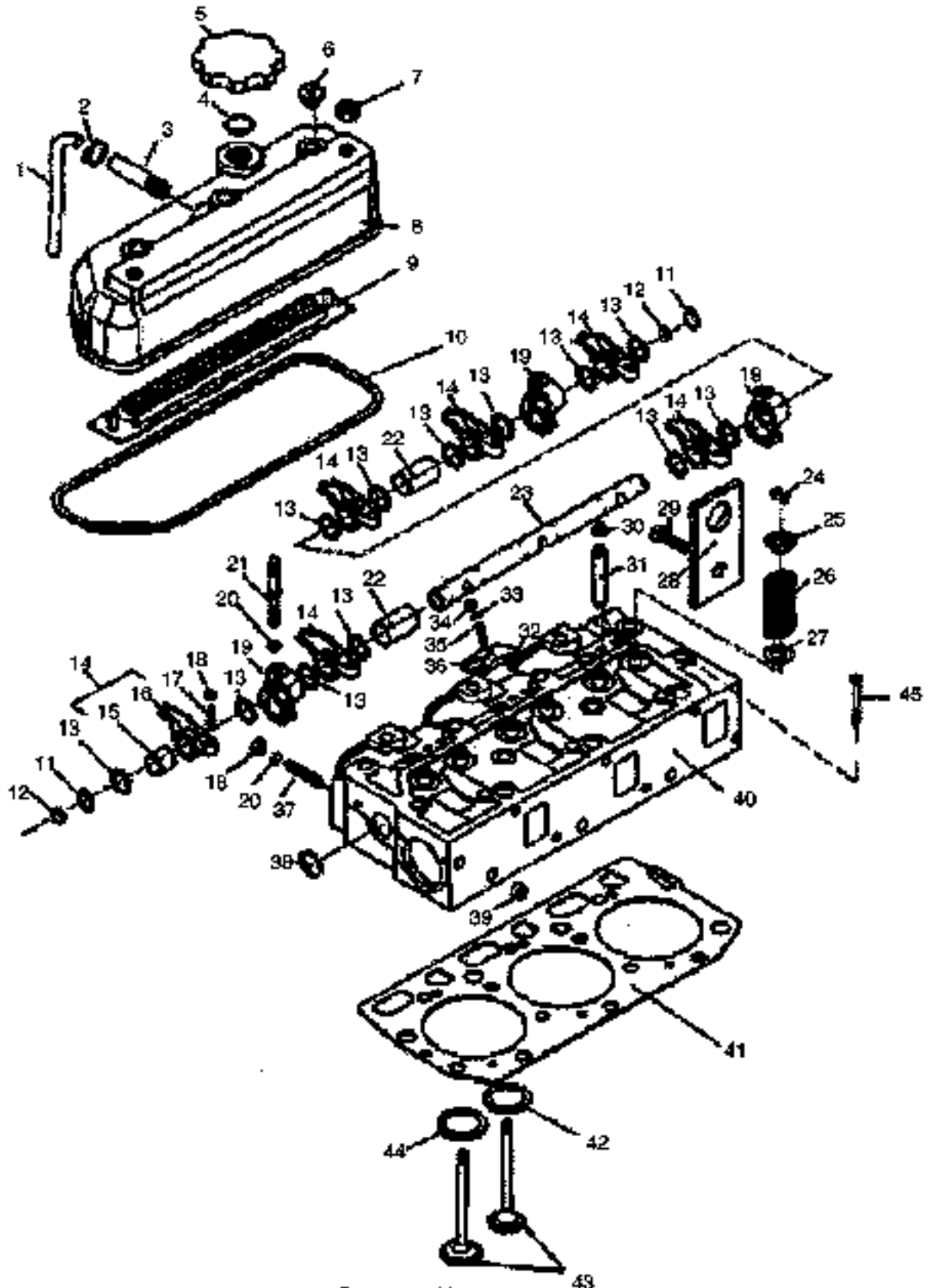


CYLINDER HEAD

| ITEM No | PART No. | DESCRIPTION | VENDOR No. | QUANTITY | |
|---------|-----------|---------------------------|------------|----------|-----|
| | | | | 435 | 535 |
| 1 | ESL14247 | Hose, Breather | D10036570 | 1 | 1 |
| 2 | ESL14248 | Hose Clip | D10034650 | 2 | 2 |
| 3 | ESL14249 | Tube | D10039100 | 1 | 1 |
| 4 | ESL14250 | O'Ring Oil Filling Neck | D10010020 | 1 | 1 |
| 5 | ESL14251 | Cap, Oil Filling | D10039090 | 1 | 1 |
| 6 | ESL14252 | Washer Seal | D10008950 | 3 | 3 |
| 7 | ESL15469 | Nylock Nut | D83500060 | 3 | 3 |
| 8 | ESL15470 | Cylinder Head Cover | D10081310 | 1 | 1 |
| 9 | ESL14255 | Baffle Plate Assembly | D10053380 | 1 | 1 |
| 10 | ESL14256 | Seal, Cylinder Head Cover | D10008960 | 1 | 1 |
| 11 | ESL14257 | Circlip-C (22x1.22) | D90000060 | 2 | 2 |
| 12 | ESL14258 | Welch Plug | D10105240 | 2 | 2 |
| 13 | ESL14259 | Washer, Rocker Shaft | D10008830 | 12 | 12 |
| 14 | ESL14260 | Rocker Arm Assembly | D10009040 | 6 | 6 |
| 15 | ESL14261 | Bush, Rocker Arm | D10009060 | 6 | 6 |
| 16 | ESL14262 | Rocker Arm | - | 6 | 6 |
| 17 | ESL14263 | Adjusting Screw (M10x1) | D10009090 | 6 | 6 |
| 18 | N620014S8 | Nut (M10-6) | N620014S36 | 12 | 12 |
| 19 | ESL14264 | Bracket, Rocker Shaft | D10008570 | 3 | 3 |
| 20 | N680174S8 | Spring Washer (M10) | N680174S36 | 9 | 9 |
| 21 | ESL14265 | Bolt, R.A. Bracket | D10009010 | 3 | 3 |
| 22 | ESL14266 | Spacer, Rocker Arm Shaft | D10008560 | 2 | 2 |
| 23 | ESL14267 | Rocker Arm Shaft Assembly | D10009070 | 1 | 1 |
| 24 | ESL14268 | Cotter, Valve | D10008690 | 12 | 12 |
| 25 | ESL14269 | Disc Valve Spring | D10008700 | 6 | 6 |
| 26 | ESL14270 | Valve Spring | D10008710 | 6 | 6 |
| 27 | ESL14271 | Seat, Valve Spring Lower | D10008750 | 6 | 6 |
| 28 | ESL14272 | Lifting Plate | D10008600 | 2 | 2 |
| 29 | N605632S6 | Screw (M10x25-6.8) | - | 2 | 2 |
| 30 | ESL14273 | Seal, Valve Stem | D10008740 | 6 | 6 |
| 31 | ESL14274 | Valve Guide | D10049520 | 6 | 6 |
| 32 | ESL14275 | Pin, Nozzle Holder | D10022020 | 3 | 3 |
| 33 | ESL14276 | Washer Nozzle Holder | D10022040 | 3 | 3 |
| 34 | N620013S8 | Nut, Hex (M8) | N620013S36 | 3 | 3 |
| 35 | ESL14277 | Stud Nozzle Holder | D10039010 | 3 | 3 |
| 36 | ESL14278 | Clamp, Injector | D10022030 | 3 | 3 |
| 37 | ESL14279 | Stud (M10x30-6.8) | D84500020 | 6 | 6 |
| 38 | ESL14280 | Plug, Welch | D10008890 | 6 | 6 |

CYLINDER HEAD

435 / 535



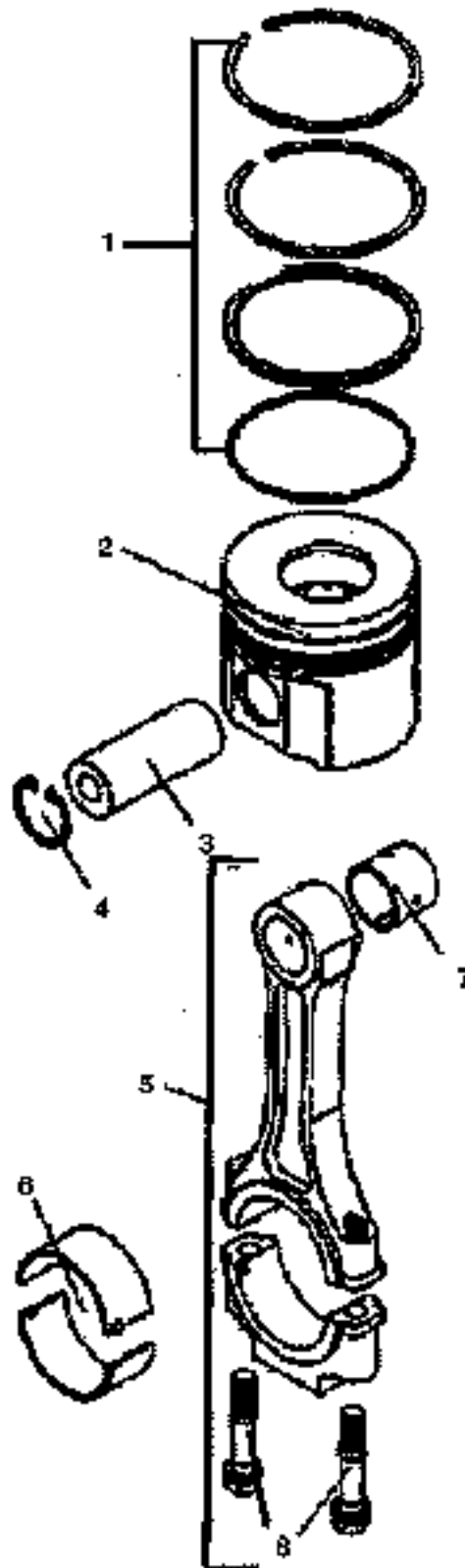
CYLINDER HEAD

435 / 535

| <i>ITEM No</i> | <i>PART No.</i> | <i>DESCRIPTION</i> | <i>VENDOR No.</i> | <i>QUANTITY</i> | |
|----------------|-----------------|---|-------------------|-----------------|----|
| | | | | 435 535 | |
| 39 | ESL14281 | Plug Cylinder Head (12") | D10008680 | 3 | 3 |
| 40 | ESL15471 | Cylinder Head Assembly (Without Valves) | D10108810 | 1 | 1 |
| 41 | ESL14283 | Gasket, Cylinder Head | D10008770 | 1 | 1 |
| 42 | ESL14284 | Seat Ring, Inlet Valve | D10053470 | 3 | 3 |
| 43 | ESL14285 | Valve Set | D10074180 | 3 | 3 |
| 44 | ESL14286 | Seat Ring, Exhaust Valve | D10053480 | 3 | 3 |
| 45 | ESL14287 | Bolt, Cylinder Head | D10008580 | 14 | 14 |

CYLINDER HEAD

435 / 535

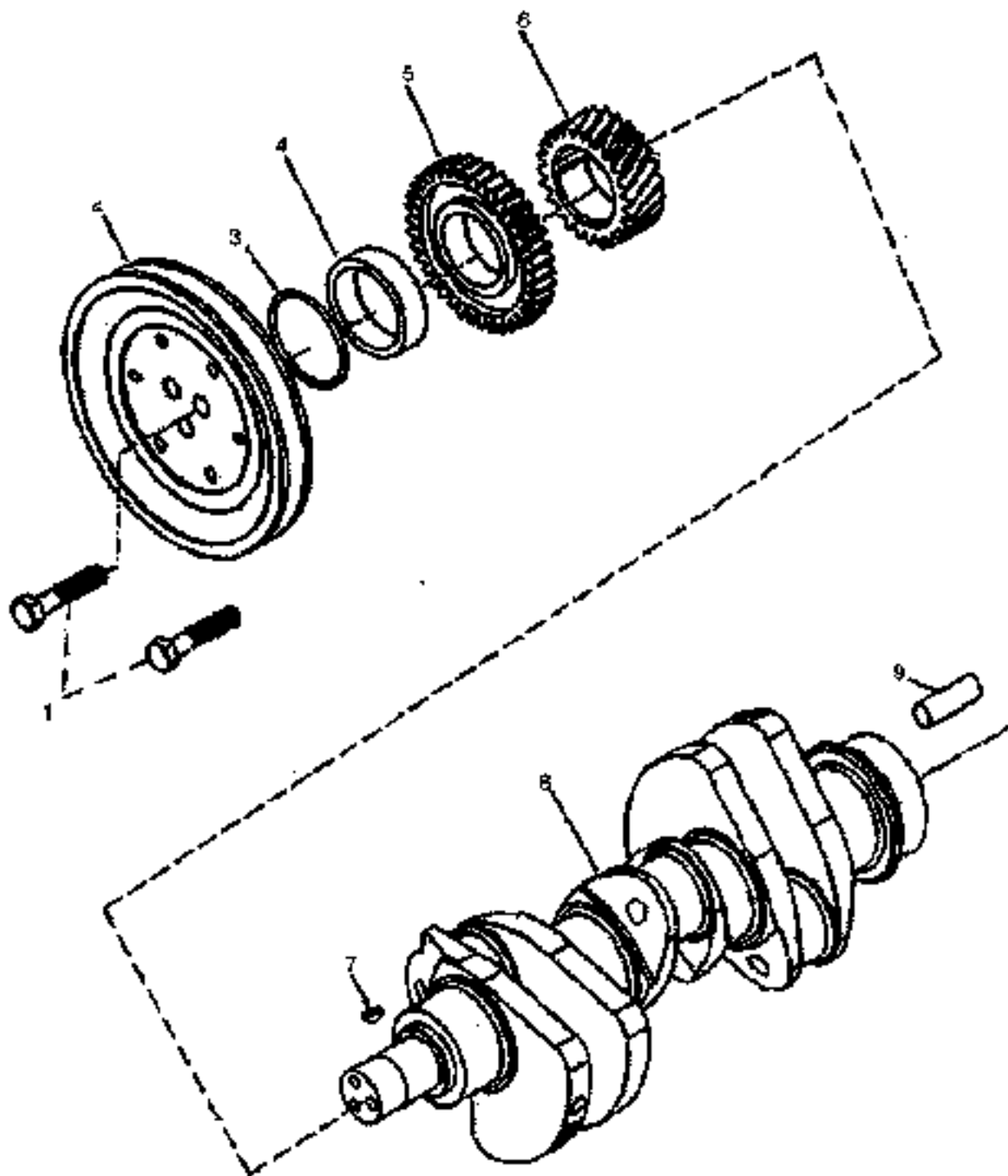


PISTON & CONNECTING ROD

435 / 535

| ITEM NO | PART No. | DESCRIPTION | VENDOR No. | QUANTITY | |
|---------|----------|--|------------|----------|-----|
| | | | | 435 | 535 |
| 1 | ESL14288 | Ring Set (Engine Set) | D10072480 | 1 | 1 |
| 2 | ESL14289 | Piston Assembly (Engine Set With Rings) | D10072450 | 1 | 1 |
| 3 | - | Pin, Piston (NSS) | D10009760 | 3 | 3 |
| 4 | ESL14290 | Inner Circip | D80500050 | 6 | 6 |
| 5 | ESL14291 | Connecting Rod Assembly | D10009680 | 3 | 3 |
| 6 | ESL14292 | Connecting Rod Bearing Set - Standard | D10073770 | 1 | 1 |
| - | ESL14293 | Connecting Rod Bearing Set - 10 | D10075730 | 1 | 1 |
| - | ESL14294 | Connecting Rod Bearing Set - 20 | D10075740 | 1 | 1 |
| - | ESL14295 | Connecting Rod Bearing Set - 30 | D10075750 | 1 | 1 |
| 7 | ESL14296 | Bush Set Small End (Set of 3 Bushes) | D10075670 | 1 | 1 |
| 8 | ESL14297 | Bolt, Connecting Rod | D10009720 | 6 | 6 |

PISTON & CONNECTING ROD



CRANKSHAFT & PULLEY

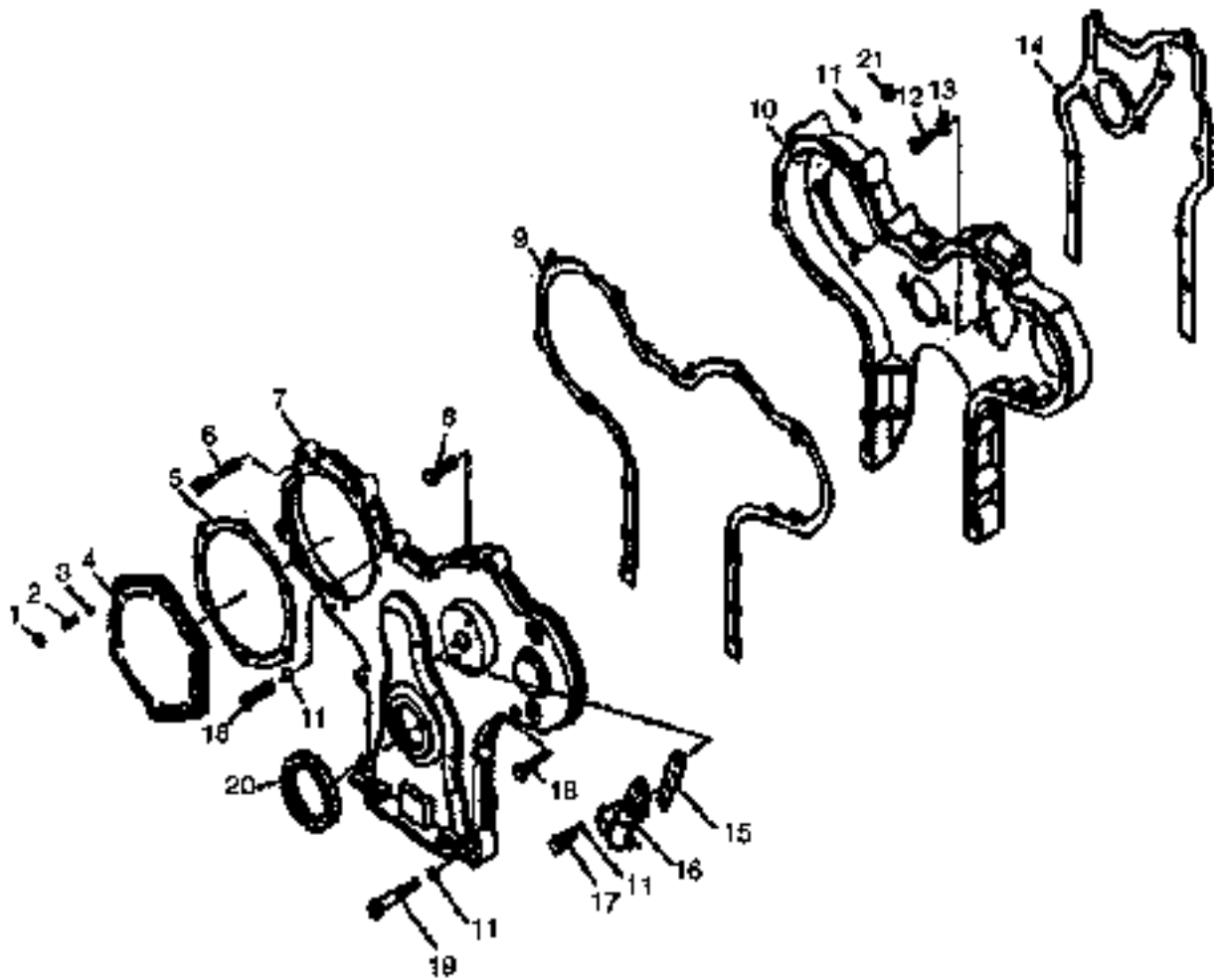


ENGINE

435 / 535

| ITEM No | PART No. | DESCRIPTION | VENDOR No. | QUANTITY | |
|---------|----------|--------------------------|------------|----------|-----|
| | | | | 435 | 535 |
| 1 | ESL14298 | Bolt | D81500180 | 3 | 3 |
| 2 | ESL14299 | Crank Pulley | D10008780 | 1 | 1 |
| 3 | ESL14300 | O'Ring For Spacer | D10010080 | 1 | 1 |
| 4 | ESL14301 | Spacer, Crank Pulley | D10008790 | 1 | 1 |
| 5 | ESL14302 | Gear, Crank Shaft L.O.P. | D10009570 | 1 | 1 |
| 6 | ESL15472 | Gear (Z-24) | D10108440 | 1 | 1 |
| 7 | ESL14332 | Woodruff Key | D91000130 | 1 | 1 |
| 8 | ESL14305 | Crank Shaft | D10009060 | 1 | 1 |
| 9 | ESL14306 | Positioning Dowel | D87500080 | 1 | 1 |

CRANKSHAFT & PULLEY

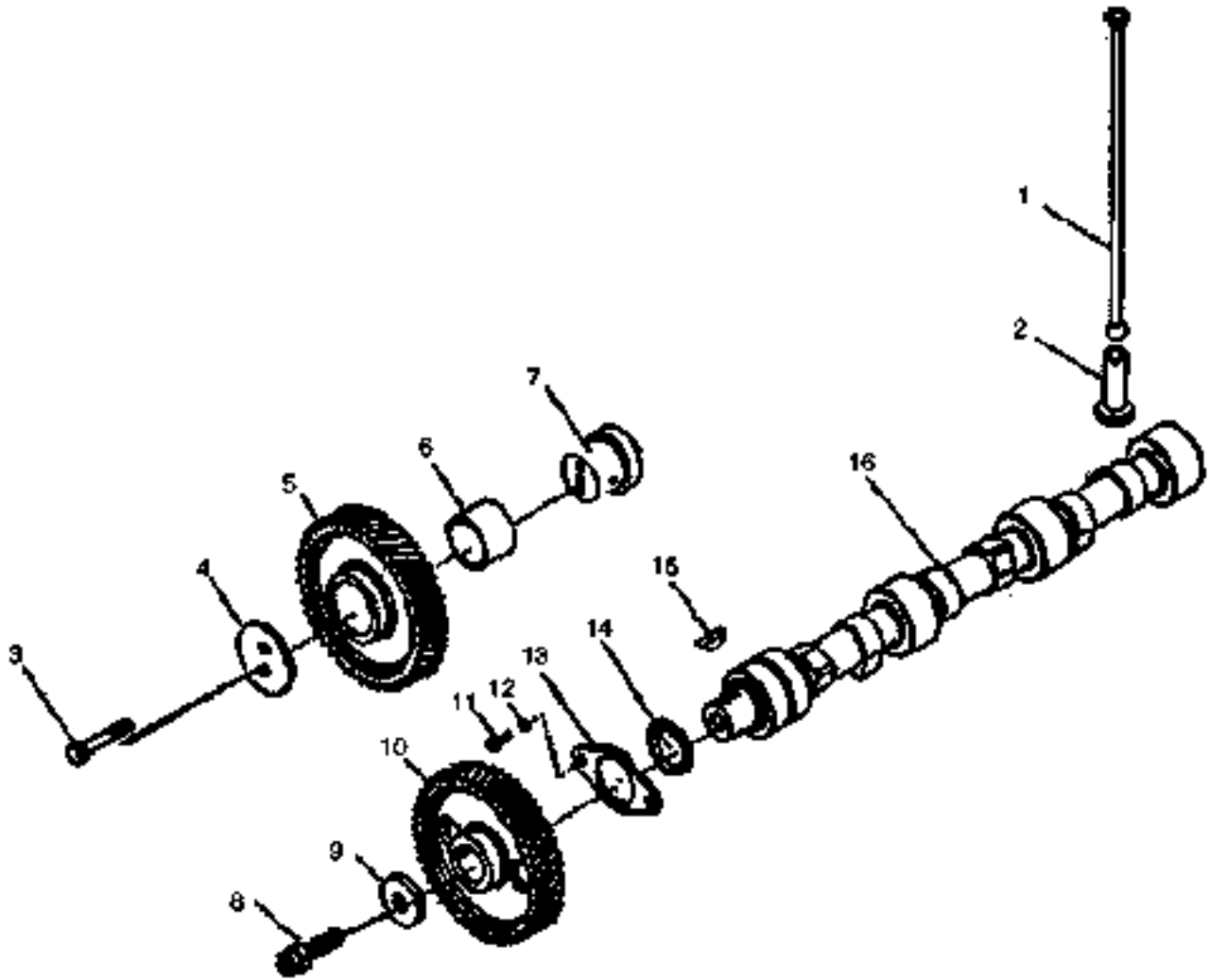


TIMING GEAR COVER & SEALING

435 / 535

| ITEM No | PART No. | DESCRIPTION | VENDOR No. | QUANTITY | |
|----------------|-----------------|-----------------------------|-------------------|-----------------|------------|
| | | | | 435 | 535 |
| 1 | N62001298 | Nut (M6) | N620012S36 | 5 | 5 |
| 2 | ESL14307 | Stud, Inspection Cover | D10010010 | 5 | 5 |
| 3 | N63017268 | Spring Washer | N630172S36 | 5 | 5 |
| 4 | ESL14963 | Inspection Cover | D10090600 | 1 | 1 |
| 5 | ESL14309 | Gasket, Inspection Cover | D10009540 | 1 | 1 |
| 6 | N60553958 | Bolt | - | 5 | 5 |
| 7 | ESL14310 | Timing Gear Cover | D10009300 | 1 | 1 |
| 8 | N60553258 | Bolt (M8x26) | - | 1 | 1 |
| 9 | ESL14311 | Gasket Timing Gear Cover | D10009520 | 1 | 1 |
| 10 | ESL15473 | Timing Gear Housing | D10091130 | 1 | 1 |
| 11 | N63017358 | Spring Washer (M8) | N630173S36 | 17 | 17 |
| 12 | N60553158 | Bolt | N605531S36 | 5 | 5 |
| 13 | ESL14313 | Tab Washer | D10028980 | 5 | 6 |
| 14 | ESL14314 | Gasket, Timing Gear Housing | D10009330 | 1 | 1 |
| 15 | ESL14315 | Gasket, Tacho Drive Unit | D10009910 | 1 | 1 |
| 16 | ESL14316 | Tacho Drive Unit | D10009900 | 1 | 1 |
| 17 | ESL14329 | Screw (M8-18) | D81501030 | 2 | 2 |
| 18 | ESL14318 | Bolt | D81500140 | 7 | 7 |
| 19 | ESL14319 | Bolt | D81500120 | 2 | 2 |
| 20 | ESL14320 | Oil Seal | D10009550 | 1 | 1 |
| 21 | N62001058 | Nut (M8-8) | N620013S36 | 6 | 6 |

TIMING GEAR COVER & SEALING
① - SERIAL NUMBER BREAK.
⚡ - INDICATES UP TO AND INCLUDING THAT SERIAL NUMBER



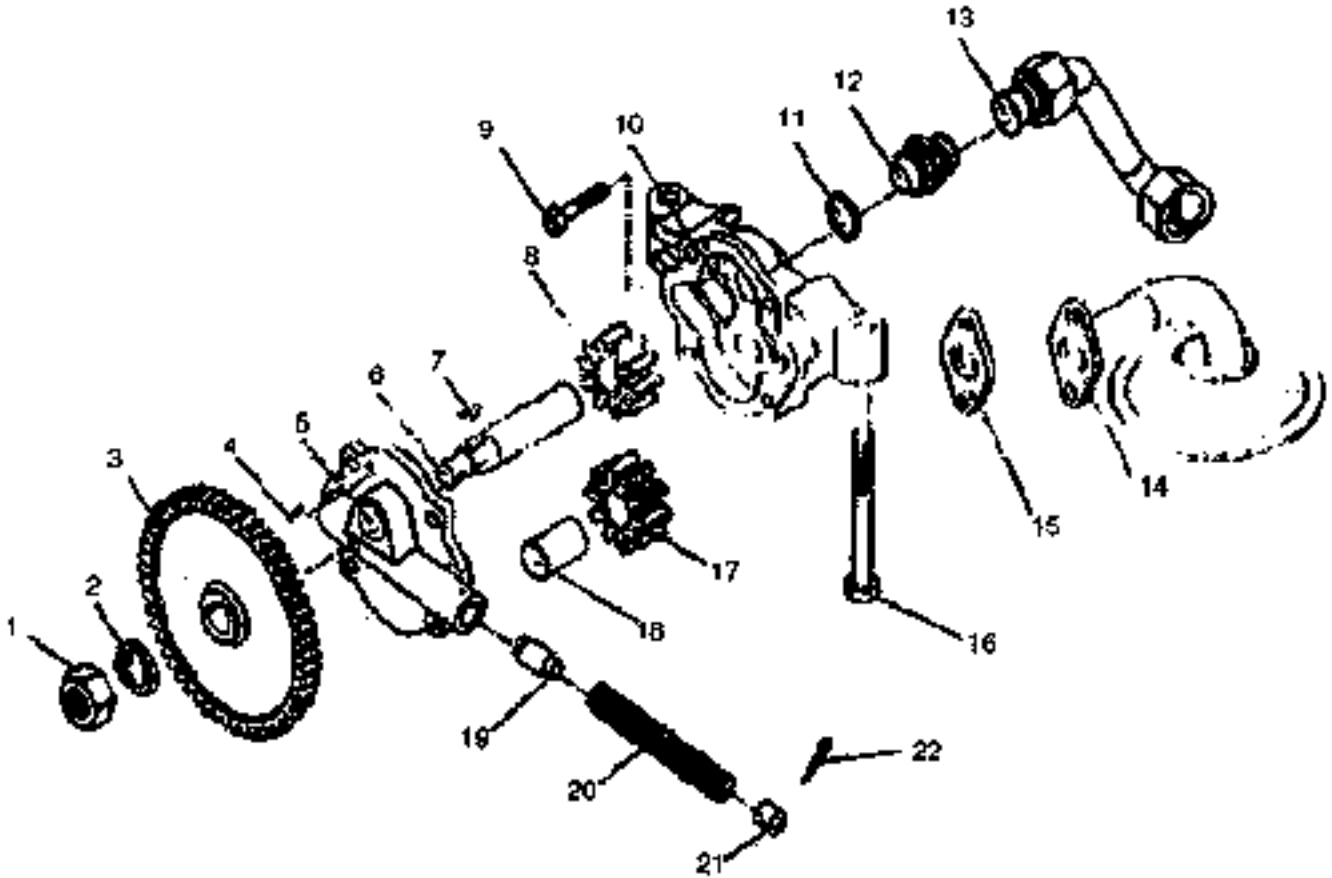
TIMING GEAR & CAMSHAFT

435 / 535

| Item No | Part No. | Description | Vendor No. | Quantity |
|---------|-----------|-----------------------------------|------------|----------------|
| | | | | 435 535 |
| 1 | ESL14335 | Push Rod | D10009020 | 6 6 |
| 2 | ESL14334 | Tappet | D10009440 | 6 6 |
| 3 | ESL14321 | Bolt | D81500150 | 2 2 |
| 4 | ESL14322 | Thrust Plate (For Idler Gear) | D10009650 | 1 1 |
| 5 | ESL15474 | Intermediate Gear Assembly | D10108450 | 1 1 |
| 6 | ESL14324 | Bush, Intermediate Gear | D10051130 | 1 1 |
| 7 | ESL14325 | Shaft, Intermediate Gear | D10009320 | 1 1 |
| 8 | ESL14326 | Bolt, Cam Shaft (For Tacho Drive) | D10009230 | 1 1 |
| 9 | ESL14327 | Thrust Plate, Cam Shaft | D10009240 | 1 1 |
| 10 | ESL15475 | Gear, Camshaft (Z-48) | D10106470 | 1 1 |
| 11 | ESL14329 | Bolt (M8x20) | D81501030 | 2 2 |
| 12 | N630173S8 | Spring Washer (M8) | N630173S36 | 2 2 |
| 13 | ESL14330 | Thrust Flange, Camshaft | D10009270 | 1 1 |
| 14 | ESL14331 | Ring, Thrust Flange | D10009280 | 1 1 |
| 15 | ESL14332 | Woodruff Key | D81000130 | 1 1 |
| 16 | ESL14333 | Cam Shaft | D10009290 | 1 1 |

TIMING GEAR & CAMSHAFT

435 / 535



LUBE OR PUMP

1:17

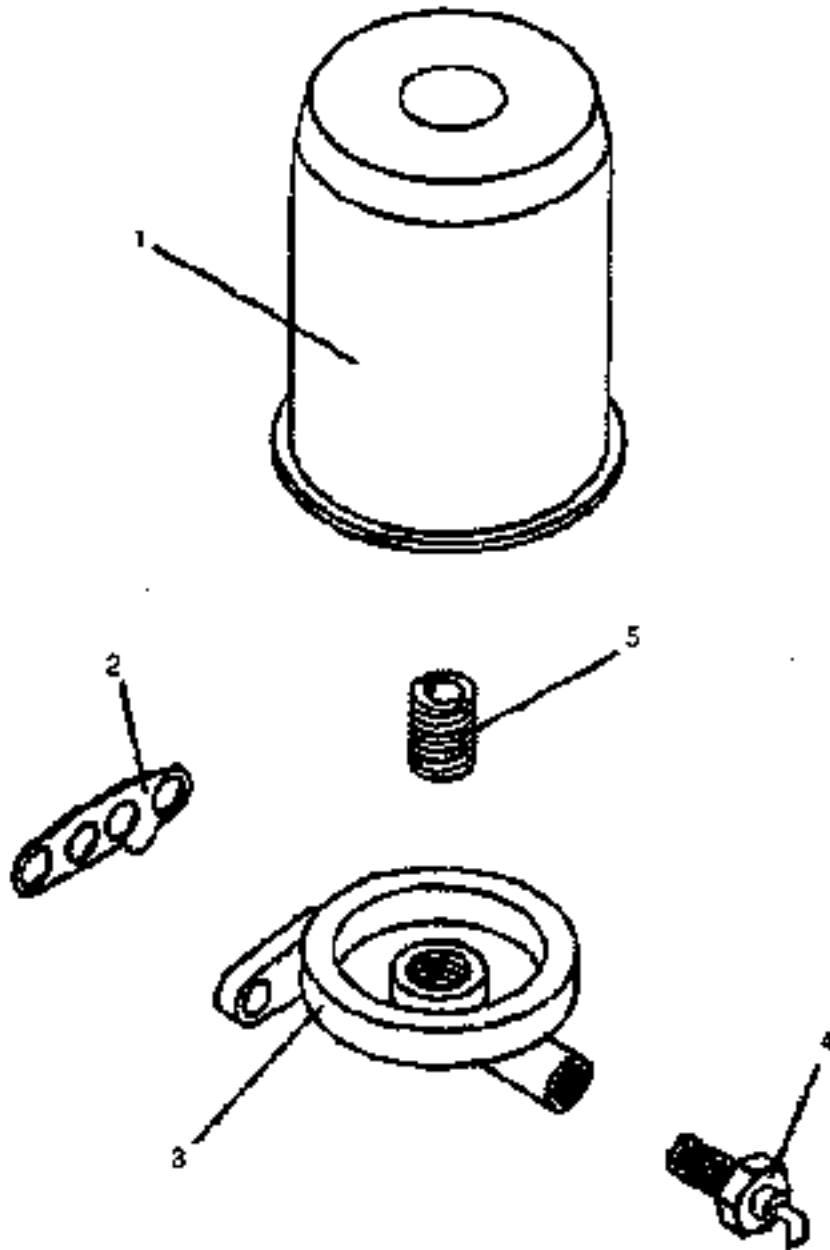
● - SERIAL NUMBER BREAK.

✓ - INDICATES UP TO AND INCLUDING THAT SERIAL NUMBER

435 / 535

| ITEM No | PART No. | DESCRIPTION | VENDOR No. | QUANTITY |
|---------|-----------|--|---------------|----------------|
| | | | | 435 535 |
| - | ESL15476 | Lube Oil Pump Assembly (without Driving Gear) | D10009820 | 1 1 |
| 1 | N620016S8 | Nut, Hex (M14x1.5-6) | N620016S36 | 1 1 |
| 2 | N630176S8 | Spring Washer | N630176S36 | 1 1 |
| 3 | ESL14337 | Gear, Pump Driving | D10009810 | 1 1 |
| 4 | ESL14338 | Dowel, Lube Oil Pump | D87500090 | 2 2 |
| 5 | - | Pump Cover (NSS) | - | 1 1 |
| 6 | ESL14339 | L.O.P. Driving Shaft | D10105350 | 1 1 |
| 7 | ESL14340 | Woodruff Key | D91000050 | 2 2 |
| 8 | ESL14341 | Gear Driving | D10109150 | 1 1 |
| 9 | N605529S8 | Bolt (M8x18-6.8) | N605529S8 | 4 4 |
| 10 | - | Oil Pump Body (NSS) | - | 1 1 |
| 11 | ESL14342 | Sealing Washer | D10009820 | 1 1 |
| 12 | ESL14343 | Adaptor | D10008810 | 2 2 |
| 13 | ESL14344 | Delivery Pipe Assembly | D10008800 | 1 1 |
| 14 | ESL14345 | Suction Pipe Assembly | D10009760 | 1 1 |
| 15 | ESL14346 | Gasket, Suction Assembly | D10009790 | 1 1 |
| 16 | N605549S8 | Bolt | N605549S36 | 2 2 |
| 17 | ESL14347 | Gear Driven | T77.11.008.16 | 1 1 |
| 18 | ESL14348 | Shaft, Driven Gear | - | 1 1 |
| 19 | ESL14349 | Valve Plunger (Valve Piston) | D10052660 | 1 1 |
| 20 | ESL14350 | Spring | D10105360 | 1 1 |
| 21 | ESL14351 | Regulation Pipe | D10052790 | 1 1 |
| 22 | ESL14352 | Spl. Pin (3.2x32) | D8840040 | 1 1 |

LUBE OIL PUMP



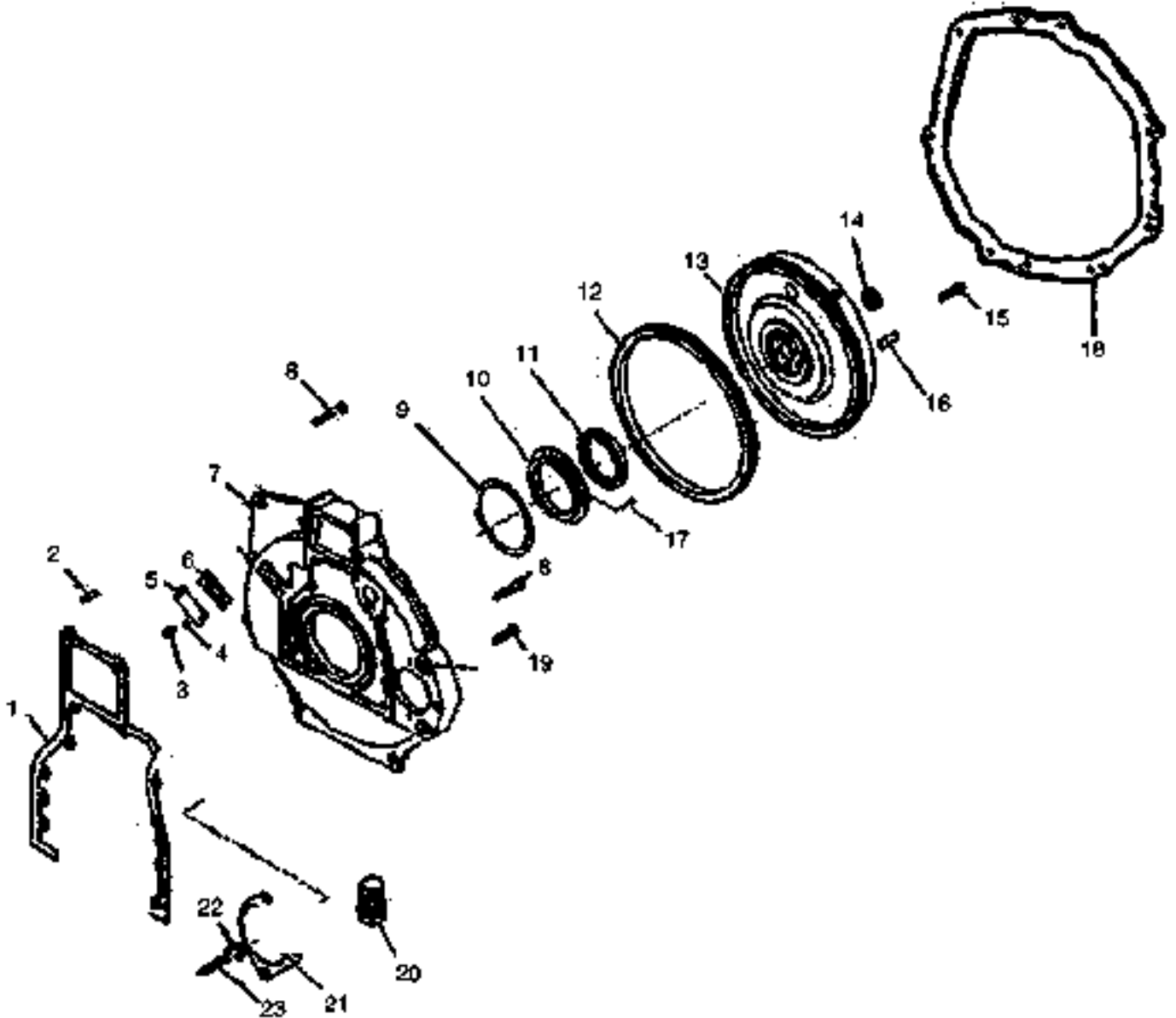
OIL FILTER ASSEMBLY

435 / 535

| ITEM No | PART No. | DESCRIPTION | VENDOR No. | QUANTITY | |
|----------------|-----------------|---------------------------------|-------------------|-----------------|------------|
| | | | | 435 | 535 |
| 1 | ESL10083 | Oil Filter Assembly | D10017800 | 1 | 1 |
| 2 | ESL14551 | Gasket | D10009860 | 1 | 1 |
| 3 | ESL14552 | Bracket Oil Filter | D10039120 | 1 | 1 |
| 4 | ESL11400 | Switch Assembly Oil Pressure | D10028550 | 1 | 1 |
| 5 | ESL10082 | Insert Oil Filter Mounting Bolt | D10010280 | 1 | 1 |

OIL FILTER ASSEMBLY

435 / 535



ADAPTER PLATE & FLYWHEEL

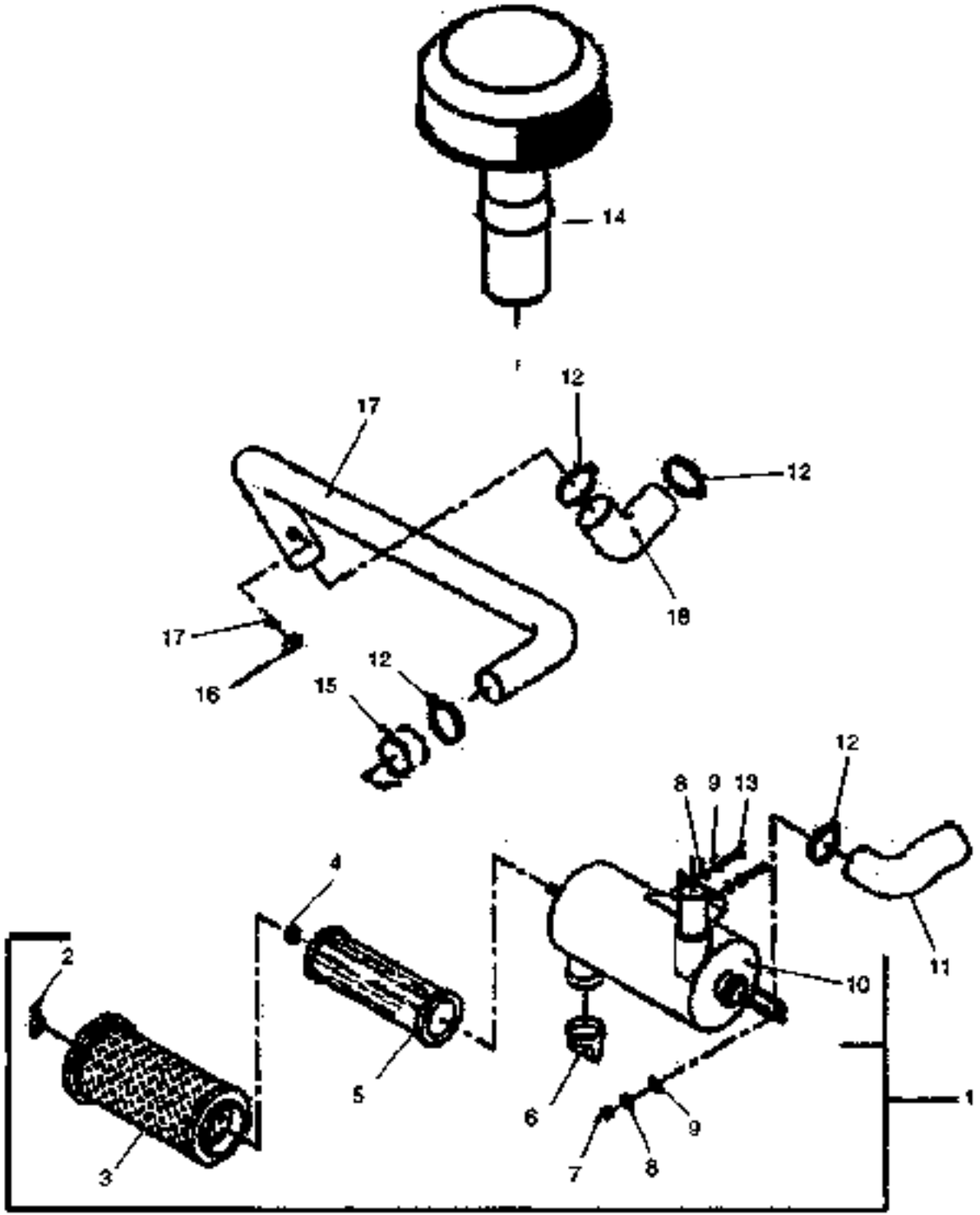
| ITEM No | PART No. | DESCRIPTION | VENDOR No. | QUANTITY | |
|---------|-----------|--|------------|----------|-----|
| | | | | 435 | 535 |
| 1 | ESL14353 | Gasket, Flywheel Housing | D10009170 | 1 | 1 |
| 2 | ESL14354 | Dowel | D10009830 | 1 | 1 |
| 3 | ESL14355 | Screw, Hex (M6x15-8.8) | D82500220 | 2 | 2 |
| 4 | N630172S8 | Washer, Lock (M6) | N630172S36 | 2 | 2 |
| 5 | ESL14356 | Cover Plate Flywheel Access | D10035890 | 1 | 1 |
| 6 | ESL14357 | Gasket, Cover Plate Flywheel Access | D10035880 | 1 | 1 |
| 7 | ESL14358 | Adapter Plate M/C | D10035980 | 1 | 1 |
| 8 | ESL14359 | Bolt (M12x45-10.9) | D10007150 | 3 | 3 |
| 9 | ESL14360 | Gasket, Seal Carrier | D10009140 | 1 | 1 |
| 10 | ESL14363 | Seal Carrier | D10009130 | 1 | 1 |
| 11 | ESL14361 | Oil Seal (Sealing Ring) | D10033790 | 1 | 1 |
| - | ESL14362 | Oil Seal (Viton) | D10009120 | 1 | 1 |
| 12 | ESL15477 | Gear Ring, Fly Wheel | D10065720 | 1 | 1 |
| 13 | ESL16478 | Fly Wheel Assembly | D10112030 | 1 | 1 |
| 14 | ESL14365 | Bearing, Clutch Pilot | D10009930 | 1 | 1 |
| 15 | ESL14366 | Bolt (Fly Wheel Mounting to Crank Shaft) | D10009920 | 6 | 6 |
| 16 | ESL15479 | Positioning Dowel | D87500080 | 1 | 1 |
| 17 | N605515S8 | Bolt, Seal Carrier (M6x12) | - | 6 | 6 |
| 18 | ESL10080 | Gasket Adapter Plate to Transmission Housing | D10012350 | 1 | 1 |
| 19 | ESL14585 | Screw (M12x35-10.9) | D10008440 | 8 | 8 |
| 20 | ESL14369 | Taper Plug | D10007370 | 1 | 1 |
| 21 | ESL14370 | Gasket Starter Motor | D10034850 | 1 | 1 |
| 22 | 34807S6 | Washer (3/8) | D88000010 | 3 | 3 |
| 23 | 304722S6 | Bolt (3/8) | D81000730 | 3 | 3 |

ADAPTER PLATE & FLYWHEEL

Notes

AIR INTAKE & EXHAUST SYSTEM

435 / 535



AIR CLEANER

2:1 - SERIAL NUMBER BREAK, - INDICATES UP TO AND INCLUDING THAT SERIAL NUMBER

**AIR INTAKE & EXHAUST SYSTEM**

435 / 535

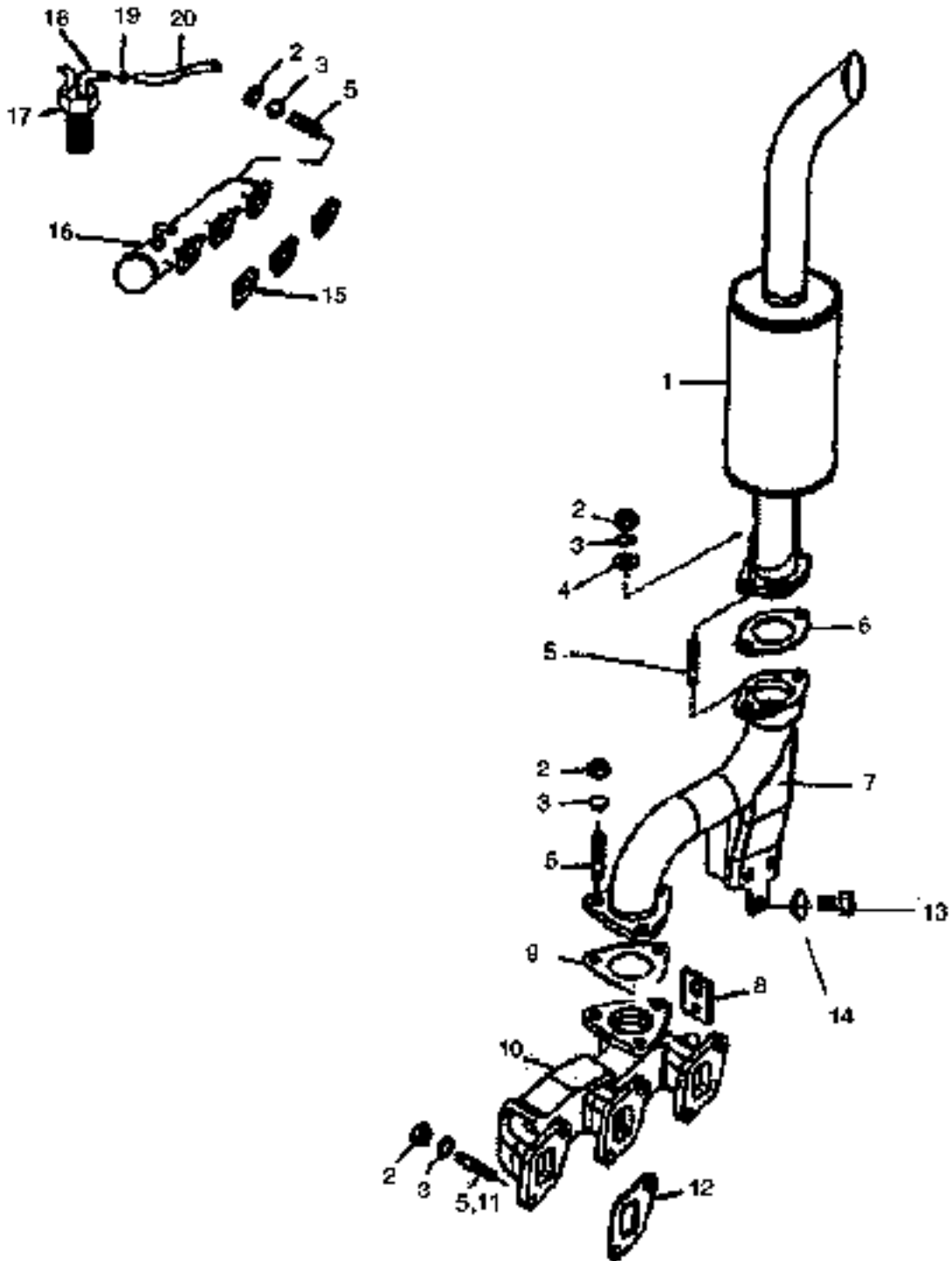
| <i>Item No</i> | <i>PART No.</i> | <i>DESCRIPTION</i> | <i>VENDOR No.</i> | <i>QUANTITY</i> 435 535 | |
|----------------|-----------------|--|-------------------|----------------------------|---|
| 1 | ESL10232 | Air Cleaner Assembly, Dry (Includes items 2-10) | D10026730 | 1 | 1 |
| 2 | ESL11836 | Wing Nut | 1190105AA | 1 | 1 |
| 3 | ESL10221 | Filter Element, Primary | D10093670 | 1 | 1 |
| 4 | N605542S8 | Nut | - | 1 | 1 |
| 5 | ESL10222 | Filter Element, Safety (Inner) | D10102340 | 1 | 1 |
| 6 | ESL10229 | Bleed Valve | D10115740 | 1 | 1 |
| 7 | N620042S8 | Nut | D83500210 | 2 | 2 |
| 8 | N830174S8 | Washer, Lock (M10) | D86500090 | 4 | 4 |
| 9 | ESL11956 | Washer, Flat (M10x21x2.25) | D85500140 | 4 | 4 |
| 10 | - | Housing, Dry Air Cleaner (NSS) | - | 1 | 1 |
| 11 | ESL11897 | Hose, Air Cleaner Outlet | D10026720 | 1 | 1 |
| 12 | ESL10227 | Clamp Assembly | D10017680 | 4 | 4 |
| 13 | 304650S8 | Bolt, Hex Head (3/8-16x0.75) | D81000150 | 2 | 2 |
| 14 | ESL12070 | Cap & Extension Assembly | D10026740 | 1 | 1 |
| 15 | ESL10231 | Grommet | D10026760 | 1 | 1 |
| 16 | ESL12617 | Indicator | D10026560 | 1 | 1 |
| 17 | ESL14379 | Tube Assembly - Dry Air Cleaner Outlet | D10035500 | 1 | 1 |
| 18 | ESL14374 | Hose, Air Cleaner Outlet, Lower | D10035490 | 1 | 1 |

AIR CLEANER

● - SERIAL NUMBER BREAK,

✓ - INDICATES UP TO AND INCLUDING THAT SERIAL NUMBER

4351535



INTAKE MANFOLD & EXHAUST SYSTEM

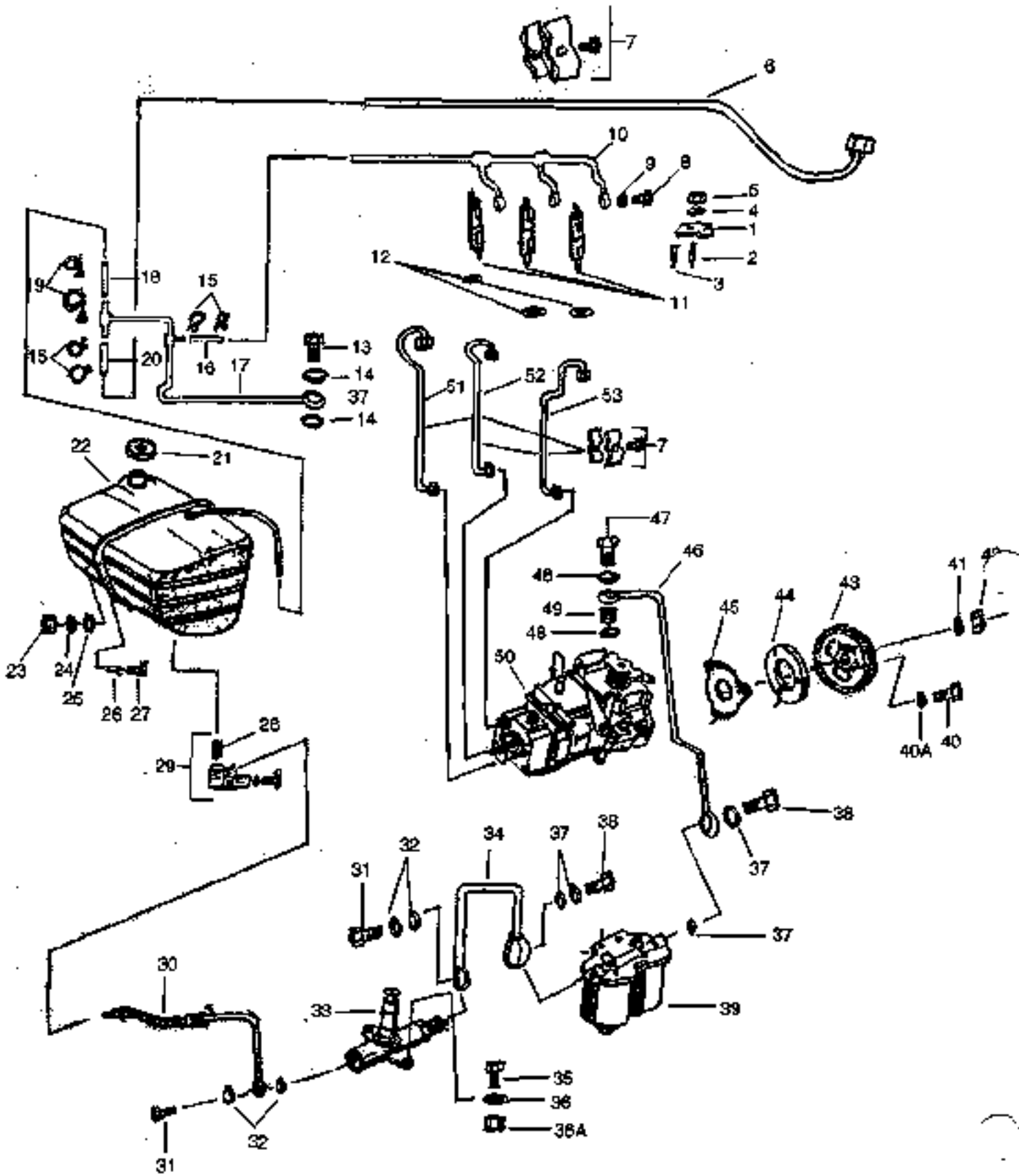
435 / 535

| ITEM No | PART No. | DESCRIPTION | VENDOR No. | QUANTITY 435 535 |
|----------------|-----------------|--------------------------------------|-------------------|-----------------------------------|
| 1 | ESL14377 | Muffler Assembly (Vertical) | D10035280 | 1 1 |
| 2 | ESL14378 | Nut, Hex (M10) | D63500210 | 17 17 |
| 3 | N630174S8 | Washer, Lock (M10) | D66500090 | 17 17 |
| 4 | N630069S8 | Washer, Flat (M10) | D65600140 | 2 2 |
| 5 | ESL14385 | Stud | DB4500020 | 16 16 |
| 6 | ESL14380 | Gasket Silencer | D10034700 | 1 1 |
| 7 | ESL14381 | Pipe Assembly Silencer Inlet Flanged | D10035720 | 1 1 |
| 8 | ESL14383 | Adaptor for Lifting Hook | D10010070 | 3 3 |
| 9 | ESL10245 | Gasket, Elbow | D10069810 | 1 1 |
| 10 | ESL14384 | Exhaust Manifold | D10036710 | 1 1 |
| 11 | ESL14386 | Stud (M10) | - | 1 1 |
| 12 | ESL14387 | Gasket, Exhaust Manifold | D10008650 | 3 3 |
| 13 | 304650-S36 | Bolt (3/8-16x0.75) | D61000150 | 3 3 |
| 14 | 44726-S36 | Washer Flat (3/8) | D65000010 | 3 3 |
| 15 | ESL14554 | Gasket, Intake Manifold | D10008670 | 3 3 |
| 16 | ESL14389 | Intake Manifold | D10081330 | 1 1 |
| 17 | TX12346 | Thermostart Assembly | D10081330 | 1 1 |
| 18 | ESL15402 | Tube Thermostart | D10109560 | 1 1 |
| 19 | ESL14960 | Clamp, Spring Band | D10088780 | 4 4 |
| 20 | ESL15585 | Tube Thermostart | D10035590 | 1 1 |

Notes

FUEL SYSTEM & THROTTLE LINKAGES

435 / 535



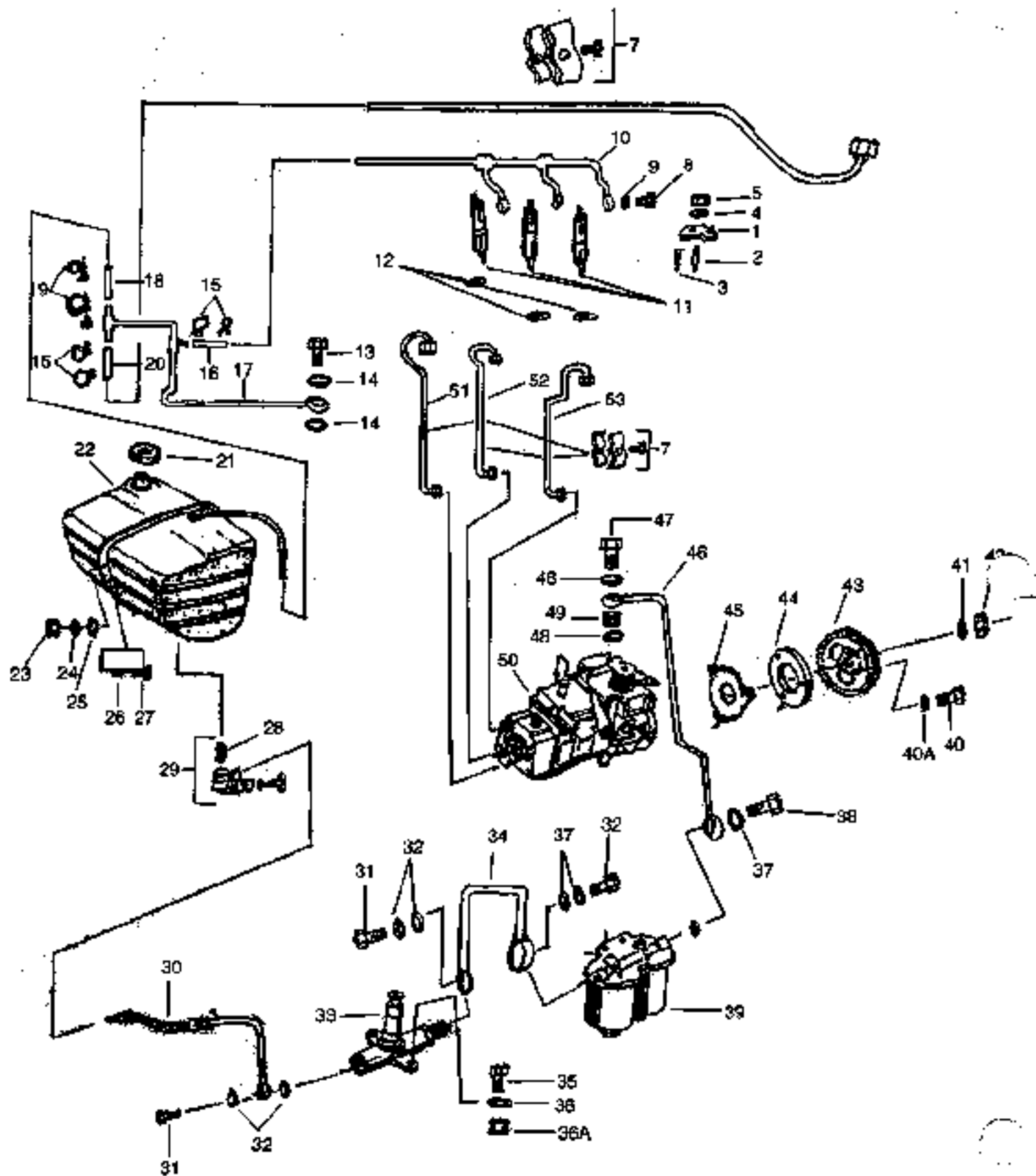
FUEL SYSTEM

435 / 535

| ITEM NO | PART NO. | DESCRIPTION | VENDOR NO. | QUANTITY | |
|---------|------------|-------------------------------------|--------------|----------|-----|
| | | | | 435 | 535 |
| 1 | ESL15686 | Clamp, Injector Holder | D10022030 | 3 | 3 |
| 2 | ESL14277 | Stud, Injector Holder | D10039010 | 3 | 3 |
| 3 | ESL14275 | Pin, Injector Holder | D10022020 | 3 | 3 |
| 4 | ESL14276 | Washer, Injector Clamp (8.5x17) | D10022040 | 3 | 3 |
| 5 | ESL15469 | Nut, Injector Holder (M8) | D83500060 | 3 | 3 |
| 6 | ESL15402 | Tube Assembly, Thermostart | D10109560 | 1 | 1 |
| 7 | ESL15587 | Clamp Assembly, Fuel Injection Tube | D10008850 | 4 | 4 |
| 8 | ESL14591 | Banjo Bolt (M6) | 9431033422 | 3 | 3 |
| 9 | ESL14592 | Washer Sealing (M6) | 2916710602 | 6 | 6 |
| 10 | ESL16517 | Tube, FIP Leak-off | D10109550 | 1 | 1 |
| 11 | ESL15481 | Injector Assembly | D10108590 | 3 | 3 |
| 12 | ESL14394 | Copper Washer, Injector | T77.07.005.0 | 3 | 3 |
| 13 | ESL11761 | Bolt, Pipe (M12x1.5x23.5) | D10017500 | 1 | 1 |
| 14 | ESL15202 | Copper, Washer (14.2x19.9) | D10012580 | 2 | 2 |
| 15 | ESL11346 | Clamp, Spring Wire | D10018180 | 4 | 4 |
| 16 | ESL14392 | Hose, FIP Leak-off | D10047620 | 1 | 1 |
| 17 | ESL15401 | Tube, FIP to Fuel Tank Return | D10109540 | 1 | 1 |
| 18 | ESL15588 | Connector Hose, Fuel Return | D10026190 | 1 | 1 |
| 19 | ESL14810 | Clamp Assembly, Fuel Tube | D10019100 | 2 | 2 |
| 20 | ESL15565 | Rubber Pipe, Thermostart | D10035590 | 1 | 1 |
| 21 | ESL10254 | Cap, Fuel Tank | D10019100 | 1 | 1 |
| 22 | ESL10250 | Tank Assembly, Fuel | D10021950 | 1 | 1 |
| 23 | 3379788 | Nut, Hex (5/16-18) | D83000060 | 3 | 3 |
| 24 | 4472268 | Washer, Flat (5/16) | D85000070 | 3 | 3 |
| 25 | 34941536 | Washer, External Tooth | D88000110 | 3 | 3 |
| 26 | ESL10258 | Spacer, Fuel Tank Mounting | D10018360 | 1 | 1 |
| 27 | 304682-S36 | Bolt Hex (5/16-18x1.00) | D81000330 | 3 | 3 |
| 28 | ESL15319 | Filter, Fuel Tank Strainer | D10063180 | 1 | 1 |
| 29 | ESL10257 | Tap & Screen Assembly | D10018590 | 1 | 1 |
| 30 | ESL15574 | Pipe, Fuel Tank to Filter | D10109590 | 1 | 1 |
| 31 | ESL11778 | Banjo Bolt, (M14x1.5x25.5) | D10012590 | 2 | 2 |
| 32 | ESL10357 | Washer Copper (14.2x19.9) | D10012590 | 4 | 4 |
| 33 | ESL10442 | Fuel Feed Pump Assembly | D10105290 | 1 | 1 |
| 34 | ESL15408 | Tube, Primer to Filter | D10109560 | 1 | 1 |
| 35 | 304633-S36 | Bolt, Hex (1/4-28x0.62) | D81000390 | 2 | 2 |
| 36A | 33796-S36 | Nut (1/4-28), Hex | D81000400 | 2 | 2 |
| 36 | 34806S36 | Washer, Lock (1/4) | D88000060 | 2 | 2 |
| 37 | ESL14403 | Washer, Copper (14.2x18) | D10035020 | 4 | 4 |
| 38 | ESL14405 | Banjo Bolt | D10034050 | 2 | 2 |
| 39 | ESL15328 | Fuel Filter Assembly | D10108550 | 1 | 1 |
| 40 | N800212S36 | Bolt, Hex (M8x1.25x35) | D81500030 | 3 | 3 |

FUEL SYSTEM

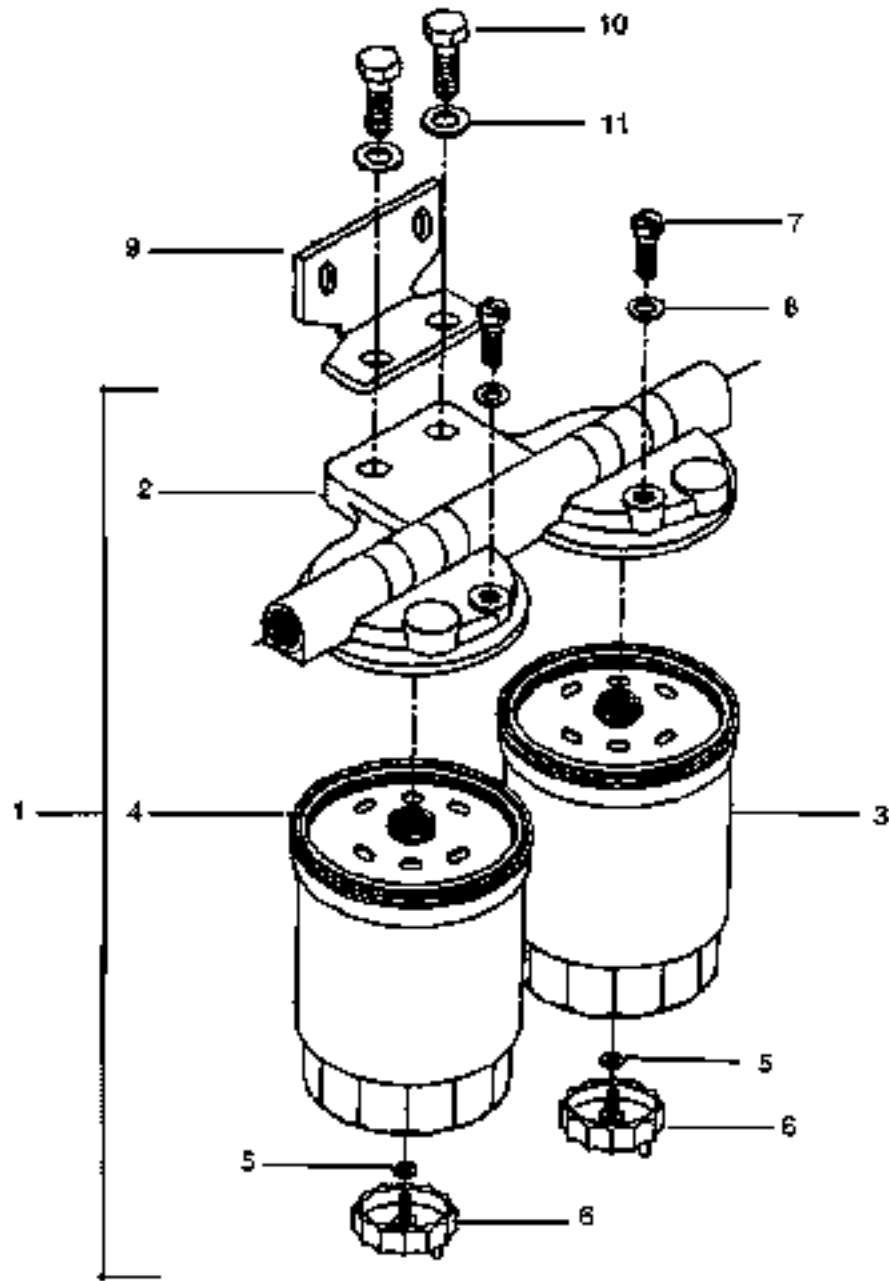
435 / 535



FUEL SYSTEM

435 / 535

| ITEM NO | PART NO. | DESCRIPTION | VENDOR NO. | QUANTITY |
|---------|----------|-------------------------------|------------|----------------|
| | | | | 435 535 |
| 40A | ESL14410 | Washer, Flat (8.5x14) | D10008610 | 3 3 |
| 41 | ESL15589 | Washer, Spring Lock (M12) | D86500020 | 1 1 |
| 42 | ESL15590 | Nut, FIP Gear (M12xf.75-6.00) | D83500040 | 1 1 |
| 43 | ESL15591 | Gear, FIP | D10095580 | 1 1 |
| 44 | ESL15592 | Hub, FIP | D10087160 | 1 1 |
| 45 | ESL15323 | Gasket, FIP | D10048000 | 1 1 |
| 46 | ESL15568 | Tube, Filter to FIP | D10109570 | 1 1 |
| 47 | ESL11761 | Bolt, Pipe (M12x1.5x23.5) | D10017500 | 1 1 |
| 48 | ESL15345 | Washer, Copper | D10048060 | 3 3 |
| 49 | ESL15346 | Spacer, FIP | D10048020 | 1 1 |
| 50 | ESL15448 | Fuel Injection Pump Assembly | D10087170 | 1 1 |
| 51 | ESL16633 | HP Pipe, 3rd Cylinder | D10095620 | 1 1 |
| 52 | ESL16594 | HP Pipe, 2nd Cylinder | D10095610 | 1 1 |
| 53 | ESL15595 | HP Pipe, 1st Cylinder | D10095600 | 1 1 |



FUEL FILTER ASSEMBLY



FUEL SYSTEM & THROTTLE LINKAGES

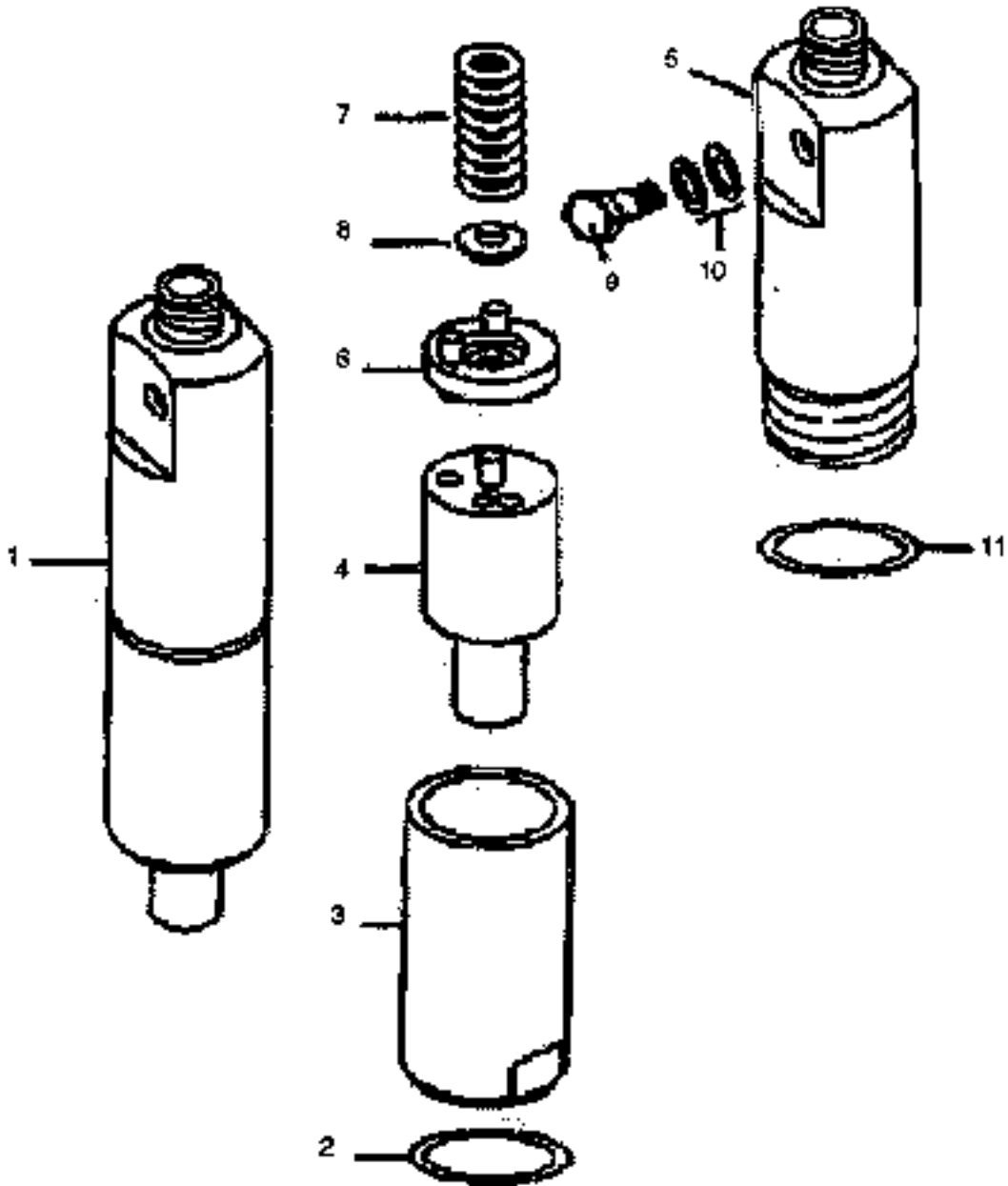
435 / 535

| ITEM No | PART No. | DESCRIPTION | VENDOR No. | QUANTITY |
|---------|------------|-------------------------------|------------|----------------|
| | | | | 435 535 |
| 1 | ESL15328 | Fuel Filter Assembly | D10108550 | 1 1 |
| 2 | ESL15353 | Filter Cover | F002H20323 | 1 1 |
| 3 | ESL15357 | Exchange Filter (Primary) | F002H20308 | 1 1 |
| 4 | ESL15354 | Exchange Filter (Secondary) | F002H20306 | 1 1 |
| 5 | ESL15355 | Sealing Ring | F002H20298 | 2 2 |
| 6 | ESL15356 | Drain Plug | F002H20297 | 2 2 |
| 7 | ESL15358 | Air Vent Screw | 9411033412 | 2 2 |
| 8 | ESL15359 | Flat Seal Ring | 2916710602 | 2 2 |
| 9 | ESL15329 | Mounting Bracket, Fuel Filter | D10044850 | 1 1 |
| 10 | 304666-S36 | Bolt, (3/8-16x0.875) | D81009720 | 2 2 |
| 11 | 44726-S36 | Washer, Flat (3/8) | D85000010 | 2 2 |

FUEL FILTER ASSEMBLY

⊖ - SERIAL NUMBER BREAK ,

↙ - INDICATES UP TO AND INCLUDING THAT SERIAL NUMBER



INJECTOR ASSEMBLY



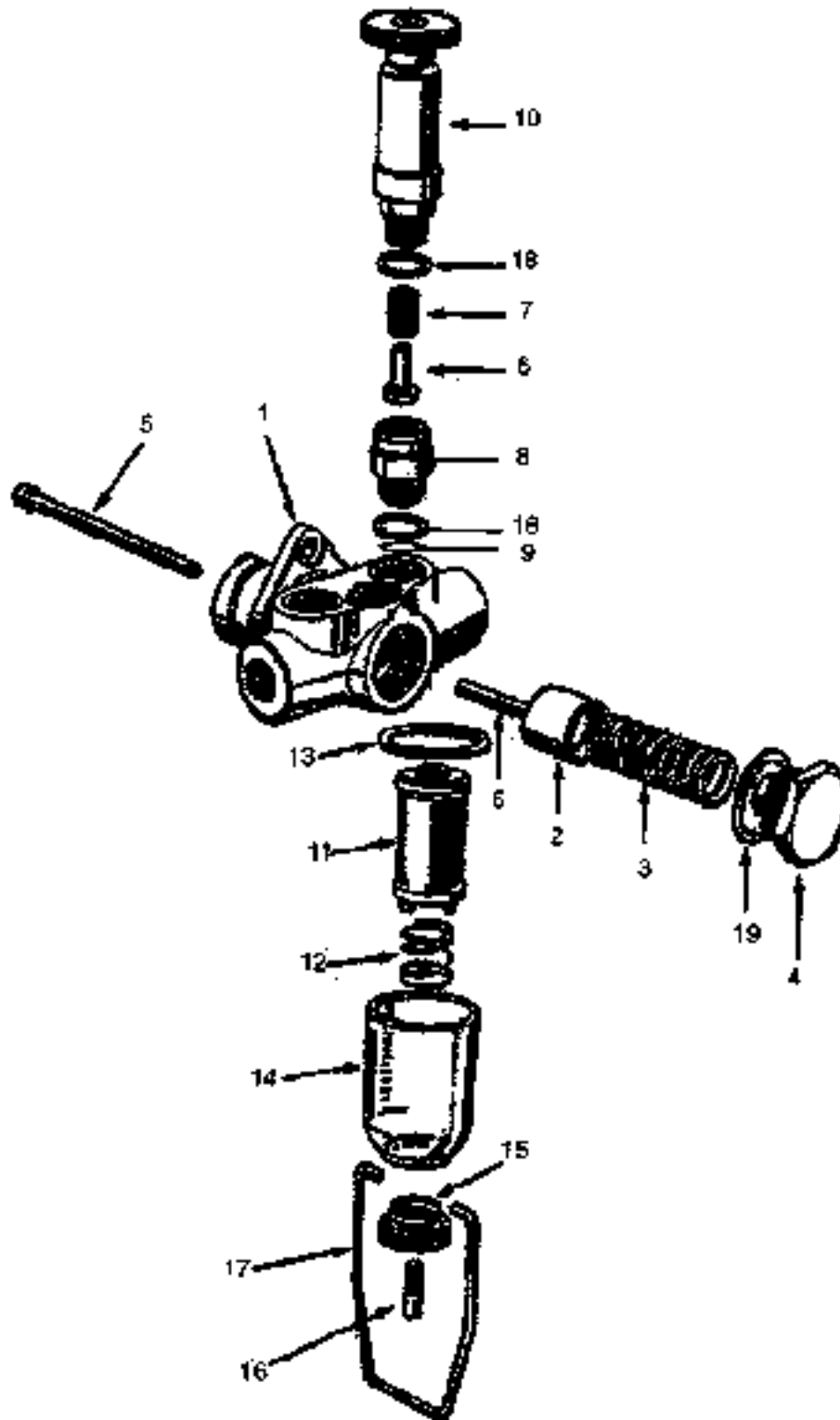
| ITEM No | PART No. | DESCRIPTION | VENDOR No. | QUANTITY | |
|---------|----------|---------------------|------------|----------|-----|
| | | | | 435 | 535 |
| 1 | ESL15481 | Injector Assembly | D10108590 | 3 | 3 |
| 2 | ESL15352 | Sealing Washer | D10130700 | AR | AR |
| 3 | ESL15482 | Cap Nut, Nozzle | D10129660 | 3 | 3 |
| 4 | ESL15483 | Nozzle | D10118780 | 3 | 3 |
| 5 | - | Nozzle Holder (NSS) | - | 3 | 3 |
| 6 | ESL15484 | Pressure Disc | 2430134023 | 3 | 3 |
| 7 | ESL15485 | Spring | D10130490 | 3 | 3 |
| 8 | ESL15486 | Seat Spring | 2433124446 | 3 | 3 |
| 9 | ESL14591 | Bolt, Banjo (M8x1) | D10117750 | 3 | 3 |
| 10 | ESL14592 | Sealing Washer | D10072130 | 6 | 6 |
| 11 | ESL15480 | Washer, Adjusting | D10130640 | AR | AR |

INJECTOR ASSEMBLY

● - SERIAL NUMBER BREAK ,

☑ - INDICATES UP TO AND INCLUDING THAT SERIAL NUMBER

435 / 535



FUEL FEED PUMP & PRE-FILTER

435 / 535

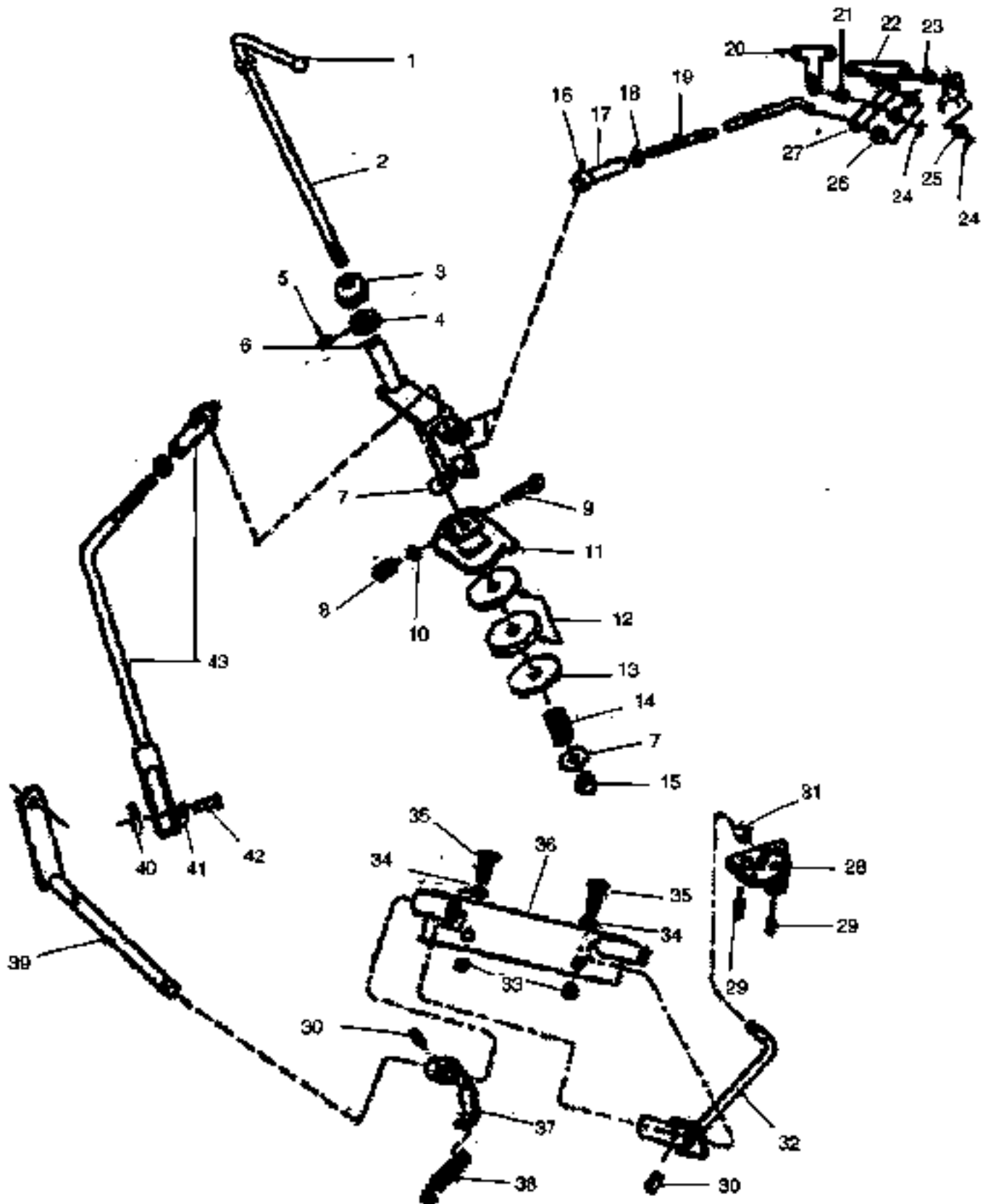
| ITEM NO | PART NO. | DESCRIPTION | VENDOR NO. | QUANTITY |
|---------|----------|---|------------------------|----------------|
| | | | | 435 535 |
| - | ESL10442 | Fuel Feed Pump Assembly (Includes Items #1-2a) | D10105280 D10130700 | 1 1 |
| 1 | - | Housing, Fuel Feed Pump (NSS) | D10129660 | 1 1 |
| 2 | - | Pump Plunger (NSS) | D10118780 | 1 1 |
| 3 | ESL10426 | Spring, Pump Plunger | EXP-10144 | 1 1 |
| 4 | ESL10427 | Closing Plug | EXP-10145 | 1 1 |
| 5 | ESL10428 | Pressure Spindle | EXP-10142 | 1 1 |
| 6 | ESL10429 | Valve | EXP-10152 | 1 1 |
| 7 | ESL10430 | Spring | EXP-10153 | 1 1 |
| 8 | ESL10431 | Reducing Nipple | EXP-10154 | 1 1 |
| 9 | ESL13406 | O' Ring | D10105330 | 1 1 |
| 10 | ESL10432 | Hand Primer | EXP-10156 | 1 1 |
| 11 | ESL10433 | Prefilter Sieve | EXP-10908-A | 1 1 |
| 12 | ESL10434 | Spring | EXP-10909-A | 1 1 |
| 13 | ESL10435 | Sealing Washer | EXP-10907-A | 1 1 |
| 14 | ESL10436 | Prefilter Housing | EXP-10906-A | 1 1 |
| 15 | ESL10437 | Clamping Nut | EXP-10911-A | 1 1 |
| 16 | ESL10438 | Stud | EXP-10912-A | 1 1 |
| 17 | ESL10439 | Clip | EXP-10913-A | 1 1 |
| 18 | ESL10440 | Sealing Ring | EXP-10155 | 2 2 |
| 19 | ESL10441 | Sealing Ring | EXP-10146 | 1 1 |

FUEL FEED PUMP & PRE-FILTER

● - SERIAL NUMBER BREAK,

✎ - INDICATES UP TO AND INCLUDING THAT SERIAL NUMBER

435 / 535



THROTTLE & ACCELERATION CONTROLS

3:10

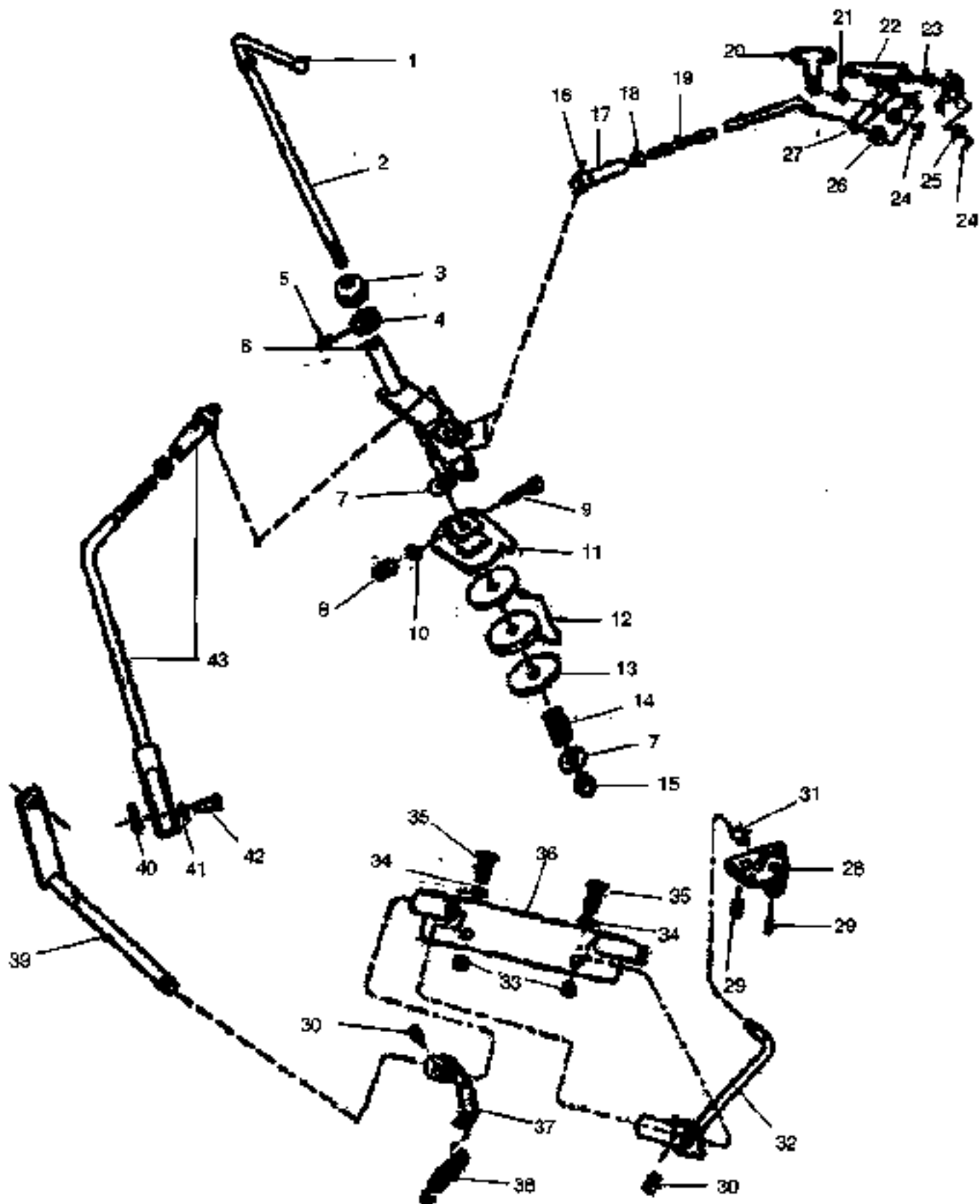
⊕ - SERIAL NUMBER BREAK, \sphericalangle - INDICATES UP TO AND INCLUDING THAT SERIAL NUMBER

435 / 535

| ITEM No | PART No. | DESCRIPTION | VENDOR No. | QUANTITY | |
|---------|-----------|--|---------------|----------|-----|
| | | | | 435 | 535 |
| 1 | ESL12687 | Knob, Hand Throttle | D10042450 | 1 | 1 |
| 2 | ESL14957 | Lever Assembly, Hand Throttle (Includes Item #1) | D10104680 | 1 | 1 |
| 3 | ESL15376 | Grommet | D10026540 | 1 | 1 |
| 4 | ESL10490 | Stop, Throttle Control Lever | D10017970 | 1 | 1 |
| 5 | N605500S8 | Bolt, Hex Head (M5x0.8-8) | D81500300 | 1 | 1 |
| 6 | ESL10455 | Arm Assembly, Throttle Control | D10019090 | 1 | 1 |
| 7 | 44726S8 | Washer, Flat (3/8) | D85000050 | 2 | 2 |
| 8 | ESL10456 | Nut, Hex (5/16-24) | D10019410 | 1 | 1 |
| 9 | 379586S6 | Bolt (5/16-24*1.25) | D81000670 | 1 | 1 |
| 10 | 352321S8 | Washer, Flat (5/16) | D10018690 | 1 | 1 |
| 11 | ESL10461 | Plate Assembly, Throttle Control | D10017990 | 1 | 1 |
| 12 | ESL10457 | Disc, Throttle Control Friction | D10018170 | 2 | 2 |
| 13 | ESL10460 | Plate, Throttle Lever Friction | D10021590 | 1 | 1 |
| 14 | ESL10452 | Spring, Main Control Lever | D10016480 | 1 | 1 |
| 15 | 377360S8 | Nut, Thick Lock (3/8-24) | D10016890 | 1 | 1 |
| 16 | ESL10463 | Clip, Throttle Control | D10105110 | 1 | 1 |
| 17 | ESL10462 | Connector, Throttle Control Rod | D10105120 | 1 | 1 |
| 18 | 33796S8 | Nut, Hex (1/4-28) | D81000400 | 1 | 1 |
| 19 | ESL14433 | Rod Assembly, Throttle Control (Includes Items 16-18) | D10112020 | 1 | 1 |
| 20 | ESL14434 | Bracket Assembly, Fuel Shut Off | 22-91760-AA | 1 | 1 |
| 21 | ESL10476 | Spacer | D10060800 | 1 | 1 |
| 22 | ESL10473 | Plate Assembly, Throttle Control | 85NH-9N656-CA | 1 | 1 |
| 23 | ESL10474 | Spacer | D10060780 | 2 | 2 |
| 24 | ESL12688 | Pin, Cotter (1/16x0.50) | D10000640 | 4 | 4 |
| 25 | ESL10475 | Spacer | D10000790 | 3 | 3 |
| 26 | 44719S8 | Washer, Flat (1/4) | D85000030 | 1 | 1 |
| 27 | ESL10477 | Plate | D10080190 | 1 | 1 |
| 28 | ESL10482 | Pad & Hub Assembly | D10012940 | 1 | 1 |
| 29 | 305096S2 | Pin, Spring (3/16x1.25) | D87000060 | 2 | 2 |
| 30 | 305061S2 | Pin, Spring (3/16x0.8125) | D87000050 | 2 | 2 |
| 31 | ESL10483 | Spring, Pad Return | D10012770 | 1 | 1 |
| 32 | ESL12079 | Pedal Assembly Foot Accelerator | D10012920 | 1 | 1 |
| 33 | 33796S8 | Nut, Hex (1/4-28) | D81000400 | 2 | 2 |
| 34 | 44719S8 | Washer, Flat (1/4) | D85000030 | 2 | 2 |
| 35 | 304633S8 | Bolt, Hex Head (1/4-28x0.62) | D81000390 | 2 | 2 |
| 36 | ESL10485 | Bracket, Acceleration Pedal | D10012760 | 1 | 1 |
| 37 | ESL10478 | Bracket & Hub Assembly | D10012780 | 1 | 1 |
| 38 | ESL10480 | Spring, Pedal Foot Accelerator | D10012750 | 1 | 1 |

THROTTLE & ACCELERATION CONTROLS

435 / 535



THROTTLE & ACCELERATION CONTROLS



FUEL SYSTEM & THROTTLE LINKAGES

435 / 535

| ITEM No | PART No. | DESCRIPTION | VENDOR No. | QUANTITY |
|---------|----------|--|------------|----------|
| | | | | 435 535 |
| 39 | ESL10487 | Arm Assembly Acceleration Control | D10012910 | 1 1 |
| 40 | ESL12679 | Pin Cotter (3/32x0.75) | D10013450 | 1 1 |
| 41 | 4472658 | Washer, Flat (3/8) | D88000010 | 1 1 |
| 42 | 7602358 | Pin, Clevis (3/8x13/16) | D10017560 | 1 1 |
| 43 | ESL10489 | Rod Assembly, Acceleration Control | D10012930 | 1 1 |
| 44 | ESL12361 | Bracket, Acceleration Return Spring | D10019400 | 1 1 |
| 45 | ESL10480 | Spring | D10012750 | 1 1 |

THROTTLE & ACCELERATION CONTROLS

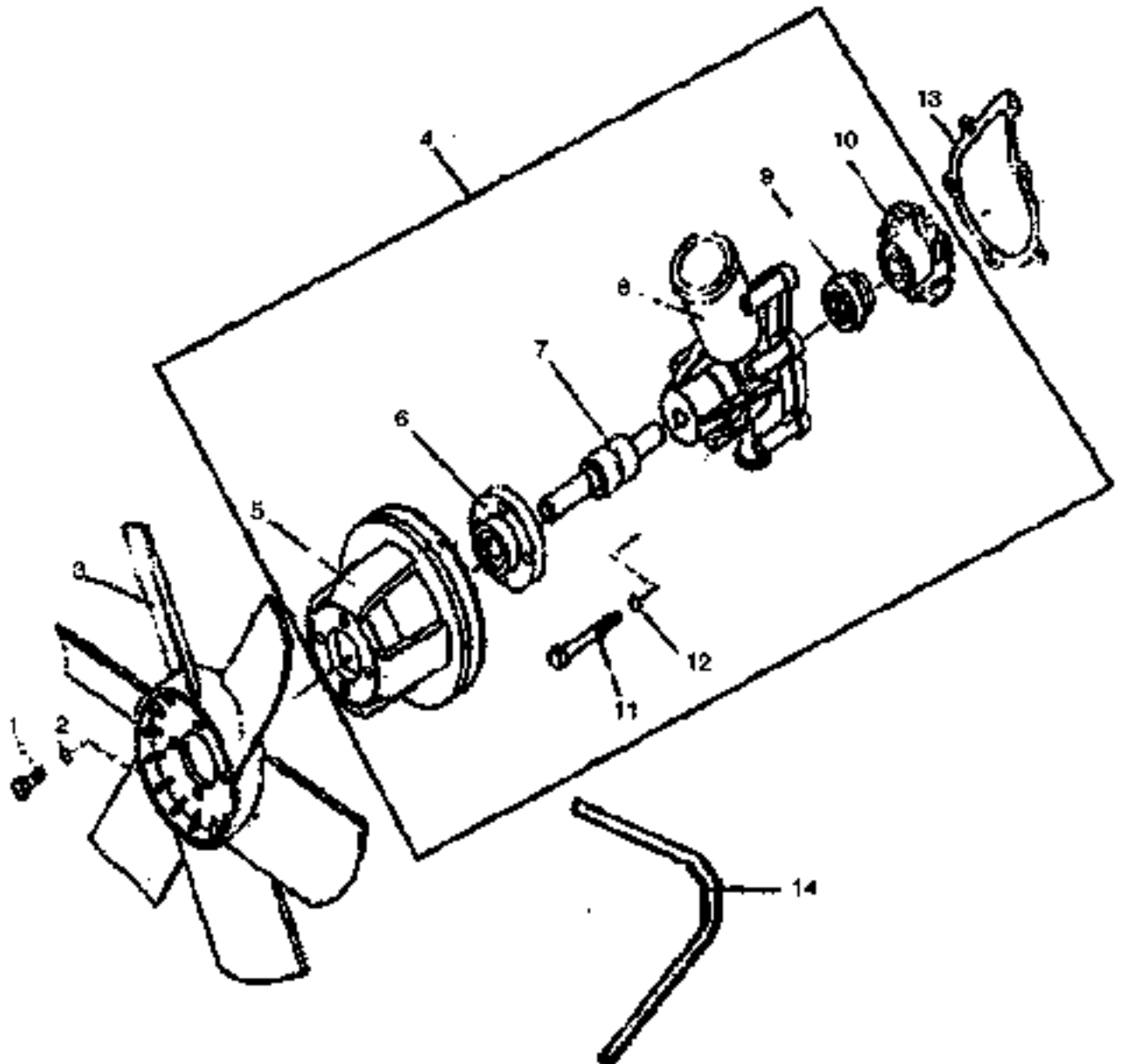
⊙ = SERIAL NUMBER BREAK

✓ = INDICATES UP TO AND INCLUDING THAT SERIAL NUMBER

Notes

COOLING SYSTEM

435 / 535



Water Pump

7.1

● = SERIAL NUMBER BREAK,



= INDICATES UP TO AND INCLUDING THAT SERIAL NUMBER



435 / 535

| Item No | PART No. | DESCRIPTION | VENDOR No. | QUANTITY | |
|---------|-----------|--------------------------|------------|----------|-----|
| | | | | 435 | 535 |
| 1 | N605531S8 | Screw (M8x20) | D81500680 | 4 | 4 |
| 2 | 34806S8 | Washer, Lock (M8) | D86000040 | 4 | 4 |
| 3 | ESL14435 | Fan Radiator (Plastic) | D10030480 | 1 | 1 |
| 4 | ESL14436 | Water Pump Assembly | D10008930 | 1 | 1 |
| 5 | ESL14437 | Water Pump Pulley | D10053510 | 1 | 1 |
| 6 | ESL14438 | Hub | D10053500 | 1 | 1 |
| 7 | ESL14439 | Integral Shaft Bearing | D10051450 | 1 | 1 |
| 8 | - | Water Pump Body (NSS) | | 1 | 1 |
| 9 | ESL14440 | Water Pump Seal Assembly | D10055220 | 1 | 1 |
| 10 | ESL14441 | Impeller | D10051460 | 1 | 1 |
| 11 | N605534S8 | Bolt | D81500090 | 4 | 4 |
| 12 | N630173S8 | Spring Washer (W2.08) | N630173S36 | 5 | 5 |
| 13 | ESL14442 | Gasket, Water Pump | D10008920 | 1 | 1 |
| 14 | ESL14443 | Drive Belt, Rubber | D10034820 | 1 | 1 |

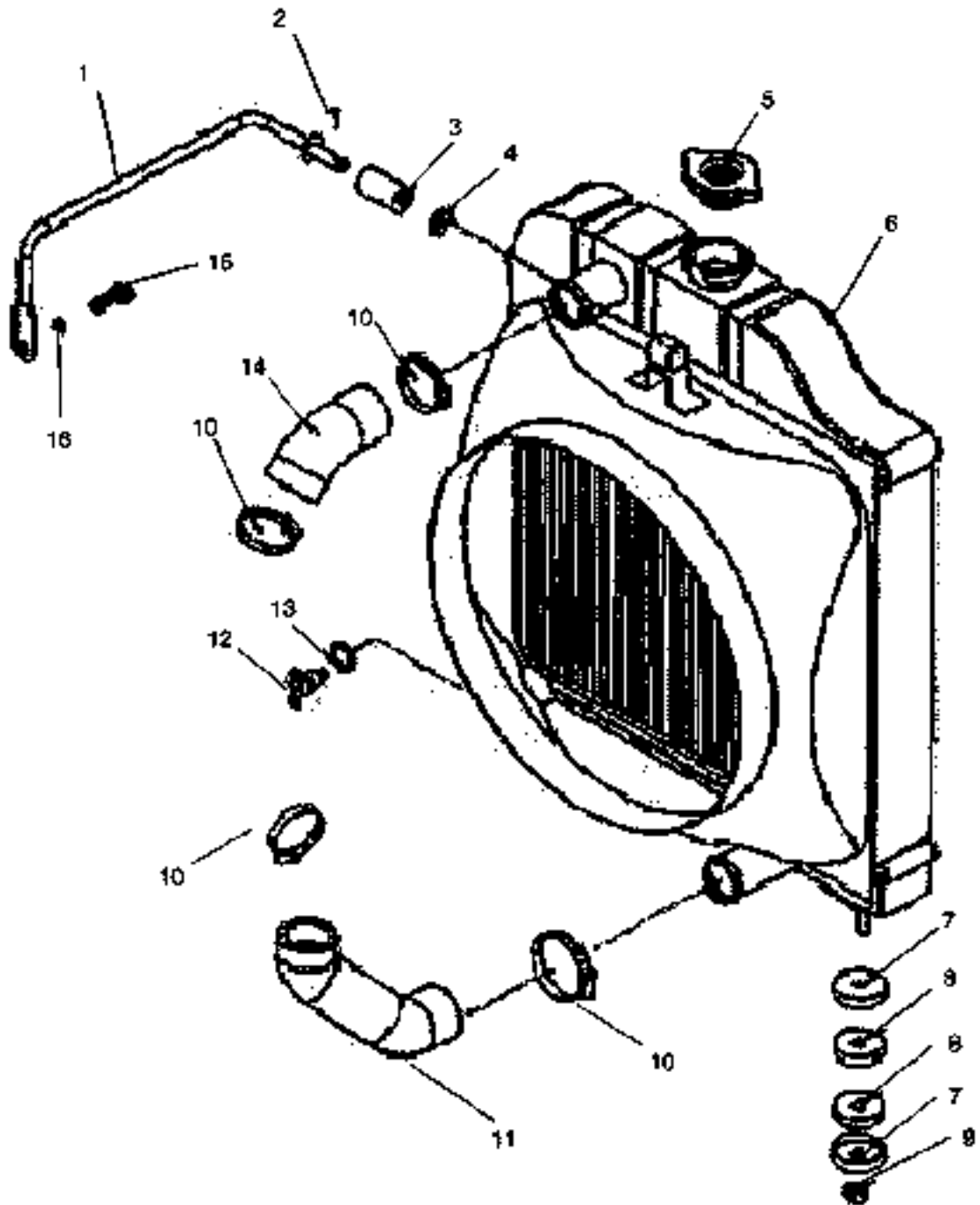
WATER PUMP

⊙ - SERIAL NUMBER BREAK,

↙ - INDICATES UP TO AND INCLUDING THAT SERIAL NUMBER



4351535



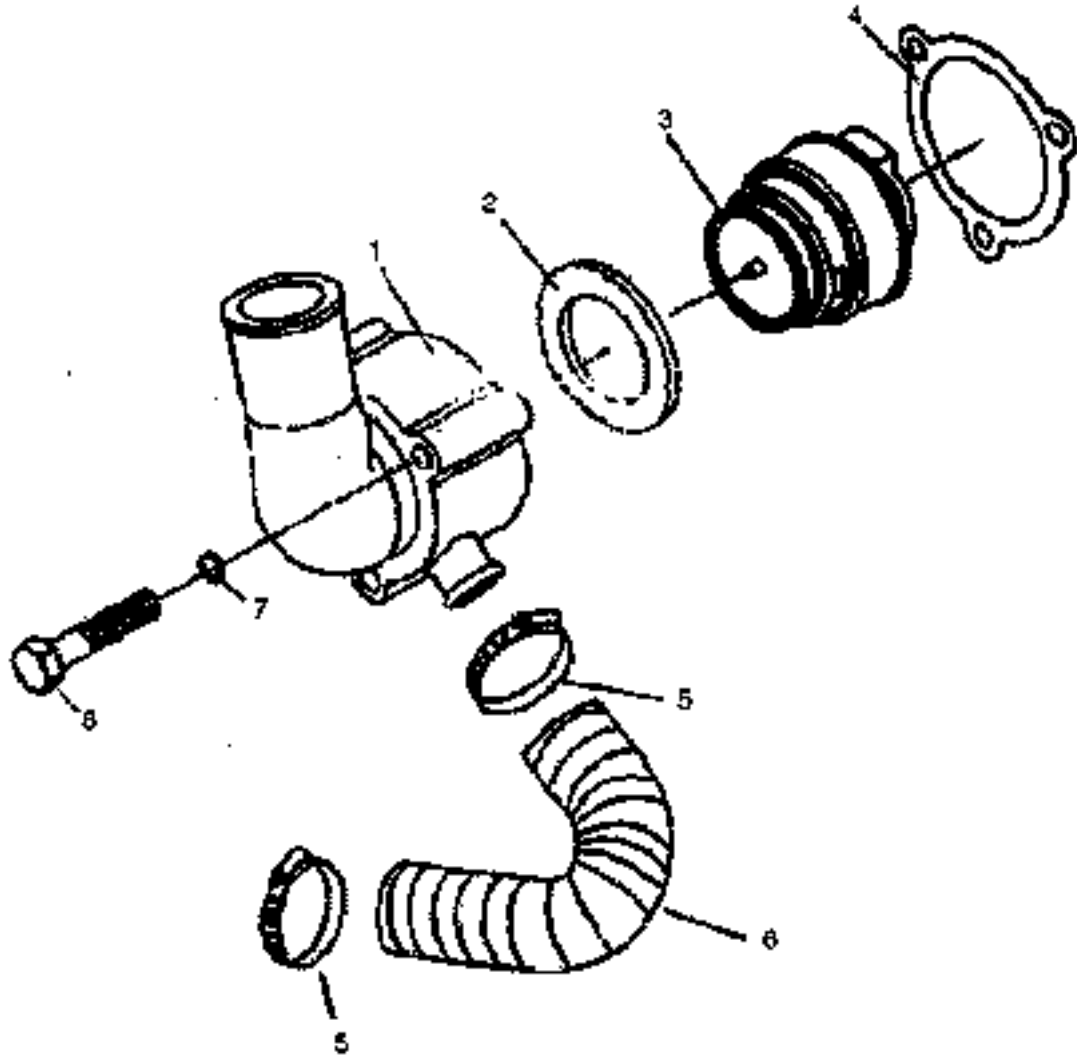
RADIATOR

435 / 535

| <i>ITEM No</i> | <i>PART No.</i> | <i>DESCRIPTION</i> | <i>VENDOR No.</i> | <i>QUANTITY</i> |
|----------------|-----------------|---------------------------|-------------------|-----------------|
| | | | | 435 535 |
| 1 | ESL14444 | Radiator Support | D10035420 | 1 1 |
| 2 | ESL14445 | Split Pin | D10034160 | 1 1 |
| 3 | ESL14446 | Rubber Bush | D10034140 | 1 1 |
| 4 | ESL14447 | Washer, Radiator Support | D10034150 | 1 1 |
| 5 | ESL14556 | Filler Cap | D10105090 | 1 1 |
| 6 | ESL14448 | Radiator Assembly | D10034080 | 1 1 |
| 7 | ESL14449 | Radiator Mounting Cup | D10034110 | 4 4 |
| 8 | ESL14450 | Rubber Pad | D10034120 | 4 4 |
| 9 | ESL14557 | Nylock Nut (M10) | D10034130 | 2 2 |
| 10 | ESL10495 | Clamp Hose | D10017540 | 4 4 |
| 11 | ESL14454 | Hose, Radiator to Pump | D10035400 | 1 1 |
| 12 | ESL14455 | Drain Cock | D10105410 | 1 1 |
| 13 | ESL14558 | Washer | D10105440 | 1 1 |
| 14 | ESL14456 | Hose, Upper | D10035410 | 1 1 |
| 15 | ESL14457 | Screw (M10x21) | D10035900 | 1 1 |
| 16 | N63017488 | Spring Washer (M10) | D86500090 | 1 1 |
| 17 | ESL14458 | Radiator Sealing Kit (NI) | D10034170 | 1 1 |

RADIATOR
① - SERIAL NUMBER BREAK ,
⚡ - INDICATES UP TO AND INCLUDING THAT SERIAL NUMBER

435 / 535



THERMOSTAT

435 / 535

| ITEM No | PART No. | DESCRIPTION | VENDOR No. | QUANTITY | |
|---------|-----------|---------------------------------|------------|----------|-----|
| | | | | 435 | 535 |
| 1 | ESL14459 | Thermostat Housing | D10035800 | 1 | 1 |
| 2 | ESL14480 | Sealing Ring | D10035830 | 1 | 1 |
| 3 | ESL14481 | Thermostat Unit | D10035820 | 1 | 1 |
| 4 | ESL14482 | Gasket, Thermostat Housing | D10035810 | 1 | 1 |
| 5 | ESL14483 | Hose Clamp | D10035860 | 2 | 2 |
| 6 | ESL14464 | Hose, W/P to Thermostat Housing | D10035850 | 1 | 1 |
| 7 | N630173S8 | Spring Washer | N630173S36 | 3 | 3 |
| 8 | ESL14465 | Bolt (M8x55-8.6) | D10035840 | 3 | 3 |

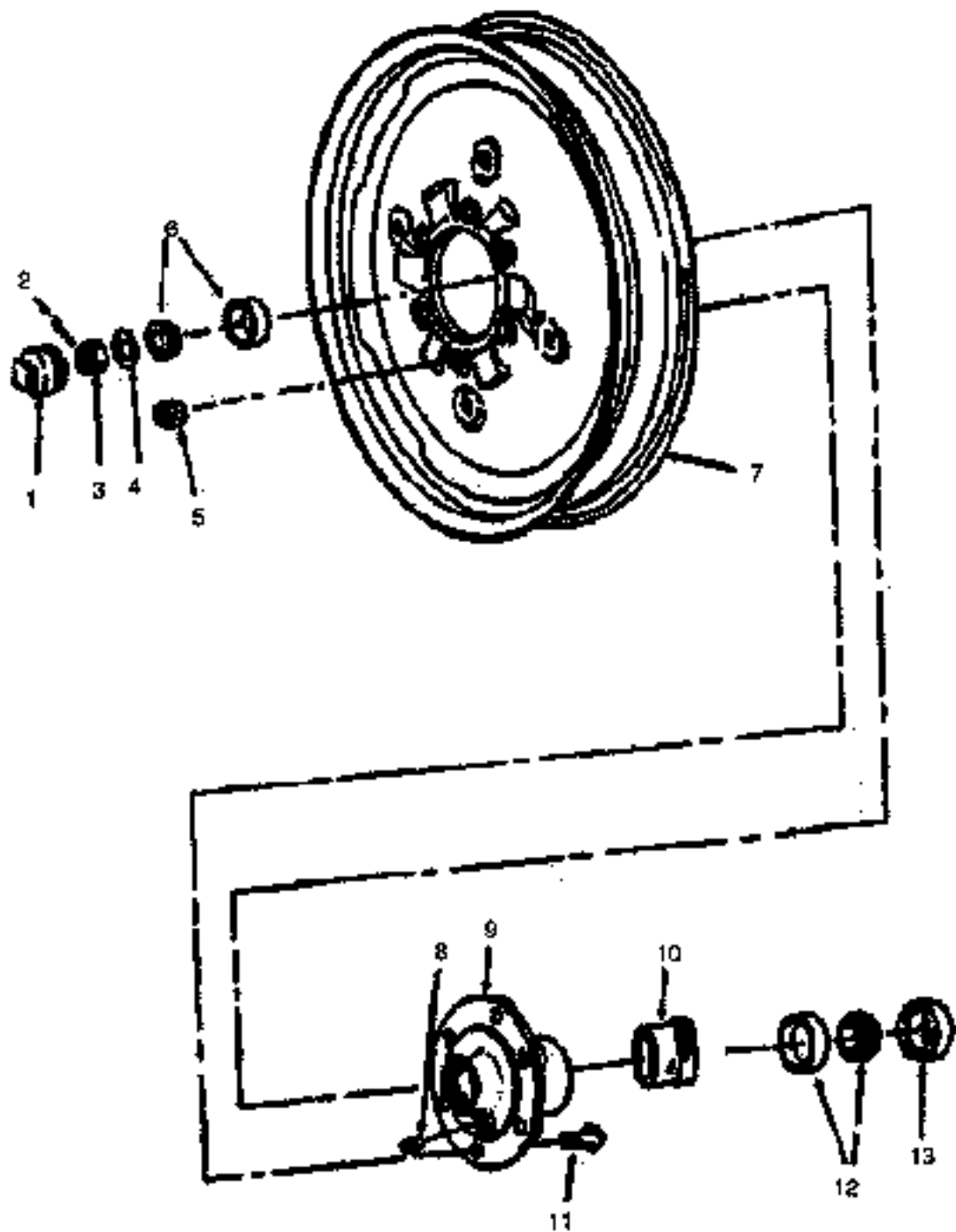
THERMOSTAT

● - SERIAL NUMBER BREAK ,

⊔ - INDICATES UP TO AND INCLUDING THAT SERIAL NUMBER

Notes

FRONT END & STEERING



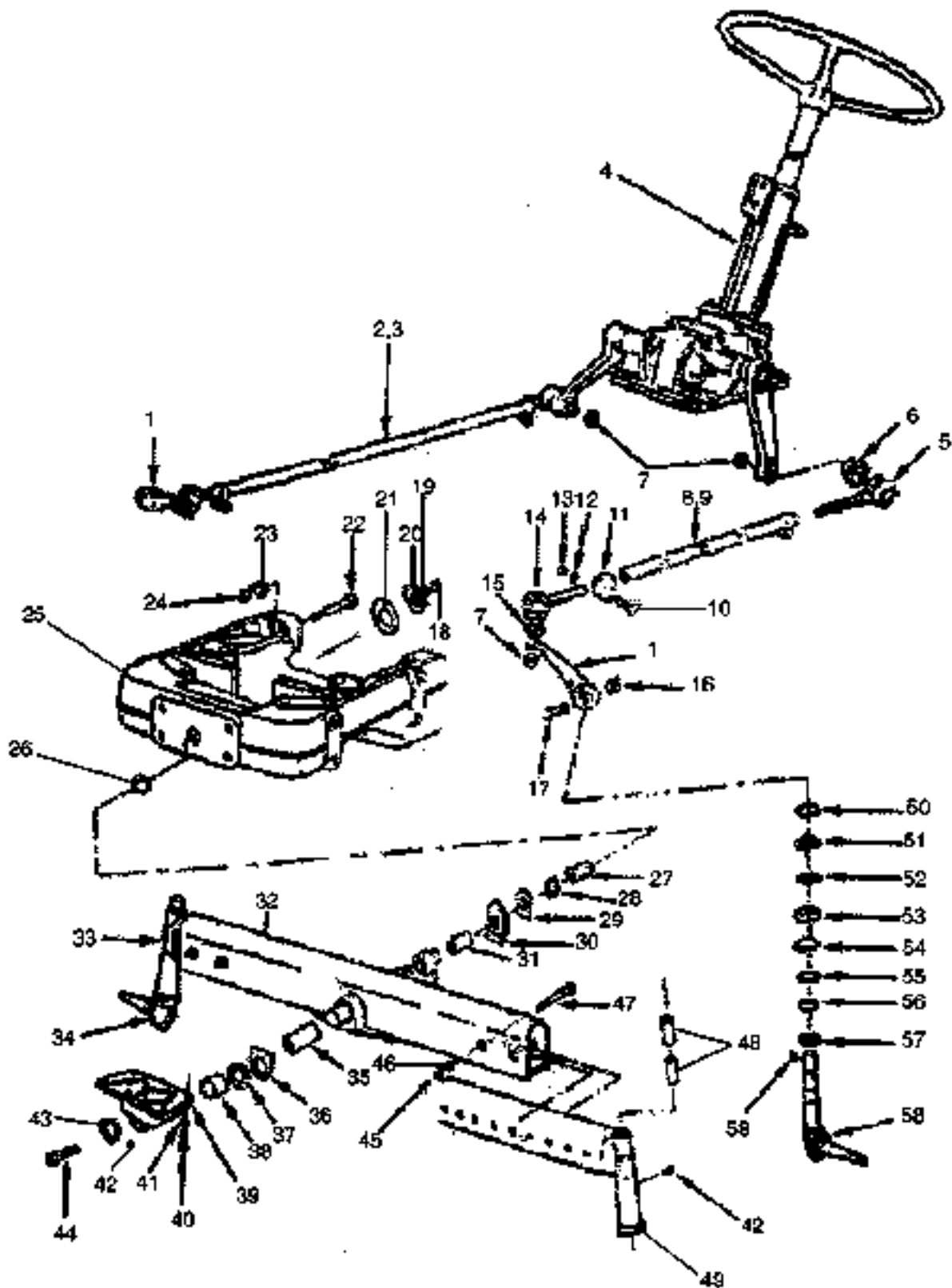
FRONT WHEEL ASSEMBLY

435 / 535

| ITEM No | PART No. | DESCRIPTION | VENDOR No. | QUANTITY | |
|---------|----------|--|------------|----------|-----|
| | | | | 435 | 535 |
| 1 | ESL10526 | Cap, Front Wheel Hub Grease | D10012950 | 2 | 2 |
| 2 | 72090S8 | Pin, Cotter (5/32"-1.75) | D88400060 | 2 | 2 |
| 3 | ESL12412 | Nut, Slotted Hex (1" - 12) | D10012960 | 2 | 2 |
| 4 | ESL11860 | Washer, Hub Retainer | D10012970 | 2 | 2 |
| 5 | ESL11793 | Nut, Front Wheel Bolt | D10018200 | 12 | 12 |
| 6 | ESL10524 | Bearing Assembly, Front Wheel Outer | D10012100 | 2 | 2 |
| 7 | ESL12226 | Wheel Assembly, Front (6.00x16 Tires) | D10019230 | 2 | 2 |
| 8 | ESL10542 | Grease Nipple (1/2-27) | D92000020 | 2 | 2 |
| 9 | ESL10528 | Hub, Front Wheel | D10012110 | 2 | 2 |
| 10 | ESL10529 | Bush, Front Wheel Hub | D10012060 | 2 | 2 |
| 11 | ESL11747 | Bolt, Front Wheel Hub | D10012000 | 12 | 12 |
| 12 | ESL10522 | Bearing Assembly, Front Wheel Inner | D10013290 | 2 | 2 |
| 13 | ESL10521 | Seal Assembly, Front Wheel Hub Dust | D10012700 | 2 | 2 |

FRONT WHEEL ASSEMBLY

435 / 535

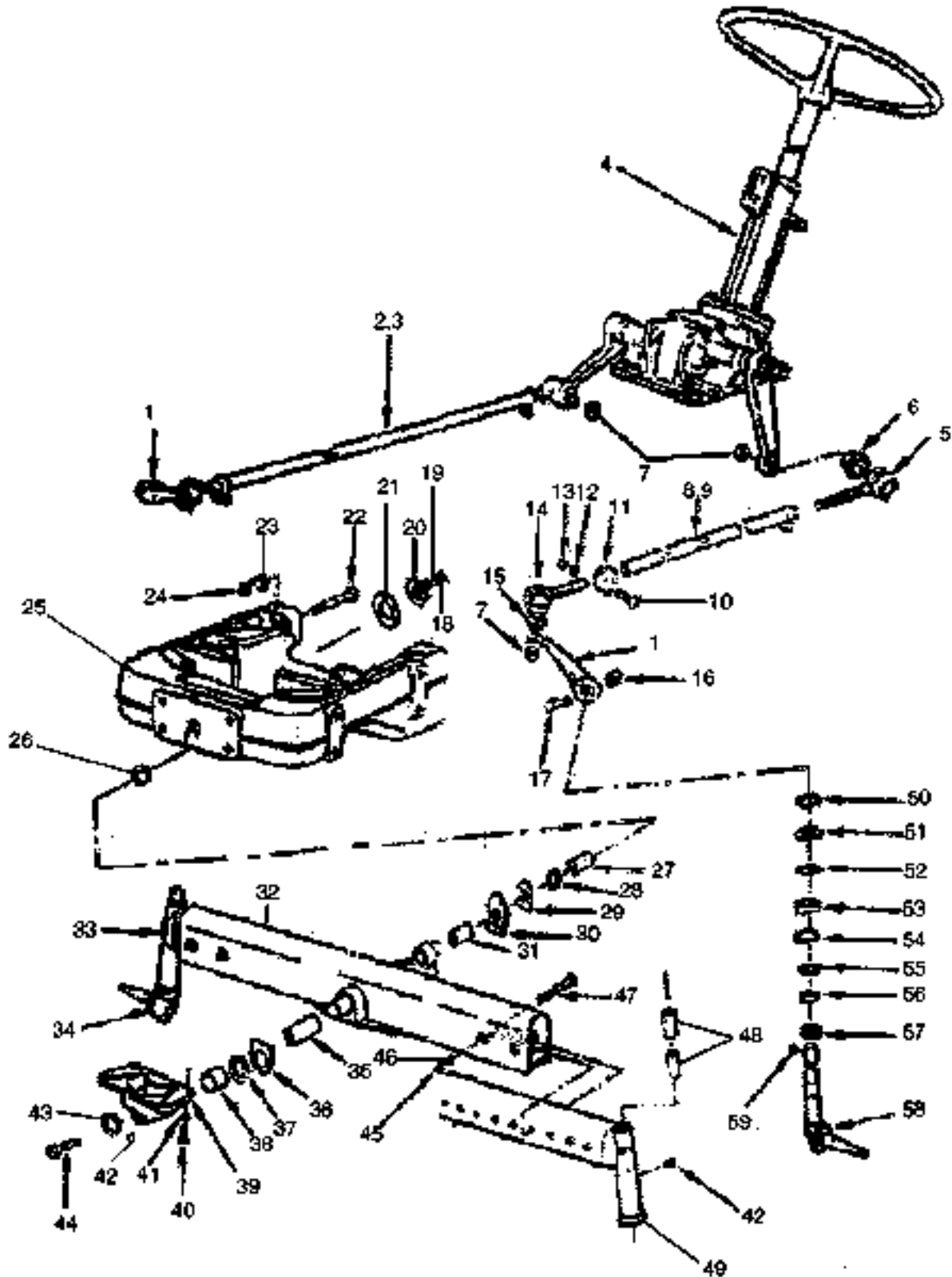


AXLE & STEERING PARTS-MECHANICAL

| ITEM No | PART No. | DESCRIPTION | VENDOR No. | QUANTITY |
|---------|-----------|---------------------------------------|------------|----------|
| | | | | 435 535 |
| 1 | ESL15048 | Arm, Steering Spindle | - | 2 - |
| 2 | ESL14577 | Drag Link Assembly, RH | - | 1 - |
| 3 | ESL10538 | Sleeve RH, Steering Drag Link | - | 1 - |
| 4 | ESL14680 | Steering Gear Assembly | - | 1 - |
| 5 | ESL10531 | End Assembly, Rear Steering Drag Link | - | 2 - |
| 6 | ESL10532 | Cover, Steering Drag Link Rear | - | 2 - |
| 7 | ESL11862 | Nut (1/2"20) | - | 4 - |
| 8 | ESL14576 | Drag Link Assembly, LH | - | 1 - |
| 9 | ESL10534 | Sleeve LH, Steering Drag Link | - | 1 - |
| 10 | N600212S8 | Bolt, Hex Head (M8x1.25x35) | - | 4 - |
| 11 | ESL10537 | Clamp, Steering Drag Link | - | 4 - |
| 12 | 3480658 | Washer, Lock (5/16) | - | 4 - |
| 13 | N62001388 | Nut, Hex (M8x1.25) | - | 4 - |
| 14 | ESL10535 | End Assembly Front Steering Drag Link | - | 2 - |
| 15 | ESL10536 | Cover Steering Drag Link Front | - | 2 - |
| 16 | 3467058 | Nut, Hex (7/16-14) | - | 2 - |
| 17 | 304862S8 | Bolt, Hex Head (7/16-14"2.25) | - | 2 - |
| 18 | N605515S8 | Bolt Hex Head (M6x1-12) | - | 3 - |
| 19 | N630067S8 | Washer, Flat | - | 3 - |
| 20 | ESL14575 | Plate & Nut Assembly, Axle Support | - | 1 - |
| 21 | ESL14583 | Gasket | - | 1 - |
| 22 | ESL14574 | Stud, Front Axle Support | - | 4 - |
| 23 | ESL14219 | Washer, Lock (M20) | - | 4 - |
| 24 | ESL14220 | Nut, Hex (M20x1.5-8) | D10032950 | 4 - |
| 25 | ESL14573 | Support, Front Axle | - | 1 - |
| 26 | ESL10058 | Plug Dust Front Cover | D10019450 | 1 - |
| 27 | ESL10553 | Bush, Front Axle | - | 1 - |
| 28 | ESL10550 | O'Seal, Support | - | 1 - |
| 29 | ESL12419 | Washer, Thrust, Front Axle Rear | - | 1 - |
| 30 | ESL12424 | Washer, Front Axle Center Trunion | - | 1 - |
| 31 | ESL10549 | Sleeve, Front Axle Center | - | 1 - |
| 32 | ESL10538 | Axle, Front Center | - | 1 - |
| 33 | ESL10540 | Axle, Front RH | - | 1 - |
| 34 | ESL12698 | Spindle Assembly, Front Wheel RH | - | 1 - |
| 35 | ESL10551 | Sleeve Front Axle Center Trunion | - | 1 - |
| 36 | ESL11680 | Washer, Thrust, Axle Pin | - | 1 - |
| 37 | ESL10558 | Shim, Front Axle Pin (NI) | D10012720 | AR - |
| - | ESL10559 | Shim, Front Axle Pin (NI) | D10012730 | AR - |
| - | ESL12415 | Shim, Front Axle Pin (NI) | - | AR - |
| 38 | ESL10654 | Bush, Front Axle Trunion Retainer | - | 1 - |

AXLE & STEERING PARTS-MECHANICAL

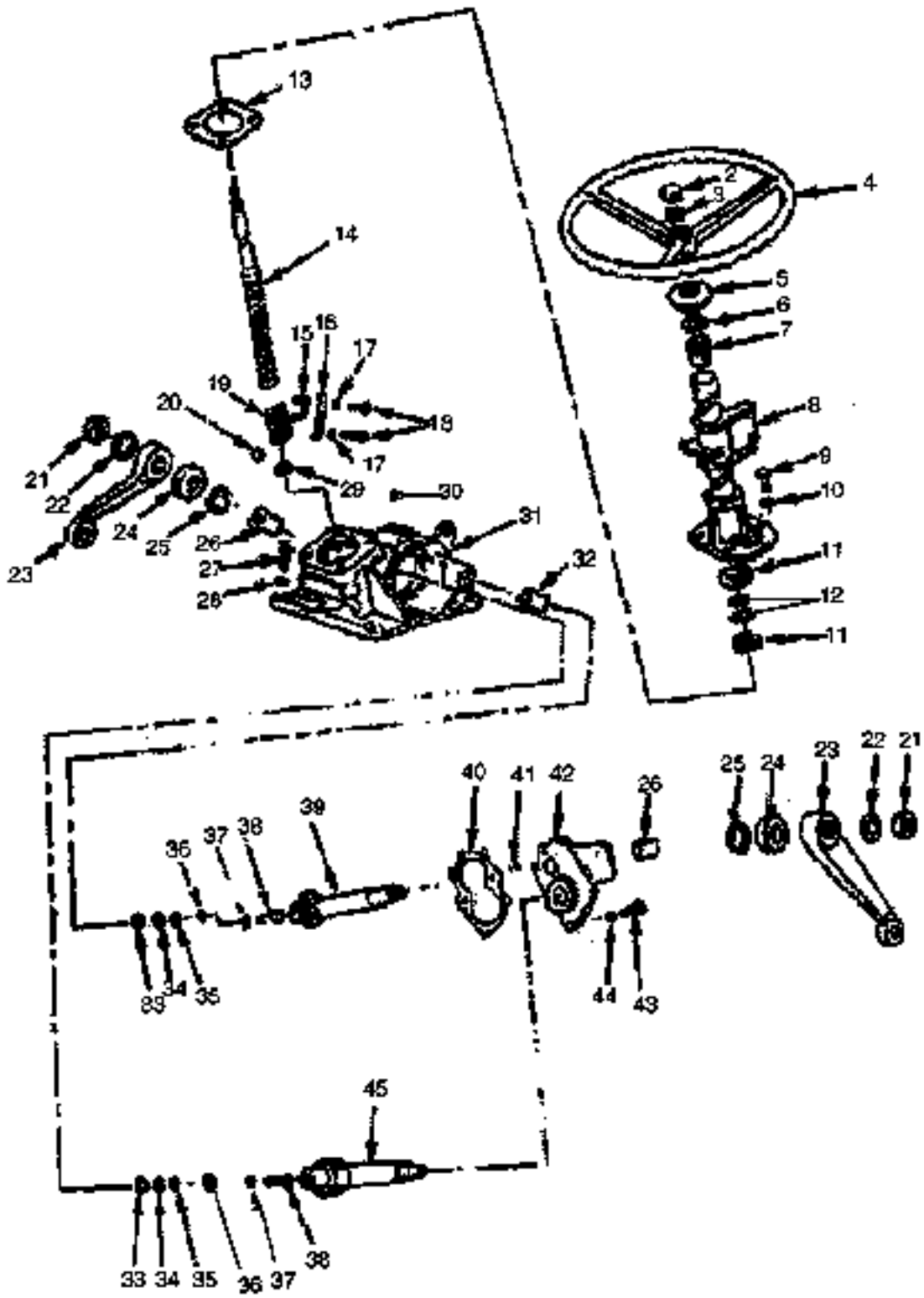
435 / 535



AXLE & STEERING PARTS-MECHANICAL

| Item No | Part No. | DESCRIPTION | VENDOR No. | QUANTITY |
|---------|----------|--|------------|----------|
| | | | | 435 535 |
| 39 | ESL10556 | Bracket, Front Axle Trunion | - | 1 - |
| 40 | ESL11752 | Bolt, Bracket Front axle Trunion | - | 4 - |
| 41 | 377490S8 | Washer, Flat (1/2) | - | 4 - |
| 42 | 87901S8 | Grease Nipple (1/8-27) | - | 3 - |
| 43 | ESL15487 | Plate Front Axle Support | D10032970 | 1 - |
| 44 | 87650S8 | Screw Plug (1/8-27) | - | 1 - |
| 45 | 304962S8 | Bolt, Hex Head | - | 4 - |
| 46 | ESL10543 | Spacer, Front Axle | - | 4 - |
| 47 | 33849S8 | Nut, Hex (5/8-11) | - | 4 - |
| 48 | ESL10567 | Spindle Bush Set (2 each Upper & Lower) | - | 1 - |
| 49 | ESL10541 | Axle, Front LH | - | 1 - |
| 50 | ESL10547 | Seal, Spindle Pin Dust | - | 2 - |
| 51 | ESL10583 | Seal Dust Cover, Upper | - | 2 - |
| 52 | ESL10561 | Seal Upper, Spindle | - | 2 - |
| 53 | ESL10544 | Bearing Assembly, Front Wheel Spindle | - | 2 - |
| 54 | ESL10580 | Seal Lower, Spindle | - | 2 - |
| 55 | ESL10565 | Seal, Spindle Front | - | 2 - |
| 56 | ESL10564 | Spacer, Spindle Front | - | 2 - |
| 57 | ESL10562 | Seal Dust Cover, Lower | - | 2 - |
| 58 | ESL12699 | Spindle Assembly, Front Wheel LH | - | 1 - |
| 59 | ESL13304 | Key, Woodruff (1/4*7/8) | - | 2 - |

435 / 535



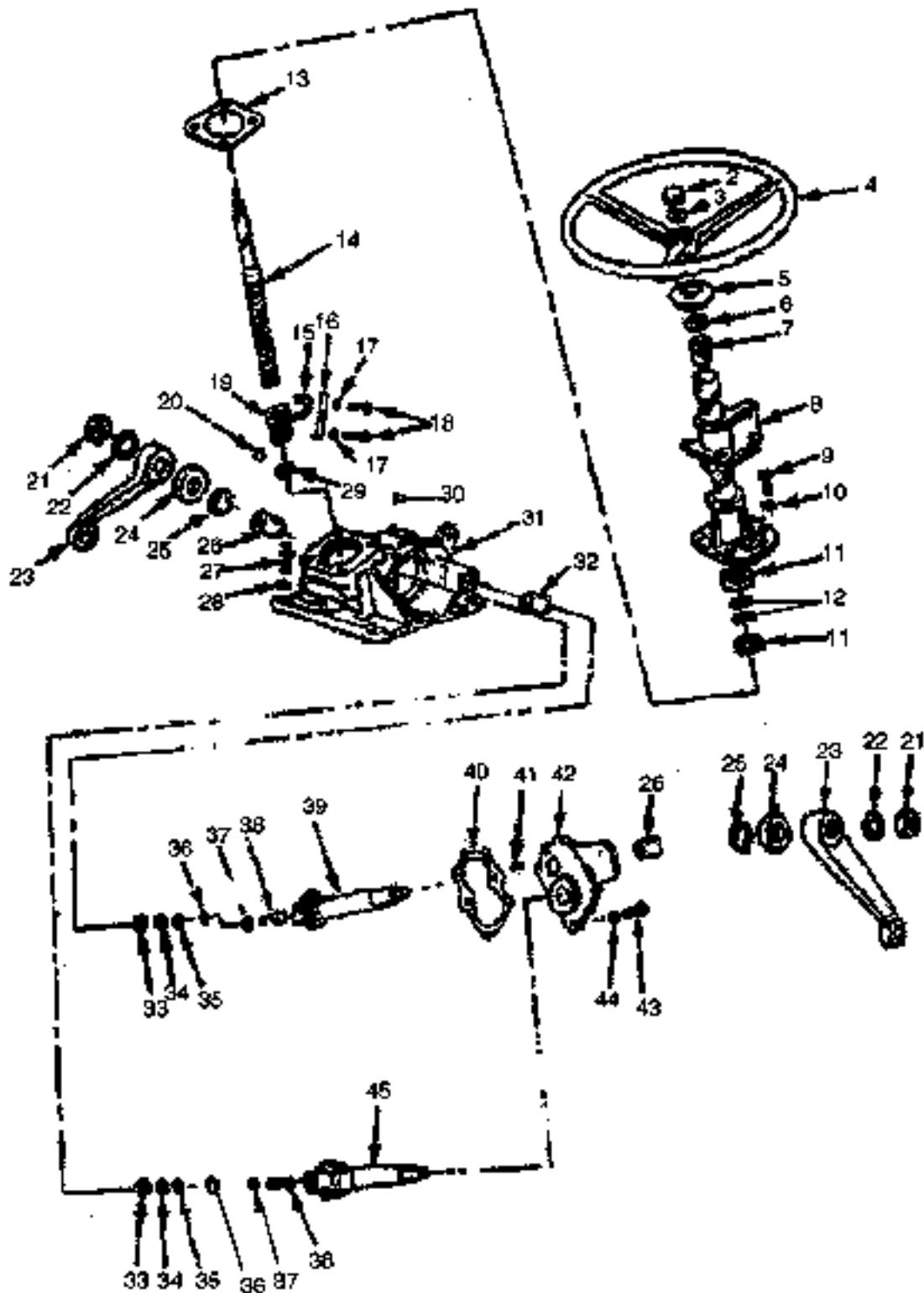
STEERING GEAR ASSEMBLY-MECHANICAL

435 / 535

| Item No | Part No. | DESCRIPTION | VENDOR No. | QUANTITY |
|---------|----------|---|------------|----------|
| | | | | 435 535 |
| 1 | ESL10600 | Steering Gear Assembly | - | 1 |
| - | - | Housing Assembly, Steering Gear (NSS) | - | 1 |
| 2 | ESL10597 | Cap, Steering Wheel Hub | - | 1 |
| 3 | ESL11796 | Nut, Steering Wheel Retainer | - | 1 |
| 4 | ESL10596 | Wheel Assembly, Steering | - | 1 |
| 5 | ESL12422 | Grommet, Steering Column Shroud | - | 1 |
| 6 | ESL10599 | Seal Steering Column Dust | - | 1 |
| 7 | ESL10576 | Bush Assembly, Steering Column | - | 1 |
| 9 | ESL10577 | Column Assembly, Steering Gear | - | 1 |
| 9 | ESL14578 | Bolt Column Assembly to Housing (M10x30M) | - | 1 |
| 10 | ESL10578 | Washer Spring, Column to Housing | - | 4 |
| 11 | ESL10571 | Adjuster Ball Race, Steering Column | - | 2 |
| 12 | ESL10572 | Steel Ball, Steering Column (3/8") | - | 22 |
| 13 | ESL10580 | Shim, (0.050mm) | - | AR |
| - | ESL10581 | Shim (0.127mm) | - | AR |
| - | ESL10582 | Shim (0.250mm) | - | AR |
| 14 | ESL10601 | Main Nut & Shaft Assembly, Steering (Includes item #15-20) | - | 1 |
| 15 | - | Transfer Tube, Main Nut (NSS) | - | 2 |
| 16 | - | Retainer Strap, Main Nut (NSS) | - | 1 |
| 17 | - | Lock Washer (NSS) | - | 2 |
| 18 | - | Bolt, Retainer Strap (NSS) | - | 2 |
| 19 | - | Main Nut, Steering Column (NSS) | - | 1 |
| - | ESL10579 | Washer, Joint (NI) | - | 1 |
| 20 | ESL10574 | Steel Ball, Steering Column (9/32") | - | 62 |
| 21 | 3469458 | Nut, Hex (7/8-14) | - | 2 |
| 22 | 3481458 | Washer, Lock (7/8) | - | 2 |
| 23 | ESL12230 | Arm, Steering Gear | - | 2 |
| 24 | ESL10587 | Seal, Steering Rocker Shaft (Felt) | - | AR |
| 25 | ESL10586 | Seal, Steering Pitman Shaft | - | 2 |
| 26 | - | Bush, Rocker Shaft Outer (NSS) | - | 2 |
| 27 | ESL11751 | Nolt, Steering Case | - | 3 |
| - | ESL14679 | Bolt, Breather | - | 1 |
| 28 | 3480958 | Washer, Lock (1/2) | - | 4 |
| 29 | ESL10575 | Inner Ball Race, Main Nut | - | 1 |
| 30 | ESL10570 | Oil Plug, Steering Oil Level | - | 1 |
| 31 | ESL10602 | Housing Assembly, Steering (Includes items #26, 32,42) | - | 1 |
| 32 | - | Bush, Rocker Shaft Inner (NSS) | - | 2 |
| 33 | ESL11795 | Lock Nut, Adjusting Screw | - | 2 |

STEERING GEAR ASSEMBLY-MECHANICAL

435 / 535

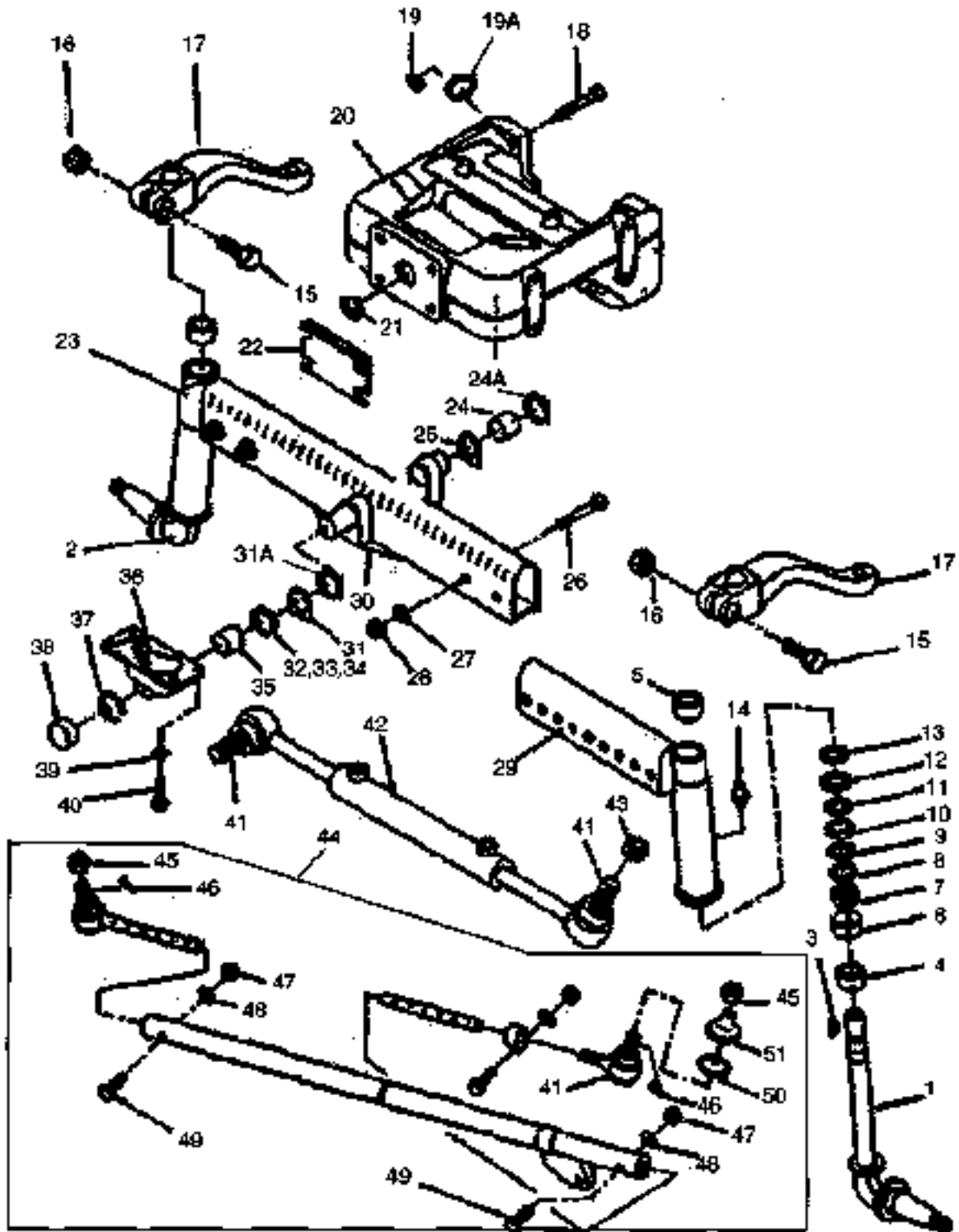


STEERING GEAR ASSEMBLY-MECHANICAL

435 / 535

| ITEM No | PART No. | DESCRIPTION | VENDOR No. | QUANTITY |
|---------|-----------|-------------------------------|------------|----------------|
| | | | | 435 535 |
| 34 | ESL10585 | Circlip, Rocker Shaft | - | 2 - |
| 35 | ESL10593 | Circlip, Adjusting Screw | - | 2 - |
| 36 | ESL10588 | Shim, Adjusting Screw (0.002) | - | AR - |
| - | ESL10589 | Shim, Adjusting (0.003) | - | AR - |
| - | ESL10590 | Shim, Adjusting Screw (0.004) | - | AR - |
| - | ESL10591 | Shim, Adjusting Screw | - | 2 - |
| 37 | ESL11795 | Spacer, Adjusting Screw | - | 2 - |
| 38 | ESL11863 | Adjusting Screw | - | 2 - |
| 39 | ESL10584 | Shaft, Rocker Secondary | - | 1 - |
| 40 | ESL10574 | Gasket, Side Cover to Housing | - | 1 - |
| 41 | ESL10573 | Dowel, Cover Plate to Housing | - | 1 - |
| 42 | - | Cover Plate, Housing (NSS) | - | 1 - |
| 43 | ESL11750 | Bolt, side Cover to Housing | - | 8 - |
| 44 | M630173S8 | Spring Washer (M8) | - | 8 - |
| 45 | ESL10583 | Shaft, Rocker Primary | - | 1 - |

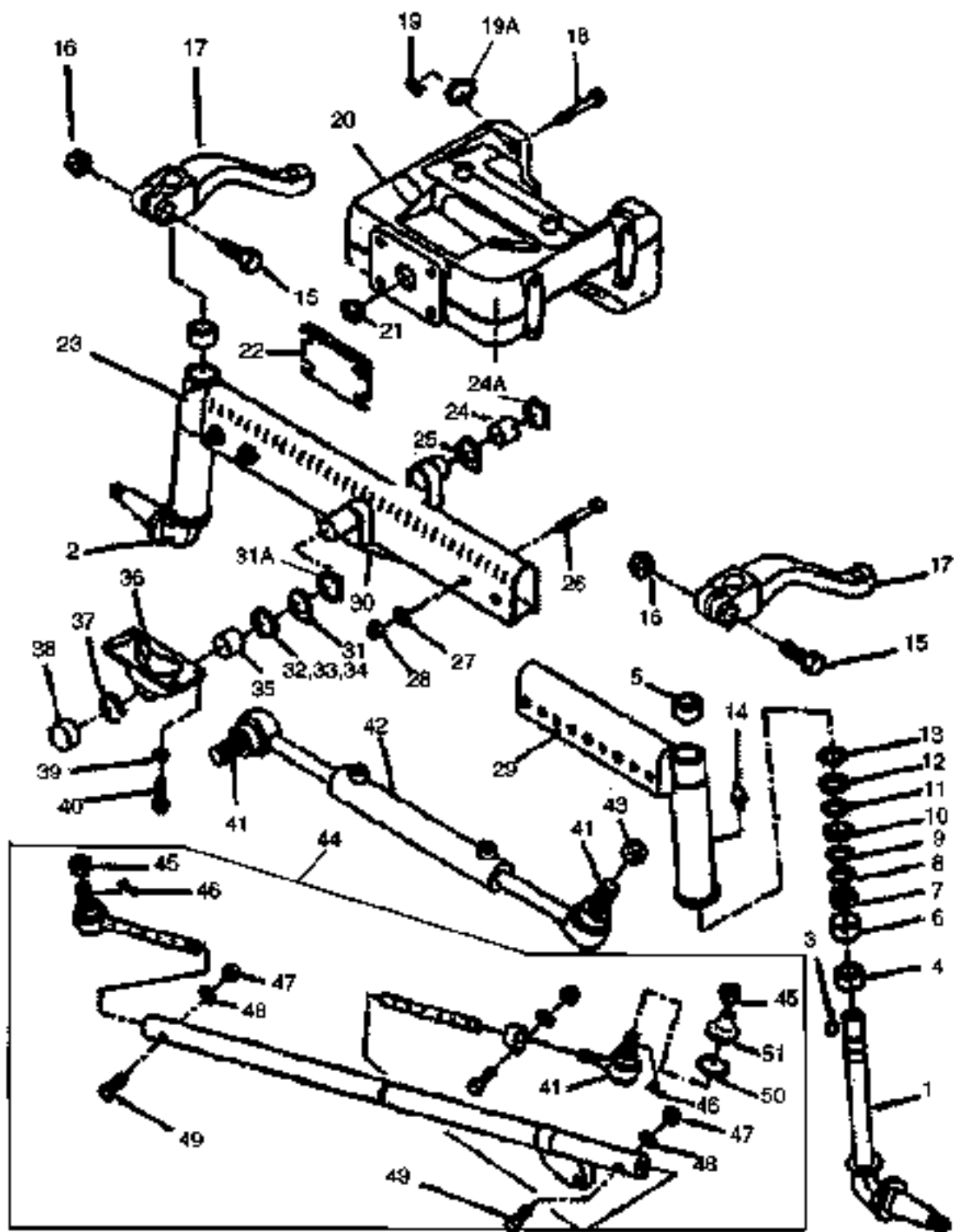
435 / 535



AXLE & STEERING PARTS - HYDROSTATIC

435 / 535

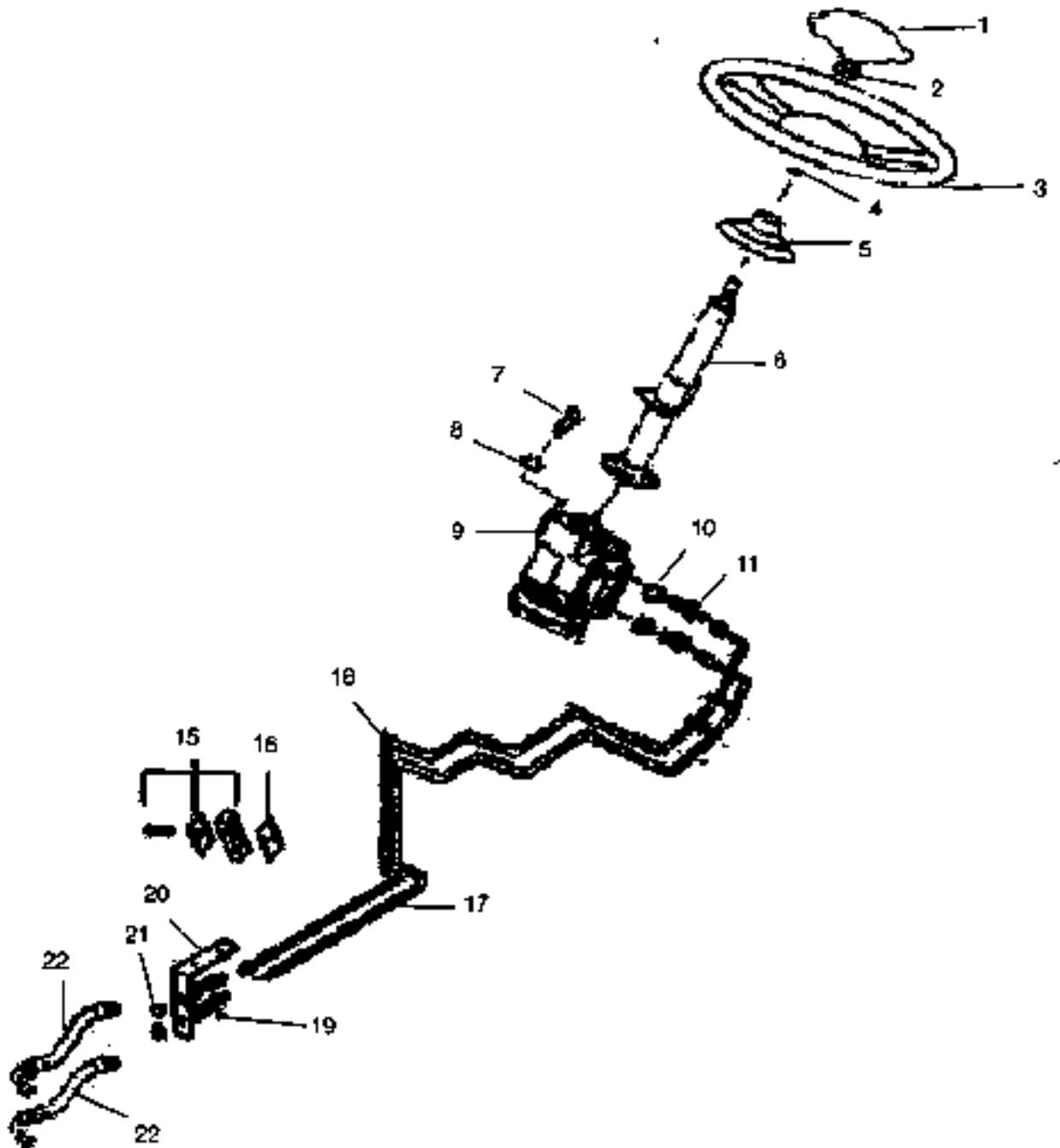
| ITEM No | PART No. | DESCRIPTION | VENDOR No. | QUANTITY |
|---------|-----------|---------------------------------------|------------|----------------|
| | | | | 435 535 |
| 1 | ESL12699 | Spindle Assembly, LH | D10047590 | - 1 |
| 2 | ESL12698 | Spindle Assembly, RH | D10047520 | - 1 |
| 3 | ESL13304 | Key, Woodruff (1/4x7/8) | D91000070 | - 2 |
| 4-5 | ESL10567 | Spindle, Bush Set | D10075420 | - 1 |
| 6 | ESL10562 | Seal Dust Cover, Lower | D10012870 | - 2 |
| 7 | ESL10564 | Spacer, Spindle Front | D10012830 | - 2 |
| 8 | ESL10585 | Seal, Spindle Front | D10012840 | - 2 |
| 9 | ESL10560 | Seal, Spindle, Lower | D10012820 | - 2 |
| 10 | ESL13303 | Bearing Assembly, Front Wheel Spindle | D10013320 | - 2 |
| 11 | ESL10561 | Seal Upper, Spindle | D10012810 | - 2 |
| 12 | ESL10563 | Seal Dust Cover, Upper | D10012850 | - 2 |
| 13 | ESL10547 | Seal, Spindle Pin Dust | D10012310 | - 2 |
| 14 | ESL10542 | Grease Nipple (1/8-27) | 87901936 | - 2 |
| 15 | 304862S8 | Bolt, Hex Head (7/16-14x2.25) | 304862S36 | - 2 |
| 16 | 34670S8 | Nut, Hex (7/16-14) | 34670S36 | - 2 |
| 17 | ESL10610 | Arm, Steering Spindle | D10021460 | - 2 |
| 18 | ESL14574 | Stud, Front Axle Support | D10095660 | - 4 |
| 19 | ESL14220 | Nut, Hex (M8x1.5-8) | D10032950 | - 4 |
| 19A | ESL14219 | Washer, Spring Lock (M20) | D10032940 | - 4 |
| 21 | ESL10058 | Plug, Dust Cover Front Axle Support | D10019450 | - 1 |
| 22 | ESL19679 | Front Weight Spacer (Optional) | 90643 | - 1 |
| 23 | ESL11949 | Front Axle Extension, RH | D10021450 | - 1 |
| 24 | ESL10548 | Bush, Front Axle, Rear | D10060800 | - 1 |
| 24A | ESL10560 | O' Seal, Support | D10012890 | - 1 |
| 25 | ESL12413 | Washer Thrust, Rear | D10013000 | - 1 |
| 26 | 304962S8 | Bolt, Hex Head (5/8"-11) | D81000440 | - 4 |
| 27 | ESL16489 | Spacer, Front Axle | D10103070 | - 4 |
| 28 | 33849S8 | Nut, Hex (5/8"-11) | D83000090 | - 4 |
| 29 | ESL11950 | Front Axle Extension, LH | D10021490 | - 1 |
| 30 | ESL11944 | Axle Assembly, Front Center | D10021990 | - 1 |
| 31 | ESL11678 | Washer, Thrust, Front | D10070640 | - 1 |
| 31A | ESL10552 | O' Seal, Trunion | D10012680 | - 1 |
| 32 | ESL10568 | Shim | D10012720 | - AF |
| 33 | ESL10559 | Shim | D10012730 | - AF |
| 34 | ESL12415 | Shim | D10013070 | - AF |
| 35 | ESL10561 | Bush, Front Axle, Front | D10012600 | - 1 |
| 36 | ESL10558 | Bracket FA Trunion, Front | D10012800 | - 1 |
| 37 | ESL10565 | Plug & Nut Assembly | D10013020 | - 1 |
| 38 | ESL15213 | Plug | D93100020 | - 1 |
| 39 | 377490S30 | Washer, Flat (1/2) | D10003580 | - 4 |



AXLE & STEERING PARTS - HYDROSTATIC

435 / 535

| ITEM No | PART No. | DESCRIPTION | VENDOR No. | QUANTITY |
|---------|------------|--------------------------------|------------|----------------|
| | | | | 435 535 |
| 40 | ESL11752 | Bolt, Hex Head (1/2 - 13x1.50) | D10012670 | - 4 |
| 41 | ESL10620 | End Assembly | D10021100 | - 3 |
| 42 | ESL12713 | Cylinder Assembly | D10021090 | - 1 |
| 43 | ESL11797 | Nut, Lock | D10021110 | - 2 |
| 44 | ESL11951 | Tie Rod Assembly | D10021120 | - 1 |
| 45 | ESL14559 | Castle Nut (M14x1.5) | D10021110 | - 2 |
| 46 | 72035S8 | Pin, Split | 72035S8 | - 2 |
| 47 | N620012S8 | Nut (M6) | N620012S96 | - 2 |
| 48 | N630067S8 | Washer, Flat (M6) | N630067S96 | - 2 |
| 49 | N600515S36 | Bolt, Hex Head (M6x1-12) | N600515S36 | - 2 |
| 50 | ESL12236 | Retainer Ring, Dust Cap | D10105490 | - 2 |
| 51 | ESL12236 | Dust Cap, Tie Rod | D10105100 | - 2 |
| 52 | ESL14204 | Seal Kit, Steering Cylinder | D10105210 | - 1 |



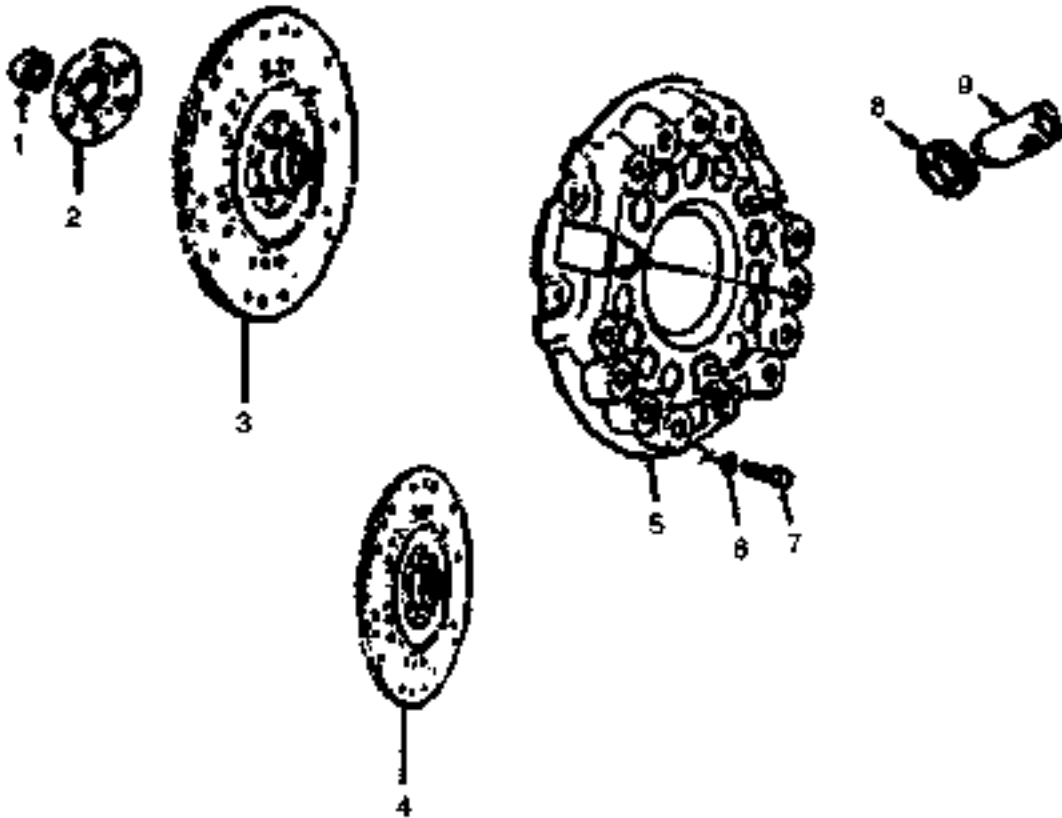
STEERING MOTOR & PIPES - HYDROSTATIC

435 / 535

| Item No | Part No. | DESCRIPTION | VENDOR No. | QUANTITY |
|---------|-----------|--|------------|----------------|
| | | | | 435 535 |
| 1 | ESL10650 | Cap, Steering Wheel | D10016560 | - 1 |
| 2 | ESL11796 | Nut, Steering Wheel Retainer | D10018500 | - 1 |
| 3 | ESL10649 | Steering Wheel (Includes Item #1) | D10021550 | - 1 |
| 4 | ESL10599 | Seal, Column Dust | D10018690 | - 1 |
| 5 | ESL12422 | Grommet, Column Shroud | D10021910 | - 1 |
| 6 | ESL14560 | Steering Column Assembly | D10021070 | - 1 |
| 7 | N605548S8 | Bolt, Hex Head (M10x1.5x40) | D81500100 | - 4 |
| 8 | N630174S8 | Washer, Lock (M10) | N630174S36 | - 4 |
| 9 | ESL12501 | Motor Assembly, Steering | D10021050 | + 1 |
| 10 | ESL10021 | O'Ring | D93600070 | - 4 |
| 11 | ESL12507 | Adapter, Steering Motor | D10021080 | - 4 |
| 12 | ESL14561 | Bracket Assembly | D10021060 | - 1 |
| 13 | ESL11751 | Bolt | D10012830 | - 4 |
| 14 | ESL12018 | Washer, Lock (1/2) | 34809S36 | - 4 |
| 15 | ESL12731 | Clamp Assembly | D10021250 | - 1 |
| 16 | ESL12523 | Bracket, Tube Holding, LH | D10021200 | - 1 |
| 17 | ESL15490 | Tube Assembly, Gear to Adapter, Right Turn | D10079950 | - 1 |
| 18 | ESL15491 | Tube Assembly, Gear to Adapter, Left Turn | D10079940 | - 1 |
| 19 | ESL10648 | Adapter | D10021280 | - 2 |
| 20 | ESL15492 | Bracket, Hose Holding | D10079960 | - 1 |
| 21 | ESL13685 | Nut, Hex (9/16-18) | D10021270 | - 2 |
| 22 | ESL10645 | Hose Assembly, Cylinder | D10021180 | - 2 |

Notes

CLUTCH



CLUTCH ASSEMBLY

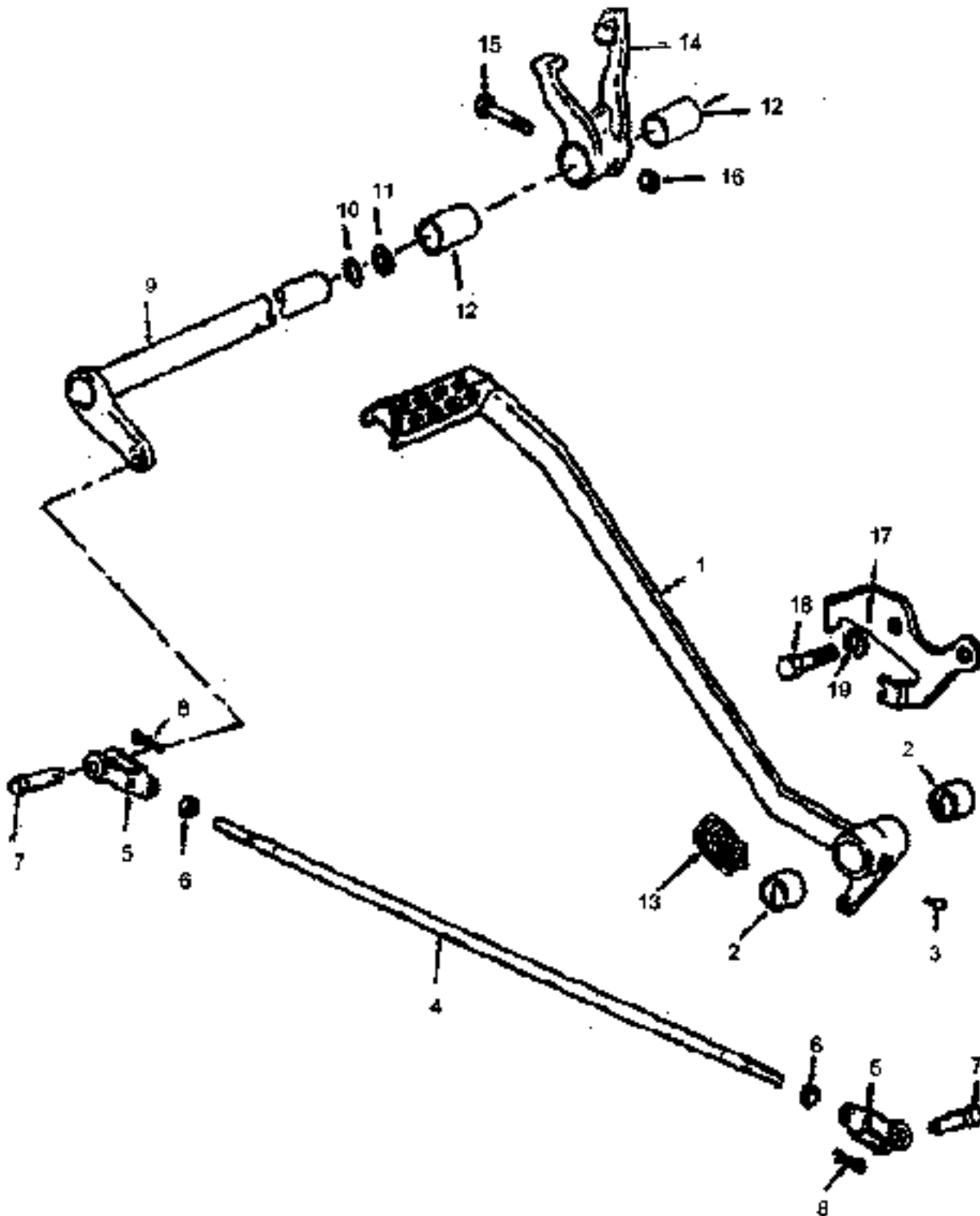


435 / 535

| ITEM NO | PART NO. | DESCRIPTION | VENDOR NO. | QUANTITY |
|---------|-----------|--|------------|----------------|
| | | | | 435 535 |
| 1 | ESL10692 | Bearing, Clutch Pilot | D10010480 | 1 1 |
| 2 | ESL10693 | Retainer, Clutch Pilot Bearing | D10011710 | 1 1 |
| 3 | ESL15493 | Disc Assembly, Main (12") | D10019570 | 1 1 |
| 4 | ESL14468 | Disc Assembly, PTO Clutch (11") | D10059820 | 1 1 |
| 5 | ESL14469 | Dual Clutch Assembly (12"x11") (Includes Item #4) | D10019590 | 1 1 |
| 6 | 34806SB | Washer, Lock (5/16) | D66000040 | 12 12 |
| 7 | N600213SB | Bolt (M8) | D61500330 | 12 12 |
| 8 | ESL10695 | Bearing, Clutch Release | D10019490 | 1 1 |
| 9 | ESL10694 | Hub, Clutch Release Bearing | D10019590 | 1 1 |

CLUTCH ASSEMBLY

435 / 535



CLUTCH CONTROLS

6-3

⊗ - SERIAL NUMBER BREAK

⊙ - INDICATES UP TO AND INCLUDING THAT SERIAL NUMBER

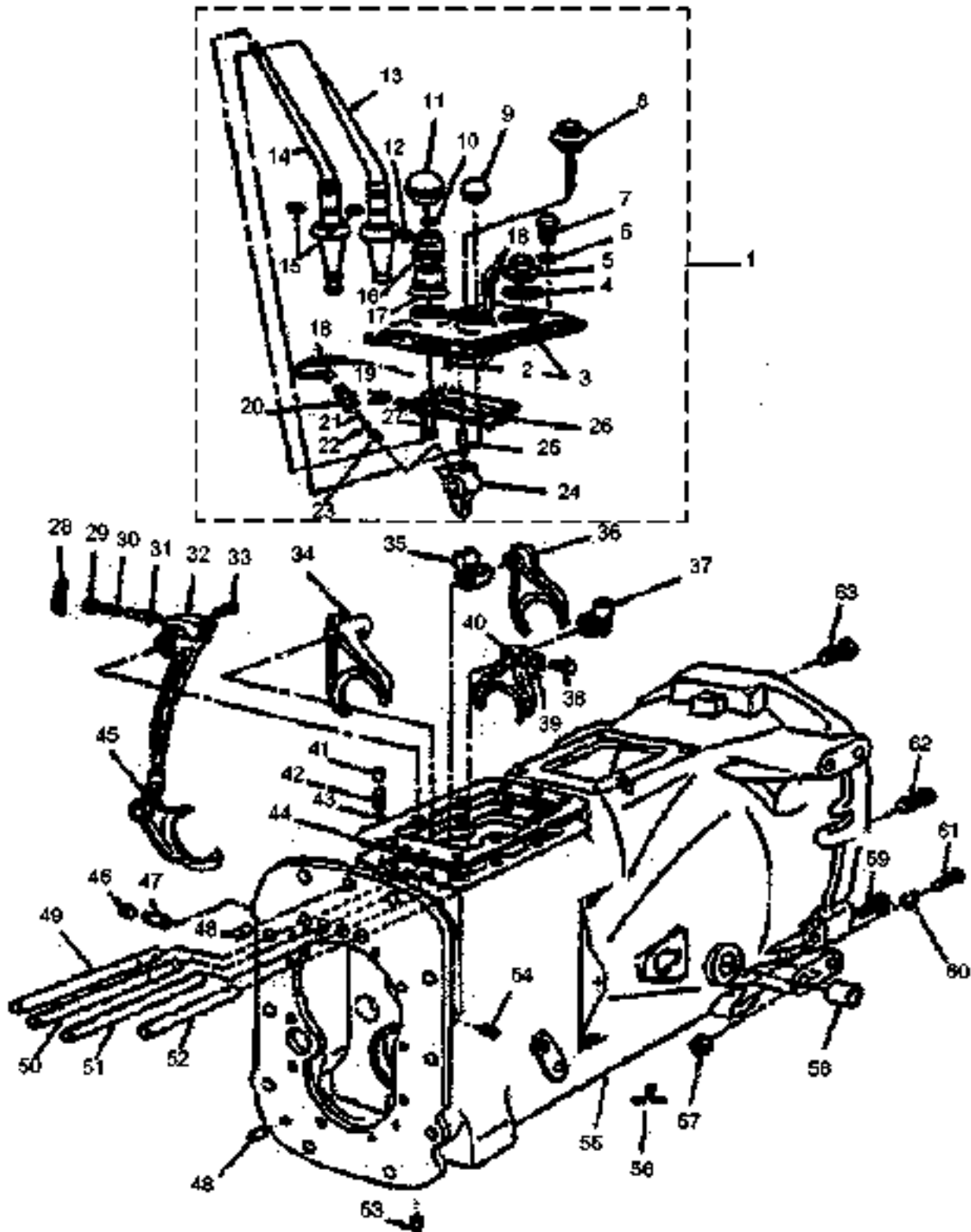
| ITEM No | PART No. | DESCRIPTION | VENDOR No. | QUANTITY | |
|---------|----------|--|------------|----------|-----|
| | | | | 435 | 535 |
| 1 | ESL10652 | Pedal Assembly, Clutch | D10019480 | 1 | 1 |
| 2 | ESL10653 | Bush, Clutch Pedal | D10087240 | 2 | 2 |
| 3 | ESL10654 | Grease Nipple (1/4 - 28) | D92500050 | 1 | 1 |
| 4 | ESL15494 | Rod & Clevis Assembly, Clutch Release (Includes #5&6) | D10019700 | 1 | 1 |
| 5 | 9701358 | Clevis (3/8 - 24 x 2.50) | D10066700 | 2 | 2 |
| 6 | 3392658 | Nut, Hex (3/8 - 24) | D83000010 | 2 | 2 |
| 7 | 7391958 | Pin, Clevis (3/8 x 1.14) | D93400030 | 2 | 2 |
| 8 | 7201758 | Pin, Split (1/8 x 0.76) | D10013480 | 2 | 2 |
| 9 | ESL15495 | Shaft, Clutch Release | D10001450 | 1 | 1 |
| 10 | ESL10660 | O'Ring, Clutch Release Shaft | D10001480 | 1 | 1 |
| 11 | ESL11684 | Washer, Clutch Release Shaft | D10001490 | 1 | 1 |
| 12 | ESL10668 | Bush Set, Clutch Release Shaft | D10075230 | 1 | 1 |
| 13 | ESL10663 | Spring, Clutch Pedal Assist | D10012380 | 1 | 1 |
| 14 | ESL10664 | Fork, Clutch Release Shaft | D10001500 | 1 | 1 |
| 15 | ESL14470 | Bolt, Hex (3/8 - 16 x 2.00) | D10001510 | 1 | 1 |
| 16 | 3498758 | Nut, Hex (3/8 - 16) | D10001520 | 1 | 1 |
| 17 | ESL10666 | Bracket, Pedal Spring Rear | D10002330 | 1 | 1 |
| 18 | 30472458 | Bolt, Hex (7/16 - 14 x 1.25) | D81000090 | 2 | 2 |
| 19 | 3480858 | Washer, Lock (7/16) | D88000020 | 2 | 2 |
| 20 | ESL10667 | Plug | D10000160 | 1 | 1 |

CLUTCH CONTROLS

Notes

GEARBOX

435 / 535

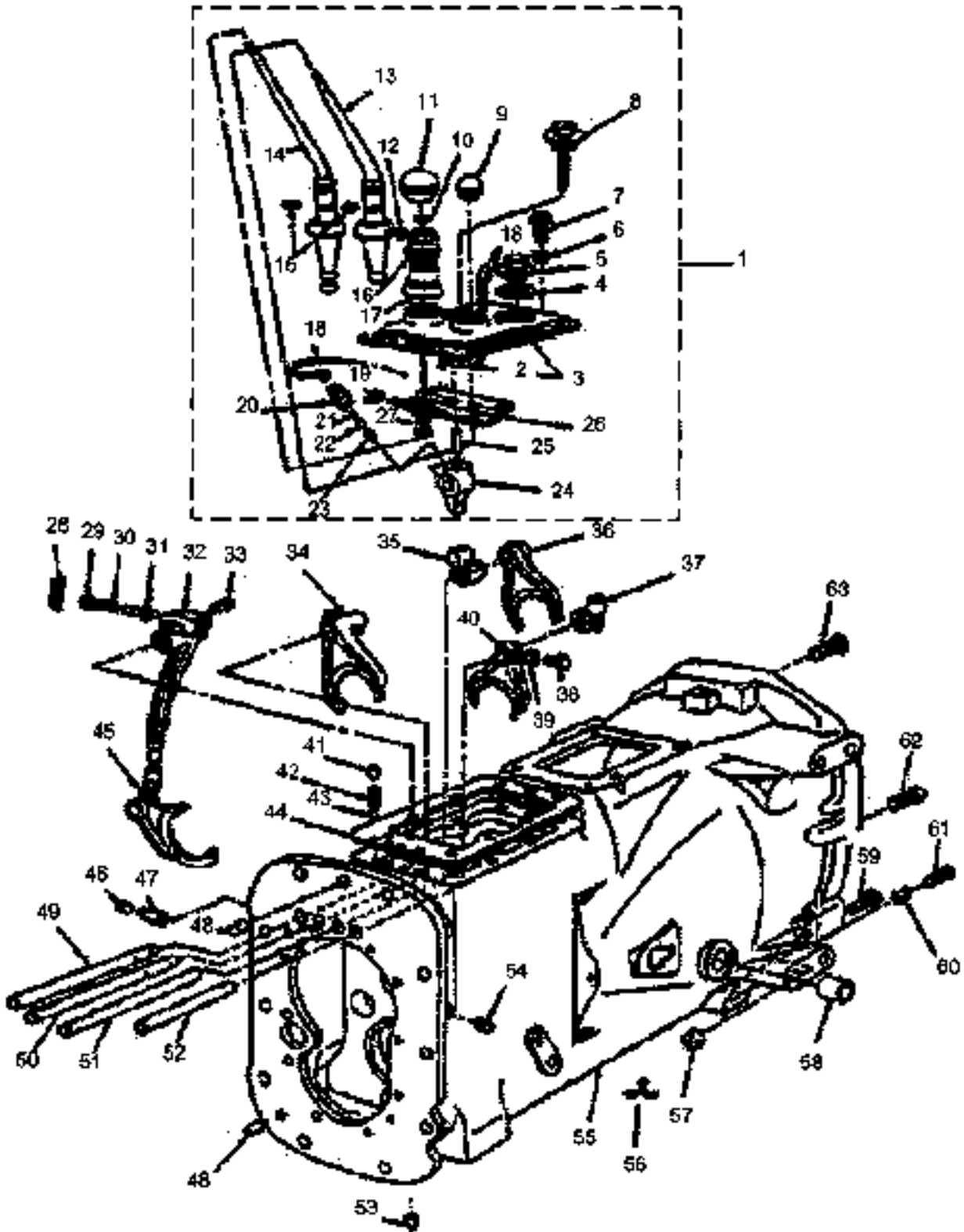


TRANSMISSION CASE & SHIFT LEVERS

435 / 535

| ITEM No | PART No. | DESCRIPTION | VENDOR No. | QUANTITY | |
|---------|------------|--------------------------------------|------------|----------|-----|
| | | | | 435 | 535 |
| 1 | ESL12248 | Cover & Lever Assembly, Transmission | - | 1 | 1 |
| 2 | ESL10752 | Dowel, Case Cover | - | 1 | 1 |
| 3 | ESL10739 | Cover, Transmission Case | - | 1 | 1 |
| 4 | ESL10740 | Gasket, Filler Plug | - | 1 | 1 |
| 5 | ESL11915 | Breather, Transmission Case | - | 1 | 1 |
| 6 | 34807S8 | Washer, Lock (3/8) | - | 9 | 9 |
| 7 | 304684S8 | Bolt, Hex (3/8 - 16 x 1.00) | - | 9 | 9 |
| 8 | ESL10759 | Indicator Assembly, Transmission Oil | - | 1 | 1 |
| 9 | ESL10903 | Ball, High Low Gear Shift | - | 1 | 1 |
| - | ESL10749 | Rubber Boot, Gear Shift Lever (NI) | - | 2 | 2 |
| 10 | ESL10747 | Snap Ring, Gear Shift Lever | - | 2 | 2 |
| 11 | ESL10748 | Ball, Main Shift Lever | - | 1 | 1 |
| 12 | ESL10744 | Pin, Gear Shift Lever Socket | - | 2 | 2 |
| 13 | ESL10742 | Lever, High Low Gear | - | 1 | 1 |
| 14 | ESL10741 | Lever, Main Gear | - | 1 | 1 |
| 15 | ESL10743 | O'Ring Seal (0.625 x 0.07) | - | 2 | 2 |
| 16 | ESL10746 | Spring, Gear Shift Lever | - | 2 | 2 |
| 17 | ESL10745 | Retainer, Gear Shift Lever Ball | - | 2 | 2 |
| 18 | ESL10757 | Harness Assembly, Transmission | - | 1 | 1 |
| 19 | ESL10759 | Clip, Switch Cable | - | 1 | 1 |
| 20 | ESL10763 | Switch Assembly, Transmission | - | 1 | 1 |
| 21 | ESL10766 | Plunger, Safety Starter Switch | - | 1 | 1 |
| 22 | ESL10735 | Ball (3/8) | - | 1 | 1 |
| 23 | ESL10755 | Spring, Safety Starter Switch | - | 1 | 1 |
| 24 | ESL10754 | Retainer, Safety Starter Switch | - | 1 | 1 |
| 25 | ESL10751 | Pin, Safety Switch Locating | - | 1 | 1 |
| 26 | ESL10750 | Stop, Gear Shift Lever | - | 1 | 1 |
| 27 | 304694-S36 | Bolt, Hex Head (5/16 - 18 x 0.625) | - | 4 | 4 |
| 28 | 72003S8 | Pin, Colter (1/16 x 0.50) | - | 1 | 1 |
| 29 | ESL10726 | Retainer, Plunger Spring | - | 1 | 1 |
| 30 | ESL10726 | Spring, Selector Stop Plunger | - | 1 | 1 |
| 31 | ESL10724 | Plunger, Selector Stop | - | 1 | 1 |
| 32 | ESL10723 | Arm, Gear Shift Rocker | - | 1 | 1 |
| 33 | 78237S8 | Pin, Clevis (3/16 x 1.219) | - | 1 | 1 |
| 34 | ESL10721 | Fork, Gear Shift | - | 1 | 1 |
| 35 | ESL10733 | Connector, Gear Shift Lever | - | 1 | 1 |
| 36 | ESL10719 | Fork, Gear Shift | - | 1 | 1 |
| 37 | ESL10732 | Gate, Gear Shift Lever | - | 1 | 1 |
| 38 | ESL11869 | Screw Gear Shift, Fork Lock | - | 6 | 6 |
| 39 | 33925S8 | Nut, Lock Screw (3/8 - 24) | - | 6 | 6 |

TRANSMISSION CASE & SHIFT LEVERS

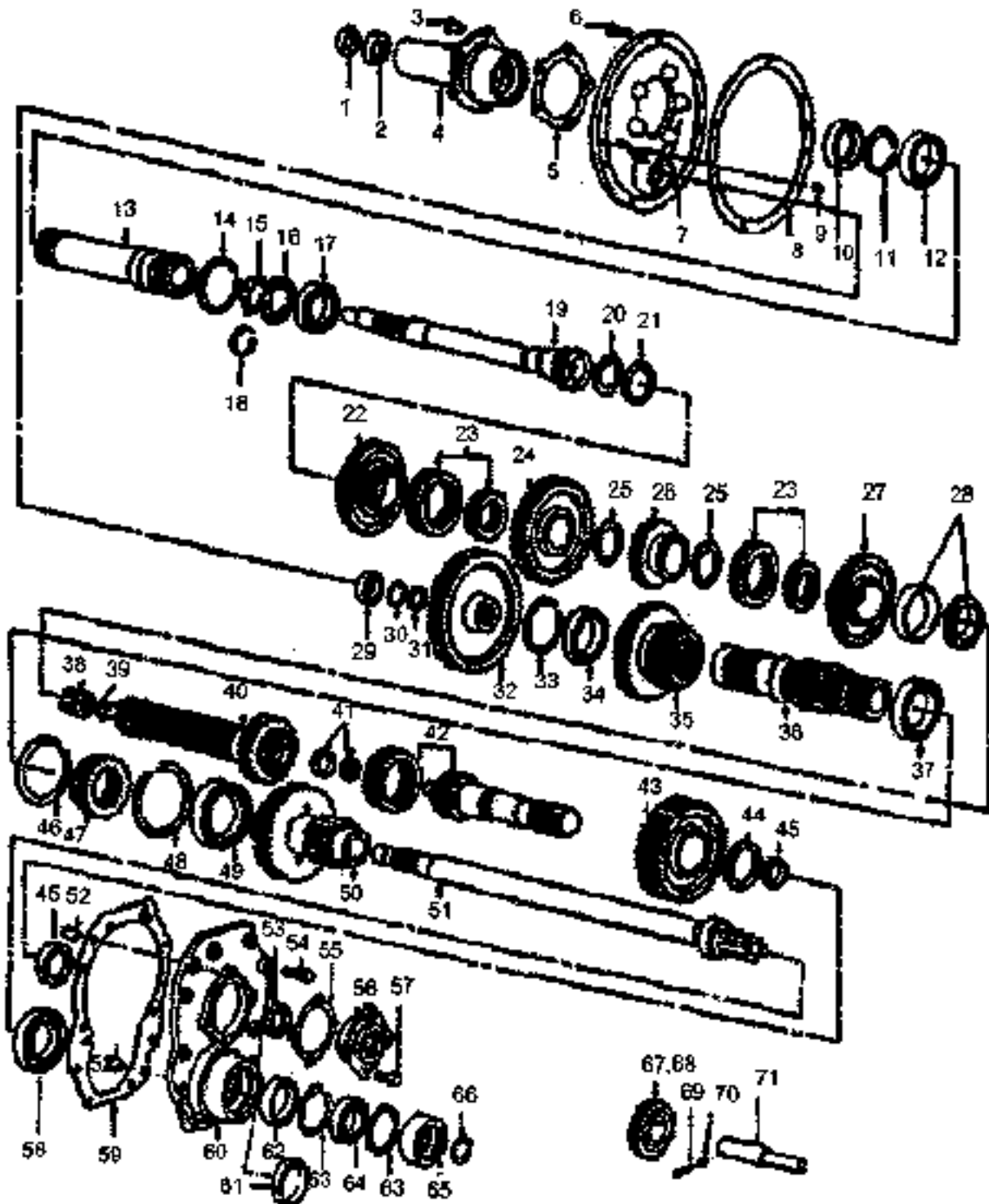


TRANSMISSION CASE & SHIFT LEVERS

| ITEM No | PART No. | DESCRIPTION | VENDOR No. | QUANTITY | |
|---------|----------|--|------------|----------|-----|
| | | | | 435 | 535 |
| 40 | ESL10720 | Fork, Gear Shift | - | 1 | 1 |
| 41 | 379678S8 | Pin, Main Gear Rail (3/8 x 1.26/1 - 27) | - | 3 | 3 |
| - | ESL10737 | Pin, High/Low Rail | - | 1 | 1 |
| 42 | ESL10902 | Spring, Gear Shift Rail | - | 4 | 4 |
| 43 | ESL10735 | Ball, Rail Detent (3/8) | - | 4 | 4 |
| 44 | ESL10738 | Gasket, Gear Shift Housing | - | 1 | 1 |
| 45 | ESL10722 | Fork, Gear Shift | - | 1 | 1 |
| 46 | ESL10044 | Plug, Pipe (1/4 - 18 - PTF) | - | 1 | 1 |
| 47 | ESL10727 | Interlock, Gear Shift Rail | - | 2 | 2 |
| 48 | 379304S8 | Pin, Dowel (1/2x0.8125) | - | 2 | 2 |
| 49 | ESL10731 | Rail, Gear Shift | - | 1 | 1 |
| 50 | ESL10730 | Rail, Gear Shift | - | 1 | 1 |
| 51 | ESL10728 | Rail, Gear Shift | - | 1 | 1 |
| 52 | ESL10729 | Rail, Gear Shift | - | 1 | 1 |
| 53 | ESL12529 | Plug, Case Drain (3/4 - 14) | - | 1 | 1 |
| 54 | ESL10718 | Plug (3/4 - 18) | - | 1 | 1 |
| 55 | ESL10717 | Case Assembly, Transmission | - | 1 | 1 |
| 56 | 72055S8 | Pin (3/16x1.25) | - | 1 | 1 |
| 57 | 33849S8 | Nut, Hex (5/8 - 11) | - | 2 | 2 |
| 58 | ESL10668 | Bush Set, Clutch Release Cross Shaft (Consists of 2 Bushes) | - | 1 | 1 |
| 59 | 58726S8 | Bolt, Hex (5/8-11)x3.25) | - | 2 | 2 |
| 60 | 34793S8 | Washer, Lock (7/16) | - | 2 | 2 |
| 61 | 304724S8 | Bolt, Hex (7/16 - 14 x 1.25) | - | 2 | 2 |
| 62 | 58719S8 | Bolt, Hex (5/8-11x1.50) | - | 2 | 2 |
| 63 | 304912S8 | Bolt, Hex (3/4 - 16 x 2.75) | - | 2 | 2 |

TRANSMISSION CASE & SHIFT LEVERS

435 / 535



TRANSMISSION GEARS

⊖ - SERIAL NUMBER BREAK

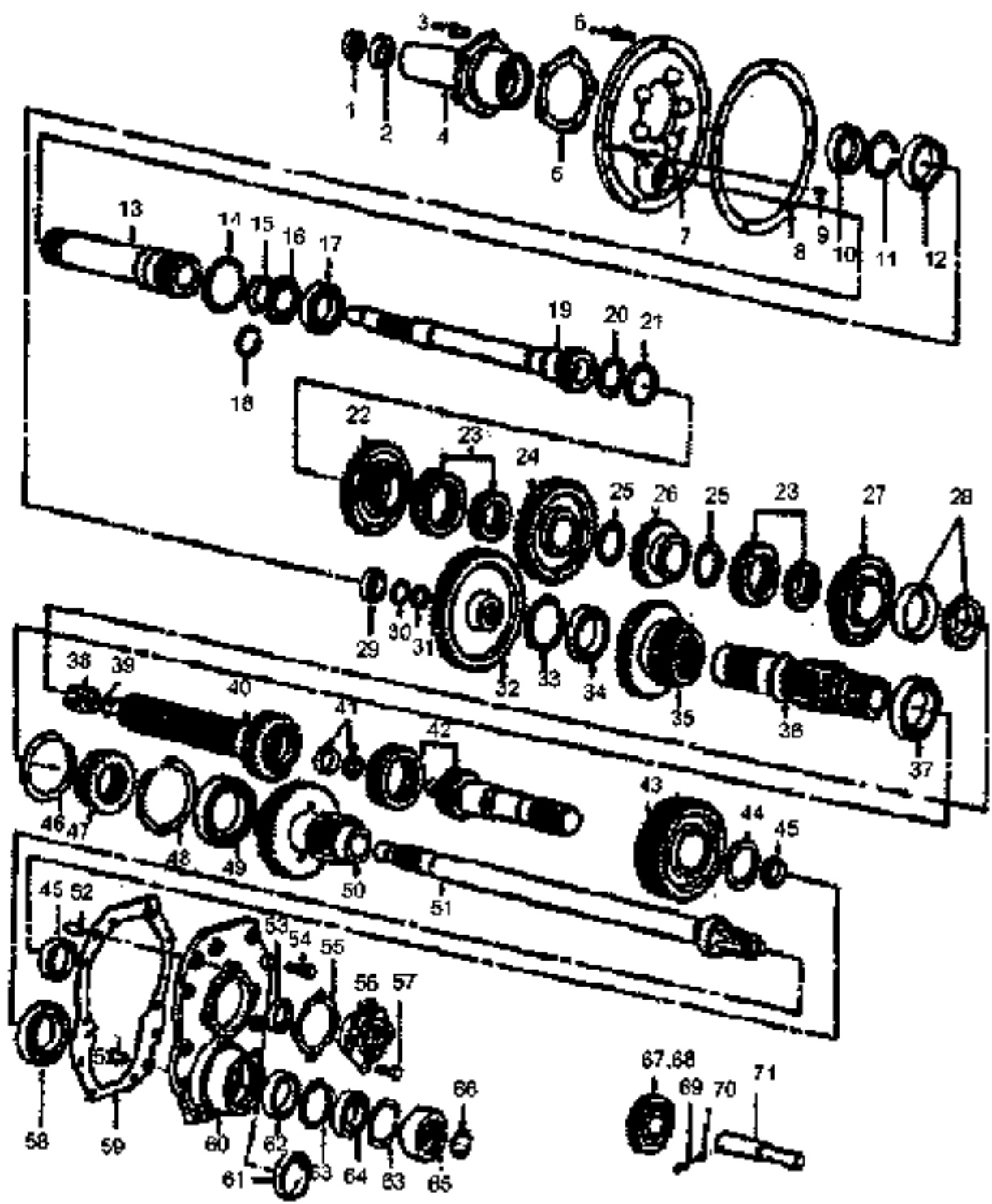
↙ - INDICATES UP TO AND INCLUDING THAT SERIAL NUMBER

435 / 535

| Item No | PART No. | DESCRIPTION | VENDOR No. | QUANTITY |
|---------|----------|--|------------|----------------|
| | | | | 435 535 |
| 1 | ESL10777 | Seal, PTO Input Shaft | - | 1 1 |
| 2 | ESL10769 | Bearing, PTO Input Shaft | - | 1 1 |
| 3 | 4600758 | Bolt, Hex Head (3/8 - 16 x 0.875) | - | 5 5 |
| 4 | ESL10780 | Retainer, Input Shaft Bearing | - | 1 1 |
| 5 | ESL10781 | Gasket, Clutch Bearing Hub Support | - | 1 1 |
| 6 | 4600958 | Bolt, Hex (3/8 - 16 x 1.126) | - | 7 7 |
| 7 | ESL10784 | Plate, Release Bearing Support | - | 1 1 |
| 8 | ESL10785 | Gasket, Plate | - | 1 1 |
| 9 | 7326958 | Pin, Dowel (3/8 x 0.687) | - | 2 2 |
| 10 | ESL10776 | Oil Seal, Trans Input Shaft | - | 1 1 |
| 11 | ESL10772 | Snap Ring | - | 1 1 |
| 12 | ESL10778 | Bearing, Drive Gear Inner | - | 1 1 |
| 13 | ESL10767 | Shaft, PTO Input | - | 1 1 |
| 14 | ESL10774 | Ring | - | 1 1 |
| 15 | ESL10773 | Ring, Drive Bearing | - | 1 1 |
| 16 | ESL12249 | Plate, Input Shaft Bearing | - | 1 1 |
| 17 | ESL10768 | Bearing, Trans Input Shaft | - | 1 1 |
| 18 | ESL10771 | Snap Ring | - | 1 1 |
| 19 | ESL14472 | Shaft, Transmission Input (18 Splines) | D10035560 | 1 1 |
| 20 | ESL10795 | Snap Ring, Main Shaft | - | 1 1 |
| 21 | ESL11686 | Washer, Main Shaft Thrust | - | 1 1 |
| 22 | ESL10794 | Gear, 3rd Speed | - | 1 1 |
| 23 | ESL10791 | Connector & Coupling | - | 2 2 |
| 24 | ESL10790 | Gear, 1st Speed | - | 1 1 |
| 25 | ESL11685 | Washer, Main Shaft Thrust | - | 2 2 |
| 26 | ESL10792 | Gear, Main Shaft Reverse | - | 1 1 |
| 27 | ESL10789 | Gear, 2nd Speed | - | 1 1 |
| 28 | ESL10786 | Bearing, Taper Roller | - | 1 1 |
| 29 | ESL10819 | Bearing, PTO Countershaft Front | - | 1 1 |
| 30 | ESL10820 | Ring Snap | - | 1 1 |
| 31 | ESL11689 | Washer, PTO Countershaft | - | 1 1 |
| 32 | ESL10817 | Gear, PTO Countershaft | - | 1 1 |
| 33 | ESL10774 | Lock Ring | - | 1 1 |
| 34 | ESL10818 | Bearing, Front | - | 1 1 |
| 35 | ESL14473 | Gear, Transmission Countershaft Main | - | 1 1 |
| 36 | ESL10813 | Countershaft, Main Transmission | - | 1 1 |
| 37 | ESL10814 | Bearing, Rear | - | 1 1 |
| 38 | ESL10797 | Bearing, Main Shaft Pilot | - | 1 1 |

TRANSMISSION GEARS

4351535



TRANSMISSION GEARS

7:7 - SERIAL NUMBER BREAK, - INDICATES UP TO AND INCLUDING THAT SERIAL NUMBER

435 / 535

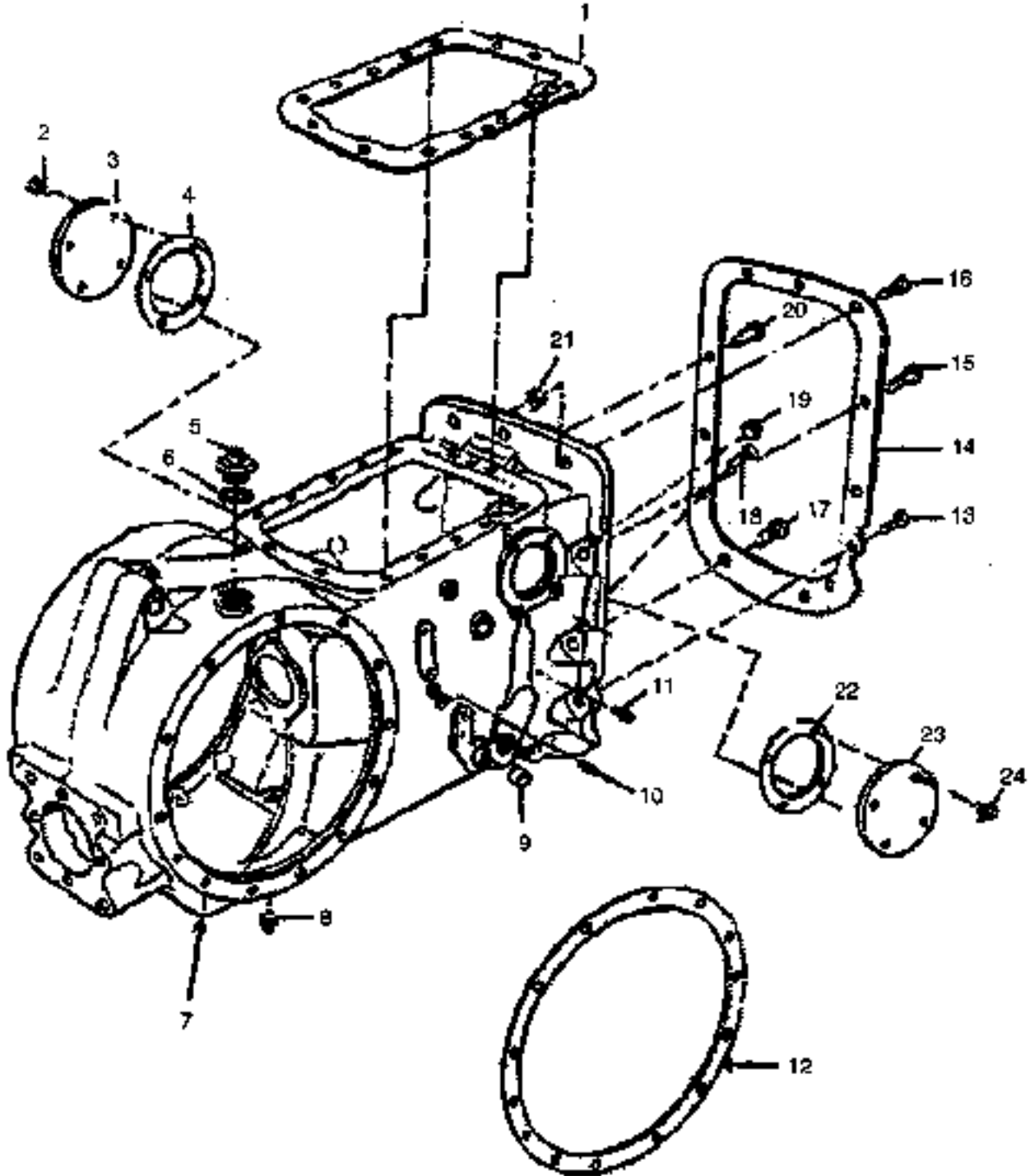
| ITEM No | PART No. | DESCRIPTION | VENDOR No. | QUANTITY |
|---------|----------|--|------------|----------|
| | | | | 435 535 |
| 39 | ESL11687 | Washer | - | 2 2 |
| 40 | ESL10787 | Shaft, Main (Rear) | . | 1 1 |
| 41 | ESL10788 | Bearing, Taper Roller | . | 1 1 |
| 42 | ESL10799 | Shaft & Coupling Assembly, Output | . | 1 1 |
| 43 | ESL10800 | Gear, Output Shaft | . | 1 1 |
| 44 | ESL11688 | Washer, Output Shaft Thrust | . | 1 1 |
| 45 | ESL10801 | Bearing, Taper Roller | . | 1 1 |
| 46 | ESL10815 | Lock Ring | . | 1 1 |
| 47 | ESL10821 | Coupling, Trans Countershaft, Rear | . | 1 1 |
| 48 | ESL10824 | Lock Ring | - | 1 1 |
| 49 | ESL10829 | Bearing, Rear | . | 1 1 |
| 50 | ESL10822 | Gear, Trans Countershaft Rear | . | 1 1 |
| 51 | ESL10811 | Countershaft, PTO | . | 1 1 |
| 52 | 37930458 | Pin, Dowel (1/2 x 0.8125) | . | 2 2 |
| 53 | ESL10809 | Seal, Output Shaft | . | 1 1 |
| 54 | 4600958 | Bolt, Hex (3/8 - 16 x 1.125) | - | 10 10 |
| 55 | ESL10805 | Shim (0.003) | - | AR AR |
| - | ESL10806 | Shim (0.005) | - | AR AR |
| - | ESL10807 | Shim (0.012) | - | AR AR |
| 56 | ESL10808 | Retainer, Output Shaft Bearing | - | 1 1 |
| 57 | 4600758 | Bolt, Hex (3/8 - 16 x 0.875) | - | 4 4 |
| 58 | ESL10825 | Bearing, PTO Countershaft Front | - | 1 1 |
| 59 | ESL10802 | Gasket, Output Retainer Plate | - | 1 1 |
| 60 | ESL10803 | Retainer Assembly, Trans Output Shaft | . | 1 1 |
| 61 | ESL10804 | Plug, Retainer Expansion | - | AR AR |
| 62 | ESL10826 | Seal Assembly, PTO Countershaft Rear | - | 1 1 |
| 63 | ESL10827 | Snap Ring, PTO Countershaft Rear | - | 2 2 |
| 64 | ESL10828 | Bearing, PTO Countershaft Rear | - | 1 1 |
| 65 | ESL10829 | Sleeve, PTO Intermediate Shaft | . | 1 1 |
| 66 | ESL10830 | Lock Ring, Sleeve & Gear | - | 1 1 |
| 67 | ESL10832 | Gear Assembly, Reverse Idler (Includes #68) | - | 1 1 |
| 68 | ESL10833 | Bush, Reverse Idler Gear | - | 1 1 |
| 69 | ESL11755 | Bolt (3/8-16) | - | 1 1 |
| 70 | ESL10834 | Seal Idler Shaft | . | 1 1 |
| 71 | ESL10831 | Shaft, Transmission Reverse Idler | . | 1 1 |

TRANSMISSION GEARS

Notes

***REAR END
&
P.T.O.***

435 / 535



CENTER HOUSING

8:1

⊙ - SERIAL NUMBER BREAK,

⊙ - INDICATES UP TO AND INCLUDING THAT SERIAL NUMBER

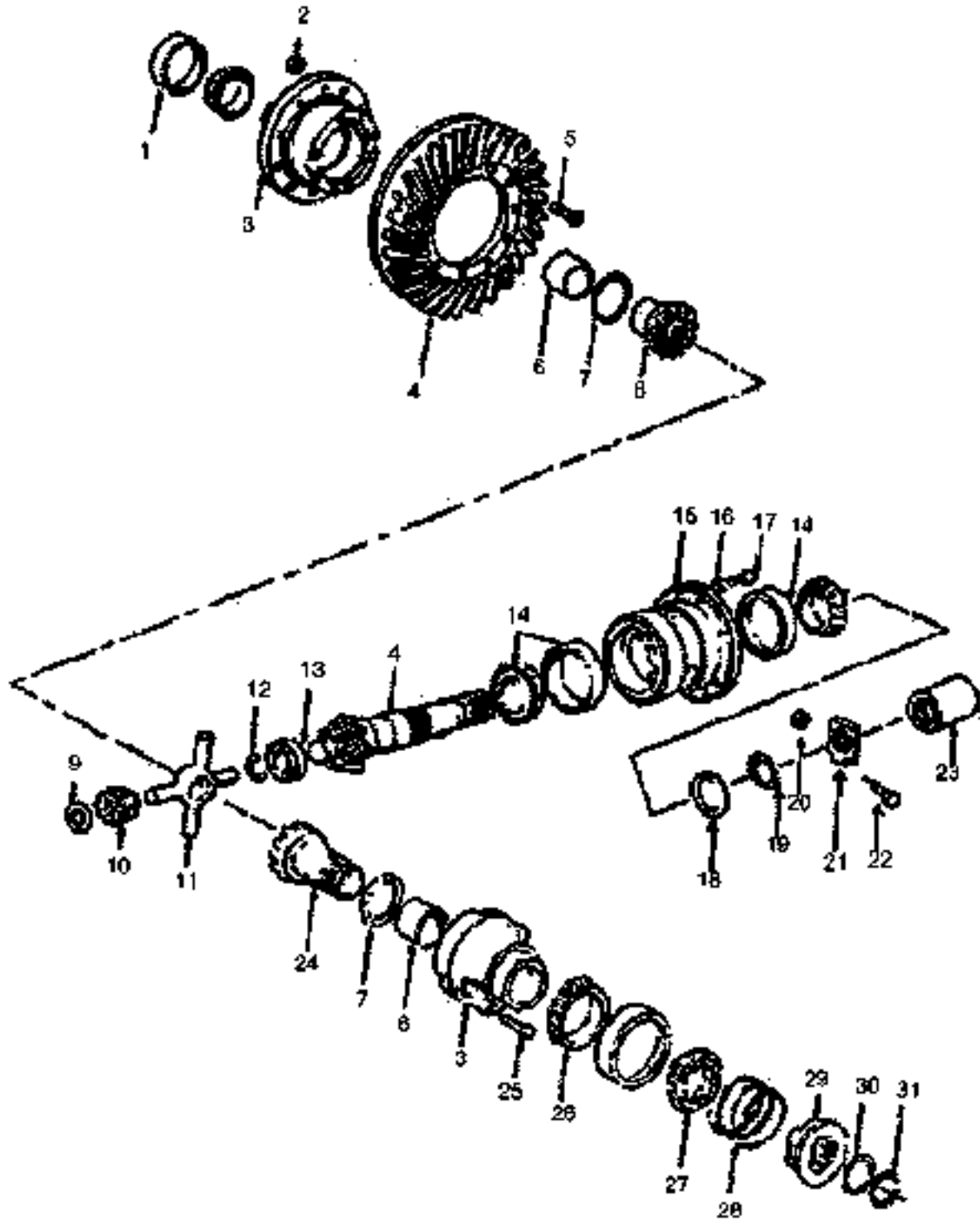


435 / 535

| ITEM NO | PART NO. | DESCRIPTION | VENDOR NO. | QUANTITY | |
|---------|------------|----------------------------------|------------|----------|-----|
| | | | | 435 | 535 |
| 1 | ESL10841 | Gasket, Hydraulic Lift Cover | - | 1 | 1 |
| 2 | 304668-S36 | Bolt, Hex (7/16 - 14 x 0.875) | - | 2 | 2 |
| 3 | ESL10846 | Cover | - | 1 | 1 |
| 4 | ESL10845 | Gasket, Cover | - | 1 | 1 |
| 5 | ESL15197 | Plug, Center Housing Filler | D10102840 | 1 | 1 |
| 6 | ESL15196 | Gasket, Filler Plug | D10102850 | 1 | 1 |
| 7 | ESL10836 | Housing, Rear Axle Center | - | 1 | 1 |
| 8 | ESL12529 | Plug, Drain (3/4 - 14) | - | 1 | 1 |
| 9 | ESL10847 | Bush Set, Brake Pedal Shaft | - | 1 | 1 |
| 10 | ESL10838 | Plug (1/4 - 18) | - | 1 | 1 |
| 11 | ESL10837 | Pin | - | 1 | 1 |
| 12 | ESL10883 | Gasket (0.1524 - 0.2032mm Thick) | - | AR | AR |
| - | ESL10884 | Gasket (0.279-0.329mm Thick) | - | AR | AR |
| - | ESL10885 | Gasket (0.3810 - 0.4310mm Thick) | - | AR | AR |
| 13 | 58676S8 | Bolt, Hex (1/2 - 13 x 1.75) | - | 1 | 1 |
| 14 | ESL10840 | Gasket | - | 1 | 1 |
| 15 | 58677S8 | Bolt, Hex (1/2 - 13 x 2.00) | - | 1 | 1 |
| 16 | 58699S8 | Bolt, Hex (9/16 - 12 x 2.00) | - | 2 | 2 |
| 17 | 58701S8 | Bolt, Hex (9/16 - 12 x 2.50) | - | 2 | 2 |
| 18 | 58679S8 | Bolt, Hex (1/2 - 13 x 2.50) | - | 1 | 1 |
| 19 | 33845S8 | Nut, Hex (1/2 - 13) | - | 6 | 6 |
| 20 | 58678S8 | Bolt, Hex (1/2 - 13 x 2.25) | - | 3 | 3 |
| 21 | 33847S8 | Nut, Hex (9/16 - 12) | - | 4 | 4 |
| 22 | ESL11970 | Gasket, Cover FCV Opening | - | 1 | - |
| - | ESL11202 | Gasket, Flow Control Valve | - | - | 1 |
| 23 | ESL11969 | Cover, FCV Opening* | - | 1 | - |
| 24 | 304668S8 | *Bolt, Hex (7/16-14x0.875) | - | 4 | - |

*Used Only when Flow Control Valve is not installed.

CENTER HOUSING



DIFFERENTIAL & GEAR SET



REAR END & P.T.O.

435 / 535

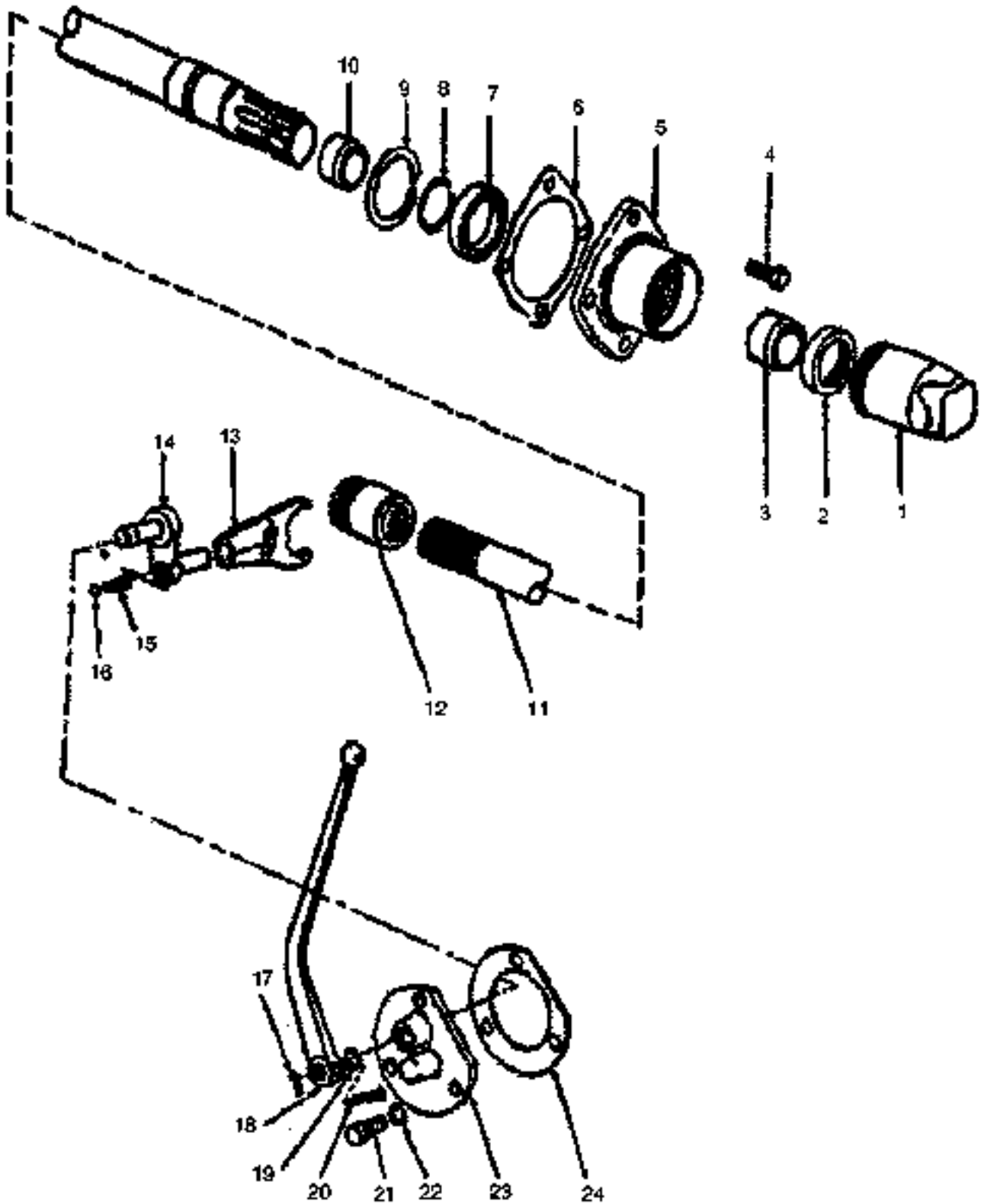
| ITEM No | PART No. | DESCRIPTION | VENDOR No. | QUANTITY | |
|---------|-----------|------------------------------------|------------|----------|-----|
| | | | | 435 | 535 |
| 1 | ESL14475 | Bearing Assembly, Taper Roller | - | 1 | 1 |
| 2 | 33846-S36 | Nut, Hex Lock (1/2 - 20) | - | 12 | 12 |
| 3 | ESL10850 | Case, Rear Axle Differential | - | 1 | 1 |
| 4 | ESL10851 | Gear Set, Rear Axle Matched | - | 1 | 1 |
| 5 | ESL15496 | Bolt, Fllet Head (1/2 - 20 x 1.82) | D10003010 | 12 | 12 |
| 6 | ESL10856 | Bush, Differential Case | - | 2 | 2 |
| 7 | ESL11690 | Washer, Thrust, Differential | - | 2 | 2 |
| 8 | ESL10852 | Gear, Differential Side LH | - | 1 | 1 |
| 9 | ESL11871 | Washer, Thrust, Differential | - | 4 | 4 |
| 10 | ESL10855 | Pinion, Differential | - | 4 | 4 |
| 11 | ESL10854 | Spider, Rear Axle Differential | - | 1 | 1 |
| 12 | ESL10862 | Fang, Drive Pinion Pilot Bearing | - | 1 | 1 |
| 13 | ESL10861 | Bearing, Driver Pinion Pilot | - | 1 | 1 |
| 14 | ESL10863 | Bearing, Taper Roller | - | 2 | 2 |
| 15 | ESL10864 | Retainer, Drive Pinion Bearing | D10004060 | 1 | 1 |
| 16 | 34810S8 | Washer, Lock (9/16) | - | 4 | 4 |
| 17 | 304728S8 | Bolt, Hex (9/16 - 12 x 1.25) | - | 4 | 4 |
| 18 | ESL11691 | Washer, Bearing Thrust | - | 1 | 1 |
| 19 | ESL11692 | Washer, Thrust, Drive Pinion | - | 1 | 1 |
| 20 | ESL11804 | Nut, Lock | - | 1 | 1 |
| 21 | ESL10865 | Clamp, Drive Pinion | - | 1 | 1 |
| 22 | 376415S8 | Bolt | - | 1 | 1 |
| 23 | ESL10866 | Coupling, Drive Shaft | - | 1 | 1 |
| 24 | ESL10853 | Gear, Differential Side RH | - | 1 | 1 |
| 25 | 43104S9 | Screw, Hex (1/2 - 13 x 2.89) | - | 8 | 8 |
| 26 | ESL10849 | Bearing, Taper Roller | - | 1 | 1 |
| 27 | ESL10857 | Adapter, Differential Lock Case | - | 1 | 1 |
| 28 | ESL10858 | Spring, Differential Lock Coupling | - | 1 | 1 |
| 29 | ESL10859 | Coupling, Differential Lock | - | 1 | 1 |
| 30 | ESL11872 | Washer, Lock Coupling | - | 1 | 1 |
| 31 | ESL10860 | Ring, Differential Lock Coupling | - | 1 | 1 |

DIFFERENTIAL & GEAR SET

① - SERIAL NUMBER BREAK ,

⊣ - INDICATES UP TO AND INCLUDING THAT SERIAL NUMBER

435 / 535

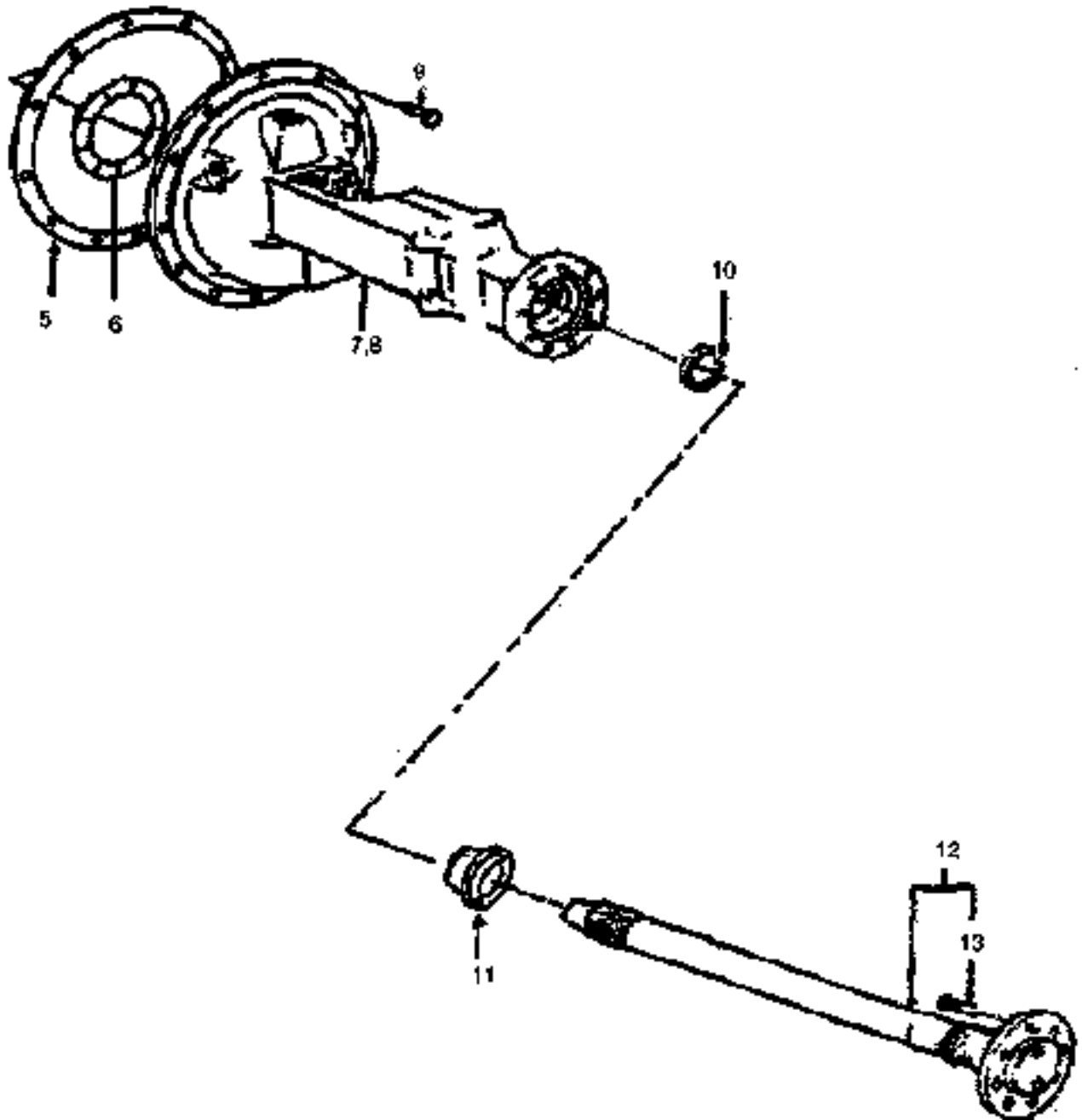


POWER TAKE OFF ASSEMBLY

435 / 535

| ITEM No | PART No. | DESCRIPTION | VENDOR No. | QUANTITY | |
|---------|----------|------------------------------|------------|----------------|---|
| | | | | 435 535 | |
| 1 | ESL10917 | Cap, PTO Shaft Rear | - | 1 | 1 |
| 2 | ESL12532 | Oil Seal, Rear PTO Shaft | - | 1 | 1 |
| 3 | ESL10913 | Sleeve, PTO Shaft Rear | - | 1 | 1 |
| 4 | 304724S8 | Bolt, Hex (7/16 - 14 x 1.14) | - | 4 | 4 |
| 5 | ESL10915 | Cover, PTO Shaft Rear | - | 1 | 1 |
| 6 | ESL10916 | Gasket, Rear Cover | - | 1 | 1 |
| 7 | ESL10910 | Bearing Rear, PTO Shaft | - | 1 | 1 |
| 8 | ESL10911 | Snap Ring | - | 1 | 1 |
| 9 | ESL10912 | Snap Ring | - | 1 | 1 |
| 10 | ESL10909 | Bush, PTO Rear Shaft | - | 1 | 1 |
| 11 | ESL10908 | Shaft, PTO Rear | - | 1 | 1 |
| 12 | ESL10906 | Sleeve, PTO Countershaft | - | 1 | 1 |
| 13 | ESL10905 | Fork, PTO Shifter | - | 1 | 1 |
| 14 | ESL10900 | Arm, PTO Shifter | - | 1 | 1 |
| 15 | ESL10902 | Spring, PTO Shifter Arm | - | 1 | 1 |
| 16 | ESL10735 | Ball, PTO Shifter Arm | - | 1 | 1 |
| 17 | 7200GS8 | Pin, Cotter, Bolt to Lever | - | 1 | 1 |
| 18 | ESL10904 | Lever, PTO Shifter | - | 1 | 1 |
| 19 | ESL10900 | O/Ring (0.625 x 0.103) | - | 1 | 1 |
| 20 | 305080S8 | Pin, Roll (1/4 x 1) | - | 1 | 1 |
| 21 | 304586S8 | Bolt, Hex (7/16 - 14 x 1.00) | - | 3 | 3 |
| 22 | 34808S8 | Washer, Lock (7/16) | - | 3 | 3 |
| 23 | ESL10898 | Plate, PTO Shifter | - | 1 | 1 |
| 24 | ESL10899 | Gasket, PTO Shifter Plate | - | 1 | 1 |

POWER TAKE OFF ASSEMBLY



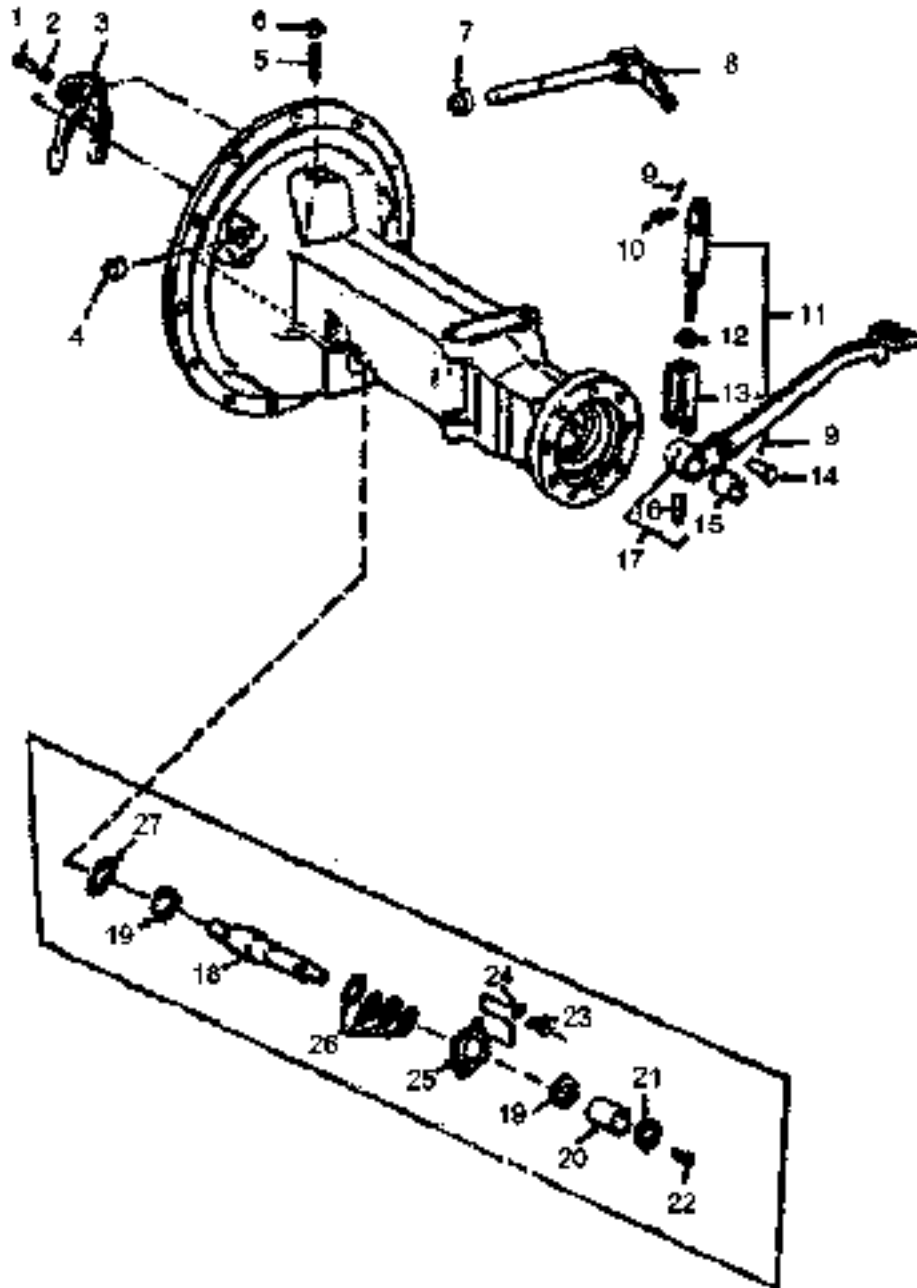
REAR AXLE



435 / 535

| ITEM No | PART No. | DESCRIPTION | VENDOR No. | QUANTITY | |
|---------|----------|------------------------------|------------|----------|-----|
| | | | | 435 | 535 |
| 1 | 304684S8 | Bolt, Hex (3/8 - 16 x 1.00) | - | 2 | 2 |
| 2 | 34807S8 | Washer, Lock (3/8) | - | 2 | 2 |
| 3 | ESL10896 | Block, Drive Gear Thrust | - | 1 | 1 |
| 4 | ESL10887 | Shim, Thrust Block (0.004) | - | AR | AR |
| 5 | ESL10883 | Gasket (0.152 - 0.203) | - | AR | AR |
| - | ESL10884 | Gasket (0.279 - 0.329) | - | AR | AR |
| - | ESL10885 | Gasket (0.381 - 0.432) | - | AR | AR |
| 6 | ESL10889 | Shim (2.297) | - | AR | AR |
| - | ESL10890 | Shim (0.203 - 0.254) | - | AR | AR |
| - | ESL10891 | Shim (0.381 - 0.438) | - | AR | AR |
| - | ESL10892 | Shim (0.508 - 0.659) | - | AR | AR |
| - | ESL10893 | Shim (0.762 - 0.613) | - | AR | AR |
| - | ESL10894 | Shim (1.250 - 1.300) | - | AR | AR |
| 7 | ESL14477 | Housing, Rear Axle RH | - | 1 | 1 |
| 8 | ESL14478 | Housing, Rear Axle LH | - | 1 | 1 |
| 9 | ESL11801 | Bolt, Hex (3/16 - 12 x 1.38) | - | 26 | 26 |
| 10 | ESL10888 | Seal Assembly, Inner | - | 2 | 2 |
| 11 | ESL12428 | Mud Shield & Retainer | - | 2 | 2 |
| 12 | ESL10886 | Shaft and Bolt Assembly | - | 2 | 2 |
| 13 | ESL11758 | Bolt, Rear Wheel Disc | - | 16 | 16 |

REAR AXLE



DIFFERENTIAL LOCK COUPLING

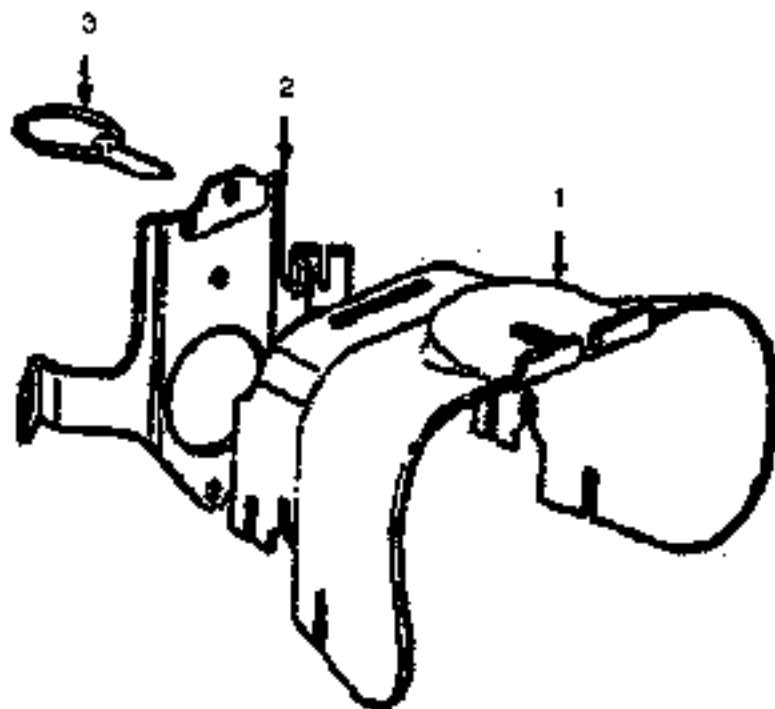
435 / 535

| ITEM No | PART No. | DESCRIPTION | VENDOR No. | QUANTITY |
|---------|----------|--|------------|----------------|
| | | | | 435 535 |
| 1 | ESL11869 | Screw, Differential Lock Coupling Fork | - | 1 1 |
| 2 | 33925S8 | Nut, Fork Lock Screw, Hex (3/8-24) | - | 1 1 |
| 3 | ESL10860 | Fork, Differential Lock Coupling | - | 1 1 |
| 4 | ESL10879 | Plug, Differential Lock Lever Shaft | - | 1 1 |
| 5 | ESL11873 | Screw, Differential Lock Fork Stop | - | 1 1 |
| 6 | 33924S8 | Nut, Hex (3/8-16) | - | 1 1 |
| 7 | ESL10878 | Seal, Differential Lock Lever Shaft | - | 1 1 |
| 8 | ESL10877 | Shaft & Lever Assembly, Differential Lock | - | 1 1 |
| 9 | 72017S8 | Pin, Cotter (1/8x0.75) | - | 2 2 |
| 10 | 73871S8 | Pin, Clevis (5/16x0.76) | - | 1 1 |
| 11 | ESL10875 | Linkage Assembly, Rear Axle Differential Lock | - | 1 1 |
| 12 | ESL11806 | Nut, Differential Lock Adjusting | - | 1 1 |
| 13 | ESL10876 | Clevis, Differential Lock | - | 1 1 |
| 14 | 78232S8 | Pin, Clevis to Pedal (5/16x1.24) | - | 1 1 |
| 15 | ESL10869 | Bush, Differential Lock Pedal | - | 1 1 |
| 16 | ESL10869 | Grease Nipple (1/4 - 28) | - | 1 1 |
| 17 | ESL10867 | Pedal Assembly, Differential Lock | - | 1 1 |
| 18 | ESL14565 | Shaft Lower Link | - | 2 2 |
| 19 | ESL11894 | Washer, Shaft Link | - | 4 4 |
| 20 | ESL10874 | Sleeve, Differential Lock Pedal (RH Side Only) | - | 1 1 |
| 21 | 44746S8 | Washer, Flat (3/4") | - | 2 2 |
| 22 | ESL11784 | Bolt, Differential Lock Pedal to Shaft Link | - | 2 2 |
| 23 | 304684S8 | Bolt, Hex Head (3/8-16x1.00) | - | 4 4 |
| 24 | 44881S8 | Washer, Flat Head (3/8) | - | 4 4 |
| 25 | ESL10873 | Retainer Lock | - | 2 2 |
| 26 | ESL10872 | O Seal | - | 8 8 |

DIFFERENTIAL LOCK COUPLING

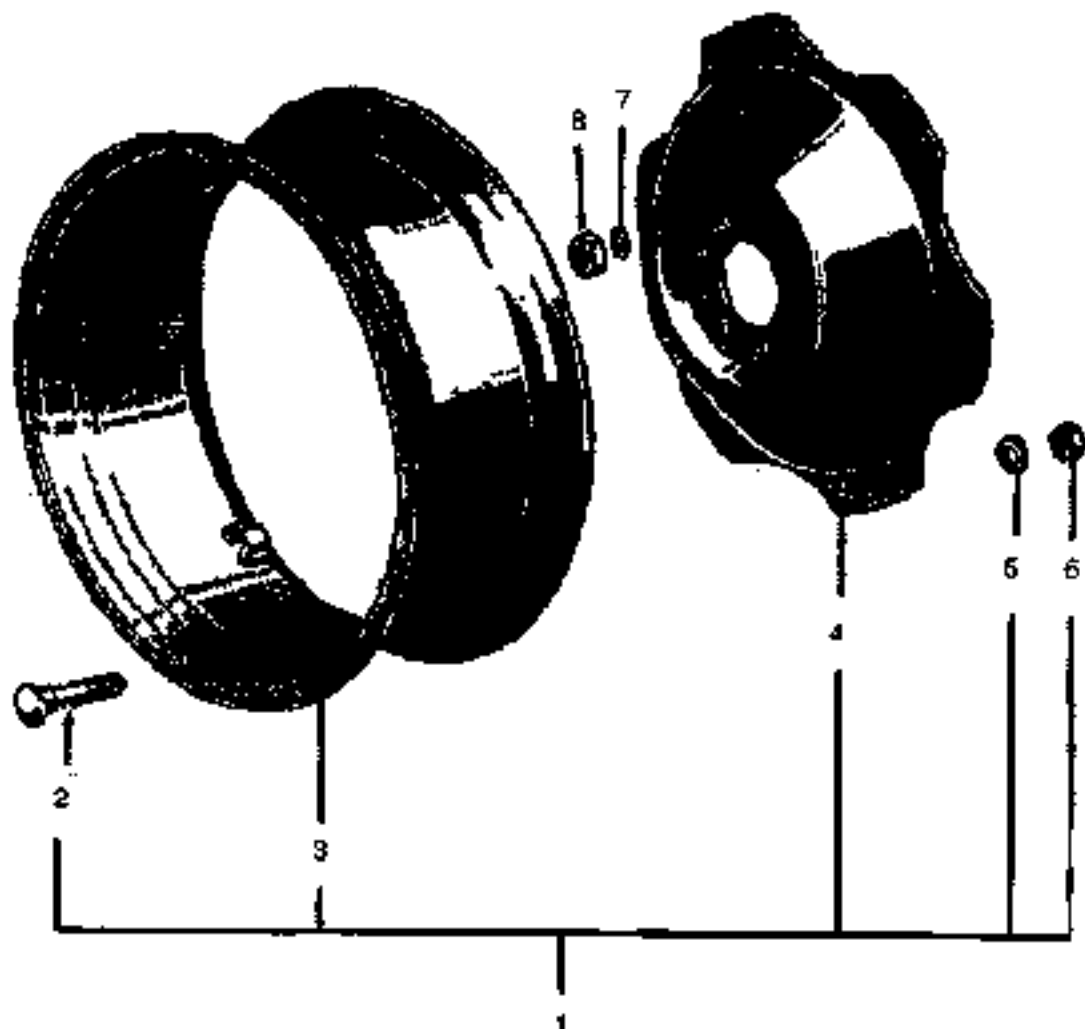
435 / 535

| ITEM No | PART No. | DESCRIPTION | VENDOR No. | QUANTITY |
|---------|----------|--------------------------|------------|------------------|
| | | | | 435 / 535 |
| 1 | ESL10918 | PTO Guard | - | 1 1 |
| 2 | ESL10919 | Support, PTO Guard | - | 1 1 |
| 3 | ESL11126 | Pin Assembly, Linch Lock | - | 1 1 |


PTO GUARD KIT

435 / 535

| ITEM No | PART No. | DESCRIPTION | VENDOR No. | QUANTITY | |
|---------|----------|------------------------------|------------|----------|-----|
| | | | | 435 | 535 |
| 1 | ESL14196 | Rear Wheel Assembly (W11) | . | 2 | 2 |
| 2 | ESL14479 | Bolt, Rear Wheel Rim to Disc | . | 12 | 12 |
| 3 | ESL14480 | Rim, Rear Wheel | . | 2 | 2 |
| 4 | ESL10920 | Disc, Rear Wheel | . | 2 | 2 |
| 5 | ESL11923 | Washer, Disc to Rim | . | 12 | 12 |
| 6 | ESL11696 | Nut, Disc to Rim | . | 12 | 12 |
| 7 | ESL11695 | Washer, Disc to Rear Axle | . | 16 | 16 |
| 8 | ESL11808 | Nut, Disc to Axle Flange | . | 16 | 16 |



REAR WHEELS

Ⓢ - SERIAL NUMBER BREAK ,

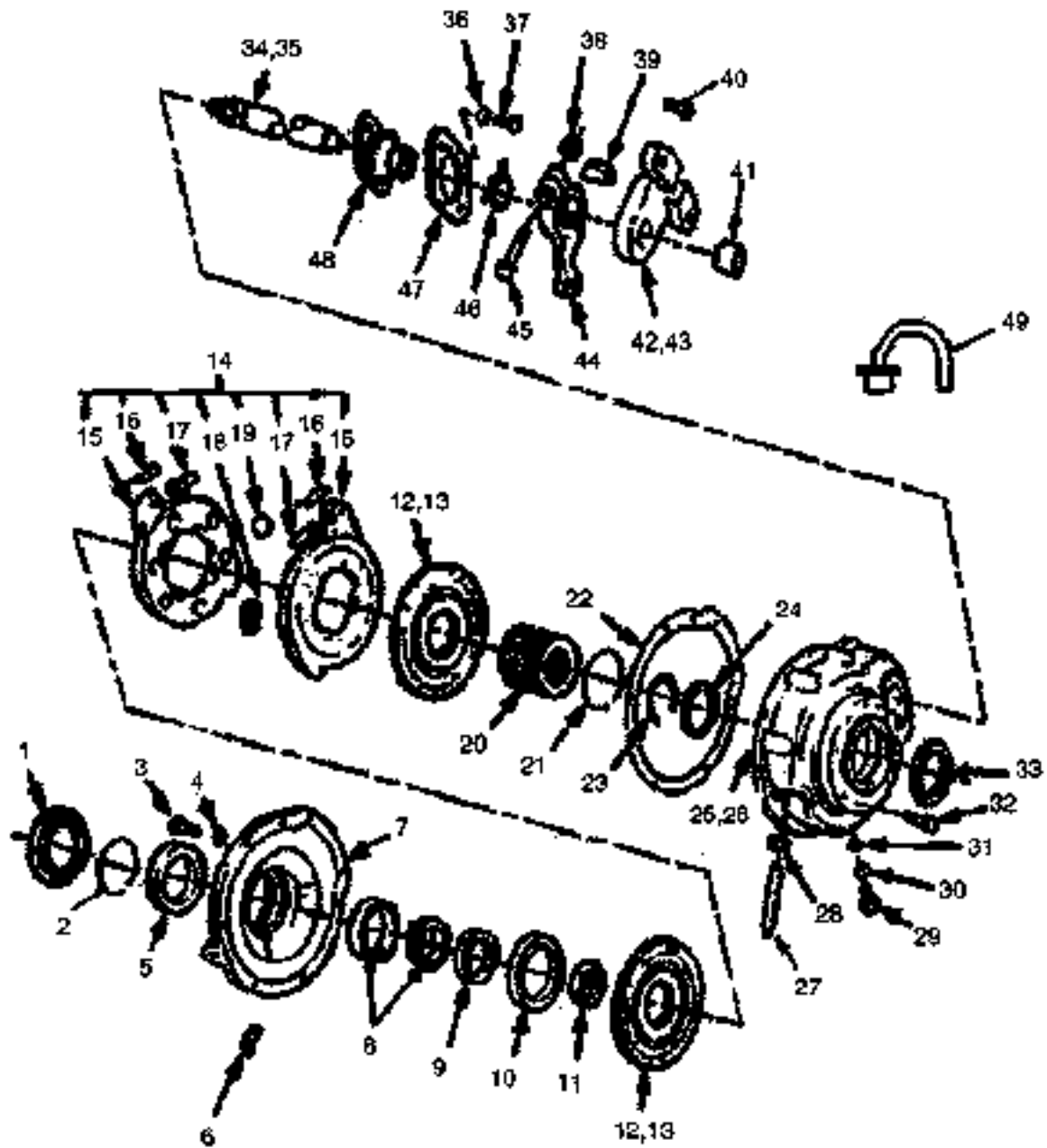
⊣ - INDICATES UP TO AND INCLUDING THAT SERIAL NUMBER

Notes



BRAKE SYSTEM

435 / 535



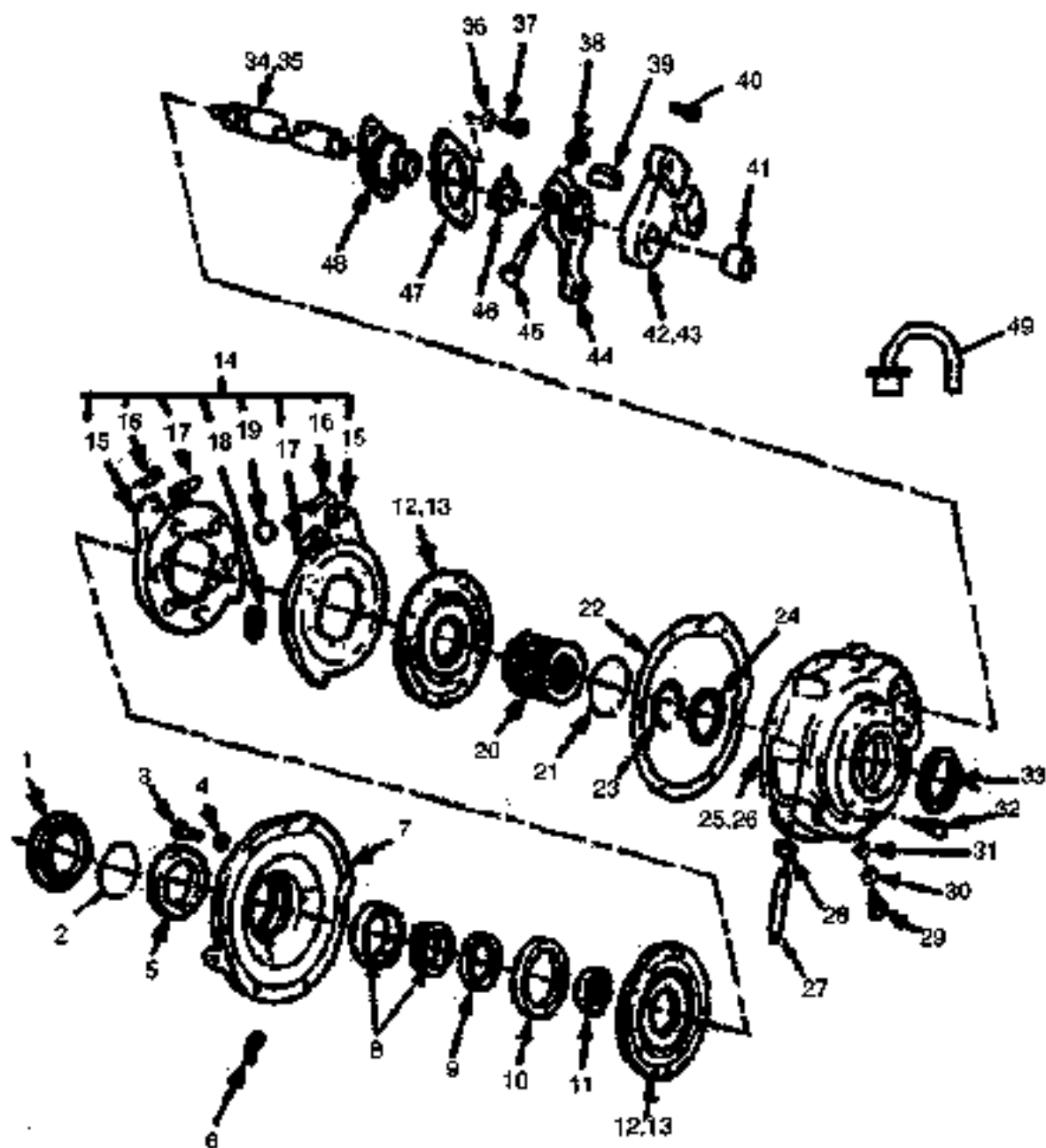
BRAKES - MECHANICAL DISC TYPE

435 / 535

| ITEM No | PART No. | DESCRIPTION | VENDOR No. | QUANTITY |
|---------|------------|---|------------|----------|
| | | | | 435 535 |
| 1 | ESL10927 | Bush, Rear Axle Housing | - | 2 2 |
| 2 | 354235-S36 | Retainer, Seal Outer Housing | - | 2 2 |
| 3 | ESL14482 | Bolt, Hex (1/2 - 13 x 1) | - | 8 8 |
| 4 | ESL11842 | Washer, Flat (1/2) | - | 8 8 |
| 5 | ESL10928 | Seal, Outer Housing | - | 2 2 |
| 6 | ESL10929 | Grease Nipple | - | 2 2 |
| 7 | ESL10930 | Housing, Brake Outer | - | 2 2 |
| 8 | ESL10931 | Bearing, Taper Roller | - | 2 2 |
| 9 | ESL10932 | Spacer, Shaft Bearing | - | 2 2 |
| 10 | ESL10933 | Seal, Inner, Rear Axle Shaft | - | 2 2 |
| 11 | ESL11810 | Lock Nut, Rear Axle Bearing | - | 2 2 |
| 12 | ESL10934 | Disc & Lining Assembly, Friction | - | 4 4 |
| 13 | ESL10964 | Friction Lining & Rivet Set (For Repairs Only) | - | 1 1 |
| 14 | ESL10935 | Actuator Assembly, Brake Disc | - | 2 2 |
| 15 | - | Disc, Brake Actuating (NSS) | - | 4 4 |
| 16 | ESL10938 | Retainer Clip | - | 4 4 |
| 17 | ESL10938 | Push Rod, Brake Actuator | - | 4 4 |
| 18 | ESL10937 | Spring, Brake Disc Return | - | 8 8 |
| 19 | ESL10936 | Ball, Brake Actuating | - | 2 2 |
| 20 | ESL10941 | Sleeve, Splined | - | 2 2 |
| 21 | ESL10942 | Spring, Disc Brake Sleeve | - | 2 2 |
| 22 | ESL10943 | Gasket, Outer Brake Housing | - | 2 2 |
| 23 | ESL10944 | Ring Snap, Brake Camshaft | - | 2 2 |
| 24 | ESL11698 | Washer Thrust, Brake Camshaft | - | 2 2 |
| 25 | ESL10945 | Housing Inner RH, Brake | - | 1 1 |
| 26 | ESL10946 | Housing Inner LH, Brake | - | 1 1 |
| 27 | ESL11875 | Screw Adjusting, Brake | - | 2 2 |
| 28 | 33845S8 | Nut, Hex (1/2 - 13) | - | 2 2 |
| 29 | 304650S8 | Bolt, Hex (3/8 - 16 x 0.75) | - | 2 2 |
| 30 | 44726S8 | Washer, Flat (3/8) | - | 2 2 |
| 31 | ESL11699 | Washer, Spring | - | 2 2 |
| 32 | ESL11758 | Bolt, Hex (9/16 - 12) | - | 18 18 |
| 33 | ESL10947 | Seal Assembly, Outer | - | 2 2 |
| 34 | ESL10948 | Camshaft, Brake Actuating LH | - | 1 1 |
| 35 | ESL10949 | Camshaft, Brake Actuating RH | - | 1 1 |
| 36 | 34806S8 | Washer, Lock (5/16) | - | 4 4 |
| 37 | 304664S8 | Bolt (5/16 - 18 x 0.66) | - | 4 4 |
| 38 | 34670S8 | Nut, Hex (7/16 - 14) | - | 2 2 |
| 39 | 74188S8 | Key (1/4 x 1.25) | - | 2 2 |
| 40 | ESL11760 | Bolt, Arm Assembly | - | 2 2 |

BRAKES - MECHANICAL DISC TYPE
⊙ - SERIAL NUMBER BREAK,
↙ - INDICATES UP TO AND INCLUDING THAT SERIAL NUMBER

435 / 535

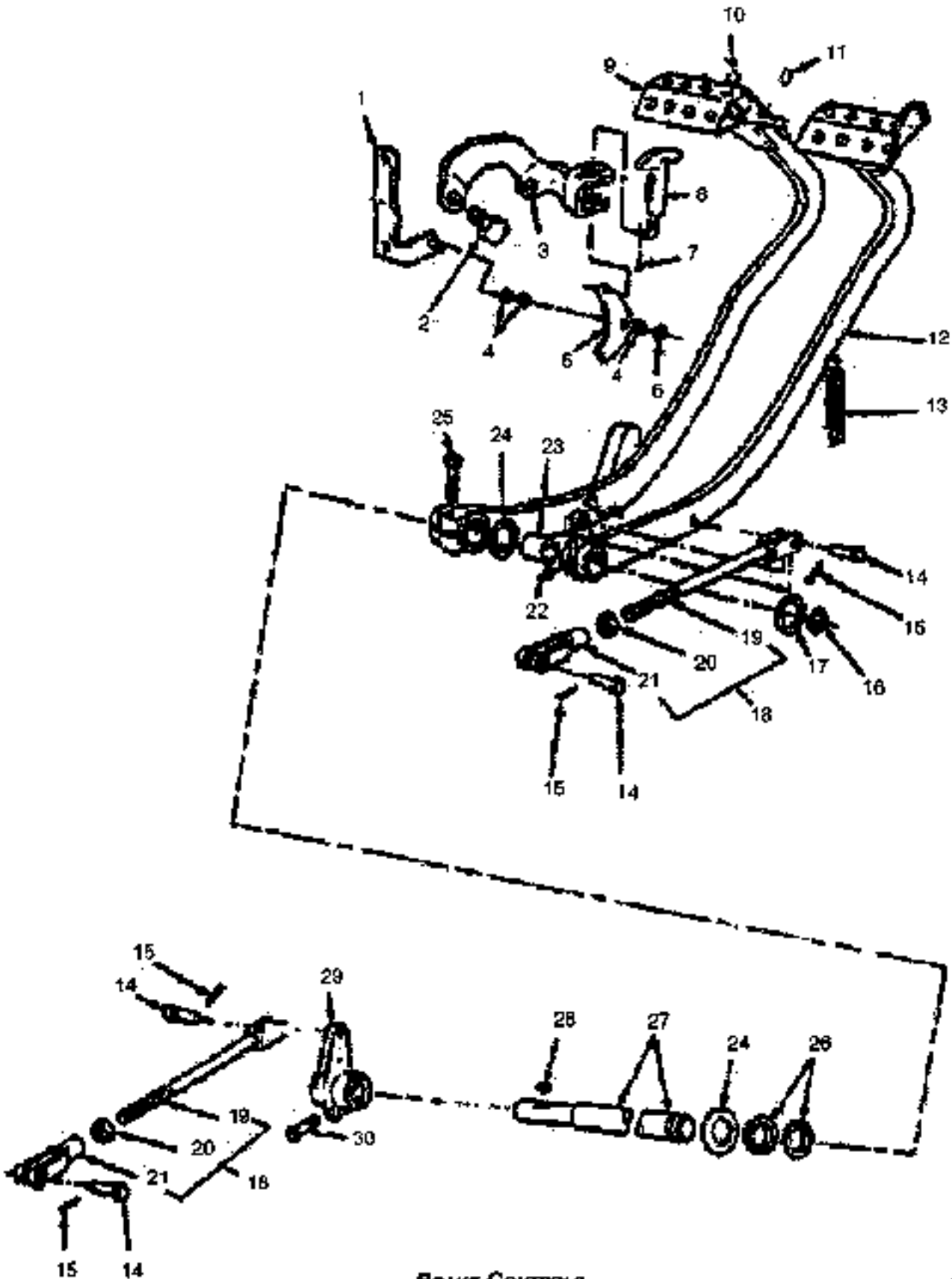


BRAKES - MECHANICAL DISC TYPE

435 / 535

| <i>ITEM No</i> | <i>PART No.</i> | <i>DESCRIPTION</i> | <i>VENDOR No.</i> | <i>QUANTITY</i> |
|----------------|-----------------|----------------------------|-------------------|-----------------|
| | | | | 435 535 |
| 41 | ESL10956 | Bush, Support Arm | - | 2 2 |
| 42 | ESL10955 | Arm , Camshaft Support, RH | - | 1 1 |
| 43 | ESL10954 | Arm , Camshaft Support, LH | - | 1 1 |
| 44 | ESL10953 | Lever, Brake Camshaft | - | 1 1 |
| 45 | 90489068 | Bolt (7/16 - 14 x 2,50) | - | 2 2 |
| 46 | ESL10952 | Clamp, Brake Camshaft | - | 1 1 |
| 47 | ESL10951 | Retainer, Brake Camshaft | - | 2 2 |
| 48 | ESL10950 | Boot, Brake Camshaft | - | 2 2 |
| 49 | ESL10962 | Tube & Breather Assembly | - | 2 2 |

4351535



Brake Controls



435 / 535

| ITEM No | PART No. | DESCRIPTION | VENDOR No. | QUANTITY 435 535 | |
|---------|----------|---------------------------------|------------|---------------------|---|
| 1 | ESL10966 | Bracket, Parking Pawl | - | 1 | 1 |
| 2 | 304724S8 | Bolt, Hex (7/16 - 14 x 1.25) | - | 2 | 2 |
| - | 304686S8 | Bolt, Hex (7/16 - 14 x 1.00) | - | 2 | 2 |
| 3 | ESL10969 | Bracket, Parking Brake Control | - | 1 | 1 |
| 4 | 364235S8 | Washer, Flat (1/2) | - | 3 | 3 |
| 5 | ESL10970 | Pawl, Parking Brake Lever | - | 1 | 1 |
| 6 | ESL10971 | Ring Retaining (1/2) | - | 1 | 1 |
| 7 | 72003S8 | Pin Cotter (1/16 x 1/2) | - | 1 | 1 |
| 8 | ESL10967 | Rod, Parking Brake Control | - | 1 | 1 |
| 9 | ESL10979 | Pedal Assembly, Brake LH | D10087310 | 1 | 1 |
| 10 | ESL10978 | Handle, Brake Pedal Interlock | - | 1 | 1 |
| 11 | ESL11924 | Pin, Spring Roll (1/8 x 4.37) | - | 1 | 1 |
| 12 | ESL10980 | Pedal Assembly, Brake RH | - | 1 | 1 |
| 13 | ESL13342 | Spring, Pedal Retainer | - | 2 | 2 |
| 14 | 73919S8 | Pin, Clevis (3/8 x 1.14) | - | 4 | 4 |
| 15 | 72017S8 | Pin, Cotter (1/8 x 0.75) | - | 4 | 4 |
| 16 | ESL10963 | Lock Ring, Pedal Shaft | - | 1 | 1 |
| 17 | ESL11701 | Washer Thrust, Pedal Shaft | - | 1 | 1 |
| 18 | ESL10984 | Rod & Clevis Assembly | - | 1 | 1 |
| 19 | - | Rod Clevis, Brake Control (NSS) | - | 2 | 2 |
| 20 | 33925S8 | Nut, Hex (3/8 - 24) | - | 2 | 2 |
| 21 | 97013S8 | Clevis (3/8 - 24 x 2.50) | - | 2 | 2 |
| 22 | ESL10888 | Grease Nipple (1/4 - 28) | - | 1 | 1 |
| 23 | ESL10847 | Bush Set, Brake Pedal Shaft | - | 1 | 1 |
| 24 | ESL11700 | Washer, Brake Pedal Shaft | - | 2 | 2 |
| 25 | 304743S8 | Bolt, Hex (7/16 - 14 x 1 3/8) | - | 1 | 1 |
| 26 | ESL10977 | Seat, Brake Pedal Shaft | - | 2 | 2 |
| 27 | ESL10974 | Shaft, Brake Cross | - | 1 | 1 |
| 28 | 74181S8 | Key, Lever to Shaft (1/4 x 7/8) | - | 2 | 2 |
| 29 | ESL10972 | Lever, Pedal Shaft to Clevis | - | 1 | 1 |
| 30 | 58655S8 | Bolt, Hex (7/16 - 14 x 1.50) | - | 1 | 1 |

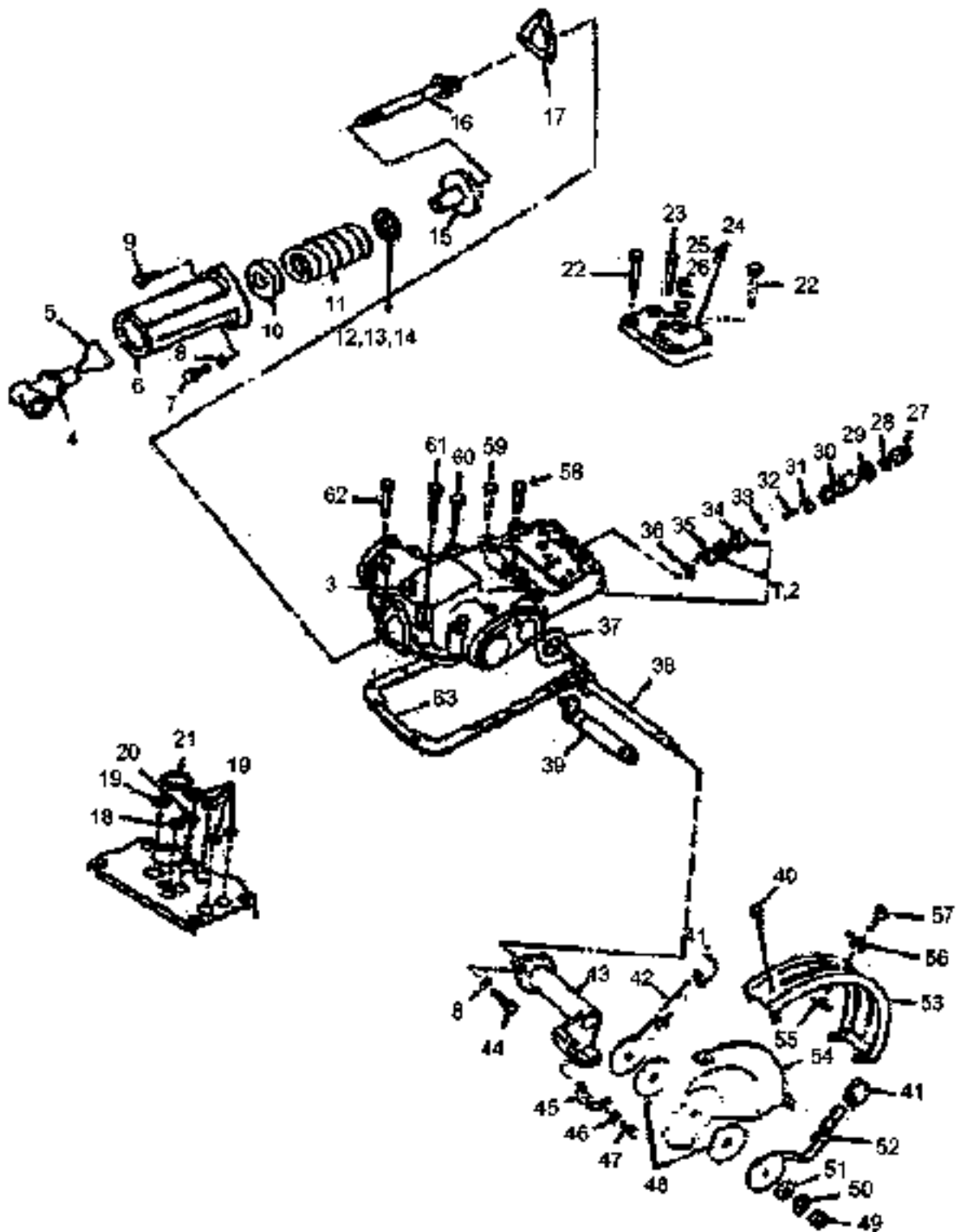
BRAKE CONTROLS

Notes

HYDRAULIC SYSTEM



4351535



HYDRAULIC LIFT COVER

10:1

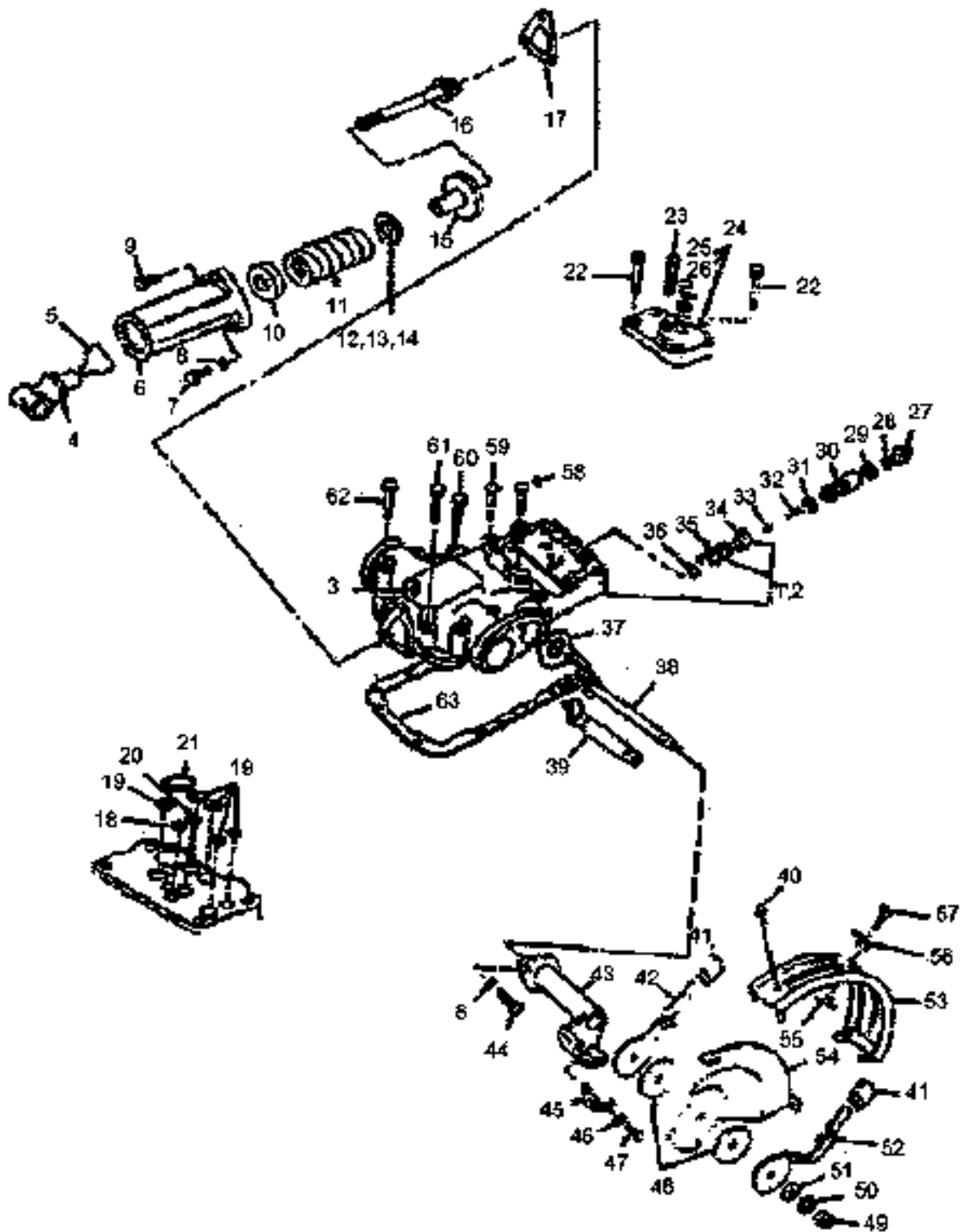
● - SERIAL NUMBER BREAK, ◀ - INDICATES UP TO AND INCLUDING THAT SERIAL NUMBER

435 / 535

| ITEM No | PART No. | DESCRIPTION | VENDOR No. | QUANTITY |
|---------|------------|---|------------|----------|
| | | | | 435 535 |
| 1 | ESL11028 | Hydraulic Lift Assembly | - | 1 1 |
| 2 | ESL10985 | Top Cover, Hydraulic Lift | - | 1 1 |
| 3 | ESL12496 | Pin | - | 1 1 |
| 4 | ESL11014 | Yoke, Hydraulic Lift | - | 1 1 |
| 5 | ESL11016 | Boot Yoke, Hydraulic Lift | - | 1 1 |
| 6 | ESL11017 | Housing, Draft Control | - | 1 1 |
| 7 | 381714-S36 | Bolt (7/16 - 14 x 2.88) | - | 2 2 |
| 8 | 34793S8 | Washer, Lock (7/16) | - | 3 3 |
| 9 | ESL11783 | Bolt | - | 1 1 |
| 10 | ESL11018 | Seal, Draft Control Spring | - | 1 1 |
| 11 | ESL11019 | Spring, Lift Draft Control | - | 1 1 |
| 12 | ESL11020 | Shim, Draft Control (0.015) | - | AR AR |
| 13 | ESL11021 | Shim, Draft Control (0.020) | - | AR AR |
| 14 | ESL11022 | Shim, Draft Control (0.025) | - | AR AR |
| 15 | ESL11023 | Seat, Hydraulic Lift Spring | - | 1 1 |
| 16 | ESL11024 | Plunger, Draft Control | - | 1 1 |
| 17 | ESL11025 | Gasket, Draft Control Housing | - | 1 1 |
| 18 | ESL10011 | Seal 'O' Ring (0.5 x 0.07) | - | 1 1 |
| 19 | ESL10008 | Seal 'O' Ring (9/16 x 0.103) | - | 5 5 |
| 20 | ESL10010 | Seal 'O' Ring (0.437 x 0.07) | - | 1 1 |
| 21 | ESL10992 | Seal 'O' Ring (13/16 x 0.103) | - | 1 1 |
| 22 | 379409S8 | Bolt (7/16 - 14) | - | 2 2 |
| 23 | 304777S8 | Bolt, Hex (5/16 - 18 x 1.5) | - | 1 1 |
| 24 | ESL10989 | Cover Assembly, Hydraulic Lift (Includes Items #25,26) | - | 1 1 |
| 25 | 371433S8 | Bolt, Hex (9/16 - 18 x 0.62) | - | 1 1 |
| 26 | ESL10990 | Seal, ASC Cover (9/16) | - | 1 1 |
| 27 | ESL11008 | Plug, Lift Check Valve | - | 1 1 |
| 28 | ESL11010 | Seal (0.964 x 0.066) | - | 2 2 |
| 29 | ESL11011 | Seal (0.489 x 0.066) | - | 2 2 |
| 30 | ESL11009 | Retainer, Lift Check Valve | - | 1 1 |
| 31 | ESL10901 | 'O' Ring (0.62 x 0.13) | - | 1 1 |
| 32 | ESL11012 | Spring, Lift Check Valve | - | 1 1 |
| 33 | ESL11013 | Ball (15/32) | - | 1 1 |
| 34 | ESL10986 | Seat, Check Valve | - | 1 1 |
| 35 | ESL10987 | Sleeve, Check Valve | - | 1 1 |
| 36 | ESL10988 | 'O' Ring, Seal | - | 1 1 |
| 37 | ESL10998 | Gasket | - | 1 1 |

HYDRAULIC LIFT COVER
 - SERIAL NUMBER BREAK,

 - INDICATES UP TO AND INCLUDING THAT SERIAL NUMBER



HYDRAULIC LIFT COVER



HYDRAULIC SYSTEM

435 / 535

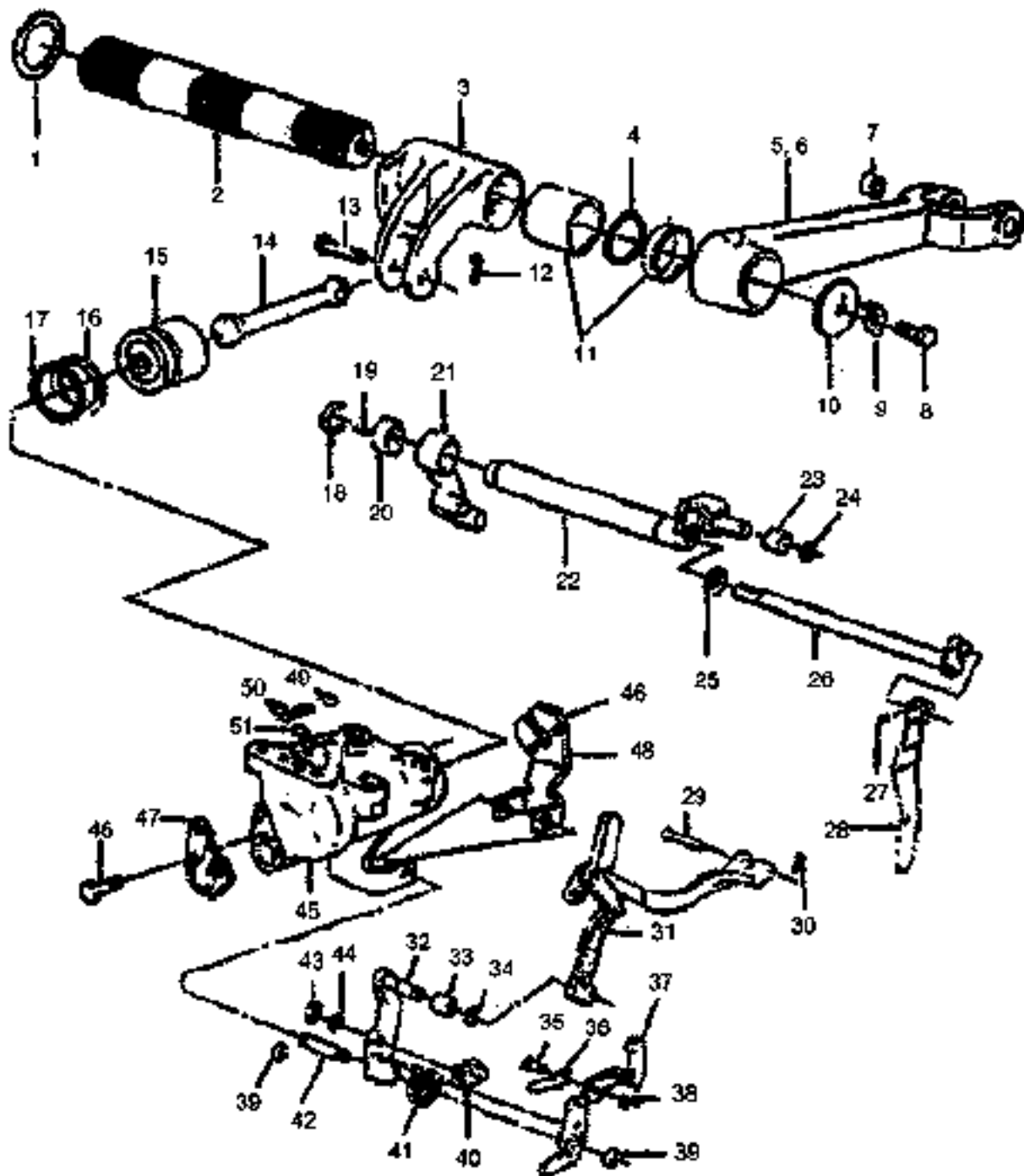
| ITEM No | PART No. | DESCRIPTION | VENDOR No. | QUANTITY |
|---------|----------|---------------------------------|------------|----------|
| | | | | 435 535 |
| 38 | ESL10996 | Shaft, Lift Control Lever | - | 1 1 |
| 39 | ESL10994 | Shaft, Draft Selection | - | 1 1 |
| 40 | 56801S8 | Bolt, Hex Head (1/4 - 20 x 0.5) | - | 2 2 |
| 41 | ESL11005 | Knob, Handle | - | 2 2 |
| 42 | ESL11003 | Handle, Draft Control | - | 1 1 |
| 43 | ESL10997 | Quadrant, Lift Control | - | 1 1 |
| 44 | 304686S8 | Bolt, Hex (7/16 - 14 x 1.00) | - | 2 2 |
| 45 | ESL11001 | Spacer, Control Lever | - | AR AR |
| 46 | 34792S8 | Washer, Lock (3/8) | - | 2 2 |
| 47 | 304722S8 | Bolt, Hex (3/8 - 16 x 1.25) | - | 2 2 |
| 48 | ESL10999 | Disc, Lift Control Friction | - | 2 2 |
| 49 | 34422S8 | Nut, Hex Lock (7/16 - 20) | - | 1 1 |
| 50 | ESL11703 | Washer, Spring | - | 1 1 |
| 51 | ESL11702 | Washer, Shaft Cup | - | 1 1 |
| 52 | ESL11004 | Handle, Position Control | - | 1 1 |
| 53 | ESL11002 | Quadrant, Lift Control | - | 1 1 |
| 54 | ESL11000 | Plate, Lift Control | - | 1 1 |
| 55 | 34484S8 | Nut, Tee | - | 1 1 |
| 56 | ESL11006 | Stop, Lift Control Lever | - | 1 1 |
| 57 | ESL11007 | Knob, Lift Control Stop | - | 1 1 |
| 58 | 58655S8 | Bolt, Hex (7/16 - 14 x 1.50) | - | 3 3 |
| 59 | 379414S8 | Bolt, Hex (7/16 - 20 x 1.75) | - | 3 3 |
| 60 | 58657S8 | Bolt, Hex (7/16 - 14 x 2.00) | - | 1 1 |
| 61 | 58662S8 | Bolt, Hex (7/16 - 14 x 3.25) | - | 4 4 |
| 62 | 58663S8 | Bolt, Hex (7/16 - 14 x 3.50) | - | 5 5 |
| 63 | ESL10641 | Gasket, Hydraulic Lift Cover | - | 1 1 |

HYDRAULIC LIFT COVER

● - SERIAL NUMBER BREAK,

◀ - INDICATES UP TO AND INCLUDING THAT SERIAL NUMBER

435 | 535



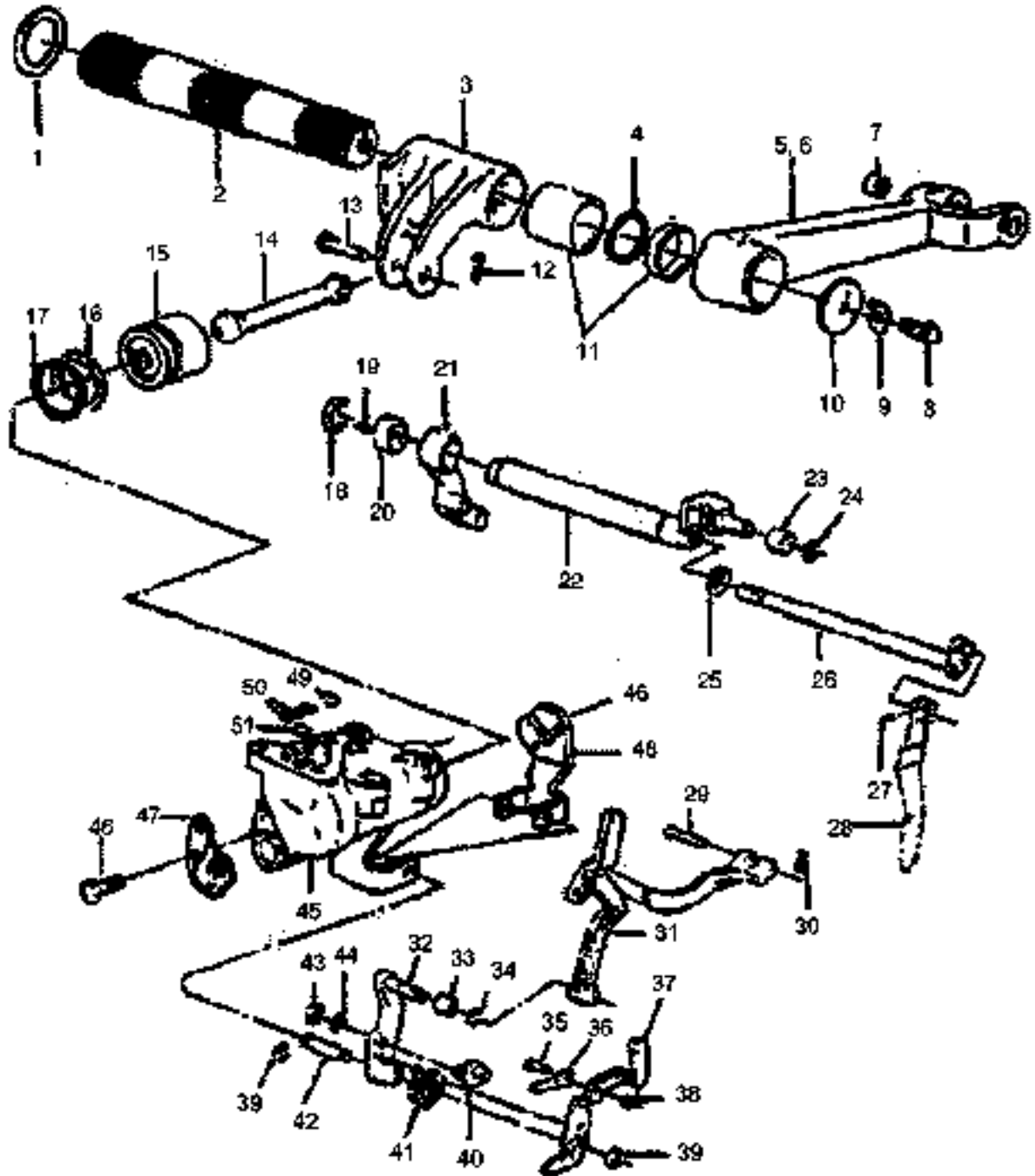
HYDRAULIC LIFT SHAFTS



| ITEM No | PART No. | DESCRIPTION | VENDOR No. | QUANTITY | |
|---------|----------|---|------------|----------|-----|
| | | | | 435 | 535 |
| 1 | ESL11704 | Washer, Lift Shaft Thrust | - | 1 | 1 |
| 2 | ESL11070 | Shaft, Hydraulic Lift | - | 1 | 1 |
| 3 | ESL11069 | Arm, Hydraulic Lift Fam | - | 1 | 1 |
| 4 | ESL11073 | 'O' Ring (2.00 x 0.21) | - | 2 | 2 |
| 5 | ESL11074 | Arm Assembly RH, Hydraulic (Includes Item #7) | - | 1 | 1 |
| 6 | ESL11075 | Arm Assembly LH, Hydraulic (Includes Item #7) | - | 1 | 1 |
| 7 | ESL11076 | Bush, Hydraulic Lift Arm | - | 4 | 4 |
| 8 | 30468958 | Bolt, Hex Head (1/2 - 20 x 1.00) | - | 2 | 2 |
| 9 | ESL11706 | Washer, Lock | - | 2 | 2 |
| 10 | ESL11705 | Washer | - | 2 | 2 |
| 11 | ESL11098 | Bush, Hydraulic Lift Shaft (Consist of 2 each) | - | 2 | 2 |
| 12 | 72005S8 | Pin, Cotter (1/8 x 0.50) | - | 1 | 1 |
| 13 | 74034S8 | Pin, Clevis (5/16 x 2.0) | - | 1 | 1 |
| 14 | ESL11077 | Rod, Connecting Hydraulic Lift | - | 1 | 1 |
| 15 | ESL11078 | Piston, Hydraulic Lift Cylinder | - | 1 | 1 |
| 16 | ESL11079 | 'O' Ring, Hydraulic Lift Piston | - | 1 | 1 |
| 17 | ESL11080 | Sealing Ring, Hydraulic Lift Piston | - | 1 | 1 |
| 18 | ESL11086 | Ring, Control Shaft Retainer | - | 1 | 1 |
| 19 | ESL11211 | Key, Cam | - | 1 | 1 |
| 20 | ESL10995 | Cam, FC Valve Override Actuator | - | 1 | 1 |
| 21 | ESL11084 | Lever Assembly, Lift Position Control | - | 1 | 1 |
| 22 | ESL10994 | Shaft Assembly, Draft Control Selection | - | 1 | 1 |
| 23 | ESL11082 | Roller, Lift Position Cam | - | 1 | 1 |
| 24 | ESL11083 | Ring, Retainer (3/8) | - | 1 | 1 |
| 25 | ESL11707 | Washer, Lift Shaft Thrust | - | 1 | 1 |
| 26 | ESL10996 | Shaft, Lift Control Lever | - | 1 | 1 |
| 27 | 305062S8 | Pin, Spring Roll (1/8 x 0.75) | - | 1 | 1 |
| 28 | ESL11088 | Lever, Hydraulic Lift Control | - | 1 | 1 |
| 29 | 379276S8 | Pin, Clevis (3/8 - 1 - 21/32) | - | 1 | 1 |
| 30 | 72017SB | Pin, Cotter (1/8 - 0.75) | - | 1 | 1 |
| 31 | ESL11088 | Lever Assembly, Draft Control | - | 1 | 1 |
| 32 | ESL11087 | Lever Assembly, Lift Control Valve | - | 1 | 1 |
| 33 | ESL11089 | Roller, Cam Flow | - | 1 | 1 |
| 34 | 97470-S8 | Ring, Snap (7/16) | - | 2 | 2 |
| 35 | ESL11094 | Pin, Lift Actuator Pivot | - | 1 | 1 |
| 96 | ESL11093 | Actuator, Lift Valve | - | 1 | 1 |
| 97 | ESL11092 | Lever, Lift Control Valve | - | 1 | 1 |
| 38 | 97410-S | Ring, Retaining (5/16) | - | 1 | 1 |
| 39 | 97413-S8 | Ring, Retaining (1/2) | - | 2 | 2 |
| 40 | ESL11091 | Shaft, Hydraulic Lift Control Lever | - | 1 | 1 |

HYDRAULIC LIFT SHAFTS

435 / 535



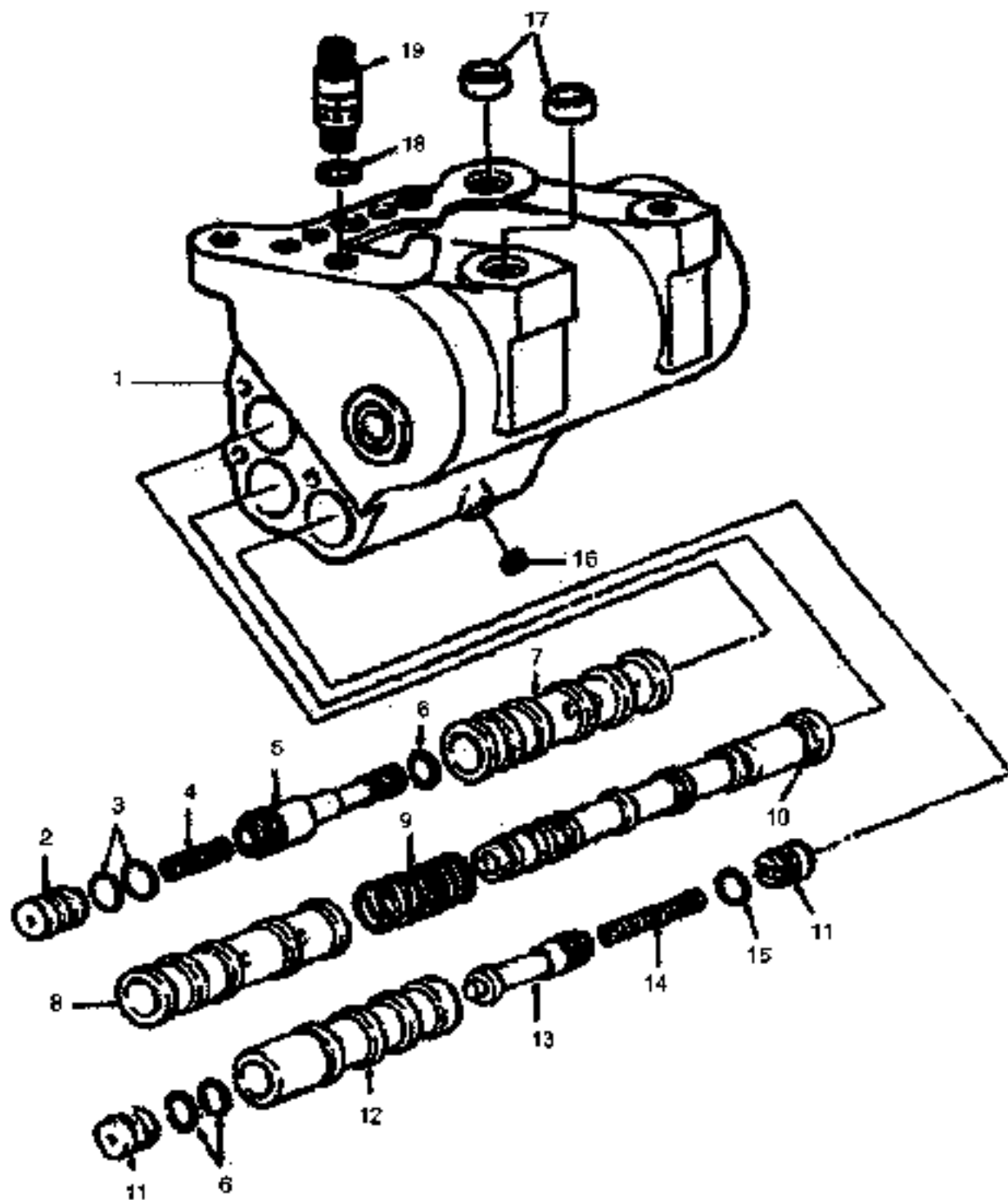
HYDRAULIC LIFT SHAFTS



| ITEM No | PART No. | DESCRIPTION | VENDOR No. | QUANTITY | |
|---------|-----------|--|------------|----------|-----|
| | | | | 435 | 535 |
| 41 | ESL11096 | Spring, Lift Control Valve | . | 1 | 1 |
| 42 | ESL11094 | Pin, Lift Actuator Pivot | . | 1 | 1 |
| 43 | 33799S8 | Nut, Hex (3/8-16) | . | 1 | 1 |
| 44 | 34702S8 | Washer, Lock (3/8) | . | 1 | 1 |
| 45 | ESL11067 | Cylinder & Valve Assembly (Includes Items #46-48) | . | 1 | 1 |
| 46 | 389873S8 | Bolt, Hex Flange (5/16 - 16 x 0.75) | . | 6 | 6 |
| 47 | ESL11081 | Baffle, Lift Cylinder Oil | . | 1 | 1 |
| 48 | ESL11066 | Plate, Valve Retainer, Rear | . | 1 | 1 |
| 49 | ESL10011 | Seal O'Ring | . | 2 | 2 |
| 50 | 87006-S85 | Seal O'Ring | . | 2 | 2 |
| 51 | ESL10010 | Seal O'Ring | . | 1 | 1 |

HYDRAULIC LIFT SHAFTS

435 / 535



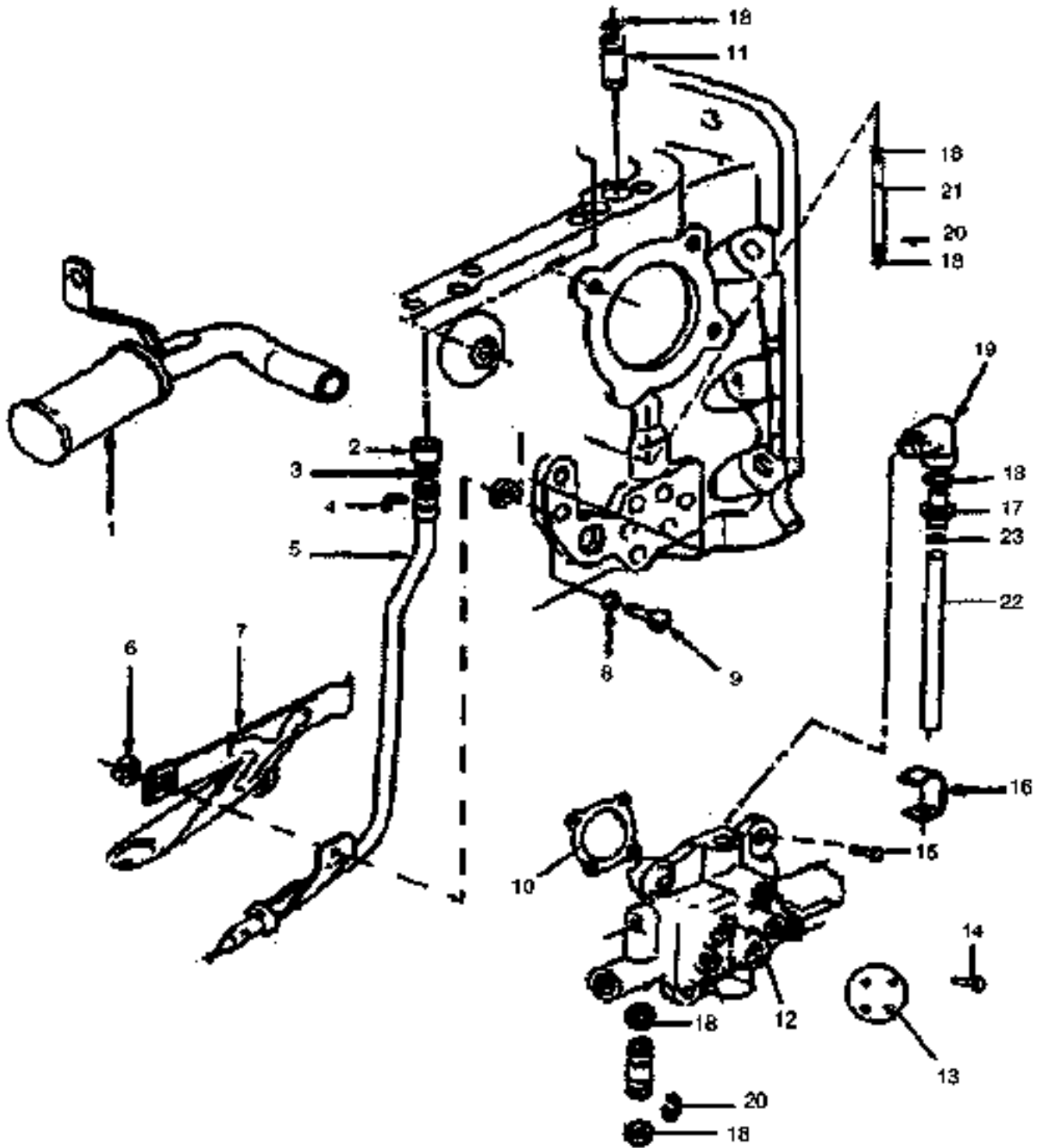
HYDRAULIC LIFT CYLINDER

435 / 535

| ITEM No | PART No. | DESCRIPTION | VENDOR No. | QUANTITY |
|---------|----------|---|------------|----------------|
| | | | | 435 535 |
| 1 | ESL10067 | Cylinder & Valve Assembly | - | 1 1 |
| 2 | ESL11029 | Plug, Lift Unload Valve | - | 1 1 |
| 3 | ESL11030 | 'O' Ring (0.562 x 0.07) | - | 2 2 |
| 4 | ESL11031 | Spring, Lift Unload Valve | - | 1 1 |
| 5 | ESL11032 | Bushing, Unload Valve Rear (White) (NSS) | - | 1 1 |
| 6 | ESL10011 | 'O' Ring (0.5 x 0.07) | - | 3 3 |
| 7 | - | Bushing, Unload Valve Rear (NSS) | - | 1 1 |
| 8 | - | Bushing, Control Valve (NSS) | - | 1 1 |
| 9 | ESL11061 | Spring, Control Valve | - | 1 1 |
| 10 | - | Valve & Sleeve Assembly (White) (NSS) | - | 1 1 |
| 11 | ESL11046 | Plug, Lift Feathering Valve | - | 2 2 |
| 12 | - | Bushing Feathering Valve (NSS) | - | 1 1 |
| 13 | - | Feathering Valve (NSS) | - | 1 1 |
| 14 | ESL11047 | Spring, Lift Feathering Valve | - | 1 1 |
| 15 | ESL10010 | 'O' Ring (0.437 x 0.07) | - | 1 1 |
| 16 | ESL11065 | Plug, Pipe (1/8-27) | - | 4 4 |
| 17 | ESL11064 | Ring, Hydraulic Cylinder Dowel | - | 2 2 |
| 18 | ESL11063 | Gasket, Lift Safety Valve | - | 1 1 |
| 19 | ESL11062 | Valve Assembly, Lift Safety | - | 1 1 |

HYDRAULIC LIFT CYLINDER

435 / 535



HYDRAULIC FLOW SYSTEM



HYDRAULIC SYSTEM

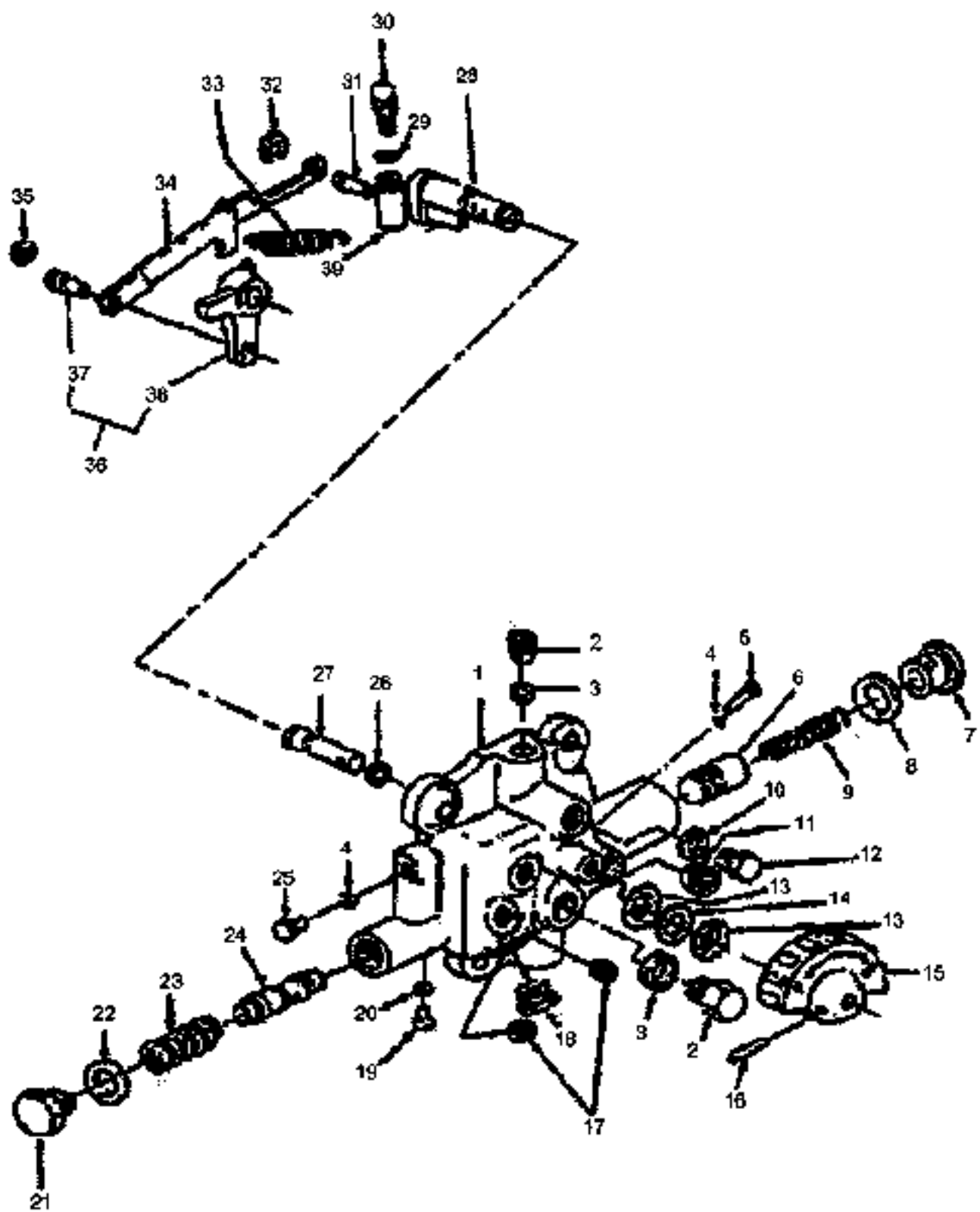
435 / 535

| ITEM No | PART No. | DESCRIPTION | VENDOR No. | QUANTITY |
|---------|----------|------------------------------------|------------|----------|
| | | | | 435 535 |
| 1 | ESL11112 | Filter & Pipe Assembly, Intake | - | 1 1 |
| 2 | ESL11107 | Spacer, Sump Return | - | 1 1 |
| 3 | ESL11109 | Seal 'O' Ring (0.437 x 0.07) | - | 1 1 |
| 4 | ESL11108 | Retainer, Return Pipe | - | 2 2 |
| 5 | ESL11106 | Tube, Lift Sump Return | - | 1 1 |
| 6 | ESL14485 | Nut (5/16 - 24) | - | 1 1 |
| 7 | ESL11110 | Tube and Bracket Assembly | - | 1 1 |
| 8 | ESL11111 | Seal, Oil Passage (5/16) | - | 1 1 |
| 9 | 3830888 | Screw, Pan Head (5/16 - 24 x 1.12) | - | 1 1 |
| 10 | ESL11202 | Gasket, Flow Control Valve | - | - 1 |
| - | ESL11970 | Gasket, Cover FCV Opening | - | 1 - |
| 11 | ESL11099 | Tube, Hydraulic | - | - 2 |
| 12 | ESL11212 | Valve, Flow Control | - | - 1 |
| 13 | ESL11989 | Cover, Flow Control Valve Opening | - | 1 - |
| 14 | 304688S8 | Bolt, Hex Head (7/16-14x0.875) | - | 4 - |
| 15 | 304688S8 | Bolt, Hex Head (7/16-14x1.00) | - | - 4 |
| 16 | ESL11104 | Clip | - | 1 1 |
| 17 | ESL12435 | Tube, Hydraulic Oil | - | - 1 |
| 18 | ESL10011 | 'O' Ring | - | 2 4 |
| 19 | ESL14586 | Elbow, Oil Flow Control Tube | - | - 1 |
| 20 | ESL11103 | Ring, Snap | - | 1 1 |
| 21 | ESL11101 | Tube, Hydraulic Lift Pressure | - | 1 - |
| - | ESL11102 | Tube, Hydraulic Lift Pressure | - | - 1 |
| 22 | ESL12253 | Hose, Flow Control Valve | - | - 1 |
| 23 | ESL14483 | Clamp | - | - 1 |

HYDRAULIC FLOW SYSTEM

● - SERIAL NUMBER BREAK,

☑ - INDICATES UP TO AND INCLUDING THAT SERIAL NUMBER



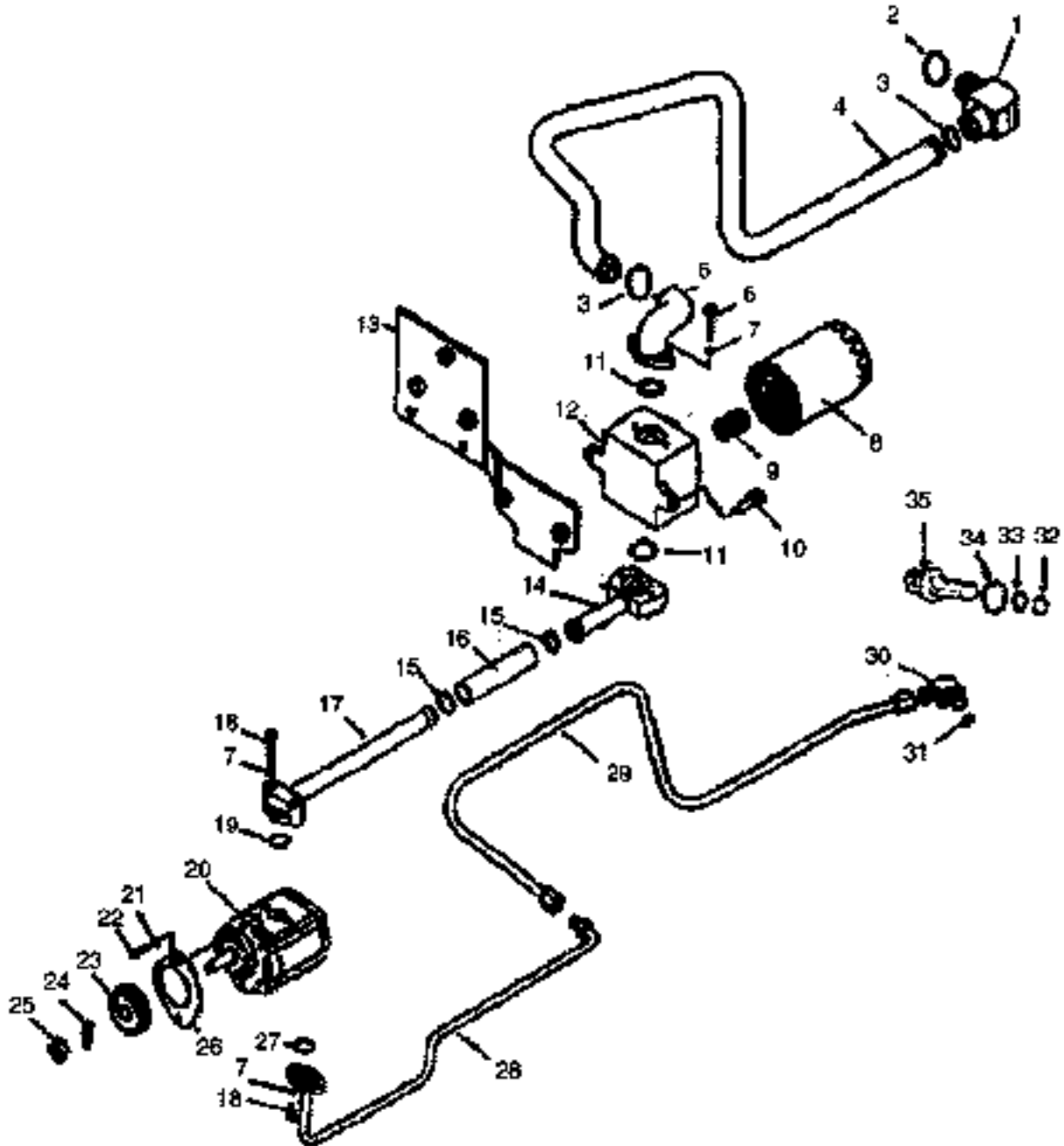
FLOW CONTROL VALVE



| ITEM No | PART No. | DESCRIPTION | VENDOR No. | QUANTITY |
|---------|----------|-----------------------------------|------------|----------|
| | | | | 435 535 |
| 1 | ESL11212 | Flow Control Valve Assembly | - | 1 |
| 2 | ESL11185 | Plug | - | 1 |
| 3 | ESL11186 | Seal | - | 1 |
| 4 | ESL11193 | Seal, Hydraulic Oil (1/4) | - | 2 |
| 5 | ESL11192 | Pin, Restrictor Retainer | - | 1 |
| 6 | ESL11201 | Spool, Valve Assembly | - | 1 |
| 7 | ESL11188 | Plug | - | 1 |
| 8 | ESL11199 | Seal | - | 1 |
| 9 | ESL11200 | Spring, Valve Assembly | - | 1 |
| 10 | ESL11187 | Seal, Hydraulic Oil (7/16) | - | 1 |
| 11 | ESL11189 | Plug | - | 1 |
| 12 | ESL11826 | Bolt | - | 1 |
| 13 | 373573S6 | Spring Washer | - | 2 |
| 14 | 447306B | Washer | - | 1 |
| 15 | ESL11183 | Knob, Flow Control Valve | - | 1 |
| 16 | ESL11184 | Roll Pin | - | 1 |
| 17 | ESL11188 | Plug | - | 2 |
| 18 | ESL11191 | Plug | - | 1 |
| 19 | ESL11879 | Screw | - | 1 |
| 20 | ESL11180 | Seal | - | 1 |
| 21 | ESL11184 | Plug, Valve Plunger | - | 1 |
| 22 | ESL11195 | Seal (3/4) | - | 1 |
| 23 | ESL11198 | Spring, Valve Plunger | - | 1 |
| 24 | - | Plunger, Flow Control Valve (NSS) | - | 1 |
| 25 | ESL11785 | Bolt | - | 1 |
| 26 | ESL11182 | Seal | - | 1 |
| 27 | ESL11181 | Restrictor Shaft | - | 1 |
| 28 | ESL11179 | Restrictor | - | 1 |
| 29 | ESL11204 | Shim, Flow control Valve | - | AR |
| 30 | ESL11203 | Follower, Flow Control Valve | - | 1 |
| 31 | ESL11180 | Pin | - | 1 |
| 32 | ESL11207 | Ring | - | 1 |
| 33 | ESL11208 | Spring, Hydraulic Lift Tension | - | 1 |
| 34 | ESL11209 | Link, Flow Control Valve Retainer | - | 1 |
| 35 | ESL11210 | Ring | - | 1 |
| 36 | ESL12279 | Lever Assembly | - | 1 |
| 37 | - | Pin (NSS) | - | 1 |
| 38 | - | Lever (NSS) | - | 1 |
| 39 | ESL11206 | Adjuster, Flow Control Valve | - | 1 |

FLOW CONTROL VALVE

435 / 535



HYDRAULIC PUMP - 435

10:15

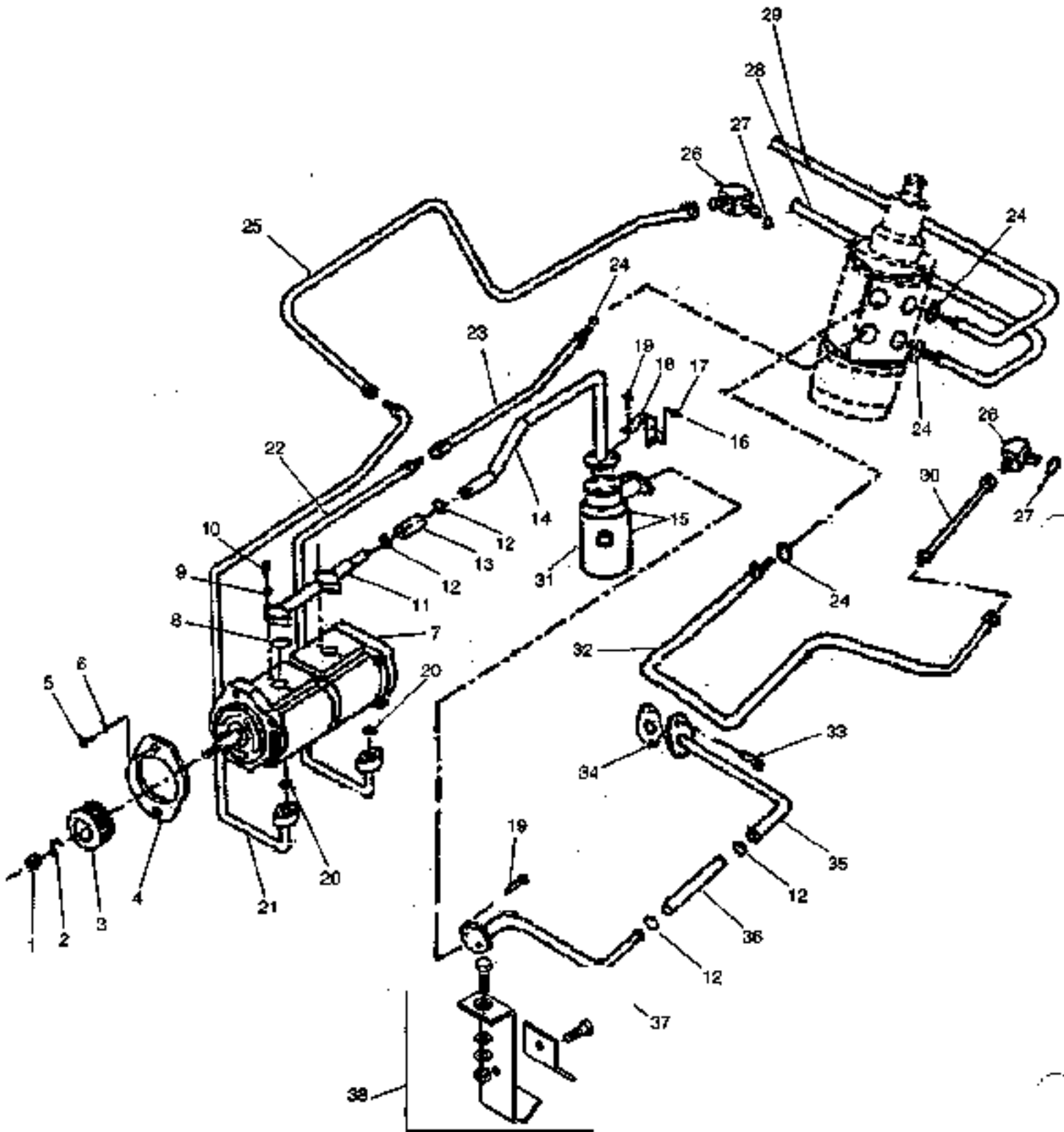
● - SERIAL NUMBER BREAK, **K** - INDICATES UP TO AND INCLUDING THAT SERIAL NUMBER



| ITEM No | PART No. | DESCRIPTION | VENDOR No. | QUANTITY |
|---------|-----------|-------------------------------------|------------|----------------|
| | | | | 435 535 |
| 1 | ESL11269 | Elbow, Pump Inlet | - | 1 - |
| 2 | ESL11270 | O'Ring | - | 1 - |
| 3 | ESL11238 | O'Ring | - | 2 - |
| 4 | ESL14486 | Tube Assembly Housing to Filter | - | 1 - |
| 5 | ESL14487 | Flange | - | 1 - |
| 6 | N606532S8 | Bolt | - | 2 - |
| 7 | N630173S8 | Washer, Lock | - | 6 - |
| 8 | ESL11255 | Hydraulic Filter | - | 1 - |
| 9 | ESL13284 | Adapter Hydraulic Filter | - | 1 - |
| 10 | N605559S8 | Bolt (M12-1.75x30) | - | 2 - |
| 11 | ESL13672 | O'Ring Adapter | - | 2 - |
| 12 | ESL14488 | Adapter Assembly | - | 1 - |
| 13 | ESL14489 | Bracket Hydraulic Pump Filter | - | 1 - |
| 14 | ESL14490 | Tube Assembly Inlet Filter to Hose | - | 1 - |
| 15 | ESL14491 | Clamp | - | 2 - |
| 16 | ESL14492 | Hose | - | 1 - |
| 17 | ESL14493 | Tube Assembly Inlet Pump to Hose | - | 1 - |
| 18 | N606536S8 | Bolt (M8x45) | - | 4 - |
| 19 | ESL13280 | O'Ring | - | 1 - |
| 20 | ESL13281 | Hydraulic Pump Assembly | - | 1 - |
| 21 | 34807S8 | Washer, Lock 3/8 | - | 2 - |
| 22 | 300880S8 | Bolt (3/8-16x2,5) | - | 2 - |
| 23 | ESL14494 | Gear Pump Drive | - | 1 - |
| 24 | ESL14495 | Lock Plate | - | 1 - |
| 25 | ESL14496 | Nut | - | 1 - |
| 26 | ESL14497 | Gasket Hydraulic Pump | - | 1 - |
| 27 | ESL10901 | O'Ring | - | 1 - |
| 28 | ESL14499 | Tube Assembly Pressure Pump to Tube | - | 1 - |
| 29 | ESL14505 | Tube Assembly Center Housing Side | - | 1 - |
| 30 | 86327S8 | Elbow | - | 1 - |
| 31 | ESL14506 | O'Ring | - | 1 - |
| 32 | ESL11274 | O'Ring | - | 1 - |
| 33 | ESL11273 | O'Ring | - | 1 - |
| 34 | ESL11272 | O'Ring | - | 1 - |
| 35 | ESL11271 | Valve Assembly, Pump Relief | - | 1 - |

HYDRAULIC PUMP = 435

435 / 535



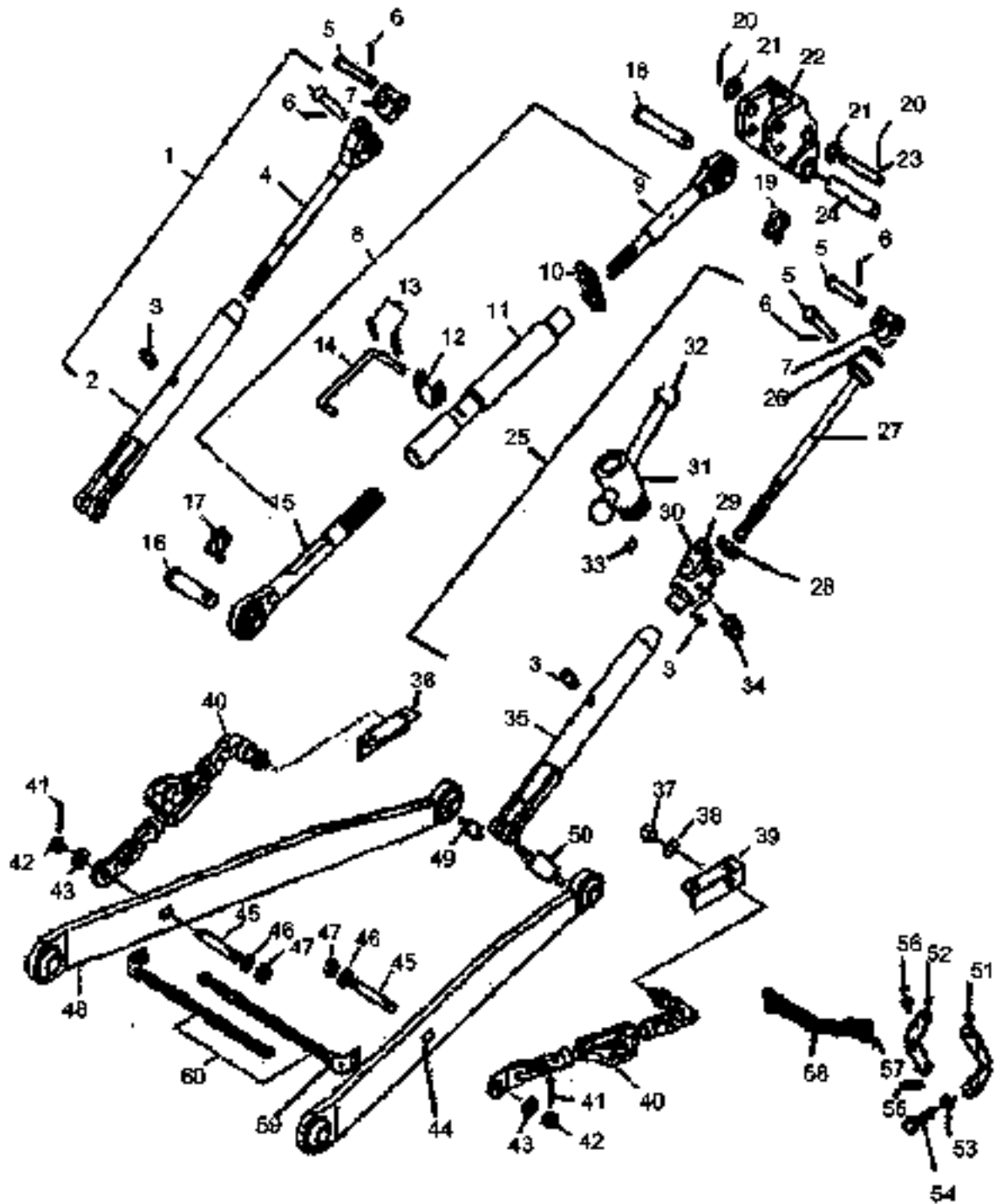
HYDRAULIC PUMP (TANDEM) - 535

435 / 535

| ITEM No | PART No. | DESCRIPTION | VENDOR No. | QUANTITY |
|---------|------------|---|------------|----------------|
| | | | | 435 535 |
| 1 | ESL14496 | Nut | 2206562AA | - 1 |
| 2 | ESL14495 | Plate Lock | D10101910 | - 1 |
| 3 | ESL15498 | Gear Hydraulic Pump Drive | D10108600 | - 1 |
| 4 | ESL14497 | Gasket Hydraulic Pump | D10035260 | - 1 |
| 5 | 300860-S36 | Bolt 3/8-16x2.50 Hex Head | D81000210 | - 2 |
| 6 | 34807-S36 | Washer 3/8 Spring Lock | D86000010 | - 2 |
| 7 | ESL15497 | Hydraulic Pump, Tandem | D10104180 | - 1 |
| 8 | 87040S94 | Gear, External | D93600150 | - 2 |
| 9 | N630173S8 | Washer, Spring Lock (M8) | D86500150 | - 4 |
| 10 | ESL12759 | Bolt, Hex Head (M8x1.25x45) | D10046870 | - 4 |
| 11 | ESL15500 | Box Hydraulic Pump Inlet Junction | D10104240 | - 1 |
| 12 | ESL10495 | Hose Clamp Upper | D10017540 | - 4 |
| 13 | ESL15501 | Hose Junction Box Hydraulic Oil | D10100110 | - 1 |
| 14 | ESL15502 | Tube Assembly Inlet Filter Adapter To Junction Box Hose | D10105900 | - 1 |
| 15 | ESL15503 | Filter And Adapter Assembly | D10100080 | - 1 |
| 16 | 304652-S36 | Bolt 7/16-14x0.75 Hex Head | D81000450 | - 2 |
| 17 | 356420S36 | Washer 7/16 Flat | D85000090 | - 2 |
| 18 | ESL15504 | Bracket Hydraulic Oil Adapter | D10080030 | - 1 |
| 19 | ESL15505 | Screw M8x22 Socket Head | D10100120 | - 6 |
| 20 | 87035-S94 | Seal 'O' Ring 0.103x0.625 | D93600090 | - 2 |
| 21 | ESL15499 | Tube Assy. Hyd. Pump To Conn. | D10079900 | - 1 |
| 22 | ESL15511 | Tube Assy. Hyd. Pump Rear To Conn. | D10079910 | - 1 |
| 23 | ESL15512 | Tube Assy. Conn. To Steering Motor | D10105910 | - 1 |
| 24 | ESL10021 | 'O' Ring | D93600070 | - 4 |
| 25 | ESL14505 | Tube Assy. Center Housing Side | D10013230 | - 1 |
| 26 | 8832788 | Elbow 3/4-16 High Pressure Tube Fitting | D91500010 | - 2 |
| 27 | ESL10021 | Seal 'O' Ring 0.087x0.644 | D93600070 | - 2 |
| 28 | ESL15490 | Tube Assy. Steering Cylinder (RH Turn) | D10079950 | - 1 |
| 29 | ESL15491 | Tube Assy. Steering Cylinder (LH Turn) | D10079940 | - 1 |
| 30 | ESL15510 | Tube Assy. Rear Axle Center Housing To Connector | D10079930 | - 1 |
| 31 | ESL15573 | Hydraulic Filter | D10079980 | - 1 |
| 32 | ESL15509 | Tube Assy. Steering Motor To Con. Return | D82500070 | - 1 |
| 33 | ESL15514 | Screw M8x1.25x15-6.8 Hex Head | D10107030 | - 2 |
| 34 | ESL15513 | Gasket Hydraulic Lift Oil Intake | D10079870 | - 1 |
| 35 | ESL15508 | Tube Assy. Inlet Center Housing To Hose | - | - 1 |
| 36 | ESL15507 | Hose Hydraulic Oil Filter | D10100100 | - 1 |
| 37 | ESL15506 | Tube Assy. Inlet Filter Adapter To Hose | D10079960 | - 1 |
| 38 | ESL15605 | Clamp Assembly, Suction Tube | D10115950 | - 1 |

HYDRAULIC PUMP (TANDEM) - 535

435 / 535



HYDRAULIC LIFT LINKAGES

10:19

● - SERIAL NUMBER BREAK,  - INDICATES UP TO AND INCLUDING THAT SERIAL NUMBER

438 / 535

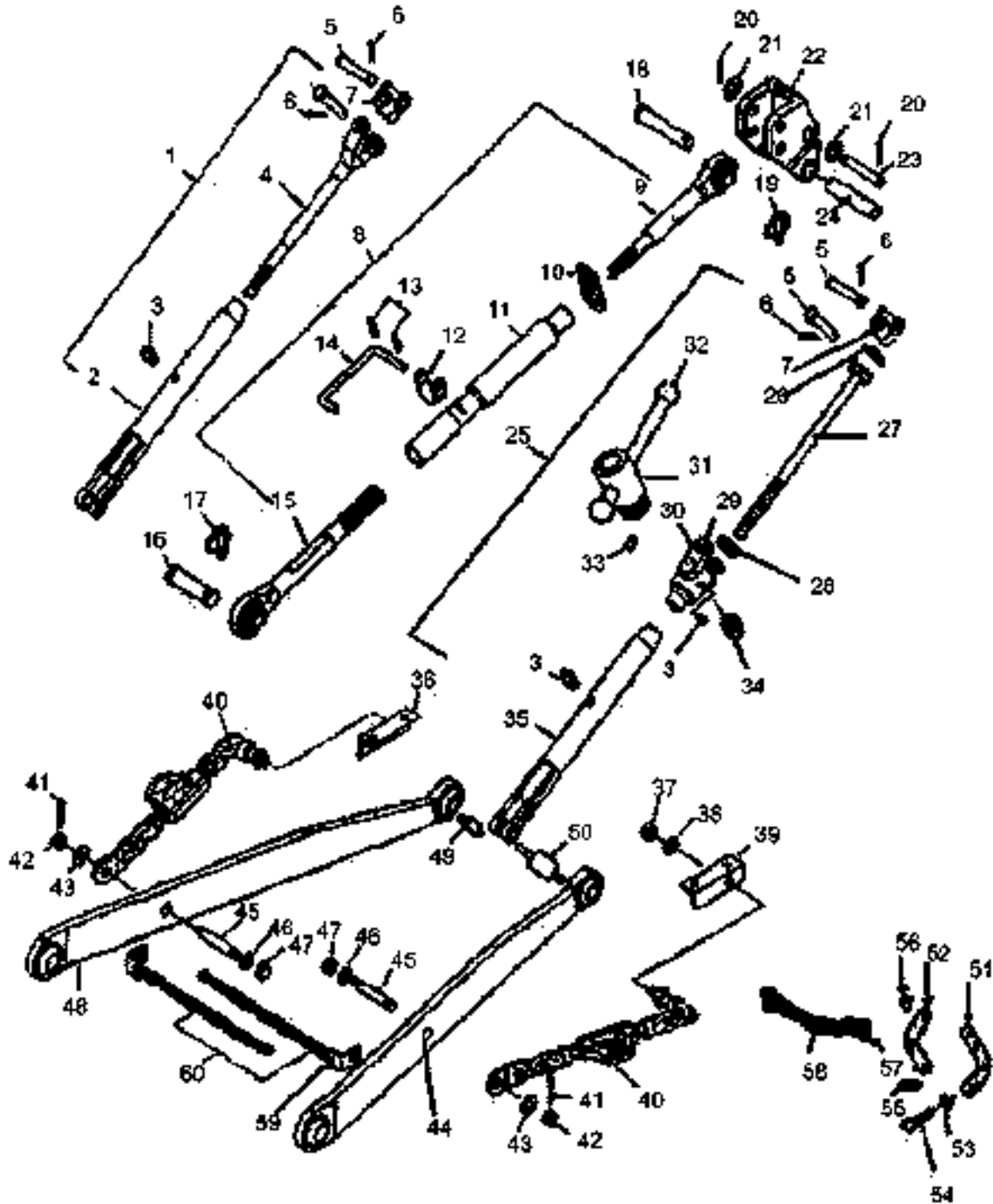
| ITEM No | PART No. | DESCRIPTION | VENDOR No. | QUANTITY |
|---------|-----------|-------------------------------------|------------|----------|
| | | | | 438 535 |
| 1 | ESL11164 | Rod Assembly, LH | - | 1 1 |
| 2 | - | Fork, Lift Level Rod (NSS) | - | 1 1 |
| 3 | ESL10868 | Grease Nipple (1/4-28) | - | 3 3 |
| 4 | - | Rod, Hydraulic Lift Link (NSS) | - | 1 1 |
| 5 | ESL11143 | Pin, Link to Lift Arm | - | 4 4 |
| 6 | 72035S8 | Pin, Cotter (1/8x1.00) | - | 4 4 |
| 7 | ESL11141 | Knuckle, Rod Assembly LH | - | 2 2 |
| 8 | ESL14566 | Link Assembly, Upper Lift (Call) | - | 1 1 |
| 9 | ESL11122 | Link & Ball, RH Thread | - | 1 1 |
| 10 | ESL11120 | Retainer, Upper Lift Link | - | 1 1 |
| 11 | - | Housing, Upper Link (NSS) | - | 1 1 |
| 12 | - | Clamp, Upper Link (NSS) | - | 1 1 |
| 13 | - | Pin (NSS) | - | 2 2 |
| 14 | ESL11117 | Latch, Upper Link | - | 1 1 |
| 15 | ESL14580 | Link & Ball, LH Thread | - | 1 1 |
| 16 | ESL11125 | Pin, Upper Lift Link | - | 1 1 |
| 17 | ESL11126 | Pin & Ring Assembly, Linch | - | 1 1 |
| 18 | ESL11126 | Pin, Upper Lift Link | - | 1 1 |
| 19 | ESL11126 | Pin & Ring Assembly, Linch | - | 1 1 |
| 20 | 72055S8 | Pin, Cotter (3/16 x 1.25) | - | 2 2 |
| 21 | ESL11708 | Washer, Rocker to Yoke Pin | - | 2 2 |
| 22 | ESL11113 | Rocker, Hydraulic Lift Upper | - | 1 1 |
| 23 | ESL11115 | Pin, Rocker to Yoke Clevis | - | 1 1 |
| 24 | ESL11114 | Bush, Hydraulic Lift Rocker | - | 1 1 |
| 25 | ESL11166 | Box Assembly, Lift Leveling | - | 1 1 |
| 26 | ESL11159 | Plug, Expansion | - | 1 1 |
| 27 | - | Shaft, Lift Leveling Gear (NSS) | - | 1 1 |
| 28 | ESL11147 | Bearing Assembly, Lift Lever Gear | - | 1 1 |
| 29 | - | Box Hydraulic Lift Lever (NSS) | - | 1 1 |
| 30 | 363904S8 | Washer, Spring (0.50) | - | 1 1 |
| 31 | ESL11151 | Lever, Hydraulic Lift Leveling | - | 1 1 |
| 32 | ESL11154 | Knob, Hydraulic Lift Leveling | - | 1 1 |
| 33 | ESL11156 | Rivet | - | 1 1 |
| 34 | ESL11149 | Gear, Hydraulic Lift Leveling Lever | - | 1 1 |
| 35 | - | Fork, Lift Level Rod (NSS) | - | 1 1 |
| 36 | 900645 | Bracket, LH, Check Chain | - | 1 1 |
| 37 | N620016S8 | Nut | - | 2 2 |
| 38 | N630072S8 | Washer | - | 2 2 |
| 39 | 900646 | Bracket RH, Check Chain | - | 1 1 |
| 40 | ESL12081 | Check Chain & Bracket Assembly | - | 2 2 |

HYDRAULIC LIFT LINKAGES

① - SERIAL NUMBER BREAK,

K - INDICATES UP TO AND INCLUDING THAT SERIAL NUMBER

435 / 535



HYDRAULIC LIFT LINKAGES

10:21

● - SERIAL NUMBER BREAK, **∨** - INDICATES UP TO AND INCLUDING THAT SERIAL NUMBER



HYDRAULIC SYSTEM

435 / 535

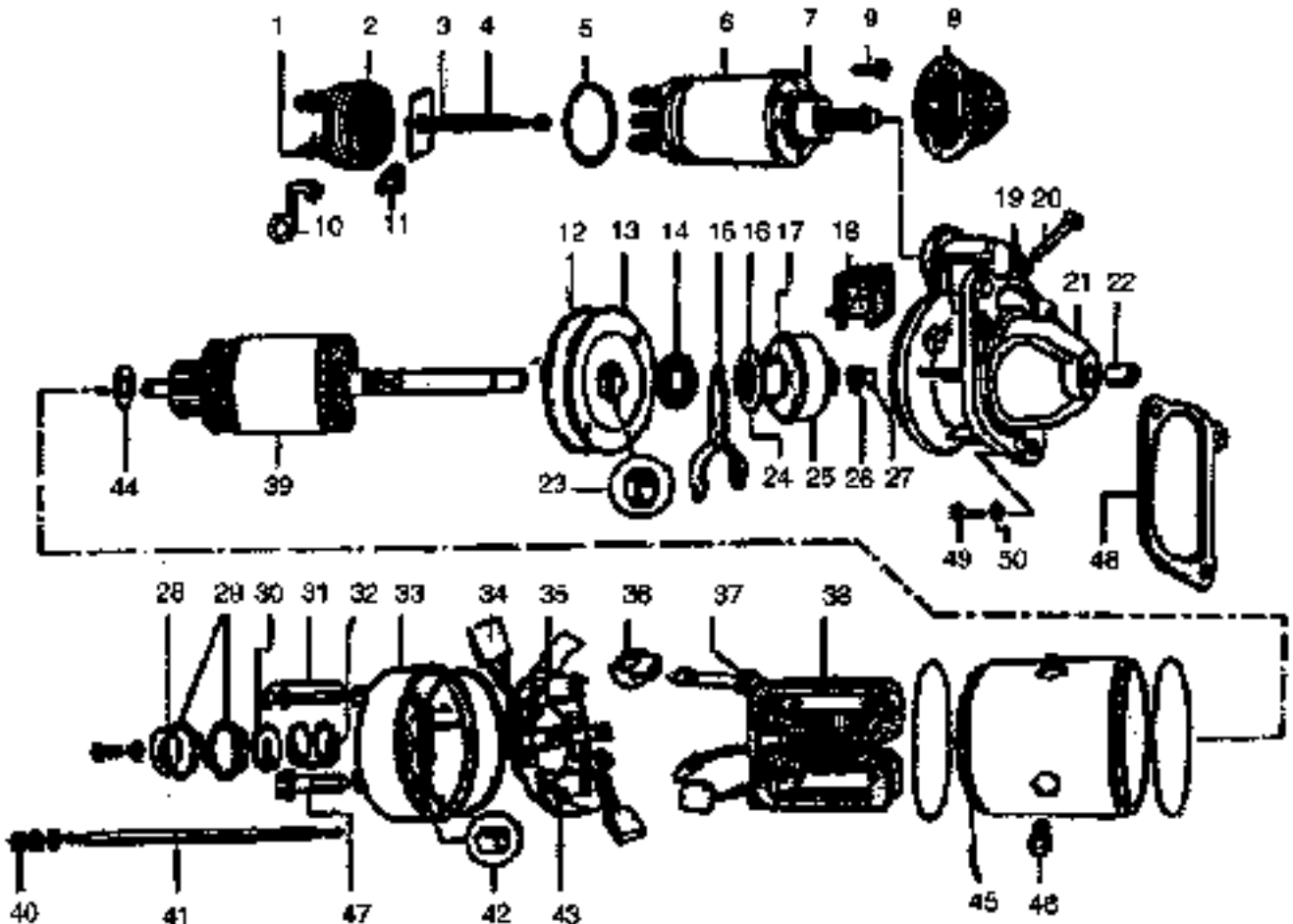
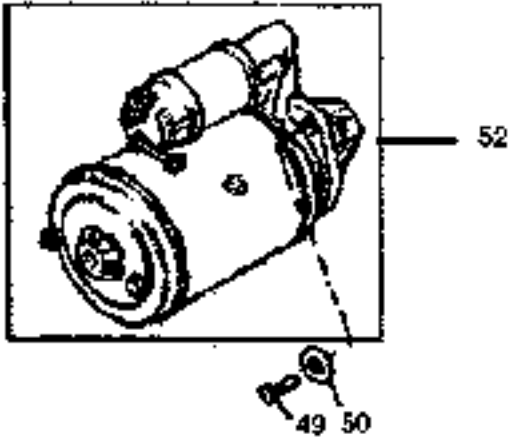
| ITEM No | PART No. | DESCRIPTION | VENDOR No. | QUANTITY |
|---------|-----------|---------------------------------|------------|----------|
| | | | | 435 535 |
| 41 | 72053S8 | Pin, Cotter (1/8-1.25) | - | 2 2 |
| 42 | 93987S8 | Nut (5/8-18) | - | 2 2 |
| 43 | 44742S8 | Washer (5/8) | - | 2 2 |
| 44 | ESL15515 | Lower Link Assembly RH (CAT I) | D10026130 | 1 1 |
| 45 | ESL12087 | Pin | - | 2 2 |
| 46 | 377184S8 | Washer, Flat | - | 2 2 |
| 47 | 351090S8 | Nut, Hex Lock (7/16-20) | - | 2 2 |
| 48 | ESL15516 | Lower Link Assembly LH (CAT I) | D10026120 | 1 1 |
| 49 | ESL11134 | Shaft, Lower Link Support LH | - | 1 1 |
| 50 | ESL11132 | Shaft, Lower Link Support RH | - | 1 1 |
| 51 | ESL11138 | Anchor, RH | - | 1 1 |
| 52 | ESL11140 | Anchor, LH | - | 1 1 |
| 53 | 94806S8 | Washer, Lock (7/16) | - | 4 4 |
| 54 | 959284S38 | Bolt, Hex Head (7/16-14x1.38) | - | 4 4 |
| 55 | 380793S8 | Pin, Clevis (3/8x1.68) | - | 4 4 |
| 56 | 72026S8 | Pin, Cotter (1/8-0.875) | - | 4 4 |
| 57 | ESL11136 | Clevis, Lower Lift Link | - | 4 4 |
| 58 | ESL11135 | Check Chain Assembly, Link | - | 2 2 |
| 59 | - | Bracket, Check Chain Link (NSS) | - | 2 2 |

HYDRAULIC LIFT LINKAGES

Notes

ELECTRICALS, GAUGES & LIGHT SYSTEM

4351535

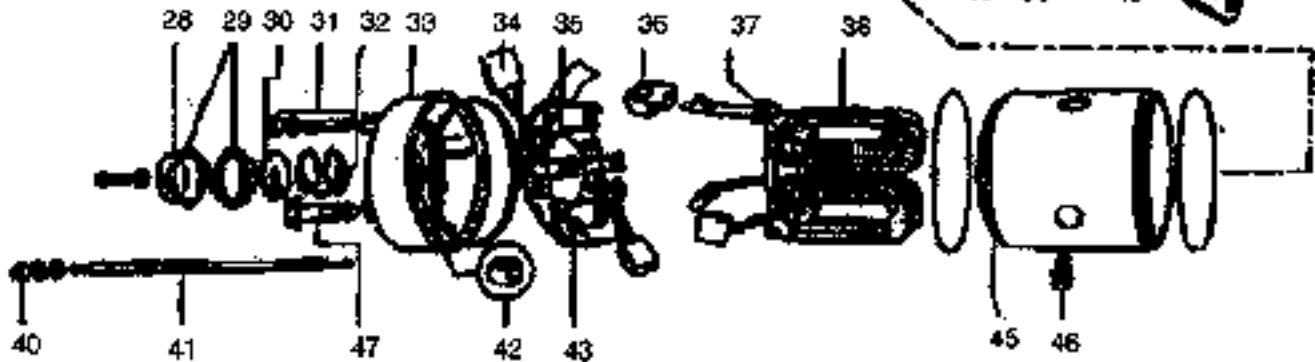
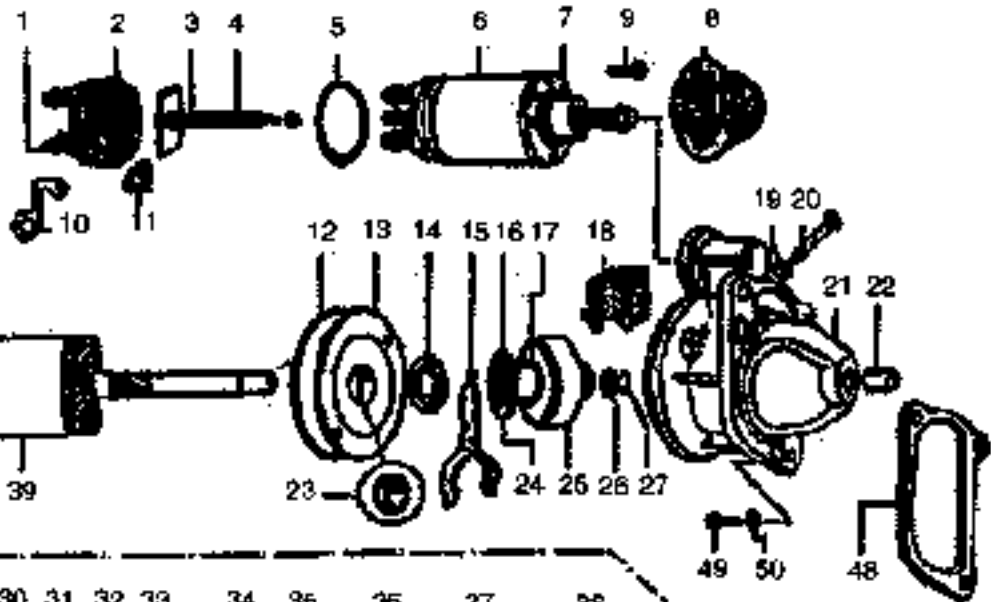
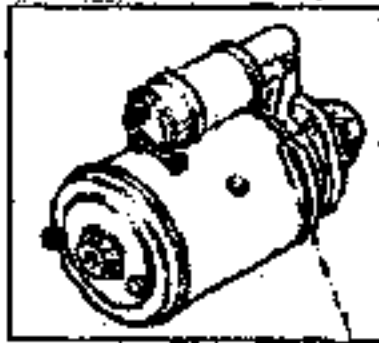


STARTER MOTOR & RELAY ASSEMBLY

| ITEM No | PART No. | DESCRIPTION | VENDOR No. | QUANTITY |
|---------|----------|--|-------------|----------------|
| | | | | 435 535 |
| 1 | - | Main Terminal (Solenoid) (NSS) | - | 2 2 |
| 2 | - | Terminal Base Assembly (NSS) | - | 1 1 |
| 3 | - | Spindle Assembly (NSS) | - | 1 1 |
| 4 | - | Plunger Return Spring (NSS) | - | 1 1 |
| 5 | ESL13444 | Sealing Ring (Solenoid) | 11-13555-AA | 1 1 |
| 6 | ESL13445 | Solenoid Switch Assembly (3 bolt mounting) | 11-13556-AA | 1 1 |
| 7 | - | Plunger Assembly (NSS) | - | 1 1 |
| 8 | - | Shroud (NSS) | - | 1 1 |
| 9 | - | Screw (Solenoid Fixing) (NSS) | - | 3 3 |
| 10 | ESL13449 | Connector | 11-13560-AA | 1 1 |
| 11 | - | Seal (NSS) | - | 1 1 |
| 12 | ESL13451 | Sealing Ring (DE & CE) | 11-13562-AA | 2 2 |
| 13 | - | Intermediate Bracket Assembly (NSS) | - | 1 1 |
| 14 | ESL13453 | Oil Seal | 11-13564-AA | 1 1 |
| 15 | - | Engaging Lever Assembly (NSS) | - | 1 1 |
| 16 | - | Jump Ring (Pinion) (NSS) | - | 1 1 |
| 17 | - | Spring Pinion (NSS) | - | 1 1 |
| 18 | - | Grommet (NSS) | - | 1 1 |
| 19 | - | Nut (Pivot) (NSS) | - | 1 1 |
| 20 | - | Pivot Pin (NSS) | - | 1 1 |
| 21 | - | Fixing Bracket Assembly (NSS) | - | 1 1 |
| 22 | ESL13461 | Bearing Bush (Fixing Bracket) | 11-13572-AA | 1 1 |
| 23 | ESL13462 | Bearing Bush (Inter Bracket) | 11-13573-AA | 1 1 |
| 24 | - | Operating Plate (Pinion) (NSS) | - | 1 1 |
| 25 | ESL13464 | Drive Assembly | 11-13575-AA | 1 1 |
| 26 | ESL13465 | Thrust Collar | 11-13576-AA | 1 1 |
| 27 | ESL13466 | Jump Ring | 11-13577-AA | 1 1 |
| 28 | - | End Cover (NSS) | - | 1 1 |
| 29 | ESL13468 | Seal (End Cover) | 11-13579-AA | 2 2 |
| 30 | - | O-Washer (NSS) | - | 1 1 |
| 31 | ESL13470 | Earth Terminal | 11-13581-AA | 1 1 |
| 32 | - | Spring (End Cover) (NSS) | - | 1 1 |
| 33 | - | C & E Bracket Assembly (NSS) | - | 1 1 |
| 34 | ESL13473 | Brush Set | 11-13584-AA | 1 1 |
| 35 | ESL13474 | Brush Carrier Assembly | 11-13585-AA | 1 1 |
| 36 | ESL13475 | Lead Assembly | 11-13586-AA | 1 1 |
| 37 | - | Grommet (NSS) | - | 1 1 |
| 38 | ESL13477 | Field Coil Assembly | 11-13588-AA | 1 1 |
| 39 | ESL13478 | Armature Assembly | 11-13589-AA | 1 1 |
| 40 | ESL13479 | Nut (Fixing Stud) | 11-13590-AA | 2 2 |

STARTER MOTOR & RELAY ASSEMBLY

435 / 535



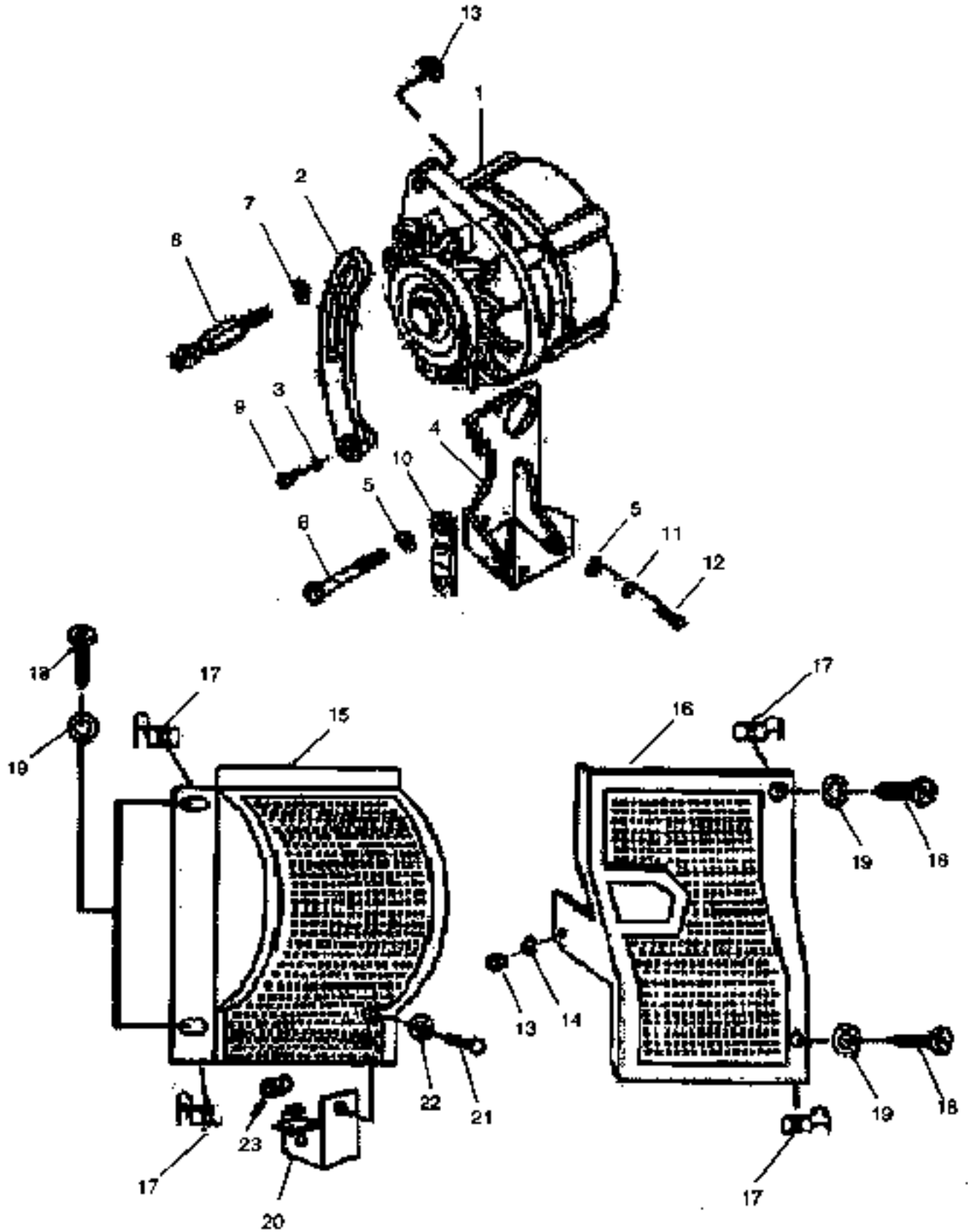
STARTER MOTOR & RELAY ASSEMBLY

435 / 535

| ITEM No | PART No. | DESCRIPTION | VENDOR No. | QUANTITY |
|----------------|-----------------|------------------------|-------------------|-----------------|
| | | | | 435 535 |
| 41 | - | Fixing Stud (NSS) | - | 1 1 |
| 42 | ESL13481 | Bearing Bush | 11-13582-AA | 1 1 |
| 43 | ESL13482 | Brush Spring | 11-13583-AA | 4 4 |
| 44 | - | Stop Washer (NSS) | - | 1 1 |
| 45 | - | Insulation Yoke (NSS) | - | 1 1 |
| 46 | - | Pole Screw (NSS) | - | 4 4 |
| 47 | - | Screw (NSS) | - | 2 2 |
| 48 | ESL14370 | Gasket, Starter Motor | D10034650 | 1 1 |
| 49 | ESL14509 | Bolt, Hex Head | D10032980 | 3 3 |
| 50 | N83017498 | Washer, Lock (M10) | D86500090 | 3 3 |
| 51 | ESL11461 | Clip, Wiring (NI) | D10019390 | 1 1 |
| 52 | ESL14510 | Starter Motor Assembly | D10035540 | 1 1 |

STARTER MOTOR & RELAY ASSEMBLY

435 / 535



ALTERNATOR & GUARD



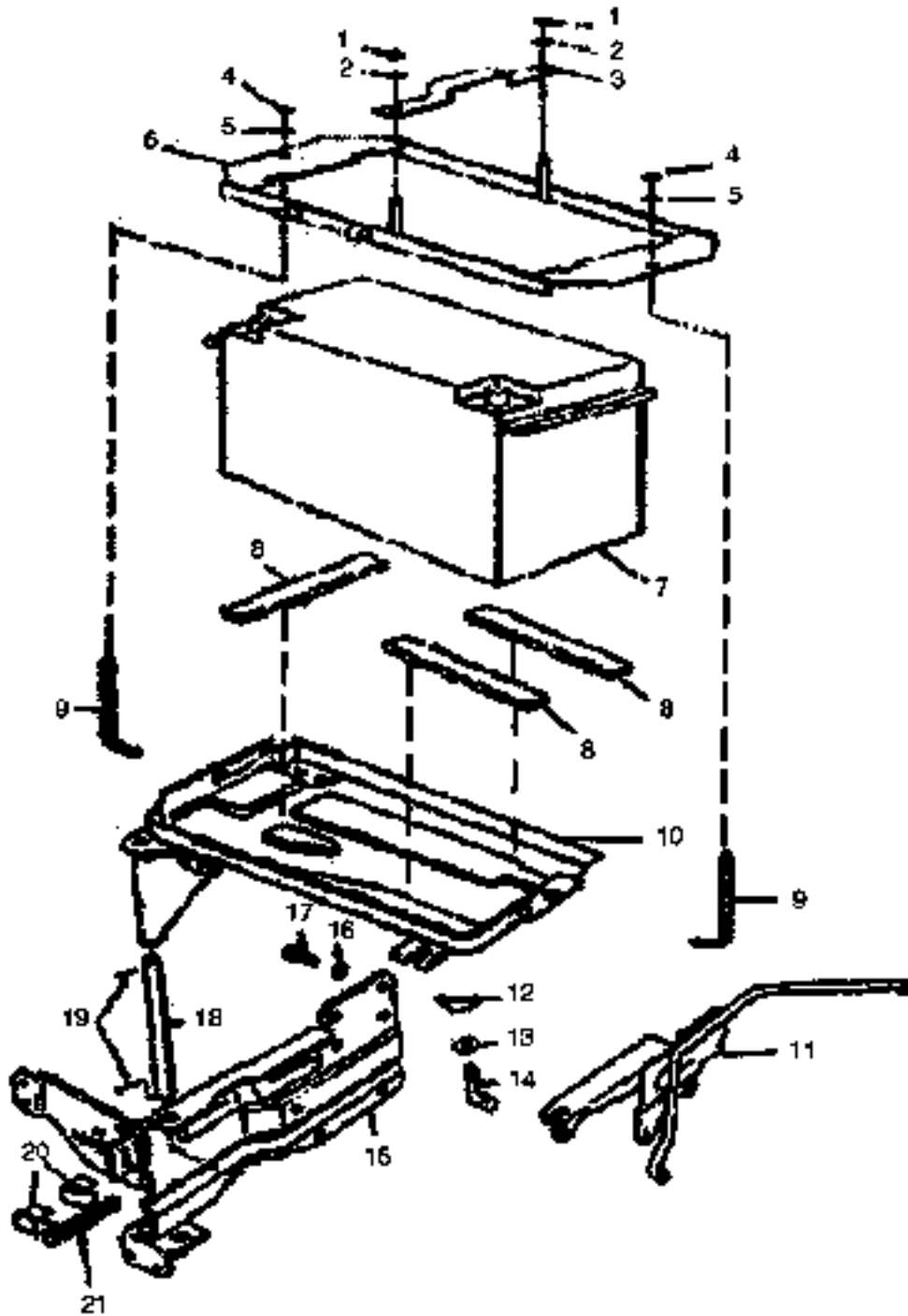
435 / 535

| ITEM No | PART No. | DESCRIPTION | VENDOR No. | QUANTITY |
|---------|-----------|--------------------------------------|---------------------------|----------|
| | | | | 435 535 |
| 1 | ESL11954 | Alternator & Regulator Assembly | D10019250 | 1 1 |
| 2 | ESL15596 | Arm, Alternator Belt Adjusting | D10009210 | 1 1 |
| 3 | ESL11720 | Washer, Flat (M8x19x3) | D85500130 | 1 1 |
| 4 | ESL15597 | Bracket, Alternator Mounting | D10035680 | 1 1 |
| 5 | ESL11956 | Washer (M10) | D85500140 | 2 2 |
| 6 | ESL14516 | Bolt, Hex (M10x100) | D10034580 | 1 1 |
| 7 | ESL14512 | Washer, Plain | D10034590 | 1 1 |
| 8 | ESL14519 | Adjusting Bolt | D10034600 | 1 1 |
| 9 | N605532S8 | Bolt, Hex (M8x1.25x25) | D81501040 | 1 1 |
| 10 | ESL14514 | Clamp, Alternator Bracket | D10009180 | 1 1 |
| 11 | N630174S8 | Washer, Lock (M10) | D85500090 | 1 1 |
| 12 | N605545S8 | Bolt, Hex (M10x1.5x25) | D81500280 | 1 1 |
| 13 | N620013S8 | Nut, Hex (M8) | D83500320 | 2 2 |
| 14 | N630173S8 | Washer, Lock (M8) | D85500150 | 1 1 |
| 15 | ESL14517 | Guard, Alternator & Fan, LH | D10021170 | 1 1 |
| 16 | ESL14518 | Guard Assembly, Alternator & Fan, RH | D10034810 | 1 1 |
| 17 | ESL11817 | Nut, Spring U (1/2-14) | D10035470 | 4 4 |
| 18 | ESL14519 | Screw, Pan Head | D10018540 | 4 4 |
| 19 | ESL12048 | Washer, Flat (1/4) | E-602188-S71 D85500100 | 4 4 |
| 20 | ESL14520 | Bracket Assembly | D10035480 | 1 1 |
| 21 | ESL12073 | Bolt, Hex Head (M6-1x16) | D81500360 | 1 1 |
| 22 | N630067S8 | Washer, Flat (M6) | D85500110 | 1 1 |
| 23 | ESL12072 | Rubber Bush | D10021170 | 1 1 |

ALTERNATOR & GUARD

① - SERIAL NUMBER BREAK,

⏏ - INDICATES UP TO AND INCLUDING THAT SERIAL NUMBER

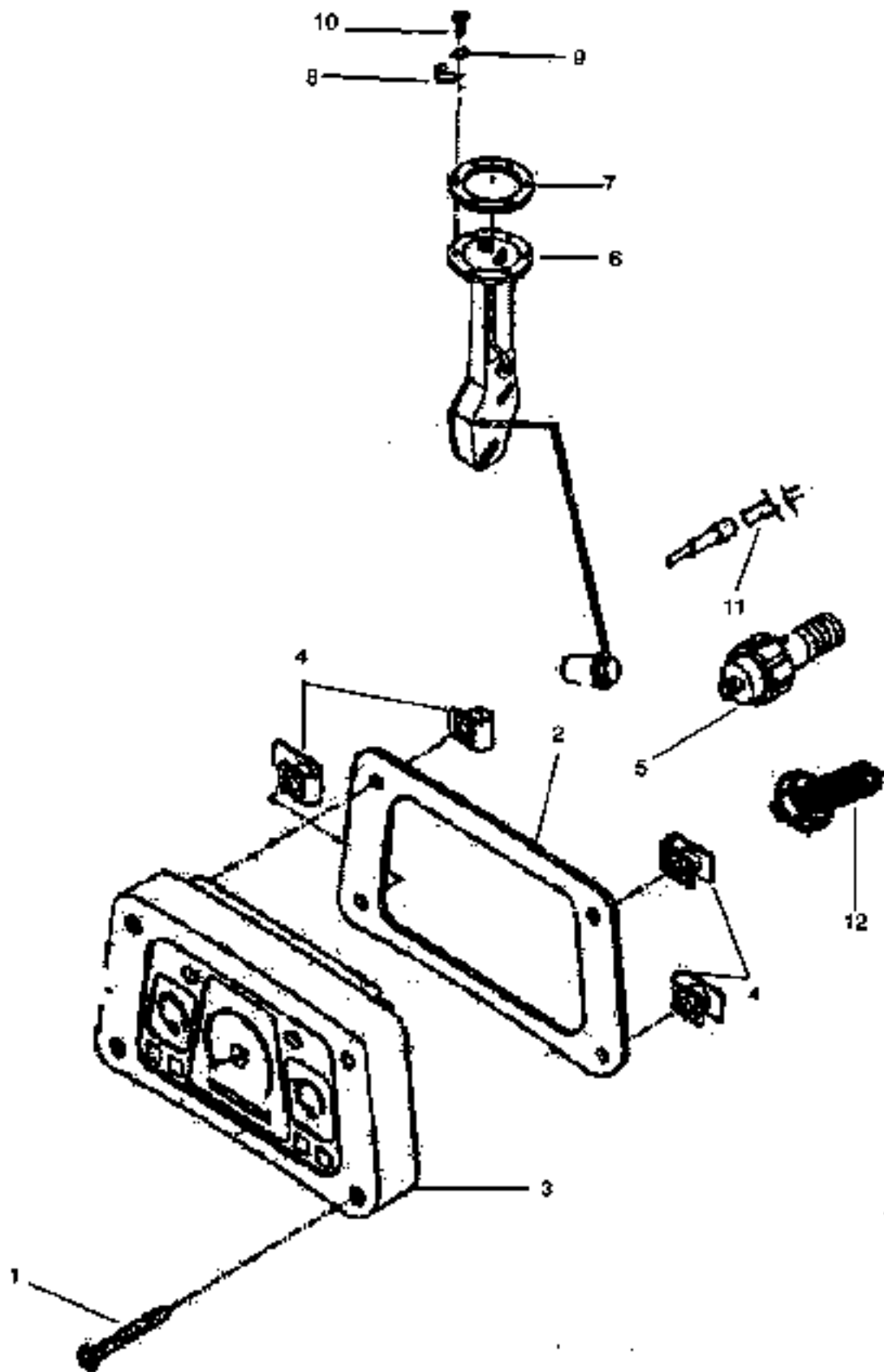


BATTERY & BATTERY SUPPORT

| ITEM No | PART No. | DESCRIPTION | VENDOR No. | QUANTITY |
|---------|----------|--|---------------|----------|
| | | | | 435 535 |
| 1 | 33796SB | Nut, Hex Head (1/4) | D81000400 | 2 2 |
| 2 | 44718SB | Washer, Flat (1/4) | D85000030 | 2 2 |
| 3 | ESL12547 | Top Plate, Battery Hold Down | D10026280 | 1 1 |
| 4 | 383705SB | Nut, Hex Lock (5/16-18) | D83000150 | 2 2 |
| 5 | 44722SB | Washer, Flat (5/16) | D85000040 | 2 2 |
| 6 | ESL12545 | Clamp, Battery Hold Down | D10026280 | 1 1 |
| 7 | 799716 | Battery Assembly | - | 1 1 |
| 8 | ESL12548 | Pad, Battery | D10026290 | 3 3 |
| 9 | ESL12546 | Rod, Battery Hold Down | D10026270 | 2 2 |
| 10 | ESL15598 | Tray Assembly, Battery | D10116200 | 1 1 |
| 11 | ESL14521 | Support, Radiator Shell, Upper | D10035430 | 1 1 |
| 12 | 388769S | Nut, Wing (5/16) | D10018710 | 1 1 |
| 13 | 44724SB | Washer, Flat (5/16) | D85000070 | 1 1 |
| 14 | ESL11773 | Bolt, Battery Hold Down | D10085740 | 1 1 |
| 15 | ESL11342 | Bracket Assembly, Battery Support | D10017320 | 1 1 |
| 16 | 34808SB | Washer, Lock (7/16) | D86000020 | 4 4 |
| 17 | 304652SB | Bolt, Hex Head (7/16-14x0.75) | D81000450 | 4 4 |
| 18 | ESL11350 | Pin, Battery Tray | D10018210 | 1 1 |
| 19 | ESL13420 | Pin, Cotter (5/32x1.25) | D87000100 | 2 2 |
| 20 | ESL11354 | Clip, Battery Cable Pad | D10018400 | 2 2 |
| 21 | ESL11353 | Pad, Battery Cable | D10018390 | 1 1 |
| 22 | ESL11357 | Terminal, Battery Cable, Positive (NI) | - | 1 1 |
| 23 | ESL11356 | Cover, Terminal Insulation (NI) | - | 1 1 |
| 24 | ESL11358 | Terminal, Battery Cable, Earth (NI) | O7NN-14452-C | 1 1 |
| 25 | ESL11355 | Boot, Terminal Insulation (NI) | 73NF1-14277-A | 1 1 |
| 26 | 23017S2 | Bolt, Terminal (5/16-18x1.25) (NI) | 23017-S2 | 2 2 |
| 27 | 33797S2 | Nut, Hex, Terminal (5/16-18) (NI) | D83000060 | 2 2 |

BATTERY & BATTERY SUPPORT

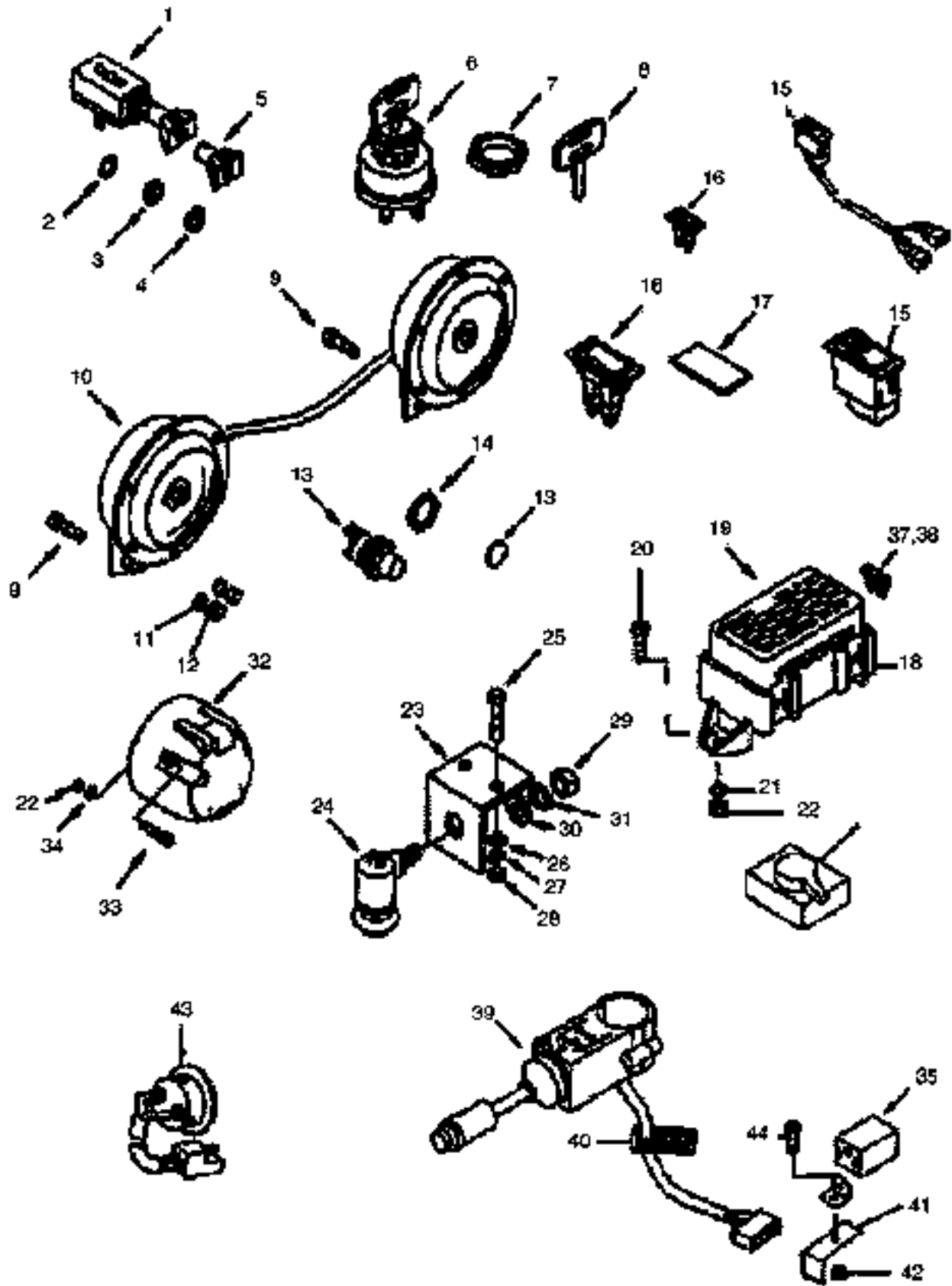
435 / 535



INSTRUMENT CLUSTER, TACHODRIVE & SENSORS

| ITEM No | PART No. | DESCRIPTION | VENDOR No. | QUANTITY |
|----------------|-----------------|----------------------------------|-------------------|-----------------|
| | | | | 435 535 |
| 1 | ESL11889 | Screw, Bezel Retaining | D10018650 | 4 4 |
| 2 | ESL13506 | Gasket, Instrument Cluster | D10026480 | 1 1 |
| 3 | ESL14589 | Cluster Assembly, Instrument | D10095450 | 1 1 |
| 4 | ESL11823 | Nut, Bezel Retaining | D10016820 | 4 4 |
| 5 | ESL11400 | Switch Assembly, Oil Pressure | D10026550 | 1 1 |
| 6 | ESL11390 | Float Assembly, Fuel Tank Sender | D10021970 | 1 1 |
| 7 | ESL14622 | Gasket, Fuel Tank Sender | D10021980 | 1 1 |
| 8 | ESL11394 | Clip | D10026010 | 1 1 |
| 9 | ESL12559 | Washer, Fuel Tank Float | D10021890 | 5 5 |
| 10 | ESL12658 | Screw, Hex Head (10-32*0.625) | D10026090 | 5 5 |
| 11 | ESL14523 | Cable Assembly, Tachometer | D10015470 | 1 1 |
| 12 | ESL14624 | Sensor, Water Temperature | D10039130 | 1 1 |

435 / 535



ELECTRICAL SWITCHES

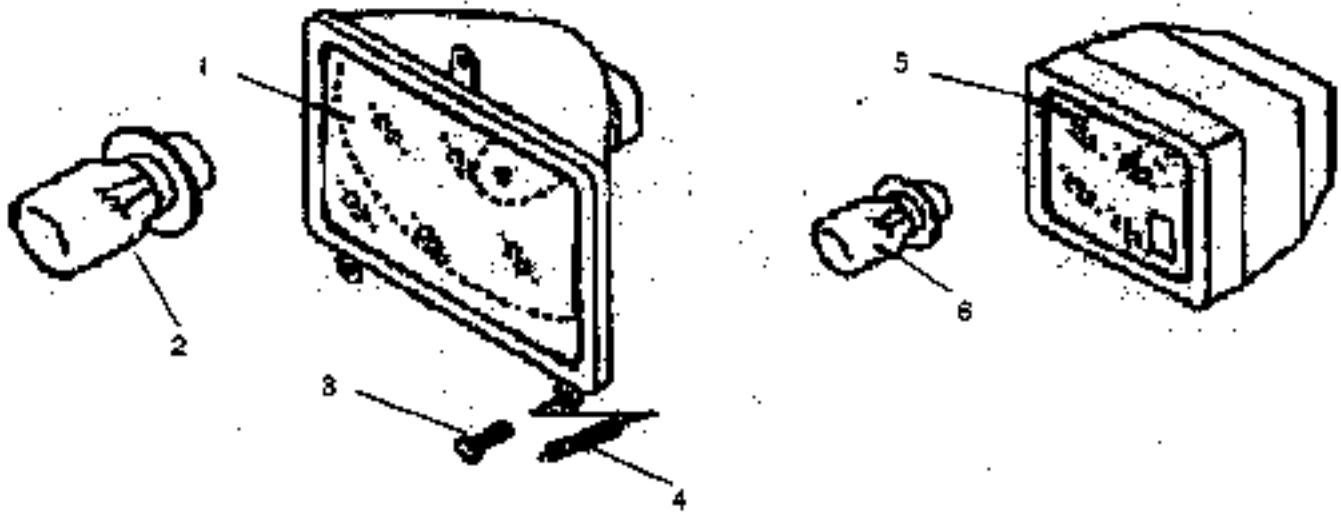
TEST

• SERIAL NUMBER BREAK,  INDICATES UP TO AND INCLUDING THAT SERIAL NUMBER

435 / 535

| ITEM No | PART No. | DESCRIPTION | VENDOR No. | QUANTITY |
|---------|-----------|---|----------------|----------------|
| | | | | 435 535 |
| 1 | ESL12291 | Switch Assembly, Lighting (Rotary Type) | D10026500 | 1 1 |
| 2 | ESL11723 | Washer | 92NN-11N654-AA | 1 1 |
| 3 | ESL11819 | Nut, Lighting Switch | 92NN-11662-A | 1 1 |
| 4 | ESL11820 | Nut, Lighting Switch | 92NN-11662-BA | 1 1 |
| 5 | ESL11360 | Knob, Light Switch | E1NN-11667-AA | 1 1 |
| 6 | ESL15188 | Switch Assembly, Heel & Starter | D10048140 | 1 1 |
| 7 | ESL11821 | Nut, Starter Switch | - | 1 1 |
| 8 | ESL11362 | Key, Ignition Lock | 82B85125 | 1 1 |
| 9 | 304682S6 | Bolt, Hex Head (5/16-18x1.00) | - | 2 2 |
| 10 | ESL11365 | Horn Assembly, Dual Tone | D10017850 | 1 1 |
| 11 | 34941S8 | Washer (5/16) | - | 2 2 |
| 12 | 33799S8 | Nut (5/16) | - | 2 2 |
| 13 | ESL13501 | Button Assembly, Horn Blowing | D10016460 | 1 1 |
| 14 | ESL12454 | Nut, Horn Blowing | - | 1 1 |
| 15 | ESL13641 | Switch Assembly, Emergency Warning | D10026460 | 1 1 |
| 16 | ESL15589 | Switch Assembly, Worklamp | D10098700 | 1 1 |
| 17 | ESL11372 | Grommet | 82B35347 | 1 1 |
| 18 | ESL11374 | Fuse Box Assembly (Includes Item #19) | D10026970 | 1 1 |
| 19 | ESL13734 | Cover, Fuse Box | D10105130 | 1 1 |
| 20 | ESL11887 | Screw, Pan Head (M10-24*0.62) | - | 2 2 |
| 21 | 34803S8 | Washer, Lock (M10) | D86000030 | 2 2 |
| 22 | 34053S8 | Nut, Hex (M10-24) | D83000130 | 5 5 |
| 23 | ESL11376 | Bracket, Stop Lamp Switch Mounting | D10018020 | 1 1 |
| 24 | ESL13504 | Switch Assembly, Stop Lamp | D10016930 | 1 1 |
| 25 | N606321S8 | Bolt Carriage (M8x1.25x20) | D81500320 | 2 2 |
| 26 | 44722S8 | Washer, Flat (5/16) | D85000040 | 2 2 |
| 27 | N630173S8 | Washer, Lock (M8) | D86500150 | 2 2 |
| 28 | N620013S8 | Nut (M8) | D83500230 | 2 2 |
| 29 | ESL12017 | Nut (3/8-16) | D83000020 | 1 1 |
| 30 | ESL12074 | Washer, Flat | D85000090 | 1 1 |
| 31 | 34807S8 | Washer, Lock | D88000010 | 1 1 |
| 32 | ESL11381 | Socket Assembly | D10026380 | 1 1 |
| 33 | 54049S8 | Screw (10-24x11.12) | - | 3 3 |
| 34 | 34903S8 | Washer, Lock Internal Tooth (10) | D86000140 | 3 3 |
| 35 | 789918 | Flasher - Indicator Assembly | - | 1 1 |
| 36 | 792640 | Handle Kit, Flasher | - | 1 1 |
| 37 | ESL13735 | Fuse (10A) | 18-13032-AA | 2 2 |
| 38 | ESL13736 | Fuse (15A) | 18-13033-AA | 4 4 |

ELECTRICAL SWITCHES



LIGHTS



ELECTRICALS, GAUGES & LIGHT SYSTEM

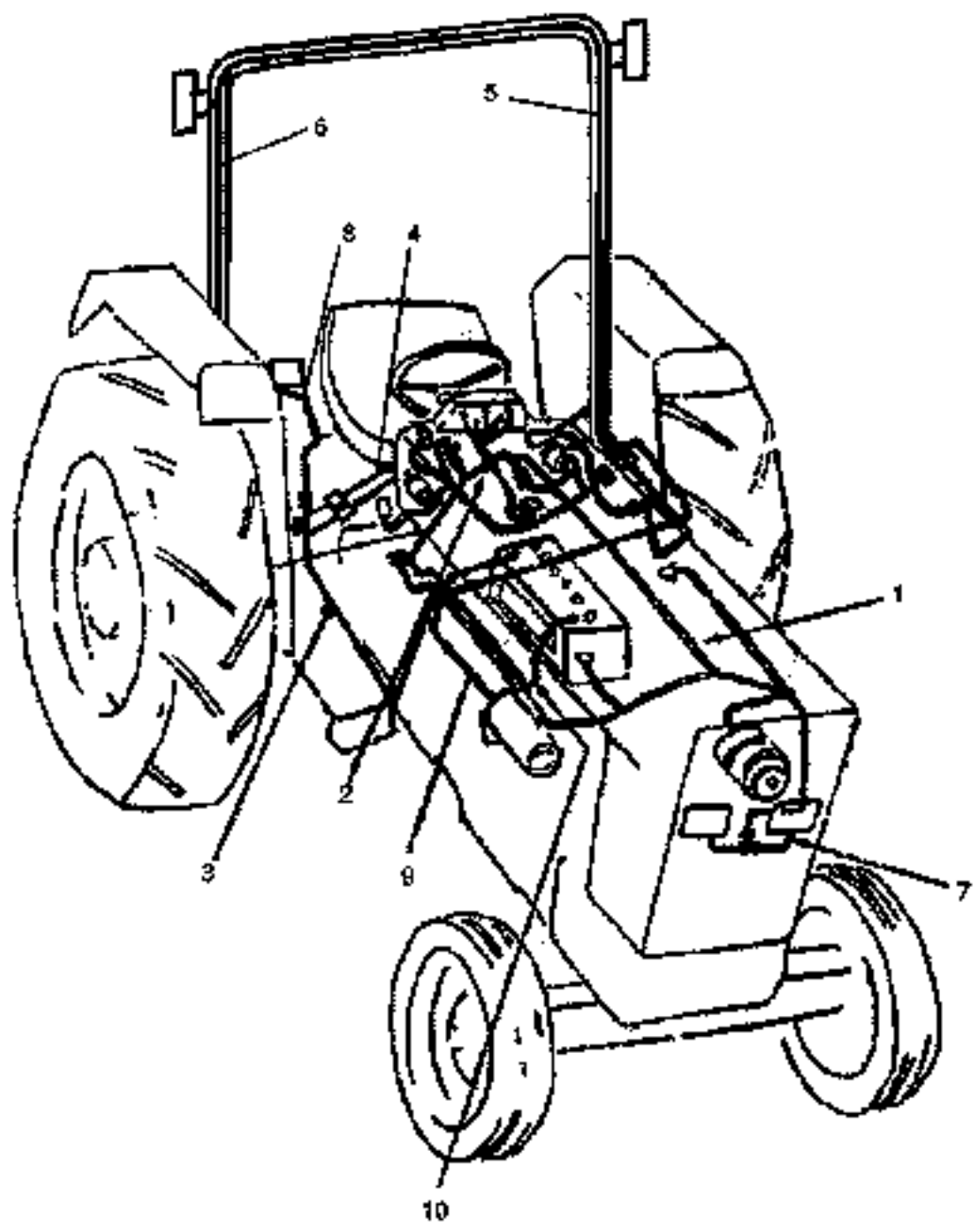
435 / 535

| ITEM No | PART No. | DESCRIPTION | VENDOR No. | QUANTITY |
|----------------|-----------------|----------------------------|-------------------|-----------------|
| | | | | 435 535 |
| 1 | ESL12570 | Head Lamp Assembly | D10026910 | 2 2 |
| 2 | ESL13523 | Bulb, Head Lamp (12 volts) | 25-13009-AA | 2 2 |
| 3 | ESL13737 | Screw, Head Lamp Adjusting | - | 6 6 |
| 4 | ESL13788 | Spring | - | 6 6 |
| 5 | ESL15600 | Worklamp Assembly | D10028390 | 1 1 |
| 6 | ESL13524 | Bulb, Worklamp | D10105060 | 1 1 |

LIGHTS

● - SERIAL NUMBER BREAK ,

▣ - INDICATES UP TO AND INCLUDING THAT SERIAL NUMBER



WIRING HARNESS SYSTEM



435 / 535

| ITEM No | PART No. | DESCRIPTION | VENDOR No. | QUANTITY |
|---------|----------|------------------------------------|------------|----------------|
| | | | | 435 535 |
| 1 | ESL15193 | Wiring Harness, Main | D10048110 | 1 1 |
| 2 | ESL14953 | Wiring Harness, Instrument Panel | D10048120 | 1 1 |
| 3 | ESL14530 | Wiring Harness, Tail | D10026360 | 1 1 |
| 4 | ESL14531 | Wiring Harness, Trailer Socket | D10026370 | 1 1 |
| 5 | ESL13709 | Wiring Harness, ROPS Lamp, LH | D10026630 | 1 1 |
| 6 | ESL12565 | Wiring Harness, ROPS Lamp, RH | D10026620 | 1 1 |
| 7 | ESL12567 | Wiring Harness, Earth (Head Lamp) | D10026640 | 1 1 |
| 8 | ESL14532 | Wiring Harness, Work Lamp | D10026410 | 1 1 |
| 9 | ESL14533 | Cable Assembly, Battery to Starter | D10047720 | 1 1 |
| 10 | ESL14534 | Cable Assembly, Battery to Ground | D10035440 | 1 1 |
| 11 | ESL11354 | Clip, Battery Cable (NI) | D10018400 | 1 1 |
| 12 | ESL11465 | Strap, Battery Cable (NI) | D10017420 | 4 4 |
| 13 | ESL11463 | Clip, Wiring (NI) | D10067100 | 1 1 |
| 14 | ESL14529 | Strap, Wiring (NI) | D10028500 | 1 1 |
| 15 | ESL11460 | Clip, Wiring (NI) | D10065980 | 1 1 |
| 16 | ESL11461 | Clip, Wiring (NI) | D10019390 | 1 1 |

WIRING HARNESS SYSTEM

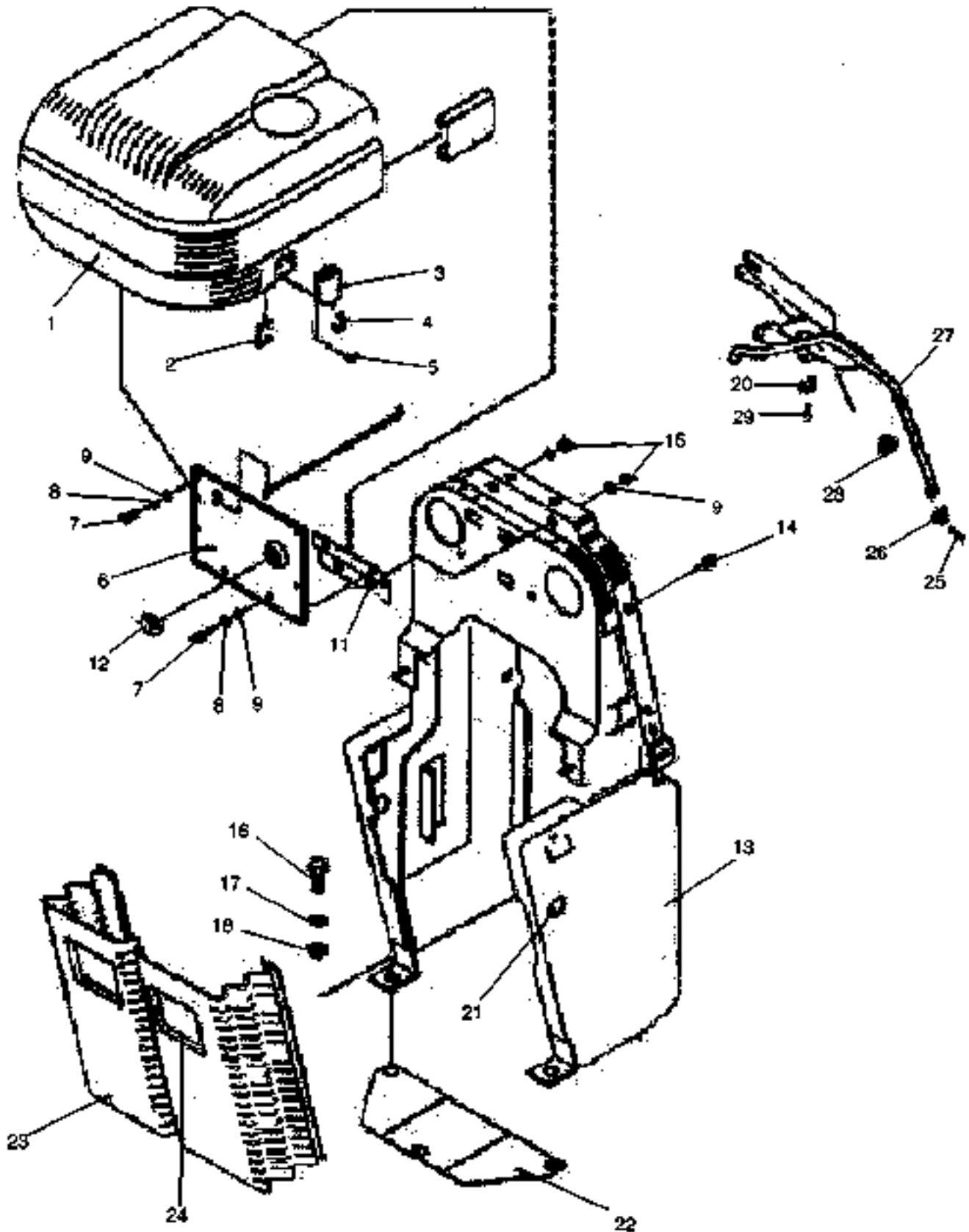
• SERIAL NUMBER BREAK ,

↳ • INDICATES UP TO AND INCLUDING THAT SERIAL NUMBER

Notes

***SHEET METAL
&
ACCESSORIES***

435 / 535

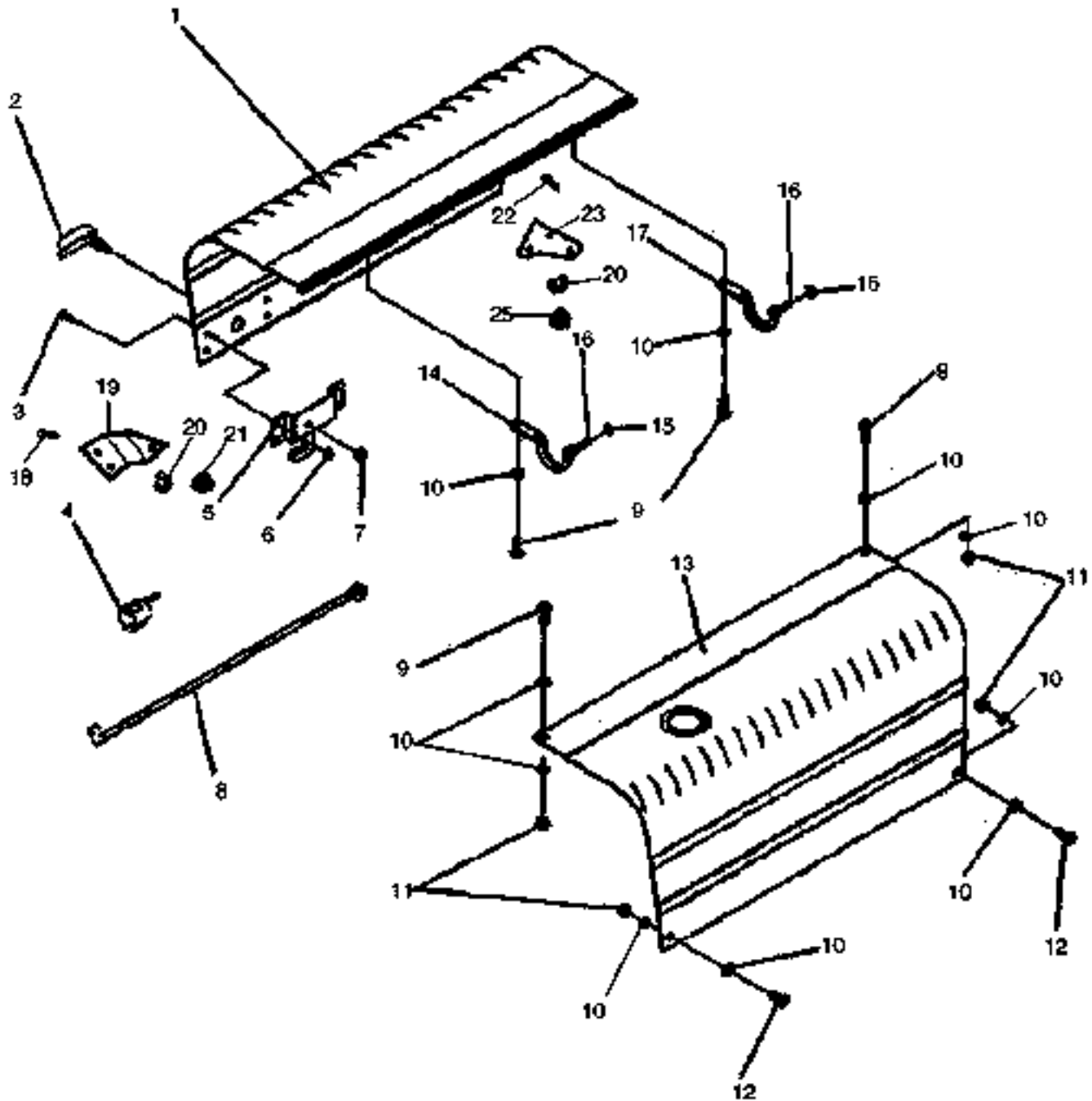


RADIATOR SHELL

435 / 535

| ITEM No | PART No. | DESCRIPTION | VENDOR No. | QUANTITY |
|---------|-----------|---|------------|----------|
| | | | | 435 535 |
| 1 | ESL11498 | Panel Assembly, Hood Top | - | 1 1 |
| 2 | ESL11500 | Plate Hood Latch | - | 2 2 |
| 3 | ESL12537 | Latch Assembly, Hood (includes Item #4) | - | 2 2 |
| 4 | ESL11895 | Adjusting Screw, Hood Latch | - | 2 2 |
| 5 | ESL11501 | Adjusting Screw, Hood Latch | - | 2 2 |
| 6 | ESL11502 | Plate, Hood Top Front | - | 1 1 |
| 7 | ESL11937 | Bolt, Hex Head (M6x1.00-12) | - | 6 6 |
| 8 | N630317S8 | Washer, External Tooth | - | 6 6 |
| 9 | N630067S8 | Washer, Flat (M6) | - | 8 8 |
| 10 | ESL11504 | Prop, Hood Top Front Panel | - | 1 1 |
| 11 | ESL13719 | Hinge Assembly, Hood Top Front Panel | - | 1 1 |
| 12 | ESL11505 | Bumper, Hood Top | - | 1 1 |
| 13 | ESL11490 | Shell Assembly, Radiator | - | 1 1 |
| 14 | ESL14959 | Pad, Hood Mounting | D10016240 | 14 14 |
| 15 | N620012S8 | Nut (M6x1.0) | - | 2 2 |
| 16 | 304650S8 | Bolt, Hex Head (3/8-16x0.75) | - | 4 4 |
| 17 | 44728S8 | Washer, Flat (3/8) | - | 4 4 |
| 18 | 34942S8 | Washer, Flat Tooth (3/8) | - | 4 4 |
| 19 | ESL11499 | Bumper | - | 6 6 |
| 20 | N630174S8 | Washer, Lock (M10) | - | 2 2 |
| 21 | ESL10230 | Grommet, Round | - | 2 2 |
| 22 | ESL11519 | Baffle Assembly, Front Axle Support | - | 1 1 |
| 23 | ESL12009 | Grill Assembly, Front (Includes Item #24) | - | 1 1 |
| 24 | ESL12610 | Rubber Beading, Head Lamp | - | 2 2 |
| 25 | 304665S8 | Bolt, Hex Head (5/16-24x0.88) | - | 2 2 |
| 26 | 44722S8 | Washer, Flat (5/16) | - | 2 2 |
| 27 | ESL14521 | Support, Radiator Shell | - | 1 1 |
| 28 | 33798S8 | Nut, Hex (5/16-24) | - | 2 2 |
| 29 | ESL14457 | Bolt, Hex Head | - | 2 2 |

RADIATOR SHELL



SIDE PANELS



435 / 535

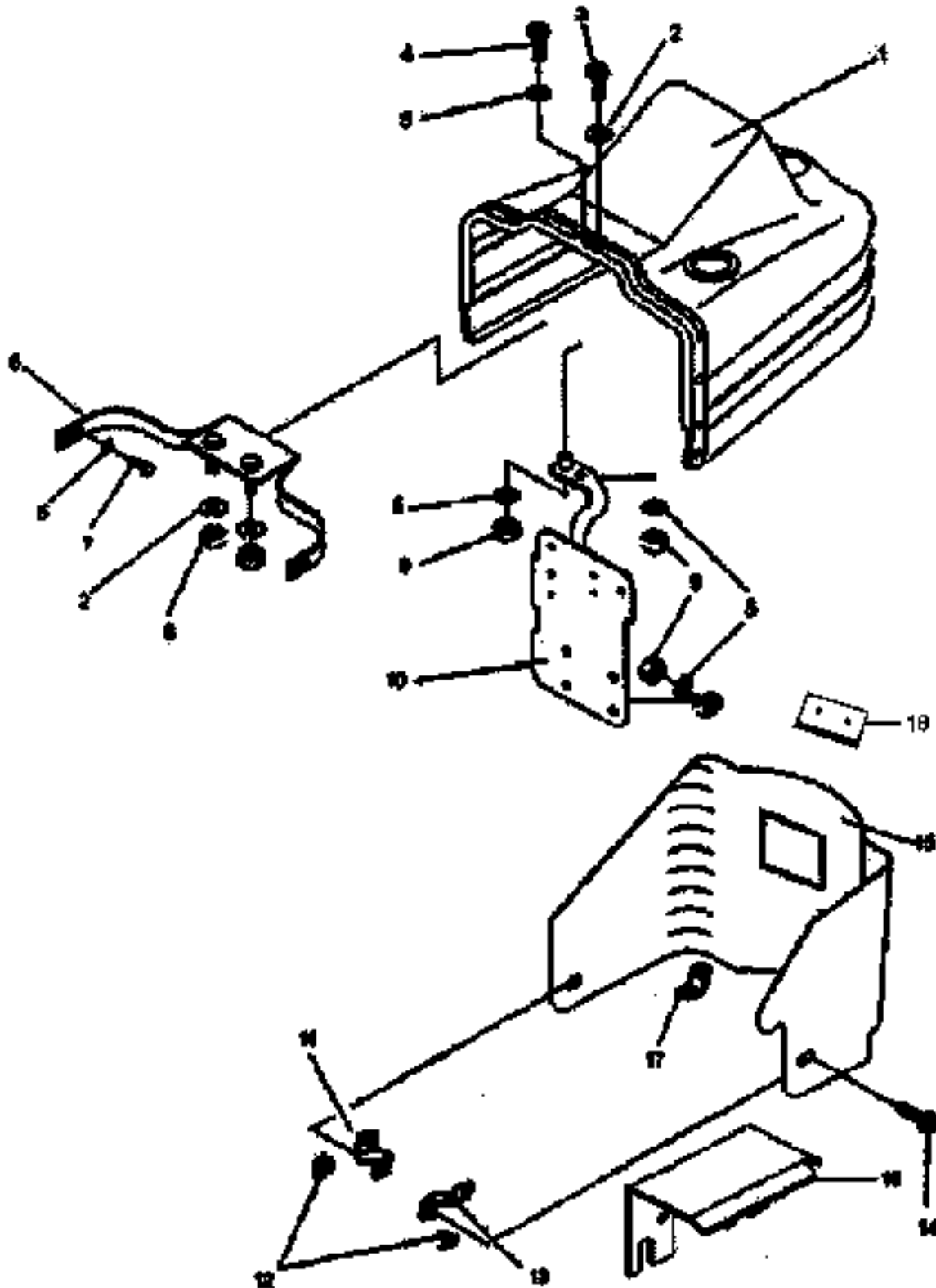
| ITEM No | PART No. | DESCRIPTION | VENDOR No. | QUANTITY |
|---------|----------|--------------------------------|------------|----------|
| | | | | 435 535 |
| 1 | ESL14537 | Panel Assembly, Hood RH | D10034870 | 1 1 |
| 2 | ESL11629 | Handle Assembly, Hood RH | - | 2 2 |
| 3 | ESL11696 | Screw, Pan Head (M4x10) | - | 8 8 |
| 4 | ESL11521 | Clip, Hood Support Rod | - | 1 1 |
| 5 | ESL11528 | Lock Assembly, Hood RH | - | 2 2 |
| 6 | ESL11827 | Nut, Nyloc (M4) | - | 8 8 |
| 7 | 56670S8 | Nut, Hex Lock (1/4-28) | - | 2 2 |
| 8 | ESL11634 | Support Rod Panel | - | 1 1 |
| 9 | 60528S8 | Screw, Pan Head (1/4-28x0.625) | - | 4 4 |
| 10 | 44719S8 | Washer, Flat (1/4) | - | 12 12 |
| 11 | ESL11828 | Nut, Hood Panel, LH | - | 4 4 |
| 12 | ESL13724 | Screw | - | 2 2 |
| 13 | ESL14538 | Panel Assembly, Hood LH | D10035360 | 1 1 |
| 14 | ESL11526 | Hinge Rod | - | 1 1 |
| 15 | ESL11729 | Washer, Hinge | - | 2 2 |
| 16 | ESL12679 | Pin, Cotter | - | 2 2 |
| 17 | ESL11525 | Rod Assembly, Hinge | - | 1 1 |
| 18 | ESL14539 | Bolt, Hex Head (5/16-24x0.68) | - | 2 2 |
| 19 | ESL13583 | Bracket, Hood Catch, Front | - | 1 1 |
| 20 | 44722S8 | Washer, Flat (5/16) | - | 2 2 |
| 21 | 33796S8 | Nut, Hex (5/16-24) | - | 2 2 |
| 22 | 304633S8 | Bolt, Hex Head (1/4-28x0.62) | - | 2 2 |
| 23 | ESL12955 | Bracket, Hood Catch Rear | - | 1 1 |
| 24 | 33796S8 | Nut, Hex (1/4-28) | - | 2 2 |

SIDE PANELS

① - SERIAL NUMBER BREAK

☒ - INDICATES UP TO AND INCLUDING THAT SERIAL NUMBER

436 / 535



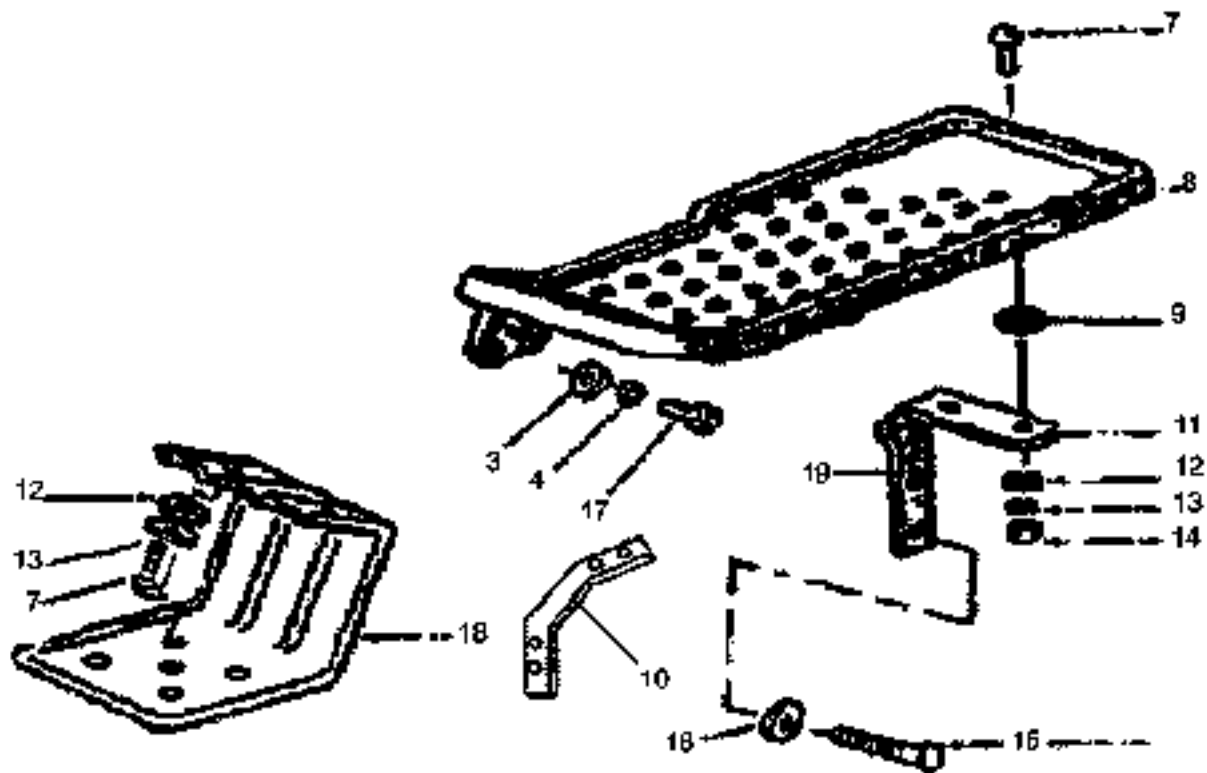
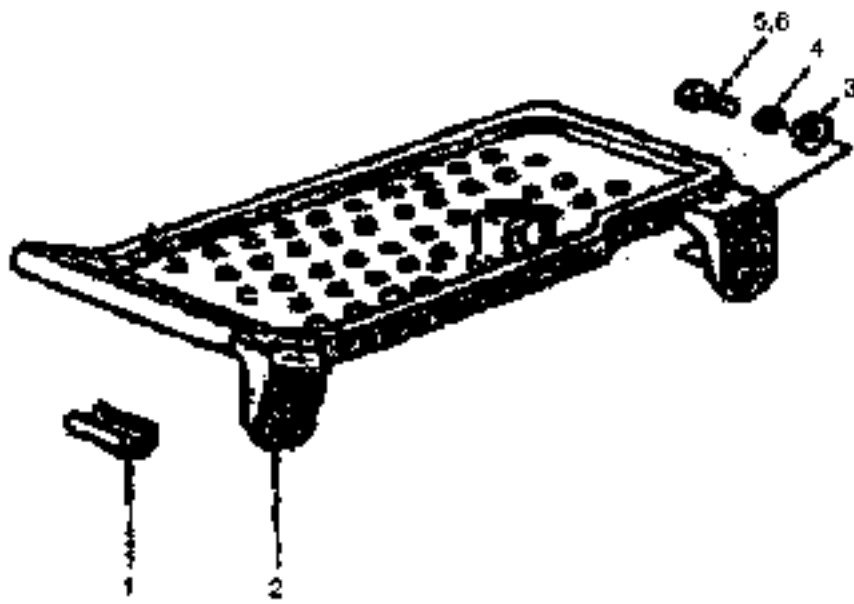
REAR HOOD



435 / 535

| ITEM No | PART No. | DESCRIPTION | VENDOR No. | QUANTITY |
|---------|----------|-------------------------------|------------|----------|
| | | | | 435 535 |
| 1 | ESL14540 | Panel Assembly, Hood Rear | D10026460 | 1 1 |
| 2 | 44722S8 | Washer, Flat (5/16) | - | 6 6 |
| 3 | 304655S8 | Bolt, Hex Head (5/16-24x0.88) | - | 2 2 |
| 4 | ESL13724 | Screw | - | 1 1 |
| 5 | 44719S8 | Washer, Flat (1/4) | - | 7 7 |
| 6 | ESL11522 | Bracket & Support Assembly | D10012430 | 1 1 |
| 7 | 304692S8 | Bolt, Hex Head (1/4-20x0.62) | - | 4 4 |
| 8 | 33797S8 | Nut, Hex (5/16-18) | - | 2 2 |
| 9 | ESL11628 | Nut, Hood LH Panel | - | 2 2 |
| 10 | ESL14541 | Support Assembly, Hood Rear | D10035460 | 1 1 |
| 11 | ESL12580 | Bracket, Front RH | - | 1 1 |
| 12 | ESL11824 | Nut, U-Type | - | 6 6 |
| 13 | ESL12581 | Bracket, Front LH | - | 1 1 |
| 14 | ESL11891 | Screw | - | 6 6 |
| 15 | ESL12625 | Cover Steering Gear | - | 1 1 |
| 16 | ESL14196 | Rain Shield, Fuse Box | - | 1 1 |
| 17 | ESL11515 | Bracket, Rear | - | 1 1 |
| 18 | ESL11509 | Plate, Steering Cover | - | 1 1 |

REAR HOOD



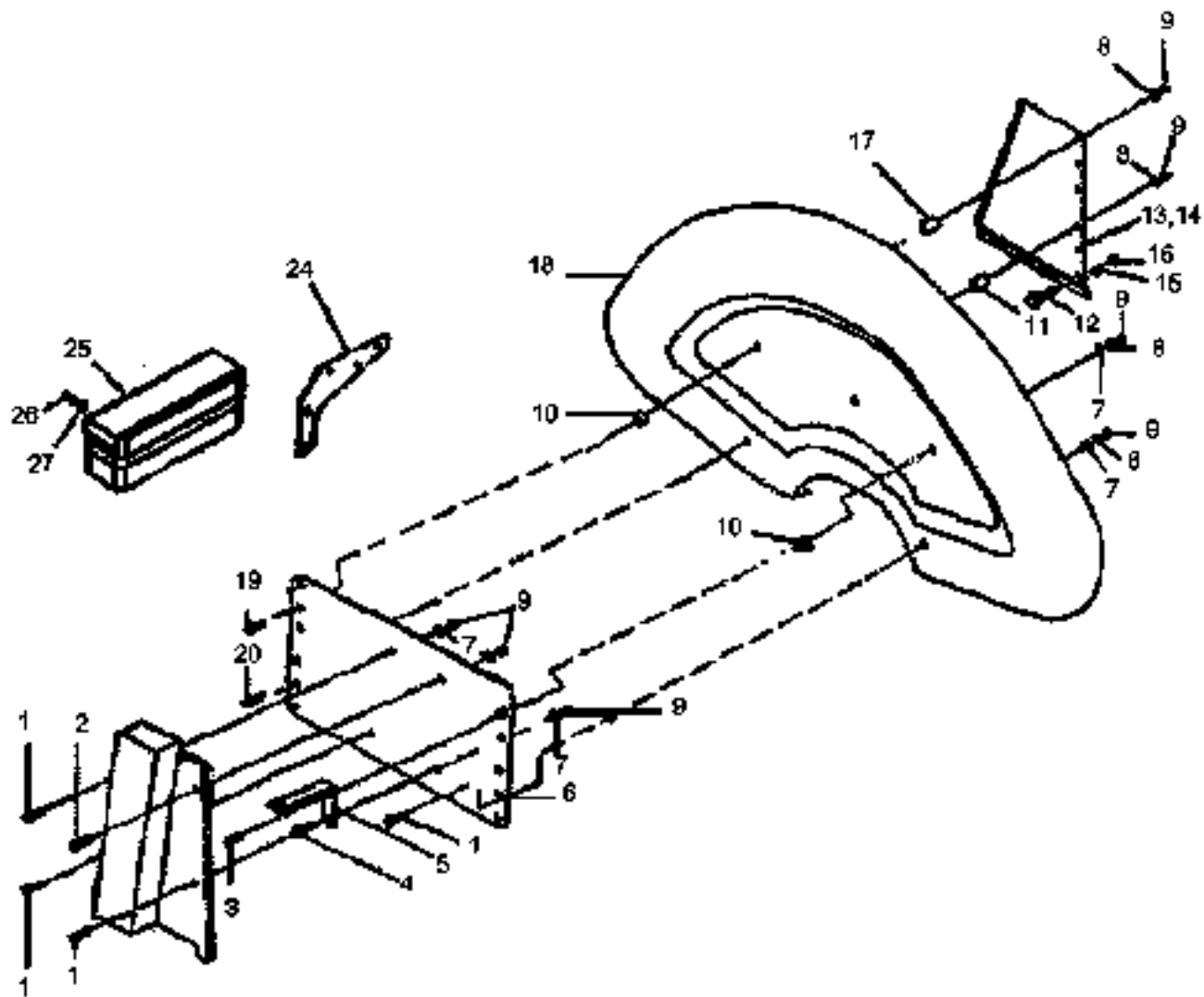
Running Boards



435 / 535

| ITEM NO | PART NO. | DESCRIPTION | VENDOR NO. | QUANTITY |
|---------|----------|-------------------------------|------------|----------|
| | | | | 435 535 |
| 1 | ESL11553 | Bumper, Brake Pedal | - | 1 1 |
| 2 | ESL11548 | Running Board, RH | D10087320 | 1 1 |
| 3 | 44726S8 | Washer, Flat (3/8) | - | 6 6 |
| 4 | 34807S8 | Washer, Lock (3/8) | - | 6 6 |
| 5 | 304666S8 | Bolt (3/8 - 16 x 0.88) | - | 1 1 |
| 6 | 304650S8 | Bolt (3/8 - 16 x 0.75) | - | 3 3 |
| 7 | 304665S8 | Bolt, Hex (5/16 - 24 x 0.88) | - | 6 6 |
| 8 | ESL11549 | Running Board, LH | - | 1 1 |
| 9 | ESL11552 | Spacer, Running Board Support | - | 4 4 |
| 10 | ESL11550 | Support, Running Board, LH | - | 1 1 |
| 11 | ESL11551 | Support, Running Board, RH | - | 1 1 |
| 12 | 44722S8 | Washer, Flat (5/16) | - | 6 6 |
| 13 | 34806S8 | Washer, Lock (5/16) | - | 6 6 |
| 14 | 33798S8 | Nut, Hex (5/16 - 24) | - | 6 6 |
| 15 | 304724S8 | Bolt, Hex (7/16 - 14 x 1.25) | - | 2 2 |
| 16 | 34808S8 | Washer, Lock (7/16) | - | 2 2 |
| 17 | 304722S8 | Bolt, Hex (3/8 - 16 x 1.25) | - | 2 2 |
| 18 | ESL11554 | Step, Running Board, LH | - | 1 1 |
| 19 | ESL12361 | Bracket | - | 1 1 |

RUNNING BOARDS



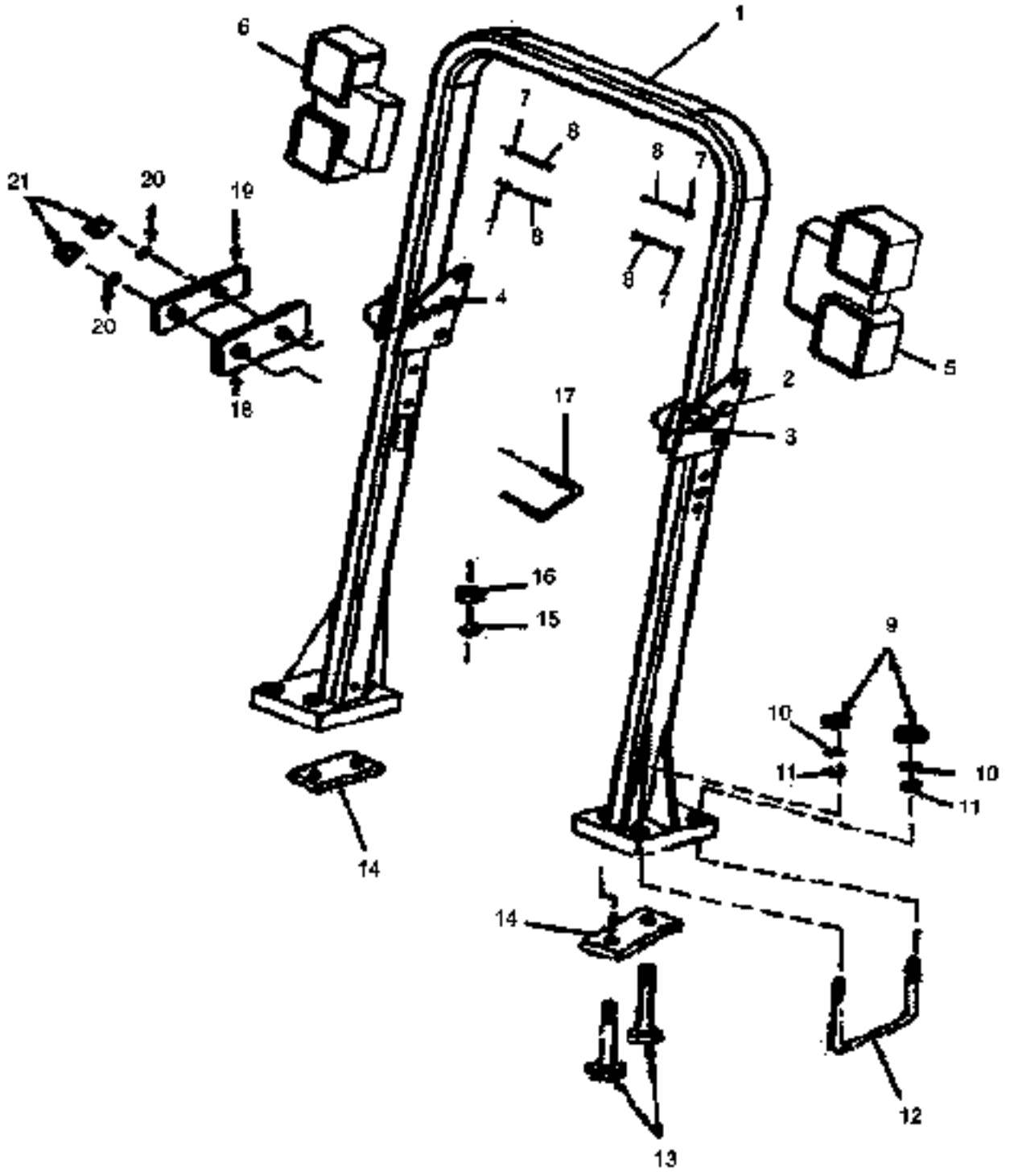
CLAM SHELL FENDERS

435 / 535

| ITEM No | PART No. | DESCRIPTION | VENDOR No. | QUANTITY |
|---------|----------|-----------------------------------|------------|----------------|
| | | | | 435 535 |
| 1 | - | Bolt, Carriage (3/8-16x1") | - | 9 9 |
| 2 | - | Bolt, Carriage (3/8-16x1") RH | - | 1 1 |
| - | - | Bolt, Hex Head (3/8-16x2") LH | - | 1 1 |
| 3 | ESL12011 | Bolt, Carriage (3/8 - 16 x 1.50) | - | 2 2 |
| 4 | 23380S8 | Bolt, Carriage (3/8 - 16 x 0.75) | - | 1 1 |
| 5 | ESL12373 | Bracket, Worklight | - | 1 1 |
| 6 | ESL12007 | Support, Clam Shell Fender | - | 2 2 |
| 7 | 44728S8 | Washer, Flat (3/8) | - | 5 5 |
| 8 | 34807S8 | Washer, Lock (3/8) | - | 17 17 |
| 9 | 33799S8 | Nut, Hex (3/8-16) | - | 18 18 |
| 10 | ESL12009 | Spacer, Fender (0.52" Long) | - | 4 4 |
| 11 | - | Spacer, Fender (1.75" Long) | - | 2 2 |
| 12 | 304633S8 | Bolt, Hex (1/4 - 28 x 0.62) | - | 6 6 |
| 13 | ESL12371 | Extension RH, Clam Shell Fender | - | 1 1 |
| 14 | ESL12372 | Extension LH, Clam Shell Fender | - | 1 1 |
| 15 | 44719S8 | Washer, Flat (1/4) | - | 6 6 |
| 16 | 33796S8 | Nut, Hex (1/4 - 28) | - | 6 6 |
| 17 | - | Spacer, Fender (1.25" Long) | - | 2 2 |
| 18 | ESL12370 | Fender Assembly, Clam Shell LH/RH | - | 2 2 |
| 19 | - | Bolt, Carriage (3/8-16x 2.75") | - | 2 2 |
| 20 | - | Bolt, Carriage (3/8-16x2.50") | - | 2 2 |
| 21 | - | Bolt, Carriage (3/8 - 16 x 1.75) | - | 1 1 |
| 22 | - | Spacer, Fender (5/8" Long) | - | 1 1 |
| 23 | - | Spacer, Fender (1" Long) | - | 1 1 |
| 24 | ESL12058 | Bracket, Tool Box Mounting | - | 1 1 |
| 25 | ESL12600 | Tool Box Assembly | - | 1 1 |
| 26 | 304634S8 | Bolt, Hex Head (5/16-18x0.625) | - | 3 3 |
| 27 | 34941S8 | Washer, External Tooth (5/16) | - | 3 3 |

Notes:

Complete Rectangular Fender Kit for changing from clam shell fenders is available under part #908419.



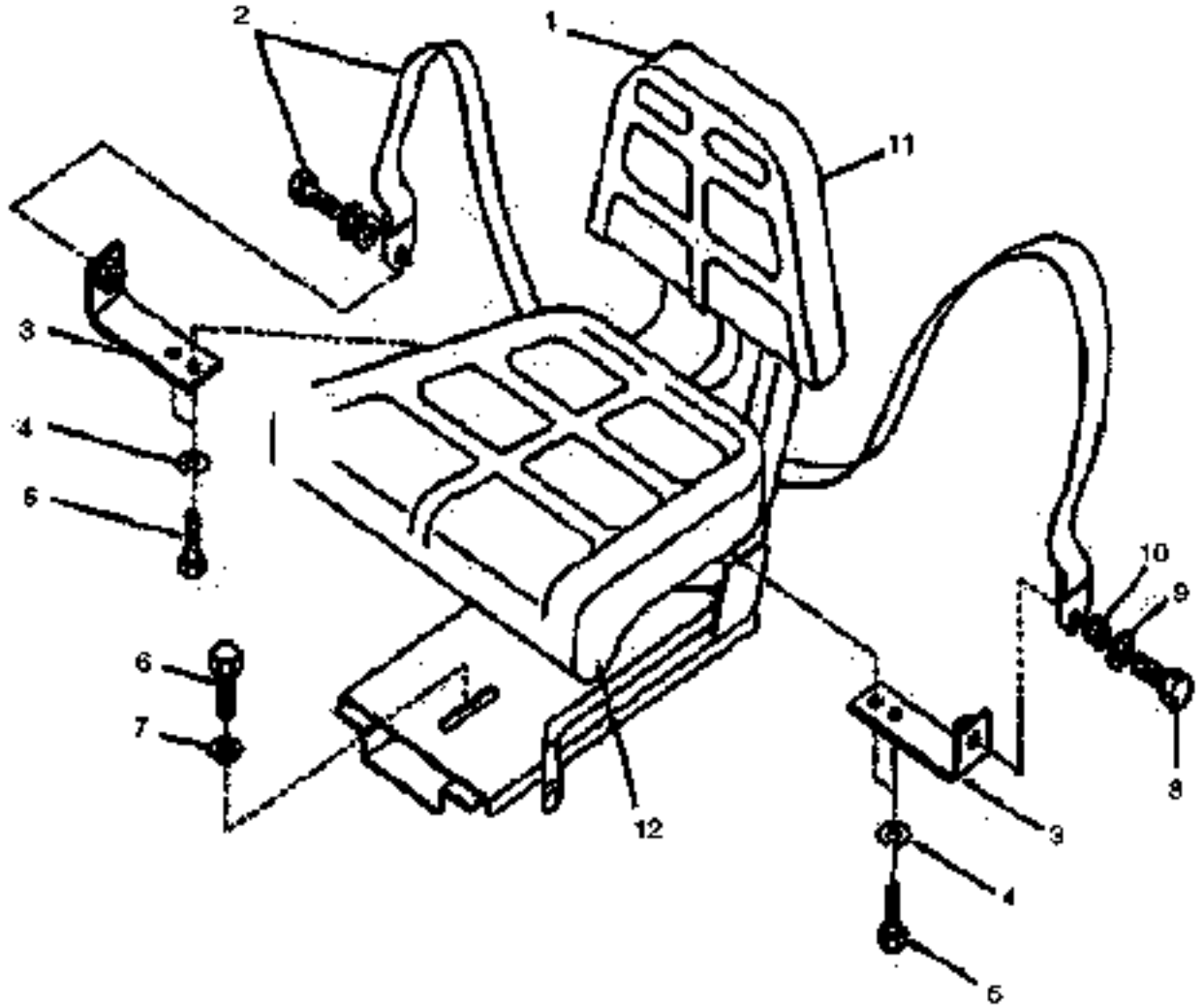
ROLL - BAR (ROPS)



435 / 535

| ITEM No | PART No. | DESCRIPTION | VENDOR No. | QUANTITY 435 535 | |
|---------|-----------|----------------------------------|------------|---------------------|---|
| 1 | 902540 | Roll-Bar Assembly, Foldable | - | 1 | 1 |
| 2 | 304940S8 | Bolt, Hex Head (1/2-13x3 1/2) | - | 2 | 2 |
| 3 | 906730 | Pin, Clevis Assembly | - | 2 | 2 |
| 4 | 34979S8 | Nut, Previous Torque (1/2-13) | - | 2 | 2 |
| 5 | 905781 | Lollipop Signal Light, LH | - | 1 | 1 |
| 6 | 905782 | Lollipop Signal Light, RH | - | 1 | 1 |
| 7 | N630173S8 | Washer, Lock (M8) | - | 4 | 4 |
| 8 | N600216S8 | Bolt (M8-1.25x65) | - | 4 | 4 |
| 9 | ESL12019 | Nut, Hex (1/2 - 20) | - | 4 | 4 |
| 10 | 34809S8 | Washer, Lock (1/2) | - | 4 | 4 |
| 11 | 44736S8 | Washer, Flat (1/2) | - | 4 | 4 |
| 12 | ESL12005 | U-Bolt | - | 2 | 2 |
| 13 | 302610SB | Bolt, Hex Head (5/8 - 18 x 8.00) | - | 4 | 4 |
| 14 | 900122 | Lower Plate | - | 2 | 2 |
| 15 | 34806S8 | Washer, Lock (5/8) | - | 4 | 4 |
| 16 | 33850S8 | Nut, Hex, (5/8 - 18) | - | 4 | 4 |

ROLL - BAR (ROPS)



DELUXE SEAT ASSEMBLY



SEAT METAL & ACCESSORIES

435 535

| ITEM No | PART No. | DESCRIPTION | VENDOR No. | QUANTITY |
|---------|-----------|-------------------------------|------------|----------|
| | | | | 435 535 |
| 1 | 904201 | Seat Assembly, Driver | - | 1 1 |
| 2 | ESL11584 | Belt, Driver Seat | - | 1 1 |
| 3 | 902089 | Bracket | - | 2 2 |
| 4 | - | Washer | - | 2 2 |
| 5 | - | Bolt | - | 2 2 |
| 6 | 904724S8 | Bolt, Hex Head (7/16-14x1.25) | - | 1 1 |
| 7 | ESL12074 | Washer, Flat (7/16) | - | 1 1 |
| 8 | N605532S8 | Bolt, Hex (M8x1.25x25) | - | 2 2 |
| 9 | N630068S8 | Washer (M8) | - | 2 2 |
| 10 | N620013S8 | Nut (M8) | - | 2 2 |

DELUXE SEAT ASSEMBLY

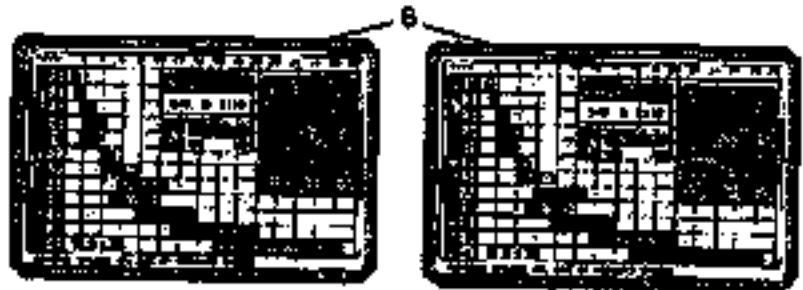
Notes



DECALS



435 / 535



**LOOSEN DRAIN PLUG
AND DRAIN OFF WATER
ONCE EVERY WEEK**

**CAUTION
DO NOT OPERATE**
(SEE OPERATING MANUAL FOR
CORRECT PRO-A-APPLY OF THIS SPRAYER
(EXPERIMENTAL))



WARNING

- Full only from handle. Pulling from any other point may cause tank rupture.
- Do not operate with unsealed PTA.
- Always use full cap cap on tank during periods of inactivity to prevent evaporation and maintain equipment.
- Rotate handle at 90° from end of PTA and to drain into tank.
- After every operation use a safety plug.

NEVER IN PROXIMITY OF THE NO. 3172 ENGINE POINT CAN CAUSE BLEEDING BLEED TO BE OF HAZARD TO YOUR PERSON.

WATCH YOUR HOUR - METER HOURS
LUBRICATION AND MAINTENANCE SERVICE INTERVALS

| ITEM | 435 | 535 |
|---------------|-----|-----|
| Oil Change | 100 | 100 |
| Oil Filter | 200 | 200 |
| Water Pump | 100 | 100 |
| Water Filter | 100 | 100 |
| Water Valve | 100 | 100 |
| Water Hose | 100 | 100 |
| Water Gun | 100 | 100 |
| Water Wand | 100 | 100 |
| Water Nozzle | 100 | 100 |
| Water Trigger | 100 | 100 |
| Water Spray | 100 | 100 |
| Water Tank | 100 | 100 |
| Water Hose | 100 | 100 |
| Water Gun | 100 | 100 |
| Water Wand | 100 | 100 |
| Water Nozzle | 100 | 100 |
| Water Trigger | 100 | 100 |
| Water Spray | 100 | 100 |
| Water Tank | 100 | 100 |



DECALS





435 1 535

| ITEM No | PART No. | DESCRIPTION | VENDOR No. | QUANTITY |
|---------|----------|---|------------|----------|
| | | | | 435 535 |
| 1 | ESL16462 | Decal Model Identification Front | D10116460 | 1 0 |
| - | ESL16461 | Decal Model Identification Front | - | 0 1 |
| 2 | ESL14543 | Decal, Model Identification Center, RH | - | 1 1 |
| 3 | ESL14544 | Decal, Model Identification, Center, LH | - | 1 1 |
| 4 | ESL11613 | Decal, Model Identification, Rear, LH | - | 1 1 |
| 5 | ESL11614 | Decal, Model Identification, Rear, RH | - | 1 1 |
| 6 | ESL14545 | Decal, Transmission Shift Pattern | - | 1 1 |
| 7 | ESL11622 | Decal, Filter Cleanliness | D10017640 | 2 2 |
| 8 | ESL11618 | Decal, Hydraulic Pump & Lift | D10018600 | 1 1 |
| 9 | ESL13697 | Decal, Caution | D10026810 | 1 1 |
| 10 | ESL11628 | Decal, PTO Control | - | 1 1 |
| 11 | ESL14546 | Decal, PTO Guard (NI) | - | 1 1 |
| 12 | ESL12080 | Decal, Warning Sign | - | 1 1 |
| 13 | ESL11621 | Decal, Tractor Maintenance Service | - | 1 1 |

DECALS

435 / 535

14 OPERATOR  **WARNING**

WARNING 

WARNING

CAUTION

15 **WARNING**



WARNING

CAUTION

16 **WARNING**




WARNING

17 **CAUTION**



CAUTION

18 **WARNING**



WARNING

AVOID POSSIBLE FLIPPY OR DEATH FROM A MACHINE FLIPPING

- Do not start engine by standing across from machine. Machine will pull to gear and may flip over starting slowly if tipped.
- Start engine only from vertical position. Machine will flip over if tipped or park. NEVER start engine while standing on the ground.

21 **FREE LAYOUT**



23



24

SAFETY SYMBOLS

SAFETY SYMBOLS

- ...
- ...
- ...
- ...

25

SAFETY SYMBOLS

SAFETY SYMBOLS

SAFETY SYMBOLS



DECALS

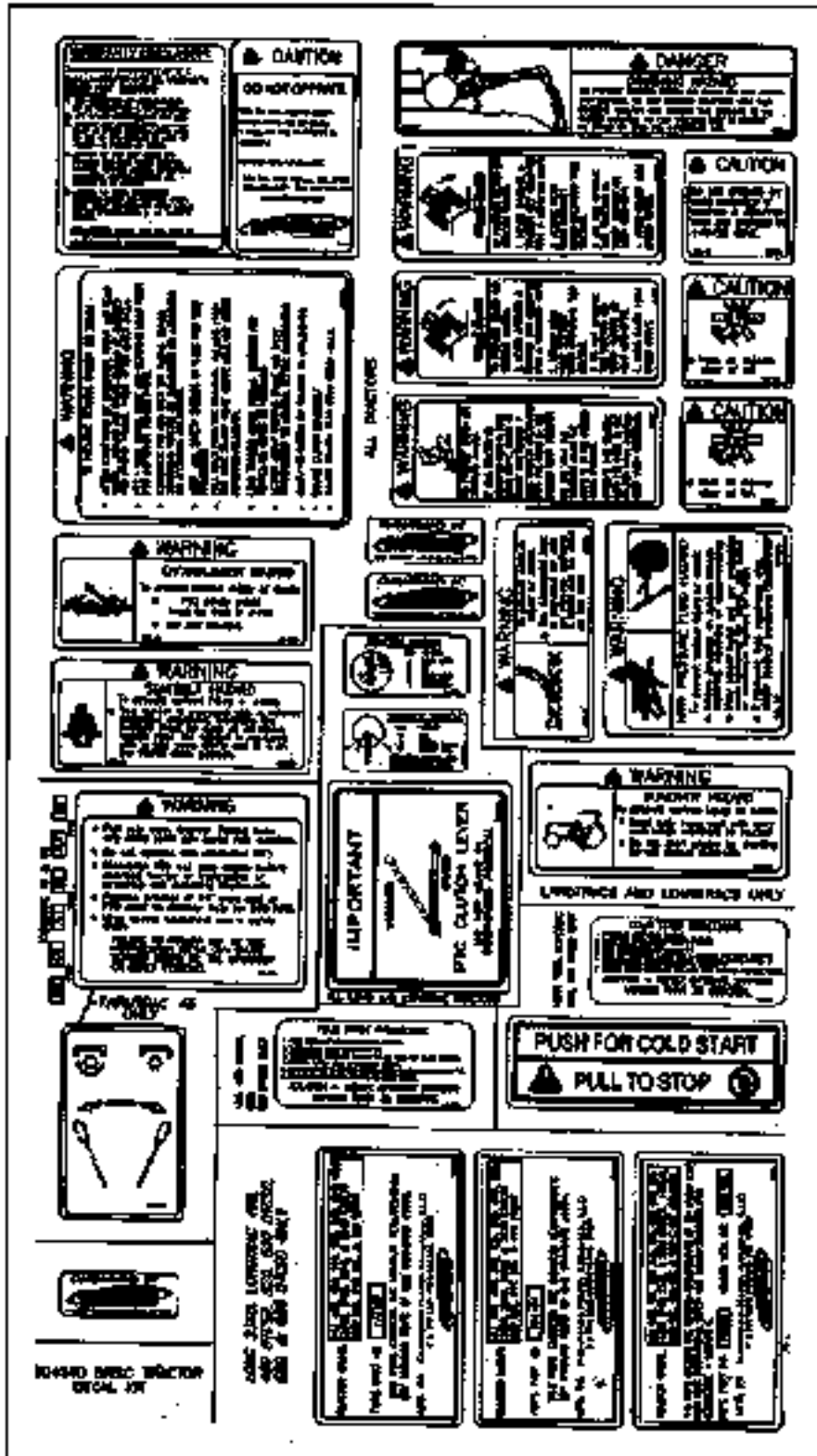
435 1 535

| ITEM No | PART No. | DESCRIPTION | VENDOR No. | QUANTITY |
|---------|----------|----------------------------------|------------|----------|
| | | | | 435 535 |
| 14 | ESL11637 | Decal, Warning Instructions | - | 1 1 |
| 15 | ESL13696 | Decal, Seat Belt | - | 1 1 |
| 16 | ESL13695 | Decal, Tractor Warning | - | 1 1 |
| 17 | ESL13694 | Decal, Torque | - | 1 1 |
| 18 | ESL13693 | Decal, Starting Warning | - | 1 1 |
| 19 | ESL13619 | Heat Reflective Tape (NI) | - | 1 1 |
| 20 | ESL11617 | Decal, Operator Instruction (NI) | - | 1 1 |
| 21 | ESL11623 | Decal, Fuse Box | - | 1 1 |
| 22 | ESL11640 | Decal, Thermostat (NI) | - | 1 1 |
| 23 | ESL11639 | Decal, Battery Warning | D10018620 | 1 1 |
| 24 | ESL11632 | Decal, Warranty Disclaimer | - | 1 1 |
| 25 | ESL11633 | Plate, Vehicle Identification | - | 1 1 |
| 26 | ESL15601 | Decal, EPA Engine (NI) | D10122960 | 2 2 |

DECALS

435 / 535

| ITEM No | PART No. | DESCRIPTION | QUANTITY |
|---------|----------|-------------|----------|
| 1 | 904540 | Decal Sheet | 1 1 |

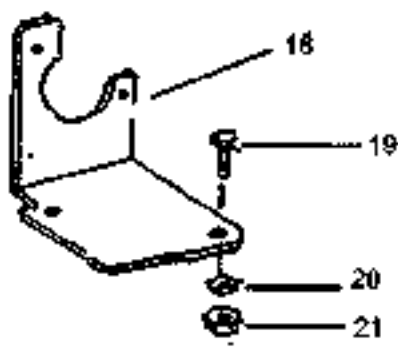
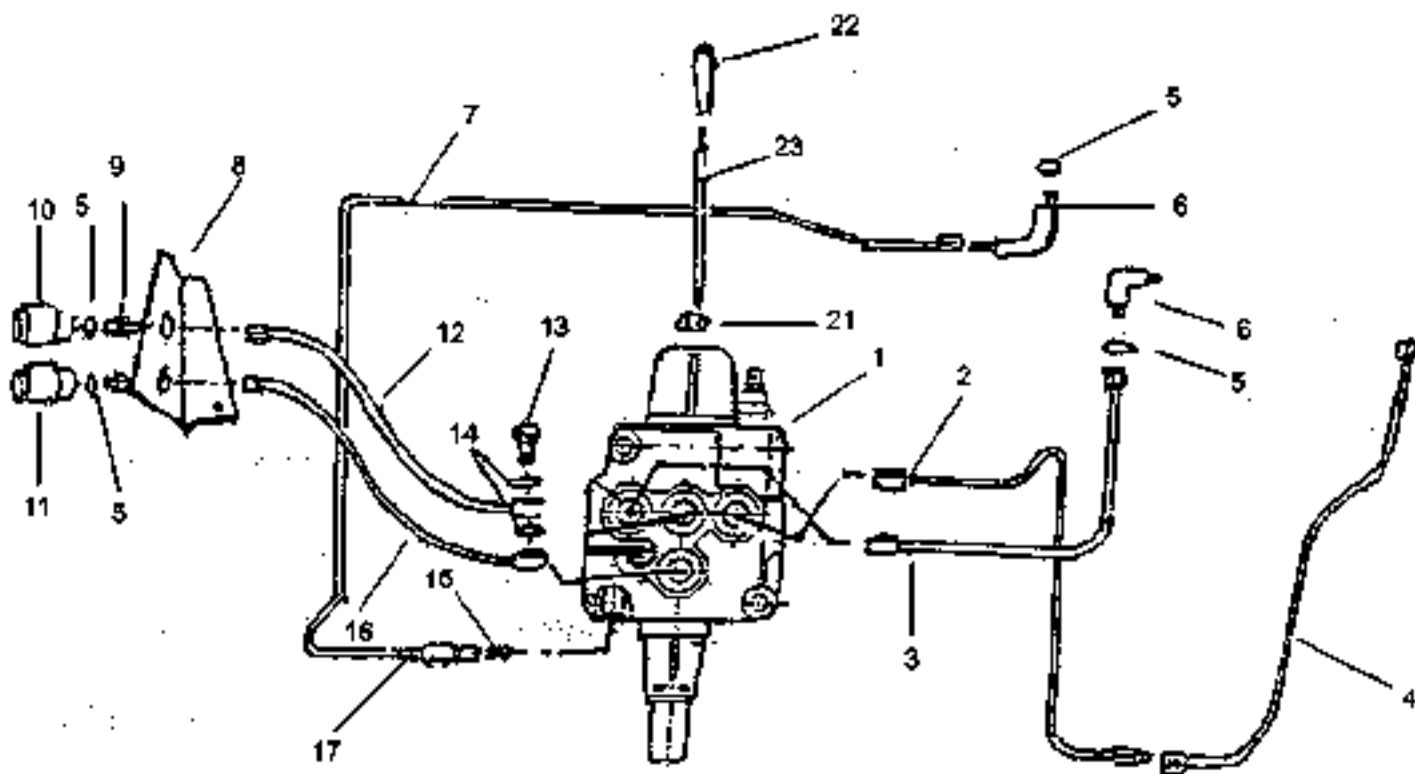


DECALS

OPTIONS



435 / 535



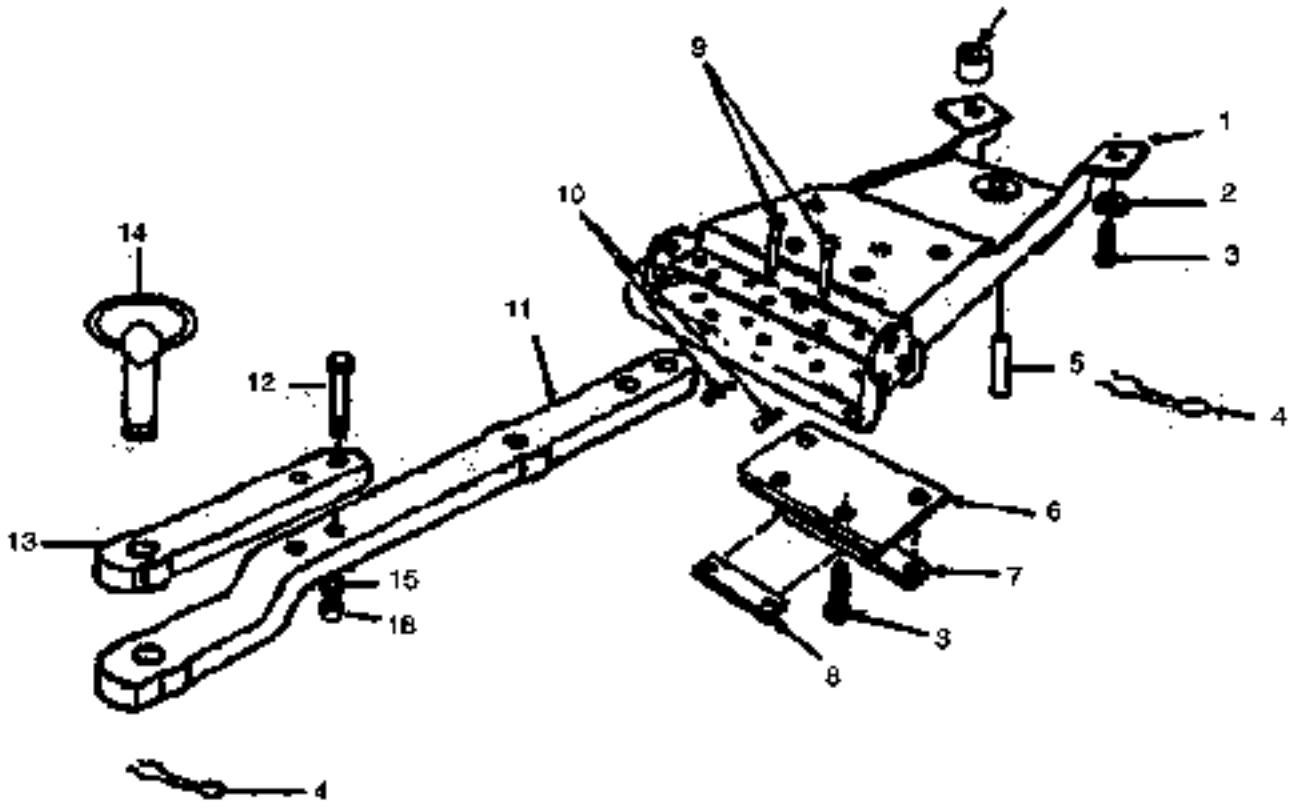
DOUBLE ACTING SPOOL VALVE KIT

435 / 535

| ITEM NO | PART NO. | DESCRIPTION | VENDOR NO. | QUANTITY |
|---------|-----------|-------------------------------|------------|----------|
| | | | | 435 535 |
| - | 908011 | Double Acting Spool Valve Kit | - | - 1 |
| 1 | ESL14505 | Spool Valve Assembly | D10089820 | - 1 |
| 2 | ESL15406 | Tube, Spool Valve Inlet | D10108800 | - 1 |
| 3 | ESL15407 | Tube, Valve to Hyd. Lift | D10108780 | - 2 |
| 4 | ESL15534 | Tube, Hyd. Pump Pressure | D10138450 | - 1 |
| 5 | ESL15419 | O' Ring | D89600070 | - 4 |
| 6 | ESL11268 | Elbow | D81500010 | - 1 |
| 7 | ESL15410 | Tube, Valve Return | D10124610 | - 1 |
| 8 | ESL12606 | Bracket, Coupling Mounting | D10027600 | - 1 |
| 9 | ESL15423 | Connector | D10021160 | - 2 |
| 10 | ESL12604 | Coupling, Hyd. Valve Remote | D10026100 | - 1 |
| 11 | ESL12605 | Coupling, Hyd. Valve Remote | D10029110 | - 1 |
| 12 | ESL15411 | Tube, Coupling Upper to Valve | D10108820 | - 1 |
| 13 | ESL15421 | Banjo Bolt | D10006430 | - 4 |
| 14 | ESL15422 | Copper Washer | D10054370 | - 1 |
| 15 | ESL15417 | Adapter | D10118420 | - 1 |
| 16 | ESL15412 | Tube, Coupling Lower to Valve | D10108830 | - 1 |
| 17 | ESL15420 | Tee Connection | D10124020 | - 1 |
| 18 | ESL15416 | Bracket, Valve Mounting | D10118140 | - 1 |
| 19 | ESL15433 | Bolt, (M8x1.25x60-B.8) | D81500130 | - 2 |
| 20 | N63017358 | Washer, Spring (M8) | - | - 2 |
| 21 | N62001358 | Nut, (M8x1.25-6), Hex | - | - 2 |
| 22 | ESL15557 | Knob | - | - 1 |
| 23 | ESL15558 | Lever Assembly | - | - 1 |

* Includes items 1-23

435 / 535



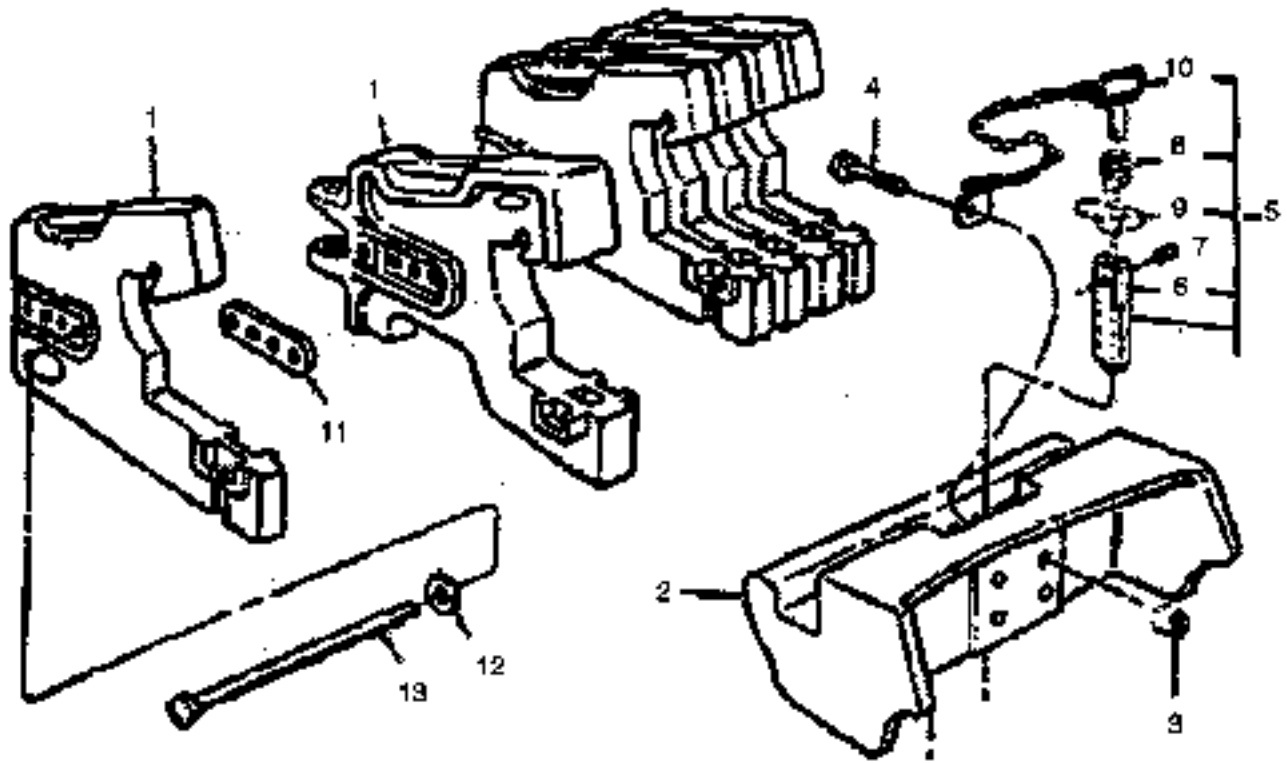
SWINGING DRAINBAR

435 / 535

| ITEM No | PART No. | DESCRIPTION | VENDOR No. | QUANTITY |
|----------------|-----------------|-----------------------------|-------------------|-----------------|
| | | | | 435 535 |
| 1 | ESL12589 | Hanger Assembly, Drawbar | D10027210 | 1 1 |
| 2 | ESL11712 | Washer, Drawbar Hanger | D10027310 | 2 2 |
| 3 | 304768S8 | Bolt, Hex (5/8 - 11 x 1.50) | D81000430 | 6 6 |
| 4 | ESL11189 | Spring, Drawbar Pin | D10027270 | 2 2 |
| 5 | ESL11877 | Pin, Drawbar | D10027250 | 1 1 |
| 6 | ESL11172 | Plate, Drawbar Hanger | D10027220 | 1 1 |
| 7 | ESL11178 | Strap | D10027300 | 1 1 |
| 8 | ESL11175 | Strap | D10027290 | 1 1 |
| 9 | ESL11177 | Pin, Drawbar Adjusting | D10027240 | 2 2 |
| 10 | ESL12580 | Pin, Clip | D10026210 | 2 2 |
| 11 | ESL12588 | Drawbar, Swinging | D10027230 | 1 1 |
| 12 | ESL12589 | Bolt (5/8-11x3.50) | D81000750 | 2 2 |
| 13 | ESL13718 | Strap Draw bar Clevis | D10027280 | 1 1 |
| 14 | ESL13714 | Pin, Drawbar Clevis | D10027260 | 1 1 |
| 15 | 34811S8 | Washer, Lock (5/8) | D88000120 | 2 2 |
| 16 | 39849S8 | Nut, Hex (5/8 - 11) | D63000090 | 2 2 |

SWINGING DRAWBAR
● - SERIAL NUMBER BREAK ,

• INDICATES UP TO AND INCLUDING THAT SERIAL NUMBER



FRONT END WEIGHTS

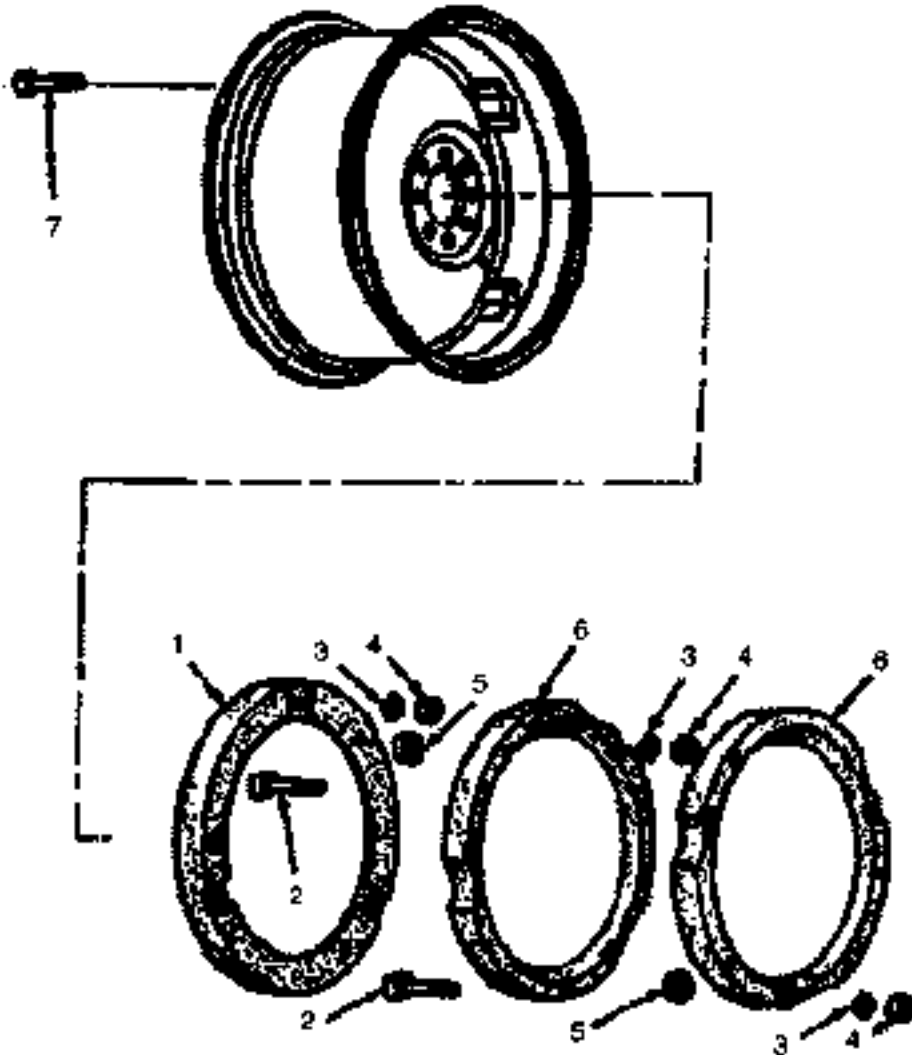
435 / 535

| ITEM No | PART No. | DESCRIPTION | VENDOR No. | QUANTITY | |
|---------|-----------|---|------------|----------|-----|
| | | | | 435 | 535 |
| 1 | ESL13626 | Weight, Front End | . | 6 | 6 |
| 2 | ESL13627 | Carrier, Front End Weight | . | 1 | 1 |
| 3 | ESL13628 | Spacer | . | 4 | 4 |
| 4 | 304946S8 | Bolt, Hex Head (3/4-10x3.50) | . | 4 | 4 |
| 5 | ESL13629 | Pin Assembly, Front End Weight Retainer | . | 1 | 1 |
| 6 | ESL13630 | Pin, Front Weight Retainer | . | 1 | 1 |
| 7 | ESL13631 | Pin | . | 1 | 1 |
| 8 | ESL13632 | Spring, Front End Weight Retainer | . | 1 | 1 |
| 9 | ESL13633 | Bracket, Front End Retainer | . | 1 | 1 |
| 10 | ESL13634 | Chain & Clevis Only | . | 1 | 1 |
| 11 | ESL13635 | Plate, Front End Weight Clamp | . | 1 | 1 |
| 12 | E630038S8 | Washer, Flat (M16) | . | 4 | 4 |
| 13 | 82835166 | Bolt, Front End Weight | . | 4 | 4 |

FRONT END WEIGHTS

435 / 535

| ITEM NO | PART NO. | DESCRIPTION | VENDOR NO. | QUANTITY |
|---------|----------|------------------------------------|------------|------------------|
| | | | | 435 / 535 |
| 1 | ESL10924 | Weight, Rear Wheel Center | - | 2 2 |
| 2 | 380304S8 | Bolt, Square Head (5/8-11x3.00) | - | 12 12 |
| 3 | 34811S9 | Washer, Lock (5/8) | - | 18 18 |
| 4 | 3384SS8 | Nut, Hex (5/8-11) | - | 18 18 |
| 5 | . | Washer, Weight Bolt Retainer (NSS) | - | 12 12 |
| 6 | ESL10926 | Weight, Rear Wheel Auxillary | - | 4 4 |
| 7 | 304833S8 | Bolt, Hex Head (5/8-11x3.25) | - | 6 6 |
| 8 | ESL10925 | Spacer, Rear Wheel Weight | - | 6 6 |



REAR WHEEL WEIGHTS

Notes