



**545 2WD / 545 DTC 4WD**

**555 2WD / 555 DTC 4WD**

PART'S MANUAL

545/555/545DTC/555DTC

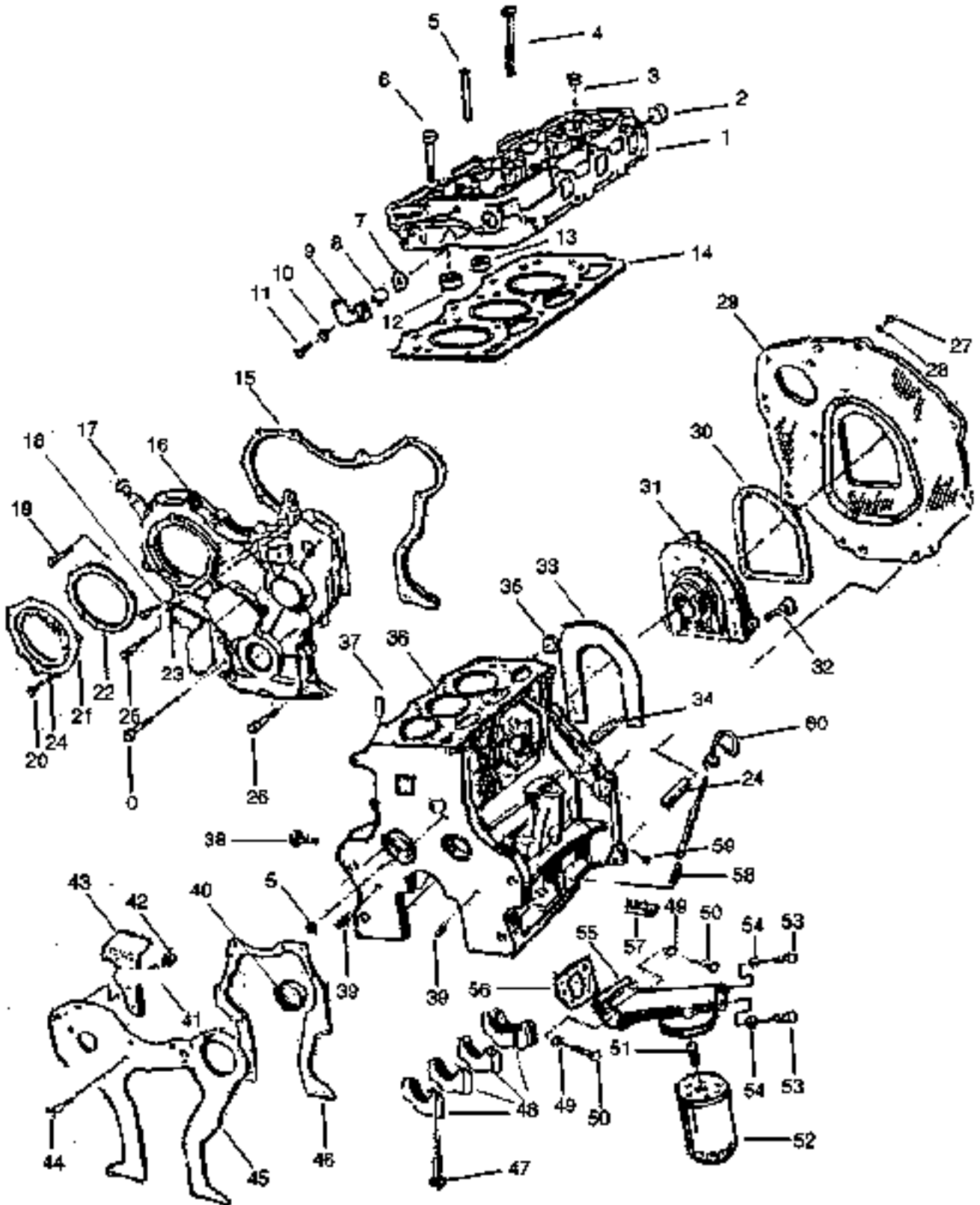
SECTION 1

# ***ENGINE***

**FARMTRAC**

<https://tractormanualz.com/>

545 / 555 / 545 DTC / 555 DTC



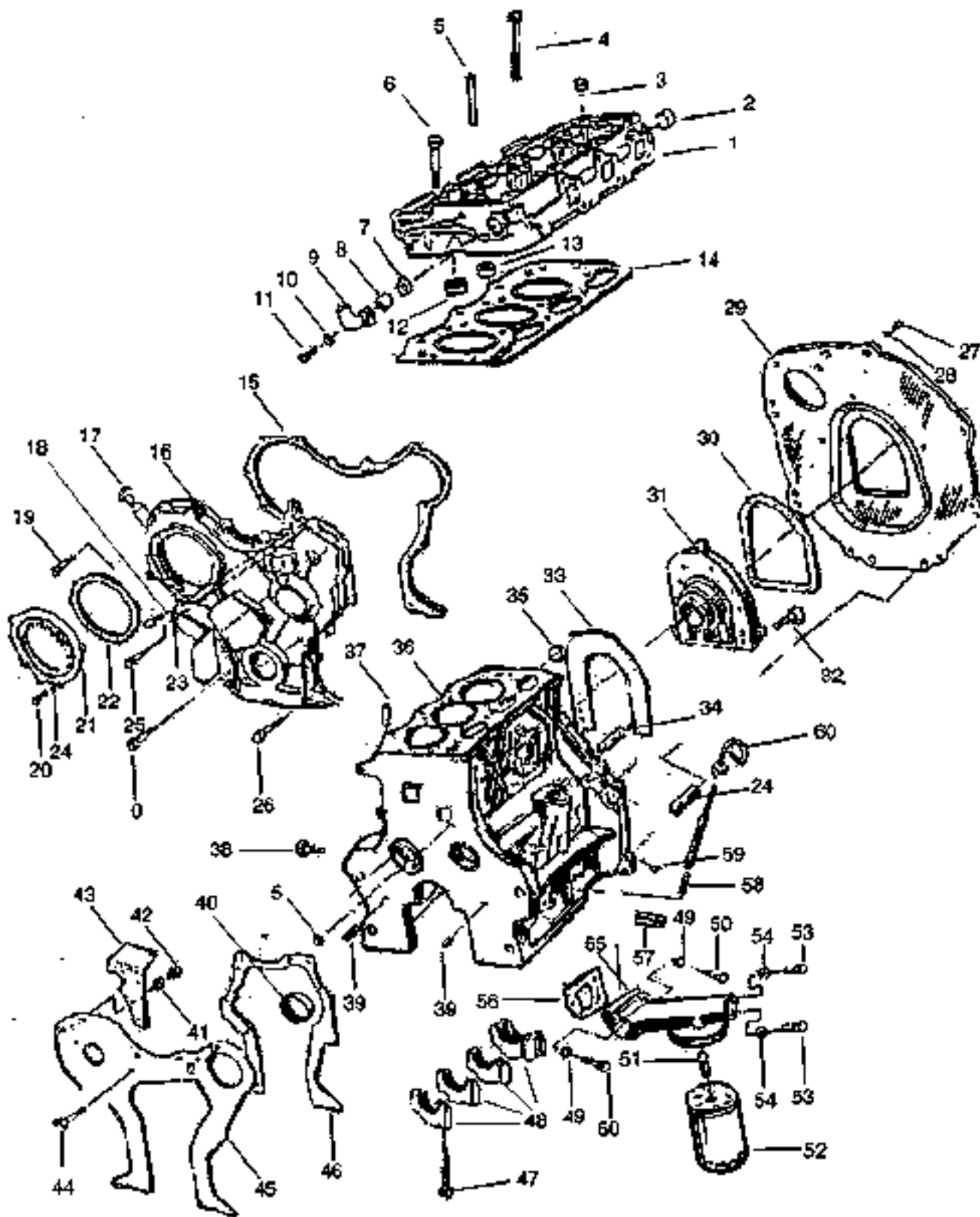
### CYLINDER BLOCK & CYLINDER HEAD

### 545 / 555 / 545 DTC / 555 DTC

ITEM No.	PART No.	DESCRIPTION	VENDOR No.	QUANTITY			
				545	555	545DTC	555DTC
1	ESL15195	Cylinder Head Assembly 545 (Includes Items 2,3,5,12 and 13)	D10067690	1	-	1	-
-	ESL15198	Cylinder Head Assembly 555 (Includes Items 2,3,5,12 and 13)	D10063410	-	1	-	1
2	390628S	Plug, (1.761) Cup	-	2	2	2	2
3	390624S	Plug, (1.12) Cup	-	4	4	4	4
4	ESL15204	Bolt, (M12x1.5x216) Cylinder Head	D10044670	4	4	4	4
5	ESL15225	Guide Valve	D10045010	6	6	6	6
6	ESL16203	Bolt, (M12x1.5x1.44) Cylinder Head	D10044580	10	10	10	10
7	ESL10502	Gasket Water Outlet	D10011760	1	1	1	1
8	ESL15207	Thermostat Assembly Water	D10011750	1	1	1	1
9	ESL10503	Connection Water Outlet	D10011770	1	1	1	1
10	34806S8	Washer, (5/16) Spring Lock	-	14	14	14	14
11	ESL15208	Bolt, (M8x1.00x30-6.6) Hex Head	D10045190	2	2	2	2
12	ESL16196	Insert Intake Valve Seat	D10045040	3	3	3	3
13	ESL15200	Insert Exhaust Valve Seat	D10102890	3	-	3	-
-	ESL16199	Insert Exhaust Valve Seat	D10045030	-	3	-	3
14	ESL16206	Gasket Cylinder Head	D10101960	1	-	1	-
-	ESL16205	Gasket Cylinder Head	D10044810	-	1	-	1
15	ESL13324	Gasket Cylinder Block Front Cover	D10010870	1	1	1	1
16	ESL15217	Cover Timing Gear	D10045020	1	1	1	1
17	ESL10060	Cap Engine Lube Oil Filter Tube	D10010930	1	1	1	1
18	304760S8	Bolt, (3/8-16x1.50) Hex Head	-	1	1	1	1
19	300878S8	Bolt, (5/16-18x2.50) Hex Head	-	3	3	3	3
20	304648S8	Bolt, (5/16-18x0.75) Hex Head	-	6	6	6	6
21	ESL13691	Cover Fuel Injection Pump Timing	D10044730	1	1	1	1
22	ESL15222	Gasket Timing Cover	D10044780	1	1	1	1
23	ESL10076	Deflector Fan Air LH	-	1	1	1	1
24	-	Bolt, (5/16-18x2.12) Hex Head	-	4	4	4	4
25	300880S8	Bolt, (3/8-16x2.50) Hex Head	-	2	2	2	2
26	58639S8	Bolt, (3/8-16x2.25) Hex Head	-	8	8	8	8
27	304650S8	Bolt, (3/8-16x0.75) Hex Head	-	3	3	3	3
28	34807S8	Washer, (3/8) Spring Lock	-	3	3	3	3
29	ESL15220	Plate Engine Rear	D10044600	1	1	1	1
30	ESL15221	Gasket Rear Plate	D10044860	2	1	2	1
31	ESL15224	Carrier Rear Oil Seal	D10044650	1	1	1	1
32	304682S8	Bolt, (5/16-18x1.00) Hex Head	-	8	8	8	8
33	ESL15223	Gasket Seal Carrier	D10044770	1	1	1	1
34	ESL15231	Pin Plain Dowel	D10044760	1	1	1	1
35	390626S	Plug, (1.50) Cup	-	6	5	5	5
-	390629S36	Plug, (1.814) Cup	-	AR	AR	AR	AR

### CYLINDER BLOCK & CYLINDER HEAD

545 / 555 / 645 DTC / 555 DTC



CYLINDER BLOCK & CYLINDER HEAD

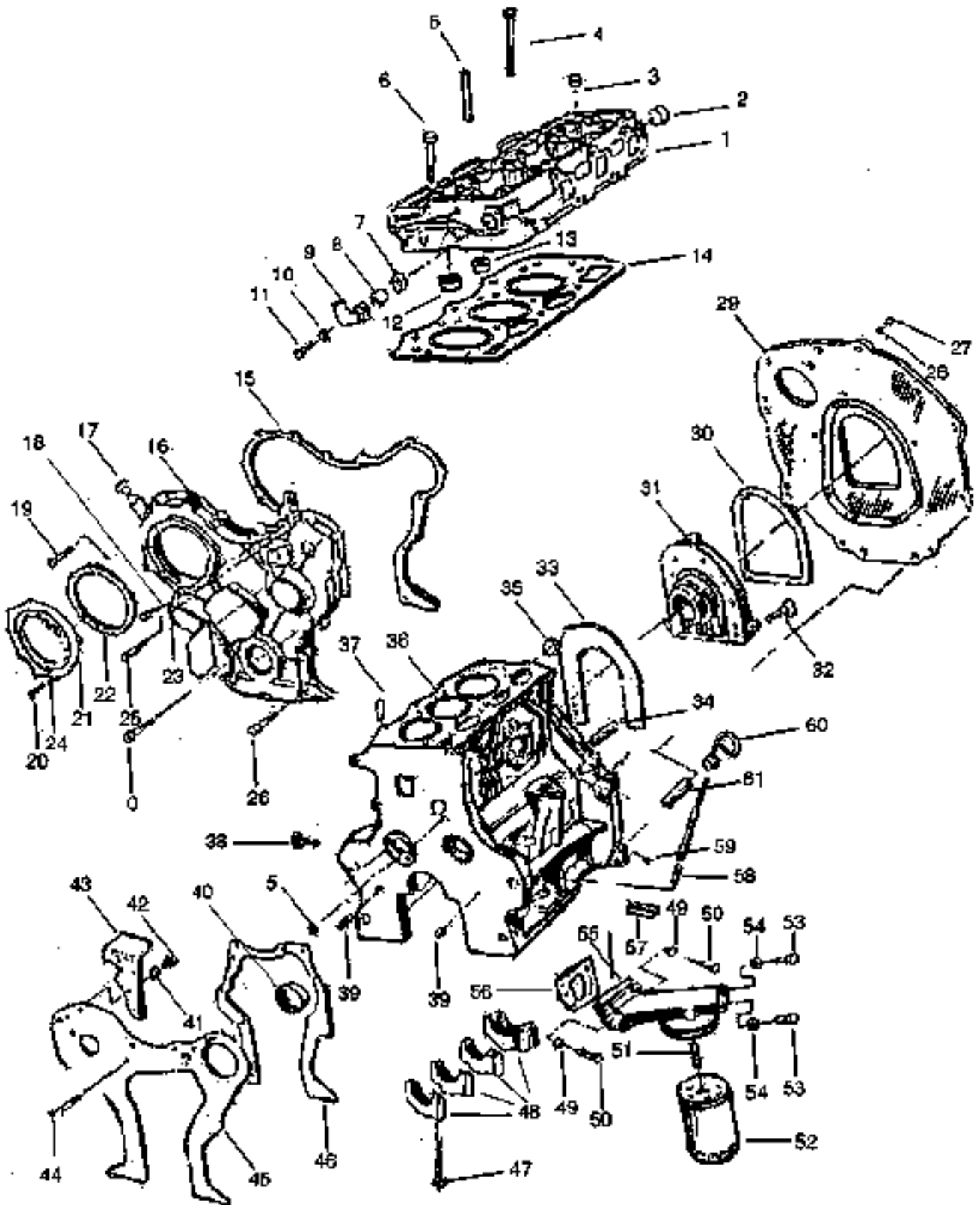
### 545 / 555 / 545 DTC / 555 DTC

ITEM No.	PART No.	DESCRIPTION	VENDOR No.	QUANTITY			
				545	555	545 DTC	555 DTC
36	ESL15244	Plug Oil Pan Drain	D10081670	1	1	1	1
37	ESL10120	Dowel Cyl. Head to Block Cyl.	D10010260	2	2	2	2
38	8765188	Plug, (1/4-18) Pipe	-	1	1	1	1
39	73329S	Pin, (3/8x1.125) Plain Dowel	-	2	2	2	2
40	ESL15215	Cam Bush Set (4 Bushes)	D63100020	1	1	1	1
41	34806S8	Washer, 5/16 Lock	D10044780	1	1	1	1
42	33797S8	Nut, (5/16-18) Hex	-	3	3	3	3
43	ESL10079	Deflector Fan Air RH	D10010890	1	1	1	1
44	-	Bolt, (5/16-18x.75) Hex Head	-	4	4	4	4
45	ESL15218	Plate Engine Front Cover	D10047860	1	1	1	1
46	ESL15219	Gasket Engine Front Cover	D10010810	1	1	1	1
47	ESL18691	Bolt, (9/16-12x4.45) Hex Head	D10044730	8	8	8	8
48	ESL15245	Gasket Water Pump	D10044720	1	1	1	1
49	33799S8	Nut, (3/8-18) Hex	-	-	-	-	-
50	ESL15234	Bolt, (M6x1.25x60-6.6) Hex Head	D10043930	4	4	4	4
51	ESL10082	Insert Oil Filter Mounting	D10070150	1	1	1	1
52	ESL10083	Filter Assembly Lube Oil	D10017600	1	1	1	1
53	ESL15229	Plug Oil Filter Body	D10044970	2	2	2	2
54	ESL15230	Washer Oil Filter Body	D10044940	2	2	2	2
55	ESL15226	Bracket Oil Filter Mounting	D10044960	1	1	1	1
56	ESL15227	Gasket Oil Filter Mounting	D10044800	1	1	1	1
57	ESL10072	Cover Flywheel Access	D10044780	1	1	1	1
58	ESL10052	Tube Oil Level Indicator	D10048250	1	1	1	1
59	-	Plug, (3/8-18) Hex Head	-	1	1	1	1
60	ESL15216	Indicator Assembly Oil Level	D10048250	1	1	1	1

#### Service Kits:

A	ESL15316	Engine Assembly 545	D10082360	1	-	1	-
B	ESL15317	Engine Assembly 555	D10082350	-	1	-	1
C	ESL15520	Engine Assembly W/Electricals 545	-	1	-	1	-
D	ESL15521	Engine Assembly W/Electricals 555	-	-	1	-	1
E	ESL15522	Engine Overhauling Gasket Set 545	-	1	-	1	-
F	ESL15523	Engine Overhauling Gasket Set 555	-	-	1	-	1

545 / 555 / 545 DTC / 555 DTC



CYLINDER BLOCK & CYLINDER HEAD

**545 / 555 / 545 DTC / 555 DTC**

ITEM No.	PART No.	DESCRIPTION	VENDOR No.	QUANTITY			
				545	555	545 DTC	555 DTC
Service Kits							
G	ESL15316	Decarbonizing Kit 545	.	1	-	1	-
H	ESL15317	Decarbonizing Kit 555	.	-	1	-	1
I	ESL15520	Engine Plug Kit Std	.	1	1	1	1
J	ESL15521	Engine Plug Kit Oversized	.	1	1	1	1
K	ESL15522	Engine Overhauling Kit 545-010	.	1	-	1	-
-	ESL15523	Engine Overhauling Kit 545-020	.	1	-	1	-
-	ESL15520	Engine Overhauling Kit 545-030	.	1	-	1	-
-	ESL15531	Engine Overhauling Kit 555-010	.	-	1	-	1
-	ESL15532	Engine Overhauling Kit 555-020	.	-	1	-	1
-	ESL15538	Engine Overhauling Kit 555-030	.	-	1	-	1

Note: Content of Service Kits

1 Engine Overhauling Gasket Set

Section 1:2	14,15,30
Section 1:4	46
Section 1:10	1,18
Section 1:12	41
Section 1:16	14,21,23
Section 2:4	5,13,18
Section 4:2	15
Section 4:4	6
Section 3:2	2,43
Section 1:18	43

2 Decarbonizing Kit

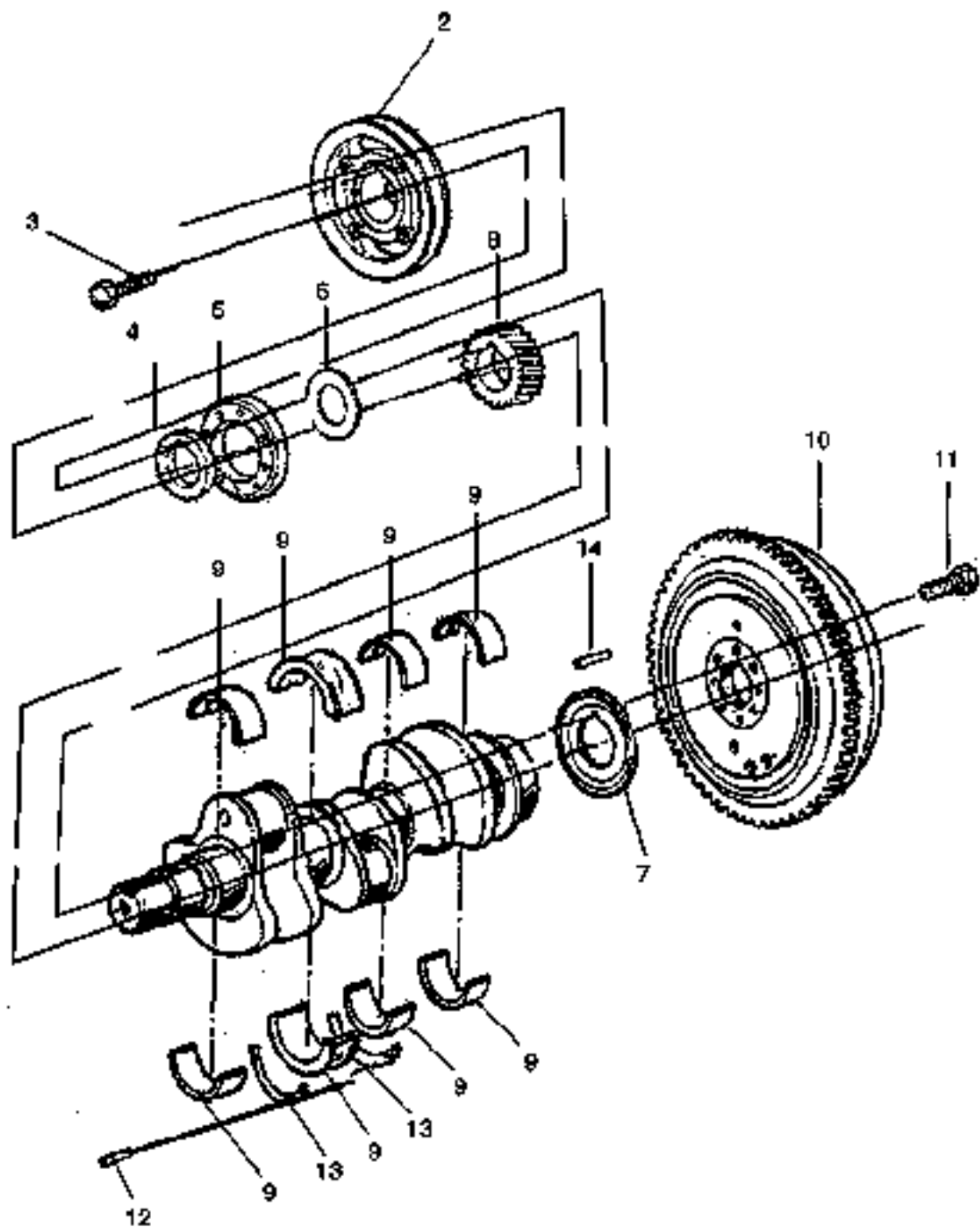
Section 1:2	10
Section 1:10	1,19
Section 2:4	13,18
Section 4:2	15
Section 3:2	2,43

3 Engine Overhauling Kit

Section 1:4	A/B,52
Section 1:8	5
Section 1:10	21,31
Section 1:14	3,4
Section 3:8	2,5



545 | 555 | 545 DTC | 555 DTC

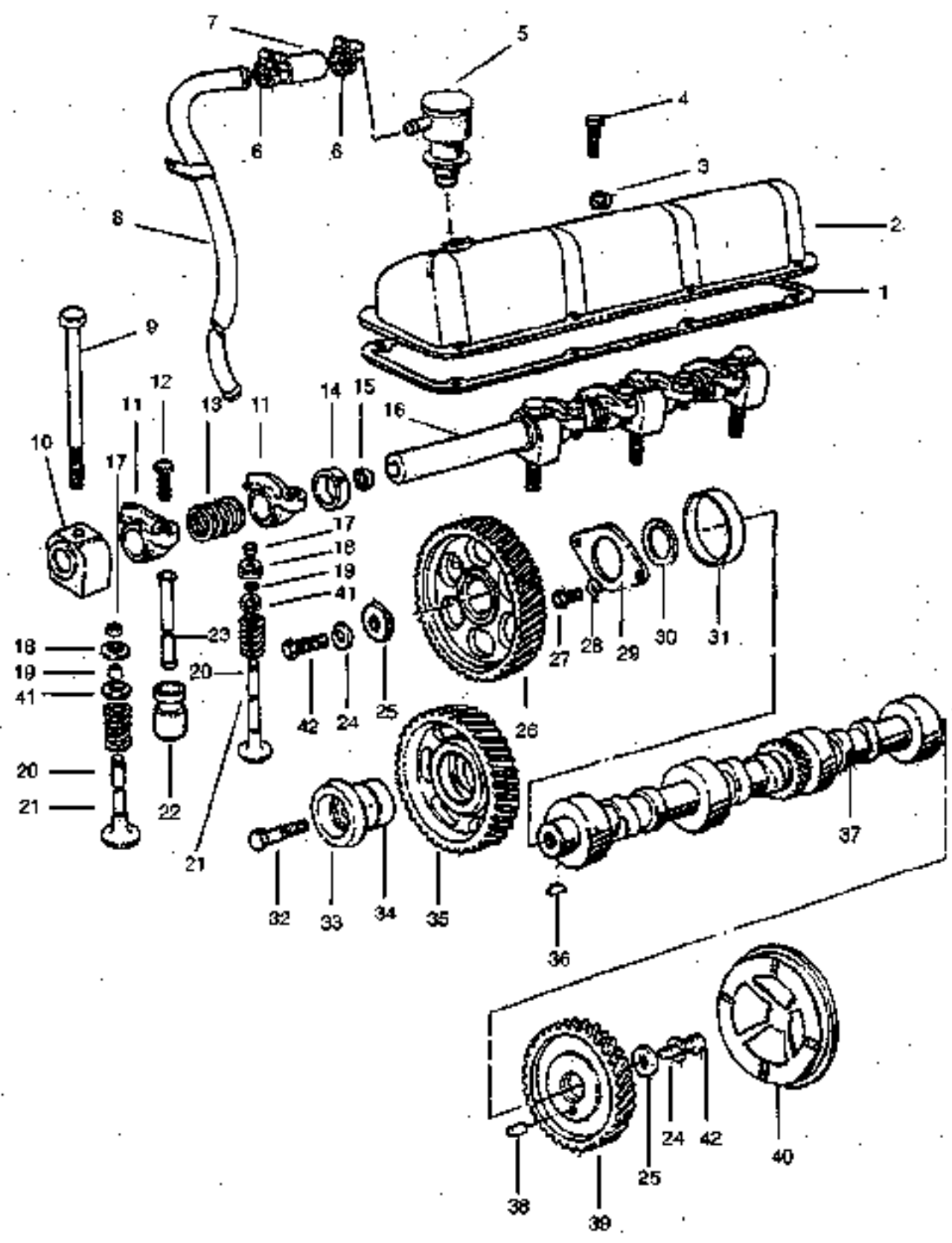


### CRANKSHAFT & FLYWHEEL ASSEMBLY

**545 / 555 / 545 DTC / 555 DTC**

ITEM No.	PART No.	DESCRIPTION	VENDOR No.	QUANTITY			
				545	555	545 DTC	555 DTC
1	ESL15259	Crankshaft and Gear Assy. (Includes Item # 8)	D10033880	1	1	1	1
2	ESL12623	Pulley Crankshaft	D10039630	1	1	1	1
3	ESL15248	Bolt, (M10x1.50x45-10.9)	D10044910	5	5	5	5
4	ESL15249	Spacer Crank Shaft Pulley	D10044880	1	1	1	1
5	ESL15237	Seal Crankshaft Front	D10044410	1	1	1	1
6	ESL15250	Seal 'O' Ring, (0.103x1.75)	D10010400	1	1	1	1
7	ESL15238	Seal Crankshaft Rear	D10044550	1	1	1	1
8	ESL15251	Gear Crankshaft	D10047880	1	1	1	1
9	ESL15385	Main Bearing Set (consists of 4 pairs of main bearings)		1	1	1	1
10	ESL15254	Flywheel Assembly	D10102940	1	1	1	1
11	ESL15255	Bolt Flywheel Mounting	D10044530	8	8	8	8
12	ESL15256	Dowel Thrust Washer	D10044750	2	2	2	2
13	ESL15257	Washer Thrust	D10044740	1	1	1	1
14	ESL15258	Dowel Flywheel	D10044920	1	1	1	1
15	ESL15384	Engine Bearing Set 10 o/s (Consists of Main Bearings and Rod Bearings for an Engine)	-	1	1	1	1
-	ESL15540	Engine Bearing Set 20 o/s	-	1	1	1	1
-	ESL15541	Engine Bearing Set 30 o/s	-	1	1	1	1
-	ESL15542	Engine Bearing Set 40 o/s	-	1	1	1	1

545 | 555 | 545 DTC | 555 DTC

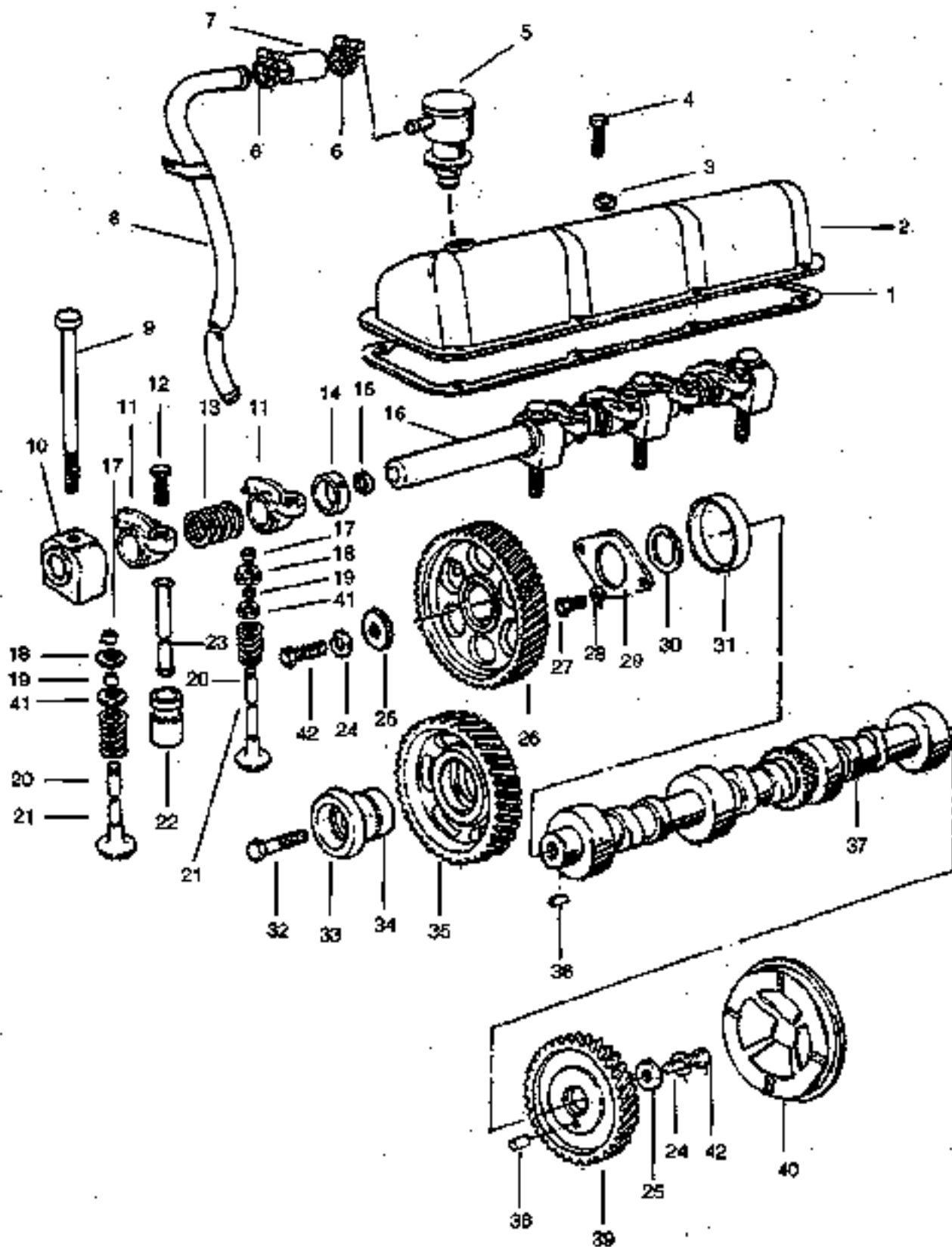


### CAMSHAFT & ROCKER ARM

### 545 / 555 / 545 DTC / 555 DTC

ITEM No.	PART No.	DESCRIPTION	VENDOR No.	QUANTITY			
				545	555	545DTC	555DTC
1	ESL15273	Gasket Valve Rocker Arm	D10044820	1	1	1	1
2	ESL15272	Cover Valve Rocker Arm	D10045090	1	1	1	1
3	N630173S8	Washer MB Spring Lock	-	8	8	8	8
4	ESL15274	Bolt, (M8x1,25x20-8.8) Hex Head	D81500110	8	8	8	8
5	ESL15282	Breather Assembly Crank Case	D10045270	1	1	1	1
6	ESL152B1	Clamp Hose	D10102430	2	2	2	2
7	ESL15518	Hose Breather Assembly	D10102400	1	1	1	1
8	ESL15519	Tube Assembly Crankcase Vent	D10045260	1	1	1	1
9	ESL15254	Bolt, M12x1 5x216) Cylinder Head	D10044570	4	4	4	4
10	ESL15263	Support Valve Rocker	D10045080	4	4	4	4
11	ESL10168	Kit Rocker Arm W/Screw	D10075030	6	6	6	6
12	ESL10131	Screw, (7/16-20) Valve Rocker Arm	D10011640	6	6	6	6
13	ESL10134	Spring Valve Rocker	D10011590	3	3	3	3
14	ESL10135	Spacer Valve Rocker	D10011600	3	3	3	3
15	ESL10046	Plug, (0.761) Cup	D10020980	2	2	2	2
16	ESL10132	Shaft Valve Rocker	D10011560	1	1	1	1
17	ESL15270	Key Valve Spring Retainer	D10045200	12	12	12	12
18	ESL15269	Retainer Valve Spring Upper	D10045050	6	6	6	6
19	ESL15271	Seal Valve Stem	D10045060	6	6	6	6
20	ESL15268	Spring Valve	D10044890	6	6	6	6
21	ESL15576	Valve Set Ex In Std.	-	1	-	1	-
-	ESL15577	Valve Set Ex In Std.	-	-	1	-	1
22	ESL15260	Tappel Valve	D10044510	6	6	6	6
23	ESL15262	Rod Valve Push	D10045070	6	6	6	6

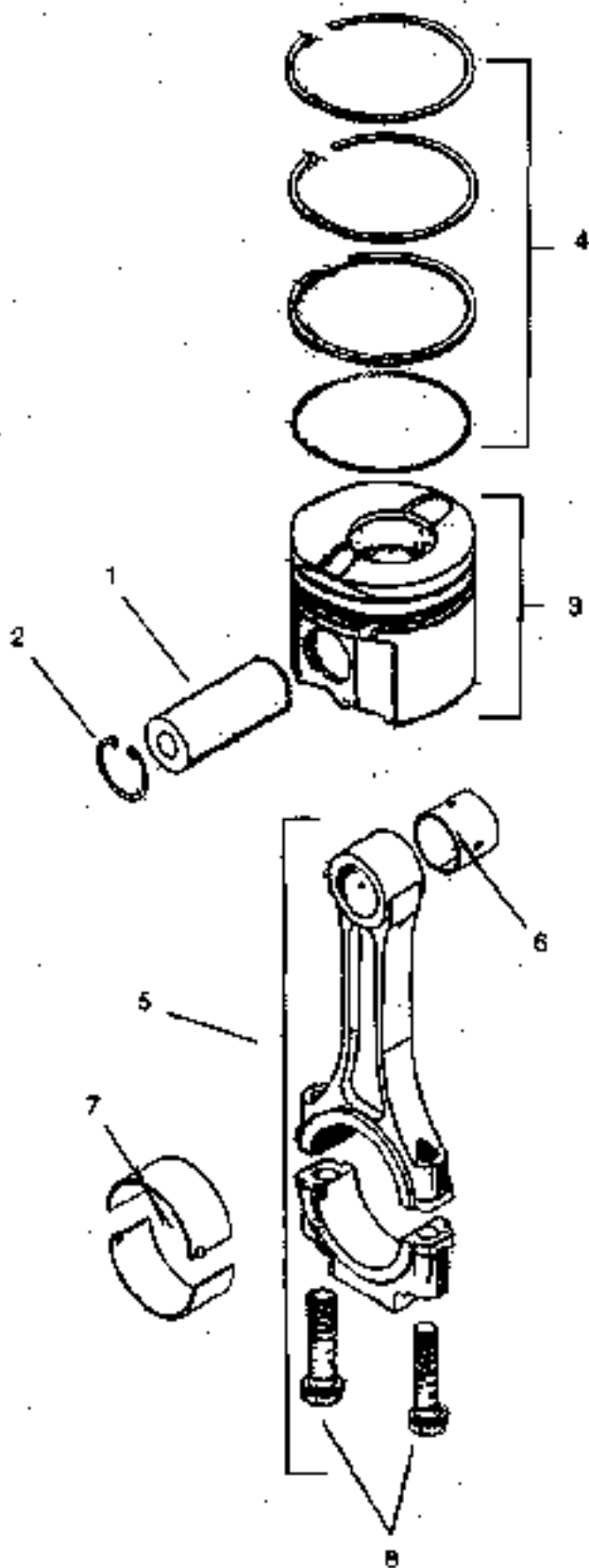
545 / 555 / 545 DTC / 555 DTC



**CAMSHAFT & ROCKER ARM**

**545 / 555 / 545 DTC / 555 DTC**

ITEM No.	PART No.	DESCRIPTION	VENDOR No.	QUANTITY			
				545	555	545 <sup>exc.</sup>	555 <sup>exc.</sup>
24	34808S8	Washer, (7/16) Spring Lock	-	3	3	3	3
25	ESL11644	Washer Cam Shaft	D10010520	3	3	3	3
26	ESL15277	Gear Cam Shaft	D10047890	1	1	1	1
27	304848S8	Bolt, (5/16-18x0.75) Hex Head	-	2	2	2	2
28	ESL11975	Washer, (5/16) Spring Lock	D86000040	2	2	2	2
29	ESL10152	Plate Camshaft Thrust	D10010490	1	1	1	1
30	ESL10150	Spacer Cam Washer	D10010490	1	1	1	1
31	ESL15213	Cam Bush Set	-	1	1	1	1
32	ESL11922	Bolt, (5/8-11x2.125) Hex Head	D81000570	1	1	1	1
33	ESL10147	Adapter Cam Shaft	D10010580	1	1	1	1
34	ESL10146	Bush Cam Shaft Drive Gear	D10020980	1	1	1	1
36	ESL15276	Gear Crank Shaft Drive Assembly	D10047900	1	1	1	1
36	74178S8	Key, (3/16x3/4) Woodruff	-	3	3	3	3
37	ESL15275	Cam Shaft	D10044400	1	1	1	1
38	ESL10155	Pin, (5/16x0.625) Dowel	D10021010	1	1	1	1
39	ESL15278	Gear Assembly Cam Shaft Hydraulic Pump	D10020990	1	1	1	1
40	ESL10156	Cover Camshaft Hydraulic Pump Drive	D10010340	1	1	1	1
41	ESL15279	Retainer Valve Spring Lower	D10020950	6	6	6	6
42	304724S8	Bolt, nn ( 7/16-14x1.25)	-	2	2	2	2



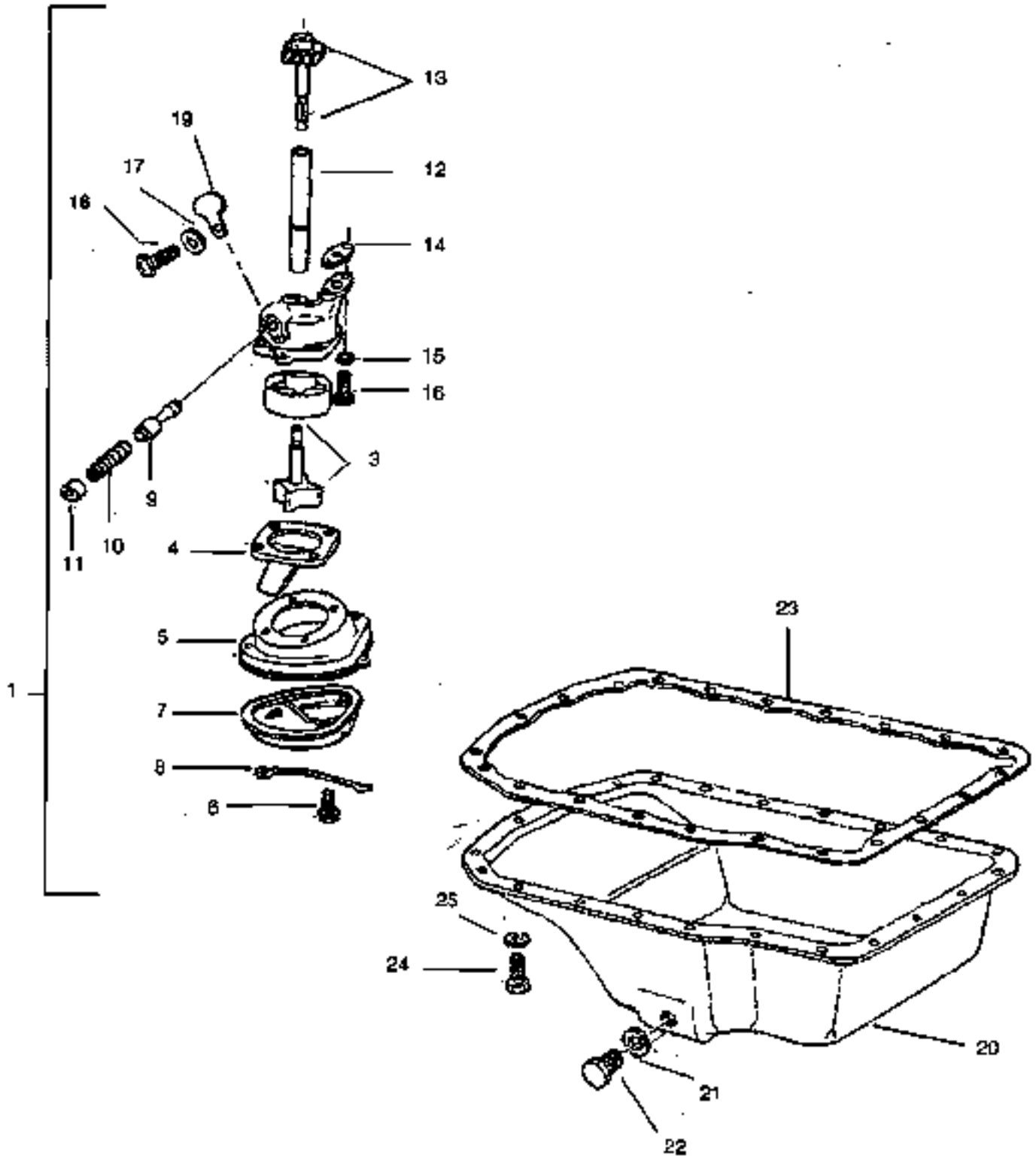
**PISTON & CONNECTING ROD**

### 545 / 555 / 545 DTC / 555 DTC

ITEM No.	PART No.	DESCRIPTION	VENDOR No.	QUANTITY			
				545	555	545DTC	555DTC
1	ESL16284	Pin Piston	D10044880	3	3	3	3
2	ESL16285	Ring Retaining	D10045100	6	6	6	6
3	ESL15388	Piston Set 545 (Includes Item 1,2)	D10101340	1	-	1	-
3	ESL15387	Piston Set 555 (Includes Item 1,2)	D10000000	-	1	-	1
4	ESL16390	Ring Set 545	-	3	-	3	-
	ESL15552	Ring Set 555	-	-	3	-	3
5	ESL15295	Rod Assy. Connecting	D10101270	3	3	3	3
6	ESL15296	Bush Set Connecting Rod	-	1	1	1	1
7	ESL15297	Connecting Rod Bearing Set	-	1	1	1	1
-	ESL15553	Connecting Rod Bearing Set 10 o/s	-	1	1	1	1
-	ESL15554	Connecting Rod Bearing Set 20 o/s	-	1	1	1	1
-	ESL15555	Connecting Rod Bearing Set 30 o/s	-	1	1	1	1
-	ESL15556	Connecting Rod Bearing Set 40 o/s	-	1	1	1	1
B	ESL15299	Bolt, (M12x69-10.9) Con. Rod	D10044560	6	6	6	6



545 / 555 / 545 DTC / 555 DTC



OIL PUMP & OIL PAN

### 545 / 555 / 545 DTC / 555 DTC

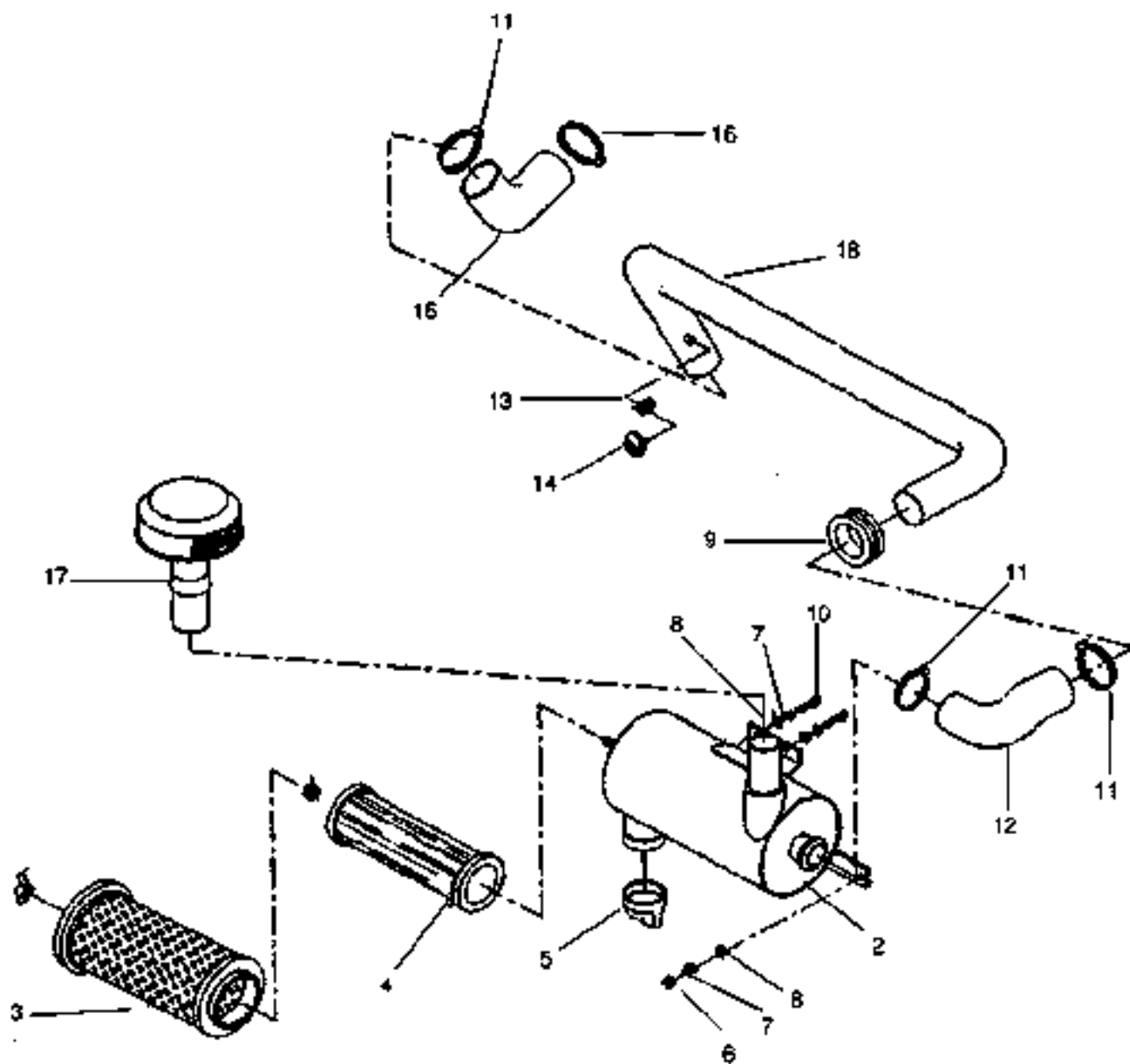
ITEM No.	PART No.	DESCRIPTION	VENDOR No.	QUANTITY			
				545	555	545DTC	555DTC
1	ESL10203	Pump Assembly Engine Lube Oil	D10010970	1	1	1	1
2	-	Body Engine Lube Oil Pump (NSS)	D10010980	1	1	1	1
3	ESL12629	Rotor and Shaft Assy.	D10104340	1	1	1	1
4	-	Cover Lube Oil Pump(NSS)	D10011020	1	1	1	1
5	-	Cover Lube Oil Pump Screen (NSS)	D10011070	1	1	1	1
6	ESL11779	Bolt M6x1.00x20-8.8 Hex Flanged	D10011090	4	4	4	4
7	ESL10191	Screen Lube Oil Pump	D10011030	4	4	4	4
8	ESL10193	Spring Lube Oil Pump Screen	D10011080	1	1	1	1
9	ESL10188	Valve Lube Oil Pressure Relief Valve	D10011050	1	1	1	1
10	ESL10189	Spring Lube Oil Pump Relief Valve	D10011010	1	1	1	1
11	ESL10190	Plug Lube Oil Pump Relief Valve	D10010990	1	1	1	1
12	ESL10195	Shaft Lube Oil Pump Intermediate	D10011170	1	1	1	1
13	ESL10196	Shaft and Gear Assembly	D10011100	1	1	1	1
14	ESL10197	Gasket Lube Oil Pump to Block	D10011140	1	1	1	1
15	ESL11645	Washer Lube Oil Pump Lock	D10011150	2	2	2	2
16	378910S36	Bolt, (3/8-16x1.98) Hex Head	-	2	2	2	2
17	N530173S8	Washer M6 Spring Lock	-	1	1	1	1
18	N605531S8	Bolt, (M8x1.25x20-9.8) Hex Head	-	1	1	1	1
19	ESL11646	Stop Lube Oil Pump Relief Valve	D10011040	1	1	1	1
20	ESL15300	Pan Assembly Oil	D10044630	1	1	1	1
21	ESL10201	Gasket Drain Plug	D10044710	1	1	1	1
22	ESL15241	Plug Oil Pan Drain	D10061670	1	1	1	1
23	ESL15243	Gasket Oil Pan	D10044790	1	1	1	1
24	304666S8	Bolt, (3/8-16x0.875) Hex Head	-	22	22	22	22
25	34807S8	Washer, (3/8) Spring Lock	-	22	22	22	22

### OIL PUMP & OIL PAN

---

## Notes

# ***AIR INTAKE & EXHAUST SYSTEM***



545 / 555 / 545 DTC / 555 DTC

ITEM NO.	PART NO.	DESCRIPTION	VENDOR NO.	QUANTITY			
				545	555	545DTC	555DTC
1	ESL10232	Air Cleaner Assembly - Dry (includes items 2-5)	D10026730	1	1	1	1
2	-	Housing - Dry Air Cleaner (NSS)	-	1	1	1	1
3	ESL10221	Element Primary Filter	D10093670	1	1	1	1
4	ESL10222	Filter Secondary Dry Air Cleaner	D10102340	1	1	1	1
5	ESL10229	Cap Dust Dry Air Cleaner	D10115740	1	1	1	1
6	N620014S8	Nut, (M10x1.50-5) Hex	-	2	2	2	2
7	N630174S8	Washer, (M10) Spring Lock	-	4	4	4	4
8	N630069S8	Washer, (M10) Flat	-	4	4	4	4
9	ESL10231	Grommet Air Cleaner	D10026760	2	2	2	2
10	304650S8	Bolt, (3/8-16x0.75) Hex Head	-	2	2	2	2
11	ESL12083	Clamp Assembly 70MM Diameter	D10017170	-	3	-	3
12	ESL11837	Hose Engine Air Cleaner Outlet	D10026720	1	1	1	1
13	ESL12616	Gasket	-	1	1	1	1
14	ESL12617	Indicator Dry Air Cleaner	D10026560	1	1	1	1
15	ESL16301	Hose Engine Air Cleaner Outlet Lower	D10048130	1	1	1	1
16	ESL11977	Clamp Assembly Air Cleaner Hose	D10017630	4	1	4	1
17	ESL12070	Cap And Extension Assembly Air Cleaner	D10026740	1	1	1	1
18	ESL12515	Tube Engine Air Cleaner Outlet	D10026750	1	1	1	1

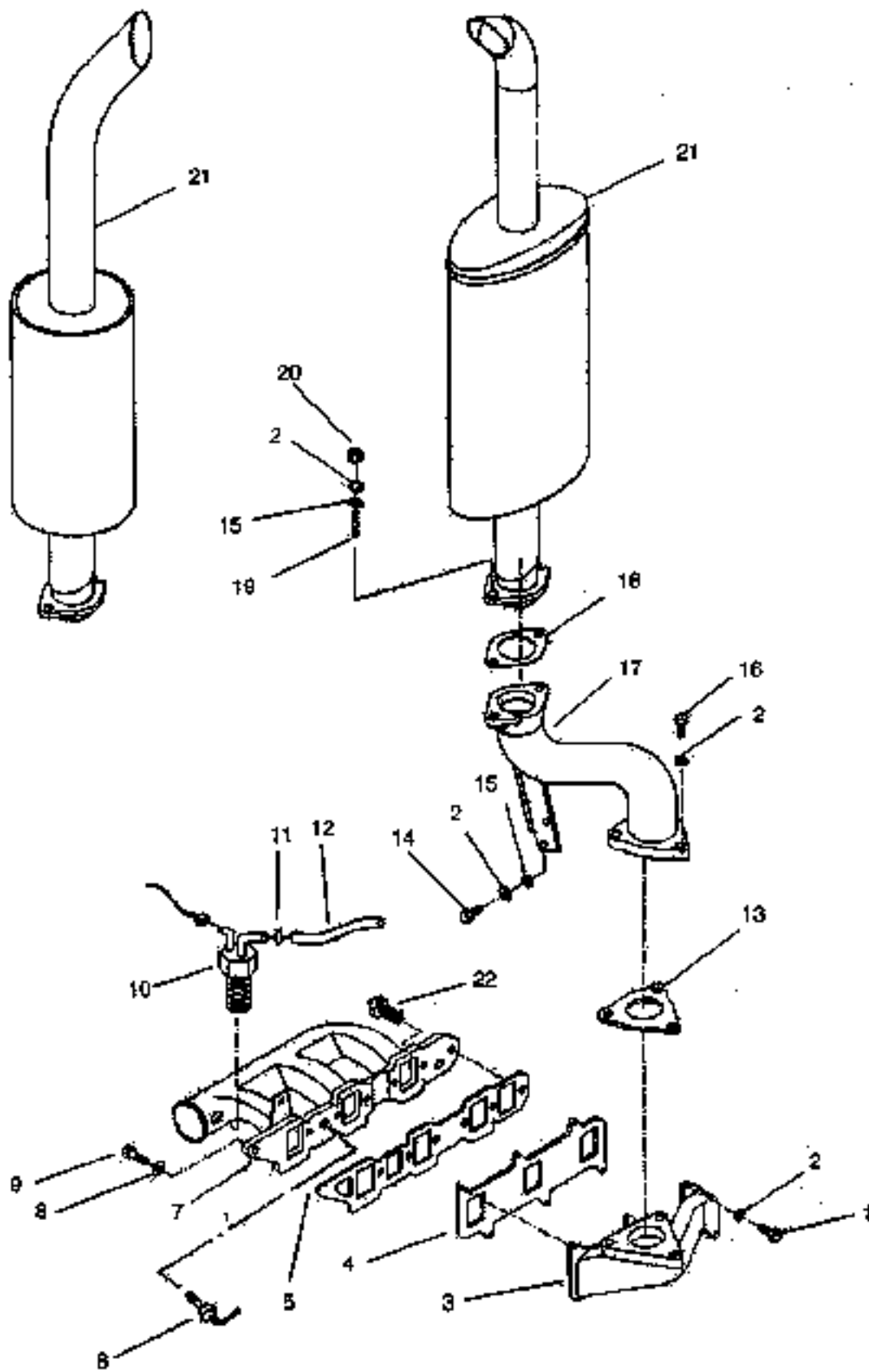
**AIR CLEANER - DRY ELEMENT TYPE**

⊗ - SERIAL NUMBER BREAK ,



- INDICATES UP TO AND INCLUDING THAT SERIAL NUMBER

545 / 555 / 545 DTC / 558 DTC



**INTAKE MANIFOLD & EXHAUST SYSTEM**



545 / 555 / 545 DTC / 555 DTC

ITEM No.	PART No.	DESCRIPTION	VENDOR No.	QUANTITY			
				545	555	545 <sup>DTC</sup>	555 <sup>DTC</sup>
1	N600919S8	Bolt, (M10x1.50x70-8.8) Hex Head	-	6	6	6	6
2	N630089S8	Washer, (M10) Flat	-	13	13	13	13
3	ESL15306	Manifold Exhaust	D10044610	1	1	1	1
4	ESL15242	Gasket Exhaust Manifold	D10044830	3	3	3	3
5	ESL15305	Gasket Engine Air Intake Manifold	D10048010	1	1	1	1
6	ESL10238	Sensor Unit Washer Temperature Gauge	D10011490	1	1	1	1
7	ESL15304	Intake Manifold	D10047850	1	1	1	1
8	-	Washer M8 Flat	D85500130	7	7	7	7
9	ESI 15208	Bolt, (M8x1.00x30-6.6) Head	-	3	3	3	3
10	ESL4969	Thermostarter	D10047920	1	1	1	1
11	ESL10284	Clamp Thermostarter Tube	D10026200	2	2	2	2
12	ESI 15315	Tube Nylon Thermostarter	D10028170	1	1	1	1
13	ESL10245	Gasket Muffler Inlet	D10069610	1	1	1	1
14	ESL15310	Bolt M10x1.50x25-9.8 nn.	D81500280	2	2	2	2
15	ESL15308	Washer, (M10) Flat	D85500010	4	4	4	4
16	16008S8	Bolt, (3/8-16x1.00) Hex Head	-	3	3	3	3
17	ESL15308	Pipe Assembly Muffler Inlet	D10091160	1	1	1	1
18	ESL15313	Gasket Muffler Inlet	D10016120	1	1	1	1
19	ESL15307	Stud, (B M10x26-6.8) Zinc Passivated	D84500020	2	2	2	2
20	N620014S8	Nut, (M10x1.50-5) Hex	-	2	2	2	2
21	ESL15311	Muffler Assembly Vertical	D10028200	1	-	1	-
-	ESL15312	Muffler Assembly Vertical	D10019380	-	1	-	1

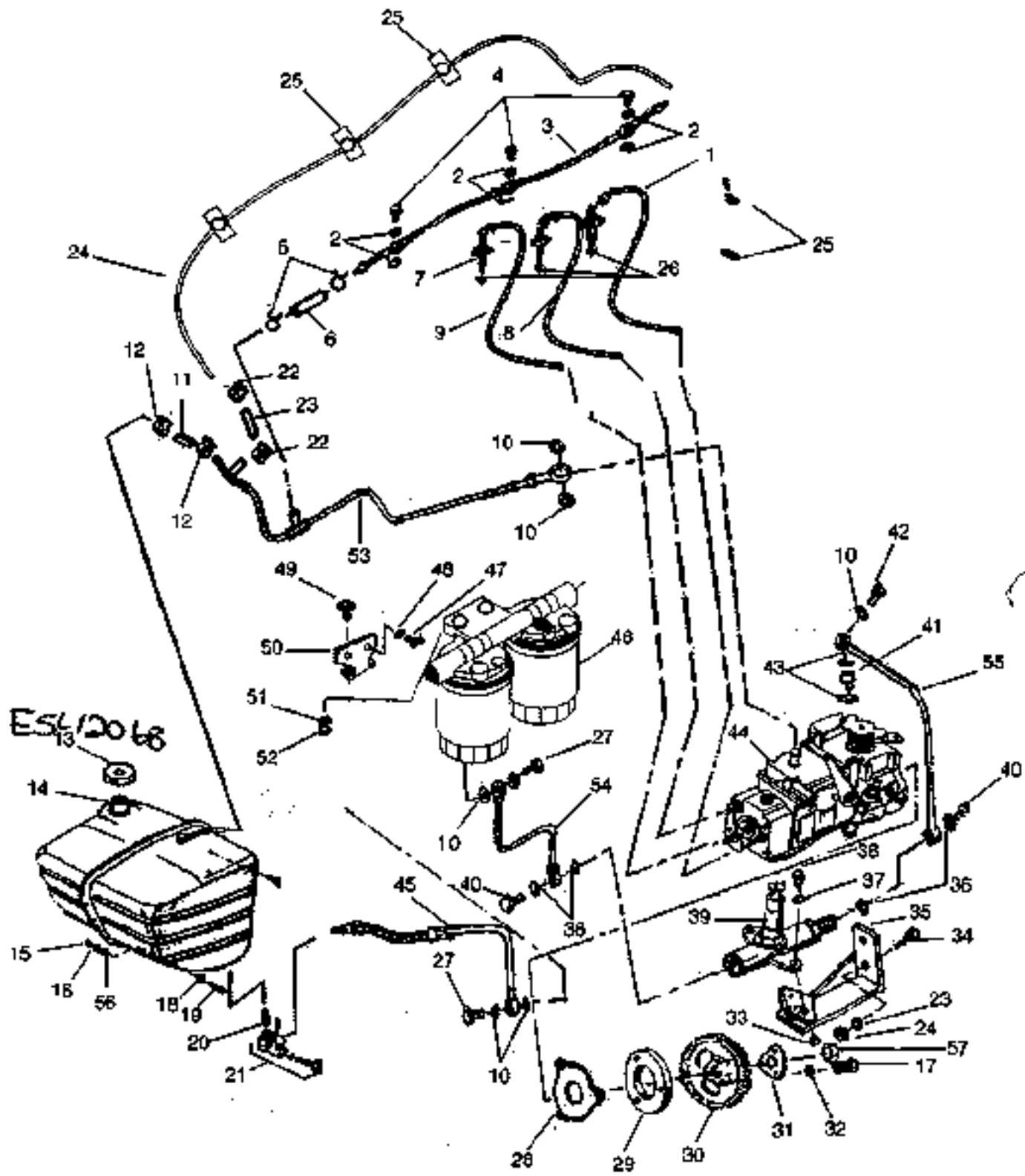


---

## Notes

# FUEL SYSTEM

545 / 555 / 545 DTC / 555 DTC



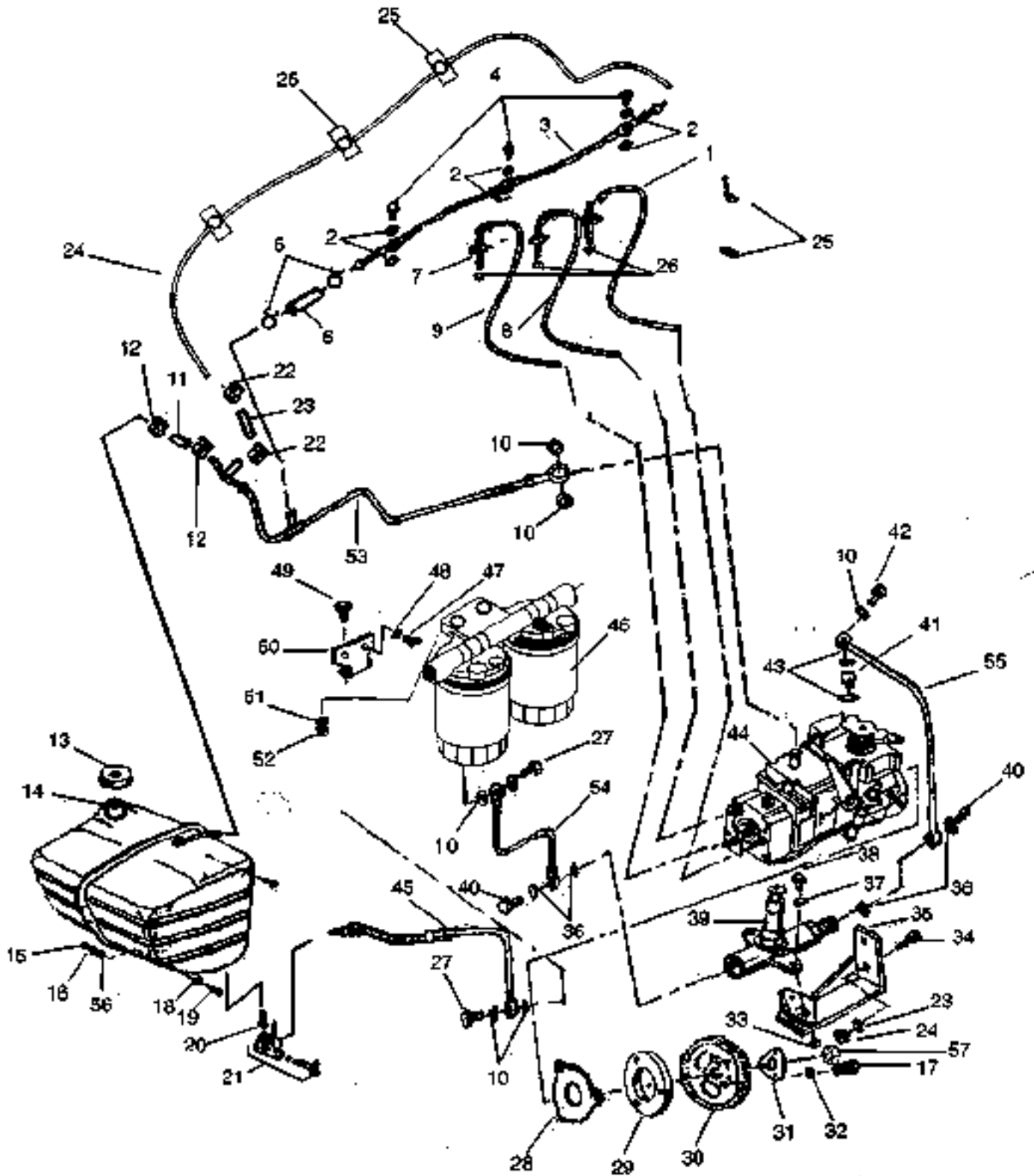
ESL/2068

### FUEL SYSTEM

545 / 555 / 545 DTC / 555 DTC

ITEM No.	PART No.	DESCRIPTION	VENDOR No.	QUANTITY			
				545	555	545 <sup>exc</sup>	555 <sup>exc</sup>
1	ESL15333	HP Pipe, 1st Cylinder	D10047920	1	1	1	1
2	ESL15332	Washer, (6MM) Sealing	2564662AA	6	6	6	6
3	ESL15330	Tube Fuel Injection Pump Leak Off	D10044870	1	1	1	1
4	ESL15331	Bolt, (M6) Banjo	2664661AA	3	3	3	3
5	ESL10296	Clamp Spring Wire Hose, (#7G)	D10018180	2	2	2	2
6	ESL15338	Hose	D10064600	1	1	1	1
7	ESL14907	Injector Assembly Fuel (VE)	D10047880	3	3	3	3
8	ESL15334	HP Pipe, 2nd Cylinder	D10047930	1	1	1	1
9	ESL15335	HP Pipe, 3rd Cylinder	D10047940	1	1	1	1
10	ESL11975	Washer, (14.2x19.9) Copper Sealing	DB8000040	14	14	14	14
11	ESL10297	Connector Fuel Return To Tank Tube	D10017360	1	1	1	1
12	ESL10298	Clamp Assembly Fuel Tube	D10017460	2	2	2	2
13	ESL10254	Cap Assembly Fuel Tank	D10019100	1	1	1	1
14	ESL10249	Tank Assembly Fuel	D10063110	1	1	1	1
14	ESL10270	Tube Assembly Fuel Feed Pump	D10012540	1	1	1	1
15	33796S8	Nut, (5/16-24) Hex	-	3	3	3	3
16	44722S8	Washer, (5/16) Flat	-	7	7	7	7
17	ESL11742	Bolt Fuel Injection Pump Adapter Plate	D10010800	3	3	3	3
18	ESL10268	Spacer Fuel Tank Mounting Lower	D10018360	1	1	1	1
19	304683S8	Bolt, (5/16-18x1.00) Hex Head	-	3	3	3	3
20	ESL15319	Filter Fuel Tap & Screen	D10063180	1	1	1	1
21	ESL10257	Tap & Screen Assembly Fuel Control	D10016590	1	1	1	1
22	ESL15562	Clamp, Spring Wire	D10018180	2	2	2	2
23	ESL15315	Thermostart Hose	D10026170	1	1	1	1
24	ESL15559	Thermostart Tube	D10114280	1	1	1	1
25	ESL15561	Clamp F I Pipe	D10008850	4	4	4	4
26	-	Bolt, (5/16-18x1.00) Hex Head	-	1	1	1	1
27	ESL15683	Bolt Pipe Union, (94110334)	D81000660	2	2	2	2
28	ESL15323	Gasket VE Pump	D10048000	3	3	3	3
29	ESL10030	Coupling Fuel Injection, Pump Adapter Plate	D10010760	1	1	1	1
30	ESL15322	Gear VE Pump	D10047910	1	1	1	1
31	ESL10275	Plate Fuel Injection Pump	D10010780	1	1	1	1
32	34806S8	Washer, (5/16) Spring Lock	D86000040	10	10	10	10
33	33796-S36	Nut, (1/4-28) Hex	D81000400	2	2	2	2
34	ESL15342	Bolt, (5/15-16x3.00)	D10047990	2	2	2	2

545 | 555 | 545 DTC | 555 DTC

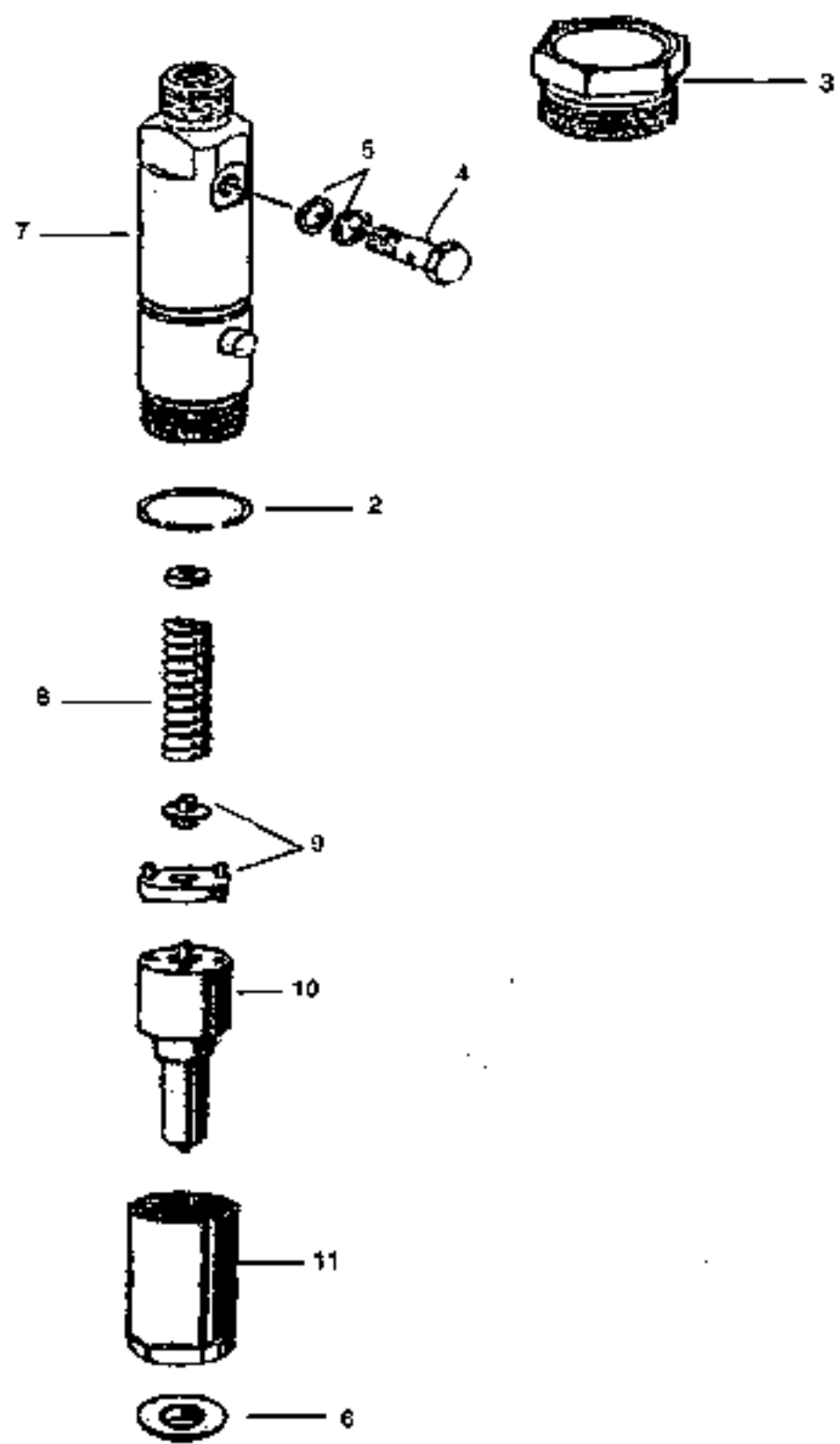


### FUEL SYSTEM

**545 / 555 / 545 DTC / 555 DTC**

ITEM No.	PART No.	DESCRIPTION	VENDOR No.	QUANTITY			
				545	555	545 <sup>opt</sup>	555 <sup>opt</sup>
35	ESL15341	Bracket Hand Primer Mounting	D10048060	1	1	1	1
36	ESL10357	Washer, (14.2x19.9) Copper Sealing	-	4	4	4	4
37	34805S8	Washer, (1/4) Spring Lock	-	2	2	2	2
38	304639S8	Bolt, (1/4-28x0.82) Hex Head	-	2	2	2	2
39	ESL15343	Hand Primer Assembly	D10049070	1	1	1	1
40	ESL11778	Bolt, (M14x1.5x25.5) Hex Head	D10012500	2	2	2	2
41	ESL15346	Spacer Fuel Injection	D10049020	1	1	1	1
42	ESL11781	Bolt, (M12x1.5x28.5) Pipe Union	D10017500	1	1	1	1
43	ESL15345	Washer Copper	D10048060	3	3	3	3
44	ESL15326	Pump Assembly Fuel Injection 545	D10102910	1	-	1	-
44	ESL15326	Pump Assembly Fuel Injection 555	D10102900	-	1	-	1
46	ESL15321	Tube Assembly Fuel Tank To Filter	D10048190	1	1	1	1
46	ESL15328	Fuel Filter Assembly (Spin Type)	D10109550	1	1	1	1
47	304668S8	Bolt, (3/8-16z0.875) Hex Head	-	2	2	2	2
48	44726S8	Washer, (3/8) Flat	-	2	2	2	2
49	ESL11743	Bolt, Fuel Filter Bracket	-	2	2	2	2
50	ESL15329	Bracket Assembly Fuel Filter	D10044850	1	1	1	1
51	34809S8	Washer, (1/2) Spring Lock	-	2	2	2	2
52	ESL11782	Nut, Fuel filter Bracket	-	2	2	2	2
53	ESL15337	Tube Assembly Fuel Tank Return	-	1	1	1	1
54	ESL15347	Tube Assembly, Filter to Primer	D10102920	1	1	1	1
55	ESL15344	Tube Assembly Primer to FIP	D10047960	1	1	1	1
56	34941-S36	Washer External Tooth	D88000110	9	9	3	3
57	ESL15563	Nut, FIP Gear	D83500040	1	1	1	1

545 / 555 / 545 DTC / 555 DTC



**INJECTOR ASSEMBLY**

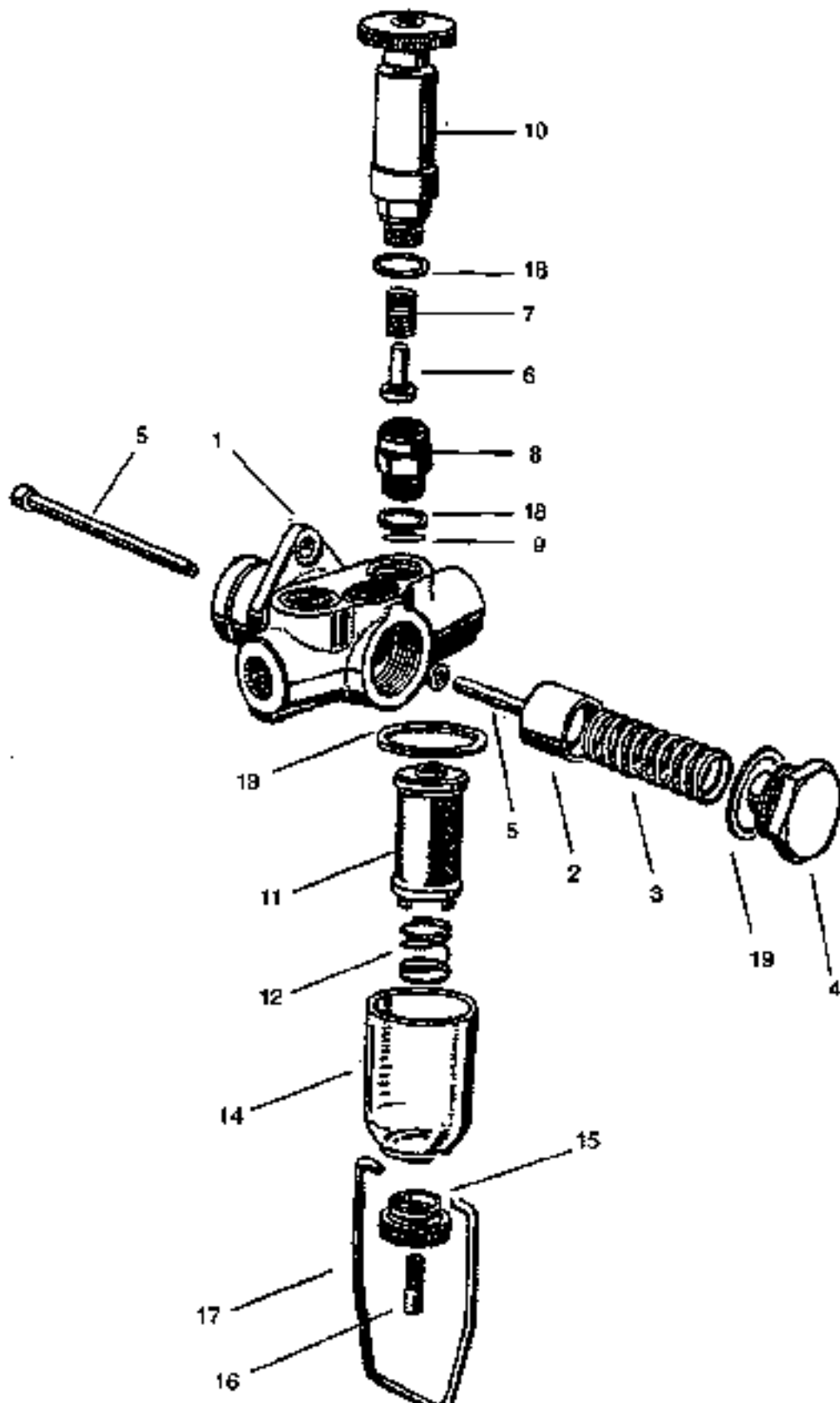
**545 / 555 / 545 DTC / 555 DTC**

ITEM No.	PART No.	DESCRIPTION	VENDOR No.	QUANTITY			
				545	555	545 DTC	555 DTC
1	ESL14907	Injector Assy. Fuel (VE)	D10047830	3	3	3	3
2	ESL15348	Adjusting Washer	-	1	1	1	1
3	ESL15349	Retaining Screw	-	AR	AR	AR	AR
4	ESL15350	Banjo Bolt	-	1	1	1	1
5	ESL15351	Washer	-	2	2	2	2
6	ESL15352	Sealing Washer	D10130700	1	1	1	1
7	-	Nozzle Holder (NSS)	-	1	1	1	1
8	-	Spring (NSS)	-	1	1	1	1
9	-	Seat, Spring (NSS)	-	1	1	1	1
10	-	Nozzle (NSS)	-	1	1	1	1
11	-	Cap Nut, Nozzle (NSS)	-	1	1	1	1

**INJECTOR ASSEMBLY**

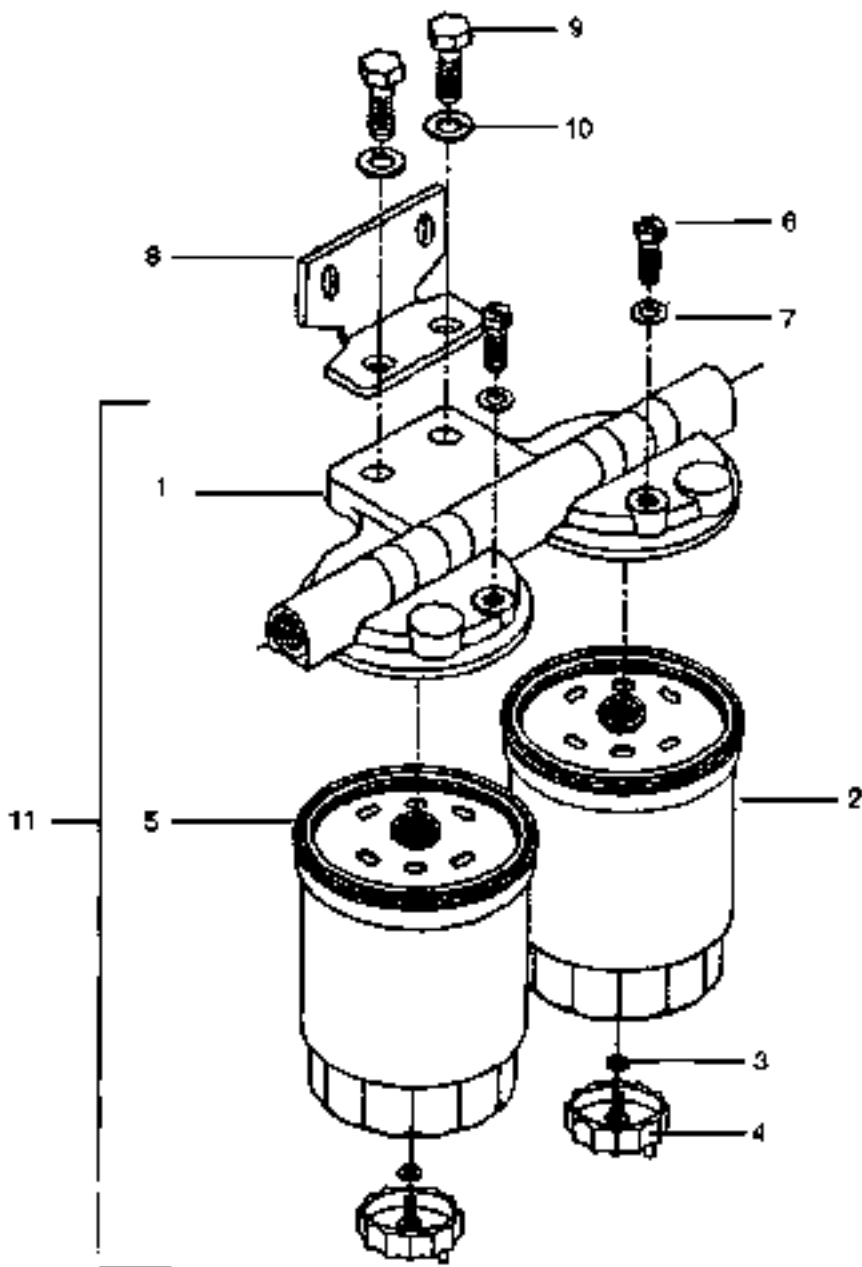


545 | 555 | 545 DTC | 555 DTC



**545 / 555 / 545 DTC / 555 DTC**

ITEM No.	PART No.	DESCRIPTION	VENDOR No.	QUANTITY			
				545	555	545DTC	555DTC
-	ESL10442	Fuel Feed Pump Assembly (Includes Items #1-2a)	D10105280	1	1	1	1
1	-	Housing, Fuel Feed Pump (NSS)	-	1	1	1	1
2	-	Pump Plunger (NSS)	-	1	1	1	1
3	ESL10426	Spring, Pump Plunger	-	1	1	1	1
4	ESL10427	Closing Plug	-	1	1	1	1
5	ESL10428	Pressure Spindle	-	1	1	1	1
6	ESL10429	Valve	-	1	1	1	1
7	ESL10430	Spring	-	1	1	1	1
8	ESL10431	Reducing Nipple	-	1	1	1	1
9	ESL13406	'O' Ring	D10105330	1	1	1	1
10	ESL10432	Hand Primer	-	1	1	1	1
11	ESL10433	Prefilter Sleeve	-	1	1	1	1
12	ESL10434	Spring	-	1	1	1	1
13	ESL10435	Sealing Washer	D10105470	1	1	1	1
14	ESL10436	Prefilter Housing	-	1	1	1	1
15	ESL10437	Clamping Nut	D83000310	1	1	1	1
16	ESL10438	Stud	D10105390	1	1	1	1
17	ESL10439	Clip	-	1	1	1	1
18	ESL10440	Sealing Ring	-	2	2	2	2
19	ESL10441	Sealing Ring	-	1	1	1	1

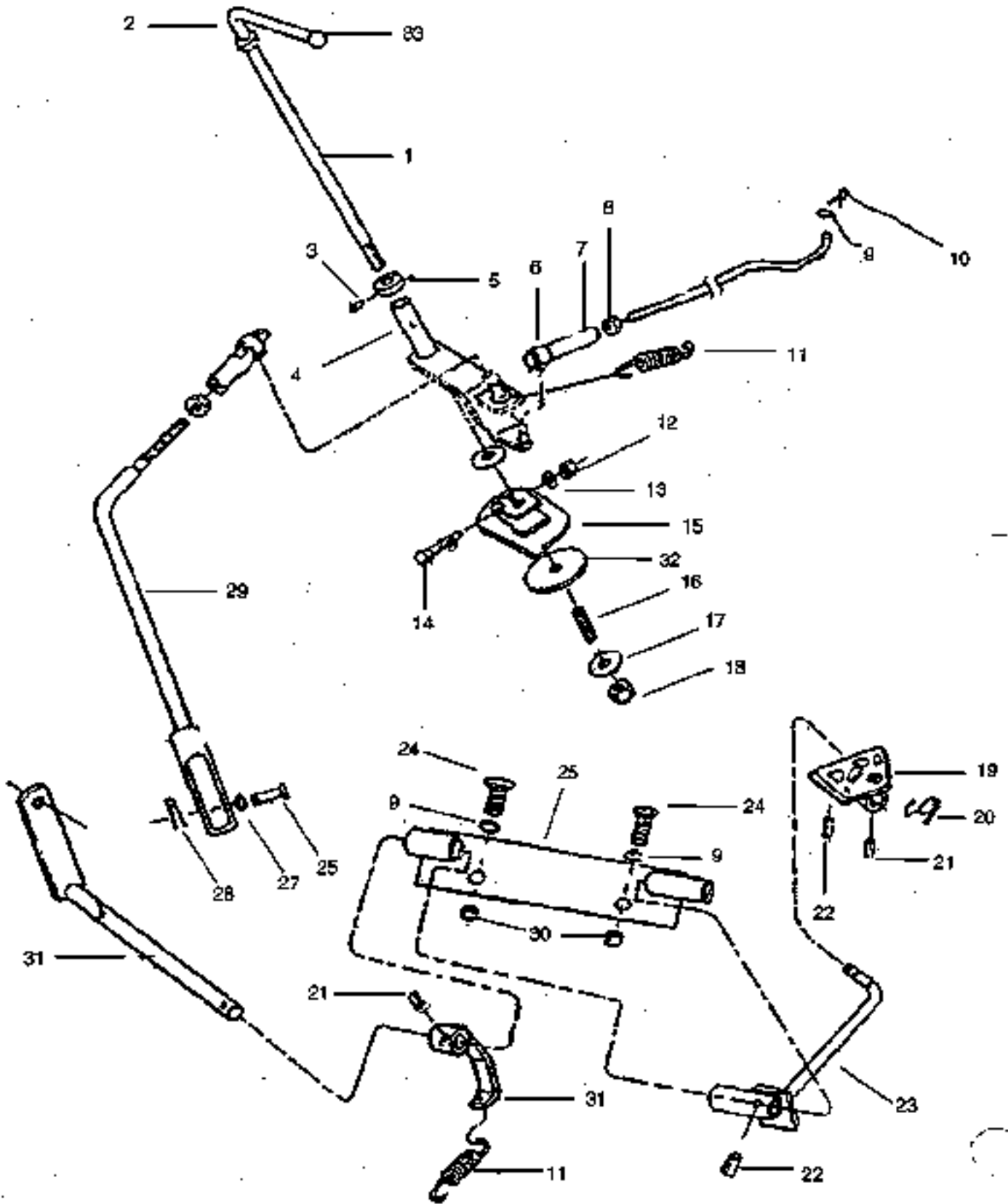


FUEL INJECTION PUMP

**545 / 555 / 545 DTC / 555 DTC**

ITEM No.	PART No.	DESCRIPTION	VENDOR No.	QUANTITY			
				545	555	545pre	555pre
1	ESL15353	Filter Cover	-	1	1	1	1
2	ESL15354	Exchange Filter (Secondary)	-	1	1	1	1
3	ESL15355	Sealing Ring	-	2	2	2	2
4	ESL15356	Drain Plug	-	2	2	2	2
5	ESL15357	Exchange Filter (Primary)	-	1	1	1	1
6	ESL15358	AirVent Screw	-	2	2	2	2
7	ESL15359	Flat Seal Ring	-	2	2	2	2
8	ESL15329	Bracket Assy. Fuel Filter	D10044850	1	1	1	1
9	304666SB	Bolt, (3/8-16x0.875) Hex Head	-	2	2	2	2
10	44726SB	Washer, (3/8) Flat	-	2	2	2	2
11	ESL13313	Fuel Filter Assembly	D10017200	1	1	1	1

545 / 555 / 545 DTC / 555 DTC



### THROTTLE & ACCELERATION CONTROLS

3:11

• SERIAL NUMBER BREAK

◀ INDICATES UP TO AND INCLUDING THAT SERIAL NUMBER

**545 / 555 / 545 DTC / 555 DTC**

ITEM No.	PART No.	DESCRIPTION	VENDOR No.	QUANTITY			
				545	555	545 <sup>DTC</sup>	555 <sup>DTC</sup>
1	ESL10450	Lever Assembly Hand Throttle	D10017950	1	1	1	1
2	ESL15376	Grommet Hand Throttle Control	D10026540	1	1	1	1
3	N805500S8	Bolt, (M5x0.80x8-9.8) Hex Head	-	1	1	1	1
4	ESL10455	Arm Assy. Hand Throttle Control	D10019090	1	1	1	1
5	ESL10490	Stop Throttle Control Lever	D10017970	1	1	1	1
6	ESL10469	Clip Throttle Control	-	1	1	1	1
7	ESL10462	Connector Assy. Throttle Control Rod	D10105120	2	2	2	2
8	33796S8	Nut, (1/4 Flat 28) Hex	D10019090	3	3	3	3
9	44719S8	Washer, (1/4) Flat	-	3	3	3	3
10	72003S8	Pin, (1/16x0.50) Cotter	-	1	1	1	1
11	ESL10480	Spring Foot Accelerator Pedal	D10012750	1	1	1	1
11	ESL10460	Plate Assembly Throttle Control	D10021590	1	1	1	1
12	ESL15404	Nut, (5/16-24) Hex	D10019410	1	1	1	1
13	35321S8	Washer, (5/16) Flat	-	1	1	1	1
14	379586S36	Bolt, (5/16-24x1.25) Square Head	D61000670	1	1	1	1
15	ESL10461	Plate Assembly Friction Disc	-	3	3	3	3
16	ESL10452	Spring Governor Manual Control Lever	-	1	1	1	1
17	44728S8	Washer, (3/8) Flat	-	1	1	1	1
18	377960S8	Nut, (3/8-24) Hex	-	1	1	1	1
19	ESL10482	Pad And Hub Assy. Accelerator Pedal	D10012940	1	1	1	1
20	ESL10483	Spring Accelerator Pad Retaining	D10012770	1	1	1	1
21	305086S2	Pin, (3/16x1.125) Spring Dowel	-	2	2	2	2
22	305051S2	Pin, (3/16x0.8125) Spring Dowel	-	2	2	2	2
23	ESL12079	Pedal Assembly Accelerator	-	1	1	1	1
24	304633S8	Bolt, (1/4-28x0.82) Hex Head	-	2	2	2	2
25	ESL10485	Bracket Accelerator Pedal	D10012760	1	1	1	1
26	76023S8	Pin, (3/8x13/16) Clevis	-	1	1	1	1
27	44728S8	Washer, (3/8) Flat	-	1	1	1	1
28	72016S8	Pin, (3/32x0.75) Cotter	-	1	1	1	1
29	ESL10489	Rod Assy. Accelerator Control	D10012930	1	1	1	1
30	ESL10467	Arm Assy. Acceleration Control	D10012810	1	1	1	1
31	ESL10479	Bracket And Hub Assy. Accelerator	D10012780	1	1	1	1
32	ESL10457	Disc Throttle Control	D10018170	1	1	1	1
33	ESL12687	Knob, Hand Throttle	D10042450	1	1	1	1

**THROTTLE & ACCELERATION CONTROLS**

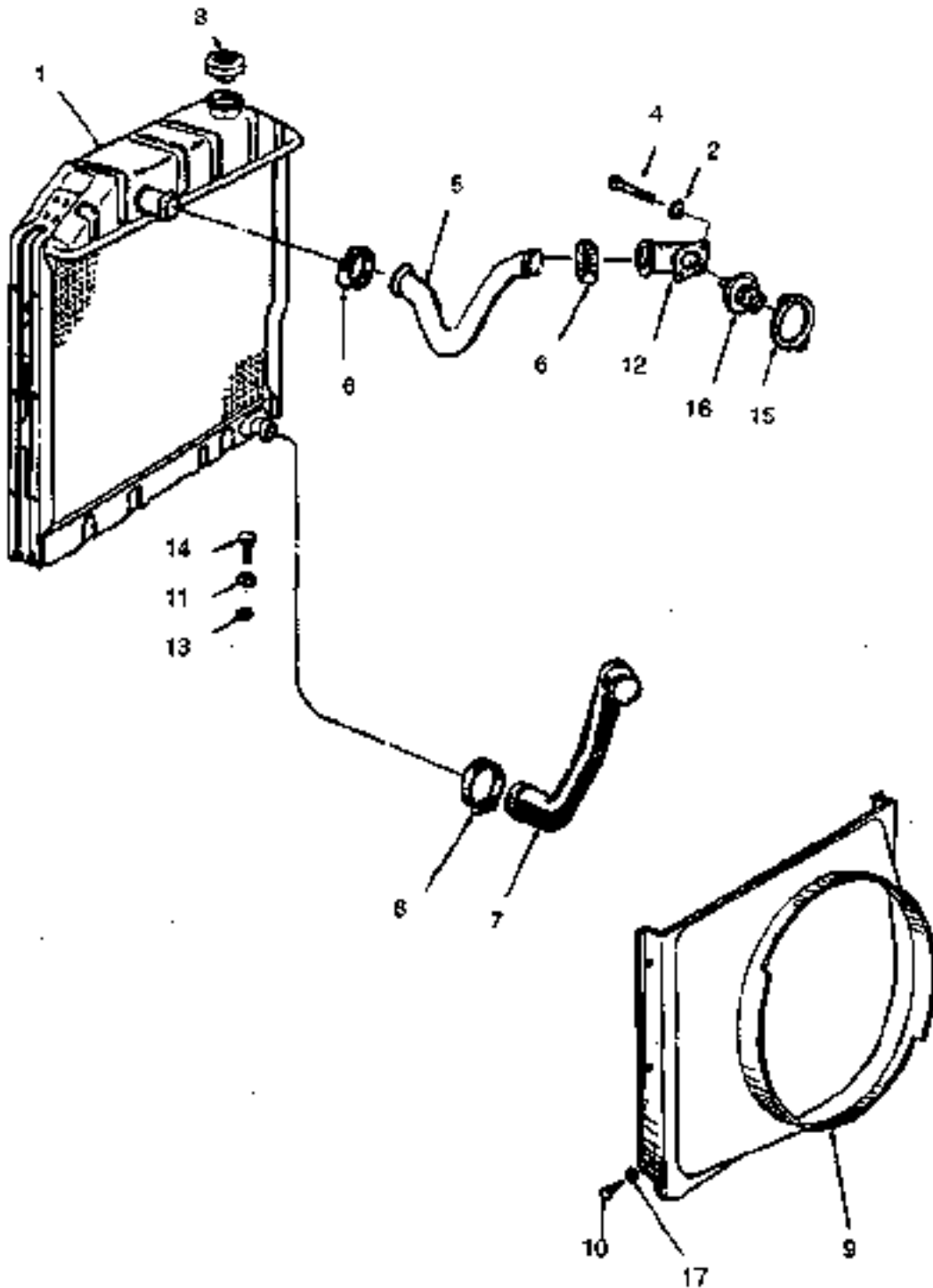
---

## Notes

# COOLING SYSTEM



545 | 555 | 545 DTC | 555 DTC



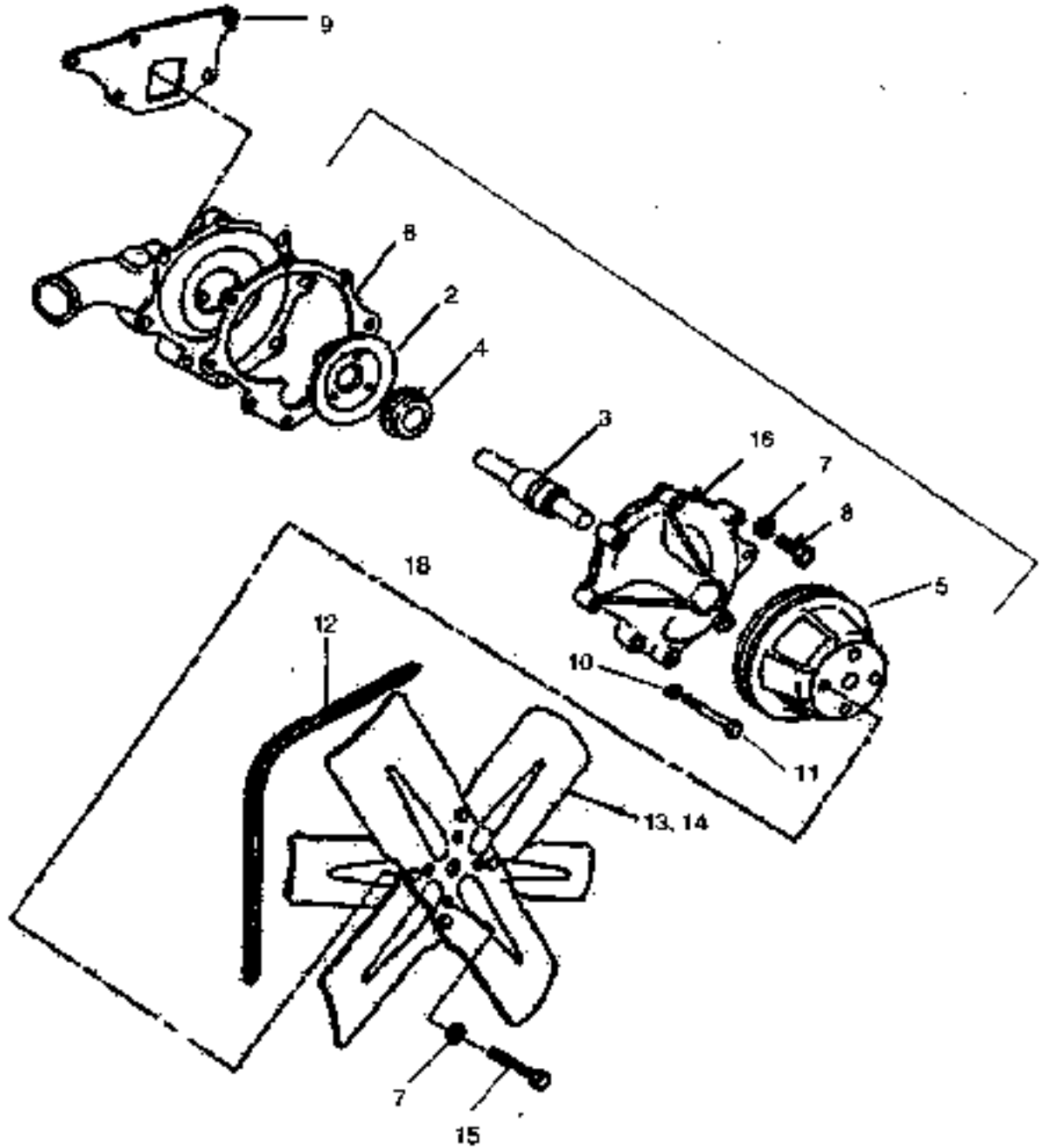
**RADIATOR**

545 / 555 / 545 DTC / 555 DTC

ITEM No.	PART No.	DESCRIPTION	VENDOR No.	QUANTITY			
				545	555	545 DTC	555 DTC
1	ESL15361	Radiator And Shroud Assembly	D10039270	1	1	1	1
2	ESL15365	Washer, (M6) Spring Lock	-	2	2	2	2
3	ESL10493	Cap Assembly Radiator Pressure	D10105080	1	1	1	1
4	ESL15364	Bolt, (M6x30) Hex Head	-	2	2	2	2
5	ESL10494	Hose Radiator Upper	D10017340	1	1	1	1
6	ESL10495	Hose Clamp Upper	D10017540	2	2	2	2
7	ESL10496	Hose Radiator Lower	D10018350	1	1	1	1
8	ESL15360	Clamp Radiator Hose Lower	D10017820	2	2	2	2
9	ESL10498	Shroud - Fan	-	1	1	1	1
10	ESL11859	Screw And Lock Washer Assy. (#8-32x3/8)	D10107940	6	6	6	6
11	ESL10500	Insulator Radiator Support	D10018340	2	2	2	2
12	ESL10503	Connection Water Outlet	D10011770	1	1	1	1
13	ESL15362	Nut, (7/16-14) Nylock	D10019060	2	2	2	2
14	23607S8	Bolt, (7/16-14x3.5) Round Head	-	2	2	2	2
15	ESL10502	Gasket Water Outlet	D10011760	1	1	1	1
16	ESL15363	Thermostat Assembly Water	D10011750	1	1	1	1
17	44710S8	Washer, (#8) Flat	-	6	6	6	6

### RADIATOR

545 / 555 / 545 DTC / 555 DTC



### Water Pump



**COOLING SYSTEM**

**545 | 555 | 545 DTC | 555 DTC**

ITEM No.	PART No.	DESCRIPTION	VENDOR No.	QUANTITY			
				545	555	545DTC	555DTC
1	ESL10520	Pump Assembly Water	D10011230	1	1	1	1
2	ESL10508	Impeller Water Pump	D10088820	1	1	1	1
3	ESL10509	Bearing Water Pump	D10011240	1	1	1	1
4	ESL10510	Seal And Seat Assembly Water Pump	-	1	1	1	1
5	ESL10511	Pulley Water Pump	D10082990	1	1	1	1
6	ESL10512	Gasket Water Pump Cover	D10063000	1	1	1	1
7	34806S8	Washer, (5/16) Spring Lock	-	8	8	8	8
8	304758S8	Bolt, (5/16-18x1.50) Hex Head	-	4	4	4	4
9	ESL15366	Gasket Water Pump	D10011250	1	1	1	1
10	34807S8	Washer, (3/8) Spring Lock	-	4	4	4	4
11	300892S8	Bolt, (3/8-16x3.00) Hex Head	-	4	4	4	4
12	ESL12222	Belt Drive Cogged	-	1	1	1	1
13	ESL15368	Fan Assembly Water Cooling	D10012090	1	-	1	-
14	ESL15367	Fan Assembly Water Cooling	D10028750	-	1	-	1
15	304665S8	Bolt, (5/16-18x0.88) Hex Head	-	4	4	4	4
16	-	Water Pump Body (NSS)	-	1	1	1	1
17	-	Kit Water Pump Repair	-	1	1	1	1

**WATER PUMP**

⊖ - SERIAL NUMBER BREAK ,

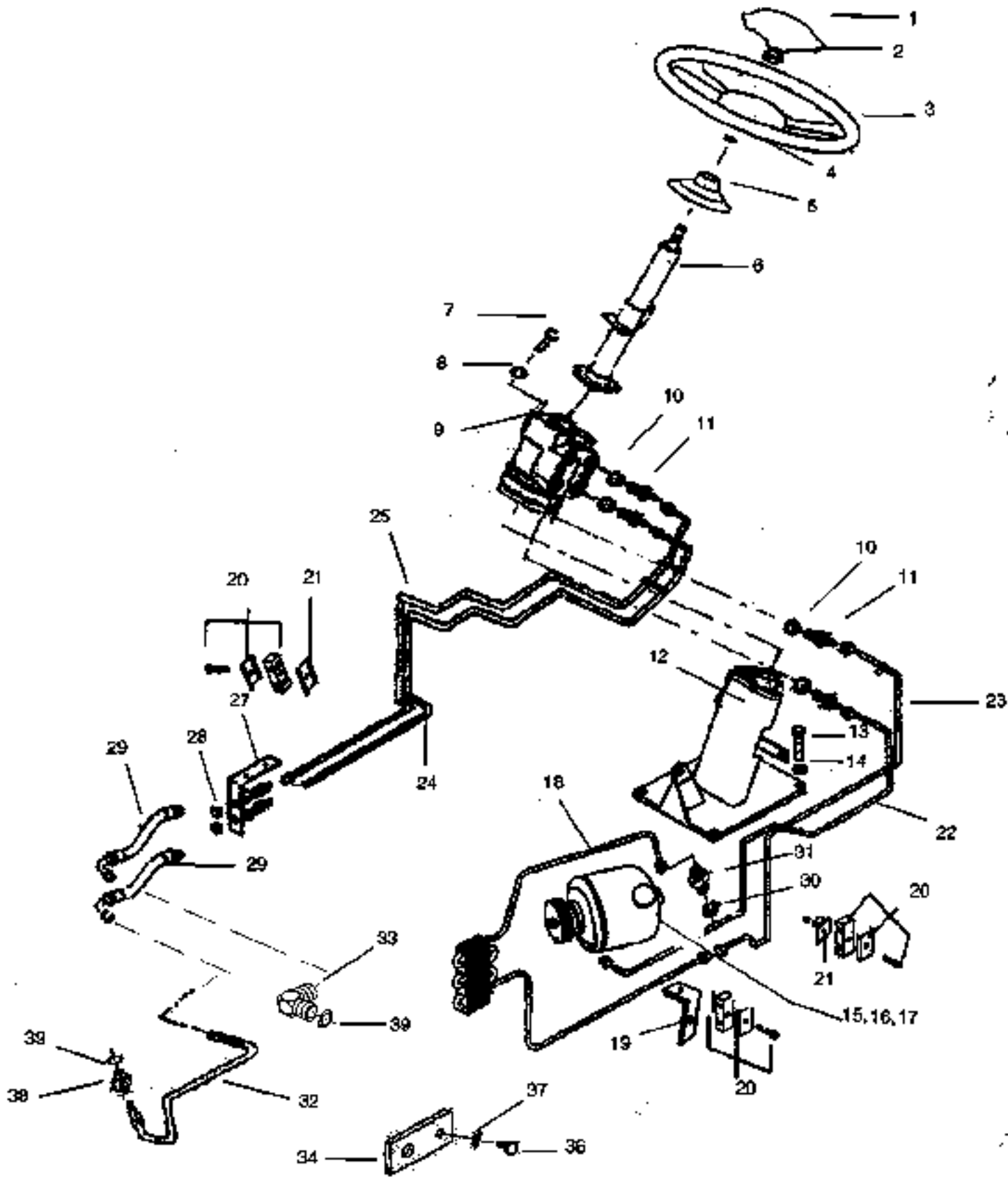
⊔ - INDICATES UP TO AND INCLUDING THAT SERIAL NUMBER

---

# Notes

# **FRONT END STEERING & 4WD SYSTEM**

545 / 555 / 545 DTC / 555 DTC



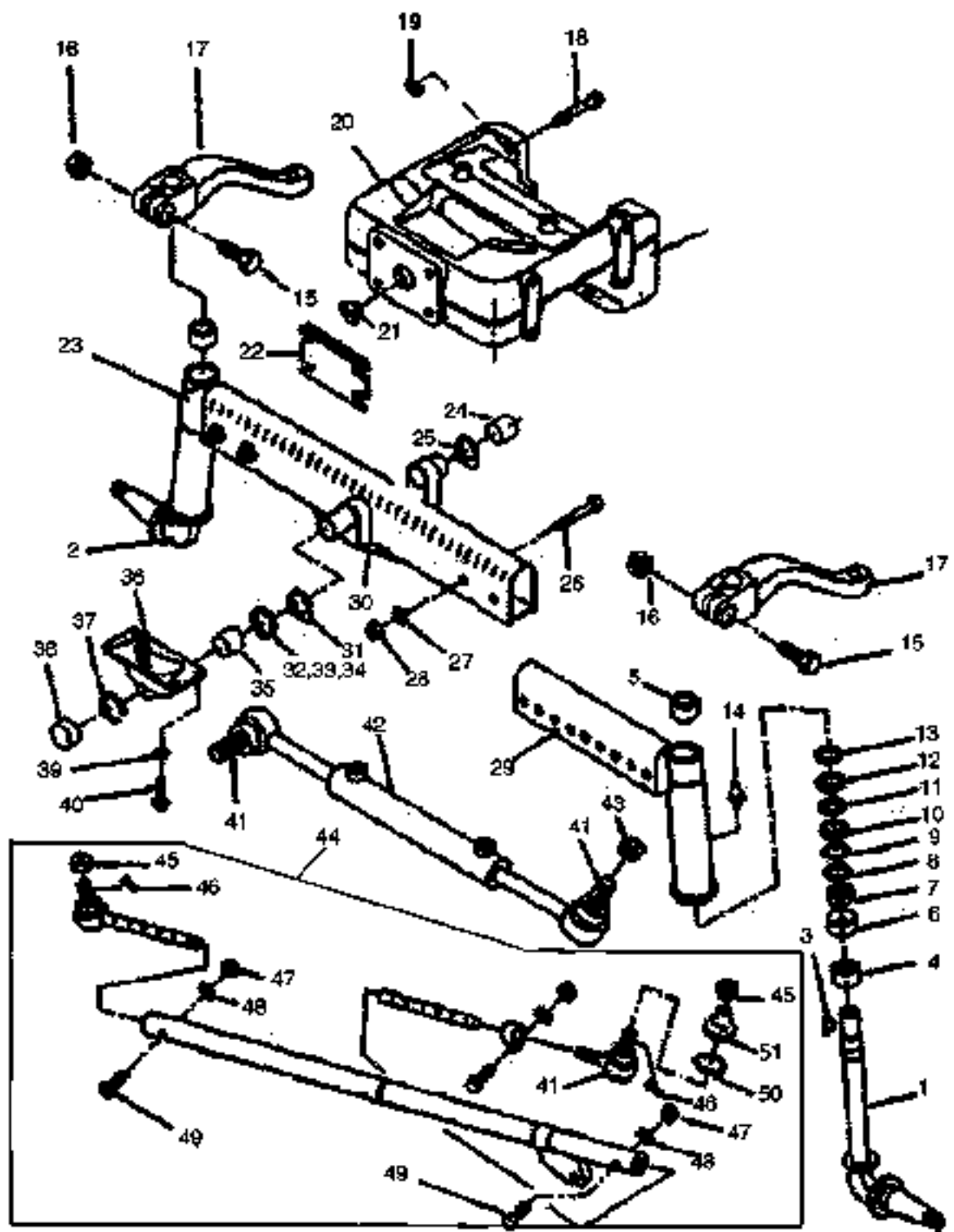
### FRONT END & STEERING

545 / 555 / 545 DTC / 555 DTC

ITEM No.	PART No.	DESCRIPTION	VENDOR No.	QUANTITY			
				545	555	545DTC	555DTC
1	ESL10650	Cap, Steering Wheel	D10047530	1	1	1	1
2	ESL11798	Nut, Steering Wheel Retainer	D10047520	1	1	1	1
3	ESL10648	Steering Wheel (Includes Item #1)	D91000070	1	1	1	1
4	ESL10589	Seal, Column Dust	D10075420	1	1	1	1
5	ESL12422	Grommet, Column Shroud	D10012870	1	1	1	1
6	ESL14560	Steering Column Assembly	D10012830	1	1	1	1
7	N606548S8	Bolt, Hex Head (M10x1.5x40)	D81500100	4	4	4	4
8	N630174S8	Washer, Lock (M10)	D10012820	4	4	4	4
9	ESL12501	Steering Motor	D10021050	1	1	-	-
10	ESL10021	O'Ring	D10012810	4	4	4	4
11	ESL12507	Adapter, Steering Motor	D10012860	4	4	4	4
12	ESL14561	Bracket Assembly	D10012310	1	1	1	1
13	ESL11751	Bolt	D92000020	4	4	4	4
14	ESL12018	Washer, Lock (1/2)	-	4	4	4	4
15	ESL10622	Pump Assembly, Steering	D10021260	1	1	1	1
16	904916	Cap, Pump Assembly	D10021460	1	1	1	1
17	83936965	Filter, Pump Assembly	-	1	1	1	1
18	ESL12480	Tube Assembly, Cooler to Pump	D13021140	1	1	1	1
19	ESL12520	Bracket, Hydrostatic Steering Tube, LH	D10021310	1	1	1	1
20	ESL12624	Clamp Assembly	D10019450	2	2	2	2
21	ESL12523	Bracket, Tube Holding, LH	-	2	2	2	2
22	ESL12491	Tube, Pump to Gear	-	1	1	1	1
23	ESL12492	Tube Assembly, Gear to Cooler	-	1	1	1	1
24	ESL12493	Tube Assembly, Gear to Adapter, Right Turn	D10101700	1	1	1	1
25	ESL12494	Tube Assembly, Gear to Adapter, Left Turn	D10101710	1	1	1	1
26	ESL10646	Adapter	D10012890	2	2	2	2
27	ESL14563	Bracket, Hose to Sump, RH	-	1	1	1	1
27	ESL15166	Bracket Hose To Oil Sump	-	-	-	1	1
28	ESL13685	Nut, Hex (9/16-18)	D10021490	2	2	2	2
29	ESL10645	Hose Assembly, Cylinder	D10021390	2	2	2	2
29	ESL15165	Hose Assembly Power Steering Cylinder	D10104860	-	-	2	2
30	ESL14562	O'Ring	-	1	1	1	1
31	ESL12423	Adaptor (9/16)	D10021420	1	1	1	1
32	ESL15161	Tube Assembly Power Steering 555	D10104870	-	-	1	1
33	ESL15164	Elbow Power Steering Hose Fitting	D10104890	-	-	1	1
34	ESL15167	Bracket Power Tube	D10021210	-	-	1	1
35	ESL15168	Bolt, (M14x2.00x25-10.9)HH	-	-	-	1	1
36	-	Screw, (M6x1.00x12-6.8) HH	D82500070	-	-	1	1
37	N630067S8	Washer, (M6) Flat	-	-	-	1	1
38	ESL15162	Adapter Power Steering Pipe Fitting	D10104880	-	-	1	1
39	ESL15163	Seal O' Ring, (2.20x11.30)	D10104900	-	-	1	1



545 | 555 | 545 DTC | 555 DTC

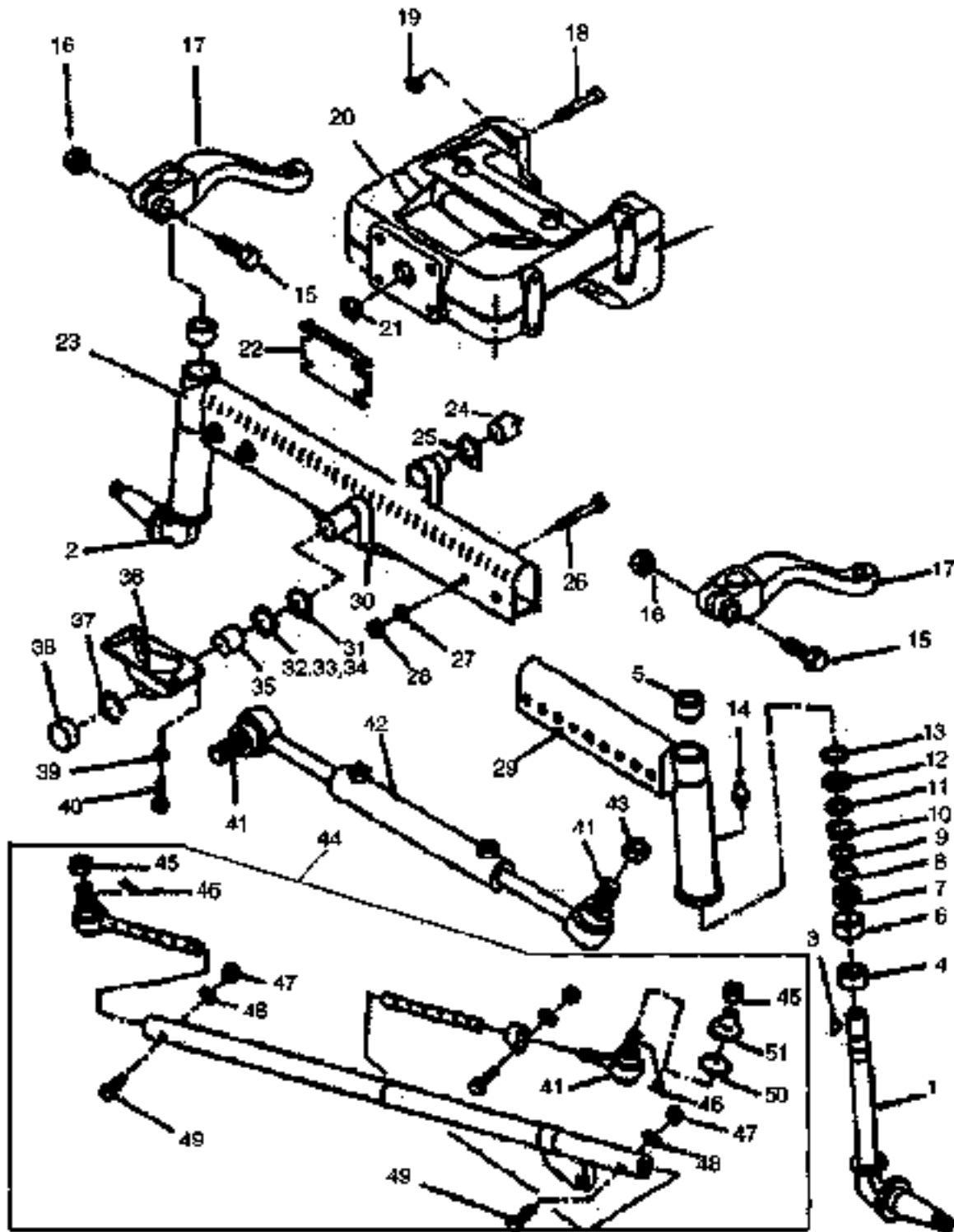


FRONT END & STEERING

545 / 555 / 545 DTC / 555 DTC

Item No.	Part No.	Description	Vendor No.	Quantity			
				545	555	545DTC-555DTC	
1	ESL12699	Spindle Assembly, LH	D10047530	1	1	-	-
2	ESL12698	Spindle Assembly, RH	D10047520	1	1	-	-
3	ESL13304	Key, Woodruff (1/4x7/8)	D91000070	2	2	-	-
4-5	EEL10567	Spindle, Bush Set	D10075420	1	1	-	-
6	ESL10562	Seal Dust Cover, Lower	D10012670	2	2	-	-
7	ESL10564	Spacer, Spindle Front	D10012630	2	2	-	-
8	ESL10565	Seal, Spindle Front	D10012840	2	2	-	-
9	ESL10560	Seal, Spindle, Lower	D10012820	2	2	-	-
10	ESL13303	Bearing Assy., Front Wheel Spindle	D10013320	2	2	-	-
11	ESL10561	Seal Upper, Spindle	D10012610	2	2	-	-
12	ESL10563	Seal Dust Cover, Upper	D10012850	2	2	-	-
13	ESL10547	Seal, Spindle Pin Dust	D10012310	2	2	-	-
14	ESL10542	Grease Nipple (1/8-27)	D92000020	2	2	-	-
15	304662S8	Bolt, Hex Head (7/16-14x2.25)	-	2	2	-	-
16	3467DS8	Nut, Hex (7/16-14)	-	2	2	-	-
17	ESL10610	Arm, Steering Spindle	D10021460	2	2	-	-
18	304664S8	Bolt, Hex Head (3/4-10x4.00)	-	4	4	-	-
19	34674S8	Nut, Hex Head(3/4-10)	-	4	4	-	-
20	ESL10605	Support, Front Axle	D10021310	1	1	-	-
21	ESL10056	Plug, Dust Cover Front Axle Support	D10019450	1	1	-	-
22	ESL13678	Front Weight Spacer (Optional)	-	1	1	-	-
23	ESL11949	Front Axle Extension, RH	-	1	1	-	-
24	ESL10611	Bush, Front Axle, Rear	-	1	1	-	-
25	ESL11681	Washer Thrust, Rear	D10101700	1	1	-	-
26	304952S8	Bolt, Hex Head (5/8-11)	D10101710	4	4	-	-
27	ESL10543	Spacer, Front Axle	D10012690	4	4	-	-
28	33849S8	Nut, Hex (5/8-11)	-	4	4	-	-
29	ESL11950	Front Axle Extension, LH	D10021490	1	1	-	-
30	ESL11944	Axle Assembly, Front Center	D10021390	1	1	-	-
31	ESL11682	Washer, Thrust, Front	-	1	1	-	-
32	ESL10615	Shim	D10021420	AR	AR	-	-
33	ESL10616	Shim	D10021430	AR	AR	-	-
34	ESL10614	Shim	D10021430	AR	AR	-	-
35	ESL10612	Bush, Front Axle, Front	D10101690	1	1	-	-
36	ESL10606	Bracket FA Trunion, Front	D10021340	1	1	-	-
37	ESL10617	Circlep, Bush Retainer	D10021380	1	1	-	-
38	ESL10613	Plug	D10021370	1	1	-	-
39	ESL11642	Washer, Flat (1/2)	D10003580	4	4	-	-
40	ESL11752	Bolt, Hex Head (1/2 - 13x1.50)	D10012670	4	4	-	-
41	ESL10620	End Assembly	D10021100	3	3	-	-

545 / 555 / 545 DTC / 555 DTC



### AXLE & STEERING PARTS



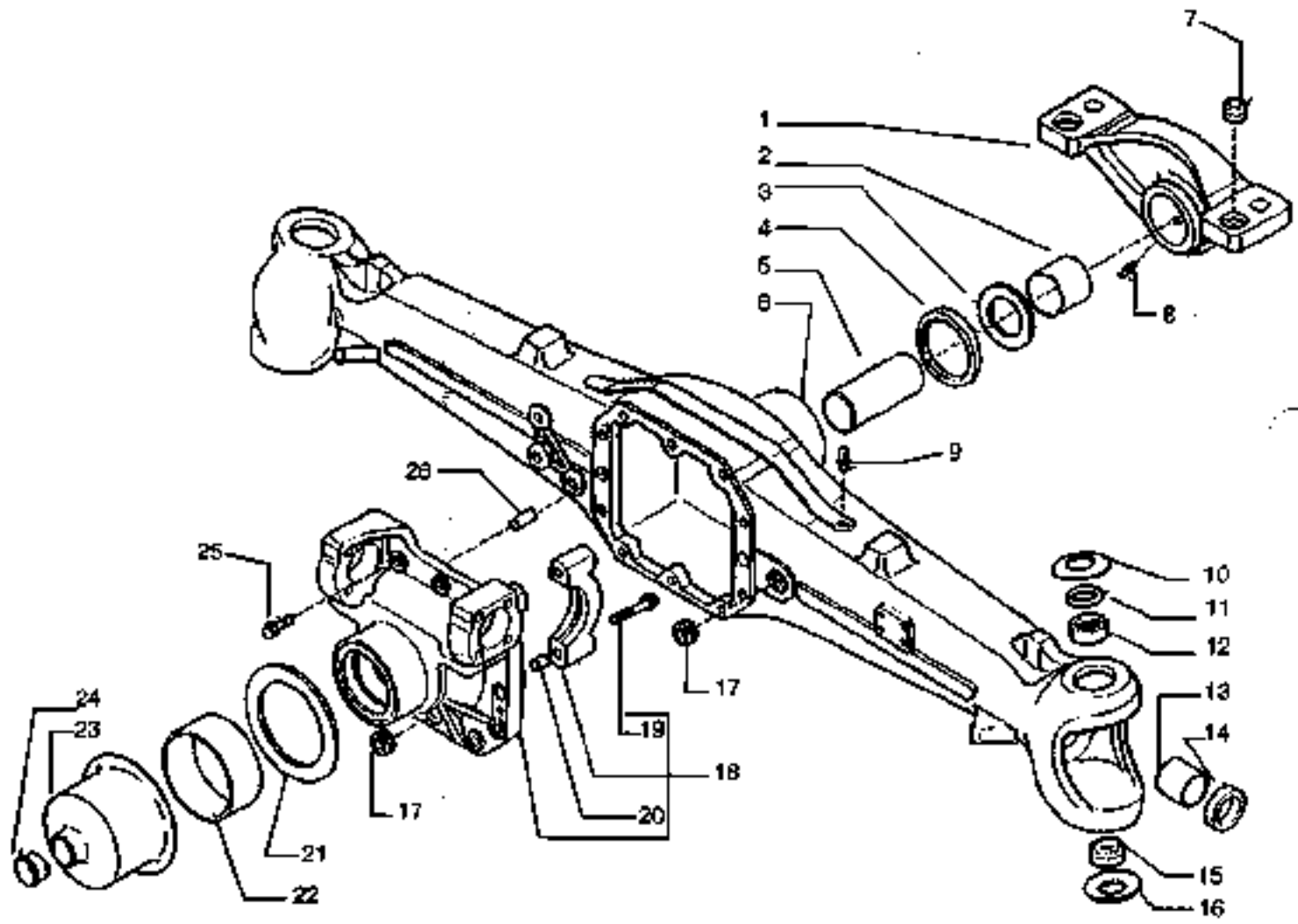
**FRONT END STEERING & AWD SYSTEM**

**545 / 555 / 545 DTC / 555 DTC**

ITEM No.	PART No.	DESCRIPTION	VENDOR No.	QUANTITY			
				545	555	545 <sub>DTC</sub>	555 <sub>DTC</sub>
42	ESL12713	Cylinder Assembly	.	1	1	-	-
43	ESL11797	Nut Lock	D10021110	2	2	-	-
44	ESL11951	Tie Rod Assembly	.	1	1	-	-
45	ESL14559	Castle Nut (M14x1.5)	.	2	2	-	-
46	.	Pin, Spill	.	2	2	-	-
47	N620012SR	Nut, Lock	.	2	2	-	-
48	N630067SR	Washer, Flat (M6)	.	2	2	-	-
49	ESL11937	Bolt, Hex Head (M6x1-12)	.	2	2	-	-
50	ESL12236	Retainer Ring, Dust Cap	D10105490	2	2	-	-
51	ESL12235	Dust Cap, Tie Rod	D10105100	2	2	-	-
52	ESL14204	Seal Kit, Steering Cylinder	.	1	1	-	-

**AXLE & STEERING PARTS**

• SERIAL NUMBER BREAK, • INDICATES UP TO AND INCLUDING THAT SERIAL NUMBER

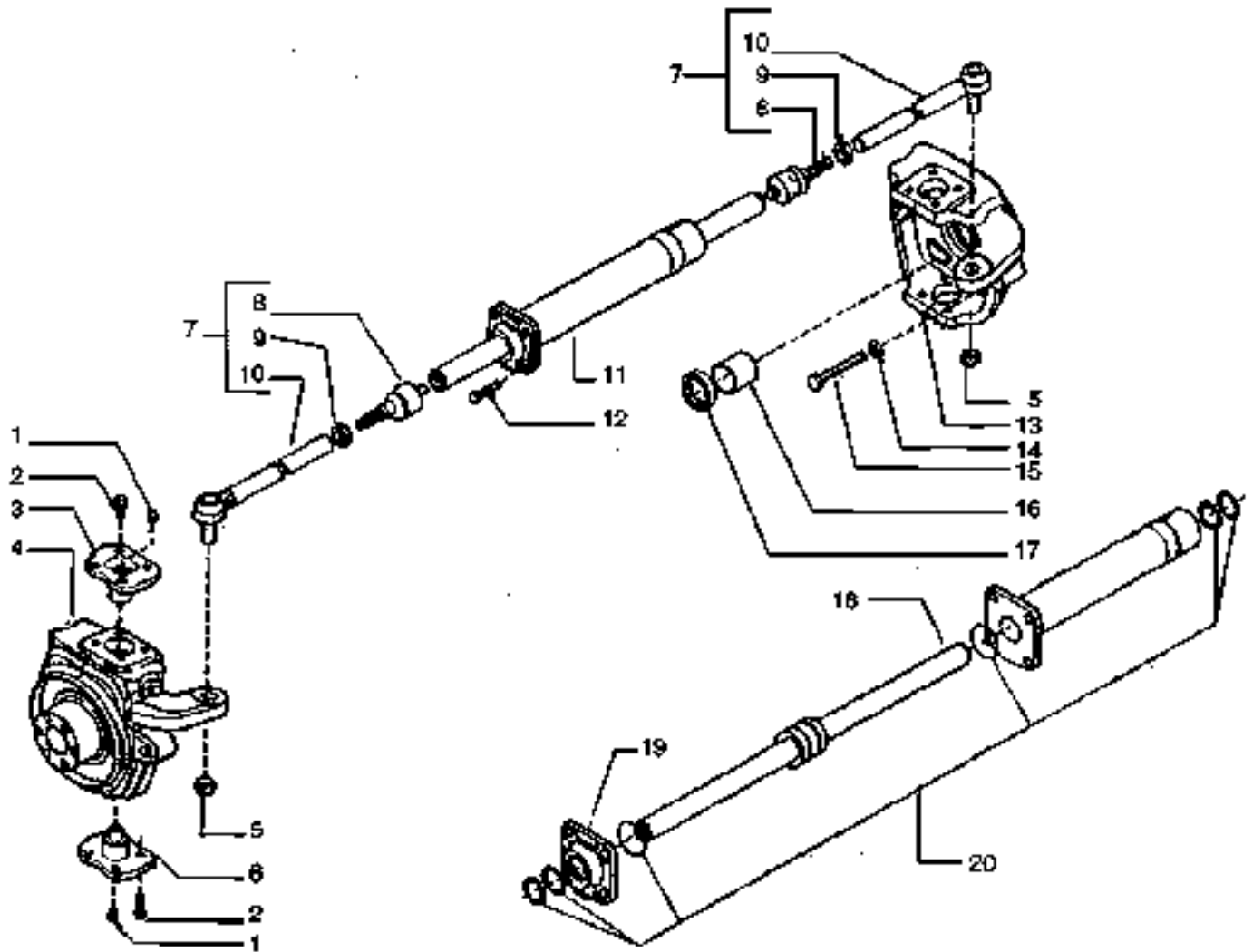


### AXLE HOUSING

### 545 / 555 / 545 DTC / 555 DTC

ITEM NO.	PART NO.	DESCRIPTION	VENDOR No.	QUANTITY			
				545	555	545 <sup>exc</sup> 555 <sup>exc</sup>	555 <sup>exc</sup>
1	ESL14977	Support Front	D10110220	-	-	1	1
2	ESL14978	Bushing	D10109980	-	-	1	1
3	ESL14979	Washer Thrust	D10109990	-	-	1	1
4	ESL14980	Seal Ring	D10110030	-	-	1	1
5	ESL14981	Pin	D10110310	-	-	1	1
6	ESL14982	Housing Axle	D10110240	-	-	1	1
7	ESL14983	Bush	D10085030	-	-	2	2
8	ESL14984	Grease Nipple, (M6x1)	D10084850	-	-	1	1
9	ESL14985	Breather, (M10x1)	D10084820	-	-	1	1
10	ESL14986	Belleville Washer	D10084870	-	-	2	2
11	ESL14987	Spacer	D10084880	-	-	2	2
12	ESL14988	Bush	D10084890	-	-	2	2
13	ESL14989	Bush	D10084900	-	-	2	2
14	ESL14990	Seal Ring	D10084910	-	-	1	1
15	ESL14991	Spherical Bearing	D10084920	-	-	1	1
16	ESL14992	Belleville Washer	D10084930	-	-	1	1
17	ESL14993	Plug, (24x1.5)	D10084860	-	-	1	1
18	ESL14994	Support Differential	D10109990	-	-	2	2
19	ESL14995	Bolt	D10084950	-	-	4	4
20	ESL14996	Centering Bush	D10084960	-	-	4	4
21	ESL14997	Thrust Washer	D10084800	-	-	1	1
22	ESL14998	Bush	D10084790	-	-	1	1
23	ESL14999	Plug Axle Closure	D10109800	-	-	1	1
24	ESL15000	Plug, (DIA 36.8)	D10110610	-	-	1	1
25	ESL15001	Bolt, (M12x33)	D10085020	-	-	10	10
26	ESL15002	Pin, (DIA 15.0x35.0)	D10110660	-	-	2	2

#### AXLE HOUSING

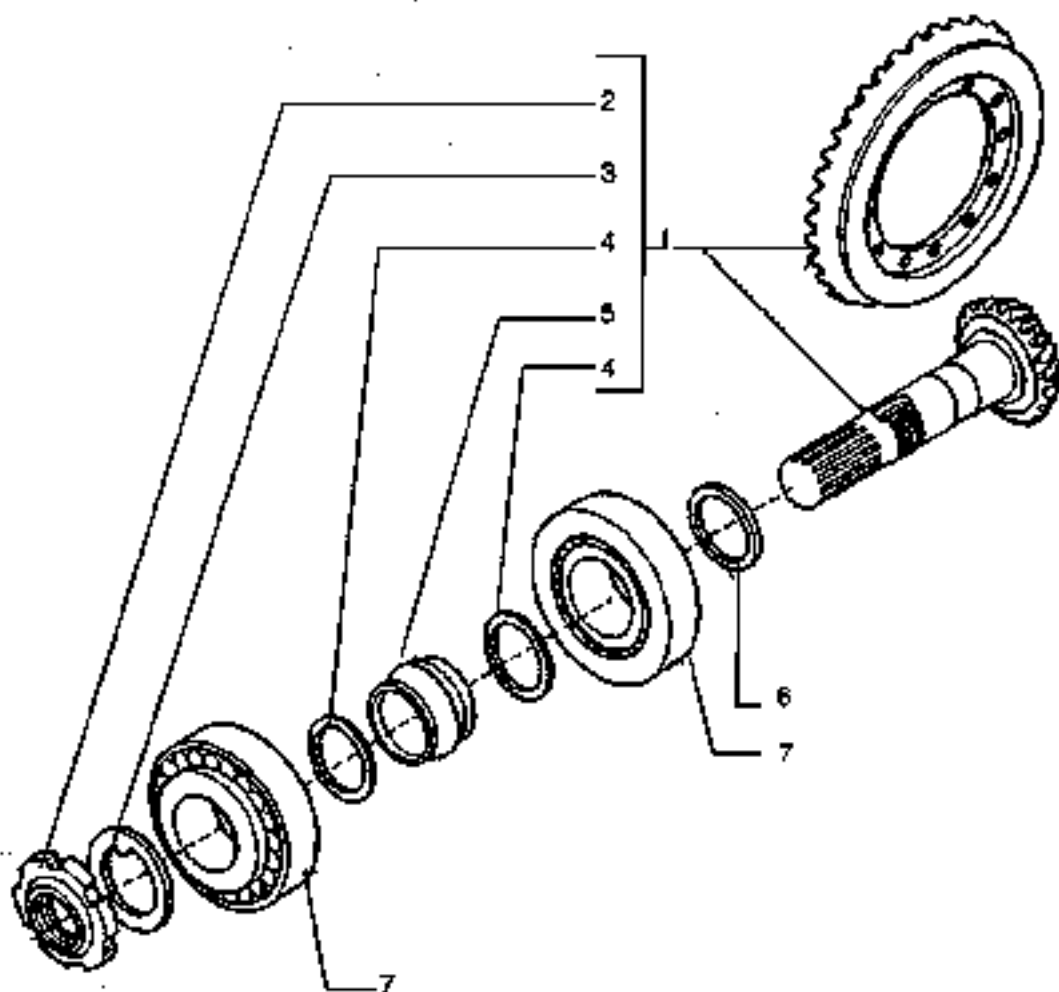


**SWIVEL HOUSINGS & STEERING CYLINDER**

### 545 / 555 / 545 DTC / 555 DTC

ITEM No.	PART No.	DESCRIPTION	VENDOR No.	QUANTITY			
				545	555	545 <sup>exc</sup> 555 <sup>exc</sup>	555 <sup>exc</sup>
1	ESL14984	Grease Nipple. (M8x1)	D10084850	-	-	1	1
2	ESL15003	Bolt, (M12x35) Hex Head	D81500840	-	-	1	1
3	ESL15004	King Pin	D10109960	-	-	1	1
4	ESL15005	Housing Swivel	D10110170	-	-	1	1
5	ESL15006	Nut, (M18x1.5 Hex)	D83500650	-	-	1	1
6	ESL15007	King Pin	D10109970	-	-	1	1
7	ESL15008	Arm Steering Assembly	D10109880	-	-	2	2
8	ESL15009	Ball Joint	D10110580	-	-	1	1
9	ESL15010	Nut, (M18x1.5) Hex	D83500660	-	-	1	1
10	ESL15011	Link Assembly Steering Drag	D10110570	-	-	2	2
11	ESL15012	Cylinder Steering	D10110160	-	-	2	2
12	ESL15013	Bolt, (M12x45) Hex Head	D81501340	-	-	2	2
13	ESL15014	Housing Swivel RH	D10110180	-	-	2	2
14	ESL15015	Nut, (M16)	D10085110	-	-	1	1
16	ESL15016	Bolt, (M16x2.0x75-8.8) Hex Head	D10085100	-	-	1	1
16	ESL15017	Bush	D10109770	-	-	1	1
17	ESL15018	Seal Ring	D10109730	-	-	1	1
18	ESL15020	Rod	D10110690	-	-	4	4
19	ESL15021	Cylinder Head	D10110610	-	-	4	4
20	ESL15022	Kit Oil Seal	D10110600	-	-	1	1



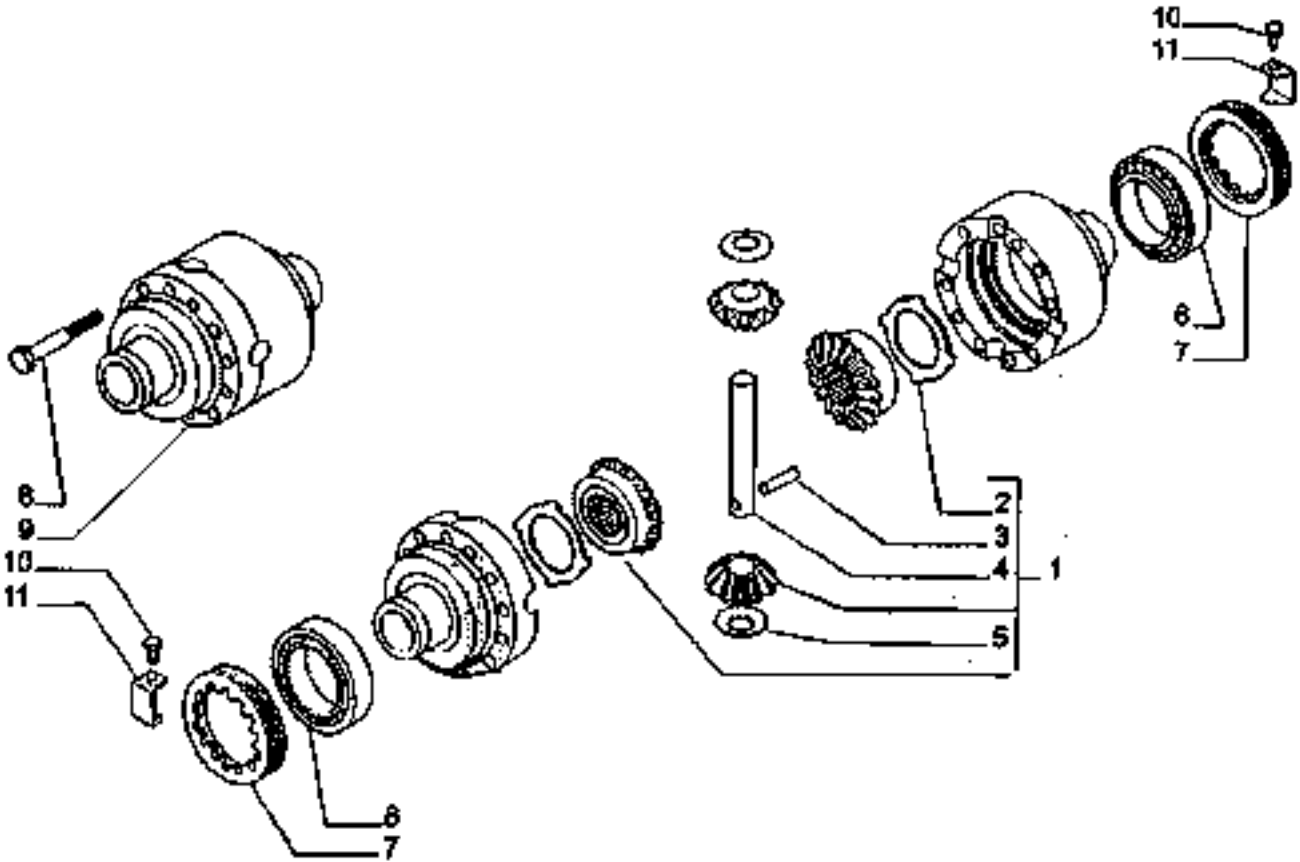


**BEVEL GEAR - PUNCH SET**

### 545 / 555 / 545 DTC / 555 DTC

ITEM NO.	PART NO.	DESCRIPTION	VENDOR NO.	QUANTITY			
				545	555	545DTC	555DTC
1	ESL15023	Bevel Gear Set, (Z16/29)	D10109690	-	-	1	1
2	ESL15024	Ring Nut, (M35x1.5)	D10085420	-	-	1	1
3	ESL15025	Lock Washer	D10085410	-	-	1	1
4	ESL15026	Washer, (45x35.5x1.5)	D10085430	-	-	2	2
5	ESL15027	Spacer Collapsible	D10109690	-	-	1	1
6	ESL15028	Shim, (2.50 MM)	D10110040	-	-	AR	AR
6	ESL15029	Shim, (2.60 MM)	D10110050	-	-	AR	AR
6	ESL15030	Shim, (2.70 MM)	D10110060	-	-	AR	AR
6	ESL15031	Shim, (2.80 MM)	D10110070	-	-	AR	AR
6	ESL15032	Shim, (2.90 MM)	D10110080	-	-	AR	AR
6	ESL15033	Shim, (3.00 MM)	D10110090	-	-	AR	AR
6	ESL15034	Shim, (3.10 MM)	D10110100	-	-	AR	AR
6	ESL15035	Shim, (3.20 MM)	D10110110	-	-	AR	AR
6	ESL15036	Shim, (3.30 MM)	D10110120	-	-	AR	AR
6	ESL15037	Shim, (3.40 MM)	D10110130	-	-	AR	AR
7	ESL15038	Bearing	D10085550	-	-	2	2

#### BEVEL GEAR - PUNCH SET

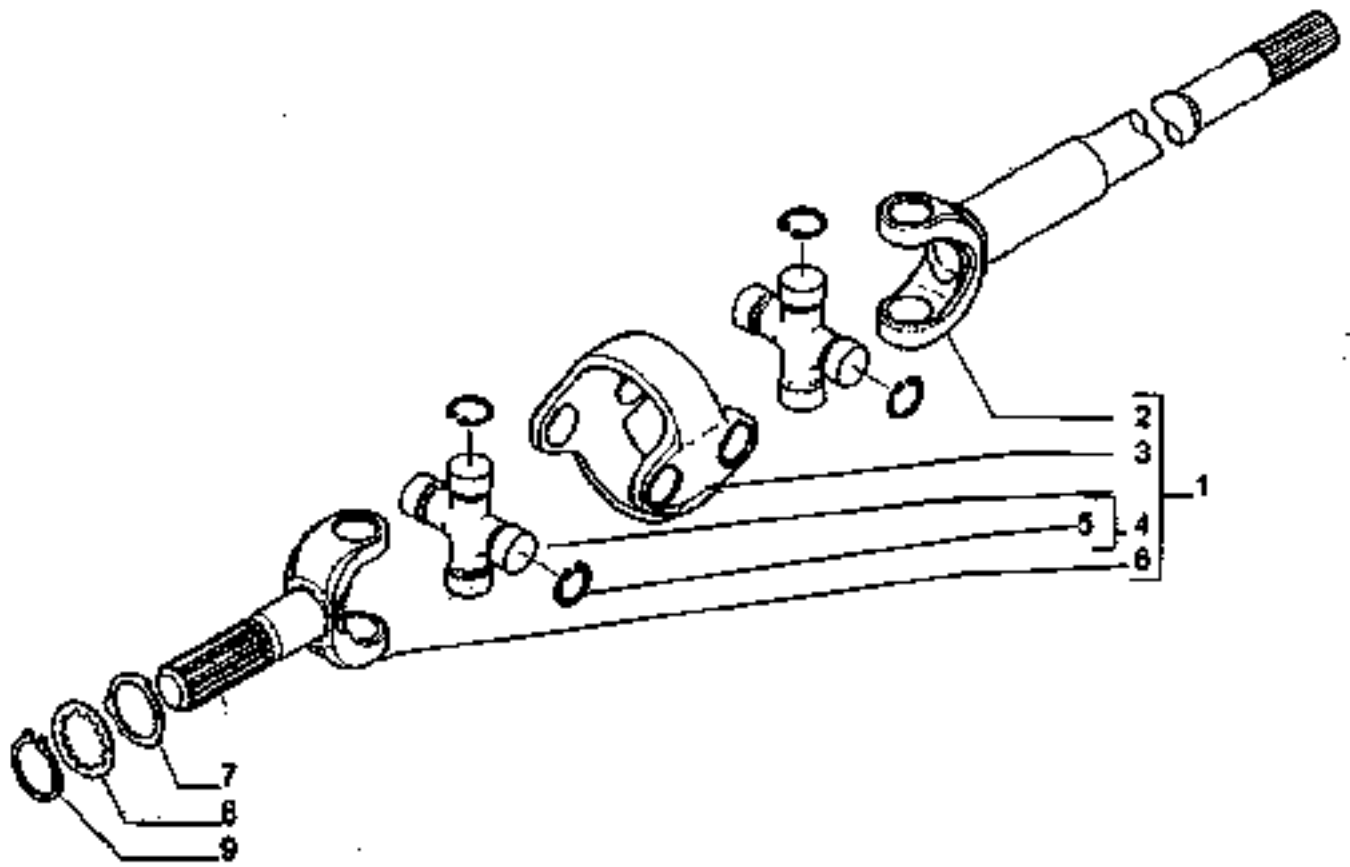


**DIFFERENTIAL**

**545 / 555 / 545 DTC / 555 DTC**

Item No.	Part No.	Description	Vendor No.	Quantity			
				545	555	545exc	555exc
1	ESL15039	Kit Differential	D10110630	-	-	1	1
2	ESL15040	Plate Drive	D10109790	-	-	2	2
3	ESL15041	Pin, (D 6x40)	D10085670	-	-	1	1
4	ESL15042	Shaft	D10085660	-	-	1	1
5	ESL15043	Trust Washer	D10085680	-	-	2	2
6	ESL16044	Bearing	D10085750	-	-	2	2
7	ESL16045	Ring Nut	D10085740	-	-	2	2
8	ESL15046	Bolt, (M10X1.5X75)	D10085760	-	-	12	12
9	ESL15047	Differential	D10085770	-	-	1	1
10	ESL15048	Screw, (M6x10) (Self Lock)	D10085720	-	-	2	2
11	ESL15049	Locking Plate	D10085730	-	-	2	2

**DIFFERENTIAL**

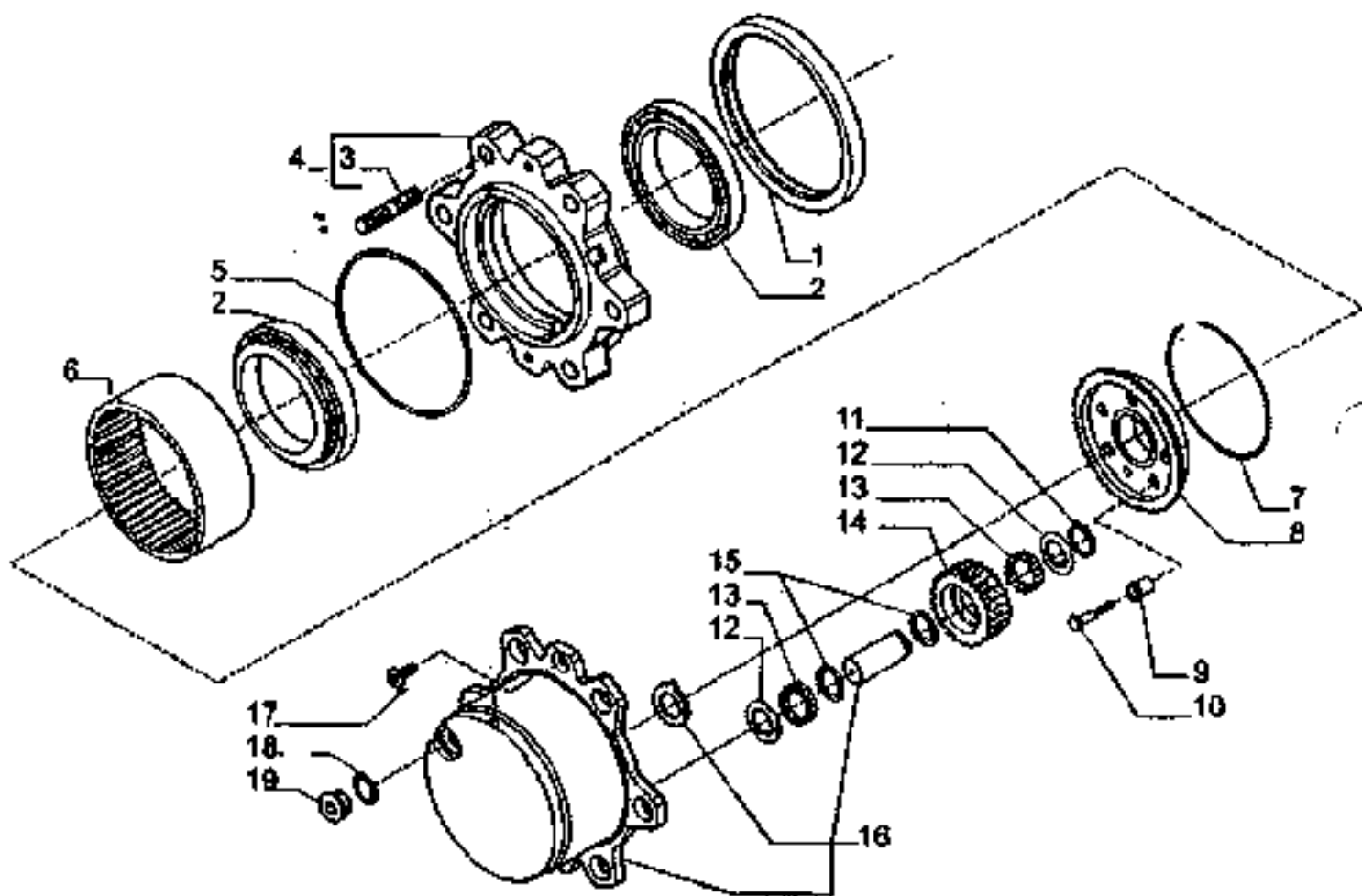


**DOUBLE JOINT**

**545 / 555 / 545 DTC / 555 DTC**

ITEM No.	PART No.	DESCRIPTION	VENDOR No.	QUANTITY			
				545	555	545 <sup>prc</sup>	555 <sup>prc</sup>
1	ESL15050	Double Joint	D10110020	-	-	2	2
2	ESL15051	Fork Differential	D10110540	-	-	2	2
3	ESL15052	Central Body	D10085800	-	-	2	2
4	ESL15053	Spider	D10085810	-	-	4	4
5	ESL15054	Ring Lock	D10110530	-	-	16	16
6	ESL15055	Fork Wheel Side	D10110550	-	-	2	2
7	ESL15056	Thrust Washer	D10085830	-	-	2	2
8	ESL15057	Washer	D10109920	-	-	2	2
9	ESL15058	Ring, (DIA 40) Snap	D10110400	-	-	2	2

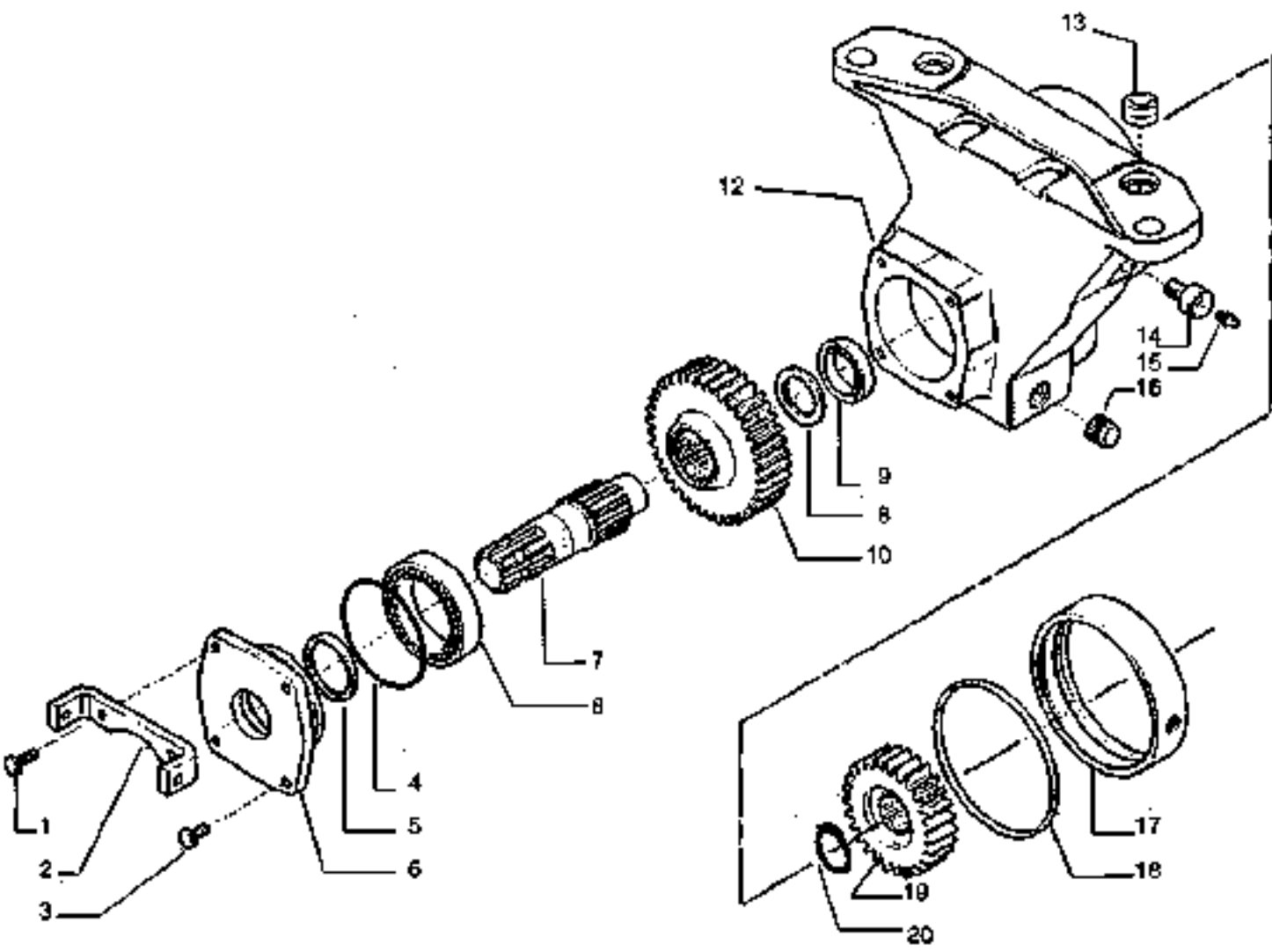
**DOUBLE JOINT**



### 545 / 555 / 545 DTC / 555 DTC

Item No.	PART No.	DESCRIPTION	VENDOR No.	QUANTITY			
				545	555	545DTC	555DTC
1	ESL15059	Seal Ring	D10110560	.	.	2	2
2	ESL15060	Bearing	D10109760	.	.	4	4
9	ESL15061	Stud	D10085890	.	.	12	12
4	ESL15062	Hub Assembly Wheel	D10110620	.	.	2	2
5	ESL15063	'O' Ring	D10110480	.	.	1	1
6	ESL15064	Gear Crown, (Z=48)	D10108900	.	.	2	2
7	ESL15065	Ring	D10109910	.	.	2	2
8	ESL15066	Carrier Wheel	D10109950	.	.	2	2
9	ESL15067	Centering Bush	D10085940	.	.	12	12
10	ESL15068	Bolt, (M10x45) (Self Lock)	D10085950	.	.	12	12
11	ESL15069	Ring, (DIA 22.0) Snap	D10110410	.	.	6	6
12	ESL15070	Washer	D10109940	.	.	1	1
13	ESL15071	Bearing Needle (by tone)	D10110470	.	.	216	216
14	ESL15072	Gear, (Z=17)	D10110010	.	.	6	6
15	ESL15073	Washer	D10110000	.	.	12	12
16	ESL15074	Carrier Assembly Planetary Gear	D10110540	.	.	2	2
17	ESL15075	Bolt, (M8x20)	D10085970	.	.	4	4
18	ESL15076	Washer Copper	D10110370	.	.	2	2
19	ESL15077	Plug, (M24x1.5)	D10110330	.	.	2	2



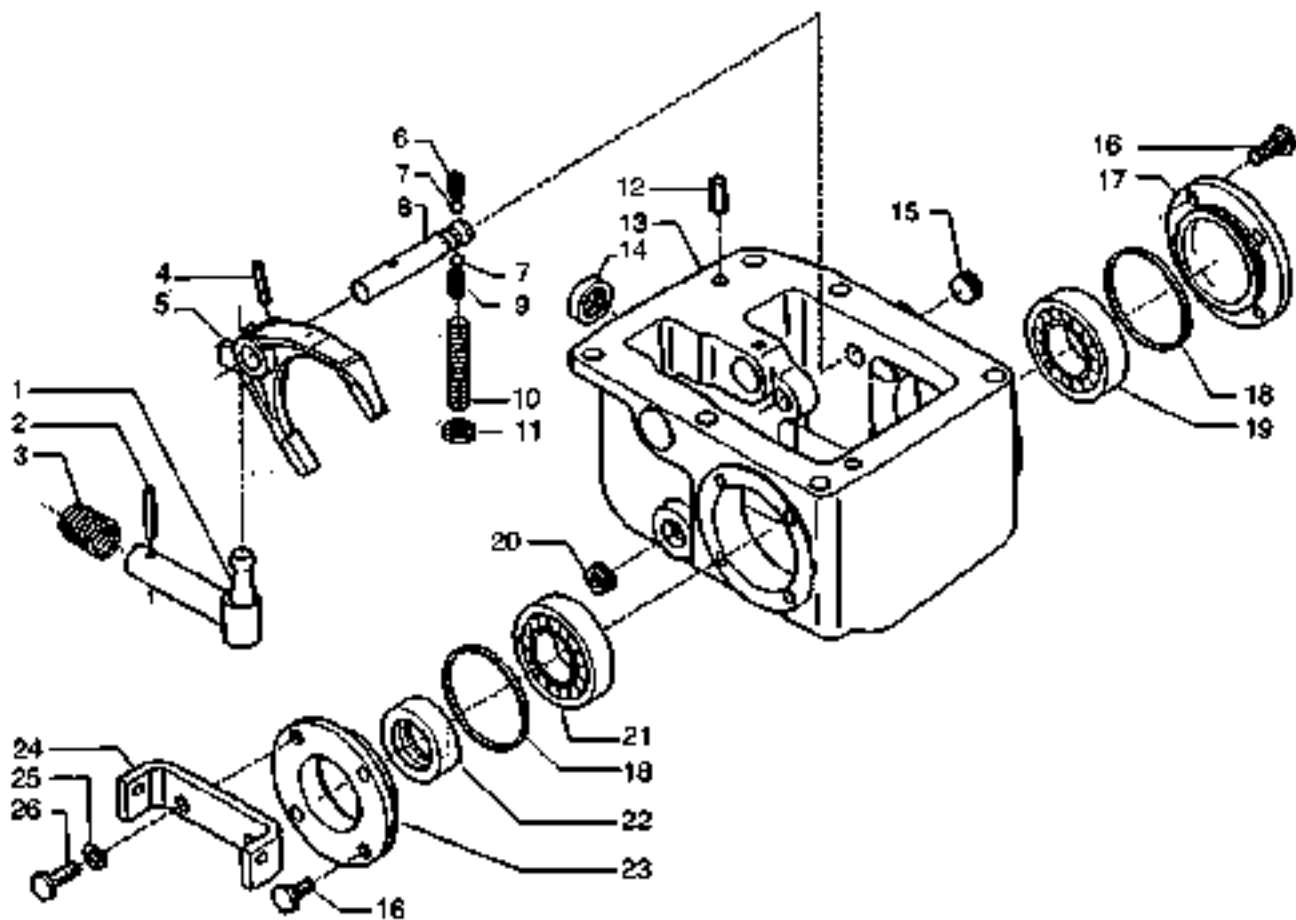


**TRANSMISSION HSG & OUTPUT SHAFT**



## 545 / 555 / 545 DTC / 555 DTC

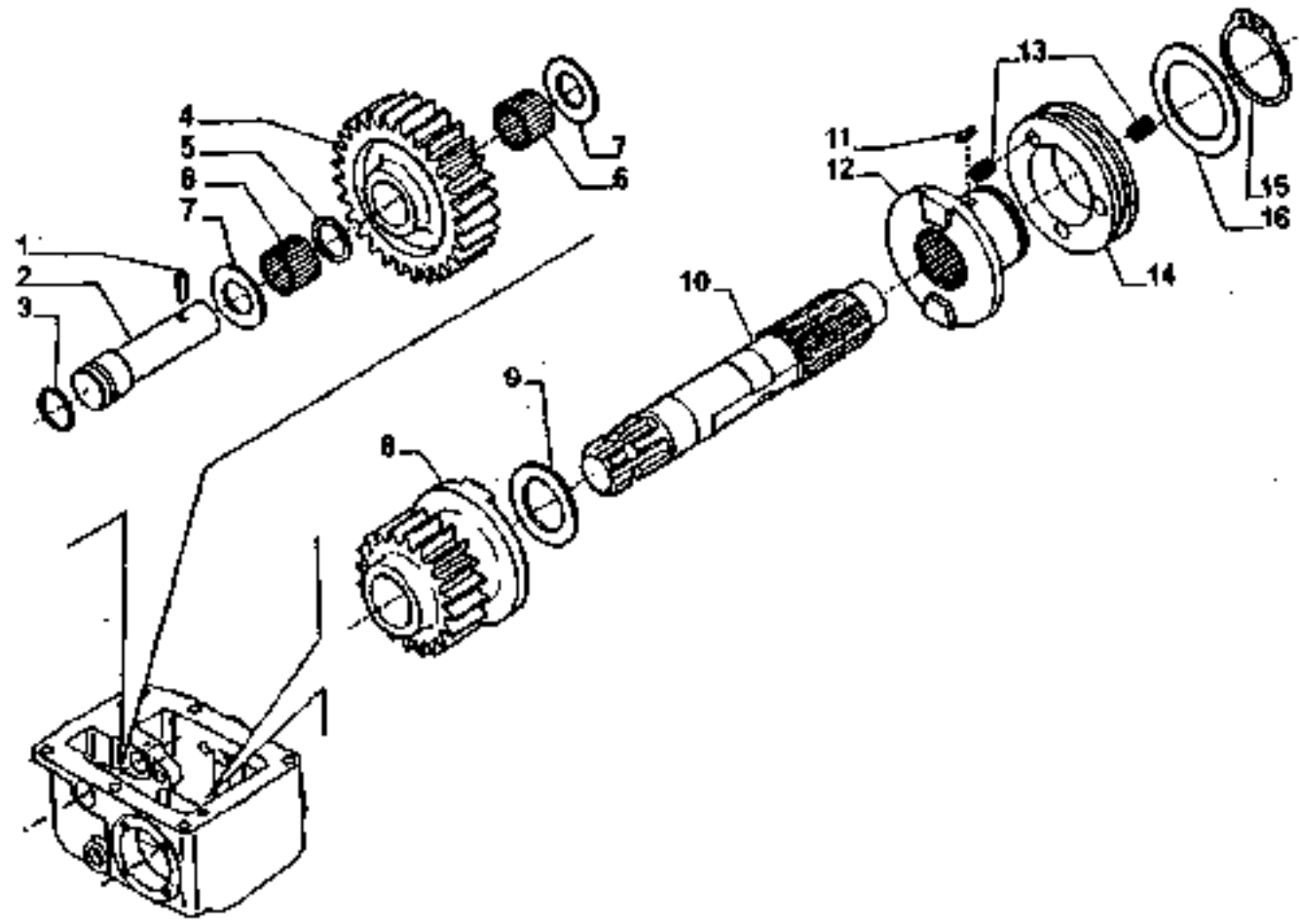
ITEM No.	PART No.	DESCRIPTION	VENDOR No.	QUANTITY			
				545	555	645 <sup>exc</sup>	555 <sup>exc</sup>
1	ESL15078	Bolt, (9M8x25) Hex Head	D81501350	-	-	2	2
2	ESL15079	Bracket	D10109720	-	-	1	1
3	ESL15080	Bolt, (M8x25) Hex Head	D81501360	-	-	2	2
4	ESL15081	'O' Ring	D10110500	-	-	1	1
5	ESL15082	Seal Oil	D10109780	-	-	1	1
6	ESL15083	Cover	D10109860	-	-	1	1
7	ESL15084	Shaft Output	D10109850	-	-	1	1
8	ESL15085	Bearing	D10110430	-	-	1	1
9	ESL15086	Bearing	D10110440	-	-	1	1
10	ESL15087	Spacer	D10109710	-	-	1	1
11	ESL15088	Gear, (Z = 38)	D10110260	-	-	1	1
12	ESL15089	Housing Transmission	D10109870	-	-	1	1
13	ESL14983	Bush	D10085030	-	-	1	1
14	ESL15091	Bolt	D10085040	-	-	1	1
15	ESL14984	Grease Nipple, (M6x1)	D10084850	-	-	1	1
16	ESL16093	Plug, (M24x1.5)	D10084970	-	-	1	1
17	ESL15094	Bush	D10109810	-	-	2	2
18	ESL15095	'O' Ring	D10110490	-	-	1	1
19	ESL15096	Gear, (Z = 27)	D10110250	-	-	1	1
20	ESL15087	Snap Ring	D10085820	-	-	1	1



### TRANSMISSION HSG & CONTROL LEVER

545 | 555 | 545 DTC | 555 DTC

ITEM No.	PART No.	DESCRIPTION	VENDOR No.	QUANTITY			
				545	555	545etc	555etc
1	ESL15090	Lever	D10086310	-	-	1	1
2	ESL15092	Pin, (6.0x36.0)	D10110390	-	-	1	1
3	ESL15098	Spring	D10086300	-	-	1	1
4	ESL15099	Pin, (D5x30)	D10086220	-	-	1	1
5	ESL15100	Fork Control	D10109750	-	-	1	1
6	ESL15101	Spring	D10086180	-	-	1	1
7	ESL15102	Ball, (D 5/16)	D10110300	-	-	2	2
8	ESL15103	Pin Control	D10086230	-	-	1	1
9	ESL15104	Spring	D10110320	-	-	1	1
10	ESL15105	Screw, (M12x1.75x60) Grub	D10086250	-	-	1	1
11	ESL15106	Nut, (M.12)	D10110650	-	-	1	1
12	ESL15107	Pin, (DIA 10.0x25.0)	D10110190	-	-	2	2
13	ESL15108	Housing	D10110420	-	-	1	1
14	ESL15109	Seal ring	D10110350	-	-	1	1
15	ESL15110	Plug	D10086170	-	-	1	1
16	ESL15111	Bolt, (M8x20) (Self Lock)	D10110210	-	-	6	6
17	ESL15112	Cover Rear	D10110520	-	-	1	1
18	ESL15113	O' Ring	D10086040	-	-	2	2
19	ESL15114	Bearing	D10110340	-	-	1	1
20	ESL15115	Plug, (M22x1.5)	D10110460	-	-	1	1
21	ESL15116	Bearing	D10110140	-	-	1	1
22	ESL15117	Seal Ring	D10110200	-	-	1	1
23	ESL15118	Cover Front	D10110230	-	-	1	1
24	ESL15119	Support Carter	-	-	-	1	1
25	ESL15120	Washer	D10110360	-	-	2	2
26	ESL15121	Bolt, (M8x30) Hex Head	D81501370	-	-	2	2

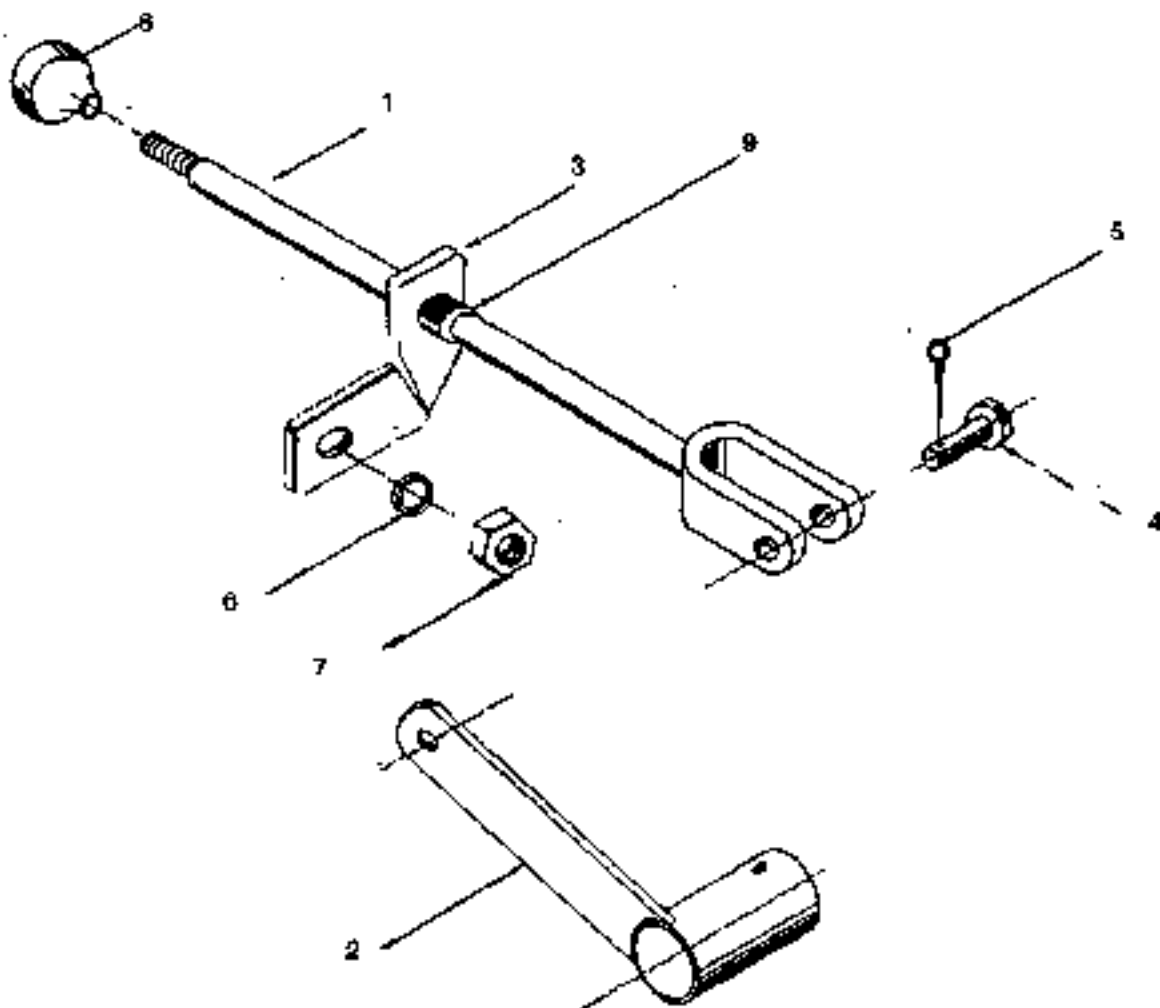


### GEARS & SHAFT

**545 / 555 / 545 DTC / 555 DTC**

ITEM No.	PART No.	DESCRIPTION	VENDOR No.	QUANTITY			
				545	555	545 <sup>DTC</sup>	555 <sup>DTC</sup>
1	ESL15122	Spit Pin, (6.0x18.0)	D10110380	-	-	1	1
2	ESL15123	Shaft	D10109840	-	-	1	1
3	ESL15124	'O' Ring	D10110460	-	-	1	1
4	ESL15125	Gear, (Z = 28)	D10110280	-	-	1	1
5	ESL15126	Washer	D10109830	-	-	1	1
6	ESL15127	Roller, (3.5x21.8)	D10109820	-	-	48	48
7	ESL15128	Washer	D10109740	-	-	2	2
8	ESL15129	Gear, (Z = 20)	D10110270	-	-	1	1
9	ESL15130	Washer	D10109700	-	-	1	1
10	ESL15131	Shaft	D10110290	-	-	1	1
11	ESL15132	Key, (4x4x15)	D10086100	-	-	1	1
12	ESL15133	Gear, (Z = 13)	D10086080	-	-	1	1
13	ESL15134	Spring	D10086090	-	-	6	6
14	ESL15135	Sleeve	D10086130	-	-	1	1
15	ESL15136	Snap Ring	D10086120	-	-	1	1
16	ESL15137	Washer	D10086110	-	-	1	1

**GEARS & SHAFT**



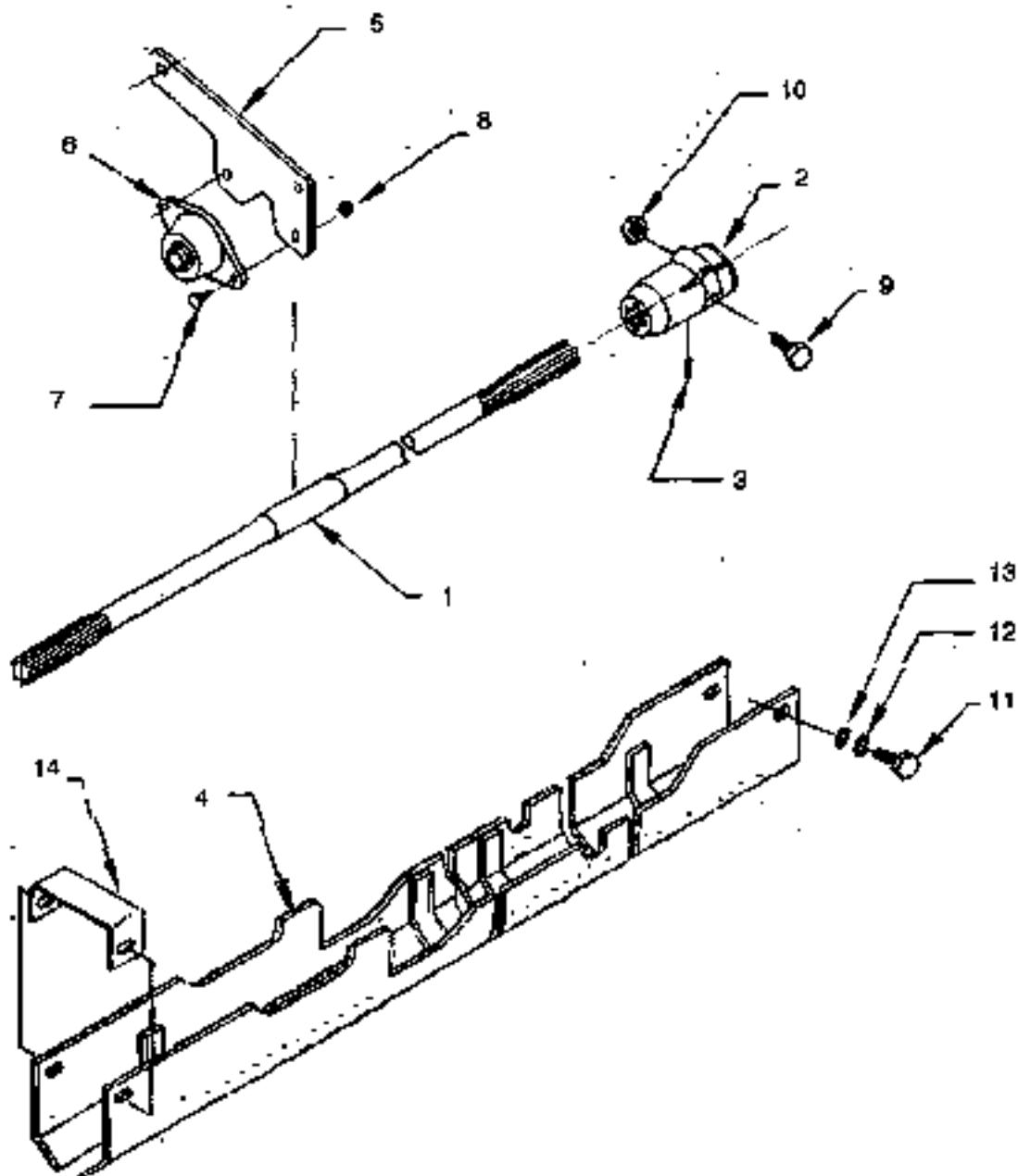
### LEVER ASSEMBLY

**545 | 555 | 545 DTC | 555 DTC**

ITEM No.	PART No.	DESCRIPTION	VENDOR No.	QUANTITY			
				545	555	545 DTC	555 DTC
1	ESL15138	Lever Assembly Engagement 4WD	D10107000	-	-	1	1
2	ESL15139	Hub and Lever Assembly 4 WD	D10107010	-	-	1	1
3	ESL15140	Bracket Lever Assembly Engagement 4 WD	D10107020	-	-	1	1
4	7002338	Pin, (3/8x 13/16) Clevis	.	-	-	1	1
5	ESL13640	Pin Collar	D93400120	-	-	1	1
6	4472638	Washer, (3/8) Flat	-	-	-	1	1
7	ESL14943	Nut, (M10x1.50) Hex	D83500210	-	-	1	1
8	ESL13055	Knob PTO	D10042460	-	-	1	1
9	ESL13056	Grommet Rear Fender Wiring	D10026950	-	-	1	1

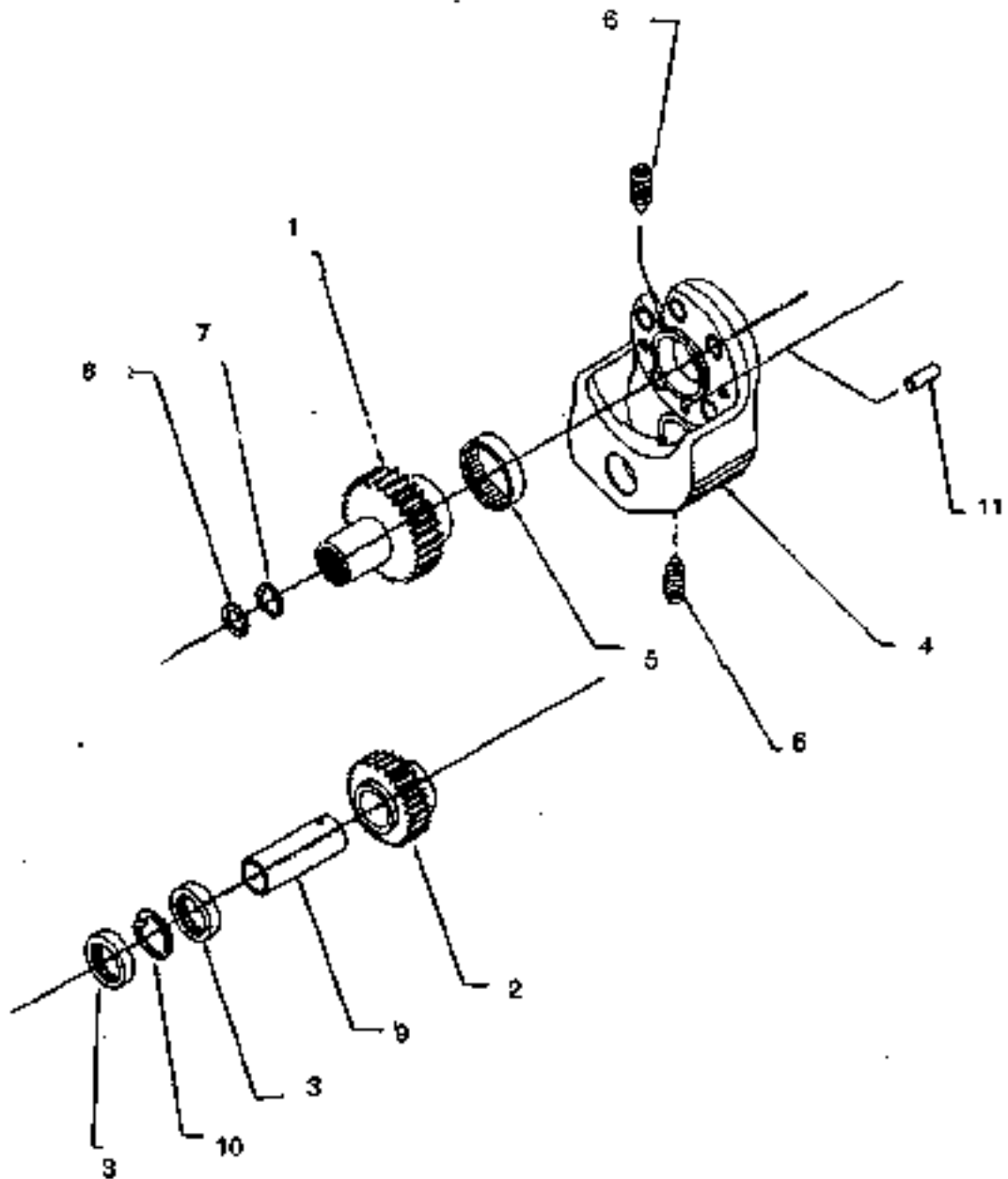
**LEVER ASSEMBLY**



**PROPELLER SHAFT ASSEMBLY**

### 545 / 555 / 545 DTC / 555 DTC

ITEM NO.	PART NO.	DESCRIPTION	VENDOR NO.	QUANTITY			
				545	555	545 <sup>opt</sup>	555 <sup>opt</sup>
1	ESL15141	Shaft Propeller (CARRARO-144232)	D10086780	-	-	1	1
2	ESL15142	Coupling	-	-	-	2	2
3	ESL14621	Grease Nipple, (M6x1)	D10084850A	-	-	2	2
4	ESL15143	Guard Propeller Shaft	-	-	-	1	1
5	ESL15144	Bearing Support	-	-	-	1	1
6	ESL15145	Y-Bearing Flanged Units With HSG.	-	-	-	1	1
7	ESL15146	Bolt, (M12x1.75x40-9.8) Hex Head	D61500540	-	-	2	2
8	N620436S8	Lock Nut, (M12x1.75)	N-620436	-	-	2	2
9	ESL12828	Bolt, (M10x1.50x60-8.0) Hex Head	D61500670A	-	-	4	4
10	N-620042-S36	Nut, (M10x1.50) Hex	-	-	-	4	4
11	N605531S8	Bolt, (M8x1.25x20-9.8) Hex Head	D61500660	-	-	4	4
12	N630173S8	Washer, (M8x10) Spring Lock	D66500150	-	-	4	4
13	44726SB	Washer, (3/8) Flat	-	-	-	4	4
14	ESL15147	Support Hose Power Steering	D10107210	-	-	1	1



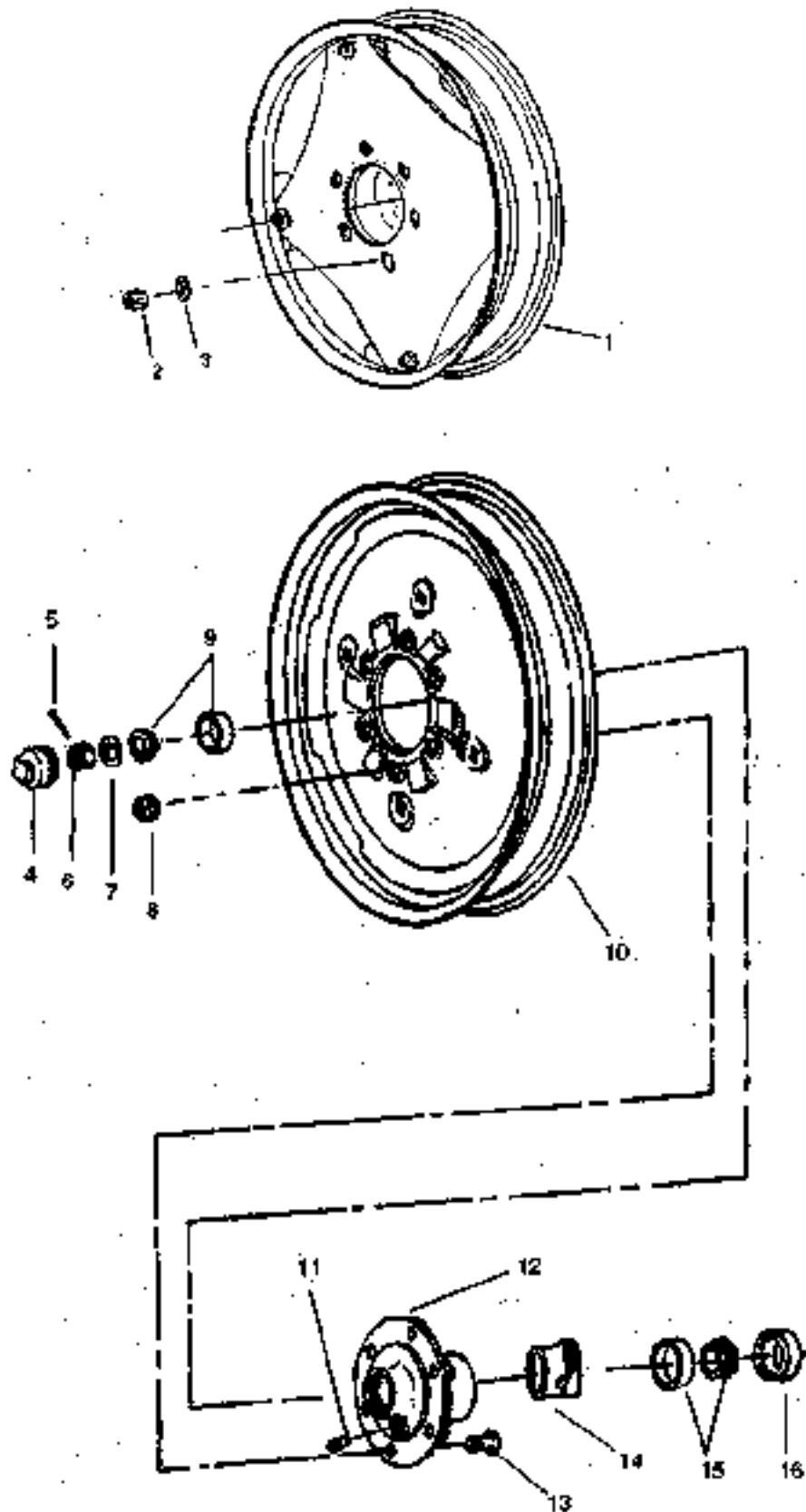
### INTERNAL POWER PICK UP

**FRONT END STEERING & 4WD SYSTEM****545 / 555 / 545 DTC / 555 DTC**

ITEM No.	PART No.	DESCRIPTION	VENDOR No.	QUANTITY			
				545	555	545 <sup>opt</sup>	555 <sup>opt</sup>
1	ESL15148	Gear Transmission 4WD (Z-30)	D10106590	-	-	1	1
2	ESL15149	Gear Transmission 4WD (z-32)	D10106600	-	-	1	1
3	ESL15150	Bearing Cylindrical Roller	D10106610	-	-	2	2
4	ESL15151	Housing Internal Support	D10106620	-	-	1	1
5	ESL15152	Bearing Needle Roller (80x95x25)	D10106630	-	-	1	1
6	ESL15153	Screw, (M16x12) Grub	D10106640	-	-	2	2
7	ESL15154	Circlip, (B35X1.30) HB	D10106680	-	-	1	1
8	ESL15155	Washer, (22.2X84.6) Belleville	D10106650	-	-	4	4
9	ESL15156	Bush	D10106660	-	-	1	1
10	N6602648	Circlip, (B90X2.80) HB	D10106690	-	-	1	1
11	ESL15157	Pin, (12.0X40.0) Plain Dowel	D10106670	-	-	1	1

**INTERNAL POWER PICK UP**<https://tractormanuals.com/>

545 / 555 / 545 DTC / 555 DTC



**FRONT WHEEL ASSEMBLY**

**545 / 555 / 545 DTC / 555 DTC**

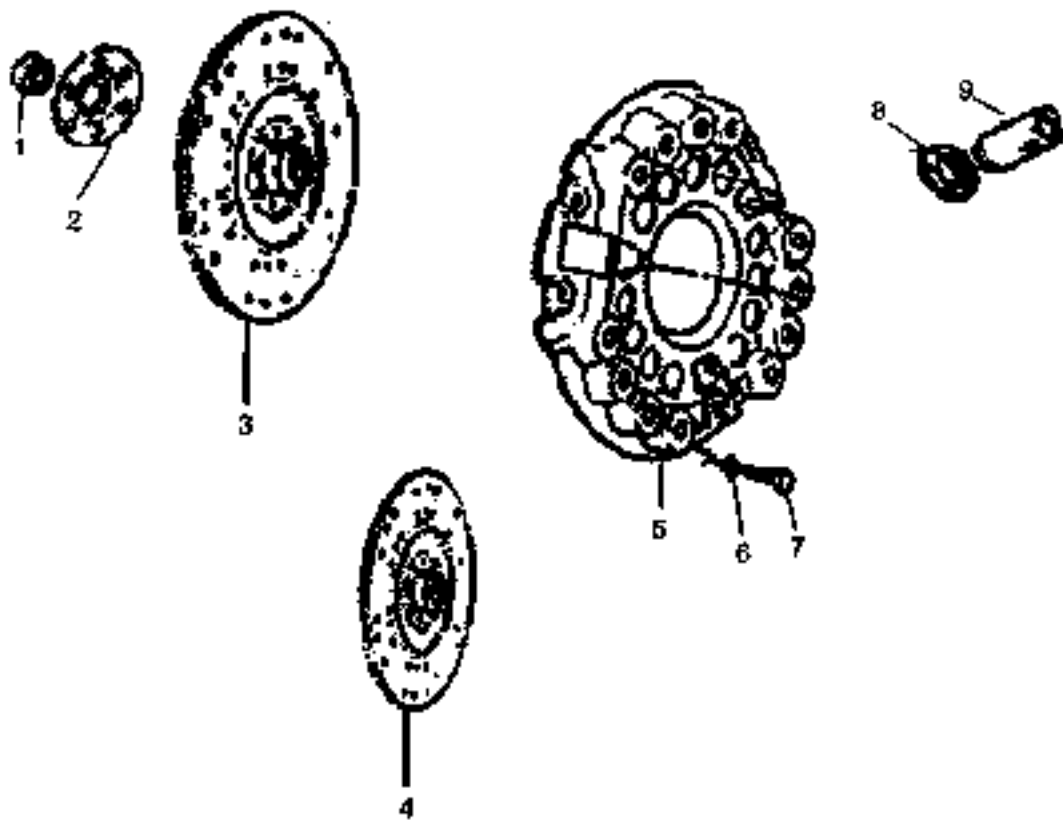
ITEM No.	PART No.	DESCRIPTION	VENDOR No.	QUANTITY			
				545	555	545orc555em	
1	ESL15158	Wheel Assembly Front. (9.5x20)	D10093580	-	-	2	2
2	ESL13092	Nut, (M16x1.50-8) Hex Head Collared (Rear Wheel Bolt)	D10043020	-	-	12	12
3	ESL15160	Washer, (M18) Conical Spring	D10104640	-	-	12	12
4	ESL10528	Cap. Front Wheel Hub Grease		2	2	-	-
5	7209058	Pin, Cotter (5/32-1.75)		2	2	-	-
6	ESL12412	Nut, Slotted Hex (-12)	-	2	2	-	-
7	ESL11860	Washer, Hub Retainer	-	2	2	-	-
8	ESL11793	Nut, Front Wheel Bolt	-	12	12	-	-
9	ESL10524	Bearing Assembly, Front Wheel Outer	D10012100	2	2	-	-
10	ESL12226	Wheel Assembly, Front (6.00x16 Tires)	D10019230	2	2	-	-
-	ESL12085	Wheel Assembly, Front (7.50x16 Tires)	D10039240	-	2	-	-
11	ESL10542	Grease Nipple (1/2-27)	-	2	1	-	-
12	ESL10528	Hub, Front Wheel	-	2	2	-	-
13	ESL10529	Bush, Front Wheel Hub	-	2	2	-	-
14	ESL11747	Bolt, Front Wheel Hub	-	12	12	-	-
15	ESL10522	Bearing Assembly, Front Wheel Inner	D10013290	2	2	-	-
16	ESL10521	Seal Assembly, Front Wheel Hub Dust	-	2	2	-	-

---

## Notes

# CLUTCH

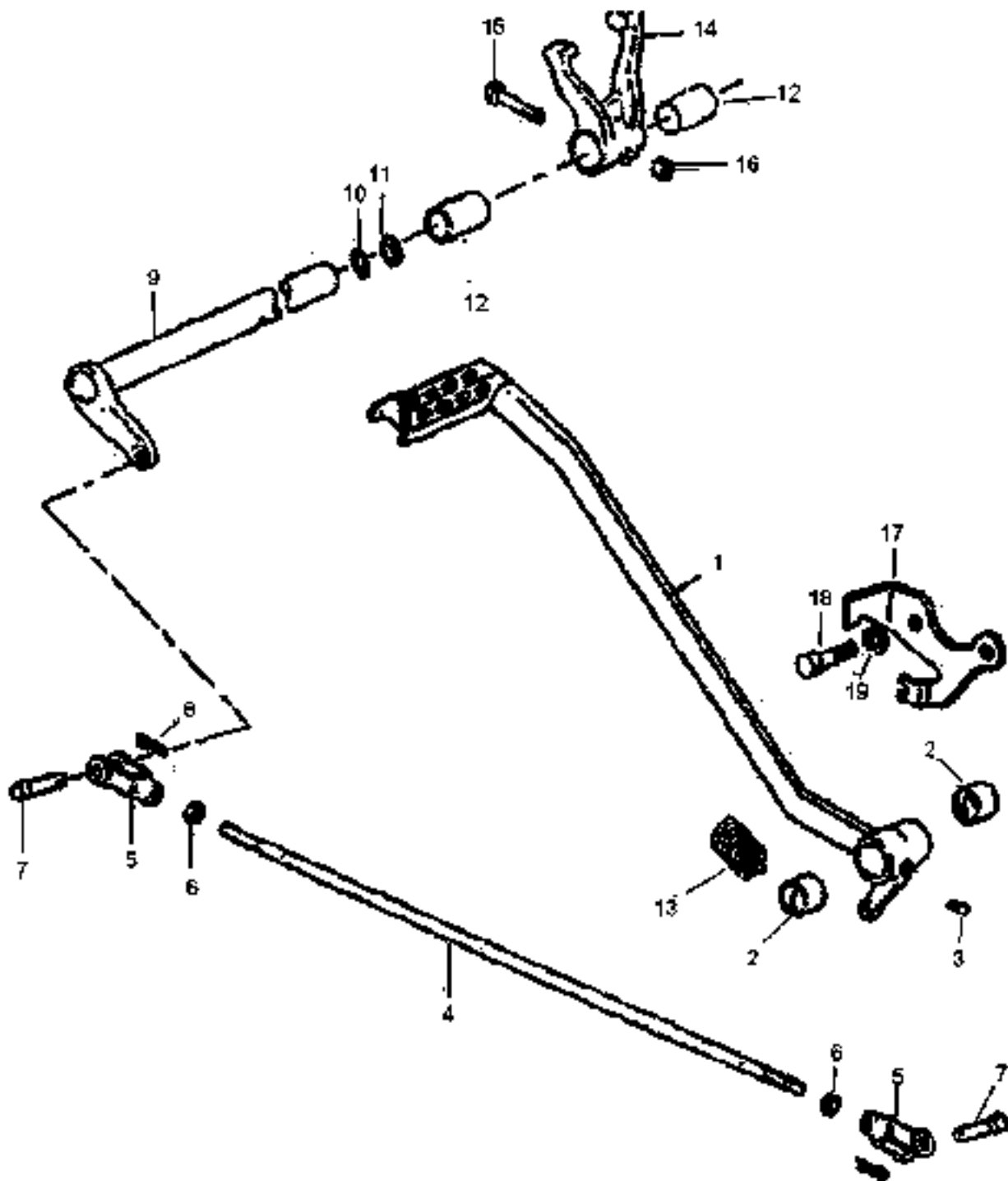




**CLUTCH ASSEMBLY**

**545 / 555 / 545 DTC / 555 DTC**

ITEM No.	PART No.	DESCRIPTION	VENDOR No.	QUANTITY			
				545	555	545 <sup>exc</sup>	555 <sup>exc</sup>
1	ESL10692	Bearing, Clutch Pilot	D10010460	1	1	1	1
2	ESL10693	Retainer, Clutch Pilot Bearing	D10011710	1	1	1	1
3	ESL10696	Disc Assembly, Main (11)	D10027430	1	1	1	1
4	ESL10698	Disc Assembly, PTO (8.5)	-	1	1	1	1
5	ESL10716	Dual Clutch Assembly (11x8.5) (Includes Item #4)	D10027440	1	1	1	1
6	34306S8	Washer, Lock (5/16)	-	6	6	6	6
7	ESL11754	Bolt	D10027450	6	6	6	6
8	ESL10695	Bearing, Clutch Release	D10019490	1	1	1	1
9	ESL10694	Hub, Clutch Release Bearing	D10019590	1	1	1	1



**CLUTCH CONTROLS**

**545 | 555 | 545 DTC | 555 DTC**

ITEM No.	PART No.	DESCRIPTION	VENDOR No.	QUANTITY			
				545	555	545pro	555pro
1	ESL10652	Pedal Assembly, Clutch	D10019480	1	1	1	1
2	ESL10653	Bush, Clutch Pedal	D10087240	2	2	2	2
3	ESL10654	Grease Nipple (1/4 - 28)	D92500050	1	1	1	1
4	ESL10670	Rod & Clevis Assembly, Clutch Release (includes #5&6)	D10062290	1	1	1	1
5	97013S8	Clevis (3/8 - 24 x 2.50)	-	2	2	2	2
6	33925S8	Nut, Hex (3/8 - 24)	-	2	2	2	2
7	73919S8	Pin, Clevis (3/8 x 1.14)	-	2	2	2	2
8	72017S8	Pin, Split (1/8 x 0.75)	-	2	2	2	2
9	ESL12527	Shaft, Clutch Release	D10101880	1	1	1	1
10	ESL10660	O'Ring, Clutch Release Shaft	D10001480	1	1	1	1
11	ESL11684	Washer, Clutch Release Shaft	D10001490	1	1	1	1
12	ESL10668	Bush Set, Clutch Release Shaft	D10075230	1	1	1	1
13	ESL10663	Spring, Clutch Pedal Assist	D10012380	1	1	1	1
14	ESL10664	Fork, Clutch Release Shaft	D10001500	1	1	1	1
15	ESL14470	Bolt, Hex (3/8 - 16 x 2.00)	D10001510	1	1	1	1
16	34987S8	Nut, Hex (3/8 - 16)	-	1	1	1	1
17	ESL10656	Bracket, Pedal Spring Rear	D10002330	1	1	1	1
18	304724S8	Bolt, Hex (7/16 - 14 x 1.25)	-	2	2	2	2
19	34608S8	Washer, Lock (7/16)	-	2	2	2	2
20	ESL10667	Plug	D10000160	1	1	1	1

---

## Notes

545/555/545DTC/555DTC

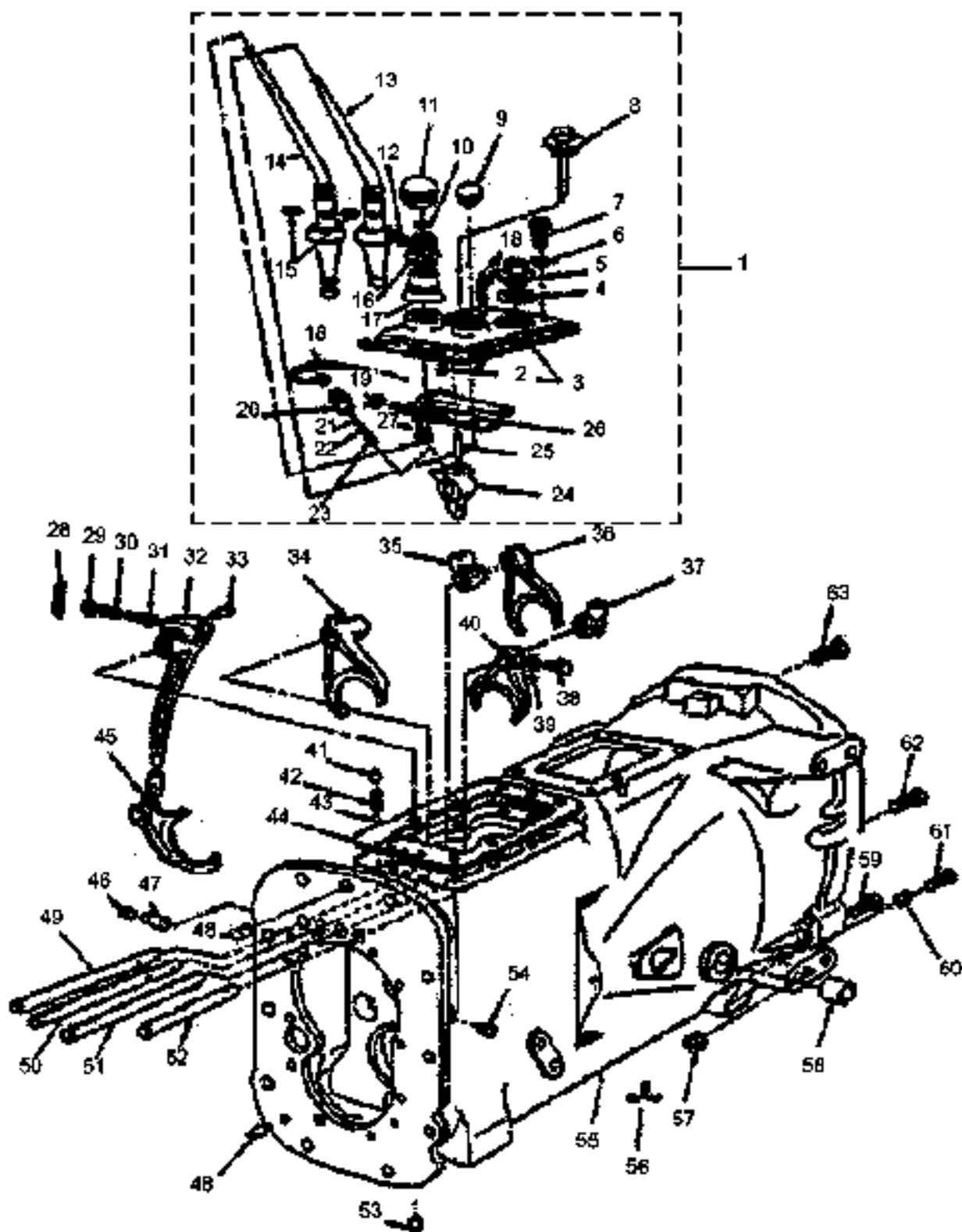
SECTION 7

# GEARBOX

**FARMTRAC**

<https://tractormanualz.com/>

545 / 555 / 545 DTC / 555 DTC



TRANSMISSION CASE & SHIFT LEVERS

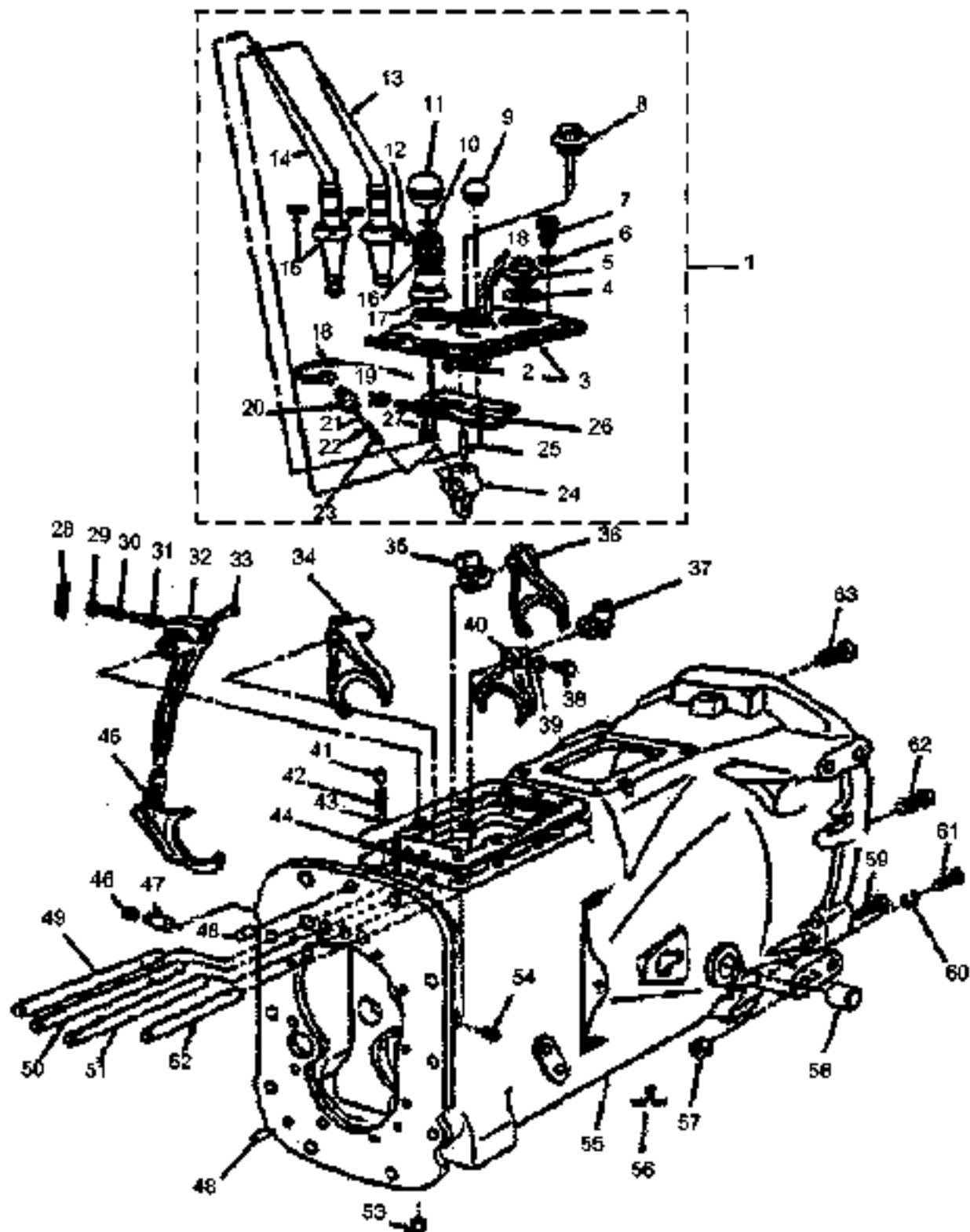
**545 / 555 / 545 DTC / 555 DTC**

ITEM No.	PART No.	DESCRIPTION	VENDOR No.	QUANTITY			
				545	555	545 DTC	555 DTC
1	ESL12248	Cover & Lever Assembly, Transmission	D10001750	1	1	1	1
2	ESL10752	Dowel, Case Cover	D10062300	1	1	1	1
3	-	Cover, Transmission Case (NSS)	-	1	1	1	1
4	ESL10740	Gasket, Filler Plug	D10002090	1	1	1	1
5	ESL11915	Breather, Transmission Case	D10004030	1	1	1	1
6	3480758	Washer, Lock (3/8)	-	9	9	9	9
7	30468458	Bolt, Hex (3/8 - 16 x 1.00)	-	9	9	9	9
8	ESL10759	Indicator Assembly, Transmission Oil	D10001860	1	1	1	1
9	ESL10903	Ball, High Low Gear Shift	D10018610	1	1	1	1
-	ESL10749	Rubber Boot, Gear Shift Lever (NI)	D10072420	2	2	2	2
10	ESL10747	Snap Ring, Gear Shift Lever	D10062370	2	2	2	2
11	ESL10748	Ball, Main Shift Lever	D10018330	1	1	1	1
12	ESL10744	Pin, Gear Shift Lever Socket	D10105230	2	2	2	2
13	ESL10742	Lever, High Low Gear	D10107550	1	1	1	1
14	ESL10741	Lever, Main Gear	D10107560	1	1	1	1
15	ESL10743	O'Ring Seal (0.825 x 0.07)	D10066620	2	2	2	2
16	ESL10746	Spring, Gear Shift Lever	D10062360	2	2	2	2
17	ESL10745	Retainer, Gear Shift Lever Ball	D10062380	2	2	2	2
18	ESL10757	Harness Assembly, Transmission	D10001920	1	1	1	1
19	ESL10758	Clip, Switch Cable	-	1	1	1	1
20	ESL10753	Switch Assembly, Transmission	D10000520	1	1	1	1
21	ESL10756	Plunger, Safety Starter Switch	D10000510	1	1	1	1
22	ESL10735	Ball (3/8)	D10000490	1	1	1	1
23	ESL10755	Spring, Safety Starter Switch	D10000500	1	1	1	1
24	ESL10754	Retainer, Safety Starter Switch	D10000480	1	1	1	1
25	ESL10751	Pin, Safety Switch Locating	D10107610	1	1	1	1
26	ESL10750	Stop, Gear Shift Lever	D10107580	1	1	1	1
27	-	Bolt, Hex Head (5/16 - 18 x 0.56)	-	4	4	4	4
28	7200358	Pin, Cotter (1/16 x 0.50)	-	1	1	1	1
29	ESL10726	Retainer, Plunger Spring	-	1	1	1	1
30	ESL10725	Spring, Selector Stop Plunger	-	1	1	1	1
31	ESL10724	Plunger, Selector Stop	-	1	1	1	1
32	ESL10723	Arm, Gear Shift Rocker	-	1	1	1	1
33	7823758	Pin, Clevis (3/16 x 1.219)	-	1	1	1	1
34	ESL10721	Fork, Gear Shift	-	1	1	1	1
35	ESL10733	Connector, Gear Shift Lever	-	1	1	1	1
36	ESL10719	Fork, Gear Shift	-	1	1	1	1
37	ESL10732	Gate, Gear Shift Lever	-	1	1	1	1
38	ESL11869	Screw Gear Shift, Fork Lock	-	6	6	6	6
39	3392558	Nut, Lock Screw (3/8 - 24)	-	6	6	6	6

**TRANSMISSION CASE & SHIFT LEVERS**



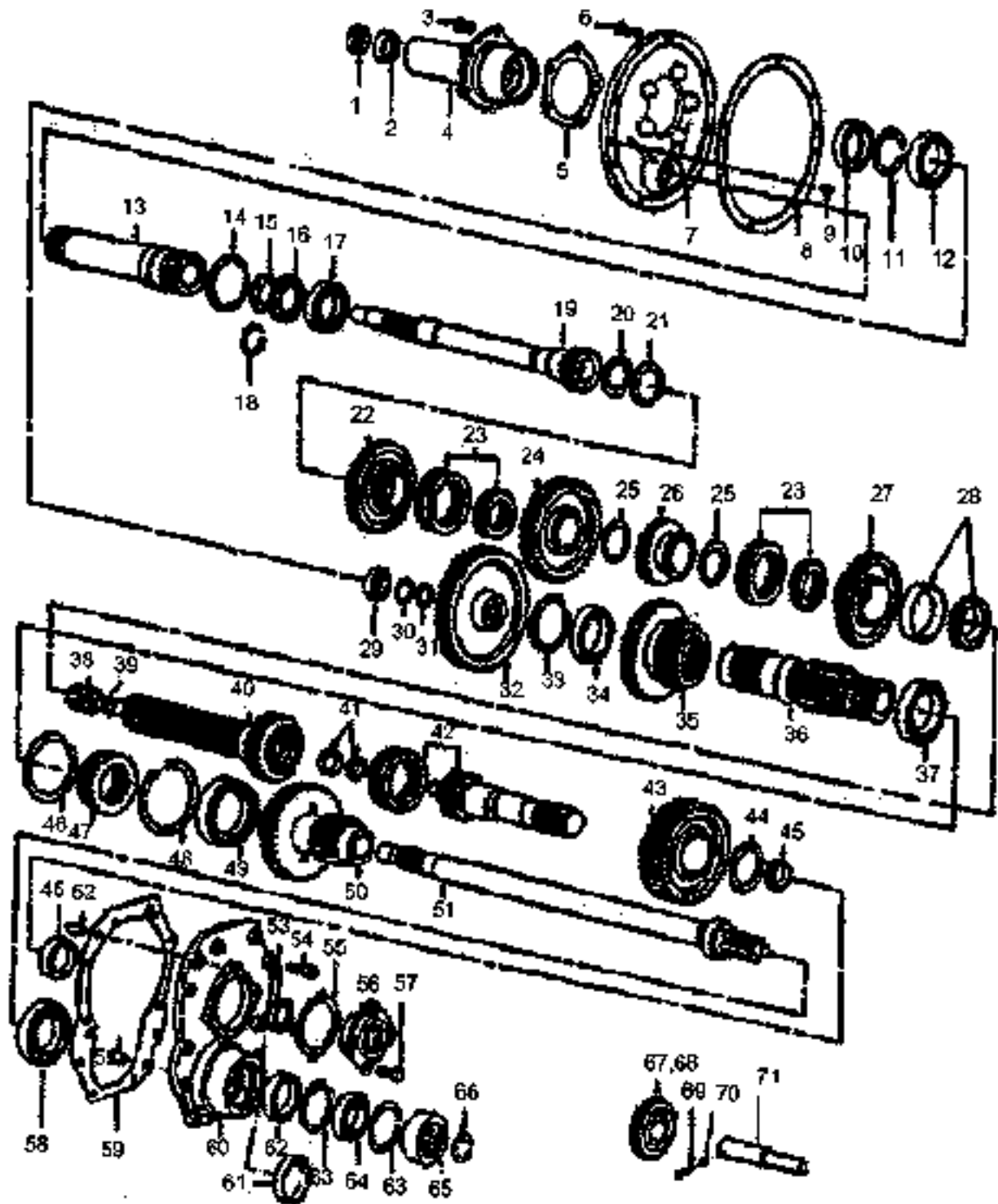
545 / 555 / 545 DTC / 555 DTC



TRANSMISSION CASE & SHIFT LEVERS

545 / 555 / 545 DTC / 555 DTC

ITEM No.	PART No.	DESCRIPTION	VENDOR No.	QUANTITY			
				545	555	545 <sup>pto</sup> 555 <sup>opp</sup>	
40	ESL10720	Fork, Gear Shift	-	1	1	1	1
41	379676S	Pin, Main Gear Rail (3/8 x 1.25/1 - 27)	-	3	3	3	3
-	ESL10737	Pin, High/Low Rail	D10000710	1	1	1	1
42	ESL10902	Spring, Gear Shift Rail	D10000690	4	4	4	4
43	ESL10735	Ball, Rail Detent (3/8)	D10000480	4	4	4	4
44	ESL10738	Gasket, Gear Shift Housing	D10001950	1	1	1	1
45	ESL10722	Fork, Gear Shift	D10000680	1	1	1	1
46	ESL10044	Plug, Pipe (1/4 - 18 - PTF)	D83100010	1	1	1	1
47	ESL10727	Interlock, Gear Shift Rail	D10000310	2	2	2	2
48	379304S	Pin, Dowel (1/2x0.8125)	-	2	2	2	2
49	ESL10731	Rail, Gear Shift	D10000610	1	1	1	1
50	ESL10730	Rail, Gear Shift	D10000590	1	1	1	1
51	ESL10728	Rail, Gear Shift	D10000560	1	1	1	1
52	ESL10729	Rail, Gear Shift	D10000460	1	1	1	1
53	ESL12529	Plug, Case Drain (3/4 - 14)	D10000110	1	1	1	1
54	ESL10718	Plug (3/4 - 18)	-	1	1	1	1
55	ESL10717	Case Assembly, Transmission	D10000070	1	1	1	1
56	720556S	Pin (3/16x1.25)	-	1	1	1	1
57	-	Nut, Hex (5/8 - 11)	-	2	2	2	2
58	ESL10658	Bush Set, Clutch Release Cross Shaft (Consists of 2 Bushes)	D10075230	1	1	1	1
-	304956S8	Bolt, Hex (5/8 - 11 x 3.75)	-	2	2	2	2
60	347938S	Washer, Lock (7/16)	-	2	2	2	2
61	304724S8	Bolt, Hex (7/16 - 14 x 1.25)	-	2	2	2	2
62	304883S8	Bolt, Hex (5/8 - 11 x 2.375)	-	2	2	2	2
63	304912S8	Bolt, Hex (3/4 - 16 x 2.75)	-	2	2	2	2



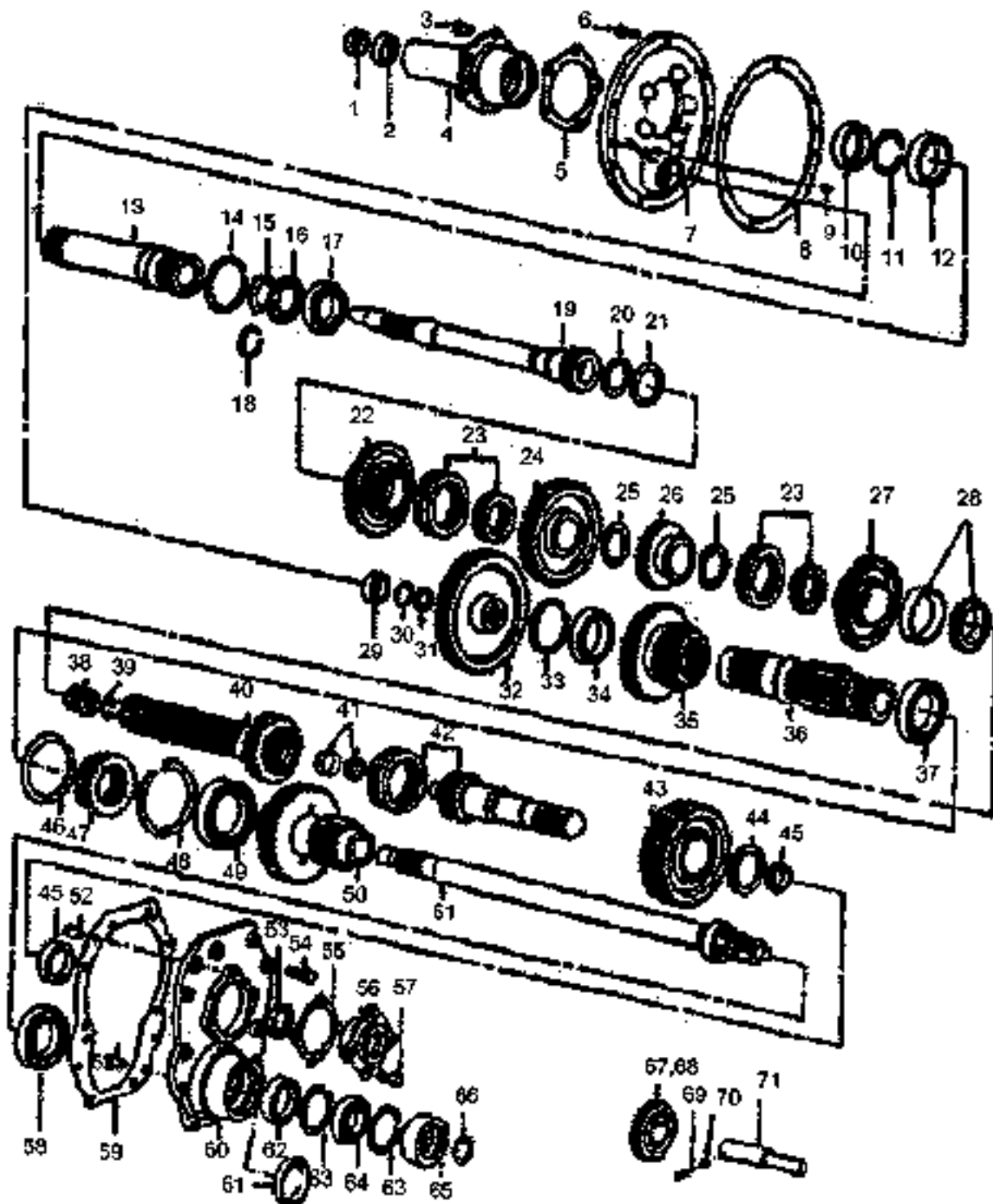
**TRANSMISSION GEARS**



545 / 555 / 545 DTC / 555 DTC

ITEM No.	PART No.	DESCRIPTION	VENDOR No.	QUANTITY			
				545	555	545DTC	555DTC
1	ESL10777	Seal, PTO Input Shaft	-	1	1	1	1
2	ESL10789	Bearing, PTO Input Shaft	D10019730	1	1	1	1
3	4600758	Bolt, Hex Head (3/8 - 16 x 0.675)	-	5	5	5	5
4	ESL10780	Retainer, Input Shaft Bearing	D10019790	1	1	1	1
5	ESL10781	Gasket, Clutch Bearing Hub Support	D10001400	1	1	1	1
6	4600959	Bolt, Hex (3/8 - 16 x 1.125)	-	7	7	7	7
7	ESL10784	Plate, Release Bearing Support	D10019840	1	1	1	1
8	ESL10785	Gasket, Plate	D10001270	1	1	1	1
9	7326958	Pin, Dowel (3/8 x 0.887)	-	2	2	2	2
10	ESL10776	Oil Seal, Trans Input Shaft	-	1	1	1	1
11	ESL10772	Snap Ring	D10019810	1	1	1	1
12	ESL10778	Bearing, Drive Gear Inner	-	1	1	1	1
13	ESL10767	Shaft, PTO Input	D10019800	1	1	1	1
14	ESL10774	Ring	D10000120	1	1	1	1
15	ESL10773	Ring, Drive Bearing	-	1	1	1	1
16	ESL12249	Plate, Input Shaft Bearing	D10019630	1	1	1	1
17	ESL10768	Bearing, Trans Input Shaft	D10062450	1	1	1	1
18	ESL10771	Snap Ring	D10000930	1	1	1	1
19	-	-	-	-	-	-	-
-	ESL10766	Shaft, Transmission Input (19 Splines)	D10019830	1	1	1	1
20	ESL10795	Snap Ring, Main Shaft	D10000450	1	1	1	1
21	ESL11686	Washer, Main Shaft Thrust	D10000440	1	1	1	1
22	ESL10794	Gear, 3rd Speed	D10000430	1	1	1	1
23	ESL10791	Connector & Coupling	D10000370	2	2	2	2
24	ESL10793	Gear, 1st Speed	D10000420	1	1	1	1
25	ESL11685	Washer, Main Shaft Thrust	D10000400	2	2	2	2
26	ESL10792	Gear, Main Shaft Reverse	D10000410	1	1	1	1
27	ESL10789	Gear, 2nd Speed	D10000380	1	1	1	1
28	ESL10786	Bearing, Taper Roller	D10001980	1	1	1	1
29	ESL10819	Bearing, PTO Countershaft Front	-	1	1	1	1
30	ESL10820	Ring Snap	D10019650	1	1	1	1
31	ESL11689	Washer, PTO Countershaft	D10019600	1	1	1	1
32	ESL10817	Gear, PTO Countershaft	D10019880	1	1	1	1
33	ESL10774	Lock Ring	D10000120	1	1	1	1
34	ESL10818	Bearing, Front	D10019710	1	1	1	1
35	ESL10816	Gear, Transmission Countershaft Main	D10000210	1	1	1	1
36	ESL10813	Countershaft, Main Transmission	D10019770	1	1	1	1
37	ESL10814	Bearing, Rear	D10000230	1	1	1	1
38	ESL10797	Bearing, Main Shaft Pilot	D10000950	1	1	1	1

TRANSMISSION GEARS

**545 / 555 / 545 DTC / 555 DTC**


545 / 555 / 545 DTC / 555 DTC

ITEM No.	PART No.	DESCRIPTION	VENDOR No.	QUANTITY			
				545	555	545orc	555orc
39	ESL11687	Washer	D10000940	2	2	2	2
40	ESL10787	Shaft, Main (Rear)	D10000330	1	1	1	1
41	ESL10788	Bearing, Taper Roller	D10001990	1	1	1	1
42	ESL10799	Shaft & Coupling Assembly, Output	D10000770	1	1	1	1
43	ESL10800	Gear, Output Shaft	D10000810	1	1	1	1
44	ESL11688	Washer, Output Shaft Thrust	D10000640	1	1	1	1
45	ESL10801	Bearing, Taper Roller	D10002000	1	1	1	1
46	ESL10815	Lock Flng	D10000130	1	1	1	1
47	ESL10821	Coupling, Trans Countershaft, Rear	D10000240	1	1	1	1
48	ESL10824	Lock Ring	D10000140	1	1	1	1
49	ESL10823	Bearing, Rear	D10002270	1	1	1	1
50	ESL10822	Gser, Trans Countershaft Rear	D10000760	1	1	1	1
51	ESL10811	Countershaft, PTO	D10019890	1	1	1	1
52	379304S	Pin, Dowel (1/2 x 0.6125)	-	2	2	2	2
53	ESL10809	Seal, Output Shaft	D10001120	1	1	1	1
54	46009S8	Bolt, Hex (3/8 - 16 x 1.125)	-	10	10	10	10
55	ESL10806	Shim (0.003)	D10001130	AR	AR	AR	AR
-	ESL10806	Shim (0.005)	D10001140	AR	AR	AR	AR
-	ESL10807	Shim (0.012)	D10001150	AR	AR	AR	AR
56	ESL10808	Retainer, Output Shaft Bearing	D10001100	1	1	1	1
57	46007S8	Bolt, Hex (3/8 - 16 x 0.875)	-	4	4	4	4
58	ESL10825	Bearing, PTO Countershaft Front	D10002260	1	1	1	1
59	ESL10802	Gasket, Output Retainer Plate	D10001070	1	1	1	1
60	ESL10803	Retainer Assembly, Trans Output Shaft	D10048220	1	1	1	1
61	ESL10804	Plug, Retainer Expansion	D10105270	AR	AR	AR	AR
62	ESL10826	Seal Assembly, PTO Countershaft Rear	D10000990	1	1	1	1
63	ESL10827	Snap Ring, PTO Countershaft Rear	D10000980	2	2	2	2
64	ESL10828	Bearing, PTO Countershaft Rear	D10058210	1	1	1	1
65	ESL10829	Sleeve, PTO Intermediate Shaft	D10001050	1	1	1	1
66	ESL10830	Lock Ring, Sleeve & Gear	D10001060	1	1	1	1
67	ESL10832	Gear Assembly, Reverse Idler (Includes #68)	D10000270	1	1	1	1
68	ESL10833	Bush, Reverse Idler Gear	-	1	1	1	1
69	ESL11756	Bolt (3/8-16)	D10000300	1	1	1	1
70	ESL10834	Seal Idler Shaft	D10000290	1	1	1	1
71	ESL10831	Shaft, Transmission Reverse Idler	D10000260	1	1	1	1

---

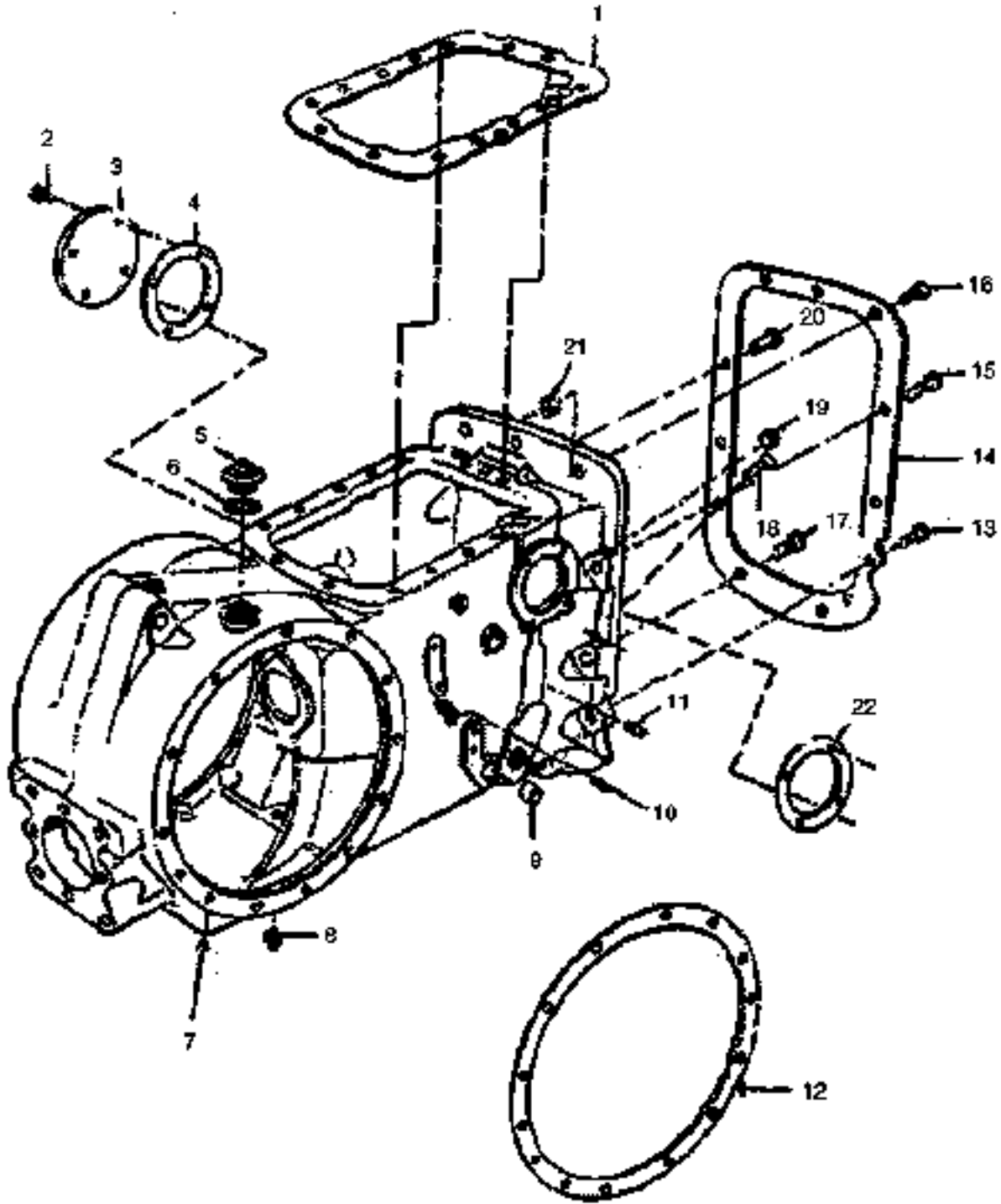
## Notes

545/555/545DTC/555DTC

SECTION 8

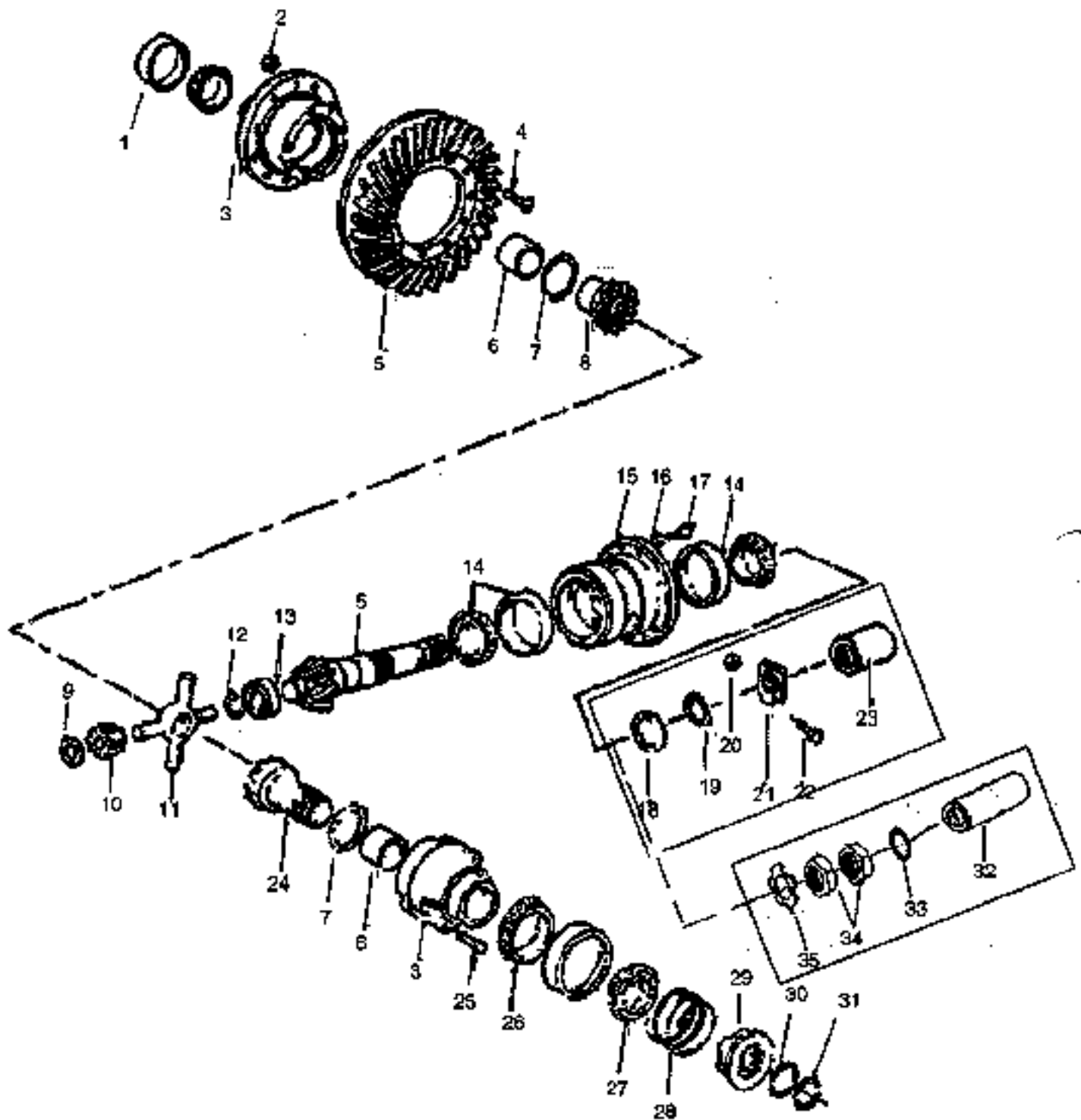
# ***REAR END & P.T.O.***





545 / 555 / 545 DTC / 555 DTC

ITEM NO.	PART NO.	DESCRIPTION	VENDOR NO.	QUANTITY			
				545	555	545exc 555exc	555exc
1	ESL10841	Gasket, Hydraulic Lift Cover	D10012170	1	1	1	1
2	ESL11971	Bolt, Hex (7/16 - 14 x 0.875)	D81000070	2	2	2	2
3	ESL10846	Cover	D10002060	1	1	1	1
4	ESL10846	Gasket, Cover	D10002070	1	1	1	1
5	ESL15197	Plug Oil Filter Rear Axle	D10102840	1	1	1	1
6	ESL15198	Gasket Plug Oil Filter Rear Axle	D10102850	1	1	1	1
7	ESL15578	Housing, Rear Axle Center	D10093900	-	-	1	1
8	ESL12529	Plug, Drain (3/4 - 14)	D10000110	1	1	1	1
9	ESL10847	Bush Set, Brake Pedal Shaft	D10075260	1	1	1	1
10	ESL10838	Plug (1/4 - 18)	D10000000	1	1	1	1
11	ESL10837	Pin	D10027470	1	1	1	1
12	ESL10883	Gasket (0.1524 - 0.2032mm Thick)	D10002850	AR	AR	AR	AR
-	ESL10884	Gasket (0.279-0.329mm Thick)	D10003630	AR	AR	AR	AR
-	ESL10885	Gasket (0.3810 - 0.4310mm Thick)	D10003620	AR	AR	AR	AR
13	58678S8	Bolt, Hex (1/2 - 13 x 1.75)	.	1	1	1	1
14	ESL10840	Gasket	D10012360	1	1	1	1
15	58677S8	Bolt, Hex (1/2 - 13 x 2.00)	.	1	1	1	1
16	58699S8	Bolt, Hex (9/16 - 12 x 2.00)	.	2	2	2	2
17	58701S8	Bolt, Hex (9/16 - 12 x 2.50)	.	2	2	2	2
18	58679S8	Bolt, Hex (1/2 - 13 x 2.50)	.	1	1	1	1
19	33846S8	Nut, Hex (1/2 - 13)	.	6	6	6	6
20	58678S8	Bolt, Hex (1/2 - 13 x 2.25)	.	3	3	3	3
21	33847S8	Nut, Hex (9/16 - 12)	.	4	4	4	4
22	ESL11202	Gasket, Flow Control Valve	D10027490	1	1	1	1

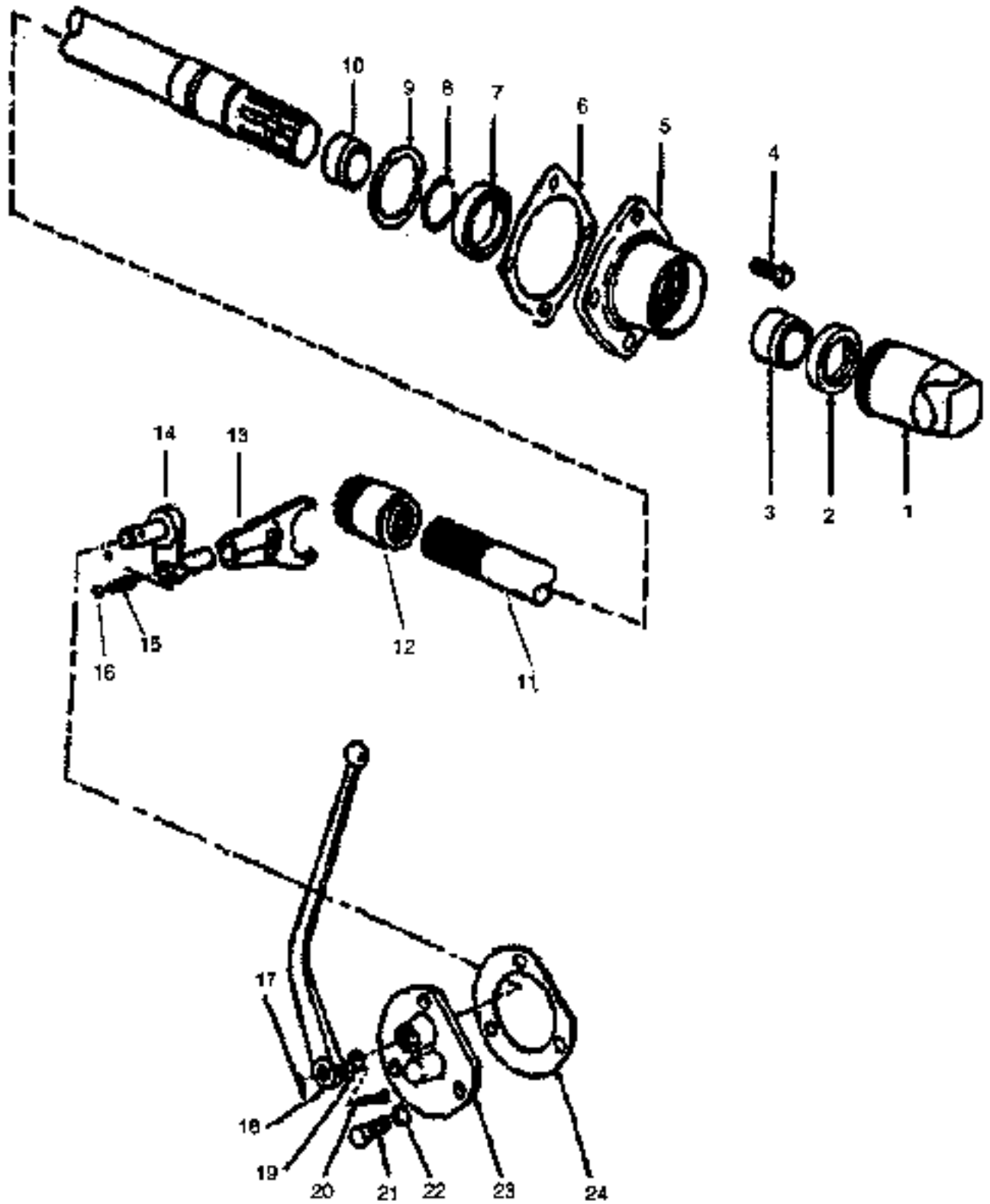


**DIFFERENTIAL & GEAR SET**

**545 / 555 / 545 DTC / 555 DTC**

ITEM No.	PART No.	DESCRIPTION	VENDOR No.	QUANTITY			
				545	555	545DTC	555DTC
1	ESL14475	Bearing Assembly, Taper Roller	D10087270	1	1	-	-
2	ESL15169	Cone and Roller Assembly	D10003070A	12	12	12	12
-	ESL14476	Nut, Hex Lock	-	-	-	-	-
3	ESL10850	Case, Rear Axle Differential	D10002960	1	1	1	1
4	ESL11907	Screw, (13x2.88) Hex Head	D81000240	12	12	12	12
5	ESL14947	Gear Set Bevel Pinion & Crown	D10101360	-	-	1	1
6	ESL15170	Bush Differential Case Rear Axle	D10003000	-	-	-	-
6	ESL10856	Bush, Differential Case	D10058160	2	2	2	2
7	ESL11690	Washer, Thrust, Differential	D10003050	2	2	2	2
8	ESL10852	Gear, Differential Side LH	D10003030	1	1	1	1
9	ESL11871	Washer, Thrust, Differential	D10003100	4	4	4	4
10	ESL10855	Pinion, Differential	-	4	4	4	4
11	ESL10854	Spider, Rear Axle Differential	D10003080	1	1	1	1
12	ESL10852	Ring, Drive Pinion Pilot Bearing	D10002680	1	1	1	1
13	ESL10861	Bearing, Driver Pinion Pilot	D10002650	1	1	1	1
14	ESL10863	Bearing, Taper Roller	D10002620	2	2	2	2
15	ESL10864	Retainer, Drive Pinion Bearing	D10004030	1	1	1	1
16	34810S8	Washer, Lock (9/16)	-	4	4	4	4
17	304728S8	Bolt, Hex (9/16 - 12 x 1.25)	-	4	4	4	4
18	ESL11691	Washer, Bearing Thrust	D10002670	1	1	-	-
19	ESL11692	Washer, Thrust, Drive Pinion	D10002690	1	1	-	-
20	ESL11804	Nut, Lock	D10002710	1	1	-	-
21	ESL10865	Clamp, Drive Pinion	D10002690	1	1	-	-
22	376415S8	Bolt	-	1	1	-	-
23	ESL10866	Coupling, Drive Shaft	D10013360	1	1	-	-
24	ESL10853	Gear, Differential Side RH	D10003040	1	1	1	1
25	43104S8	Screw, Hex (1/2 - 13 x 0.88)	-	8	8	8	8
26	ESL10849	Bearing, Taper Roller	D10088120	1	1	-	-
	ESL15169	Cone And Roller Assembly, Rear Axle	D10003070A	-	-	1	1
27	ESL10857	Adapter, Differential Lock Case	D10003110	1	1	1	1
28	ESL10858	Spring, Differential Lock Coupling	-	1	1	1	1
29	ESL10859	Coupling, Differential Lock	D10003130	1	1	1	1
30	ESL11856	Washer, Lock Coupling	-	-	-	-	-
31	ESL10860	Ring, Differential Lock Coupling	D10003150	1	1	1	1
32	ESL15175	Coupling Driveshaft	D10093620	-	-	1	1
33	ESL15174	Washer, (41.7x58.4) Thrust	D10098280	-	-	1	1
34	ESL15172	Nut Rear Axle Drive Pinion	D10093240	-	-	2	2
35	ESL15173	Washer Rear Axle Drive Pinion	D10093250	-	-	2	2

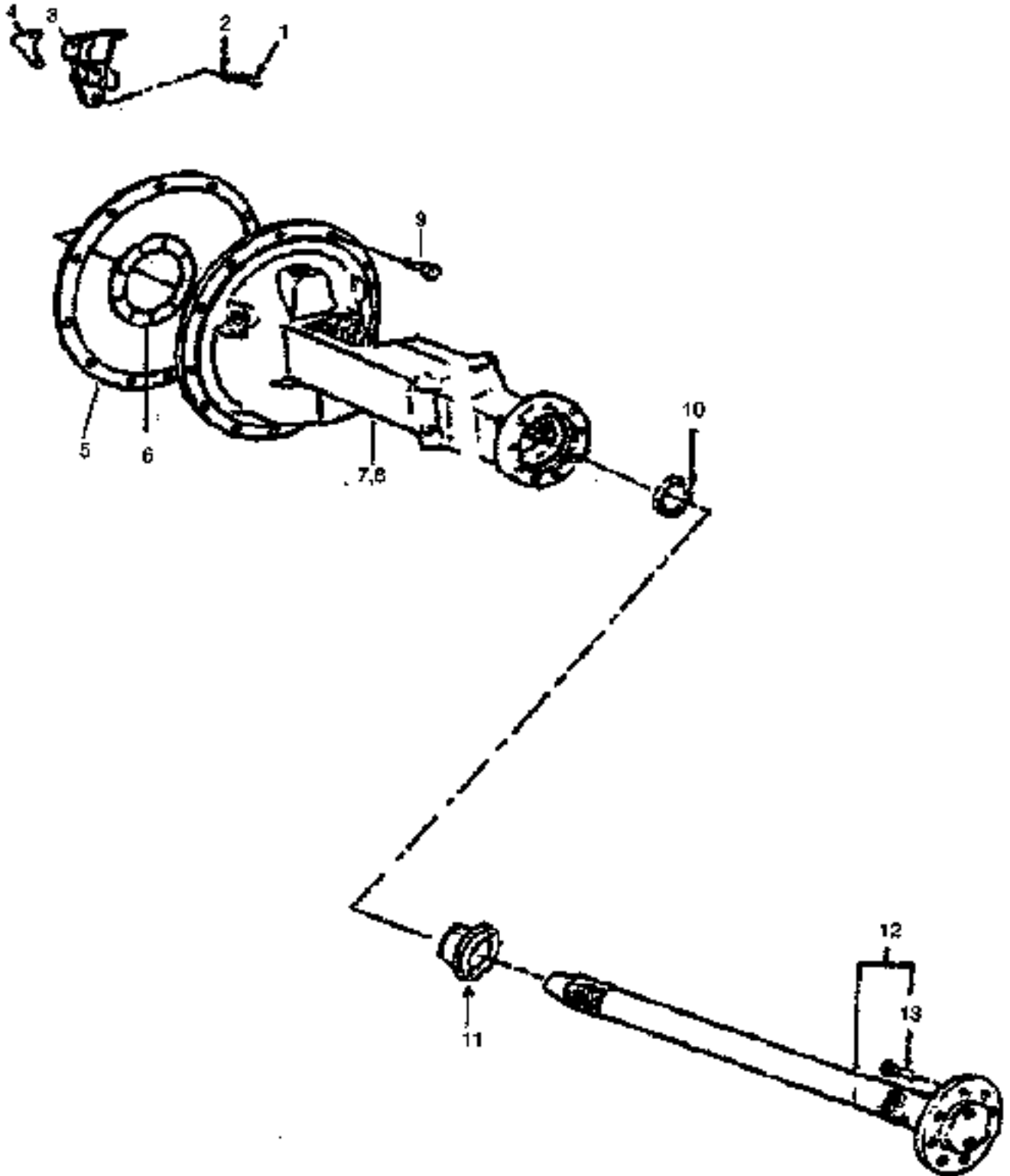
545 / 555 / 545 DTC / 555 DTC



**POWER TAKE-OFF ASSEMBLY**

**545 / 555 / 545 DTC / 555 DTC**

ITEM No.	PART No.	DESCRIPTION	VENDOR No.	QUANTITY			
				545	555	545DTC	555DTC
1	ESL10917	Cap, PTO Shaft Rear	D10002220	1	1	1	1
2	ESL12532	Oil Seal, Rear PTO Shaft	D10002130	1	1	1	1
3	ESL10913	Sleeve, PTO Shaft Rear	D10108060	1	1	1	1
4	304724S8	Bolt, Hex (7/16 - 14 x 1.14)	-	4	4	4	4
5	ESL10915	Cover, PTO Shaft Rear	D10002120	1	1	1	1
6	ESL10916	Gasket, Rear Cover	D10002210	1	1	1	1
7	ESL10910	Bearing Rear, PTO Shaft	D10062250	1	1	1	1
8	ESL10911	Snap Ring	D10002200	1	1	1	1
9	ESL10912	Snap Ring	D10066960	1	1	1	1
10	ESL10909	Bush, PTO Rear Shaft	-	1	1	1	1
11	ESL10908	Shaft, PTO Rear	D10002170	1	1	1	1
12	ESL10906	Sleeve, PTO Countershaft	D10002230	1	1	1	1
13	ESL10905	Fork, PTO Shifter	D10002300	1	1	1	1
14	ESL10900	Arm, PTO Shifter	D10002280	1	1	1	1
15	ESL10902	Spring, PTO Shifter Arm	D10000690	1	1	1	1
16	ESL10735	Ball, PTO Shifter Arm	D10000490	1	1	1	1
17	72003S8	Pin, Cotter, Bolt to Lever	-	1	1	1	1
18	ESL10904	Lever, PTO Shifter	D10002290	1	1	1	1
19	ESL10300	O'Ring (0.825 x 0.103)	D10013040	1	1	1	1
20	305060S8	Pin, Roll (1/4 x 1)	-	1	1	1	1
21	304886S8	Bolt, Hex (7/16 - 14 x 1.00)	-	3	3	3	3
22	34808S8	Washer, Lock (7/16)	-	3	3	3	3
23	ESL10898	Plate, PTO Shifter	D10002250	1	1	1	1
24	ESL10899	Gasket, PTO Shifter Plate	D10002310	1	1	1	1



**REAR AXLE**

8:7

⊕ - SERIAL NUMBER BREAK,

⊕ - INDICATES UP TO AND INCLUDING THAT SERIAL NUMBER

545 / 555 / 545 DTC / 555 DTC

ITEM No.	PART No.	DESCRIPTION	VENDOR No.	QUANTITY			
				545	555	545 <sup>DTC</sup>	555 <sup>DTC</sup>
1	304684S8	Bolt, Hex (3/8 - 16 x 1.00)	-	2	2	2	2
2	34807S8	Washer, Lock (3/8)	-	2	2	2	2
3	ESL10886	Block, Drive Gear Thrust	D10003640	1	1	1	1
4	ESL10897	Shim, Thrust Block (0.004)	D10000000	AR	AR	AR	AR
5	ESL10883	Gasket (0.152 - 0.203)	D10002850	AR	AR	AR	AR
-	ESL10884	Gasket (0.279 - 0.329)	D10003630	AR	AR	AR	AR
-	ESL10885	Gasket (0.381 - 0.432)	D10003620	AR	AR	AR	AR
6	ESL10888	Shim (2.297)	D10003280	AR	AR	AR	AR
-	ESL10890	Shim (0.203 - 0.254)	D10003740	AR	AR	AR	AR
-	ESL10891	Shim (0.381 - 0.439)	D10004190	AR	AR	AR	AR
-	ESL10892	Shim (0.508 - 0.559)	D10003750	AR	AR	AR	AR
-	ESL10893	Shim (0.762 - 0.813)	D10003760	AR	AR	AR	AR
-	ESL10894	Shim (1.250 - 1.300)	D10003770	AR	AR	AR	AR
7	ESL14477	Housing, Rear Axle RH	D10002720	1	1	1	1
8	ESL14478	Housing, Rear Axle LH	D10003590	1	1	1	1
9	ESL11901	Bolt, Hex (3/16 - 12 x 1.38)	D10002900	26	26	26	26
10	ESL10988	Seal Assembly, Inner	D10002770	2	2	2	2
11	ESL12426	Mud Shield & Retainer	D10003440	2	2	2	2
12	ESL10986	Shaft and Bolt Assembly	D10003420	2	2	2	2
13	ESL11758	Bolt, Rear Wheel Disc	D10003450	16	16	16	16

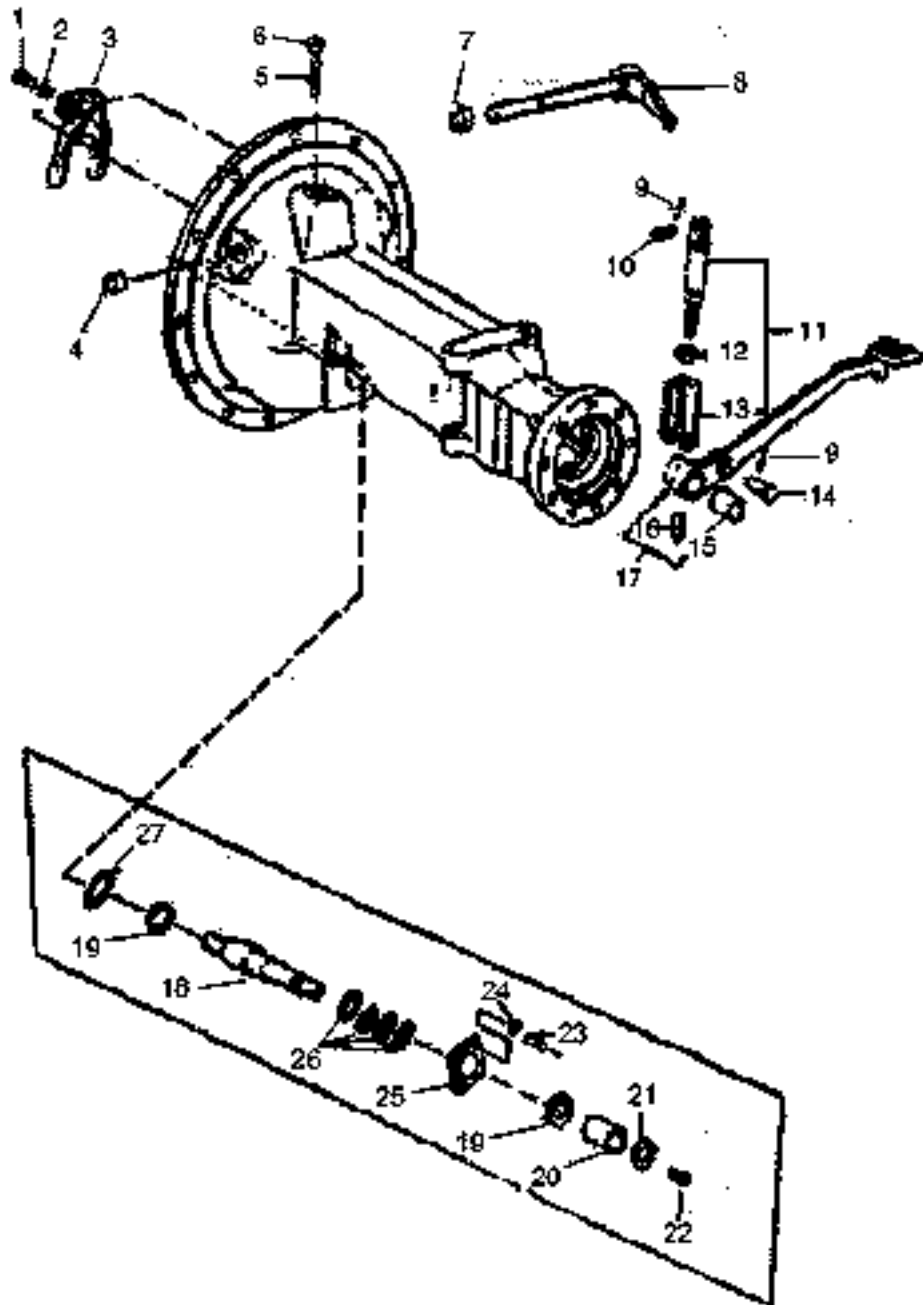
### REAR AXLE

Ⓢ - SERIAL NUMBER BREAK,



- INDICATES UP TO AND INCLUDING THAT SERIAL NUMBER





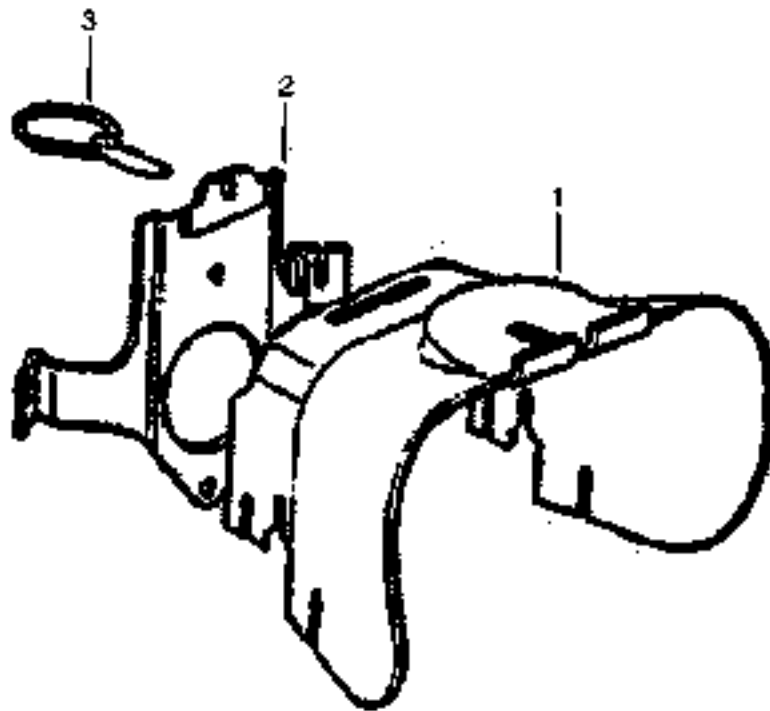
**DIFFERENTIAL LOCK COUPLING**

545 / 555 / 545 DTC / 555 DTC

ITEM No.	PART No.	DESCRIPTION	VENDOR No.	QUANTITY			
				545	555	545 <sup>pto</sup>	555 <sup>pto</sup>
1	ESL11869	Screw, Differential Lock Coupling Fork	D1000550	1	1	1	1
2	33825S8	Nut, Fork Lock Screw, Hex (3/8-24)	-	1	1	1	1
3	ESL10860	Fork, Differential Lock Coupling	D10002810	1	1	1	1
4	ESL10879	Plug, Differential Lock Lever Shaft	D10002750	1	1	1	1
5	ESL11873	Screw, Differential Lock Fork Stop	D10002840	1	1	1	1
6	33824S8	Nut, Hex (3/8-16)	-	1	1	1	1
7	ESL10878	Seal, Differential Lock Lever Shaft	D10002760	1	1	1	1
8	ESL10877	Shaft & Lever Assembly, Differential Lock	D10002780	1	1	1	1
9	72017S8	Pin, Cotter (1/8x0.75)	-	2	2	2	2
10	73871S8	Pin, Clevis (5/16x0.76)	-	1	1	1	1
11	ESL10875	Linkage Assembly, Rear Axle Differential Lock	D10013120	1	1	1	1
12	ESL11808	Nut, Differential Lock Adjusting	D10107770	1	1	1	1
13	-	Clevis, Differential Lock (NSS) See #11	-	1	1	1	1
14	76232S8	Pin, Clevis to Pedal (5/16x1.24)	-	1	1	1	1
15	ESL10869	Bush, Differential Lock Pedal	D10102290	1	1	1	1
16	ESL10868	Grease Nipple (1/4 - 28)	D82500050	1	1	1	1
17	ESL10867	Pedal Assembly, Differential Lock	D10013130	1	1	1	1
18	ESL14586	Shaft Lower Link	D10013050	2	2	2	2
19	ESL11694	Washer, Shaft Link	D10012860	4	4	4	4
20	ESL10874	Sleeve, Differential Lock Pedal (RH Side Only)	D10012630	1	1	1	1
21	44746S8	Washer, Flat (3/4)	-	2	2	2	2
22	ESL11764	Bolt, Differential Lock Pedal to Shaft Link	D10012640	2	2	2	2
23	304684S8	Bolt, Hex Head (3/8-16x1.00)	-	4	4	4	4
24	44881S8	Washer, Flat Head (3/8)	-	4	4	4	4
25	ESL10873	Retainer Lock	D10070750	2	2	2	2
26	ESL10872	'O' Seal	D98600300	8	8	8	8

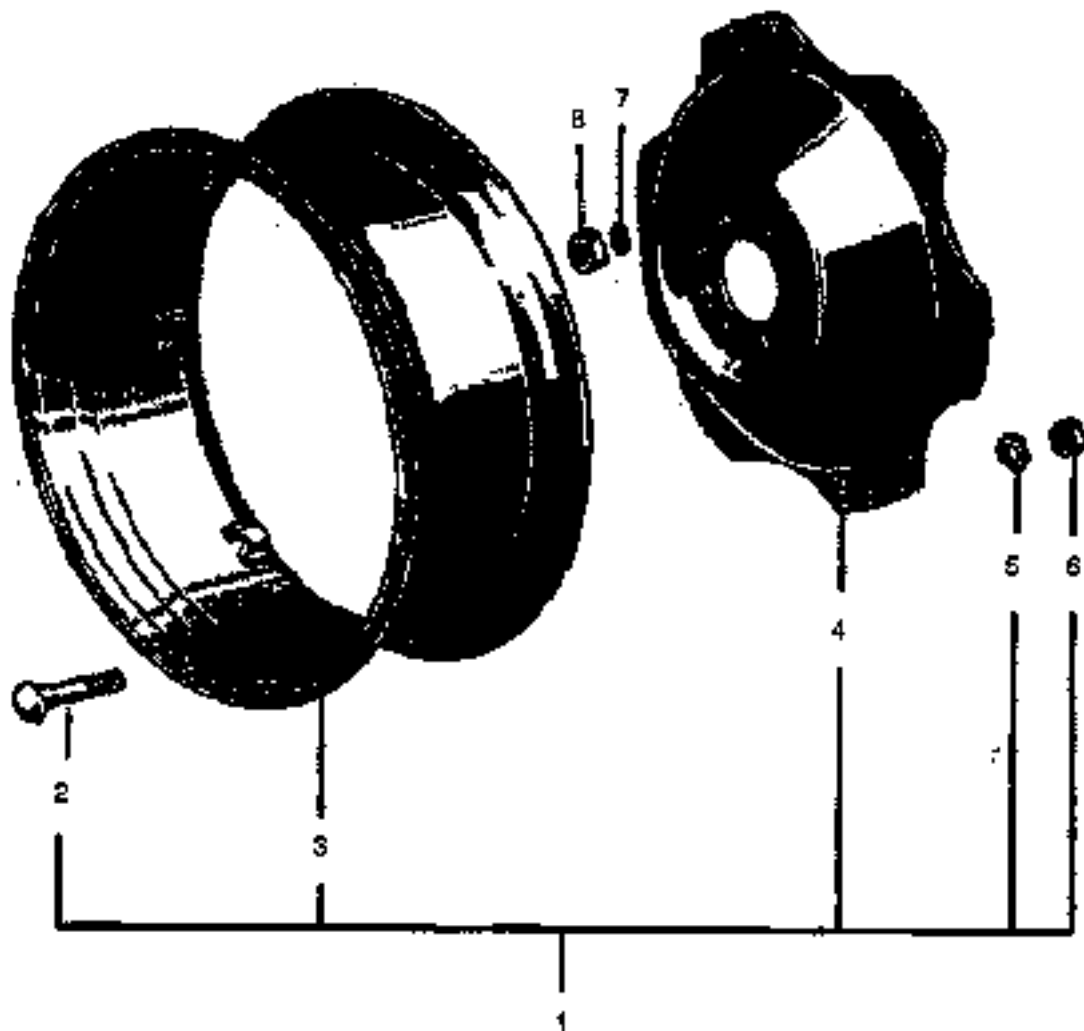
545 / 555 / 545 DTC / 555 DTC

ITEM No	PART No.	DESCRIPTION	VENDOR No.	QUANTITY			
				545	555	545DTC	555DTC
1	ESL10918	PTO Guard	.	1	1	1	1
2	ESL10919	Support, PTO Guard	.	1	1	1	1
3	ESL11126	Pin Assembly, Linch Lock	.	1	1	1	1



**545 / 555 / 545 DTC / 555 DTC**

ITEM No.	PART No.	DESCRIPTION	VENDOR No.	QUANTITY			
				545	555	545 <sup>spec</sup>	555 <sup>spec</sup>
1	ESL14196	Rear Wheel Assembly (W11)	-	2	2	2	2
-	ESL10923	Rear Wheel Assembly (W12)	-	2	2	2	2
2	ESL14479	Bolt, Rear Wheel Rim to Disc	-	12	12	12	12
3	ESL10921	Rim, Rear Wheel	-	2	2	2	2
-	ESL14480	Rim, Rear Wheel	-	2	2	2	2
4	ESL10920	Disc, Rear Wheel	D10107140	2	2	2	2
5	ESL11923	Washer, Disc to Rim	-	12	12	12	12
6	ESL11696	Nut, Disc to Rim	-	12	12	12	12
7	ESL11695	Washer, Disc to Rear Axle	D10018110	16	16	16	16
8	ESL11608	Nut, Disc to Axle Flange	D10018010	16	16	16	16



**REAR WHEELS**

Ⓢ - SERIAL NUMBER BREAK, ↙ - INDICATES UP TO AND INCLUDING THAT SERIAL NUMBER

---

## Notes

545/555/545DTC/555DTC

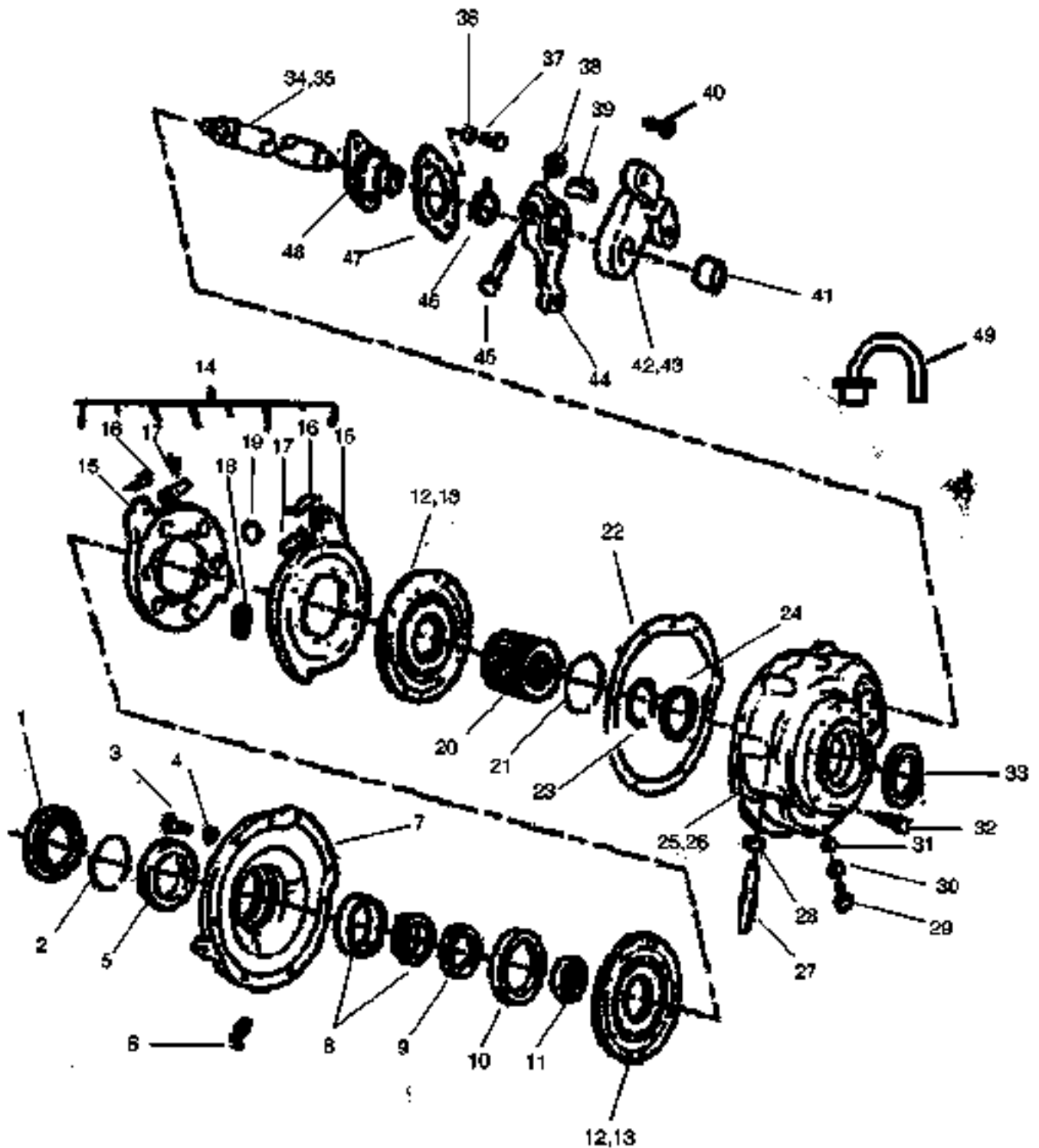
SECTION 9

# ***BRAKE SYSTEM***

**FARMTRAC**

<https://tractormanualz.com/>

545 / 555 / 545 DTC / 555 DTC



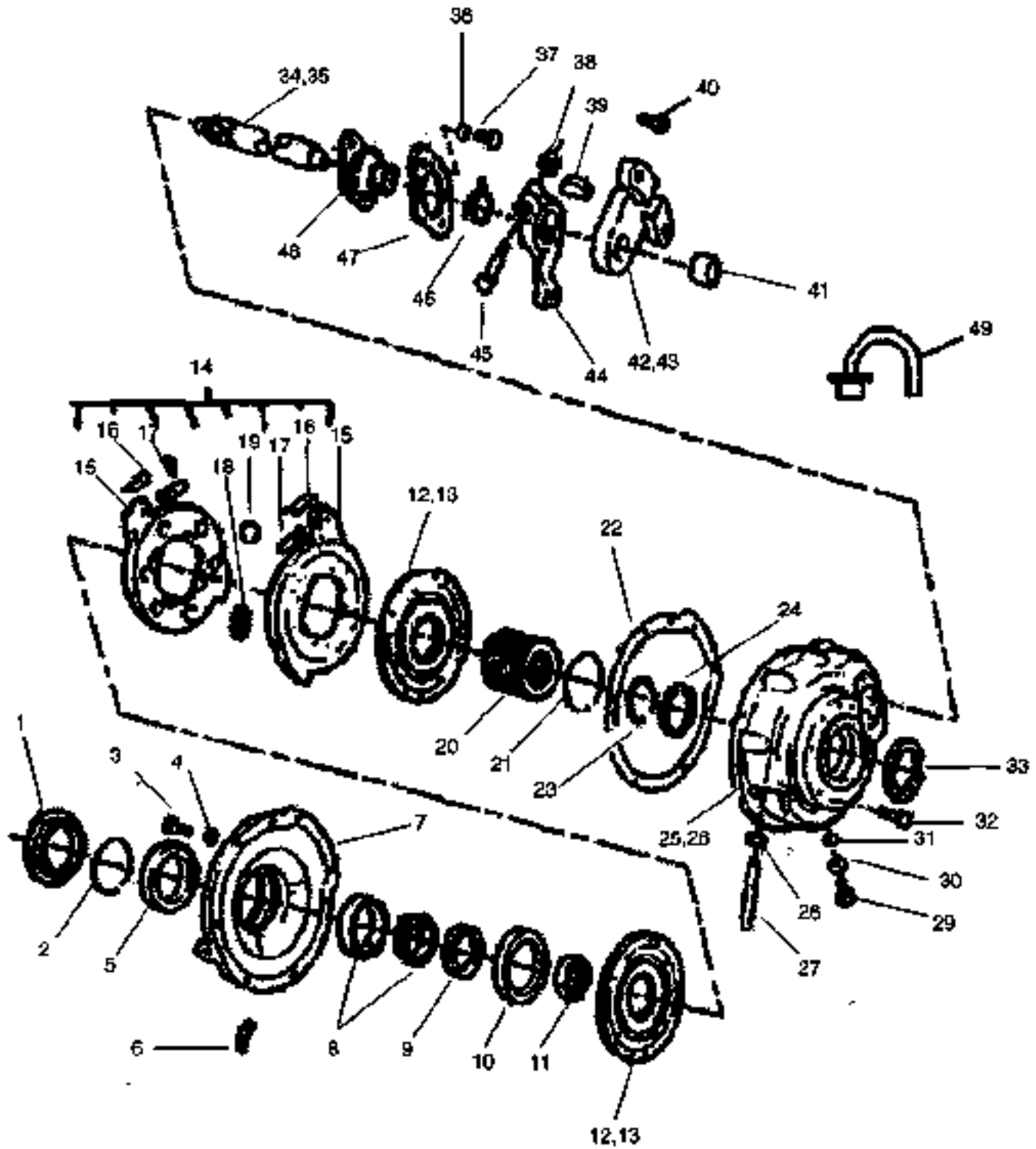
**BRAKES - MECHANICAL DISC TYPE**

545 / 555 / 545 DTC / 555 DTC

ITEM NO.	PART No.	DESCRIPTION	VENDOR No.	QUANTITY			
				545	555	545 <sup>exc</sup> 555 <sup>exc</sup>	555 <sup>exc</sup>
1	ESL10927	Bush, Rear Axle Housing	D10003490	2	-	2	-
2	ESL14481	Retainer, Seal Outer Housing	D10003540	2	-	2	-
3	ESL14482	Bolt, Hex (1/2 - 13 x 1)	D10020040	6	-	6	-
4	ESL11642	Washer, Flat (1/2)	D10003580	6	-	6	-
5	ESL10928	Seal, Outer Housing	-	2	-	2	-
6	ESL10929	Grease Nipple	D92000010	2	-	2	-
7	ESL10930	Housing, Brake Outer	D10003480	2	-	2	-
8	ESL10931	Bearing, Taper Roller	D10003500	2	-	2	-
9	ESL10932	Spacer, Shaft Bearing	D10003550	2	-	2	-
10	ESL10933	Seal, Inner, Rear Axle Shaft	D10003530	2	-	2	-
11	ESL11810	Lock Nut, Rear Axle Bearing	D10003560	2	-	2	-
12	ESL10834	Disc & Lining Assembly, Friction	-	4	-	4	-
13	ESL10864	Friction Lining & Pinset Set	D10075220	1	-	1	-
14	ESL10835	Actuator Assembly, Brake Disc	D10003300	2	-	2	-
15	-	Disc, Brake Actuating (NSS)	-	4	-	4	-
16	ESL10839	Retainer Clip	D10069970	4	-	4	-
17	ESL10938	Push Rod, Brake Actuator	D10069980	4	-	4	-
18	ESL10937	Spring, Brake Disc Return	D10069540	8	-	8	-
19	ESL10836	Ball, Brake Actuating	D10069530	2	-	2	-
20	ESL10941	Sleeve, Spined	-	2	-	2	-
21	ESL10942	Spring, Disc Brake Sleeve	D10003370	2	-	2	-
22	ESL10943	Gasket, Outer Brake Housing	D10003570	2	-	2	-
23	ESL10944	Ring Snap, Brake Camshaft	D10003250	2	-	2	-
24	ESL11698	Washer Thrust, Brake Camshaft	D10003240	2	-	2	-
25	ESL10945	Housing Inner RH, Brake	D10003710	1	-	1	-
26	ESL10946	Housing Inner LH, Brake	D10003170	1	-	1	-
27	ESL11875	Screw Adjusting, Brake	D10003270	2	-	2	-
28	33B45S8	Nut, Hex (1/2 - 13)	-	2	-	2	-
29	304650S8	Bolt, Hex (5/8 - 16 x 0.75)	-	2	-	2	-
30	44726S8	Washer, Flat (3/8)	-	2	-	2	-
31	ESL11699	Washer, Spring	-	2	-	2	-
32	ESL11759	Bolt, Hex (9/16 - 12)	D10003290	18	-	18	-
33	ESL10947	Seal Assembly, Outer	D10003180	2	-	2	-
34	ESL10948	Camshaft, Brake Actuating LH	D10003730	1	-	1	-
35	ESL10949	Camshaft, Brake Actuating RH	D10003200	1	-	1	-
36	34806S8	Washer, Lock (5/16)	-	4	-	4	-
37	304634S8	Bolt (5/16 - 18 x 0.88)	-	4	-	4	-
38	34670S8	Nut, Hex (7/16 - 14)	-	2	-	2	-
39	74188S8	Key (1/4 x 1.25)	-	2	-	2	-
40	ESL11760	Bolt, Arm Assembly	-	2	-	2	-



545 / 555 / 545 DTC / 555 DTC

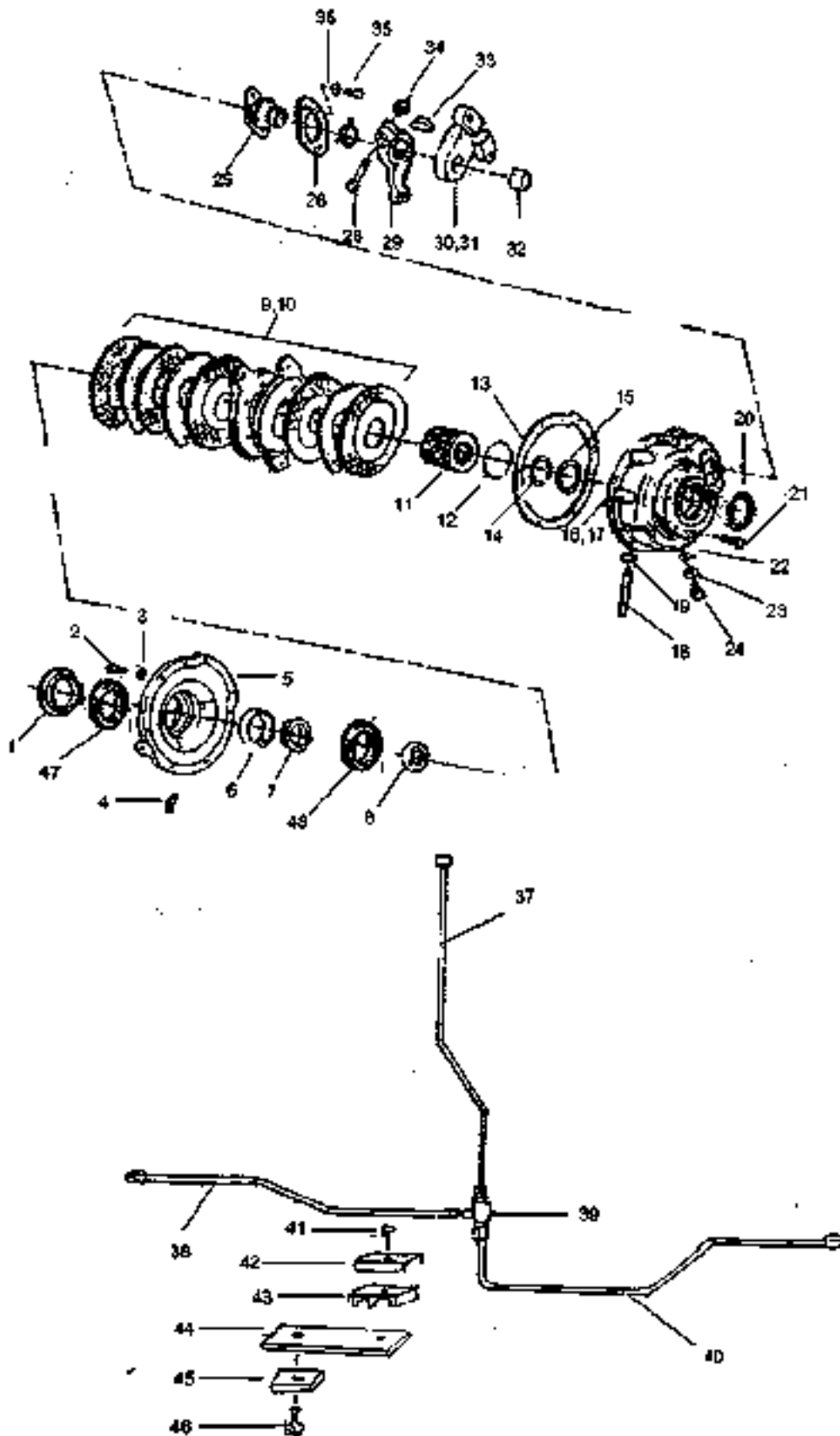


**BRAKES - MECHANICAL DISC TYPE**

**545 / 555 / 545 DTC / 555 DTC**

ITEM No.	PART No.	DESCRIPTION	VENDOR No.	QUANTITY			
				545	555	545 <sup>exc</sup>	555 <sup>exc</sup>
41	ESL10956	Bush, Support Arm	D10002880	2	-	2	-
42	ESL10956	Arm, Camshaft Support, RH	D10002870	1	-	1	-
43	ESL10964	Arm, Camshaft Support, LH	D10003890	1	-	1	-
44	ESL10953	Lever, Brake Camshaft	D10003210	1	-	1	-
45	304890S8	Bolt (7/16 - 14 x 2.50)	.	2	-	2	-
46	ESL10952	Clamp, Brake Camshaft	D93800010	1	-	1	-
47	ESL10951	Retainer, Brake Camshaft	D10003220	2	-	2	-
48	ESL10950	Boot, Brake Camshaft	D10003230	2	-	2	-
49	ESL10962	Tube & Breather Assembly	.	2	-	2	-

546 / 555 / 545 DTC / 555 DTC



ON IMMERSED DISC BRAKE

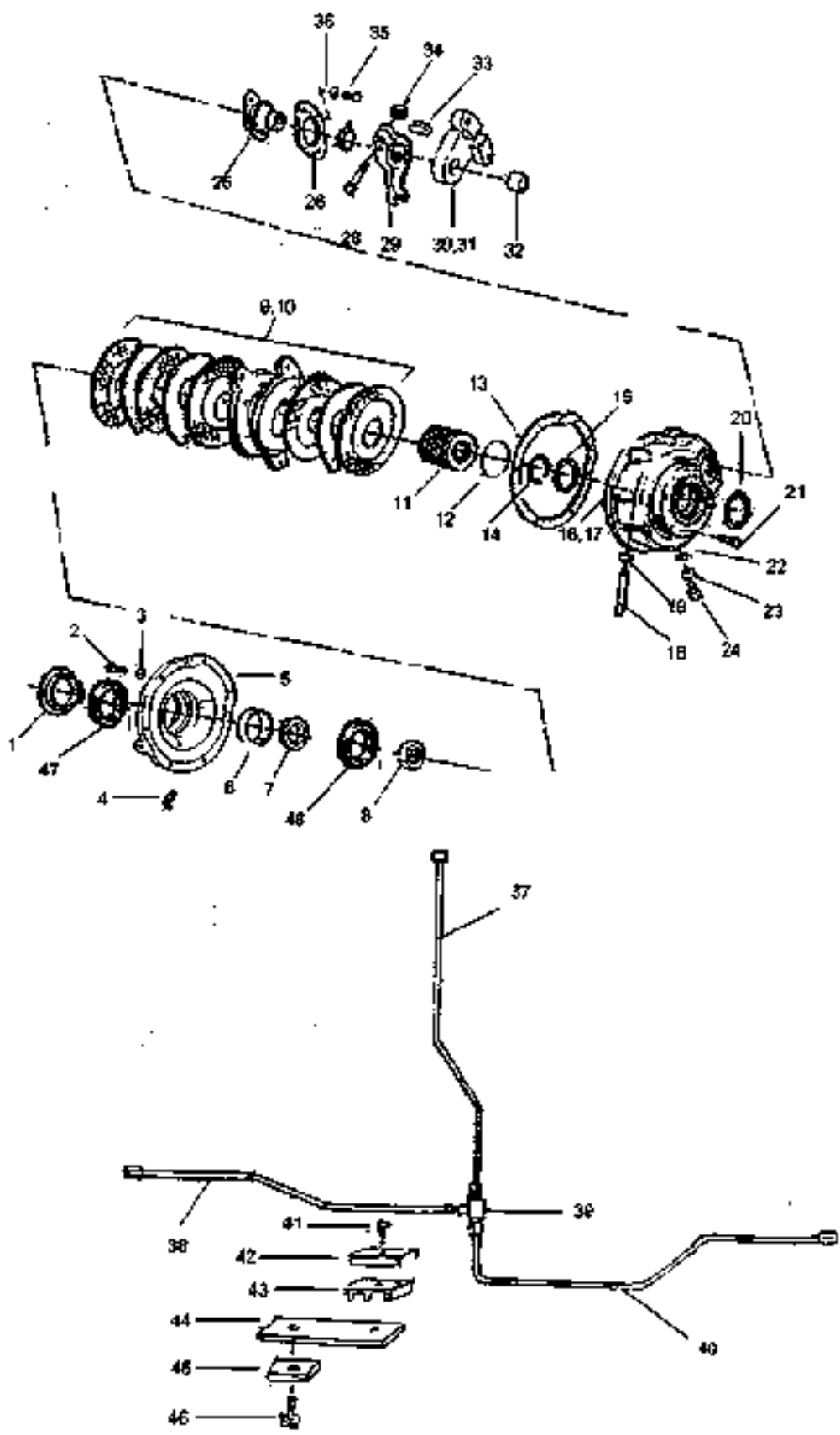
<https://tractormanualz.com/>

545 / 555 / 545 DTC / 555 DTC

ITEM No.	PART No.	DESCRIPTION	VENDOR No.	QUANTITY			
				545	555	545DTC	555DTC
1	ESL10927	Bush Rear Axle Brake Housing Outer	D10003490	-	2	-	2
2	ESL14482	Bolt Brake Housing Rear Axle	D10020040	-	16	-	16
3	377490S36	Washer, (1/2) Flat	D10003520	-	16	-	16
4	8791358	Grease Nipple, (1/8-27) Elbow Fitting	D92000010	-	2	-	2
5	ESL15434	Housing Rear Axle Brake Outer LH	D10083180	-	1	-	1
-	ESL15435	Housing Rear Axle Brake Outer RH	D10093190	-	1	-	1
6,7	ESL10931	Bearing Assembly Rear Axle Shaft	D10003500	-	2	-	2
8	ESL11810	Nut Rear Axle Shaft Lock	D10003580	-	2	-	2
9	ESL15436	Brake Assembly Rear Axle RH	D10093200A	-	1	-	1
10	ESL15437	Brake Assembly Rear Axle LH	D10093210	-	1	-	1
11	ESL15438	Sleeve Splined Brake Disc to Rear Axle	D10093220	-	2	-	2
12	ESL10942	Ring Sleeve Brake Disc Rear Axle Retaining	D10003370	-	2	-	2
13	ESL10843	Gasket Rear Axle Brake Housing	D10003570	-	2	-	2
14	ESL10844	Ring Rear Axle Brake Camshaft Snap	D10003250	-	2	-	2
15	ESL11698	Washer Rear Axle Brake Camshaft Thrust	D10003240	-	2	-	2
16	ESL15439	Housing Rear Axle Brake Inner RH	D10093160	-	1	-	1
17	ESL15440	Housing Rear Axle Brake Inner LH	D10093170	-	1	-	1
18	ESL11875	Screw Rear Axle Brake Adjusting	D10003270	-	2	-	2
19	33845-S36	Nut, (1/2-13) Hex	D83000050	-	2	-	2
20	ESL15441	Seal 'O' Ring	D10093270	-	1	-	1
21	ESL11759	Bolt 9/16-12x2.09 Hex Head Housing Inner	D10003290	-	20	-	20
22	34607-S36	Washer, (3/8) Spring Lock	D86000010	-	2	-	2
23	44726-S36	Washer, (3/8) Flat	D85000010	-	2	-	2
24	304650-S36	Bolt, (3/8-16x0.75) Hex Head	D81000150	-	2	-	2
25	ESL10950	Boot Rear Axle Brake Camshaft	D10003230	-	2	-	2
26	ESL10951	Retainer Rear Axle Brake Camshaft	D10003220	-	2	-	2
27	ESL10952	Clamp Spring Wire Hose (#26F)	D83800010	-	2	-	2
28	304890SB	Bolt 7/16-14x2.50 Hex Head	D81000130	-	2	-	2
29	ESL15507	Lever Rear Wheel Brake Camshaft	D10093280	-	1	-	1
30	ESL10954	Arm Rear Axle Brake Camshaft LH	D10003690	-	1	-	1
31	ESL10955	Arm Brake Camshaft RH	D10002870	-	1	-	1
32	ESL10956	Bushing Brake Cross Shaft	D10002980	-	2	-	2
33	741885	Key 1/4x1.25 Woodruff	D91000010	-	2	-	2
34	34670-S36	Nut 7/16-14 Hex	D83000040	-	2	-	2
35	ESL15538	Bolt 5/16-16x0.88 Hex Head	D81000140	-	4	-	4
36	34606-S36	Washer 5/16 Spring Lock	D86000040	-	4	-	4

OIL IMMERSED DISC BRAKE

545 | 555 | 545 DTC | 555 DTC

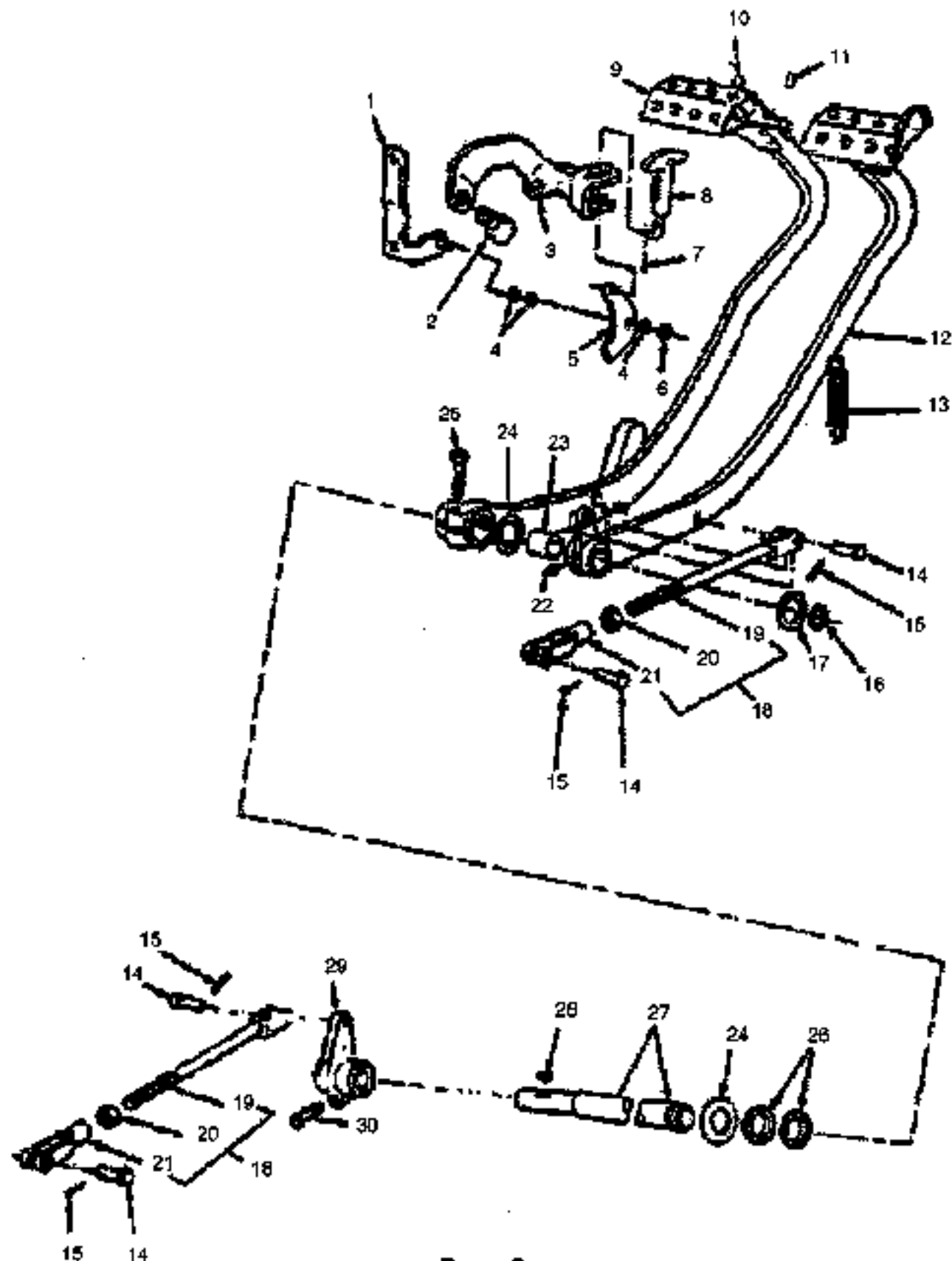


**OIL IMMERSED DISC BRAKE**

**545 / 555 / 545 DTC / 555 DTC**

ITEM No.	PART No.	DESCRIPTION	VENDOR No.	QUANTITY			
				545	555	545 <sup>opt</sup>	555 <sup>opt</sup>
37	ESL15413	Tube Assy. Main Hyd. Lift To Inn. Hsg.	D10108990	-	1	-	1
38	ESL15414	Tube Hyd. Lift To Inner Hsg. - LH	D10108980	-	1	-	1
39	ESL15432	Tea	D01500020	-	2	-	2
40	ESL15415	Tube Assy. Hyd. Lift To Inner Hsg. - RH	D10093500	-	1	-	1
41	ESL15426	Bolt, (M6x1.0x25 6G) Hex	D01500270	-	1	-	1
42	ESL15425	Plate Upper Hyd. Tubing	D10128940	-	1	-	1
43	ESL15424	Pad Tubing Power Steering	D10123300	-	1	-	1
44	ESL15428	Bracket Hyd. Pipe	D10128910	-	1	-	1
45	ESL15427	Bracket Hyd. Pipe	D10028250	-	1	-	1
46	ESL15429	Bolt, (5/8-11x1.50) Hex Head	D81000430	-	1	-	1
47	ESL10928	Seal, Outer Housing	-	-	1	-	1
48	ESL10933	Seal, Inner Rear Axle Shaft	D1003530	-	1	-	1

545 / 555 / 545 DTC / 555 DTC



### BRAKE CONTROLS

**545 / 555 / 545 DTC / 555 DTC**

Item No.	PART No.	DESCRIPTION	VENDOR No.	QUANTITY			
				545	555	545DTC	555DTC
1	ESL10966	Bracket, Parking Pawl	D10012270	1	1	1	1
2	304724S8	Bolt, Hex (7/16 - 14 x 1.25)	-	2	2	2	2
-	304686S8	Bolt, Hex (7/16 - 14 x 1.00)	-	2	2	2	2
3	ESL10969	Bracket, Parking Brake Control	D10012490	1	1	1	1
4	354236S8	Washer, Flat (1/2)	-	3	3	3	3
5	ESL10970	Pawl, Parking Brake Lever	D10012240	1	1	1	1
6	ESL10971	Ring Retaining (1/2)	D10012440	1	1	1	1
7	72003S8	Pin Cotter (1/16 x 1/2)	-	1	1	1	1
8	ESL10967	Rod, Parking Brake Control	-	1	1	1	1
9	ESL10979	Pedal Assembly, Brake LH	-	1	1	1	1
10	ESL10976	Handle, Brake Pedal Interlock	D10058890	1	1	1	1
11	ESL11924	Pin, Spring Roll (1/8 x 4.37)	D10106350	1	1	1	1
12	ESL10960	Pedal Assembly, Brake RH	D10012040	1	1	1	1
13	ESL13342	Spring, Pedal Retainer	D10012250	2	2	2	2
14	79919S8	Pin, Clevis (3/8 x 1.14)	-	4	4	4	4
15	72017S8	Pin, Cotter (1/8 x 0.75)	-	4	4	4	4
16	ESL10883	Lock Ring, Pedal Shaft	D10012470	1	1	1	1
17	ESL11701	Washer Thrust, Pedal Shaft	D10012480	1	1	1	1
18	ESL10984	Rod & Clevis Assembly	D10017720	-	-	-	-
19	-	Rod Clevis, Brake Control (NSS)	-	2	2	2	2
20	33925S8	Nut, Hex (3/8 - 24)	-	2	2	2	2
21	97013S8	Clevis (3/8 - 24 x 2.50)	-	2	2	2	2
22	ESL10968	Grease Nipple (1/4 - 28)	D92500050	1	1	1	1
23	ESL10947	Bush Set, Brake Pedal Shaft	D10075250	1	1	1	1
24	ESL11700	Washer, Brake Pedal Shaft	D10012260	2	2	2	2
25	304743S8	Bolt, Hex (7/16 - 14 x 1 3/8)	-	1	1	1	1
26	ESL10977	Seal, Brake Pedal Shaft	D10012560	2	2	2	2
27	ESL10974	Shaft, Brake Cross	D10012030	1	1	1	1
28	741B1S8	Key, Lever to Shaft (1/4 x 7/8)	-	2	2	2	2
29	ESL10972	Lever, Pedal Shaft to Clevis	D10012630	1	1	1	1
30	58655S8	Bolt, Hex (7/16 - 14 x 1.50)	-	1	1	1	1



---

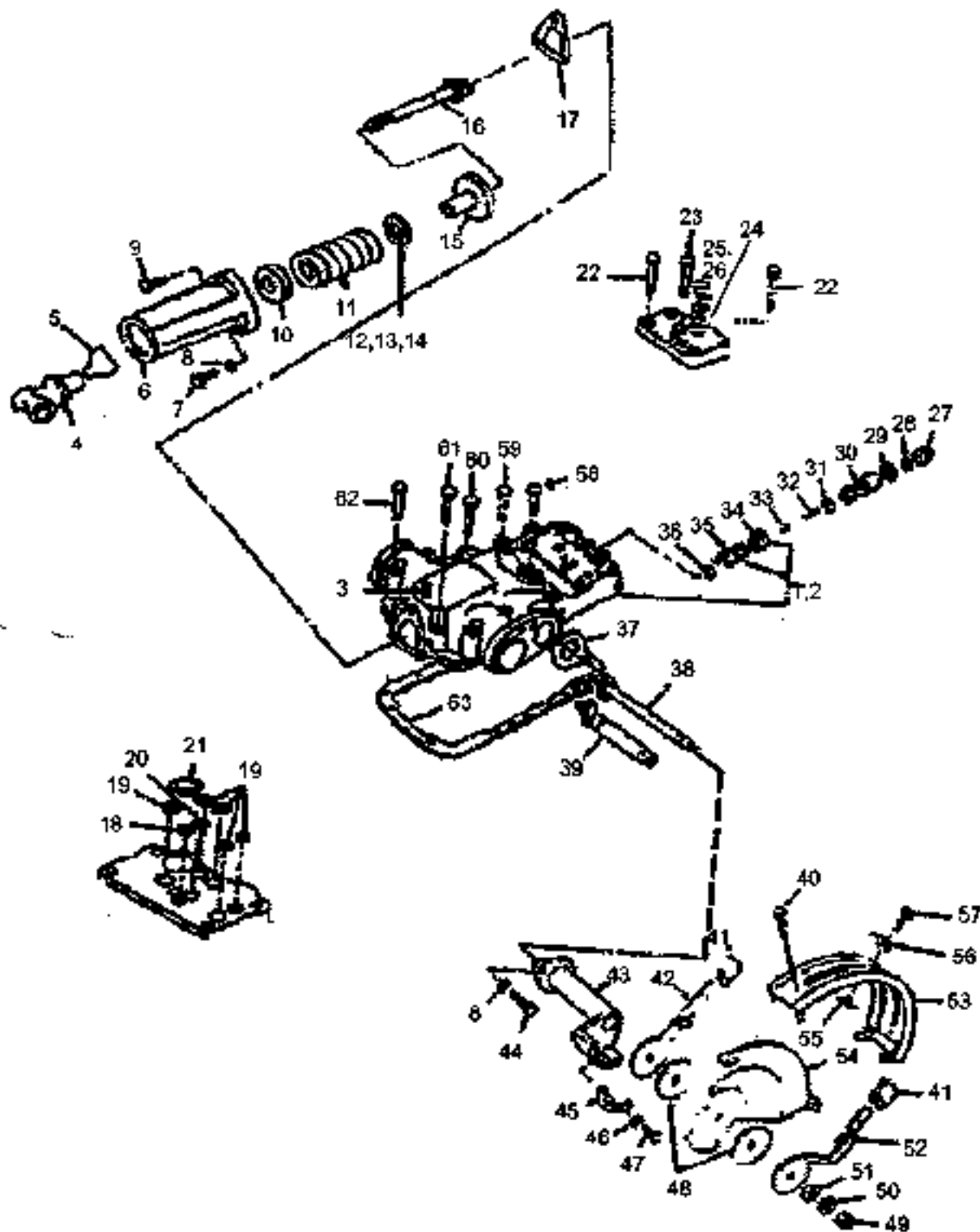
## Notes

545/555/545DTC/555DTC

SECTION 10

# *HYDRAULIC SYSTEM*

545 / 555 / 545 DTC / 555 DTC



### HYDRAULIC LIFT COVER

10:1

• SERIAL NUMBER BREAK •

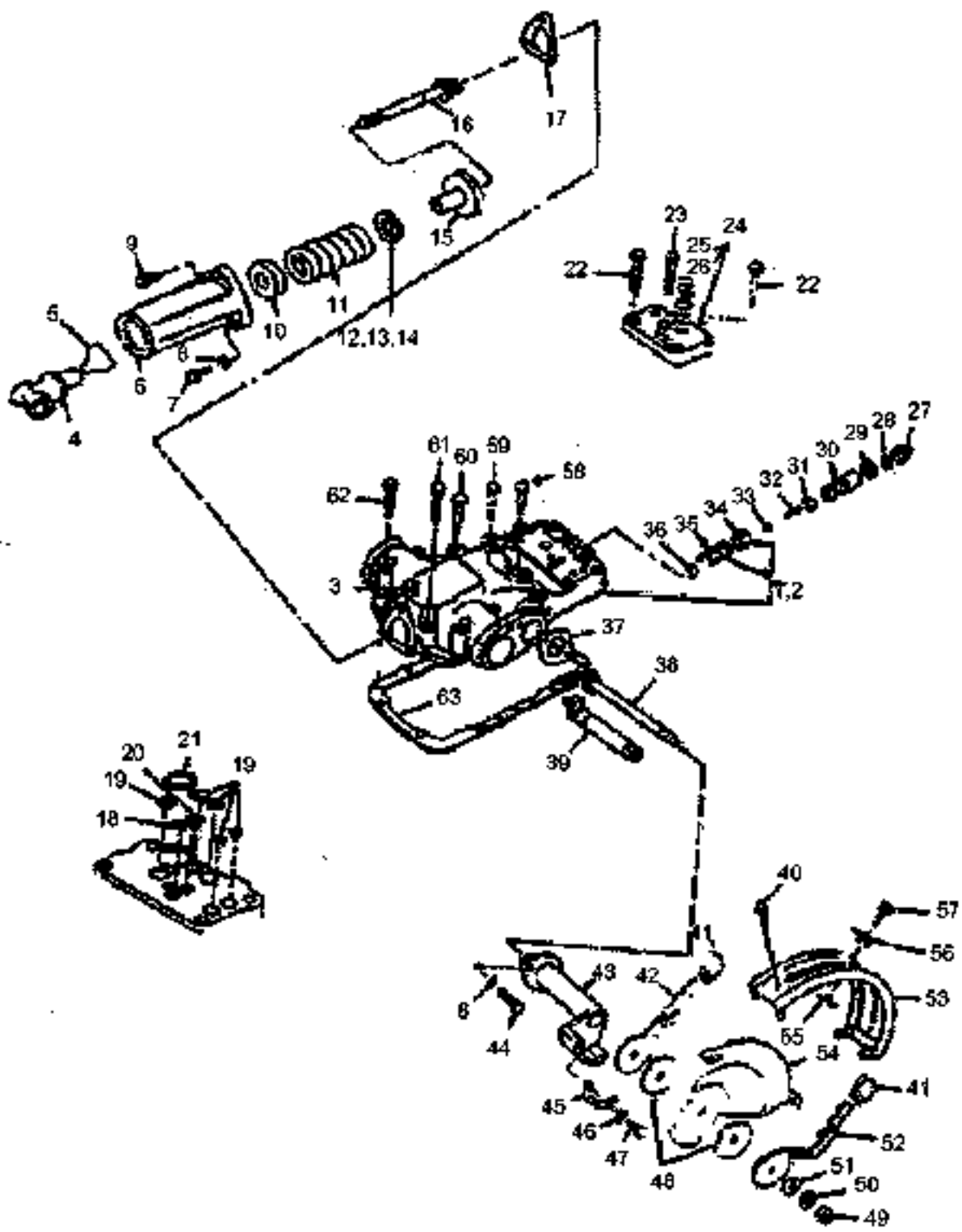


• INDICATES UP TO AND INCLUDING THAT SERIAL NUMBER

545 / 555 / 545 DTC / 555 DTC

ITEM No.	PART No.	DESCRIPTION	VENDOR No.	QUANTITY			
				545	555	545DTC	555DTC
1	ESL11028	Hydraulic Lift Assembly	D10026040	1	1	1	1
2	ESL10985	Top Cover, Hydraulic Lift	D10047710	1	1	1	1
3	ESL12486	Pin	D10077970	1	1	1	1
4	ESL11014	Yoke, Hydraulic Lift	D10069480	1	1	1	1
5	ESL11016	Boot Yoke, Hydraulic Lift	D10069470	1	1	1	1
6	ESL11017	Housing, Draft Control	-	1	1	1	1
7	ESL11909	Bolt, (7/16 - 14x2.88)	D10026050	2	2	2	2
8	34793S8	Washer Lock, (7/16)	-	3	3	3	3
9	ESL11763	Bolt	-	1	1	1	1
10	ESL11018	Seat Draft Control Spring	D10059510	1	1	1	1
11	ESL11019	Spring Lift Draft Control	D10068610	1	1	1	1
12	ESL11020	Shim Draft Control	D10069170	AR	AR	AR	AR
13	ESL11021	Shim Draft Control	D10069180	AR	AR	AR	AR
14	ESL11022	Shim Draft Control	D10069190	AR	AR	AR	AR
15	ESL11023	Seat Hydraulic Lift Spring	D10068630	1	1	1	1
16	ESL11024	Plunger Draft Control	D10077870	1	1	1	1
17	ESL11025	Gasket Draft Control Housing	D10072290	1	1	1	1
18	ESL10011	Seal 'O' Ring, (0.5 x 0.07)	D93600060	1	1	1	1
19	ESL10008	Seal 'O' Ring, (9/16 x0.103)	D93600190	5	5	5	6
20	ESL10010	Seal 'O' Ring, (0.437 x 0.07)	D93600050	1	1	1	1
21	ESL10982	Seal 'O' Ring, (13/16 x 0.103)	D10066630	1	1	1	1
22	379409S8	Bolt, (7/16 - 14)	-	2	2	2	2
23	304777S8	Bolt Hex, (5/16-18x1.5)	-	1	1	1	1
24	ESL10989	Cover Assembly Hydraulic Lift	D10069430	1	-	1	-
-	ESL15418	Cover Assembly Hydraulic Lift	D10115890	1*	1	1*	1
25	371433S8	Bolt Hex, (9/16-18x0.62)	-	1	1	1	1
26	ESL10990	Seal ASC Cover, (9/16)	D10066820	1	1	1	1
27	ESL11008	Plug Lift Check Valve	-	1	1	1	1
28	ESL11010	Seal, (0.364x0.066)	D10072340	2	2	2	2
29	ESL11011	Seal, (0.489x0.066)	D10069160	2	2	2	2
30	ESL11009	Retainer Lift Check Valve	D10068910	1	1	1	1
31	ESL10901	'O' Ring, (0.62x0.13)	D93600280	1	1	1	1
32	ESL11012	Spring Lift Check Valve	D10060590	1	1	1	1
33	ESL11013	Ball, (15/32)	D10066870	1	1	1	1
34	ESL10986	Seat Check Valve	D10068870	1	1	1	1
35	ESL10987	Sleeve Check Valve	-	1	1	1	1
36	ESL10988	'O' Ring Seal	-	1	1	1	1
37	ESL10988	Gasket	D10058860	1	1	1	1

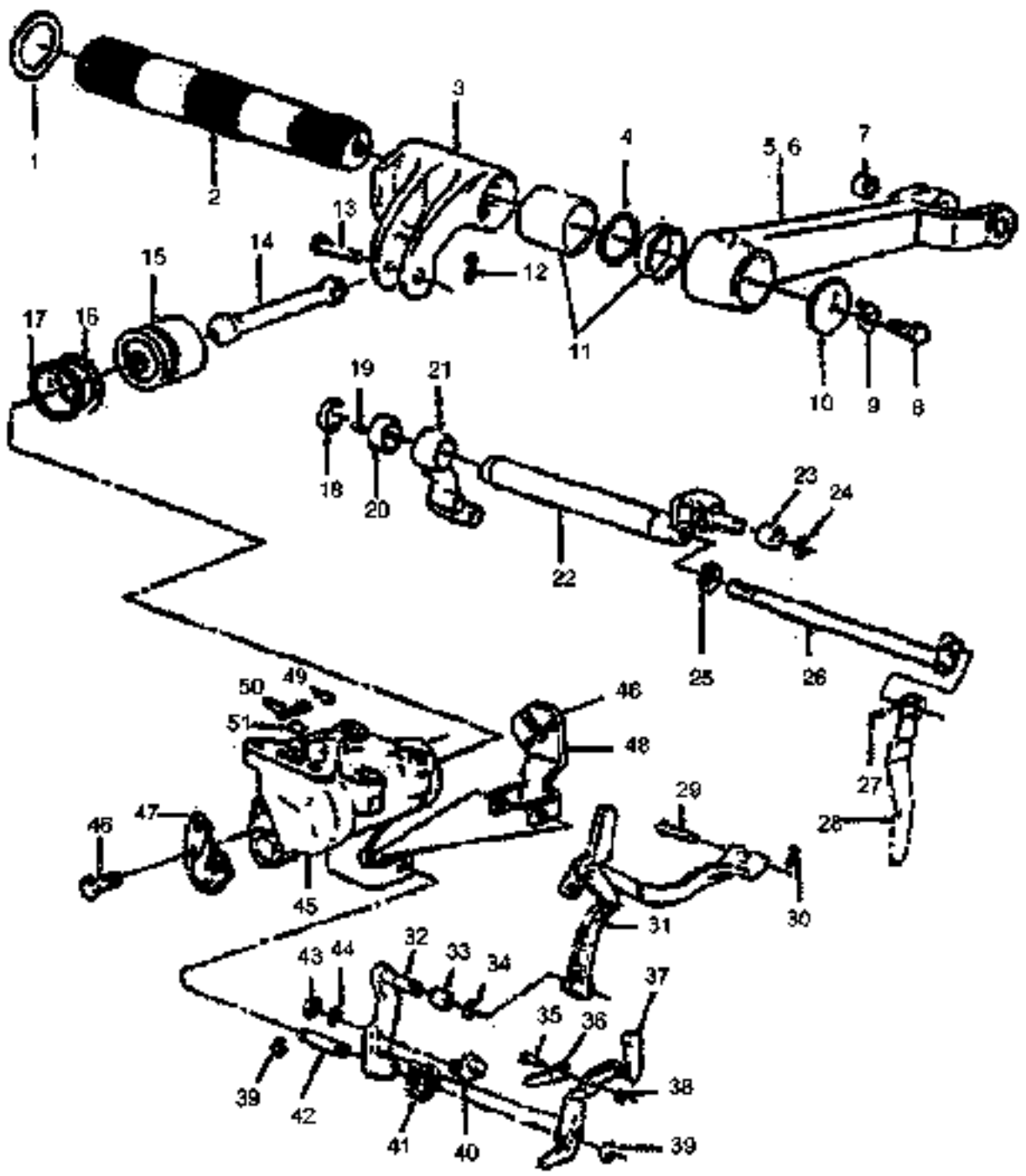
\*Optional



HYDRAULIC LIFT COVER

545 / 555 / 545 DTC / 555 DTC

ITEM No.	PART No.	DESCRIPTION	VENDOR No.	QUANTITY			
				545	555	545DTC	555DTC
38	ESL10996	Shaft, Lift Control Lever	D10072330	1	1	1	1
39	ESL10994	Shaft, Draft Selection	D10067580	1	1	1	1
40	56801S8	Bolt, Hex Head (1/4 - 20 x 0.5)	D10000000	2	2	2	2
41	ESL11006	Knob, Handle	D10017730	2	2	2	2
42	ESL11003	Handle, Draft Control	D10068990	1	1	1	1
43	ESL10987	Quadrant, Lift Control	D10069400	1	1	1	1
44	304686S8	Bolt, Hex (7/16 - 14 x 1.00)	-	2	2	2	2
46	ESL11001	Spacer, Control Lever	D10060820	AR	AR	AR	AR
46	-	Washer, Lock (3/8)	-	2	2	2	2
47	304722S8	Bolt, Hex (3/8 - 16 x 1.25)	-	2	2	2	2
48	ESL10999	Disc, Lift Control Friction	D10069270	2	2	2	2
49	34422B8	Nut, Hex Lock (7/16 - 20)	-	1	1	1	1
50	ESL11703	Washer, Spring	D10072320	1	1	1	1
51	ESL11702	Washer, Shaft Cup	D10072900	1	1	1	1
52	ESL11004	Handle, Position Control	D10069020	1	1	1	1
53	ESL11002	Quadrant, Lift Control	D10068170	1	1	1	1
54	ESL11000	Plate, Lift Control	D10067670	1	1	1	1
55	34464S8	Nut, Tee	-	1	1	1	1
56	ESL11006	Stop, Lift Control Lever	D10018490	1	1	1	1
57	ESL11007	Knob, Lift Control Stop	D10017580	1	1	1	1
58	58855S8	Bolt, Hex (7/16 - 14 x 1.50)	-	3	3	3	3
59	379414S8	Bolt, Hex (7/16 - 20 x 1.75)	-	3	3	3	3
60	58857S8	Bolt, Hex (7/16 - 14 x 2.00)	-	1	1	1	1
61	58862S8	Bolt, Hex (7/16 - 14 x 3.25)	-	4	4	4	4
62	58863S8	Bolt, Hex (7/16 - 14 x 3.50)	-	5	5	5	5
63	ESL10841	Gasket, Hydraulic Lift Cover	D10012170	1	1	1	1



**HYDRAULIC LIFT SHAFTS**

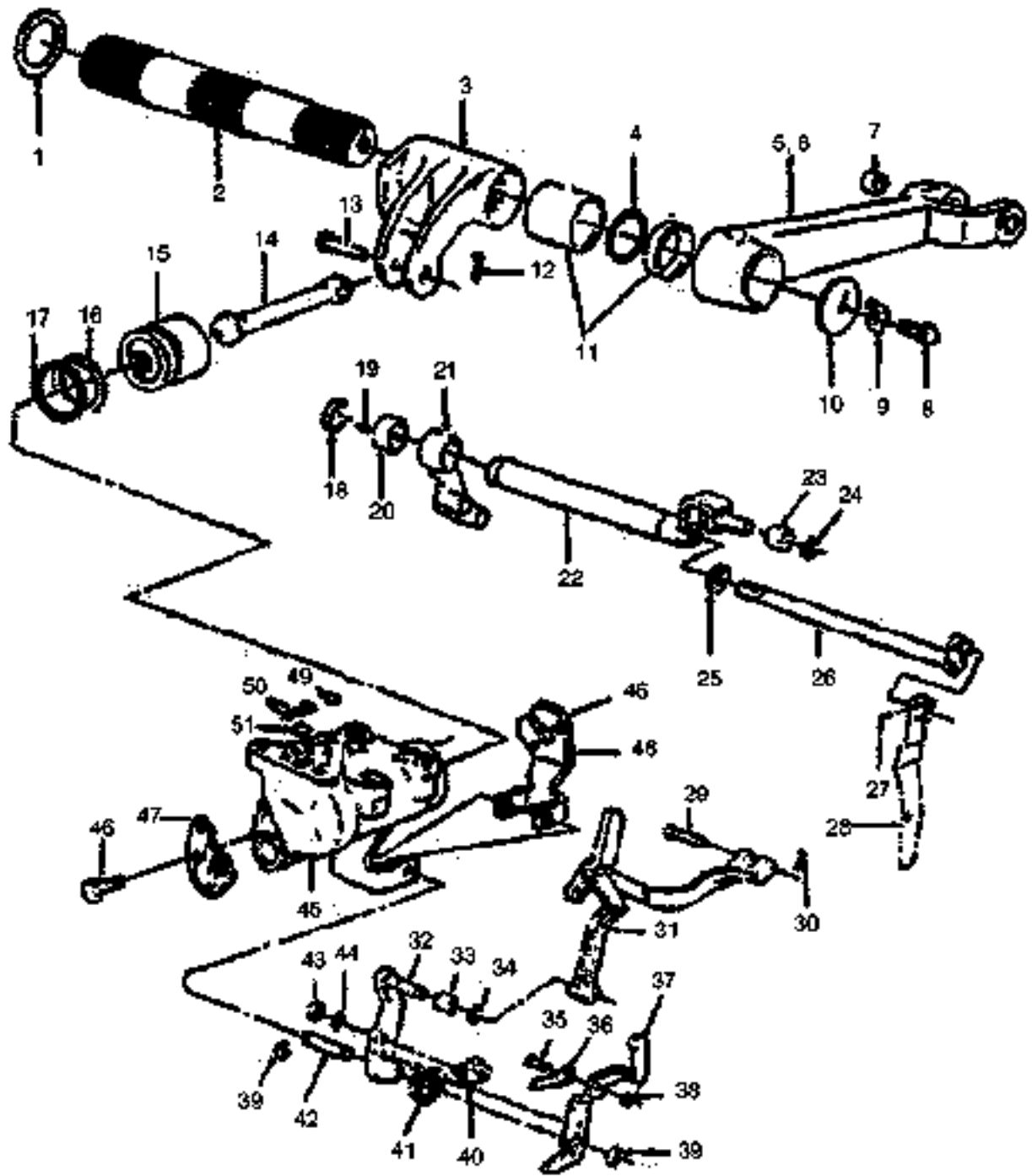
**545 / 555 / 545 DTC / 555 DTC**

ITEM No.	PART No.	DESCRIPTION	VENDOR No.	QUANTITY			
				545	555	545DTC	555DTC
1	ESL11704	Washer, Lift Shaft Thrust	D10069480	1	1	1	1
2	ESL11070	Shaft, Hydraulic Lift	D10058680	1	1	1	1
3	ESL11069	Arm, Hydraulic Lift Ram	D10077880	1	1	1	1
4	ESL11073	'O' Ring (2.00 x 0.21)	D93600220	2	2	2	2
5	ESL11074	Arm Assembly RH, Hydraulic (includes item #7)	D10013100	1	1	1	1
6	ESL11075	Arm Assembly LH, Hydraulic (includes item #7)	D10013110	1	1	1	1
7	ESL11076	Bush, Hydraulic Lift Arm	D10067140	4	4	4	4
8	304689S8	Bolt, Hex Head (1/2 - 20 x 1.00)	-	2	2	2	2
9	ESL11706	Washer, Lock	D10058700	2	2	2	2
10	ESL11705	Washer	D10058710	2	2	2	2
11	ESL11098	Bush, Hydraulic Lift Shaft (Consist of 2 each)	D10075490	2	2	2	2
12	7200598	Pin, Cotter (1/8 x 0.50)	-	1	1	1	1
13	74034S8	Pin, Clevis (5/16 x 2.0)	-	1	1	1	1
14	ESL11077	Rod, Connecting Hydraulic Lift	D10069450	1	1	1	1
15	ESL11078	Piston, Hydraulic Lift Cylinder	D10069380	1	1	1	1
16	ESL11079	'O' Ring, Hydraulic Lift Piston	D10077990	1	1	1	1
17	ESL11080	Sealing Ring, Hydraulic Lift Piston	D10069340	1	1	1	1
18	ESL11085	Ring, Control Shaft Retainer	D90000430	1	1	1	1
19	ESL11211	Key, Cam	D91000170	1	1	1	1
20	ESL10995	Cam, FC Valve Override Actuator	-	1	1	1	1
21	ESL11084	Lever Assembly, Lift Position Control	D10067590	1	1	1	1
22	ESL10984	Shaft Assembly, Draft Control Selection	D10067580	1	1	1	1
23	ESL11082	Roller, Lift Position Cam	D10067730	1	1	1	1
24	ESL11083	Ring, Retainer (3/8)	D90000410	1	1	1	1
25	ESL11707	Washer, Lift Shaft Thrust	D10067700	1	1	1	1
26	ESL10996	Shaft, Lift Control Lever	D10072330	1	1	1	1
27	305052S8	Pin, Spring Roll (1/8 x 0.75)	-	1	1	1	1
28	ESL11086	Lever, Hydraulic Lift Control	D10067690	1	1	1	1
29	379276S8	Pin, Clevis (3/8 - 1 - 21/32)	-	1	1	1	1
30	72017S8	Pin, Cotter (1/8 - 0.75)	-	1	1	1	1
31	ESL11088	Lever Assembly, Draft Control	D10086490	1	1	1	1
32	ESL11087	Lever Assembly, Lift Control Valve	D10066870	1	1	1	1
33	ESL11089	Roller, Cam Flow	D10067720	1	1	1	1
34	97470S8	Ring, Snap (7/16)	-	2	2	2	2
35	ESL11094	Pin, Lift Actuator Pivot	D10067750	1	1	1	1

**HYDRAULIC LIFT SHAFTS**



545 | 555 | 545 DTC | 555 DTC

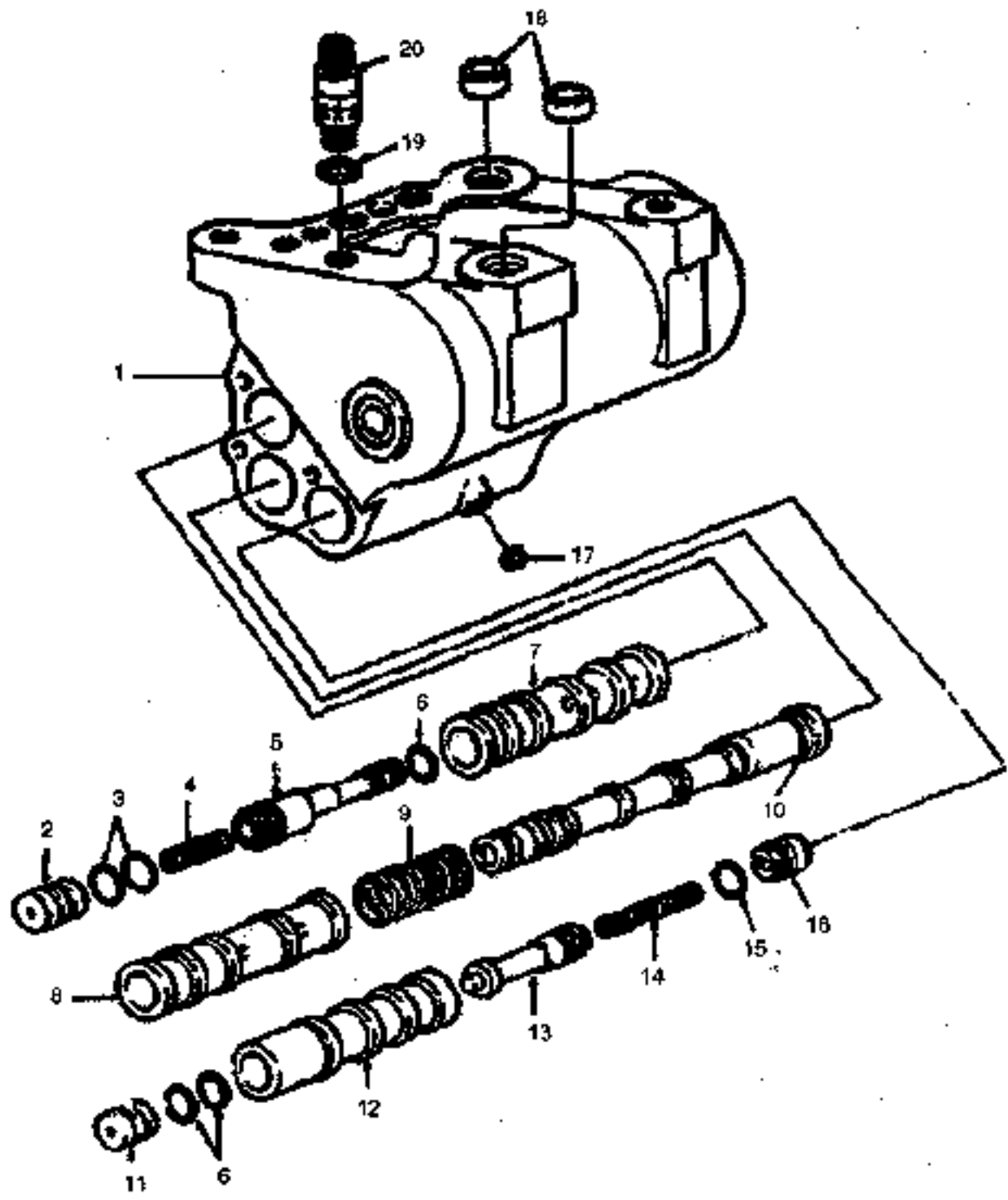


**HYDRAULIC LIFT SHAFTS**

545 / 555 / 545 DTC / 555 DTC

ITEM No.	PART No.	DESCRIPTION	VENDOR No.	QUANTITY			
				545	555	545 <sup>etc</sup>	555 <sup>etc</sup>
36	ESL11093	Actuator, Lift Valve	D10058580	1	1	1	1
37	ESL11092	Lever, Lift Control Valve	D10058910	1	1	1	1
38	97410S	Ring, Retaining (5/16)	-	1	1	1	1
39	97413S8	Ring, Retaining (1/2)	-	2	2	2	2
40	ESL11091	Shaft, Hydraulic Lift Control Lever	-	1	1	1	1
41	ESL11098	Spring, Lift Control Valve	D10058290	1	1	1	1
42	ESL11094	Pin, Lift Actuator Pivot	D10067750	1	1	1	1
43	33798S8	Nut, Hex (3/8-16)	-	1	1	1	1
44	-	Washer, Lock (3/8)	-	1	1	1	1
45	ESL11087	Cylinder & Valve Assembly (Includes Items #46-48)	D10081360	1	1	1	1
46	369873S8	Bolt, Hex Flange (5/16 - 18 x 0.75)	-	6	6	6	6
47	ESL11081	Baffle, Lift Cylinder Oil	D10077900	1	1	1	1
48	ESL11086	Plate, Valve Retainer, Rear	-	1	1	1	1
49	ESL10011	Seal O'Ring	D93600050	2	2	2	2
50	B7006S95	Seal O'Ring	-	2	2	2	2
51	ESL10010	Seal O'Ring	D93600050	1	1	1	1

545 | 555 | 545 DTC | 555 DTC

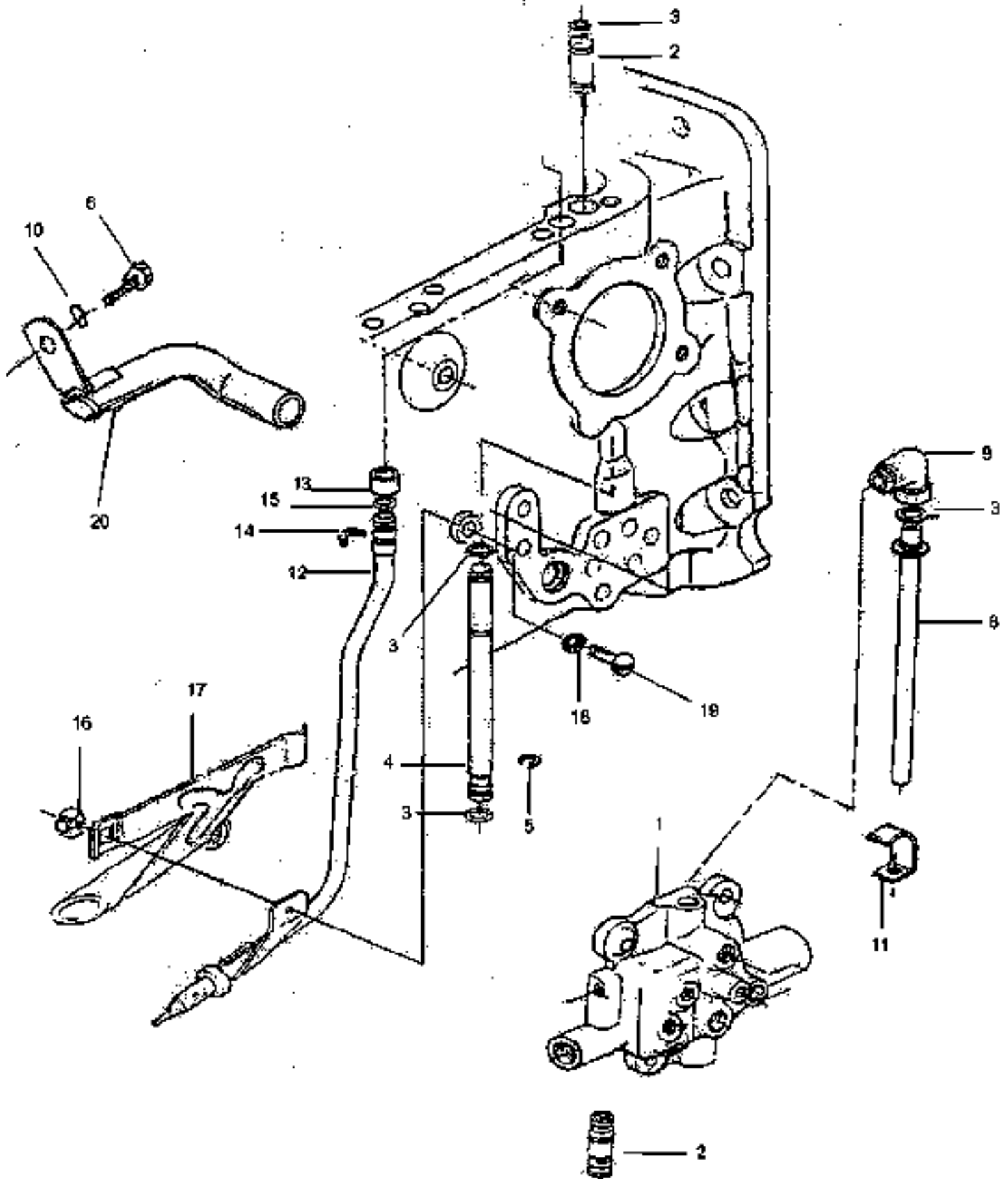


**HYDRAULIC LIFT CYLINDER**

545 / 555 / 545 DTC / 555 DTC

ITEM No.	PART No.	DESCRIPTION	VENDOR No.	QUANTITY			
				545	555	545 DTC	555 DTC
1	ESL10067	Cylinder & Valve Assembly (See Section 9-2 for Details. Also includes all Items of this section)	D10051030	1	1	1	1
2	ESL11029	Plug, Lift Unload Valve	D10050890	1	1	1	1
3	ESL11030	O' Ring (0.562 x 0.07)	D93600170	2	2	2	2
4	ESL11031	Spring, Lift Unload Valve	D10066650	1	1	1	1
5	ESL11032	Bushing, Unload Valve Rear (White)(NSS)	D10068920	1	1	1	1
6	ESL10011	O' Ring (0.5 x 0.07)	D93600060	3	3	3	3
7	-	Bushing, Unload Valve Rear (NSS)	-	1	1	1	1
8	-	Bushing, Control Valve (NSS)	-	1	1	1	1
9	ESL11061	Spring, Control Valve	D10051760	1	1	1	1
10	-	Valve & Sleeve Assembly (White)(NSS)	-	1	1	1	1
11	ESL11046	Plug, Lift Feathering Valve	-	1	1	1	1
12	-	Bushing Feathering Valve (NSS)	-	1	1	1	1
13	-	Feathering Valve (NSS)	-	1	1	1	1
14	ESL11047	Spring, Lift Feathering Valve	D10069030	1	1	1	1
15	ESL10010	O' Ring (0.437 x 0.07)	D93600050	1	1	1	1
16	ESL11046	Plug, Lift Feathering Valve	-	4	4	4	4
17	ESL11065	Plug, Pipe (1/8-27)	D93100060	2	2	2	2
18	ESL11064	Ring, Hydraulic Cylinder Dowel	-	1	1	1	1
19	ESL11063	Gasket, Lift Safety Valve	D10059200	1	1	1	1
20	ESL11062	Valve Assembly, Lift Safety	D10069570	1	1	1	1

545 / 555 / 645 DTC / 555 DTC

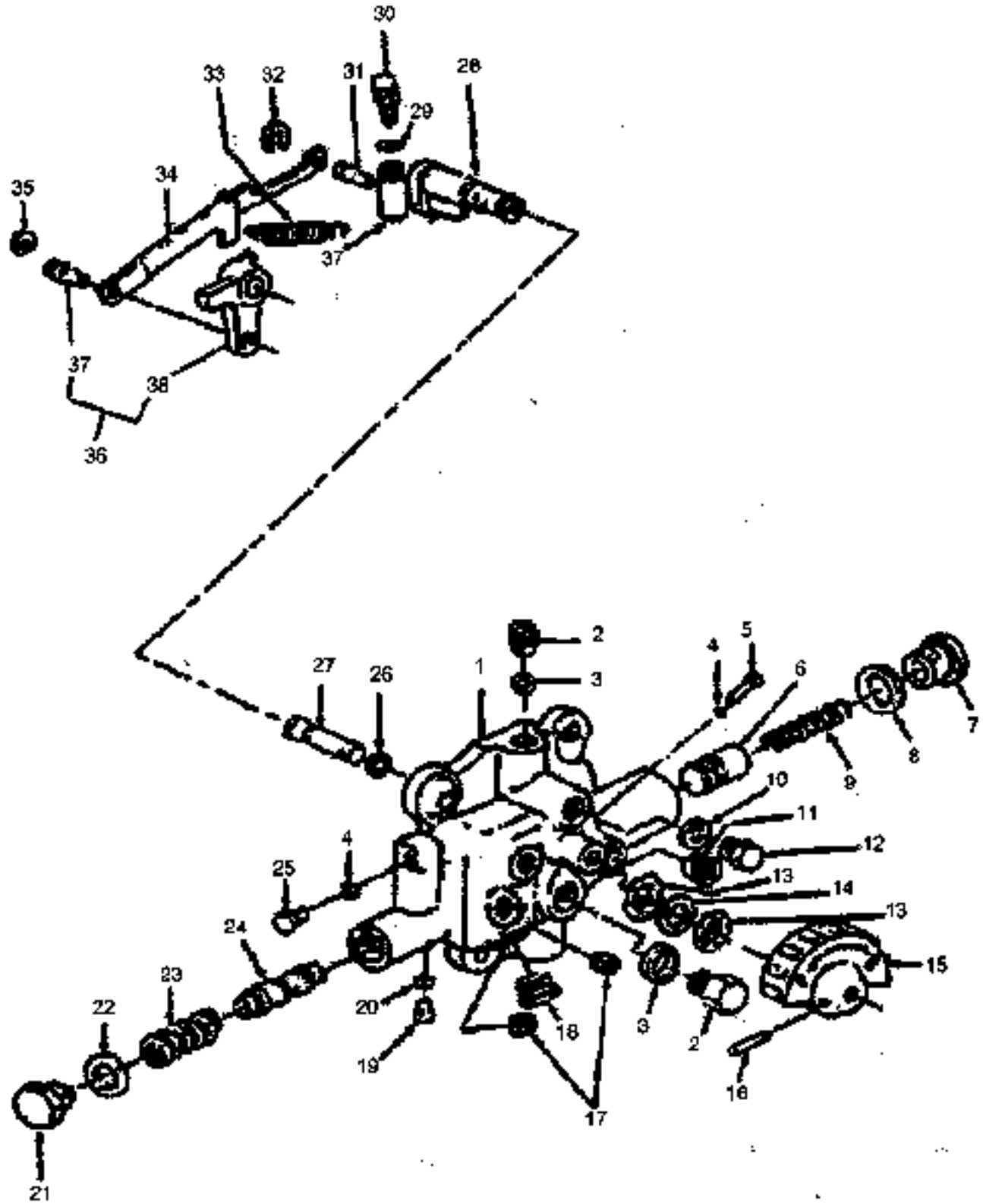


**HYDRAULIC FLOW SYSTEM**

**545 / 555 / 545 DTC / 555 DTC**

ITEM No.	PART No.	DESCRIPTION	VENDOR No.	QUANTITY			
				545	555	545 <sup>or</sup> 555 <sup>etc</sup>	
1	ESL11212	Valve Assembly Flow Control	D10027480	1	1	1	1
2	ESL11099	Tube Hydraulic Lift Pressure Upper	D10027510	2	2	2	2
3	ESL10011	Seal 'O' Ring (0.070x0.500)	D93600060	1	1	1	1
4	ESL15177	Tube Hydraulic Lift Pressure	D10027600	1	1	1	1
5	ESL11103	Ring Tube Hydraulic Lift Pressure	D10002480	1	1	1	1
6	ESL15180	Bolt, (M10x1.50x25-6G) Hex Head	D81500280	1	1	1	1
7	ESL12253	Hose Hydraulic Oil Return	D10027520	1	1	1	1
8	ESL11106	Tube Flow Control Valve Oil	D10027580	1	1	1	1
9	ESL14586	Elbow Hydraulic Oil Return	D10027530	1	1	1	1
10	N630069SB	Washer M10 Flat	D85500140	1	1	1	1
11	ESL11104	Clip Hydraulic Oil Flow Control	D10027540	1	1	1	1
12	ESL14484	Tube, Assembly Hydraulic Lift Cylinder	D10068080	1	1	1	1
13	ESL11107	Spacer Hydraulic Lift Sump Return	D10027590	1	1	1	1
14	ESL11108	Retainer Hydraulic Lift Sump Return	D10002390	2	2	2	2
15	ESL11109	Seal 'O' Ring (0.070x0.440)	D83600060	1	1	1	1
16	ESL14485	Nut (5/16-24)	-	1	1	1	1
17	ESL15176	Tube And Bracket Assembly	D10093290	1	1	1	1
18	ESL11111	Seal 5/16 Diameter Hydraulic Oil	D10002460	1	1	1	1
19	ESL15178	Bolt, (5/16-24x1.125) Hex Head	D81000680	1	1	1	1
20	ESL11112	Filter And Tube Assembly		1	1	-	-
20	ESL15179	Tube Assembly Strainer Inlet	D10104930	-	-	1	1

545 | 555 | 545 DTC | 555 DTC



**FLOW CONTROL VALVE**

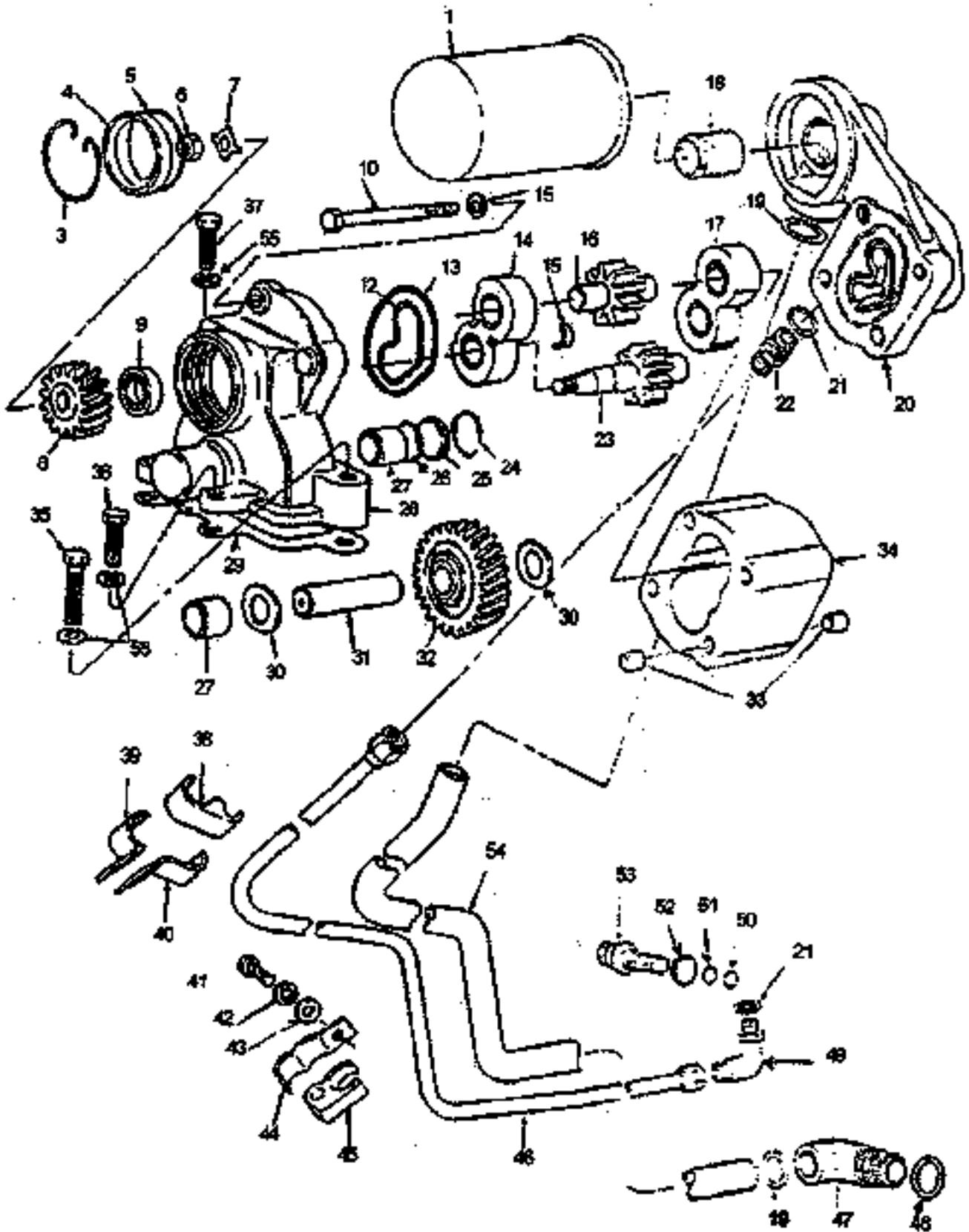
545 / 555 / 545 DTC / 555 DTC

ITEM NO.	PART NO.	DESCRIPTION	VENDOR NO.	QUANTITY			
				545	555	545DTC	555DTC
1	ESL11212	Flow Control Valve Assembly	D10027480	1	1	1	1
2	ESL11185	Plug	D10077250	1	1	1	1
3	ESL11186	Seal	D10072400	1	1	1	1
4	ESL11189	Seal, Hydraulic Oil (1/4)	-	1	1	1	1
5	ESL11192	Pin, Restrictor Retainer	-	1	1	1	1
6	ESL11201	Spool, Valve Assembly	-	1	1	1	1
7	ESL11198	Plug	D10077290	1	1	1	1
8	ESL11189	Seal	-	1	1	1	1
9	ESL11200	Spring, Valve Assembly	-	1	1	1	1
10	ESL11187	Seal, Hydraulic Oil (7/16)	D10105920	1	1	1	1
11	ESL11189	Plug	D93100040	1	1	1	1
12	304631S8	Bolt	-	1	1	1	1
13	973573S9	Spring Washer	-	2	2	2	2
14	44730-S8	Washer	-	1	1	1	1
15	ESL11183	Knob, Flow Control Valve	D10072410	1	1	1	1
16	ESL11184	Roll Pin	-	1	1	1	1
17	ESL11188	Plug	D93100150	2	2	2	2
18	ESL11191	Plug	-	1	1	1	1
19	ESL11879	Screw	-	1	1	1	1
20	ESL11190	Seal	-	1	1	1	1
21	ESL11194	Plug, Valve Plunger	D10106260	1	1	1	1
22	ESL11195	Seal (3/4)	D10077260	1	1	1	1
23	ESL11196	Spring, Valve Plunger	-	1	1	1	1
24	-	Plunger, Flow Control Valve (NSS)	-	1	1	1	1
25	ESL11765	Bolt	-	1	1	1	1
26	ESL11182	Seal	D93600310	1	1	1	1
27	ESL11181	Restrictor Shaft	-	1	1	1	1
28	ESL11179	Restrictor	-	1	1	1	1
29	ESL11204	Shim, Flow control Valve	D10026090	AR	AR	AR	AR
30	ESL11203	Follower, Flow Control Valve	D10026080	1	1	1	1
31	ESL11180	Pin	-	1	1	1	1
32	ESL11207	Ring	D90000120	1	1	1	1
33	ESL11206	Spring, Hydraulic Lift Tension	D10027570	1	1	1	1
34	ESL11209	Link, Flow Control Valve Retainer	-	1	1	1	1
35	ESL11210	Ring	D90000130	1	1	1	1
36	ESL12279	Lever Assembly	D10027550	1	1	1	1
37	ESL11205	Adjuster, Flow Control Valve	D10026070	1	1	1	1

### FLOW CONTROL VALVE



545 / 555 / 545 DTC / 555 DTC



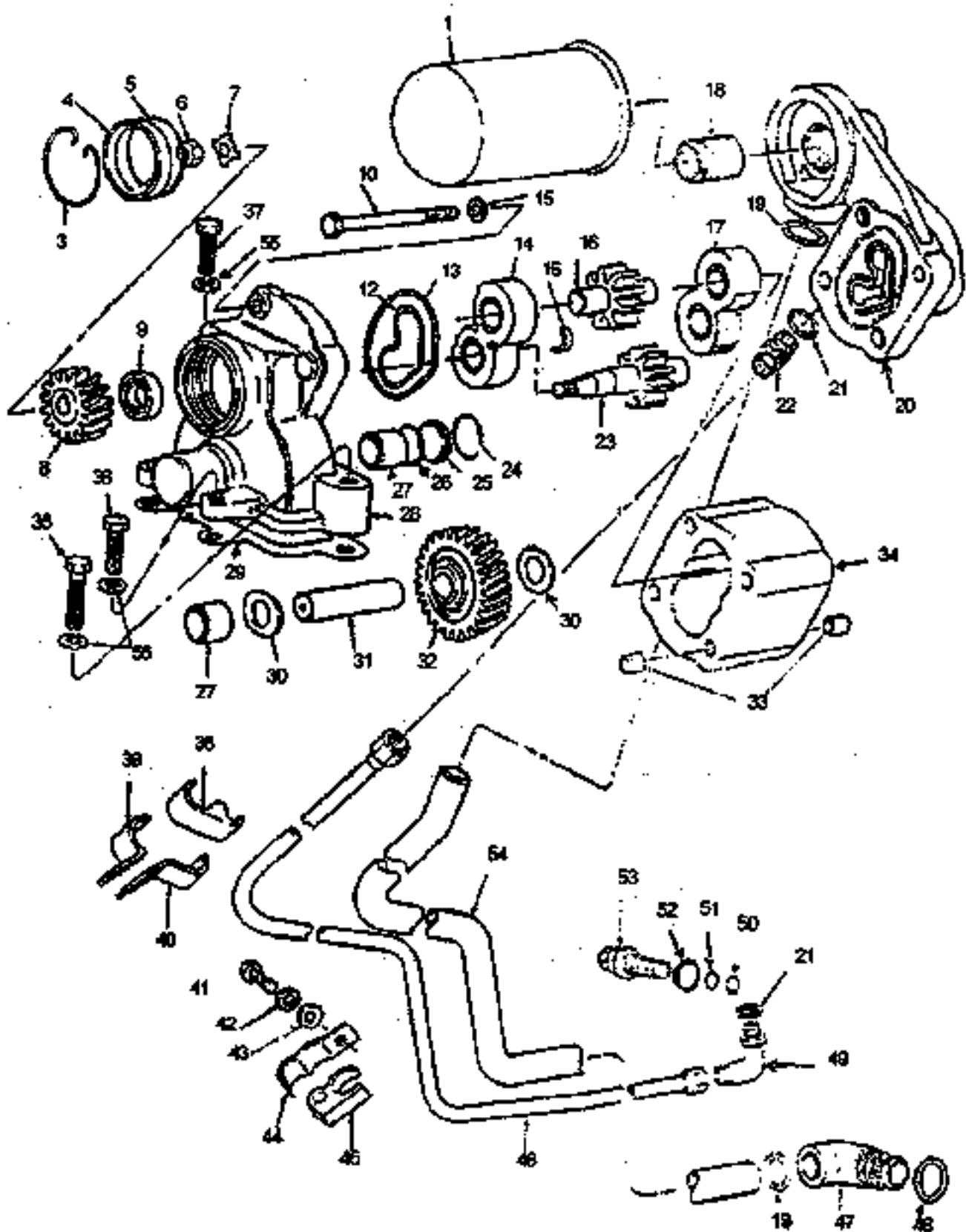
### HYDRAULIC PUMP

545 / 555 / 545 DTC / 555 DTC

ITEM NO.	PART NO.	DESCRIPTION	VENDOR NO.	QUANTITY			
				545	555	545DTC	555DTC
1	ESL11255	Filter Assembly	D10026160	1	1	1	1
2	ESL11276	Pump Assembly, Hydraulic (9 gpm) (Includes Items #3-20,23-34)	D10026150	1	1	1	1
3	ESL11251	Circlip	-	1	1	1	1
4	-	Cover, External Gear (NSS)	D90000400	1	1	1	1
5	ESL11250	O' Ring Seal	-	1	1	1	1
6	34890S8	Nut	D93600240	1	1	1	1
7	ESL11881	Spring Washer	-	1	1	1	1
8	ESL12280	Gear, External	-	1	1	1	1
9	ESL11239	Seal, Shaft	D10080490	1	1	1	1
10	ESL11787	Bolt, Hex Head	D10058200	4	4	4	4
11	34807S8	Spring Washer	-	4	4	4	4
12	-	Ring, Pressure Loading (NSS)	-	2	2	2	2
13	-	Sealing Ring (NSS)	-	2	2	2	2
14	-	Bearing Assembly (NSS)	-	1	1	1	1
15	-	Stiffener Strip (NSS)	-	2	2	2	2
16	-	Gear, Driven (NSS)	-	1	1	1	1
17	-	Bearing Assembly (NSS) (Used only in 4.5 gpm Pump)	-	1	1	1	1
18	ESL11252	Adaptor, Filter	-	2	2	2	2
19	ESL11238	O' Ring (1.125 x 0.139)	-	1	1	1	1
20	-	Cover (NSS)	D93600060				
21	86483-S95	O'Ring (1.00"0.139)	-	2	2	2	2
22	86301S8	Connector (1/2-3/4-16)	-	1	1	1	1
23	-	Gear, Driving (NSS)	-	1	1	1	1
24	ESL11237	Circlip	-	1	1	1	1
25	ESL11245	Plug	D90000420	1	1	1	1
26	ESL11244	O' Ring	-	1	1	1	1
27	-	Bushing (NSS)	-	2	2	2	2
28	-	Housing Assembly (NSS)	-	1	1	1	1
29	ESL11256	Gasket, Pump to Block	-	1	1	1	1
30	ESL11882	Washer	-	2	2	2	2
31	-	Body, Hydraulic Pump (NSS)	-	1	1	1	1
32	ESL12281	Gear, Idler	-	1	1	1	1
33	ESL11246	Dowel	D10058140	4	4	4	4
34	ESL11236	Shaft, Idler Gear	-	1	1	1	1
35	353374S8	Bolt, Hex Head (3/8 - 16 2.38)	-	1	1	1	1
36	304760-S36	Bolt, Hex Head (3/8 - 18*1.50)	D81000190	2	2	2	2
37	385894S8	Bolt, Hex Head (3/8 - 18*1.50)	-	1	1	1	1
38	ESL11263	Grommet	-	1	1	1	1
39	ESL11260	Bracket	D10012190	1	1	1	1
40	ESL11262	Bracket	-	1	1	1	1

HYDRAULIC PUMP

545 | 555 | 545 DTC | 555 DTC



### HYDRAULIC PUMP



HYDRAULIC SYSTEM

545 / 555 / 545 DTC / 555 DTC

ITEM No.	PART No.	DESCRIPTION	VENDOR No.	QUANTITY			
				545	555	545DTC	555DTC
41	46008-S36	Bolt, Hex Head (3/8-16 1.00)	D81000280	1	1	1	1
42	44726-S36	Washer, Flat (3/8)	D85000010	1	1	1	1
43	34807-S36	Spring Washer (3/8)	D86000010	1	1	1	1
44	ESL11265	Bracket	-	1	1	1	1
45	ESL11258	Grommet	D10012210	1	1	1	1
46	ESL11267	Tube, Pump Pressure	D10021520	1	1	1*	1*
.	ESL15409	Tube Assy. Hyd. Pump Pressure	D10118810	1*	1*	1	1
47	ESL11269	Elbow, Pump Inlet	D10002050	1	1	1	1
48	87057S94	O'Ring (1.25 0.139)	-	1	1	1	1
49	86327S8	Elbow, Pressure Tube	-	1	1	1	1
50	ESL11274	O'Ring	D10065340	1	1	1	1
51	ESL11273	O'Ring	D10077300	1	1	1	1
52	ESL11272	O'Ring	D10065370	1	1	1	1
53	ESL11271	Valve Assembly, Pump Relief	-	1	1	1	1
54	ESL11266	Tube, Pump Inlet	D10021530	1	1	1	1
55	34807-S36	Washer, Lock (3/8)	D86000010	4	4	4	4

\*Optional

HYDRAULIC PUMP

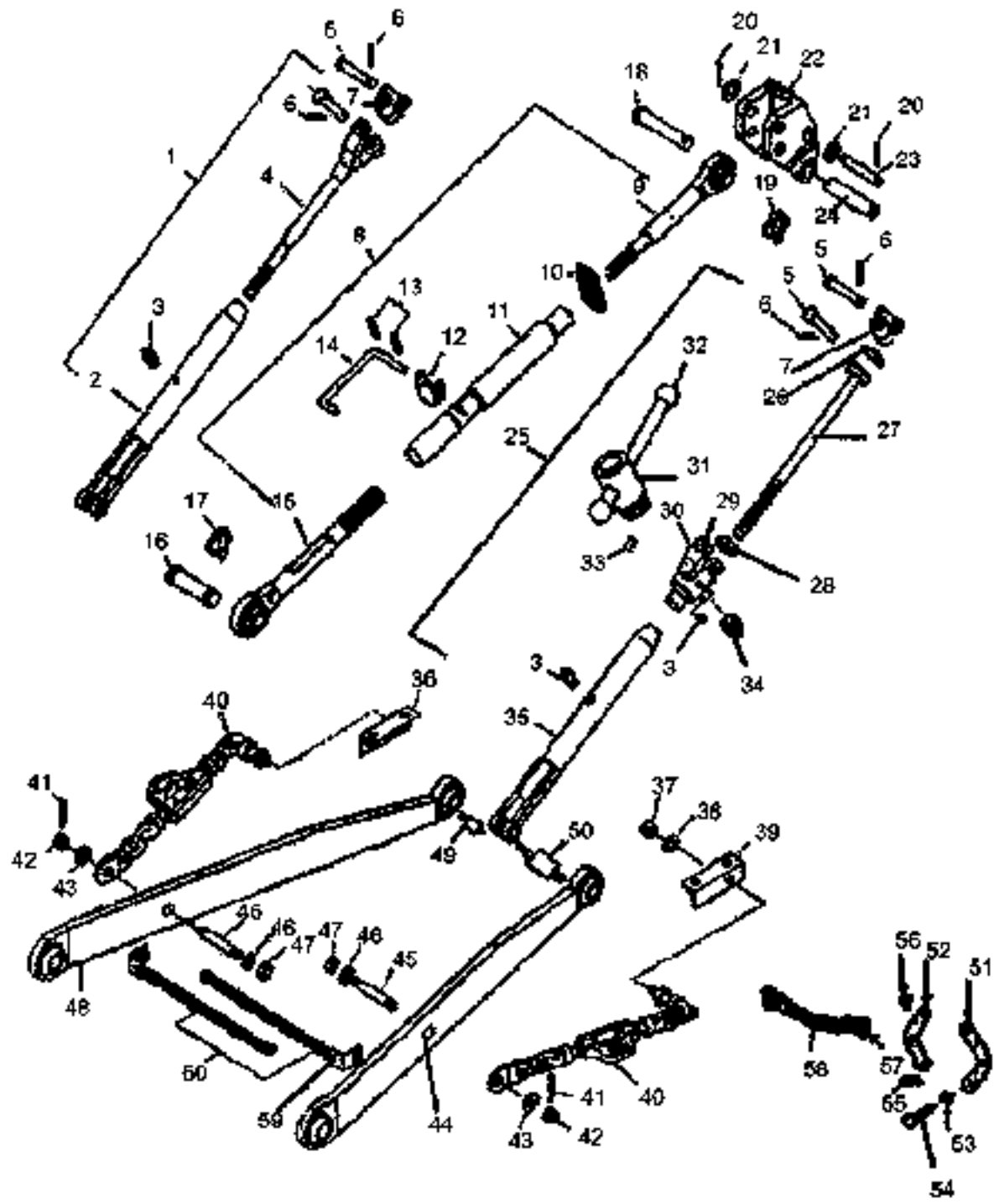


**545 / 555 / 545 DTC / 555 DTC**

ITEM No.	PART No.	DESCRIPTION	VENDOR No.	QUANTITY			
				545	555	545DTC	555DTC
1	ESL11164	Rod Assembly, LH	D10011870	1	1	1	1
2	-	Fork, Lift Level Rod (NSS)	-	1	1	1	1
3	ESL10866	Grease Nipple (1/4-26)	D92500050	3	3	3	3
4	-	Rod, Hydraulic Lift Link (NSS)	-	1	1	1	1
5	ESL11143	Pin, Link to Lift Arm	D10012460	4	4	4	4
6	72035S8	Pin, Cotter (1/8x1.00)	-	4	4	4	4
7	ESL11141	Knuckle, Rod Assembly LH	D10058800	2	2	2	2
8	ESL14566	Link Assembly, Upper Lift (Call)	D10028870	1	1	1	1
9	ESL11122	Link & Ball, RH Thread	D10107500	1	1	1	1
10	ESL11120	Retainer, Upper Lift Link	D10089660	1	1	1	1
11	-	Housing, Upper Link (NSS)	-	1	1	1	1
12	-	Clamp, Upper Link (NSS)	-	1	1	1	1
13	-	Pin (NSS)	-	1	1	1	1
14	ESL11117	Latch, Upper Link	D10107510	1	1	1	1
15	ESL14588	Link & Ball, LH Thread	-	2	2	2	2
16	ESL11125	Pin, Upper Lift Link	D10012620	2	2	2	2
17	ESL11126	Pin & Ring Assembly, Linch	D10017310	1	1	1	1
18	ESL11135	Check Chain Assembly, Link	D10018430	2	2	2	2
19	-	Bracket	-	2	2	2	2
20	72055S8	Pin, Cotter (3/16 x 1.25)	-	1	1	1	1
21	ESL11708	Washer, Rocker to Yoke Pin	D10012180	1	1	1	1
22	ESL11113	Rocker, Hydraulic Lift Upper	D10012130	1	1	1	1
23	ESL11115	Pin, Rocker to Yoke Clevis	D10012810	1	1	1	1
24	ESL11114	Bush, Hydraulic Lift Rocker	D10012180	1	1	1	1
25	ESL11166	Box Assembly, Lift Leveling	D10021930	1	1	1	1
26	ESL11159	Plug, Expansion	D93100050	1	1	1	1
27	-	Shaft, Lift Leveling Gear (NSS)	-	1	1	1	1
28	-	Bearing Assembly, Lift Lever Gear (NSS)	-	1	1	1	1
29	-	Box Hydraulic Lift Lever (NSS)	-	1	1	1	1
30	383904S8	Washer, Spring (0.50)	-	1	1	1	1
31	ESL11151	Lever, Hydraulic Lift Leveling	D10105220	1	1	1	1
32	-	Lever, Knob, Hydraulic Lift Leveling (NSS)	-	1	1	1	1
33	ESL11165	Rivet	D10092220	1	1	1	1
34	ESL11149	Gear, Hydraulic Lift Leveling Lever	D10058810	1	1	1	1
35	-	Fork, Lift Level Rod (NSS)	-	1	1	1	1
36	900645	Bracket, LH, Check Chain	-	1	1	1	1
37	N620016S8	Nut	-	2	2	2	2
38	N630072S8	Washer	-	2	2	2	2
39	900646	Bracket RH, Check Chain	-	1	1	1	1
40	ESL12081	Check Chain & Bracket Assembly	-	2	2	2	2

**HYDRAULIC LIFT LINKAGES**

545 / 555 / 545 DTC / 555 DTC

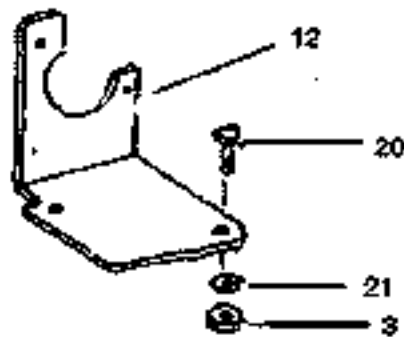
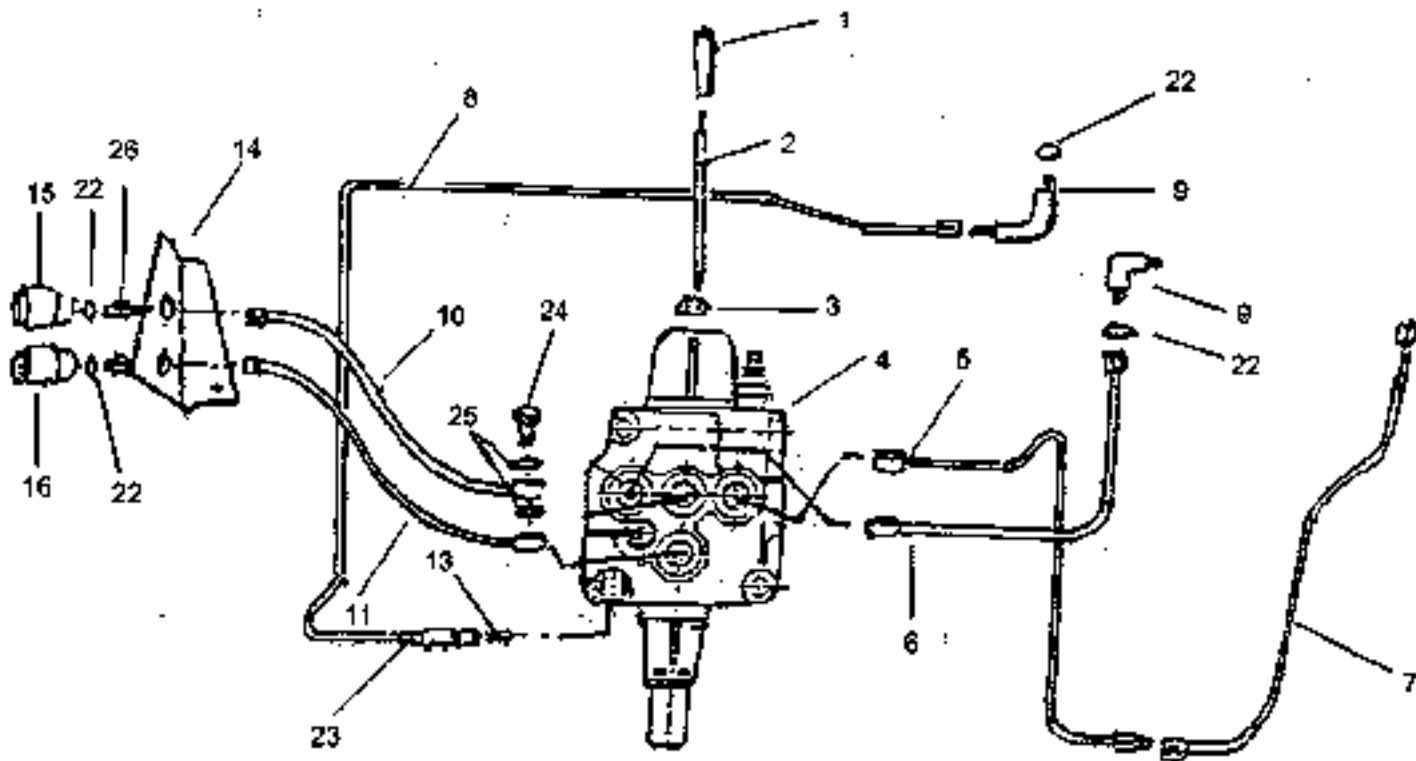


HYDRAULIC LIFT LINKAGES

### 545 / 555 / 545 DTC / 555 DTC

ITEM No.	PART No.	DESCRIPTION	VENDOR No.	QUANTITY			
				545	555	545 <sub>DTC</sub>	555 <sub>DTC</sub>
41	72053S8	Pin, Cotter (1/8-1.25)	-	2	2	2	2
42	33987S8	Nut (5/8-18)	-	2	2	2	2
43	44742S8	Washer (5/8)	-	2	2	2	2
44	ESL14507	Lower Link Assembly RH (CAT I)	-	1	1	1	1
45	ESL12067	Pin	D10021820	2	2	2	2
46	377184S8	Washer, Flat	-	2	2	2	2
47	351090S8	Nut, Hex Lock (7/16-20)	-	2	2	2	2
48	ESL14508	Lower Link Assembly LH (CAT I)	-	1	1	1	1
49	ESL11134	Shaft, Lower Link Support LH	D10070590	1	1	1	1
50	ESL11132	Shaft, Lower Link Support RH	D10070600	1	1	1	1
51	ESL11136	Anchor, RH	D10004130	1	1	1	1
52	ESL11140	Anchor, LH	D10004140	1	1	1	1
53	34808-S36	Washer, Lock (7/16)	D86000020	4	4	4	4
54	359264S8	Bolt, Hex Head (7/16-14x1.38)	-	4	4	4	4
55	380733S8	Pin, Clevis (3/8x1.56)	-	4	4	4	4
56	72026S8	Pin, Cotter (1/8-0.875)	-	4	4	4	4
57	ESL11138	Clevis, Lower Lift Link	D10018370	4	4	4	4





**DOUBLE ACTING SPOOL VALVE**

545 / 555 / 545 DTC / 555 DTC

ITEM No.	PART No.	DESCRIPTION	VENDOR No.	QUANTITY			
				545	555	545 <sub>DTC</sub>	555 <sub>DTC</sub>
1	ESL15557	Knob	-	1	1	1	1
2	ESL15558	Lever Assembly	-	1	1	1	1
3	N620013S8	Nut, (M8x1.25-6) Hex	D83500230	2	2	2	2
4	ESL14505	Valve Assy. Hyd. Single	D10089820	1	1	1	1
5	ESL15406	Tube Assy. Spool Valve Inlet	D10108800	1	1	1	1
6	ESL15407	Tube Assy. Spool Valve To Hyd. Lift	D10108780	1	1	1	1
7	ESL15409	Tube Assy. Hyd. Pump Pressure	D10118610	1	1	1	1
8	ESL15410	Tube Assy. Spool Valve Return	D10124610	1	1	1	1
9	ESL11288	Elbow, (3/4)	D91500010	2	2	2	2
10	ESL15411	Tube Assy. Hyd. Control Valve Upper	D10108820	1	1	1	1
11	ESL15412	Tube Assy. Hydr. Control Valve Lower	D10108830	1	1	1	1
12	ESL15416	Bracket Spool Valve Mounting	D10118140	1	1	1	1
13	ESL15417	Adapter Hyd. Oil Return (3/4 and (M12)	D10118420	1	1	1	1
14	ESL12606	Bracket - Coupling Assy.	D10027600	1	1	1	1
15	ESL12604	Coupling Assy. Valve Hyd. Remote	D10026100	1	1	1	1
16	ESL12605	Coupling Assy. Valve Hyd. Remote	D10026110	1	1	1	1
17	ESL15418	Cover Assy. Hyd. Lift Accessor	D10115890	1	1	1	1
18	ESL15431	Bolt Hyd. Connection (M10x1.5x30 S8)	D10006480	4	4	4	4
19	ESL14840	Sealing Washer 4 Wheel Drive	D10045590	8	8	8	8
20	ESL15433	Bolt (M8x1.25x60-8.8 ) Hex Head	D81500130	2	2	2	2
21	N630173S8	Washer (M8) Spring Lock	D86500150	2	2	2	2
22	ESL15419	O' Ring	D93600070	5	5	5	5
23	ESL15420	Tea	D10124620	1	1	1	1
24	ESL15421	Banjo Bolt	D10006480	4	4	4	4
25	ESL15422	Copper Washer	D10054370	8	8	8	8
26	ESL15423	Connector	D10021160	2	2	2	2

\*Optional

DOUBLE ACTING SPOOL VALVE

⊙ - SERIAL NUMBER BREAK ,

⊞ -

INDICATES UP TO AND INCLUDING THAT SERIAL NUMBER

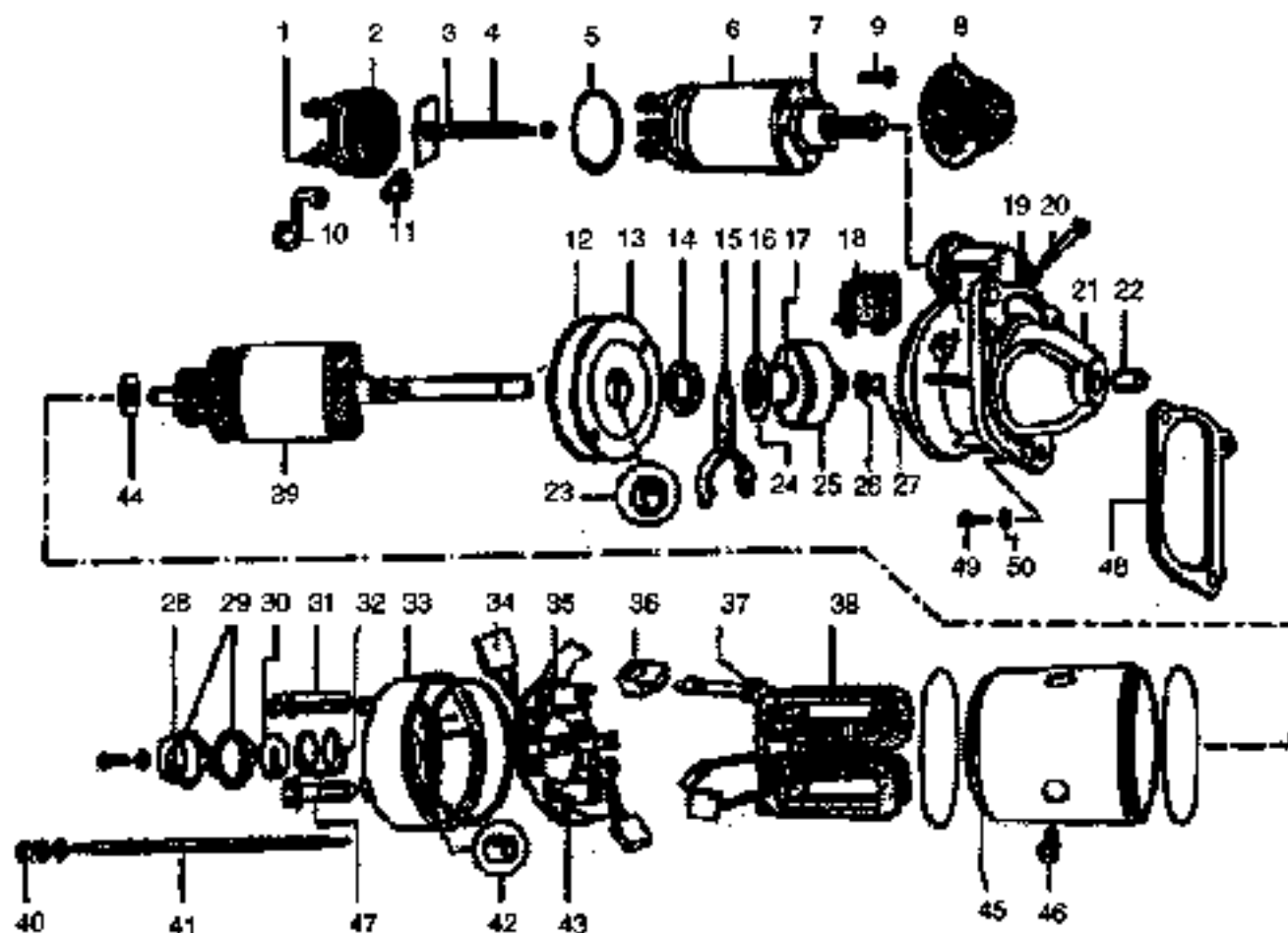
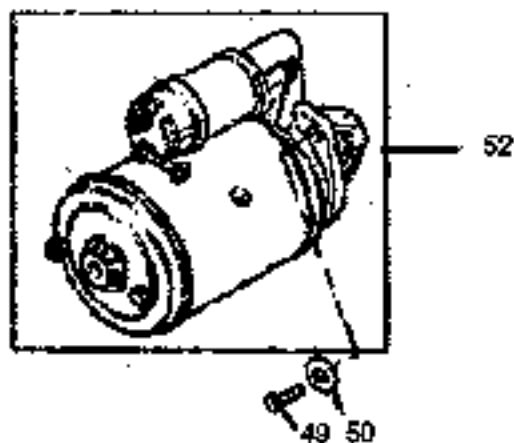
<https://tractormanualz.com/>

10/24

---

## Notes

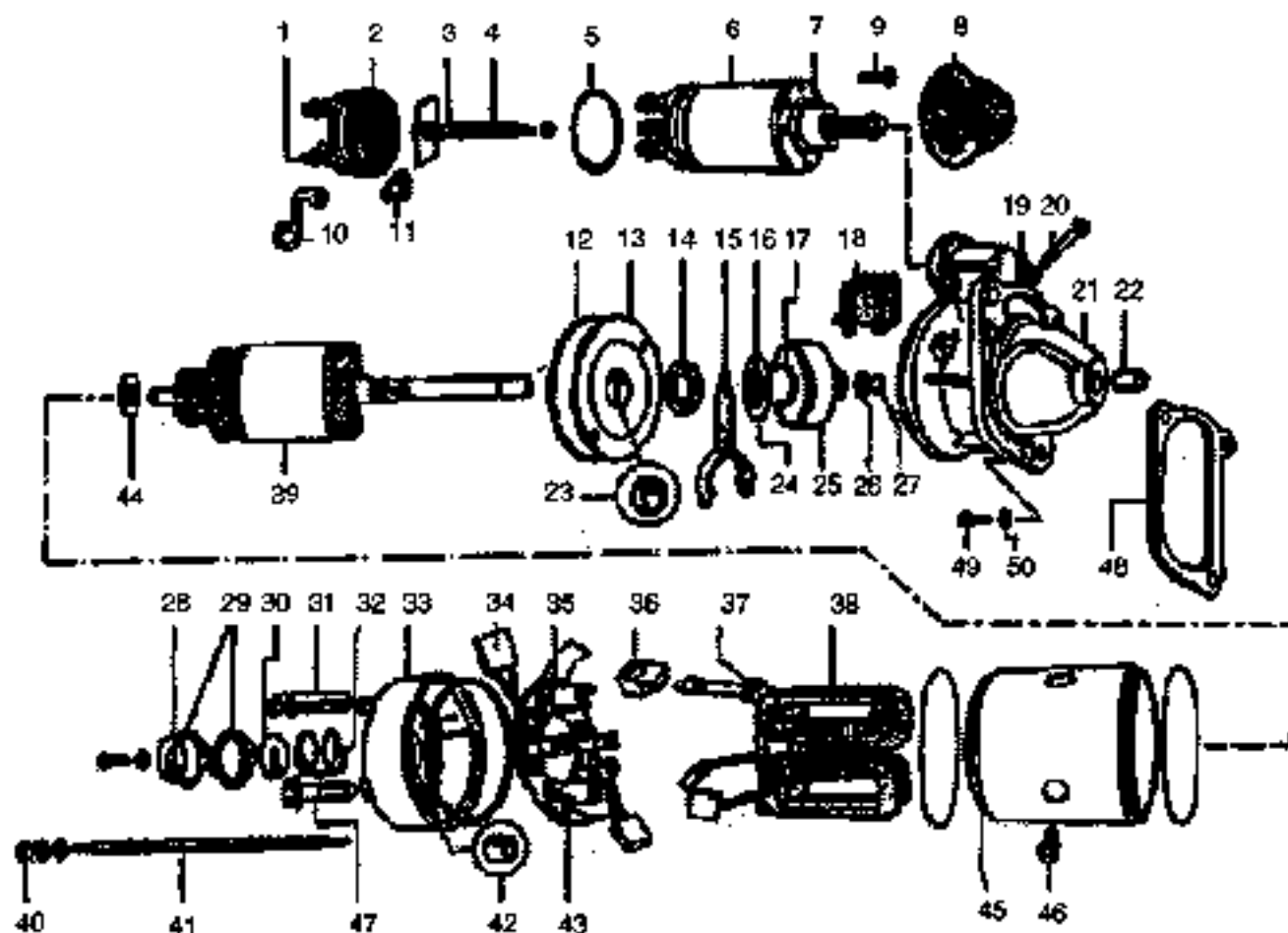
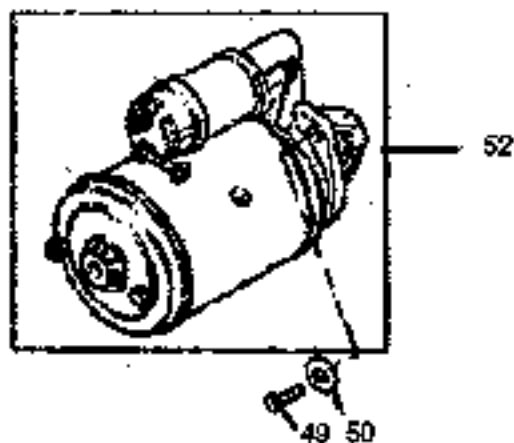
# **ELECTRICALS, GAUGES & LIGHT SYSTEM**



545 / 555 / 545 DTC / 555 DTC

ITEM No.	PART No.	DESCRIPTION	VENDOR No.	QUANTITY			
				545	555	545DTC	555DTC
1	-	Main Terminal (Solenoid) (NSS)	D10011870	2	2	2	2
2	-	Terminal Base Assembly (NSS)	-	1	1	1	1
3	-	Spindle Assembly (NSS)	D92500050	1	1	1	1
4	-	Plunger Return Spring (NSS)	-	1	1	1	1
5	ESL13444	Sealing Ring (Solenoid)	D10012460	1	1	1	1
6	ESL13445	Solenoid Switch Assembly (3 bolt mounting)	-	1	1	1	1
7	-	Plunger Assembly (NSS)	D10058800	1	1	1	1
8	-	Shroud (NSS)	D10026870	1	1	1	1
9	-	Screw (Solenoid Fixing) (NSS)	D10107500	3	3	3	3
10	ESL13449	Connector	D10089660	1	1	1	1
11	-	Seal (NSS)	-	1	1	1	1
12	ESL13451	Sealing Ring (DE & CE)	-	2	2	2	2
13	-	Intermediate Bracket Assembly (NSS)	-	1	1	1	1
14	ESL13453	Oil Seal	D10107510	1	1	1	1
15	-	Engaging Lever Assembly (NSS)	-	1	1	1	1
16	-	Jump Ring (Pinion) (NSS)	D10012620	1	1	1	1
17	-	Spring Pinion (NSS)	D10017310	1	1	1	1
18	-	Grommet (NSS)	D10012620	1	1	1	1
19	-	Nut (Pivot) (NSS)	D10017310	1	1	1	1
20	-	Pivot Pin (NSS)	-	1	1	1	1
21	-	Fixing Bracket Assembly (NSS)	D10012180	1	1	1	1
22	ESL13461	Bearing Bush (Fixing Bracket)	D10012130	1	1	1	1
23	ESL13462	Bearing Bush (Inter Bracket)	D10012610	1	1	1	1
24	-	Operating Plate (Pinion) (NSS)	D10012160	1	1	1	1
25	ESL13464	Drive Assembly	D10021930	1	1	1	1
26	ESL13465	Thrust Collar	D93100050	1	1	1	1
27	ESL13466	Jump Ring	-	1	1	1	1
28	-	End Cover (NSS)	-	1	1	1	1
29	ESL13468	Seal (End Cover)	-	2	2	2	2
30	-	O'Washer (NSS)	-	1	1	1	1
31	ESL13470	Earth Terminal	D10105220	1	1	1	1
32	-	Spring (End Cover) (NSS)	-	1	1	1	1
33	-	C & E Bracket Assembly (NSS)	D10082220	1	1	1	1
34	ESL13473	Brush Set	D10058810	1	1	1	1
35	ESL13474	Brush Carrier Assembly	-	1	1	1	1
36	ESL13475	Lead Assembly	-	1	1	1	1
37	-	Grommet (NSS)	-	1	1	1	1
38	ESL13477	Field Coil Assembly	-	1	1	1	1
39	ESL13478	Armature Assembly	-	1	1	1	1
40	ESL13479	Nut (Fixing Stud)	-	1	1	1	1

545 / 555 / 545 DTC / 555 DTC



**STARTER MOTOR & RELAY ASSEMBLY**

545 / 555 / 545 DTC / 555 DTC

ITEM No.	PART No.	DESCRIPTION	VENDOR No.	QUANTITY			
				545	555	545DTC	555DTC
41	-	Fixing Stud (NSS)	-	1	1	1	1
42	ESL13481	Bearing Bush	-	1	1	1	1
43	ESL13482	Brush Spring	-	4	4	4	4
44	-	Stop Washer (NSS)	-	1	1	1	1
45	-	Insulation Yoke (NSS)	-	1	1	1	1
46	-	Pole Screw (NSS)	-	4	4	4	4
47	-	Screw (NSS)	-	2	2	2	2
48	ESL11297	Gasket Starter Motor	D10017570	1	1	1	1
49	30472258	Bolt, Hex Head (3/8-16x1.25)	-	3	3	3	3
50	3480788	Washer, Lock (3/8)	-	3	3	3	3
51	ESL11461	Clip, Wiring (NI)	D10019390	1	1	1	1
52	ESL12587	Starter Motor Assembly	D10026880	1	1	1	1

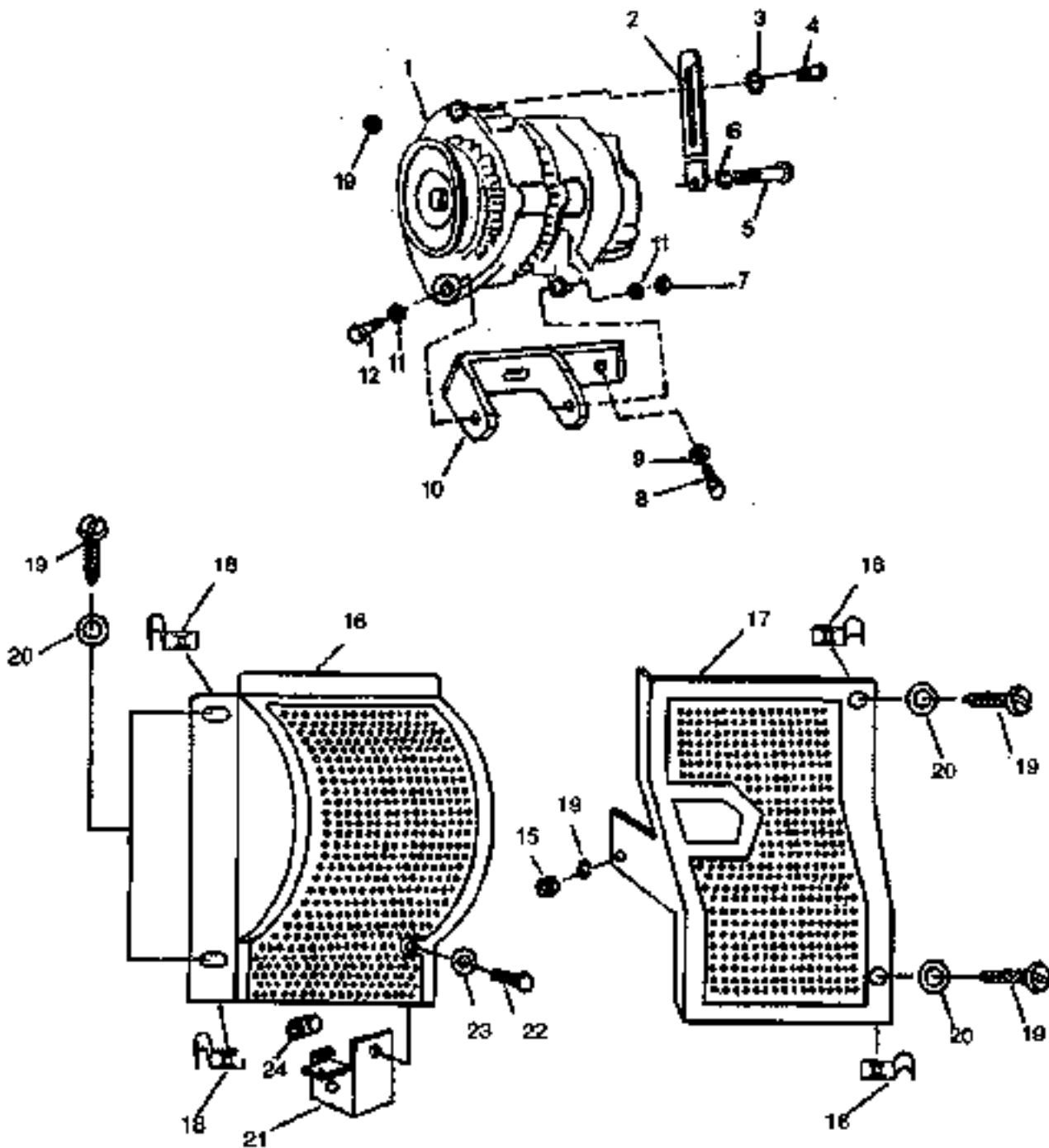
**STARTER MOTOR & RELAY ASSEMBLY**

① - SERIAL NUMBER BREAK ;

↳ - INDICATES UP TO AND INCLUDING THAT SERIAL NUMBER



545 / 555 / 545 DTC / 555 DTC



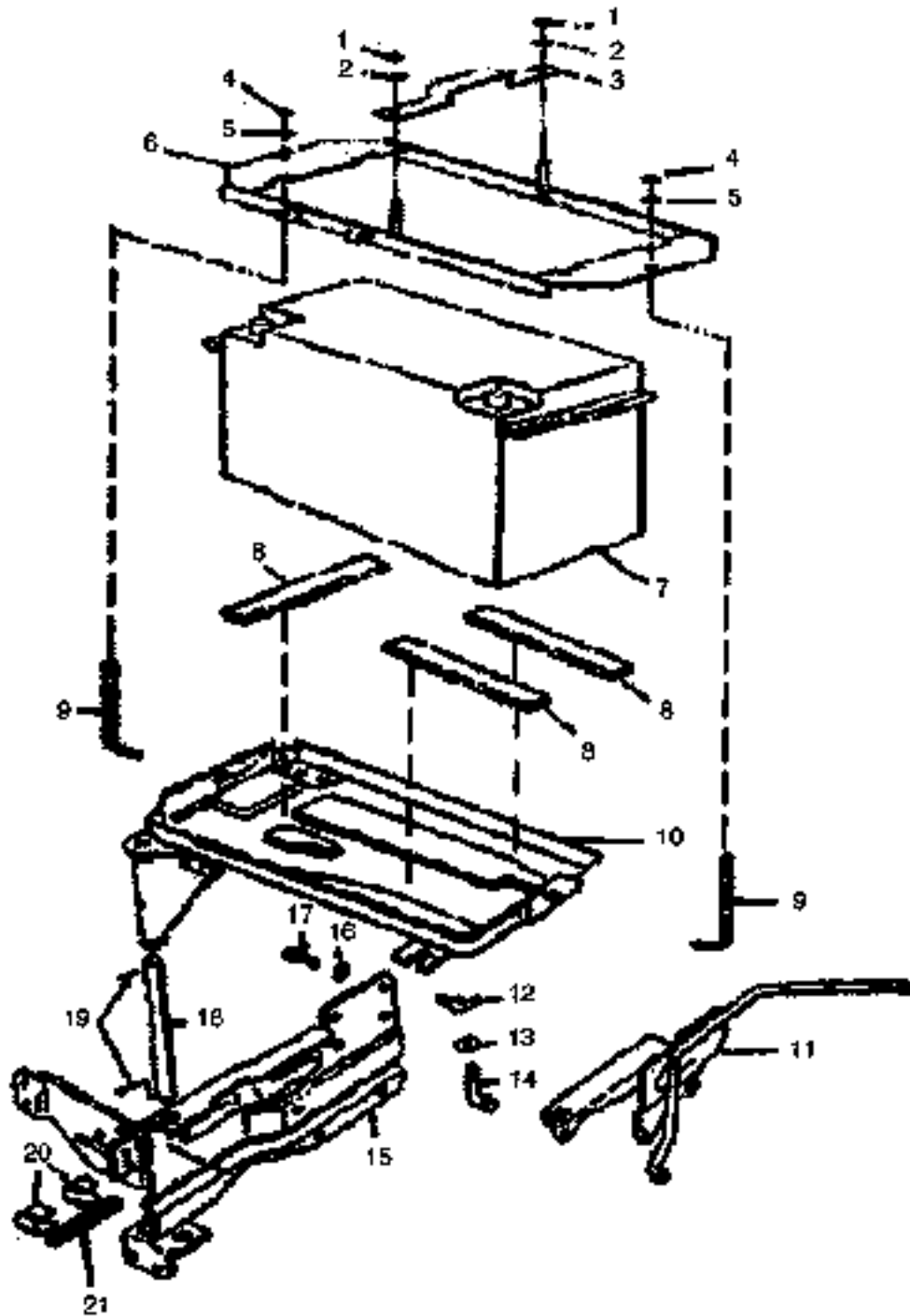
### ALTERNATOR & GUARD



545 / 555 / 545 DTC / 555 DTC

ITEM No.	PART No.	DESCRIPTION	VENDOR No.	QUANTITY			
				545	555	545DTC	555DTC
1	ESL11954	Alternator & Regulator Assembly	D10019250	1	-	1	-
-	ESL12506	Alternator & Regulator Assembly	D10026590	-	1	-	1
2	ESL11961	Arm, Alternator Bell Adjusting	D10010960	1	1	1	1
3	ESL11720	Washer, Flat (M8x19x3)	-	1	1	1	1
4	ESL11958	Bolt, Hex Head (M8x1.25x30)	D85500130	1	1	1	1
5	30254938	Bolt, Hex (7/16)	D81500310	1	1	1	1
6	34793S8	Washer, (7/16)	-	1	1	1	1
7	ESL11957	Nut, (M10-1.5)	-	1	1	1	1
8	42997S8	Bolt, Hex (3/8-16x0.875)	D63500210	2	2	2	2
9	ESL11719	Washer, Bracket Mounting	-	2	2	2	2
10	ESL11960	Bracket, Alternator Mounting	D10021570	1	1	1	1
11	ESL11956	Washer (M10)	-	1	1	1	1
12	ESL11956	Bolt (M10-1.5x90)	-	1	1	1	1
13	N620013S8	Nut, Hex (M8)	D85500140	1	1	1	1
14	ESL15183	Washer (5/16-18)	D81500290	1	1	1	1
15	33797S8	Nut, Hex (5/16-18)	-	1	1	1	1
16	ESL13491	Guard, Alternator & Fan, LH	34791S38	1	1	1	1
17	ESL12002	Guard Assembly, Alternator & Fan, RH	-	1	1	1	1
18	ESL11817	Nut, Spring U (1/2-14)	D10017090	4	4	4	4
19	ESL11933	Screw, Pan Head (1/4-14x2.00)	-	4	4	4	4
20	ESL12046	Washer, Flat (1/4)	D10016850	4	4	4	4
21	ESL12067	Bracket Assembly	D85500100	1	1	1	1
22	ESL12073	Bolt, Hex Head (M6-1x16)	D10021150	1	1	1	1
23	N630067S8	Washer, Flat (M6)	D81500360	1	1	1	1

ALTERNATOR & GUARD



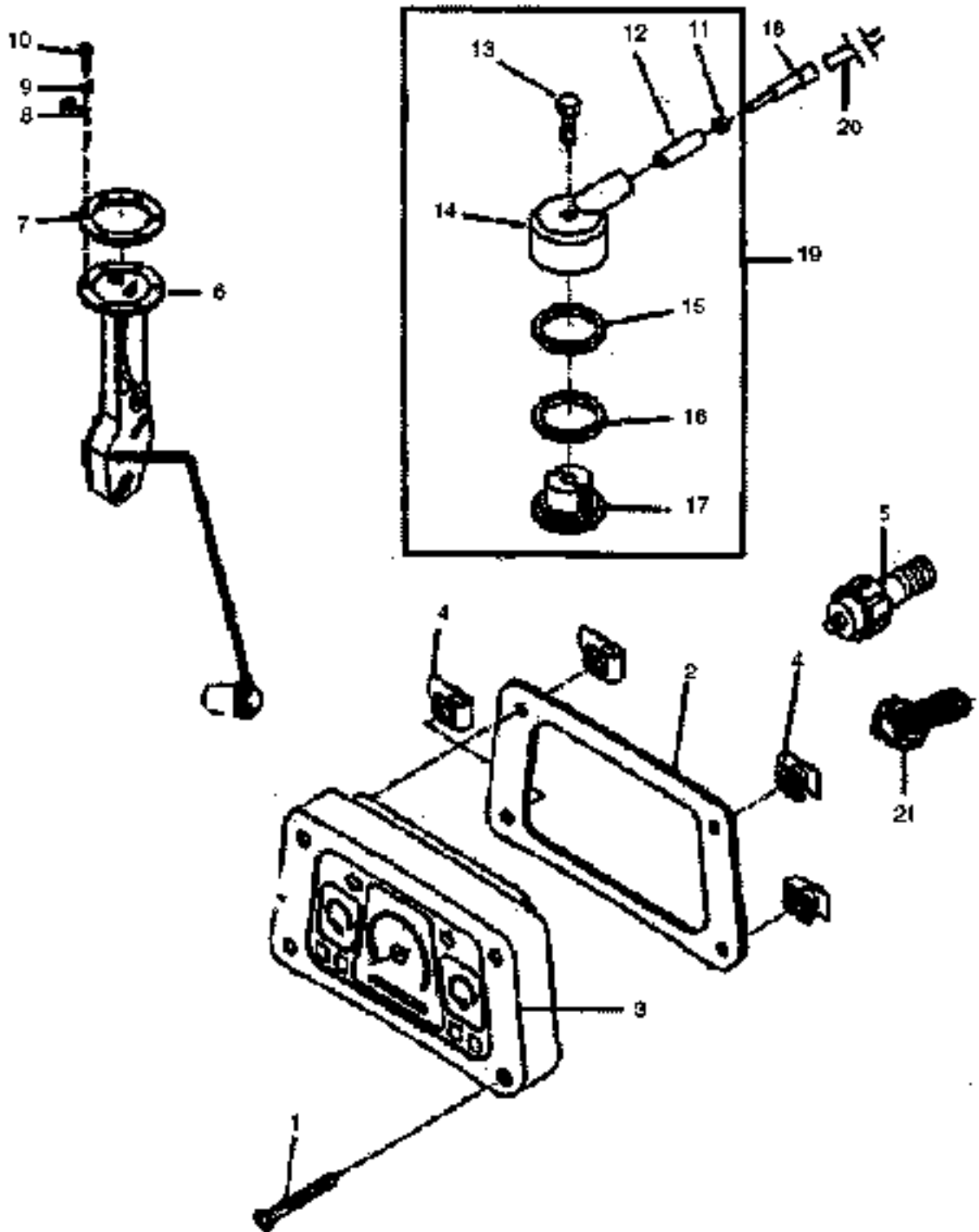
**BATTERY & BATTERY SUPPORT**

545 / 555 / 545 DTC / 555 DTC

ITEM No.	PART No.	DESCRIPTION	VENDOR No.	QUANTITY			
				545	555	545 <sub>DTC</sub>	555 <sub>DTC</sub>
1	33796S8	Nut, Hex Head (1/4)	-	2	2	2	2
2	44719S8	Washer, Flat (1/4)	-	2	2	2	2
3	ESL12547	Top Plate, Battery Hold Down	D10026260	1	1	1	1
4	383705S8	Nut, Hex Lock (5/16-18)	-	2	2	2	2
5	44722S8	Washer, Flat (5/16)	-	2	2	2	2
6	ESL12545	Clamp, Battery Hold Down	D10026280	1	1	1	1
7	799716	Battery Assembly	-	1	1	1	1
8	ESL12548	Pad, Battery	D10026290	3	3	3	3
9	ESL12546	Rod, Battery Hold Down	D10026270	2	2	2	2
10	ESL12265	Tray Assembly, Battery	-	1	1	1	1
11	ESL15187	Support, Radiator Shell, Upper	D10045250	1	1	1	1
12	388769S	Nut, Wing (5/16)	-	1	1	1	1
13	44724S8	Washer, Flat (5/16)	-	1	1	1	1
14	ESL11773	Bolt, Battery Hold Down	D10065740	1	1	1	1
15	ESL11342	Bracket Assembly, Battery Support	D10017320	1	1	-	-
16	34808-S36	Washer, Lock (7/16)	D88000020	4	4	4	4
17	304852S8	Bolt, Hex Head (7/16-14x0.75)	-	4	4	4	4
18	ESL11350	Pin, Battery Tray	D10018210	1	1	1	1
19	ESL13420	Pin, Cotter (5/32x1.25)	D10043350	2	2	2	2
20	ESL11354	Clip, Battery Cable Pad	D10018400	2	2	2	2
21	ESL11353	Pad, Battery Cable	D10018390	1	1	1	1
22	ESL11357	Terminal, Battery Cable, Positive (NI)	-	1	1	1	1
23	-	Cover, Terminal Insulation (NSS)	-	1	1	1	1
24	ESL11358	Terminal, Battery Cable, Earth (NI)	-	1	1	1	1
25	ESL11355	Boot, Terminal Insulation (NI)	-	1	1	1	1
26	23017S8	Bolt, Terminal (5/16-18x1.25) (NI)	-	2	2	2	2
27	33797S8	Nut, Hex, Terminal (5/16-18) (NI)	-	2	2	2	2

### BATTERY & BATTERY SUPPORT

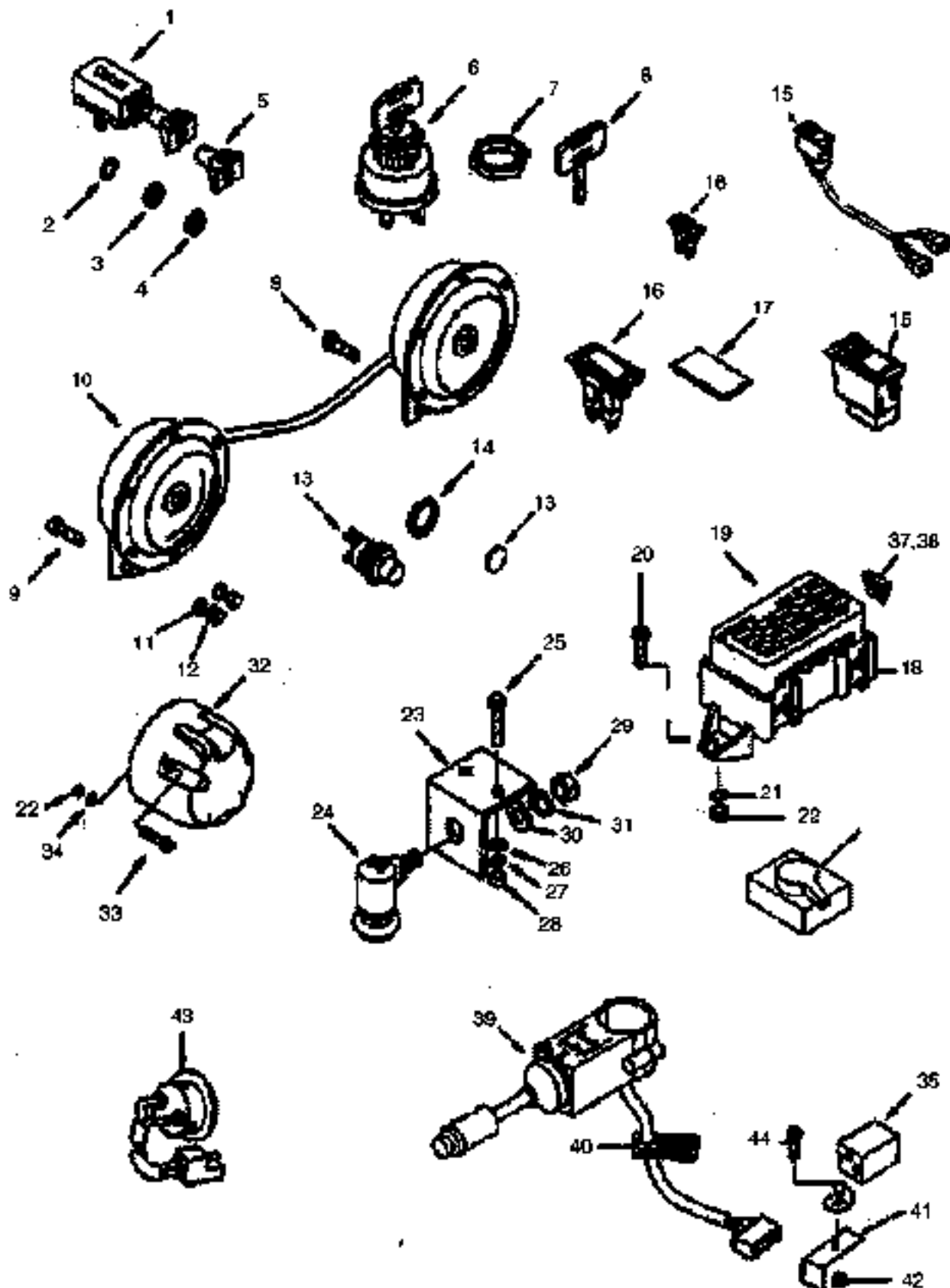
<https://tractormanuals.com/>



545 / 555 / 545 DTC / 555 DTC

ITEM No.	PART No.	DESCRIPTION	VENDOR No.	QUANTITY			
				545	555	545DTC	555DTC
1	ESL11889	Screw, Bezel Retaining	D10018650	4	4	4	4
2	ESL13505	Gasket, Instrument Cluster	D10028480	1	1	1	1
3	ESL12560	Cluster Assembly, Instrument	D10035450	-	-	-	-
4	ESL11823	Nut, Bezel Retaining	D10026470	1	1	1	1
5	ESL11400	Switch Assembly, Oil Pressure	D10016820	4	4	4	4
6	ESL11390	Float Assembly, Fuel Tank Sender	D10026650	1	1	1	1
7	ESL14522	Gasket, Fuel Tank Sender	D10021970	1	1	1	1
8	ESL11394	Clip	D10021980	1	1	1	1
9	ESL12559	Washer, Fuel Tank Float	D10026010	1	1	1	1
10	ESL12588	Screw, Hex Head (10-32 0.625)	D10021990	5	5	5	5
11	ESL13514	Seal, Tachodrive Adapter	D10027230	5	5	5	5
12	ESL18515	Bearing Bush, Shaft Adapter	-	1	1	1	1
13	N605531S8	Bolt, Hex Head (M8x1.25-20)	-	1	1	1	1
14	-	Body, Tachodrive Shaft (NSS)	-	1	1	1	1
15	ESL11408	O'Ring	-	1	1	1	1
16	ESL11407	Ring, Tachodrive Shaft	D93500210	1	1	1	1
17	-	Base, Tachodrive Adapter (NSS)	D10069960	1	1	1	1
18	ESL11409	Shaft & Cable Assembly	-	1	1	1	1
19	ESL13518	Adapter Assembly, Tachodrive	D10069730	1	1	1	1
20	ESL15579	Cable Assembly, Tachometer	D10026530	1	1	1	1
21	ESL10298	Sensor, Water Temperature	D10011480	1	1	1	1

545 / 555 / 545 DTC / 555 DTC

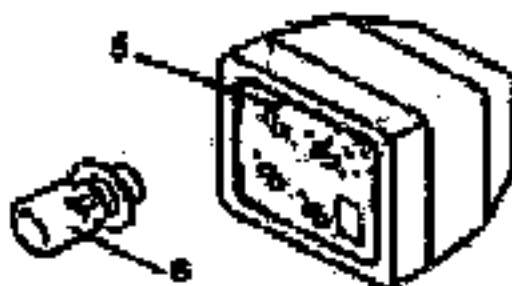
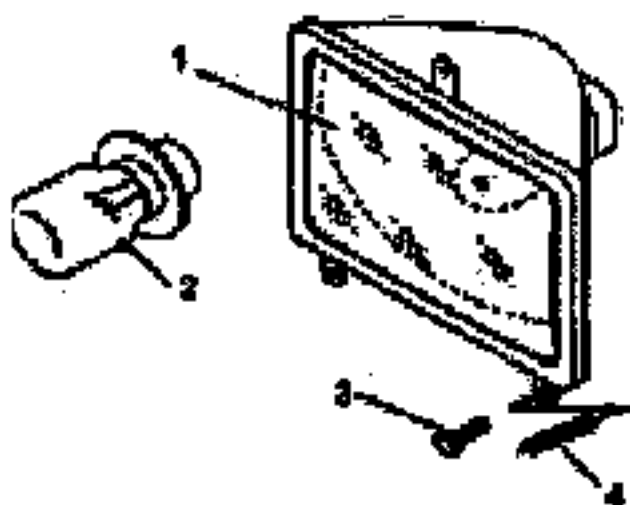


**ELECTRICAL SWITCHES**

**545 / 555 / 545 DTC / 555 DTC**

ITEM No.	PART No.	DESCRIPTION	VENDOR No.	QUANTITY			
				545	555	545 <sub>DTC</sub>	555 <sub>DTC</sub>
1	ESL12291	Switch Assembly, Lighting (Rotary Type)	D10026500	1	1	1	1
2	ESL11723	Washer	-	1	1	1	1
3	ESL11819	Nut, Lighting Switch	-	1	1	1	1
4	ESL11820	Nut, Lighting Switch	-	1	1	1	1
5	ESL11380	Knob, Light Switch	D10117100	1	1	1	1
6	ESL15188	Switch Assembly, Heat & Starter	D10048140	1	1	1	1
7	ESL11821	Nut, Starter Switch	-	1	1	1	1
8	ESL11362	Key, Ignition Lock	-	1	1	1	1
9	30468258	Bolt, Hex Head (5/16-18x1.00)	-	2	2	2	2
10	ESL11366	Horn Assembly, Dual Tone	D10017850	1	1	1	1
11	3494158	Washer (5/16)	-	2	2	2	2
12	3379958	Nut (5/16)	-	2	2	2	2
13	ESL13501	Button Assembly, Horn Blowing	D10016460	1	1	1	1
14	ESL12454	Nut, Horn Blowing	-	1	1	1	1
15	ESL13641	Switch Assembly, Emergency Warning	D10026490	1	1	1	1
16	ESL12573	Switch Assembly, Worklamp	D10026520	1	1	1	1
17	ESL11372	Grommet	D82B35347	1	1	1	1
18	ESL11374	Fuse Box Assembly (Includes Item #19)	D10028970	1	1	1	1
19	ESL13734	Cover, Fuse Box	D10105130	1	1	1	1
20	ESL11687	Screw, Pan Head (M10-24*0.62)	D82000030	2	2	2	2
21	3460358	Washer, Lock (M10)	-	2	2	2	2
22	3406358	Nut, Hex (M10-24)	-	5	5	5	5
23	ESL11378	Bracket, Stop Lamp Switch Mounting	-	1	1	1	1
24	ESL13504	Switch Assembly, Stop Lamp	D10016880	1	1	1	1
25	N60632158	Bolt Carriage (M8x1.25x20)	-	2	2	2	2
26	4472258	Washer, Flat (5/16)	-	2	2	2	2
27	N63017358	Washer, Lock (M8)	-	2	2	2	2
28	N62001358	Nut (M8)	-	2	2	2	2
29	ESL12017	Nut (3/8-16)	D83000020	1	1	1	1
30	ESL12074	Washer, Flat	D85000090	1	1	1	1
31	3460758	Washer, Lock	-	1	1	1	1
32	ESL11381	Socket Assembly	D10026380	1	1	1	1
33	5404958	Screw (10-24x1.12)	-	3	3	3	3
34	3490358	Washer, Lock Internal Tooth (10)	-	3	3	3	3
35	789918	Flasher - Indicator Assembly	-	1	1	1	1
36	792640	Handle Kit, Flasher	-	1	1	1	1
37	ESL13736	Fuse (10A)	-	2	2	2	2
38	ESL13736	Fuse (15A)	-	4	4	4	4

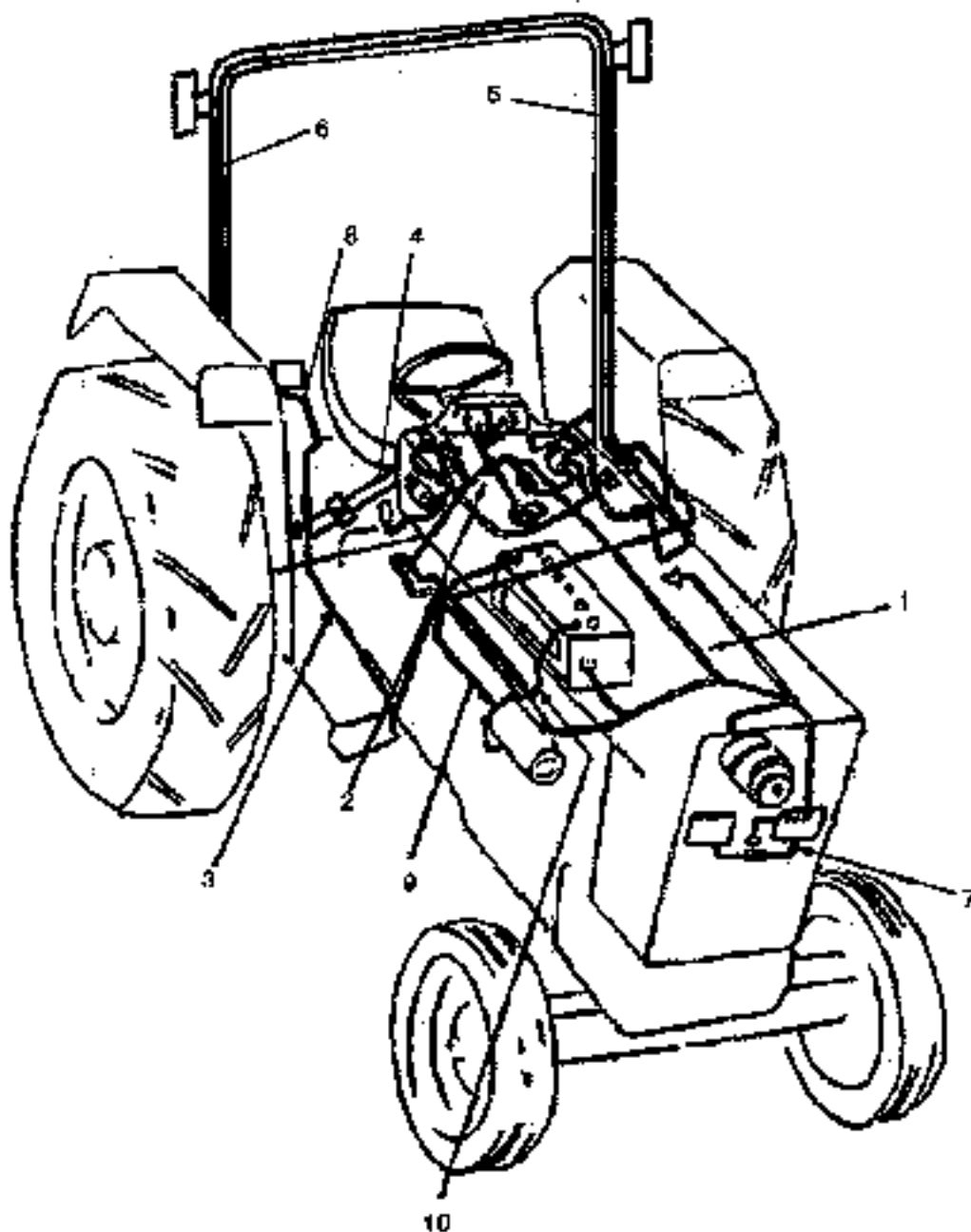




**545 / 555 / 545 DTC / 555 DTC**

ITEM No.	PART No.	DESCRIPTION	VENDOR No.	QUANTITY			
				545	555	545etc	555etc
1	ESL12670	Head Lamp Assembly	D10026910	2	2	2	2
2	ESL13623	Bulb, Head Lamp (12 volts)	D10105050	2	2	2	2
3	ESL13737	Screw, Head Lamp Adjusting	-	6	6	6	6
4	ESL13736	Spring	-	6	6	6	6
5	ESL14528	Worklamp Assembly	D10026390	1	1	1	1
6	ESL13524	Bulb, Worklamp	D10105060	1	1	1	1

**LIGHTS**



**WIRING HARNESS SYSTEM**

**545 / 555 / 545 DTC / 555 DTC**

ITEM No.	PART No.	DESCRIPTION	VENDOR No.	QUANTITY			
				545	555	545DTC	555DTC
1	ESL15193	Harness Assembly Main	D10048110	1	1	1	1
2	ESL14959	W5193iring Harness Instrument Panel	D10048120	1	1	1	1
3	ESL14530	Wiring Harness, Tail	D10026380	1	1	1	1
4	ESL14531	Wiring Harness, Tractor Socket	D10026370	1	1	1	1
5	ESL13709	Wiring Harness, ROPS Lamp, LH	D10026630	1	1	1	1
6	ESL12585	Wiring Harness, ROPS Lamp, RH	D10026620	1	1	1	1
7	ESL12587	Wiring Harness, Earth (Head Lamp)	D10026640	1	1	1	1
8	ESL14532	Wiring Harness, Work Lamp	D10026410	1	1	1	1
9	ESL15580	Cable Assembly, Battery to Starter	D10026650	1	1	1	1
-	ESL15581	Cable Assembly, Battery to Ground	D10026660	1	1	1	1
11	ESL11354	Clip, Battery Cable (NI)	D10018400	1	1	1	1
12	ESL11465	Strap, Battery Cable (NI)	D10017420	1	1	1	1
13	ESL11463	Clip, Wiring (NI)	D10067100	4	4	4	4
14	ESL14529	Strap, Wiring (NI)	D10028500	1	1	1	1
15	ESL11460	Clip, Wiring (NI)	D10065960	1	1	1	1
16	ESL11461	Clip, Wiring (NI)	D10019390	1	1	1	1

**WIRING HARNESS SYSTEM**

---

## Notes

545/555/545DTC/555DTC

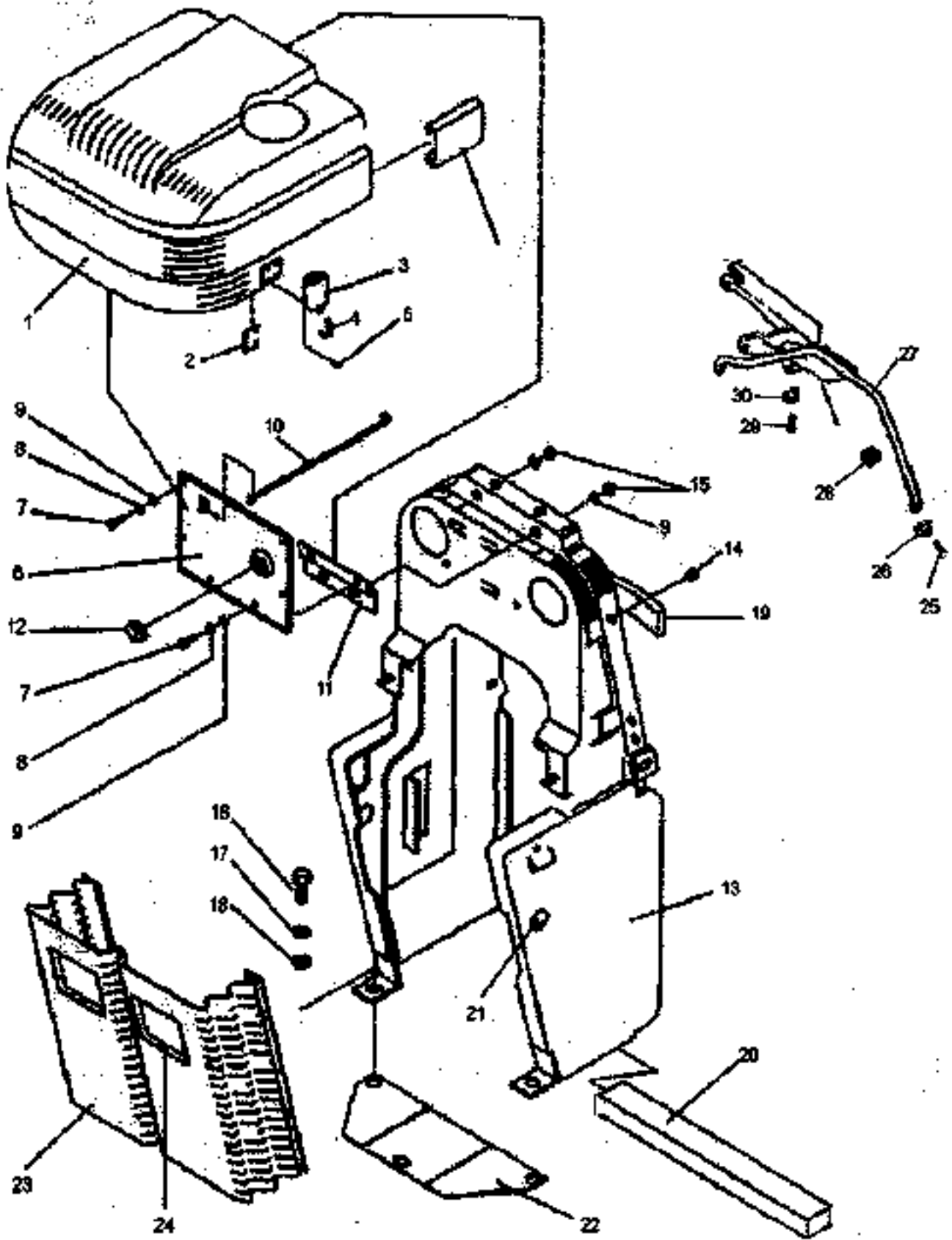
SECTION 12

***SHEET METAL  
&  
ACCESSORIES***

**FARMTRAC**

<https://tractormanualz.com/>

545 / 555 / 545 DTC / 555 DTC



**RADIATOR SHELL**

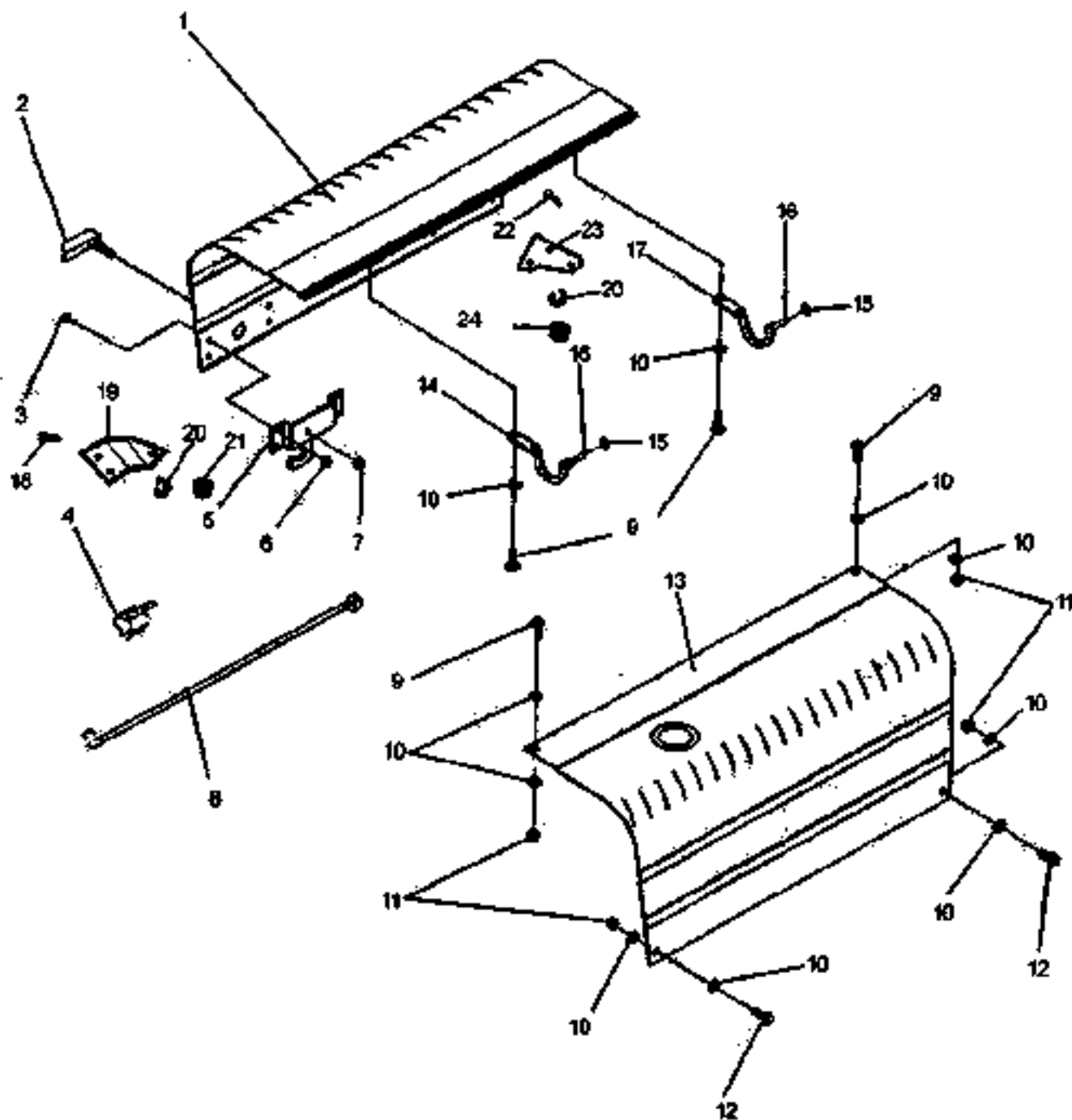
545 / 555 / 545 DTC / 555 DTC

ITEM No.	PART No.	DESCRIPTION	VENDOR No.	QUANTITY			
				545	555	545DTC	555DTC
1	ESL11498	Panel Assembly, Hood Top	D10026610	1	1	1	1
2	ESL11500	Plate Hood Latch	D10045340	2	2	2	2
3	ESL13537	Latch Assembly, Hood(Includes Item #4)	D10048120	2	2	2	2
4	ESL11895	Adjusting Screw, Hood Latch	D10026960	2	2	2	2
5	ESL11501	Adjusting Screw, Hood Latch	D10000000	2	2	2	2
6	ESL11502	Plate, Hood Top Front	D10026370	1	1	1	1
7	ESL11937	Bolt, Hex Head (M6x1.00-12)	D10026630	6	6	6	6
8	N630317S8	Washer, External Tooth	D10027740	6	6	6	6
9	N630067S8	Washer, Flat (M6)	D10026620	8	8	8	8
10	ESL11504	Prop, Hood Top Front Panel	D10026640	1	1	1	1
11	ESL13719	Hinge Assembly, Hood Top Front Panel	D10026410	1	1	1	1
12	ESL11505	Bumper, Hood Top	D10047720	1	1	1	1
13	ESL11490	Shell Assembly, Radiator	D10017450	1	1	1	1
14	ESL14959	Pad mounting	D10035440	14	14	14	14
15	N620012S8	Nut (M8x1.0)	D10017410	2	2	2	2
16	304650S8	Bolt, Hex Head (3/8-16x0.75)		4	4	4	4
17	44728S8	Washer, Flat (3/8)		4	4	4	4
18	34942S8	Washer, Flat Tooth (3/8)	D10067100	4	4	4	4
19	ESL11483	Seal Radiator	D10028500	3	3	3	3
20	ESL11484	Seal Radiator	D10065960	1	1	1	1
21	ESL10230	Grommet, Round	D10019380	2	2	2	2
22	-	Baffle Assy., Front Axle Support (NSS)	-	1	1	1	1
23	ESL12609	Grill Assy., Front (Includes Item #24)	-	1	1	1	1
24	ESL12610	Rubber Beading, Head Lamp	-	2	2	2	2
25	304665S8	Bolt, Hex Head (5/16-24x0.88)	-	2	2	2	2
26	44728S8	Washer, Flat (5/16)	-	2	2	2	2
-	ESL11352	Support, Radiator Shell	-	-	-	-	-
28	93788S8	Nut, Hex (5/16-24)	-	1	1	1	1
29	304652S8	Bolt, Hex Head (7/16-14x0.75)	-	2	2	2	2
30	44730S8	Washer, Lock (7/16)	-	-	-	-	-
31	ESL11499	Bumper	-	6	6	6	6

### RADIATOR SHELL







### SIDE PANELS



545 / 555 / 545 DTC / 555 DTC

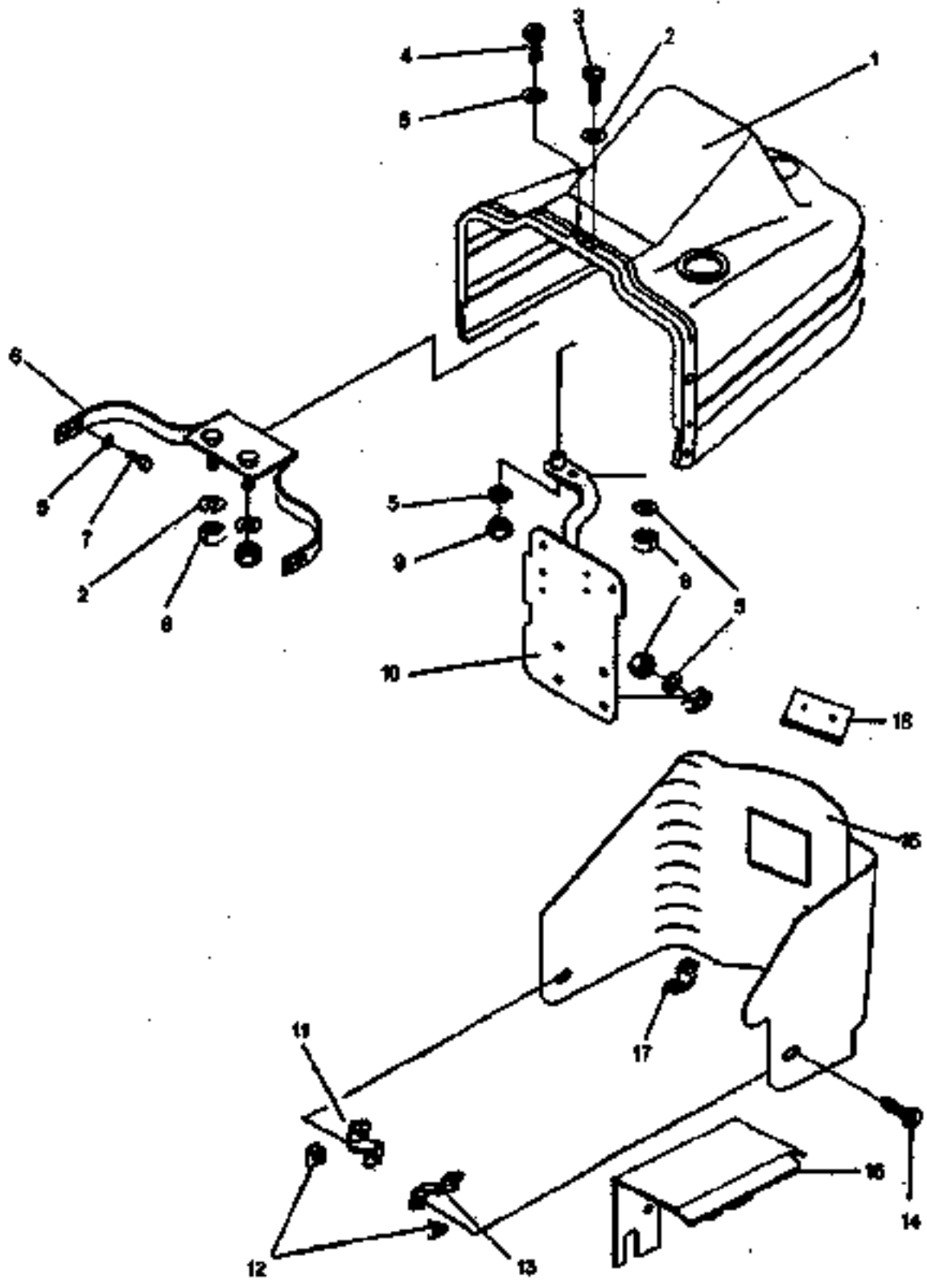
ITEM No.	PART No.	DESCRIPTION	VENDOR No.	QUANTITY			
				545	555	545 DTC	555 DTC
1	ESL15582	Panel Assembly, Hood RH	D10115040	1	1	1	1
2	ESL11529	Handle Assembly, Hood RH	D10018250	2	2	2	2
3	ESL11896	Screw, Pan Head (M4x10)	D10016990	8	8	8	8
4	ESL11521	Clip, Hood Support Rod	D10016570	1	1	1	1
5	ESL11528	Lock Assembly, Hood RH	D10018560	2	2	2	2
6	ESL11827	Nut, Nyloc (M4)	D10017000	8	8	8	8
7	55670SB	Nut, Hex Lock (1/4-28)	-	2	2	2	2
8	ESL11534	Support Rod Panel	D10018440	1	1	1	1
9	50528SB	Screw, Pan Head (1/4-28x0.625)	-	4	4	4	4
10	44719SB	Washer, Flat (1/4)	-	12	12	12	12
11	ESL11828	Nut, Hood Panel, LH	D10017580	4	4	4	4
12	ESL13724	Screw	D10039900	2	2	2	2
13	ESL15583	Panel Assembly, Hood LH	D10115030	1	1	1	1
14	ESL11526	Hinge Rod	-	1	1	1	1
15	ESL11729	Washer, Hinge	D10018260	2	2	2	2
16	ESL12679	Pin, Cotter	D10013450	2	2	2	2
17	ESL11525	Rod Assembly, Hinge	D10016550	1	1	1	1
18	ESL14599	Bolt, Hex Head (5/16-24x0.88)	D81000420	2	2	2	2
19	ESL13583	Bracket, Hood Catch, Front	D10018070	1	1	1	1
20	44722SB	Washer, Flat (5/16)	-	2	2	2	2
21	93798SB	Nut, Hex (5/16-24)	-	2	2	2	2
22	304633SB	Bolt, Hex Head (1/4-28x0.62)	-	2	2	2	2
23	ESL12955	Bracket, Hood Catch Rear	D10018080	1	1	1	1
24	93796SB	Nut, Hex (1/4-28)	-	2	2	2	2

SIDE PANELS

⊙ - SERIAL NUMBER BREAK ,



- INDICATES UP TO AND INCLUDING THAT SERIAL NUMBER



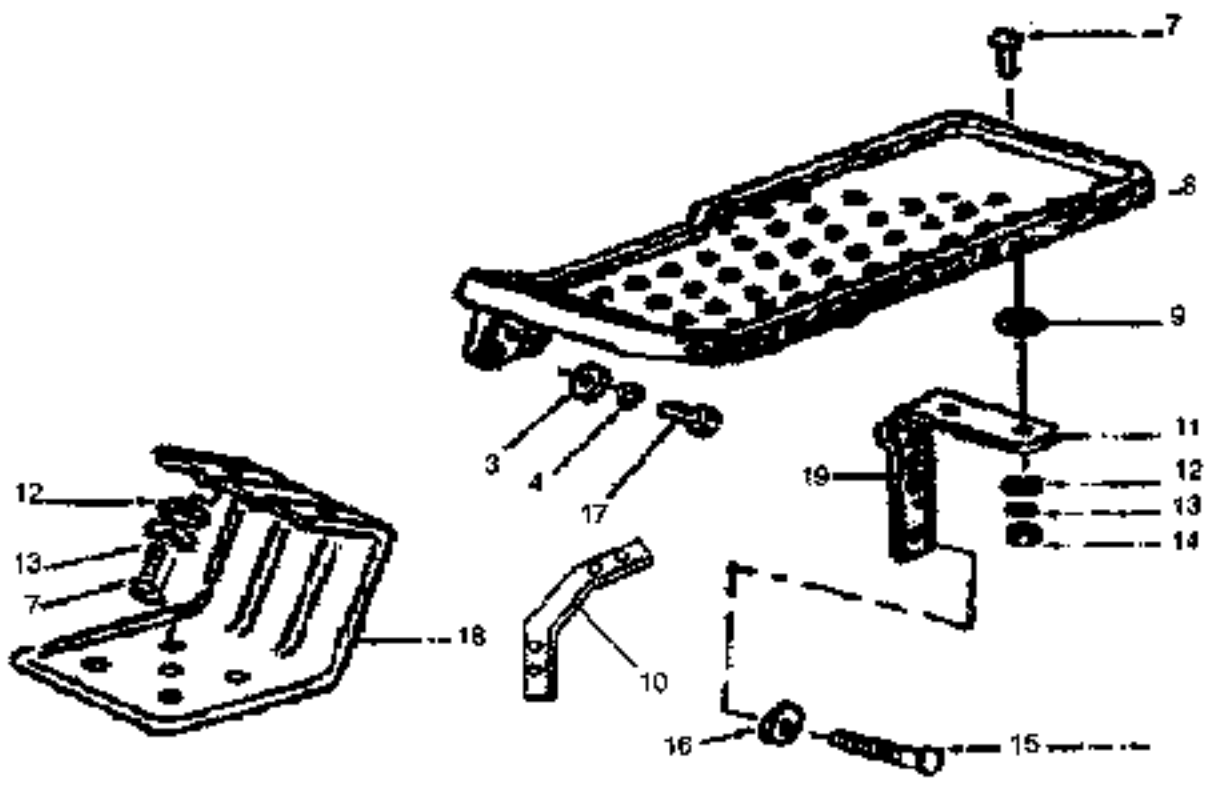
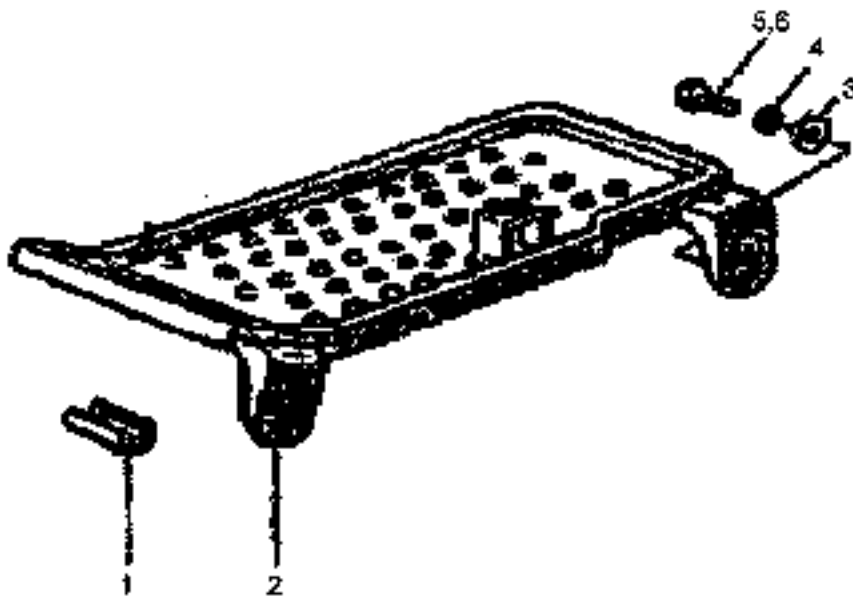
**REAR HOOD**

545 / 555 / 545 DTC / 555 DTC

ITEM No.	PART No.	DESCRIPTION	VENDOR No.	QUANTITY			
				545	555	545DTC	555DTC
1	ESL14540	Panel Assembly, Hood Rear	D10026460	1	1	1	1
2	44722S8	Washer, Flat (5/16)	-	6	6	6	6
3	304665S8	Bolt, Hex Head (5/16-24x0.86)	-	2	2	2	2
4	ESL13724	Screw	D10039900	1	1	1	1
5	44719S8	Washer, Flat (1/4)	-	7	7	7	7
6	ESL11522	Bracket & Support Assembly	D10012430	1	1	1	1
7	304632S8	Bolt, Hex Head (1/4-20x0.62)	-	4	4	4	4
8	33797S8	Nut, Hex (5/16-18)	-	2	2	2	2
9	ESL11828	Nut, Hood LH Panel	D10017680	2	2	2	2
10	ESL14541	Support Assembly, Hood Rear	D10026580	1	1	1	1
11	ESL12580	Bracket, Front RH	D10016950	1	1	1	1
12	ESL11824	Nut, U-Type	D10018850	6	6	6	6
13	ESL12581	Bracket, Front LH	D10016860	1	1	1	1
14	ESL11891	Screw	D10016830	8	8	8	8
15	ESL12525	Cover Steering Gear	D10017210	1	1	1	1
16	ESL14195	Rain Shield, Fuse Box	D10026980	1	1	1	1
17	ESL11515	Bracket, Rear	D10012420	1	1	1	1
18	ESL11509	Plate, Steering Cover	D10019160	1	1	1	1

### REAR HOOD

545 / 555 / 545 DTC / 555 DTC



### RUNNING BOARDS

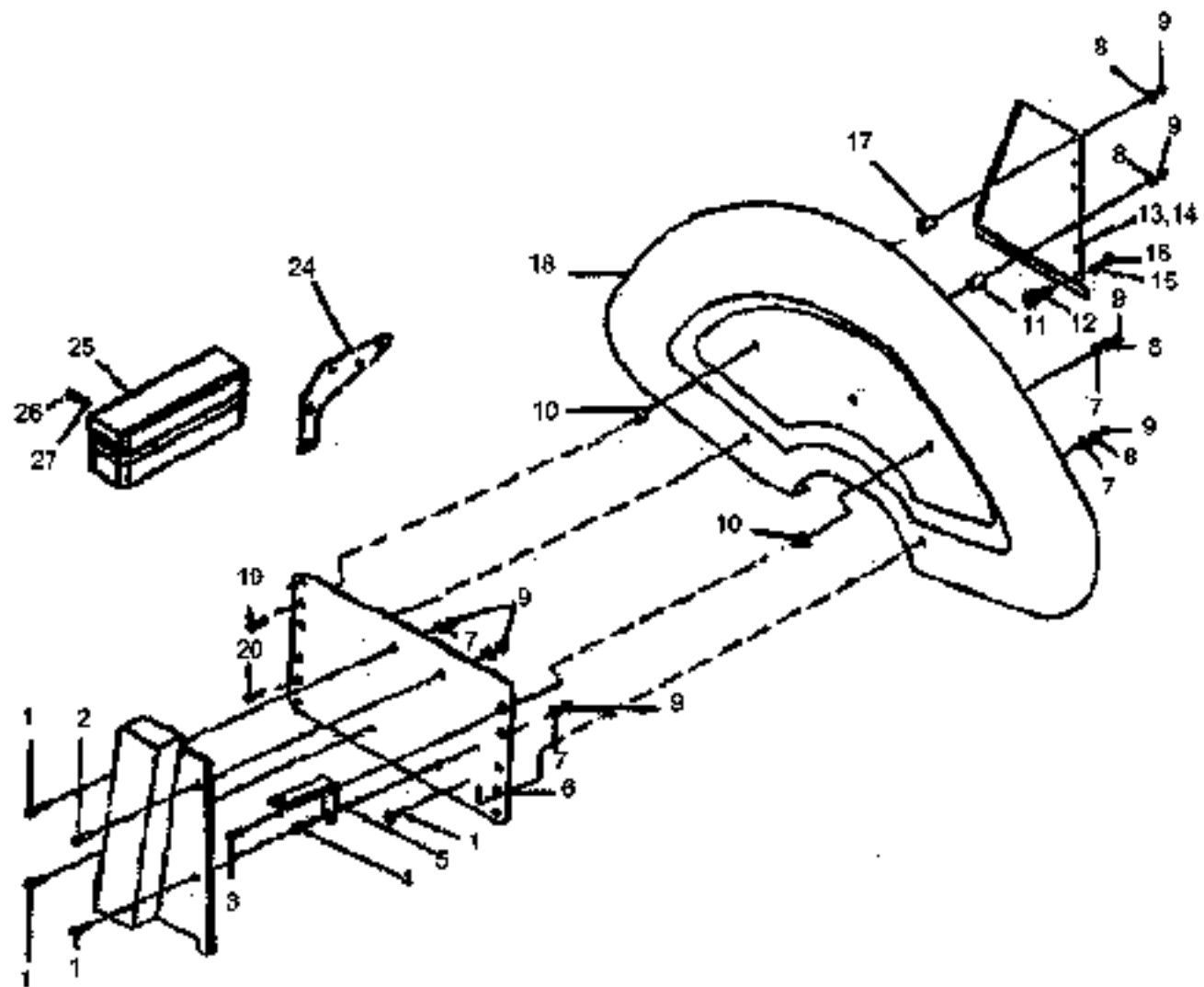
12:7 - SERIAL NUMBER BREAK,

- INDICATES UP TO AND INCLUDING THAT SERIAL NUMBER

**545 / 555 / 545 DTC / 555 DTC**

ITEM No.	PART No.	DESCRIPTION	VENDOR No.	QUANTITY			
				545	555	545 <sub>err</sub>	555 <sub>err</sub>
	ESL11553	Bumper, Brake Pedal	D10089900	1	1	1	1
2	ESL14956	Board Assembly Running	D10087320	1	1	1	1
3	44726S8	Washer, Flat (3/8)	-	6	6	6	6
4	34807S8	Washer, Lock (3/8)	-	6	6	6	6
5	304666S8	Bolt (3/8 - 16 x 0.88)	-	1	1	1	1
6	304660S8	Bolt (3/8 - 16 x 0.75)	-	3	3	3	3
7	304665S8	Bolt, Hex (5/16 - 24 x 0.88)	-	6	6	6	6
8	ESL11549	Running Board, LH	D10012070	1	1	1	1
9	ESL11552	Spacer, Running Board Support	-	4	4	4	4
10	ESL11550	Bracket Support, Step LH	D10012060	1	1	1	1
11	ESL11551	Support, Running Board, RH	-	1	1	1	1
12	44722S8	Washer, Flat (5/16)	-	6	6	6	6
13	34808S8	Washer, Lock (5/16)	-	6	6	6	6
14	33798S8	Nut, Hex (5/16 - 24)	-	6	6	6	6
15	304724S8	Bolt, Hex (7/16 - 14 x 1.25)	-	2	2	2	2
16	34806S8	Washer, Lock (7/16)	-	2	2	2	2
17	304722S8	Bolt, Hex (3/8 - 16 x 1.25)	-	2	2	2	2
18	ESL11654	Step, Running Board, LH	D10012740	1	1	1	1
19	ESL12361	Bracket	D10019400	1	1	1	1

**RUNNING BOARDS**



**CLAM SHELL FENDERS**

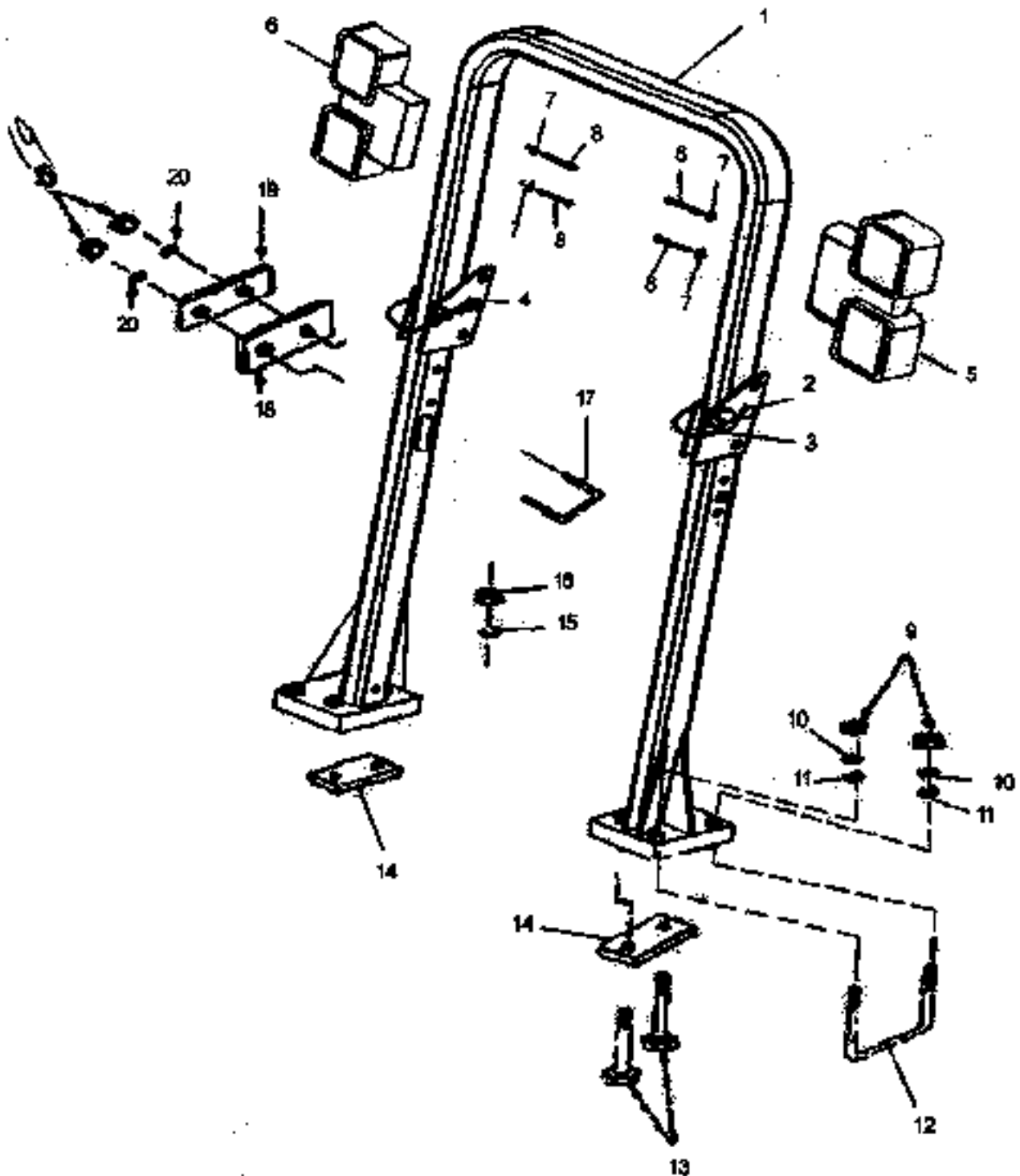
545 / 555 / 545 DTC / 555 DTC

ITEM No.	PART No.	DESCRIPTION	VENDOR No.	QUANTITY			
				545	555	545 <sub>DTC</sub>	555 <sub>DTC</sub>
1	-	Bolt, Carriage (3/8-16x1)	-	9	9	9	9
2	-	Bolt, Carriage (3/8-16x1) RH	-	1	1	1	1
-	-	Bolt, Hex Head (3/8-16x2) LH	-	1	1	1	1
4	23380S8	Bolt, Carriage (3/8 - 16 x 0.75)	-	1	1	1	1
5	ESL12373	Bracket, Worklight	D10026400	1	1	1	1
7	44728S8	Washer, Flat (3/8)	-	5	5	5	5
8	34807S8	Washer, Lock (3/8)	-	17	17	17	17
9	33799S8	Nut, Hex (3/8-16)	-	18	18	18	18
10	ESL12009	Spacer, Fender (0.52 Long)	-	4	4	4	4
11	-	Spacer, Fender (1.75 Long)	D10026340	2	2	2	2
12	304633S8	Bolt, Hex (1/4 - 28 x 0.62)	-	6	6	6	6
13	ESL12371	Extension RH, Clam Shell Fender	-	1	1	1	1
14	ESL12372	Extension LH, Clam Shell Fender	D10026910	1	1	1	1
15	44719S8	Washer, Flat (1/4)	-	6	6	6	6
16	33796S8	Nut, Hex (1/4 - 28)	-	6	6	6	6
17	-	Spacer, Fender (1.25 Long)	-	2	2	2	2
18	ESL12370	Fender Assembly, Clam Shell LH/RH	-	2	2	2	2
19	-	Bolt, Carriage (3/8-16x 2.75)	-	2	2	2	2
20	-	Bolt, Carriage (3/8-16x2.50)	-	2	2	2	2
21	-	Bolt, Carriage (3/8 - 16 x 1.75)	-	1	1	1	1
22	-	Spacer, Fender (5/8 Long)	-	1	1	1	1
23	-	Spacer, Fender (1 Long)	-	1	1	1	1
24	ESL12058	Bracket, Tool Box Mounting	-	1	1	1	1
25	ESL13600	Tool Box Assembly	-	1	1	1	1
26	304634S8	Bolt, Hex Head (5/16-18x0.625)	D10016970	3	3	3	3
27	34914S8	Washer, External Tooth (5/16)	-	3	3	3	3

**Notes:**

Complete Rectangular Fender Kit for changing from clam shell fenders is available under part #906419





**ROLL BAR (ROPS)**

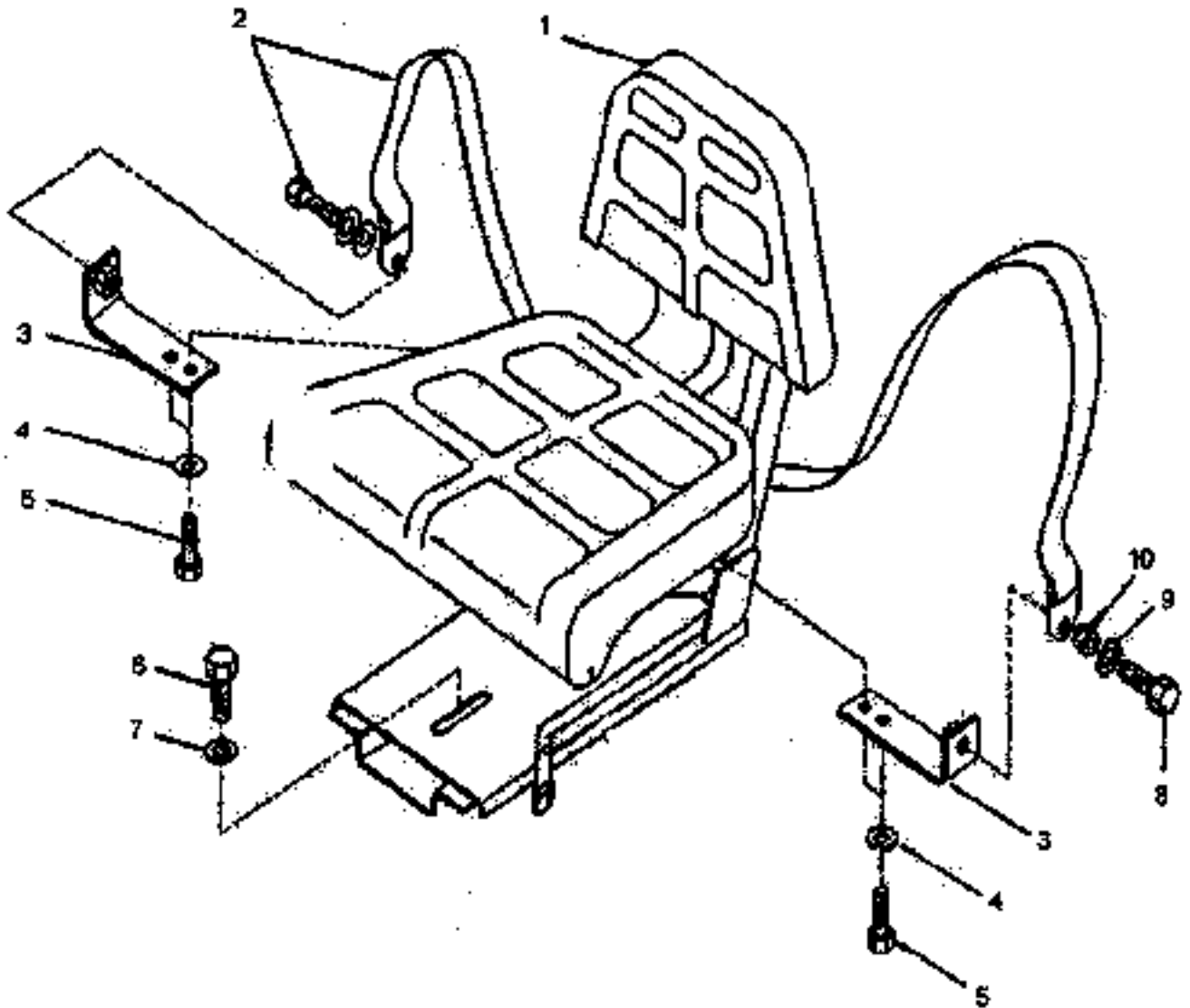


545 | 555 | 545 DTC | 555 DTC

ITEM No.	PART No.	DESCRIPTION	VENDOR No.	QUANTITY			
				545	555	545 <sub>DTC</sub>	555 <sub>DTC</sub>
1	902540	Roll-Bar Assembly, Foldable	-	1	1	1	1
2	304940S8	Bolt, Hex Head (1/2-13x3 1/2)	-	2	2	2	2
3	905730	Pin, Clevis Assembly	-	2	2	2	2
4	34979S8	Nut, Previous Torque (1/2-13)	-	2	2	2	2
5	905781	Lollipop Signal Light, LH	-	1	1	1	1
6	905782	Lollipop Signal Light, RH	-	1	1	1	1
7	N630173S8	Washer, Lock (M8)	-	4	4	4	4
8	N600218S8	Bolt (M8-1.25x65)	-	4	4	4	4
9	ESL12019	Nut, Hex (1/2 - 20)	D83000140	4	4	4	4
10	34809S8	Washer, Lock (1/2)	-	4	4	4	4
11	44796S8	Washer, Flat (1/2)	-	4	4	4	4
12	ESL12005	U-Bolt	-	2	2	2	2
13	902610S8	Bolt, Hex Head (5/8 - 18 x 6.00)	-	4	4	4	4
14	900122	Lower Plate	-	2	2	2	2
15	34806S8	Washer, Lock (5/8)	-	4	4	4	4
16	33850S8	Nut, Hex, (5/8 - 18)	-	4	4	4	4

ROLL BAR (ROPS)





**SEAT ASSEMBLY**

12.13 **B** - SERIAL NUMBER BREAK,

**◀** - INDICATES UP TO AND INCLUDING THAT SERIAL NUMBER



545 / 555 / 545 DTC / 555 DTC

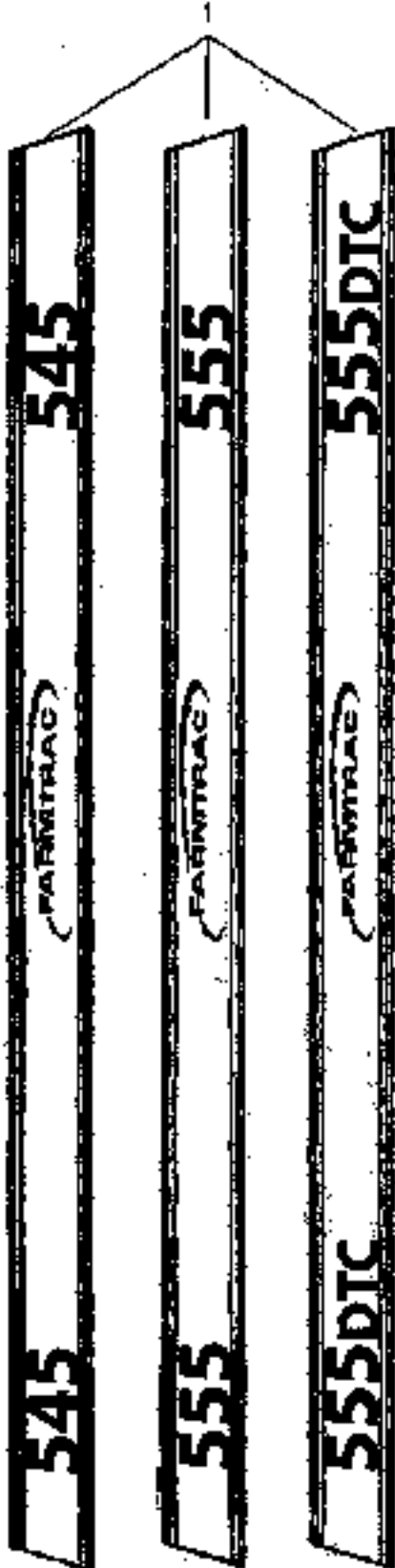
ITEM No.	PART No.	DESCRIPTION	VENDOR No.	QUANTITY			
				545	555	545 <sup>oro</sup>	555 <sup>pic</sup>
1	904201	Seat Assembly, Driver	-	1	1	1	1
2	ESL11584	Belt, Driver Seat	D10081530	1	1	1	1
3	902089	Bracket	-	2	2	2	2
4	-	Washer	-	2	2	2	2
5	-	Bolt	-	2	2	2	2
6	304724S8	Bolt, Hex Head (7/16-14x1.25)	-	1	1	1	1
7	ESL12074	Washer, Flat (7/16)	D85000090	1	1	1	1
8	N605532S8	Bolt, Hex (M8x1.25x25)	-	2	2	2	2
9	N630066S8	Washer (M8)	-	2	2	2	2
10	N620013S8	Nut (M8)	-	2	2	2	2

SEAT ASSEMBLY



# ***DECALS***

545 / 555 / 545 DTC / 555 DTC





545 / 555 / 545 DTC / 555 DTC

ITEM No.	PART No.	DESCRIPTION	VENDOR No.	QUANTITY			
				545	555	545orc	555orc
1	ESL15391	Decal, MI Front 545	D10028270	1	-	-	-
-	ESL15389	Decal, MI Front 555	D10028820	-	1	-	-
-	ESL15393	Decal, MI Front 545 DTC	-	-	-	1	-
-	ESL15392	Decal, MI Front 555 DTC	D10108530	-	-	-	1
2	ESL11611	Decal, Model Identification Center, RH	D10019430	1	1	1	1
3	ESL11610	Decal, Model Identification Center, LH	D10018440	1	1	1	1
4	ESL11613	Decal, Model Identification, Rear, LH	D10019120	1	1	1	1
5	ESL11614	Decal, Model Identification, Rear, RH	D10019130	1	1	1	1
6	ESL11616	Decal, Transmission Shift Pattern	D10019680	1	1	1	1
-	ESL14545	Decal, Transmission Shift Pattern	D10035520	-	-	-	-
7	ESL11622	Decal, Filter Cleanliness	D10017640	2	2	2	2
8	ESL11618	Decal, Hydraulic Pump & Lift	D10018600	1	1	1	1
9	ESL13897	Decal, Caution	D10026810	1	1	1	1
10	ESL11628	Decal, PTO Control	D10019220	1	1	1	1
11	ESL14546	Decal, PTO Guard (N)	D10049940	1	1	1	1
12	ESL13518	Decal, Warning Sign	D10018580	1	1	1	1
13	ESL11621	Decal, Tractor Maintenance Service	D10019110	1	1	1	1

## DECALS





545 | 555 | 645 DTC | 555 DTC

**14**

**OPERATOR** **WARNING**

ALWAYS WEAR YOUR SEATBELT, IT HELPS PREVENT YOU FROM BEING EJECTED FROM YOUR SEAT IN THE EVENT OF AN ACCIDENT. ALWAYS WEAR YOUR SEATBELT CORRECTLY. ALWAYS WEAR YOUR SEATBELT CORRECTLY. ALWAYS WEAR YOUR SEATBELT CORRECTLY.

ALWAYS WEAR YOUR SEATBELT, IT HELPS PREVENT YOU FROM BEING EJECTED FROM YOUR SEAT IN THE EVENT OF AN ACCIDENT. ALWAYS WEAR YOUR SEATBELT CORRECTLY. ALWAYS WEAR YOUR SEATBELT CORRECTLY. ALWAYS WEAR YOUR SEATBELT CORRECTLY.

ALWAYS WEAR YOUR SEATBELT, IT HELPS PREVENT YOU FROM BEING EJECTED FROM YOUR SEAT IN THE EVENT OF AN ACCIDENT. ALWAYS WEAR YOUR SEATBELT CORRECTLY. ALWAYS WEAR YOUR SEATBELT CORRECTLY. ALWAYS WEAR YOUR SEATBELT CORRECTLY.

**15**

**WARNING**

**WARNING**

FASTEN SEAT BELT

FAILURE TO FASTEN SEAT BELT COULD RESULT IN SERIOUS INJURY OR DEATH.

**16**

**WARNING**

**WARNING**

THE DIFFERENTIAL LOCK IS PROVIDED FOR USE ON SLIPPERY SURFACES. IT MUST NOT BE USED ON THE ROAD.

**17**

**CAUTION**

**CAUTION**

AFTER FIRST HOUR OF OPERATION, FRONT AND REAR WHEEL AND BOLT AND BOLTS SHOULD BE CHECKED FOR PROPER TORQUE - THESE AFTER CHECK ONLY.

**18**

**WARNING**

**WARNING**

AVOID POSSIBLE INJURY OR DEATH FROM A MACHINE ROLLOVER.

- Do not start engine by steering wheel power terminals. Machine will start in gear and move if normal starting circuitry is bypassed.
- Start engine only from operator seat with transmission in neutral or park. NEVER start engine while standing on the ground.

**21**

**FUSE LAYOUT**

**23**

**24**

**WARRANTY**

THE LIMITED WARRANTY OF THE MANUFACTURER FOR THE PRODUCT DESCRIBED HEREIN IS AS FOLLOWS:

- THE LIMITED WARRANTY OF THE MANUFACTURER FOR THE PRODUCT DESCRIBED HEREIN IS AS FOLLOWS:
- THE LIMITED WARRANTY OF THE MANUFACTURER FOR THE PRODUCT DESCRIBED HEREIN IS AS FOLLOWS:
- THE LIMITED WARRANTY OF THE MANUFACTURER FOR THE PRODUCT DESCRIBED HEREIN IS AS FOLLOWS:
- THE LIMITED WARRANTY OF THE MANUFACTURER FOR THE PRODUCT DESCRIBED HEREIN IS AS FOLLOWS:

**25**

**ESCORTS LIMITED, FAHIBABAD**

FAHIBABAD, PUNJAB, INDIA

TEL: 01823-261111

FAX: 01823-261112

EMAIL: SALES@ESCORTS.COM

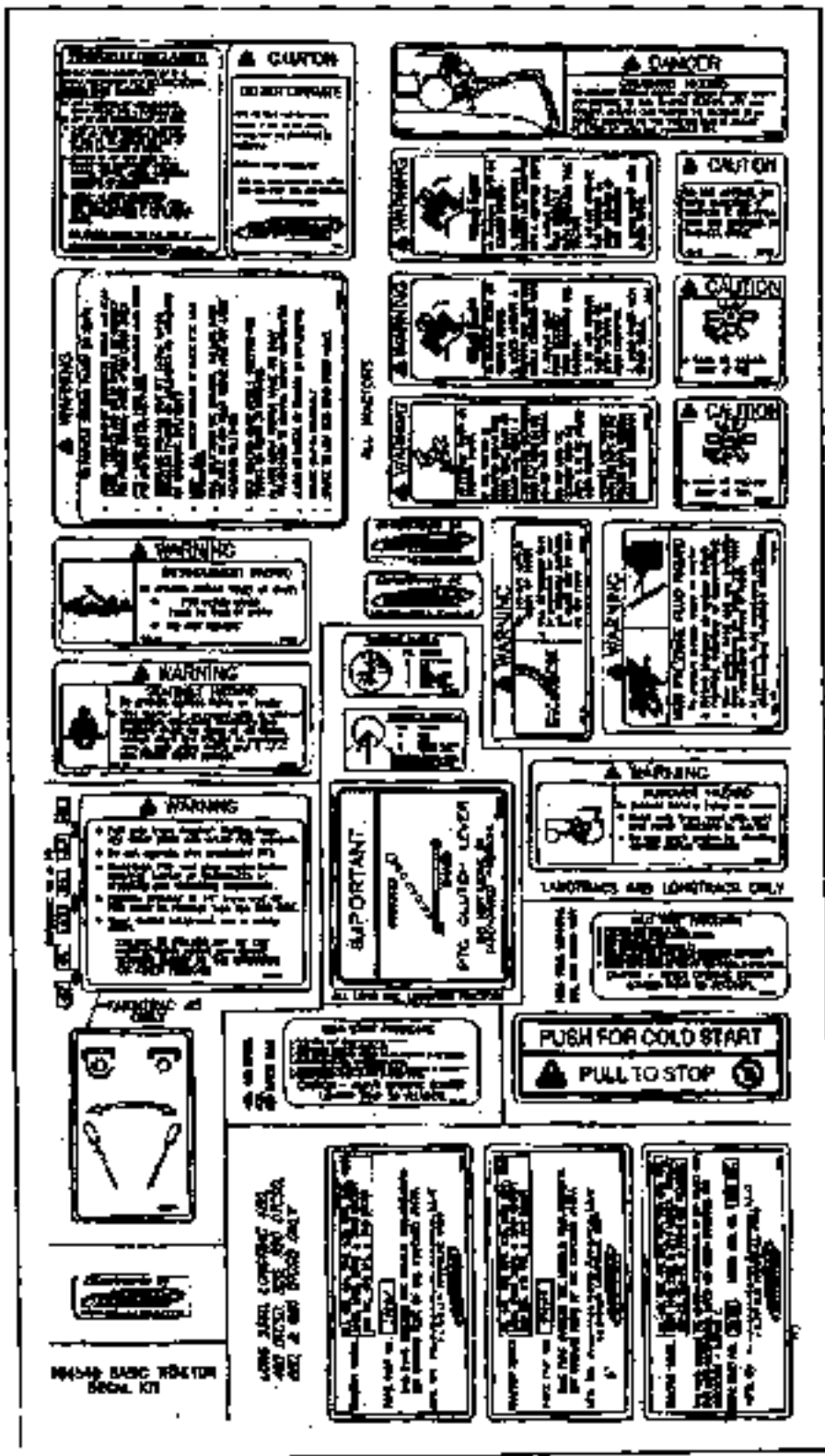
WEBSITE: WWW.ESCORTS.COM

**545 / 555 / 545 DTC / 555 DTC**

ITEM No.	PART No.	DESCRIPTION	VENDOR No.	QUANTITY			
				545	555	545 <sub>opt</sub>	555 <sub>exc</sub>
14	ESL11637	Decal, Warning Instructions	D10019210	1	1	1	1
15	ESL13696	Decal, Seat Belt	D10026800	1	1	1	1
16	ESL18695	Decal, Tractor Warning	D10026780	1	1	1	1
17	ESL18694	Decal, Torque	D10026780	1	1	1	1
18	ESL13693	Decal, Starting Warning	D10026770	1	1	1	1
19	ESL13619	Heat Reflective Tape	D10019190	1	1	1	1
20	ESL11617	Decal, Operator Instruction (NI)	D10017890	1	1	1	1
21	ESL11623	Decal, Fuse Box	D10039920	1	1	1	1
22	ESL11640	Decal, Thermostat (NI)	D10026850	1	1	1	1
23	ESL11639	Decal, Battery Warning	D10018620	1	1	1	1
24	ESL11632	Decal, Warranty Disclaimer	D10026840	1	1	1	1
25	ESL11633	Plate, Vehicle Identification	D10026860	1	1	1	1
26	ESL14548	Decal, EPA Engine (NI)	D10028290	2	-	2	-
-	ESL15584	Decal, EPA Engine (NI)	D10026830	-	2	-	2

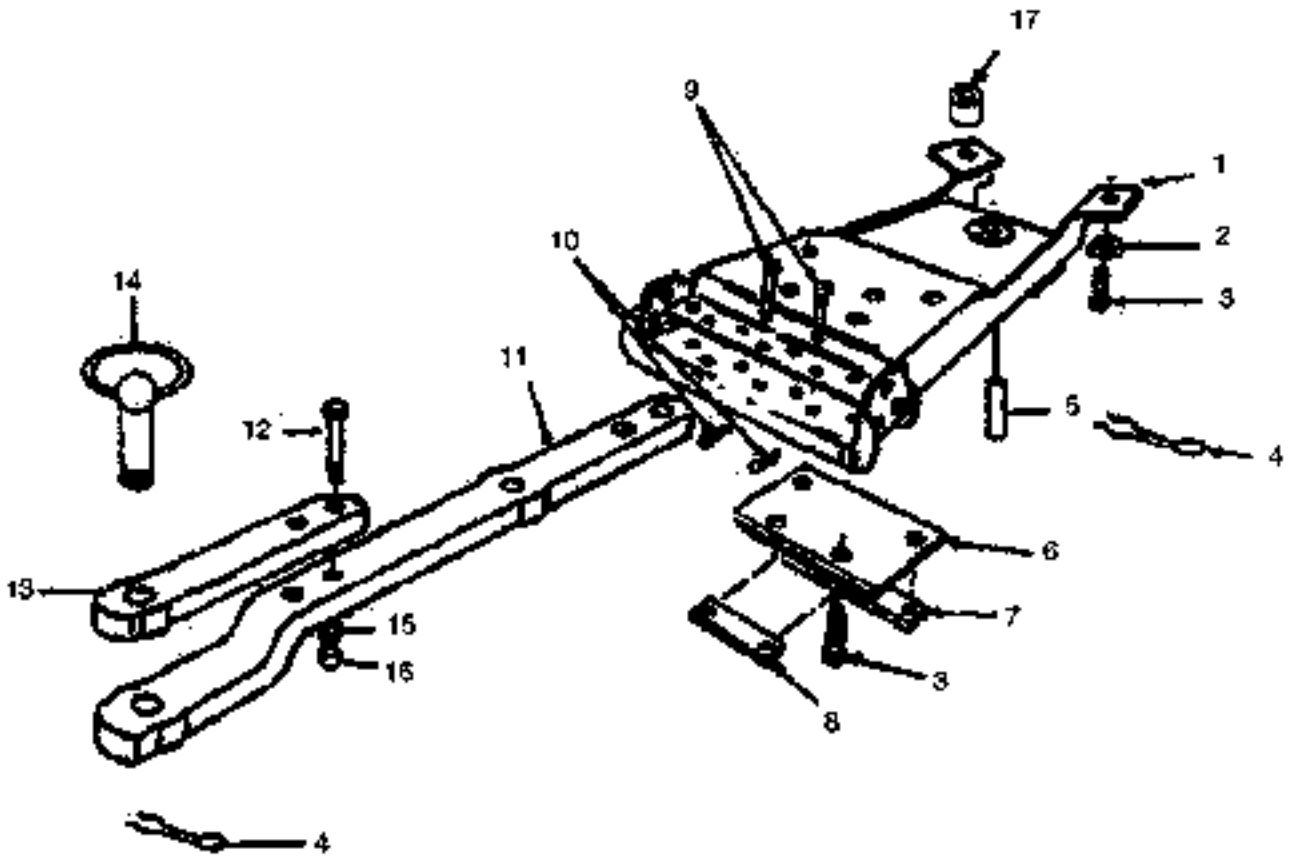
545 / 555 / 545 DTC / 555 DTC

ITEM No	PART No.	DESCRIPTION	QUANTITY			
1	904540	Decal Sheet	545	555	545 DTC	555 DTC
			1	1	1	1



DECALS

# OPTIONS

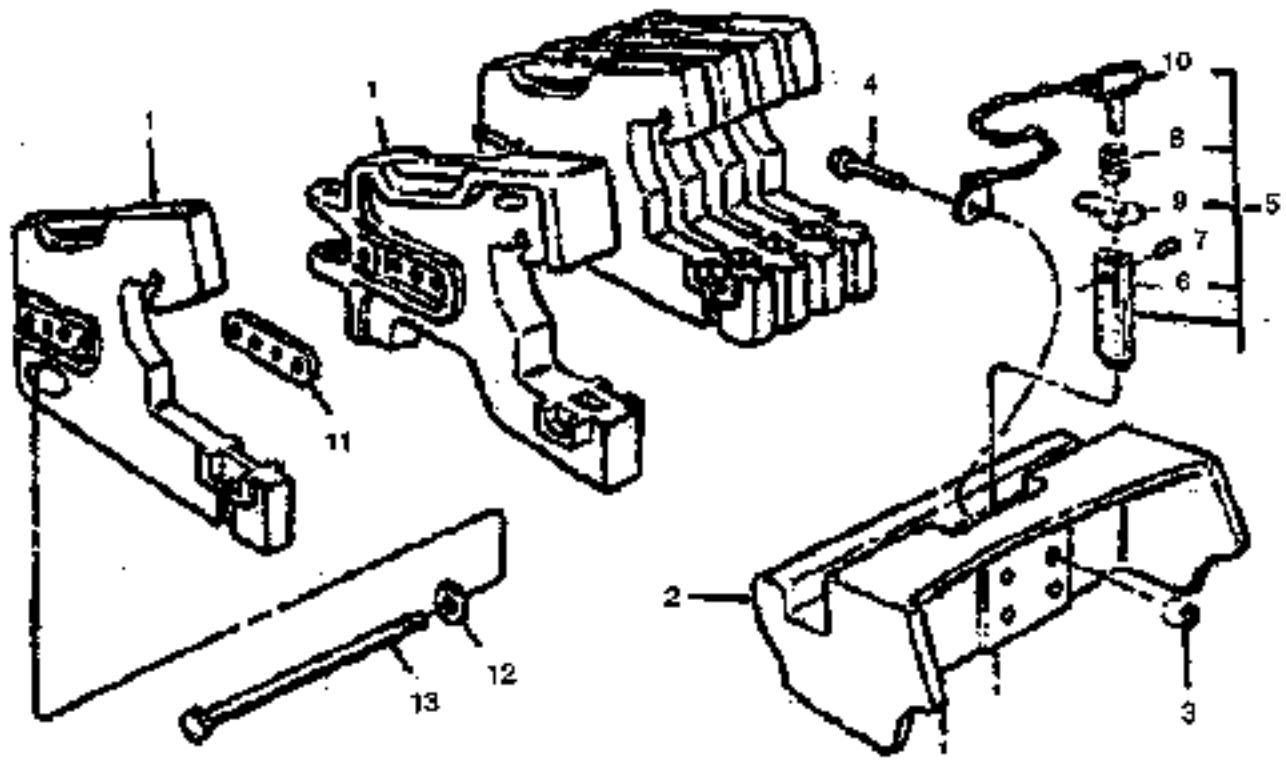


**SWINGING DRAWBAR**

545 | 555 | 545 DTC | 555 DTC

ITEM No.	PART No.	DESCRIPTION	VENDOR No.	QUANTITY			
				545	555	545 DTC	555 DTC
1	ESL12589	Hanger Assembly, Drawbar	D10027210	1	1	1	1
2	ESL11712	Washer, Drawbar Hanger	D10027310	2	2	2	2
3	304768S8	Bolt, Hex (5/8-11x1.50)	-	6	6	6	6
4	ESL11169	Spring, Drawbar Pin	D10027270	2	2	2	2
5	ESL11677	Pin Drawbar	D10027250	1	1	1	1
6	ESL11172	Plate, Drawbar Hanger	Df0027220	1	1	1	1
7	ESL11176	Strap	D10027300	1	1	1	1
8	ESL11175	Strap	D10027290	1	1	1	1
9	ESL11177	Pin, Drawbar Adjusting	D10027240	2	2	2	2
10	ESL12590	Pin, Clip	D10026210	2	2	2	2
11	ESL12588	Drawbar Swinging	D10027230	1	1	1	1
12	304844S8	Bolt (5/8-11x3.50)	DB1000750	2	2	2	2
13	ESL13713	Strap Drawbar Clevis	D10027280	1	1	1	1
14	ESL13714	Pin Drawbar Clevis	D10027260	1	1	1	1
15	34811S8	Washer, Lock (5/8)	-	2	2	2	2
16	33849S8	Nut, Hex (5/8-11)	-	2	2	2	2
17	ESL15427	Spacer	D10026250	6	6	6	6

SWINGING DRAWBAR



**FRONT END WEIGHTS**

545 / 555 / 545 DTC / 555 DTC

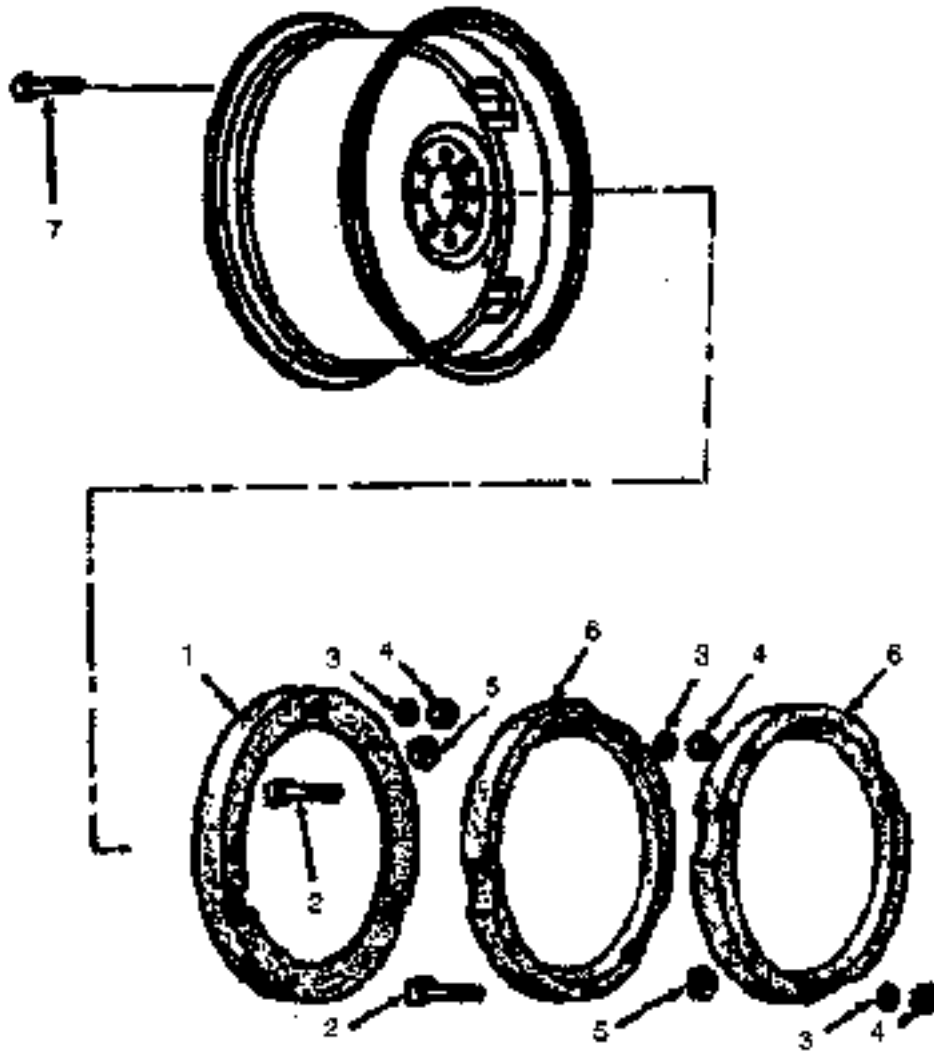
ITEM NO.	PART NO.	DESCRIPTION	VENDOR NO.	QUANTITY			
				545	555	545 DTC	555 DTC
1	ESL13626	Weight, Front End	D10039410	6	6	6	6
2	ESL13627	Carrier, Front End Weight	D10039420	1	1	1	1
3	ESL13628	Spacer	-	4	4	4	4
4	304946S8	Bolt, Hex Head (3/4-10x3.50)	-	4	4	4	4
5	ESL13629	Pin Assembly, Front End Weight Retainer	D10039400	1	1	1	1
6	ESL13630	Pin, Front Weight Retainer	-	1	1	1	1
7	ESL13631	Pin	-	1	1	1	1
8	ESL13632	Spring, Front End Weight Retainer	-	1	1	1	1
9	ESL13633	Bracket, Front End Retainer	-	1	1	1	1
10	ESL13634	Chain & Clevis Only	D10042800	1	1	1	1
11	ESL13635	Plate, Front End Weight Clamp	-	1	1	1	1
12	E630072S8	Washer, Flat (M16)	-	4	4	4	4
13	82835168	Bolt, Front End Weight	-	4	4	4	4

### FRONT END WEIGHTS



545 / 555 / 545 DTC / 555 DTC

ITEM No	PART No.	DESCRIPTION	VENDOR No.	QUANTITY			
				545	555	545 DTC	555 DTC
1	ESL10924	Weight, Rear Wheel Center (NSS)	-	2	2	2	2
2	380304S8	Bolt, Square Head (5/8-11x3.00)	.	12	12	12	12
3	34811S8	Washer, Lock (5/8)	.	18	18	18	18
4	33849S8	Nut, Hex (5/8-11)	.	18	18	18	18
5	-	Washer, Weight Bolt Retainer (NSS)	.	12	12	12	12
6	ESL10926	Weight, Rear Wheel Auxillary (NSS)	-	4	4	4	4
7	304933S8	Bolt, Hex Head (5/8-11x3.25)	-	6	6	6	6
8	ESL10925	Spacer, Rear Wheel Weight (NSS)	-	6	6	6	6



### REAR WHEEL WEIGHTS