



665 2WD / 665 DTC 4WD

PART'S MANUAL

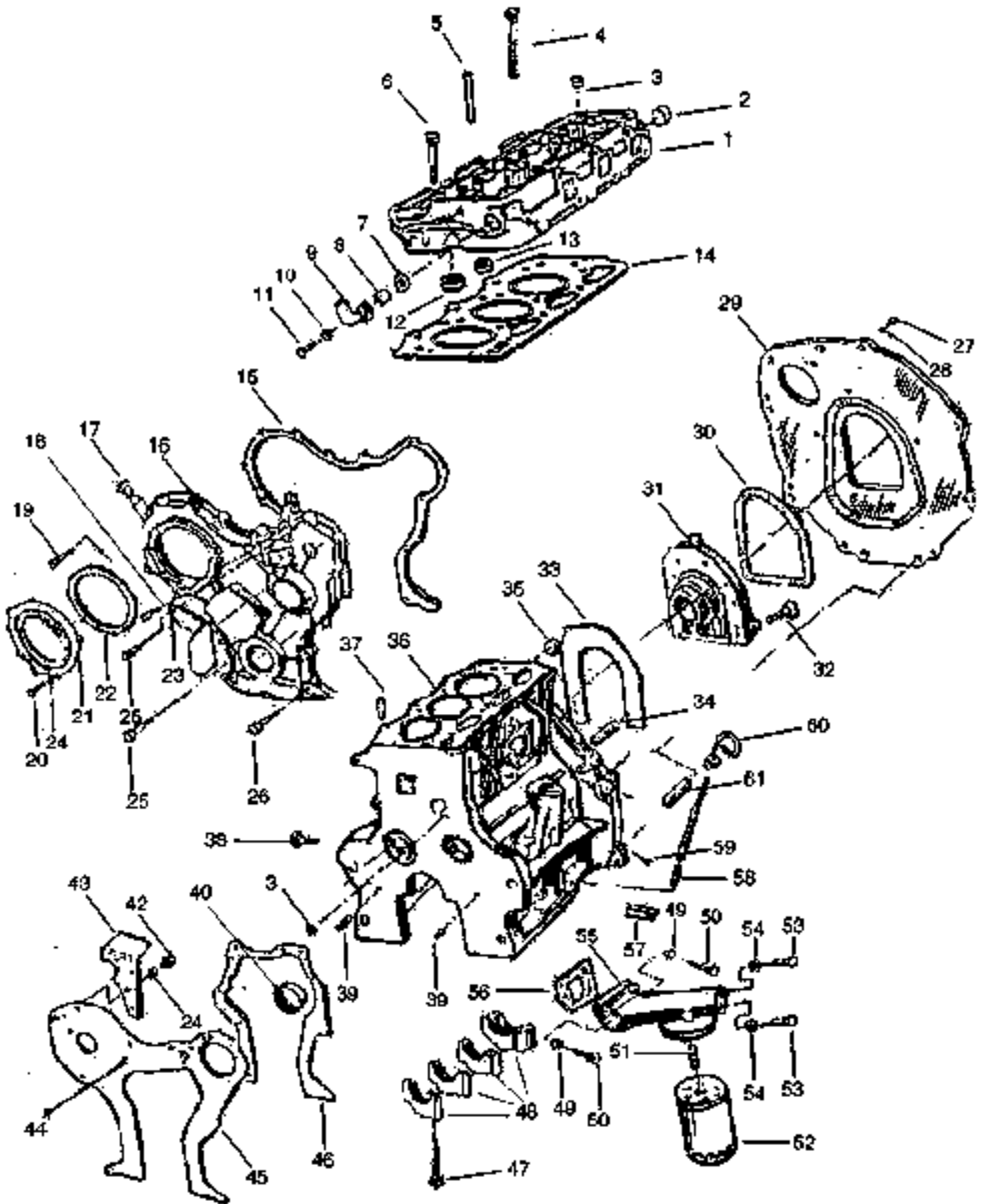
665 / 665 DTC

SECTION 1

ENGINE

FARMTRAC

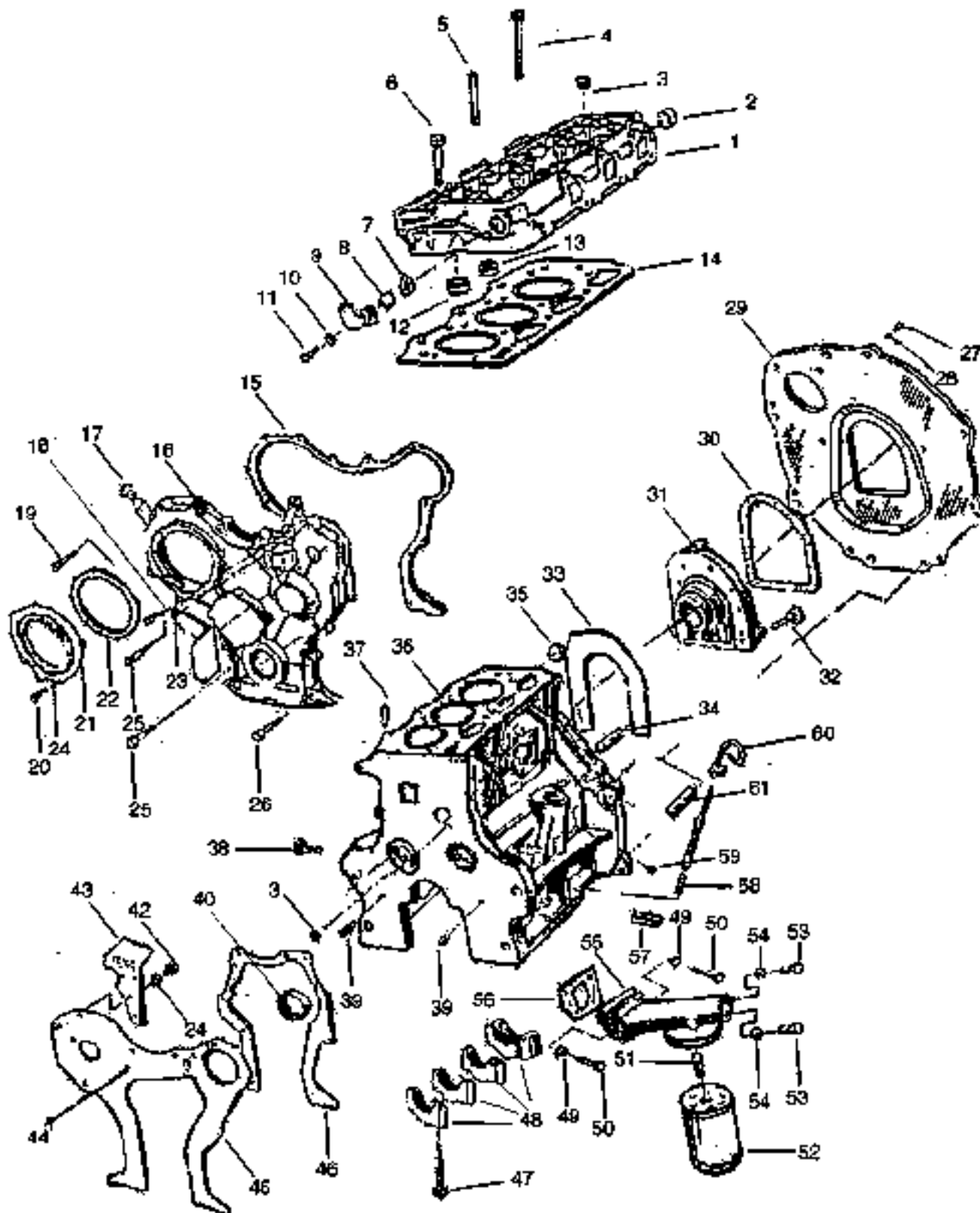
665 / 665 DTC



665 / 665 DTC

| ITEM NO. | PART NO. | DESCRIPTION | VENDOR NO. | QUANTITY | |
|----------|-----------|---|------------|----------|---------|
| | | | | 665 | 665 DTC |
| 1 | ESL15184 | Cylinder Head Assembly 665 (Includes Items 2-4, 12 and 13) | D10045340 | 1 | 1 |
| 2 | 390628S | Plug, (1.761) Cup | - | 2 | 2 |
| 3 | 390624S | Plug, (1.12) Cup | - | 4 | 4 |
| 4 | ESL15204 | Bolt, (M12x1.5x218) Cylinder Head | D10044570 | 4 | 4 |
| 5 | ESL15225 | Guide Valve | D10045010 | 6 | 6 |
| 6 | ESL15203 | Bolt, (M12x1.5x1.44) Cylinder Head | D10044580 | 10 | 10 |
| 7 | ESL10502 | Gasket Water Outlet | D10011760 | 1 | 1 |
| 8 | ESL15207 | Thermostat Assembly Water | - | 1 | 1 |
| 9 | ESL10503 | Connection Water Outlet | D10011750 | 1 | 1 |
| 10 | 348065S | Washer, (5/16) Spring Lock | D10011770 | 2 | 2 |
| 11 | ESL15206 | Bolt, (M8x1.00x30-6.6) Hex Head | D10045190 | 2 | 2 |
| 12 | ESL15196 | Insert Intake Valve Seat | D10046040 | 3 | 3 |
| 13 | ESL15199 | Insert Exhaust Valve Seat | D10045030 | - | - |
| 14 | ESL15206 | Gasket Cylinder Head | D10044810 | 1 | 1 |
| 15 | ESL13324 | Gasket Cylinder Block Front Cover | D10010870 | 1 | 1 |
| 16 | ESL15217 | Cover Timing Gear | D10045020 | 1 | 1 |
| 17 | ESL10060 | Cap Engine Lube Oil Filter Tube | D10010930 | 1 | 1 |
| 18 | 304760S8 | Bolt, (3/8-16x1.50) Hex Head | - | 1 | 1 |
| 19 | 300878S8 | Bolt, (5/16-18x2.50) Hex Head | - | 3 | 3 |
| 20 | 304648S8 | Bolt, (5/16-18x0.75) Hex Head | - | 6 | 6 |
| 21 | ESL13691 | Cover Fuel Injection Pump Timing | D10044730 | 1 | 1 |
| 22 | ESL15222 | Gasket Timing Cover | D10044780 | 1 | 1 |
| 23 | ESL10076 | Deflector Fan Air LH | - | 1 | 1 |
| 24 | 348065S | Washer, (5/16) Spring Lock | - | 12 | 12 |
| 25 | 300880S8 | Bolt, (3/8-16x2.50) Hex Head | - | 2 | 2 |
| 26 | 586396S | Bolt, (3/8-16x2.25) Hex Head | - | 8 | 8 |
| 27 | 304860S8 | Bolt, (3/8-16x0.75) Hex Head | - | 3 | 3 |
| 28 | 348075S | Washer, (3/8) Spring Lock | - | 3 | 3 |
| 29 | ESL15220 | Plate Engine Rear | D10044600 | 1 | 1 |
| 30 | ESL15221 | Gasket Rear Plate | D10044860 | 1 | 1 |
| 31 | ESL15224 | Carrier Seal Rear Oil Seal | D10061670 | 1 | 1 |
| 32 | 304682S8 | Bolt, (5/16-18x1.00) Hex Head | - | 8 | 8 |
| 33 | ESL15223 | Gasket Seal Carrier | D10044770 | 1 | 1 |
| 34 | ESL15231 | Pin Plain Dowel | D10044760 | 1 | 1 |
| 35 | 390626S | Plug, (1.50) Cup | - | 5 | 5 |
| - | 390629S36 | Plug, (1.814) Cup | - | AR | AR |

665 / 665 DTC



CYLINDER BLOCK & CYLINDER HEAD

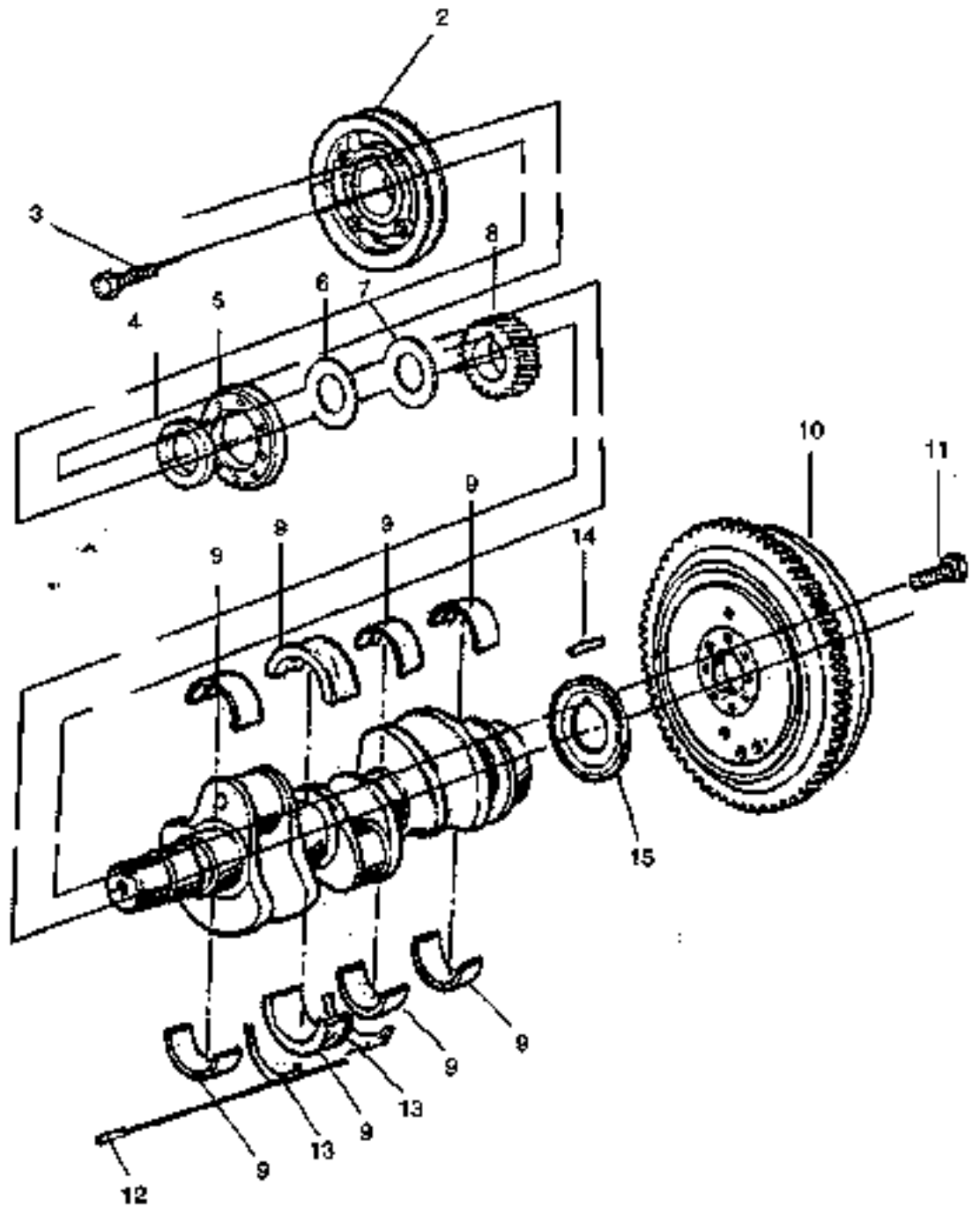
665 / 666 DTC

| Item No. | Part No. | Description | Vendor No. | Quantity | 665 666 DTC |
|----------|----------|---------------------------------|------------|----------|-------------|
| 36 | ESL15244 | Plug Oil Pan Drain | D10061670 | 1 | 1 |
| 37 | ESL10120 | Dowel Cyl. Head to Block Cyl. | D10010280 | 2 | 2 |
| 38 | 8765158 | Plug, (1/4-18) Pipe | - | 1 | 1 |
| 39 | 73329S | Pin, (3/8x1.125) Plain Dowel | - | 2 | 2 |
| 40 | ESL15215 | Bearings Camshaft | D10010150 | 1 | 1 |
| 41 | ESL15222 | Gasket Timing Cover | D10044780 | 1 | 1 |
| 42 | 33797558 | Nut, (5/16-18) Hex | - | 3 | 3 |
| 43 | ESL10079 | Deflector Pan Air RH | D10010690 | 1 | 1 |
| 44 | 4596458 | Bolt, (5/16-18x.75) Hex Head | - | 4 | 4 |
| 45 | ESL15218 | Plate Engine Front Cover | D10047860 | 1 | 1 |
| 46 | ESL15219 | Gasket Engine Front Cover | D10047860 | 1 | 1 |
| 47 | ESL13691 | Bolt, (9/16-12x4.45) Hex Head | D10044730 | 8 | 8 |
| 48 | ESL15245 | Gasket Water Pump | D10044720 | 1 | 1 |
| 49 | 38788758 | Nut, (3/8-18) Hex | - | - | - |
| 50 | ESL15234 | Bolt, (M8x1.25x60-6.6) Hex Head | D10043930 | 4 | 4 |
| 51 | ESL10082 | Insert Oil Filter Mounting | - | 1 | 1 |
| 52 | ESL10083 | Filter Assembly Lube Oil | D10017600 | 1 | 1 |
| 53 | ESL15229 | Plug Oil Filter Body | D10044970 | 2 | 2 |
| 54 | ESL15230 | Washer Oil Filter Body | D10044940 | 2 | 2 |
| 55 | ESL15226 | Bracket Oil Filter Mounting | D10044960 | 1 | 1 |
| 56 | ESL15227 | Gasket Oil Filter Mounting | D10044800 | 1 | 1 |
| 57 | ESL10072 | Cover Flywheel Access | D10044780 | 1 | 1 |
| 58 | ESL10052 | Tube Oil Level Indicator | D10048250 | 1 | 1 |
| 59 | 30468258 | Plug, (3/8-18) Hex Head | - | 1 | 1 |
| 60 | ESL15216 | Indicator Assembly Oil Level | D10048250 | 1 | 1 |
| 61 | 30086658 | Bolt, (5/16-18x2.12) Hex Head | - | 1 | 1 |

Service Kits:

| | | | | | |
|---|----------|--------------------------------|-----------|---|---|
| A | ESL15369 | Engine Assembly 665 | D10047820 | 1 | 1 |
| B | ESL15373 | Engine Assembly w/elec: 665 | - | 1 | 1 |
| C | ESL15323 | Engine Overhauling Gasket Set | - | 1 | 1 |
| D | ESL15567 | Decarbonizing Kit 665 | - | 1 | 1 |
| E | ESL15520 | Engine Plug Kit Std | - | 1 | 1 |
| F | ESL15521 | Engine Plug Kit Oversized | - | - | - |
| G | ESL15564 | Engine Overhauling Kit 665-010 | - | 1 | 1 |
| H | ESL15565 | Engine Overhauling Kit 665-020 | - | 1 | 1 |
| I | ESL15568 | Engine Overhauling Kit 665-030 | - | 1 | 1 |

005 / 005 etc



CRANKSHAFT & FLYWHEEL ASSEMBLY

<https://tractormanualz.com/>

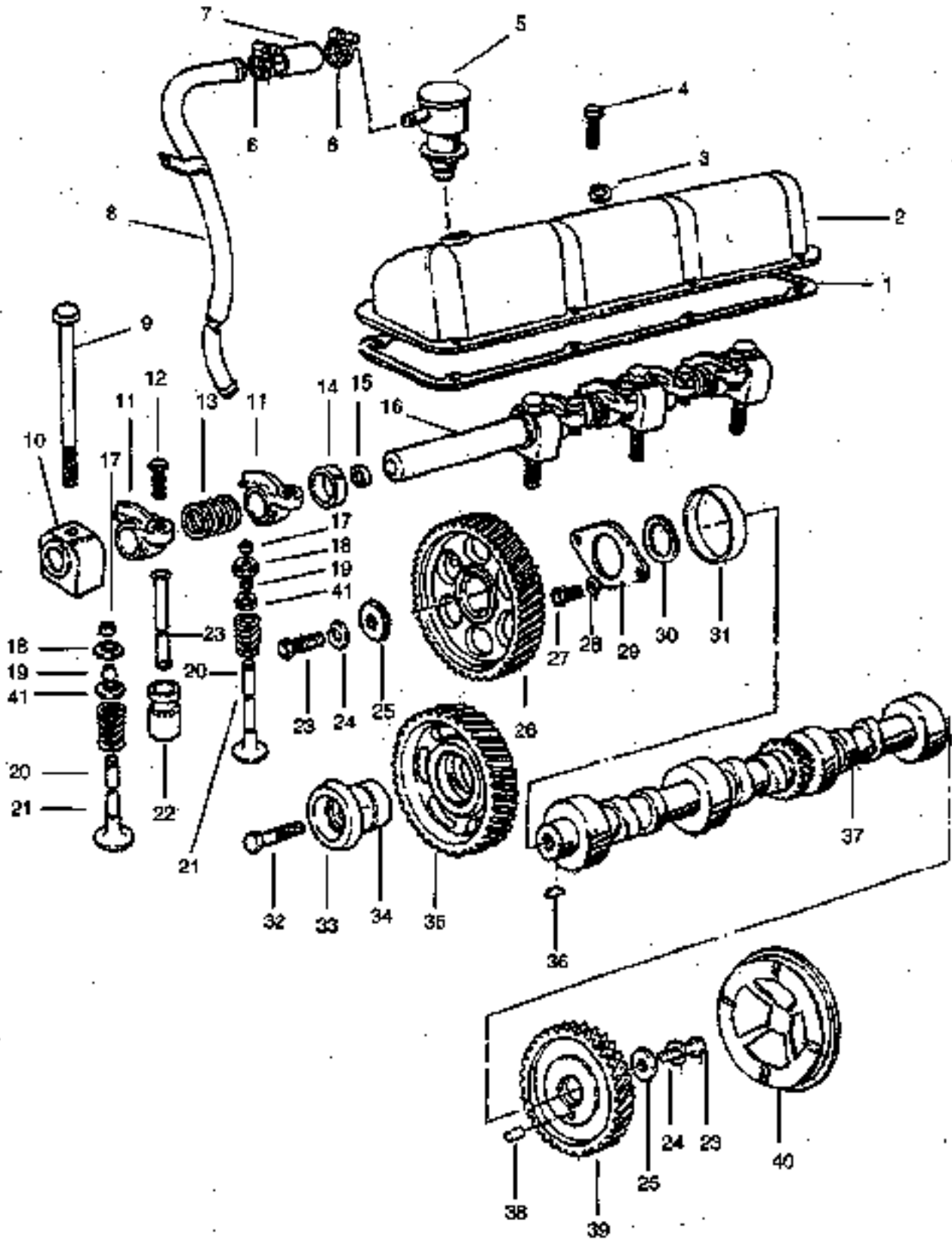
665 / 665 DTC

| ITEM No. | PART No. | DESCRIPTION | VENDOR No. | QUANTITY | |
|----------|----------|--|------------|----------|---------|
| | | | | 665 | 665 DTC |
| 1 | ESL15396 | Crankshaft and Gear Assy. (Includes Item # 3) | D10048090 | 1 | 1 |
| 2 | ESL12623 | Pulley Crankshaft | D10039630 | 1 | 1 |
| 3 | ESL15248 | Bolt, (M10x1.50x45-10.9) | D10044910 | 5 | 5 |
| 4 | ESL15249 | Spacer Crank Shaft Pulley | D10044880 | 1 | 1 |
| 5 | ESL15237 | Seal Crankshaft Front | D10044410 | 1 | 1 |
| 6 | ESL15250 | Seal 'O' Ring, (0.103x1.75) | D10010400 | 1 | 1 |
| 7 | ESL15238 | Seal Crankshaft Rear | D10044550 | 1 | 1 |
| 8 | ESL15251 | Gear Crankshaft | D10047880 | 1 | 1 |
| 9 | ESL15386 | Main Bearing Set (consists of 4 pairs of main bearings) | - | 1 | 1 |
| 10 | ESL15397 | Flywheel Assembly | D10047870 | 1 | 1 |
| 11 | ESL15255 | Bolt Flywheel Mounting | D10044590 | 2 | 2 |
| 12 | ESL15256 | Dowel Thrust Washer | D10044750 | 2 | 2 |
| 13 | ESL15257 | Washer Thrust | D10044740 | 1 | 1 |
| 14 | ESL15258 | Dowel Flywheel | D10044920 | 1 | 1 |
| 15 | ESL15238 | Seal Crankshaft Rear | D10044550 | 1 | 1 |

Service Kits:

| | | | | | |
|---|----------|--|---|---|---|
| A | ESL15384 | Engine Bearing Set 10 o/s (consists of Main Bearings and Rod Bearings for an engine) | . | 1 | 1 |
| B | ESL16540 | Engine Bearing Set 20 o/s | . | 1 | 1 |
| C | ESL15541 | Engine Bearing Set 30 o/s | . | 1 | 1 |
| D | ESL15542 | Engine Bearing Set 40 o/s | . | 1 | 1 |

665 / 665 DTC



CAMSHAFT & ROCKER ARM

665 / 665 DTC

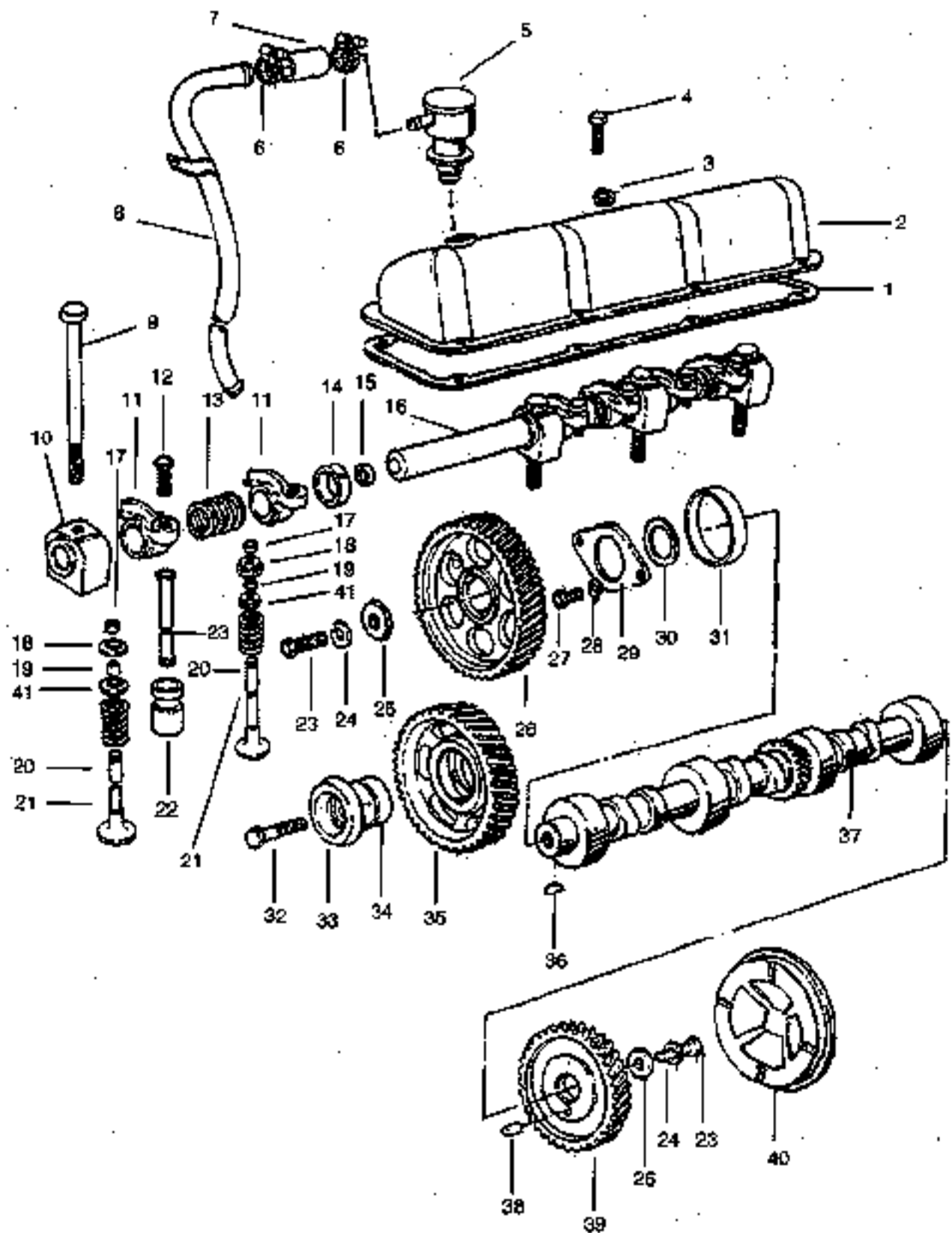
| ITEM No. | PART No. | DESCRIPTION | VENDOR No. | QUANTITY |
|----------|-----------|-----------------------------------|------------|-------------|
| | | | | 665 665 DTC |
| 1 | ESL15273 | Gasket Valve Rocker Arm | D10044820 | 1 1 |
| 2 | ESL15272 | Cover Valve Rocker Arm | D10045090 | 1 1 |
| 3 | N630173S8 | Washer M6 Spring Lock | - | 8 8 |
| 4 | ESL15274 | Bolt, (M8x1.25x20-8.8) Hex Head | D81500110 | 8 8 |
| 5 | ESL15282 | Breather Assembly Crank Case | D10045270 | 1 1 |
| 6 | ESL15281 | Clamp Hose | D10102430 | 2 2 |
| 7 | ESL15518 | Hose Breather Assembly | D10102400 | 1 1 |
| 8 | ESL15519 | Tube Assembly Crankcase Vent | D10045280 | - - |
| 9 | ESL15284 | Bolt, M12x1.5x216) Cylinder Head | D10044570 | 4 4 |
| 10 | ESL15283 | Support Valve Rocker | D10045080 | 4 4 |
| 11 | ESL10168 | Kit Rocker Arm W/Screw | D10075030 | 6 6 |
| 12 | ESL10131 | Screw, (7/16-20) Valve Rocker Arm | D10011840 | 6 6 |
| 13 | ESL10134 | Spring Valve Rocker | D10011590 | 3 3 |
| 14 | ESL10135 | Spacer Valve Rocker | D10011600 | 3 3 |
| 15 | ESL10046 | Plug, (0.761) Cup | - | 2 2 |
| 16 | ESL10132 | Shaft Valve Rocker | D10011680 | 1 1 |
| 17 | ESL15270 | Key Valve Spring Retainer | D10045200 | - - |
| 18 | ESL15269 | Retainer Valve Spring Upper | D10045050 | 6 6 |
| 19 | ESL15271 | Seal Valve Stem | D10045060 | 6 6 |
| 20 | ESL15268 | Spring Valve | D10044890 | 3 3 |
| 21 | ESL15348 | Valve Set Exhaust 5 o/s | - | 3 3 |
| - | ESL15547 | Valve Set Exhaust 10 o/s | - | 3 3 |
| - | ESL15548 | Valve Set Exhaust 15 o/s | - | 3 3 |
| - | ESL15267 | Valve Air Intake | - | 3 3 |
| - | ESL15549 | Valve Air Intake 5 o/s | - | 3 3 |
| - | ESL15550 | Valve Air Intake 10 o/s | - | 3 3 |
| - | ESL15551 | Valve Air Intake 15 o/s | - | 3 3 |
| 22 | ESL15260 | Tappet Valve | - | 6 6 |
| 23 | ESL15282 | Rod Valve Push | D10044510 | 6 6 |
| 24 | 34808S8 | Washer, (7/16) Spring Lock | D10045070 | 3 3 |
| 25 | ESL11644 | Washer Cam Shaft | D10010620 | 3 3 |
| 26 | ESL15277 | Gear Cam Shaft | D10047890 | 1 1 |
| 27 | 304648S8 | Bolt, (5/16-18x0.76) Hex Head | D81000200 | 2 2 |
| 28 | ESL11975 | Washer, (5/16) Spring Lock | D86000040 | 2 2 |
| 29 | ESL10152 | Plate Camshaft Thrust | D10010490 | 1 1 |
| 30 | ESL10150 | Spacer Cam Washer | D10010480 | 1 1 |
| 31 | ESL15213 | Cam Bush Set | D93100020 | 1 1 |
| 32 | ESL11922 | Bolt, (5/8-11x2.125) Hex Head | D81000570 | 1 1 |
| 33 | ESL10147 | Adapter Cam Shaft | D10010560 | 1 1 |
| 34 | ESL10146 | Bush Cam Shaft Drive Gear | D10020980 | 1 1 |

CAMSHAFT & ROCKER ARM

Ⓢ - SERIAL NUMBER BREAK,

Ⓢ - INDICATES UP TO AND INCLUDING THAT SERIAL NUMBER

665 / 665 etc

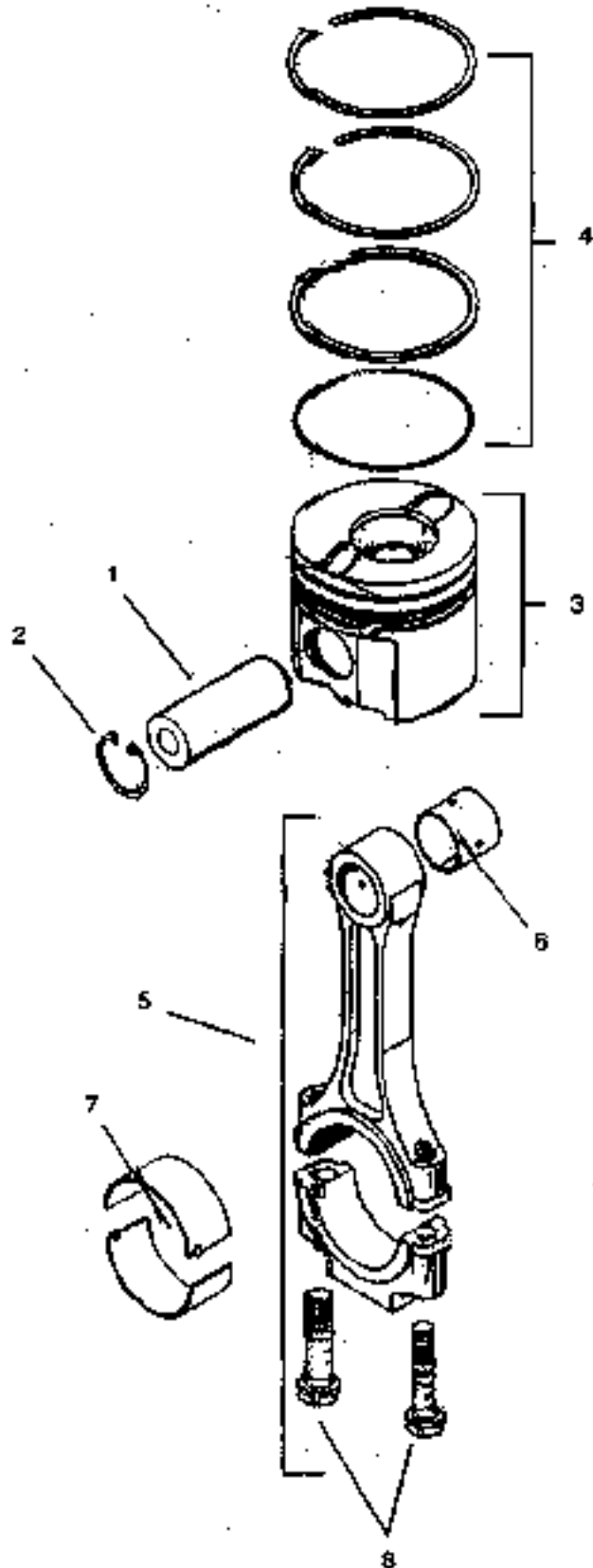


CAMSHAFT & ROCKER ARM

665 / 665 DTC

| ITEM No. | PART No. | DESCRIPTION | VENDOR No. | QUANTITY 665 665 DTC |
|-----------------|-----------------|--|-------------------|---------------------------------------|
| 35 | ESL15276 | Gear Crank Shaft Drive Assembly | D10047900 | 1 1 |
| 36 | 74178S8 | Key, (3/16x3/4) Woodruff | - | 3 3 |
| 37 | ESL15275 | Cam Shaft | D10044400 | 1 1 |
| 38 | ESL10155 | Pin, (5/16x0.625) Dowel | - | 1 1 |
| 39 | ESL15278 | Gear Assembly Cam Shaft, Hydraulic Pump | D10059240 | 1 1 |
| 40 | ESL10156 | Cover Camshaft Hydraulic, Pump Drive | D10010340 | 1 1 |
| - | ESL10145 | Gear Assembly Camshaft Drive | D10020950 | 1 1 |
| 41 | ESL15279 | Retainer Valve Spring Lower | D10044900 | 6 6 |

665 / 665 DTC



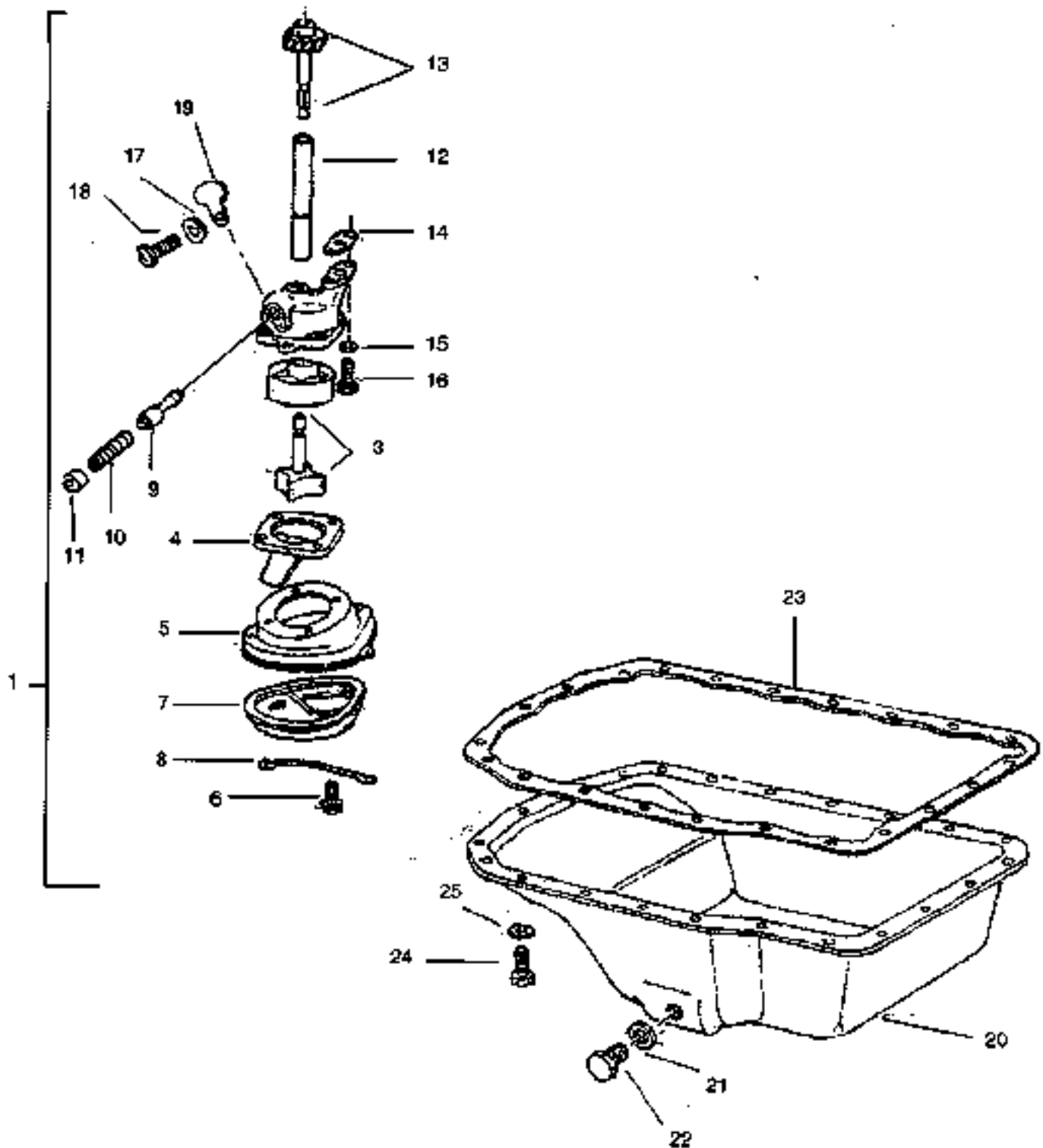
PISTON & CONNECTING ROD

665 / 665 DTC

| <i>ITEM No.</i> | <i>PART No.</i> | <i>DESCRIPTION</i> | <i>VENDOR No.</i> | <i>QUANTITY</i> 665 665 DTC | |
|-----------------|-----------------|-----------------------------------|-------------------|---------------------------------------|---|
| 1 | ESL15284 | Pin Piston | D10044660 | 3 | 3 |
| 2 | ESL15285 | Ring Retaining | D10045100 | 6 | 6 |
| 3 | ESL15902 | Piston Set 666 | D10028490A | 1 | 1 |
| 4 | ESL15552 | Ring Set 665 | D10047490 | - | - |
| 5 | ESL16603 | Rod Assy. Connecting | D10044430 | 3 | 3 |
| 6 | ESL15296 | Bush Set Connecting Rod | D10044990 | 1 | 1 |
| 7 | ESL15287 | Connecting Rod Bearing Set | D10045000 | 1 | 1 |
| - | ESL15553 | Connecting Rod Bearing Set 10 o/s | - | 1 | 1 |
| - | ESL15584 | Connecting Rod Bearing Set 20 o/s | - | 1 | 1 |
| - | ESL15555 | Connecting Rod Bearing Set 30 o/s | - | 1 | 1 |
| - | ESL15556 | Connecting Rod Bearing Set 40 o/s | - | 1 | 1 |
| 8 | ESL15299 | Bolt, (M12x69-10.9) Con. Rod | D10044560 | 6 | 6 |

PISTON & CONNECTING ROD

665 / 665 DTC



OIL PUMP & OIL PAN

665 / 665 DTC

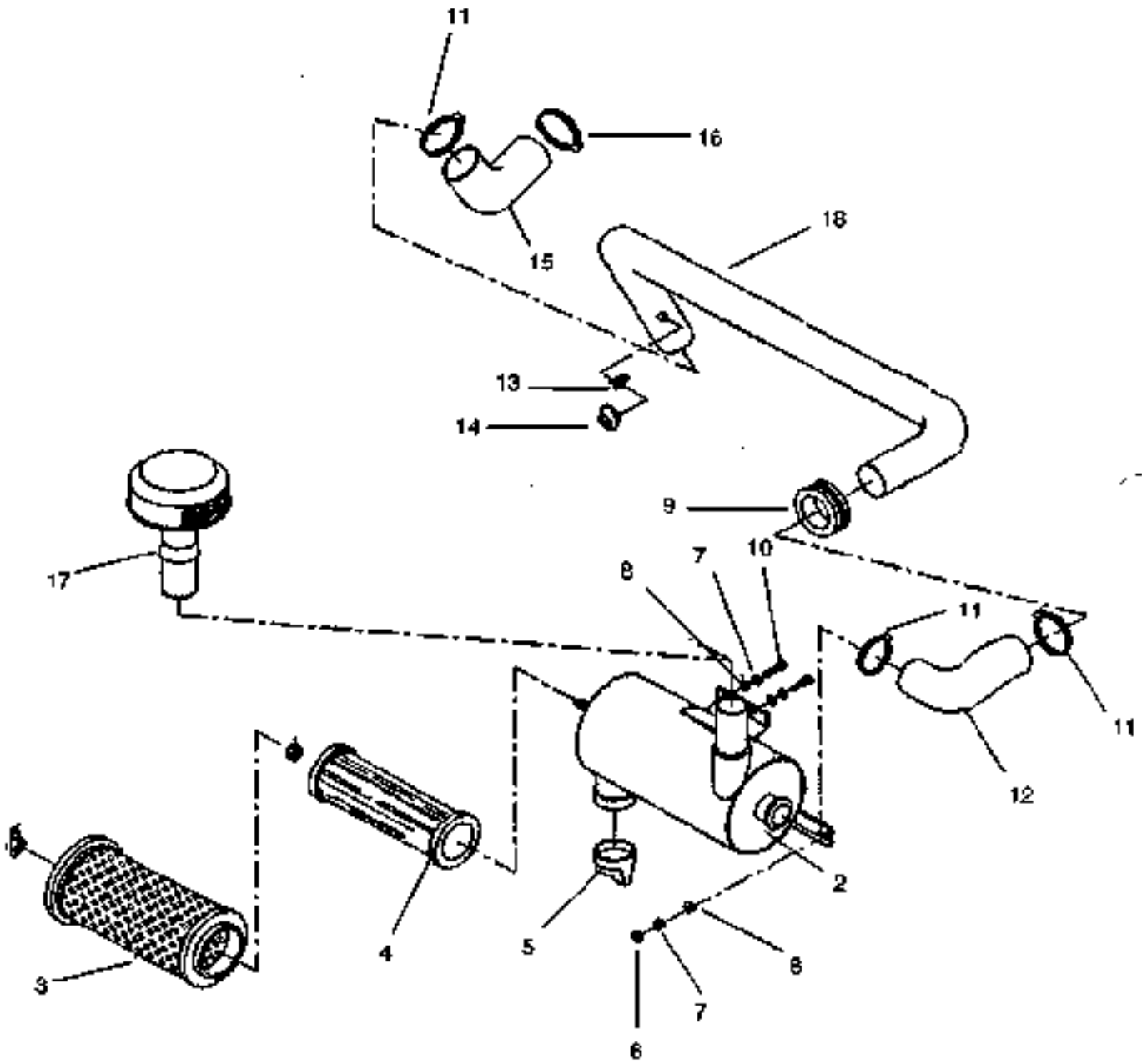
| ITEM NO. | PART NO. | DESCRIPTION | VENDOR NO. | QUANTITY | |
|----------|-----------|--|------------|----------|---------|
| | | | | 665 | 665 DTC |
| 1 | ESL10203 | Pump Assembly Engine Lube Oil | D10010970 | 1 | 1 |
| 2 | - | Body Engine Lube Oil Pump | - | 1 | 1 |
| 3 | ESL12629 | Rotor and Shaft Assy. Lube Oil, Pump Drive | D10104340 | 1 | 1 |
| 4 | . | Cover Lube Oil Pump | - | 1 | 1 |
| 5 | . | Cover Lube Oil Pump Screen | - | 1 | 1 |
| 6 | ESL11779 | Bolt M6x1.00x20-6.6 Hex Flanged (Lube Oil Pump) | - | 4 | 4 |
| 7 | ESL10191 | Screen Lube Oil Pump | D10011030 | 4 | 4 |
| 8 | ESL10193 | Spring Lube Oil Pump Screen | D10011080 | 1 | 1 |
| 9 | ESL10188 | Valve Lube Oil Pressure Relief Valve | D10011060 | 1 | 1 |
| 10 | ESL10189 | Spring Lube Oil Pump Relief Valve | D10011010 | 1 | 1 |
| 11 | ESL10190 | Plug Lube Oil Pump Relief Valve | D10010990 | 1 | 1 |
| 12 | ESL10195 | Shaft Lube Oil Pump | D10011170 | 1 | 1 |
| 13 | ESL10196 | Shaft and Gear Assembly | D10011100 | 1 | 1 |
| 14 | ESL10197 | Gasket Lube Oil Pump | D10011140 | 1 | 1 |
| 15 | ESL11646 | Washer Lube Oil Pump Lock | D10011150 | 2 | 2 |
| 16 | 378310S38 | Bolt, (3/8-16x1.38) Hex Head | - | 2 | 2 |
| 17 | N63017398 | Washer M8 Spring Lock | - | 1 | 1 |
| 18 | N605531S8 | Bolt, (M8x1.25x20-9.8) Hex Head | - | 1 | 1 |
| 19 | ESL11646 | Stop Lube Oil Pump Relief Valve | - | 1 | 1 |
| 20 | ESL15300 | Pan Assembly Oil | D10044630 | 1 | 1 |
| 21 | ESL10201 | Gasket Drain Plug | D10044710 | 1 | 1 |
| 22 | ESL15244 | Plug Oil Pan Drain | D10061670 | 1 | 1 |
| 23 | ESL15249 | Gasket Oil Pan | D10044790 | 1 | 1 |
| 24 | 304666S8 | Bolt, (3/8-16x0.875) Hex Head | - | 22 | 22 |
| 25 | 34807S8 | Washer, (3/8) Spring Lock | - | 22 | 22 |

Notes

AIR INTAKE & EXHAUST SYSTEM



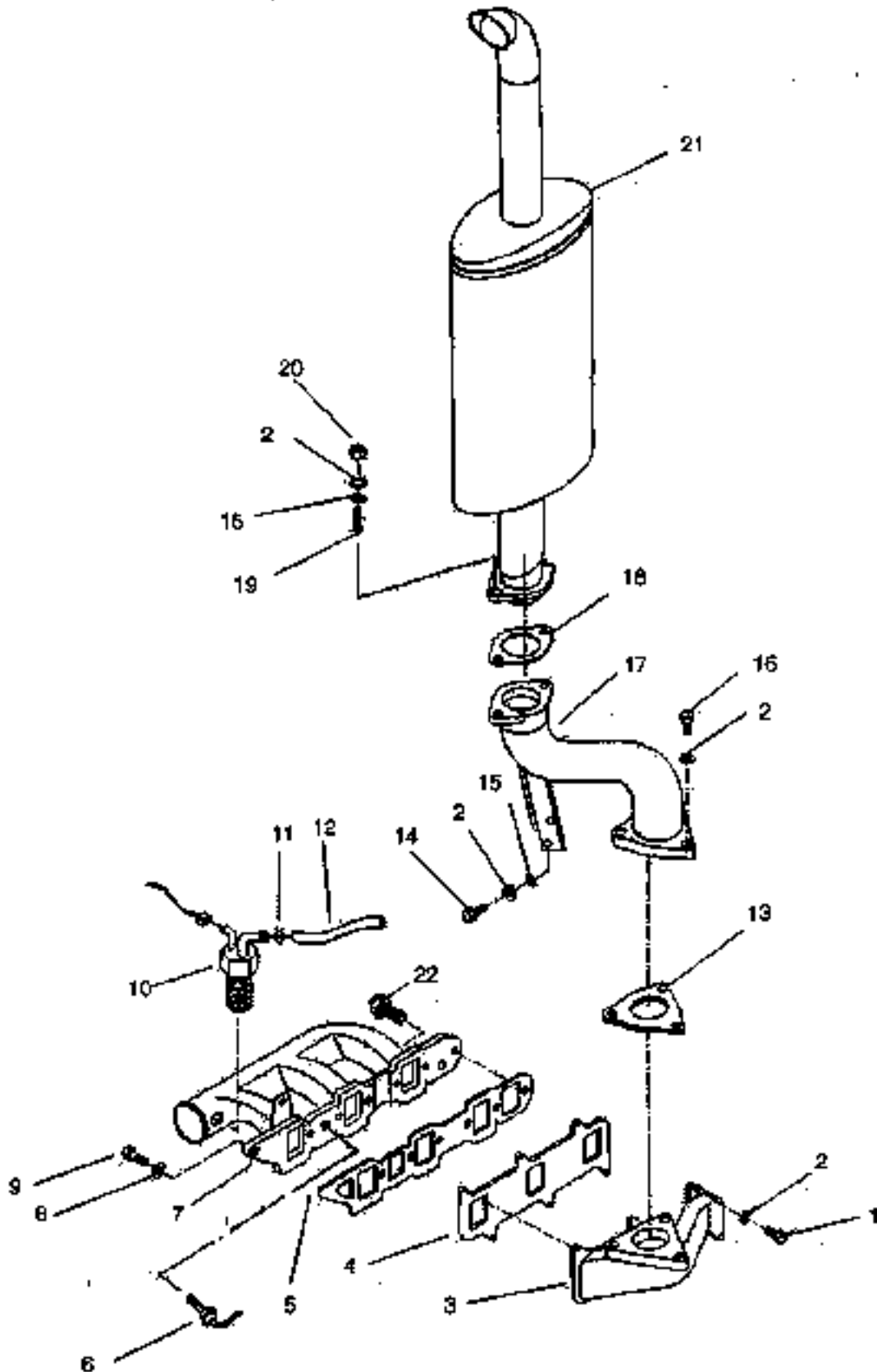
665 / 665 DTC



665 / 665 DTC

| ITEM NO. | PART NO. | DESCRIPTION | VENDOR NO. | QUANTITY | |
|----------|-----------|--|------------|-------------|---|
| | | | | 665 665 DTC | |
| 1 | ESL10232 | Air Cleaner Assembly - Dry (includes items 2-5) | D10026730 | 1 | 1 |
| 2 | - | Housing - Dry Air Cleaner | - | 1 | 1 |
| 3 | ESL10221 | Element Primary Filter | D10093670 | 1 | 1 |
| 4 | ESL10222 | Filter Secondary Dry Air Cleaner | D10102340 | 1 | 1 |
| 5 | ESL15302 | Cap Dust Dry Air Cleaner | D10115740 | 1 | 1 |
| 6 | N620014S8 | Nut, (M10x1.50-5) Hex | - | 2 | 2 |
| 7 | N630174S8 | Washer, (M10) Spring Lock | - | 4 | 4 |
| 8 | N630069S8 | Washer, (M10) Flat | - | 4 | 4 |
| 9 | ESL10231 | Grommet Air Cleaner | D10026760 | 2 | 2 |
| 10 | 304650S8 | Bolt, (3/8-16x0.75) Hex Head | - | 2 | 2 |
| 11 | ESL12083 | Clamp Assembly 70MM Diameter | D10017170 | 3 | 3 |
| 12 | ESL11837 | Hose Engine Air Cleaner Outlet | D10026720 | 1 | 1 |
| 13 | ESL12818 | Gasket | - | 1 | 1 |
| 14 | ESL12817 | Indicator Dry Air Cleaner | D10026560 | 1 | 1 |
| 15 | ESL15301 | Hose Engine Air Cleaner, Outlet Lower | D10048130 | 1 | 1 |
| 16 | ESL11977 | Clamp Assembly Air Cleaner Hose | D10017630 | 1 | 1 |
| 17 | ESL12070 | Cap And Extension Assembly, Air Cleaner | D10026740 | 1 | 1 |
| 18 | ESL12515 | Tube Engine Air Cleaner Outlet | D10026750 | 1 | 1 |

665 / 665 DTC



INTAKE MANIFOLD & EXHAUST SYSTEM

665 / 665 DTC

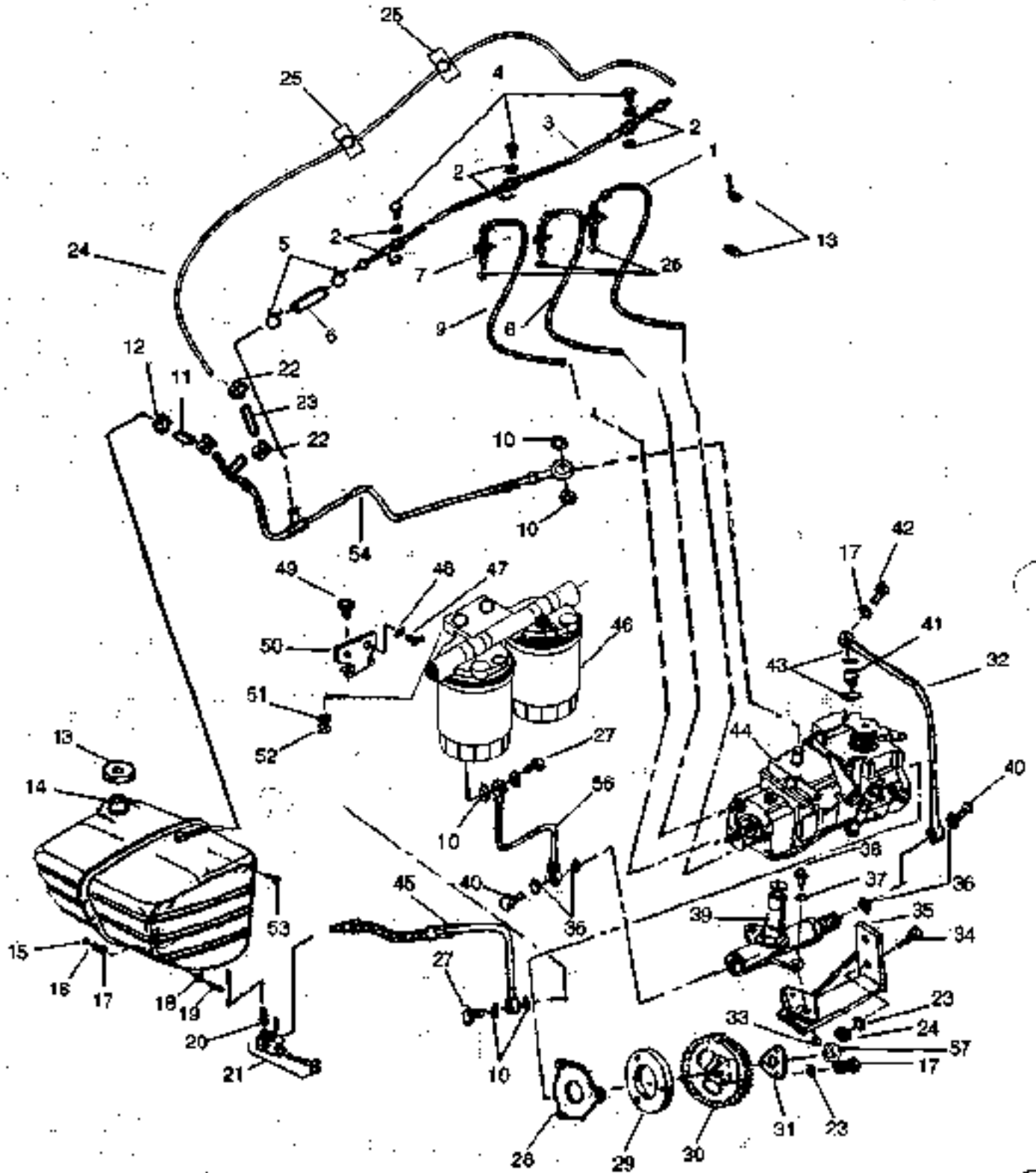
| ITEM No. | PART No. | DESCRIPTION | VENDOR No. | QUANTITY | |
|----------|-----------|---------------------------------------|------------|-------------|----|
| | | | | 665 665 DTC | |
| 1 | N600319S8 | Bolt, (M10x1.50x70-8.8) Hex Head | - | 6 | 6 |
| 2 | N630069S8 | Washer, (M10) Flat | - | 13 | 13 |
| 3 | ESL15306 | Manifold Exhaust | D10044610 | 1 | 1 |
| 4 | ESL15242 | Gasket Exhaust Manifold | D10044830 | 3 | 3 |
| 5 | ESL15305 | Gasket Engine Air Intake Manifold | D10048010 | 1 | 1 |
| 6 | ESL15318 | Switch Thermostart | D10047980 | 1 | 1 |
| 7 | ESL15304 | Intake Manifold | D10047850 | 1 | 1 |
| 8 | N605531S8 | Bolt, (M8x1.25x20-9.8) Hex Head | - | 7 | 7 |
| 9 | ESL15208 | Bolt, (M8x1.00x30-6.8) Head | - | 3 | 3 |
| 10 | ESL15314 | Thermostart Engine TX12346 | D10027380 | 1 | 1 |
| 11 | ESL10284 | Clamp Thermostat Tube | D10026200 | 2 | 2 |
| 12 | ESL15315 | Tube Nylon Thermostat | D10026170 | 1 | 1 |
| 13 | ESL10245 | Gasket Muffler Inlet | D10016120 | 1 | 1 |
| 14 | ESL15310 | Bolt M10x1.50x25-9.8 nn. | D81500280 | 2 | 2 |
| 15 | ESL15309 | Washer, (M10) Flat | D85500010 | 4 | 4 |
| 16 | 48008S8 | Bolt, (3/8-16x1.00) Hex Head | - | 3 | 3 |
| 17 | ESL15308 | Pipe Assembly Muffler Inlet | D10091180 | 1 | 1 |
| 18 | ESL15313 | Gasket Muffler Inlet | D10016120 | 1 | 1 |
| 19 | ESL15307 | Stud, (B M10x26-6.8) Zinc Passivated | D84500020 | 2 | 2 |
| 20 | N620014S8 | Nut, (M10x1.50-5) Hex | - | 2 | 2 |
| 21 | ESL15312 | Muffler Assembly Vertical | D10036260 | 1 | 1 |
| 22 | ESL10238 | Sensor Unit Water Temperature Gauge | D10011480 | 4 | 4 |
| - | ESL11958 | Screw, (M8x1.25x30-8.8) Hex Head | D81500310 | 1 | 1 |

Notes

FUEL SYSTEM



665 / 665 DTC

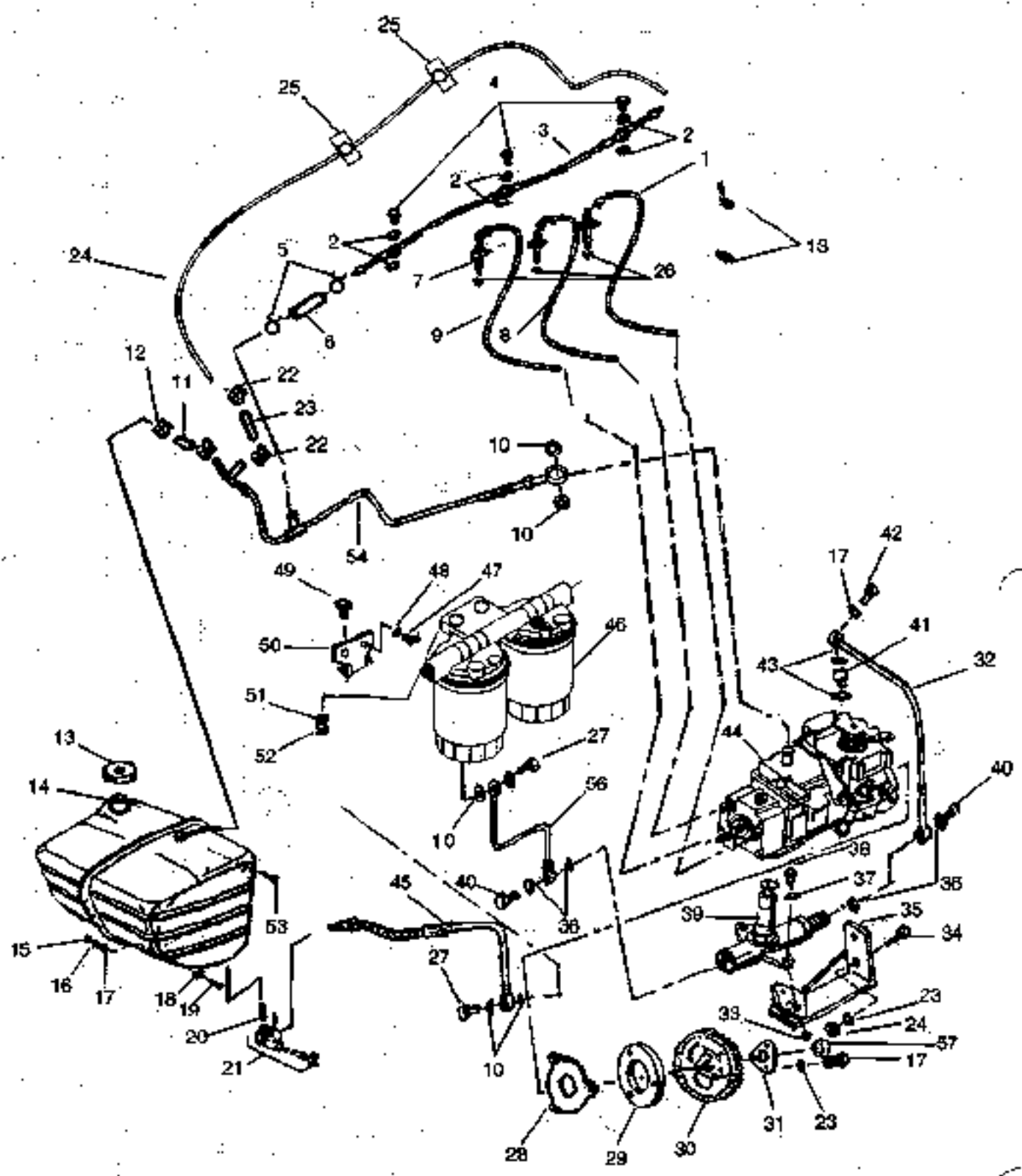


FUEL SYSTEM

665 / 665 DTC

| ITEM No. | PART No. | DESCRIPTION | VENDOR No. | QUANTITY |
|----------|----------|--|------------|-------------|
| | | | | 665 665 DTC |
| 1 | ESL15339 | Tube Assembly Fuel Injection Cylinder | D10047920 | 1 1 |
| 2 | ESL15332 | Washer, (6MM) Sealing | 2564662AA | 6 6 |
| 3 | ESL15330 | Tube Fuel Injection Pump Leak Off | D10047950 | 1 1 |
| 4 | ESL15331 | Bolt, (M6) Banjo | 2564661AA | 3 3 |
| 5 | ESL10296 | Clam Spring Wire Hose, (#7G) | D10018180 | 2 2 |
| 6 | ESL15338 | Hose | D10064800 | 1 1 |
| 7 | ESL14907 | Injector Assembly Fuel (VE) | D10047830 | 3 3 |
| 8 | ESL15334 | Tube Assembly Fuel Injection Cylinder | D10047930 | 1 1 |
| 9 | ESL15335 | Tube Assembly Fuel Injection Cylinder | D10047940 | 1 1 |
| 10 | ESL11975 | Washer, (14.2x19.9) Copper Sealing | D88000040 | 14 14 |
| 11 | ESL10297 | Coonector Fuel Return To Tank Tube | D10017360 | 1 1 |
| 12 | ESL10298 | Clamp Assembly Fuel Tube | D10017460 | 2 2 |
| 13 | ESL10254 | Cap and Key Assembly Fuel Tank | D10019100 | 1 1 |
| 14 | ESL12656 | Tank Assembly Fuel | D10039360 | 1 1 |
| 14 | ESL10270 | Tube Assembly Fuel Feed Pump | D10012570 | 1 1 |
| 15 | 39796S8 | Nut, (5/16-24) Hex | - | 2 2 |
| 16 | 44722S8 | Washer, (5/16) Flat | - | 7 7 |
| 17 | ESL11742 | Boil Fuel Injection Pump Adapter Plate | D10010800 | 3 3 |
| 18 | ESL10258 | Spacer Fuel Tank Mounting Lower | D10018360 | 1 1 |
| 19 | 304683S8 | Bolt, (5/16-18x1.00) Hex Head | - | 2 2 |
| 20 | ESL15319 | Filter Fuel Tap 7 Screen | D10063160 | 1 1 |
| 20 | 304646S8 | Bolt, (5/16-16x0.75) Hex Head | - | 6 6 |
| 21 | ESL10257 | Tap And Screen Assembly Fuel Control | D10018590 | 1 1 |
| 22 | 34941S8 | Washer, (5/16) Lock External Tooth | - | 5 5 |
| 23 | 34806S8 | Washer, (5/16) Spring Lock | - | 9 9 |
| 23 | ESL15324 | Plug | D10102060 | 1 1 |
| 24 | 39797S8 | Nut, (5/16-18) Hex | - | 3 3 |
| 25 | ESL15339 | Bracket Fuel Injection Pump Rear Mounting | D10046040 | 1 1 |
| 26 | 304682S8 | Bolt, (5/16-18x1.00) Hex Head | - | 1 1 |
| 27 | ESL19883 | Bolt Pipe Union, (94110334) | D81001060 | 3 3 |
| 28 | ESL15323 | Gasket VE Pump | D10048000 | 1 1 |
| 29 | ESL10030 | Coupling Fuel Injection Pump Adapter Plate | D10010760 | 1 1 |
| 30 | ESL15322 | Gear VE Pump | D10047910 | 1 1 |
| 31 | ESL10275 | Plate Fuel Injection Pump | D10010780 | 1 1 |
| 32 | ESL15344 | Tube Assy Hand Line Primer To FIP | D10047980 | 1 1 |
| 33 | 39796S8 | Nut, (1/4-28) Hex | - | 2 2 |
| 34 | ESL15342 | Bolt, (5/15-18x3.00) | D10047890 | 2 2 |

665 / 665 drc



FUEL SYSTEM

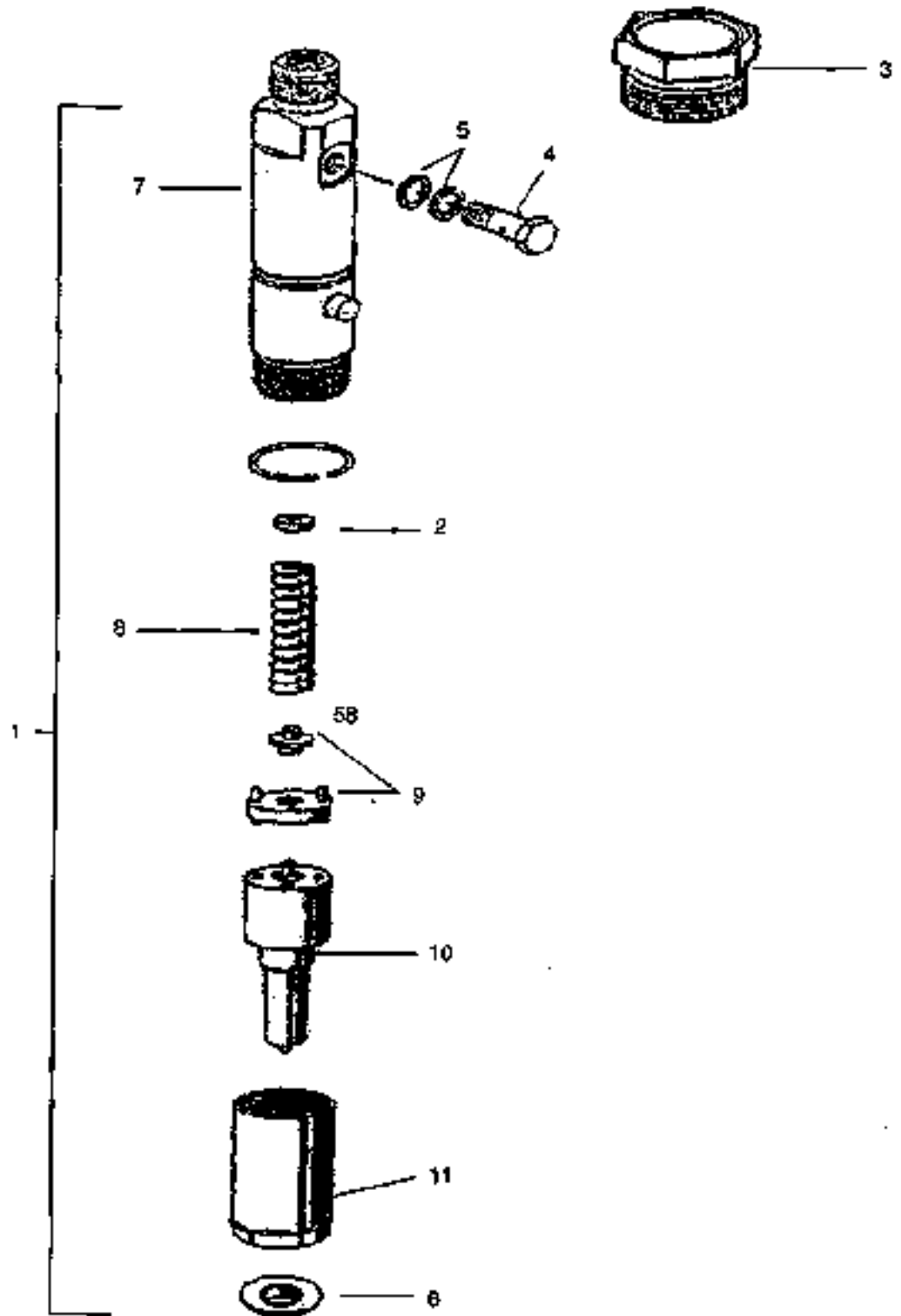
665 / 665 DTC

| Item No. | PART No. | DESCRIPTION | VENDOR No. | QUANTITY | |
|----------|----------|------------------------------------|------------|----------|---------|
| | | | | 665 | 665 DTC |
| 35 | ESL15341 | Bracket Hand Primer Mounting | D10048050 | 1 | 1 |
| 36 | ESL10357 | Washer, (14.2x19.8) Copper Sealing | D10012580 | 4 | 4 |
| 37 | 34805S8 | Washer, (1/4) Spring Lock | - | 2 | 2 |
| 38 | 304633S8 | Bolt, (1/4-28x0.62) Hex Head | - | 2 | 2 |
| 39 | ESL15343 | Hand Primer Assembly | D10043070 | 1 | 1 |
| 40 | ESL11778 | Bolt, (M14x1.6x25.5) Hex Head | D10012690 | 2 | 2 |
| 41 | ESL15346 | Spacer Fuel Injection | D10048020 | 1 | 1 |
| 42 | ESL11761 | Bolt, (M12x1.5x23.5) Pipe Union | D10017500 | 1 | 1 |
| 43 | ESL15345 | Washer Copper Rotary | D10048060 | 3 | 3 |
| 44 | ESL15371 | Pump Assembly Fuel Injection 665 | D10047840 | 1 | 1 |
| 45 | ESL15321 | Tube Assembly Fuel Tank To Filter | D10048190 | 1 | 1 |
| 46 | ESL15328 | Fuel Filter Assembly (Spin Type) | D10103550 | 1 | 1 |
| 47 | 304666S8 | Bolt, (3/8-16x0.875) Hex Head | - | 2 | 2 |
| 48 | 44726S8 | Washer, (3/8) Flat | - | 2 | 2 |
| 49 | ESL11743 | Bolt, Fuel Filter Bracket | - | 2 | 2 |
| 50 | ESL15329 | Bracket Assembly Fuel Filter | D10044850 | 1 | 1 |
| 51 | 34808S8 | Washer, (1/2) Spring Lock | - | 2 | 2 |
| 52 | ESL11762 | Nut, Fuel filter Bracket | - | 2 | 2 |
| 53 | 304635S8 | Bolt, (5/16-24x0.625) Hex Head | - | 1 | 1 |
| 54 | ESL15337 | Tube Assembly Fuel Tank Return | D10048180 | 1 | 1 |
| 65 | ESL15338 | Lamp Assembly High Pressure Pipe | D10047970 | 1 | 1 |
| 66 | ESL15347 | Tube Assembly Filter To H-L/Primer | D10048100 | 1 | 1 |
| 67 | ESL15563 | Nut, FIP Gear | D83500040 | 1 | 1 |

ESL 15354 Fuel Filter 2nd. 2°

ESL 15357 Fuel Filter Primary 1°

665 / 665 DTC



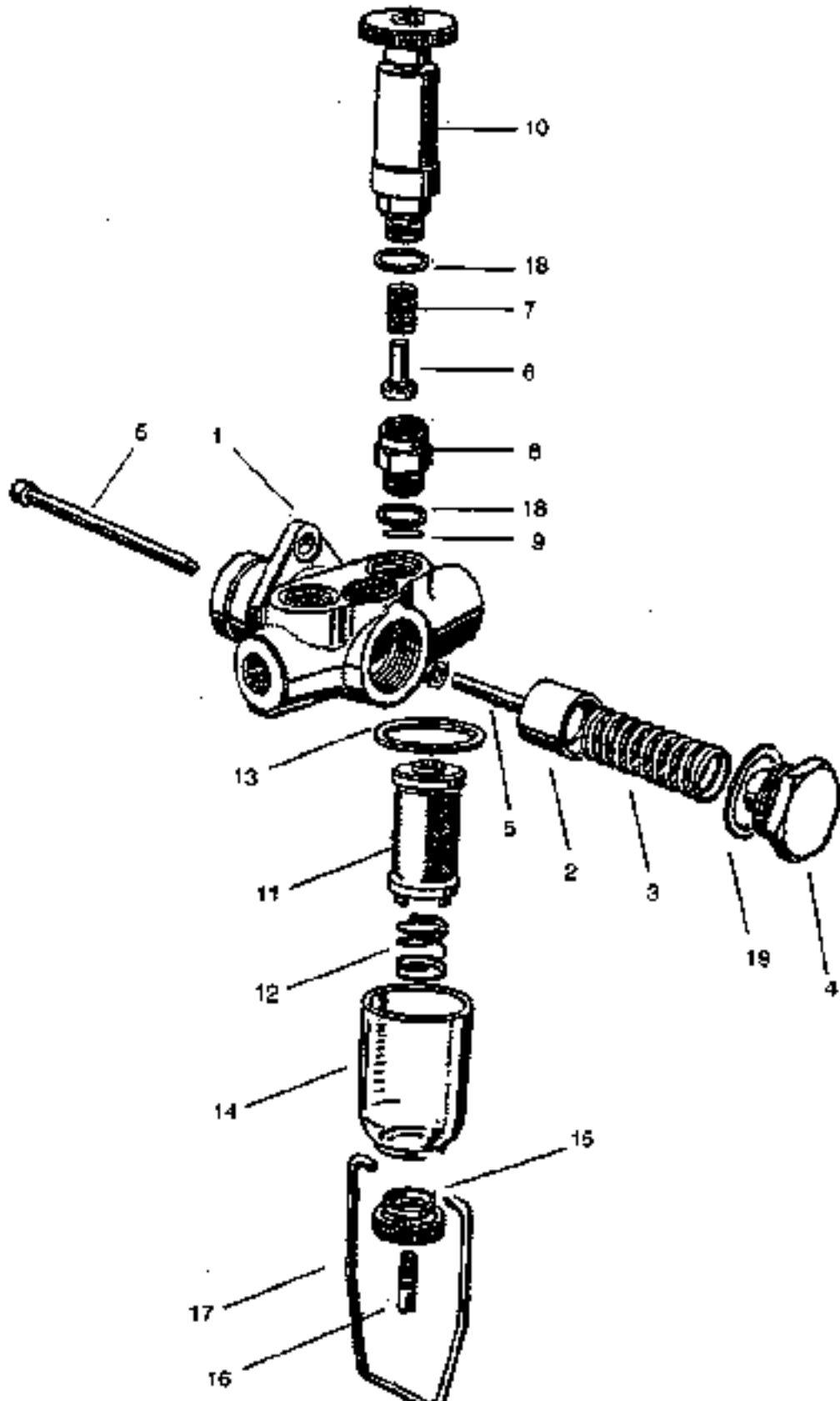
INJECTOR ASSEMBLY

665 / 665 DTC

| ITEM No. | PART No. | DESCRIPTION | VENDOR No. | QUANTITY | |
|----------|----------|--------------------------|------------|----------|---------|
| | | | | 665 | 665 DTC |
| 1 | ESL14907 | Injector Assy, Fuel (VE) | D10047830 | 3 | 3 |
| 2 | ESL15348 | Adjusting Washer | - | 1 | 1 |
| 3 | ESL15349 | Retaining Screw | - | AR | AR |
| 4 | ESL15350 | Banjo Bolt | - | 1 | 1 |
| 5 | ESL15351 | Washer | - | 2 | 2 |
| 6 | ESL15352 | Sealing Washer | D10130700 | 1 | 1 |
| 7 | - | Nozzle Holder (NSS) | - | 1 | 1 |
| 8 | - | Spring (NSS) | - | 1 | 1 |
| 9 | - | Seat, Spring (NSS) | - | 1 | 1 |
| 10 | - | Nozzle (NSS) | - | 1 | 1 |
| 11 | - | Cap, Nut Nozzle (NSS) | - | 1 | 1 |

INJECTOR ASSEMBLY

665 / 665 DTC

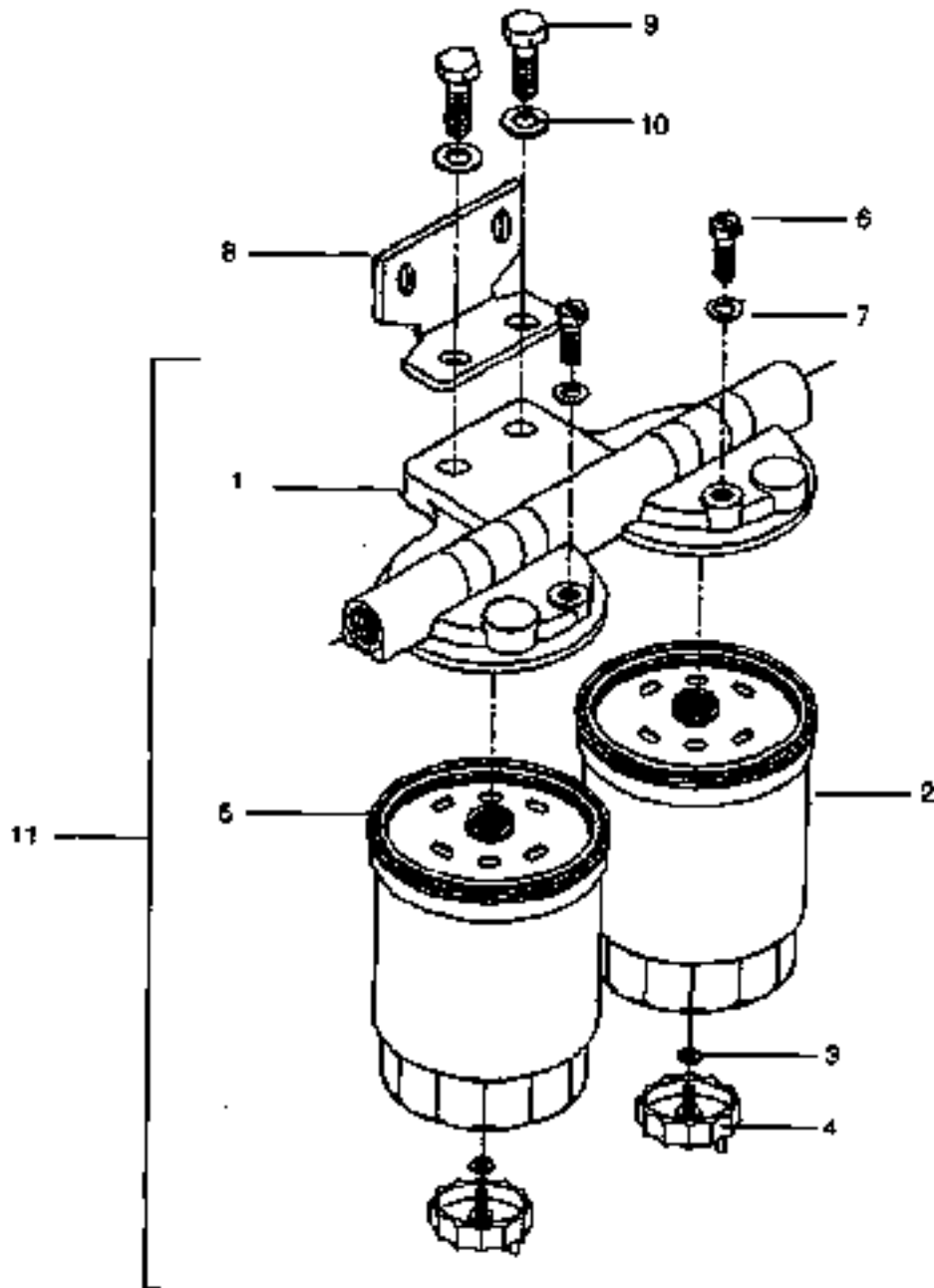


FUEL FEED PUMP & PRE-FILTER

665 / 665 DTC

| ITEM No. | PART No. | DESCRIPTION | VENDOR No. | QUANTITY | |
|----------|----------|---|------------|--------------------|---|
| | | | | 665 665 DTC | |
| - | ESL10442 | Fuel Feed Pump Assembly (Includes Items #1-2a) | D10105280 | 1 | 1 |
| 1 | - | Housing, Fuel Feed Pump (NSS) | - | 1 | 1 |
| 2 | - | Pump Plunger (NSS) | - | 1 | 1 |
| 3 | ESL10426 | Spring, Pump Plunger | - | 1 | 1 |
| 4 | ESL10427 | Closing Plug | - | 1 | 1 |
| 5 | ESL10428 | Pressure Spindle | - | 1 | 1 |
| 6 | ESL10429 | Valve | - | 1 | 1 |
| 7 | ESL10430 | Spring | - | 1 | 1 |
| 8 | ESL10431 | Reducing Nipple | - | 1 | 1 |
| 9 | ESL13406 | 'O' Ring | D10105330 | 1 | 1 |
| 10 | ESL10432 | Hand Primer | - | 1 | 1 |
| 11 | ESL10433 | Prefilter Sieve | - | 1 | 1 |
| 12 | ESL10434 | Spring | - | 1 | 1 |
| 13 | ESL10435 | Sealing Washer | D10105470 | 1 | 1 |
| 14 | ESL10436 | Prefilter Housing | - | 1 | 1 |
| 15 | ESL10437 | Clamping Nut | 083000310 | 1 | 1 |
| 16 | ESL10438 | Stud | D10105390 | 1 | 1 |
| 17 | ESL10439 | Clip | - | 1 | 1 |
| 18 | ESL10440 | Sealing Ring | - | 2 | 2 |
| 19 | ESL10441 | Sealing Ring | - | 1 | 1 |

565 / 665 DTC

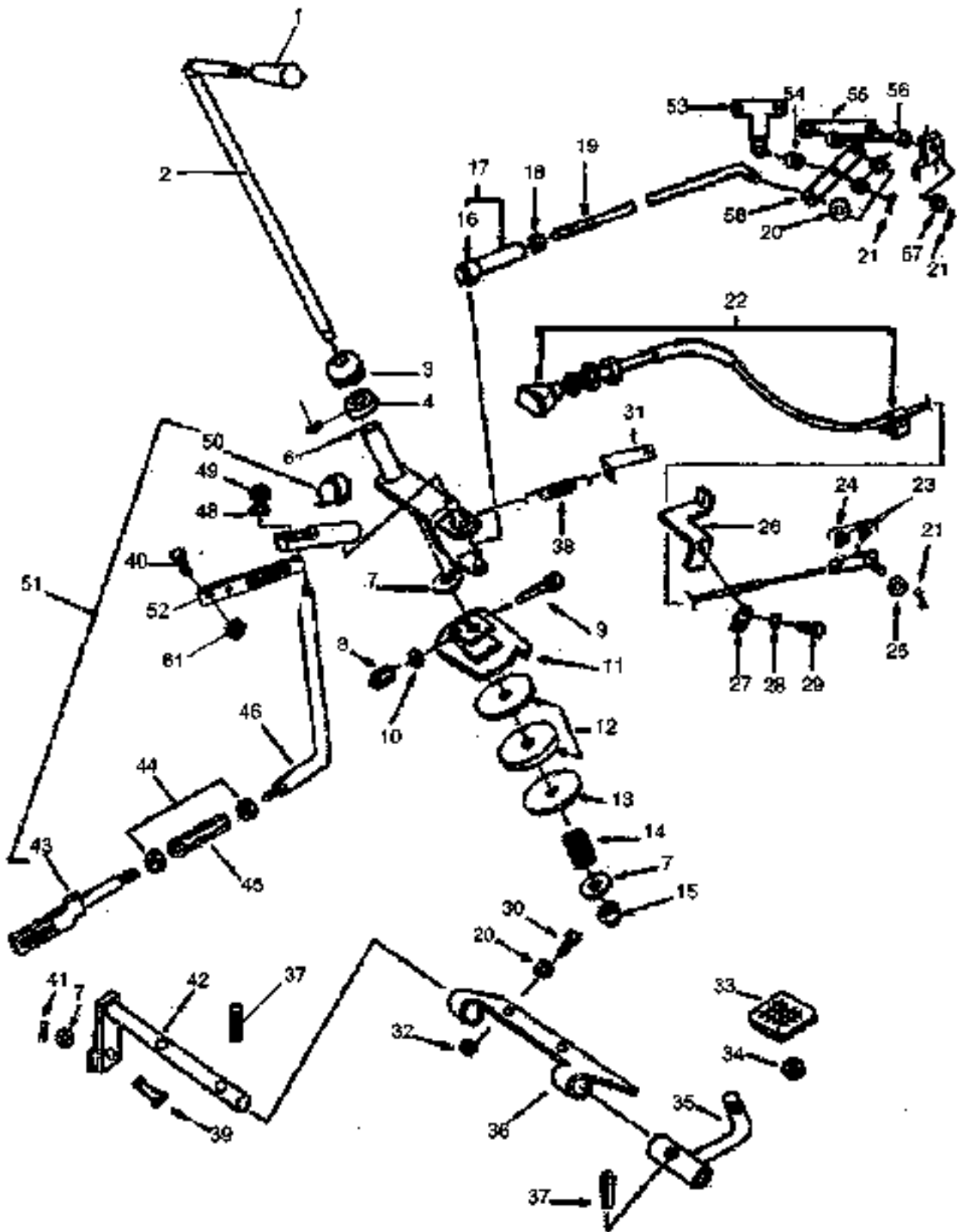


665 / 665 DTC

| ITEM NO. | PART NO. | DESCRIPTION | VENDOR NO. | QUANTITY | |
|----------|----------|-------------------------------|------------|-------------|---|
| | | | | 665 665 DTC | |
| 1 | ESL15353 | Filter Cover | - | 1 | 1 |
| 2 | ESL15354 | Exchange Filter (Secondary) | - | 1 | 1 |
| 3 | ESL15355 | Sealing Ring | - | 2 | 2 |
| 4 | ESL15356 | Drain Plug | - | 2 | 2 |
| 5 | ESL15357 | Exchange Filter (Primary) | - | 1 | 1 |
| 6 | ESL15358 | AirVent Screw | - | 2 | 2 |
| 7 | ESL15359 | Flat Seal Ring | - | 2 | 2 |
| 8 | ESL15329 | Bracket Assy. Fuel Filter | D10044850 | 1 | 1 |
| 9 | 30468658 | Bolt, (3/8-16x0.675) Hex Head | - | 2 | 2 |
| 10 | 4472658 | Washer, (3/8) Flat | - | 2 | 2 |
| 11 | ESL13313 | Fuel Filter Assembly | - | 1 | 1 |

FUEL INJECTION PUMP

665 / 665 DTC



THROTTLE & ACCELERATION CONTROLS

665 / 665 DTC

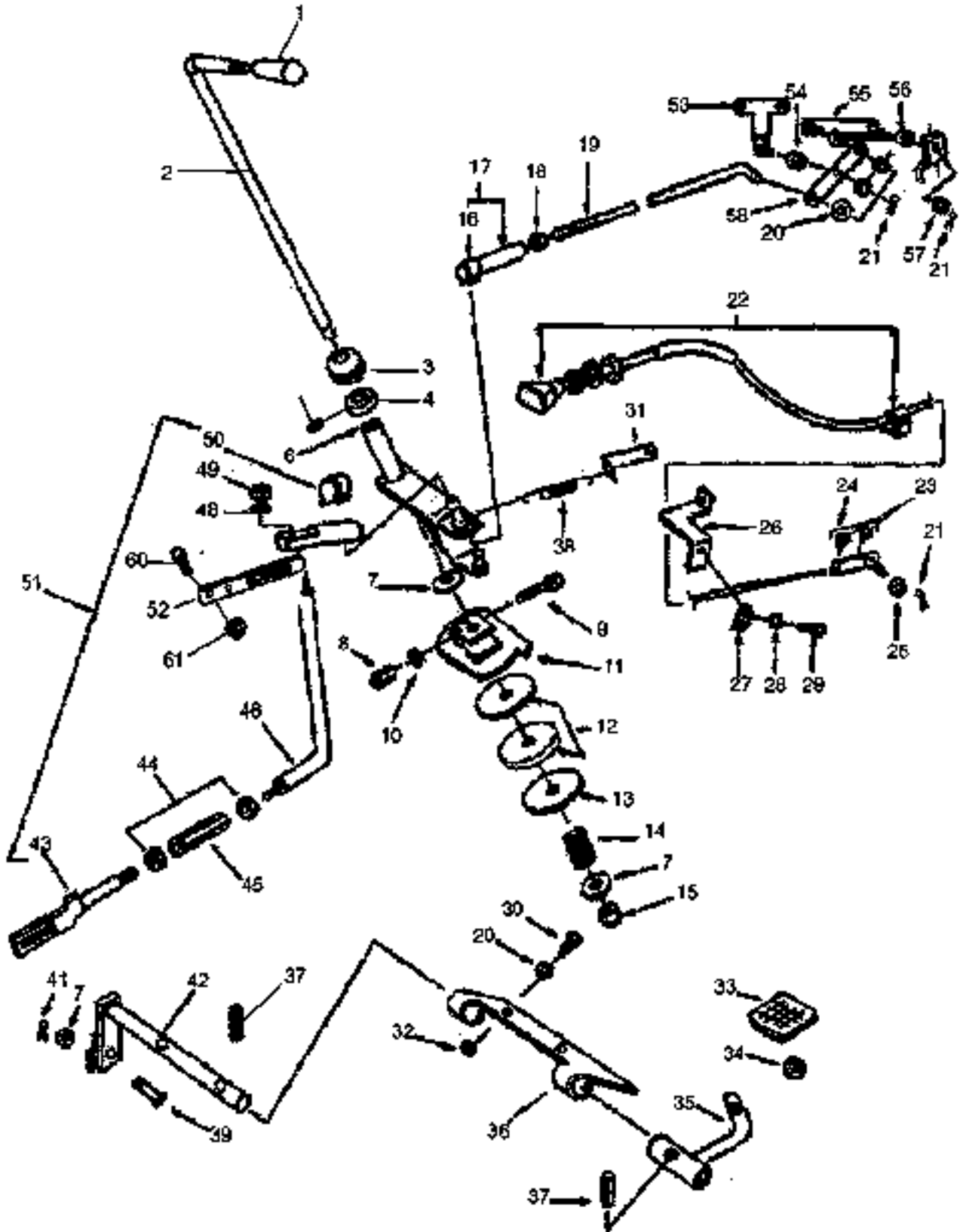
| ITEM No. | PART No. | DESCRIPTION | VENDOR No. | QUANTITY 665 665 DTC | |
|----------|----------|--|------------|-------------------------|---|
| 1 | ESL12687 | Knob, Hand Throttle | D10042450 | 1 | 1 |
| 2 | ESL12689 | Lever Assembly, Hand Throttle (Includes Item #1) | D10046660 | 1 | 1 |
| 3 | ESL12698 | Grommet | - | 1 | 1 |
| 4 | ESL13900 | Stop, Throttle Control Lever | - | 1 | 1 |
| 5 | N6055058 | Bolt, Hex Head (M5x0.8-8) | - | 1 | 1 |
| 6 | ESL10455 | Arm Assembly, Throttle Control | D10019090 | 1 | 1 |
| 7 | 44726S8 | Washer, Flat (3/8) | - | 3 | 3 |
| 8 | 82835179 | Nut, Hex (5/16-24) | - | 1 | 1 |
| 9 | 379596S8 | Bolt (5/16-24*1.25) | - | 1 | 1 |
| 10 | ESL11874 | Washer, Flat (5/16) | D10018690 | 1 | 1 |
| 11 | ESL10461 | Plate Assembly, Throttle Control | D10017990 | 1 | 1 |
| 12 | ESL10457 | Disc, Throttle Control Friction | D10018170 | 2 | 2 |
| 13 | ESL10460 | Plate, Throttle Lever Friction | D10021590 | 1 | 1 |
| 14 | ESL10452 | Spring, Main Control Lever | - | 1 | 1 |
| 15 | ESL11791 | Nut, Thick Lock (3/8-24) | - | 1 | 1 |
| 16 | ESL10463 | Clip, Throttle Control | D10105110 | 1 | 1 |
| 17 | ESL10462 | Connositor, Throttle Control Rod | D10105120 | 1 | 1 |
| 18 | 33796S8 | Nut, Hex (1/4-28) | - | 1 | 1 |
| 19 | ESL15611 | Rod Assembly, Throttle Control (Includes Items 18-19) | D10045210 | 1 | 1 |
| 20 | 44719S8 | Washer, Flat (1/4) | - | 3 | 3 |
| 21 | ESL12688 | Pin, Cotter (1/16x0.50) | D10000640 | 5 | 5 |
| 22 | ESL10468 | Control Assembly, Fuel Shut Off | D10017670 | 1 | 1 |
| 23 | ESL11858 | Screw | D82000100 | 2 | 2 |
| 24 | ESL10471 | End, Fuel Shut Off Cable (Includes Item #23) | D10011820 | 1 | 1 |
| 25 | ESL11676 | Washer, Fuel Shut Off | D10011810 | 1 | 1 |
| 26 | ESL13278 | Bracket Assembly, Shut Off Cable | D10017710 | 1 | 1 |
| 27 | ESL10478 | Clamp, Fuel Shut Off Cable | D10017350 | 1 | 1 |
| 28 | 34803S8 | Washer, Lock (10) | - | 1 | 1 |
| 29 | 54042S8 | Screw (10-24) | - | 1 | 1 |
| 30 | ESL12014 | Bolt, Hex Head (1/4-28x0.62) | D81000390 | 2 | 2 |
| 31 | ESL13331 | Bracket Acceleration Return Spring | D10043110 | 2 | 2 |
| 32 | 33796S8 | Nut, Hex (1/4-28) | - | 2 | 2 |
| 33 | ESL12690 | Pedal | - | 1 | 1 |
| 34 | ESL12691 | Nut, Hex (M10) | D83500610 | 1 | 1 |
| 35 | ESL12692 | Pedal Assembly Acc. (Shank & Hub) | - | 1 | 1 |
| 36 | ESL12693 | Bracket Acc. Pedal | D10109590 | 1 | 1 |
| 37 | ESL11156 | Pin, Spring (3/16x0.8125) | D87000050 | 2 | 2 |
| 38 | ESL10480 | Spring | D10012750 | 1 | 1 |
| 39 | 78023S8 | Pin, Clevis (3/8x13/16) | - | 1 | 1 |
| 40 | ESL13684 | CS Screw (M8x1.25x20) | - | 2 | 2 |

THROTTLE & ACCELERATION CONTROLS

Ⓢ - SERIAL NUMBER BREAK

⏪ - INDICATES UP TO AND INCLUDING THAT SERIAL NUMBER

665 / 665 DTC



THROTTLE & ACCELERATION CONTROLS

665 / 665 dtc

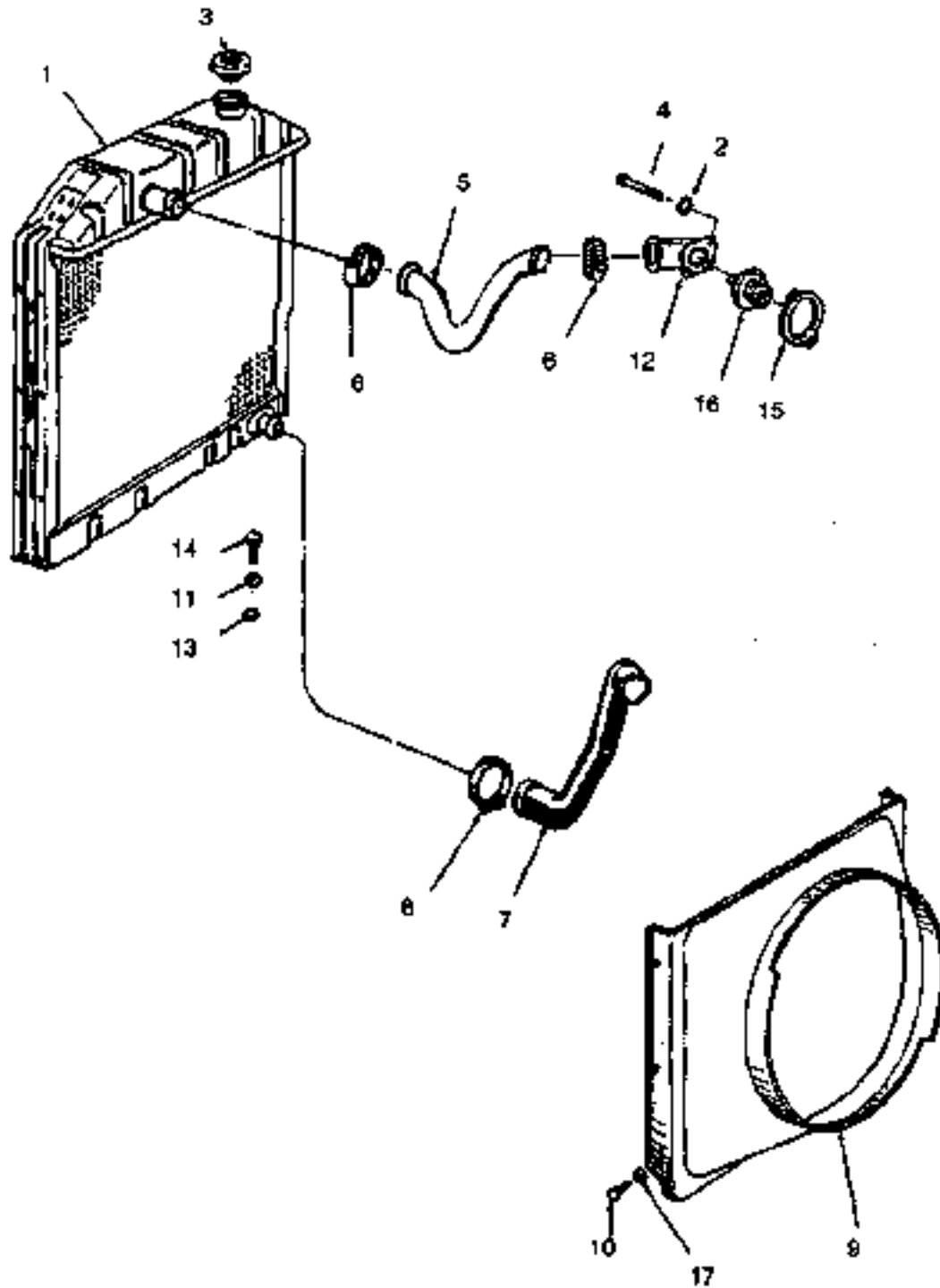
| ITEM No. | PART No. | DESCRIPTION | VENDOR No. | QUANTITY 665 665 dtc | |
|-----------------|-----------------|------------------------------------|-------------------|--------------------------------|---|
| 41 | ESL12679 | Pin Cotter (3/32x0.75) | D10013450 | 1 | 1 |
| 42 | ESL12680 | Arm Assembly Acceleration Control | - | 1 | 1 |
| 43 | ESL12681 | Rod Assembly Acceleration Control | - | 1 | 1 |
| 44 | N620019S8 | Nut, Hex (M6x1.25) | - | 2 | 2 |
| 45 | ESL12682 | Coupler Acceleration Control | D10103620 | 1 | 1 |
| 46 | ESL12683 | Rod Acceleration Control | - | 1 | 1 |
| 47 | ESL12684 | Connection Assembly | D10103600 | 1 | 1 |
| 48 | N690067S8 | Washer, Flat (M6) | - | 1 | 1 |
| 49 | N620012S8 | Nut, Hex (M6x1.0) | - | 1 | 1 |
| 50 | ESL10464 | Lock Throttle Lever | D10019070 | 1 | 1 |
| 51 | ESL12685 | Link Assembly Acceleration Control | D10043090 | 1 | 1 |
| 52 | ESL12686 | Guide Foot Acceleration | D10043100 | 1 | 1 |
| 53 | ESL10472 | Bracket Assembly Fuel Shut Off | - | 1 | 1 |
| 54 | ESL10476 | Spacer | D10060800 | 1 | 1 |
| 55 | ESL10473 | Plate Assembly, Throttle Control | - | 1 | 1 |
| 56 | ESL10474 | Spacer | D10060780 | 2 | 2 |
| 57 | ESL10475 | Spacer | D10060790 | 3 | 3 |
| 58 | ESL10477 | Plate | D10060190 | 1 | 1 |

Notes

COOLING SYSTEM



665 / 665 DTC



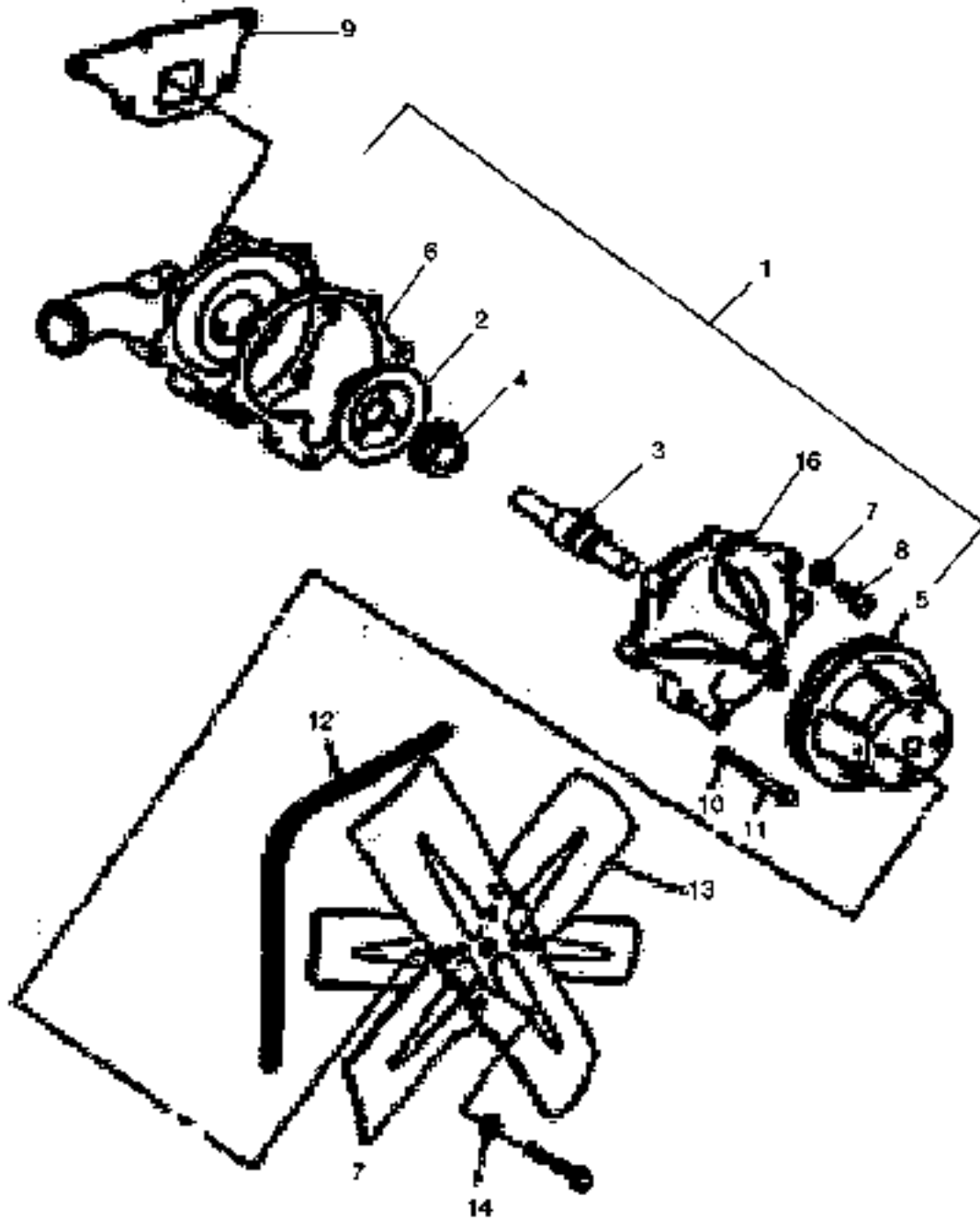
WATER PUMP

665/665 DTC

| ITEM No. | PART No. | DESCRIPTION | VENDOR No. | QUANTITY | |
|----------|----------|--|------------|--------------------|---|
| | | | | 665 665 DTC | |
| 1 | ESL15361 | Radiator And Shroud Assembly | D10038270 | 1 | 1 |
| 2 | ESL15365 | Washer, (#8) Spring Lock | D85500030 | 2 | 2 |
| 3 | ESL10493 | Cap Assembly Radiator Pressure | D10105080 | 1 | 1 |
| 4 | ESL15364 | Bolt, (M8x30) Hex Head | D81501370 | 2 | 2 |
| 5 | ESL10494 | Hose Radiator Upper | D10017340 | 1 | 1 |
| 6 | ESL10495 | Hose Clamp Upper | D10017540 | 2 | 2 |
| 7 | ESL10496 | Hose Radiator Lower | D10018350 | 1 | 1 |
| 8 | ESL15360 | Clamp Radiator Hose Lower | D10017620 | 2 | 2 |
| 9 | ESL10498 | Shroud - Fan | - | 1 | 1 |
| 10 | ESL11859 | Screw And Lock Washer Assy. (#8-32x3/8) | - | 6 | 6 |
| 11 | ESL10500 | Insulator Radiator Support | D10018340 | 2 | 2 |
| 12 | ESL10503 | Connection Water Outlet | D10011770 | 1 | 1 |
| 13 | ESL15362 | Nut, (7/16-14) Nylock | D10019060 | 2 | 2 |
| 14 | 23607S8 | Bolt, (7/16-14x3.50) Round Head | - | 2 | 2 |
| 15 | ESL10602 | Gasket Water Outlet | D10011760 | 1 | 1 |
| 16 | ESL15363 | Thermostat Assembly Water | D10011750 | 1 | 1 |
| 17 | 44710S8 | Washer, (#8) Flat | - | 6 | 6 |

WATER PUMP

665 / 665 dtc



WATER PUMP

665 / 665 DTC

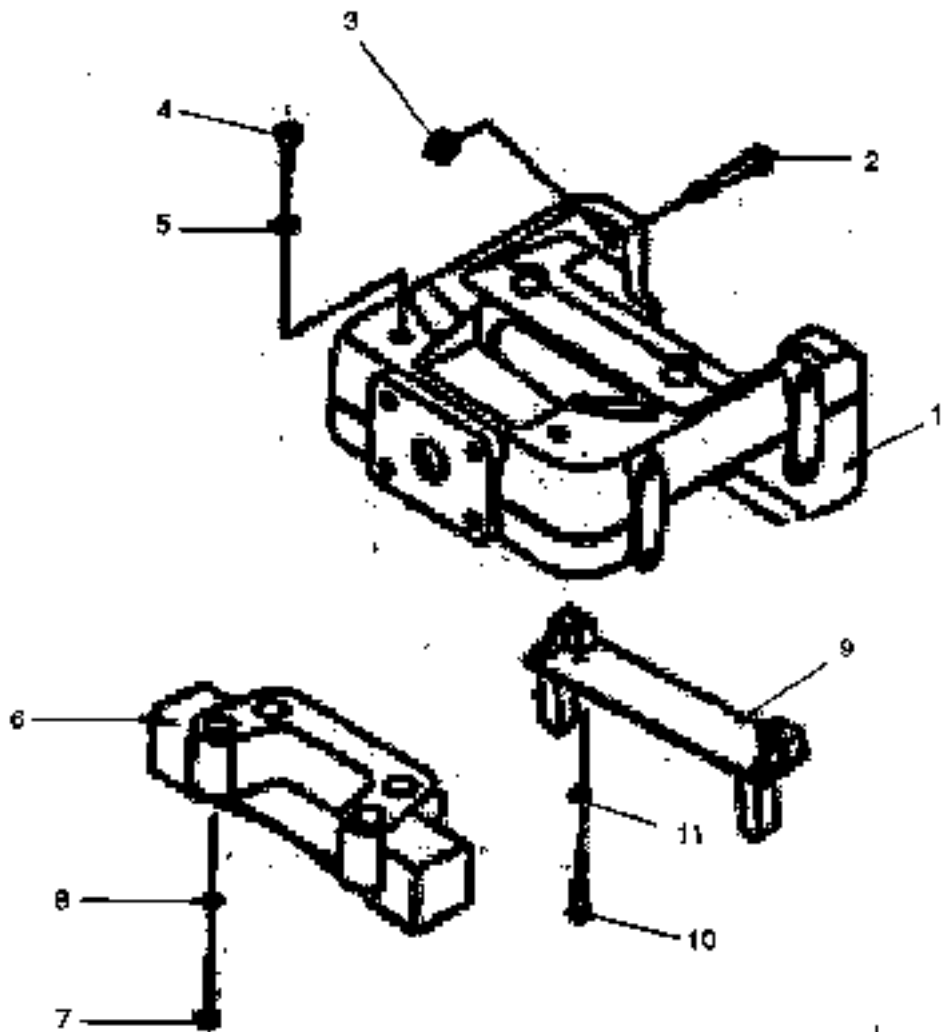
| ITEM No. | PART No. | DESCRIPTION | VENDOR No. | QUANTITY | |
|-----------------|-----------------|------------------------------------|-------------------|--------------------|---|
| | | | | 665 665 DTC | |
| 1 | ESL10520 | Pump Assembly Water | D10011230 | 1 | 1 |
| 2 | ESL10508 | Impeller Water Pump | D10088820 | 1 | 1 |
| 3 | ESL10509 | Bearing Water Pump | D10011240 | 1 | 1 |
| 4 | ESL10510 | Seal And Seat Assembly Water Pump | - | 1 | 1 |
| 5 | ESL10511 | Pulley Water Pump | D10082990 | 1 | 1 |
| 6 | ESL10512 | Gasket Water Pump Cover | D10063000 | 1 | 1 |
| 7 | 34806S8 | Washer, (5/16) Spring Lock | - | 8 | 8 |
| 8 | 304756S8 | Bolt, (5/16-18x1.50) Hex Head | - | 4 | 4 |
| 9 | ESL15366 | Gasket Water Pump | D10011250 | 1 | 1 |
| 10 | 34807S8 | Washer, (3/8) Spring Lock | - | 4 | 4 |
| 11 | 300892S8 | Bolt, (3/8-16x3.00) Hex Head | - | 4 | 4 |
| 12 | ESL12222 | Belt Drive Cogged | - | 1 | 1 |
| 13 | ESL15367 | Fan Assembly Water Cooling | D10026750 | 1 | 1 |
| 14 | 304666S8 | Bolt, (5/16-18x0.69) Hex Head | - | 4 | 4 |
| 15 | ESL12224 | Kit Water Repair Koyo Bearing 3610 | - | 1 | 1 |
| 16 | - | Cover Water Pump (NSS) | - | 1 | 1 |

WATER PUMP

Notes

FRONT END STEERING & 4WD SYSTEM

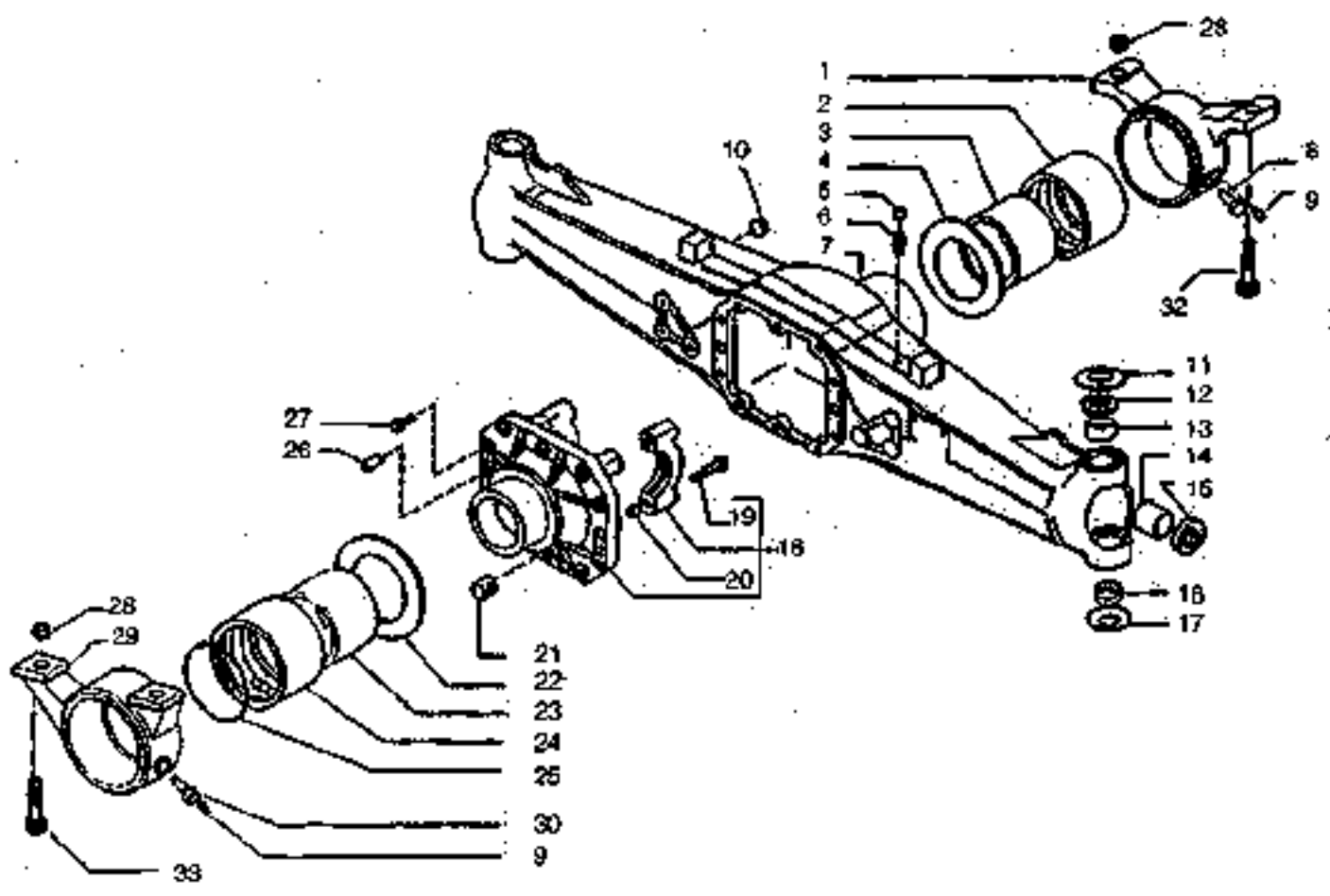




665 / 665 DTC

| ITEM No. | PART No. | DESCRIPTION | VENDOR No. | QUANTITY |
|----------|-----------|----------------------------------|------------|--------------------|
| | | | | 665 665 DTC |
| 1 | ESL14919 | Support Front Axle 4wd | D10045710 | - 1 |
| 2 | 304964S8 | Bolt, (3/4-10x4.00) Hex Head | - | - 4 |
| 3 | 34674S8 | Nut, (3/4-10) Hex | - | - 4 |
| 4 | ESL14970 | Screw, (M6x1.00x12-6.B)Hex Head | D82500050 | - 2 |
| 5 | N630067S8 | Washer M6 Flat | - | - 2 |
| 6 | ESL14612 | Adapter Front Pillow Block | D10045500 | - 1 |
| 7 | ESL14613 | Bolt Trunion Bracket Mounting | D10012670 | - 4 |
| 8 | ESL11642 | Washer 1/2 Flat | D10003560 | - 4 |
| 9 | ESL14604 | Stopper Assembly 4 Wheel Drive | D10045520 | - 1 |
| 10 | 58679S8 | Bolt, (1/2-13x2.50) Hex Head | - | - 2 |
| 11 | 34609S8 | Washer 1/2 Spring Lock | - | - 2 |

665 / 665 DTC

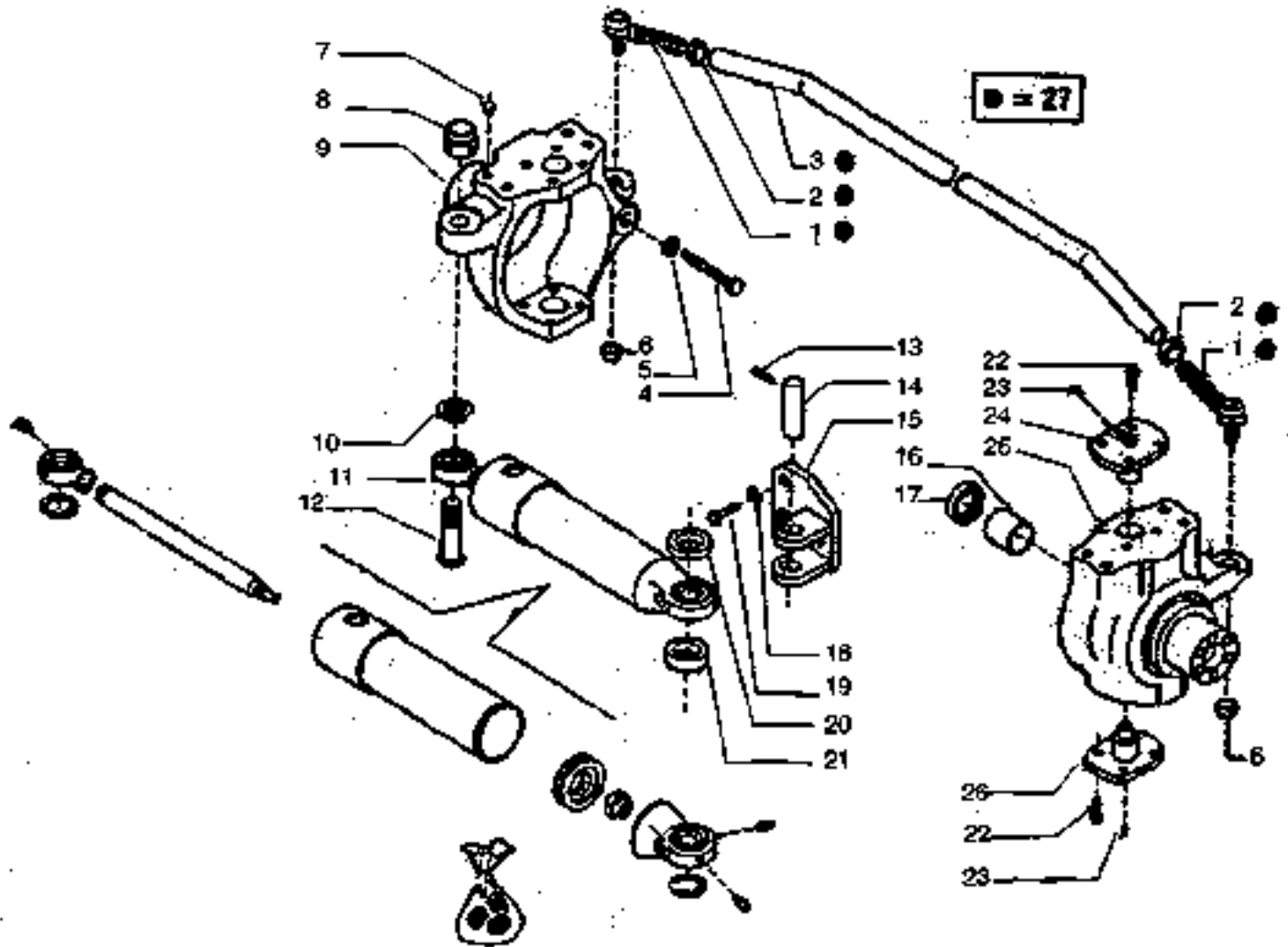


AXLE HOUSING

665 / 665 DTC

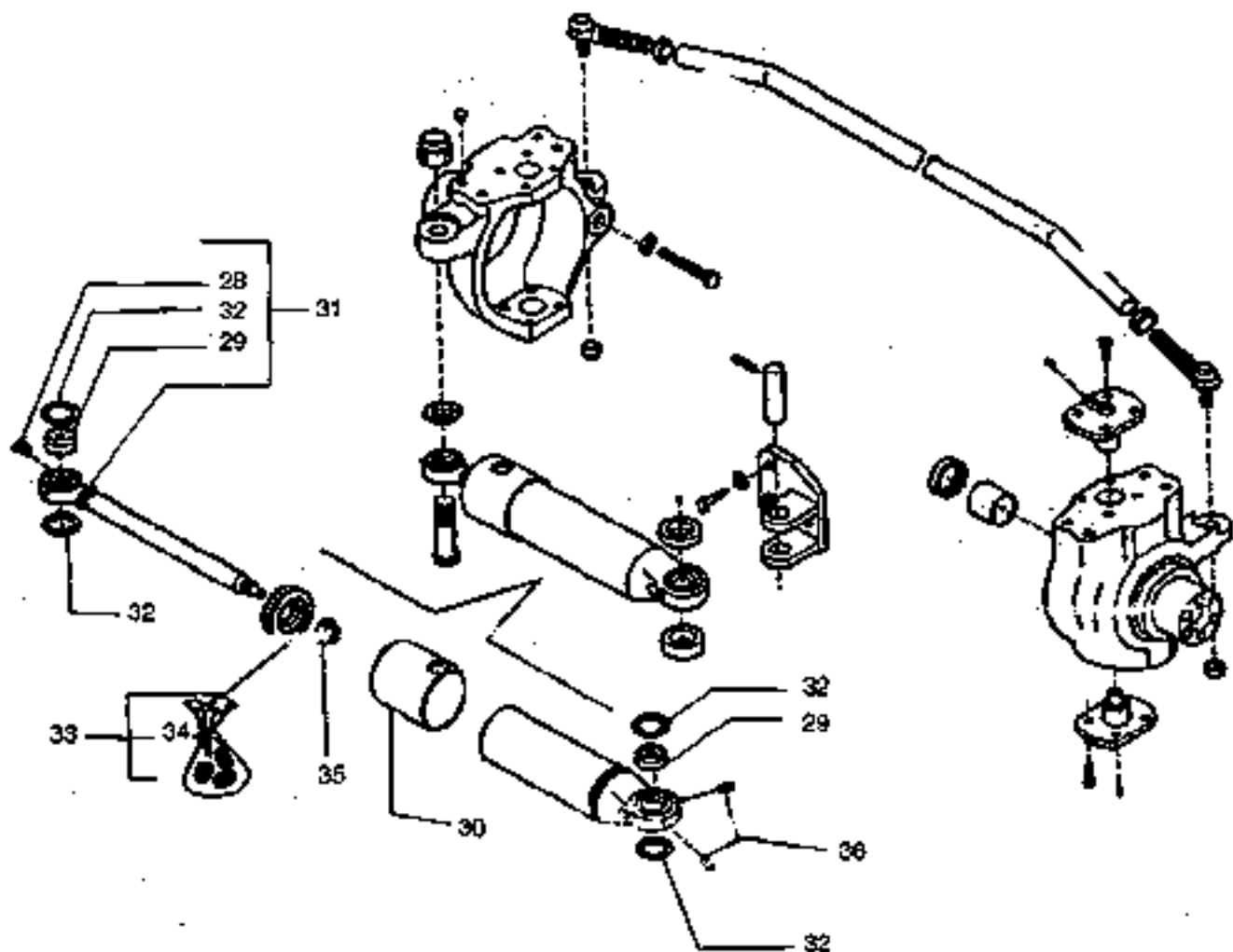
| ITEM No. | PART No. | DESCRIPTION | VENDOR No. | QUANTITY 665 665 DTC |
|----------|----------|--|------------|-------------------------|
| 1 | ESL14608 | Front Support (Pillow Block) | D10084770 | - 1 |
| 2 | ESL14614 | Bush | D10084780 | - 1 |
| 3 | ESL14615 | Bush | D10084790 | - 1 |
| 4 | ESL14616 | Thrust Washer | D10084800 | - 1 |
| 5 | ESL14617 | Protection Cover | D10084810 | - 1 |
| 6 | ESL14618 | Breather M10x1 | D10084820 | - 1 |
| 7 | ESL14619 | Axle Housing | D10084830 | - 1 |
| 8 | ESL14620 | Bolt | D10084840 | - 1 |
| 9 | ESL14621 | Grease Nipple M6x1 | D10084850 | - 1 |
| 10 | ESL14622 | Plug 24x1.5 | D10084860 | - 1 |
| 11 | ESL14623 | Belleville Washer | D10084870 | - 2 |
| 12 | ESL14624 | Spacer | D10084880 | - 2 |
| 13 | ESL14625 | Bush | D10084890 | - 2 |
| 14 | ESL14626 | Bush | D10084900 | - 2 |
| 15 | ESL14627 | Seal Ring | D10084910 | - 2 |
| 16 | ESL14628 | Spherical Bearing | D10084920 | - 2 |
| 17 | ESL14629 | Belleville Washer | D10084940 | - 1 |
| 18 | ESL14630 | Differential Support | D10084950 | - 1 |
| 19 | ESL14631 | Bolt | D10084960 | - 4 |
| 20 | ESL14632 | Centering Bush | D10084970 | - 4 |
| 21 | ESL14634 | Plug M24x1.5 | D10084980 | - 1 |
| 22 | ESL14633 | Thrust Washer | D10084990 | - 1 |
| 23 | ESL14637 | Bush | D10085000 | - 1 |
| 24 | ESL14638 | Bush | D10085010 | - 1 |
| 25 | ESL14639 | 'O' Ring | D10046240 | - 1 |
| 26 | ESL14640 | Pin Plain Dowel | D10085020 | - 2 |
| 27 | ESL14641 | Bolt M12x33 | D10085030 | - 10 |
| 28 | ESL14642 | Bush | D10045700 | - 4 |
| 29 | ESL14643 | Pillow Block Rear | D10065040 | - 1 |
| 30 | ESL14644 | Bolt | - | - 1 |
| 31 | ESL14646 | Plug (NI) | D10085050 | - 1 |
| 32 | 30491258 | Bolt 3/4-16x2.75 Hex Head | - | - 2 |
| 33 | 30496438 | Bolt 3/4-10x4.00 Hex Head | - | - 4 |
| A | ESL14635 | Pillow Block Assembly Front | D10085060 | - 1 |
| - | ESL15377 | Front Axle Assembly With Pillow Block | D10045640 | - 1 |
| - | ESL15378 | Kit Rear pillow Block | D10047850 | - 1 |

AXLE HOUSING



665 / 665 otc

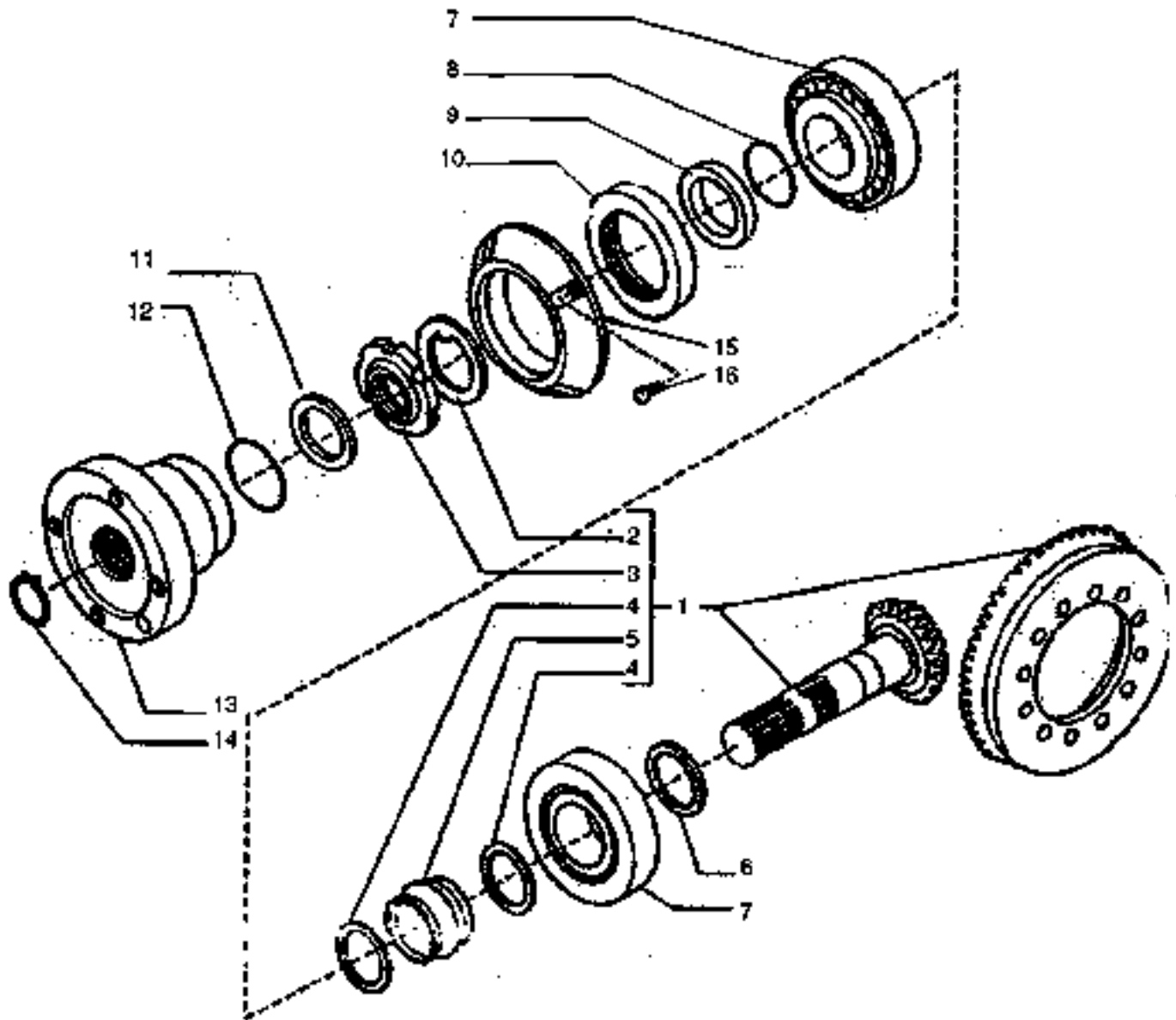
| ITEM No. | PART No. | DESCRIPTION | VENDOR No. | QUANTITY 665 665 otc |
|----------|----------|------------------------------|------------|-------------------------|
| 1 | ESL14636 | Ball Joint | D10085070 | - 2 |
| 2 | ESL14647 | Nut M20x1.5 | D10085080 | - 2 |
| 3 | ESL14648 | Steering Rod | D10085090 | - 1 |
| 4 | ESL14649 | Bolt M16x2.0x75-8.8 Hex Head | D10085100 | - 2 |
| 5 | ESL14650 | Nut M16 | D10085110 | - 2 |
| 6 | ESL14651 | Nut M14x1.5 | D10085120 | - 2 |
| 7 | ESL14652 | Plug D14.6x9.5 | D10085130 | - 8 |
| 8 | ESL14653 | Nut Self Lock m22x1.5 | D10085140 | - 1 |
| 9 | ESL14654 | Swivel Housing LH | D10085150 | - 1 |
| 10 | ESL14655 | Washer 30x22.1x4 | D10085160 | - 1 |
| 11 | ESL14656 | Steering Cylinder | D10085170 | - 1 |
| 12 | ESL14657 | Pin D22x100 | D10085180 | - 1 |
| 13 | ESL14658 | Pin 8x35 Spring Dowel | D87000130 | - 1 |
| 14 | ESL14659 | Pin D22x35 | D10085190 | - 1 |
| 15 | ESL14660 | Clamp | D10085200 | - 1 |
| 16 | ESL14661 | Bush | D10085210 | - 2 |
| 17 | ESL14662 | Seal Ring 45x60x16 | D10085220 | - 2 |
| 18 | ESL14663 | Ring D14 | D10085230 | - 3 |
| 19 | ESL14664 | Bolt M14x35 | D10085240 | - 3 |
| 20 | ESL14665 | Spacer 33.7x22.1x7.5 | D10085250 | - 1 |
| 21 | ESL14666 | Spacer 33.7x22.1x11 | D10085260 | - 1 |
| 22 | ESL14667 | Bolt M12x1.75x30 (Self Lock) | D10085270 | - 16 |
| 23 | ESL14637 | Grease Nipple M6x1 | D10084990 | - 4 |
| 24 | ESL14668 | King Pin | D10085280 | - 2 |
| 25 | ESL14670 | Swivel Housing RH | D10085290 | - 1 |
| 26 | ESL14671 | King Pin | D10085300 | - 2 |
| 27 | ESL14672 | Steering Rod Assembly | D10085310 | - 1 |



AXLE HOUSING

665 / 665 DTC

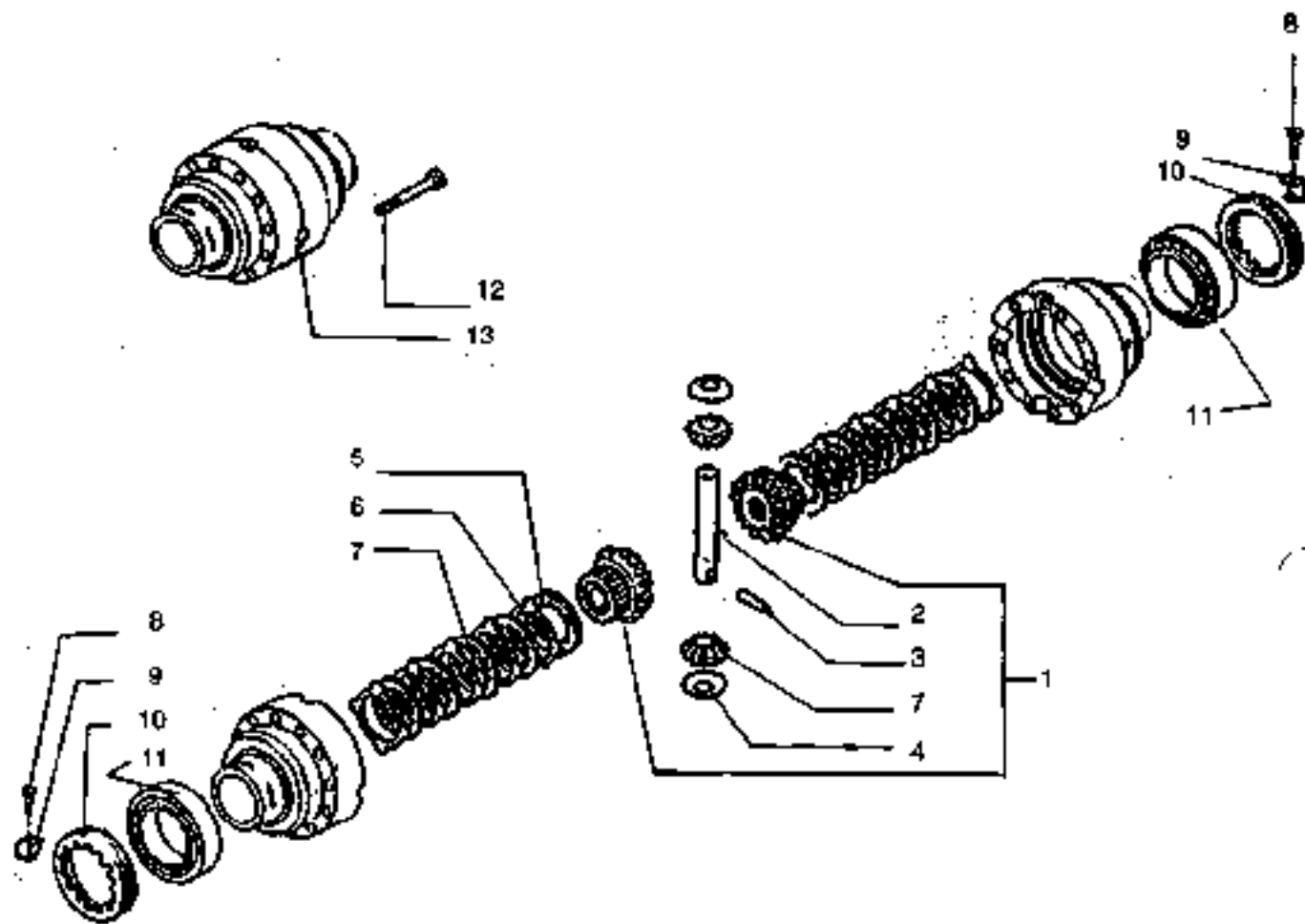
| <i>ITEM No.</i> | <i>PART No.</i> | <i>DESCRIPTION</i> | <i>VENDOR No.</i> | <i>QUANTITY</i> |
|-----------------|-----------------|----------------------------|-------------------|--------------------|
| | | | | 665 665 DTC |
| 28 | ESL14673 | Grease Nipple M6x1 | D10085320 | - 1 |
| 29 | ESL14674 | Ball Joint | D10085330 | - 2 |
| 30 | ESL14675 | Cylinder Head | D10085340 | - 1 |
| 31 | ESL14676 | Rod Assembly | D10085350 | - 1 |
| 32 | ESL14677 | Circlip | D10085360 | - 2 |
| 33 | ESL14678 | Piston & Cylinder Seal Kit | D10085370 | - 1 |
| 34 | ESL14679 | Cylinder Seal Kit | D10085380 | - 1 |
| 35 | ESL14680 | Lock Nut M16x1.5 | D10085390 | - 1 |
| 36 | - | Grease Nipple M6x1 | - | - 2 |



BEVEL GEAR - PUNCH SET

665 / 665 DTC

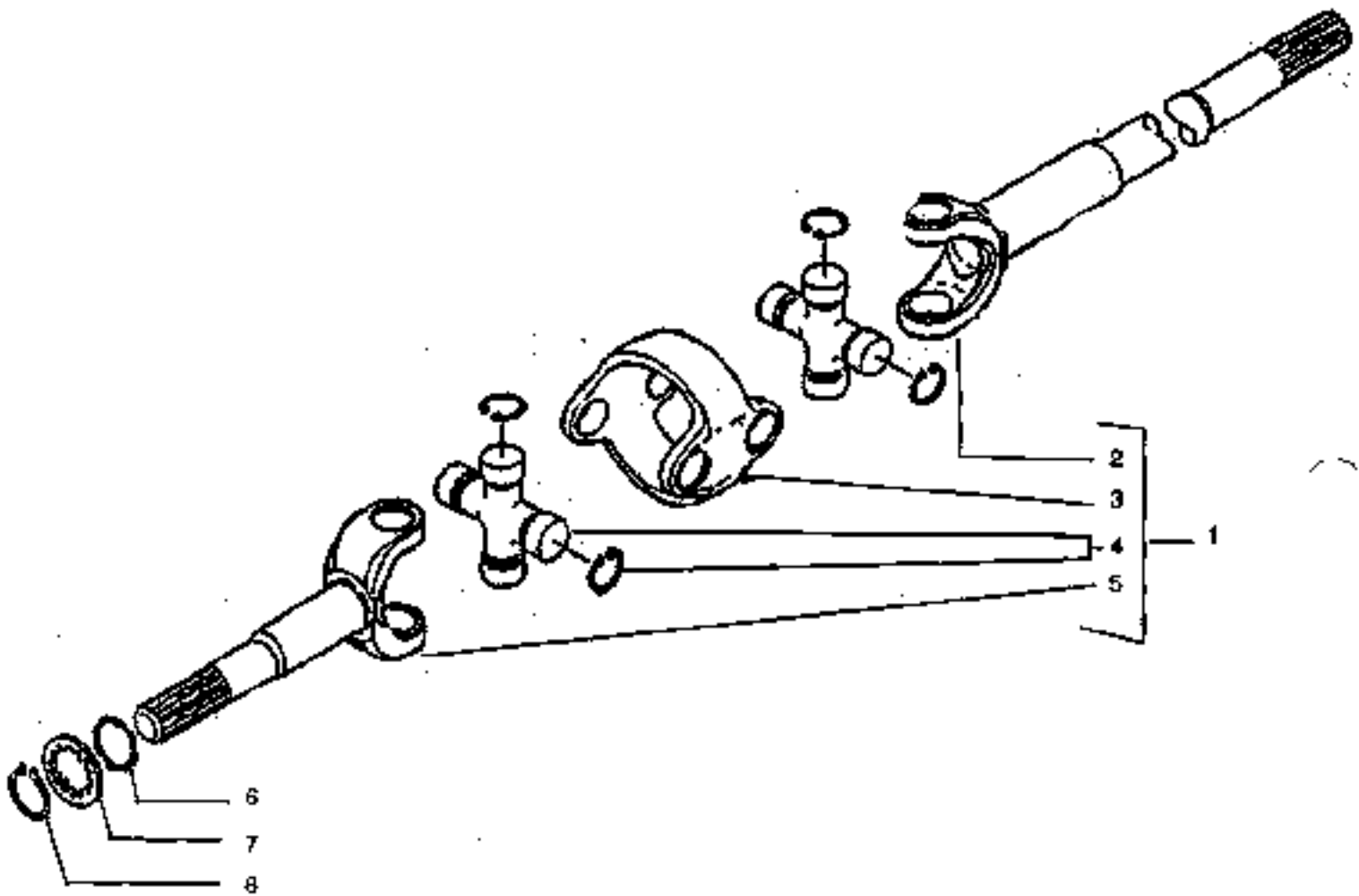
| ITEM NO. | PART NO. | DESCRIPTION | VENDOR NO. | QUANTITY 665 665 DTC |
|----------|----------|---------------------------|------------|-------------------------|
| 1 | ESL14682 | Bevel Gear & Pinion 13/30 | D10085400 | - 1 |
| 2 | ESL14683 | Lock Washer | D10085410 | - 1 |
| 3 | ESL14684 | Ring Nut M35x1.5 | D10085420 | - 1 |
| 4 | ESL14685 | Washer 45x35.5x2 | D10085430 | - 1 |
| 5 | ESL14686 | Collapseble Spacer | D10085440 | - 1 |
| 6 | ESL14687 | Shim 2.50MM | D10085450 | - 1 |
| 6 | ESL14688 | Shim 2.60MM | D10085460 | - 1 |
| 6 | ESL14689 | Shim 2.70MM | D10085470 | - 1 |
| 6 | ESL14690 | Shim 2.80MM | D10085480 | - 1 |
| 6 | ESL14691 | Shim 2.90MM | D10085490 | - 2 |
| 6 | ESL14692 | Shim 3.00MM | D10085500 | - 2 |
| 6 | ESL14693 | Shim 3.10MM | D10085510 | - 2 |
| 6 | ESL14694 | Shim 3.20MM | D10085520 | - 2 |
| 6 | ESL14695 | Shim 3.30MM | D10085530 | - 2 |
| 6 | ESL14696 | Shim 3.40MM | D10085540 | - 2 |
| 7 | ESL14697 | Bearing | D10085550 | - 1 |
| 8 | ESL14698 | O' Ring | D10085560 | - 1 |
| 9 | ESL14699 | Spacer | D10085570 | - 4 |
| 10 | ESL14701 | Seal Ring | D10085580 | - 4 |
| 11 | ESL14702 | Washer 45x31.5x3 | D10085590 | - 1 |
| 12 | ESL14703 | O' Ring | D10085600 | - 1 |
| 13 | ESL14704 | Flange | D10085610 | - 1 |
| 14 | ESL14705 | Snap Ring | D10085620 | - 1 |
| 15 | ESL14706 | Flange | D10085630 | - 1 |
| 16 | ESL14707 | Bolt M6x16 | D10085640 | - 2 |



BEVEL GEAR - PUNCH SET

665 / 665 DTC

| ITEM No. | PART No. | DESCRIPTION | VENDOR No. | QUANTITY 665 665 DTC |
|----------|----------|----------------------------|------------|-------------------------|
| 1 | ESL14709 | Differential Kit | D10085650 | - 1 |
| 2 | ESL14710 | Shaft | D10085660 | - 1 |
| 3 | ESL14711 | Pin, (D.6x40) | D10085670 | - 2 |
| 4 | ESL14712 | Trust Washer | D10085680 | - 2 |
| 5 | ESL14713 | Plate | D10085690 | - 2 |
| 6 | ESL14714 | Drive Plate | D10085700 | - 10 |
| 7 | ESL14715 | Plate | D10085710 | - 8 |
| 8 | ESL14716 | Screw, (M6x10) (Self Lock) | D10085720 | - 2 |
| 9 | ESL14717 | Locking Plate | D10085730 | - 2 |
| 10 | ESL14718 | Ring Nut | D10085740 | - 2 |
| 11 | ESL14719 | Bearing | D10085750 | - 2 |
| 12 | ESL14620 | Bolt, (M10X1.5X75) | D10084840 | - 12 |
| 13 | ESL14721 | Differential Housing | D10085770 | - 1 |



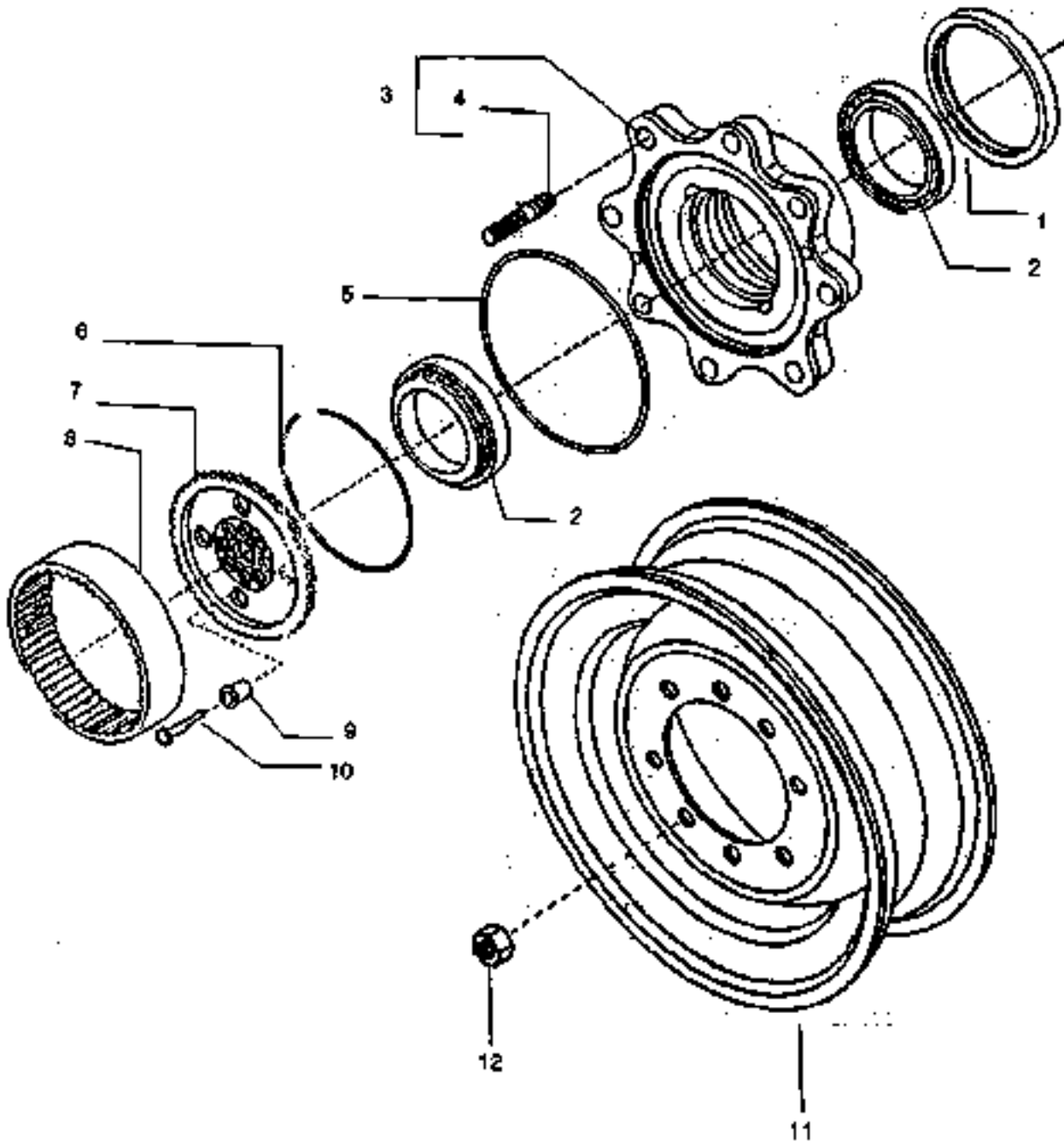
665 / 665 DTC

| ITEM NO. | PART NO. | DESCRIPTION | VENDOR NO. | QUANTITY |
|-----------------|-----------------|--------------------|-------------------|--------------------|
| | | | | 665 665 DTC |
| 1 | ESL14722 | Double Joint | D10085780 | - 2 |
| 2 | ESL14723 | Fork (Diff Side) | D10085790 | - 2 |
| 3 | ESL14724 | Central Body | D10085800 | - 2 |
| 4 | ESL14725 | Spider | D10085810 | - 4 |
| 5 | ESL14726 | Fork (Wheel Hub) | D10085820 | - 2 |
| 6 | ESL14727 | Thrust Washer | D10085830 | - 2 |
| 7 | ESL14728 | Thrust Washer | D10085840 | - 2 |
| 8 | ESL14729 | Snap Ring D45 | D10085850 | - 2 |

DIFFERENTIAL

Ⓢ - SERIAL NUMBER BREAK ,

Ⓚ - INDICATES UP TO AND INCLUDING THAT SERIAL NUMBER



DOUBLE JOINT

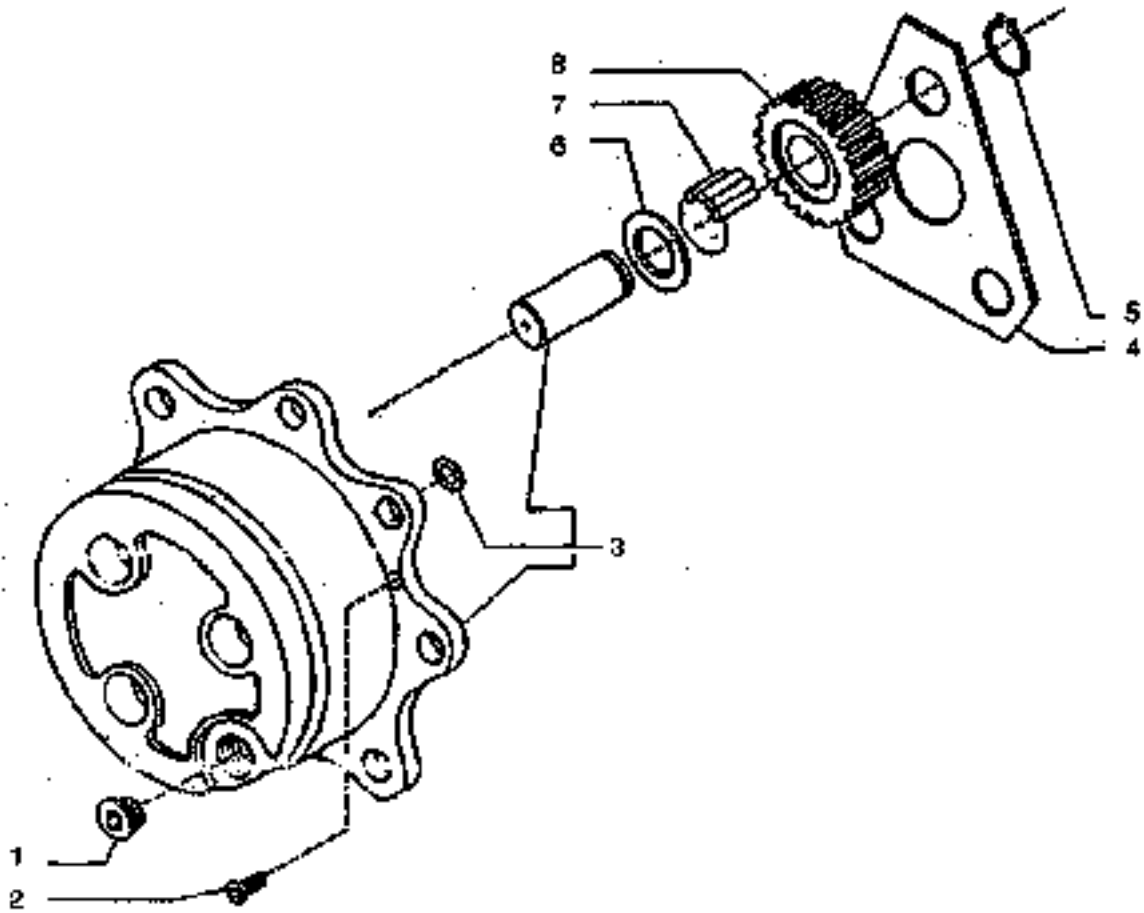
<https://tractormanualz.com/>

665 / 665 DTC

| Item No. | Part No. | Description | Vendor No. | Quantity |
|----------|----------|---|------------|--------------------|
| | | | | 665 665 DTC |
| 1 | ESL14730 | Oil Seal Ring | D10085860 | 2 |
| 2 | ESL14731 | Bearing | D10085870 | 4 |
| 3 | ESL14732 | Wheel Hub Kit | D10085880 | 2 |
| 4 | ESL14733 | Stud | D10085890 | 18 |
| 5 | ESL14734 | O' Ring | D10085820 | 2 |
| 6 | ESL14735 | Ring | D10085830 | 2 |
| 7 | ESL14736 | Wheel Carrier | D10085840 | 2 |
| 8 | ESL14737 | Crown Gear | D10085850 | 2 |
| 9 | ESL14638 | Centering Bush | D10085940 | 12 |
| 10 | ESL14639 | Bolt M10x45 (Self Lock) | D10085950 | 12 |
| 11 | ESL14640 | Wheel assembly Front W10-24 | D10045680 | 2 |
| 12 | ESL14641 | Nut M18x1.50-6 Hex Head Collared (Rear Wheel Bolt) | D10043020 | 12 |

Handwritten:
Lug
Bolt
ESL15061
Lug Nut

665 / 665 DTC



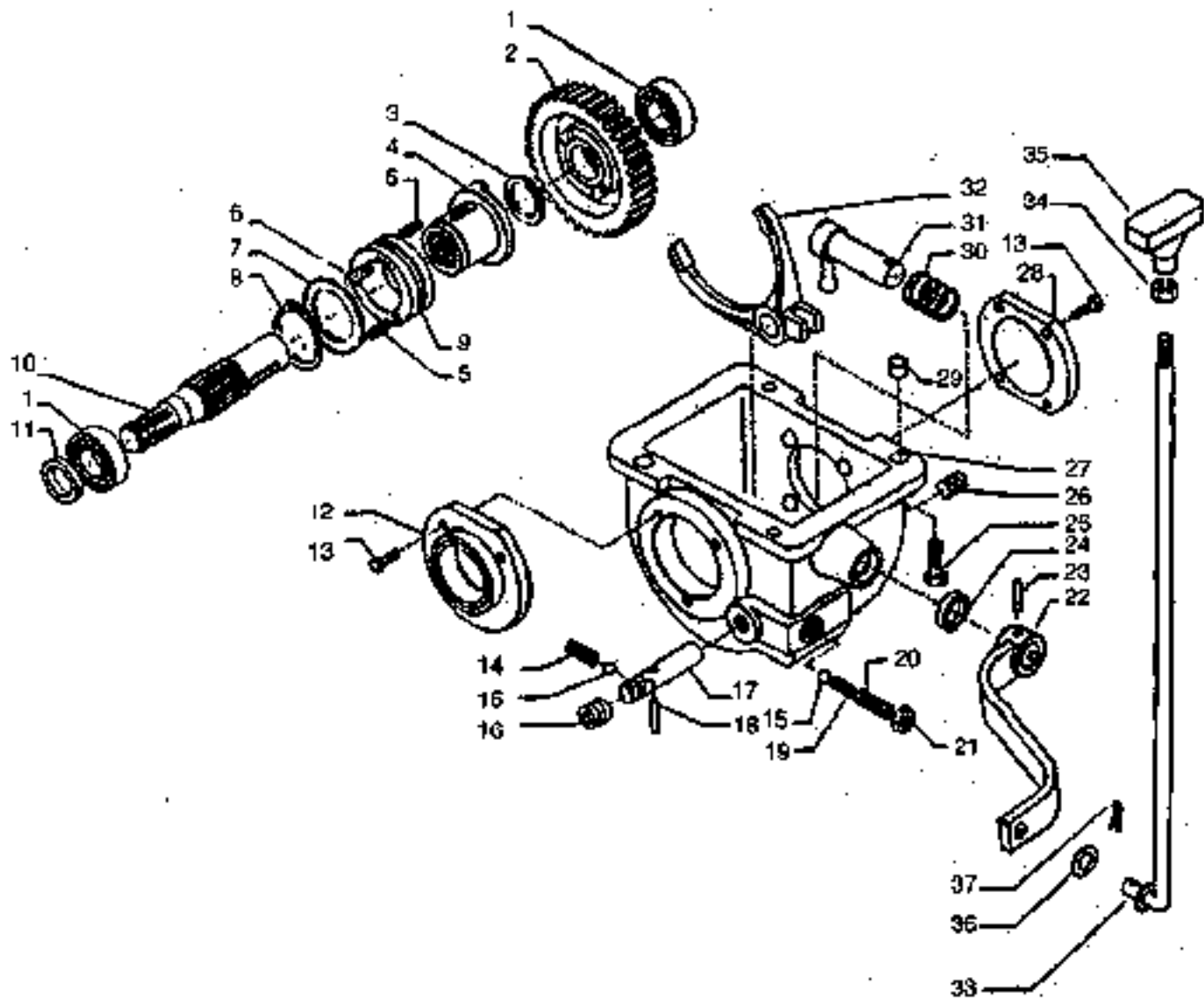
FINAL REDUCTION

<https://tractormanualz.com/>

665 / 665 DTC

| ITEM No. | PART No. | DESCRIPTION | VENDOR No. | QUANTITY |
|-----------------|-----------------|---------------------------|-------------------|--------------------|
| | | | | 665 665 DTC |
| 1 | ESL14742 | Plug M30x2 | D10085960 | - 2 |
| 2 | ESL14743 | Bolt M8x20 | D10085970 | - 4 |
| 3 | ESL14744 | Plantery Carrier Assembly | D10085960 | - 2 |
| 4 | ESL14745 | Thrust Washer | D10085990 | - 2 |
| 5 | ESL14746 | Snap Ring D.94 | D10086000 | - 6 |
| 6 | ESL14747 | Washer 55x34.6x1.5 | D10086010 | - 6 |
| 7 | ESL14748 | Needle Bearing (By Tens) | D10086020 | - 18 |
| 8 | ESL14749 | Gear Z=23 | D10086030 | - 6 |

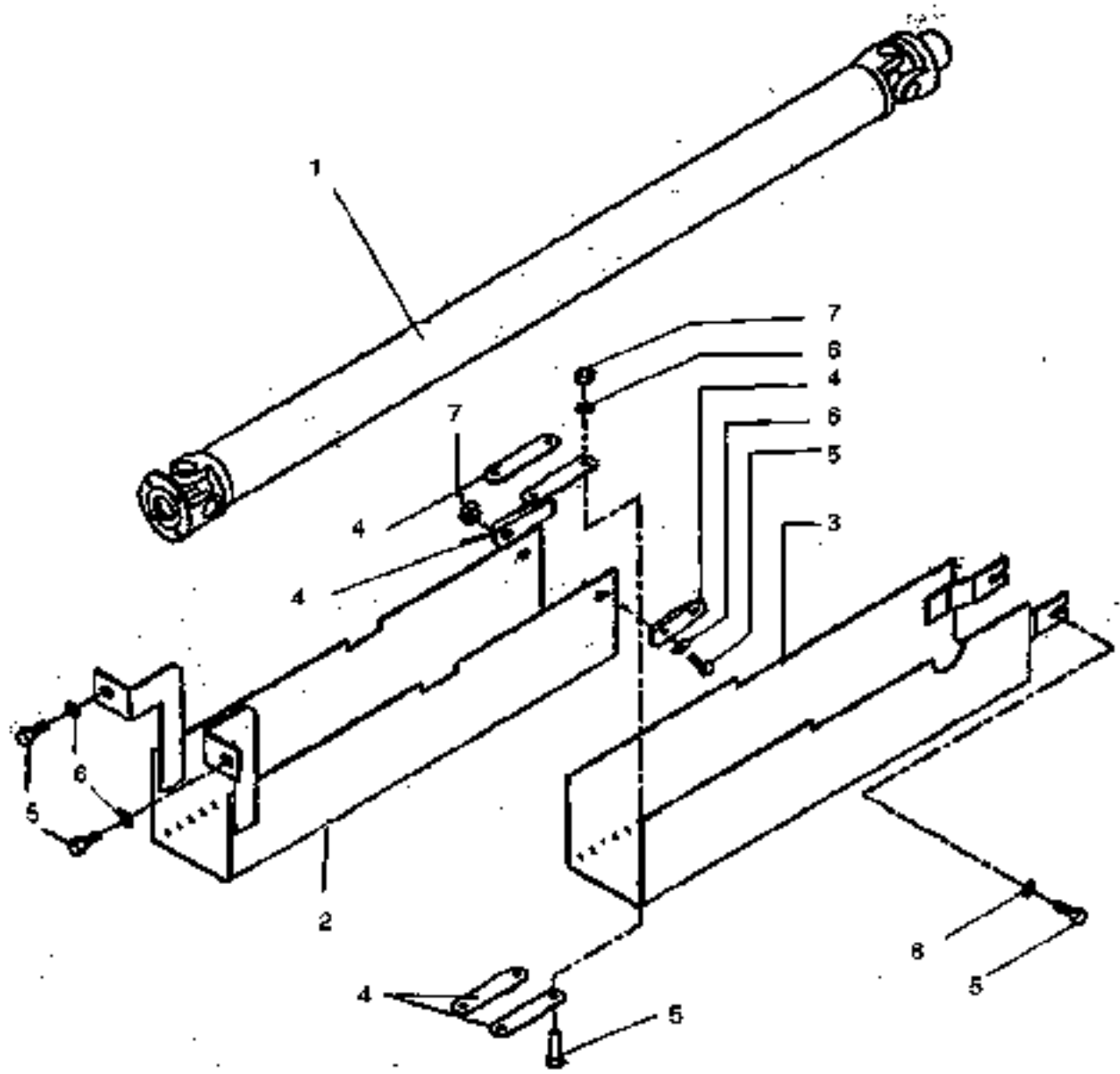
665 / 665 DTC



TRANSMISSION HSG & OUTPUT SHAFT

665 / 665 DTC

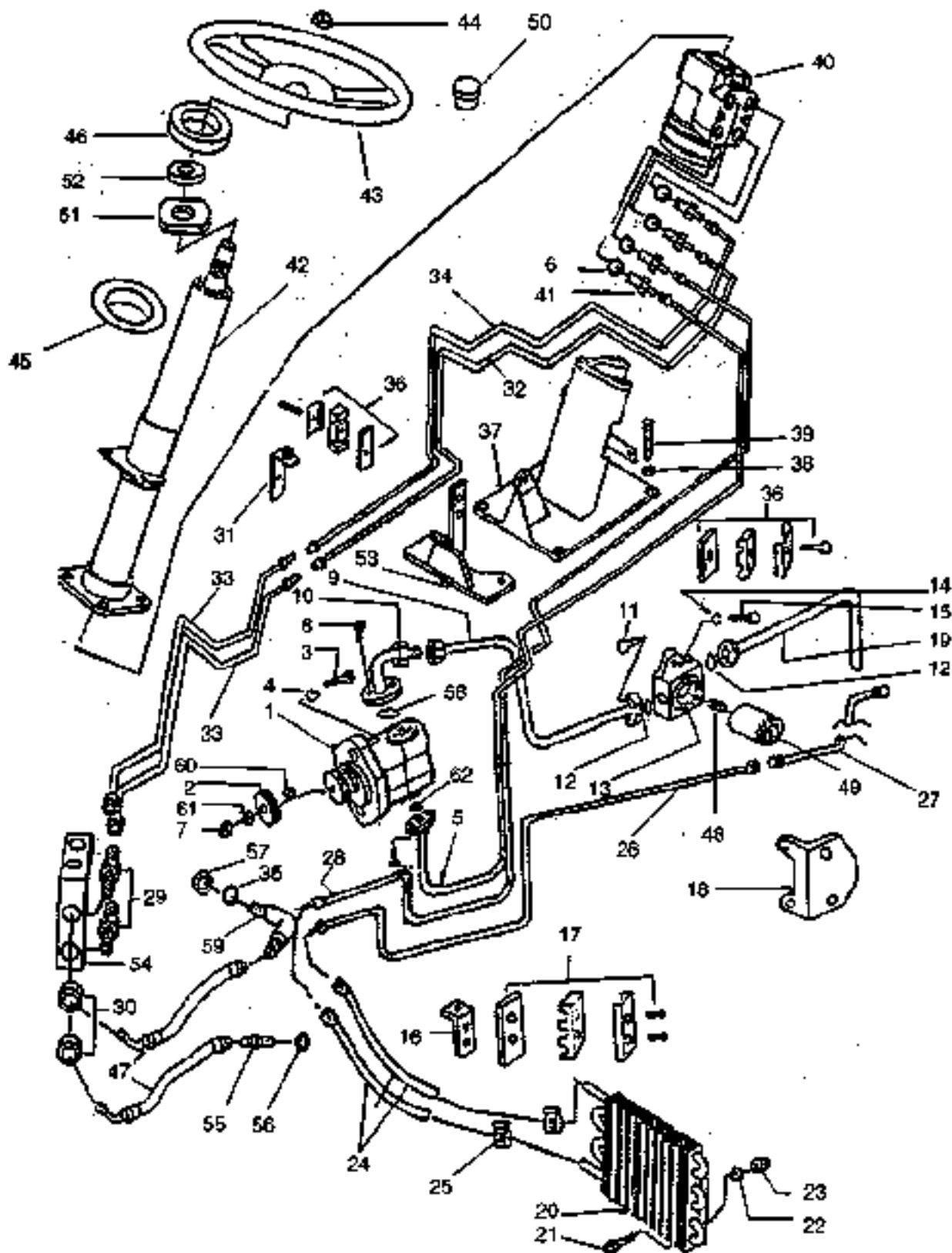
| ITEM No. | PART No. | DESCRIPTION | VENDOR No. | QUANTITY 665 665 DTC |
|----------|-----------|--------------------------------|------------|-------------------------|
| 1 | ESL14750 | Bearing | D10086040 | - 2 |
| 2 | ESL14751 | Gear Z=46 | D10086050 | - 1 |
| 2 | ESL14752 | Gear Z=44 | D10086060 | - - |
| 3 | ESL14753 | Washer | D10086070 | - 1 |
| 4 | ESL14754 | Gear Z-13 | D10086080 | - 1 |
| 5 | ESL14755 | Spring | D10086090 | - 6 |
| 6 | ESL14756 | Key 4x4x15 | D10086100 | - 1 |
| 7 | ESL14757 | Washer | D10086110 | - 1 |
| 8 | ESL14758 | Snap Ring | D10086120 | - 1 |
| 9 | ESL14759 | Sleeve | D10086130 | - 1 |
| 10 | ESL14760 | Shaft | D10086140 | - 1 |
| 11 | ESL14761 | Oil Seal | D10086150 | - 1 |
| 12 | ESL14762 | Cover | D10086160 | - 1 |
| 13 | ESL14763 | Bolt M8x20 (Self Lock) | D10086170 | - 7 |
| 14 | ESL14764 | Spring | D10086180 | - 1 |
| 15 | ESL14765 | Ball D 5/16 | D10086190 | - 2 |
| 16 | ESL14766 | Plug | D10086200 | - 1 |
| 17 | ESL14767 | Fork Pin 506 | D10086210 | - 1 |
| 18 | ESL14768 | Pin D5x30 | D10086220 | - 1 |
| 19 | ESL14769 | Spring | D10086230 | - 1 |
| 20 | ESL14770 | Grub Screw M12x25 | D10086240 | - 1 |
| 21 | ESL14771 | Nut M.12 | D10086250 | - 1 |
| 22 | ESL15379 | Bracket Assembly Hub And Lever | D10045620 | - 1 |
| 23 | N646664S8 | Roll Pin D6x36 | N646664S2 | - 1 |
| 24 | ESL14773 | Oil Seal | D10086260 | - 1 |
| 25 | ESL14774 | Bolt, M12x1.75x30 (Self Lock) | D10086270 | - 4 |
| 26 | ESL14775 | Plug M24x1.5 | D10084970 | - 1 |
| 27 | ESL14776 | Housing (Drop Box) | D10086270 | - 1 |
| 28 | ESL14777 | Rear Cover | D10086280 | - 1 |
| 29 | ESL14778 | Bush | D10086290 | - 2 |
| 30 | ESL14779 | Spring | D10086300 | - 1 |
| 31 | ESL14780 | Lever | D10086310 | - 1 |
| 32 | ESL14781 | Fork | D10086320 | - 1 |
| 33 | ESL14782 | Lever Assembly Engagement | D10045630 | - 1 |
| 34 | N620014S8 | Nut M10x1.50-5 Hex | D63500210 | - 1 |
| 35 | ESL14783 | Knob PTO | D10042460 | - 1 |
| 36 | N630070S8 | Washer M12 Flat | D85500160 | - 1 |
| 37 | 72026S8 | Pin 1/8x.875 Cotter | D87000080 | - 1 |



665 / 665 DTC

| ITEM No. | PART No. | DESCRIPTION | VENDOR No. | QUANTITY |
|----------|-----------|--|------------|-------------|
| | | | | 665 665 DTC |
| 1 | ESL14788 | Shaft Assembly Propeller | D10045690 | - 1 |
| 2 | ESL14788 | Guard Propeller Shaft | D10045490 | - 1 |
| 3 | ESL14790 | Guard Propeller Shaft (Drop Box End) | D10047610 | - 1 |
| 4 | ESL14791 | Strip Guard | D10047660 | - 4 |
| 5 | N605531S8 | Bolt M6x1.25x20-9.8 Hex Head | . | - 12 |
| 6 | ESL11720 | Washer M8 Flat | D65500130 | - 8 |
| 7 | N620013S8 | Nut M6x1.25-6 Hex | . | - 8 |
| 8 | 44726S8 | Washer 3/8 Flat | . | - 4 |

665 / 665 DTC

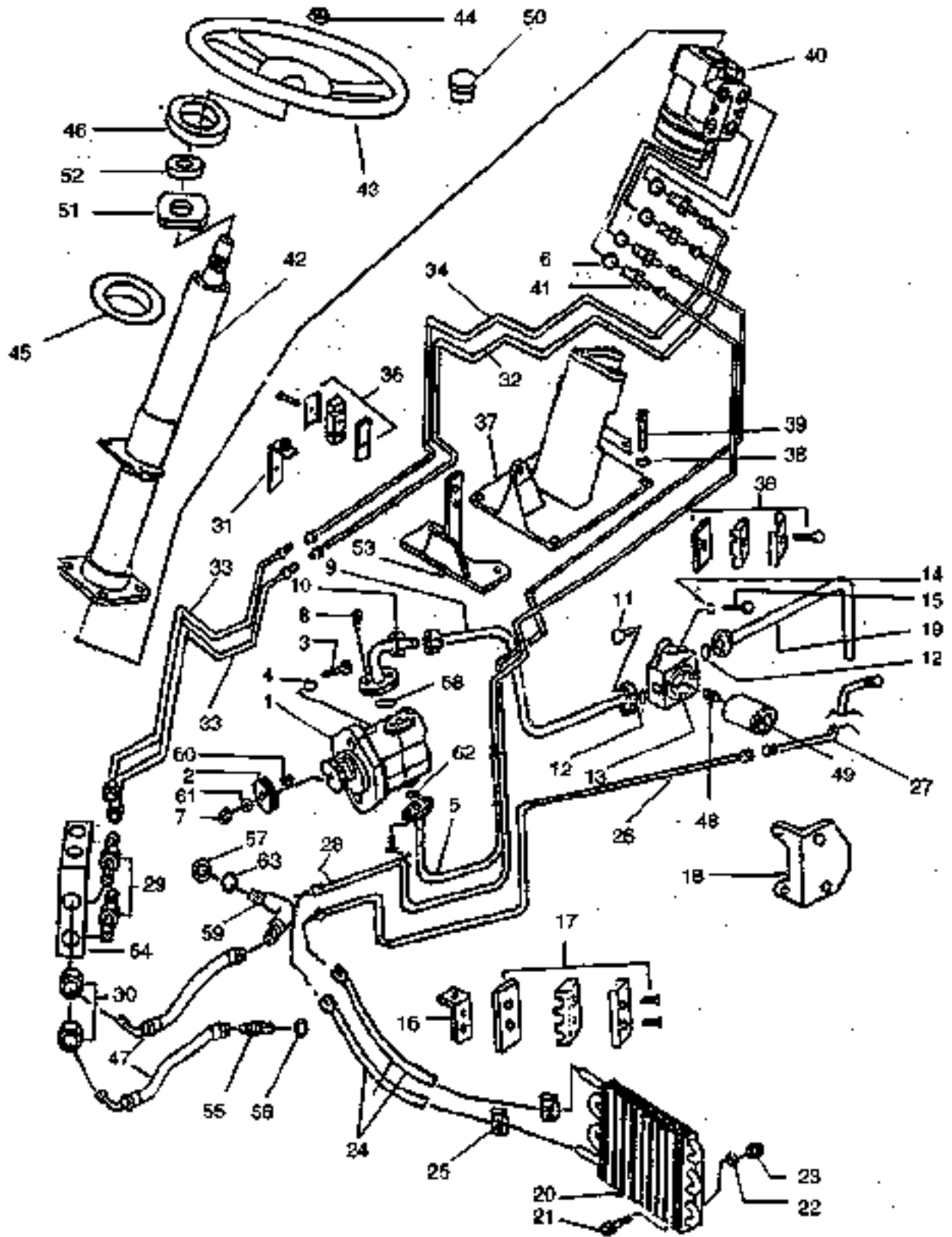


GEARS & SHAFT

665 / 665 DTC

| ITEM No. | PART No. | DESCRIPTION | VENDOR No. | QUANTITY |
|----------|----------|---|------------|-------------|
| | | | | 665 665 DTC |
| 1 | ESL13281 | Pump Assembly Power Steering | D10013280 | - 1 |
| 2 | ESL14796 | Gear Power Steering | D10012150 | - 1 |
| 3 | - | Bolt 3/8-16x2.50 Hex Head | - | - 2 |
| 4 | ESL12016 | Washer 3/8 Spring Lock | D86000010 | - 2 |
| 5 | ESL12723 | Tube Assembly Pressure Power Steering | D10043510 | - 1 |
| 6 | ESL14798 | Seal 'O' Ring 0.087x0.644 | D93600070 | - 4 |
| 7 | ESL14846 | Nut | 2639559AA0 | - 1 |
| 8 | ESL14799 | Screw M6x1.00x20 Hex Socket Head | D10046250 | - 2 |
| 9 | ESL14800 | Tube Assembly Filter To Steering Pump | D10043540 | - 1 |
| 10 | ESL14801 | Tube Assembly Steering Pump | D10044250 | - 1 |
| 11 | ESL12724 | Bolt M6x.00x20-9.8 Hex Head | D81500490 | - 4 |
| 12 | ESL14802 | Seal 'O' Ring 0.199x1.375 | D93600260 | - 2 |
| 13 | ESL14803 | Adapter Hydraulic Oil Filter | D10012140 | - 1 |
| 14 | ESL14821 | Washer M12 Flat | D86500160 | - 3 |
| 15 | ESL12653 | Screw M12x1.75x25-6.6 Hex Head | D62500090 | - 2 |
| 16 | ESL15390 | Bracket Tubing Power Steering | D10044140 | - 2 |
| 17 | ESL12524 | Clamp Assembly Tubing Power Steering | D10021250 | - 2 |
| 18 | ESL12732 | Bracket Adapter Mounting | D10042500 | - 1 |
| 19 | ESL13301 | Tube Assembly Housing To Filter Inlet | D10043120 | - 1 |
| 20 | ESL13302 | Cooler Assembly Hydraulic Oil | D10039260 | - 1 |
| 21 | - | Bolt 3/8-16x0.75 Hex Head | - | - 2 |
| 22 | ESL12017 | Nut 3/8-16 Hex | D89000020 | - 2 |
| 23 | ESL12576 | Washer 3/8 Spring Lock | D86000010 | - 2 |
| 24 | ESL12735 | Hose Oil Cooler Return | D10042770 | - 2 |
| 25 | ESL14483 | Clamp Assembly Fuel Tube | D10017460 | - 4 |
| 26 | ESL14811 | Tube Assembly Return From Cooler | D10043530 | - 1 |
| 27 | ESL14812 | Tube Assembly Return To Housing | D10043130 | - 1 |
| 28 | ESL14813 | Tube Assembly Return To Cooler | D10043520 | - 1 |
| 29 | ESL14814 | Adapter 3/16-18 High Pressure Tube | D10021280 | - 2 |
| 30 | ESL14815 | Nut 3/16-18 Hex | D10021270 | - 2 |
| 31 | ESL14816 | Bracket Tubing Support Power | D10047730 | - 1 |
| 32 | ESL14817 | Tube Assembly Right Turn Power | D10043490 | - 1 |
| 33 | ESL14820 | Tube Assembly Power Steering | D10045530 | - 2 |
| 34 | ESL14819 | Tube Assembly Left Turn Power | D10043500 | - 1 |
| 35 | ESL14847 | Seal 'O' Ring, (0.103x0.625) | D10042690 | - 2 |
| 36 | ESL14821 | Clamp Assembly Tubing Power Steering | D93600090 | - 2 |
| 37 | ESL14822 | Bracket Assembly Power Steering | D10042670 | - 2 |
| 38 | ESL12018 | Washer 1/2 Spring Lock | D86000060 | - 4 |
| 39 | ESL14823 | Bolt 1/2-13x1.38 Hex Head (Steering Gear) | D10012330 | - 4 |
| 40 | ESL14824 | Motor Assembly - Hydrostatic Steering | 1332406A | - 1 |
| 41 | ESL14825 | Adapter 3/4 Power Steering | D10021080 | - 4 |

865 / 865 etc



LEVER ASSEMBLY

665 / 665 DTC

| ITEM No. | PART No. | DESCRIPTION | VENDOR No. | QUANTITY 665 665 DTC |
|----------|----------|--|------------|-------------------------|
| 42 | ESL14826 | Column Assembly Power Steering | D10043840 | - 1 |
| 43 | ESL14827 | Wheel Assembly Power Steering | D10039690 | - 1 |
| 44 | ESL14828 | Nut Nylock Steering Wheel Retaining | D10018500 | - 1 |
| 45 | ESL14829 | Grommet Steering Column Shroud | - | - 1 |
| 46 | ESL14830 | Seal Steering Column Dust | D10018530 | - 1 |
| 47 | ESL14831 | Hose Assembly Power Steering | D10021130 | - 2 |
| 48 | ESL14832 | Adapter Oil Filter | - | - 1 |
| 49 | ESL11255 | Filter Assembly Hydraulic | D10026160 | - 1 |
| 50 | ESL12232 | Cap Steering Wheel | - | - 1 |
| 51 | ESL14835 | Nut, (11/16-20) Check | D10043570 | - 1 |
| 52 | ESL14836 | Damper Ring | D10043560 | - 1 |
| 53 | ESL14837 | Bracket Fuel Tank Mounting | D10047770 | - 1 |
| 54 | ESL14838 | Bracket Steering Hose Support | D10045570 | - 1 |
| 55 | ESL14839 | Adapter Power Steering Pipe Fitting | D10045580 | - 1 |
| 56 | ESL14840 | Washer M18 Flat Copper | D10045590 | - 1 |
| 57 | ESL14841 | Washer, (21x24.2) Power Steering Elbow | D10045600 | - 1 |
| 58 | ESL14842 | O' Ring | 87039594 | - 1 |
| 59 | ESL14843 | Elbow Power Steering Hose Fitting | D10045610 | - 1 |
| 60 | ESL14844 | Key Woodruff | D91000210 | - 1 |
| 61 | ESL14845 | Washer Lock | 2533568AA | - 1 |
| 62 | ESL10085 | O' Ring | - | - 1 |

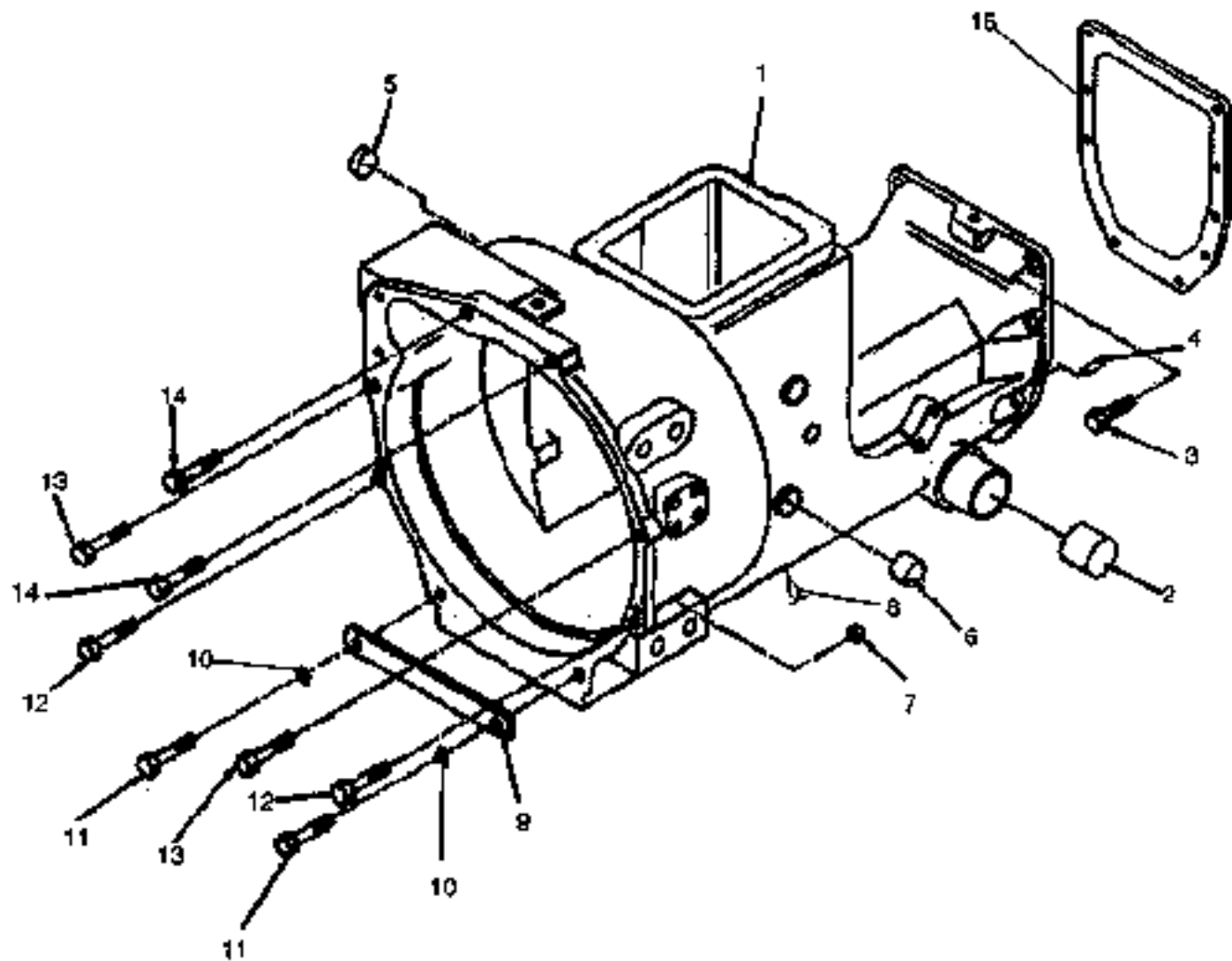
LEVER ASSEMBLY

S - SERIAL NUMBER BREAK,

K - INDICATES UP TO AND INCLUDING THAT SERIAL NUMBER

Notes

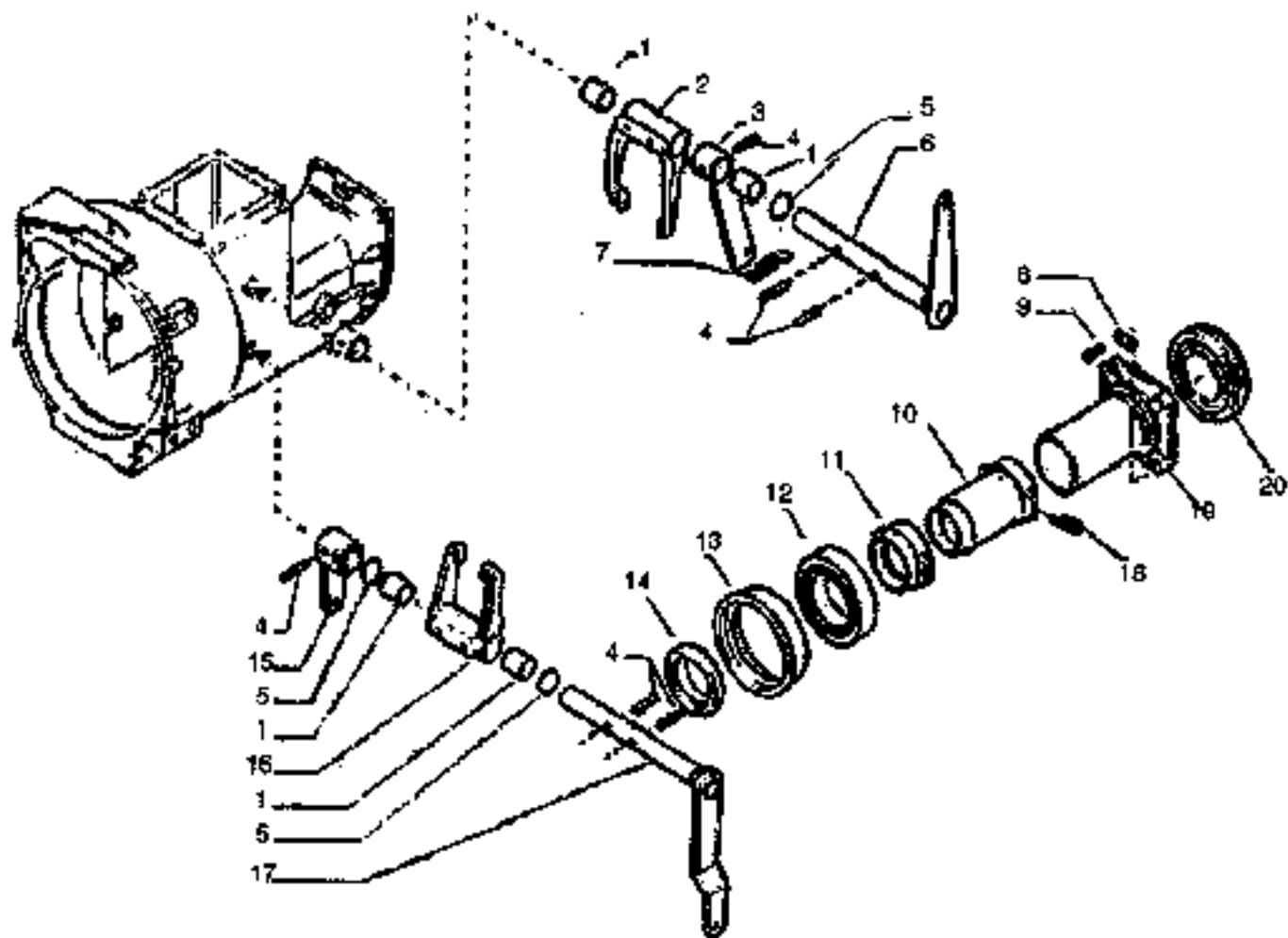
CLUTCH



665 / 665 DTC

| ITEM No. | PART No. | DESCRIPTION | VENDOR No. | QUANTITY |
|----------|----------|--|------------|-------------|
| | | | | 665 665 DTC |
| 1 | ESL12770 | Housing Kit (Includes Items 2,5,6) | . | |
| 2 | ESL10669 | Bush Set, Brake Pedal Shaft | D10075290 | - 1 |
| 3 | ESL12771 | Bolt (M14x2.0x40) | D81500970 | - 8 |
| 4 | ESL12772 | Dowel Pin | D10060850 | - 2 |
| 5 | ESL12773 | Plug Cup | D10042960 | - 1 |
| 6 | ESL12774 | Bush Clutch Shaft | D10042960 | - 4 |
| 7 | 33849S8 | Nut, Hex (5/8-11) | - | - 2 |
| 8 | ESL13305 | Pin, Cotter, Drain Hole | D88400060 | - 1 |
| 9 | ESL13312 | Stiffener, Engine Rear Cover Plate | - | - 1 |
| 10 | 34792S8 | Washer, Lock (3/8) | - | - 2 |
| 11 | 304722S8 | Bolt, Hex (3/8-16x1.25) | . | - 2 |
| 12 | 304955S8 | Bolt, Hex (5/8-11x3.75) | . | - 2 |
| 13 | 304883S8 | Bolt, Hex (5/8-11x2.375) | . | - 2 |
| 14 | 304912S8 | Bolt, Hex (3/4-16x2.75) | D10066360 | - 2 |
| 15 | ESL12775 | Gasket, Clutch Housing, to Transmission | . | - 1 |

665 / 665 DTC

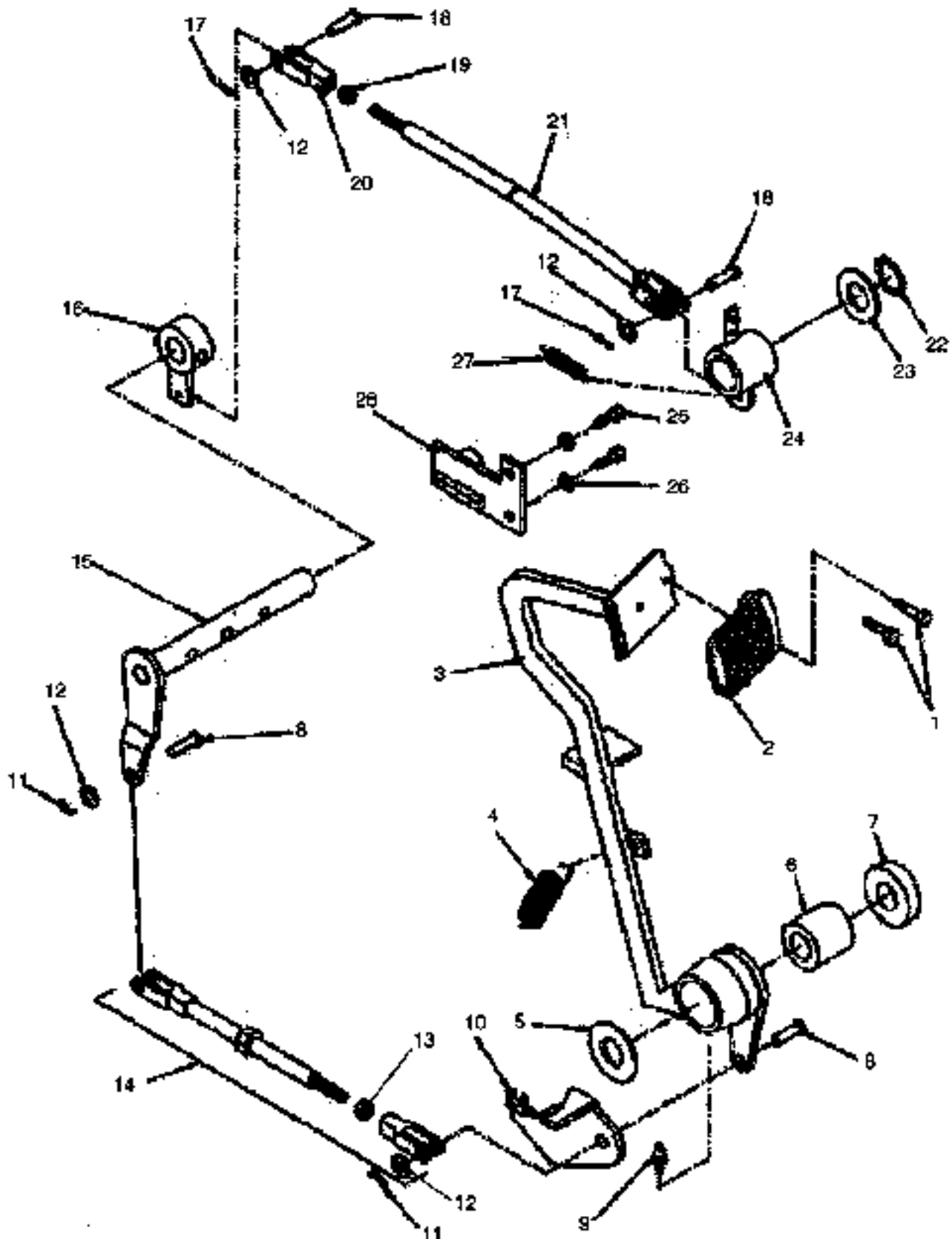


CLUTCH INNER CONTROLS

665 / 665 DTC

| <i>ITEM No.</i> | <i>PART No.</i> | <i>DESCRIPTION</i> | <i>VENDOR No.</i> | <i>QUANTITY</i> 665 665 DTC |
|-----------------|-----------------|------------------------------------|-------------------|---------------------------------------|
| 1 | ESL12774 | Bush Clutch Shaft | D10042950 | - 4 |
| 2 | ESL12776 | Fork PTO | D10061210 | - 1 |
| 3 | ESL12777 | Lever Assembly PTO Clutch | D10061180 | - 1 |
| 4 | ESL12778 | Pin | D87000130 | - 4 |
| 5 | ESL12779 | ORing | D10042990 | - 3 |
| 6 | ESL12780 | Shaft & Lever Assembly, PTO Clutch | - | - 1 |
| 7 | ESL12781 | Spring Clutch Return, PTO | D10061150 | - 1 |
| 8 | ESL12782 | Plate, Spring Retaining | D10103820 | - 1 |
| 9 | E602169S8 | Bolt | - | - 4 |
| 10 | ESL12783 | Hub, Clutch Release PTO | D10061230 | - 1 |
| 11 | ESL12784 | Hub, Clutch Release | D10061240 | - 1 |
| 12 | ESL12785 | Bearing, Clutch Release | D10061270 | - |
| 13 | ESL12786 | Sleeve | D10061260 | - 1 |
| 14 | ESL12787 | Bearing, Clutch Release PTO | D10061250 | - 1 |
| 15 | ESL12788 | Lever | D10063100 | - 1 |
| 16 | ESL12789 | Fork Clutch Release | D10061200 | - 1 |
| 17 | ESL12790 | Shaft & Lever Assembly Clutch | D10061220 | - |
| - | ESL12791 | Shaft & Lever Assembly Clutch | D10103810 | - 1 |
| 18 | ESL12792 | Spring | D10061160 | - 4 |
| 19 | ESL12793 | Retainer, Clutch Release | D10061190 | - |
| - | ESL12794 | Retainer, Clutch Release | D10103800 | - 1 |
| 20 | ESL12795 | Bearing Assembly, Input Shaft | D10061140 | - 1 |

665 / 665 DTC

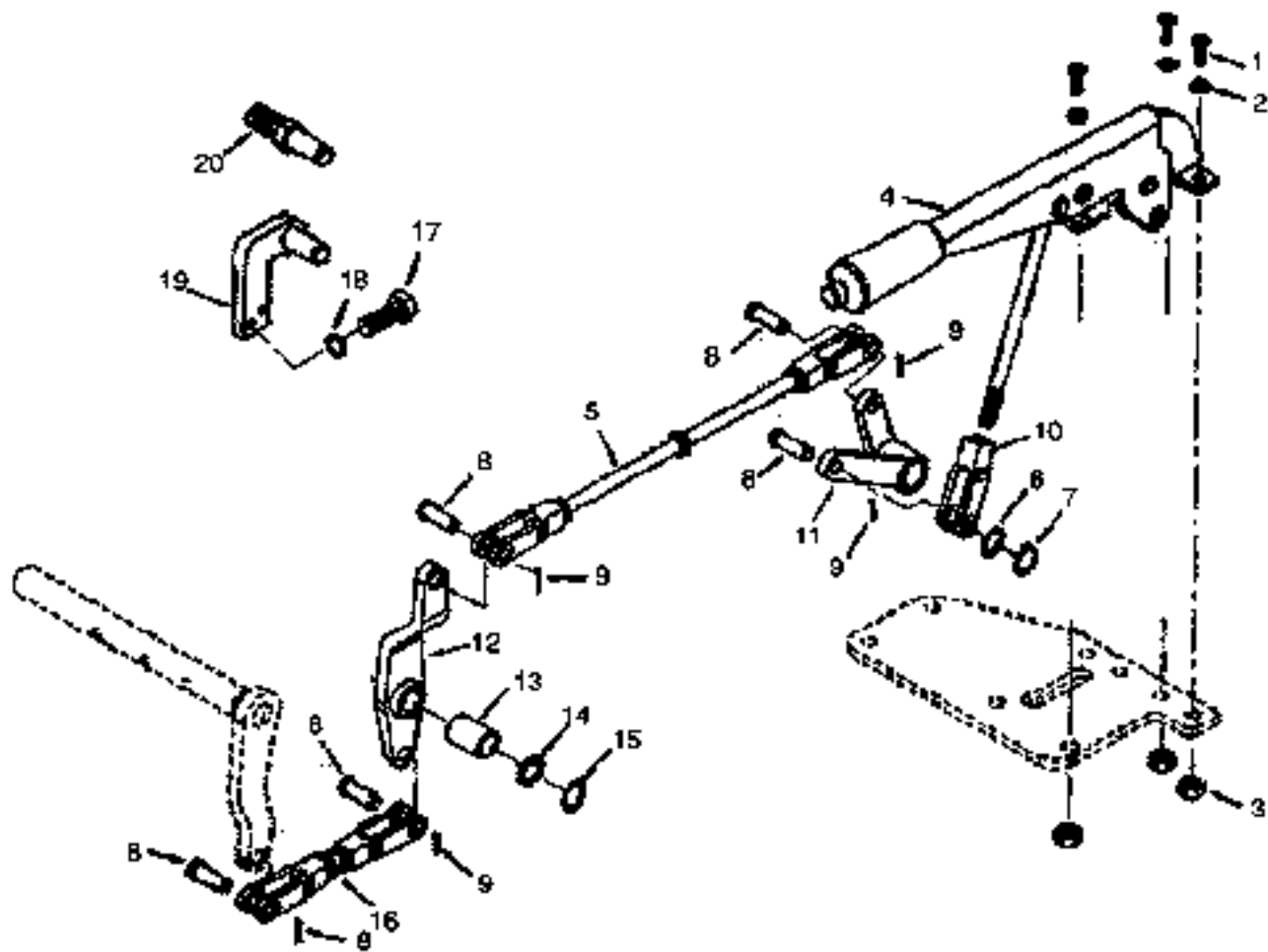


CLUTCH OUTER CONTROLS

665 / 665 DTC

| ITEM NO. | PART NO. | DESCRIPTION | VENDOR NO. | QUANTITY 665 665 DTC |
|----------|-----------|--------------------------------|------------|-------------------------|
| 1 | N600212S8 | Bolt | - | - 2 |
| 2 | ESL12798 | Pad Assembly, Clutch | D10042840 | - 1 |
| 3 | ESL13286 | Pedal Assembly, Clutch | D10039500 | - - |
| | ESL13288 | Pedal Assembly, Clutch | D10046020 | - 1 |
| 4 | ESL10663 | Spring | D10012380 | - - |
| - | ESL12798 | Spring | D10046920 | - 1 |
| 5 | ESL11700 | Washer | D10012280 | - - |
| - | ESL13409 | Washer | D10067000 | - 1 |
| 6 | ESL12811 | Bush Clutch Pedal | D10067010 | - 1 |
| - | ESL13318 | Bush Clutch Pedal | - | - - |
| 7 | ESL11700 | Washer | D10012280 | - - |
| - | ESL13409 | Washer | D10067000 | - 1 |
| 8 | 73919S8 | Pin, Clevis (3/8x1.4) | - | - 2 |
| 9 | ESL10654 | Grease Nipple | - | - 1 |
| 10 | ESL13410 | Bracket Clutch Pedal Spring | D10043000 | - - |
| 11 | 72017S8 | Pin, Cotter (1/8x0.75) | - | - 2 |
| 12 | 44728S8 | Washer, Flat (3/8) | - | - 4 |
| 13 | 33925S8 | Nut (3/8-24) | - | - 1 |
| 14 | ESL12600 | Rod & Clevis Assembly | - | - - |
| - | ESL12601 | Rod & Clevis Assembly | D10103830 | - 1 |
| 15 | ESL12790 | Shaft & Lever Assembly, Clutch | D10061220 | - - |
| - | ESL12791 | Shaft & Lever Assembly, Clutch | D10103810 | - 1 |
| 16 | ESL12788 | Lever F & R | D10063100 | - 1 |
| 17 | ESL12805 | Pin Cotter | - | - 2 |
| 18 | ESL12804 | Pin Clevis | D93400070 | - 2 |
| 19 | N620042S8 | Nut (M10) | - | - 1 |
| 20 | N662423S8 | Clevis (M10) | - | - 1 |
| 21 | ESL12802 | Rod & Clevis Assembly | D10043380 | - - |
| - | ESL12803 | Rod & Clevis Assembly | D10046480 | - 1 |
| 22 | ESL12808 | Circlip | D90000180 | - 1 |
| 23 | ESL12807 | Washer | - | - 1 |
| 24 | ESL12806 | Lever & Hub Assembly | D10043370 | - 1 |
| 25 | ESL12653 | Bolt (M12x1.75x26) | - | - 2 |
| 26 | N630070S8 | Washer, Lock (M12) | - | - 2 |
| 27 | ESL12809 | Spring | D10043400 | - 1 |
| 28 | ESL12810 | Bracket Assembly Pivot | D10043390 | - 1 |

665 / 665 DTC



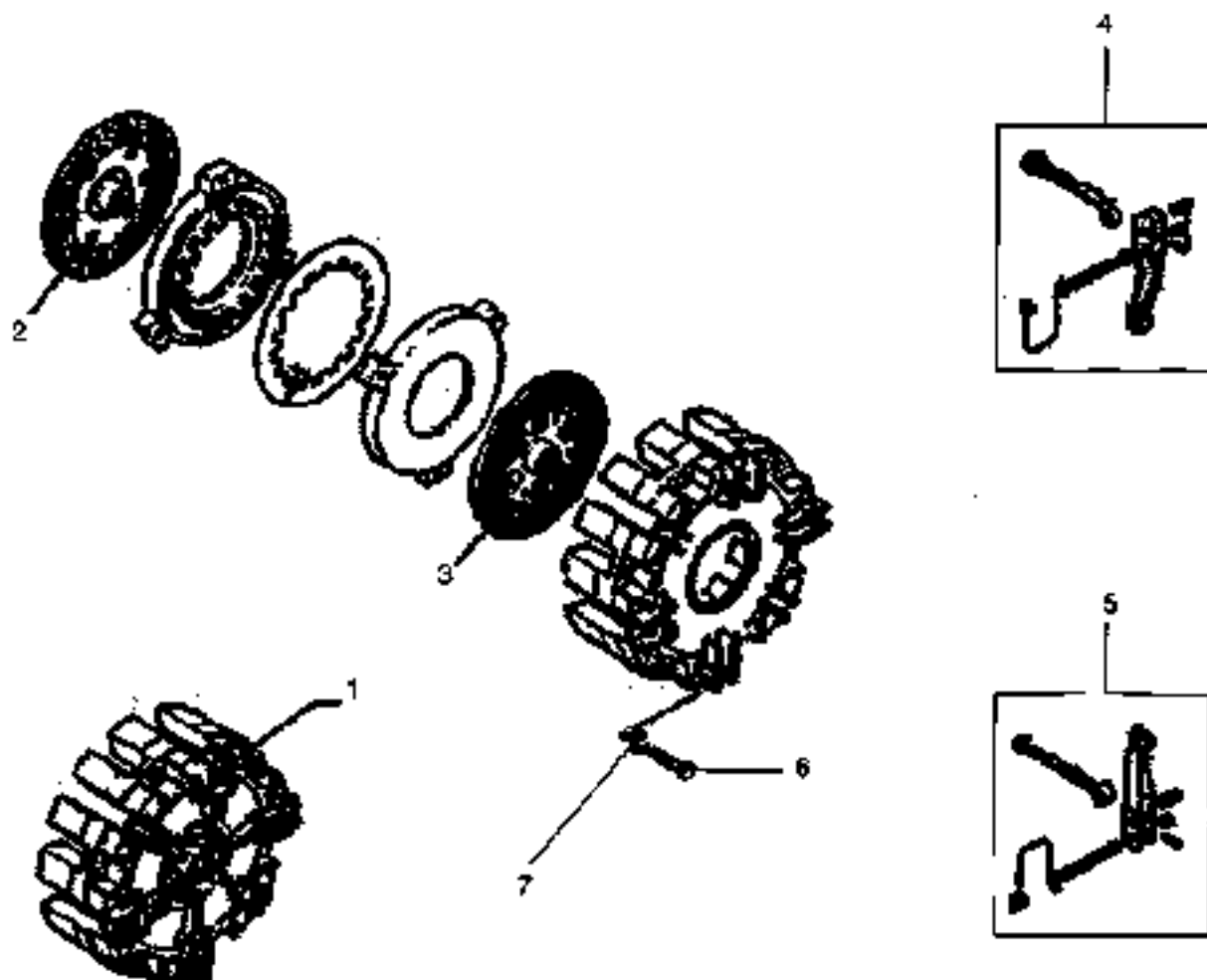
PTO CLUTCH OUTER CONTROLS

665 / 665 DTC

| ITEM NO. | PART NO. | DESCRIPTION | VENDOR NO. | QUANTITY 665 665 DTC |
|----------|-----------|------------------------------------|------------|-------------------------|
| 1 | ESL12724 | Bolt (M6x1.00x20) | D81500490 | - 3 |
| 2 | N630067S8 | Washer | - | - 3 |
| 3 | N620012S8 | Nut | - | - 3 |
| 4 | ESL12812 | Lever Assembly, PTO Clutch | - | - 1 |
| 5 | ESL12813 | Rod & Clevis Assembly, PTO Clutch | D10042880 | - - |
| - | ESL12814 | Rod & Clevis Assembly, PTO Clutch | D10047050 | - 1 |
| 6 | ESL11700 | Washer | D10012260 | - 1 |
| 7 | ESL10983 | Lock Ring | D10012470 | - 1 |
| 8 | 73919S8 | Pin Clevis (3/8x1.4) | - | - 5 |
| 9 | 72017S8 | Pin Cotter(3/8x0.75) | - | - 6 |
| 10 | 97013S8 | Clevis | - | - 1 |
| 11 | ESL12816 | Sleeve, PTO Clutch | D10042250 | - 1 |
| 12 | ESL12815 | Hub & Lever Assembly | D10042890 | - 1 |
| 13 | ESL12819 | Bush, Hub & Lever Assembly | D10042700 | - 1 |
| 14 | ESL12607 | Washer | - | - 1 |
| 15 | ESL12808 | Clevis | D90000180 | - 1 |
| 16 | ESL12820 | Rod & Clevis Assembly | D10043140 | - 1 |
| 17 | ESL12653 | Bolt (M12x1.75x25) | - | - 2 |
| 18 | N630070S8 | Spring Washer (M12) | - | - 2 |
| 19 | ESL13288 | Bracket Assembly, PTO Clutch Pivot | D10066440 | - - |
| - | ESL12818 | Bracket Assembly, PTO Clutch Pivot | D10048740 | - 1 |
| 20 | ESL13413 | Pin | D10043480 | - - |
| - | ESL13414 | Pin | - | - 1 |

665 / 665 etc

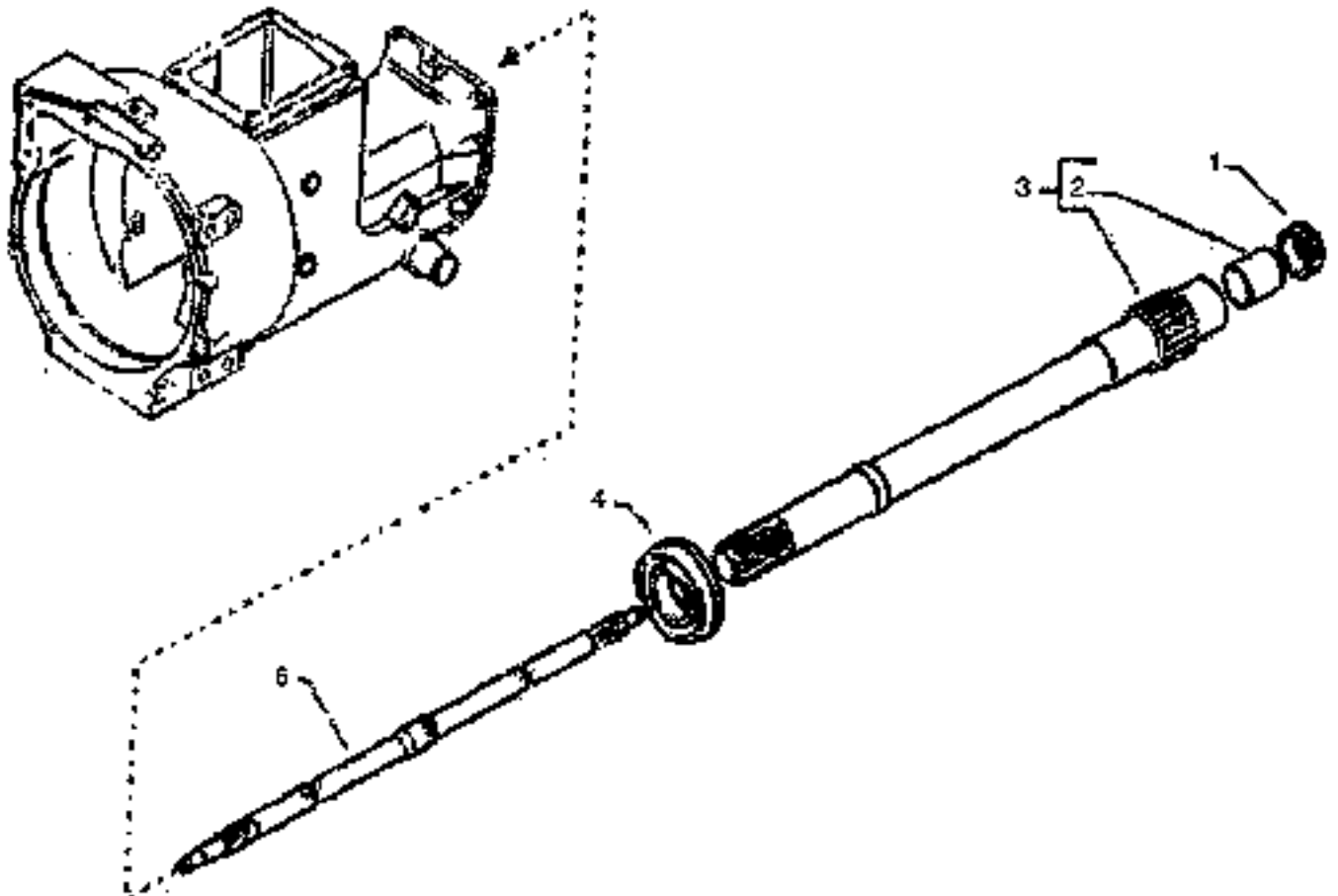
| ITEM No | PART No. | DESCRIPTION | VENDOR No. | QUANTITY |
|---------|-----------|--------------------|------------|--------------------|
| | | | | 665 665 DTC |
| 1 | ESL12821 | Clutch Assembly | D10039550 | - 1 |
| | ESL12822 | Clutch Assembly | D10045900 | - - |
| 2 | ESL12823 | Clutch Plate, Main | D10065390 | - 1 |
| . | ESL12824 | Clutch Plate, Main | D10103960 | - - |
| 3 | ESL12825 | Clutch Plate, PTO | D10068020 | - 1 |
| | ESL12826 | Clutch Plate, PTO | D10103940 | - - |
| 4 | ESL13333 | Levers Kit | D10077150 | - 1 |
| 5 | ESL13334 | Levers Kit | D10077160 | - 1 |
| 6 | ESL12827 | Bolt (M6x1.25) | D81501320 | - 6 |
| . | ESL12828 | Bolt (M10x1.5x60) | D81500670 | - . |
| 7 | ESL12829 | Washer, Lock (M8) | - | - 6 |
| . | N63017458 | Washer, Lock (M10) | - | - . |



CLUTCH ASSEMBLY

665 / 665 DTC

| ITEM No. | PART No. | DESCRIPTION | VENDOR No. | QUANTITY |
|----------|----------|---|------------|--------------------|
| | | | | 665 665 DTC |
| 1 | ESL12830 | Oil Seal | D10062520 | 1 1 |
| 2 | ESL12831 | Bush | D10062540 | 1 1 |
| 3 | ESL12832 | Transmission Shaft Kit. (Includes Item #2) | - | 1 1 |
| - | ESL13416 | Transmission Shaft Kit. (Includes Item #2) | D10103860 | - - |
| 4 | ESL12796 | Bearing | D10061140 | 1 1 |
| 5 | ESL12833 | Shaft | D10062550 | 1 1 |
| - | ESL13417 | Shaft | - | - - |



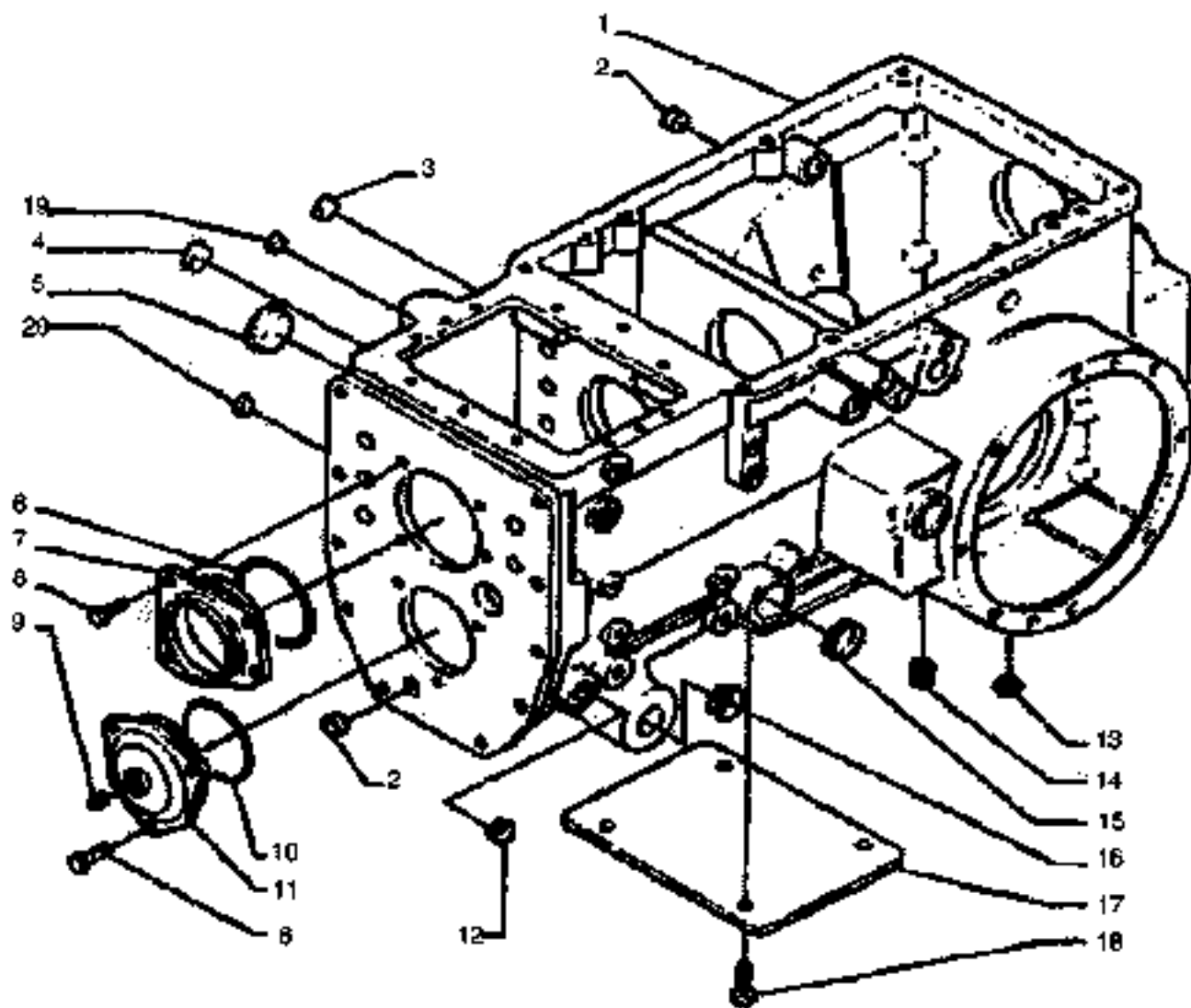
CLUTCH SHAFTS

Notes

GEARBOX



665 / 665 DTC



HOUSING GEAR BOX

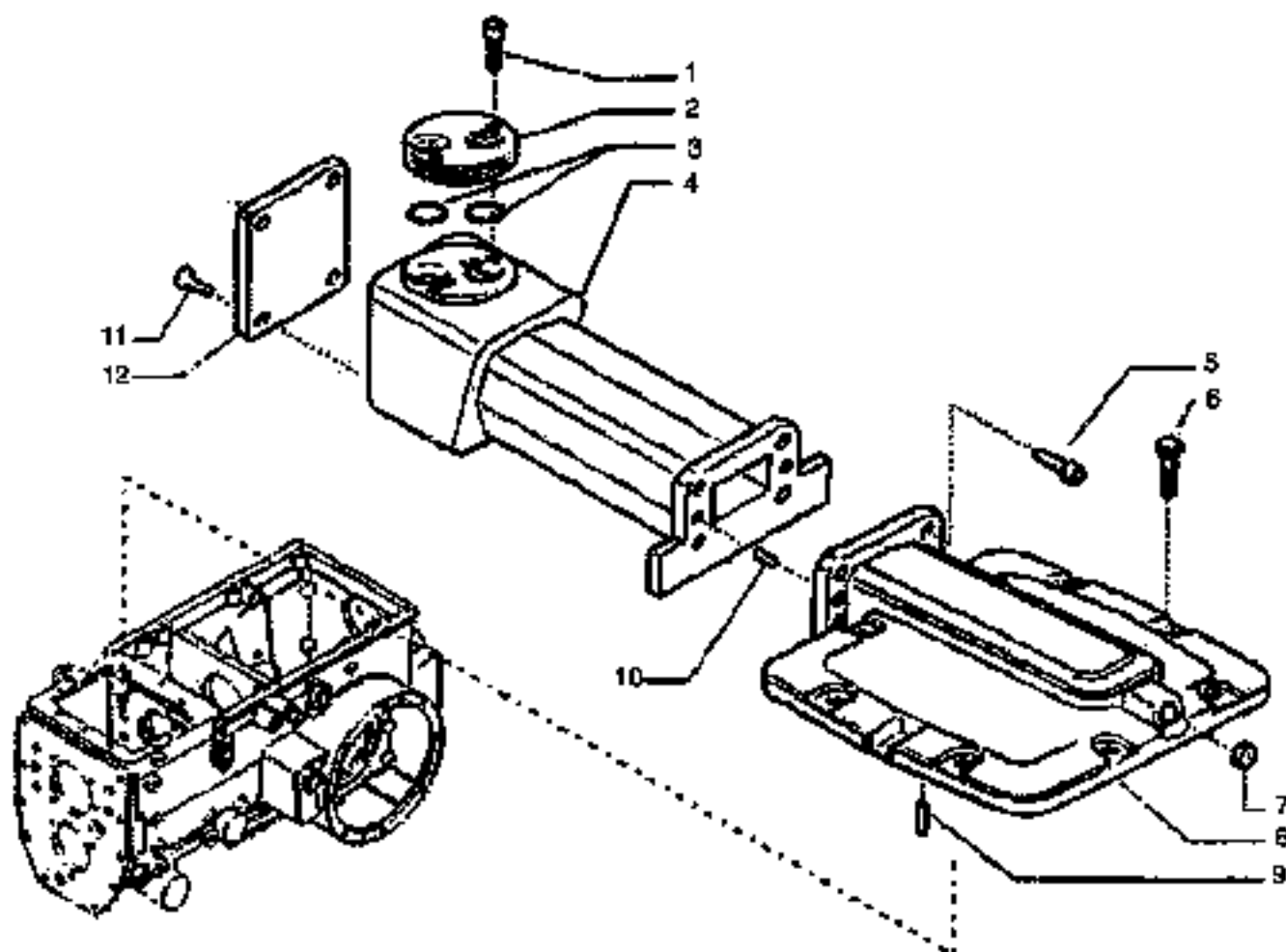
665 / 665 drc

| ITEM No. | PART No. | DESCRIPTION | VENDOR No. | QUANTITY | 665 665 DTC |
|----------|----------|----------------------|------------|----------|-------------|
| 1 | ESL12834 | Gear Box Housing Kit | D10062560 | 1 | 1 |
| 2 | ESL12835 | Plug (D20.35) | D10062570 | 2 | 2 |
| 3 | ESL12836 | Plug (D15.5) | D10062590 | 3 | 3 |
| 4 | ESL12837 | Plug (20.5) | D10062600 | 1 | 1 |
| 5 | ESL12838 | Plug (D39) | D10062610 | 1 | 1 |
| 6 | ESL12839 | O'Ring | D10062620 | 1 | 1 |
| 7 | ESL12840 | Cover | D10062630 | 1 | 1 |
| 8 | ESL12841 | Bolt (M8x25) | - | 7 | 7 |
| 9 | ESL12842 | Plug | D10062660 | 1 | 1 |
| 10 | ESL12843 | O'Ring | D10062670 | 1 | 1 |
| 11 | ESL12844 | Cover | D10062690 | 1 | 1 |
| 12 | ESL12845 | Plug | D10062710 | 1 | 1 |
| 13 | ESL12846 | Plug (D14.5) | D10062720 | 2 | 2 |
| 14 | ESL12847 | Plug (M22x1.5) | D10064970 | 1 | 1 |
| 15 | ESL12838 | Plug (D39) | D10062610 | 1 | 1 |
| 16 | ESL12849 | Plug (D26) | D10062760 | 2 | 2 |
| 17 | ESL12850 | Cover | D10062770 | 1 | 1 |
| 18 | ESL12851 | Bolt | D81500840 | 4 | 4 |
| 19 | ESL12852 | Plug (D7) | D10062780 | 3 | 3 |
| 20 | ESL12853 | Plug (D11) | D10062790 | 10 | 10 |

HOUSING GEAR BOX

665 / 665 DTC

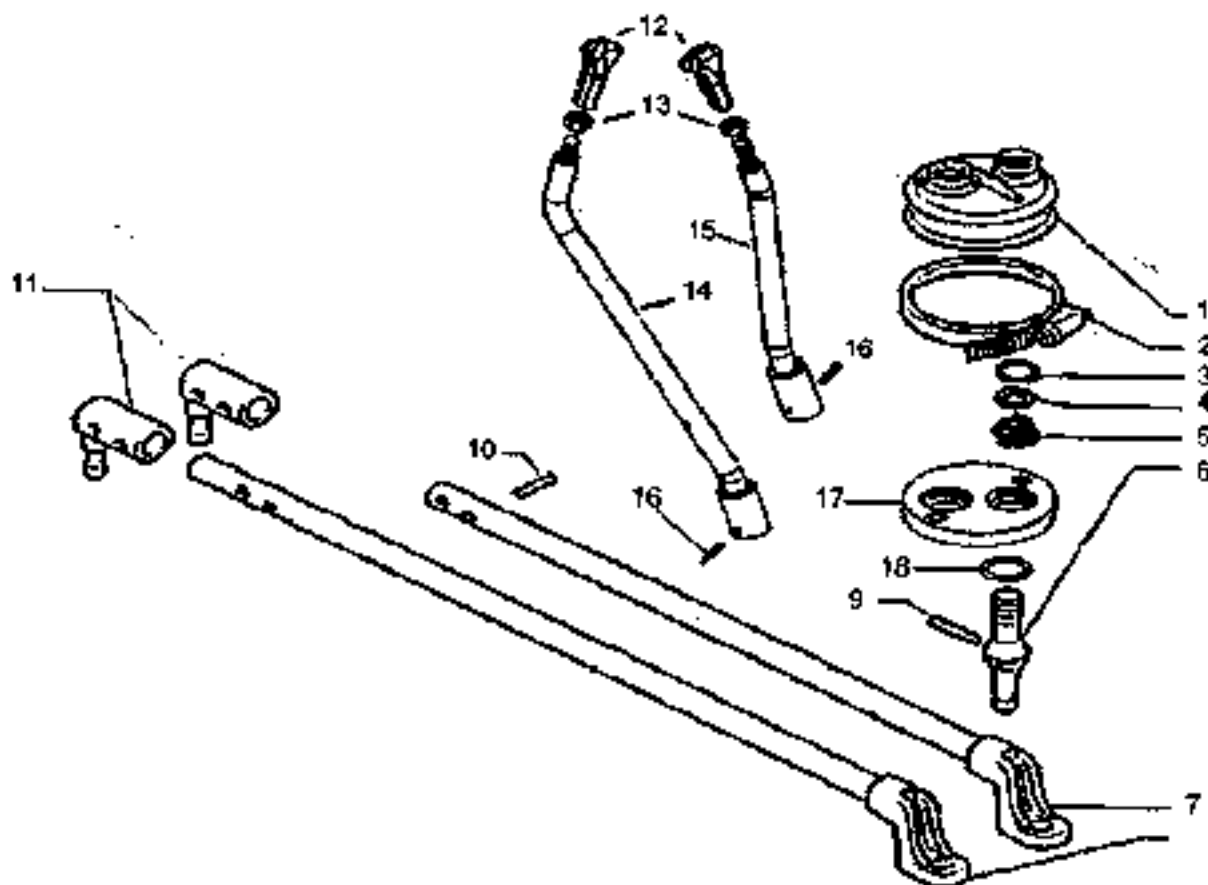
| ITEM No | PART No. | DESCRIPTION | VENDOR No. | QUANTITY | |
|---------|----------|---------------|------------|-------------|---|
| | | | | 665 665 DTC | |
| 1 | ESL12861 | Screw (M8x16) | D82500420 | 2 | 2 |
| 2 | ESL12862 | Cover | D10062820 | 1 | 1 |
| 3 | ESL12863 | O'Ring | D10062860 | 2 | 2 |
| 4 | ESL12864 | Lever Support | D10062870 | 1 | 1 |
| 5 | ESL12865 | Screw (M8x25) | D82500440 | 4 | 4 |
| 6 | ESL12872 | Bolt (M10x25) | - | 8 | 8 |
| 7 | ESL12866 | Plug | D10062880 | 1 | 1 |
| 8 | ESL12867 | Cover | D10062890 | 1 | 1 |
| 9 | ESL12868 | Pin, Dowel | D10062900 | 2 | 2 |
| 10 | ESL12869 | Pin, Dowel | D10062910 | 2 | 2 |
| 11 | ESL12871 | Bolt (M6x12) | D81500960 | 4 | 4 |
| 12 | ESL12870 | Cover | D10062920 | 1 | 1 |



LEVER'S COVER

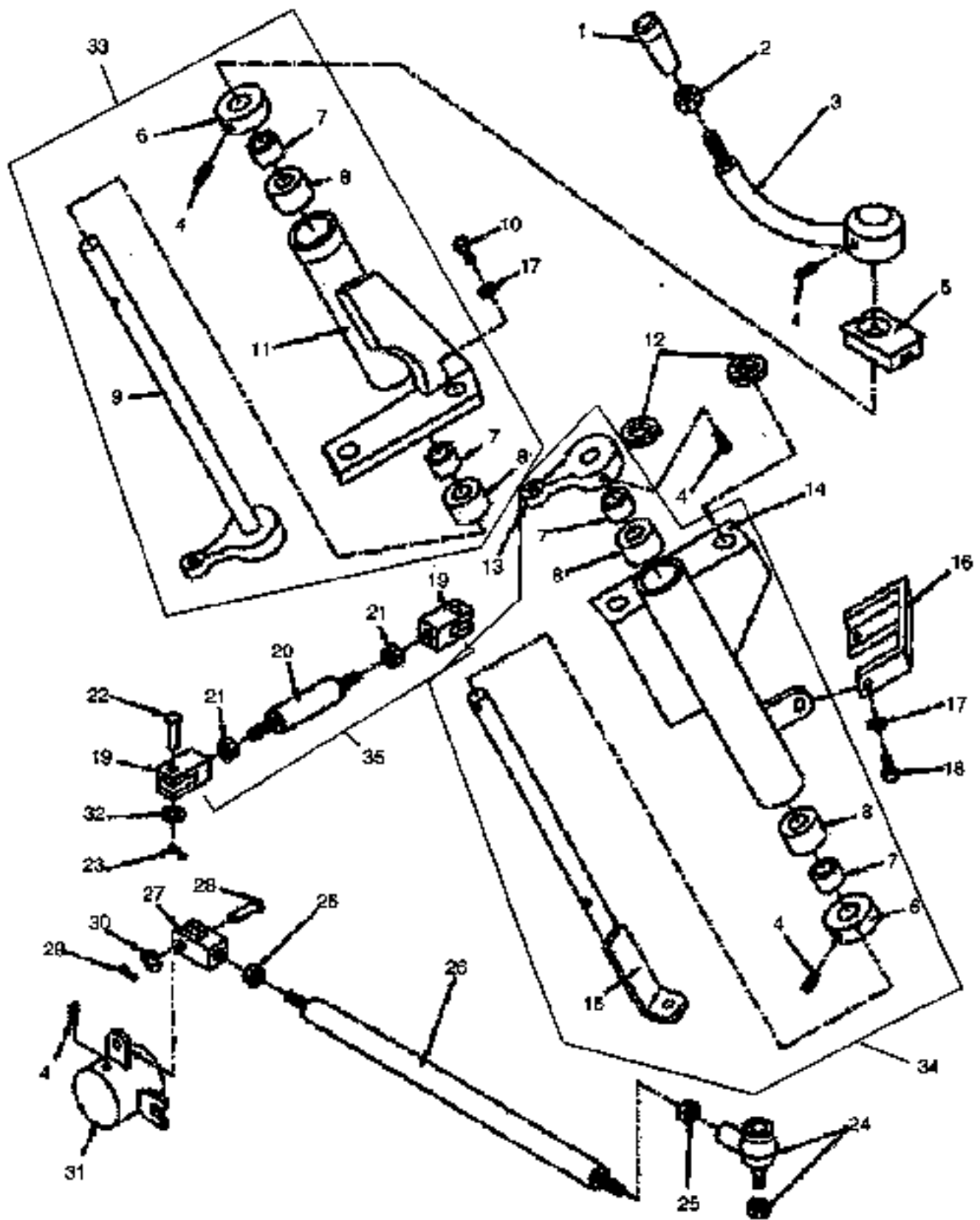
665 / 665 DTC

| ITEM No. | PART No. | DESCRIPTION | VENDOR No. | QUANTITY |
|----------|----------|----------------------|------------|-------------|
| | | | | 665 665 DTC |
| 1 | ESL12872 | Boot | D10062940 | 1 1 |
| 2 | ESL12873 | Hose Clamp | D10062860 | 1 1 |
| 3 | ESL12874 | Snap Ring (D16) | D90000340 | 2 2 |
| 4 | ESL12875 | Shim (26x16.5x1) | D10063030 | 2 2 |
| 5 | ESL12876 | Spring | D10063040 | 2 2 |
| 6 | ESL12877 | Lever | D10063050 | 2 2 |
| 7 | ESL12878 | Inner Rod | D10063060 | 1 1 |
| 8 | ESL12879 | Inner Rod | D10063070 | 1 1 |
| 9 | ESL12869 | Pin | D10062910 | 2 2 |
| 10 | ESL12880 | Pin (D6x26) | D93400250 | 4 4 |
| 11 | ESL12881 | Inner Lever | D10063120 | 2 2 |
| 12 | ESL12882 | Knob Gear Shift | D10042300 | 2 2 |
| 13 | ESL12883 | Nut (M10x1.00) | D10042100 | 2 2 |
| 14 | ESL12884 | Lever & Hub Assembly | D10043030 | 1 1 |
| 15 | ESL12885 | Lever & Hub Assembly | D10043060 | 1 1 |
| 16 | ESL13418 | Roll Pin | . | 2 2 |
| 17 | ESL12862 | Cover | D10062820 | 1 1 |
| 18 | ESL12863 | O'Ring | D10062850 | 2 2 |



TRANSMISSION OUTER CONTROL

665 / 665 etc



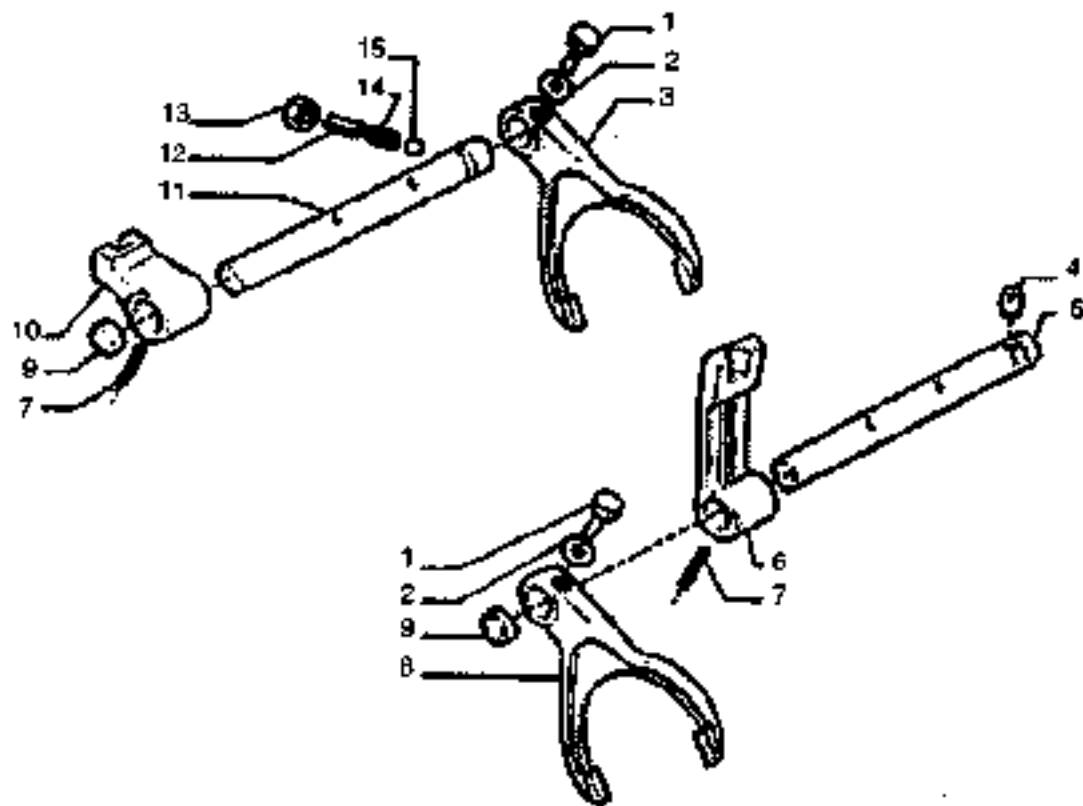
REVERSER OUTER CONTROL

665 / 665 DTC

| Item No. | Part No. | DESCRIPTION | VENDOR No. | QUANTITY | |
|----------|-----------|------------------------------|------------|----------|---------|
| | | | | 665 | 665 DTC |
| 1 | ESL12882 | Knob | D10042300 | 1 | 1 |
| 2 | ESL12883 | Nut (M10x1.00) | D10042100 | 1 | 1 |
| 3 | ESL12886 | Handle F/R/ Gear Shift | D10042090 | 1 | 1 |
| 4 | ESL12888 | Roll Pin | D87000120 | 4 | 4 |
| 5 | ESL12889 | Grommet | D10042220 | 1 | 1 |
| 6 | ESL12887 | Retainer | - | 2 | 2 |
| 7 | ESL13437 | Bush | D10042980 | 4 | 4 |
| 8 | ESL12890 | Adapter | D10043270 | 4 | 4 |
| 9 | ESL13419 | Shaft F/R, LH | D10043930 | 1 | 1 |
| 10 | ESL12894 | Bolt (M10x1.5x40) | - | 4 | 4 |
| 11 | ESL13425 | Bracket & Tube Assembly, LH | - | 1 | 1 |
| 12 | ESL12898 | Spacer | D10042070 | 2 | 2 |
| 13 | ESL13420 | Lever | D10043360 | 1 | 1 |
| 14 | ESL13421 | Bracket & Tube Assembly, RH | D10043340 | 1 | 1 |
| 15 | ESL13422 | Shaft F/R, RH | D10043320 | - | - |
| - | ESL13423 | Shaft F/R, RH | D10046490 | 1 | 1 |
| 16 | ESL12896 | Support | D10043290 | 1 | 1 |
| 17 | N630174S8 | Washer, Lock (M10) | - | 3 | 3 |
| 18 | ESL12897 | Bolt (M10x1.5x30) | D81500370 | 1 | 1 |
| 19 | 97013536 | Clevis | - | 2 | 2 |
| 20 | ESL13642 | Rod F/R Gear Shift | D10103880 | 1 | 1 |
| 21 | 33925S8 | Nut, Hex (3/8-24) | - | 2 | 2 |
| 22 | 73919S8 | Pin, Clevis (3/8x1.4) | - | 2 | 2 |
| 23 | 72017S8 | Pin, Cotter (1/8x0.75) | - | 2 | 2 |
| 24 | ESL12900 | Ball Joint Assembly | D10042110 | 1 | 1 |
| 25 | ESL12901 | Nut Hex, Thin | - | 2 | 2 |
| 26 | ESL12899 | Rod, RH | D10043300 | - | - |
| - | ESL13424 | Rod, RH | - | 1 | 1 |
| 27 | ESL12902 | Clevis | D10043280 | 1 | 1 |
| 28 | ESL12904 | Pin | D10042120 | 1 | 1 |
| 29 | 72035S8 | Cotter Pin | - | 1 | 1 |
| 30 | ESL11966 | Washer | D85500140 | 1 | 1 |
| 31 | ESL12903 | Lever & Hub Assembly | D10043310 | 1 | 1 |
| 32 | 44728S8 | Washer, Flat (3/8) | - | 2 | 2 |
| 33 | ESL12891 | Shaft & Bracket Assembly, LH | - | 1 | 1 |
| 34 | ESL12892 | Shaft & Bracket Assembly, RH | - | - | - |
| 35 | ESL12895 | Rod & Clevis Assembly | D10066430 | 1 | 1 |

665 / 665 DTC

| Item No | PART No. | DESCRIPTION | VENDOR No. | QUANTITY |
|---------|----------|---------------------|------------|-------------|
| | | | | 665 665 DTC |
| 1 | ESL12905 | Bolt | DB1500850 | 2 2 |
| 2 | ESL12906 | Washer | D10063140 | 2 2 |
| 3 | ESL12907 | Fork 1-2 | D10063250 | 1 1 |
| 4 | ESL12908 | Lock Pin | D10063260 | 1 1 |
| 5 | ESL12909 | Rod | D10063280 | 1 1 |
| 6 | ESL12910 | Block | D10063290 | 1 1 |
| 7 | ESL12911 | Pin (D8x30) | D10063300 | 2 2 |
| 8 | ESL12912 | Fork 3-4 | D10062520 | 1 1 |
| 9 | ESL12935 | Plug (D20.35) | D10062570 | 2 2 |
| 10 | ESL12913 | Block | D10063330 | 1 1 |
| 11 | ESL12914 | Rod | D10063340 | 1 1 |
| 12 | ESL12915 | Grub Screw (M12x25) | D10066240 | 2 2 |
| 13 | ESL12916 | Nut (M12) | D10066260 | 2 2 |
| 14 | ESL12917 | Spring | D10066230 | 2 2 |
| 15 | ESL12918 | Ball | D10063380 | 2 2 |

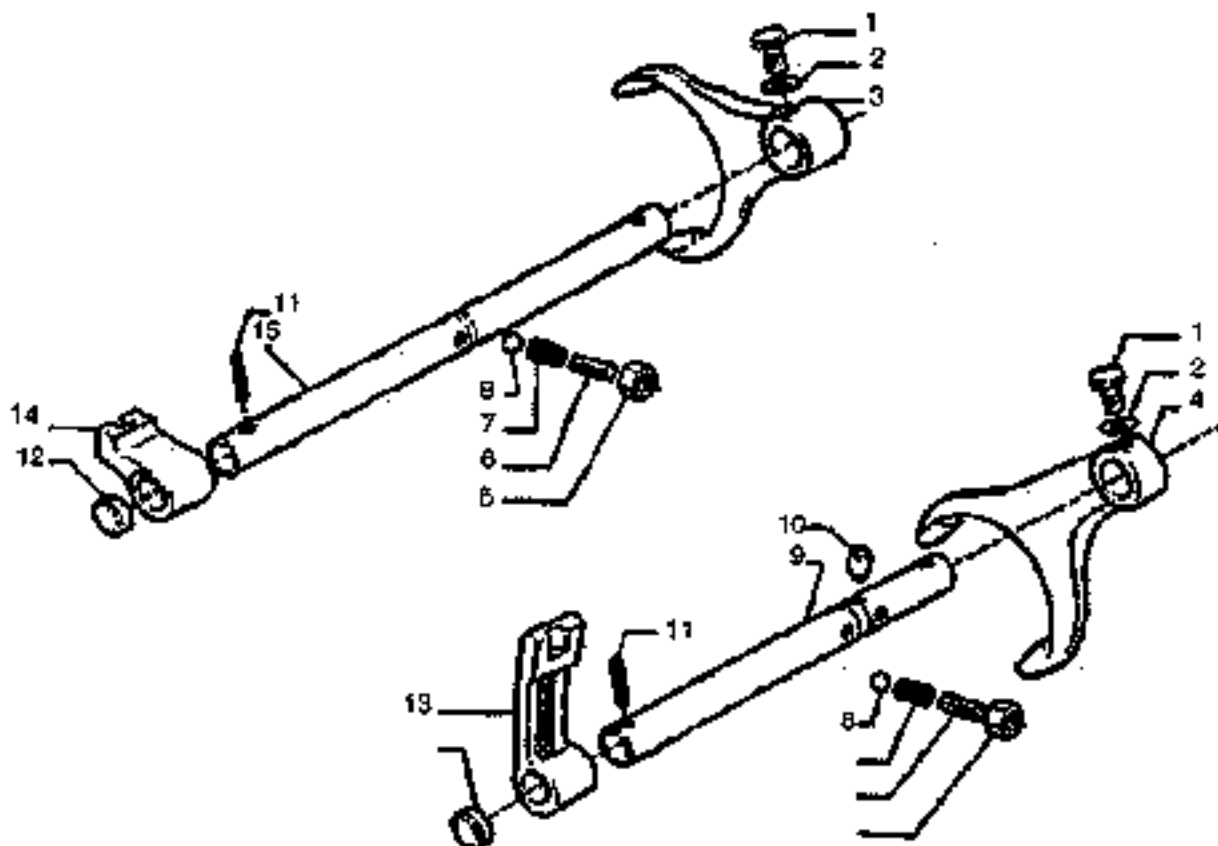


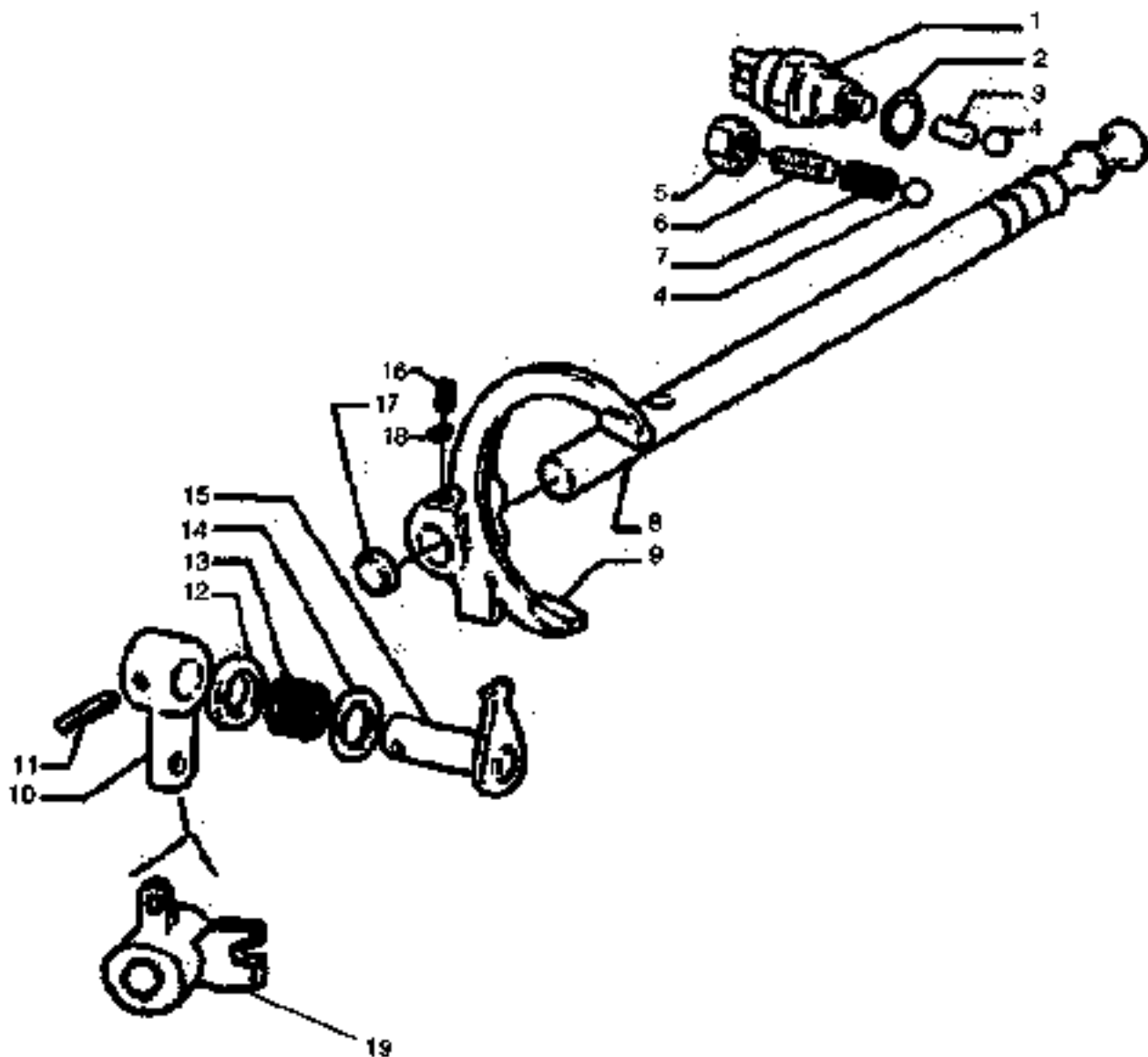
GEAR BOX INNER CONTROLS

<https://tractormanualz.com/>

665 / 665 DTC

| Item No. | Part No. | Description | Vendor No. | Quantity | |
|----------|----------|---------------------|------------|----------|---------|
| | | | | 665 | 665 DTC |
| 1 | ESL12905 | Bolt | D81500850 | 2 | 2 |
| 2 | ESL12906 | Washer | D10063140 | 2 | 2 |
| 3 | ESL12919 | Fork | D10063390 | 1 | 1 |
| 4 | ESL12920 | Fork | D10063450 | 1 | 1 |
| 5 | ESL12916 | Nut (M12) | D10066250 | 2 | 2 |
| 6 | ESL12915 | Grub Screw (M12x25) | D10066240 | 2 | 2 |
| 7 | ESL12917 | Spring | D10066230 | 2 | 2 |
| 8 | ESL12918 | Ball (D.3/8") | D10063380 | 2 | 2 |
| 9 | ESL12921 | Rod | D10063440 | 1 | 1 |
| 10 | ESL12908 | Lock Pin | D10063260 | 1 | 1 |
| 11 | ESL12911 | Pin (D8x30) | D10063300 | 2 | 2 |
| 12 | ESL12635 | Plug (D20.35x6) | D10062570 | 2 | 2 |
| 13 | ESL12910 | Block | D10063290 | 1 | 1 |
| 14 | ESL12913 | Block | D10063330 | 1 | 1 |
| 15 | ESL12922 | Rod | D10063430 | 1 | 1 |





REVERSE INNER CONTROLS

665 / 665 DTC

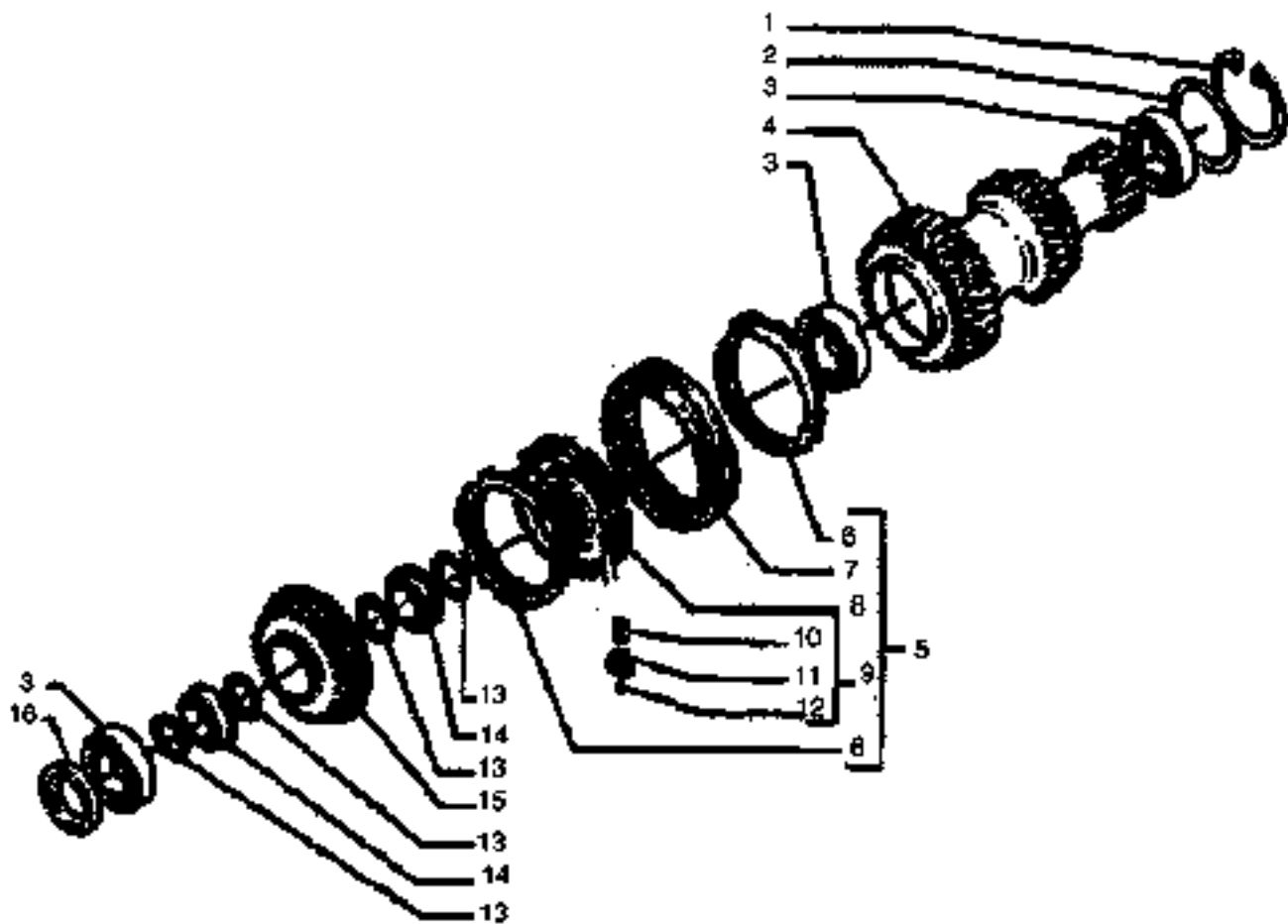
| ITEM No. | PART No. | DESCRIPTION | VENDOR No. | QUANTITY | |
|----------|----------|----------------------|------------|----------|---------|
| | | | | 665 | 665 DTC |
| 1 | ESL12823 | Sensor | D10063460 | 1 | 1 |
| 2 | ESL12824 | Washer | D10063470 | 1 | 1 |
| 3 | ESL12925 | Pin (D.9x17) | D10063480 | 1 | 1 |
| 4 | ESL12918 | Ball (D3/8") | D10063380 | 2 | 2 |
| 5 | ESL12916 | Nut (M12) | D10086250 | 1 | 1 |
| 6 | ESL12915 | Grub Screw (M12x25) | D10086240 | 1 | 1 |
| 7 | ESL12917 | Spring | D10086230 | 1 | 1 |
| 8 | ESL12826 | Rod | D10072640 | 1 | 1 |
| 9 | ESL12927 | Fork | D10074960 | 1 | 1 |
| 10 | ESL12806 | Lever & Hub Assembly | D10043370 | 1 | 1 |
| 11 | ESL12928 | Pin | D93400200 | 1 | 1 |
| 12 | ESL12829 | Oil Seal | D10063500 | 1 | 1 |
| 13 | ESL12930 | Spring | D10063510 | 1 | 1 |
| 14 | ESL12931 | Washer | D10063520 | 1 | 1 |
| 15 | ESL12932 | Lever | D10063540 | 1 | 1 |
| 16 | ESL12905 | Bolt | D81500850 | 1 | 1 |
| 17 | ESL12835 | Plug (D20.35x6) | D10062570 | 1 | 1 |
| 18 | ESL12906 | Washer | D10063140 | 1 | 1 |
| 19 | ESL12903 | Lever & Hub Assembly | D10043310 | 1 | 1 |

REVERSE INNER CONTROLS

Ⓢ - SERIAL NUMBER BREAK,

Ⓜ - INDICATES UP TO AND INCLUDING THAT SERIAL NUMBER

665 / 665 etc



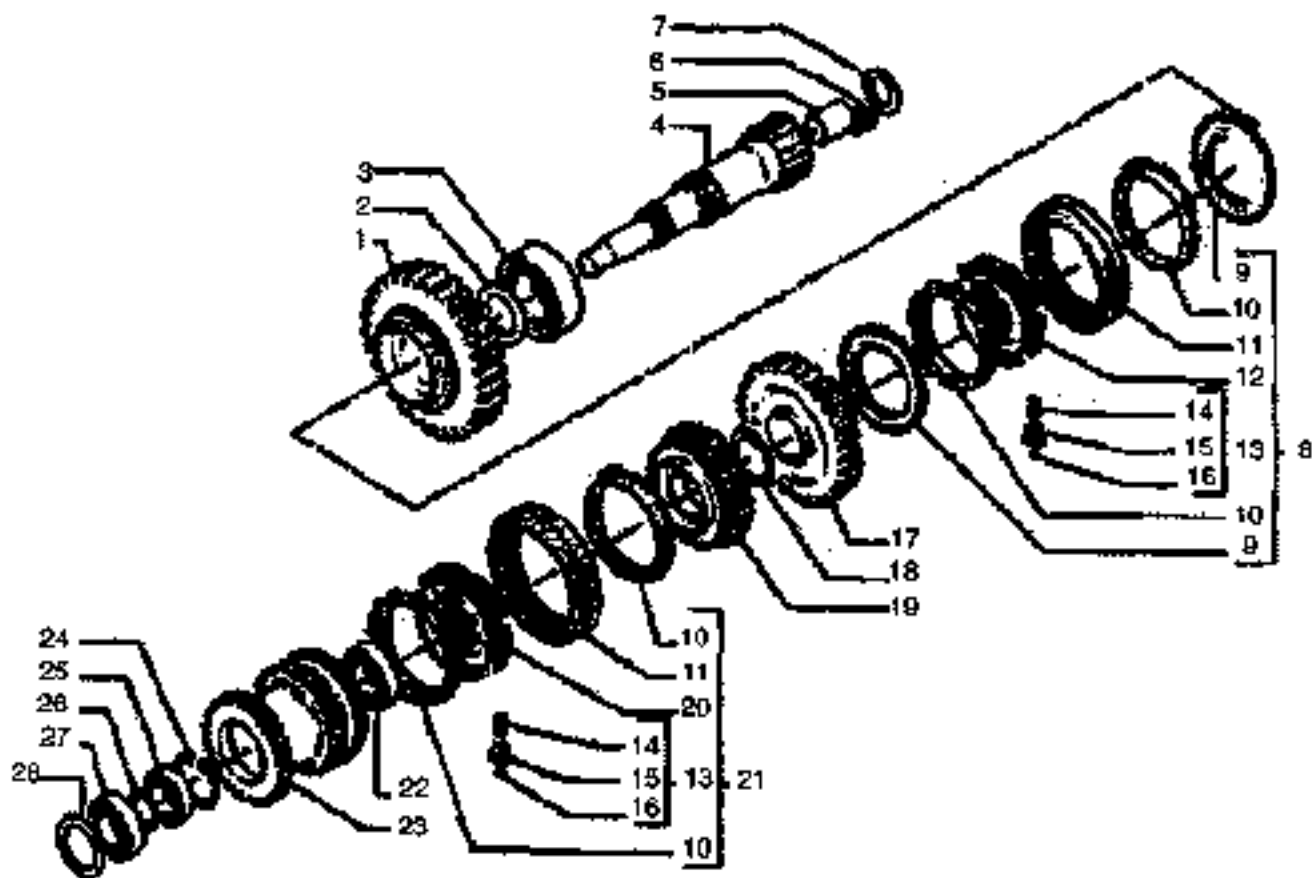
PRIMARY SHAFT

☺ - INDICATES UP TO AND INCLUDING THAT SERIAL NUMBER

665 / 665 DTC

| ITEM NO. | PART NO. | DESCRIPTION | VENDOR NO. | QUANTITY | |
|----------|----------|---|------------|-------------|----|
| | | | | 665 665 DTC | |
| 1 | ESL12934 | Snap Ring | D90000280 | 1 | 1 |
| 2 | ESL12935 | Shim (0.05mm) | - | AR | AR |
| . | ESL12936 | Shim (0.1mm) | D10063550 | AR | AR |
| . | ESL12937 | Shim (0.3mm) | D10063560 | AR | AR |
| 3 | ESL12938 | Bearing | D10063570 | 3 | 3 |
| 4 | ESL12939 | Primary Shaft | D10063580 | 1 | 1 |
| 5 | ESL12940 | Synchronizer Kit (Consists of Items#6,7,8,9) | D10076790 | 1 | 1 |
| 6 | - | Ring (NSS) | . | 2 | 2 |
| 7 | . | Sleeve (NSS) | . | 1 | 1 |
| 8 | . | Hub (NSS) | . | 1 | 1 |
| 9 | ESL12941 | Spring Kit (Includes Items#10-12) | D10061580 | 3 | 3 |
| 10 | - | Spring (NSS) | . | 3 | 3 |
| 11 | - | Pad (NSS) | . | 3 | 3 |
| 12 | - | Ball (NSS) | . | 3 | 3 |
| 13 | ESL12942 | Shim (0.5mm) | D10063600 | AR | AR |
| . | ESL12945 | Shim (0.3mm) | D10063640 | AR | AR |
| . | ESL12946 | Shim (0.1mm) | D10063660 | AR | AR |
| 14 | ESL12943 | Bearing | D10063610 | 2 | 2 |
| 15 | ESL12944 | Gear (Z=26) | D10063620 | 1 | 1 |
| 16 | ESL12947 | Oil Seal | D10063600 | 1 | 1 |

PRIMARY SHAFT



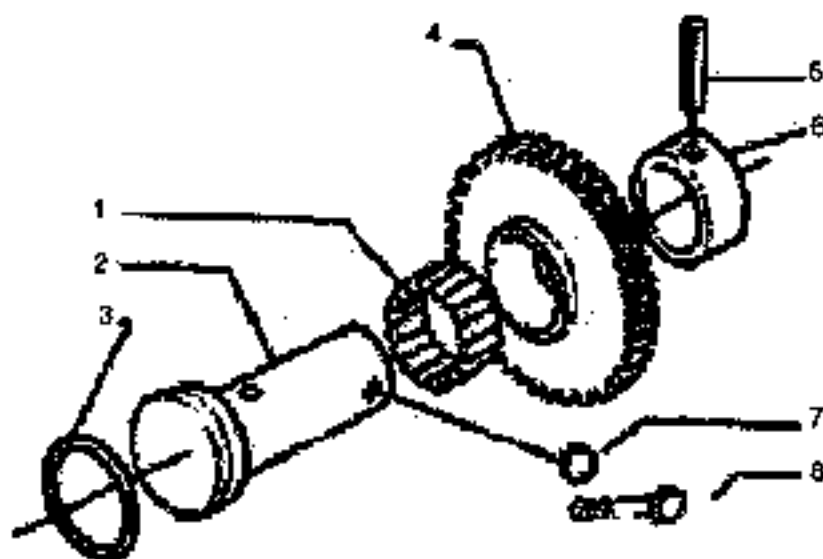
SECONDARY SHAFT

665 / 665 DTC

| ITEM No. | PART No. | DESCRIPTION | VENDOR No. | QUANTITY | |
|----------|----------|--|------------|----------|---------|
| | | | | 665 | 665 DTC |
| 1 | ESL12948 | Gear (Z-44) | D10063680 | 1 | 1 |
| 2 | ESL12949 | Spacer | D10063690 | 1 | 1 |
| 3 | ESL12950 | Bearing | D10063700 | 1 | 1 |
| 4 | ESL12951 | Secondary Shaft (Z-20) | D10063710 | 1 | 1 |
| 5 | ESL12952 | Bush | D10063720 | 1 | 1 |
| 6 | ESL12953 | Bearing Needles | D10063730 | 19 | 19 |
| 7 | ESL12954 | Thrual Washer | D10063740 | 1 | 1 |
| 8 | ESL12955 | Synchronizer Kit (Consists of Items #9-13) | D10076800 | 1 | 1 |
| 9 | - | Synchronizing Ring (NSS) | - | 2 | 2 |
| 10 | - | Tapered Ring | - | 4 | 4 |
| 11 | - | Sleeve(NSS) | - | 2 | 2 |
| 12 | - | Hub(NSS) | - | 1 | 1 |
| 13 | ESL12941 | Spring Kit (Consists of Items #14-16 1 each) | D10081580 | 6 | 6 |
| 14 | - | Spring (NSS) | - | 6 | 6 |
| 15 | - | Pad (NSS) | - | 6 | 6 |
| 16 | - | Ball (NSS) | - | 6 | 6 |
| 17 | ESL12956 | Gear (Z-39) | D10063750 | 1 | 1 |
| 18 | ESL12957 | Spacer | D10063760 | 1 | 1 |
| 19 | ESL12958 | Gear (Z-33) | D10063770 | 1 | 1 |
| 20 | - | Hub(NSS) | - | 1 | 1 |
| 21 | ESL12959 | Synchronizer Kit (Consists Of Items #10-11,13,20) | D10076810 | 1 | 1 |
| 22 | ESL12960 | Bearing | D10063780 | 1 | 1 |
| 23 | ESL12961 | Gear (Z-26/26) | D10063790 | 1 | 1 |
| 24 | ESL12962 | Snap Ring | D90000290 | 1 | 1 |
| 25 | ESL12963 | Bearing | D10063800 | 1 | 1 |
| 26 | ESL12964 | Spacer | D10063810 | 1 | 1 |
| 27 | ESL12965 | Bearing | D10063820 | 1 | 1 |
| 28 | ESL12966 | Shim (0.1mm) | D10063830 | AR | AR |
| - | ESL12967 | Shim (0.3mm) | D10063840 | AR | AR |
| - | ESL12968 | Shim (0.5mm) | D10063850 | AR | AR |

665 / 665 DTC

| ITEM No | PART No. | DESCRIPTION | VENDOR No. | QUANTITY | |
|---------|----------|----------------|------------|----------|---------|
| | | | | 665 | 665 DTC |
| 1 | ESL12854 | Needle Bearing | D10063860 | 1 | 1 |
| 2 | ESL12855 | Shaft | D10063870 | 1 | 1 |
| 3 | ESL12856 | O'Ring | D10065560 | 1 | 1 |
| 4 | ESL12857 | Gear (Z=21) | D10063860 | 1 | 1 |
| 5 | ESL12858 | Pin | D93400210 | 1 | 1 |
| 6 | ESL13192 | Bush | D10063900 | 1 | 1 |
| 7 | ESL12859 | Washer | D10063910 | 1 | 1 |
| 8 | ESL12860 | Screw (M12x47) | D82500360 | 1 | 1 |



REVERSE GEAR

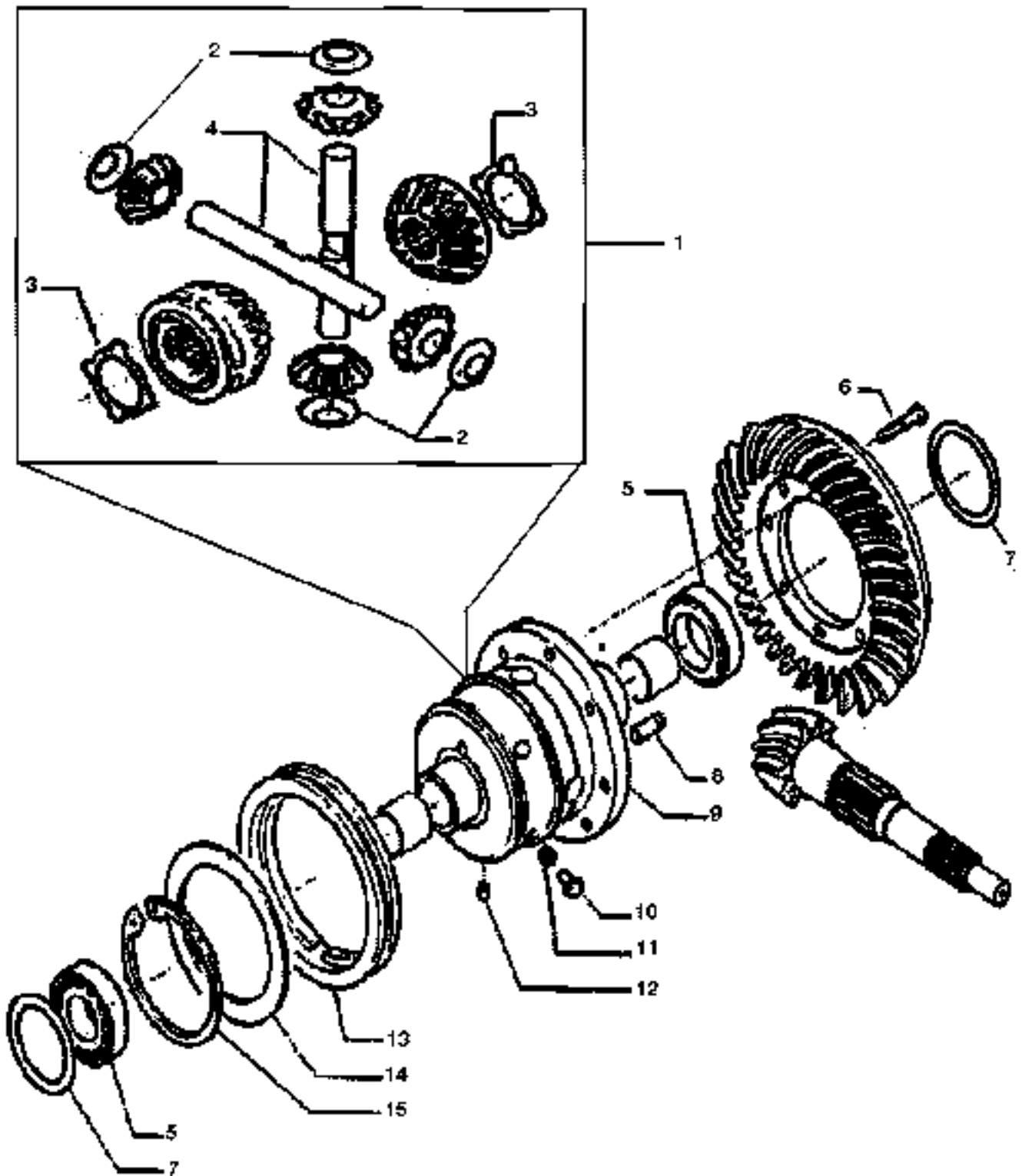
665 / 665 ctc

SECTION 8

**REAR END
&
P.T.O.**

FARMTRAC

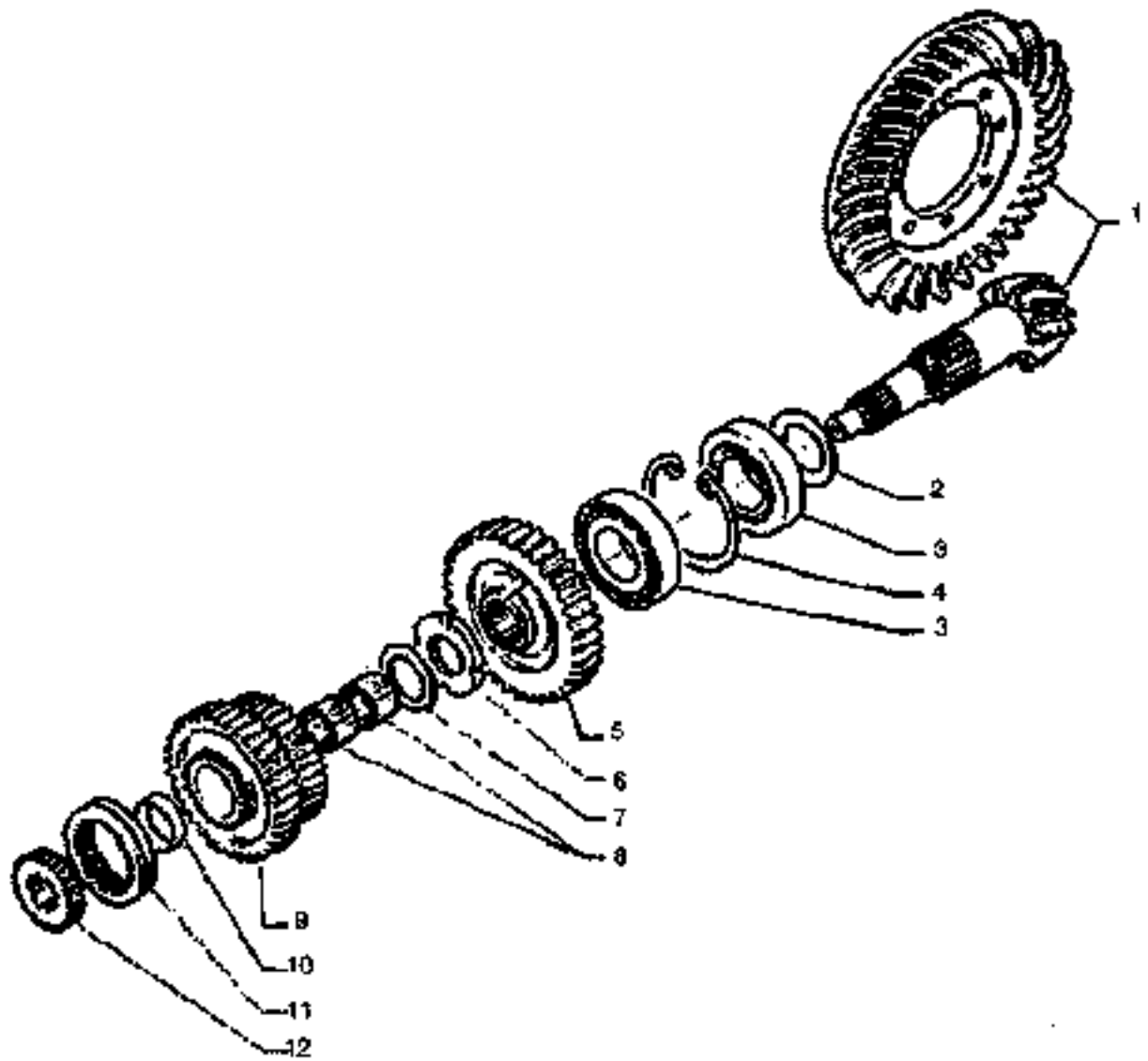
665 / 665 DTC



665 / 665 DTC

| ITEM No. | PART No. | DESCRIPTION | VENDOR No. | QUANTITY | |
|----------|----------|--|------------|----------|---------|
| | | | | 665 | 665 DTC |
| 1 | ESL12969 | Differential Kit (includes items # 1-4) | D10081590 | 1 | 1 |
| 2 | ESL12970 | Thrust Washer | D10064180 | 4 | 4 |
| 3 | ESL12971 | Thrust Washer | D10064170 | 2 | 2 |
| 4 | ESL12972 | Shaft | D10064180 | 2 | 2 |
| 5 | ESL12973 | Bearing | D10064190 | 2 | 2 |
| 6 | ESL12974 | Bolt (M12x80) | D81500940 | 8 | 8 |
| 7 | ESL12975 | Shim (0.1mm) | D10064200 | AR | AR |
| - | ESL12976 | Shim (0.3mm) | D10064210 | AR | AR |
| - | ESL12977 | Shim (0.5mm) | D10064220 | AR | AR |
| - | ESL12978 | Shim (0.05mm) | D10064230 | AR | AR |
| 8 | ESL13065 | Pin (D12x30) | D10081640 | 1 | 1 |
| 9 | ESL12979 | Differential Box | D10064250 | 1 | 1 |
| 10 | ESL12980 | Pin | D10064260 | 4 | 4 |
| 11 | ESL12981 | Spring | D10064270 | 4 | 4 |
| 12 | ESL12982 | Pin | D10064280 | 1 | 1 |
| 13 | ESL12983 | Sleeve | D10064290 | 1 | 1 |
| 14 | ESL12984 | Flange | D10064300 | 1 | 1 |
| 15 | ESL12985 | Snap Ring | - | 1 | 1 |

665 / 665 DTC



BEVEL GEAR SET

665 / 665 DTC

| ITEM No. | PART No. | DESCRIPTION | VENDOR No. | QUANTITY | |
|----------|----------|---|------------|----------|---------|
| | | | | 665 | 665 DTC |
| 1 | ESL12996 | Bevel Gear Set (Z-12/38) (Includes Items #1-2,6) | D10061610 | 1 | 1 |
| 2 | ESL12997 | Shim (2.5) | D10063930 | 4 | 4 |
| - | ESL12998 | Shim (2.6) | D10063940 | AR | AR |
| - | ESL12999 | Shim (2.7) | D10063950 | AR | AR |
| - | ESL13000 | Shim (2.8) | D10063960 | AR | AR |
| - | ESL13001 | Shim (2.9) | D10063970 | AR | AR |
| - | ESL13002 | Shim (3.0) | D10063980 | AR | AR |
| - | ESL13003 | Shim (3.1) | D10064000 | AR | AR |
| - | ESL13004 | Shim (3.2) | D10064010 | AR | AR |
| - | ESL13005 | Shim (3.3) | D10064020 | AR | AR |
| - | ESL13006 | Shim (3.4) | D10064030 | AR | AR |
| - | ESL13007 | Shim (3.5) | D10064040 | AR | AR |
| 3 | ESL13008 | Bearing | D10064060 | 2 | 2 |
| 4 | ESL13009 | Snap Ring | D80000300 | 1 | 1 |
| 5 | ESL13010 | Gear (Z-40) | D10064070 | 1 | 1 |
| 6 | ESL13011 | Ring Nut (45x1.5) | D10064080 | 1 | 1 |
| 7 | ESL13012 | Thrust Washer | D10064090 | 1 | 1 |
| 8 | ESL13013 | Bearing, Needle | D10064100 | 2 | 2 |
| 9 | ESL13014 | Gear (Z-34/26) | D10064110 | 1 | 1 |
| 10 | ESL13015 | Spacer | D10064120 | 1 | 1 |
| 11 | ESL13016 | Collar | D10064130 | 1 | 1 |
| 12 | ESL13017 | Gear | D10064140 | 1 | 1 |

BEVEL GEAR SET

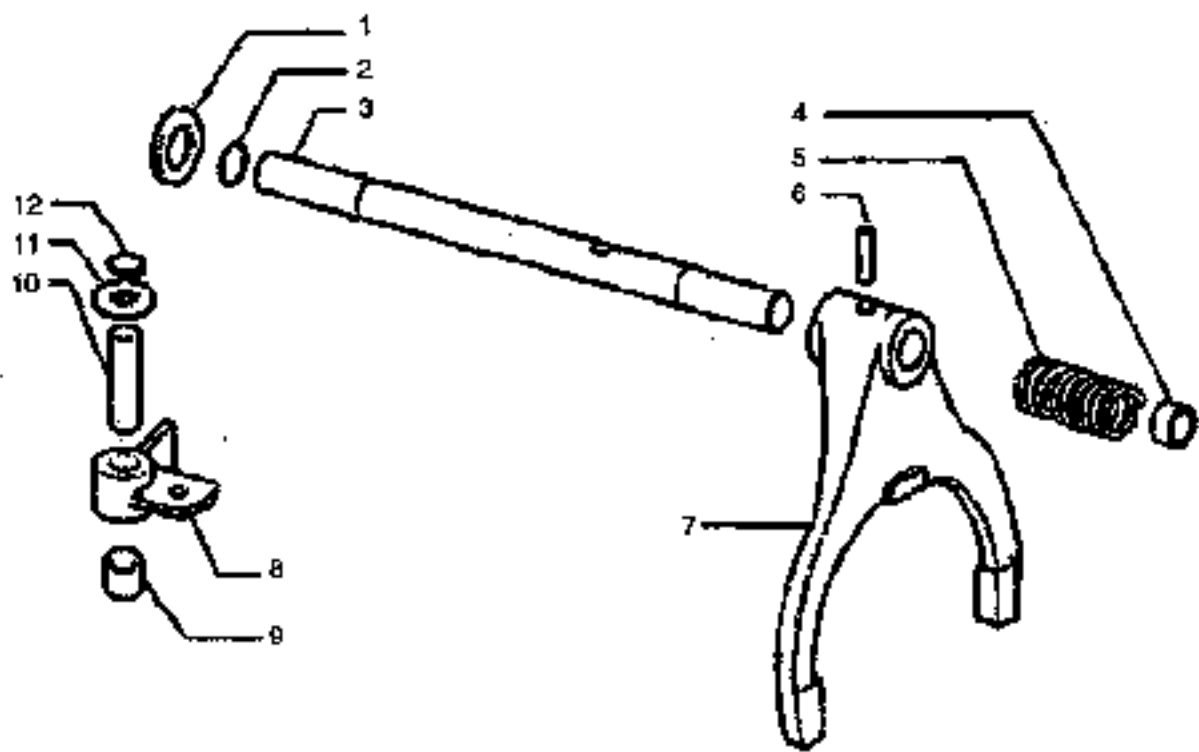
Ⓢ - SERIAL NUMBER BREAK,



- INDICATES UP TO AND INCLUDING THAT SERIAL NUMBER

665/665 DTC

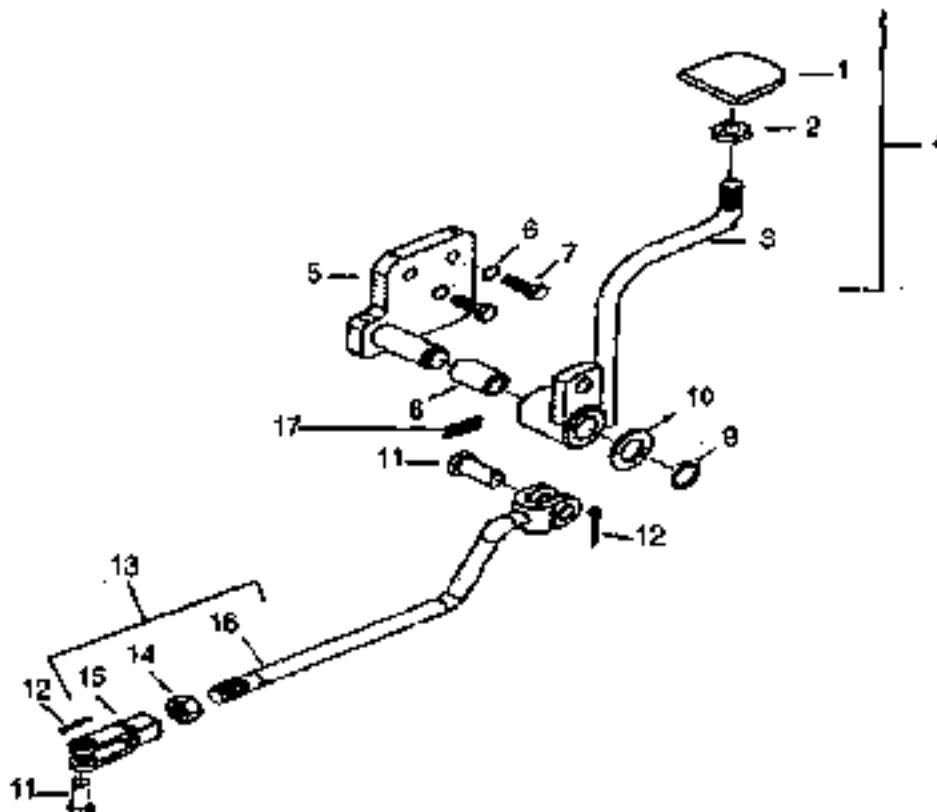
| ITEM No | PART No. | DESCRIPTION | VENDOR No. | QUANTITY |
|---------|----------|------------------------------|------------|-------------|
| | | | | 665 665 DTC |
| 1 | ESL13018 | Seal, Ring | D10064310 | 1 1 |
| 2 | ESL13019 | O'Ring | D10064330 | 1 1 |
| 3 | ESL13020 | Drive Shaft | D10064340 | 1 1 |
| 4 | ESL12835 | Plug | D10062570 | 1 1 |
| 5 | ESL13021 | Spring | D10064350 | 1 1 |
| 6 | ESL12778 | Pin (D8x36) | D87000130 | 1 1 |
| 7 | ESL13022 | Fork | D10064370 | 1 1 |
| 8 | ESL13023 | Lever Kit (Includes Item #9) | - | 1 1 |
| 9 | ESL12819 | Bush | D10042700 | 1 1 |
| 10 | ESL13024 | Pin (D15x51) | D10064390 | 1 1 |
| 11 | ESL12807 | Washer | - | 1 1 |
| 12 | ESL12808 | Circlep | D90000180 | 1 1 |



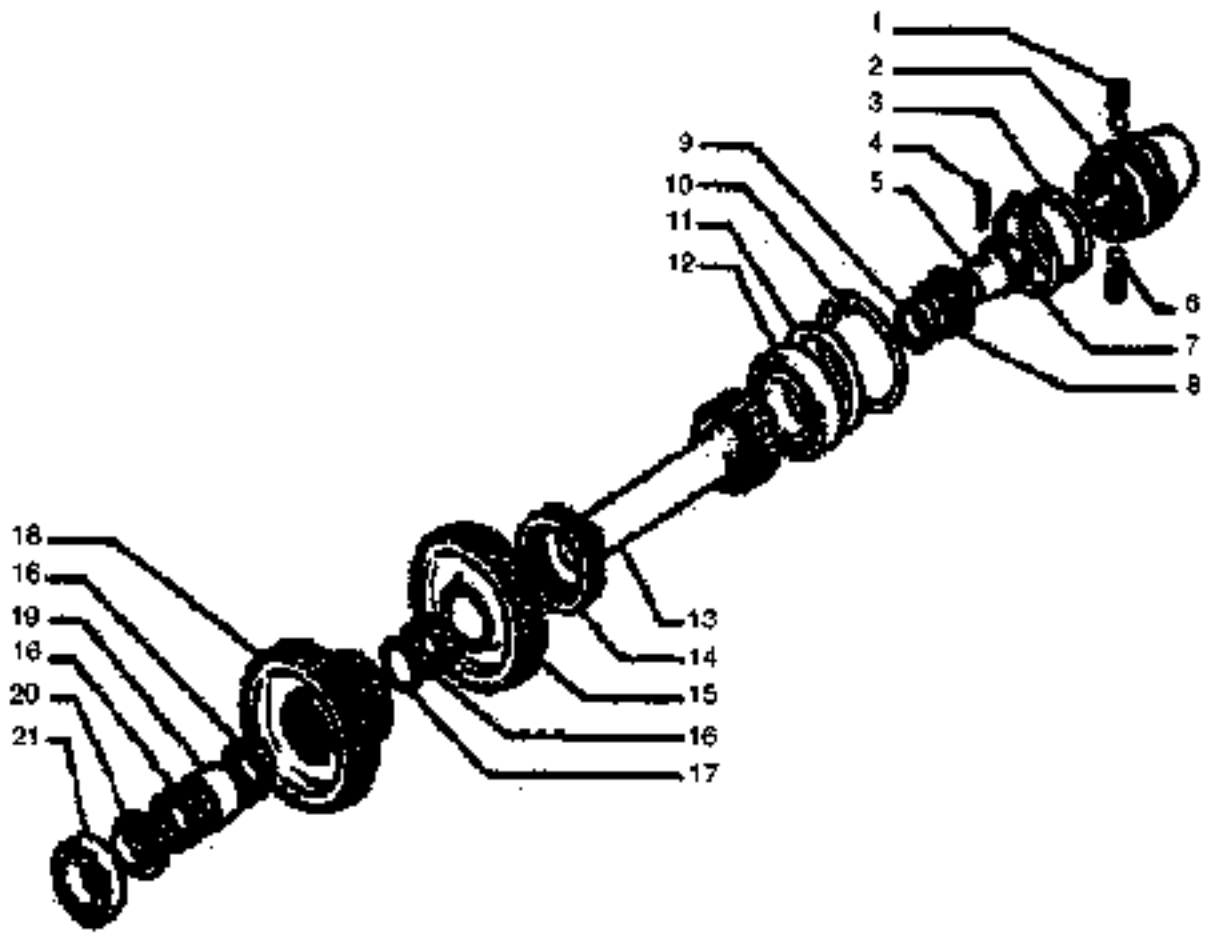
REAR DIFFERENTIAL LOCK

665 / 665 DTC

| ITEM No. | PART No. | DESCRIPTION | VENDOR No. | QUANTITY |
|----------|-----------|-----------------------------------|------------|-------------|
| | | | | 665 665 DTC |
| 1 | ESL13026 | Pedal, Differential | D10043430 | 1 1 |
| 2 | ESL13026 | Nut, Thin (M10) | D83500520 | 1 1 |
| 3 | | Shank & Hub Assembly (NSS) | - | 1 1 |
| 4 | ESL13027 | Pedal Assembly, Differential Lock | D10039750 | 1 1 |
| 5 | ESL13029 | Bracket Assembly | D10042480 | 1 1 |
| 6 | N63017358 | Washer, Lock (M8) | - | 2 2 |
| 7 | ESL12841 | Bolt (M8x1.25x25) | - | 2 2 |
| 8 | ESL12818 | Bush | D10042700 | 1 1 |
| 9 | ESL12808 | Ring Retaining | D90000180 | 2 2 |
| 10 | ESL12807 | Washer | - | 2 2 |
| 11 | 73919S8 | Pin, Clevis | - | 2 2 |
| 12 | 72017S8 | Pin, Cotter | - | 2 2 |
| 13 | ESL13030 | Rod & Clevis Assembly | D10042720 | 1 1 |
| 14 | N62042S8 | Nut | - | 1 1 |
| 15 | N662423S8 | Clevis | - | 1 1 |
| 16 | | Rod Assembly (NSS) | - | 1 1 |
| 17 | ESL13028 | Spring Differential Lock | D10105380 | 1 1 |



665 / 665 DTC

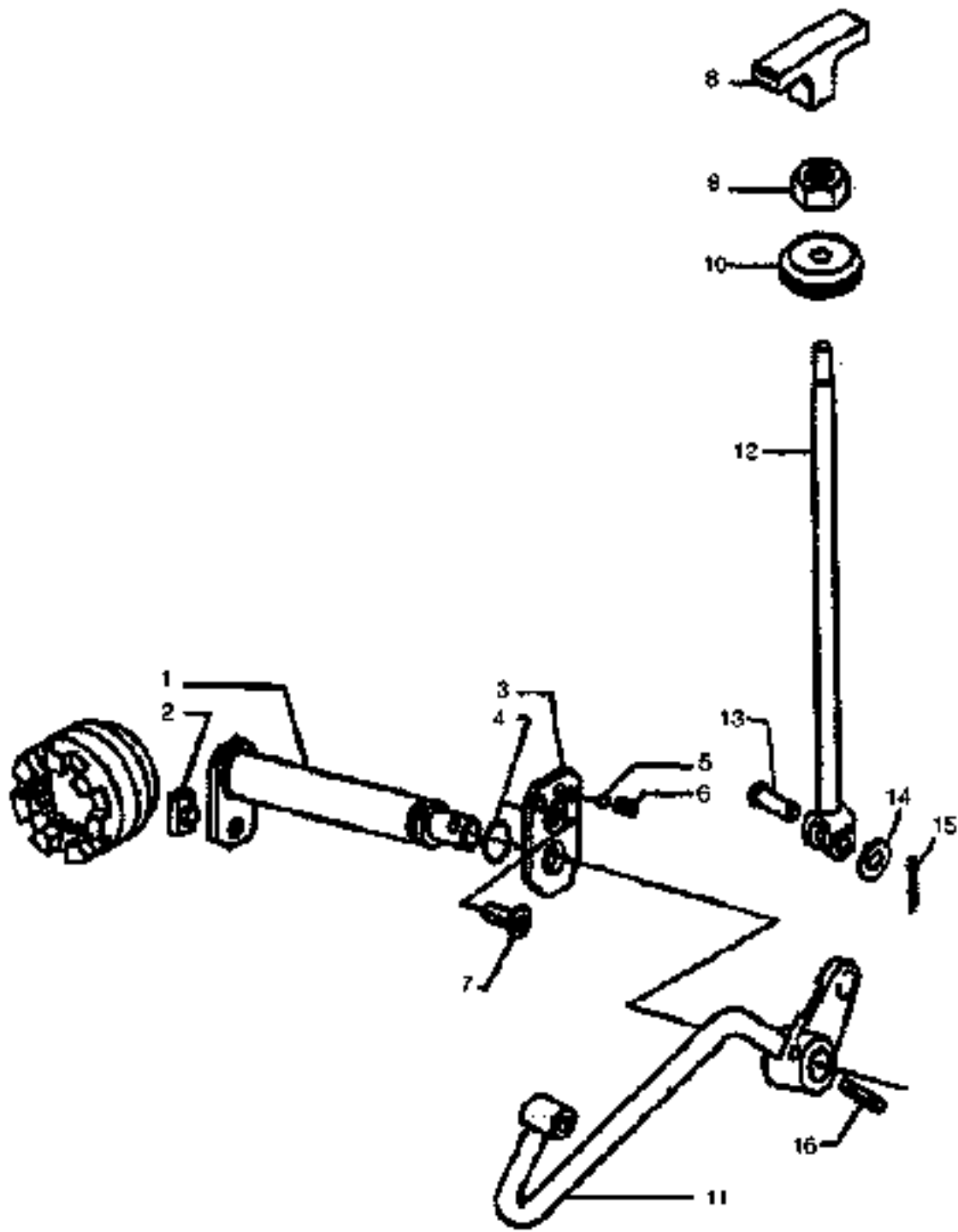


PTO INNER GEARS & SHAFT

665 / 665 PTC

| ITEM No. | PART No. | DESCRIPTION | VENDOR No. | QUANTITY 665 665 PTC | |
|----------|----------|-------------------------|------------|-------------------------|----|
| 1 | ESL13031 | Spring | D10064400 | 2 | 2 |
| 2 | ESL13032 | PTO Synchronized Clutch | D10064410 | 1 | 1 |
| 3 | ESL13033 | Lock Ring | D10064420 | 1 | 1 |
| 4 | ESL13034 | Pin (D.5x26) | D10064430 | 2 | 2 |
| 5 | ESL13035 | PTO Clutch | D10064440 | 1 | 1 |
| 6 | ESL13036 | Ball (D. 1/4") | D10064450 | 2 | 2 |
| 7 | ESL13037 | Snap Ring | D90000320 | 1 | 1 |
| 8 | ESL13038 | PTO Lock Ring | D10064460 | 1 | 1 |
| 9 | ESL13039 | Washer | D10064470 | 1 | 1 |
| 10 | ESL13040 | Snap Ring (D.90) | D90000360 | 1 | 1 |
| 11 | ESL12875 | Shim (0.10mm) | D10064200 | AR | AR |
| - | ESL12876 | Shim (0.30mm) | D10064210 | AR | AR |
| - | ESL12877 | Shim (0.50mm) | D10064220 | AR | AR |
| 12 | ESL13042 | Bearing | D10064480 | 1 | 1 |
| 13 | ESL13043 | Shaft Gear (Z-20) | D10064490 | 1 | 1 |
| 14 | ESL13044 | Collar | D10064500 | 1 | 1 |
| 15 | ESL13045 | Gear (Z-33) | D10064510 | 1 | 1 |
| 16 | ESL13046 | Needle Bearing | D10064520 | 3 | 3 |
| 17 | ESL13047 | Spacer | D10064530 | 1 | 1 |
| 18 | ESL13048 | Gear (Z-26/38) | D10064540 | 1 | 1 |
| 19 | ESL13049 | Spacer | D10064550 | 1 | 1 |
| 20 | ESL13050 | Washer | D10064560 | 1 | 1 |
| 21 | ESL12938 | Bearing | D10063570 | 1 | 1 |

665 / 665 DTC



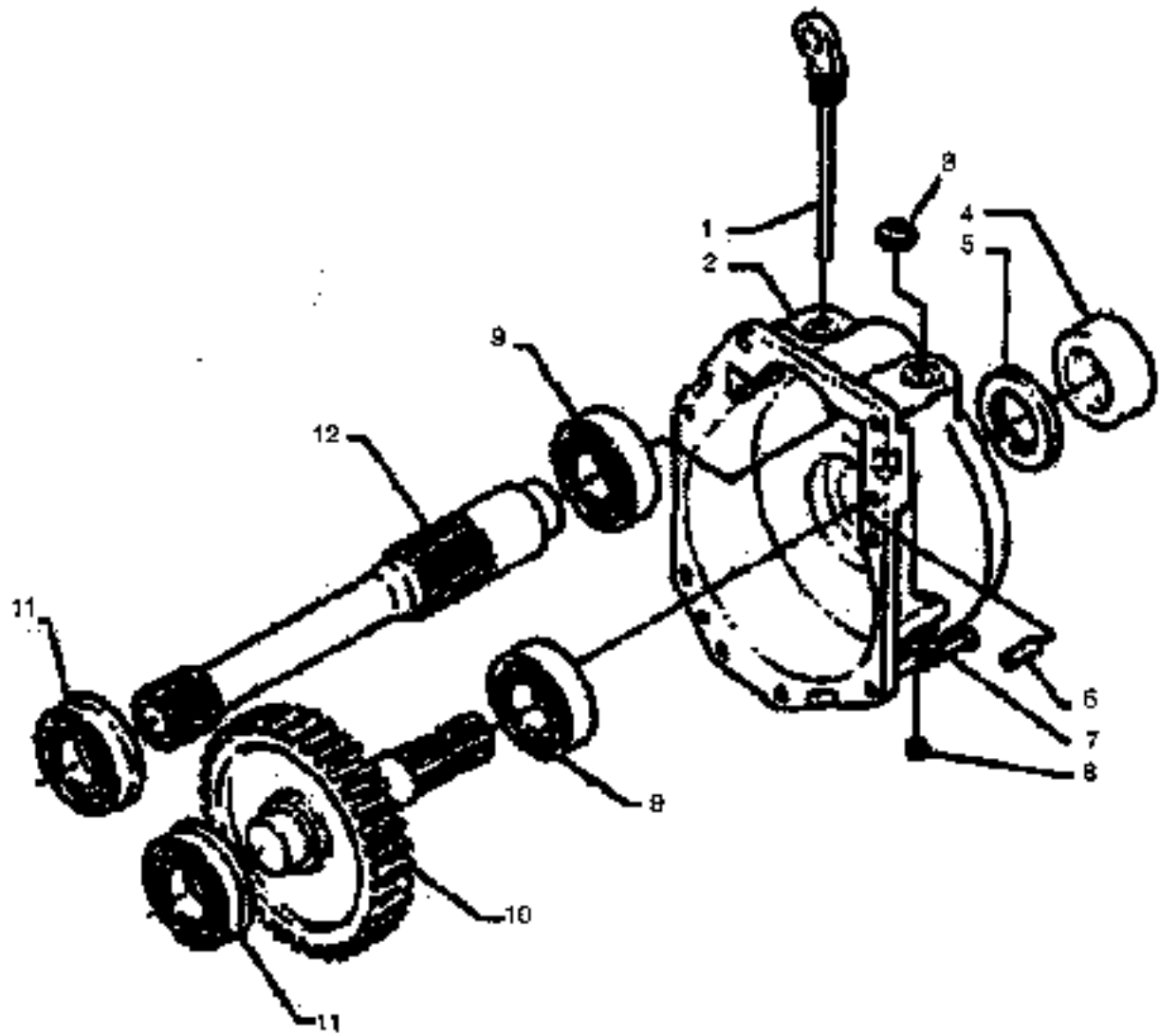
PTO OUTER CONTROLS

665 / 665 DTC

| ITEM No. | PART No. | DESCRIPTION | VENDOR No. | QUANTITY |
|----------|-----------|----------------------------|------------|--------------------|
| | | | | 665 665 DTC |
| 1 | ESL13051 | Shaft | D10064570 | 1 1 |
| 2 | ESL13052 | Pad | D10064580 | 1 1 |
| 3 | ESL13053 | Plate | D10064590 | 1 1 |
| 4 | ESL13019 | O'Ring | D10064330 | 1 1 |
| 5 | ESL13036 | Ball (D.1/4") | D10064450 | 1 1 |
| 6 | ESL13031 | Spring | D10064400 | 1 1 |
| 7 | ESL13054 | Screw (M8x16) | D82500430 | 1 1 |
| 8 | ESL13335 | Knob | D10042460 | 1 1 |
| 9 | N62004258 | Nut | - | 1 1 |
| 10 | ESL13056 | Rubber Boot | D10026950 | 1 1 |
| 11 | ESL13057 | Front Lever P.T.O. | D10081630 | 1 1 |
| 12 | ESL13058 | Rod Assembly, PTO Engaging | D10042470 | 1 1 |
| 13 | 7602358 | Pin, Clevis | - | 1 1 |
| 14 | 4472658 | Washer | - | 1 1 |
| 15 | 7201658 | Pin, Cotter | - | 1 1 |
| 16 | ESL13059 | Pin (D.8x28) | D10064610 | 1 1 |

665 / 665 DTC

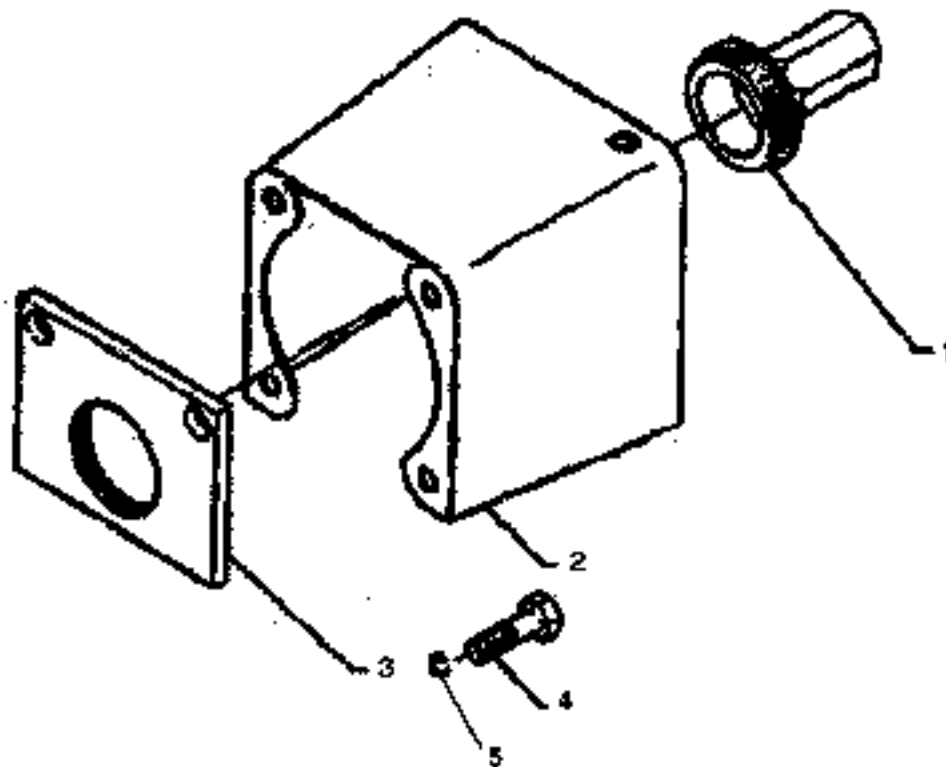
| Item No | Part No. | DESCRIPTION | VENDOR No. | QUANTITY | |
|---------|----------|------------------|------------|----------|---------|
| | | | | 665 | 665 DTC |
| 1 | ESL13060 | Oil Dip Stick | D10064690 | 1 | 1 |
| 2 | ESL13061 | Cover | D10064690 | 1 | 1 |
| 3 | ESL13062 | Plug | D10065160 | 1 | 1 |
| 4 | ESL13063 | Sealing Ring | D10061060 | 1 | 1 |
| 5 | ESL13084 | Oil Seal | D10061060 | 1 | 1 |
| 6 | ESL13065 | Dowel Pin | D10081640 | 2 | 2 |
| 7 | ESL12672 | Bolt (M10x25) | - | 7 | 7 |
| 8 | ESL13066 | Plug | D10064700 | 1 | 1 |
| 9 | ESL12938 | Bearing | D10063570 | 2 | 2 |
| 10 | ESL13067 | PTO Output Shaft | D10061070 | 1 | 1 |
| 11 | ESL13068 | Bearing | D10064630 | 2 | 2 |
| 12 | ESL13069 | PTO Shaft | D10099160 | 1 | 1 |



PTO (540 RPM)

665 / 665 DTC

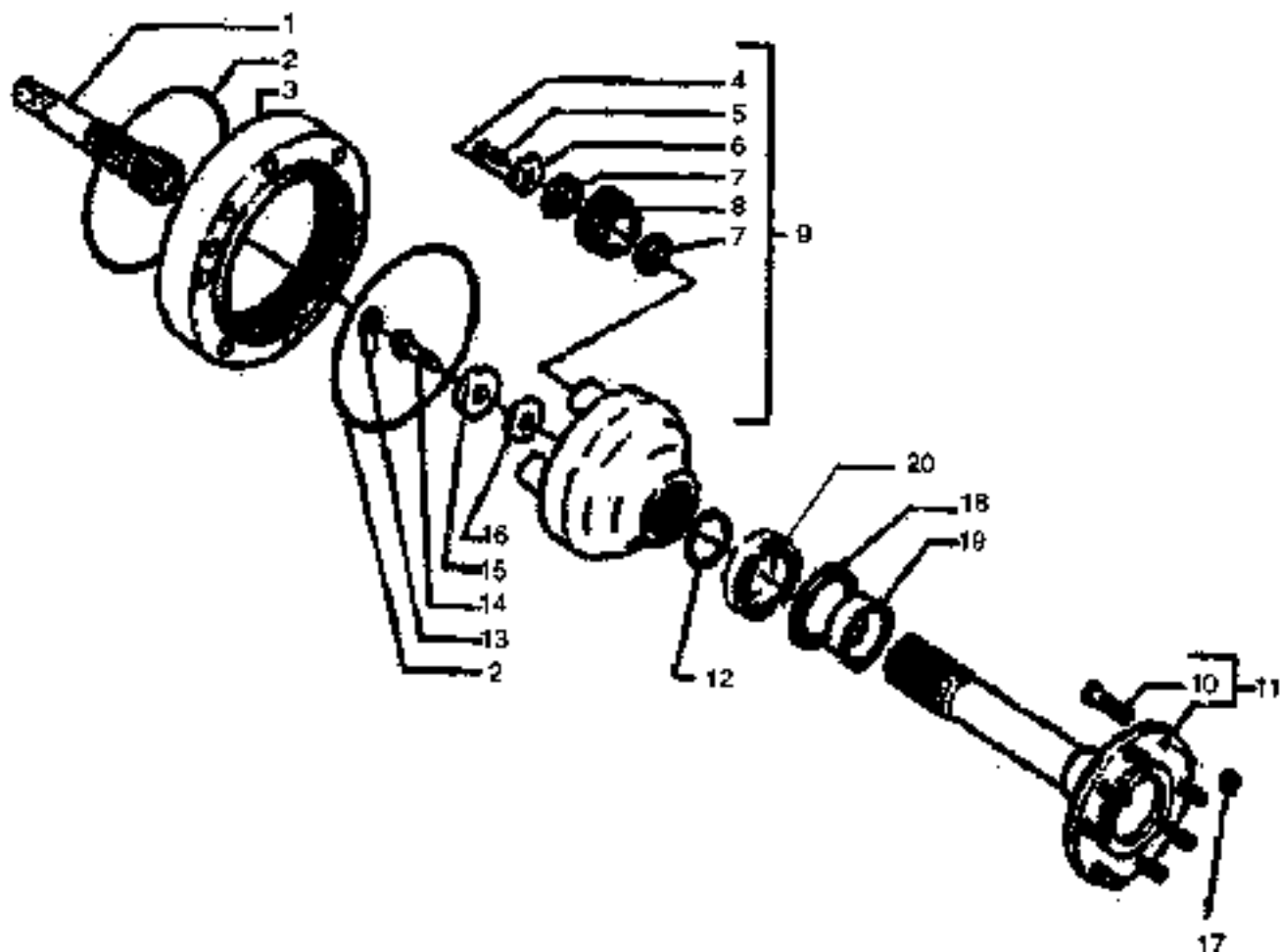
| ITEM No. | PART No. | DESCRIPTION | VENDOR No. | QUANTITY | |
|----------|----------|-------------------------|------------|-------------|---|
| | | | | 665 665 DTC | |
| 1 | ESL13336 | Cap PTO | D10042010 | 1 | 1 |
| 2 | ESL13337 | Guard PTO | D10039730 | 1 | 1 |
| 3 | ESL13338 | Plate, Cap Mounting PTO | D10042000 | 1 | 1 |
| 4 | ESL12653 | Bolt (M12x1.75-25) | - | 4 | 4 |
| 5 | ESL12652 | Washer (M12) | - | 2 | 2 |



PTO GUARD

<https://tractormanualz.com/>

665 / 665 DTC



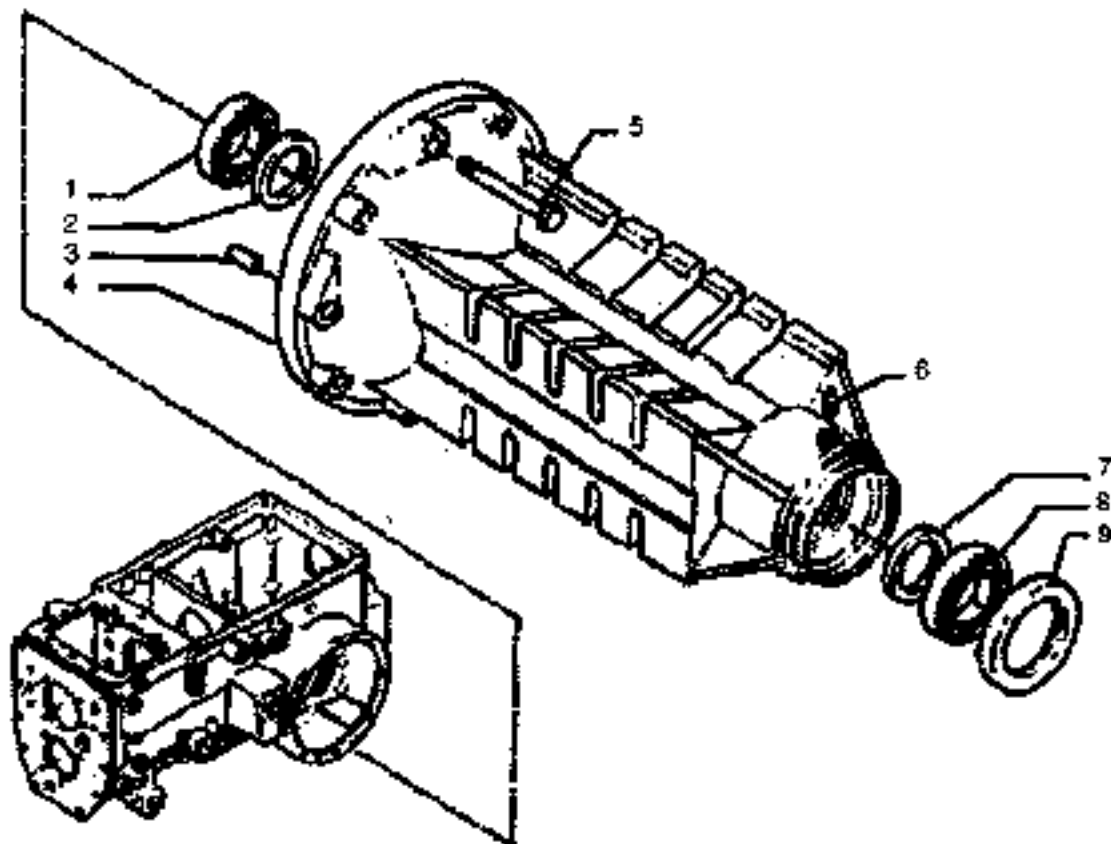
AXLE SHAFTS

665 / 665 DTC

| ITEM NO. | PART NO. | DESCRIPTION | VENDOR NO. | QUANTITY | |
|----------|----------|---|------------|-------------|----|
| | | | | 665 665 DTC | |
| 1 | ESL13073 | Half Shaft with Gear (Z-14) | D10064780 | 2 | 2 |
| 2 | ESL13074 | O'Ring | D10064790 | 4 | 4 |
| 3 | ESL13075 | Epicycloic Ring Gear (Z-82) | D10064800 | 2 | 2 |
| 4 | ESL13076 | Needle Bearing | D10061650 | 6 | 6 |
| 5 | ESL13077 | Bolt (M10x35) | D10065690 | 6 | 6 |
| 6 | ESL13078 | Washer | - | 6 | 6 |
| 7 | ESL13079 | Bearing | D10061660 | 12 | 12 |
| 8 | ESL13080 | Epicycloic Gear (Z-33) | D10061670 | 6 | 6 |
| 9 | ESL13081 | Planetary Carrier Assembly (Includes Items #4-8) | D10061680 | 2 | 2 |
| 10 | ESL13082 | Bolt, Rear Wheel | D10061690 | 16 | 16 |
| 11 | ESL13083 | Wheel Shaft Assembly | D10061700 | 2 | 2 |
| 12 | ESL13084 | Lock Ring | D10064820 | 2 | 2 |
| 13 | ESL13085 | Stop Screw | D10064830 | 2 | 2 |
| 14 | ESL13086 | Special Bolt (M16x2) | D10064840 | 2 | 2 |
| 15 | ESL13087 | Washer | D10064850 | 2 | 2 |
| 16 | ESL13088 | Shim (0.1mm) | D10064860 | AR | AR |
| - | ESL13089 | Shim (0.2mm) | D10064870 | AR | AR |
| - | ESL13090 | Shim (0.5mm) | D10064880 | AR | AR |
| - | ESL13091 | Shim (0.05mm) | D10064890 | AR | AR |
| 17 | ESL13092 | Nut, Wheel Bolt Rear | D10043020 | 16 | 16 |
| 18 | ESL13093 | Seal | D10064900 | 2 | 2 |
| 19 | ESL13094 | Bush | D10064910 | 2 | 2 |
| 20 | ESL12993 | Bearing | D10064750 | 2 | 2 |

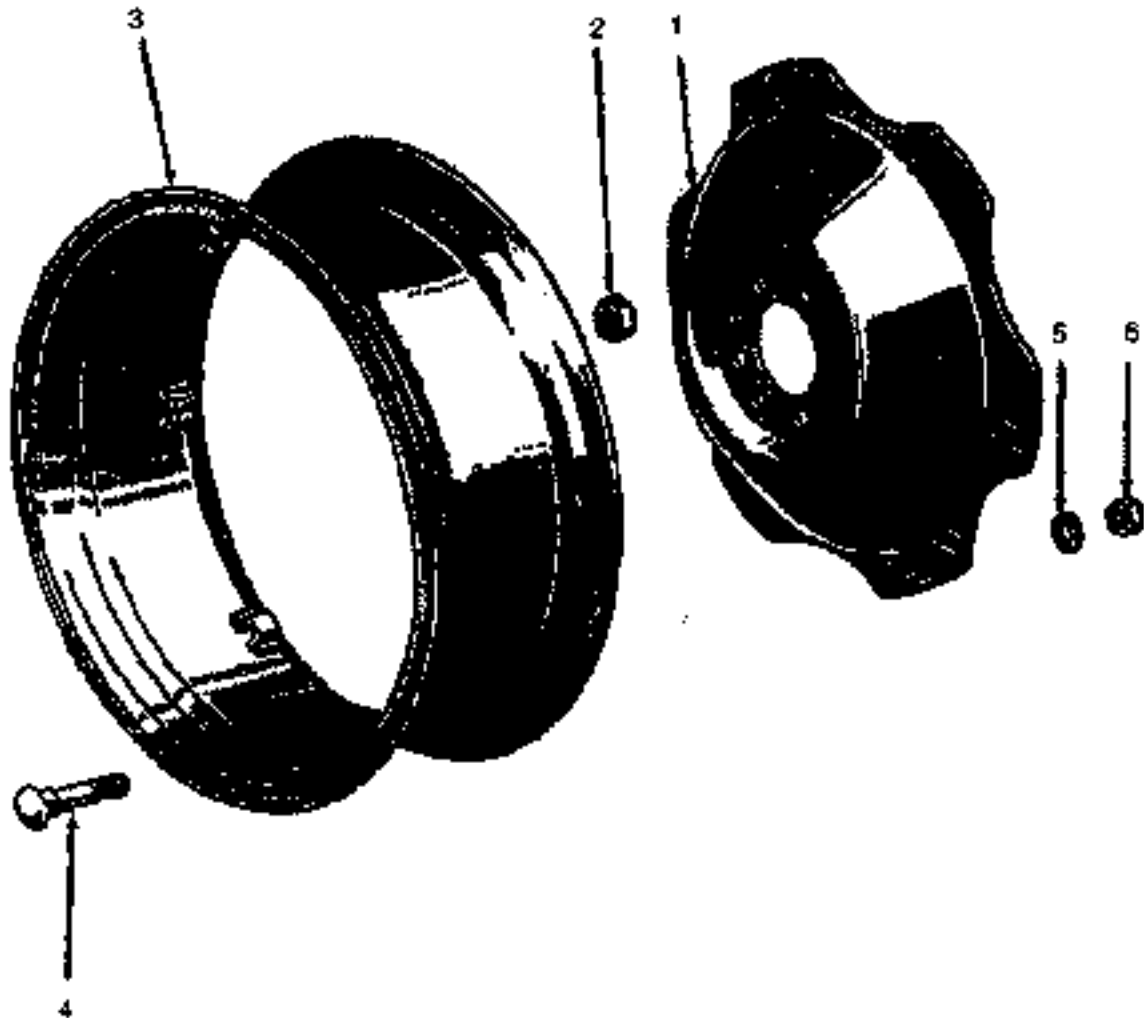
665 / 665 DTC

| ITEM No | PART No. | DESCRIPTION | VENDOR No. | QUANTITY | |
|---------|----------|---|------------|----------|--------|
| | | | | 665 | 665DTC |
| 1 | ESL12986 | Bearing | D10064720 | 2 | 2 |
| 2 | ESL12987 | Seal | D10064710 | 2 | 2 |
| 3 | ESL12988 | Pin (D15x75) | D10064730 | 4 | 4 |
| 4 | ESL12989 | Trumpet Housing Kit (Includes Items #1-3, 6-8) | D10081800 | 2 | 2 |
| 5 | ESL12990 | Bolt (M14x100) | D81500950 | 16 | 16 |
| 6 | ESL12991 | Grease Nipple (M8x1) | D92500080 | 2 | 2 |
| 7 | ESL12992 | Seal | D10064740 | 2 | 2 |
| 8 | ESL12993 | Bearing | D10064750 | 2 | 2 |
| 9 | ESL12994 | Seal | D10064760 | 2 | 2 |


FINAL DRIVE HOUSING

665 / 665 DTC

| ITEM NO. | PART NO. | DESCRIPTION | VENDOR NO. | QUANTITY |
|----------|----------|------------------------------|------------|--------------------|
| | | | | 665 665 DTC |
| - | ESL12502 | Wheel Assembly, Rear | D10045420 | 2 2 |
| 1 | - | Disc, Rear Wheel (NSS) | - | 2 2 |
| 2 | ESL13092 | Nut, Wheel Bolt Rear | D10049020 | 16 16 |
| 3 | - | Rim, Rear Wheel (NSS) | - | 2 2 |
| 4 | ESL13433 | Bolt, Rear Wheel Rim to Disc | - | 12 12 |
| 5 | ESL13434 | Washer | - | 12 12 |
| 6 | ESL13435 | Nut, Disc to Rim | - | 12 12 |


REAR WHEELS

Notes

665 / 665 etc

Section 9

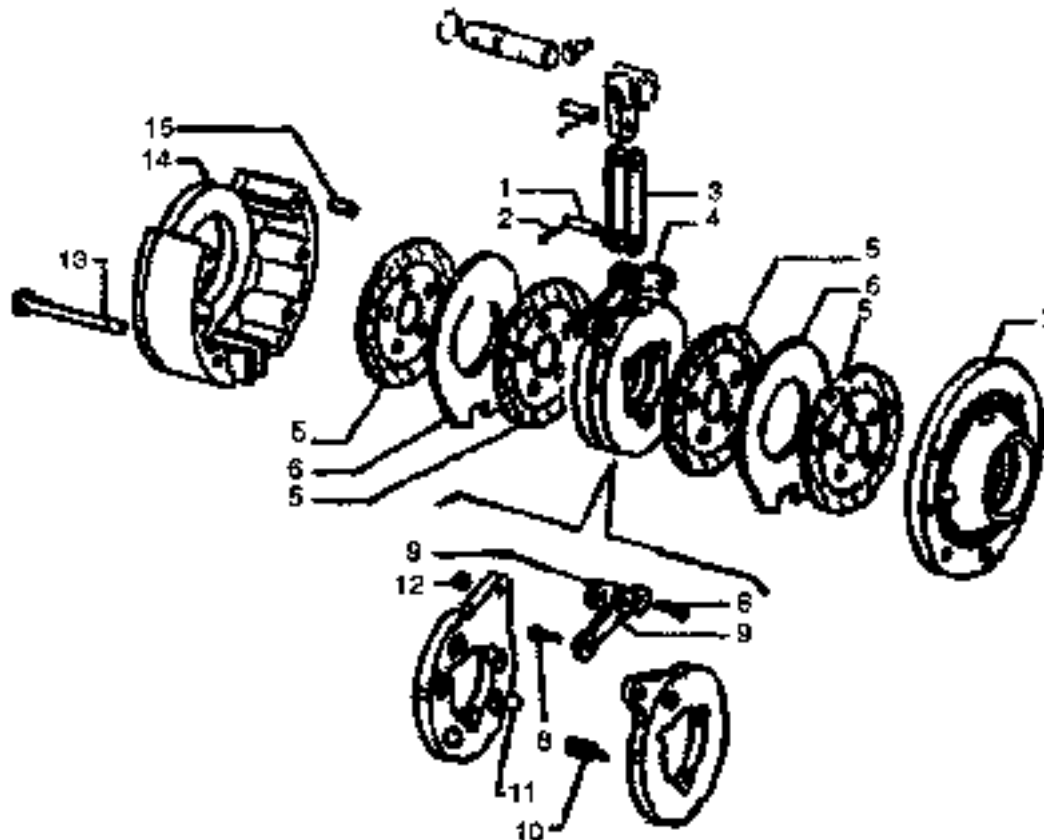
BRAKE SYSTEM

FARMTRAC

<https://tractormanualz.com/>

665 / 665 DTC

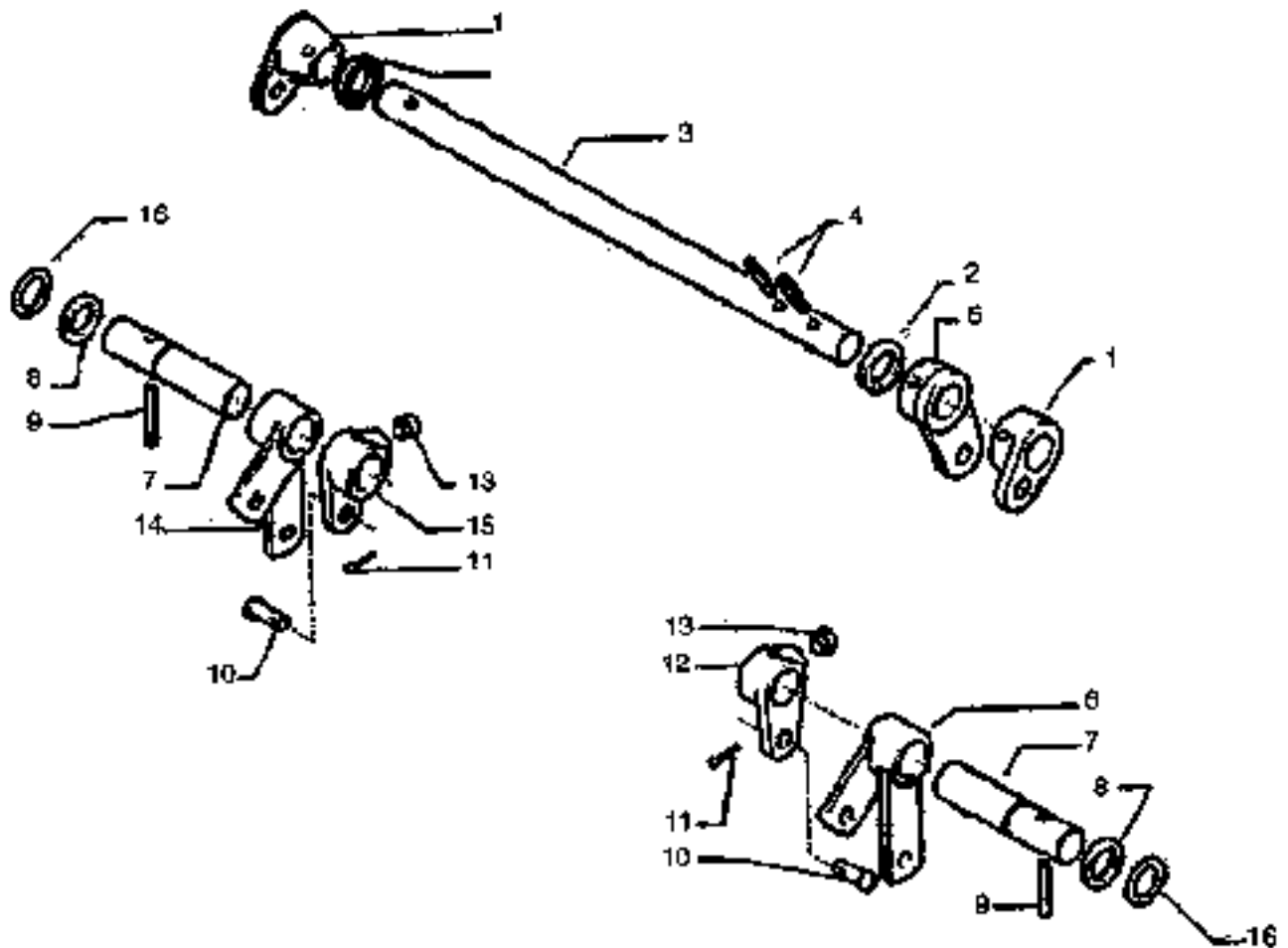
| ITEM No | PART No. | DESCRIPTION | VENDOR No. | QUANTITY | |
|---------|----------|---|------------|----------|--------|
| | | | | 665 | 665DTC |
| 1 | ESL13097 | Pin (D11) | D10064930 | 2 | 2 |
| 2 | ESL13098 | Split Pin (DS.2x32) | D93400240 | 2 | 2 |
| 3 | ESL13099 | Tie Bar | D10081710 | 2 | 2 |
| 4 | ESL13100 | Brake Mechanism (Includes Items #8-12) | D10064940 | 2 | 2 |
| 5 | ESL13101 | Brake Disc | D10064950 | 8 | 8 |
| 6 | ESL13102 | Brake Drive Plate | D10064960 | 4 | 4 |
| 7 | ESL13103 | Support Flange | D10064970 | 2 | 2 |
| 8 | ESL13686 | Bolt | - | 4 | 4 |
| 9 | ESL13339 | Tie Rod | - | 4 | 4 |
| 10 | ESL13340 | Spring | D10103960 | 4 | 4 |
| 11 | ESL13341 | Ball | D10103970 | 10 | 10 |
| 12 | ESL13436 | Nut | D10098140 | 4 | 4 |
| 13 | ESL13104 | Bolt (M12x110) | D81500910 | 10 | 10 |
| 14 | ESL13105 | Brake Flange | D10064980 | 2 | 2 |
| 15 | ESL13106 | Pin (D12x50) | D10064990 | 4 | 4 |



BRAKES

665 / 665 DTC

| ITEM No. | PART No. | DESCRIPTION | VENDOR No. | QUANTITY | |
|----------|----------|------------------|------------|----------|---------|
| | | | | 665 | 665 DTC |
| 1 | ESL13124 | Brake Lever | D10065000 | 2 | 2 |
| 2 | ESL12929 | Oil Seal | D10063500 | 2 | 2 |
| 3 | ESL13125 | Hand Brake Shaft | D10065020 | 1 | 1 |
| 4 | ESL13126 | Pin (D.8x36) | D10065030 | 3 | 3 |
| 5 | ESL13127 | Hand Brake Lever | D10065040 | 1 | 1 |
| 6 | ESL13128 | Brake Lever, LH | D10065050 | 1 | 1 |
| 7 | ESL13129 | Brake Shaft | D10065060 | 2 | 2 |
| 8 | ESL13130 | Seal Ring | D10065070 | 2 | 2 |
| 9 | ESL13131 | Pin (10x45) | D10065080 | 2 | 2 |
| 10 | ESL13132 | Pin (D11) | D10065100 | 2 | 2 |
| 11 | ESL13098 | Pin (3.2x32) | D93400240 | 2 | 2 |
| 12 | ESL13133 | Lever | D10065110 | 1 | 1 |
| 13 | ESL13134 | Special Bolt | D10065120 | 2 | 2 |
| 14 | ESL13135 | Brake Lever, RH | D10065130 | 1 | 1 |
| 15 | ESL13136 | Lever, LH | D10065140 | 1 | 1 |
| 16 | ESL13137 | Thrust Washer | D10065150 | 2 | 2 |



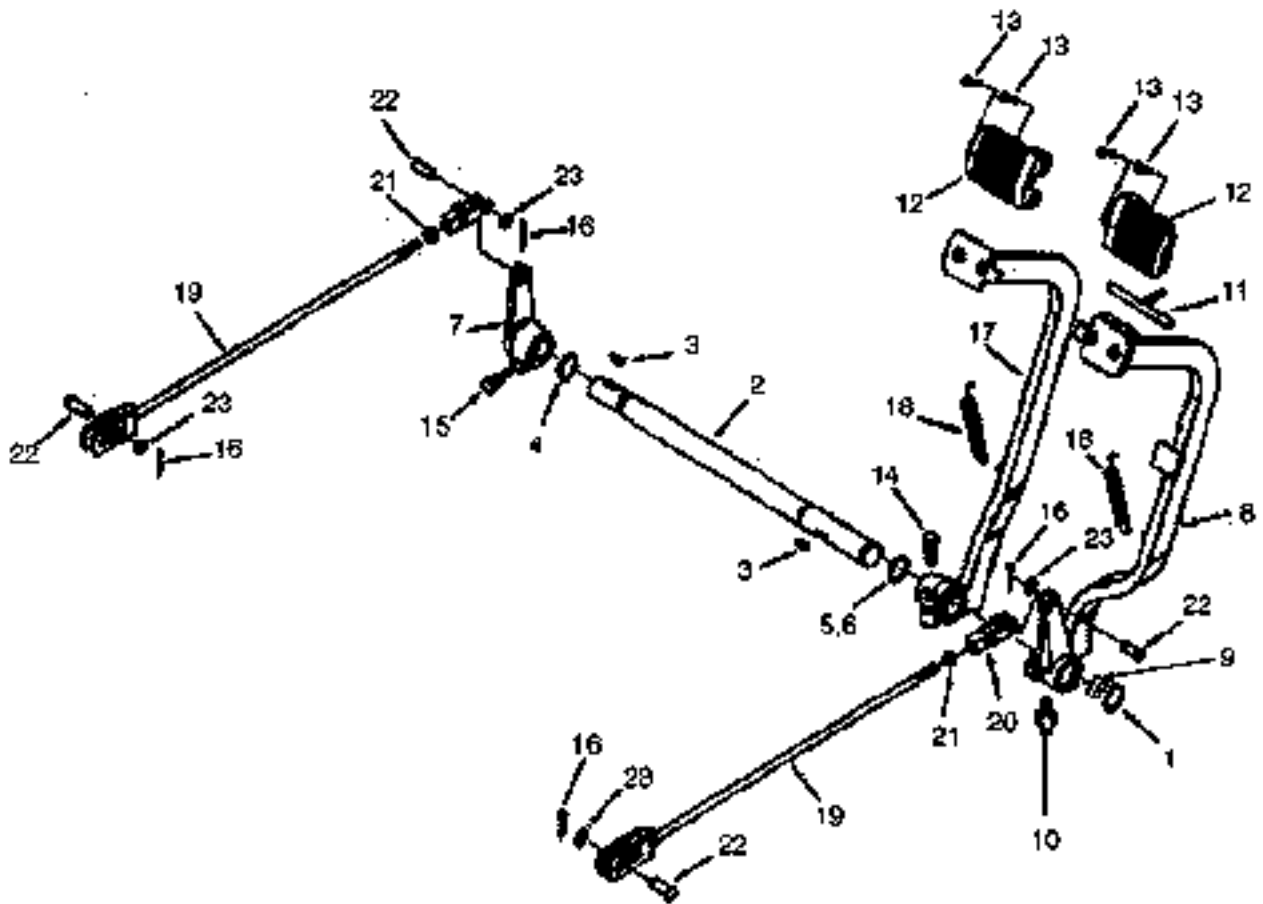
BRAKE RELEASE SYSTEM

<https://tractormanualz.com/>

Ⓢ - SERIAL NUMBER BREAK,

⚡ - INDICATES UP TO AND INCLUDING THAT SERIAL NUMBER

665 / 665 drc

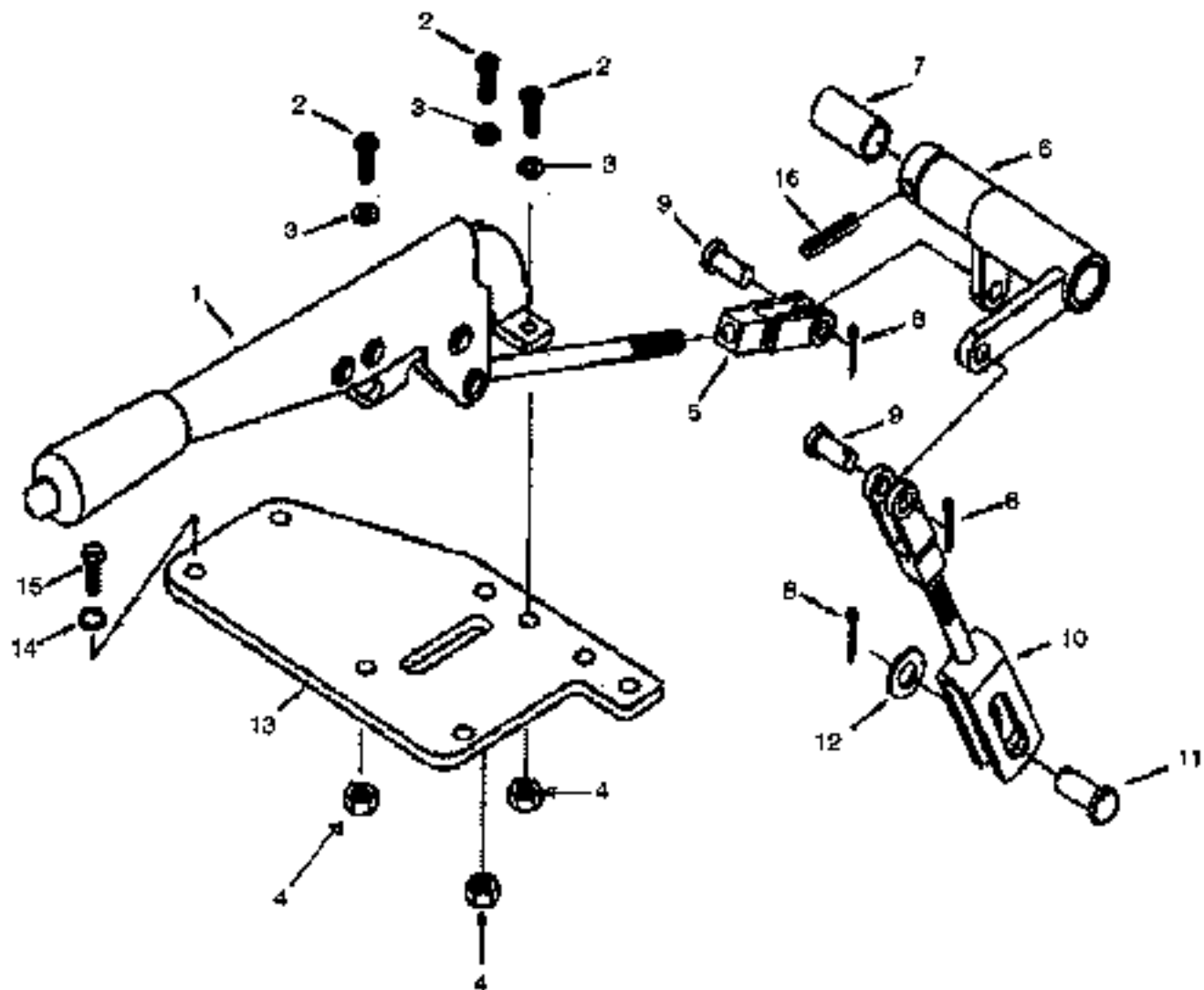


BRAKE PEDALS

665 / 665 d7c

| ITEM No. | PART No. | DESCRIPTION | VENDOR No. | QUANTITY |
|----------|-----------|---|------------|-------------|
| | | | | 665 665 d7c |
| 1 | ESL10983 | Lock Ring | D10012470 | 1 1 |
| 2 | ESL13107 | Shaft Brake Cross | D10039740 | 2 2 |
| 3 | ESL13304 | Key (1/2x7/8) | - | 2 2 |
| 4 | ESL11700 | Washer Brake Cross Shaft | D10012260 | 3 3 |
| 5 | ESL13109 | O'Ring | D93600120 | 1 1 |
| 6 | ESL11236 | Seal (1.2510x0.139W) (NI) | D93600080 | 3 3 |
| 7 | ESL13112 | Lever, Brake Operating | D10042490 | |
| 8 | ESL13114 | Pedal Assembly Brake, RH | D10039290 | 1 1 |
| 9 | ESL13116 | Bush, Brake Pedal | D10106420 | 1 1 |
| 10 | ESL10668 | Grease Nipple (1/4-2B UNF) | D92500050 | 1 1 |
| 11 | ESL13117 | Latch Rod | - | 1 1 |
| 12 | ESL12798 | Pedal | D10042840 | 2 2 |
| 13 | N600212S8 | Bolt (M8x1.25x35) | - | 4 4 |
| 14 | 304743S8 | Bolt, Hex (7/16-14x1.38) | - | 1 1 |
| 15 | 58655S8 | Bolt, Hex (7/16-14x1.50) | - | 1 1 |
| 16 | ESL12806 | Pin Cotter | - | 4 4 |
| 17 | ESL13118 | Pedal Assembly Brake, LH | D10039300 | 1 1 |
| 18 | ESL13342 | Spring, Brake Pedal Return | D10012250 | 2 2 |
| 19 | ESL13120 | Rod & Clevis Assembly, Brake Linkage (Includes Items #20-21) | - | 2 2 |
| 20 | 97013S8 | Clevis | - | 2 2 |
| 21 | 33925S8 | Nut (3/8-24) | - | 2 2 |
| 22 | ESL13123 | Pin, Clevis | - | 4 4 |
| 23 | N630070S8 | Washer | - | 4 4 |

665 / 665 DTC



HAND BRAKE

665 / 665 DTC

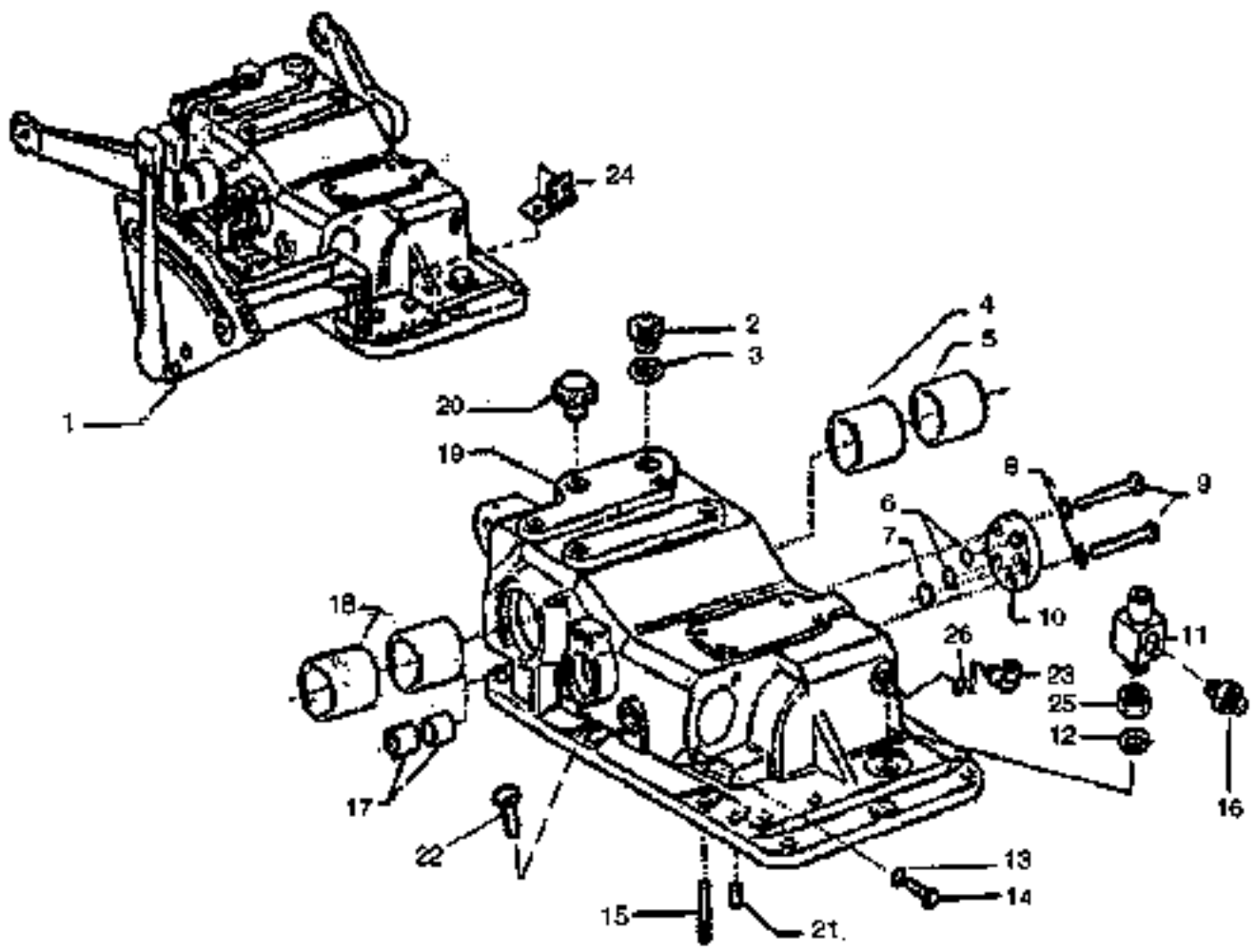
| ITEM No. | PART No. | DESCRIPTION | VENDOR No. | QUANTITY | |
|----------|-----------|---------------------------------------|------------|----------|---------|
| | | | | 665 | 665 DTC |
| 1 | ESL13138 | Lever Assembly, Hand Brake | D10042050 | 1 | 1 |
| 2 | ESL12724 | Bolt (M6) | D81500490 | 3 | 3 |
| 3 | N630067S8 | Washer (M6) | - | 3 | 3 |
| 4 | N620012S8 | Nut (M6) | - | 3 | 3 |
| 5 | 97013S8 | Clevis | - | 1 | 1 |
| 6 | ESL13140 | Extention Shaft, Parking Brake | - | 1 | 1 |
| 7 | ESL13437 | Bush | D10042980 | 1 | 1 |
| 8 | 72017S8 | Pin, Cotter | - | 3 | 3 |
| 9 | 73979S8 | Pin, Clevis | - | 2 | 2 |
| 10 | ESL13141 | Rod & Clevis Assembly | D10042820 | 2 | 2 |
| 11 | ESL13123 | Pin, Clevis | - | 1 | 1 |
| 12 | N630070S8 | Washer, Plain | - | 1 | 1 |
| 13 | ESL13142 | Bracket, Lever Mounting Parking Brake | D10042210 | 1 | 1 |
| 14 | N630173S8 | Washer (M8) | - | 2 | 2 |
| 15 | N605531S8 | Bolt (M8x1.25x20) | - | 2 | 2 |
| 16 | ESL13143 | Pin, Spring | - | 1 | 1 |

Notes

HYDRAULIC SYSTEM



665 / 665 DTC



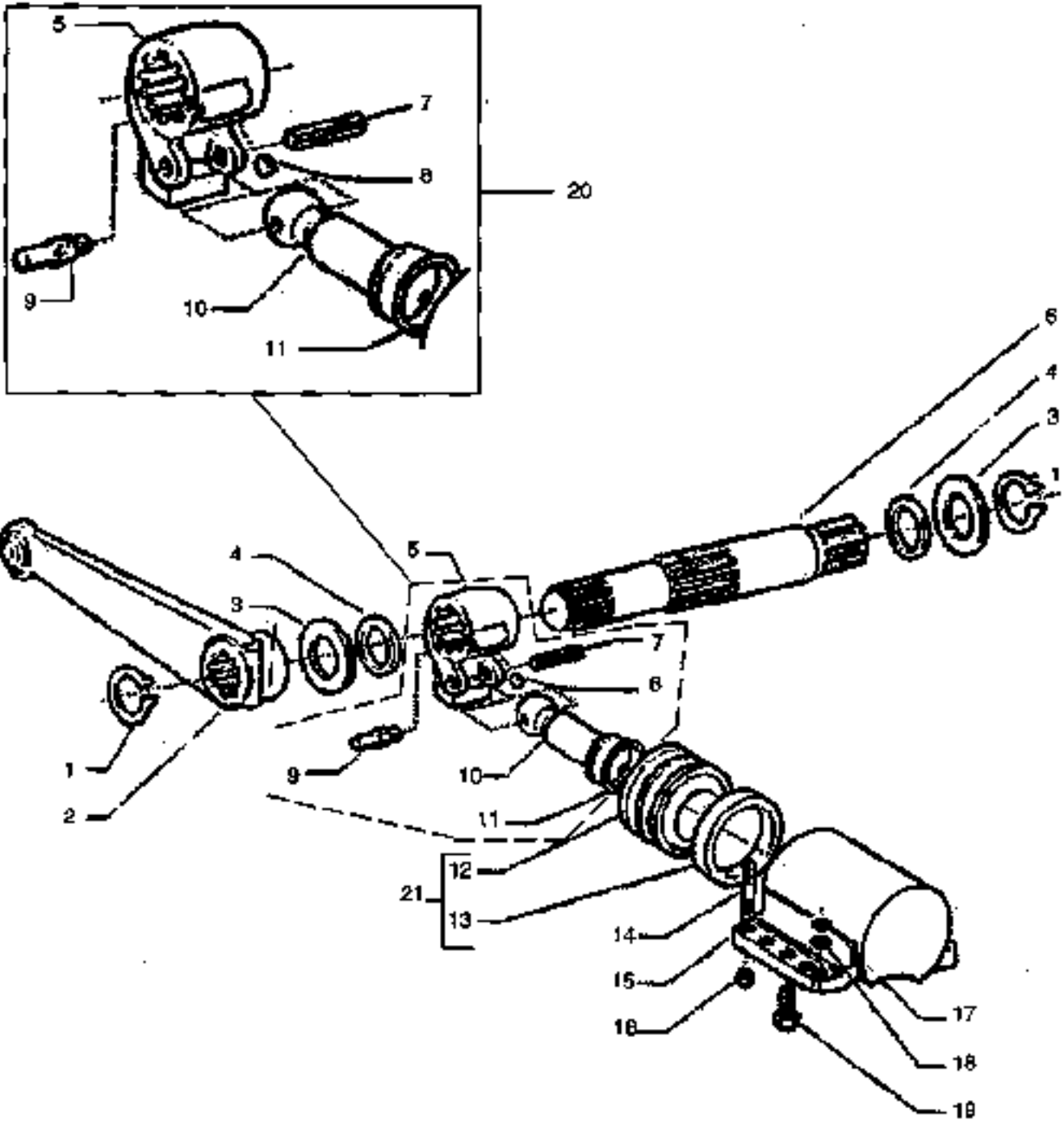
*silicone
only
bottom
be*

HYDRAULIC BODY

665 / 665 dtc

| ITEM No. | PART No. | DESCRIPTION | VENDOR No. | QUANTITY | |
|----------|----------|-----------------------------------|------------|----------|---------|
| | | | | 665 | 665 dtc |
| 1 | ESL13144 | Hydraulic Lift Assembly | D10039490 | 1 | 1 |
| 2 | ESL13145 | Plug (1/2") | D10062150 | 1 | 1 |
| 3 | ESL13146 | Washer | D10062220 | 1 | 1 |
| 4 | ESL13147 | Bush | D10061580 | 1 | 1 |
| 5 | ESL13148 | Bush | D10061590 | 1 | 1 |
| 6 | | O'Ring (NSS) | . | 2 | 2 |
| 7 | | O'Ring (NSS) | . | 1 | 1 |
| 8 | ESL13149 | Spring Washer | D10061350 | 2 | 2 |
| 9 | ESL13150 | Bolt (M10x36) | . | 2 | 2 |
| 10 | ESL13151 | Flange | D10098050 | 1 | 1 |
| 11 | ESL12747 | Adapter Return Assembly | D10039720 | 1 | 1 |
| 12 | ESL13153 | Copper Washer | D10061420 | 1 | 1 |
| 13 | ESL12829 | Spring Washer | . | 2 | 2 |
| 14 | ESL13154 | Bolt (M8-35) | D81501080 | 2 | 2 |
| 15 | ESL13155 | Stud (M14x61) | D10098080 | 6 | 6 |
| 16 | ESL11257 | Adapter | D10021150 | 1 | 1 |
| 17 | ESL13157 | Bush | D10062160 | 2 | 2 |
| 18 | ESL13158 | Bush | D10061510 | 2 | 2 |
| 19 | | Lift Body Assembly (NSS) | . | 1 | 1 |
| 20 | ESL13159 | Plug, Vent | D10081720 | 1 | 1 |
| 21 | ESL13160 | Dowel Pin | D10064240 | 2 | 2 |
| 22 | ESL13161 | Bolt (M12x30) | D81500920 | | |
| 23 | ESL13643 | Elbow | D10043150 | 1 | 1 |
| 24 | ESL13163 | Bracket Assembly, Lever Guide | . | 1 | 1 |
| 25 | ESL13164 | Lock Nut | . | 1 | 1 |
| 26 | ESL10021 | O'Ring | D93600070 | 1 | 1 |
| 27 | ESL13156 | Seal Kit (Consists of Items #6-7) | D10098110 | 1 | 1 |

665 / 665 DTC

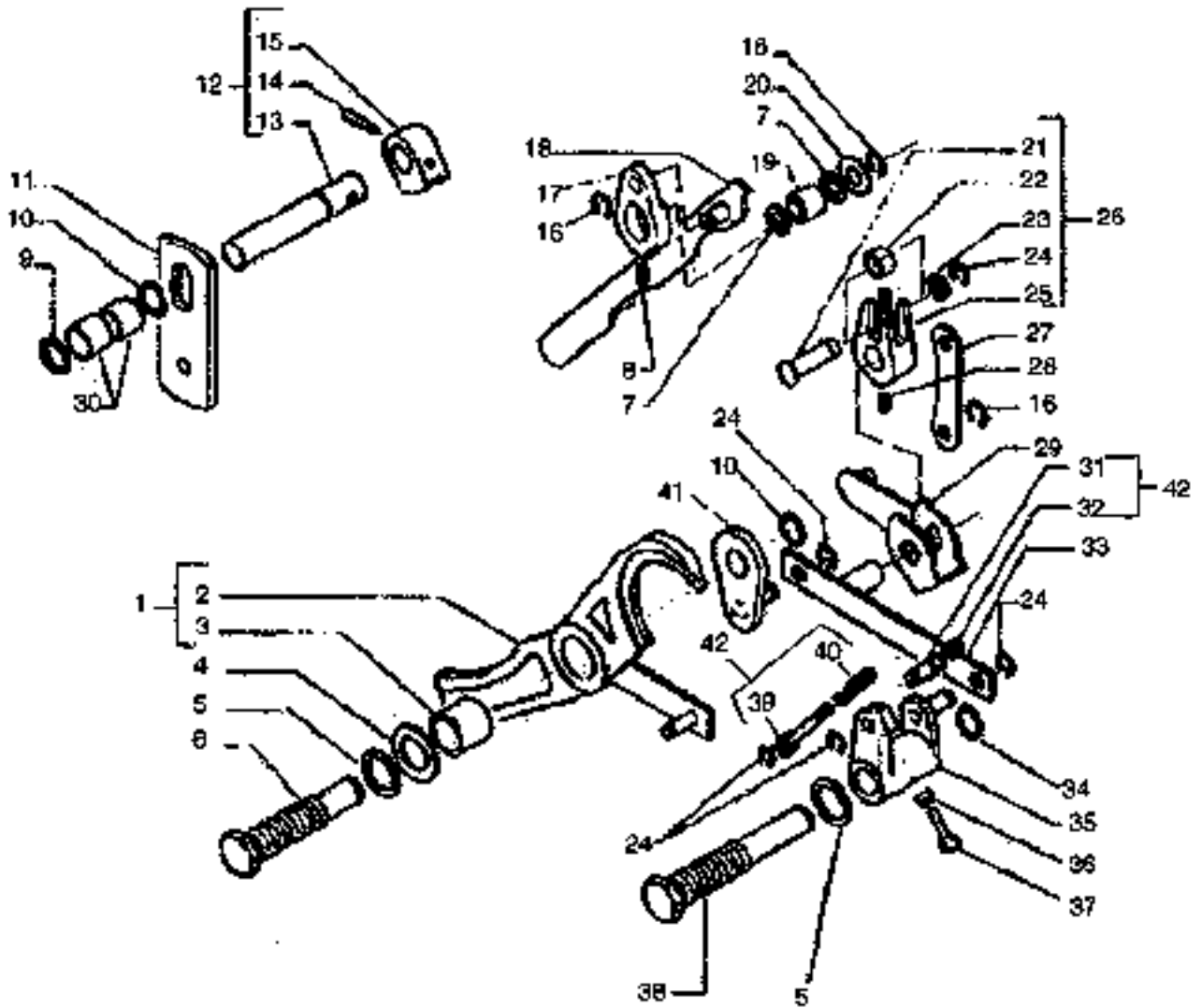


RAM CYLINDER

665 / 665 DTC

| ITEM No. | PART No. | DESCRIPTION | VENDOR No. | QUANTITY | |
|----------|----------|---|------------|----------|---------|
| | | | | 665 | 665 DTC |
| 1 | ESL13166 | Snap Ring (D55) | D90000350 | 2 | 2 |
| 2 | ESL13167 | Lifting Arm | D10062510 | 2 | 2 |
| 3 | ESL13168 | Spacer | D10067440 | 2 | 2 |
| 4 | ESL13168 | Oil Seal | D10061850 | 2 | 2 |
| 5 | - | Lever (NSS) | - | 1 | 1 |
| 6 | ESL13170 | Lifting Shaft | D10062060 | 1 | 1 |
| 7 | ESL13171 | Pin (D10x85) | D98400260 | 1 | 1 |
| 8 | ESL13172 | Grub Screw (M10x20) | D10062180 | 1 | 1 |
| 9 | ESL13173 | Pin | D10062050 | 1 | 1 |
| 10 | - | Connecting Rod (NSS) | - | 1 | 1 |
| 11 | ESL13174 | O'Ring | D10061520 | 1 | 1 |
| 12 | - | Piston (NSS) | - | 1 | 1 |
| 13 | ESL13175 | Piston Packing | D10062170 | 1 | 1 |
| 14 | ESL13155 | Stud (M14x61) | D10098080 | 6 | 6 |
| 15 | ESL13176 | Cylinder | D10061990 | 1 | 1 |
| 16 | ESL13177 | Nut (M14) | D83500470 | 6 | 6 |
| 17 | ESL13178 | O'Ring | D10061540 | 2 | 2 |
| 18 | ESL13179 | Ring | D10105290 | 2 | 2 |
| 19 | ESL13180 | Bolt (M14x35) | D81500960 | 2 | 2 |
| 20 | ESL13181 | Kit Connecting Rod & Lever (Consists of Items #5,7-11) | D10098120 | 1 | 1 |
| 21 | ESL13182 | Piston & Ring Assembly (Consists of Items #12-13) | D10081730 | 1 | 1 |

665 / 665 DTC

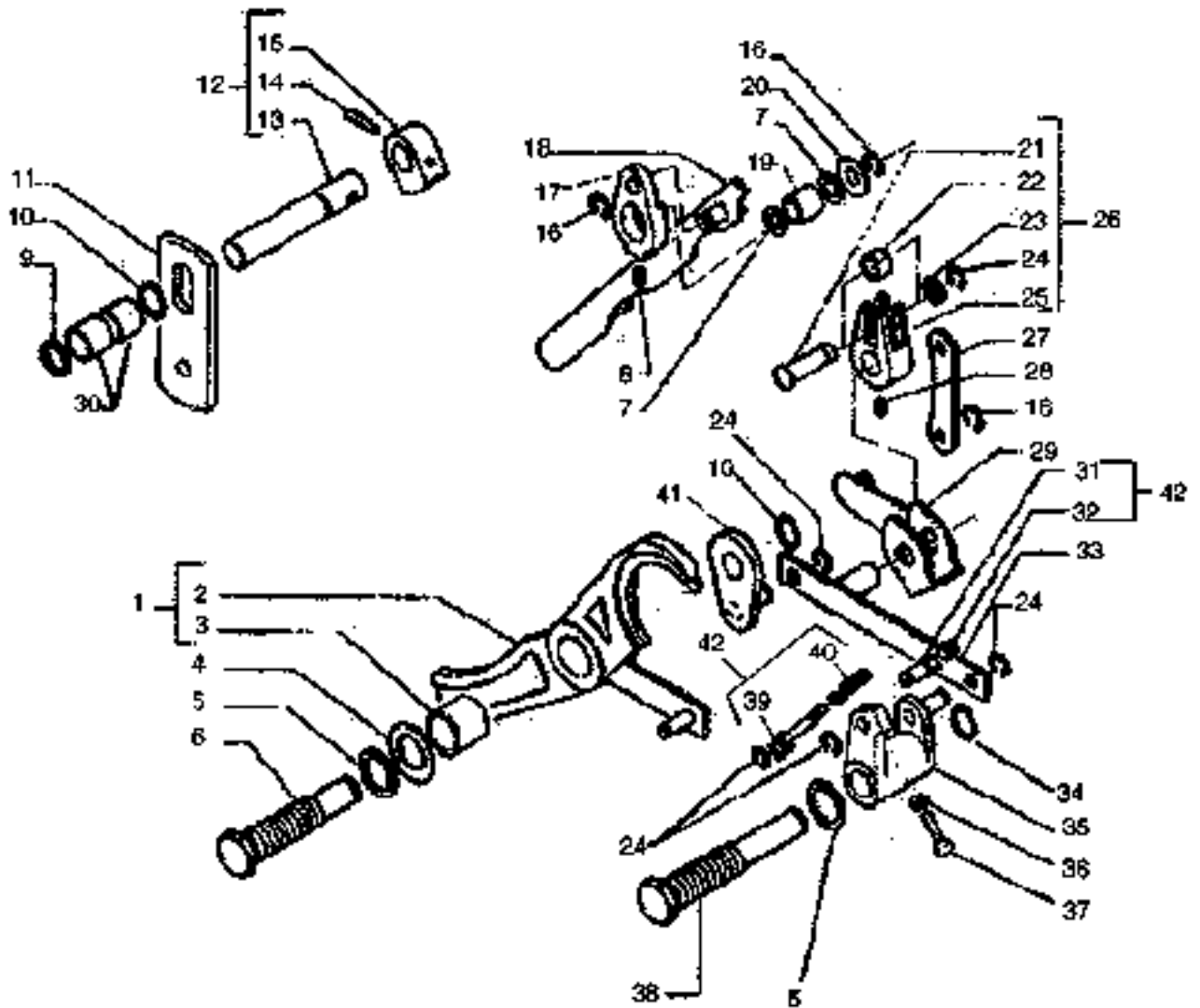


INSIDE LIFTING CONTROL

665 / 665 DTC

| ITEM No. | PART No. | DESCRIPTION | VENDOR No. | QUANTITY | |
|----------|-----------|--|------------|-------------|---|
| | | | | 665 665 DTC | |
| 1 | ESL13183 | Equalizer Assembly (Includes Items #2-3) | D10099090 | 1 | 1 |
| 2 | - | Equalizer (NSS) | D10105090 | 1 | 1 |
| 3 | ESL13362 | Bearing | D10099150 | 1 | 1 |
| 4 | ESL13184 | Washer | D10061420 | 1 | 1 |
| 5 | ESL13153 | Washer | D10067490 | 2 | 2 |
| 6 | ESL13185 | Support Pin | D10099140 | 1 | 1 |
| 7 | ESL13186 | Washer | D10067350 | 2 | 2 |
| 8 | ESL13187 | Grub Screw (M8x9) | D10067330 | 1 | 1 |
| 9 | ESL13188 | Sealing Ring | D90000330 | 1 | 1 |
| 10 | ESL13189 | Snap Ring (D16) | D10067340 | 2 | 2 |
| 11 | ESL13190 | Plate | D10099120 | 1 | 1 |
| 12 | ESL13191 | Cam Assembly (Consists of Items #13-15) | - | 1 | 1 |
| 13 | - | Shaft (NSS) | D10063900 | 1 | 1 |
| 14 | ESL13192 | Pin (D6x35) | - | 1 | 1 |
| 15 | - | Cam (NSS) | D90000340 | 1 | 1 |
| 16 | ESL12874 | Snap Ring | D10067360 | 3 | 3 |
| 17 | ESL13193 | Cam | D10099110 | 1 | 1 |
| 18 | ESL13199 | Plate Assembly (Includes Items #7,16,19-20) | - | 1 | 1 |
| 19 | - | Roller (NSS) | D10067310 | 1 | 1 |
| 20 | ESL13667 | Washer | - | 1 | 1 |
| 21 | - | Pin (NSS) | - | 1 | 1 |
| 22 | - | Roller (NSS) | D10067320 | 1 | 1 |
| 23 | ESL13688 | Washer | D10099080 | 1 | 1 |
| 24 | ESL13194 | Snap Ring | - | 5 | 5 |
| 25 | - | Connecting Rod (NSS) | D10099130 | 1 | 1 |
| 26 | ESL13195 | Connecting Rod Assembly (Includes Items #21-25) | D10067480 | 1 | 1 |
| 27 | ESL13196 | Link Rod | D10067420 | 1 | 1 |
| 28 | ESL13197 | Grub Screw (M8x12) | D10067470 | 1 | 1 |
| 29 | ESL13198 | Cam | D10062160 | 1 | 1 |
| 30 | ESL13157 | Bush | - | 2 | 2 |
| 31 | - | Shaft (NSS) | D10067510 | 1 | 1 |
| 32 | N620012S8 | Nut (M6) | D90000180 | 1 | 1 |
| 33 | ESL13200 | Plate | D10067520 | 1 | 1 |
| 34 | ESL12808 | Snap Ring | - | 1 | 1 |
| 35 | ESL13201 | Lever | - | 1 | 1 |

665 / 665 DTC



INTERNAL LIFT CONTROL

885 / 865 DTC

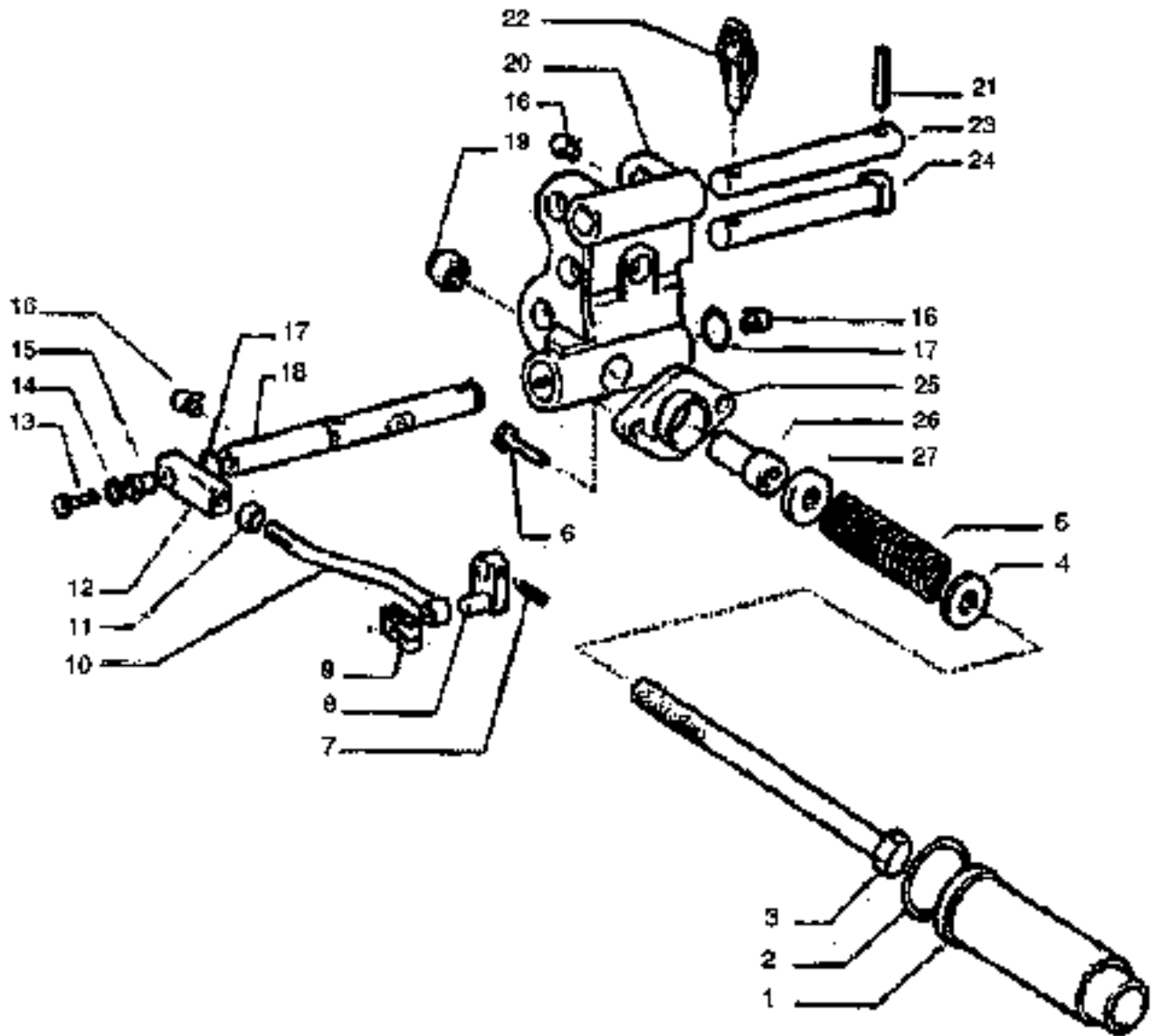
| ITEM No. | PART No. | DESCRIPTION | VENDOR No. | QUANTITY | |
|----------|-----------|---|------------|----------|---------|
| | | | | 885 | 865 DTC |
| 36 | N62001358 | Nut (M8) | . | 1 | 1 |
| 37 | ESL12865 | Bolt (M8x25) | . | 1 | 1 |
| 38 | ESL13202 | Support Pin | D10067520 | 1 | 1 |
| 39 | - | Pin (NSS) | . | 1 | 1 |
| 40 | - | Spring (NSS) | . | 1 | 1 |
| 41 | ESL13203 | Shackle | D10067550 | 1 | 1 |
| 42 | ESL13204 | Pin & Spring Assembly (Includes of Items #31-32,39-40) | D10105370 | 1 | 1 |

INTERNAL LIFT CONTROL
S - SERIAL NUMBER BREAK,

K - INDICATES UP TO AND INCLUDING THAT SERIAL NUMBER

<https://tractormanualz.com/>

665 / 665 drc



DRAFT SENSOR

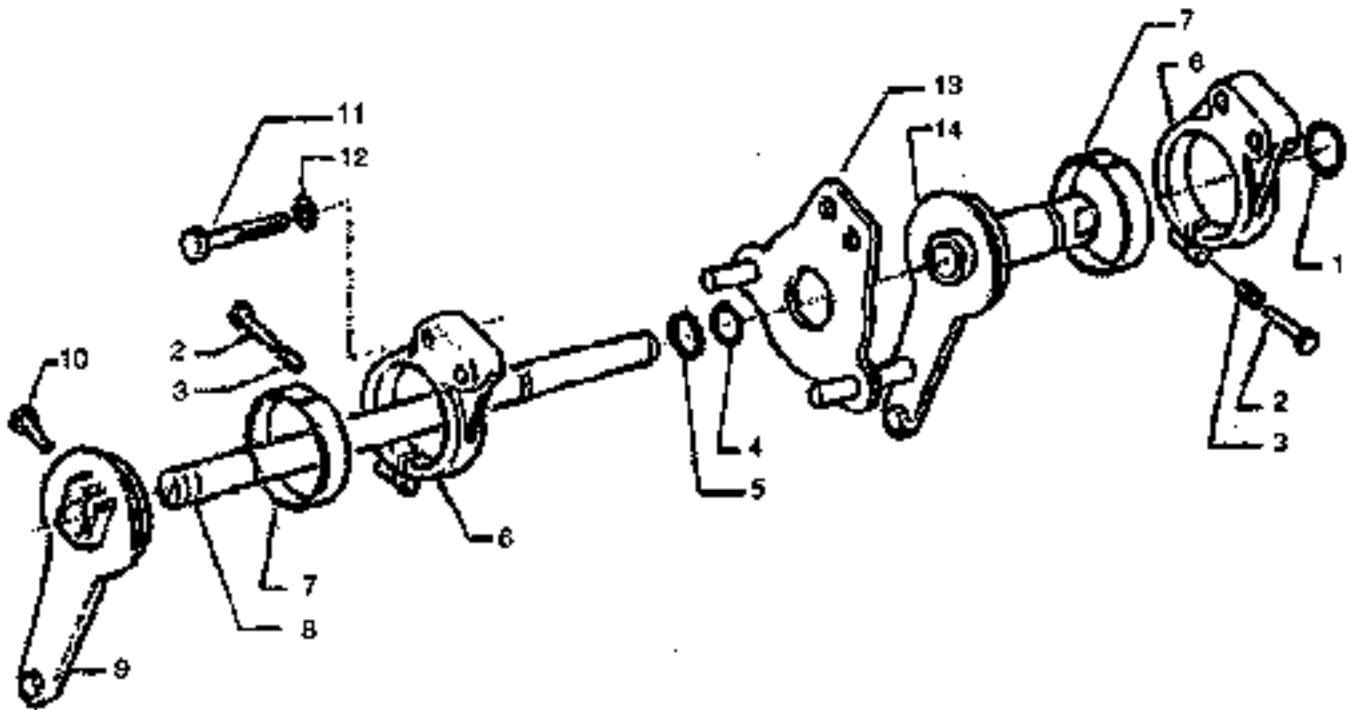
10:9

Ⓢ - SERIAL NUMBER BREAK

↙ - INDICATES UP TO AND INCLUDING THAT SERIAL NUMBER

665 / 665 DTC

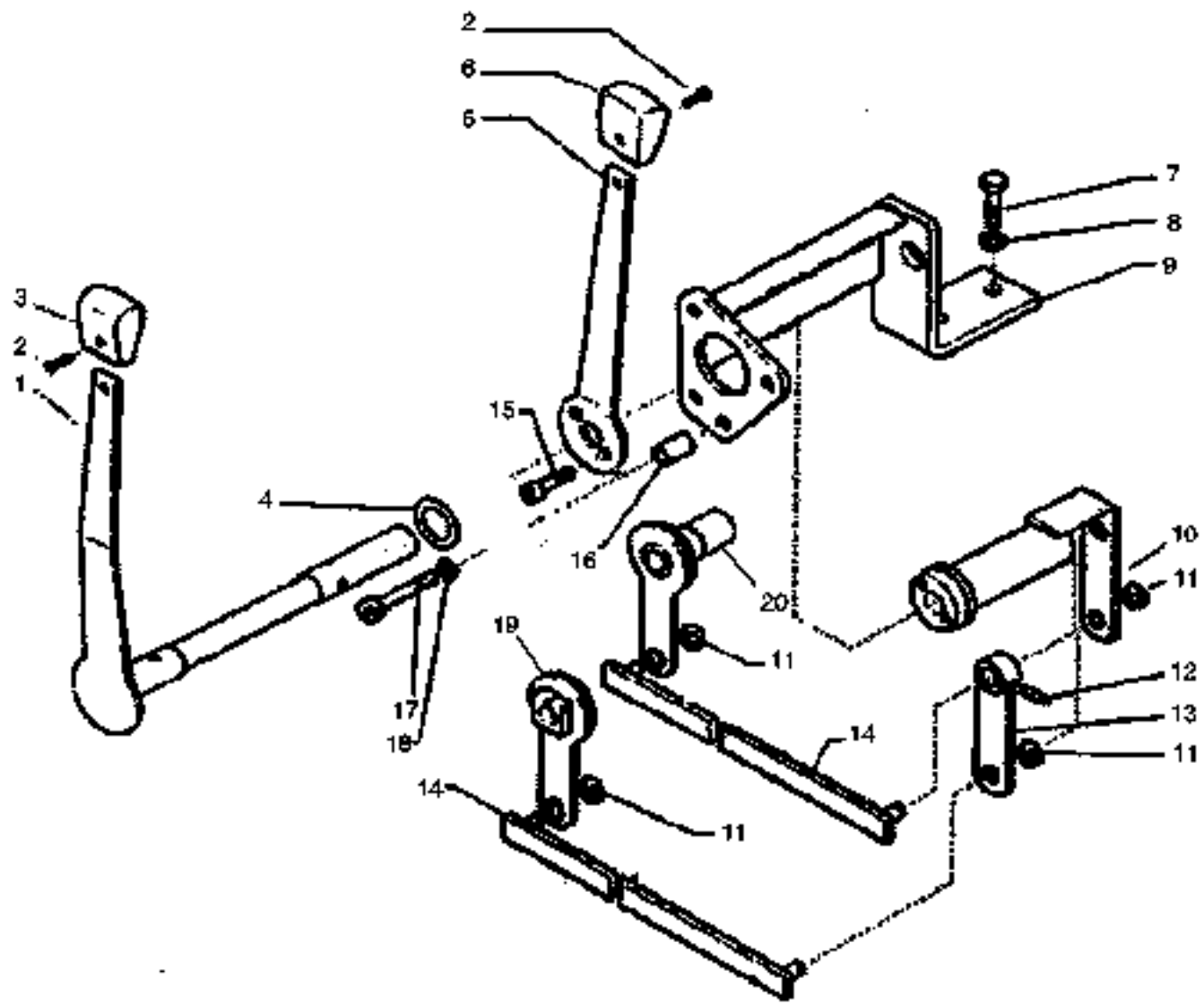
| Item No. | Part No. | Description | Vendor No. | Quantity | |
|----------|-----------|-----------------------|------------|----------|---------|
| | | | | 665 | 665 DTC |
| 1 | ESL13205 | Spring Cover | D10061840 | 1 | 1 |
| 2 | ESL13205 | O'Ring | D10061700 | 1 | 1 |
| 3 | ESL13207 | Rod | D10062190 | 1 | 1 |
| 4 | ESL13208 | Washer | D10061710 | 1 | 1 |
| 5 | ESL13209 | Spring | D10062480 | 1 | 1 |
| 6 | N60555958 | Bolt (M12x30) | - | 2 | 2 |
| 7 | ESL13059 | Pin (D5x25) | D10064610 | 1 | 1 |
| 8 | ESL13210 | Lever | D10062430 | 1 | 1 |
| 9 | ESL13211 | Lock Washer | D10061790 | 1 | 1 |
| 10 | ESL13212 | Rod | D10062070 | 1 | 1 |
| 11 | 3405056 | Nut (M10) | - | 1 | 1 |
| 12 | ESL13213 | Plate | D10061800 | 1 | 1 |
| 13 | ESL13154 | Bolt (M8x35) | D81501080 | 1 | 1 |
| 14 | N63017358 | Spring Washer | - | 1 | 1 |
| 15 | ESL13214 | Bush | D10061840 | 1 | 1 |
| 16 | ESL13215 | Grease Nipple (M10x1) | D92500060 | 3 | 3 |
| 17 | ESL13216 | O'Ring | D10061460 | 2 | 2 |
| 18 | ESL13207 | Shaft | D10062190 | 1 | 1 |
| 19 | ESL13177 | Nut (M12) | D83500470 | 1 | 1 |
| 20 | ESL13217 | Bracket -3rd Point | D10061500 | 1 | 1 |
| 21 | ESL13192 | Pin (D6x35) | D10063900 | 2 | 2 |
| 22 | ESL13218 | Lock Pin (D10) | D10098130 | 2 | 2 |
| 23 | ESL13219 | Pin - 3rd Point | D10062410 | 1 | 1 |
| 24 | ESL13220 | Pin - 3rd Point | D10098090 | 1 | 1 |
| 25 | ESL13221 | Flange | D10061730 | 1 | 1 |
| 26 | ESL13222 | Bush | D10062420 | 1 | 1 |
| 27 | ESL13223 | Washer | D10061740 | 1 | 1 |

**OUTER LIFTING CONTROL**

665 / 665 DTC

| ITEM No. | PART No. | DESCRIPTION | VENDOR No. | QUANTITY | |
|----------|-----------|----------------------|------------|--------------------|---|
| | | | | 665 665 DTC | |
| 1 | ESL13224 | O'Ring | D10061450 | 1 | 1 |
| 2 | ESL13225 | Bolt (M6x40) | D81501010 | 2 | 2 |
| 3 | ESL13226 | Spring | D10061600 | 2 | 2 |
| 4 | ESL13178 | O'Ring | D10061540 | 1 | 1 |
| 5 | ESL12874 | Snap Ring | D93000340 | 1 | 1 |
| 6 | ESL13228 | Support | D10061630 | 2 | 2 |
| 7 | ESL13229 | Clutch Ring | D10061590 | 2 | 2 |
| 8 | ESL13230 | Position Drive Shaft | D10062110 | 1 | 1 |
| 9 | ESL13231 | Lever | D10062120 | 1 | 1 |
| 10 | ESL13232 | Bolt (M10x30) | - | 1 | 1 |
| 11 | ESL13233 | Bolt (M8x55) | D81501100 | 2 | 2 |
| 12 | NG30173S8 | Spring Washer | - | 2 | 2 |
| 13 | ESL13236 | Flange | D10061490 | 1 | 1 |
| 14 | ESL13235 | Stress Drive Shaft | D10062390 | 1 | 1 |

665 / 665 DTC



OUTER LIFTING CONTROL LEVERS

10:13

Ⓢ - SERIAL NUMBER BREAK,

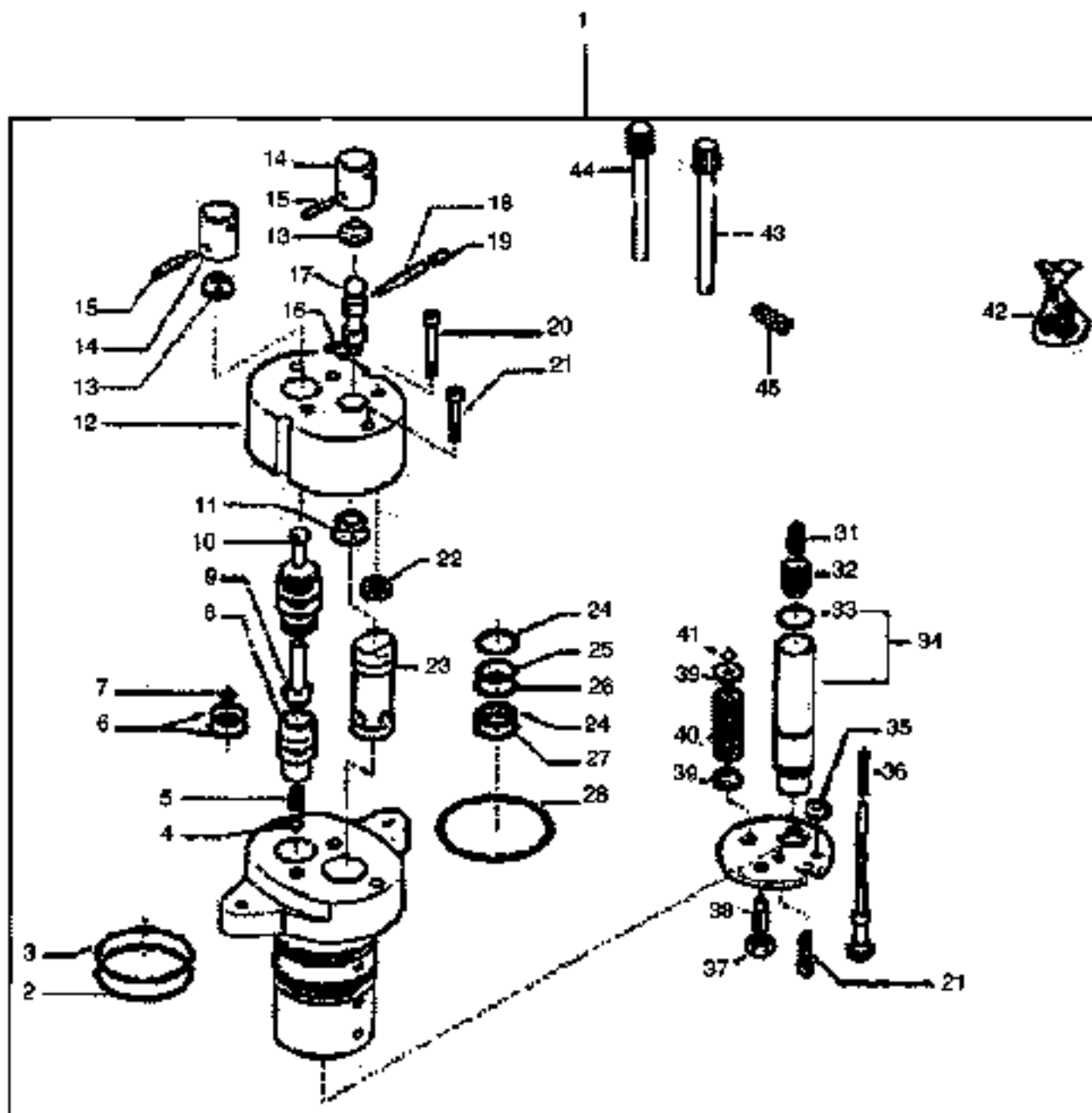


- INDICATES UP TO AND INCLUDING THAT SERIAL NUMBER

665 / 665 DTC

| ITEM No. | PART No. | DESCRIPTION | VENDOR No. | QUANTITY | |
|----------|-----------|--------------------|------------|-------------|---|
| | | | | 665 665 DTC | |
| 1 | ESL13236 | Drive Lever | D10061490 | 1 | 1 |
| 2 | ESL13237 | Screw (M3.5x13) | D82500380 | 2 | 2 |
| 3 | ESL13238 | Knob (Yellow) | - | 1 | 1 |
| 4 | ESL13239 | Washer | - | 1 | 1 |
| 5 | ESL13240 | Drive Lever | D10069040 | 1 | 1 |
| 6 | ESL13241 | Knob (Red) | - | 1 | 1 |
| 7 | ESL12672 | Bolt (M10x25) | - | 2 | 2 |
| 8 | N630174S8 | Spring Washer | - | 2 | 2 |
| 9 | ESL13242 | Support | D10062490 | 1 | 1 |
| 10 | ESL13243 | Drive Shaft | D10062130 | 1 | 1 |
| 11 | ESL13244 | Snap Ring | D10061740 | 4 | 4 |
| 12 | ESL12880 | Pin (D.5x25) | D93400250 | 1 | 1 |
| 13 | ESL13245 | Lever | D10062140 | 1 | 1 |
| 14 | ESL13246 | Rod | D10062500 | 2 | 2 |
| 15 | ESL12073 | Bolt (M6x16) | D81500360 | 2 | 2 |
| 16 | ESL13247 | Spacer | D10069060 | 4 | 4 |
| 17 | N600212S8 | Bolt (M8x35) | - | 4 | 4 |
| 18 | N630173S8 | Spring Washer | - | 4 | 4 |
| 19 | ESL13231 | Lever | D10062120 | 1 | 1 |
| 20 | ESL13235 | Stress Drive Shaft | D10062390 | 1 | 1 |

665 / 685 DTC

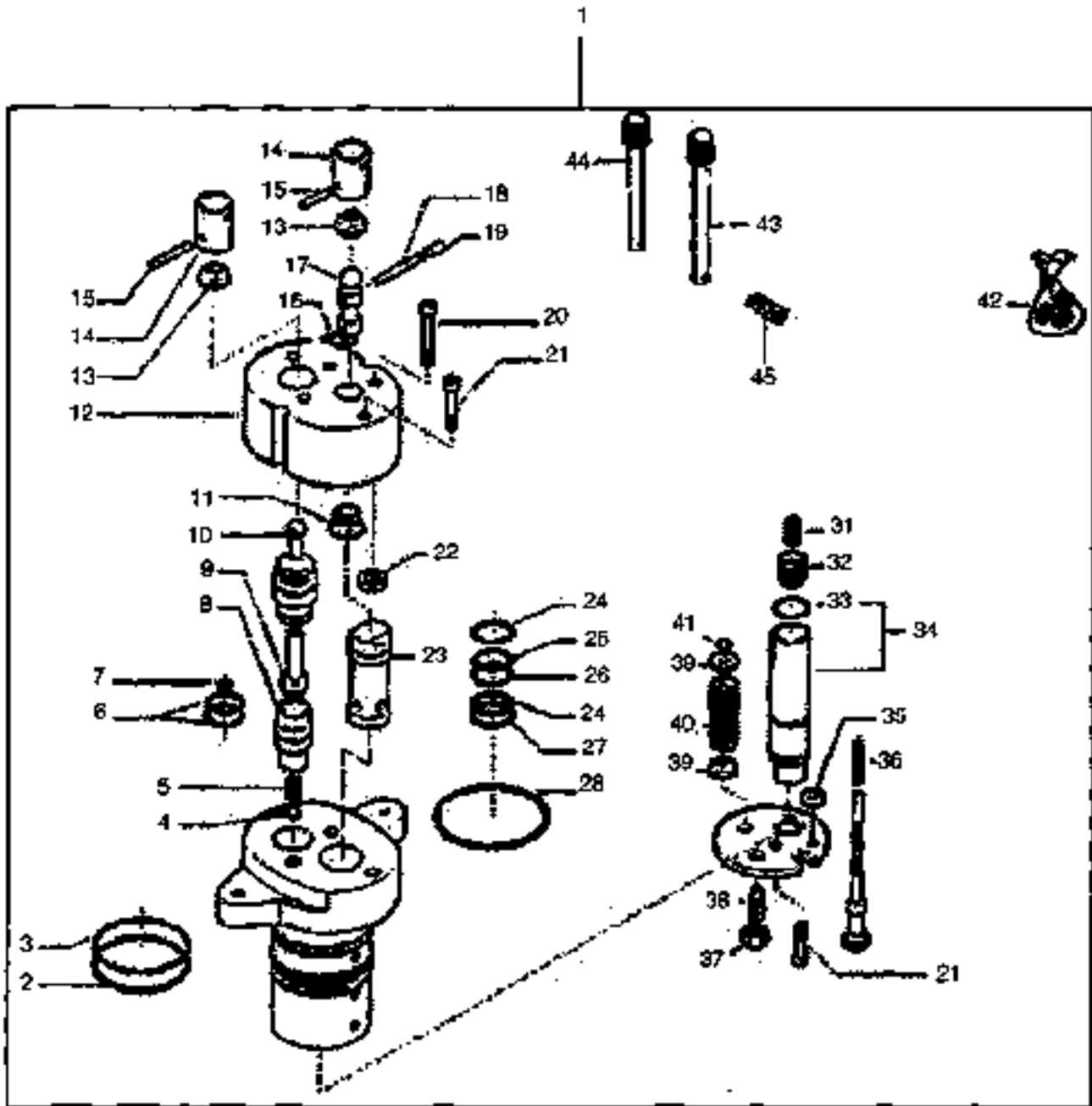


*NOTE: Item No. 29 and item No. 30 do not show as such but the description on page 129 shows what these items consists of.

665 / 665 DTC

| ITEM No. | PART No. | DESCRIPTION | VENDOR No. | QUANTITY | |
|----------|----------|---|------------|----------|---------|
| | | | | 665 | 665 DTC |
| 1 | ESL13248 | Distributor, Assembly | D10068010 | 1 | 1 |
| 2 | ESL13363 | Ring | . | 1 | 1 |
| 3 | ESL13364 | O'Ring | . | 2 | 2 |
| 4 | ESL13365 | Ball (11/32) | . | 1 | 1 |
| 5 | ESL13366 | Spring | . | 1 | 1 |
| 6 | . | O'Ring (NSS) | . | 2 | 2 |
| 7 | . | O'Ring (NSS) | . | 1 | 1 |
| 8 | . | Seal, Block (NSS) | . | 1 | 1 |
| 9 | . | Piston (NSS) | . | 1 | 1 |
| 10 | . | Push Rod (NSS) | . | 1 | 1 |
| 11 | . | Ring Nut (NSS) | . | 1 | 1 |
| 12 | . | Cover (NSS) | . | 1 | 1 |
| 13 | . | Boot (NSS) | . | 2 | 2 |
| 14 | ESL13374 | Joint | . | 2 | 2 |
| 15 | ESL13375 | Pin | . | 2 | 2 |
| 16 | . | Pin (NSS) | . | 2 | 2 |
| 17 | . | Push Rod (NSS) | . | 1 | 1 |
| 18 | . | Pin (NSS) | . | 1 | 1 |
| 19 | . | Cap (NSS) | . | 1 | 1 |
| 20 | ESL12100 | Bolt (M6x16) | . | 2 | 2 |
| 21 | ESL13380 | Bolt (M6x25) | . | 5 | 5 |
| 22 | . | Bush (NSS) | . | 2 | 2 |
| 23 | . | Valve (NSS) | . | 1 | 1 |
| 24 | . | O'Ring (NSS) | . | 2 | 2 |
| 25 | . | Ring (NSS) | . | 1 | 1 |
| 26 | . | O'Ring (NSS) | . | 1 | 1 |
| 27 | . | Ring (NSS) | . | 1 | 1 |
| 28 | . | O'Ring (NSS) | . | 1 | 1 |
| 29 | ESL13249 | Repair Kit, Sensitivity Regulation (Includes Items #11,13,16-17) | D10005850 | 1 | 1 |
| 30 | ESL13250 | Repair Kit, Block Seat Assembly (Includes Items#6-8) | D10005860 | 1 | 1 |
| 31 | . | Spring (NSS) | . | 1 | 1 |
| 32 | . | Differential Valve (NSS) | . | 1 | 1 |
| 33 | . | O'Ring (NSS) | . | 1 | 1 |
| 34 | ESL13391 | Differential Valve Seal Assembly (NSS) | . | 1 | 1 |
| 35 | . | Seat (NSS) | . | 2 | 2 |
| 36 | . | Spring (NSS) | . | 1 | 1 |
| 37 | ESL13394 | Nut (M6) | . | 2 | 2 |
| 38 | ESL13395 | Grub, Screw (M8x16) | . | 2 | 2 |

665 / 665 DTC

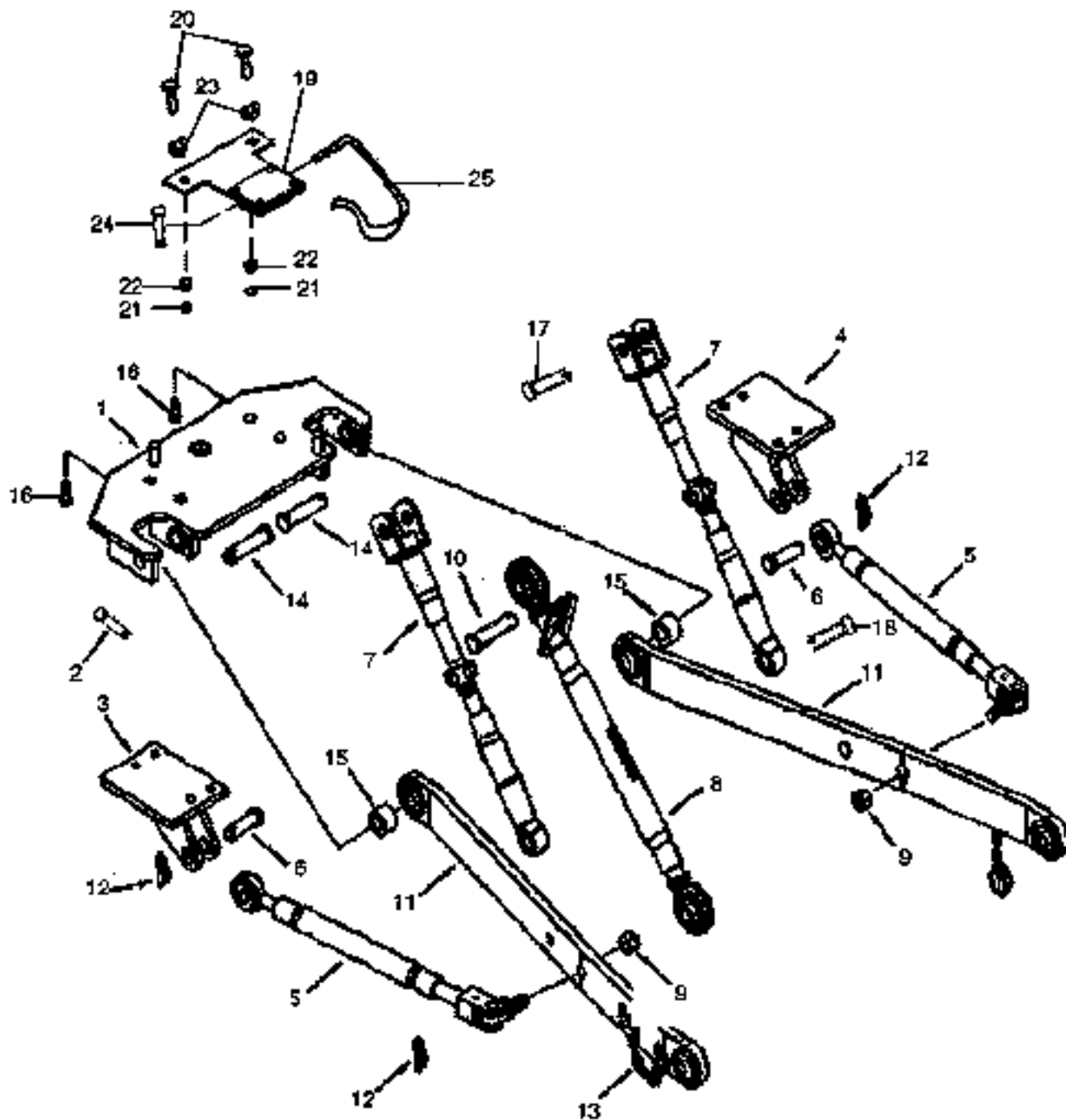


*NOTE: Item No. 29 and Item No. 30 do not show as such but the description on page 129 shows what these items consists of.

665 / 665 DTC

| ITEM No. | PART No. | DESCRIPTION | VENDOR No. | QUANTITY | |
|----------|----------|--|------------|----------|---------|
| | | | | 665 | 665 DTC |
| 39 | - | Spring Guide (NSS) | - | 4 | 4 |
| 40 | - | Spring (NSS) | - | 2 | 2 |
| 41 | - | Ball (5/16) (NSS) | - | 2 | 2 |
| 42 | ESL13251 | Oil Seal Kit (Includes Items #24-26,33,35-36) | D10098070 | 1 | 1 |
| 43 | ESL13252 | Lever Assembly, Flow Control Valve | - | 1 | 1 |
| 44 | ESL13401 | Lever Assembly, Flow Control Valve | - | 1 | 1 |
| 45 | ESL13402 | Roll Pin | - | 2 | 2 |

665 / 665 DTC



HYDRAULIC LIFT LINKAGES

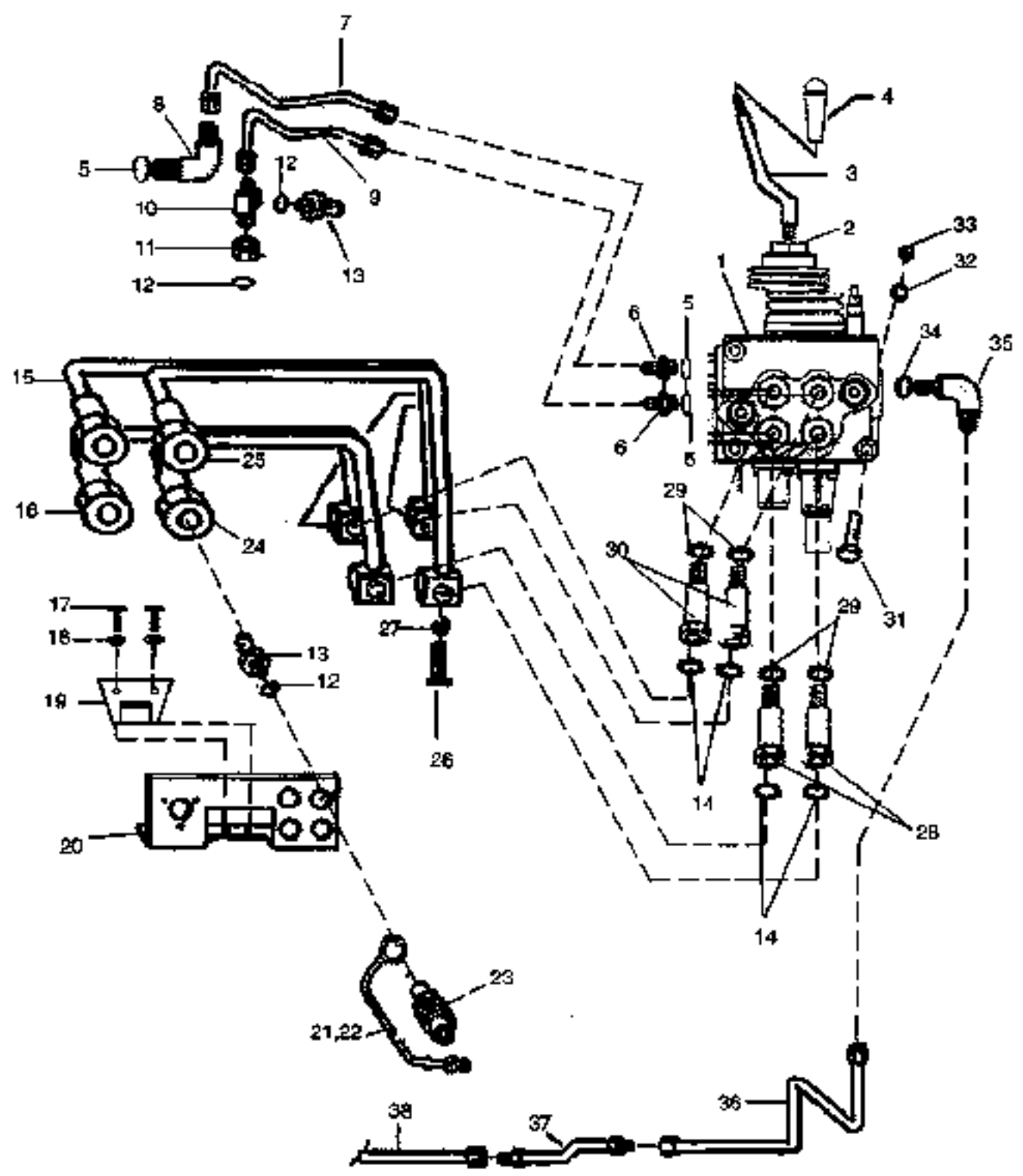
10:19

Ⓢ - SERIAL NUMBER BREAK, ↙ - INDICATES UP TO AND INCLUDING THAT SERIAL NUMBER

665 / 665 DTC

| ITEM No. | PART No. | DESCRIPTION | VENDOR No. | QUANTITY |
|----------|----------|------------------------------|------------|--------------------|
| | | | | 665 665 DTC |
| 1 | ESL13254 | Support, Lower Link Mounting | - | 1 1 |
| 2 | ESL12778 | Roll Pin | D87000190 | 2 2 |
| 3 | ESL13255 | Bracket, Stay Bar, LH | D10038340 | 1 1 |
| 4 | ESL13256 | Bracket, Stay Bar, RH | - | 1 1 |
| 5 | ESL13257 | Stay Bar Assembly | D10048380 | 2 2 |
| 6 | ESL13258 | Pin | D10043010 | 2 2 |
| 7 | ESL13259 | Lift Rod Assembly | D10048370 | 2 2 |
| 8 | ESL13260 | Link Assembly, Upper Lift | - | 1 1 |
| 9 | ESL13731 | Nut | D83000290 | 2 2 |
| 10 | ESL13262 | Pin, Upper Lift | D10043230 | 2 2 |
| 11 | ESL13263 | Lower Link | - | 2 2 |
| 12 | ESL13264 | Linch Pin | D10042600 | 6 6 |
| 13 | ESL13265 | Chain & Clip Assembly | D10043220 | 4 4 |
| 14 | ESL13266 | Pin, Fulcrum | - | 2 2 |
| 15 | ESL13267 | Spacer | - | 2 2 |
| 16 | ESL13269 | Screw, Self Locking(M16) | - | 4 4 |
| 17 | ESL14186 | Pin, Lift Rod, Upper | - | 2 2 |
| 18 | ESL14187 | Pin, Lift Rod, Lower | - | 2 2 |
| 19 | ESL14188 | Bracket, Top Link | D10047760 | 1 1 |
| 20 | 304848S8 | Bolt, Hex Head (5/16-16x3/4) | - | 4 4 |
| 21 | 33797S8 | Nut, Hex (5/16-18) | - | 4 4 |
| 22 | 34806S8 | Washer, Lock (5/16) | - | 4 4 |
| 23 | 44720S8 | Washer, Flat (1/4) | - | 4 4 |
| 24 | 72004S8 | Pin, Cotter (3/32x1/2) | - | 1 1 |
| 25 | 903560 | Hook, Center Link | - | 1 1 |

665 / 665 drc



DOUBLE ACTING SPOOL VALVE

10:21

Ⓢ - SERIAL NUMBER BREAK, ↖ - INDICATES UP TO AND INCLUDING THAT SERIAL NUMBER

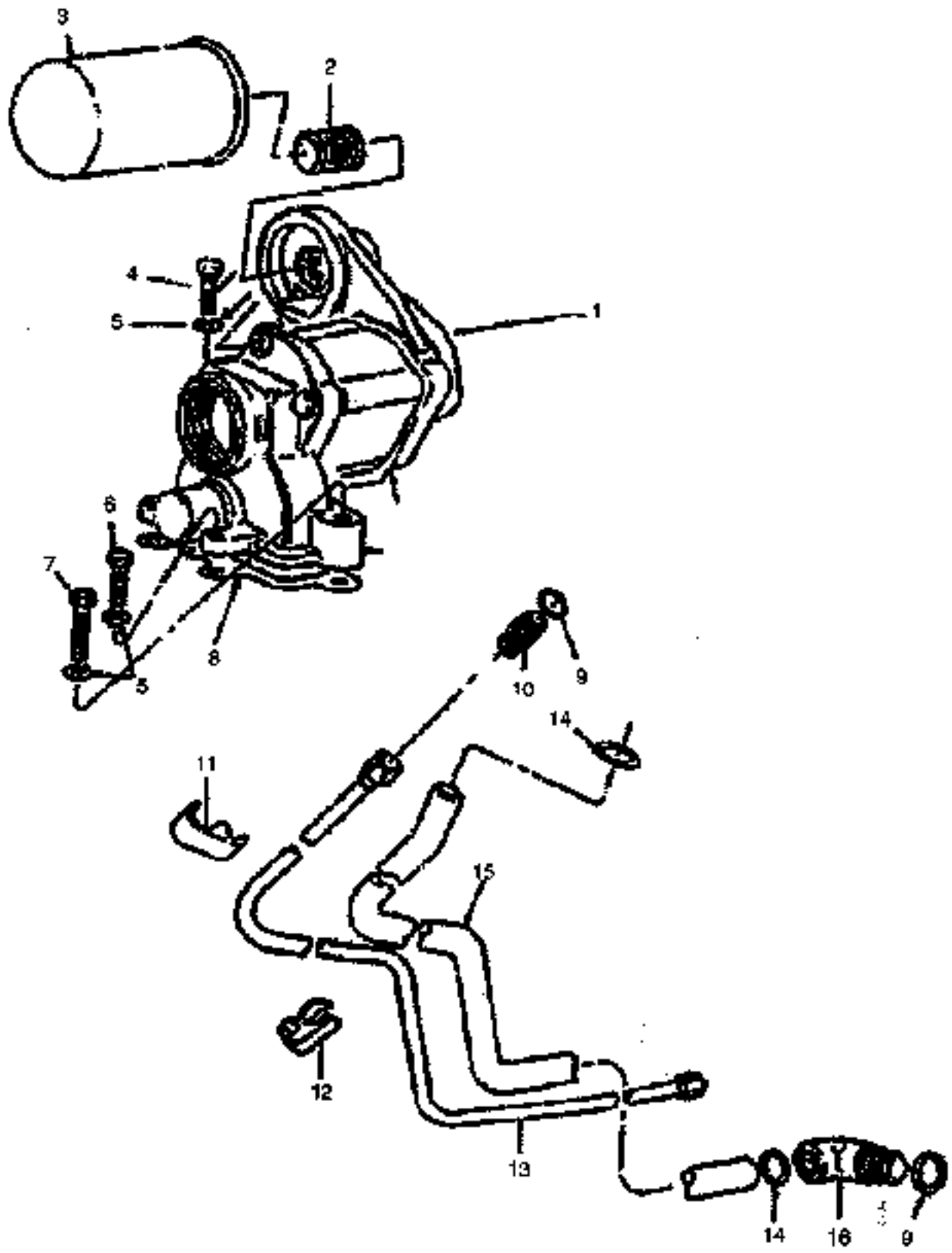
665 / 665 DTC

| Item No. | PART No. | DESCRIPTION | VENDOR No. | QUANTITY | |
|----------|-----------|--|------------|----------|---------|
| | | | | 665 | 665 DTC |
| 1 | ESL13644 | Valve Assembly, Hydraulic Control | D10044310 | 1 | 1 |
| 2 | ESL13645 | Nut, Hex (M12x1.75) | - | 1 | 1 |
| 3 | ESL13646 | Lever | - | 1 | 1 |
| 4 | ESL12687 | Knob | D10042450 | 1 | 1 |
| 5 | ESL10008 | O'Ring | D83600190 | 3 | 3 |
| 6 | ESL13648 | Adapter | D10044040 | 2 | 2 |
| 7 | ESL13649 | Tube Assembly, Spool Valve to Hydraulic Lift | D10044210 | 1 | 1 |
| 8 | ESL13643 | Elbow | D10043150 | 1 | 1 |
| 9 | ESL13650 | Tube Assembly, (Spool Valve to Housing | D10044220 | 1 | 1 |
| 10 | ESL12747 | Adapter, Return | D10038720 | 1 | 1 |
| 11 | ESL13164 | Lock Nut | - | 1 | 1 |
| 12 | ESL10021 | O'Ring | D83600070 | 1 | 1 |
| 13 | ESL11257 | Adapter | D10021160 | 5 | 5 |
| 14 | ESL10022 | O'Ring | D10027170 | 5 | 5 |
| 15 | ESL13651 | Tube Assembly, (Hydraulic Control Valve, LH Upper | D10044090 | 1 | 1 |
| 16 | ESL13652 | Tube Assembly, (Hydraulic Control Valve, LH Lower | D10044110 | 1 | 1 |
| 17 | ESL12887 | Bolt, Hex (M10x1.5x30) | D81500370 | 2 | 2 |
| 18 | N63017458 | Washer, Lock (M10) | - | 2 | 2 |
| 19 | ESL13268 | Bracket | - | 1 | 1 |
| 20 | ESL13654 | Bracket, Coupling Mounting | D10043440 | 1 | 1 |
| 21 | ESL13655 | Dust Plug, Red | - | 2 | 2 |
| 22 | ESL13656 | Dust Plug, Blue | D10105250 | 2 | 2 |
| 23 | ESL12604 | Coupling Assembly, Red | D10026100 | 2 | 2 |
| - | ESL12605 | Coupling Assembly, Blue | - | 2 | 2 |
| 24 | ESL13657 | Tube Assembly, (Hydraulic Control Valve, RH Lower | D10044120 | 1 | 1 |
| 25 | ESL13658 | Tube Assembly, (Hydraulic Control Valve, RH Upper | D10044100 | 1 | 1 |
| 26 | 3111358 | Banjo Bolt | - | 4 | 4 |
| 27 | 8643858 | O'Ring | - | 4 | 4 |
| 28 | ESL13659 | Adapter, Big | D10044160 | 2 | 2 |
| 29 | ESL13660 | Sealing Washer | - | 4 | 4 |
| 30 | ESL13661 | Adapter, Small | D10044150 | 2 | 2 |
| 31 | ESL13662 | Bolt, Hex (M8x1.25x60) | - | 3 | 3 |
| 32 | N63006858 | Washer, Lock (M8) | - | 3 | 3 |
| 33 | N62001358 | Nut, Hex (M8) | - | 3 | 3 |
| 34 | ESL13665 | Sealing Washer | - | 1 | 1 |
| 35 | ESL13666 | Elbow | D10044030 | 1 | 1 |
| 36 | ESL13667 | Tube Assembly, (Hydraulic Pump Pressure) | - | 1 | 1 |
| 37 | ESL12757 | Tube Assembly, Tap Off | D10044260 | 1 | 1 |
| 38 | ESL13668 | Tube Assembly, (Hydraulic Pump Pressure) | D10044240 | - | - |
| - | ESL12756 | Tube Assembly, (Hydraulic Pump Pressure) | D10046970 | 1 | 1 |

DOUBLE ACTING SPOOL VALVE
Ⓢ - SERIAL NUMBER BREAK,

Ⓚ - INDICATES UP TO AND INCLUDING THAT SERIAL NUMBER

665 / 665 DTC



665 / 665 DTC

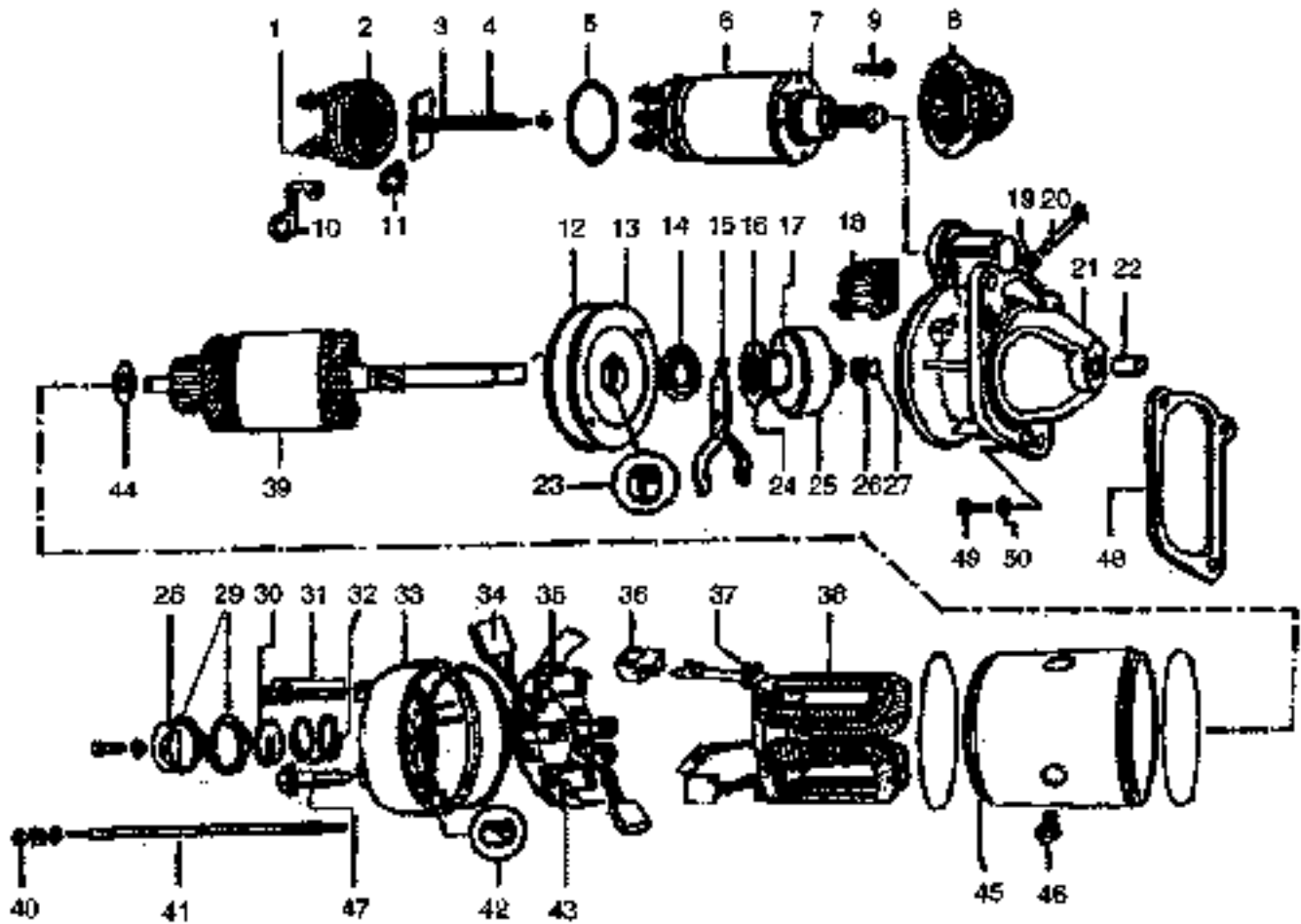
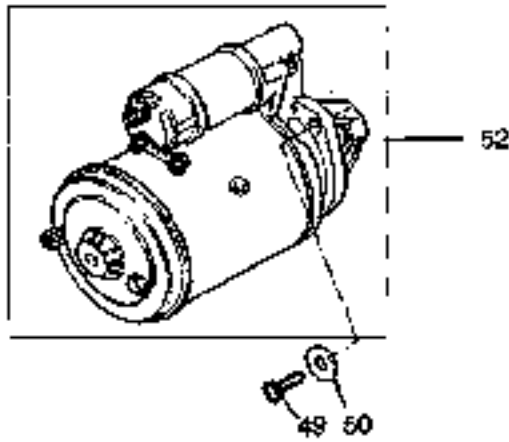
| ITEM No. | PART No. | DESCRIPTION | VENDOR No. | QUANTITY | |
|----------|----------|---------------------------------------|------------|----------|---------|
| | | | | 665 | 665 DTC |
| 1 | ESL11276 | Pump Assembly, Hydraulic | D10026150 | 1 | 1 |
| 2 | ESL13284 | Adapter, Filter | - | 1 | 1 |
| 3 | ESL11255 | Filter Assembly | D10026180 | 1 | 1 |
| 4 | ESL12448 | Bolt, Hex Head (3/8-16x1.50) | - | 1 | 1 |
| 5 | 3480758 | Washer, Lock (3/8) | - | 4 | 4 |
| 6 | 30476058 | Bolt, Hex Head (3/8-16x1.50) | - | 22 | 22 |
| 7 | ESL11927 | Bolt, Hex Head (3/8-16x2.38) | D10021580 | 2 | 2 |
| 8 | ESL13703 | Gasket, Pump to Block | D10013140 | 1 | 1 |
| 9 | ESL11270 | O'Ring | D93600020 | 2 | 2 |
| 10 | ESL11267 | Connector (1/2-3/4-16) | D10021160 | 1 | 1 |
| 11 | ESL11263 | Grommet, Hydraulic Pump, Pipe Support | D10012190 | 1 | 1 |
| 12 | ESL11258 | Grommet, Hydraulic Pump, Pipe Support | D10012210 | 1 | 1 |
| 13 | ESL13668 | Tube, Pump Pressure | D10044240 | 1 | 1 |
| 14 | ESL11236 | O'Ring (1.125 IDx0.139) | D93600080 | 2 | 2 |
| 15 | ESL13671 | Tube, Pump Inlet | - | 1 | 1 |
| 16 | ESL12749 | Elbow, Hydraulic Tube Inlet | D10042570 | 1 | 1 |

Notes

ELECTRICALS, GAUGES & LIGHT SYSTEM



665 / 665 D7C

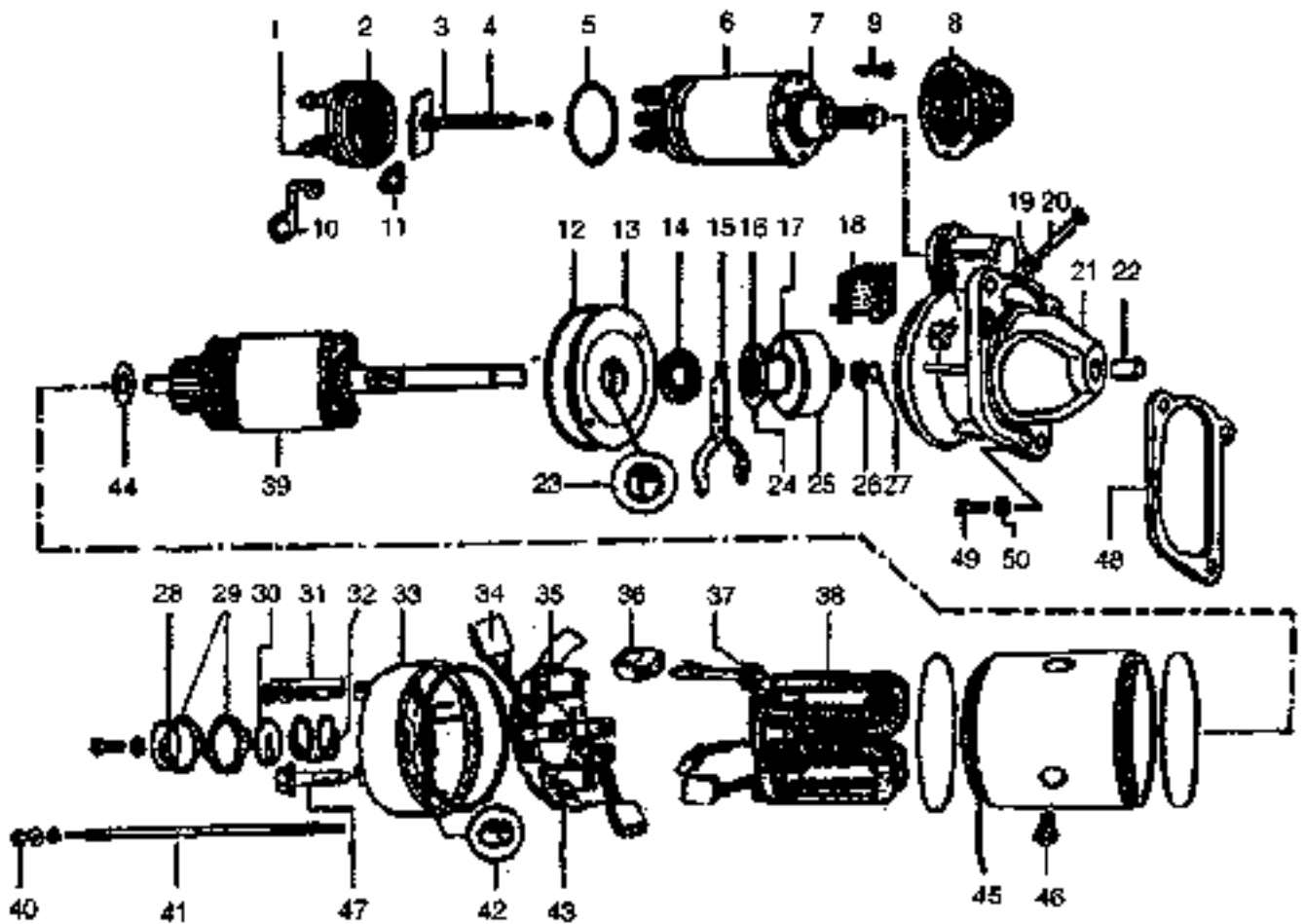
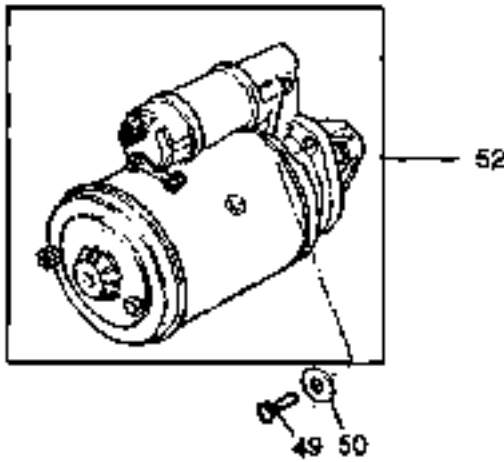


STARTER MOTOR & RELAY ASSEMBLY

665 / 665 DTC

| ITEM No. | PART No. | DESCRIPTION | VENDOR No. | QUANTITY | |
|----------|----------|-------------------------------------|------------|--------------------|---|
| | | | | 665 665 DTC | |
| 1 | - | Main Terminal (Solenoid) (NSS) | D10011870 | 2 | 2 |
| 2 | - | Terminal Base Assembly (NSS) | - | 1 | 1 |
| 3 | - | Spindle Assembly (NSS) | D82500050 | 1 | 1 |
| 4 | - | Plunger Return Spring (NSS) | - | 1 | 1 |
| 5 | ESL13444 | Sealing Ring (Solenoid) | D10012460 | 1 | 1 |
| 6 | ESL13445 | Solenoid Switch Assembly | - | 1 | 1 |
| 7 | - | Plunger Assembly (NSS) | D10058800 | 1 | 1 |
| 8 | - | Shroud (NSS) | D10026870 | 1 | 1 |
| 9 | - | Screw (Solenoid Fixing) (NSS) | D10107500 | 3 | 3 |
| 10 | ESL13449 | Connector | D10069600 | 1 | 1 |
| 11 | - | Seal (NSS) | - | 1 | 1 |
| 12 | ESL13451 | Sealing Ring (DE & CE) | - | 2 | 2 |
| 13 | - | Intermediate Bracket Assembly (NSS) | - | 1 | 1 |
| 14 | ESL13459 | Oil Seal | D10107610 | 1 | 1 |
| 15 | - | Engaging Lever Assembly (NSS) | - | 1 | 1 |
| 16 | - | Jump Ring (Pinion) (NSS) | D10012620 | 1 | 1 |
| 17 | - | Spring Pinion (NSS) | D10017310 | 1 | 1 |
| 18 | - | Grommet (NSS) | D10012620 | 1 | 1 |
| 19 | - | Nut (Pivot) (NSS) | D10017310 | 1 | 1 |
| 20 | - | Pivot Pin (NSS) | - | 1 | 1 |
| 21 | - | Fixing Bracket Assembly (NSS) | D10012180 | 1 | 1 |
| 22 | ESL13461 | Bearing Bush (Fixing Bracket) | D10012130 | 1 | 1 |
| 23 | ESL13462 | Bearing Bush (Inter Bracket) | D10012610 | 1 | 1 |
| 24 | - | Operating Plate (Pinion) (NSS) | D10012180 | 1 | 1 |
| 25 | ESL13464 | Drive Assembly | D10021930 | 1 | 1 |
| 26 | ESL13465 | Thrust Collar | D83100050 | 1 | 1 |
| 27 | ESL13466 | Jump Ring | - | 1 | 1 |
| 28 | - | End Cover (NSS) | - | 1 | 1 |
| 29 | ESL13468 | Seal (End Cover) | - | 2 | 2 |
| 30 | - | O'Washer (NSS) | - | 1 | 1 |
| 31 | ESL13470 | Earth Terminal | D10105220 | 1 | 1 |
| 32 | - | Spring (End Cover) (NSS) | - | 1 | 1 |
| 33 | - | C & E Bracket Assembly (NSS) | D10092220 | 1 | 1 |
| 34 | ESL13473 | Brush Set | D10058810 | 1 | 1 |
| 35 | ESL13474 | Brush Carrier Assembly | - | 1 | 1 |
| 36 | ESL13475 | Lead Assembly | - | 1 | 1 |
| 37 | - | Grommet (NSS) | - | 1 | 1 |
| 38 | ESL13477 | Field Coil Assembly | - | 1 | 1 |
| 39 | ESL13478 | Armature Assembly | - | 1 | 1 |
| 40 | ESL13479 | Nut (Fixing Stud) | - | 2 | 2 |

665 / 66S b7c

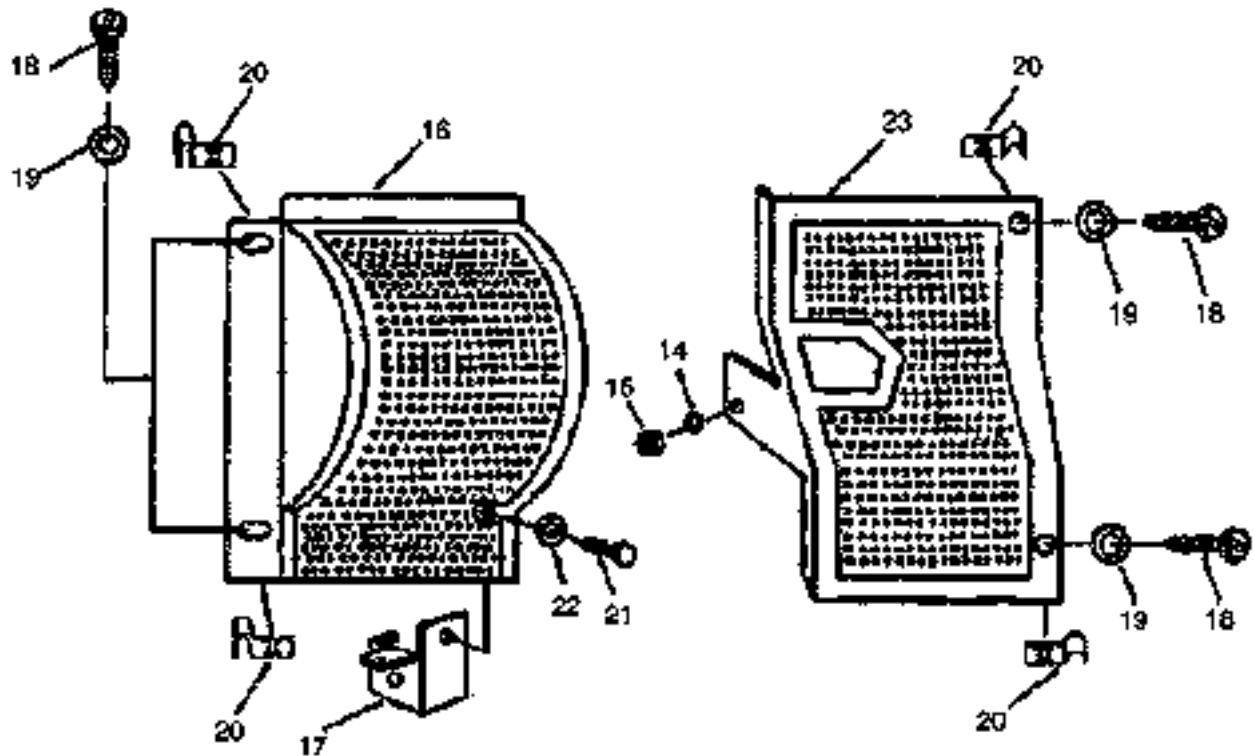
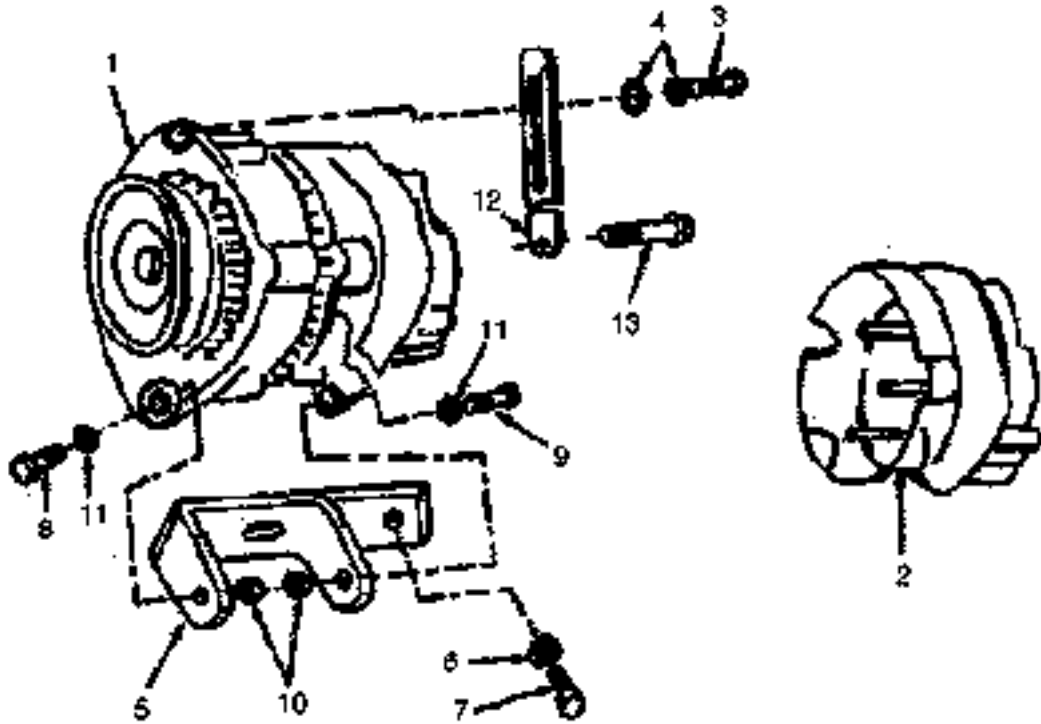


STARTER MOTOR & RELAY ASSEMBLY

665 / 665 DTC

| ITEM No. | PART No. | DESCRIPTION | VENDOR No. | QUANTITY |
|----------|----------|------------------------------|------------|--------------------|
| | | | | 665 665 DTC |
| 41 | - | Fixing Stud (NSS) | - | 1 1 |
| 42 | ESL13461 | Bearing Bush | - | 1 1 |
| 43 | ESL13462 | Brush Spring | - | 4 4 |
| 44 | - | Stop Washer (NSS) | - | 1 1 |
| 45 | - | Insulation Yoke (NSS) | - | 1 1 |
| 46 | - | Pole Screw (NSS) | - | 4 4 |
| 47 | - | Screw (NSS) | - | 2 2 |
| 48 | ESL13467 | Gasket Starter Motor | D10017670 | 1 1 |
| 49 | 30472288 | Bolt, Hex Head (3/8-16x1.25) | - | 3 3 |
| 50 | 348075B | Washer, Lock (3/8) | - | 3 3 |
| 51 | ESL11461 | Clip, Wiring (NI) | D10019390 | 1 1 |
| 52 | ESL12587 | Starter Motor Assembly | D10026880 | 1 1 |

665 / 665 D7C



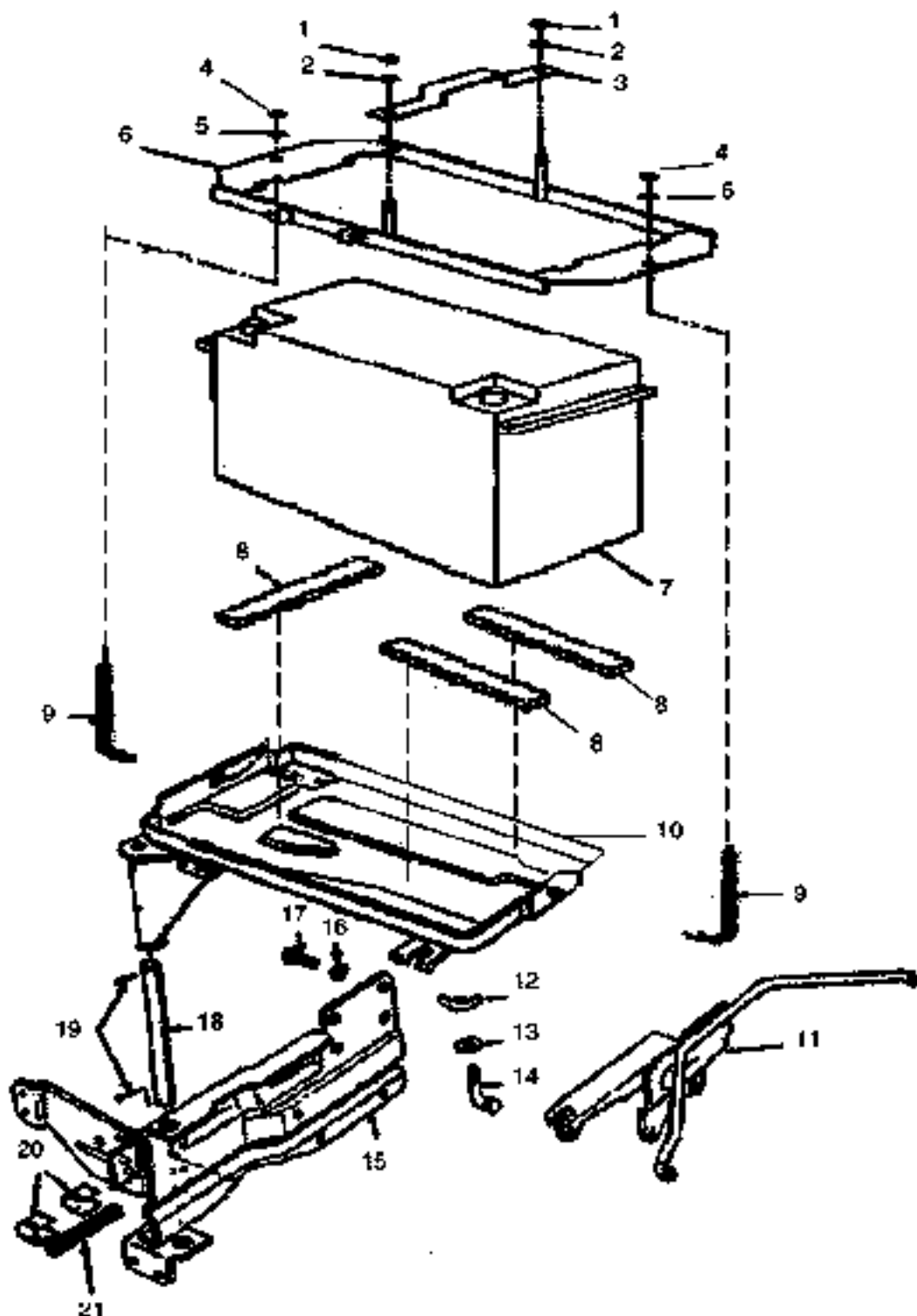
ALTERNATOR & GUARD

665 / 665 DTC

| ITEM No. | PART No. | DESCRIPTION | VENDOR No. | QUANTITY 665 665 DTC | |
|----------|-----------|-------------------------------------|------------|-------------------------|---|
| 1 | ESL12537 | Alternator & Regulator Assembly | D10026590 | 1 | 1 |
| 2 | ESL11332 | Shield Alternator | - | 1 | 1 |
| 3 | E602189S8 | Bolt, Hex (M8x1.25x30) | - | 1 | 1 |
| 4 | ESL11720 | Washer, Flat (M8x19x3) | D65500130 | 2 | 2 |
| 5 | ESL11960 | Bracket Mounting Alternator | - | 1 | 1 |
| 6 | ESL11719 | Washer, Bracket Mounting | D10021570 | 2 | 2 |
| 7 | 42997S8 | Bolt, Hex (3/8-16x0.875) | - | 2 | 2 |
| 8 | ESL11955 | Bolt (M10-1.5x90) | D81500280 | 1 | 1 |
| 9 | N600313S8 | Bolt (M10-1.5x40) | - | 1 | 1 |
| 10 | N620014S8 | Nut (M10-1.5) | - | 2 | 2 |
| 11 | ESL11956 | Washer (M10) | D65500140 | 2 | 2 |
| 12 | ESL12539 | Arm, Alternator Belt Adjusting | D10010660 | 1 | 1 |
| 13 | 304739S8 | Bolt, Hex (5/16-18x1.375) | - | 1 | 1 |
| 14 | 34791S8 | Washer, Hex (5/16) | - | 1 | 1 |
| 15 | 33797S8 | Nut, Hex (5/16-18) | - | 1 | 1 |
| 16 | ESL13491 | Guard, Alternator & Fan, LH | D10017080 | 1 | 1 |
| 17 | ESL13492 | Bracket Assembly | D10010940 | 1 | 1 |
| 18 | ESL12040 | Screw, Pan Head (1/4-14x2.00) | D82000060 | 4 | 4 |
| 19 | ESL12046 | Washer, Flat (1/4) | D85500100 | 4 | 4 |
| 20 | ESL12042 | Nut, Spring U (1/2-14) | D83000250 | 4 | 4 |
| 21 | ESL12073 | Bolt, Hex Head (M6-1x15) | D81500360 | 1 | 1 |
| 22 | N630087S8 | Washer, Flat (M6) | - | 1 | 1 |
| 23 | ESL12001 | Guard Assembly Alternator & Fan, RH | D10059210 | 1 | 1 |

ALTERNATOR & GUARD

665 / 665 DTC

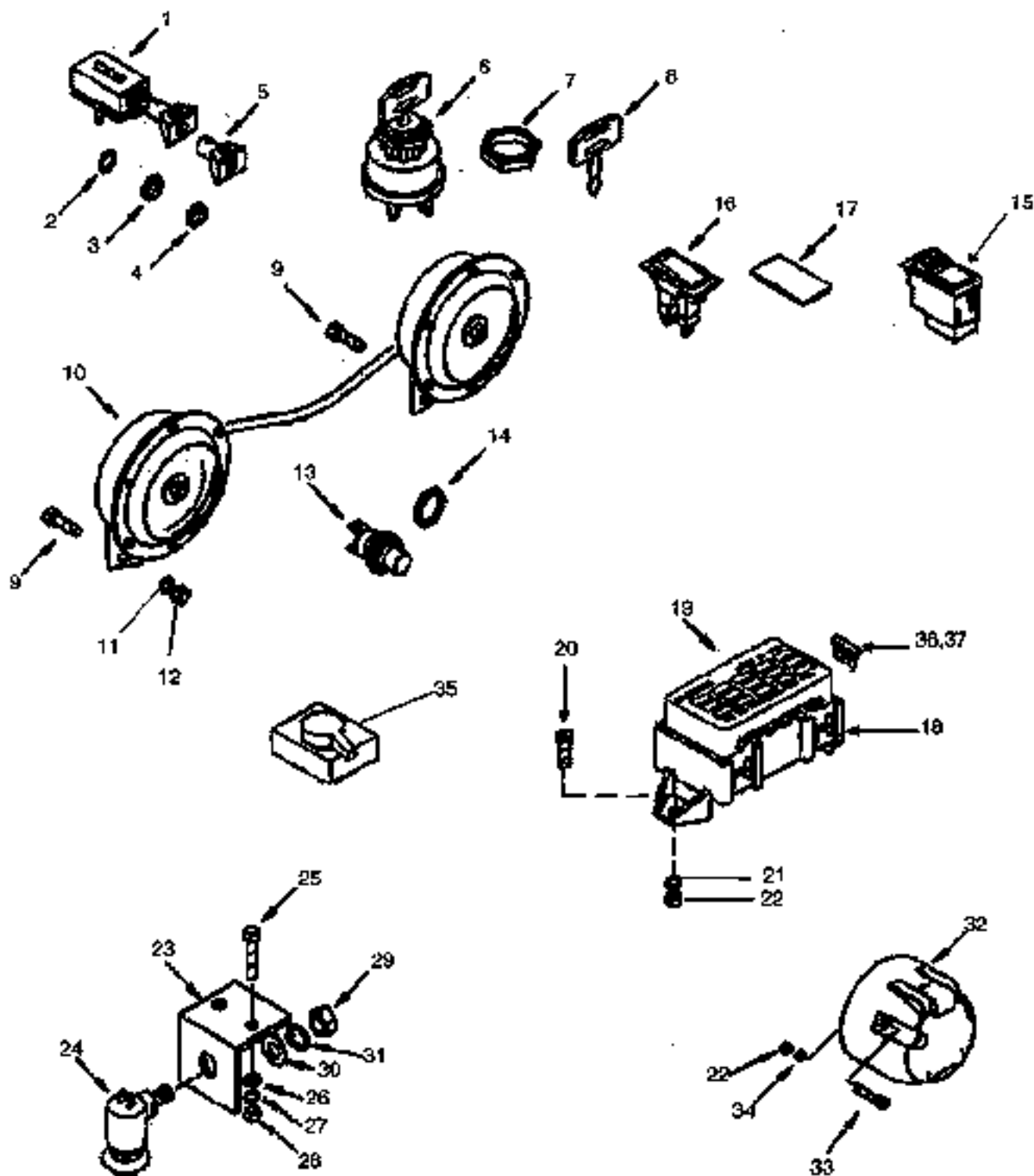


BATTERY & BATTERY SUPPORT

665 / 665 DTC

| ITEM No. | PART No. | DESCRIPTION | VENDOR No. | QUANTITY | |
|----------|----------|--|------------|----------|---------|
| | | | | 665 | 665 DTC |
| 1 | 33796S8 | Nut, Hex Head (1/4) | - | 2 | 2 |
| 2 | 44719S8 | Washer, Flat (1/4) | - | 2 | 2 |
| 3 | ESL12547 | Top Plate, Battery Hold Down | D10026260 | 1 | 1 |
| 4 | 383705S8 | Nut, Hex Lock (5/16-18) | - | 2 | 2 |
| 5 | 44722S8 | Washer, Flat (5/16) | - | 3 | 3 |
| 6 | ESL12545 | Clamp, Battery Hold Down | D10026280 | 1 | 1 |
| 7 | 799716 | Battery Assembly | - | 1 | 1 |
| 8 | ESL12548 | Pad Battery | D10026290 | 3 | 3 |
| 9 | ESL12546 | Rod, Battery Hold Down | D10026270 | 2 | 2 |
| 10 | ESL12285 | Tray Assembly, Battery | - | 1 | 1 |
| 11 | ESL11352 | Support, Radiator Shell Upper | D10013330 | 1 | 1 |
| 12 | 388789S | Nut, Wing (5/16-18) | - | 1 | 1 |
| 13 | 44724S8 | Washer, Flat (5/16) | - | 1 | 1 |
| 14 | ESL11773 | Bolt, Battery Hold Down | D10065740 | 1 | 1 |
| 15 | ESL11342 | Bracket Assembly, Battery Support | D10017320 | 1 | 1 |
| 16 | 348089S | Washer, Lock (7/16) | - | 4 | 4 |
| 17 | 30485238 | Bolt, Hex Head (7/16-14x0.75) | - | 4 | 4 |
| 18 | ESL11350 | Pin, Battery Tray | D10018210 | 1 | 1 |
| 19 | ESL13674 | Pin, Cotter (5/32x1.25) | - | 2 | 2 |
| 20 | ESL11354 | Clip, Battery Cable Pad | D10018400 | 1 | 1 |
| 21 | ESL11353 | Pad, Battery Cable | D10018390 | 1 | 1 |
| 22 | ESL11357 | Terminal, Battery Cable, Positive (NI) | - | 1 | 1 |
| 23 | ESL11356 | Cover, Terminal Insulation (NI) | - | 1 | 1 |
| 24 | ESL11358 | Terminal, Battery Cable, Earth (NI) | - | 1 | 1 |
| 25 | ESL11355 | Boot, Terminal Insulation (NI) | - | 1 | 1 |
| 26 | 23017S2 | Bolt, Terminal (5/16-18x1.25) (NI) | - | 2 | 2 |
| 27 | 83797S2 | Nut, Hex, Terminal (5/16-18) (NI) | - | 2 | 2 |

665 / 665 DTC



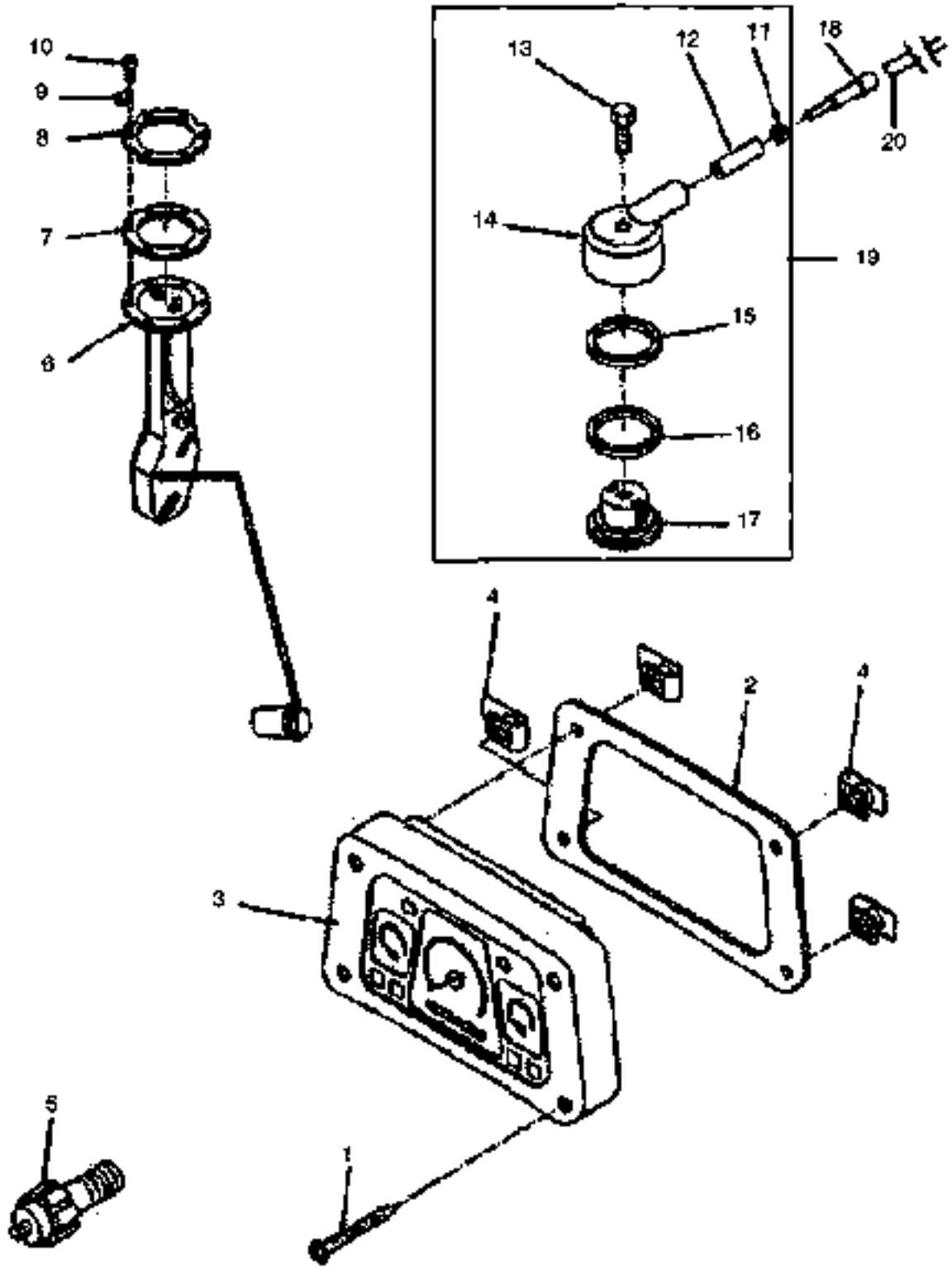
ELECTRICAL SWITCHES

665 / 665 D7C

| ITEM No. | PART No. | DESCRIPTION | VENDOR No. | QUANTITY |
|----------|-----------|---------------------------------------|------------|-------------|
| | | | | 665 665 D7C |
| 1 | ESL13498 | Switch Assembly, Lighting | D10019310 | 1 1 |
| 2 | ESL11723 | Washer | - | 1 1 |
| 3 | ESL11819 | Nut, Lighting Switch | - | 1 1 |
| 4 | ESL11820 | Nut, Lighting Switch | - | 1 1 |
| 5 | ESL11360 | Knob, Light Switch | - | 1 1 |
| 6 | ESL13490 | Switch Assembly, Heat & Starter | - | 1 1 |
| 7 | ESL11821 | Nut, Starter Switch | - | - 1 |
| 8 | ESL11362 | Key, Ignition Lock | - | 1 1 |
| 9 | 304682S8 | Bolt, Hex Head (5/16-18x1.00) | - | 2 2 |
| 10 | ESL11365 | Horn Assembly, Dual Tone | D10017850 | 1 1 |
| 11 | 34841S8 | Washer (5/16) | - | 2 2 |
| 12 | 33799S8 | Nut (5/16) | - | 2 2 |
| 13 | ESL13501 | Button Assembly, Horn Blowing | - | 1 1 |
| 14 | ESL12454 | Nut, Horn Blowing | - | 1 1 |
| 15 | ESL11364 | Switch Assembly, Emergency Warning | D10017980 | 1 1 |
| 16 | ESL12573 | Switch Assembly, Worklamp | D10026520 | 1 1 |
| 17 | ESL11372 | Grommet | - | 1 1 |
| 18 | ESL11374 | Fuse Box Assembly (Includes Item #19) | - | 1 1 |
| 19 | ESL13734 | Cover, Fuse Box | D10105130 | 1 1 |
| 20 | ESL11887 | Screw, Pan Head (M10-24*0.62) | D82000030 | 2 2 |
| 21 | 34803S8 | Washer, Lock (M10) | - | 2 2 |
| 22 | 34053S8 | Nut, Hex (M10-24) | - | 5 5 |
| 23 | ESL13503 | Bracket, Stop Lamp Switch Mounting | - | - - |
| 24 | ESL13504 | Switch Assembly, Stop Lamp | D10016930 | 1 1 |
| 25 | N606321S8 | Bolt, Carriage (M8x1.25x20) | - | 2 2 |
| 26 | 44722S8 | Washer, Flat (5/16) | - | 2 2 |
| 27 | N830173S8 | Washer, Lock (M8) | - | 2 2 |
| 28 | N820013S8 | Nut (M8) | - | 2 2 |
| 29 | ESL12017 | Nut (3/8-16) | D83000020 | 1 1 |
| 30 | ESL12074 | Washer, Flat | D86000090 | 1 1 |
| 31 | 34807S8 | Washer, Lock | - | 1 1 |
| 32 | ESL11381 | Socket Assembly | D10026380 | 1 1 |
| 33 | 54049S8 | Screw (10-24x11.12) | - | 3 3 |
| 34 | 34903S8 | Washer, Lock Internal Tooth (10) | - | 3 3 |
| 35 | ESL13676 | Flasher - Indicator Assembly | - | 1 1 |
| 36 | ESL13735 | Fuse (10A) | - | 2 2 |
| 37 | ESL13736 | Fuse (15A) | - | 4 4 |

ELECTRICAL SWITCHES

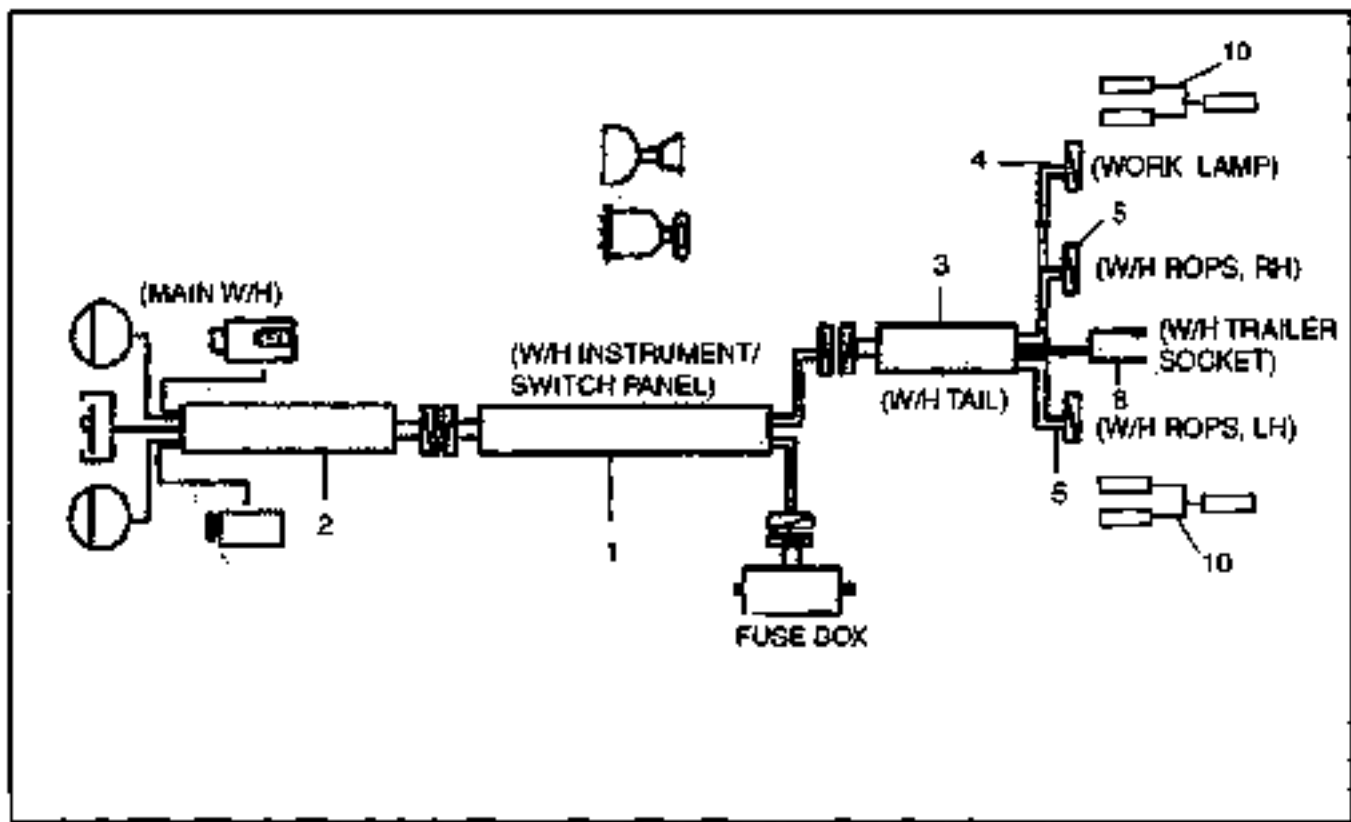
665 / 665 DTC



665 / 665 d7c

| ITEM No. | PART No. | DESCRIPTION | VENDOR No. | QUANTITY | |
|----------|-----------|--|------------|----------|---------|
| | | | | 665 | 665 d7c |
| 1 | ESL11889 | Screw, Bezel Retaining | - | 4 | 4 |
| 2 | ESL13505 | Gasket, Instrument Cluster | D10026480 | 1 | 1 |
| 3 | ESL13506 | Cluster Assembly, Instrument | D10043880 | 1 | 1 |
| 4 | ESL11823 | Nut, Bezel Retaining | - | 4 | 4 |
| 5 | ESL11400 | Switch Assembly, Oil Pressure | - | 1 | 1 |
| 6 | ESL13511 | Floot Assembly, Fuel Tank Sender | D10026550 | 1 | 1 |
| 7 | ESL13510 | Gasket, Fuel Tank Sender | D10042440 | 1 | 1 |
| 8 | ESL13509 | Clip | - | 1 | 1 |
| 9 | ESL12559 | Washer, Fuel Tank Floot | D10021990 | 5 | 5 |
| 10 | ESL11890 | Screw, Hex Head (10-32*0.625) | D10101730 | 5 | 5 |
| 11 | ESL13514 | Seal, Tachodrive Adapter | - | 1 | 1 |
| 12 | ESL13515 | Bearing Bush, Shaft Adapter | - | 1 | 1 |
| 13 | N605531S8 | Bolt, Hex Head (M8x1.25-20) | - | 1 | 1 |
| 14 | - | Body, Tachodrive Shaft (NSS) | - | 1 | 1 |
| 15 | ESL11409 | O'Ring | D90600210 | 1 | 1 |
| 16 | ESL11407 | Ring, Tachodrive Shaft | D10069960 | 1 | 1 |
| 17 | - | Base, Tachodrive Adapter (NSS) | - | 1 | 1 |
| 18 | ESL11409 | Shaft & Cable Assembly | - | 1 | 1 |
| 19 | ESL13518 | Adapter Assembly, Tachodrive | D10069730 | 1 | 1 |
| 20 | ESL13715 | Cable Assembly, Tachometer (Up to Serial Number 304173) | - | 1 | 1 |
| - | ESL13716 | Cable Assombly, Tachometer (From Serial Number 304174) | D10081520 | 1 | 1 |

665 / 666 DTC



WIRING HARNESS SYSTEM

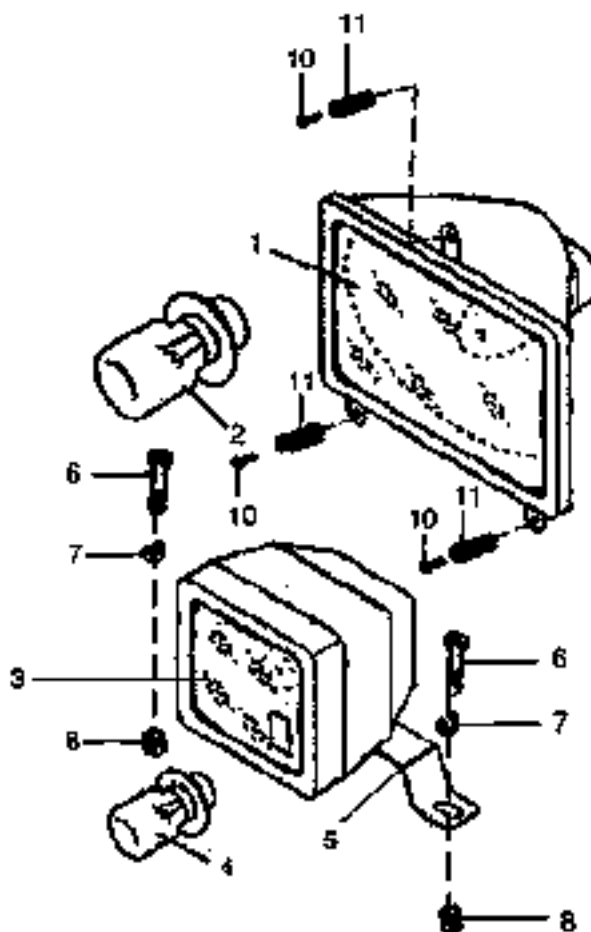
665 / 665 DTC

| ITEM No. | PART No. | DESCRIPTION | VENDOR No. | QUANTITY |
|----------|----------|--|------------|-------------|
| | | | | 665 665 DTC |
| 1 | ESL12669 | Wiring Harness, Instrument Panel (Up to Serial Number 304173) | D10027780 | 1 - |
| - | ESL13711 | Wiring Harness, Instrument Panel (From Serial Number 304174) | D10026510 | 1 - |
| 2 | ESL12668 | Wiring Harness, Main (Up to Serial Number 304173) | D10027790 | 1 - |
| - | ESL13705 | Wiring Harness, Main (From Serial Number 304174) | D10026610 | 1 - |
| 3 | ESL13521 | Wiring Harness, Tail (Up To Serial Number 304173 - FT70) (Up To Serial Number 303811 - FT80) | - | 1 1 |
| - | ESL13708 | Wiring Harness, Tail (From Serial Number 304174 - FT70) (From Serial Number 303812 - FT80) | D10043910 | 1 1 |
| 4 | ESL12664 | Wiring Harness, Work Lamp (Up To Serial Number 304173 - FT70) (Up To Serial Number 303811 - FT80) | - | 1 1 |
| - | ESL13710 | Wiring Harness, Work Lamp (From Serial Number 304174 - FT70) (From Serial Number 303812 - FT80) | D10044080 | 1 1 |
| 5 | ESL12665 | Wiring Harness, ROPS Lamp (Up To Serial Number 304173 - FT70) (Up To Serial Number 303811 - FT80) | D10026640 | 2 2 |
| - | ESL19707 | Wiring Harness, ROPS Lamp, RH (From Serial Number 304174 - FT70) (From Serial Number 303812 - FT80) | D10026620 | 1 1 |
| - | ESL13709 | Wiring Harness, ROPS Lamp, LH (From Serial Number 304174 - FT70) (From Serial Number 303812 - FT80) | D10026630 | 1 1 |
| 6 | ESL11449 | Clip, Harness to Hydraulic Pipe (NI) | - | 4 4 |
| 7 | ESL11450 | Clip, Harness to Hydraulic Pipe (NI) | - | 4 4 |
| 8 | ESL13704 | Wiring Harness, Trailer Socket (From Serial Number 304174 - FT70) (From Serial Number 303812 - FT80) | D10026670 | 1 1 |
| 9 | ESL12667 | Wiring Harness, Earth | D100226640 | 1 1 |
| 10 | 906323 | Brake Light Diode Assembly | - | 2 2 |

WIRING HARNESS SYSTEM

665 / 665 drc

| ITEM No | PART No. | DESCRIPTION | VENDOR No. | QUANTITY | |
|---------|----------|--------------------------------|------------|----------|--------|
| | | | | 665 | 665drc |
| 1 | ESL12571 | Head Lamp Assembly | D10028030 | 1 | 1 |
| 2 | ESL13523 | Bulb, Headlamp (12 volts) | D10105050 | 2 | 2 |
| 3 | ESL12572 | Worklamp Assembly | - | 1 | 1 |
| 4 | ESL13524 | Bulb, Worklamp | D10105060 | 1 | 1 |
| 5 | ESL11471 | Plate, Worklamp Mounting | D10017520 | 1 | 1 |
| 6 | ESL11775 | Bolt (3/8-24UNF) | D10018380 | 2 | 2 |
| 7 | 4472658 | Washer, Flat (3/8) | - | 2 | 2 |
| 8 | ESL11791 | Nut, Nylon (3/8-24-UNF) | - | 2 | 2 |
| 9 | ESL13525 | Grommet (For Fender Hole) (NI) | D10018640 | 1 | 1 |
| 10 | ESL13737 | Screw, Head Lamp Adjusting | - | 6 | 6 |
| 11 | ESL13738 | Spring | - | 6 | 6 |

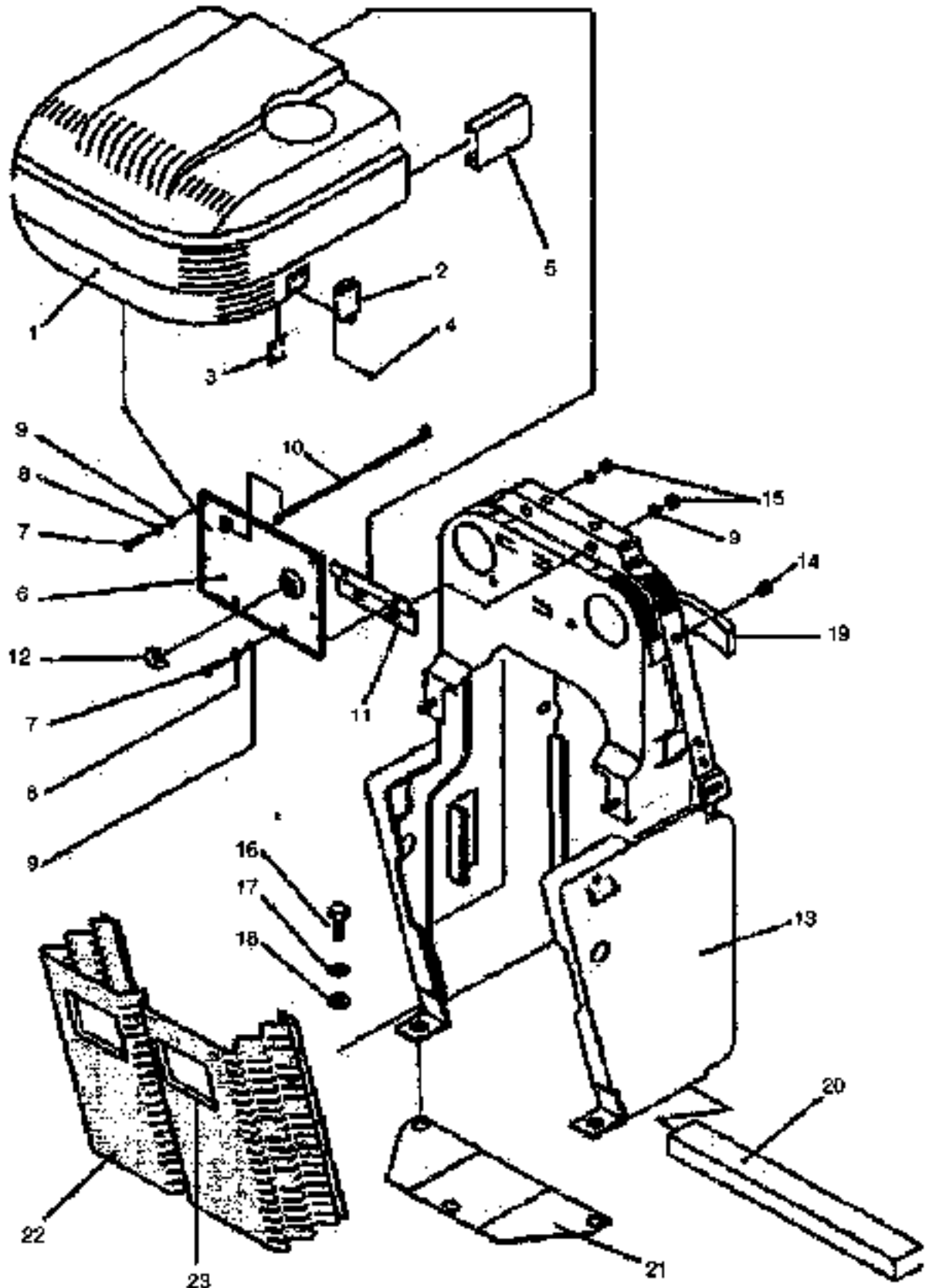


HEAD LAMP & WORK LAMP

***SHEET METAL
&
ACCESSORIES***



665 / 665 DTC



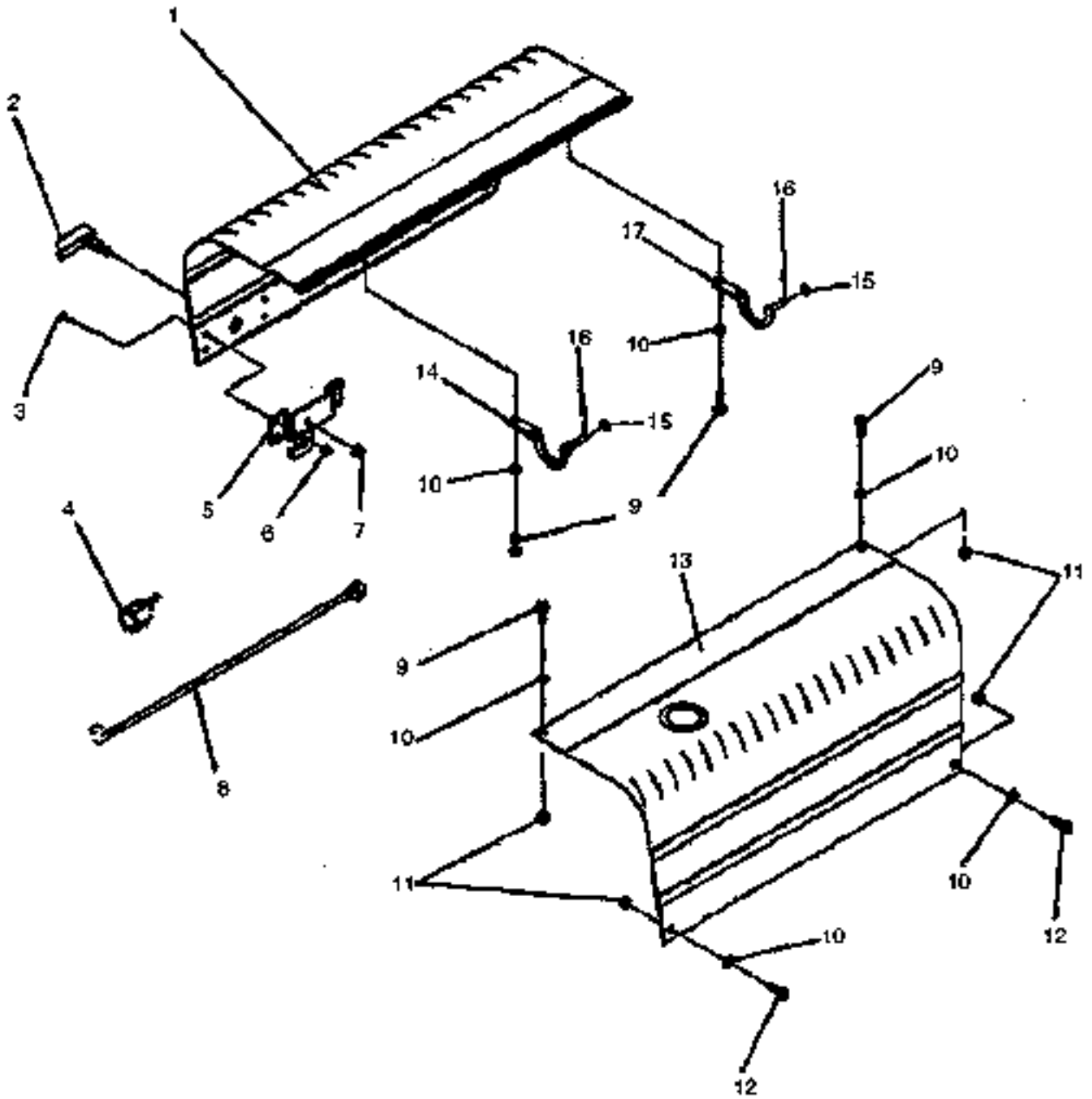
RADIATOR SHELL

665 / 665 d7c

| ITEM No. | PART No. | DESCRIPTION | VENDOR No. | QUANTITY 665 665 d7c |
|----------|-----------|--------------------------------------|------------|-------------------------|
| 1 | ESL11498 | Panel Assembly, Hood Top | - | 1 1 |
| 2 | ESL13537 | Latch Assembly, Hood | D10016980 | 1 1 |
| 3 | ESL11500 | Plate Hood Latch | D10018630 | 1 1 |
| 4 | ESL13718 | Rivet, Hood Latch | - | 4 4 |
| 5 | ESL11499 | Bumper | - | 6 6 |
| 6 | ESL11502 | Plate, Hood Top Front | - | 1 1 |
| 7 | ESL11937 | Bolt, Hex Head (M6x1.00-12) | - | 6 6 |
| 8 | N630317S8 | Washer, External Tooth | - | 6 6 |
| 9 | N630067S8 | Washer, Flat (M6) | - | 8 8 |
| 10 | ESL11504 | Prop, Hood Top Front Panel | - | 1 1 |
| 11 | ESL13719 | Hinge Assembly, Hood Top Front Panel | D10018090 | 1 1 |
| 12 | ESL11505 | Bumper, Hood Top | D10026930 | 1 1 |
| 13 | ESL11490 | Shell Assembly, Radiator | - | 1 1 |
| 14 | ESL13538 | Pad, Hood Mounting | - | 14 14 |
| 15 | N620012S8 | Nut (M6x1.0) | - | 2 2 |
| 16 | 304650S8 | Bolt, Hex Head (3/8-16x0.75) | - | 4 4 |
| 17 | 44728S8 | Washer, Flat (3/8) | - | 4 4 |
| 18 | 34942S8 | Washer, Flat Tooth (3/8) | - | 4 4 |
| 19 | ESL11493 | Seal Radiator | D10017770 | 1 1 |
| 20 | ESL11494 | Seal Radiator | D10026230 | 1 1 |
| 21 | ESL11519 | Baffle Assembly, Front Axle Support | D10018150 | 1 1 |
| 22 | ESL12609 | Grill Assembly, Front | D10026900 | 1 1 |
| 23 | ESL12610 | Rubber Beading, Head Lamp | D10026670 | 1 1 |

RADIATOR SHELL

665 / 666 OTC



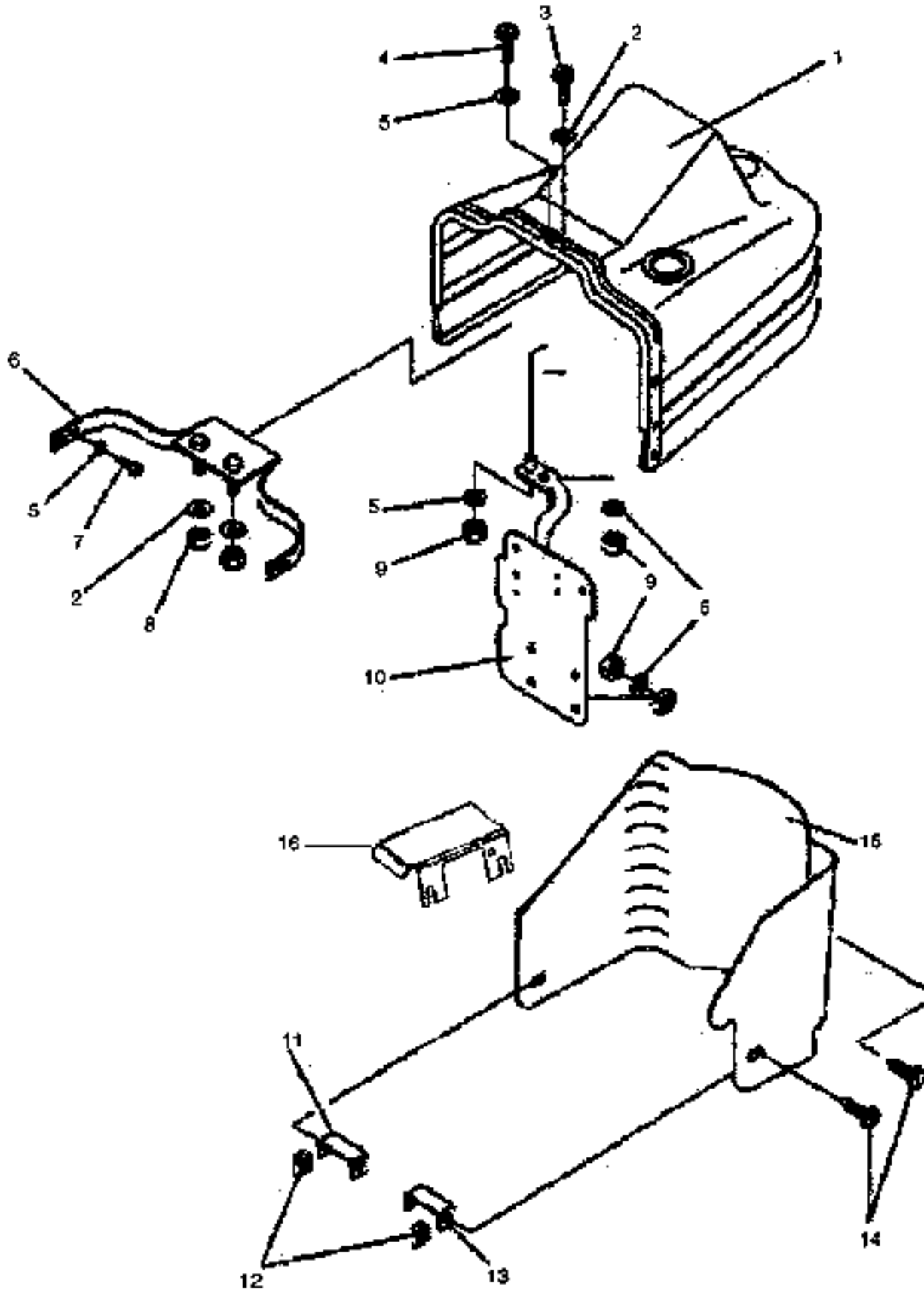
SIDE PANEL

665 / 665 DTC

| ITEM No. | PART No. | DESCRIPTION | VENDOR No. | QUANTITY | |
|----------|----------|--------------------------------|------------|----------|---------|
| | | | | 665 | 665 DTC |
| 1 | ESL11524 | Panel Assembly, Hood RH | D10018420 | 1 | 1 |
| 2 | ESL11529 | Handle Assembly, Hood RH | D10018250 | 2 | 2 |
| 3 | ESL11896 | Screw, Pan Head (M4x10) | D10016990 | 8 | 8 |
| 4 | ESL11521 | Clip, Hood Support Rod | - | 14 | 14 |
| 5 | ESL11528 | Lock Assembly, Hood RH | D10018560 | 2 | 2 |
| 6 | ESL11827 | Nut, Nyloc (M4) | D10017000 | 8 | 8 |
| 7 | 55670S8 | Nut, Hex Lock (1/4-28) | - | 2 | 2 |
| 8 | ESL11534 | Support Rod Panel | D10018440 | 1 | 1 |
| 9 | 50528S8 | Screw, Pan Head (1/4-28x0.625) | - | 4 | 4 |
| 10 | 44719S8 | Washer, Flat (1/4) | - | 6 | 6 |
| 11 | ESL11828 | Nut, Hood Panel, LH | D10017580 | 4 | 4 |
| 12 | ESL13724 | Screw | D10039900 | 2 | 2 |
| 13 | ESL11532 | Panel Assembly, Hood LH | D10018480 | 1 | 1 |
| 14 | ESL11526 | Hinge Rod | - | 1 | 1 |
| 15 | ESL11729 | Washer, Hinge | D10018260 | 2 | 2 |
| 16 | ESL12679 | Pin, Cotter | D10013450 | 2 | 2 |
| 17 | ESL11525 | Rod Assembly, Hinge | - | 1 | 1 |

SIDE PANEL

665 / 665 drc



REAR HOOD

665 / 665 DTC

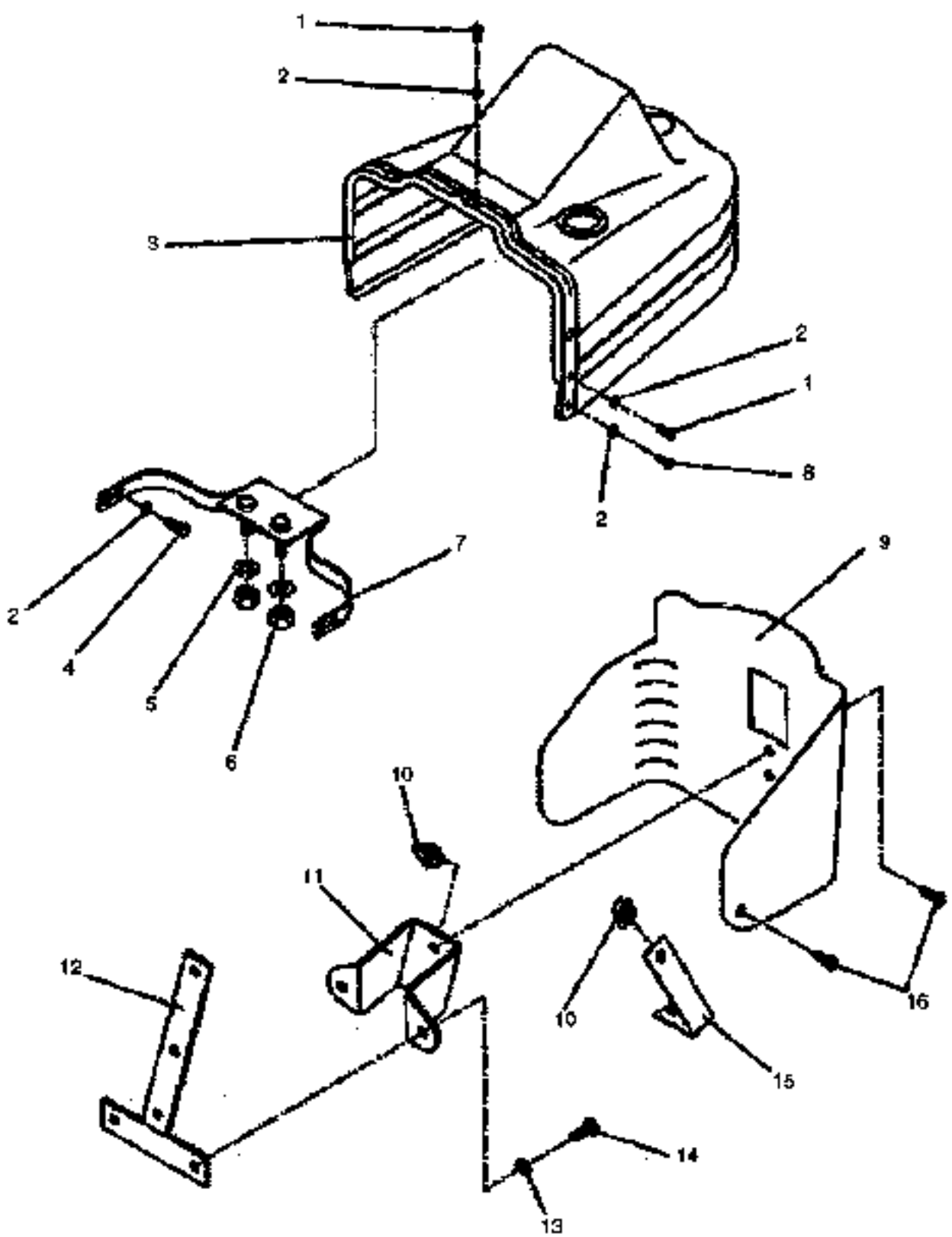
| ITEM No. | PART No. | DESCRIPTION | VENDOR No. | QUANTITY | |
|----------|----------|-------------------------------|------------|-------------|---|
| | | | | 665 665 DTC | |
| 1 | ESL13546 | Panel Assembly, Hood Rear | D10045870 | 1 | 1 |
| 2 | 4472258 | Washer, Flat (5/16) | - | 6 | 6 |
| 3 | 30466539 | Bolt, Hex Head (5/16-24x0.88) | - | 2 | 2 |
| 4 | ESL13724 | Screw | D10042640 | 1 | 1 |
| 5 | 4471958 | Washer, Flat (1/4) | - | 3 | 3 |
| 6 | ESL11522 | Bracket & Support Assembly | - | 1 | 1 |
| 7 | 30463258 | Bolt, Hex Head (1/4-20x0.62) | - | 4 | 4 |
| 8 | 3379798 | Nut, Hex (5/8-18) | - | 2 | 2 |
| 9 | ESL11828 | Nut, Hood LH Panel | - | 2 | 2 |
| 10 | ESL12682 | Support Assembly Hood Rear | - | 1 | 1 |
| 11 | ESL13541 | Bracket, Front RH | D10042230 | 1 | 1 |
| 12 | ESL11824 | Nut, U-Type | - | 6 | 6 |
| 13 | ESL13542 | Bracket, Front LH | D10042240 | 1 | 1 |
| 14 | ESL11801 | Screw | - | 6 | 6 |
| 15 | ESL19727 | Cover Steering | D10042640 | 1 | 1 |
| 16 | ESL14185 | Rain Shield, Fuse Box | - | 1 | 1 |

REAR HOOD

Ⓢ - SERIAL NUMBER BREAK,

↙ - INDICATES UP TO AND INCLUDING THAT SERIAL NUMBER

665 / 665 DTC



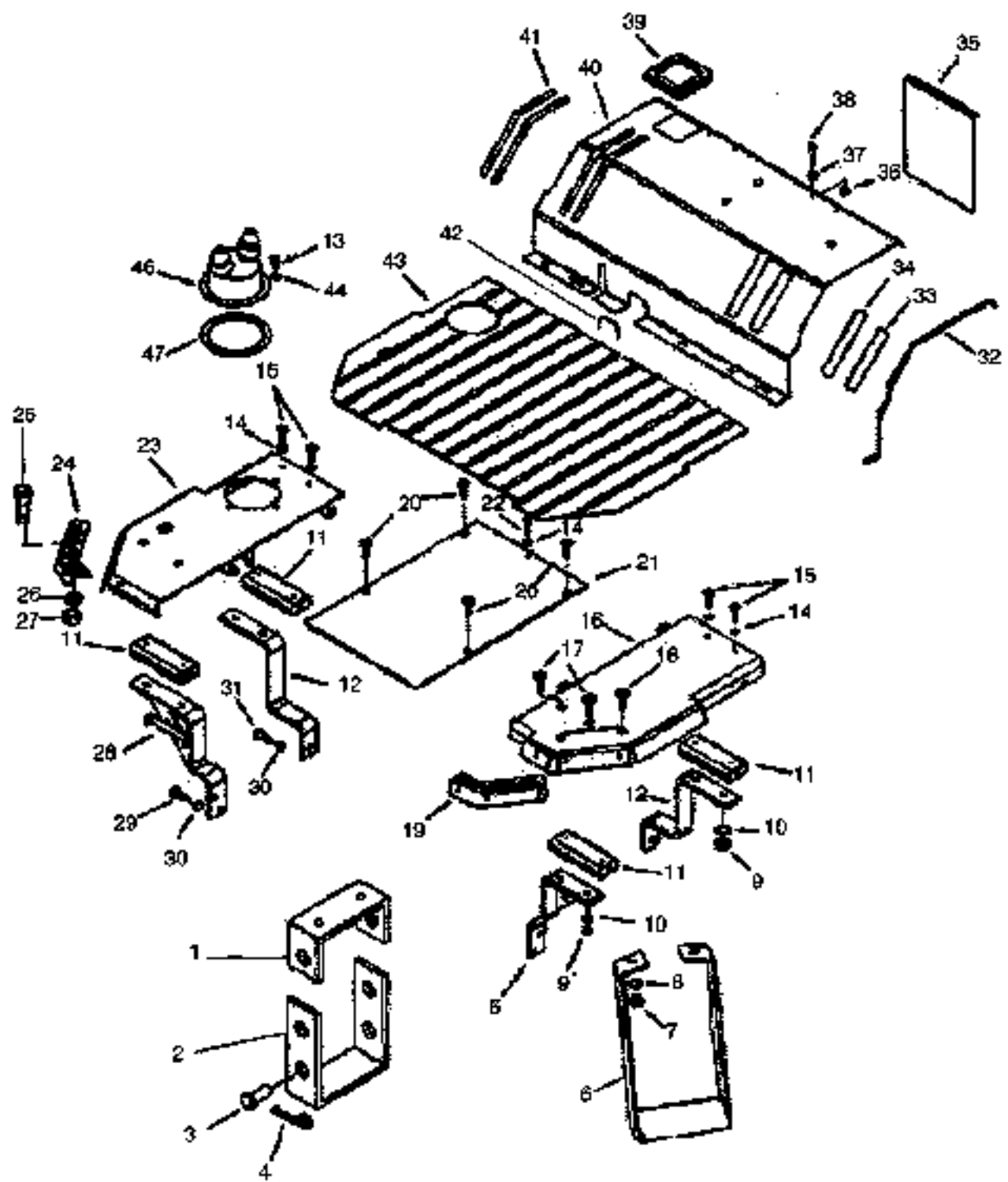
REAR HOOD

665 / 665 DTC

| ITEM NO. | PART NO. | DESCRIPTION | VENDOR NO. | QUANTITY | |
|----------|----------|--------------------------------|------------|----------|---------|
| | | | | 665 | 665 DTC |
| 1 | 38207S8 | Screw, Pan Head (1/4-28x0.5) | - | 3 | 3 |
| 2 | 44719S8 | Washer, Flat (1/4) | D10045870 | 4 | 4 |
| 3 | ESL13536 | Panel Assembly, Hood Rear | - | 1 | 1 |
| 4 | 304632S8 | Bolt, Hex Head (1/4-20x0.62) | - | 4 | 4 |
| 5 | 44722S8 | Washer, Flat (5/16) | - | 4 | 4 |
| 6 | 33797S8 | Nut, Hex (5/16-18) | - | 2 | 2 |
| 7 | ESL11623 | Support Assembly, Hood Rear | - | 1 | 1 |
| 8 | ESL13726 | Screw, Pan Head (1/4-28x0.75) | D10043580 | 1 | 1 |
| 9 | ESL13540 | Cover, Steering | D10046820 | 1 | 1 |
| 10 | ESL11824 | Nut, U-Type | - | 3 | 3 |
| 11 | ESL13546 | Bracket, Rear | D10042190 | 1 | 1 |
| 12 | ESL13602 | Bracket Fuse Box Mounting | - | 1 | 1 |
| 13 | 34806S8 | Washer, Lock (5/16) | - | 2 | 2 |
| 14 | 304635S8 | Bolt, Hex Head (5/16-24x0.625) | - | 2 | 2 |
| 15 | ESL13543 | Bracket, Front LH | D10046650 | 1 | 1 |
| 16 | ESL11881 | Screw 3 | - | 3 | 3 |

REAR HOOD

665 / 665 DTC



RUNNING BOARD

665 / 665 DTC

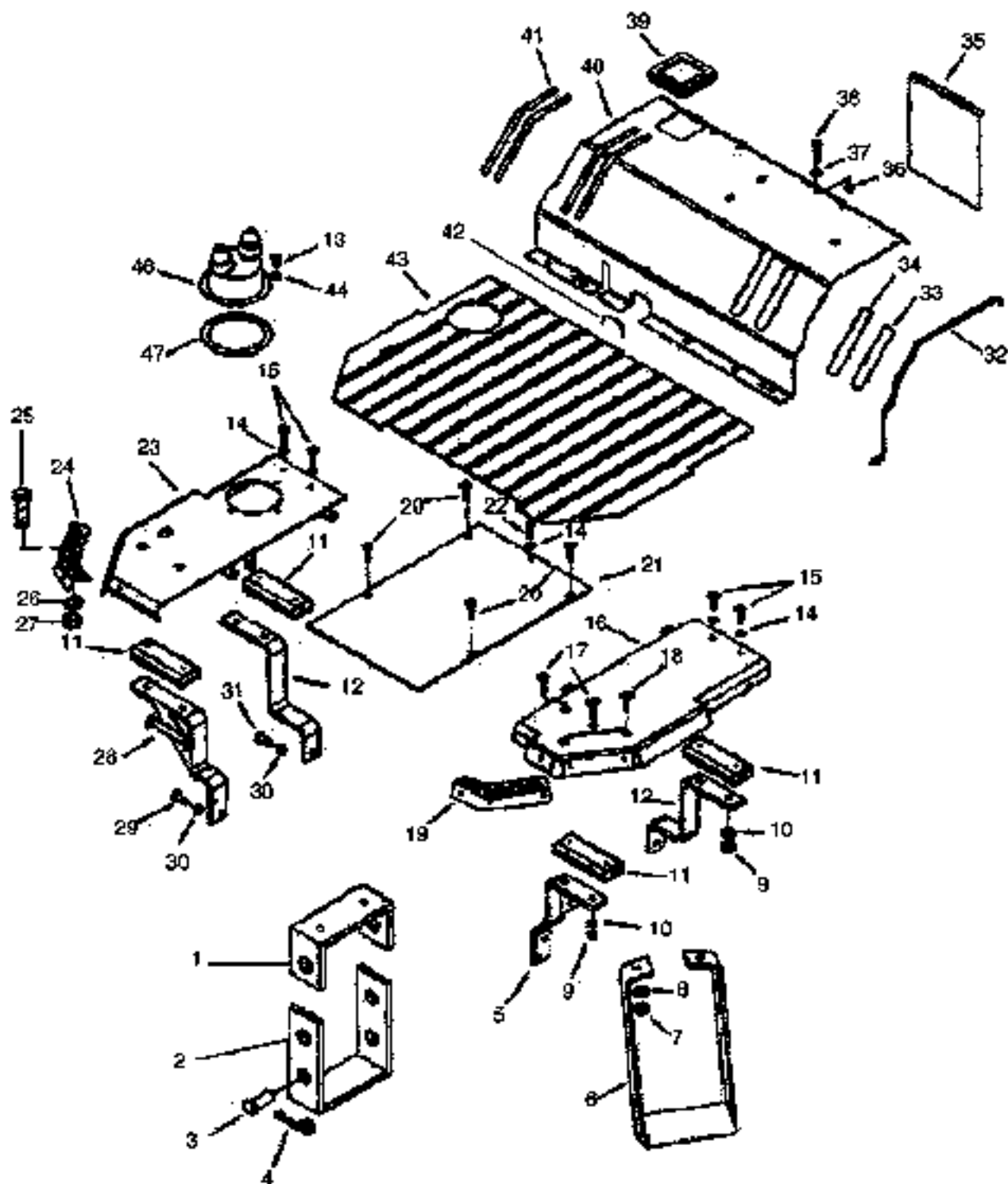
| Item No. | PART No. | DESCRIPTION | VENDOR No. | QUANTITY | |
|----------|-----------|--------------------------------------|------------|----------|---------|
| | | | | 665 | 665 DTC |
| 1 | ESL13573 | Bracket | D10046710 | 1 | 1 |
| 2 | ESL13571 | Step, Platform | D10046720 | 1 | 1 |
| 3 | ESL13574 | Pin, Clevis | D10046690 | 2 | 2 |
| 4 | ESL12590 | Clip, Pin | - | 2 | 2 |
| 5 | ESL13556 | Bracket, Platform Mounting Front, LH | - | - | - |
| - | ESL13557 | Bracket, Platform Mounting Front, LH | - | 1 | 1 |
| 6 | ESL13570 | Step, Platform | D10039880 | - | - |
| 7 | N620042S8 | Nut (M10) | - | 2 | 2 |
| 8 | N630174S8 | Washer, Lock (M10) | - | 2 | 2 |
| 9 | N630013S8 | Nut (M8) | - | 8 | 8 |
| 10 | N630068S8 | Washer, Lock (M8) | - | 8 | 8 |
| 11 | ESL13568 | Pad Isolator | D10042270 | - | - |
| 12 | ESL13558 | Bracket, Platform Mounting Rear | D10039850 | 2 | 2 |
| 13 | ESL13583 | Bracket Cable | - | 1 | 1 |
| 14 | ESL12829 | Washer, Flat (M8) | - | 5 | 5 |
| 15 | N600213S8 | Bolt, Hex Head (M8x1.25x40) | - | 4 | 4 |
| 16 | ESL13554 | Platform Assembly, LH | - | - | - |
| - | ESL13556 | Platform Assembly, LH | D10046070 | 1 | 1 |
| 17 | ESL13569 | C.S. Screw (M8x1.25x40) | - | 4 | 4 |
| 18 | ESL13572 | C.S. Screw (M10x1.5x25) | - | 2 | 2 |
| 19 | ESL13564 | Strip, Platform LH | - | - | - |
| - | ESL13565 | Strip, Platform LH | D10046390 | 1 | 1 |
| 20 | ESL13580 | C.S. Screw (M8x1.25x20) | - | 4 | 4 |
| 21 | ESL13581 | Plate, Center Platform | D10038840 | - | - |
| - | ESL13562 | Plate, Centre Platform | D10046080 | 1 | 1 |
| 22 | N605531S8 | Bolt, Hex Head (M8x1.25x20) | - | 1 | 1 |
| 23 | ESL13560 | Platform Assembly, RH | - | - | - |
| - | ESL13551 | Platform Assembly, RH | - | 1 | 1 |
| 24 | ESL13566 | Strip, Platform RH | D10043210 | - | - |
| - | ESL13567 | Strip, Platform RH | D10046400 | 1 | 1 |
| 25 | ESL11687 | Screw | - | 8 | 8 |
| 26 | ESL11724 | Washer | - | 6 | 6 |
| 27 | ESL12552 | Nut | - | 6 | 6 |
| 28 | ESL13562 | Bracket, Platform Mounting Front RH | - | - | - |
| - | ESL13563 | Bracket, Platform Mounting Front RH | - | 1 | 1 |
| 29 | 304722S8 | Bolt, Hex (3/8-16x1.25) | - | - | - |
| - | N605561S8 | Bolt, Hex (M12x1.75x40) | - | 2 | 2 |
| - | N605559S8 | Bolt, hex (M12x1.75x30) | - | 2 | 2 |
| 30 | 348075S8 | Washer, Lock (3/8) | - | - | - |

RUNNING BOARD

Ⓢ - SERIAL NUMBER BREAK,

☒ - INDICATES UP TO AND INCLUDING THAT SERIAL NUMBER

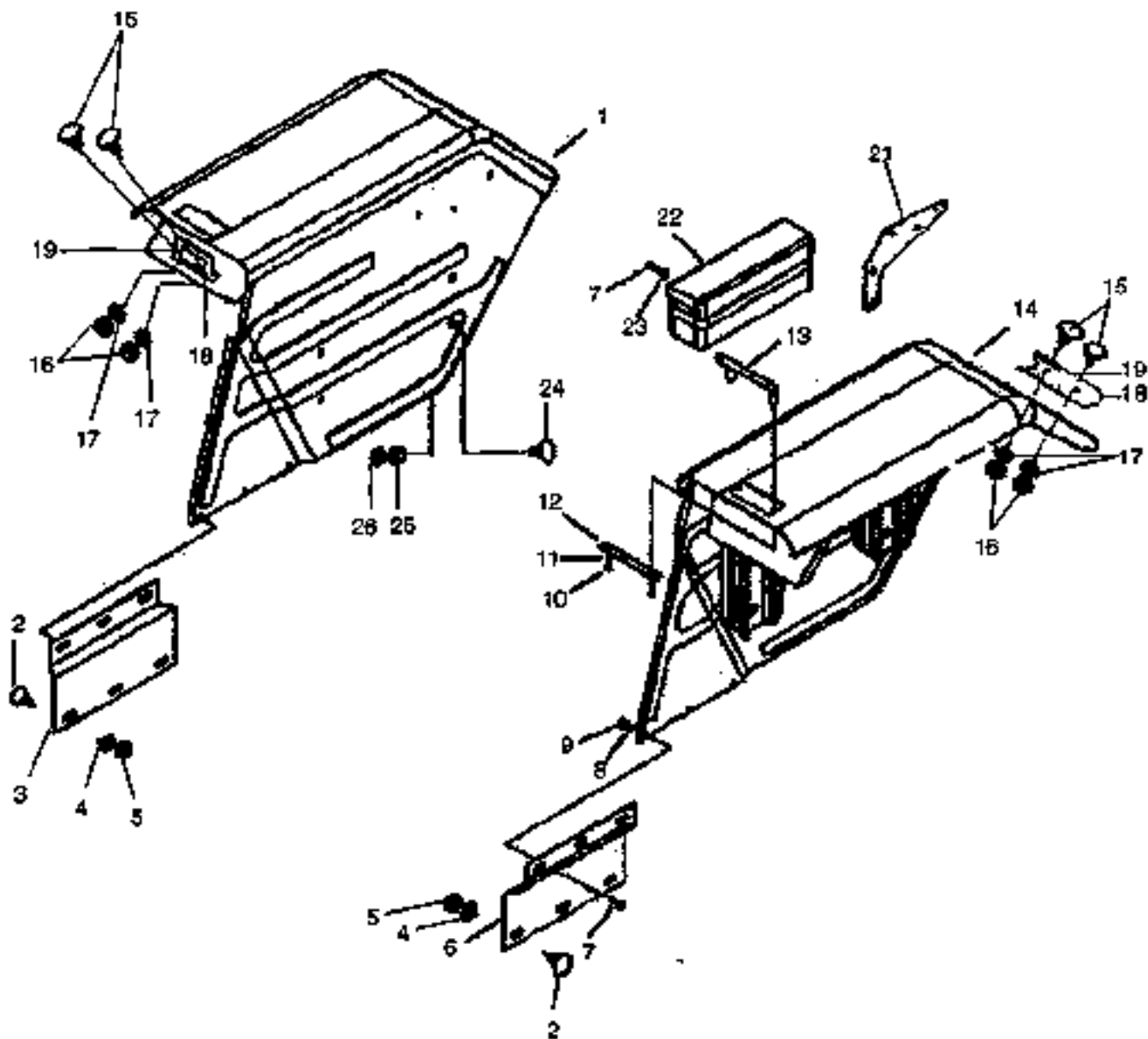
665 / 665 DTC



RUNNING BOARD

665 / 665 DTC

| ITEM No. | PART No. | DESCRIPTION | VENDOR No. | QUANTITY | |
|----------|-----------|----------------------------------|------------|----------|---------|
| | | | | 665 | 665 DTC |
| 30 | ESL12018 | Washer, Lock | D86000060 | 6 | 6 |
| 31 | ESL12653 | Bolt (12x1.75x25) | - | 2 | 2 |
| 32 | ESL13577 | Bearing Console, Side | D10042380 | 2 | 2 |
| 33 | ESL13589 | Bearing, Parking Brake | - | 1 | 1 |
| 34 | ESL13588 | Bearing, PTO Clutch Lever | - | 1 | 1 |
| 35 | ESL13576 | Cover, Rear Console | D10042850 | 1 | 1 |
| 36 | 3379688 | Nut | - | 2 | 2 |
| 37 | 4471988 | Washer | - | 2 | 2 |
| 38 | ESL12014 | Bolt (1/4-28) | D81000380 | 2 | 2 |
| 39 | ESL13580 | Bearing, Spool Control Lever | - | 1 | 1 |
| 40 | ESL13575 | Console Rear | - | 1 | 1 |
| 41 | ESL13579 | Bearing, Hydraulic Control Lever | D10042390 | 2 | 2 |
| 42 | ESL13690 | Bearing, Flow Control Valve | - | 1 | 1 |
| 43 | ESL13691 | Foot Mat, Platform | - | - | - |
| - | ESL13592 | Foot Mat, Platform | D10045980 | 1 | 1 |
| 44 | N63006768 | Washer, Flat (M6) | - | 4 | 4 |
| 45 | ESL13595 | Ring Transmission Cover Boot | D10042400 | 1 | 1 |
| 46 | ESL13596 | Boot Transmission Cover | D10042880 | 1 | 1 |



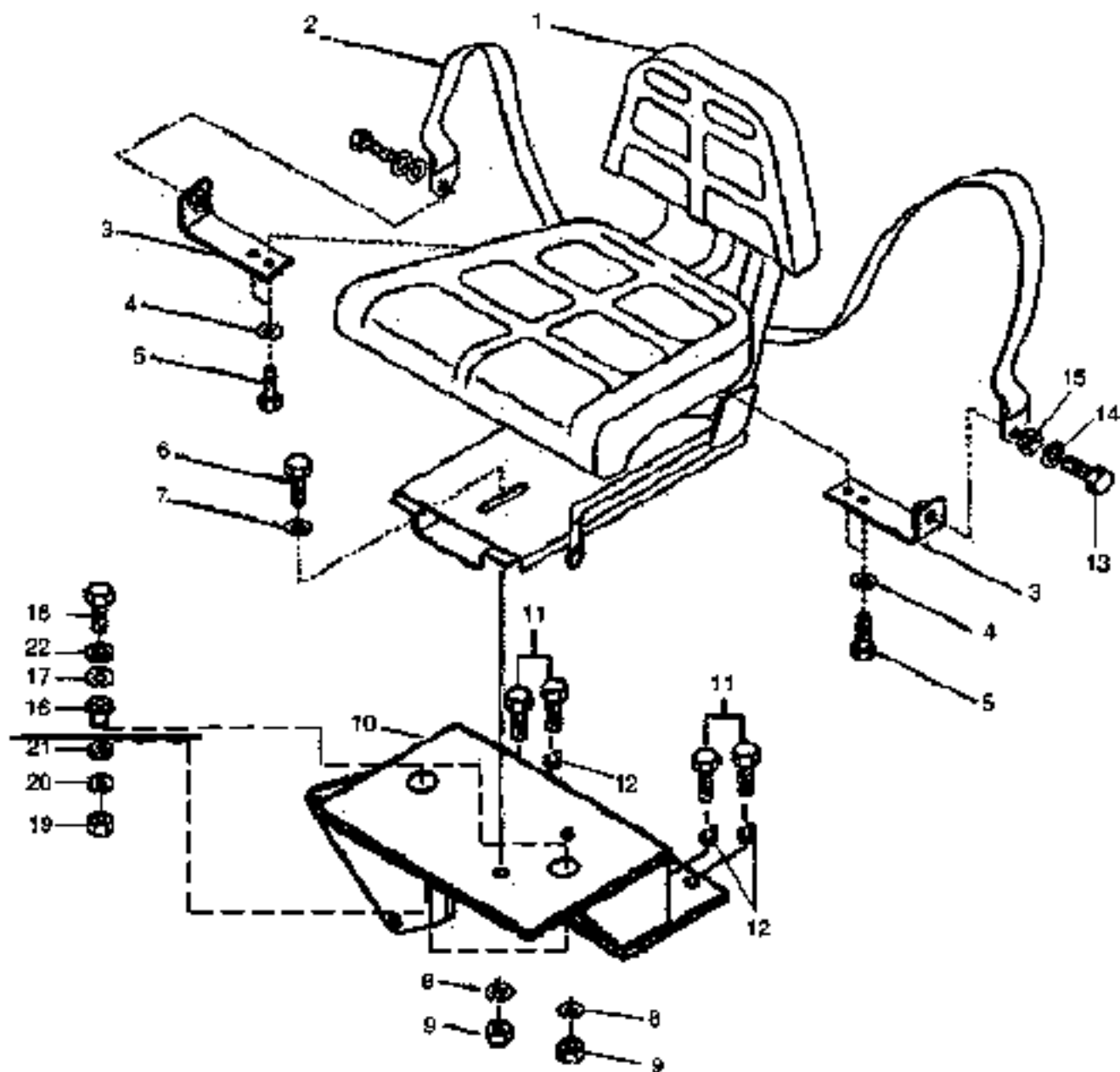
FENDERS

665 / 665 DTC

| ITEM No. | PART No. | DESCRIPTION | VENDOR No. | QUANTITY | |
|----------|-----------|--|------------|----------|---------|
| | | | | 665 | 665 DTC |
| 1 | ESL13598 | Body Assembly, Fender Rear, RH | D10077750 | 1 | 1 |
| 2 | ESL12668 | Bolt (M8-1.25x1.2) | - | 4 | 4 |
| 3 | ESL19597 | Extension, Fender Rear, RH | D10047120 | 1 | 1 |
| 4 | 44726S8 | Washer, Flat | - | 4 | 4 |
| 5 | N820013S8 | Nut (M8) | - | 4 | 4 |
| 6 | ESL13599 | Extension, Fender Rear, LH | D10047130 | 1 | 1 |
| 7 | ESL12014 | Bolt, Hex Head (1/4-28x0.62) | - | 9 | 9 |
| 8 | 44719S8 | Washer, Flat (1/4) | - | 6 | 6 |
| 9 | 33796S8 | Nut, Flat (1/4-28) | - | 6 | 6 |
| 10 | 304682S8 | Bolt, Hex Head (5/16-18x1.00) | - | 4 | 4 |
| 11 | ESL11976 | Washer, Lock (5/16) | - | 4 | 4 |
| 12 | ESL13602 | Plate | - | 2 | 2 |
| 13 | ESL11555 | Hold Down | - | 2 | 2 |
| 14 | ESL13598 | Body Assembly, Fender Rear, LH | - | 1 | 1 |
| 15 | 304647S8 | Bolt (1/4-28x3/4) | - | 8 | 8 |
| 16 | 33796S8 | Nut, Hex (1/4-28) | - | 8 | 8 |
| 17 | 34805S8 | Washer, Lock (1/4) | - | 8 | 8 |
| 18 | 905976 | Rear Reflector Bracket | - | 4 | 4 |
| 19 | 905010 | Amber Reflector Decal | - | 4 | 4 |
| 20 | 905011 | Plug, Hole (3/4) (NI) For Fender Holes | - | 4 | 4 |
| 21 | ESL13270 | Toolbox Mounting Bracket | - | 1 | 1 |
| 22 | ESL13600 | Box Assembly, Tool | - | 1 | 1 |
| 23 | 34941S8 | Washer, External Tooth (5/16) | - | 8 | 8 |
| 24 | 58851S8 | Bolt, Carriage (1/2-13x1.5) | - | 8 | 8 |
| 25 | 44734S8 | Washer, Flat (1/2) | - | 8 | 8 |
| 26 | 33845S8 | Nut, Hex (1/2-13) | - | 8 | 8 |

FENDERS

665 / 665 BTC



DELUXE SEAT ASSEMBLY



SHIRT METAL & ACCESSORIES

665 / 665 DTC

| ITEM No. | PART No. | DESCRIPTION | VENDOR No. | QUANTITY |
|----------|-----------|-------------------------------|------------|--------------------|
| | | | | 665 665 DTC |
| 1 | 904201 | Seat Assembly, Driver | - | 1 1 |
| 2 | ESL11584 | Belt, Driver Seat | D10081530 | 1 1 |
| 3 | - | Bracket | - | 1 1 |
| 4 | - | Washer | - | 1 1 |
| 5 | - | Bolt | - | 1 1 |
| 6 | 304724S8 | Bolt, Hex Head (7/16-14x1.25) | - | 2 2 |
| 7 | ESL12074 | Washer, Flat (7/16) | D85000090 | 2 2 |
| 8 | 44722S8 | Washer, Lock (7/16) | - | 2 2 |
| 9 | 34670S8 | Nut, Hex (7/16-14) | - | 2 2 |
| 10 | ESL13603 | Support Seat Mounting | - | - - |
| - | ESL13604 | Support Seat Mounting | - | 1 1 |
| 11 | N601805S8 | Bolt (M14x2x25) | - | - - |
| 12 | N630187S8 | Washer, Lock (M14) | - | 4 4 |
| 13 | ESL12841 | Bolt, Hex (M8x1.25x25) | - | - - |
| 14 | N630068S8 | Washer (M8) | - | - - |
| 15 | N620013S8 | Nut (M8) | - | - - |
| 16 | 905996 | Rubber Mount | - | - - |
| 17 | 905947 | Washer, Rubber Mount, Thrust | - | - - |
| 18 | N600417S8 | Bolt | - | 1 1 |
| 19 | N620603S8 | Nut | - | 1 1 |
| 20 | 34809S8 | Washer, Lock | - | 1 1 |
| 21 | 905898 | Mount Washer, Small | - | 1 1 |
| 22 | 788443 | Spacer (1.50-0.750-0.600) | - | 1 1 |

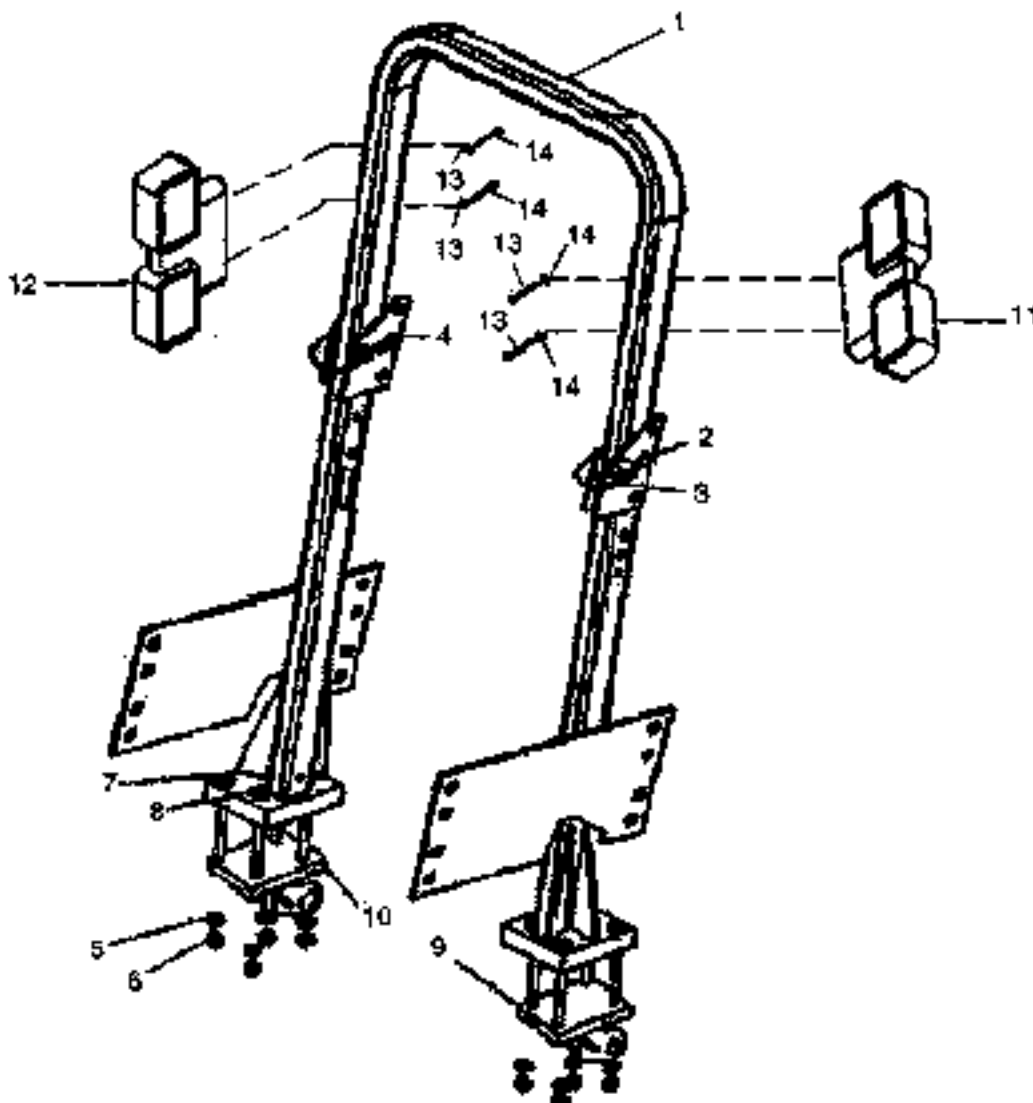
DELUXE SEAT ASSEMBLY

Ⓢ - SERIAL NUMBER BREAK,

⚡ - INDICATES UP TO AND INCLUDING THAT SERIAL NUMBER

665 / 665 DTC

| ITEM No | PART No. | DESCRIPTION | VENDOR No. | QUANTITY | |
|---------|-----------|-----------------------------------|------------|----------|--------|
| | | | | 665 | 665DTC |
| 1 | 905718 | Roll Bar | - | 1 | 1 |
| 2 | 304940S8 | Bolt, Hex Head (1/2-13x3 1/2) GR6 | - | 2 | 2 |
| 3 | 902460 | Pin, Clevis Assembly | - | 2 | 2 |
| 4 | 34979S8 | Nut, Prev. Torque (1/2-13) GR5 | - | 2 | 2 |
| 5 | 34811S8 | Washer, Lock (5/8) | - | 8 | 8 |
| 6 | 33849S8 | Nut, Hex (1/4-20) GR5 | - | 8 | 8 |
| 7 | 301342S8 | Bolt, Hex Head (1/2-13x9) GR6 | - | 4 | 4 |
| 8 | 301333S8 | Bolt, Hex Head (1/2-13x8 1/2) GR5 | - | 4 | 4 |
| 9 | 905732 | Link, LH W/A | - | 1 | 1 |
| 10 | 905733 | Link, RH W/A | - | 1 | 1 |
| 11 | 905782 | Lollipop Signal Light, RH | - | 1 | 1 |
| 12 | 905781 | Lollipop Signal Light, LH | - | 1 | 1 |
| 13 | N800218S8 | Bolt (8mmx1.25x65mm) | - | 4 | 4 |
| 14 | N830173S8 | Washer, Lock (8MM) | - | 4 | 4 |



ROPS

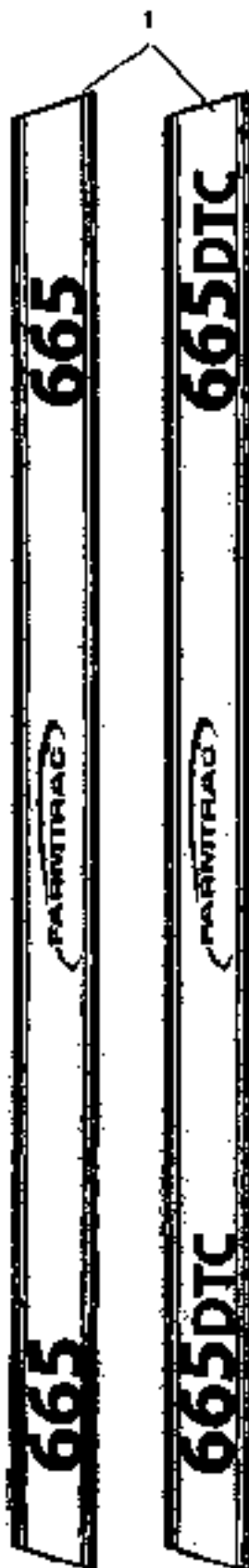
DECALS





FARMTRAC DECALS

665 / 665 dtc



**LOOSEN DRAIN PLUG
AND DRAIN OFF WATER
ONCE EVERY WEEK.**

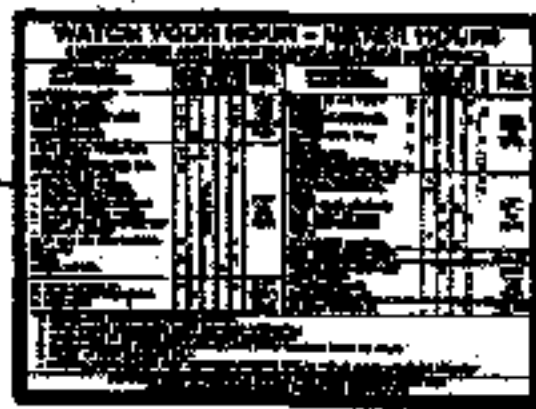
**CAUTION
DO NOT OPERATE**
See the operator manual for more information.
© 2000 Farmtrac Ltd.



WARNING

- Always use proper safety procedures.
- Do not operate with a broken PTO.
- Always use the correct PTO coupling and ensure it is properly secured by the locking pin.
- Always check to be sure you are not in the danger zone when the PTO is engaged.
- Use the correct PTO shaft speed.

BEFORE YOU OPERATE, READ THE OPERATOR MANUAL FOR MORE INFORMATION.




DECALS

665 / 665 DTC

| ITEM No. | PART No. | DESCRIPTION | VENDOR No. | QUANTITY | |
|----------|----------|---|------------|----------|---------|
| | | | | 665 | 665 DTC |
| 1 | ESL15810 | Decal, M1 Front 665 | - | - | - |
| - | ESL15807 | Decal, M1 Front 665 DTC | - | 1 | - |
| 2 | ESL11611 | Decal, Model Identification Center, RH | D10019430 | 1 | 1 |
| - | ESL14543 | Decal, Model Identification Center, RH | D10035270 | - | - |
| 3 | ESL11610 | Decal, Model Identification Center, LH | D10019440 | 1 | 1 |
| - | ESL14544 | Decal, Model Identification, Center, LH | D10035280 | - | - |
| 4 | ESL11613 | Decal, Model Identification, Rear, LH | D10019120 | 1 | 1 |
| 5 | ESL11614 | Decal, Model Identification, Rear, RH | D10019130 | 1 | 1 |
| 6 | ESL11616 | Decal, Transmission Shift Pattern | D10019680 | 1 | 1 |
| - | ESL14545 | Decal, Transmission Shift Pattern | D10035520 | - | - |
| 7 | ESL11622 | Decal, Filter Cleanliness | D10017640 | 2 | 2 |
| 8 | ESL11618 | Decal, Hydraulic Pump & Lift | D10018600 | 1 | 1 |
| 9 | ESL13697 | Decal, Caution | D10026810 | 1 | 1 |
| 10 | ESL11628 | Decal, PTO Control | D10019220 | 1 | 1 |
| 11 | ESL14546 | Decal, PTO Guard (NI) | D10000000 | 1 | 1 |
| 12 | ESL13618 | Decal, Warning Sign | D10018580 | 1 | 1 |
| 13 | ESL11621 | Decal, Tractor Maintenance Service | D10019110 | 1 | 1 |

DECALS

665 / 665 d7c

14 **OPERATOR**  Individuals who will use, operate, or adjust, maintain or repair this machine and its accessories are responsible for its safe use. Use these items according to the operating, if in other context, instructions / assembly manual.

WARNING

- DO NOT OPERATE THIS MACHINE WITH THE PTO ATTACHED TO THE FRONT END.
- NEVER OPERATE THIS MACHINE ON A SLOPE.
- DO NOT OPERATE THIS MACHINE ON A SLOPE OF MORE THAN 25%.
- DO NOT OPERATE THIS MACHINE ON A SLOPE OF MORE THAN 25%.
- DO NOT OPERATE THIS MACHINE ON A SLOPE OF MORE THAN 25%.
- DO NOT OPERATE THIS MACHINE ON A SLOPE OF MORE THAN 25%.
- DO NOT OPERATE THIS MACHINE ON A SLOPE OF MORE THAN 25%.
- DO NOT OPERATE THIS MACHINE ON A SLOPE OF MORE THAN 25%.

CAUTION

- READ THE OPERATING INSTRUCTIONS AND THE SAFETY INSTRUCTIONS CAREFULLY.
- DO NOT OPERATE THIS MACHINE ON A SLOPE OF MORE THAN 25%.
- DO NOT OPERATE THIS MACHINE ON A SLOPE OF MORE THAN 25%.


15 **WARNING**

 **DO NOT OPERATE THIS MACHINE ON A SLOPE OF MORE THAN 25%.**


18 **WARNING**

 **DO NOT OPERATE THIS MACHINE ON A SLOPE OF MORE THAN 25%.**

16 **WARNING**

 **DO NOT OPERATE THIS MACHINE ON A SLOPE OF MORE THAN 25%.**

17 **CAUTION**

 **DO NOT OPERATE THIS MACHINE ON A SLOPE OF MORE THAN 25%.**

18 **WARNING**

 **AVOID POSSIBLE BATTERY OR DEATH FROM A MACHINE STARTUP**

- Do not start engine by starting another machine.
- Start engine only when you are standing on the ground.


21 **FUSE LAYOUT**



23



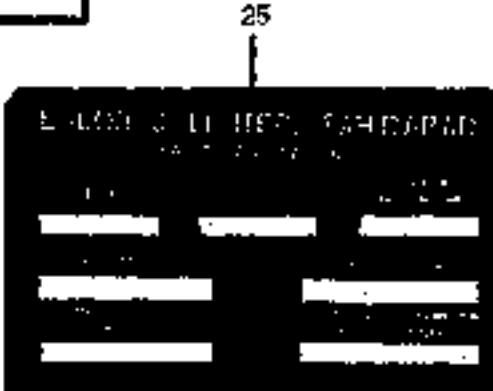
24 **WARNING**

 **AVOID POSSIBLE BATTERY OR DEATH FROM A MACHINE STARTUP**

- Do not start engine by starting another machine.
- Start engine only when you are standing on the ground.

25

WARNING



665 / 665 DTC

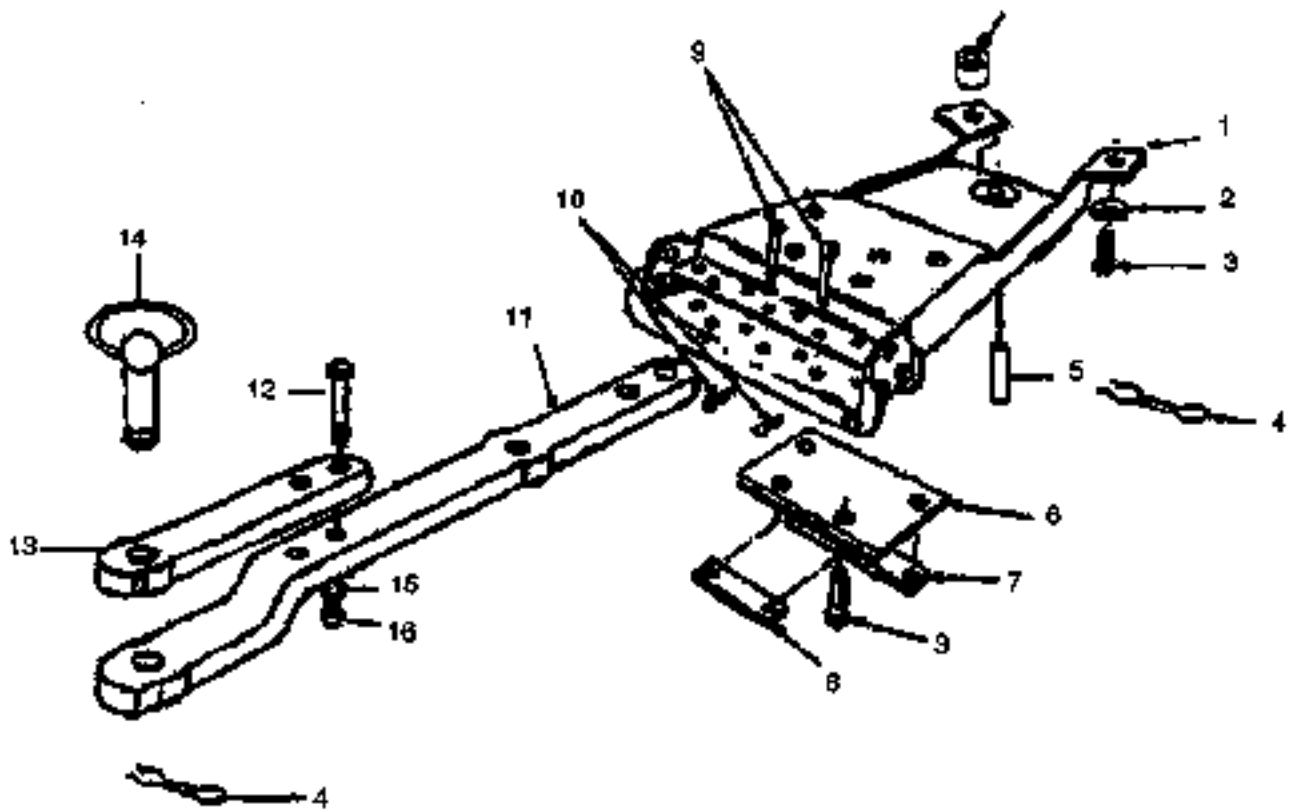
| ITEM No. | PART No. | DESCRIPTION | VENDOR No. | QUANTITY | |
|----------|----------|----------------------------------|------------|----------|---------|
| | | | | 665 | 665 DTC |
| 14 | ESL11637 | Decal, Warning Instructions | D10019210 | 1 | 1 |
| 15 | ESL13696 | Decal, Seat Belt | D10026800 | 1 | 1 |
| 16 | ESL13695 | Decal, Tractor Warning | D10026780 | 1 | 1 |
| 17 | ESL13694 | Decal, Torque | D10026780 | 1 | 1 |
| 18 | ESL13693 | Decal, Starting Warning | D10026770 | 1 | 1 |
| 19 | ESL13619 | Heat Reflective Tape | D10019180 | 1 | 1 |
| 20 | ESL11617 | Decal, Operator Instruction (NI) | D10017890 | 1 | 1 |
| 21 | ESL11623 | Decal, Fuse Box | D10039920 | 1 | 1 |
| 22 | ESL11640 | Decal, Thermostat (NI) | D10026850 | 1 | 1 |
| 23 | ESL11639 | Decal, Battery Warning | D10018620 | 1 | 1 |
| 24 | ESL11632 | Decal, Warranty Disclaimer | D10026840 | 1 | 1 |
| 25 | ESL11633 | Plate, Vehicle Identification | D10026860 | 1 | 1 |
| 26 | ESL14547 | Decal, EPA Engine (NI) | D10035530 | - | - |
| - | ESL14548 | Decal, EPA Engine (NI) | - | - | - |
| - | ESL14549 | Decal, EPA Engine (NI) | D10077700 | 2 | 2 |

DECALS

OPTIONS



665 / 665 DTC



SWINGING DRAWBAR

665 / 665 DTC

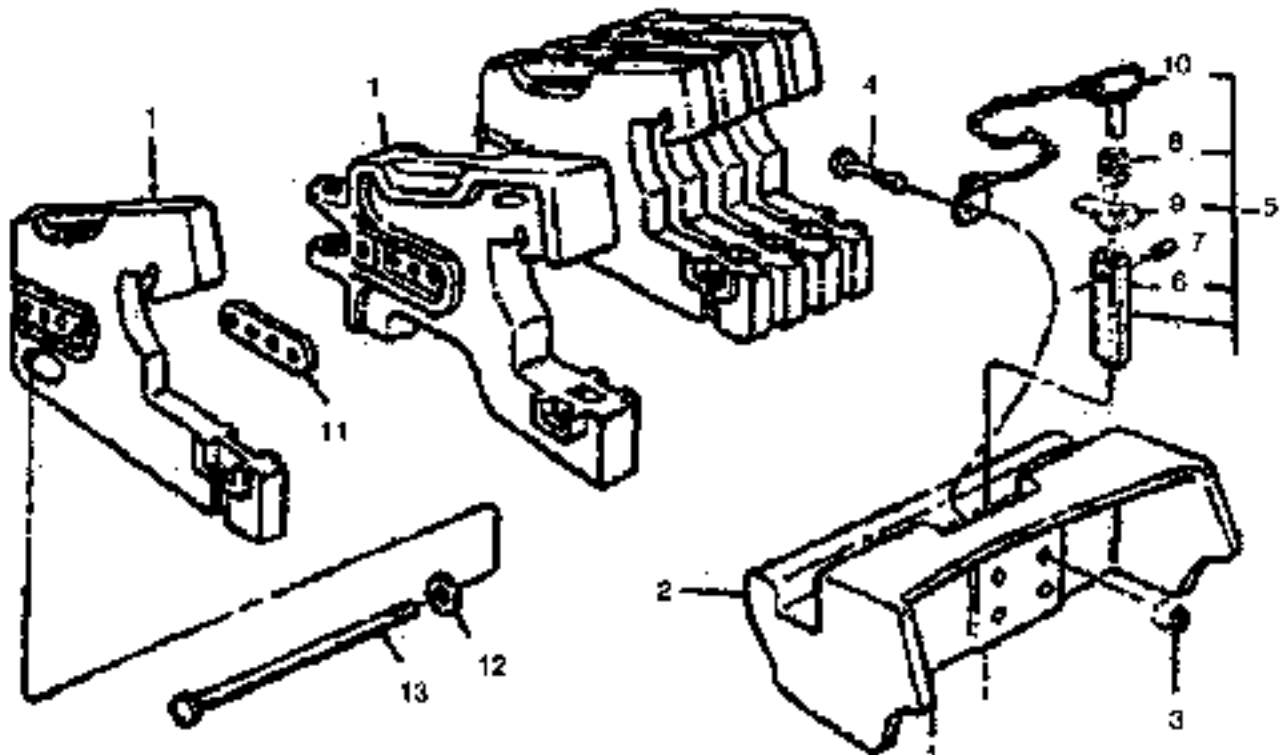
| ITEM No. | PART No. | DESCRIPTION | VENDOR No. | QUANTITY | |
|----------|----------|--------------------------|------------|----------|---------|
| | | | | 665 | 665 DTC |
| 1 | ESL12588 | Hanger Assembly, Drawbar | D10027210 | 1 | 1 |
| 2 | ESL11712 | Washer, Drawbar Hanger | D10027310 | 2 | 2 |
| 3 | 304768S8 | Bolt, Hex (5/8-11x1.50) | - | 6 | 6 |
| 4 | ESL11169 | Spring, Drawbar Pin | D10027270 | 2 | 2 |
| 5 | ESL11877 | Pin Drawbar | D10027250 | 1 | 1 |
| 6 | ESL11172 | Plate, Drawbar Hanger | D10027220 | 1 | 1 |
| 7 | ESL11176 | Strap | D10027300 | 1 | 1 |
| 8 | ESL11175 | Strap | D10027290 | 1 | 1 |
| 9 | ESL11177 | Pin, Drawbar Adjusting | D10027240 | 2 | 2 |
| 10 | ESL12590 | Pin, Clip | D10026210 | 2 | 2 |
| 11 | ESL12588 | Drawbar Swinging | D10027230 | 1 | 1 |
| 12 | ESL12599 | Bolt (5/8-11x3.50) | D81000750 | 2 | 2 |
| 13 | ESL19713 | Strap Drawbar Clevis | D10027280 | 1 | 1 |
| 14 | ESL13714 | Pin Drawbar Clevis | D10027260 | 1 | 1 |
| 15 | 34811S8 | Washer, Lock (5/8) | - | 2 | 2 |
| 16 | 33849S8 | Nut, Hex (5/8-11) | - | 2 | 2 |

SWINGING DRAWBAR

S - SERIAL NUMBER BREAK ,

K - INDICATES UP TO AND INCLUDING THAT SERIAL NUMBER

666 / 665 drc



FRONT END WEIGHTS

14.3

Ⓢ - SERIAL NUMBER BREAK,



INDICATES UP TO AND INCLUDING THAT SERIAL NUMBER

665 / 665 DTC

| ITEM No. | PART No. | DESCRIPTION | VENDOR No. | QUANTITY | |
|----------|-----------|---|------------|-------------|---|
| | | | | 665 665 DTC | |
| 1 | ESL13626 | Weight, Front End | D10039410 | 6 | 6 |
| 2 | ESL13627 | Carrier, Front End Weight | D10039420 | 1 | 1 |
| 3 | ESL13628 | Spacer | - | 4 | 4 |
| 4 | 30494658 | Bolt, Hex Head (3/4-10x3.50) | - | 4 | 4 |
| 5 | ESL13629 | Pin Assembly, Front End Weight Retainer | D10039400 | 1 | 1 |
| 6 | ESL13630 | Pin, Front Weight Retainer | - | 1 | 1 |
| 7 | ESL13631 | Pin | - | 1 | 1 |
| 8 | ESL13632 | Spring, Front End Weight Retainer | - | 1 | 1 |
| 9 | ESL13633 | Bracket, Front End Retainer | - | 1 | 1 |
| 10 | ESL13634 | Chain & Clevis Only | D10042800 | 1 | 1 |
| 11 | ESL13635 | Plate, Front End Weight Clamp | - | 1 | 1 |
| 12 | E63003858 | Washer, Flat (M16) | - | 4 | 4 |
| 13 | 82835166 | Bolt, Front End Weight | - | 4 | 4 |

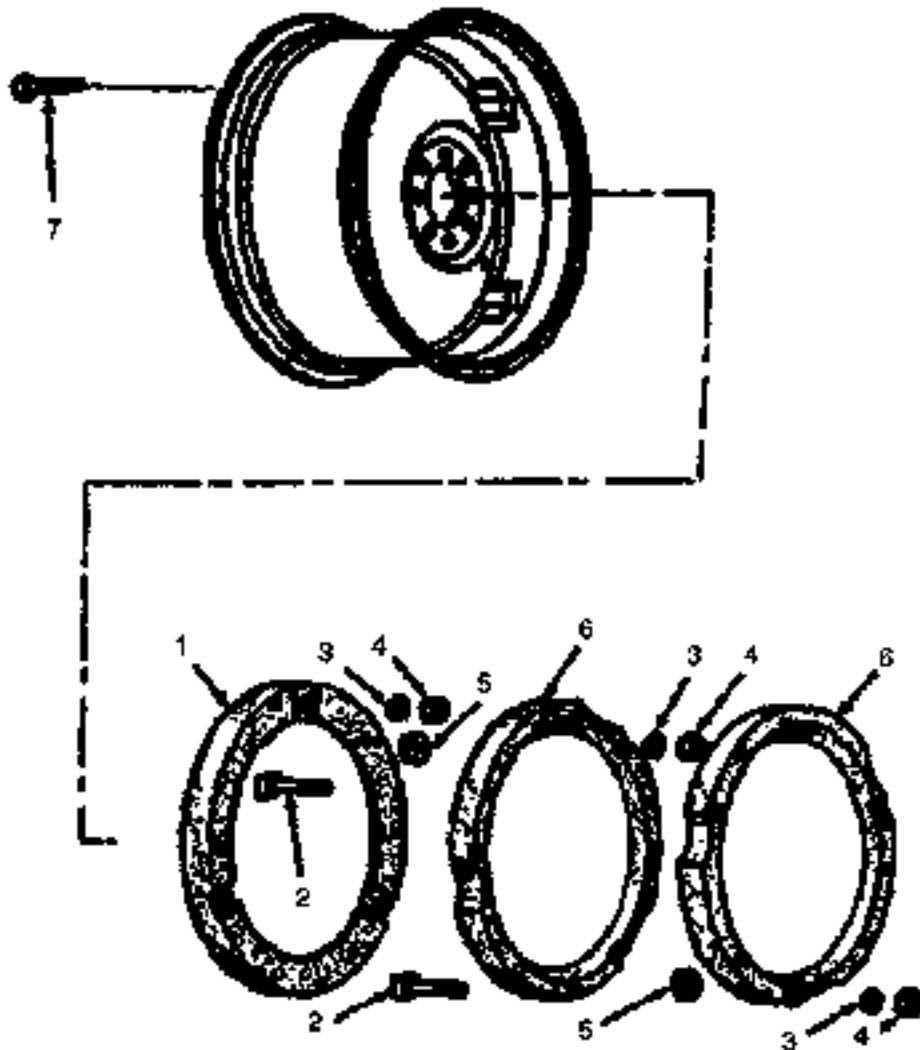
FRONT END WEIGHTS

Ⓢ - SERIAL NUMBER BREAK,

Ⓚ - INDICATES UP TO AND INCLUDING THAT SERIAL NUMBER

665 / 665 DTC

| ITEM No | PART No. | DESCRIPTION | VENDOR No. | QUANTITY 665 665 DTC |
|---------|----------|------------------------------------|------------|-------------------------|
| 1 | ESL10924 | Weight, Rear Wheel Center (NSS) | - | 2 2 |
| 2 | 380304S8 | Bolt, Square Head (5/8-11x3.00) | - | 12 12 |
| 3 | 34811S8 | Washer, Lock (5/8) | - | 18 18 |
| 4 | 33849S8 | Nut, Hex (5/8-11) | - | 18 18 |
| 5 | - | Washer, Weight Bolt Retainer (NSS) | - | 12 12 |
| 6 | ESL10926 | Weight, Rear Wheel Auxiliary (NSS) | - | 4 4 |
| 7 | 304933S8 | Bolt, Hex Head (5/8-11x3.25) | - | 6 6 |
| 8 | ESL10925 | Spacer, Rear Wheel Weight (NSS) | - | 6 6 |


REAR WHEEL WEIGHTS