

Supplementary  
Parts Catalogue

Supplementary  
Parts Catalogue

Supplementary  
Parts Catalogue

Supplementary  
Parts Catalogue

475 DI TOTAL

# Supplementary Parts Catalogue

475 DI Total



**Mahindra**

<https://tractormanualz.com/>

# FOREWORD

We are pleased to present the Supplementary Parts Catalogue for the New Mahindra "475 DI Total" Tractor.

This Supplementary Parts Catalogue contains exclusive (uncommon to 475 DI Sarpanch Model) parts used on the above model, for other common parts of 475 DI Sarpanch refer the Regular Parts Catalogue (Part No - 0000MDIPC01).

Some of the parts which are uncommon to 475 DI Sarpanch , but are used on other Mahindra Tractor Models have also been included in this parts catalogue. These parts can be indentified as 'R' Suffix to reference number. The Models on which these parts are used is mentioned in "Used On" column

Symbol "‡" given in the Part Number column denotes, Part is not serviced seperately. Also the remark is given below each page.

Symbol "\*" written against Reference Number denotes, Part is Not Illustrated.

In Exploded views, Exclusive / Uncommon Parts are highlighted and the Regular Part are indicated in light shade for ease of understanding.

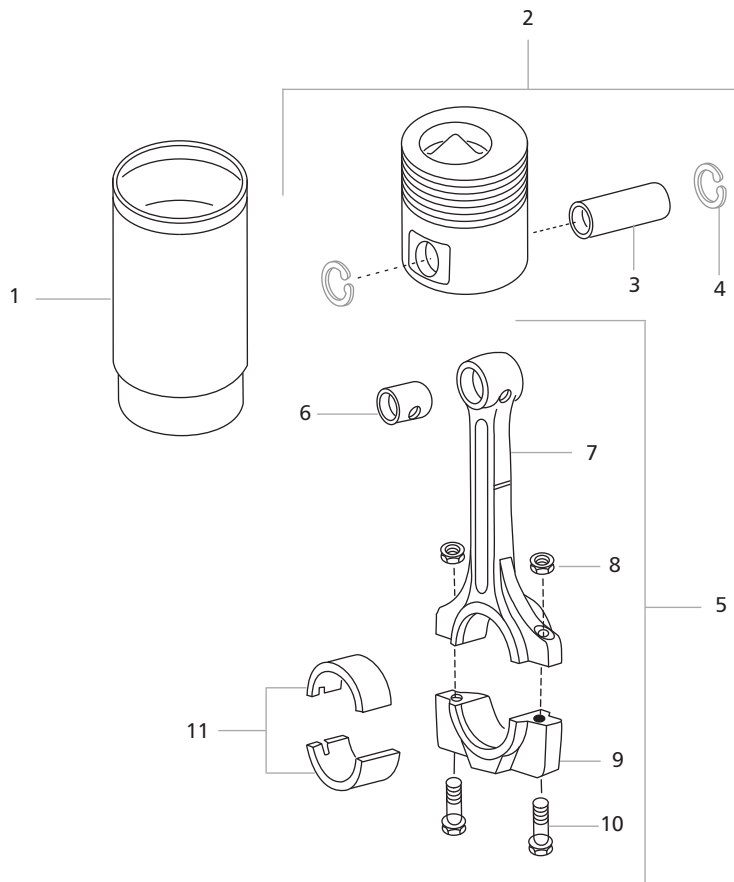
We hope this Parts Catalogue will serve useful to you. For any further help or query contact at the below mentioned address.

**Team Product Support  
Customer Care Department  
Mahindra & Mahindra Ltd.,**  
Farm Equipment Sector,  
Akurli Road,  
Kandivli (E)  
Mumbai - 400 101



<b>Description</b>	<b>Page No</b>
Engine-----	4 - 5
Sleeve Piston & Connecting Rod -----	4 - 5
Valve Train And Crankshaft Assembly -----	6 - 7
Fuel Injection System -----	6 - 7
Clutch Housing & Connections -----	8 - 9
Drive Shaft Assembly -----	8 - 9
Transmission Housing -----	10 - 11
Secondary Shaft Assembly -----	12 - 13
Primary Shaft & Bevel Gear Assembly -----	14 - 15
Reverse Gear Assembly-----	16 - 17
Differential Case Assembly -----	18 - 19
Differential Lock Assembly -----	20 - 21
Main PTO Assembly -----	22 - 23
Final Drive Housing-----	24 - 25
Rear Axle Assembly-----	26 - 27
Rail Housing Cover Assembly -----	28 - 29
Rail Assembly -----	30 - 31
Carraro Brake Assembly -----	32 - 33
Hydraulic Housing Assembly -----	34 - 35
Hydraulic Rockshat & Cylinder Assembly -----	36 - 37
Internal Linkage Assembly -----	38 - 39
Hydraulic Qudrant Assembly -----	40 - 41
Top Link Bracket Assembly -----	42 - 43
Control Valve Assembly -----	44 - 45
Hydraulic Suction & Pressure Pipe -----	46 - 47
Three Point Linkages -----	48 - 49
Front Axle & Support -----	50 - 51
Seat -----	52 - 53
Rim & Disc-----	52 - 53
Fender Assembly -----	56 - 57
Foot Plate -----	54 - 55
Battery Mounting -----	56 - 57
Brake Pedal & Linkages -----	56 - 57
Product Graphics-----	58 - 59
Electricals-----	58 - 59

## Sleeve Piston & Connecting Rod



Part No	Ref.	Description of Part	Qty/ Tractor	Used On
		<b>ENGINE - 1900 R.P.M is same as Used on 475 MKM/DLX Sarpanch &amp; Bhoomiputra Model</b>		
ENG475SFCSPDG	*	ENGINE 4 Cyl - 1900 RPM (Grey Painted)	1	
		<b>KIT FOR REPAIRS</b>		
005554136R91	*	CRANKCASE Major Assembly (Grey Painted)	1	
005554137R91	*	KIT Major Engine Repair	1	
005554138R91	*	KIT Minor Engine Repair	1	

## Sleeve Piston & Connecting Rod

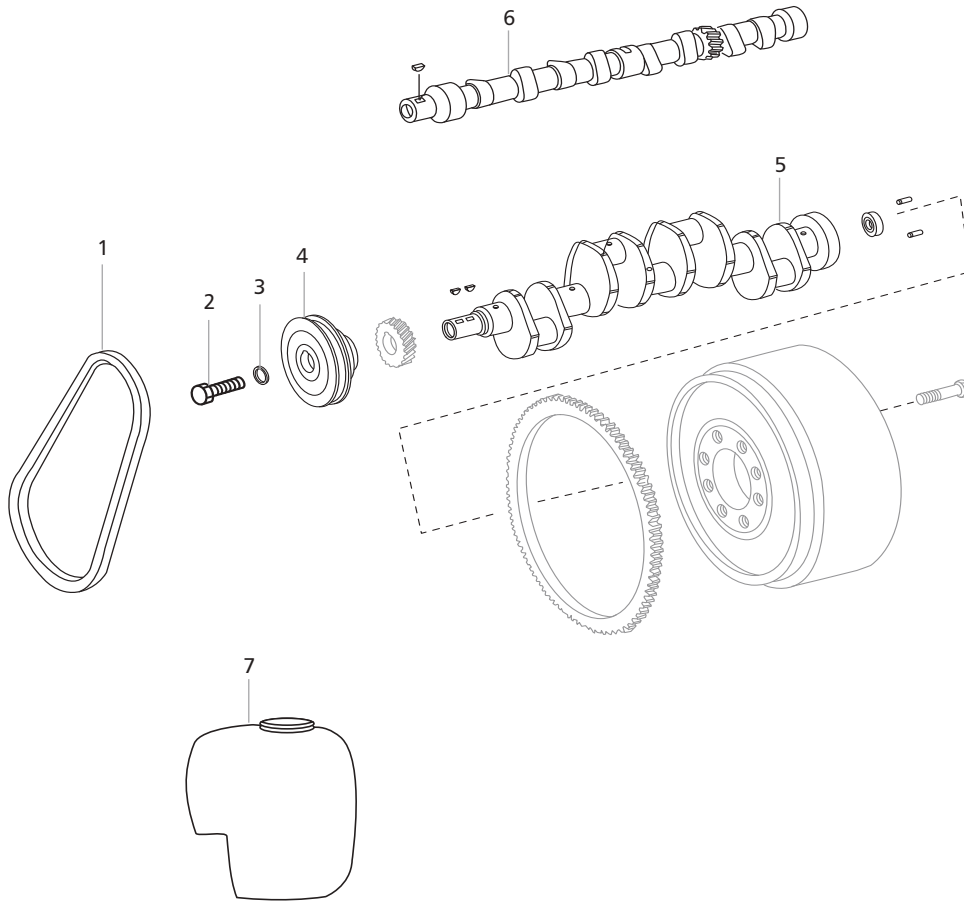
005557311R1	1 'R'	SLEEVE Cylinder LS	4	
005557784R91	2 'R'	PISTON with Pin	4	
005550812R1	3 'R'	PIN Piston	4	
005555844R1	4 'R'	CIRCLIP Piston Pin	8	
006005115H91	5 'R'	ROD Connecting Assembly	4	
005557315R1	6 'R'	BUSH Connecting Rod	4	
‡	7 'R'	ROD Connecting	4	
005557317R1	8 'R'	NUT Connecting Rod	8	
‡	9 'R'	CAP Connecting Rod	4	
005557316R1	10 'R'	BOLT Connecting Rod	8	
005554089R91	11 'R'	BEARING Connecting Rod Set - Std	4	
005554240R91	11 'R'	BEARING Connecting Rod Set - U/S 0.25 mm	4	
005554241R91	11 'R'	BEARING Connecting Rod Set - U/S 0.38 mm	4	
005554242R91	11 'R'	BEARING Connecting Rod Set - U/S 0.5 mm	4	
005554243R91	11 'R'	BEARING Connecting Rod Set - U/S 0.76 mm	4	

'\*\*' Part Not Illustrated

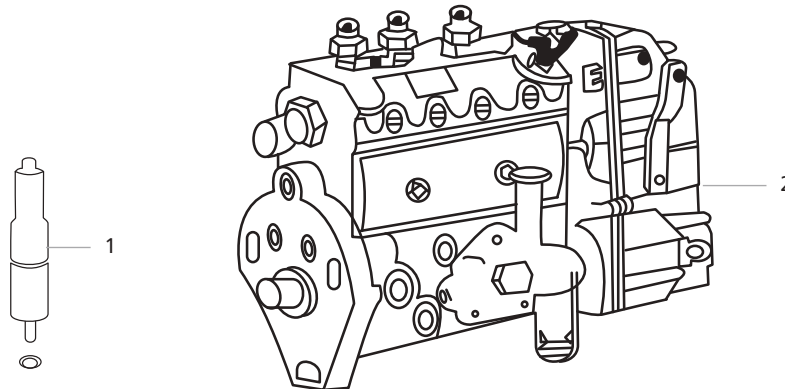
'‡' Part Not Serviced Separately

'R' Regular Part Used

# Valve Train And Crankshaft Assembly



# Fuel Injection System



## Valve Train And Crankshaft Assembly

Part No	Ref.	Description of Part	Qty/ Tractor	Used On
006001726A1	1 'R'	BELT Fan Drive	1	
006000260B1	2 'R'	BOLT Pulley Mounting	1	
006000259B1	3 'R'	SPACER Crankshaft	1	
006001723A1	4 'R'	PULLEY Main Drive	1	
006000135R1	5	CRANKSHAFT with Dowel Pin	1	
006000171R1	6	CAMSHAFT	1	
006002260C91	7 'A'	BOTTLE Recovery Assy.	1	
006009846D1	*	CAP Recovery Bottle	1	

## Fuel Injection System

006006124B91	1	INJECTOR	4	
O.E Part	2' '\$'	PUMP Fuel Injection	1	

'\*' Part Not Illustrated

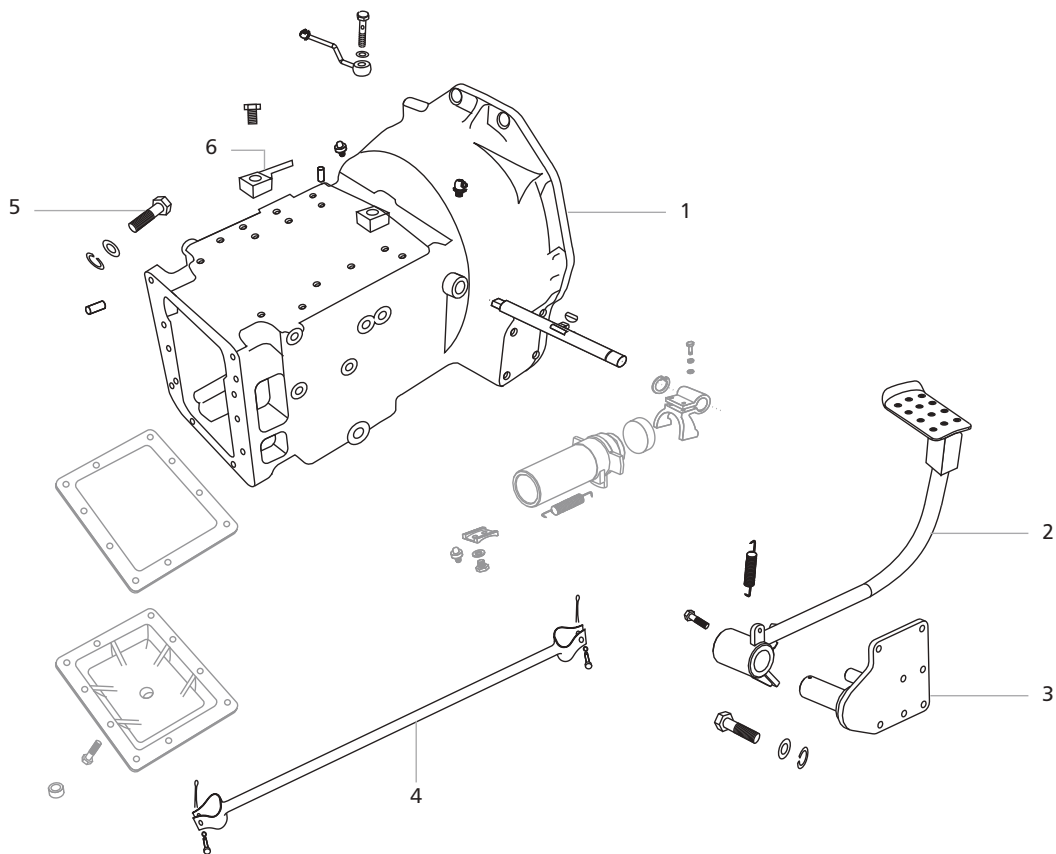
'A' Arjun Part Used

'R' Regular Part Used

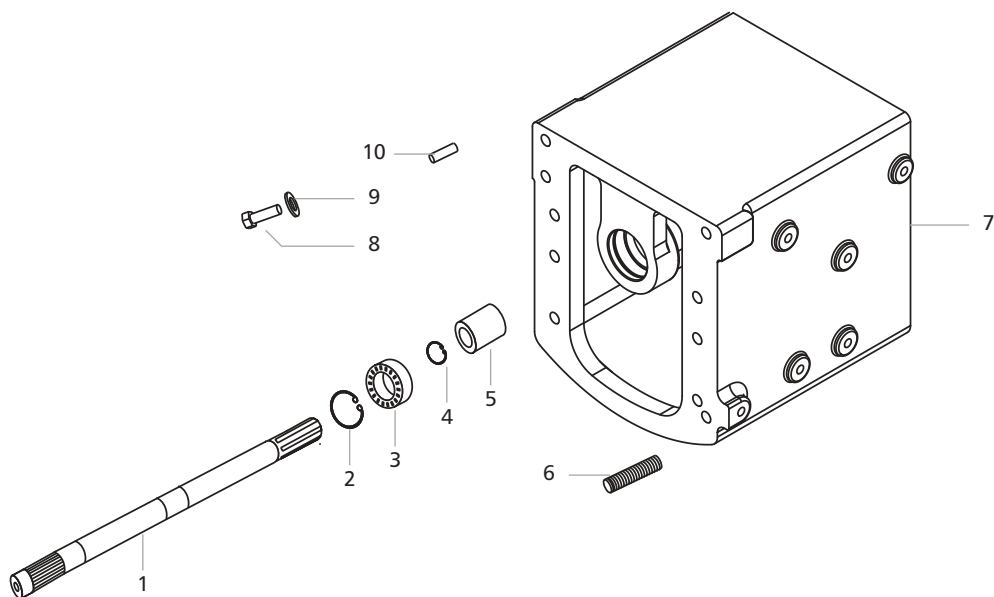
'\$' O.E Part - To be procured from OEM Dealer



# Clutch Housing & Connections



# Drive Shaft Assembly



## Clutch Housing & Connections

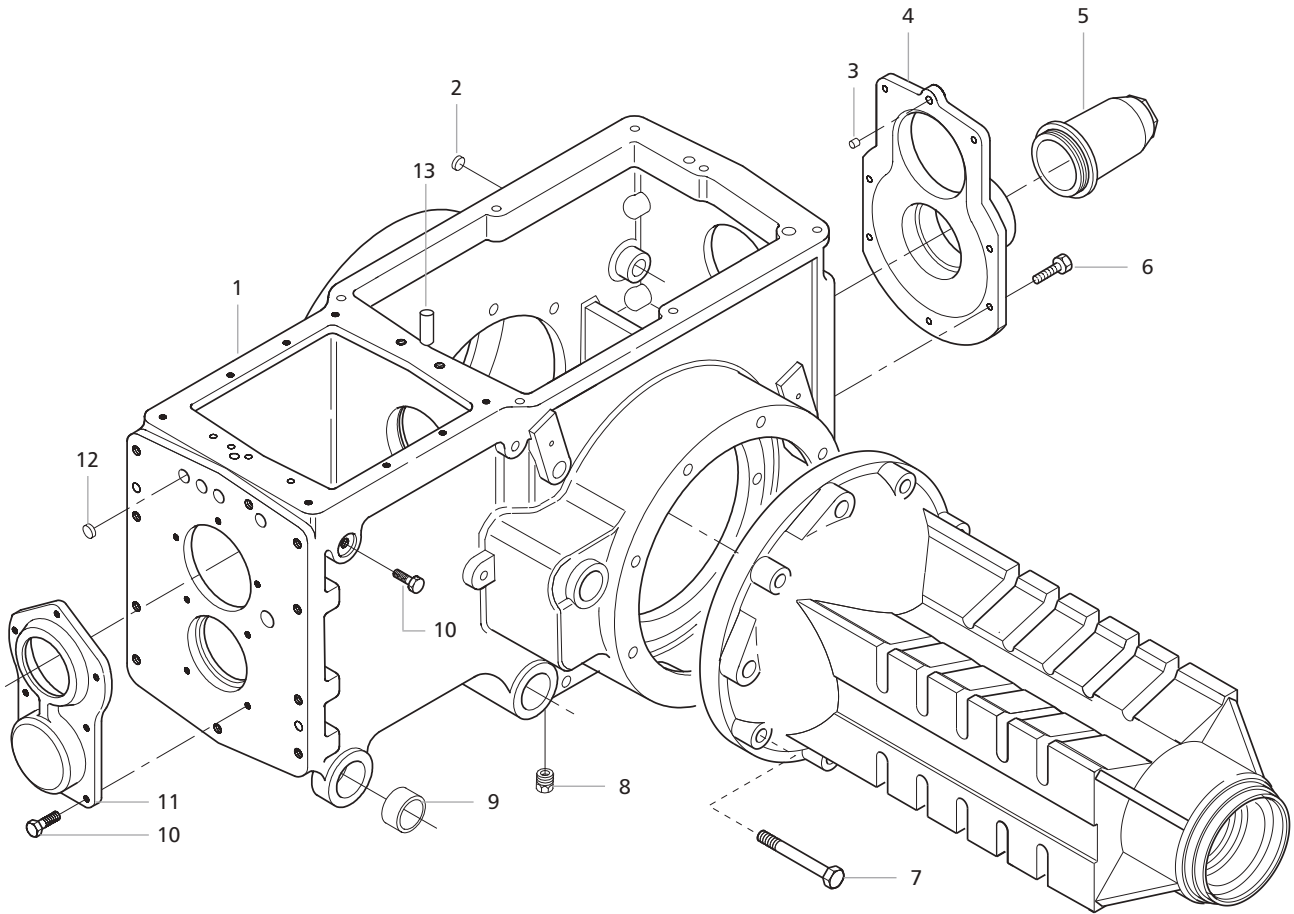
Part No	Ref.	Description of Part	Qty/ Tractor	Used On
005558519R3	1	HOUSING Clutch	1	
007605237B91	2	PEDAL Clutch Cpte	1	
006506318C91	3 'R'	BRACKET Clutch Pedal Mounting	1	295 & 595 MKM
005556804R1	4 'R'	LINK Connecting Cpte	1	595 DI OIB
000340340R1	5 'R'	BOLT Clutch Housing to Adaptor	8	All Regular Models
006501497C1	6 'R'	LEVER Clutch Shaft	1	595 DI OIB

## Drive Shaft Assembly

006506658B2	1	SHAFT Drive - Front	1	
006500225C1	2	CIRCLIP Internal	1	
007200842B1	3 'R'	BEARING Sealed both Side	1	All Regular Models
006506945B1	4	CIRCLIP Internal	1	
006506659B1	5	COUPLING Drive Shaft	1	
007605494B1	6	STUD Transmission Case	16	
006506607B1	7	ADAPTOR Transmission Case to Clutch Housing	1	
000020305E05	8 'R'	BOLT M14	10	All Regular Models
001082017R3	9	WASHER Spring Lock	10	
000020269E05	10 'R'	PIN Dowel	2	All Regular Models

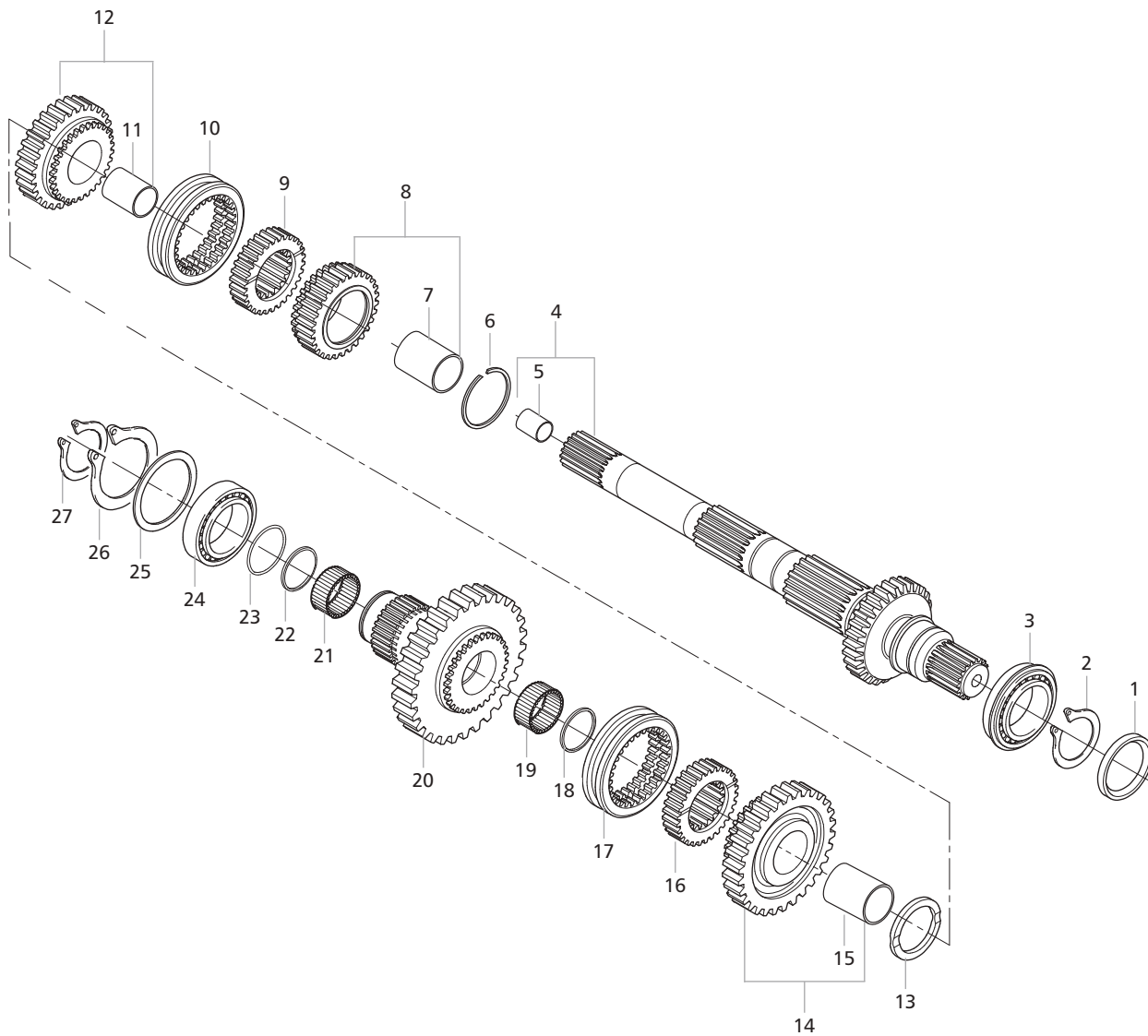
'\*\*' Part Not Illustrated  
'R' Regular Part Used

# Transmission Housing





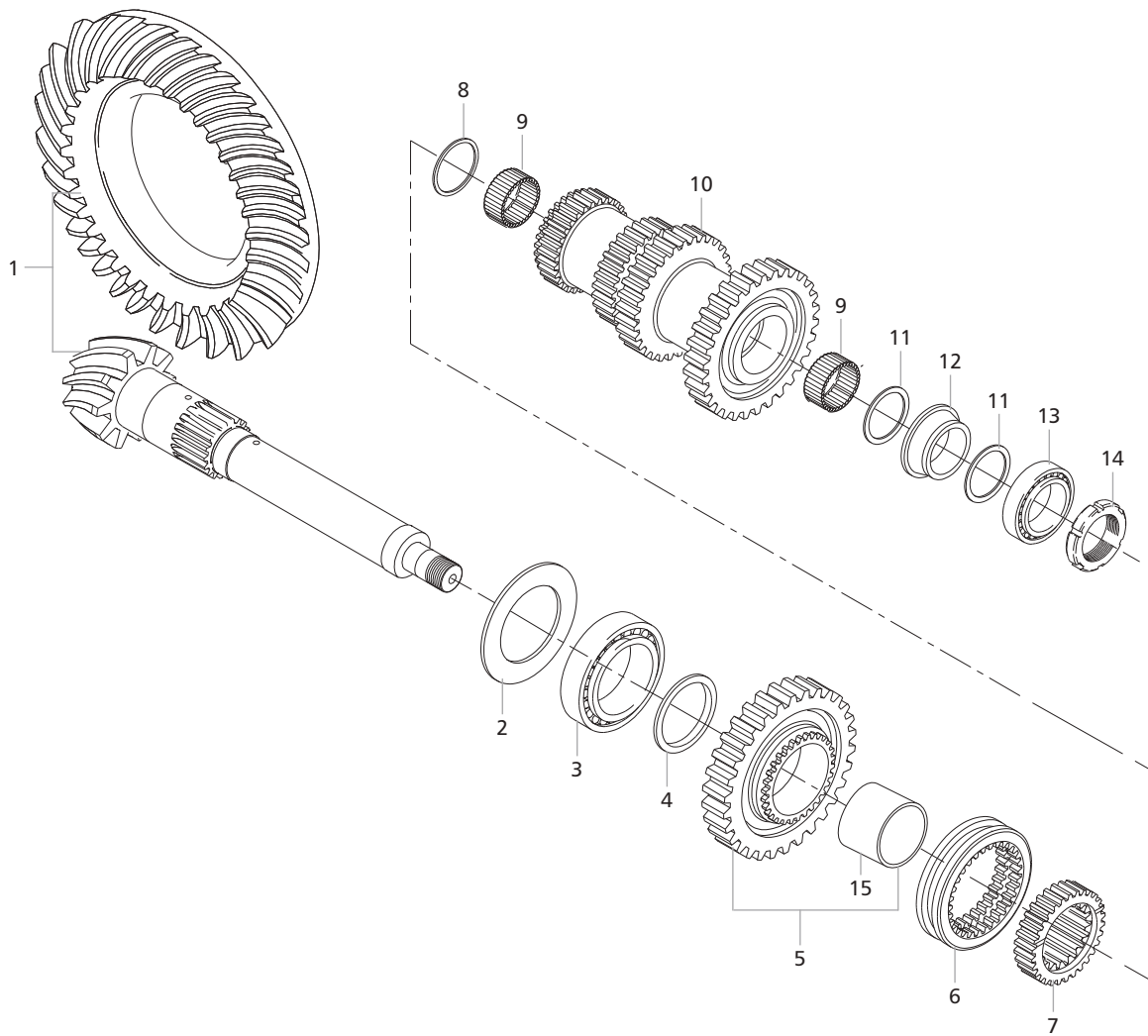
# Secondary Shaft Assembly



## Secondary Shaft Assembly

Part No	Ref.	Description of Part	Qty/ Tractor	Used On
006508052B1	1	Seal Secondary Shaft	1	
006508053B1	2	RING Snap (Circlip)	1	
006509003B1	3	BEARING Front - Secondary Shaft	1	
006509004B1	4	SHAFT Secondary (Counter Shaft)	1	
006508070B1	5	BUSH Secondary Shaft	1	
006508069B1	6	RING Snap	1	
006508068B1	7	BUSH 1st Speed Driving Gear	1	
006508067B1	8	GEAR Driving 1st Speed	1	
006508066B1	9	GEAR (Hub) for Coupling 1st-2nd Speed Gear	1	
006508065B1	10	SLEEVE Coupling 1st, 2nd, 3rd & 4th	2	
006508056B1	11	BUSH 2nd Speed Driving Gear	1	
006508055B1	12	GEAR Driving 2nd Speed	1	
006508084B1	13	WASHER (Spacer) 2nd & 3rd Speed Driving Gear	1	
006508087B1	14	GEAR Driving 3rd Speed	1	
006508070B1	15	BUSH 3rd Speed Driving Gear	1	
006508089B1	16	GEAR (Hub) for Coupling 3rd-4th Speed Gear	1	
006508065B1	17	SLEEVE Coupling 1st, 2nd, 3rd & 4th	2	
006509022B1	18	SPACER	1	
006508093B1	19	BEARING Needle	2	
006508094B1	20	GEAR Cluster Driving 4th & Hi Low	1	
006508093B1	21	BEARING Needle for Cluster Gear	2	
006509022B1	22	SPACER	1	
006508096B1	23	RING Lock	1	
006508072B1	24	BEARING for Cluster Gear	1	
006508074B1	25	SHIM 0.10 mm	A/R	
006508076B1	25	SHIM 0.30 mm	A/R	
006508078B1	25	SHIM 0.50 mm	A/R	
006508081B1	26	RING Snap (Circlip) - Bigger 85 mm Dia	1	
006508082B1	27	RING Snap (Circlip) - Smaller	1	

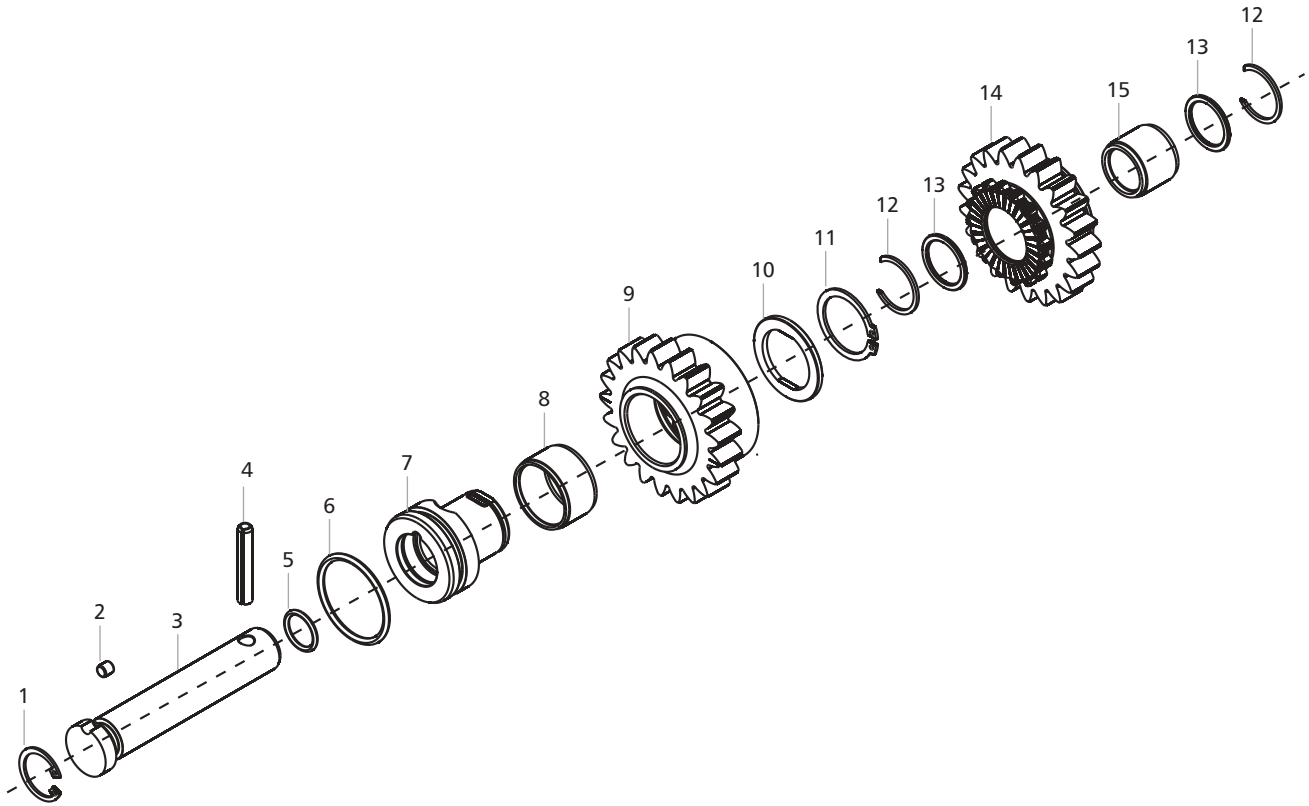
# Primary Shaft & Bevel Gear Assembly





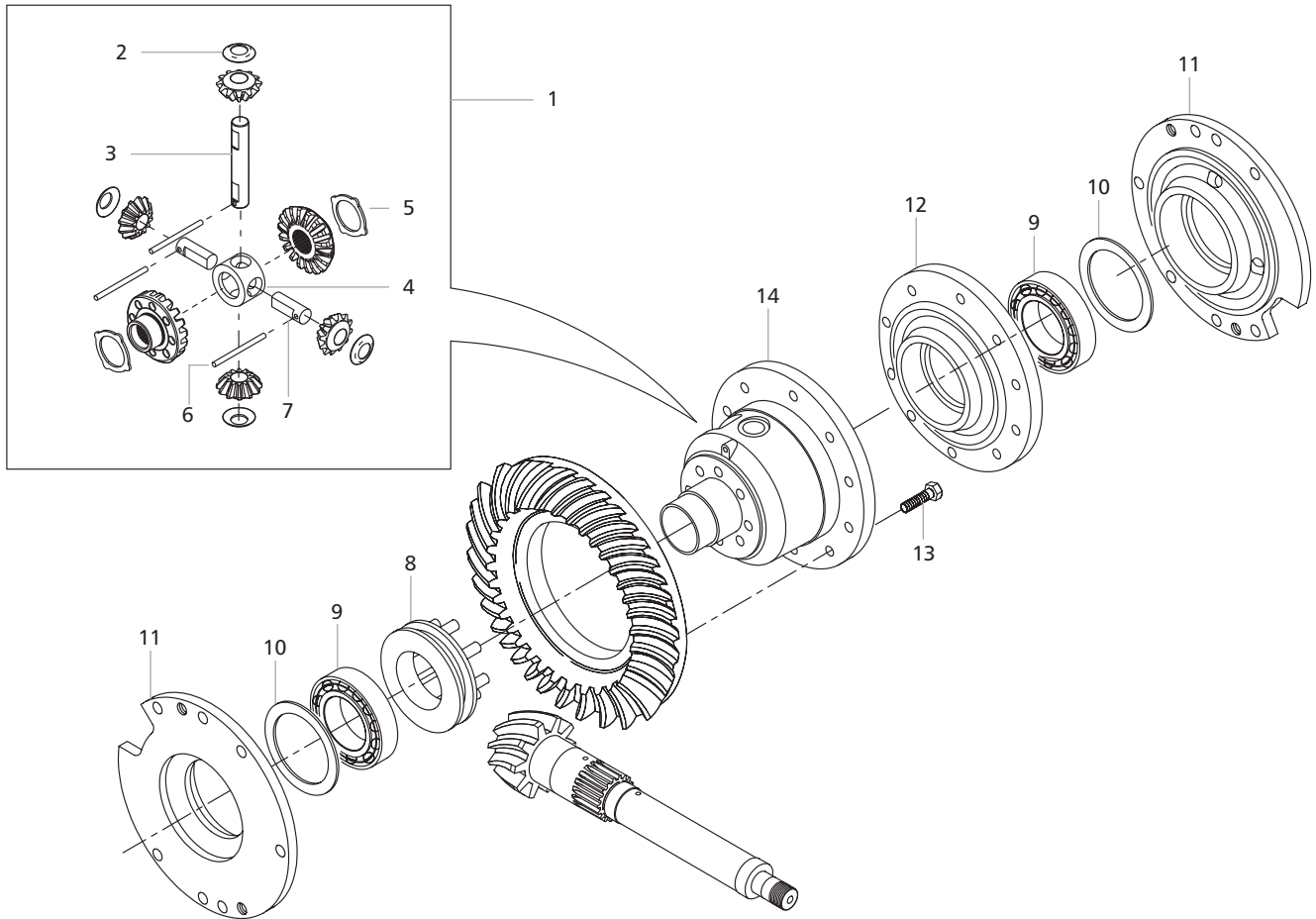


# Reverse Gear Assembly



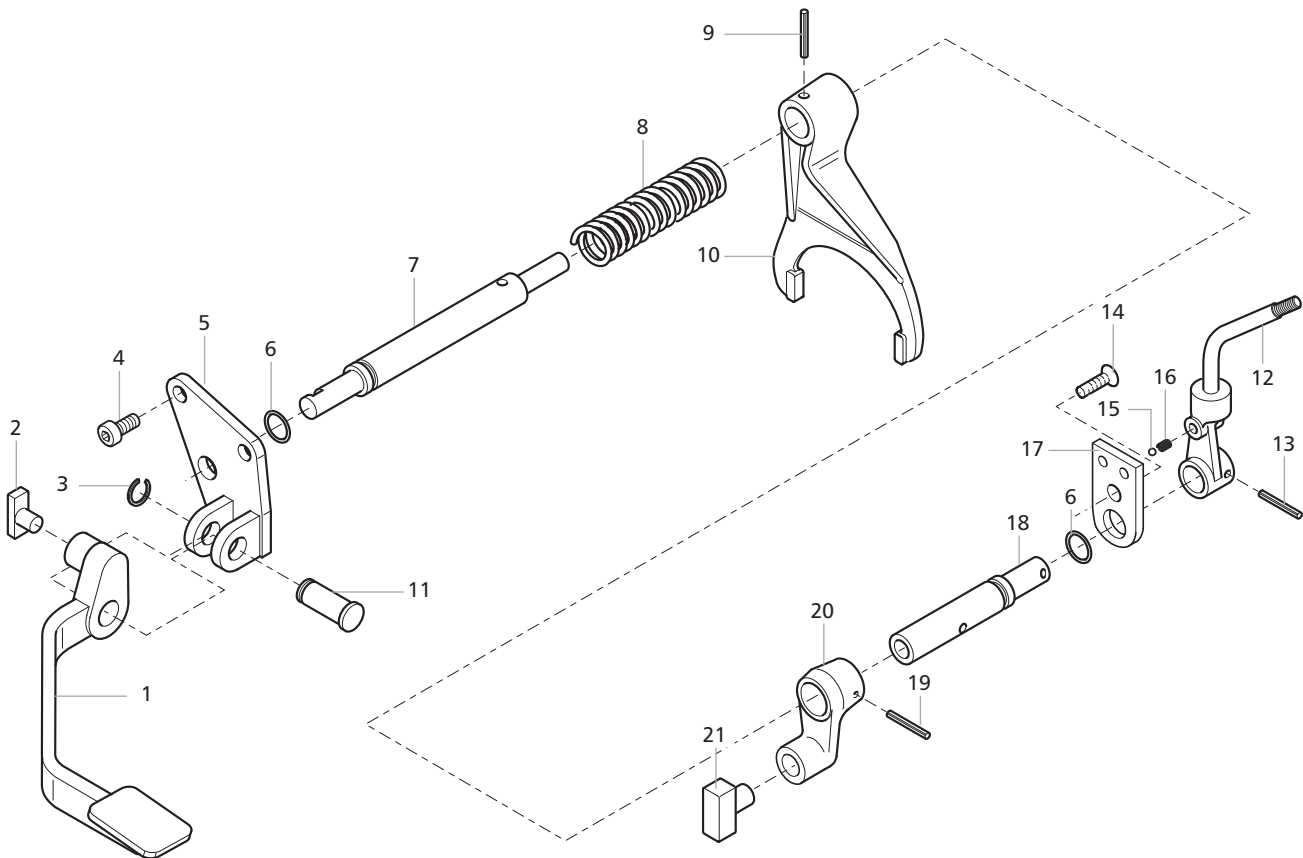


# Differential Case Assembly



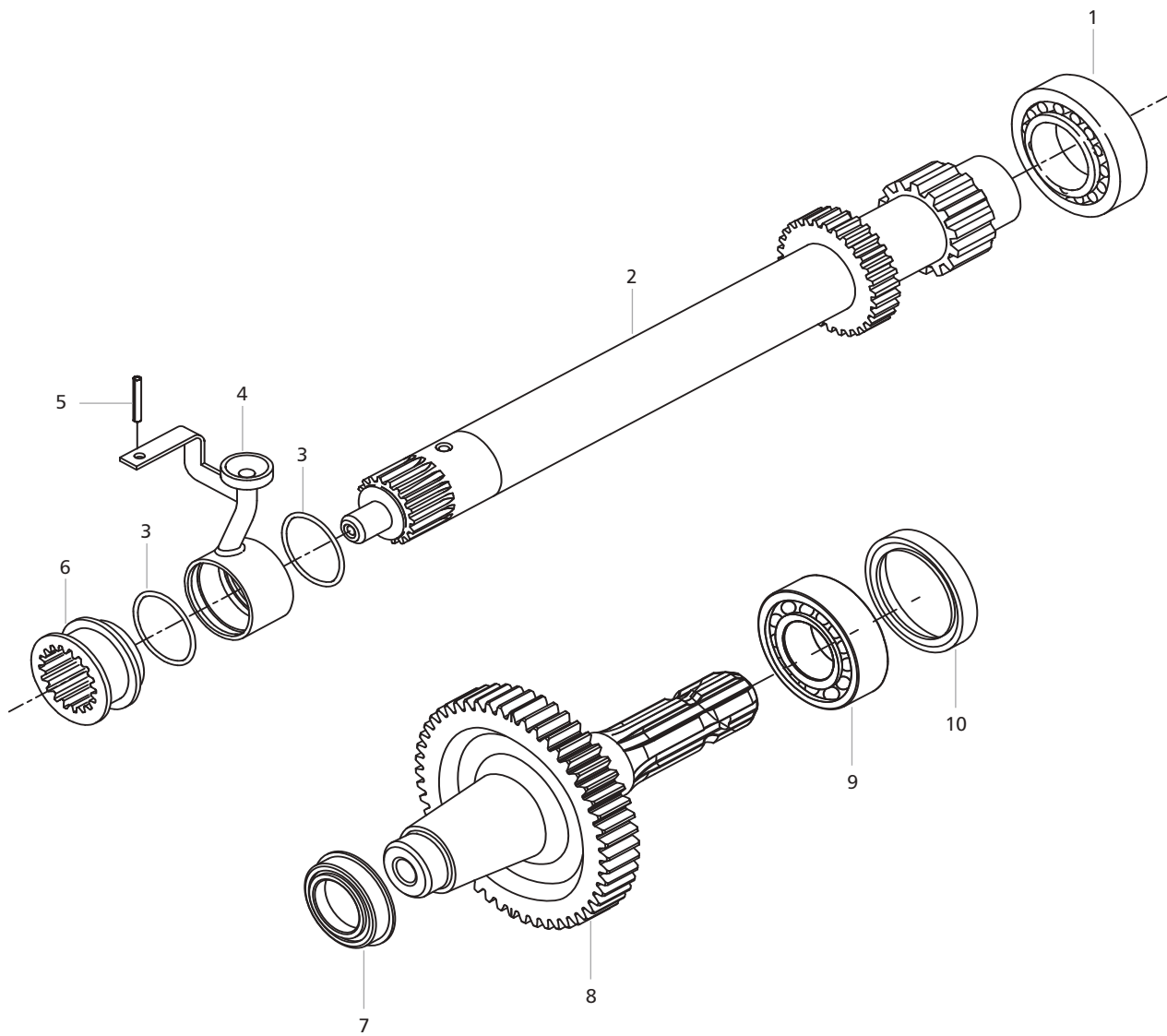


# Differential Lock Assembly





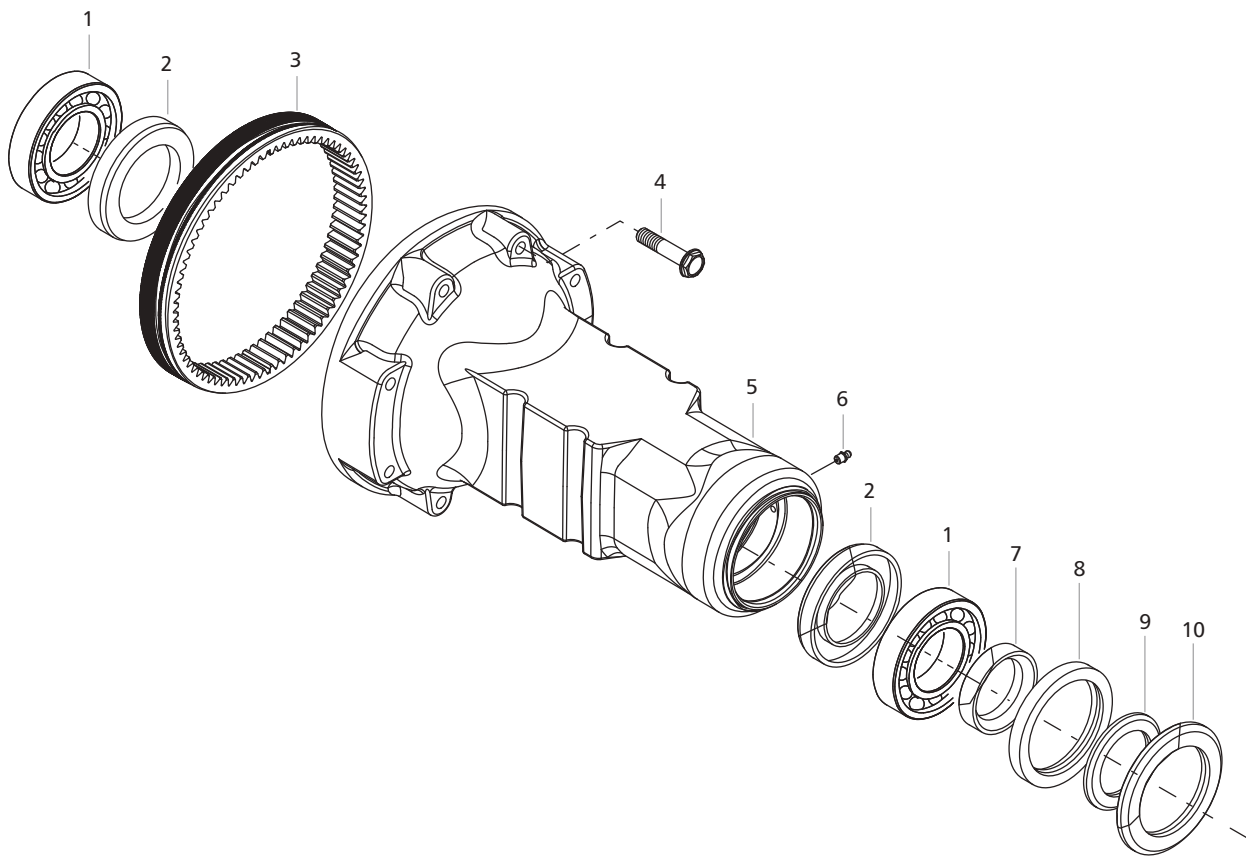
# Main PTO Assembly





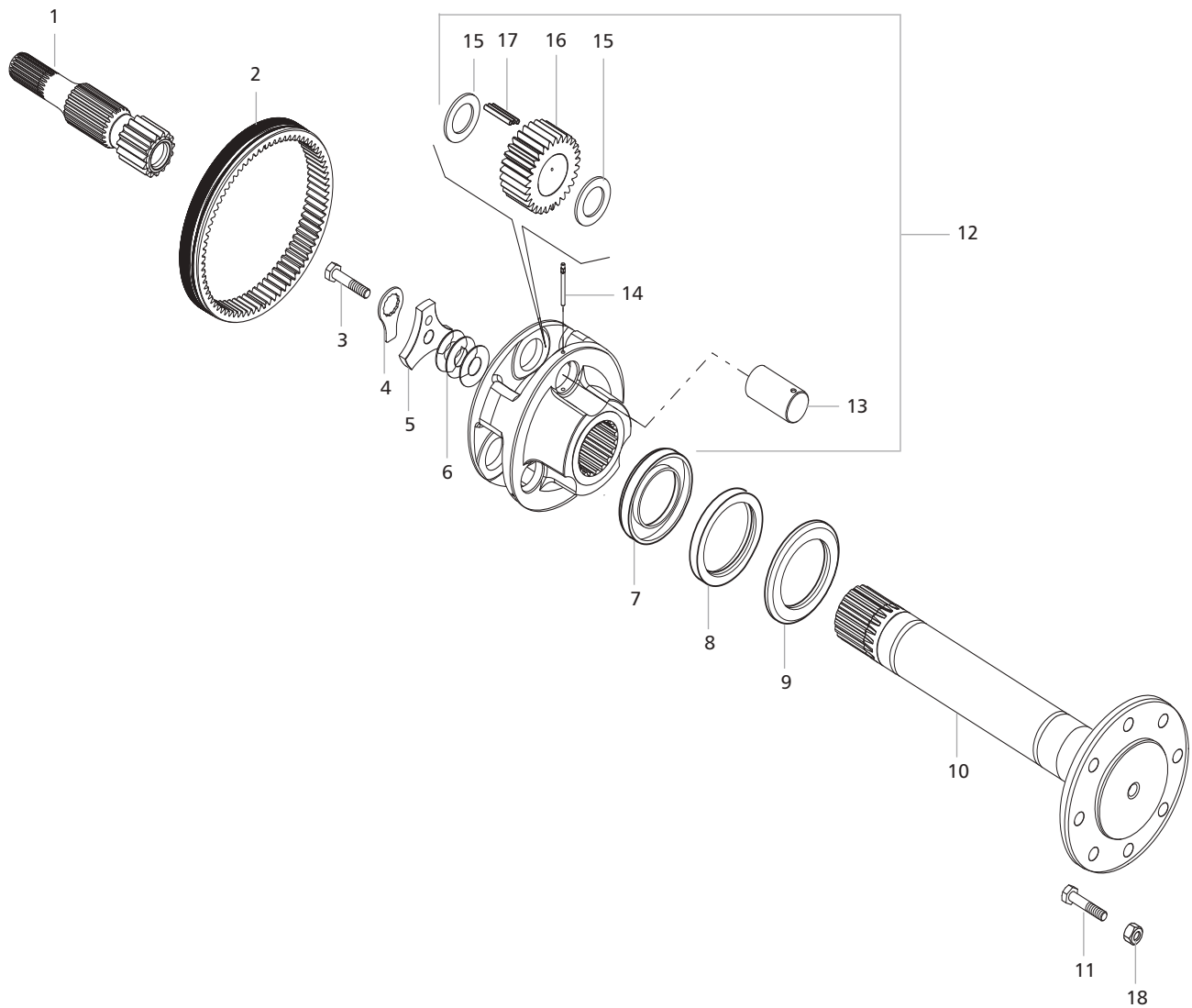


# Final Drive Housing



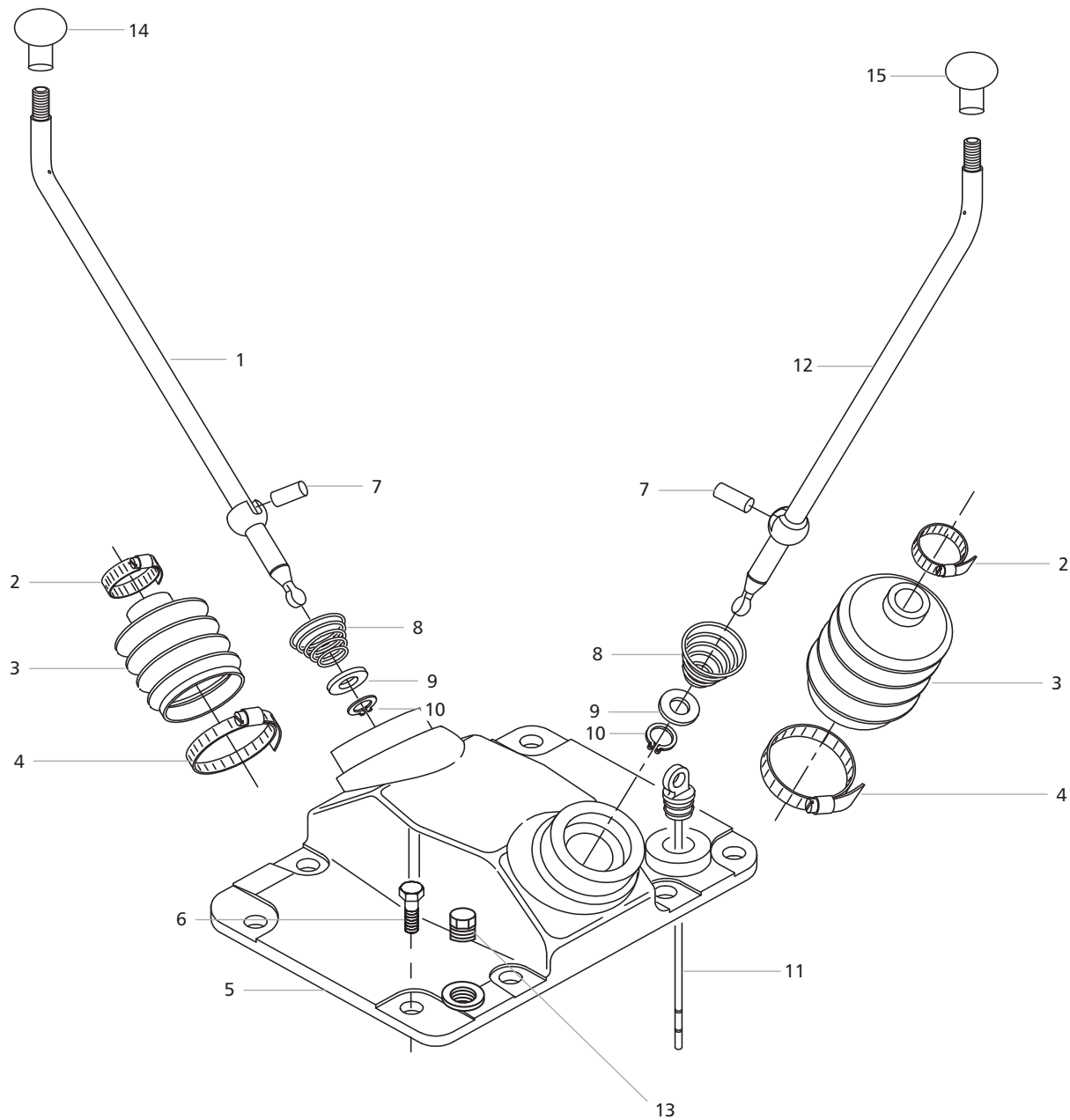


# Rear Axle Assembly





# Rail Housing Cover Assembly

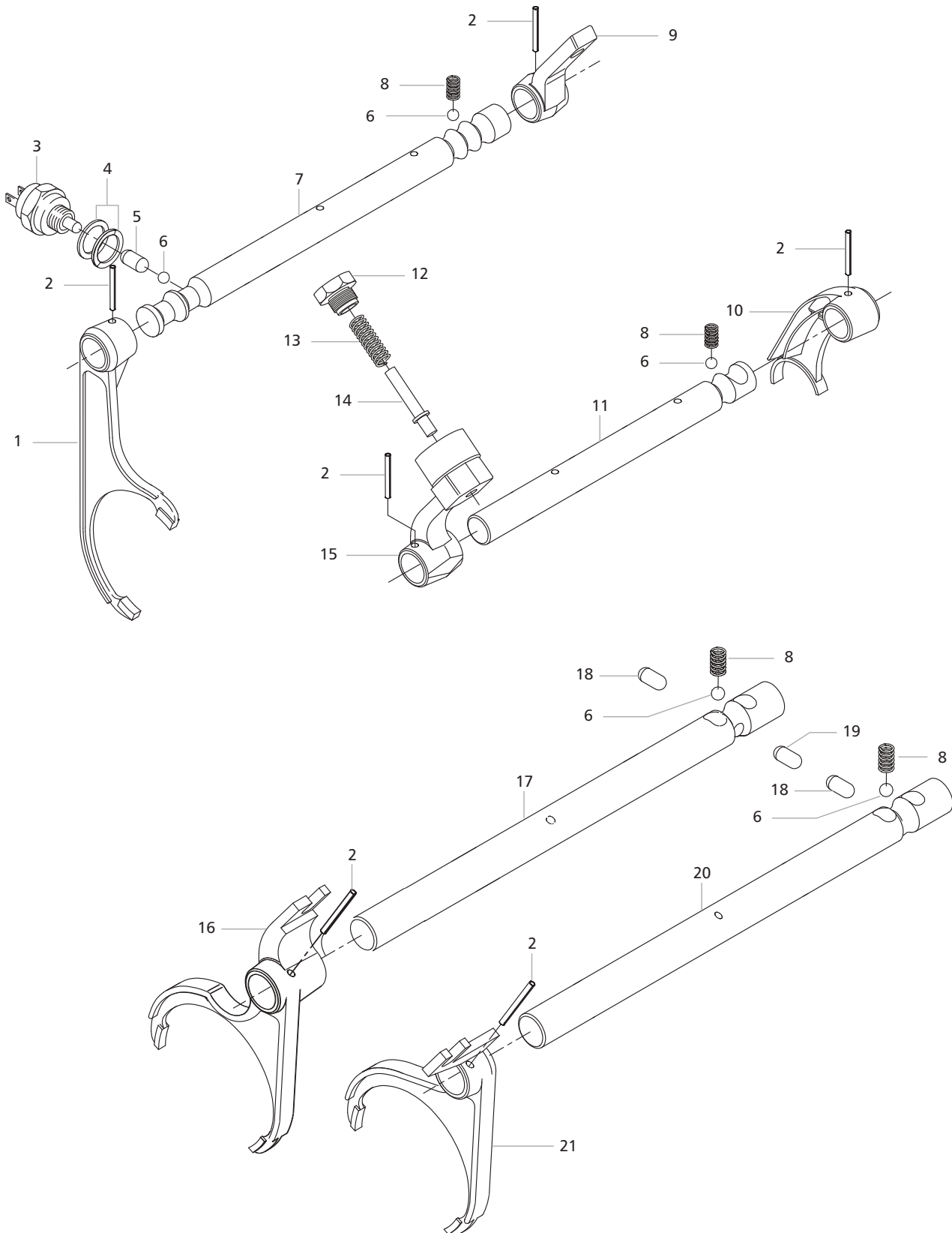


# Rail Housing Cover Assembly

Part No	Ref.	Description of Part	Qty/ Tractor	Used On
006508156B1	1	LEVER Main Gear Shifting	1	
006508158B1	2	CLIP Hose (STRAP) - Small	2	
006508163B1	3	BOOT Rubber Shifting Lever	2	
006508165B1	4	CLIP Hose (STRAP) - Big	2	
006508168B1	5	COVER Rail Housing	1	
006508173B1	6	BOLT M8 Cover Mounting	9	
006508175B1	7	PIN Shift Lever	2	
006508177B1	8	SPRING Shift Lever	2	
006508179B1	9	WASHER Shift Lever	2	
006508180B1	10	CIRCLIP Shift Lever	2	
006508181B1	11	DIPSTICK Transmission	1	
006508182B1	12	LEVER Hi-Low Gear Shifting	1	
006508183B1	13	PLUG	1	
007605975B91	14	KNOB Main Gear Shifting Lever	1	
007605974B91	15	KNOB Hi Low Gear Shifting Lever	1	
006509082B1	*	NUT Hex. Headed Gear Shifter Knob	2	

\*\* Part Not Illustrated

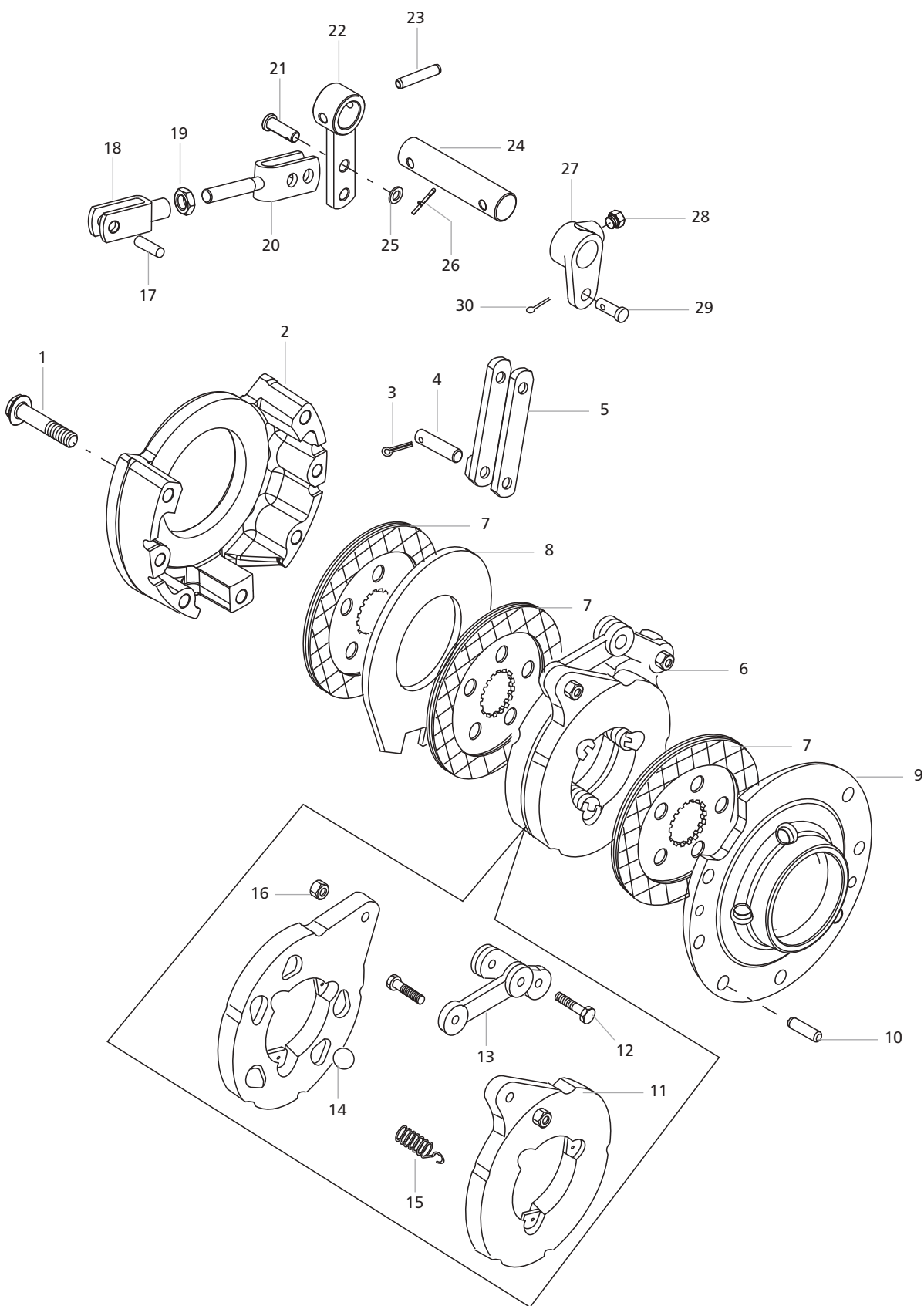
# Rail Assembly







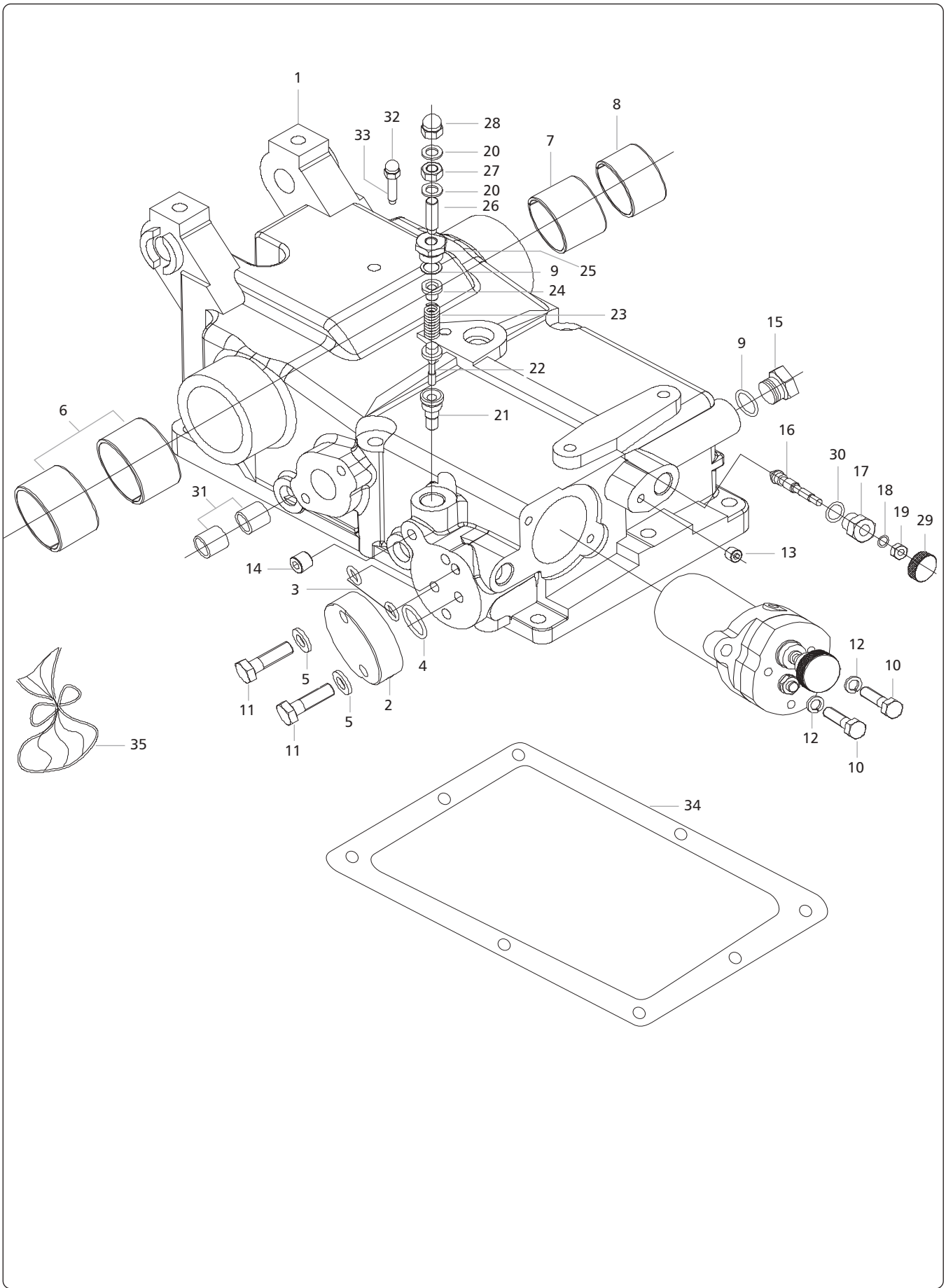
# Carraro Brake Assembly



# Carraro Brake Assembly

Part No	Ref.	Description of Part	Qty/ Tractor	Used On
006508057B1	1	BOLT Brake Housing Mounting	10	
006508058B1	2	Housing Brake	2	
006508079B1	3	PIN Cotter	2	
006508083B1	4	PIN Dowel	4	
006508080B1	5	LINKAGE Brake Control	4	
006508061B1	6	DISC Assembly Actuating	2	
006508060B1	7	LINER Friction	6	
006500764C1	8	PLATE Steel	2	
006508207B1	9	FLANGE Differential Cage Mounting	2	
006508059B1	10	PIN Dowel	2	
‡	11	DISC Actuating	4	
006508090B1	12	BOLT	4	
006508091B1	13	ROD Tie	4	
006508085B1	14	BALL Steel	10	
006508086B1	15	SPRING Actuating Disc	6	
006508088B1	16	NUT Actuating Disc	4	
006509096B1	17	PIN	2	
006509100B1	18	FORK	2	
006509095B1	19	NUT Hex Headed	2	
006509097B1	20	ROD Pull	2	
006509098B1	21	PIN	2	
006509094B1	22	Lever Brake Actuating - Outer	2	
006509102B1	23	PIN Roll	2	
006509101B1	24	SHAFT Brake Actuating	2	
006509104B1	25	WASHER	2	
006509103B1	26	PIN Cotter	2	
006509092B1	27	LEVER Brake Actuating RH - Inner	1	
006509093B1	27	LEVER Brake Actuating LH - Inner	1	
006509099B1	28	BOLT Brake Lever	2	
006509105B1	29	PIN	2	
006509106B1	30	PIN Cotter	2	

# Hydraulic Housing Assembly



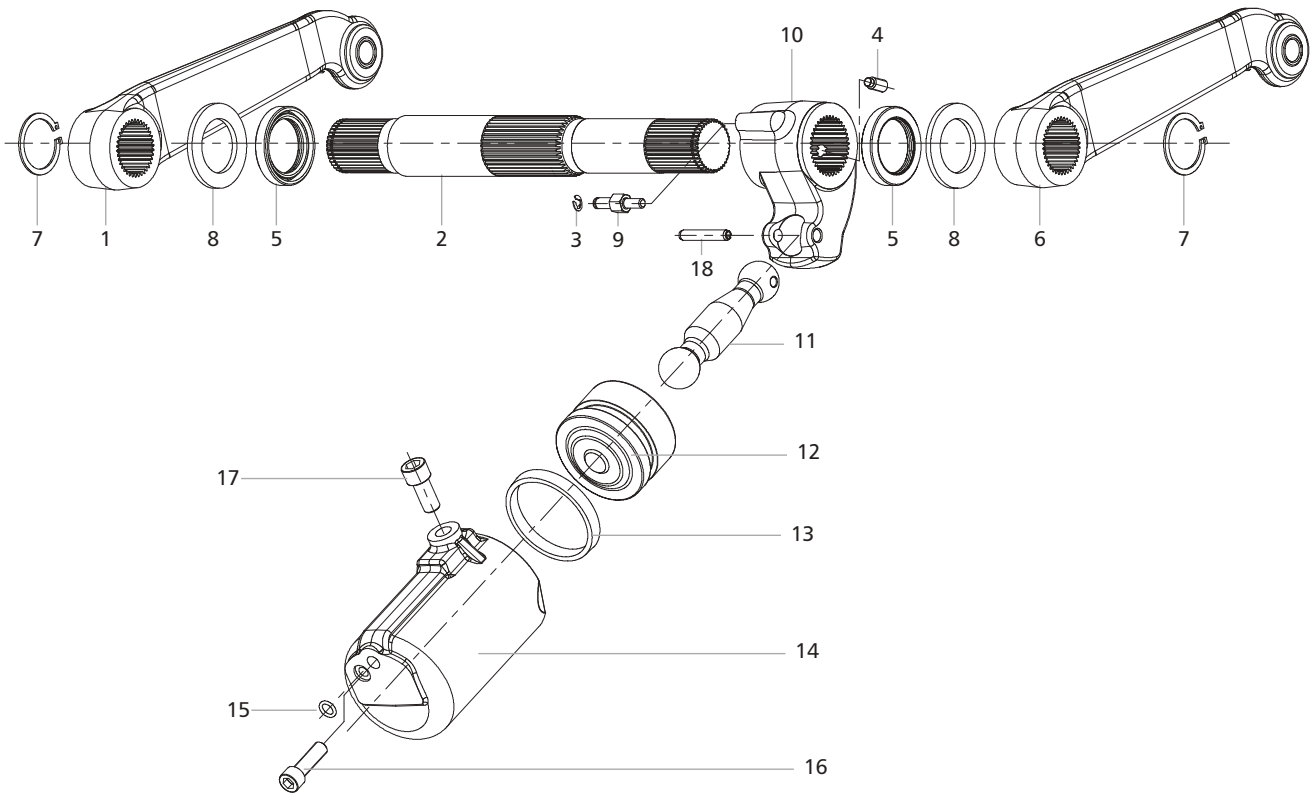
# Hydraulic Housing Assembly

Part No	Ref.	Description of Part	Qty/ Tractor	Used On
007203926B91	*	HYDRAULIC Lift Assembly	1	
007204504B1	1	HOUSING Hydraulic With Bush	1	
007204182D1	2	FLANGE Closing	1	
007204335D1	3	O Ring	2	
007204336D1	4	O Ring	1	
007204333D1	5	WASHER	2	
007204186D1	6	BUSH	2	
007204187D1	7	BUSH	1	
007204188D1	8	BUSH	1	
007204565B1	9	WASHER Copper	2	
007204332D1	10	BOLT Hex Headed	2	
007204334D1	11	BOLT Hex Headed M10	2	
007204331D1	12	WASHER Lock	2	
‡	13	BUSH	-	
‡	14	BUSH	-	
007204456B1	15	PLUG M18	1	
007204515B1	16	PRE-SELECTOR	1	
007204513B1	17	PLUG	1	
007204545B1	18	O' RING	1	
007204527B1	19	NUT Lock	1	
007204564B1	20	WASHER Copper	2	
007204461B1	21	SEAT Valve	1	
007204510B1	22	PIN Valve	1	
007204458B1	23	SPRING	1	
007204459B1	24	SPRING Slide	1	
007204512B1	25	SCREW Plug	1	
007204460B1	26	SCREW	1	
007204552B1	27	NUT Lock	1	
007204560B1	28	NUT Dom	1	
007204517B1	29	KNOB	1	
007204509B1	30	O'RING	1	
007204185B1	31	BUSH	2	
006503363D1	32	BREATHER	1	
006508780B2	33	ADAPTOR	1	
006508727B1	34	GASKET Transmission to Hydraulic Housing	1	
007203079D1	*	BOLT M10 Flange Hex. Headed Long	3	
007203080D1	*	STUD M10 Hydraulic Mounting	1	
005554365R1	* 'R'	NUT M10	1	All Regular Models
005555988R1	* 'R'	WASHER Spring Lock	1	All Regular Models
000020314E05	*	BOLT M10 Flange Hex. Headed	3	
000020313E05	*	BOLT M10 Hex. Headed	1	
000078113R2	*	CLIP Cable	2	
000016182P04	*	PIN Dowel Hydraulic Mounting	1	
		<b>Kit For Service</b>		
007204505B1	35	SEAL Kit Rock Shaft	1	

\*' Part Not Illustrated

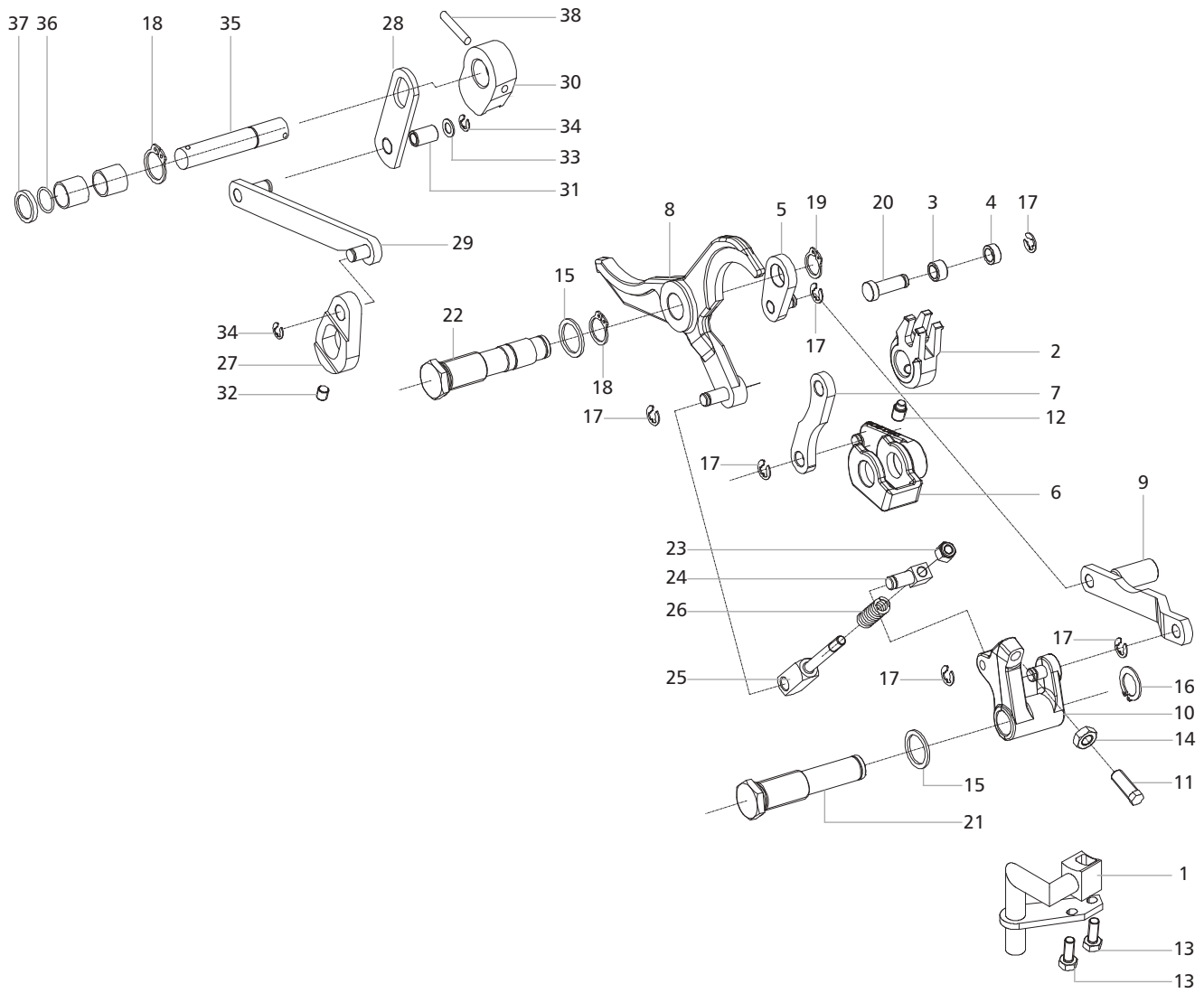
‡ Part Not Serviced Separately

# Hydraulic Rockshat & Cylinder Assembly





# Internal Linkage Assembly

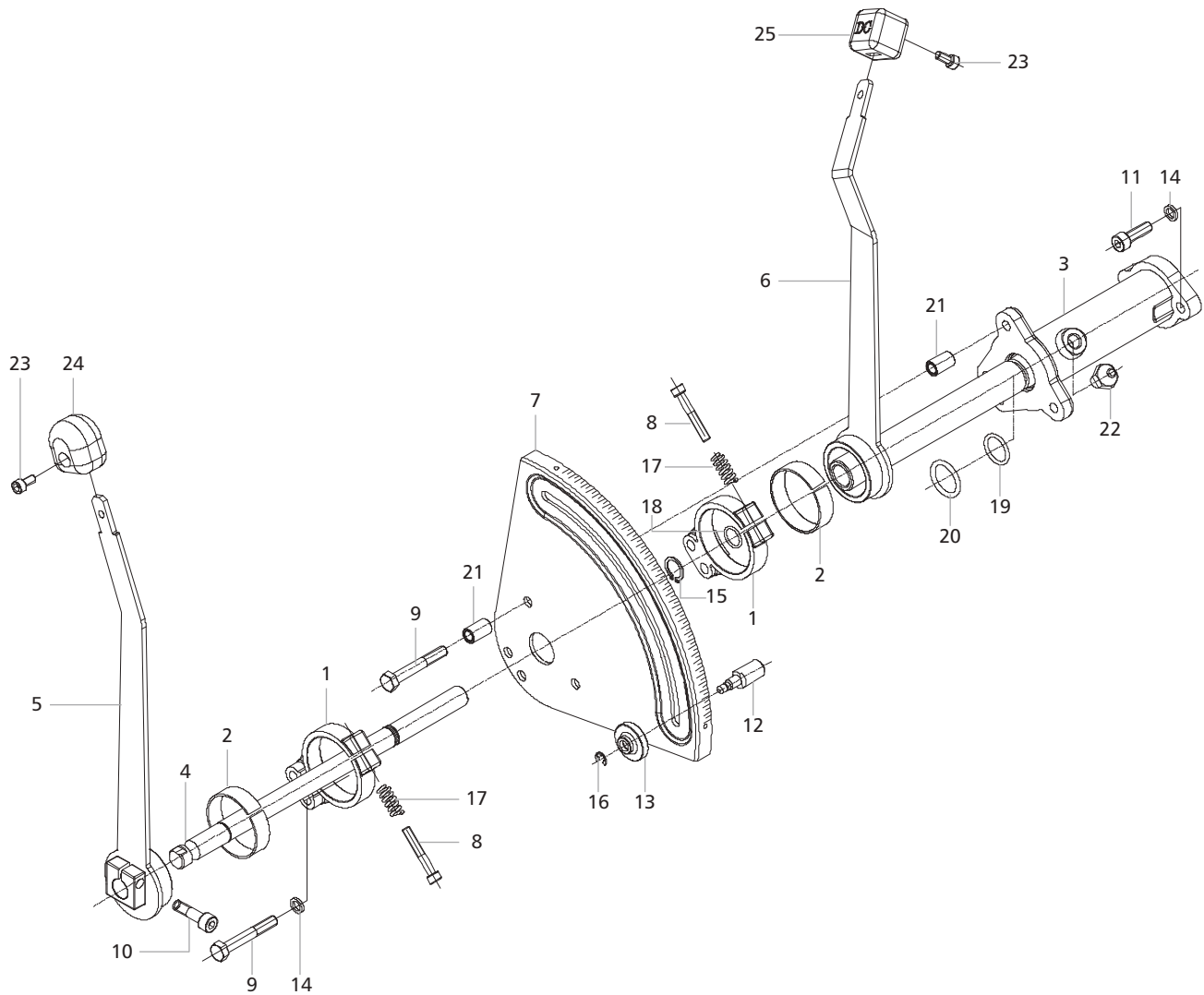


# Internal Linkage Assembly

Part No	Ref.	Description of Part	Qty/ Tractor	Used On
007204538B1	1	TUBE Assembly	1	
007204237D1	2	LINK	1	
007204238D1	3	ROLLER	1	
007204239D1	4	ROLLER	1	
007204240D1	5	LEVER Position Control	1	
007204241D1	6	CAM	1	
007204242D1	7	LINK	1	
007204243D1	8	COMPENSATOR	1	
007204244D1	9	ROD Tie	1	
007204245D1	10	LEVER	1	
007204246D1	11	SCREW	1	
007204247D1	12	SCREW Grub M8	1	
007204248D1	13	BOLT Hex Head M6	2	
007204552B1	14	NUT Lock	1	
007204565B1	15	WASHER Copper	2	
007204251D1	16	CIRCLIP	1	
007204201D1	17	CIRCLIP	6	
007204253D1	18	CIRCLIP	1	
007204254D1	19	CIRCLIP	1	
007204255D1	20	PIN	1	
007204256D1	21	PIN M18	1	
007204257D1	22	PIN	1	
007204258D1	23	NUT Nylock M6	1	
007204259D1	24	PIN	1	
007204260D1	25	PIN	1	
007204261D1	26	SPRING	1	
007204262D1	27	LINK	1	
007204263D1	28	LINK	1	
007204264D1	29	PLATE	1	
007204265D1	30	CAM	1	
007204266D1	31	ROLLER	1	
007204267D1	32	SCREW Grub	1	
007204268D1	33	WASHER	1	
007204233D1	34	CIRCLIP	2	
007204270D1	35	PIN	1	
007204341D1	36	O' RING	1	
007204272D1	37	RING	1	
007204291D1	38	DOWEL Sleeve	1	

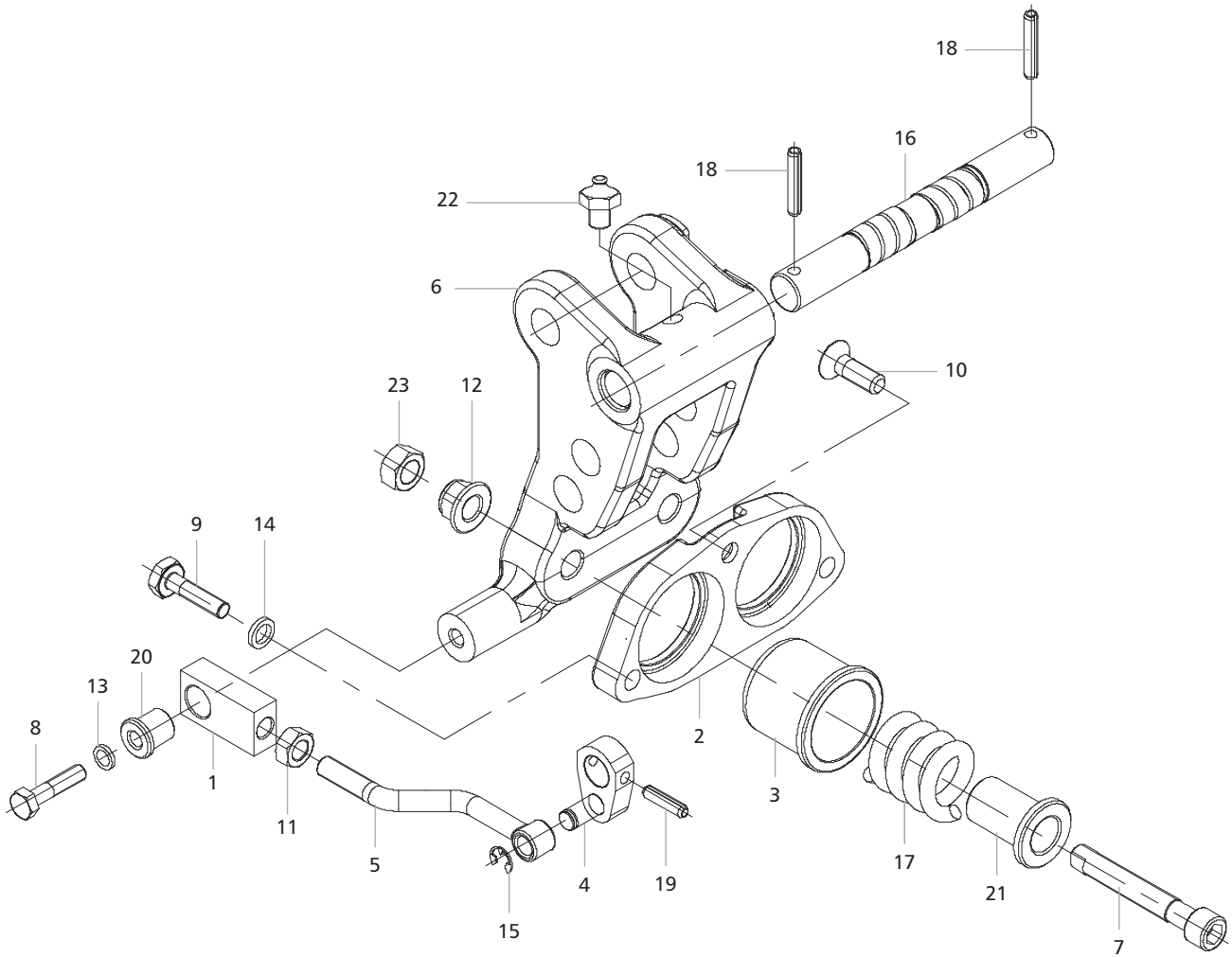


# Hydraulic Qudrant Assembly



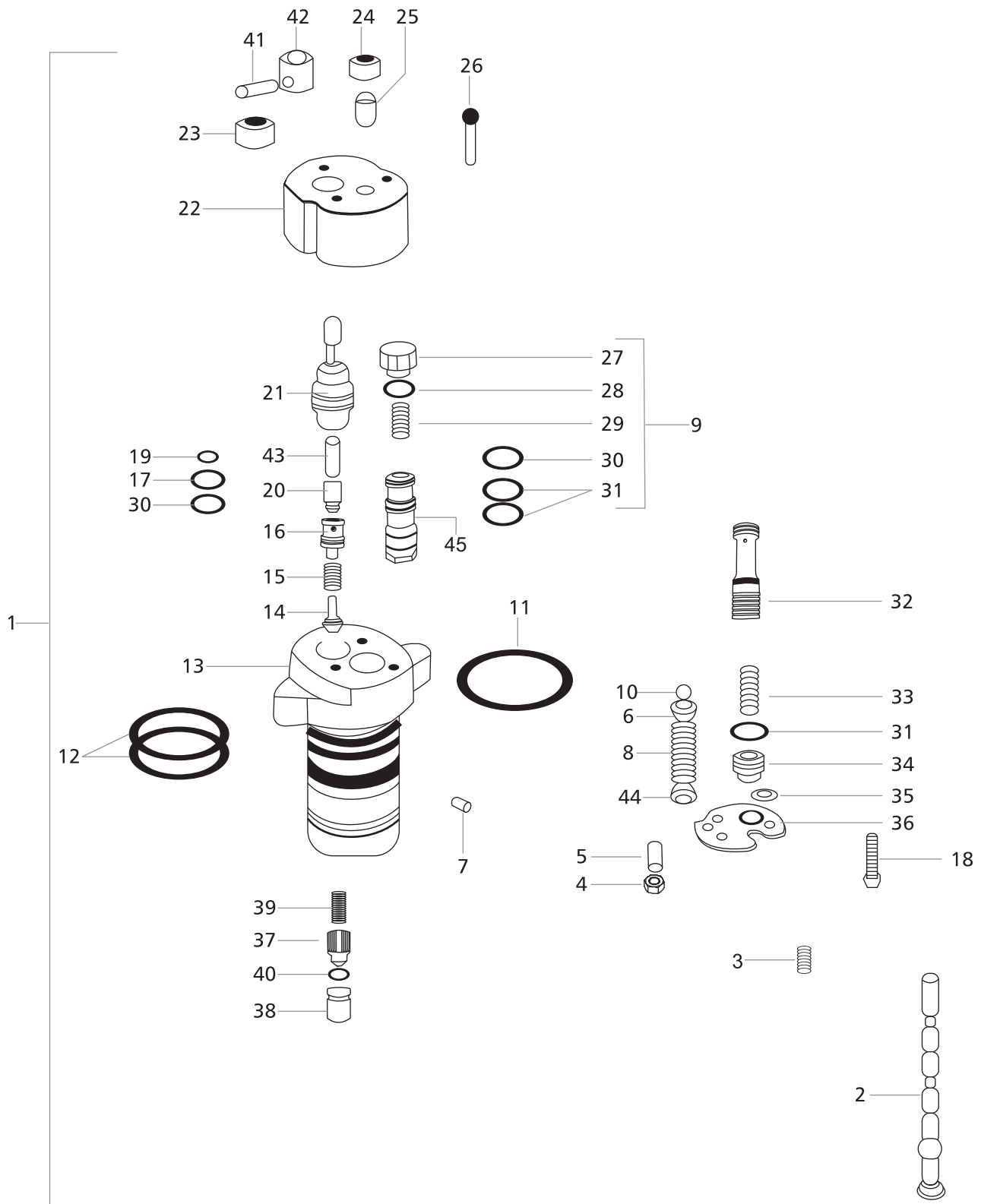


# Top Link Bracket Assembly





# Control Valve Assembly

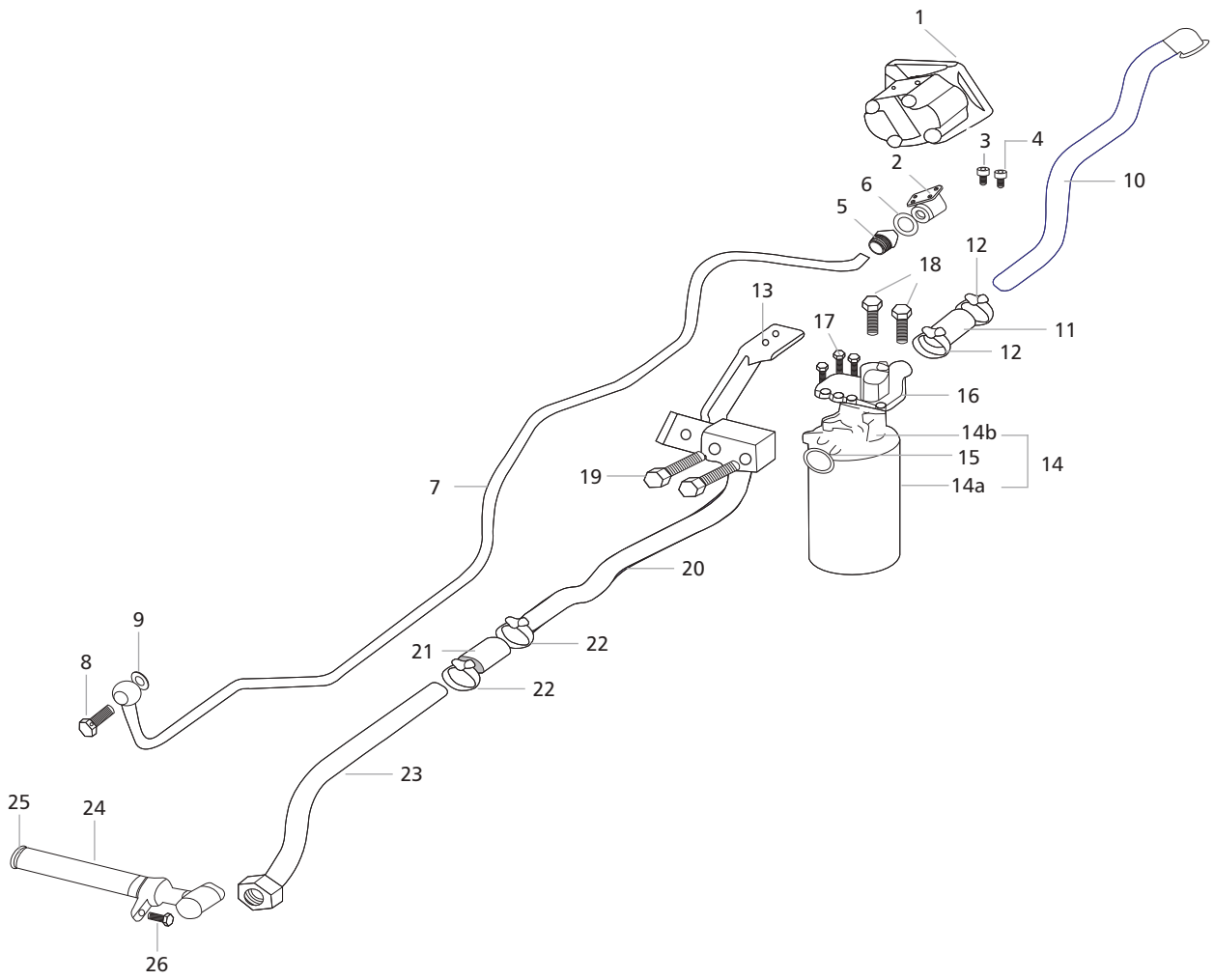


# Control Valve Assembly

Part No	Ref.	Description of Part	Qty/ Tractor	Used On
007204444B91	1	VALVE Control Assembly	1	
‡	2	SPOOL	1	
007204400B1	3	SPRING	1	
007204401B1	4	NUT M8	1	
007204402B1	5	DOWEL M8	1	
007204403B1	6	SPACER	1	
007204405B1	7	SCREW	1	
007204406B1	8	SPRING	1	
007204408B1	9	VALVE with Rings	1	
007204409B1	10	BALL	1	
007204410B1	11	O-RING	1	
007204411B1	12	O-RING	2	
‡	13	HOUSING	1	
007204412B1	14	VALVE	1	
007204413B1	15	SPRING	1	
007204414B1	16	SEAT Valve	1	
007204415B1	17	O-RING	1	
007204416B1	18	SCREW M6	1	
007204417B1	19	O-RING	1	
007204418B1	20	VALVE	1	
007204419B1	21	LEVER	1	
007204420B1	22	COVER	1	
007204421B1	23	GASKET	1	
007204422B1	24	NUT M8	1	
007204423B1	25	DOWEL M8	1	
007204424B1	26	SCREW M6	1	
007204425B1	27	PLUG	1	
007204426B1	28	O-RING	1	
007204427B1	29	SPRING	1	
007204428B1	30	O-RING	2	
007204429B1	31	O-RING	3	
‡	32	VALVE	1	
007204430B1	33	SPRING	1	
007204431B1	34	PLUG	1	
007204432B1	35	SPACER	1	
007204433B1	36	PLATE	1	
007204434B1	37	VALVE	1	
007204435B1	38	SEAT Valve	1	
007204436B1	39	SPRING	1	
007204437B1	40	SPRING	1	
007204438B1	41	PIN Elastic	1	
007204439B1	42	KNOB	1	
007204440B1	43	PIN	1	
007204441B1	44	SPACER	1	
‡	45	VALVE		
		<b>Kit For Service</b>		
007204454B91	*	CONTROL Valve Seal Kit	1	

‡ Part Not Serviced Separately

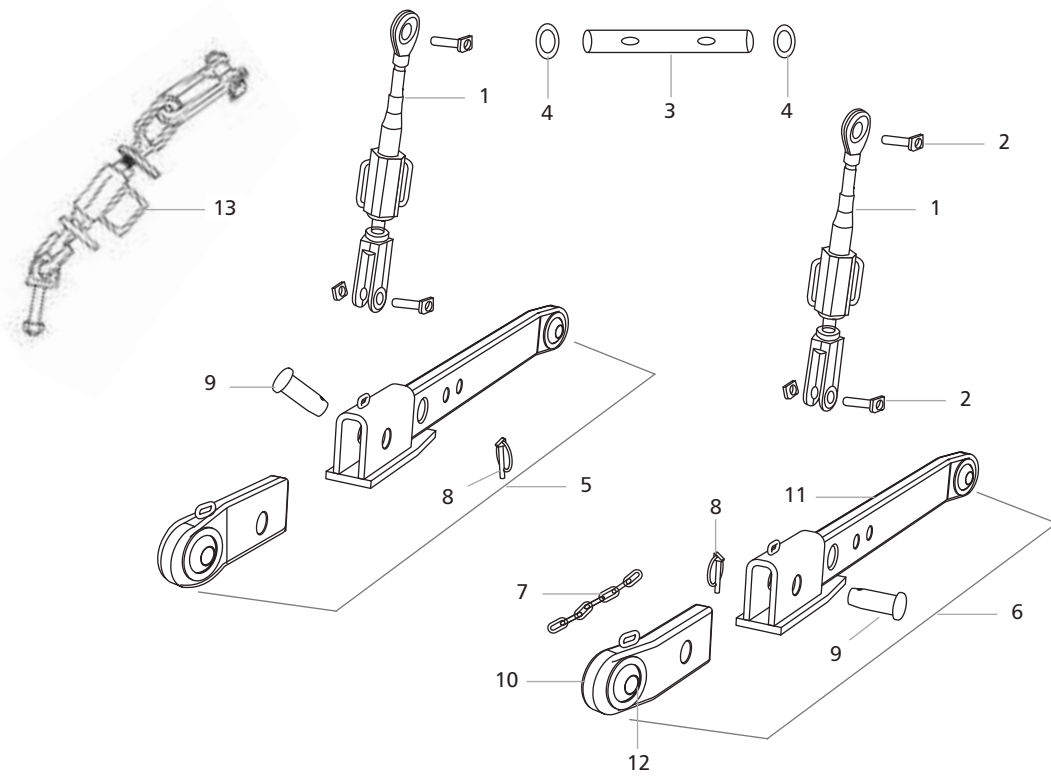
# Hydraulic Suction & Pressure Pipe





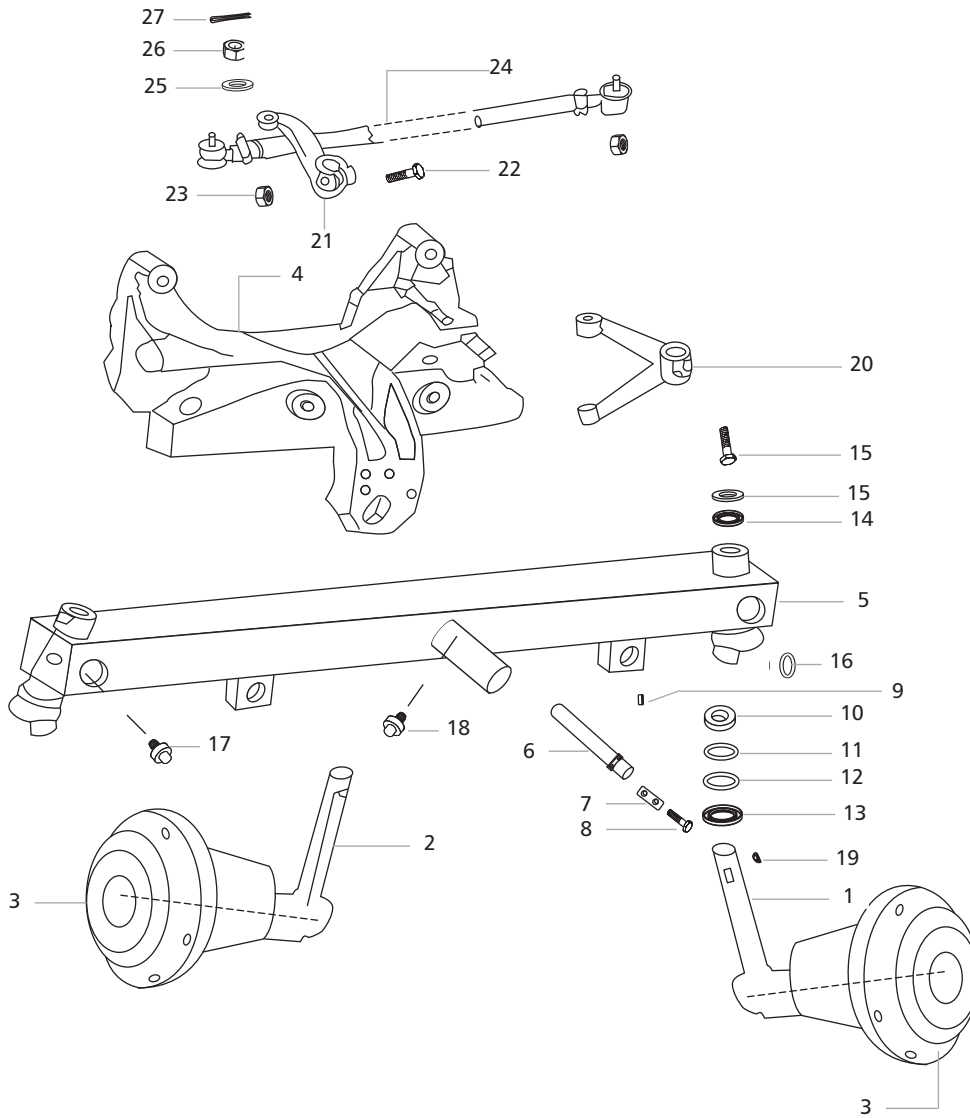


# Three Point Linkages





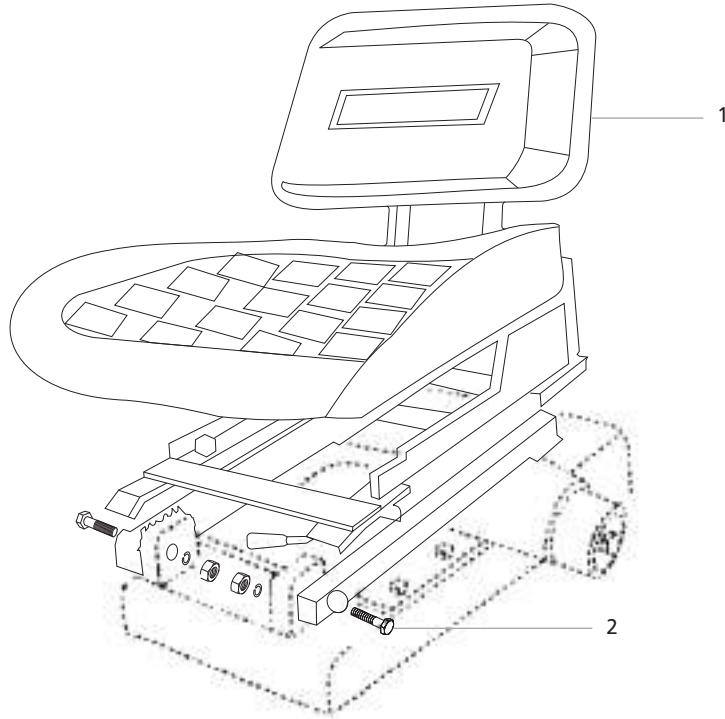
# Front Axle & Support



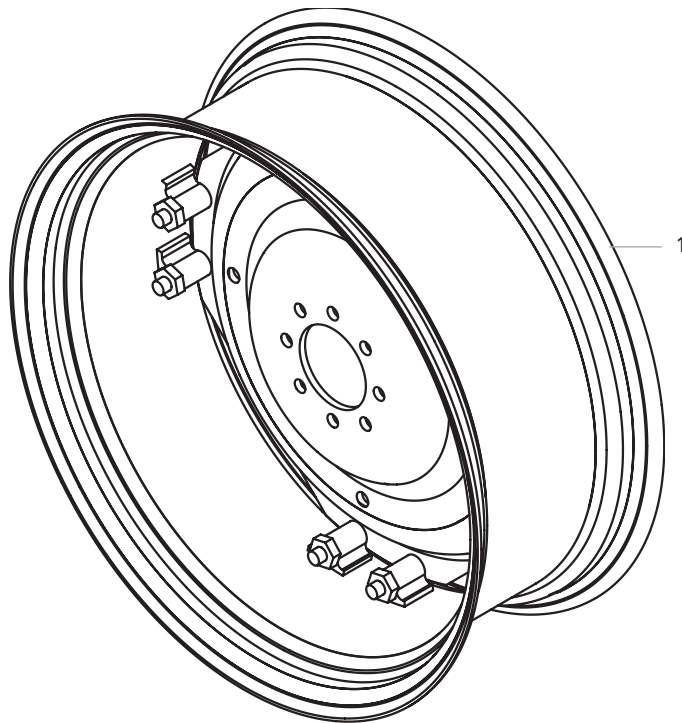
# Front Axle & Support

Part No	Ref.	Description of Part	Qty/ Tractor	Used On
008000496B91	*	FRONT Axle Sub Assembly - Wetland	1	475 DI Models
005557089R93	1 'R'	Knuckle Cpte. Steering - LH	1	475 DI Models
005557090R93	2 'R'	Knuckle Cpte. Steering - RH	1	475,575,595 MKM, DLX
005555556R2	3 'R'	HUB Front Wheel	2	-----"-----
008000462B1	4 'R'	SUPPORT Front Axle	1	475 DLX
005558522R96	5	Axle Front Cpte	1	
005557719R91	6 'R'	PIN Pivot Front Axle Cpte	1	295,475,575 & 595 MKM & DLX
005556442R1	7 'R'	PLATE Lock Pivot Pin	1	All Regular Model
001081607R1	8 'R'	BOLT	2	-----"-----
003070930R2	9 'R'	CLIP Cable	1	-----"-----
001231413R91	10'R'	BEARING Thrust Steering Bearing	2	-----"-----
005557092R1	11 'R'	SHIM Steering Knuckle Pivot Pin	A/R	-----"-----
005557092R2	12 'R'	SHIM Steering Knuckle Pivot Pin	A/R	-----"-----
005557019R91	13 'R'	SEAL Oil Bottom	2	295, 475, 575, 595 MKM, DLX
007600876R91	14 'R'	SEAL Oil Top	2	-----"-----
005557093R1	15 'R'	WASHER Felt	2	-----"-----
007600002B1	16	SEAL Oil Pivot Pin	2	
000109461	17 'R'	NIPPLE Grease	2	295, 475, 575, 595 MKM, DLX
000109462	18 'R'	NIPPLE Grease	1	-----"-----
000114745	19 'R'	KEY Woodruff	2	-----"-----
005557088R1	20 'R'	ARM Steering Knuckle - LH	1	All Regular Model
005557087R1	21 'R'	ARM Steering Knuckle - RH	1	-----"-----
000271565	22 'R'	BOLT	2	-----"-----
000102639	23 'R'	NUT	2	-----"-----
001127912R92	24	ROD Tie	1	
000120396	25 'R'	WASHER Plain	2	-----"-----
000933471R1	26 'R'	NUT Slotted Hex Head	2	-----"-----
000103374	27 'R'	PIN Cotter	2	-----"-----

## Seat

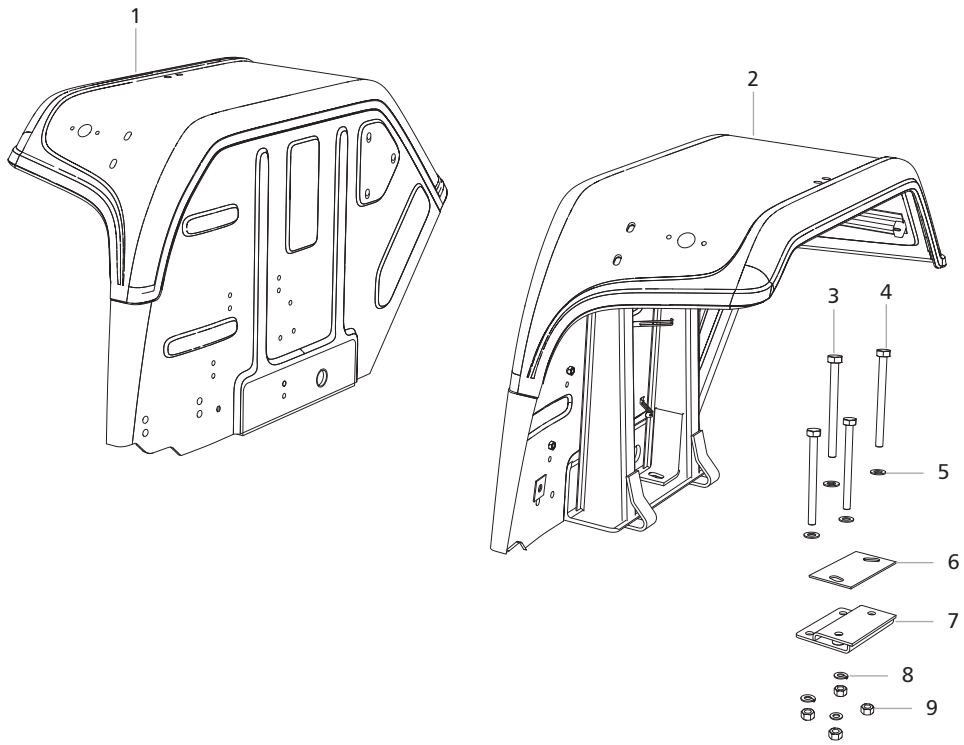


## Rim & Disc

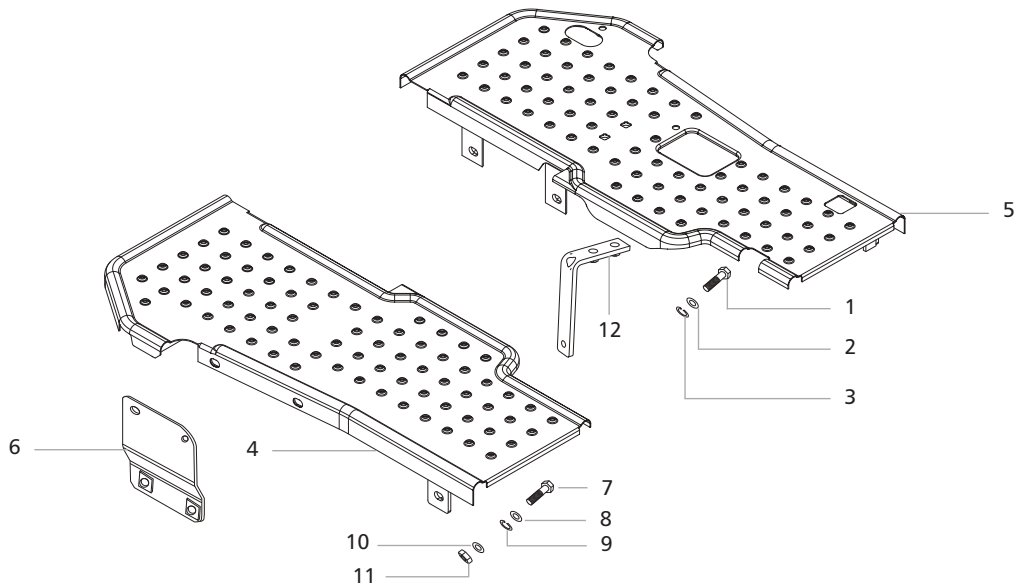




# Fender Assembly



# Foot Plate



# Fender Assembly

Part No	Ref.	Description of Part	Qty/ Tractor	Used On
007531723B91	1	FENDER Assembly - RH	1	
007531722B91	2	FENDER Assembly - LH	1	
007900182D1	3	BOLT M16 Hex. Headed	4	
007600479C1	4	BOLT M16 Hex. Headed	4	
000050684D99	5 'R'	WASHER Plain	4	All Regular Model
007539572B1	6	INSULATOR Fender Base	2	
007539913B11	7	SPACER for Fender Assembly	2	
007539912B1	*	SPACER Bottom Fender Mounting	2	
001082015R2	8 'R'	WASHER Spring Lock	4	All Regular Model
000012653D04	9	NUT M16 Hex. Headed	8	
006000139F1	*	WASHER Plain	4	

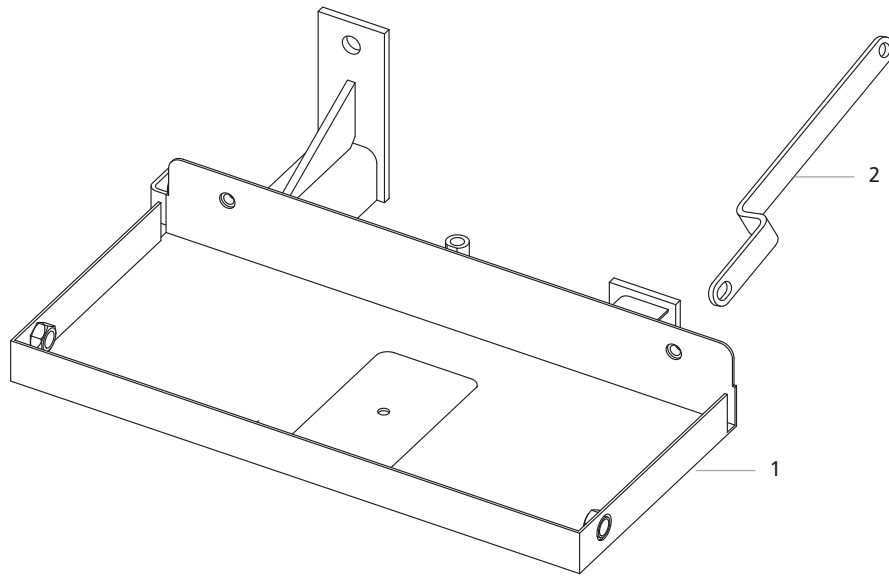
## Foot Plate

000016468P04	1	BOLT Rear Floor Pannel Mtg	2	
000022079RD	2'R'	WASHER Plain	2	All Regular Model
000022273RD	3'R'	WASHER Spring Lock	2	All Regular Model
007539273B91	4	FOOT PLATE Assembly - LH	1	
007539274B91	5	FOOT PLATE Assembly - RH	1	
007538733B91	6	FOOT STEP Extension Assembly	1	
000060684M01	7 'R'	SCREW Hex Foot Plate to Fender	2	All Regular Model
000020739E05	8	WASHER Plain	2	
000934309R1	9 'R'	WASHER Spring Lock	2	All Regular Model
001121799R1	10 'R'	WASHER Plain Nut Side	2	All Regular Model
005553017R1	11'R'	NUT M8	2	All Regular Model
007538935B91	12	BRACKET Mounting Rear Middle Floor	2	

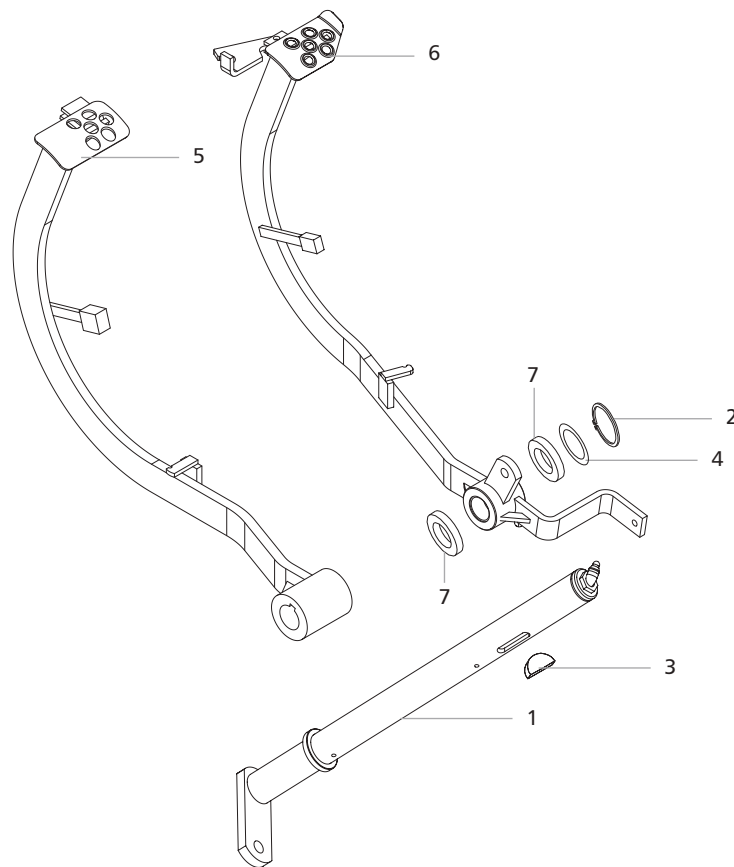
'\*\*' Part Not Illustrated  
'R' Regular Part Used



# Battery Mounting



# Brake Pedal & Linkages



## Battery Mounting

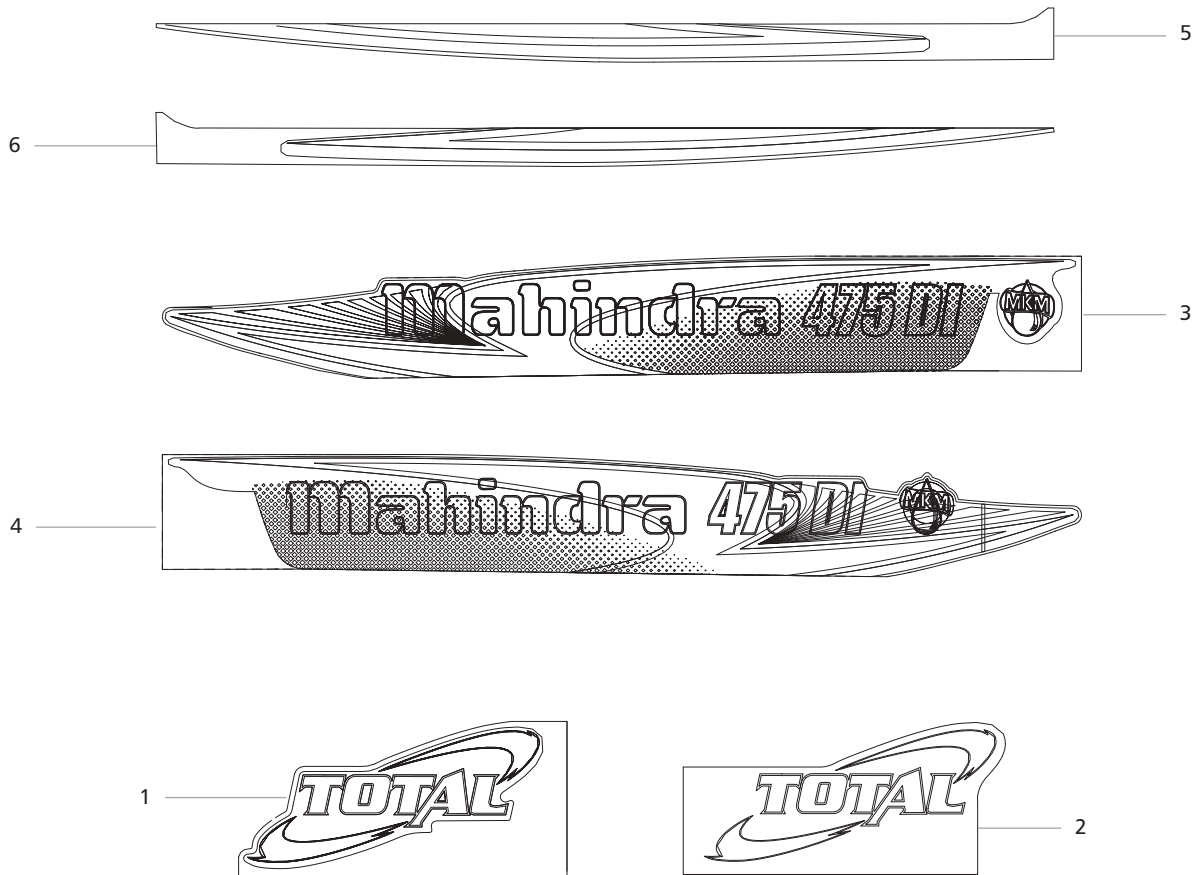
Part No	Ref.	Description of Part	Qty/ Tractor	Used On
007537420B91	1	TRAY Battery Mounting	1	
007539678B1	2	BRACE Battery Tray	1	

## Brake Pedal & Linkages

007604649B91	1	SHAFT Brake Pedal	1	
005552625R1	2 'R'	CIRCLIP Brake Pedal Shaft	1	All Regular Model
007604653B1	3	KEY Brake Pedal Shaft	1	
006507372B1	4	WASHER Brake Pedal Shaft	4	
007604674B91	5	PEDAL Brake Cpte - LH	1	
007604675B91	6	PEDAL Brake Cpte - RH	1	
007606347B1	7	OIL SEAL	2	

'R' Regular Part Used

# Product Graphics



# Electricals

# Product Graphics

Part No	Ref.	Description of Part	Qty/ Tractor	Used On
007605960B1	1	STICKER Upper 475 DI Total - LH	1	
007605961B1	2	STICKER Upper 475 DI Total - RH	1	
007605962B1	3	GRAPHICS Product Lower 475 DI Total - LH	1	
007605963B1	4	GRAPHICS Product Lower 475 DI Total - RH	1	
007605953B1	5	STICKER Lower 475 DI Total - LH	1	
007605954B1	6	STICKER Lower 475 DI Total - RH	1	

## Electricals

007700896B91	*	WIRING Harness Main	1	
007700897B91	*	WIRING Harness Platform	1	
007700411A1	* 'R'	CABLE Battery Positive (+ve)	1	295 MKM & DLX

'R' Regular Part Used  
 '\*\*' Part Not Illustrated