



Arjun Ultra1 - DLX 605DI & 555DI



Supplementary Parts Catalogue

Arjun Ultra1 - DLX 605DI & 555DI



F O R E W O R D

We are pleased to present the Supplementary Parts Catalogue of “Arjun 605 DI Dlx, 555 DI Dlx & 445 DI Dlx” Tractors.

This Supplementary Parts Catalogue contains exclusive (uncommon) parts used on the above model. For other common parts refer the Regular Arjun Parts Catalogue(0000ARJPC01).

The following points will help you to understand the Usage of the Supplementary Parts Catalogue.

- Suffix “A” written against Reference Number denotes regular Arjun Part used in the tractor.
- Suffix “R” written against Reference Number denotes part adopted from existing Non Arjun models.
- Symbol “‡” given in the Part Number column denotes, Part is Not Serviced Separately. Also the remark is given below each page.
- Symbol “✱” denotes, Part is Not Illustrated.
- For ease of understanding of Exclusive/Uncommon parts in an assembly, the Exclusive/Uncommon Parts are highlighted where as the Regular Parts are indicated in light shade.

We hope this Supplementary Parts Catalogue will serve useful to you. For any further help or queries contact at the below mentioned address.

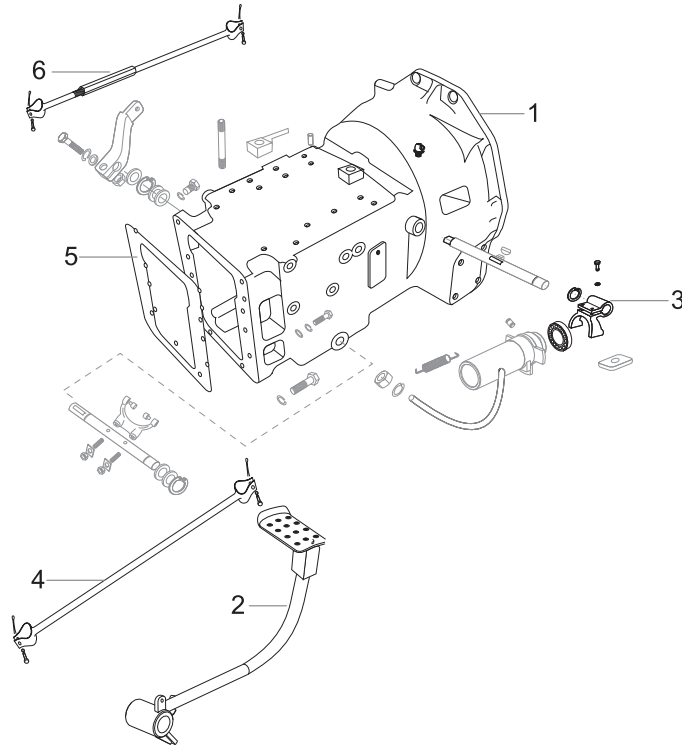
Customer Care Department
Mahindra & Mahindra Ltd.,
Farm Equipment Sector,
Akurli Road,
Kandivli (E)
Mumbai - 400 101

Part Number - ARJDLXSPC01
August'09

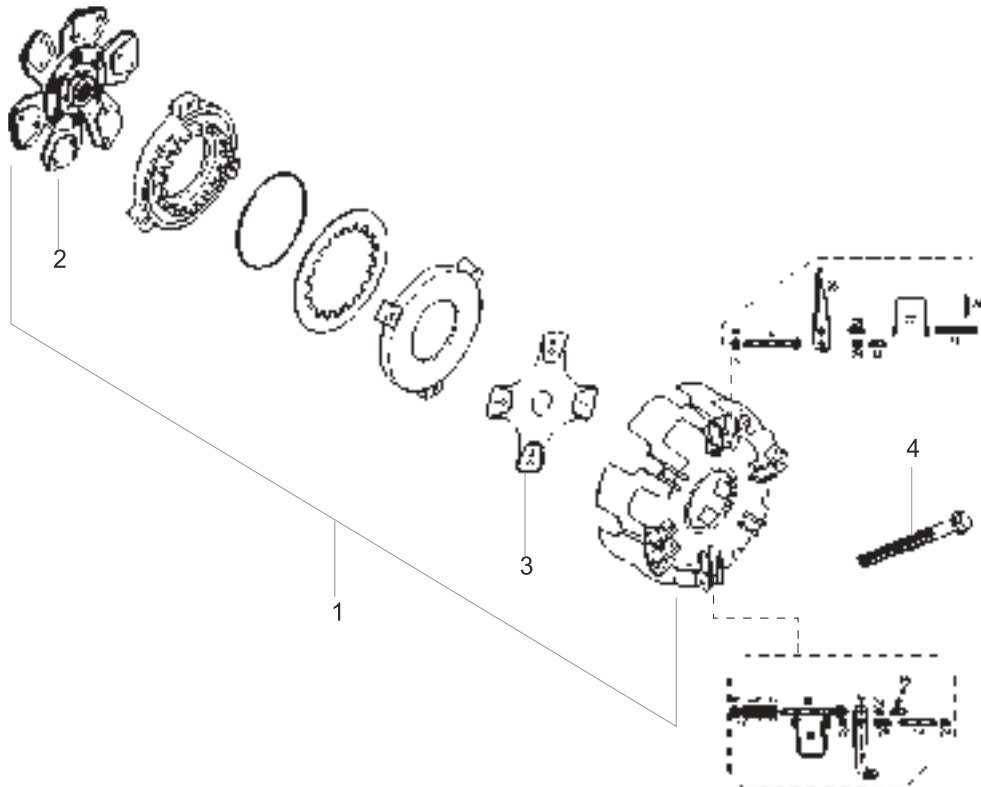
INDEX

Serial Number	Description of Part	Page No.
1	Clutch Housing & Connections	4 - 5
2	Clutch Assembly	4 - 5
3	Transmission Drive Shaft Assembly	6 - 7
4	Transmission Case	6 - 7
5	Counter Shaft Assembly	8 - 9
6	Transmission Gears & Shafts - Spline Shaft Assy.	8 - 9
7	Transmission Gears & Shaft - PTO	10 - 11
8	Rail Housing Assembly	12 - 13
9	Side Shift Main Assembly	14 - 15
10	Gear Shifter Mechanism-Cross Shaft Assembly	16 - 17
11	Range Shifting Mechanism	18 - 19
12	Front Axle & Support	20 - 21
13	Power Steering Pipes & Fittings	20 - 21
14	Steering Knuckle, Arm, Drag Link & Tie Rod	22 - 23
15	Seat	22-23
16	Foot Brake Pedal & Linkages	24 - 25
17	Foot Plate	26 - 27
18	Shifter Cover & Hi Low Cover Assembly	26 - 27
19	Fender	28 - 29
20	Front End Assembly	28 - 29
21	Front Grill Assembly & Instrument Bezel	30 - 31
22	Hand Throttle & Fuel Shut Off Linkages	30 - 31
23	Hand Brake Assembly	32 - 33
24	Hydraulics - Quick Lift Mechanism	34 - 35
25	Control Valve Assembly - Quick Lift Mechanism	36 - 37
26	Quadrant Assembly	38 - 39
27	Hydraulic Suction & Pressure Pipes	40 - 41
28	Product Graphics	40 - 41
29	Three Point Linkage	42 - 43
30	Electrical	42 - 43

Clutch Housing & Connections



Clutch Assembly



Clutch Housing & Connections

Part Number	Ref.	Description of Part	Qty / Tractor			Revision / Remarks
			605 DI Dlx	555 DI Dlx	445 DI Dlx	
006510151C1	1	HOUSING Clutch Arjun Dlx - RCRPTO	1	1	1	KA/84/F11/48
006510151C2	1	HOUSING Clutch Arjun Dlx - RCRPTO	1	1	1	AA/270/F14/37
007604619C12	2	PEDAL Clutch CPTe	1	1	1	
006514022C91	2	PEDAL Clutch Cpte	1	1	1	JA/27/F16/34
003044005R5	3	FORK Clutch Release	1	1	1	AA/216/F10/20
007606629C91	4 'R'	LINK Connecting	1	1	1	
006503476C11	*	DIPSTICK	1	1	1	
000061056M01	* 'A'	WASHER	1	1	1	
006505824C1	5	GASKET Transmission Case to Clutch Housing	1	1	1	
007606126C11	6	LINK Connecting RCRPTO	1	1	-	
006514327C91	*	Kit Clutch Pedal Cpte. For RCRPTO	1	1	1	JA/25/F15/15
006514022C91	2	▶ PEDAL Clutch Cpte For RCRPTO	1	1	1	JA/25/F15/15
006501529R91	3	▶ LEVER Clutch Shaft	1	1	1	JA/25/F15/15
007606126C11	6	▶ LINK Connecting RCRPTO	1	1	1	JA/25/F15/15
007605230C1	*	LEVER Clutch Release - RCRPTO	1	1	1	
006501529R91	*	LEVER Clutch Release - RCRPTO	1	1	1	JA/27/F16/34
006507869C1	*	LEVER Clutch Release - Non CRPTO	1	1	-	

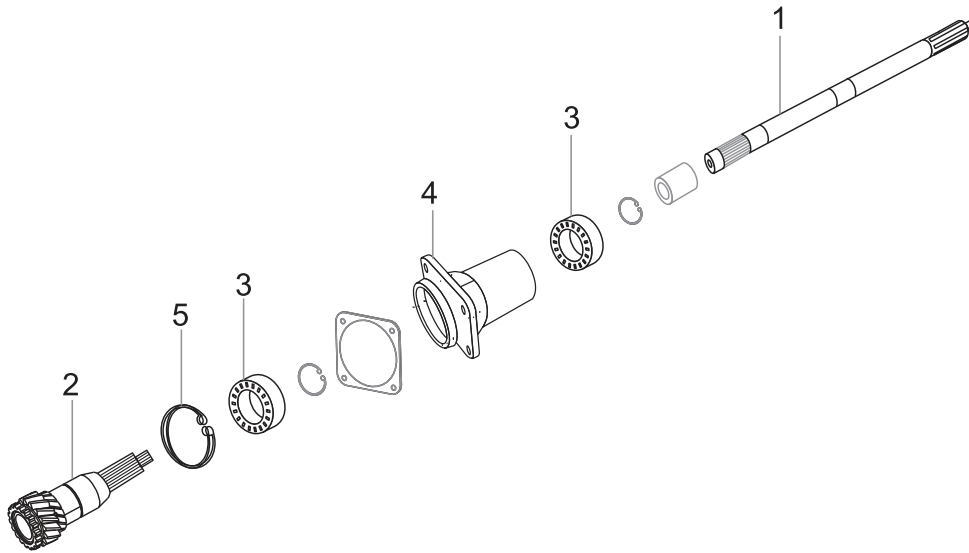
Clutch Assembly

006505585C91	1	CLUTCH Cover Assy CRPTO	1	1	1	
006504375C91	2	PLATE Driven Main	1	1	1	KA/82/F11/31
006510213C91	3	PLATE Driven PTO	1	1	1	KA/82/F11/31
000010779P03	4	BOLT Clutch Cover Mounting	12	12	12	
006510212C91	*	PLATE Pressure -PTO	1	1	1	KA/82/F11/31
006510214C91	*	COVER Housing	1	1	1	KA/82/F11/31
006510212C91	*	PRESSURE Plate	1	1	1	KA/82/F11/31
006500159C91	*	FULCRUM Spring Double Clutch	1	1	1	KA/82/F11/31
006500158C91	*	DIAPHRAGM Spring Double Clutch	1	1	1	KA/82/F11/31
006510211C91	*	PRESSURE Plate Main	1	1	1	KA/82/F11/31

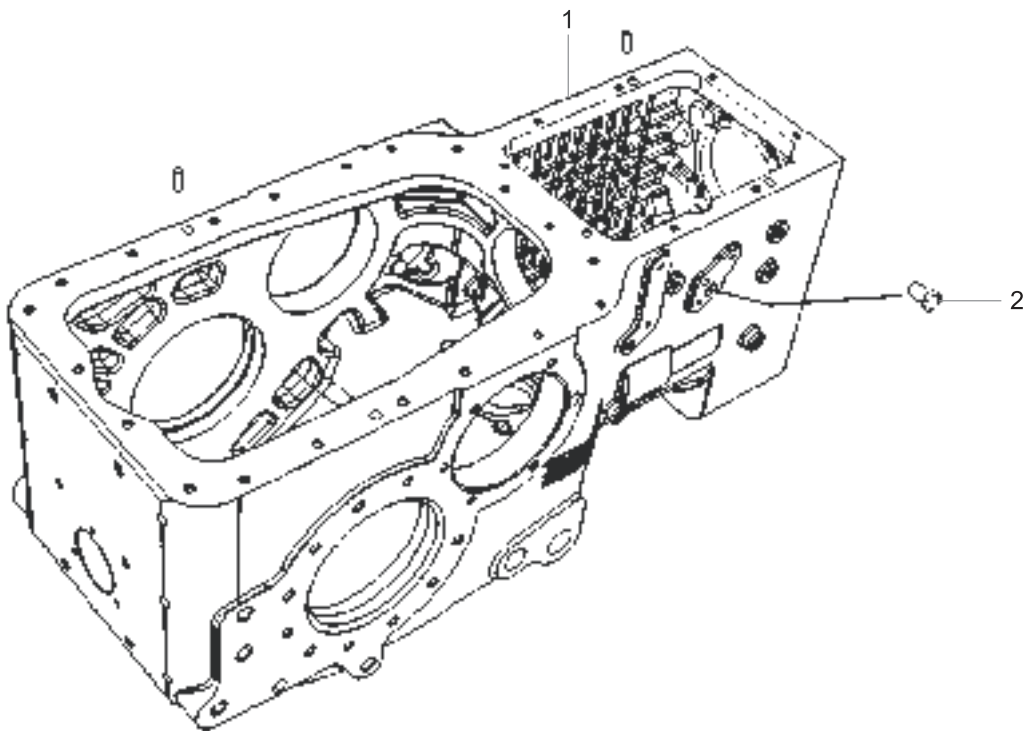
'R' Part Used of Regular Tractor

'**' Part Not Illustrated

Transmission Drive Shaft Assembly



Transmission Case



Transmission Drive Shaft Assembly

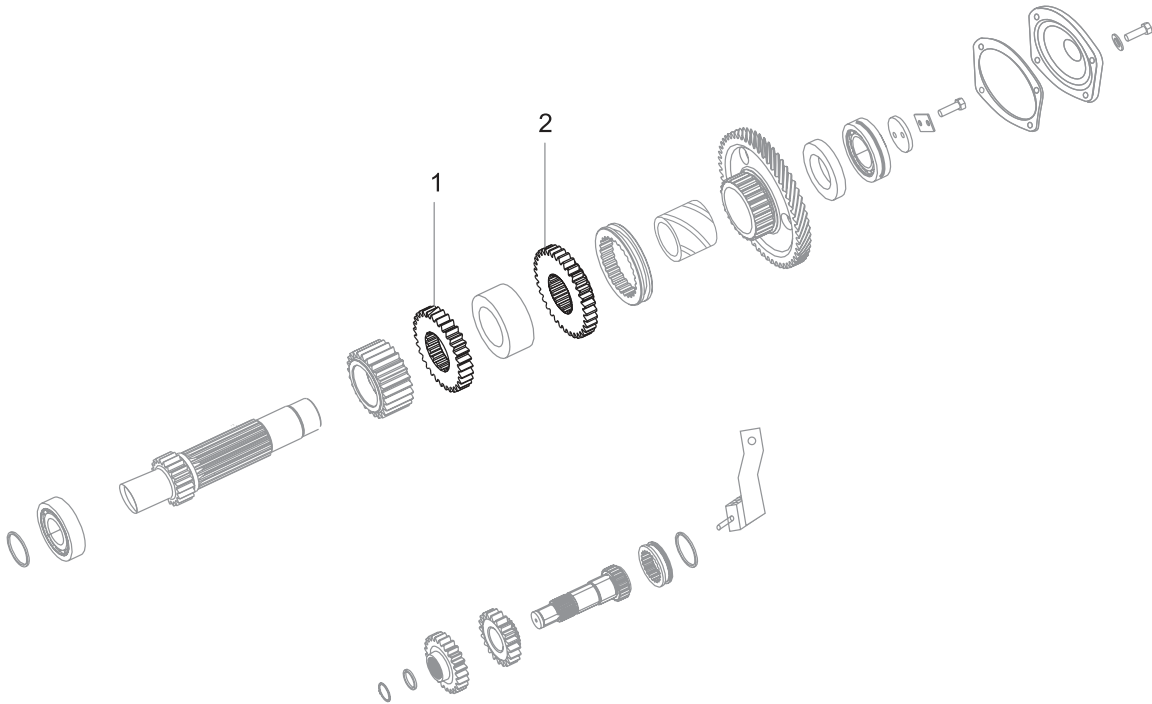
Part Number	Ref.	Description of Part	Qty / Tractor			Revision / Remarks
			605 DI Dlx	555 DI Dlx	445 DI Dlx	
006505427C1	1	SHAFT Drive Front	1	1	1	
006507840B1	1	SHAFT Drive Front - Non CRPTO	1	1	-	
006505357C1	2	SHAFT Drive Rear	1	1	1	
001081964R91	3 'A'	BEARING Drive Shaft Front	2	2	2	
000012146P04	3	BEARING Drive Shaft Rear - Non CRPTO	3	3	-	
006504441C1	4	Housing Bearing Split Drive Shaft Rear	1	1	1	
000012353P04	5	CIRCLIP External	1	1	1	
006511973C1	1	SHAFT Drive Front New		1		KA/105/F14/26
005556654R91	3	BEARING Drive Shaft Rear - Non CRPTO		1		KA/105/F14/26
000751181R2	4	Housing Bearing Split Drive Shaft Rear		1		KA/105/F14/26
005558356R91	*	SEAL Oil Trans. Drive Shaft Three Lip Hitech 57x33x12		1		KA/105/F14/26

Transmission Case

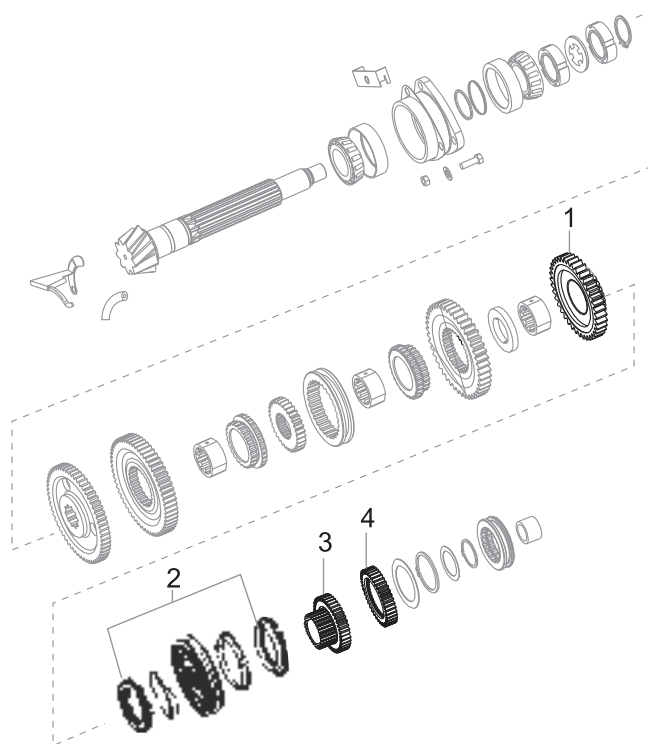
006505429C1	1	CASE Transmission with Bush	1	1	1	
006505372C1	2	PIN Pivot Reverse Link Sideshift	1	1	1	

'R' Part Used of Regular Tractor.

Counter Shaft Assembly



Transmission Gears & Shafts - Spline Shaft Assy.



Counter Shaft Assembly

Part Number	Ref.	Description of Part	Qty / Tractor			Revision / Remarks
			605 DI Dlx	555 DI Dlx	445 DI Dlx	
006503826C1	1	GEAR Driving 3rd Speed	1	1	1	
006504023C1	2	GEAR Driving 4th Speed	1	-	-	
006506094C1	2	GEAR Driving 4th Speed	-	1	1	

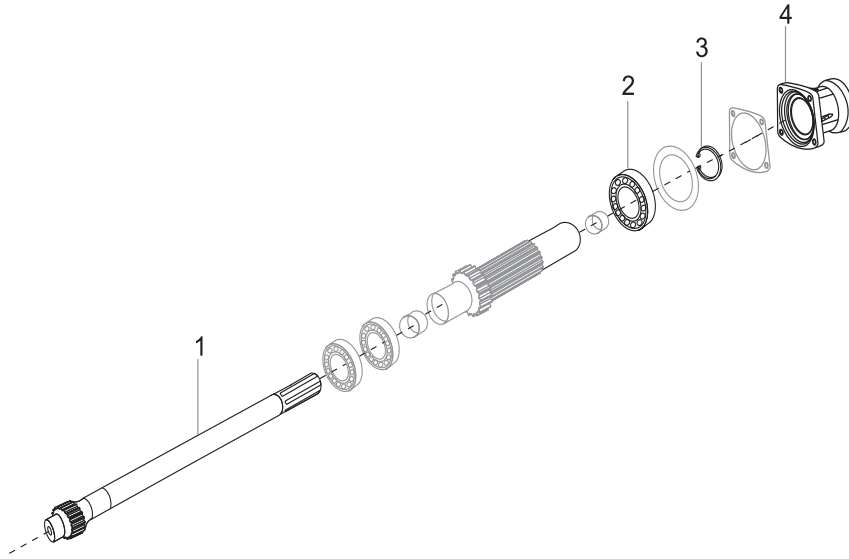
Transmission Gears & Shafts - Spline Shaft Assy.

006506060C1	1	GEAR Driven 3rd Speed	1	1	1	
000032851B12	2	SYNCHRO Pack Assy	1	1	1	
006508013C1	*	↳ RING Synchro	2	2	2	
006508014C1	*	↳ POPPET Synchro	3	3	3	
006508015C1	*	↳ SPRING Synchro	3	3	3	
006508016C1	*	↳ PIN Ball Synchro	3	3	3	
006503145C1	3	ADAPTOR Synchro 4th Gear	1	1	1	
000032856B12	◆		1	1	1	
006503886C1	4	GEAR Driven 4th Speed - 35T	1	1	1	
006506093C1	4	GEAR Driven 4th Speed - 31T	1	1	1	

'*' Part Not Illustrated

'◆' Alternate Part

Transmission Gears & Shaft - PTO

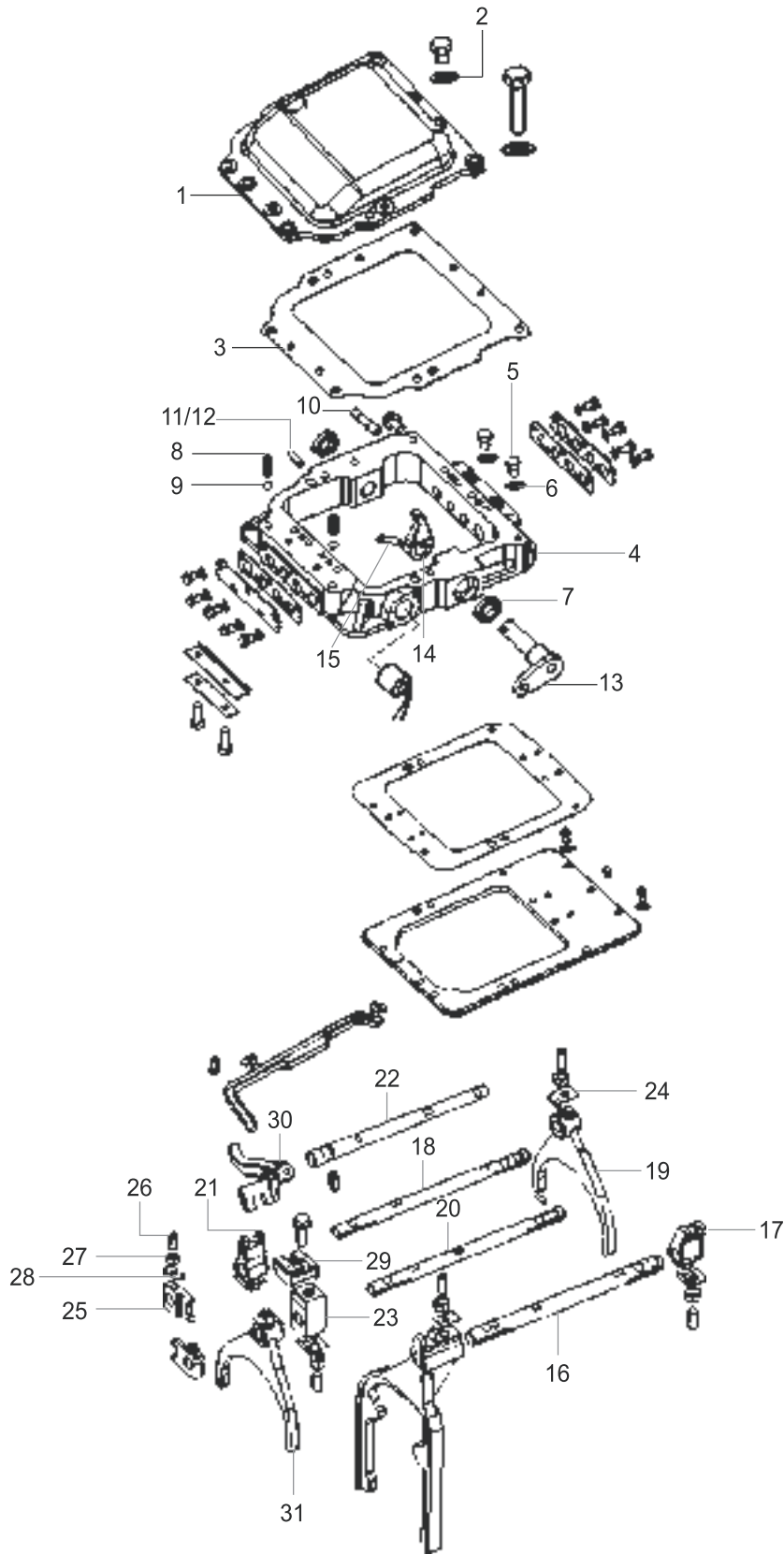


Transmission Gears & Shaft - PTO

Part Number	Ref.	Description of Part	Qty / Tractor			Revision / Remarks
			605 DI Dlx	555 DI Dlx	445 DI Dlx	
006505355C1	1	SHAFT PTO Centre	1	1	1	
001081964R91	2 'A'	BEARING PTO Shaft Centre	1	1	1	
000012353P04	3	CIRCLIP External	3	3	3	
006505356C1	4	RETAINER Front Hollow Driveshaft	1	1	1	

'R' Part Used of Regular Tractor.

Rail Housing Assembly



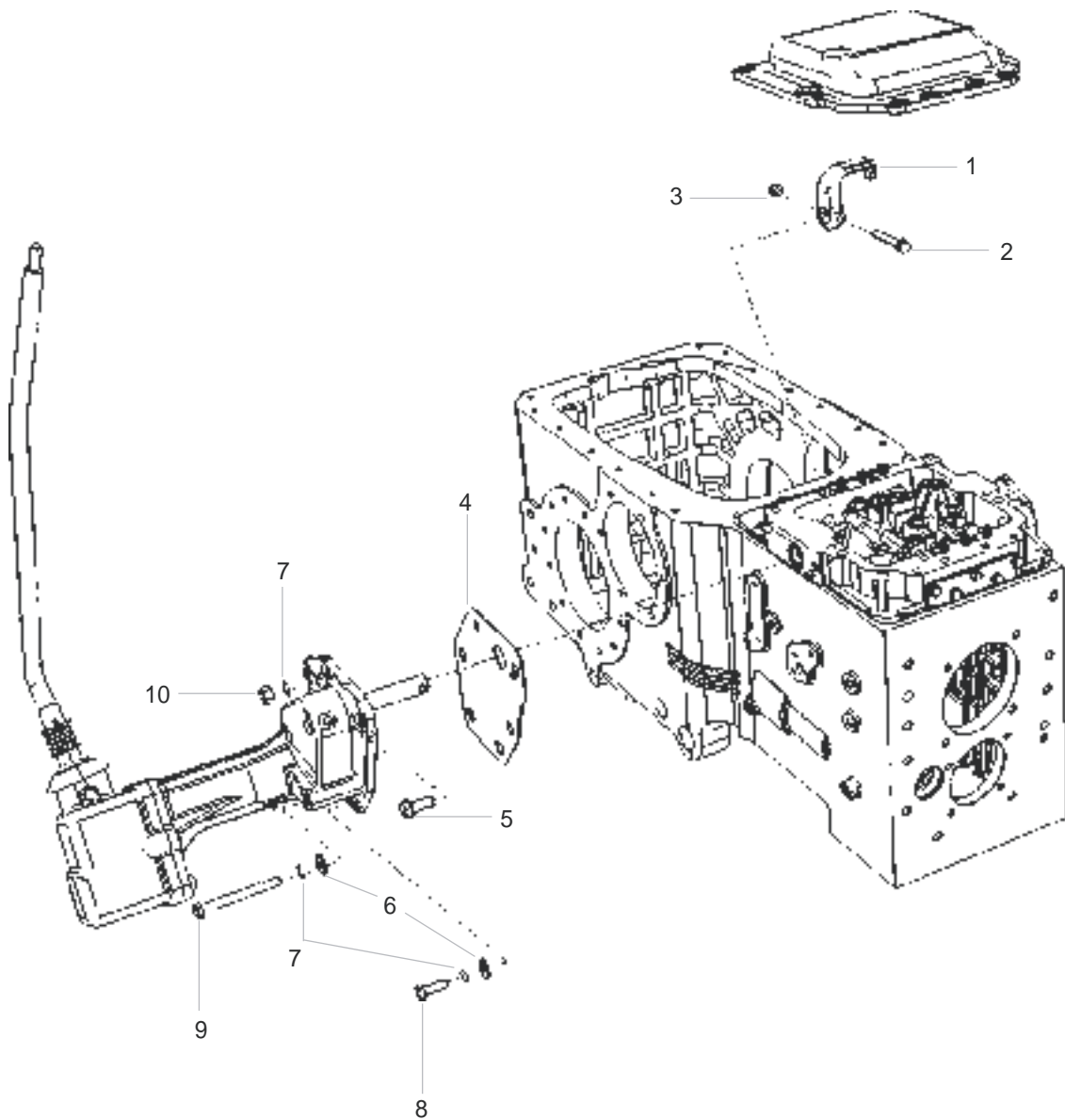
Rail Housing Assembly

Part Number	Ref.	Description of Part	Qty / Tractor			Revision / Remarks
			605 DI DlX	555 DI DlX	445 DI DlX	
006508260C1	1	COVER Shifter	1	1	1	
001082012R2	2	WASHER Spring Lock	1	1	1	
006504481C1	3	GASKET Cover Shifter To Rail HSG	1	1	1	KA/87/F12/31
006503973C1	4	HOUSING Rail	1	1	1	
000032313B12	5 'A'	BOLT RAIL HSG TO Base Plate	2	2	2	
001082012R2	6 'A'	WASHER Spring Lock	2	2	2	
006504206C91	7	OIL Seal Housing Rail	2	2	2	
006507708C1	8	SPRING Ball Shifter Assy	6	6	6	
006503662C1	9	BALL Spring Shifter Assy	6	6	6	
006505044C1	10	STUD Cross-Shaft	1	1	1	
000017244R1	11 'A'	Pin Slotted	1	1	1	
000032482B12	12 'A'	Pin Roll Inner	1	1	1	
006504162C1	13	Shaft Cross High-Low	1	1	1	
006512127C1	13	Shaft Cross High-Low	1	1	-	KA/113/F14/97
006504161C1	14	CAM Inner High - Low	1	1	1	
006511060C91	15	PIN Roll	1	1	1	KA/91/F12/48
006504152C1	16	RAIL Hi-Low Side Shift	1	1	1	
006512126C1	16	RAIL Hi-Low Side Shift	1	1	-	KA/113/F14/97
006504182C1	17	SECTION Shifter High Low	1	1	1	
006512125C1	17	SECTION Shifter High Low	1	1	-	KA/113/F14/97
006505369C1	18	RAIL 1st and 2nd Constant Mesh	1	1	1	
000032939B12	19	FORK 1st & 2nd Constant Mesh	1	1	1	
006505868C1	20	RAIL Synchronesh	1	1	1	
006504160C1	21	SECTION Shifter 1st and 2nd	1	1	1	
006505868C1	22	RAIL 1,2,3,4 Synchronesh	1	1	1	
006505000C1	23	Block Main 3rd-4th Section Shifter	1	1	1	
000032375B12	24 'A'	Plate Lock Section Shifters	5	5	5	
006504167C1	25	RETAINER	2	2	2	
000031257B12	26 'A'	SCREW Grub Cam Clamp	2	2	2	
000031258B12	27 'A'	NUT Cam Clamp	2	2	2	
006504493C1	28	Plate Lock Rail Retainer	1	1	1	
006505360C1	*	FORK Reverse Sideshift	1	1	1	
006505359C1	*	RAIL Reverse	1	1	1	
001233156R1	* 'R'	Pin Roll	1	1	1	
006505001C1	29	Block Adjustable 3rd-4th Section Shifter	1	1	1	
006505360C1	30	Fork Rear Cum Section Shifter	1	1	1	
006503802C1	31	Fork 3rd & 4th Synchronesh	1	1	1	
006512870C91	*	ASSY. OIL Channel	1	1	-	KA/113/F14/97

'*' Part Not Illustrated

'A' Part Used of Regular Arjun Tractor.

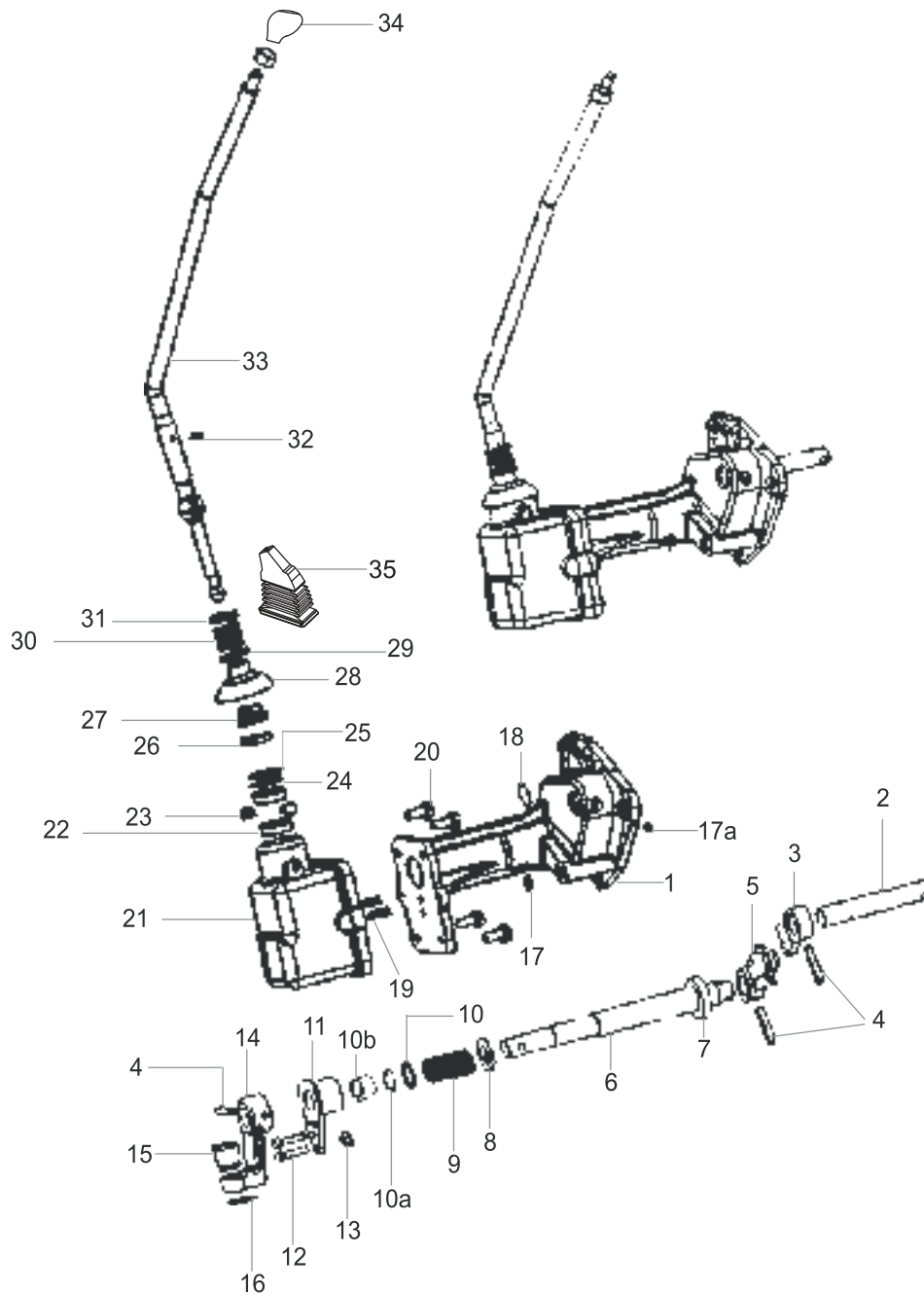
Side Shift Main Assembly



Side Shift Main Assembly

Part Number	Ref.	Description of Part	Qty / Tractor			Revision / Remarks
			605 DI Dlx	555 DI Dlx	445 DI Dlx	
006504147C1	1	CAM Inner	1	1	1	
000020256E05	2	BOLT Hex Head	1	1	1	
000020742E05	3	NUT Nylock	1	1	1	
006504187C1	4	Cover Cross Shaft Housing	1	1	1	
000020565E05	5	BOLT Flanged Hex. Head	1	1	1	
000030184R1	6 'A'	WASHER Plain	4	4	4	
005555988R1	7 'A'	WASHER Spring Lock	5	5	5	
000179840	8 'A'	BOLT Hex. Head	3	3	3	
000186284	9	BOLT	1	1	1	
005554365R1	10 'A'	NUT M10 x 1.5	1	1	1	
006516159C91	*	KIT Conversion Side Shift to Centre Shift	1	1	1	B/62/F16/32

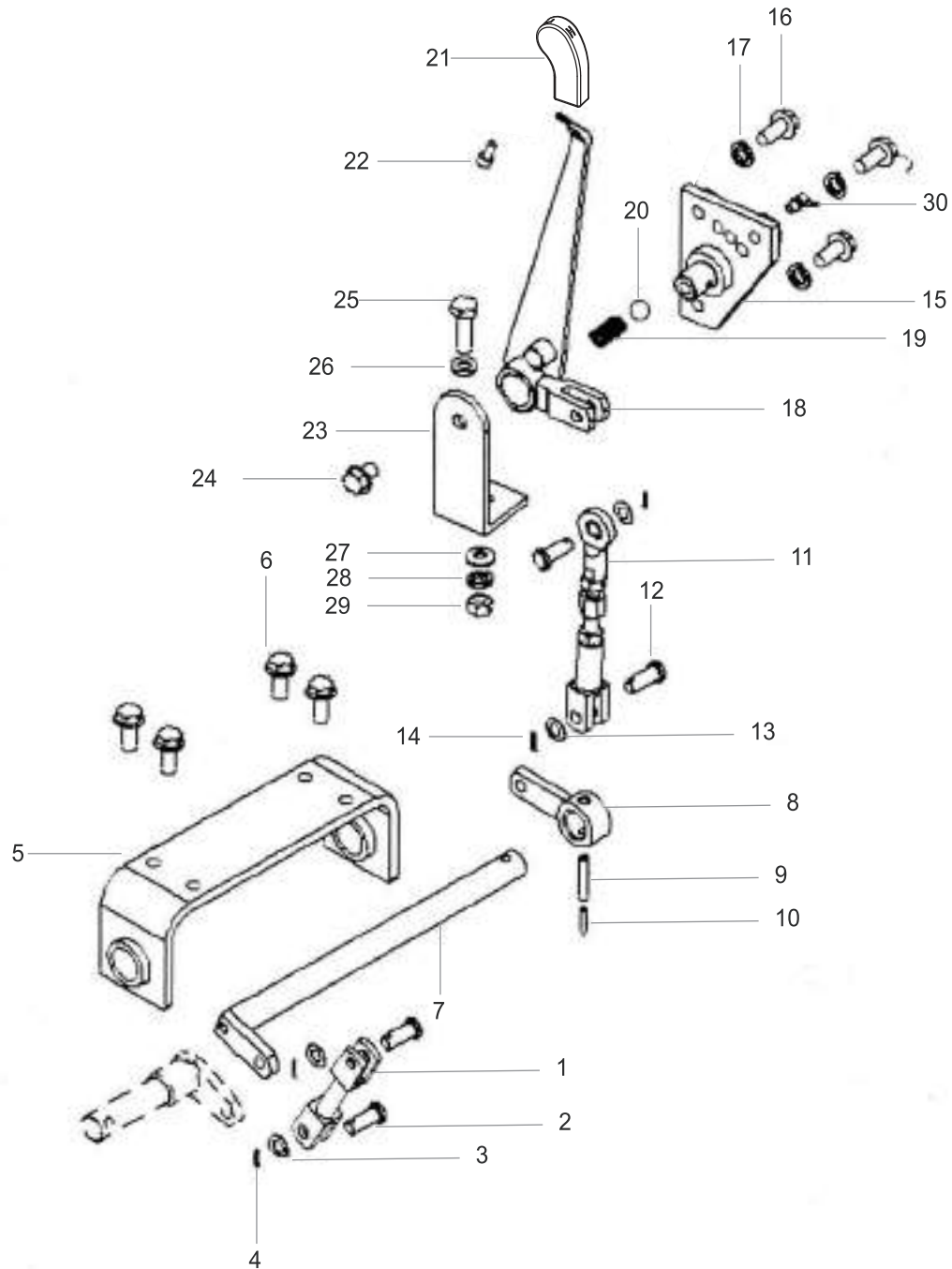
Gear Shifter Mechanism-Cross Shaft Assembly



Gear Shifter Mechanism-Cross Shaft Assembly

Part Number	Ref.	Description of Part	Qty / Tractor			Revision / Remarks
			605 DI Dlx	555 DI Dlx	445 DI Dlx	
006505362C1	1	HOUSING Cross Shaft	1	1	1	
006505361C1	2	ACTUATING Shaft Sector	1	1	1	
006510994C1	3	Sector Actuating Shaft	1	1	1	AA/270/F14/37
006511060C91	4	Pin Roll	3	3	3	KA/91/F12/48
006510997C91	5	Assembly Sector Cross - Shaft	1	1	1	AA/270/F14/37
006505363C1	6	SHAFT Cam Operating	1	1	1	
006509612C1	7	SPACER Cross Shaft	1	1	1	AA/241/F11/41
000012020P04	8	SPACER BIG Cam	1	1	1	
006505493C1	9	SPRING Inner Cam	1	1	1	
000012019P04	10	SPACER Small Cam	1	1	1	
000012192P04	10a	CIRCLIP	1	1	1	
006507548C1	10b	SPACER Double Acting Side Shifter	1	1	1	
006504446C1	11	RETAINER Spring	1	1	1	
000020818E05	12	BOLT Hex. Flanged Head	2	2	2	
001233807R1	13 'A'	NUT M6	1	1	1	
006504158C1	14	CAM Link	1	1	1	
000013939P04	15	BUSH Cam Link	1	1	1	
000704589R1	16 'A'	CIRCLIP External	1	1	1	
000109462	17 'A'	Nipple Grease	1	1	1	
000109461	17a 'A'	Nipple Grease	1	1	1	
006505366C1	18	Plug Welch	1	1	1	
000017244R1	19 'A'	Pin Slotted	2	2	2	
000020565E05	20	BOLT Flanged Hex. Head	4	4	4	
006505032C1	21	HOUSING Gear Shifter Lever	1	1	1	
006510724C1	21	HOUSING Gear Shifter Lever		1		KA/111/F14/69
006503408C1	22 'A'	SEAT Gear Shifter Lever	2	2	2	
000012010P04	22A	SPHERICAL Half Gear Shifter Lever		2		KA/111/F14/69
006505309C1	23	Bolt Pivot Pin	2	2	2	
006511258C1	23	BOLT Pivot Pin		2		KA/111/F14/69
000031276B12	24 'A'	SHIM Gear Shifter Lever	3	3	3	
000031023B11	25 'A'	CIRCLIP Internal	1	1	1	
000012188P04	25 A	CIRCLIP Internal		1		KA/111/F14/69
000032843B12	26 'A'	WASHER Felt	1	1	1	
006510888C1	26 A	SPACER Gear Shifter Housing		1		KA/111/F14/69
000032808B12	27 'A'	Boot Rubber Inner	1	1	1	
006511043C1	27 A	BOOT Rubber Inner		1		KA/111/F14/69
006505960B1	28 'A'	SHIELD Gear Shifter Lever	1	1	1	
000615190R1	29 'A'	WASHER Plain	1	1	1	
000029547D	30 'A'	SPRING Gear Shifter Lever	1	1	1	
006511080C1	30 A	SPRING Gear Shifter Lever		1		KA/111/F14/69
000710953R1	31 'A'	STOP Gear Shift Lever Spring	1	1	1	
000103409	32	PIN Cotter	1	1	1	
006504153C91	33	LEVER Gear Shifter	1	1	1	

Range Shifting Mechanism

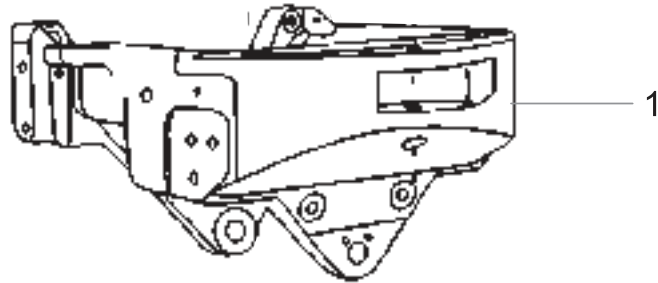


Range Shifting Mechanism

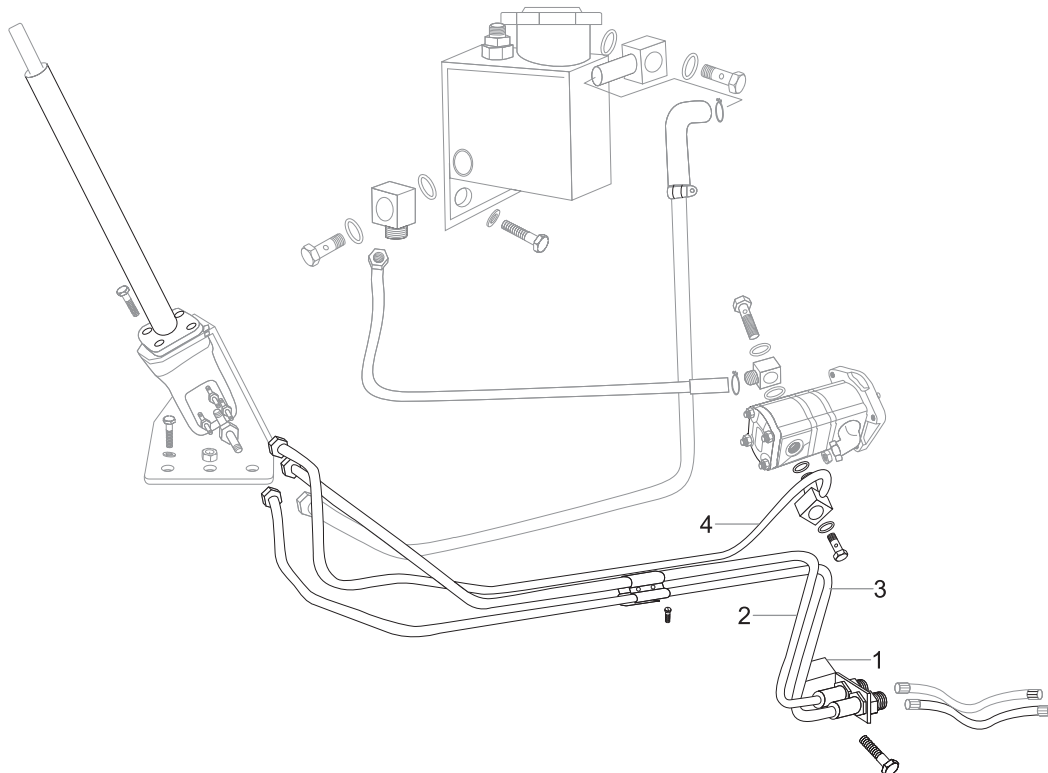
Part Number	Ref.	Description of Part	Qty / Tractor			Revision / Remarks
			605 DI Dlx	555 DI Dlx	445 DI Dlx	
007603007C1	1	LINK Hi-Low Sideshift	1	1	1	
006502578C1	2	PIN Gear Shift Link Trans Side	2	2	2	
000022079RD	3 'A'	WASHER Plain	2	2	2	
000103374	4 'A'	PIN Cotter	2	2	2	
006502717C91	5	ASSEMBLY Bracket Gear Shift Linkages Sideshift	1	1	1	
000020313E05	6 'R'	BOLT Flanged Hex. Head	4	4	4	
007603008C1	7	SHAFT Hi-Low Linkages Side Shift	1	1	1	
006503248C1	8	LEVER Actuating Hi-Low Fender Side	1	1	1	
006500324C1	9 'A'	Pin Roll	1	1	1	
000017047R1	10 'A'	PIN Slotted	1	1	1	
006502720C91	11	ASSY Gear Shift Selector Sideshift	1	1	1	
006502579C1	12	PIN Gear Shift Link Selector Side	2	2	2	
000022079RD	13 'A'	WASHER Plain	2	2	2	
000103374	14 'A'	PIN Cotter	2	2	2	
007604704C11	15	BRACKET Hi-Low Lever Sideshift	1	1	1	
000020313E05	16 'R'	BOLT Flanged Hex. Head	3	3	3	
005555988R1	17 'A'	WASHER Spring Lock	3	3	3	
007604617C11	18	LEVER Assembly Hi-Low Sideshift	1	1	1	
006502304R1	19 'A'	SPRING Gear Shifter Poppet	1	1	1	
001082178R1	20 'A'	BALL Steel	1	1	1	
007606238C1	21	KNOB Hi-Low Lever	1	1	1	
005557114R3	21	KNOB Hi-Low Lever	1	1	-	KA/113/F14/97
007535368D1	22	SCREW	1	1	1	
006503250C1	23	BRACKET Support Hi-Low Lever	1	1	1	
000020324E05	24	BOLT	1	1	1	
001233891R1	25	BOLT Hexagonal Headed	1	1	1	
000022079RD	26 'A'	WASHER Plain M10	1	1	1	
000030184R1	27 'A'	WASHER Plain	1	1	1	
005555988R1	28 'A'	WASHER Spring Lock	1	1	1	
000022055RD	29 'R'	NUT	1	1	1	
007602043C1	30	NIPPLE Grease	1	1	1	
006504162C1	31	SHAFT Cross Hi-Low	1	1	1	
000704337R1	*	WASHER Dowty	1	1	-	KA/113/F14/97
006512129C91	*	LEVER High Low	1	1	-	KA/113/F14/97
006511060C91	*	PIN Compound Roll Assembly	1	1	-	KA/113/F14/97

'R' Part Used of Regular Tractor.

Front Axle & Support



Power Steering Pipes & Fittings



Front Axle & Support

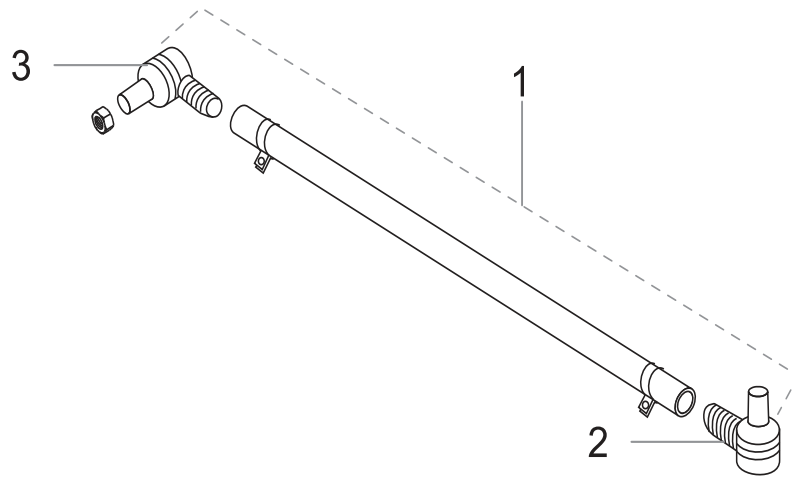
Part Number	Ref.	Description of Part	Qty / Tractor			Revision / Remarks
			605 DI Dlx	555 DI Dlx	445 DI Dlx	
007605391C91	1	SUPPORT Front Axle Cpte	1	1	1	
007600435C1	1 'A'	SUPPORT Front Axle Cpte Heavy Duty FA	1	1	1	
007605405C1	*	PLATE Front Axle Support	-	-	1	

Power Steering Pipes & Fittings

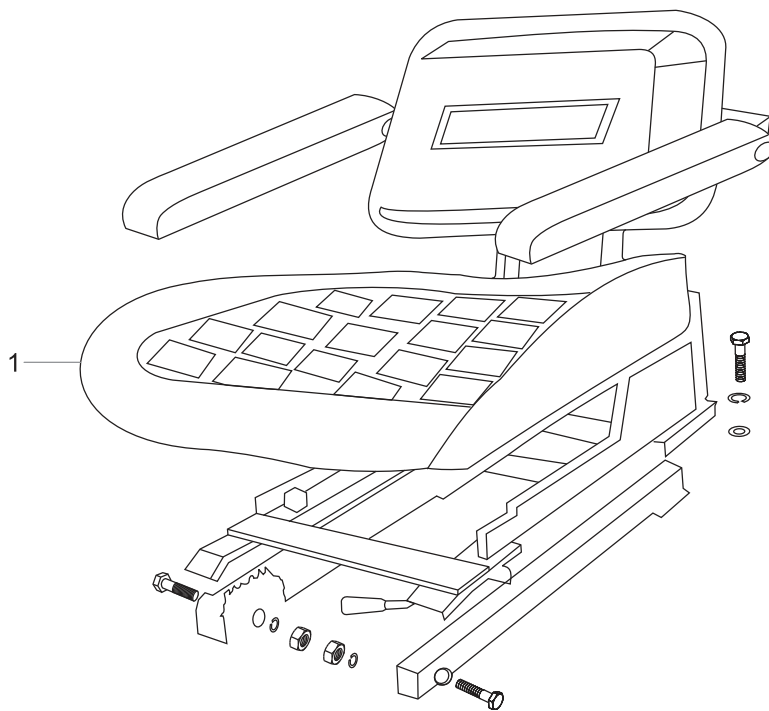
007605224C1	1	BRACKET for Power Cylinder Hoses	1	1	1	
007605181C91	2	PIPE Pressure HSU to L-Port	1	1	1	
007605182C91	3	PIPE Pressure HSU to R-Port	1	1	1	
007605183C91	4	PIPE Pressure Pump to HSU	1	1	1	

'*' Part Not Illustrated

Steering Knuckle, Arm, Drag Link & Tie Rod



Seat



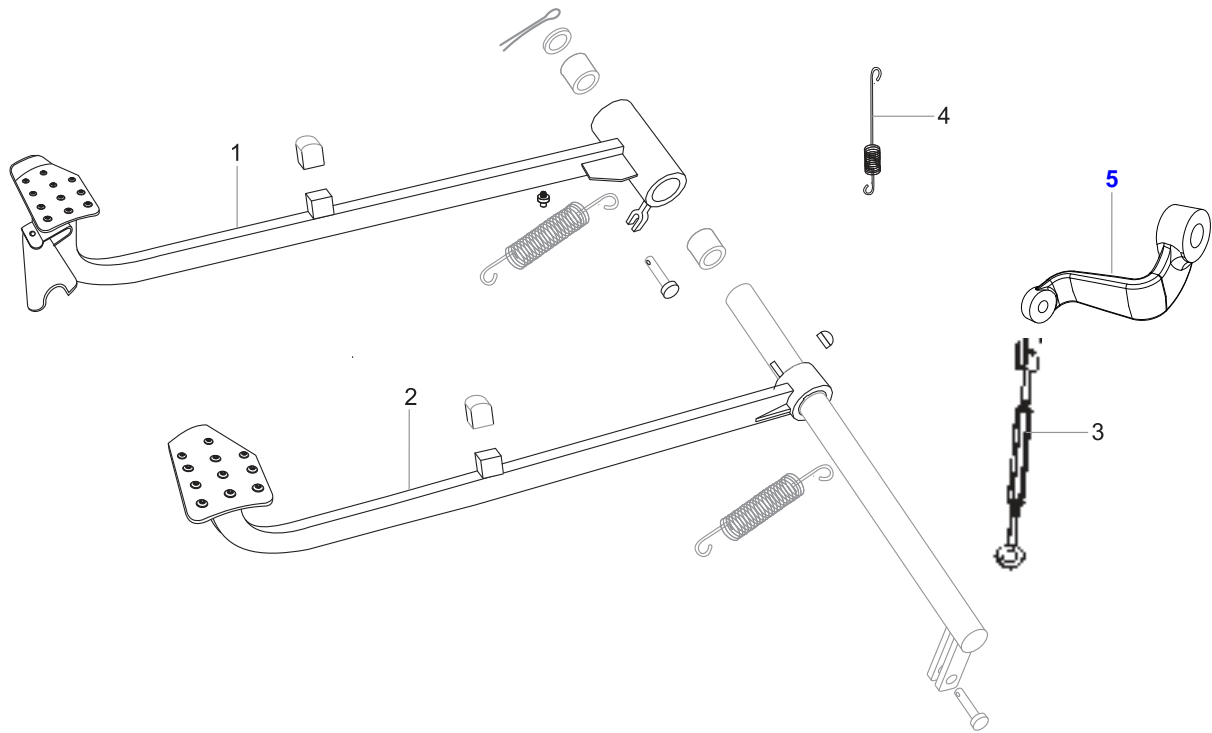
Steering Knuckle, Arm, Drag Link & Tie Rod

Part Number	Ref.	Description of Part	Qty / Tractor			Revision / Remarks
			605 DI Dlx	555 DI Dlx	445 DI Dlx	
007604706C91	1	LINK Drag Cpte	1	1	-	
007605639C91	1	LINK Drag Cpte	-	-	1	
007605881C1	2	END Drag Link (Ball Joint) Knuckle Arm End	1	1	1	
007605882C1	3	END Drag Link (Ball Joint) Drop Arm End	1	1	1	

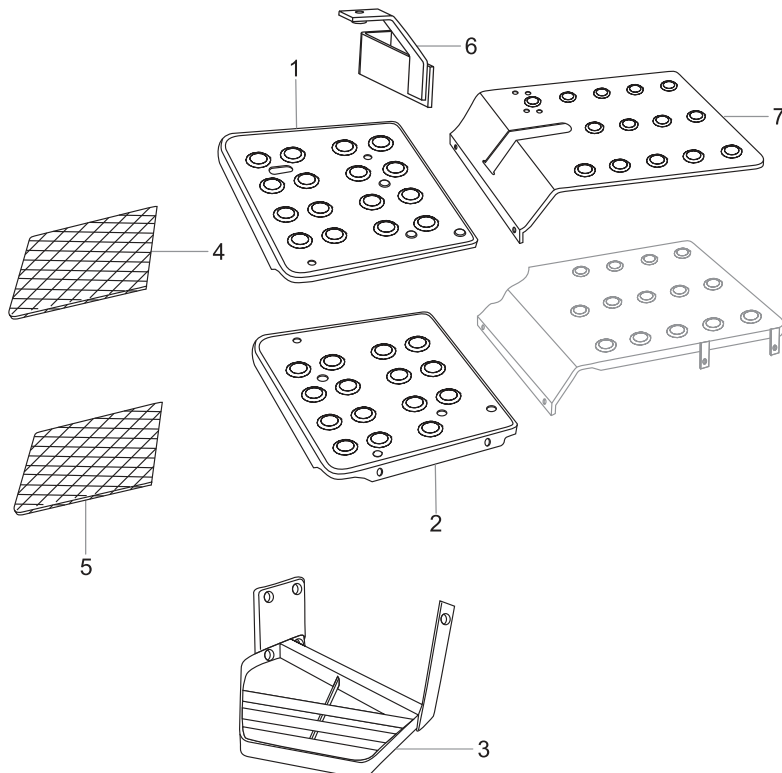
Seat

007603172C93	1	SEAT Driver - Arjun Dlx	1	1	1	U/70/F14/101
007606806C1	*	CUSHION with Pan Bottom Seat	1	1	1	UA/54/F11/47
007606807C1	*	CUSHION with Pan Back Rest	1	1	1	UA/54/F11/47
007606808C91	*	SLIDER Assembly "Z" Section	1	1	1	UA/54/F11/47
007606809C1	*	BUSH Slider Guide	1	1	1	UA/54/F11/47
007606837C1	*	COVER Rexine for Bottom Seat Cushion	1	1	1	UA/54/F11/47
007606839C1	*	COVER Rexine for Back Rest Cushion	1	1	1	UA/54/F11/47
007903370B1	*	BEADING Seat	1	1	1	UA/54/F11/47
007903372B91	*	ARM Rest Assembly With Mounting Bracket	1	1	1	UA/54/F11/47
007903373B91	*	KIT Dampener	1	1	1	UA/54/F11/47
007704053C91	1	SEAT Driver - 555 PP	1	-	-	A/305/F17/18

Foot Brake Pedal & Linkages



Foot Plate



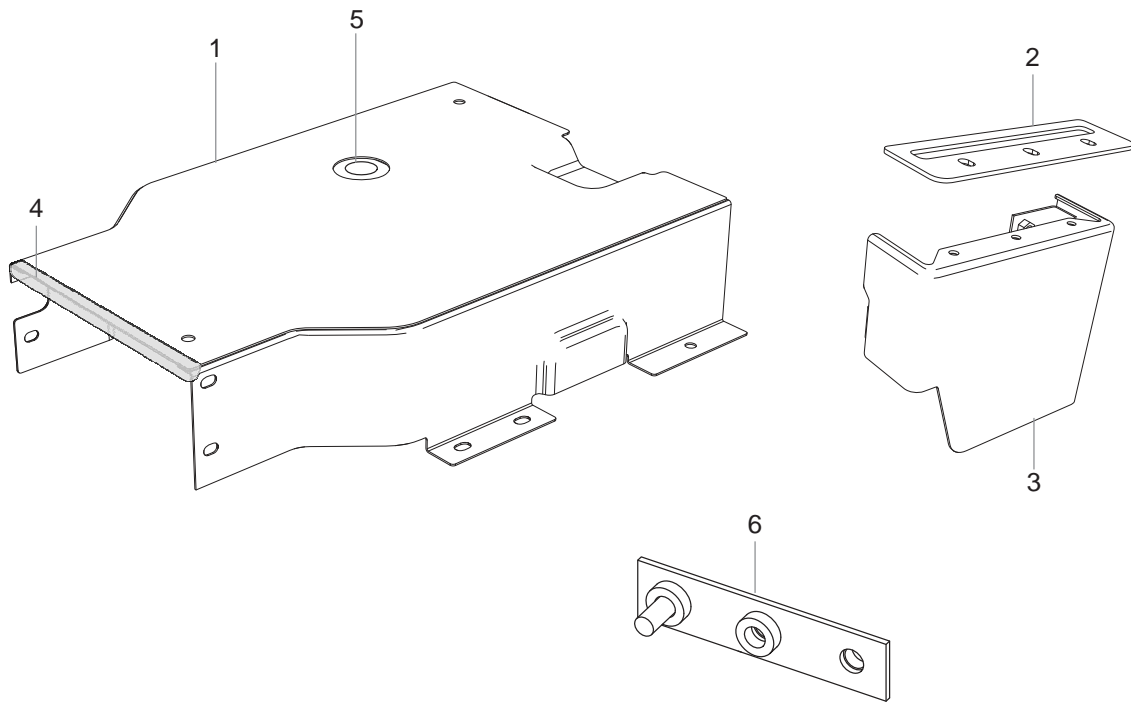
Foot Brake Pedal & Linkages

Part Number	Ref.	Description of Part	Qty / Tractor			Revision / Remarks
			605 DI Dlx	555 DI Dlx	445 DI Dlx	
007604615C11	1	PEDAL Brake CPTE RH	1	1	1	
006512489C91	1	PEDAL Brake CPTE RH	1	1	1	MA/20/F14/72
007604616c11	2	PEDAL Brake CPTE LH	1	1	1	
006512488C91	2	PEDAL Brake CPTE LH	1	1	1	MA/20/F14/72
007604993C91	3	TURN Buckle CPTE. Brake	2	2	2	
006502917C91	3	TURN Buckle Cpte. Brake	2	2	2	MA/19/F11/54
007606627C1	4	SPRING Brake Plate Switch	1	1	1	
007607065C1	5	LEVER Brake Actuating RH	1	1	1	MA/19/F11/54
007607066C1	*	LEVER Brake Actuating LH	1	1	1	MA/19/F11/54

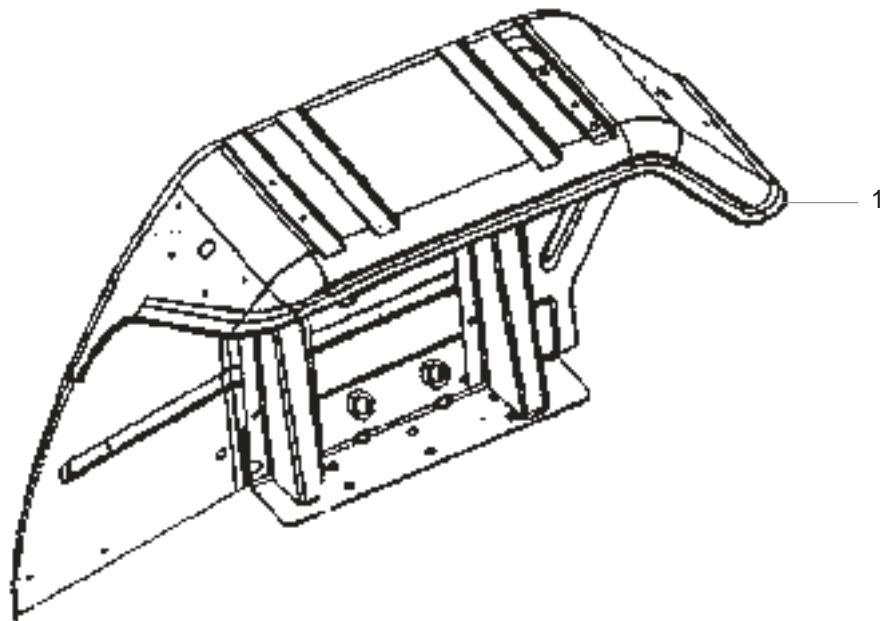
Foot Plate

007537297C91	1	FLOOR Panel Assy Front RH	1	1	1	
007904441C91	1	FLOOR Panel Assy Front RH	1	1	1	MA/20/F14/72
007537289C91	2	FLOOR Panel Assy. Front LH	1	1	1	
007904446C91	2	FLOOR Panel Assy Front LH	1	1	1	MA/20/F14/72
007538684C91	3	Foot Step Assy.	1	1	1	
007538827C1	4	MAT Floor RH - FRONT	1	1	1	
007538826C1	5	MAT Floor LH - FRONT	1	1	1	
007904016C1	5	MAT Floor LH Front	1	1	-	KA/113/F14/97
007539494C91	6	BRACKET Rear Floor Mounting RH	1	1	1xt	
007539862C11	7	FLOOR Panel Assy.-Rear RH	1	1	1	
007544219C91	7	FLOOR Panel Assy. - Rear RH	1	1	1	MA/20/F14/72
007531827C91	*	COVER Floor Assy. Rear	1	1	1	
007544226C91	*	COVER Floor Assy. Rear	1	1	1	MA/20/F14/72

Shifter Cover & Hi Low Cover Assembly



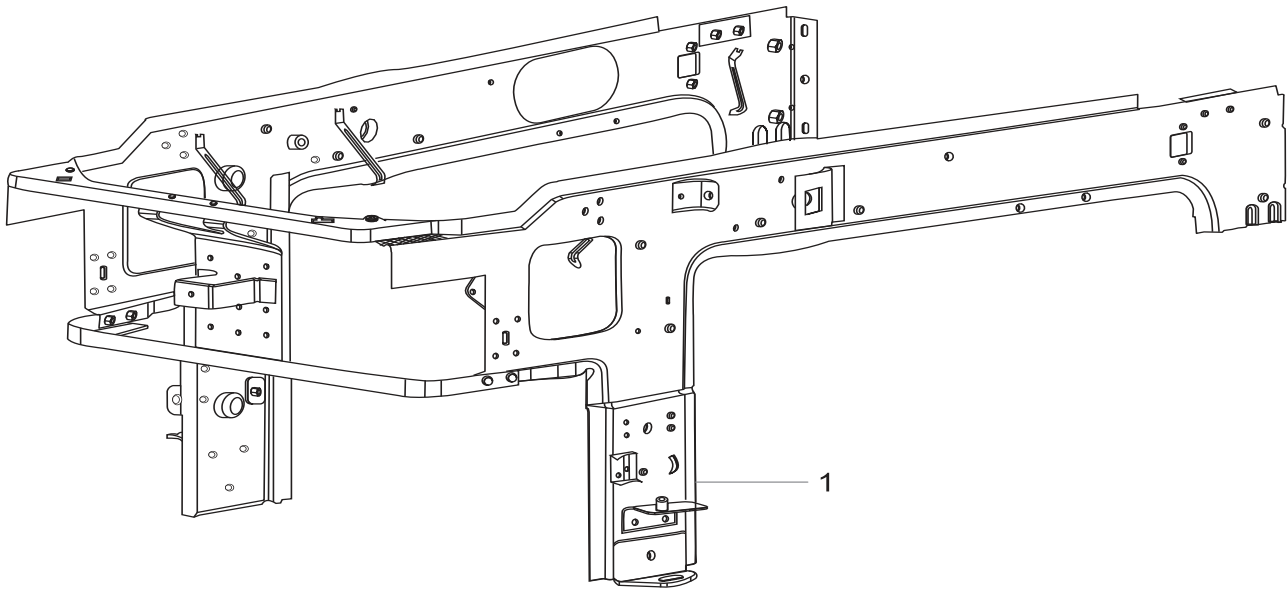
Fender



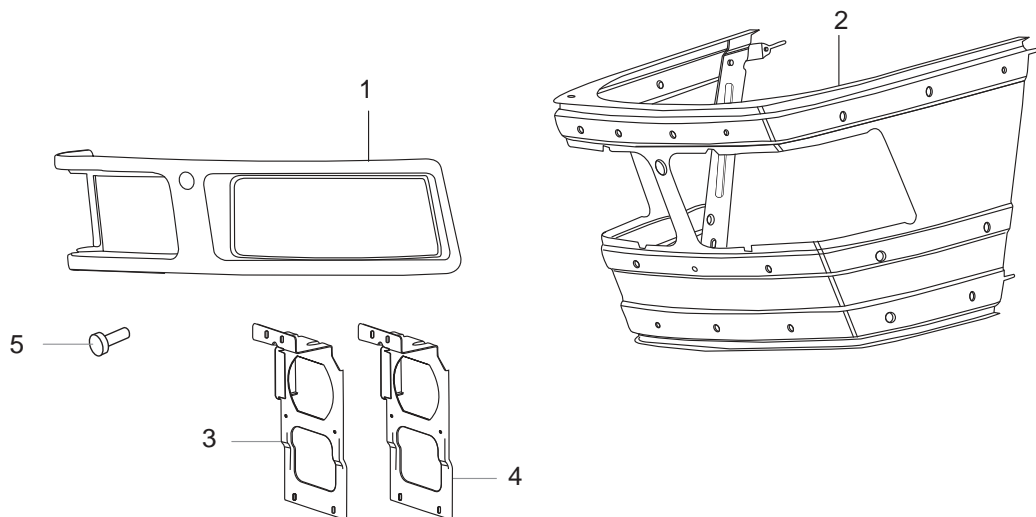
Shifter Cover & Hi Low Cover Assembly

Part Number	Ref.	Description of Part	Qty / Tractor			Revision / Remarks
			605 DI Dlx	555 DI Dlx	445 DI Dlx	
007538664C91	1	COVER Shifter Housing	1	1	-	
007538803C1	2	PLATE Hi Low Lever Cover	1	1	-	
007538792C91	3	COVER Hi Low Lever	1	1	-	
0075401895C1	4	BEADING Shifter Hsg Cover	1	1	1	
007540245C1	5	GROMMET Hsg Cover	1	1	1	
007606054C11	6	ASSY PLATE Tool Box Mounting	1	1	1	
Fender						
007538821C91	1	Fender Assy LH	1	1	1	
007904009C91	1	Fender Assy LH	1	1	-	KA/113/F14/97

Front End Assembly



Front Grill Assembly & Instrument Bezel



Front End Assembly

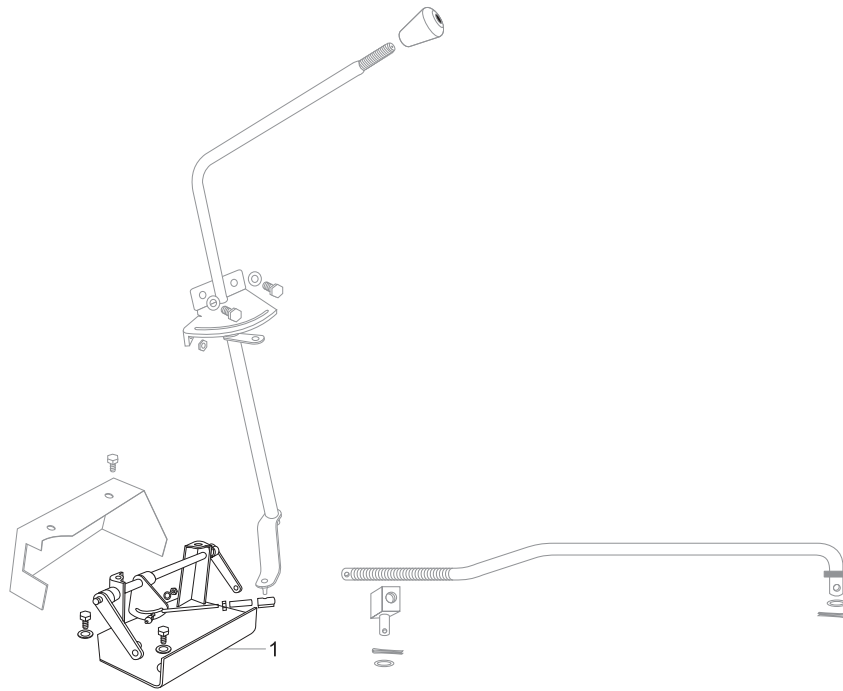
Part Number	Ref.	Description of Part	Qty / Tractor			Revision / Remarks
			605 DI Dlx	555 DI Dlx	445 DI Dlx	
007539350C11	1	FRONT End Assembly	1	1	-	
007539741C11	1	FRONT End Assembly	-	-	1	
007539642C92	*	LATCH Bonnet Assy	1	1	1	UA/58/F13/18

Front Grill Assembly & Instrument Bezel

007537447C1	1	Bezel	1	1	1	
007540690C92	2	Assy. Front Grill	1	1	1	AA/270/F14/37
007537448C1	*	GROMMET Bezel	1	1	1	
007537449C1	5	PLUG Bezel	4	4	4	
007500878B1	*	WASHER Spring Lock	8	8	8	
007537452C91	3	BRACKET Mounting Head & Side Lamp Assy RH	1	1	1	
007537451C91	4	BRACKET Mounting Head & Side Lamp Assy LH	1	1	1	
007540356C1	*	BEADING Head Lamp	2	2	2	

* Parts Not Illustrated

Hand Throttle & Fuel Shut Off Linkages

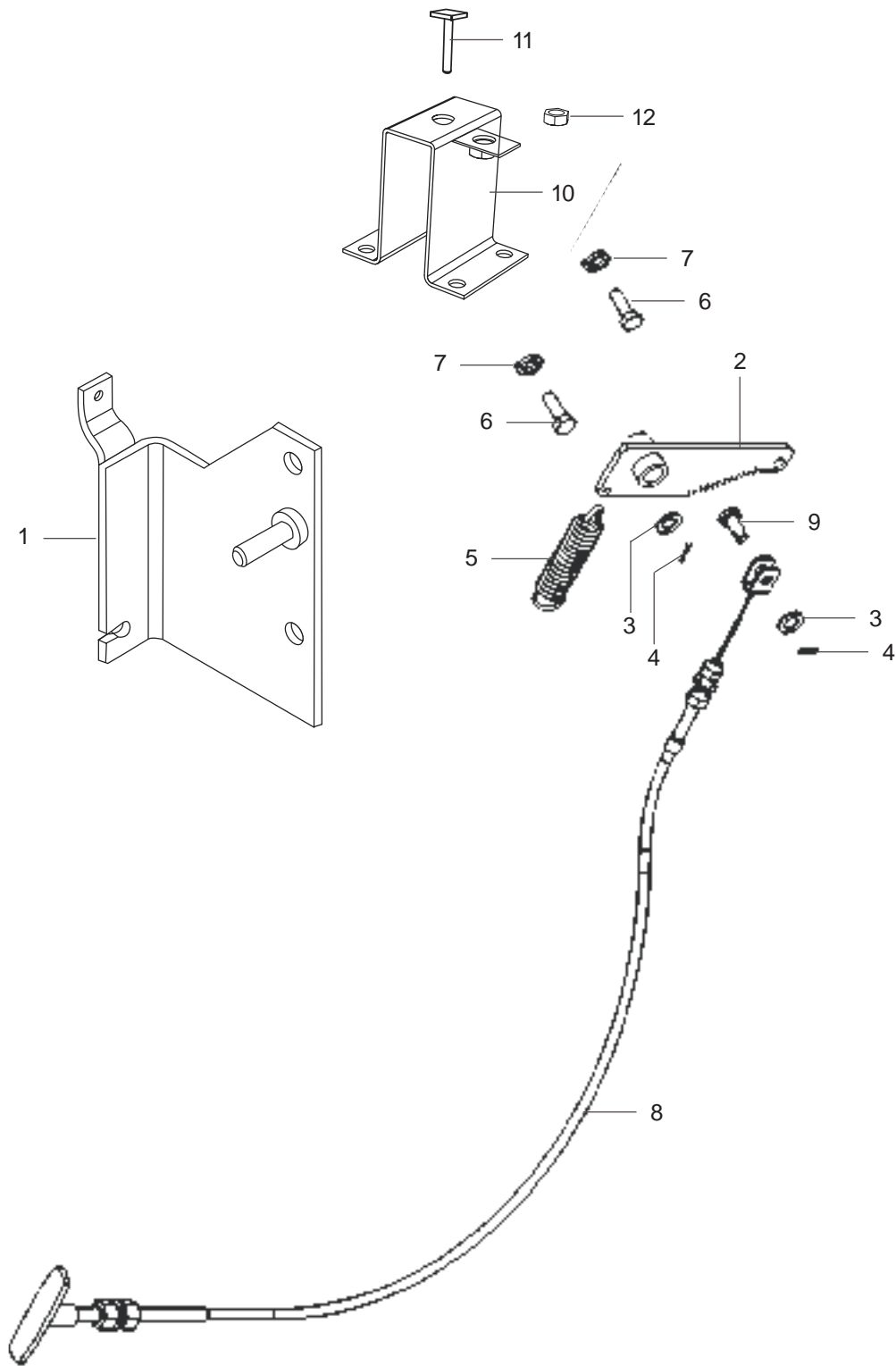


Hand Throttle & Fuel Shut Off Linkages

Part Number	Ref.	Description of Part	Qty / Tractor			Revision / Remarks
			605 DI Dlx	555 DI Dlx	445 DI Dlx	
007605026C11	1	Shaft Cross Assy Governor Control	1	1	1	

* Part Not Illustrated

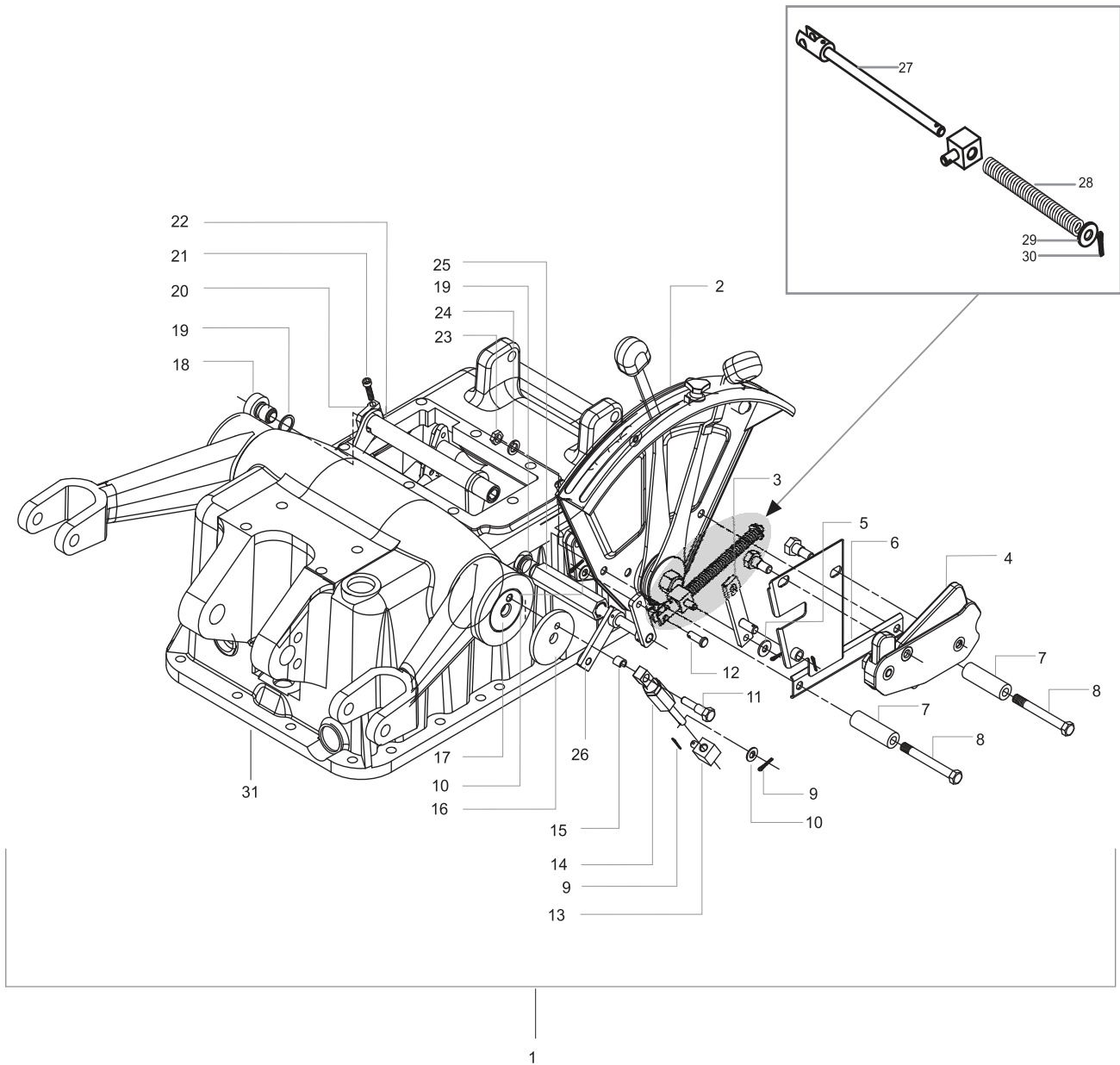
Hand Brake Assembly



Hand Brake Assembly

Part Number	Ref.	Description of Part	Qty / Tractor			Revision / Remarks
			605 DI Dlx	555 DI Dlx	445 DI Dlx	
007535484C1	1	BRACKET Hand Brake Ratchet	1	1	2	
007536045C91	2	PLATE Assembly Handbrake Ratchet	1	1	2	
000120393	3	WASHER Plain	2	2	1	
000103374	4	PIN Cotter	2	2	2	
000042000C11	5	SPRING Hand Brake	1	1	2	
000179838	6	BOLT Hex. Head	2	2	1	
001082012R2	7	WASHER Spring Lock	2	2	1	
000041943C12	8	CABLE Hand Brake Assembly	1	1	1	AA/267/F14/17
000039374D	9	PIN Rod End	1	1	1	
007604736C1	10	BRACKET Hand Brake Mtg Assy	1	1	1	
007606030C11	11	LOCK Top Plate	1	1	1	
007606030C1	12	NUT	1	1	1	

Hydraulics - Quick Lift Mechanism



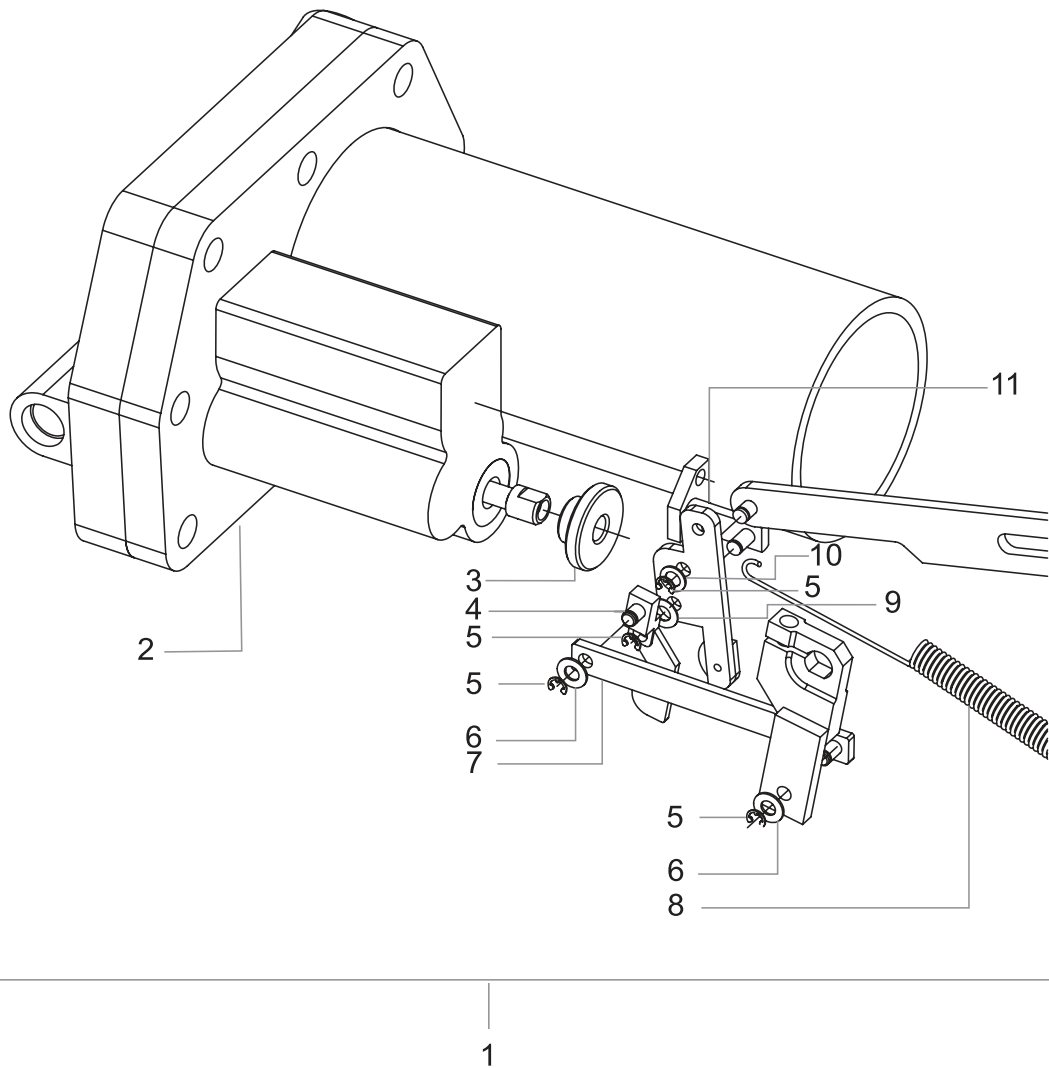
Hydraulics - Quick Lift Mechanism

Part Number	Ref.	Description of Part	Qty / Tractor			Revision / Remarks
			605 DI Dlx	555 DI Dlx	445 DI Dlx	
007203971C91	1	VTU Assembly	1	1	1	
007203792C91	2	QUADRANT Assembly	1	1	1	
007202707C11	3	LINK External	1	1	1	
007202819C91	4	BUTTON Assembly	1	1	1	
000061115M01	5 'A'	WASHER Plain 8.5 x 2	3	3	3	
007202911C11	6	FRAME HLC Button Mounting	1	1	1	
007202913C1	7	SPACER Quadrant Frame Button	2	2	2	
005556320R1	8 'R'	BOLT M10 x 1.5x85 L	2	2	2	
000103373	9 'A'	PIN Cotter 3/32" 3/4" ZINC PL	11	11	11	
000120393	10 'A'	WASHER PLAIN 0.343 x 0.687 x 0.051	10	10	10	
007202914C1	11	ROD Pivot Adjustable Feedback	1	1	1	
007203115C1	12	PIN Clevis	1	1	1	
007202683C1	13	BLOCK Rotary	2	2	2	
007202957C91	14	ROD Adjustable Feedback Assy	1	1	1	
007202939C1	15	SPACER Rod Feedback	1	1	1	
007202938C1	16	PLATE Lift Arm Retainer RH	1	1	1	
007202718C1	17	ROCKSHAFT	1	1	1	
007202678C1	18	PIVOT Cross Tube LH	1	1	1	
000446179	19 'A'	WASHER Pin	2	2	2	
007203119C11	20	CRANK Internal	1	1	1	
000051211D01	21 'R'	BOLT Allen M6 x 25mm Long	1	1	1	
007202695C11	22	TUBE PC Cross Cpte	1	1	1	
005554365R1	23 'A'	NUT M10 x 1.5	2	2	2	
005555988R1	24 'A'	WASHER M10 Spring Lock	2	2	2	
007202912C91	25	TUBE Pivot Cross RH	1	1	1	
007202817C11	26	ROD Cross Tube	1	1	1	
007203117C91	27	ROD Spring HLC Cpte	1	1	1	
007202692C1	28	Spring Rod	1	1	1	
000061115M01	29 'A'	WASHER Plain	2	2	2	
000103373	30 'A'	PIN Cotter	7	7	7	
007200583C1	31 'A'	HOUSING VTU - OIB	1	1	1	
006001066B1	*	O Ring	1	1	1	

'**' Part Not Illustrated

'R' Part Used of Regular Tractor

Control Valve Assembly - Quick Lift Mechanism



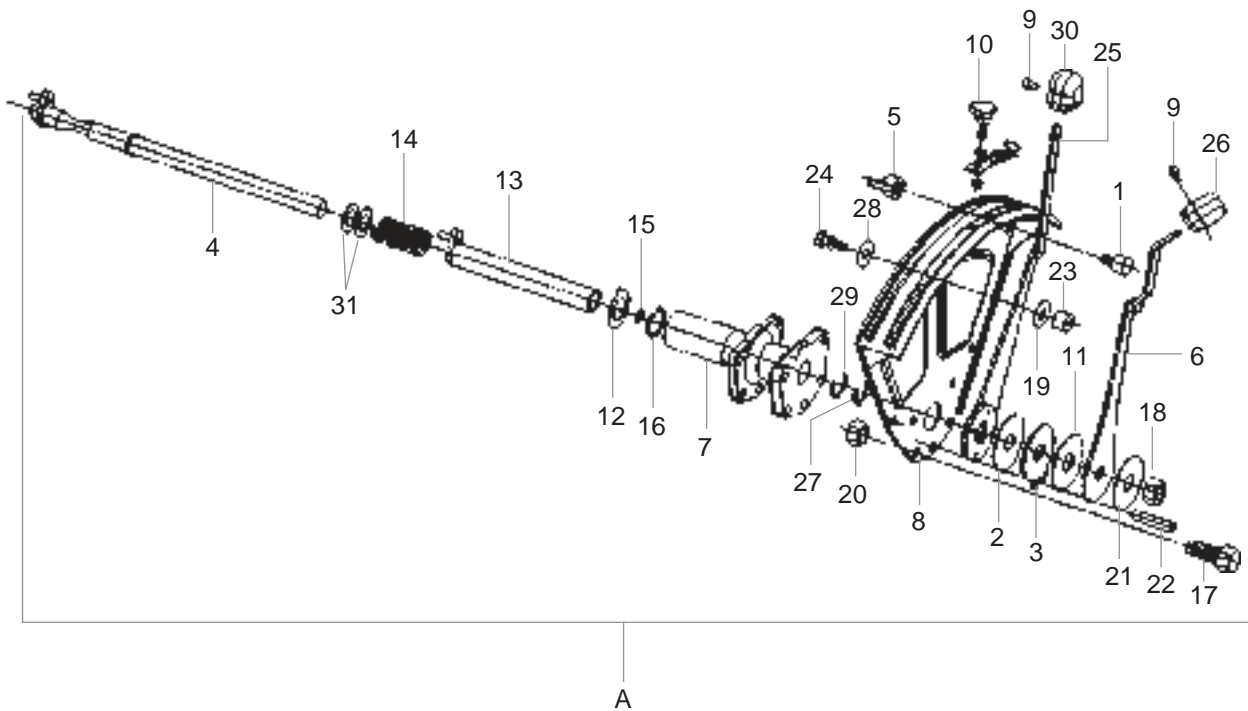
Control Valve Assembly - Quick Lift Mechanism

Part Number	Ref.	Description of Part	Qty / Tractor			Revision / Remarks
			605 DI Dlx	555 DI Dlx	445 DI Dlx	
007203553B91	1	VALVE Control Assembly 60 HP	1	1	-	
007203022C91	2	BODY Valve Assembly 60 HP	1	1	-	
007202704C1	3	CAP End Main Valve	1	1	1	
007202674C11	4	BLADE Actuating	1	1	1	
000050879D01	5 'R'	CIRCLIP 'C' Type External	4	4	4	
000446179	6 'A'	PIN Washer	2	2	2	
007202675C11	7 'A'	LINK Internal	1	1	1	
007202475C1	8	SPRING Draft Return Link	1	1	1	
007203452B1	9	SPACER 0.5 mm	1	1	1	
007203148C1	10	WASHER Plain 6mm	1	1	1	
007202703C11	11	BRACKET Support Cpte.	1	1	1	

'R'Part used of Regular Tractor

'A'Part used of Regular Arjun Tractor

Quadrant Assembly

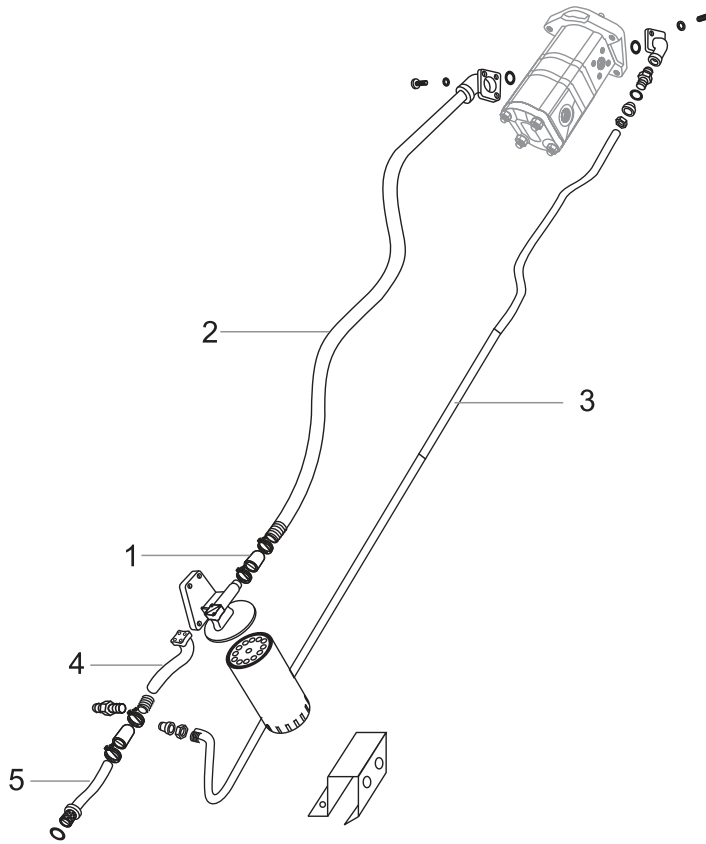


Quadrant Assembly

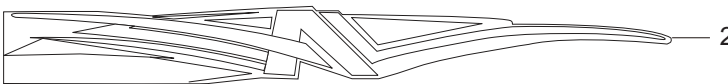
Part Number	Ref.	Description of Part	Qty / Tractor			Revision / Remarks
			605 DI Dlx	555 DI Dlx	445 DI Dlx	
007203792C91	A	Quadrant Assembly	1	1	1	
007202827B1	1	Stopper Control Lever	1	1	1	
003044397R1	2 'A'	Disc Friction Draft Lever	1	1	1	
003044402R1	3 'A'	Plate	1	1	1	
007200672B91	4	Crankshaft Draft Control Assembly	1	1	1	
001231334R91	5 'A'	Nut Cpte. Control lever (Wing Nut)	1	1	1	
007202826B11	6	Lever Draft Control	1	1	1	
001231284R2	7	BRACKET Control Lever	1	1	1	
007202824B11	8	BRACKET Quadrant Mtg. Assembly	1	1	1	
005556032R1	9 'A'	Screw Allen	2	2	2	
007202924C91	10	SLIDER Draft Control	1	1	1	
007202562B1	11	DISC Friction Position Control	1	1	1	
003044886R1	12 'A'	Washer Tab	1	1	1	
003044408R96	13	Sleeve Cpte. Position Control	1	1	1	
003044407R1	14	Spring Draft Control Crankshaft	1	1	1	
000377952R1	15 'A'	'O' Ring	2	2	2	
000350818R1	16 'A'	'O' Ring	2	2	2	
000179840	17 'A'	BOLT	4	4	4	
000124589	18 'A'	nUT	1	1	1	
000120394	19 'A'	WASHER Plain	1	1	1	
000120377	20 'A'	nut Plated	4	4	4	
00022194R1	21	WashER Plain	1	1	1	
000019242R1	22 'A'	PIN Dowel	1	1	1	
007202828B1	23	Stopper Position Control Lever	1	1	1	
001231009R2	24 'R'	Bolt Position Control Lock	1	1	1	
007202825B91	25	Lever Positon Control & Hub Assembly	1	1	1	
005556899R1	26 'A'	Knob Draft Control Lever	1	1	5	
000704589R1	27 'A'	Circlip External 24mm	1	1	1	
001082360R2	28 'A'	washer Spring Lock Plate	5	5	5	
001099853R1	29 'A'	circlip External 19mm	1	1	1	
005556901R1	30 'A'	Knob Position Control Lever	1	1	1	
000615167R1	31 'A'	Washer Plain Differetial Lock	2	2	2	

'R' Part Used of Regular Tractor

Hydraulic Suction & Pressure Pipes



Product Graphics



Hydraulic Suction & Pressure Pipes

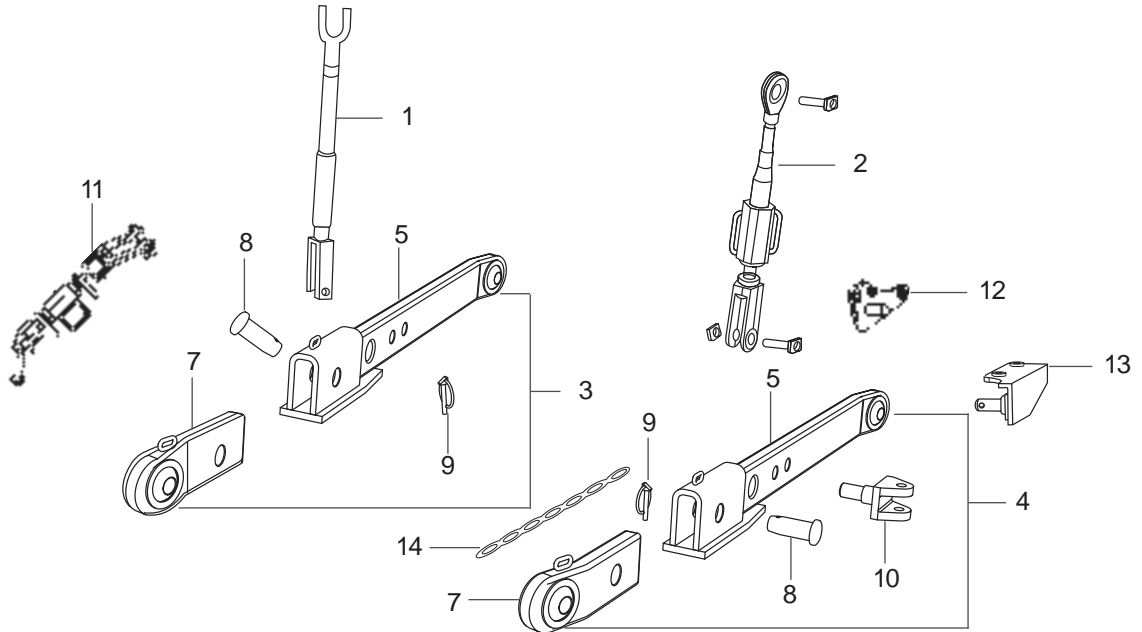
Part Number	Ref.	Description of Part	Qty / Tractor			Revision / Remarks
			605 DI DLx	555 DI DLx	445 DI DLx	
007201684C1	1 'A'	Z HOSE Suction	1	1	1	
007604159B1	*	SPRING For Z Hose	1	1	1	
007604917C91	2	PIPE Suction	1	1	1	
007606655C2	3	PIPE Pressure Pump to VTU (Hydraulic)	1	1	1	PA/76/F14/44
007606656C91	4	PIPE Suction Hose to Filtler Assembly	1	1	1	
007606657C91	5	PIPE Suction Strainer to Hose	1	1	1	

Product Graphics

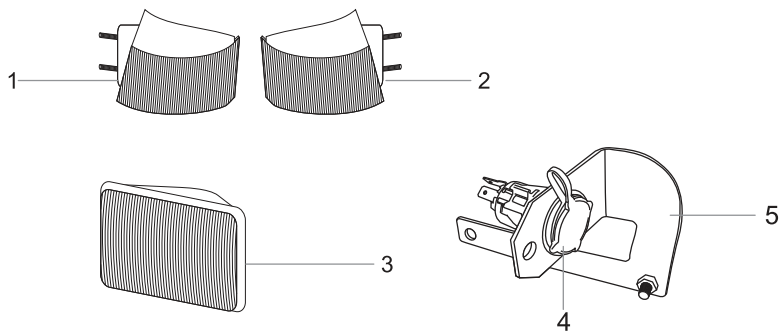
007606339C1	1	PRODUCT Decal Bonnet- LH	1	1	1	
007606340C1	2	PRODUCT Decal Bonnet - RH	1	1	1	
007606424C1	3	SYNCHROTECH	1	1	1	
007606515C1	4	DECAL DLX - LH	1	1	1	
007606516C1	5	DECAL DLX - RH	1	1	1	
007207446C91	*	KIT Farmer Arjun BS3A 555	-	1		

'*' Part Not Illustrated

Three Point Linkage



Electrical



Three Point Linkage

Part Number	Ref.	Description of Part	Qty / Tractor			Revision / Remarks
			605 DI Dlx	555 DI Dlx	445 DI Dlx	
007603461B11	1	ROD Lift Cpte. LH	1	1	1	
007603464B11	2	ROD Lift Cpte. RH - (Turn Buckle Type)	1	1	1	
007603100B91	3	LINK Assembly Lower Cpte. LH - (Telescopic Type)	1	1	-	
007603102B91	4	LINK Assembly Lower Cpte. RH - (Telescopic Type)	1	1	-	
007204593C11	3/4	LINK Assembly Lower	2	2	-	PA/73/F14/08
007200360C92	*	STRUT Stabilizer Assembly	1	1	-	PA/73/F14/08
‡	5	↳ MEMBER Lower Link Assy. RH	1	1	-	
007603192C91	7	↳ LINK Lower Hitch Side	2	2	-	
007603188C1	8	↳ PIN Standard Head	2	2	-	
007900405C1	9	↳ PIN Lynch	2	2	-	
007200432C1	*	↳ NUT M24 Hex Headed Nylock	2	2	-	
007201177C1	*	↳ WASHER	2	2	-	
007603201C1	10	↳ FORK Lower Link Member	2	2	-	
007603190C1	14	↳ CHAIN Lower Link	2	2	-	
007203208B11	*	Bracket RH (RAC End)	1	1	-	
007203207B11	*	Bracket LH (RAC End)	1	1	-	
007604533B11	4	LINK Lower Cpte RH - (Telescopic Type)	-	-	1	
007604532B11	3	LINK Lower Cpte LH - (Telescopic Type)	-	-	1	
‡	5	↳ MEMBER Lower Link Assy. RH	-	-	1	
007604536B11	7	↳ LINK Lower Hitch Side	-	-	2	
007604542B1	8	↳ PIN Standard Head	-	-	2	
007900405C1	9	↳ PIN Lynch	-	-	2	
007200432C1	*	↳ NUT M24 Hex Headed Nylock	-	-	2	
007201177C1	*	↳ WASHER	-	-	2	
007603190C1	14	↳ CHAIN Lower Link	-	-	2	
007604129B1	*	PIN Std Headed	-	-	2	
007201458A91	11	Chain Check Cpte	-	-	2	
007201412B92	12	BRACKET Lower Link Mounting LH	-	-	1	
007201413B92	12	BRACKET Lower Link Mounting RH	-	-	1	
007202115B1	13	BRACKET Check Chain Mounting LH	-	-	1	
007202116B1	13	BRACKET Check Chain Mounting RH	-	-	1	
007205968C91	11	Assy. Check Chain Cpte.	2	2	-	PA/92/F15/39
007206878C1	13	Bracket Check Chain Mounting LH	1	1	-	PA/92/F15/39
007206879C1	13	Bracket Check Chain Mounting RH	1	1	-	PA/92/F15/39
000010800P03	*	Washer Check Chain	2	2	-	PA/92/F15/39

‘**’ Part Not Illustrated

