



**HYDREMA (UK) LTD.**  
Tel. +44 17 65 64 19 40

**MORE INFO**  
[www.hydrema.com](http://www.hydrema.com)





**HYDREMA**



**Hydrema**

**906E 908E 926E 928E**

**BACKHOE LOADERS**

<https://tractormanualz.com/>

# Innovative earthmoving since 1959

**Since 1959 Hydrema has developed, manufactured, sold and serviced high-tech construction machines. Efficient, innovative and high-quality machines. Our products distinguish themselves from other products on the market through their technical and physical capabilities. Very well suited to perform specialised tasks in construction and installation work.**

 **HYDREMA**



ing

# Unique features.

Hydrema is known for developing high-quality, durable machines with a high resale value. Machines that live up to our promises, even when used in the most demanding conditions.

Hydrema's backhoe loaders have features and functions that mark them out from other machine brands. They are simply the most efficient and flexible combination machines on the market. Built for hard work, every day, all year round, for customers who place the highest demands on their equipment: leading contractors,

construction companies, rental companies, agricultural and forestry organisations.

The development of the E-series is based on Hydrema's more than 50 years' experience with hydraulic machinery. With this experience comes intelligent innovation and new technology, always with the same goal: only the best is good enough.

Experience, quality and innovation with unique features combine to create the ultra-modern, robust and effective 900E series.

**Unique features make these the most efficient machines on the market.**





**Up to 280° operating range**



**Pivot steering**



**Strong Z-kinematics**



**Double Command**



**Loader follows driving direction**



**Comfort**



**Lowest noise level**



**Quality**

**Enjoy the ride.  
It's comfortable, quiet  
and powerful.**



**More than 30 years' experience with articulated backhoe loaders and cooperation with the world's best machine operators is your guarantee of a robust and userfriendly machine.**



**A robust and complete combination machine**

The machine is built on a heavy-duty chassis made of high-strength steel. This makes it extremely durable. At the front is a loader with dozer features, at the rear a powerful and precise excavator. This combination makes for a versatile and efficient machine, whether you're working on a construction site, on road construction, with plumbing or other excavation work.

**Pivot steering with weight transfer**

The core is the articulated pivot steer chassis and hydraulic stabilisers that automatically transfer weight to the wheels that are in contact with the ground. This means the machine drives smoothly, safely and effortlessly across uneven, soft or muddy terrain. The pivot gives the operator excellent stability and increased manoeuvrability.

The pivot steering increases the machine's power reserve when filling the loading shovel, as the front wheels always follow the shovel's direction. The pivot ensures that the front and rear wheels always run in the same track, protecting the ground as much as possible. The driver can easily position the loading shovel simply by turning the steering wheel.



**BENEFITS**

---

Two machines in one - one machine operator can solve many varied tasks. Provides great flexibility.

---

Exceptional roadholding qualities - gets through safely regardless of how difficult the terrain is.

---

Excellent stability and manoeuvrability both on firm roads and on uneven terrain.

---

Minimal damage to the surface. No need for steel plates.

---

Move from task to task quickly on country roads.

---



**LOADER**

# **Loads like a 10-tonne loader. Powerful, fast and hard-working.**

**The loading power, stability and working speed is on a par with a pure loader.**





**It's hard to find any fault with it. It is an amazing, incredibly effective machine. The hydraulics work perfectly, even when working with multiple functions, and there's plenty of power in the machine."**

### **It looks easy – because it is!**

The 900E series loads up to 1.7 m<sup>3</sup> in the shovel. It has a loading capacity of as much as 250 m<sup>3</sup> per hour.

The shovel shelf-levelling and the machine's special Z-kinematics make it easy to fill the shovel. Combined with a strong tilt cylinder and Return-To-Dig, this gives the shovel high breakout force and speed. Add the pivot steering, the solid construction, the high-torque Cummins engine and an unmatched transmission, and you have the reason why Hydrema's combination machine easily matches the breakout force, loading force and work rate of a pure 10 tonnes loader.

### **Innovative and easy operation**

The machine is equipped with a load stabiliser, Return-To-Dig and ESD system as standard. The loader is controlled

comfortably and simply with joysticks that make operation easy and provide a smooth workflow. When using Hydrema's unique double command (ESD) system, the machine's propulsion and steering system are controlled with the same joysticks that control the loader, without using the wheel. This way the driver only needs to focus on the joysticks. This means faster working speed and greater comfort.

### **Full throttle with a full shovel**

The machine handles all the usual jobs such as loading, grading and levelling to perfection. With a load in the shovel, the load stabiliser and the ESD system ensure a soft, smooth ride even at speed and on tough terrain.

The loader can be equipped with different shovel sizes or pallet forks depending on your needs and tasks.



**LOADS UP TO 1.7 M<sup>3</sup>  
IN THE SHOVEL**

## **BENEFITS**

---

The machine works like a 10-tonne pure loader, but can be used for many other purposes.

---

The loader shovel is always placed in the wheels' pull direction, which facilitates filling of the front shovel in all conditions.

---

Higher productivity through total driver control using joysticks.

---

Comfortable and easy to operate.

---

High working speed.

---

High ground clearance for loading work.

---

EXCAVATOR

# The excavator has the largest digging area on the market.



**You're never parked the wrong way when you use the dipper. It's fantastic. If you drive in at a slightly weird angle, you can still work efficiently without having to manoeuvre the entire machine."**

**BIG, BIGGER OR BIGGEST:**

2800

**The 900E series has the largest digging range on the market, a large digging capacity and flexibility.**

**Impressive digging range**

The excavator was designed to ensure maximum digging range to speed up the work.

The E-Series is available with or without Hydrema's unique side shifting of the dipper. On the 906E and 926E the dipper can be side shifted hydraulically by 1.6 m. giving the machine an impressive digging range of 280°.

On the 908E and 928E, the dipper is centre-mounted, giving a digging range of 200°. The mobility can be increased by a side angling (optional), which makes the digging range 250°.

**Solves all jobs with lots of power to spare.**

The excavator can do all conceivable digging tasks, from small, precise excavations to big cable- and pipelaying projects. It's flexible.

Its breakout force is one of the highest among similar machines, and it works with power to spare at both high and low speed. The digging capacity can be varied using a wide variety of buckets.

The boom and dipper have maximum rigidity and strength, as the excavator is constructed with closed profiles in high-strength steel. Combined with Hydrema's

special double seals in all moving links which protect the bearings from dirt and debris, this ensures a long service life and lower operating costs.

The dipper is mounted to provide good ground clearance from the terrain. Furthermore, both the boom and dipper come as standard with a hose rupture valve, providing maximum safety during lifting.

The excavator has long reach, digs deep and loads high, which is further enhanced by an optional telescopic arm. This increases the digging depth and reach by 120 cm.



## EXCAVATOR

# Digg, lift and load. The excavator solves all conceivable tasks.

### BENEFITS

---

More time for efficient digging, because the machine can be moved with joysticks even if the driver sits facing the excavator.

---

The market's widest digging range - between 200-280° - makes it possible to solve difficult tasks, even with limited space.

---

Less maintenance and longer service life due to the large plain bearings and double seals in the pivots.

---

When the stabilisers and loader shovel are in the ground, the support provides great stability and safety even with full excavator bucket.

---

Flow sharing ensures an even digging cycle and saves fuel.

---

Protected against hose failure.

---



**The machine is incredibly stable, even when lifted all the way up on the stabilisers. You can shift the earth in all positions without affecting the balance. It's very impressive. It just sits great on the stiff stabilisers."**

## **Lots of technical features, functions and settings that minimise downtime and increases efficiency in the digging work**

### **ESD. It's all in the hands...**

The operator can drive and steer the machine even with his back to the wheel. All the machine's functions can be controlled by switching on the double command on the machine's joysticks, whether the driver sits facing the loader or excavator. This enables continuous work, e.g. on levelling land, without any interruptions in the workflow.

This saves time and ensures consistent rhythm in the driver's routines, and thus better results.

The driver can adjust the joysticks as needed. Soft start or quick response - you choose.

### **Flow Sharing**

Smooth and efficient digging cycle even at very low engine rpms and low hydraulic pressure, as the electronic Flow Sharing distributes the amount of oil evenly between the excavator's main functions.

When working at low engine speeds, there may briefly be a need for more speed if the driver requests more oil than is available from the actual pump flow. The engine speed is increased automatically, which increases the amount of oil accordingly. An easy and fuel-saving function that also minimises wear on the engine and excavator.

### **Mode Control**

Flexible mode control lets the driver set the machine's digging speed to suit the job. It is especially important to be able to limit the excavator's speed during lifting jobs. This increases safety and quality.





**The comfort is fantastic. The machine has lots of settings, and despite the many options that can quickly become confusing, it's easy to operate, making it very user friendly. And it just works. You don't have to pull hard on the steering wheel or joysticks. It works."**



# Comfortable. Full stop.

## The best working environment

The 900E series' cabin is designed and developed to ensure the best possible working environment and maximum safety for the operator.

Although the cabin is spacious, the noise level is low - only 66 dB (A) in the 906E - equivalent to the noise level in a medium-sized car. This contributes to a comfortable and productive working environment throughout a long working day.

When the seat is turned from driving-to digging position, the steering wheel automatically tilts up and returns to the previous setting when the driver is back in the driving position.

The cabin's interior is easy to clean, and all functions are placed based on a careful study of daily working situations and the operator's optimum working position. Air conditioning with 10 air vents is standard.

## Suspension reduces fatigue and wear

The 906E-908E cabin is rubber-suspended to reduce vibration. For added comfort, the 926E-928E cabin has spring suspension. A suspension system with four spring units with self-levelling and stabilising bars reduces the movement of the axles and the chassis and the noise level in the cabin. The four-point suspension's positive effect is especially clear when driving fast on and off road.

The vibrations are dampened as much as possible by fluid-filled silentbloc.

## User-friendly operation

The 900E series has clear and userfriendly keypad panels in the A and B pillars.

The machine has a Windows-based instrument display with a 6.4" flatscreen that gives the driver ample information.

The user menu is easy to use and the computer has data acquisition, a hire menu and diagnostic tools. The machine's software can be easily updated, and data can be downloaded via USB.



## BENEFITS

---

Carefully designed cab with suspension ensuring comfort and reducing whole-body vibrations and physical fatigue.

---

Many settings let the driver find the correct posture and reduce wear and tear on the body.

---

A low noise level increases driver awareness and reduces noise pollution.

---

Quick and easy cleaning

---



# Easy access to service and maintenance.

## Reliability and easy service has been a constant requirement during the development of the E series.

The large curved bonnet opens in the front and provides unhindered access for service and maintenance of the engine and radiator.

The hydraulic tank and fuel tanks are built into the chassis, providing easier access for refuelling and service.

The mudguards on both sides have integrated batteries and toolboxes.

Removing the cover plate provides easy access to the common service point in the pivot joint, so filters can easily be checked and cleaned, and hydraulics can be checked.





IN SHORT: THE BEST BACKH

# 900E series. Quality

**Loader with Z-kinematics**

Loading power and work rate equivalent to a pure loading machine.

**Latest engine technology**

Cummins stage 3b engine with a catalytic converter.

**Joystick operation**

Effective and easy operation of all hydraulic functions via joysticks.

**Durability**

Quality and rubber seals extend the service life.

OE LOADER ON THE MARKET

# y and functionality.

### Comfort

High comfort and ergonomics help make a long workday less tiring.

### 280° working range

Less movement of the machine during digging.

### Double Command

The machine can be operated while the driver is sitting facing the rear.





**High-quality  
equipment  
makes everyday  
work easier.**

## STANDARD EQUIPMENT & OPTIONS

# The right equipment.

### STANDARD

#### Exterior

Tyres: 500/70x28"  
4-point cab suspension (926E and 928E)  
Friction differential lock - front wheel  
100% differential lock - rear wheel  
Pendulum lock  
Excavating brake  
Spring suspension loader (load stabiliser)  
Hydraulic Hydrema quick hitch, loader  
Hydraulic Hydrema quick hitch, excavator

#### Interior

Climate control system  
Headrest  
Rotating warning beacon  
Warning triangle  
Radio with CD and MP3  
Automatic return-to-dig on loader  
On/off button for back-pressure valve on excavator  
Electrically heated side mirrors  
Seat heating  
Cruise control  
Automatic driving lights  
8 megabeam work lights  
Electrically operated seat console and steering wheel adjustment  
Belly plates under stabiliser cylinders  
Electric throttle hand lever with automatic function  
Extra Ø15 pipework for excavator  
(not included when telescopic arm is selected)  
Fridge for drinks, etc.  
7-pin socket (24V)  
12V and 24V plugs in cabin  
Side mirrors for double command  
Interval wind shield wipers for front and rear windows  
Solar blinds, front and rear  
Portable lamp  
Red night illumination in cabin  
Internal rear-view mirror  
Electrically adjustable mirrors - front (926E/928E)  
Sun curtain, rear (926E/928E)

### OPTIONS

#### Exterior

Optional tyres 906E and 908E  
500/70 x 24"  
600/55 x 26.5"- Twin tyres  
540/65 x 28"  
Optional tyres 926E and 928E  
650/55R x 30.5" - Twin tyres  
20.5R-25 - EM  
540/65R x 30.5"  
Short dipper for rotortilt (400mm)  
Extra 9th valve section digger - 40L/min. including pipework (906E)  
Pipework for hydraulic hammer  
Rubber plates for stabilisers  
Articulated stabilisers  
Hydraulic quick hitch excavator BM 12  
Engine pre-heater (electric 230V)  
Bio-hydraulic oil  
Belly plate front  
Mud flaps on the front wings  
Wing extension set  
Front wing bracket for snow chains  
4 Xenon work lamps - FRONT  
2 Xenon work lamps - REAR  
2 Xenon work lamps - SIDES  
2 extra work lamps, mounted under rear light  
1 work lamp on dipper - megabeam  
Extra rotating warning beacon  
Central lubrication  
Customer graphics

#### Interior

Air-cushioned seat  
Electrically adjustable mirrors - front (906E/908E)  
Sun curtain, rear (906E/908E)  
Rear-view camera with monitor  
Front camera  
Wheel button  
GPS tracking unit

## PERFORMANCE AND TECHNOLOGY

# Good experiences combined with new technology.

### Chassis

Articulated chassis in heavy-duty robot-welded construction with fixed axles. Pivot joint with pendulum bar and double hydraulic stabilisers with the option of hydraulic locking of the oscillating movement. Oscillating angle: +/- 11°.

### Steering

Hydrostatic steering with Load Sensing hydraulics and two doubleacting cylinders with end brake. Pivot steering angle: +/- 35°.

### Axles

Fixed, rigid axles with hub reduction. Automatic limited slip differential lock on front axle, 100% electro-hydraulic differential lock on rear axle.

### Hydraulic system

**906E-908E:**  
Load sensing system with variable pump. 163L/min and 235 bar.

**926E-928E:**  
Load sensing system with variable pump. 220 l/min and 240 bar.

ESD with double command, electronic flow sharing, ECO mode and mode control for all models.

### Transmission

**906E-908E:**  
DANA 6/3 gear fully automatic electronically controlled transmission. Double "kick down". Torque converter med torque increase. No. of gears: 6 forward 3 reverse. Permanent 4-wheel drive.

**926E-928E:**  
ZF WG115, 6-speed, fully-automatic ERGO-POWER Soft-Shift transmission with 100% electronic control. Electronically controlled pressure on each clutch ensures completely smooth gearshift without any loss of tractive effort. No. of gears: 6 forward 3 reverse. Permanent 4-wheel drive.

### Brakes

Hydraulic twin-circuit servosystem with oil-immersed disc brakes on all wheels. Fail-Safe parking brake with electro-hydraulic activation of the wet disc brakes on the front axles.

### Engine

Cummins QSB 4.5 stage 3b engine with DOC catalytic converter.

**906E-908E:**  
Max. 86 kW (115 Hk)  
Torque 488 Nm at 1500 rpm.

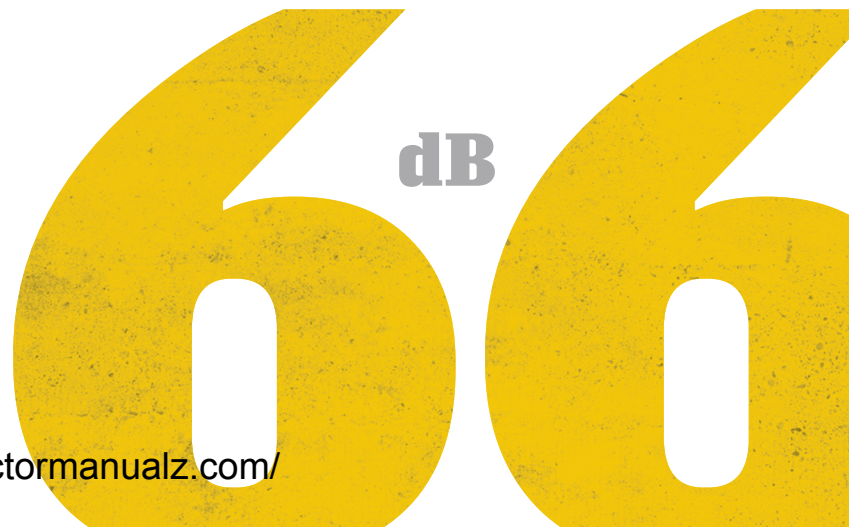
**926E-928E:**  
Max. 105 kW (141 Hk)  
Torque 620 Nm at 1500 rpm.

### Fuel

Diesel.  
155 liter fuel tank.

### Noise level

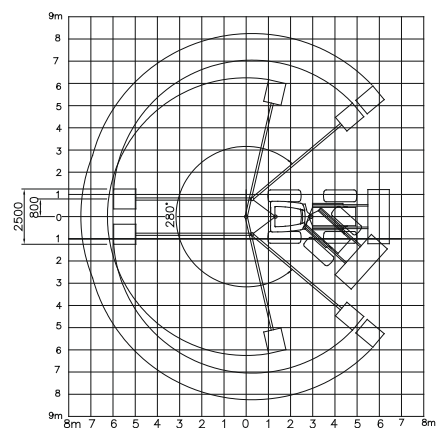
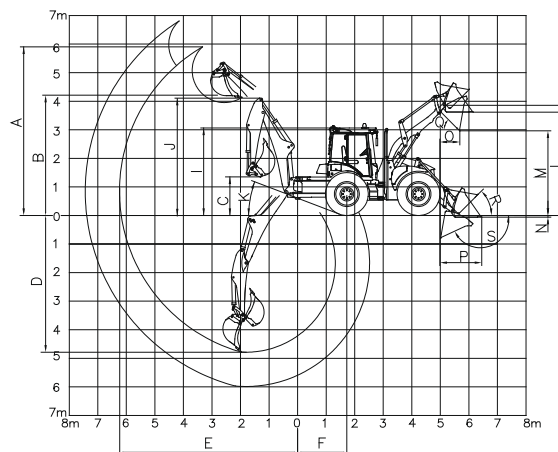
Cabin:	Outside:
<b>906E-908E:</b> 66 LpA	<b>906E-908E:</b> 101 dB(A)
<b>926E-928E:</b> 67 LpA	<b>926E-928E:</b> 102 dB(A)







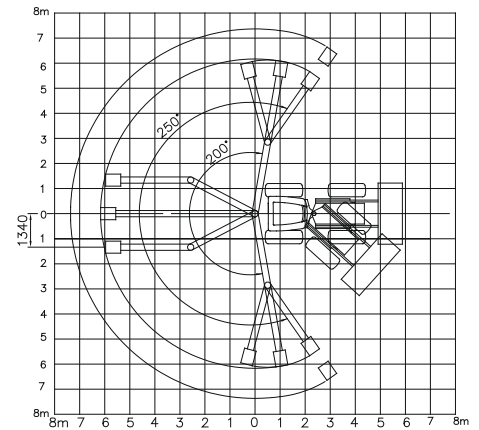
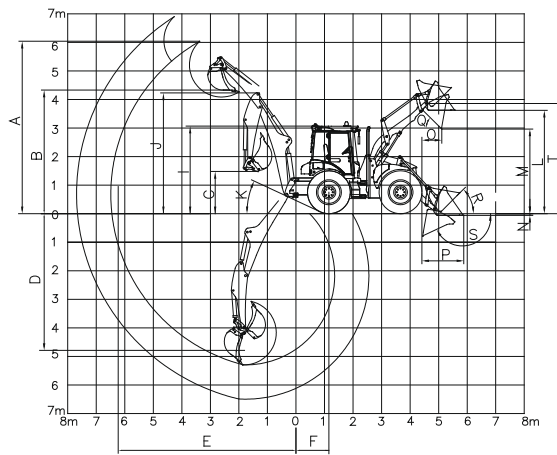
# 906E dimensions



		906E	906E
			Telescope
Total weight w/ standard shovel	kg	9,200	9,400
Width over std. tyres	mm	2,310/2,280*	2,310/2,280*
Track	mm	1,810/1,780*	1,810/1,780*
Wheel base	mm	2,555	2,555
Turning radius - outer shovel corner	mm	5,700	5,700
<b>Excavator</b>			
Bucket size, max. (ISO 7451)	m <sup>3</sup>	0.35	0.35
Slew angle	°	280	280
<b>A</b> Approach height, max.	mm	6,160	6,230/7,060
<b>B</b> Lifting height - level base of bucket	mm	4,310	4,370/5,210
<b>C</b> Bucket clearance	mm	1,340	1,320
<b>D</b> Excavating depth	mm	4,760	4,710/5,010
<b>E</b> Reach	mm	6,210	6,240/7,380
<b>F</b> Distance - centre pivot to rear axle	mm	1,720	1,720
<b>G</b> Bucket rotation	°	190	170
<b>H</b> Ground clearance - under machine	mm	430	430
<b>I</b> Transport height, min.	mm	3,020/2,960*	3,020/2,960*
<b>J</b> Transport height, normal	mm	4,130	4,130
<b>K</b> Angle of departure	°	21	21
Sideshift	mm	1,600	1,600
Beakout force, excav. cyl. - max. bucket (ISO 6015)	kN	37.6	37.6
Breakout force, shove. cyl. - max. shovel (ISO 6015)	kN	57.4	57.4
Lifting capacity - max. reach excl. appliances	kg	1,450	1,250/950
Stabilisers - supporting width	mm	3,800	3,800
Stabilisers - max. alignment angle	°	11.5	11.5
<b>Loader</b>			
Shovel volume, max.	m <sup>3</sup>	1.4	1.4
<b>L</b> Lifting height - horizontal shovel	mm	3,480	3,480
<b>M</b> Clearance height - tipped shovel	mm	2,890	2,890
<b>N</b> Excavating depth - horizontal shovel	mm	140	140
<b>O</b> Reach from machine to tipped shovel	mm	660	660
<b>P</b> Reach at ground level	mm	1,390	1,390
<b>Q</b> Emptying angle - max height	°	44	44
<b>R</b> Back-tip angle - ground level	°	46	46
<b>S</b> Dumping angle - ground level	°	100	100
<b>T</b> Height, shovel pivot	mm	3,710	3,710
Lifting capacity - max. height excl. appliances	kg	4,500	4,500
Breakout force - 1.4 m <sup>3</sup> shovel (ISO 8313)	kN	73	73
Width, standard shovel	mm	2,550	2,550

Data provided with std. tyres. \* with 500/70x24 wheels

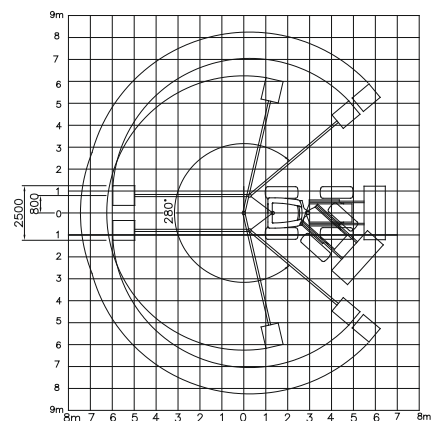
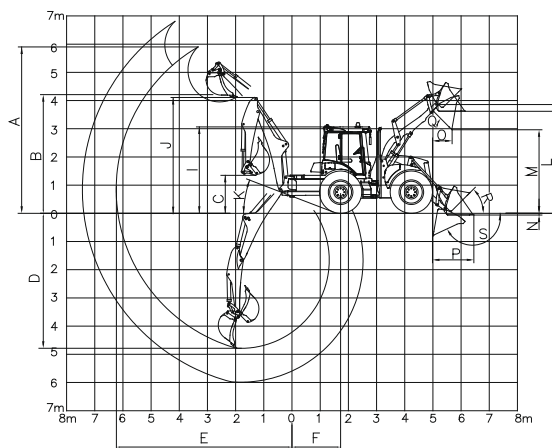
# 908E dimensions



## 908E

	Telescope	Side angle	Telesc./Side angle
9,100	9,300	9,200	9,400
2,310/2,280*	2,310/2,280*	2,310/2,280*	2,310/2,280*
1,810/1,780*	1,810/1,780*	1,810/1,780*	1,810/1,780*
2,555	2,555	2,555	2,555
5,700	5,700	5,700	5,700
0.43	0.43	0.43	0.43
200	200	200+2x25	200+2x25
6,130	6,200/7,000	6,130	6,200/7,000
4,290	4,360/5,170	4,290	4,360/5,170
1,350	1,350	1,350	1,350
5,390	5,400/6,600	5,390	5,400/6,600
6,500	6,530/7,670	6,500	6,530/7,670
1,150	1,150	1,150	1,150
190	190	190	190
430	430	430	430
3,020/2,960*	3,020/2,960*	3,020/2,960*	3,020/2,960*
4,140	4,140	4,140	4,140
24	24	24	24
-	-	-	-
37.6	37.6	37.6	37.6
57.4	57.4	57.4	57.4
1,700	1,500/1,110	1,700	1,500/1,110
3,930	3,930	3,930	3,930
11.5	11.5	11.5	11.5
1.4	1.4	1.4	1.4
3,480	3,480	3,480	3,480
2,890	2,890	2,890	2,890
140	140	140	140
660	660	660	660
1,390	1,390	1,390	1,390
44	44	44	44
46	46	46	46
100	100	100	100
3,710	3,710	3,710	3,710
4,500	4,500	4,500	4,500
73	73	73	73
2.550	2.550	2.550	2.550

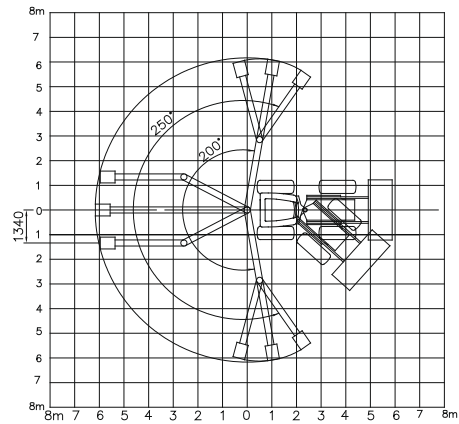
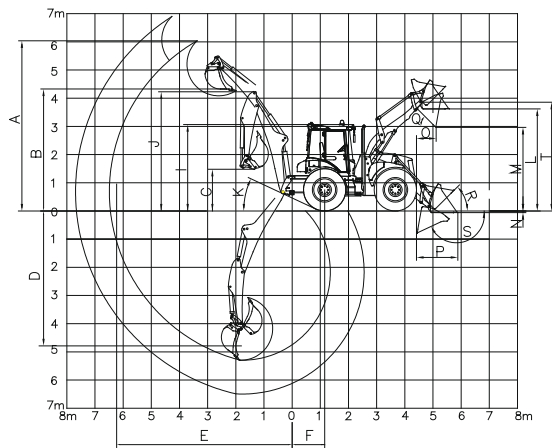
# 926E Dimensions



		926E	926E
			Telescope
Total weight w/ standard shovel	kg	9,500	9,700
Width over std. tyres	mm	2,310	2,310
Track	mm	1,810	1,810
Wheel base	mm	2,555	2,555
Turning radius - outer shovel corner	mm	5,700	5,700
<b>Excavator</b>			
Bucket size, max. (ISO 7451)	m <sup>3</sup>	0.43	0.43
Slew angle	°	280	280
<b>A</b> Approach height, max.	mm	5,980	6,060/6,860
<b>B</b> Lifting height - level base of bucket	mm	4,130	4,210/5,010
<b>C</b> Bucket clearance	mm	1,220	1,220
<b>D</b> Excavating depth	mm	4,790	4,740/5,940
<b>E</b> Reach	mm	6,250	6,280/7,420
<b>F</b> Distance - centre pivot to rear axle	mm	1,720	1,720
<b>G</b> Bucket rotation	°	190	170
<b>H</b> Ground clearance - under machine	mm	430	430
<b>I</b> Transport height, min.	mm	3,080	3,080
<b>J</b> Transport height, normal	mm	4,010	4,010
<b>K</b> Angle of departure	°	18	18
Sideshift	mm	1,600	1,600
Beakout force, excav. cyl. - max. bucket (ISO 6015)	kN	38.4	38.4
Breakout force, shove. cyl. - max. shovel (ISO 6015)	kN	58.7	58.7
Lifting capacity - max. reach excl. appliances	kg	1,500	1,300/1,000
Stabilisers - supporting width	mm	3,800	3,800
Stabilisers - max. alignment angle	°	11.5	11.5
<b>Loader</b>			
Shovel volume, max.	m <sup>3</sup>	1.7	1.7
<b>L</b> Lifting height - horizontal shovel	mm	3,500	3,500
<b>M</b> Clearance height - tipped shovel	mm	2,810	2,810
<b>N</b> Excavating depth - horizontal shovel	mm	180	180
<b>O</b> Reach from machine to tipped shovel	mm	820	820
<b>P</b> Reach at ground level	mm	1,590	1,590
<b>Q</b> Emptying angle - max height	°	43	43
<b>R</b> Back-tip angle - ground level	°	45	45
<b>S</b> Dumping angle - ground level	°	100	100
<b>T</b> Height, shovel pivot	mm	3,750	3,750
Lifting capacity - max. height excl. appliances	kg	5,000	5,000
Breakout force - 1.4 m <sup>3</sup> shovel (ISO 8313)	kN	85	85
Width, standard shovel	mm	2,550	2,550

Data provided with std. tyres.

# 928E Dimensions



## 928E

	Telescope	Side angle	Telesc./Side angle
9,400	9,600	9,500	9,700
2,310	2,310	2,310	2,310
1,810	1,810	1,810	1,810
2,555	2,555	2,555	2,555
5,700	5,700	5,700	5,700
0.43	0.43	0.43	0.43
200	200	200+2x25	200+2x25
6,130	6,200/7,000	6,130	6,200/7,000
4,290	4,360/5,170	4,290	4,360/5,170
1,350	1,350	1,350	1,350
5,390	5,400/6,600	5,390	5,400/6,600
6,500	6,530/7,670	6,500	6,530/7,670
1,150	1,150	1,150	1,150
190	190	190	190
430	430	430	430
3,020	3,020	3,020	3,020
4,140	4,140	4,140	4,140
24	24	24	24
-	-	-	-
38.4	38.4	38.4	38.4
58.7	58.7	58.7	58.7
1,750	1,750	1,750	1,750
3,930	3,930	3,930	3,930
11.5	11.5	11.5	11.5
1.7	1.7	1.7	1.7
3,500	3,500	3,500	3,500
2,810	2,810	2,810	2,810
180	180	180	180
820	820	820	820
1,590	1,590	1,590	1,590
43	43	43	43
45	45	45	45
100	100	100	100
3,750	3,750	3,750	3,750
5,000	5,000	5,000	5,000
85	85	85	85
2,550	2,550	2,550	2,550

# Quality. Innovation. Commitment.

**Every day, Hydrema continues the proud traditions which since 1959 have resulted in machine production of the highest quality, combined with modern technology.**

Hydrema develops and manufactures hydraulic construction equipment for customers who demand the highest performance and comfort as well as the most reliable and environmentally friendly equipment.

The machines are developed and produced in our own factories in Denmark and Germany.

The commitment, professionalism and dynamism of every single employees make it possible to deliver the best machine each time.

A machine that's ready to work hard every day, all year round, regardless of the weather, wind and terrain.

Hydrema's backhoe loaders, dump trucks, excavators and mine clearers curently operate all around the world for customers who value quality, innovative thinking and dedication.

# 1959

<https://tractormanualz.com/>





