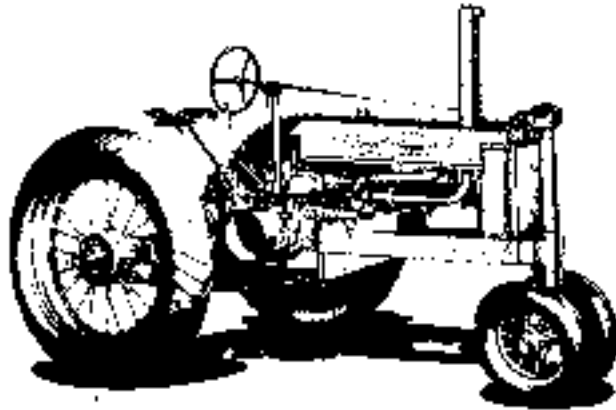




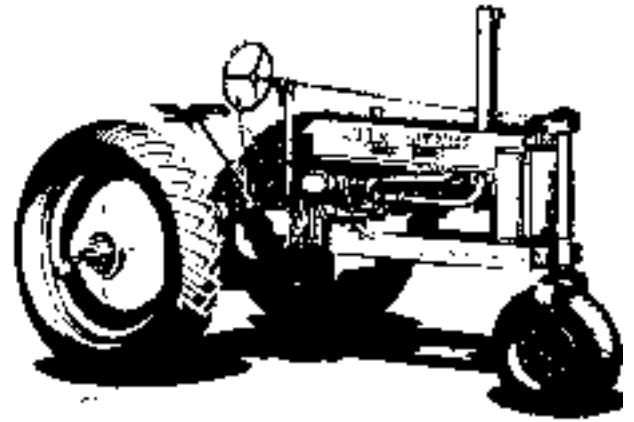
JOHN DEERE
Parts Catalog

**MODEL A TRACTOR (410000 - 476999) MODELS AR - AO
TRACTORS (250000 - 271999)**

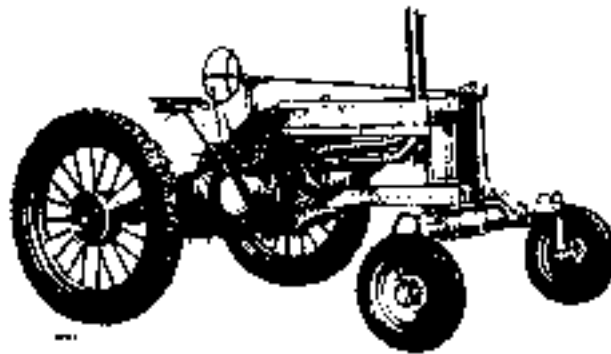
PC674



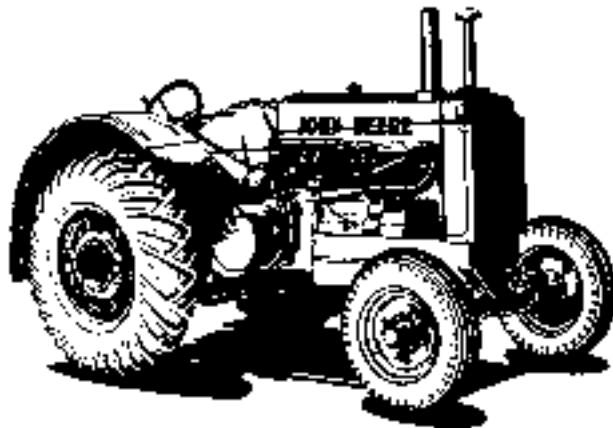
Model "A"
(Serial No. 410000-476999)



Models "AN," "ANH"
(Serial No. 410000-476999)



Models "AW," "AWH"
Serial No. 410000-476999



Model "AR"
(Serial No. 250000-271999)



Model "AO" with Orchard Fenders
Serial No. 250000-271999

NOTE

This catalog contains lists of parts for Models "A," "AN," "ANH," "AW," and "AWH" Tractors (Not Styled) with Serial Numbers 410000-476999; and for Models "AR"—"AO" Tractors (Not Styled) with Serial Numbers 250000-271999. Similar lists of parts for Models "A," "AN," "ANH," "AW," and "AWH" Tractors (Styled) with Serial Numbers 477000 and up, and for Models "AR"—"AO" Tractors (Styled) with Serial Numbers 272000 and up are given in parts catalog No. PC-675.



INDEX

	Page		Page
Air Cleaner	25	Hood.....	24
Brakes, Differential	32	Lamps, Front and Rear.....	60, 61
Brakes, Rear Wheel.....	33	Lubricating System and Oil Pump.....	4, 5
Brakes, Service.....	33	Lugs	46
Breathe, Crankcase.....	25	Magneto Parts	14-17
Bulk Wire Braid Flexible Oil Lines	57	Magneto, Spark Plugs and Cables.....	15
Cam Follower.....	9	Manifold	7
Camshaft	9	Muffler and Exhaust Pipe.....	10
Carburetor.....	90-91	Oil Filter and Pressure Gauge	6
Case, Main	4	Oil Pipes and Fittings.....	5
Clutch	11	Overdrive Gear and Shaft and First Reduction Gear ..	26
Clutch Fork Bearing and Pulley Brake.....	12	Pedal	38
Connecting Rods	8	Pistons.....	6
Controls	19	Piston, Connecting Rods and Crankshaft Groups	6
Cooling System	22, 23	Platforms.....	34
Countershaft	27	Power Lift, Basic.....	48, 49
Crankshaft	8	Power Lift Valve Housing (PL100-29999)	50
Crankshaft with Bearing Group	3	Power Lift Valve Housing (PL30000-)	51
Cylinder Block	8	Powersteer.....	31
Cylinder Block and Crankshaft Group.....	3	Power-Trol Housing and Pump.....	52
Cylinder Head, Manifold and Valves	7	Power-Trol Valve Housing.....	53, 54, 55
Cylinder, Remote Control, Power-Trol	56, 57	Pulley	11
Decalcomania Sets	67, 68	Radiator Guard and Curtain	24
Demountable Rims	44	Radiator Shutter.....	23
Differential	29	Rear Wheel Hub and Clamps	45
Drawer	37	Rear Wheels, Cast	43
Engine	8, 9	Rear Wheels, Miscellaneous Parts	47
Engine Replacement Assemblies	3	Rear Wheels, Pressed Steel	44
Extension Rims	47	Rear Wheel, Spoke Type Rubber Tire	46
Fan	12-13	Rear Wheels, Steel.....	45
Fenders	35	Reusable Couplings	57
Final Drive	30	Road Bands	45
Front Axle	39	Seat	36
Front End Support	11	Sliding Gear Shaft	27
Front Wheels	42, 43	Starting and Lighting	58, 59, 60
Fuel System	21	Steering Motor	63
Gasket Sets	64, 65, 66	Steering Parts	40, 41
Gear Assemblies, High Speed	29	Tappet.....	10
Gear Assemblies, Slow Speed	28	Tool Box and Tools	37
Gear, Countershaft Idler.....	28	Transmission Case	4
Gears, Overdrive and First Reduction	26	Valves	7
Gearshift	20	Ventilator, Crankcase.....	25
Gearshift, Overdrive.....	27	Wheel Scrapers	48
Generator	62		
Governor	18		
Guide Bands	42		

ENGINE REPLACEMENT ASSEMBLIES

Crankshaft with Bearing Group

Description	A	AR-AD
This group is made up of three assemblies—(1) of crankshaft with gear, (2) of main bearings, connecting rods and pins, (3) of gaskets. (3) of gaskets (41000) (—) 26300-26320		
Crankshaft with Bearing Group		
Order 1 AA217R Crankshaft		
1 AA224R Main Bearings, Connecting Rods and Pins		
1 AA426R Gasket Set*		26300-26320
Crankshaft with Bearing Group		also
Order 1 AA215R Crankshaft		26320-26340
1 AA223R Main Bearings, Connecting Rods and Connecting Rod Bearings		
1 AA420R Gasket Set*		
Crankshaft with Bearing Group		26320-27190
Order 1 AA215R Crankshaft		also
1 AA216R Main Bearings, Connecting Rods and Connecting Rod Bearings		26320-26340
1 AA420R Gasket Set*		

Cylinder Block, Pistons, Rings, and Gasket Group

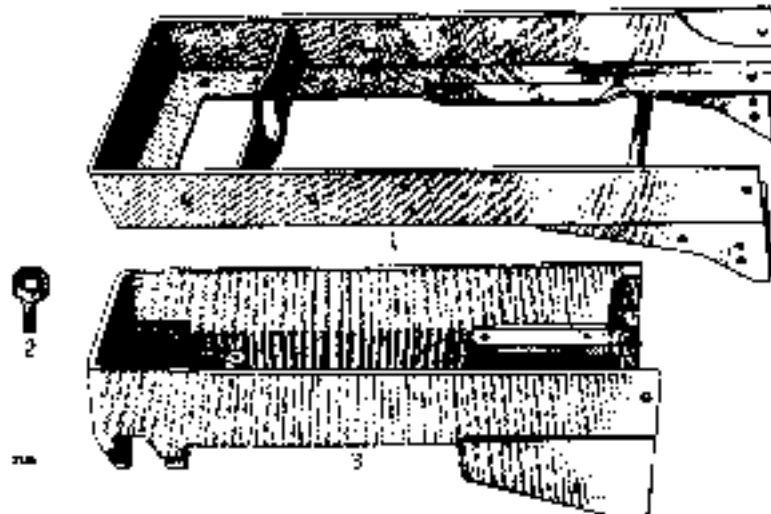
Description	A	AR-AD
This group is made up of three assemblies—(1) of cylinder block, (2) of pistons with rings and pins, (3) of gaskets.	41000 (—)	26300-26320
Cylinder Block, Pistons, Rings and Gasket Group		
Order 1 AA422R Cylinder Block		
1 AA423R Pistons with Rings and Pins (See for AA426R)		
1 AA428R Gasket Set*		26300-27190
Cylinder Block, Pistons, Rings, and Gasket Group		
Order 1 AA425R Cylinder Block		
1 AA425R Pistons with Rings and Pins (See for AA426R)		
1 AA428R Gasket Set*		

Combination Cylinder Block and Crankshaft Group

Description	A	AR-AD
This group is made up of six assemblies or two groups—(Group 1) with bearings and cylinder block with pistons, rings, gaskets, etc. of crankshaft, (2) main bearings, connecting rods and pins and cylinder block, (3) pistons with rings and pins, (4) and (5) gaskets.	41000 (—)	25000-25020
Cylinder Block and Crankshaft Group		
Order 1 AA421R Cylinder Block		
1 AA425R Pistons with Rings and Pins (See for AA426R)		
1 AA217R Crankshaft		
1 AA245R Main Bearings, Connecting Rods and Pins		
1 AA426R Gasket Set*		
1 AA428R Gasket Set*		25000-26320
Cylinder Block and Crankshaft Group		also
Order 1 AA226R Cylinder Block		25320-26340
1 AA425R Pistons with Rings and Pins (See for AA426R)		
1 AA215R Crankshaft		
1 AA223R Main Bearings, Connecting Rods and Connecting Rod Bearings		
1 AA426R Gasket Set*		
1 AA428R Gasket Set*		
Cylinder Block and Crankshaft Group		26320-27190
Order 1 AA226R Cylinder Block		also
1 AA425R Pistons with Rings and Pins (See for AA426R)		26320-26340
1 AA215R Crankshaft		
1 AA245R Main Bearings, Connecting Rods and Connecting Rod Bearings		
1 AA426R Gasket Set*		
1 AA428R Gasket Set*		

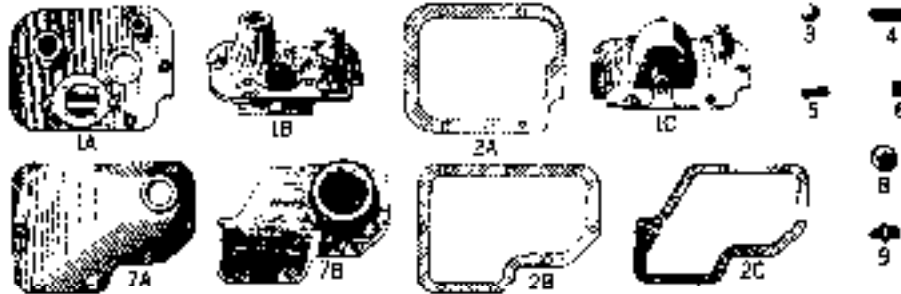
*See pages 64-66 for illustrations and contents of Gasket Sets.

FRONT END SUPPORT



Key	Part No.	A	AR-AD	Description
1	9A 226 R	41000-41420		Support, Front End (Pallet)
	9A 231 H	41000-27190		Support, Front End (AR, AW, AM, AWH, etc.)
2	4 129 R		26320-27190	Exc. 26, Front End Support
3	4 130 R		26300-25020	Support, Front End
	14 264 R		26300-27190	Support, Front End

MAIN CASE



Key	Part No.	A	AR-AO	Description
1A	AA 286 R	410000-413198		Cover, Transmission, A72M, with Gear Shift Interlock
1B	AA 508 R	413399- ()		Cover, A424M, Transmission Case, with Gear Shift Interlock
1C	AA 1721 R	424028- ()		Cover, A7018M, Transmission Case, with Gear Shift Interlock (Part for Slow Speed Gear Assembly)
1C	AA 741 R	222634-271929		Cover, A1171M, Transmission Case, with Gear Shift Interlock (Part for Slow Speed Gear Assembly)
2A	AA 823 R	410000- ()	250000-271929	Cover, A912M, Transmission Case, with Gear Shift Interlock
2B	A 399 R	410000- ()		Gasket, Transmission Case Cover
2C	A 903 R	410000- ()		Gasket, Crankcase Cover
3	A 303 R	410000- ()		Gasket, Crankcase Cover
4	30H 13 R	250000- ()	250000-271929	Plug, Welch, Transmission Case Cover
5	A 234 R	250000-271929		Plug, Welch, Transmission Case Cover
6	A 5032 R	410000- ()	250000-271929	Std. Bearing Housing for Case (1 27 x 1-71 15)
7	C 719 R	410000- ()	250000-271929	Std. Main Bearing to Case, L.H. 5 8 x 2-1/4 (Sub. for A72M)
8	C 719 R	410000- ()	250000-271929	Std. Main Bearing to Case (3 4 x 2-5 8)
9	C 719 R	410000- ()	250000-271929	Std. Main Bearing to Case (3 4 x 2-5 8)
10	A 1161 R	410000- ()	250000-271929	Std. Gear Cover to Case (2-7 1/2 x 2-7 1/2)
11	C 1533 R	410000- ()	250000-271929	Pl. Dowel, Rear Axle Housing to Case
12	15H 227 R	410000- ()	250000-271929	Plug, Pipe, Rear Axle Housing Hole
13	15H 238 R	410000- ()	250000-271929	Plug, Pipe, Transmission Case Drain
14	15H 238 R	410000- ()	250000-271929	Plug, Pipe, Crankcase Drain
15	15H 255 R	410000- ()	250000-271929	Plug, Pipe, Crankcase Oil Level, R. H.
16	15H 255 R	410000-413275		Plug, Pipe, Transmission Case Oil Level
17	A 534 R	410000- ()		Cover, Crankcase
18	A 902 R	410000- ()		Cover, Crankcase
19	15H 281 R	410000-413278		Plug, Pipe, Transmission Oil Filter
20	15H 240 R	413279- ()		Plug, Pipe, Rear Axle Housing Oil Level and Filter
21	JD 7759	250000-271929		Plug, Ring, Engine, Shaving Shaft Lower Bushing
22	AA 120 R	410000-424024		Case, A560M, Transmission, Main
23	AA 818 R	250000-291486		Case, A870M, Transmission, Main
24	AA 843 R	251486-259992		Case, A1141M, Transmission, Main
25	AA 1017 R	424025- ()		Case, A1140M, Transmission, Main
26	AA 3049 R	250000-271929		Case, A2582M, Transmission, Main

LUBRICATING SYSTEM—OIL PUMP

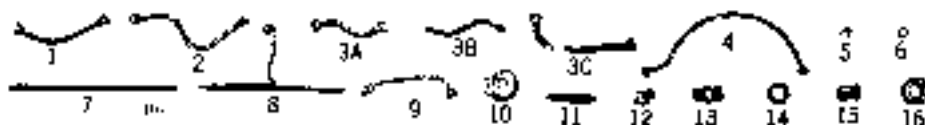


Key	Part No.	A	AR-AO	Description
1	A 177 R	410000-424024	250000-251486	Relief Valve
2A	A 465 R	410000-424024	250000-251486	Gasket, Oil Pump Relief Valve Cap (Copper)
2B	A 408 R	410000-424024	250000-251486	Gasket, Oil Pump Cover
2C	B 746 M	424025- ()	251486- ()	Gasket, Oil Pump Cover
2D	A 429 R	410000-424024	250000-251486	Gasket, Oil Pump Body
2E	B 751 R	424025- ()	251486- ()	Gasket, Oil Pump Body to Case
2F	C 1460 M	410000-424024	250000-251486	Gasket, Oil Pump Shaft Body
2G	A 1096 M	442151- ()	251521- ()	Gasket, Oil Pump Drive Gear Bearing
3	34H 136 R	410000-424024	250000-251486	Washer, Oil Pump Relief Valve
4	A 354 M	410000-424024	250000-251486	Spring, Oil Pump Relief Valve, Pressure Regulating (Coil)
5	A 140 R	410000-424024	250000-251486	Valve, Oil Relief
6A	A 27 R	410000-424024	250000-251486	Cover, Oil Pump
6B	B 247 R	424025- ()	251486- ()	Cover, Oil Pump
7A	AA 547 R	410000-424024	250000-251486	Gear, Oil Pump Drive and Shaft (Sub. for A83546M)
7B	AA 547 R	410000-424024	250000-251486	Gear, Oil Pump Idle and Shaft (Sub. for A83546M)
7C	A 435 R	410000-424024	250000-251486	Gear, Oil Pump Drive, Sub. for A45478M
7D	AB 4168 R	424025- ()	251486- ()	Gear, Oil Pump Drive, Sub. for B243M
7E	AB 4168 R	424025- ()	251486- ()	Gear, Oil Pump Idle, Sub. for B243M
7F	B 243 R	424025-442150	251486-251521	Gear, Oil Pump Drive Top, Sub. for B84169M
7G	AA 1475 R	442151- ()	251521- ()	Gear, Oil Pump Drive, Top, Sub. for AA1497M
8A	A 2E R	410000-424024	250000-251486	Relief Valve (Sub. for A2538M)
8B	B 247 R	424025- ()	251486-251521	Relief Valve (Sub. for A84218M)
9	D 403 R	410000-424024	250000-251486	Sub. Oil Pump, Sub. One B230M and One 15-4253M (Sub. for A84218M)

LUBRICATING SYSTEM—OIL PUMP—Continued

Key	Part No.	A	AR AO	Description
10	B 152 R		251487	Shaft, Oil Pump, Body or Case 1 1/2" x 3 1/2" x 2 1/2"
11	P 382 R	410000-424024	251487-251488	Plug, Oil Pump Strainer
12	A 38 P	410000-424024	251487-251488	Plug, Oil Pump Strainer
13A	PC 425 R	410000-424024	251487-251488	Strainer, Control Oil Pump
13B	AB 194 P	424025-424026	251487-251488	Strainer, Control Oil Pump
13C	AA 425 R		251487-251488	Strainer, Control Oil Pump
14A	E 234 P	424025-424026	251487-251488	Shaft, Oil Pump, Gear Train
14B	A 134 P	424025-424026	251487-251488	Shaft, Oil Pump, Gear 14-5, 16" Long
	A 509 P	424025-424026	251487-251488	Shaft, Oil Pump, Gear 11-11, 32" Long
15	2NF 10 R	424025-424026	251487-251488	Key, Woodruff, Oil Pump Drive Small
16	B 250 R	424025-424026	251487-251488	Crushing, Oil Pump Drive Small
17	A 152 R	424025-424026	251487-251488	Bearing, Oil Pump Drive Gear
	B 250 R	424025-424026	251487-251488	Bearing, Oil Pump Top Drive Gear
18	1AH 250 H		251487-251488	Plug, Pipe, Oil Pump Body 2 1/2"

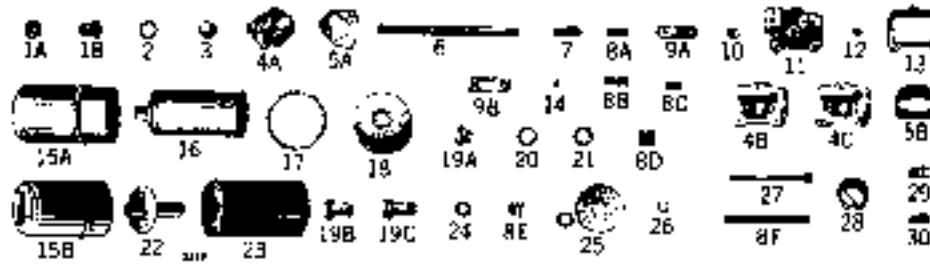
OIL PIPES AND FITTINGS



Key	Part No.	A	AR AO	Description
1	AA 282 R	410000	251485	Pipe, Main Bearing Oil, R, H
2	AA 281 R	410000	251485	Pipe, Main Bearing Oil, L, H
3A	AA 425 R	410000-424024	251485-251486	Pipe, Pump Discharge Oil
3B	AA 425 R	410000-424024	251485-251486	Pipe, Pump Discharge Oil
3C	AA 425 R	410000-424024	251485-251486	Pipe, Pump Discharge Oil
4	AA 425 R	410000-424024	251485-251486	Pipe, Lubricate Oil
	AA 425 R	410000-424024	251485-251486	Pipe, Oil Filter to Governor and Oil Gauge
5	A 234 R	410000-424024	251485-251486	Rushing, Tappet Lever Oil Pipe in Crankcase
6	D 208 R	410000-424024	251485-251486	Washer, Packing Oil Pump Discharge Pipe (Used)
7	A 234 R	410000-424024	251485-251486	Pipe, Oil to Cylinder Tappet Lever
8	AA 234 R	410000-424024	251485-251486	Pipe, Tappet Lever Oil
9	AA 234 R	410000-424024	251485-251486	Pipe, Tappet Lever Pump to Cylinder
10	A 234 R	410000-424024	251485-251486	Washer, Oil Indicator Cylinder Head Stud
11	A 234 R	410000-424024	251485-251486	Body, Solider Bushing, Oil Gauge Pipe in Governor Case
12	A 234 R	410000-424024	251485-251486	Bushing, Indicator Oil Pipe in Governor Case
13	A 445 R	410000-424024	251485-251486	Body, Solider Bushing, Oil Pump Discharge Pipe to Filter Head
	A 445 R	410000-424024	251485-251486	Body, Solider Bushing, Oil Pump Discharge Pipe to Case
	A 445 R	410000-424024	251485-251486	Body, Solider Bushing, Oil Gauge Pipe to Filter Head
	A 445 R	410000-424024	251485-251486	Body, Solider Bushing, Oil Pump Discharge Pipe to Filter Head
	A 785 R	410000-424024	251485-251486	Body, Solider Bushing, Oil Pump Discharge Pipe to Case
	A 785 R	410000-424024	251485-251486	Body, Solider Bushing, Oil Gauge Pipe to Filter Head
	A 255 P	410000-424024	251485-251486	Body, Solider Bushing, R, H, Main Bearing Oil Pipe to Filter Head Sub for D392H
	A 256 R	410000-424024	251485-251486	Body, Solider Bushing, R, H, Main Bearing Oil Pipe in R, H, Main Bearing Housing Sub for U392H
	A 256 R	410000-424024	251485-251486	Body, Solider Bushing, L, H, Main Bearing Oil Pipe in Filter Head Sub for D392H
	A 258 R	410000-424024	251485-251486	Body, Solider Bushing, L, H, Main Bearing Oil Pipe in L, H, Main Bearing Housing Sub for U392H
	A 258 R	410000-424024	251485-251486	Body, Solider Bushing, Governor Case to Pipe, Indicator Oil Pipe Indicator of Governor Case Sub for D392H
	D 245 R	424025-424026	251487-251488	Body, Solider Bushing, Oil Pump Discharge Pipe to Filter Head
	D 245 R	424025-424026	251487-251488	Body, Solider Bushing, Oil Pump Discharge Pipe to Pump
	D 194 R	424025-424026	251487-251488	Rushing, Tappet Lever Oil Pipe to Pump
	D 194 R	424025-424026	251487-251488	Rushing, Tappet Lever Oil Pipe in D.I.O. for Washer
14	A 2065 R	410000	251485	Nut, Solider Bushing, Main Bearing Oil Pipe (Used with Copper Pipe only)
	A 2065 R	410000-424024	251485-251486	Nut, Solider Bushing, Indicator Oil Pipe (Used with Copper Pipe only)
	A 2075 P	...	250000-...	Nut, Solider Bushing, Tappet Lever Oil Pipe Cylinder Head to Tee (Used with Copper Pipe only)
	A 2075 P	...	250000-...	Nut, Solider Bushing, Tappet Lever Oil Pipe, Pump to Cylinder (Used with Copper Pipe only)
	A 2077 P	424025-424026	251487-251488	Nut, Solider Bushing, Governor and Oil Gauge Oil Pipe (Used with Copper Pipe only)
	A 2077 P	410000-424024	251485-251486	Nut, Solider Bushing, Discharge Oil Pipe, Used with Copper Pipe only
	A 2080 R	424025-424026	251487-251488	Nut, Solider Bushing, Oil Pump Discharge Pipe (Used with Copper Pipe only)
15	E 2130 R	410000-424024	251485-251486	Guard, Solider Bushing, Main Bearing Oil Pipe (Used with Copper Pipe only)
	E 2150 R	410000-424024	251485-251486	Guard, Solider Bushing, Indicator Oil Pipe (Used with Copper Pipe only)
	D 1934 R	410000-424024	251485-251486	Gland, Solider Bushing, Oil Pump Discharge Oil Pipe-Sub for A2871H
	D 1935 R	424025-424026	251487-251488	Gland, Solider Bushing, Governor and Oil Gauge Oil Pipe Sub for A2874R
	E 2150 R	...	250000-...	Gland, Solider Bushing, Tappet Lever Oil Pipe Cylinder Head to Tee (Used with Copper Pipe only)
	E 2150 R	...	250000-...	Gland, Solider Bushing, Tappet Lever Oil Pipe, Pump to Cylinder (Used with Copper Pipe only)
	B 250 R	424025-424026	251487-251488	Gland, Solider Bushing, Oil Pump Discharge Pipe
	D 434 R	410000-424024	251485-251486	Nut, Packing, Oil Pump Discharge Oil Pipe



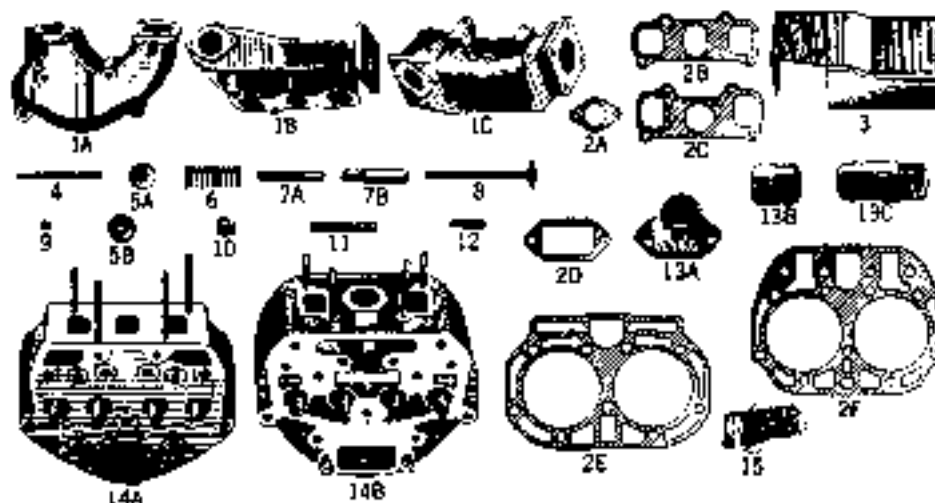
FILTER AND PRESSURE GAUGE



Key	Part No.	A	AR 40	Description
1A	A	410000	410000	Cap, Oil Filter, Relief Valve
1B	U	410505	424024	Cap, Oil Filter, By-Pass Valve
2	U	410000	424024	Gasket, Oil Filter, By-Pass Valve Cap
3	A	410000	424024	Gasket, Oil Filter, By-Pass
4A	A	410505	424024	Head, Oil Filter, Sub. for AA254R
	AA	410000	416574	Head, AA254R, Oil Filter, with Cap and Gasket, Sub. for AA254R
4H	A	424025	425571	Head, Oil Filter, Sub. for AA254R
4C	A	420582	-	Head, Oil Filter, Sub. for AA254R
5A	A	410000	424024	Quicket, Oil Filter Head
5B	H	424025	-	Quicket, Oil Filter Head to Filter Body, Sub. for 40149R
6	A	410000	-	Stud, Oil Filter, 1/2" x 1 1/4"
	A	424025	-	Stud, Oil Filter, 1/2" x 1 1/4"
7	D	424025	-	Stud, Oil Filter, 1/2" x 1 1/4"
8A	A	424025	-	Screw, Pressure Regulating
	A	424025	-	Screw, Oil Indicator
9B	F	410000	424024	Spring, Oil Pressure Regulating Valve (Std.)
9C	F	410000	424024	Spring, Oil Pressure Regulating Valve (Std.)
10	B	424025	-	Spring, Oil Filter, By-Pass Valve (Std.)
10C	A	410000	-	Spring, Oil Filter, Bottom
10E	A	410000	-	Spring, Oil Filter, Bottom—Plan Made for Tractors Equipped with AA254R
10F	D	410000	424024	Spring, Oil Indicator
10A	AA	424025	-	Spring, Load, with Cartridge Bulb, Oil Pressure Regulating Valve
10B	AD	424025	-	Spring, Load, with Cartridge Bulb, Oil Filter, By-Pass
11	A	424025	-	Shim, Oil Pressure Regulating Valve, Load Spring
	AA	424025	-	Shim, Oil Pressure Regulating Valve, Load Spring
12	H	410000	424024	Cap, Oil Filter Head
	H	410000	424024	Cap, AA254R, Oil Filter Head, with Bushing and Nut, Oil Filter, Sub. for AA254R
13	A	410000	424024	Bushing, Oil Filter Head Cover, Oil Pressure Regulating Valve, Sub. for AA254R
14	B	424025	-	Gasket, Oil Filter Head Cover
	D	424025	-	Gasket, Oil Filter Head Cover
15A	A	410000	424024	Gasket, Oil Filter, By-Pass Valve, Load Spring
15B	R	424025	-	Part, Oil Filter, By-Pass Valve, Load Spring
16	AA	410000	424024	Body, Oil Filter
17	A	410000	424024	Body, Oil Filter, Sub. for AA254R
18	A	410000	424024	Face, Oil Meter, Sub. for AA254R
19A	A	410000	424024	Gasket, Oil Filter Bottom, Hub, A
19B	A	410000	424024	Gasket, Oil Filter Bottom, Hub, B
19C	AF	410000	424024	Nut, Oil Filter Bottom
	AA	410000	424024	Nut, Oil Filter Bottom (Also Part of Tractor Equipped with AA254R)
20	A	410000	424024	Nut, Oil Filter, Sub. for AA254R
21	24H	410000	424024	Gasket, Oil Filter Bottom, Nut, Copper
22	AA	410000	424024	Washer, Oil Filter Bottom Nut
23	AA	410000	424024	Gasket, Oil Filter, A and B Parts for Tractors Equipped with AA254R
24	A	410000	424024	Filter, Oil, Replacement, Cartridge, A and B Parts for Tractors Equipped with AA254R
25	AA	410000	424024	Spacer, Oil Filter Bottom Plate
25A	A	410000	424024	Plate, Oil Filter End Plate, Sub. for Tractors Equipped with AA254R
25B	A	410000	424024	Spring Ring, Oil Filter End Plate, Standard, A and B Parts for Tractors Equipped with AA254R
27	AA	410000	424024	Spring and Nut, Oil Indicator
28	AB	424025	425571	Gauge, Oil Pressure
29	U	410000	424024	Body, Crankcase Oil Level Gauge
30	U	410000	424024	Flt. Crankcase Oil Level Gauge
	AA	410000	424024	Cover, AA254R, with Bushing, Oil Filter Head, Sub. for AA254R
	AA	410000	424024	Filter, Oil, Replacement
	AR	410000	424024	Head, Oil Filter Body, with Gasket and Cap Screws, Parts for Tractors Equipped with AA254R



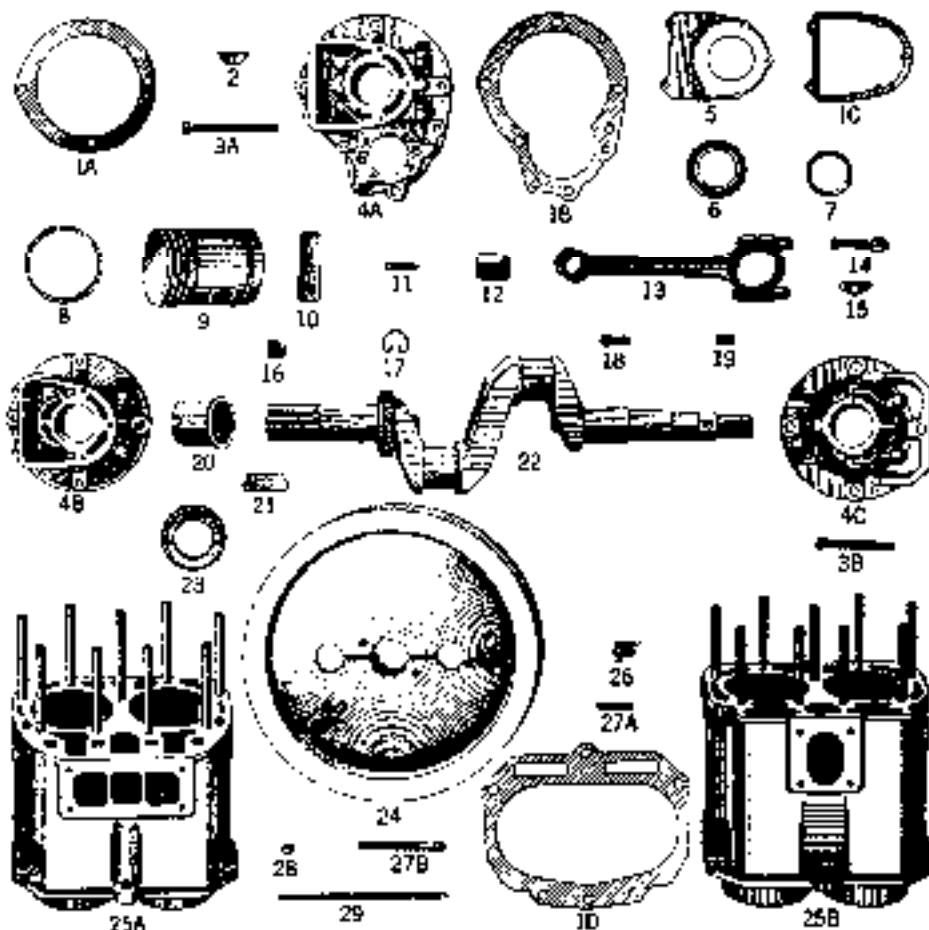
CYLINDER HEAD, MANIFOLD, VALVES



Key	Part No.	A	AR, AD	Description
1A	A 36 R	410000-1		Manifold
1B	A 1053 R	250000-250999		Manifold
1C	A 2650 R	260000-271999		Manifold
1A	AA 5278 R	280000-271999		Manifold, A4299R with Springs and Nuts (Cold Type, used for Dairing Operation)
2A	A 321 R	410000-1	250000-1	Gasket, Gasket to Manifold
2B	A 2364 R	410000-1	250000-250999	Gasket, Manifold
2C	A 2348 R	410000-1	250000-1	Gasket, Manifold
2D	A 434 R	410000-1	250000-1	Gasket, Cylinder Head Water Inlet
2E	A 2129 R	410000-1	250000-250999	Gasket, Cylinder Head
2F	A 2129 R	410000-1	250000-1	Gasket, Cylinder Head
3	QA 3183 R		250000-271999	Cover, Manifold
4	A 117 R	410000-1		Std. Manifold, Long, 7-1/2" x 6"
5A	A 125 R	410000-1	250000-250999	Std. Manifold, Medium, 7-1/2" x 5-1/2"
5B	A 126 R	410000-1		Std. Manifold, Short, 7-1/2" x 4-3/8"
6	A 1004 R		250000-250999	Std. Manifold, L. H., 7-1/2" x 6-1/2"
7A	A 2684 R		250000-271999	Std. Manifold, 7-1/2" x 5-1/2", 12 used.
7B	A 159 R		250000-250999	Std. Manifold, R.H., 7-1/2" x 4-1/4"
8	A 304 R		250000-1	Std. Manifold, Long, 7-1/2" x 5-3/4"
9	A 2113 R		250000-1	Cap. Valve Spring
10	A 247 R	410000-1	250000-250999	Cap. Valve Spring
11	A 336 R	410000-1	250000-1	Spring, Valve
12	A 4312 R		250000-1	Spring, Exhaust Valve (2 used). Can be used on Gasoline and All-Fuel Engines if Installed with AA6024R
13A	AA 6024 R		250000-1	Bracket, Exhaust Valve (2 used). Can be used on Gasoline and All-Fuel Engines if Installed with AA996R.
14A	A 15 R	410000-1	250000-250999	Guide, Valve (2 used) (Sub. for AA4597R)
15	A 246 R	410000-1	250000-1	Guide, Valve (2 used) (Sub. for AA4597R)
16	A 454 R	410000-1	250000-250999	Valve, Intake (2 used) (Sub. for AA4597R)
17	A 4712 R	410000-1	250000-1	Valve, Exhaust (2 used) (Sub. for AA4597R)
18	A 4180 R	410000-1	250000-1	Valve, Intake (2 used) (Sub. for AA4597R)
19	A 2678 R	410000-1	250000-1	Valve, Exhaust (2 used) (Sub. for AA4597R)
20	A 130 R	410000-1	250000-250999	Washer, Lock Valve Stem (Half)
21	A 2122 R	410000-1	250000-1	Washer, Lock Valve Stem (Half)
22	A 2083 R	410000-1	250000-1	Pin, Pipe, Cylinder Head Drain
23	AA 1615 R	410000-1	250000-250999	Slave, Piston Rod (Set of 2)
24	D 488 R	410000-1	250000-271999	Std. Cylinder Head Water Inlet Pipe to Cylinder Head, 1-1/2" x 2" (2 used)
25	A 2327 R	410000-1	250000-271999	Pipe, Cylinder Head Water Inlet
26	A 384 R	410000-1		Pipe, Cylinder Head Water Inlet
27	A 333 R	410000-1	250000-250999	Pipe, Cylinder Head Water Inlet
28	AA 464 R	410000-1	250000-271999	Head, Cylinder, A487R, with Valve Guides
29	AA 2304 R	410000-1	250000-271999	Head, Cylinder, A9125R, with Valve Guides and Studs
30	K 2380 R	410000-1	250000-1	Washer, Lock, Cylinder Head Stud (3 used) (Box of 50) (Sub. for AA16K2R)



ENGINE

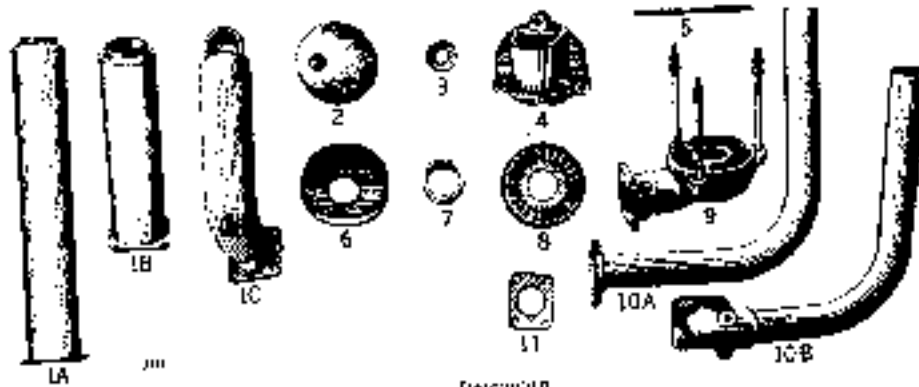


Key	Part No.	A	AP-AD	Description
1A	A 5452 R	424025	251460	Cylinder L.H. Main Bearing Housing to Case (Sub. for A-147R, A4397R, and A4648R)
1B	A 423 R	410010 424024	251010 251480	Cylinder L.H. Main Bearing Housing
1C	A 424 R	410020	251020 251490	Cylinder L.H. Main Bearing Cover
1C	A 426 R	410020	251010 251490	Cylinder L.H. Main Bearing Cover
2	26H 11 R	412420	251400	Washer, Y. Crankshaft Seal
3A	A 255 R	412430	251420	Sub. L.H. Main Bearing
3B	A 187 R	412430	251420	Sub. R.H. Main Bearing
4A	AA 242 R	412400-424024	251400-251445	Housing, 4/32" Main Bearing, with Cap L.H.
4B	AA 247 R	424025	251410 251445	Housing, 4/32" Main Bearing, with Cap L.H.
AA	804 R	424025	251400-251445	Housing, 4/32" Main Bearing, with Steel Backed Bearing, Cap and Bolt (Sub. for A4604R)
AA	239 R	412400	251430 251445	Housing, 4/32" Main Bearing, with Steel Backed Bearing, Cap and Bolt (Sub. for A4304R)
AA	1470 R	412400	251430 251445	Housing, 4/32" Main Bearing, with Steel Backed Bearing, Cap and Bolt (Sub. for A4304R)
B	122 R	412400	251400	Washer, Y. Crankshaft Seal
B	123 R	412400	251400	Washer, Y. Crankshaft Seal
5	AA 5408 R	410010	252020 251540	Spacer, 4/32" (Sub. for D2174H Gasket Washer, 1/2" L. for A4244R)
6	U 2124 R	410010	252020	Washer, Crank Pin, 4/32" Thick
7	U 2124 R	410010	252020	Washer, Crank Pin, 4/32" Thick
8	AA 1421 R	410010	252020 251540	Ring, Piston, Oil Control, 4/32" Thick, 1/2" L.
AA	5780 R	410010	252020 251540	Ring, Piston, Oil Control, 4/32" Thick, 1/2" L.
AA	5781 R	412400	252020 251540	Ring, Piston, Oil Control, 4/32" Thick, 1/2" L.
AA	5782 R	412400	252020 251540	Ring, Piston, Oil Control, 4/32" Thick, 1/2" L.
AA	5783 R	412400	252020 251540	Ring, Piston, Oil Control, 4/32" Thick, 1/2" L.
AA	2047 R	410010	252020 251540	Ring, Piston, Oil Control, 4/32" Thick, 1/2" L.
AA	2048 R	410010	252020 251540	Ring, Piston, Oil Control, 4/32" Thick, 1/2" L.
AA	4371 R	412400	252020 251540	Ring, Piston, Oil Control, 4/32" Thick, 1/2" L.
AA	4372 R	412400	252020 251540	Ring, Piston, Oil Control, 4/32" Thick, 1/2" L.
AA	4373 R	412400	252020 251540	Ring, Piston, Oil Control, 4/32" Thick, 1/2" L.
AA	4374 R	412400	252020 251540	Ring, Piston, Oil Control, 4/32" Thick, 1/2" L.
AA	4375 R	412400	252020 251540	Ring, Piston, Oil Control, 4/32" Thick, 1/2" L.
AA	4376 R	412400	252020 251540	Ring, Piston, Oil Control, 4/32" Thick, 1/2" L.
AA	4377 R	412400	252020 251540	Ring, Piston, Oil Control, 4/32" Thick, 1/2" L.
AA	4378 R	412400	252020 251540	Ring, Piston, Oil Control, 4/32" Thick, 1/2" L.
AA	4379 R	412400	252020 251540	Ring, Piston, Oil Control, 4/32" Thick, 1/2" L.
AA	4380 R	412400	252020 251540	Ring, Piston, Oil Control, 4/32" Thick, 1/2" L.
A	1250 R	445100	251220 251510	Pin, Piston, 4/32" Dia. (Sub. for A4122R)
A	1251 R	445100	251220 251510	Pin, Piston, 4/32" Dia. (Sub. for A4122R)
A	1252 R	445100	251220 251510	Pin, Piston, 4/32" Dia. (Sub. for A4122R)
A	1253 R	445100	251220 251510	Pin, Piston, 4/32" Dia. (Sub. for A4122R)
A	1254 R	445100	251220 251510	Pin, Piston, 4/32" Dia. (Sub. for A4122R)
A	1255 R	445100	251220 251510	Pin, Piston, 4/32" Dia. (Sub. for A4122R)
A	1256 R	445100	251220 251510	Pin, Piston, 4/32" Dia. (Sub. for A4122R)
A	1257 R	445100	251220 251510	Pin, Piston, 4/32" Dia. (Sub. for A4122R)
A	1258 R	445100	251220 251510	Pin, Piston, 4/32" Dia. (Sub. for A4122R)
A	1259 R	445100	251220 251510	Pin, Piston, 4/32" Dia. (Sub. for A4122R)
A	1260 R	445100	251220 251510	Pin, Piston, 4/32" Dia. (Sub. for A4122R)
A	1261 R	445100	251220 251510	Pin, Piston, 4/32" Dia. (Sub. for A4122R)
A	1262 R	445100	251220 251510	Pin, Piston, 4/32" Dia. (Sub. for A4122R)
A	1263 R	445100	251220 251510	Pin, Piston, 4/32" Dia. (Sub. for A4122R)
A	1264 R	445100	251220 251510	Pin, Piston, 4/32" Dia. (Sub. for A4122R)
A	1265 R	445100	251220 251510	Pin, Piston, 4/32" Dia. (Sub. for A4122R)
A	1266 R	445100	251220 251510	Pin, Piston, 4/32" Dia. (Sub. for A4122R)
A	1267 R	445100	251220 251510	Pin, Piston, 4/32" Dia. (Sub. for A4122R)
A	1268 R	445100	251220 251510	Pin, Piston, 4/32" Dia. (Sub. for A4122R)
A	1269 R	445100	251220 251510	Pin, Piston, 4/32" Dia. (Sub. for A4122R)
A	1270 R	445100	251220 251510	Pin, Piston, 4/32" Dia. (Sub. for A4122R)
A	1271 R	445100	251220 251510	Pin, Piston, 4/32" Dia. (Sub. for A4122R)
A	1272 R	445100	251220 251510	Pin, Piston, 4/32" Dia. (Sub. for A4122R)
A	1273 R	445100	251220 251510	Pin, Piston, 4/32" Dia. (Sub. for A4122R)
A	1274 R	445100	251220 251510	Pin, Piston, 4/32" Dia. (Sub. for A4122R)
A	1275 R	445100	251220 251510	Pin, Piston, 4/32" Dia. (Sub. for A4122R)
A	1276 R	445100	251220 251510	Pin, Piston, 4/32" Dia. (Sub. for A4122R)
A	1277 R	445100	251220 251510	Pin, Piston, 4/32" Dia. (Sub. for A4122R)
A	1278 R	445100	251220 251510	Pin, Piston, 4/32" Dia. (Sub. for A4122R)
A	1279 R	445100	251220 251510	Pin, Piston, 4/32" Dia. (Sub. for A4122R)
A	1280 R	445100	251220 251510	Pin, Piston, 4/32" Dia. (Sub. for A4122R)
A	1281 R	445100	251220 251510	Pin, Piston, 4/32" Dia. (Sub. for A4122R)
A	1282 R	445100	251220 251510	Pin, Piston, 4/32" Dia. (Sub. for A4122R)
A	1283 R	445100	251220 251510	Pin, Piston, 4/32" Dia. (Sub. for A4122R)
A	1284 R	445100	251220 251510	Pin, Piston, 4/32" Dia. (Sub. for A4122R)
A	1285 R	445100	251220 251510	Pin, Piston, 4/32" Dia. (Sub. for A4122R)
A	1286 R	445100	251220 251510	Pin, Piston, 4/32" Dia. (Sub. for A4122R)
A	1287 R	445100	251220 251510	Pin, Piston, 4/32" Dia. (Sub. for A4122R)
A	1288 R	445100	251220 251510	Pin, Piston, 4/32" Dia. (Sub. for A4122R)
A	1289 R	445100	251220 251510	Pin, Piston, 4/32" Dia. (Sub. for A4122R)
A	1290 R	445100	251220 251510	Pin, Piston, 4/32" Dia. (Sub. for A4122R)
A	1291 R	445100	251220 251510	Pin, Piston, 4/32" Dia. (Sub. for A4122R)
A	1292 R	445100	251220 251510	Pin, Piston, 4/32" Dia. (Sub. for A4122R)
A	1293 R	445100	251220 251510	Pin, Piston, 4/32" Dia. (Sub. for A4122R)
A	1294 R	445100	251220 251510	Pin, Piston, 4/32" Dia. (Sub. for A4122R)
A	1295 R	445100	251220 251510	Pin, Piston, 4/32" Dia. (Sub. for A4122R)
A	1296 R	445100	251220 251510	Pin, Piston, 4/32" Dia. (Sub. for A4122R)
A	1297 R	445100	251220 251510	Pin, Piston, 4/32" Dia. (Sub. for A4122R)
A	1298 R	445100	251220 251510	Pin, Piston, 4/32" Dia. (Sub. for A4122R)
A	1299 R	445100	251220 251510	Pin, Piston, 4/32" Dia. (Sub. for A4122R)
A	1300 R	445100	251220 251510	Pin, Piston, 4/32" Dia. (Sub. for A4122R)



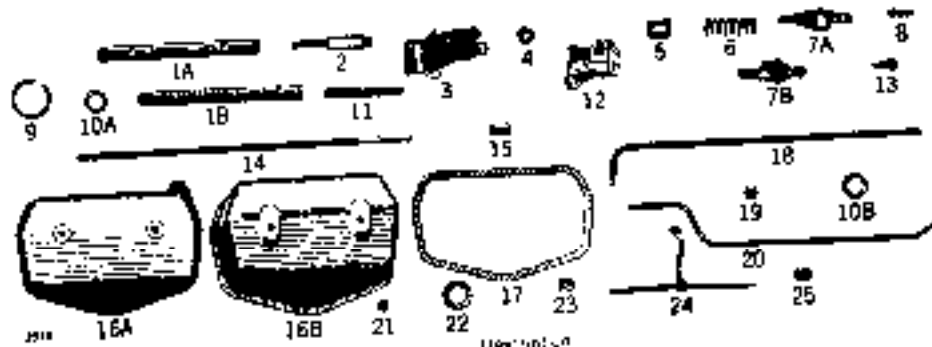
TRACTORS—MODELS "A" AND "AAR"—"AAR" NOT STYLED.

MUFFLER AND EXHAUST PIPE



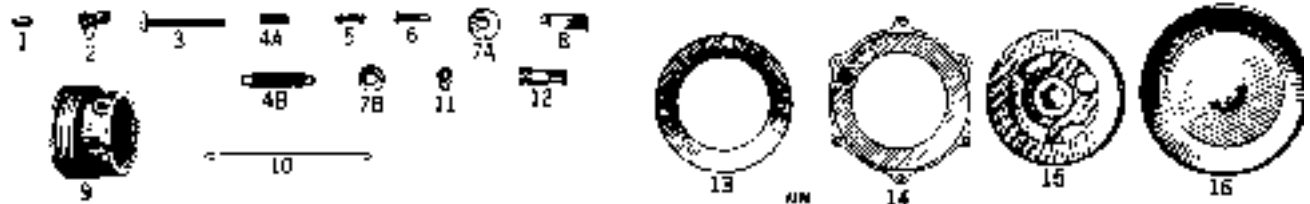
Key	Part No.	A	AR-AO	Description
1A	AF 3770 R	410000-476294	250000-271290	Muffer, Laminated (S.S. for AA25R)
1B	AA 472 R	410000-476294	250000-250293	Muffer, Cast-Steel, 15" High
1C	AA 1090 R		250000-271290	Muffer (AR only)
2	AA 1090 R		250000-271290	Muffer (Subst. Inlet for AA25R, 2AD only)
3	AA 838 R		250000-252210	Cover, Exhaust Opening (S.P. only)
4	AA 838 R		250000-271290	Cover, Exhaust Opening (AO only)
5	24H 154 R		250000-271290	Washer, Exhaust Opening Cover Bolt
6	D 1525 R		250000-252210	Flange, Casting, Muffer (Pockets for AA25R Muffer)
7	D 1022 R		250000-252210	Stud, Muffer (1/2" x 3/4" 18") (S.S. for AA25R Muffer)
8	D 1024 R		250000-252210	Cap, Muffer (Flange for AA25R Muffer)
9	D 1923 R		250000-252210	Collar, Spacing, Muffer (Recess for AA25R Muffer)
10A	AA 239 R	410000-476294	250000-271294	Fixed Section, Muffer (Recess for AA25R Muffer)
10B	AA 347 R			Elbow, AA25R Lower, Muffer and Spare Air-water (P.S. part for AA25R Muffer)
11	A 464 R	410000-476294		Pipe, Exhaust, with Flange, AA25R
				Pipe, Exhaust, with Flange, AA25R
				Outlet, Exhaust Pipe

TAPPETS



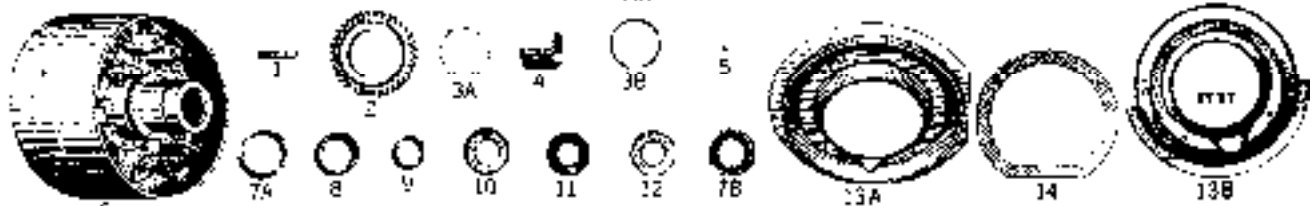
Key	Part No.	A	AR-AO	Description
1A	A 601 R	410000-487994	250000-259999	Shaft, Tappet Lever
1B	A 4724 R	410000-487994	250000-259999	Shaft, Tappet Lever (S.S. for AA25R)
2	A 176 R	410000-487994	250000-259999	Shut, Tappet Lever Bracket
3	K 2082 R	410000-487994	250000-259999	Washer, Lead, Tappet Lever Stud (Bore of 100) (Sub. for AA25R)
4	A 173 R	410000-487994	250000-259999	Nut, Tappet Lever Stud
5	A 234 R	410000-487994	250000-259999	Spacer, Tappet Lever Shaft
6	D 276 H	410000-487994	250000-259999	Spring, Tappet Lever Spacer
7A	A 115 H	410000-487994	250000-259999	Lever, Tappet
7B	A 9346 R	410000-487994	250000-259999	Lever, Tappet
8	A 131 K	410000-487994	250000-259999	Adjusting Screw, Tappet Lever
9	A 622 R	410000-487994	250000-259999	Spring Ring, Tappet Lever Shaft
10A	24H 248 R	410000-487994	250000-259999	Washer, Tappet Lever Shaft
10B	A 1072 R	410000-487994	250000-259999	Washer, Tappet Lever Shaft (2 used) (Sub. for AA25R)
11	R 2163 R	410000-487994	250000-259999	Shut, Tappet Lever Bracket (3/8" x 3/4" 12 used)
12	A 2350 R	410000-487994	250000-259999	Bracket, Tappet Lever Shaft
13	A 2559 R	410000-487994	250000-259999	Screw, Adjusting, Tappet Lever (Sub. for AA25R)
14	A 129 R	410000-487994	250000-259999	Rod, Tappet
15	A 1290 R	410000-487994	250000-259999	End, Tappet Rod
16A	AA 139 R	410000-487994	250000-259999	Cover, AA25R Tappet Lever, with Oil Trough
16B	A 2347 R	410000-487994	250000-259999	Cover, Tappet Lever
17	A 1813 R	410000-487994	250000-259999	Gasket, Tappet Lever Cover
18	A 386 R	410000-487994	250000-259999	Pipe, Tappet Lever Oil
19	A 1185 R	410000-487994	250000-259999	Pipe, Tappet Lever Oil
20	A 1418 R	410000-487994	250000-259999	Pipe, Tappet Lever Oil
21	A 172 R	410000-487994	250000-259999	Nut, Tappet Lever Pipe Packing
22	A 1050 R	410000-487994	250000-259999	Pipe, Tappet Lever Oil
23	AA 1180 R	410000-487994	250000-259999	Pipe, Tappet Lever Oil
24	A 1819 R	410000-487994	250000-259999	Pipe, Tappet Lever Oil
25	A 437 R	410000-487994	250000-259999	Nut, Tappet Lever Cover (Sub. for AA25R)
26	A 2421 P	410000-487994	250000-259999	Gasket, Tappet Lever Bracket Stud
27	AA 2280 R	410000-487994	250000-259999	Cover, Tappet Lever Oil Pipe
28	A 1874 R	410000-487994	250000-259999	Pipe, Tappet Lever Oil
29	A 1874 R	410000-487994	250000-259999	Bushing, Tappet Lever Pipe

CLUTCH



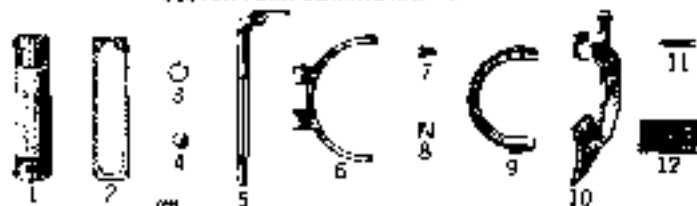
Key	Part No.	A	AR, AD	Description
1	C 404 D	417050	261000	Pin, Drive Clutch Operating Sleeve
2	C 74 H	412050	261000	Pin, Clutch
3	A 174 R	417050	261000	Washer, Clutch Operating Sleeve
4A	A 402 H	417050	262000	Spring, Clutch Release
4R	C 374 H	417050	262000-271245	Spring, Clutch Release (AD only)
5	A 141 R	410000	262000	Washer, Clutch Release (AD only)
6	P 315 P	410000	262000	Pin, Clutch Ring
7A	H 26, 37 C	410000	262000	Washer, Clutch Ring (Sub for A105R)
7B	P 410 C	410000	262000	Washer, Clutch Ring (Sub for A105R)
8	A 1131 R	410000	262000	Spring, Clutch Ring (Sub for A251R)
9	A 1131 P	410000	262000	Washer, Clutch Ring (Sub for A251R)
10	A 410 R	410000	262000-271599	Washer, Clutch Ring (Sub for A251R and A4551R)
11	C 430 P	410000	262000-271599	Pin, Clutch Ring (Sub for A251R)
12	D 615 R	410000	262000	Washer, Clutch Ring (Sub for A251R)
13	A 70 P	410000	262000	Washer, Clutch Ring (Sub for A251R)
14	3A 310 P	410000	262000-269010	Washer, Clutch Ring (Sub for A251R)
15	3H 371 A	410000	262000-269010	Washer, Clutch Ring (Sub for A251R)
16	A 745 P	410000	262000	Washer, Clutch Ring (Sub for A251R)
16	A 274 P	410000	269010	Washer, Clutch Ring (Sub for A251R)

PULLEY



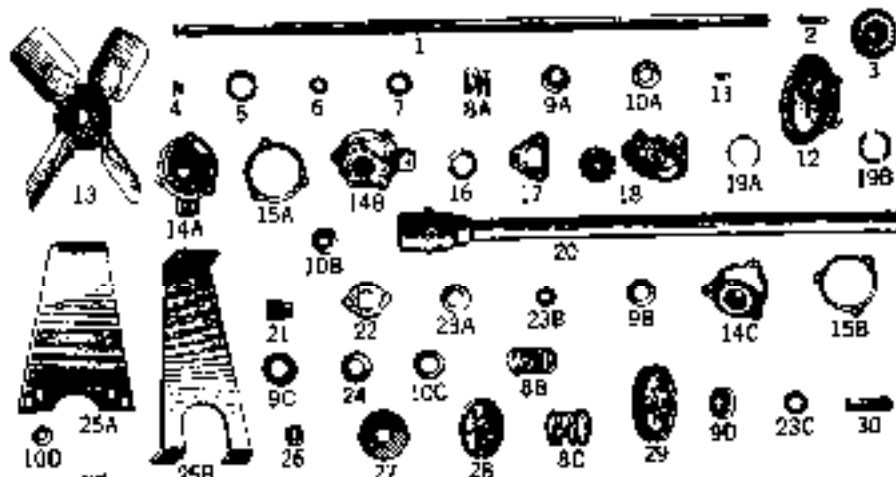
Key	Part No.	A	AR, AD	Description
1	U 375 P	410000	262000	Key, Belt Pulley Gear
2A	A 101 P	410000	262000	Gear, Belt Pulley (Sub for A45413R)
3A	A 370 P	410000	262000	Gear, Belt Pulley Gear
3B	A 371 P	410000-459059	262000-271722	Gear, Belt Pulley Gear
4	A 760 R	410000	262000	Washer, Belt Pulley Gear (Sub for A45413R)
5	C 454 R	410000	262000-266154	Washer, Belt Pulley Gear (Sub for A45413R)
6	AA 3370 R	410000-459059	262000-264702	Pulley, Belt, A177H, with Drive Pin and Bushing
6A	AA 3371 R	410000	262000	Pulley, Belt, A177H, with Drive Pin and Bushing
7A	JD 7480 H	410000-459059	262000-264702	Roller, Drive, and Pulley, Pulley Bearing
7R	JD 7487 R	410000	264702	Roller, Drive, and Pulley, Pulley Bearing
8	JD 7482 R	410000-459059	262000-264702	Roller, Drive, and Pulley, Pulley Bearing
9	JD 7505 R	410000-459059	262000-264702	Roller, Drive, and Pulley, Pulley Bearing
10	A 562 R	410000-459059	262000-264702	Roller, Drive, and Pulley, Pulley Bearing
11	A 561 R	410000-459059	262000-264702	Roller, Drive, and Pulley, Pulley Bearing
12	A 260 P	410000-459059	262000-264702	Washer, Belt Pulley Gear (Sub for A45413R)
13A	A 104H P	410000	262000	Washer, Belt Pulley Gear
13B	A 104 R	410000	262000	Washer, Belt Pulley Gear
13C	AP 216 P	410000	262000	Washer, Belt Pulley Gear
13R	AA 129 R	410000-459059	262000-264702	Washer, Belt Pulley Gear (Sub for A45413R)
14	A 410 P	410000	262000	Washer, Belt Pulley Gear (Sub for A45413R)

CLUTCH FORK BEARING AND PULLEY BRAKE



Key	Part No.	A	AR, AD	Description
1	A 81 P	410000	262000	Bearing, Clutch Fork
2	A 42 P	410000	262000	Washer, Clutch Fork Bearing (Sub for A105R)
3	A 600 P	410000	262000	Washer, Clutch Fork Bearing (Sub for A105R)
4	30H 11 P	410000	262000	Washer, Clutch Fork Bearing (Sub for A105R)
5	A 402 H	410000	262000	Washer, Clutch Fork Bearing (Sub for A105R)
6	A 74 R	410000	262000	Washer, Clutch Fork Bearing (Sub for A105R)
7	D 173 R	410000	262000	Washer, Clutch Fork Bearing (Sub for A105R)
8	A 153 R	410000	262000	Washer, Clutch Fork Bearing (Sub for A105R)
9	A 82 R	410000	262000	Washer, Clutch Fork Bearing (Sub for A105R)
10	AA 235 R	410000	262000	Washer, Clutch Fork Bearing (Sub for A105R)
11	22H 174 R	410000	262000	Washer, Clutch Fork Bearing (Sub for A105R)
12	C 1912 R	410000	262000	Washer, Clutch Fork Bearing (Sub for A105R)
13	4D 4748 P	410000	262000	Washer, Clutch Fork Bearing (Sub for A105R)

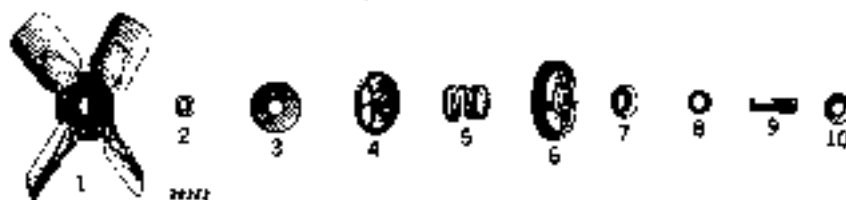
FAN



Key	Part No.	A	AB-AC	Description
1	A 144 R	410000-414808		Shaft, Fan, Length 43-1/16"
	A 241 TL	414809-424024		Shaft, Fan, Length 43-1/16"
	A 803 H		250000-251485	Shaft, Fan, Length 37-1/16"
	A 1176 R	424025-1		Shaft, Fan, Length 44-1/2"
	A 1178 R		251486-254643	Shaft, Fan, Length 38-1/2"
	A 1027 R		254644-271401	Shaft, Fan, Length 38-3/8" (Sub one A1264R and one A3545R)
	A 2644 R		271402	Shaft, Fan 18-3/8"
2	D 403 H	410000-1	250000	Key, Fan Drive Bevel Pinion
J	AA 5437 R	410000-424024	250000-251485	Pinion, Fan Drive Bevel (Sub for A110R)
3	D 1720 R	410000-1	250000-254643	Washer, Lock Wash, on Fan Shaft
4	JD 7656 R	410000-1	250000	Grip, Front and Rear, Bearing, Fan Shaft
5	JD 7356 R	410000-1	250000	Grip, Front and Rear, Bearing, Fan Shaft
6	JD 7357 R	410000-1	250000	Grip, Front and Rear, Bearing, Fan Shaft
7	JD 7357 R	410000-1	250000	Grip, Front and Rear, Bearing, Fan Shaft
8A	D 1493 R	410000-414808		Spring, Fan Bearing "Take-Up"
8B	A 846 R	414809-1	250000	Spring, Fan Bearing "Take-Up"
8C	A 2096 R		254644	Spring, Fan Friction (See list below)
	A 1072 H			Spring, Fan Friction (See list below)
9A	A 246 R	410000-414808	250000-1	Retainer, Rear Fan Bearing Packing (Rear)
	A 218 R	418271-1	250000-254643	Retainer, Front Fan Shaft Bearing Packing (Rear)
9B	D 1618 R	410000-414808		Retainer, Washer, Front Fan Bearing Packing (Front)
9C	A 265 R	410000-414808		Retainer, Fan Shaft Rear Bearing Packing (Front)
	B 298 R	414809-1	250000-1	Retainer, Front Fan Bearing Fall Washer (Front)
10A	B 2121 R		254644-1	Retainer, Fan Bearing Packing
	241 233 R	414809-418271	250000-252643	Washer, Grease Retainer, Front Fan Bearing (Rear)
	ID 1716 R		254644-1	Washer, Fan Bearing Packing
10B	24M 42 R	414809-1	250000-1	Washer, on Front Fan Bearing Housing to Support Screw
10C	24H 647 R	414809-1	250000-1	Washer, Front Fan Bearing Fall Retainer
10D	24H 4 R		251486	Washer, Spring, Fan Shaft Support
11	26H 17 P	410000-1	250000-1	Key, Woodruff, Fan Drive Bevel Gear
12	AA 6167 R	410000-424024	251486-251485	Gear, Fan Drive Bevel (Sub for A14R)
13	AA 3717 H		254644-1	Fan, Friction Drive with 2 A4050R Clips
14A	A 579 R	410000-414808	250000-251485	Housing, Fan Shaft Rear Bearing
14B	A 842 R	414809-424024	251486-271939	Housing, Fan Shaft Rear Bearing
14C	A 1180 R	424025-1	251486-271939	Housing, Fan Shaft Rear Bearing
15A	A 427 R	410000-424024	250000-251485	Gasket, Rear Fan Bearing Housing
15B	A 1181 R	424025-1	251486-271939	Gasket, Fan Shaft Rear Bearing Housing (Thin)
	A 1182 R	424025-1	251486-271939	Gasket, Fan Shaft Rear Bearing Housing (Thin)
16	B 293 R	414809-1	250000-1	Ring, Packing, Rear of Fan Shaft Tube (Rubber)
17	B 292 R	414809-424024	250000-251485	Retainer, Fan Shaft Support Tube Packing Rear of Fan Shaft Tube
18	AF 510 R	424025-1	271402	Gear, Fan Drive Bevel, Fan Drive Bevel of A1174R and A1177R, Sub for A1163R
18A	D 1938 R	410000-414808		Snap Ring, Front Fan Bearing Packing
18B	A 349 R	410000-1	250000-1	Snap Ring, Fan Shaft Rear End
20	AA 524 R	414809-424024		Housing, B250R, Fan Bearing, with Support Tube
	AA 564 R		250000-251485	Housing, B250R, Fan Bearing, with Support Tube
	AA 611 R		251486-271939	Housing, B250R, Fan Bearing, with Support Tube
	1A1 637 R	424024-1		Housing, B250R, Fan Bearing, with Support Tube
21	15H 254 R	410000-1	250000	Plug, Pipe, in Fan Bearing Housing
22	D 1806 R	410000-414808		Cover, Fan Bearing Front
23A	A 395 R	410000-414808		Packing, Front of Front Fan Bearing
23B	A 391 R	410000-418271	250429-254643	Packing, Rear of Front Fan Bearing
	A 150 R	410000-414308		Packing, Fan Shaft Rear Bearing
23C	B 2127 R		254644-1	Packing, Fan Bearing Rear
24	B 297 R	414809-1	250000-1	Washer, Fall, Front Fan Bearing (Sub for A051R)
25A	A 844 R	414809-1		Support, Fan Shaft, Front (Order A12A1R for tractors with K. W. Lighting Outfit)
	A 1233 R	414809-418271		Support, Fan Shaft, Front (For use on tractors equipped with K. W. Lighting Outfit)
25B	A 927 R		250000-1	Support, Fan Shaft (Sub for A263R)
26	B 2122 R		254644-271401	Keeper on Fan Shaft
	A 3645 R		271402	Keeper on Fan Shaft
27	D 198 H		254644-1	Washer, Fan Friction
28	AB 2314 H		254644-1	Washer, Fan Friction
29	A 3533 H		254644-271939	Washer, Fan Friction
30	A 3569 H			Spacer, Fan Bearing (See list below)
	B 2123 H			Spacer, Fan Bearing (See list below)
<p>(Part 1) and below are not illustrated.</p>				
	AA 2673 R	414809-1	250000-255939	Fan with Friction Drive Drive - Superfine for AA223R
	AA 2678 R	410000-414808		Fan with Friction Drive Drive - Superfine for AA203R
	AA 2716 R		250000-254643	Fan with Friction Drive Drive - Superfine for AA249R
<p>(Part 1) and below are not illustrated.</p>				
	AA 6210 R	410000-1	250000-	Kit, Fan (Fan Bearing, Consisting of One 24M44R, A1160R, B250R, B256R, B2121R, B2127R, B1736R, C1736R, C1736R and Two C399R) with Model "A" 410000-414808 if AA157R has been installed, with Model "A" 414809-1 if AA167R has been installed.
<p>With Model "AB" 250000-255939 if AA167R Fan Assembly has been installed, with Model "AO" 250000-254643 if AA157R Fan Assembly has been installed, with Model "AM" and "AO" Serial No. 250000-254643 if AA171R Fan Assembly has been installed.</p>				



PARTS FOR MODEL "A" (SERIAL No. 41000-) EQUIPPED WITH FAN WITH FRICTION DRIVE PARTS



Key	Part No.	A	Description
1	AA 1674 R	410000-1	Fan Friction Drive, with Two A4050R Cups
2	B 2129 R	410000-1	Keeper on Fan Shaft
3	D 389 R	410000-1	Washer, Fan Friction
4	AB 5314 R	410000-1	Disk, Fan Drive
5	A 5079 R	410000-414008	Spring, Fan Friction
	A 1056 R	414000-1	Spring, Fan Friction
6	B 2124 R	414000-1	Pulley, Generator Drive
7	B 2121 R	410000-1	Retainer, Fan Bearing Packing
8	B 2127 R	410000-1	Packing, Fan Bearing Rear
9	IS 2130 R	414000-1	Spacer, Fan Bearing
	A 5069 R	410000-414008	Spacer, Fan Bearing
10	D 1736 R	410000-1	Washer, Fan Bearing Packing

(Parts listed below are not illustrated.)

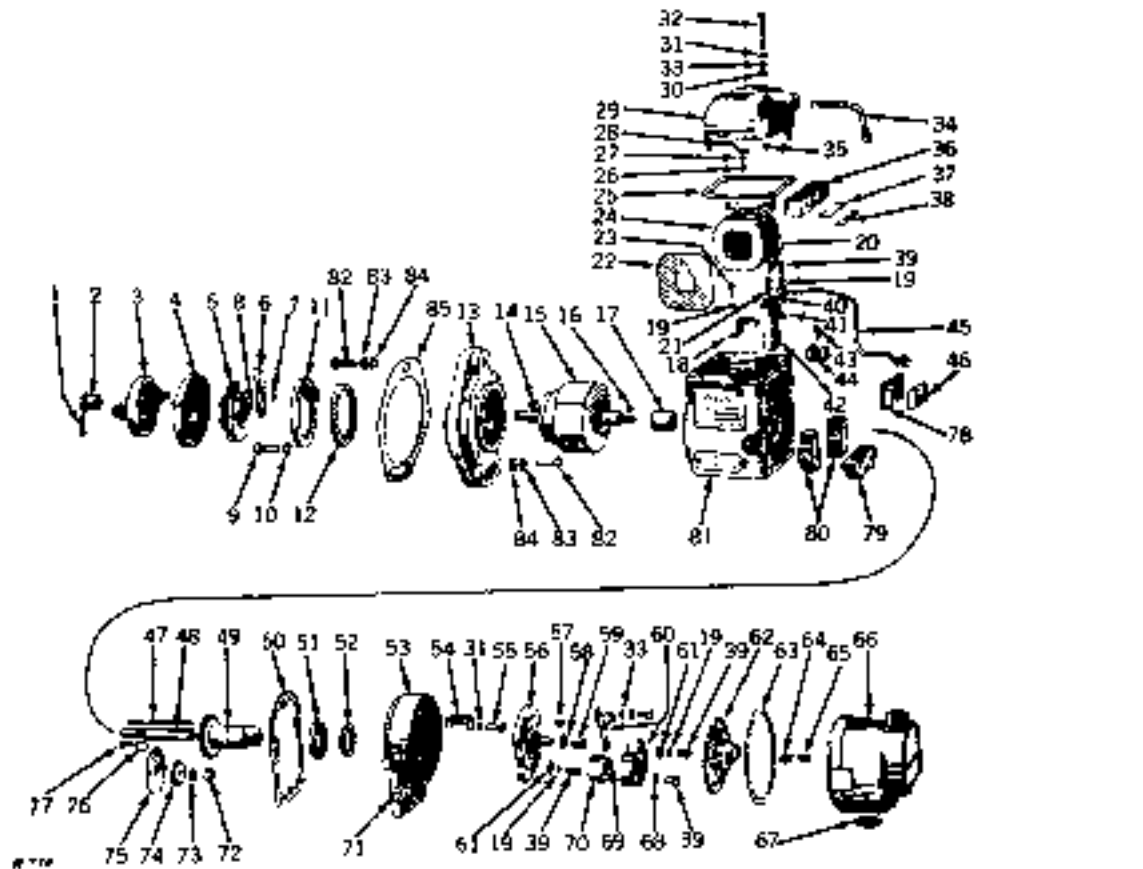
A	3073 R	410000-414008	Spacer, Fan Friction Spring
A	3071 R	410000-414008	Retainer, Fan Friction Spring

PARTS FOR MODELS "AR"—"AD" (SERIAL No. 25000-25444) EQUIPPED WITH FAN WITH FRICTION DRIVE PARTS

Key	Part No.	AR-AD	Description
1	AA 1674 R	250000-259999	Fan Friction Drive, with Two A4050R Cups
	AA 3717 R	250000-254443	Fan Friction Drive, with Two A4050R Cups
2	B 2122 R	250000-254443	Keeper on Fan Shaft
3	D 389 R	250000-254443	Washer, Fan Friction
4	AB 5314 R	250000-254443	Disk, Fan Drive (Set of 2)
	A 5066 R	254200-254443	Spring, Fan Friction
	A 5068 R	254200-254443	Spring, Fan Friction
6	B 2124 R	250000-259999	Pulley, Generator Drive
	B 2124 R	250000-254443	Pulley, Generator Drive
7	B 2121 R	250000-254443	Retainer, Fan Bearing Packing
8	B 2127 R	254200-254443	Packing, Fan Bearing Rear
9	B 2129 R	250000-254443	Spacer, Fan Bearing
10	D 1736 R	250000-254443	Washer, Fan Bearing Packing



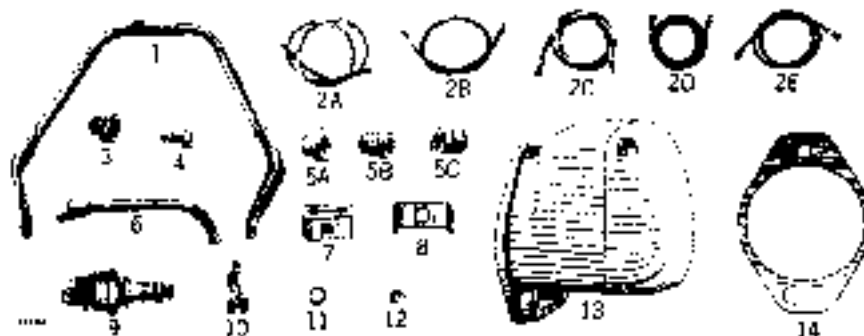
48157R MAGNETO (WICO TYPE AP)



Key	Part No.	Magneto Serial No.	Description
1	2536-	Pin, Cotter, 3/32" x 1-1/2"
2	1090	Nut, Impulse, Lock
3	1433 B	Cup, Impulse
4	1092	Spring, Impulse
5	X	1097	Distributor Flange Assembly
6	1094	Arm, Trip (2 used)
7	A	242 X	Snap Ring (2 used)
8	A	178 XA	Prot. Trip Arm (2 used)
9	1641	Screw, End Plate (4 used)
10	12H	271 M	Washer, Lock (4 used) (Sub. for B1091R)
11	X	1134	Stop Pin Assembly
12	1131	Washer, Flat
13	X	1434 R	Flange, Mounting
14	26H	67 R	Flange, Mounting, with Oil Seal
15	X	1146	Key, Woodruff
16	26H	64 R	Rotor
17	X	4683	Key, Woodruff
18	1232	Bearing, Rotor (2 used)
19	A	768 R	Clamp, Coil Core (9 used)
20	1788	Washer, Lock (8 used)
21	1788	Nut
22	12H	267 R	Washer, Lock (Sub. for B2005R)
23	1759	Plate, Fracturing (2 used)
24	21 H	472 M	Screw (2 used)
25	X	2770 B	Coil
26	1116	Gasket
27	21 H	959 M	Screw
28	M	62 X	Washer, Lock
29	1121	Contact, Co.
30	X	1122	Cover
31	1118	Washer (Leather) (4 used)
32	12H	36 R	Washer, Lock (3 used)
33	1117	Screw (4 used)
34	1XA	256	Washer (8 used)
35	X	2228	Insulator, Secondary
36	2556	Snap Ring, Cover Screw (4 used)
37	X	1230	Core, Coil
38	2658	Slip, Coil Core Spring (Fiber)
39	2284 B	Wedge, Coil Core (2 used)
40	21 H	471 R	Screw (5 used)
41	1XA	781	Nut, Condenser Contact
42	M	127 X	Washer, Condenser Insulating
43	M	32 XA	Bearing, Condenser Insulat. to Support Condenser (Sub. for 2405)
44	X	2523	Condenser Assembly
45	14H	402 R	Nut, Condenser GIP (Sub. for B1092R)
46	2443	Screw, Condenser Slip Drive

Key	Part No.	Magneto Serial No.	Description
47	1105	Utp. Condenser
48	2442	Utp. Condenser
49	X	1321	Condenser to Breaker Lead
50	1170	Support
51	1158	Wick, Oil
52	1167	Slid. Cam
53	X	1570	Cam Assembly
54	1043	Gasket
55	1043	Gasket
56	X	1044 B	Washer, Sealing (Coil)
57	2737	Cup, Breaker Assembly
58	21 H	482 R	Clp. Distributor (2 used)
59	1710	Screw (4 used)
60	14H	1077 H	Plate, Breaker Assembly (Sub. for X223)
61	2558	Screw, Point Adjusting
62	1167 F	Shut. Breaker Arm
63	1418	Spring, Breaker Arm
64	X	2147	Point, Breaker Assembly
65	M	1165 R	Washer (3 used)
66	X	2726	Arm, Distributor
67	2914	Gasket
68	1575	Gasket
69	1916	Brush, Distributor (Sub. 35221)
70	1217	Spring Distributor Brush (Sub. X5221)
71	X	2728	Cap, Distributor
72	X	1491	Cap, Distributor
73	X	1220	Screen, Venting Assembly
74	12H	203 R	Washer, Lock (Sub. for H565R)
75	1194	Flat, Cam Oil
76	1191	Support, Breaker Arm and Cam Oil Pan
77	1XA	343	Pin, Oil (2 used)
78	14H	643 R	Nut
79	2565	Washer, Lock, 1/4"
80	2525	Gasket, Point
81	1157	Dist. Oiling
82	1152	Scraper, Oil
83	1153	Spring, Oil Scraper
84	1169	Pin, Cam Stud Oil
85	1170	Pin, Gear Case Oil
86	X	1171	Pad, M2 Oil (2 used)
87	X	2926	Washer, M2 Assembly
88	19H	721 R	Screw, Cap, 3/8" x 1-1/4" (2 used)
89	2555	Washer, Lock, 3/8" (2 used)
90	24H	154 P	Washer (2 used)
91	A	5872 R	Gasket (Sub. for A680R)

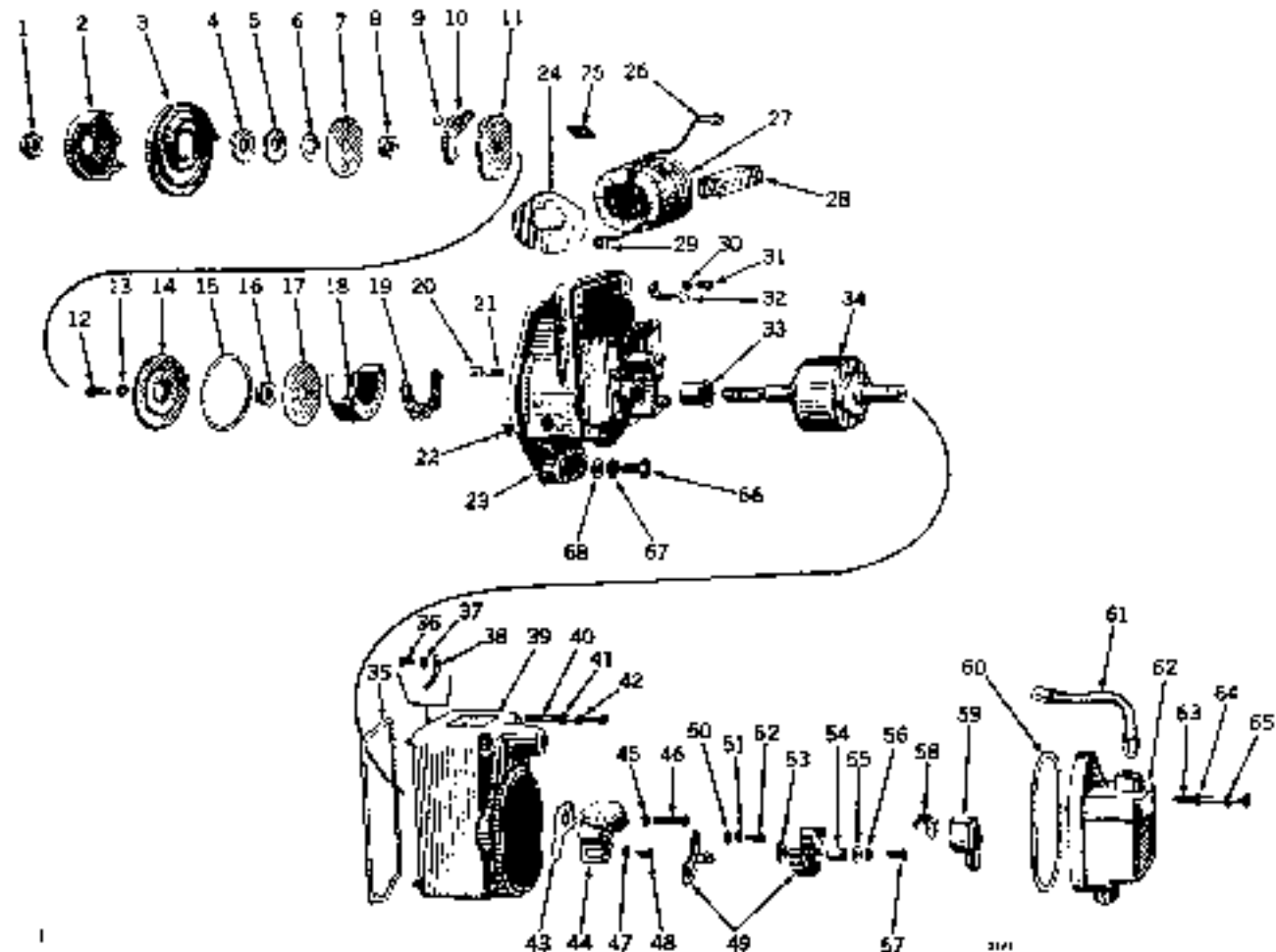
MAGNETO, SPARK PLUGS AND CABLES



Key	Part No.	A	AR-AO	Description	
1	AA 1129 P	414910 436176		Shield, Spark Plug and Spark Plug Cable	
	AA 1130 R	436177		Shield and Cable Conduit, Spark Plug	
2A	AA 1222 R	410010 462019	257700-258799	Cable, Spark Plug R.H. (Sub. AA614R Cable, Nut and Terminal)	
	AA 1223 R	459560 464499	259200-259399	Cable, Spark Plug L.H. (Sub. AA614R Cable, Nut and Terminal)	
	AA 1224 R	459500 458399		Cable, Spark Plug R.H. (Sub. AA614R Cable, Nut and Terminal)	
2R	AA 1820 R	410010 462019	259200-259399	Cable, Spark Plug R.H. (Sub. AA614R Cable, Nut and Terminal)	
	AA 1820 R	459560 464499	259400-259599	Cable, Spark Plug L.H. (Sub. AA614R Cable, Nut and Terminal)	
	AA 1820 R	459500 458399		Cable, Spark Plug R.H. (Sub. AA614R Cable, Nut and Terminal)	
	AA 1820 R	459560 464499		Cable, Spark Plug L.H. (Sub. AA614R Cable, Nut and Terminal)	
2C	AD 1411 R	452100 457438	255140-255499	Cable, Spark Plug, R.H. (Sub. AA614R Cable, Nut and Terminal)	
	AD 1434 R	452100 457438	255140-255499	Cable, Spark Plug, L.H. (Sub. AA614R Cable, Nut and Terminal)	
2D	AD 1454 R	452100 457438		Cable, Spark Plug, R.H. (Sub. AA614R Cable, Nut and Terminal)	
	AD 1454 R	452100 457438		Cable, Spark Plug, L.H. (Sub. AA614R Cable, Nut and Terminal)	
	AD 1454 R	452100 457438		Cable, Spark Plug, R.H. (Sub. AA614R Cable, Nut and Terminal)	
	AD 1454 R	452100 457438		Cable, Spark Plug, L.H. (Sub. AA614R Cable, Nut and Terminal)	
2E	AD 1844 R	452100 457438		Cable, Spark Plug, R.H. (Sub. AA614R Cable, Nut and Terminal)	
	AD 1844 R	452100 457438		Cable, Spark Plug, L.H. (Sub. AA614R Cable, Nut and Terminal)	
J	C 1300 R	410000 464499	259300-259399	System, Magneto, Spark Plug Wire (Rubber)	
4	A 1134 R	410000		Insulator, Spark Plug and Wire Terminal (Rubber)	
5A	A 43 R	410000	259000-259199	Franglo, Magneto Drive (Sub. for AA6335R)	
5B	B 261 R	424025	251886-258799	Franglo, Magneto Drive (Sub. for AA6332R)	
5C	A 2303 R	410000	258800	Franglo, Magneto Drive (Sub. for AA6446R)	
6	AB 338 R	424025 433176	251426 271919	Conduit, Spark Plug Cable	
7	A 471 R	410000	259100	Clamp, Spark Plug Cable	
8	A 471 R	410000	259100 271919	Clamp, Spark Plug Cable	
9	AA 3644 R	416020	259100 259799	Cap, Spark Plug Cable	
	AA 3646 R		260100	Spark Plug Nut Type (Edison) (Sub. ACD006R) (2 used)	
	AA 3594 R		259100	Spark Plug Nut Type (Champion) (2 used)	
	AA 3673 R		259100	Spark Plug Nut Type (All-Fuel) (2 used)	
	AA 3515 R		259100	Spark Plug Auto-Lite (Type B5-2) (All-Fuel) (2 used)	
	AA 3510 R		260100	Spark Plug Auto-Lite (Type BT-10F) (All-Fuel & Gasoline) (2 used)	
	AA 3531 R		260100	Spark Plug Auto-Lite (Type BT-11) (All-Fuel & Gasoline) (2 used)	
	AC 630 R	410000	259200 259399	Spark Plug No. 2 (Champion) (2 used)	
	AC 1430 R	410000	259300	Spark Plug Auto-Lite (Type TG12) (2 used)	
	AD 2680 R	410000	259300	Spark Plug (Champion) (Sub. AA4365R) (2 used)	
	AD 830 R		260000	Clamp, Spark Plug Cable Conduit	
	10	B 465 R	424025	251426	Bracket, Spark Plug
	11	D 465 R	410000	259300 259799	Bracket, Spark Plug
	12	CAH 154 R	410000	259300	Washer, Magneto In Governor Case
	13	AB 3674 R	424025	251426 258799	Magneto (Type) (Substitute for AB705R, AB757R, AU1400R or AB7875R)
	AA 3675 R		258800	Magneto (Type) (Substitute for AB7853R)	
14	AA 3870 H	410000 424024	259300 259485	Magneto (Type) (Substitute for AB705R)	
	AA 3201 H	410000	259300	Magneto (Type) (Substitute for AB705R)	
	AA 3201 H	410000 424024	259300 259485	Magneto (Type) (Substitute for AB705R)	
	AB 706 H	424025 462099	251426 253219	Magneto (Type) (Substitute for AB705R)	
	AB 706 H	459500 462099		Magneto (Type) (Substitute for AB705R)	
	AB 757 H		257000-258799	Magneto (Type) (Substitute for AB705R)	
	AC 1400 R	262100 483499		Magneto (Edison-Sprindler) Type CU (Sub. AB3874R)	
		444500 483799	255340-255999	Magneto (Edison-Sprindler) Type CU (Sub. AB3974R)	
		466400		Magneto (Edison-Sprindler) Type CU (Sub. AB3974R)	



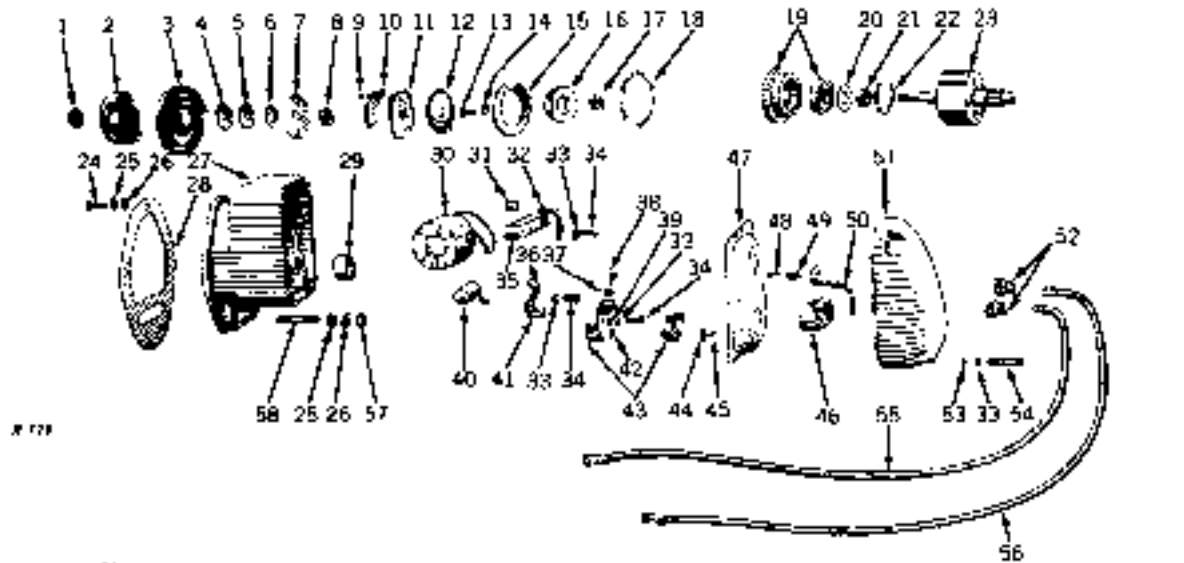
ARMER AND ARMER WICO MAGNETO (WIRED TYPE C)



Key	Part No.	Magneto Serial No.	Description	Key	Part No.	Magneto Serial No.	Description
1	16 491 C	H00769-	Mkt. Impulse Lock	37	A 705 R	H00769-	Washer, Insulated Lock
2	1744	H00769-	Cup Drive Spring Lugs, 4B2675R only; Sub for 3744B	38	1397	H00769-	Washer, Insulated Coil
	4061 B	H00768	Cup Drive Spring Lugs, 4B265R only	39	X 2795	H00769-	Cup with Bronze Plate Assemblies and Screws
3	5-186	H00768	Spring, Drive	40	2552	H00768	Screw, Cover 1/2 used
4	6-582	H00768	Washer, Spacing (Bronze)	41	1718	H00768	Washer, Cover Screw Leather, 4 used
5	774 542	H00768	Washer, Spacing Steel	42	12A 125	H00768	Washer, Cover Screw 4 used
6	M 62 46	H00768	Washer, Drive Cup	43	1523	H00768	Gasket, Condenser
7	2248	H00768	Retainer, Drive Spring	44	X 1412	H00768	Condenser
8	2122	H00768	Blade, Under Flange	45	A 765 P	H00768	Washer, Condenser Screw Lock, 2 used
9	A 283 A	H00768	Spring Ring 12 used	46	21H 946 R	H00768	Screw, Condenser, 2 used
10	A 179 A	H00768	Pin, 1/8" Dia. (2 used)	47	12H 260 R	H00768	Washer, Breaker Arm Spring Screw Lock (Sub for H0659)
11	X 3114	H00768	Driver Flange Grind with Flaws	48	18-718	H00768	Screw, Breaker Arm Spring
12	21H 588 R	H00768	Screw 1/2 used	49	X 1341	H00768	Breaker Point Assembly (2 Points)
13	1794 270 H	H00768	Washer, Lock 1/4 used (Sub for H0659)	50	1A 255	H00768	Washer, Screw
14	X 2719	H00768	Impulse Stud (Lugs with Oil Seal)	51	A 756 R	H00768	Washer, Screw Lock
	A 19 X	H00768	Seal, Oil	52	21H 971 P	H00768	Screw
15	2436	H00768	Gasket	53	137	H00768	Washer, Breaker Arm Spacing Shim Breaker Arm Spacing
16	2121	H00768	Spacer, Impulse	54	157 T	H00768	Spring, Breaker Arm
17	2745	H00768	Link, Timing	55	416	H00768	Washer, Breaker Arm Flange
18	379	H00768	Pad, Main Oil Fall	56	A 756 P	H00768	Washer, Breaker Arm Lock
19	5515	H00768	Plate, Oil Pad Spring	57	16-718	H00768	Screw, Breaker Point
20	1152	H00768	Scraper, Oil	58	16-440	H00768	Spring Arm Lock
21	1153	H00768	Spring, Oil Scraper	59	16-347 B	H00768	Arm with Spring
22	B 1127 R	H00768	Plug, Oil (2 used)	60	2431	H00768	Gasket
23	X 2683	H00768	Main Housing Gimp	61	X 2763	H00768	Washer, Secondary
24	1720	H00768	Plate, Coil (Insulating) (2 used)	62	X 2928	H00768	Cap in Screws
25	2754 B	H00768	Wedge, Coil (2 used)	63	2517	H00768	Screw, Cap (2 used)
26	4954	H00768	Terminal, Primary, Lead	64	1118	H00768	Washer, Cap (Leather) (2 used)
27	A11 1261 R	H00768	Cap (Sub for 32765)	65	1A 256	H00768	Washer, Cap (2 used)
28	X 2706	H00768	Core, Coil	66	1WH 221 R	H00768	Screw, Cap (2 used)
29	1014	H00768	Terminal, Primary, Ground	67	H00768	H00768	Washer, Lock 3/8" (2 used)
30	A 756 R	H00768	Washer, Lock (2 used)	68	26H 134 R	H00768	Washer, 1/2 used
31	214 471 H	H00768	Screw, Coil Core (Lamp) (2 used)				
32	2103	H00768	Cap, Coil Core (2 used)				
33	2485	H00768	Binding, Rotor (2 used)				
34	X 2051	H00768	Rivet				
35	2704	H00768	Gasket Cover				
36	1404	H00768	Screw, Secondary (Pre-test Contact)				



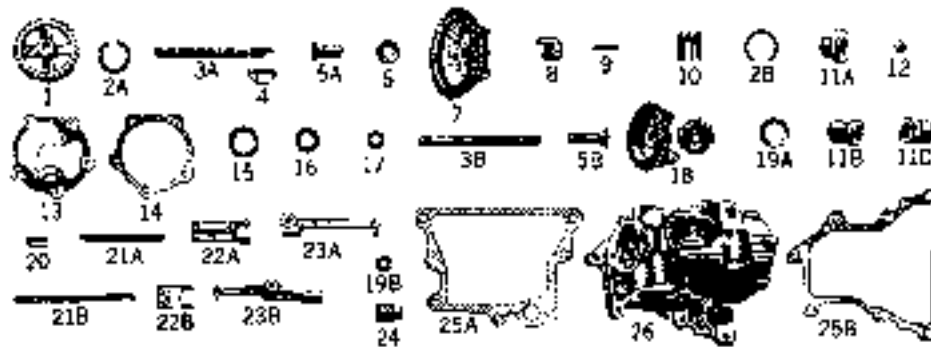
RASTER WICO TYPE "A" MAGNETO (23004) (SUB. FOR AM12R, (23004-23022), 23004-23023, 23004-23024, 23004-23025) AND RASTER WICO TYPE "X" MAGNETO (SUB. FOR AR237R, 23025-23026, 23025-23027)



Key	Part No.	Magneto Serial No.	Description	Key	Part No.	Magneto Serial No.	Description
1	2219	XC100-	Nut, Impulse Lock	30	AR 1212 R	XC100-	Coil Group (Sub. for X6700)
2	2774	XI100-	Coil Impulse Drive (AR1212R only)	31	13953	XC100-	Washer (2 used)
3	3565	XC100-	Coil Impulse Drive (AR2374R only)	32	5613	XC100-	Lamp, Oil
4	15-86	XC100-	Screw, Drive	33	12H 15 P	XC100-	Washer, Lock (10 used)
5	1E-581	XC100-	Washer, Impulse Spring	34	21H 171 R	XC100-	Spring (2 used)
6	1VA 181	XC100-	Washer, Impulse Spring	35	2524	XC100-	Coil, Co.
7	M 49 XA	XC100-	Washer, Drive Flange Spacer	36	2523	XC100-	Coil, Co-Ordinator
8	3788	XC100-	Retainer, Break Spring	37	A 765 R	XC100-	Washer, Lock, Breaker Spring
9	2122	XC100-	Spacer	38	21H 264 H	XC100-	Spring, Breaker Spring
10	A 243 K	XC100-	Snap Ring (2 used)	39	B 1203 L	XC100-	Washer (2 used)
11	A 120 X	XC100-	Arm, Top (2 used)	40	A 5214	XC100-	Spreader
12	X 314	XC100-	Flange, Drive	41	5277	XC100-	Washer, Cap (Fast)
13	59 4	XC100-	Support, Oil	42	10487	XC100-	Washer, Breaker Arm (Interp.)
14	21H 468 R	XC100-	Screw (4 used)	43	X 5296	XC100-	Breaker Point Assembly (2 used)
15	12H 375 R	XC100-	Washer, Lock (4 used) Sub. for H6654	44	6456	XC100-	Flange, Breaker Arm
16	K 5543	XC100-	Impulse Stop Pin (w/ 2 Washers)	45	1314	XC100-	Washer
17	6-99	XC100-	Cap, Oil	46	4218	XC100-	Lock, Breaker Arm (Interp.)
18	9513	XC100-	Spacer	47	5617	XC100-	Cap, Distributor
19	6513	XC100-	Gasket	48	2532	XC100-	Gasket (Sub. for 35-4)
20	9521	XC100-	Heating, Cap Group	49	2532	XC100-	Screw
21	5326	XC100-	Shield, Bearing	50	X 6-70	XC100-	Spring, Contact
22	9523	XC100-	Spacer	51	X 5643	XC100-	Interleaf, Secondary
23	5516	XC100-	Snap Ring	52	A 2379 R	XC100-	Cap, Distributor
24	5594	XC100-	Rotor	53	1KA 274	XC100-	1 pc. Distributor (2 used)
25	XC100-	XC100-	Screw, Cap, 3/8" x 1.4" (2 used)	54	5625	XC100-	Washer (4 used)
26	24H 154 R	XC100-	Washer, Lock, 3/8" (2 used)	55	A4 122 P	XC100-	Washer (4 used)
27	X 7074	XC100-	Bracket, Mt. Housing (Sub. for X6710 and X6610)	56	A3 631 R	XC100-	Flange, Spark Plug, L.H. (Sub. A48141R)
28	A 3777 R	XI100-	Socket, Sub. for 4300B	57	14H 512 G	XC100-	Cap, Spark Plug, R.H. (Sub. A48 41R)
29	5615	XC100-	Bushing	58	C 2-73 R	XC100-	Nut, 3/8" (Sub. for 14H252R)

(Parts listed below are an assembly of some of the parts in the drawing.)
 124E1 XC100
 AR 1212 R
 K.I. Magneto Type H for AR1212R Uses Magneto Components of K6996 Breaker Point, Replacement Kit, X5514 Co-Ordinator, 2513 Cover Gasket, 4218 Breaker Arm Lock, 252794 Flange Gasket

GOUVERNOR



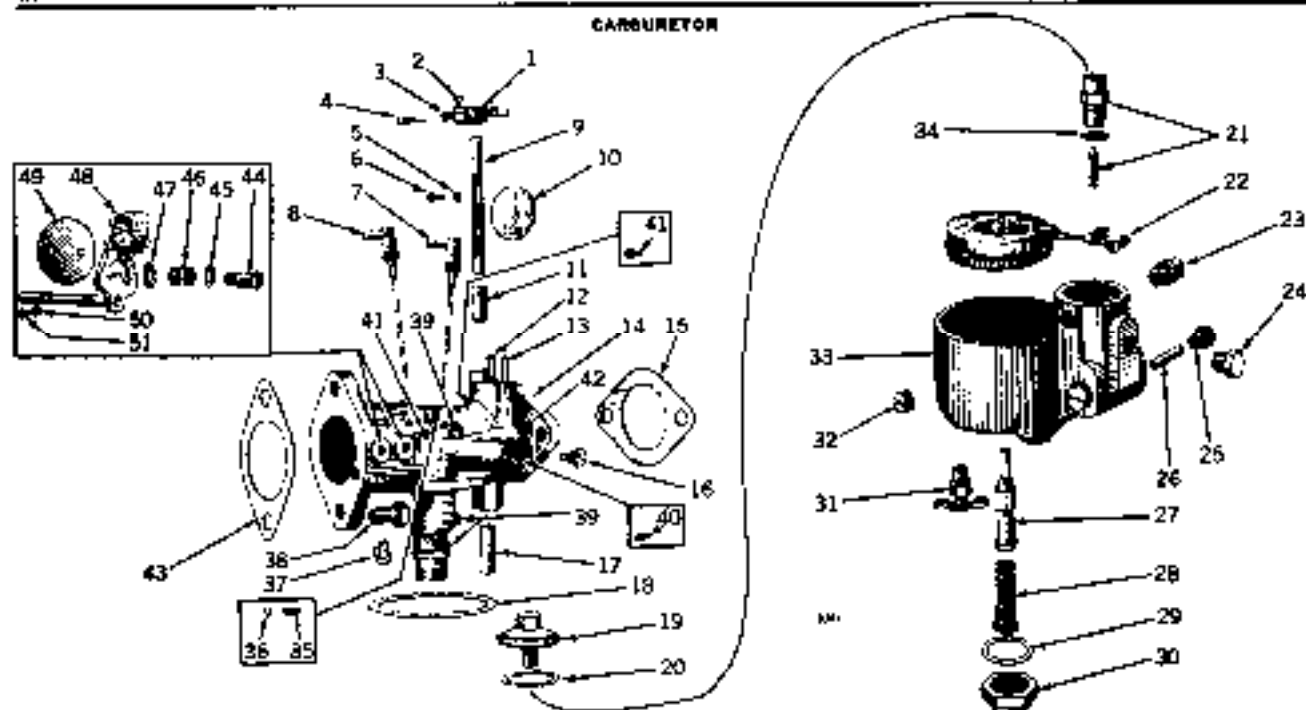
Key	Part No.	A	AO-AH	Description
1	A 72 R	410100	250140	Spcl. Slotted Disc (Sub. for AA541R)
2A	A 329 R	410100	250150	Spcl. Ring Governor Shaft (Mounted to 1/2" Hole)
3B	B 276 R	424025	251180	Spcl. Ring Governor Housing
4A	A 134 K	410100-414024	250150 251450	Spcl. Governor
4B	A 1172 R	424025	251480	Spcl. Governor
4	25P 11 P	410090	250010	Key, Woodruff, in Governor Disc (Linear and Magneto Flange)
5A	AA 950 R	410100 424024	250150 251480	Spcl. Governor Shaft (Sub. for AA257R)
5B	AA 951 P	424025	251480	Spcl. Governor Shaft (Sub. for AA614Z)
6	C 938 R	410100	250020	Bearing, Governor Truss
7	AA 957 R	410100 424024	250150 251480	Spcl. Fan Drive Bevel (Sub. for A74R)
8	AC 651 R	410100	250010	Spcl. Governor
9	F 126 P	410100	250010	Pin, Governor Weat. (Sub. for 2502R)
10	A 544 P	410100	250020	Spring, Governor Bearing
11A	A 13 P	410100 424024	250010-251480	Flange, Magneto Drive (Sub. for AA554R)
11B	B 241 P	424025	251410-251670	Flange, Magneto Drive (Sub. for AA232R)
11C	A 123 P	424025	251670	Flange, Magneto Drive (Sub. for AA344R)
12	A 420 R	410100 424024	250150 251480	Spcl. Governor Shaft, Coll. Sec. 310-0, Sub. for AA4914P
13	A 41 R	410100	250150 251480	Washer, L.H., Governor Bearing, Sub. for AA3502R
14	A 426 R	410100	250150 251480	Gasket, L.H., Governor Bearing Housing (Thin, Packed 10.1 Pkg.)
	A 171 R	424025	251480-251950	Gasket, L.H., Governor Bearing Housing (Thin, Packed 10.1 Pkg.)
15	JD 7655 K	410100	250150	Coll. Governor Shaft Bearing, L.H. and R.H.
15	JD 7657 K	410100	250020	Wash. and Retainer, Governor Shaft Bearing, L.H. and R.H.
17	JD 7656 K	410100	250150	Coll. Governor Shaft Bearing, L.H. and R.H.
18	AF 530 K	424025	251180	Spcl. Fan Drive Assembly, Fan Drive Bevel (Sub. for A74R and A-1172) (Sub. for AA253R)
19A	R 230 P	424025	251480	Washer, Governor Bearing Spring
19B	241 154 P	410100 424024	250150 251480	Washer, Governor Shaft
	241 154 P	410100	250150	Washer, Magneto Governor Case
20	R 412 P	424025	251180 252050	Washer, Governor Lever Shaft (Upper)
21A	A 116 P	410100 424024	250150 251480	Spcl. Governor Lever Shaft (Lower)
	A 1015 P	410100 424024	250150 251480	Spcl. Governor Lever
21B	A 175 P	424025	251180	Spcl. Governor Lever
22A	A 335 P	410100 424024	250150 251480	Spcl. Governor Lever
22B	F 2970 P	424025	251480	Wash. (Spcl. Governor) (Sub. for 327 R)
23A	A 49 R	410000-413700	250000	Arm, Governor
	A 1036 R	415700-424024	250000-251480	Arm, Governor
23B	A 1241 R	424025	251480	Arm, Governor
24	13H 754 R	410000-424024	250000 251480	Plug, Page 1 Governor Case O. Hole
25A	A 429 R	410000-424024	250000-251480	Gasket, Governor Case
25B	A 1183 R	424025	251480-251950	Gasket, Governor Case
26	A 45 R	410000-424024	250000-251480	Case, Governor
	1A 1170 R	424025	251480-251950	Case, Governor

For illustrations of parts listed below, see Gasket Set Groupings
 AA 4292 P 410000 ; 250000 250280 Gasket Set, Governor Overhaul
 AA 4293 P 410000 ; 250000 251950 Gasket Set, Governor Overhaul



Key	Part No	A	AR-AD	Description
1A	A 7880 R	250000-271999	Bracket, Clutch Lever (AD only)
1B	A 942 R	250000-271999	Bracket, Clutch Lever (AR only)
	A 942 R	250000-259999	Bracket, Clutch Lever (AD only)
2A	A 944 R	250000-271999	Bracket, Speed Control Shaft
2B	A 58 R	410000-413399	Bracket, Speed Control Shaft
2C	B 19C K	411199- (---)	Bracket, Speed Control Shaft
3	A 80 R	410000- (---)	Lever, Speed Control Hand
4	A 947 H	250000-271999	Lever, Speed Control Hand
	C 438 H	410000- (---)	250000-271999	Spring, Speed Control Shaft
5A	A 945 H	250000-271999	Shaft, Speed Control (AR only)
	A 945 H	250000-259999	Shaft, Speed Control (AD only)
	A 1735 H	250000-271999	Shaft, Speed Control (AD only)
5B	A 128 H	410000-413399	Shaft, Speed Control
5C	B 391 H	411399- (---)	Shaft, Speed Control
6	A 1737 H	250000-271999	Rod, Speed Control (AD only)
7A	A 118 H	410000-413399	Mod. Carburetor Throttle
	A 1184 H	424025- (---)	Mod. Carburetor Throttle Control
7B	A 948 R	250000-251483	Mod. Carburetor Throttle
	A 1386 H	251483-259999	Mod. Carburetor Throttle
	A 2859 H	250000-271999	Mod. Carburetor Throttle
E	A 568 K	250000-271999	End, Speed Control Rod
	D 167 H	410000-417009	250000-259780	End, Throttle Rod
	D 167 H	410000- (---)	End, Speed Control Rod
	D 2867 H	259781- (---)	End, Throttle Rod
8A	A 181 H	410000-415709	End, Speed Control
	A 1037 H	415709-424024	End, Speed Control
	A 1185 H	424025- (---)	End, Speed Control
9B	A 949 H	250000-251483	End, Speed Control
	A 1180 R	251483-271999	Rod, Speed Control (AR only)
	A 1180 R	251483-259999	Rod, Speed Control (AD only)
10	A 337 R	410000-410709	Spring, Speed Change (F18)
	A 1034 R	415709-424024	250000-251483	Spring, Speed Change (F18)
	B 773 R	424025- (---)	251483- (---)	Spring, Speed Change (F18)
11	24H 451 H	410000- (---)	250000-271999	Washer, Speed Control Shaft Upper (Sub for 24H465A)
	24H 75 H	410000- (---)	250000-271999	Washer, Speed Control Shaft Lower
	24H 137 H	410000- (---)	250000-271999	Washer, Speed Control Rod
	24H 137 H	410000- (---)	250000-271999	Washer, Throttle Rod
	24H 141 H	410000- (---)	250000-271999	Washer, Speed Control Rod
12	A 244 R	410000-413399	Clamp, Speed Change Spring
	A 2494 R	250000- (---)	Clamp, Speed Change Spring
	B 374 R	415709- (---)	Clamp, Speed Change Spring
13	A 2603 R	250000-271999	Extension, Fuel Control Rod
14	A 2630 R	250000-271999	Link, Fuel Control
15	A 2608 R	250000-271999	Rod, Fuel Control
15A	AA 2603 R	250000-271999	Lever, Clutch Operating, with Grease Fitting (AD only)
15B	AA 2603 R	250000-271999	Lever, Clutch Operating, with Grease Fitting (AR only)
	AA 784 R	250000-271999	Lever, Clutch Operating, with Grease Fitting
17	AA 1581 R	410000- (---)	250000-271999	Ball, Clutch Operating Hand Lever Pivot (AD only)
	D 2631 R	410000- (---)	Ball, Clutch Operating Hand Lever Pivot
	D 2631 R	250000-259999	Ball, Clutch Operating Hand Lever Pivot (AD only)
	D 2631 R	250000-271999	Ball, Clutch Operating Hand Lever Pivot (AR only)
18	A 183 H	410000- (---)	Rod, Clutch Operating
	A 508 R	250000-271999	Rod, Clutch Operating
19	JD 775D	410000- (---)	250000- (---)	Fitting, U-bolts of Spring Shaft Bearing and Clutch Operating Lever
20	A 1197 R	424189- (---)	250000- (---)	Bushing, Clutch Lever
	D 1294 R	410000- (---)	250000-271999	Pin, Clutch Operating Rod Yoke
	D 1894 R	410000- (---)	250000- (---)	Pin, Clutch Operating Hand Lever to Rod
22	D 381 R	410000- (---)	250000- (---)	Yoke, Clutch Operating Rod

CARBURETOR



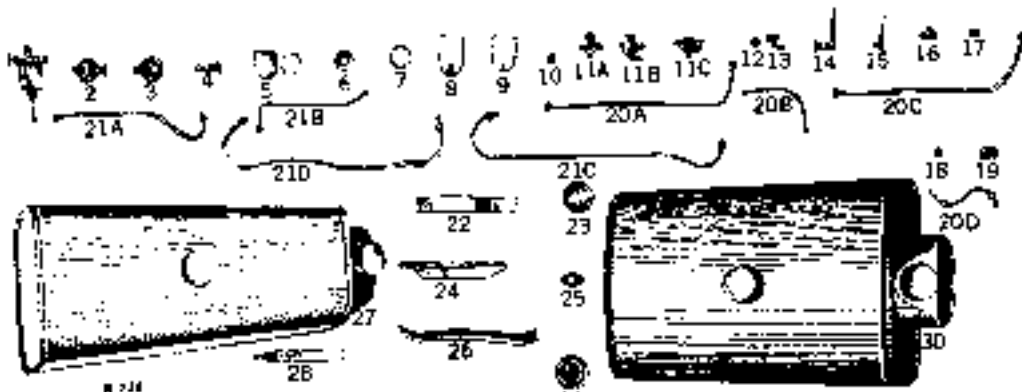
QTY	Part No.	A	A-R-D	Description
1	AR 1-002 U	412000	252000	Lev. Assembly (Sub. for X2548)
1	AR 1-004 R	412000	252000	Lev. Assembly (Sub. for X2692)
2	21H 965	412000	252000	Screw, Cap
3	21H 975	412000	252000	Screw, Adjust
4	R 12415 R	412000	252000	Screw, Lev. S.C. for 5980
5	21H 84 R	412000	252000	Washer, Lock, 2 used
6	21H 871 R	412000	252000	Screw, 2 used
7	AP 12035 R	412000	252000	Needle, 26 (Sub. for X246) No. 7
8	AR 12076 R	412000	252000	Needle, Lev. (Sub. for X248) No. 11
9	R 12051 R	412000	252000	Shelf, Float (Sub. for 52386)
10	R 12034 R	412000	252000	Gasket, Valve (Sub. for P548)
11	S 2471	412000	252000	Bearing, Lev. (Sub. One R10126R Bearing and R1014R Fat)
12	R 12078 R	412000	252000	Spring, Stop (Sub. for 18-11)
13	R 12037 R	412000	252000	Pin, Stop (Sub. for 52110)
14	X 2491	412000	252000	Body, Bronze (Sub. AR5804)
	X 2751	412000-425870	252000	Body, Bronze (Sub. AR5704)
	AR 12078 R	425871	252000	Body, Gray Iron (Sub. for X2773)
	AR 12079 R	425871	252000	Body, Gray Iron (Sub. for X2774)
	AR 12040 R	425871	252000	Body, Sub. for 10-2132
15	R 321 R	412000	252000	Gasket
16	R 12059 R	412000	252000	Wing, Sub. for 52151C
	R 12054 R	412000	252000	Wing, Sub. for 52151E
17	R 12060 R	412000-425870	252000	Bushing, Lower (Used only with Bronze Body) (Sub. for X2472)
	X 2462	425871	252000	Bushing, Lower (Used only with Gray Iron Bodies) (Sub. One R10126R Bushing, One R1014R Fat and One R1014R Pin)
18	R 12026 R	412000	252000	3rd Gasket (Sub. for P561)
19	AR 12021 R	412000	252000	5-ginger Assembly (Sub. for X2162)
20	R 12025 R	412000	252000	Gasket, Strainer (Sub. for P450)
21	AR 12017 R	412000	252000	Valve, Float and Seat Assembly (Sub. for X2653, 233-576 and 231-564)
	AR 12064 R	412000	252000	Plug and Lever Assembly (Sub. for 40-625)
22	R 12021 R	412000	252000	Lever, Float (Sub. for P449)
	AR 12010 R	412000	252000	Screw, Float, and Washer (Sub. for X11789)
23	A 254 R	412000	252000	Connector (Sub. for 23248)
24	R 12050 R	412000	252000	Plug (Sub. R1107H and 542)
25	R 12060 R	412000	252000	Screw, Float Drawing (2 used) (Sub. for 52147)
26	R 12044 R	412000	252000	Pin, Float Plug (Sub. for 10146)
27	R 12014 R	412000	252000	Nozzle (Sub. for 47-93)
28	R 12054 R	412000	252000	Nozzle (Sub. for 52161A)
29	R 12075 R	412000	252000	Spring, Return (Sub. for 754)
	R 12014 R	412000	252000	Washer (Used only with Gray Iron Bodies) (Sub. for P410)
	R 12015 R	412000	252000	Washer (Used only with Bronze Bodies) (Sub. for P411)
30	R 12082 R	412000	252000	Nut, Bowl (Used only with Bronze Bodies) (Sub. for 51265A)
	R 12081 R	412000	252000	Nut, Bowl (Used only with Gray Iron Bodies) (Sub. for 52424)
31	AR 12015 R	412000	252000	Cork, Drain (Sub. for 87-3)
32	R 12015 R	412000	252000	Plug
33	R 12038 R	412000	252000	Bowl (Used only with Bronze Bodies) (Sub. for 11117-A)
	R 12039 R	412000	252000	Bowl (Used only with Gray Iron Bodies) (Sub. for 11117-B)
34	R 12172 R	412000	252000	Gasket, Float Valve Seat (Sub. for P1209)
35	R 12175 R	412000	252000	Spring, Float Valve Ball (2 used) (Sub. for 1K)
36	R 12018 R	412000	252000	Ball, Float Valve (2 used) (Sub. for 5257A)
37		412000	252000	Washer, Lock, 3/16" (4 used)
38	191 210 L	412000	252000	Screw, Cap (4 used) (Sub. for 10H2113)
39	R 12057 R	412000	252000	Pin, Drive No. 10-12, 15 (used) (Sub. for 52502)
40	R 12045 R	412000	252000	Pin, Drive No. 10-12, 15 (used) (Sub. for 52506)
41	R 12077 R	412000	252000	Pin, Drive No. 10-12, 15 (used) (Sub. for 52041)
42	R 12041 R	412000	252000	Pin, Drive No. 10-12, 15 (used) (Sub. for 52041)
43	C 1014 17	412000	252000	Pin, Drive No. 10-12, 15 (used) (Sub. for 52041)
44	R 12057 R	412000	252000	Gasket
45	R 12010 R	412000	252000	Screw, Float Spring (Sub. for 52124)
46	R 12073 R	412000	252000	Washer (Sub. for 1172)
47	R 12147 R	412000	252000	Spring (Sub. for 252)
48	AR 1243 R	412000	252000	Washer (Sub. for 262)
49	R 12011 R	412000	252000	Lever, Float and Seat
			252000	Disk, Drive (Sub. for P548)

CARBURETOR—Continued

Key	Part No.	A	A8-A8	Description
W	A 251 P	410000-1	251000-1	Washer, Lock, 3/16 in.
W	21H 922 R	410000-1	210000-1	Washer, Lock, 1/4 in.
Parts Not Listed Are Not Illustrated				
AA	3117 R	410000-1	251000-1	Carburetor, Complete
AA	3118 R	410000-1	251000-1	Carburetor, Complete
AA	3119 R	410000-1	251000-1	Carburetor, Complete
AA	3120 R	410000-1	251000-1	Kit, Carburetor Parts, For AA325R Carburetor
AA	3121 R	410000-1	251000-1	Kit, Carburetor Parts, For AA350R Carburetor
AA	3122 R	410000-1	251000-1	Kit, Carburetor Parts, For AA380R Carburetor
AA	3123 R	410000-1	251000-1	Kit, Carburetor Parts, For AA400R Carburetor
AA	3124 R	410000-1	251000-1	Kit, Carburetor Parts, For AA425R Carburetor
AA	3125 R	410000-1	251000-1	Kit, Carburetor Parts, For AA450R Carburetor
AA	3126 R	410000-1	251000-1	Kit, Carburetor Parts, For AA475R Carburetor
AA	3127 R	410000-1	251000-1	Kit, Carburetor Parts, For AA500R Carburetor

*See AA490R
 †Furnished by John Deere Co. as a Tractor Accessory

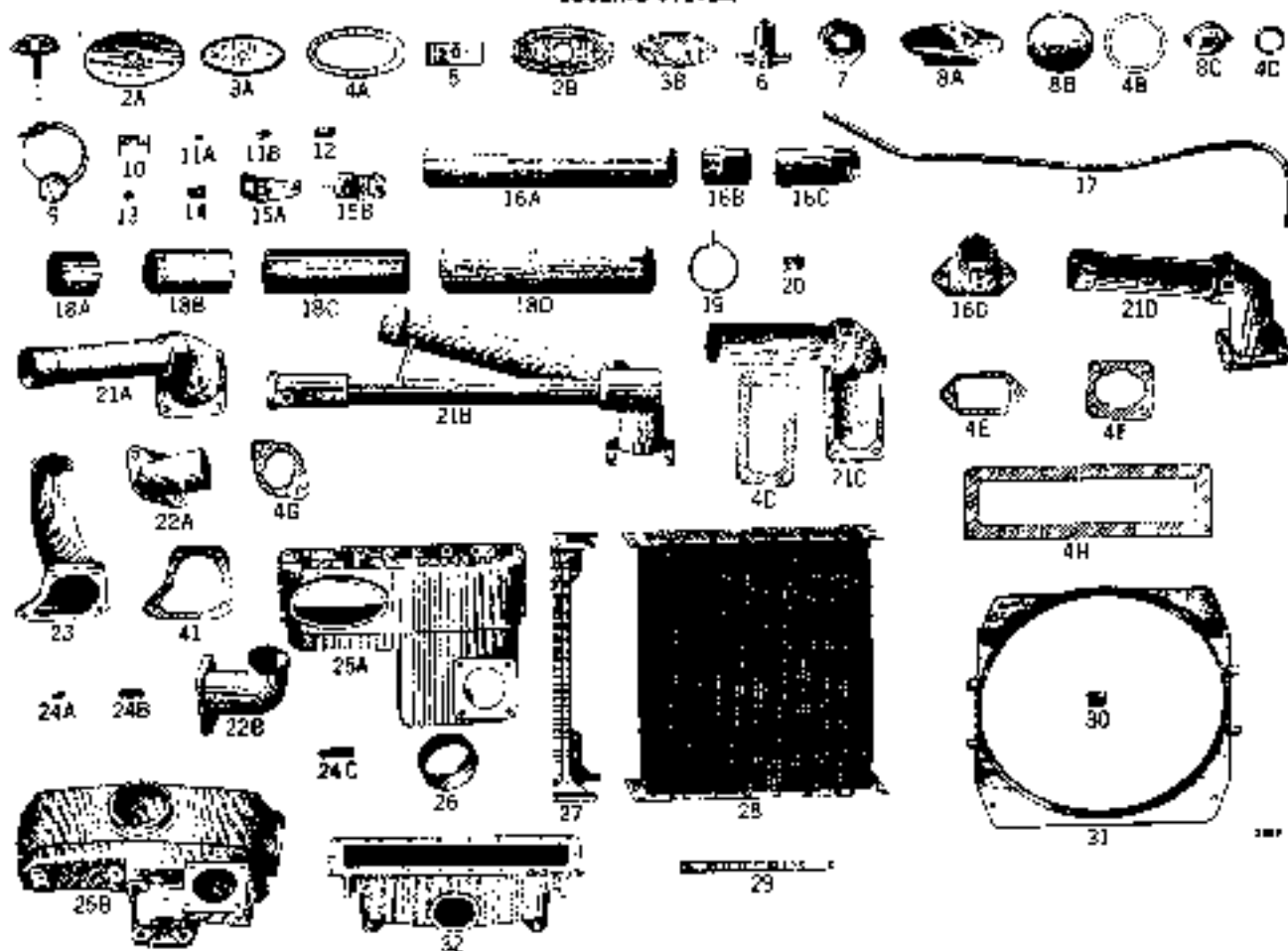
FUEL SYSTEM



Key	Part No.	A	A8-A8	Description
1	AG 442 P	410000-1	250000-1	Fuel, Fire
2	AC 1379 R	410000-1	250000-1	Body, Fuel Filler with Valve (Parts for AA490R)
3	AC 1318 R	410000-1	250000-1	Body, Fuel Filler (Part for AA490R) (Sub. for C9378R)
4	AC 1080 R	410000-1	250000-1	Valve, Fuel Filler (Part for AA490R)
5	AA 2564 R	410000-1	250000-1	Box and Gasket, Fuel Filler (Sub.) (Part for AA490R)
6	AA 4507 R	410000-1	250000-1	Box and Gasket, Fuel Filler (Heat Resistant Box)
7	AA 619 R	410000-1	250000-1	Screen, Fuel Filler (Part for AA490R)
8	D 1778 R	410000-1	250000-1	Gasket, Fuel Filler, Cork (Part for AA490R)
9	AA 335 R	410000-1	250000-1	Clamp, Fuel Filler Box
10	AA 317 R	410000-1	250000-1	Ball, Fuel Filler Bowl (Part for AA490R)
11	AA 318 R	410000-1	250000-1	Nut with Washer, Fuel Filler Adjusting (Part for AA490R)
11A	AD 480 F	410000-1	250000-1	Cock, Three-Way Fuel
11B	AB 529 R	410000-1	250000-1	Cock, Three-Way Fuel
11C	AB 3805 R	410000-1	250000-1	Cock, Three-Way Fuel
12	D 2122 R	410000-1	250000-1	Washer, Packing, Three-Way Cock
13	B 1601 R	410000-1	250000-1	Shim, Inspecting, Three-Way Cock
14	AA 294 R	410000-1	250000-1	Valve, Gauging Shut-Off Needle
15	A 2686 R	410000-1	250000-1	Elbow, Gasoline Strainer
16	A 2687 R	410000-1	250000-1	Tab, Fuel Pipe
17	A 258 R	410000-1	250000-1	Connector, Fuel Pipe (Sub. for D192R)
18	A 2688 R	410000-1	250000-1	Wt., Solder Bushing, on Gasoline Pipe (Used with Copper Pipe only)
	A 2689 R	410000-1	250000-1	Wt., Solder Bushing, on Fuel Pipe (Used with Copper Pipe only)
19	E 2150 R	410000-1	250000-1	Gland, Solder Bushing, on Fuel Pipe (Used with Copper Pipe only)
	E 2151 R	410000-1	250000-1	Gland, Solder Bushing, on Gasoline Pipe (Used with Copper Pipe only)
20A	AA 267 R	410000-1	250000-1	Pipe, Fuel
20B	AA 274 R	410000-1	250000-1	Pipe, Fuel
20C	AA 1828 R	410000-1	250000-1	Pipe, Fuel
20D	AA 3074 R	410000-1	250000-1	Pipe, Fuel
21A	AA 258 R	410000-1	250000-1	Pipe, Gasoline
21B	AA 423 R	410000-1	250000-1	Pipe, Gasoline
21C	AA 1847 R	410000-1	250000-1	Pipe, Gasoline
22	A 445 P	410000-1	250000-1	Flange, Fuel Tank Front Support
	A 441 R	410000-1	250000-1	Flange, Fuel Tank Rear Support
	A 1011 P	410000-1	250000-1	Flange, Fuel Tank Front Support
	A 1847 P	410000-1	250000-1	Flange, Fuel Tank Rear Support (Sub. for A1011R)
23	AD 228 R	410000-1	250000-1	Cap, Filler
24	AA 212 R	410000-1	250000-1	Support, Fuel Tank Rear, with Cushion
	AA 3072 R	410000-1	250000-1	Support, Fuel Tank Rear, with Cushion (Sub. for AA212R)
25	A 480 R	410000-1	250000-1	Flange, Gasoline Outlet
	D 52 R	410000-1	250000-1	Flange, Fuel Outlet
26	AA 271 R	410000-1	250000-1	Support, Fuel Tank Front, with Cushion
	AA 303 R	410000-1	250000-1	Support, Fuel Tank Front, with Cushion
27	AA 316 R	410000-1	250000-1	Tank, Fuel
	AA 327 R	410000-1	250000-1	Tank, Fuel
28	AA 270 R	410000-1	250000-1	Strap, Fuel Tank
29	A 487 R	410000-1	250000-1	Flange, Fuel Tank Front (Sub. for D187R)
30	AA 252 R	410000-1	250000-1	Tank, Fuel

†Part Furnished by John Deere Co. as a Tractor Accessory
 A 3092 R 250000-1 250000-1 Flange, Gasoline Outlet

COOLING SYSTEM

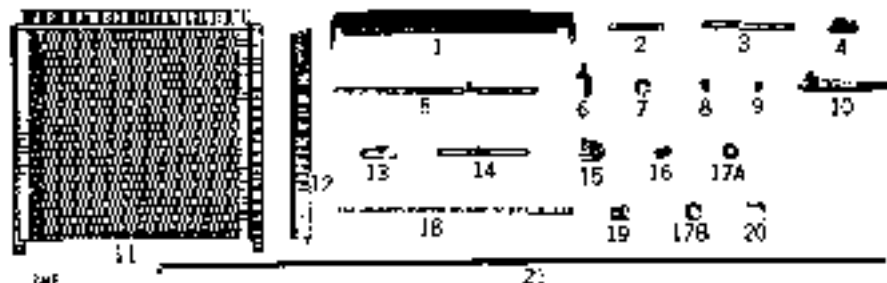


Key	Part No.	A	A1-AO	Description
1	AA 796 N	410000-476999	250000-259999	Head, A1158H, with Stud, Radiator Filler
2A	D 319 H	410000-476999	250000-259999	Cap, Radiator Filler
2B	AD 323 R	410000-476999	250000-259999	Cap, Radiator Filler (for Motorized)
3A	D 126 P	410000-476999	250000-259999	Gasket, Radiator Cap
3B	D 216i H	410000-476999	250000-259999	Gasket, Radiator Cap (for Motorized)
4A	D 421 R	410000-476999	250000-259999	Gasket, Radiator Filler Cap
4B	B 1569 R	410000-476999	250000-259999	Gasket, Radiator Filler Cap
4C	A 2905 R	410000-476999	250000-259999	Gasket, Radiator Filler Cap
4D	A 2376 R	410000-476999	250000-259999	Gasket, Cylinder Water Outlet Pipe
4E	A 2398 H	410000-476999	250000-259999	Gasket, Cylinder Head Inlet Pipe
4F	A 431 R	410000-476999	250000-259999	Gasket, Cylinder Water P. Inlet Outlet
4G	A 434 R	410000-476999	250000-259999	Gasket, Radiator Water Inlet
4H	A 432 R	410000-476999	250000-259999	Gasket, Radiator Core, Top and Bottom
4I	A 2133 R	410000-476999	250000-259999	Gasket, Radiator Core, Top and Bottom
4J	A 2704 R	410000-476999	250000-259999	Gasket, Radiator Inlet Filter
5	D 362 R	410000-476999	250000-259999	Clamp Bar, Radiator Filler Cap
6	U 2938 R	410000-476999	250000-259999	Clamp, Radiator Cap (for Motorized)
7	U 2107 R	410000-476999	250000-259999	Nut, Radiator Cap (for Motorized)
8A	AA 795 R	410000-476999	250000-259999	Cap, A1158R, Radiator Filler, Complete
8B	AB 1621 R	410000-476999	250000-259999	Cap, Radiator Filler, Complete
9C	AA 3449 R	410000-476999	250000-259999	Cap, Radiator Filler
9	AA 853 R	410000-476999	250000-259999	Indicator, Heat, Complete
10	AA 3538 R	410000-476999	250000-259999	Indicator, Heat
11A	B 1384 R	410000-476999	250000-259999	Dip, Heat Indicator Tube
11B	AA 621 R	410000-476999	250000-259999	Nut, Heat Indicator Stud
12	D 2297 R	410000-476999	250000-259999	Nut, Radiator Vent Pipe Fitting
13	A 2572 R	410000-476999	250000-259999	Vent Tube, Radiator
14	F 1572 R	410000-476999	250000-259999	Gasket, Flaring, on Radiator Filler Neck, Outlet G.S. for B216R
15A	A 1248 R	410000-476999	250000-259999	Bearing, Heat Indicator Tube
15B	A 1294 R	410000-476999	250000-259999	Bracket, Heat Indicator
15C	A 1247 R	410000-476999	250000-259999	Bracket, Heat Indicator
16A	A 391 R	410000-476999	250000-259999	Pipe, Lower Water
16B	A 344 R	410000-476999	250000-259999	Pipe, Radiator Bottom Outlet
16C	A 344 R	410000-476999	250000-259999	Pipe, Cylinder Head Inlet
16D	A 913 R	410000-476999	250000-259999	Pipe, Radiator Bottom Outlet
16E	A 913 R	410000-476999	250000-259999	Pipe, Cylinder Head Inlet
17	A 9327 R	410000-476999	250000-259999	Pipe, Cylinder Head Inlet
18	A 2709 H	410000-476999	250000-259999	Vent Pipe, Radiator
19A	A 445 H	410000-476999	250000-259999	Hose, Lower Water Pipe
19B	A 446 H	410000-476999	250000-259999	Hose, Upper Water Pipe
19C	A 322 R	410000-476999	250000-259999	Hose, Lower Water Pipe

COOLING SYSTEM—Continued

Qty	Part No.	A	AR-AO	Description
180	A 2708 R		260000-262608	Head, Lower Water Pipe
	A 448 R	410000-410000	264300-271999	Glycol, Lower Water Pipe Head
19	AA 448 R	410000-410000	250000-250000	Glycol, Upper Water Pipe Head
	AA 2710 H	410000-410000	260000-271999	C-0, Radiator Vent Pipe
23	AA 405 H	410000-476999		Pipe, A845A, Upper Water, Complete
24	AA 410 R	410000-476999		Pipe, A231F, Upper Water, and Fan Support
	AA 410 R	410000-476999		Pipe, A845B, Upper Water, Complete
210	AA 450 R		250000-259999	Pipe, A827M, Upper Water
210	AA 450 R		260000-271999	Inlet, Radiator Water
228	A 531 R	410000-476999	250000-259999	Inlet, Radiator Water
23	A 2701 R		250000-271999	Outlet, Radiator Inlet
24A	B 1604 R		260000-271999	Stud, Radiator Straps to Top Tank (5/16" x 13/16")
240	A 115 R		250000-271999	Stud, Radiator Side to Dead End Top Tank (1/2" x 1-3/8", 18-200)
240	D 483 R		250000-271999	Stud, Radiator Water Inlet Flange to Top Tank (1/2" x 2")
	D 483 R		250000-271999	Stud, Coolant to Head Water Outlet Pipe (1/2" x 2")
25A	A 551 R	410000-476999	250000-259999	Stud, Radiator Top
250	AA 5140 R		250000-259999	Top Tank, A231R, Radiator, with Filter Flange and Vent Tube
26	D 2488 R		250000-262608	Flange, Radiator Flange
	A 87 R	410000-476999	250000-259999	Side Radiator
	A 2707 H		260000-271999	Side Radiator
58	AA 3195 R	410000-476999	250000-259999	Cone, Radiator
	AA 2275 R		260000-271999	Cone, Radiator
79	A 150 R	410000-476999	250000-259999	Strap, Radiator
30	10M 217 R	410000-476999	250000-259999	Flange Plug, Upper Water Pipe 1/4A525R and AAG65R
31	10A 268 R	410000-476999	250000-259999	Shroud, Fan
	10A 270 R		260000-271999	Shroud, Fan
32	A 5 R	410000-476999	250000-259999	Tank, Radiator Bottom
	10 2558 R		260000-271999	Tank, Radiator Bottom
*Parts listed below are not illustrated:				
	A 2814 R		262700-264299	Top Tank, Radiator
	A 2815 R		262700-264299	Pipe, Cylinder Head Valve Inlet
	A 2917 R		262700-264299	Head, Lower Water Pipe
	AA 3499 R		262700-264299	Filter Neck, Radiator, with Outlet
	AD 1055 R	410000-476999	260000-259999	Multimeter, Use with AD922R

RADIATOR SHUTTER



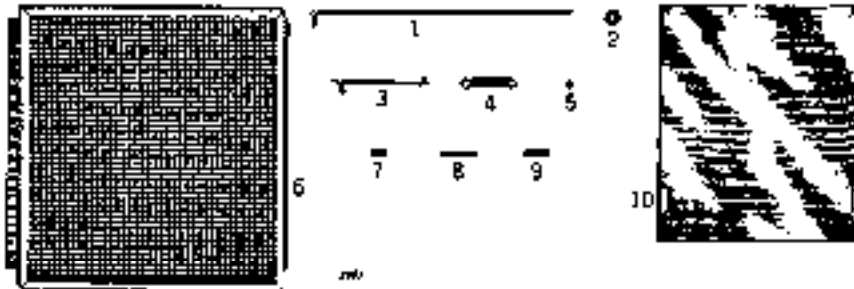
Qty	Part No.	A	AR-AO	Description
1	AA 1695 R	410000-471567	250000-259999	Bar, Top Tie, and Bearing Bar**
	AA 1750 R	471568-476999	251945-259999	Bar, Top Tie, and Bearing Bar**
	AA 3194 R		260000-271999	Top Tie Bar and Bearing Bar
2	A 1999 R	471488-471488	255948-255948	Spring, Shutter**
	A 1995 R	410000-471567	262000-265947	Spring, Shutter**
3	A 1857 R	410000-471567	250000-255947	Link, Bell Crank Operating**
4	A 1639 R	410000-471567	250000-255947	Bar, Crank and Bushing**
5	AA 1584 H	410000-471567	250000-261847	Bar, Operating, and Stud**
	AA 1732 R	471585-476999	251943-259999	Bar, Operating, and Stud**
	AA 3136 R		260000-271999	Bar, Operating, and Stud**
6	AA 1521 R	410000-471567	260000-255947	Bracket, Bell Crank and Stud**
7	A 1853 R	410000-471567	260000-255947	Washer, Bell Crank Retaining**
8	A 1854 R	410000-471567	260000-255947	Pipe, Operating Link to Bell Crank
9	A 1853 P	410000-471567	250000-255947	Flange, Operating Bar to Shutter** No Longer Manufactured
10	A 1782 R	410000-476999	250000-271999	Lower, Shutter Control
11	AA 1522 R	410000-471567	250000-255947	Frame and Bearing Bar**
	AA 1724 R	471568-476999	251944-259999	Frame and Bearing Bar**
	AA 3132 R		260000-271999	Frame and Bearing Bar**
12	AA 1923 R	410000-471567	250000-255947	Bracket, Shutter, and Pivot Pin**
	AA 1726 R	471568-476999	251945-259999	Bracket, Shutter, and Pivot Pin**
	AA 3185 R		260000-271999	Bracket, Shutter, and Pivot Pin**
13	AA 1728 R	471568-476999	251946-259999	Dr. Crank and Bearing**
14	AA 1729 R	471568-476999	251948-259999	Link, Operating, and Spring Dia**
	AA 3156 R		260000-271999	Link, Operating, and Spring Dia**
15	A 1787 R	410000-476999	250000-271999	Bracket, Shutter Control
16	A 1785 R	410000-476999	250000-271999	Spring, Shutter Control Lever
17A	24M 134 R	410000-476999	260000-271999	Washer, Shutter Control Lower Spring
17B	24M 132 R	471588-476999	251941-259999	Washer, Bell Crank Retaining**
	24M 133 H	410000-476999	250000-271999	Washer on Radiator Shutter Control Rod End
18	AA 1793 H	471588-476999	251942-259999	Retainer and Bearing Strip
	AA 3152 H		260000-271999	Retainer and Bearing Strip
19	A 1890 R	450000-476999		Guide, Shutter Control Rod
20	D 157 R	410000-476999	250000-271999	End, Radiator Shutter Control Rod
21	A 1788 R	410000-476999		Rod, Shutter Control
	A 1790 R		250000-258999	Rod, Shutter Control
	D 209 R		260000-271999	Head, Shutter Control

*Parts listed below are not illustrated:
 AA 1492 H
 AA 1493 H 410000-476999
 AA 3107 H

**Shutter, Radiator 13 Shutter Blades: Substitute AA1489;
 Shutter, Radiator 16 Shutter Blades: Substitute AA1429.
 Shutter, Radiator

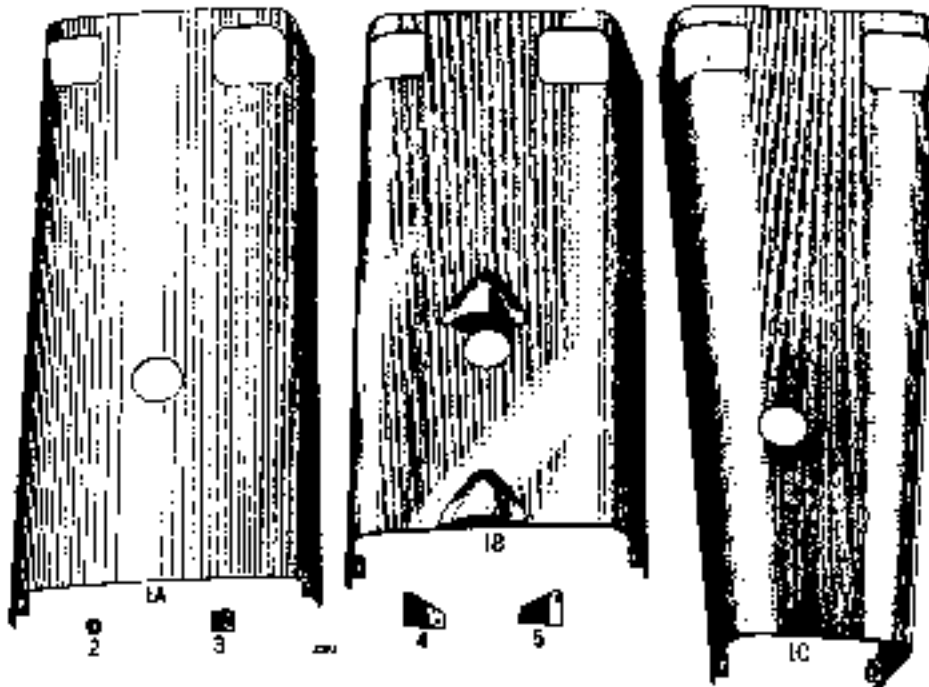
**Shutter, Radiator 13 Shutter Blades: Substitute AA1489 and 250000-255947.
 16 Shutter Blades: Substitute AA1429 and 250000-255947.

RADIATOR GUARD AND CURTAIN



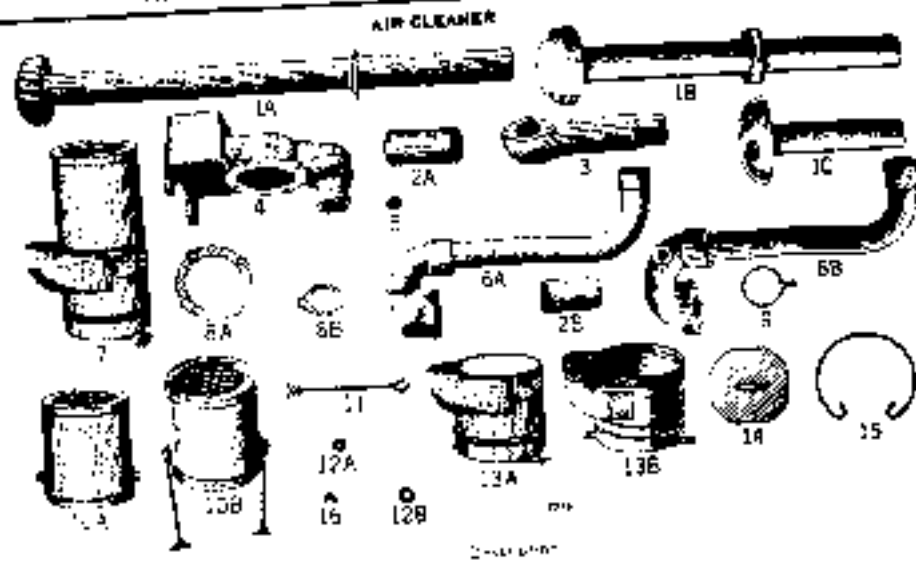
Key	Part No.	Q	PR-PO	Description	
1	A	142 R	410000-450831	250000-251981	Guard, Radiator Curtain
2	24H	134 R	410000-450831	250000-251981	Washer, Roller on Radiator Curtain
3	A	188 R	410000-450831	250000-251981	Clip, Radiator Curtain
4	A	372 R	410000-450831	250000-251981	Spring, Radiator Curtain
5	C	1864 R	410000-447934	250000-253980	Spring, Guard to Radiator
6	AA	431 R	410000-450831	250000-253981	Guard, Radiator
7	B	493 R	447934-450831	253521-253981	Spring, Radiator Curtain Roller
8	D	1887 R	410000-447934	250000-253980	Pin, Radiator Curtain Roller
9	F	3453 R	410000-447934	250700-253980	Spring, Radiator Curtain Roller (Sub for D20C1R)
10	AA	325 R	410000-450831	250000-253981	Curtain, Radiator

HOOD



Key	Part No.	Q	4H-40	Description	
1A	AA	3450 R	410000-470890	250000-271999	Hood, Complete (AR only) (Sub for AA581R)
1B	AA	3449 R	410000-470890	250000-271999	Hood, Complete with Shield (AD only) (Sub for AA586R)
1C	AA	353 R	410000-470890	250000-271999	Hood, Complete
2	AA	526 R	410000-470890	250000-271999	Hood, Complete
3	24H	143 R	410000-470890	250000-271999	Washer on Hood to Radiator Side Screw
4	C	1873 R	410000-470890	250000-271999	Clip, Hood
4	A	592 R	410000-470890	250000-289999	Bracket, Hood Clip, L. H.
4	A	590 R	410000-470890	250000-289999	Bracket, Hood Clip, R. H.

TRACTORS—MODELS "A" AND "AR"—"AO" (NOT STYLED)



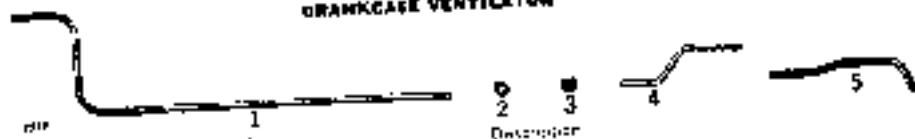
Key	Part No.	A	AR-AO	Description
1A	AA 382 H	410000-470999	250000-271999	Stack, Air Cleaner (High)
1B	AA 474 H	410000-470999	250000-271999	Stack, Air Cleaner (Low)
1C	AA 857 H	410000-470999	250000-271999	Stack, Air Cleaner (Low)
2A	A 444 R	410000-470999	250000-271999	Head, Air Cleaner
2B	A 971 H	410000-470999	250000-271999	Head, Air Cleaner
3	A 825 R	410000-470999	250000-271999	Head, Air Cleaner
4	A 470 R	410000-470999	250000-271999	Head, Air Cleaner
5A	AA 378 R	410000-470999	250000-271999	Filter, Carburetor
5B	AA 378 R	410000-470999	250000-271999	Filter, Carburetor
6A	AA 378 R	410000-470999	250000-271999	Filter, Carburetor
6B	AA 378 R	410000-470999	250000-271999	Filter, Carburetor
7A	AA 514 R	410000-470999	250000-271999	Bracket, Vertical
7B	AA 514 R	410000-470999	250000-271999	Bracket, Vertical
8A	AA 514 R	410000-470999	250000-271999	Bracket, Vertical
8B	AA 514 R	410000-470999	250000-271999	Bracket, Vertical
9	AA 189 R	410000-470999	250000-271999	Bracket, Vertical
10A	AA 189 R	410000-470999	250000-271999	Bracket, Vertical
10B	AA 189 R	410000-470999	250000-271999	Bracket, Vertical
11	AA 189 R	410000-470999	250000-271999	Bracket, Vertical
12A	AA 189 R	410000-470999	250000-271999	Bracket, Vertical
12B	AA 189 R	410000-470999	250000-271999	Bracket, Vertical
13A	AA 189 R	410000-470999	250000-271999	Bracket, Vertical
13B	AA 189 R	410000-470999	250000-271999	Bracket, Vertical
14	AA 189 R	410000-470999	250000-271999	Bracket, Vertical
15	A 658 R	410000-470999	250000-271999	Bracket, Vertical
16	C 672 R	410000-470999	250000-271999	Bracket, Vertical

CRANKCASE BREATHER

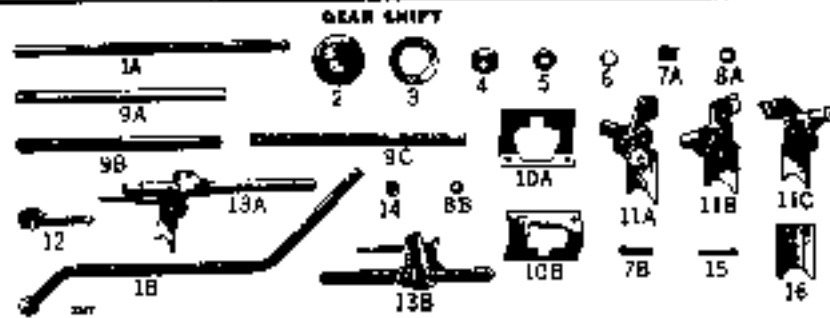


Key	Part No.	A	AR-AO	Description
1A	AA 351 H	410000-470999	250000-271999	Cover, Breather
1B	AA 351 H	410000-470999	250000-271999	Cover, Breather
2	D 1557 R	410000-470999	250000-271999	Filter, Breather
3	D 1952 H	410000-470999	250000-271999	Filter, Breather
4	AA 186 R	410000-470999	250000-271999	Filter, Breather
5	D 1952 H	410000-470999	250000-271999	Filter, Breather
6	D 1952 H	410000-470999	250000-271999	Filter, Breather
7	D 1952 H	410000-470999	250000-271999	Filter, Breather
8	D 1952 H	410000-470999	250000-271999	Filter, Breather
9	24H 143 R	410000-470999	250000-271999	Filter, Breather

CRANKCASE VENTILATOR

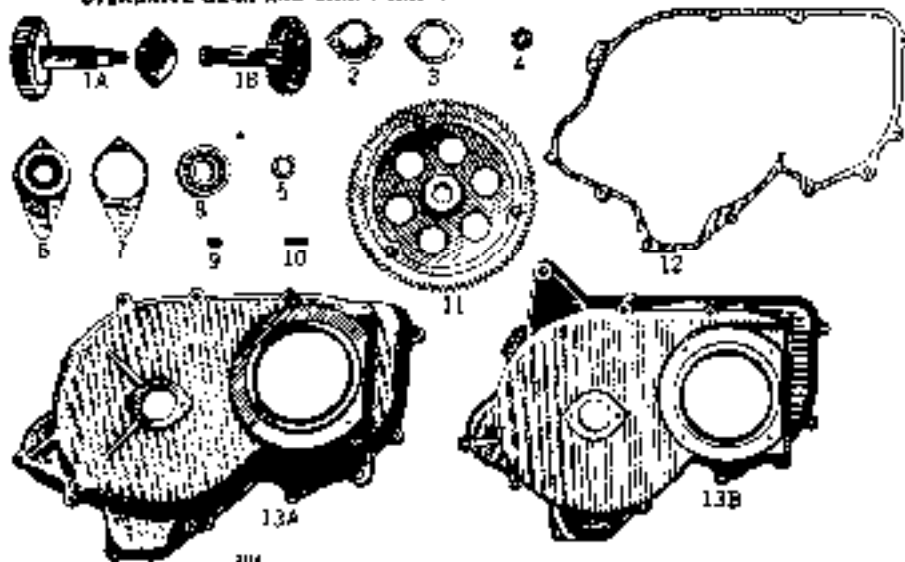


Key	Part No.	A	AR-AO	Description
1	A 1182 H	410000-470999	250000-271999	Filter, Ventilator
2	B 50 R	410000-470999	250000-271999	Filter, Ventilator
3	C 170 R	410000-470999	250000-271999	Filter, Ventilator
4	A 994 R	410000-470999	250000-271999	Filter, Ventilator
5	A 1150 R	410000-470999	250000-271999	Filter, Ventilator



Key	Part No	A	AR-AO	Description
1A	A 504 R	410000-1	250000-271999	Lever, Gear Shift
1B	A 514 R	410000-1	250000-271999	Lever, Gear Shift
2	A 527 R	410000-1	250000-271999	Socket, Fulcrum Ball
3	A 512 R	410000-1	250000-271999	Socket, Fulcrum Ball Socket
4	A 527 R	410000-1	250000-271999	Cover, Fulcrum Ball Socket
5	1A 525 R	410000-1	250000-271999	Ball, Fulcrum
6	1A 525 R	410000-1	250000-271999	Ball, Fulcrum
7A	A 525 R	410000-1	250000-271999	Spring Ring, Gear Shift Lever
7B	A 507 R	410000-1	250000-271999	Spring, Gear Shift Lever
8A	24H 448 R	410000-1	250000-271999	Washer, Gear Shift Spring Retainer
8B	A 147 R	410000-1	250000-271999	Washer, Gear Shift Lower Key
9A	A 519 R	410000-1	250000-271999	Shaft, Shifter
9B	A 107 R	410000-1	250000-271999	Shaft, Shifter
9C	A 2604 R	410000-1	250000-271999	Shaft, Shifter
10A	A 529 R	410000-1	250000-271999	Interlock, Gear Shift
10B	A 513 R	410000-1	250000-271999	Interlock, Gear Shift
11A	AA 321 R	410000-1	250000-271999	Shifter, Gear, Advance, Complete with Yoke
11B	AA 563 R	410000-1	250000-271999	Shifter, Gear, Low and Reverse, A51GR, with Yoke
11C	AA 568 R	410000-1	250000-271999	Shifter, Gear, Second Speed, A16DR, with Yoke
12	A 817 R	410000-1	250000-271999	Arm, Gear Shifter
13A	AA 764 R	410000-1	250000-271999	Shaft, Shifter, with Overdrive Shifter, A511R, and Yoke
13B	AA 767 R	410000-1	250000-271999	Shaft, Shifter, with Overdrive Shifter, A556R, and Yoke
14	D 574 R	410000-1	250000-271999	Screw, Gear Shift Adjusting
15	A 594 R	410000-1	250000-271999	Pin, Gear Shifter
16	A 597 R	410000-1	250000-271999	Yoke, Gear Shifter

OVERDRIVE GEAR AND SHAFT AND FIRST REDUCTION GEAR



Key	Part No	A	AR-AO	Description
1A	AA 5467 R	410000-450503	250000-269999	Gear and Shaft, Overdrive, A547R with R. H. Bearing Cover (28 Teeth Outside, 20 Teeth Inside) (Sub for A4797R)
1B	AA 5468 R	407514-1	250000-271999	Gear and Shaft, A157SH, Overdrive with N1726 Teeth Outside, 20 Teeth Inside (Sub for AA1579R)
2	A 559 R	410000-1	250000-271999	Gear and Shaft, A5462R, Overdrive, with Nut (26 Teeth Outside, 18 Teeth Inside, Sub for AA1568R)
3	A 458 R	410000-1	250000-271999	Cover, Overdrive, R. H. Bearing
4	C 551 R	410000-1	250000-271999	Gasket, Overdrive, R. H. Bearing Cover
5	A 752 R	410000-1	250000-1	Nut, Overdrive Gear and Shaft (Sub for A5342R)
6	A 348 R	410000-1	250000-1	Spacer, First Reduction Gear (Sub for A5342R)
7	A 547 R	410000-1	250000-1	Cover, Overdrive Gear and Shaft L. H. Bearing
8	JD 7879 R	410000-1	250000-1	Gasket, Overdrive Gear and Shaft L. H. Bearing Cover
9	JD 7884 R	410000-1	250000-1	Bearing, Overdrive Gear and Shaft, L. H. End
10	A 130 R	410000-1	250000-1	Bearing, Overdrive Gear and Shaft, R. H. End
11	A 119 R	410000-1	250000-1	Pin, Dowel, First Reduction Gear Cover (2 used)
12	K 3083 R	410000-1	250000-1	Stud, First Reduction Gear Cover to Transmission Case (7/16" x 1-7/8")
13A	AA 5441 R	410000-1	250000-271999	Gasket, First Reduction Gear Cover
13B	A 577 R	410000-1	250000-271999	Cover, A556R and A2441, First Reduction Gear, with Pulley Dust Shield with Oil Seal and Gasket
	AA 1536 R	410000-1	250000-271999	Cover, First Reduction Gear
	A 5473 R	410000-1	250000-271999	Cover, A556R and A2441, First Reduction Gear, with Pulley Dust Shield and Oil Seal and Gasket



TRACTORS—MODELS "A" AND "AR"—A6" NOT STYLED

OVERDRIVE GEAR SHIFT



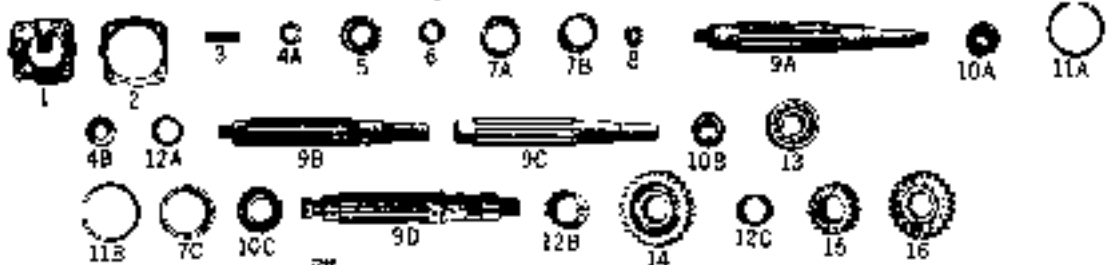
Key	Part No.	A	AR A6	Description
1A	A 147 P	410200	254000 271979	Handle, Overdrive Shift
1B	AA 585 B	410200	254000 271979	Handle, Overdrive Shift with Gear Shift
5	AA 159 P	410200	254000 271979	Handle, Overdrive Shift with Gear Shift
6A	A 115 P	410200	254000 271979	Link, Overdrive Shift
6B	A 147 K	410200	254000 271979	Washer, Key, Overdrive Shift
7	A 147 H	410200	254000 271979	Pin, Retain Lock Nut
8A	AA 170 H	410200	254000 271979	Snap Ring, Overdrive Shift
8B	AA 291 P	410200	254000 271979	Spring, Overdrive Shift
9	A 562 H	410200	254000 271979	Washer, Overdrive Shift

SLIDING GEAR SHAFT



Key	Part No.	A	AR A6	Description
1A	A 174 B	410200	250200 271979	Shaft, Sliding Gear, 1st, L. H. Bearing, Inner Race
2	A 42 B	410200	250200 271979	Shaft, Sliding Gear, 2nd, L. H. Bearing, Outer Race
3	A 34 P	410200	250200 271979	Shaft, Sliding Gear
4	A 11 P	410200	250200 271979	Pin, Retain Speed Sliding Gear
5	A 520 P	410200	250200 271979	Pin, Retain Speed Sliding Gear
6	A 592 P	410200	250200 271979	Pin, Retain Speed Sliding Gear
7A	2C 165 P	410200	250200 271979	Gear, Sliding Gear, 1st, L. H. Bearing
7B	2C 167 P	410200	250200 271979	Gear, Sliding Gear, 2nd, L. H. Bearing
8A	A 140 P	410200	250200 271979	Pin, Sliding Gear, 1st, L. H. Bearing
8B	A 210 P	410200	250200 271979	Pin, Sliding Gear, 2nd, L. H. Bearing
9	A 506 P	410200	250200 271979	Pin, Retain Speed Sliding Gear

COUNTERSHAFT



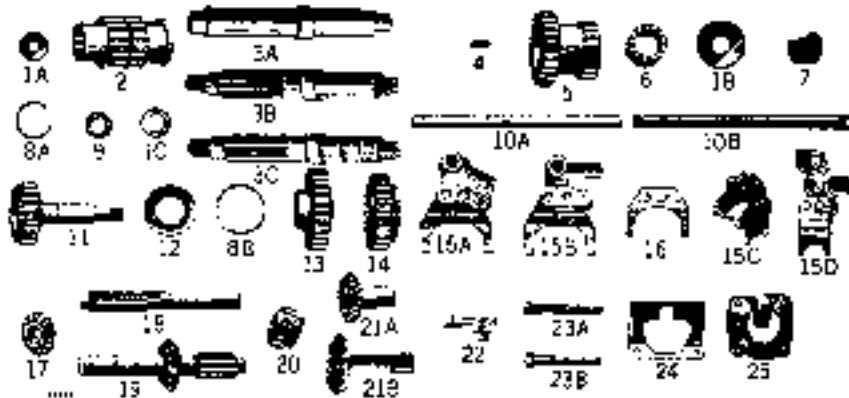
Key	Part No.	A	AR A6	Description
1	A 540 H	410200-424024	250200 251485	Housing, Countershaft, H. H. Bearing
2	A 1153 H	424025-1	251485 259999	Housing, Countershaft, R. H. Bearing
3	A 2318 H	424025-1	250200	Housing, Countershaft, R. H. Bearing
4A	A 415 R	410200-424024	250200 251485	Gasket, Countershaft R. H. Bearing Housing
4B	A 1158 R	424025-1	251485	Gasket, Countershaft R. H. Bearing Housing - Thin
5	A 7158 R	424025-1	251485	Shim, Countershaft R. H. Bearing Housing (Steel, Thin)
6	A 128 R	410200	250200	Stud, Countershaft H. H. Bearing Cover
7A	A 242 R	410200-424024	250200 251485	Washer, Countershaft R. H. Bearing
7B	A 2321 R	410200-424024	250200 251485	Washer, Countershaft L. H. Bearing
8	C 2321 R	424025-1	250200	Washer, Countershaft L. H. Bearing
9A	JD 7502 R	410200-424024	250200 251485	Flange, Curved, and Rollers, Countershaft R. H. Bearing
9B	JD 7512 R	410200-424024	250200 251485	Flange, Inner, Countershaft R. H. Bearing
9C	A 7405 P	424025-1	251485 259999	Cup, Countershaft R. H. Bearing
9D	JD 7500 P	424025-1	250200	Cup, Countershaft R. H. Bearing
10A	A 542 R	410200-424024	251485	Cup, Countershaft L. H. Bearing
10B	A 1533 R	410200-424024	250200 251485	Shim, P. H. and L. H. Countershaft R. H. Bearing
10C	AA 203 R	410200-424024	250200 251485	Countershaft with Idler Gear Locking Scooter
10D	AA 1533 R	410200-424024	250200 251485	Countershaft with Nut
11A	AA 1634 R	410200-424024	250200 251485	Countershaft with Nut
11B	A 1153 R	424025-1	251485 259999	Countershaft
12A	AA 2263 R	410200	250200 271979	Countershaft with Nut
12B	JD 7314 P	424025-1	250200	Cone with Rollers, Countershaft R. H. Bearing
12C	JD 7317 P	424025-1	251485 259999	Cone with Rollers, Countershaft H. H. Bearing
13	JD 7319 P	424025-1	251485	Cone with Rollers, Countershaft L. H. Bearing
14	A 542 R	410200-424024	250200 251485	Snap Ring, Countershaft L. H. Bearing
15	A 1190 R	424025-1	251485	Snap Ring, Countershaft L. H. Bearing
16	A 542 R	410200-424024	250200 251485	Spacer, Countershaft L. H. Bearing
17	A 2317 P	410200	250200 271979	Sealer, Countershaft Gear
18	A 843 P	410200	250200 259999	Sealer, Countershaft Gear
19	JD 7500 P	410200-424024	250200 251485	Bearing, Countershaft L. H.
20	A 510 P	410200	250200 271979	Pin, Retain Speed Sliding Gear 1st, L. H. Bearing
21	A 521 P	410200	250200 271979	Pin, Retain Speed Sliding Gear 2nd, L. H. Bearing
22	A 530 P	410200	250200 271979	Pin, Retain Speed Sliding Gear 3rd, L. H. Bearing
23	A 927 R	410200	250200 271979	Pin, Retain Speed Sliding Gear 4th, L. H. Bearing

COUNTERSHAFT IDLER GEAR



Key	Part No.	A	AA-AO	Description
1A	A 319 R	413465	25 25 252525	Spacer, Inter Gear Locating, Sub. for AA5410R
1C	A 319 R	413465	25 25 252525	Spacer, Counter shaft Inter Gear Bearing, Sub. for AA5411R
1B	A 319 R	413465	25 25 252525	Spacer, Counter shaft Inter Gear Bearing, A to Drive One 416LR
2	A 319 R	413465	25 25 252525	Spacer, Counter shaft Inter Gear Bearing
3	A 319 R	413465	25 25 252525	Spacer, Counter shaft Inter Gear Bearing
4	A 319 R	413465	25 25 252525	Spacer, Counter shaft Inter Gear Bearing, Sub. for AA5425R
5	A 319 R	413465	25 25 252525	Spacer, Counter shaft Inter Gear Bearing, Sub. for AA5426R
6	A 319 R	413465	25 25 252525	Spacer, Counter shaft Inter Gear Bearing, Sub. for AA5427R
7	A 319 R	413465	25 25 252525	Spacer, Counter shaft Inter Gear Bearing, Sub. for AA5428R
8	A 319 R	413465	25 25 252525	Spacer, Counter shaft Inter Gear Bearing, Sub. for AA5429R
9	A 319 R	413465	25 25 252525	Spacer, Counter shaft Inter Gear Bearing, Sub. for AA5430R
10	A 319 R	413465	25 25 252525	Spacer, Counter shaft Inter Gear Bearing, Sub. for AA5431R
11	A 319 R	413465	25 25 252525	Spacer, Counter shaft Inter Gear Bearing, Sub. for AA5432R
12	A 319 R	413465	25 25 252525	Spacer, Counter shaft Inter Gear Bearing, Sub. for AA5433R
13	A 319 R	413465	25 25 252525	Spacer, Counter shaft Inter Gear Bearing, Sub. for AA5434R
14	A 319 R	413465	25 25 252525	Spacer, Counter shaft Inter Gear Bearing, Sub. for AA5435R
15	A 319 R	413465	25 25 252525	Spacer, Counter shaft Inter Gear Bearing, Sub. for AA5436R
16	A 319 R	413465	25 25 252525	Spacer, Counter shaft Inter Gear Bearing, Sub. for AA5437R
17	A 319 R	413465	25 25 252525	Spacer, Counter shaft Inter Gear Bearing, Sub. for AA5438R
18	A 319 R	413465	25 25 252525	Spacer, Counter shaft Inter Gear Bearing, Sub. for AA5439R
19	A 319 R	413465	25 25 252525	Spacer, Counter shaft Inter Gear Bearing, Sub. for AA5440R
20	A 319 R	413465	25 25 252525	Spacer, Counter shaft Inter Gear Bearing, Sub. for AA5441R
21	A 319 R	413465	25 25 252525	Spacer, Counter shaft Inter Gear Bearing, Sub. for AA5442R
22	A 319 R	413465	25 25 252525	Spacer, Counter shaft Inter Gear Bearing, Sub. for AA5443R
23	A 319 R	413465	25 25 252525	Spacer, Counter shaft Inter Gear Bearing, Sub. for AA5444R
24	A 319 R	413465	25 25 252525	Spacer, Counter shaft Inter Gear Bearing, Sub. for AA5445R
25	A 319 R	413465	25 25 252525	Spacer, Counter shaft Inter Gear Bearing, Sub. for AA5446R

SLOW SPEED GEAR ASSEMBLIES



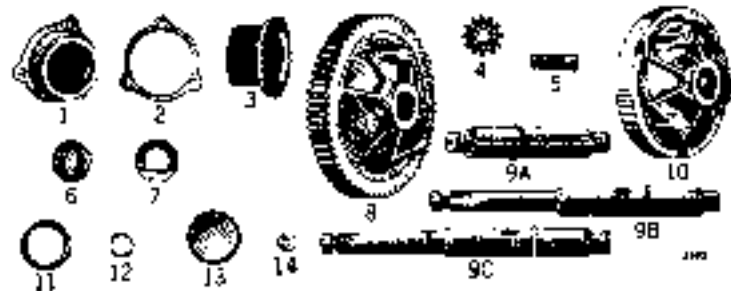
Key	Part No.	A	AA-AO	Description
1A	AA 764 R	424025	25 25 252525	Washer, Counter shaft, L.H. Bearing Retainer
1B	A 1410 R	424025	25 25 252525	Washer, Counter shaft, Inter Gear Thrust
1C	A 1410 R	424025	25 25 252525	Washer, Counter shaft, L.H. Bearing Retainer
2	A 1410 R	424025	25 25 252525	Washer, Differential Drive, and Pinion (17 Teeth) (Sub. for AA5455R)
3A	AA 131 R	424025	25 25 252525	Counter shaft with Gear Pin (No. Larger Size) (Sub. for AA1123R)
3B	AA 131 R	424025	25 25 252525	Counter shaft with Gear Pin, Washer and Nut (Sub. for AA1124R)
3C	AA 131 R	424025	25 25 252525	Counter shaft with Gear Pin
4	A 1410 R	424025	25 25 252525	Washer, Counter shaft, L.H. Bearing Retainer
5	A 1410 R	424025	25 25 252525	Washer, Counter shaft, L.H. Bearing Retainer
6	A 1410 R	424025	25 25 252525	Washer, Counter shaft, L.H. Bearing Retainer
7	A 1410 R	424025	25 25 252525	Washer, Counter shaft, L.H. Bearing Retainer
8A	A 1410 R	424025	25 25 252525	Washer, Counter shaft, L.H. Bearing Retainer
8B	A 1410 R	424025	25 25 252525	Washer, Counter shaft, L.H. Bearing Retainer
8C	A 1410 R	424025	25 25 252525	Washer, Counter shaft, L.H. Bearing Retainer
9	A 1410 R	424025	25 25 252525	Washer, Counter shaft, L.H. Bearing Retainer
10A	A 1410 R	424025	25 25 252525	Washer, Counter shaft, L.H. Bearing Retainer
10B	A 1410 R	424025	25 25 252525	Washer, Counter shaft, L.H. Bearing Retainer
11	A 1410 R	424025	25 25 252525	Washer, Counter shaft, L.H. Bearing Retainer
12	A 1410 R	424025	25 25 252525	Washer, Counter shaft, L.H. Bearing Retainer
13	A 1410 R	424025	25 25 252525	Washer, Counter shaft, L.H. Bearing Retainer
14	A 1410 R	424025	25 25 252525	Washer, Counter shaft, L.H. Bearing Retainer
15A	A 1410 R	424025	25 25 252525	Washer, Counter shaft, L.H. Bearing Retainer
15B	A 1410 R	424025	25 25 252525	Washer, Counter shaft, L.H. Bearing Retainer
15C	A 1410 R	424025	25 25 252525	Washer, Counter shaft, L.H. Bearing Retainer
15D	A 1410 R	424025	25 25 252525	Washer, Counter shaft, L.H. Bearing Retainer
16	A 1410 R	424025	25 25 252525	Washer, Counter shaft, L.H. Bearing Retainer
17	A 1410 R	424025	25 25 252525	Washer, Counter shaft, L.H. Bearing Retainer
18	A 1410 R	424025	25 25 252525	Washer, Counter shaft, L.H. Bearing Retainer
19	A 1410 R	424025	25 25 252525	Washer, Counter shaft, L.H. Bearing Retainer
20	A 1410 R	424025	25 25 252525	Washer, Counter shaft, L.H. Bearing Retainer
21A	A 1410 R	424025	25 25 252525	Washer, Counter shaft, L.H. Bearing Retainer
21B	A 1410 R	424025	25 25 252525	Washer, Counter shaft, L.H. Bearing Retainer
22	A 1410 R	424025	25 25 252525	Washer, Counter shaft, L.H. Bearing Retainer
23A	A 1410 R	424025	25 25 252525	Washer, Counter shaft, L.H. Bearing Retainer
23B	A 1410 R	424025	25 25 252525	Washer, Counter shaft, L.H. Bearing Retainer
24	A 1410 R	424025	25 25 252525	Washer, Counter shaft, L.H. Bearing Retainer
25	A 1410 R	424025	25 25 252525	Washer, Counter shaft, L.H. Bearing Retainer
26	A 1410 R	424025	25 25 252525	Washer, Counter shaft, L.H. Bearing Retainer
27	A 1410 R	424025	25 25 252525	Washer, Counter shaft, L.H. Bearing Retainer
28	A 1410 R	424025	25 25 252525	Washer, Counter shaft, L.H. Bearing Retainer
29	A 1410 R	424025	25 25 252525	Washer, Counter shaft, L.H. Bearing Retainer
30	A 1410 R	424025	25 25 252525	Washer, Counter shaft, L.H. Bearing Retainer
31	A 1410 R	424025	25 25 252525	Washer, Counter shaft, L.H. Bearing Retainer
32	A 1410 R	424025	25 25 252525	Washer, Counter shaft, L.H. Bearing Retainer
33	A 1410 R	424025	25 25 252525	Washer, Counter shaft, L.H. Bearing Retainer
34	A 1410 R	424025	25 25 252525	Washer, Counter shaft, L.H. Bearing Retainer
35	A 1410 R	424025	25 25 252525	Washer, Counter shaft, L.H. Bearing Retainer

HIGH SPEED GEAR ASSEMBLIES



Key	Part No.	A	AR-AD	Description
1	A 258 P	410000-1	250000-259999	Pinion, D. Helical, 1 1/2" Dia. 19 Teeth; Sub. for AA549R
2	A 2577 R	410000-1	250000-259999	Pinion, F. 3' Spool, Spline 25 Teeth; Sub. for AA549R
J	A 2579 R	410000-1	250000-259999	Pinion, Square Spline, 25 Teeth; Sub. for AA549R
4	A 817 R	410000-1	250000-259999	Pinion, S. and G. Gear Shaft Drive, 17 Teeth; Sub. for AA549R
A	A 2571 R	410000-1	250000-259999	Pinion, S. and G. Gear Shaft Drive, 17 Teeth; Sub. for AA549R
5A	AA 5474 R	410000-1	250000-259999	Gear and Shaft, 4838P Overdrive, with Bearing Cover, 24 Teeth Outside, 17 Teeth Inside; Sub. for AA549R
5B	AA 5475 R	410000-1	250000-259999	Gear and Shaft, 4220P Overdrive, with Nut, 27 Teeth Outside, 17 Teeth Inside; Sub. for AA549R
6	AA 5437 P	410000-1	250000-259999	Gear and Spider, 4220P Overdrive
7A	A 103 P	410000-1	250000-259999	Gear, Powershaft, S. and G. 2 Teeth; Sub. for AA549R
7B	A 2573 R	410000-1	250000-259999	Gear, Powershaft, S. and G. 2 Teeth; Sub. for AA549R
R	A 2576 R	410000-1	250000-259999	Gear, Countershaft, F. 3' Spool, 25 Teeth; Sub. for AA549R
9	A 2578 R	410000-1	250000-259999	Gear, Countershaft, Square Spline, 19 Teeth; Sub. for AA549R
10	A 816 R	410000-1	250000-259999	Gear, Countershaft, 19 and 28 Teeth; Sub. for AA549R
A	A 2572 R	410000-1	250000-259999	Gear, Countershaft, 16 and 27 Teeth; Sub. for AA549R

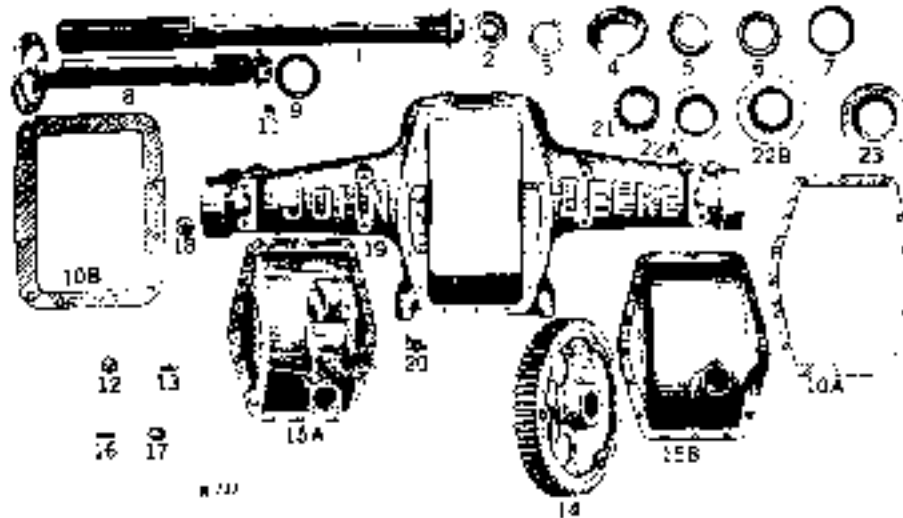
DIFFERENTIAL



Key	Part No.	A	AR-AD	Description
1	A 11 R	410000-1	250000-259999	Out. D. Helical Bearing (Used on AR only, when equipped with D. Helical Brake)
2	AA 406 H	410000-1	250000-259999	Gasket, D. Helical Oil Pan
A	A 510 R	410000-1	250000-259999	Sh. R. Differential Bearing Out. Steel Thick (Sub. for A11R)
AA	A 511 H	410000-1	250000-259999	Sh. R. Differential Bearing Out. L. Steel Thin
AA	A 612 R	410000-1	250000-259999	Gasket, Differential Bearing Out. Thick
3	A 468 R	410000-1	250000-259999	Pinion, Differential Base Gear and Spur (Sub. for AA549R)
4	A 169 R	410000-1	250000-259999	Pinion, Differential Base Gear and Spur (Sub. for AA549R)
5	A 9307 R	410000-1	250000-259999	Small, Differential Base Pinion (Sub. for AA549R)
5A	JD 796 K	410000-1	250000-259999	Gear, Differential Bearing, R. H. and L. H.
5B	JD 813 H	410000-1	250000-259999	Gear, Differential Bearing, R. H. and L. H. (Used on AR only, when equipped with Differential Brake)
JD	813 R	410000-1	250000-259999	Gear with R. H. Helical Bearing (AR only)
7	A 932 R	410000-1	250000-259999	Washer, Differential Thrust
8	AA 5435 R	410000-1	250000-259999	Gear and Spile, Keyed Gear (Sub. for AA549R)
9A	A 2906 R	410000-1	250000-259999	Shaft, Differential (Used on AR only when equipped with Differential Brake)
9B	AA 1803 R	410000-1	250000-259999	Shaft, Differential, with Nut
9C	AA 3051 R	410000-1	250000-259999	Shaft, Differential, with Nut
10	A 2895 R	410000-1	250000-259999	Solder, D. Helical (Keyed) (Sub. for A11R Solder) (No longer sold, order AA561R)
11	JD 7975 R	410000-1	250000-259999	Cup, Differential Bearing, R. H. and L. H.
JD	7430 P	410000-1	250000-259999	Cup, Differential Bearing, R. H. and L. H.
12	A 281 R	410000-1	250000-259999	Snap Ring, Differential Shaft R. H. Bearing
A	A 282 R	410000-1	250000-259999	Snap Ring, Differential Bearing (AR only) (.100" - .107" Thick)
A	A 2996 R	410000-1	250000-259999	Snap Ring, Differential Bearing (AR only) (.112" - .119" Thick)
A	A 2827 R	410000-1	250000-259999	Snap Ring, Differential Bearing (AR only) (.115" - .113" Thick)
A	A 2524 R	410000-1	250000-259999	Snap Ring, Differential Bearing (AR only) (.118" - .116" Thick)
B	A 1403 R	410000-1	250000-259999	Snap Ring, Differential Shaft (.118" Thick) (Used on AR only when equipped with Differential Brake)
B	A 1404 R	410000-1	250000-259999	Snap Ring, Differential Shaft (.118" Thick) (Used on AR only when equipped with Differential Brake)
B	A 1405 R	410000-1	250000-259999	Snap Ring, Differential Shaft (.112" Thick) (Used on AR only when equipped with Differential Brake)
B	A 1406 R	410000-1	250000-259999	Snap Ring, Differential Shaft (.102" Thick) (Used on AR only when equipped with Differential Brake)
13	A 283 R	410000-1	250000-259999	Cover, Differential Shaft R. H. Bearing
14	A 127 R	410000-1	250000-259999	Washer, Differential Gear to Spider



FINAL DRIVE



Key	Part No.	A	AR-AC	Description
1	AA 035 R	460000		Shaft, Rear Axle, with Nut and Bearing Race, Except ANH and A9-A
	AA 1621 P	410000 430354		Shaft, Rear Axle, with Nut, For "B" Max. Main Tire
	AA 1820 R	418023 459229		Shaft, Rear Axle, with Nut
	AA 1846 R	468068		Shaft, Rear Axle, with Nut, ANH, AWH
2	A 76 R	410000	250000-00	Nut, Rear Axle Shaft
3	A 810 R	411563 413647		Washer, Rear Axle Oil Seal
	A 829 R	413648	250000-01	Washer, Rear Axle Oil Seal
4	A 313 R	410000 411562		Ballance Oil Seal and Flat Rear Axle Seals for A450R (Oil Seal only), Sub for A450CR
5	A 313 R	410000 467023	250000-01	Spacer, Rear Axle Bearing (Seals for A450H Oil Seal on a Sub for A450CR)
	A 413 R	410000 411522	250000-01	Spacer, Rear Axle Bearing (Seals for A450H Oil Seal on a Sub for A450CR)
	A 1313 R		250000-271994	Spacer, Rear Axle Bearing (For AP Tractors Equipped with Rear Wheel Brakes), Sub for A450CR
	A 1374 R	467024		Spacer, Rear Axle Bearing (Sub for A450CR) (Except ANH and AWH)
6	AA 502 R	410000 411522		Wash, Oil, Rear Axle (Seals for A450R) (Sub for A450H)
	AA 487 R	411543 413647		Wash, Oil, Rear Axle Inner Bearing (Sub for A450R)
	AA 510 R	413648	250000	Wash, Oil, Rear Axle Inner Bearing (Sub for A450R)
7	JD 2292 R	410000 453928	250000	Cup, Rear Axle Bearing (Internal) Outer
	JD 2292 R	250000 259929		Cup, Rear Axle Bearing (Inner) For AP Tractors Equipped with Rear Wheel Brakes
	JD 2412 R	250000 271994		Cup, Rear Axle Bearing (Outer) For AP Tractors Equipped with Rear Wheel Brakes
	JD 2412 R	462500		Cup, Rear Axle Bearing (Internal) Outer
	JD 2435 R	250000		Cup, Rear Axle Bearing
8	AA 936 R	251131 259929		Small, Rear Axle, with Nut, R.H.
	AA 937 R	251132 259929		Small, Rear Axle, with Nut, L.H.
	AA 1073 R	250000 271994		Small, Rear Axle, with Nut, H.H. For All Tractors Equipped with Rear Wheel Brakes
	AA 1074 R	250000 271994		Small, Rear Axle, with Nut, L.H. For All Tractors Equipped with Rear Wheel Brakes
	AA 1086 R	250000 253332		Small, Rear Axle, with Nut, H.H.
	AA 1361 R	250000 253332		Small, Rear Axle, with Nut, L.H.
	AA 2048 R	250000 271994		Small, Rear Axle, with Nut, R.H.
	AA 2047 R	250000		Small, Rear Axle, with Nut, L.H.
9	A 380 R	410000	250000	Washer, Flat, Rear Axle (Sub for G8-A)
	A 386 R	410000 411522		Washer, Flat, Rear Axle (Seals for A450R) (Sub for A450CR)
	AA 1067 R	250000 271994		Washer, Flat, Rear Axle (For AP Tractors Equipped with Rear Wheel Brakes)
10A	A 413 R	410000	250000	Bracket, Rear Axle Hoop, 5 1/2 In. Dia.
10B	A 554 R	410000		Bracket, Rear Axle Hoop, 5 1/2 In. Dia. (Sub for A413)
11	A 483 R	410000	250000	Washer, Ring, Drive Shaft, Ballancing, 5 1/2 In. Dia.
12	SH 840 H	413278	250000	Prot. Pipe, Rear Axle Housing (Internal)
13	C 533 R	410000	250000	Prot. Cover, Rear Axle Housing (Internal) Outer
14	AA 5446 P	410000 439302	250000 254129	Gear, Final Drive, with A27MR Spindle, 2 1/2 In. Dia. for A425CR and A425DR
	AA 5445 P	439303	250000 259929	Gear, Final Drive, with A27MR Spindle, 2 1/2 In. Dia. for A425P and A425H
	AA 5445 R	439304	250000 259929	Gear, Final Drive, with A27MR Spindle, 2 1/2 In. Dia. for A425R and A425H
	AA 5445 R	439305	250000 271994	Gear, Final Drive, with A27MR Spindle, 2 1/2 In. Dia. for A425H or A425R - to AP Tractors Equipped with Rear Wheel Brakes
15A	A 2738 H		250000 271994	Cover, Rear Axle Housing (Internal)
15B	AA 504 H	410000	250000 259929	Cover, A57R, Rear Axle Housing (With Filter Plug)
	A 2194 R		250000 271994	Cover, Rear Axle Housing (Internal)
16	A 5292 R	460000		Shield for Oil or Grease (Mounting) on Rear Axle Housing (Internal) (Sub for A425R)
17	A 1592 R	460000		Oil, Special, Heavy, Castrol, 10W-30, Quick-Lub, Grease Attachment (10W-30)
18	SH 282 R		250000	Prot. Pipe, Rear Axle Housing (Internal)
	SH 281 R	410000	250000 259929	Prot. Pipe, Rear Axle Housing (Internal)
19	A 921 R		250000 271994	Housing, Rear Axle
	A 1368 R		250000 271994	Housing, Rear Axle (For AP Tractors Equipped with Rear Wheel Brakes)
	AA 508 R	417000 459299		Housing, A425H, Rear Axle, with Bush, 1 1/2 In. Dia. (Sub for A425H)
	AA 2485 R	467000		Housing, A425H, Rear Axle, with Bush, 1 1/2 In. Dia. (Except ANH and AWH)
	AA 2485 R	467000		Housing, A425H, Rear Axle, with Bush, 1 1/2 In. Dia. (Sub for A425R)
20	JD 2760		250000	Filter, Oil, Heavy, Rear Axle Shaft
21	JD 2245 R	410000 453929	250000	Cone, with Holes, Rear Axle (Seals for A450R) (Sub for A450CR)
	JD 2245 P	250000 259929		Cone, with Holes, Rear Axle (Seals for A450R) (Sub for A450CR)
	JD 2245 R	250000 271994		Cone, with Holes, Rear Axle (Seals for A450R) (Sub for A450CR)
	JD 2245 R	250000		Cone, with Holes, Rear Axle (Seals for A450R) (Sub for A450CR)
22A	A 1313 R	450000	250000	Ring, Rear Axle Flat, For AP Tractors Equipped with Rear Wheel Brakes
22B	A 1313 R	410000	250000	Ring, Rear Axle Flat, For ANH and AWH
23	A 1241 R	469558	250000	Ring, Rear Axle Flat, For ANH and AWH

TRACTORS—MODELS "A" AND "AB"—"AD" (NOT STYLED)

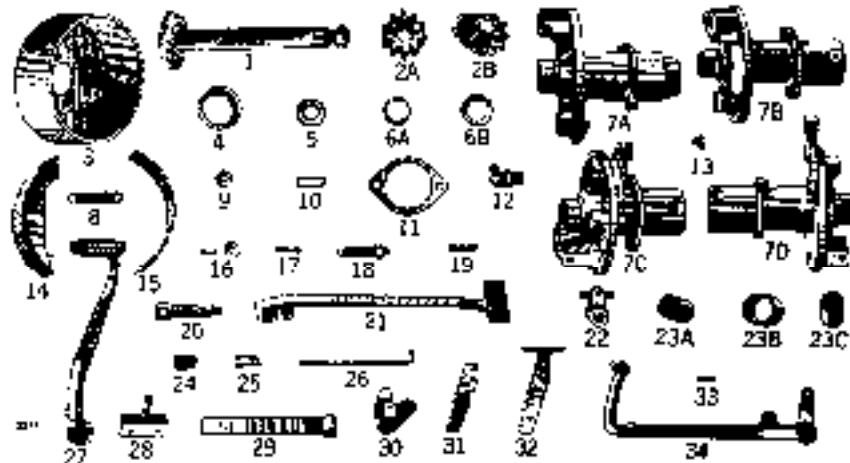
POWERSHAFT



Key	Part No.	A	4M-41	Description
2A	2428 P	415670	266101	Gearing, Powershaft—Sub for 4141R.
2B	571 P		256024 256025	Shaft, Powershaft—Sub for 2111R.
	451 R		256026 260459	Shaft, Powershaft—Sub for 2111R.
	1928 R		712750	Shaft, Powershaft—Sub for 1111R. Sub One 4456P and One F211R [
	1936 R			Shaft, Powershaft—Sub for 1111R.
3	1242 R	410 00	256200 258119	Gears, Powershaft—1st
4	775 R	410429	256200 258119	Gears, Powershaft—Rear End Parking
5A	452 R	410501 410123		Box, Shaft for 4774H with Parking Gear. Powershaft Rear End—Sub One 4774R, One 4775R, Two 4574R.
5B	774 R	410529	256200 258119	Box, Shaft, Powershaft—Rear End
6	375 R	410 00	256201 258120	Parking, Powershaft—Rear End—1st Gear
	374 R	410 00	256201 258120	Gears, Powershaft—Shafting—1st Gear
	373 R		256200	Gears, Powershaft—Shafting
	374 R		256201 258120	Gears, Powershaft—Shafting—2nd Gear
	2296 R		256201 258120	Gears, Powershaft—Shafting—3rd Gear
8	1626 R		256201 258120	Gears, Powershaft—Shafting—4th Gear
9	177 R	410202	256201 258120	Shaft, Powershaft—Shafting—1st Gear
	215 R		256201 258120	Shaft, Powershaft—Shafting—2nd Gear
	215 R		256201 258120	Shaft, Powershaft—Shafting—3rd Gear
	162 R	410102	256201 258120	Shaft, Powershaft—Shafting—4th Gear
10	7684 R	410202	256201 258120	Shaft, Powershaft—Shafting—5th Gear
	7684 R	410202	256201 258120	Shaft, Powershaft—Shafting—6th Gear
	7673 R	410202	256201 258120	Shaft, Powershaft—Shafting—7th Gear
	7673 R	410202	256201 258120	Shaft, Powershaft—Shafting—8th Gear
11A	564 P	41 00 0	256201 258120	Shaft, Powershaft—Shafting—9th Gear
11B	558 P	41 00 0	256201 258120	Shaft, Powershaft—Shafting—10th Gear
11C	1264 P		256201 258120	Shaft, Powershaft—Shafting—11th Gear
11D	1265 P		256201 258120	Shaft, Powershaft—Shafting—12th Gear
12	102	415682	256201 258120	Shaft, Powershaft—Shafting—13th Gear
13	23 P	415682	256201 258120	Shaft, Powershaft—Shafting—14th Gear
14	1011 P	415682	256201 258120	Shaft, Powershaft—Shafting—15th Gear
15	1011 P	415682 450501	256201 258120	Shaft, Powershaft—Shafting—16th Gear
	1010 P	415682	256201 258120	Shaft, Powershaft—Shafting—17th Gear
16	567 P	415682	256201 258120	Shaft, Powershaft—Shafting—18th Gear
17	567 P	415682	256201 258120	Shaft, Powershaft—Shafting—19th Gear
18A	675 R	415682 415683	256201 258120	Shaft, Powershaft—Shafting—20th Gear
18B	2022 R	415682	256201 258120	Shaft, Powershaft—Shafting—21st Gear
18C	2020 R	415682	256201 258120	Shaft, Powershaft—Shafting—22nd Gear
19A	351 R	415682	256201 258120	Shaft, Powershaft—Shafting—23rd Gear
19B	350 R	415682	256201 258120	Shaft, Powershaft—Shafting—24th Gear
19C	351 P	415682	256201 258120	Shaft, Powershaft—Shafting—25th Gear
20A	554 P	415682	256201 258120	Shaft, Powershaft—Shafting—26th Gear
20B	555 P	415682	256201 258120	Shaft, Powershaft—Shafting—27th Gear
21	5184 R		256201 258120	Shaft, Powershaft—Shafting—28th Gear
22	5184 R		256201 258120	Shaft, Powershaft—Shafting—29th Gear
23A	5173 H		256201 258120	Shaft, Powershaft—Shafting—30th Gear
23B	5173 H		256201 258120	Shaft, Powershaft—Shafting—31st Gear
24	5173 H	415682	256201 258120	Shaft, Powershaft—Shafting—32nd Gear
25	553 R	415682	256201 258120	Shaft, Powershaft—Shafting—33rd Gear
26A	554 R	415682	256201 258120	Shaft, Powershaft—Shafting—34th Gear
26B	553 R	415682	256201 258120	Shaft, Powershaft—Shafting—35th Gear
27	554 R	415682	256201 258120	Shaft, Powershaft—Shafting—36th Gear
28	554 R	415682	256201 258120	Shaft, Powershaft—Shafting—37th Gear
29	554 R	415682	256201 258120	Shaft, Powershaft—Shafting—38th Gear
29A	554 R	415682	256201 258120	Shaft, Powershaft—Shafting—39th Gear
29B	554 R	415682	256201 258120	Shaft, Powershaft—Shafting—40th Gear

4 Used only on tractors with 1700-1750 P. 5 Used only on tractors with 1700-1750 P. 6 Used only on tractors with 1700-1750 P. 7 Used only on tractors with 1700-1750 P. 8 Used only on tractors with 1700-1750 P. 9 Used only on tractors with 1700-1750 P. 10 Used only on tractors with 1700-1750 P. 11 Used only on tractors with 1700-1750 P. 12 Used only on tractors with 1700-1750 P. 13 Used only on tractors with 1700-1750 P. 14 Used only on tractors with 1700-1750 P. 15 Used only on tractors with 1700-1750 P. 16 Used only on tractors with 1700-1750 P. 17 Used only on tractors with 1700-1750 P. 18 Used only on tractors with 1700-1750 P. 19 Used only on tractors with 1700-1750 P. 20 Used only on tractors with 1700-1750 P. 21 Used only on tractors with 1700-1750 P. 22 Used only on tractors with 1700-1750 P. 23 Used only on tractors with 1700-1750 P. 24 Used only on tractors with 1700-1750 P. 25 Used only on tractors with 1700-1750 P. 26 Used only on tractors with 1700-1750 P. 27 Used only on tractors with 1700-1750 P. 28 Used only on tractors with 1700-1750 P. 29 Used only on tractors with 1700-1750 P. 30 Used only on tractors with 1700-1750 P. 31 Used only on tractors with 1700-1750 P. 32 Used only on tractors with 1700-1750 P. 33 Used only on tractors with 1700-1750 P. 34 Used only on tractors with 1700-1750 P. 35 Used only on tractors with 1700-1750 P. 36 Used only on tractors with 1700-1750 P. 37 Used only on tractors with 1700-1750 P. 38 Used only on tractors with 1700-1750 P. 39 Used only on tractors with 1700-1750 P. 40 Used only on tractors with 1700-1750 P.

DIFFERENTIAL BRAKES



Key	Part No.	A	AR-AO	Description
L	6A 1374	424025	25426 271910	Shaft, Brake - Engage AO
	6A 1374		25426 271910	Shaft, Brake, R. H. AO only
	6A 1374		25426 255930	Shaft, Brake, L. H. AO only
	6A 1375		250000 271959	Shaft, Brake, L. H. AO only
	6A 1375	410000-424024	250000 271959	Shaft, Brake
2A	R 514	410000-424024	250000 271959	Pin, on Brake Shaft (Sub. for AAG468R)
2B	R 1762	424025	251486 271959	Pin, on Brake Shaft (Sub. for AA4465R)
3	R 491	410000	250000	Pin, on Brake Shaft (Sub. for A511R)
4	R 510	410000	250000	Pin, on Brake Shaft (Sub. for A511R)
6	24H 591	410000	250000	Washer on Brake Latch Pin (Sub. for 24H441R)
	A 115	410000-424024	250000 251485	Washer, Brake Shaft Pinion
	A 2259		251143	Washer on Brake Shoe Roller Pin
	I 136	424025	251485	Washer, Brake Shaft
	I 24H	424025	251485	Washer, Brake Shaft Pinion
6A	O 1621	410000-424024	250000 251485	Washer, Brake Shaft Pinion
6B	O 1621	410000-424024	250000 251485	Washer, Brake Shaft Pinion
7A	AA 352	410000-424024	250000 251485	Housing, Brake, A100R, with Bushing
7B	AA 1078	424025	251485 271959	Housing, Brake, A110R, with Bushing and Oiler (AO only)
	AA 1078		251485 252999	Housing, Brake, A110R, with Bushing and Oiler (AO only)
	AA 1276		250000 271959	Housing, Brake, A100R, L. H. with Bushing and Oiler (AO only)
7C	AA 1277		250000 271959	Housing, Brake, A100R, R. H. with Bushing and Oiler (AO only)
8	A 340	410000	250000	Spring, Brake Shoe
	A 340		250000 271959	Spring, Brake Shoe
	A 340		250000 252999	Spring, Brake Shoe, AO only
9	A 144	410000	250000	Roller, Brake Shoe (Sub. AA4837R)
10	A 321	410000	250000	Cam, Brake
11	A 475	410000	250000 271959	Bracket, Brake Housing in Transmission Case
12	JD 770	410000 424024	250000 251485	Pin, on Brake Housing
13	AA 81	424025	251485	Cup, on Outer Brake Shaft Bearing
14	AA 3	410000	250000	Shoe, Brake, with Lining
15	AA 425	410000	250000	Lining, Brake Shoe (Set of Four AA411R Linings and Thirty- two Pins)
16	AA 482	410000	250000	Pin, Brake Shoe Roller with Washers (Substitute for A104R and A107R)
17	A 965		250000 271959	Pin, Brake Pads (AO only)
	A 965		250000 252999	Pin, Brake Pads (AO only)
18	A 151	410000	250000	Screw, Brake Adjusting
19	A 124	410000	250000	Pin, Brake Adjusting
20	A 152	410000	250000	Shaft, Brake Lever
21	A 1512		250000 271959	Pedal, Brake, R. H. (AO only)
	A 1511		250000 271959	Pedal, Brake, L. H. (AO only)
22	A 1035		250000 271959	Arm, Brake Lever Shaft
23A	A 1763	424025	251485	Bushing, Brake Shaft (Outer)
23B	A 1508	424025	251485 271959	Bushing, Brake Shaft (Inner) (Sub. for A1169R)
23C	A 506	410000-424024	250000 251485	Bushing, Brake Shaft
24	I 3M 253		250000	Plug, Pin in Brake Housing
25	I 284		250000	Yoke, Brake Operating Rod (AR only)
	I 284		250000 252999	Yoke, Brake Operating Rod (AO only)
26	A 1036		250000 271959	Rod, Brake Operating (AR only)
	A 1036		250000 252999	Rod, Brake Operating (AO only)
27	A 88	410000		Pedal, Brake, R. H.
	A 88	410000		Pedal, Brake, L. H.
28	AA 319	410000-454071		Support, Brake Latch
	I 3D 330	454072		Support, Brake Latch
29	B 306	454072		Latch, Brake
	I 3E 2182	410000-454071		Latch, Brake
30	B 638		250000 271959	Latch, Brake (AO only)
31	A 345		250000	Latch, Brake (AR only)
	A 345		250000 252999	Latch, Brake (AO only)
32	AA 340		250000 271959	Pedal, A104R, Brake, with Latch, R. H. and L. H. (AR only)
	AA 340		250000 252999	Pedal, A104R, Brake, with Latch, R. H. and L. H. (AO only)
33	C 1067		250000	Pin, Brake Rod Tube (AR only)
	C 1067		250000 252999	Pin, Brake Rod Tube (AO only)
34	A 668		250000 271959	Lever, Brake (AR only)
	A 668		250000 252999	Lever, Brake (AO only)
	R 495	410000	250000	Packing, "O" Ring, on Brake Lever Shaft
	24H 58	410000	250000	Washer on Brake Lever Shaft (2 used)

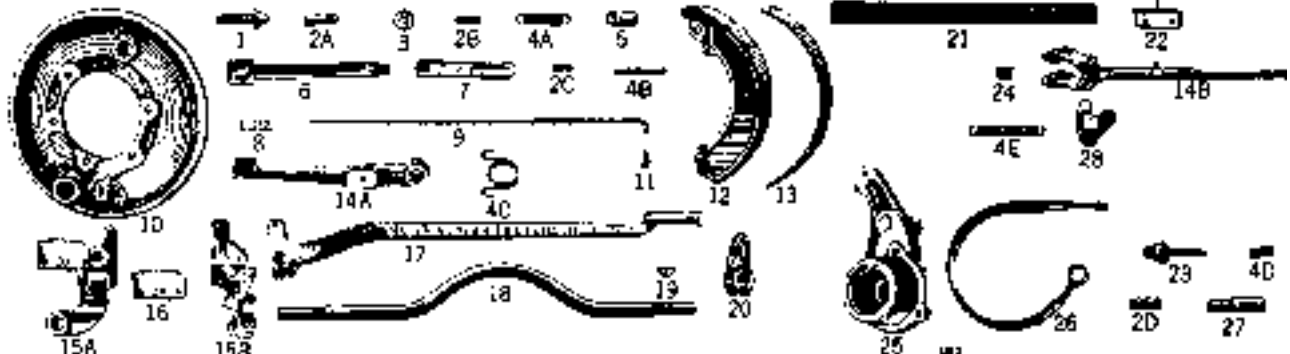
TRACTORS—MODELS "A" AND "AR"—(AD) (NOT STYLED)

SERVICE BRAKE (AR ONLY)



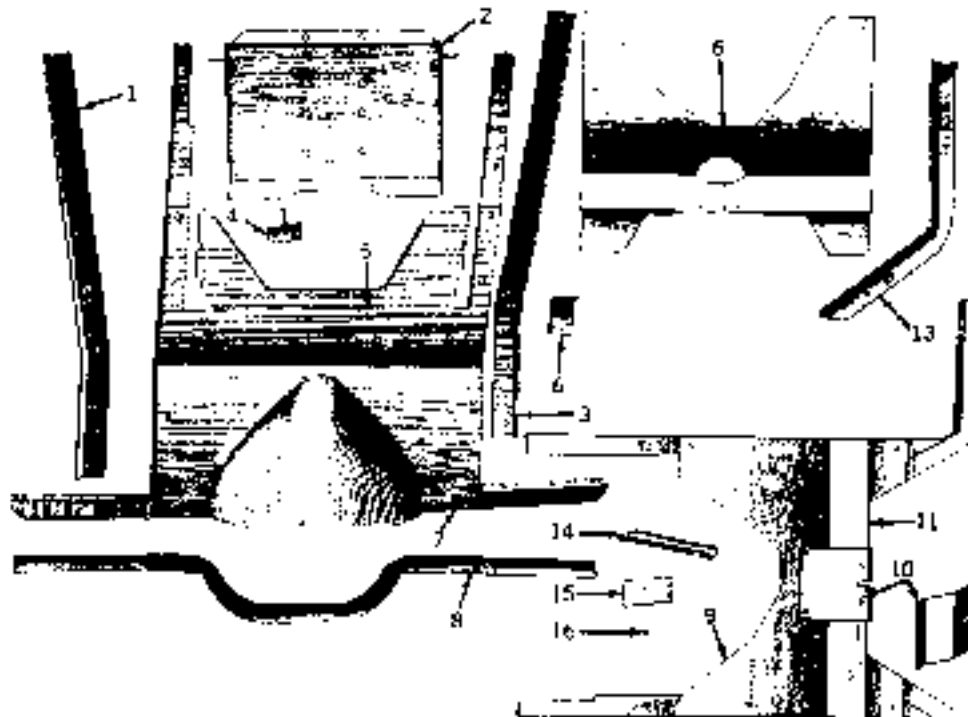
Qty.	Part No.	AR	Description
1	A	250000	Washer, Flat, Brake Hoisting (Sub. for A456R)
2	A	250000	Steel Brake Band, New
3	4A	250000	Hydraulic Brake Hub for A127R
4	A	250000	Retainer, Brake Hoisting Fall
5A	14	250000	Bracket, D. Herringbone Coll. Thin
	14C	250000	Bracket, D. Herringbone Coll. Thick
	14	250000	Shim, D. Herringbone Coll. Thick (Sub. A511R)
	14	250000	Shim, D. Herringbone Coll. Thin
5B	A	250000	Bracket, Brake Hoisting Operating Cover in Case
6	A	250000	Shim, Brake Sub. for A456R
7	A	250000	Washer, Differential Shaft
8	JD	250000	Pin, Operating, in Brake Hoisting
9	AA	250000	Band, Brake, in L. Eng.
10	A	250000	End, Brake Band Adjusting
11A	D	250000	Support, Brake Band Adjusting Pin
11B	A	250000	Support, Brake Band Adjusting Pin
12	A	250000	Spring, Brake Lever
13	AA	250000	Nut, Brake Band Adjusting
14	A	250000	Lower, Brake Band
14B	CO	250000	Pin, Brake Rod Yoke
14C	A	250000	Pin, Brake Band (Driver)
15	A	250000	Pin, Brake Band (Driver)
16	A	250000	Yoke, Brake Operating Rod
17	A	250000	Rod, Brake Operating
18	AA	250000	Locking, Brake Band
19	A	250000	Bracket, A4511, with Latch, Brake
20	AA	250000	Lower, Brake
21	A	250000	Support, Brake Lever
21	A	250000	Cover, Brake Hoisting Operating

REAR WHEEL BRAKES (AR ONLY)



Qty.	Part No.	AR	Description
1	A	250000	Shim, Brake Adjusting
1A	A	250000	Pin, Brake Adjusting
2	B	250000	Pin, Brake Shoe Retain
2C	D	250000	Pin, Brake Control Link
2D	A	250000	Pin, Brake Pads, Only for Service Brake on AR Tractors with Rear Wheel Brakes!
3	A	250000	End of Brake Shoe
4A	A	250000	Socket, Brake Shoe
4B	D	250000	Socket, Hand Lever Pawl Rod
4C	A	250000	Socket, Brake Pedal, L.H.
	1A	250000	Socket, Brake Pedal, R.H.
4D	D	250000	Socket, Brake Band Adjusting End
4E	C	250000	Socket, Brake Pedal Only for Service Brake on AR Tractors with Rear Wheel Brakes!
5	D	250000	Cam, Brake (Sub. for 2200R)
6	A	250000	Shim, Brake Cam
7	B	250000	Link, Brake Control
8	D	250000	Raw, Hand Lever
9	A	250000	Raw, Hand Lever Pawl
10	A	250000	Cam, Brake Shoe
11	D	250000	Button, Hand Lever Pawl Rod
12	AA	250000	Shoe, Brake, A132R, with Facing
13	A	250000	Facing, Brake
14A	A	250000	Pedal, Brake, L. H.
	A	250000	Pedal, Brake, R. H.
14B	A	250000	Pedal, Brake Only for Service Brake on AR Tractors with Rear Wheel Brakes!
15A	AA	250000	Bracket, A137R, L. H. Brake Shaft, with Latch Plate
15B	A	250000	Bracket, Brake Shaft, L. H.
	A	250000	Bracket, Brake Shaft, R. H.
16	A	250000	Plate, Latch, Brake
17	A	250000	Lever, Brake Band
18	A	250000	Shaft, Brake Cross
19	25H	250000	Key, Wrench, in Brake Cross Shaft (Sub. for 26H22R)
20	A	250000	Lever, Brake Cross Shaft
21	A	250000	Link, Brake Band (Only for Service Brake on AR Tractors with Rear Wheel Brakes)
22	AA	250000	Support, Brake Lever
23	A	250000	End, Brake Band Adjusting
24	A	250000	Nut, Brake Band Adjusting
25	AA	250000	Bracket, A1181C, with Pawl Pin and Bearing Coll. Only for Service Brake on AR Tractors with Rear Wheel Brakes!
26	AA	250000	Band, Brake, with L. Eng. (Only for Service Brake on AR Tractors with Rear Wheel Brakes)
27	A	250000	Pin, Brake Pedal (Only for Service Brake on AR Tractors with Rear Wheel Brakes)
28	D	250000	Latch, Brake Pedal (Only for Service Brake on AR Tractors with Rear Wheel Brakes)

PLATFORM



A-115

Key	Part No	A	AR-60	Description
1	A 1001 R	750000-259-98	Support, Platform, L. H. (Substyle AA396R)
	A 1258 R	752139-259591	Support, Platform, L. H.
	A 1343 R	752692-258329	Support, Platform, R. H.
	A 2534 R	758330-271999	Support, Platform, R. H.
3	AA 113 R	410000-1	Platform with Rear Hitch Support
	A 1000 R	250000-259198	Support, Platform, R. H.
	A 1258 R	752139-259591	Support, Platform, R. H.
	A 1344 R	752837-258329	Support, Platform, L. H.
4	A 2535 R	758330-271999	Support, Platform, L. H.
	AA 319 R	410000-464072	Support, Brake Latch
5	AD 310 R	464072	Support, Brake Latch, with Pin
	A 359 R	250000 252891	Platform
6	A 1326 R	750000 258329	Platform*
	A 1341 R	752592 258329	Platform*
7	A 1327 R	750000 271999	Platform*
	AA 658 R	250000 252198	Brake, Platform, Rear*
8	AA 908 R	252139 252631	Platform with Supports and Cross Angle
	AA 1023 R	252139 252631	Platform with Supports and Cross Angle
9	AA 1023 R	250000 258329	Platform with Supports and Cross Angle (Sub. AA3856R)
	AA 1023 R	250000 252198	Platform with Supports and Cross Angle (Sub. AA3052R)*
10	A 1258 R	752139 252631	Angle, Cross, Platform (63-14") Long
	A 1342 R	752592 258329	Angle, Cross, Platform (63-14") Long
11	A 2533 R	258329 271999	Platform, AR only (Sub. A3941R)
	A 2533 R	258329 271999	Platform*
12	A 2533 R	250000 271999	Platform (AO only) (Sub. A3261R)
	A 2545 R	258329 252631	Shield, Safety
13	A 2545 R	258329 271999	Shield, Safety
	AA 1000 R	258329 252631	Platform with Supports and Cross Angle (AR only) (Sub. AA316R)
14	AA 1002 R	258329 252631	Platform with Supports and Cross Angles*
	AA 1264 R	250000 252631	Platform with Support Angles (AO only) (Sub. AA3866R)
15	AA 2551 R	252700 271999	Platform with Support Angles (AR only) □
	AA 2552 R	252700 271999	Platform with Support Angles (AO only) (Sub. AA3866R)
16	AA 3374 R	262700 271999	Platform with Supports and Cross Angles* □
	A 2337 R	258329 271999	Angle, Fender Support, L. H.
17	A 2516 R	258329 271999	Angle, Fender Support, R. H.
	A 2517 R	258329 271999	Trough, Oil Drain (Power-Trac only)
18	A 2542 R	262700 271999	Cover, Platform Opening
	24- 846 R	PT-AR10-	Spacer, Oil Drain Trough (Power-Trac only) (2 used)

*Parts listed below are not illustrated.

13M 193 R

13H 191 R

PT-AR10-

262702-271999

Sell, Stud, with Nut, Oil Trough to Platform (Power-Trac only) (2 used) (Sub. One 21H85R and One 14H251R)

Bolt, Stud, with Nut, Platform Opening Cover to Platform (2 used) (Sub. One 21H85R and One 14H251R)

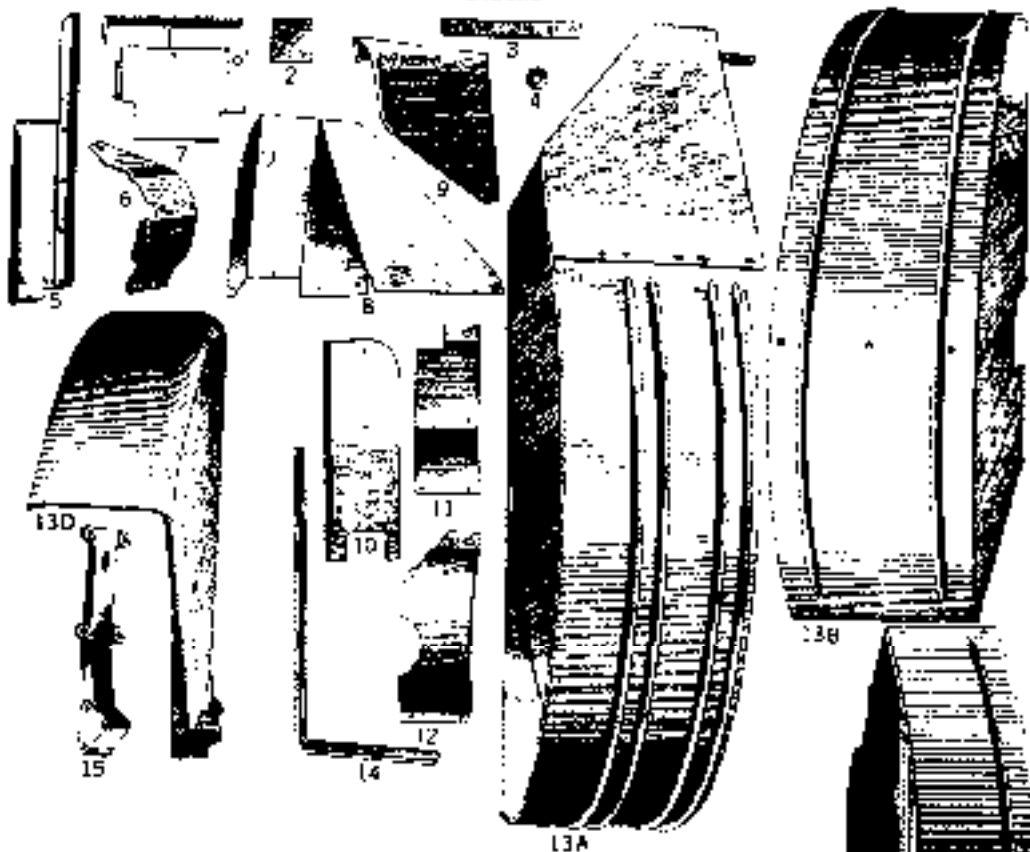
*Parts only for AR tractors equipped with Rear Wheel Brakes.

□ Also Parts for tractors equipped with Diesel and Power Take-Off Conversion Assembly.



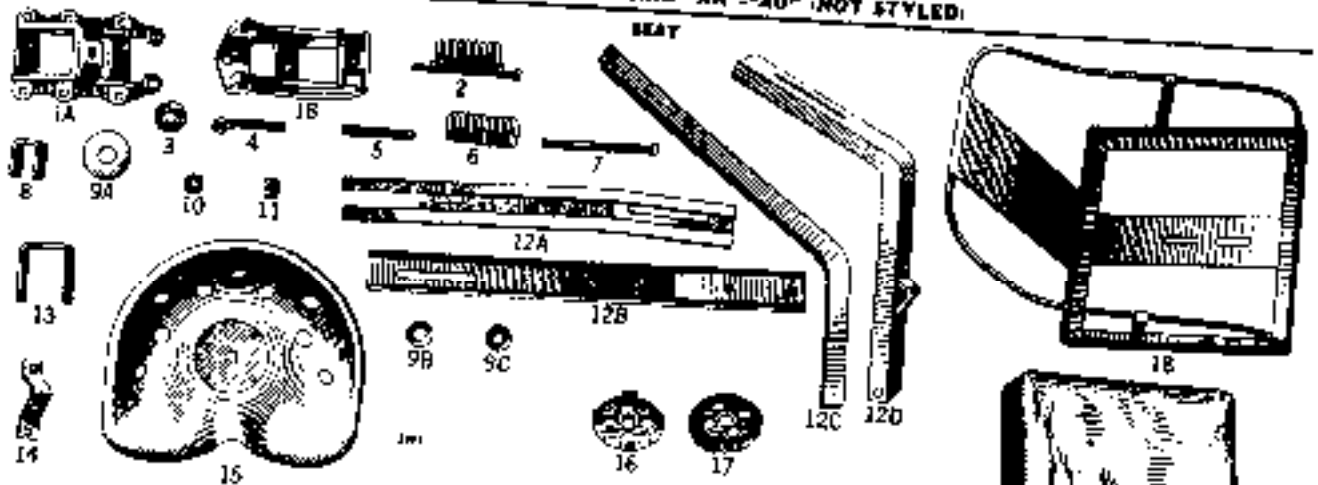
TRACTORS—MODELS "A" AND "AR"—"AO" (NOT STYLED)

FENDERS



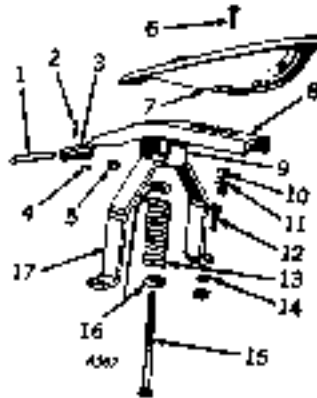
Key	Part No.	A	AR-AO	Description
1	A 1078 R		250000-271899	Support, R. H., Citrus Fender, Front
	1A 1081 R		250000-271899	Support, L. H., Citrus Fender, Front
2	A 1079 R		250000-271899	Plate, R. H., Citrus Fender, Front Support
3	A 1080 R		250000-271899	Extension, R. H., Citrus Fender, Front Support
4	24H 533 R		250000-271899	Support, Brake Dust Guard, Side for 24H420R
5	AA 695 R		250000-271899	Shield, Dust and Fender Reinforcement, R. H.
6	AA 287 R		250000-264738	Guard, Dust, Brake, with Flange (Parts only on AR tractors equipped with Rear Wheel Brakes)
7	A 806 R		250000-271899	Extension, Dust Shield, R. H.
8	AA 696 R		250000-271899	Guard, Pulley
9	AA 1172 R		252799-271899	Fender, Front, L. H.
10	A 903 R		250000-271899	Shield, Dust, L. H.
	A 1203 H		252799-271899	Shield, Dust, L. H.
11	A 1067 R		250000-271899	Extension, Dust Shield, Brake, L. H. (Used only with Differential Brakes)
12	A 901 R		250000-271899	Guard, Dual, Brake, L. H.
13A	AA 462 R		250000-252188	Fender, Citrus Grove, J. H.
	AA 493 R		250000-252188	Fender, Citrus Grove, L. H.
	AA 960 R		252189-252623	Fender, Citrus Grove, R. H.
	AA 998 R		252189-252623	Fender, Citrus Grove, L. H.
	AA 1027 R		252624-271899	Fender, Citrus Grove, R. H.
	AA 1028 R		252624-271899	Fender, Citrus Grove, L. H.
13B	AA 301 R		250000-252188	Fender, R. H.
	AA 690 R		250000-252188	Fender, L. H.
	AA 961 R		252189-252623	Fender, R. H.
	AA 972 R		252189-252623	Fender, L. H.
	AA 1021 R		252624-271899	Fender, R. H.
	AA 1022 R		252624-271899	Fender, L. H.
	AA 1024 R		250000-271899	Fender, R. H. (Parts only on AR tractors equipped with Rear Wheel Brakes)
	AA 1035 R		250000-271899	Fender, L. H. (Parts only on AR tractors equipped with Rear Wheel Brakes)
13C	AA 467 R	41030-(—)		Fender, R. H.
	AA 468 R	41030-(—)		Fender, L. H.
13D	AA 1582 R	410000-(—)		Fender, R. H. (Cannot be used with 1937 or previous Hand Lift Citrus Groves L. H. One AA465R Fender, One AA466R Bracket, Two 1941135R Cap Screws, One 1941030D Cap Screw, Two 1941128R Cap Screws and Two 244958H Washers)
	AA 1583 R	410000-(—)		Fender, L. H. (Cannot be used with 1937 or previous Hand Lift Citrus Groves L. H. One AA465R Fender, One AA466R Bracket, Two 1941135R Cap Screws, One 1941030D Cap Screw, Two 1941128R Cap Screws and Two 244958H Washers)
14	1A 508 R		250000-271899	Bracket, Fender, Front, R. H.
	1A 507 R		250000-271899	Bracket, Fender, Front, L. H.
15	A 752 R	410130-(—)		Bracket, Fenders, R. H. and L. H. (For AA467R and AA468R Fenders)

TRACTORS—MODELS "A" AND "AR"—"AO" (NOT STYLED)



Key	Part No.	A	AR-AO	Description
1A	90 R	410000-		Body, Seat Support
1B	929 R	250000-271999		Body, Seat Support (AR only)
2	928 R	250000-259999		Body, Seat Support (AO only)
3	378 R	410000-412270		Body, Seat Support (AO only)
4	1982 R	250000-271999		Spring, with Bolt, Seat
5	1797 R	410000-		Washer, Seat Spring
6	1280 R	410000-		Washer, Seat Spring
7	814 R	412971-		Pin, Channel Seat Support
8	678 R	412171-		Spring, Seat
9	847 R	250700-271999		Bolt, Seat Spring (2" Long)
9A	392 R	250700-271999		Strip, Seat Spring Bolt (AO only)
9B	392 R	410000-		Washer, on Seat to Seat Support Bolt (Sub. for 24M480R)
9C	24H R	410000-		Washer, on Seat to Seat Support Bolt (Sub. for 24M480R)
10	24H R	410000-		Washer, on Seat to Seat Support Bolt (Sub. for 24M480R)
11	312 R	410000-		Washer, Seat Cam, (Use with K-W Lighting) (Sub. for 24M480R)
12A	929 R	410000-		Spring, Seat Bolt
12B	928 R	250000-259999		Spring, Seat Bolt
12C	924 R	250000-271999		Support, Seat (Industrial Type)
12D	922 R	410000-		Support, Seat (Industrial Type)
13	842 R	250000-271999		Channel, Seat Support
14	842 R	250000-271999		Support, Seat, with Spring Bracket (AO only)
15	2540 R	250000-271999		Strap, Seat Channel Bolt (AO only)
16	1280 R	410000-		Bracket, Seat Spring (AO only)
17	2750 R	410000-		Seat
18	2750 R	410000-		Washer, Seat Adjusting, Upper (Adjustable Seat)
19	1295 R	250000-271999		Washer, Seat Adjusting, Lower (Adjustable Seat)
20	1295 R	250000-271999		Frame, Seat (Industrial Type)
21	1295 R	250000-271999		Cushion, Seat (Industrial Type)

SEAT ON "AO" TRACTOR WITH POWER-TROL

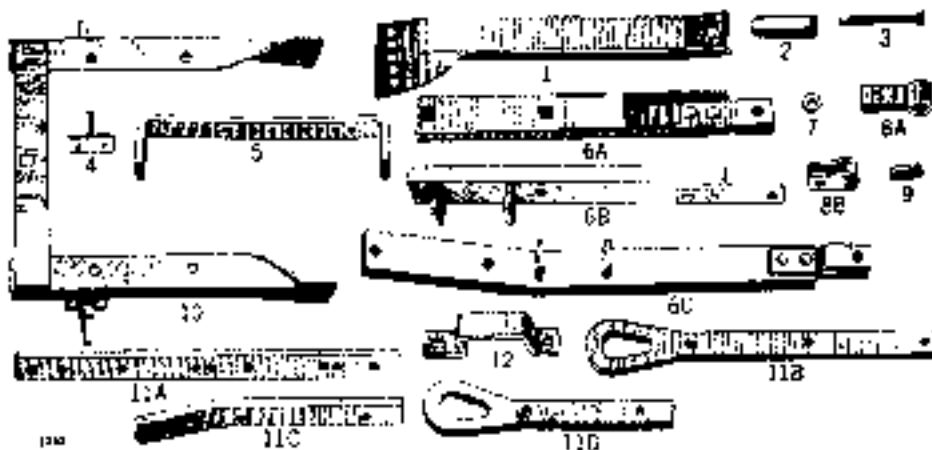


Key	Part No.	AO	Power-Trol Serial No.	Description
1	2079 R	267983-271999	PC-AR100	Pin, Seat Support Bolt
2	3020 R	267983-271999	PC-AR100	Rivet, Drive
3	3516 R	267983-271999	PC-AR100	Bracket, Seat Support
4	428 R	267983-271999	PC-AR100	Rivet, Seat Support Bracket to Support (2 used) (2" x 1")
5	19 R	267983-271999	PC-AR100	Pin, Collar
6	2077 R	267983-271999	PC-AR100	Nut, Seat Spring Bolt (5/8" Jam)
7	1506 R	267983-271999	PC-AR100	Bolt, Carriage, with Nut (1/2" x 1-7/8")
8	4187 R	267983-271999	PC-AR100	Seat
9	3512 R	267983-271999	PC-AR100	Support, Seat, with Bracket
10	1302 R	267983-271999	PC-AR100	Bracket, Seat Spring
11	952 R	267983-271999	PC-AR100	Spring
12	2522 R	267983-271999	PC-AR100	Washer, on A for 24M480R
13	5 R	267983-271999	PC-AR100	Bolt, Machine, with Nut (1/2" x 1-1/2")
14	1268 R	267983-271999	PC-AR100	Strap, Seat
15	1587 R	267983-271999	PC-AR100	Washer, Seat Spring (5.8" x 9")
16	1587 R	267983-271999	PC-AR100	Washer, Seat Spring (5.8" x 9")
17	1521 R	267983-271999	PC-AR100	Support, Seat Spring

PC-674 (2-62)



DRAWBAR



Key	Part No.	QTY	Part No.	Description
1	1A	210 H	410000	Support, Drawbar, R. H.
	1A	217 H	410000	Support, Drawbar, L. H.
2	1A	8 FI	414501	Roller, Drawbar
3	1A	030 FI	414501	Roller, Drawbar
4	AA	527 H	410000	Pin, Drawbar, Roller
5	A	510 H	410000	Support, Brake Lever, with Pivot
6A	AA	212 H	410000	Support, Drawbar, Rear
6B	AA	354 R	410000	Drawbar, Swinging (Also Parts for Tractors equipped with Drawbar and Power Take-Off Conversion Assembly)
7	AA	925 FI	410000	Drawbar, Swinging (Also Parts for Tractors equipped with Drawbar and Power Take-Off Conversion Assembly)
8A	A	211 R	410000	End, Drawbar
8B	A	1285 R	432497	End, Drawbar (Also Parts for Tractors equipped with Drawbar and Power Take-Off Conversion Assembly)
9	D	349 R	410000	Support, Drawbar Support
10	AA	827 H	410000	Support, Drawbar with Brake Lever Pivot
11A	A	1827 H	410000	End, Drawbar
11B	A	506 R	410000	End, Drawbar
11C	A	1822 R	234703-250659	End, Drawbar
11D	A	1825 R	230000-234702	End, Drawbar
12	A	303 FI	410000	Support, Drawbar

(Parts listed below are not illustrated)

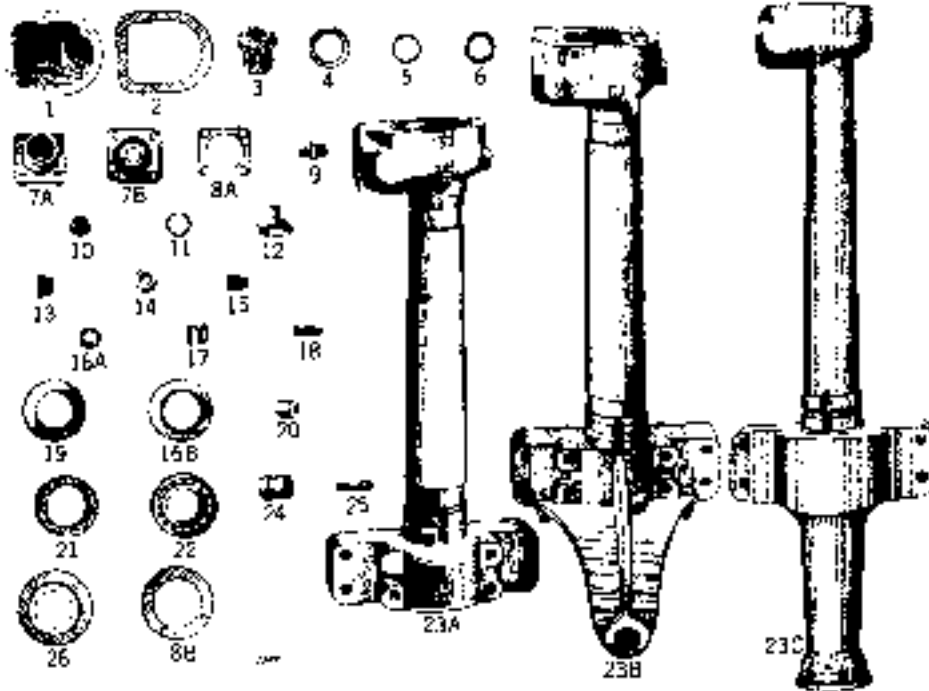
A	2917 R			End, Drawbar (Also Parts for A, A4, A6 Tractors equipped with Drawbar and Power Take-Off Conversion Assembly)
A	2953 R		262710-271949	End, Drawbar (Also Parts for Tractors equipped with Drawbar and Power Take-Off Conversion Assembly)
A	2954 R		262710-271949	Support, Drawbar (Also Parts for Tractors equipped with Drawbar and Power Take-Off Conversion Assembly)
A4	2550 R		262710-271949	Drawbar, Swinging (Also Parts for Tractors equipped with Drawbar and Power Take-Off Conversion Assembly)
B	2145 R		262710-271949	Cam, R. side to Drawbar
F	417 R		25070-262659	Cam, R. side to Drawbar
A	1952 R		463668	Plate, Drawbar Support ANH, AWH
A4	1647 R		463668	Support, Drawbar ANH, AWH

TOOL BOX AND TOOLS



Key	Part No.	QTY	Part No.	Description
1	A	437 R	250000	Wrench, Special, for Grade 100 and Flange Ball Nuts
2	CO	1551 R	410000	Socket for Converter Model Nut
3	CO	2620 R	410000	Socket, Hex 1/2", for Converter Model Nut
4	CO	353 R	410000	Wrench, Socket, for Converter Model Nut
5	U	1035 R	410000	Wrench, Socket, for Converter Model Nut
6A	AA	439 R	410000	Box, Tool
6B	AA	348 H	410000	Box, Tool
6C	AB	618 H	410000	Box, Tool

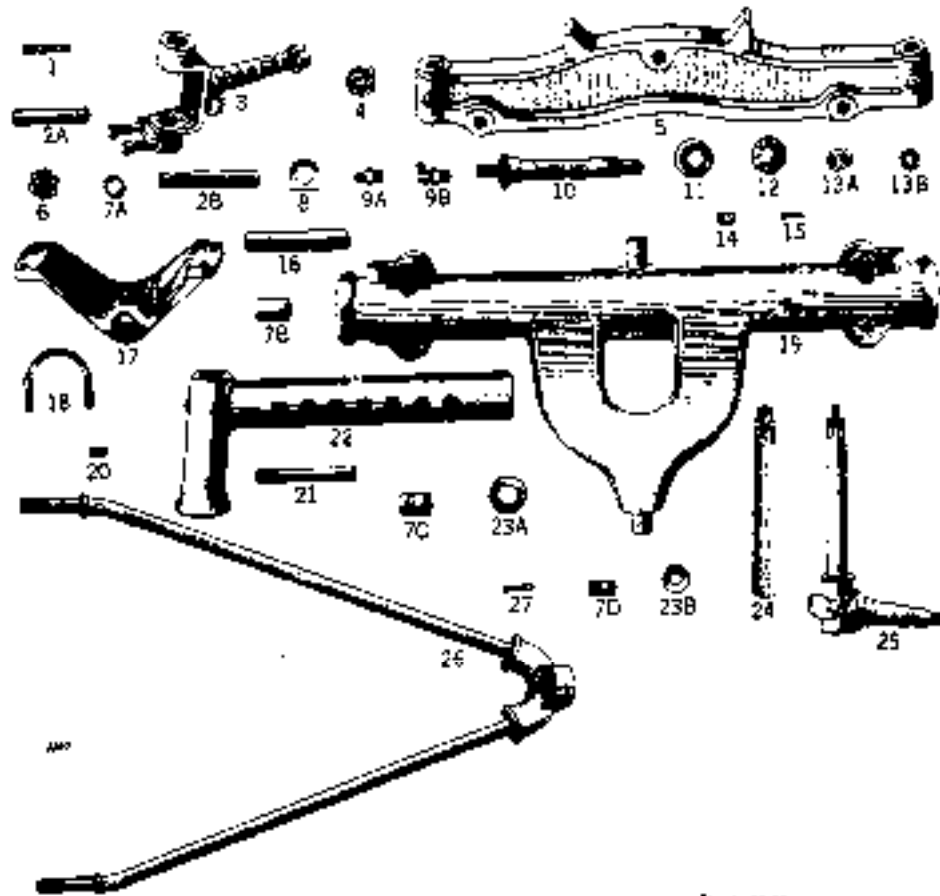
PEDESTAL A ONLY.



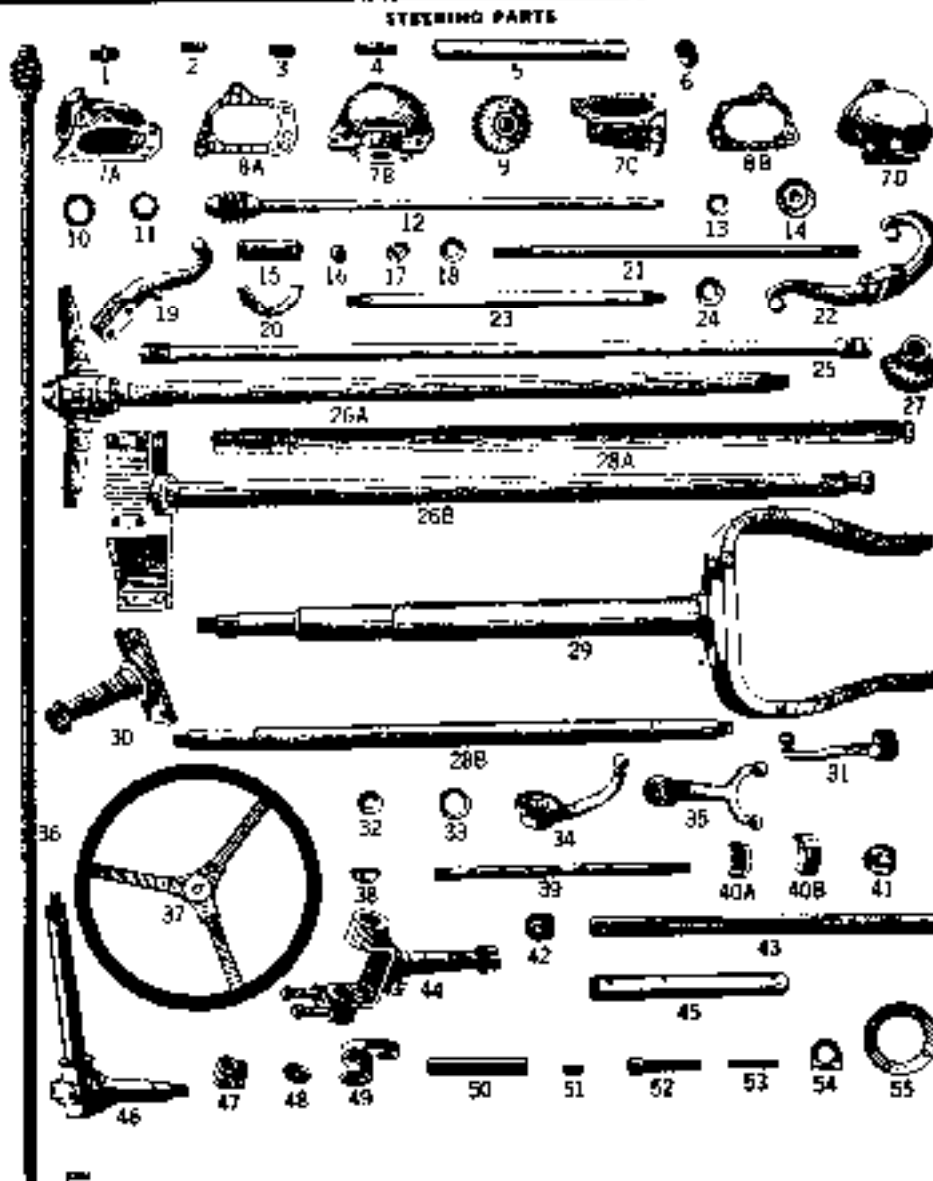
Key	Part No.	A	Description
1	4	457 R	Cap Screw, Rear Hoop, 1/2"
2	5	435 R	Washer, Steering Bush Hoop, 1/2"
3	6	491 R	Washer, Steering Spindle Bearing, 1/2"
4	7	491 R	Washer, Steering Spindle Bearing, 1/2"
5	8	491 R	Washer, Steering Spindle Bearing, 1/2"
6	9	491 R	Washer, Steering Spindle Bearing, 1/2"
7A	10	457 R	Cap Screw, Steering Spindle, 1/2"
7B	11	457 R	Cap Screw, Steering Spindle, 1/2"
8A	12	457 R	Cap Screw, Steering Spindle, 1/2"
9	13	457 R	Cap Screw, Steering Spindle, 1/2"
10	14	457 R	Cap Screw, Steering Spindle, 1/2"
11	15	457 R	Cap Screw, Steering Spindle, 1/2"
12	16A	457 R	Cap Screw, Steering Spindle, 1/2"
13	17	457 R	Cap Screw, Steering Spindle, 1/2"
14	18	457 R	Cap Screw, Steering Spindle, 1/2"
15	19	457 R	Cap Screw, Steering Spindle, 1/2"
16A	20	457 R	Cap Screw, Steering Spindle, 1/2"
17	21	457 R	Cap Screw, Steering Spindle, 1/2"
18	22	457 R	Cap Screw, Steering Spindle, 1/2"
19	23A	457 R	Cap Screw, Steering Spindle, 1/2"
20	23B	457 R	Cap Screw, Steering Spindle, 1/2"
21	23C	457 R	Cap Screw, Steering Spindle, 1/2"
22	24	457 R	Cap Screw, Steering Spindle, 1/2"
23	25	457 R	Cap Screw, Steering Spindle, 1/2"
24	26	457 R	Cap Screw, Steering Spindle, 1/2"
25	27	457 R	Cap Screw, Steering Spindle, 1/2"
26	28	457 R	Cap Screw, Steering Spindle, 1/2"

TRACTORS—MODELS "A" AND "AR"—"AO" NOT STYLED.

FRONT AXLE



Qty	Part No.	Description
1	843 R	Stud, Main Rod, Part 12 5/8 x 5 1/8"
2A	1958 R	Stud, Front Wheel, Knuckle, 2 3/8 x 3-5/8"
2B	155 R	Pin, Front Axle Bush
3	138 R	Pin, Knuckle
4	451 P	Knuckle, Front Wheel, with Bushing, Dust Excluder, Nut and Nut
5	132 P	Knuckle, Front Wheel, with Bushing, Dust Excluder, Nut and Nut
6	181 P	Pin, Knuckle
7A	138 R	Pin, Knuckle
7B	876 R	Pin, Knuckle
7C	583 R	Pin, Knuckle
7D	577 R	Pin, Knuckle
8	451 P	Knuckle, Front Wheel, with Bushing, Dust Excluder, Nut and Nut
9	132 P	Knuckle, Front Wheel, with Bushing, Dust Excluder, Nut and Nut
10	138 R	Pin, Knuckle
11	138 R	Pin, Knuckle
12	138 R	Pin, Knuckle
13A	138 R	Pin, Knuckle
13B	138 R	Pin, Knuckle
14	138 R	Pin, Knuckle
15	138 R	Pin, Knuckle
16	138 R	Pin, Knuckle
17	138 R	Pin, Knuckle
18	138 R	Pin, Knuckle
19	138 R	Pin, Knuckle
20	138 R	Pin, Knuckle
21	138 R	Pin, Knuckle
22	138 R	Pin, Knuckle
23A	138 R	Pin, Knuckle
23B	138 R	Pin, Knuckle
24	138 R	Pin, Knuckle
25	138 R	Pin, Knuckle
26	138 R	Pin, Knuckle
27	138 R	Pin, Knuckle



Key	Part No.	A	A1-A0	Description
1	1D 2718		290200	Filling Grease, Steering Worm Housing and Vertical Steering Shaft Lower Bushing
	1D 2719		290200	Filling Grease, in Drop Link and Tie Rod Assemblies
	1D 2719		290200	Filling Grease, in Lower Rod Ends, Bow Up
2	C 1220 M		290200	Pin, Crown, Steering Gear Housing
3	24H 476 M		290200	Screw, Steering Gear Vertical Shaft Adjusting (Sub. for C977R)
4	294 H		290200-271494	Sluc. Steering Housing to Transmission Case, 1/2" x 1-1/4" x 2 Over
5	A 264 P		290200	Tube, Vent of Steering Shaft
6	A 210 P		290200	Washer, Vertical Steering Shaft Lower
7A	BA 4341 R		260200 271490	Housing Steering Worm, Sub. for A113CR, A0 only.
7B	A 121 R		260200 271490	Housing Steering Gear, A0 only.
7C	D 1220 R		290200 271490	Housing Steering Worm, A0 only.
	D 1220 R		290200 271490	Housing Steering Worm, A0 only.
1D	A 457 R		290200 271490	Housing Steering Gear, A0 only.
	A 457 R		290200 271490	Housing Steering Gear, A0 only.
BA	A 1531 R		260200	Gasket, Steering Worm Housing, Thin, A0 only.
	A 1531 R		260200	Gasket, Steering Worm Housing, Thick, A0 only.
BB	C 1221 R		260200 271490	Gasket, Steering Worm Housing, Thick, A0 only.
	C 1221 R		260200 271490	Gasket, Steering Worm Housing, Thick, A0 only.
	C 1242 R		260200 271490	Gasket, Steering Worm Housing, Thin, A0 only.
	C 1242 R		260200 271490	Gasket, Steering Worm Housing, Thin, A0 only.
9	A 803 R		260200 271490	Gear, Steering Worm, A0 only, Sub. for A455UR
	A 803 R		260200 271490	Gear, Steering Worm, A0 only, Sub. for A455UR
	A 1234 H		260200 271490	Gear, Steering Worm, A0 only, Sub. for A455UR
10	1D 2721 H	410400	290200	Cap, Steering Shaft Worm Housing, Front and Rear
11	1D 2721 H	410400	290200	Return, with Rollers, Steering Shaft Worm, Front and Rear
12	AA 767 R		290200	Shaft and Wheel, Steering
13	24H 891 R		290200	Washer on Steering Gear Shaft (Sub. for 24H750R)
14	ED 1252 H		290200	Nut, Steering Worm Adjusting
15	ED 862 H	410400	290200	End, of Rod, Except A, AN, ANH
16	AA 835 R	410400	290200	Bushing, End Stud, Drop Link and Tie Rod, Except A, AN, ANH, Plg. of 101
17	AA 846 R	410400	290200	Tie Rod, Steering Link and Tie Rod, Except A, AN, ANH
18	AA 846 R	410400	290200	Washer, Steering Worm Adjusting Nut, C, Sub. for A455UR
19	AA 846 R	410400	290200	Arm, Steering, L, R
20	AA 846 R	410400	290200	Arm, Steering, L, R, A with Axle, (Sub. for B1724R)

TRACTORS—MODELS "A" AND "AR"—"AO"—NOT STYLED

STEERING PARTS—Continued

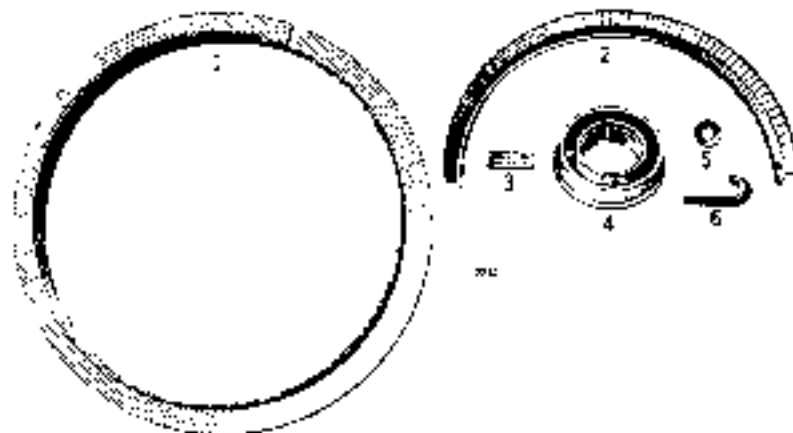
Key	Part No.	A	AR-AO	Description
30	1A 1421 H	413483		Excluder, Dust, Front Wheel (A only)
	1A 1424 R	413483		Excluder, Dust, Front Wheel (AW, AWH only)
	1C 2670 H		253145-1-1-1-1	Excluder, Dust, Front Wheel
31	A 352 H		250000-1-1-1-1	Red Top Bolt 4425R, 4425R and 4425RR
32	1C 1673 H		250000-1-1-1-1	Arm Steering R.H.
	1A 4285 H	482790		Arm Steering R.H. (AWH only) Sub for B1776R
33	AA 1503 H		250000-271989	Small Steering Cage Washer (Sub for AR18R)
34	1A 133 H	413070		Washer Steering Arm (AW, AWH only)
	1A 133 H	413070		Washer Steering Saddle
35	AA 563 R		250000-1-1-1-1	Link, Drag, Control
36A	AA 1163 R	413060-476899		Knuckle, Double, with Spindle and Dust Excluder (A only) Substitute for A405R.
36B	AA 1765 R	413060-476899		Hub, Knuckle, with Spindle (AWH only)
37	A 113 R	413060-476899		Spring, Steering, Sub for A405-7R
38A	AA 3563 R	413060-476899		Spindle, Steering, with Nut (A only)
38B	AA 1624 R	413060-476899		Spindle, Steering, with Nut, AW, AWH only
39	AA 135 R	413060-476899		Yoke and Spindle Front Wheel (A only)
	AA 630 R	413060-476899		Yoke and Spindle Front Wheel (AWH only)
37	AA 172 R	413060		Knuckle, with Dust Excluder (Sub for A405)
31	A 50-1 R		250000	Arm, Steering Link, Sub for A440R
32	B 37-0 R	4100-0		Washer, Steering Arm (AW, AWH only) (Sub for B111R)
33	C 45-1 R	4100-0		Washer, Steering Arm, Sub for AW, AWH only
34	A 321 R	4100-0		Arm, Steering Link, (AWH only)
35	A 1049 R	4100-0		Spindle and Worm, Steering (Sub for A4516CR and Top, D6172H)
36	AA 248 R	4100-0-476899		Washer, Steering
37	AA 384 R	4100-0	250000	Cap, Wheel, on Steering Shaft to Steering Wheel
38	20H 1-1 R	4100-0	250000	Red, Drag Link, AW only
39	1A 492 R	4100-0		Head, Drag Link, P.H., 13-7/8" Long (AWH only)
	1B 1209 R	4100-0		Head, Drag Link, L.H., 11" Long (AWH only)
	11 1204 R	4100-0		Head, Drag Link, R.H., 20-1/2" Long (AWH with AB1453P Extension) (AWH only)
	11 1212 R	4100-0		Clamp, Ball, Drag Link, Road (AW, AWH only)
40A	A 593 R	4100-0		Clamp, Ball, Drag Link, Road (AW, AWH only)
40B	B 1223 R	463111		Clamp, Ball, Drag Link, Road (AW, AWH only)
41	AC 352 R	4100-0		Head, Drag Link, Dust (AW, AWH only)
42	AD 454 R	4100-0	250000	Nut, Front, Mount Knuckle, Front (AW and AWH)
43	A 369 R	413060-476899		Support, Bearing Shaft, Rear (A only)
	B 369 R	413060		Support, Bearing Shaft, Rear
44	AD 1381 R		250000	Knuckle, Front, Wheel, with Bushings, Shims and Dust Excluder
45	A 841 R		250000-271989	Support, Steering Shaft (AR only)
	A 843 R		250000-259950	Support, Steering Shaft, Rear (AO only)
	A 736 R		250000-271950	Support, Steering Shaft, Rear (AO only)
46	AA 156 R	413060		Knuckle with Spindle and Dust Excluder (AWH only)
	AB 1395 R	462780		Knuckle, B1769R, with Spindle, Dust Excluder, Nut and Screw (AWH only)
	AB 1134 R	462780		Spindle, Knuckle, with Nut (AWH only)
47	AA 1575 R	413060		Bushing, A100R, Steering Shaft, with Bushing
	AB 214 R		250000-271950	Bushing, B1811 with Bushing, Steering Shaft, Ultra
48	1A 3-1 R	410000-459993		Bushing, Steering Shaft, Rear Bearing (for A100R Steering Shaft Bearing)
	1A 19-0 R	459990		Bushing, Steering Shaft Bearing (for A100R Steering Shaft Bearing)
49	A 59 R	410000-413323		Bushing, Steering Shaft Bearing (A only)
	A 946 R		250000-271950	Bushing, Steering Shaft Bearing
	B 362 R	413354		Bushing, Steering Shaft Bearing
50	D 1721 R		250000	Pin, Spindle
51	F 1743 R	410000-1-1-1-1		Pin, Thread Washer Anchor (AWH only) Sub for D185R
52	E 156 R		250000	Pin, Taper, Steering Knuckle (Sub for P)
53	D 1818 R		150000	Pin, Steering Arm 3/8" x 5.5 8/16" 607
54	A 5325 R		150000	Washer, Spindle Pin (Sub for D120R)
55	C 2327 R	410000-1-1-1-1		Gasket, Knuckle Lower Cap (A only), Pack of 2

Part listed below is not illustrated
1EH 225 R 410000-1-1-1-1

Bracket, Steering Spindle Adjusting Bearing (Sub. for A462R)

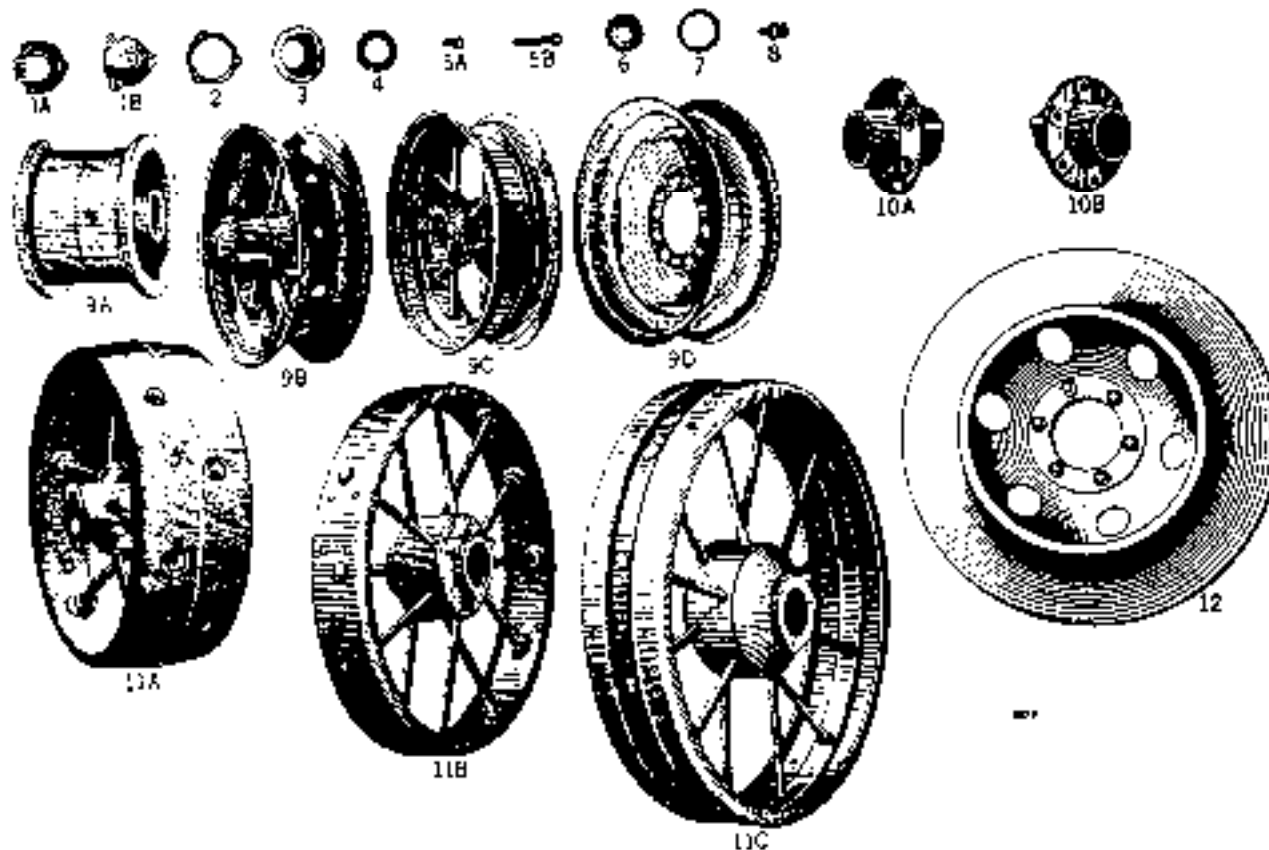


GUIDE BANDS AND MISCELLANEOUS FRONT WHEEL EQUIPMENT



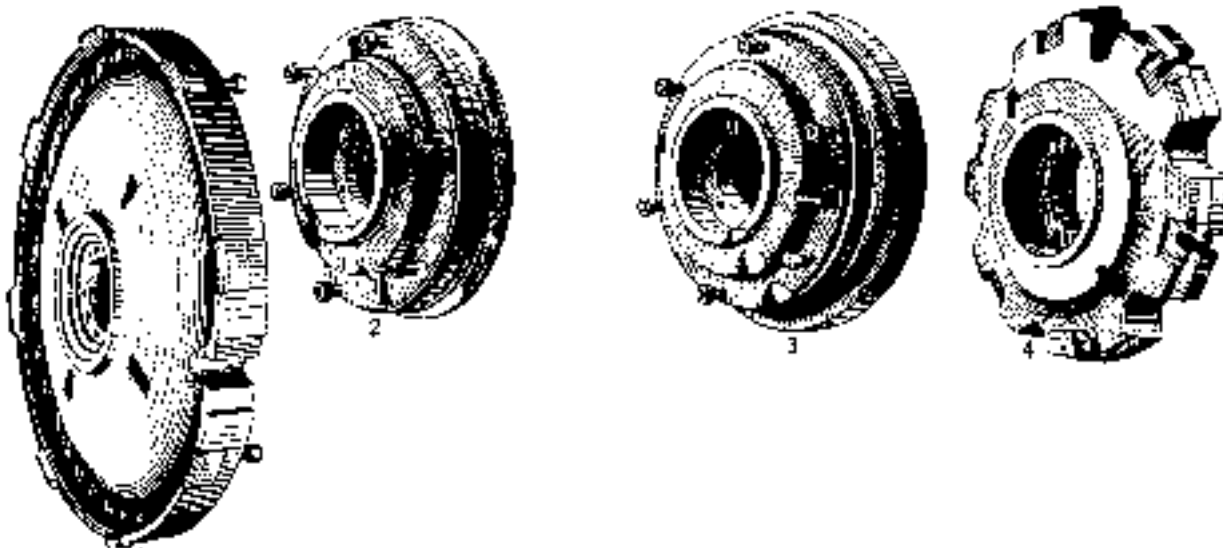
Part No.	Quantity	Part No.	Part No.	Description
1	KA 141 R	410000-1		Band, Front Wheel Guide (2-A211R) (1-12") high (A, 4W only)
	KA 163 R	410000-2		Band, Front Wheel Guide (2-A217R) (2") high (A, 4W only)
	KA 153 R	410000-3		Band, Front Wheel Guide (2-C1732R) (2-1 2") high (A, 4W only)
2	AD 115 R	410000-1	750000-	Band, Front Wheel Guide (2-D1524R) (2-1 2") high
	AA 75 R	410000-1		Band, Front Wheel Guide (2-A1159R) (1-1 2") high (A, 4W only)
	AD 111 R		260000-	Band, Front Wheel Guide, for Listed Corn (4-D849R) (Subs: 4D492R)
	AD 122 R		250000-	Band, Front Wheel Guide, for Listed Corn (4-C1142R) (3-1 2") high
3	D 151 R		250000-273991	Clamp, Front Wheel Weight
4	EA 215 R	410000-1		Spoke, Front Wheel (2-42275R) (4 only)
5	EA 211 R	410000-1	250000-	Washer, Front Wheel Hook Bolt (3 only) (Sub. for 24-4492R)
6	A 1418 R	410000-1	250000-	Roller, Front Wheel Weight Spoke Top
Part No.	Quantity	Part No.	Part No.	Description
24	EA 141 R	410000-1	250000-	Bolt, Front Wheel Guide Band, Sinker (2-4492R) with Nuts and Lock Washers
25	EA 141 R	410000-1		Bolt, Front Wheel Guide Band, Tight (2-4492R) with Nuts and Lock Washers (A, H only)

FRONT WHEELS



Key	Part No.	A	FRONT WHEELS—Continued		Description
			AM-A0		
1A	AA 1407 R	445325	254515		Cap. Hub, A1559R, with Grease Filling; Front Wheel Disk Type (Except AM and AMH)
1B	AC 139 R	410000	250000		Cap. Hub, C157R, with Grease Filling; Except AM and AMH
2	AA 1566 R	410000	250000		Gasket, Front Wheel Hub Cap (Cast Type)
	AC 877 R	410000	250000		Gasket, Front Wheel Hub Cap (Except AM and AMH)
3	B 89 R	410000			Resistor, Front Wheel Fat (AM, AMH only)
	U 515 R	410000	250000		Resistor, Front Wheel Fat (Except AM and AMH)
4	U 638 R	410000	210000		Washer (Flat), Front Wheel (Except AM and AMH) (Sub. for A4661R)
	B 90 R	410000	210000		Washer (Flat), Front Wheel (AM, AMH only) (Sub. for A4674R)
5A	JD 17 R	410000	250000		Bot. Front Wheel Hub to Disk and Rim (Except AM and AMH)
5B	JD 18 R	410000			Bot. Front Wheel Spacer to Front Wheel Hub
6	JD 721 R	410000	250000		Cone with Rollers, Front Wheel Outer Bearing (Except AM and AMH)
	JD 722 H	410000			Cone with Rollers, Front Wheel R.H. and L.H. Bearings (AM, AMH only)
7	JD 728 R	410000	250000		Cone with Rollers, Front Wheel Inner Bearing (A, AW, AWH, AH and AC only)
	JD 729 R	410000			Cone, Front Wheel, R.H. and L.H. Bearings (AM, AMH only)
8	JD 736 R	410000	250000		Cup, Front Wheel Outer Bearing (Except AM and AMH)
	JD 737 R	410000	250000		Cup, Front Wheel Inner Bearing (Except AM and AMH)
9	JD 752	410000	250000		Filling, Grease, Front Axle and Front Wheel Hub Lugs
9A	AA 947 R	410000			Wheel, Front, with Bearing Cups (For 2 3/8" or 2 1/2" Rubber Tires, A only)
9B	AC 1062 R		250000 254514		Wheel, Front, Socka Type, with Bearing Cups and Hub Cap (For 2 3/8" or 2 1/2" Rubber Tires, A and AC only)
10	AA 950 R	410000-445324			JD1258R Wheel, One AA426R Hub and AA426R Bolt
10A	JD 1275 R	445325	254515		Wheel, Front, Socka Type, with Bearing Cups (For 2 3/8" or 2 1/2" Rubber Tires, A, AW and AC)
10B	AA 1190 R	445325	254515		Sub. for AC1088R, if front One JD1268H Wheel, One AA426R Hub, and Six JD126R Bolts
	AA 1199 R	445325			Sub. for AC1088R, if front One JD1268H Wheel, One AA426R Hub, and Six JD126R Bolts
10C	AA 4267 R	410000-445324			Hub, 1258R, Front Wheel, with Bearing Cups (Use with JD1258R)
	AC 511 R	410000			Hub, 1258R, Front Wheel, with Bearing Cups (Use with JD1258R)
11A	AA 797 R	420650			Wheel, Front, with Bearing Cups (AM only) (Sub. AA847R)
11B	AC 886 R	410000			Wheel, Front, with Bearing Cups, less Hub Cap (A, AW only) (Substitute AA225R)
	AA 2345 P	410000			Wheel, Front, with Bearing Cups, less Hub Cap (A, AW only)
11C	AA 1123 P		250000		Wheel, Front, with Bearing Cups
	AD 920 P		250000 254922		Wheel, Front, with Hub Cap and Bearing Cups (Substitute AA1200R)
12	AC 887 P	410000			Wheel, Front (234R), with Bolt (A only)
	AB 1216 R	446028			Wheel, Front, with Cups (AM only) (Sub. for AD115H)

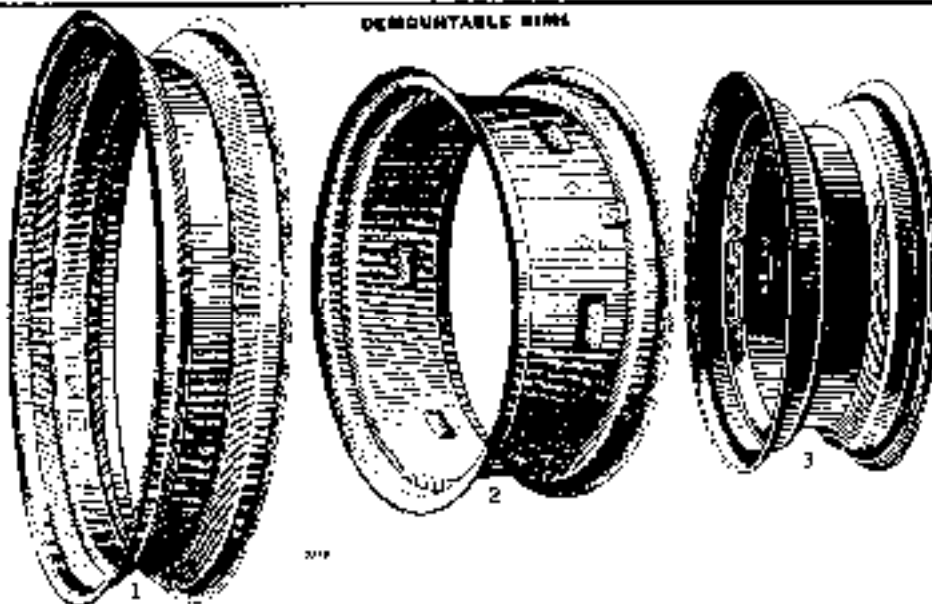
CAST REAR WHEELS



Key	Part No.	A	AR AC	Description	
1	AA 1816 K	410000-402992		Wheel, Cast Disk, A2148R, with Studs and Nuts (For 9 5/8" and 11 25/32" Rubber Tires) (Also Disc A2152R Hub, AA2181R Cap Screws and Lock Washers, AA2819R Bolts in Hold Hub to Wheel and 8-96 R Clamp)	
	AA 1816 R	410000		Wheel, Cast Disk, A2148R, with Studs and Nuts (For 10 1/2" 12 00/32", and 11 25/32" Rubber Tires) (Also Order 9994K Hubs, AA2181R Cap Screws and Lock Washers, AA2819R Bolts in Hold Hub to Wheel and 8186R Clamps)	
2	AA 1087 P		250000 261471	Wheel, Cast Disk, A1212R (For 11 25/32" and 12 75/32" Rubber Tires)	
3	AR 823 P		250000 26113	Wheel, Cast Disk, B2148R, with Studs and Nuts (For 11 25/32" Rubber Tires)	
	AA 1078 R		250000 271029	Wheel, Cast Disk, A1224R, with Studs and Nuts (For 11 25/32" and 12 75/32" Rubber Tires only)	
4	A 2759 R		251158-271995	AR Tractor Equipped with Rear Wheel Brakes	

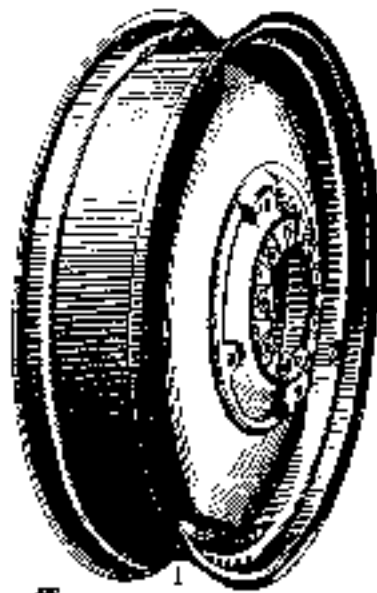


DEMOUNTABLE RIMS



Key	Part No.	A	AR-AO	Description
1	AA 543 R	410000	—	Rim, Demountable, with Side Ring (For A1292R Cast Wheel and 8.00x36 Rubber Tire)
	AA 1002 R	410000	—	Rim, Demountable, with Side Ring (For Cast Wheel and 10.00x30 and 11.25x34 Rubber Tires)
	AA 2220 R	410000	—	Rim, Demountable, with Drive (For 8-35 Rubber Tire) (Use with A43114R)
	AA 2473 R	410000	—	Rim, Demountable, with Drive (For 11-35 Rubber Tire) (Use with A43114R)
	AA 3033 R	410000	—	Rim, Demountable, with Drive (For 10-35 Rubber Tire) (Use with A43114R)
	AA 3043 R	410000	—	Rim, Demountable, with Drive (For 12-35 Rubber Tire) (Use with A43114R)
2	AA 3182 R	—	261128-264938	Rim, Demountable, with Drive (For 11-24 Rubber Tire) (Use with A27801R)
	AA 3161 R	—	261128-1	Rim, Demountable, with Drive (For 12-28 Rubber Tire) (Use with A27801R)
3	AA 417 R	—	260000-261187	Rim, Demountable (For A1272R Cast Wheel and 11.25x24 or 12.75x24 Rubber Tire)
	AA 417 R	—	260000-264738	Rim, Demountable (For A1271R Cast Wheel and 11.25x24 or 12.75x24 Rubber Tire) (Only for AR tractors equipped with Rear Wheel Brakes)

PRESSED STEEL REAR WHEELS (A ONLY)



Key	Part No.	A	Description
1	AA 3380 R	410000	Wheel, Rear, Pressed Steel, with Rim (For 8-35 Rubber Tire) (See A3823R and A3824R)
	AA 3361 R	420000	Wheel, Rear, Pressed Steel, with Rim (For 11-35 Rubber Tire) (See A3623R and A3304R)
	AA 3441 R	410000	Wheel, Rear, Pressed Steel, with Rim (For 12-35 Rubber Tire) (See A3623R and A3304R)

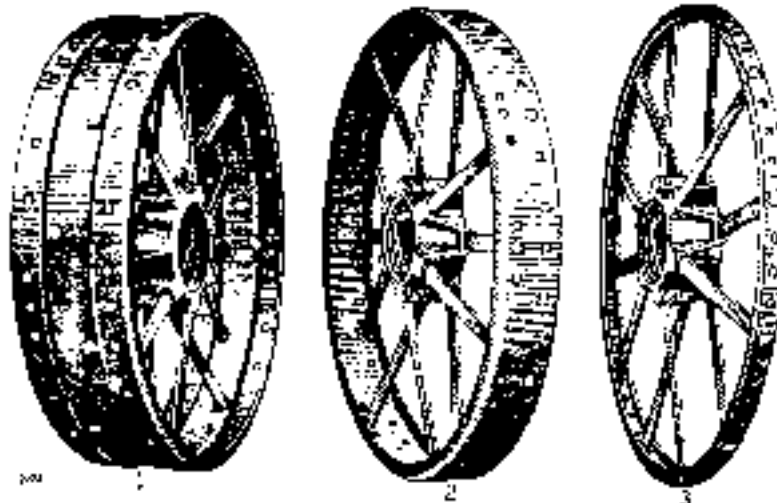
TRACTORS—MODELS "A" AND "AR"—"AO" NOT STYLED

REAR WHEEL HUBS AND CLAMPS (A ONLY)



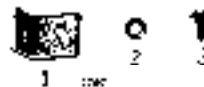
Key	Part No.	A	Description
1A	273 R	459930	Hub, Rear Wheel
1B	2994 R	1450000	H.U., Rear Wheel (Use with 4A2118R, JD1263R, JD1264R, JD1270R, or JD1271R Wheels)
1A	3150 R	459930	H.U., Rear Wheel (Use with 4A2118R, JD1263R, JD1264R, JD1270R or JD1271R Wheels)
1C	3523 R	459930	H.U., Rear Wheel (Use with 4A2118R, 4A2261R or 4B1441R Wheels) (Also order 4A2118R Cap Screws and Lock Washers, 4A4175P Bolts to hold Hub to Wheel, D1951R Clamp)
1A	1524 R	1450000	H.U., Rear Wheel (Use with 4A2118R, 4A2261R or 4B1441R) (Also order 4A2118R Cap Screws and Lock Washers, 4A4175P Bolts to hold Hub to Wheel, D1951R Clamp)
2A	B 1501 R	1	Clamp, Rear Wheel Hub 11.6" with 4A2118R, JD1263R, JD1270R, JD1270F or JD1271R Wheels
2B	A 1512 R	1450000	Clamp, Rear Wheel Hub 12.75" for Use in Hub Wheels

STEEL REAR WHEELS



Key	Part No.	A	AR-AO	Description
1	JD 1217 P	450000	150000	Wheel, Rear, 12.75" x 10", Flat Tire
2	JD 1263 R	450000	169493	Wheel, Rear, 30" x 8" Flat Tire (Also order 4A2118R Hub, 4A2118R Cap Screws and Lock Washers, 4A2118R Bolts to hold Hub to Wheel, and D1951R Clamp)
	JD 1261 P	450000		Wheel, Rear, 30" x 8" Flat Tire (Also order 4A2118R Hub, 4A2118R Cap Screws and Lock Washers, 4A2118R Bolts to hold Hub to Wheel, and D1951R Clamp)
3	JD 1264 R	450000	169493	Wheel, Rear, Stagger Type (Also order 4A2118R Hub, 4A2118R Cap Screws and Lock Washers, 4A2118R Bolts to hold Hub to Wheel, and D1951R Clamp)
	JD 1264 P	450000		Wheel, Rear, Stagger Type (Also order 4A2118R Hub, 4A2118R Cap Screws and Lock Washers, 4A2118R Bolts to hold Hub to Wheel, and D1951R Clamp)

ROAD BANDS



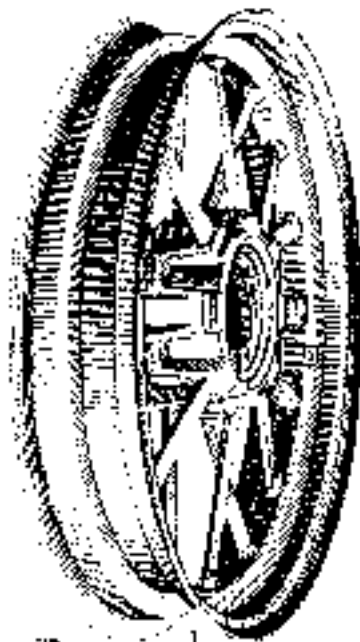
Key	Part No.	A	AR-AO	Description
1	A 405 P	450000	250120	Support for 4A2118R Road Band
	A 1082 P		250120	Support, Rear Wheel, in Road Band Support
	C 2147 P		250120	Support for 4A2118R Road Band
	F 2148 P		250120	Support, Rear Wheel, in Road Band Support
2	244 560 P	450000	250120	Support, Rear Wheel (Support to Road Band Support) (Also order 4A2118R Bolts to hold Hub to Wheel)
3	U 411 P	450000	250120	Road Band Support to Rear Wheel Support (Also order 4A2118R Bolts to hold Hub to Wheel)
	U 411 P	450000	250120	Road Band Support to Rear Wheel (Road Band Support) (Also order 4A2118R Bolts to hold Hub to Wheel)

Parts in this table are not illustrated:

AA 483 R	413000	
AC 378 R		250120

Road Band with Support
Road Band with Support

SPOKE TYPE RUBBER TIRE WHEELS



Key	Part No.	A	4H-40	Description
1	JD 1270 R	410000 429940		Wheel, Spoke Type (For 11.25-36" Rubber Tires) (Also Order A2150R Hub, AA3818R Cap Screws and B1261R Clamp)
	JD 1270 R	400700 - - -		Wheel, Spoke Type (For 9.00-16" Rubber Tires) (Also Order A2994R Hub, AA3818R Cap Screws and B1261R Clamp)
	JD 1271 R	410000 419320		Wheel, Spoke Type (For 10.00-16" and 11.25-36" Rubber Tires) (Also Order A1160R Hub, AA3818R Cap Screws and Lock Washers, AA1819R Bolt to Hold Hub to Wheel and B1261R Clamp)
	JD 1271 R	420000 - - -		Wheel, Spoke Type (For 10.00-16" and 11.25-36" Rubber Tires) (Also Order A2304R Hub, AA3818R Cap Screws and Lock Washers, A21219R Bolt to Hold Hub to Wheel and B1261R Clamp)
	JD 1442 R	420000 - - -		Wheel, Rear Spoke Type (Sub. for AA1840R, (4H), (4VH) only)

LUGS

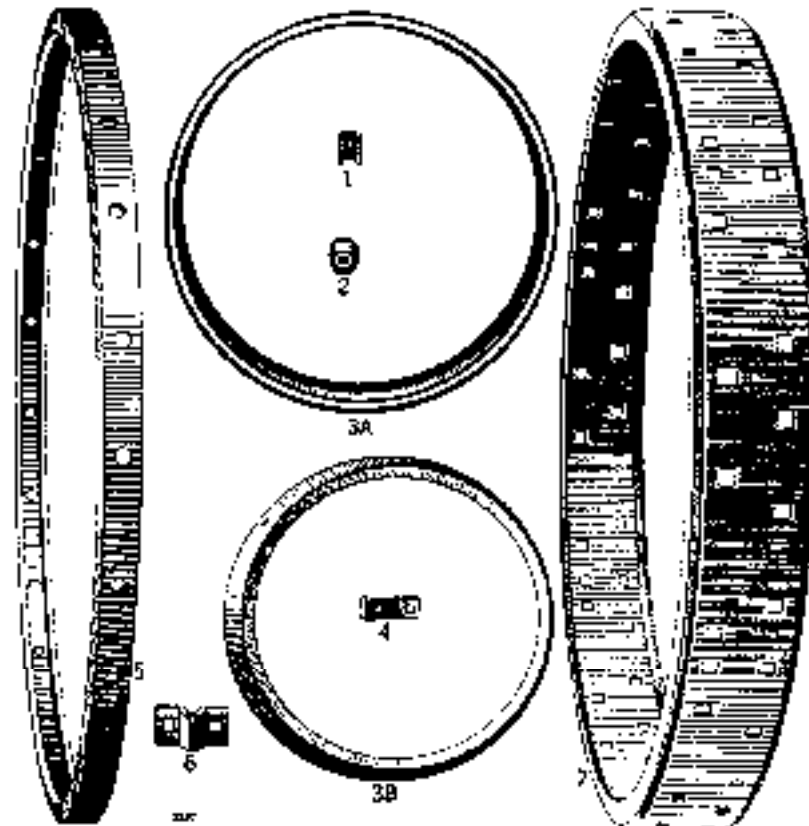


Key	Part No.	A	4H-40	Description
1	JD 2852 H	410000	250000 - - -	Lug, Steel, 4" High (Eight D291R) (Sub. for A02480R)
2	JD 2853 H	410000	250000 - - -	Lug, Steel, Heavy Duty (4" High) (Eight D2447R) (Sub. for A02481R)
3	JD 2854 H	410000	250000 - - -	Lug, Steel, 5" High (Eight D1078R) (Sub. for A02482R)
4	JD 2855 H	410000	250000 - - -	Lug, Steel, Heavy Duty (5" High) (Eight D3121R) (Sub. for A02483R)
5	JD 2856 H	410000	250000 - - -	Lug, Steel, 6" High (Twelve D271R)
6	JD 2857 H	410000	250000 - - -	Lug, Cast, Section Rear Wheel (5 x A464R)
7	JD 2858 H	410000	250000 - - -	Lug, Steel (Eight A295R with Lock Washers and Nuts)
8	JD 2859 H	410000	250000 - - -	Lug, Steel (Eight A295R with Lock Washers and Nuts)
9	JD 2860 H	410000	250000 - - -	Lug, Steel (Eight A295R with Lock Washers and Nuts)
10	JD 2861 H	410000	250000 - - -	Lug, Steel (Eight A295R with Lock Washers and Nuts)
11	JD 2862 H	410000	250000 - - -	Lug, Steel (Eight A295R with Lock Washers and Nuts)
12	JD 2863 H	410000	250000 - - -	Lug, Steel (Eight A295R with Lock Washers and Nuts)
13	JD 2864 H	410000	250000 - - -	Lug, Steel (Eight A295R with Lock Washers and Nuts)
14	JD 2865 H	410000	250000 - - -	Lug, Steel (Eight A295R with Lock Washers and Nuts)
15	JD 2866 H	410000	250000 - - -	Lug, Steel (Eight A295R with Lock Washers and Nuts)



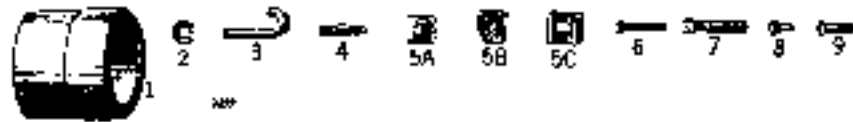
TRACTORS—MODELS "A" AND "AR," "AD" NOT STYLED.

EXTENSION RIMS



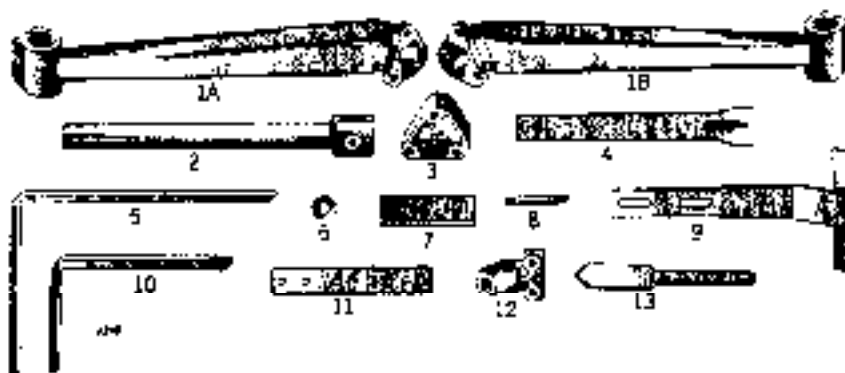
Key	Part No.	A	AR-AD	Description
1	U 583 R	...	250000-1	Clamp, Front Wheel Extension Rear 2 Wheel
2	U 584 R	...	250000-1	Washer, Front Wheel, Extension Rear Clamp
3A	AD 195 R	...	250000-1	Rim, 12.50R, with Clamp and Washer, Front Wheel Extension 5" Wide
3B	AC 1034 R	410000	...	Rim 12.50R, with Clamp and Bolt, Front Wheel Extension 14" Wide (A or B)
4	C 2103 R	410000	...	City, Front Wheel Extension, Rim (A only)
5	A 1533 R	410000	...	Rim, Extension, Skidsteer Type
6	AC 453 R	410000	...	Clamp, Rear Wheel Extension, Rim 10" (1030R)
7	P 240 R	410000	...	Rim, Extension, Rear Wheel 10" Wide
	IL 1027 R	...	250000-1	Rim, Extension, Rear Wheel 15" Wide

MISCELLANEOUS PARTS FOR REAR WHEELS



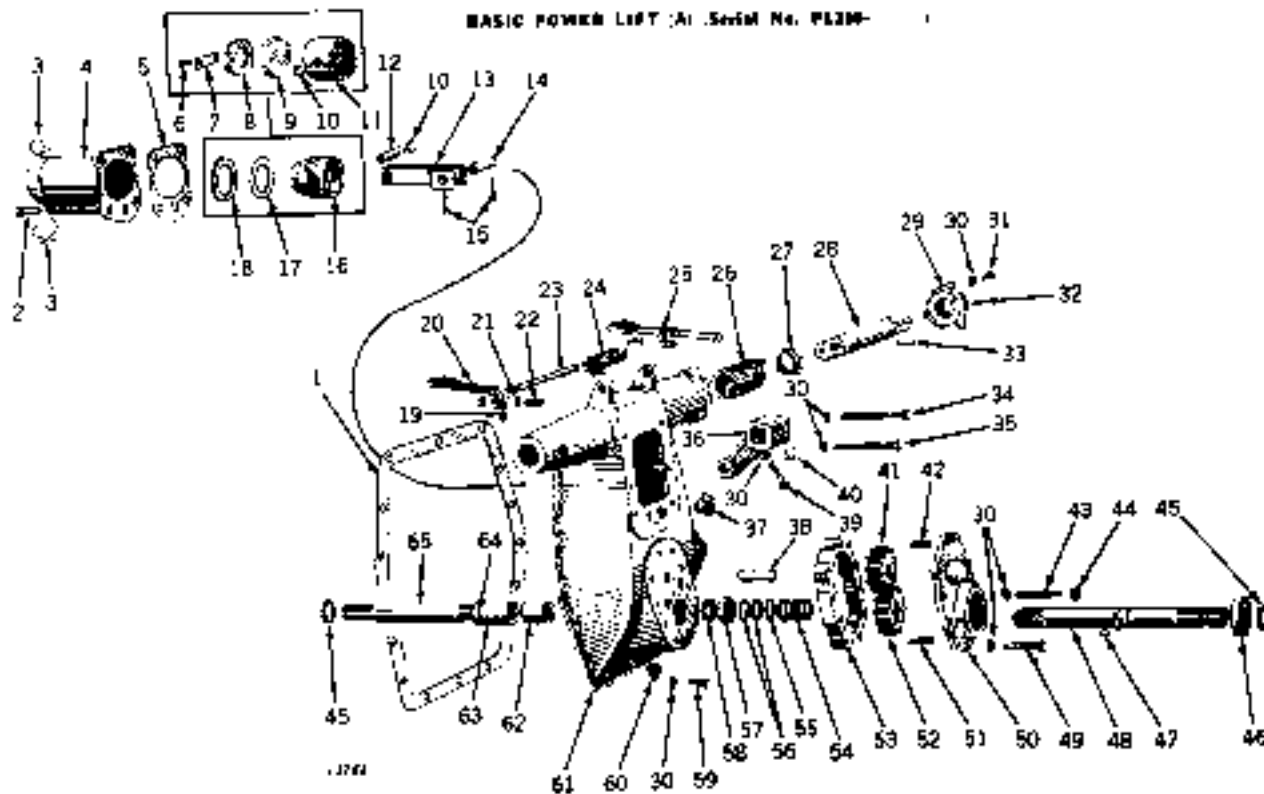
Key	Part No.	A	AR-AD	Description
1	AA 450 R	...	250000-1	Guard, Mud Two 4x5.5R Rear Wheel
2	24H 261 R	410000	250000-1	Washer, Wheel Weight (Sub for 24H426R)
	24H 294 R	410000	250000-1	Washer, Wheel Weight Nut (Sub for 24H426R)
	24H 350 R	410000	...	Washer, Hub Bolt (Sub for 24H426R)
3	A 1328 R	410000	...	Bolt, Hook, Used with 4B120R Rear Wheel Weight
	B 1563 R	410000	...	Bolt, Hook, Used with 1050R Rear Wheel Weight
	D 2184 R	410000	...	Bolt, Hook with Nut for Inner Rear Wheel Weight
4	P 2027 R	410000	250000-1	Solid, Rim Clamp to Rear Wheel (2 1/2" x 2-5/8")
	P 5292 R	410000	...	Solid, Rim Clamp to Rear Wheel (2 1/2" x 2-1/4") (Sub for 51470R)
	D 2862 R	...	250000-287137	Solid, Rim Clamp to Rear Wheel
3A	P 2750 R	...	250000-1	Clamp, Rim, For 4256R Wheel
5B	B 634 R	410000	...	Clamp, Rim, For 4256R Wheel
5C	D 2526 R	...	250000-287137	Clamp, Rim
6	P 1223 R	...	250000-254728	Bolt without Nut, Rear Wheel (Only for AR Tractors Equipped with Rear Wheel Brake)
	L 1318 R	...	250000-1	Bolt without Nut, Rear Wheel
7	B 1192 R	410000	...	Spacer, Cup, Hub Clamp to Hub (Use with JD120R, JD124R, JD1270R, JD1271R and A42816R)
8	JD 15 R	410000	...	Spacer, Hub to Wheel (3 used) (Use with 4B120R and 1050R Rear Wheel)
9	A 296 R	410000	...	Bolt or Hub to Wheel (3 used) (Use with JD120R, JD124R, JD1270R, or JD1271R Wheel)
	AA 287 R	410000	...	Conical Tip, 1.907 Hub Clamp Screws and Three 12117R Lockwashers
	AA 287 R	410000	...	Conical Tip, 1.907 Hub Clamp Screws and Three 12117R Lockwashers
	AA 287 R	410000	...	Conical Tip, 1.907 Hub Clamp Screws and Three 12117R Lockwashers
	JU 16 R	410000	...	Hub Bolt (9 used) (Sub for AA173R)

WHEEL SCRAPERS



Key	Part No.	A	AR-AO	Description
16	A 1054 H	4101JU-1		Bracket, Scraper, Rear Wheel, L.H.
13	A 1054 H	4101JU-1		Bracket, Scraper, Rear Wheel, R.H.
2	AA 730 H	4101JU-1		Holder, A116/R, Scraper Blade Rear Wheel
1	A 1050 H	4101JU-1		Spacer, Scraper Bracket, Rear Wheel
4	AA 701 R	4101IU-1		Blade, Composite, Scraper, Rear Wheel
5	A 1950 R		252105 252151	Bar, Scraper, Rear Wheel, R.H. and L.H.
C	234-H 171 P	4100C0-1		Washer, Front Wheel Scraper, A only
7	A 652 R	4100C0-1		Grade, Front Wheel Scraper, A only
3	E 2725 PT	4100C0-1		Sub. Scraper, Front Wheel, 5.5" x 4-5/8"
6	AA 356 H	4100C0-1		Scraper, Front Wheel, Complete - A only (Sub. for A4329R ATTACHMENT)
10	A 1957 R		252105-271250	Bar, Scraper, Rear Wheel, R.H.
	A 1956 P		252105-271250	Bar, Scraper, Rear Wheel, L.H.
11	A 1957 P		252105-271250	Bar, Scraper, Extension, Rear Wheel
12	C 264 R		252105-271250	Holder, Scraper Blade
11	A 265 R		252105-271250	Blade, Scraper, Rear Wheel
	A 651 R	4100C0-1		Bracket, Front Wheel Scraper

BASIC POWER LIFT (A) Serial No. P1300-



Key	Part No.	Power Lift Serial No.	Description
1	A 410 R		Base
2	A 624 R		Screw, Cap. 3/4" x 1-3/4" 14 used
3	A 622 R		Washer, 1/2" dia. x 1/4" Thick 2 used
4	622 R		Cylinder
5	622 R		Gasket
6	A 520 H	P1144-36	Screw, Cap. 1/2" x 1-1/2 used
7	A 527 H	P1144-36	Blade, Link
8	A 527 H	P1144-35	Receiver, Piston Cup (Std. One A3957R, One A3958R and One A3957R)
9	A 526 H	P1144-35	Cup, Piston, Leather
10	A 521 H		Sub. Rod, 2 used
11	A 521 H	P1144-35	Sub. Sub. Link A3955P One A3956H and One A3957R
12	A 521 H		Piston
13	AA 402 H		Rod, Control 10

TRACTORS—MODELS "A" AND "AR"—"AO"—NOT STYLED

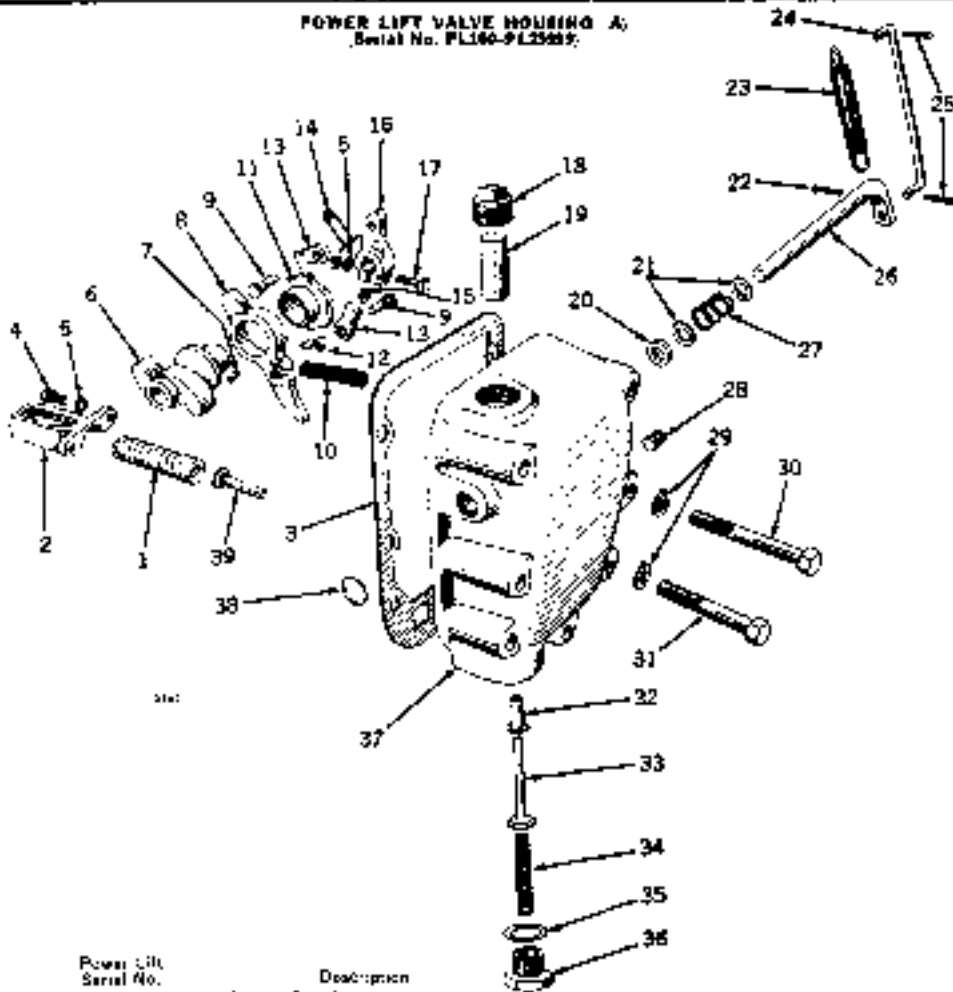
BASIC POWER LIFT (A)—Continued
Serial No. PL180-

Key	Part No.	Power Lift Serial No.	Description
14	A 615 R	-	Pin, Crank
15	-	-	Pin, Collar, 3/16" x 1-1/4" (2 used)
16	A 3056 R	PL144137	Pinion (Sub. for AA5510A)
17	A 3057 R	PL144137	Washer, Treated Power
18	A 3058 R	PL144137	Packet, Oil (2)
19	A 147 R	PL1325	Washer, Key (2 used)
20	A 622 R	-	Pin, Top (R.H. or L.H.)
B 481 R	PL1325	P-1324	Pin, Top (L.H.)
A 1428 R	PL1325	PL29941	Pin, Top (L.H.)
21	17H 1 R	PL1325	Pin, Top (R.H.)
22	A 853 R	-	Washer, Disc, 3/8" (2 used)
R 439 R	PL1325	-	Ball, Machine, with Sq. Nut, 3/8" x 1-1/2" (2 used)
C 1024 R	PL1325	-	Ball, Pin, 1/2"
A 450 R	PL30050	PL29941	Ball, Pin, 1/2"
R 430 R	PL1325	-	Ball, Pin, 1/2"
A 1427 R	PL30050	PL29941	Ball, Pin, 1/2"
A 1444 R	PL30050	-	Ball, Pin, 1/2"
A 1453 R	PL30050	-	Ball, Pin, 1/2"
AA 1100 R	-	-	Ball, Pin, 1/2" (R.H. or L.H.) (2 used)
A 1445 R	PL13070	-	Ball, Pin, 1/2"
12H 12 R	PL13070	-	Washer, Disc, 2/16" (2 used)
13H 207 R	PL30050	-	Shank, Coll. 7/16" x 1-1/4" (3 used)
D 375 R	-	-	Fitting, O-Ring (2 used)
C 1023 R	PL30050	-	Pin, Crank
19H 429 R	-	-	Shank, Coll. 7/16" x 5/16"
A 81 R	-	PL145463	Shank, Coll. 7/16" x 5/16"
13H 290 R	PL1325	-	Arm, Crank
A 865 R	-	-	Plug, Pin
A 4162 R	PL145464	-	Pin, Crank Idle Gear
13A 131 R	PL145464	-	Pin, Power Lift Crank Arm (2 used)
13A 131 R	PL145464	-	Pin, Collar, 1/2" x 5/8", in Power Lift Crank Arm (4 used)
13A 131 R	PL145464	-	Shank, Cap. 2 1/4" x 2 1/4" (10 holes) (2 used)
13A 131 R	PL145464	-	Wash. 1/2" Dia. x 1" Long
13A 131 R	PL145464	-	Washer, Key
A 4875 R	PL1325	-	Gear, 12" dia. with Fl. Ring (Sub. for AA432R)
A 4875 R	PL1325	-	Pin, Thrust, Upper (Sub. for A816R and B153R)
A 624 R	-	-	Ball, 7/16" x 2" (3 used)
A 624 R	-	-	Nut, 7/16" (3 used)
A 625 R	PL59999	PL59999	Snap Ring (3 used)
F 213 R	PL60000	PL59999	Snap Ring (3 used) (Packed 5 on 4 Pkg.)
JO 7504 R	PL60000	PL59999	Edging
JO 7504 R	PL60000	PL59999	Edging
13H 89 R	-	-	Key, Sub. for 25H20R
A 2927 R	PL457	PL59999	Shaf. Pins, 1-1/2" x 1/2"
A 2927 R	PL50000	PL457	Shaf. Pins, 1-3/8" x 1/2"
A 2927 R	PL50000	PL457	Shaf. Pins, 1-3/8" x 1/2" (Other E-d 1-1/2" L)
A 2927 R	PL50000	PL457	Shaf. Pins, 1-3/8" x 1/2" (Other E-d 1-1/2" L)
A 2927 R	PL43673	PL50000	Shaf. Pins, 1-3/8" x 1/2" (Other E-d 1-1/2" L)
A 2927 R	PL43673	PL50000	Shaf. Pins, 1-3/8" x 1/2" (Other E-d 1-1/2" L)
19H 1872 R	PL570	P-59994	Shaf. Coll. 7/16" x 2-1/2" (2 used)
A 47 R	PL50000	-	Curve, Pin
A 2911 R	PL50000	-	Curve, Pin
A 810 R	PL570	-	Pin, Curved (Lower)
AA 6450 R	PL570	PL50000	Pin, Curved (Sub. A671R)
AA 6451 R	PL50000	PL50000	Pin, Curved (Sub. A6433R)
AA 6452 R	PL570	PL50000	Shaf. Pins, A673R, with Curve and Lower
A 816 R	PL570	PL50000	Shaf. Pins, Sub. for AA555NR
A 810 R	PL50000	PL50000	Shaf. Pins (Sub. for AA555NR)
A 2425 R	PL50000	PL50000	Shaf. Pins
24H 272 R	PL50000	PL50000	Shaf. Pins
24H 215 R	PL60000	PL50000	Washer, Oil Seal, Sub. for A888R
A 665 R	PL60000	PL50000	Washer, Oil Seal, Sub. for A2434H
A 2430 R	PL60000	PL50000	Washer, Oil Seal, Sub. for A2434H
A 665 R	PL60000	PL50000	Washer, Oil Seal, Sub. for A2434H
A 2432 R	PL60000	PL50000	Washer, Oil Seal, Sub. for A2434H
A 665 R	PL60000	PL50000	Washer, Oil Seal, Sub. for A2434H
A 2432 R	PL60000	PL50000	Washer, Oil Seal, Sub. for A2434H
19H 232 R	PL60000	PL50000	Washer, Oil Seal, Sub. for A2434H
19H 232 R	PL60000	PL50000	Washer, Oil Seal, Sub. for A2434H
AA 467 R	PL60000	PL50000	Washer, Oil Seal, Sub. for A2434H
AA 482 R	PL457	PL29999	Pin, Crank, 1/2" dia. with Fl. Ring and Oil Seal Bearing
AA 111 R	PL30050	PL29999	Pin, Crank, 1/2" dia. with Fl. Ring and Oil Seal Bearing
AA 2927 R	PL60000	PL29999	Pin, Crank, 1/2" dia. with Fl. Ring and Oil Seal Bearing
A 161 R	PL457	PL50000	Pin, Crank, 1/2" dia. with Fl. Ring and Oil Seal Bearing
A 248 R	PL60000	PL457	Pin, Crank, 1/2" dia. with Fl. Ring and Oil Seal Bearing
A 212 R	PL457	PL50000	Pin, Crank, 1/2" dia. with Fl. Ring and Oil Seal Bearing
A 2428 R	PL60000	PL457	Pin, Crank, 1/2" dia. with Fl. Ring and Oil Seal Bearing
A 2928 R	PL457	PL43673	Pin, Crank, 1/2" dia. with Fl. Ring and Oil Seal Bearing
11H 102 A	PL457	PL29999	Pin, Crank, 1/2" dia. with Fl. Ring and Oil Seal Bearing
11H 102 A	PL457	PL29999	Pin, Crank, 1/2" dia. with Fl. Ring and Oil Seal Bearing
AA 1062 R	PL457	PL50000	Pin, Crank, 1/2" dia. with Fl. Ring and Oil Seal Bearing
AA 2161 R	PL50050	PL50050	Pin, Crank, 1/2" dia. with Fl. Ring and Oil Seal Bearing
AA 3191 R	PL50050	PL50050	Pin, Crank, 1/2" dia. with Fl. Ring and Oil Seal Bearing

*Order Shaf. Pins by Part Number. Shaf. pins in Coll. of Oil Seal
 **When A673R Curve Arm is PL101436C3, Curve-L. Arm Part No. Two AA 665R Pins and Four 11H4R Collar Pins.
 †Parts for Tractors Launched after 1/1/50 are not shown. See Part List for details.

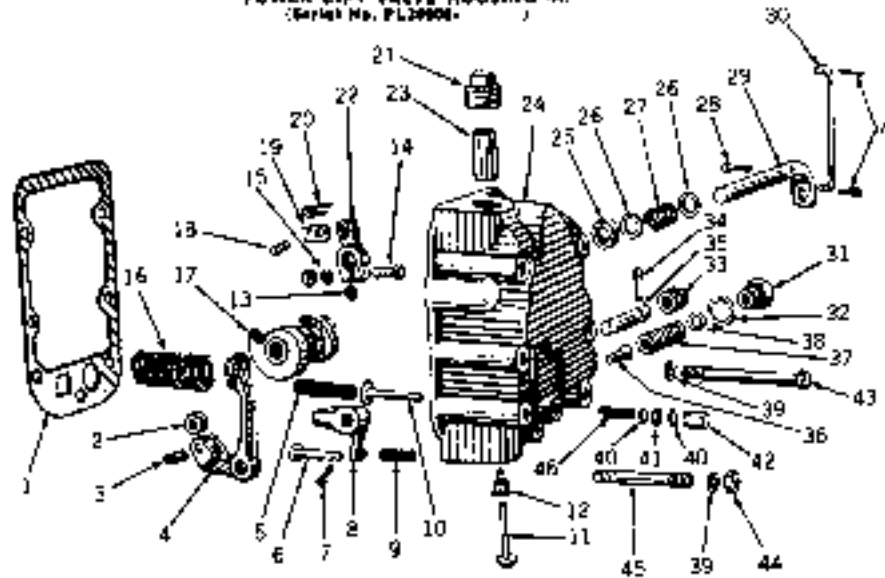


POWER LIFT VALVE HOUSING A;
Serial No. PL180-PL2589.



Key	Part No.	Power Lift Serial No.	Description
1	A 450 R	PL25900	Spring, Rod of Valve
2	A 450 R	PL25900	Wash. Pin
3	A 451 R	PL25900	Washer
4	A 451 R	PL25900	Washer, Lock, 3/16" x 3/4" (2 used)
5	12H 10 R	PL25900	Washer, Lock, 3/16" (3 used)
6	A 449 R	PL25900	Cap
7	7511 7 H	PL25900	Key, Woodruff
8	A 446 H	PL25900	Lock, Trip
9	A 446 H	PL25900	Pin, 2 used
10	A 446 H	PL25900	Spring
11	A 446 H	PL25900	Washer
12	A 446 H	PL25900	Spring
13	A 447 R	PL25900	Pin, 2 used
14	A 449 R	PL25900	Spring
15	A 449 R	PL25900	Washer, Key
16	A 449 R	PL25900	Lock, Control
17	A 449 R	PL25900	Bolt, Mach., with Hex. Nut, 3/16" x 1-1/4"
18	15H 279 R	PL25900	Plug, File (See Mr. A44087)
19	A 447 R	PL25900	Washer, Ex. Pass
20	A 447 R	PL25900	Packing
21	24H 204 R	PL25900	Washer, Packing (Steel, 12 Lead) (5-1/2 for A5448)
22	11H 80 R	PL25900	Pin, Collar 3/16" x 1"
23	C 1228 R	PL25900	Spring
24	A 446 H	PL25900	Lock, Control
25	A 446 H	PL25900	Pin, Collar, 1/8" x 5/8" (2 used)
26	A 446 H	PL25900	Washer, Control
27	E 2777 HT	PL25900	Spring
28	15H 279 H	PL25900	Plug, Pipe
29	12H 12 H	PL25900	Washer, Lock 1/2" (2 used)
30	A 446 H	PL25900	Spring, Cap 1/2" x 3/4" (2 used)
31	A 446 H	PL25900	Spring, Cap 1/2" x 3/4" (3 used)
32	A 446 H	PL25900	Guide, Valve
33	A 446 H	PL25900	Valve, Check
34	A 446 H	PL25900	Spring, Check Valve
35	A 446 H	PL25900	Gasket (Gasket-Perforated)
36	A 446 H	PL25900	Plug
37	A 446 H	PL25900	Housing, AG18, Valve, with Guide and Plug
38	10H 9 R	PL25900	Plug, Wash
39	A 446 H	PL25900	Valve, Ratchet

POWER LIFT VALVE HOUSING (A)
(Serial No. PL30000+)

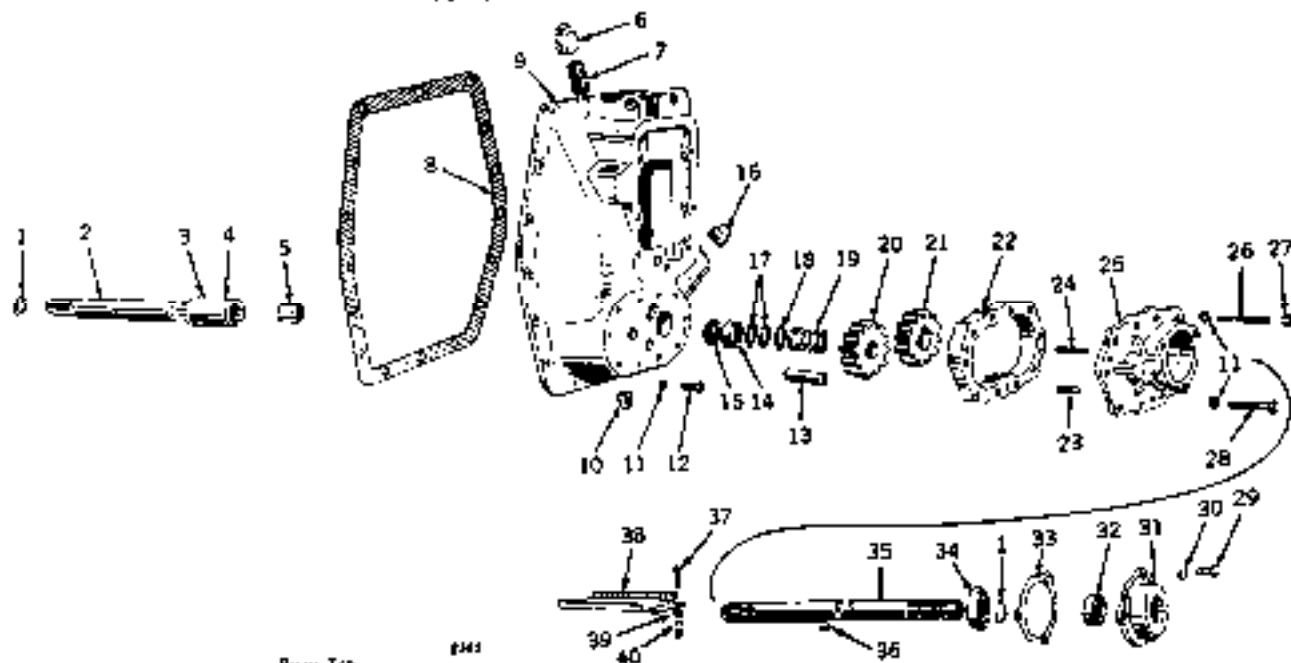


347

Key	Part No.	Power Lift Serial No.	Description
1	A 1447 H	PL30000	Gasket
2	A 1410 H	PL30000	Roller
3	A 1414 H	PL30000	Pin, Roller
4	AA 1704 H	PL30000+	Cam Follower Assembly
5	B 208 H	PL30000+	Spring, Thriftless Valve
6	U 1909 H	PL30000+	Pin, Cam Trip
7	A 1412 H	PL30000+	Pin, Collar, 1.8" x 1.8" (3 used)
8	A 304 H	PL30000+	Lever, Cam Trip
9	AA 4101 H	PL30000+	Spring
10	A 1440 H	PL30000+	Valve, Thriftless Sub. for A1440H
11	A 1411 H	PL30000+	Valve, Check
12	A 380 H	PL30000+	Guide, Check Valve
13	A 2897 H	PL30000+	Washer, Key
14	B 1012 H	PL30000+	Washer, with Hex Nut 5/16" x 1-1/2"
15	B 1015 H	PL30000+	Washer, 1.60 x .16"
16	A 1429 H	PL30000+	Spring
17	A 448 H	PL30000+	Cam
18	A 1436 H	PL30000+	Pin
19	A 1435 H	PL30000+	Pin
20	A 1434 H	PL30000+	Pin
21	A 1433 H	PL30000+	Pin
22	A 1432 H	PL30000+	Pin
23	A 1431 H	PL30000+	Pin
24	A 1430 H	PL30000+	Pin
25	A 1429 H	PL30000+	Pin
26	A 1428 H	PL30000+	Pin
27	A 1427 H	PL30000+	Pin
28	A 1426 H	PL30000+	Pin
29	A 1425 H	PL30000+	Pin
30	A 1424 H	PL30000+	Pin
31	A 1423 H	PL30000+	Pin
32	A 1422 H	PL30000+	Pin
33	A 1421 H	PL30000+	Pin
34	A 1420 H	PL30000+	Pin
35	A 1419 H	PL30000+	Pin
36	A 1418 H	PL30000+	Pin
37	A 1417 H	PL30000+	Pin
38	A 1416 H	PL30000+	Pin
39	A 1415 H	PL30000+	Pin
40	A 1414 H	PL30000+	Pin
41	A 1413 H	PL30000+	Pin
42	A 1412 H	PL30000+	Pin
43	A 1411 H	PL30000+	Pin
44	A 1410 H	PL30000+	Pin
45	A 1409 H	PL30000+	Pin
46	A 1408 H	PL30000+	Pin
47	A 1407 H	PL30000+	Pin
48	A 1406 H	PL30000+	Pin
49	A 1405 H	PL30000+	Pin

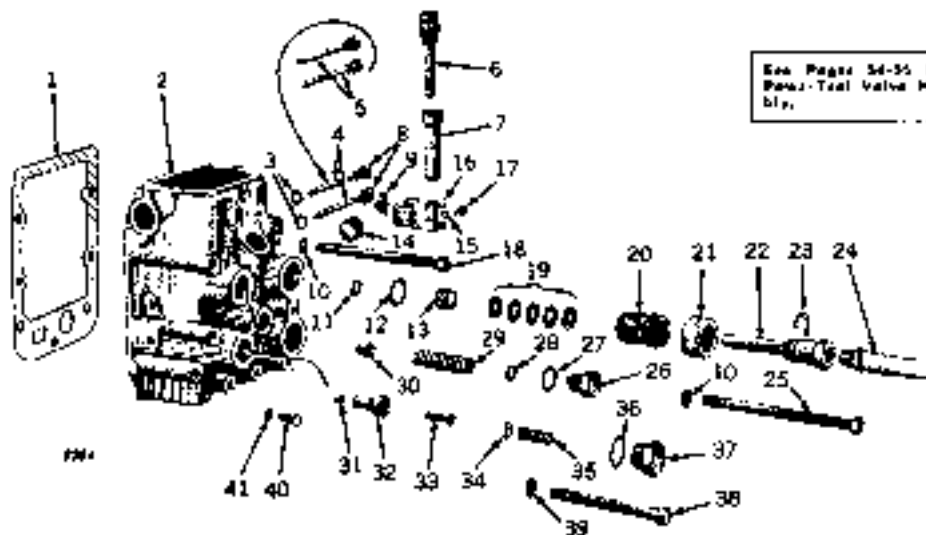


POWER-TROL HOUSING AND PUMP (AR-AQ)

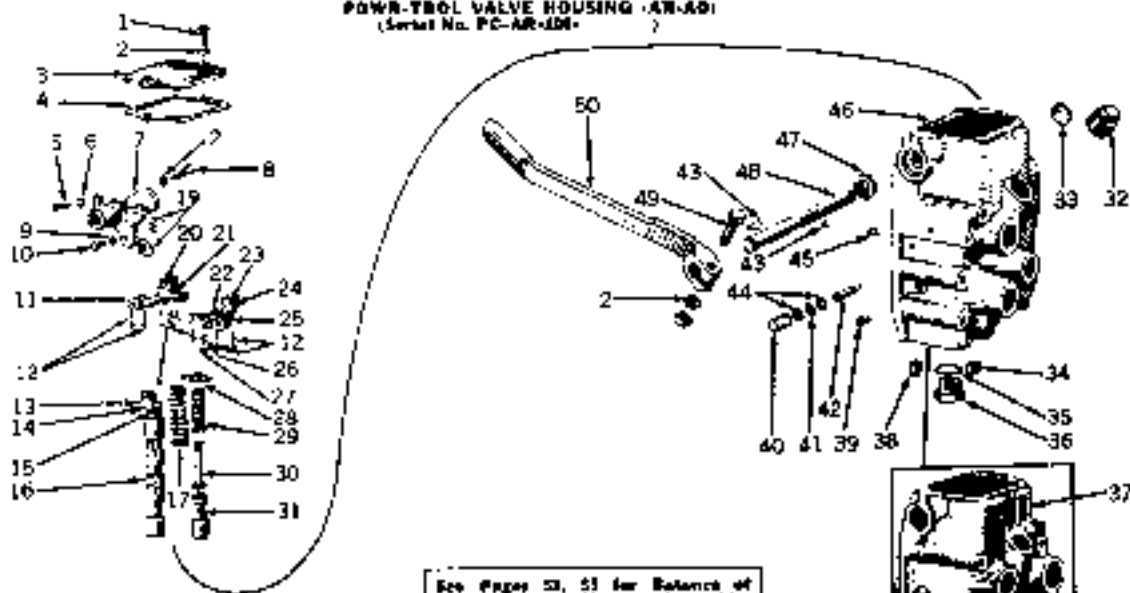


Key	Part No.	Power-Trol Valve Housing Serial No.	Description
1	F 415 R	PC-AR-100-	Shaft Ring
2	AA 2703 R	PC-AR-100-	Shaft Drive, with Coupling
3	16R 751 A	PC-AR-100-	Rivet, 1.47" x 2-1/2"
4	X 2428 R	PC-AR-100-	Coupling, Sub for A340R
5	A 2481 R	PC-AR-100-	Bushing
6	A 1131 R	PC-AR-100-	Cap. Oil File
7	2911 482 T	PC-AR-100-	Cap. Oil File (S.) for 28-12MR
8	A 412 R	PC-AR-100-	Gasket
9	AA 4342 R	PC-AR-100-	Cover, A351R, with Bushings (S.S. for A641B2R)
10	131 237 R	PC-AR-100-	Flng. Pipe
11		PC-AR-100-	Washer, Lock, 7/16" (28 used)
12		PC-AR-100-	Screw, Cap, 7/16" x 1-1/4" (18 used)
13	A 155 P	PC-AR-100-	P. 10-8 Gear
14	A 1431 P	PC-AR-100-	Cap. Oil Seal
15	A 1120 P	PC-AR-100-	Bearing, Oil Seal
16	174 280 P	PC-AR-100-	P. 8-8 Pipe
17	A 2336 R	PC-AR-100-	Washer, Oil Seal Packing (2 used)
18	2411 370 R	PC-AR-100-	Washer
19	A 2433 R	PC-AR-100-	Spring, Oil Seal
20	AA 432 R	PC-AR-100-	Lead, Idle, with Flushing
21	A 731 R	PC-AR-100-	Bushing, Key
22	A 2475 R	PC-AR-100-	Gear, Drive
23	A 2476 R	PC-AR-100-	Key, Pump
24	A 310 R	PC-AR-100-	Pin, Dowel (Lower)
25	A 4574 R	PC-AR-100-	Pin, Dowel (Upper) (2 used) Sub for A718R and B163R
26	A 2431 R	PC-AR-100-	Cover, Pump
27	A 374 R	PC-AR-100-	Shaft, 7/16" x 2" (2 used)
28	A 374 R	PC-AR-100-	Nut, 7/16" (2 used)
29		PC-AR-100-	Cap. Oil Seal, 7/16" x 2-1/2" (2 used)
30		PC-AR-100-	Cap. Oil Seal, 2-1/2" x 1-1/2" (2 used)
31		PC-AR-100-	Washer, Lock, 3/8" (3 used)
32		PC-AR-100-	Washer, Oil Seal
33	A 2198 P	PC-AR-100-	Seal, Lip
34	AA 2295 P	PC-AR-100-	Gasket
35	A 2295 P	PC-AR-100-	Gasket
36	CC 773 R	PC-AR-100-	Bearing
37	A 2293 R	PC-AR-100-	Shell, Pump (Sub A3650R Split and One F216R Split Ring)
38	A 2661 R	PC-AR-100-	Split, Pump
39	I 215 R	PC-AR-100-	Seal Ring
40	16H 45 R	PC-AR-100-	Key, Woodruff (Sub. for 25H20R)
	I 1102 R	PC-AR-100-	Bolt, Shock, 1/2" Nut (2 used) (S.S. 14H26R and 21H505R)
	A 1512 P	PC-AR-100-	Trough, Oil Drain
	14P 645 P	PC-AR-100-	Washer (2 used)
		PC-AR-100-	Washer, Lock, 1/4" (2 used)

POWER-TROL VALVE HOUSING ASSEMBLY
Serial No. PC-AR-140-PC-AR 1733



Key	Part No.	Power-Trol Valve Housing Serial No.	Description
1	A 1447 R	PC-AR-141	Gasket
2	A 3432 R	PC-AR-275	Housing, Power-Trol Valve (Sub Use AA425R Housing) (1 Housing only, with 1 Piston and 1 Piston Pin Assembly is Desired, Former One AA6117K Housing One AA355R Piston Assembly, One AA355H Cap, and Piston Assembly, Two A3M3H Couplings and Two A3B4R Caps)
AA	4175 R	PC-AR-287-PC-AR-111	Housing, A345R, Power-Trol Valve Complete (Sub Use AA425R Housing) (Attachment 1 Housing only, with 1 Operating Mechanism is Desired, Former One AA6117K Housing One AA355H Cap, and Piston Assembly, Two A3M3H Couplings and Two A3B4R Caps)
AA	6119 R		Housing only, AA425R, Power-Trol Valve, with Thermal Relief Valve
3	A 1408 R	PC-AR-279	Washer, Piston (2 used)
4	A 3432 R	PC-AR-141	Washer, Piston (2 used)
5	AA 3340 H	PC-AR-141	Pin, Piston (2 used)
6	AA 4590 R	PC-AR-141	Plug, 1/4" Dia (2 used) (Sub for AA3762P)
7	A 3755 H	PC-AR-141	Cap (2 used) (Sub for AA3750R)
8	A 3438 R	PC-AR-141	Screw, Cap. Special (2 used)
9	3M 290 T	PC-AR-141	Coil, 1/4" Level (Sub for AA3719F)
10	A 1408 R	PC-AR-141	Washer (3 used)
11	A 1440 R	PC-AR-141	Washer (2 used)
12	A 1447 R	PC-AR-141	Washer (2 used)
13	A 1132 R	PC-AR-141	Spring (2 used)
14	15H 219 R	PC-AR-141	Plug, Piston (2 used)
15	19H 10 R	PC-AR-141	Washer, Lock, 5/16" x 1/4" (2 used)
16	AA 1754 H	PC-AR-141	Hex Nut, Piston
17	19H 49 R	PC-AR-141	Screw, Cap. 5/16" x 3/16" (2 used)
18	19H 548 R	PC-AR-141	Screw, Cap. 1/2" x 5/16" (2 used)
19	AA 1755 R	PC-AR-141	Washer (2 used)
20	AA 8529 R	PC-AR-141	Adapter (2 used) (Sub for A3139F)
21	A 2140 R	PC-AR-141	Air Adapter (2 used)
22	AP 5514 R	PC-AR-141	Coil, 1/4" Dia (2 used) (Sub for AA355R or A3140R)
23	A 2141 R	PC-AR-141	Washer, Piston (2 used) (Sub for AA355R)
24	AA 1752 R	PC-AR-141	Coil, 1/4" Dia (2 used) (Sub for AA355R)
25	15H 974 H	PC-AR-141	Screw, Cap. 1/2" x 5/16" (2 used)
26	A 2120 H	PC-AR-141	Pin, Piston
27	A 2253 R	PC-AR-141	Coil, Spring
28	24H 2 R	PC-AR-141	Washer (2 used)
29	A 8529 R	PC-AR-141	Spring
30	16 754 R	PC-AR-141	Washer, Relief Valve (Sub for A3139F)
31	D 2181 R	PC-AR-141	Ball (2 used)
32	A 5026 R	PC-AR-141	Washer, Check Valve (2 used) (Sub AA3762P)
33	A 3023 R	PC-AR-141	Washer, Check Valve (2 used) (Sub AA3762P)
34	A 3026 R	PC-AR-141	Washer, Check Valve (2 used)
35	A 3026 R	PC-AR-141	Washer, Check Valve (2 used)
36	A 3117 R	PC-AR-141	Washer (2 used)
37	A 1441 R	PC-AR-141	Ring, Spring (2 used)
38	15H 1182 H	PC-AR-141	Screw, Cap. 1/2" x 5/16" (2 used) (Sub for 19H1790)
39	15H 13 H	PC-AR-141	Washer (2 used) (Sub for 19H1790)
40	A 3026 R	PC-AR-141	Screw, Cap. 1/2" x 5/16"
41	A 3026 R	PC-AR-141	Washer
Part No.	4709 R	PC-AR-141	Valve, Check, Assembly (Consisting of One Piston, AA355R, 19H59R and 19H60R)



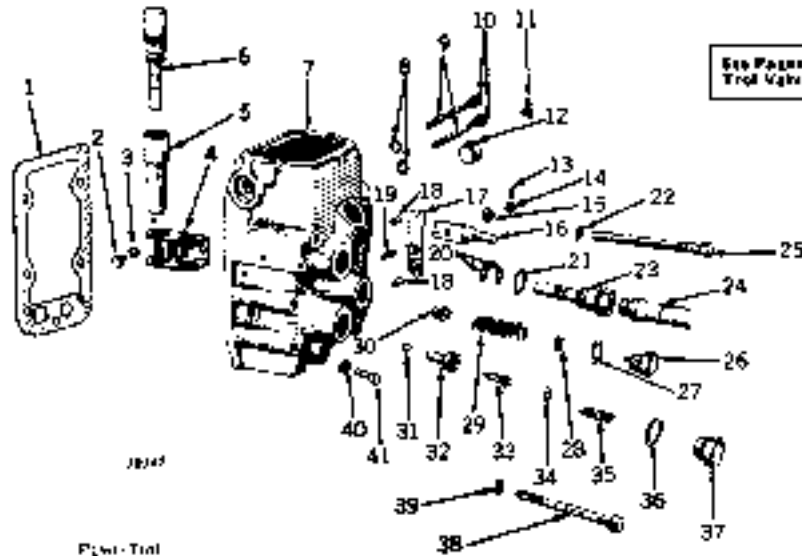
See Pages 53, 51 for Balance of
Power-Trol Valve Housing Assembly.

18159

Key	Part No.	Power-Trol Valve Housing Serial No.	Description
1	24H 134 R	PC-AR-8200	Screw, Cap. 1/5" x 3/4" (2 used)
2	12H 11 R	PC-AR-8200	Screw, Cap. 3/8" x 6/8" (2 used)
3	A 2116 R		Washer (2 used)
4	A 4288 R	PC-AR-8200	Washer, Lock 3/8" (1 used)
5	A 2133 R		Cover (Sub. One A4248R, Two 21-H16R and Two 19H125T)
6			Cover
7	A 3144 R		Bracket
8			Screw, Cap. 5/16" x 1"
9	12H 10 R		Nut, 5/16"
10			Cam (Sub. AA4059R Cam with Holders, Screws and Lock Washers)
11	AA 2725 R		Screw, Cap. 3/8" x 1-1/4"
12			Washer, Lock 5/16" (2 used)
13	A 2126 R	PC-AR-230	Screw, Cap. 5/16" x 1/4" (2 used)
14	A 2123 R	PC-AR-230	Arm, Cam Follower, w/ Roller
15	AA 2724 R		Pin, Cotter, 1/8" x 3/4" (4 used)
16	A 2106 P		Pin, Cotter, 3/32" x 8" (4 used)
17			Pin
18	A 2124 R		Link (2 used)
19	AA 2723 R		Valve, Operating, w/ Links
20	A 1434 R	PC-AR-140	Spring
21	A 2262 R	PC-AR-140	Pin, Cotter, 3/32" x 1 1/2" (2 used)
22	A 1433 R		Blade, Cam (2 used)
23	A 1414 R		Pin
24	A 3109 P	PC-AR-140	Pin
25	A 3217 P		Roller
26	AA 2735 P		Pin, Cam Latch
27	Z-P 692 P		Pin, Cam Latch
28	A 1111 R		Roller, Cam Latch
29	A 1110 R		Arm, Cam Latch, with Roller
30	A 3204 R		Screw, Wash (2 used)
31	A 1115 P		Washer, Lock 1/4" (2 used)
32	15H 210 R		Release Spring
33	32H 19 R		Spring
34	A 2125 R		Roll, Latch
35	A 1136 R		Valve, Release
36	A 2137 R		Plug, Plug
37	A 1941 R		Plug, Wash
38	A 2052 R	PC-AR-320	Pin
39			Washer 1.020" Ocdiam
40			Washer 1.032" Ocdiam
41			Pin, Cotter
42			Pin, Cotter
43			Pin, Cotter
44			Pin, Cotter
45			Pin, Cotter
46			Pin, Cotter
47			Pin, Cotter
48			Pin, Cotter
49			Pin, Cotter
50			Pin, Cotter
38	AA 4175 R	PC-AR-230	Housing, A338R, Power-Trol Valve, Complete (Sub. One AA4248R. ATTACHMENT)
39	15H 217 R		Plug, Plug
40	B 217 R		Plug, Plug
41	14H 222 R		Nut Cap
42	A 3029 R		Nut, 3/8"
43	25H 14 H	PC-AR-2700	Screw
44	25H 17 H	PC-AR-2700	Key, Woodruff (2 used)
45	A 3028 R		Key, Woodruff (2 used)
46	15H 253 H		Washer (2 used)
47	AA 4338 R		Plug, Plug
48	AA 4338 R		Housing, A334R or A334R, Power-Trol Valve, Complete (With PC-AR-106. ATTACHMENT)
49	AA 4338 R		Housing Only, A334R, Power-Trol Valve, with Thermal Relief Valve (With PC-AR-106)
50	AA 4338 R		Two, 1/1"
41	AA 4338 R	PC-AR-2700	Shaft, Control (Sub. AA206R and 26H17R)
42	AA 4338 R	PC-AR-2700	Shaft, Control
43	AA 4338 R	PC-AR-2700	Roll, Mech. with Nut, 1/2" x 1-3/4"
44	AA 4338 R	PC-AR-2700	Lever, Control

*Also Parts on Serial No. PC-AR-150-2-N when A322R Housing was replaced by A322H Housing.

POWER-TROL VALVE HOUSING, AR-AR:—Continued
(Serial No. PC-AR-1312)

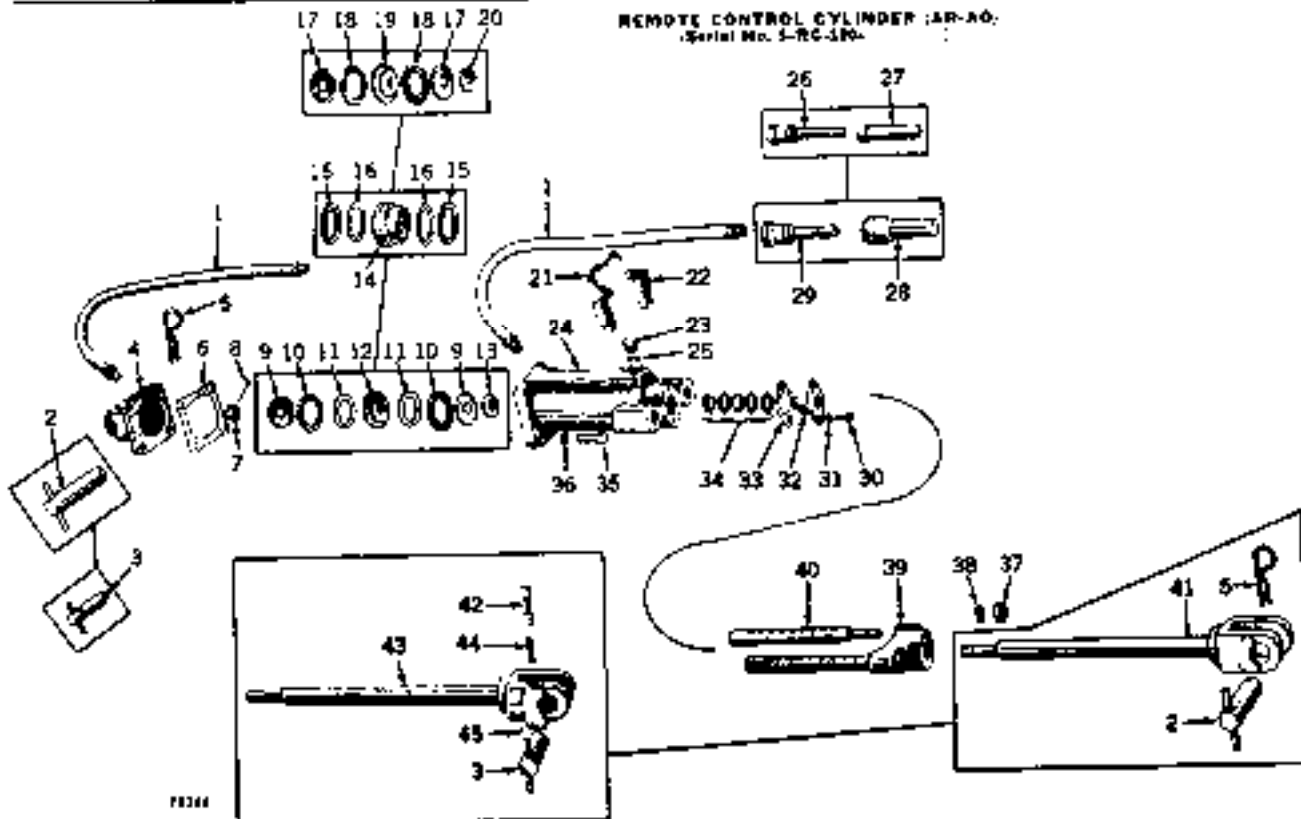


See Pages 53, 54 for Balance of Power-Trol Valve Housing Assembly.

Qty	Part No.	Power-Trol Valve Housing Serial No.	Description
1	A 1447 P	PC-AR-1312	Gasket
2		PL-AR-1312	Screw, Cap, 5/16" x 1.2" (2 used)
3	12H 10 R	PI-AR-1312	Washer, Lock, 5/16" (2 used)
4	AR 1754 R	PI-AR-1312	Bracket, Pin
5	A 1674 R	PC-AR-1312	Cap (2 used)
6	AA 4941 P	PC-AR-1312	Pin (2 used) (Sub. for AA4327 R)
7	AA 4324 R	PC-AR-1312	Housing, A160MR, or A3249R Valve, Complete (With Fit) PC-AR-100- (ATTACHMENT)
8	AA 6312 R	PC-AR-1312	Pin (2 used) (Sub. for AA4327 R)
9	A 3439 R	PC-AR-1312	Washer, Pin (2 used)
10	A 3437 R	PC-AR-1312	Pin (2 used)
11	A 3438 R	PC-AR-1312	Nut, Cap, 5/16" (2 used)
12	6V 293 T	PC-AR-1312	Lock, Oil Level (Sub. for AA17394)
13	15H 224 R	PC-AR-1312	Plug, Pin (2 used)
14		PC-AR-1312	Pin (2 used)
15	144 Y 1 F	PC-AR-1312	Nut, 5/16"
16	24H 39 R	PC-AR-1312	Washer
17	A 2611 R	PC-AR-1312	Cam
18	A 2610 R	PC-AR-1312	Spring
19	A 2612 R	PC-AR-1312	Pin (2 used)
20	A 3192 R	PC-AR-1312	End, 5/16" x 1-3/16" (2 used)
21	A 1606 R	PC-AR-1312	Pin (2 used)
22	A 3191 R	PC-AR-1312	Pin (2 used)
23	A 3190 R	PC-AR-1312	Pin (2 used)
24	AA 4542 R	PC-AR-1312	Pin (2 used)
25	19H 101 D	PC-AR-1312	Pin (2 used)
26	A 3005 D	PC-AR-1312	Pin (2 used)
27	R 757 R	PC-AR-1312	Pin (2 used)
28	24H 2 P	PC-AR-1312	Pin (2 used)
29	A 630 P	PC-AR-1312	Pin (2 used)
30	R 734 P	PC-AR-1312	Pin (2 used)
31	C 1491 P	PC-AR-1312	Pin (2 used)
32	A 3084 P	PC-AR-1312	Pin (2 used)
33	A 3090 R	PC-AR-1312	Pin (2 used)
34	A 3090 R	PC-AR-1312	Pin (2 used)
35	A 3090 R	PC-AR-1312	Pin (2 used)
36	R 5757 R	PC-AR-1312	Pin (2 used)
37	R 1441 R	PC-AR-1312	Pin (2 used)
38	18H 1762 R	PC-AR-1312	Pin (2 used)
39	12H 13 R	PC-AR-1312	Pin (2 used)
40	A 3298 H	PC-AR-1312	Pin (2 used)
41		PC-AR-1312	Pin (2 used)
(Parts listed below are not illustrated)			
R 181 H	PC-AR-1312	Valve, Check (2 used) (Sub. for A4132R)	
A 4731 H	PC-AR-1312	Shaft, Check Valve Metering (2 used)	
D 1783 R	PC-AR-1312	Spring, Check Valve	
D 1781 R	PC-AR-1312	End, Check Valve (2 used)	
AA 4795 R	PC-AR-1312	Valve, Check Assembly (Consisting of Crk R18-18 Sub. for A4132R, A4132R D-8450, and D2261R)	



TRACTORS—MODELS "A" AND "AR"—"AO" NOT STYLED.



70244

Key	Part No.	Qty. Req.	Series No.	Description
1	AP 3750 R	1	J-RC-26255	O-Line Flange, 45° Long (2 used)
2	AA 4492 R	1	J-RC-26255	O-Line Flange, 85° Long (2 used) (Sub. for AA429R)
3	AA 1382 H	1	J-RC-26255	Pin, Attaching (2 used) (Sub. for AA432R)
4	AA 2751 R	1	J-RC-26255	Pin, Attach (2 used) (Sub. for AA432R)
5	AA 2754 H	1	J-RC-26255	Pin, Cap (Sub. One A357R, One A2581R and One AR1362R (Sub. for AA432R))
6	AA 2753 H	1	J-RC-26255	Full Cap
7	AA 2752 H	1	J-RC-26255	Pin, Spring Locking (2 used)
8	AA 2751 H	1	J-RC-26255	Locknut
9	AA 4234 R	1	J-RC-44371	Nut, 1/4" (Sub. for A112R)
10	AA 4233 R	1	J-RC-44371	Pin, Guide, 1/8" x 1-1/4"
11	AA 4491 R	1	J-RC-44371	Retainer (2 used) (Sub. One AA232R and One AA233R)
12	AA 4492 R	1	J-RC-44371	Retainer (2 used)
13	AA 4493 R	1	J-RC-44371	Packing, 1/4" Cup (Rubber) (2 used)
14	AA 4494 R	1	J-RC-44371	Washer, Treated Paper (2 used)
15	AA 4495 R	1	J-RC-44371	Washer, Treated Paper (2 used)
16	AA 4496 R	1	J-RC-44371	Plate, 43511C, with Pumps, Retainer, Washers and Spacer (4th Fil. J-RC-100-)
17	AA 4497 R	1	J-RC-44371	Spacer, 3/16" (for A3102R)
18	AA 4498 R	1	J-RC-44371	Plate, A3658R, with Hinges and Washers (Sub. AA4491R)
19	AA 4499 R	1	J-RC-44371	Ring, Spring (Rubber) (2 used)
20	AA 4500 R	1	J-RC-44371	Washer, Spring (2 used)
21	AA 4501 R	1	J-RC-44371	Roller (2 used) (Sub. AA232R and AA233R)
22	AA 4502 R	1	J-RC-44371	Roller (2 used) (Sub. AA232R and AA233R)
23	AA 4503 R	1	J-RC-44371	Roller (2 used) (Sub. AA232R and AA233R)
24	AA 4504 R	1	J-RC-44371	Roller (2 used) (Sub. AA232R and AA233R)
25	AA 4505 R	1	J-RC-44371	Roller (2 used) (Sub. AA232R and AA233R)
26	AA 4506 R	1	J-RC-44371	Roller (2 used) (Sub. AA232R and AA233R)
27	AA 4507 R	1	J-RC-44371	Roller (2 used) (Sub. AA232R and AA233R)
28	AA 4508 R	1	J-RC-44371	Roller (2 used) (Sub. AA232R and AA233R)
29	AA 4509 R	1	J-RC-44371	Roller (2 used) (Sub. AA232R and AA233R)
30	AA 4510 R	1	J-RC-44371	Roller (2 used) (Sub. AA232R and AA233R)
31	AA 4511 R	1	J-RC-44371	Roller (2 used) (Sub. AA232R and AA233R)
32	AA 4512 R	1	J-RC-44371	Roller (2 used) (Sub. AA232R and AA233R)
33	AA 4513 R	1	J-RC-44371	Roller (2 used) (Sub. AA232R and AA233R)
34	AA 4514 R	1	J-RC-44371	Roller (2 used) (Sub. AA232R and AA233R)
35	AA 4515 R	1	J-RC-44371	Roller (2 used) (Sub. AA232R and AA233R)
36	AA 4516 R	1	J-RC-44371	Roller (2 used) (Sub. AA232R and AA233R)
37	AA 4517 R	1	J-RC-44371	Roller (2 used) (Sub. AA232R and AA233R)
38	AA 4518 R	1	J-RC-44371	Roller (2 used) (Sub. AA232R and AA233R)
39	AA 4519 R	1	J-RC-44371	Roller (2 used) (Sub. AA232R and AA233R)
40	AA 4520 R	1	J-RC-44371	Roller (2 used) (Sub. AA232R and AA233R)
41	AA 4521 R	1	J-RC-44371	Roller (2 used) (Sub. AA232R and AA233R)
42	AA 4522 R	1	J-RC-44371	Roller (2 used) (Sub. AA232R and AA233R)
43	AA 4523 R	1	J-RC-44371	Roller (2 used) (Sub. AA232R and AA233R)
44	AA 4524 R	1	J-RC-44371	Roller (2 used) (Sub. AA232R and AA233R)
45	AA 4525 R	1	J-RC-44371	Roller (2 used) (Sub. AA232R and AA233R)

Part 1 and 2 are in assembly of some of the parts with a group 10
 011274 R (Sub. for 011274 R) (Sub. for 011274 R) (Sub. for 011274 R)

TRACTORS—MODELS "A" AND "AR"—"AO" (NOT STYLED)

REUSABLE COUPLINGS USE WITH SINGLE WIRE BRAID FLEXIBLE OIL LINE:

Coupling No.	I.D.	Thread
AF 2585 R	1.1"	3/8" -18 NPTF (Packed) 2 in 4 Pkg.
AF 2585 R	1.2"	1/2" -14 NPTF (Packed) 2 in 4 Pkg.
AF 2587 R	1.3"	3/4" -14 NPTF (Packed) 2 in 4 Pkg.
AF 2588 R	1.4"	3/4" -14 NPTF (Packed) 2 in 4 Pkg.

REUSABLE COUPLINGS USE WITH DOUBLE WIRE BRAID FLEXIBLE OIL LINE:

Coupling No.	I.D.	Thread
AR 21529 H	2.0"	3/4" -18 NPTF (Packed) 2 in 4 Pkg.
AR 21531 H	1.2"	1/2" -14 NPTF (Packed) 2 in 4 Pkg.
AR 21533 H	1.6"	3/4" -14 NPTF (Packed) 2 in 4 Pkg.
AR 21537 H	1.4"	3/4" -14 NPTF (Packed) 2 in 4 Pkg.
AR 21534 H	1"	1" -11.2 NPTF (Packed) 2 in 4 Pkg.

**BULK SINGLE WIRE BRAID FLEXIBLE OIL LINE
USE WITH REUSABLE COUPLING FOR SINGLE WIRE BRAID FLEXIBLE OIL LINE.**

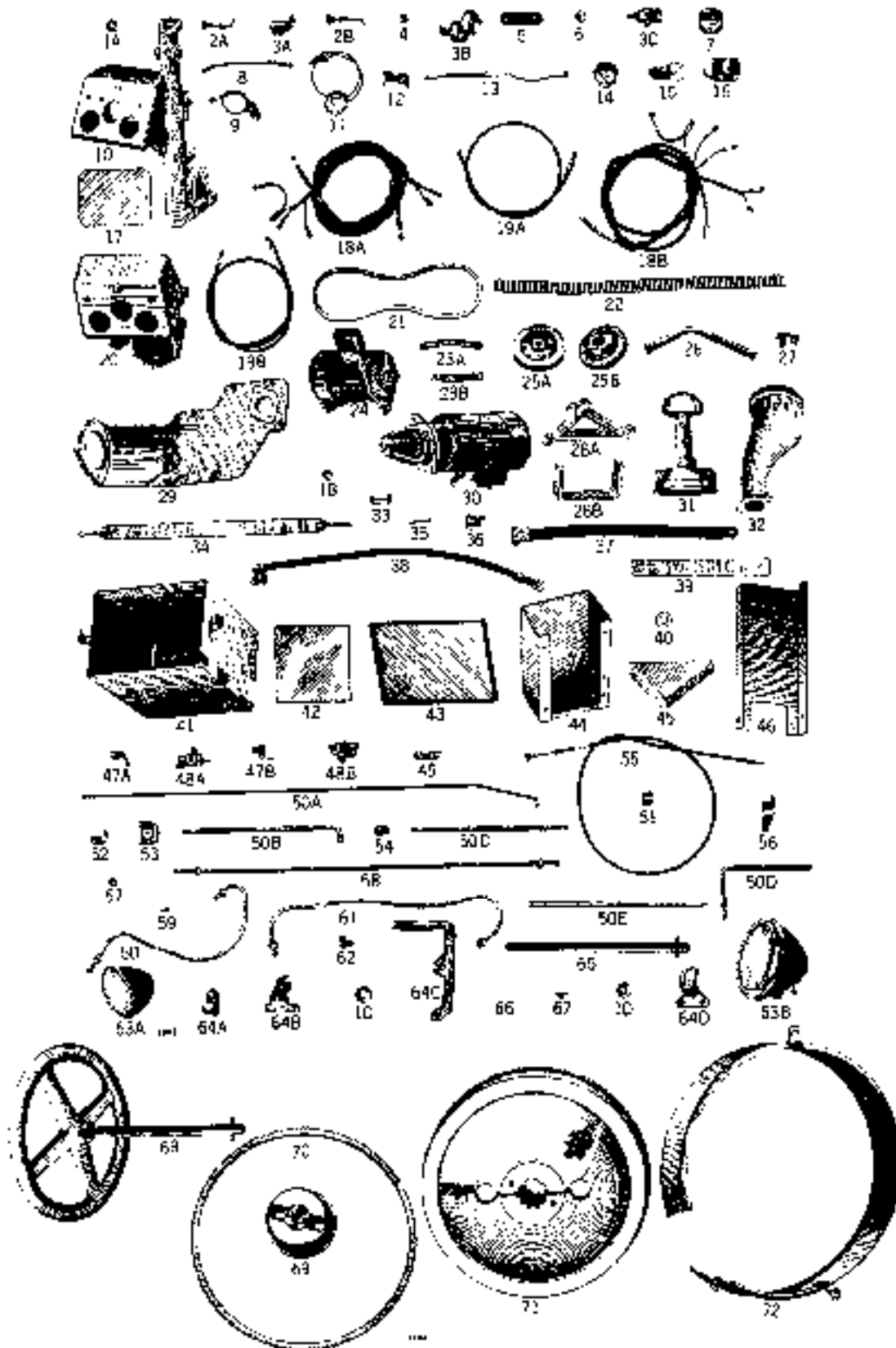
Part No.	I.D.	O.D.	Length
A 5375 R	1.3"	26/32"	Approx. 50 Ft.
A 5376 R	1.2"	29/32"	Approx. 50 Ft.
A 5377 H	1.3"	1 - 32"	Approx. 50 Ft.
A 5378 H	1.4"	1 - 3/16"	Approx. 50 Ft.

**BULK DOUBLE WIRE BRAID FLEXIBLE OIL LINE
USE WITH REUSABLE COUPLING FOR DOUBLE WIRE BRAID FLEXIBLE OIL LINE.**

Part No.	I.D.	O.D.	Length
R 21531 R	1.2"	29/32"	Approx. 50 Ft.
R 21532 R	1.2"	3 - 32"	Approx. 50 Ft.
R 21533 R	1.6"	1 - 3/32"	Approx. 50 Ft.
R 21534 R	1.4"	1 - 1/4"	Approx. 50 Ft.
R 21535 R	1"	1 - 9/16"	Approx. 50 Ft.



STARTING AND LIGHTING, AR-AO



STARTING AND LIGHTING (AR)—Continued

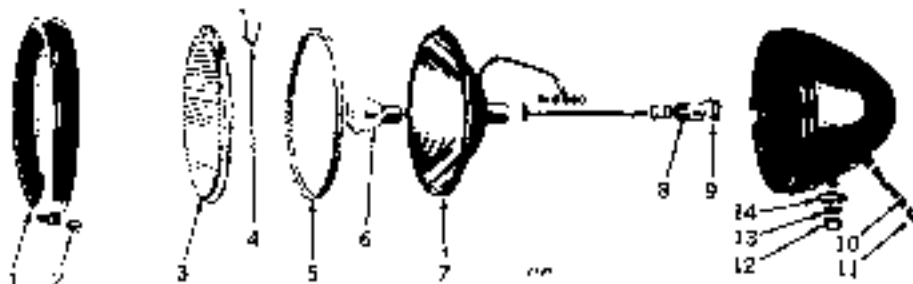
Key	Part No.	AP-AQ	Starting and Lighting	Lighting Only	Starting Only	Description
1A	24F 134 F	250000-	X	X	X	Washer on Generator Bracket
	24F 134 F	250000-	X	X	X	Washer on Bolt in Dash Lamp Hole
1E	24F 39 F	-	X	X	X	Washer on Generator Adjusting Strap
1C	24H 99 F	250000-	X	X	X	Washer on Head Lamp Bolt (Sub. for 24H481R)
1D	A 2743 F	250000-	X	X	X	Washer on Head Lamp Bolt
2A	AB 1835 F	-	X	X	X	Knob, Control Starter Switch
2B	AB 1835 F	261847	X	X	X	Knob, Light Switch (Control Starter only for AB2687R Light Switch)
3A	AB 1837 F	-	X	X	X	Switch, Starter Pull
3H	AB 2587 F	261847	X	X	X	Switch, Light (Sub. for AB2679F)
3I	AF 1887 F	-	X	X	X	Switch, Light (Sub. for AB2679F)
4	24H 281 F	261847	X	X	X	Key, Hex. Jam. on Light Switch Control Rod (Parts only for AB2687R Light Switch)
	24H 274 F	251842	X	X	X	Key, Hex. Jam. on Light Switch (Will Fit 250000-261847 if AB2687R has been Replaced with A: 687F—(Part of M. L. L. for 14118511))
5	1627135	-	X	X	X	Key, Jam. on Light Switch (Parts for AB2687R Light Switch)
6	F 1310 R	261248	X	X	X	Knob, Light Switch, For High (Will Fit 250000-261847 if AB2687R has been Replaced with A: 6879F)
	B 1911 R	260000-	X	X	X	Knob, Choke
7	AF 2740 R	-	X	X	X	Ammeter, Volt Clamp (Sub. for AB2688R)
8	AA 4845 R	-	X	X	X	Light, Ammeter in Starting Switch (Sub. for AB1840R)
9	AD 1814 R	-	X	X	X	Lamp, Dash (Sub. for AB1853H)
10	B 1642 H	-	X	X	X	Support, Dash and Steering (AR only)
11	AA 2610 H	262790	X	X	X	Ring, Dash, Head
	AB 2626 H	262790	X	X	X	Indicator, Head
12	A 1722 R	-	X	X	X	Camp, Fuel Indicator
13	AI 701 H	261842	X	X	X	Lock, Fuel Ammeter to Light Switch (Will Fit 250000-261847 if AB2687R has been Replaced with AF687F)
14	AA 1710 H	-	X	X	X	Gauge, Oil Pressure
15	AB 2632 H	-	X	X	X	Bulk, Dash Light (6-Volt) (Parts for AD1856R Dash Light)
16	AD 2614 H	-	X	X	X	Head, Dash Light (Parts for AD1856R Dash Light) (Sub. for 01728R)
17	B 1645 H	-	X	X	X	Cover, Dash
15A	AA 1936 R	250700-	X	X	X	Harness, Assembly, Wiring
15B	AB 1932 R	259959	X	X	X	Harness, Assembly, Wiring (AR only)
	AB 879 R	-	X	X	X	Harness, Generator Wiring
15A	AA 1934 R	250000-	X	X	X	Wires, Head Lamp
	AB 1954 R	-	X	X	X	Wires, Starter Switch to Magnetic Switch
	AB 1955 R	-	X	X	X	Wires, Ammeter to Magnetic Switch
15B	AB 1953 R	259959	X	X	X	Wires, near Lamp (AR only)
	AB 1978 R	-	X	X	X	Wires, Ammeter to Battery
20	A 2714 R	250000-	X	X	X	Hex. Instrument (AU only)
21	C 3176 R	259959	X	X	X	Hell, Generator (AR only) (Sub. for A2072R)
	A 1745 R	250000-	X	X	X	Hell, Generator
21	B 684 R	-	X	X	X	Circuit, Starting and Lighting Control
21A	B 1113 R	259959	X	X	X	Start, Generator Adjusting (AR only)
21B	A 2741 R	250000-	X	X	X	Start, Generator Adjusting
24	AB 4078 R	-	X	X	X	Generator (Delco-Remy 1101256 and 1101255) (Sub. for AB1204R) (S.S. AP18325H)
25A	B 1110 R	-	X	X	X	Bulbs, Generator
25B	AA 1940 R	-	X	X	X	Roller, Generator (Generator Drive)
26	B 1447 R	-	X	X	X	Circuit, Wiring Harness
27	B 1536 R	-	X	X	X	Clo, Control
28A	A 1171 R	259959	X	X	X	Bracket, Generator (AR only)
28B	A 1210 R	250000-	X	X	X	Bracket, Generator
29	A 2710 R	-	X	X	X	Cover, Crankcase
30	AA 4970 R	-	X	X	X	Magnet, Start-up with Magnetic Switch (Delco-Remy No. 002760) (Sub. for AA2004R)
31	AA 2077 R	-	X	X	X	Cover, APCR, Breaker, with Start
32	A 2248 R	-	X	X	X	Belly, Breaker
33	B 1264 R	-	X	X	X	Clip, Battery Box (Nut Furnished)
34	AA 2075 R	-	X	X	X	Clamp, with Bolts
35	B 1266 R	-	X	X	X	Pin, Battery Box Clip (Nut Furnished)
35	AB 1820 R	250000-	X	X	X	Clamp, Negative Battery Terminal
37	AB 4437 H	-	X	X	X	Cable, Battery Ground
38	AA 2336 R	-	X	X	X	Cable, Battery, on Starting Motor (Sub. for AB1840R)
39	A 2326 R	-	X	X	X	Plate, Cross, Battery Clamp
40	B 2475 R	-	X	X	X	Bracket, in Battery Box
41	AA 2475 R	-	X	X	X	Box, Battery (AR only)
42	B 1569 R	-	X	X	X	Box, Battery
43	A 2458 R	-	X	X	X	Box, Battery Box
44	AA 1911 R	-	X	X	X	Box, Tool
45	A 1972 R	-	X	X	X	Bracket, Battery Box
46	A 1711 R	-	X	X	X	Shield, 2-1/2" L.H.
47A	B 1275 R	254299	X	X	X	Stop, Three-Way, Fuel Inducing (AR only) (Parts only on Tractors with Starting and Lighting Equipment which are Equipped with AB1545R Three-Way Fuel Cock Identified by Notched Stem)
47B	B 931 R	-	X	X	X	Stop, Three-Way, Fuel Inducing (Parts only on Tractors with Starting and Lighting Equipment Equipped with AB2805R Three-Way Fuel Cock Identified by Round Stem)
48A	AB 1545 R	254299	X	X	X	Cock, Fuel, Three-Way (Notched Stem) (AR only)
48B	AB 2630 R	-	X	X	X	Cock, Fuel, Three-Way (Round Stem)
49	B 1522 R	259959	X	X	X	Support, Choke Tube (AR only)
50A	A 2740 R	250000-	X	X	X	Rod, Choke
50B	A 2251 R	-	X	X	X	Stop, Fuel Control (AR only)
50C	A 2668 R	-	X	X	X	Stop, Fuel Control (AR only)
50D	R 1503 R	-	X	X	X	Extension, Fuel Control Rod, Parts only on Tractors with Starting and Lighting Equipment Equipped with AB2405R Three-Way Fuel Cock Identified by Round Stem
50E	R 2290 R	259959	X	X	X	Extension, Fuel Control Rod (AR only) (Parts only on Tractors with Starting and Lighting Equipment Equipped with AB1545R Three-Way Fuel Cock Identified by Notched Stem)
51	A 2617 F	-	X	X	X	Choke Cable, Stop (Mounts in Tractor) (Sub. for A1225H)
	A 2618 F	-	X	X	X	Choke Cable, Stop (Mounts in Tractor) (Sub. for A1225H)
	A 2619 F	254299	X	X	X	Choke Cable, Stop (Mounts in Tractor) (Sub. for A1225H)
52	A 2744 F	250000-	X	X	X	Choke Cable, Choke Tube in Crankcase (AU only) (Sub. for A1225H)
53	B 1154 H	-	X	X	X	Bracket, Fuel Control (AR only)
54	A 2247 H	259959	X	X	X	Link, Fuel Control Rod (AR only)
55	AA 6541 R	-	X	X	X	Rod and Tube, Choke (AR only) (Sub. for AA2001R)
56	A 2747 R	250000-	X	X	X	Friction, Choke Lever
57	A 2069 R	259959	X	X	X	Nut, Solder Bushing on Fuel Pipe (AU only) (Use on Copper Pipe only)
	A 2069 R	-	X	X	X	Nut, Solder Bushing on Gasoline Pipe (AU only) (Use on Copper Pipe only)
	A 2068 R	-	X	X	X	Nut, Solder Bushing on Pressure Gauge Inlet Pipe (Use on Copper Pipe only)
58	AR 1950 H	-	X	X	X	Pipe, Oil Pressure Gauge

(Continued)



STARTING AND LIGHTING (AR-AO)—Continued

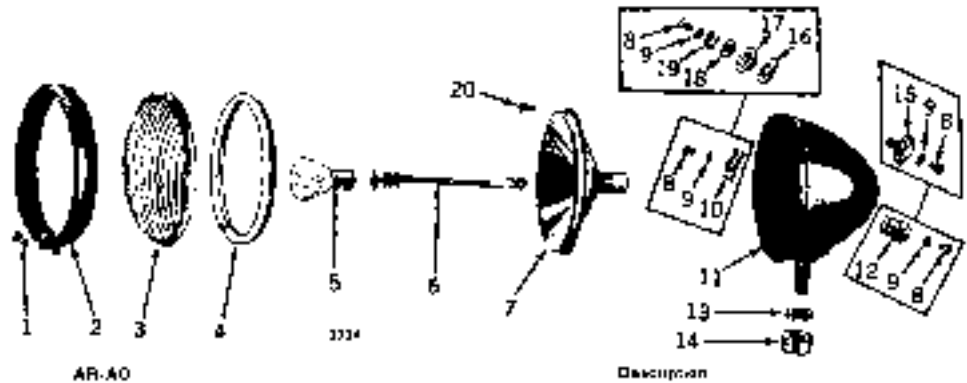
Key	Part No.	AR-AO	Start and Lighting	Lighting Only	Description
39	E 2130 R	-	X	X	Gland, Solder Bushing, on Pressure Gauge Oil Pipe (Use on Copper Pipe only)
	E 2130 H	-259999	X	X	Gland, Solder Bushing, on Fuel Pipe (AR only) (Use on Copper Pipe only)
	E 2130 H	-259999	X	X	Gland, Solder Bushing, on Gasoline Pipe (AR only) (Use on Copper Pipe only)
60	AA 2073 H	-259999	X	X	Pipe, Fuel (AR only)
61	AA 2060 H	-259999	X	X	Pipe, Gasoline (AR only)
62	D 417 H	-	X	X	Elbow, Pressure Gauge Oil Pipe to Governor Case
62A	AF 1817 R	250000	X	X	Lamp, H. H., L. H., Rear, 5" Diameter (Sub. for AA30/5R)
	AA 4678 R	250000	X	X	Lamp, Combination Head and Warning
63B	AB 3144 R	-259999	X	X	Lamp, Tractor, R. H., 7" Diameter (with Black Enamel Molding) (AR only)
	AD 3145 R	-259999	X	X	Lamp, Tractor, L. H., 7" Diameter (with Black Enamel Molding) (AR only)
	AD 2492 R	-219999	X	X	Lamp, Tractor, Rear, 7" Diameter (with Black Enamel Molding) (AR only)
64A	A 2611 R	250000	X	X	Bracket, Lamp Clamp, R. H. and L. H.
64B	B 1028 R	-259999	X	X	Bracket, Head Lamp (AR only)
64C	A 2781 R	250000	X	X	Bracket, Head Lamp, H. H.
	A 2742 R	250000	X	X	Bracket, Head Lamp, L. H.
64D	U 2914 R	-	X	X	Bracket, Rear Lamp
65	AB 2571 R	-	X	X	Shaft, Cranking (Use with Tractor Steering Wheel)
66	B 1562 R	-	X	X	Pin, Cranking Shaft
67	267H 17 R	-	X	X	Key, Woodruff, in AB2571R Cranking Shaft
68	AM 1928 R	-259999	X	X	Wheel, Cranking, with Shaft and Pin (AR only)
69	B 1508 R	-	X	X	Washer, Flywheel Crank
70	A 2238 R	-	X	X	Bear, Flywheel Slamer
71	AA 2367 R	250000	X	X	Flywheel, A2237R, with Bolts and Starter Gear
	AA 2371 R	-259999	X	X	Flywheel, A2237R, with Bolts and Starter Gear (AR only)
72	AA 2088 R	-	X	X	Guard, Flywheel, with Support
	A 3282 R	-	X	X	Cover, Starting Motor Terminal
	AB3279	-	X	X	Belt, Drive (For A2204R and A2223R Starting Motor, Dalso-Remy No. 000760 (Sub. for AA3107R)

 AB2148R
 AB2148R—FRONT AND REAR LAMPS (7" IN DIAMETER) (AR-AO)
 AD2148R


Key	Part No.	AR-AO	Description
1	AB 2148 R	252999	Molding
2	314 296 R	252999	Socket, Clamp
3	B 1724 R	252999	Lens
4	B 1732 R	252999	Spring, Lens Retaining (2 used)
5	AB 2518 R	252999	Castal. Lens
6	AB 2605 R	252999	Bus 6-Volt—Single Contact
7	AB 2612 R	252999	Reflector (Sub. for AB2815R)
8	AB 2617 R	252999	Socket with Connector
9	B 1724 H	252999	Socket, Socket, Rear (ing)
10	AB 2618 R	252999	Brush and Ferrule
11	B 1724 R	252999	Cap, Connector
12	267H 17 R	-259999	Nut, Hex., 3/8"
13	B 1732 R	252999	Washer, Lock
14	B 1732 R	252999	Washer, Bearing

TRACTORS—MODELS "A" AND "AA"—"AO" (NOT STYLED)

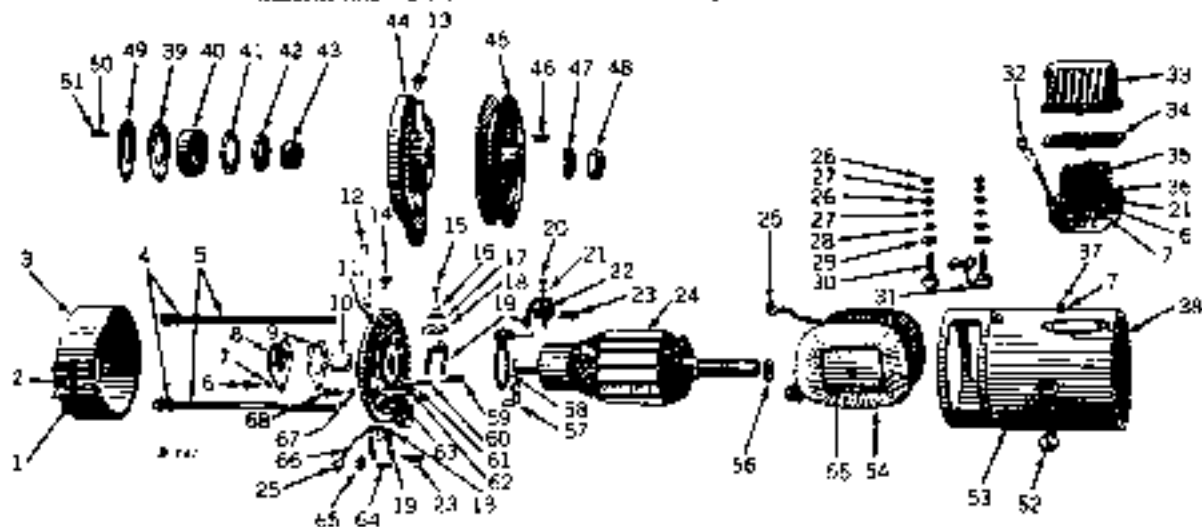
AA173R FRONT AND REAR LAMPS (5" IN DIAMETER) (AR-A0)



Key	Part No.	AR-A0	Description
1	A 2323 R	125000-	Screw
2	AA 3241 R	125000-	Mounting Assembly
3	A 2721 R	125000-	Lens
4	AA 3225 R	125000-	Gasket (with Rubber)
5	AA 2837 R	125000-	Bulb (5-8 Volt)
6	AA 3845 R	125000-	Wiring
7	AA 1015 R	125000-	Reflector
8	AA 972 R	125000-	Screw (2 used)
9	AA 292 R	125000-	Washer, Lock (2 used) (Sub for A2734R)
10	A 282 R	125000-	Spring, Terminal
11	AA 1281 R	125000-	Bulb Assembly (Sub AF3817R)
12	AA 1405 R	125000-	Plate, Terminal, with Spring, Screws, and Lock Washers (Bakelite)
13	AA 12 R	125000-	Washer, Lock 1/2"
14	AA 201 R	125000-	Nut 1/2"
15	AA 1281 R	125000-264785	Plate, Terminal (Bakelite) (Sub AA3483R)
16	A 2832 R	125000-264782	Washer, Insulating (Fiber)
17	A 2130 R	125000-264783	Washer, Cup (Sub AA3483R)
18	AA 12 R	125000-264783	Washer, Lock 3/16"
19	AA 61 R	125000-264785	Nut
20	A 2821 R	125000-	Screw

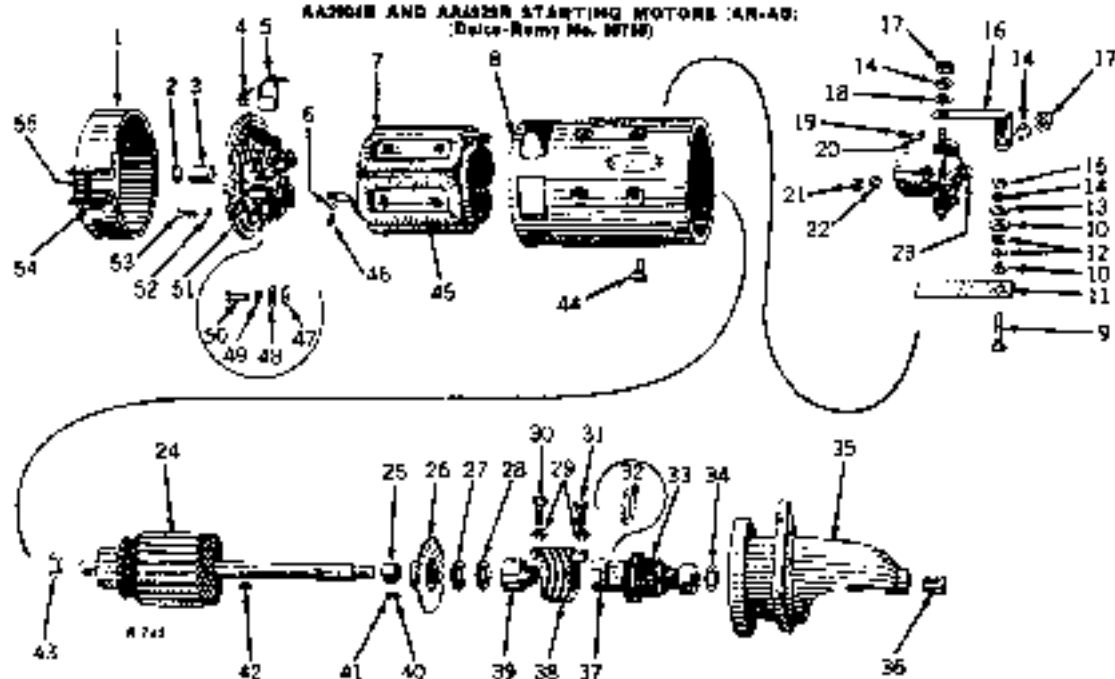
TRACTORS—MODELS "A" AND "AR"—"AD" (NOT STYLED)

AL124R AND #8437R GENERATOR (Delco-Remy No. 111234 (AR-40)



Key	Part No	AR-40	Description
1	14-1 831 R	-	Nut
2	21-1 086 R	-	Screw (Sub. for 214587R)
3	1872628	-	Band, Drive
4		-	Washer, Lock 3/16"
5	# 5018	-	Nut 1/2 used
6	R 1100 R	-	Screw 15 used (Sub. for 1821958 and 1854768)
7	A 3248 H	-	Washer, Lock 7 used
8	820524	-	Plate, End Cover
9	# 7220	-	Bracket, End Cover Plate
10	AA 3497 R	-	Brushing
11	809882	-	Pin, Howe
12	304276	-	Wedge, H.I., Fall
13	F 2167 RT	-	Over 1/2 used
14	# 7216	-	Frame, Commutator End, with Pin
15	1411797	-	Pin, Co. Hole (Sub. for 816215)
16	451588	-	Screw 13 used (Sub. for 1850858)
17	A 765 R	-	Washer, Lock 3 used
18	2045M	-	Washer, Drive (Rectangular 4 used)
19	1887598	-	Brush, Main 12 used (Sub. for 1835660)
20	809849	-	Holder, Brush 12 used
21	21H 261 R	-	Screw 12 used
22	R 11796 R	-	Washer, Lock 4 used (Sub. for 802730)
23	1887681	-	Brush, Third (Sub. for 1889255)
24	809844	-	Spring, Control and C.O., 46 Brush 12 used
25	1221251	-	Armature (Sub. for 1841927 and 1917164)
26	300383	-	Terminal, Brush Lead 12 used (Sub. for 200182)
27	14H 884 R	-	Nut 4 used
28	A 3201 R	-	Washer, Lock 4 used
29	A 3201 R	-	Washer, Main 12 used
30	R 11794 R	-	Washer, Terminal 12 used (Sub. for 858753)
31	1858749	-	Stud, Terminal 12 used
32	1258764	-	Stud, Terminal and Lead Assembly
33	1311485	-	A Terminal to Relay Lead (Sub. for 1872661)
34	1268786	-	Cover, Relay (Clamp Type)
35	1258787	-	Clamp, Relay Cover
36	1361250	-	Cover, Relay (Screw Fastened Type)
37	1271838	-	Hexnut, Clamp Type Cover
38	1281251	-	Hexnut, Screw Type Cover
39	1170508	-	Relay Assembly, with Cover
40	21H 238 R	-	Screw 12 used
41	21H 571 R	-	Screw 12 used
42	R 11067 R	-	Pin, Drive (Sub. for 808190)
43	R 11110 R	-	Gasket, Retainer Plate (Sub. for 1855701 and 1912008)
44	JD 7182 R	-	Ball Bearing
45	R 11094 R	-	Plate, Fan Retainer (Sub. for 3191041)
46	R 11089 R	-	Washer, Fan (Sub. for 809611)
47	817224	-	Roller, Outside
48	817224	-	Frame, Drive End
49	B 1045 R	-	Trolley, Generator
50	26H 12 R	-	Key, Woodruff
51	804080	-	Washer, Lock
52	805915	-	Nut
53	R 11105 R	-	Plate, Bearing Retainer (Sub. for 1035702 and 1911257)
54	A 3009 R	-	Washer, Lock 12 used
55	R 11105 R	-	Screw 13 used (Sub. for 1566970 and 1943776)
56	R 11097 R	-	Screw 12 used (Sub. for 1543648)
57	957156	-	Frame, Main
58	952102	-	Oil, Fwd
59	816121	-	Shaft, Pulley 1/2 used (Sub. Two 191481R, One 1873054 and Two 1214491)
60	R 11088 R	-	Washer, Thrust Seating (Sub. for 805945)
61	# 7332	-	Clamp, Third Brush Plate
62	820648	-	Plate, Third Brush
63	820648	-	Spring, Main Brush
64	AR 11063 R	-	Pin, Main Brush Holder (Insulated) (Sub. for 812018)
65	AR 11062 R	-	Pin, Main Brush Holder Stop (Insulated) (Sub. for 812015)
66	R 11092 H	-	Pin, Ground Brush Holder Hinge (Sub. for 817313)
67	R 11093 H	-	Pin, Ground Brush Holder Stop (Sub. for 817314)
68	309814	-	Pin, Third Brush Plate Spring Washer
69	309824	-	Washer, Third Brush Plate Spring
70	309808	-	Lead, Third Brush
71	A 707 H	-	Washer, Lock
72	21H 263 H	-	Screw, Third Brush Plate Clamp

RA3901R AND RA325R STARTING MOTORS (AR-AQ)
(Dodge-Remy No. 8718)



Key	Part No.	AR-AQ	Description
1	1852353	-	Band, Cover
2	10H 2 R	-	Plug, Expander
3	38796	-	Bushing
4	24846	-	Spring, Brush (8 used)
5	10581	-	Brush 16 Lead
6	A 206 R	-	Washer, Lock (4 used)
T	10518	-	Coil, Field (Lower)
	10313	-	Coil, Field (R.H.)
	10280	-	Coil, Field (L.H.)
B	191469	-	Frame, Main
D	326438	-	Stud, Terminal
10	1261275	-	Washer (Insulating) (2 used)
11	3341	-	Insulating Block
12	R 1107 R	-	Washer (Insulating) (3 used) (Sub. for 180469)
13	24H 152 R	-	Washer (Plain) (2 used)
14	2H 11 R	-	Washer, Lock, 3/8" (4 used)
15		-	Nut, Jam, 3/8"
16	137453	-	Connector
17		-	Nut, 3/8" (3 used)
18	B 1083 R	-	Washer (Plain) (2 used)
19	1250611	-	Screw (2 used) (Sub. for 850329)
20	2H 2 P	-	Washer, Lock, 1/4" (2 used)
21	4H 805 R	-	Nut (2 used)
22	204485	-	Washer, Lock (2 used)
23	1872533	-	Cap, Switch End
	1173792	-	Switch, Complete (Sub. for 1271 and 1465)
24	27832	-	Armature
25	350144	-	Bushing
26	1252702	-	Plate, Center Bearing, with Bushing
27	1250280	-	Washer (Face)
28	1850281	-	Washer (Plain)
29	805257	-	Washer, Lock (3 used) (Sub. for A2781R)
30	1850810	-	Screw (Sub. for A2788R)
31	1850611	-	Screw (Sub. for A2781R)
32	1851234	-	Ring, Take-Up (Sub. for A2789R)
33	1841140	-	Gear and Shaft Assembly (Sub. for A43385R)
	1843879	-	Band, Complete (Sub. for A4310R)
34	R 11036 R	-	Washer, Spacing (Sub. for 832602)
35	1840320	-	Frame, Drive End, with Bushing
36	110790	-	Bushing (Sub. for 35032)
37	1840783	-	Sleeve (Sub. for A2783R)
38	1552513	-	Spring (Sub. for A2780R)
39	1840700	-	Head, Drive (Sub. for A2784R)
40	A 206 R	-	Washer, Lock (2 used)
41	21H 972 R	-	Screw (2 used)
42	26H 10 R	-	Key, Woodruff
43	1378253	-	Washer, Spacing
44	R 11097 R	-	Screw (12 used) (Sub. for 1845446)
45	26497	-	Shoe, Plate (6 used)
46	2111 972 R	-	Screw (2 used)
47	24754	-	Washer (Plain) (6 used)
48	1850383	-	Washer (Insulating) (2 used)
49	13723	-	Bushing (Insulating) (3 used)
50	1850438	-	Brush (6 used)
51	32290	-	Frame, Commutator End, with Bushing
52	A 206 R	-	Washer, Lock (12 used)
53	27832	-	Screw (12 used)
54	1411 131 R	-	Nut
55	21H 689 R	-	Screw (Sub. for 211586R)



GASKET SETS



Part No.	A	AR-AO	Description
AA 4283 R	410000-	250092	Gasket Set for Valve, Ring and Cylinder Replacement—Consisting of:
1—	371 R		Gasket, Carburetor to Manifold
1—A	401 R		Gasket, Crankcase Cover
1—A	404 R		Gasket, Cylinder Head
1—A	405 R		Gasket, Manifold
1—A	425 R		Gasket, Cylinder to Case
1—A	421 R		Gasket, Cylinder Water Outlet
1—A	424 R		Gasket, Radiator Water Inlet
2—A	437 R		Gasket, Target Lever Cover Stud
1—A	464 R		Gasket, Crankcase Cover
1—A	502 R		Gasket, Crankcase Cover
1—A	1575 R		Gasket, Target Lever Cover
7—B	50 R		Packing, Ventilator Pipe (S. for A5327)
1—D	1024 R		Gasket, Carburetor Intake Elbow to Carburetor
1—K	2060 R		Washer, Lead, Cylinder Head Stud



Part No.	A	AR-AO	Description
AA 4284 R	410000-	250092	Gasket Set for Valve, Ring and Cylinder Replacement—Consisting of:
1—	471 R		Gasket, Carburetor to Manifold
1—A	491 R		Gasket, Crankcase Cover
1—A	496 R		Gasket, Cylinder to Case
2—A	497 R		Gasket, Target Lever Cover Stud
1—A	503 R		Gasket, Crankcase Cover
1—A	1030 R		Gasket, Target Lever Cover
1—A	2127 R		Gasket, Air Cleaner
1—A	2426 R		Gasket, Cylinder Head Inlet Pipe
1—A	2129 R		Gasket, Cylinder Head
1—A	2156 R		Gasket, Cylinder Water Outlet Pipe
1—A	2164 R		Gasket, Manifold
2—B	50 R		Packing, Ventilator Pipe (S. for A5314)
1—D	1024 R		Gasket, Carburetor Intake Elbow to Carburetor
1—K	2060 R		Washer, Lead, Cylinder Head Stud



Part No.	A	AR-AO	Description
AA 4285 R	410000-	250092	Gasket Set for Transmission and Rear End Overhaul—Assemblies—Consisting of:
1—A	194 R		Gasket, Transmission Case Cover
1—A	406 R		Shim, Counter Shaft Bearing Cap
1—A	412 R		Gasket, Rear Axle Housing Cover
2—A	413 R		Gasket, Drive Housing to Transmission Case
1—A	413 R		Gasket, Countershaft Right Bearing Housing
1—A	420 R		Gasket, Count Shaft Bearing
1—A	428 R		Gasket, Countershaft Right Bearing Cover
1—A	547 R		Gasket, Driving Gear Shaft Right Bearing Cover
1—A	549 R		Gasket, Driving Gear Shaft and Countershaft Left Bearing Cover
1—A	557 R		Gasket, Front Reduction Gear Cover
2—A	557 R		Shim, Power Shaft Right Bearing Cover
7—A	574 R		Gasket, Power Shaft Stuffing Box
3—A	1156 R		Shim, Countershaft Right Bearing Housing
1—A	2241 R		Gasket, Rear Axle Housing to Case (S. for A411R)



GASKET SETS—Continued



Part No	A	AR-III	Description
AA 4292 P	410000-1	1	Gasket Set for Governor Control—Consisting of:
		1	A 401 P Gasket, Crankcase Cover
		2	A 428 P Gasket, Left Governor Bearing Housing
		1	A 429 P Gasket, Governor Base
		12	A 439 P Washer, Packing (Tapered Lever Over Pipe)
		1	A 4272 P Gasket, Magneto (Sub. for 4500R)
		2	A 535 P Packing, Ventilator Pipe
		1	A 405 P Gasket, Crankcase Cover
		2	A 1171 P Shim, Left Governor Bearing Housing
		1	A 1181 P Gasket, Fan Shaft Rear Bearing Housing
		2	A 1182 P Shim, Fan Shaft Rear Bearing Housing
		1	A 1183 P Gasket, Governor Case
		2	B 100 P Washer, Packing Ventilator Pipe
		2	F 1072 P Washer, Packing Tapered Lever Over Pipe



Part No	A	AR-AD	Description
AA 4292 R	410000-	1	Gasket Set for Crankcase and Bearing Replacement—Consisting of:
		1	-A 401 H Gasket, Crankcase Cover
		1	-A 413 R Gasket, Brake Housing to Transmission Case
		1	-A 420 R Gasket, Clutch Fork Bearing
		1	-A 421 R Gasket, Left Main Bearing Housing
		1	-A 424 R Gasket, Left Main Bearing Cover
		1	-F 1077 R Gasket, Fan Shaft Bearing Housing (Sub. for 4292P)
		1	-A 562 H Gasket, Front Reductor Gear Cover
		1	-A 601 H Gasket, Crankcase Cover
		1	-A 5742 R Gasket, Left Main Bearing Housing (Sub. for A114-R and A4297R)
		1	D 2 24 R Washer, Flywheel Spacer Oil Seal



Part No	A	AR-AII	Description
AA 4292 R		1	Gasket Set for Crankcase and Bearing Replacement—Consisting of:
		1	-A 401 R Gasket, Crankcase Cover
		1	-A 413 R Gasket, Brake Housing to Transmission Case
		1	-A 420 R Gasket, Clutch Fork Bearing
		1	-A 424 R Gasket, Left Main Bearing Cover
		1	-A 429 R Gasket, Front Reductor Gear Cover
		1	-A 562 R Gasket, Crankcase Cover
		1	-A 5197 R Gasket, Flywheel Spacer (Sub. for 5247R)
		1	-A 5199 R Gasket, Left Main Bearing Housing (Sub. for A1147R)
		1	-A 570 R Washer, Front Gear Cover to Putter Dust Shield and Oil Seal
		1	-A 5124 R Washer, Front Gear Cover to 562
		1	-A 3877 R Gasket, Governor Left Bearing (Sub. for A425R)



GASKET SETS—Continued

Part No.
AA 4287 R

A

AR-AC
126000-

Description

Gasket Set for Transmission and Rear End Overhaul—Consisting of:

- 1—A 391 R Gasket, Transmission Case Cover
- 1—A 406 R Shim, Output Shaft, Rear Up Quill
- 1—A 412 R Gasket, Rear Axle Housing Cover
- 1—A 413 R Gasket, Brake Housing to Transmission Case
- 1—A 423 R Gasket, Output Fork Bearing
- 1—A 435 R Gasket, Cover or Right Bearing Cover
- 1—A 547 R Gasket, Sliding Gear, Small Right Bearing Cover
- 1—A 549 R Gasket, Sliding Gear, Small and Output Shaft Left Bearing Cover
- 1—A 557 R Gasket, First Reduction Gear Cover
- 1—A 567 R Shim, Power Shaft Right Bearing Cover
- 1—A 1156 R Counter Shaft Right Bearing Housing
- 1—A 2336 R Gasket, Power Shaft Oil Seal Housing
- 1—A 2407 R Gasket, Fifth and Sixth Synchronizer Cover
- 1—A 2450 R Gasket, Output Ball Socket
- 1—A 2567 R Gasket, Rear Axle Housing to Case Sub. for AA1-P

Part No.
AA 4293 R

A

AR-AC
126000-

Description

Gasket Set for Governor Overhaul—Consisting of:

- 1—A 481 R Gasket, Crankcase Cover
- 1—A 482 R Gasket, Left Governor Bearing Housing
- 1—A 3272 R Gasket, Magside (Sub. for 4500R)
- 1—B 48 R Pack ing, Ventilator Pipe (Sub. for A335R)
- 1—A 501 R Gasket, Crankcase Cover
- 1—A 1171 P Shim, Left Governor Bearing Housing
- 1—A 1181 R Gasket, Fan Shaft Rear Bearing Housing
- 1—A 1182 R Shim, Fan Small Rear Bearing Housing
- 1—A 1183 R Gasket, Governor Case

Part No.
AA 4691 R

A

AR-AC
126000-

Description

Service Gasket Set for Carburetor—Consisting of:

- 1—R 1508R R Gasket, Bowl Nut (Sub. for 150A-50)
- 1—R 1509 R Gasket, Choke Lever (Sub. for 16A-115)
- 1—R 15091 R Gasket, Choke Lever Cover (Sub. for 16A-116)
- 1—R 15114 R Packing, Fuel, Throttle Small Bushing (Sub. for 44-82)
- 1—R 201 R Gasket, Carburetor to Manifold (Sub. for 321 R)
- 1—R 15014 R Gasket, Bowl Nut (Sub. for #71)
- 1—R 15015 R Gasket, Bowl Nut (Sub. for #71)
- 1—R 15025 R Gasket, Spring (Sub. for #D5)
- 1—R 15026 R Gasket, Bowl (Sub. for P15)
- 1—O 15034 R Gasket, Carburetor to Air Filter Elbow (Sub. for 11094R)

Part No.
AR 21773 R
AR 21790 R

A

AR-AC
126000-

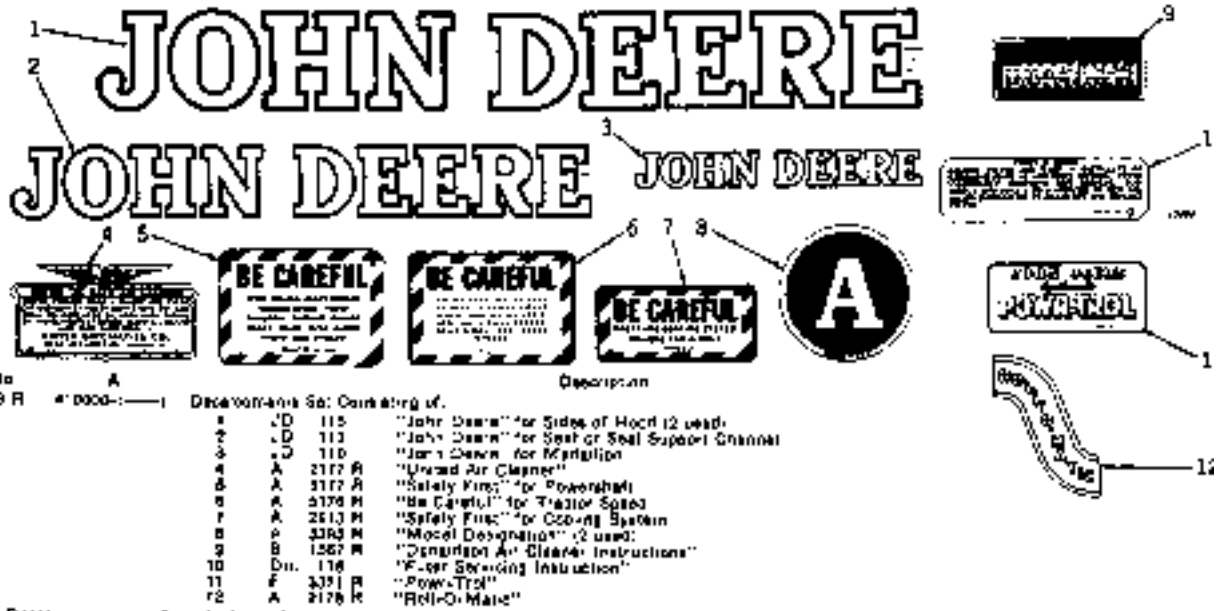
Description

Gasket Set for Valve Service—Not Illustrated

Gasket Set for Valve Service—Not Illustrated



DECALCOMANIA SETS (A)



Part No.	A	Description
AA 4283 R	410000-1	Decalcomania Set Consisting of:
1	JD 115	"John Deere" for Sides of Hood (2 used)
2	JD 113	"John Deere" for Seat or Seat Support Channel
3	JD 110	"John Deere" for Mastlight
4	A 2177 R	"Vertical Air Cleaner"
5	A 2177 R	"Safety First" for Powerbrake
6	A 2176 R	"Be Careful" for Tractor Speed
7	A 2613 M	"Safety First" for Cooling System
8	A 2613 M	"Safety First" for Powerbrake (Sub. for A2668R)
9	B 3283 M	"Model Designation" (2 used)
10	B 1267 M	"Vertical Air Cleaner Instructions"
11	Dir. 118	"Filter Servicing Instruction"
12	F 3371 R	"Power-Trac"
13	A 2176 R	"Roll-O-Matic"

NOTE: Decalcomania are furnished in sets only as listed.

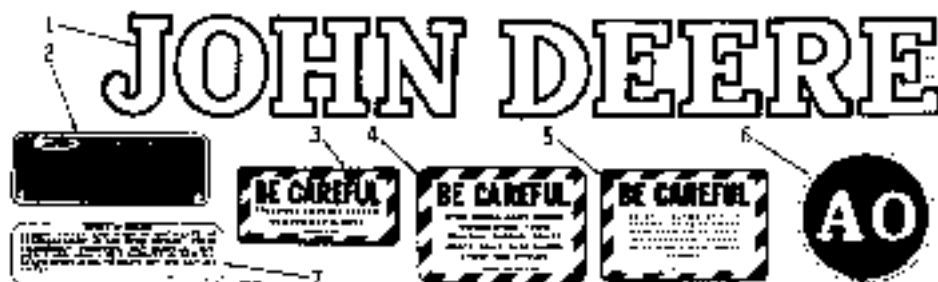
DECALCOMANIA SETS (AR)



Part No.	AR	Description
AA 4269 R	250000-1	Decalcomania Set Consisting of:
1	JD 115	"John Deere" for Sides of Hood (2 used)
2	A 1968 R	"Vertical Air Cleaner"
3	Dir. 118	"Filter Servicing Instructions"
4	A 2613 R	"Safety First" for Cooling System
5	A 2177 R	"Safety First" for Powerbrake (Sub. for A2668R)
6	A 2176 R	"Be Careful" for Tractor Speed (Sub. for A2668R)
7	A 3456 R	"Model Designation" (2 used)

NOTE: Decalcomania are furnished in sets only as listed.

DECALCOMANIA SETS (AO)




Part No.	AO	Description
AA 4266 R	250000-1	Decalcomania Set Consisting of:
1	JD 115	"John Deere" for Sides of Hood (2 used)
2	A 1968 R	"Vertical Air Cleaner"
3	A 2613 R	"Safety First" for Cooling System
4	A 2177 R	"Safety First" for Powerbrake (Sub. for A2668R)
5	A 2176 R	"Be Careful" for Tractor Speed (Sub. for A2668R)
6	A 3456 R	"Model Designation" (2 used)
7	Dir. 118	"Filter Servicing Instruction"

NOTE: Decalcomania are furnished in sets only as listed.

DECALCOMANIAS

The following Decalcomanias are available in packages of 6 each

	Part No.	Size
JOHN DEERE	JU 110 R	3.4" x 8"
	JU 111 R	1" x 8"
	JU 112 R	1" x 4" x 10"
	JU 113 R	1" x 2" x 12"
	JU 114 R	3.1" x 9"
	JU 115 R	2" x 16"
JOHN DEERE	JU 250 R	1.7" x 7.1.8"
	JU 251 R	11.16" x 10"
	JU 215 R*	11.14" x 10"
	JU 252 R	1" x 14-1.4"
	JU 256 R**	1" x 14-1.4"
	JU 251 R	7-1.4" x 17-3.4"
	JU 257 R	1-1.4" x 17-3.4"
	JU 267 R	1-1.7" x 21-3.8"
	JU 238 R*	1-1.2" x 21-3.8"
	JU 254 R	1-3.8" x 25"
JU 839 R*	1-3.4" x 25"	
JU 255 R	2-1.4" x 32"	
JOHN DEERE	JU 118 R	1" x 10-3.4"
	JU 119 R	1.2" x 5-3.8"
	JU 119 R	3-4" x 8-1-16"
JOHN DEERE	JU 257 R	1.2" x 9"
	JU 258 R	3-4" x 9"
	JU 243 R*	3-4" x 9"
	JU 259 R	1" x 12"
	JU 260 R (Sub. for JD180R)	1-7.16" x 2"
	JU 260 R**	1-7.16" x 2"
	JU 261 R (Sub. for JD121R)	2-1.8" x 3"
	JU 262 R (Sub. for JD245R)	2-1.8" x 3"
	JU 261 R**	2-1.8" x 3"
	JU 249 R***	2-1.8" x 3"
	JU 262 R (Sub. for JD122R)	2-7.8" x 4"
	JU 246 R*	2-7.8" x 4"
	JU 262 R**	2-7.8" x 4"
	JU 241 R***	2-7.8" x 4"
	JU 263 R (Sub. for JD123R)	3-9.16" x 5"
	JU 247 R*	3-9.16" x 5"
	JU 263 R**	3-9.16" x 5"
	JU 264 R (Sub. for JD124R)	4-1.4" x 6"
	JU 265 R* (Sub. for JD246R)	4-1.4" x 6"
	JU 264 R**	4-1.4" x 6"
	JU 241 R***	4-1.4" x 6"
	JU 264 R***	5-3.4" x 8"
	JU 263 R	6-3.8" x 9"
	JU 262 R**	6-3.8" x 9"
JU 268 R	8-1.2" x 12"	
JU 269 R	11-3.4" x 15-3.8"	

R 177

*Black Decals for Machines Painted other than John Deere Green.
 **Leaping Deer Decals for South and Central America.
 ***Leaping Deer Decals for South and Central America (Industrial, Black and Yellow)



NUMERICAL INDEX
TRACTORS—MODELS "A" AND "AR"—"AO" (NOT STYLED)

Part No.	Page	Key	Part No.	Page	Key	Part No.	Page	Key	Part No.	Page	Key
A 258 R	1	15	A 426 R	8	10	A 562 R	21	9	A 652 R	48	7
	20	23	A 428 R	19	14	A 564 R	21	11A	A 653 R	50	11
	21	17	A 429 R	19	24A	A 565 R	21	11	A 654 R	50	12
A 259 R	5	12	A 432 R	20	44	A 567 R	21	14	A 671 R	50	10
A 261 R	11	17	A 433 R	20	47	A 568 R	21	14	A 672 R	50	11
A 262 R	11	10	A 434 R	20	40	A 569 R	21	14	A 673 R	51	11
A 263 R	29	15	A 435 R	20	2	A 570 R	20	14B		51	20
A 264 R	30	27B	A 437 R	1	12	A 571 R	21	14		51	21
A 272 R	11	14	A 438 R	26	7	A 572 R	21	14	A 674 R	51	22
A 275 R	35	15A	A 439 R	15	10B		49	49	A 675 R	51	23
A 284 R	4	4	A 441 R	70	15	A 574 R	21	7	A 676 R	49	20
A 285 R	12	10	A 442 R	21	22	A 575 R	21	6	A 677 R	49	25
A 286 R	12	9A	A 443 R	21	22	A 577 R	27	5	A 678 R	51	24
A 288 R	18	18	A 444 R	25	24	A 579 R	12	14A		51	30
A 289 R	30	18	A 445 R	22	19A	A 581 R	27	10	A 685 R	49	16
A 301 R	43	41	A 446 R	22	18B	A 581 R	27	11	A 686 R	50	15
A 302 R	9	21	A 447 R	25	9	A 582 R	27	10	A 687 R	49	17
A 303 R	7	15	A 448 R	21	16	A 583 R	27	10C	A 688 R	49	16
A 307 R	23	14	A 449 R	7	8	A 584 R	14	10	A 689 R	49	15
A 319 R	9	11	A 460 R	21	25	A 587 R	7	16A	A 690 R	49	14
A 321 R	32	15	A 464 R	10	11	A 588 R	7	6	A 691 R	49	12
A 323 R	36	10	A 465 R	5	13	A 594 R	26	11A	A 692 R	49	13
A 345 R	32	15	A 470 R	15	7	A 595 R	26	13B	A 693 R	49	14
	39	8	A 471 R	15	8		27	6A	A 694 R	49	13
	31	14	A 476 R	26	3		28	14B		52	26
	33	11B	A 485 R	18	23C	A 555 R	26	14	A 679 R	51	14
	26	7A	A 490 R	30	4		27	7		51	20
A 351 R	11	5	A 491 R	38	2	A 557 R	26	7B	A 680 R	50	15
A 352 R	11	4A	A 492 R	41	11	A 559 R	26	15		51	11
A 353 R	11	5	A 495 R	4	7C	A 559 R	27	4	A 684 R	46	2
A 354 R	4	4	A 497 R	25	9B	A 600 R	27	9A	A 625 R	46	10
	6	18A	A 499 R	18	12	A 601 R	10	14	A 686 R	46	14
	51	9	A 500 R	15	14	A 602 R	10	9	A 688 R	25	15
A 355 R	9	2		15	6A		11	3	A 690 R	25	12A
A 356 R	7	4		17	2B	A 603 R	11	5	A 726 R	11	4
A 357 R	19	10	A 505 R	37	12	A 604 R	26	16	A 727 R	9	10
A 360 R	38	17	A 506 R	37	11B	A 605 R	26	5	A 741 R	49	11
A 363 R	29	12	A 507 R	37	2	A 606 R	26	2		51	24
A 365 R	27	14	A 508 R	32	7A	A 607 R	26	4	A 747 R	49	12B
A 369 R	17	15B	A 509 R	32	23C	A 609 R	20	14	A 753 R	21	11B
	18	24	A 510 R	32	4	A 610 R	20	14		24	41
	24	6	A 511 R	32	3		35	5A		17	37
	27	5	A 514 R	32	24	A 611 R	29	2		21	50
A 371 R	11	12	A 515 R	5	16A		35	5A		62	14
A 371 R	11	12	A 515 R	5	5A	A 612 R	29	2	A 766 R	14	19
A 377 R	34	11	A 518 R	4	6		31	14		15	10
A 378 R	27	14	A 519 R	4	17	A 616 R	7	14		14	17
A 380 R	30	7	A 520 R	8	14A	A 618 R	16	5		15	11
A 382 R	11	11	A 521 R	5	7C	A 619 R	16	7		16	16
A 384 R	7	13B	A 522 R	5	18	A 621 R	49	4A		51	5
	22	14P	A 523 R	5	80	A 621 R	49	4	A 767 R	40	17
A 385 R	10	11	A 524 R	4	74	A 622 R	49	1		61	10
A 388 R	5	11	A 525 R	24	3	A 624 R	49	2	A 772 R	10	2
A 389 R	41	47	A 526 R	25	4	A 625 R	49	11	A 774 R	30	18
A 391 R	27	16A	A 527 R	24	9A	A 626 R	49	4	A 775 R	31	6
A 393 R	12	17B	A 528 R	24	25A	A 627 R	49	4	A 776 R	32	13
A 394 R	36	10	A 532 R	24	4	A 628 R	49	7	A 777 R	40	1
A 395 R	12	27A	A 534 R	25	1	A 630 R	49	12	A 782 R	4	14
A 396 R	38	5	A 535 R	25	2	A 631 R	49	10	A 792 R	35	15
A 399 R	4	2A	A 539 R	28	19	A 633 R	49	26	A 802 R	49	47
A 401 R	4	2B	A 540 R	27	2	A 634 R	49	15	A 805 R	49	42
A 404 R	7	2E	A 541 R	26	1A	A 635 R	49	14	A 806 R	44	1
A 405 R	7	2B	A 542 R	27	11A	A 637 R	50	12	A 810 R	17	9
A 406 R	29	2	A 543 R	28	36	A 638 R	50	13	A 812 R	28	14
	32	5A	A 544 R	28	7C	A 639 R	50	14	A 813 R	12	4
	12	15A	A 545 R	27	12A	A 540 R	50	15	A 815 R	10	5
A 407 R	4	2B	A 546 R	27	1		51	48	A 816 R	49	13
A 408 R	4	2B	A 547 R	27	7		51	48	A 817 R	49	13
A 411 R	10	10B	A 548 R	26	6	A 641 R	50	15	A 818 R	49	42
A 412 R	4A	1	A 549 R	27	5	A 642 R	50	15		52	24
	52	3	A 550 R	27	5		51	23	A 819 R	49	11
A 413 R	32	11	A 551 R	31	25A	A 643 R	50	21		52	11
	19	7B	A 552 R	31	25	A 645 R	50	10	A 824 R	4	18
A 415 R	23	2	A 554 R	31	20A	A 645 R	50	14	A 825 R	14	1
A 418 R	26	3	A 556 R	26	13A	A 647 R	50	13	A 827 R	10	15
A 420 R	11	2	A 557 R	26	12	A 648 R	50	9	A 829 R	10	7
A 422 R	4	2D	A 558 R	31	11A		51	19	A 830 R	49	61
A 424 R	8	1B	A 549 R	31	10B	A 649 R	50	6	A 836 R	29	10
A 424 R	8	1C	A 560 R	4	11	A 650 R	50	8	A 837 R	29	4
A 425 R	5	5	A 561 R	31	19A	A 651 R	48	11	A 838 R	29	5A

NUMERICAL INDEX
TRACTORS—MODELS "A" AND "AR"—"AO" (NOT STYLED)

Part No.	Page	Key	Part No.	Page	Key	Part No.	Page	Key	Part No.	Page	Key
A 1565 F	43	1A	A 2196 F	31	10A	A 2437 F	104		A 2711 F	7	10
A 1566 F	43	2	A 2197 R	43	4B	A 2438 F	42	20	A 2712 F	7	11
A 1567 F	69	10A	A 2230 F	17	14	A 2439 F	42	53	A 2713 F	25	10
A 1574 R	10	2A	A 2231 F	50	5A	A 2440 F	42	24	A 2714 F	27	5
A 1575 R	10	11	A 2232 F	59	23	A 2441 F	42	57	A 2715 F	17	25A
A 1576 R	24	2	A 2233 F	7	24	A 2442 F	42	14	A 2716 F	19	7A
A 1577 R	26	1B	A 2234 R	43	71	A 2443 F	42	52	A 2717 F	21	25B
A 1582 R	11	1A	A 2235 R	67	70	A 2444 F	42	23	A 2718 F	21	17
A 1595 R	9	20	A 2275 R	42	4	A 2445 F	42	51	A 2719 F	21	25
A 1597 R	5	17	A 2285 R	59	39	A 2446 F	42	54	A 2720 F	21	41
A 1598 R	4	2B	A 2286 F	59	37	A 2447 F	42	14	A 2721 F	23	21B
A 1599 F	4	14B	A 2290 R	59	50A	A 2448 F	42	58	A 2722 F	23	16C
A 1636 F	32	7C	A 2291 F	59	50B	A 2449 F	42	17	A 2723 F	23	17
A 1637 F	15	7D	A 2297 R	36	5	A 2450 F	42	120	A 2724 F	23	20
A 1610 F	52	71	A 2299 F	75	11	A 2451 F	42	67	A 2725 F	41	1
A 1631 F	37	21	A 2299 P	72	4	A 2452 F	42	25	A 2726 F	41	17
A 1646 F	11	17	A 2299 R	15	5C	A 2453 F	42	18	A 2727 F	41	5
A 1647 F	11	19	A 2300 R	18	117	A 2454 F	42	24	A 2728 F	41	9
A 1680 F	14	1A	A 2305 R	35	14	A 2455 F	42	10	A 2729 F	41	14
A 1681 F	19	11	A 2306 F	79	94	A 2456 F	42	7	A 2730 F	41	17A
A 1682 F	11	10	A 2307 F	79	5	A 2457 F	42	130	A 2731 F	41	28A
A 1712 F	59	17	A 2312 R	29	7	A 2470 R	26	130	A 2740 R	59	23B
A 1731 F	40	7A	A 2314 R	29	7	A 2470 R	27	131	A 2741 R	61	54C
A 1731 F	40	9A	A 2314 R	29	17	A 2480 R	42	54	A 2742 R	61	60F
A 1732 F	40	5A	A 2315 R	28	14	A 2480 R	42	54	A 2743 R	61	13
A 1733 R	40	7B	A 2316 R	28	30	A 2481 R	42	5	A 2744 R	61	52
A 1734 R	40	9	A 2317 F	77	129	A 2481 R	42	67	A 2745 R	61	51
A 1735 R	19	5A	A 2318 F	27	1	A 2481 R	42	5	A 2746 R	61	50A
A 1736 R	41	65	A 2320 F	9	25A	A 2481 R	42	49	A 2747 R	61	56
A 1777 R	19	5	A 2325 F	7	14B	A 2494 F	18	12	A 2754 R	57	27
A 1785 R	23	16	A 2326 F	4	23	A 2508 R	28	21B	A 2755 R	35	15
A 1786 R	23	10	A 2327 F	7	23A	A 2509 R	28	14	A 2756 F	35	17
A 1787 R	23	15	A 2328 R	29	16D	A 2510 R	28	25	A 2759 F	43	4
A 1788 R	23	21	A 2328 R	7	23	A 2511 F	28	25-1	A 2759 F	43	2
A 1790 F	22	31	A 2329 R	22	4E	A 2513 R	28	5	A 2759 F	43	2A
A 1812 R	45	20	A 2329 R	7	27	A 2514 F	28	1	A 2760 R	43	23
A 1813 R	10	18	A 2331 R	5	7	A 2515 F	28	14	A 2761 F	43	17
A 1814 R	10	20	A 2332 R	9	29	A 2515 F	28	11	A 2762 R	43	20
A 1821 R	37	11A	A 2332 R	7	9	A 2520 R	34	24	A 2763 F	43	26
A 1822 R	37	11C	A 2333 F	7	54	A 2521 F	34	9	A 2764 F	43	32
A 1828 F	43	6	A 2334 F	7	8	A 2523 F	34	5	A 2765 F	43	35
A 1853 R	23	7	A 2335 F	7	8	A 2524 R	34	1	A 2767 F	43	31
A 1854 F	23	8	A 2338 R	8	5	A 2535 F	34	1	A 2768 F	43	37
A 1855 F	23	9	A 2339 R	8	10	A 2536 F	34	15	A 2769 F	43	38
A 1857 R	23	3	A 2340 F	8	10	A 2537 F	34	1	A 2771 F	43	16
A 1864 R	11	A	A 2341 F	5	12	A 2542 F	34	10	A 2772 F	43	14
A 1866 R	37	12	A 2344 F	5	12	A 2543 F	34	10	A 2773 F	43	14
A 1867 F	11	13A	A 2346 R	10	70	A 2543 F	34	14	A 2774 F	43	14
A 1890 F	23	34	A 2347 F	10	16D	A 2570 F	27	30	A 2787 F	41	16
A 1892 R	30	37	A 2349 F	10	10	A 2571 F	27	4	A 2787 F	41	27
A 1892 R	30	20	A 2350 F	10	12	A 2572 F	27	10	A 2788 F	41	30
A 1892 R	30	20	A 2351 F	9	27B	A 2573 F	27	10	A 2789 F	41	30
A 1892 R	30	5	A 2354 F	5	10	A 2574 F	27	10	A 2790 F	41	30
A 1909 R	41	37	A 2356 R	5	5	A 2575 F	27	10	A 2791 F	41	30
A 1910 R	41	48	A 2356 R	5	2A	A 2576 R	27	2	A 2792 R	41	30
A 1912 R	38	30C	A 2360 R	5	22	A 2577 R	27	2	A 2802 R	37	40
A 1919 R	30	22B	A 2363 R	10	11	A 2578 R	27	5	A 2814 R	23	44
A 1961 R	30	35	A 2364 R	71	110	A 2579 F	27	3	A 2815 R	23	44
A 1962 R	37	44	A 2365 F	31	110	A 2580 F	27	1	A 2817 F	23	44
A 1971 R	55	46	A 2366 F	23	12	A 2582 R	27	5	A 2827 F	23	44
A 1972 R	49	45	A 2372 F	27	12	A 2586 F	27	100	A 2827 F	23	28
A 1974 R	30	5	A 2376 R	27	40	A 2589 R	27	44	A 2828 F	23	44
A 1999 R	17	2	A 2384 R	7	21	A 2595 F	27	12	A 2829 F	23	44
A 2022 R	38	11	A 2385 R	30	181	A 2596 R	27	17	A 2837 F	23	44
A 2017 R	22	15C	A 2389 F	31	21	A 2597 R	27	12	A 2838 F	23	44
A 2018 R	28	19	A 2390 F	71	219A	A 2598 R	27	12	A 2839 F	23	44
A 2019 F	28	24	A 2391 R	71	187	A 2599 F	27	12	A 2840 F	23	44
A 2020 F	28	30B	A 2392 R	71	263	A 2601 F	27	12	A 2841 F	23	44
A 2027 R	47	4	A 2393 F	71	249	A 2602 F	27	12	A 2842 F	23	44
A 2052 R	31	18B	A 2394 R	71	158	A 2603 F	27	12	A 2843 F	23	44
A 2059 R	5	19	A 2395 F	41	7	A 2604 F	27	12	A 2844 F	23	44
A 2071 F	21	18	A 2431 F	72	13	A 2605 F	27	12	A 2845 F	23	44
A 2071 F	21	18	A 2431 F	72	13	A 2606 F	27	12	A 2846 F	23	44
A 2071 F	21	18	A 2431 F	72	13	A 2607 F	27	12	A 2847 F	23	44
A 2072 R	21	18	A 2431 F	72	13	A 2608 F	27	12	A 2848 F	23	44
A 2072 R	21	18	A 2431 F	72	13	A 2609 F	27	12	A 2849 F	23	44
A 2092 R	31	10	A 2422 F	71	1	A 2610 F	27	12	A 2850 F	23	44
A 2092 R	31	10	A 2422 F	71	1	A 2611 F	27	12	A 2851 F	23	44
A 2092 R	31	10	A 2422 F	71	1	A 2612 F	27	12	A 2852 F	23	44
A 2153 F	22	44	A 2424 F	49	48	A 2613 F	27	12	A 2853 F	23	44
A 2174 H	47	44	A 2424 F	49	48	A 2614 F	27	12	A 2854 F	23	44
A 2195 H	11	20A	A 2431 H	49	53	A 2615 F	27	12	A 2855 F	23	44

NUMERICAL INDEX
TRACTORS—MODELS "A" AND "AR"—"AO" (NOT STYLED)

Part No.	Page	Key	Part No.	Page	Key	Part No.	Page	Key	Part No.	Page	Key
44 488 R	49	41	44 787 R	47	116	44 1147 R	39	25	44 1911 R	54	44
44 498 R	49	45	44 788 R	75	108	44 1170 R	41	45	44 1931 R	10	108
44 497 R	21	1	44 790 R	25	11	44 1220 R	47	14	44 1951 R	5	5
44 500 R	31	4	44 791 R	25	135	44 1222 R	10	24	44 2041 R	59	59
44 502 R	37	6	44 792 R	27	64		17	57	44 2044 R	59	59
44 503 R	27	34	44 793 R	27	64	44 1233 R	25	10		67	67
44 514 R	30	156	44 794 R	19	164	44 1234 R	1	10		67	67
44 525 R	50	6	44 795 R	27	23	44 1237 R	31	10	44 2047 R	7	44
44 526 R	35	6	44 796 R	22	1	44 1272 R	37	10	44 2047 R	8	44
44 528 R	4	10	44 797 R	24	1	44 1274 R	21	10	44 2064 R	21	4
44 529 R	30	10	44 798 R	29	10	44 1374 R	12	1	44 2074 R	43	34
44 510 R	27	7	44 802 R	6	10	44 1375 R	27	1	44 2077 R	15	31
44 517 R	21	9	44 804 R	5	42	44 1378 R	49	10	44 2113 R	4	10
44 518 R	21	10	44 801 R	13	11	44 1395 R	49	10	44 2090 R	41	10
44 519 R	21	4	44 804 R	14	44	44 1407 R	49	10		64	64
44 520 R	30	4	44 818 R	12	10	44 1420 R	29	11	44 2104 R	67	77
44 523 R	10	44	44 819 R	5	4	44 1423 R	2	5	44 2094 R	6	21
44 524 R	12	10	44 823 R	5	17	44 1439 R	25	44	44 2099 R	4	22
44 525 R	21	10A	44 824 R	5	34	44 1451 R	45	1	44 2111 R	49	61
44 526 R	24	11	44 843 R	4	44	44 1452 R	27	6	44 2111 R	49	40
44 531 R	24	12	44 847 R	49	24	44 1483 R	25	17		52	7
44 537 R	24	100	44 861 R	5	11	44 1524 R	13	7	44 2116 R	40	4
44 534 R	9	1	44 883 R	22	9	44 1525 R	27	11	44 2124 R	97	14
44 536 R	27	10	44 884 R	24	16	44 1526 R	23	1	44 2210 R	9	17
44 533 R	29	8	44 887 R	25	10	44 1553 R	22	11	44 2214 R	9	44
44 534 R	17	20	44 896 R	14	2	44 1575 R	41	11		7	27
44 535 R	17	210	44 896 R	42	44	44 1576 R	25	114	44 2224 R	7	14
44 537 R	45	12	44 898 R	47	1	44 1577 R	25	108	44 2125 R	4	10
44 538 R	41	25	44 899 R	47	1	44 1579 R	26	10	44 2224 R	4	10
44 539 R	26	24	44 901 R	34	138	44 1580 R	35	110	44 2225 R	27	23
44 541 H	21	27	44 902 R	34	139	44 1581 R	34	110	44 2245 R	11	44
44 540 R	25	64	44 903 R	34	7	44 1595 R	27	94	44 2245 R	4	114
			44 904 R	34	134	44 1594 R	17	94	44 2245 R	4	114
			44 905 R	34	144	44 1595 R	19	164	44 2245 R	4	114
			44 913 R	44	7	44 1596 R	37	8	44 2245 R	15	24
44 532 R	39	3	44 924 R	6	44	44 1597 R	30	8	44 2245 R	27	20
44 533 R	39	13	44 925 R	10	1	44 1611 R	16	1	44 2273 R	5	44
44 534 R	39	3	44 926 R	10	4	44 1612 R	16	1	44 2279 R	11	15
44 535 R	39	19	44 927 R	12	5	44 1613 R	25	94	44 2284 R	7	24
			44 945 R	44	1	44 1614 R	41	24	44 2285 R	7	44
44 537 R	17	170	44 950 R	41	90	44 1615 R	41	22		9	214
44 538 R	25	110	44 956 R	37	64	44 1617 R	44	8	44 2295 R	31	21
44 539 R	35	136	44 958 R	9	7	44 1618 R	39	10		37	21
44 540 R	35	4	44 974 R	14	110	44 1619 R	7	11	44 2297 R	41	44
44 541 R	35	9	44 976 R	31	23	44 1620 R	9	10	44 2310 R	42	1
44 542 R	35	7	44 977 R	31	24	44 1621 R	9	10	44 2312 R	42	1
44 543 R	21	20	44 997 R	19	6	44 1622 R	8	10	44 2313 R	7	8
44 601 R	24	14	44 1002 R	44	1	44 1623 R	8	10	44 2344 R	11	104
44 603 R	21	26	44 1017 R	4	44	44 1624 R	7	10	44 2345 R	43	114
44 604 R	21	24	44 1021 R	35	139	44 1644 R	46	1	44 2346 R	26	30
44 605 R	37	60	44 1032 R	45	149	44 1645 R	40	1	44 2347 R	26	11
44 607 R	37	10	44 1034 R	34	1	44 1647 R	17	44	44 2347 R	7	24
44 610 H	17	10	44 1037 R	34	144	44 1650 R	41	24		52	71
			44 1038 R	34	134	44 1652 R	7	15	44 2370 R	29	56
			44 1032 R	34	7				44 2371 R	9	24
44 612 R	4	44	44 1034 R	34	134	44 1654 R	30	19		60	71
44 627 R	21	214	44 1035 R	34	136	44 1690 R	35	210	44 2415 R	10	41
44 524 H	21	204	44 1043 R	34	12	44 1675 R	17	12	44 2454 R	6	44
44 575 R	31	184	44 1045 R	53	154		17	15	44 2479 R	46	1
44 511 R	3	1	44 1047 R	9	6	44 1722 R	41	50	44 2500 R	16	17
44 532 R	38	238	44 1049 R	46	7	44 1728 R	41	244	44 2502 R	16	11
44 533 R	39	17	44 1050 R	14	10	44 1729 R	46	5	44 2503 R	36	120
44 534 R	43	4	44 1057 R	30	9	44 1738 R	22	150	44 2523 R	44	1
44 535 R	33	1	44 1073 R	34	5	44 1739 R	28	148	44 2543 R	44	1
44 536 R	30	9	44 1074 R	30	5	44 1721 R	4	19	44 2545 R	30	8
44 570 R	5	44	44 1078 R	47	1	44 1723 R	29	18	44 2547 R	50	4
44 585 R	10	10	44 1079 R	17	19	44 1724 R	24	11	44 2549 R	4	44
44 592 R	35	134	44 1087 R	44	7	44 1725 R	25	1	44 2557 R	20	60
44 693 R	34	134	44 1103 R	51	14	44 1726 R	23	17	44 2569 R	26	19
44 700 R	45	7	44 1110 H	51	4	44 1727 R	25	5	44 2572 R	21	24
44 701 R	49	4	44 1118 R	49	28	44 1728 R	27	15	44 2574 R	21	100
44 702 R	10	9	44 1111 R	49	61	44 1729 R	23	14	44 2575 R	40	434
44 729 R	37	19	44 1112 R	25	9	44 1730 R	24	14		61	44
44 730 R	39	24	44 1121 R	28	14	44 1739 R	17	1	44 2107 R	60	44
44 741 R	4	10	44 1123 R	29	150	44 1810 R	1	2		61	44
44 751 R	42	2	44 1124 R	29	154	44 1811 R	7	8	44 2117 R	21	44
44 755 R	41	219	44 1129 R	15	1	44 1827 R	21	210	44 2120 R	43	110
44 756 R	34	220	44 1130 R	14	1	44 1828 R	21	200	44 2121 R	44	7
44 757 R	26	139	44 1153 R	41	244	44 1890 R	14	24	44 2121 R	44	7
44 758 R	26	134				44 1902 R	49	65	44 2121 R	7	1

NUMERICAL INDEX
TRACTORS—MODELS "A" AND "AR"—"AO" (NOT STYLED)

Part No.	Page	Key	Part No.	Page	Key	Part No.	Page	Key	Part No.	Page	Key	
32	3184	3	33	37	3	44	4310	7	45	5404	50	34
33	3187	7	34	37-1	7	45	4311	54	46	5405	15	35
37	3189	4	35	37-2	5	46	4312	55	7	5406	18	36
38	3191	4	36	37-3	6	47	4313	55	6	5407	19	37
39	3192	4	37	37-4	7	48	4314	7	8	5408	18	3
40	3193	4	38	37-5	8	49	4315	7	8	5409	31	20A
41	3194	4	39	37-6	9	50	4316	8	9	5410	31	20B
42	3195	4	40	37-7	10	51	4317	8	9	5411	28	20C
43	3196	4	41	37-8	11	52	4318	7	8	5412	28	20D
44	3197	4	42	37-9	12	53	4319	7	8	5413	28	20E
45	3198	4	43	37-10	13	54	4320	8	9	5414	29	20F
46	3199	4	44	37-11	14	55	4321	8	9	5415	29	20G
47	3200	4	45	37-12	15	56	4322	8	9	5416	29	20H
48	3201	4	46	37-13	16	57	4323	8	9	5417	29	20I
49	3202	4	47	37-14	17	58	4324	8	9	5418	29	20J
50	3203	4	48	37-15	18	59	4325	8	9	5419	29	20K
51	3204	4	49	37-16	19	60	4326	8	9	5420	29	20L
52	3205	4	50	37-17	20	61	4327	8	9	5421	29	20M
53	3206	4	51	37-18	21	62	4328	8	9	5422	29	20N
54	3207	4	52	37-19	22	63	4329	8	9	5423	29	20O
55	3208	4	53	37-20	23	64	4330	8	9	5424	29	20P
56	3209	4	54	37-21	24	65	4331	8	9	5425	29	20Q
57	3210	4	55	37-22	25	66	4332	8	9	5426	29	20R
58	3211	4	56	37-23	26	67	4333	8	9	5427	29	20S
59	3212	4	57	37-24	27	68	4334	8	9	5428	29	20T
60	3213	4	58	37-25	28	69	4335	8	9	5429	29	20U
61	3214	4	59	37-26	29	70	4336	8	9	5430	29	20V
62	3215	4	60	37-27	30	71	4337	8	9	5431	29	20W
63	3216	4	61	37-28	31	72	4338	8	9	5432	29	20X
64	3217	4	62	37-29	32	73	4339	8	9	5433	29	20Y
65	3218	4	63	37-30	33	74	4340	8	9	5434	29	20Z
66	3219	4	64	37-31	34	75	4341	8	9	5435	29	20A
67	3220	4	65	37-32	35	76	4342	8	9	5436	29	20B
68	3221	4	66	37-33	36	77	4343	8	9	5437	29	20C
69	3222	4	67	37-34	37	78	4344	8	9	5438	29	20D
70	3223	4	68	37-35	38	79	4345	8	9	5439	29	20E
71	3224	4	69	37-36	39	80	4346	8	9	5440	29	20F
72	3225	4	70	37-37	40	81	4347	8	9	5441	29	20G
73	3226	4	71	37-38	41	82	4348	8	9	5442	29	20H
74	3227	4	72	37-39	42	83	4349	8	9	5443	29	20I
75	3228	4	73	37-40	43	84	4350	8	9	5444	29	20J
76	3229	4	74	37-41	44	85	4351	8	9	5445	29	20K
77	3230	4	75	37-42	45	86	4352	8	9	5446	29	20L
78	3231	4	76	37-43	46	87	4353	8	9	5447	29	20M
79	3232	4	77	37-44	47	88	4354	8	9	5448	29	20N
80	3233	4	78	37-45	48	89	4355	8	9	5449	29	20O
81	3234	4	79	37-46	49	90	4356	8	9	5450	29	20P
82	3235	4	80	37-47	50	91	4357	8	9	5451	29	20Q
83	3236	4	81	37-48	51	92	4358	8	9	5452	29	20R
84	3237	4	82	37-49	52	93	4359	8	9	5453	29	20S
85	3238	4	83	37-50	53	94	4360	8	9	5454	29	20T
86	3239	4	84	37-51	54	95	4361	8	9	5455	29	20U
87	3240	4	85	37-52	55	96	4362	8	9	5456	29	20V
88	3241	4	86	37-53	56	97	4363	8	9	5457	29	20W
89	3242	4	87	37-54	57	98	4364	8	9	5458	29	20X
90	3243	4	88	37-55	58	99	4365	8	9	5459	29	20Y
91	3244	4	89	37-56	59	100	4366	8	9	5460	29	20Z
92	3245	4	90	37-57	60							
93	3246	4	91	37-58	61							
94	3247	4	92	37-59	62							
95	3248	4	93	37-60	63							
96	3249	4	94	37-61	64							
97	3250	4	95	37-62	65							
98	3251	4	96	37-63	66							
99	3252	4	97	37-64	67							
100	3253	4	98	37-65	68							
101	3254	4	99	37-66	69							
102	3255	4	100	37-67	70							
103	3256	4										
104	3257	4										
105	3258	4										
106	3259	4										
107	3260	4										
108	3261	4										
109	3262	4										
110	3263	4										
111	3264	4										
112	3265	4										
113	3266	4										
114	3267	4										
115	3268	4										
116	3269	4										
117	3270	4										
118	3271	4										
119	3272	4										
120	3273	4										
121	3274	4										
122	3275	4										
123	3276	4										
124	3277	4										
125	3278	4										
126	3279	4										
127	3280	4										
128	3281	4										
129	3282	4										
130	3283	4										
131	3284	4										
132	3285	4										
133	3286	4										
134	3287	4										
135	3288	4										
136	3289	4										
137	3290	4										
138	3291	4										
139	3292	4										
140	3293	4										
141	3294	4										
142	3295	4										
143	3296	4										
144	3297	4										
145	3298	4										
146	3299	4										
147	3300	4										

**NUMERICAL INDEX
TRACTORS—MODELS "A" AND "AR"—"AO" (NOT STYLED)**

Part No.	Page	Key	Part No.	Page	Key	Part No.	Page	Key	Part No.	Page	Key
5	294	17	1644	22		1690	4	2F	148	201T	
		12	1643	19	17	1690	19	28	148	201	25C
H	300	22	1647	19	24	1693	46	15	573	36	1
A	301	27	1650	59	53	1531	4	5	582	47	25
R	302	7	1658	59	50D	1531	10	13	583	47	1
R	345	51	1662	60	66	1572	25	16	584	47	2
A	367	91	1669	22	4B	1573	24	1	675	49	3
R	389	41	1679	11	20B	1574	57	2	636	46	17
A	390	19	1680	31	2	1642	46	6		49	4
A	391	19	1723	60	1	1705	25	1	678	26	14
R	392	41	1724	60	8	1706	47	6	793	6	19
R	423	24	1725	60	7	1732	42	1	754	6	30
R	425	51	1726	60	4	1778	21	7	843	35	1
	427	51	1727	60	14	1827	9	29B	844	34	21H
		54	1728	59	16	1980	16	3	849	42	2
F	420	6	1801	21	19	1982	16	3	918	46	9
A	432	18		55	47D		26	15	993	11	26P
A	439	6	1961	35	6	1585	26	11	1034	20	43
H	465	18	1961	47	1	2000	10	4		25	4B
A	489	49		45	24	2147	41	1	1070	42	8
A	490	19		46	1	2168	48	1	1077	46	1
A	491	49	1986	22	10	2175	17	5B	1080	4	19
A	492	7	2005	14	21	2182	37	29	1263	37	3
A	509	19	2079	31	23A	2199	46	3	1290	18	2
A	549	59	2121	12	40	2271	58	25		41	54
A	543	59		15	7	2308	47	3B		46	6
P	550	59	2122	19	26	2309	47	4	1283	49	1
P	551	59		13	2	2321	27	4B	1529	49	1
B	604	17	2124	19	6	2325	38	21	1561	42	7
B	609	57	2127	19	17C	2326	38	26	1573	41	21
		57		19	8	2327	38	22	1574	41	14
		43	2122	19	19		41	13	1701	35	20
		19		13	4	2378	21	1		41	50
		21		17	4				1720	12	4
		13	2145	37	4				1716	17	26P
		16	2320	4	HR					19	20
		13	2317	41	HR					19	20
		11	2313	41	12				1766	40	14
		11							1760	47	13
		11							1764	46	10
		19					82	25	1741	36	4
		19					176	27	1812	32	46
		19					174	32	1877	21	22
		18	74	11	2		196	41	1856	29	5
		49	177	49	19		157	19	1866	17	22
		24	254	48	12			23	1868	17	4F
		14	284	32	25		178	11	1881	36	5
		16		33	16		186	39	1887	26	3
		13		69	12			41	1888	34	4A
		67	314	49	10H		239	23	1858	35	1
		14	393	49	10H		233	24		41	53
A	1021	14	404	11	1		239	11		1929	3
A	1174	14	485	11	11		279	11		1923	11
		20	435	25	6		319	22	24	1924	11
		20		27	8		349	37	9	1925	10
		41		34	13B		353	11	6	1926	10
A	1170	41		34	13B		362	22	3	1932	11
A	1204	41	614	11	13		375	10	6	1948	1
A	1215	41	671	47	2		374	10	6	1949	1
A	1216	41	719	4	4		377	31	24A	1978	17
A	1228	39		6	27A		340	6	RF	1979	16
A	1234	39		40	16		392	3	15	1980	26
		41	835	40	16			20	13		31
		41	840	40	17			21	17		37
A	1237	19	932	18	9			21	12		37
A	1211	39	932	31	23		393	11	12		34
A	1213	41	977	40	9			19	22		35
A	1215	41	977	40	9			12	27		37
B	1233	41	996	19	6		394	13	9		33
B	1235	41	1029	47	7			13	9		35
B	1236	41	1030	47	8		403	4	9		39
B	1238	41	1057	12	39			12	2		31
B	1415	39		33	14A			45	3		19
A	1675	39		40	2		413	45	3		21
A	1626	39	1920	49	2			46	11		33
A	1678	39		49	33		417	60	52		35
A	1679	39	1724	11	4B		454	11	5		7
A	1734	49		51	4E		455	5	16		24
A	1763	47		49	24			4	24		9
A	1764	47		50	23			4	3		18
A	1765	49	1921	40	5B			15	11		5
A	1784	49	1922	40	9B			55	25		34
A	1785	49		40	16			55	25		34
A	1790	49		41	13			41	33		7
A	1801	59		41	3		467	41	33		27
A	1802	59		41	3		475	49	27B		25
A	1803	59		41	3		475	49	27B		25
		59		41	3		486	39	70		27
				47	1		489	3	12		19

