



- U.S.A. : KUBOTA TRACTOR CORPORATION**  
3401 Del Amo Blvd., Torrance, CA 90503, U.S.A.  
Telephone : (310)370-3370
- Western Division : 1175 S. Guild Ave., Lodi, CA 95240  
Telephone : (209)334-9910
- Central Division : 14855 FAA Blvd., Fort Worth, TX 76156  
Telephone : (817)571-0900
- Northern Division : 6300 at One Kubota Way, Groveport, OH 43125  
Telephone : (614)835-1100
- Southeast Division : 1025 Northbrook Parkway, Suwanee, GA 30024  
Telephone : (770)995-8955
- Canada : KUBOTA CANADA LTD.**  
5900 14th Avenue, Markham, Ontario, L3S 4K4, Canada  
Telephone : (905)294-7477
- France : KUBOTA EUROPE S.A.S**  
19-25, Rue Jules Vercurysse, Z.I. BP88, 95101 Argenteuil Cedex, France  
Telephone : (33)1-3426-3434
- Italy : KUBOTA EUROPE S.A.S Italy Branch**  
Via Grandi, 29 20068 Peschiera Borrome (MI) Italy  
Telephone : (39)02-51650377
- Germany : KUBOTA (DEUTSCHLAND) GmbH**  
Senefelder Str. 3-5 63110 Rodgau /Nieder-Roden, Germany  
Telephone : (49)6106-873-0
- U.K. : KUBOTA (U.K.) LTD.**  
Domer Road, Thame, Oxfordshire, OX9 3UN, U.K.  
Telephone : (44)1844-214500
- Spain : KUBOTA ESPAÑA S.A.**  
Avenida Reconba No.5, Poligno Industrial la Laguna, Leganes, 28914 (Madrid) Spain  
Telephone : (34)91-508-6442
- Australia : KUBOTA TRACTOR AUSTRALIA PTY LTD.**  
25-29 Permas Way, Truganina, VIC 3029, Australia  
Telephone : (61)-3-9394-4400
- Malaysia : SIME KUBOTA SDN. BHD.**  
No.3 Jalan Sepadu 25/123 Taman Perindustrian Axis,  
Seksyen 25, 40400 Shah Alam, Selangor Darul Ehsan Malaysia  
Telephone : (60)3-736-1388
- Philippines: KUBOTA PHILIPPINES, INC.**  
155 Panay Avenue, South Triangle Homes, 1103 Quezon City, Philippines  
Telephone : (63)2-9201071
- Taiwan : SHIN TAIWAN AGRICULTURAL MACHINERY CO., LTD.**  
16, Fengping 2nd Rd, Taliiao Shiang Kaohsiung 83107, Taiwan R.O.C.  
Telephone : (886)7-702-2333
- Indonesia : PT KUBOTA MACHINERY INDONESIA**  
Tower A at EightyEight@Kasablanka Lantai 16  
Jalan Raya Casablanka Kav. 88, Jakarta 12870 Indonesia  
Telephone : (62)-21-29568-720
- Thailand : SIAM KUBOTA CORPORATION CO., LTD.**  
101/19-24 Moo 20, Navanakorn Industrial Estate, Tambon Khlongrueng, Amphur Khlongluang,  
Pathumthani 12120, THAILAND  
Telephone : (66)2-909-0300
- Korea : KUBOTA KOREA CO., LTD.**  
106-24 Mongsan-Ri, Mankyung-Up, Kimje-City, Chonrapuk-Do, KOREA  
Telephone : (82)-63-544-5822
- India : KUBOTA AGRICULTURAL MACHINERY INDIA PVT. LTD.**  
Regus, Level 2 Aftius, Olympia Tech Park, No.1 SIDCO Industrial Estate, Guindy, Chennai 600032, TN, India  
Telephone : (91)-44-4299-4237
- Vietnam : KUBOTA VIETNAM CO., LTD.**  
Lot B-3A2-CN, My Phuoc 3 Industrial Park, Ben Cat District, Binh Duong Province, Vietnam  
Telephone : (84)-650-3577-507

KUBOTA Corporation

English (Australia)  
Code No. TD277-1974-1

# OPERATOR'S MANUAL

# KUBOTA TRACTOR

**MODELS L3240-L3540  
L4240-L5240-L5740 with ROPS  
L4240-L5240-L5740 with CAB**

L  
3  
2  
4  
0  
·  
L  
3  
5  
4  
0  
·  
L  
4  
2  
4  
0  
·  
L  
5  
2  
4  
0  
·  
L  
5  
7  
4  
0



1AGAWAQAP001A



1AGAWWAP001A

READ AND SAVE THIS MANUAL



# ABBREVIATION LIST

| Abbreviations | Definitions  |
|---------------|--|
| 2WD           | Two Wheel Drive  |
| 4WD           | Four Wheel Drive   |
| API           | American Petroleum Institute   |
| ASABE         | American Society of Agricultural and Biological Engineers, USA                             |
| ASTM          | American Society for Testing and Materials, USA  |
| DIN           | Deutsches Institut für Normung, GERMANY  |
| DT            | Dual Traction [4WD]  |
| fpm           | Feet Per Minute  |
| GST           | Glide Shift Transmission   |
| Hi-Lo         | High Speed-Low Speed   |
| HST           | Hydrostatic Transmission   |
| m/s           | Meters Per Second  |
| PTO           | Power Take Off   |
| RH/LH         | Right-hand and left-hand sides are determined by facing in the direction of forward travel |
| ROPS          | Roll-Over Protective Structures  |
| rpm           | Revolutions Per Minute   |
| r/s           | Revolutions Per Second   |
| SAE           | Society of Automotive Engineers, USA   |
| SMV           | Slow Moving Vehicle  |

## KUBOTA Corporation is ...

Since its inception in 1890, KUBOTA Corporation has grown to rank as one of the major firms in Japan.

To achieve this status, the company has through the years diversified the range of its products and services to a remarkable extent, until today, 19 plants and 16,000 employees produce over 1,000 different items, large and small.

All these products and all the services which accompany them, however, are unified by one central commitment. KUBOTA makes products which, taken on a national scale, are basic necessities. Products which are indispensable, products intended to help individuals and nations fulfill the potential inherent in their environment. For KUBOTA is the Basic Necessities Giant.

This potential includes water supply, food from the soil and from the sea, industrial development, architecture and construction, and transportation.

Thousands of people depend on KUBOTA's know-how, technology, experience and customer service. You too can depend on KUBOTA.

This operator's manual has been edited for global use. Please keep in mind, however, that some models discussed herein might not be available in your country.

# FOREWORD

Thank you very much for choosing the L series tractor.

This operator's manual covers the operation, inspection and preventive maintenance instructions that is specific to the oceania models. For other information and instructions, refer to the separately issued operator's manual for the sister models. (L3240-3 to L5740-3)

Please read both manuals carefully, to operate the machine properly and safety.

Proper daily inspection, servicing and lubrication keeps your machine in good condition.



## SAFETY FIRST

This symbol, the industry's "Safety Alert Symbol", is used throughout this manual and on labels on the machine itself to warn of the possibility of personal injury. Read these instructions carefully. It is essential that you read the instructions and safety regulations before you attempt to assemble or use this unit.



**DANGER :** Indicates an imminently hazardous situation which, if not avoided, will result in death or serious injury.



**WARNING :** Indicates a potentially hazardous situation which, if not avoided, could result in death or serious injury.



**CAUTION :** Indicates a potentially hazardous situation which, if not avoided, could result in minor or moderate injury.

**IMPORTANT :**

Indicates that equipment or property damage could result if instructions are not followed.

**NOTE :**

Gives helpful information.

# CONTENTS

|   |    |
|---|----|
| SPECIFICATIONS.....                                 | 1  |
| SPECIFICATION TABLE [HST Type].....                 | 1  |
| SPECIFICATION TABLE [Manual Transmission Type]..... | 3  |
| TRAVELING SPEEDS .....                              | 5  |
| HST Type.....                                       | 5  |
| Manual Transmission Type.....                       | 5  |
| OPERATING THE TRACTOR.....                          | 6  |
| STARTING .....                                      | 6  |
| Turn Signal / Hazard Light Switch .....             | 6  |
| Horn Button.....                                    | 6  |
| Tractor Lights.....                                 | 7  |
| HYDRAULIC UNIT.....                                 | 8  |
| REMOTE HYDRAULIC CONTROL SYSTEM.....                | 8  |
| Remote Control Valve.....                           | 8  |
| Remote Control Valve Lever.....                     | 8  |
| TIRES, WHEELS AND BALLAST.....                      | 9  |
| TIRES.....  | 9  |
| Inflation Pressure.....                             | 9  |
| Dual Tires .....                                    | 9  |
| WHEEL ADJUSTMENT .....                              | 9  |
| Front Wheels (with 4 wheel drive) .....             | 10 |
| Rear Wheels.....                                    | 11 |
| PERIODIC SERVICE.....                               | 12 |
| SERVICE AS REQUIRED.....                            | 12 |
| Replacing Fuse.....                                 | 12 |
| Replacing Light Bulb.....                           | 13 |

# SPECIFICATIONS

## SPECIFICATION TABLE [HST Type] [ROPS and CAB models]

| Model      |                                   |                 | L3240   | L3540                | L4240                       | L5240                  | L5740                |
|------------|-----------------------------------|-----------------|---|----------------------|-----------------------------|------------------------|----------------------|
|            |                                   |                 | 4WD   |                      |                             |                        |                      |
| Engine     | Model                             |                 | D1703-M-E2-HST1   | D1803-M-E2-HST1      | V2203-M-E2-HST1             | V2403-M-TE2-HST1       | V2403-M-TE2-HST2     |
|            | Type                              |                 | Indirect injection vertical, water-cooled, 4-cycle diesel |                      |                             |                        |                      |
|            | Number of cylinders               |                 | 3   |                      | 4                           |                        |                      |
|            | Total displacement                | L               | 1.647   | 1.826                | 2.197                       | 2.434                  |                      |
|            | Bore and stroke                   | mm              | 87 x 92.4   | 87 x 102.4           | 87 x 92.4                   | 87 x 102.4             |                      |
|            | Net power*                        | kW (HP)         | 23.9 (32.0)   | 26.1 (35.0)          | 31.3 (42.0)                 | 38.8 (52.0)            | 42.5 (57.0)          |
|            | PTO power*<br>(factory observed)  | kW (HP)/<br>rpm | 18.7 (25.1)/<br>2700                                      | 20.9 (28.0)/<br>2700 | 26.1 (35.0)/<br>2700        | 33.6 (45.0)/<br>2600   | 37.3 (50.0)/<br>2700 |
|            | Maximum torque                    | N-m<br>(kgf-m)  | 101.7 (10.4)  | 112.8 (11.5)         | 139.7 (14.2)                | 180.6 (18.4)           |                      |
|            | Battery capacity                  |                 | 12V, RC:<br>123min,<br>CCA: 490A                          |                      | 12V, RC: 133 min, CCA: 582A |                        |                      |
| Capacities | Fuel tank                         | L               | 44  |                      | 50                          | 54                     |                      |
|            | Engine crankcase<br>(with filter) | L               | 5.7   | 6.7                  | 8.2                         | 9.4                    |                      |
|            | Engine coolant                    | L               | 6.0   | 7.5                  |                             | 8.2                    |                      |
|            | Transmission case                 | L               | 42  |                      | 43                          | 45                     |                      |
| Dimensions | Overall length<br>(without 3p)    |                 | mm  | 2960                 |                             | 3125                   | 3250                 |
|            | Overall width<br>(min. tread)     |                 | mm  | 1520                 |                             | 1665                   | 1570                 |
|            | Overall height                    | with ROPS       | mm  | 2385                 |                             | 2405                   | 2490                 |
|            |                                   | with CAB        | mm  | ---                  |                             | 2295                   | 2405                 |
|            | Wheel base                        |                 | mm  | 1805                 |                             | 1895                   | 1915                 |
|            | Min. ground clearance             |                 | mm  | 350                  |                             | 375                    | 400                  |
|            | Tread                             | Front           | mm  | 1150                 |                             | 1145                   | 1340                 |
| Rear       |                                   | mm              | 1200, 1300, 1385, 1480                                    |                      | 1285, 1435,<br>1530         | 1225, 1325, 1425, 1525 |                      |
| Weight     | with ROPS                         | kg              | 1540  |                      | 1665                        | 1745                   |                      |
|            | with CAB                          | kg              | ---   |                      | 1815                        | 1920                   |                      |

## 2 SPECIFICATIONS

| Model            |                                  |                           | L3240                               | L3540                                      | L4240     | L5240             | L5740    |
|------------------|----------------------------------|---------------------------|-------------------------------------|--|-----------|-------------------|----------|
|                  |                                  |                           | 4WD                                 |  |           |                   |          |
| Traveling system | Standard tire size               | Front                     | 7-16                                |  | 8-16      | 9.5-16            |          |
|                  |                                  | Rear                      | 12.4-24                             |  | 14.9-24   | 13.6-28           |          |
|                  | Clutch                           |                           | Dry type single stage               |  |           |                   |          |
|                  | Steering                         |                           | Hydrostatic power steering          |  |           |                   |          |
|                  | Transmission                     |                           | Hydrostatic transmission (3 speeds) |  |           |                   |          |
|                  | Braking system                   |                           | Wet disk type                       |  |           |                   |          |
|                  | Min. turning radius (with brake) |                           | m                                   | 2.7  |           |                   | 2.8      |
| Hydraulic unit   | Hydraulic control system         |                           | Position control                    |  |           |                   |          |
|                  | Pump capacity                    | L/min.                    | 31.5                                |  | 37.0      | 35.6              | 37.0     |
|                  | 3-point hitch                    |                           | SAE category 1                      |  |           | SAE category 1, 2 |          |
|                  | Max. lift force                  | At lift points            | kg                                  | 1700                                       |           | 1750              |          |
|                  |                                  | 24 in. behind lift points | kg                                  | 1200                                       |           | 1250              | 1350     |
|                  | System pressure                  |                           | MPa (kgf/cm <sup>2</sup> )          | 17.7 (180)                                 |           |                   |          |
| PTO              | Rear PTO                         |                           |                                     | SAE 1-3/8, 6 splines                       |           |                   |          |
|                  |                                  | PTO/Engine speed          | rpm                                 | 540/2685                                   |           | 540/2640          | 540/2590 |
|                  | MID-PTO (if equipped)            |                           |                                     | USA No.5 (KUBOTA 10-tooth) involute spline |           |                   |          |
| PTO/Engine speed |                                  | rpm                       | 2000/2715                           |  | 2000/2670 | 2000/2615         |          |

**NOTE :** \*Manufacturer's estimate

The company reserve the right to change the specifications without notice.

## SPECIFICATION TABLE [Manual Transmission Type]

[ROPS model]

| Model               |                                     |                 | L3240  |
|---------------------|-------------------------------------|-----------------|--|
|                     |                                     |                 | 4WD  |
| Engine              | Model                               |                 | D1703-M-E2-GST1  |
|                     | Type                                |                 | Indirect injection vertical, water-cooled, 4-cycle diesel                |
|                     | Number of cylinders                 |                 | 3  |
|                     | Total displacement                  | L               | 1.647  |
|                     | Bore and stroke                     | mm              | 87 x 92.4  |
|                     | Net power*                          | kW (HP)         | 23.9 (32.0)  |
|                     | PTO power*<br>(factory observed)    | kW (HP)/<br>rpm | 19.8 (26.5)/2700   |
|                     | Maximum torque                      | N-m<br>(kgf-m)  | 101.7 (10.4)   |
|                     | Battery capacity                    |                 | 12V, RC: 123min, CCA: 490A   |
| Capacities          | Fuel tank                           | L               | 44   |
|                     | Engine crankcase<br>(with filter)   | L               | 5.7  |
|                     | Engine coolant                      | L               | 6.0  |
|                     | Transmission case                   | L               | 42   |
| Dimensions          | Overall length<br>(without 3p)      | mm              | 2960   |
|                     | Overall width<br>(min. tread)       | mm              | 1520   |
|                     | Overall height (with<br>ROPS)       | mm              | 2385   |
|                     | Wheel base                          | mm              | 1805   |
|                     | Min. ground clearance               | mm              | 350  |
|                     | Tread                               | Front           | mm   |
| Rear                |                                     | mm              | 1200, 1300, 1385, 1480   |
| Weight (with ROPS)  |                                     | kg              | 1475   |
| Traveling<br>system | Standard<br>tire size               | Front           | 7-16   |
|                     |                                     | Rear            | 12.4-24  |
|                     | Clutch                              |                 | Dry type single stage  |
|                     | Steering                            |                 | Hydrostatic power steering   |
|                     | Transmission                        |                 | 8 forward and 8 reverse fully synchronized main and shuttle transmission |
|                     | Braking system                      |                 | Wet disk type  |
|                     | Min. turning radius<br>(with brake) | m               | 2.7  |

## 4 SPECIFICATIONS

|                 |                          |                            |                  |  |  |
|-----------------|--------------------------|----------------------------|------------------|--|--|
| <b>Model</b>    |                          |                            | L3240            |  |  |
|                 |                          |                            | 4WD              |  |  |
| Hydraulic unit  | Hydraulic control system |                            | Position control |  |  |
|                 | Pump capacity            | L/min.                     | 31.5             |  |  |
|                 | Three point hitch        |                            | SAE category 1   |  |  |
|                 | Max. lift force          | At lift points             | kg               | 1700                                       |  |
|                 |                          | 24 in. behind lift points  | kg               | 1200                                       |  |
| System pressure |                          | MPa (kgf/cm <sup>2</sup> ) | 17.7             |  |  |
| PTO             | Rear PTO                 |                            |                  | SAE 1-3/8, 6 splines                       |  |
|                 |                          | PTO/Engine speed           | rpm              | 540/2550                                   |  |
|                 | MID-PTO (if equipped)    |                            |                  | USA No.5 (KUBOTA 10-tooth) involute spline |  |
|                 |                          | PTO/Engine speed           | rpm              | 2000/2580                                  |  |

**NOTE :** \*Manufacturer's estimate

The company reserve the right to change the specifications without notice.



## TRAVELING SPEEDS

### ■ HST Type

(At rated engine rpm)

| Model               |            |                        | L3240, L3540 | L4240   | L5240   | L5740 |
|---------------------|------------|------------------------|--------------|---------|---------|-------|
| Tire size (Rear)    |            |                        | 12.4-24      | 14.9-24 | 13.6-28 |       |
| Speed control pedal | H-DS lever | Range gear shift lever | km/h         |         |         |       |
| Forward             | L          | L                      | 3.5          | 3.6     | 3.4     | 3.6   |
|                     |            | M                      | 7.1          | 7.3     | 7.0     | 7.3   |
|                     |            | H                      | 15.0         | 15.5    | 14.9    | 15.5  |
|                     | H          | L                      | 5.8          | 6.0     | 5.8     | 6.0   |
|                     |            | M                      | 11.8         | 12.3    | 11.8    | 12.2  |
|                     |            | H                      | 25.0         | 26.0    | 24.9    | 25.9  |
| Reverse             | L          | L                      | 3.1          | 3.2     | 3.1     | 3.2   |
|                     |            | M                      | 6.4          | 6.6     | 6.3     | 6.6   |
|                     |            | H                      | 13.5         | 13.9    | 13.4    | 13.9  |
|                     | H          | L                      | 5.2          | 5.4     | 5.2     | 5.4   |
|                     |            | M                      | 10.6         | 11.0    | 10.6    | 11.0  |
|                     |            | H                      | 22.5         | 23.2    | 22.4    | 23.3  |

The company reserves the right to change the specifications without notice.

### ■ Manual Transmission Type

(At rated engine rpm)

| Model               |                        |                       | L3240     |
|---------------------|------------------------|-----------------------|-----------|
| Tire size (Rear)    |                        |                       | 12.4 - 24 |
| Shuttle shift lever | Range gear shift lever | Main gear shift lever | km/h      |
| Forward             | Low                    | 1                     | 1.6       |
|                     |                        | 2                     | 2.3       |
|                     |                        | 3                     | 3.7       |
|                     |                        | 4                     | 5.3       |
|                     | High                   | 1                     | 7.7       |
|                     |                        | 2                     | 11.0      |
|                     |                        | 3                     | 17.8      |
|                     |                        | 4                     | 26.3      |
| Reverse             | Low                    | 1                     | 1.5       |
|                     |                        | 2                     | 2.2       |
|                     |                        | 3                     | 3.5       |
|                     |                        | 4                     | 5.1       |
|                     | High                   | 1                     | 7.4       |
|                     |                        | 2                     | 10.5      |
|                     |                        | 3                     | 17.0      |
|                     |                        | 4                     | 25.1      |

The company reserves the right to change the specifications without notice.

# OPERATING THE TRACTOR

## STARTING

### ■ Turn Signal / Hazard Light Switch

#### ◆ Turn Signal Light Switch

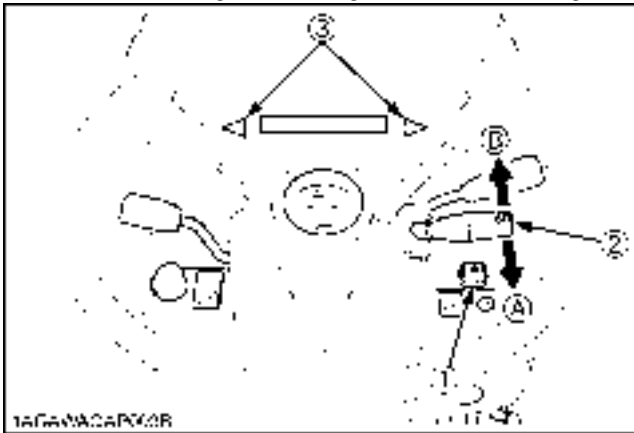
To indicate a right turn, turn the turn signal light switch clockwise. To indicate a left turn, turn the turn signal light switch counter-clockwise. The corresponding right and left turn signal lights and indicator on the instrument panel will flash. Turn signal is active when key switch is in the "ON" position.

#### NOTE :

- Be sure to return switch to center position after turning.

#### ◆ Hazard Light Switch

When hazard light switch is pushed, the hazard lights flash along with the indicator on the instrument panel. Press the hazard light switch again to turn off the light.

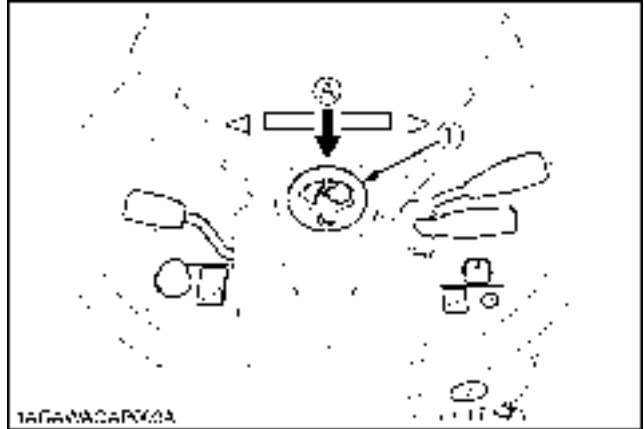


(1) Hazard light switch  
 (2) Turn signal light switch  
 (3) Hazard / Turn signal indicator

(A) "RIGHT TURN"  
 (B) "LEFT TURN"

### ■ Horn Button

The horn will sound when the key switch is in the "ON" position and the horn button pressed.

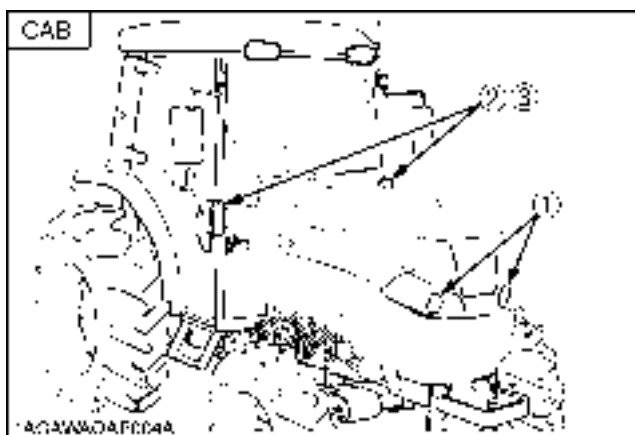
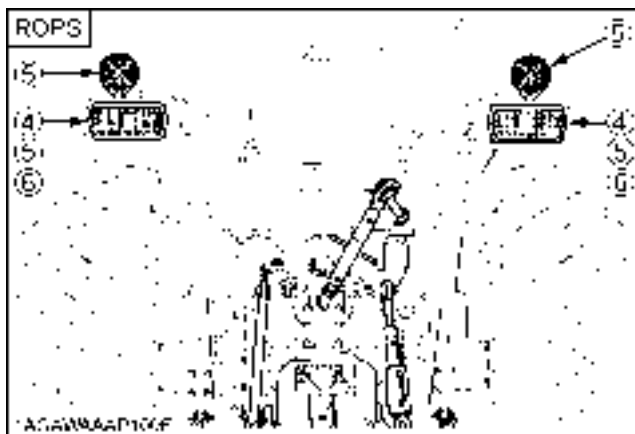
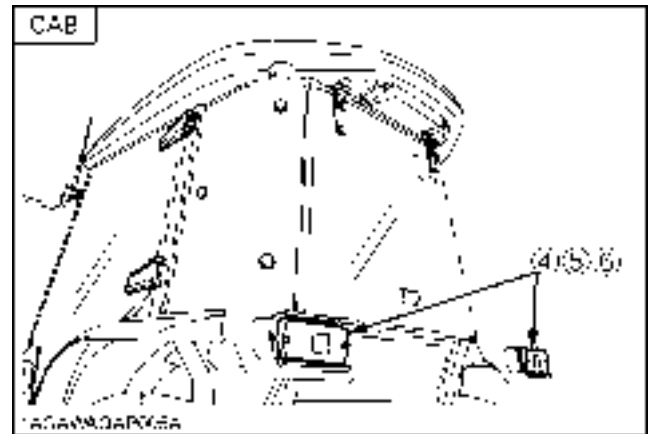
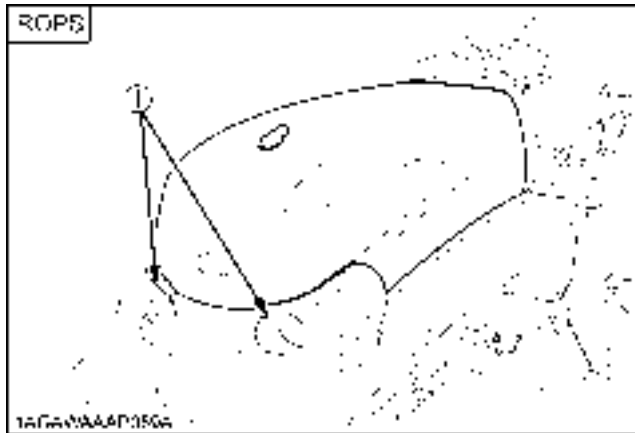


(1) Horn button

(A) "PUSH"

**Tractor Lights**

- (1) Head light
- (2) Side turn signal / Hazard light
- (3) Side marker light
- (4) Tail light
- (5) Rear turn signal / Hazard light
- (6) Brake stop light



# HYDRAULIC UNIT

## REMOTE HYDRAULIC CONTROL SYSTEM

The hydraulic auxiliary control valves can be installed up to triple segments.

### Remote Control Valve

There are two types of remote valves available for these models.

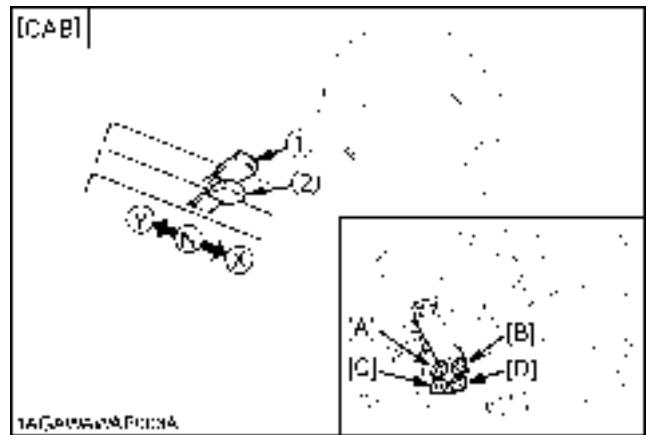
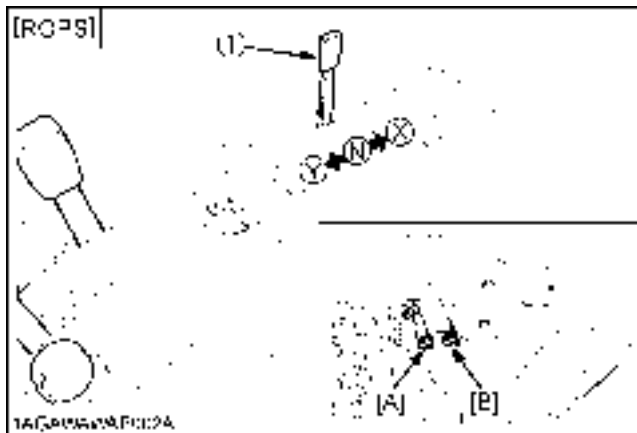
- Double acting valve:
- Double acting valve with float position:  
This valve may be placed in the float mode with the control lever all the way forward. The cylinder is free to extend or retract, letting an implement such as a loader bucket follow the ground.

◆ Oceania model is equipped with double acting valve as standard.

| Models                              | Valve unit |
|-------------------------------------|------------|
| L3240ROPS<br>L3540ROPS              | ---        |
| L4240ROPS<br>L5240ROPS<br>L5740ROPS | 1          |
| L4240CAB<br>L5240CAB<br>L5740CAB    | 2          |

### Remote Control Valve Lever

The remote control valve lever directs pressurized oil flow to the implement hydraulic system.



(1) Remote control valve lever with Double acting valve (1)  
(2) Remote control valve lever with Double acting valve (2)

Pressure →  
Returning ←

| Lever (1) |     | X   |   | Y   |   |
|-----------|-----|-----|---|-----|---|
| Port      | [A] | In  | ← | Out | → |
|           | [B] | Out | → | In  | ← |

| Lever (2) |     | X   |   | Y   |   |
|-----------|-----|-----|---|-----|---|
| Port      | [C] | In  | ← | Out | → |
|           | [D] | Out | → | In  | ← |

|                      | Coupler size |
|----------------------|--------------|
| Port [A] [B] [C] [D] | PT 1/2       |

### IMPORTANT :

- Do not hold the lever in the “REARWARD” or “FORWARD” position once the remote cylinder has reached the end of the stroke, as this will cause oil to flow through the relief valve. Forcing oil through the relief valve for extended periods will overheat the oil.
- When using the tractor hydraulic system to power front loader, do not operate boom and bucket cylinders simultaneously.

# TIRES, WHEELS AND BALLAST

## TIRES



### WARNING

To avoid personal injury:

- Do not attempt to mount a tire on a rim. This should be done by a qualified person with the proper equipment.
- Always maintain the correct tire pressure. Do not inflate tires above the recommended pressure shown in the operator's manual.

### IMPORTANT :

- Do not use tires other than those approved by KUBOTA.
- When you intend to mount different size of tires from equipped ones, consult your dealer about front drive gear ratio for details.  
Excessive wear of tires may occur due to improper gear ratio.

### ■ Inflation Pressure

Though the tire pressure is factory-set to the prescribed level, it naturally drops slowly in the course of time. Thus, check it everyday and inflate as necessary.

|       | Tire sizes           | Inflation Pressure                 |
|-------|----------------------|------------------------------------|
| Rear  | 12.4 - 24, 4PR       | 140 kPa (1.4 kgf/cm <sup>2</sup> ) |
|       | 13.6 - 28, 4PR       | 150 kPa (1.5 kgf/cm <sup>2</sup> ) |
|       | 13.6 - 24, 4PR       | 140 kPa (1.4 kgf/cm <sup>2</sup> ) |
|       | 14.9 - 24, 4PR       | 140 kPa (1.4 kgf/cm <sup>2</sup> ) |
|       | 355/80 - D20, 4PR    | 100 kPa (1.0 kgf/cm <sup>2</sup> ) |
|       | 44 x 18 - 20, 6PR    | 170 kPa (1.7 kgf/cm <sup>2</sup> ) |
|       | 475/65 - D20, 6PR    | 140 kPa (1.4 kgf/cm <sup>2</sup> ) |
| Front | 7 - 16, 4PR          | 180 kPa (1.8 kgf/cm <sup>2</sup> ) |
|       | 8 - 16, 4PR          | 160 kPa (1.6 kgf/cm <sup>2</sup> ) |
|       | 9.5 - 16, 4PR        | 205 kPa (2.1 kgf/cm <sup>2</sup> ) |
|       | 212/80 - D15, 4PR    | 160 kPa (1.6 kgf/cm <sup>2</sup> ) |
|       | 29 x 12.00 - 15, 4PR | 140 kPa (1.4 kgf/cm <sup>2</sup> ) |
|       | 29 x 12.50 - 15, 4PR | 140 kPa (1.4 kgf/cm <sup>2</sup> ) |

### NOTE :

- Maintain the maximum pressure in front tires, if using a front loader or when equipped with a full load of front weights.

### ■ Dual Tires

Dual tires are not approved.

## WHEEL ADJUSTMENT



### WARNING

To avoid personal injury:

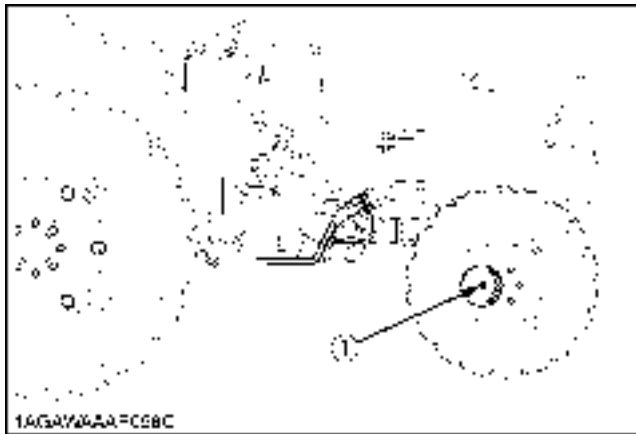
- When working on slopes or when working with trailer, set the wheel tread as wide as practical for maximum stability.
- Support tractor securely on stands before removing a wheel.
- Do not work under any hydraulically supported devices. They can settle, suddenly leak down, or be accidentally lowered. If necessary to work under tractor or any machine elements for servicing or adjustment, securely support them with stands or suitable blocking beforehand.
- Never operate tractor with a loose rim, wheel, or axle.

**Front Wheels (with 4 wheel drive)**

Front tread can not be adjusted.

**IMPORTANT :**

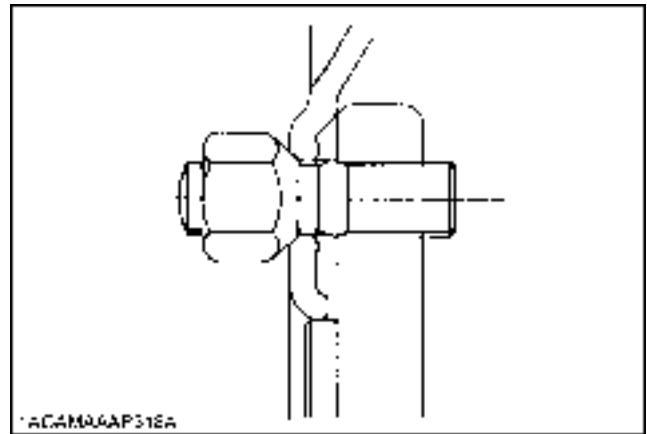
- Do not turn front discs to obtain wider tread.
- When re-fitting or adjusting a wheel, tighten the bolts to the following torques then recheck after driving the tractor 200 m (200 yards) and 10 times of shuttle movement by 5 m (5 yards), and thereafter according to service interval.  
(See "MAINTENANCE" section.)



(1) [L3240, L3540, L4240]  
137 N-m (14 kgf-m)  
[L5240, L5740]  
185 N-m (19 kgf-m)

**NOTE :**

- Wheels with beveled or tapered holes: Use the tapered side of lug nut.



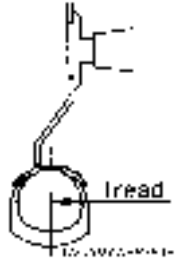
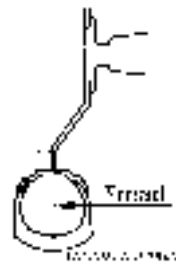
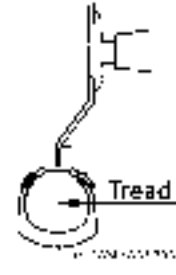
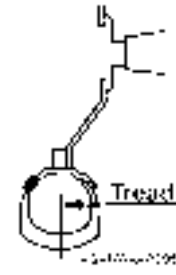
|  |               |                     |           |             |                 |                    |                    |
|--|---------------|---------------------|-----------|-------------|-----------------|--------------------|--------------------|
|  | <b>Models</b> | <b>L3240, L3540</b> |           |             |                 |                    |                    |
|  | Tires         | 7-16 Farm           | ---       | ---         | 212/80-D15 Turf | ---                | ---                |
|  | Tread         | 1150 mm             | ---       | ---         | 1180 mm         | ---                | ---                |
|  | <b>Models</b> | <b>L4240</b>        |           |             |                 |                    |                    |
|  | Tires         | ---                 | 8-16 Farm | ---         | ---             | ---                | 29 x 12.50-15 Turf |
|  | Tread         | ---                 | 1145 mm   | ---         | ---             | ---                | 1280 mm            |
|  | <b>Models</b> | <b>L5240, L5740</b> |           |             |                 |                    |                    |
|  | Tires         | ---                 | ---       | 9.5-16 Farm | ---             | 29 x 12.00-15 Turf | 29 x 12.50-15 Turf |
|  | Tread         | ---                 | ---       | 1340 mm     | ---             | 1415 mm            | 1425 mm            |

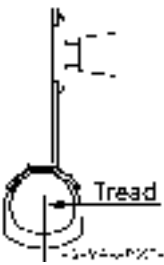
**■ Rear Wheels**

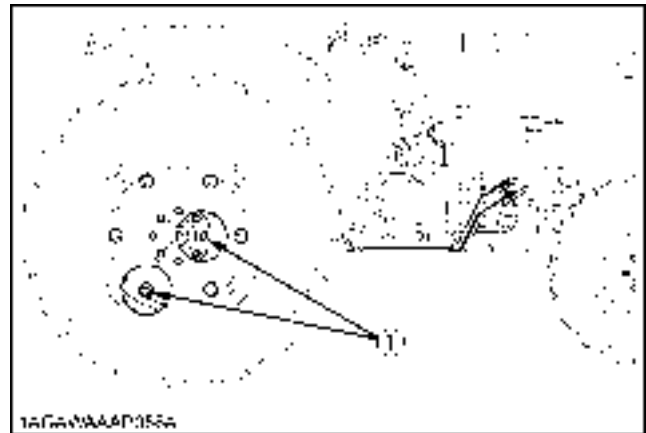
Rear tread width can be adjusted as shown with the standard equipped tires.

To change the tread width

1. Remove the wheel rim and / or disk mounting bolts.
2. Change the position of the rim and / or disk (right and left) to the desired position, and tighten the bolts.

|                                     |   |   |  |   |
|-------------------------------------|---|---|--|---|
| Models                              |  |  |  |  |
| <b>L3240, L3540</b><br>12.4-24 Farm | 1200 mm   | 1300 mm   | 1385 mm  | 1480 mm   |
| <b>L4240</b><br>13.6-24 Farm        | ---   | 1285 mm   | 1435 mm  | 1530 mm   |
| <b>L4240</b><br>14.9-24 Farm        | ---   | 1285 mm   | 1435 mm  | 1530 mm   |
| <b>L5240, L5740</b><br>13.6-28 Farm | 1225 mm   | 1325 mm   | 1425 mm  | 1525 mm   |

|   |   |
|---|---|
| Models  |  |
| <b>L3240, L3540</b><br>355 / 80-D20 Turf      | 1290 mm   |
| <b>L5240, L5740</b><br>475 / 65-D20 Turf      | 1415 mm   |
| <b>L4240, L5240, L5740</b><br>44 x 18-20 Turf | 1415 mm   |



(1) 215 N-m (22 kgf-m)

**IMPORTANT :**

- Always attach wheels as shown in the drawings.
- If not attached as illustrated, transmission parts may be damaged.
- When re-fitting or adjusting a wheel, tighten the bolts to the following torques then recheck after driving the tractor 200 m (200 yards) and 10 times of shuttle movement by 5 m (5 yards), and thereafter according to service interval.  
(See "MAINTENANCE" section.)

# PERIODIC SERVICE

## SERVICE AS REQUIRED

### ■ Replacing Fuse

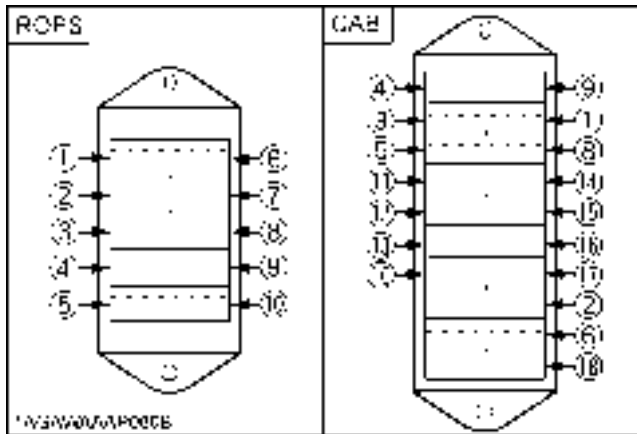
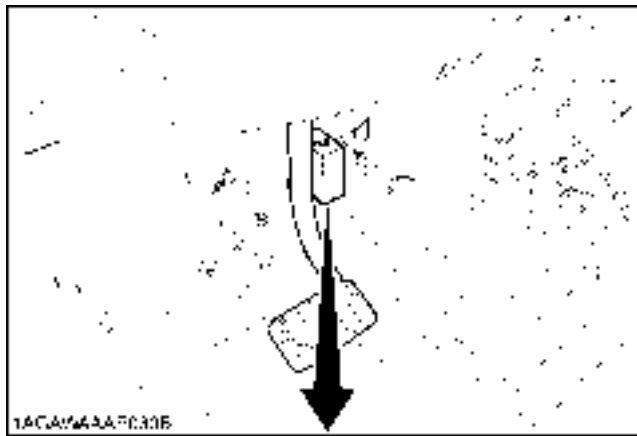
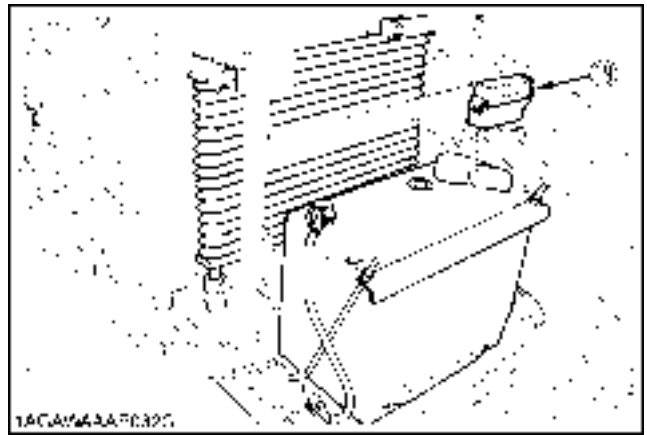
The tractor electrical system is protected from potential damage by fuses.

A blown fuse indicates that there is an overload or short somewhere in the electrical system.

If any of the fuses should blow, replace with a new one of the same capacity.

### IMPORTANT :

- Before replacing a blown fuse, determine why the fuse blew and make any necessary repairs. Failure to follow this procedure may result in serious damage to the tractor electrical system. Refer to the "TROUBLESHOOTING" section of this manual or your local KUBOTA Dealer for specific information dealing with electrical problems.



### ◆ Protected circuit

| Fuse No. | Capacity (A) | Protected circuit                   | ROPS |     | CAB |
|----------|--------------|-------------------------------------|------|-----|-----|
|          |              |                                     | HST  | MT  | HST |
| (1)      | 7.5          | Alternator                          | ○    | ○   | ○   |
| (2)      | 15           | Head lights                         | ○    | ○   | ○   |
| (3)      | 15           | Hazard                              | ○    | ○   | --- |
|          | 20           | Hazard                              | ---  | --- | ○   |
| (4)      | 5            | Panel                               | ○    | ○   | ○   |
| (5)      | 5            | T/M Controller 1                    | ○    | --- | ○   |
| (6)      | 10           | Work light                          | ○    | ○   | --- |
|          | 15           | Work light                          | ---  | --- | ○   |
| (7)      | 5            | Brake lamp switch                   | ○    | ○   | --- |
| (8)      | 10           | T/M Controller 2                    | ○    | --- | ○   |
|          |              | OPC Controller                      | ---  | ○   | --- |
| (9)      | 5            | Key stop                            | ○    | ○   | ○   |
| (10)     | 30           | Starter relay                       | ○    | ○   | ○   |
| (11)     | 10           | Dome lamp                           | ---  | --- | ○   |
| (12)     | 20           | Aircon blower                       | ---  | --- | ○   |
| (13)     | 5            | Radio cassette                      | ---  | --- | ○   |
| (14)     | 20           | Cigar lighter                       | ---  | --- | ○   |
| (15)     | 7.5          | Aircon compressor                   | ---  | --- | ○   |
| (16)     | 30           | Wiper                               | ---  | --- | ○   |
| (17)     | 15           | Flasher                             | ---  | --- | ○   |
| (18)     | 30           | Defogger                            | ---  | --- | ○   |
| (19)     | Slow blow    | Check circuit against wrong battery | ○    | ○   | ○   |



**■ Replacing Light Bulb**

| Light                                | Capacity  |     |
|--------------------------------------|-----------|-----|
|                                      | ROPS      | CAB |
| Head light                           | 35W / 35W |     |
| Tail light                           | 8W        |     |
| Hazard and Turn signal light (rear)  | 23W       |     |
| Hazard and Turn signal light (front) | ---       | 23W |
| Room light                           | ---       | 10W |
| Work light                           | ---       | 35W |
| Instrument panel light               | 1.1W      |     |
| Brake stop light                     | 23W       |     |