

# PARTS CATALOGUE

## Tractor FT854 85HP 2011

Machinery Type: \_\_\_\_\_

Machinery Model: \_\_\_\_\_

Engine/Serial Number: \_\_\_\_\_

Invoice Number: \_\_\_\_\_

Date Purchased: \_\_\_\_\_

## CONTENTS

Engine Assembly.....	(1)
Air Filter Assembly.....	(3)
Cooling System Assembly.....	(5)
Control Mechanism Assembly of the Engine(I).....	(8)
Control Mechanism Assembly of the Engine(II).....	(11)
Clutch Assembly(I).....	(14)
Clutch Assembly(II).....	(18)
Exhaust Tube Assembly.....	(21)
Front Axle Assembly(I).....	(23)
Front Axle Assembly(II).....	(26)
Front Axle Assembly(III).....	(29)
Front Axle Assembly(IV).....	(32)
Front Driving Axle Assembly(I).....	(34)
Front Driving Axle Assembly(II).....	(37)
Front Driving Axle Assembly(III).....	(40)
Front Driving Axle Assembly(IV).....	(44)
Front Driving Axle Assembly(V).....	(47)
Front Driving Axle Assembly(VI).....	(50)
Front Wheel Assembly.....	(53)
Front Driving Wheel Assembly.....	(55)
Rear Driving Wheel Assembly.....	(57)
Gearbox Assembly(I).....	(60)
Gearbox Assembly(II).....	(63)
Gearbox Assembly(III).....	(66)
Gearbox Assembly(IV).....	(69)
Gearbox Assembly(V).....	(72)
Gearbox Assembly(I).....	(75)
Gearbox Assembly-I(enhance).....	(78)
Gearbox Assembly-II(enhance).....	(81)
Gearbox Assembly-III(enhance).....	(84)
Gearbox Assembly-IV(enhance).....	(88)
Gearbox Assembly-V(enhance).....	(92)
Rear Axle Assembly(I).....	(95)
Rear Axle Assembly(II).....	(99)
Rear Axle Assembly(III).....	(102)
Rear Axle Assembly(IV).....	(106)
Rear Axle Assembly(V).....	(109)

Rear Axle Assembly (VI) .....	(113)
Hydraulic Steering Wheel Assembly(I) .....	(116)
Hydraulic Steering Wheel Assembly (II) .....	(119)
Hydraulic Steering Wheel Assembly(III) .....	(122)
Transfer Case Assembly(I).....	(125)
Transfer Case Assembly (II) .....	(128)
Transfer Case Assembly(III) .....	(131)
Brake Assembly (I) .....	(135)
Brake Assembly (II) .....	(138)
Brake Assembly(III) .....	(141)
Driver's Seat Assembly (I) .....	(143)
Driver's Seat Assembly (II) .....	(148)
Driver's Seat Assembly(III) .....	(152)
Driver's Seat Assembly(IV) .....	(155)
Simple Body Assembly(Optional) .....	(158)
Detachable Floor Body Assembly(Optional) .....	(162)
Bonnet Assembly(I) .....	(166)
Bonnet Assembly(II) .....	(169)
Fore-and-aft Connecting Mechanism and left/Right Front Mud Guard Assembly.....	(172)
Electrical System Assembly(I) .....	(175)
Electrical System Assembly(II) .....	(180)
Tool Box Assembly.....	(183)
Fuel Tank Assembly(I) .....	(185)
Fuel Tank Assembly(II) .....	(188)
Towing Mechanism Assembly.....	(191)
Lifter Assembly(I) .....	(192)
Lifter Assembly (II) .....	(196)
Suspension Mechanism Assembly.....	(200)
Distributor Assembly(I) .....	(204)
Distributor Assembly (II) .....	(206)
Distributor Assembly(III) .....	(208)
Oil Pump/Pipe and Filter Assembly.....	(211)
Multi-way Valve's Oil Pump/Pipe Assembly(I) (Optional) .....	(214)
Multi-way Valve's Oil Pump/Pipe Assembly(II) (Optional) .....	(218)
Front Ballast Assembly .....	(221)
Pneumatic Braking System Assembly.....	(223)

## 使用 方 法

1. 根据图册目录可查找零件总成插图和零件明细表。
2. 如果知道零件名称,可参照零件明细表查出与其相对应的插图(零件的形状和安装位置)、零件代号和所属总成用量(件)。
3. 如果不知道零件的名称,可查找含该零件总成的插图,根据该零件安装位置确认该零件,然后在插图中查出该零件及其标号,并在零件明细表中查出与其对应的零件名称,零件代号和所属总成用量(件)。

## METHOD OF USE

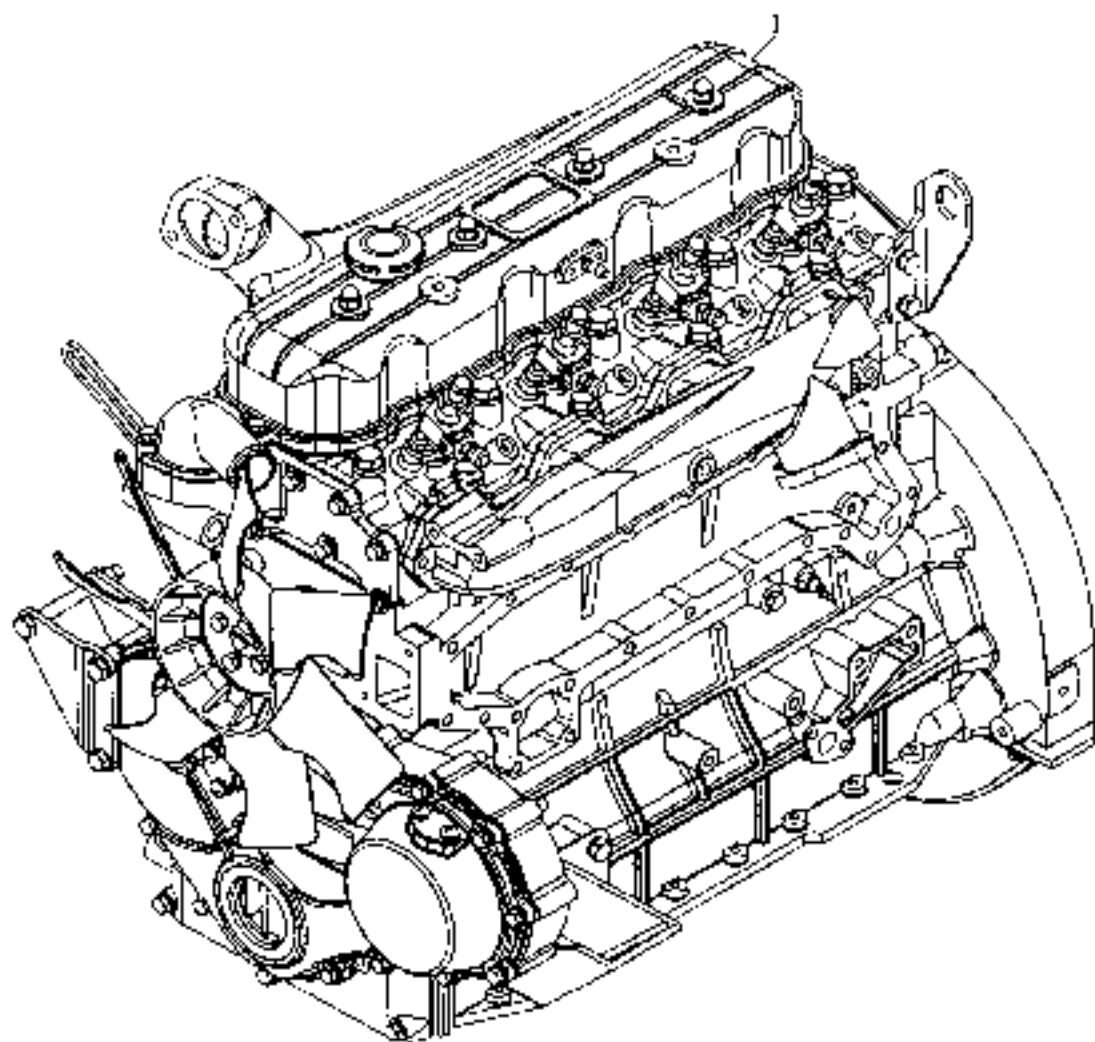
1. You can find out the component assembly illustration and detailed parts list in accordance with the contents of this catalogue.

2. You can find out the part's illustration (the part's shape and its fitting position), the part code and the needed total amount of the part for the assembly in accordance with detailed parts list if you know the name of the part in advance.

3. You can look for the assembly illustration including the part and confirm it according to its fitting position, then find out this part and its mark number from the illustration, as well as its name, its code and the needed total amount of the part of the assembly from detailed parts list if you don't know the name of the part in advance.

发动机总成 Engine Assembly

---



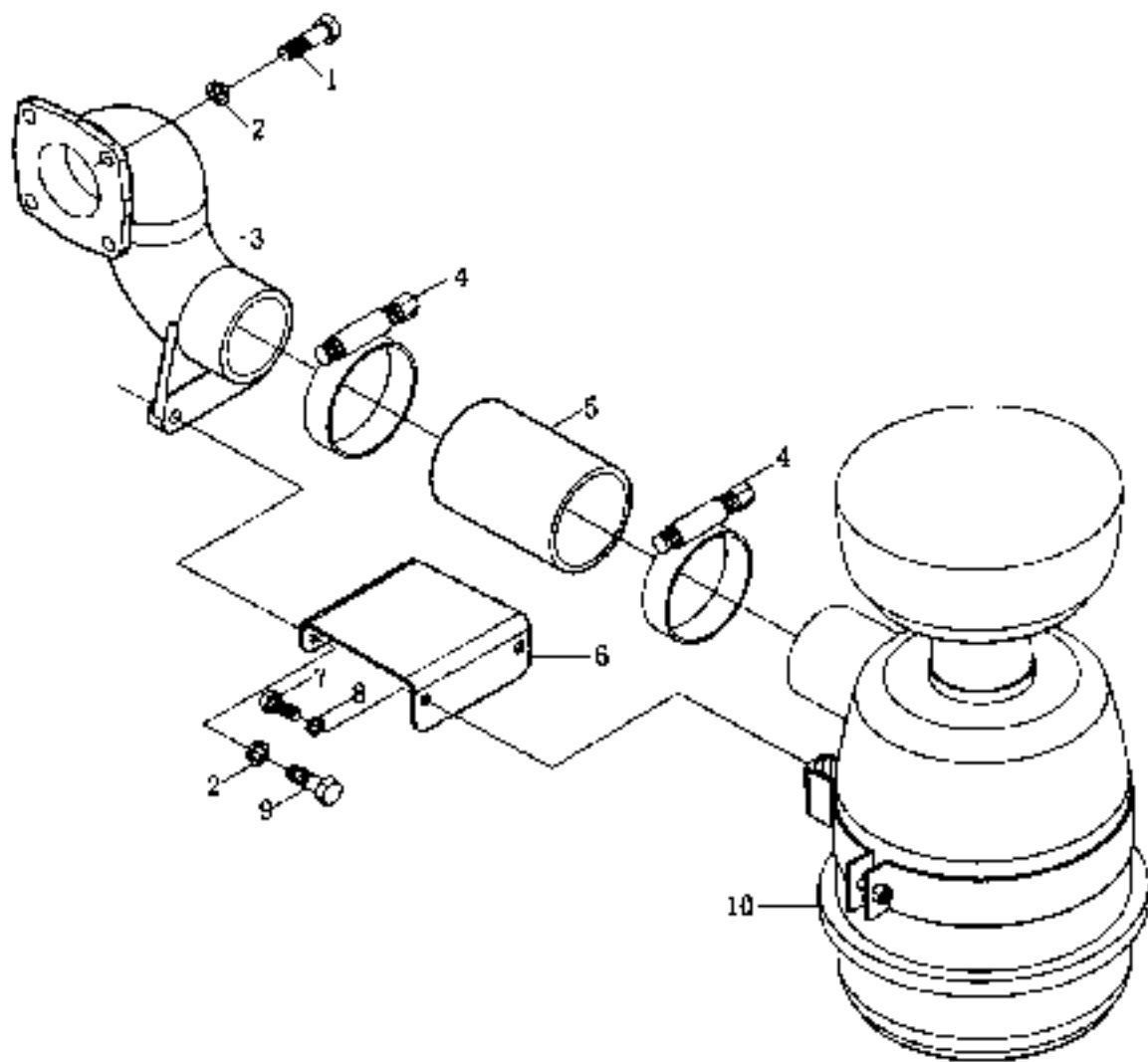
### 发动机总成

序号	零件代号	零件名称及规格	数量 (件)			
			700	704	800	804
1	LRC4105T70	发动机总成(一拖)	1	1		
	LRC4105T68	发动机总成(一拖)	改装	1		
	R4105T10	发动机总成(潍柴)	1	1		
	TL4110	发动机总成(东风)			1	1

### Engine Assembly

No.	Drawing No.	Part Name and Standards	Qty. (Piece)			
			700	704	800	804
1	LRC4105T70	Engine assembly	1	1		
	LRC4105T68	Engine assembly	△	1		
	R4105T10	Engine assembly	1	1		
	TL4110	Engine assembly			1	1

空气滤清器总成 Air Filter Assembly





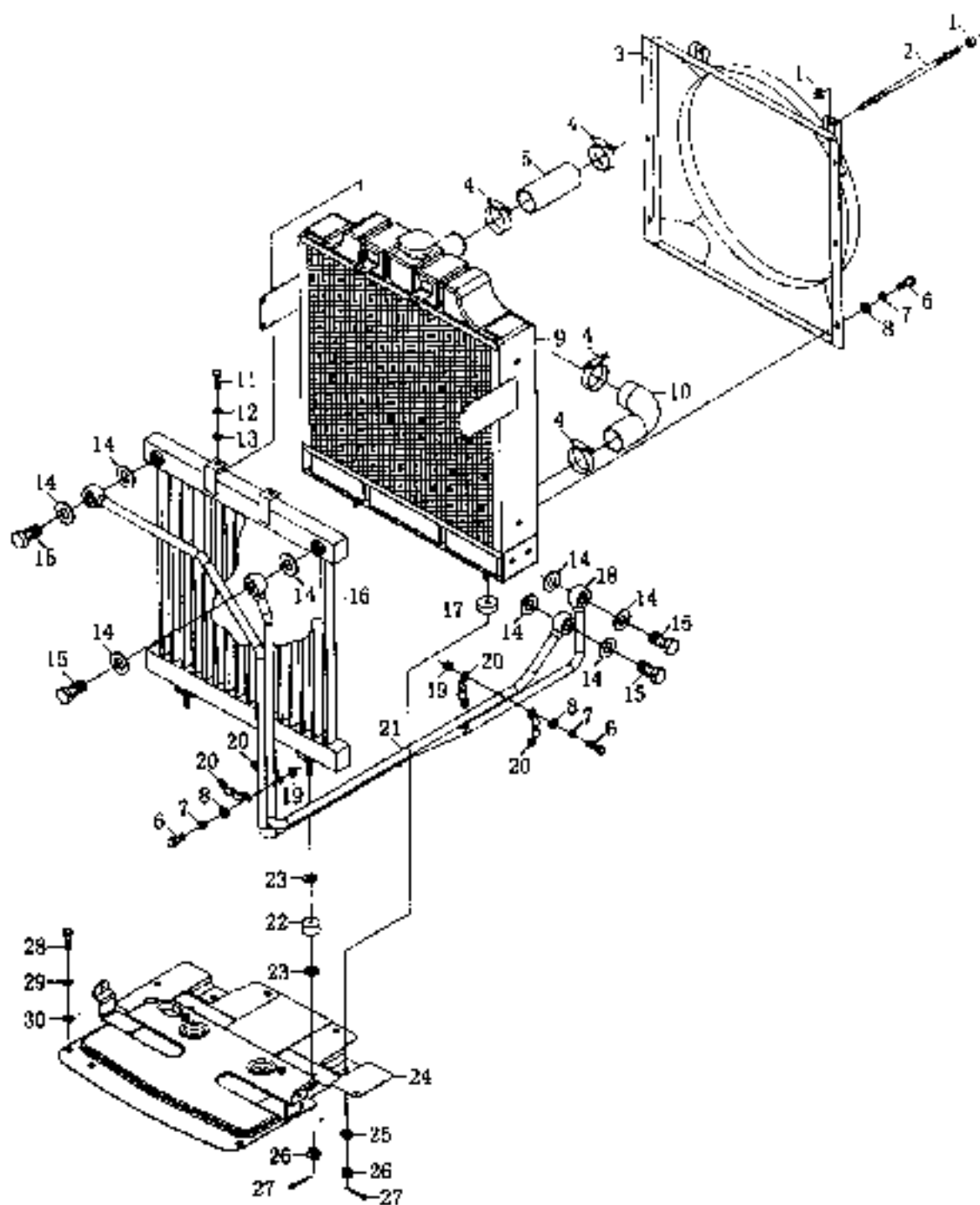
### 空气滤清器总成

序号	零件代号	零件名称及规格	数量 (件)			
			700	704	800	804
1	GB/T 5783 - 2000	螺栓 M10 × 30 - Zn. D	4	4	4	4
2	GB/T 93 - 1987	弹簧垫圈 10	6	6	6	6
3	700.11.101	弯 管	1	1	1	1
4	ZBJ 15001 - 1987	喉箍 D90	2	2	2	2
5	700.11.102	空气软管	1	1	1	1
6	700.11.011	支架焊台	1	1	1	1
7	GB/T 5783 - 2000	螺栓 M8 × 20 - Zn. D	2	2	2	2
8	GB/T 93 - 1987	弹簧垫圈 8	2	5	2	2
9	GB/T 5783 - 2000	螺栓 M10 × 25 - Zn. D	2	2	2	2
10	700.11.010	空滤器总成	1	1	1	1

### Air Filter Assembly

No.	Drawing No.	Part Name and Standards	Qty. (Piece)			
			700	704	800	804
1	GB/T 5783 - 2000	Bolt M10 × 30 - Zn. D	4	4	4	4
2	GB/T 93 - 1987	Single coil spring lock washer 10	6	6	6	6
3	700.11.101	Elbow	1	1	1	1
4	ZBJ 15001 - 1987	Clamp D90	2	2	2	2
5	700.11.102	Hose	1	1	1	1
6	700.11.011	Support weldment	1	1	1	1
7	GB/T 5783 - 2000	Bolt M8 × 20 - Zn. D	2	2	2	2
8	GB/T 93 - 1987	Single coil spring lock washer 8	2	5	2	2
9	GB/T 5783 - 2000	Bolt M10 × 25 - Zn. D	2	2	2	2
10	700.11.010	Air filter assembly	1	1	1	1

冷却系总成 Cooling System Assembly



### 冷却系总成

序号	零件代号	零件名称及规格	数量 (件)			
			700	704	800	804
1	GB/T 6170-2000	螺母 M10-Zn.D	8	8	8	8
2	GB/T 953-1988	螺栓 M10×20-Q-Zn.D	2	2	2	2
3	700.13.030	护风罩总成	1	1	1	1
4	ZBJ 15001-1987	喉箍 D60	4	4	4	4
5	700.13.110	水箱进水软管	1	1	1	1
6	GB/T 5781-2000	螺栓 M6×16-Zn.D	12	12	8	8
7	GB/T 93-1987	弹簧垫圈 6	12	12	8	8
8	GB/T 95-1985	平垫圈 6-140HV-Zn.D	12	12	8	8
9	700.13.020	散热器总成	1	1	1	1
10	700.13.114	水箱出水软管	1	1	1	1
11	GB/T 5781-2000	螺栓 M8×20-Zn.D	2	2		
12	GB/T 93-1987	弹簧垫圈 8	2	2		
13	GB/T 95-1985	平垫圈 8-140HV-Zn.D	2	2		
14	JB/T 982-1977	组合密封垫圈 22	8	8		
15	700.13.130	空心螺栓	4	4		
16	700.13.040	机油冷却器总成	1	1		
17	700.13.112	橡胶垫块	2	2	2	2
18	700.13.122	机油冷却器进油管总成	1	1		
	700.13.122-1	机油冷却器进油管总成 <sup>①</sup>	1	1		
19	GB/T 6170-2000	螺母 M6-Zn.D	4	4		
20	700.13.115	油管卡子	4	4		
21	700.13.121	机油冷却器出油管总成	1	1		
	700.13.121-1	机油冷却器出油管总成 <sup>①</sup>	1	1		
22	700.13.111	橡胶垫块	2	2	2	2
23	GB/T 95-1985	平垫圈 10-140HV-Zn.D	4	4	4	4
24	700.13.012	水箱支架焊合	1	1	1	1
25	700.13.113	垫块	2	2	2	2
26	GB/T 6178-2000	螺母 M10-Zn.D	4	4	4	4
27	GB/T 91-2000	开口销 2.5×30	4	4	4	4
28	GB/T 5783-2000	螺栓 M12×25-Zn.D	6	6	6	6
29	GB/T 93-1987	弹簧垫圈 12	6	6	6	6
30	GB/T 95-1985	平垫圈 12-140HV-Zn.D	6	6	6	6

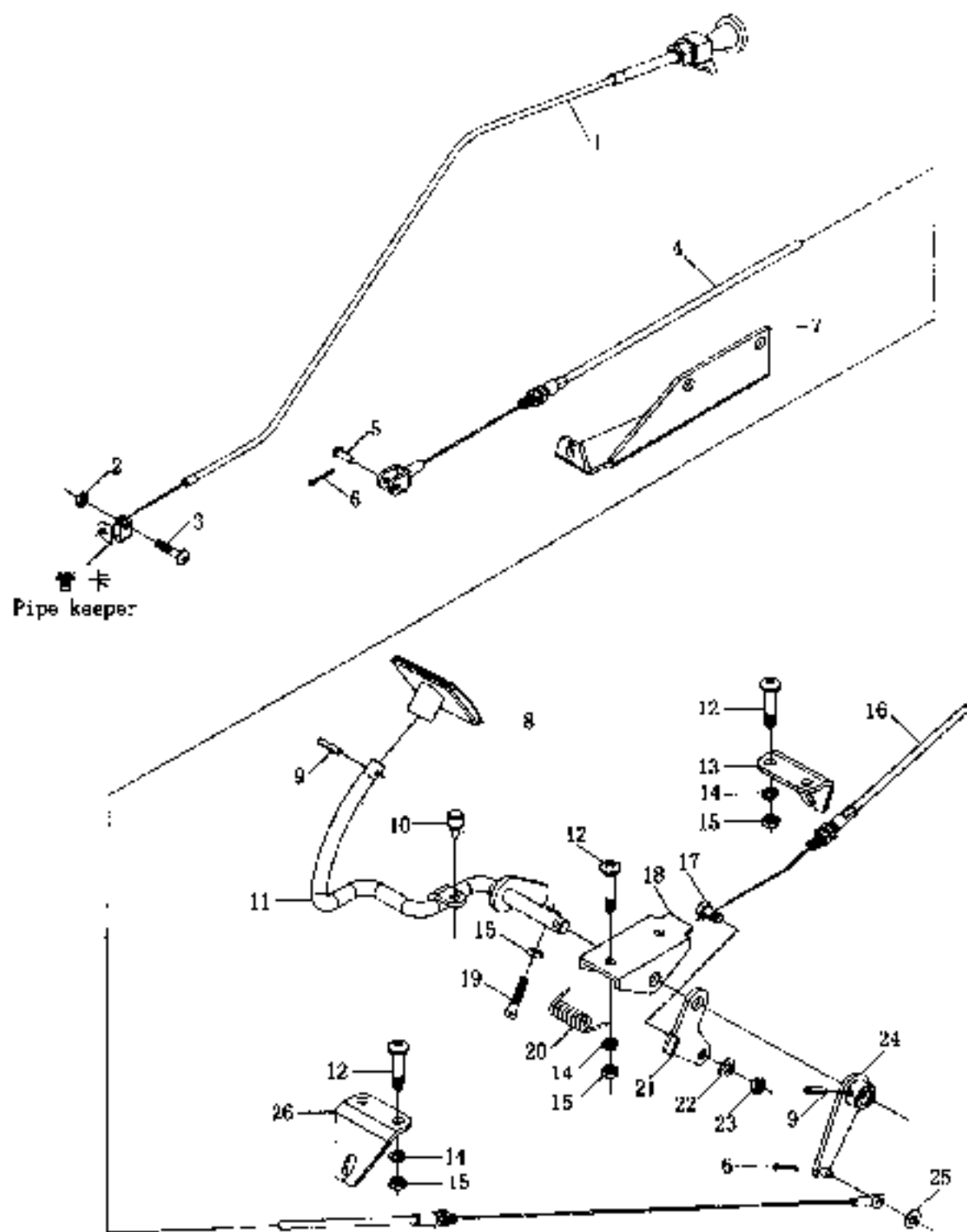
注: ① 配套潍坊柴油机厂生产, R4105 柴油机专用。

### Cooling System Assembly

No.	Drawing No.	Part Name and Standards	Qty. (Piece)			
			700	704	800	804
1	GB/T 6170 - 2000	Nut M10 - Zn. D	8	8	8	8
2	GB/T 953 - 1988	Stud M10 × 280 - (Q - Zn. D)	2	2	2	2
3	700.13.030	Fan guard housing assembly	1	1	1	1
4	ZBJ 15001 - 1987	Clamp D60	4	4	4	4
5	700.13.110	Inlet hose of water tank	1	1	1	1
6	GB/T 5781 - 2000	Bolt M6 × 16 - Zn. D	12	12	8	8
7	GB/T 93 - 1987	Single coil spring lock washer 6	12	12	8	8
8	GB/T 95 - 1985	Plain washer 6 - 140HV - Zn. D	12	12	8	8
9	700.13.020	Radiator assembly	1	1	1	1
10	700.13.114	Outlet hose of water tank	1	1	1	1
11	GB/T 5781 - 2000	Bolt M8 × 20 - Zn. D	2	2		
12	GB/T 93 - 1987	Single coil spring lock washer 8	2	2		
13	GB/T 95 - 1985	Plain washer 8 - 140HV - Zn. D	2	2		
14	JB/T 982 - 1977	Combined sealing washer Z2	8	8		
15	700.13.130	Hollow bolt	4	4		
16	700.13.040	Oil cooler assembly	1	1		
17	700.13.112	Rubber washer	2	2	2	2
18	700.13.122	Oil inlet pipe assembly for oil cooler	1	1		
	700.13.122 - 1	Oil inlet pipe assembly for oil cooler <sup>①</sup>	1	1		
19	GB/T 6170 - 2000	Nut M6 - Zn. D	4	4		
20	700.13.115	Oil pipe keeper	4	4		
21	700.13.121	Oil outlet pipe assembly for oil cooler	1	1		
	700.13R.121 - 1	Oil outlet pipe assembly for oil cooler <sup>①</sup>	1	1		
22	700.13.111	Rubber washer	2	2	2	2
23	GB/T 95 - 1985	Plain washer 10 - 140HV - Zn. D	4	4	4	4
24	700.13.012	Support webkment for water tank	1	1	1	1
25	700.13.113	Washer	2	2	2	2
26	GB/T 6178 - 2000	Nut M10 - Zn. D	4	4	4	4
27	GB/T 91 - 2000	Split pin 2.5 × 30	4	4	4	4
28	GB/T 5783 - 2000	Bolt M12 × 25 - Zn. D	6	6	6	6
29	GB/T 93 - 1987	Single coil spring lock washer 12	6	6	6	6
30	GB/T 95 - 1985	Plain washer 12 - 140HV - Zn. D	6	6	6	6

Note: ① Specific for model R4105 diesel engine, made by Weifang Diesel Engine Works.

发动机操纵机构总成(一)  
Control Mechanism Assembly of the Engine ( 1 )



### 发动机操纵机构总成(一)

序号	零件代号	零件名称及规格	数 量 (件)			
			700	704	800	804
1	700.20.018	熄火拉线总成	1	1	1	1
2	GB/T 6172-2000	螺母 M6-Zn.D	2	2	2	2
3	GB/T 818-2000	螺钉 M6×16-Zn.D	1	1	1	1
4	700.20.014	脚油门拉线总成	1	1	1	1
5	GB/T 882-2000	销轴 B5×20	1	1	1	1
6	GB/T 91-2000	开口销 2×12	2	2	2	2
7	700.20.102	拉线支架	1	1	1	1
8	700.20.101	脚踏板	1	1	1	1
9	GB/T 879-1986	弹性圆柱销 5×20	2	2	2	2
10	700.20.107	橡胶塞	1	1	1	1
11	700.20.013	脚踏板摇臂焊合	1	1	1	1
12	GB/T 818-2000	螺钉 M8×20-Zn.D	6	6	6	6
13	700.20.105	手油门拉线支架	1	1	1	1
14	GB/T 93-1987	弹簧垫圈 8	6	6	6	6
15	GB/T 6172-2000	螺母 M8-Zn.D	7	7	7	7
16	700.20.017	手油门软拉线总	1	1	1	1
	700.20B.017	手油门软拉线总成 <sup>①</sup>	1	1	1	1
17	700.20.133	紧固螺钉	1	1	1	1
18	700.20.108	油门支架	1	1	1	1
19	GB/T 5781-2000	螺栓 M8×45-Zn.D	1	1	1	1
20	700.20.104	扭簧	1	1	1	1
21	700.20.114	手油门摇臂	1	1	1	1
22	GB/T 97.1-1985	平垫圈 8-140HV-Zn.D	2	2	2	2
23	GB/T 6170-2000	螺母 M8-Zn.D	1	1	1	1
24	700.20.011	脚油门摇臂焊合	1	1	1	1
25	GB/T 97.1-1985	平垫圈 6-140HV-Zn.D	1	1	1	1
26	700.20.106	脚油门拉线支架	1	1	1	1

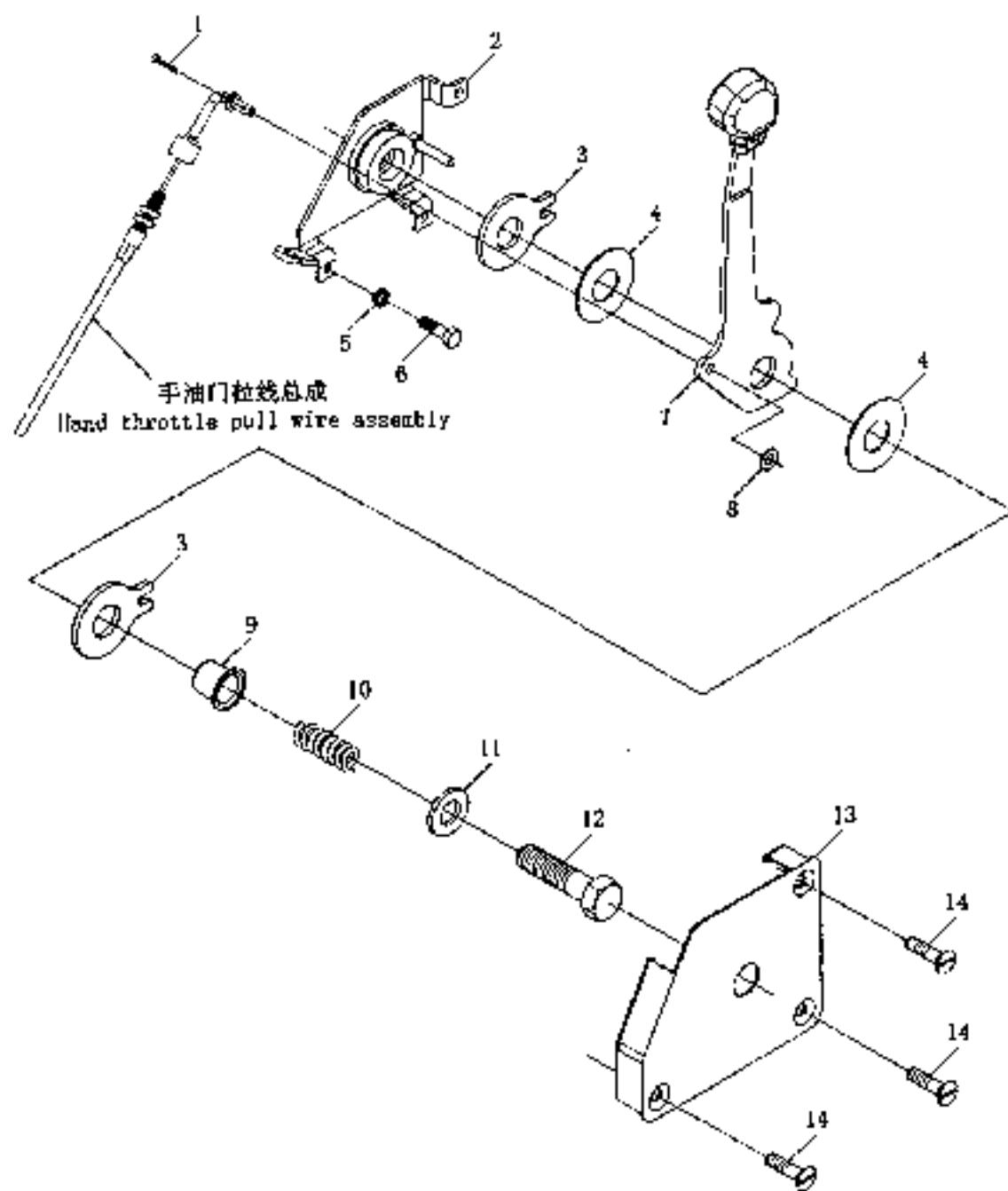
注：① 带驾驶室机型专用。

### Control Mechanism Assembly of the Engine ( I )

No.	Drawing No.	Part Name and Standards	Qty. (Piece)			
			700	704	800	804
1	700.20.018	Fatigueless wire assembly	1	1	1	1
2	GB/T 6172 - 2000	Nut M6 - Zn.D	2	2	2	2
3	GB/T 818 - 2000	Screw M6 × 16 Zn.D	1	1	1	1
4	700.20.014	Foot throttle wire assembly	1	1	1	1
5	GB/T 882 - 2000	Pin roll B5 × 20	1	1	1	1
6	GB/T 91 - 2000	Split pin 2 × 12	2	2	2	2
7	700.20.102	Bracket for wire	1	1	1	1
8	700.20.101	Foot pedal	1	1	1	1
9	GB/T 879 - 1986	Spring - type straight pin - slotted 5 × 20	2	2	2	2
10	700.20.107	Rubber plug	1	1	1	1
11	700.20.013	Foot pedal rocker weldment	1	1	1	1
12	GB/T 818 - 2000	Screw M8 × 20 Zn.D	6	6	6	6
13	700.20.105	Bracket for hand throttle wire	1	1	1	1
14	GB/T 93 - 1987	Single coil spring lock washer 8	6	6	6	6
15	GB/T 6172 - 2000	Nut M8 - Zn.D	7	7	7	7
16	700.20.017	Hand throttle soft wire assembly	1	1	1	1
	700.20B.017	Hand throttle soft wire assembly <sup>①</sup>	1	1	1	1
17	700.20.133	Fastening bolt	1	1	1	1
18	700.20.108	Throttle bracket	1	1	1	1
19	GB/T 5781 - 2000	Bolt M8 × 45 - Zn.D	1	1	1	1
20	700.20.104	Torsion spring	1	1	1	1
21	700.20.114	Hand throttle rocker	1	1	1	1
22	GB/T 97.1 - 1985	Plain washer 8 - 140HV - Zn.D	2	2	2	2
23	GB/T 6170 - 2000	Nut M8 - Zn.D	1	1	1	1
24	700.20.011	Foot throttle rocker weldment	1	1	1	1
25	GB/T 97.1 - 1985	Plain washer 6 - 140HV - Zn.D	1	1	1	1
26	700.20.106	Bracket for foot throttle wire	1	1	1	1

Note: ① For the model with driver's cab.

发动机操纵机构总成(二)  
Control Mechanism Assembly of the Engine ( II )





### 发动机操纵机构总成(二)

序号	零件代号	零件名称及规格	数量 (件)			
			700	704	800	804
1	GB/T 91 - 1986	开口销 2 × 12	1	1	1	1
2	700.20.015	支架焊合件	1	1	1	1
	700.20B.015	支架焊合件 <sup>①</sup>	1	1	1	1
3	700.20.128	压泵片	2	2	2	2
4	700.20.131	摩擦片	2	2	2	2
5	GB/T 93 - 1987	弹簧垫圈 6	3	3	3	3
6	GB/T 5781 - 2000	螺栓 M6 × 16 - Zn.D	3	3	3	3
7	700.20.016B	手油门手柄总成	1	1	1	1
8	GB/T 97.1 - 1985	平垫圈 6 - 140HV - Zn.D	1	1	1	1
9	700.20.129	托碗	1	1	1	1
10	700.20.130	手油门弹簧	1	1	1	1
11	GB/T 96 - 1985	大垫圈 10 - 140HV - Zn.D	1	1	1	1
12	GB/T 5780 - 2000	螺栓 M10 × 45 - Zn.D	1	1	1	1
13	700.20.127	手油门盖	1	1	1	1
	700.20B.324	手油门盖 <sup>①</sup>	1	1	1	1
14	GB/T 68 - 1985	螺钉 M8 × 30 - Zn.D	3	3	3	3

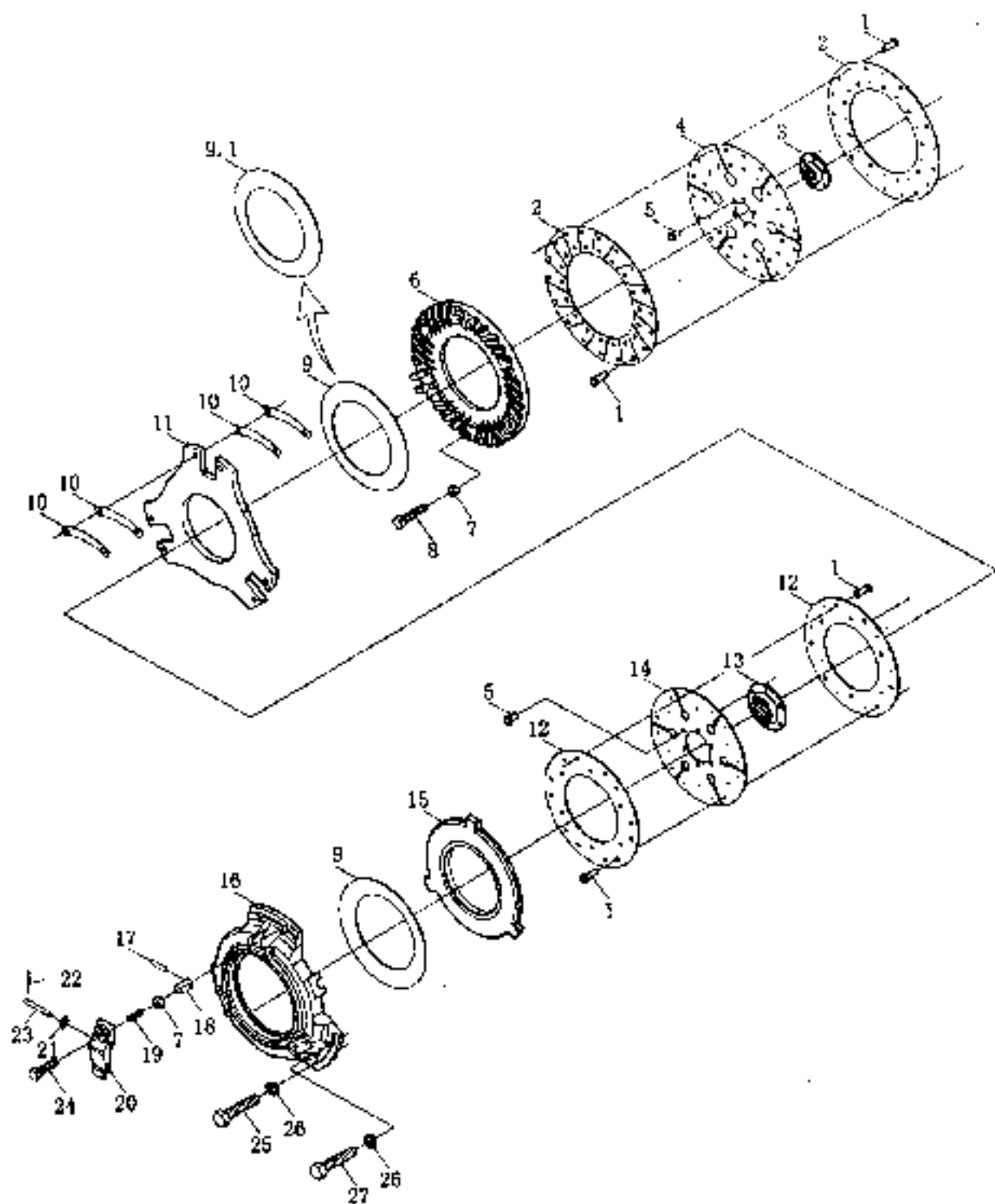
注: ① 带驾驶室机型专用。

### Control Mechanism Assembly of the Engine ( II )

No.	Drawing No.	Part Name and Standards	Qty. (Piece)			
			700	704	800	804
1	GB/T 91 - 1986	Split pin 2 × 12	1	1	1	1
2	700.20.015	Bracket weldment	1	1	1	1
	700.20B.015	Bracket weldment <sup>①</sup>	1	1	1	1
3	700.20.128	Pressure plate	2	2	2	2
4	700.20.131	Wearing plate	2	2	2	2
5	GB/T 93 - 1987	Single coil spring lock washer 6	3	3	3	3
6	GB/T 5781 - 2000	Bolt M6 × 16 - Zn. D	3	3	3	3
7	700.20.016B	Hand throttle handle assembly	1	1	1	1
8	GB/T 97.1 - 1985	Plain washer 6 - 140HV - Zn. D	1	1	1	1
9	700.20.129	Holder bush	1	1	1	1
10	700.20.130	Spring, hand throttle	1	1	1	1
11	GB/T 96 - 1985	Plain washer - large series 10 - 140HV - Zn. D	1	1	1	1
12	GB/T 5780 - 2000	Bolt M10 × 45 - Zn. D	1	1	1	1
13	700.20.127	Cover, hand throttle	1	1	1	1
	700.20B.124	Cover, hand throttle <sup>①</sup>	1	1	1	1
14	GB/T 68 - 1985	Screw M8 × 30 - Zn. D	3	3	3	3

Note: ① For the model with driver's cab.

离合器总成(一) Clutch Assembly ( I )



离合器总成(一)

序号	零件代号	零件名称及规格	数量(件)			
			700	704	800	804
1	GB/T 874 - 1986	铆钉 4×7	72	54	54	72
2	700.21.115	主摩擦片		2	2	
	700.21A.115	主摩擦片	2			2
3	700.21.114	主摩擦片轮毂		1	1	
	700.21A.114	主摩擦片轮毂	1			1
4	700.21.116	主摩擦片固定板		1	1	
	700.21A.116	主摩擦片固定板	1			1
5	700.21.131	平头铆钉	12	12	12	12
6	700.21.101	离合器上压板		1	1	
	700.21A.101	离合器上压板	1			1
7	GB/T 6171 - 2000	螺母 M8×1 - Zn.D	6	6	6	6
8	GB/T 5786 - 2000	螺栓 M8×1×30 - Zn.D	3	3	3	3
9	700.21A.102	碟形弹簧	2	2	2	2
10	700.21A.112	垫片	9 <sup>①</sup>	9 <sup>②</sup>	9 <sup>②</sup>	9 <sup>②</sup>
11	700.21A.103	副摩擦片衬板	1	1	1	1
12	700.21A.118	副摩擦片	2	2	2	2
13	700.21.117	副摩擦片轮毂	1	1	1	1
14	700.21A.119	副摩擦片固定板	1	1	1	1
15	700.21A.104	副摩擦片压板	1	1	1	1
16	700.21A.105	离合器盖	1	1	1	1
17	700.21.111	小轴 - 分离杆固定座	3	3	3	3
18	700.21.110	分离杆固定座	3	3	3	3
19	700.21.113	分离杆调整弹簧	3	3	3	3
20	700.21A.106	离合器压盘分离杆	3	3	3	3
21	GB/T 97.1 - 1985	平垫圈 8 - 140HV Zn.D	6	6	6	6
22	GB/T 91 - 2000	开口销 3.2×16	6	6	6	6

注: ① 主离合器用 6 片, 副离合器用 3 片。

### 离合器总成(一)

序号	零件代号	零件名称及规格	数量 (件)			
			700	704	800	804
23	700.21.107	小轴 - 分离杆与离合器盖固定	3	3	3	3
24	700.21.109	分离杆调整螺钉	3	3	3	3
25	GB/T 5786 - 2000	螺栓 M10 × 1.25 × 40 · Zn.D	4	4	4	4
26	GB/T 93 - 1987	弹簧垫圈 10	6	6	6	6
27	GB/T 27 - 1988	螺栓 M10 × 40 · Zn.D	2	2	2	2

### Clutch Assembly ( I )

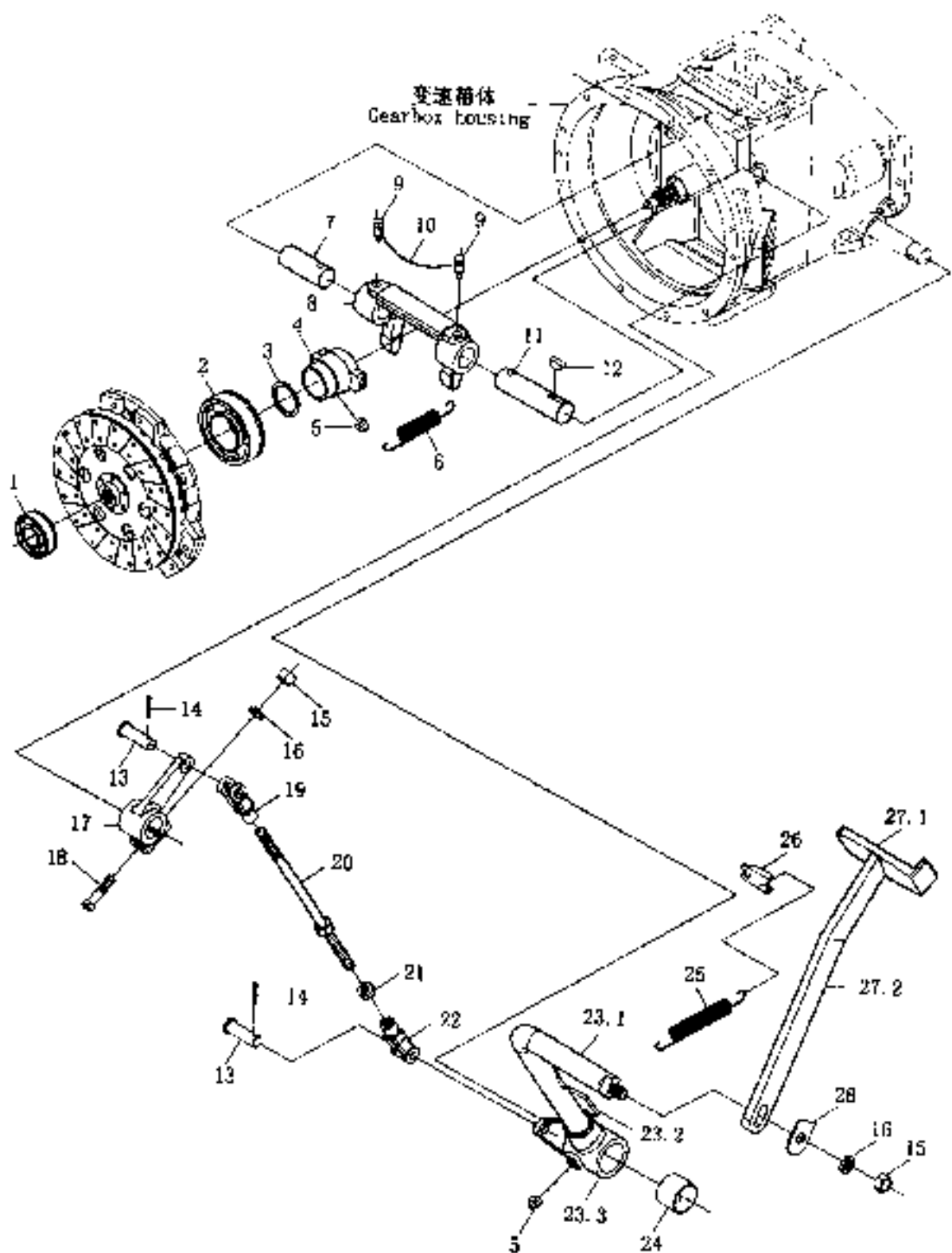
No.	Drawing No.	Part Name and Standards	Qty - (Piece)			
			700	704	800	804
1	GB/T 874 - 1986	Rivet 4 × 7	72	54	54	72
2	700.21.115	Main wearing plate		2	2	
	700.21A.115	Main wearing plate	2			2
3	700.21.114	Main wearing plate hub		1	1	
	700.21A.114	Main wearing plate hub	1			1
4	700.21.116	Main wearing plate fixed piece		1	1	
	700.21A.116	Main wearing plate fixed piece	1			1
5	700.21.131	Flat rivet	12	12	12	12
6	700.21.101	Main pressure plate for clutch		1	1	
	700.21A.101	Main pressure plate for clutch	1			1
7	GB/T 6171 - 2000	Nut M8 × 1 - Zn.D	6	6	6	6
8	GB/T 5786 - 2000	Bolt M8 × 1 × 30 - Zn.D	3	3	3	3
9	700.21A.102	Diak spring	2	2	2	2

### Clutch Assembly ( I )

No.	Drawing No.	Part Name and Standards	Qty. (Piece)			
			700	704	800	804
10	700.21A.112	Gasket <sup>①</sup>	9	9	9	9
11	700.21A.103	Auxiliary wearing plate web	1	1	1	1
12	700.21A.118	Auxiliary wearing plate	2	2	2	2
13	700.21.117	Auxiliary wearing plate hub	1	1	1	1
14	700.21A.119	Auxiliary wearing plate fixed piece	1	1	1	1
15	700.21A.104	Auxiliary wearing plate pressure plate	1	1	1	1
16	700.21A.105	Clutch housing	1	1	1	1
17	700.21.111	Small shaft - fixed seat of throw - out lever	3	3	3	3
18	700.21.110	Fixed seat of throw - out lever	3	3	3	3
19	700.21.113	Adjusting spring of throw - out lever	3	3	3	3
20	700.21A.106	Throw - out lever, clutch pressure plate	3	3	3	3
21	GB/T 97.1 - 1985	Plain washer 8 - 140HV - Zn.D	6	6	6	6
22	GB/T 91 - 2000	Split pin 3.2 × 16	6	6	6	6
23	700.21.107	Small shaft - throw - out lever fixed with clutch housing	3	3	3	3
24	700.21.109	Adjusting bolt for throw - out lever	3	3	3	3
25	GB/T 5786 - 2000	Bolt M10 × 1.25 × 40 - Zn.D	4	4	4	4
26	GB/T 93 - 1987	Single coil spring lock washer 10	6	6	6	6
27	GB/T 27 - 1988	Bolt M10 × 40 - Zn.D	2	2	2	2

Note. ① Six gaskets and three gaskets are used for main and auxiliary clutches separately.

# 离合器总成(二) Clutch Assembly ( II )



## 离合器总成(二)

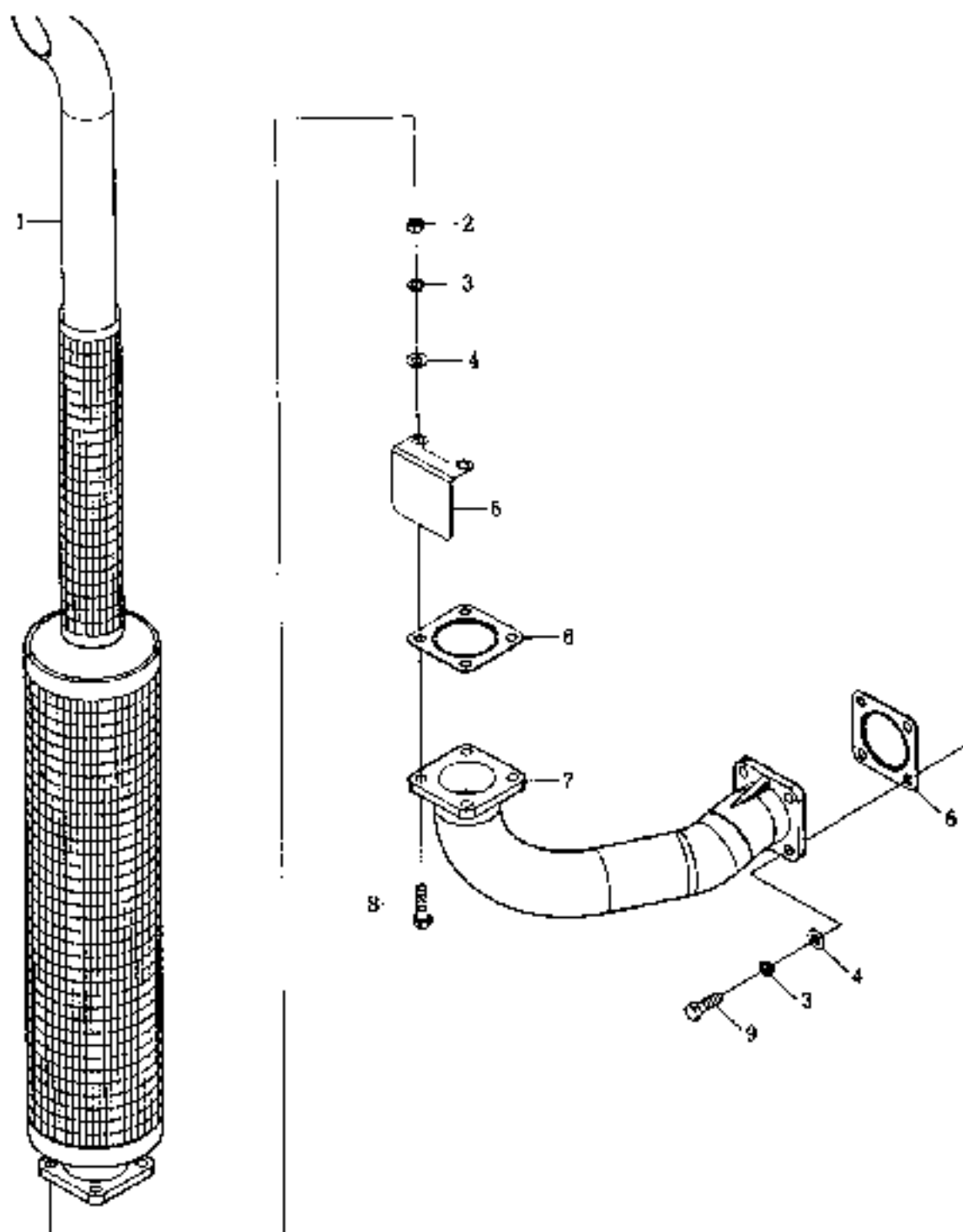
序号	零件代号	零件名称及规格	数量 (件)			
			700	704	800	804
1	GB/T 276 - 1994	深沟球轴承 60203	1	1	1	1
2		推力轴承 956713	1	1	1	1
3	700 .21. 136	防尘毡圈	1	1	1	1
4	700 .21. 120	离合器推力轴承座	1	1	1	1
5	GB/T 1152 - 1989	油杯 M10×1	2	2	2	2
6	700 .21. 124	离合器推力轴承拉力弹簧	2	2	2	2
7	700 .21. 122	离合器分离轴短轴	1	1	1	1
8	700 .21. 121	离合器推力支座	1	1	1	1
9	700 .37. 109	止动螺钉	2	2	2	2
10	GB/T 343 - 1994	低碳钢丝 SZ - 1.40	1	1	1	1
11	700 .21. 123	离合器分离轴长轴	1	1	1	1
12	GB/T 1099 - 1979	半圆键 6×25	1	1	1	1
13	GB/T 882 - 2000	销轴 B10×32 - Zn. D	2	2	2	2
14	GB/T 91 - 2000	开口销 3.2×16 - Zn. D	2	2	2	2
15	GB/T 6170 - 2000	螺母 M12 - Zn. D	2	2	2	2
16	GB/T 93 - 1987	弹簧垫圈 12	2	2	2	2
17	700 .21. 125	离合器操纵摇臂	1	1	1	1
18	GB/T 5782 - 2000	螺栓 M12×55 - Zn. D	1	1	1	1
19	700 .43. 152	左旋连接叉	1	1	1	1
20	700 .21. 012	离合器操纵拉杆组件	1	1	1	1
21	GB/T 6172 - 2000	螺母 M10 - Zn. D	1	1	1	1
22	700 .43. 134	右旋连接叉	1	1	1	1
23.1	700 .21. 129	离合器踏脚杆	1	1	1	1
23.2	700 .21. 133	起动安全器接触板	1	1	1	1
23.3	700 .21. 132	离合器踏脚杆座	1	1	1	1
24	700 .37. 168	制动轴衬套	2	2	2	2
25	700 .21. 135	离合器踏板回位弹簧	1	1	1	1
26	700 .21. 134 - 1	弹簧连接板	1	1	1	1
27.1	700 .21. 130	踏 板	1	1	1	1
27.2	700 .21. 128	离合器踏脚连接杆	1	1	1	1
28	700 .21. 127	垫 片	1	1	1	1



## Clutch Assembly ( II )

No.	Drawing No.	Part Name and Standards	Qty. (Piece)			
			700	704	800	804
1	GB/T 276 - 1994	Deep groove ball bearing 60203	1	1	1	1
2		Thrust bearing 906713	1	1	1	1
3	700 .21.136	Dust felt ring	1	1	1	1
4	700 .21.120	Thrust bearing housing of clutch	1	1	1	1
5	GB/T 1152 - 1989	Oil cup M10 × 1	2	2	2	2
6	700 .21.124	Thrust bearing extension spring of clutch	2	2	2	2
7	700 .21.122	Short separating shaft, clutch	1	1	1	1
8	700 .21.121	Thrusting seat, clutch	1	1	1	1
9	700 .37.109	Stop bolt	2	2	2	2
10	GB/T 343 - 1994	Low carbon steel wire SZ - 1.40	1	1	1	1
11	700 .21.123	Long separating shaft, clutch	1	1	1	1
12	GB/T 1099 - 1979	Woodruff key 6 × 25	1	1	1	1
13	GB/T 882 - 2000	Clevis pin with head B10 × 32 - Zn. D	2	2	2	2
14	GB/T 91 - 2000	Split pin 3.2 × 16 - Zn. D	2	2	2	2
15	GB/T 6170 - 2000	Nut M12 - Zn. D	2	2	2	2
16	GB/T 93 - 1987	Single coil spring lock washer 12	2	2	2	2
17	700 .21.125	Controlling rocker, clutch	1	1	1	1
18	GB/T 5782 - 2000	Bolt M12 × 55 - Zn. D	1	1	1	1
19	700 .43.152	Left - hand rod clevis	1	1	1	1
20	700 .21.012	Controlling pull rod unit, clutch	1	1	1	1
21	GB/T 6172 - 2000	Nut M10 - Zn. D	1	1	1	1
22	700 .43.134	Right - hand rod clevis	1	1	1	1
23.1	700 .21.129	Pedal rod, clutch	1	1	1	1
23.2	700 .21.133	Contacting plate to start safety device	1	1	1	1
23.3	700 .21.132	Pedal rod seat, clutch	1	1	1	1
24	700 .37.168	Liner for braking shaft	1	1	1	1
25	700 .21.135	Pedal return spring, clutch	1	1	1	1
26	700 .21.134 - 1	Spring connecting plate	1	1	1	1
27.1	700 .21.130	Pedal	1	1	1	1
27.2	700 .21.128	Pedal pull bar, clutch	1	1	1	1
28	700 .21.127	Spacer	1	1	1	1

排气系总成 Exhaust Tube Assembly



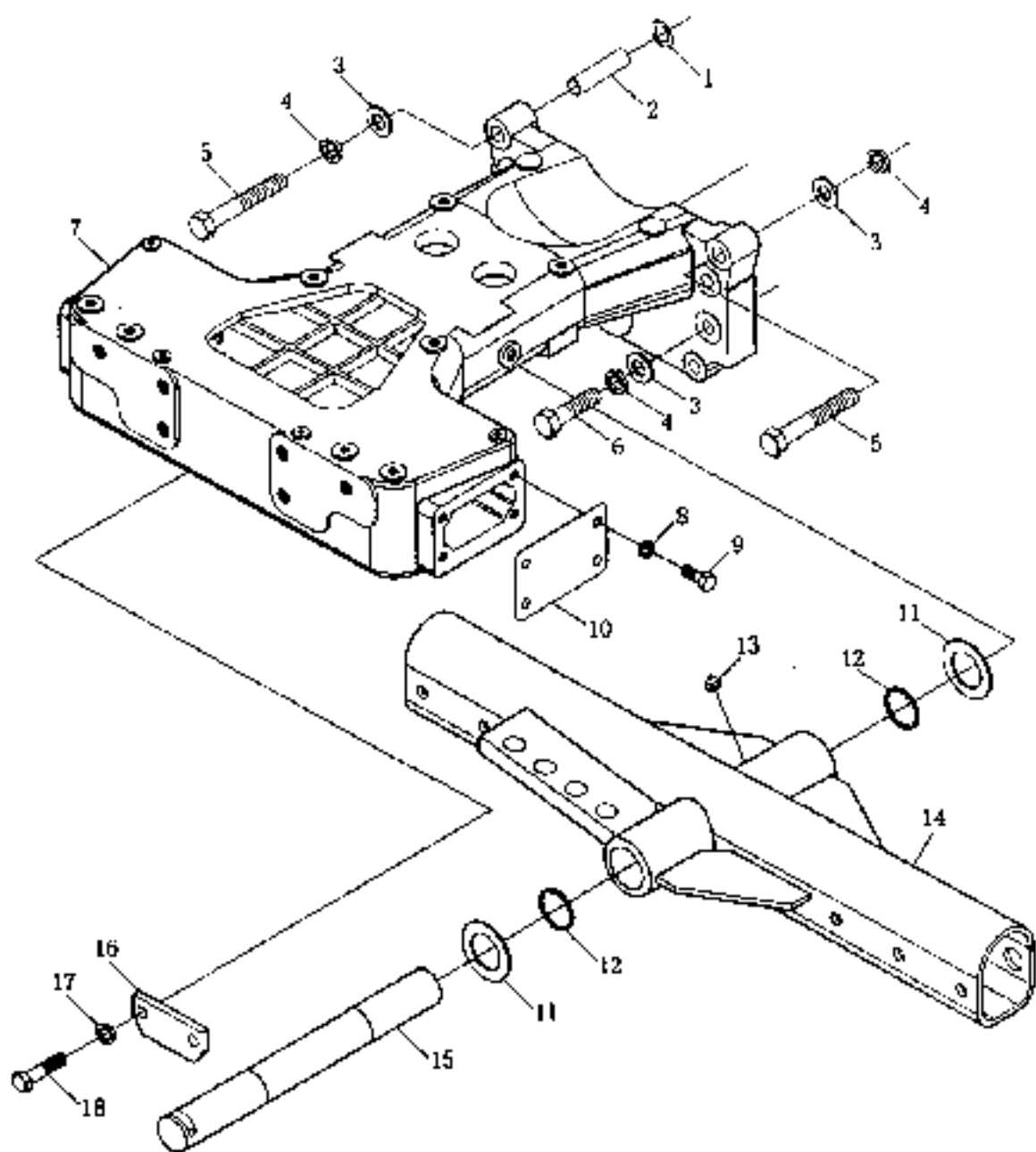
### 排气系总成

序号	零件代号	零件名称及规格	数量 (件)			
			700	704	800	804
1	700.22.120	消声器总成	1	1	1	1
2	GB/T 6184 - 2000	螺母 M10 - Zn. D	4	4	4	4
3	GB/T 93 - 1987	弹簧垫圈 10	8	8	8	8
4	GB/T 97.1 - 1985	平垫圈 10 - 140HV - Zn. D	8	8	8	8
5	700.22.125	排气系标识架	1	1	1	1
6	700.22.130	密封垫合件	2	2	2	2
7	700.22.111	排气管	1	1	1	1
8	GB/T 5783 - 2000	螺栓 M10 × 35 - Zn. D	4	4	4	4
9	GB/T 5783 - 2000	螺栓 M10 × 30 - Zn. D	4	4	4	4

### Exhaust Tube Assembly

No.	Drawing No.	Part Name and Standards	Qty. (Piece)			
			700	704	800	804
1	700.22.120	Muffler assembly	1	1	1	1
2	GB/T 6184 - 2000	Nut M10 - Zn. D	4	4	4	4
3	GB/T 93 - 1987	Single coil spring lock washer 10	8	8	8	8
4	GB/T 97.1 - 1985	Plain washer 10 - 140HV - Zn. D	8	8	8	8
5	700.22.125	Bracket for label, exhaust tube	1	1	1	1
6	700.22.130	Gasket unit	2	2	2	2
7	700.22.111	Exhaust pipe	1	1	1	1
8	GB/T 5783 - 2000	Bolt M10 × 35 - Zn. D	4	4	4	4
9	GB/T 5783 - 2000	Bolt M10 × 30 - Zn. D	4	4	4	4

前轴总成(一) Front Axle Assembly ( I )



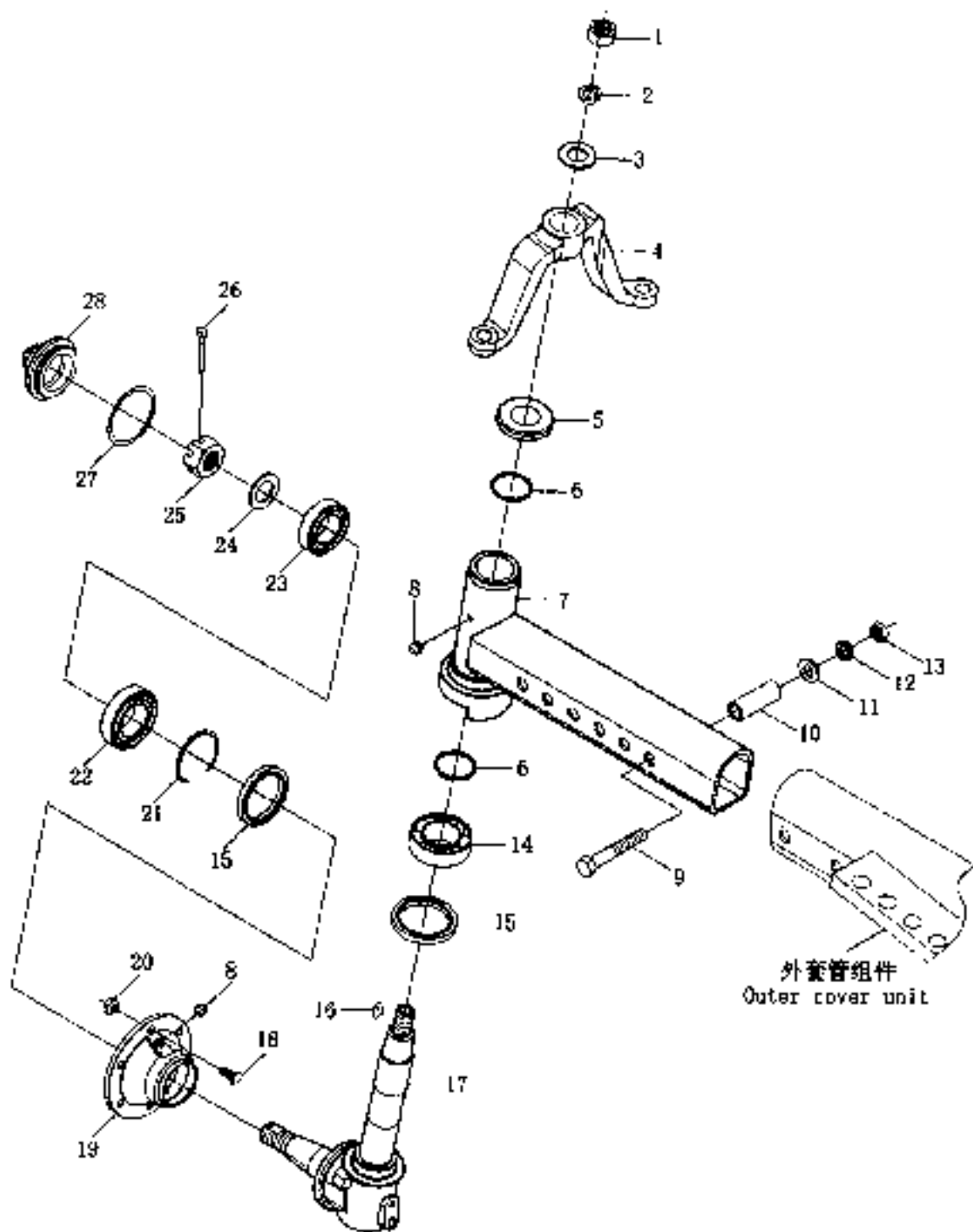
## 前轴总成(一)

序号	零件代号	零件名称及规格	数量 (件)			
			700	704	800	804
1	700.31.105	垫圈	1	1	1	1
2	700.31.106	定位套	2	2	2	2
3	GB/T 97.1-1985	平垫圈 16-t40HV-Zn.D	8	8	8	8
4	GB/T 93-1987	弹簧垫圈 16	8	8	8	8
5	GB/T 5782-2000	螺栓 M16×135-Zn.D	2	2	2	2
6	GB/T 5782-2000	螺栓 M16×80-Zn.D	6	6	6	6
7	700.31.101	托架	1		1	
8	GB/T 93-1987	弹簧垫圈 12	8	8	8	8
9	GB/T 5781-2000	螺栓 M12×15-Zn.D	8	8	8	8
10	700.31.114	托架侧板	2	2	2	2
11	700.31.104	摇摆轴垫片	2		2	
12	700.31.016	油封	2		2	
13	JB/T 7940.1-1995	油杯 M10×1	1		1	
14	700.31.013	外套管组件	1		1	
15	700.31.102	摇摆轴	1		1	
16	700.31.103	摇摆轴锁定片	2		2	
17	GB/T 93-1987	弹簧垫圈 14	2		2	
18	GB/T 5782-2000	螺栓 M14×35-Zn.D	2		2	

### Front Axle Assembly ( I )

No.	Drawing No.	Part Name and Standards	Qty. (Piece)			
			700	704	800	804
1	700.31.105	Washer	1	1	1	1
2	700.31.106	Locating sleeve	2	2	2	2
3	GB/T 97.1 - 1985	Plain washer 16 - 140HV - Zn. D	8	8	8	8
4	GB/T 93 - 1987	Single coil spring lock washer 16	8	8	8	8
5	GB/T 5782 - 2000	Bolt M16 × 135 - Zn. D	2	2	2	2
6	GB/T 5782 - 2000	Bolt M16 × 80 - Zn. D	6	6	6	6
7	700.31.101	Holder	1		1	
8	GB/T 93 - 1987	Single coil spring lock washers 12	8	8	8	8
9	GB/T 5781 - 2000	Bolt M12 × 15 - Zn. D	8	8	8	8
10	700.31.114	Side plate of holder	2	2	2	2
11	700.31.104	Washer for swing shaft	2	2	2	2
12	700.31.016	Oil sealing	2		2	
13	JB/T 7940.1 - 1995	Oil cup M10 × 1	1		1	
14	700.31.013	Outer cover unit	1		1	
15	700.31.102	Swing shaft	1		1	
16	700.31.103	Locating plate for swing shaft	2		2	
17	GB/T 93 - 1987	Single coil spring lock washer 14	2		2	
18	GB/T 5782 - 2000	Bolt M14 × 35 - Zn. D	2		2	

# 前轴总成(二) Front Axle Assembly ( II )



## 前轴总成(二)

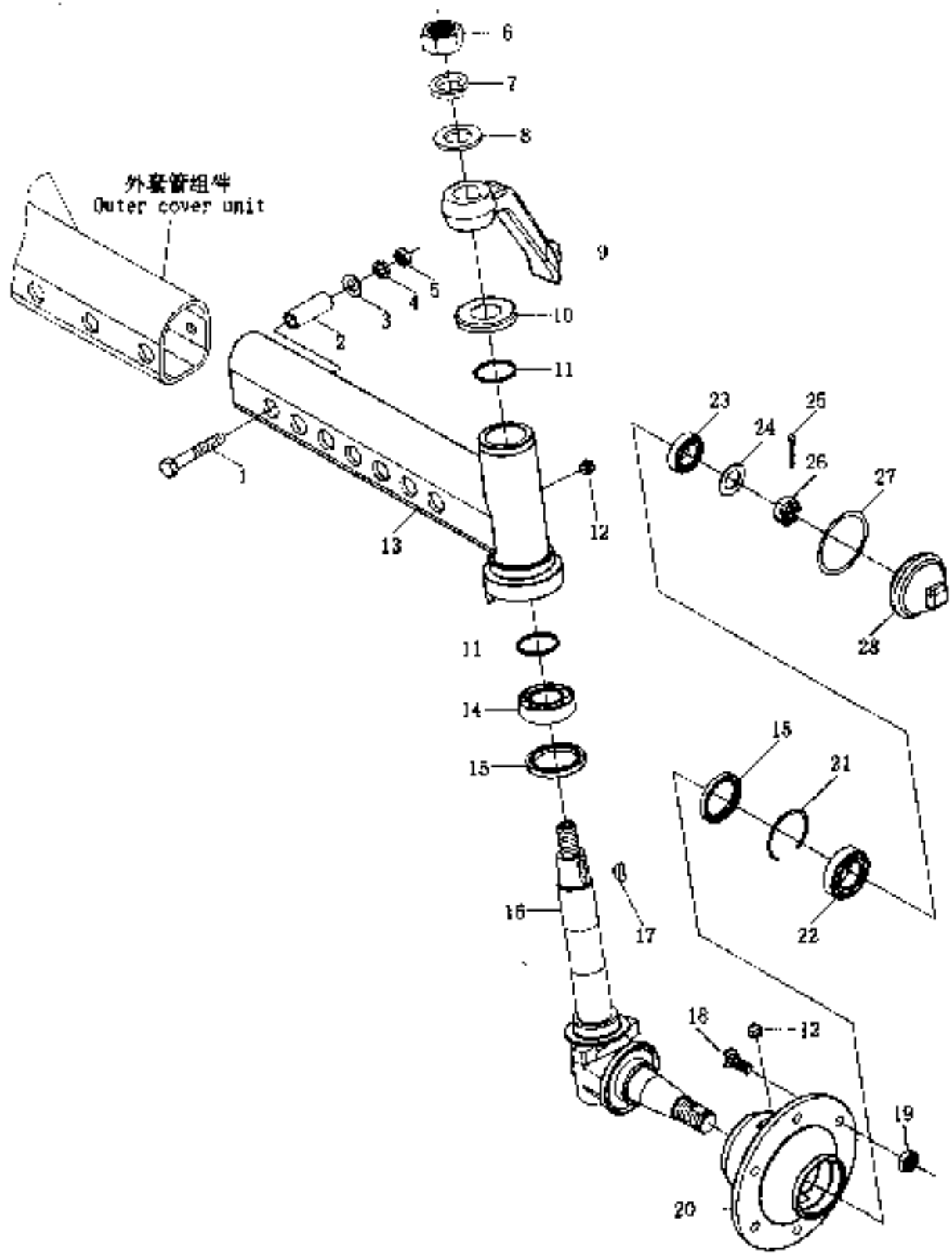
序号	零件代号	零件名称及规格	数量(件)			
			700	704	800	804
1	GB/T 6172-2000	螺母 M24×2-Zn,D	1		1	
2	GB/T 93-1987	弹簧垫圈 24	1		1	
3	700.31.115	立轴垫圈	1		1	
4	700.31.113	右梯形臂	1		1	
5	700.31.121	立轴防尘罩	1		1	
6	700.31.016	油封	2		2	
7	700.31.015	内套管组件(右)	1		1	
8	JB/T 7940.1-1995	油杯 M10×1	2		2	
9	700.31.107	紧固螺栓	3		3	
10	700.31.120	支撑套管	3		3	
11	GB/T 97.1-1985	平垫圈 16-140HV-Zn,D	3		3	
12	GB/T 93-1987	弹簧垫圈 16	3		3	
13	GB/T 6171-2000	螺母 M16×1.5-Zn,D	3		3	
14	GB/T 301-1995	推力球轴承 8109	1		1	
15	GB/T 9877.1-1988	油封 60×85×14	2		2	
16	GB/T 1099-1979	半圆键 10×32	1		1	
17	700.31.011	转向节焊合	1		1	
18	700.31.111	前轮毂螺栓	6		6	
19	700.31.112	前轮毂	1		1	
20	700.31.110	前轮毂螺母	6		6	
21	GB/T 893.1-1986	孔用弹性挡圈 85	1		1	
22	GB/T 297-1994	圆锥滚动轴承 7509E	1		1	
23	GB/T 297-1994	圆锥滚动轴承 7606E	1		1	
24	700.31.117	轴承止退垫圈	1		1	
25	700.31.118	螺母	1		1	
26	GB/T 91-2000	开口销 4×40	1		1	
27	700.31.109	轮毂盖纸垫	1		1	
28	700.31.108	前轮轮毂盖	1		1	



### Front Axle Assembly ( II )

No.	Drawing No.	Part Name and Standards	Qty. (Piece)			
			700	704	800	804
1	GB/T 6172 - 2000	Nut M24 × 2 - Zn. D	1		1	
2	GB/T 93 - 1987	Single coil spring lock washer 24	1		1	
3	700.31.115	Washer for vertical shaft	1		1	
4	700.31.113	Trapezoidal arm, right	1		1	
5	700.31.121	Dust cap for vertical shaft	1		1	
6	700.31.016	Oil sealing	2		2	
7	700.31.015	Inner cover unit, right	1		1	
8	JB/T 7940.1 - 1995	Oil cup M10 × 1	2		2	
9	700.31.107	Fastening bolt	3		3	
10	700.31.120	Support sleeve	3		3	
11	GB/T 97.1 - 1985	Plain washer 16 - 140HV - Zn. D	3		3	
12	GB/T 93 - 1987	Single coil spring lock washer 16	3		3	
13	GB/T 6171 - 2000	Nut M16 × 1.5 - Zn. D	3		3	
14	GB/T 301 - 1995	Thrust ball bearing 8109	1		1	
15	GB/T 9877.1 - 1988	Oil sealing 60 × 85 × 14	2		2	
16	GB/T 1099 - 1979	Woodruff key 10 × 32	1		1	
17	700.31.011	Steering knuckle weldment	1		1	
18	700.31.111	Bolt for front hub	6		6	
19	700.31.112	Front hub	1		1	
20	700.31.110	Nut for front hub	6		6	
21	GB/T 893.1 - 1986	Circlip for hole 85	1		1	
22	GB/T 297 - 1994	Tapered roller bearing 7509E	1		1	
23	GB/T 297 - 1994	Tapered roller bearing 7606E	1		1	
24	700.31.117	Thrust washer for bearing	1		1	
25	700.31.118	Nut	1		1	
26	GB/T 91 - 2000	Split pin 4 × 40	1		1	
27	700.31.109	Gasket of hub cover	1		1	
28	700.31.108	Hub cover of front wheel	1		1	

前轴总成(三) Front Axle Assembly (Ⅲ)



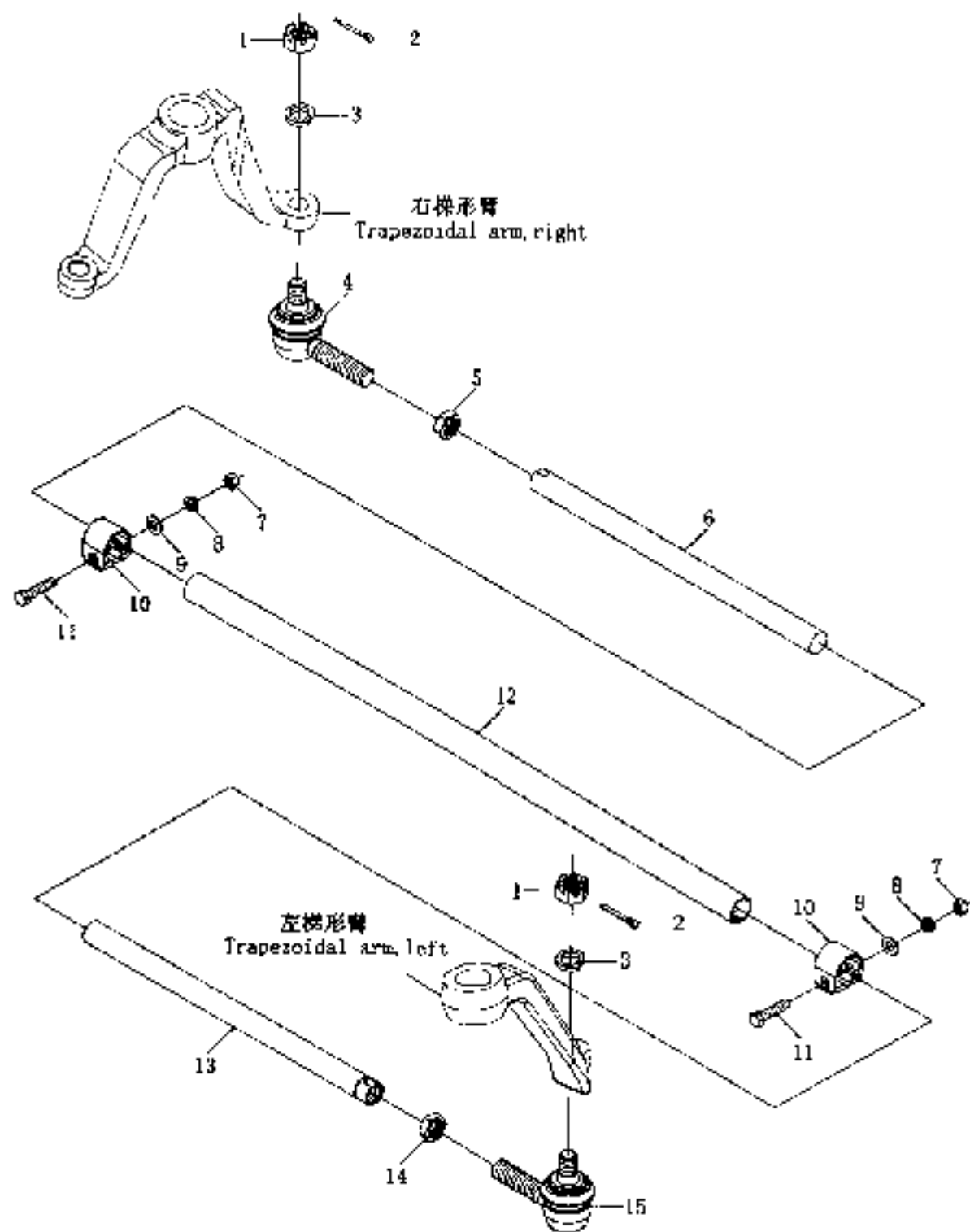
## 前轴总成(三)

序号	零件代号	零件名称及规格	数量 (件)			
			700	704	800	804
1	700.31.107	紧固螺栓	3		3	
2	700.31.120	支撑套管	3		3	
3	GB/T 97.1-1985	平垫圈 16-140HV-Zn D	3		3	
4	GB/T 93-1987	弹簧垫圈 16	3		3	
5	GB/T 6171-2000	螺母 M16×1.5-Zn D	3		3	
6	GB/T 6172-2000	螺母 M24×2-Zn D	1		1	
7	GB/T 93-1987	弹簧垫圈 24	1		1	
8	700.31.115	立轴垫圈	1		1	
9	700.31.119	左梯形臂	1		1	
10	700.31.121	立轴防尘罩	1		1	
11	700.31.016	油封	2		2	
12	JB/T 7940.1-1995	油杯 M10×1	2		2	
13	700.31.012	内套管组件(左)	1		1	
14	GB/T 301-1995	推力球轴承 8109	1		1	
15	GB/T 9877.1-1988	油封 60×85×14	2		2	
16	700.31.011	转向节焊合	1		1	
17	GB/T 1099-1979	半圆键 10×32	1		1	
18	700.31.111	前轮毂螺栓	6		6	
19	700.31.110	前轮毂螺母	6		6	
20	700.31.112	前轮毂	1		1	
21	GB/T 893.1-1986	孔用弹性挡圈 85	1		1	
22	GB/T 297-1994	圆锥滚子轴承 7509E	1		1	
23	GB/T 297-1994	圆锥滚子轴承 7606E	1		1	
24	700.31.117	轴承止退垫圈	1		1	
25	GB/T 91-2000	开口销 4×40	1		1	
26	700.31.118	螺 母	1		1	
27	700.31.109	轮毂盖纸垫	1		1	
28	700.31.108	前轮轮毂盖	1		1	

## Front Axle Assembly ( II )

No.	Drawing No.	Part Name and Standards	Qty. (Piece)			
			700	704	800	804
1	700.31.107	Fastening bolt	3		3	
2	700.31.120	Support sleeve	3		3	
3	GB/T 97.1 - 1985	Plain washer 16 - 140HV - Zn D	3		3	
4	GB/T 93 - 1987	Single coil spring lock washer 16	3		3	
5	GB/T 6171 - 2000	Nut M16 × 1.5 - Zn D	3		3	
6	GB/T 6172 - 2000	Nut M24 × 2 - Zn D	1		1	
7	GB/T 93 - 1987	Single coil spring lock washer 24	1		1	
8	700.31.115	Washer for vertical shaft	1		1	
9	700.31.119	Trapezoidal arm, left	1		1	
10	700.31.121	Dust cap for vertical shaft	1		1	
11	700.31.016	Oil sealing	2		2	
12	JB/T 7940.1 - 1995	Oil cap M10 × 1	2		2	
13	700.31.062	Inner cover unit, left	1		1	
14	GB/T 301 - 1995	Thrust ball bearing 8109	1		1	
15	GB/T 9877.1 - 1988	Oil sealing 60 × 85 × 14	2		2	
16	700.31.011	Steering knuckle webboent	1		1	
17	GB/T 1099 - 1979	Woodruff key H8 × 32	1		1	
18	700.31.111	Bolt for front hub	6		6	
19	700.31.110	Nut for front hub	6		6	
20	700.31.112	Front hub	1		1	
21	GB/T 893.1 - 1986	Circclip for hole 85	1		1	
22	GB/T 297 - 1994	Tapered roller bearing 7509E	1		1	
23	GB/T 297 - 1994	Tapered roller bearing 7606F	1		1	
24	700.31.117	Thrust washer for bearing	1		1	
25	GB/T 91 - 2000	Split pin 4 × 40	1		1	
26	700.31.118	Nut	1		1	
27	700.31.109	Gasket of hub cover	1		1	
28	700.31.108	Hub cover of front wheel	1		1	

前轴总成(四) Front Axle Assembly (IV)



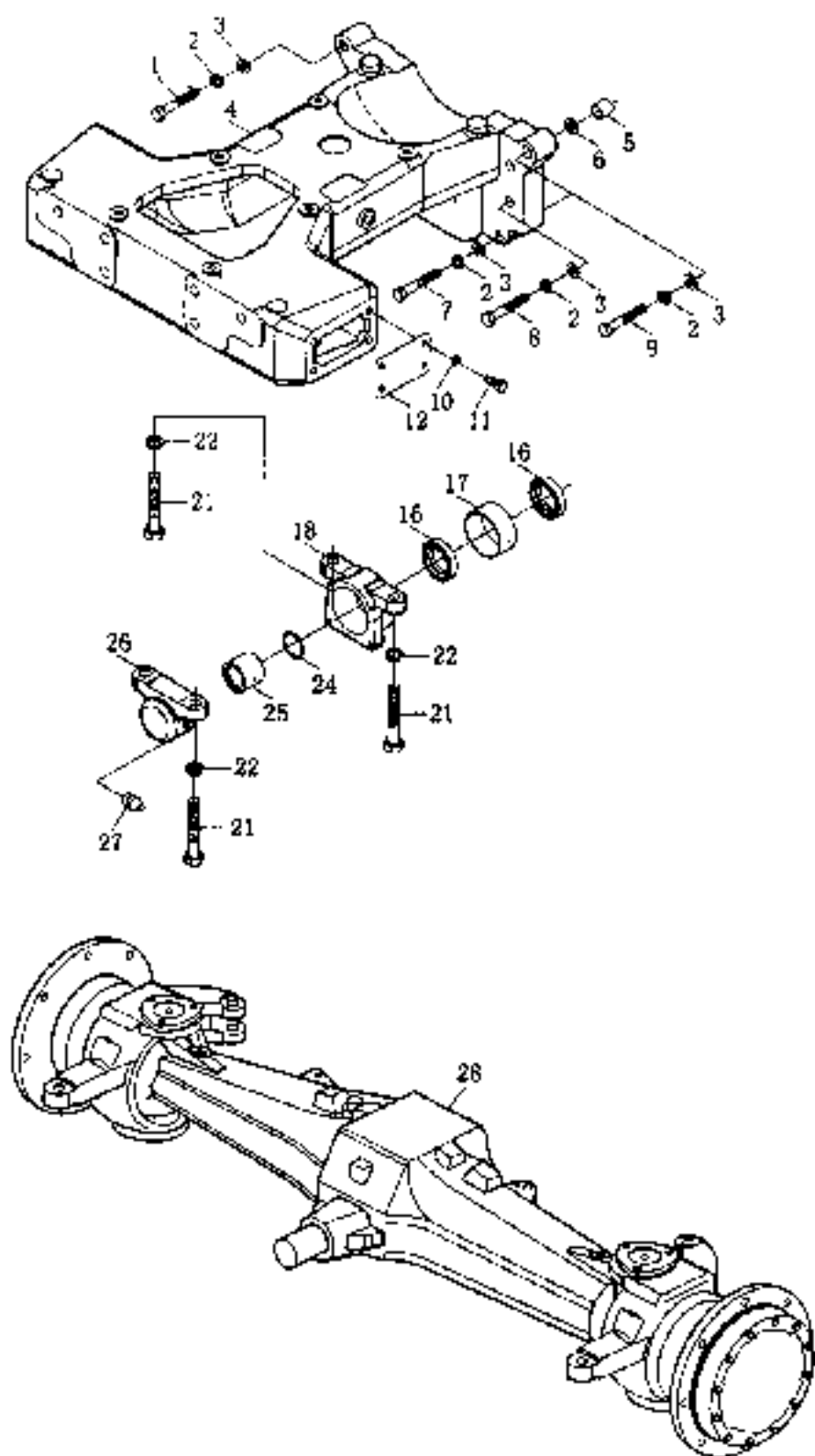
## 前轴总成(四)

序号	零件代号	零件名称及规格	数量 (件)			
			700	704	800	804
1	GB/T 9459 - 1988	螺母 M16 × 1.5 - Zn. D	2		2	
2	GB/T 91 - 2000	开口销 4 × 30	2		2	
3	GB/T 93 - 1987	弹簧垫圈 16	2		2	
4	700.31.020	右球铰接头总成	1		1	
5	GB/T 6173 - 2000	螺母 M20 × 1 - Zn. D	1		1	
6	700.31.137	右横拉杆内接管	1		1	
7	GB/T 6171 - 2000	螺母 M12 × 1.5 - Zn. D	2		2	
8	GB/T 93 - 2000	弹簧垫圈 12	2		2	
9	GB/T 97.1 - 1985	平垫圈 12 - 140HV - Zn. D	2		2	
10	700.31.153	横拉杆夹子	2		2	
11	700.31.122	横拉杆加紧螺栓	2		2	
12	700.31.154	横拉杆	1		1	
13	700.31.138	左横拉杆内接管	1		1	
14	GB/T 6173 - 2000	螺母 M20 × 1 左 - Zn. D	1		1	
15	700.31.022	左球铰接头总成	1		1	

## Front Axle Assembly (W)

No.	Drawing No.	Part Name and Standards	Qty. (Piece)			
			700	704	800	804
1	GB/T 9459 - 1988	Nut M16 × 1.5 - Zn. D	2		2	
2	GB/T 91 - 2000	Split pin 4 × 30	2		2	
3	GB/T 93 - 1987	Single coil spring lock washer 16	2		2	
4	700.31.020	Ball joint assembly, right	1		1	
5	GB/T 6173 - 2000	Nut M20 × 1 - Zn. D	1		1	
6	700.31.137	Inner connecting pipe of cross pull rod, right	1		1	
7	GB/T 6171 - 2000	Nut M12 × 1.5 - Zn. D	2		2	
8	GB/T 93 - 2000	Single coil spring lock washer 12	2		2	
9	GB/T 97.1 - 1985	Plain washer 12 - 140HV - Zn. D	2		2	
10	700.31.153	Clip of cross pull rod	2		2	
11	700.31.122	Fastening bolts of cross pull rod	2		2	
12	700.31.154	Cross pull rod	1		1	
13	700.31.138	Inner connecting pipe of cross pull rod, left	1		1	
14	GB/T 6173 - 2000	Nut M20 × 1 left - Zn. D	1		1	
15	700.31.022	Ball joint assembly, left	1		1	

前驱动桥总成(一) Front Driving Axle Assembly ( I )



前驱动桥总成(一)

序号	零件代号	零件名称及规格	数量(件)			
			700	704	800	804
1	GB/T 5782 - 2000	螺栓 M16 × 140 - Zn. D		4		4
2	GB/T 93 - 1987	弹簧垫圈 16		8		8
3	GB/T 97.1 - 1985	平垫圈 16 - 140HV - Zn. D		8		8
4	704.31D.101	托架		1		1
5	700.31.106	定位套		2		2
6	700.31.105	垫圈		按需		按需
7	GB/T 5782 - 2000	螺栓 M16 × 70 - Zn. D		2		2
8	GB/T 5782 - 1986	螺栓 M16 × 80 - Zn. D		6		6
9	GB/T 5782 - 2000	螺栓 M16 × 135 - Zn. D		2		2
10	GB/T 93 - 1987	弹簧垫圈 12		8		8
11	GB/T 5781 - 2000	螺栓 M12 × 15 - Zn. D		8		8
12	700.31.114	托架侧板		2		2
16	GB/T 9877.1 - 1988	油封 99 × 115 × 7.5		2		2
17	704.31D.105	后衬套		1		1
18	704.31D.104	后摆轴轴承座		1		1
19	704.31B.111	前连接板(右)		1		1
20	704.31B.110	前连接板(左)		1		1
21	GB/T 5785 - 2000	螺栓 M18 × 1.5 × 70 - Zn. D		4		4
22	GB/T 93 - 1987	弹簧垫圈 18		12		12
23	GB/T 5785 - 2000	螺栓 M16 × 1.5 × 80 - Zn. D		4		4
24	GB 3452.1 - 1992	O形密封圈 53 × 3 55G		1		1
25	704.31D.103	前衬套		1		1
26	704.31D.102	前摆轴轴承座		1		1
27	GB/T 1152 - 1989	油杯 M10 × 1		2		2
28	704.31B.D11	前桥总成		1		1

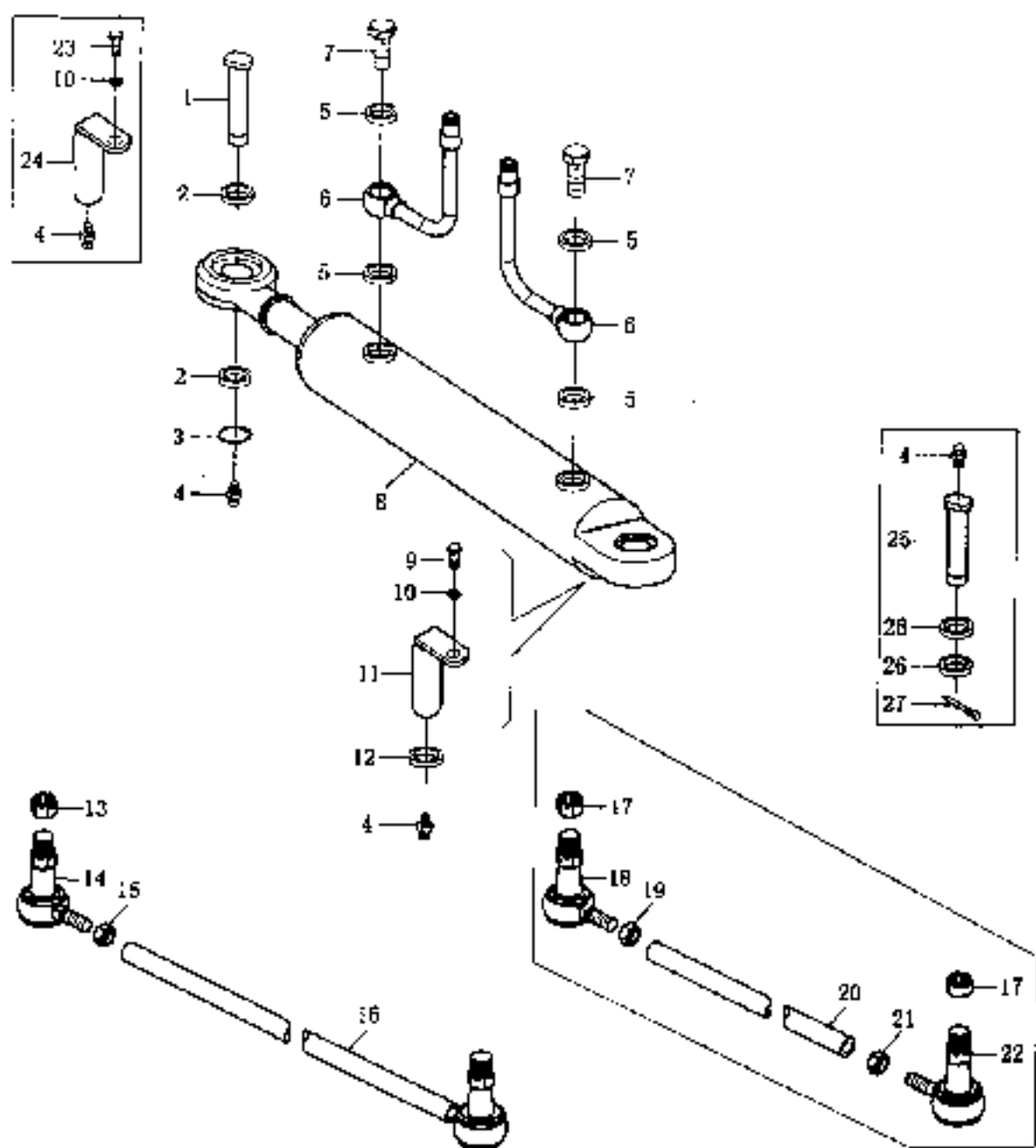


### Front Driving Axle Assembly ( I )

No.	Drawing No.	Part Name and Standards	Qty. (Piece)			
			700	704	800	804
1	GB/T 5782 - 2000	Bolt M16 × 140 - Zn. D		4		4
2	GB/T 93 - 1987	Single coil spring lock washer 16		8		8
3	GB/T 97.1 - 1985	Plain washer 16 - 140IV - Zn. D		8		8
4	704.31.101	Holder		1		1
5	700.31.106	Locating sleeve		2		2
6	700.31.105	Washer		○		○
7	GB/T 5782 - 2000	Bolt M16 × 70 - Zn. D		2		2
	GB/T 5782 - 2000	Bolt M16 × 140 - Zn. D		4		
8	GB/T 5782 - 1986	Bolt M16 × 80 - Zn. D		6		6
9	GB/T 5782 - 2000	Bolt M16 × 135 - Zn. D		2		2
10	GB/T 93 - 1987	Single coil spring lock washer 12		8		8
11	GB/T 5781 - 2000	Bolt M12 × 15 - Zn. D		8		8
12	700.31.114	Side plate of holder		2		2
16	GB/T 9877.1 - 1988	Oil sealing 99 × 115 × 7.5		2		2
17	704.31D.105	Rear sleeve		1		1
18	704.31D.104	Bearing housing for rear oscillating axle		1		1
19	704.31B.111	Front connecting plate (right)		1		1
20	704.31B.110	Front connecting plate (left)		1		1
21	GB/T 5785 - 2000	Bolt M18 × 1.5 × 70 - Zn. D		4		4
22	GB/T 93 - 1987	Single coil spring lock washer 18		12		12
23	GB/T 5785 - 2000	Bolt M16 × 1.5 × 80 - Zn. D		4		4
24	GB 3452.1 - 1992	O - seal ring 53 × 3.53G		1		1
25	704.31D.103	Front sleeve		1		1
26	704.31D.102	Bearing housing for front oscillating axle		1		1
27	GB/T 1152 - 1989	Oil cup M10 × 1		2		2
28	704.31B.011	Front axle assembly		1		1

Note: ○ Depending on requirement.

前驱动桥总成(二) Front Driving Axle Assembly ( II )



前驱动桥总成(一)①

序号	零件代号	零件名称及规格	数量 (件)			
			700	704	800	804
1	5111572	油缸销		1		1
2	5111573	油缸销垫圈		2		2
3	GB/T 894.1 - 1986	轴用弹性挡圈 25		1		1
4	GB/T 1152 - 1986	油杯 M10 × 1		2		2
5	JB/T 982 - 1977	垫圈 16		4		4
6	700.40.026	油缸右硬管总成		2		2
7	700.40.112	空心螺栓(3)		2		2
8	704.31.021	转向油缸总成		1		1
10	GB/T 93 - 1987	弹簧垫圈 8		1		1
17	GB/T 6171 - 2000	螺母 M14 × 1.5 - Zn, D		2		2
18	704.31.031	右转向接头总成		1		1
19	GB/T 6173 - 2000	螺母 M22 × 1.5 - Zn, D		1		1
20	704.31.201	横拉杆		1		1
21	GB/T 6173 - 2000	螺母 M22 × 1.5 左 Zn, D		1		1
22	704.31.030	左转向接头总成		1		1
23	GB/T 5783 - 2000	螺栓 M8 × 20 - Zn, D		1		1
24	704.31.213	油缸销轴总成		1		1
25	704.31.212	销 轴		1		1
26	704.31.223	销轴垫圈		2		2
27	GB/T 91 - 2000	开口销 4 × 36		1		1

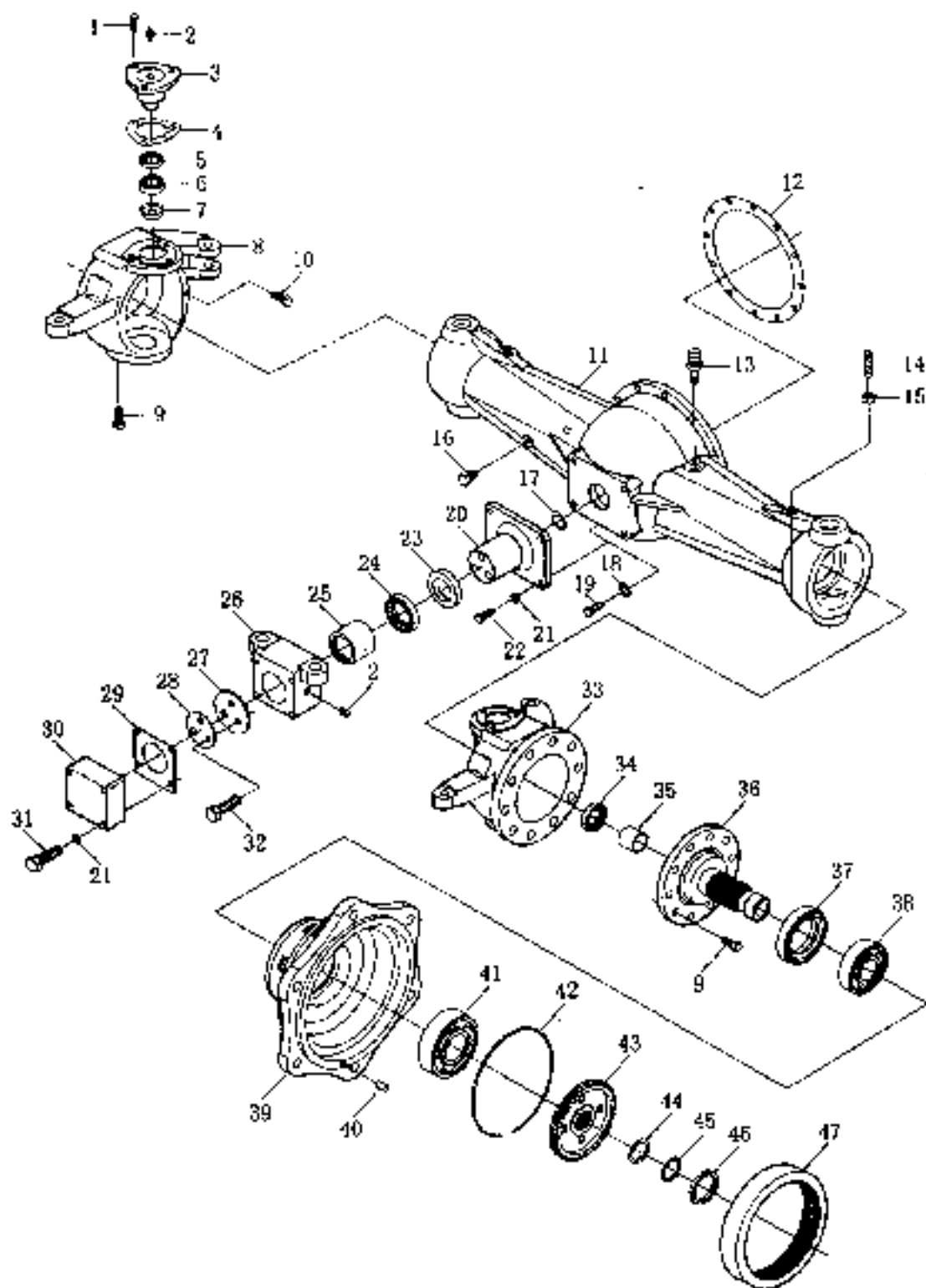
注: ① 配上海 654 前桥专用。

### Front Driving Axle Assembly ( II )<sup>①</sup>

No.	Drawing No.	Part Name and Standards	Qty. (Piece)			
			700	704	800	804
1	5111572	Cylinder pin		1		1
2	5111573	Washer of cylinder pin		2		2
3	GB/T 894.1 - 1986	Cinclip for shaft 25		1		1
4	GB/T 1152 - 1986	Oil cup M10 × 1		2		2
5	JB/T 982 - 1977	Washer 16		4		4
6	700.40.026	Cylinder rigid pipe assembly, right		2		2
7	700.40.112	Hollow bolt (3)		2		2
8	704.31.021	Steering cylinder assembly		1		1
10	GB/T 93 - 1987	Single coil spring lock washer 8		1		1
17	GB/T 6171 - 2000	Nut M20 × 1.5 - Zn. D		2		2
18	704.31.031	Right steering joint assembly		1		1
19	GB/T 6173 - 2000	Nut M22 × 1.5 - Zn. D		1		1
20	704.31.201	Cross drawbar		1		1
21	GB/T 6173 - 2000	Nut M22 × 1.5 left - Zn. D		1		1
22	704.31.030	Left steering joint assembly		1		1
23	GB/T 5783 - 2000	Bolt M8 × 20 - Zn. D		1		1
24	704.31.213	Cylinder pin roll assembly		1		1
25	704.31.212	Pin roll		1		1
26	704.31.223	Washer of pin roll		2		2
27	GB/T 91 - 2000	Split pin 4 × 36		1		1

Note: ① Specific for the front axle of Shanghai 654.

前驱动桥总成(三)<sup>①</sup> Front Driving Axle Assembly ( III )<sup>①</sup>



注：① 上海 654 前桥专用。

Note: ① Specific for the front axle of Shanghai 654.

前驱动桥总成(三)<sup>①</sup>

序号	零件代号	零件名称及规格	数量(件)			
			700	704	800	804
1	GB/T 5786-2000	螺母 M10×1.25×45-Zn.D		6		6
2	GB/T 1152-1979	油杯 M10×1		5		5
3	704.31.108	转向节销		4		4
4	704.31.123	调整垫片		1		1
5	704.31.131	油封		4		4
6	GB/T 297-1994	圆锥滚子轴承 2007106E		4		4
7	704.31.133	孔盖		4		4
8	704.31.113	右转向节臂		1		1
9	GB/T 5786-2000	螺栓 M10×1.25×25-Zn.D		26		26
10	704.31.118	限位螺钉		2		2
11	704.31.112	前桥壳		1		1
12	504.31.164	纸垫		1		1
13	Q903	通气塞 Z 1/8" 27		1		1
14	704.31.119	固定螺钉		2		2
15	GB/T 889-1986	螺母 M12-Zn.D		2		2
16	Q61906	螺塞 Z 3/4" 14		1		1
17	GB 1235-1976	O形密封圈 30×3.1		1		1
18	500.37.136	螺塞垫圈 20		1		1
19	500.37.137	螺塞 M20×1.5		1		1
20	704.31.176	前摆摆轴		1		1
21	GB/T 93-1987	弹簧垫圈 12		4		4
22	GB/T 5783-2000	螺栓 M12×35-Zn.D		4		4
23	504.31.178	前摆轴防尘罩		1		1
24	504.31.177	前骨架油封		1		1
25	504.31.180	前衬套		1		1
26	504.31.181	前摆摆轴轴承座		1		1
27	504.31.174	摆轴固定法兰		1		1
28	504.31.173	摆轴锁紧垫片		1		1
29	504.31.175	摆轴调整垫片		1		1
30	504.31.172	固定法兰盖		1		1
31	GB/T 5782-2000	螺栓 M12×55-Zn.D		4		4
32	GB/T 5783-2000	螺栓 M16×40-Zn.D		3		3
33	704.31.114	左转向节臂		1		1
34	704.31.130	油封		2		2
35	704.31.127	复合衬套		2		2

注: Q 上海 654 前桥专用。

前驱动桥总成(三)<sup>①</sup>

序号	零件代号	零件名称及规格	数 量 (件)			
			700	704	800	804
36	704.31.104	法兰轴		2		2
37	HG4-692-67	油封 SD90×120×12		2		2
38	GB/T 297-1994	圆锥滚子轴承 2007112E		2		2
39	704.31.111	轮 毂		2		2
40	GB/T 119-1986	圆柱销 B10×20		2		2
41	GB/T 297-1994	圆锥滚子轴承 2007113E		2		2
42	704.31.126	锁紧环		2		2
43	704.31.109	齿 盘		2		2
44	704.31.122	垫 圈		2		2
45	704.31.121	锁紧垫圈		2		2
46	704.31.135	圆螺母		2		2
47	704.31.103	齿 圈		2		2

注: ① 上海 654 前桥专用。

Front Driving Axle Assembly ( III )<sup>①</sup>

No.	Drawing No.	Part Name and Standards	Qty. (Piece)			
			700	704	800	804
1	GB/T 5786-2000	Bolt M10×1.25×45-Zn.D		6		6
2	GB/T 1152-1979	Oil cup M10×1		5		5
3	704.31.108	King pin		4		4
4	704.31.123	Adjusting shim		1		1
5	704.31.131	Oil sealing		4		4
6	GB/T 297-1994	Tapered roller bearing 2007106E		4		4
7	704.31.133	Orifice cover		4		4
8	704.31.113	Right steering joint arm		1		1
9	GB/T 5786-2000	Bolt M10×1.25×25-Zn.D		26		26
10	704.31.118	Locating bolt		2		2
11	704.31.112	Front axle housing		1		1
12	504.31.164	Gasket		1		1
13	Q903	Air plug Z 1/8"-27		1		1
14	704.31.119	Fixed bolt		2		2

Note: ① Specific for the front axle of Shanghai 654.

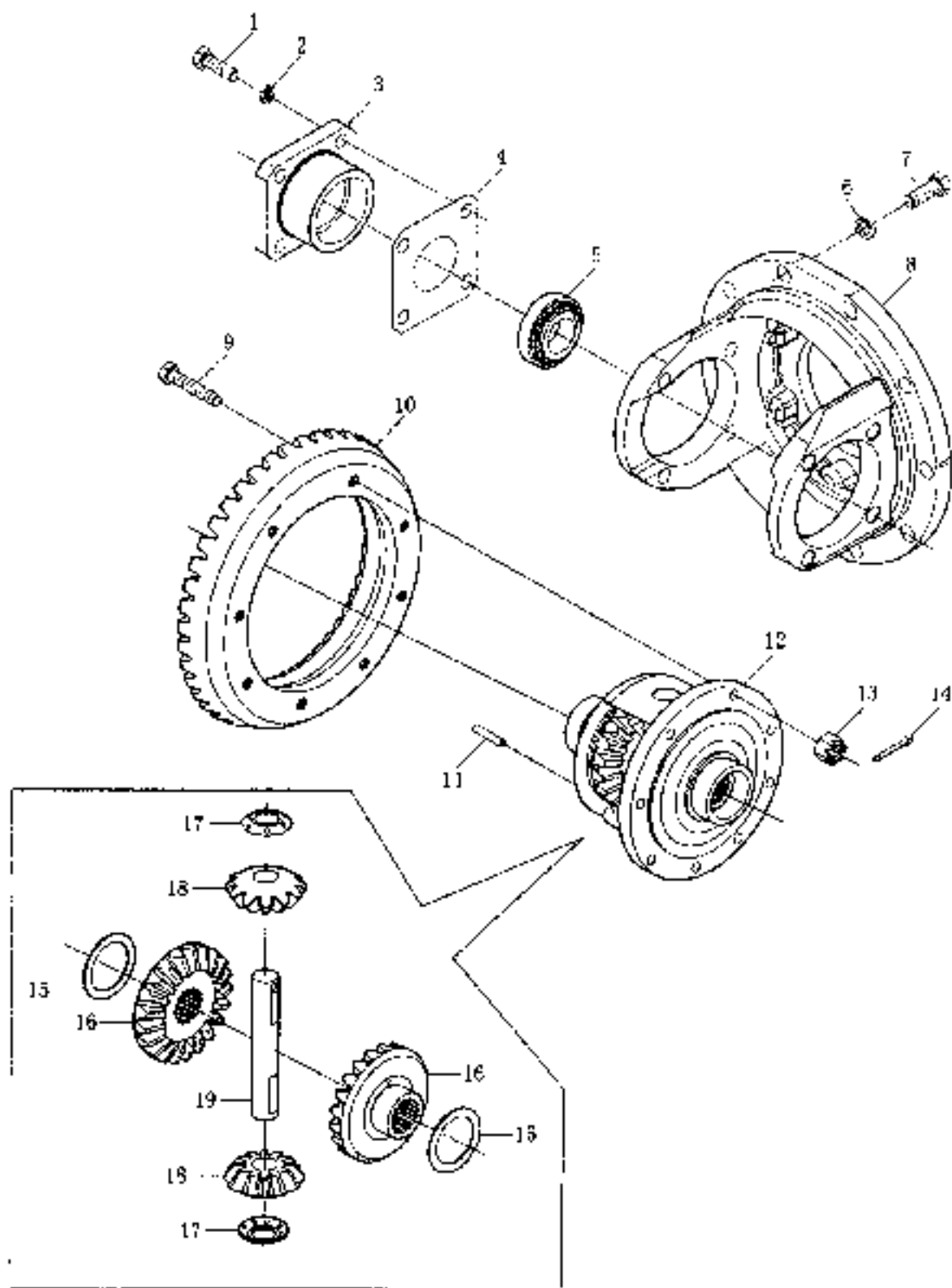
### Front Driving Axle Assembly ( III )<sup>①</sup>

No.	Drawing No.	Part Name and Standards	Qty. (Piece)			
			700	704	800	804
15	GB/T 889 - 1986	Nut M12 - Zn-D		2		2
16	Q61906	Plug Z 3/4" - 14		1		1
17	GB 1235 - 1976	O-ring 30 × 3 - 1		1		1
18	500.37.136	Plug washer 20		1		1
19	500.37.137	Plug M20 × 1.5		1		1
20	FT654.31.176	Front swing shaft		1		1
21	GB/T 93 - 1987	Single coil spring lock washer 12		4		4
22	GB/T 5783 - 2000	Bolt M12 × 35 - Zn-D		4		4
23	504.31.178	Dust cap for front swing shaft		1		1
24	504.31.177	Front skeleton oil sealing		1		1
25	504.31.180	Front sleeve		1		1
26	504.31.181	Bearing housing of front swing shaft		1		1
27	504.31.174	Fixed flange of swing shaft		1		1
28	504.31.173	Locking washer of swing shaft		1		1
29	504.31.175	Locking washer of swing shaft		1		1
30	504.31.172	Fixed flange cover		1		1
31	GB/T 5782 - 2000	Bolt M12 × 55 - Zn-D		4		4
32	GB/T 5783 - 2000	Bolt M16 × 40 - Zn-D		3		3
33	704.31.114	Left steering joint arm		1		1
34	704.31.130	Oil sealing		2		2
35	704.31.127	Combined sleeve		2		2
36	704.31.104	Flange shaft		2		2
37	HG4 - 692 - 67	Oil sealing SD 90 × 120 × 12		2		2
38	GB/T 297 - 1994	Tapered roller bearing 2007112E		2		2
39	704.31.111	Hub		2		2
40	GB/T 119 - 1986	Parallel pin B10 × 20		2		2
41	GB/T 297 - 1994	Tapered roller bearing 2007113E		2		2
42	704.31.126	Locking ring		2		2
43	704.31.109	Spider		2		2
44	704.31.122	Washer		2		2
45	704.31.121	Locking washer		2		2
46	704.31.135	Round nut		2		2
47	704.31.103	Ring gear		2		2

Note: ① Specific for the front axle of Shanghai 654.



前驱动桥总成(四)<sup>①</sup> Front Driving Axle Assembly (IV)<sup>①</sup>



注：① 上海 654 前桥专用。

Note: ① Specific for the front axle of Shanghai 654.

前驱动桥总成(四)<sup>①</sup>

序号	零件代号	零件名称及规格	数量(件)			
			700	704	800	804
1	GB/T 5783 - 2000	螺栓 M10 × 25 Zn. D		8		8
2	GB/T 93 - 1987	弹簧垫圈 10		8		8
3	504.31.140	轴承座		2		2
4	504.31.139-1	调整垫片		2		2
5	GB/T 297 - 1994	圆锥滚子轴承 30219		2		2
6	GB/T 93 - 1987	弹簧垫圈 12		10		10
7	GB/T 5783 - 2000	螺栓 M12 × 35 - Zn. D		10		10
8	504.31.138	差速器支座		1		1
9	504.31.141	被动圆锥齿轮螺栓		10		10
10	504.31.142	从动圆锥大齿轮		1		1
11	GB/T 119 - 1986	圆柱销 A6 × S0		1		1
12	504.31.148	差速器壳		1		1
13	GB/T 9459 - 1988	螺母 M10 × 1 - Zn. D		10		10
14	GB/T 91 - 2000	开口销 2 × 20		10		10
15	504.31.147	半轴齿轮止退垫圈		2		2
16	504.31.146	半轴齿轮		2		2
17	504.31.144	行星齿轮止退垫圈		2		2
18	504.31.145	行星齿轮		2		2
19	504.31.143	行星轴		1		1

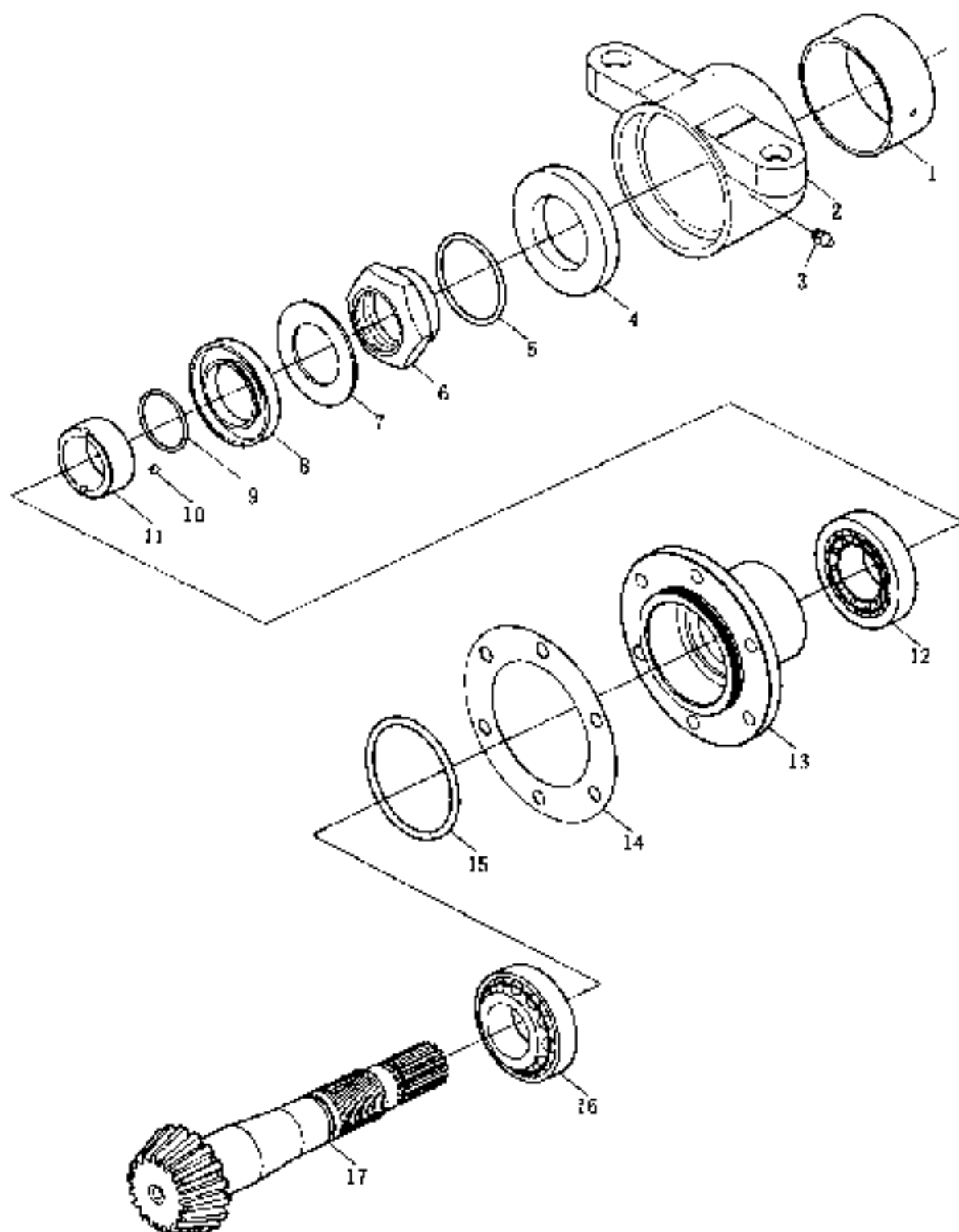
注: ① 上海 654 前桥专用。

### Front Driving Axle Assembly ( V )<sup>①</sup>

No.	Drawing No.	Part Name and Standards	Qty. (Piece)			
			700	704	800	804
1	GB/T 5783 - 2000	Bolt M10 × 25 - Zn. D		8		8
2	GB/T 93 - 1987	Single coil spring lock washer 10		8		8
3	504.31.140	Bearing housing		2		2
4	504.31.139 - 1	Adjusting shim		2		2
5	GB/T 297 - 1994	Tapered roller bearing 30209		2		2
6	GB/T 93 - 1987	Single coil spring lock washer 12		10		10
7	GB/T 5783 - 2000	Bolt M12 × 35 - Zn. D		10		10
8	504.31.138	Differential support		1		1
9	504.31.141	Belt for driven conical gear		10		10
10	504.31.142	Driven conical gear, big		1		1
11	GB/T 119 - 1986	Parallel pin A6 × 50		1		1
12	504.31.148	Differential housing		1		1
13	GB/T 9459 - 1988	Nut M10 × 1 - Zn. D		10		10
14	GB/T 91 - 2000	Split pin 2 × 20		10		10
15	504.31.147	Thrust washer of semi-axle gear		2		2
16	504.31.146	Semi-axle gear		2		2
17	504.31.144	Thrust washer of planetary gear		2		2
18	504.31.145	Planetary gear		2		2
19	504.31.143	Planetary shaft		1		1

Note: ① Specific for the front axle of Shanghai 654.

前驱动桥总成(五)<sup>①</sup> Front Driving Axle Assembly (V)<sup>①</sup>



注: ① 上海 654 前桥专用。

Note: ① Specific for the front axle of Shanghai 654.

前驱动桥总成(五)<sup>①</sup>

序号	零件代号	零件名称及规格	数量(件)			
			700	704	800	804
1	504.31.170-1	后衬套		1		1
2	704.31.171	后摆轴轴承座		1		1
3	GB/T 1152-1989	油杯 M10×1		1		1
4	504.31.150	后骨架油封		1		1
5	504.35.152	后摆轴防尘罩		1		1
6	504.31.159-1	锁紧螺母		1		1
7	504.31.157-2	隔圈		1		1
8	HC4-692-67	油封 5050×72×12		1		1
9	GB 1235-1976	O形密封圈 31.5×1.8		1		1
10	GB/T 308-1989	钢球 5		1		1
11	504.31.153-1	隔套		1		1
12	GB/T 297-1994	圆锥滚子轴承 32207		1		1
13	504.31.154-2	主动圆锥齿轮轴承座		1		1
14	504.31.156	调整垫片		1		1
15	GB 1235-1976	O形密封圈 110×3.1		1		1
16	GB/T 297-1994	圆锥滚子轴承 30308		1		1
17	504.31.155-2	主动圆锥齿轮		1		1

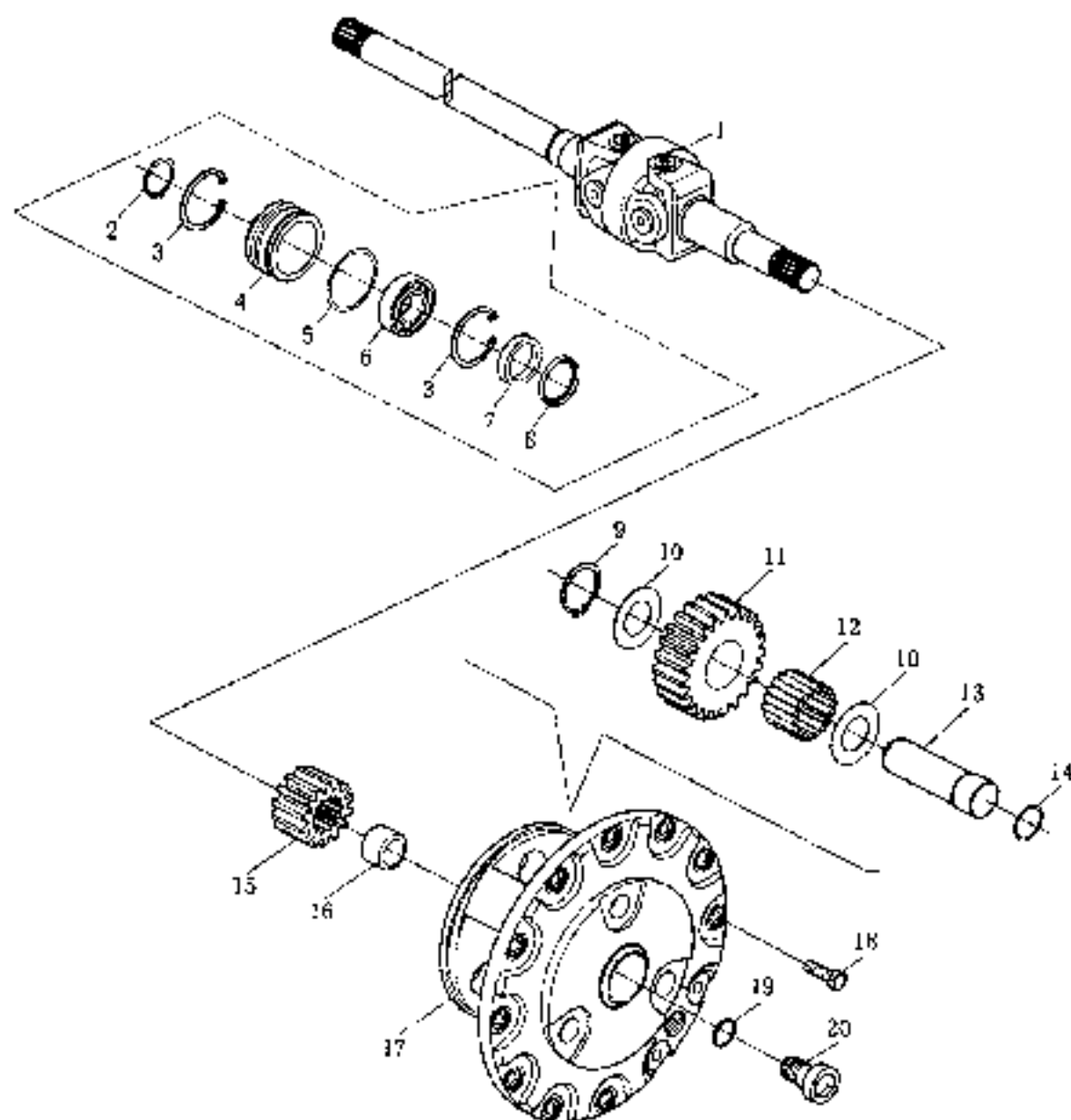
注: ①上海 654 前桥专用。

### Front Driving Axle Assembly ( V )<sup>①</sup>

No.	Drawing No.	Part Name and Standards	Qty. (Piece)			
			700	704	800	804
1	504.31.170-1	Rear sleeve		1		1
2	704.31.171	Bearing housing of rear swing shaft		1		1
3	GB/T 1152-1989	Oil cup M10×1		1		1
4	504.31.150	Rear skeleton oil sealing		1		1
5	504.31.152	Dust cap for rear swing shaft		1		1
6	504.31.159-1	Locking nut		1		1
7	504.31.157-2	Spacer ring		1		1
8	HG4-692-67	Oil sealing SC50×72×12		1		1
9	GD 1235-1976	O-seal ring 31.5×1.8		1		1
10	GB/T 308-1989	Steel ball 5		1		1
11	504.31.153-1	Spacer sleeve		1		1
12	GB/T 297-1994	Tapered roller bearing 32207		1		1
13	504.31.154-2	Bearing housing of drive conical gear		1		1
14	504.31.156	Adjusting shim		1		1
15	GB 1235-1976	O-seal ring 110×3.1		1		1
16	GB/T 297-1994	Tapered roller bearing 30308		1		1
17	504.31.155-2	Driving conical gear		1		1

Note: ① Specific for the front axle of Shanghai 654.

前驱动桥总成(六)<sup>①</sup> Front Driving Axle Assembly (VI)<sup>①</sup>



注: ① 上海 654 前桥专用。

Note: ① Specific for the front axle of Shanghai 654.

前驱动桥总成(六)<sup>①</sup>

序号	零件代号	零件名称及规格	数量(件)			
			700	704	800	804
1	704.31.011	方向传动轴总成		2		2
2	GB/T 894.1-1986	轴用弹性挡圈 30		2		2
3	GB/T 893.1-1986	孔用弹性挡圈 55		4		4
4	704.31.116	前轴衬套		2		2
5	GB 1235-1976	O形密封圈 75×3.1		2		2
6	GB/T 276-1994	圆锥滚子轴承 6006		2		2
7	HG4-692-67	油封 SD35×55×11		2		2
8	704.31.117	防尘罩		2		2
9	GB/T 894.1-1986	轴用弹性挡圈 22		6		6
10	704.31.124	行星轮垫片		12		12
11	704.31.102	行星轮		6		6
12	GB/T 305-1989	滚针 5×25.8		102		102
13	704.31.125	行星轴		6		6
14	GB 3452.1-1992	O形密封圈 20×1.8		6		6
15	704.31.101	太阳轮		2		2
16	704.31.120	衬套		2		2
17	704.31.110	行星架		2		2
18	GB/T 5786-2000	螺栓 M12×1.25×30-Zn.D		20		20
19	500.37.136	螺塞衬圈		2		2
20	500.31.137	螺塞 M20×1.5		2		2

注: ①上海 654 前桥专用。



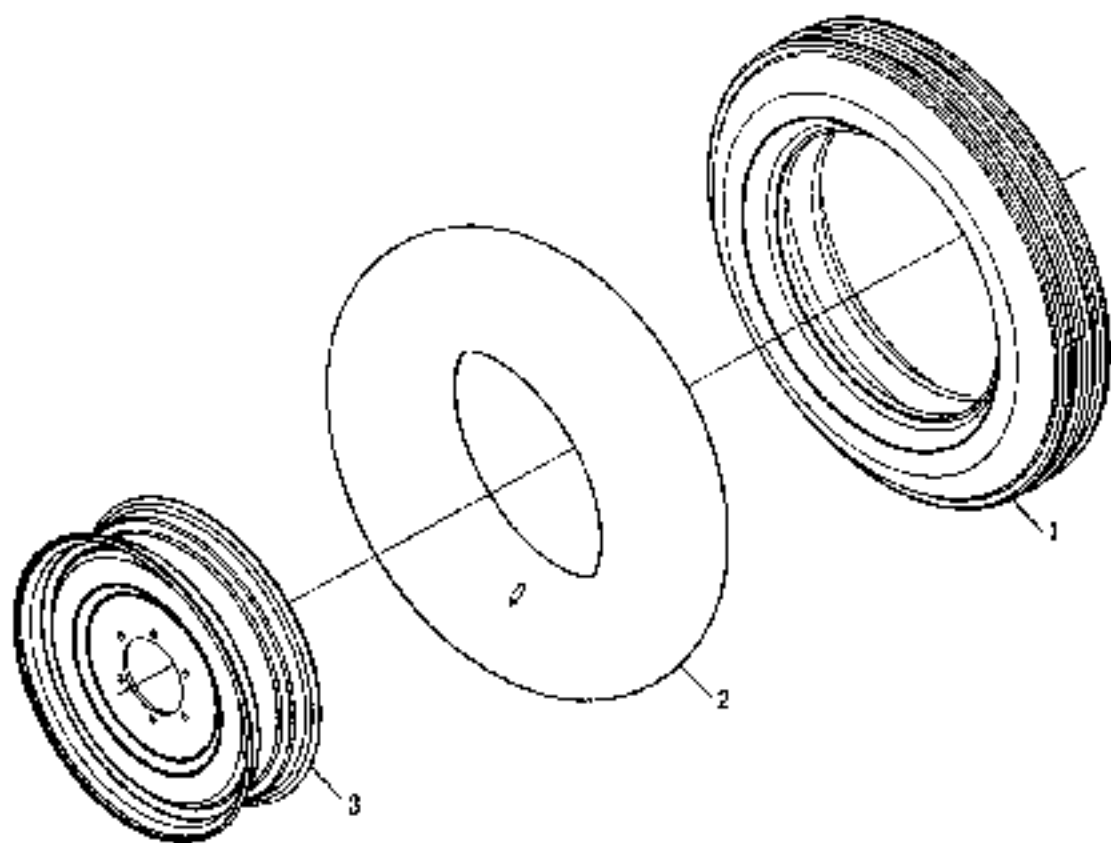
### Front Driving Axle Assembly (VT)<sup>①</sup>

No.	Drawing No.	Part Name and Standards	Qty. (Piece)			
			700	704	800	804
1	704.31.011	Cardan transmission shaft assembly		2		2
2	GB/T 894.1 - 1986	Circlip for shaft 30		2		2
3	GB/T 893.1 - 1986	Circlip for hole 55		4		4
4	704.31.116	Sleeve for front shaft		2		2
5	GB 1235 - 1976	O - seal ring 75 × 3.1		2		2
6	GB/T 276 - 1994	Tapered roller bearing 6006		2		2
7	HCA - 692 - 67	Oil sealing 5035 × 55 × 11		2		2
8	704.31.117	Dust cap		2		2
9	GB/T 894.1 - 1986	Circlip for shaft 22		6		6
10	704.31.124	Washer for planetary gear		12		12
11	704.31.102	Planetary gear		6		6
12	GB/T 305 - 1989	Needle 5 × 25, 8		102		102
13	704.31.125	Planetary shaft		6		6
14	GB 3452.1 - 1992	O - seal ring 20 × 1.8		6		6
15	704.31.101	Central main gear		2		2
16	704.31.120	Sleeve		2		2
17	704.31.110	Planetary frame		2		2
18	GB/T 5786 - 2000	Bolt M12 × 1.25 × 30 - Zn.D		20		20
19	500.37.136	Plug washer		2		2
20	500.31.137	Plug M20 × 1.5		2		2

Note: ① Specific for the front axle of Shanghai 654.

前轮总成 Front Wheel Assembly

---



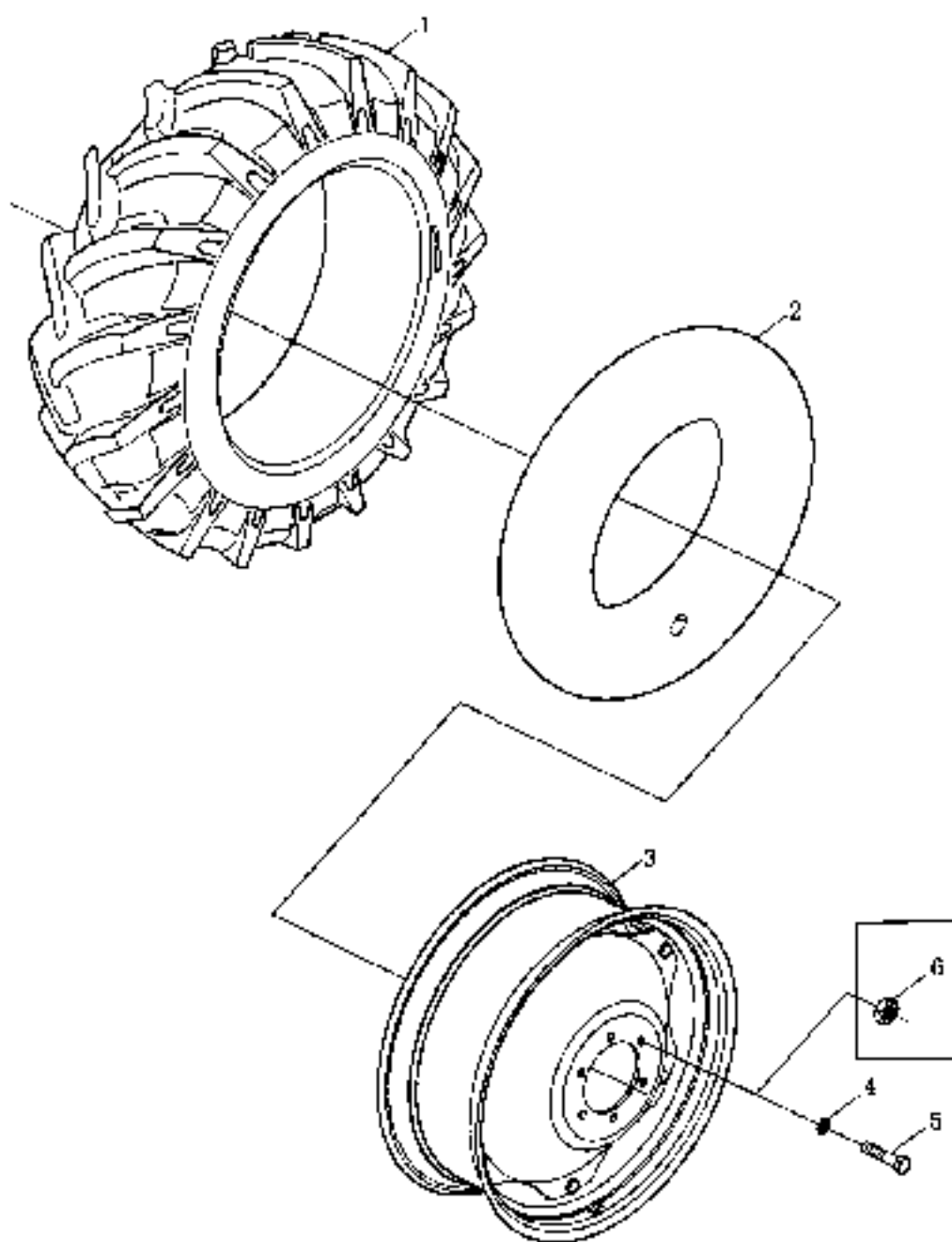
### 前轮总成

序号	零件代号	零件名称及规格	数量 (件)			
			700	704	800	804
1	GB/T 2979 - 1999	外轮胎 6.50 - 20	2		2	
2	GB/T 2979 - 1999	内轮胎 6.50 - 20	2		2	
3	700.32.011	前轮钢总成 5.50F/20, E	2		2	

### Front Wheel Assembly

No.	Drawing No.	Part Name and Standards	Qty. (Piece)			
			700	704	800	804
1	GB/T 2979 - 1999	Cover tire 6.50 - 20	2		2	
2	GB/T 2979 - 1999	Inner tube 6.50 - 20	2		2	
3	700.32.011	Front rim assembly 5.50F/20, E	2		2	

前驱动轮总成 Front Driving Wheel Assembly



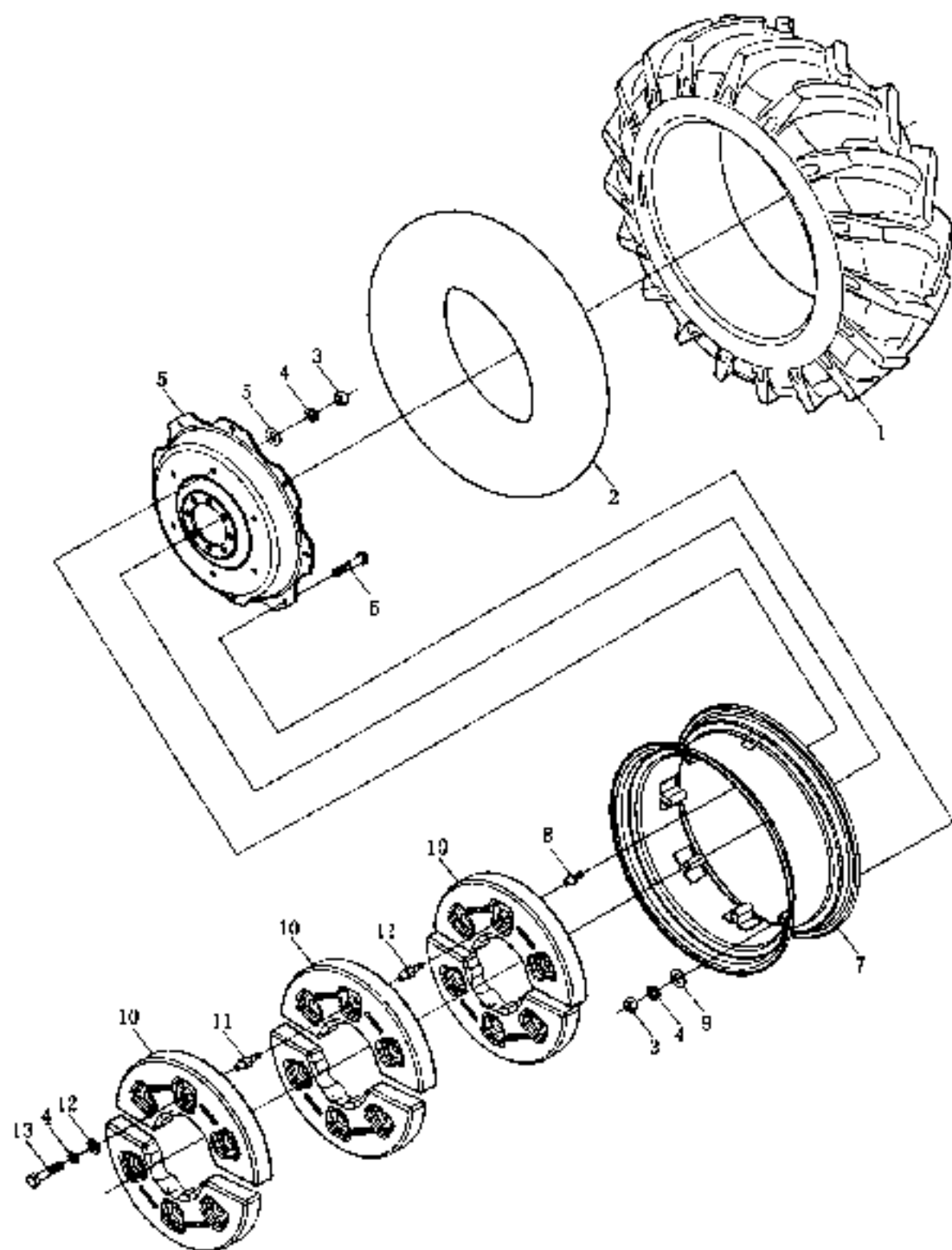
### 前驱动轮总成

序号	零件代号	零件名称及规格	数量 (件)			
			700	704	800	804
1	GB/T 2979 - 1999	外轮胎 8.30 - 24		2		2
2	GB/T 2979 - 1999	内轮胎 8.30 - 24		2		2
3	704.32.011	前轮辋总成		2		2
4	GB/T 93 - 1987	弹簧垫圈 16		12		12
5	GB/T 5786 - 2000	螺栓 M16 × 1.5 × 40 - Zn.D		12		12
6	704.32B.101	前轮螺母		12		12

### Front Driving Wheel Assembly

No.	Drawing No.	Part Name and Standards	Qty. [Piece]			
			700	704	800	804
1	GB/T 2979 - 1999	Cover tire 8.30 - 24		2		2
2	GB/T 2979 - 1999	Inner tube 8.30 - 24		2		2
3	704.32.011	Front rim assembly		2		2
4	GB/T 93 - 1987	Single coil spring lock washer 16		12		12
5	GB/T 5786 - 2000	Bolt M16 × 1.5 × 40 - Zn.D		12		12
6	704.32B.101	Nut for front wheel		12		12

后驱动轮总成 Rear Driving Wheel Assembly



### 后驱动轮总成

序号	零件代号	零件名称及规格	数量 (件)			
			710	704	800	804
1	GB/T 2979 - 1999	驱动轮外胎 14.9 30 <sup>①</sup>	2	2	2	2
	GB/T 2979 - 1999	驱动轮外胎 16.9 - 30 <sup>①</sup>	2		2	
2	GB/T 2979 - 1999	驱动轮内胎 14.9 30	2	2	2	2
	GB/T 2979 - 1999	驱动轮内胎 16.9 30	2		2	
3	GB/T 6170 - 2000	螺母 M16 - Zn, D	28	28	28	28
4	GB/T 93 - 1987	弹簧垫圈 16	40	40	40	40
5	700.34.105	轮 辐	2	2	2	2
6	W14Lx 30 - 3	螺钉 M16x 80	16	16	16	16
7	W12x 30A - 1	轮圈焊合	2	2	2	2
8	700.34.102	后配重螺钉(1)	12	12	12	12
9	GB/T 95 - 1985	平垫圈 16 - 140HV - Zn, D	16	16	16	16
10	700.34.101	后配重	12	12	12	12
11	700.34.103	后配重螺钉(2)	24	24	24	24
12	700.34.104	平垫圈	12	12	12	12
13	GB/T 5783 - 2000	螺栓 M16x 40 - Zn, D	12	12	12	12

注: ① 可选装水田轮胎。② 选装。

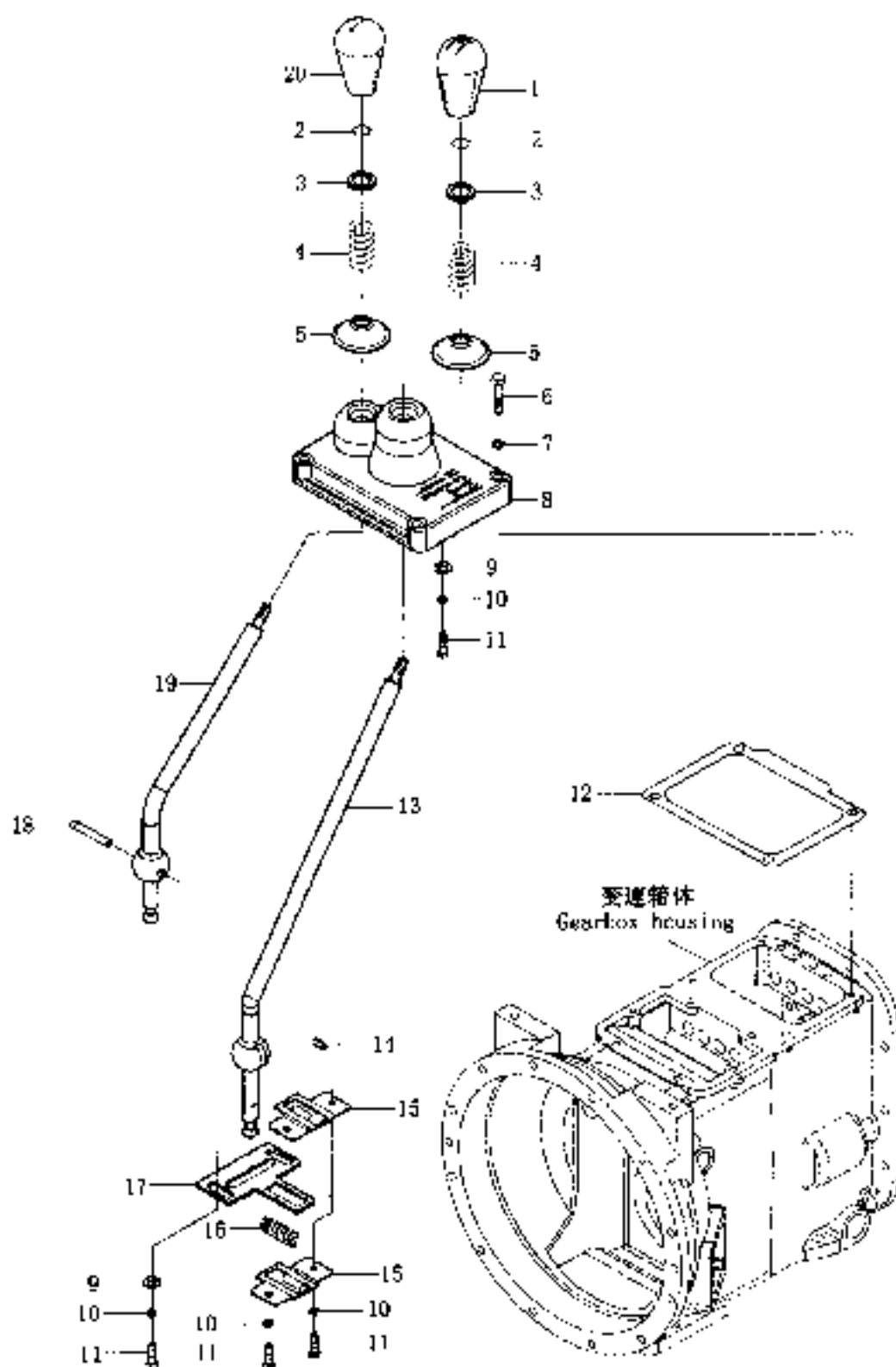
### Rear Driving Wheel Assembly

No.	Drawing No.	Part Name and Standards	Qty. (Piece)			
			700	704	800	804
1	GB/T 2979 - 1999	Cover tire 14.9 30 <sup>①</sup>	2	2	2	2
	GB/T 2979 - 1999	Cover tire 16.9 - 30 <sup>①</sup>	2		2	
2	GB/T 2979 - 1999	Inner tube 14.9 30	2	2	2	2
	GB/T 2979 - 1999	Inner tube 16.9 - 30	2		2	
3	GB/T 6170 - 2000	Nut M16 - Zn.D	28	28	28	28
4	GB/T 93 - 1987	Single coil spring lock washer 16	40	40	40	40
5	700.34.105	Spoke	2	2	2	2
6	W14L x 30 - 3	Bolt M16 x 80	16	16	16	16
7	W12 x 30A - 1	Rim weldment	2	2	2	2
8	700.34.102	Rear balance weight bolt (1)	12	12	12	12
9	GB/T 95 - 1985	Plain washer 16 - 140HV - Zn.D	16	16	16	16
10	700.34.101	Rear balance weight	12	12	12	12
11	700.34.103	Rear balance weight bolt (2)	24	24	24	24
12	700.34.104	Plain washer	12	12	12	12
13	GB/T 5783 - 2000	Bolt M16 x 40 - Zn.D	12	12	12	12

Note: ① Rice tire can be used ② Pick and choose



变速箱总成(一) Gearbox Assembly ( I )



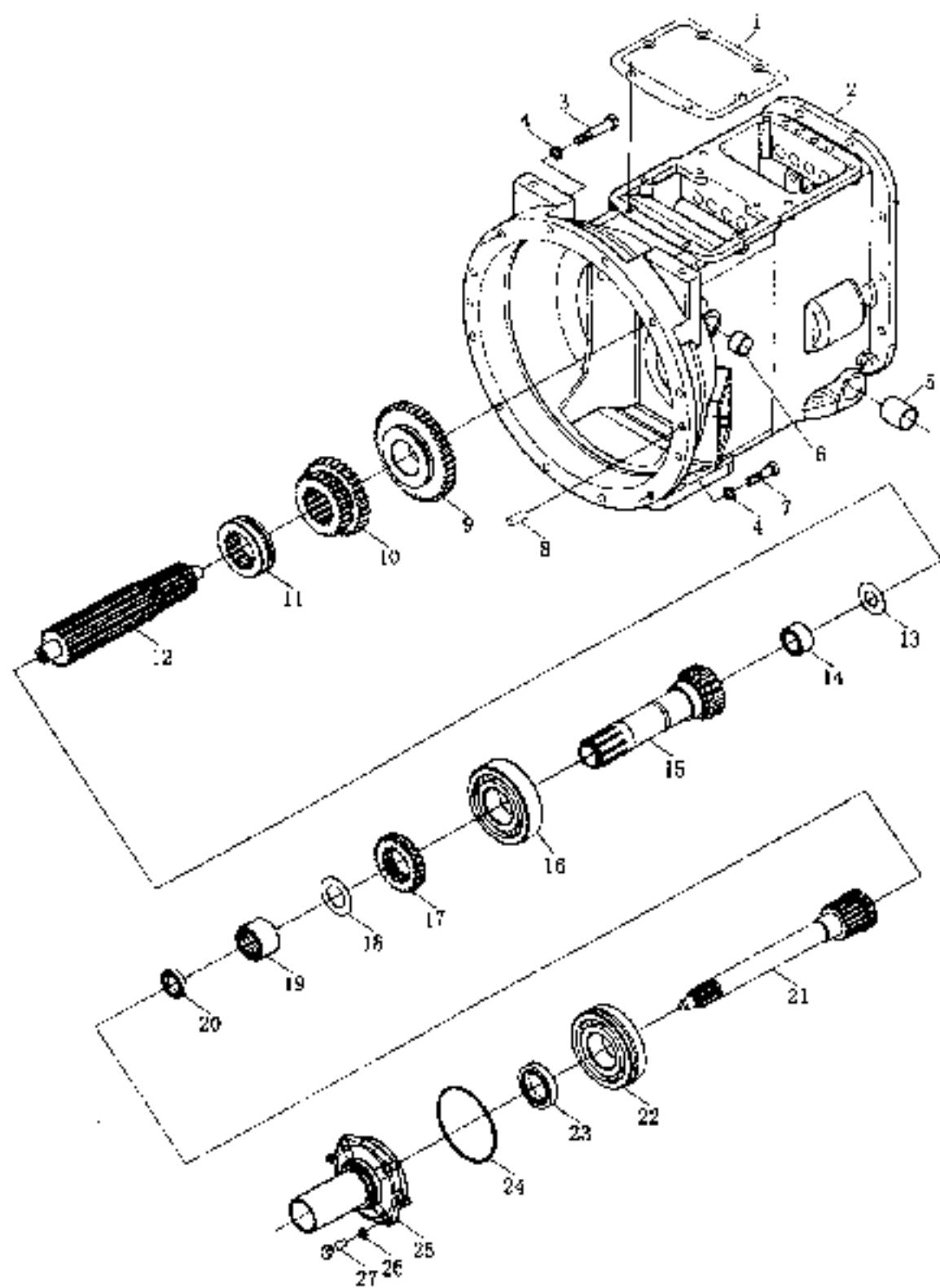
### 变速箱总成(一)

序号	零件代号	零件名称及规格	数量 (件)			
			700	704	800	804
1	700.37.014	主变速手柄球总成	1	1	1	1
2	GB/T 895.2-1986	轴用钢丝挡圈 18	2	2	2	2
3	700.37.152	换挡杆弹簧座	2	2	2	2
4	700.37.153	换挡杆弹簧	2	2	2	2
5	700.37.154	换挡杆防尘盖	2	2	2	2
6	GB/T 5780-2000	螺栓 M10×50 Zn.D	4	4	4	4
7	GB/T 93-1987	弹簧垫圈 10	4	4	4	4
8	700.37.151	变速箱盖	1	1	1	1
9	700.37.144	换挡杆导向圈	2	2	2	2
10	GB/T 93-1987	弹簧垫圈 8	4	4	4	4
11	GB/T 5781-2000	螺栓 M8×16-Zn.D	4	4	4	4
12	700.37.110	换挡杆总成衬片	1	1	1	1
13	700.37.157	主变速换挡杆	1	1	1	1
14	700.37.155	换挡杆球座销	1	1	1	1
15	700.37.143	换挡杆定位滑座板	2	2	2	2
16	700.37.156	换挡杆滑板弹簧	1	1	1	1
17	700.37.159	换挡杆定位滑块	1	1	1	1
18	700.37.161	副变速换挡杆定位销	1	1	1	1
19	700.37.158	副变速换挡杆	1	1	1	1
20	700.37.015	副变速手柄球总成	1	1	1	1

### Gearbox Assembly ( 1 )

No.	Drawing No.	Part Name and Standards	Qty. (Piece)			
			700	704	800	804
1	700.37.014	Main gearshift handle cap assembly	1	1	1	1
2	GB/T 895.2 - 1986	Roundwire snap ring for shaft 18	2	2	2	2
3	700.37.152	Spring seat of gear change handle	2	2	2	2
4	700.37.153	Spring of gear change handle	2	2	2	2
5	700.37.154	Dust cover of gear change handle	2	2	2	2
6	GB/T 5780 - 2000	Bolt M10 × 50 - Zn. D	4	4	4	4
7	GB/T 93 - 1987	Single coil spring lock washer 10	4	4	4	4
8	700.37.151	Gearbox housing	1	1	1	1
9	700.37.144	Guide ring of gear change handle	2	2	2	2
10	GB/T 93 - 1987	Single coil spring lock washer 8	4	4	4	4
11	GB/T 5781 - 2000	Bolt M8 × 16 - Zn. D	4	4	4	4
12	700.37.110	Gasket, gear change handle assembly	1	1	1	1
13	700.37.157	Gear change handle, main gearshift	1	1	1	1
14	700.37.155	Ball seat pin, gear change handle	1	1	1	1
15	700.37.143	Locating slider, gear change handle	2	2	2	2
16	700.37.156	Slider spring, gear change handle	1	1	1	1
17	700.37.159	Locating slider, gear change handle	1	1	1	1
18	700.37.161	Locating pin, gear change handle of auxiliary gearshift	1	1	1	1
19	700.37.158	Gear change handle of auxiliary gearshift	1	1	1	1
20	700.37.015	Auxiliary gearshift handle cap assembly	1	1	1	1

变速箱总成(二) Gearbox Assembly ( II )



变速箱总成(二)

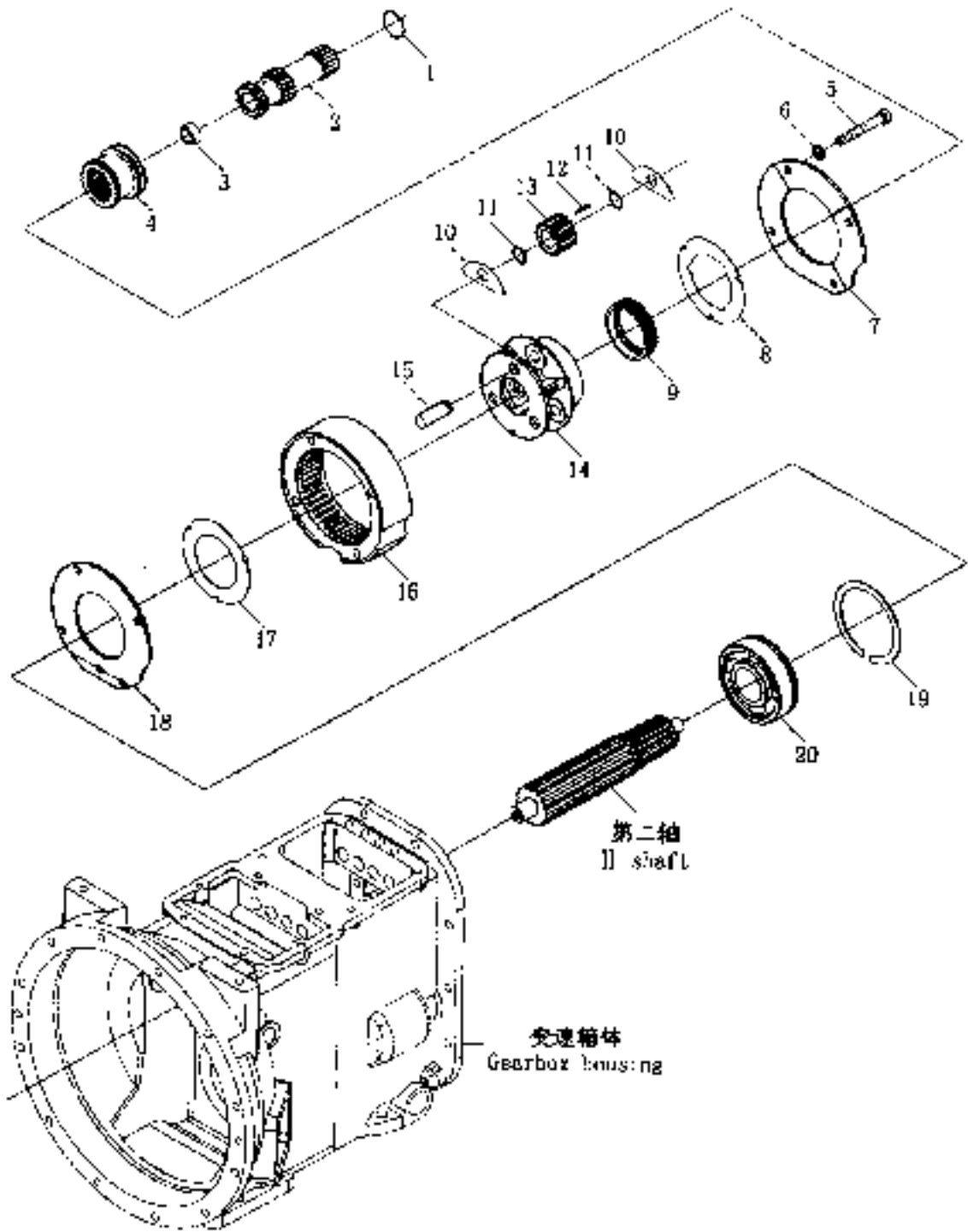
序号	零件代号	零件名称及规格	数量(件)			
			700	704	800	804
1	700.37.139	变速器转向臂之间垫片	1	1	1	1
2	700.37.101-1	变速箱体	1	1	1	1
3	GB/T 5783-2000	螺栓 M12×90-Zn.D	2	2	2	2
4	GB/T 93-1987	弹簧垫圈 12	12	12	12	12
5	700.37.168	制动轴衬套	2	2	2	2
6	700.37.132	离合器分离轴衬套	2	2	2	2
7	GB/T 5783-2000	螺栓 M12×35-Zn.D	10	10	10	10
8	GB/T 119-1986	圆柱销 B12×24	2	2	2	2
9	700.37.107	一倒档齿轮	1	1	1	1
10	700.37.105	二轴二三档齿轮	1	1	1	1
11	700.37.142	直接档啮合套	1	1	1	1
12	700.37.106	第二轴	1	1	1	1
13	700.37.111	第一二轴之间止推片	1	1	1	1
14	700.37.192	衬套	1	1	1	1
15	700.37.104	第一轴	1	1	1	1
16	GB/T 283-1994	圆柱滚子轴承 NU211E	1	1	1	1
17	700.37.103	常啮合主动齿轮	1	1	1	1
18	700.37.112	回隙调整圈	1	1	1	1
19	GB/T 12764-1994	滚针轴承 HK3524	1	1	1	1
20	GB/T 9877.1-1988	油封 B30×40×7	1	1	1	1
21	700.37.108	760r/min 动力主动轴齿轮	1		1	1
	700.37A.108	动力主动轴齿轮	选装	选装	选装	选装
22	GB/T 283-1994	圆柱滚子轴承 NJ 211E	1	1	1	1
23	GB/T 9877.1-1988	油封 B45×62×8	1	1	1	1
24	700.37.185	O形密封圈	1	1	1	1
25	700.37.102	第一轴承座	1	1	1	1
26	GB/T 93-1987	弹簧垫圈 10	4	4	4	4
27	GB/T 5783-2000	螺栓 M10×25-Zn.D	4	4	4	4

### Gearbox Assembly ( II )

No.	Drawing No.	Part Name and Standards	Qty. (Piece)			
			700	704	800	804
1	700.37.139	Gasket	1	1	1	1
2	700.37.101-1	Gearbox housing	1	1	1	1
3	GB/T 5783-2000	Bolt M12×90 - Zn-D	2	2	2	2
4	GB/T 93-1987	Single coil spring lock washer 12	12	12	12	12
5	700.37.168	Sleeve, braking shaft	2	2	2	2
6	700.37.132	Sleeve, separating shaft	2	2	2	2
7	GB/T 5783-2000	Bolt M12×35 - Zn-D	10	10	10	10
8	GB/T 119-1986	Parallel pin B12×24	2	2	2	2
9	700.37.107	I reverse gear	1	1	1	1
10	700.37.105	II and III gear, II shaft	1	1	1	1
11	700.37.142	Engaging sleeve, direct gear	1	1	1	1
12	700.37.106	II shaft	1	1	1	1
13	700.37.111	Thrust washer	1	1	1	1
14	700.37.192	copper shaft	1	1	1	1
15	700.37.104	I shaft	1	1	1	1
16	GB/T 283-1994	Cylindrical roller bearing NU211E	1	1	1	1
17	700.37.103	Constant engaging driving gear	1	1	1	1
18	700.37.112	Clearance adjusting shim	1	1	1	1
19	GB/T 12764-1994	Needle roller bearing, HK3524	1	1	1	1
20	GB/T 9877.1-1988	Oil sealing B30×40×7	1	1	1	1
21	700.37.108	Driving shaft gear, 760 r/min	1	1	1	1
	700.37A.108	Driving shaft gear	○	1	○	○
22	GB/T 283-1994	Cylindrical roller bearing NJ 211E	1	1	1	1
23	GB/T 9877.1-1988	Oil sealing B45×62×8	1	1	1	1
24	700.37.185	O - seal ring	1	1	1	1
25	700.37.102	I bearing housing	1	1	1	1
26	GB/T 93-1987	Single coil spring lock washer 10	4	4	4	4
27	GB/T 5783-2000	Bolt M10×25 - Zn-D	4	4	4	4

Note: ○ Optional

变速箱总成(三) Gearbox Assembly (Ⅲ)



变速箱总成(三)

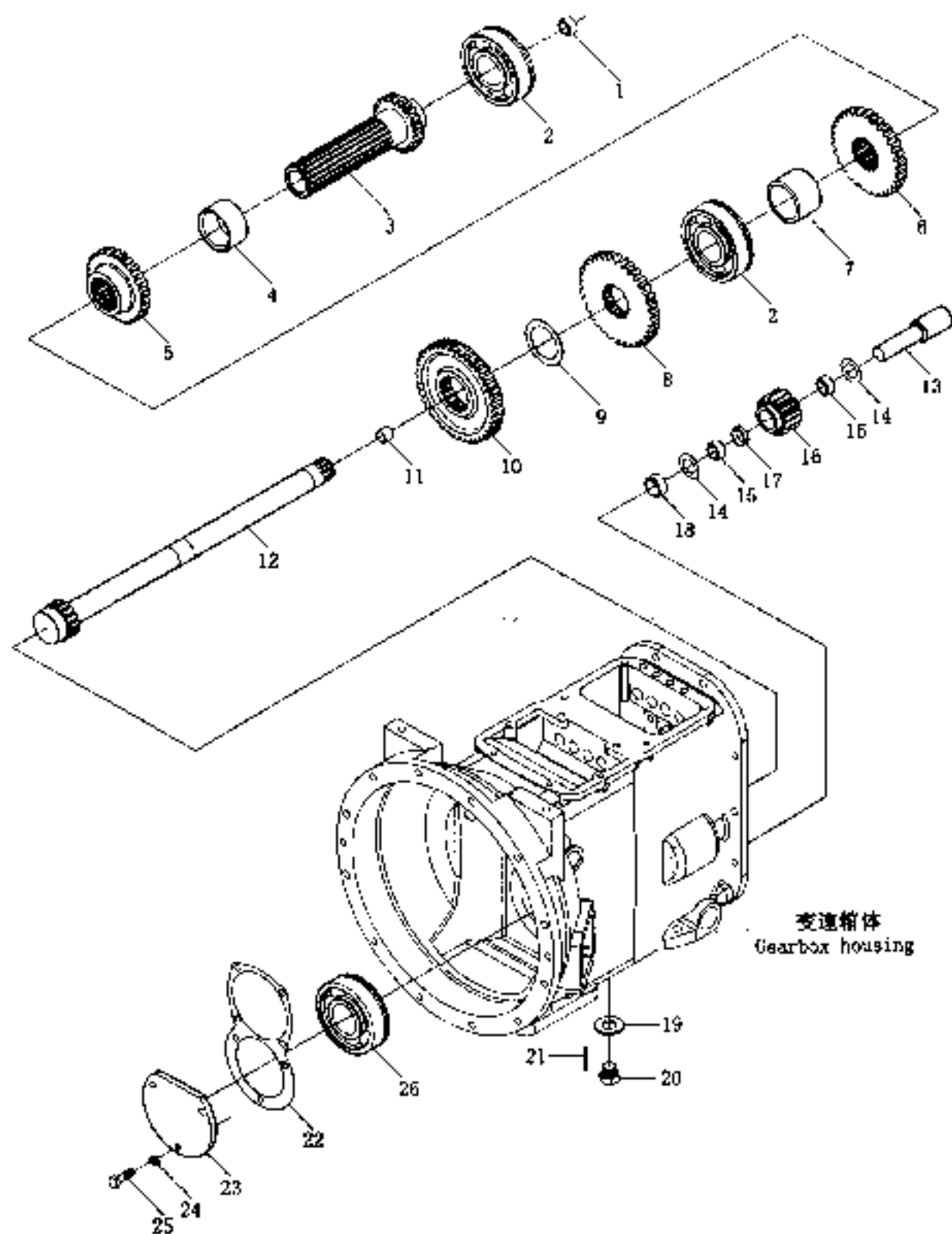
序号	零件代号	零件名称及规格	数量(件)			
			700	704	800	804
1	GB/T 894.1 - 1986	轴用弹性挡圈 42	1	1	1	1
2	700 .37.172	传动齿轮轴	1	1	1	1
3	GB/T 12764 - 1991	冲压外圈滚针轴承 HK2020	1	1	1	1
4	700 .37.150	第二轴传动齿套	1	1	1	1
5	GB/T 5780 - 2000	螺栓 M12×80 - Zn. D	4	4	4	4
6	GB/T 93 - 1987	弹簧垫圈 12	4	4	4	4
7	700 .37.149 <sup>700</sup>	行星齿轮盖板	1	1	1	1
8	700 .37.148	行星齿座后垫片	1	1	1	1
9	700 .37.167	行星齿座内齿圈	1	1	1	1
10	700 .37.164	行星齿轮止推片	6	6	6	6
11	700 .37.165	行星齿轮滚针隔圈	6	6	6	6
12	GB/T 309 - 1984	圆头滚针 3.5×29.8	60	60	60	60
13	700 .37.166	行星齿轮	3	3	3	3
14	700 .37.162	行星齿轮座	1	1	1	1
15	700 .37.163	行星齿轮轴	3	3	3	3
16	700 .37.147	行星内齿轮	1	1	1	1
17	700 .37.146	行星齿座前垫片	1	1	1	1
18	700 .37.145	行星齿座垫板	1	1	1	1
19	GB/T 305 - 1998	止动环 100/106.5	1	1	1	1
20	GB/T 276 - 1994	深沟球轴承 6211N	1	1	1	1



### Gearbox Assembly ( III )

No.	Drawing No.	Part Name and Standards	Qty. (Piece)			
			700	704	810	804
1	GB/T 894.1 - 1986	Circle lip for shaft 42	1	1	1	1
2	700.37.172	Transmission gear shaft	1	1	1	1
3	GB/T 12764 - 1991	Needle roller bearing HK2020	1	1	1	1
4	700.37.150	Transmission gear sleeve, II shaft	1	1	1	1
5	GB/T 5780 - 2000	Bolt M12 × 80 - Zn. D	4	4	4	4
6	GB/T 93 - 1987	Single coil spring lock washer 12	4	4	4	4
7	700.37.149	Cover plate of planetary gear	1	1	1	1
8	700.37.148	Rear gasket, planetary gear housing	1	1	1	1
9	700.37.167	Inner gear ring, planetary gear housing	1	1	1	1
10	700.37.164	Thrust plate, planetary gear	6	6	6	6
11	700.37.165	Needle spacer, planetary gear	6	6	6	6
12	GB/T 309 - 1984	Round head needle 3.5 × 29.8	60	60	60	60
13	700.37.166	Planetary gear	3	3	3	3
14	700.37.162	Planetary gear housing	1	1	1	1
15	700.37.163	Planetary gear shaft	3	3	3	3
16	700.37.147	Planetary inner gear	1	1	1	1
17	700.37.146	Front gasket, planetary housing	1	1	1	1
18	700.37.145	Spacer plate, planetary housing	1	1	1	1
19	GB/T 305 - 1998	Thrust ring 100/106.5	1	1	1	1
20	GB/T 276 - 1994	Deep groove ball bearing 6211N	1	1	1	1

变速箱总成(四) Gearbox Assembly (IV)



变速箱总成(四)

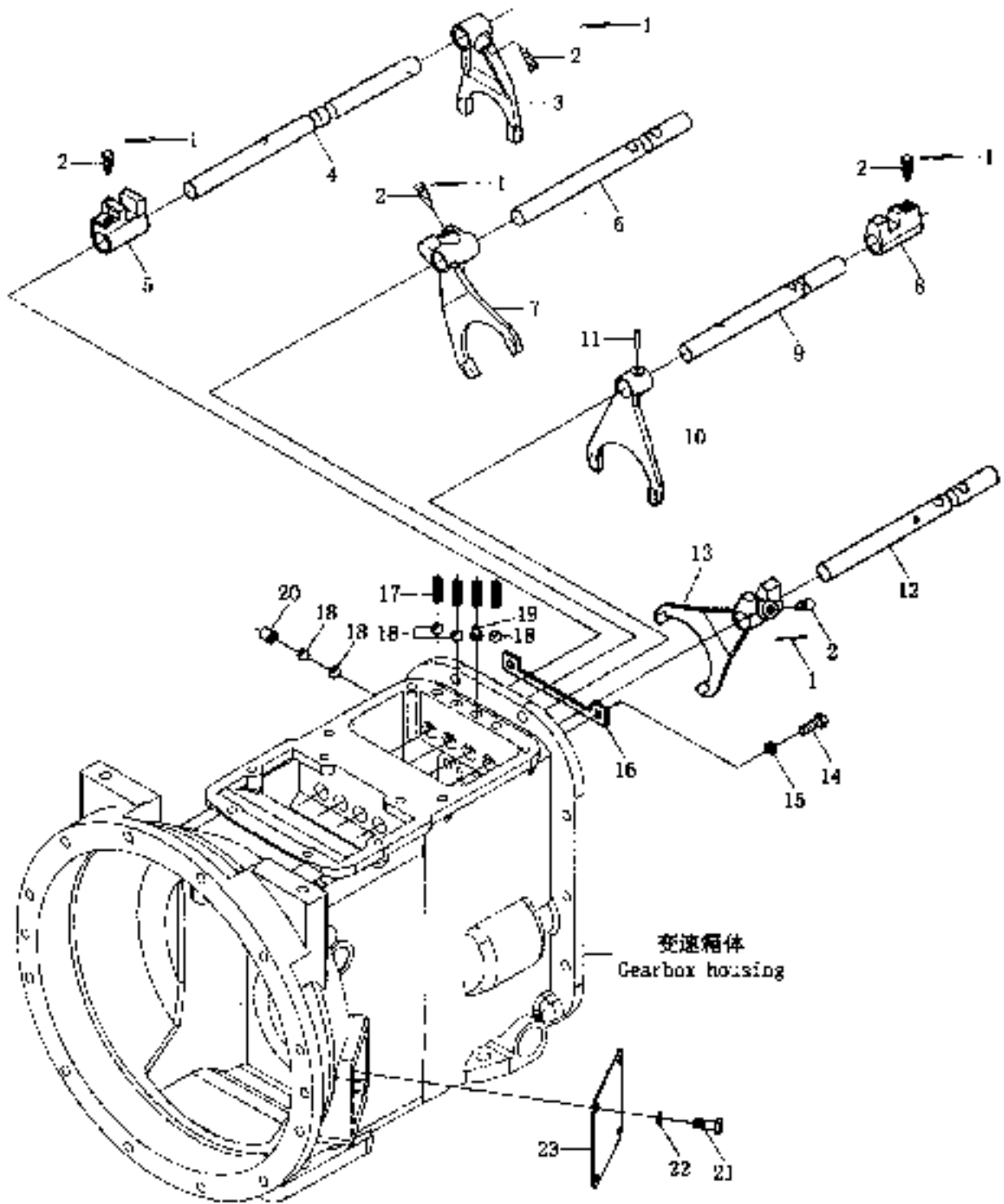
序号	零件代号	零件名称及规格	数 量 (件)			
			700	704	800	804
1	GB/T 12764 - 1994	滚针轴承 HK3524	1	1	1	1
2	GB/T 276 - 1994	深沟球轴承 6211	2	2	2	2
3	700 .37.114	中间轴	1	1	1	1
4	700 .37.160	隔套二	1	1	1	1
5	700 .37.116	中间轴二挡齿轮	1	1	1	1
6	700 .37.119	中间轴三挡内齿	1	1	1	1
7	700 .37.120	隔套一	1	1	1	1
8	700 .37.121	常啮合被动齿轮	1	1	1	1
9	700 .37.135	动力输出轴中间轴之间止推片	1	1	1	1
10	700 .37.138	动力轴被动齿轮	1	1	1	1
	700 .37A.138	动力轴被动齿轮	选装	选装	选装	选装
11	700 .37.182	动力输出轴衬套	1	1	1	1
12	700 .37.173	动力输出前轴	1	1	1	1
13	700 .37.115 - 1	倒挡齿轮轴	1	1	1	1
14	700 .37.174	倒挡齿轮止推圈	2	2	2	2
15	JB/T 7918 - 1997	滚针轴承 K25 × 31 × 20	2	2	2	2
16	700 .37.117	倒挡齿轮	1	1	1	1
17	700 .37.131	倒挡齿轮轴衬内圈隔套	1	1	1	1
18	700 .37.170 - 1	隔 套	1	1	1	1
19	JB/T 982 - 1977	组合密封垫圈 20	1	1	1	1
20	FT65.37.176	螺 塞	1	1	1	1
21	GB/T 91 - 2000	开口销 6.3 × 30	1	1	1	1
22	700 .37.140	变速箱前垫片	1	1	1	1
23	700 .37.141	动力轴承盖	1	1	1	1
24	GB/T 93 - 1987	弹簧垫圈 10	3	3	3	3
25	GB/T 5783 - 2000	螺栓 M10 × 25 - Zn.D	3	3	3	3
26	GB/T 283 - 1994	圆柱滚子轴承 NJ 211E	1	1	1	1

### Gearbox Assembly ( IV )

No.	Drawing No.	Part Name and Standards	Qty. (Piece)			
			700	704	800	804
1	GB/T 12764 - 1994	Needle roller bearing 11K3524	1	1	1	1
2	GB/T 206 - 1994	Deep groove ball bearing 6211	2	2	2	2
3	700 .37.114	Middle shaft	1	1	1	1
4	700 .37.160	Bush ( II )	1	1	1	1
5	700 .37.116	II gear, middle shaft	1	1	1	1
6	700 .37.119	III gear, middle shaft	1	1	1	1
7	700 .37.120	Bush ( I )	1	1	1	1
8	700 .37.121	Constant engaging driven gear	1	1	1	1
9	700 .37.135	Thrust plate	1	1	1	1
10	700 .37.138	Driven gear, PTO	1	1	1	1
	700 .37A.138	Driven gear, PTO	○	○	○	○
11	700 .37.182	Bush, PTO	1	1	1	1
12	700 .37.173	Front shaft, PTO	1	1	1	1
13	700 .37.115 - 1	Reverse gear shaft	1	1	1	1
14	700 .37.174	Thrust ring, reverse gear	2	2	2	2
15	JB/T 7918 - 1997	Needle bearing K25 × 31 × 20	2	2	2	2
16	700 .37.117	Reverse gear	1	1	1	1
17	700 .37.131	Inner bush of needle, reverse gear	1	1	1	1
18	700 .37.170 - 1	Bush	1	1	1	1
19	JB/T 982 - 1977	Combined sealing washer 20	1	1	1	1
20	700 .37.176	Plug	1	1	1	1
21	GB/T 91 - 2000	Split pin 6.3 × 30	1	1	1	1
22	700 .37.140	Front gasket, gearbox	1	1	1	1
23	700 .37.141	Bearing cover	1	1	1	1
24	GB/T 93 - 1987	Single coil spring lock washer 10	3	3	3	3
25	GB/T 5783 - 2000	Bolt M10 × 25 - Zn. D	3	3	3	3
26	GB/T 283 - 1994	Cylindrical roller bearing NJ 211E	1	1	1	1

Note: ○ Optional.

# 变速箱总成(五) Gearbox Assembly ( V )

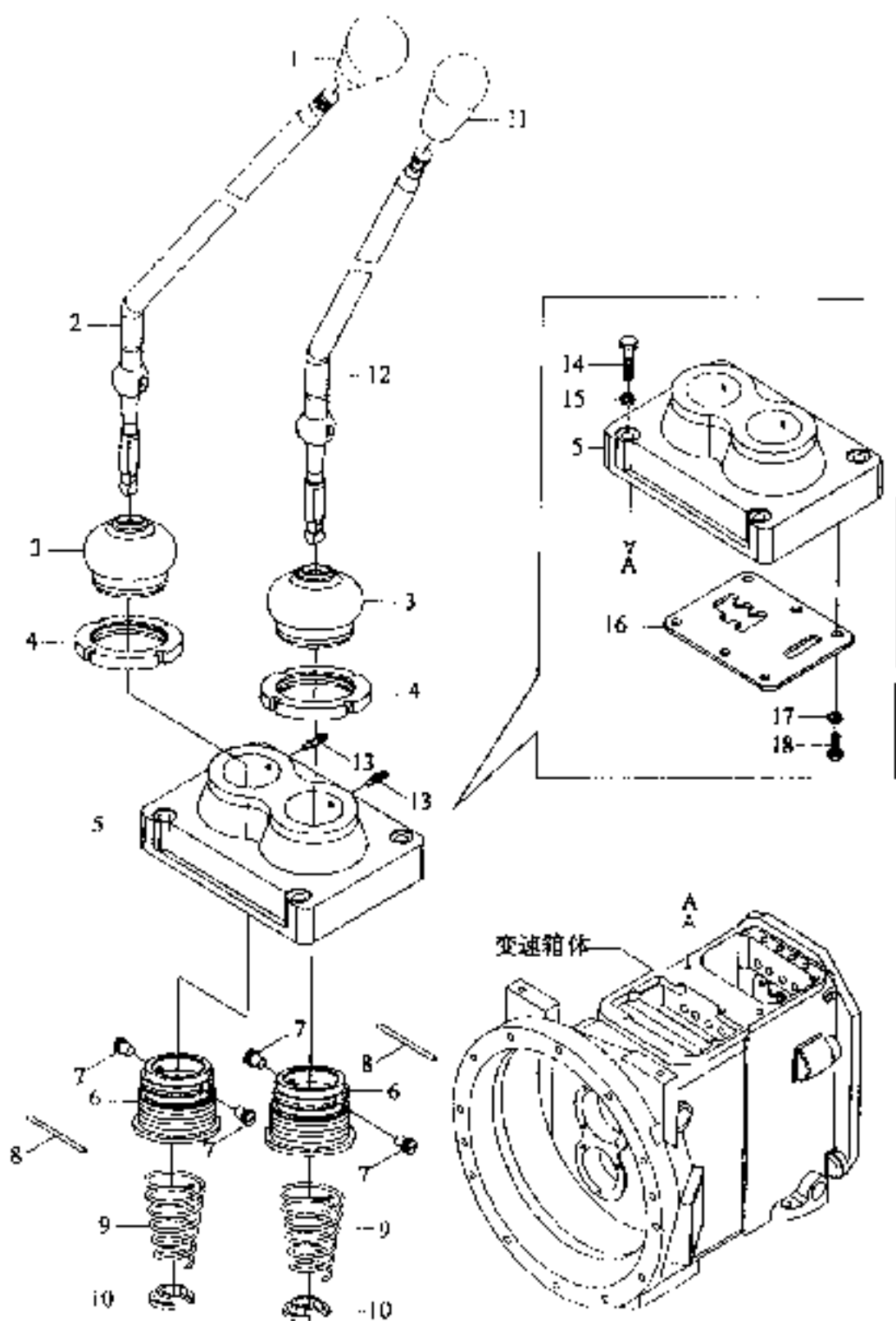


变速箱总成(五)

序号	零件代号	零件名称及规格	数量 (件)			
			700	704	800	804
1	GB/T 343 - 1994	低碳钢丝 $\Sigma - 1.40$	5	5	5	5
2	700.37.109	止动螺钉	5	5	5	5
3	700.37.136	快慢挡拨叉	1	1	1	1
4	700.37.122	快慢挡换挡轴	1	1	1	1
5	700.37.126	快慢挡拨块	1	1	1	1
6	700.37.125	一倒挡换挡轴	1	1	1	1
7	700.37.128	一倒挡拨叉	1	1	1	1
8	700.37.133	直接挡拨块	1	1	1	1
9	700.37.124	四挡换挡轴	1	1	1	1
10	700.37.129	直接挡拨叉	1	1	1	1
11	GB/T 879 - 1986	弹性圆柱销 $5 \times 32$	1	1	1	1
12	700.37.123	二三挡换挡轴	1	1	1	1
13	700.37.127	二三挡拨叉	1	1	1	1
14	GB/T 5781 - 2000	螺栓 $M10 \times 20 - Zn.D$	2	2	2	2
15	GB/T 93 - 1987	弹簧垫圈 10	2	2	2	2
16	700.37.171	换挡杆行程限位片	1	1	1	1
17	700.37.113	换挡轴自锁弹簧	4	4	4	4
18	GB/T 308 - 1989	钢球 11.906 ( $15/32^{\circ}$ )	5	5	5	5
19	700.37.178	四挡换挡轴锁销	1	1	1	1
20	700.37.169	堵 塞	1	1	1	1
21	GB/T 65 - 2000	螺钉 $M8 \times 14 - Zn.D$	4	4	4	4
22	GB/T 93 - 1987	弹簧垫圈 8	4	4	4	4
23	700.37.181	观察孔盖板	1	1	1	1

### Gearbox Assembly ( V )

No.	Drawing No.	Part Name and Standards	Qty. (Piece)			
			700	704	800	804
1	GB/T 343 - 1994	Low carbon steel wire SZ 1.40	5	5	5	5
2	700.37.109	Thrust bolt	5	5	5	5
3	700.37.136	Shift fork for fast and slow gear	1	1	1	1
4	700.37.122	Gearshift shaft for fast and slow gear	1	1	1	1
5	700.37.126	Shift block for fast and slow gear	1	1	1	1
6	700.37.125	Gear change shaft, I reverse gear	1	1	1	1
7	700.37.128	Shift fork, I reverse gear	1	1	1	1
8	700.37.133	Shift block, direct gear	1	1	1	1
9	700.37.124	Gear change shaft, IV gear	1	1	1	1
10	700.37.129	Shift fork, direct gear	1	1	1	1
11	GB/T 879 - 1986	Spring type straight pin 5 × 32	1	1	1	1
12	700.37.123	Gear change shaft, II and III gear	1	1	1	1
13	700.37.127	Shift fork, II and III gear	1	1	1	1
14	GB/T 5781 - 2000	Bolt M10 × 20 - Zn. D	2	2	2	2
15	GB/T 93 - 1987	Single coil spring lock washer 10	2	2	2	2
16	700.37.171	Stroke limiting plate	1	1	1	1
17	700.37.113	Self-locking spring	4	4	4	4
18	GB/T 308 - 1989	Steel ball 11.906 (15/32")	5	5	5	5
19	700.37.178	Locking pin of gearshift shaft, IV gear	1	1	1	1
20	700.37.169	Plug	1	1	1	1
21	GB/T 65 - 2000	Screw M8 × 14 - Zn. D	4	4	4	4
22	GB/T 93 - 1987	Single coil spring lock washer 8	4	4	4	4
23	700.37.181	Cover plate for observation	1	1	1	1





变速箱总成(一)(加强型底盘)

序号	零件代号	零件名称及规格	数量(件)			
			700	704	810	804
1	700B.37.014	主变速手柄球总成	1	1	1	1
2	700B.37.157	主变速杆	1	1	1	1
3	800.37.158	变速杆防尘罩	2	2	2	2
4	800.37.191	变速杆座固定螺母	2	2	2	2
5	700B.37.151	变速箱盖	1	1	1	1
6	800.37.192	变速杆座	2	2	2	2
7	800.37.193	变速杆定位销	4	4	4	4
8	GB/T 3083	镀锌铁丝 ZJ1.4×250	2	2	2	2
9	800.37.137	变速杆弹簧	2	2	2	2
10	800.37.182	变速杆弹簧挡圈	2	2	2	2
11	65.37.015	副变速手柄球总成	1	1	1	1
	65.37D.015	爬行档手柄球总成①	1	1	1	1
12	700B.37.158	副变速杆	1	1	1	1
	700B.37B.158	副变速杆①	1	1	1	1
13	GB/T 75	螺钉 M5×12-A2L	2	2	2	2
14	GB/T 5780	螺栓 M10×55-A2L	4	4	4	4
15	GB/T 93	垫圈 10-A2L	4	4	4	4
16	700B.37.159	限位板	1	1	1	1
	700B.37B.159	限位板①	1	1	1	1
17	GB/T 93	垫圈 8-A2L	6	6	6	6
18	GB/T 5783	螺栓 M8×16 A2L	6	6	6	6

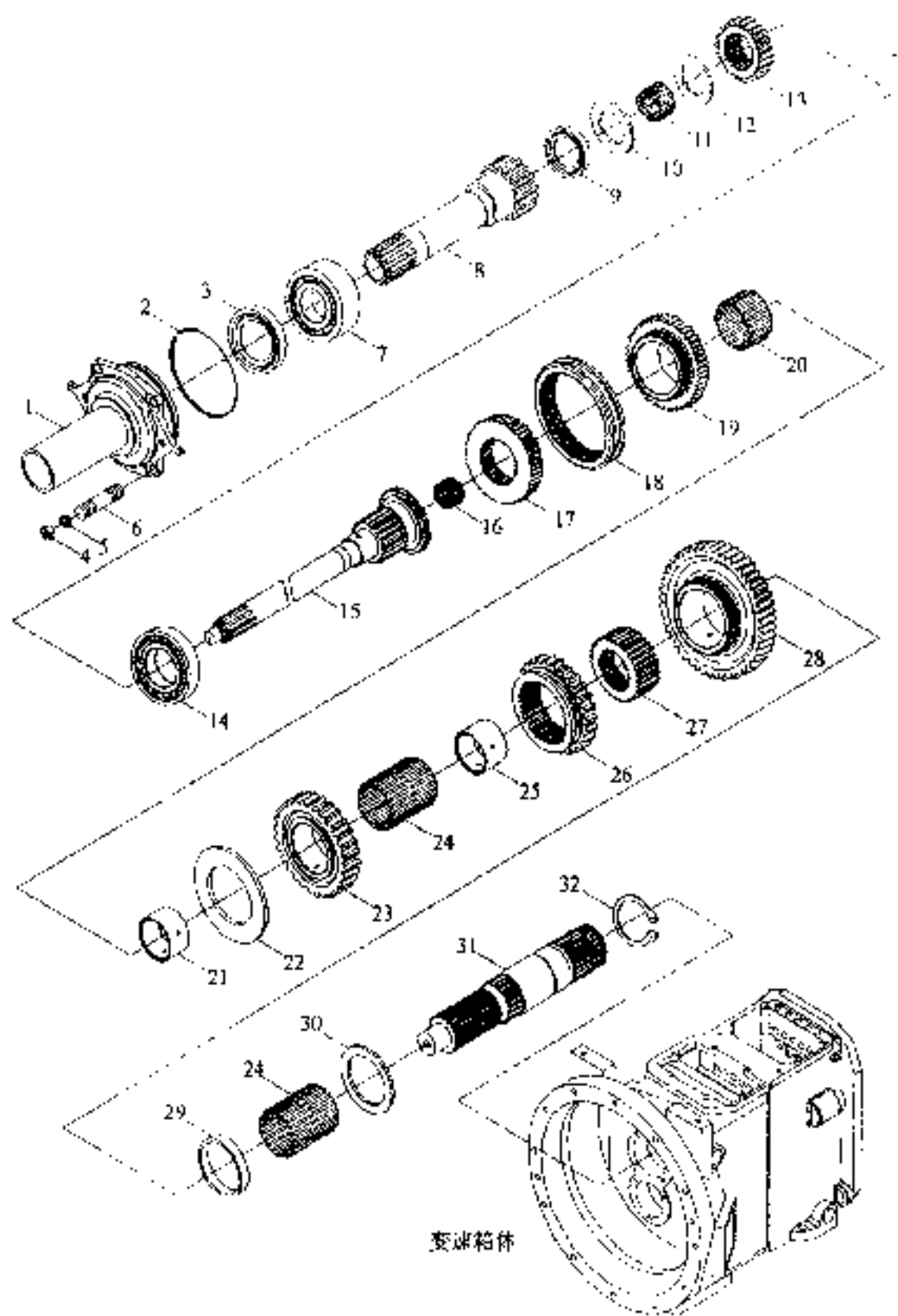
注:①为装 16+4 档变速箱专用

### Gearbox Assembly ( I ) ( enhance )

No.	Drawing No.	Part Name and Standards	Qty. (Piece)			
			700	704	800	804
1	700B.37.014	Main gearshift handle cap assembly	1	1	1	1
2	700B.37.157	Gear change handle,main gearshift	1	1	1	1
3	800.37.138	Dust cover of gear change handle	2	2	2	2
4	800.37.191	Gear change seat lock nut	2	2	2	2
5	700B.37.151	Gearbox housing	1	1	1	1
6	800.37.192	Gear change seal	2	2	2	2
7	800.37.193	Gear change locating pin	4	4	4	4
8	GB/T 3083	Galvanization steel wire Zb1.4*250	2	2	2	2
9	800.37.137	Spring of gear change handle	2	2	2	2
10	800.37.182	Lock washer	2	2	2	2
11	65.37.015	Auxiliary gearshift handle cap assembly	1	1	1	1
	65.370.015	Creeping gearshift handle cap assembly	1	1	1	1
12	700B.37.158	Gear change handle of auxiliary gearshift	1	1	1	1
	700B.37B.158	Gear change handle of auxiliary gearshift	1	1	1	1
13	GB/T 75	Screw M5*12-A2L	2	2	2	2
14	GB/T 5780	Bolt M10*55-A2L	4	4	4	4
15	GB/T 93	Washer 10-A2L	4	4	4	4
16	700B.37.159	Restrict plate	1	1	1	1
	700B.37B.159	Restrict plate①	1	1	1	1
17	GB/T 93	Washer 8-A2L	6	6	6	6
18	GB/T 5783	Bolt M8*16-A2L	6	6	6	6

Note:① Specific for the power take off at 540r/1000r/min

变速箱总成(二)(加强型底座) Gearbox Assembly II (enhance)



## 37 变速箱总成 (二) (加强型底盘)

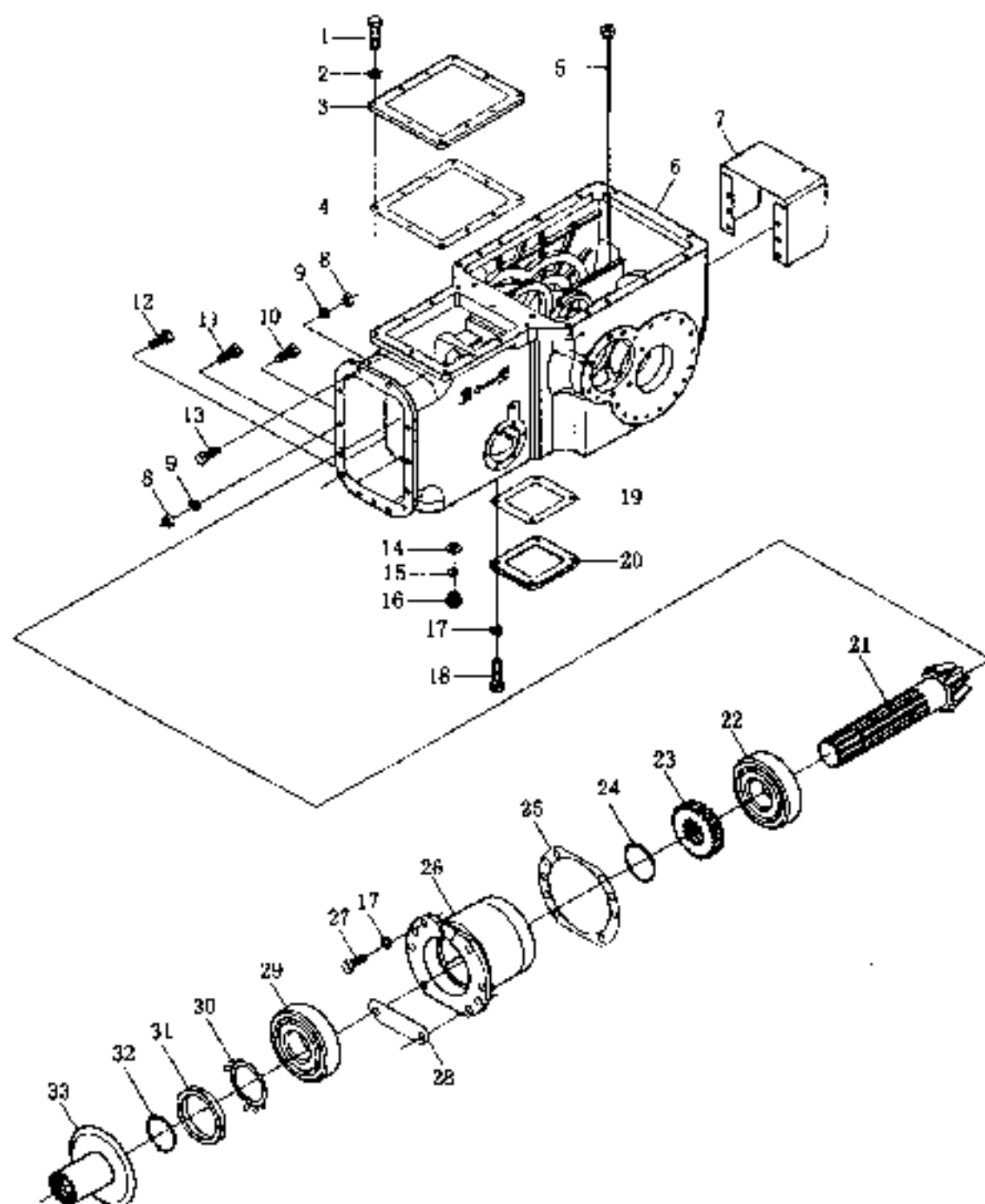
序号	零件代号	零件名称及规格	数量 (件)			
			700	704	800	804
1	700B.37.102	第一轴承座	1	1	1	1
2	65.37.185	O 型圈	1	1	1	1
3	GB/T 9877.1	油封 FB45×62×8	1	1	1	1
4	GB/T 6170	螺母 M10-A2L	4	4	4	4
5	GB/T 93	垫圈 10 AOP	4	4	4	4
6	GB/T 898	螺柱 GM10-M10×20	4	4	4	4
7	GB/T 296-1994	轴承 3211A	1	1	1	1
8	700B.37.108	动力输出主动齿轮	1	1	1	1
	700B.37E.108	动力输出主动齿轮(G)	1	1	1	1
9	GB/T 9877.1	油封 FB30×40×7	1	1	1	1
10	700B.37.194	轴承垫圈	1	1	1	1
11	GB/T 5846-1986	滚针轴承 K35 42 25	1	1	1	1
12	700B.37.112	衬套垫圈	1	1	1	1
13	700B.37.103	常啮合主动齿轮	1	1	1	1
14	GB/T 283-1994	圆柱滚子轴承 NUP211E	1	1	1	1
15	700B.37.104	第一轴	1	1	1	1
16	GB/T 5846-1986	滚针轴承 K30 38 25	1	1	1	1
17	700B.37.140	二、四档啮合座	1	1	1	1
18	700B.37.142	三、四档啮合套	1	1	1	1
19	700B.37.105	二档一档齿轮	1	1	1	1
20	GB/T 5846-1986	滚针轴承 K56 64 31	1	1	1	1
21	700B.37.130	三档齿轮衬套	1	1	1	1
22	700B.37.134	二、三档齿轮垫片	1	1	1	1
23	FT700B.37.110	二轴二档齿轮	1	1	1	1
24	GB/T 5846-1986	滚针轴承 KKS6 64 35	2	2	2	2
25	700B.37.111	二档齿轮衬套	1	1	1	1
26	700B.37.137	倒档被动齿轮	1	1	1	1
27	700B.37.186	倒档啮合座	1	1	1	1
28	700B.37.107	二轴一档齿轮	1	1	1	1
29	700B.37.196	隔套	1	1	1	1
30	700B.37.195	一档齿轮垫片	1	1	1	1
31	700B.37.106	第二轴	1	1	1	1
32	GB/T 894.1	挂齿 S5	1	1	1	1

注: ①为配 540/1000 转/分 PTO 机型专用

## Gearbox Assembly ( II ) ( enhance )

No.	Drawing No.	Part Name and Standards	Qty. (Piece)			
			700	704	800	804
1	700B.37.102	I bearing housing	1	1	1	1
2	65.37.185	O-ring	1	1	1	1
3	GB/T 9877.1	Oil sealing FB45*62*8	1	1	1	1
4	GB/T 6170	Nut M10-A2L	4	4	4	4
5	GB/T 93	Washer 10-AOP	4	4	4	4
6	GB/T 898	Bolt GM10-M10*20	4	4	4	4
7	GB/T 296-1994	Bearings 3211A	1	1	1	1
8	700B.37.108	Driving shaft gear	1	1	1	1
	700B.37E.108	Driving shaft gear①	1	1	1	1
9	GB/T 9877.1	Oil sealing FB30*40*8	1	1	1	1
10	700B.37.194	Bearing adjusting shim	1	1	1	1
11	GB/T 5846-1986	Needle roller bearing,K35 42 25	1	1	1	1
12	700B.37.112	Clearance adjusting shim	1	1	1	1
13	700B.37.103	Constant engaging driving gear	1	1	1	1
14	GB/T 283-1994	Cylindrical roller bearing NUP211e	1	1	1	1
15	700B.37.104	I shaft	1	1	1	1
16	GB/T 5846-1986	Needle roller bearing,K30 38 25	1	1	1	1
17	700B.37.140	III and IV gear mesh seat	1	1	1	1
18	700B.37.142	III and IV gear mesh bush	1	1	1	1
19	700B.37.105	III gear,II shaft	1	1	1	1
20	GB/T 5846-1986	Needle roller bearing,K56 64 31	1	1	1	1
21	700B.37.130	III gear bush	1	1	1	1
22	700B.37.134	II and III gear gasket	1	1	1	1
23	FT700B.37.110	II gear,II shaft	1	1	1	1
24	GB/T 5846-1986	Needle roller bearing,KK56 64 35	2	2	2	2
25	700B.37.111	II gear bush	1	1	1	1
26	700B.37.137	Reverse driving gear	1	1	1	1
27	700B.37.186	Reverse bush	1	1	1	1
28	700B.37.107	I gear,II shaft	1	1	1	1
29	700B.37.196	Spacer sleeve	1	1	1	1
30	700B.37.195	I gear gasket	1	1	1	1
31	700B.37.106	2 shaft	1	1	1	1
32	GB/T 894.1	Circlip for shaft 55	1	1	1	1

Note:① Specific for the power take off at 540/1000r/min



变速箱总成 (三) (加强型底壳)

序号	零件代号	零件名称及规格	数量 [件]			
			700	704	800	904
1	GB/T 6170	螺栓 M10 A2L	3	3	3	3
2	GB/T 93	垫圈 10-A0P	3	3	3	3
3	GB/T 898	螺柱 GM10-M10×20-A2L	3	3	3	3
4	700B.37.141	动力轴承盖	1	1	1	1
5	65.37.134	间隙调整垫	按需	按需	按需	按需
6	GB/T 276-1994	深沟球轴承 6211	3	3	3	3
7	700B.37.193	调整垫圈	1	1	1	1
8	173	动力输出前轴	1	1	1	1
9	65.37.182	动力输出前轴衬套	1	1	1	1
10	700B.37.138	动力输出被动齿轮	1	1	1	1
	700B.37E.138	运输输出被动齿轮①	1	1	1	1
11	700B.37.135	动力输出中间轴止推片	1	1	1	1
12	GB/T 5846-1986	滚针轴承 K35 47 21	1	1	1	1
13	700B.37.114	中间轴	1	1	1	1
14	700B.37.121	常啮合被动齿轮	1	1	1	1
15	700B.37.120	隔套	1	1	1	1
16	700B.37.119	中间轴二档齿轮	1	1	1	1
17	700B.37.116	中间轴一档齿轮	1	1	1	1
18	700B.37.190	倒档啮合套	1	1	1	1
19	700B.37.188	倒档主动齿轮	1	1	1	1
20	GB/T 5846-1986	滚针轴承 K62 68 29	1	1	1	1
21	700B.37.189	倒档齿轮衬套	1	1	1	1
22	700B.37.118	中间轴一档齿轮	1	1	1	1
23	65.37.170a	隔套	1	1	1	1
24	700B.37.174	倒档齿轮止推圈	2	2	2	2
25	JB/T 7918-1997	滚针轴承 K25 31 20	2	2	2	2
26	700B.37.131	倒档齿轮滚针内隔圈	1	1	1	1
27	700B.37.117	倒档惰轮	1	1	1	1
28	700B.37.115	倒档齿轮轴	1	1	1	1

注: ①为AL 540/1000 型号分 PTO 机型专用

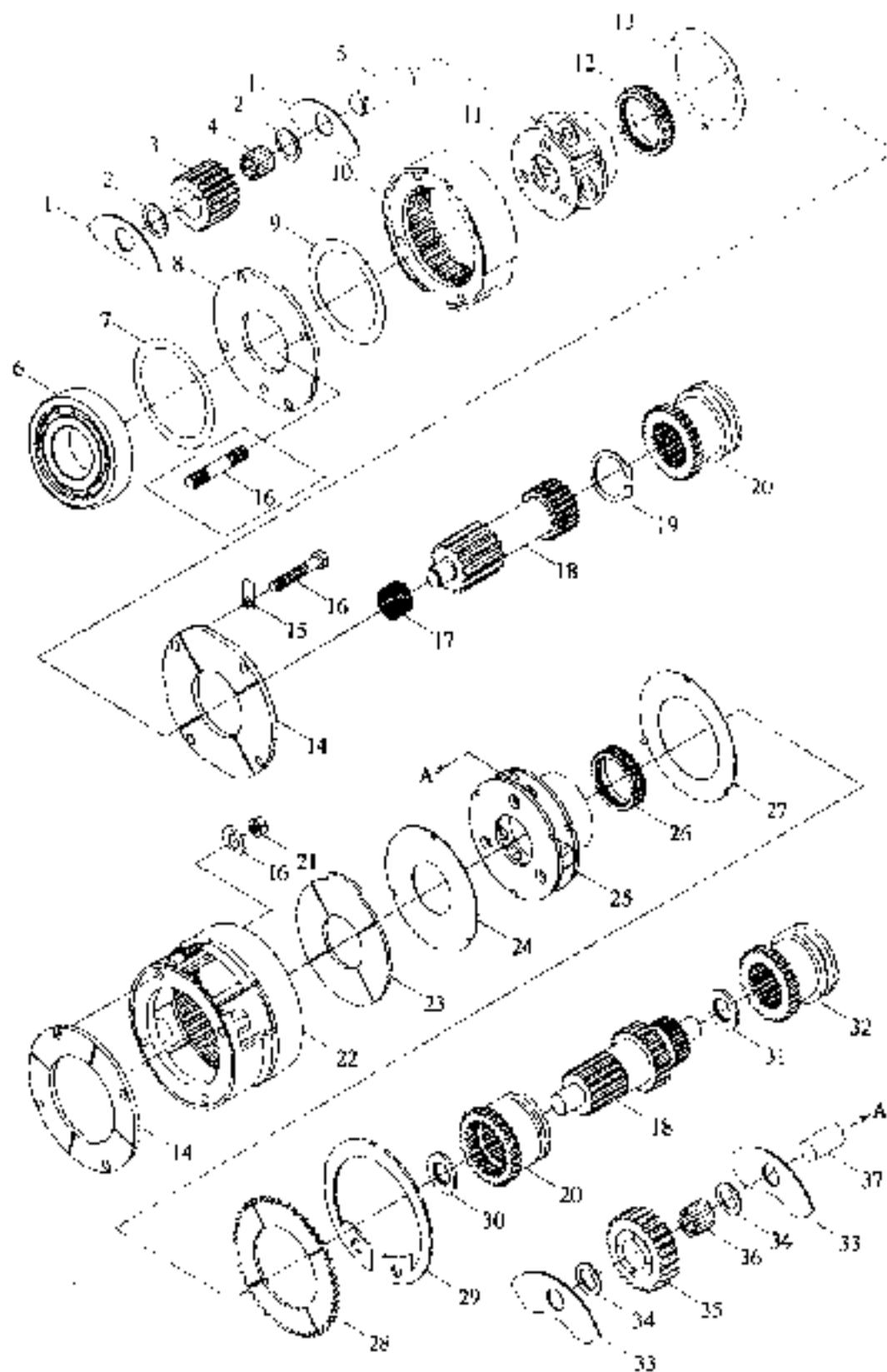
### Gearbox Assembly ( III ) (enhance)

No.	Drawing No.	Part Name and Standards	Qty. (Piece)			
			700	704	800	804
1	GB/T 6170	Nut M10-A2L	3	3	3	3
2	GB/T 93	Washer 10-A2L	3	3	3	3
3	GB/T 898	Bolt GM10-M10*20-A2L	3	3	3	3
4	700B.37.141	Bearing cover	1	1	1	1
5	65.37.134	Adjustable shim	按需	按需	按需	按需
6	GB/T 276-1994	Deep groove ball bearing 6211	3	3	3	3
7	700B.37.193	Clearance adjusting shim	1	1	1	1
8	173	Front shaft PTO	1	1	1	1
9	65.37.182	Bush,PTO	1	1	1	1
10	700B.37.138	Driven gear, PTO	1	1	1	1
	700B.37E.138	Driven gear,PTO(O)	1	1	1	1
11	700B.37.135	Thrust plate	1	1	1	1
12	GB/T 5846-1986	Needle bearing K35 47 21	1	1	1	1
13	700B.37.114	Middle shaft	1	1	1	1
14	700B.37.121	Constant engaging driven gear	1	1	1	1
15	700B.37.120	Bush(I)	1	1	1	1
16	700B.37.119	3 gear,middle shaft	1	1	1	1
17	700B.37.116	2 gear,middle shaft	1	1	1	1
18	700B.37.190	Reverse bush	1	1	1	1
19	700B.37.188	Reverse driving gear	1	1	1	1
20	GB/T 5846-1986	Needle bearing K62 68 29	1	1	1	1
21	700B.37.189	Reverse gear bush	1	1	1	1
22	700B.37.118	1 gear,middle shaft	1	1	1	1
23	65.37.170a	Bush	1	1	1	1
24	700B.37.174	Thrust ring,reverse gear	2	2	2	2
25	JB/T 7918-1997	Needle bearing K25 31 20	2	2	2	2
26	700B.37.131	Inner bush of needle,reverse gear	1	1	1	1
27	700B.37.117	Reverse idler	1	1	1	1
28	700B.37.115	Reverse gear shaft	1	1	1	1

Note:① Specific for the power take off at 540/1000r/min



变速箱总成(四)(加强型底盘) Gearbox Assembly-IV (enhance)



### 变速箱总成 (四) (加强型底盘)

序号	零件代号	零件名称及规格	数量 (件)			
			700	704	800	804
1	700B.37.164	行星齿轮 1 根片	6	6	6	6
2	700B.37.165	行星齿轮滚针隔圈	6	6	6	6
3	700B.37.166	行星齿轮	6	6	6	6
4	GB/T 309	圆头滚针 3.5×29.8	57	57	57	57
5	700B.37.163	行星齿轮轴	3	3	3	3
6	GB/T 276-1994	深沟球轴承 6211	1	1	1	1
7	700B.37.139	二轴调整垫片	1	1	1	1
8	700B.37.145	行星齿座垫板	1	1	1	1
9	65.37.146	传动齿座前垫片	1	1	1	1
10	700B.37.147	行星内齿轮	1	1	1	1
	700.37B.147	行星内齿轮①	1	1	1	1
11	700B.37.162	行星齿轮架	1	1	1	1
12	700B.37.167	行星齿座内齿圈	1	1	1	1
13	700B.37.148	行星齿座后垫片	1	1	1	1
14	65.37.149	行星齿座盖板	1	1	1	1
	65.37D.219	爬行档前隔板①	1	1	1	1
15	GB/T 854	止动垫圈 12	4	4	4	4
	GB/T 855	止动垫圈 12①	4	4	4	4
16	GB/T 5782	螺栓 M12×80-A2L	4	4	4	4
	GB/T 899	螺母 AM12-M12×1.25×120-8.8-A2L①	4	4	4	4
17	GB/T 5846-1986	滚针轴承 K202620	1	1	1	1
18	700B.37.172	传动齿轮轴	1	1	1	1
	700.37B.202	爬行档齿轮轴①	1	1	1	1
19	GB/T 894.1	挡圈 42	1	1	1	1
20	700B.37.150	第一轴传动齿套	1	1	1	1
	700.37B.150	第二轴传动齿套①	1	1	1	1
21	GB/T 6171	螺母 M12×1.25-A2L①	4	4	4	4
22	65.37D.210	行星大齿圈①	1	1	1	1
23	65.37D.211	爬行档隔板①	1	1	1	1
24	65.37D.212	爬行档前垫片①	1	1	1	1
25	65.37D.213	爬行档行星齿轮架①	1	1	1	1
26	65.37.167	行星齿座内齿圈①	1	1	1	1

### 变速箱总成 (四) (加强型底盘)

序号	零件代号	零件名称及规格	数 量 (件)			
			700	704	800	804
27	65.37D.214	爬行档同步片①	1	1	1	1
28	65.37D.215	爬行档后档板①	1	1	1	1
29	GB/T 893.1	挡圈 180①	1	1	1	1
30	65.37D.140	垫片①	1	1	1	1
31	700.37B.139	行星调整体①	1	1	1	1
32	700.37B.201	爬行档连接套①	1	1	1	1
33	65.37D.217	行星齿轴止推片①	6	6	6	6
34	65.37.165	行星齿轮滚针隔套①	6	6	6	6
35	65.37D.216	爬行档行星齿轮①	3	3	3	3
36	GB/T 309	圆头滚针 3.5×17.2①	60	60	60	60
37	65.37D.218	行星齿轮轴①	3	3	3	3

注: ①为爬行档机型专用

### Gearbox Assembly ( IV ) ( enhance )

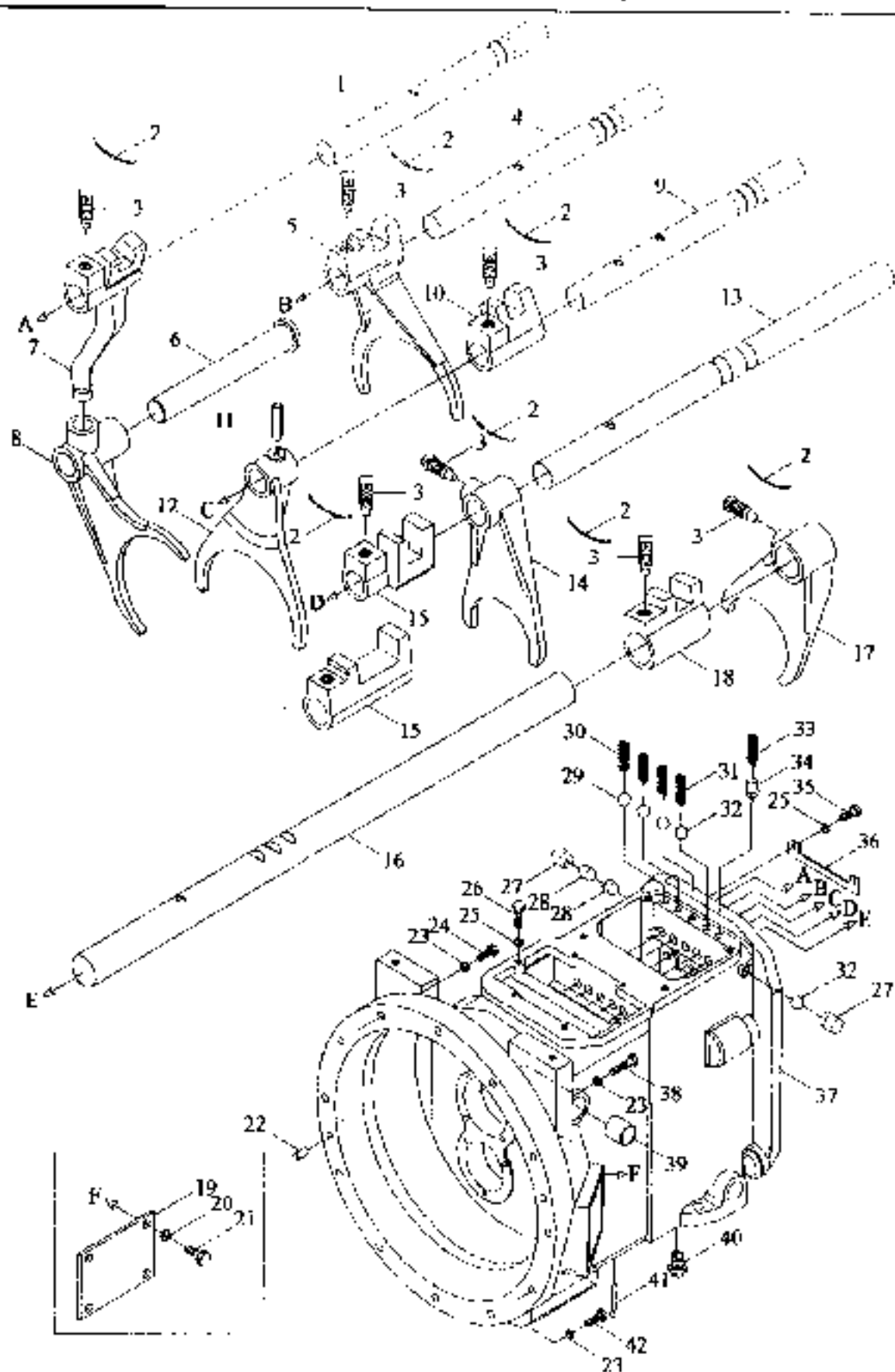
No.	Drawing No.	Part Name and Standards	Qty. (Piece)			
			700	704	800	804
1	700B.37.164	Thrust plate,planetary gear	6	6	6	6
2	700B.37.165	Needl spacer,planetary gear	6	6	6	6
3	700B.37.166	Planetary gear	6	6	6	6
4	GB/T 309	Round head needle3.5*29.8	57	57	57	57
5	700B.37.163	Planetary gear shutt	3	3	3	3
6	GB/T 276-1994	Deep groove ball bearing 6211	1	1	1	1
7	700B.37.139	Gasket,planetary gear housing	1	1	1	1
8	700B.37.145	Spacer plate,planetary housing	1	1	1	1
9	65.37.146	Front gasket planetary housing	1	1	1	1
10	700B.37.147	Planetary inner gear	1	1	1	1
	700.37B.147	Planetary inner gear①	1	1	1	1
11	700B.37.162	Planetary gear housing	1	1	1	1
12	700B.37.167	Inner gear ring,planetary gear housing	1	1	1	1
13	700B.37.148	Rear gasket,planetary gear housing	1	1	1	1
14	65.37.149	Cover plate of planetary gear	1	1	1	1

## Gearbox Assembly ( IV ) ( enhance )

No.	Drawing No.	Part Name and Standards	Qty. (Pieces)			
			700	704	800	804
	65.37D.219	Creeping front claphboard	1	1	1	1
15	GB/T 854	Thrust washer 12	1	1	1	1
	GB/T 855	Thrust washer 12.(1)	4	4	4	4
16	GB/T 5752	Bolt M12*80-A2L	4	4	4	4
	GB/T 899	Bolt AM12-M12*1.25*120-8.8-A2L(A)	4	4	4	4
17	GB/T 5846-1986	Instrument precision bearing K202620	4	4	4	4
18	700B.37.172	Transmission gear shaft	1	1	1	1
	700.37B.202	Creeping gear shaft(1)	1	1	1	1
19	GB/T 894.1	Circlip for shaft 42	1	1	1	1
20	700B.37.150	Transmission gear sleeve.2 shaft	1	1	1	1
	700.37B.150	Transmission gear sleeve.2 shaft(1)	1	1	1	1
21	GB/T 6171	Nut M12*1.25-A2L(1)	4	4	4	4
22	65.37D.210	Planetary inner gear	1	1	1	1
23	65.37D.211	Creeping claphboard	1	1	1	1
24	65.37D.212	Front gasket planetary housing	1	1	1	1
25	65.37D.213	Planetary gear housing	1	1	1	1
26	65.37.167	Inner gear ring,planetary gear housing	1	1	1	1
27	65.37D.214	Rear basket,planetary gear housing	1	1	1	1
28	65.37D.215	Spacer planetary housing	1	1	1	1
29	GB/T 893.1	Circlip for shaft 180(1)	1	1	1	1
30	65.37D.140	Washer(1)	1	1	1	1
31	700.37B.139	Single coil spring lock washer	1	1	1	1
32	700.37B.201	Creeping gear connecting sleeve(1)	1	1	1	1
33	65.37D.217	Thrust plate,planetary gear(1)	6	6	6	6
34	65.37.165	Planetary gear shaft(1)	6	6	6	6
35	65.37D.216	Creeping planetary gear(1)	3	3	3	3
36	GB/T 309	Round head needle 3.5*17.2(1)	60	60	60	60
37	65.37D.218	Planetary gear shaft(1)	3	3	3	3

Note:(1)Attribute creeping gear special

变速箱总成(五)(加强型底盘) Gearbox Assembly—V (enhance)



### 变速箱总成 (五) (加强型底盘)

序号	零件代号	零件名称及规格	数量 (件)			
			700	704	800	804
	700B.37.001	变速箱总成	1	1	1	1
	700.37B.001	变速箱总成	1	1	1	1
	700.37F.001	变速箱总成	1	1	1	1
	700.37F.001	变速箱总成	1	1	1	1
1	700.37.123	倒档拨叉轴	7	7	7	7
2	GB/T 343	一般用途低碳钢丝 SZ-L40	7	7	7	7
3	65.37.109	止动螺钉	1	1	1	1
4	700B.37.125	二档换档轴	1	1	1	1
5	700B.37.128	二档拨叉	1	1	1	1
6	700B.37.192	倒档中间拨叉轴	1	1	1	1
7	700B.37.177	倒档拨叉	1	1	1	1
8	700B.37.191	倒档拨叉	1	1	1	1
9	700B.37.124	三四档换档轴	1	1	1	1
10	700B.37.133	三四档拨块	1	1	1	1
11	GB/T 879	弹性圆柱销 5*32	1	1	1	1
12	700B.37.129	三四档拨叉	1	1	1	1
13	700B.37.122	快慢档换档轴	1	1	1	1
	700.37B.122	快慢档换档轴⑤	1	1	1	1
14	700B.37.136	快慢档拨叉	1	1	1	1
	700.37B.136	快慢档拨叉⑥	1	1	1	1
15	700B.37.126	快慢档拨块	1	1	1	1
	700.37B.126	快慢档拨块⑦	1	1	1	1
16	700.37B.204	爬行档拨叉轴⑧	1	1	1	1
17	700.37B.203	爬行档拨叉	1	1	1	1
18	65.37D.206	爬行档拨头	1	1	1	1
19	65.37D.181.1	观察孔盖板	4	4	4	4
20	GB/T 93	标准型弹簧垫圈 8-A0P	4	4	4	4
21	GB/T 5783	六角头螺栓-全螺纹 M8*16-A2L	2	2	2	2
22	GB/T 119	圆钢销 B12*24	12	12	12	12
23	GB/T 93	标准型弹簧垫	9	9	9	9
24	GB/T 5783	六角头螺栓-全螺纹 M12*40-A2L	8	8	8	8
25	GB/T 93	标准型弹簧垫圈 10-40P	6	6	6	6
26	GB/T 5783	六角头螺栓-全螺纹 M10*30-A2L	2	2	2	2
27	65.37.169	堵盖	2	2	2	2
28	700B.37.178	换挡互锁销	3	3	3	3
29	GB/T 308	钢球 10G100b	3	3	3	3
30	700B.37.139	弹簧	1	1	1	1

### 变速箱总成 (五) (加强型底盘)

序号	零件代号	零件名称及规格	数量 (件)			
			700	704	800	804
31	65.37.113	换挡轴自锁弹簧	1	1	1	1
32	GB/T 308	钢球 11.906(15.32)	1	1	1	1
33	65.37D.207	换挡轴轴自锁弹簧	1	1	1	1
34	65.37.178	四档换挡轴锁销	2	2	2	2
35	GB/T 5781	六角头螺栓-一个螺纹, C 级 M10*20-A2L	1	1	1	1
36	65.37D.171	换挡轴行程限制片	1	1	1	1
37	700.37.161	变速箱体	1	1	1	1
38	GB/T 5782	六角头螺栓 M12*90-A2L	2	2	2	2
39	65.37.132	离合器分离轴衬套	2	2	2	2
40	65.38.026	油塞总成	1	1	1	1
41	GB/T 91	开口销 6.3*30-A2L	1	1	1	1
42	GB/T 5783	六角头螺栓-全螺纹 M12*50-A2L	1	1	1	1

注: ①R+2档变速箱, PTO 为 760 转/分 ②16+4 档变速箱, PTO 为 760 转/分 ③S-2 档变速箱, PTO 转速 540/1000 转/分 ④16+4 档变速箱, PTO 转速 540/1000 转/分 ⑤总装爬行档时用量为 7 ⑥配爬行档机

### Gearbox Assembly { V } (enhance)

No.	Drawing No.	Part Name and Standards	Qty. (Piece)			
			700	704	800	804
	700B.37.001	Gearbox assembly①	1	1	1	1
	700.37B.001	Gearbox assembly②	1	1	1	1
	700.37E.001	Gearbox assembly③	1	1	1	1
	700.37F.001	Gearbox assembly④	1	1	1	1
1	700.37.123	Reverse shift shaft	7	7	7	7
2	GB/T 343	Steel wireSZ 1.4⑤	7	7	7	7
3	65.37.109	Stop bolt	1	1	1	1
4	700B.37.125	III gear shaft	1	1	1	1
5	700B.37.128	III gear fork	1	1	1	1
6	700B.37.192	Reverse middle fork shaft	1	1	1	1
7	700B.37.127	Reverse gear fork rod	1	1	1	1
8	700B.37.191	Reverse gear fork	1	1	1	1
9	700B.37.124	III and IV gear shift shaft	1	1	1	1
10	700B.37.133	III and IV gear fork block	1	1	1	1
11	GB/T 879	Spring pin5*32	1	1	1	1
12	700B.37.129	Shift fork, 3 <sup>rd</sup> and 4 <sup>rd</sup>	1	1	1	1
13	700B.37.122	Fast and slow shaft	1	1	1	1
	700.37B.122	Fast and slow shaft	1	1	1	1

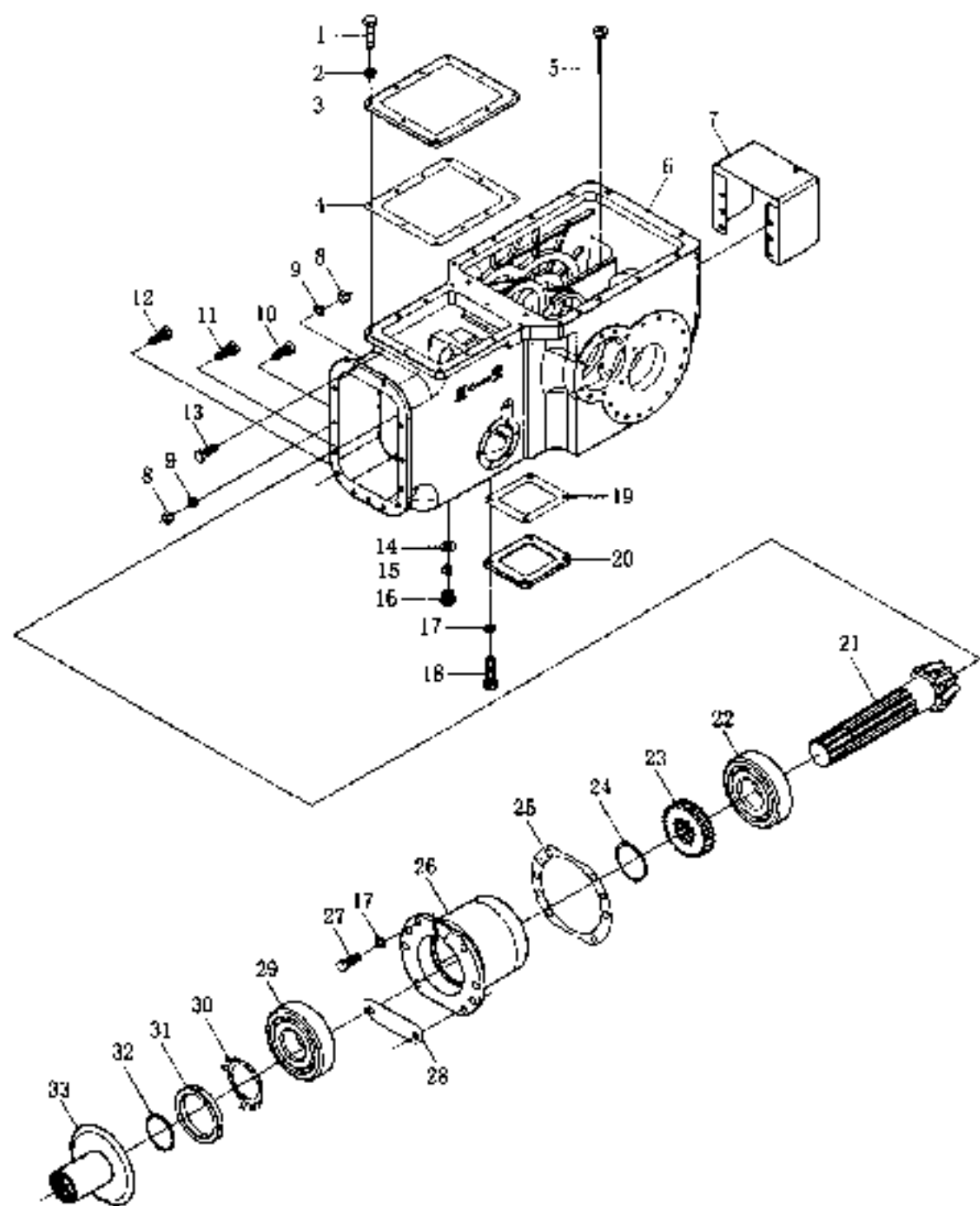
## Gearbox Assembly ( V ) (enhance)

No.	Drawing No.	Part Name and Standards	Qty. (Piece)			
			700	704	800	804
14	700B.37.136	Shift fork,fast and slow	1	1	1	1
	700.37B.136	Shift fork,fast and slow	1	1	1	1
15	700B.37.126	Shift fork,fast and slow	1	1	1	1
	700.37B.126	Shift fork,fast and slow	1	1	1	1
16	700.37B.204	Crawl fork shati	1	1	1	1
17	700.37B.203	Crawl fork	1	1	1	1
18	65.37D.206	Crawl fork point	1	1	1	1
19	65.37D.181-1	Inspection window	4	4	4	4
20	GB/T 93	Single coil spring lock washer 8-A0P	4	4	4	4
21	GB/T 5783	Hexagon bolt-full thread M8*16-A2L	2	2	2	2
22	GB/T 119	Straight pin B12*24	12	12	12	12
23	GB/T 93	Single coil spring lock washer 12-A0P	9	9	9	9
24	GB/T 5783	Hexagon bolt-full thread M12*40-A2L	8	8	8	8
25	GB/T 93	Single coil spring lock washer 10-A0P	6	6	6	6
26	GB/T 5783	Hexagon bolt-full thread M10*30-A2L	2	2	2	2
27	65.37.169	Plug	2	2	2	2
28	700B.37.178	Mutual inter locked pin	3	3	3	3
29	GB/T 308	Steel ball 10Cr 100h	3	3	3	3
30	700B.37.129	Spring	1	1	1	1
31	65.37.113	Shift shaft lockself spring	1	1	1	1
32	GB/T 308	Steel ball 10Cr 100h11.906(15/32)	1	1	1	1
33	65.37D.207	Grade 2,shift shaft lockself spring	1	1	1	1
34	65.37.178	IV shaft lock pin	2	2	2	2
35	GB/T 5781	Hexagon bolt-full thread C grade M10*20-A2L	1	1	1	1
36	65.37D.171	Shift shaft space stop piece	1	1	1	1
37	700.37.101	Gearbox body	1	1	1	1
38	GB/T 5782	Hexagon bolt 12*90-A2L	2	2	2	2
39	65.37.132	Separate shaft bust. of clutch	2	2	2	2
40	65.38.026	Oil plug assembly	1	1	1	1
41	GB/T 91	Split pin 6.3*30-A0P	1	1	1	1
42	GB/T 5783	Hexagon bolt-full thread M12*50-A2L	1	1	1	1

Note: 1) 8-2 gearshift, PTO is 760r/min; 2) 16+4 gearshift, PTO is 760r/min; 3) 8+2 gearshift, PTO is 540/1000r/min; 4) 16+4 gearshift, PTO is 540/1000r/min; 5) The quantity is seven when crawl shift; 6) Adopt crawl shift.



后桥总成(一) Rear Axle Assembly ( I )



## 后桥总成(一)

序号	零件代号	零件名称及规格	数量 (件)			
			700	704	800	804
1	GB/T 5781 - 2000	螺栓 M10 × 25 - Zn. D	10	10	10	10
2	GB/T 93 - 1987	弹簧垫圈 10	10	10	10	10
3	700.38.101	后上盖	1	1	1	1
4	700.38.104	后上盖纸垫	1	1	1	1
5	700.38.030	油尺总成	1	1	1	1
6	700.38.601 - 1	后桥壳体	1	1	1	1
7	700.38.220	安全防护罩	1	1	1	1
8	GB/T 6170 - 2000	螺母 M14 - Zn. D	10	10	10	10
9	GB/T 93 - 1987	弹簧垫圈	13	13	13	13
10	GB/T 5783 - 2000	螺栓 M14 × 55 - Zn. D	2	2	2	2
11	GB/T 27 - 1988	铰制孔用螺栓 M14 × 50 - Zn. D	2	2	2	2
12	GB/T 5783 - 2000	螺栓 M14 × 40 - Zn. D	3	3	3	3
13	GB/T 5783 - 2000	螺栓 M14 × 50 - Zn. D	6	6	6	6
14	JB/T 982 - 1977	组合密封垫圈 30	1	1	1	1
15	FT65.38.181	油塞磁体	1	1	1	1
16	FT65.38.182	放油螺塞	1	1	1	1
17	GB/T 93 - 1987	弹簧垫圈 12	10	6	6	6
18	GB/T 5781 - 2000	螺栓 M12 × 30 - Zn. D	4			
19	700.38.212	分动箱口盖衬垫	1			
20	700.38.213	分动箱口盖	1			
21	700.38.106	主动弧内锥齿轮	1	1	1	1
	800.38.106	主动弧齿锥齿轮 <sup>①</sup>	1	1	1	1
22	GB/T 297 - 1994	圆锥滚子轴承 32310	1	1	1	1
23	704.38.109	主动齿轮		1		1
24	GB/T 894.1 - 1986	轴用弹性挡圈 45		1		1
25	700.38.107	轴承座调整垫片	按需	按需	按需	按需
26	700.38.108	主动弧内锥齿轮轴承座	1	1	1	1
27	GB/T 5781 - 2000	螺栓 M12 × 35 - Zn. D	6	6	6	6
28	700.38.193	盛油罩	1	1	1	1
29	GB/T 297 - 1994	圆锥滚子轴承 30309	1	1	1	1
30	GB/T 858 - 1988	止动垫圈 45	1	1	1	1
31	GB/T 812 - 1988	螺母 M45 × 1.5	1	1	1	1
32	GB/T 895.1 - 1986	孔用弹性挡圈 42	1	1	1	1
33	700.38.011	联轴节总成	1	1	1	1

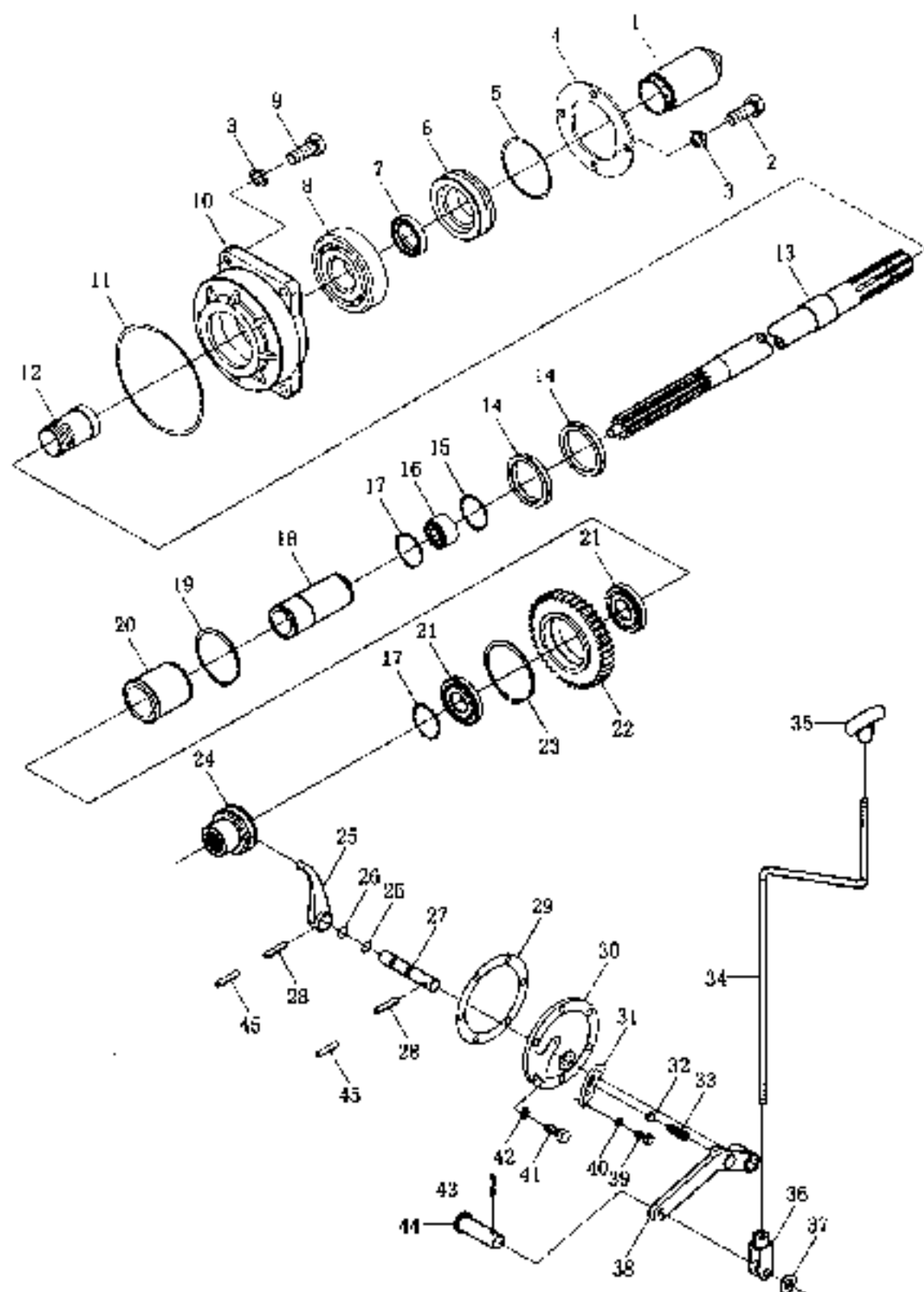
注: ① 选装。

### Rear Axle Assembly ( I )

No.	Drawing No.	Part Name and Standards	Qty. [Piece]			
			700	704	800	804
1	GB/T 5781 - 2000	Bolt M10 × 25 - Zn. D	10	10	10	10
2	GB/T 93 - 1987	Single coil spring lock washer 10	10	10	10	10
3	700 .38.101	Rear upper cover	1	1	1	1
4	700 .38.104	Gasket of rear upper cover	1	1	1	1
5	700 .38.030	Flipstick assembly	1	1	1	1
6	700 .38.601 - 1	Rear axle housing	1	1	1	1
7	700 .38.220	Safety guard	1	1	1	1
8	GB/T 6170 - 2000	Nut M14 - Zn. D	10	10	10	10
9	GB/T 93 - 1987	Single coil spring lock washer 14	13	13	13	13
10	GB/T 5783 - 2000	Bolt M14 × 55 - Zn. D	2	2	2	2
11	GB/T 27 - 1988	Bolt M14 × 50 - Zn. D	2	2	2	2
12	GB/T 5783 - 2000	Bolt M14 × 40 - Zn. D	3	3	3	3
13	GB/T 5783 - 2000	Bolt M14 × 50 - Zn. D	6	6	6	6
14	JB/T 982 - 1977	Combined sealing washer 30	1	1	1	1
15	700 .38.181	Plug magnet	1	1	1	1
16	700 .38.182	Drain screw	1	1	1	1
17	GB/T 93 - 1987	Single coil spring lock washer 12	10	6	6	6
18	GB/T 5781 - 2000	Bolt M12 × 30 - Zn. D	4			
19	700 .38.212	Gasket	1			
20	700 .38.213	Cover of housing	1			
21	700 .38.106	Driving angle gear with cambered gear	1	1	1	1
	800 .38.106	Driving angle gear with cambered gear <sup>Ⓞ</sup>	1	1	1	1
22	GB/T 297 - 1994	Tapered roller bearing 32310	1	1	1	1
23	704 .38.109	Driving gear	1			
24	GB/T 894.1 - 1986	Circclip for shaft 45		1		1
25	700 .38.107	Adjusting shim of bearing housing	○	○	○	○
26	700 .38.108	Bearing housing of angle gear	1	1	1	1
27	GB/T 5781 - 2000	Bolt M12 × 35 - Zn. D	6	6	6	6
28	700 .38.193	Roof for oil	1	1	1	1
29	GB/T 297 - 1994	Tapered roller bearing 30309	1	1	1	1
30	GB/T 858 - 1988	Tab washer for round nut 45	1	1	1	1
31	GB/T 812 - 1988	Round nut M45 × 1.5	1	1	1	1
32	GB/T 895.1 - 1986	Roundwire snap ring for hole 42	1	1	1	1
33	700 .38.011	Shaft coupling assembly	1	1	1	1

Note: ○ Optional.

## 后桥总成(二) Rear Axle Assembly ( II )



## 后桥总成(二)

序号	零件代号	零件名称及规格	数量 (件)			
			700	704	800	804
1	700.38.162	防护罩	1	1	1	1
2	GB/T 5781 - 2000	螺栓 M12 × 25 - Zn.D	4	4	4	4
3	GB/T 93 - 1987	弹簧垫圈 12	8	8	8	8
4	700.38.160	压板	1	1	1	1
5	GB 3452.1 - 1992	O形密封圈 92 × 5.3	1	1	1	1
6	700.38.161	挡座	1	1	1	1
7	GB/T 9877.1 - 1988	油封 FR50 × 12 × 8	1	1	1	1
8	GB/T 276 - 1994	深沟球轴承 6309Z	1	1	1	1
9	GB/T 5781 - 2000	螺栓 M12 × 40 - Zn.D	4	4	4	4
10	700.38.159	轴承座	1	1	1	1
11	GB 3452.1 - 1992	O形密封圈 170 × 5.3	1	1	1	1
12	700.38.158	轴套	1	1	1	1
13	700.38.201A	动力输出轴	1	1	1	1
14	GB/T 812 - 1988	螺母 M45 × 1.5	2	2	2	2
15	GB/T 895.1 - 1986	孔用钢丝挡圈 42	1	1	1	1
16	GB/T 12764 - 1991	滚针轴承 HK3542	1	1	1	1
17	GB/T 894.1 - 1986	轴用弹性挡圈 50	2	2	2	2
18	700.38.155	动力输出轴轴承座	1	1	1	1
19	GB/T 894.1 - 1986	轴用弹性挡圈 65	1	1	1	1
20	700.38.153	轴承座	1	1	1	1
21	GB/T 276 - 1994	深沟球轴承 6010	2	2	2	2
22	704.38.152	中间齿轮		1		1
23	GB/T 893.1 - 1986	孔用弹性挡圈 80	1	1	1	1
24	700.38.157	传动齿轮连接套	1	1	1	1
25	700.38.171	拨叉	1	1	1	1
26	GB 3452.1 - 1992	O形密封圈 13.2 × 2.65	2	2	2	2
27	700.38.172	拨叉轴	1	1	1	1
28	GB/T 879 - 1986	弹性圆柱销 8 × 28	2	2	2	2
29	700.38.166	拨叉座衬垫	1	1	1	1
30	700.38.167	拨叉座	1	1	1	1
31	700.38.170	拨叉手柄定位板	1	1	1	1
32	GB/T 308 - 1989	钢球 12	1	1	1	1
33	700.38.165	弹簧	1	1	1	1
34	700.38.502	操纵杆	1	1	1	1

### 后桥总成(二)

序号	零件代号	零件名称及规格	数量 (件)			
			700	704	800	804
35	700.38.051	拉压手柄	1	1	1	1
36	700.38.503	连接叉	1	1	1	1
37	GB/T 95 - 1985	平垫圈 12 - 140HV - Zn. D	1	1	1	1
38	700.38.501	连接杆	1	1	1	1
39	GB/T 5781 - 2000	螺栓 M5 × 12 - Zn. D	2	2	2	2
40	GB/T 93 - 1987	弹簧垫圈 5	2	2	2	2
41	GB/T 5781 - 2000	螺栓 M10 × 25 - Zn. D	6	6	6	6
42	GB/T 93 - 1987	弹簧垫圈 10	6	6	6	6
43	GB/T 91 - 2000	开口销 4 × 24	1	1	1	1
44	GB/T 882 - 2000	销轴 B12 × 35	1	1	1	1
45	GB/T 879 - 1986	弹性圆柱销 5 × 28	2	2	2	2

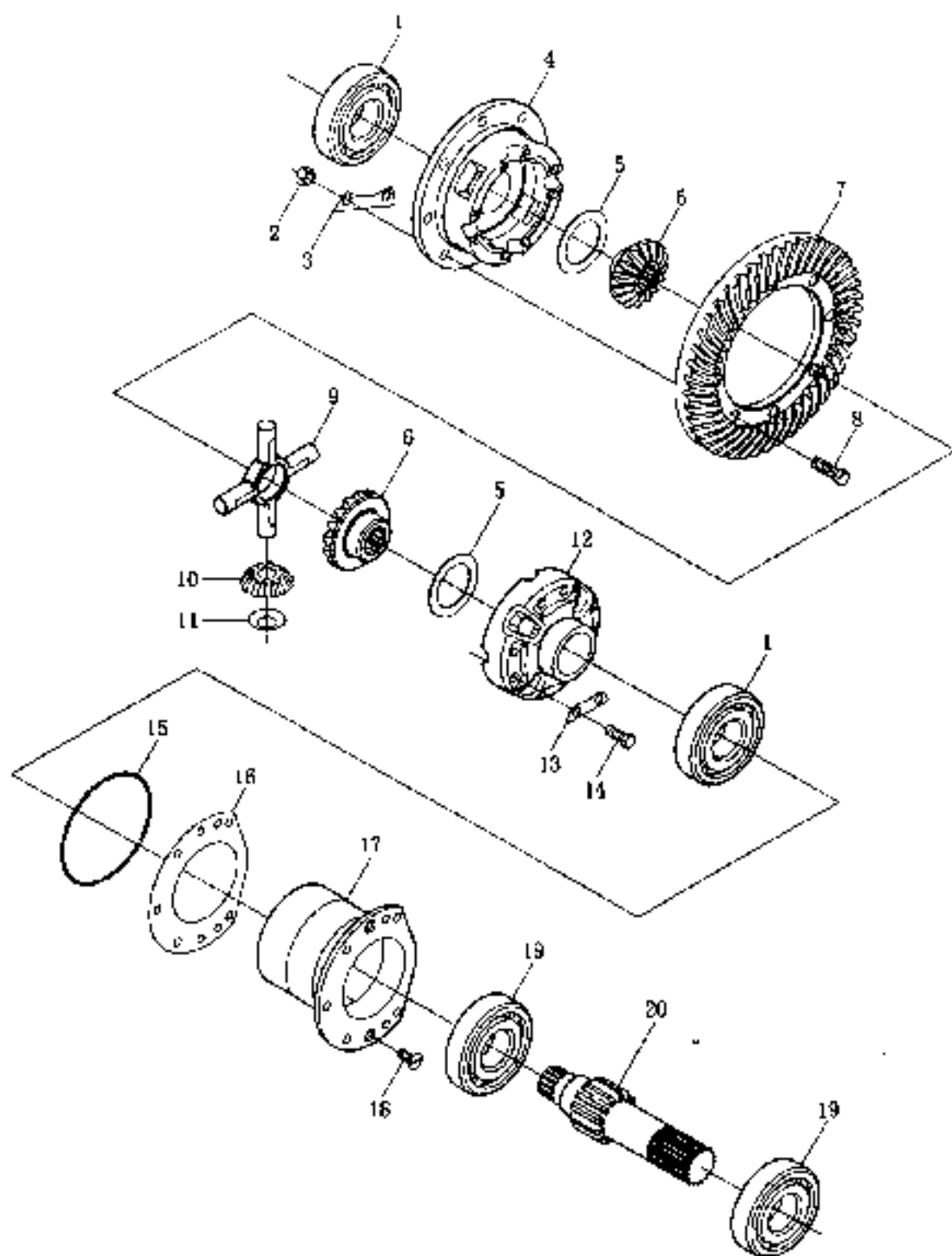
### Rear Axle Assembly ( II )

No.	Drawing No.	Part Name and Standards	Qty. (Pieces)			
			700	704	800	804
1	700.38.162	Safety guard	1	1	1	1
2	GB/T 5781 - 2000	Bolt M12 × 25 - Zn. D	4	4	4	4
3	GB/T 93 - 1987	Single coil spring lock washer 12	8	8	8	8
4	700.38.160	Pressure plate	1	1	1	1
5	GB 3452.1 - 1992	O - seal ring 92 × 5.3	1	1	1	1
6	700.38.161	Stop bush seat	1	1	1	1
7	GB/T 9877.1 - 1988	Oil sealing FBS0 × 72 × 8	1	1	1	1
8	GB/T 276 - 1994	Deep groove ball bearing 6309Z	1	1	1	1
9	GB/T 5781 - 2000	Bolt M12 × 40 - Zn. D	4	4	4	4
10	700.38.159	Bearing housing	1	1	1	1
11	GB 3452.1 - 1992	O - seal ring 170 × 5.3	1	1	1	1
12	700.38.158	Shaft sleeve	1	1	1	1
13	700.38.201A	PIO	1	1	1	1
14	GB/T 812 - 1988	Round nut M45 × 1.5	2	2	2	2
15	GB/T 895.1 - 1986	Runchwire soap ring for hole 42	1	1	1	1
16	GB/T 12764 - 1991	Needle roller bearing HK3542	1	1	1	1

### Rear Axle Assembly ( II )

No.	Drawing No.	Part Name and Standards	Qty. (Piece)			
			700	704	800	804
17	GB/T 894.1 - 1986	Circlip for shaft 50	2	2	2	2
18	700.38.155	Bearing housing of PTO	1	1	1	1
19	GB/T 894.1 - 1986	Circlip for shaft 65	1	1	1	1
20	700.38.153	Bearing housing	1	1	1	1
21	GB/T 276 - 1994	Deep groove ball bearing 6010	2	2	2	2
22	704.38.152	Middle gear		1		1
23	GB/T 893.1 - 1986	Circlip for hole 80	1	1	1	1
24	700.38.157	Connecting sleeve for transmission gear	1	1	1	1
25	700.38.171	Gear fork	1	1	1	1
26	GB 3452.1 - 1992	O - seal ring 13.2 × 2.65	2	2	2	2
27	700.38.172	Slut for gear fork	1	1	1	1
28	GB/T 879 - 1986	Spring - type straight pin 8 × 28	2	2	2	2
29	700.38.166	Seat gasket of gear fork	1	1	1	1
30	700.38.167	Seat of gear fork	1	1	1	1
31	700.38.170	Locating plate for gear fork handle	1	1	1	1
32	GB/T 308 - 1989	Thrust ball bearing 12	1	1	1	1
33	700.38.165	Spring	1	1	1	1
34	700.38.502	Control rod	1	1	1	1
35	700.38.051	Pull and pressure handle	1	1	1	1
36	700.38.503	Connecting fork	1	1	1	1
37	GB/T 95 - 1985	Plain washer 12 - 140HV - Zn. D	1	1	1	1
38	700.38.501	Drawbar	1	1	1	1
39	GB/T 5781 - 2000	Bolt M5 × 12 - Zn. D	2	2	2	2
40	GB/T 93 - 1987	Single coil spring lock washer 5	2	2	2	2
41	GB/T 5781 - 2000	Bolt M10 × 25 - Zn. D	6	6	6	6
42	GB/T 93 - 1987	Single coil spring lock washer 10	6	6	6	6
43	GB/T 91 - 2000	Split pin 4 × 24	1	1	1	1
44	GB/T 882 - 2000	Clevis pin with head B12 × 35	1	1	1	1
45	GB/T 879 - 1986	Spring - type straight pin 5 × 28	2	2	2	2

后桥总成(三) Rear Axle Assembly (II)





后桥总成(三)

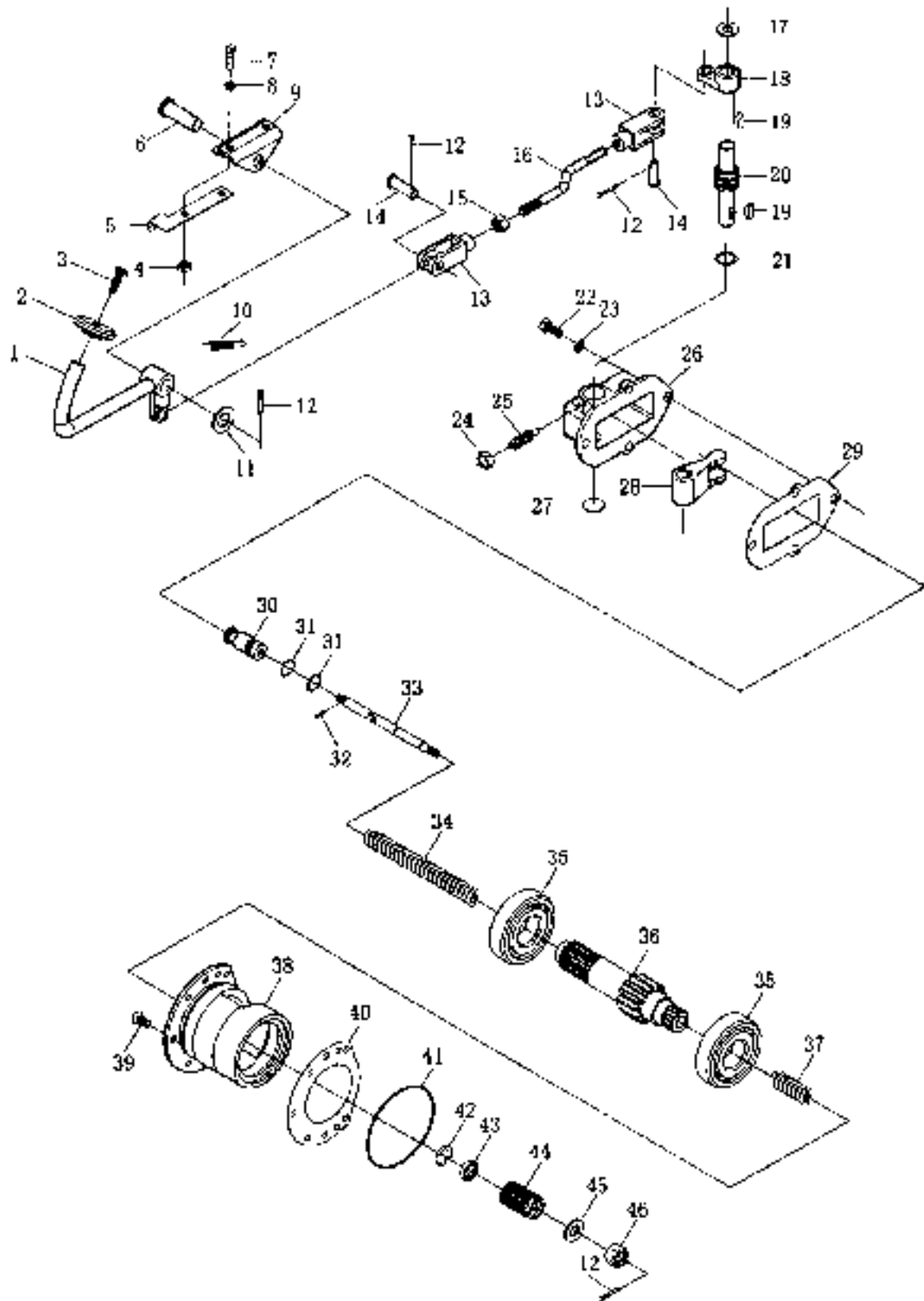
序号	零件代号	零件名称及规格	数量(件)			
			700	704	800	804
1	GB/T 297-1994	圆锥滚子轴承 30215	2	2	2	2
2	GB/T 6171-2000	螺母 M14×1.5-Zn.D	8	8	8	8
3	700.38.112	锁紧垫片	4	4	4	4
4	700.38.113	差速器右壳	1	1	1	1
5	700.38.118	半轴齿轮垫片	按需	按需	按需	按需
6	700.38.117	半轴齿轮	2	2	2	2
7	700.38.110	从动弧齿锥齿轮	1	1	1	1
	80.38.110	从动弧齿锥齿轮 <sup>①</sup>	1	1	1	1
8	700.38.113	圆头螺栓	8	8	8	8
9	700.38.114	差速器十字轴	1	1	1	1
10	700.38.116	行星齿轮	4	4	4	4
11	700.38.115	行星齿轮垫片	4	4	4	4
12	700.38.120	差速器左壳	1	1	1	1
13	700.38.119	锁紧垫片	4	4	4	4
14	GB/T 5782-2000	螺栓 M12×70-Zn.D	8	8	8	8
15	GH3452 1-82	O形圈 145×3.55	1	1	1	1
16	700.38.123	调整垫片	按需	按需	按需	按需
17	700.38.202A	最终左轴承座	1	1	1	1
18	700.38.215	紧固螺钉	2	2	2	2
19	GB/T 283-1994	圆柱滚子轴承 NJ311E	2	2	2	2
20	700.38.124	左短半轴	1	1	1	1

### Rear Axle Assembly ( II )

No.	Drawing No.	Part Name and Standards	Qty. ( Piece )			
			700	704	800	804
1	GB/T 297 - 1994	Tapered roller bearing 30215	2	2	2	2
2	GB/T 6171 - 2000	Nut M14 × 1.5 - Zn D	8	8	8	8
3	700 .38.112	Lock washer	4	4	4	4
4	700 .38.111	Right housing of differential	1	1	1	1
5	700 .38.118	Washer, semiaxle gear	○	○	○	○
6	700 .38.117	Semiaxle gear	2	2	2	2
7	700 .38.110	Driven cambered angle gear	1	1	1	1
	80 .38.110	Driven cambered angle gear <sup>①</sup>	1	1	1	1
8	700 .38.113	Round head bolt	8	8	8	8
9	700 .38.114	Centerpiece of differential	1	1	1	1
10	700 .38.116	Planetary gear	4	4	4	4
11	700 .38.115	Washer of planetary gear	4	4	4	4
12	700 .38.120	Left housing of differential	1	1	1	1
13	700 .38.119	Lock washer	4	4	4	4
14	GB/T 5782 - 2000	Bolt M12 × 70 - Zn D	8	8	8	8
15	GB3452.1 82	O - seal ring 145 × 3 55	1	1	1	1
16	700 .38.123	Adjusting shim	○	○	○	○
17	700 .38.202A	Final left bearing housing	1	1	1	1
18	700 .38.215	Fastening bolt	2	2	2	2
19	GB/T 283 - 1994	Cylindrical roller bearing NJ311E	2	2	2	2
20	700 .38.124	Shock semiaxle, left	1	1	1	1

Note: ○ Optional, depending on requirement.

后桥总成(四) Rear Axle Assembly (IV)



## 后桥总成(四)

序号	零件代号	零件名称及规格	数量(件)			
			700	704	800	804
1	700.38.041	差速锁踏板杆焊合	1	1	1	1
2	700.38.401	差速锁踏板	1	1	1	1
3	GB/T 67-1985	螺钉 M6 × 16 - Zn. D	1	1	1	1
4	GB/T 6172-2000	螺母 M5 - Zn. D	2	2	2	2
5	700.38.402	拉簧固定架	1	1	1	1
6	700.38.406	销 轴	1	1	1	1
7	GB/T 65-2000	螺钉 M8 × 14 - Zn. D	2	2	2	2
8	GB/T 93-1987	弹簧垫圈 8	2	2	2	2
9	700.38.404	踏板杆支架	1	1	1	1
10	700.38.403	拉 簧	1	1	1	1
11	GB/T 97.1-1985	平垫圈 16 - 140HV - Zn. D	1	1	1	1
12	GB/T 91-2000	开口销 3.2 × 24	5	5	5	5
13	700.38.503	连接叉	2	2	2	2
14	GB/T 882-2000	销轴 B12 × 32	2	2	2	2
15	GB/T 6170-2000	螺母 M10 - Zn. D	1	1	1	1
16	700.38.409	差速锁操纵长拉杆	1	1	1	1
17	700.38.196	垫 圈	1	1	1	1
18	700.38.405	连接臂臂	1	1	1	1
19	GB/T 1099-1979	半圆键 5 × 19	2	2	2	2
20	700.38.190	差速器操纵轴	1	1	1	1
21	GB 3452.1-1992	O形密封圈 20 × 3.55	1	1	1	1
22	GB/T 5783-2000	螺栓 M10 × 25 - Zn. D	4	4	4	4
23	GB/T 93-1987	弹簧垫圈 10	4	4	4	4
24	GB/T 6170-2000	螺母 M6 - Zn. D	1	1	1	1
25	GB/T 75-1987	螺钉 M6 × 16 - Zn. D	1	1	1	1
26	700.38.127	盖	1	1	1	1
27	700.38.128	闷 头	1	1	1	1
28	700.38.126	拨 叉	1	1	1	1
29	700.38.125	垫 片	1	1	1	1
30	700.38.138	推杆头	1	1	1	1
31	GB 3452.1-1992	O形密封圈 25 × 2.65	2	2	2	2
32	GB/T 879-1986	弹性圆柱销 4 × 28	1	1	1	1
33	700.38.137	推 杆	1	1	1	1
34	700.38.136	回位弹簧	1	1	1	1
35	GB/T 283-1994	圆柱滚子轴承 NJ311E	2	2	2	2
36	700.38.132	右短半轴	1	1	1	1

### 后桥总成(四)

序号	零件代号	零件名称及规格	数量(件)			
			700	704	800	804
37	700.38.133	缓冲弹簧	1	1	1	1
38	700.38.122	最终右轴承座	1	1	1	1
39	700.38.215	紧固螺钉	1	1	1	1
40	700.38.123	调整垫片	按需	按需	按需	按需
41	GB2452.1	O形圈 145×3.55	1	1	1	1
42	700.38.135	倒丝挡圈	1	1	1	1
43	700.38.134	外挡圈	1	1	1	1
44	700.38.131	连接内套	1	1	1	1
45	GB/T 97.1-1985	平垫圈 12-140HV-Zn.D	1	1	1	1
46	GB/T 6181-2000	螺母 M12-Zn.D	1	1	1	1

### Rear Axle Assembly (IV)

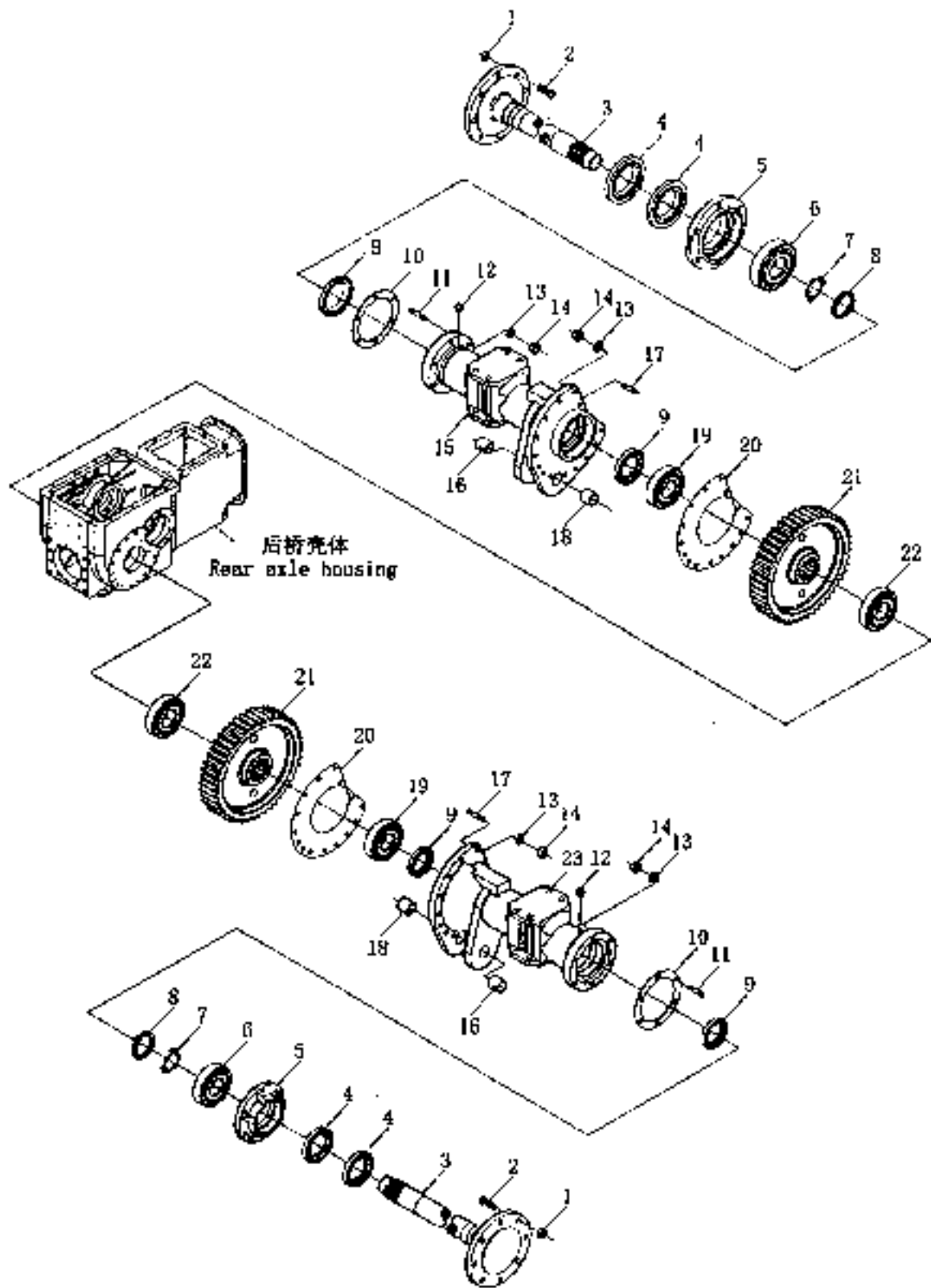
No.	Drawing No.	Part Name and Standards	Qty. (Piece)			
			700	704	800	804
1	700.38.041	Pedal rod weldment of differential lock	1	1	1	1
2	700.38.401	Pedal of differential lock	1	1	1	1
3	GB/T 67-1985	Screw M6×16-Zn.D	1	1	1	1
4	GB/T 6172-2000	Nut M8-Zn.D	2	2	2	2
5	700.38.402	Bracket of extension spring	1	1	1	1
6	700.38.406	Pin roll	1	1	1	1
7	GB/T 65-2000	Screw M8×14-Zn.D	2	2	2	2
8	GB/T 93-1987	Single coil spring lock washer 8	2	2	2	2
9	700.38.404	Bracket of pedal rod	1	1	1	1
10	700.38.403	Extension spring	1	1	1	1
11	GB/T 97.1-1985	Plain washer 16-140HV-Zn.D	1	1	1	1
12	GB/T 91-2000	Split pin 3.2×24	5	5	5	5
13	700.38.503	Connecting fork	2	2	2	2
14	GB/T 882-2000	Clevis pin with head B12×32	2	2	2	2
15	GB/T 6170-2000	Nut M10-Zn.D	1	1	1	1
16	700.38.409	Long pull rod for differential lock control	1	1	1	1

### Rear Axle Assembly ( IV )

No.	Drawing No.	Part Name and Standards	Qty. (Piece)			
			700	704	800	804
17	700 .38.196	Washer	1	1	1	1
18	700 .38.405	Cross arm for connecting	1	1	1	1
19	GB/T 1099 - 1979	Woodruff key 5 × 19	2	2	2	2
20	700 .38.190	Control shaft of differential	1	1	1	1
21	GB 3452.1 - 1992	O - seal ring 20 × 3.55	1	1	1	1
22	GB/T 5783 - 2000	Bolt M10 × 25 - Zn.D	4	4	4	4
23	GB/T 93 - 1987	Single coil spring lock washer 10	4	4	4	4
24	GB/T 6170 - 2000	Nut M6 - Zn.D	1	1	1	1
25	GB/T 75 - 1987	Screw M6 × 16 - Zn.D	1	1	1	1
26	700 .38.127	Cover	1	1	1	1
27	700 .38.128	Round plate	1	1	1	1
28	700 .38.126	Gear fork	1	1	1	1
29	700 .38.125	Casket	1	1	1	1
30	700 .38.138	End of push rod	1	1	1	1
31	GB 3452.1 - 1992	O - seal ring 25 × 2.65	2	2	2	2
32	GB/T 879 - 1986	Spring - type straight pin 4 × 28	1	1	1	1
33	700 .38.137	Push rod	1	1	1	1
34	700 .38.136	Return spring	1	1	1	1
35	GB/T 283 - 1994	Cylindrical roller bearing NJ311E	2	2	2	2
36	700 .38.132	Short semi-axle, right	1	1	1	1
37	700 .38.133	Cushion - spring	1	1	1	1
38	700 .38.122	Final right bearing housing	1	1	1	1
39	700 .38.215	Fastening bolt	1	1	1	1
40	700 .38.123	Adjusting shim	○	○	○	○
41	GB3452.1	O - seal ring 145 × 3.55	1	1	1	1
42	700 .38.135	Wire washer	1	1	1	1
43	700 .38.134	Outer spacer	1	1	1	1
44	700 .38.131	Connecting gear sleeve	1	1	1	1
45	GB/T 97.1 - 1985	Plain washer 12 - 140HV - Zn.D	1	1	1	1
46	GB/T 6181 - 2000	Nut M12 - Zn.D	1	1	1	1

Note: ○ Optional, depending on requirement.

后桥总成(五) Rear Axle Assembly (V)



## 后桥总成(五)

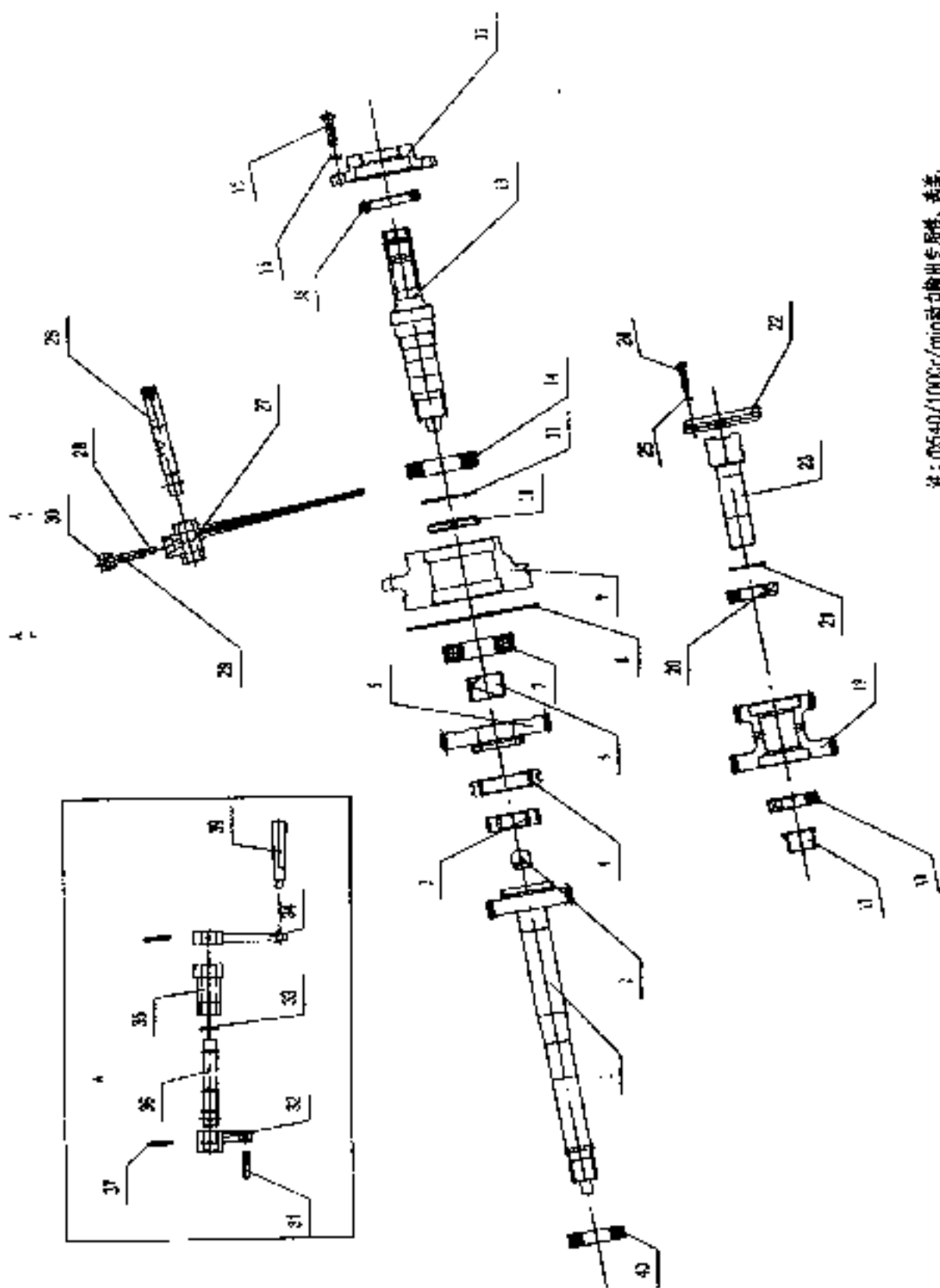
序号	零件代号	零件名称及规格	数量 (件)			
			700	704	800	804
1	700.38.139	后轮毂螺母	16	16	16	16
2	700.38.140	后轮毂螺栓	16	16	16	16
3	700.38.200A	半轴	2	2	2	2
4	GB/T 9877.1-1988	油封 B75×100×10	4	4	4	4
5	700.38.141	轴承座	2	2	2	2
6	GB/T 276-1994	深沟球轴承 6214	2	2	2	2
7	GB/T 858-1988	止动垫圈 68	2	2	2	2
8	GB/T 812-1988	螺母 M68×2	2	2	2	2
9	GB/T 9877.1-1988	油封 B65×90×8	4	4	4	4
10	700.38.142	垫片	2	2	2	2
11	GB/T 899-1988	螺柱 AM12- M12×1.25×50-Zn.D	12	12	12	12
12	JB/T 7940.1-1995	油杯 M10×1	2	2	2	2
13	GB/T 93-1987	弹簧垫圈 12	42	42	42	42
14	GB/T 6171-2000	螺母 M12×1.25-Zn.D	42	42	42	42
15	700.38.146	左半轴套管	1	1	1	1
16	700.38.210	衬套 (1)	2	2	2	2
17	GB/T 898-1988	螺柱 ACM12- M12×1.25×40-8.8-Zn.D	30	30	30	30
18	700.38.211	衬套 (2)	2	2	2	2
19	GB/T 276-1994	深沟球轴承 6313	2	2	2	2
20	700.38.147	半轴套管衬垫	2	2	2	2
21	700.38.177	最终减速大齿轮	2	2	2	2
22	GB/T 276-1994	深沟球轴承 6410	2	2	2	2
23	700.38.351	右半轴套管	1	1	1	1



### Rear Axle Assembly ( V )

No.	Drawing No.	Part Name and Standards	Qty. (Piece)			
			700	704	800	804
1	700.38.139	Nut, rear hub	16	16	16	16
2	700.38.140	Bolt, rear hub	16	16	16	16
3	700.38.200A	semi-axle	2	2	2	2
4	GB/T 9877.1 - 1988	Oil sealing B75 × 100 × 10	4	4	4	4
5	700.38.141	Bearing housing	2	2	2	2
6	GB/T 276 - 1994	Deep groove ball bearing 6214	2	2	2	2
7	GB/T 858 - 1988	Tab washer 68	2	2	2	2
8	GB/T 812 - 1988	Round nut M68 × 2	2	2	2	2
9	GB/T 9877.1 - 1988	Oil sealing B65 × 90 × 8	4	4	4	4
10	700.38.142	Gasket	2	2	2	2
11	GB/T 899 - 1988	Double end stud AM12 - M12 × 1.25 × 50 - Zn, D	12	12	12	12
12	JB/T 7940.1 - 1995	Oil cup M10 × 1	2	2	2	2
13	GB/T 93 - 1987	Single coil spring lock washer 12	42	42	42	42
14	GB/T 6171 - 2000	Nut M12 × 1.25 - Zn, D	42	42	42	42
15	700.38.146	Left semi-axle sleeve	1	1	1	1
16	700.38.210	Bush ( I )	2	2	2	2
17	GB/T 898 - 1988	Stud AGM12 - M12 × 1.25 × 40 - 8.8 - Zn, D	30	30	30	30
18	700.38.211	Bush ( II )	2	2	2	2
19	GB/T 276 - 1994	Deep groove ball bearing 6313	2	2	2	2
20	700.38.147	Spacer of semi-axle sleeve	2	2	2	2
21	700.38.177	Final speed reduction big gear	2	2	2	2
22	GB/T 276 - 1994	Deep groove ball bearing 6410	2	2	2	2
23	700.38.151	Right semi-axle sleeve	1	1	1	1

# 后桥总成(六)① Rear Axle Assembly①



注:  $\phi 540/1000r/min$  驱动轴输出专用件, 选装。

## 后桥总成(六)①

序号	零件代号	零件名称及规格	数量 (件)			
			700	704	800	804
1	700.38.602-1	动力输出后轴	1	1	1	1
2	GB/T 12764-1991	滚针轴承 JJK2020	1	1	1	1
3	700.38.606-1	啮合齿圈	1	1	1	1
4	700.38.607	啮合套	1	1	1	1
5	700.38.605	动力输出低速齿轮	1	1	1	1
6	700.38.626	衬套	1	1	1	1
7	GB/T 276-1994	轴承 6309	1	1	1	1
8	GB3452.1-1992	O 型密封圈 170×5.3	1	1	1	1
9	800.38.610	轴承座	1	1	1	1
10	GB812-88	圆螺母 M50×1.5	1	1	1	1
11	GB858-88	止动垫圈 50	1	1	1	1
12	800.38.611	输出轴衬套	1	1	1	1
13	700.38.608-1	动力输出轴	1	1	1	1
14	GB/T 276-1994	轴承 6211	1	1	1	1
15	GB/T 5783	螺栓 M10×30	4	4	4	4
16	GB/T 93	垫圈 10-A0P	4	4	4	4
17	700.38.621	衬套	1	1	1	1
18	GB/T 276-1994	轴承 6207	1	1	1	1
19	700.38.604-1	动力输出双联齿轮	1	1	1	1
20	GB/T 276-1994	轴承 6207	1	1	1	1
21	GB3452.1-1992	O 型密封圈 41.2×5.3	1	1	1	1
22	800.38.637	锁片	1	1	1	1
23	700.38.612-1	双联齿轮轴	1	1	1	1
24	GB/T 5783	螺栓 M8×20-A2L	2	2	2	2
25	GB/T 93	垫圈 8-A0P	2	2	2	2
26	700.38.614-1	拨叉轴	1	1	1	1
27	800.38.609	输出拨叉	1	1	1	1
28	700.37.138	四档换挡轴锁销	1	1	1	1
29	700.37.113	换挡轴自锁弹簧	1	1	1	1
30	700.38.613	压盖	1	1	1	1
31	700.38.618	拨头	1	1	1	1
32	700.38.615	内摇臂	1	1	1	1

### 后桥总成 (六) ①

序号	零件代号	零件名称及规格	数量 (件)			
			700	704	800	804
33	ZBJ022-88	O型圈密封 16×2.65	2	2	2	2
34	700.38.616	外轴套	1	1	1	1
35	700.38.620	轴套	1	1	1	1
36	700.38.617	拨叉轴	1	1	1	1
37	GB879-86	弹性圆柱销 5×40	2	2	2	2
38	GB9877.1-88	油封 60×80×8	2	2	2	2
39	700.38.650	操纵手柄	1	1	1	1
40	GB/T 276-1994	轴承 6308	1	1	1	1

注:

### Rear Axle Assembly (VI) ①

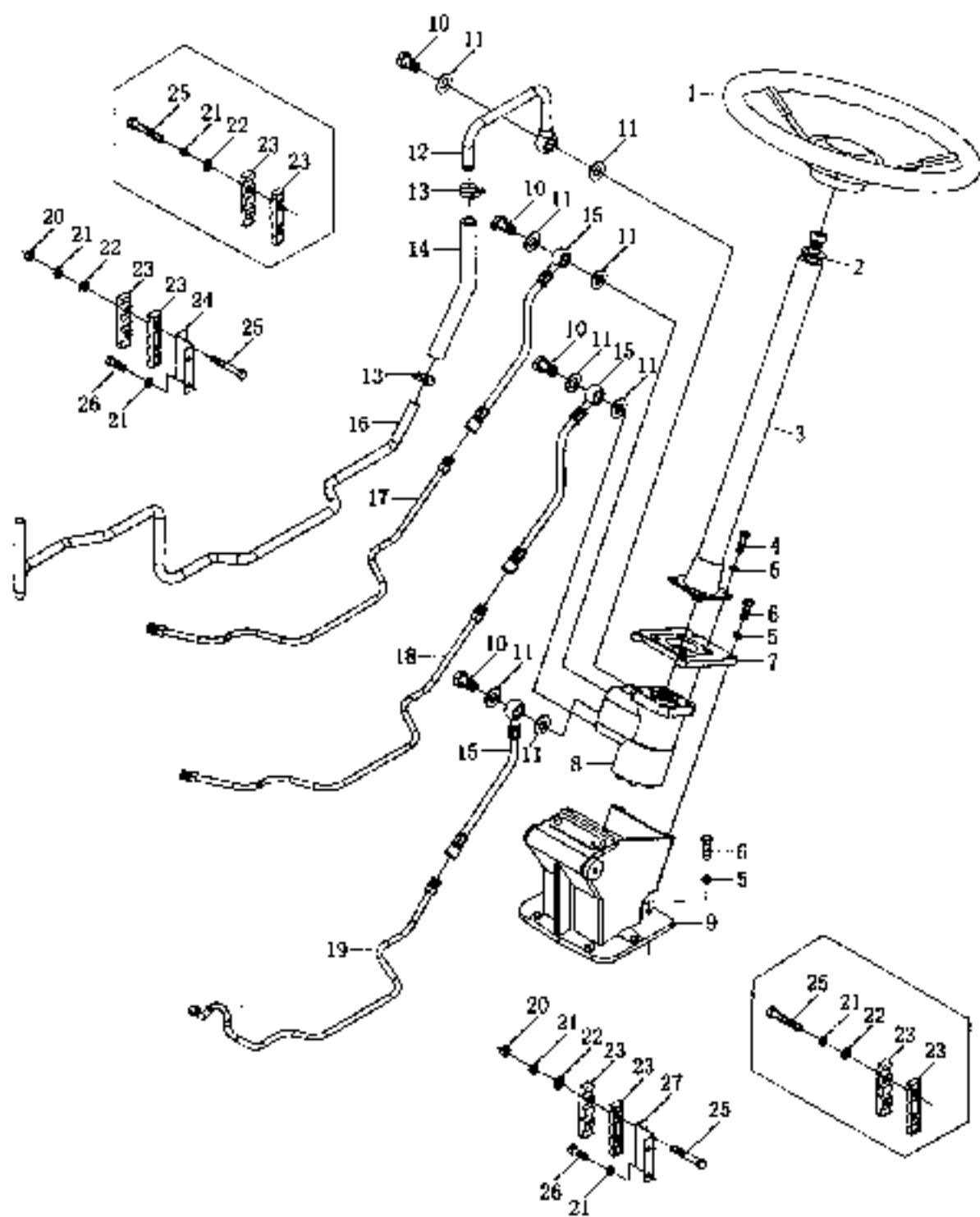
No.	Drawing No.	Part Name and Standards	Qty. (piece)			
			700	704	800	804
1	700.38.603-1	PTO, back shaft	1	1	1	1
2	GB/T 12764-1991	Needle bearing HK2020	1	1	1	1
3	700.38.606-1	Occlude tooth seat	1	1	1	1
4	700.38.607	Occlude set	1	1	1	1
5	700.38.605	Lower speed gear for PTO	1	1	1	1
6	700.38.626	Landing set	1	1	1	1
7	GB/T 276-1994	Deep groove ball bearing 6309	1	1	1	1
8	GB1452.1-1992	O-seal ring 270*5.3	1	1	1	1
9	800.38.610	Bearing housing	1	1	1	1
10	GB812-88	Round nut M50*1.5	1	1	1	1
11	GB858-88	Stop washer 50	1	1	1	1
12	800.38.611	PTO, cover	1	1	1	1
13	700.38.608-1	PTO	1	1	1	1

### Rear Axle Assembly ( VI ) ①

No.	Drawing No.	Part Name and Standards	Qty. (piece)			
			700	704	800	804
14	GB/T 276-1994	Deep groove ball bearing 6211	1	1	1	1
15	GB/T 5783	Bolt M10*20	4	4	4	4
16	GB/T 93	Wash 10	4	4	4	4
17	700.38.621	Lining set	1	1	1	1
18	GB/T 276-1994	Deep groove ball bearing 6207	1	1	1	1
19	700.38.604-1	Twin gear for PTO	1	1	1	1
20	GB/T 276-1994	Deep groove ball bearing 6207	1	1	1	1
21	GB3452.1-1992	O-seal ring 41.2*5.3	1	1	1	1
22	800.38.637	Lock film	1	1	1	1
23	700.38.612-1	Double tie gear shaft	1	1	1	1
24	GB/T 5783	Bolt M8*20-A2L	2	2	2	2
25	GB/T 93	Wash 8	2	2	2	2
26	700.38.614-1	Gear change shaft	1	1	1	1
27	800.38.609	Shift fork	1	1	1	1
28	700.37.138	Locking pin of gear shift shaft, IV gear	1	1	1	1
29	700.37.113	Self-locking spring	1	1	1	1
30	700.38.613	Pressure cover	1	1	1	1
31	700.38.618	Shift block	1	1	1	1
32	700.38.615	Inside shaking handle	1	1	1	1
33	ZBJ022-88	O-seal ring 16*5.3	2	2	2	2
34	700.38.616	Outside shaking handle	1	1	1	1
35	700.38.620	Shaft cover	1	1	1	1
36	700.38.617	Shaking shaft	1	1	1	1
37	GB879-86	Spring-tye straight pin 5*40	2	2	2	2
38	GB9877.1-88	Oil sealing 60*80*8	2	2	2	2
39	700.38.650	Lever handle	1	1	1	1
40	GB/T 276-1994	Deep groove ball bearing 6308	2	2	2	2

Note: ① Specific for the power take off at 540/1000r/min., optional.

全液压转向总成(一) Hydraulic Steering Wheel Assembly ( I )



全液压转向总成(一)

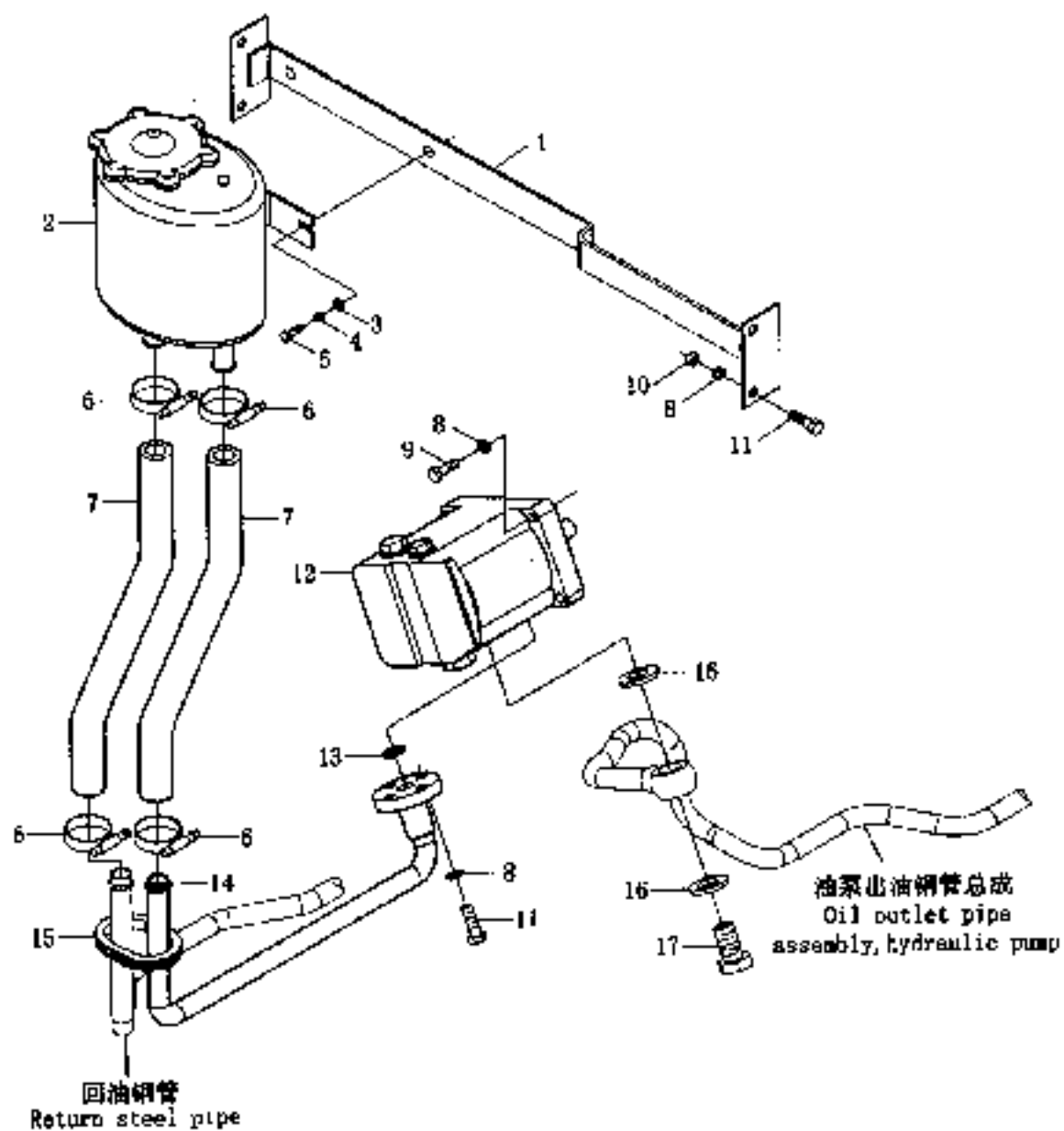
序号	零件代号	零件名称及规格	数量 (件)			
			700	704	800	804
1	700.40.011	转向盘总成	1	1	1	1
2	GB/T 97.1 - 1985	平垫圈 16 - 140HV - Zn.D	4	4	4	4
3	700.40.033	转向臂柱总成	1	1	1	1
4	GB/T 5783 - 2000	螺栓 M10 × 25 - Zn.D	4	4	4	4
5	GB/T 93 - 1987	弹簧垫圈 10	14	14	14	14
6	GB/T 5783 - 2000	螺栓 M10 × 30 - Zn.D	10	10	10	10
7	700.40.123	转向器连接板	1	1	1	1
8	700.40.032	转向器及脚块总成	1	1	1	1
9	700.40.122	转向器壳体	1	1	1	1
10	700.40.102	空心螺栓 (1)	4	4	4	4
11	JB/T 982 - 1977	组合密封垫圈 20	8	8	8	8
12	700.40.019	回油出口管总成	1	1	1	1
13	ZHJ15001 - 87	喉箍 D32	2	2	2	2
14	700.40.137	连接软管	1	1	1	1
15	700.40.013	高压软管总成	3	3	3	3
16	700.40.104	回油钢管	1	1	1	1
17	700.40.015	右输油钢管总成	1	1	1	1
18	700.40.016	左输油钢管总成	1	1	1	1
19	700.40.018	油泵出油钢管总成	1	1	1	1
20	GB/T 6170 - 2000	螺母 M8 - Zn.D	4	4	4	4
21	GB/T 93 - 1987	弹簧垫圈 8	8	8	8	8
22	GB/T 97.1 - 1985	平垫圈 8 - 140HV - Zn.D	4	4	4	4
23	700.40.119	四孔管夹	4	4	4	4
24	700.40.118	固定板 (1)	1	1	1	1
25	GB/T 5782 - 2000	螺栓 M8 × 40 - Zn.D	4	4	4	4
26	GB/T 5781 - 2000	螺栓 M8 × 16 - Zn.D	4	4	4	4
27	700.40.120	固定板 (2)	1	1	1	1

### Hydraulic Steering Wheel Assembly ( I )

No.	Drawing No.	Part Name and Standards	Qty. (Piece)			
			700	704	800	804
1	700.40.011	Steering wheel assembly	1	1	1	1
2	GB/T 97.1 - 1985	Plain washer 16 - 140HV - Zn.D	4	4	4	4
3	700.40.033	Steering tube column assembly	1	1	1	1
4	GB/T 5783 - 2000	Bolt M10 x 25 - Zn.D	4	4	4	4
5	GB/T 93 - 1987	Single coil spring lock washer 10	14	14	14	14
6	GB/T 5783 - 2000	Bolt M10 x 30 - Zn.D	10	10	10	10
7	700.40.123	Connecting bracket	1	1	1	1
8	700.40.032	Steering and valve bracket assembly	1	1	1	1
9	700.40.122	Housing of steering	1	1	1	1
10	700.40.102	Hollow bolt (1)	4	4	4	4
11	JB/T 982 - 1977	Combined sealing washer 20	8	8	8	8
12	700.40.019	Return outlet pipe assembly	1	1	1	1
13	ZBJ15001 - 87	Clamp D32	2	2	2	2
14	700.40.137	Hose	1	1	1	1
15	700.40.013	High pressure hose assembly	3	3	3	3
16	700.40.104	Return steel pipe	1	1	1	1
17	700.40.015	Oil feed pipe assembly, right	1	1	1	1
18	700.40.016	Oil feed pipe assembly, left	1	1	1	1
19	700.40.018	Oil outlet pipe assembly, hydraulic pump	1	1	1	1
20	GB/T 6170 - 2000	Nut M8 - Zn.D	4	4	4	4
21	GB/T 93 - 1987	Single coil spring lock washer 8	8	8	8	8
22	GB/T 97.1 - 1985	Plain washer 8 - 140HV - Zn.D	4	4	4	4
23	700.40.119	4 - hole clip	4	4	4	4
24	700.40.118	Fixed plate (1)	1	1	1	1
25	GB/T 5782 - 2000	Bolt M8 x 40 - Zn.D	4	4	4	4
26	GB/T 5781 - 2000	Bolt M8 x 16 - Zn.D	4	4	4	4
27	700.40.120	Fixed plate (2)	1	1	1	1



## 全液压转向总成(二) Hydraulic Steering Wheel Assembly ( I )



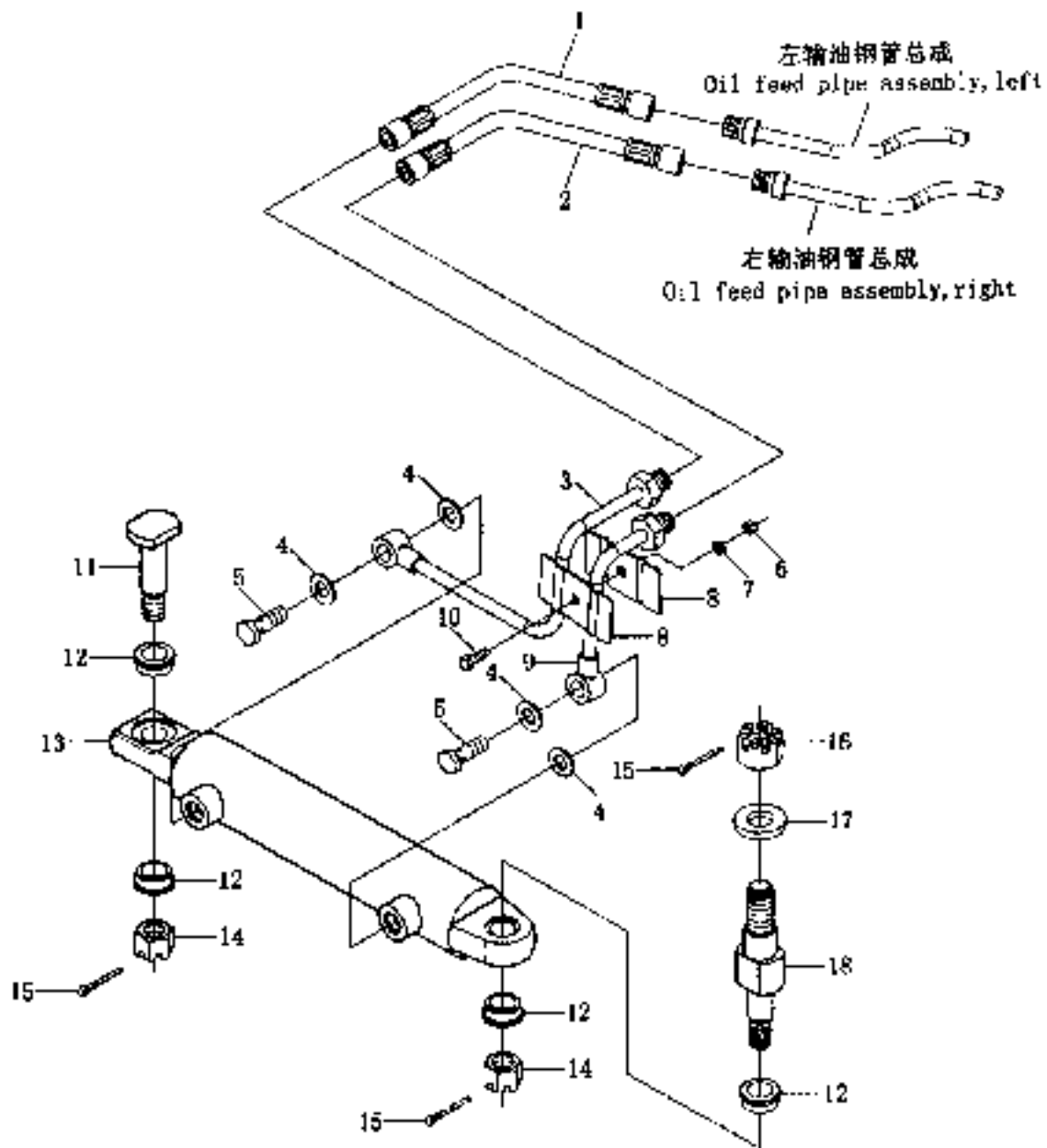
## 全液压转向总成(二)

序号	零件代号	零件名称及规格	数量 (件)			
			700	704	800	804
1	700.40.040	转向油箱支架总成	1	1	1	1
2	700.40.020	转向油箱总成	1	1	1	1
3	GB/T 97.1 - 1985	平垫圈 10 - 140HV - Zn, D	2	2	2	2
4	GB/T 93 - 1987	弹簧垫圈 10	2	2	2	2
5	GB/T 5781 - 2000	螺栓 M10 × 25 - Zn, D	2	2	2	2
6	ZBJ15001 - 87	喉箍 D32	4	4	4	4
7	700.40.107	软管	2	2	2	2
8	GB/T 93 - 1987	弹簧垫圈 8	12	12	12	12
9	GB/T 5783 - 2000	螺栓 M8 × 35 - Zn, D	4	4	4	4
10	GB/T 6170 - 2000	螺母 M8 - Zn, D	4	4	4	4
11	GB/T 5783 - 2000	螺栓 M8 × 25 - Zn, D	4	4	4	4
12	700.40.030	恒流溢流泵	1	1	1	1
13	GB 3452.1 - 1992	O形密封圈 19 × 2.65G	1	1	1	1
14	700.40.023	油泵吸油钢管总成	1	1	1	1
15	700.40.146	隔圈	1	1	1	1
16	JB/T 982 - 1977	组合密封垫圈 18	2	2	2	2
17	700.40.105	空心螺栓(2)	1	1	1	1

### Hydraulic Steering Wheel Assembly ( E )

No.	Drawing No.	Part Name and Standards	Qty. ( Piece )			
			700	704	800	804
1	700.40.040	Bracket assembly, steering hydraulic tank	1	1	1	1
2	700.40.020	Steering hydraulic tank assembly	1	1	1	1
3	GB/T 97.1 - 1985	Plain washer 10 - 140HV - Zn. D	2	2	2	2
4	GB/T 93 - 1987	Single coil spring lock washer 10	2	2	2	2
5	GB/T 5781 - 2000	Bolt M10 x 25 - Zn. D	2	2	2	2
6	ZBJ15001 - 87	Clamp D32	4	4	4	4
7	700.40.107	Hose	2	2	2	2
8	GB/T 93 - 1987	Single coil spring lock washer 8	12	12	12	12
9	GB/T 5783 - 2000	Bolt M8 x 35 - Zn. D	4	4	4	4
10	GB/T 6170 - 2000	Nut M8 - Zn. D	4	4	4	4
11	GB/T 5783 - 2000	Bolt M8 x 25 - Zn. D	4	4	4	4
12	700.40.030	Constant overflow pump	1	1	1	1
13	GB 3452.1 - 1992	O - seal ring 19 x 2.65C	1	1	1	1
14	700.40.023	Oil suction pipe assembly, hydraulic pump	1	1	1	1
15	700.40.146	Spacer ring	1	1	1	1
16	JB/T 982 - 1977	Combined sealing washer 18	2	2	2	2
17	700.40.105	Hollow bolt (2)	1	1	1	1

全液压转向总成(三) Hydraulic Steering Wheel Assembly (II)



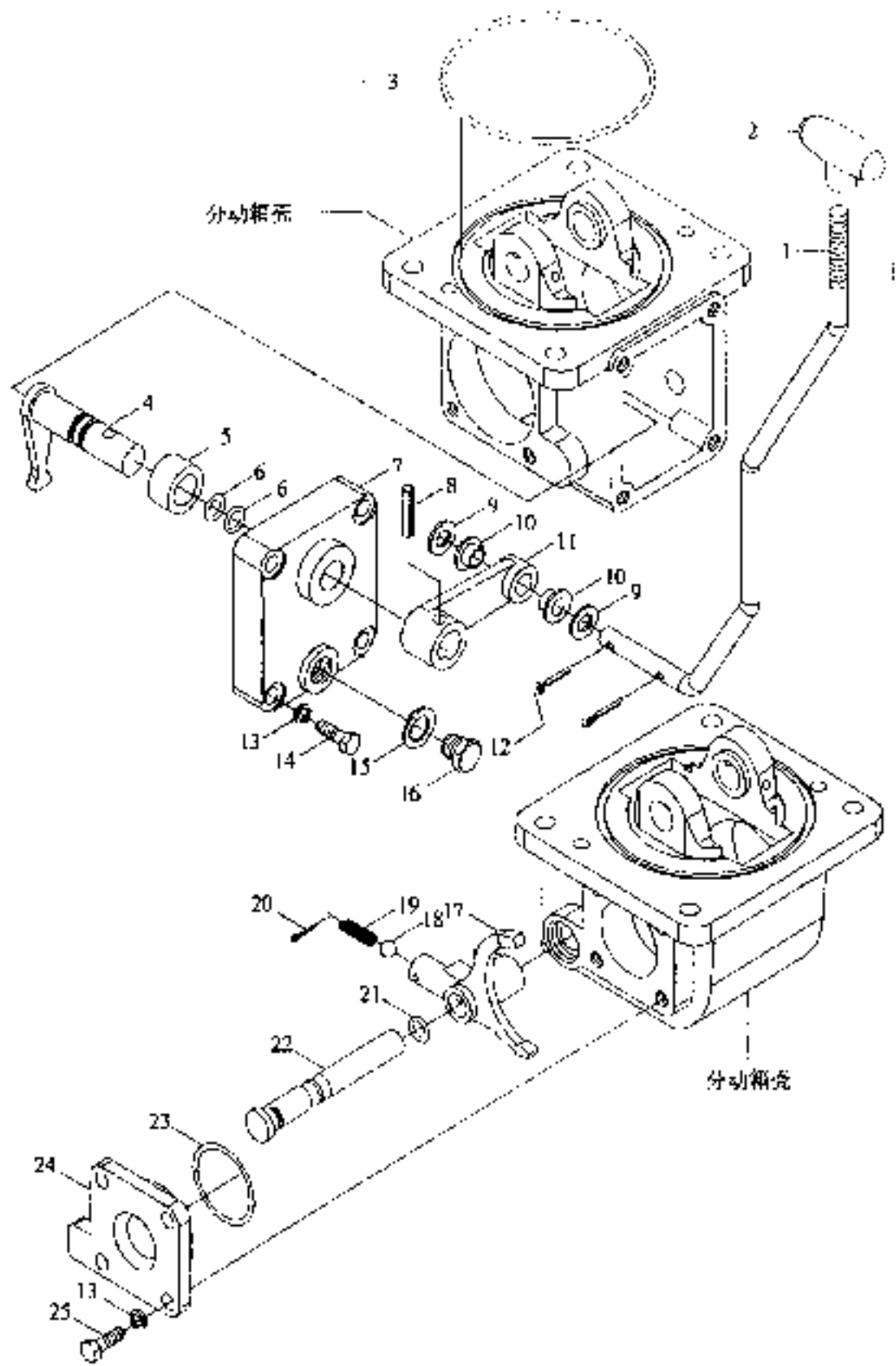
## 全液压转向总成(三)

序号	零件代号	零件名称及规格	数量 (件)			
			700	704	800	804
1	700.40.022	油缸左软管总成	1	1	1	1
2	700.40.029	油缸右软管总成	1	1	1	1
3	700.40.027	油缸左硬管总成	1	1	1	1
4	JB/T 982 - 1977	组合密封垫圈 16	4	4	4	4
5	700.40.112	空心螺栓 M16×1.5	2	2	2	2
6	GB/T 6170 - 2000	螺母 M8 - Zn.D	1	1	1	1
7	GB/T 93 - 1987	弹簧垫圈 8	1	1	1	1
8	700.40.145	双管夹	2	2	2	2
9	700.40.026	油缸右硬管总成	1	1	1	1
10	GB/T 5783 - 2000	螺栓 M8×25 - Zn.D	1	1	1	1
11	700.40.115	油缸销轴(2)	1	1	1	1
12	700.40.109	支承套	4	4	4	4
13	700.40.024	转向油缸总成	1	1	1	1
14	GB/T 6181 - 2000	螺母 M16×1.5 - Zn.D	2	2	2	2
15	GB/T 91 - 2000	开口销 4×40	3	3	3	3
16	GB/T 6179 - 2000	螺母 M20 - Zn.D	1	1	1	1
17	700.40.151	垫圈	1	1	1	1
18	700.40.111	油缸销轴(1)	1	1	1	1

### Hydraulic Steering Wheel Assembly ( II )

No.	Drawing No.	Part Name and Standards	Qty. ( Piece )			
			700	704	800	804
1	700.40.022	Left hose assembly, hydraulic cylinder	2	2	2	2
2	700.40.029	Right hose assembly, hydraulic cylinder	1	1	1	1
3	700.40.027	Left pipe assembly, hydraulic cylinder	1	1	1	1
4	JB/T 982 - 1977	Combined sealing washer 16	4	4	4	4
5	700.40.112	Hollow bolt M16 × 1.5	2	2	2	2
6	GB/T 6170 - 2000	Nut M8 - Zn. D	1	1	1	1
7	GB/T 93 - 1987	Single coil spring lock washer 8	1	1	1	1
8	700.40.145	Double pipe clip	2	2	2	2
9	700.40.026	Right pipe assembly, hydraulic cylinder	1	1	1	1
10	GB/T 5783 - 2000	Bolt M8 × 25 - Zn. D	1	1	1	1
11	700.40.115	Pin roll(2), hydraulic cylinder	1	1	1	1
12	700.40.109	Support tube	4	4	4	4
13	700.40.024	Steering hydraulic cylinder assembly	1	1	1	1
14	GB/T 6181 - 2000	Nut M16 × 1.5 - Zn. D	2	2	2	2
15	GB/T 91 - 2000	Split pin 4 × 40	3	3	3	3
16	GB/T 6179 - 2000	Nut M20 - Zn. D	1	1	1	1
17	700.40.151	Washer	1	1	1	1
18	700.40.111	Pin roll(1), hydraulic cylinder	1	1	1	1

分动箱总成(一) Transfer Case Assembly(I)



### 分动箱总成 (一)

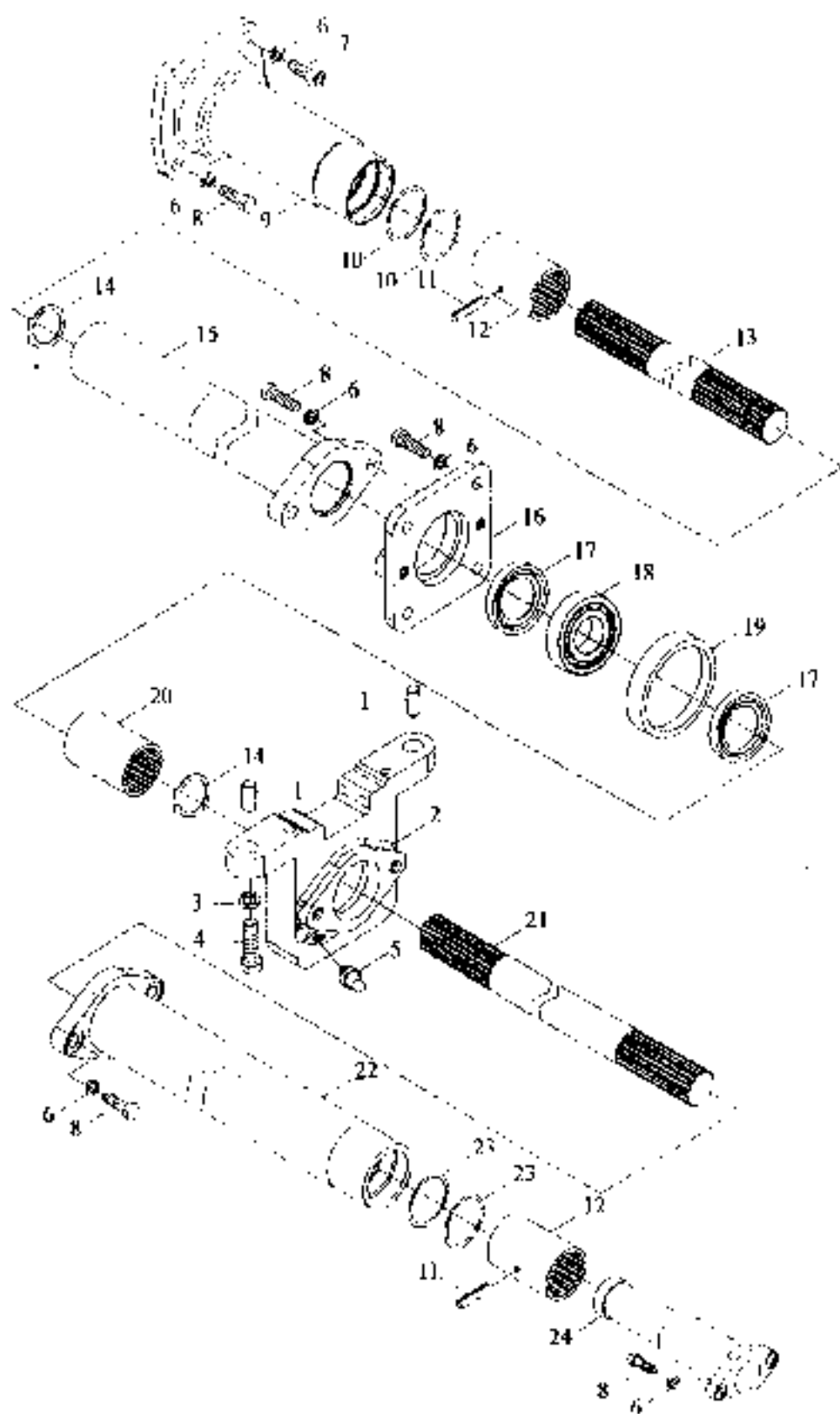
序号	零件代号	零件名称及规格	数量 (件)			
			700	704	800	804
	704B.42.001	分动箱总成		1		1
1	704B.42.144	操纵杆		1		1
2	65.38.051	压杆手柄		1		1
3	GB3452.1	O 型圈 132×3.55G		1		1
4	704B.42.011	指形拨杆配合件		1		1
5	704B.42.011	拨杆轴衬套		1		1
6	GB3452.1	O 型圈 15×2.65G		2		2
7	704B.42.135	端盖		1		1
8	GB/T 879	销 8×32		1		1
9	GB/T 97.1	垫圈 10-A0P		2		2
10	704B.42.107	操纵杆衬套		2		2
11	704B.42.126	操纵柄		1		1
12	GB/T 91	销 2×18-A0P		2		2
13	GB/T 93	垫圈 10-A0P		8		8
14	GB/T 5783	螺栓 M10×45-A2L		4		4
15	JB/T 982-1977	垫圈 18		1		1
16	704B.42.109	六角螺栓		1		1
17	704B.42.128	分动箱拨叉		1		1
18	GB/T 308	钢球 9.5V		1		1
19	300.41.123	拨叉轴定位弹簧		1		1
20	GB/T 91	销 4×32-A0P		1		1
21	GB/T 3452.1	O 型圈 11.2×2.65G		1		1
22	704B.42.122	分动箱拨叉衬		1		1
23	GB/T 3452.1	O 型圈 54.5×3.55G		1		1
24	704B.42.117	油封座		1		1
25	GB/T 5783	螺栓 M10×30-A2L		4		4



### Transfer Case Assembly ( I )

No.	Drawing No.	Part Name and Standards	Qty. (piece)			
			700	704	800	804
	704B.42.001	transfer case assembly		1		1
1	704B.42.144	control		1		1
2	65.38.051	pull and pressure handle		1		1
3	GB3452.1	O-ring 132*3.55		1		1
4	704B.42.011	gear fork shaft weldment		1		1
5	704B.42.011	Gear fork shaft of bush		1		1
6	GB3452.1	O-ring 15*2.65G		2		2
7	704B.42.135	Gear fork shaft of cover		1		1
8	GB/T 879	Pin 8*32		1		1
9	GB/T 97.1	Washer 10-AOP		2		2
10	704B.42.107	lever plate		2		2
11	704B.42.126	lever plate		1		1
12	GB/T 91	pin2*18-AOP		2		2
13	GB/T 93	washer 10-AOP		8		8
14	GB/T 5783	bolt M10*45-A2L		4		4
15	JB/T 982-1977	washer 18		1		1
16	704B.42.109	plug		1		1
17	704B.42.128	fork of transfer case		1		1
18	GB/T 308	steel ball9.5V		1		1
19	300.41.123	Gear fork shaft of locating spring		1		1
20	GB/T 91	Pin 4*32-AOP		1		1
21	GB/T 3452.1	O-ring 11.2*2.65G		1		1
22	704B.42.122	forke shaft of transfer case		1		1
23	GB/T 3452.1	O-ring 54.5*3.55G		1		1
24	704B.42.117	bearing housing		1		1
25	GB/T 5783	bolt M10*30 A2L		4		4

分动箱总成(二) Transfer Case Assembly( II )



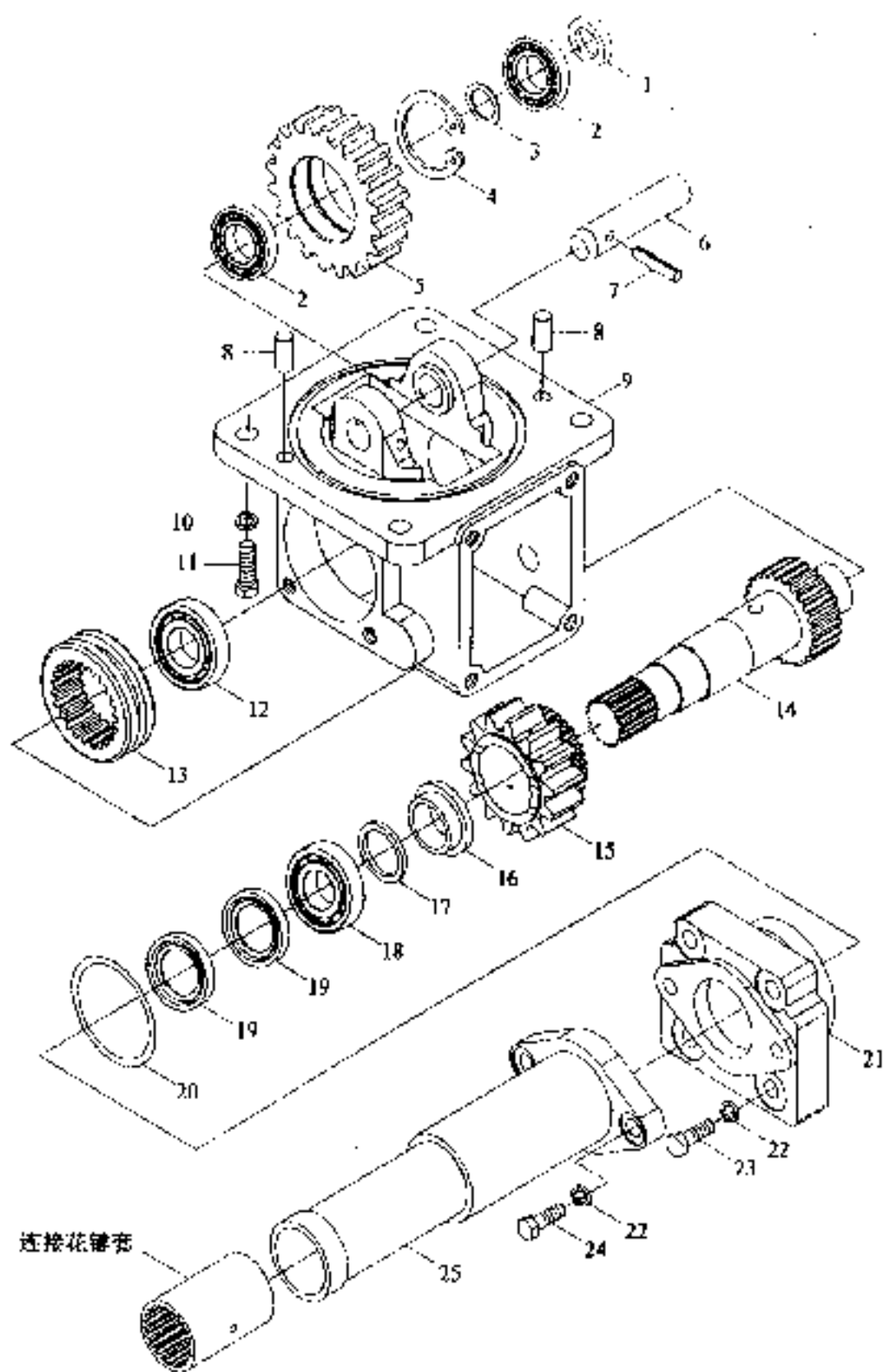
### 分动箱总成 (二)

序号	零件代号	零件名称及规格	数量 (件)			
			700	704	808	804
1	GB/T 119	销 A8×20		2		2
2	704B.42.113	轴承座		1		1
3	GB/T 93	垫圈 16-A0P		2		2
4	GB/T 5783	螺栓 M16×45-A3L		2		2
5	JB/T 7940.1	轴衬 M8×L		1		1
6	GB/T 93	垫圈 10-A0P		12		12
7	GB/T 70	内六角螺钉 M10×20		2		2
8	GB/T 5783	螺栓 M10×25-A2L		10		10
9	704B.42.016	护套焊合 IV		1		1
10	GB/T 3452.1	O 型圈 47.5×2.65G		2		2
11	GB/T 879	销 6×40		2		2
12	704B.42.120	连接花键套		2		2
13	704B.42.139	前传动轴		1		1
14	GB/T 894.1	挡圈 30		2		2
15	704B.42.015	护套焊合 III		1		1
16	704B.42.138	中间轴承座端盖		1		1
17	GB/T 9877.1	密封 FB40×62×8		2		2
18	GB/T 276-1994	轴承 6008		1		1
19	704B.42.140	轴承衬套		1		1
20	704B.42.119	传动花键连接套		1		1
21	704B.42.121	后传动轴		1		1
22	704B.42.014	护套焊合 II		1		1
23	GB/T 3452.1	O 型圈 46.2×2.65G		2		2

## Transfer Case Assembly ( II )

No.	Drawing No.	Part Name and Standards	Qty. (piece)			
			700	704	800	804
1	GB/T 119	pin A8*20		2		2
2	704B.42.113	bearing cap		1		1
3	GB/T 93	washer 16-AOP		2		2
4	GB/T5783	bolt M16*45-A31.		2		2
5	JB/T 7940.1	oil cup M8*1		1		1
6	GB/T 93	washer 10-AOP		12		12
7	GB/T 70	hexagon screw		2		2
8	GB/T 5783	bolt M10*25-A21.		10		10
9	704B.42.016	Guard cap weldment (IV)		1		1
10	GB/T 3452.1	O-ring 47.5*2.65G		2		2
11	GB/T 879	Pin 6*40		2		2
12	704B 42.120	Connecting hub splines		2		2
13	704B.42.139	front transfer axle		1		1
14	GB/T 894.1	circlip 30		2		2
15	704B.42.015	Guard cap weldment III		1		1
16	704B42.138	Middle bearing housing		1		1
17	GB/T 9877.1	Oil sealing FB40*62*8		2		2
18	GB/T 276-1994	Bearing 6008		1		1
19	704B 42.140	Bearing bush		1		1
20	704B.42.119	Connecting hub splines driving shaft		1		1
21	704B.42.121	Rear transfer axle		1		1
22	704B.42.014	Guard cap weldment( II )		1		1
23	GB/T 3452.1	O-ring 46.2*2.65G		2		2

分动箱总成(三) Transfer Case Assembly(III)



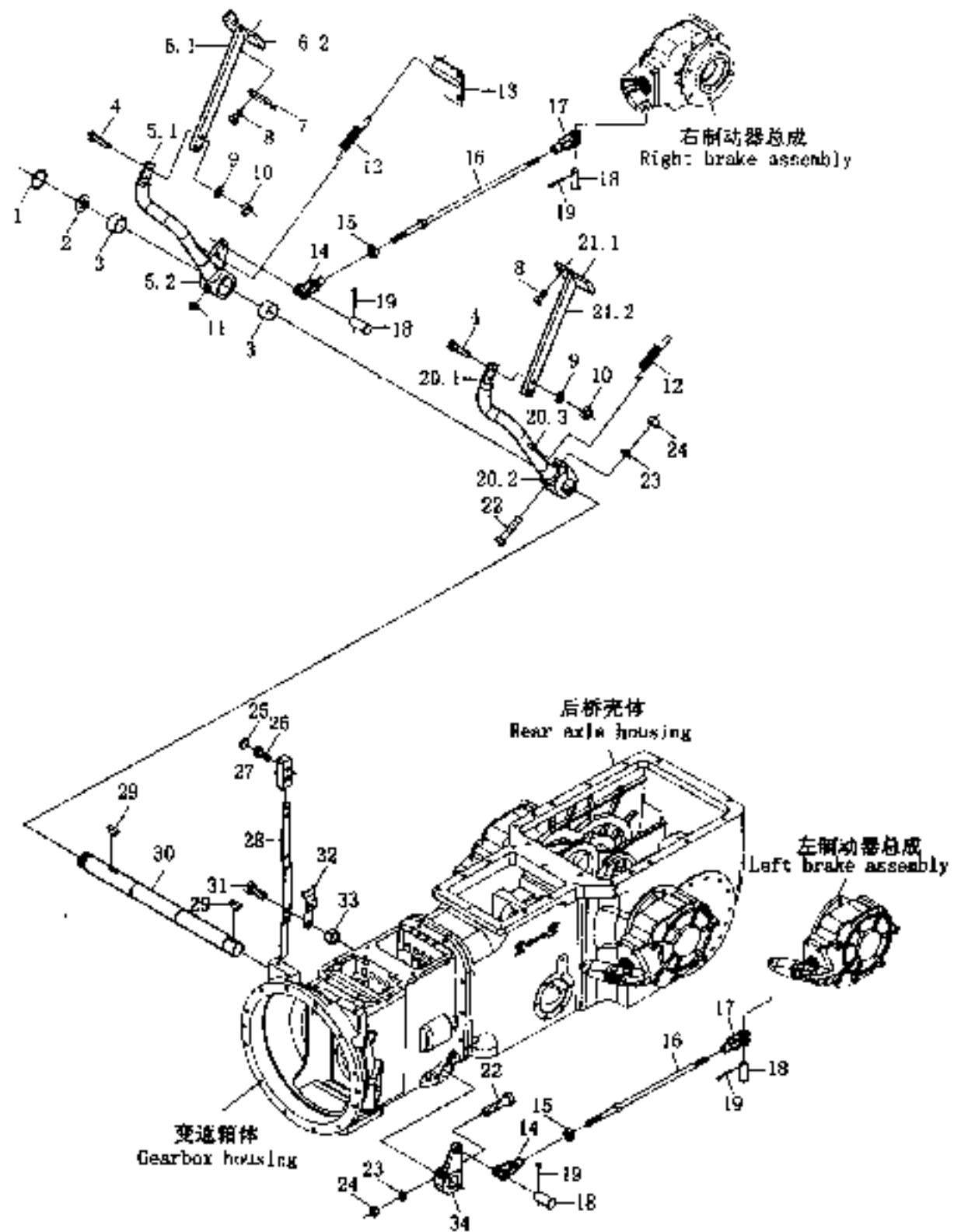
### 分动箱总成 (三)

序号	零件代号	零件名称及规格	数量 (件)			
			700	704	600	804
1	704B.42.116	轴套		1		1
2	GB/T 283-1994	四柱滚子轴承 NF304		2		2
3	704B.42.154	垫片		1		1
4	GB/T 893.1	挡圈 52		1		1
5	704B.42.111	中间齿轮 II		1		1
6	704B.42.112	中间轴		1		1
7	GB/T 879	销 6×40		1		1
8	GB/T 119	销 A10×20-ACP		2		2
9	704B.42.101	分动箱体		4		4
10	GB/T 93	垫圈 12-A0P		4		4
11	GB/F 5783	螺栓 M12×35-A2L		1		1
12	GB/T 276-1994	轴承 6206		1		1
13	704B.42.110	啮合套		1		1
14	704B.42.118	输出轴		1		1
15	704B.42.115	分动箱被动齿轮		1		1
16	6704B.42.123	隔套		1		1
17	704B.42.162	调整隔套		1		1
18	GB/T 276-1994	轴承 6007		1		1
19	GB/T 9877.1	油封 FB32×52×8		2		2
20	GB/T 3452.1	O 形圈 71×3.55G		1		1
21	704B.42.113	油封套		1		1
22	GB/T 93	垫圈 10-A0P		6		6
23	GB/T 5783	螺栓 M10×35-A2L		4		4
24	GB/T 5783	螺栓 M10×25-A2L		2		2
25	704B.42.011	护套焊合(1)		1		1

### Transfer Case Assembly ( III )

No.	Drawing No.	Part Name and Standards	Qty. (piece)			
			700	704	800	804
1	704B.42.116	spacer		1		1
2	GB/T 283-1994	cylindrical roller bearing NF304		2		2
3	704B.42.154	washer		1		1
4	GB/T 893.1	circlip 52		1		1
5	704B.42.111	middle gear shaft-2		1		1
6	704B.42.112	middle shaft		1		1
7	GB/T 879	pin 6*40		1		1
8	GB/T 119	pin A10*20-AQP		2		2
9	704B.42.101	transfer case housing		4		4
10	GB/T 93	washer 12-AQP		4		4
11	GB/T 5783	bolt M12*35-A2L		1		1
12	GB/T 276-1994	bearing 6260		1		1
13	704B.42.110	Gear sleeve		1		1
14	704B.42.118	Output shaft		1		1
15	704B.42.115	Driven gear of transfer case		1		1
16	6704B.42.123	spacer		1		1
17	704B.42.162	adjusting spacer		1		1
18	GB/T 276-1994	bearing 6007		1		1
19	GB/T 9877.1	oil sealing housing		2		2
20	GB/T 3452.1	O-ring		1		1
21	704B.42.113	Oil sealing FB32*52*8		1		1
22	GB/T 93	washer 10-AQP		6		6
23	GB/T 5783	bolt M10*35-A2L		4		4
24	GB/T 5783	bolt M10*25-A2L		2		2
25	704B.42.013	Guard cap weldment( I )		1		1

# 制动器总成(一) Brake Assembly ( I )





制动器总成(一)

序号	零件代号	零件名称及规格	数量 (件)			
			700	704	800	804
1	GB/T 895.2-1986	轴用紧丝挡圈 30	1	1	1	1
2	GB/T 97.1-1985	半垫圈 30-140HV-Zn.D	1	1	1	1
3	700.43.127	右踏板杆衬套	2	2	2	2
4	GB/T 27-1988	铰制孔用螺栓 M8×30-Zn.D	4	4	4	4
5.1	700.43.145	右制动踏板杆	1	1	1	1
5.2	700.43.147	右制动踏板座	1	1	1	1
6.1	700.43.149	制动踏板连接杆	1	1	1	1
6.2	700.43.141	右制动踏板	1	1	1	1
7	700.43.130	联锁板	1	1	1	1
8	700.43.132	螺 钉	2	2	2	2
9	GB/T 93-1987	弹簧垫圈 8	4	4	4	4
10	GB/T 6172-2000	螺母 M8-Zn.D	4	4	4	4
11	JB/T 7940.1-1995	油杯 M10×1	1	1	1	1
12	700.43.125	制动踏板回位弹簧	2	2	2	2
13	700.43B.023-1	回位弹簧固定板焊合件 <sup>①</sup>	1	1	1	1
14	700.43.134	右旋连接叉	2	2	2	2
15	GB/T 6170-2000	螺母 M10-Zn.D	2	2	2	2
16	700.43.013	制动长拉杆组件	2	2	2	2
17	700.43.152	左旋连接叉	2	2	2	2
18	GB/T 882-2000	销轴 $\Phi 10 \times 32$	4	4	4	4
19	GB/T 91-2000	开口销 3.2×20	4	4	4	4
20.1	700.43.146	左制动踏板杆	1	1	1	1
20.2	700.43.148	左制动踏板座	1	1	1	1
20.3	GB/T 119-1986	圆柱销 D6×40	1	1	1	1
21.1	700.43.144	左制动踏板	1	1	1	1
21.2	700.43.149	制动踏板连接杆	1	1	1	1
22	GB/T 5782-2000	螺栓 M12×70-Zn.D	2	2	2	2
23	GB/T 93-1987	弹簧垫圈 12	2	2	2	2
24	GB/T 6170-2000	螺母 M12-Zn.D	2	2	2	2
25	700.43.151	手柄盖	2	2	2	2
26	GB/T 68-1985	螺钉 M5×12-Zn.D	2	2	2	2
27	700.43.150	手 柄	1	1	1	1
28	700.43.137	停车锁板	1	1	1	1
29	GB/T 1099-1979	半圆键 6×25	2	2	2	2
30	700.43.124	制动踏板轴	1	1	1	1

注: ① 不装气制动时专用。

### 制动器总成(一)

序号	零件代号	零件名称及规格	数量 (件)			
			700	704	800	804
31	GB/T 5783 - 2000	螺栓 M12 × 25 - Zn. D	1	1	1	1
32	700.43.136	弹簧片	1	1	1	1
33	GB/T 6172 - 2000	螺母 M12 - Zn. D	1	1	1	1
34	700.43.123	制动踏板左摇臂	1	1	1	1

### Brake Assembly ( I )

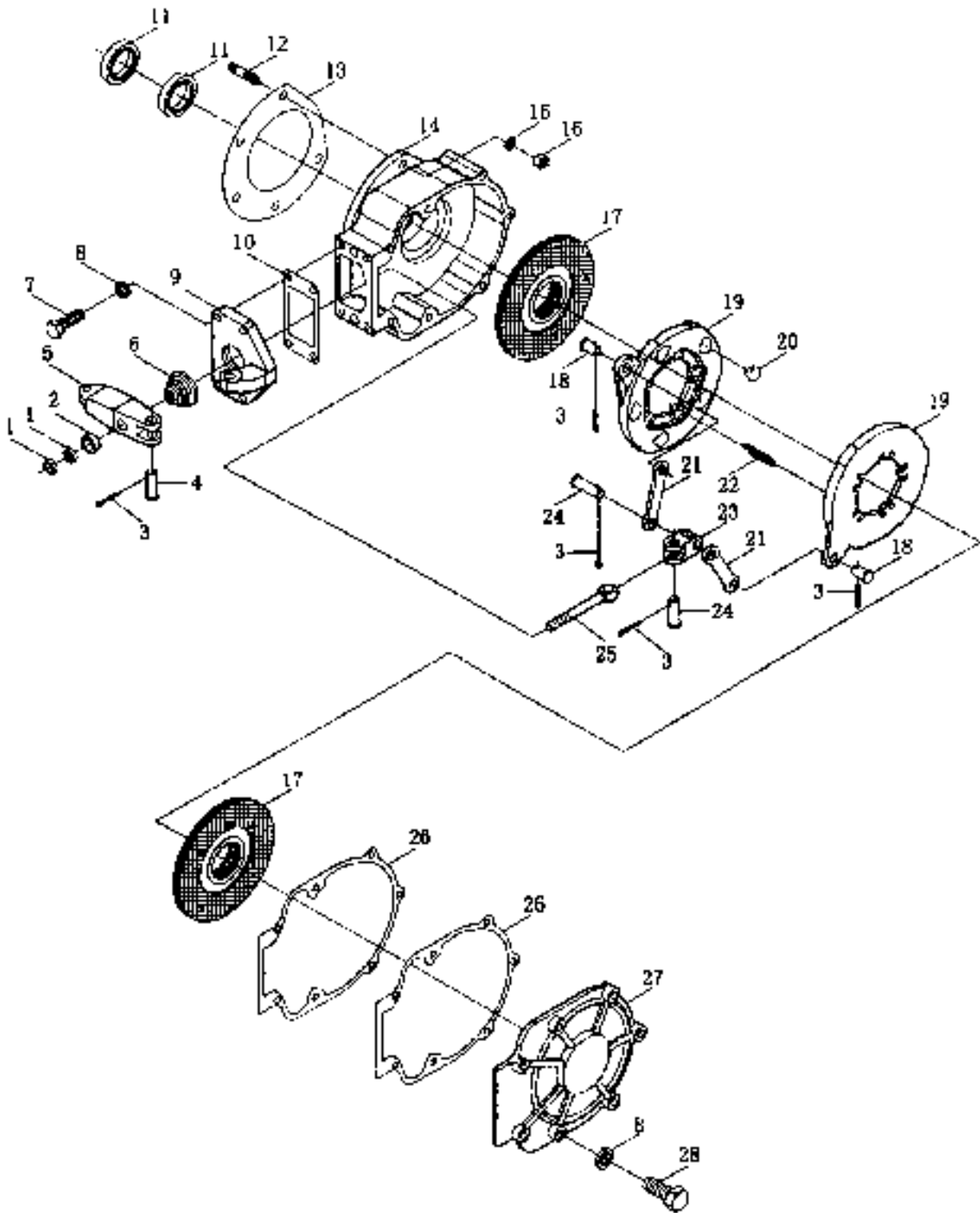
No.	Drawing No.	Part Name and Standards	Qty. (Piece)			
			700	704	800	804
1	GB/T 895.2 - 1986	Roundwire snap ring for shaft 30	1	1	1	1
2	GB/T 97.1 - 1985	Plain washer 30 - 140HV - Zn. D	1	1	1	1
3	700.43.127	Right pedal rod bush	2	2	2	2
4	GB/T 27 - 1988	Bolt M8 × 30 - Zn. D	4	4	4	4
5.1	700.43.145	Brake pedal rod, right	1	1	1	1
5.2	700.43.147	Brake pedal seat, right	1	1	1	1
6.1	700.43.149	Brake pedal connecting rod	1	1	1	1
6.2	700.43.141	Brake pedal, right	1	1	1	1
7	700.43.130	Interlock plate	1	1	1	1
8	700.43.132	Bolt	2	2	2	2
9	GB/T 93 - 1987	Single coil spring lock washer 8	4	4	4	4
10	GB/T 6172 - 2000	Nut M8 - Zn. D	4	4	4	4
11	JB/T 7940.1 - 1995	Oil cup M10 × 1	1	1	1	1
12	700.43.125	Return spring of brake pedal	2	2	2	2
13	700.43B.023 - 1	Bracket weldment, return spring <sup>①</sup>	1	1	1	1

Note: ① Specific for without pneumatic brake.

### Brake Assembly ( 1 )

No.	Drawing No.	Part Name and Standards	Qty. (Piece)			
			700	704	800	804
14	700.43.134	Right hand connecting link	2	2	2	2
15	GB/T 6170 - 2000	Nut M10 - Zn. D	2	2	2	2
16	700.43.013	Brake long pull rod unit	2	2	2	2
17	700.43.152	Left hand connecting fork	2	2	2	2
18	GB/T 882 - 2000	Clevis pin with head B10 × 32	4	4	4	4
19	GB/T 91 - 2000	Split pin 3 2 × 20	4	4	4	4
20.1	700.43.146	Brake pedal rod, left	1	1	1	1
20.2	700.43.148	Brake pedal seat, left	1	1	1	1
20.3	GB/T 119 - 1986	Parallel pin D6 × 40	1	1	1	1
21.1	700.43.144	Brake pedal, left	1	1	1	1
21.2	700.43.149	Brake pedal connecting rod	1	1	1	1
22	GB/T 5782 - 2000	Bolt M12 × 70 - Zn. D	2	2	2	2
23	GB/T 93 - 1987	Single coil spring lock washer 12	2	2	2	2
24	GB/T 6170 - 2000	Nut M12 - Zn. D	2	2	2	2
25	700.43.151	Handle cap	2	2	2	2
26	GB/T 68 - 1985	Screw M5 × 12 - Zn. D	2	2	2	2
27	700.43.150	Handle	1	1	1	1
28	700.43.137	Parking lock plate	1	1	1	1
29	GB/T 1099 - 1979	Woodruff key 6 × 25	2	2	2	2
30	700.43.124	Brake pedal shaft	1	1	1	1
31	GB/T 5783 - 2000	Bolt M12 × 25 - Zn. D	1	1	1	1
32	700.43.136	Spring piece	1	1	1	1
33	GB/T 6172 - 2000	Nut M12 - Zn. D	1	1	1	1
34	700.43.123	Left rocker of brake pedal	1	1	1	1

制动器总成(二) Brake Assembly ( II )



### 制动器总成(二)

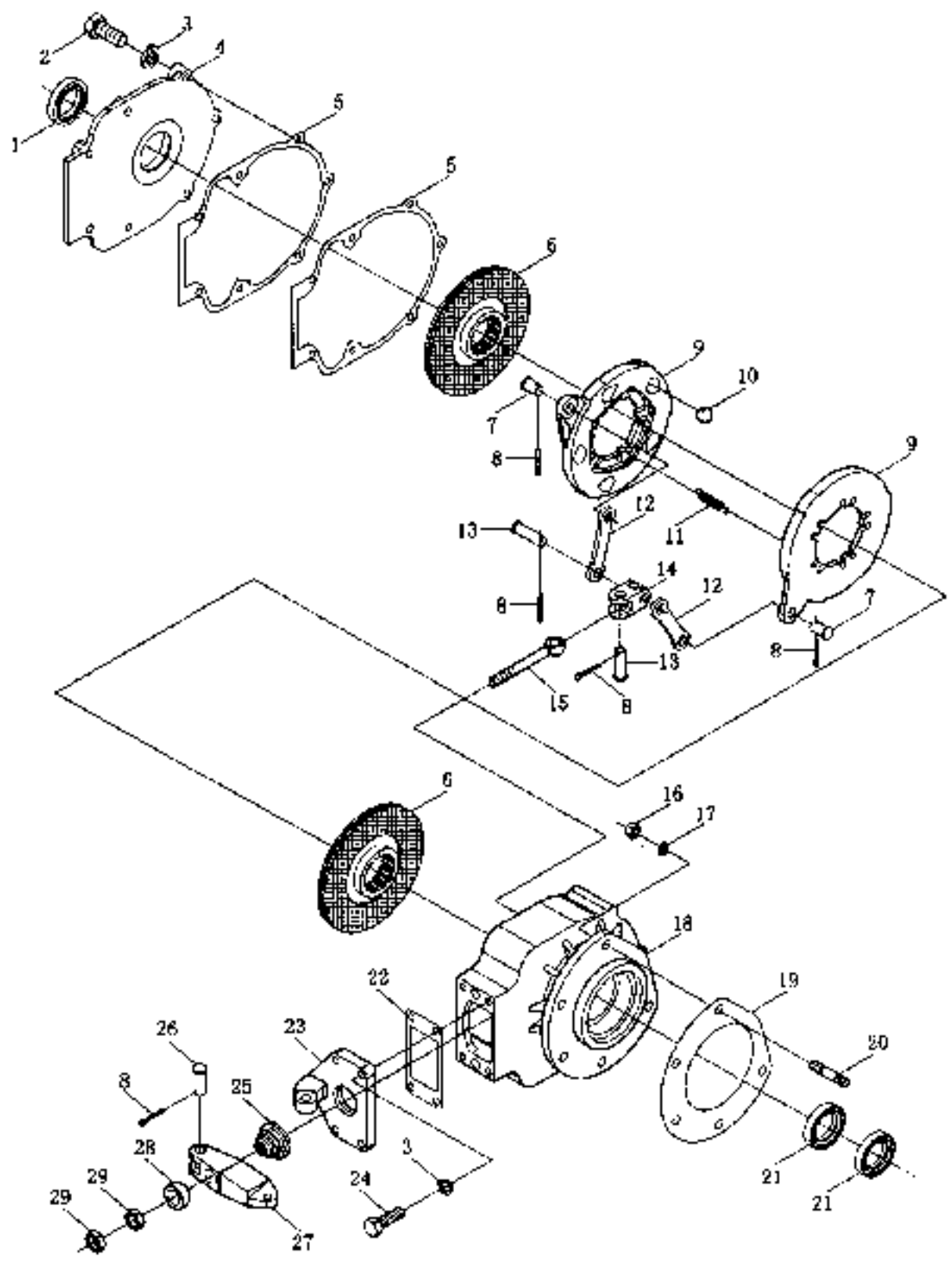
序号	零件代号	零件名称及规格	数量 (件)			
			700	704	800	804
1	GB/T 6172-2000	螺母 M12-Zn.D	2	2	2	2
2	700.43.117	制动臂圆销	1	1	1	1
3	GB/T 91-2000	开口销 4×26	5	5	5	5
4	GB/T 882-2000	销轴 B14×45	1	1	1	1
5	700.43.114	左制动器摇臂	1	1	1	1
6	700.43.019	橡皮罩总成	1	1	1	1
7	GB/T 5783-2000	螺栓 M10×35-Zn.D	4	4	4	4
8	GB/T 93-1987	弹簧垫圈 10	11	11	11	11
9	700.43.118	制动器摇臂支座	1	1	1	1
10	700.43.139	纸 垫	1	1	1	1
11	HG4-692-1967	油封 PD55×85×12	2	2	2	2
12	GB/T 898-1988	螺柱 AGM12-M12×1.25×40-Zn.D	5	5	5	5
13	700.43.101	制动器座垫片	1	1	1	1
14	700.43.102	左制动器壳体	1	1	1	1
15	GB/T 93-1987	弹簧垫圈 12	5	5	5	5
16	GB/T 6171-2000	螺母 M12×1.25-Zn.D	5	5	5	5
17	700.43.015	制动摩擦盘总成	2	2	2	2
18	GB/T 882-2000	销轴 B14×26-Zn.D	2	2	2	2
19	700.43.108	制动压盘	2	2	2	2
20	GB/T 308-1989	钢球 22.225 (7/8")	5	5	5	5
21	700.43.111	制动盘连杆	2	2	2	2
22	700.43.109	制动压盘回位弹簧	5	5	5	5
23	700.43.112	制动盘拉杆叉头	1	1	1	1
24	GB/T 882-2000	销轴 B14×40	2	2	2	2
25	700.43.113	制动盘拉杆	1	1	1	1
26	700.43.103	制动器黄铜调整垫片	按需	按需	按需	按需
27	700.43.104	左制动器盖	1	1	1	1
28	GB/T 5782-2000	螺栓 M10×40-Zn.D	7	7	7	7

### Brake Assembly ( II )

No.	Drawing No.	Part Name and Standards	Qty. (Piece)			
			700	704	800	804
1	GB/T 6172 - 2000	Nut M12 - Zn. D	2	2	2	2
2	700.43.117	Brake arm pin	1	1	1	1
3	GB/T 91 - 2000	Split pin 4 × 26	5	5	5	5
4	GB/T 882 - 2000	Clevis pin with head B14 × 45	1	1	1	1
5	700.43.114	Left brake rocker	1	1	1	1
6	700.43.019	Rubber cover assembly	1	1	1	1
7	GB/T 5783 - 2000	Bolt M10 × 35 - Zn. D	4	4	4	4
8	GB/T 93 - 1987	Single coil spring lock washer 10	11	11	11	11
9	700.43.118	Rocker seat, brake	1	1	1	1
10	700.43.139	Gasket	1	1	1	1
11	HC4 - 692 - 1967	Oil sealing PD55 × 85 × 12	2	2	2	2
12	GB/T 898 - 1988	Stud AGM12 - M12 × 1.25 × 40 - Zn. D	5	5	5	5
13	700.43.101	Gasket, brake seat	1	1	1	1
14	700.43.102	Left brake housing	1	1	1	1
15	GB/T 93 - 1987	Single coil spring lock washer 12	5	5	5	5
16	GB/T 6171 - 2000	Nut M12 × 1.25 - Zn. D	5	5	5	5
17	700.43.015	Friction disk assembly	2	2	2	2
18	GB/T 882 - 2000	Clevis pin with head B14 × 26 - Zn. D	2	2	2	2
19	700.43.108	Brake pressure disk	2	2	2	2
20	GB/T 308 - 1989	Steel ball 22.225 (7/8")	5	5	5	5
21	700.43.111	Connecting rod, braking disk	2	2	2	2
22	700.43.109	Return spring, brake pressure disk	5	5	5	5
23	700.43.112	Pull rod fork of braking disk	1	1	1	1
24	GB/T 882 - 2000	Clevis pin with head B14 × 40	2	2	2	2
25	700.43.113	Pull rod of braking disk	1	1	1	1
26	700.43.103	Adjusting shiro of brake cover	○	○	○	○
27	700.43.104	Left brake cover	1	1	1	1
28	GB/T 5782 - 2000	Bolt M10 × 40 - Zn. D	7	7	7	7

Note: ○ Depending on requirement.

制动器总成(三) Brake Assembly (II)



制动器总成(三)

序号	零件代号	零件名称及规格	数量(件)			
			700	704	800	804
1	GB/T 9877.1-1988	密封 40×62×8	1	1	1	1
2	GB/T 5782-2000	螺栓 M10×40-Zn.D	7	7	7	7
3	GB/T 93-1987	弹簧垫圈 10	11	11	11	11
4	700.43.120	右制动器盖	1	1	1	1
5	700.43.108	制动器盖调整垫片	按需	按需	按需	按需
6	700.43.015	制动摩擦盘总成	2	2	2	2
7	GB/T 882-2000	销轴 B14×26	2	2	2	2
8	GB/T 91-2000	开口销 4×26	5	5	5	5
9	700.43.106	制动压盘	2	2	2	2
10	GB/T 308-1989	钢球 22.225 (7/8")	5	5	5	5
11	700.43.109	制动压盘回位弹簧	5	5	5	5
12	700.43.111	制动盘连杆	2	2	2	2
13	GB/T 882-2000	销轴 B14×40	2	2	2	2
14	700.43.112	制动盘拉杆叉头	1	1	1	1
15	700.43.113	制动盘拉杆	1	1	1	1
16	GB/T 6171-2000	螺母 M12×1.25-Zn.D	5	5	5	5
17	GB/T 93-1987	弹簧垫圈 12	5	5	5	5
18	700.43.119	右制动器壳体	1	1	1	1
19	700.43.101	制动器座垫片	1	1	1	1
20	GB/T 898-1988	螺柱 A6M12-M12×1.25×40-Zn.D	5	5	5	5
21	HC4-692-1967	油封 PD55×85×12	2	2	2	2
22	700.43.139	纸垫	1	1	1	1
23	700.43.118	制动器摇臂支座	1	1	1	1
24	GB/T 5783-2000	螺栓 M10×35-Zn.D	4	4	4	4
25	700.43.019	橡皮罩总成	1	1	1	1
26	GB/T 882-2000	销轴 B14×45	1	1	1	1
27	700.43.121	右制动器摇臂	1	1	1	1
28	700.43.117	制动臂圆销	1	1	1	1
29	GB/T 6172-2000	螺母 M12-Zn.D	2	2	2	2

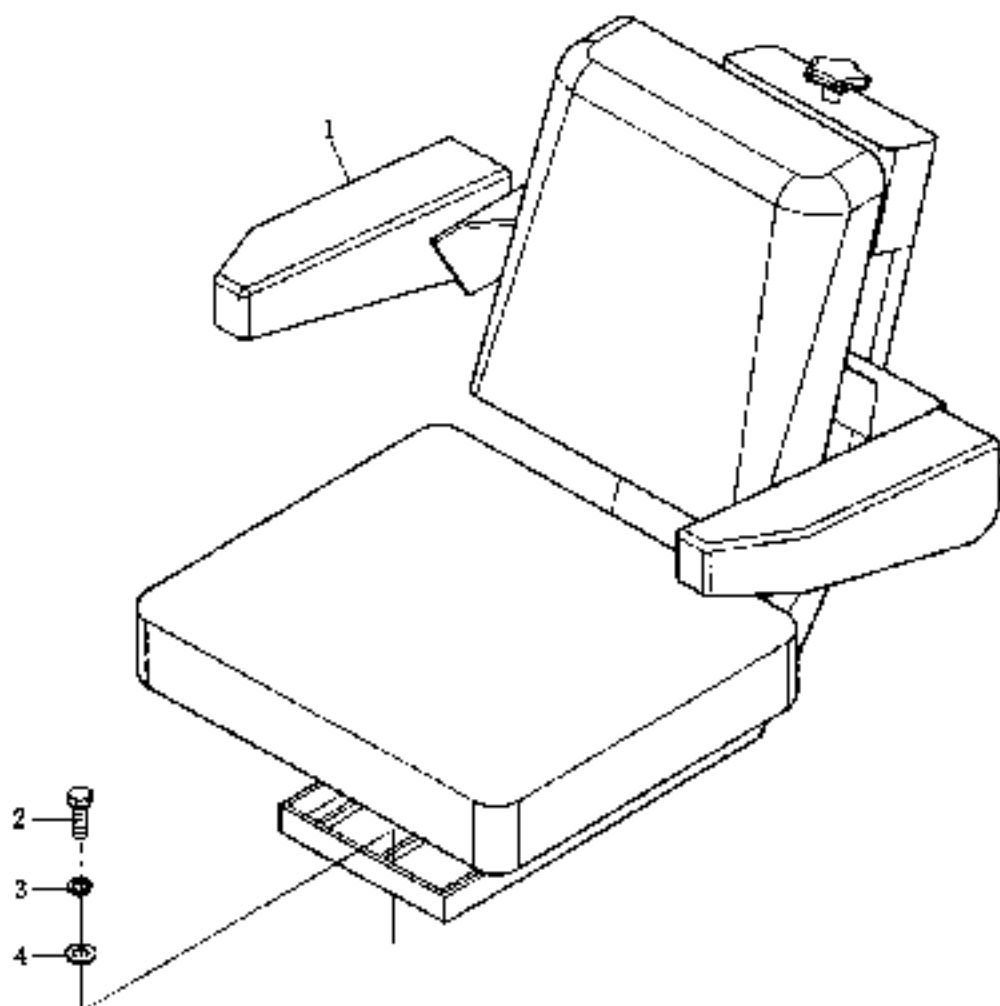


### Brake Assembly ( III )

No.	Drawing No.	Part Name and Standards	Qty. ( Piece )			
			700	704	800	804
1	GB/T 9877.1 - 1988	Oil sealing 40 × 62 × 8	1	1	1	1
2	GB/T 5782 - 2000	Bolt M10 × 40 - Zn.D	7	7	7	7
3	GB/T 93 - 1987	Single coil spring lock washer 10	11	11	11	11
4	700.43.120	Right brake cover	1	1	1	1
5	700.43.103	Adjusting shim of brake cover	○	○	○	○
6	700.43.015	Friction disk assembly	2	2	2	2
7	GB/T 882 - 2000	Clevis pin with head B14 × 26	2	2	2	2
8	GB/T 91 - 2000	Split pin 4 × 26	5	5	5	5
9	700.43.108	Brake pressure disk	2	2	2	2
10	GB/T 308 - 1989	Steel ball 22, 225 (7/8")	5	5	5	5
11	700.43.109	Return spring, brake pressure disk	5	5	5	5
12	700.43.111	Connecting rod, braking disk	2	2	2	2
13	GB/T 882 - 2000	Clevis pin with head B14 × 40	2	2	2	2
14	700.43.112	Pull rod fork of braking disk	1	1	1	1
15	700.43.113	Pull rod of braking disk	1	1	1	1
16	GB/T 6171 - 2000	Nut M12 × 1.25 - Zn.D	5	5	5	5
17	GB/T 93 - 1987	Single coil spring lock washer 12	5	5	5	5
18	700.43.119	Right brake housing	1	1	1	1
19	700.43.101	Gasket, brake seat	1	1	1	1
20	GB/T 898 - 1988	Screw AGM12 - M12 × 1.25 × 40 - Zn.D	5	5	5	5
21	HC4 - 692 - 1967	Oil sealing PD55 × 85 × 12	2	2	2	2
22	700.43.139	Gasket	1	1	1	1
23	700.43.118	Rocker seat, brake	1	1	1	1
24	GB/T 5783 - 2000	Bolt M10 × 35 - Zn.D	4	4	4	4
25	700.43.019	Rubber cover assembly	1	1	1	1
26	GB/T 882 - 2000	Clevis pin with head B14 × 45	1	1	1	1
27	700.43.121	Right brake rocker	1	1	1	1
28	700.43.117	Braking arm pin	1	1	1	1
29	GB/T 6172 - 2000	Nut M12 - Zn.D	2	2	2	2

Note: ○ Depending on requirement.

駕駛座總成 Driver's Seat Assembly



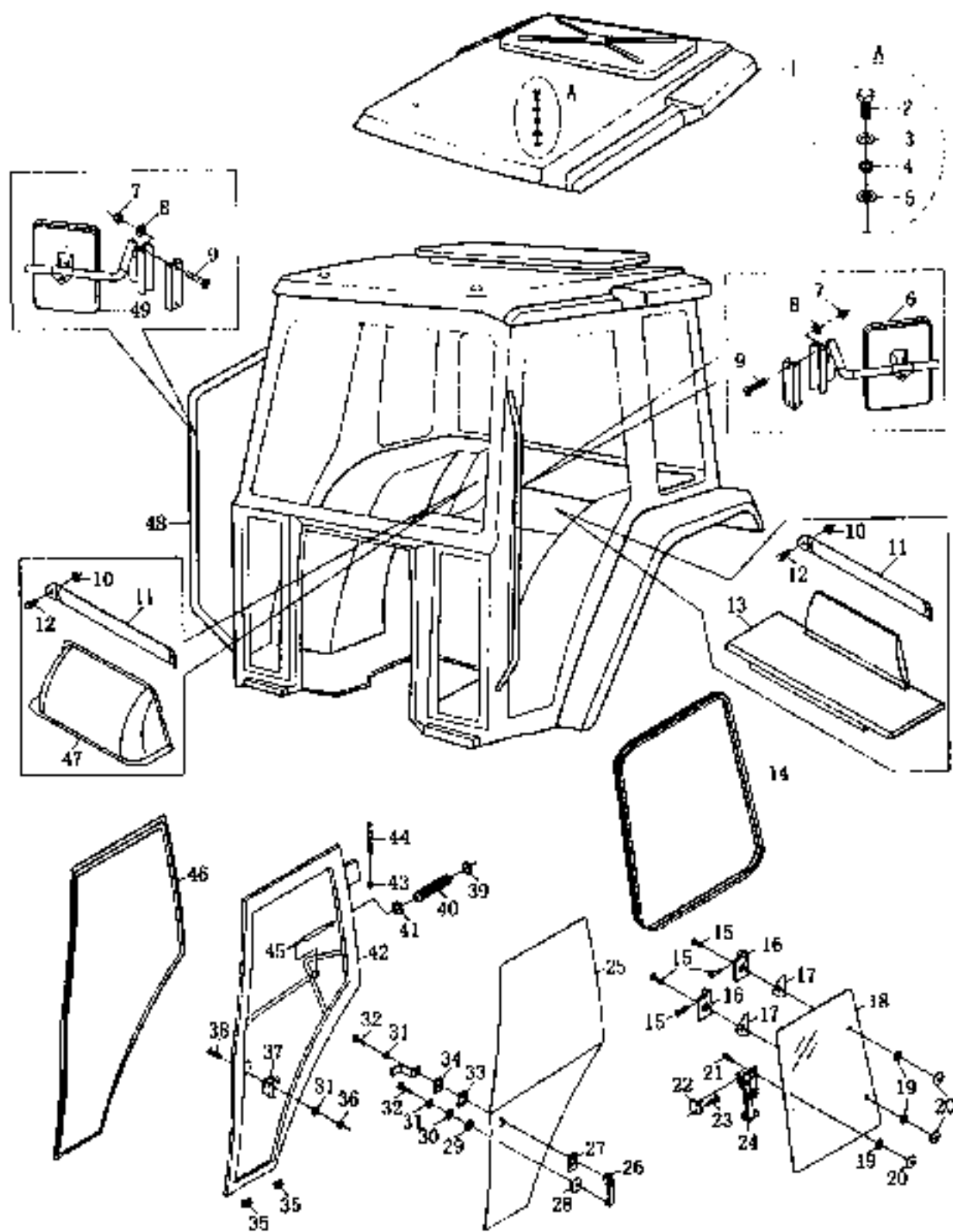
### 驾驶员总成

序号	零件代号	零件名称及规格	数量 (件)			
			700	704	800	804
1	700.44.010	驾驶员座	1	1	1	1
2	GB/T 5783-2000	螺栓 M12×35-Zn.D	4	4	4	4
3	GB/T 93-1987	弹簧垫圈 12	4	4	4	4
4	GB/T 97.1-1985	平垫圈 12-140HV-Zn.D	4	4	4	4

### Driver's Seat Assembly

No.	Drawing No.	Part Name and Standards	Qty. (Piece)			
			700	704	800	804
1	700.44.010	Driver's seat	1	1	1	1
2	GB/T 5783-2000	Bolt M12×35-Zn.D	4	4	4	4
3	GB/T 93-1987	Single coil spring lock washer type 12	4	4	4	4
4	GB/T 97.1-1985	Plain washer 12-140HV-Zn.D	4	4	4	4

# 驾驶室总成(一) Driver's Cab Assembly ( I )



### 驾驶室总成(一)

序号	零件代号	零件名称及规格	数 量 (件)			
			700	704	800	804
1	700.45.090	顶盖总成	1	1	1	1
2	Q150B1030	六角头螺栓	4	4	4	4
3	Q40110	平垫圈	4	4	4	4
4	Q40310	弹簧垫圈	4	4	4	4
5	700.45.839	后窗锁紧螺栓垫圈	4	4	4	4
6	700.45.058	左后视镜	1	1	1	1
7	GB/T 41-2000	螺母 M6-Zn-D	4	4	4	4
8	GB/T 95-1985	平垫圈 6-140HV-Zn-D	4	4	4	4
9	GB/T 819-1985	螺钉 M6×70-Zn-D	4	4	4	4
10	Q40108	平垫圈	2	2	2	2
11	700T.45.567	后座椅安全带总成	1	1	1	1
12	Q2140815	十字槽盘头螺钉	2	2	2	2
13	700 T.45.066	运输型后座椅总成	1	1	1	1
14	700.45.713	侧窗密封条	2	2	2	2
15	Q2630818	十字槽沉头自攻锁紧螺钉	12	12	12	12
16	700.45.730	侧窗铰链合件	4	4	4	4
17	700.45.715	侧窗活动铰链密封垫	4	4	4	4
18	700.45.711	左侧窗玻璃	1	1	1	1
	700.45.712	右侧窗玻璃	1	1	1	1
19	700.45.720	橡胶垫圈	8	8	8	8
20	700.45.719	侧窗塑料螺母	8	8	8	8
21	Q150B0816	六角头螺栓	4	4	4	4
22	700.45.750	销子合件	2	2	2	2
23	Q1840508	六角法兰面螺栓	4	4	4	4
24	700.45.740	左侧窗开窗叉合件	1	1	1	1
	700.45.741	右侧窗开窗叉合件	1	1	1	1
25	700.45.401	左车门玻璃	1	1	1	1
	700.45.501	右车门玻璃	1	1	1	1
26		左车门把手	1	1	1	1
		右车门把手	1	1	1	1
27	700.45.403	车门玻璃垫块	2	2	2	2
28	700.45.405	玻璃垫块(2)	2	2	2	2
29	700.45.406	车门玻璃垫片(2)	2	2	2	2
30	700.45.408	车门垫片(2)	2	2	2	2
31	GB/T 93-1987	弹簧垫圈 6	6	6	6	6

驾驶室总成(一)

序号	零件代号	零件名称及规格	数量 (件)			
			700	704	810	804
32	GB/T 65 - 2000	螺钉 M6 × 30 - Zn, D <sup>1</sup>	6	6	6	6
33	700.45.407	车门垫片(1)	2	2	2	2
34	700.45.404	玻璃垫片(1)	2	2	2	2
35	700.45.604	玻璃垫块	4	4	4	4
36	GB/T 6170 - 2000	螺母 M6 - Zn, D <sup>0</sup>	2	2	2	2
37	700.45.055	左车门锁总成	1	1	1	1
	700.45.056	右车门锁总成	1	1	1	1
38	GB/T 68 - 1985	螺钉 M6 × 25 - Zn, D <sup>0</sup>	4	4	4	4
39	Q67632	环 箍	2	2	2	2
40	700.45.421	气弹簧外罩	2	2	2	2
41	Q67645	环 箍	2	2	2	2
42	700.45.041	左车门框焊接总成	1	1	1	1
	700.45.042	右车门框焊接总成	1	1	1	1
43	Q43177	轴用弹性挡圈	4	4	4	4
44	700.45.505	车门铰链销	4	4	4	4
45	700.45.536	气弹簧	2	2	2	2
46	700.45.402	左车门门框密封条	1	1	1	1
	700.45.502	右车门门框密封条	1	1	1	1
47	700T.45.584	密封罩	1	1	1	1
48	700.45.010	驾驶室焊接总成	1	1	1	1
49	700.45.059	右后视镜	1	1	1	1

注: ① 左、右车门锁总成带。

### Driver's Cab Assembly ( 1 )

No.	Drawing No.	Part Name and Standards	Qty. (Piece)			
			700	704	800	804
1	700.45.090	Cab roof assembly	1	1	1	1
2	Q150B1030	Hexagon head bolt	4	4	4	4
3	Q40110	Plain washer	4	4	4	4
4	Q40310	Single coil spring lock washer	4	4	4	4
5	700.45.839	Washer of locking bolt, rear window	4	4	4	4
6	700.45.058	Rear - view mirror, left	1	1	1	1
7	GB/T 41 - 2000	Nut M6 - Zn. D	4	4	4	4
8	GB/T 95 - 1985	Plain washer 6 - 140HV - Zn. D	4	4	4	4
9	GB/T 819 - 1985	Screw M6 × 70 - Zn. D	4	4	4	4
10	Q40108	Plain washer <sup>①</sup>	2	2	2	2
11	700 T.45.567	Bandage assembly, rear seat <sup>②</sup>	1	1	1	1
12	Q2140815	Cross recessed pan head screw <sup>③</sup>	2	2	2	2
13	700 T.45.066	Rear seat assembly, transportation type <sup>③</sup>	1	1	1	1
14	700.45.713	Packing strip, side window	2	2	2	2
15	Q2630818	Cross recessed countersunk head thread forming screw	12	12	12	12
16	700.45.730	Pivot unit, side window	4	4	4	4
17	700.45.715	Gland for movable pivot, side window	4	4	4	4
18	700.45.711	Glass, left side window	1	1	1	1
	700.45.712	Glass, right side window	1	1	1	1
19	700.45.720	Rubber washer	8	8	8	8
20	700.45.719	Plastic nut, side window	8	8	8	8
21	Q150B0816	Hexagon head bolt	4	4	4	4
22	700.45.750	Peg unit	2	2	2	2
23	Q1840508	Hexagon flange section bolt	4	4	4	4
24	700.45.740	Window open fork unit, left side window	1	1	1	1
	700.45.741	Window open fork unit, right side window	1	1	1	1
25	700.45.401	Glass, left door	1	1	1	1
	700.45.501	Glass, right door	1	1	1	1
26		Arm rest, left door	1	1	1	1
		Arm rest, right door	1	1	1	1
27	700.45.403	Glass pad, door (1)	2	2	2	2
28	700.45.405	Glass pad (2)	2	2	2	2
29	700.45.406	Glass washer, door (2)	2	2	2	2

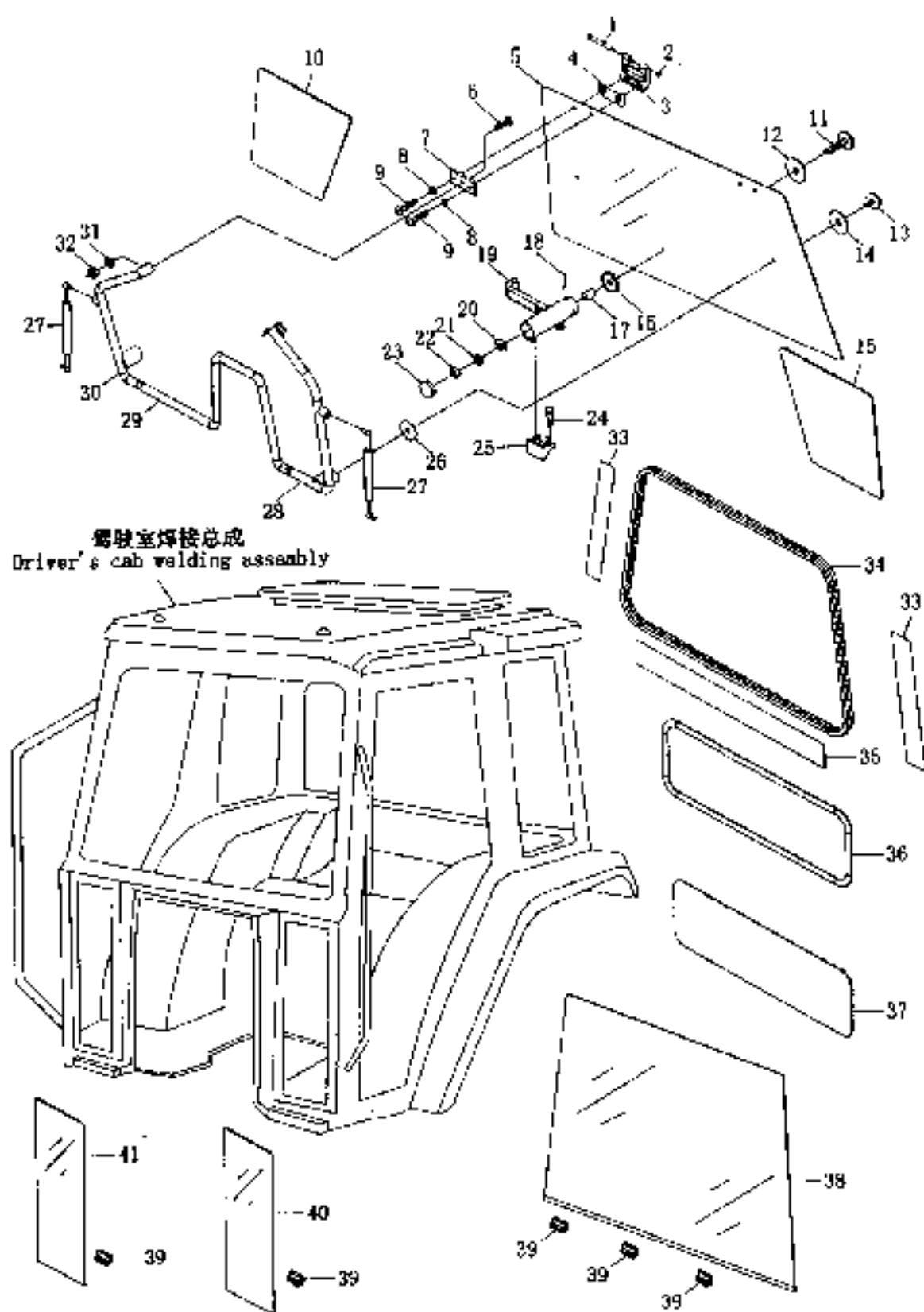
### Driver's Cab Assembly ( I )

No.	Drawing No.	Part Name and Standards	Qty. (Piece)			
			700	704	800	804
30	700.45.408	Door washer (2)	2	2	2	2
31	GB/T 93 - 1987	Single coil spring lock washer 6 <sup>Ⓞ</sup>	6	6	6	6
32	GB/T 65 - 2000	Screw M6 x 30 - Zn. D <sup>Ⓞ</sup>	6	6	6	6
33	700.45.407	Door washer (1)	2	2	2	2
34	700.45.404	Glass washer (1)	2	2	2	2
35	700.45.604	Glass pad	4	4	4	4
36	GB/T 6170 - 2000	Nut M6 - Zn. D <sup>Ⓞ</sup>	2	2	2	2
37	700.45.055	Lock assembly, left door	1	1	1	1
	700.45.056	Lock assembly, right door	1	1	1	1
38	GB/T 68 - 1985	Screw M6 x 25 - Zn. D <sup>Ⓞ</sup>	4	4	4	4
39	Q67632	Ring keeper	2	2	2	2
40	700.45.421	Outer cover of pneumatic spring	2	2	2	2
41	Q67645	Ring keeper	2	2	2	2
42	700.45.041	Frame welding assembly, left door	1	1	1	1
	700.45.042	Frame welding assembly, right door	1	1	1	1
43	Q43107	Circclip for shaft	4	4	4	4
44	700.45.505	Povit pin for door	4	4	4	4
45	700.45.536	Pneumatic spring	2	2	2	2
46	700.45.402	Packing strip, left door frame	1	1	1	1
	700.45.502	Packing strip, right door frame	1	1	1	1
47	700T.45.584	Packing cover	1	1	1	1
48	700.45.010	Driver's cab welding assembly	1	1	1	1
49	700.45.059	Right rear - view mirror	1	1	1	1

Note: ① With door lock for left and right door:



## 驾驶室总成(二) Driver's Cab Assembly (II)



### 驾驶室总成(二)

序号	零件代号	零件名称及规格	数量 (件)			
			700	704	800	804
1	700.45.834	后窗铰链销	2	2	2	2
2	Q43606	开口挡圈	2	2	2	2
3	700.45.832	底座	2	2	2	2
4	700.45.833	底座垫片	2	2	2	2
5	700.45.811	后窗玻璃	1	1	1	1
6	Q2140816	十字槽盘头螺钉	2	2	2	2
7	700.45.824	压盖	2	2	2	2
8	Q40306	弹簧垫圈	4	4	4	4
9	Q2140625	十字槽盘头螺钉	4	4	4	4
10	700.45.842	后小窗玻璃右	1	1	1	1
11	700.45.829	螺栓杆	1	1	1	1
12	700.45.839	后窗锁紧螺栓垫圈	1	1	1	1
13	700.45.825	塑铸螺栓	2	2	2	2
14	700.45.836	塑铸螺栓垫圈	2	2	2	2
15	700.45.841	后小窗玻璃左	1	1	1	1
16	700.45.838	密封垫	1	1	1	1
17	700.45.830	套筒	1	1	1	1
18	700.45.828	后窗锁紧销	1	1	1	1
19	700.45.831	锁紧本体	1	1	1	1
20	700.45.827	平垫圈	1	1	1	1
21	Q40312	弹簧垫圈	1	1	1	1
22	Q340B12	I型六角螺母	1	1	1	1
23	700.45.826	后盖	1	1	1	1
24	Q150D0520	六角头螺栓	2	2	2	2
	Q2140516	十字槽盘头螺钉	2	2	2	2
25	700.45.837	支架块	1	1	1	1
26	700.45.840	固定块密封垫	2	2	2	2
27	700.45.818	气弹簧	2	2	2	2
28	700.45.084	后窗气弹簧支架右	1	1	1	1
29	700.45.082A	后窗拉手总成	1	1	1	1
30	700.45.083	后窗气弹簧支架左	1	1	1	1
31	Q40308	弹簧垫圈	2	2	2	2
32	Q340B08	I型六角螺母	2	2	2	2
33	700.45.802	长胶棒	2	2	2	2

### 驾驶室总成(二)

序号	零件代号	零件名称及规格	数量(件)			
			700	704	800	804
34	700.45.812	后窗密封条	1	1	1	1
35	700.45.812	后窗玻璃密封条	1	1	1	1
36	700.45.801	后下窗胶条	1	1	1	1
	700.45.323	后下窗玻璃密封条	1	1	1	1
37	700.45.322	后下窗玻璃	1	1	1	1
38	700.45.611	前挡风玻璃	1	1	1	1
39	700.45.604	玻璃垫块	5	5	5	5
40	700.45.612	左前下窗玻璃	1	1	1	1
41	700.45.613	右前下窗玻璃	1	1	1	1

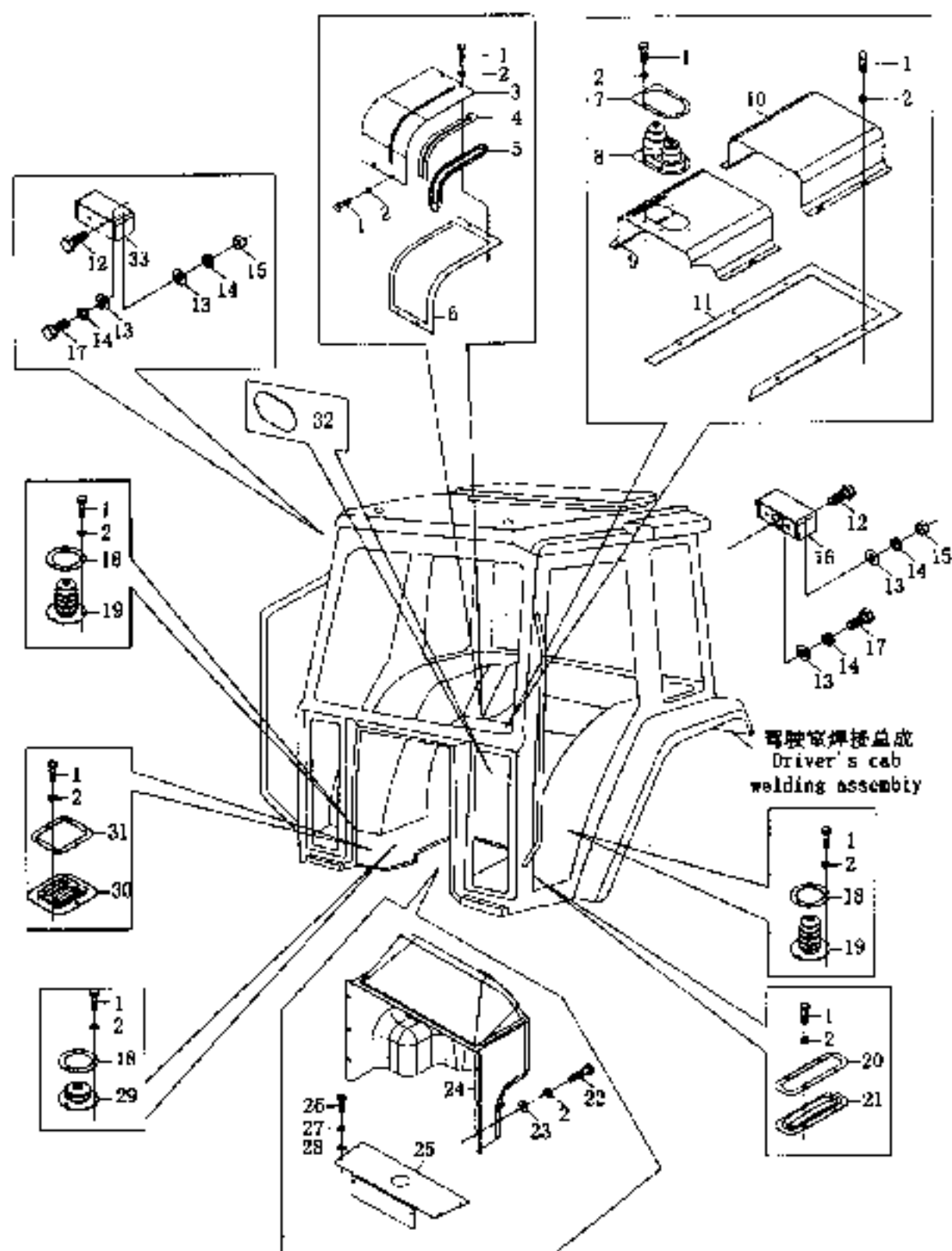
### Driver's Cab Assembly ( II )

No.	Drawing No.	Part Name and Standards	Qty. (Piece)			
			700	704	800	804
1	700.45.834	Pivot pin, rear window	2	2	2	2
2	Q43606	Split washer	2	2	2	2
3	700.45.832	Base rest	2	2	2	2
4	700.45.833	Washer for base rest	2	2	2	2
5	700.45.811	Glass of rear window	1	1	1	1
6	Q2140816	Cross recessed pan head screw	2	2	2	2
7	700.45.824	Gland	2	2	2	2
8	Q40305	Single coil spring lock washer	4	4	4	4
9	Q2140625	Cross recessed pan head screw	4	4	4	4
10	700.45.842	Rear small window's glass, right	1	1	1	1
11	700.45.829	Stud	1	1	1	1
12	700.45.839	Washer of locking bolt, rear window	1	1	1	1
13	700.45.825	Plastic bolt	2	2	2	2

### Driver's Cab Assembly ( II )

No.	Drawing No.	Part Name and Standards	Qty. (Piece)			
			700	704	800	Nil
14	700.45.836	Washer, plastic bolt	2	2	2	2
15	700.45.841	Rear small window's glass, left	1	1	1	1
16	700.45.838	Packing washer	1	1	1	1
17	700.45.830	Sleeve	1	1	1	1
18	700.45.828	Locking pin, rear window	1	1	1	1
19	700.45.831	Locking part	1	1	1	1
20	700.45.827	Plain washer	1	1	1	1
21	Q40312	Single coil spring lock washer	1	1	1	1
22	Q340B12	Hexagon nut style 1	1	1	1	1
23	700.45.826	Rear cover	1	1	1	1
24	Q150B0520	Hexagon head bolt	2	2	2	2
	Q2140S16	Cross recessed pan head screw	2	2	2	2
25	700.45.837	Clamping briquet	1	1	1	1
26	700.45.840	Packing washer for clamping briquet	2	2	2	2
27	700.45.818	Pneumatic spring	2	2	2	2
28	700.45.064	Pneumatic spring bracket(right), rear window	1	1	1	1
29	700.45.082A	Handle assembly, rear window	1	1	1	1
30	700.45.083	Pneumatic spring bracket(left), rear window	1	1	1	1
31	Q40308	Single coil spring lock washer	2	2	2	2
32	Q340B08	Hexagon nut style 1	2	2	2	2
33	700.45.802	Long rubber strip	2	2	2	2
34	700.45.812	Packing strip, rear window	1	1	1	1
35	700.45.812	Packing strip, rear window glass	1	1	1	1
36	700.45.801	Rubber strip, rear lower window	1	1	1	1
	700.45.323	Packing strip, rear lower window	1	1	1	1
37	700.45.322	Glass, rear lower window	1	1	1	1
38	700.45.611	Front wind shield glass	1	1	1	1
39	700.45.604	Panel of glass	5	5	5	5
40	700.45.612	Glass, left front lower window	1	1	1	1
41	700.45.613	Glass, right front lower window	1	1	1	1

### 驾驶室总成(三) Driver's Cab Assembly (III)



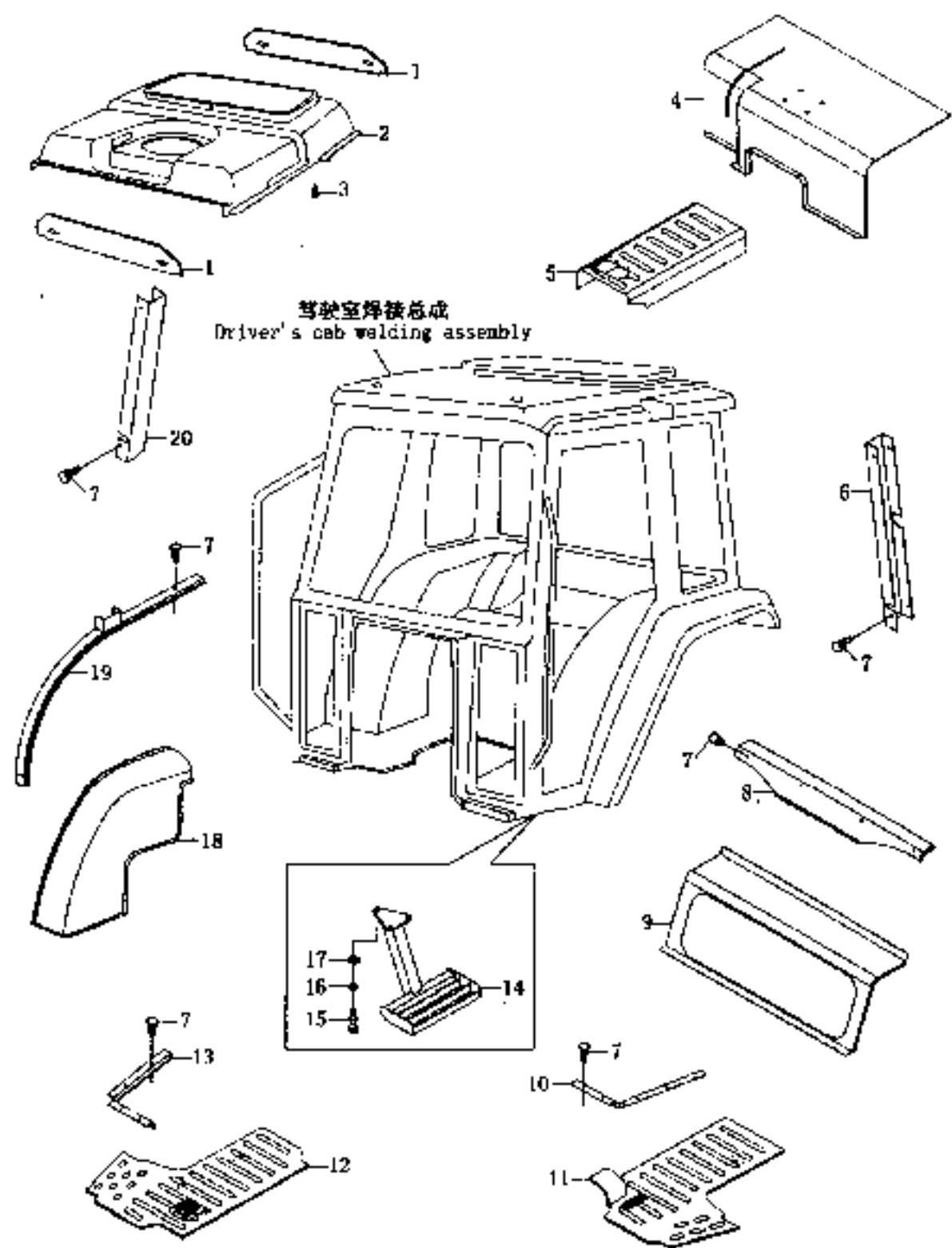
### 驾驶室总成(三)

序号	零件代号	零件名称及规格	数量 (件)			
			700	704	8000	8014
1	Q150B0630	六角头螺栓	36	36	36	36
2	Q40306	弹簧垫圈	42	42	42	42
3	700.45.350	后盖板	1	1	1	1
4		两面不干胶	1	1	1	1
5	700.45.384	后盖板操纵箱密封条	1	1	1	1
6	700.45.306	后盖板密封条	1	1	1	1
7	700.45.397	地板防尘罩压板	1	1	1	1
8	700.45.328	地板防尘罩	1	1	1	1
9	700.45.325	前地板罩	1	1	1	1
10	700.45.388	前地板罩后件	1	1	1	1
11	700.45.327	地板罩密封封条	1	1	1	1
12	Q150B0618	六角头螺栓	8	8	8	8
13	Q40106	平垫圈	16	16	16	16
14	Q40306	弹簧垫圈	16	16	16	16
15	Q340B06	I型六角螺母	8	8	8	8
16	700.45.097	后顶灯支架总成	2	2	2	2
17	Q150B0625	六角头螺栓	8	8	8	8
18	700.45.394	油门踏板密封套压板	3	3	3	3
19	700.45.393	油门踏板密封套	2	2	2	2
20	700.45.338	左前地板防尘罩压板	1	1	1	1
21	700.45.321	离合器踏板密封垫	1	1	1	1
22	Q2140618	十字槽盘头螺钉	6	6	6	6
	Q693073	塑料开尾销钉	6	6	6	6
23	Q40106	平垫圈	6	6	6	6
24	700.45.020	仪表板总成	1	1	1	1
25	700.45.223	隔板	1	1	1	1
26	Q150B0618	六角头螺栓	4	4	4	4
27	Q40306	弹簧垫圈	4	4	4	4
28	Q40106	平垫圈	4	4	4	4
29	700.45.303	差速器操纵防尘套	1	1	1	1
30	700.45.333	右前底板防尘罩压板	1	1	1	1
31	700.45.319	制动踏板密封垫	1	1	1	1
32	700.45.398	后地板盖	1	1	1	1
33	700.45.098	前顶灯支架总成	2	2	2	2

### Driver's Cab Assembly ( II )

No.	Drawing No.	Part Name and Standards	Qty. (Piece)			
			700	704	800	804
1	Q150B0630	Hexagon head bolt	36	36	36	36
2	Q40306	Single coil spring lock washer	42	42	42	42
3	700.45.350	Rear cover	1	1	1	1
4		Double - sided adhesive tape	1	1	1	1
5	700.45.384	Packing strip of control housing, rear cover	1	1	1	1
6	700.45.306	Packing strip, rear cover	1	1	1	1
7	700.45.397	Pressure sheet, floor dust cap	1	1	1	1
8	700.45.328	Floor dust cap	1	1	1	1
9	700.45.325	Front floor cap	1	1	1	1
10	700.45.388	Rear part of front floor cap	1	1	1	1
11	700.45.327	Packing strip of front floor cap	1	1	1	1
12	Q150B0618	Hexagon head bolt	8	8	8	8
13	Q40106	Plain washer	16	16	16	16
14	Q40306	Single coil spring lock washer	16	16	16	16
15	Q340B06	Hexagon nut style I	8	8	8	8
16	700.45.097	Bracket assembly for rear roof lamp	2	2	2	2
17	Q150B0625	Hexagon head bolt	8	8	8	8
18	700.45.394	Pressure sheet of packing sleeve, throttle pedal	2	2	2	2
19	700.45.393	Packing sleeve of throttle pedal	2	2	2	2
20	700.45.338	Pressure sheet of dust cap	1	1	1	1
21	700.45.321	Gasket of clutch pedal	1	1	1	1
22	Q2140618	Cross recessed pan head screw	6	6	6	6
	Q693073	Plastic split pin	6	6	6	6
23	Q40106	Plain washer	6	6	6	6
24	700.45.020	Panel assembly	1	1	1	1
25	700.45.223	Spacer plate	1	1	1	1
26	Q150B0618	Hexagon head bolt	4	4	4	4
27	Q40306	Single coil spring lock washer	4	4	4	4
28	Q40106	Plain washer	4	4	4	4
29	700.45.303	Dust sleeve for differential lock	1	1	1	1
30	700.45.333	Pressure sheet of dust cap, right front floor	1	1	1	1
31	700.45.319	Packing gasket of brake pedal	1	1	1	1
32	700.45.398	Rear floor cap	1	1	1	1
33	700.45.098	Bracket assembly for front roof lamp	2	2	2	2

# 驾驶室总成(四) Driver's Cab Assembly (IV)





### 驾驶室总成(四)

序号	零件代号	零件名称及规格	数量 (件)			
			700	704	800	804
1	700.45.899	后窗上横梁外板	2	2	2	2
2	700.45.954	内顶衬(用于简易风扇)	1	1	1	1
	700.45.099	内顶衬(用于装设风机) <sup>①</sup>	1	1	1	1
3	Q69206	塑料开尾销钉	16	16	16	16
4	700.45.320	后地板中地板垫	1	1	1	1
5	700.45.329	前地板罩垫	1	1	1	1
6	700.45.309	左中柱内饰	1	1	1	1
7	Q69208	塑料开尾销钉	22	22	22	22
8	700.45.666	后栅板内饰压条	1	1	1	1
9	700.45.313	后围板内饰	1	1	1	1
10	700.45.444	左地板垫压条	1	1	1	1
11	700.45.302	左地板垫	1	1	1	1
12	700.45.301	右地板垫	1	1	1	1
13	700.45.222	右地板垫压条	1	1	1	1
14	700.45.012	脚蹬总成	2	2	2	2
15	Q150B1030	六角头螺栓	6	6	6	6
16	Q40310	弹簧垫圈	6	6	6	6
17	Q40110	半垫圈	6	6	6	6
18	700.45.307	左侧挡泥板内饰	1	1	1	1
	700.45.308	右侧挡泥板内饰	1	1	1	1
19	700.45.317	左侧挡泥板内饰压板	1	1	1	1
	700.45.318	右侧挡泥板内饰压板	1	1	1	1
20	700.45.310	右中柱内饰	1	1	1	1

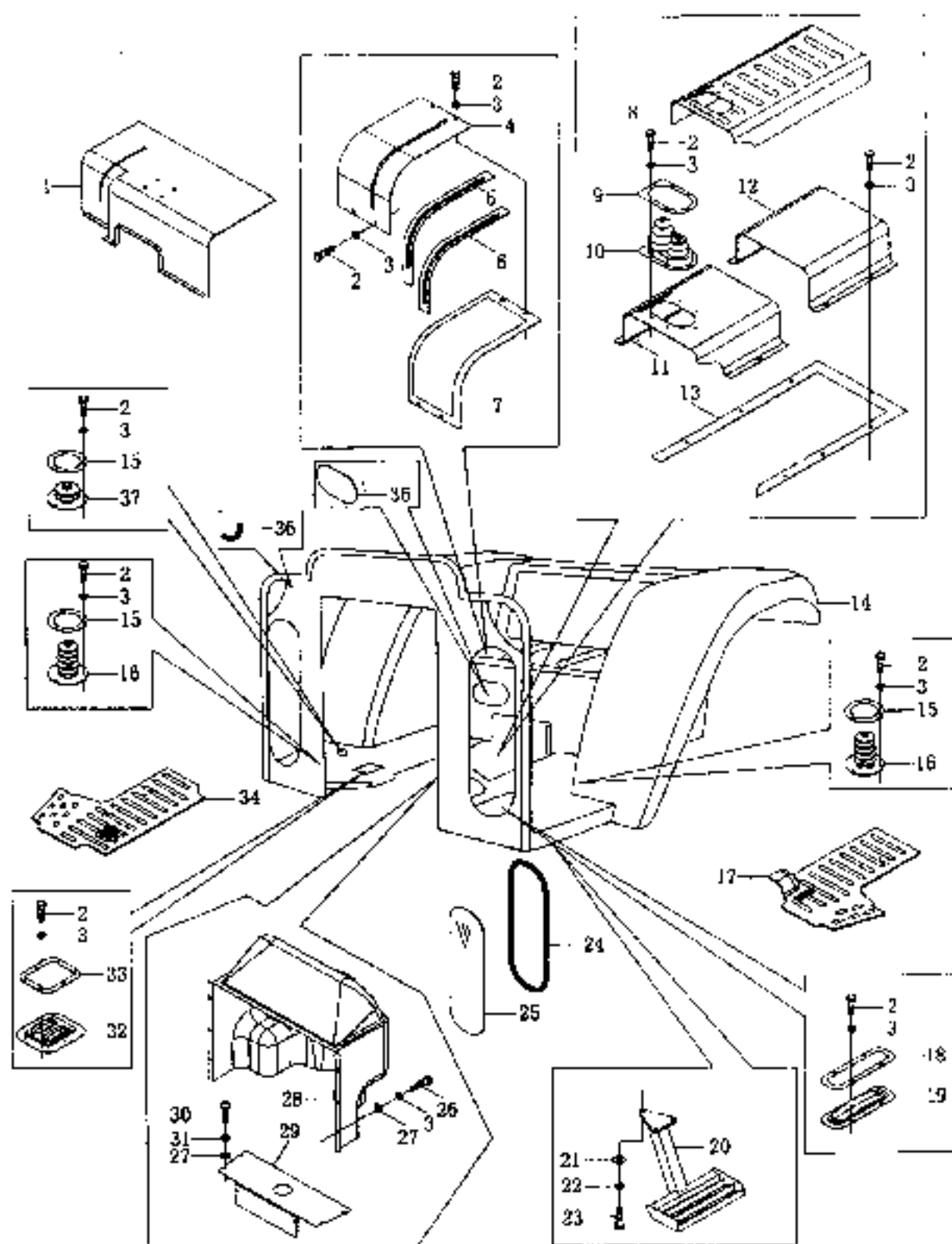
注: ① 选装件。

### Driver's Cab Assembly (V)

No.	Drawing No.	Part Name and Standards	Qty. (Piece)			
			700	704	800	804
1	700.45.899	Outer plate of upper beams, rear window	2	2	2	2
2	700.45.954	Inner top (for simple fan)	1	1	1	1
	700.45.099	Inner top (for warm - air fan) <sup>Ⓢ</sup>	1	1	1	1
3	Q69206	Plastic split pin	16	16	16	16
4	700.45.320	Middle floor cushion, rear floor	1	1	1	1
5	700.45.329	Cover cushion, front floor	1	1	1	1
6	700.45.309	Inner decorations of left middle stand	1	1	1	1
7	Q69208	Plastic split pin	22	22	22	22
8	700.45.666	Pressure sheet of inner decorations, rear surrounding plate	1	1	1	1
9	700.45.313	Inner decorations of rear surrounding plate	1	1	1	1
10	700.45.444	Pressure sheet of left floor cushion	1	1	1	1
11	700.45.302	Left floor cushion	1	1	1	1
12	700.45.301	Right floor cushion	1	1	1	1
13	700.45.222	Pressure sheet of right floor cushion	1	1	1	1
14	700.45.012	Foot lever assembly	2	2	2	2
15	Q150B1030	Hexagon head bolt	6	6	6	6
16	Q40310	Single coil spring lock washer	6	6	6	6
17	Q40110	Plain washer	6	6	6	6
18	700.45.307	Inner decorations, left mud guard	1	1	1	1
	700.45.308	Inner decorations, right mud guard	1	1	1	1
19	700.45.317	Pressure plate of inner decorations, left mud guard	1	1	1	1
	700.45.318	Pressure plate of inner decorations, right mud guard	1	1	1	1
20	700.45.310	Inner decorations of right middle stand	1	1	1	1

Note: Ⓢ Optional part.

# 简易车身总成(选装) Simple Body Assembly (Optional)



简易车身总成(选装)

序号	零件代号	零件名称及规格	数量(件)			
			700	704	800	804
1	700.45B.320	后地板中地板垫	1	1	1	1
2	Q214B0630	十字槽盘头螺钉	36	36	36	36
3	Q40306	弹簧垫圈	42	42	42	42
4	700.45.350	后盖板	1	1	1	1
5		两面不干胶	1	1	1	1
6	700.45.384	后盖板操纵箱密封条	1	1	1	1
7	700.45.306	后盖板密封条	1	1	1	1
8	700.45B.329	前地板罩垫	1	1	1	1
9	700.45.397	地板防尘罩压板	1	1	1	1
10	700.45.328	地板防尘罩	1	1	1	1
11	700.45.325	前地板罩	1	1	1	1
12	700.45.388	前地板罩后件	1	1	1	1
13	700.45.327	地板罩密封封条	1	1	1	1
14	700.45B.010	简易车身焊接总成	1	1	1	1
15	700.45.394	油门踏板密封套压板	3	3	3	3
16	700.45.393	油门踏板密封套	2	2	2	2
17	700.45B.302	左地板垫	1	1	1	1
18	700.45.338	左前地板防尘罩压板	1	1	1	1
19	700.45.337	左前地板防尘罩	1	1	1	1
20	700.45.012	脚蹬总成	2	2	2	2
21	Q40110	平垫圈	6	6	6	6
22	Q40310	弹簧垫圈	6	6	6	6
23	Q150B1030	六角头螺栓	6	6	6	6
24	700.45B.732	前下窗玻璃	2	2	2	2
25	700.45B.733	前下窗密封条	2	2	2	2
26	Q2140618	十字槽盘头螺钉	6	6	6	6
27	Q40106	平垫圈	10	10	10	10
28	700.45.020	仪表板总成	1	1	1	1
29	700.45.223	隔板	1	1	1	1
30	Q150B0618	六角头螺栓	4	4	4	4
31	Q40306	弹簧垫圈	4	4	4	4
32	700.45.332	右前底板防尘罩	1	1	1	1
33	700.45.333	右前底板防尘罩压板	1	1	1	1
34	700.45B.301	右地板垫	1	1	1	1

### 简易车身总成(选装)

序号	零件代号	零件名称及规格	数量 (件)			
			700	704	800	804
35	700.45.398	后地板盖	1	1	1	1
36	700.45B.735	前下窗玻璃嵌条	2	2	2	2
37	700.45.303	变速锁操纵护尘套	1	1	1	1

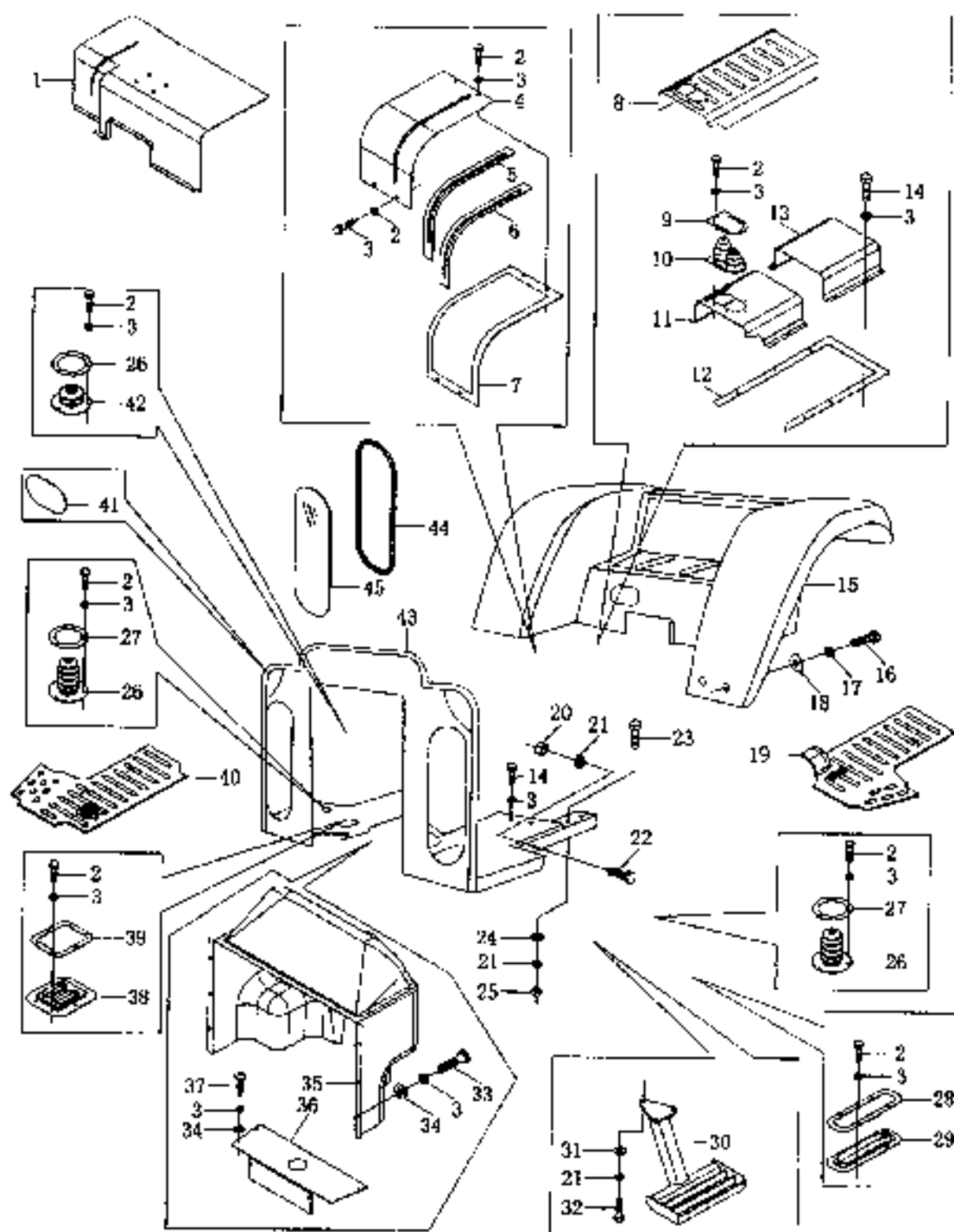
### Simple Body Assembly (Optional)

No.	Drawing No.	Part Name and Standards	Qty. (Piece)			
			700	704	800	804
1	700.45B.320	Middle floor cushion, rear floor	1	1	1	1
2	Q214B0630	Cross recessed pan head screw	36	36	36	36
3	Q40306	Spring washer	42	42	42	42
4	700.45.350	Rear cover	1	1	1	1
5		Double-sided adhesive tape	1	1	1	1
6	700.45.384	Packing strip of control housing, rear cover	1	1	1	1
7	700.45.306	Packing strip of rear cover	1	1	1	1
8	700.45B.329	Front floor cushion	1	1	1	1
9	700.45.397	Pressure plate of floor dust cap	1	1	1	1
10	700.45.328	Floor dust cap	1	1	1	1
11	700.45.325	Front floor cap	1	1	1	1

### Simple Body Assembly (Optional)

No.	Drawing No.	Part Name and Standards	Qty. (Piece)			
			700	704	800	804
12	700.45.388	Rear part of front floor cap	1	1	1	1
13	700.45.327	Packing strip of floor cushion	1	1	1	1
14	700.45B.010	Simple body welding assembly	1	1	1	1
15	700.45.394	Pressure plate of parking cap, throttle pedal	3	3	3	3
16	700.45.393	Packing cap of throttle pedal	2	2	2	2
17	700.45B.302	Left floor cushion	1	1	1	1
18	700.45.338	Pressure plate of dust cap, left front floor	1	1	1	1
19	700.45.337	Dust cap, left front floor	1	1	1	1
20	700.45.012	Foot lever assembly	2	2	2	2
21	Q40110	Plain washer	6	6	6	6
22	Q40310	Single coil spring lock washer	6	6	6	6
23	Q150B1030	Hexagon head bolt	6	6	6	6
24	700.45B.732	Glass, front lower window	2	2	2	2
25	700.45B.733	Packing strip, front lower window	2	2	2	2
26	Q2140618	Cross recessed pan head screw	6	6	6	6
27	Q40106	Plain washer	10	10	10	10
28	700.45.020	Panel assembly	1	1	1	1
29	700.45.223	Fender	1	1	1	1
30	Q150B0618	Hexagon head bolt	4	4	4	4
31	Q40306	Single coil spring lock washer	4	4	4	4
32	700.45.332	Dust cap of right front base plate	1	1	1	1
33	700.45.333	Pressure plate of dust cap, right front base plate	1	1	1	1
34	700.45B.301	Right floor cushion	1	1	1	1
35	700.45.398	Rear floor cover	1	1	1	1
36	700.45B.735	Glass molding of front lower window	2	2	2	2
37	700.45.303	Dust cap, differential lock control	1	1	1	1

可拆地板车身总成(选装)  
 Detachable Floor Body Assembly (Optional)



可拆地板车身总成(选装)

序号	零件代号	零件名称及规格	数量(件)			
			700	704	800	804
1	700.45B.320	后地板中地板垫	1	1	1	1
2	Q214B0630	十字槽盘头螺钉	30	30	30	30
3	Q40306	弹簧垫圈	52	52	52	52
4	700.45.350	后盖板	1	1	1	1
5		两面不干胶	1	1	1	1
6	700.45.384	后盖板操纵箱密封条	1	1	1	1
7	700.45.306	后盖板密封条	1	1	1	1
8	700.45B.329	前地板罩垫	1	1	1	1
9	700.45.397	地板防尘罩压板	1	1	1	1
10	700.45.328	地板防尘罩	1	1	1	1
11	700.45.325	前地板罩	1	1	1	1
12	700.45.327	地板罩密封封条	1	1	1	1
13	700.45C.101	前地板罩后件	1	1	1	1
14	Q150B0618	六角头螺栓	12	12	12	12
15	700.45C.050	后地板焊合	1	1	1	1
16	Q150B0830	六角头螺栓	4	4	4	4
17	Q40308	弹簧垫圈	4	4	4	4
18	Q40208	大垫圈	4	4	4	4
19	700.45B.302	左地板垫	1	1	1	1
20	Q360B10	2型六角螺母	4	4	4	4
21	Q40310	弹簧垫圈	10	10	10	10
22	Q150B1060	六角头螺栓	4	4	4	4
23	Q150B10105	六角头螺栓	4	4	4	4
24	Q40210	大垫圈	4	4	4	4
25	Q360B10	2型六角螺母	4	4	4	4
26	700.45.394	油门踏板密封套压板	3	3	3	3
27	700.45.393	油门踏板密封套	2	2	2	2
28	700.45.338	左前地板防尘罩压板	1	1	1	1
29	700.45.337	左前地板防尘罩	1	1	1	1
30	700.45.012	脚踏总成	2	2	2	2
31	Q40110	平垫圈	6	6	6	6
32	Q150B1030	六角头螺栓	6	6	6	6
33	Q2140618	十字槽盘头螺钉	6	6	6	6
34	Q40106	平垫圈	10	10	10	10
35	700.45.020	仪表板总成	1	1	1	1



### 可拆地板车身总成(选装)

序号	零件代号	零件名称及规格	数量(件)			
			700	704	800	804
36	700.45.223	隔板	1	1	1	1
37	Q150B0618	六角头螺栓	4	4	4	4
38	700.45.332	右前底板防尘罩	1	1	1	1
39	700.45.333	右前底板防尘罩压板	1	1	1	1
40	700.45B.301	右地板垫	1	1	1	1
41	700.45.398	后地板垫	1	1	1	1
42	700.45.303	差速锁操纵防尘套	1	1	1	1
43	700.45C.040	前地板焊合总成	1	1	1	1
44	700.45B.733	前下密封封条	2	2	2	2
45	700.45B.732	前下侧玻璃	2	2	2	2

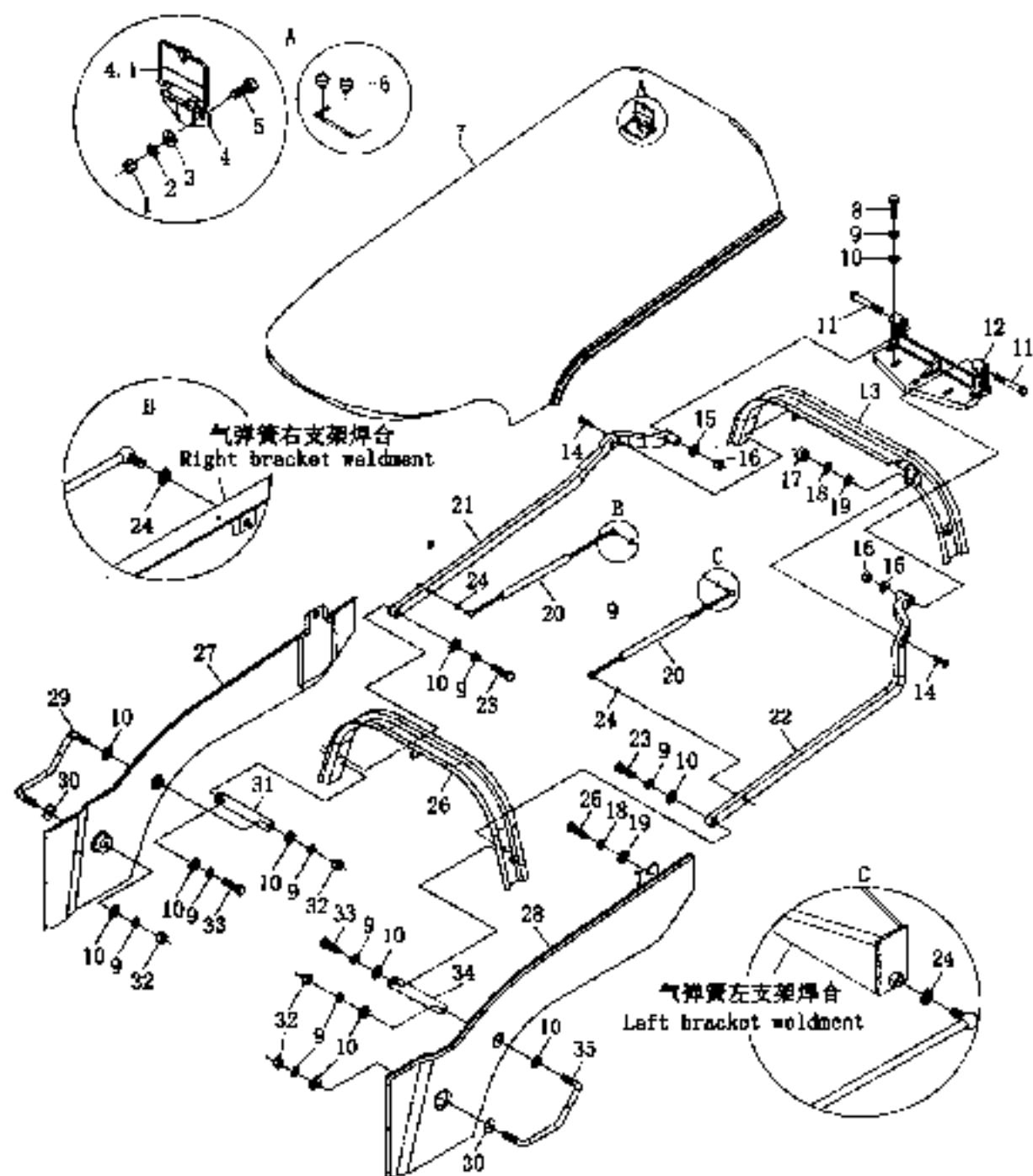
### Detachable Floor Body Assembly (Optional)

No.	Drawing No.	Part Name and Standards	Qty. (Piece)			
			700	704	800	804
1	700.45B.320	Middle floor cushion, rear floor	1	1	1	1
2	Q214B0630	Cross recessed pan head screw	30	30	30	30
3	Q40306	Spring washer	52	52	52	52
4	700.45.350	Rear cover	1	1	1	1
5		Double-sided adhesive tape	1	1	1	1
6	700.45.384	Packing strip of control housing, rear cover	1	1	1	1
7	700.45.306	Packing strip of rear cover	1	1	1	1
8	700.45B.329	Front floor cushion	1	1	1	1
9	700.45.397	Pressure plate of floor dust cap	1	1	1	1
10	700.45.328	Floor dust cap	1	1	1	1
11	700.45.325	Front floor cap	1	1	1	1
12	700.45.327	Packing strip of floor cushion	1	1	1	1
13	700.45C.101	Rear part of front floor cap	1	1	1	1
14	Q150B0618	Hexagon bolt	12	12	12	12

### Detachable Floor Body Assembly (Optional)

No.	Drawing No.	Part Name and Standards	Qty. (Place)			
			710	704	800	804
15	700.45C.050	Rear floor weldment	1	1	1	1
16	Q150B0830	Hexagon head bolt	4	4	4	4
17	Q40308	Single coil spring lock washer	4	4	4	4
18	Q40208	Large washer	4	4	4	4
19	700.45B.302	Left floor cushion	1	1	1	1
20	Q360B10	Hexagon nut style 2	4	4	4	4
21	Q40310	Single coil spring lock washer	10	10	10	10
22	Q150B1060	Hexagon head bolt	4	4	4	4
23	Q150B10105	Hexagon head bolt	4	4	4	4
24	Q40210	Large washer	4	4	4	4
25	Q360B10	Hexagon nut style 2	4	4	4	4
26	700.45.394	Pressure plate of packing cap, throttle pedal	3	3	3	3
27	700.45.393	Packing cap of throttle pedal	2	2	2	2
28	700.45.338	Pressure plate of dust cap, left front floor	1	1	1	1
29	700.45.337	Dust cap of left front floor	1	1	1	1
30	700.45.012	Foot lever assembly	2	2	2	2
31	Q40110	Plain washer	6	6	6	6
32	Q150B1030	Hexagon head bolt	6	6	6	6
33	Q2140618	Cross recessed pan head screw	6	6	6	6
34	Q40106	Plain washer	10	10	10	10
35	700.45.020	Panel assembly	1	1	1	1
36	700.45.223	Fender	1	1	1	1
37	Q150B0618	Hexagon head bolt	4	4	4	4
38	700.45.332	Dust cap of right front base plate	1	1	1	1
39	700.45.333	Pressure plate of dust cap, right front base plate	1	1	1	1
40	700.45B.301	Right floor cushion	1	1	1	1
41	700.45.398	Rear floor cover	1	1	1	1
42	700.45.303	Dust cap, differential lock control	1	1	1	1
43	700.45C.040	Front floor weldment assembly	1	1	1	1
44	700.45B.733	Packing strip, front lower window	2	2	2	2
45	700.45B.732	Glass, front lower window	2	2	2	2

# 发动机罩总成(一) Bonnet Assembly ( I )



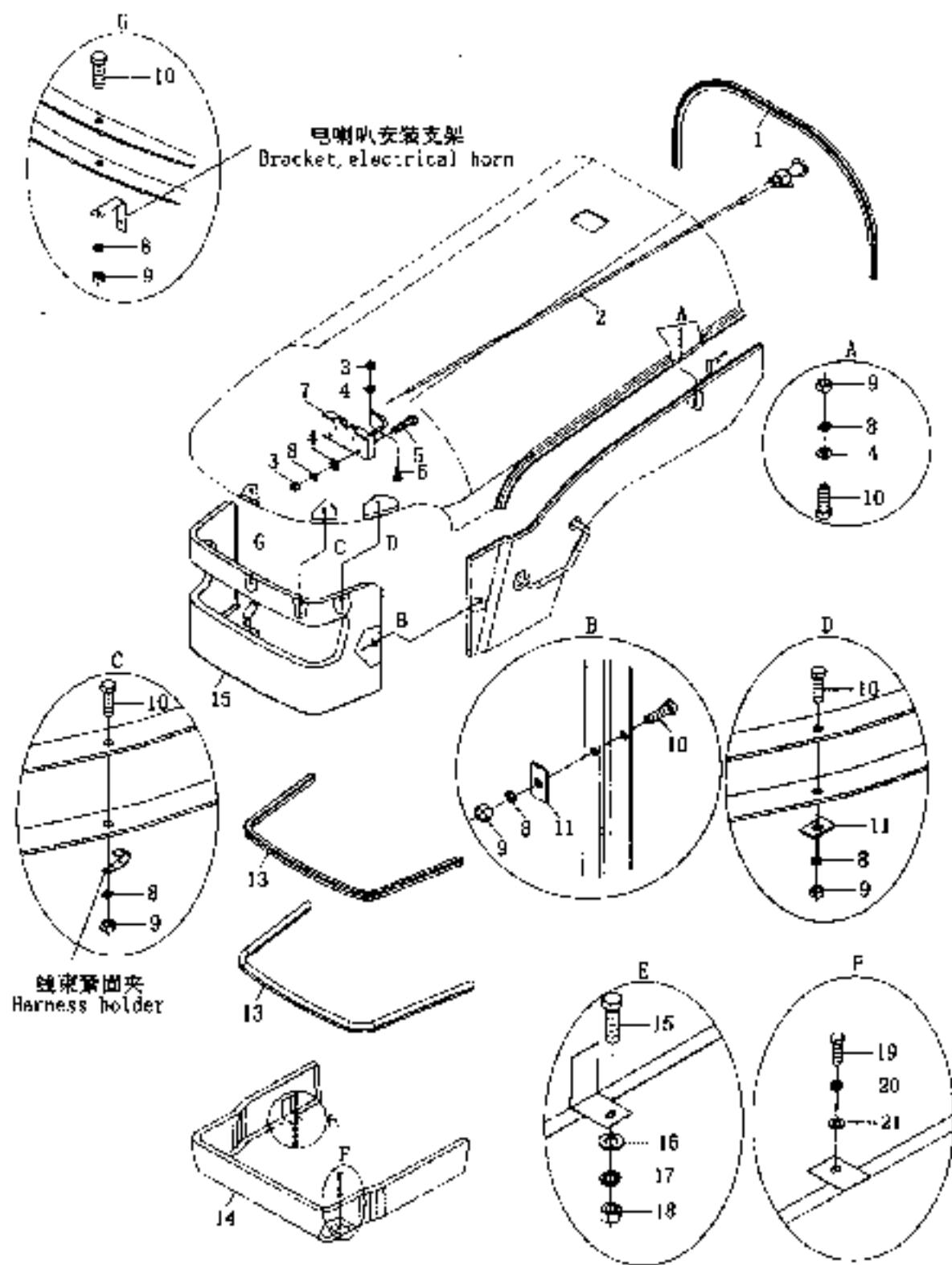
发动机罩总成(一)

序号	零件代号	零件名称及规格	数量(件)			
			700	704	800	804
1	Q340B06	1型六角螺母	14	14	14	14
2	Q40306	弹簧垫圈	14	14	14	14
3	Q40106	平垫圈	2	2	2	2
4	700.47.026	机罩上活盖铰链合件	1	1	1	1
4.1	700.47.141	加推门门	1	1	1	1
5	Q150B0616	六角头螺栓	2	2	2	2
6	700.47.111	缓冲钉	2	2	2	2
7	700.47.010	发动机罩上板	1	1	1	1
8	Q150B1240	六角头螺栓	3	3	3	3
9	Q40312	弹簧垫圈	11	11	11	11
10	Q40112	平垫圈	11	11	11	11
11	Q150B16100	六角头螺栓	2	2	2	2
12	700.47.024	铰链支架总成	1	1	1	1
13	700.47.019	发动机罩后加强梁总成	1	1	1	1
14	Q150B0825	六角头螺栓	4	4	4	4
15	Q40116	平垫圈	2	2	2	2
16	Q32616	2型非金属嵌件六角锁紧螺母	2	2	2	2
17	Q340B08	1型六角螺母	4	4	4	4
18	Q40308	弹簧垫圈	4	4	4	4
19	Q40108	平垫圈	4	4	4	4
20	700.47.142	机罩气弹簧	2	2	2	2
21	700.47.031	后连杆焊接总成-右	1	1	1	1
22	700.47.030	后连杆焊接总成-左	1	1	1	1
23	Q150B1235	六角头螺栓	2	2	2	2
24	Q40310	弹簧垫圈	4	4	4	4
25	Q150B0816	六角头螺栓	2	2	2	2
26	700.47.015	发动机罩前加强梁总成	1	1	1	1
27	700.47.013	发动机罩右板总成	1	1	1	1
28	700.47.012	发动机罩左板总成	1	1	1	1
29	700.47.105	机罩拉手-右	1	1	1	1
30	Q40212	大垫圈	2	2	2	2
31	700.47.114	前连杆-左	1	1	1	1
32	Q340B12	1型六角螺母	8	8	8	8
33	Q150B1230	六角头螺栓	2	2	2	2
34	700.47.113	前连杆-右	1	1	1	1
35	700.47.106	机罩拉手-左	1	1	1	1

### Bonnet Assembly ( I )

No.	Drawing No.	Part Name and Standards	Qty. ( Piece )			
			700	704	800	804
1	Q340B06	Hexagon nut, style 1	14	14	14	14
2	Q40306	Single coil spring lock washer	14	14	14	14
3	Q40106	Plain washer	2	2	2	2
4	700.47.026	Pivot unit, upper movable cover of bonnet	1	1	1	1
4.1	700.47.141	Oil filter	1	1	1	1
5	Q150B0616	Hexagon head bolt	2	2	2	2
6	700.47.111	Cushion screw	2	2	2	2
7	700.47.010	Upper plate of bonnet	1	1	1	1
8	Q150B1240	Hexagon head bolt	3	3	3	3
9	Q40312	Single coil spring lock washer	11	11	11	11
10	Q40112	Plain washer	11	11	11	11
11	Q150B16100	Hexagon head bolt	2	2	2	2
12	700.47.024	Pivot bracket assembly	1	1	1	1
13	700.47.019	Rear reinforced beam assembly, bonnet	1	1	1	1
14	Q150B0825	Hexagon head bolt	4	4	4	4
15	Q40116	Plain washer	2	2	2	2
16	Q32616	Hexagon locking nut, style 2, nonmetallic	2	2	2	2
17	Q340B08	Hexagon nut, style 1	4	4	4	4
18	Q40308	Single coil spring lock washer	4	4	4	4
19	Q40108	Plain washer	4	4	4	4
20	700.47.142	Pneumatic spring, bonnet	2	2	2	2
21	700.47.031	Rear connecting rod welding assembly - right	1	1	1	1
22	700.47.030	Rear connecting rod welding assembly - left	1	1	1	1
23	Q150B1235	Hexagon head bolt	2	2	2	2
24	Q40310	Single coil spring lock washer	4	4	4	4
25	Q150B0816	Hexagon head bolt	2	2	2	2
26	700.47.015	Front reinforced beam assembly, bonnet	1	1	1	1
27	700.47.013	Right plate assembly, bonnet	1	1	1	1
28	700.47.012	Left plate assembly, bonnet	1	1	1	1
29	700.47.105	Handle of bonnet - right	1	1	1	1
30	Q40212	Large washer	2	2	2	2
31	700.47.114	Front connecting rod - left	1	1	1	1
32	Q340B12	Hexagon nut, style 1	8	8	8	8
33	Q150B1230	Hexagon head bolt	2	2	2	2
34	700.47.113	Front connecting rod - right	1	1	1	1
35	700.47.106	Handle of bonnet - left	1	1	1	1

# 发动机罩总成(二) Bonnet Assembly ( II )



发动机罩总成(二)

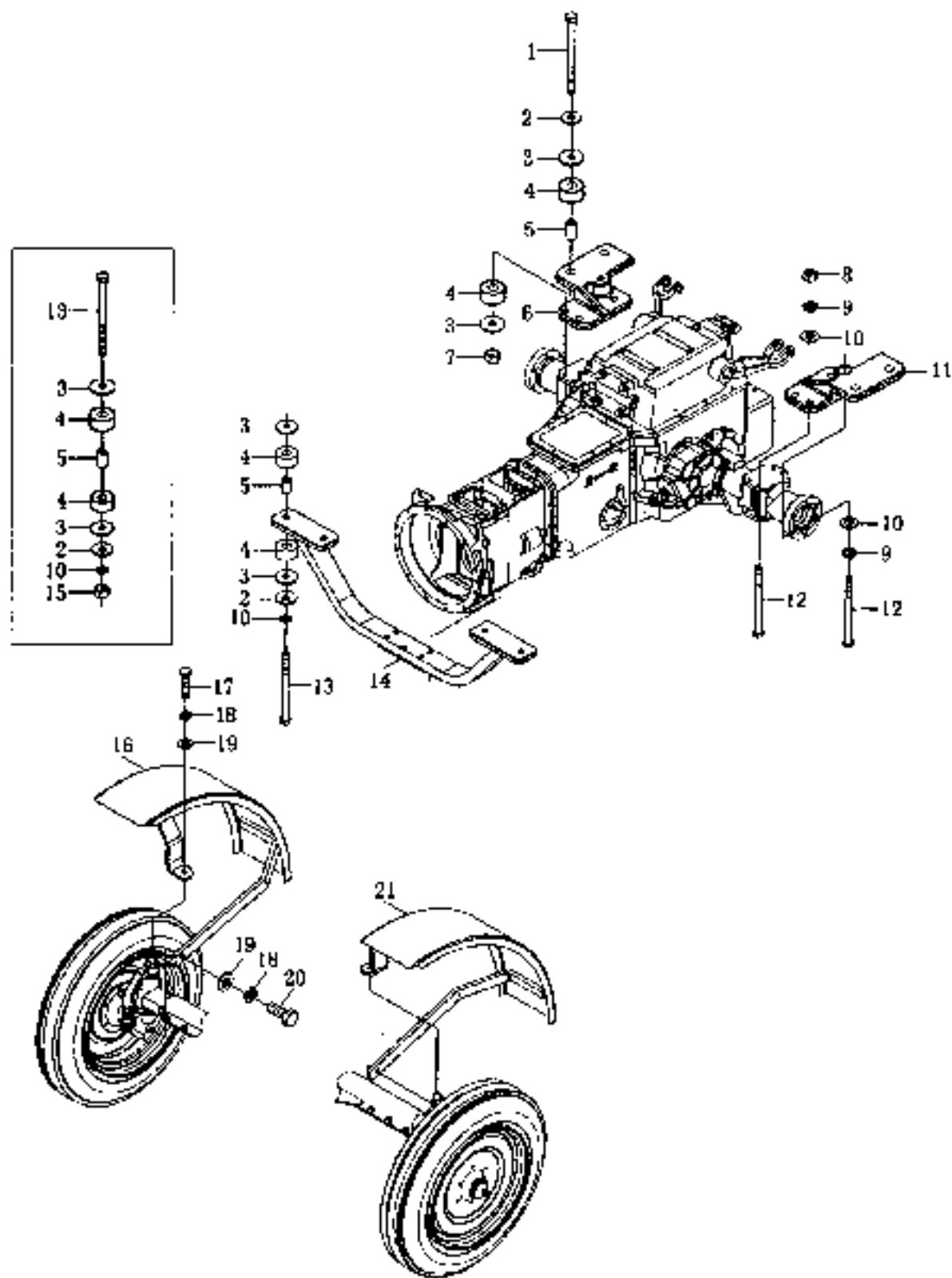
序号	零件代号	零件名称及规格	数量 (件)			
			700	704	800	804
1	700.47.110	后密封胶条	1	1	1	1
2	700.47.029	机罩铰链轴拉线总成	1	1	1	1
3	Q350B06	六角薄螺母	5	5	5	5
4	Q40105	平垫圈	23	23	23	23
5	Q2140635	十字槽盘头螺钉	4	4	4	4
6	700.47.126	锁紧螺钉	1	1	1	1
7	700.47.127	机罩铰	1	1	1	1
8	Q40306	弹簧垫圈	32	32	32	32
9	Q340B06	1型六角螺母	28	28	28	28
10	Q150B0612	六角头螺栓	27	27	27	27
11	700.47.124	前板垫片	10	10	10	10
12	700.47.011	发动机罩前板总成	1	1	1	1
13	700.47.108	前下缓冲胶条	2	2	2	2
14	700.47.021	发动机罩下板总成	1	1	1	1
15	Q150B0820	六角头螺栓	2	2	2	2
16	Q40108	平垫圈	2	2	2	2
17	Q40308	弹簧垫圈	2	2	2	2
18	Q340B08	1型六角螺母	2	2	2	2
19	Q150B1220	六角头螺栓	2	2	2	2
20	Q40312	弹簧垫圈	2	2	2	2
21	Q40112	平垫圈	2	2	2	2

### Bonnet Assembly ( II )

No.	Drawing No.	Part Name and Standards	Qty. (Piece)			
			700	704	800	804
1	700.47.110	Rear packing rubber strip	1	1	1	1
2	700.47.029	Flexible shafting dragline assembly, bonnet lock	1	1	1	1
3	Q350B06	Hexagon thin nut	5	5	5	5
4	Q40106	Plain washer	23	23	23	23
5	Q2140635	Cross recessed pan head screw	4	4	4	4
6	700.47.126	Locking screw	1	1	1	1
7	700.47.127	Bonnet lock	1	1	1	1
8	Q40306	Single coil spring lock washer	32	32	32	32
9	Q340D06	Hexagon nut, style 1	28	28	28	28
10	Q150B0612	Hexagon head bolt	27	27	27	27
11	700.47.124	Spacer, front plate	10	10	10	10
12	700.47.011	Front plate assembly, bonnet	1	1	1	1
13	700.47.108	Front lower cushion rubber strip assembly	2	2	2	2
14	700.47.021	Lower plate assembly, bonnet	1	1	1	1
15	Q150B0820	Hexagon head bolt	2	2	2	2
16	Q40108	Plain washer	2	2	2	2
17	Q40308	Single coil spring lock washer	2	2	2	2
18	Q340D08	Hexagon nut, style 1	2	2	2	2
19	Q150B1220	Hexagon head bolt	2	2	2	2
20	Q40312	Single coil spring lock washer	2	2	2	2
21	Q40112	Plain washer	2	2	2	2



前后连接装置和左右前挡泥板总成  
 Fore - and - aft Connecting Mechanism and Left/Right  
 Front Mud Guard Assembly



前后连接装置和左右前挡泥板总成

序号	零件代号	零件名称及规格	数量 (件)			
			700	704	500	804
1	Q151B16120	六角头螺栓	4	4	4	4
2	Q40216	大垫圈	8	8	8	8
3	700.47.612	减震垫片	8	8	8	8
4	700.47.613	减震块	8	8	8	8
5	700.47.614	套管	4	4	4	4
6	700.47.642	右后连接板	1	1	1	1
7	Q33016	全金属六角法兰面锁紧螺母	4	4	4	4
8	Q360B16	六角头螺母	6	6	6	6
9	Q40316	弹簧垫圈	8	8	8	8
10	Q40116	平垫圈	8	8	8	8
11	700.47.632	左后连接板	1	1	1	1
12	700.47.662	大六角螺栓	8	8	8	8
13	Q151B16090	六角头螺栓	4	4	4	4
	GB/T 5785 - 2000	螺栓 M16 × 1.5 × 110 - Zn, D <sup>①</sup>	4	4	4	4
14	700.47.053	U形架总成	1	1	1	1
15	GB/T 6176 - 1988	螺母 M16 × 1.5 - 10 - Zn, D <sup>①</sup>	4	4	4	4
16	700.47.003	右前挡泥板总成	1		1	
17	Q150B1225	六角头螺栓	2		2	
18	Q40312	弹簧垫圈	4		4	
19	Q40112	平垫圈	4		4	
20	Q150B1230	六角头螺栓	2		2	
21	700.47.002	左前挡泥板总成	1		1	

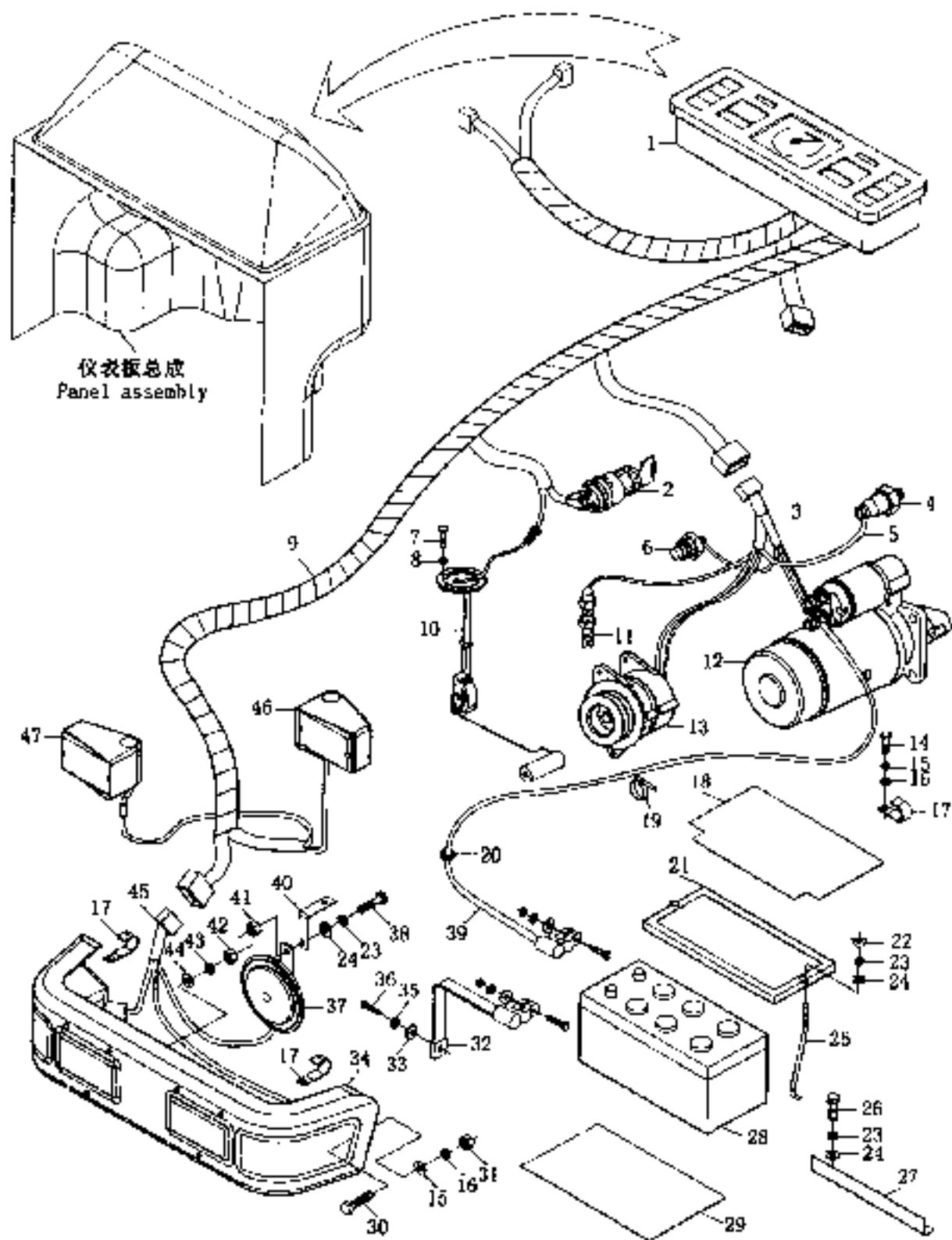
注：① 配可拆地板车身总成专用。

**Fore – and – aft Connecting Mechanism and Left/Right  
Front Mud Guard Assembly**

No.	Drawing No.	Part Name and Standards	Qty. (Piece)			
			700	704	800	804
1	Q151B16120	Hexagon head bolt	4	4	4	4
2	Q40216	Large washer	8	8	8	8
3	700.47.612	Dumped washer	8	8	8	8
4	700.47.613	Dumped washer	8	8	8	8
5	700.47.614	Sleeve	4	4	4	4
6	700.47.642	Connecting bracket, right rear	1	1	1	1
7	Q33016	Metallic locking nut, hexagon flange	4	4	4	4
8	Q360B16	Hexagon nut	6	6	6	6
9	Q40316	Single coil spring lock washer	8	8	8	8
10	Q40116	Plain washer	8	8	8	8
11	700.47.632	Connecting bracket, left rear	1	1	1	1
12	700.47.662	Large hexagon bolt	8	8	8	8
13	Q151B16090	Hexagon head bolt	4	4	4	4
	GB/T 5785 - 2000	Bolt M16 × 1.5 × 110 - Zn, D <sup>ⓐ</sup>	4	4	4	4
14	700.47.053	U - bracket assembly	1	1	1	1
15	GB/T 6176 - 1988	Nut M16 × 1.5 - 10 - Zn, D <sup>ⓐ</sup>	4	4	4	4
16	700.47.003	Right front mud guard assembly	1		1	
17	Q150B1225	Hexagon head bolt	2		2	
18	Q40312	Single coil spring lock washer	4		4	
19	Q40112	Plain washer	4		4	
20	Q150B1230	Hexagon head bolt	2		2	
21	700.47.002	Left front mud guard assembly	1		1	

Note: ① Specific for the detachable floor body assembly.

电器系统总成(一) Electrical System Assembly ( I )



电器系统总成(一)

序号	零件代号	零件名称及规格	数量(件)			
			700	704	800	804
1	700 .48.610A	组合仪表总成	1	1	1	1
2	700 .48.640	点火锁 JK460	1	1	1	1
3	700 .48.074	发动机线束总成	1	1	1	1
4	700 .48.087	气压报警器①	1	1	1	1
5	700 .48.025	气压报警线①	1	1	1	1
6	700 .48.072	水温传感器 W10G1371	1	1	1	1
7	GB/T 818 - 2000	螺钉 M4×6 - Zn.D	5	5	5	5
8	GB/T 93 - 1987	弹簧垫圈 4	5	5	5	5
9	700 .48.020	车身线束总成②	1	1	1	1
	700 .48B.020	车身线束总成③	1	1	1	1
10	700 .48.071	燃油传感器 RG116351	1	1	1	1
11	700 .48.074	转速传感器 ZG255C	1	1	1	1
12		起动电动机 QD141G④	1	1	1	1
13		交流发电机 JF1521B	1④	1④	1⑤	1⑤
		交流发电机 JF1521Y⑤			1	1
14	GB/T 5783 - 2000	螺栓 M6×20 - Zn.D	1	1	1	1
15	GB/T 93 - 1987	弹簧垫圈 6	5	5	5	5
16	GB/T 97.1 - 1985	平垫圈 6 - 140HV - Zn.D	5	5	5	5
17	700 .48.097	线束紧固头( )	3	3	3	3
18	700 .48.815	电瓶盖皮	1	1	1	1
19	ZD140×3.5	可松式扎带	3	3	3	3
20	700 .48.092	穿线胶圈(三)	1	1	1	1
21	700 .48.812	固定架焊合	1	1	1	1
22	GB/T 62 - 1988	螺母 M8 - Zn.D	2	2	2	2
23	GB/T 93 - 1987	弹簧垫圈 8	5	5	5	5
24	GB/T 97.1 - 1985	平垫圈 8 - 140HV - Zn.D	5	5	5	5
25	700 .48.811	电瓶拉杆	2	2	2	2
26	GB/T 5783 - 2000	螺栓 M8×35 - Zn.D	2	2	2	2
27	700 .48.816	电瓶挡板	1	1	1	1
28	700 .48.810	蓄电池	1	1	1	1
29	700 .48.817	电瓶垫皮	1	1	1	1
30	GB/T 5783 - 2000	螺栓 M6×16 - Zn.D	4	4	4	4

注: ①带气制动时选装。 ②带驾驶室机型专用,选装。 ③带简易车身总成机型专用。 ④一拖(洛阳)柴油机有限公司 4105 发动机带,潍坊柴油机厂 4105 发动机带,选装。 ⑤ TL4110 带。

电器系统总成(一)

序号	零件代号	零件名称及规格	数量 (件)			
			700	704	800	804
31	GB/T 6173 - 2000	螺母 M6 - Zn, D	4	4	4	4
32	700 .48.091	电瓶搭铁线	1	1	1	1
33	GB/T 97.1 - 1985	平垫圈 10 - 140HV - Zn, D	1	1	1	1
34	700 .48.310	前灯组合总成	1	1	1	1
35	GB/T 93 - 1987	弹簧垫圈 10	1	1	1	1
36	GB/T 5783 - 2000	螺栓 M10 × 20 - Zn, D	1	1	1	1
37	700 .48.340	电喇叭	1	1	1	1
38	GB/T 818 - 2000	螺钉 M8 × 20 - Zn, D	1	1	1	1
39	700 .48.090	电源线	1	1	1	1
40	700 .48.350	电喇叭安装支架	1	1	1	1
41	GB/T 6173 - 2000	螺母 M8 - Zn, D	1	1	1	1
42	Q340B06	1型六角螺母	28	28	28	28
43	Q40306	弹簧垫圈	28	28	28	28
44	Q40006	小垫圈	1	1	1	1
45	700 .48.021	前灯线束总成	1	1	1	1
46	700 .48.084	左扶手灯总成 <sup>①</sup>	1	1	1	1
47	700 .48.085	右扶手灯总成 <sup>①</sup>	1	1	1	1

注: ① 带驾驶室机型专用。

### Electrical System Assembly ( I )

No.	Drawing No.	Part Name and Standards	Qty. (Piece)			
			700	704	800	804
1	700 .48.610A	Combination instrument assembly	1	1	1	1
2	700 .48.640	Ignition lock JK460	1	1	1	1
3	700 .48.024	Engine harness assembly	1	1	1	1
4	700 .48.087	Pressure alarm <sup>①</sup>	1	1	1	1
5	700 .48.025	Wires for alarm <sup>①</sup>	1	1	1	1
6	700 .48.072	Water temperature sensor WDG1317	1	1	1	1
7	GB/T 818 - 2000	Screw M4 × 6 - Zn. D	5	5	5	5
8	GB/T 93 - 1987	Single coil spring lock washer 4	5	5	5	5
9	700 .48.020	Body harness assembly <sup>②</sup>	1	1	1	1
	700 .48B.020	Body harness assembly <sup>②</sup>	1	1	1	1
10	700 .48.071	Fuel sensor RG116351	1	1	1	1
11	700 .48.074	Speed sensor ZG255C	1	1	1	1
12		Starter QD141C <sup>④</sup>	1	1	1	1
13		Alternator JF1521B	1 <sup>④</sup>	1 <sup>④</sup>	1 <sup>⑤</sup>	1 <sup>⑤</sup>
		Alternator JF1521Y <sup>⑤</sup>			1	1
14	GB/T 5783 - 2000	Bolt M6 × 20 - Zn. D	1	1	1	1
15	GB/T 93 - 1987	Single coil spring lock washer 6	5	5	5	5
16	GB/T 97.1 - 1985	Plain washer 6 - 140HV - Zn. D	5	5	5	5
17	700 .48.097	Harness holder (2)	3	3	3	3
18	700 .48.815	Cover plate, battery	1	1	1	1
19	ZD140 × 3.5	Adjustable keeper	3	3	3	3
20	700 .48.092	Rubber ring (3)	1	1	1	1
21	700 .48.812	Fixed frame weldment	1	1	1	1
22	GB/T 62 - 1988	Wing nut M8 - Zn. D	2	2	2	2
23	GB/T 93 - 1987	Single coil spring lock washer	5	5	5	5
24	GB/T 97.1 - 1985	Plain washer 8 - 140HV - Zn. D	5	5	5	5
25	700 .48.811	Pull rod, battery	2	2	2	2
26	GB/T 5783 - 2000	Bolt M8 × 35 - Zn. D	2	2	2	2
27	700 .48.816	Fixed plate of battery	1	1	1	1
28	700 .48.810	Battery	1	1	1	1

Note: ① Optional with pneumatic brake. ② Optional with the model of driver's cab. ③ Specific for the model with simple body assembly. ④ Following with model 4105 engine, Yituo (Luoyang) Diesel Engine Co., Ltd. Following with model 4105 engine, Weifang Diesel Engine Works, optional. ⑤ Following with model TL4110 engine.

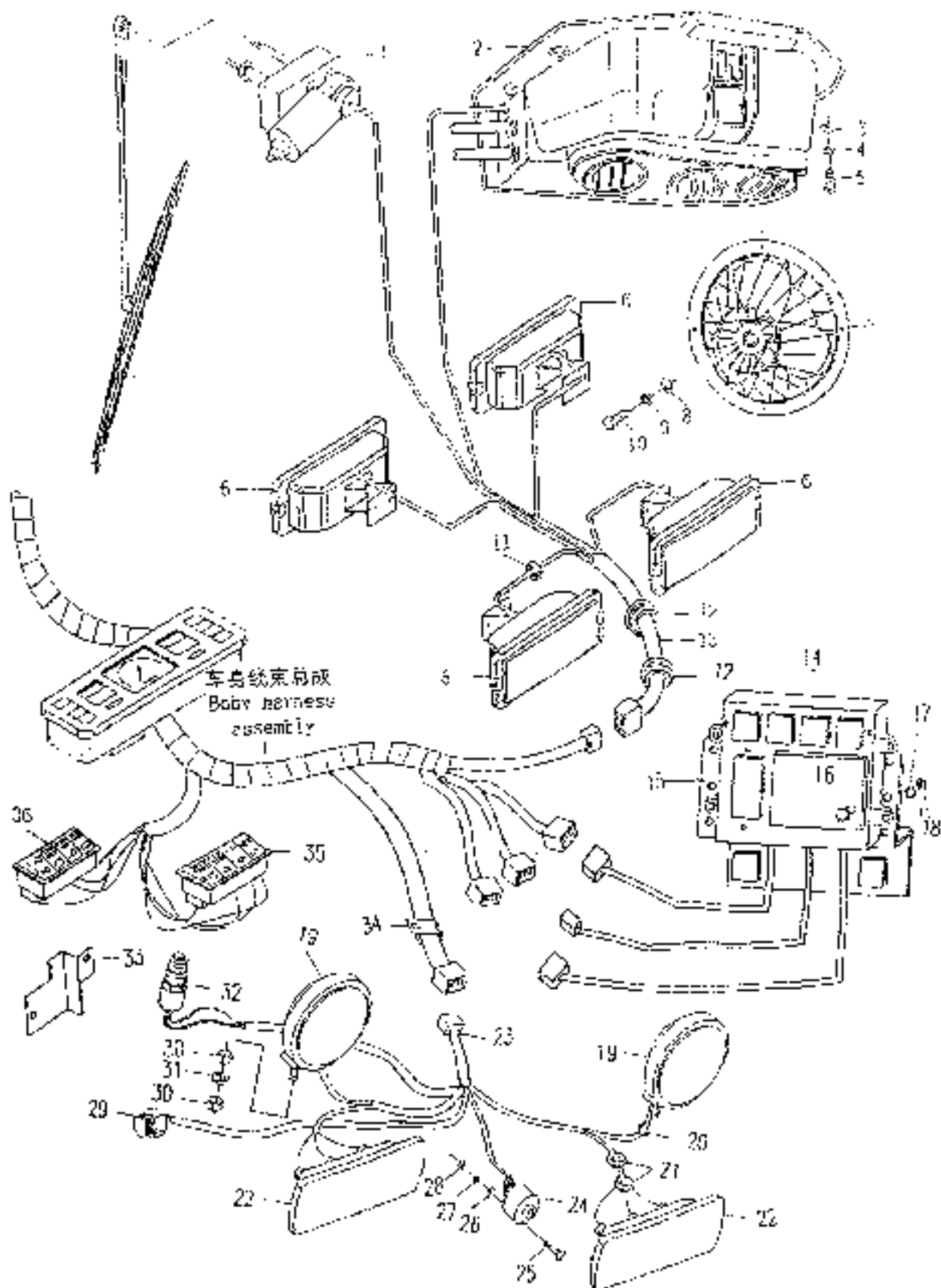
### Electrical System Assembly ( I )

No.	Drawing No.	Part Name and Standards	Qty. ( Piece )			
			700	704	800	804
29	700 .48.817	Base plate, battery	1	1	1	1
30	GB/T 5783 - 2000	Bolt M6 × 16 - Zn. D	4	4	4	4
31	GB/T 6173 - 2000	Nut M6 - Zn. D	4	4	4	4
32	700 .48.091	Ground wire for battery	1	1	1	1
33	GB/T 97.1 - 1985	Plain washer 10 - 140HV - Zn. D	1	1	1	1
34	700 .48.310	Front lamp unit assembly	1	1	1	1
35	GB/T 93 - 1987	Single coil spring lock washer 10	1	1	1	1
36	GB/T 5783 - 2000	Bolt M10 × 20 - Zn. D	1	1	1	1
37	700 .48.340	Electrical horn	1	1	1	1
38	GB/T 818 - 2000	Screw M8 × 20 - Zn. D	1	1	1	1
39	700 .48.090	Power source wire	1	1	1	1
40	700 .48.350	Bracket, electrical horn	1	1	1	1
41	GB/T 6173 - 2000	Nut M8 - Zn. D	1	1	1	1
42	Q340B06	Hexagon nut, style 1	28	28	28	28
43	Q40306	Single coil spring lock washer	28	28	28	28
44	Q40006	Small washer	1	1	1	1
45	700 .48.021	Harness assembly, front lamp	1	1	1	1
46	700 .48.084	Left armrest lamp assembly <sup>Ⓢ</sup>	1	1	1	1
47	700 .48.085	Right armrest lamp assembly <sup>Ⓢ</sup>	1	1	1	1

Note: Ⓢ Specific for the model with driver's cab.



电器系统总成(二) Electrical System Assembly ( II )



## 电器系统总成 (二)

序号	零件代号	零件名称及规格	数 量 (件)			
			700	704	800	804
1	700.48.075	水泵器总成①	1	1	1	1
2	700.48.090	暖风机②	1	1	1	1
3	GB/T 97.1-1985	平垫圈 8-140HV-Zn.D③	4	4	4	4
4	GB/T 93-1987	弹簧垫圈 8③	4	4	4	4
5	GB/T 5781-2000	螺栓 M8×40 Zn.D③	4	4	4	4
6	700.48.082	电刷④	4	4	4	4
7	G16A.34.8.1	风扇②	1	1	1	1
8	Q40106	平垫圈④	4	4	4	4
9	Q40306	弹簧垫圈④	4	4	4	4
10	Q2140630	十字槽盘头螺头④	4	4	4	4
11	700.48.101	布线胶圈 (四) ①	8	8	8	8
12	700.48.093	布线胶圈 (一) ①	2	2	2	2
13	700.48.023	顶灯线束总成①	1	1	1	1
14	700.48.027	中央配电盒	1	1	1	1
15	700.48.051	中央配电盒安装支架	1	1	1	1
16	GB/T 5783-2000	螺栓 M6×20-Zn.D	6	6	6	6
17	GB/T 93-1987	弹簧垫圈 6	6	6	6	6
18	GB/T 170-1986	螺母 M6-Zn.D	6	6	6	6
19	700.48.052	后尾灯总成	2	2	2	2
20	700.48.094	布线胶圈 (二)	10	10	10	10
21	700.48.092	布线胶圈 (三)	4	4	4	4
22	700.48.053	后尾灯总成	2	2	2	2
23	700.48.022	后灯线束总成	1	1	1	1
24	700.48.080	后挂车插座	1	1	1	1
25	GB/T 818-2000	螺钉 M5×35-Zn.D	3	3	3	3
26	GB/T 97.1-1985	平垫圈 5-140HV-Zn.D	3	3	3	3
27	GB/T 93-1987	弹簧垫圈 5	3	3	3	3
28	GB/T 6170-2000	螺母 M5-Zn.D	3	3	3	3
29	700.48.073	油压过低报警器	1	1	1	1
30	Q140B28	丁型六角螺母	4	4	4	4
31	Q40306	弹簧垫圈	2	2	2	2
32	JK21234	制动灯开关	1	1	1	1
33	700.48.089	制动开关安装板	1	1	1	1
34	700.48.095	线束紧固夹 (一)	13	13	13	13
35	700.48.652	四联翘板式开关 (一)	1	1	1	1
36	700.48.651	四联翘板式开关 (二)	1	1	1	1

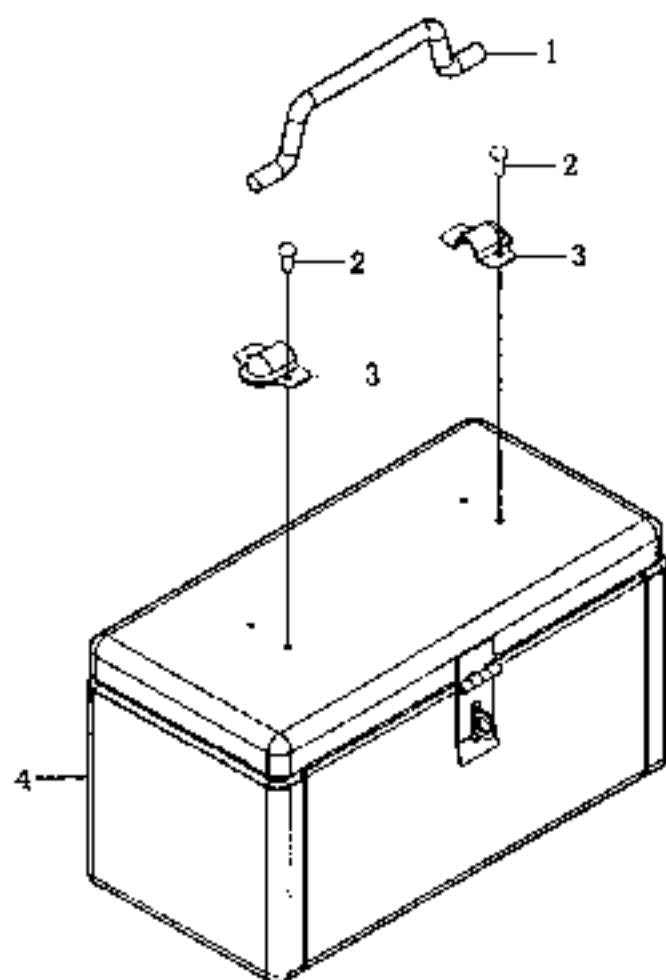
注: ①带驾驶室机型专用, ②不带驾驶室机型专用, ③选装, ④暖风机型专用, ⑤选装, ⑥带风扇机型专用, ⑦选装。

## Electrical System Assembly ( II )

No.	Drawing No.	Part Name and Standards	Qty. (piece)			
			700	704	800	804
1	700.48.075	Wiper assembly <sup>1</sup>	1	1	1	1
2	700.45.990	Warm air fan <sup>2</sup>	1	1	1	1
3	GB/T 97.1-1985	Plain washer 8-140HV Zn.DC3	4	4	4	4
4	GB/T 93-1987	Single coil spring lock washer 8.3	4	4	4	4
5	GB/T-5781-2000	Bolt M8 × 40-Zn.D <sup>3</sup>	4	4	4	4
6	700.48.082	Top lamp <sup>1</sup>	4	4	4	4
7	G16A 34.8.1	Fan <sup>2</sup>	1	1	1	1
8	Q40106	Plain washer <sup>4</sup>	4	4	4	4
9	Q40306	Single coil spring lock washer <sup>4</sup>	4	4	4	4
10	Q2140630	Cross recessed pan head screw <sup>4</sup>	4	4	4	4
11	700.48.101	Rubber ring <sup>4</sup> (1)	8	8	8	8
12	700.48.093	Rubber ring (1K1)	2	2	2	2
13	700.48.023	Harness assembly top lamp <sup>1</sup>	1	1	1	1
14	700.48.027	Central electric appliances box	1	1	1	1
15	700.48.051	Install of central electric box	1	1	1	1
16	GB/T 5783-2000	Bolt M6 × 20-Zn.D	6	6	6	6
17	GB/T 93-1987	Single coil spring lock washer 6	6	6	6	6
18	GB/T 170-1986	Nut M6-Zn.D	6	6	6	6
19	700.48.052	Rear tail lamp assembly	2	2	2	2
20	700.48.094	Rubber ring(2)	10	10	10	10
21	700.48.092	Rubber ring(3)	4	4	4	4
22	700.48.053	Rear tail lamp assembly	2	2	2	2
23	700.48.022	Harness assembly rear lamp	1	1	1	1
24	700.48.080	Socket rear trailer	1	1	1	1
25	GB/T 518-2000	Bolt M5 × 35-Zn.D	3	3	3	3
26	GB/T 97.1-1985	Plain washer 5-140HV- Zn.D	3	3	3	3
27	GB/T 93-1987	Single coil spring lock washer 5	3	3	3	3
28	GB/T 6170-2000	Nut M5- Zn.D	3	3	3	3
29	700.48.073	Alarm for too lower oil pressure	1	1	1	1
30	Q340B08	Hexagon nut style 1	4	4	4	4
31	Q40306	Single coil spring lock washer	2	2	2	2
32	JK21214	Switch for brake lamp	1	1	1	1
33	700.48.089	Bracket for brake switch	1	1	1	1
34	700.48.095	Harness tighten keeper(1)	13	13	13	13
35	700.48.652	4-function swith (2)	1	1	1	1
36	700.48.651	4 function swith (2)	1	1	1	1

Note: <sup>1</sup>: Specific for the model with driver's cad. <sup>2</sup>: Specific for the model with driver's cad, optional. <sup>3</sup>: Specific for the model with air fan, optional. <sup>4</sup>: Specific for the model with fan's cad, optional.

工具箱总成 Tool Box Assembly



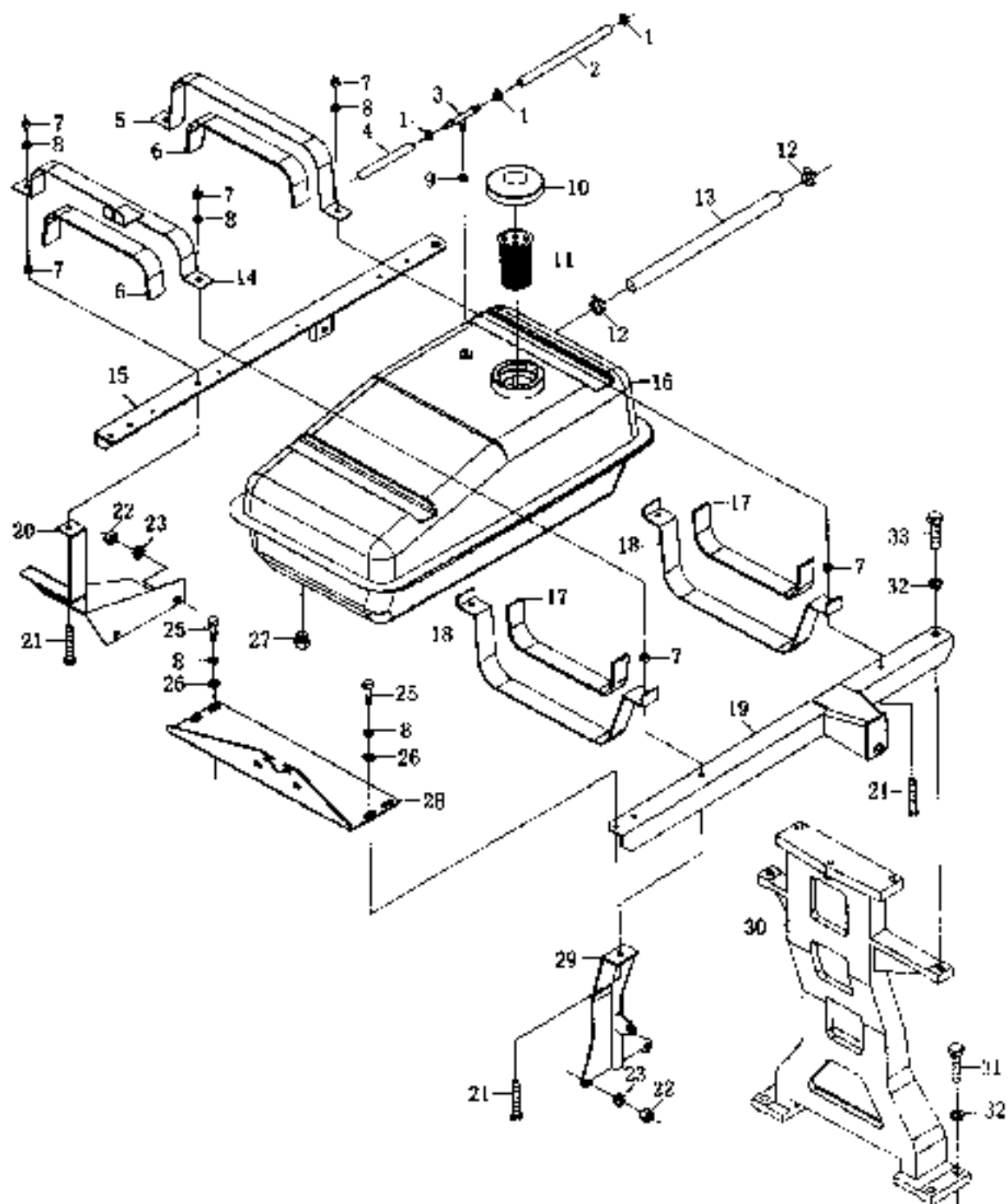
### 工具箱总成

序号	零件代号	零件名称及规格	数量 (件)			
			700	704	800	804
1	700.49.011	把手合件	1	1	1	1
2	GB/T 867 - 1986	铆钉 4×8 - Zn.D	4	4	4	4
3	700.49.101	把手座	2	2	2	2
4	700.49.012	工具箱焊合总成	1	1	1	1

### Tool Box Assembly

No.	Drawing No.	Part Name and Standards	Qty. (Piece)			
			700	704	800	804
1	700.49.011	Handle unit	1	1	1	1
2	GB/T 867 - 1986	Round head rivet 4×8 - Zn.D	4	4	4	4
3	700.49.101	Rest of handle	2	2	2	2
4	700.49.012	Tool box welding assembly	1	1	1	1

油箱总成(一) Fuel Tank Assembly ( I )



油箱总成(一)

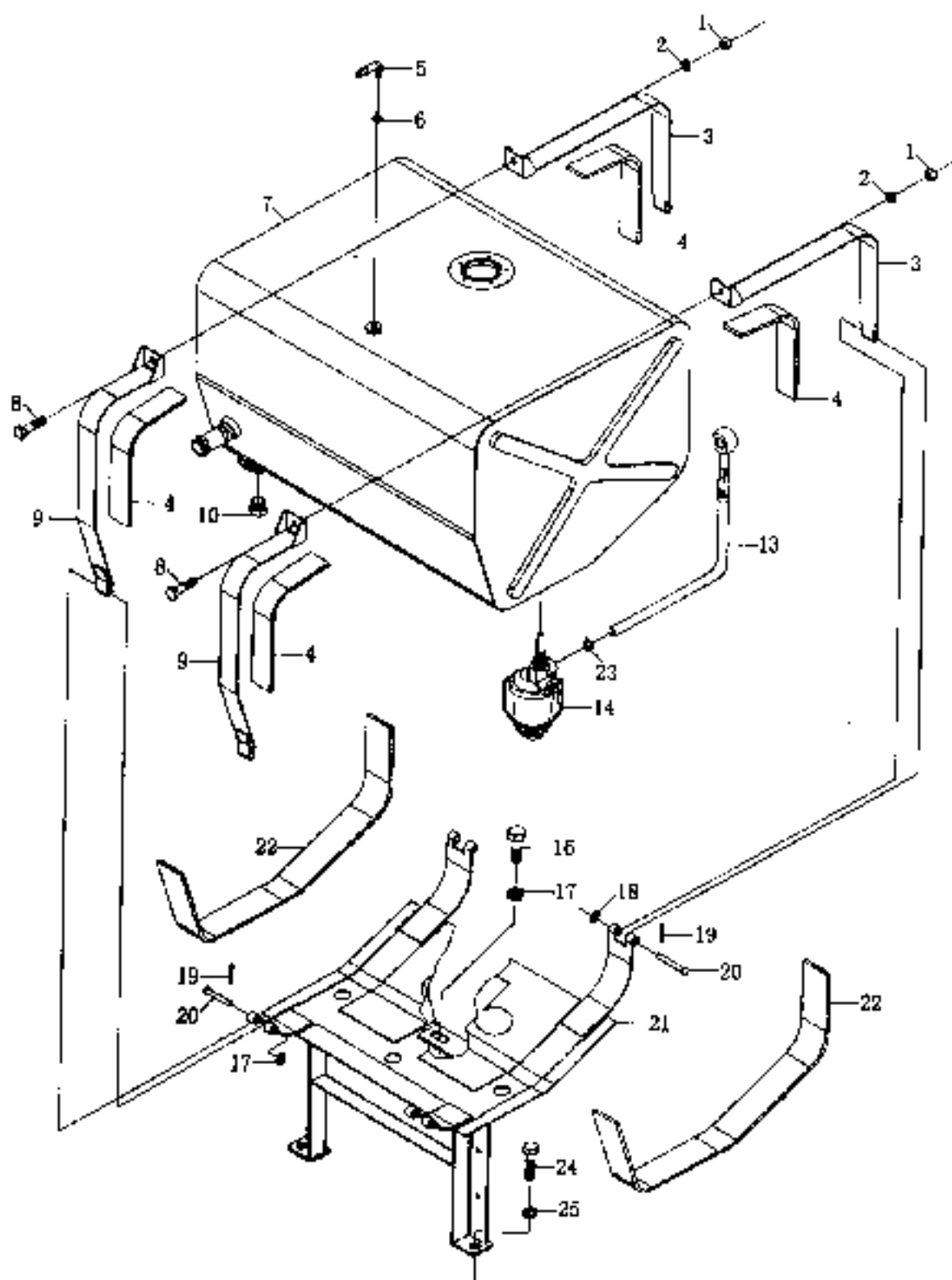
序号	零件代号	零件名称及规格	数量(件)			
			700	704	800	804
1	ZBJ 15001 - 1987	喉盖 D16	4	4	4	4
2	700.50.202	排气管	1	1	1	1
3	700.50.205	三通	1	1	1	1
4	700.50.203	回油管	1	1	1	1
5	700.50.201	副油箱后扎紧钢带	1	1	1	1
6	700.50.209	上毛毡条	2	2	2	2
7	GB/T 6170 - 2000	螺母 M8 - Zn.D	12	12	12	12
8	GB/T 93 - 1987	弹簧垫圈 8	4	4	4	4
9	700.50.206	铝垫 (1)	1	1	1	1
10	700.50.022	油箱加注口盖总成	1	1	1	1
11	700.50.023	滤网总成	1	1	1	1
12	ZBJ 15001 - 1987	喉箍 D40	2	2	2	2
13	700.50.212	夹布输油胶管	1	1	1	1
14	700.50.028	副油箱前扎紧钢带焊合	1	1	1	1
15	700.50.027	气弹簧右支架焊合	1	1	1	1
16	700.50.021	副油箱焊合	1	1	1	1
17	700.50.207	下毛毡条	2	2	2	2
18	700.50.208	副油箱托板	2	2	2	2
19	700.50.026	气弹簧左支架焊合	1	1	1	1
20	700.50.025	副油箱右前支架焊合	1	1	1	1
21	GB/T 5783 - 2000	螺栓 M8 × 55 - Zn.D	4	4	4	4
22	GB/T 6170 - 2000	螺母 M10 - Zn.D	4	4	4	4
23	GB/T 93 - 1987	弹簧垫圈 10	4	4	4	4
25	GB/T 5783 - 2000	螺栓 M8 × 20 - Zn.D	4	4	4	4
26	GB/T 97.1 - 1987	平垫圈 8 - 140HV - Zn.D	4	4	4	4
27	QC/T 381 - 1999	螺塞 2 1/4"	1	1	1	1
28	700.50.210	机罩锁支架	1	1	1	1
29	700.50.024	副油箱左前支架焊合	1	1	1	1
30	700.50.204	机罩支架	1	1	1	1
31	GB/T 5783 - 2000	螺栓 M12 × 35 - Zn.D	4	4	4	4
32	GB/T 93 - 1987	弹簧垫圈 12	4	4	4	4
33	GB/T 5783 - 2000	螺栓 M12 × 25 - Zn.D	2	2	2	2

### Fuel Tank Assembly ( I )

No.	Drawing No.	Part Name and Standards	Qty. (Piece)			
			700	704	800	804
1	ZBJ 15001 - 1987	Clamp D16	4	4	4	4
2	700.50.202	Exhaust pipe	1	1	1	1
3	700.50.205	Three-way pipe	1	1	1	1
4	700.50.203	Oil return pipe	1	1	1	1
5	700.50.201	Rear binding strip, auxiliary fuel tank	1	1	1	1
6	700.50.209	Upper felt strip	2	2	2	2
7	GB/T 6170 - 2000	Hexagon nut M8 - Zn. D	12	12	12	12
8	GB/T 93 - 1987	Single coil spring lock washer 8	4	4	4	4
9	700.50.206	Aluminium washer (1)	1	1	1	1
10	700.50.022	Oil filler cap assembly	1	1	1	1
11	700.50.023	Filter screen assembly	1	1	1	1
12	ZBJ 15001 - 1987	Clamp D40	2	2	2	2
13	700.50.212	Oil supply hose	1	1	1	1
14	700.50.028	Front binding strip weldment, auxiliary fuel tank	1	1	1	1
15	700.50.027	Right bracket weldment	1	1	1	1
16	700.50.021	Auxiliary fuel tank weldment	1	1	1	1
17	700.50.207	Lower felt strip	2	2	2	2
18	700.50.208	Support plate of auxiliary fuel tank	2	2	2	2
19	700.50.026	Left bracket weldment	1	1	1	1
20	700.50.025	Right front bracket weldment, auxiliary fuel tank	1	1	1	1
21	GB/T 5783 - 2000	Bolt M8 × 55 - Zn. D	4	4	4	4
22	GB/T 6170 - 2000	Nut M10 - Zn. D	4	4	4	4
23	GB/T 93 - 1987	Single coil spring lock washer 10	4	4	4	4
25	GB/T 5783 - 2000	Bolt M8 × 20 - Zn. D	4	4	4	4
26	GB/T 97.1 - 1987	Plain washer 8 - 140HV - Zn. D	4	4	4	4
27	QC/T 381 - 1999	Plug 7. 1/4"	1	1	1	1
28	700.50.210	Bracket for helmet lock	1	1	1	1
29	700.50.024	Left front bracket weldment, auxiliary fuel tank	1	1	1	1
30	700.50.204	Helmet bracket	1	1	1	1
31	GB/T 5783 - 2000	Bolt M12 × 35 - Zn. D	4	4	4	4
32	GB/T 93 - 1987	Single coil spring lock washer 12	4	4	4	4
33	GB/T 5783 - 2000	Bolt M12 × 25 - Zn. D	2	2	2	2



油箱总成(二) Fuel Tank Assembly ( II )



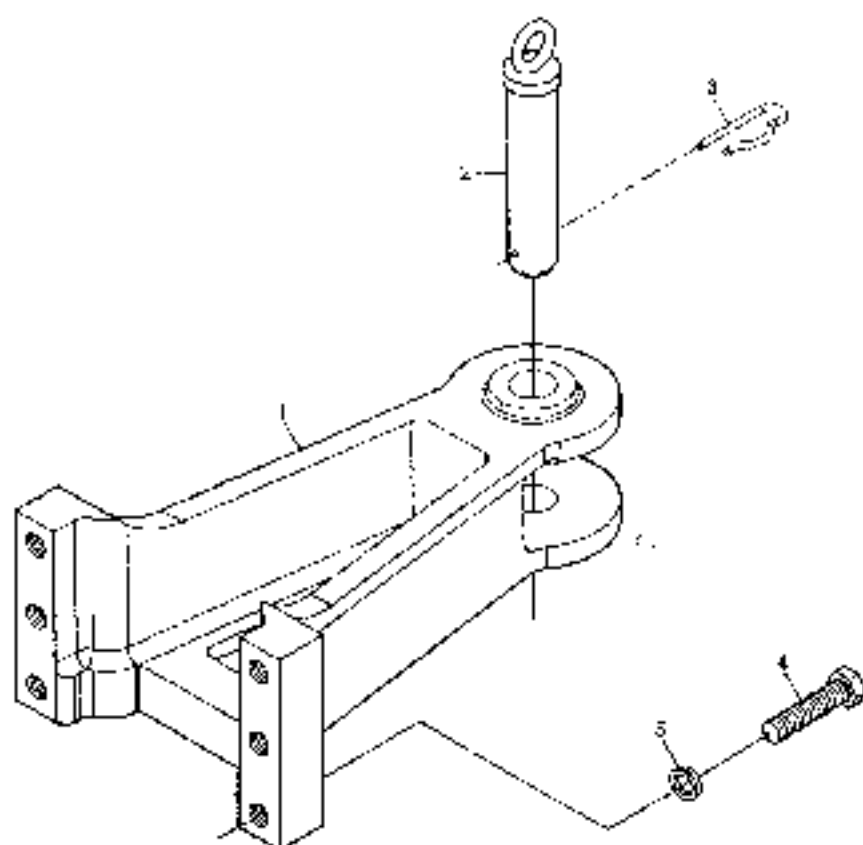
### 油箱总成(二)

序号	零件代号	零件名称及规格	数量 (件)			
			700	704	800	804
1	GB/T 6170 - 2000	螺母 M10 · Zn.D	2	2	2	2
2	GB/T 93 - 1987	弹簧垫圈 10	2	2	2	2
3	700.50.037	扎紧带合件 (2)	2	2	2	2
4	700.50.103	主油箱上毛毡条 330 × 32 × 5	4	4	4	4
5	700.50.102	回油管弯头	1	1	1	1
6	700.50.206	铝垫 (1)	1	1	1	1
7	700.50.031	主油箱焊合件	1	1	1	1
8	GB/T 5783 - 2000	螺栓 M10 × 40 - Zn.D	2	2	2	2
9	700.50.036	扎紧带(一)合件	2	2	2	2
10	QC/T 381 - 1999	螺塞 Z 1/4"	1	1	1	1
13	700.50.034	输油管总成	1	1	1	1
14	700.50.033	开关	1	1	1	1
16	GB/T 5783 - 2000	螺栓 M14 × 20 - Zn.D	2	2	2	2
17	GB/T 93 - 1987	弹簧垫圈 14	2	2	2	2
18	GB/T 97.1 - 1985	平垫圈 6 - 140HV - Zn.D	4	4	4	4
19	GB/T 91 - 2000	开口销 2 × 12	4	4	4	4
20	GB/T 882 - 2000	销轴 B6 × 48	4	4	4	4
21	700.50.032	主油箱支架体焊合	1	1	1	1
22	700.50.104	主油箱下毛毡条 600 × 42 × 5	2	2	2	2
23	700.13.202	卡箍 10 - 16	2	2	2	2
24	GB/T 5783 - 2000	螺栓 M12 × 25 - Zn.D	2	2	2	2
25	GB/T 93 - 1987	弹簧垫圈 12	2	2	2	2

### Fuel Tank Assembly ( II )

No.	Drawing No.	Part Name and Standards	Qty. (Piece)			
			700	704	810	813
1	GB/T 6170 - 2000	Nut M10 - Zn. D	2	2	2	2
2	GB/T 93 - 1987	Single coil spring lock washer 10	2	2	2	2
3	700.50.037	Binding strip unit (2)	2	2	2	2
4	700.50.103	Main fuel tank upper felt strip 330 × 32 × 5	4	4	4	4
5	700.50.102	Elbow, return pipe	1	1	1	1
6	700.50.206	Aluminium washer (1)	1	1	1	1
7	700.50.031	Main fuel tank weldment	1	1	1	1
8	GB/T 5783 - 2000	Bolt M10 × 40 - Zn. D	2	2	2	2
9	700.50.036	Binding strip unit (1)	2	2	2	2
10	QC/T 381 - 1999	Plug Z 1/4"	1	1	1	1
13	700.50.034	Fuel transfer pipe assembly	1	1	1	1
14	700.50.033	Switch	1	1	1	1
16	GB/T 5783 - 2000	Bolt M14 - 20 - Zn. D	2	2	2	2
17	GB/T 93 - 1987	Single coil spring lock washer 14	2	2	2	2
18	GB/T 97.1 - 1985	Plain washer 6 - 140HV - Zn. D	4	4	4	4
19	GB/T 91 - 2000	Split pin 2 × 12	4	4	4	4
20	GB/T 882 - 2000	Clevis pin with head B6 × 48	4	4	4	4
21	700.50.032	Bracket weldment, main fuel tank	1	1	1	1
22	700.50.104	Lower felt strip 600 × 42 × 5	2	2	2	2
23	700.13.202	Hoop 10 - 16	2	2	2	2
24	GB/T 5783 - 2000	Bolt M12 × 25 - Zn. D	2	2	2	2
25	GB/T 93 - 1987	Single coil spring lock washer 12	2	2	2	2

## 拖挂装置总成 Towing Mechanism Assembly



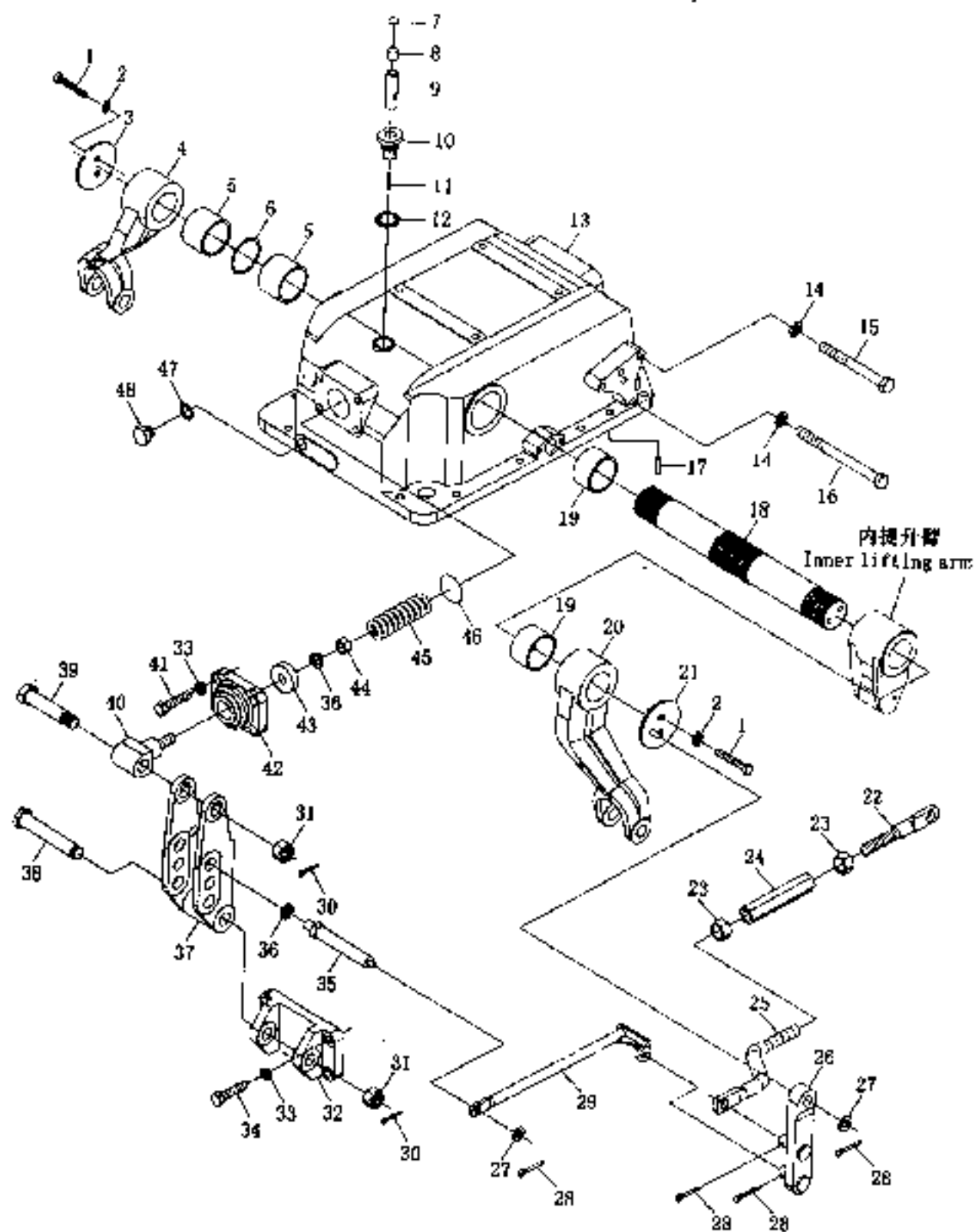
### 拖挂装置总成

序号	零件代号	零件名称及规格	数量 (件)			
			700	704	800	804
1	700.53.101	拖挂架	1	1	1	1
2	700.53.011	销轴焊合	1	1	1	1
3	700.53.103	弹性锁销	1	1	1	1
4	GB/T 5783-2000	螺栓 M16×70-Zn.D	6	6	6	6
5	GB/T 93-1987	弹簧垫圈 16	6	6	6	6

### Towing Mechanism Assembly

No.	Drawing No.	Part Name and Standards	Qty. (Piece)			
			700	704	800	804
1	700.53.101	Towing frame	1	1	1	1
2	700.53.011	Pin roll weldment	1	1	1	1
3	700.53.103	Elastic latch	1	1	1	1
4	GB/T 5783-2000	Bolt M16×70-Zn.D	6	6	6	6
5	GB/T 93-1987	Single coil spring lock washer 16	6	6	6	6

提升器总成(一) Lifter Assembly ( I )



提升器总成(一)

序号	零件代号	零件名称及规格	数量 (件)			
			700	704	800	804
1	GB/T 5783-2000	螺栓 M10×20-Zn.D	4	4	4	4
2	GB/T 93-1987	弹簧垫圈 10	4	4	4	4
3	700.55.115	左提升臂压板	1	1	1	1
4	700.55.107	外提升臂(左)	1	1	1	1
5	700.55.116	铜套筒	4	4	4	4
6	GB 3452.1-1992	O形密封圈 55×5.3	2	2	2	2
7	700.55.129	堵头	1	1	1	1
8	700.55.133	海绵	1	1	1	1
9	700.55.130	通气筒	1	1	1	1
10	700.55.131	加油盖芯	1	1	1	1
11	700.55.132	油尺	1	1	1	1
12	700.55.128	铜垫	1	1	1	1
13	700.55.110	提升器壳体	1	1	1	1
14	GB/T 93-1987	弹簧垫圈 8	3	3	3	3
15	700.55.127	螺栓	2	2	2	2
16	700.55.126	螺栓	1	1	1	1
17	GB/T 119-1986	圆柱销 B12×24	2	2	2	2
18	700.55.108	提升轴	1	1	1	1
19	700.55.114	套筒	2	2	2	2
20	700.55.162	外提升臂(右)	1	1	1	1
21	700.55.017	右提升臂压板焊合总成	1	1	1	1
22	700.55.125	前调节杆	1	1	1	1
23	GB/T 6170-2000	螺母 M8-Zn.D	2	2	2	2
24	700.55.123	调节螺套	1	1	1	1
25	700.55.124	后调节杆	1	1	1	1
26	700.55.016	中间臂焊合总成	1	1	1	1
27	GB/T 97.1-1985	平垫圈 8-140HV-Zn.D	3	3	3	3
28	GB/T 91-2000	开口销 2×14	4	4	4	4
29	700.55.015	连接杆焊合总成	1	1	1	1
30	GB/T 91-2000	开口销 4×36	2	2	2	2
31	GB/T 6181-2000	螺母 M20-Zn.D	2	2	2	2
32	700.55.119	上拉杆支座	1	1	1	1
33	GB/T 93-1987	弹簧垫圈 12	8	8	8	8
34	GB/T 5783-2000	螺栓 M12×40-Zn.D	4	4	4	4
35	700.55.122	销	1	1	1	1
36	GB/T 93-1987	弹簧垫圈 16	2	2	2	2

## 提升器总成(一)

序号	零件代号	零件名称及规格	数 量 (件)			
			700	704	800	804
37	700.55.101	连接架	1	1	1	1
38	700.55.120	连接螺栓	1	1	1	1
39	700.55.121	螺 栓	1	1	1	1
40	700.55.102	力调节传感接头	1	1	1	1
41	GB/T 5783-2000	螺栓 M12×35-Zn.D	4	4	4	4
42	700.55.103	弹簧座	1	1	1	1
43	700.55.104	弹簧压板	1	1	1	1
44	GB/T 6171-2000	螺母 M16×1.5-Zn.D	1	1	1	1
45	700.55.105	力调节弹簧	1	1	1	1
46	700.55.106	调整垫片	按需	按需	按需	按需
47	700.55.118	铝 垫	1	1	1	1
48	700.55.117	放油螺塞	1	1	1	1

## Lifter Assembly ( I )

No.	Drawing No.	Part Name and Standards	Qty. (Piece)			
			700	704	800	804
1	GB/T 5783-2000	Bolt M10×20-Zn.D	4	4	4	4
2	GB/T 93-1987	Single coil spring lock washer 10	4	4	4	4
3	700.55.115	Pressure plate of left lifting arm	1	1	1	1
4	700.55.107	Outer lifting arm(left)	1	1	1	1
5	700.55.116	Copper sleeve	4	4	4	4
6	GB 3452.1-1992	O-seal ring 55×5.3	2	2	2	2
7	700.55.129	Plug	1	1	1	1
8	700.55.133	Sponge	1	1	1	1
9	700.55.130	Vent pipe	1	1	1	1
10	700.55.131	Core oil filler	1	1	1	1
11	700.55.132	Dipstick	1	1	1	1
12	700.55.128	Aluminium washer	1	1	1	1
13	700.55.110	Lifter housing	1	1	1	1
14	GB/T 93-1987	Single coil spring lock washer 8	3	3	3	3
15	700.55.127	Bolt	2	2	2	2

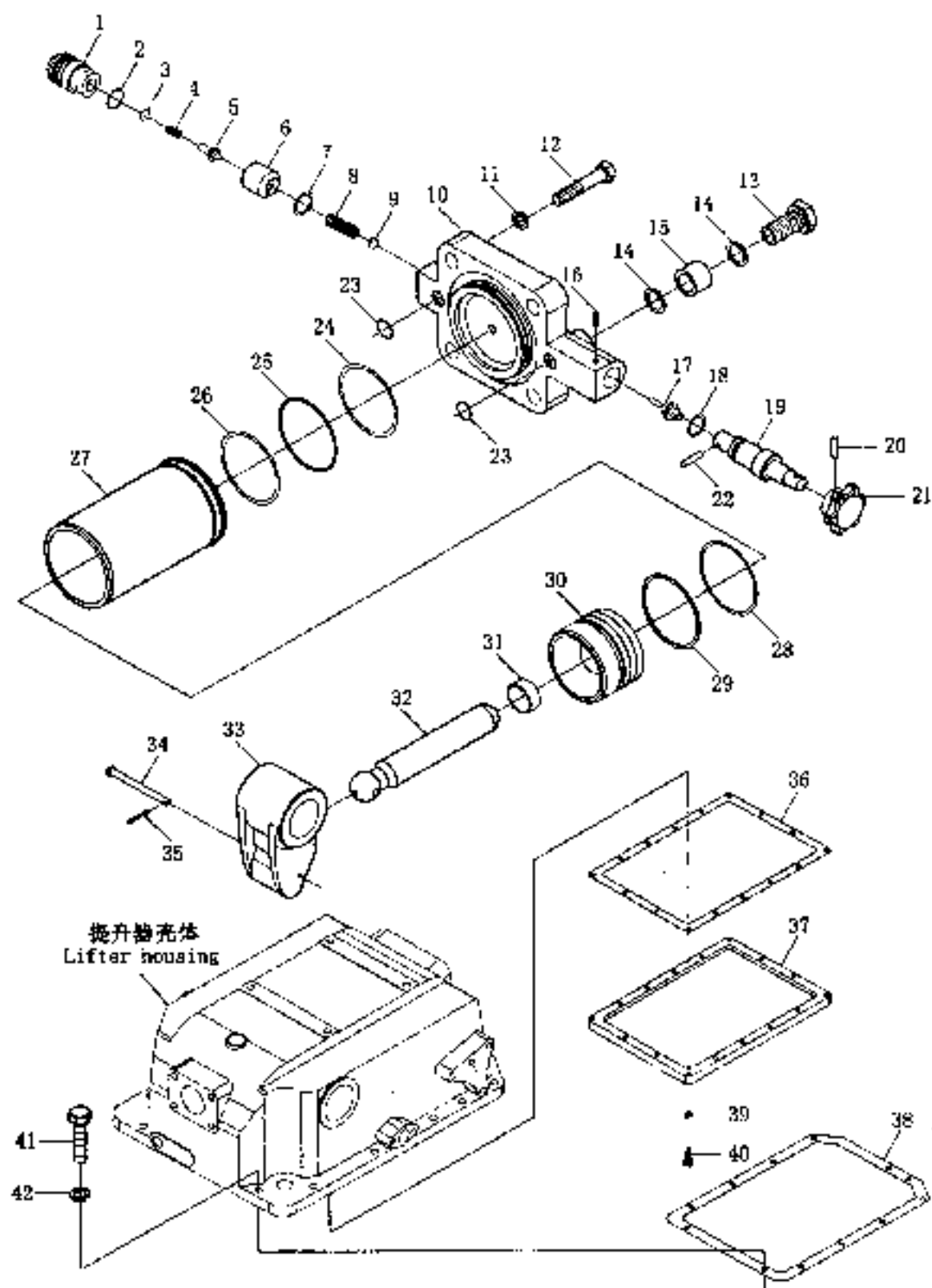
### Lifter Assembly ( I )

No.	Drawing No.	Part Name and Standards	Qty. (Piece)			
			700	704	800	804
16	700.55.126	Bolt	1	1	1	1
17	GB/T 119 - 1986	Parallel pin B12 × 24	2	2	2	2
18	700.55.108	Lifting shaft	1	1	1	1
19	700.55.114	Sleeve	2	2	2	2
20	700.55.162	Outer lifting arm (right)	1	1	1	1
21	700.55.017	Pressure plate welding assembly, right lifting arm	1	1	1	1
22	700.55.125	Front adjusting rod	1	1	1	1
23	GB/T 6170 - 2000	Nut M8 - Zn, D	2	2	2	2
24	700.55.123	Adjusting screw sleeve	1	1	1	1
25	700.55.124	Rear adjusting rod	1	1	1	1
26	700.55.016	Middle arm welding assembly	1	1	1	1
27	GB/T 97.1 - 1985	Plain washer 8 - 140HV - Zn, D	3	3	3	3
28	GB/T 91 - 2000	Split pin 2 × 14	4	4	4	4
29	700.55.015	Connecting rod welding assembly	1	1	1	1
30	GB/T 91 - 2000	Split pin 4 × 36	2	2	2	2
31	GB/T 6181 - 2000	Nut M20 - Zn, D	2	2	2	2
32	700.55.119	Bracket, upper pull rod	1	1	1	1
33	GB/T 93 - 1987	Single coil spring lock washer 12	8	8	8	8
34	GB/T 5783 - 2000	Bolt M12 × 40 - Zn, D	4	4	4	4
35	700.55.122	Pin	1	1	1	1
36	GB/T 93 - 1987	Single coil spring lock washer 16	2	2	2	2
37	700.55.101	Connecting bracket	1	1	1	1
38	700.55.120	Connecting bolt	1	1	1	1
39	700.55.121	Bolt	1	1	1	1
40	700.55.102	Sensor joint for force adjust	1	1	1	1
41	GB/T 5783 - 2000	Bolt M12 × 35 - Zn, D	4	4	4	4
42	700.55.103	Spring seat	1	1	1	1
43	700.55.104	Pressure washer for spring	1	1	1	1
44	GB/T 6171 - 2000	Nut M16 × 1.5 - Zn, D	1	1	1	1
45	700.55.105	Spring for force adjust	1	1	1	1
46	700.55.106	Adjusting shaft	○	○	○	○
47	700.55.118	Aluminium washer	1	1	1	1
48	700.55.117	Oil drain plug	1	1	1	1

Note: ○ Depending on requirement.



## 提升器总成(二) Lifter Assembly ( II )



提升器总成(二)

序号	零件代号	零件名称及规格	数量(件)			
			700	704	800	804
1	700.55.149	安全阀螺塞	1	1	1	1
2	GB 3452.1-1992	O形密封圈 23.6×2.65	1	1	1	1
3	700.55.148	调整垫片	按需	按需	按需	按需
4	700.55.147	安全阀弹簧	1	1	1	1
5	700.55.146	油缸安全阀体	1	1	1	1
6	700.55.145	安全阀座	1	1	1	1
7	GB 3452.1-1992	O形密封圈 19×2.65	1	1	1	1
8	700.55.150	调节阀弹簧	1	1	1	1
9	GB/T 308-1989	钢球φ12	1	1	1	1
10	700.55.144	油缸盖	1	1	1	1
11	GB/T 93-1987	弹簧垫圈 18	4	4	4	4
12	GB/T 5785-2000	螺栓 M18×1.5×60-Zn.D	4	4	4	4
13	700.55.152	空心螺栓	1	1	1	1
14	700.55.151	铝垫	2	2	2	2
15	700.55.153	隔套	1	1	1	1
16	GB/T 71-1985	螺钉 M5×12-Zn.D	1	1	1	1
17	700.55.143	调节阀	1	1	1	1
18	GB 3452.1-1992	O形密封圈 16×2.65	1	1	1	1
19	700.55.141	调节杆	1	1	1	1
20	GB/T 879-1986	弹性圆柱销 4×20	1	1	1	1
21	700.55.140	手轮	1	1	1	1
22	700.55.142	销	1	1	1	1
23	GB 3452.1-1992	O形密封圈 12.5×2.65	2	2	2	2
24	GB 3452.1-1992	O形密封圈 103×3.55	1	1	1	1
25	700.55.164	油缸盖挡圈	1	1	1	1
26	GB 3452.1-1992	O形密封圈 118×3.55	1	1	1	1
27	700.55.109	缸筒	1	1	1	1
28	GB 3452.1-1992	O形密封圈 100×5.3	1	1	1	1
29	700.55.165	活塞挡圈	1	1	1	1
30	700.55.136	活塞	1	1	1	1
31	700.55.137	活塞衬座	1	1	1	1
32	700.55.135	活塞顶杆	1	1	1	1
33	700.55.134	内提升臂	1	1	1	1
34	700.55.138	销轴	1	1	1	1
35	GB/T 91-2000	开口销 2×12	1	1	1	1
36	700.55.113	底板盖纸垫	1	1	1	1

### 提升器总成(二)

序号	零件代号	零件名称及规格	数量 (件)			
			700	704	800	804
37	700.55.112	底板盖	1	1	1	1
38	700.55.111	提升器壳体纸垫	1	1	1	1
39	GB/T 93 - 1987	弹簧垫圈 8	16	16	16	16
40	GB/T 5781 - 2000	螺栓 M8 × 35 - Zn. D	16	16	16	16
41	GB/T 5783 - 2000	螺栓 M12 × 40 - Zn. D	10	10	10	10
42	GB/T 93 - 1987	弹簧垫圈 12	10	10	10	10

### Lifter Assembly ( II )

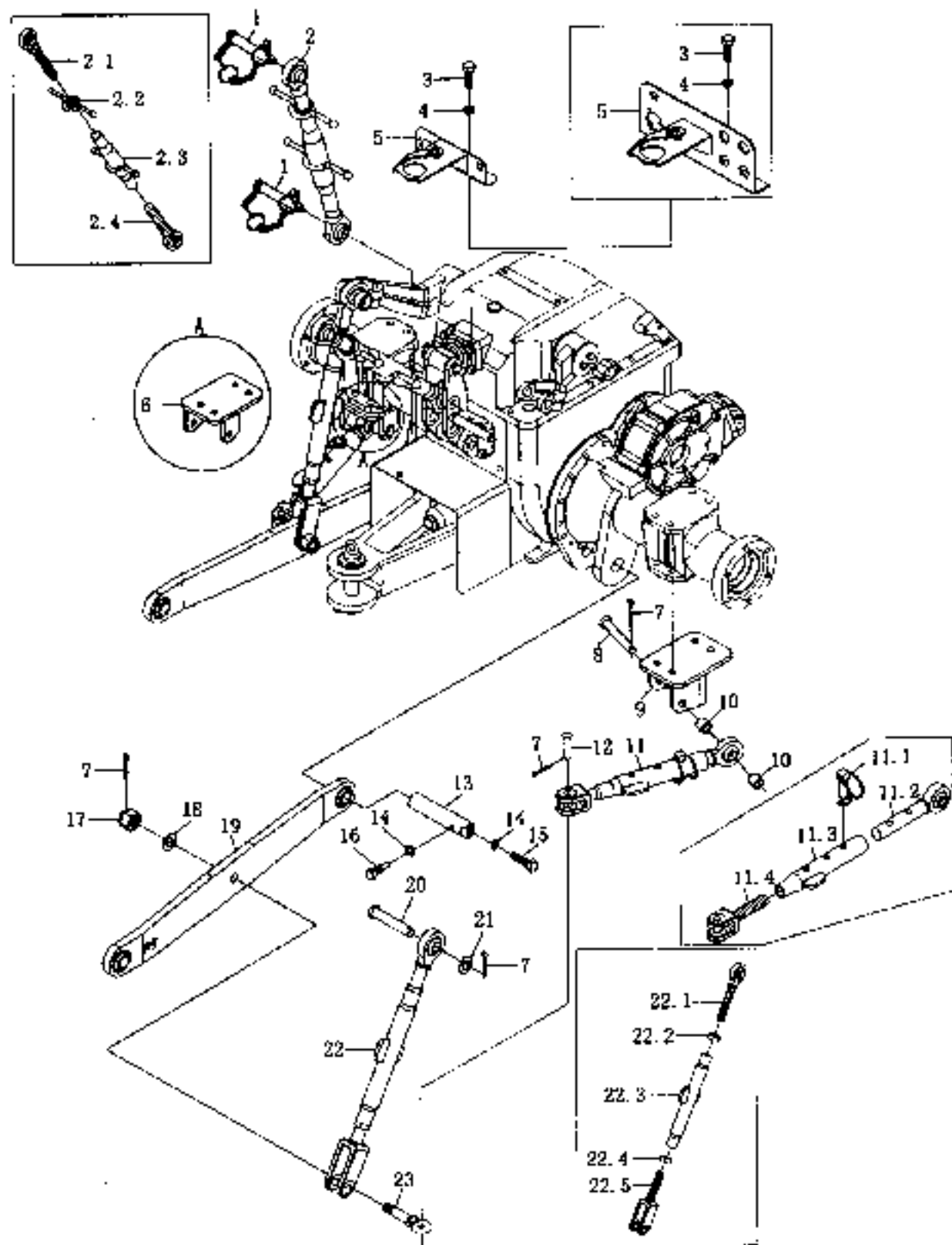
No.	Drawing No.	Part Name and Standards	Qty. (Piece)			
			700	704	800	804
1	700.55.149	Plug, safety valve	1	1	1	1
2	GB 3452.1 - 1992	O - seal ring 23.6 × 2.65	1	1	1	1
3	700.55.148	Adjusting shim	○	○	○	○
4	700.55.147	Spring, safety valve	1	1	1	1
5	700.55.146	Safety valve body, cylinder	1	1	1	1
6	700.55.145	Safety valve seat	1	1	1	1
7	GB 3452.1 - 1992	O - seal ring 19 × 2.65	1	1	1	1
8	700.55.150	Spring, adjusting valve	1	1	1	1
9	GB/T 308 - 1989	Steel ball φ12	1	1	1	1
10	700.55.144	Cylinder cover	1	1	1	1
11	GB/T 93 - 1987	Single coil spring lock washer 18	4	4	4	4
12	GB/T 5785 - 2000	Bolt M18 × 1.5 × 60 - Zn. D	4	4	4	4
13	700.55.152	Hollow bolt	1	1	1	1
14	700.55.151	Aluminium washer	2	2	2	2

Note: ○ Depending on requirement.

### Lifter Assembly ( II )

No.	Drawing No.	Part Name and Standards	Qty. (Piece)			
			700	704	800	804
15	700.55.153	Sleeve	1	1	1	1
16	GB/T 71 - 1985	Screw M5 × 12 - Zn. D	1	1	1	1
17	700.55.143	Adjusting valve	1	1	1	1
18	GB 3452.1 - 1992	O - seal ring 16 × 2.65	1	1	1	1
19	700.55.141	Adjusting rod	1	1	1	1
20	GB/T 879 - 1986	Spring - type straight pin 4 × 20	1	1	1	1
21	700.55.140	Handwheel	1	1	1	1
22	700.55.142	Pin	1	1	1	1
23	GB 3452.1 - 1992	O - seal ring 12.5 × 2.65	2	2	2	2
24	GB 3452.1 - 1992	O - seal ring 103 × 3.55	1	1	1	1
25	700.55.164	Spacer ring, cylinder cover	1	1	1	1
26	GB 3452.1 - 1992	O - seal ring 118 × 3.55	1	1	1	1
27	700.55.109	Cylinder trunk	1	1	1	1
28	GB 3452.1 - 1992	O - seal ring 100 × 5.3	1	1	1	1
29	700.55.165	Piston ring	1	1	1	1
30	700.55.136	Piston	1	1	1	1
31	700.55.137	Ball seat of piston	1	1	1	1
32	700.55.135	Top rod of piston	1	1	1	1
33	700.55.134	Inner lifting arm	1	1	1	1
34	700.55.138	Pin nut	1	1	1	1
35	GB/T 91 - 2000	Split pin 2 × 12	1	1	1	1
36	700.55.113	Gasket, base plate cover	1	1	1	1
37	700.55.112	Base plate cover	1	1	1	1
38	700.55.111	Gasket, lifter housing	1	1	1	1
39	GB/T 93 - 1987	Single coil spring lock washer 8	16	16	16	16
40	GB/T 5781 - 2000	Bolt M8 × 35 - Zn. D	16	16	16	16
41	GB/T 5783 - 2000	Bolt M12 × 40 - Zn. D	10	10	10	10
42	GB/T 93 - 1987	Single coil spring lock washer 12	10	10	10	10

# 悬挂机构总成 Suspension Mechanism Assembly



### 悬挂机构总成

序号	零件代号	零件名称及规格	数量 (件)			
			700	704	800	804
1	700.56.015	上拉杆锁销总成	2	2	2	2
2	700.56.014	上拉杆总成	1	1	1	1
2.1	700.56.029	F.拉杆前调节杆总成	4	4	4	4
2.2	700.56.028	上拉杆锁紧螺帽总成	1	1	1	1
2.3	700.56.027	上拉杆螺套总成	1	1	1	1
2.4	700.56.026	上拉杆前调节杆总成	1	1	1	1
3	GB/T 5783-2000	螺栓 M8×20-Zn.D	2	2	2	2
4	GB/T 93-1987	弹簧垫圈 8	2	2	2	2
5	700.56.017	上拉杆固定卡组合	1	1	1	1
6	700.56.016	限位杆左支架焊合	1	1	1	1
7	GB/T 91-2000	开口销 5×32	8	8	8	8
8	700.56.104	限位杆连接销	2	2	2	2
9	700.56.018	限位杆右支架焊合	1	1	1	1
10	700.56.105	套	4	4	4	4
11	700.56.011	限位杆总成	2	2	2	2
11.1	700.56.023	限位杆锁销组合	2	2	2	2
11.2	700.56.021	伸缩杆球头总成	2	2	2	2
11.3	700.56.022	伸缩导管焊合件	2	2	2	2
11.4	700.56.108	限位杆调节螺杆	2	2	2	2
12	GB/T 882-2000	销轴 D8×65	2	2	2	2
13	700.56.106	下拉杆连接销	2	2	2	2
14	GB/T 93-1987	弹簧垫圈 12	4	4	4	4
15	GB/T 5783-2000	螺栓 M12×25-Zn.D	2	2	2	2
16	700.56.107	定位螺栓	2	2	2	2
17	GB/T 6181-2000	螺母 M20-Zn.D	2	2	2	2
18	GB/T 97.1-1985	平垫圈 20-140HV-Zn.D	2	2	2	2
19	700.56.013	下拉杆总成	2	2	2	2
20	700.56.102	提升杆上连接销	2	2	2	2
21	700.56.103	垫片	2	2	2	2
22	700.56.012	提升杆总成	2	2	2	2
22.1	700.56.025	提升杆I.调节杆组合	2	2	2	2
22.2	700.56.117	锁紧螺母	2	2	2	2
22.3	700.56.024	提升杆螺套焊合件	2	2	2	2
22.4	700.56.150	锁紧螺母	2	2	2	2

### 悬挂机构总成

序号	零件代号	零件名称及规格	数量 (件)			
			700	704	800	804
22.5	700.56.116	提升杆下连接叉	2	2	2	2
23	700.56.101	提升杆下连接销	2	2	2	2

### Suspension Mechanism Assembly

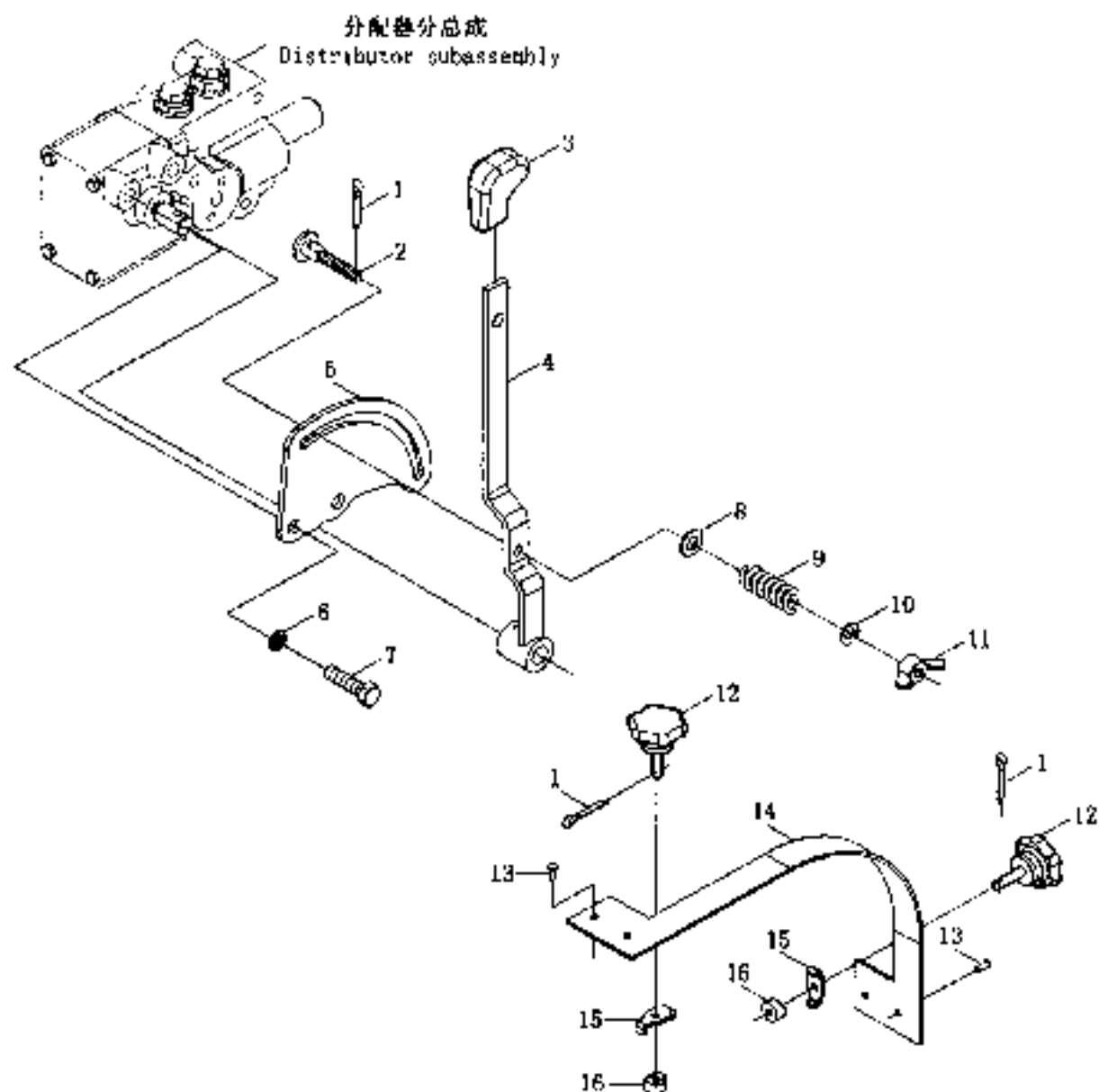
No.	Drawing No.	Part Name and Standards	Qty. (Piece)			
			700	704	800	804
1	700.56.015	Latch assembly, upper link	2	2	2	2
2	700.56.014	Upper link assembly	1	1	1	1
2.1	700.56.029	Front adjusting rod assembly, upper link	4	4	4	4
2.2	700.56.028	Locking cap nut assembly, upper link	1	1	1	1
2.3	700.56.027	Screw tube assembly, upper link	1	1	1	1
2.4	700.56.026	Front adjusting rod assembly, upper link	1	1	1	1
3	GB/T 5783 - 2000	Bolt M8 × 20 - Zn. D	2	2	2	2
4	GB/T 93 - 1987	Single coil spring lock washer B	2	2	2	2
5	700.56.017	Fixed keeper unit, upper link	1	1	1	1
6	700.56.016	Left bracket weldment, gag post	1	1	1	1
7	GB/T 91 - 2000	Split pin 5 × 32	8	8	8	8
8	700.56.104	Connecting pin, gag post	2	2	2	2
9	700.56.018	Right bracket weldment, gag post	1	1	1	1

### Suspension Mechanism Assembly

No.	Drawing No.	Part Name and Standards	Qty. (Piece)			
			700	704	800	804
10	700.56.105	Sleeve	4	4	4	4
11	700.56.011	Gag post assembly	2	2	2	2
11.1	700.56.023	Locking pin unit, gag post	2	2	2	2
11.2	700.56.021	Ball head assembly, telescopic rod	2	2	2	2
11.3	700.56.022	Telescopic pipeline weldment	2	2	2	2
11.4	700.56.108	Adjusting screw rod, gag post	2	2	2	2
12	GB/T 882 - 2000	Clevis pin with head B8 × 65	2	2	2	2
13	700.56.106	Connecting pin, lower link	2	2	2	2
14	GB/T 93 - 1987	Single coil spring lock washer 12	4	4	4	4
15	GB/T 5783 - 2000	Bolt M12 × 25 - Zn.D	2	2	2	2
16	700.56.107	Locating bolt	2	2	2	2
17	GB/T 6181 - 2000	Nut M20 - Zn.D	2	2	2	2
18	GB/T 97.1 - 1985	Plain washer 20 - 140HV - Zn.D	2	2	2	2
19	700.56.013	Lower link assembly	2	2	2	2
20	700.56.102	Upper connecting pin, lift link	2	2	2	2
21	700.56.103	Plain washer	2	2	2	2
22	700.56.012	Lift link assembly	2	2	2	2
22.1	700.56.025	Upper adjusting rod unit, lift link	2	2	2	2
22.2	700.56.117	Locking nut	2	2	2	2
22.3	700.56.024	Screw tube weldment, lift link	2	2	2	2
22.4	700.56.150	Locking nut	2	2	2	2
22.5	700.56.116	Lower connecting fork, lift link	2	2	2	2
23	700.56.101	Lower connecting pin, lift link	2	2	2	2



## 分配器总成(一) Distributor Assembly ( I )



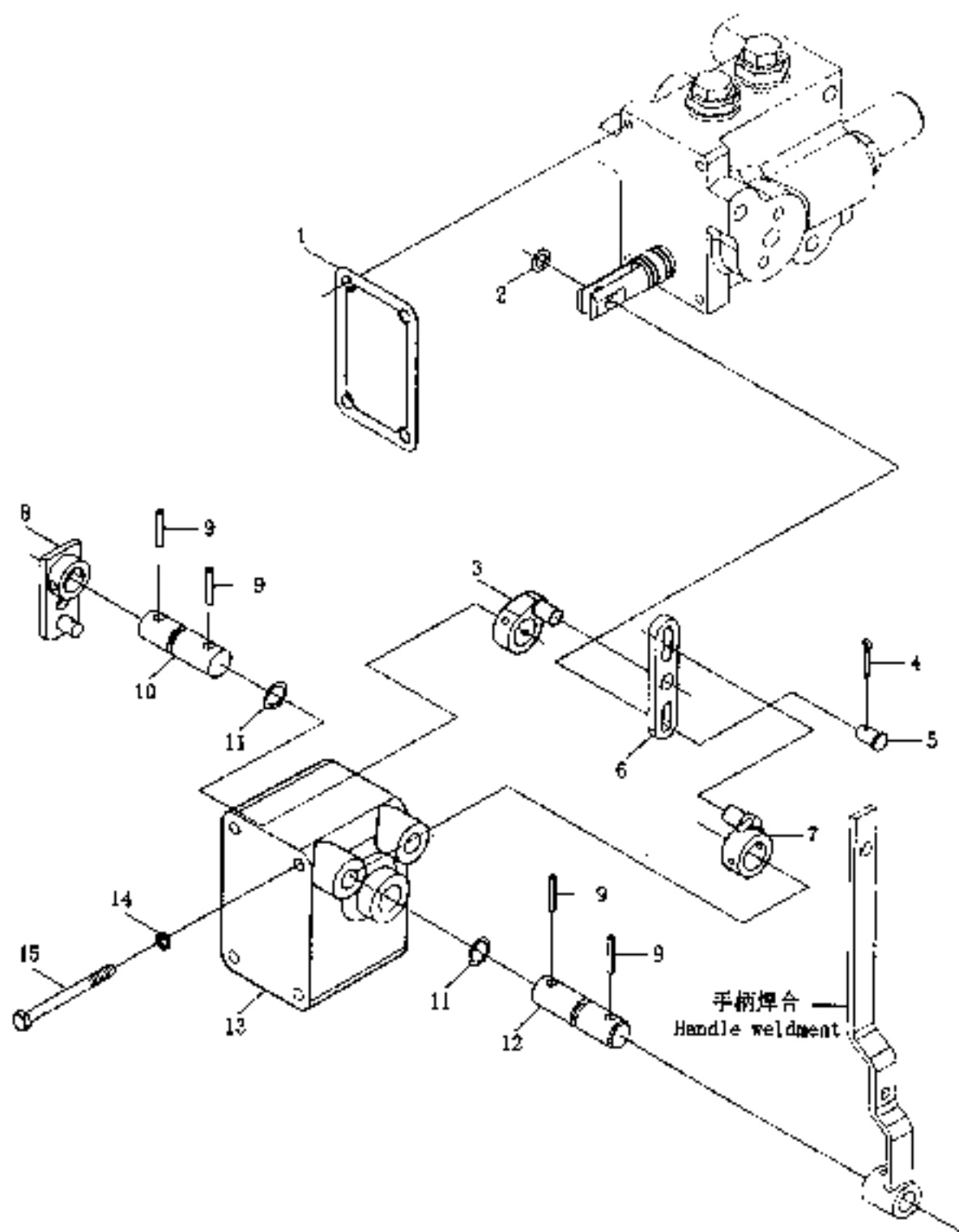
## 分配器总成(一)

序号	零件代号	零件名称及规格	数量 (件)			
			700	704	800	804
1	GB/T 91 - 2000	开口销 1.6×12	3	3	3	3
2	700.57.103	手柄压紧螺钉	1	1	1	1
3	700.57.013	手柄头总成	1	1	1	1
4	700.57.012	手柄焊合	1	1	1	1
5	700.57.101	操纵板	1	1	1	1
6	GB/T 93 - 1987	弹簧垫圈 10	2	2	2	2
7	GB/T 5783 - 2000	螺栓 M10×40 - Zn. D	2	2	2	2
8	GB/T 97.1 - 1985	平垫圈 8 - 140HV - Zn. D	1	1	1	1
9	700.57.102	手柄压紧弹簧	1	1	1	1
10	GB/T 97.1 - 1985	平垫圈 6 - 140HV - Zn. D	1	1	1	1
11	GB/T 62 - 1988	螺母 M6 - Zn. D	1	1	1	1
12	700.57.014	调节手柄头总成	2	2	2	2
13	GB/T 827 - 1986	铆钉 4×10	4	4	4	4
14	700.57.106	综合控制标牌	1	1	1	1
15	700.57.105	定位弯板	2	2	2	2
16	700.57.104	定位螺母	2	2	2	2

## Distributor Assembly ( I )

No.	Drawing No.	Part Name and Standards	Qty. (Piece)			
			700	704	800	804
1	GB/T 91 - 2000	Split pin 1.6×12	3	3	3	3
2	700.57.103	Pressured screw, handle	1	1	1	1
3	700.57.013	Handle knob assembly	1	1	1	1
4	700.57.012	Handle weldment	1	1	1	1
5	700.57.101	Operation plate	1	1	1	1
6	GB/T 93 - 1987	Single coil spring lock washer 10	2	2	2	2
7	GB/T 5783 - 2000	Bolt M10×40 - Zn. D	2	2	2	2
8	GB/T 97.1 - 1985	Plain washer 8 - 140HV - Zn. D	1	1	1	1
9	700.57.102	Pressured spring	1	1	1	1
10	GB/T 97.1 - 1985	Plain washer 6 - 140HV - Zn. D	1	1	1	1
11	GB/T 62 - 1988	Wing nut M6 - Zn. D	1	1	1	1
12	700.57.014	Adjusting handle knob assembly	2	2	2	2
13	GB/T 827 - 1986	Rivet 4×10	4	4	4	4
14	700.57.106	Comprehensive control plate	1	1	1	1
15	700.57.105	Locating elbow plate	2	2	2	2
16	700.57.104	Locating nut	2	2	2	2

分配器总成(二) Distributor Assembly ( II )



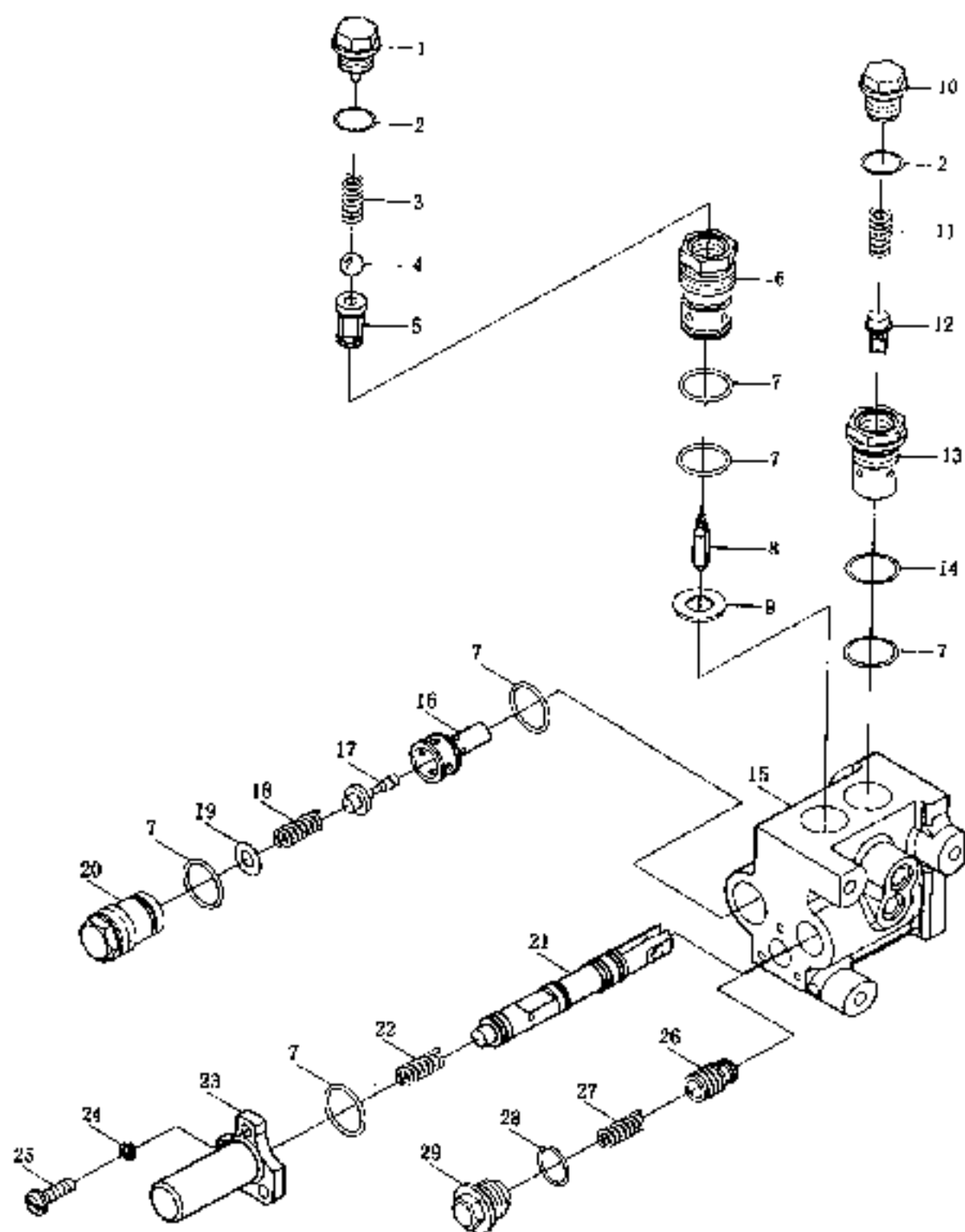
### 分配器总成(二)

序号	零件代号	零件名称及规格	数量 (件)			
			700	704	800	804
1	T30.57.118	纸垫	1	1	1	1
2	GB/T 97.1 - 1985	平垫圈 8 - 140HV - Zn.D	1	1	1	1
3	T30.57.120A	反馈小臂	1	1	1	1
4	GB/T 91 - 2000	开孔销 2×12	1	1	1	1
5	T30.57.125	销轴	1	1	1	1
6	T30.57.119	摆杆	1	1	1	1
7	T30.57.110	操纵臂	1	1	1	1
8	T30.57.013	反馈臂焊合件	1	1	1	1
9	GB/T 879 - 1986	弹性圆柱销 5×24	4	4	4	4
10	T30.57.109	反馈轴	1	1	1	1
11	GB 3452.1 - 1992	O形密封圈 9.5×2.65	2	2	2	2
12	T30.57.108	手柄轴	1	1	1	1
13	T30.57.117	侧盖	1	1	1	1
14	GB/T 93 - 1987	弹簧垫圈 6	4	4	4	4
15	GB/T 5783 - 2000	螺栓 M6×70 - Zn.D	4	4	4	4

### Distributor Assembly ( II )

No.	Drawing No.	Part Name and Standards	Qty. (Piece)			
			700	704	800	804
1	T30.57.118	Gasket	1	1	1	1
2	GB/T 97.1 - 1985	Plain washer 8 - 140HV - Zn.D	1	1	1	1
3	T30.57.120A	Small feedback arm	1	1	1	1
4	GB/T 91 - 2000	Split pin 2×12	1	1	1	1
5	T30.57.125	Pin coil	1	1	1	1
6	T30.57.119	Swing rod	1	1	1	1
7	T30.57.110	Operation arm	1	1	1	1
8	T30.57.013	Feedback arm welding unit	1	1	1	1
9	GB/T 879 - 1986	Spring - type straight pin 5×24	4	4	4	4
10	T30.57.109	Feedback shaft	1	1	1	1
11	GB 3452.1 - 1992	O - seal ring 9.5×2.65	2	2	2	2
12	T30.57.108	Handle shaft	1	1	1	1
13	T30.57.117	Side cover	1	1	1	1
14	GB/T 93 - 1987	Single coil spring lock washer 6	4	4	4	4
15	GB/T 5783 - 2000	Bolt M6×70 - Zn.D	4	4	4	4

### 分配器总成(三) Distributor Assembly (Ⅲ)



### 分配器总成(三)

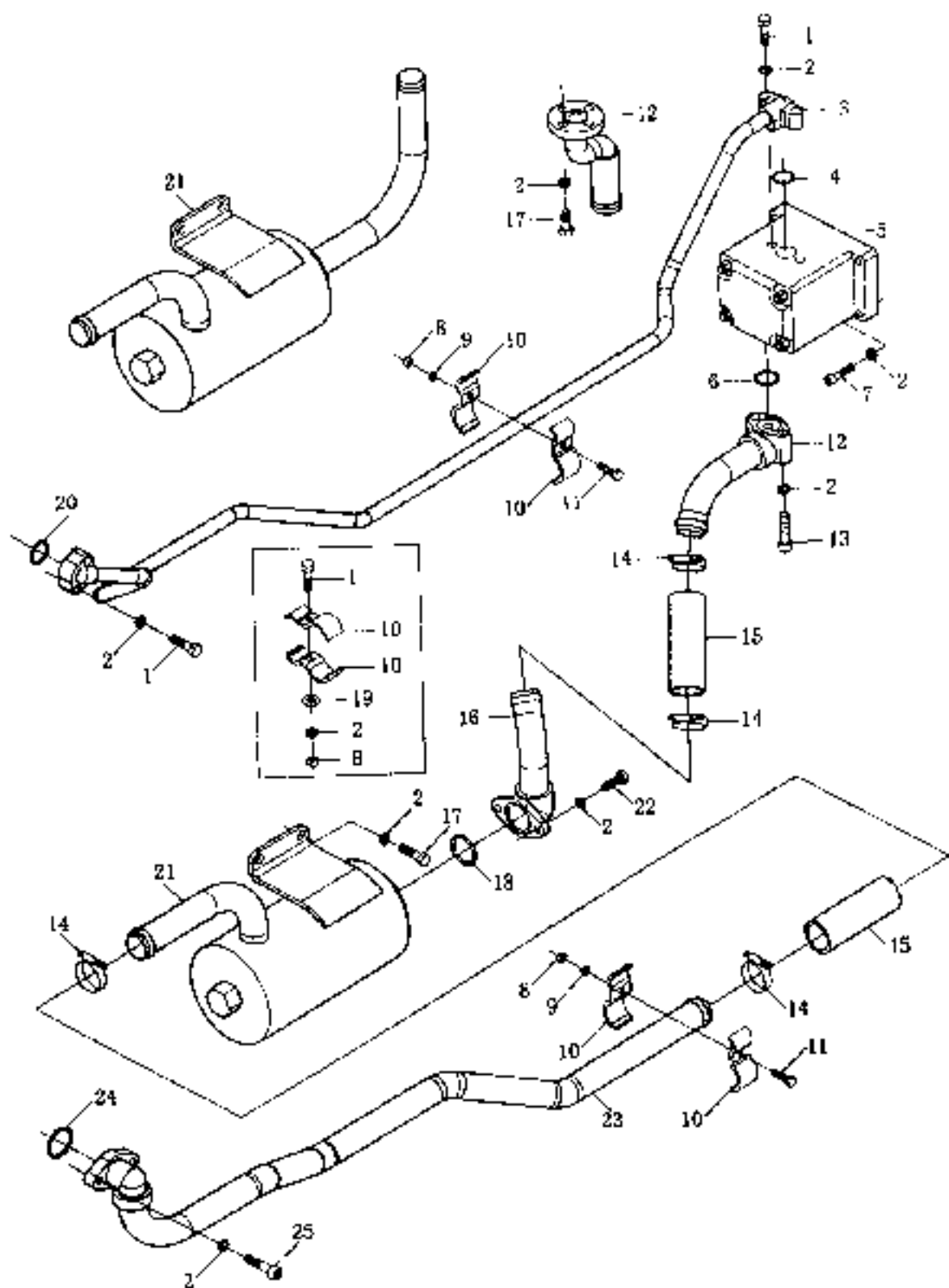
序号	零件代号	零件名称及规格	数量 (件)			
			700	704	800	804
1	T30.57.137	下降阀堵塞	1	1	1	1
2	GB 3452.1-1992	O形密封圈 16×1.8	2	2	2	2
3	T30.57.140	下降阀弹簧	1	1	1	1
4	GB/T 308-1989	钢球 φ5 0000G100b	1	1	1	1
5	T30.57.139	下降阀体	1	1	1	1
6	T30.57.138	下降阀套	1	1	1	1
7	GB 3452.1-1992	O形密封圈 19×2.65	6	6	6	6
8	T30.57.114	套 帽	1	1	1	1
9	T30.57.159	调整垫片	按需	按需	按需	按需
	T30.57.160	调整垫片	按需	按需	按需	按需
	T30.57.161	调整垫片	按需	按需	按需	按需
10	T30.57.145-1	单向阀堵塞	1	1	1	1
11	T30.57.144	单向阀弹簧	1	1	1	1
12	T30.57.142	单向阀体	1	1	1	1
13	T30.57.143-1	单向阀座	1	1	1	1
14	GB 3452.1-1992	O形密封圈 25.7×2.65	1	1	1	1
15	T30.57.115-1	分配器壳体	1	1	1	1
16	T30.57.011	安全阀座压合件	1	1	1	1
17	T30.57.107	安全阀体	1	1	1	1
18	T30.57.106	安全阀弹簧	1	1	1	1
19	T30.57.156	调整垫片	按需	按需	按需	按需
	T30.57.157	调整垫片	按需	按需	按需	按需
	T30.57.158	调整垫片	按需	按需	按需	按需
20	T30.57.105	安全阀弹簧座	1	1	1	1
21	T30.57.122	主控制阀	1	1	1	1
22	T30.57.112	主阀弹簧	1	1	1	1
23	T30.57.113	主阀前盖	1	1	1	1
24	GB/T 859-1987	弹簧垫圈 6	1	1	1	1
25	GB/T 67-1985	螺钉 M6×16-Zn.D	1	1	1	1
26	T30.57.104-1	回油阀体	1	1	1	1
27	T30.57.103-1	回油阀弹簧	3	3	3	3
28	GB 3452.1-1992	O形密封圈 21.2×2.65	3	3	3	3
29	T30.57.102-1	回油阀堵塞	1	1	1	1

### Distributor Assembly ( III )

No.	Drawing No.	Part Name and Standards	Qty. ( Piece )			
			700	704	800	804
1	T30.57.137	Plug, lowering valve	1	1	1	1
2	GB 3452.1 - 1992	O - seal ring 16 x 1.8	2	2	2	2
3	T30.57.140	Spring, lowering valve	1	1	1	1
4	GB/T 308 - 1989	Steel ball $\phi 5.000G100b$	1	1	1	1
5	T30.57.139	Lowering valve body	1	1	1	1
6	T30.57.138	Lowering valve housing	1	1	1	1
7	GB 3452.1 - 1992	O - seal ring 19 x 2.65	6	6	6	6
8	T30.57.114	Push pin	1	1	1	1
9	T30.57.159	Adjusting shim	○	○	○	○
	T30.57.160	Adjusting shim	○	○	○	○
	T30.57.161	Adjusting shim	○	○	○	○
10	T30.57.145 - 1	Plug, one - way valve	1	1	1	1
11	T30.57.144	Spring, one - way valve	1	1	1	1
12	T30.57.142	One - way valve body	1	1	1	1
13	T30.57.143 - 1	One - way valve seat	1	1	1	1
14	GB 3452.1 - 1992	O - seal ring 25.7 x 2.65	1	1	1	1
15	T30.57.115 - 1	Distributor housing	1	1	1	1
16	T30.57.011	Safety valve seat unit	1	1	1	1
17	T30.57.107	Safety valve body	1	1	1	1
18	T30.57.106	Spring, safety valve	1	1	1	1
19	T30.57.156	Adjusting shim	○	○	○	○
	T30.57.157	Adjusting shim	○	○	○	○
	T30.57.158	Adjusting shim	○	○	○	○
20	T30.57.105	Spring seat, safety valve	1	1	1	1
21	T30.57.122	Main control valve	1	1	1	1
22	T30.57.112	Spring, main valve	1	1	1	1
23	T30.57.113	Front cap, main valve	1	1	1	1
24	GB/T 859 - 1987	Single coil spring lock washer 6	1	1	1	1
25	GB/T 67 - 1985	Screw M6 x 16 - Zr. D	1	1	1	1
26	T30.57.104 - 1	Oil return valve body	1	1	1	1
27	T30.57.103 - 1	Oil return valve spring	3	3	3	3
28	GB 3452.1 - 1992	O - seal ring 21.2 x 2.65	3	3	3	3
29	T30.57.102 - 1	Plug, oil return valve	1	1	1	1

Note: ○ Depending on requirement.

# 油泵油管滤油器总成 Oil Pump/Pipe and Filter Assembly





油泵油管滤油器总成

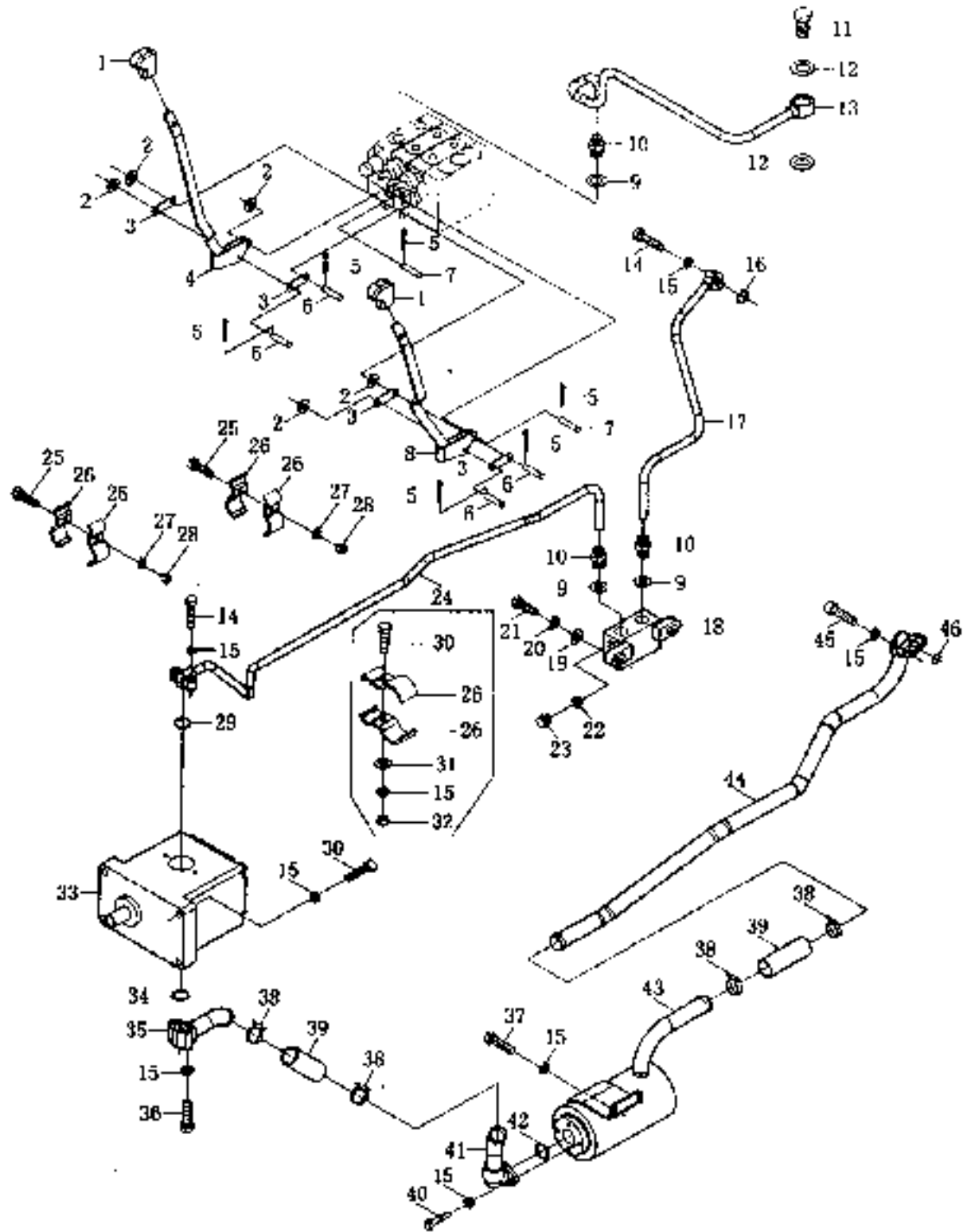
序号	零件代号	零件名称及规格	数量 (件)			
			700	704	800	804
1	GB/T 5783-2000	螺栓 M8×30-Zn.D	4	4	4	4
2	GB/T 93-1987	弹簧垫圈 8	16	18	16	16
3	700.58.020	压力油管焊合	1		1	
4	GB 3452.1-1992	O形密封圈 15×2.65G	1	1	1	1
5	CBT-E316FL	齿轮泵	1	1	1	1
6	GB 3452.1-1992	O形密封圈 19×2.65G	1	1	1	1
7	GB/T 70.1-2000	螺钉 M8×40-Zn.D	4	4	4	4
8	GB/T 6170-2000	螺母 M6-Zn.11	2	2	2	2
9	GB/T 93-1987	弹簧垫圈 6	2	2	2	2
10	700.58.060	油管夹与胶垫胶合	4	4	4	4
11	GB/T 5783-1986	螺栓 M6×30-Zn.D	2	2	2	2
12	700.58.050	吸油短管焊合 2	1	1	1	1
13	GB/T 70.1-2000	螺钉 M8×50-Zn.D	2	2	2	2
14	ZBJ 15001-1987	喉箍 D40	4	4	4	4
15	700.58.105	胶管	2	2	2	2
16	700.58.040	吸油短管焊合(1)	1	1	1	1
17	GB/T 5783-2000	螺栓 M8×20-Zn.D	2	2	2	2
18	GB 3452.1-1992	O形密封圈 31.5×2.65G	1	1	1	1
19	GB/T 93-1985	平垫圈 8-140HV-Zn.D	2	2	2	2
20	GB 3452.1-1992	O形密封圈 11.8×2.65G	1	1	1	1
21	WLQ-21	滤油器总成	1	1	1	1
22	GB/T 70.1-2000	螺钉 M8×20-Zn.D	2	2	2	2
23	700.58.030	吸油长管焊合	1	1	1	1
24	GB 3452.1-1992	O形密封圈 21.2×2.65G	1	1	1	1
25	GB/T 70.1-2000	螺钉 M8×25-Zn.D	2	2	2	2

### Oil Pump/Pipe and Filter Assembly

No.	Drawing No.	Part Name and Standards	Qty. (Piece)			
			700	704	800	804
1	GB/T 5783 - 2000	Bolt M8 × 30 - Zn. D	4	4	4	4
2	GB/T 93 - 1987	Single coil spring lock washer 8	16	18	16	16
3	700.58.020	Pressure oil pipe weldment	1		1	
4	GB 3452.1 - 1992	O - seal ring 15 × 2.65G	1	1	1	1
5	CBF - F316FL	Gear pump	1	1	1	1
6	GB 3452.1 - 1992	O - seal ring 19 × 2.65G	1	1	1	1
7	GB/T 70.1 - 2000	Screw M8 × 40 - Zn. D	4	4	4	4
8	GB/T 6170 - 2000	Nut M6 - Zn. D	2	2	2	2
9	GB/T 93 - 1987	Single coil spring lock washer 6	2	2	2	2
10	700.58.060	Pipe clamp and rubber clamp	4	4	4	4
11	GB/T 5783 - 1986	Bolt M6 × 30 - Zn. D	2	2	2	2
12	700.58.050	Oil suction short pipe weldment 2	1	1	1	1
13	GB/T 70.1 - 2000	Screw M8 × 50 - Zn. D	2	2	2	2
14	ZBJ 15001 - 1987	Clamp D40	4	4	4	4
15	700.58.105	Hose	2	2	2	2
16	700.58.040	Oil suction short pipe weldment (1)	1	1	1	1
17	GB/T 5783 - 2000	Bolt M8 × 20 - Zn. D	2	2	2	2
18	GB 3452.1 - 1992	O - seal ring 3.15 × 2.65	1	1	1	1
19	GB/T 95 - 1985	Plain washer 8 - 140HV - Zn. D	2	2	2	2
20	GB 3452.1 - 1992	O - seal ring 11.8 × 2.65G	1	1	1	1
21	WLQ - 21	Oil filter assembly	1	1	1	1
22	GB/T 70.1 - 2000	Screw M8 × 20 - Zn. D	2	2	2	2
23	700.58.030	Oil suction long pipe weldment	1	1	1	1
24	GB 3452.1 - 1992	O - seal ring 21.2 × 2.65G	1	1	1	1
25	GB/T 70.1 - 2000	Screw M8 × 25 - Zn. D	2	2	2	2

多路阀油泵油管总成(一)(选装)

Multi-way Valve's Oil Pump/Pipe Assembly ( I ) (Optional)



多路阀油泵油管总成(一)(选装)

序号	零件代号	零件名称及规格	数量(件)			
			700	704	800	804
1	700.57.013	手树头总成	2	2	2	2
2	GB/T 97.1-1985	平垫圈 6-140HV-Zn.D	按需	按需	按需	按需
3	704.58.103	联接板	4	4	4	4
4	704.58.013	推拉杆焊合(-)	1	1	1	1
5	GB/T 91-2000	开口销 2×12	6	6	6	6
6	GB/T 882-2000	销轴 M6×26	4	4	4	4
7	GB/T 882-2000	销轴 M6×20	2	2	2	2
8	704.58.090	推拉杆焊合(二)	1	1	1	1
9	JB/T 982-1977	组合密封垫圈 22	1	1	1	1
10	704.58B.102	下套式端直通接头体 1	1	1	1	1
11	704.56.118	空心螺栓-S	1	1	1	1
12	JB/T 982-1977	组合密封垫圈 27	2	2	2	2
13	704.58B.021	多路阀回油管焊合	1	1	1	1
14	GB/T 5783-2000	螺栓 M8×30-Zn.D	4	4	4	4
15	GB/T 93-1987	弹簧垫圈 8	18	18	18	18
16	GB 3452.1-1992	O形密封圈 11.8×2.65 G	1	1	1	1
17	704.58B.013	压力油管总成 1		1		1
18	704.58B.014	两体焊合	1	1	1	1
19	GB/T 97.1-1985	平垫圈 10-140HV-Zn.D	2	2	2	2
20	GB/T 93-1987	弹簧垫圈 10	2	2	2	2
21	GB/T 5783-2000	螺栓 M10×35-Zn.D	2	2	2	2
22	JB/T 982-1977	组合密封垫圈 14	1	1	1	1
23	704.58B.104	螺塞	1	1	1	1
24	704.58B.015	压力油管总成 2		1		1
25	GB/T 5783-2000	螺栓 M6×30-Zn.D	2	2	2	2
26	700.58.060	油管夹与胶垫胶合	4	4	4	4
27	GB/T 93-1987	弹簧垫圈 6	2	2	2	2
28	GB/T 6170-2000	螺母 M6-Zn.D	2	2	2	2
29	GB 3452.1-1992	O形密封圈 15×2.65 C	1	1	1	1
30	GB/T 70.1-2000	螺钉 M8×40-Zn.D	4	4	4	4
31	GB/T 97.1-1985	平垫圈 8-140HV-Zn.D	2	2	2	2
32	GB/T 6170-2000	螺母 M8-Zn.D	2	2	2	2
33	CRF-E316F1	齿轮泵	1	1	1	1
34	GB 3452.1-1992	O形密封圈 19×2.65 G	1	1	1	1
35	700.58.050	吸油短管焊合(2)	1	1	1	1
36	GB/T 5783-2000	螺栓 M8×50-Zn.D	2	2	2	2
37	GB/T 5783-2000	螺栓 M8×20-Zn.D	2	2	2	2
38	ZBJ 15001-1986	滚锥 D40	4	4	4	4

多路阀油泵油管总成(一)(选装)

序号	零件代号	零件名称及规格	数量 (件)			
			700	704	800	804
39	700.58.105	胶管	2	2	2	2
40	GB/T 75 - 1985	螺钉 M8 × 20 - Zn. D	2	2	2	2
41	700.58.040	吸油短管焊合(1)	1	1	1	1
42	GB 3452.1 - 1992	O形密封圈 31.5 × 2.65	1	1	1	1
43	WLQ - 21	滤油器总成	1	1	1	1
44	704.58.090	吸油长管焊合	1	1	1	1
45	GB/T 70.1 - 2000	螺钉 M8 × 25 - Zn. D	2	2	2	2
46	GB 3452.1 - 1992	O形密封圈 21.2 × 2.65 G	1	1	1	1

Multi-way Valve's Oil Pump/Pipe Assembly ( I ) ( Optional )

No.	Drawing No.	Part Name and Standards	Qty. (Piece)			
			700	704	800	804
1	700.57.013	Handle knob assembly	2	2	2	2
2	GB/T 97.1 - 1985	Plain washer 6 - 140HV - Zn. D	○	○	○	○
3	704.58.103	Connecting plate	4	4	4	4
4	704.58.013	Push/pull rod weldment (1)	1	1	1	1
5	GB/T 91 - 2000	Split pin 2 × 12	6	6	6	6
6	GB/T 882 - 2000	Clevis pin with head B6 × 26	4	4	4	4
7	GB/T 882 - 2000	Clevis pin with head B6 × 26	2	2	2	2
8	704.58.090	Push/pull rod weldment (2)	1	1	1	1
9	JB/T 982 - 1977	Combined sealing washer 22	1	1	1	1
10	704.58B.102	Direct joint body 1	1	1	1	1
11	704.56.118	Hollow bolt - 5	1	1	1	1
12	JB/T 982 - 1977	Combined sealing washer 27	2	2	2	2
13	704.58B.021	Oil return pipe weldment, multi-way valve	1	1	1	1
14	GB/T 5783 - 2000	Hexagon head bolt M8 × 30 - Zn. D	4	4	4	4
15	GB/T 93 - 1987	Single coil spring lock washer 8	18	18	18	18
16	GB 3452.1 - 1992	O - seal ring	1	1	1	1

Note: ○ Depending on requirement.

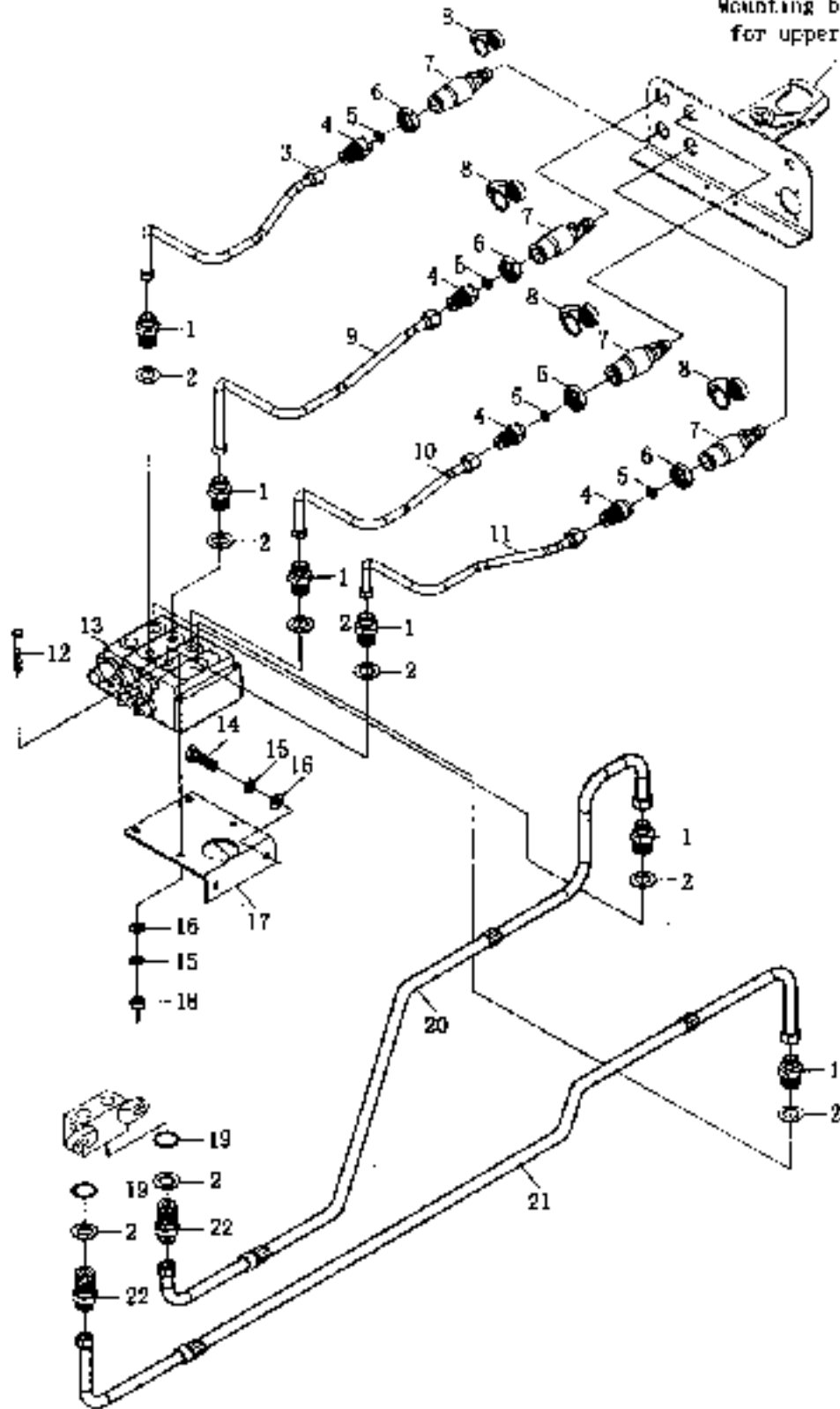
### Multi-way Valve's Oil Pump/Pipe Assembly ( 1 ) (Optional)

No.	Drawing No.	Part Name and Standards	Qty. (Piece)			
			700	704	800	804
17	704.58B.013	Pressure oil pipe assembly 1	1	1	1	1
18	704.58B.014	Valve body weldment	1	1	1	1
19	GB/T 97.1 - 1985	Plain washer 10 - 140HV - Zn. D	2	2	2	2
20	GB/T 93 - 1987	Single coil spring lock washer 10	2	2	2	2
21	GB/T 5783 - 2000	Bolt M10 × 35 - Zn. D	2	2	2	2
22	JB/T 982 - 1977	Combined sealing washer 14	1	1	1	1
23	704.58B.104	Plug	1	1	1	1
24	704.58B.015	Pressure oil pipe assembly 2		1		1
25	GB/T 5783 - 2000	Bolt M6 × 30 - Zn. D	2	2	2	2
26	700.58.060	Pipe ferrule and rubber cushion unit	4	4	4	4
27	GB/T 93 - 1987	Single coil spring lock washer 6	2	2	2	2
28	GB/T 6170 - 2000	Nut M6 - Zn. D	2	2	2	2
29	GB 3452.1 - 1992	O - seal ring 15 × 2.65G	1	1	1	1
30	GB/T 70.1 - 2000	Screw M8 × 40 - Zn. D	4	4	4	4
31	GB/T 97.1 - 1985	Plain washer 8 - 140HV - Zn. D				
32	GB/T 6170 - 2000	Hexagon nut M8 - Zn. D				
33	CBT - E316F1	Gear pump	1	1	1	1
34	GB 3452.1 - 1992	O - seal ring 19 × 2.65G	1	1	1	1
35	700.58.050	Oil suction short pipe weldment (2)	1	1	1	1
36	GB/T 5783 - 2000	Bolt M8 × 50 - Zn. D	2	2	2	2
37	GB/T 5783 - 2000	Bolt M8 × 20 - Zn. D	2	2	2	2
38	ZBF 15001 - 1986	Clamp D40	4	4	4	4
39	700.58.105	Hose	2	2	2	2
40	GB/T 75 - 1985	Screw M8 × 20 - Zn. D	2	2	2	2
41	700.58.040	Oil suction short pipe weldment (1)	1	1	1	1
42	GB 3452.1 - 1992	O - seal ring 31 × 2.65	1	1	1	1
43	WLQ - 21	Oil filter assembly	1	1	1	1
44	704.58.030	Oil suction long pipe weldment	1	1	1	1
45	GB/T 70.1 - 2000	Screw M8 × 25 - Zn. D	2	2	2	2
46	GB 3452.1 - 1992	O - seal ring 21.2 × 2.65G	1	1	1	1

多路阀油泵油管总成(二)(选装)

Multi-way Valve's Oil Pump/Pipe Assembly ( II ) (Optional)

上拉杆固定卡组合  
Mounting bracket unit  
for upper pull rod



多路阀油泵油管总成(二)(选装)

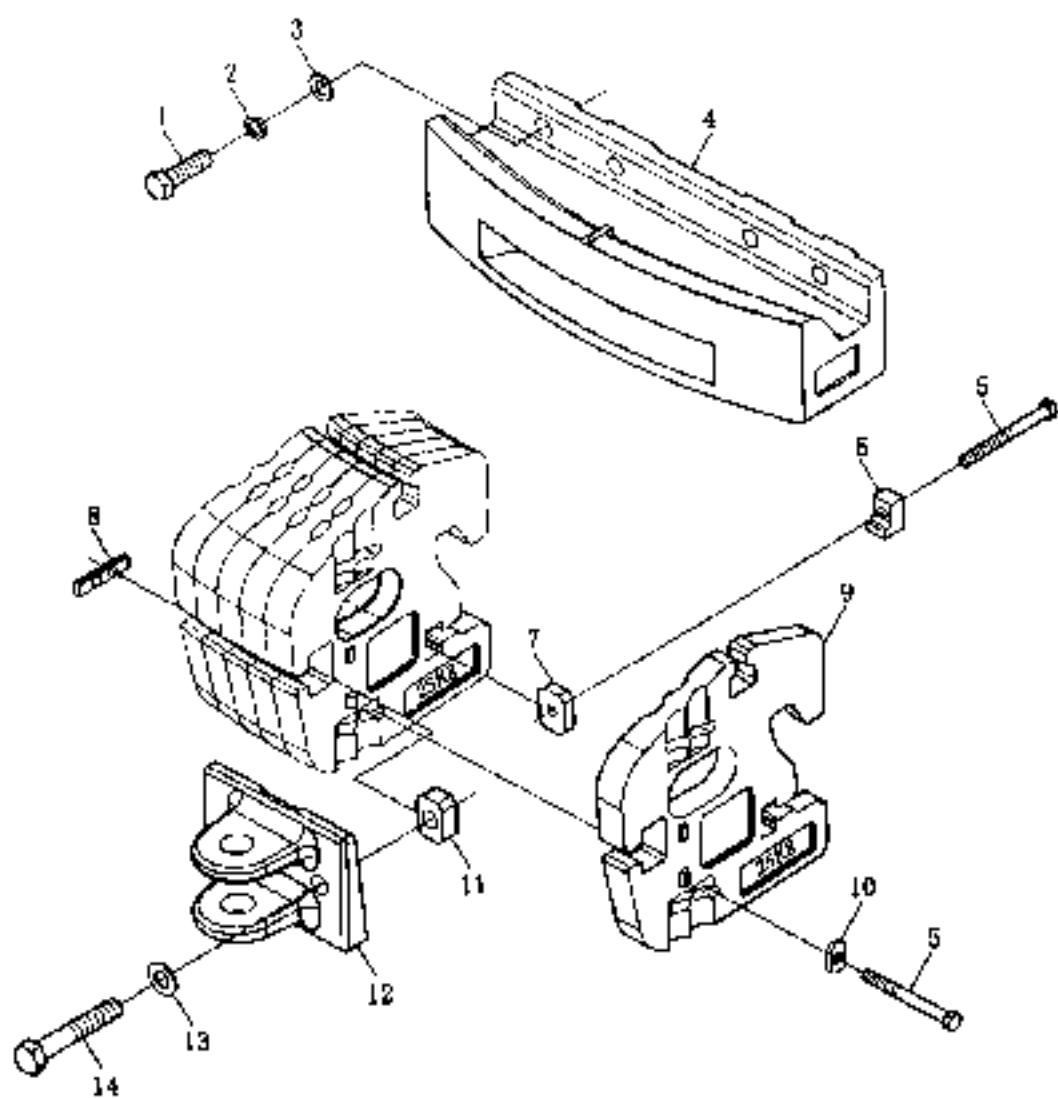
序号	零件代号	零件名称及规格	数量(件)			
			700	704	800	804
1	704.58B.102	卡套式端直通接头体 1	6	6	6	6
2	JB/T 982-1977	组合密封垫圈 Z2	8	8	8	8
3	704.58B.017	输出油管总成-1-2	1	1	1	1
4	704.58B.101	油管接头	4	4	4	4
5	704.58.106	衬垫圈-4	4	4	4	4
6	GB/T 6173-2000	螺母 M27-Zn.D	4	4	4	4
7	8Q/JBME14-1991	快换接头	4	4	4	4
8	704.58.155	防尘盖	4	4	4	4
9	704.58B.016	输出油管总成-1-1	1	1	1	1
10	704.58B.018	输出油管总成-2-1	1	1	1	1
11	704.58B.019	输出油管总成-2-2	1	1	1	1
12	GB/T 5782-2000	螺栓 M10×70-Zn.D	3	3	3	3
13	704.58B.020	多路阀总成	1	1	1	1
14	GB/T 5783-2000	螺栓 M10×20-Zn.D	2	2	2	2
15	GB/T 93-1987	弹簧垫圈 10	5	5	5	5
16	GB/T 97.1-1985	平垫圈 10-140HV-Zn.D	5	5	5	5
17	704.58.015	多路阀支架焊合	1	1	1	1
18	GB/T 6170-2000	螺母 M10-Zn.D	3	3	3	3
19	GB 3452.1-1992	O形密封圈 11.8×2.65 G	2	2	2	2
20	704.58B.012	多路阀出油管总成	1	1	1	1
21	704.58B.011	多路阀进油管总成	1	1	1	1
22	704.58B.103	卡套式端直通接头体 2	2	2	2	2



### Multi-way Valve's Oil Pump/Pipe Assembly ( 1 ) (Optional)

No.	Drawing No.	Part Name and Standards	Qty. (Piece)			
			700	704	800	804
1	704.58B.102	Direct joint body 1	6	6	6	6
2	JB/T 912-1977	Combined sealing washer 22	8	8	8	8
3	704.58B.017	Oil outlet pipe assembly - 1 - 2	1	1	1	1
4	704.58B.101	Joint of oil pipe	4	4	4	4
5	704.58.106	Copper washer - 4	4	4	4	4
6	GB/T 6173-2000	Nut M27 - Zn.D	4	4	4	4
7	8Q/JBMH4-1991	Snag joint	4	4	4	4
8	704.58.155	Dust cap	4	4	4	4
9	704.58B.016	Oil outlet pipe assembly - 1 - 1	1	1	1	1
10	704.58B.018	Oil outlet pipe assembly - 2 - 1	1	1	1	1
11	704.58B.019	Oil outlet pipe assembly - 2 - 2	1	1	1	1
12	GB/T 5782-2000	Bolt M10×70 - Zn.D	3	3	3	3
13	704.58B.020	Multi-way valve assembly	1	1	1	1
14	GB/T 5783-2000	Bolt M10×20 - Zn.D	2	2	2	2
15	GB/T 93-1987	Single coil spring lock washer 10	5	5	5	5
16	GB/T 97.1-1985	Plain washer 10-140HV - Zn.D	5	5	5	5
17	704.58.015	Bracket weldment, multi-way valve	1	1	1	1
18	GB/T 6170-2000	Nut M10 - Zn.D	3	3	3	3
19	GB 3452.1-1992	O-seal ring 11.8×2.65G	2	2	2	2
20	704.58B.012	Outlet pipe assembly, multi-way valve	1	1	1	1
21	704.58B.011	Outlet pipe assembly, multi-way valve	1	1	1	1
22	704.58B.103	Direct joint body 2	2	2	2	2

前配重总成 Front Ballast Assembly



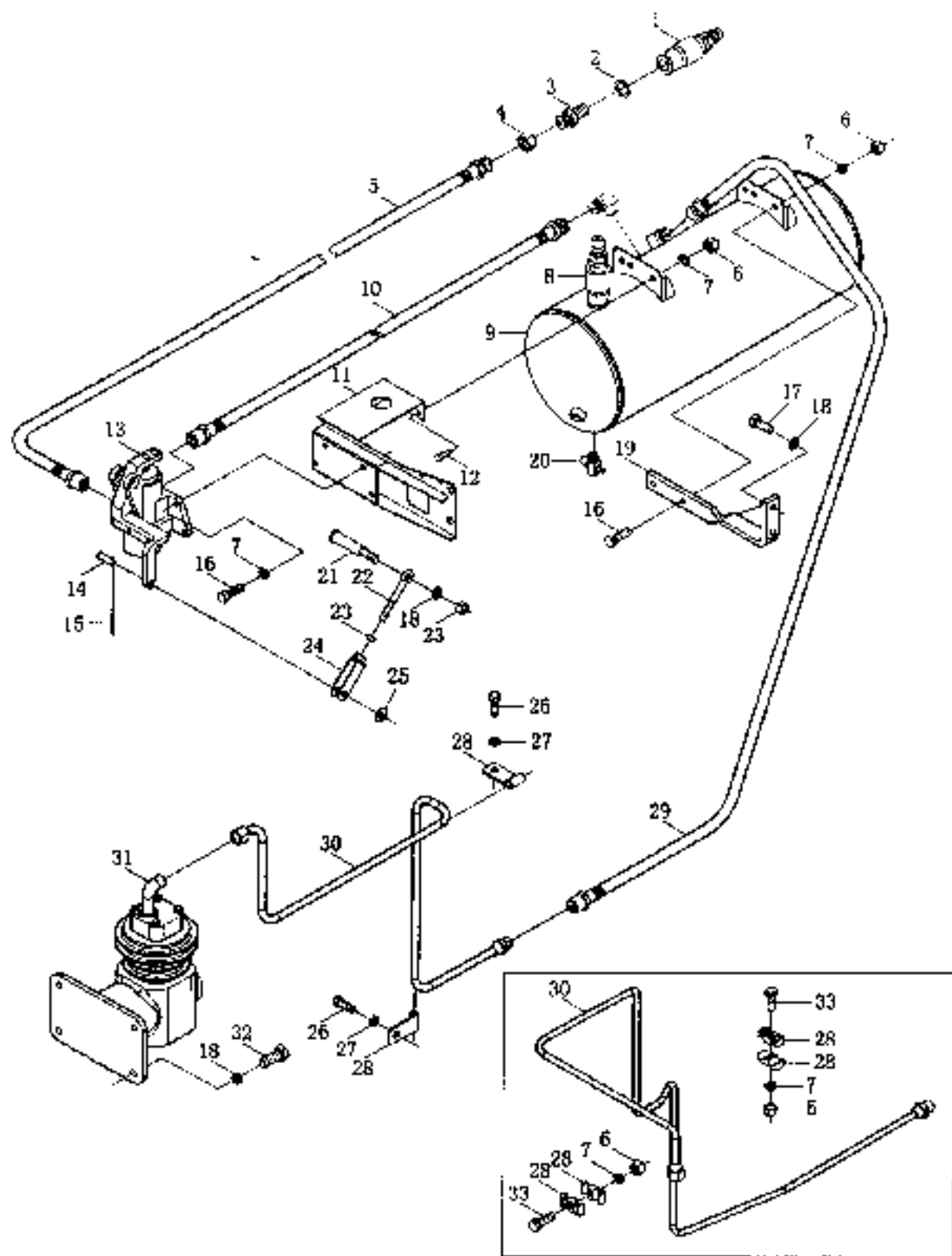
### 前配重总成

序号	零件代号	零件名称及规格	数量 (件)			
			700	704	800	804
1	GB/T 5785 - 2000	螺栓 M18×1.5×70 - Zn.D	6	6	6	6
2	GB/T 93 - 1987	弹簧垫圈 18	6	6	6	6
3	GB/T 97.1 - 1985	平垫圈 18 - 140HV - Zn.D	6	6	6	6
4	700.74.105	配重架	1	1	1	1
5	GB/T 5782 - 2000	螺栓 M18×120 - Zn.D		12		12
6	700.74.103	止动块		2		2
7	700.74.104	止动螺母		2		2
8	700.74.101	锁紧块		10		10
9	700.74.106	配重块		16		16
10	700.74.102	垫片		10		10
11	700.74.108	牵引螺母		2		2
12	700.74.107	牵引耳		1		1
13	GB/T 97.1 - 1985	平垫圈 20 - 140HV - Zn.D		2		2
14	GB/T 5785 - 2000	螺栓 M20×1.5×80 - Zn.D		2		2

### Front Ballast Assembly

No.	Drawing No.	Part Name and Standards	Qty. (Piece)			
			700	704	800	804
1	GB/T 5785 - 2000	Bolt M18×1.5×70 - Zn.D	6	6	6	6
2	GB/T 93 - 1987	Single coil spring lock washer 18	6	6	6	6
3	GB/T 97.1 - 1985	Plain washer 18 - 140HV - Zn.D	6	6	6	6
4	700.74.105	Ballast frame	1	1	1	1
5	GB/T 5782 - 2000	Bolt M18×120 - Zn.D		12		12
6	700.74.103	Arresting briquet		2		2
7	700.74.104	Arresting nut		2		2
8	700.74.101	Locking briquet		10		10
9	700.74.106	Ballast		16		16
10	700.74.102	Washer		10		10
11	700.74.108	Draw nut		2		2
12	700.74.107	Draw clevis		1		1
13	GB/T 97.1 - 1985	Plain washer 20 - 140HV - Zn.D		2		2
14	GB/T 5785 - 2000	Bolt M20×1.5×80 - Zn.D		2		2

气制动装置总成 Pneumatic Braking System Assembly



### 气制动装置总成

序号	零件代号	零件名称及规格	数量 (件)			
			700	704	800	804
1	700.80.018	快速接头	1	1	1	1
2	700.80.213	输出接头体密封垫	1	1	1	1
3	700.80.212	输出接头体	1	1	1	1
4	GB/T 6173-2000	螺母 M12×1.5	1	1	1	1
5	700.80.016	气制动阀出气软管组合件	1	1	1	1
6	GB/T 6170-2000	螺母 M8-Zn.D	4	4	4	4
7	GB/T 93-1987	弹簧垫圈 8	8	8	8	8
8	700.80.014	安全阀总成	1	1	1	1
9	700.80.011	贮气筒焊合件	1	1	1	1
10	700.80.015	气制动阀进气软管组合件	1	1	1	1
11	700.80.022-1	气制动前支架焊合件	1	1	1	1
12	GB/T 5783-2000	螺栓 M8×20-Zn.D	2	2	2	2
13	700.80.010	气制动阀总成	1	1	1	1
14	GB/T 882-2000	销轴 B10×26	1	1	1	1
15	GB/T 91-1986	开口销 3.2×20	1	1	1	1
16	GB/T 5783-2000	螺栓 M8×25-Zn.D	4	4	4	4
17	GB/T 5783-2000	螺栓 M10×25-Zn.D	2	2	2	2
18	GB/T 93-1987	弹簧垫圈 10	7	7	7	7
19	700.80.023	气制动后支架焊合件	1	1	1	1
20	700.80.019	放水阀总成	1	1	1	1
21	700.80.123	连接销	1	1	1	1
22	700.80.120	制动总泵推杆	1	1	1	1
23	GB/T 6170-2000	螺母 M10-Zn.D	2	2	2	2
24	700.80.013	连接叉焊合件	1	1	1	1
25	GB/T 97.1-1985	平垫圈 10-140HV-Zn.D	1	1	1	1
26	GB/T 5783-2000	螺栓 M12×25-Zn.D	2	2	2	2
27	GB/T 93-1987	弹簧垫圈 12	2	2	2	2
28	700.80.210	线夹	2	2	2	2
29	700.80.020	贮气筒进气软管组合件	1	1	1	1
30	700.80.012	空压机出气管焊合件	1	1	1	1
31	700.80.021	空压机总成	1	1	1	1
32	GB/T 5783-2000	螺栓 M10×30-Zn.D	4	4	4	4
33	GB/T 5783-2000	螺栓 M8×30-Zn.D	2	2	2	2

## Pneumatic Braking System Assembly

No.	Drawing No.	Part Name and Standards	Qty. (Piece)			
			700	704	800	804
1	700.80.018	Quick joint	1	1	1	1
2	700.80.213	Sealing washer, output joint body	1	1	1	1
3	700.80.212	Output joint body	1	1	1	1
4	GB/T 6173 - 2000	Nut M12 × 1.5	1	1	1	1
5	700.80.016	Air outlet hose unit	1	1	1	1
6	GB/T 6170 - 2000	Nut M8 - Zn. D	4	4	4	4
7	GB/T 93 - 1987	Single coil spring lock washer 8	8	8	8	8
8	700.80.014	Safety valve assembly	1	1	1	1
9	700.80.011	Air vessel welding unit	1	1	1	1
10	700.80.015	Air outlet hose unit	1	1	1	1
11	700.80.022 - 1	Front bracket welding unit	1	1	1	1
12	GB/T 5783 - 2000	Bolt M8 × 20 - Zn. D	2	2	2	2
13	700.80.010	Pneumatic braking valve assembly	1	1	1	1
14	GB/T 882 - 2000	Pin roll H10 × 26	1	1	1	1
15	GB/T 91 - 1986	Split pin 3.2 × 20	1	1	1	1
16	GB/T 5783 - 2000	Bolt M8 × 25 - Zn. D	4	4	4	4
17	GB/T 5783 - 2000	Bolt M10 × 25 - Zn. D	2	2	2	2
18	GB/T 93 - 1987	Single coil spring lock washer 10	7	7	7	7
19	700.80.023	Rear bracket welding unit	1	1	1	1
20	700.80.019	Water drain valve assembly	1	1	1	1
21	700.80.123	Joint pin	1	1	1	1
22	700.80.120	Push rod, main braking pump	1	1	1	1
23	GB/T 6170 - 2000	Nut M10 - Zn. D	2	2	2	2
24	700.80.013	Connecting fork weldment	1	1	1	1
25	GB/T 97.1 - 1985	Plain washer 10 - 140HV - Zn. D	1	1	1	1
26	GB/T 5783 - 2000	Bolt M12 × 25 - Zn. D	2	2	2	2
27	GB/T 93 - 1987	Single coil spring lock washer 12	2	2	2	2
28	700.80.210	Wire ferrule	2	2	2	2
29	700.80.020	Air inlet hose unit, air vessel	1	1	1	1
30	700.80.012	Air outlet pipe weldment, air compressor	1	1	1	1
31	700.80.021	Air compressor assembly	1	1	1	1
32	GB/T 5783 - 2000	Bolt M10 × 30 - Zn. D	4	4	4	4
33	GB/T 5783 - 2000	Bolt M8 × 30 - Zn. D	2	2	2	2