

MINI EXCAVATORS



Concrete solutions. Always.

28zT

Operating weight 2.700 - 2.850 kg
Engine Power 18,5 kW - 25,0 HP

35zT

Operating weight 3.350 - 3.500 kg
Engine Power 18,5 kW - 25,0 HP

 **EUROCOMACH**[®]

The 28ZT and the 35ZT are equipped with a side heat engine: this allows the size of the cab to be increased. The blower fan improves engine cooling, making the cabin cooler and quieter for greater operator comfort.



LIKE THE GREATEST, JUST SMALLER.

DIMENSIONS

With zero tail swing you get optimal performance in confined spaces working in complete safety, focusing solely on the excavation operation, even with the cab door open, as it remains within the profile of the tracks.



All models can be equipped with four upright roll-bar protection or cab.



ZERO TAIL

EVERY CONTROL IS IN YOUR HANDS.



For quick and easy machine operation, the tilting controls and auxiliary hydraulic system are located on the joysticks. In addition to them, on the right joystick, there is an additional roller with electrical hookup for a second auxiliary hydraulic system.

COMMANDS AND CONTROLS

Both models have two travel modes: the first gear with reduced speed and high thrust, the second gear for faster travel speed; all controlled by a handy button on the dozer blade lever.

The travel can be controlled by the integrated movement levers and pedals.

The automatic two-speed gearbox intervenes when the excavator requires greater thrust: the shift from second to first gear occurs automatically when the work pressure increases (e.g. When steering on very muddy ground or when pushing with the blade). The system switches back to second gear when work conditions allows it again.



STRAIGHT TRAVEL

In case of simultaneous control of the services and motion, the hydraulic system with variable displacement pumps simultaneously ensures the fluidity of movements and straight driving of the machine.

The cabin, with its generous interior dimensions, offers some of the best interior space in its class. The large width of the access door makes it easy to climb in and out.

The front windshield with assisted lift promotes maximum visibility due to its considerable width. The adjustable suspension seat combined with the floating cabin, adequately dampens vibrations and bumps, maximizing operator comfort.

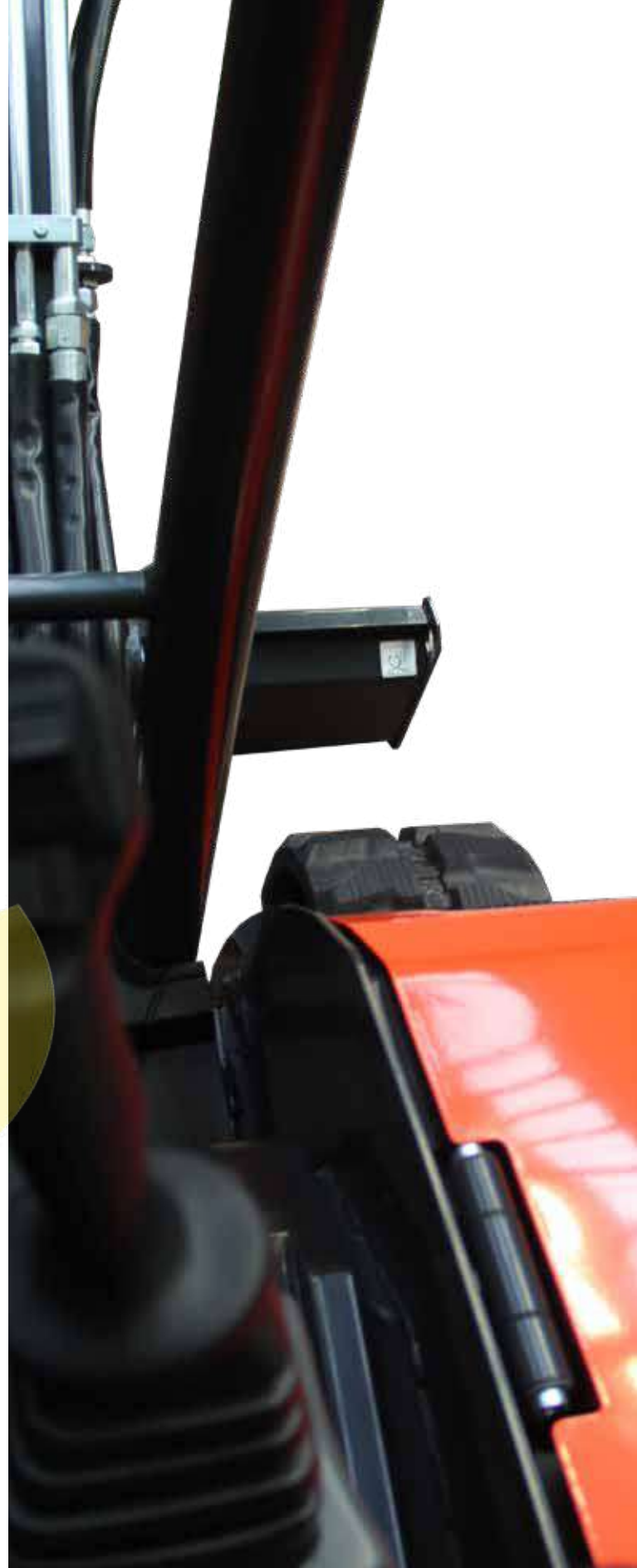
The cab version is also equipped with a glove compartment, a battery charger and a predisposition for the autoradio.



VISIBILITY

The special design of the body and protective structures give the operator a wide field of vision, allowing easy control of the front tracked part.

The large windshield along with the upper rear window lets the operator keep an eye on the entire work area while remaining comfortably seated.



WORK LIGHTS

A powerful light built into the arm optimizes visibility even with low lighting.

POWERFUL, HIGH-PERFORMANCE, SUPERIOR CATEGORY.

EFFICIENCY AND CONSUMPTION

The heart of the excavators is the efficient KUBOTA D1703-M-DI-E4B engine designed and built to optimize performance and reduce fuel consumption. The long intervals between programmed maintenance contribute to economic efficiency, reducing costs and machine downtime.



SAFETY

Machine safety means operator's peace of mind: the joystick control sensors prevent accidental machine commands being given while the excavator starter system does not allow ignition when the command control is active.

The safety belts, the cabin and roll-bar structure, FOP level 1 and TOPS certificated, provide all the safety required in the cabin in the event of an accident.

LOAD SENSING HYDRAULIC SYSTEM.

The 22SR and 35ZT are fitted with a Load Sensing system thanks to which the LS pump only feeds the flow rate requested by the system while the Flow Sharing distributor allows multiple movements to be carried out at the same time, even when the flow rate request exceeds the pump's maximum flow rate.

The pressure compensators on each section of the hydraulic system guarantee an optimal flow rate on each element. The machine offers high speed movements when unloaded and high pressure when working via the flow rate and pressure regulators.



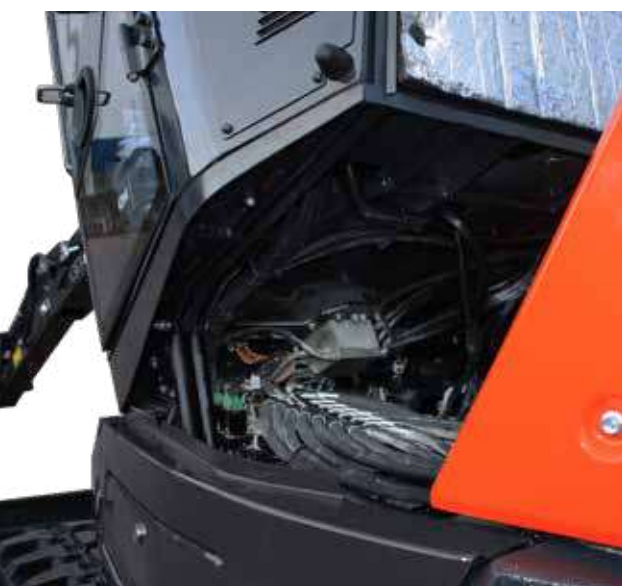
SAVINGS

Thanks to a suitable power distribution, the Load Sensing system allows for up to 15% fuel savings.

MAINTENANCE HAS NEVER BEEN SO EASY.



Quick and easy tipping of the cab gives easy access to the distributor and the main components of the hydraulic system: just a few gestures for major added value.



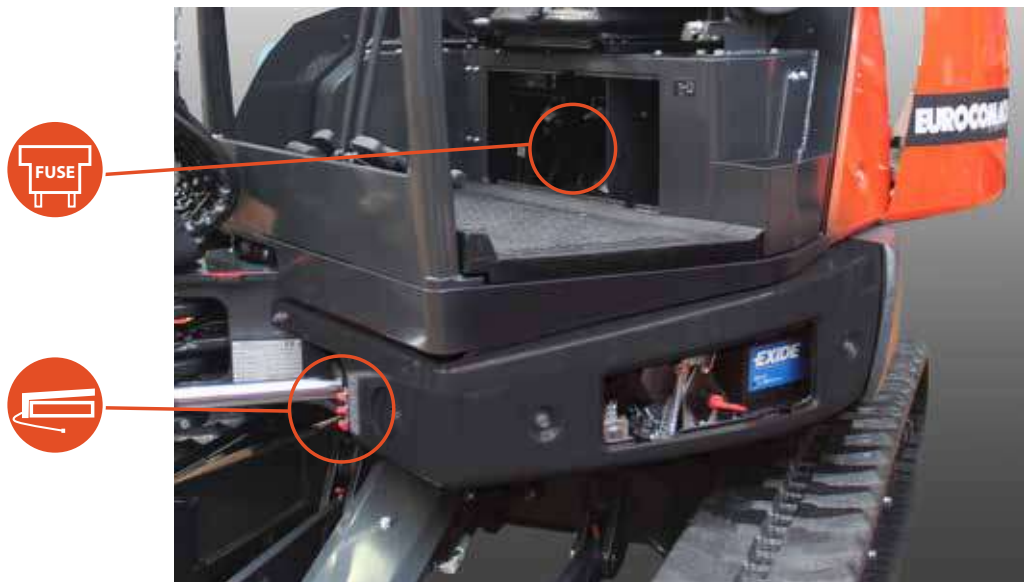
Easy routine maintenance simplifies service operations. The rear bonnet allows quick cleaning of the radiator and access to the oil and fuel tank.



Services related to the heat engine are easily reached through a wide opening and the side compartment. All the filters (fuel, oil and air) in addition to checking and topping up the engine oil, are easily identified on the side.



All access points for daily checks and for routine maintenance are concentrated in defined areas, optimizing machine downtime.



SPACE FOR SERVICES.



ACCESSIBILITY

Common or dedicated access areas make every maintenance operation quick and easy.

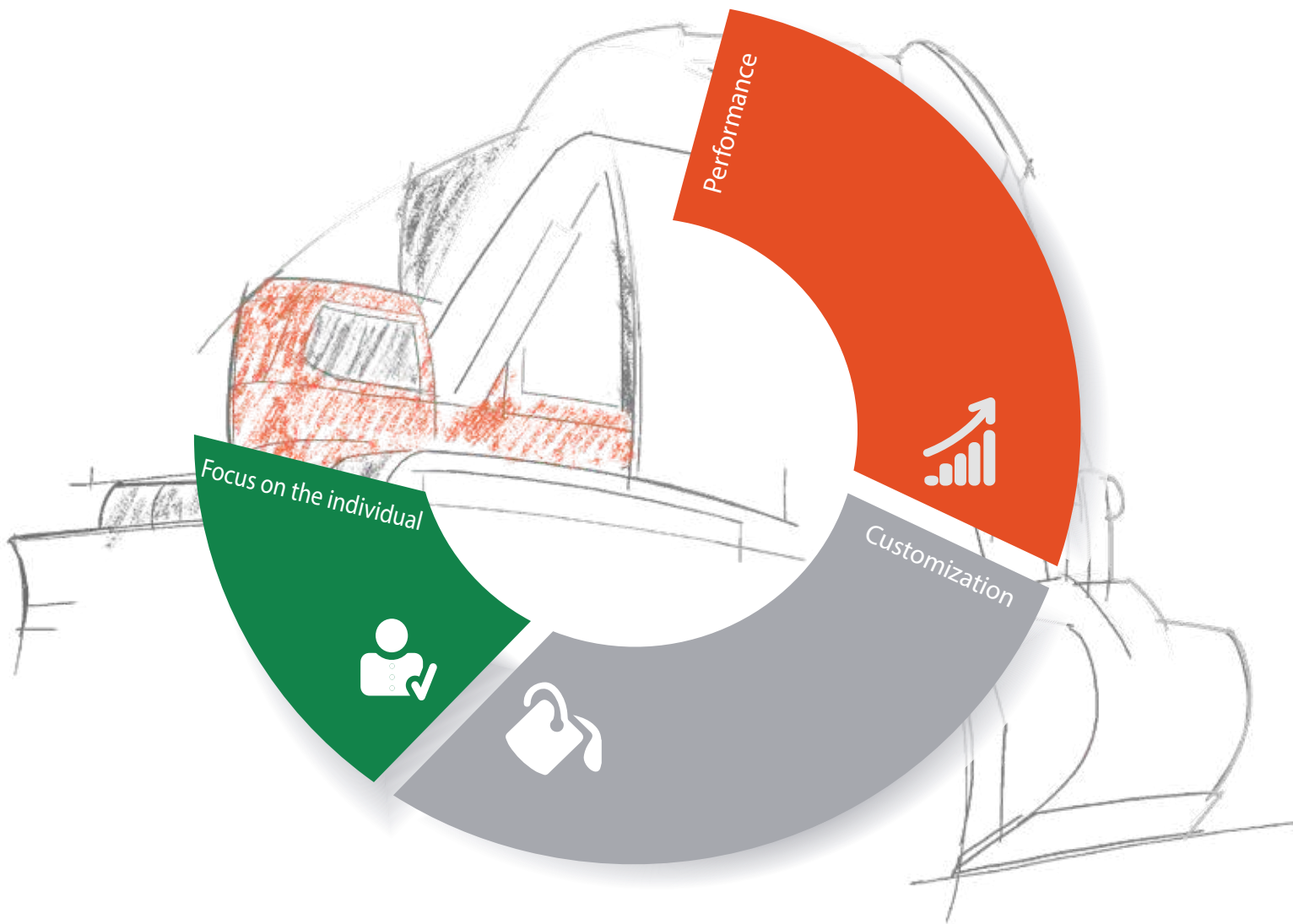
The front part of the turret does not overhang the tracks, which is why wall digging operations are extremely easy.



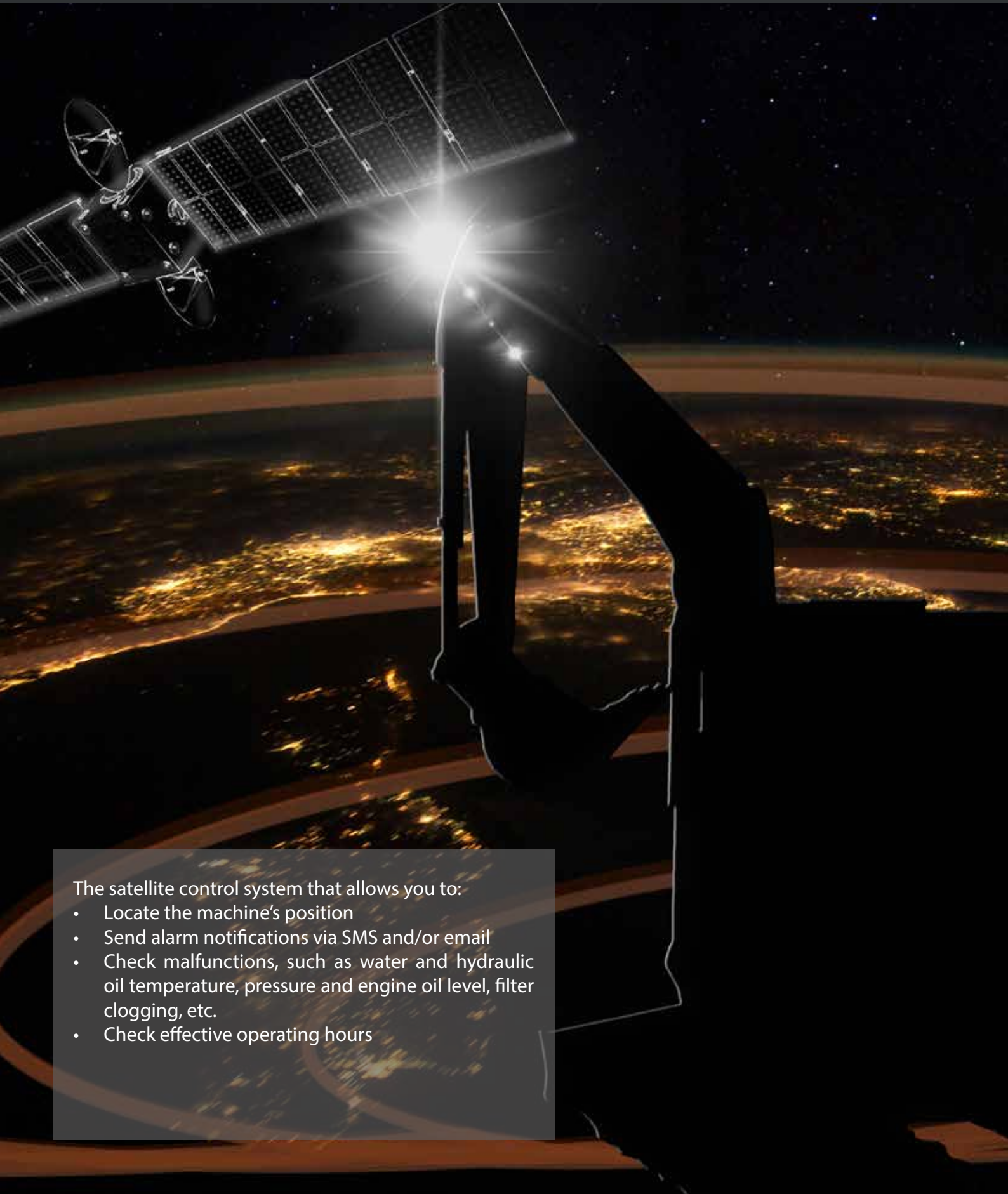
EUROCOMACH CONFIGURATION SUPPORT (ECS): ENDLESS POSSIBILITIES OF CUSTOMIZATION.

We offer a complete customisation service, offering our customers the right machine for their needs. Some of our most requested services:

- Customized paintwork
- Configuration of additional auxiliary lines
- Numerous assortment of additional equipment
- Various types of tracks



EUROCOMACH GEO-SERVICE.



The satellite control system that allows you to:

- Locate the machine's position
- Send alarm notifications via SMS and/or email
- Check malfunctions, such as water and hydraulic oil temperature, pressure and engine oil level, filter clogging, etc.
- Check effective operating hours

	35ZT	
	28ZT	
ENGINE		
Diesel engine, 3 cylinders, displacement 1647 cc, watercooled	●	●
Diesel engine, 3 cylinders, displacement 1647 cc, watercooled	/	/
Electronic throttle with automatic idle speed system (Auto Idle)	○	○
Electric preheater	●	●
Dry air filter with discharge valve and filter clogged indicator	●	●
Double cartridge air filter	●	●
Cartridge engine oil filter	●	●
Cartridge fuel filter	●	●
Fuel filter with transparent water separation container	●	●
Fuel tank discharge	●	●
Auxiliary liquid refrigerant expansion tank	●	●
CAB		
Cab ROPS - TOPS - FOPS (Level I)	●	●
Adjustable mechanical suspension seat	●	●
Adjustable pneumatic suspension seat	○	○
Safety Belt	●	●
Wrist supports	●	●
Foot supports	●	●
Closable motion petals	●	●
Comfort rubber foot rest	●	●
Drivers seat platform assembled on 4 vibration damping elastic supports	●	●
Heating system with speed adjustment	●	●
Air-conditioning with manual adjustment	○	○
Sliding right side window	●	●
Sliding left side window	●	●
Windshield with assisted opening system (gas springs)	●	●
Rolling sun blind	●	●
Courtesy light	●	●
Indicator light for hydraulic filter and engine air intake filter clog	●	●
Water temperature and fuel level indicators	●	●
Hour counter	●	●
High water temperature alarm	●	●
Warning buzzer	●	●
Radio AM/FM USB	○	○
Single pole 12 volt power supply outlet	●	●
Front windshield wipers with sprayer and speed control	●	●
Glove compartment	●	●
Bottle holder	●	●

	35ZT	
	28ZT	
CANOPY		
4 upright rollbar ROPS - TOPS - FOPS (Level I)	○	○
Adjustable mechanical suspension seat	●	●
Adjustable pneumatic suspension seat	○	○
Safety Belt	●	●
Wrist supports	●	●
Foot supports	●	●
Closable motion petals	●	●
Comfort rubber foot rest	●	●
Drivers seat platform assembled on 4 vibration damping elastic supports	●	●
Indicator light for hydraulic filter and engine air intake filter clog	●	●
Water temperature and fuel level indicators	●	●
Hour counter	●	●
High water temperature alarm	●	●
Warning buzzer	●	●
Single pole 12 volt power supply outlet	●	●
Glove compartment	●	●
SAFETY		
Machine blocking device during exit/ access to the driver's seat	●	●
Motor starter device only with left console raised	●	●
Anti-slip climbing plate	●	●
Climbing and descending handles	●	●
Emergency bar	●	●
Rearview mirror kit	●	●
Rearview camera kit with dedicated colour monitor	○	○
Anti-drift safety valve on the first arm, second arm and backfill blade	○	○
Pressure accumulator that allows the arm to be lowered in the event of an engine failure	●	●
HYDRAULIC SYSTEM		
Load-sensing hydraulic system with variable capacity pump	●	●
ISO hydraulic servo-control	●	●
Hydraulic oil intake filter	●	●
Rotation parking brake	●	●
Motion parking brake	●	●
Two speed motion system	●	●
Automatic movement speed change (Shift-down)	●	●
Single/double effect hydraulic system (e.g., hammer or drill) with electrical containment	●	●
Hydraulic setup for calliper rotor (with switches on bucket cylinder)	○	○
AUX 2: System setup for calliper rotor with proportional electro-hydraulic control on the Right joystick	○	○

	35ZT	
	28ZT	
ELECTRICAL SYSTEM		
Work lights on the lifting arm	●	●
Supplementary work lights on the lifting arm	○	○
Supplementary front canopy/cap lights	○	○
Supplementary rear canopy/cap lights	○	○
Rotating light	○	○
Battery disconnect switch	●	●
Watertight connectors (IP67)	●	●
UNDERCARRIAGE		
Backfill blade	●	●
Dozer blade cylinder protective casing	●	●
Motion engines casing	●	●
Rotating joint protective casing	●	●
Rubber tracks	●	●
Iron tracks	○	○
Rubber road pad for iron tracks	○	○
4 anchoring points for transport	●	●
UTILITY		
Antitheft system	○	○
Geo-service system for locating and remote diagnostics	○	○
Second excavating arm 1100 mm	●	/
Second excavating arm 1,310 mm	○	/
Second excavating arm 1,200 mm	/	●
Second excavating arm 1,400 mm	/	○
Second excavating arm 1,650 mm	/	/
Additional external counterweight	○	○
Platform roll bar / tippable cab	●	●
Colour customizations (RAL specific)	○	○
4 anchoring points for lifting	●	●
On-board visual fuel level indicator	●	●
Fuel refill pump with automatic shutdown	○	○
Lifting cylinder protective casing	●	●

STANDARD EQUIPMENT ●
OPTIONAL EQUIPMENT ○
NOT AVAILABLE /

OPTIONAL EQUIPMENT SELECTION.



Certified and tested lifting hook and blocking valves with CE certification for material handling equipment



Supplementary external ballast



Single/double effect hydraulic system with electrical containment (50 lt/min)



Automatic centralized lubrication



Electronically controlled diesel filler pump



Electro-hydraulic proportional potentiometer to act the hydraulic systems on both Joysticks



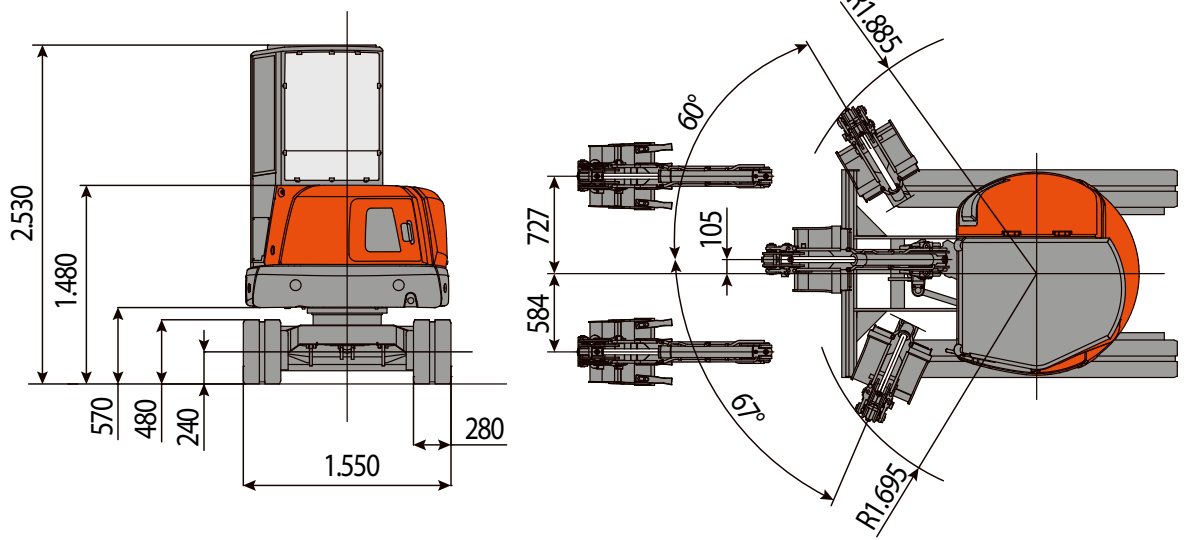
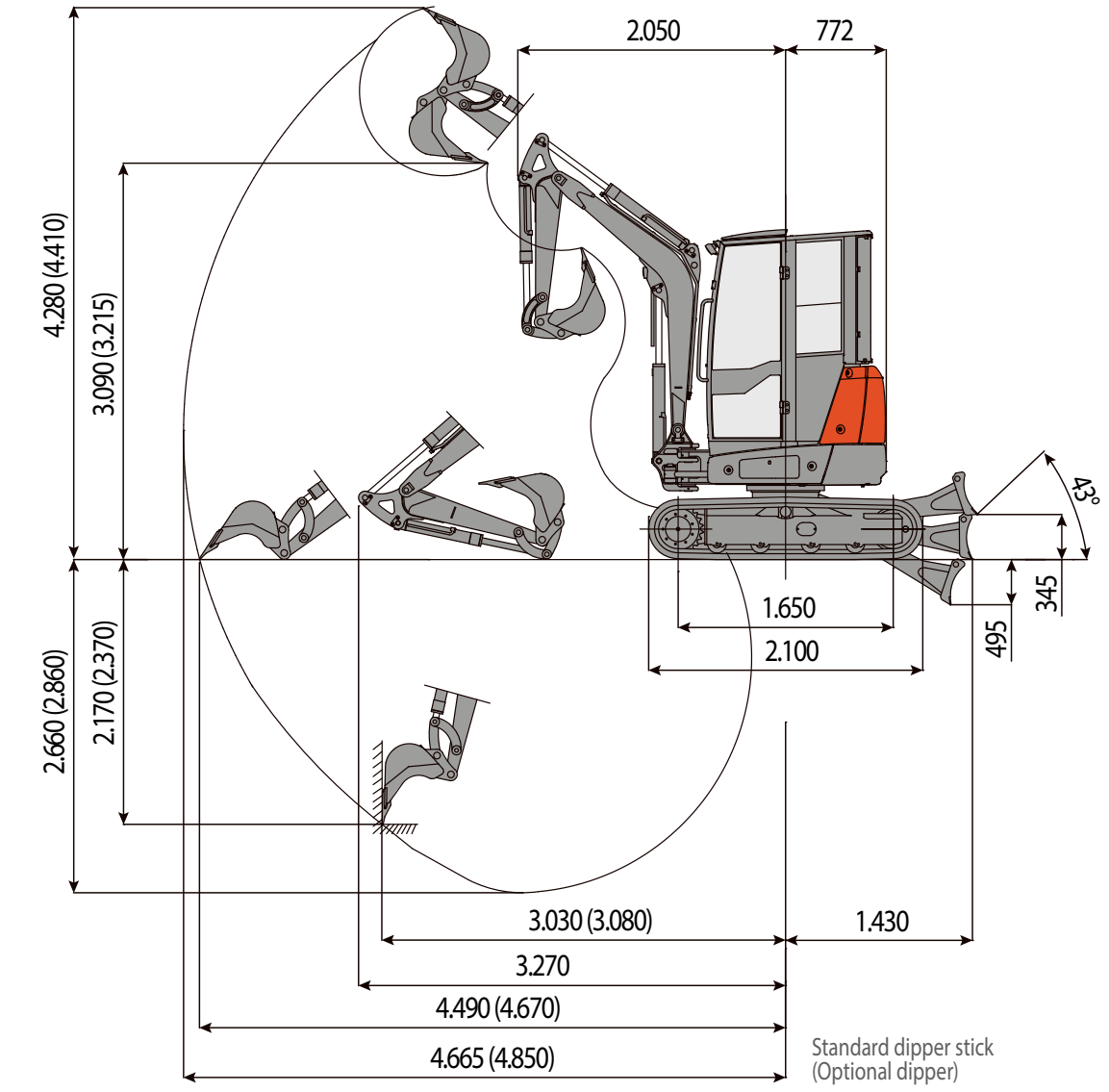
Customized paint

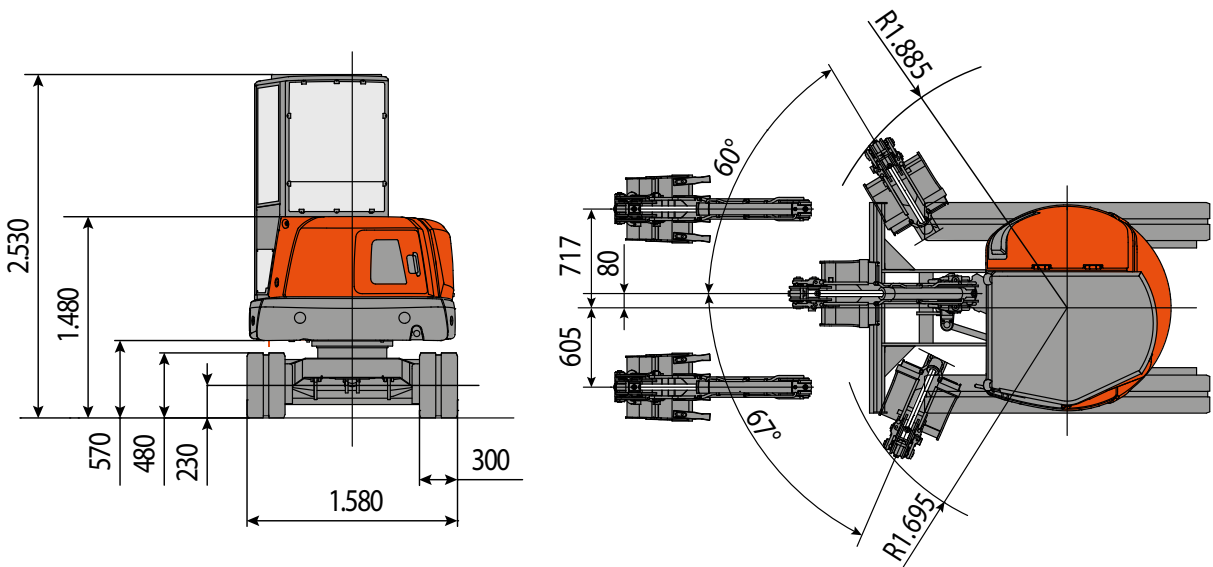
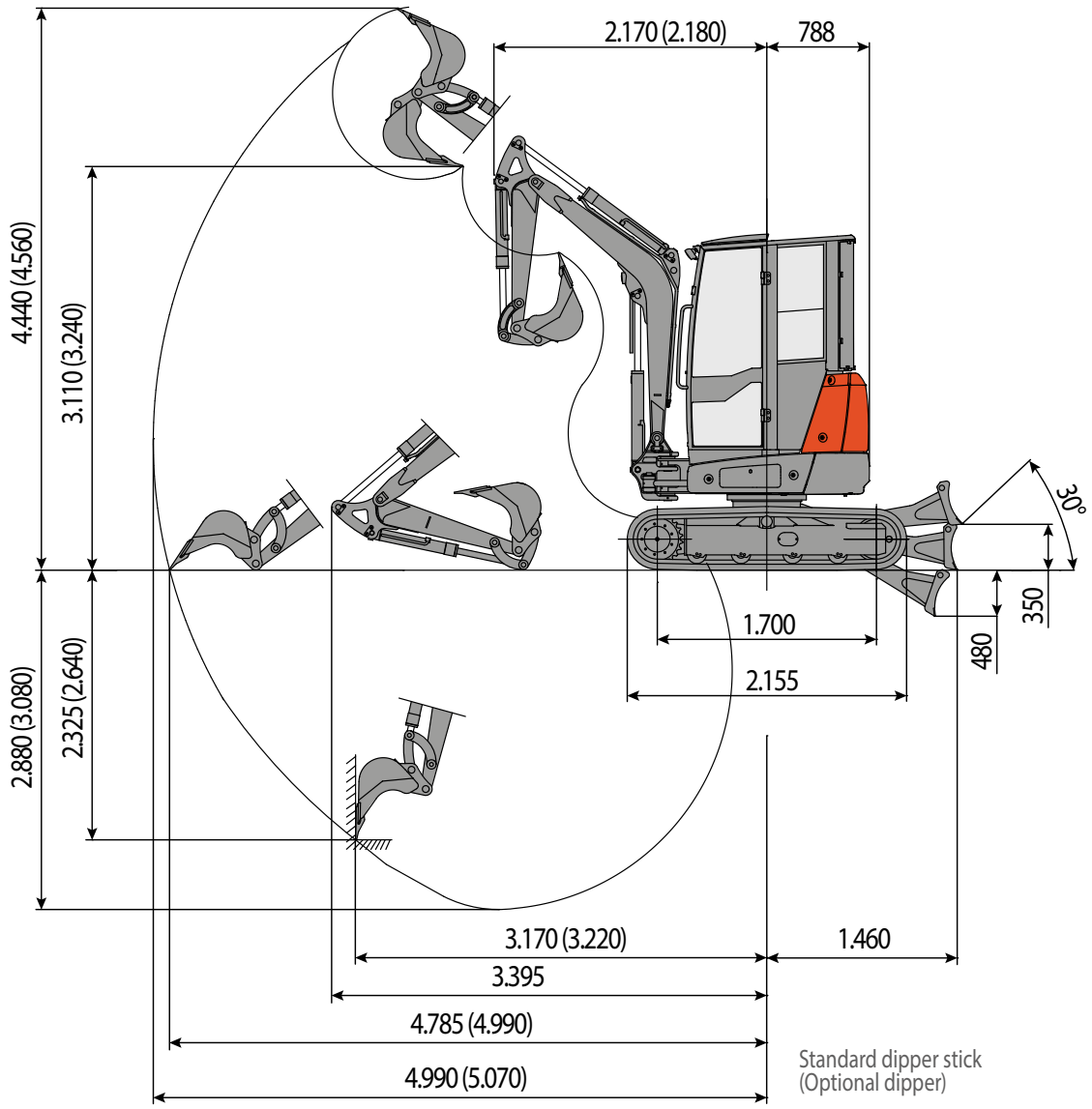
TECHNICALS SPECIFICATIONS

Operating weight with canopy (with rubber tracks)	kg	2.700
Operating weight with cabin (with rubber tracks)	kg	2.850
Travelling speed (AUTO TWO SPEED)	km/h	1 ^a : 0 ÷ 2,5 / 2 ^a : 0 ÷ 4,6
Slew speed	rpm	10
ENGINE		
Type	KUBOTA D1703-M-DI-E4B	
Max Power (2.200 rpm)	kW - HP	18,5 - 25,0
Displacement	cc	1.647
Number of cylinders	n°	3
Cooling	water	
Consumption	lt/h	4,6
Alternator	V (A)	12 (40)
Battery	V (Ah)	12 (80)
HYDRAULIC SYSTEM		
Circuit Type	load sensing closed center system with flow sharing control valve	
Pump type	1 ls variable pump + 1 gear pump	
Pump displacement	cc	48 + 5
Pump capacity	lt/min	105 + 10
Max. circuit calibration pressure	bar	250
Auxiliary system:	Max capacity	lt/min
	Max pressure	bar
		50
		200
PERFORMANCES		
Max digging depth standard arm (optional arm)	mm	2.660 (2.860)
Max dumping height with cab standard arm (optional arm)	mm	3.090 (3.215)
Bucket breaking force (standard arm) ISO 6015	daN	2.400
Arm breaking force (standard arm) ISO 6015	daN	1.950
Traction force	daN	3.400
Ground bearing pressure with rubber tracks and canopy (with cabin)	kg/cm ²	0,29 (0,31)
Max slope	60% - 30°	
DIMENSIONS		
Maximum width	mm	1.550
Total height	mm	2.530
Rear rotation radius	mm	772
Digging arm length std (optional)	mm	1.200 (1.400)
Tracks width	mm	280
Rollers number (for each side)	n°	4/1
FILLINGS		
Fuel tank	lt	46
Hydraulic oil tank	lt	30
Hydraulic circuit capacity	lt	54
Cooling system capacity	lt	7,5
Engine oil	lt	7
CONTROLS		
Boom, dipper stick, bucket and turret swing	2 pilot joysticks	
Track movements (included counter rotation)	2 pilot levers	
Dozer blade	pilot lever	
Auxiliary circuit (simple or double effect)	electroproportional switch on right joystick	
Boom swing	electroproportional switch on left joystick	

TECHNICALS SPECIFICATIONS

Operating weight with canopy (with rubber tracks)	kg	3.350
Operating weight with cabin (with rubber tracks)	kg	3.500
Travelling speed (AUTO TWO SPEED)	km/h	1 ^a : 0 ÷ 2,5 / 2 ^a : 0 ÷ 4,6
Slew speed	rpm	10
ENGINE		
Type	KUBOTA D1703-M-DI-E4B	
Max Power (2.200 rpm)	kW - HP	18,5 - 25,0
Displacement	cc	1.647
Number of cylinders	n°	3
Cooling	water	
Consumption	lt/h	4,6
Alternator	V (A)	12 (40)
Battery	V (Ah)	12 (80)
HYDRAULIC SYSTEM		
Circuit Type	load sensing closed center system with flow sharing control valve	
Pump type	1 ls variable pump + 1 gear pump	
Pump displacement	cc	48 + 5
Pump capacity	lt/min	105 + 10
Max. circuit calibration pressure	bar	250
Auxiliary system:	Max capacity	lt/min
	Max pressure	bar
		50
		200
PERFORMANCES		
Max digging depth standard arm (optional arm)	mm	2.880 (3.080)
Max dumping height with cab standard arm (optional arm)	mm	3.110 (3.240)
Bucket breaking force (standard arm) ISO 6015	daN	2.400
Arm breaking force (standard arm) ISO 6015	daN	1.950
Traction force	daN	3.400
Ground bearing pressure with rubber tracks and canopy (with cabin)	kg/cm ²	0,33 (0,34)
Max slope	60% - 30°	
DIMENSIONS		
Maximum width	mm	1.580
Total height	mm	2.530
Rear rotation radius	mm	788
Digging arm length std (optional)	mm	1.200 (1.400)
Tracks width	mm	300
Rollers number (for each side)	n°	4/1
FILLINGS		
Fuel tank	lt	46
Hydraulic oil tank	lt	30
Hydraulic circuit capacity	lt	54
Cooling system capacity	lt	7,5
Engine oil	lt	7
CONTROLS		
Boom, dipper stick, bucket and turret swing	2 pilot joysticks	
Track movements (included counter rotation)	2 pilot levers	
Dozer blade	pilot lever	
Auxiliary circuit (simple or double effect)	electroproportional switch on right joystick	
Boom swing	electroproportional switch on left joystick	





LIFTING CAPACITY

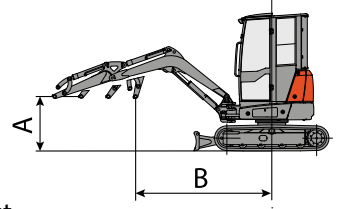
The lifting capacity is based on ISO 10567 and does not exceed 75% of the static tipping load or 87% of the hydraulic lifting capacity of the machine.

The straddle refers to the centre of rotation.

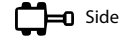
* Indicates the hydraulic load limit.

0 m refers to ground level.

The machine is understood to be equipped with a cab, rubber tracks, without a bucket and without a quick coupling.



Front



Side

Unit: ton

Raised Blade, Standard Arm (1110 mm)

() the values in parenthesis are with additional ballast: 0.16 ton

A (m)	B (m)								MAX
	1.0		2.0		3.0		MAX		
3.0					0,52 (0,6)	0,41 (0,49)	0,31 (0,38)	0,28 (0,35)	3,27 m
2.0 m					0,56 (0,64)	0,43 (0,51)	0,34 (0,4)	0,31 (0,37)	3,82 m
1.0 m					0,58 (0,66)	0,47 (0,55)	0,36 (0,41)	0,33 (0,38)	3,99 m
0 m			*1,12 (*1,12)	0,73 (0,87)	0,6 (0,68)	0,43 (0,51)	0,36 (0,42)	0,33 (0,39)	3,83 m
-1.0 m	*1,78 (*1,78)	*1,34 (*1,34)	*1,14 (*1,14)	0,81 (0,95)	0,61 (0,69)	0,41 (0,49)	0,37 (0,44)	0,33 (0,4)	3,28 m

Lowered Blade, Standard Arm (1110 mm)

() the values in parenthesis are with additional ballast: 0.16 ton

A (m)	B (m)								MAX
	1.0		2.0		3.0		MAX		
3.0 m					*0,76 (*0,76)	0,41 (0,49)	*0,6 (*0,6)	0,28 (0,35)	3,27 m
2.0 m					*0,79 (*0,79)	0,43 (0,49)	*0,61 (*0,61)	0,31 (0,37)	3,82 m
1.0 m					*0,81 (*0,81)	0,47 (0,51)	*0,74 (*0,74)	0,33 (0,38)	3,99 m
0 m			*1,12 (*1,12)	0,73 (0,87)	*0,8 (*0,8)	0,43 (0,55)	*0,73 (*0,73)	0,33 (0,39)	3,83 m
-1.0 m	*1,78 (*1,78)	*1,34 (*1,34)	*1,14 (*1,14)	0,81 (0,95)	*0,76 (*0,76)	0,41 (0,51)	*0,76 (*0,76)	0,33 (0,4)	3,28 m

Raised Blade, Optional Arm (1310 mm)

() the values in parenthesis are with additional ballast: 0.16 ton

A (m)	B (m)								MAX
	1.0		2.0		3.0		MAX		
3.0 m					0,51 (0,59)	0,4 (0,48)	0,25 (0,32)	0,22 (0,29)	3,52 m
2.0 m					0,55 (0,63)	0,42 (0,5)	0,28 (0,34)	0,25 (0,31)	4,03 m
1.0 m					0,57 (0,65)	0,46 (0,54)	0,29 (0,35)	0,26 (0,32)	4,19 m
0 m			*1,11 (*1,11)	0,72 (0,86)	0,59 (0,67)	0,42 (0,5)	0,3 (0,36)	0,27 (0,33)	4,04 m
-1.0 m	*1,77 (*1,77)	*1,33 (*1,33)	*1,13 (*1,13)	0,79 (0,94)	0,6 (0,68)	0,4 (0,48)	0,31 (0,38)	0,27 (0,34)	3,53 m

Lowered Blade, Optional Arm (1310 mm)

() the values in parenthesis are with additional ballast: 0.16 ton

A (m)	B (m)								MAX
	1.0		2.0		3.0		MAX		
3.0 m					*0,75 (*0,75)	0,4 (*0,48)	*0,53 (*0,53)	0,22 (0,29)	3,52 m
2.0 m					*0,78 (*0,78)	0,42 (*0,48)	*0,55 (*0,55)	0,25 (0,31)	4,03 m
1.0 m					*0,8 (*0,8)	0,46 (0,5)	*0,68 (*0,68)	0,26 (0,32)	4,19 m
0 m			*1,11 (*1,11)	0,72 (0,86)	*0,78 (*0,78)	0,42 (0,54)	*0,67 (*0,67)	0,27 (0,33)	4,04 m
-1.0 m	*1,77 (*1,77)	*1,33 (*1,33)	*1,13 (*1,13)	0,79 (0,94)	*0,75 (*0,75)	0,4 (0,5)	*0,7 (*0,7)	0,27 (0,34)	3,53 m

LIFTING CAPACITY

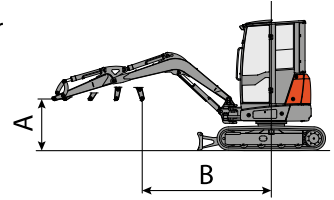
The lifting capacity is based on ISO 10567 and does not exceed 75% of the static tipping load or 87% of the hydraulic lifting capacity of the machine.

The straddle refers to the centre of rotation.

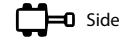
* Indicates the hydraulic load limit.

0 m refers to ground level.

The machine is understood to be equipped with a cab, rubber tracks, without a bucket and without a quick coupling.



Front



Side

Unit: ton

Raised Blade, Standard Arm (1200 mm)

() the values in parenthesis are with additional ballast: 0.205 ton

A (m)	B (m)								
	1.0		2.0		3.0		MAX		MAX
3.0					0,52 (0,62)	0,59 (0,69)	0,31 (0,39)	0,31 (0,39)	3,39 m
2.0					0,56 (0,66)	0,58 (0,68)	0,34 (0,41)	0,34 (0,41)	3,92 m
1.0					0,78 (0,88)	0,56 (0,66)	0,56 (0,62)	0,38 (0,44)	4,08 m
0			*1,4 (*1,4)	1,05 (1,23)	0,6 (0,71)	0,56 (0,66)	0,36 (0,43)	0,39 (0,46)	3,92 m
-1.0	*1,91 (*1,91)	*1,39 (*1,39)	*1,14 (*1,14)	0,82 (1)	0,61 (0,71)	0,57 (0,67)	0,37 (0,45)	0,39 (0,48)	3,40 m

Lowered Blade, Standard Arm (1200 mm)

() the values in parenthesis are with additional ballast: 0.205 ton

A (m)	B (m)								
	1.0		2.0		3.0		MAX		MAX
3.0					*0,78 (*0,78)	0,59 (0,69)	*0,59 (*0,59)	0,31 (0,39)	3,39 m
2.0					*0,83 (*0,83)	0,58 (0,69)	*0,6 (*0,6)	0,34 (0,41)	3,92 m
1.0					*0,91 (*0,91)	0,56 (0,68)	*0,67 (*0,67)	0,38 (0,44)	4,08 m
0			*1,4 (*1,4)	1,05 (1,23)	*0,95 (*0,95)	0,56 (0,66)	*0,73 (*0,73)	0,39 (0,46)	3,92 m
-1.0	*1,91 (*1,91)	*1,39 (*1,39)	*1,14 (*1,14)	0,82 (1)	*0,97 (*0,97)	0,57 (0,66)	*0,76 (*0,76)	0,39 (0,48)	3,40 m

Raised Blade, Optional Arm (1400 mm)

() the values in parenthesis are with additional ballast: 0.205 ton

A (m)	B (m)								
	1.0		2.0		3.0		MAX		MAX
3.0					0,51 (0,61)	0,58 (0,68)	0,24 (0,32)	0,24 (0,32)	3,64 m
2.0					0,55 (0,65)	0,57 (0,67)	0,27 (0,34)	0,27 (0,34)	4,13 m
1.0					0,76 (0,87)	0,55 (0,65)	0,49 (0,55)	0,31 (0,37)	4,28 m
0			*1,38 (*1,38)	1,03 (1,22)	0,59 (0,69)	0,55 (0,65)	0,29 (0,36)	0,32 (0,39)	4,13 m
-1.0	*1,9 (*1,9)	*1,38 (*1,38)	*1,13 (*1,13)	0,81 (0,99)	0,6 (0,7)	0,55 (0,66)	0,3 (0,38)	0,32 (0,41)	3,65 m

Lowered Blade, Optional Arm (1400 mm)

() the values in parenthesis are with additional ballast: 0.205 ton

A (m)	B (m)								
	1.0		2.0		3.0		MAX		MAX
3.0					*0,77 (*0,77)	0,58 (*0,68)	*0,52 (*0,52)	0,24 (0,32)	3,64 m
2.0					*0,82 (*0,82)	0,57 (*0,68)	*0,53 (*0,53)	0,27 (0,34)	4,13 m
1.0					*0,9 (*0,9)	0,55 (0,67)	*0,6 (*0,6)	0,31 (0,37)	4,28 m
0			*1,38 (*1,38)	1,03 (1,22)	*0,94 (*0,94)	0,55 (0,65)	*0,66 (*0,66)	0,32 (0,39)	4,13 m
-1.0	*1,9 (*1,9)	*1,38 (*1,38)	*1,13 (*1,13)	0,81 (0,99)	*0,96 (*0,96)	0,55 (0,65)	*0,69 (*0,69)	0,32 (0,41)	3,65 m



COMPANY WITH
QUALITY SYSTEM
CERTIFIED BY DNV GL
= ISO 9001 =

The information contained in this brochure is of a general nature. Sampierana S.p.A. reserves the right to change the product technical data and characteristics at any time without prior notice. The photographs are for illustrative purposes only and do not necessarily refer to products in standard conditions. For instructions on the correct use of the products, please consult the use and maintenance manual. Sampierana S.p.A. shall not be liable for damages or injuries resulting from failure to follow the instructions contained in the use and maintenance manual.