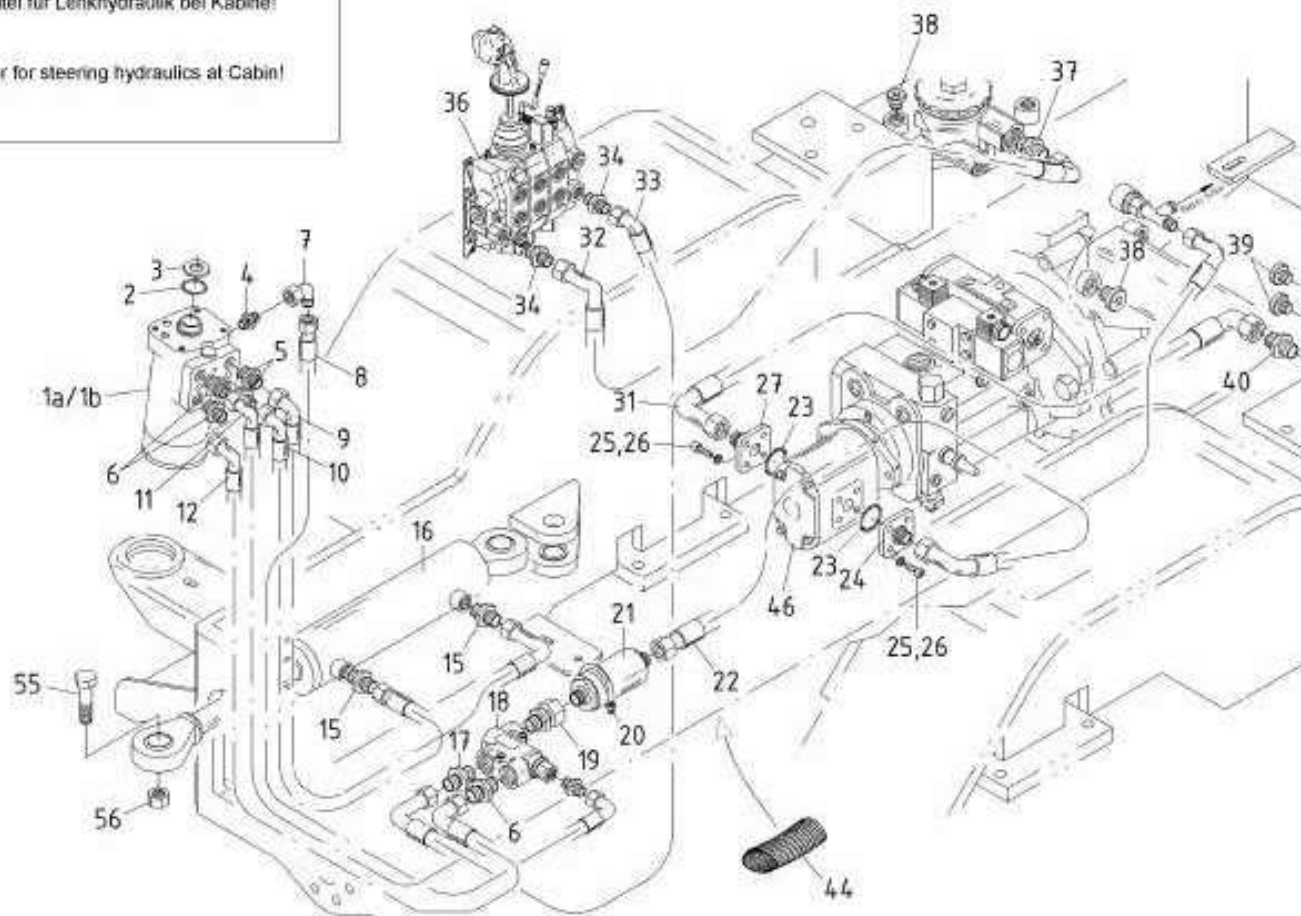


ACHTUNG!
Separates Kapitel für Lenkhydraulik bei Kabine!

ATTENTION!
Separat chapter for steering hydraulics at Cabin!



Steering hydraulics

Pos	Remark	Code No.	Description	Qty.
1a	->04/2010	070-300-102	Steering unit	1
1b	04/2010->	5060-015-001	Steering unit	1
2		060-121-001	O-Ring 12,37 x 2,62	1
3		420-159-001	Plain washer	1
4		060-106-031	Stud connector	2
5		860-017-008	Stud connector	2
6		860-017-004	Stud connector	3
7		060-107-001	Standpipe elbow	1
8		060-150-146	Hose assembly	1
9		060-154-322	Hose assembly	1
10		060-154-323	Hose assembly	1
11		060-152-496	Hose assembly	1
12		060-152-497	Hose assembly	1
15		860-005-003	Stud connector	2
17		420-192-000	Stud connector	1
18		070-300-121	Priority valve	1
19		060-110-004	Standpipe connector	1
20		060-072-004	Exhaust clamp	1
21		3036-015-016	Pressure filter	1
22		060-154-644	Hose assembly	1
23		060-121-006	O-Ring 33 x 2,5	2
24		060-132-003	Flange, straight	1
25		060-029-005	Hexagon-socket screw	8
26		060-040-004	Lock washer	8
27		060-132-005	Flange, straight	1

Steering hydraulics

Pos	Remark	Code No.	Description	Qty.
31		060-150-926	Hose assembly	1
32		060-154-645	Hose assembly	1
33		060-154-646	Hose assembly	1
34		060-106-006	Stud connector	2
37		060-106-049	Stud connector	1
38		060-116-000	Blanking plug for ports	2
39		060-116-002	Blanking plug for ports	2
40		060-106-056	Stud connector	1
44		060-145-016	Braid hose	-
46		860-018-030	Gear-type pump	1
46		030-018-126	Gear-type pump	1
46		030-018-128	Gear-type pump	(1)
46		030-018-133	Gear-type pump	(1)
54		5058-015-026	Hexagon head screw, galv.	1
55		050-590-001	Hexagon head screw, galv.	1
56		060-003-015	Nylock nut	2