



FURUKAWA ROCK DRILL USA
Rock Drill Division

HCR1200

Series II



Drill faster and straighter with the HD712 drifter

The Furukawa HD712 drifter combines powerful penetration with agility and easy operation. Equipped with features that maximize efficiency, the HD712 drifter sets the standard in high-performance drilling:

- Dual damper system maximizes energy transfer to produce straighter holes. The system automatically tunes the drifter for maximum performance regardless of the rock condition.
- Integrated drilling system is comprised of all-hydraulic controls and a reactive damper control system, which work together to accommodate changing rock conditions. The hydraulic controls automatically adjust impact and feed force, while the damper control system regulates pressure based on rock hardness.
- Compact valve design provides rapid valve and piston response for enhanced performance.



Maximize operator performance with the ultimate in ergonomic cab designs.

HCR 1200 ED cabs are ergonomically friendly with features that reduce operator fatigue. Cabs are 43" (1,100mm) with ROPS/FOPS standard. In addition, all cabs are air-conditioned and continuously pressurized with filtered air to maintain a comfortable operating environment. Other features include:

- Rubber-mounted engine frame isolates cab from engine vibrations.
- Single-lever drilling control for easy operation.
- Large windows maximize operator visibility.
- Walk-around ground level maintenance provides fast, easy upkeep or repair.
- High-visibility gauges allow operator to monitor machine functions while remaining focused on the drilling.



Combining performance and economy.

Combining performance and economy, the HCR 1200 ED is the perfect drill for quarries or construction sites. Simple, durable and efficient, the HCR1200 ED with extendable boom incorporates a self-adjusting drill system that ensures high productivity no matter what the drilling situation. By automatically controlling the impact force, feed force, rotation force and dual damper pressure, the HCR1200 continuously adapts to the changing rock conditions, increasing drilling performance and the life of drill tools while decreasing fuel consumption.

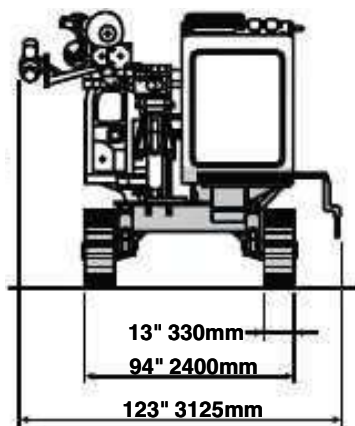
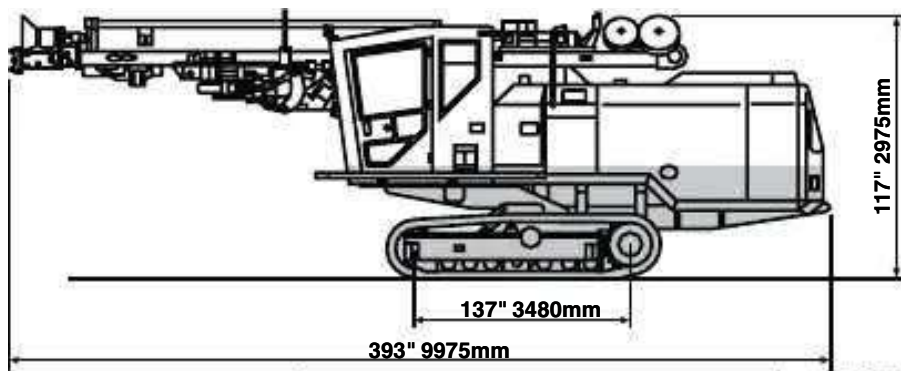
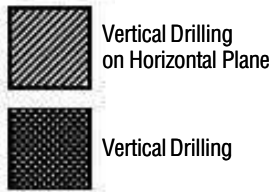
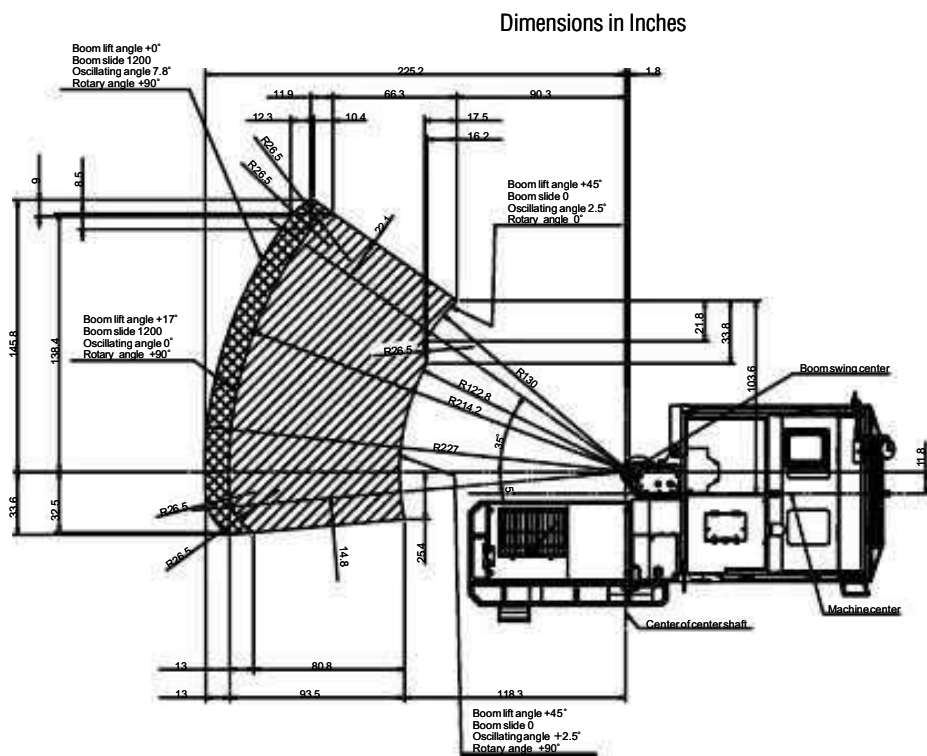


HCR1200

Series II

- Low-emission Tier III engines offer low fuel consumption and meets US exhaust emissions regulations.
- Advanced rotary rod changer allows easy drill rod changes. Operators can add and remove rods using a single lever. Rods can also be indexed in the rack to distribute wear evenly and reduce costs.
- HCR1200 ED features 12' rods with extendable boom for increased drill pattern.
- Heavy-duty undercarriage – featuring a pentagonal section design to reduce dirt build-up and track wear – ensures strength and durability.
- High-output compressor increases flushing air, provides faster drilling and decreases bit wear.
- Reliable dust control system increases suction capacity and provides effective pre-cleaner to reduce escape of drilling dust. An optional dust suppression system is available for difficult drilling conditions.
- Angle indicator for quick and easy drilling alignment.





FURUKAWA ROCK DRILL USA

Rock Drill Division

805 Lake Street
 Kent, Ohio 44240-0017
 Phone: 800.358.4476
 Fax: 330.673.8504
www.furukawarockdrill.com

HCR1200 Series II	ED		
	US Standard	Metric	
Performances	Overall Weight (A) *1	32,414 lb	14,700 kg
	Overall Weight (B) *2	33,516 lb	15,200 kg
	Travel Speed	0-2.6 mile/h	0-3.1 km/h
	Maximum Traction Force	22,144 lb-force	98.5 kN
	Maximum Grade of Hill Climb	57.7% (30 deg)	
Drifter	Oscillating Angle	+7.5 deg	
	Ground Contact Pressure	11.4 psi	78.5 kPa
	Model	HD712	
	Mass	485 lb	220 kg
	Overall Length	3'7"	1,100 mm
Engine	Overall Width	1'3"	380 mm
	Overall Height	1'	300 mm
	Number of Blows	2,300 bsi	2,300 min ⁻¹
	Number of Revolutions	0-190 bsi	0-190 min ⁻¹
	Make & Model	Cummins QSB6.7	
Hydraulic Equipment	Type	Water-cooled Direct Fuel Injection Turbo Charged Diesel Engine	
	Rated Output	240 hp/2,500 rpm	179 kw/2,500 min ⁻¹
	Variable Displacement Pump	Axial Piston Pump X2	
	Fix Displacement Pump	Gear Pump X3	
	Drive Motor	Hydraulic Motor with Reduction Gear	
Boom	Model	JE326-132	
	Type	Extension Boom	
	Boom Lifting Angle:Up/Down	45/20 degree	
	Boom Swing Angle: Right/Left	35/5 degree	
	Boom Slide Length	3'11"	1,200 mm
Guide Bell	Guide Rotary Angle	90 degree	
	Model	GH832-30	
	Overall Length	25'7"	7,800 mm
	Feed Length	15'2"	4,620 mm
	Feed Length (with RP)	14'7"	4,440 mm
Compressor	Guide Slide Length	3'11"	1,200 mm
	Guide Swing Angle:Right/Left	30/90 degree	
	Guide Tilt Angle	170 degree	
	Maximum Pulling Force	6,969 lb-force	29.5 kN
	Feed system	Hydraulic Motor Drive	
Dust Collector	Make & Model	AIR MAN, PDS265-S35D	
	Type	Screw 1 Stage	
	Discharge Airflow	275 CFM	7.8 m ³ /min
	Discharge Pressure	149 psi	1.03 MPa
	Model	A885-30	
Rod Rack	Airflow	1,058 CFM	30 m ³ /min
	Number of Elements	5	
	Dust Removal System	Automatic Pulse Air Jet	
	Suction Cap	Slide Type	
	Number of Rods	6	
Electrical Equipment	Rod length	12'	3,660 mm
	Battery	12V; 108Ah/5Hr	
	Voltage	DC24V	
	Fuel Tank	111 gal	420 L
	Hydraulic Tank	57 gal	215 L
Oil Capacity	Bit Diameter	3" - 4"	76 - 102 mm
	Bit Profile	Button, Cross and Spike	
	Rod Size	38R, 38H, 45R, (51R)	
	Rod length	12'	3,660 mm
	First Rod Length	12' or 13'	3,660 or 4,000 mm
Bit and Rod	Working Temperature	5° - 113° F	-15° - +45° C

Note:

*1 "Overall Weight (A)" includes weights of fuel and oils (full).
 *2 "Overall Weight (B)" includes weights of "Overall Weight (A)", operator and rod bit.

Cummins is a registered trademark of Cummins, Inc.

Furukawa's policy is one of continual improvement. Specifications may change between printing.