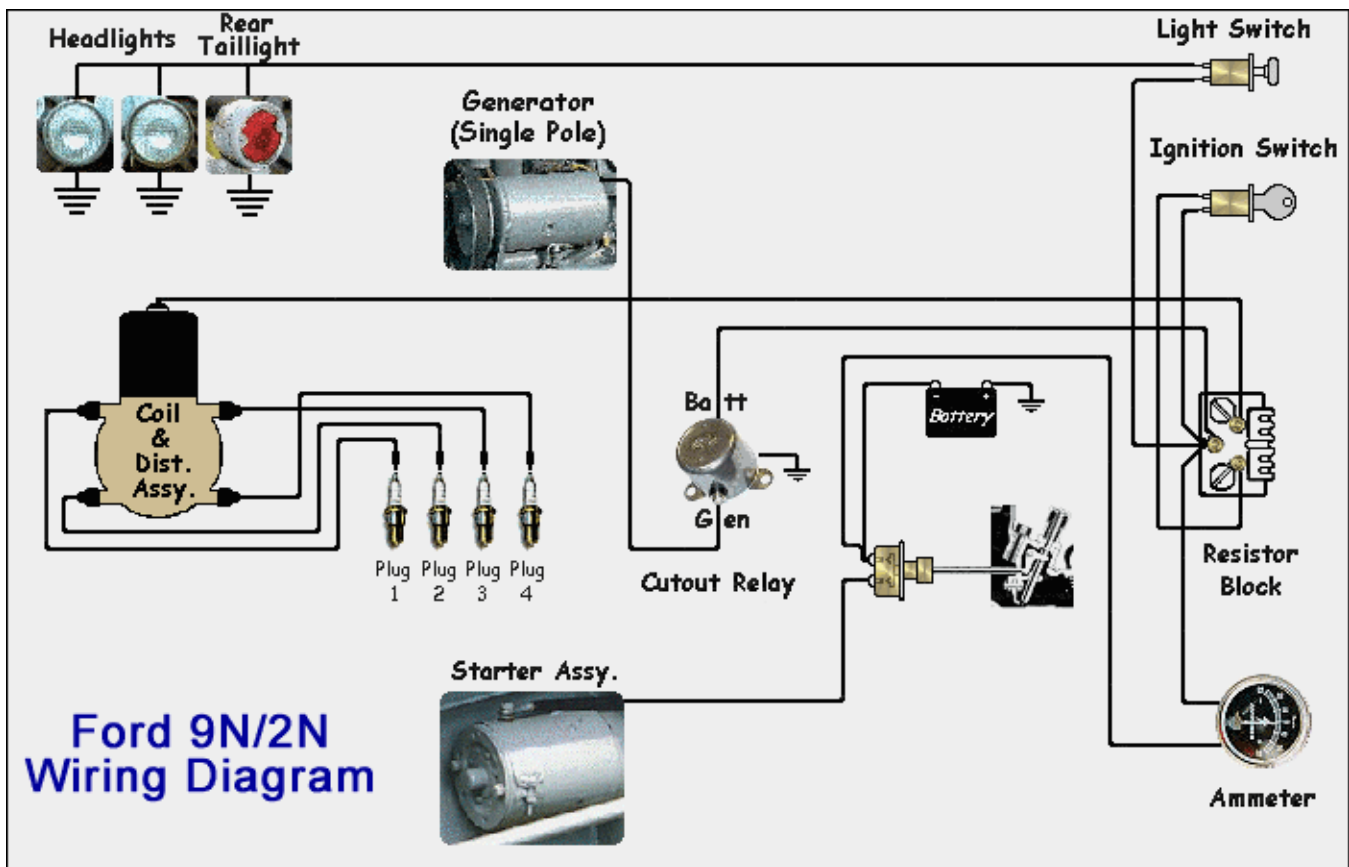
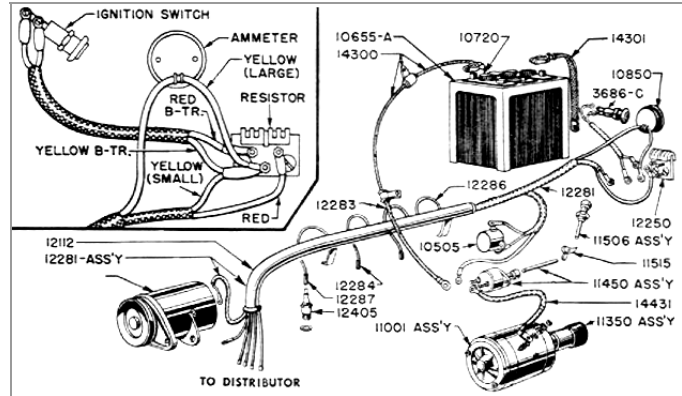
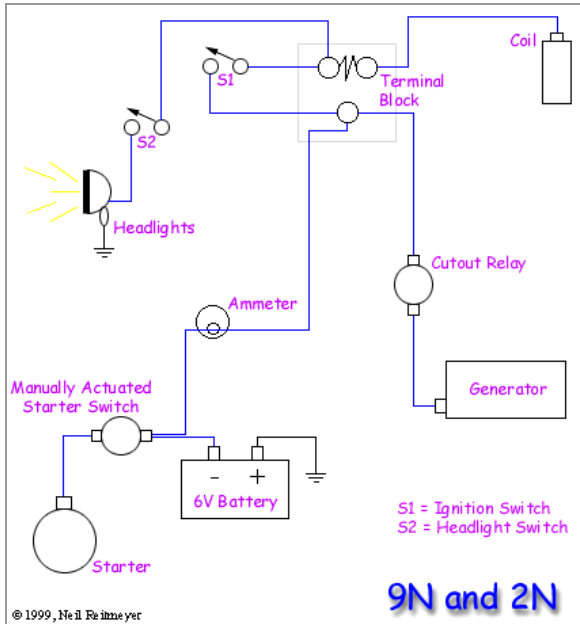


# Wiring Diagrams & Harnesses for Ford Tractors

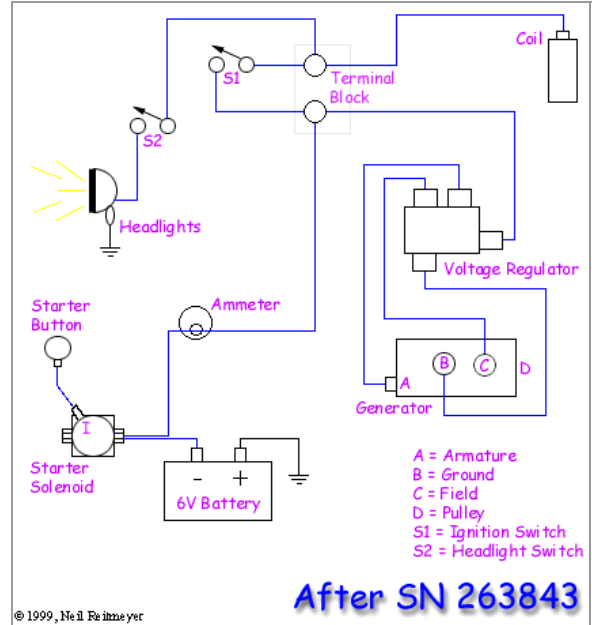
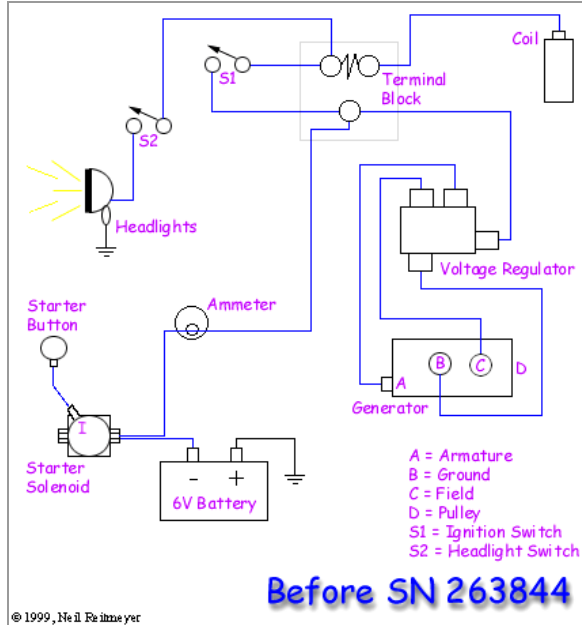
Contributed by Neil Reitmeyer, Rob G, Don & Derek Barkley, Dan Dibbens, Ed Gooding, and Tyler Neff

## • 9N/2N Wiring Diagrams

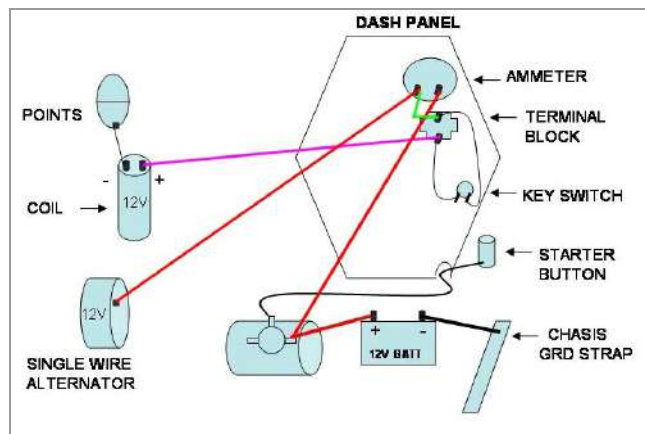
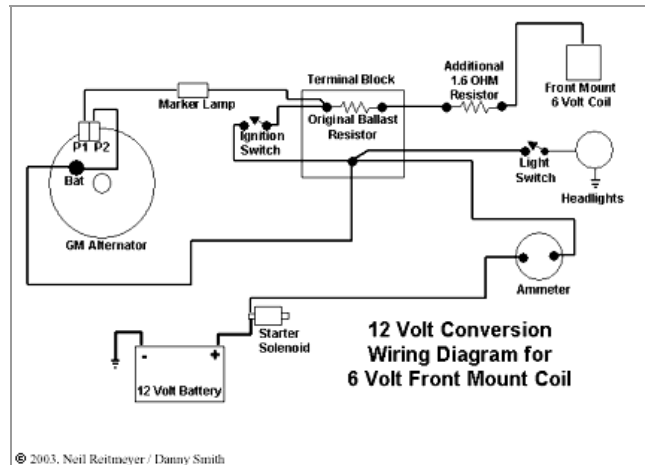
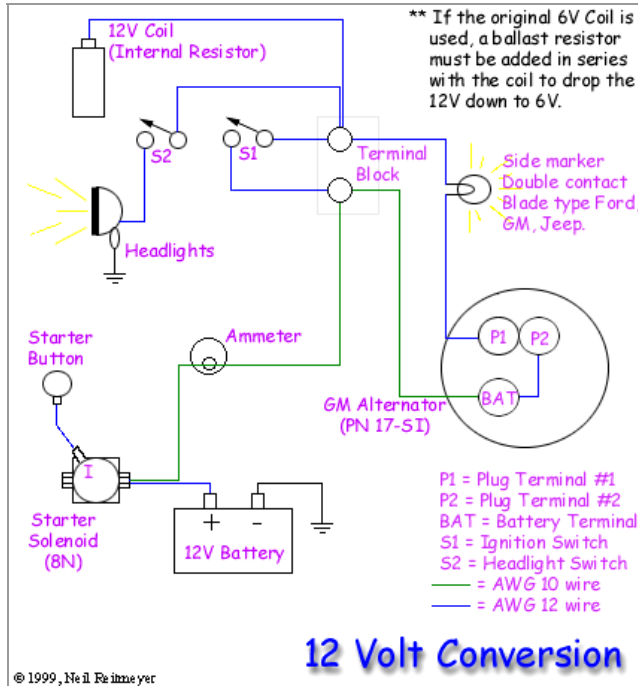


## 9N Wiring Harnesses

## • 8N Wiring Diagrams

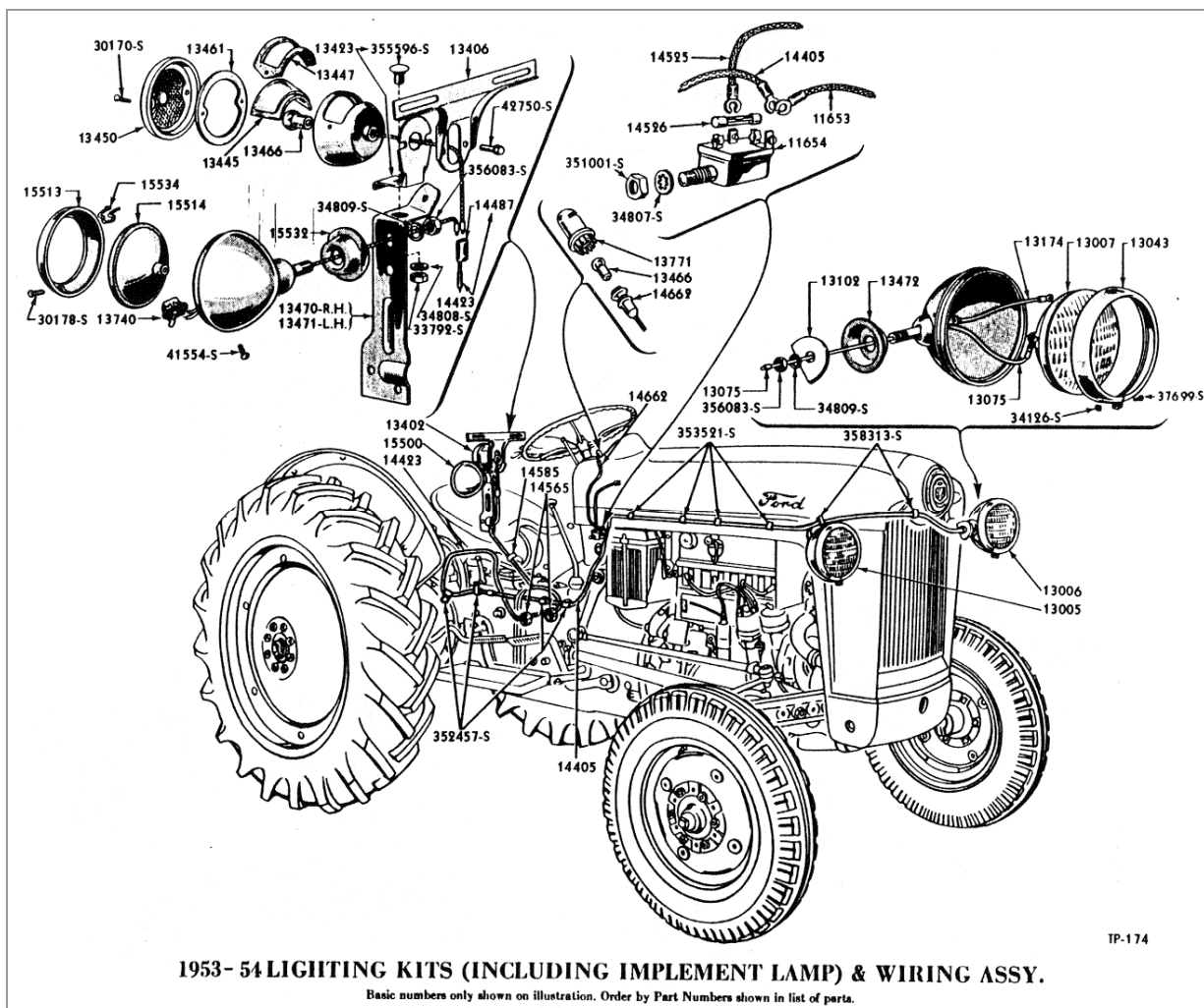
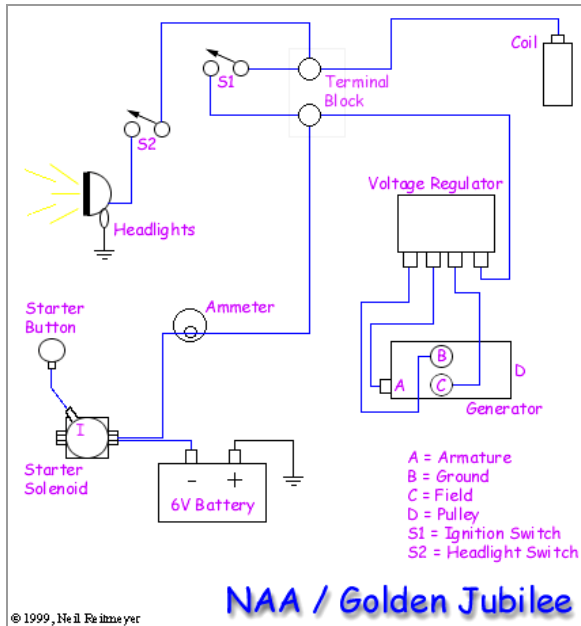


## • 12 Volt Conversion Wiring Diagrams



## 8N Wiring Harnesses

• NAA Wiring Diagrams



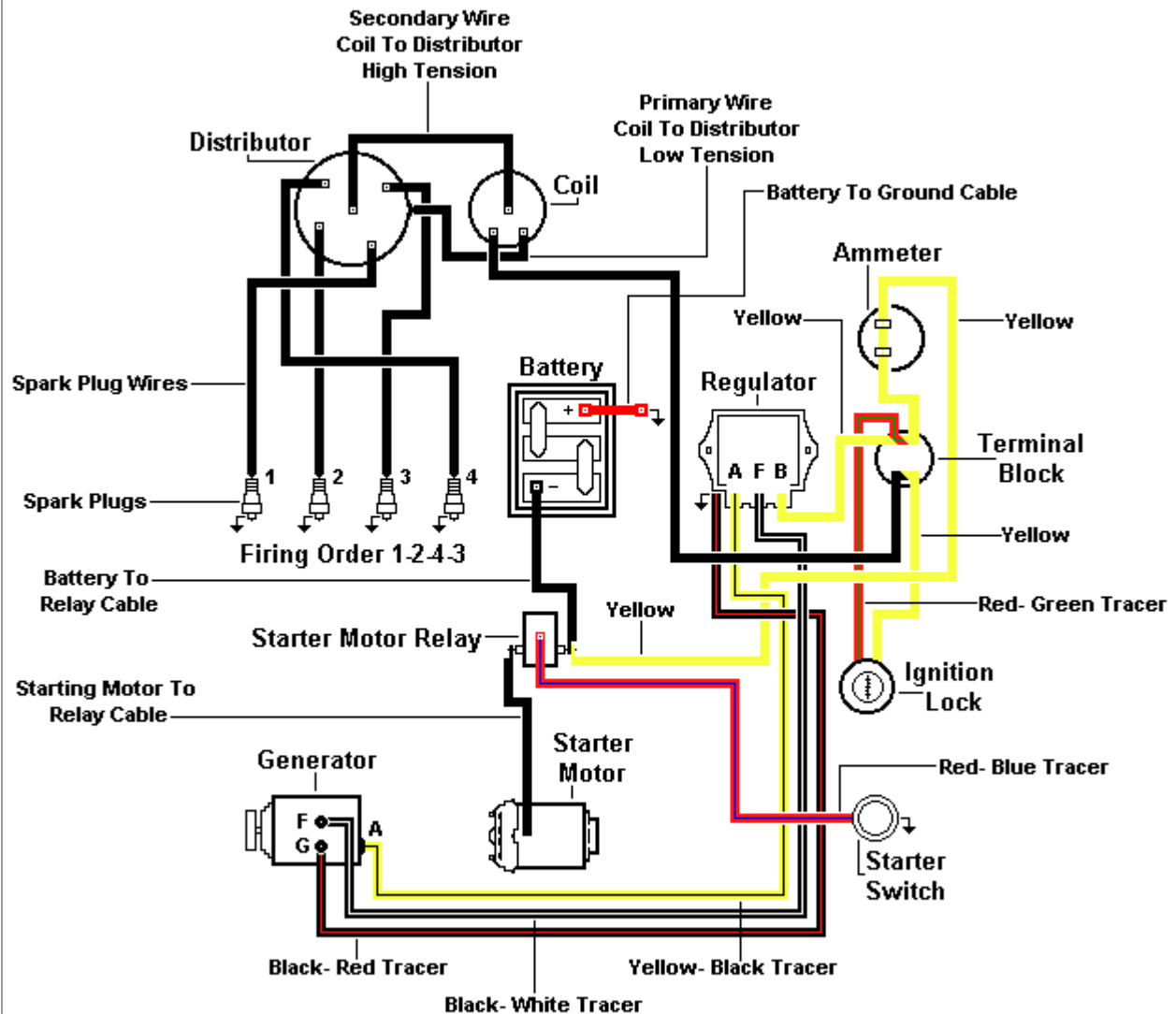
Jubilee/NAA Wiring Harness

<https://tractormanualz.com/>

[www.ntractorclub.com](http://www.ntractorclub.com)

• Series 600 Wiring Diagram

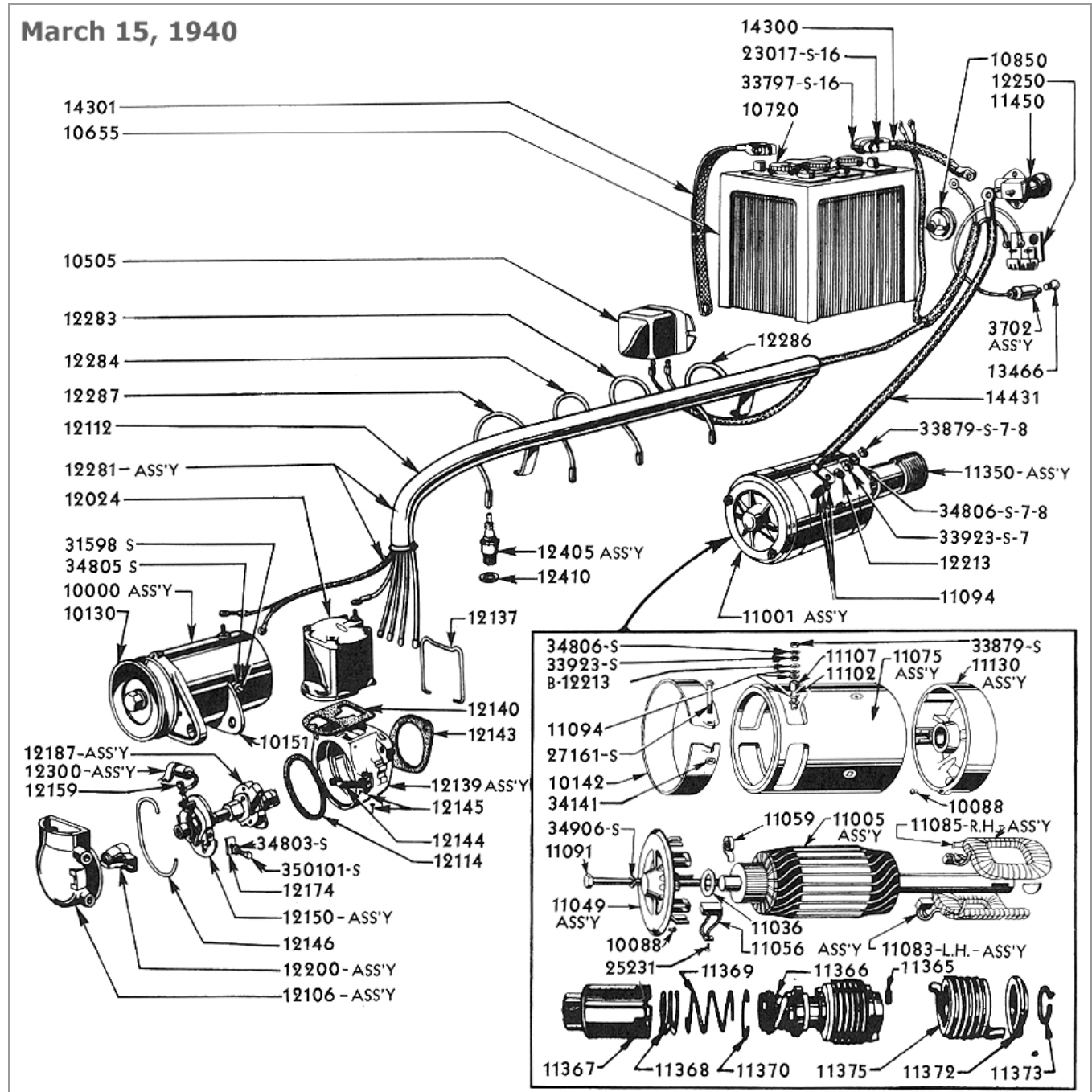
## Electrical System Wiring Diagram 6- Volt Positive Ground



# Wiring Diagrams from Parts Manuals

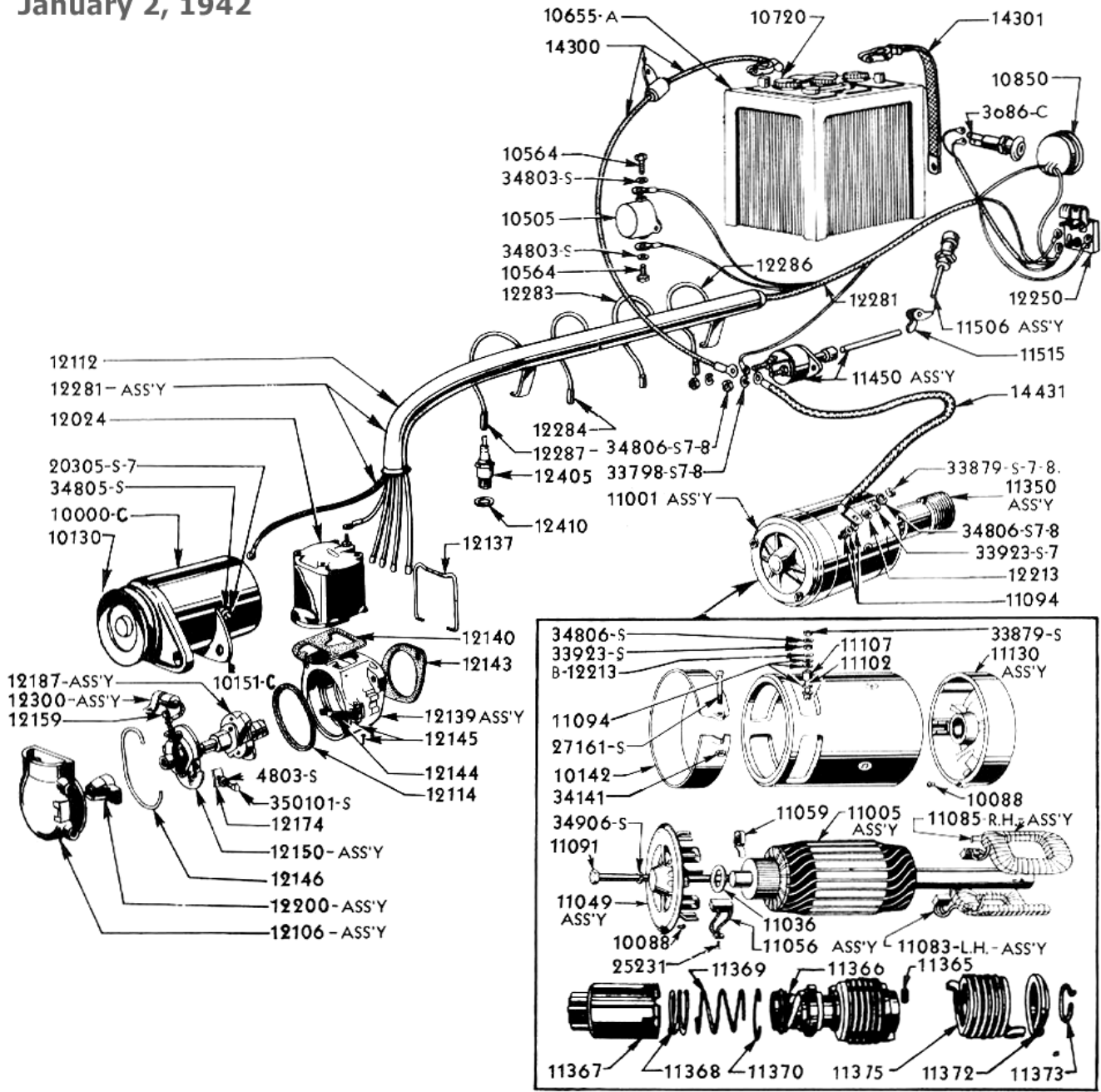
## • 9N/2N Manual Wiring Diagrams

March 15, 1940

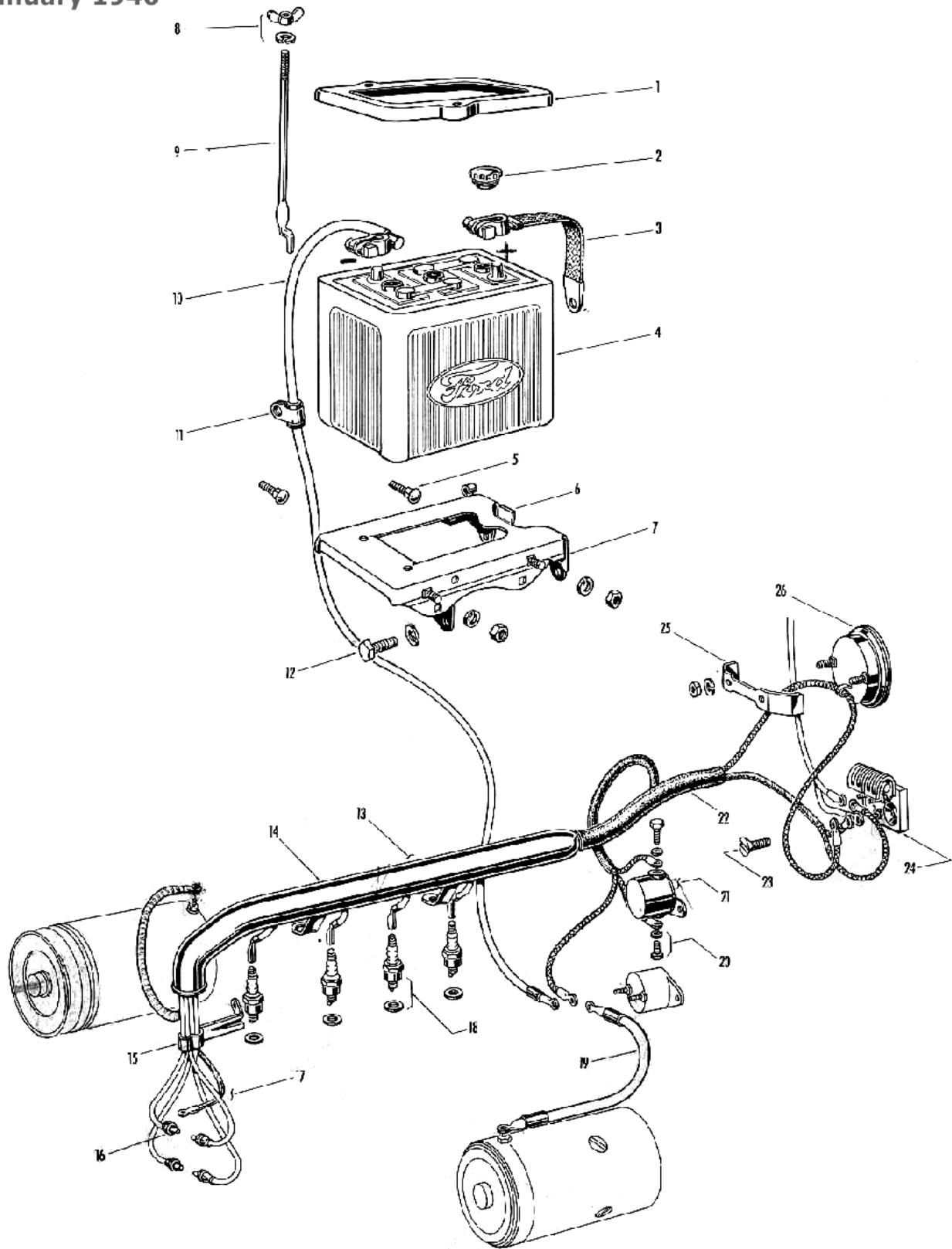




January 2, 1942



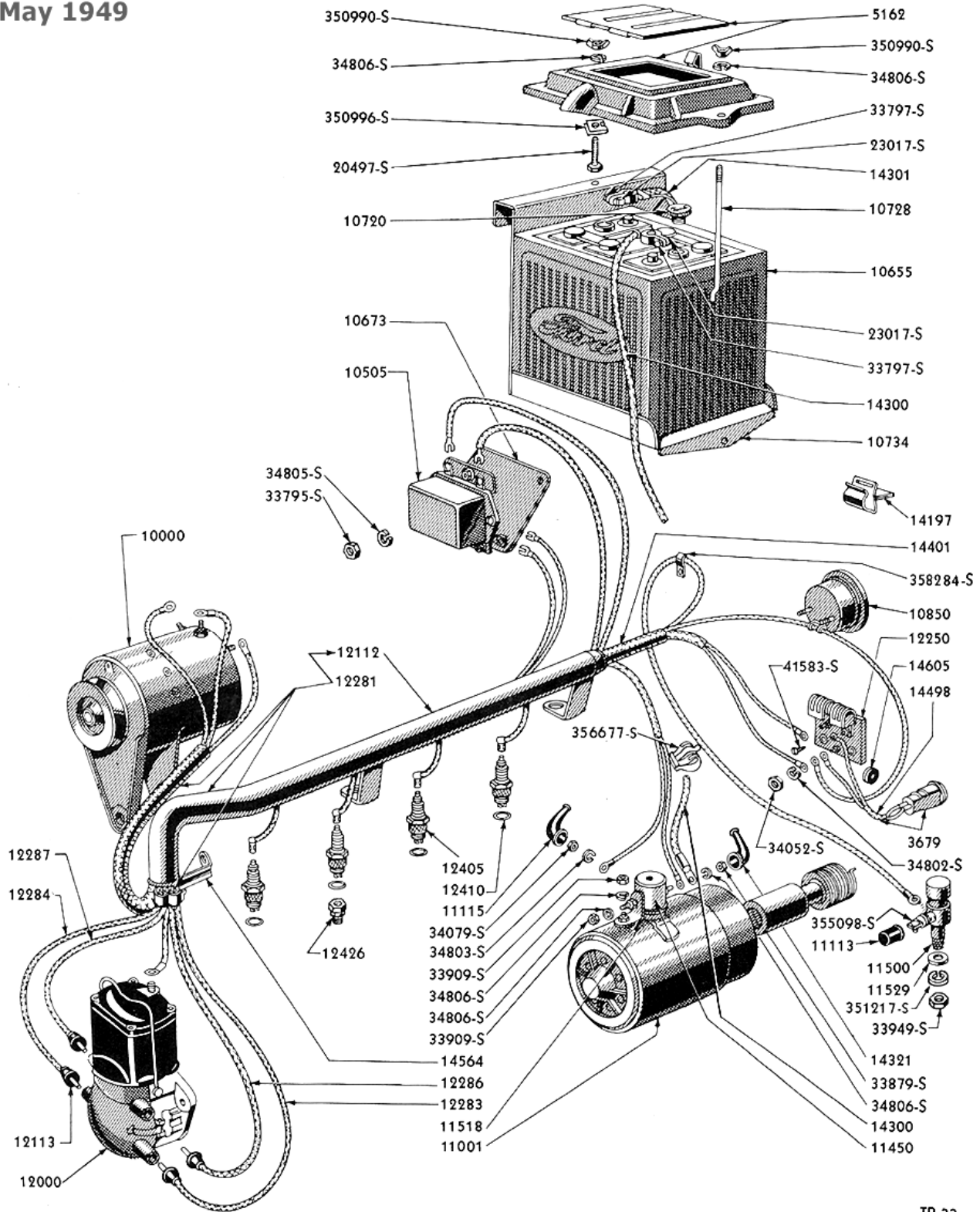
January 1946





• 8N Manual Wiring Diagrams

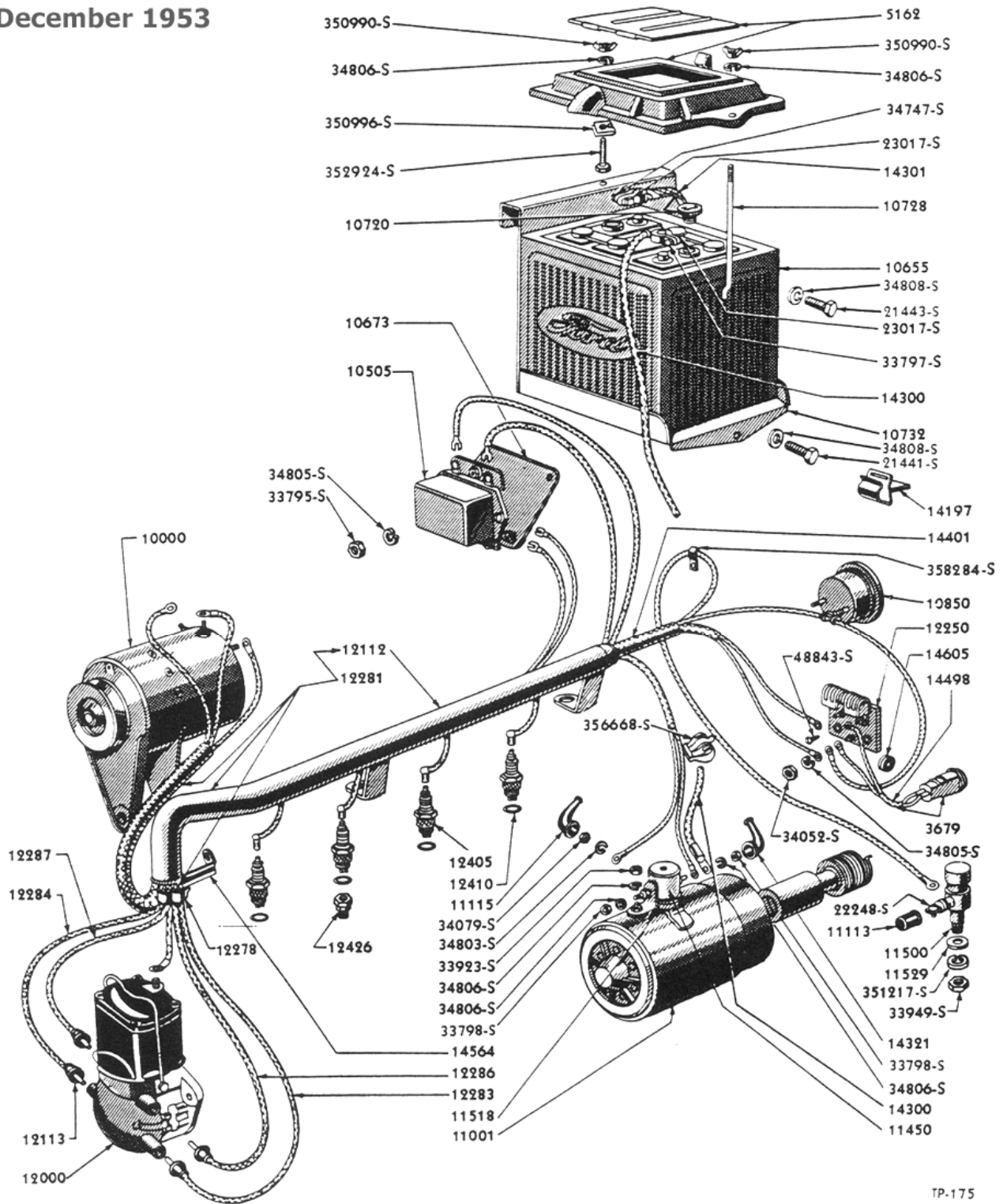
May 1949



**1948-49 ELECTRICAL WIRING AND RELATED PARTS**  
Basic numbers only shown on illustration. Order by Part Numbers shown in list of parts.

TP-33

December 1953

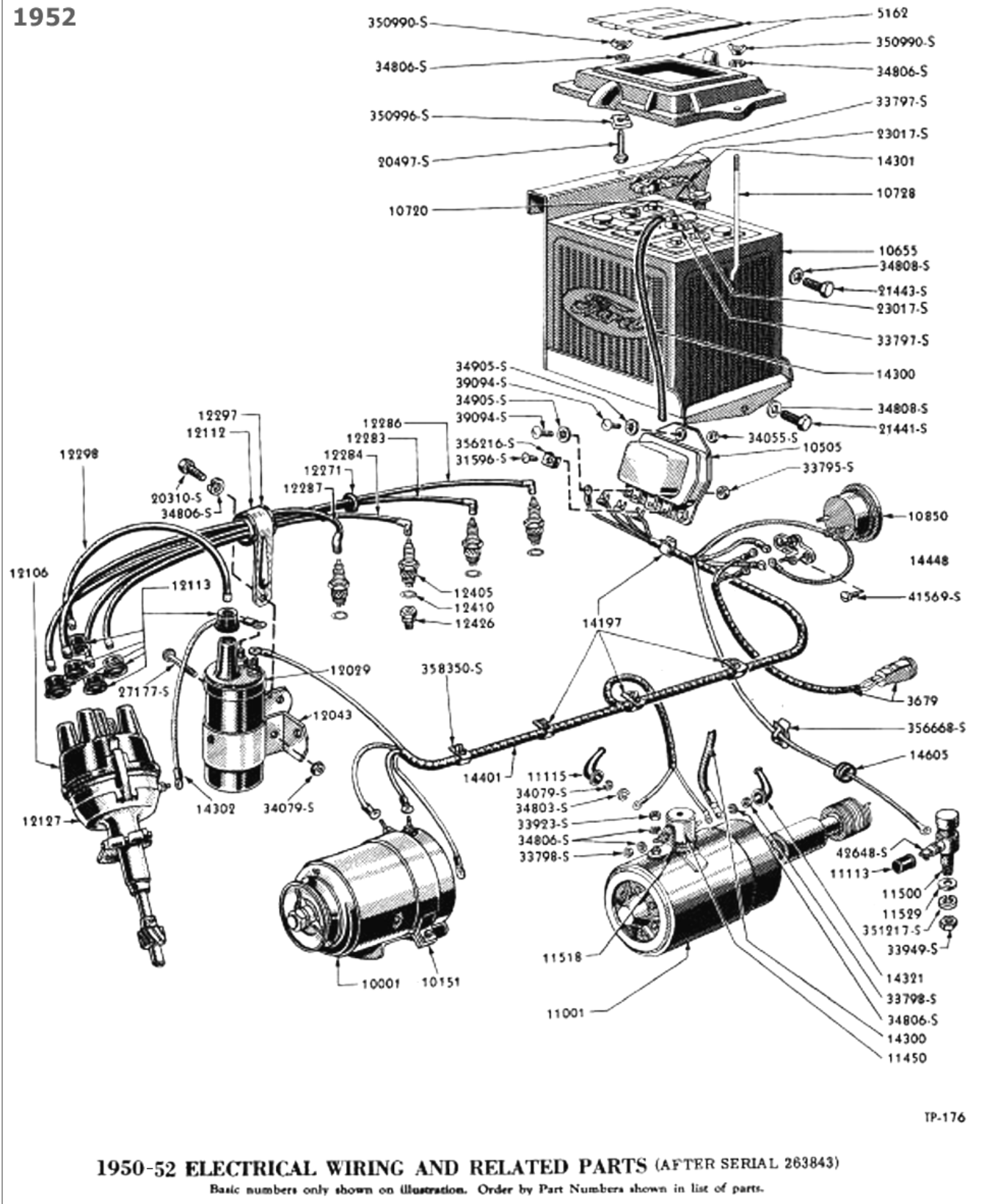


TP-175

**1948-50 ELECTRICAL WIRING AND RELATED PARTS (BEFORE SERIAL 263844)**

Basic numbers only shown on illustration. Order by Part Numbers shown in list of parts.

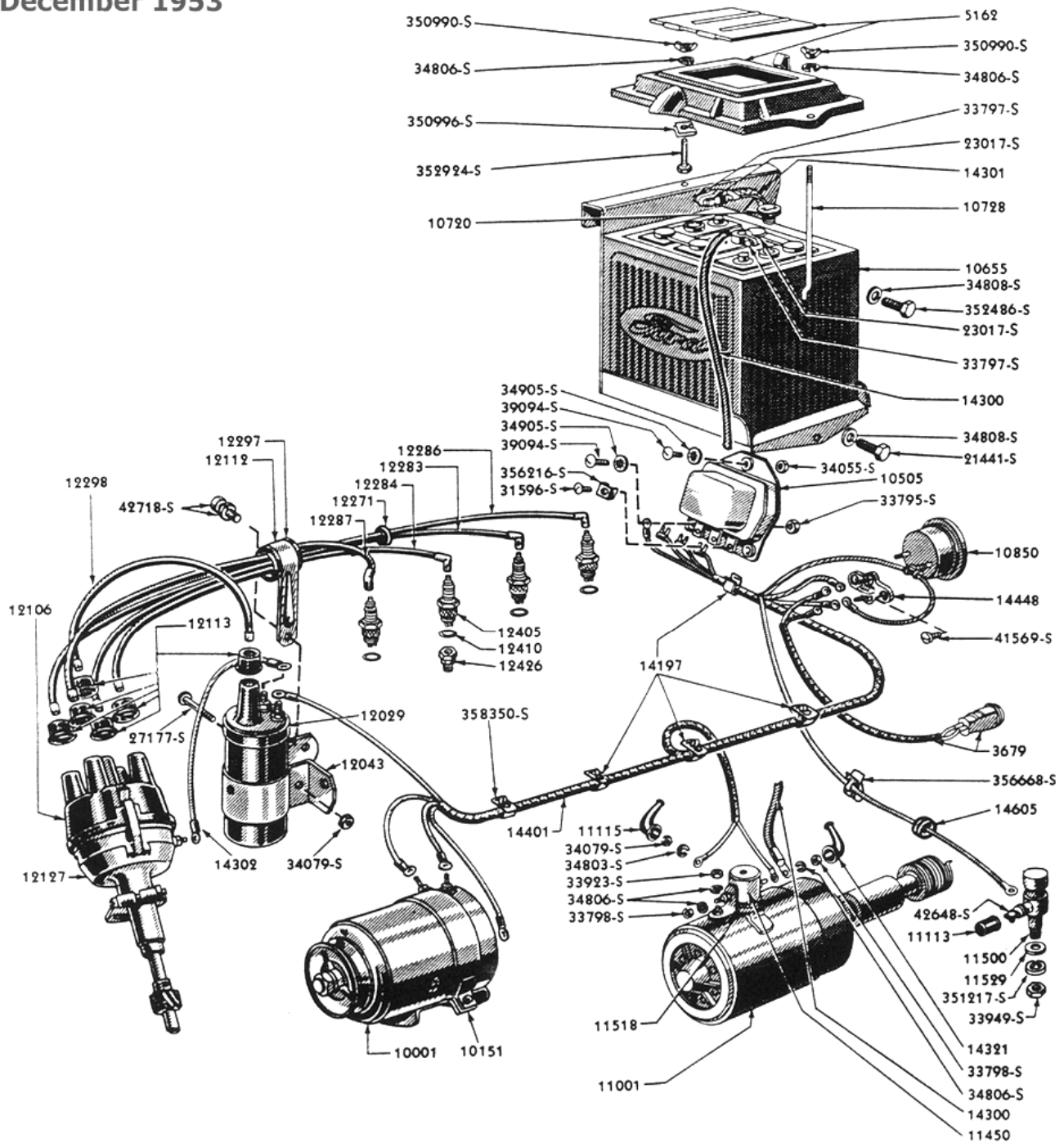
1952



**1950-52 ELECTRICAL WIRING AND RELATED PARTS (AFTER SERIAL 263843)**

Basic numbers only shown on illustration. Order by Part Numbers shown in list of parts.

December 1953



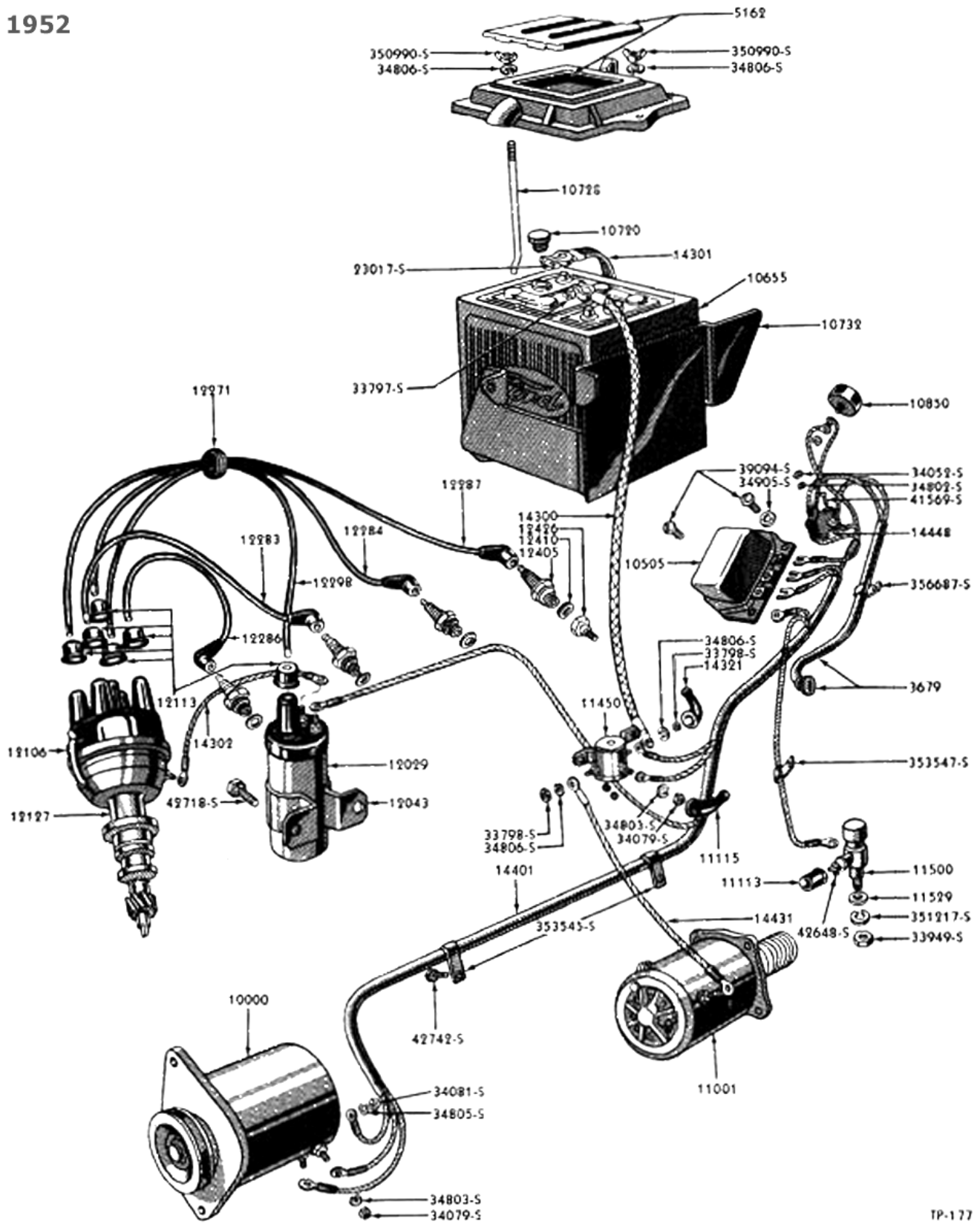
TP-176

**1950-52 ELECTRICAL WIRING AND RELATED PARTS (AFTER SERIAL 263843)**

Basic numbers only shown on illustration. Order by Part Numbers shown in list of parts.

• NAA Manual Wiring Diagrams

1952

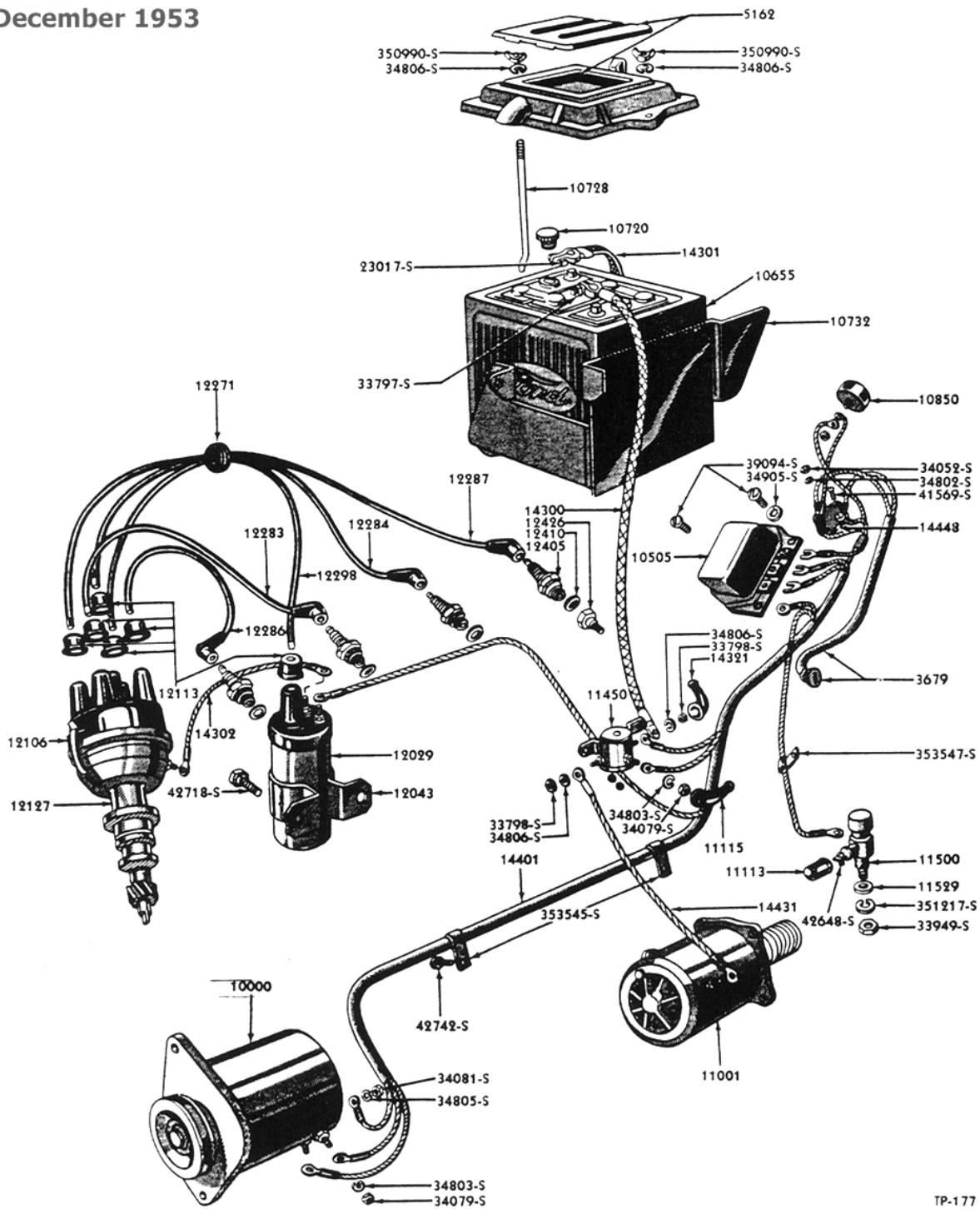


1953 ELECTRICAL WIRING & RELATED PARTS

Basic numbers only shown on illustration. Order by Part Numbers shown in list of parts.

TP-177

December 1953



### 1953-54 ELECTRICAL WIRING & RELATED PARTS

Basic numbers only shown on illustration. Order by Part Numbers shown in list of parts.

TP-177



Best internet source  
of information and help  
for old Ford tractors.

[www.ntractorclub.com](http://www.ntractorclub.com)

<https://tractormanualz.com/>

[www.ntractorclub.com](http://www.ntractorclub.com)