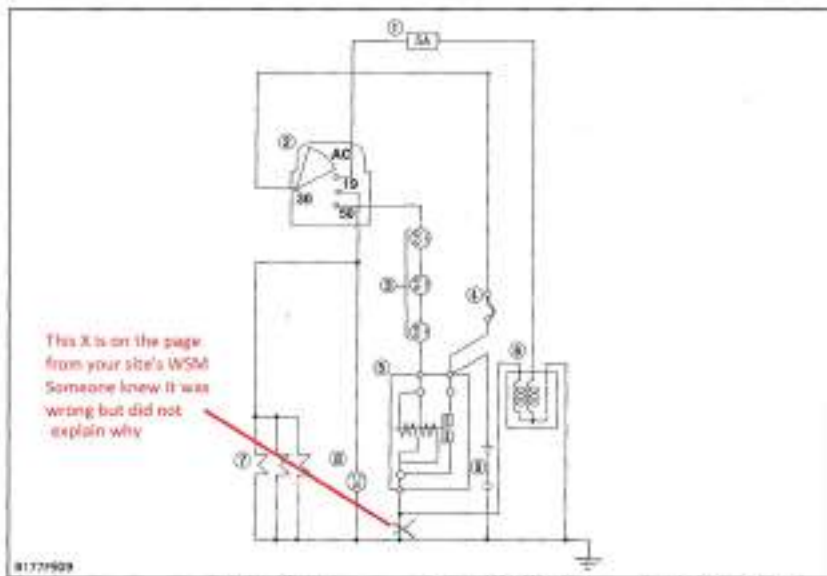


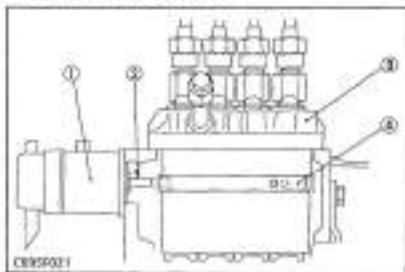
[3] ENGINE KEY SWITCH SHUT-OFF SYSTEM

8177909

- | | | |
|---------------------|------------------------------|-------------|
| (1) Fuse | (6) Fuel Cut Off Solenoid | (9) Battery |
| (2) Main Switch | (7) Glow Plug | |
| (3) Safety Switches | (8) Pre-heat Indicator Lamp | |
| | (10) Pre-heat Indicator Lamp | |

On the engine key switch shut-off system, turning the main switch from the ON position to the OFF position moves the fuel injection pump control rack

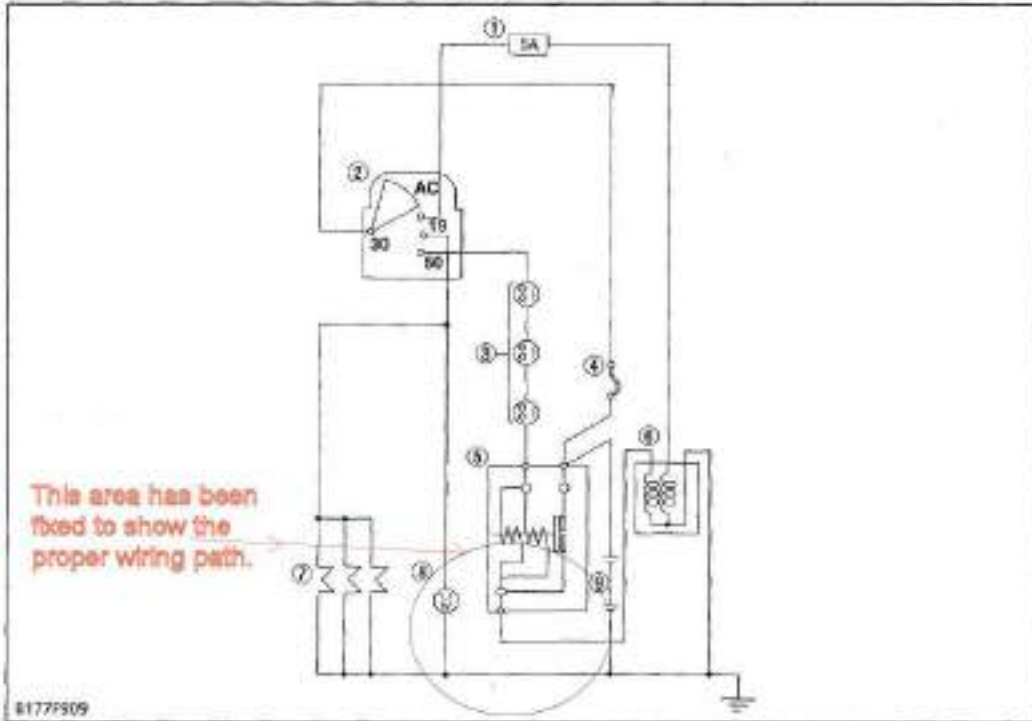
to the "No fuel injection" position through the fuel cut off solenoid.

(1) Fuel Cut Off Solenoid

Flowing of the battery current into the fuel cut off solenoid, the plunger (2) move to left side so that the movement of control rack (4) becomes free. When the battery current stops, the plunger (2) is returned to the original position by the spring to keep the control rack (4) in "No fuel injection" position.

- | | |
|---------------------------|--------------------|
| (1) Fuel Cut Off Solenoid | (3) Injection Pump |
| (2) Plunger | (4) Control Rack |

[3] ENGINE KEY SWITCH SHUT-OFF SYSTEM



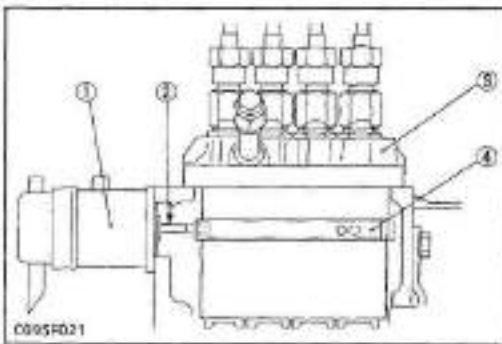
8177PS09

- | | | | |
|---------------------|--------------------|---------------------------|-----------------------------|
| (1) Fuse | (4) Slow Blow Fuse | (6) Fuel Cut Off Solenoid | (8) Pre-heat Indicator Lamp |
| (2) Main Switch | (5) Starter Motor | (7) Glow Plugs | (9) Battery |
| (3) Safety Switches | | | |

On the engine key switch shut-off system, turning the main switch from the **ON** position to the **OFF** position moves the fuel injection pump control rack

to the "No Fuel Injection" position through the fuel cut off solenoid.

(1) Fuel Cut Off Solenoid



C095R021

Flowing of the battery current into the fuel cut off solenoid, the plunger (2) move to left side so that the movement of control rack (4) becomes free. When the battery current stops, the plunger (2) is returned to the original position by the spring to keep the control rack (4) in "No fuel injection" position.

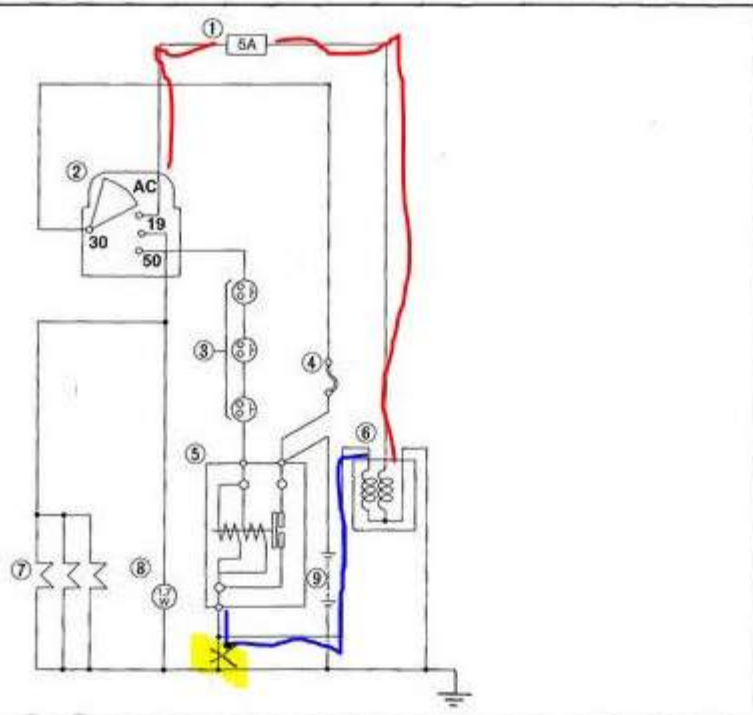
- | | |
|---------------------------|--------------------|
| (1) Fuel Cut Off Solenoid | (3) Injection Pump |
| (2) Plunger | (4) Control Rack |

You get power on the red when the key is on or cranking.
You get power on the blue path only when it's cranking.

The stop solenoid is to the rear of the injection pump.

Disconnect the plug to the stop solenoid and double check that you have not blown any fuses, then recheck your voltage.

[3] ENGINE KEY SWITCH SHUT-OFF SYSTEM



B177F909

- | | | | |
|---------------------|--------------------|---------------------------|-----------------------------|
| (1) Fuse | (4) Slow Blow Fuse | (6) Fuel Cut Off Solenoid | (8) Pre-heat Indicator Lamp |
| (2) Main Switch | (5) Starter Motor | (7) Glow Plugs | (9) Battery |
| (3) Safety Switches | | | |