

**MX SERIES MAGNUM TRACTORS
MX210, MX230, MX255, AND MX285**

EURO. ELECTRICAL SCHEMATIC

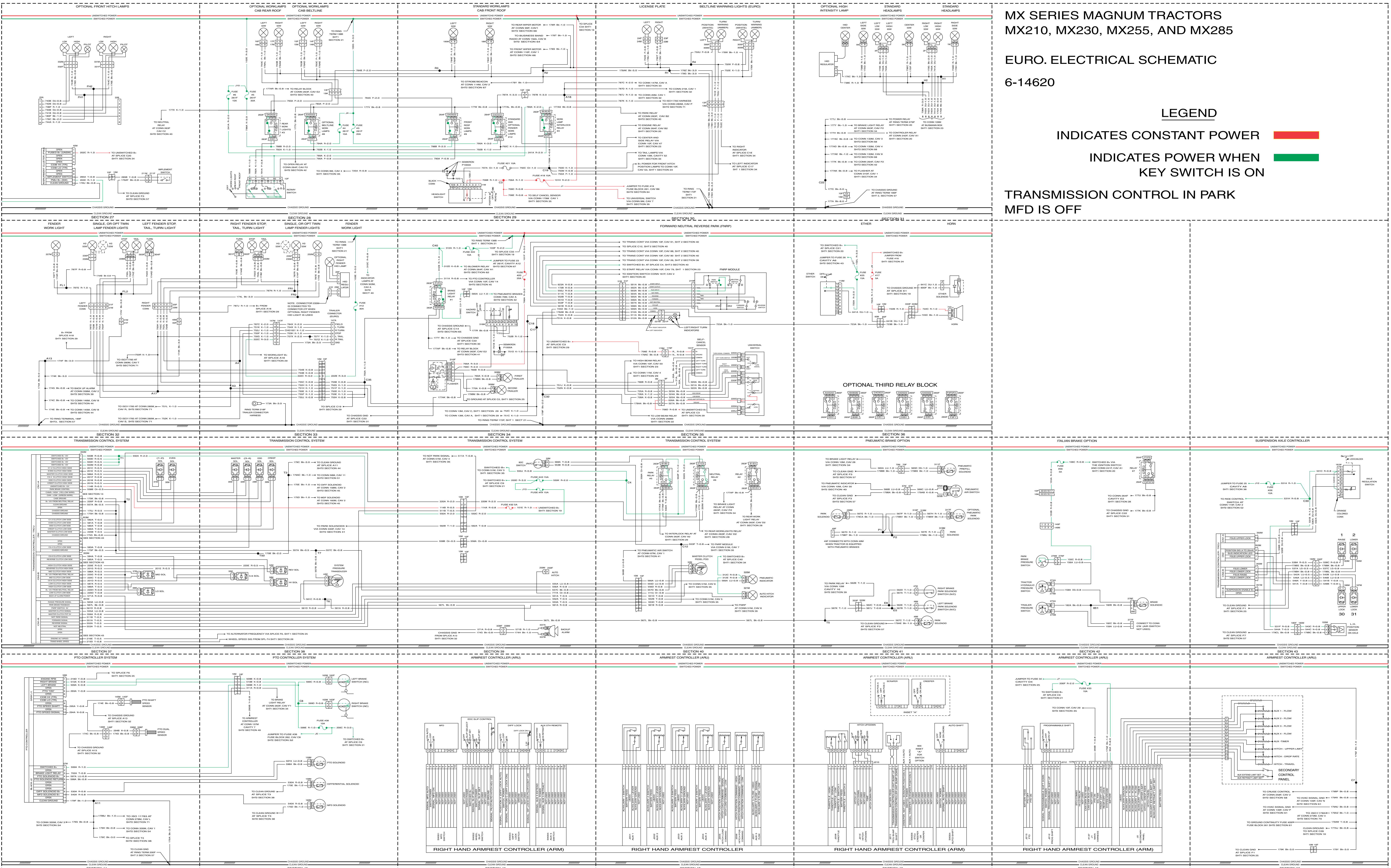
6-14620

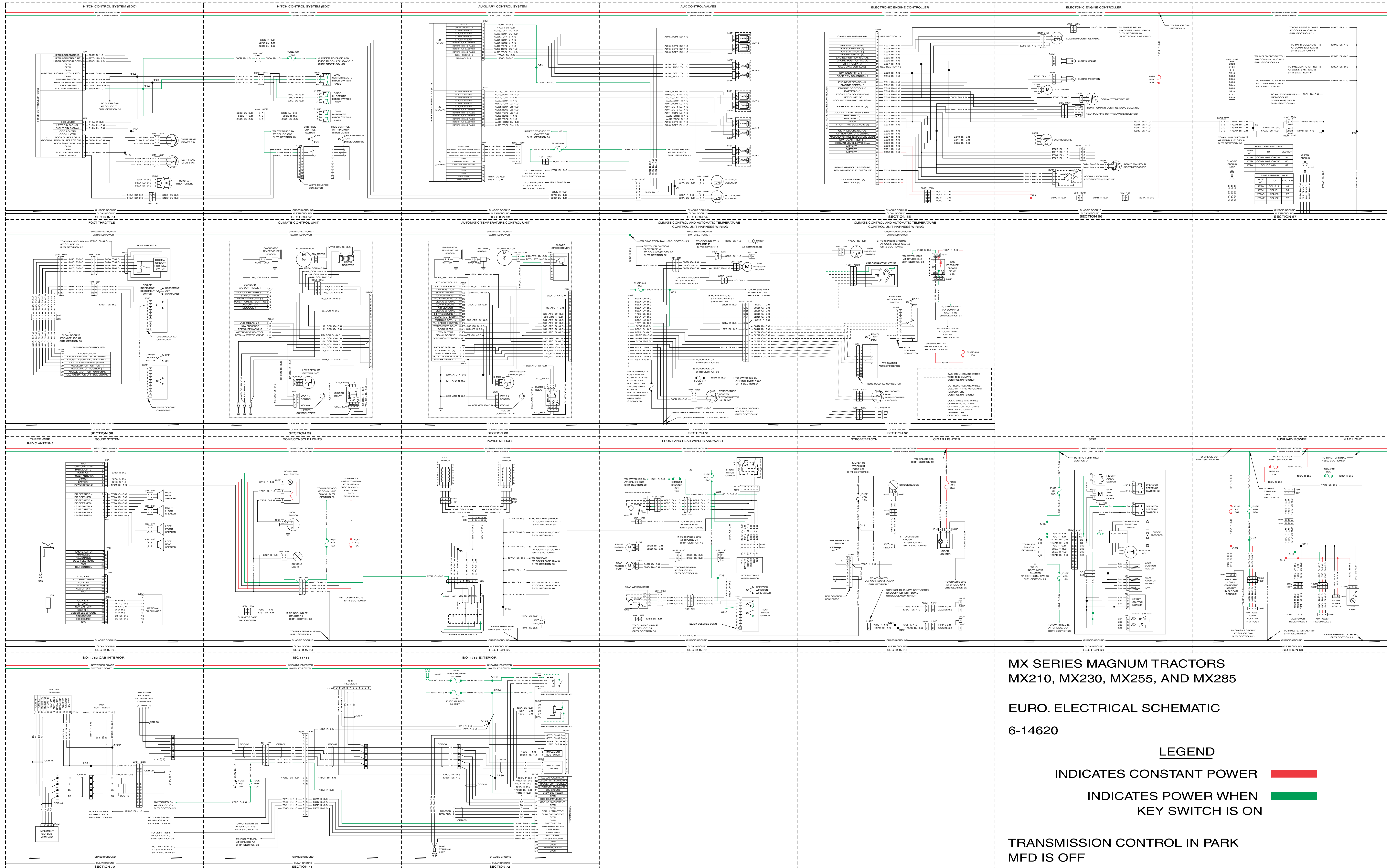
LEGEND

INDICATES CONSTANT POWER

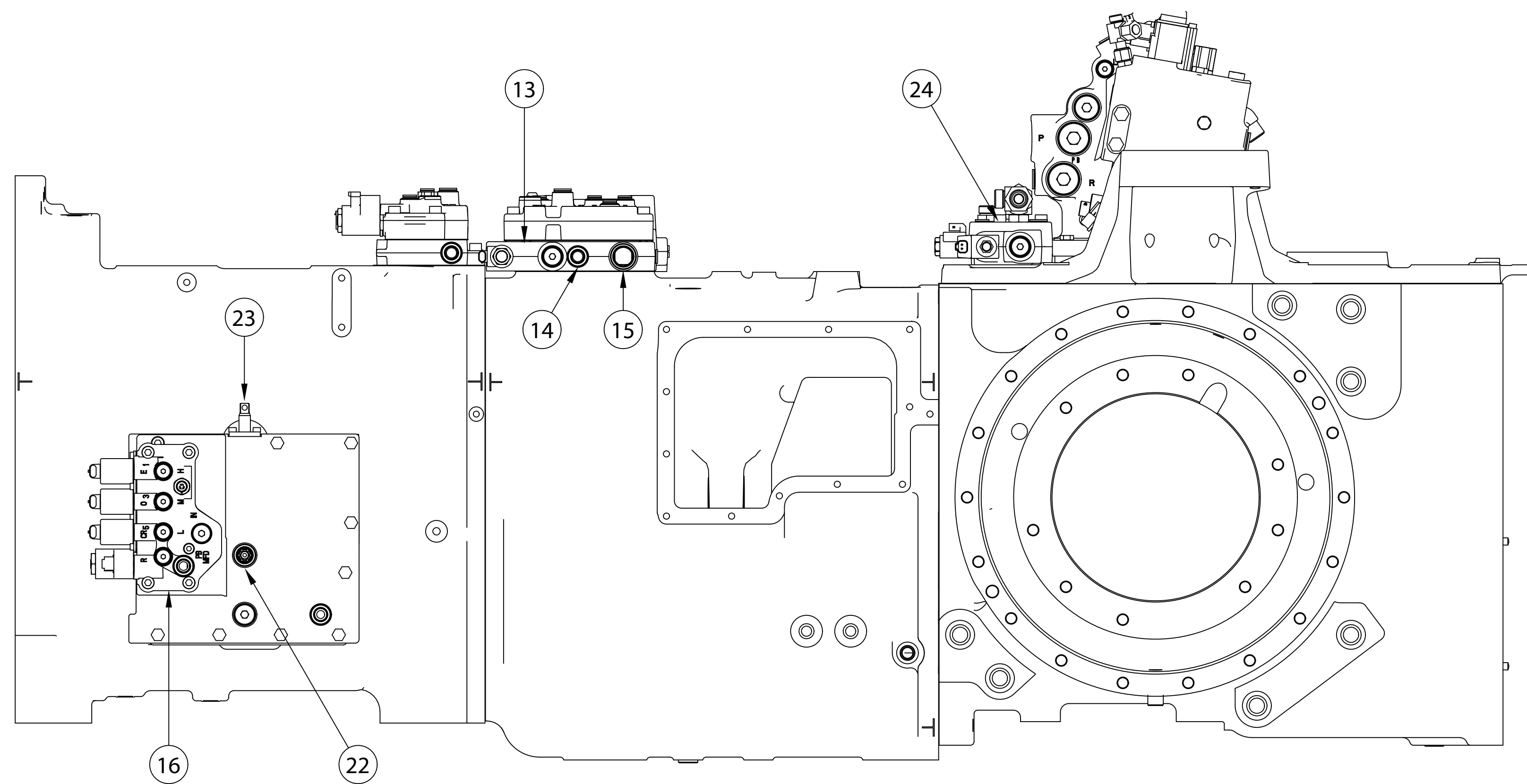
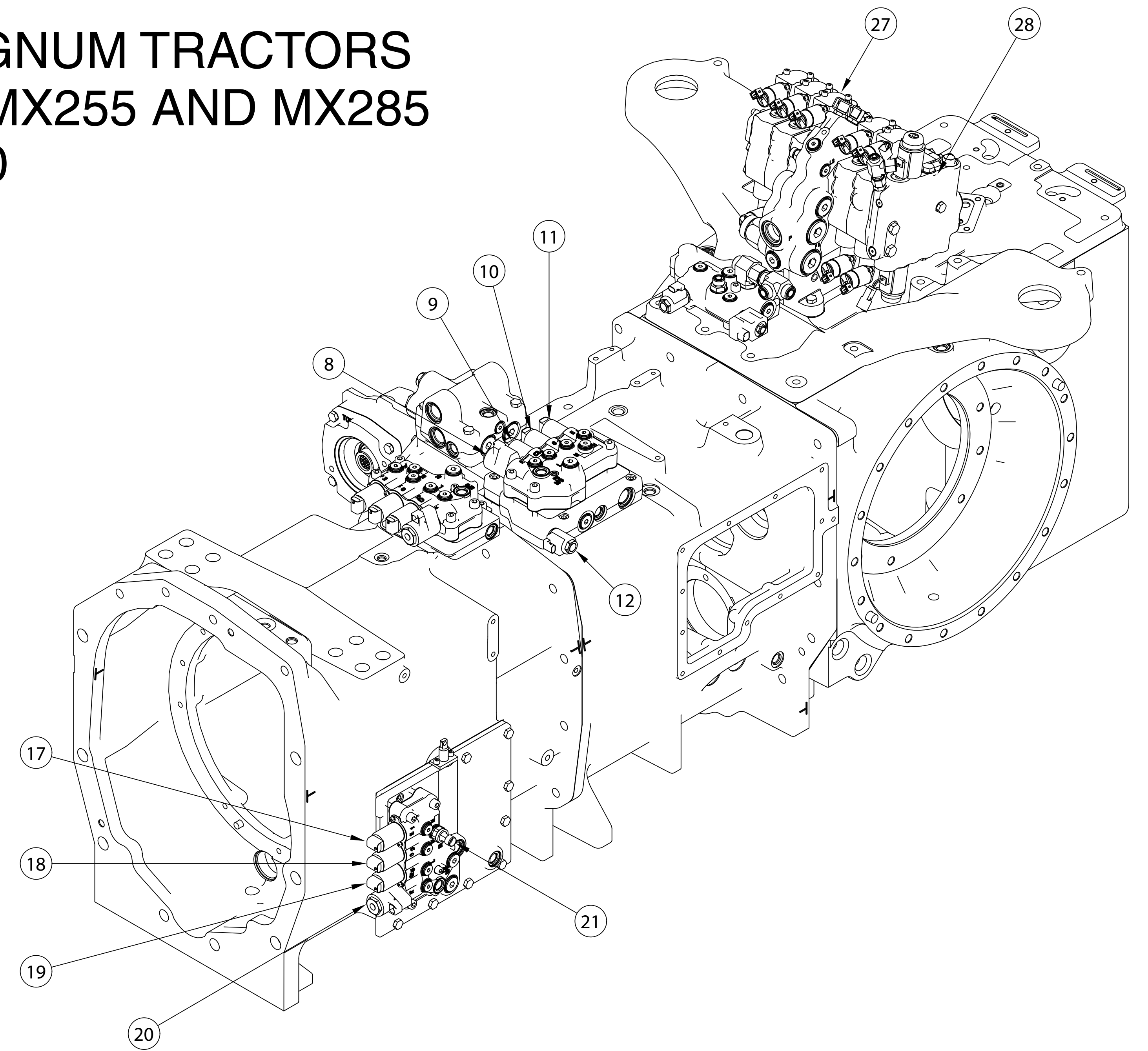
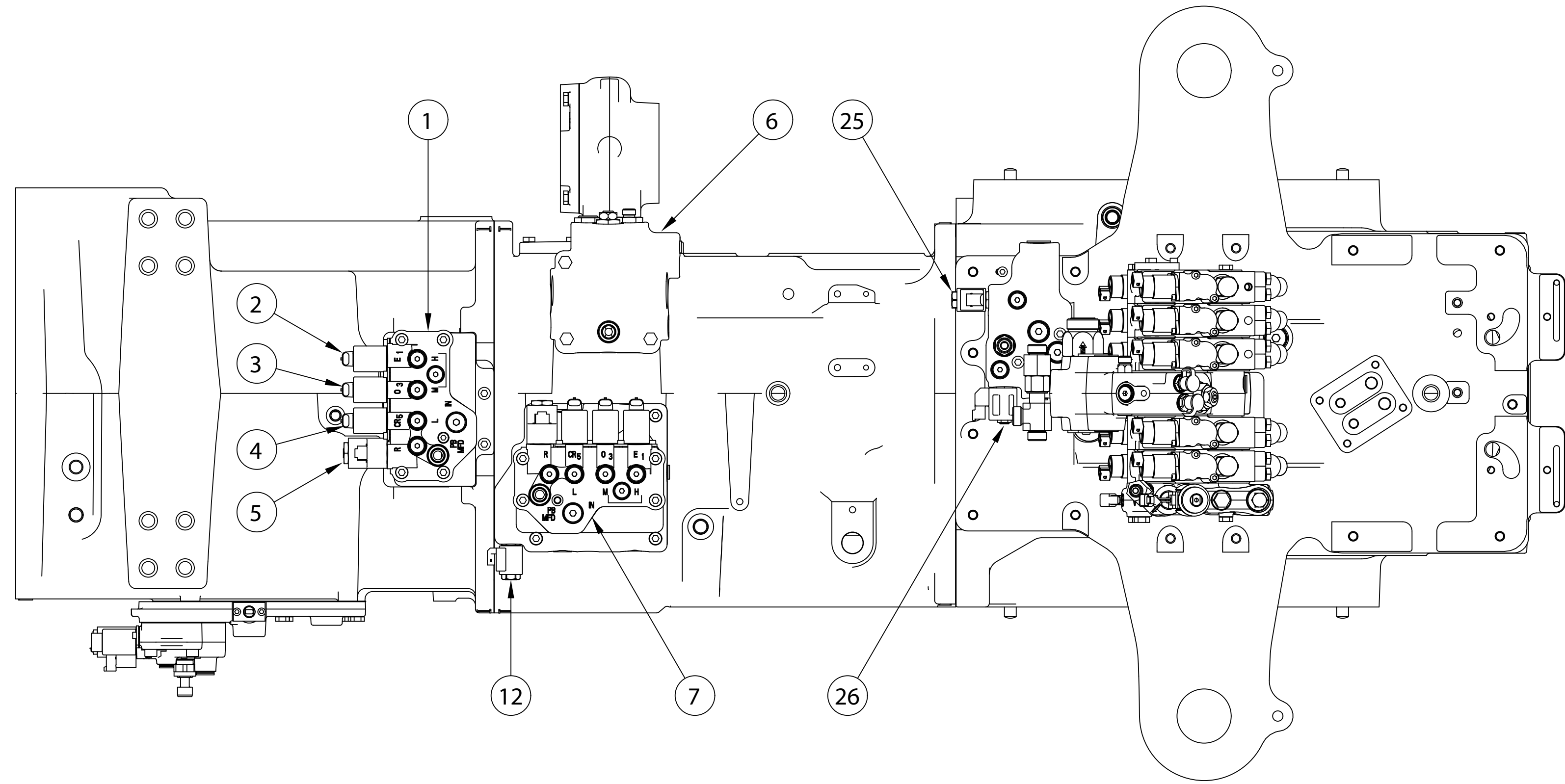
INDICATES POWER WHEN
KEY SWITCH IS ON

TRANSMISSION CONTROL IN PARK
MFD IS OFF





MX SERIES MAGNUM TRACTORS MX210, MX230, MX255 AND MX285 6-14620



1. POWERSHIFT VALVE ODD/EVEN
2. EVEN CLUTCH SOLENOID
3. ODD CLUTCH SOLENOID
4. CREEP CLUTCH SOLENOID
5. PARK BRAKE SOLENOID
6. PRIORITY REGULATOR VALVE
7. POWERSHIFT VALVE RANGE
8. MFD SOLENOID
9. LOW CLUTCH SOLENOID
10. MID CLUTCH SOLENOID
11. HIGH CLUTCH SOLENOID
12. MASTER CLUTCH SOLENOID
13. INCHING VALVE
14. REGULATED PRESSURE INLET

15. MASTER CLUTCH LUBE INLET
16. POWERSHIFT VALVE SPEED
17. C1 CLUTCH SOLENOID
18. C3 CLUTCH SOLENOID
19. C5 CLUTCH SOLENOID
20. REVERSE SOLENOID
21. TRANSDUCER
22. TO PARK BRAKE
23. PARK BRAKE PUMP
24. PTO/DIFF LOCK VALVE
25. PTO SOLENOID
26. DIFF LOCK SOLENOID
27. REMOTE VALVE ASSEMBLY
28. HITCH VALVE