

Component Identifiers (CID) Module Identifier (MID) Engine Control System (MID No. 036) Component table with columns for CID, MID, and Component.

Wire Description table with columns for Wire Number, Wire Color, Description, Wire Number, Wire Color, and Description.

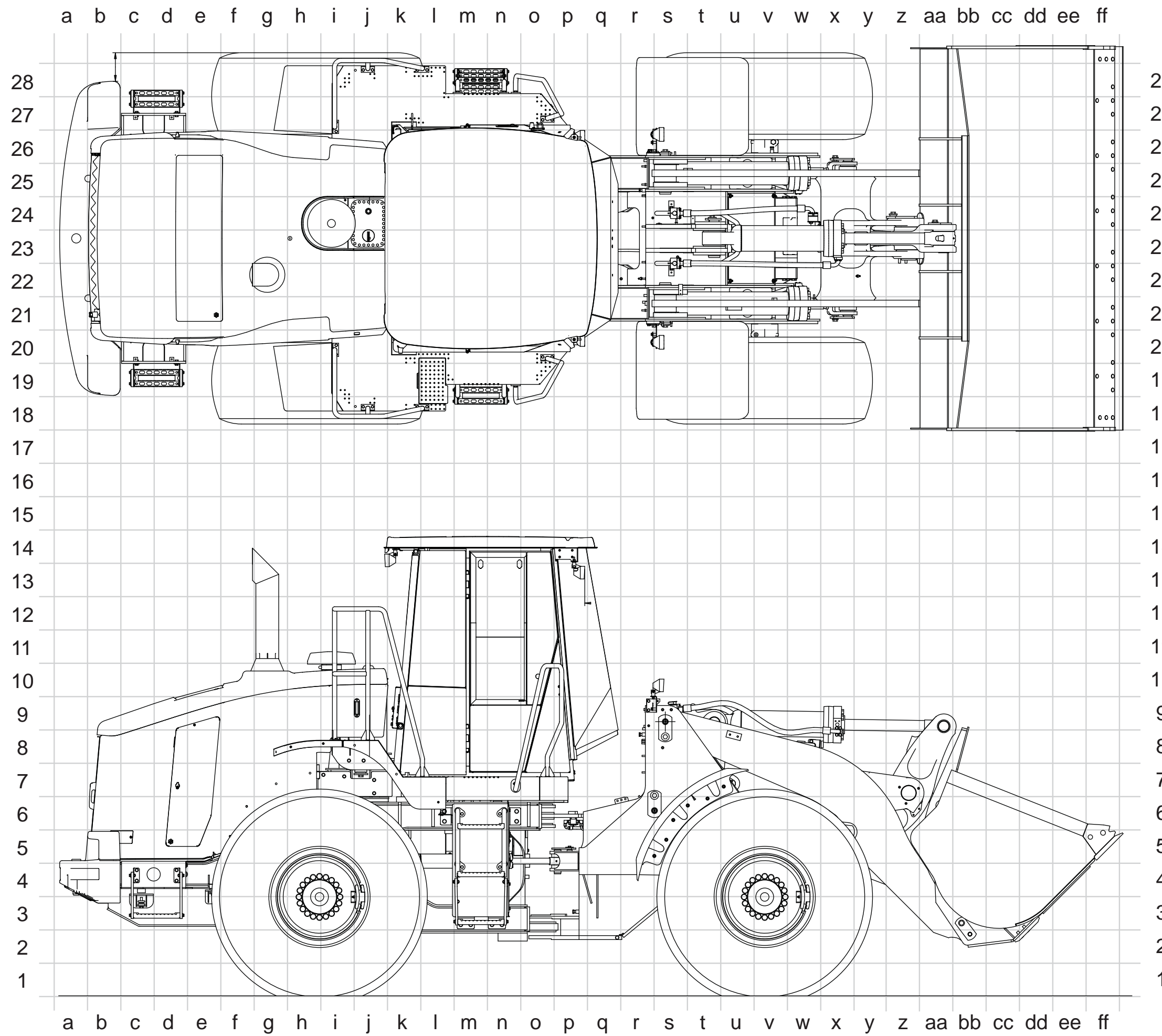
Component Location table with columns for Component, Schematic Location, Machine Location, Component, Schematic Location, and Machine Location.

Connector Location table with columns for Connector Number, Schematic Location, Machine Location, Connector Number, Schematic Location, and Machine Location.

Failure Mode Identifiers (FMI) Failure Description table with columns for FMI No., Failure Description, and Failure Description.

Event Codes Engine Control table with columns for Event Code, High Fuel Pressure, High Air Filter Restriction, High Exhaust Temperature, Low Fuel Pressure, Low Engine Oil Pressure, High Engine Coolant Temperature, Engine Overheated, Fuel Filter Restriction, Idle Elevated by Increased Battery Voltage, High Intake Manifold Air Temperature.

Related Electrical Service Manuals table with columns for Title and Form Number.



Off Machine Switch Specification table with columns for Part No., Function, Activate, Deactivate, Contact Position.

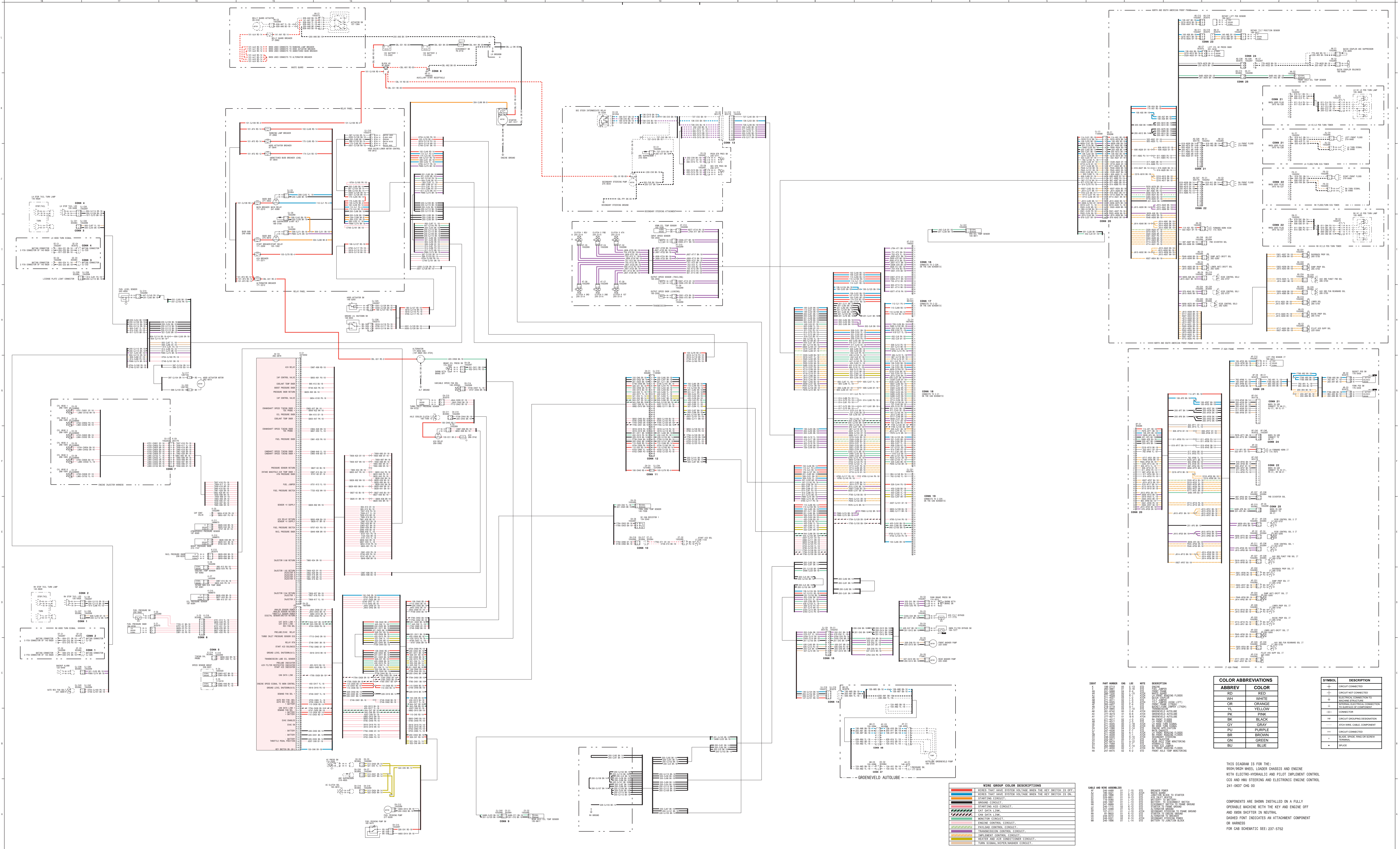
Resistor, Sender and Solenoid Specifications table with columns for Part No., Component Description, Resistance (Ohms).

Schematic 950H, 962H and IT62H Wheel Loader Electrical System

950H: N1A1-UP M1G1-UP J5J1-UP K5K1-UP 962H: N4A1-UP M3G1-UP J6J1-UP K6K1-UP IT62H: MSG1-UP

Volume 1 of 2: Chassis © 2006 Caterpillar, All Rights Reserved Printed in U.S.A.

Harness And Wire Electrical Schematic Symbols section containing symbols for Pressure, Temperature, Level, Flow, Circuit Breaker, Symbols And Definitions, and Harness And Wire Symbols.



**WIRE GROUP COLOR DESCRIPTIONS**

- WIRES THAT HAVE SYSTEM VOLTAGE WHEN THE KEY SWITCH IS OFF.
- WIRES THAT HAVE SYSTEM VOLTAGE WHEN THE KEY SWITCH IS ON.
- IGNITION CIRCUIT.
- GROUND CIRCUIT.
- STOP LIGHT CIRCUIT.
- RED WIRE LINE.
- ENGINE CONTROL CIRCUIT.
- MONITOR CIRCUIT.
- PARALLEL CONTROL CIRCUIT.
- TRANSMISSION CONTROL CIRCUIT.
- IMPLEMENT CONTROL CIRCUIT.
- WATER PUMP RELAY CIRCUIT.
- TURBO SIGNAL/WATER PUMP CIRCUIT.

**COLOR ABBREVIATIONS**

ABBREV	COLOR
RD	RED
WH	WHITE
OR	ORANGE
YL	YELLOW
PK	PINK
BLK	BLACK
GY	GRAY
PL	PURPLE
BR	BROWN
GN	GREEN
BLU	BLUE

**SYMBOL DESCRIPTION**

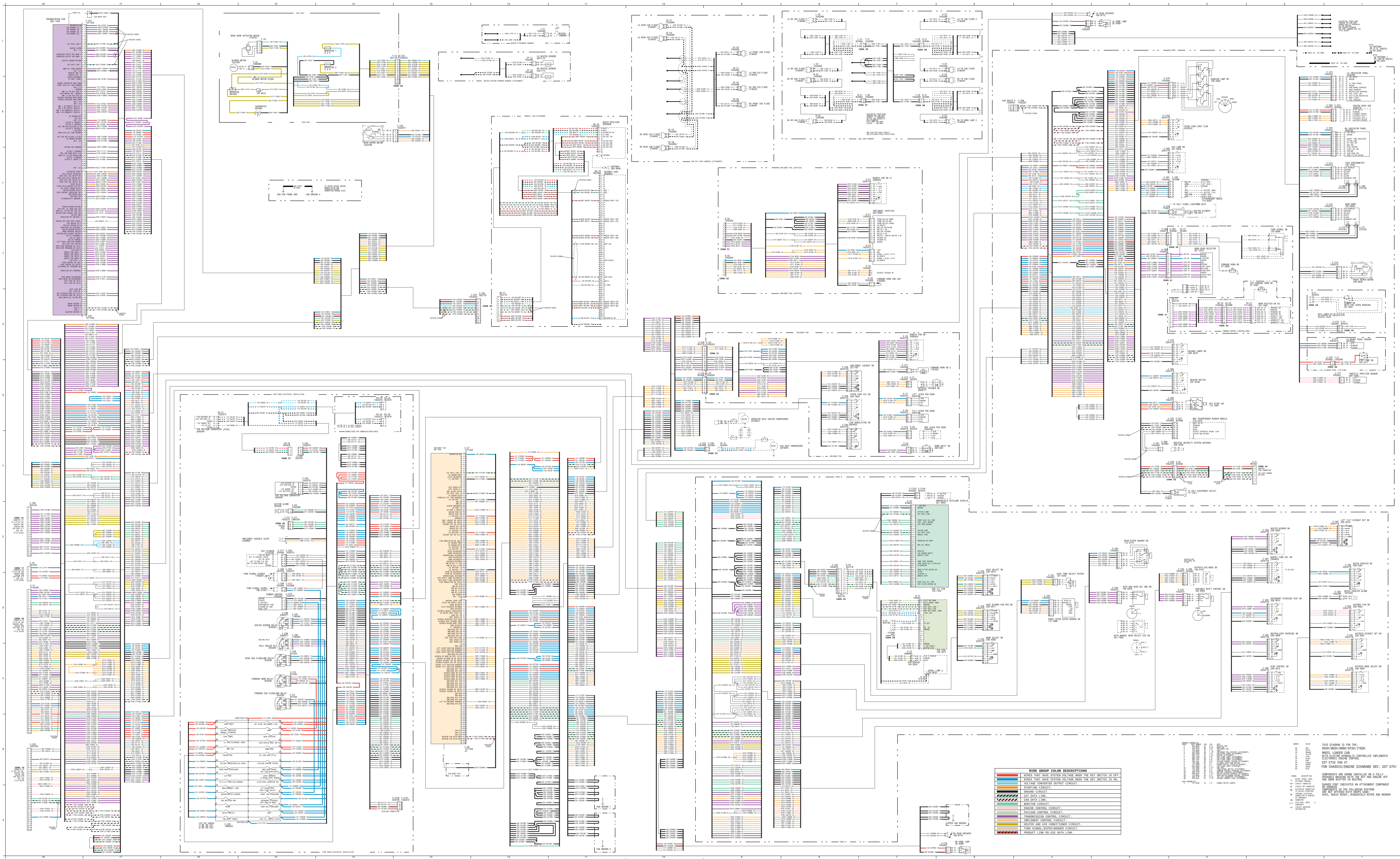
SYMBOL	DESCRIPTION
—	GROUND CONNECTED
—	GROUND NOT CONNECTED
—	BATTERY CONNECTED TO
—	BATTERY NOT CONNECTED TO
—	WIRE GROUP OR COMPONENT
—	CONNECTOR
—	GROUND GROUPING DESIGNATION
—	WIRE CABLE COMPARTMENT
—	GROUND CONNECTED
—	WIRE GROUP NOT CONNECTED
—	WIRE GROUP

THIS DIAGRAM IS FOR THE:  
950H/942H WHEEL LOADER CHASSIS AND ENGINE  
WITH ELECTRO-HYDRAULIC AND PILOT IMPLEMENT CONTROL  
CGS AND HSS STEERING AND ELECTRONIC ENGINE CONTROL  
241-0027 CHG 00

COMPONENTS ARE SHOWN INSTALLED ON A FULLY  
OPERABLE MACHINE WITH THE KEY AND ENGINE OFF  
AND KEYS SHIFTER IN NEUTRAL.  
DASHED FONT INDICATES AN ATTACHMENT COMPONENT  
OR WAREHOUSE

FOR CAB SCHEMATIC SEE: 237-5752





WIRE GROUP COLOR DESCRIPTIONS
STARTING CIRCUIT
IGNITION CIRCUIT
CAT DATA LINK
CAN DATA LINK
MONITOR CIRCUIT
ENGINE CONTROL CIRCUIT
PARKING CONTROL CIRCUIT
TRANSMISSION CONTROL CIRCUIT
HYDRAULIC CONTROL CIRCUIT
HEATER AND AIR CONDITIONER CIRCUIT
TURN SIGNAL/WIPER/WASHER CIRCUIT
PRODUCT LINK AND DATA LINK

THIS DIAGRAM IS FOR THE:  
800R HIGH CAPACITY LIFT  
WHEEL LOADER CAB  
ELECTRICAL SYSTEM CONTROL IMPLEMENTS  
237-4792 ONE OR TWO  
FOR DIAGNOSIS/ENGINE DIAGRAMS SEE: 237-0751

COMPONENTS ARE SHOWN INSTALLED ON A FULLY  
ASSEMBLED WHEEL LOADER CAB. ALL ELECTRICAL  
WIRING IS INDICATED AS STANDARD EQUIPMENT  
UNLESS NOTED OTHERWISE. THE FOLLOWING LISTING  
IS NOT INTENDED TO BE A COMPLETE LIST OF  
PARTS. WIRING MUST BE INSTALLED ACCORDING TO  
WIRING DIAGRAMS AND WIRING MANUALS.