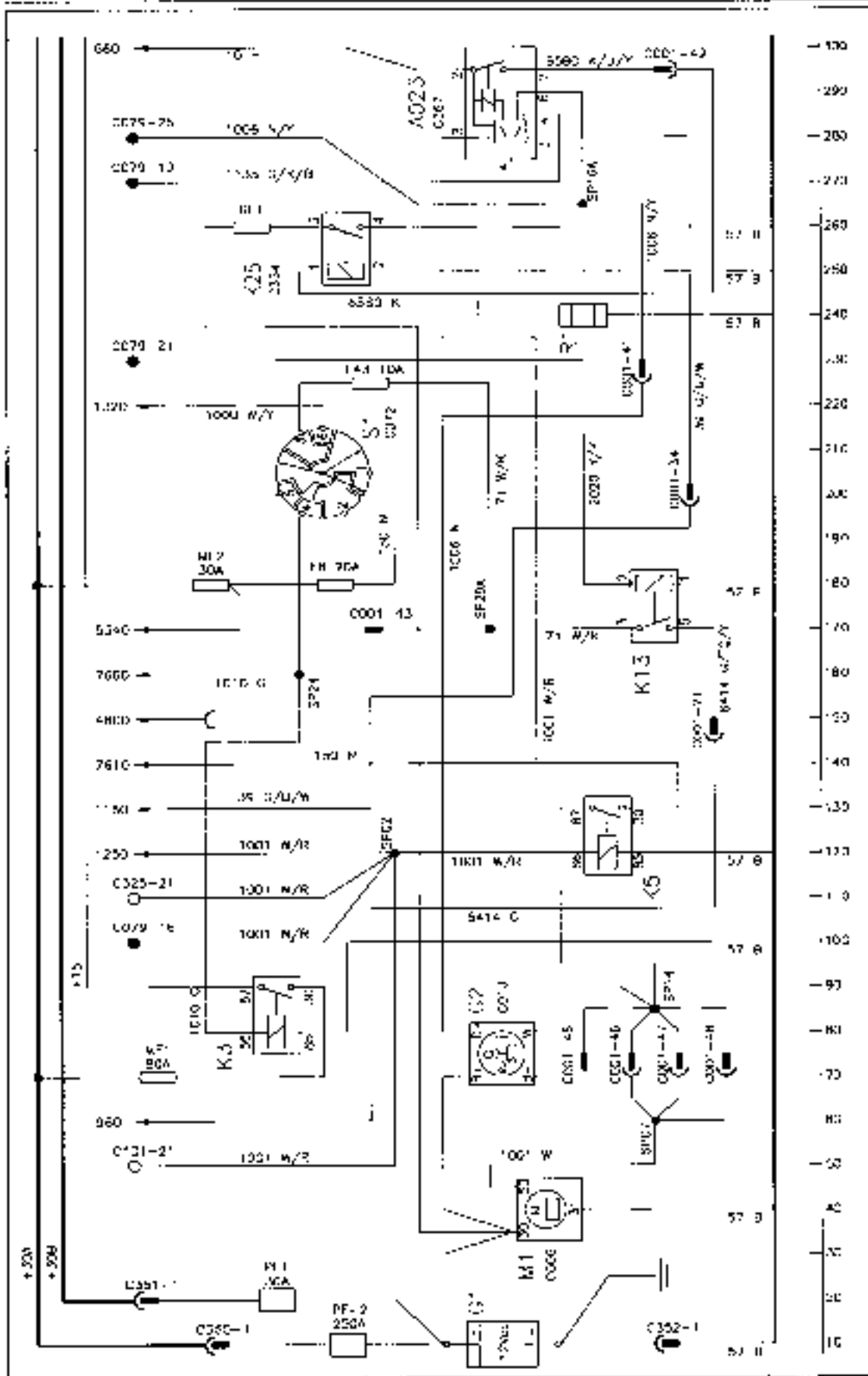


24X24 TRANSMISSION, L/CAB, W/MECHANICAL ENGINE

Wiring Diagrams	Circuit Description	Line Reference Range
Circuit 1	Starting, Charging, Thermostat, Fuel Injection Pump	0-300
Circuit 2	Engine	310-1200
Circuit 3	Transmission Circuits	1210-2100
Circuit 4	Hydraulics	2110-3000
Circuit 5	Four Wheel Drive and Differential Lock	3010-3300
Circuit 6	Power Take Off	3310-3900
Circuit 7	Front Suspension	3910-4200
Circuit 8	Cab Accessories	4210-4800
Circuit 9	Main Lamps, Indicators & Hazards	4810-5700
Circuit 10	Work Lamps	5710-6000
Circuit 11	Trailer Braking system circuits	6010-6300
Circuit 12	Sensors / Senders	6310-6600
Circuit 13	Wipers & Washers	6610-6900
Circuit 14	Diagnostic Connectors	6910-7500
Circuit 15	Processor Feed and Ground connections	7510-8100
Circuit 16	Air Conditioning & Heating	8110-8400



24x24 Transmission, L-Cab, W/Mechanical Engine

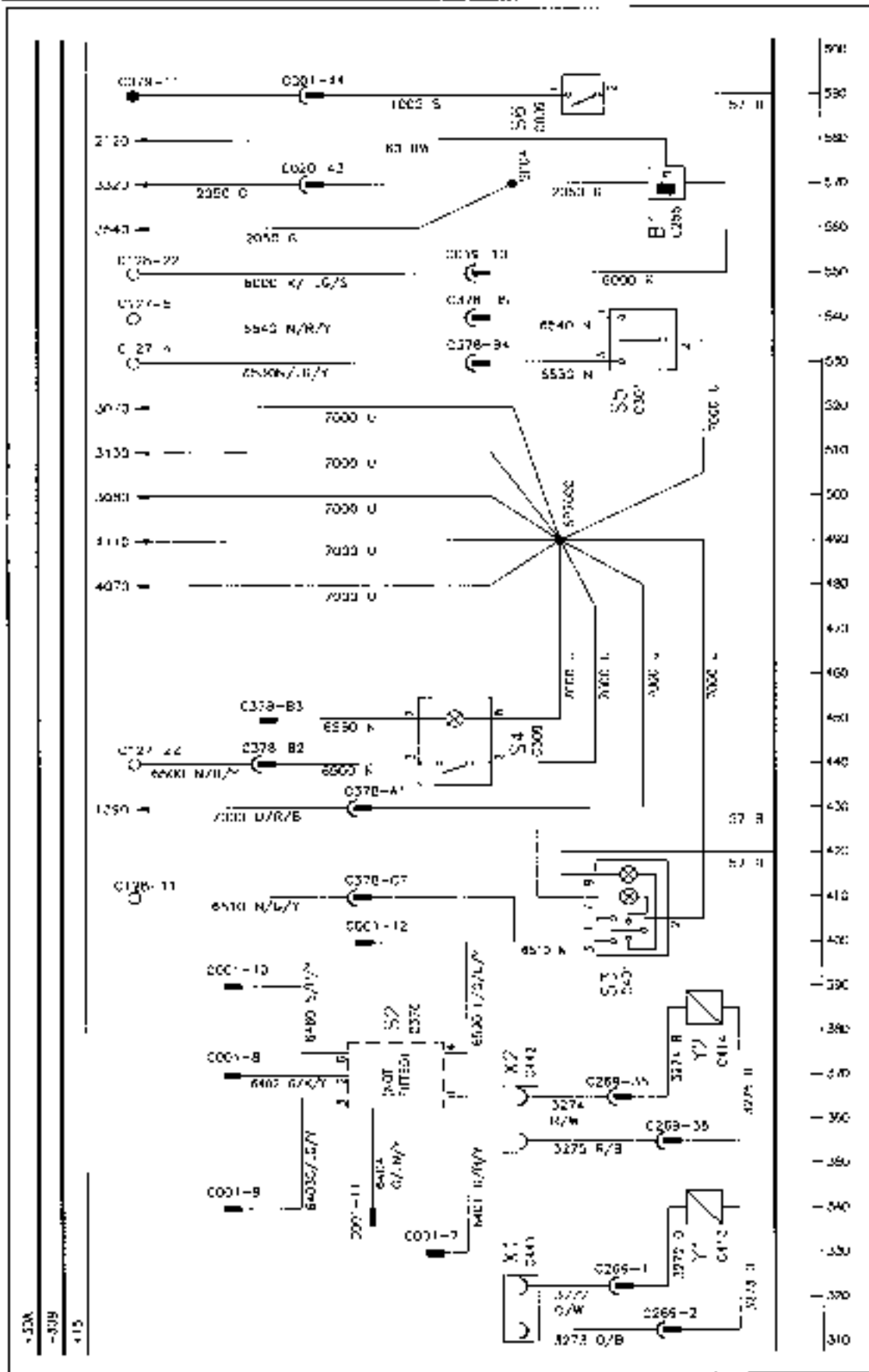
STARTING AND CHARGING

Line 0-300

PF1	Power Fuse - 30A	K3	Ignitor Relay
PF2	Power Fuse - 250A	K5	Starter (Crank) Relay
MF1	Maxi Fuse - 80A	K13	Engine Cool Start Advance Relay
MF2	Maxi Fuse - 30A	K25	Grid Heater Relay
GF	Grid Heater Fuse	R1	Grid Heater
F8	Fuse - 20A	S1	Ignition Switch
F43	Fuse - 10A	A023	Grid Heater Module
G1	Battery		
G2	Alternator		
M1	Starter Motor and Solenoid		

WIRE COLOUR CODES

B	Black	R	Red	_G	Light Green	K	Pink
N	Brown	O	Orange	J	Blue	W	White
LN	Light Brown	Y	Yellow	TO	Turquoise		
S	Slate	C	Green	P	Purple		



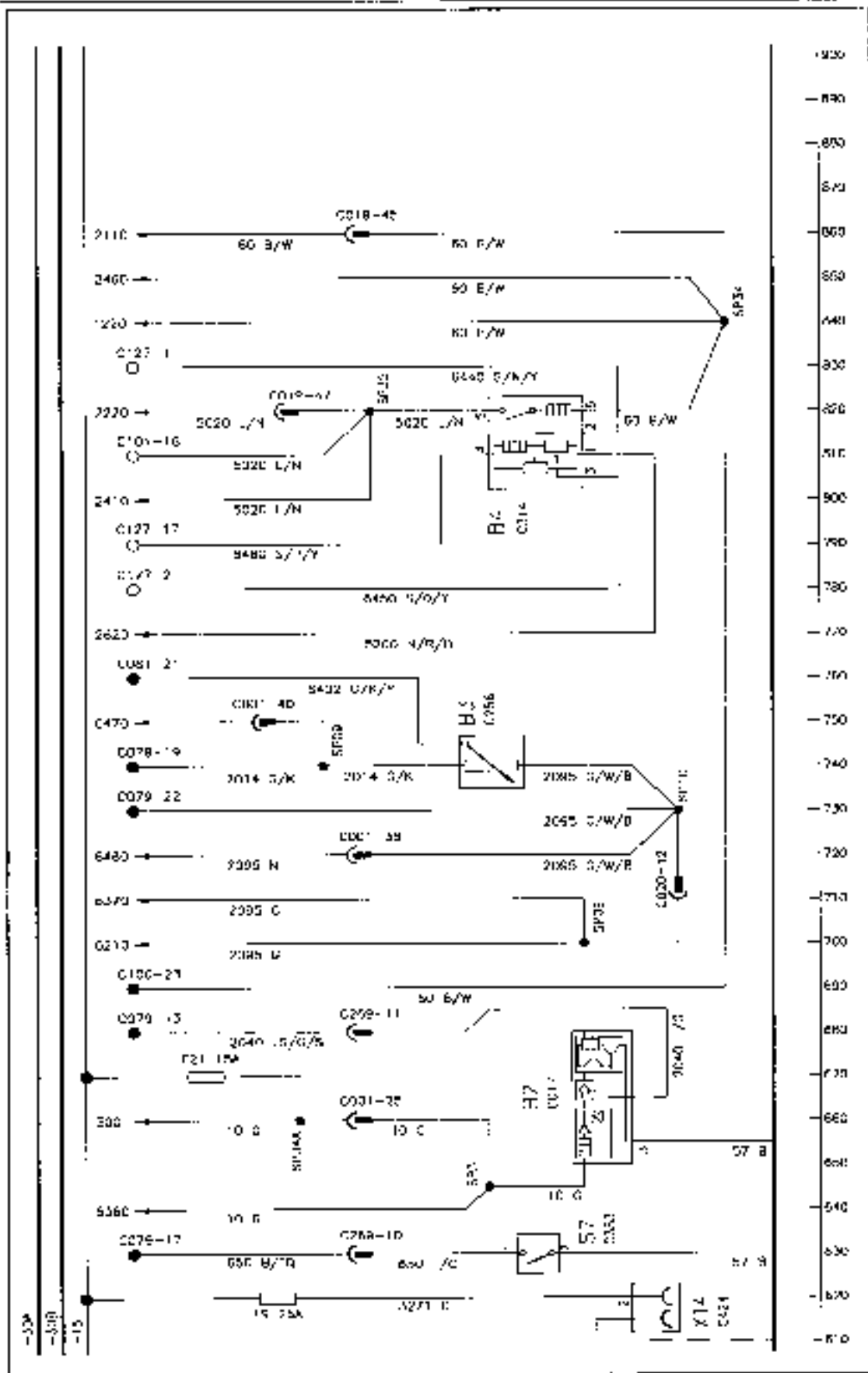
24x24 Transmission, L Cab, W/Mechanical Engine

ENGINE 1
line 310-500

- B1 Engine Flywheel Speed Sensor
- S2 Fault Throttle - Electrical Engine (Not Filtered)
- S3 Constant Engine Speed Programme Switch
- S4 Constant RPM On/Off Switch
- S5 Engine Inhibit Switch
- S6 Air Cleaner Switch
- Y1 Loader Valve 1
- Y2 Loader Valve 2
- X1 Joystick Loader Control Socket 1
- X2 Joystick Loader Control Socket 2

WIRE COLOUR CODES

B	Black	R	Red	LG	Light Green	K	Pink
N	Brown	O	Orange	U	Blue	W	White
LN	Light Brown	Y	Yellow	TQ	Turquoise		
S	Slate	G	Green	P	Purple		



24x24 Transmission, L/Cab, W/Mechanical Engine

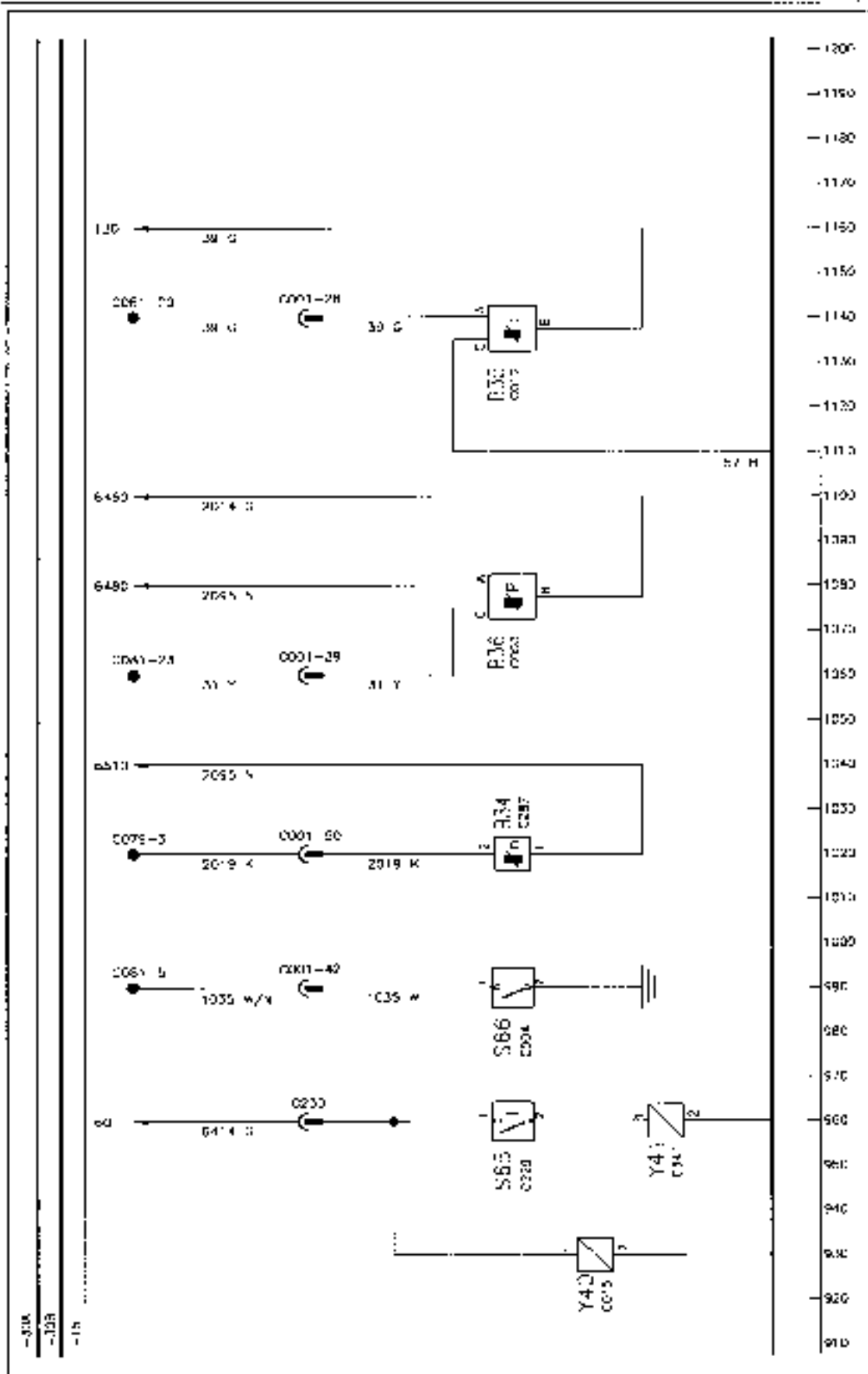
ENGINE 2

line 610-900

F9	Fuse - 25A	S7	De Gas Bottle
F21	Fuse 15A	X14	Loader Power Connector
B2	Water In Fuel Sensor		
B3	Foot Throttle - Mechanical Engine		
B4	Hand Throttle		

WIRE COLOUR CODES

B	Black	R	Red	LG	Light Green	K	Pink
N	Brown	O	Orange	U	Blue	W	White
N	Light Brown	Y	Yellow	TQ	Turquoise		
S	Slate	G	Green	P	Purple		



-31A
-12B
-17

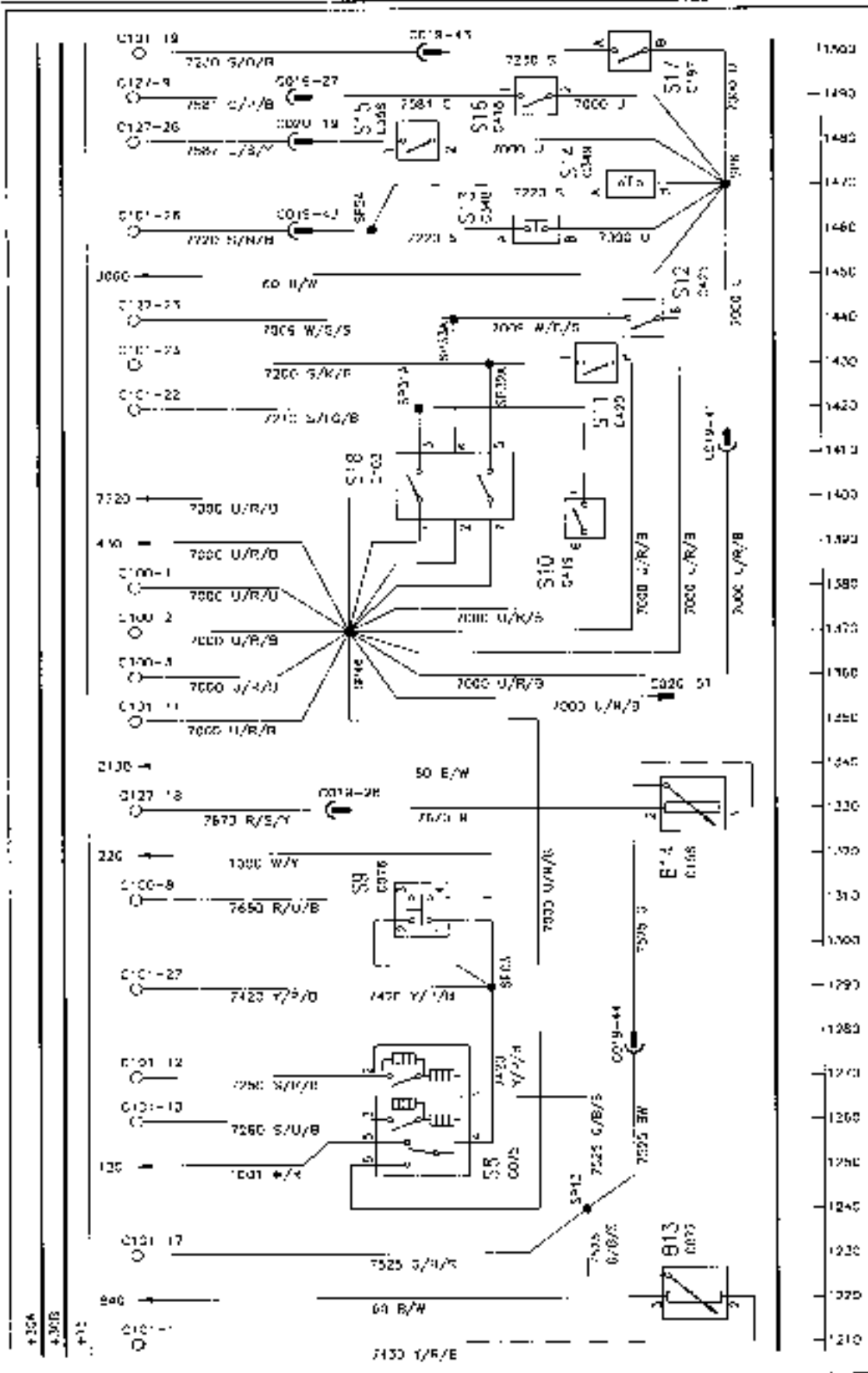
24x24 Transmission, L-Cab, W. Mechanical Engine

ENGINE 3
line 910-1200

B34	Engine Speed Sensor			
B35	Coolant Temperature Sensor	Y40	Fuel Shut Off Solenoid	
B36	Oil Pressure Sensor	Y41	Cold Advance Solenoid	
S65	Thermo Cold Advance Switch			
S66	Oil Pressure Switch			

WIRE COLOUR CODES

B	Black	R	Red	LG	Light Green	K	Pink
N	Brown	O	Orange	U	Blue	W	White
LN	Light Green	Y	Yellow	TO	Turquoise		
S	White	G	Green	P	Purple		



24x24 Transmission, L: Cab, W: Mechanical Engine

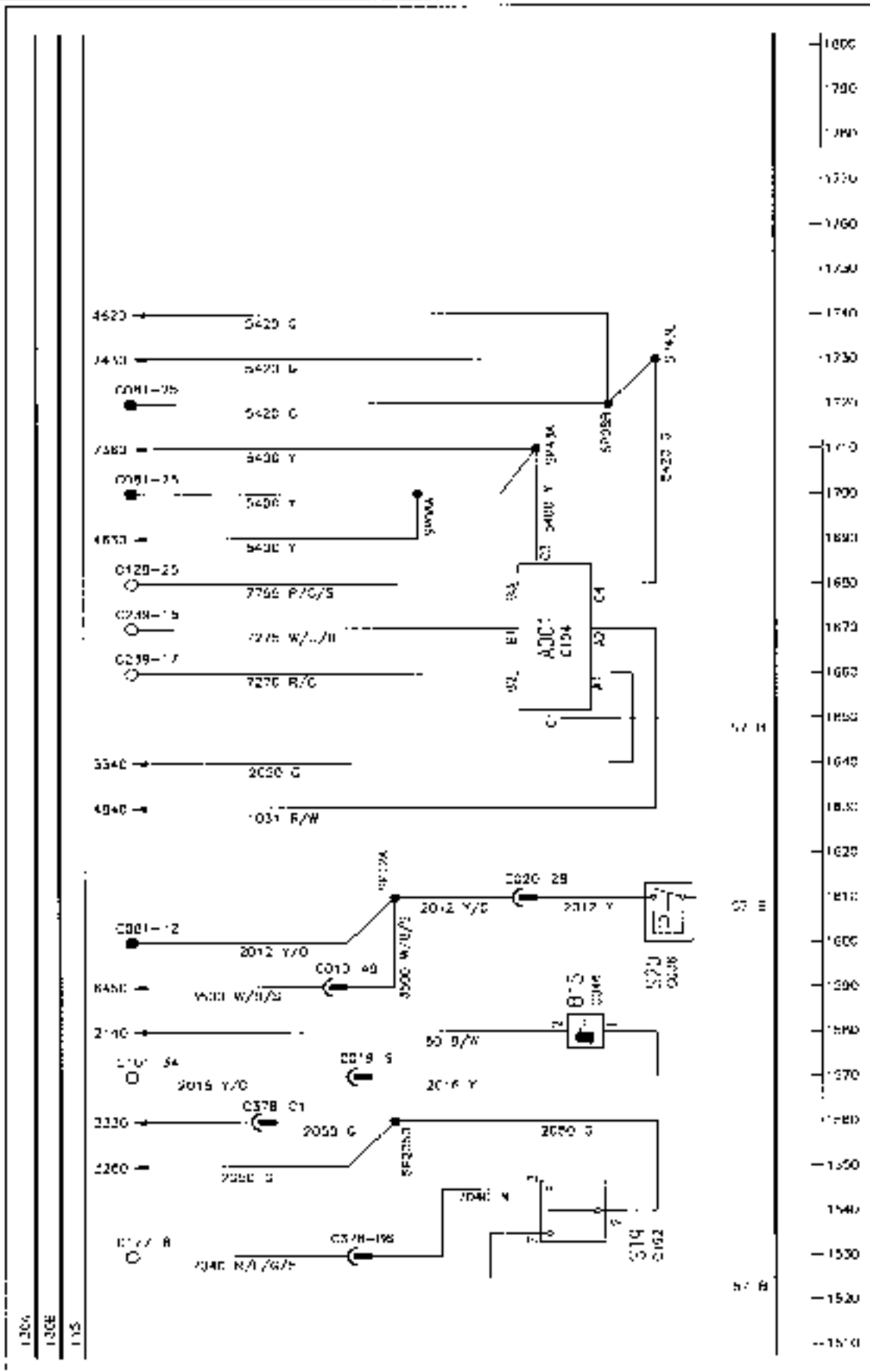
TRANSMISSION SYSTEM 1

Line 1210-1600

S13	Clutch Potentiometer	S12	Duplicate Transmission Control - Range
S14	Synchro Position Potentiometer	S13	Neutral Switch 3.4 Rai
S8	Shuttle Switch	S14	Neutral Switch 1.2 Rai
S9	Clutch Switch	S15	Creeper Sensing Switch
S10	Duplicate Transmission Control Downshift	S16	Creeper Surge Forward Switch
S11	Duplicate Transmission Control Upshift	S17	High/Medium Switch
		S18	Gearshift

WIRE COLOUR CODES

B	Black	R	Red	LG	Light Green	K	Black
N	Brown	O	Orange	U	Blue	W	White
LN	Light Brown	Y	Yellow	TQ	Turquoise		
S	Slate	G	Green	P	Purple		



24x24 Transmission, L/Cab, W/Mechanical Engine

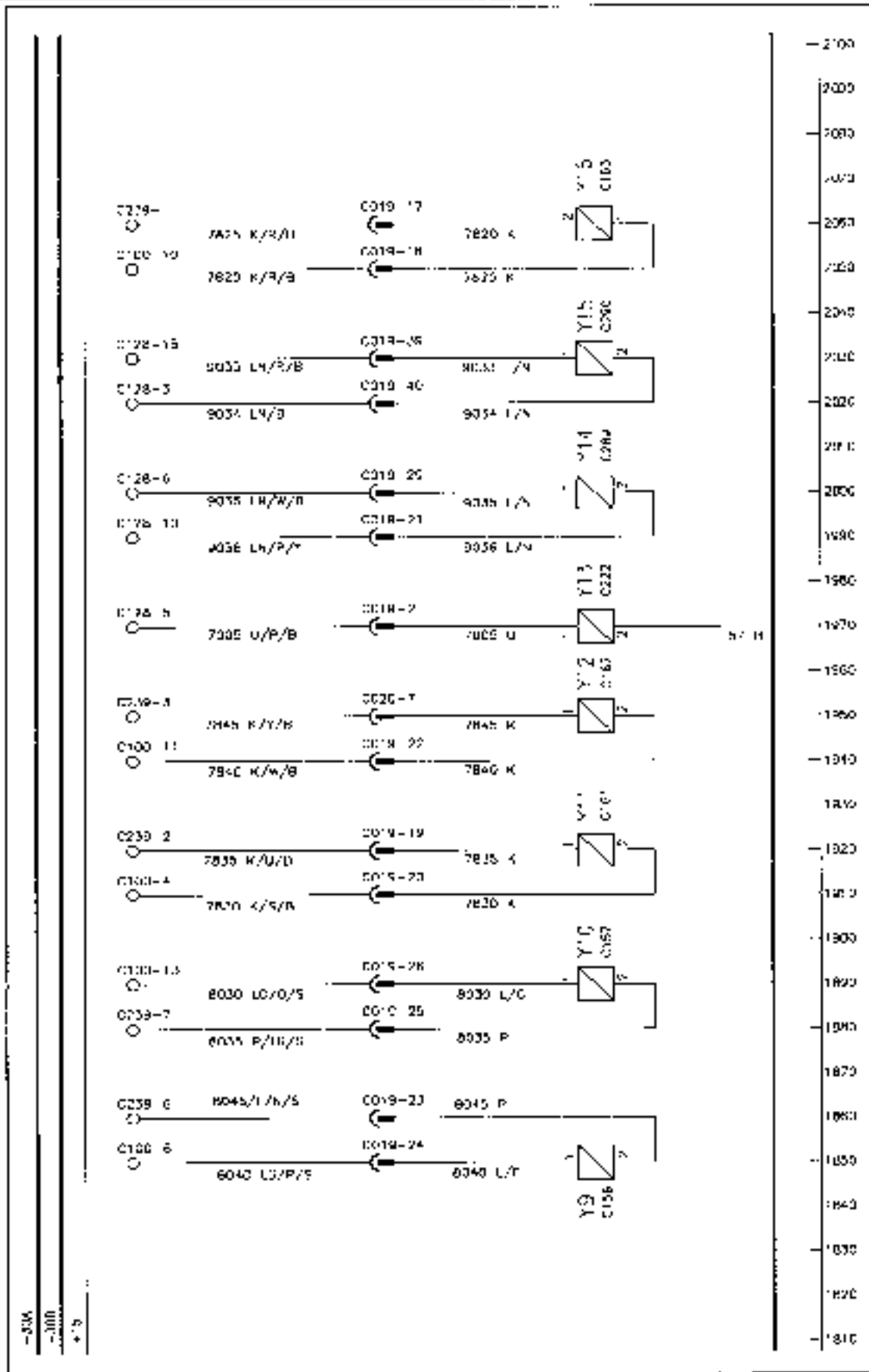
TRANSMISSION SYSTEM 2

Line 1510-1800

A001	Gear Shift Indicator
B15	Speed Sensor
S18	Creaper Gear Switch
S20	Transmission Oil Pressure Switch

WIRE COLOUR CODES

B	Black	R	Red	IG	Light Green	K	Pink
V	Brown	O	Orange	L	Blue	W	White
JN	Light Brown	Y	Yellow	TQ	Turquoise		
S	State	G	Green	P	Purple		



24x24 Transmission, L/Cab, W/Mechanical Engine

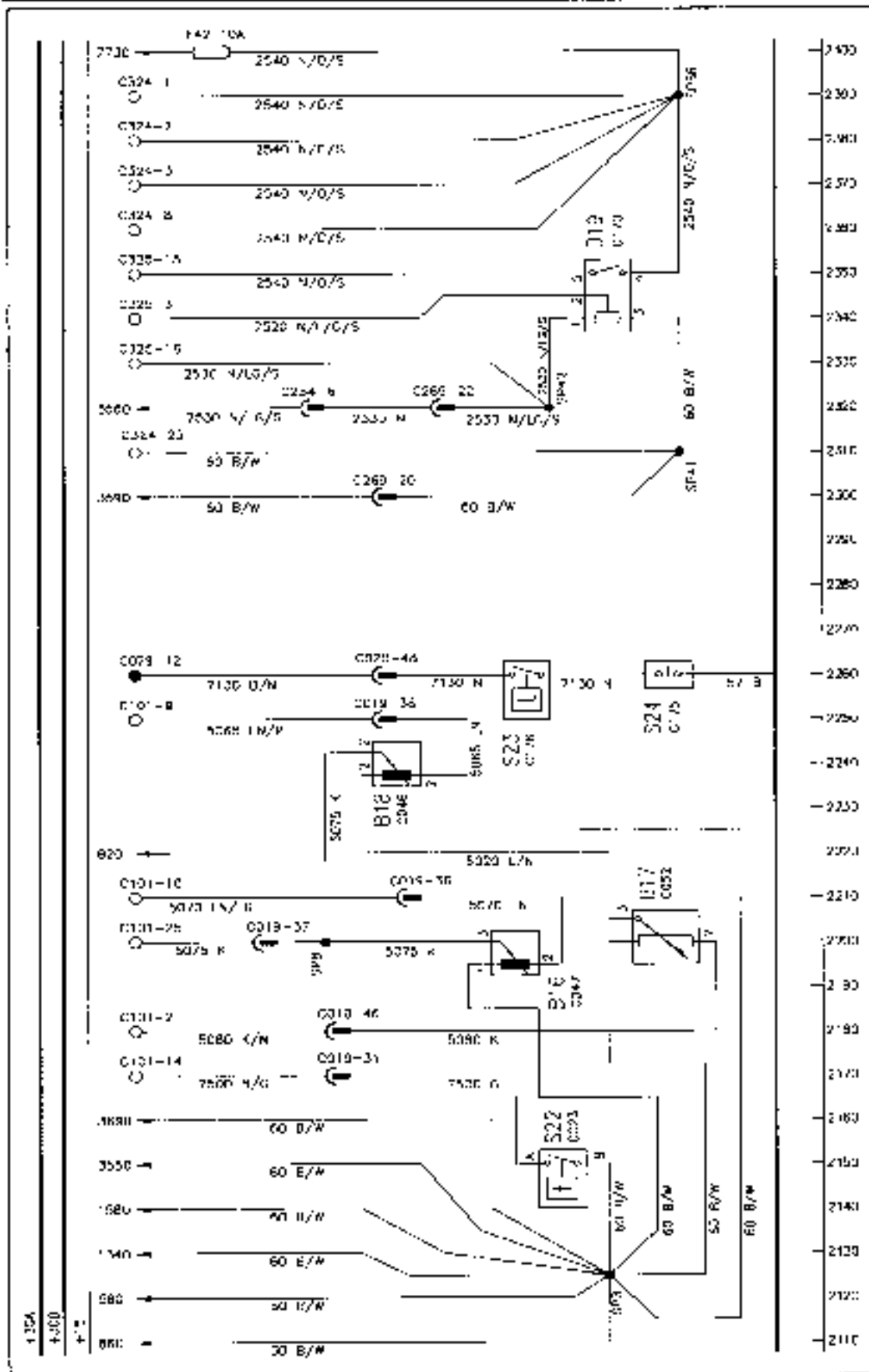
TRANSMISSION SYSTEM 3

Line 1B10-2100

Y9	Reverse Synchro Solenoid
Y10	Forward Synchro Solenoid
Y11	LO PWM Valve
Y12	H PWM Valve
Y13	Creep Gear Solenoid
Y14	17th Gear Dump Solenoid
Y15	17th Gear Solenoid
Y16	Dump Solenoid

WIRE COLOUR CODES

	H	Red	LG	Light Green	K	Pink
B	Black					
N	Brown	O	Orange	U	W	White
LN	Light Brown	Y	Yellow	TQ		Turquoise
K	Slate	G	Green	P		Purple



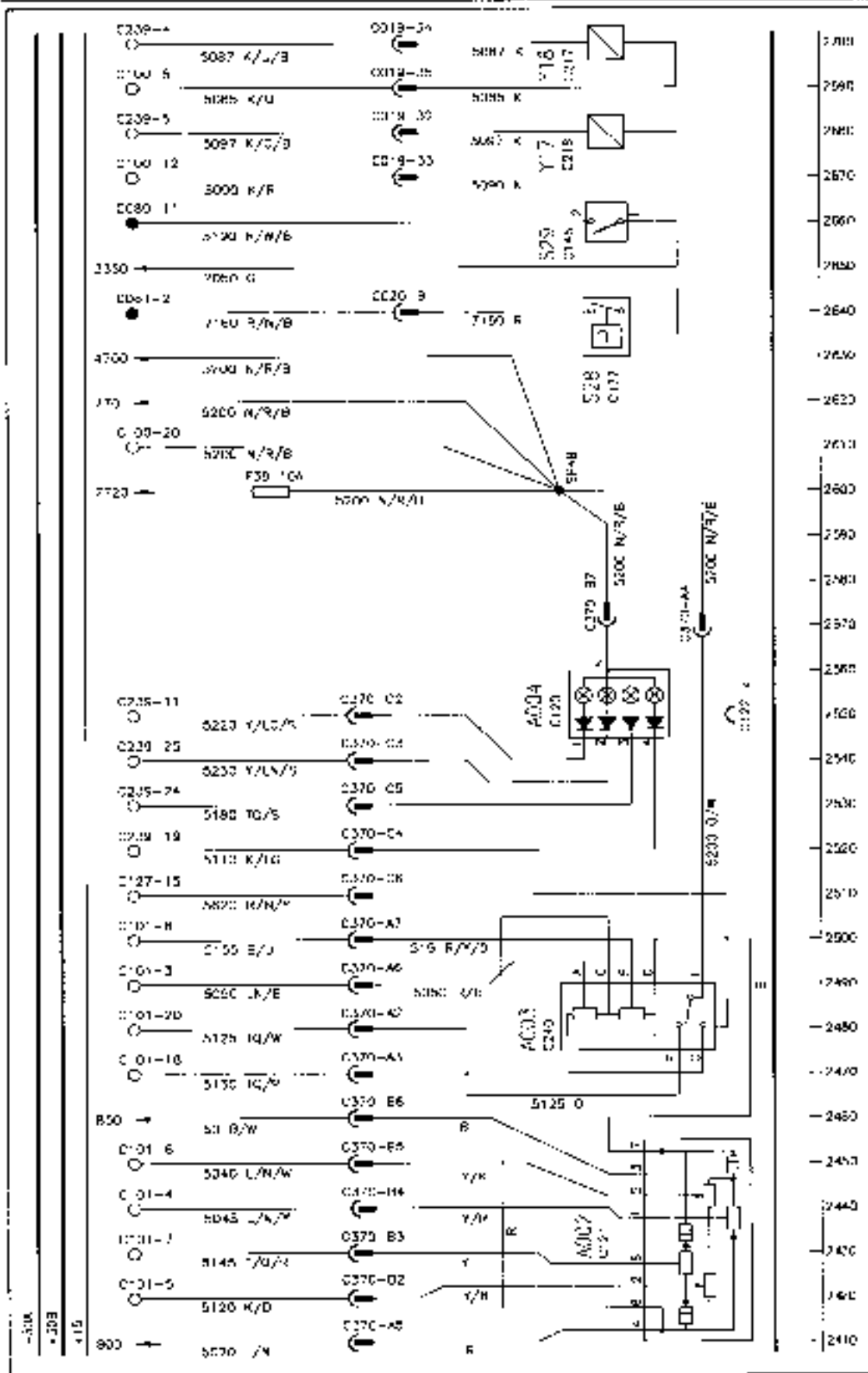
24x24 Transmission, L-Cab, W/Mechanical Engine

HYDRAULICS 1
Line 2110-2400

F42	Fuse - 10A	B19	Front HPL Pump Pressure Meter
B16	LH Draft Pin	S22	Transmission Oil Temp Sensor
B17	Rockshaft Pressure Meter	S23	Oil Temperature Switch
B18	RH Draft Pin	S24	HPL Filter Switch

WIRE COLOUR CODES

B	Black	R	Red	_G	Light Green	K	Pink
N	Isirown	O	Orange	U	Blue	W	White
LV	Light Brown	Y	Yellow	TQ	Turquoise		
S	Slate	G	Green	P	Purple		



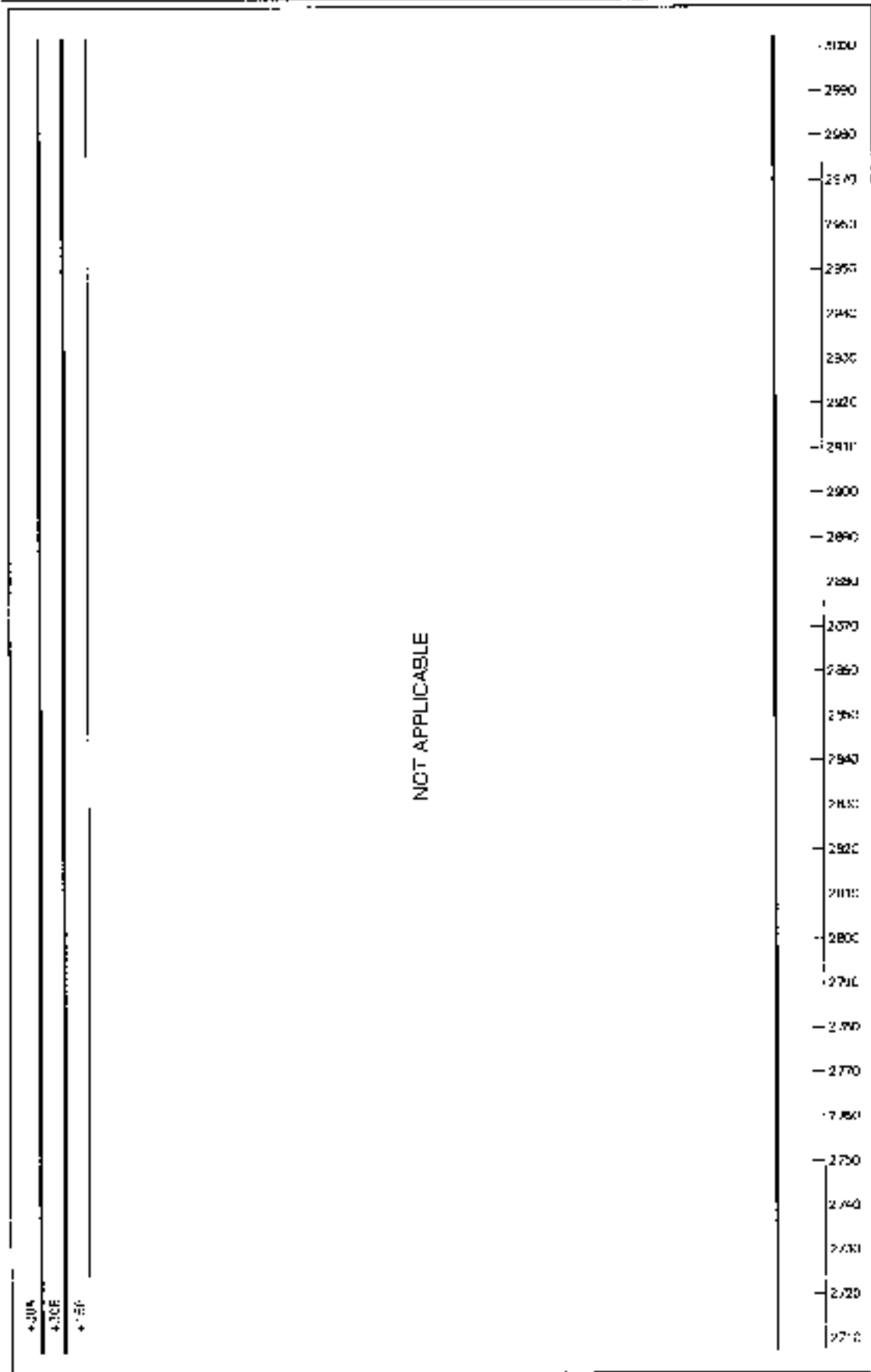
24x24 Transmission, L-Cab, W/Mechanical Engine

HYDRAULICS 2
Line 2410-2700

F30	Fuse - 10A	S28	Lo Charge Switch
A002	EDC Control	S29	Lift-O-Matic Switch
A003	EDC Mouse	Y17	EDC Lower Solenoid
A004	EDC Status Lamp Pane	Y18	EDC Raise Solenoid

WIRE COLOUR CODES

D	Black	R	Red	LG	Light Green	K	Pink
N	Brown	O	Orange	U	Blue	W	White
LN	Light Brown	Y	Yellow	TO	Turquoise		
S	Slate	G	Green	P	Purple		

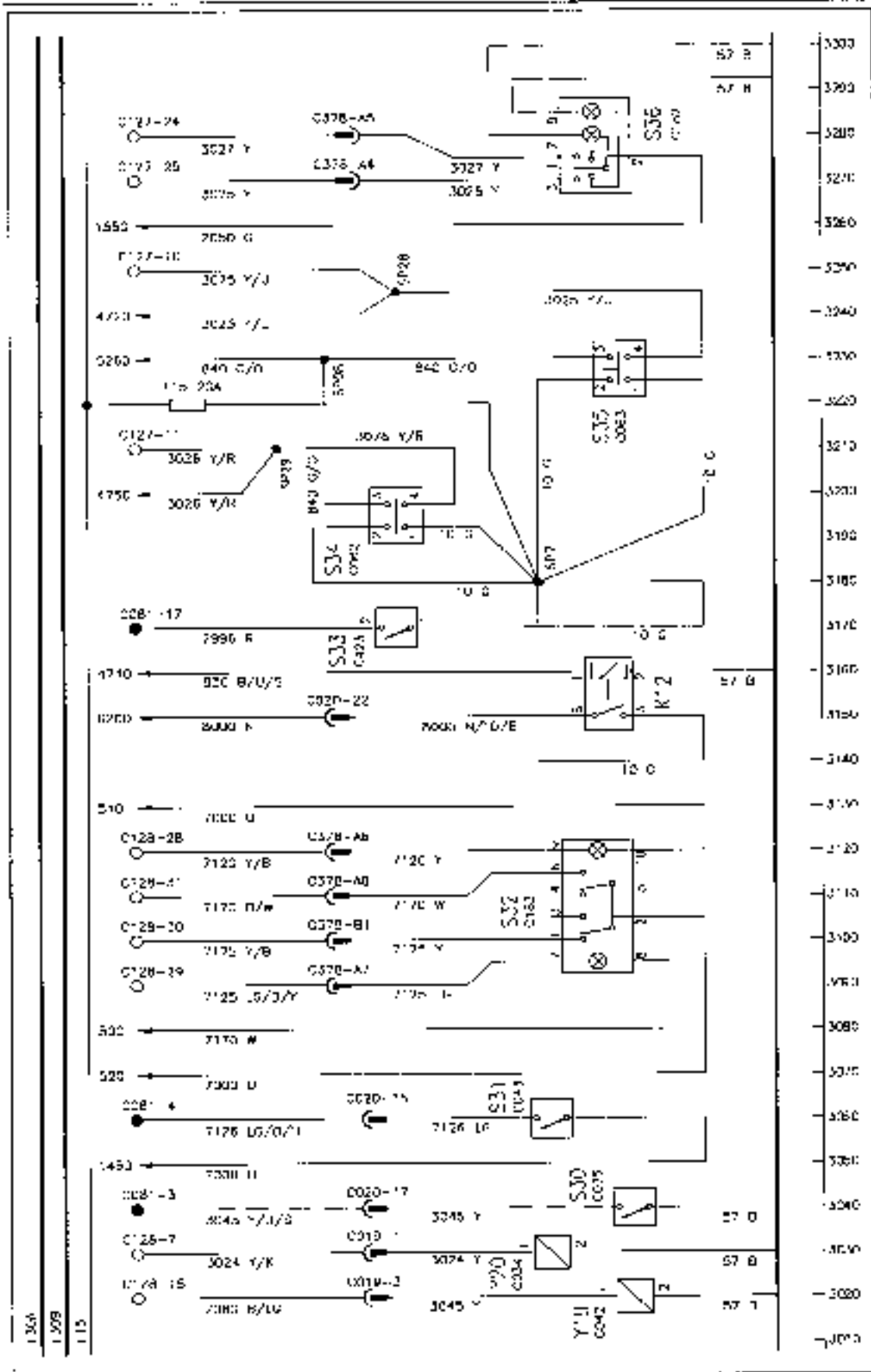


24x24 Transmission, L-Cab, W-Mechanical Engine

HYDRAULICS 3
Line 2710-3000

NOT APPLICABLE

WIRE COLOUR CODES							
	R	Red	LG	Light Green	K	Pink	
B	Black						
N	Brown	O	Orange	B	Blue	W	White
LN	Light Brown	Y	Yellow	TG	Turquoise		
S	Slate	G	Green	P	Purple		



24x24 Transmission, L-Cab, W-Mechanical Engine

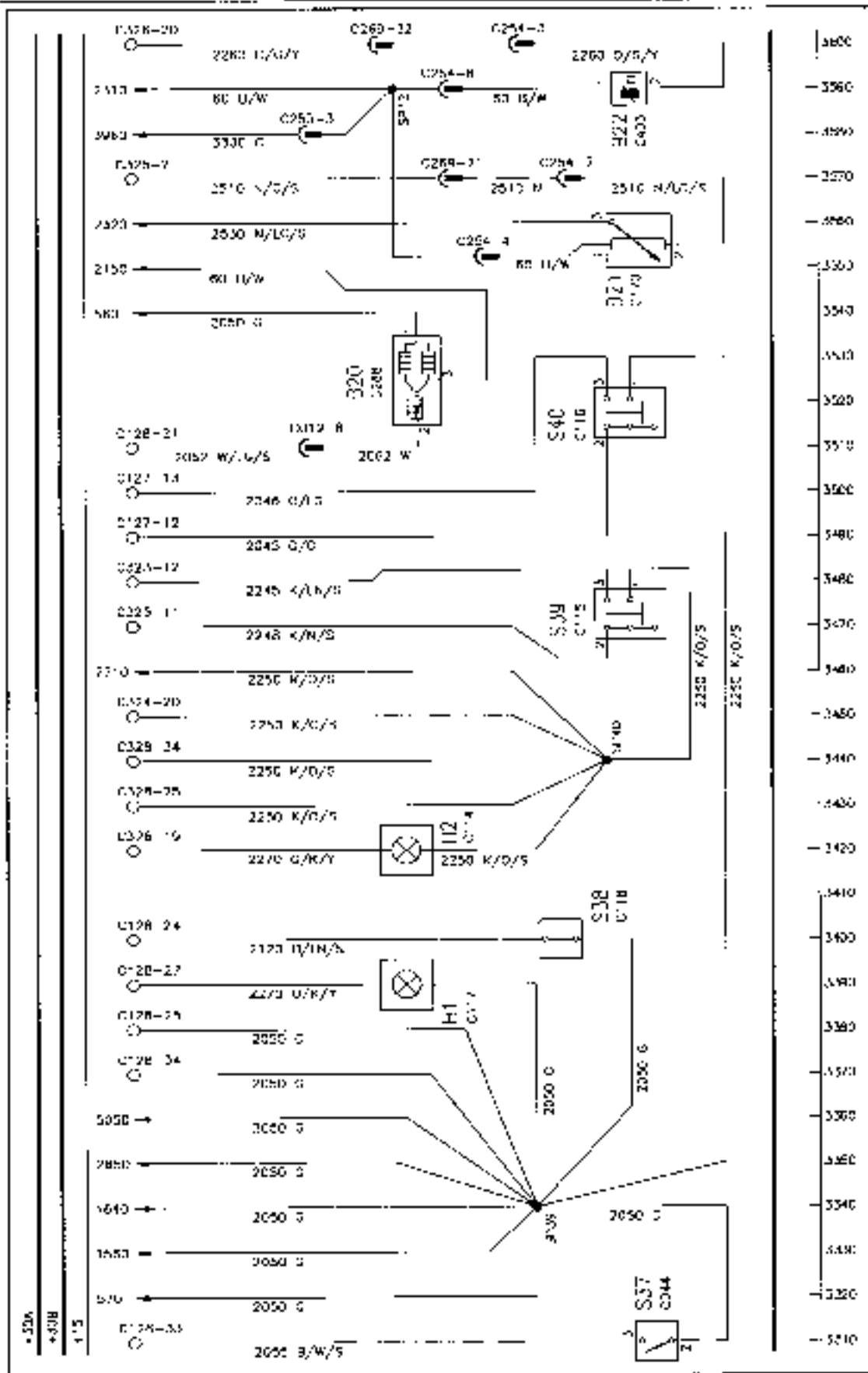
FOUR WHEEL DRIVE AND DIFFERENTIAL LOCK

Line 3010-3300

F15	Fuse 20A	S34	Stop Lamp Switch Right
		S35	Stop Lamp Switch Left
K12	Stoplamp Switch/Air Brake Relay	S36	4WD Switch
S30	4WD Activated Switch	Y19	Diff Lock Solenoid
S31	Diff Lock Activated Switch	Y20	4WD Solenoid
S32	Differential Lock Switch		
S33	Brake Pedal Latch		

WIRE COLOUR CODES

B	Black	li	Red	LG	Light Green	K	Pink
N	Brown	O	Orange	U	Blue	W	White
LV	Light Brown	Y	Yellow	TO	Turquoise		
S	Slate	G	Green	P	Purple		



24x24 Transmission, L-Cab, W/Mechanical Engine

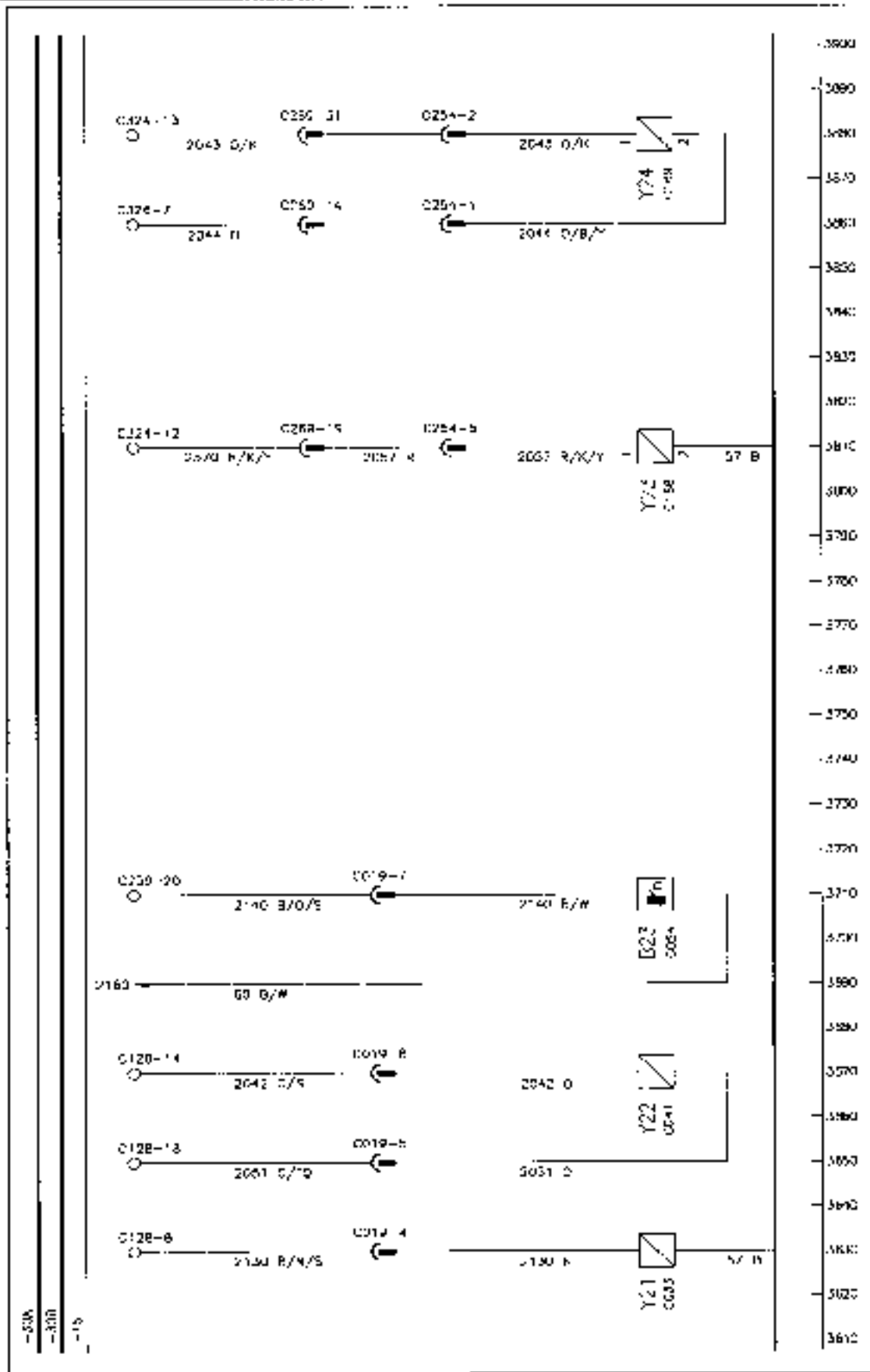
POWER TAKE OFF †
Line 3310-3600

B20	PTO Twist Sensor	S37	Ground Speed PTO Switch
B21	Front HPL Lm: I Potentiometer	S38	Rear PTO Brake Switch
B22	Front PTO Speed Sensor	S39	Front PTO Switch
		S40	Rear PTO Switch

H1	Rear PTO Lamp
H2	Front PTO Lamp

WIRE COLOUR CODES

B	Black	R	Red	_G	Light Green	K	Pink
N	Brown	C	Orange	U	Blue	W	White
LN	Light Brown	y	Yellow	TO	Turquoise		
S	Slate	G	Green	P	Purple		



24x24 Transmission, L/Cab, W/Mechanical Engine

POWER TAKE OFF 2

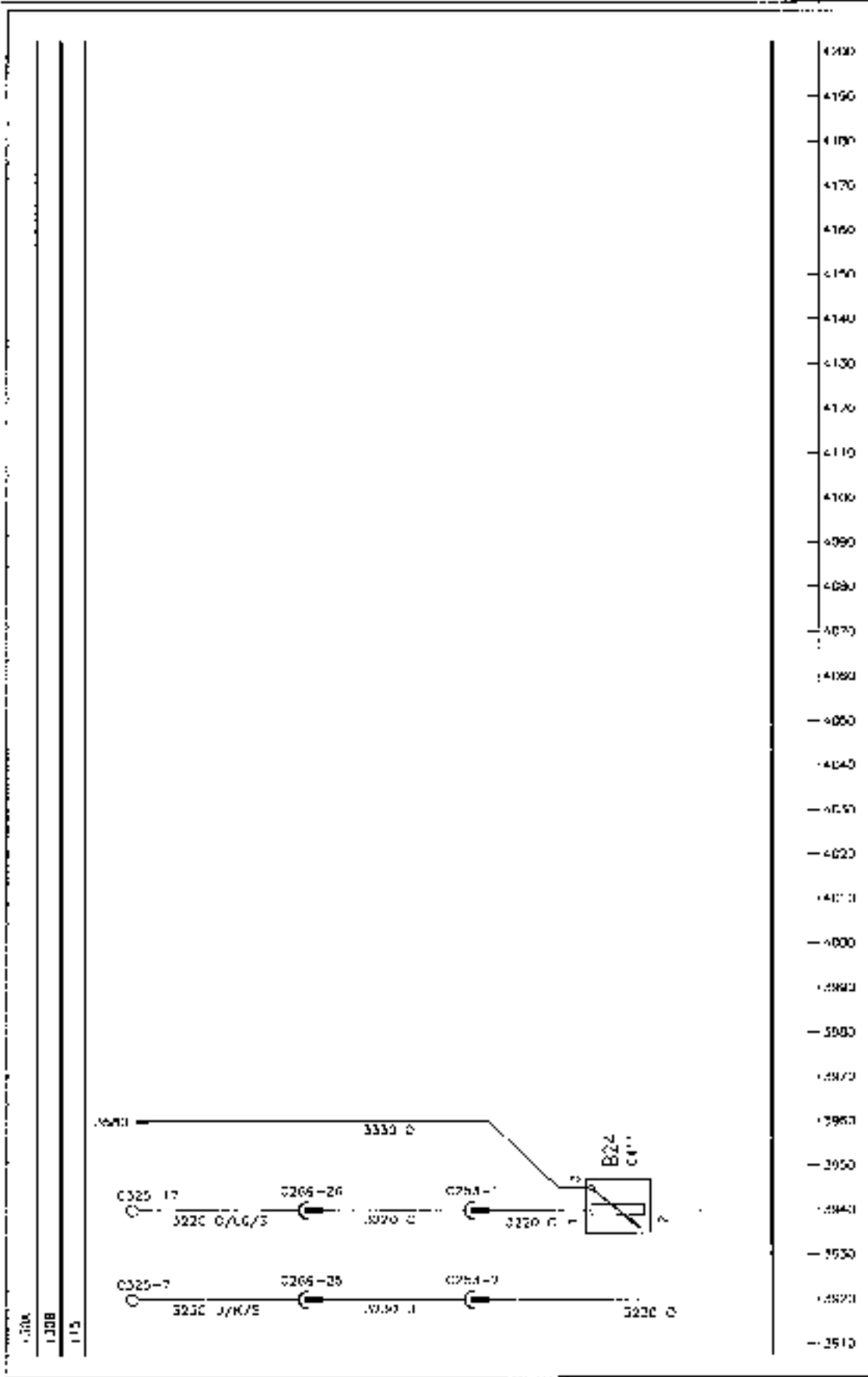
Line 3610-3900

Y23 Front Filter Valve
Y24 Front PTO Solenoid

B23 PTO Speed Sensory
Y21 PTO Brake Solenoid
Y22 PTO Circuit Solenoid

WIRE COLOUR CODES

U	Black	R	Red	LG	Light Green	K	Pink
N	Brown	O	Orange	U	Blue	W	White
LN	Light Brown	Y	Yellow	TQ	Turquoise		
S	Slate	G	Green	P	Purple		



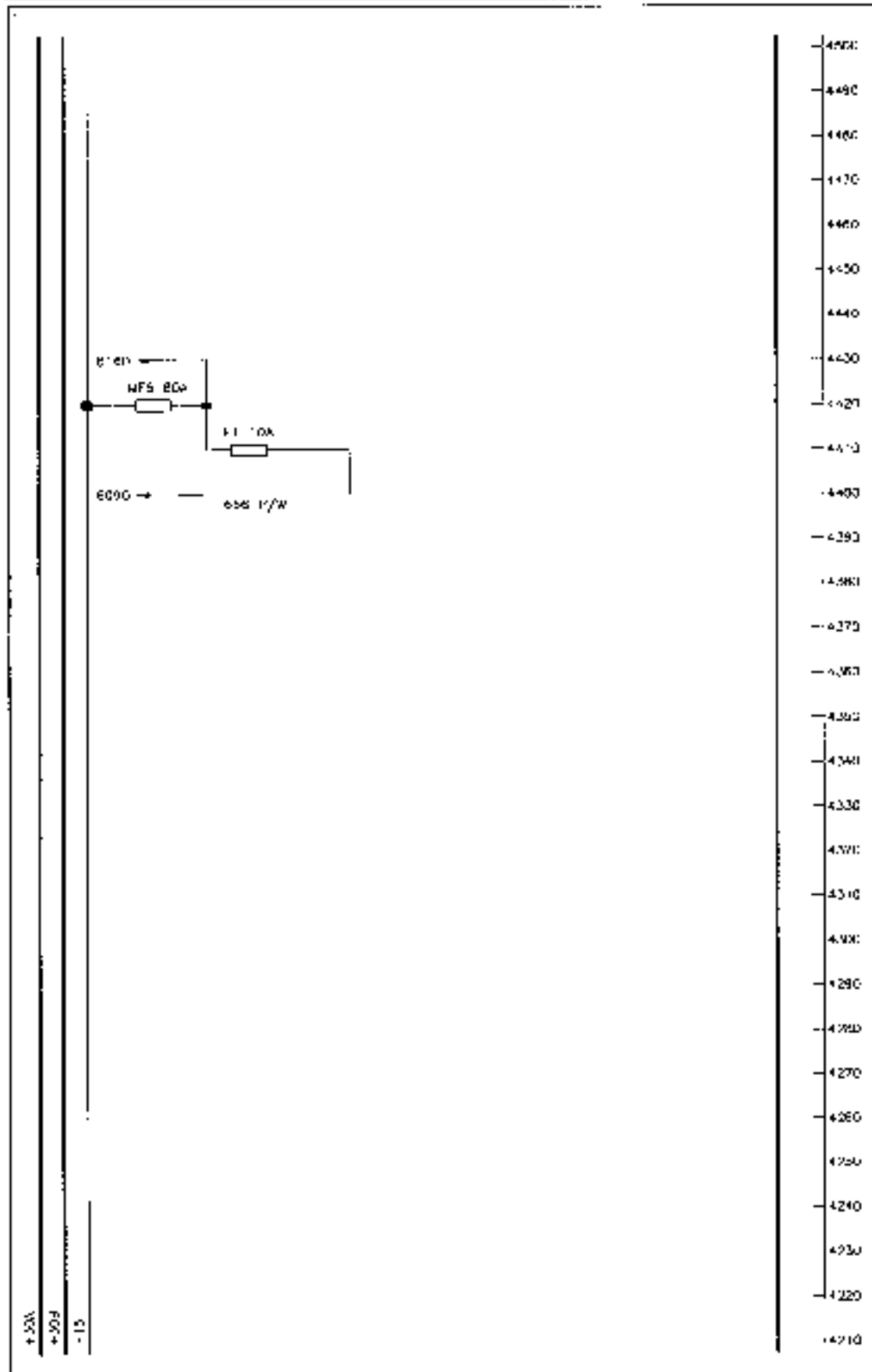
24x24 Transmission, L Cab, W/Mechanical Engine

FRONT AXLE SUSPENSION SYSTEM

Line 3910-4200

B24 Front Suspension Potentiometer**WIRE COLOR CODES**

	B	R	LG	K	PK
Black			Light Green		
Brown		Orange	Blue	White	
Light Brown	Y	Yellow	Turquoise		
Slate	G	Green	Purple		



24x24 Transmission, L/Cab, W/Mechanical Engine

CAB ACCESSORIES 1

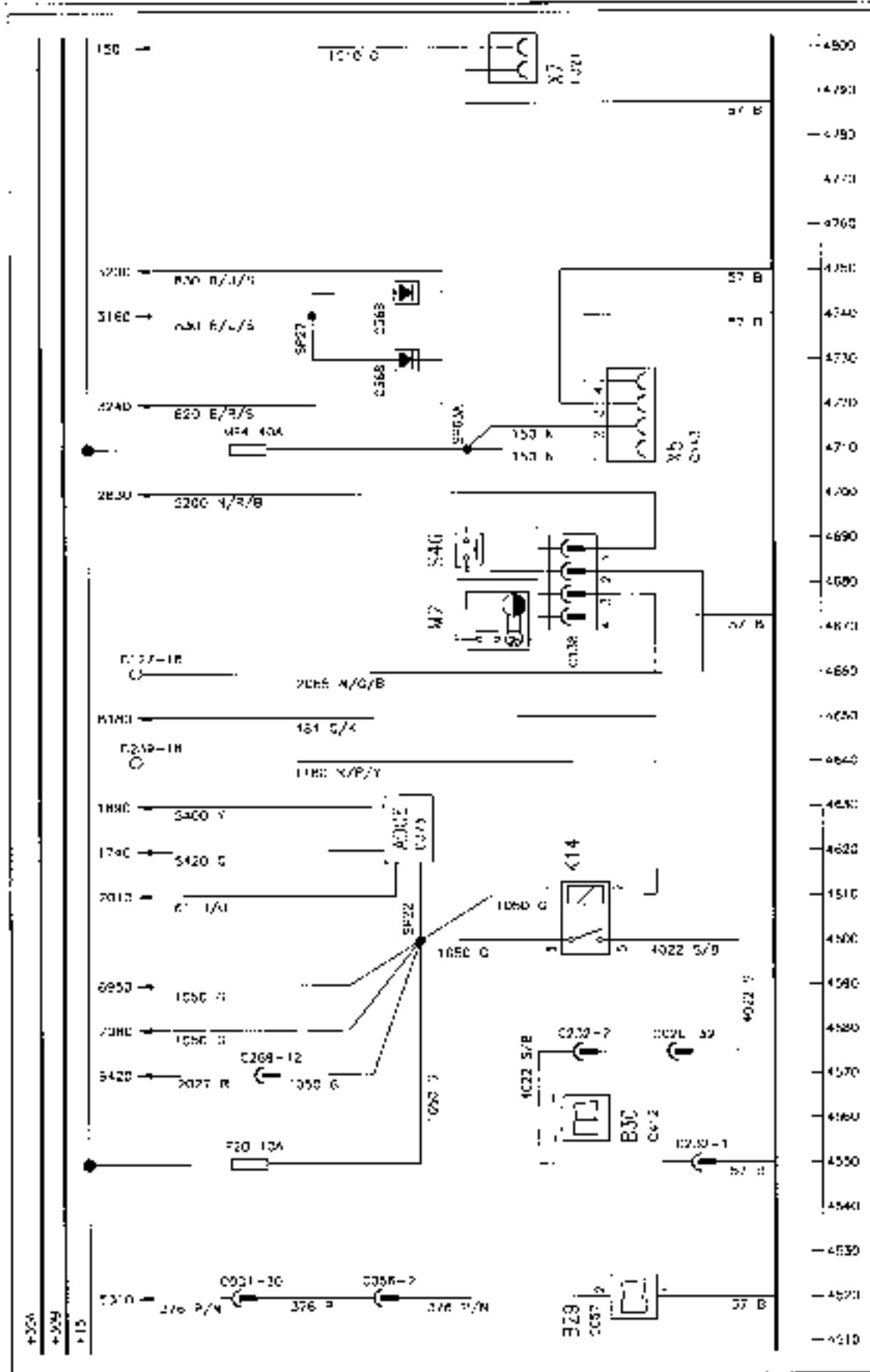
Line 4210-4500

MF6 Maxi Fuse - 80A

F1 Fuse - 10A

WIRE COLOUR CODES

B	Black	R	Red	LG	Light Green	K	Pink
N	Brown	O	Orange	U	Blue	W	White
LN	Light Brown	Y	Yellow	TO	Turquoise		
S	Slate	G	Green	P	Purple		



24x24 Transmission, L-Cab, W.Mechanical Engine

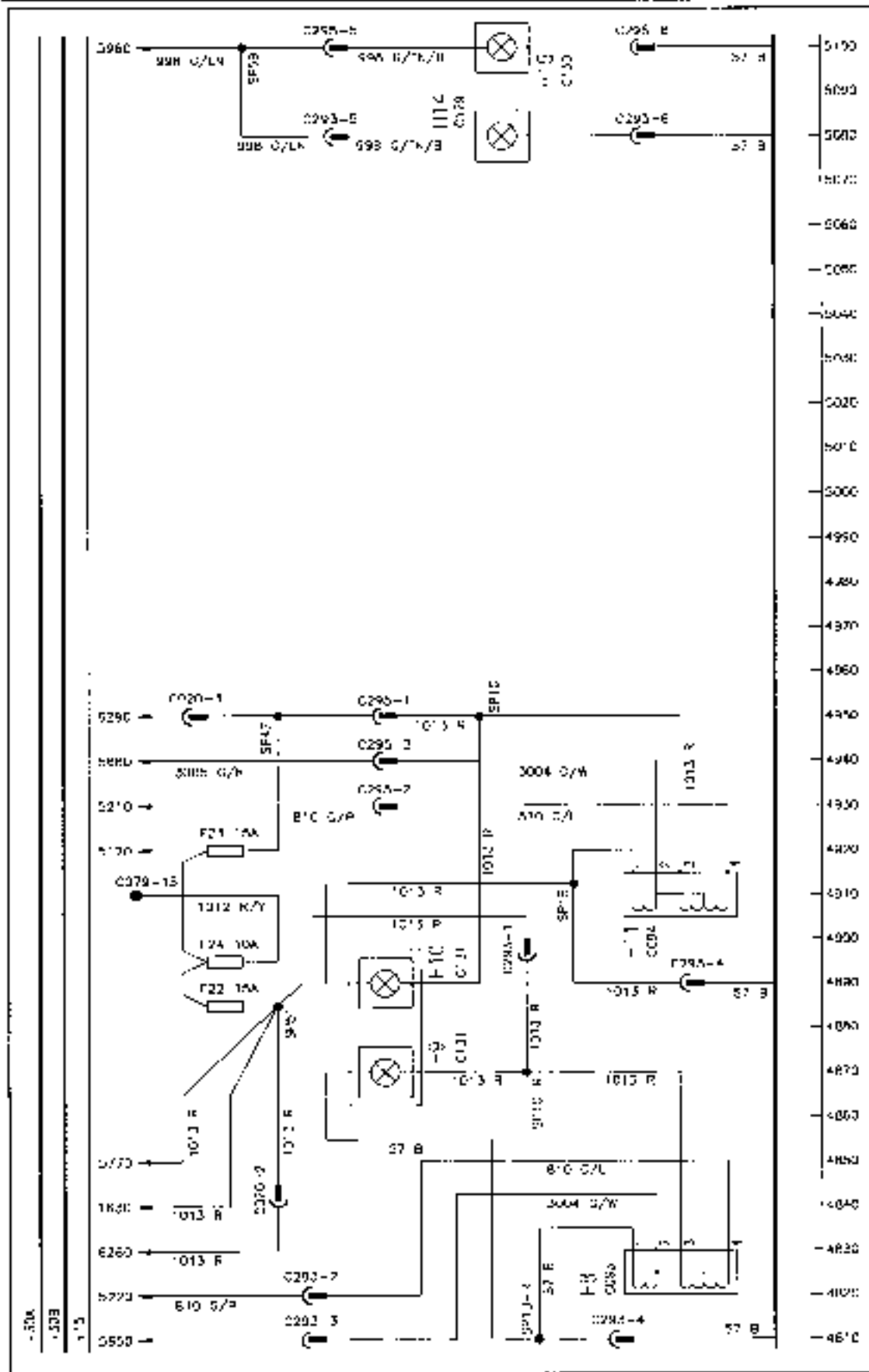
CAB ACCESSORIES 2

Line 4510-4800

MF4	Maxi Fuse 40A	M2	Seat Pump
F20	Fuse 10A	S46	Seat Switch
A006	Instrument Cluster Keypad	X5	Implement Socket Rear
B29	Horn	X7	Dealer Installed Accessory(DIA)
B30	Reverse Alarm	C366(1)	Crude
K14	Reverse Alarm Relay	C368(2)	Diode

WIRE COLOUR CODES

B	Black	R	Red	IG	Light Green	K	Pin
N	Brown	O	Orange	U	Blue	W	White
LN	Light Brown	Y	Yellow	CO	Turquoise		
S	Slate	G	Green	P	Purple		



24x24 Transmission, L.Cab. W/Mechanical Engine

INDICATORS AND HAZARDS 1

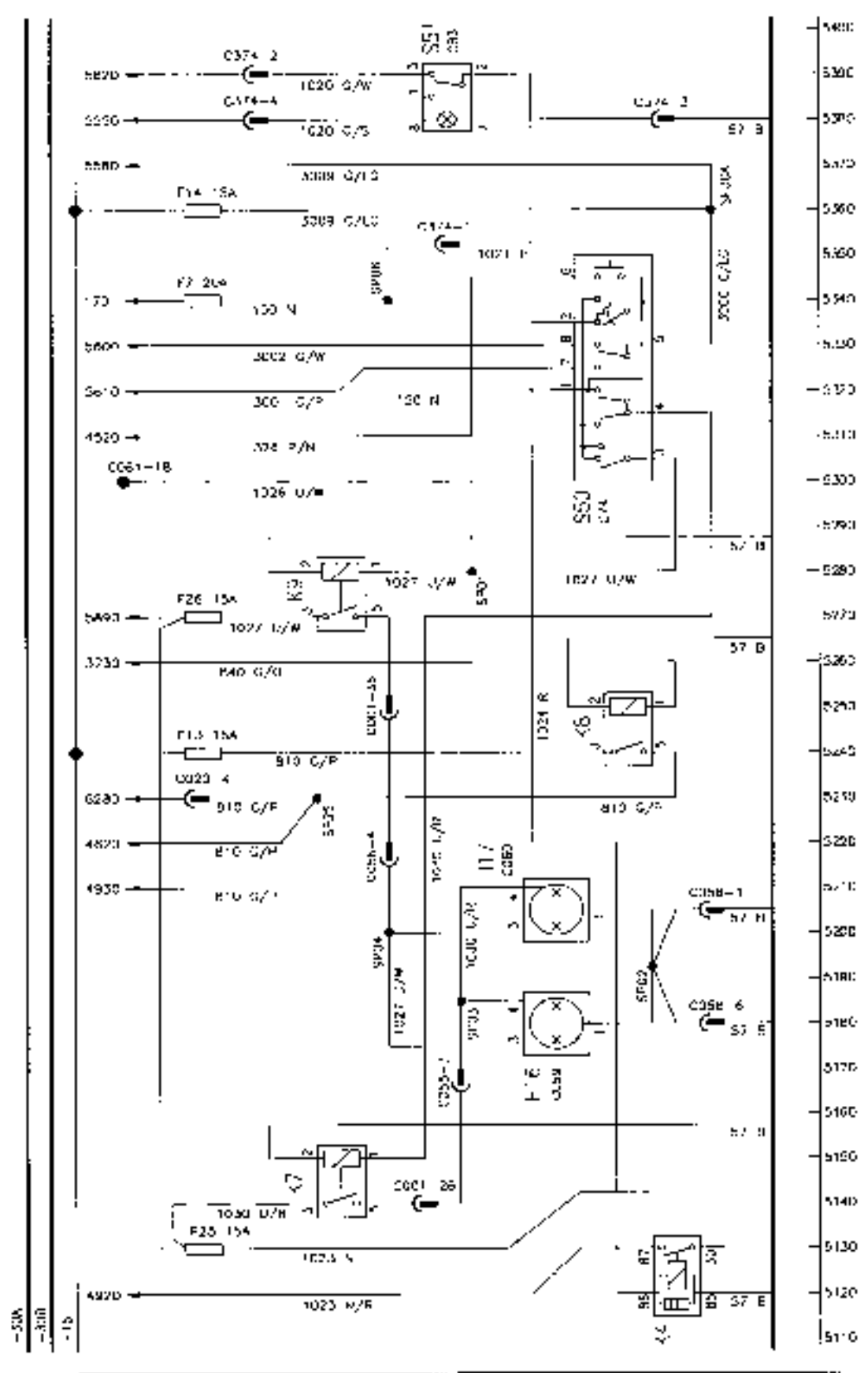
Line 4810-5100

F22	Fuse 15 A	H10	Licence Plate Lamp - Fender
F23	Fuse 15 A	H11	Stop/Tail Light L/H
F24	Fuse 10 A	H14	Worklamp - Fender R/H
		H15	Worklamp Fender L/H

H8	Stop/Tail Light R/H
H9	Licence Plate Lamp - Fender

WIRE COLOUR CODES

	B	R	Red	LG	Light Green	K	Pin x
B	Black						
K	Brown	O	Orange	U	Blue	W	White
LN	Light Brown	V	Yellow	Y	Turquoise		
S	Slate	G	Green	P	Purple		



24x24 Transmission, L Cab. W/Mechanical Engine

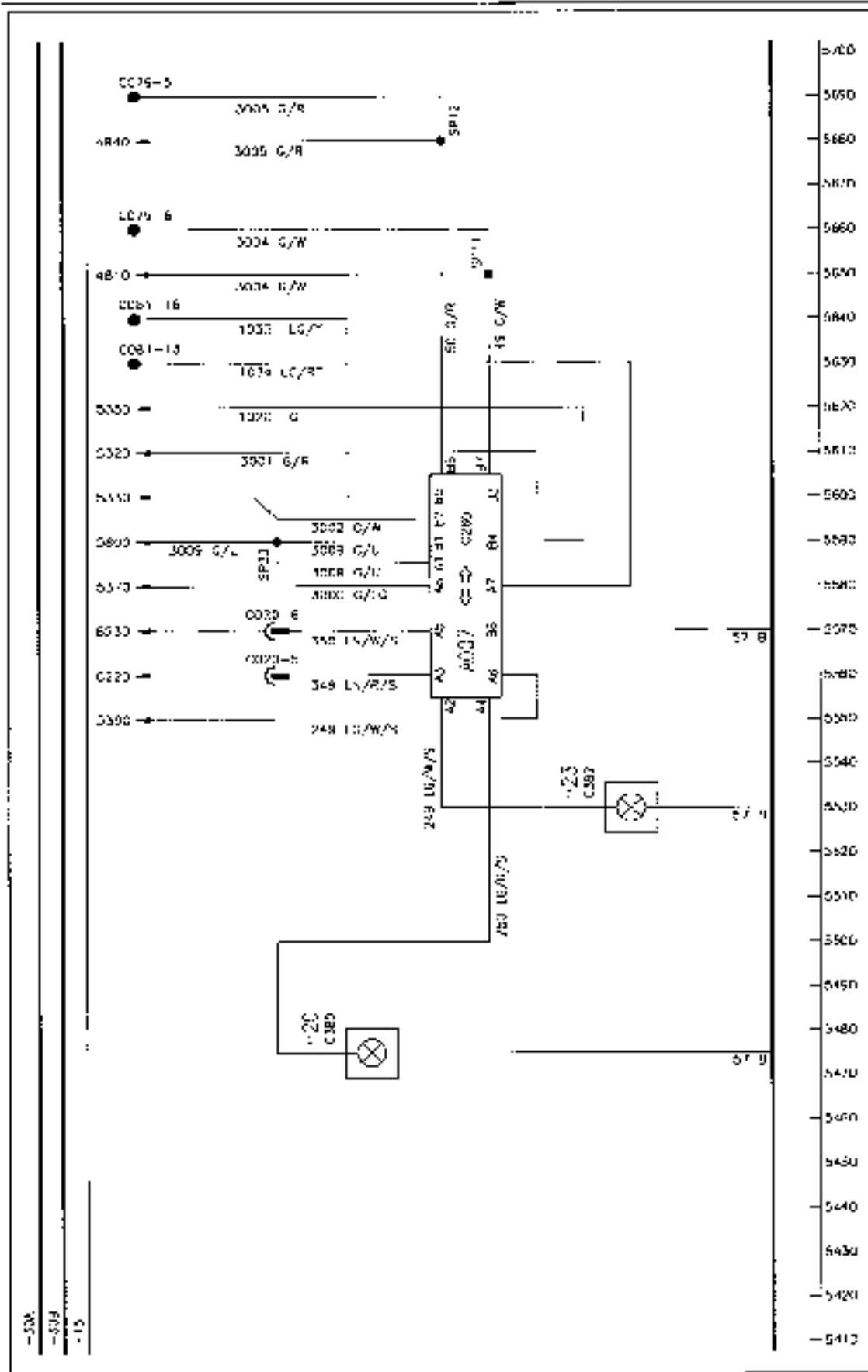
INDICATORS AND HAZARDS 2

Line 5110-5400

F7	Fuse 20A	K4	Side light illumination Relay
F13	Fuse 15A	K7	Dip Beam Relay
F14	Fuse 15A	K8	Stoolamp Relay
F25	Fuse 15A	K9	Main Alarm Relay
F26	Fuse 15A	S50	Multi-Function Light Switch
H16	Headlamp R/H	S51	Hazard Warning Lights Switch
H17	Headlamp L/H		

WIRE COLOUR CODES

B	Black	R	Red	LG	Light Green	K	Pink
N	Brown	O	Orange	U	Blue	W	White
LN	Light Brown	Y	Yellow	TQ	Turquoise		
S	Slate	G	Green	P	Purple		



24x24 Transmission, L/Cab, W/Mechanical Engine

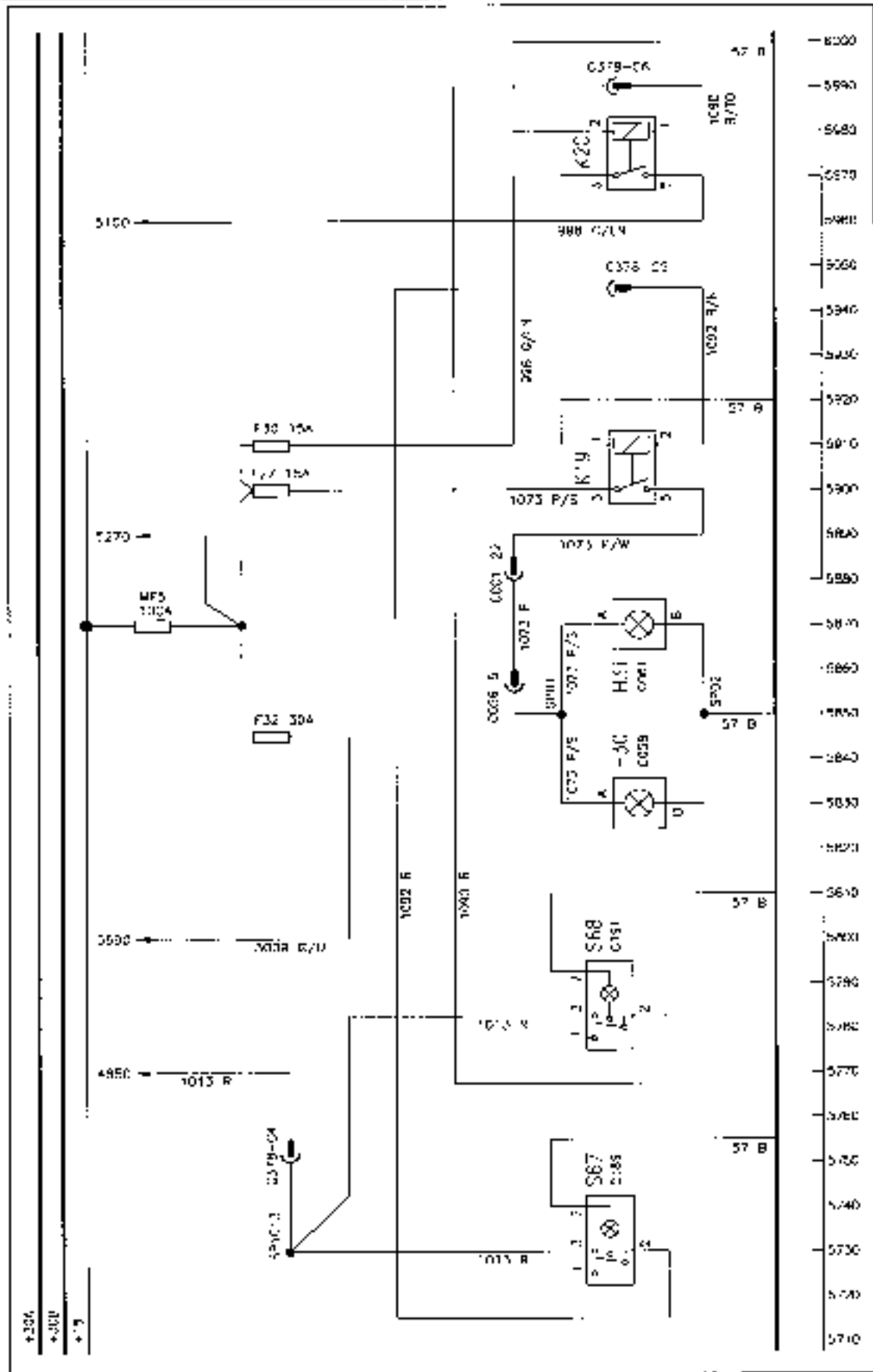
INDICATORS AND HAZARDS 3

Line 5410-5700

A007	Flasher Unit	H20	SMV Lamp L-H Flea
		H23	SMV Lamp Rtl-Roar

WIRE COLOUR CODES

B	Black	R	Red	IG	Light Green	K	Pink
N	Brown	O	Orange	L	Blue	W	White
N	Light Brown	Y	Yellow	TQ	Turquoise		
S	Slate	G	Green	P	Purple		



24x24 Transmission, L/Cab. W/Mechanical Engine

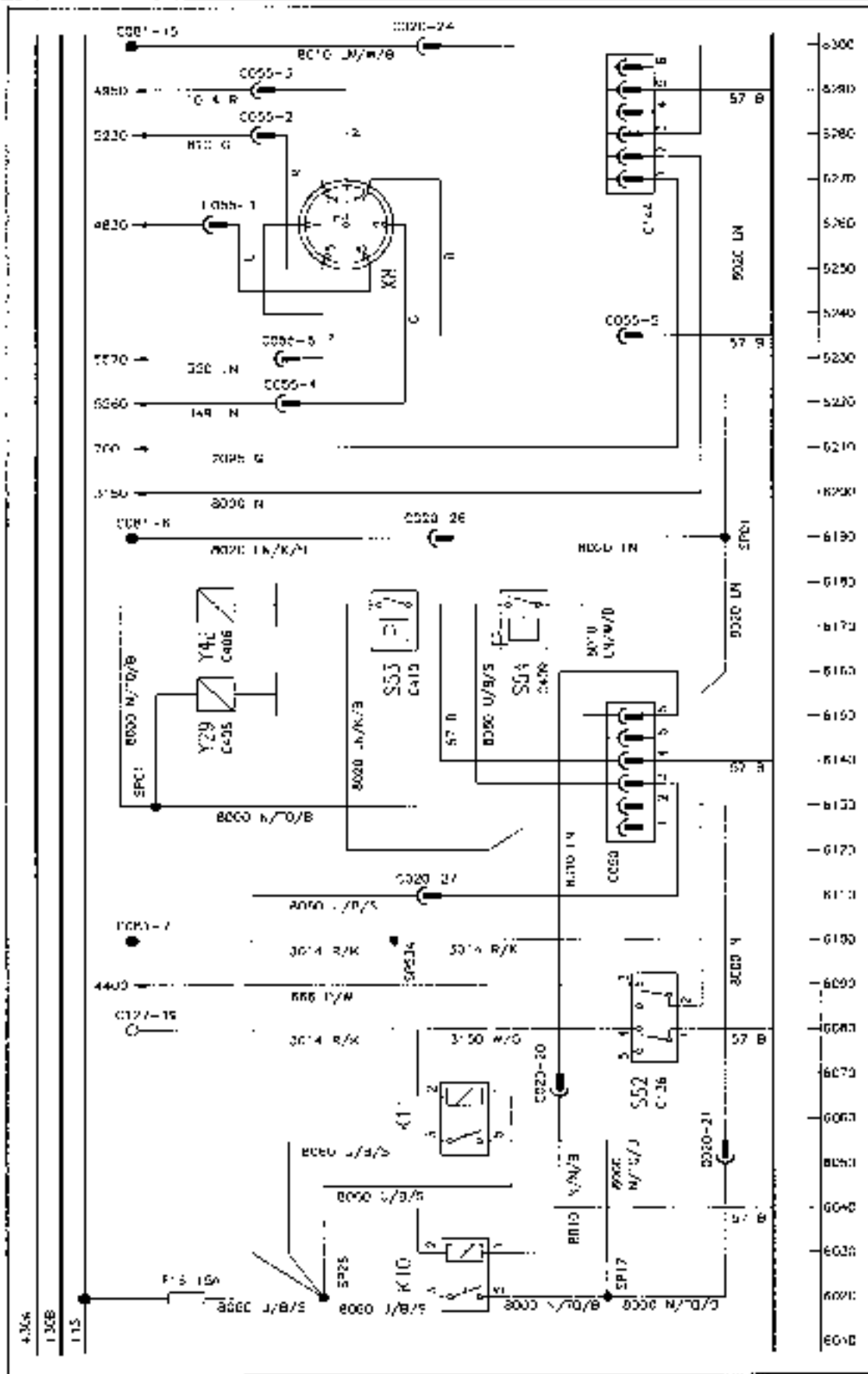
WORKLAMPS

Line 5710-6000

MFS	Maxi Fuse - 100A				
F27	Fuse - 15A				
F30	Fuse - 10A				
F32	Fuse - 30A				
H30	Corner Lamp R/H				
H31	Corner Lamp L/H				
K19	Worklamp Lower Front Relay				
K20	Worklamp Lower Rear Relay				
S67	Worklamp Switch - Front				
S68	Worklamp Switch - Rear				

WIRE COLOUR CODES

B	Black	P	Red	LS	Light Green	K	Pink
N	Brown	O	Orange	U	Blue	W	White
LN	Light Brown	Y	Yellow	TO	Turquoise		
S	Slate	G	Green	P	Purple		



24x24 Transmission, L-Cab, W/Mechanical Engine

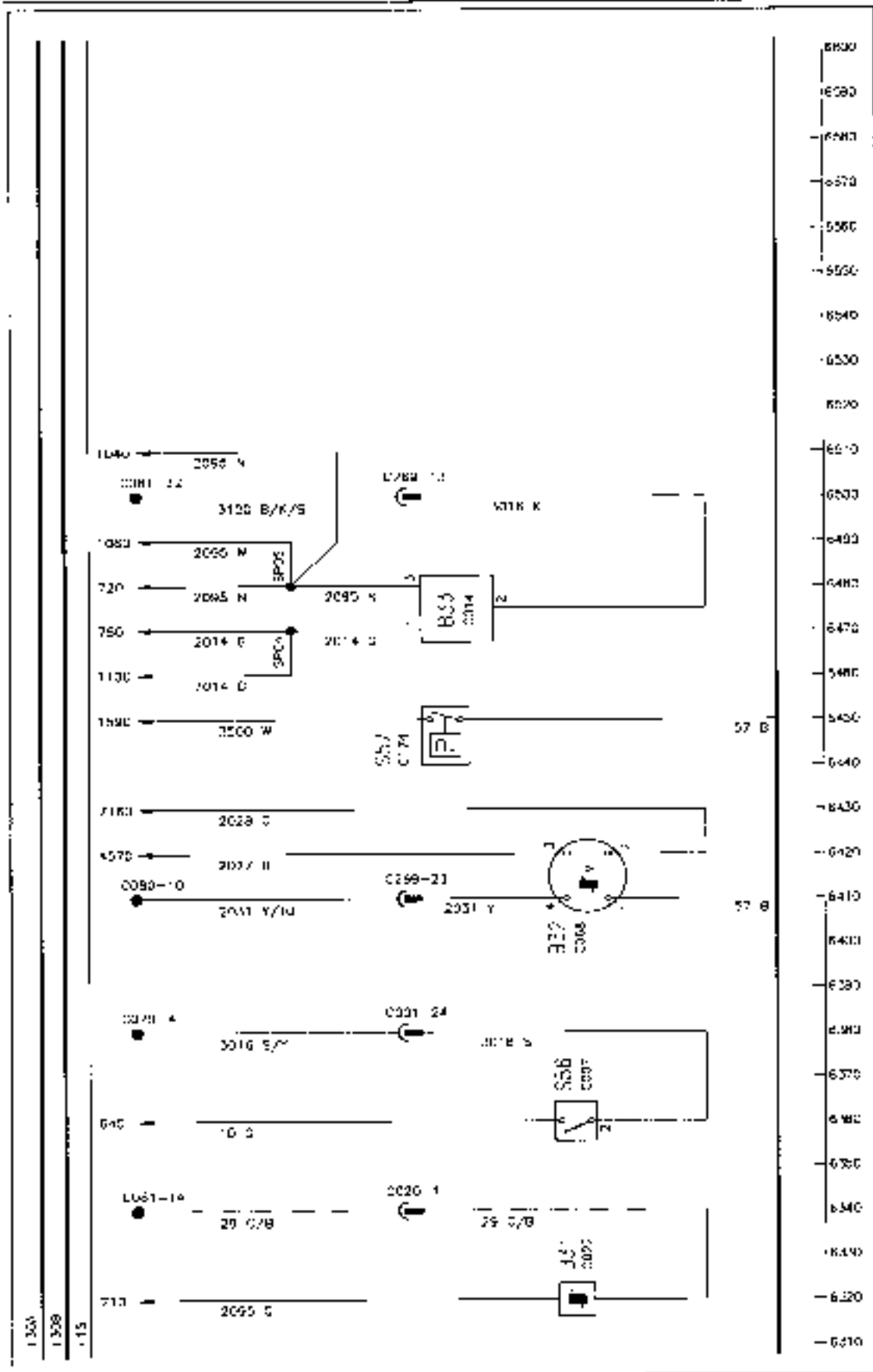
TRAILER BRAKE SYSTEMS

Line 6010-5300

F16	Fuse - 15A	S54	Italian Trailer Brake Pump Pressure Switch
K10	Pneumatic Trailer Brake Relay	Y29	Italian Trailer Brake Solenoid
K11	Hydraulic Trailer Brake Relay	Y42	Italian Trailer Brake Solenoid
S52	Handbrake Switch	X8	Trailer Socket
S53	Italian Trailer Brake Line Pressure Switch		

WIRE COLOUR CODES

B	Black	R	Red	LG	Light Green	K	Pink
BN	Brown	O	Orange	U	Blue	W	White
LN	Light Blue	V	Yellow	TO	Turquoise		
S	Slate	G	Green	P	Purple		



24x24 Transmission, L-Cab, W/Mechanical Engine

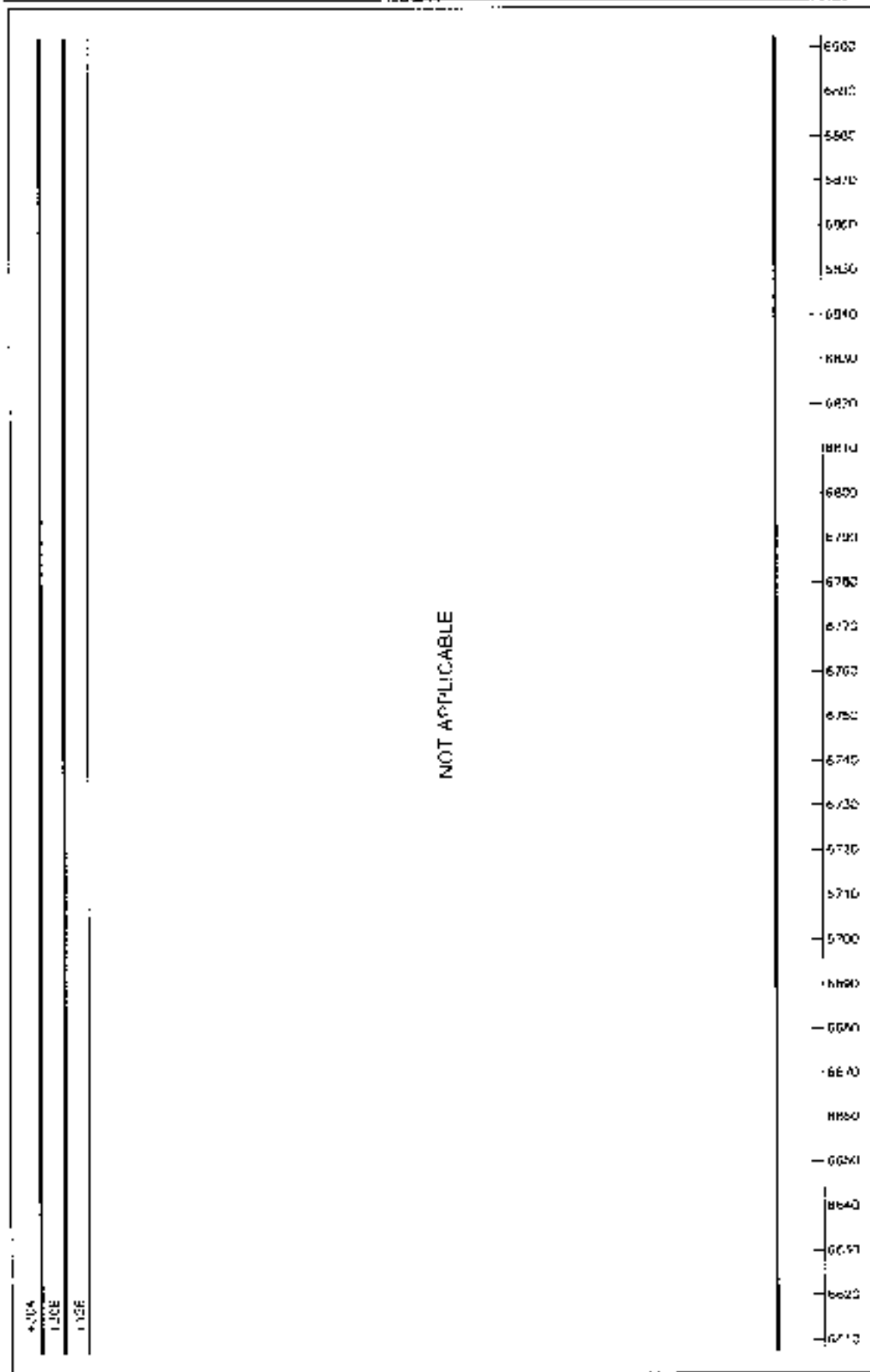
SENSORS

Line 6310-6600

B31	Fuel Tank Sender	S56	Brake Fluid Level Switch
B32	Hooter Gun	S57	Power Assisted Steering Pressure Switch
B33	Steering Angle Sensor		

WIRE COLOUR CODES

B	Black	P	Red	-G	Light Green	K	Pink
K	Brown	O	Orange	U	Blue	W	White
L/N	Light Brown	Y	Yellow	TO	Turquoise		
S	Slate	G	Green	P	Purple		



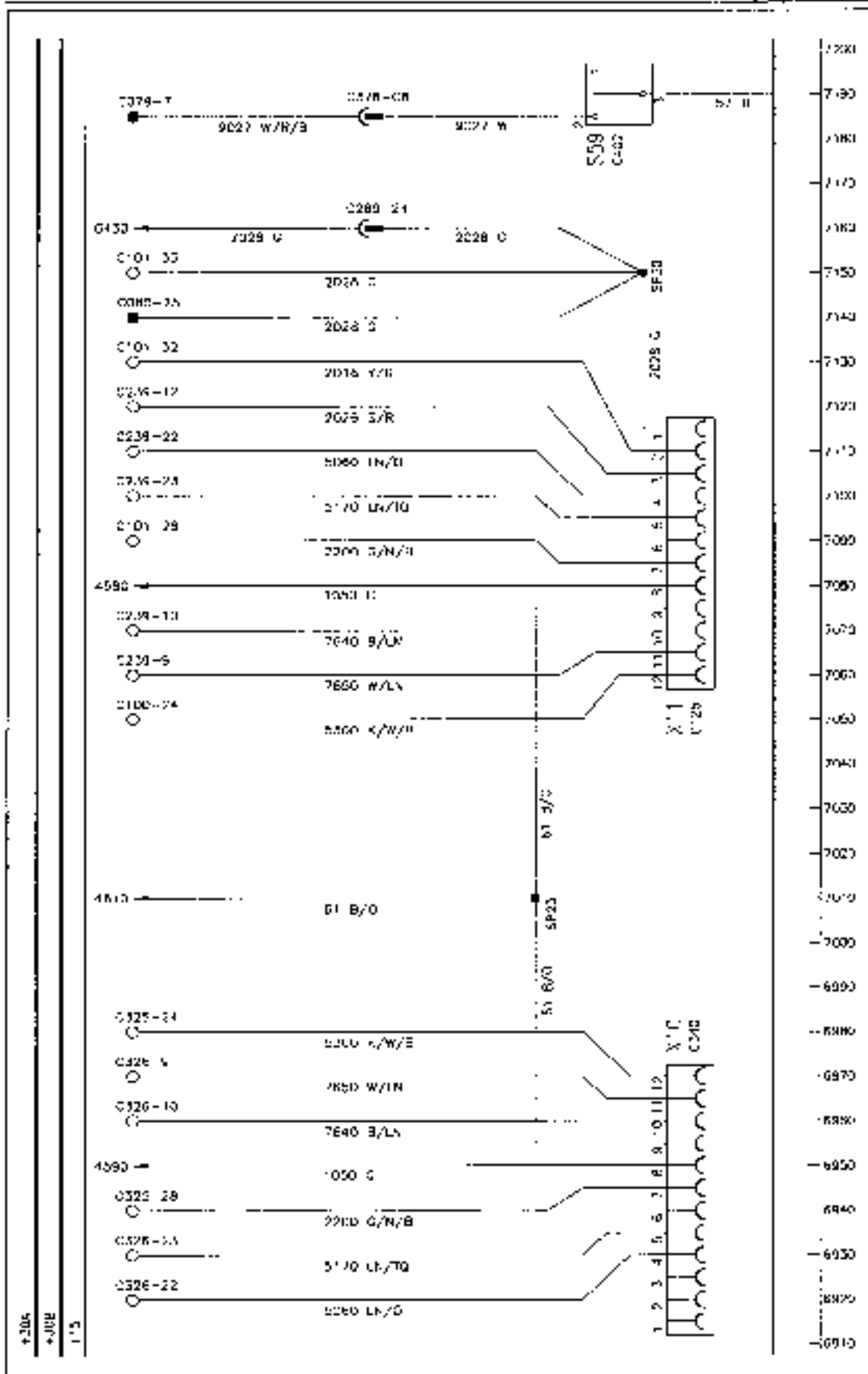
24x24 Transmission, L-Cab, W-Mechanical Engine

WASHERS AND WIPERS
Line 6510-6900

NOT APPLICABLE

WIRE COLOUR CODES

B	Black									
N	Brown	R	Red	LG	Light Green	K	Pink			
LN	Light Brown	O	Orange	U	Blue	W	White			
S	Slate	Y	Yellow	TO	Turquoise					
		G	Green	P	Purple					

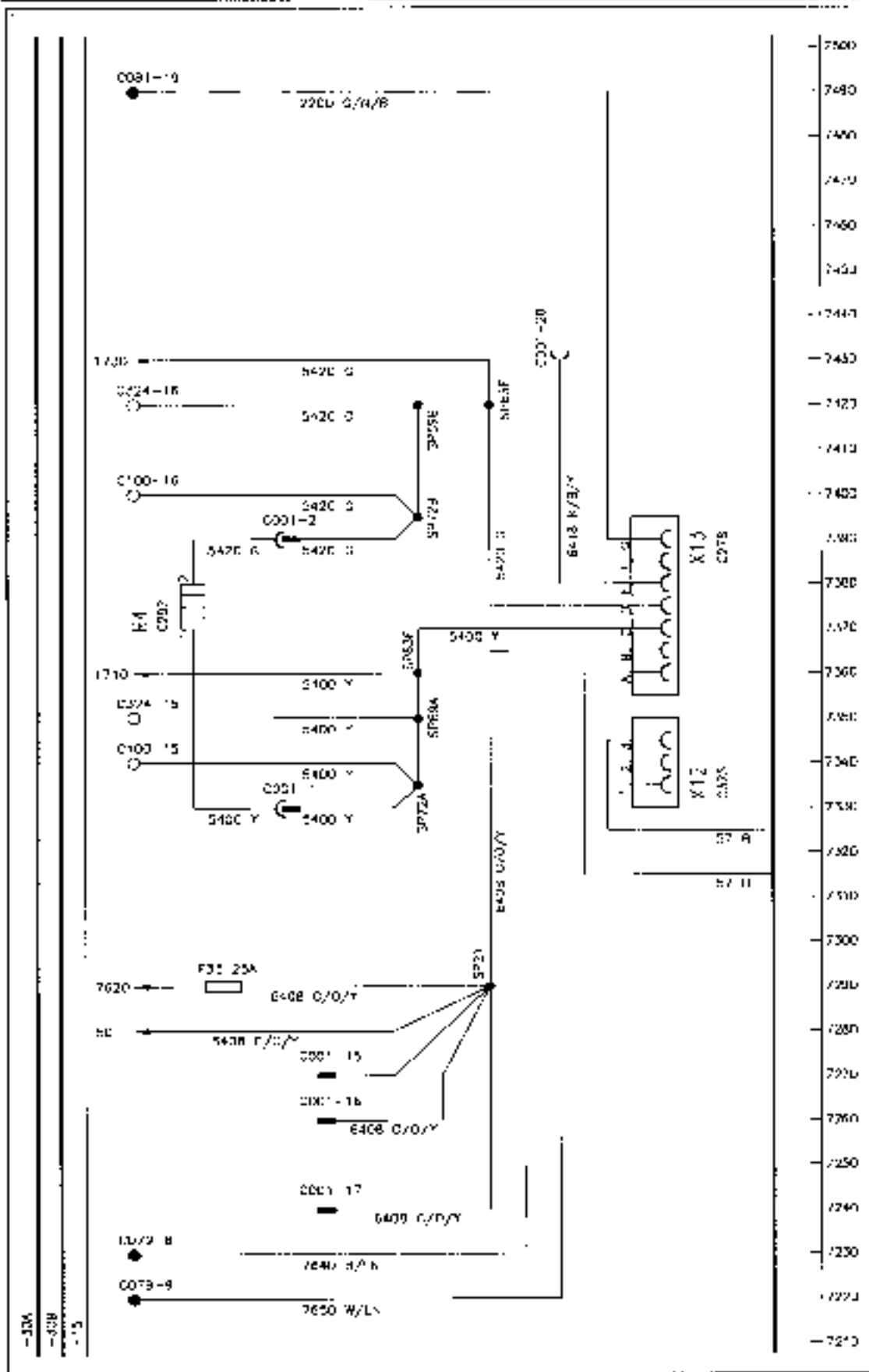


24x24 Transmission, L-Cab, W/Mechanical Engine

DIAGNOSTIC PLUGS 1
Line 6910-711D

- S59 Calibration-Select Switch
- X10 Transmission Diagnostics Connector (TCM)
- X11 Auxiliary Diagnostics Connector (ACU)

WIRE COLOUR CODES						
	B	P	Red	LG	K	Fink
	Black			Light Green		
V	Brown	O	Orange	U	W	White
LN	Light Brown	Y	Yellow	TQ		
S	Slate	G	Green	P		



24x24 Transmission, L-Cab, W-Mechanical Engine

DIAGNOSTIC PLUGS 2
Line 7210-7500

F33 Fuse - 25A

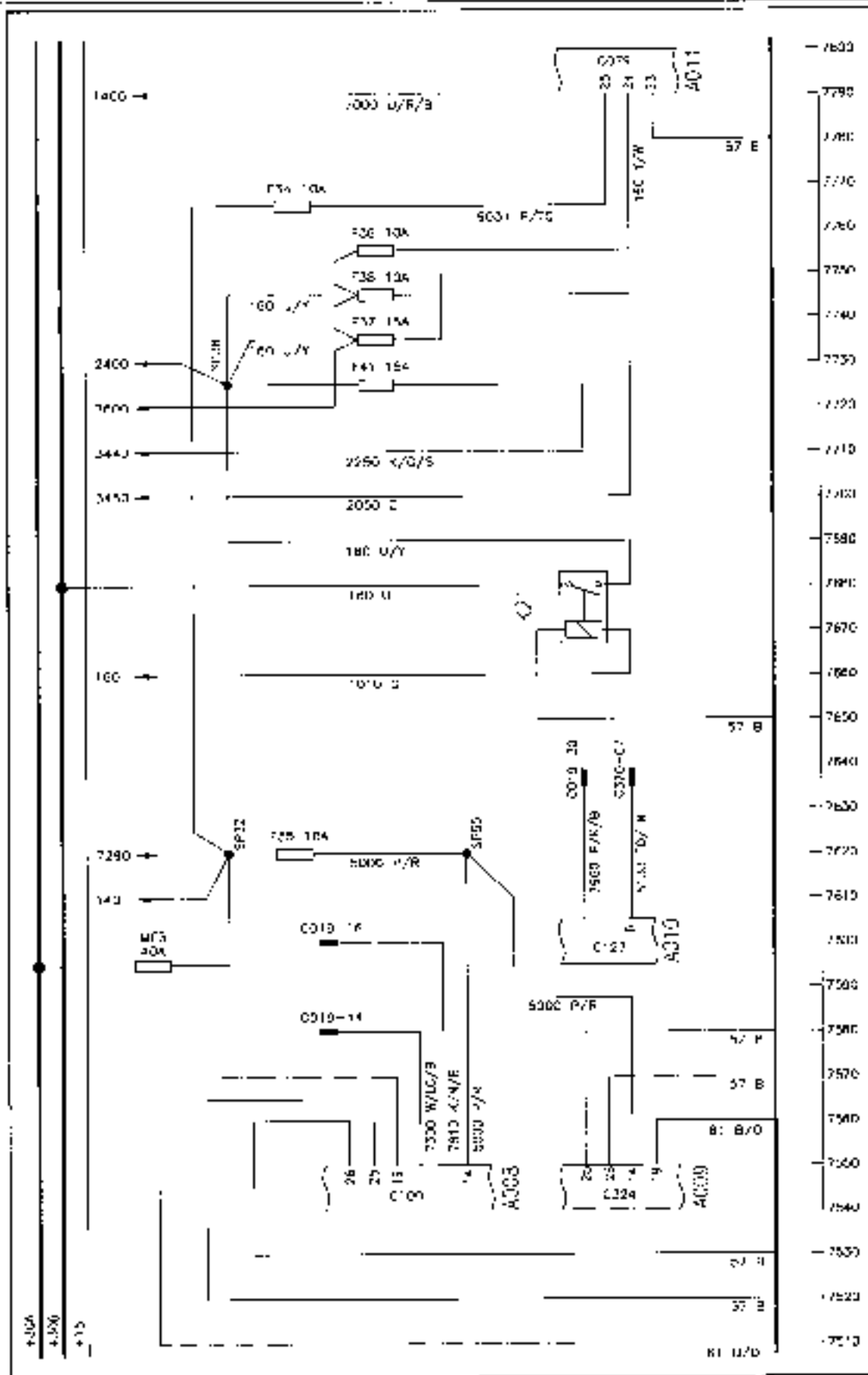
X12 ADIC Diagnostics Connector

X13 EST Diagnostics Connector

R4 Can Bus Terminator

WIRE COLOUR CODES

B	Black	R	Red	IG	Light Green	K	Pink
N	Brown	O	Orange	U	Blue	W	White
LN	Light Brown	Y	Yellow	TO	Turquoise		
S	Slate	G	Green	P	Purple		



24x24 Transmission, L/Cab, W/Mechanical Engine

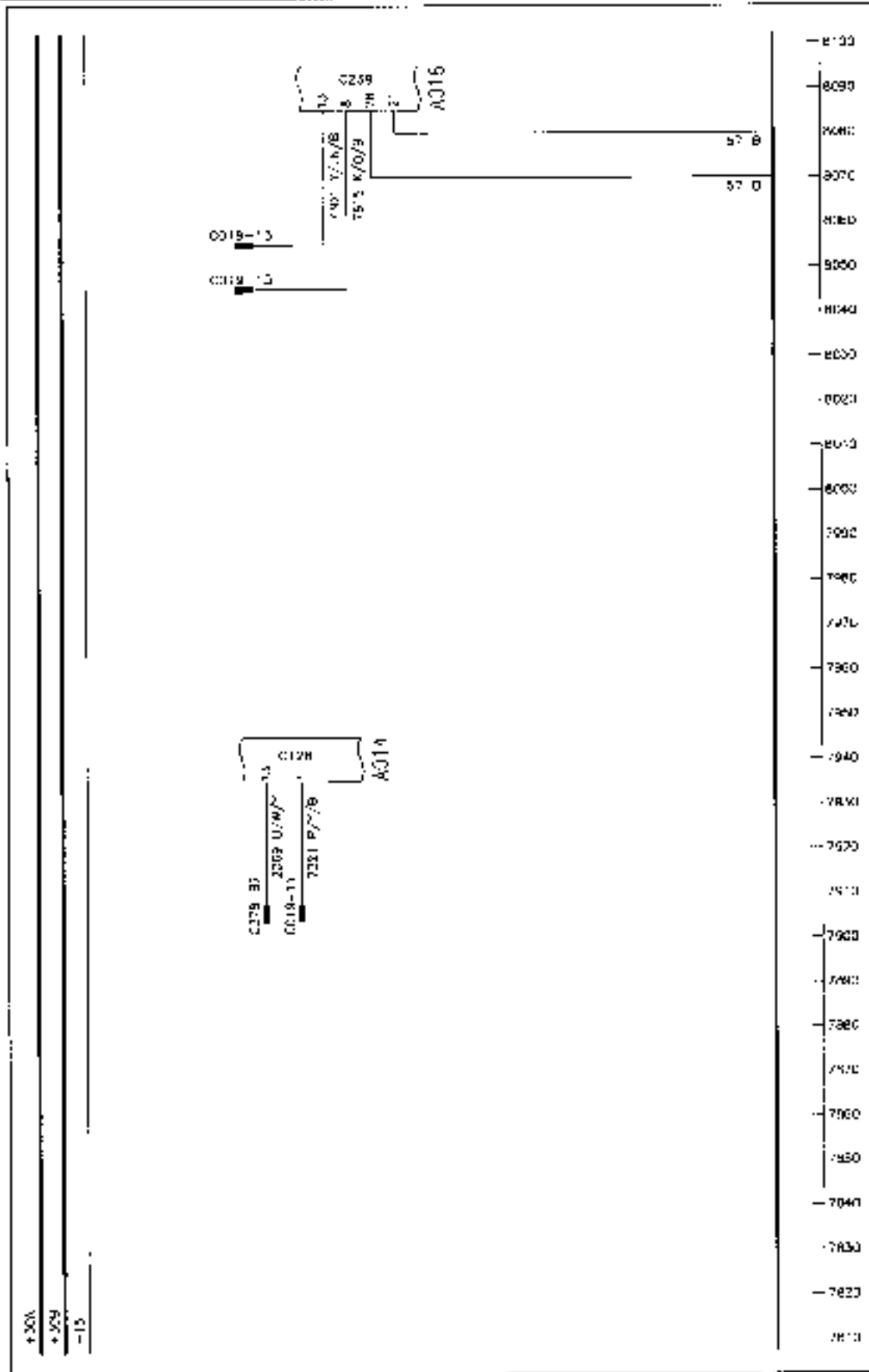
PROCESSOR FEEDS AND GROUNDS 1

Line 7510-7800

MF3	Maxi Fuse - 40A	K21	Electronics Supply Relay
F34	Fuse 10A	A008	XCM Central Control Unit (CN3-A)
F35	Fuse - 10A	A009	XCM Auxiliary Control Unit (Front Sub)
F36	Fuse 10A	A010	XCM Central Control Unit (CN3-A)
F37	Fuse - 15A	A011	Instrument Cluster 1
F38	Fuse - 10A		
F41	Fuse - 15A		

WIRE COLOUR CODES

B	Black	R	Red	LG	Light Green	K	Black
N	Brown	O	Orange	U	Blue	W	White
LN	Light Brown	Y	Yellow	TO	Turquoise		
S	Slate	G	Green	F	Purple		



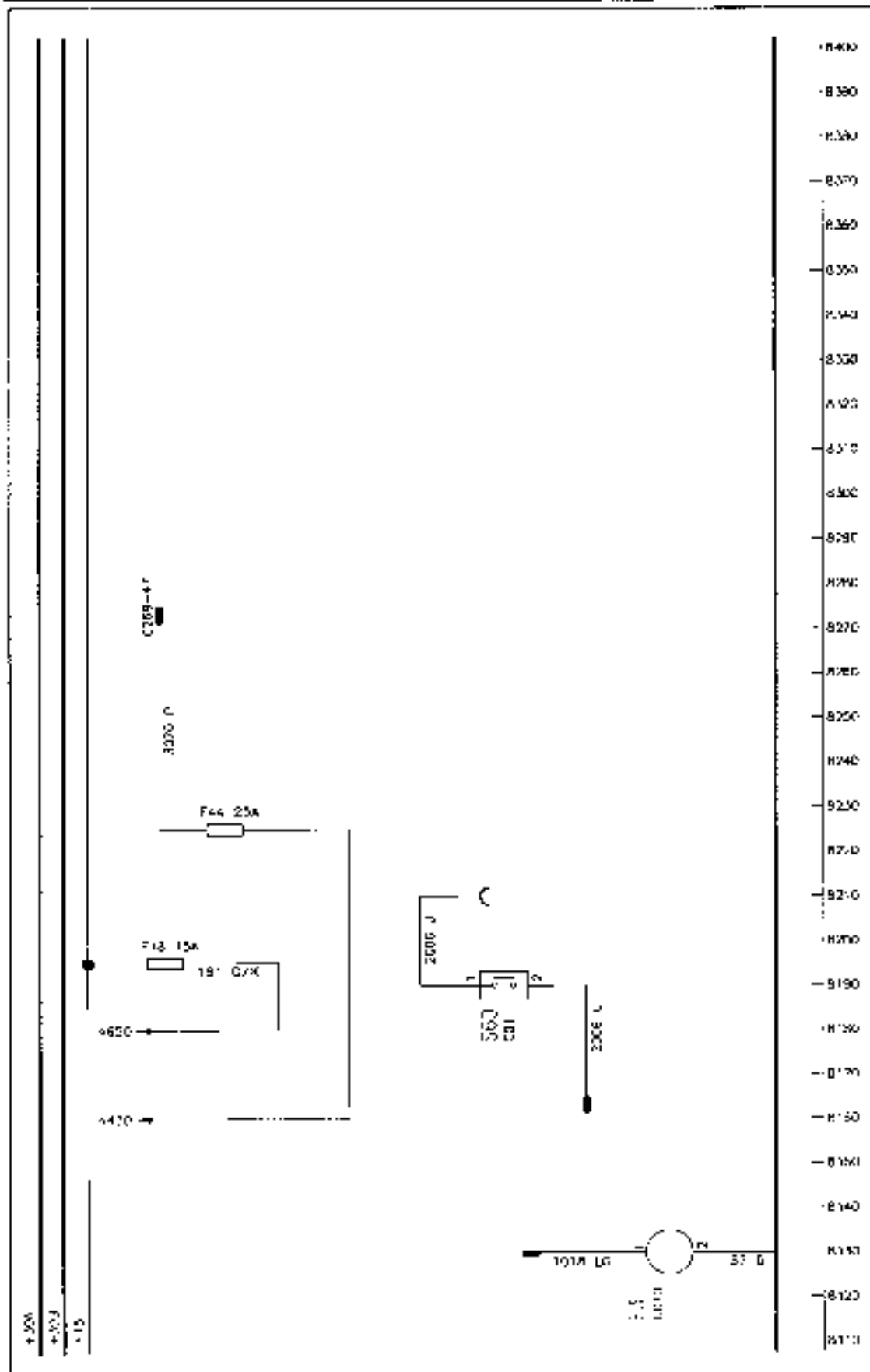
24x24 Transmission, L-Cab, W/Mechanical Engine;

PROCESSOR FEEDS AND GROUNDS 2

Line 7810-8100

- A014 XCM Central Control Unit (CN3-B)
- A016 XCM Central Control Unit (CN2)

WIRE COLOUR CODES						
B	R	LG	K	W	Pink	
Black	Red	Light Green		White		
N	Orange	Blue				
LN	Yellow	Turquoise				
S	Green	Purple				



24x24 Transmission, L/Cab, W/Mechanical Engine

AIR CONDITIONING AND CAB HEATING

Line 8110-2400

F18 Fuse - 15A
F44 Fuse - 25A

E3 A/C Clutch

S60 A/C Pressure Switch

WIRE COLOUR CODES

B	Black	R	Red	LG	Light Green	K	Black
N	Brown	O	Orange	U	Blue	W	White
LN	Light Brown	Y	Yellow	TO	Turquoise		
S	Slate	G	Green	P	Purple		