

ASSEMBLY PARTS AND ACCESSORIES

August 2004

AllmandTM
TLB SERIES

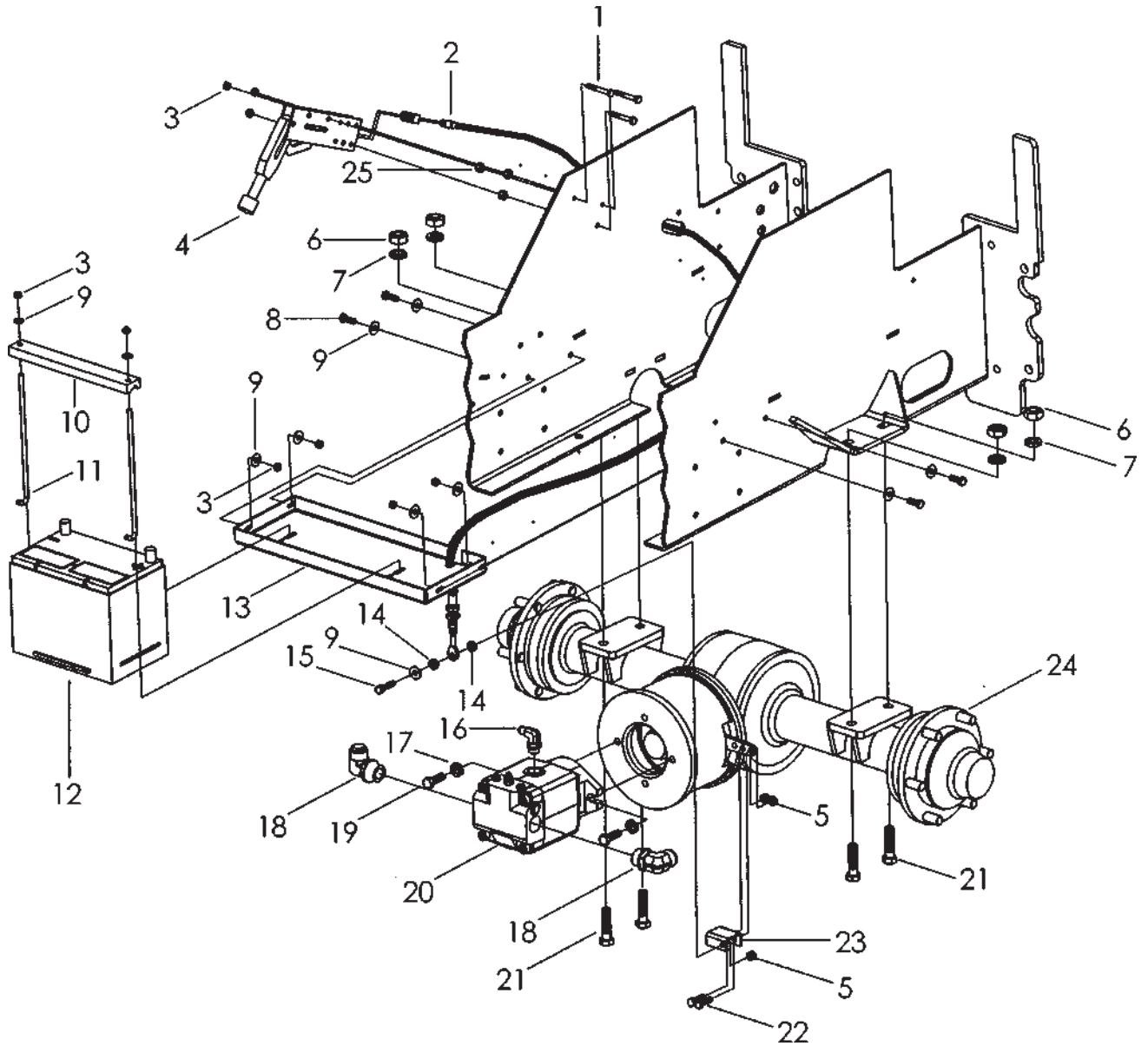
All ALLMAND TLBs

(Includes TLB 220, 225, 325, 425 ESL and 535 ESL)

**ALLMAND BROS. INC
P.O. BOX 888
HOLDREGE, NE 68949**

**PHONE: 308/995-4495, 1-800/562-1373
ALLMAND FAX: 308/995-5887
ALLMAND PARTS FAX: 308/995-4883**

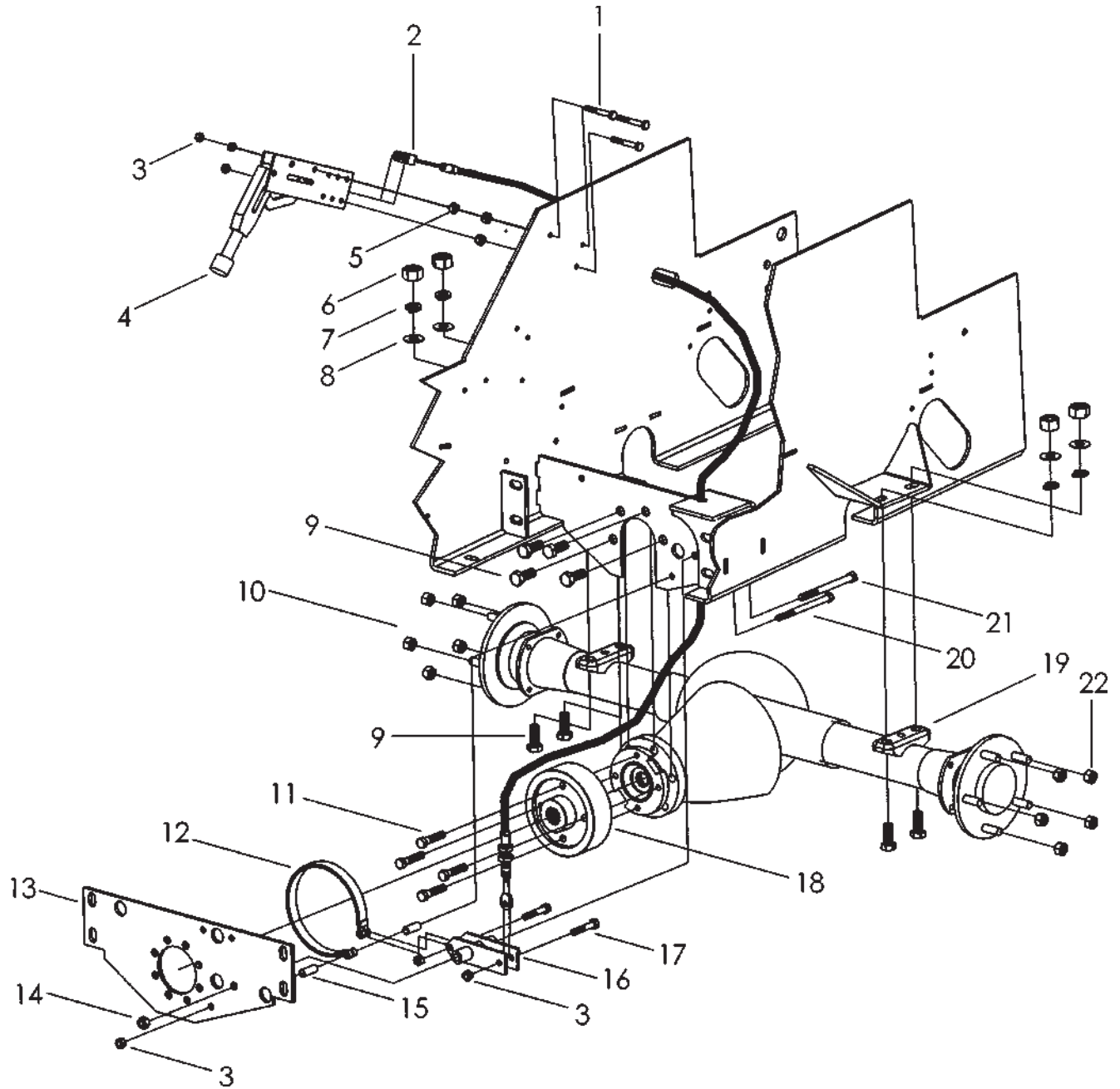
AllmandTM **TLB SERIES**



REAR DIFFERENTIAL**A-1B**

NO	REQ'D	PART NO	DESCRIPTION	TLB 425 AND 535
1	3	046070	5/16 -18 NC x 2-1/4" GRADE 5 BOLT	
2	1	930107	BRAKE CONTROL ASSEMBLY	
3	7	044033	5/16 -18 NC NYLON INSERT NUT	
4	1	920220	PARK BRAKE LEVER	
5	6	044038	3/8 -16 NC NYLON INSERT NUT	
6	4	044103	5/8 -18 NF TOPLOCK NUT	
7	4	042156	WILLIAMS FLAT WASHER	
8	4	046050	5/16 -18 NC x 1" GRADE 5 BOLT	
9	9	047005	1/4 SAE FLAT WASHER	
10	1	340017	NYLON BATTERY HOLD DOWN	
11	2	433507	5/16 -18 NC x 11 J-BOLT	
12	1	024002	12 VOLT BATTERY, GROUP 24	
13	1	15-000218	BATTERY TRAY	
14	2	047019	NYLON WASHER	
15	1	046120	3/8-16 NC x 2-1/4" GRADE 5 BOLT	
16	1	920825	90° 6-8C50X-S	
17	2	043095	9/16 SPLIT LOCKWASHER	
18	2	920679	90° 12C50X-S	
19	2	040736	14mm X 40mm BOLT	
20	1	15-000290	AXIAL PISTON MOTOR	
21	4	044102	5/8 -18 NF x 2" GRADE 8 BOLT	
22	2	046115	3/8 -16 NC x 1-1/4" GRADE 5 BOLT	
23	1	15-000217	BRAKE ACTUATOR CABLE MOUNT	
24	1	15-000207	REAR DRIVE AXLE 24:1 RATIO	
25	2	044033	5/16 -18 NC NYLON INSERT NUT	

LEGEND: NS= Not Shown
** =Purchase locally

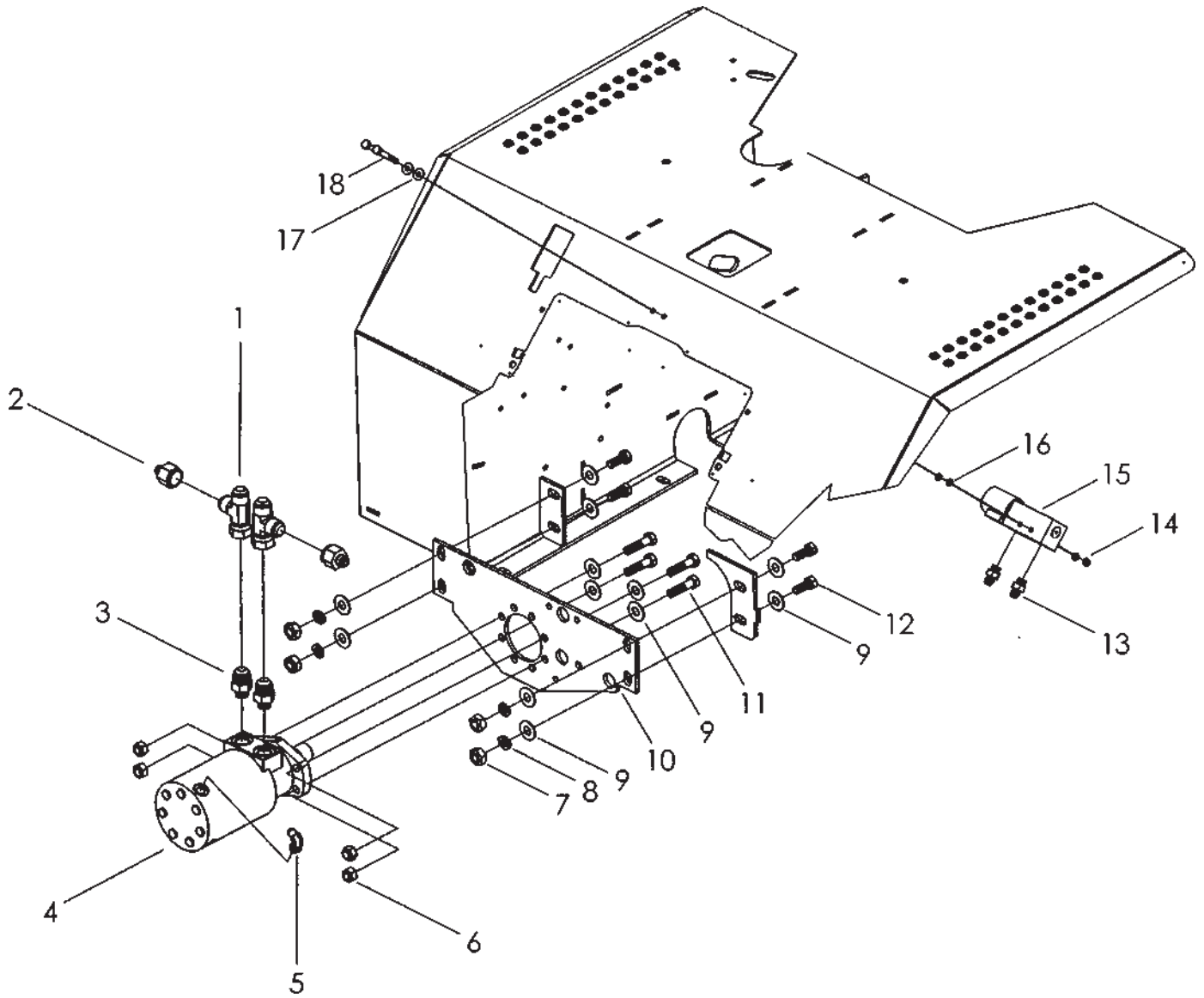


REAR DIFFERENTIAL

A-2B

NO	REQ'D	PART NO	DESCRIPTION	TLB 220, 225, and 325
1	3	046070	5/16 -18 NC x 2-1/4" GRADE 5 BOLT	
2	1	930107	BRAKE CONTROL ASSEMBLY	
3	6	044033	5/16 -18 NC NYLON INSERT NUT	
4	1	920220	PARK BRAKE LEVER	
5	3	044035	3/8 -16 NC HEX NUT	
6	4	044063	9/16 -12 NC HEX NUT	
7	4	043095	9/16 SPLIT LOCKWASHER	
8	4	047028	1/2" GRADE 8 FLAT WASHER	
9	8	046239	9/16 -12 NC x 1-1/4" GRADE 5 BOLT	
10	10	920295	1/2-20 NF LUG NUT	
11	4	046161	7/16 -20 NF X 2" GRADE 8 BOLT	
12	1	920222	BRAKE BAND	
13	1	10-000169	DRIVE MOTOR MOUNT PLATE	
14	1	044043	7/16 -14 NC NYLON INSERT NUT	
15	2	92T092	PARK BRAKE SPACER	
16	1	92T064	BRAKE ACTUATOR WELDMENT	
17	2	046132	3/8 -16 NC x 2" GRADE 5 BOLT	
18	1	921232	DRIVE HUB, 6" 1350 FLANGE	
19	1	10-000113	COMPLETE REAR AXLE ASSEMBLY (4.89:1)	
		920146	(2) SHAFT ASSEMBLY COMPLETE	
		920147	(1) SEAL PINION	
		921169	COMPANION FLANGE 1350	
20	1	046142A	3/8 -16 NC x 5" GRADE 8 BOLT	
21	1	046173	7/16 -14 NC x 5" GRADE 5 BOLT	
22	10	920148	WHEEL STUD	
NS	1	920415L	REAR WHEEL ASSEMBLY LEFT	
NS	1	920415R	REAR WHEEL ASSEMBLY RIGHT	
		920316	(2) REAR WHEEL 15 X 13	
		920310	(2) TIRE, SUPER TERRA GRIP 31-15.50-15	

LEGEND: NS= Not Shown
 ** =Purchase locally



DRIVE MOTOR ASSEMBLY

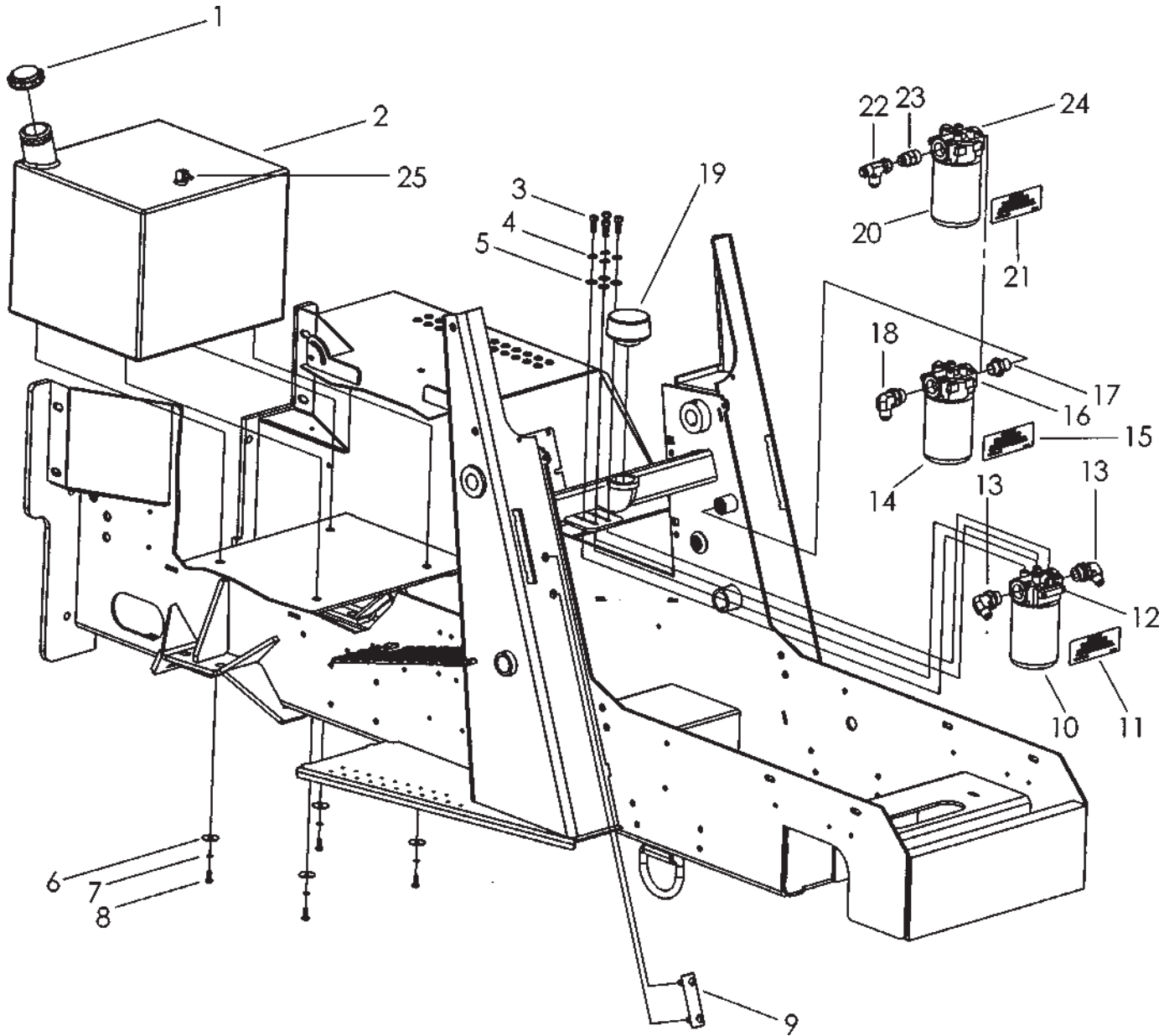
A-3B

				TLB 220, 225, and 325
NO	REQ'D	PART NO	DESCRIPTION	
1	2	920782	HYDRAULIC ADAPTER 6602-12-12	
2	2	026101	HYDRAULIC ADAPTER 2406-12-08	
3	2	920674	STRAIGHT THREAD CONNECTOR, 6400-06-06	
4	1	920338	4-BOLT HYDRAULIC MOTOR, ME-15 (TLB 220, 225)	
	1	920339	4-BOLT HYDRAULIC MOTOR, ME-18 (TLB 325)	
5	1	920692	STRAIGHT THREAD ELBOW, 6-C50X-S	
6	4	044048	1/2-13 NC NYLON INSERT NUT	
7	4	044045	1/2-13 NC HEX NUT	
8	4	043085	1/2" SPLIT LOCKWASHER	
9	12	047028	1/2" GRADE 8 FLAT WASHER	
10	1	10-000169	DRIVE MOTOR PLATE (TLB 225)	
		92T037	DRIVE MOTOR PLATE (TLB 220, TLB 325)	
11	4	046196	1/2-13 NC X 2" GRADE 8 BOLT	
12	4	046180	1/2-13 X 1-1/4" GRADE 5 BOLT	
13	2	320076	HYDRAULIC ADAPTER, 6400-06-06 (TLB 220, TLB 325)	
14	2	040023	1/4 - 20 NC KEPS NUT (TLB 220, TLB 325)	
15	1	930155	INLINE NEUTRAL VALVE (TLB 220, TLB 325)	
16	2	043050	1/4" INTERNAL TOOTH LOCK WASHER (TLB 220, TLB 325)	
17	2	047004	1/4" FLAT WASHER (TLB 220, TLB 325)	
18	2	046036	1/4 - 20 NC X 2-1/2" GRADE 5 BOLT (TLB 220, TLB 325)	
NS		921426	DRIVE MOTOR SEAL KIT	

LEGEND: NS= Not Shown
 ** =Purchase locally

FUEL TANK and HYDRAULIC FILTERS

TLB 220, 225, 325, 425, and 535



FUEL TANK and HYDRAULIC FILTERS

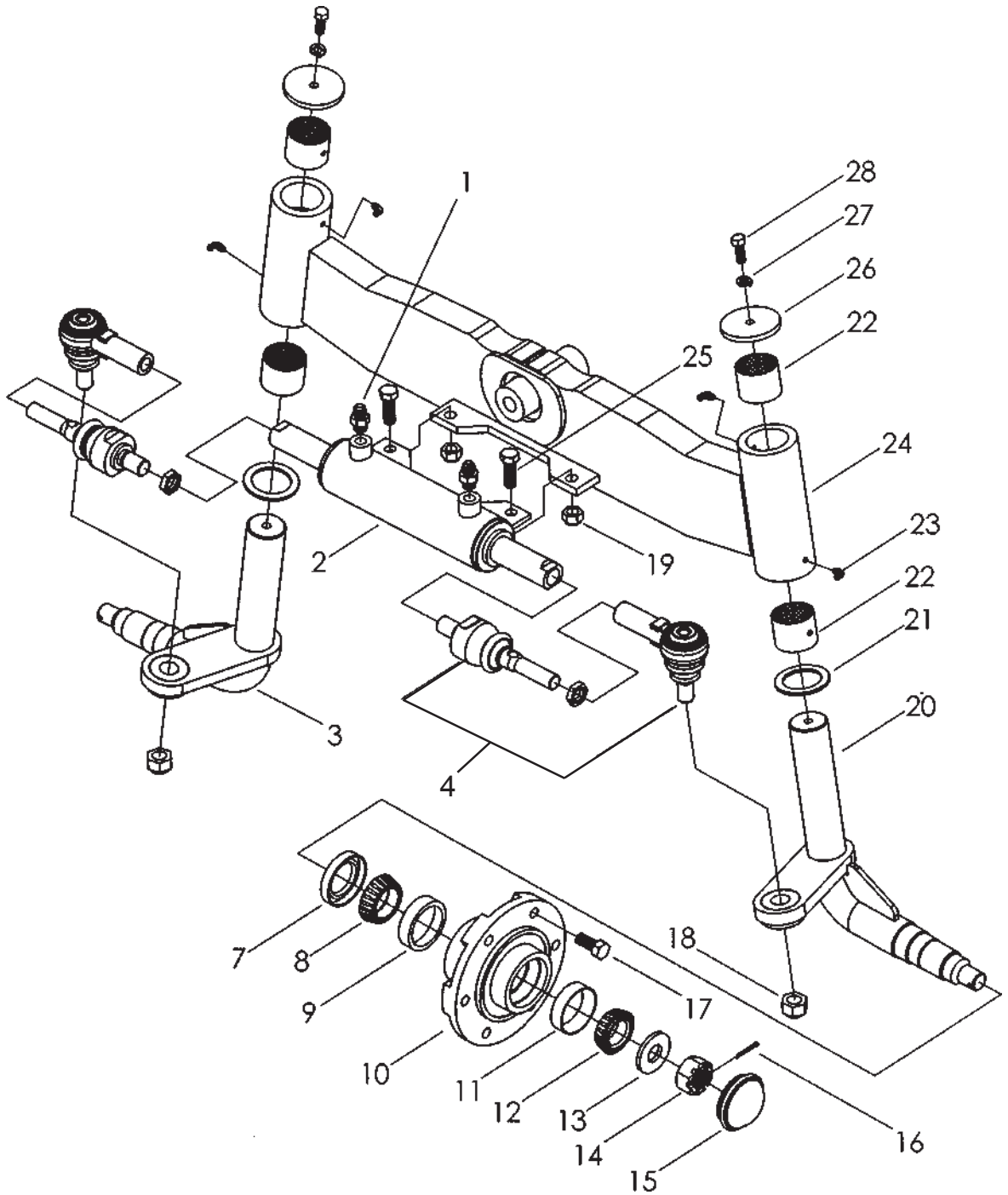
A-4B

NO	REQ'D	PART NO	DESCRIPTION	TLB 220, 225, 325, 425, and 535
1	1	340027	FILLER CAP, PLASTIC	
		15-000115	FUEL CAP W/GAUGE, 14-1/2 (TLB 425, 535)	
2	1	930120	FUEL TANK	
NS	1	713050	BRASS 90° FITTING	
3	4	046110	3/8 -20 NC X 1" GRADE 5 BOLT	
4	4	043065	3/8 SPLIT LOCK WASHER	
5	4	047016	3/8 FLAT WASHER	
6	4	047007	1/4 FENDER WASHER	
7	4	043050	1/4 INTERNAL TOOTH LOCK WASHER	
8	4	046010	1/4-20 NC X 3/4" SS GRADE 5 BOLT	
9	1	920195	SIGHT GLASS, LHA	
10	1	920788	FIBERGLASS ELEMENT REPLACEMENT FILTER (TLB 425, 535)	
11	1	090297	FILTER ELEMENT DECAL (TLB 425, 535)	
12	1	920809	STANDARD FILTER HEAD (TLB 425, 535)	
		15-000037	FILTER HEAD WITH FILTER	
13	2	920821	HYDRAULIC ADAPTER, 6801-08-12-NOW-FG (TLB 425, 535)	
14	1	920788	FIBERGLASS ELEMENT REPLACEMENT FILTER (TLB 325, 425, 535)	
15	1	090297	FILTER ELEMENT DECAL (TLB 225, 325, 425, 535)	
16	1	920447	FILTER HEAD WITH BYPASS (TLB 225, 325, 425, 535)	
		15-000171	BYPASS FILTER HEAD WITH FILTER	
17	1	930163	HYDRAULIC ADAPTER 6401-12-12-0 (ALL MODELS)	
18	1	920820	HYDRAULIC ADAPTER 6801-10-12-NOW-FG (TLB 425, 535)	
19	1	920322	OIL FILLER CAP	
20	1	920335	REPLACEMENT HYDRAULIC FILTER, LHA (TLB 220, 225)	
21	1	090257	OIL FILTER DECAL (TLB 220)	
22	1	920671	HYDRAULIC ADAPTER. TEE, B-8-8-RTX (TLB 220, 225, 325)	
23	1	920664	HYDRAULIC ADAPTER (TLB 220, 225, 325)	
24	1	920334	FILTER AND HEAD ASSEMBLY LHA (TLB 220)	
25	1	340025	FUEL SUCTION TUBE ASSEMBLY	
		713050	BRASS 90° FITTING	

LEGEND: NS= Not Shown
 ** =Purchase locally

FRONT AXLE ASSEMBLY

TLB 220, 225, 325, 425, 535

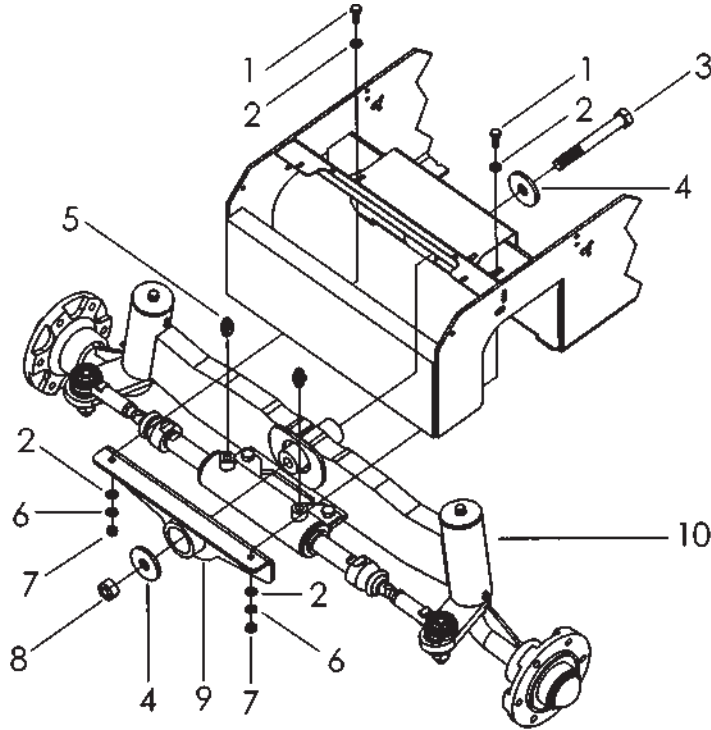


FRONT AXLE ASSEMBLY

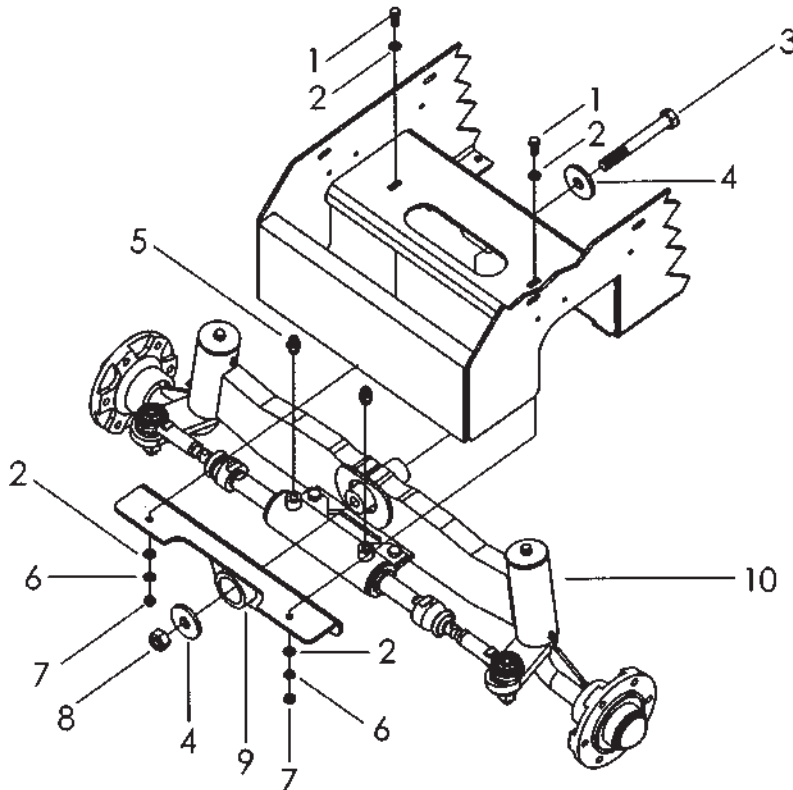
A-5B

NO	REQ'D	PART NO	DESCRIPTION	TLB 220, 225, 325, 425, 535
1	2	320076	ADAPTER 3/8 ORM-3/8 JIC MALE 6F50X-S	
2	1	921167	STEERING CYLINDER	
NS		923581	STEERING CYLINDER SEAL KIT	
3	1	10-000036	SHORT SPINDLE WELDMENT, RIGHT	
4	2	10-000189	TIE ROD END/BALL JOINT ASSEMBLY (COMPLETE)	
7	2	920217	INNER SEAL -162289 (RIGHT SIDE NOT SHOWN)	
8	2	920212	INNER BEARING -JL69349 (RIGHT SIDE NOT SHOWN)	
9	2	920215	INNER BEARING RACE (RIGHT SIDE NOT SHOWN)	
10	2	920210	HUB W/BEARINGS AND RACES	
11	2	920216	OUTER BEARING RACE (RIGHT SIDE NOT SHOWN)	
12	2	920213	OUTER BEARING -LM67048 (RIGHT SIDE NOT SHOWN)	
13	2	920208	7/8 WASHER (RIGHT SIDE NOT SHOWN)	
14	2	920207	7/8 HEX CASTLE NUT (RIGHT SIDE NOT SHOWN)	
15	2	920205	GREASE CAP (RIGHT SIDE NOT SHOWN)	
16	2	920206	COTTER PIN (RIGHT SIDE NOT SHOWN)	
17	12	920202	STUD BOLT (ONLY ONE SHOWN)	
18	2	042090	M18 X 1.5 NYLOCK NUT	
19	2	044048	1/2 - 13 NC NYLON INSERT NUT	
20	1	10-000037	SHORT SPINDLE WELDMENT, LEFT	
21	2	920230	THRUST WASHER	
22	4	920340	BUSHING, 1 3/4 X 1 1/2 LONG	
23	4	401257	1/4 - 28 90° GREASE ZERK	
24	1	10-000033	FRONT AXLE WELDMENT	
		15-000086	STEERING CYLINDER MOUNTING PLATE	
25	2	046185	1/2 - 13 NC X 1 1/2 GRADE 5 BOLT	
26	2	92T104	SPINDLE SLEEVE CAP	
27	2	043065	3/8 SPLIT LOCK WASHER	
28	2	046111	3/8 - 16 NC X 1 GRADE 8 BOLT	
NS	1	10-000198	STEERING ARM BUSHING	
NS	1	920419L	WHEEL/TIRE ASSEMBLY, LEFT (TLB 220, 225, 325)	
NS		920419R	WHEEL/TIRE ASSEMBLY, RIGHT (TLB 220, 225, 325)	
NS		920313	23 X 8.5 X 12 TIRE ONLY (TLB 220, 225, 325)	
NS		920319	12 X 7, 6 BOLT WHEEL ONLY (TLB 220, 225, 325)	
NS	1	10-000089L	WHEEL/TIRE ASSEMBLY, LEFT (TLB 425, 535)	
NS	1	10-000089R	WHEEL/TIRE ASSEMBLY, RIGHT (TLB 425, 535)	
NS		15-000169	23 X 10.5 X 12 TIRE ONLY (TLB 425, 535)	
NS		15-000151	12 X 8.5, 6 BOLT WHEEL ONLY (TLB 425, 535)	

LEGEND: NS= Not Shown
 ** =Purchase locally



TLB 225, 425, and 535



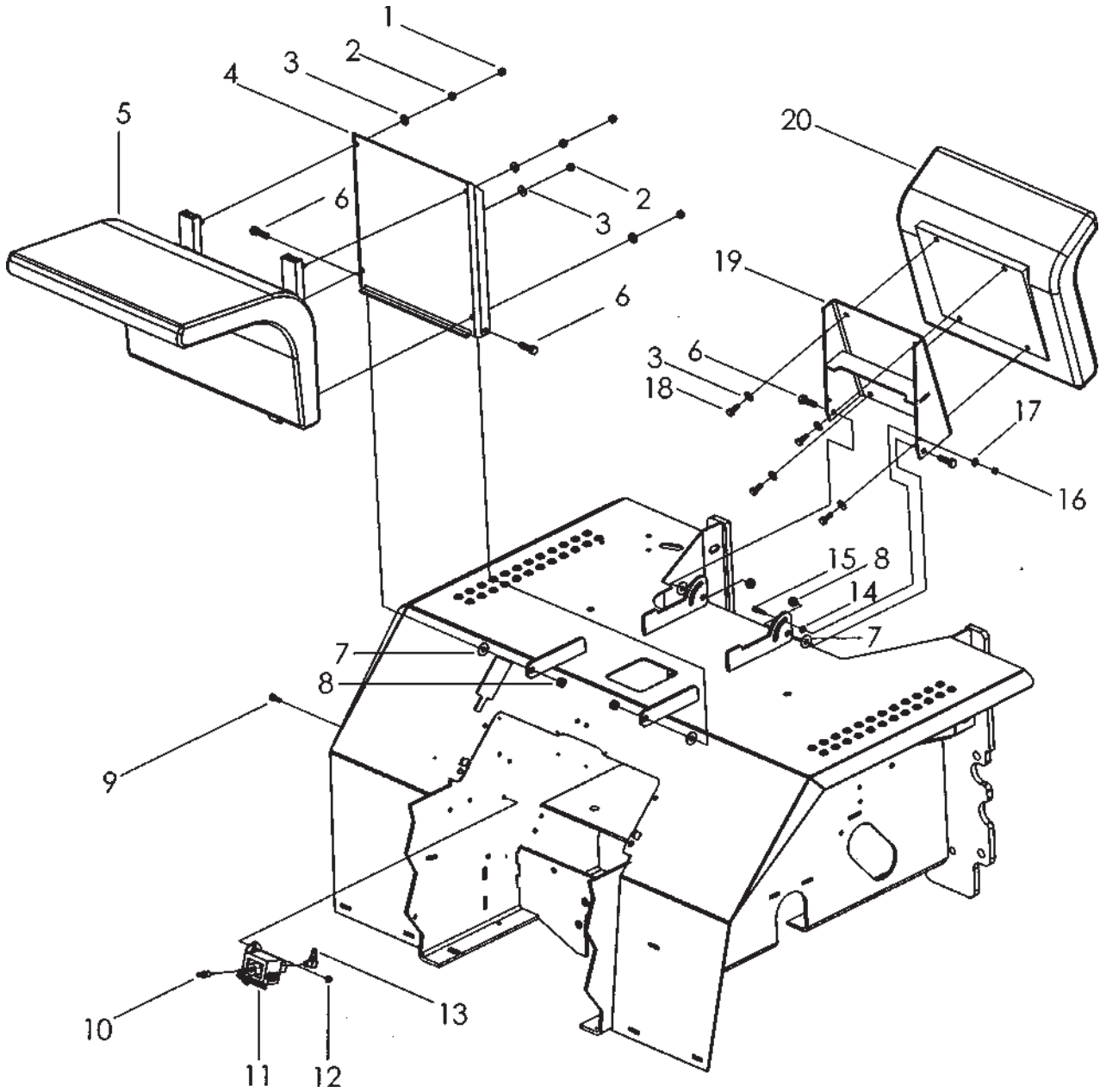
FRONT AXLE INSTALLATION PARTS

A-6B

				TLB 220 AND 325
NO	REQ'D	PART NO	DESCRIPTION	
1	2	046425	M10-1.5 X 30 GRADE 10.9 BOLT	
2	4	077066	7/16 WASHER, GRADE 8	
3	1	046271	3/4 -16 NF X 6 GRADE 8 BOLT	
4	2	15-000085	AXLE PIVOT SHAFT, THICK WASHER	
5	2	320076	HYDRAULIC ADAPTER, 6400-06-06	
6	2	042151	M10 SPLIT LOCK WASHER	
7	2	042083	M10-1.5 HEX NUT	
8	1	920209	3/4-16 NC CENTER LOCK NUT	
9	1	10-000024	FRONT AXLE SUPPORT BRACKET	
10	1	10-000032	FRONT AXLE ASSEMBLY WITH TIE ROD	
NS	2	921229	FRONT AXLE BUSHING	

				TLB 225, 425, and 535
NO	REQ'D	PART NO	DESCRIPTION	
1	2	046425	M10-1.5 X 30 GRADE 10.9 BOLT	
2	4	077066	7/16 WASHER, GRADE 8	
3	1	046271	3/4 -16 NF X 6 GRADE 8 BOLT	
4	2	15-000085	AXLE PIVOT SHAFT, THICK WASHER	
5	2	320076	HYDRAULIC ADAPTER, 6400-06-06	
6	2	042151	M10 SPLIT LOCK WASHER	
7	2	042083	M10-1.5 HEX NUT	
8	1	920209	3/4-16 NC CENTER LOCK NUT	
9	1	15-000032	FRONT AXLE SUPPORT BRACKET	
10	1	10-000032	FRONT AXLE ASSEMBLY WITH TIE ROD	
NS	2	921229	FRONT AXLE BUSHING	

LEGEND: NS= Not Shown
 ** =Purchase locally



SEAT ASSEMBLIES

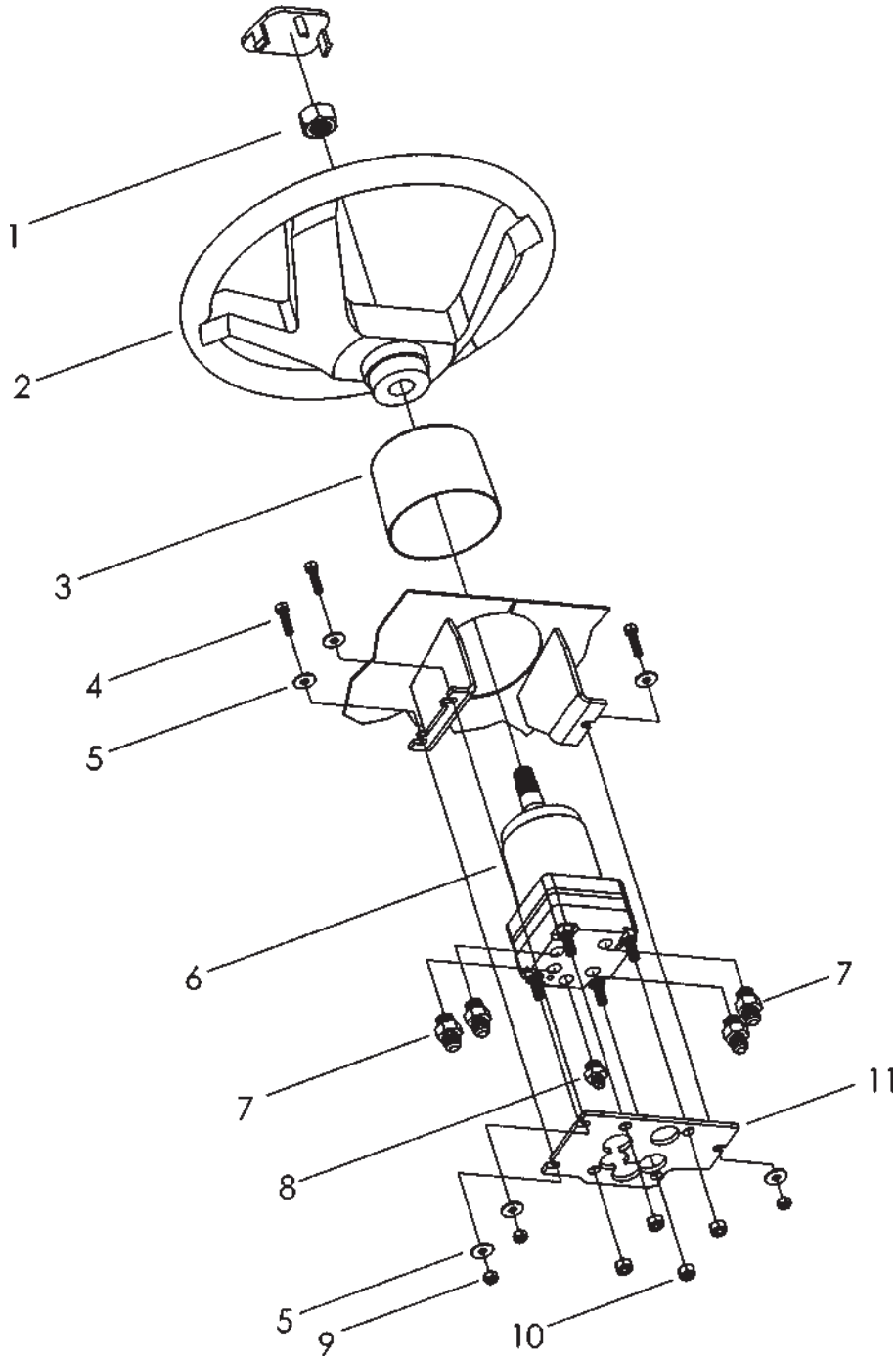
A-7B

NO	REQ'D	PART NO	DESCRIPTION	TLB 220, 225, 325, 425, 535
1	2	047027	5/16 -18 NC ACORN NUT	
2	4	044033	5/16 -18 NC NYLOCK NUT	
3	8	044005	1/4 FLAT WASHER	
4	1	930465	SEAT MOUNT PLATE	
5	1	920245	TRACTOR SEAT WITH ADJUSTERS	
6	4	046110	3/8 -16 NC x 1 GRADE 5 BOLT	
7	4	047016	3/8 SAE FLAT WASHER	
8	4	044080	3/8 -16 NC TOPLOCK NUT	
9	1	046010	1/4-20 NC X 3/4 GRADE 5 BOLT (TLB 220)	
10	1	930150	HOSE FITTING, BARBED (TLB 220)	
11	1	930470	ELECTRIC FUEL PUMP (TLB 220)	
12	1	044023	1/4-28 NF NYLON INSERT NUT (TLB 220)	
13	1	930151	HOSE FITTING, BARBED 90° (TLB 220)	
14	1	044009	1/4 SAE FLAT WASHER	
15	1	048006	1/4 -28 NF X 1" SOCKET HEAD CAP SCREW	
16	1	044025	1/4 -28 NC NYLON INSERT NUT	
17	1	043020	1/4 SPLIT LOCK WASHER	
18	4	042033	M8 x 1.25 x 20MM HCS 8.8 BOLT	
19	1	92B002	BACKHOE SEAT MOUNT WELDMENT	
20	1	920246	BACKHOE SEAT	

LEGEND: NS= Not Shown
** =Purchase locally

ORBITAL MOUNTING ASSEMBLY

TLB 220, 225, 325, 425, 535



ORBITAL MOUNTING ASSEMBLY

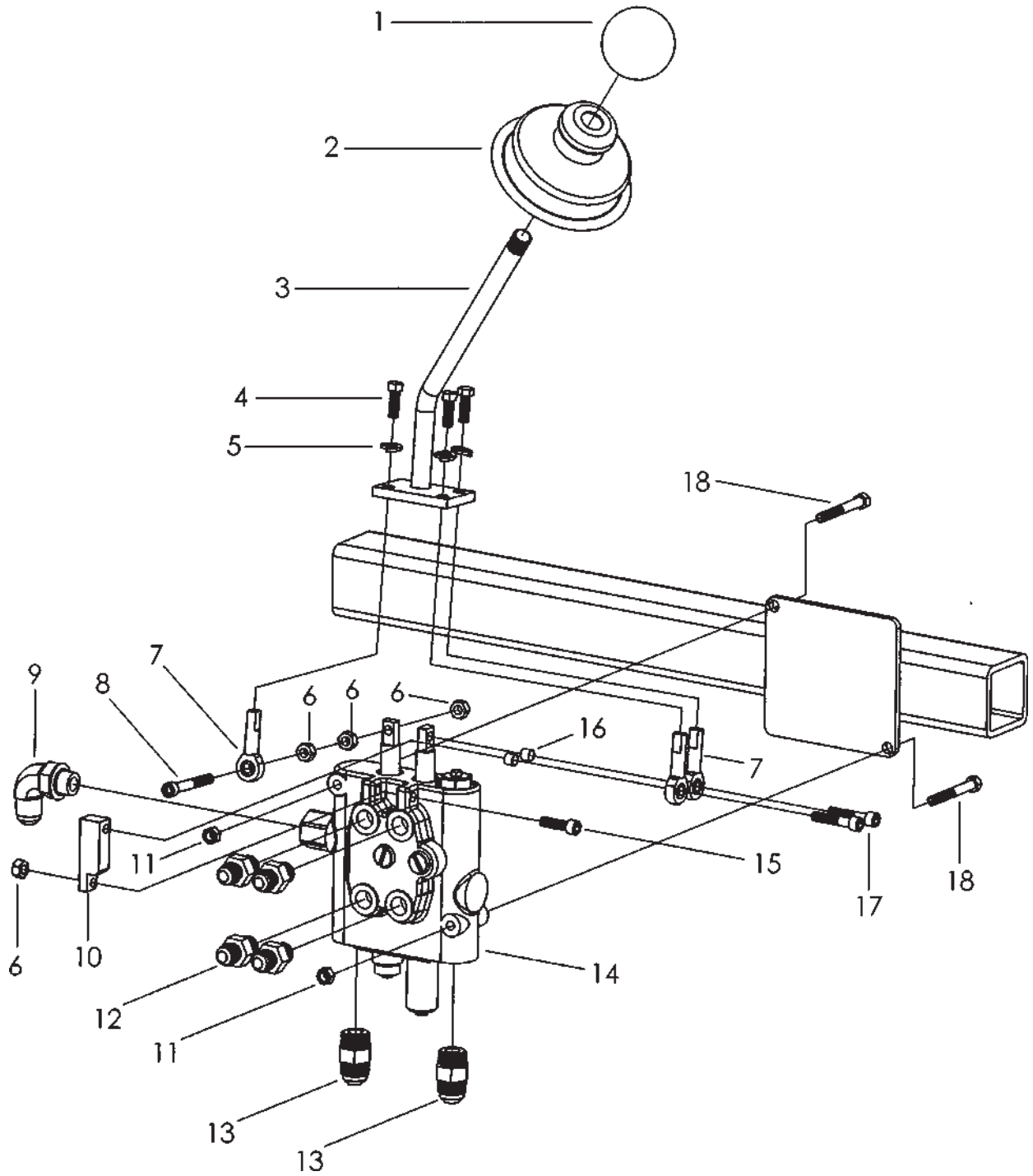
A-8B

NO	REQ'D	PART NO	DESCRIPTION	TLB 220, 225, 325, 425, 535
1	1	920287	STEERING WHEEL NUT	
2	1	930429	STEERING WHEEL	
3	1	930350	ORBITAL COVER	
4	3	046015	1/4 -20 NC X 1 GRADE 5 BOLT	
5	6	047005	1/4" FLAT WASHER	
6	1	10-000140	SERIES 5 ORBITAL	
7	4	320076	HYDRAULIC ADAPTER, 6400-06-06	
8	1	920678	HYDRAULIC ADAPTER	
9	3	044023	1/4 -20 NC NYLON INSERT NUT	
10	4	042081	8mm X 1.25 NYLON INSERT NUT	
11	1	10-000159	SERIES 5 ORBITAL MOUNT	

LEGEND: NS= Not Shown
** =Purchase locally

LOADER VALVE ASSEMBLY

TLB 220, 225, 325



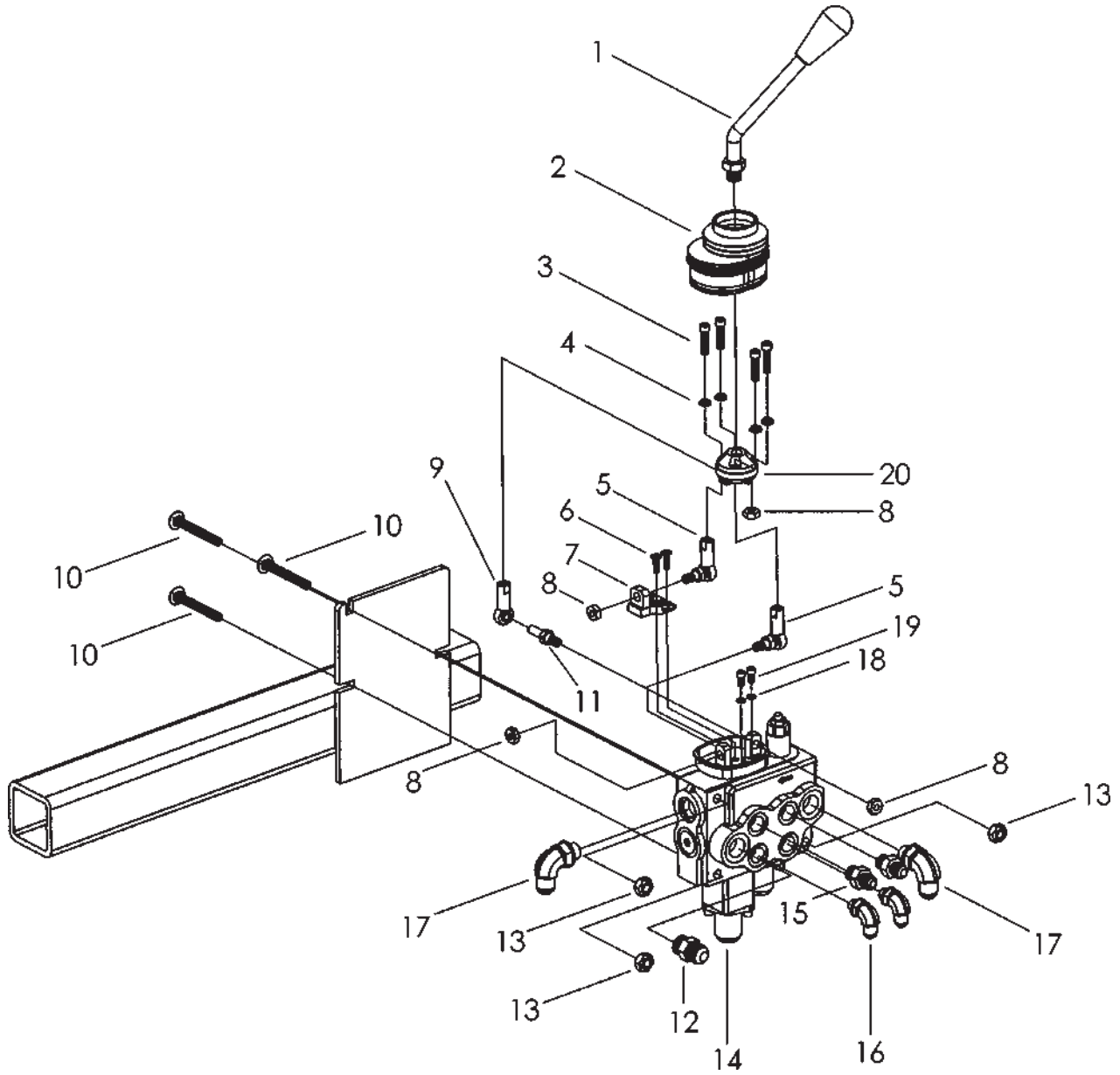
LOADER VALVE ASSEMBLY

A-9B

TLB 220, 225, 325

NO	REQ'D	PART NO	DESCRIPTION
1	1	920352	BLACK KNOB
2	1	920355	JOYSTICK BOOT
3	1	921020	LOADER VALVE JOYSTICK
4	3	046004	1/4 -28 NF X 3/4" GRADE 5 BOLT
5	3	043020	1/4" SPLIT LOCK WASHER
6	4	044025	1/4 -28 NF HEX NUT
7	3	920176	FEMALE ROD END
8	1	048015	1/4 -28 NF X 2 SOCKET HEAD CAP SCREW
9	1	320070	HYDRAULIC ADAPTER, 90° 8C50X-S
10	1	921023	PIVOT BLOCK LOADER VALVE
11	2	044023	1/4 -20 NC NYLON INSERT NUT
12	4	320076	HYDRAULIC ADAPTER 3/8 ORM-3/8 JIC MALE 6 F50X-S
13	2	920698	HYDRAULIC ADAPTER SF50X-S
14	1	920329	EATON VALVE 2-SPOOL
15	1	048006	1/4 -28 X 1" SOCKET HEAD CAP SCREW
16	2	921022	ROD END BUSHING
17	2	048009	1/4 -28 NF X 1-1/4" SOCKET HEAD CAP SCREW
18	2	046035	1/4 -20 NC X 2" GRADE 5 BOLT
19		921425	SEAL KIT, EATON LOADER VALVE

LEGEND: NS= Not Shown
** =Purchase locally



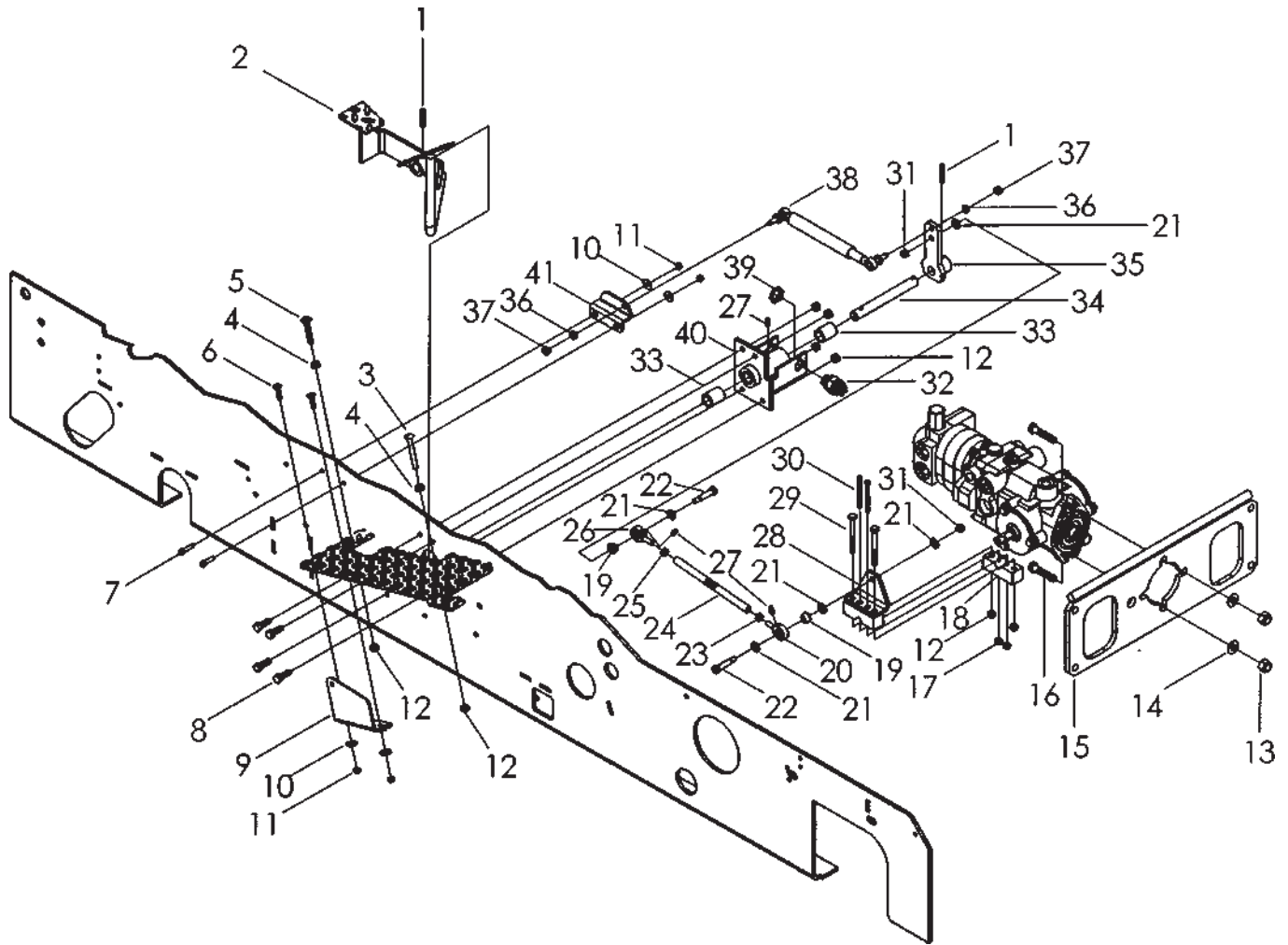
LOADER VALVE ASSEMBLY

A-10B

TLB 425, 535

NO	REQ'D	PART NO	DESCRIPTION
1	1	920801	WALVOIL LOADER VALVE HANDLE
2	1	921003	BELLOW
3	4	**	M6 X 25 -12.9 NICKEL PLATED SOCKET HEAD CAP SCREW
4	4	**	A6 DIN-7980 GALVANIZED WASHER
5	2	921443	ARTICULATED JOINT
6	2	**	UNI-5933 M5 X 14 - 8.8 FLAT HEAD SCREW
7	1	921002	PIVOT
8	4	**	ISO-4032 M6 - 8 GALVANIZED HEX NUT
9	1	921444	ROD END
10	3	053026	5/16 -18 NC X 2-1/2" CARRIAGE BOLT
11	1	921000	PIN
12	1	920698	HYDRAULIC ADAPTER SF50X-S
13	3	044090	5/16 -18 NC TOP LOCK NUT
14	1	920800	WALVOIL LOADER VALVE INCLUDES ITEMS (1, 2, 3, 4, 5, 6, 7, 8, 9, 11, 18, 19, 20)
15	2	320076	HYDRAULIC ADAPTER 3/8 ORM-3/8 JIC MALE 6 F50X-S
16	2	920692	HYDRAULIC ADAPTER, 90°
17	2	320070	HYDRAULIC ADAPTER 90°, 8C50X-S
18	2	**	5.0 X 9 X 0.5 SCHNORR WASHER
19	2	**	M5 X 10 -12.9 SOCKET HEAD CAP SCREW
20	1	921001	HOLDER
NS		921801	FLOAT KIT
NS		923582	SEAL KIT, WALVOIL LOADER VALVE

LEGEND: NS= Not Shown
** =Purchase locally



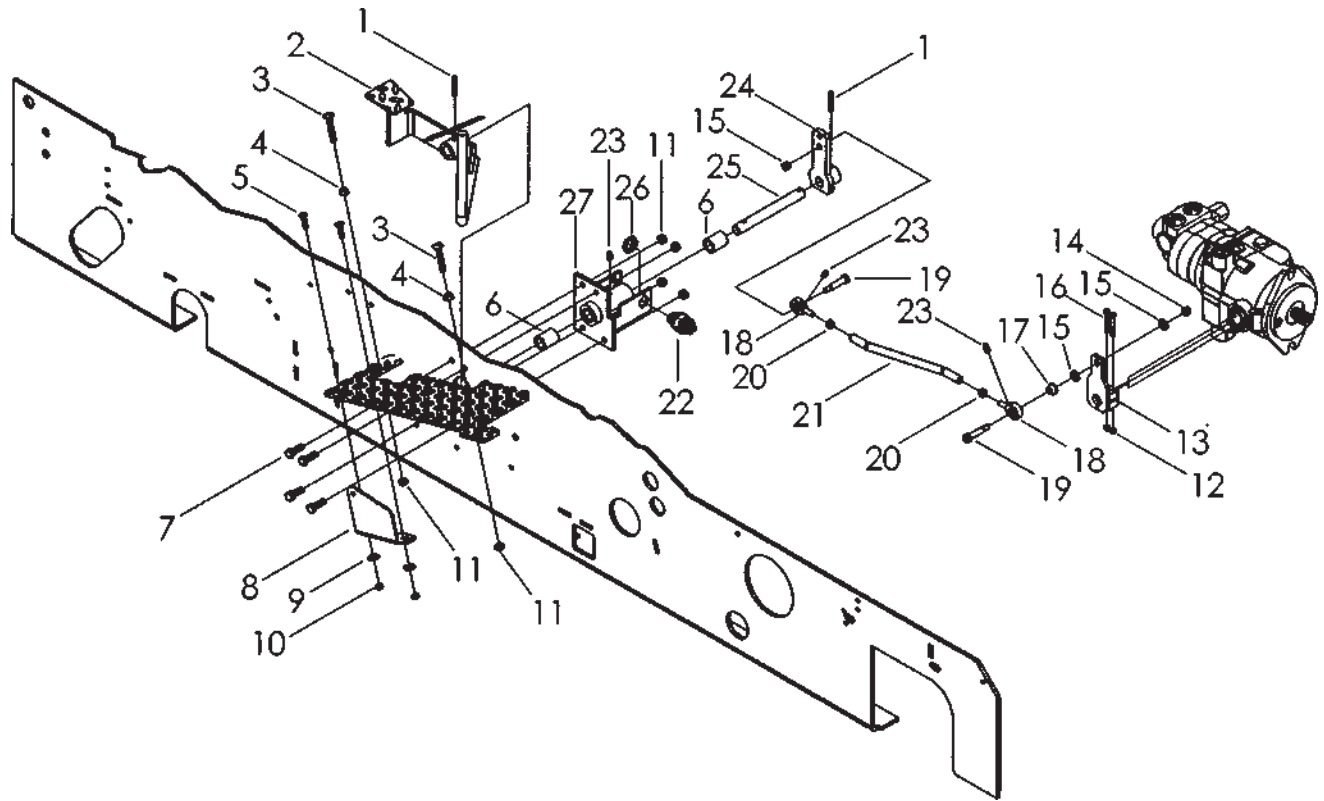
FORWARD/REVERSE PEDAL AND LINKAGE

A-11B

TLB 220, 325

NO	REQ'D	PART NO	DESCRIPTION
1	2	045145	1/4 X 1-1/2 ROLL PIN
2	1	10-000112	FOOT PEDAL WELDMENT
3	1	041088	5/16 - 18 NC X 2-1/2 TRUSS HEAD SCREW
4	2	044031	5/16 - 18 NC KEPS NUT
5	1	041087	5/16 - 18 NC 1-1/2 SLOTTED HEAD SCREW
6	2	041080	1/4 - 20 NC X 1 TRUSS HEAD SCREW
7	2	046015	1/4 - 20 NC X 1 GRADE 5 BOLT
8	4	046050	5/16 - 18 NC X 1 GRADE 5 BOLT
9	1	15-000120	REAR PROTECTOR PLATE
10	6	047009	1/4" SS FLAT WASHER
11	4	044023	1/4 - 20 NC NYLON INSERT NUT
12	8	044033	5/16 - 18 NC NYLON INSERT NUT
13	2	044098	7/16 - 20 NF TOP LOCK NUT GRADE 8
14	4	047015	3/8" FLAT WASHER
15	1	10-000039	HYDROSTAT MOUNT PLATE W/HOSE GUARD
16	2	046161	7/16 - 20 NF X 2 GRADE 8 BOLT
17	2	044018	10 - 24 NC NYLON INSERT NUT
18	1	10-000122	SQUARE SHAFT HYDROSTAT PEDAL BLOCK
19	2	921172	CONICAL SPACER
20	1	921173	3/8" ROD END (RIGHT HAND)
21	4	047016	3/8" SAE FLAT WASHER
22	2	921215	3/8 X 1-1/4 SHOULDER BOLT
23	1	921176	3/8 - 24 NF JAM NUT (RIGHT HAND)
24	1	921177	LINKAGE
25	1	921175	3/8 - 24 NF JAM NUT (LEFT HAND)
26	1	921174	3/8" ROD END (LEFT HAND)
27	3	401256	1/4 - 28 NF STRAIGHT GREASE ZERK
28	1	10-000123	SQUARE SHAFT HYDROSTAT ARM WELDMENT
29	2	046422	5/16 - 18 NC X 3" GRADE 5 BOLT
30	2	048022	10 - 24 NC X 2-1/2 SOCKET HEAD CAP SCREW
31	4	044039	5/16 - 18 NC CENTER LOCK NUT
32	1	920430	NEUTRAL SWITCH
33	2	92T055B	PEDAL BUSHING
34	1	930091	FOOT PEDAL PIVOT SHAFT
35	1	930343	FOOT PEDAL F/R LINKAGE ARM
36	1	930144	CENTERING DAMPENER
37	1	044065	PAL NUT
38	1	930085	FOOT PEDAL PIVOT
39	1	930215	PEDAL RETURN SHOCK MOUNT

LEGEND: NS= Not Shown
 ** =Purchase locally



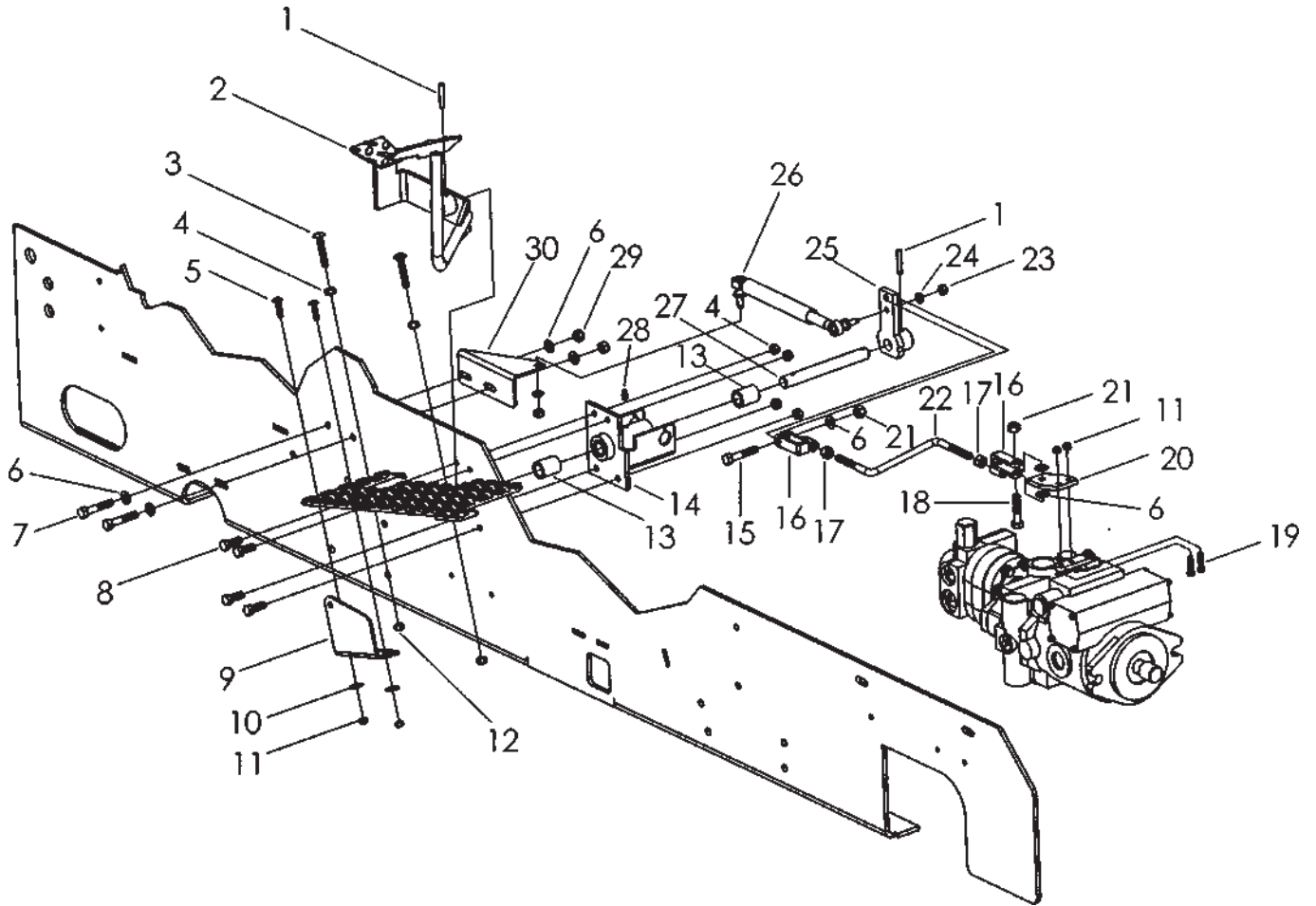
FORWARD/REVERSE PEDAL AND LINKAGE

A-12B

TLB 225

NO	REQ'D	PART NO	DESCRIPTION
1	2	045145	1/4 X 1-1/2 ROLL PIN
2	1	10-000112	FOOT PEDAL WELDMENT
3	2	041087	5/16 - 18 NC 1-1/2 SLOTTED HEAD SCREW
4	2	044031	5/16 - 18 NC KEPS NUT
5	2	041080	1/4 - 20 NC X 1 TRUSS HEAD SCREW
6	2	92T055B	PEDAL BUSHING
7	4	046050	5/16 - 18 NC X 1 GRADE 5 BOLT
8	1	15-000120	REAR PROTECTOR PLATE
9	2	047005	1/4" FLAT WASHER
10	2	044023	1/4 - 20 NC NYLON INSERT NUT
11	6	044033	5/16 - 18 NC NYLON INSERT NUT
12	2	040003	6mm HEX NUT
13	1	10-000196	HYDROSTAT PEDAL ARM
14	2	044039	5/16 - 18 NC CENTER LOCK NUT
15	2	047016	3/8" SAE FLAT WASHER
16	2	048024	6mm x 40mm x 1.0 ALLEN HEAD BOLT
17	2	921172	CONICAL SPACER
18	2	921173	3/8" ROD END (RIGHT HAND)
19	2	921215	3/8 X 1-1/4 SHOULDER BOLT
20	2	921176	3/8 - 24 NF JAM NUT (RIGHT HAND)
21	1	10-000197	LINKAGE ARM
22	1	920430	NEUTRAL SWITCH
23	3	401256	1/4 - 28 NF STRAIGHT GREASE ZERK
24	1	930343	FOOT PEDAL F/R LINKAGE ARM
25	1	930091	FOOT PEDAL PIVOT SHAFT
26	1	044065	PAL NUT
27	1	930085	FOOT PEDAL PIVOT

LEGEND: NS= Not Shown
** =Purchase locally



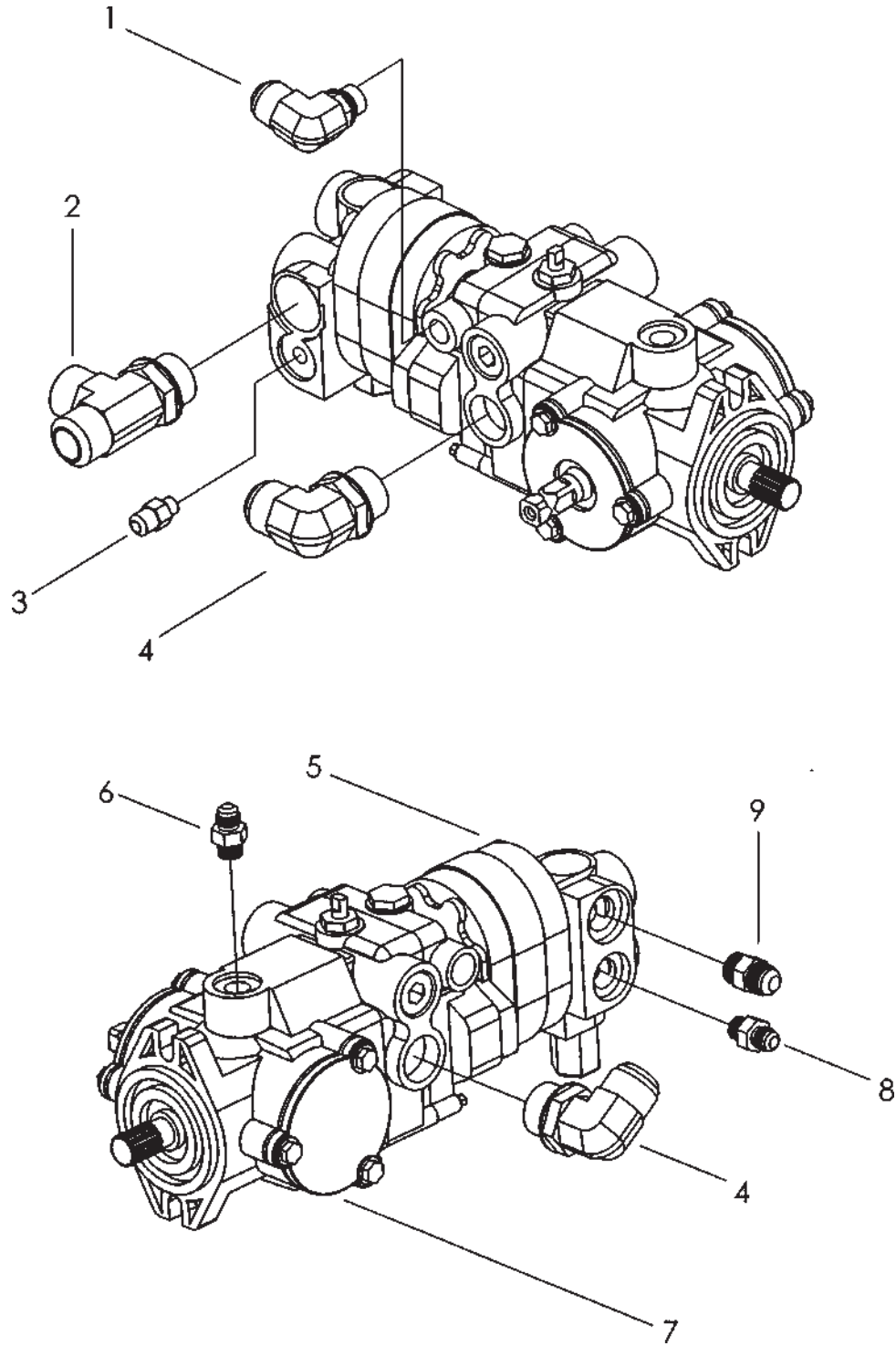
FORWARD/REVERSE PEDAL AND LINKAGE

A-13B

TLB 425,535

NO	REQ'D	PART NO	DESCRIPTION
1	2	045145	1/4 X 1-1/2 ROLL PIN
2	1	15-000192	DIESEL RIGHT FOOT PEDAL WELDMENT
3	2	041087	5/16 - 18 NC X 1-1/2 FULL THREAD PAN HEAD BOLT
4	2	044031	5/16 - 18 NC KEPS NUT
5	2	041080	1/4 - 20 NC X 1 TRUSS HEAD SCREW
6	7	047005	1/4" FLAT WASHER
7	2	046115	3/8 - 16 NC X 1-1/4 GRADE 5 BOLT
8	4	046050	5/16 - 18 NC X 1 GRADE 5 BOLT
9	1	15-000120	REAR PROTECTOR PLATE
10	2	047009	1/4" SS FLAT WASHER
11	4	044023	1/4 - 20 NC NYLON INSERT NUT
12	2	044033	5/16 - 18 NC NYLON INSERT NUT
13	2	92T055B	PEDAL BUSHING
14	1	930085	RIGHT FOOT PEDAL MOUNTING BRACKET
15	1	046135	3/8 - 16 NC X 2-1/2 GRADE 5 BOLT
16	2	712572	3/8 - 24 NF OFFSET YOKE
17	2	044042	3/8 - 24 NF HEX NUT
18	1	046120	3/8 - 16 NC X 1-1/2 GRADE 5 BOLT
19	2	046015	1/4 - 20 NC X 1 GRADE 5 BOLT
20	1	15-000124	HYDROSTAT ACTUATOR ARM
21	2	044080	3/8 - 16 NC X 1-1/4 GRADE 5 BOLT
22	1	15-000056	3/8 - 24 NF LINK ROD (TLB 425)
	1	15-000079	3/8 - 24 NF LINK ROD (TLB 535)
23	2	042082	M8 X 1.25 HEX NUT
24	2	043055	5/16" SPLIT LOCK WASHER
25	1	92T160	RIGHT FOOT PEDAL F/R LINKAGE ARM
26	1	920811	CENTER DAMPENER
27	1	920900	RIGHT PEDAL PIVOT SHAFT
28	1	401256	1/4 - 28 NF STRAIGHT GREASE ZERK
29	2	044038	3/8 - 16 NYLON INSERT NUT
30	1	15-000024	PEDAL DAMPENER MOUNTING BRACKET
NS		921156	NEUTRAL SAFETY SWITCH

LEGEND: NS= Not Shown
 ** =Purchase locally

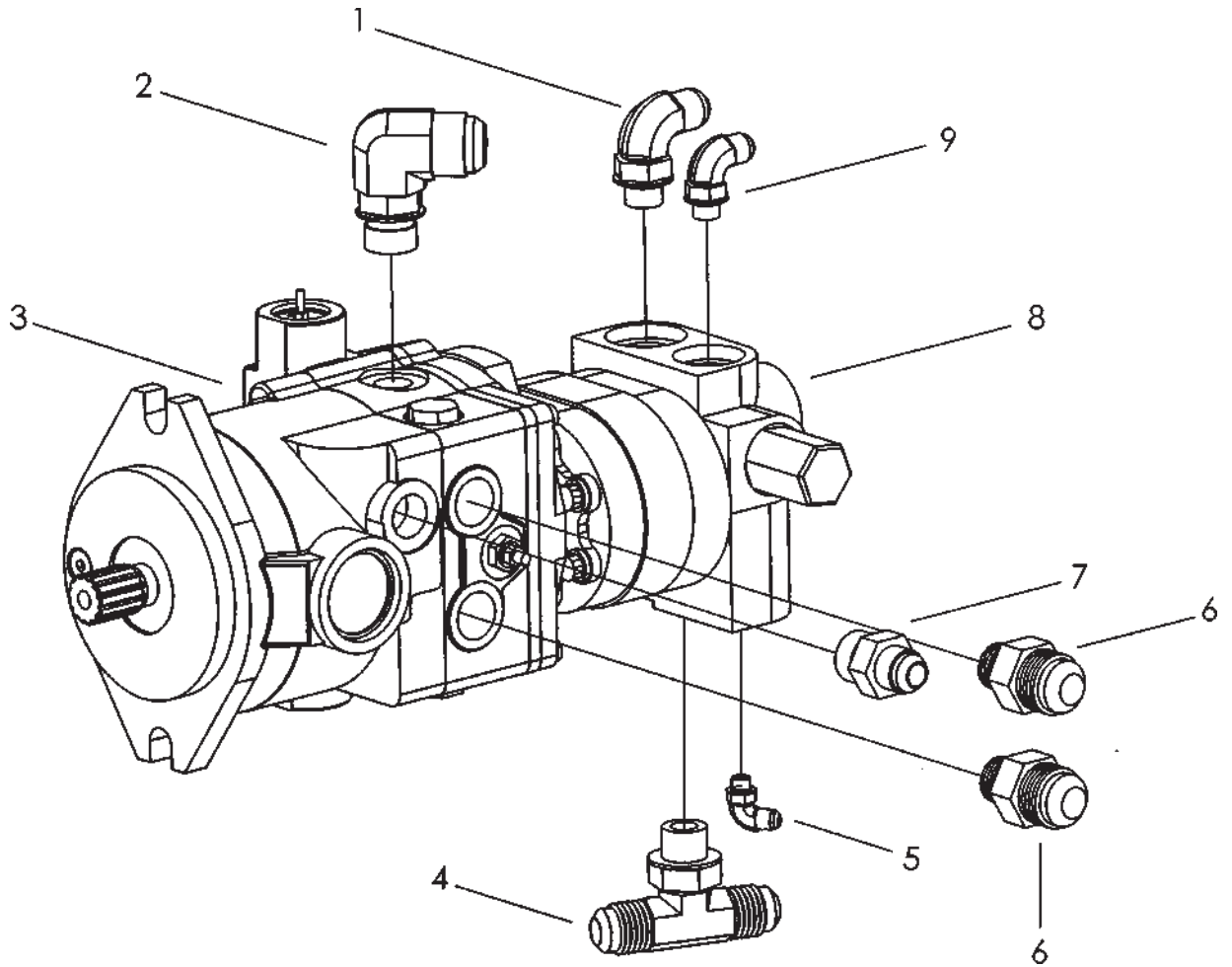


HYDROSTAT AND FITTINGS PARTS

A-14B

NO	REQ'D	PART NO	DESCRIPTION	TLB 220
1	1	920680	STRAIGHT THREAD ELBOW, 6801-12-08	
2	1	930336	STRAIGHT THREAD T CONNECTOR, 6804-16-16-16	
3	1	923205	ADAPTER, STRAIGHT THREAD, 6400-04-04	
4	2	920679	STRAIGHT THREAD ELBOW, 6801-12-12	
5	1	930154	GEAR PUMP, LOAD SENSING	
6	1	920665	HYDRAULIC ADAPTER	
7	1	10-000119	HYDROSTAT	
8	1	320076	HYDRAULIC ADAPTER, 6400-06-06	
9	1	920698	ADAPTER, MALE CONNECTOR, 6400-08-08	
NS	1	920284	GEAR PUMP O-RING	

LEGEND: NS= Not Shown
** =Purchase locally

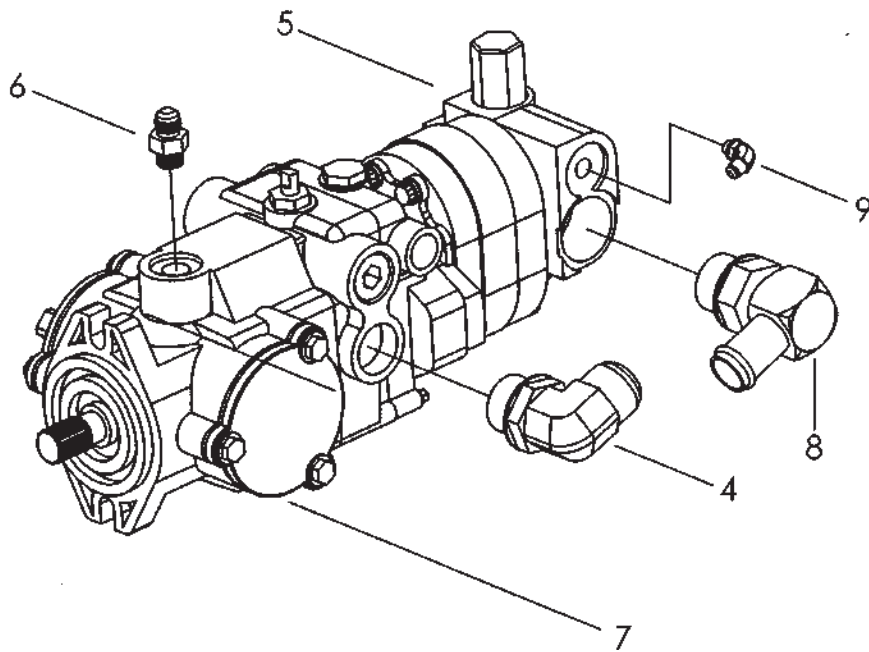
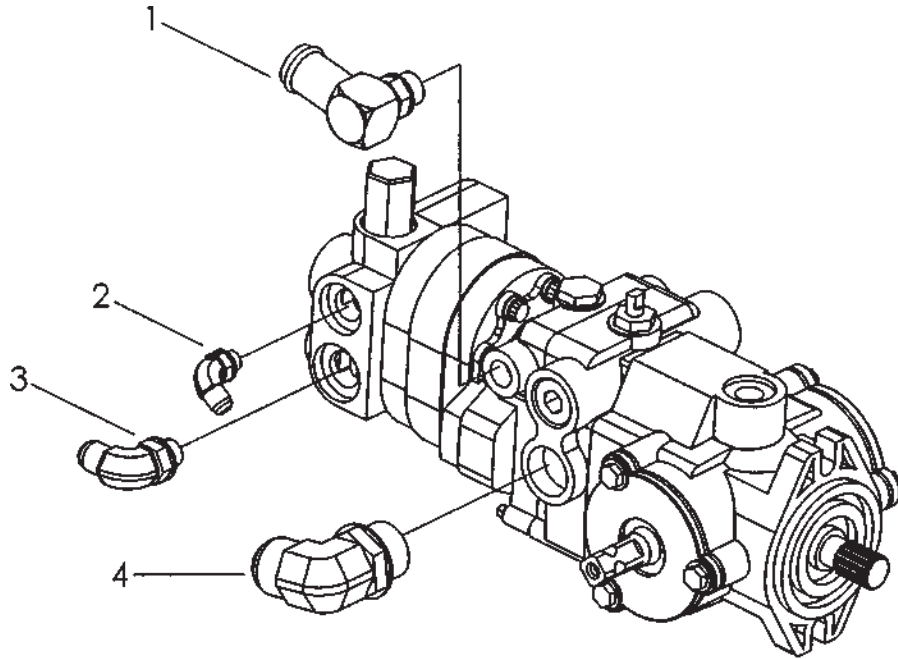


HYDROSTAT AND FITTINGS PARTS

A-15B

NO	REQ'D	PART NO	DESCRIPTION	TLB 225
1	1	320070	STRAIGHT THREAD ELBOW, 6801-08-08	
2	1	920675	STRAIGHT THREAD ELBOW, 12-10 C50X-S	
3	1	10-000175	BONDIOLI HYDROSTAT	
4	1	15-000262	HYDRAULIC FITTING 6803-16-16-16-NWO	
5	1	620676	STRAIGHT THREAD ELBOW, 6801-04-04	
6	2	920674	STRAIGHT THREAD CONNECTOR 6400-12-10 F50X-S	
7	1	920818	HYDRAULIC ADAPTER, 6400-08-10-0	
8	1	921014	GEAR PUMP, LOAD SENSING	
9	1	920692	STRAIGHT THREAD ELBOW, 6801-06-06	
NS	1	920284	GEAR PUMP O-RING	

LEGEND: NS= Not Shown
** =Purchase locally



HYDROSTAT AND FITTINGS PARTS

A-16B

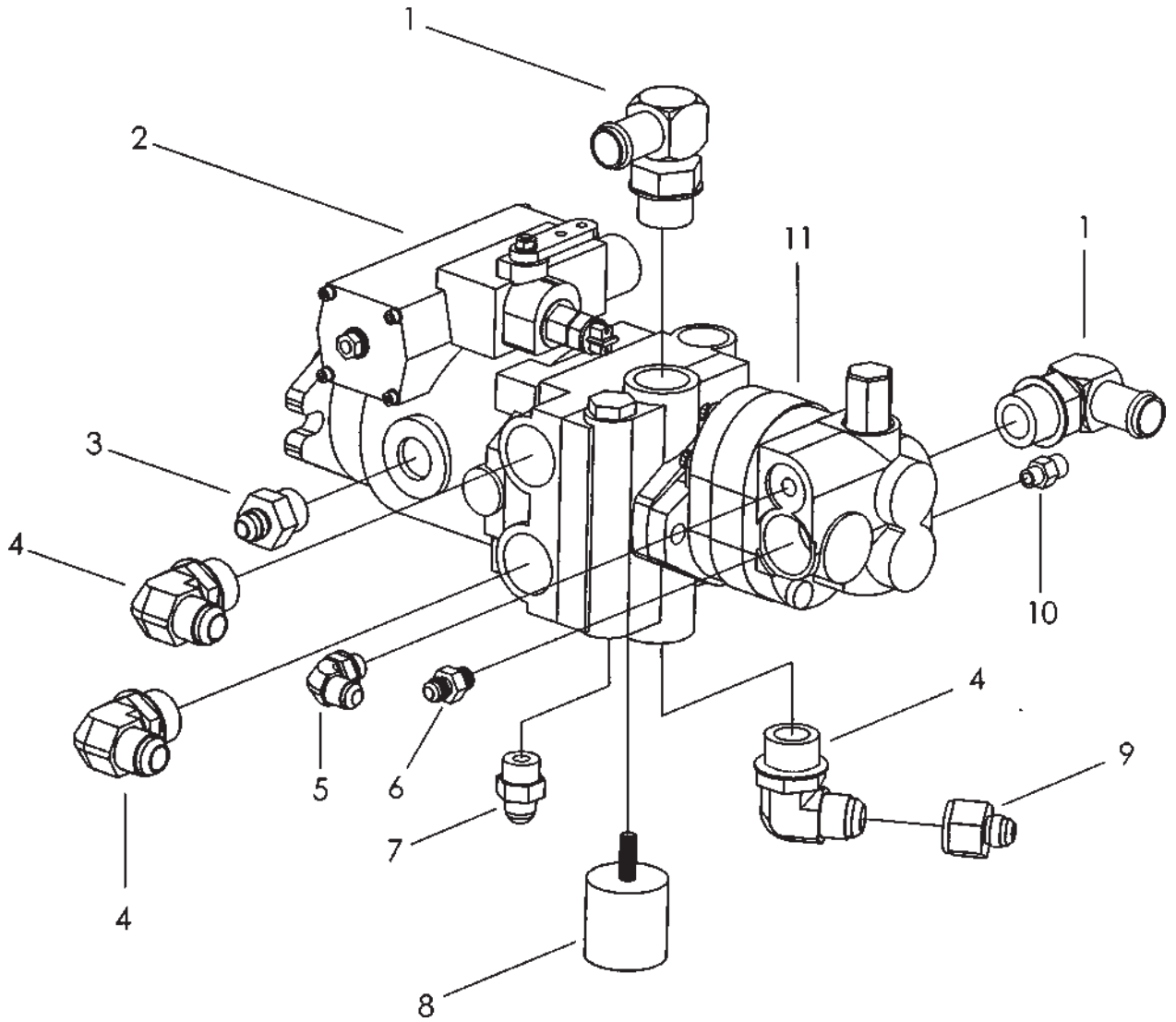
TLB 325

NO	REQ'D	PART NO	DESCRIPTION
1	1	921218	ELBOW, 4601-16-08
2	1	920692	STRAIGHT THREAD ELBOW, 6801-06-06
3	1	320070	STRAIGHT THREAD ELBOW, 6801-08-08
4	2	920679	STRAIGHT THREAD ELBOW, 6801-12-12
5	1	921014	GEAR PUMP, LOAD SENSING
6	1	920665	HYDRAULIC ADAPTER, 6400-06-08
7	1	10-000119	HYDROSTAT
8	1	921217	ELBOW, 4601-16-16
9	1	920676	STRAIGHT THREAD ELBOW, 6801-04-04
NS		920284	GEAR PUMP O-RING
NS		922014	HYDROSTAT SEAL KIT
NS		920248	INPUT SHAFT
NS		921440	TRUNION SEAL

LEGEND: NS= Not Shown
** =Purchase locally

HYDROSTAT AND FITTINGS ASSEMBLY

TLB 425, 535



HYDROSTAT AND FITTINGS PARTS

A-17B

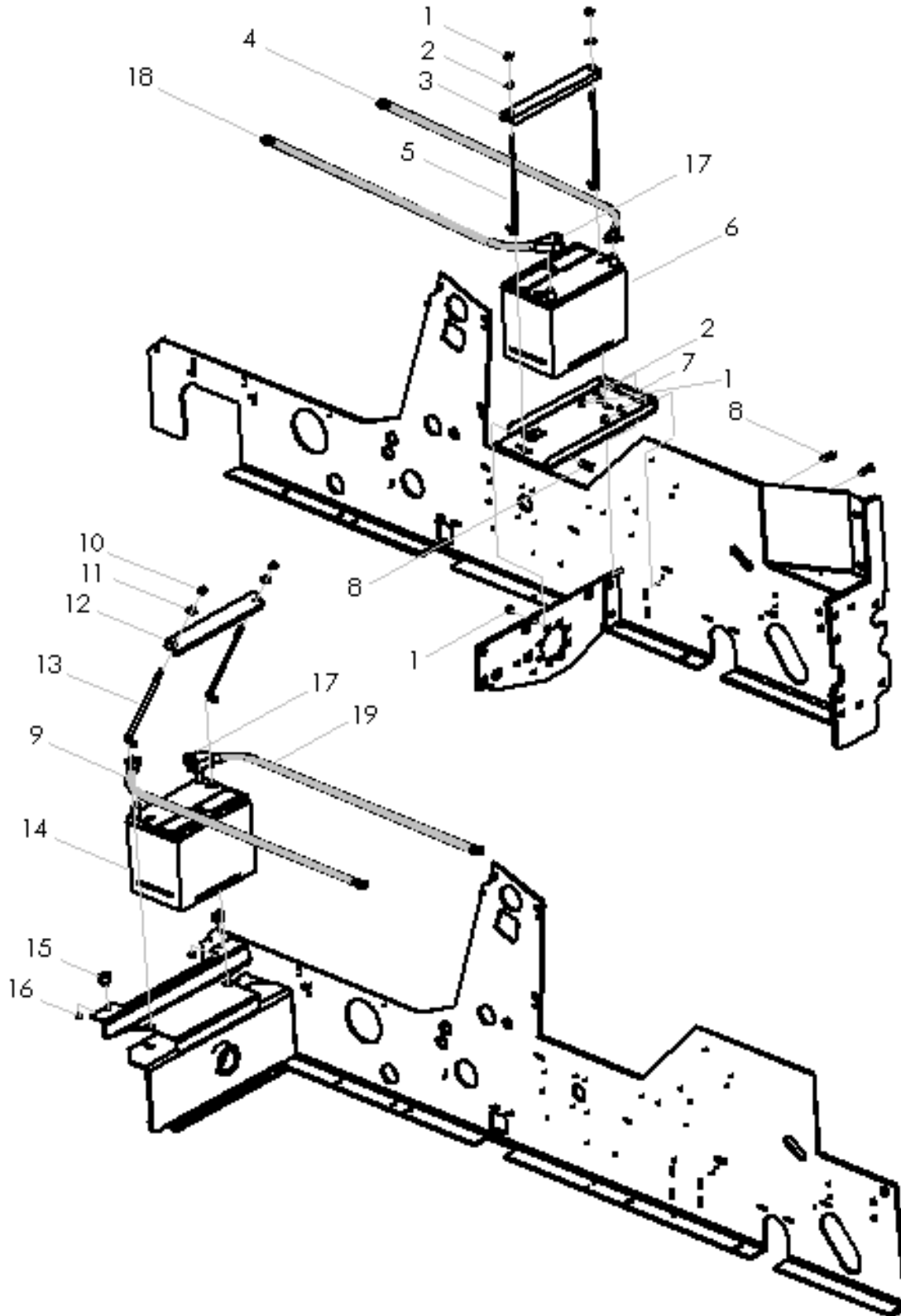
TLB 425, 535

NO	REQ'D	PART NO	DESCRIPTION
1	2	921217	ELBOW, 4601-16-16
2	1	921239	SERVO CONTROL HYDROSTAT
3	1	920816	ADAPTER MALE CONNECTOR, 12 F50X-S
4	3	920817	ADAPTER, 90° 12-16 C50X
5	1	320070	STRAIGHT THREAD ELBOW, 6801-08-08
6	1	320076	HYDRAULIC ADAPTER, 6400-06-06
7	1	920818	HYDRAULIC ADAPTER, 6400-08-10-0
8	1	920880	VIBRO-INSULATOR
9	1	026101	HYDROSTATIC FITTING
10	1	930164	ADAPTER, STRAIGHT THREAD ELBOW, 6400-06-04
11	1	921015	LOAD SENSE GEAR PUMP, 8 GPM
NS		920284	GEAR PUMP O-RING
NS		921809	SEAL KIT, HYDROSTAT

LEGEND: NS= Not Shown
** =Purchase locally

BATTERY AND HOLD DOWN ASSEMBLY

TLB 220, 225, 325



BATTERY AND HOLD DOWN PARTS

A-18B

TLB 220, 225, 325

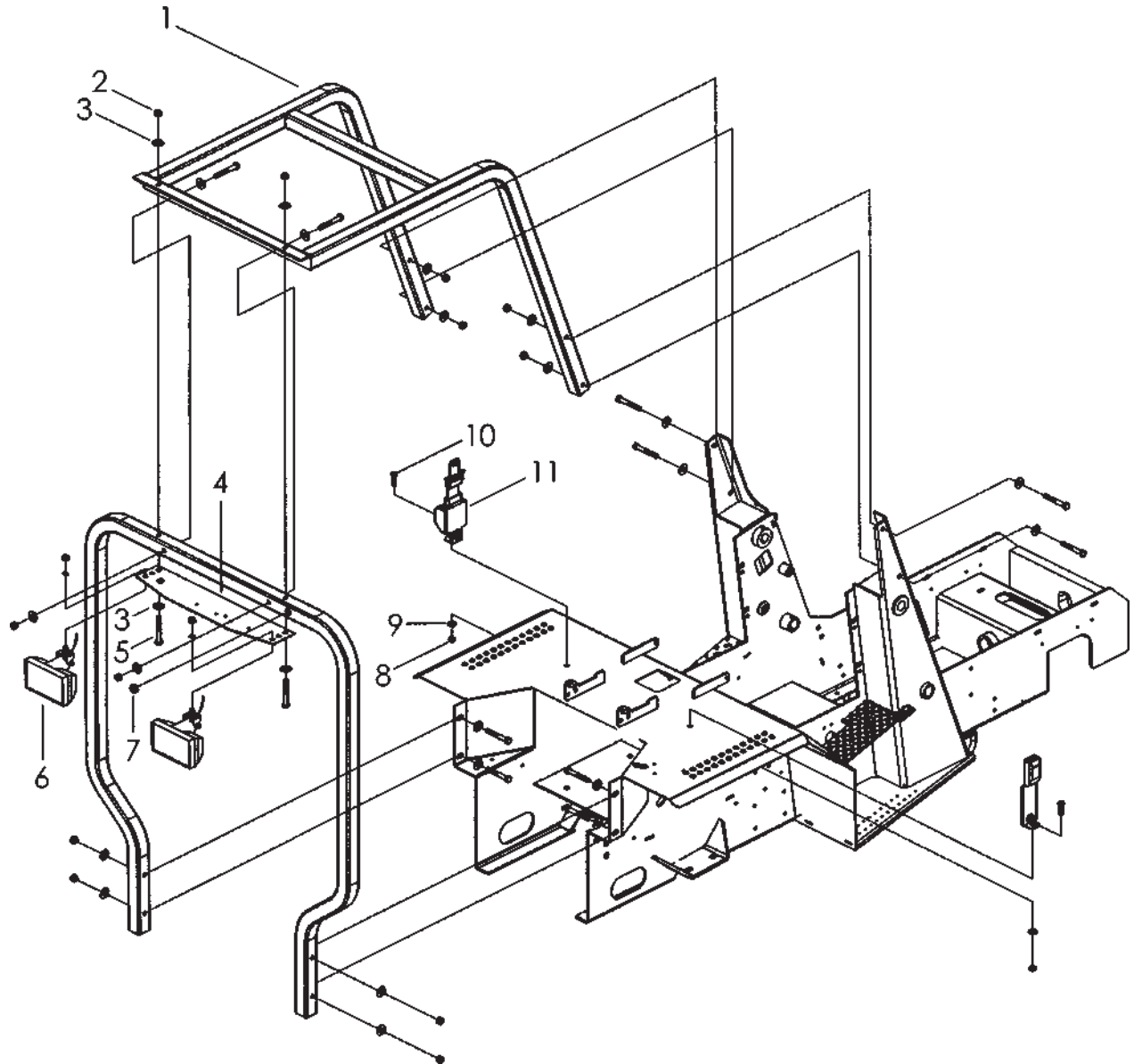
NO	REQ'D	PART NO	DESCRIPTION
1	5	044033	5/16 - 18 NC NYLON INSERT NUT
2	4	047005	1/4" FLAT WASHER
3	1	340017	NYLON BATTERY HOLD DOWN
4	1	027025	BATTERY CABLE BLACK, 48"
5	2	433507	5/16 - 18 NC X 11 J-BOLT
6	1	024002	12 VOLT BATTERY, GROUP 24
7	1	15-000096	BATTERY TRAY (TLB 225)
		10-000047	BATTERY TRAY (TLB 325)
8	3	046050	5/16 - 18 NC X 1 GRADE 5 BOLT
17	1	022055	BOOT RED BATTERY CABLE
18	1	027026	BATTERY CABLE RED, 48"

TLB 225, TLB 325 (TOP VIEW)

NO	REQ'D	PART NO	DESCRIPTION
9	1	027015	BATTERY CABLE, 27"
10	2	044033	5/16 - 18 NC NYLON INSERT NUT
11	2	047005	1/4" FLAT WASHER
12	1	340017	NYLON BATTERY HOLD DOWN
13	2	433507	5/16 - 18 NC X 11 J-BOLT
14	1	024002	12 VOLT BATTERY, GROUP 24
15	2	930152	RUBBER BUMPER
16	2	044023	1/4 - 20 NC NYLON INSERT NUT
17	1	022055	BOOT RED BATTERY CABLE
19	1	027026	BATTERY CABLE RED, 48"

TLB 220 (BOTTOM VIEW)

LEGEND: NS= Not Shown
 ** =Purchase locally



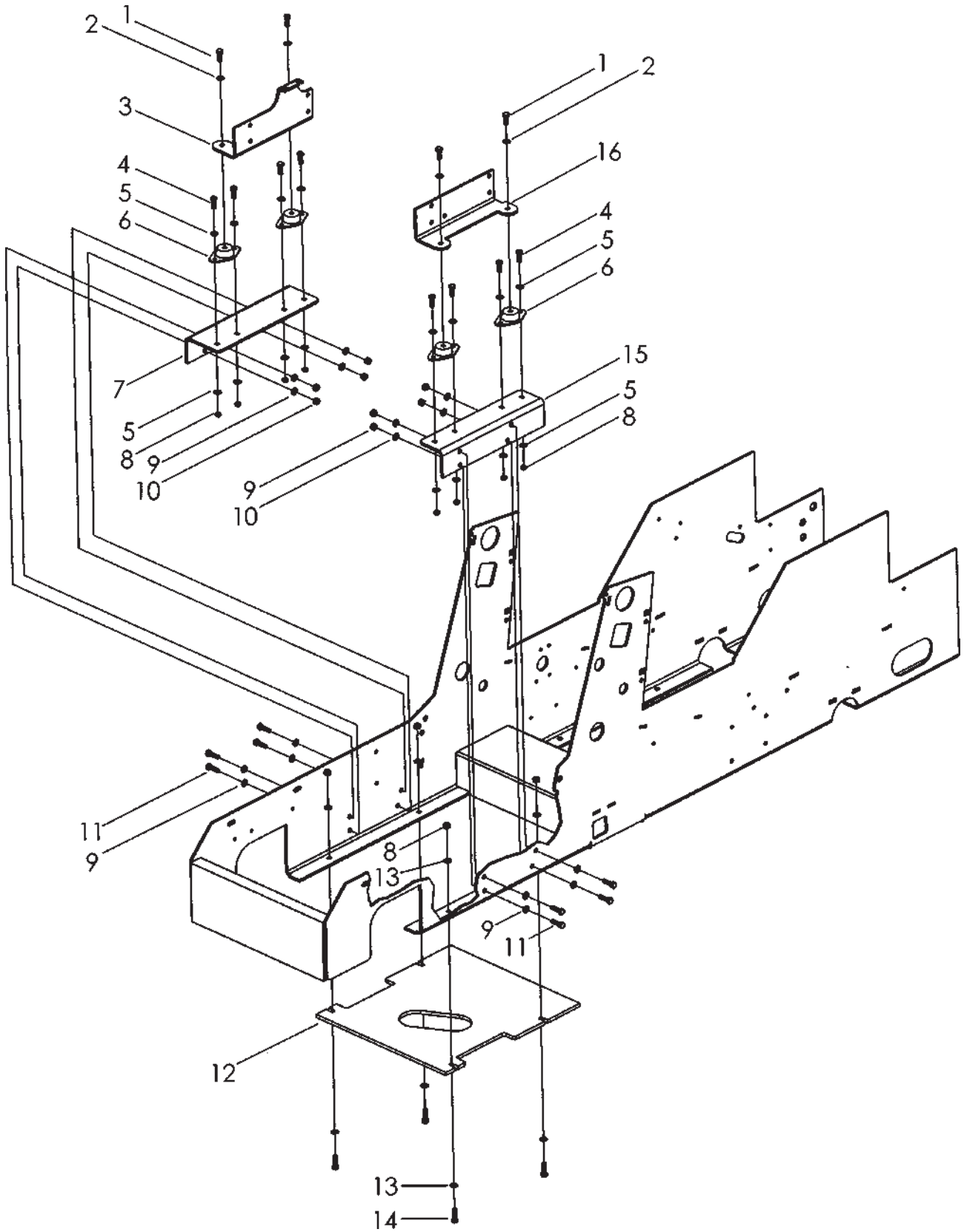
NO	REQ'D	PART NO	DESCRIPTION	TLB 220, 225, 325, 425, and 535
1	1	92T011	ROPS KIT (1) FRONT POST ASSEMBLY (2) REAR POST ASSEMBLY	
2	12	044126	1/2 - 13 NC SIDE LOCK NUT	
3	24	047025	1/2" FLAT WASHER	
4	1	92T097	TLB LIGHT BRACKET (OPTIONAL)	
5	12	**	1/2 - 13 NC X 3-1/4 GRADE 5 BOLT	
6	2	920445	TRACTOR IMPLEMENT LIGHT (OPTIONAL)	
7	1	711028	7/8 O.D. X 9/16 I.D. RUBBER GROMMET	
8	2	**	7/16 - 20 NF NYLON INSERT NUT	
9	2	**	7/16" FLAT WASHER	
10	2	**	7/16 - 20 NF X 1 GRADE 5 BOLT	
11	1	920121	2" RETRACTABLE LAP BELT KIT (TLB 425, 535)	
NS	1	920427	16/3 LIGHT PLATE WIRE HARNESS	
NS	1	920122A	2" LAP BELT KIT (TLB 220, 225, and 325)	
NS		920123A	3" LAP BELT KIT (OPTIONAL)	
NS		920432	BACKUP ALARM	
NS		920442	STROBE LIGHT	
NS		920476	WORK LIGHT UPDATE KIT	
NS		920477	BACKUP ALARM UPDATE KIT	
NS		920478	STROBE LIGHT UPDATE KIT	

IN THE EVENT OF A ROLL OVER OR R.O.P.S. DAMAGE, THE COMPLETE R.O.P.S. SHOULD BE REPLACED INCLUDING THE HARDWARE.

IF INDIVIDUAL HARDWARE COMPONENTS NEED TO BE REPLACED, THEY CAN BE SOURCED LOCALLY PROVIDING THEY ARE EQUIVALENT SIZE AND GRADE

UNDER NO CIRCUMSTANCES SHOULD THE R.O.P.S. EVER BE MODIFIED OR ALTERED. IF THIS HAPPENS, CERTIFICATION WILL BE VOID.

LEGEND: NS= Not Shown
** =Purchase locally

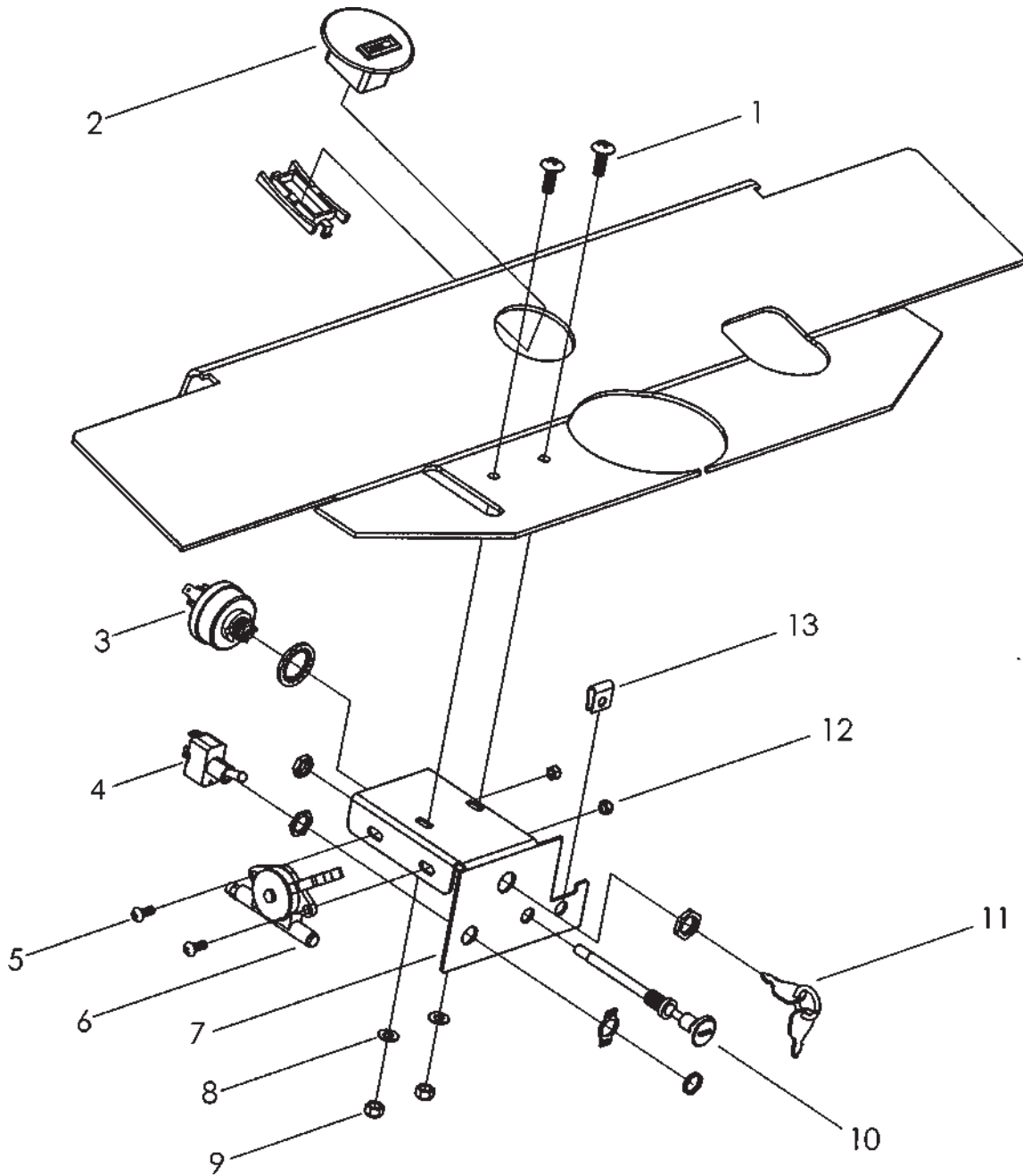


FRAME RAIL AND ENGINE MOUNTS

A-20B

				TLB 225, 425, and 535
NO	REQ'D	PART NO	DESCRIPTION	
1	4	046110	3/8 - 16 NC X 1 GRADE 5 BOLT	
2	4	043065	3/8" SPLIT LOCK WASHER	
3	1	15-000045	KUBOTA ENGINE MOUNT, RIGHT (TLB 225, 425)	
		15-000106	ISUZU ENGINE MOUNT, LEFT/RIGHT (TLB 535)	
4	8	046050	5/16 - 18 NC X 1 GRADE 5 BOLT	
5	16	047005	1/4" SS FLAT WASHER	
6	4	923199	EBCO ENGINE MOUNT (TLB 225, 425)	
		923408	ENGINE MOUNT ISUZU (TLB 535)	
7	1	15-000052	KUBOTA ENGINE/FRAME MOUNT, RIGHT (TLB 225, 425)	
		15-000281	ISUZU ENGINE/FRAME MOUNT RIGHT (TLB 535)	
8	8	044033	5/16 - 18 NC NYLON INSERT NUT	
9	16	047016	3/8 SAE FLAT WASHER	
10	12	044038	3/8 - 16 NC NYLON INSERT NUT	
11	12	046115	3/8 - 16 NC X 1-1/4 GRADE 5 BOLT	
12	1	15-000035	SKID PLATE	
13	8	047010	5/16 FLAT WASHER	
14	4	046120	3/8 - 16 NC X 1-1/2 GRADE 5 BOLT	
15	1	15-000051	KUBOTA ENGINE/FRAME MOUNT, LEFT (TLB 225, 425)	
		15-000282	ISUZU ENGINE/FRAME MOUNT, LEFT (TLB 535)	
16	1	15-000044	KUBOTA ENGINE MOUNT, LEFT (TLB 225, 425)	
		15-000106	ISUZU ENGINE MOUNT, LEFT/RIGHT (TLB 535)	

LEGEND: NS= Not Shown
 ** =Purchase locally



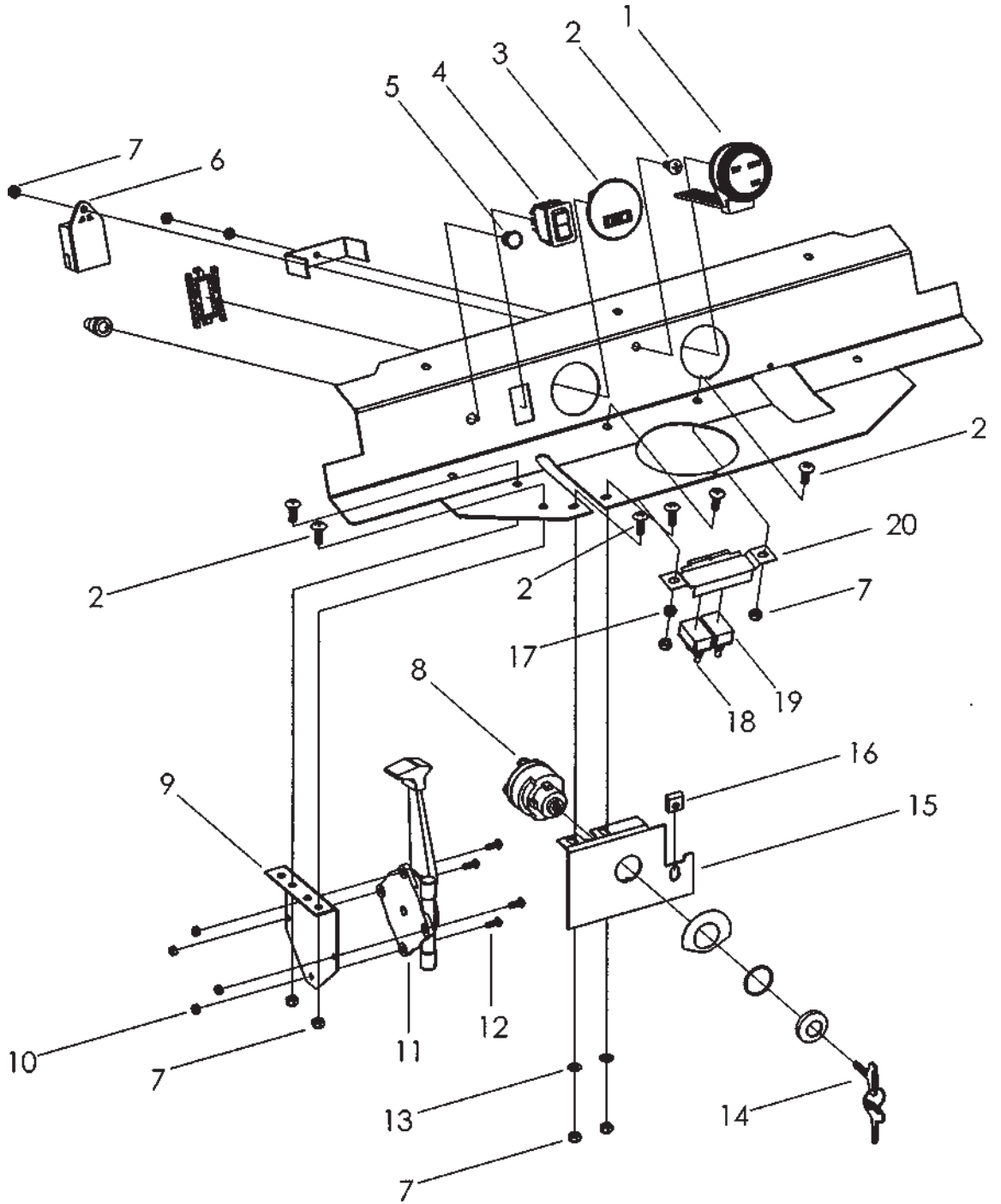
INSTRUMENT PANEL PARTS

A-21B

TLB 220, 325

NO	REQ'D	PART NO	DESCRIPTION
1	2	041050	1/4 - 20 x 3/4 TRUSS HEAD SCREW
2	1	340014	HOUR METER
3	1	920435	KEY SWITCH (2 KEYS INCLUDED)
4	1	340009	SPST TOGGLE SWITCH (WORK LIGHT OPTION ONLY)
5	2	041021	#10 - 24 NC X 3/4 SCREW
6	1	930110	THROTTLE CABLE, ROBIN
		920559	THROTTLE CABLE, KOHLER
7	1	930084	THROTTLE BRACKET
8	2	047009	1/4" FLAT WASHER
9	2	044023	1/4 - 20 NC NYLON INSERT NUT
10	1	930109	CHOKE ASSEMBLY, ROBIN
		930359	CHOKE ASSEMBLY, KOHLER
11	1	920434	KEYS (PAIR)
12	2	044019	#10 - 24 NC NYLON INSERT NUT
13	1	045216	1/4 - 20 NC TINNERMAN NUT

LEGEND: NS= Not Shown
** =Purchase locally



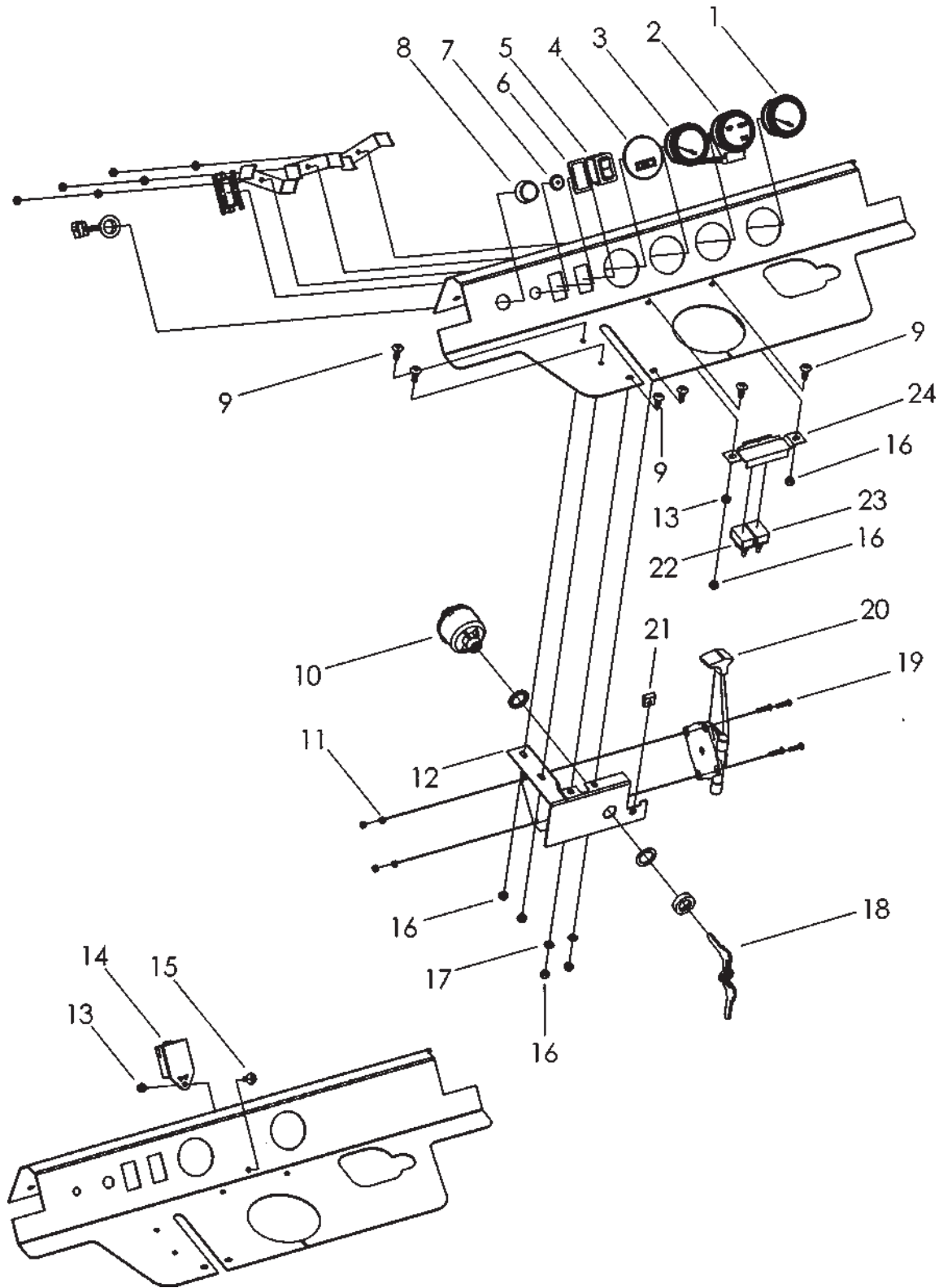
INSTRUMENT PANEL PARTS

A-22B

TLB 225

NO	REQ'D	PART NO	DESCRIPTION
1	1	920462	CLUSTER GAUGE
2	7	041050	1/4 - 20 x 3/4 TRUSS HEAD SCREW
3	1	340014	HOUR METER
4	1	950865	ROCKER SWITCH (WORK LIGHT OPTION)
		920866	PLUG (NO WORK LIGHT OPTION)
5	1	@@@	GLOW PLUG LIGHT
6	1	@@@	GLOW LAMP TIMER
7	7	044023	1/4 - 20 NC NYLON INSERT NUT
8	1	920475	IGNITION SWITCH (2 KEYS INCLUDED)
9	1	92T073	THROTTLE BRACKET
10	4	044018	#10 - 24 NC NYLON INSERT NUT
11	1	920902	THROTTLE CABLE ASSEMBLY
12	4	041027	#10 - 24 NC X 3/4 SCREW
13	2	047009	1/4" FLAT WASHER
14	1	920474	IGNITION KEYS (PAIR)
15	1	10-000155	KEY SWITCH BRACKET
16	1	045216	1/4 - 20 NC TINNERMAN NUT
17	1	044021	1/4 - 20 NC KEPS NUT
18	1	920441	15 AMP CIRCUIT BREAKER
19	1	620087	30 AMP CIRCUIT BREAKER
20	1	640163	CIRCUIT BREAKER MOUNTING BRACKET
NS	1	030053	36" TRIM LOCK (LOWER EDGE OF INSTRUMENT PANEL)

LEGEND: NS= Not Shown
** =Purchase locally
@@@ =See Local Isuzu Dealer



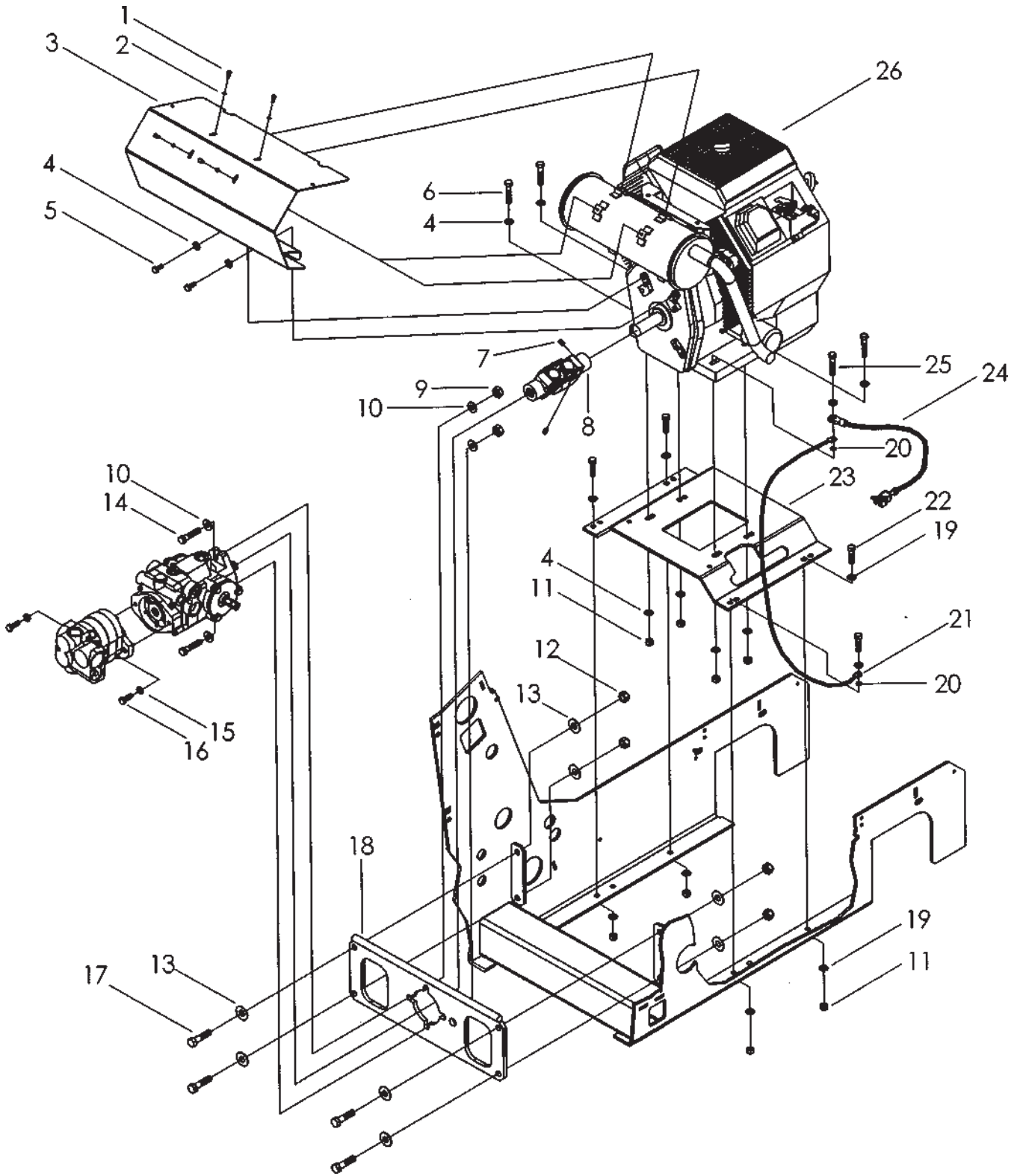
INSTRUMENT PANEL PARTS

A-23B

TLB 425, 535

NO	REQ'D	PART NO	DESCRIPTION
1	1	920868	WATER TEMPERAURE GAUGE (TLB 535)
2	1	920462	CLUSTER GAUGE (TLB 425, 535)
3	1	920867	OIL TEMPERAURE GAUGE (TLB 535)
4	1	340014	HOUR METER (TLB 425, 535)
5	1	950865	ROCKER SWITCH (WORK LIGHT OPTION)
6	1	920866	PLUG (NO WORK LIGHT OPTION)
		950865	ROCKER SWITCH (4 WORK LIGHT OPTION)
7	1	433329	5/8" CAP PLUG
8	1	22-000328	GLOW PLUG LIGHT (TLB 535)
		@@@	GLOW PLUG LIGHT (TLB 425)
9	6	041050	1/4 - 20 x 3/4 TRUSS HEAD SCREW
10	1	922004	IGNITION SWITCH ONLY (TLB 535)
		922005	TUMBLER WITH 2 KEYS
		920475	IGNITION SWITCH (2 KEYS INCLUDED) (TLB 425)
11	4	044018	#10 - 24 NC NYLON INSERT NUT
12	1	15-000074	THROTTLE BRACKET (TLB 535)
		15-000050	THROTTLE BRACKET (TLB 425)
13	1	044021	1/4 - 20 NC KEPS NUT
14	1	@@@	GLOW LAMP TIMER (TLB 425)
15	1	041050	1/4 - 20 x 3/4 TRUSS HEAD SCREW (TLB 425)
16	6	044023	1/4 - 20 NC NYLON INSERT NUT
17	2	047009	1/4" FLAT WASHER
18	1	921441	IGNITION KEYS (SINGLE KEY) (TLB 535)
		920474	IGNITION KEYS (PAIR) (TLB 425)
19	4	041027	#10 - 24 NC X 3/4 SCREW
20	1	920902	THROTTLE CABLE ASSEMBLY
21	1	045216	1/4 - 20 NC TINNERMAN NUT
22	1	920441	15 AMP CIRCUIT BREAKER
23	1	620087	30 AMP CIRCUIT BREAKER
24	1	640163	CIRCUIT BREAKER MOUNTING BRACKET
NS		030053	36" TRIM LOCK (LOWER EDGE OF INSTRUMENT PANEL)
NS		920694	CLEVIS, THROTTLE CABLE END
NS		921019	KIT THROTTLE CABLE/CLEVIS/BRACKET
NS		922005	IGNITION TUMBLER ISUZU WITH KEYS
NS		920465	KUBOTA WIRING HARNESS
NS		920464	ISUZU WIRING HARNESS

LEGEND: NS= Not Shown
 ** =Purchase locally

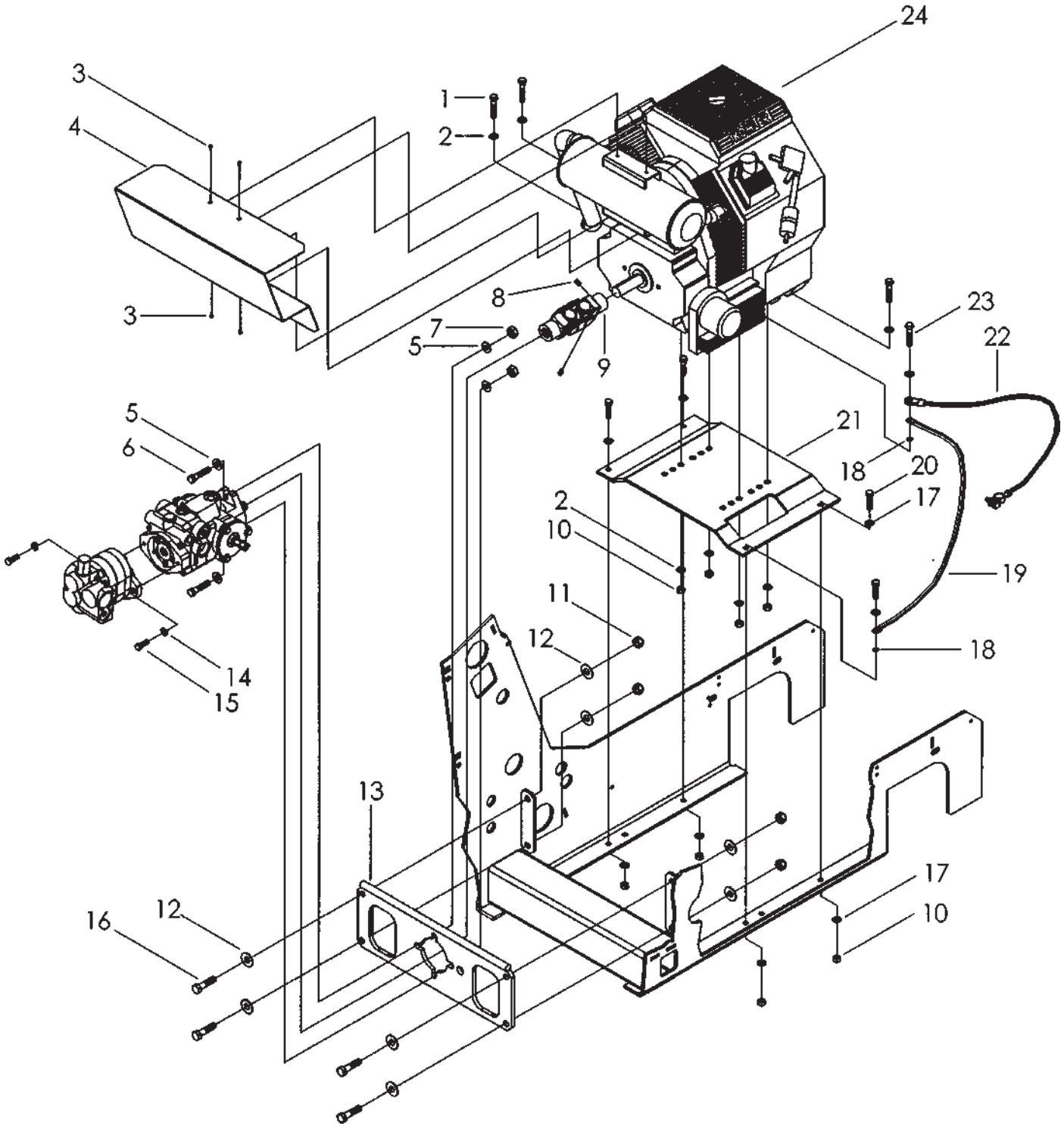


ENGINE AND FRAME ASSEMBLY PARTS

A-24B

				TLB ROBIN ENGINE
NO	REQ'D	PART NO	DESCRIPTION	
1	4	042018	6mm X 1 X 10 GRADE 8.8 BOLT	
2	4	043020	6mm SPLIT LOCK WASHER	
3	1	930101	MUFFLER HEAT SHIELD (ROBIN 22 and 25 HP)	
4	10	047015	3/8" FLAT WASHER	
5	2	046045	3/8 - 16 NC X 3/4 GRADE 5 BOLT	
6	3	046130	3/8 - 16 NC X 2 GRADE 5 BOLT	
7	2	040002	5/16 NC X 1/2 ALLEN HEAD SET SCREW	
8	1	930118	6R DOUBLE CENTER UNIVERSAL JOINT, 1" SHAFT	
		921227	6R DOUBLE CENTER UNIVERSAL JOINT, 1-1/8" SHAFT	
9	2	044098	7/16 - 20 NF TOP LOCK NUT	
10	4	047066	7/16" GRADE 8 FLAT WASHER	
11	8	044038	3/8 - 16 NC NYLON INSERT NUT	
12	4	044049	1/2 - 13 NYLON INSERT NUT	
13	8	047028	1/2" GRADE 8 FLAT WASHER	
14	2	046161	7/16 - 20 NF X 2 GRADE 8 BOLT	
15	2	920283	3/8 COPPER PLATED WASHER	
16	2	046115	3/8 - 16 NC X 1 -1/4 GRADE 5 BOLT	
17	4	046196	1/2 - 13 NC X 2 GRADE 8 BOLT	
18	1	10-000039	HYDROSTAT MOUNTING PLATE	
19	8	074016	3/8 SAE FLAT WASHER	
20	2	043070	3/8 INTERNAL TOOTH LOCK WASHER	
21	1	340105	GROUND STRAP	
22	4	046120	3/8 - 16 NC X 1 -1/2 GRADE 5 BOLT	
23	1	930078	ENGINE MOUNTING PLATE (ROBIN 22 and 25 HP)	
24	1	027015	NEGATIVE BATTERY CABLE	
NS	1	027015	POSITIVE BATTERY CABLE	
25	1	046132	3/8 - 16 NC X 2 -1/4 GRADE 5 BOLT	
26	1	930141	ROBIN ENGINE, 22 HP	
		10-000126	ROBIN ENGINE, 25 HP	
		930473	MUFFLER	
		930247	AIR FILTER ELEMENT	
		930248	OIL FILTER	
		930261	FUEL FILTER	
		930471	STARTER	
		930472	SPARK PLUG	
		930470	FUEL PUMP (1.5 PSI)	

LEGEND: NS= Not Shown
 ** =Purchase locally



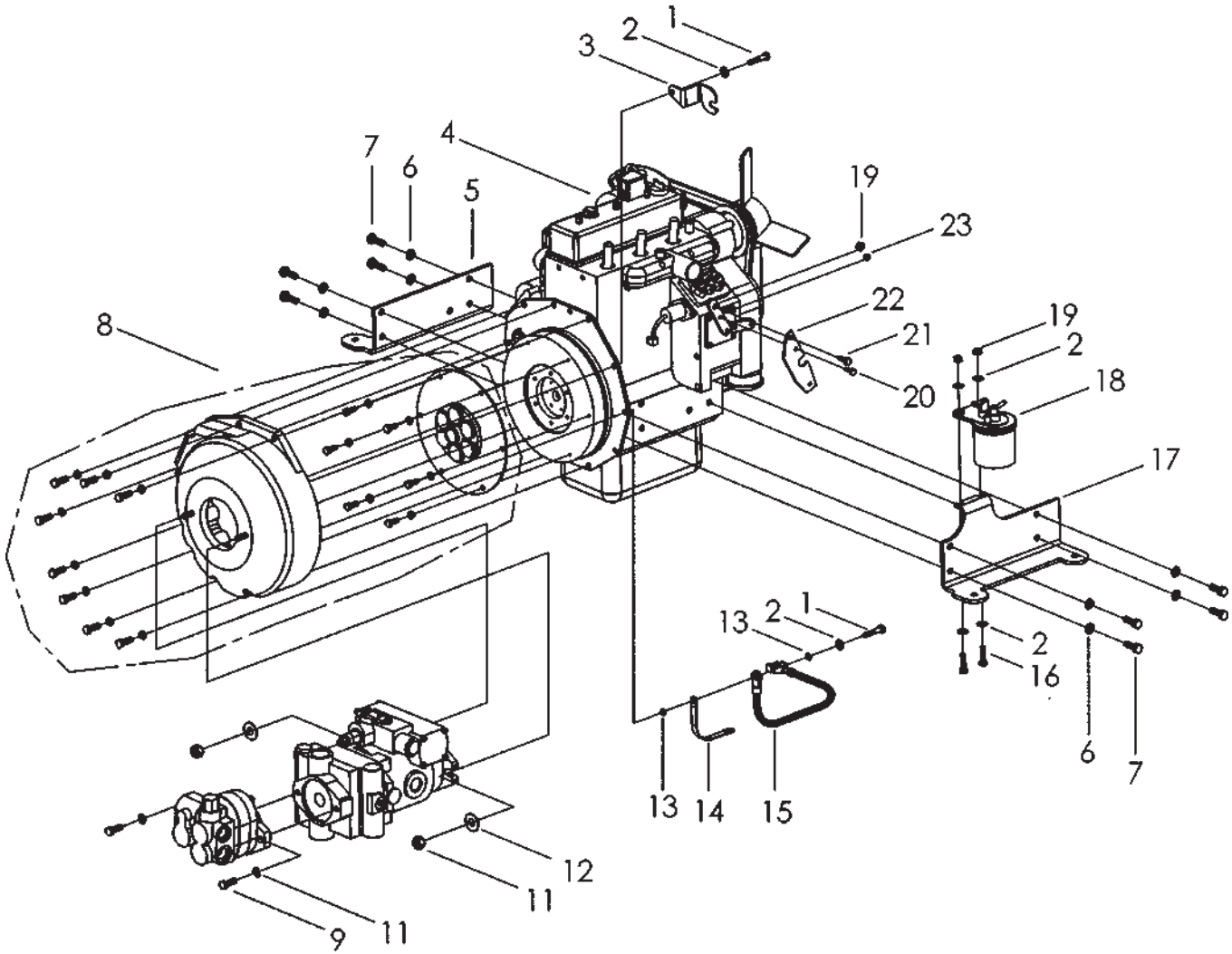
ENGINE AND FRAME ASSEMBLY PARTS

A-25B

TLB KOHLER ENGINE

NO	REQ'D	PART NO	DESCRIPTION
1	3	046130	3/8 - 16 NC X 2 GRADE 5 BOLT
2	8	047015	3/8" FLAT WASHER
3	4	**	6mm X 1.0 X 12 mm FLANGE BOLT
4	1	92T023	MUFFLER HEAT SHIELD (KOHLER 20 and 25 HP)
5	4	047066	7/16" GRADE 8 FLAT WASHER
6	2	046161	7/16 - 20 NF X 2 GRADE 8 BOLT
7	2	044094	7/16 - 20 NF TOP LOCK NUT
8	2	040002	5/16 NC X 1/2 ALLEN HEAD SET SCREW
9	1	930118	6R DOUBLE CENTER UNIVERSAL JOINT
		921227	6R DOUBLE CENTER UNIVERSAL JOINT, 1-1/8" SHAFT
10	8	044038	3/8 - 16 NC NYLON INSERT NUT
11	4	044049	1/2 - 13 NYLON INSERT NUT
12	8	047028	1/2" GRADE 8 FLAT WASHER
13	1	10-000039	HYDROSTAT MOUNTING PLATE
14	2	920283	3/8 COPPER PLATED WASHER
15	2	046115	3/8 - 16 NC X 1 -1/4 GRADE 5 BOLT
16	4	046196	1/2 - 13 NC X 1 - 3/4 GRADE 8 BOLT
17	8	074016	3/8 SAE FLAT WASHER
18	2	043070	3/8 INTERNAL TOOTH LOCK WASHER
19	1	340105	GROUND STRAP
20	4	046120	3/8 - 16 NC X 1 -1/2 GRADE 5 BOLT
21	1	10-000045	ENGINE MOUNTING PLATE (KOHLER 20 and 25 HP)
22	1	027015	NEGATIVE BATTERY CABLE
23	1	027015	POSITIVE BATTERY CABLE
24	1	921242	KOHLER ENGINE, 25 HP 1-1/8 SHAFT
		921027	KOHLER ENGINE, 25 HP 1" SHAFT
		920908	MUFFLER
		920741	AIR FILTER ELEMENT
		920740	OIL FILTER
		920742	FUEL FILTER
		920523	MUFFLER GASKET

LEGEND: NS= Not Shown
 ** =Purchase locally

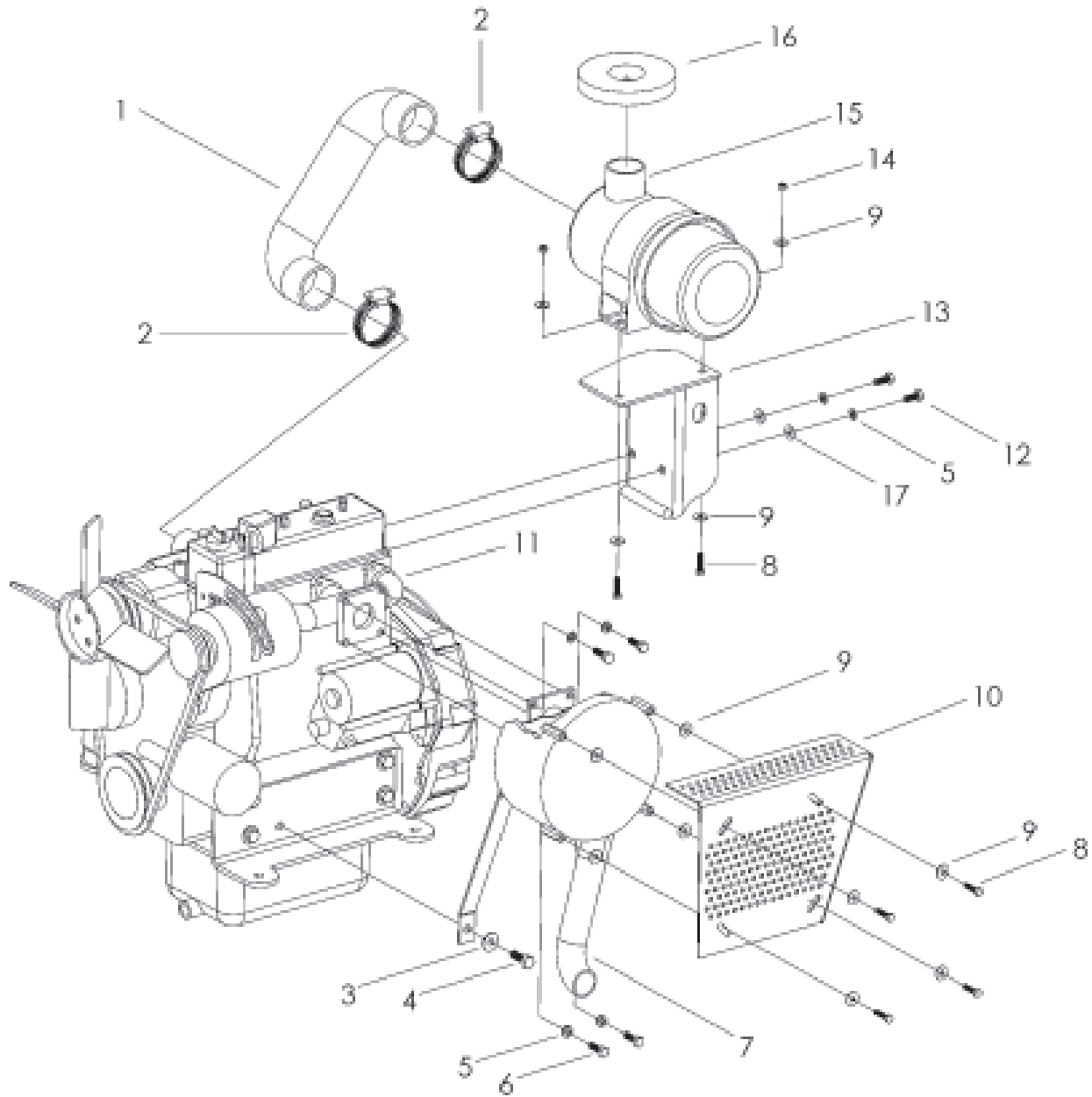


ENGINE AND FRAME ASSEMBLY PARTS

A-26B

				KUBOTA ENGINE MODELS
NO	REQ'D	PART NO	DESCRIPTION	
1	2	042031	8mm X 1.25 X 25mm GRADE 8.8 BOLT	
2	6	047005	5/16" SS FLAT WASHER	
3	1	15-000046	UNIDRUM THROTTLE BRACKET	
4	1	920539	KUBOTA 25 HP DIESEL ENGINE (TLB 425)	
		15-000252	KUBOTA 20 HP DIESEL ENGINE (TLB 225)	
		15-000118	7 BLADE FAN	
		920743	OIL FILTER	
		15-000125	AIR CLEANER ELEMENT	
		920751	FUEL SOLENOID	
5	1	15-000044	KUBOTA ENGINE MOUNT LEFT	
6	8	047015	3/8" FLAT WASHER (AFTER 9/16/97)	
7	8	042038	10mm X 1.25 X 20mm GRADE 8.8 BOLT	
8	1	920791	HAYES BELL HOUSING SET W/COUPLING	
		15-000258	HAYES BELL HOUSING SET W/COUPLING, BONDIOLI HYDRO	
		15-000141	COUPLING PLATE ONLY	
9	2	046115	3/8 - 16 NC X 1-1/4 GRADE 5 BOLT	
10	2	920283	3/8 COPPER PLATED WASHER	
11	2	044101	12 - 20 NF TOP LOCK NUT	
12	2	047025	1/2" FLAT WASHER	
13	2	043060	5/16 INTERNAL TOOTH LOCK WASHER	
14	1	340105	GROUND STRAP	
15	1	027025	NEGATIVE BATTERY CABLE	
16	1	027025	POSITIVE BATTERY CABLE	
16	2	046055	5/15 - 16 NC X 1-1/4 GRADE 5 BOLT	
17	1	15-000045	KUBOTA ENGINE MOUNT RIGHT	
18	1	920745	SPIN-ON FUEL FILTER (SN 9703T03 TO PRESENT)	
19	3	044031	5/16 - 16 NC KEPS NUT	
20	1	046010	1/4 - 20 NC X 3/4 GRADE 5 BOLT	
21	1	046045	5/16 - 16 NC X 3/4 GRADE 5 BOLT	
22	1	92T078	KUBOTA ENGINE THROTTLE LINKAGE ARM	
23	1	044023	1/4 - 20 NC NYLOCK NUT	

LEGEND: NS= Not Shown
 ** =Purchase locally

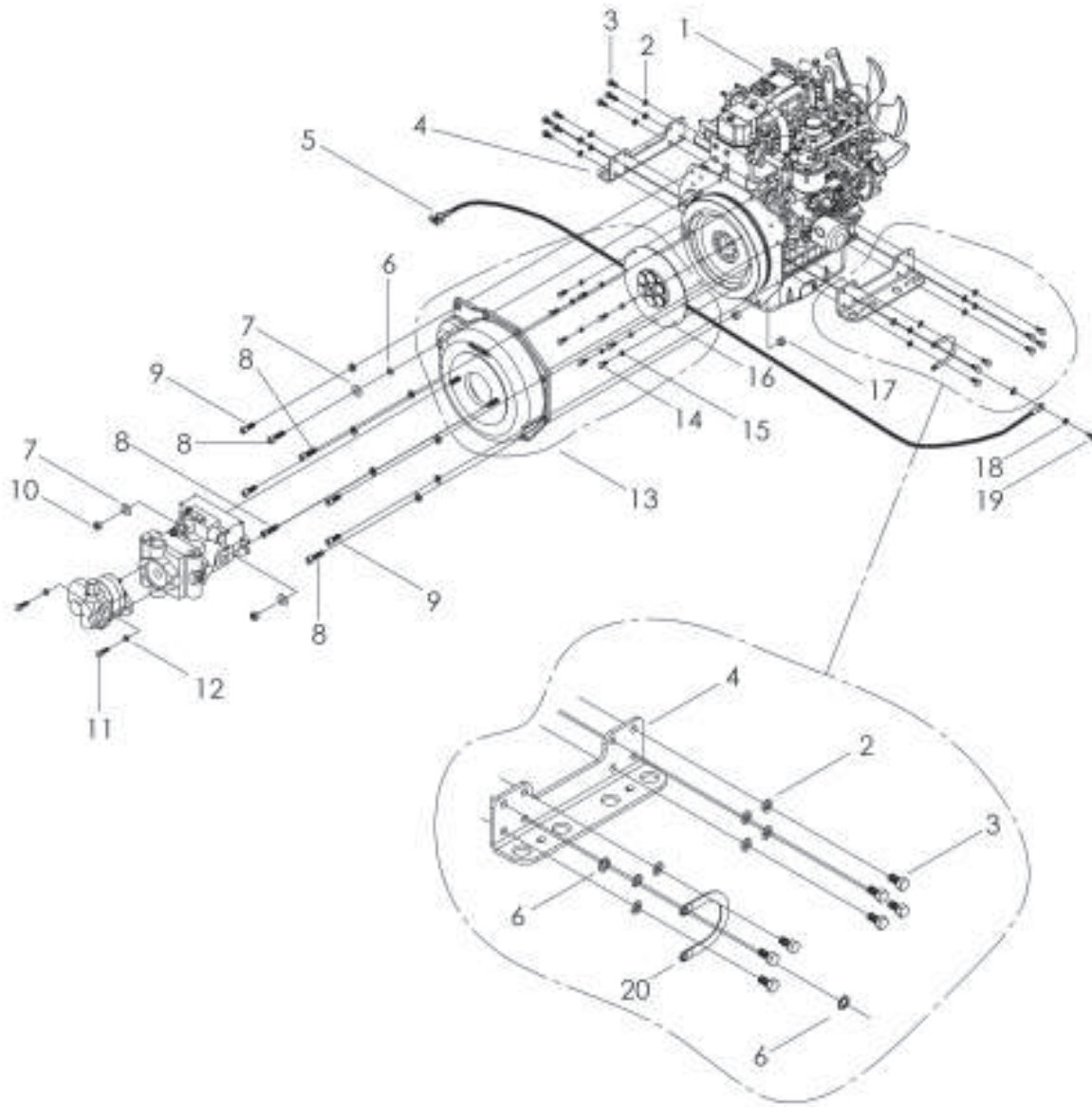


MUFFLER / AIR CLEANER ASSEMBLY

A-27B

				KUBOTA ENGINE MODELS
NO	REQ'D	PART NO	DESCRIPTION	
1	1	640273	AIR INTAKE HOSE	
2	2	045038	#20 HOSE CLAMP	
3	1	042151	10MM SPLIT LOCK WASHER	
4	1	042041	10mm X 1.25 X 30mm GRADE 8.8 BOLT	
5	6	043055	5/16" SPLIT LOCK WASHER	
6	4	042031	8mm X 1.25 X 25mm GRADE 8.8 BOLT	
7	1	920550	MUFFLER	
NS	1	650234	MUFFLER GASKET	
8	6	046010	1/4 - 20 NC X 1 GRADE 5 BOLT, S.S.	
9	10	047009	1/4" FLAT WASHER, S.S.	
10	1	92T079	MUFFLER HEAT SHIELD	
11	1	352133	EXHAUST MANIFOLD	
NS	1	352135	EXHAUST MANIFOLD GASKET	
12	2	042033	8mm X 1.25 X 20mm GRADE 8.8 BOLT	
13	1	15-000063	AIR CLEANER MOUNTING BRACKET	
14	2	044023	1/4 - 20 NC NYLON INSERT NUT	
15	1	921139	RADIAL SEAL AIR CLEANER	
NS	1	921143	SERVICE INDICATOR	
NS		15-000125	AIR FILTER ELEMENT ONLY	
NS		921140	AIR CLEANER BAND	
16	1	15-000087	FOAM RUBBER AIR INTAKE DONUT	
17	2	047005	1/4" FLAT WASHER	

LEGEND: NS= Not Shown
** =Purchase locally

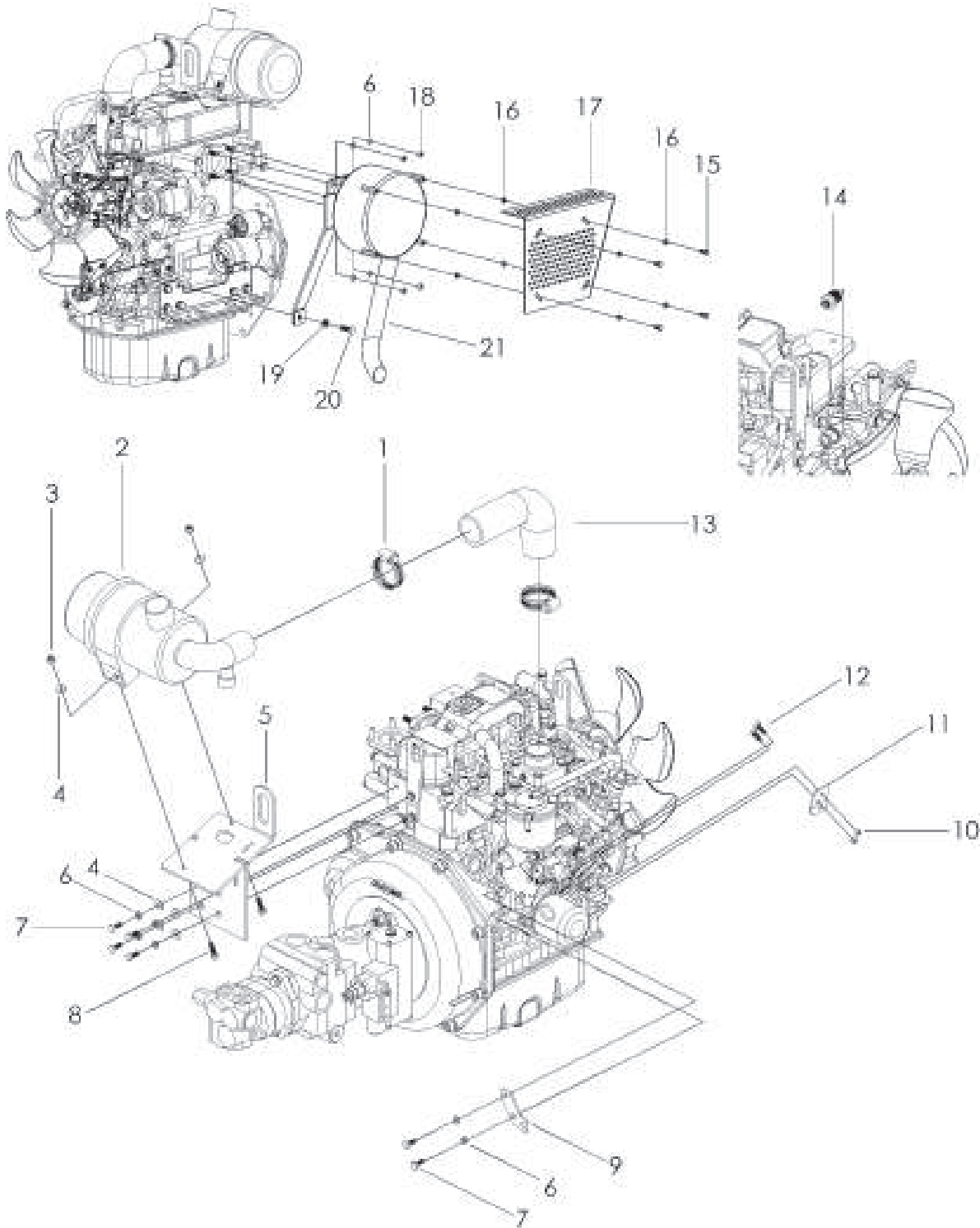


ENGINE AND FRAME ASSEMBLY PARTS

A-28B

NO	REQ'D	PART NO	DESCRIPTION	ISUZU ENGINE MODELS
1	1	22-000301	ISUZU 3CD1 DIESEL ENGINE	
NS		22-000309	ISUZU 3CD1 DIESEL ENGINE OIL FILTER	
NS		22-000310	ISUZU 3CD1 DIESEL ENGINE FUEL FILTER	
2	11	042151	10mm SPLIT LOCK WASHER	
3	10	042037	10mm X 1.5mm X 20mm GRADE 8.8 BOLT	
4	2	22-000106	LEFT/RIGHT ISUZU 3CD1 ENGINE MOUNT	
5	1	027027	NEGATIVE BATTERY CABLE	
NS	1	027027	POSITIVE BATTERY CABLE	
6	3	043090	1/2 INTERNAL TOOTH LOCK WASHER	
7	3	047025	1/2 FLAT WASHER	
8	4	046434	12mm X 1.75mm X 40mm ALLEN HEAD BOLT	
9	4	046436	12mm X 1.75mm X 30mm ALLEN HEAD BOLT	
10	2	044026	1/2 - 13 NC SIDE LOCK NUT	
11	2	046115	3/8 - 16 NC X 1-1/4 GRADE 5 BOLT	
12	2	920283	3/8 COPPER PLATED WASHER	
13	1	22-000303	ISUZU 3CD1 HAYES BELLHOUSING KIT	
14	8	042027	8mm X 1.25mm X 16mm GRADE 10.9 BOLT	
15	8	043055	5/16 SPLIT LOCK WASHER	
16	1	22-001000	ISUZU 3CD1 FLYWHEEL COUPLER PLATE	
17	2	**	12mm X 1.75mm HEX NUT	
18	1	047015	3/8 FLAT WASHER	
19	1	042040	10mm X 1.5mm X 30mm GRADE 8.8 BOLT	
20	1	340105	GROUND STRAP	

LEGEND: NS= Not Shown
** =Purchase locally

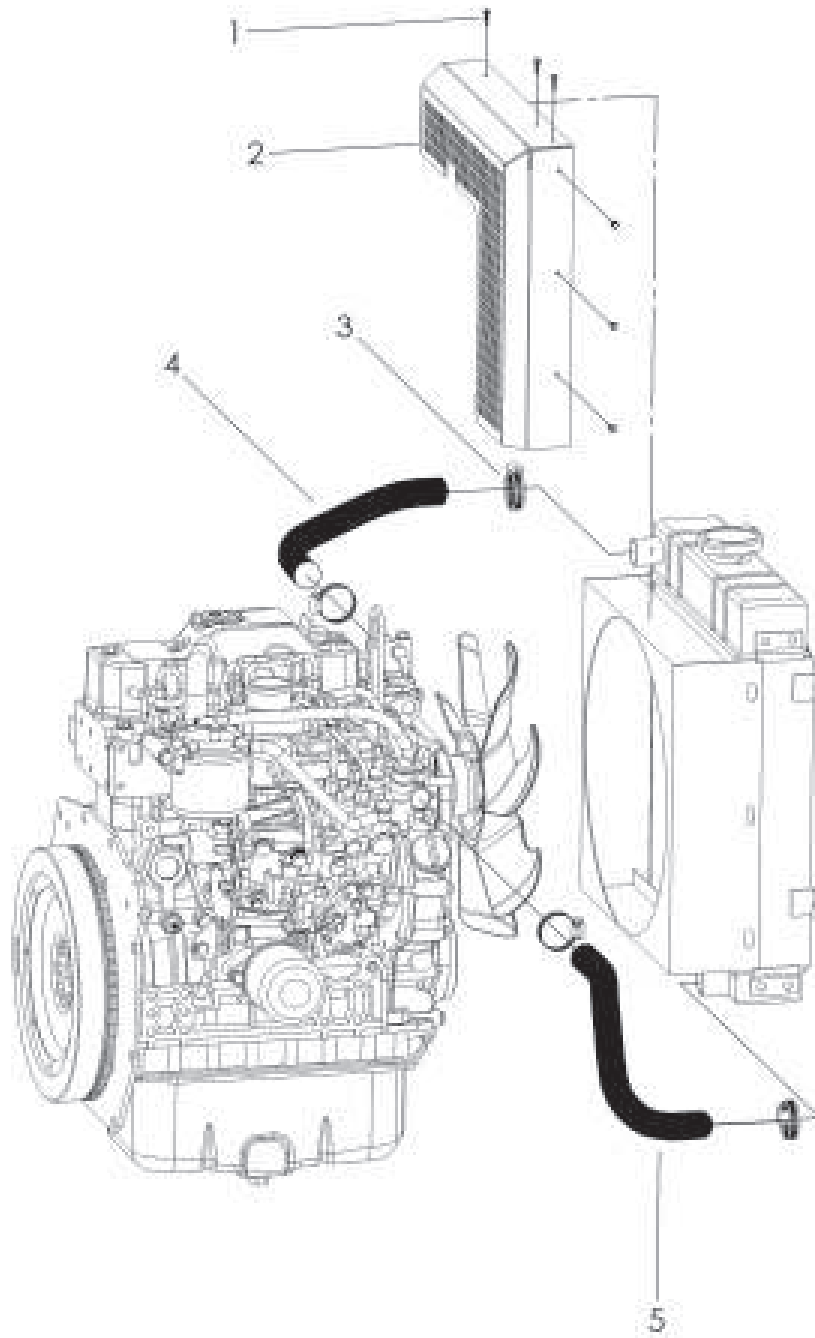


MUFFLER AND AIR CLEANER ASSEMBLY PARTS

A-29B

NO	REQ'D	PART NO	DESCRIPTION	ISUZU ENGINE MODELS
1	2	045038	#32 HOSE CLAMP	
2	1	921142	RADIAL SEAL AIR CLEANER	
3	2	044031	5/16 - 18 NC HEX KEPS NUT	
4	6	047005	1/4 FLAT WASHER	
5	1	15-000287	ISUZU 3CD1 AIR CLEANER BRACKET	
6	6	043055	5/16 SPLIT LOCK WASHER	
7	6	042033	8mm X 1.25mm X 20mm GRADE 10.5 BOLT	
8	2	046055	5/16 - 18 NC X 1-1/4 GRADE 5 BOLT	
9	1	15-000289	ISUZU 3CD1 THROTTLE CABLE BRACE	
10	2	044023	1/4 - 20 NC NYLON INSERT NUT	
11	1	15-000288	ISUZU 3CD1 THROTTLE ARM BRACKET	
12	2	046045	1/4 - 20 NC X 3/4 GRADE 5 BOLT	
13	1	15-000301	ISUZU 3CD1 AIR INTAKE HOSE	
14	1	920869	TEMPERATURE SWITCH	
15	4	046010	1/4 - 20 NC X 3/4 GRADE 5 BOLT	
16	8	047009	1/4 SS FLAT WASHER	
17	1	92T079	MUFFLER HEAT SHIELD	
18	4	042082	8mm X 1.25mm HEX NUT	
19	1	042151	10mm SPLIT LOCK WASHER	
20	1	042040	10mm X 1.5mm X 30mm GRADE 10.8 BOLT	
21	1	15-000302	ISUZU 3CD1 MUFFLER	

LEGEND: NS= Not Shown
** =Purchase locally

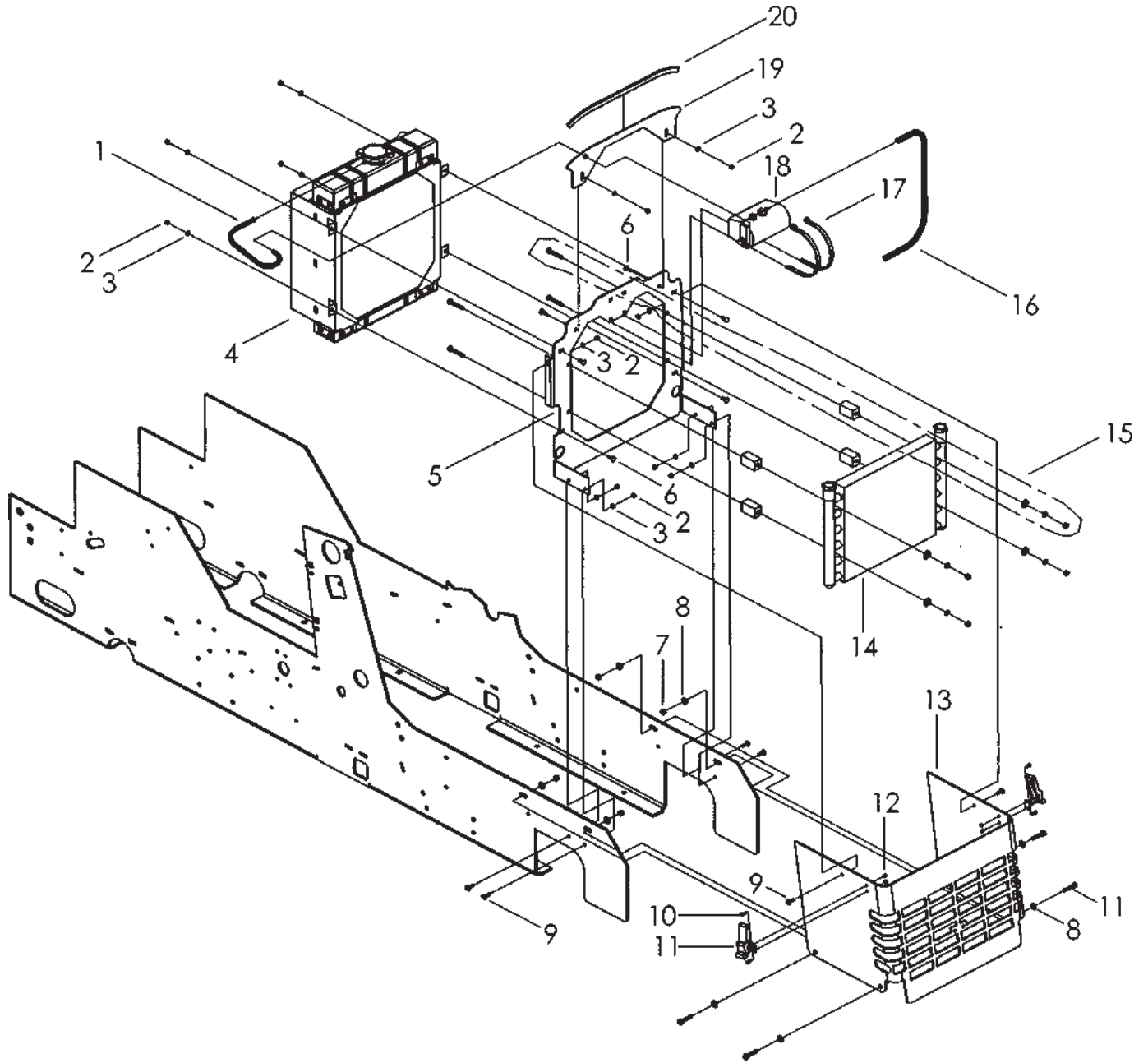


ENGINE RADIATOR HOSES AND HAND GUARD

A-29D

NO	REQ'D	PART NO	DESCRIPTION	ISUZU ENGINE MODELS
1	6	041015	#8 X 5/8 SELF TAPPING SCREW	
2	1	22-000047	ISUZU 3CD1 FAN GUARD	
3	4	045035	#20 HOSE CLAMP	
4	1	22-000321	ISUZU 3CD1 TOP RADIATOR HOSE	
5	1	22-000322	ISUZU 3CD1 BOTTOM RADIATOR HOSE	

LEGEND: NS= Not Shown
** =Purchase locally



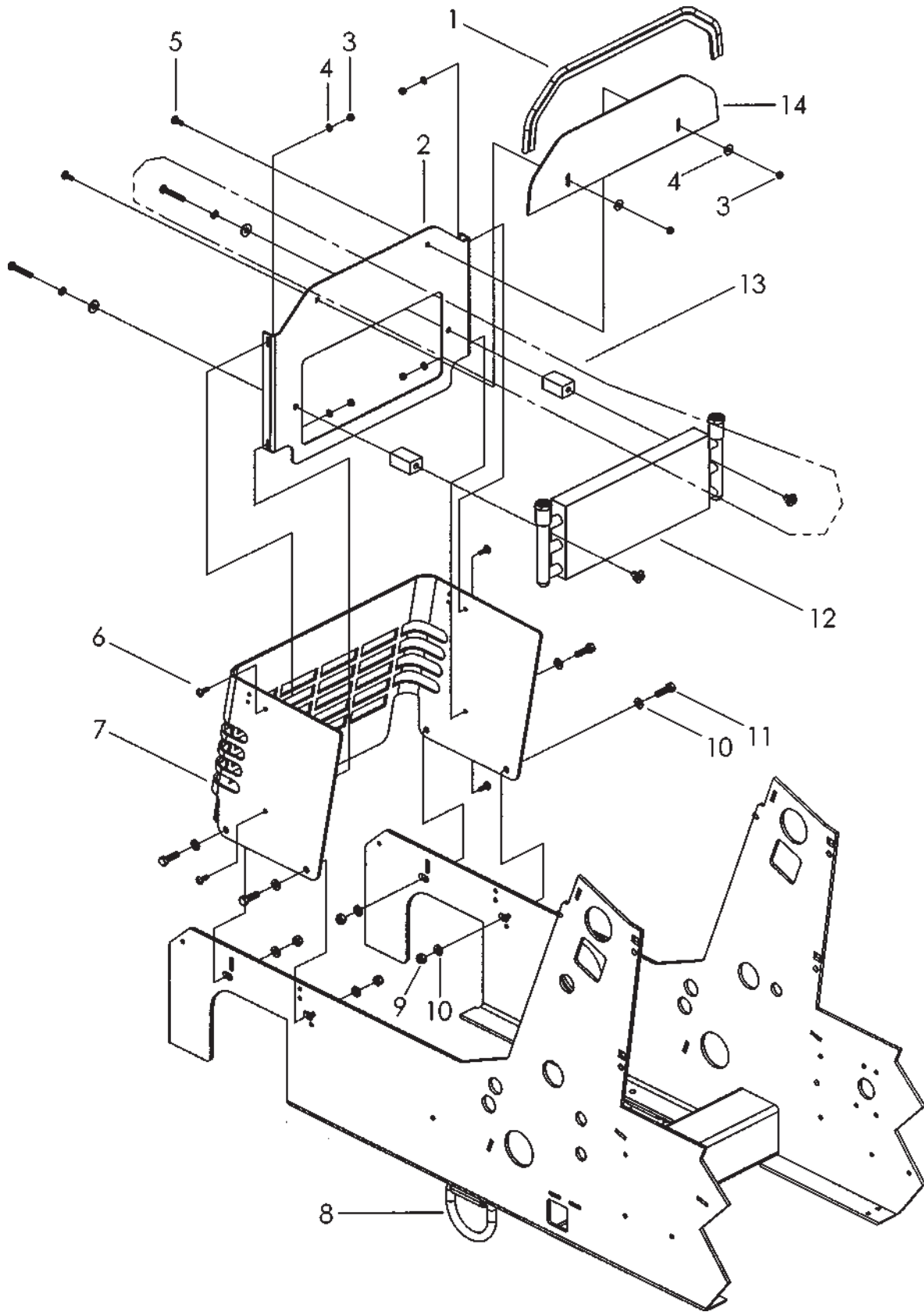
NOSE ASSEMBLY PARTS

A-30B

TLB 225, 425, 535

NO	REQ'D	PART NO	DESCRIPTION
1	1	**	RECOVERY TANK INLET HOSE
2	12	044023	1/4 - 20 NC NYLON INSERT NUT
3	12	047009	1/4" STAINLESS STEEL FLAT WASHER
4	1	10-000071	KUBOTA RADIATOR, TLB 425
	1	920813	ISUZU RADIATOR, TLB 535
5	1	15-000152	KUBOTA 20 HP RADIATOR/COOLER MOUNT, TLB 225
	1	15-000058	KUBOTA 25 HP RADIATOR/COOLER MOUNT, TLB 425
	1	15-000081	ISUZU RADIATOR/COOLER MOUNT, TLB 535
6	6	053006	1/4 - 20 NC X 3/4 CARRIAGE BOLT
7	4	044033	5/16 - 18 NC NYLON INSERT NUT
8	8	047010	5/16" FLAT WASHER
9	6	041050	1/4 - 20 NC X 3/4 TRUSS HEAD SCREW
10	4	041013	#8 - 32 NC X 1/2 PAN HEAD SCREW
11	2	920234	SOUTHCO SOFT LATCH
12	4	044013	#8 - 32 NC NYLON INSERT NUT
13	1	15-000165	KUBOTA 20 HP DIESEL NOSE PLATE, TLB 225
	1	15-000031	DIESEL NOSE PLATE,
14	1	920330	OIL COOLER (TLB 225)
	1	920780	OIL COOLER (TLB 425, 535)
15	2	920332	OIL COOLER MOUNTING KIT (TLB 225)
	4	920332	OIL COOLER MOUNTING KIT (TLB 425, 535)
16	1	**	RECOVERY TANK OVERFLOW HOSE
17	2	**	RECOVERY TANK MOUNTING STRAPS
18	1	920472	RECOVERY TANK
19	1	15-000059	KUBOTA HOOD ADJUSTMENT PLATE, TLB 425
	1	15-000082	ISUZU HOOD ADJUSTMENT PLATE, TLB 225, 535
20	1	920563	TRIMLOCK, 25"
NS	1	92T192	RADIATOR HAND GUARD
NS	2	920552	RADIATOR HOSE (LOWER IS SAME AS UPPER CUT TO FIT)

LEGEND: NS= Not Shown
 ** =Purchase locally

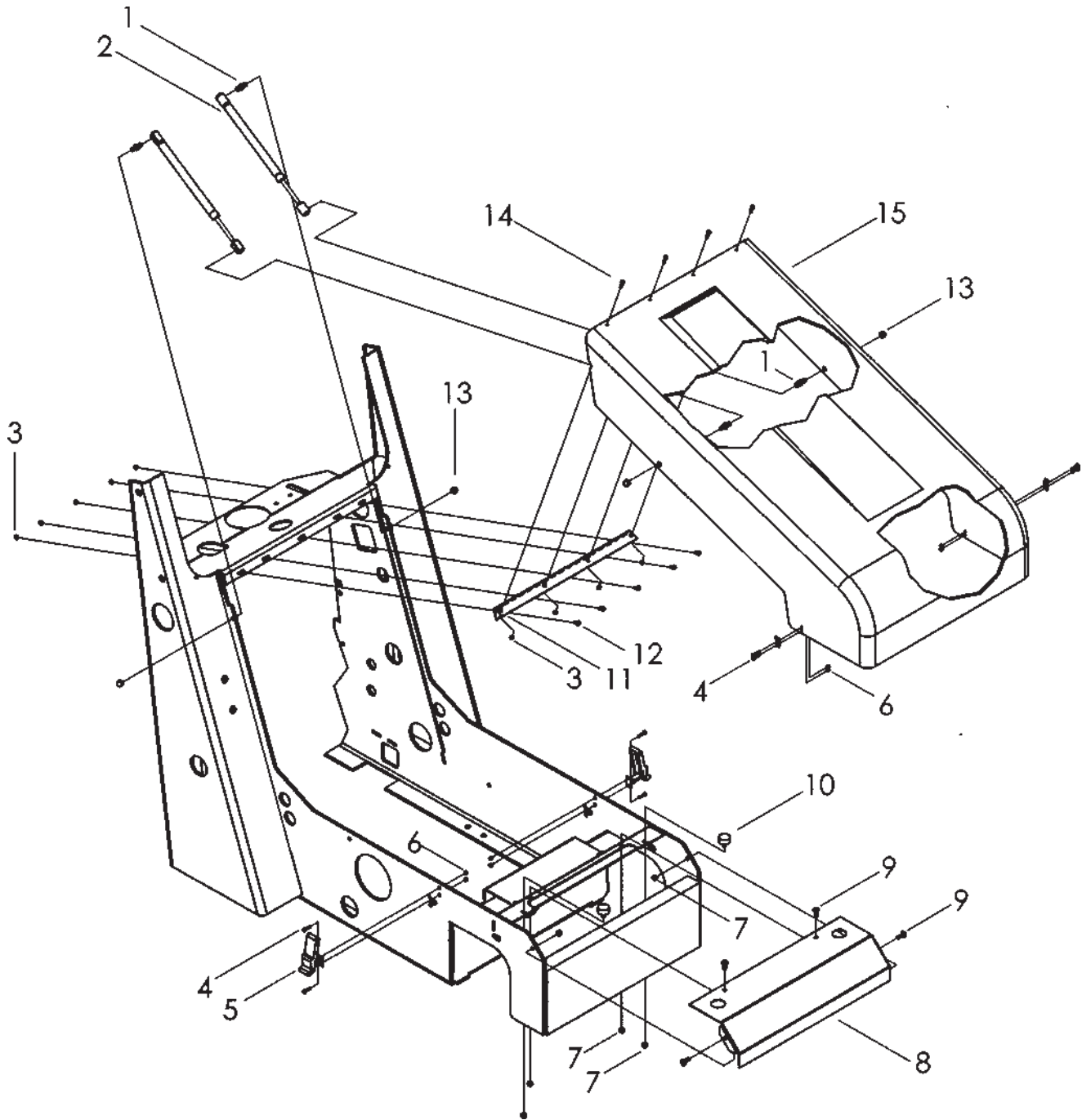


NOSE ASSEMBLY PARTS

A-31B

NO	REQ'D	PART NO	DESCRIPTION	TLB 325
1	1	030053	TRIMLOCK, 26"	
2	1	10-000051	OIL COOLER MOUNT/HOOD SUPPORT	
3	6	044023	1/4 - 20 NC NYLON INSERT NUT	
4	6	047009	1/4" STAINLESS STEEL FLAT WASHER	
5	4	041080	1/4 - 20 NC X 1TRUSS HEAD SCREW	
6	2	053006	1/4 - 20 NC X 3/4 CARRIAGE BOLT	
7	1	10-000052	NOSE	
8		920021	REPLACEMENT D-RING	
9	4	044038	3/3 - 16 NC NYLON INSERT NUT	
10	8	047015	3/8" FLAT WASHER	
11	4	046115	3/8 - 16 NC X 1 -1/4 GRADE 5 BOLT	
12	1	920330	OIL COOLER	
13	2	920332	OIL COOLER MOUNTING KIT	
14	1	10-000231	TWO PIECE HOOD SUPPORT BOTTOM	

LEGEND: NS= Not Shown
** =Purchase locally



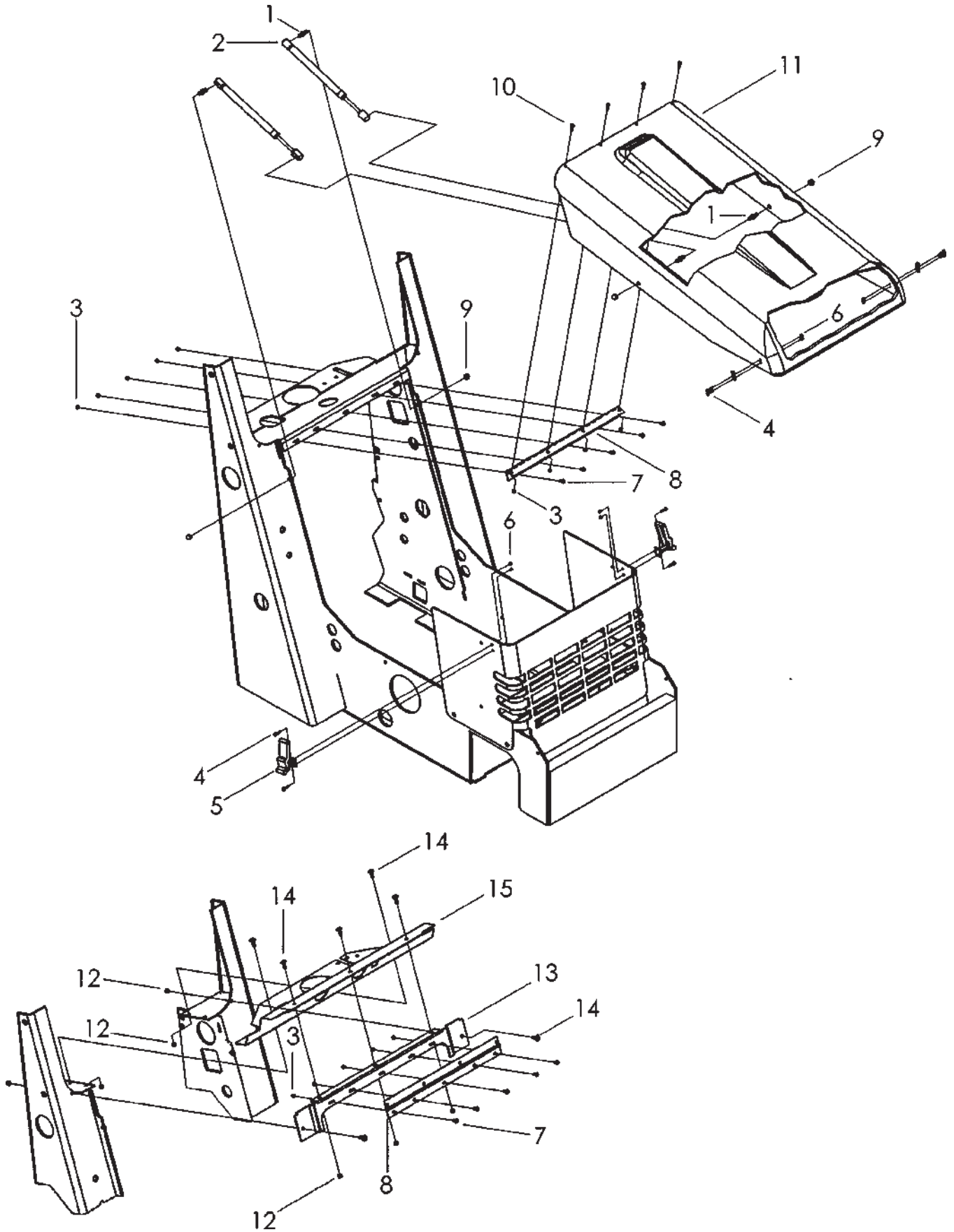
HOOD ASSEMBLY PARTS

A-32B

TLB 220

NO	REQ'D	PART NO	DESCRIPTION
1	4	330437	BALL STUD
2	2	920231	GAS SPRING, 35 LB
3	9	044018	#10 - 24 NC SS NYLON INSERT NUT
4	8	041201	#8 - 32 NC X 3/4 SCREW
5	2	920234	SOUTHCO SOFT LATCH
6	8	044013	#8 - 32 NC NYLON INSERT NUT
7	2	044023	1/4 - 20 NC NYLON INSERT NUT
8	1	10-000068	FRONT AXLE COVER PLATE
9	4	041050	1/4 - 20 NC X 3/4 TRUSS HEAD SCREW
10	2	930152	BUMPER RUBBER, 1 X 1/2 X 1/4-20 NC
11	1	92T138	HOOD HINGE, STAINLESS STEEL
12	5	041021	#10 - 24 NC X 1/2 SCREW
13	2	044027	5/16 - 18 NC ACORN NUT
14	4	041027	#10 - 24 NC X 3/4 SCREW
15	1	930116	FIBERGLASS HOOD

LEGEND: NS= Not Shown
** =Purchase locally



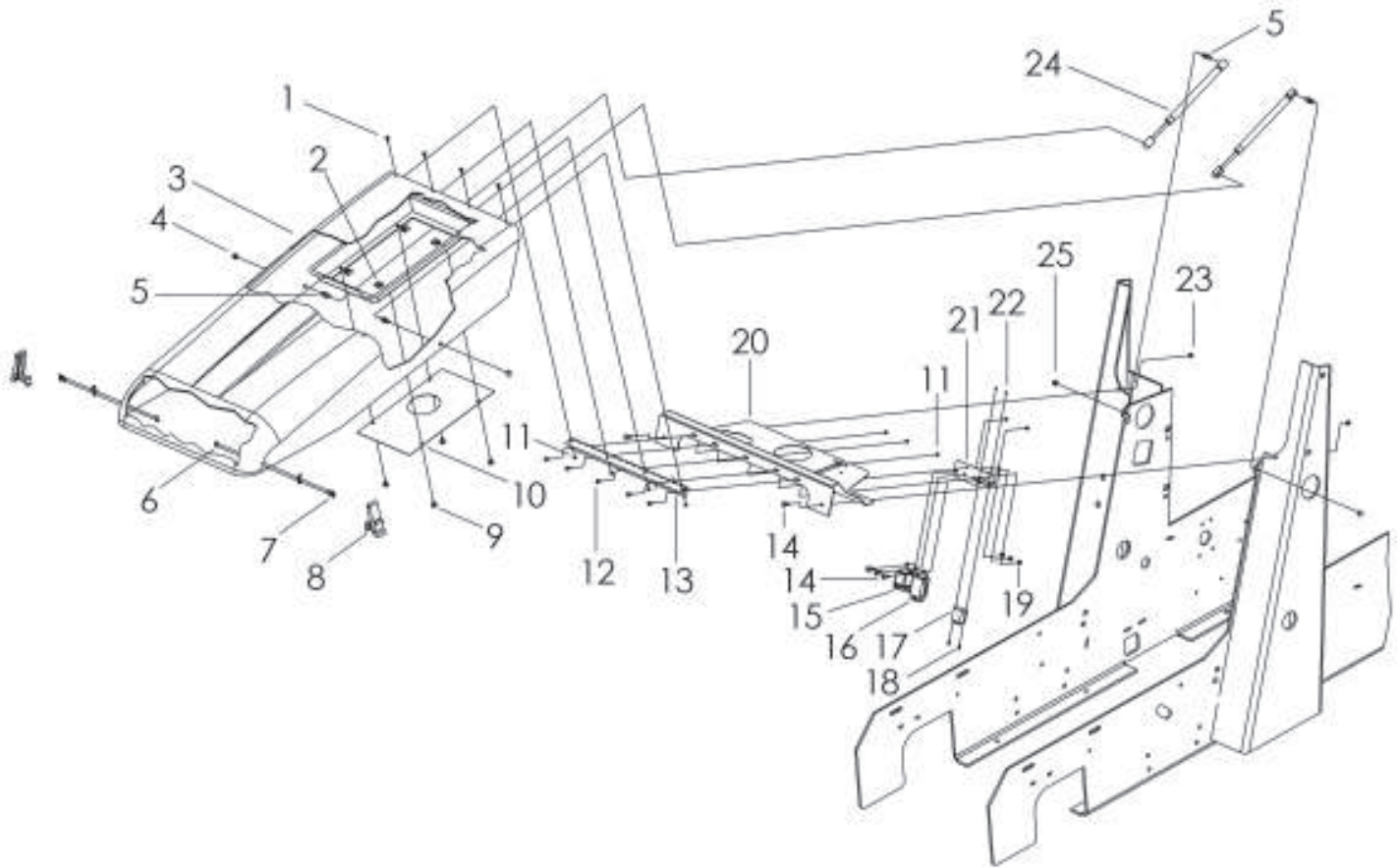
HOOD ASSEMBLY PARTS

A-33B

TLB 225, 325

NO	REQ'D	PART NO	DESCRIPTION
1	4	330437	BALL STUD (TLB 225, 325)
2	2	920231	GAS SPRING, 35 LB (TLB 225, 325)
3	9	044018	#10 - 24 NC NYLON INSERT NUT (TLB 225, 325)
4	8	041201	#8 - 32 NC X 3/4 SCREW (TLB 225, 325)
5	2	920234	SOUTHCO SOFT LATCH (TLB 225, 325)
6	8	044013	#8 - 32 NC NYLON INSERT NUT (TLB 225, 325)
7	5	041021	#10 - 24 NC X 1/2 SCREW (TLB 225, 325)
8	1	92T138	HOOD HINGE, STAINLESS STEEL (TLB 225, 325)
9	4	044027	5/16 - 18 NC ACORN NUT (TLB 225, 325)
10	4	041027	#10 - 24 NC X 3/4 SCREW (TLB 225, 325)
11	1	10-000061	FIBERGLASS HOOD (TLB 225, 325)
12	2	044023	1/4 - 20 NC NYLON INSERT NUT (TLB 225)
13	1	10-000164	HOOD/DASH MOUNT (TLB 225)
14	2	041050	1/4 - 20 NC X 3/4 TRUSS HEAD SCREW (TLB 225)
15	1	10-000154	KUBOTA INSTRUMENT PANEL (TLB 225)

LEGEND: NS= Not Shown
** =Purchase locally



HOOD ASSEMBLY PARTS

A-34B

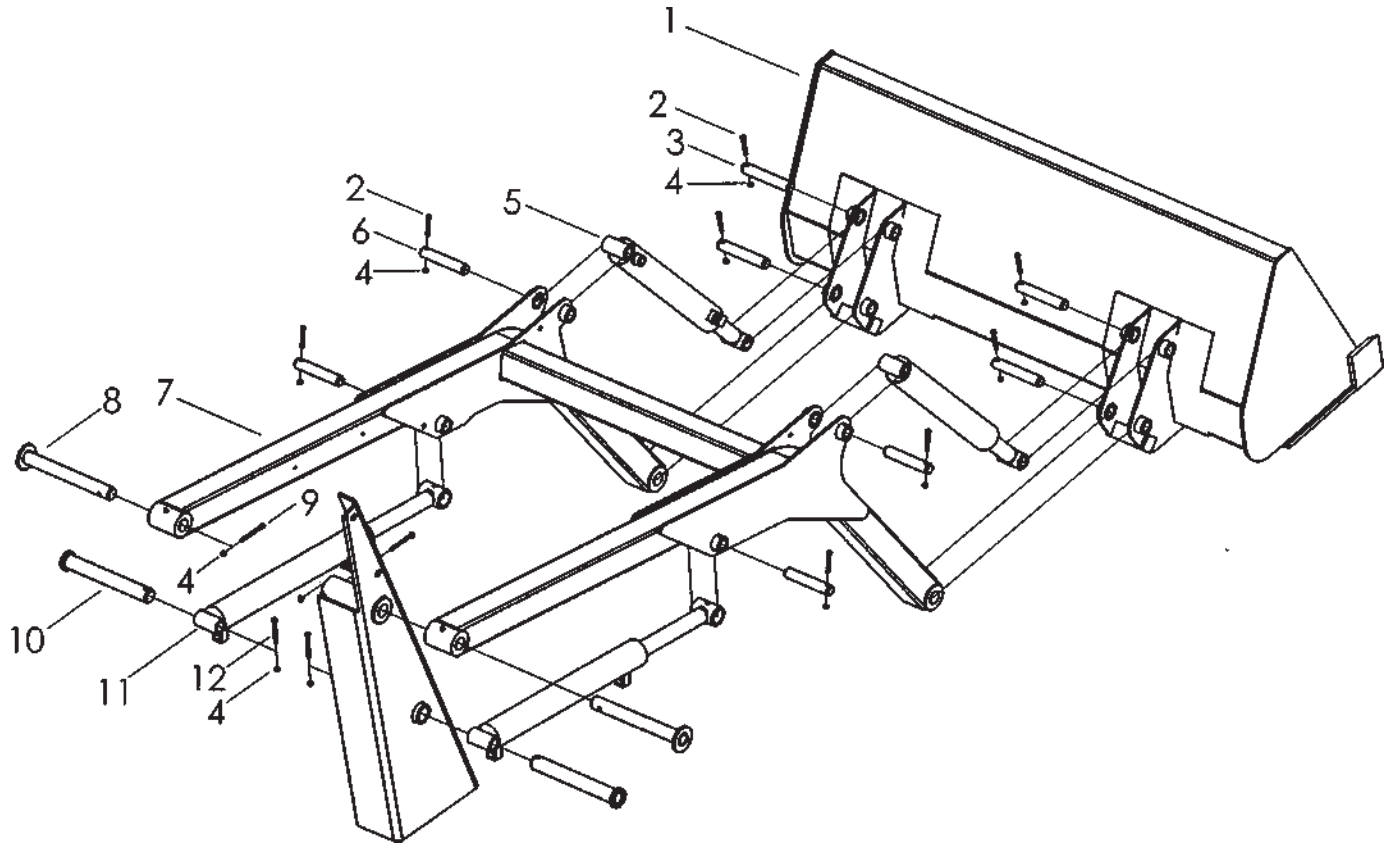
TLB 425, 535

NO	REQ'D	PART NO	DESCRIPTION
1	4	041027	#10 - 24 NC X 3/4 SCREW
2	4	045016	1/4 - 20 NC TINNERMAN NUT
3	1	10-000070	FIBERGLASS HOOD
4	2	044027	5/16 - 18 NC ACORN NUT
5	4	330437	BALL STUD
6	4	044013	#8 - 32 NC NYLON INSERT NUT
7	4	041201	#8 - 32 NC X 3/4 SCREW
8	2	920234	SOUTHCO SOFT LATCH
9	4	041050	1/4 - 20 NC X 3/4 TRUSS HEAD SCREW
10	1	15-000055	KUBOTA AIR BOX COVER PLATE (TLB 425)
	1	22-000067	ISUZU AIR BOX COVER PLATE (TLB 535)
11	9	044019	#10 - 24 NC SS NYLON INSERT NUT
12	5	041021	#10 - 24 NC X 1/2 SCREW
13	1	92T138	HOOD HINGE, STAINLESS STEEL
14	5	041050	1/4 - 20 NC X 3/4 TRUSS HEAD SCREW
15	1	@@@	GLOW PLUG RELAY (TLB 535)
16	1	@@@	GLOW PLUG TIMER (TLB 535)
17	1	920875	GLOW PLUG DELAY (TLB 535)
18	2	041017	#6 - 32 NC X 1/2 SCREW (TLB 535)
19	3	044021	1/4 - 20 KEPS NUT (TLB 535)
20	1	15-000048	KUBOTA INSTRUMENT PANEL (PANEL ONLY) (TLB 425)
	1	15-000071	ISUZU INSTRUMENT PANEL (PANEL ONLY) (TLB 535)
21	1	15-000075	COMPONENT BRACKET (TLB 535)
22	2	044006	#6 - 32 NC NYLON INSERT NUT (TLB 535)
23	2	044023	1/4 - 20 NC NYLON INSERT NUT
24	2	920231	GAS SPRING, 35 LB
25	2	044039	5/16 - 18 NC CENTER LOCK NUT

LEGEND: NS= Not Shown
 ** =Purchase locally

LOADER/BUCKET ASSEMBLY

TLB 220, 225, 325, 425, and 535



LOADER/BUCKET ASSEMBLY PARTS

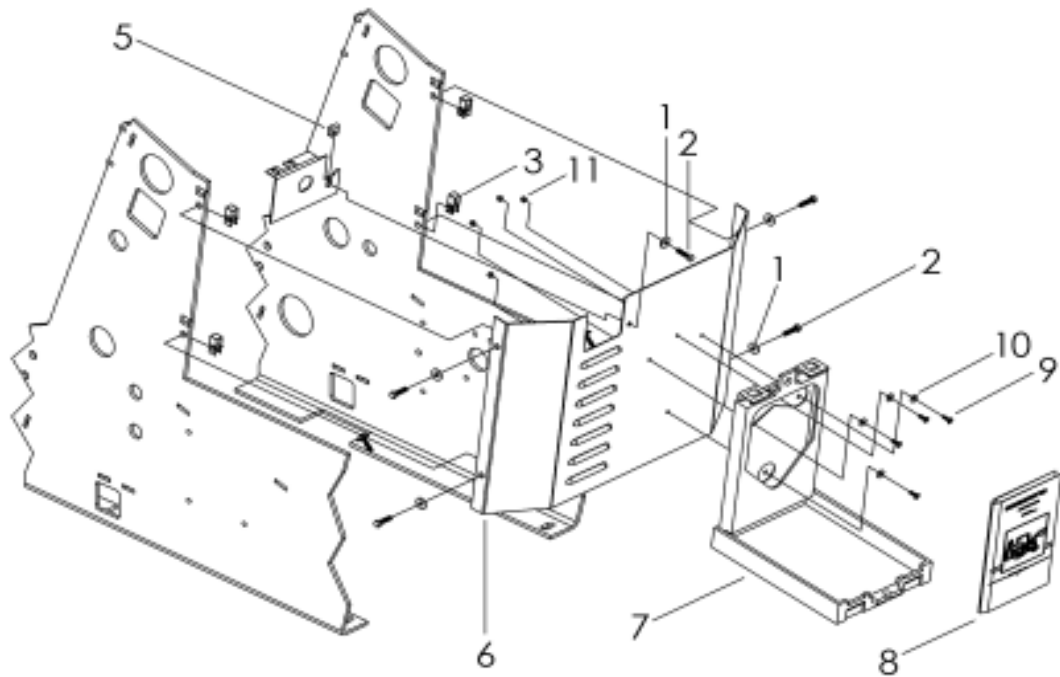
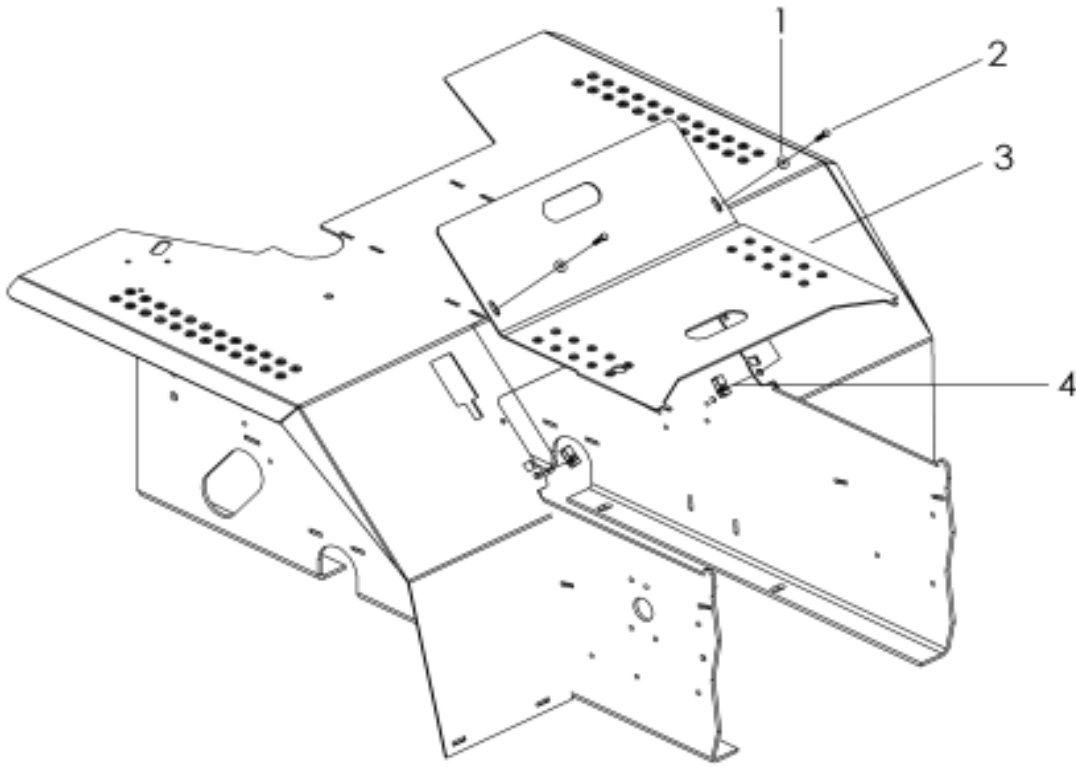
A-35B

				TLB 220, 225, 325, 425, and 535
NO	REQ'D	PART NO	DESCRIPTION	
1	1	930204	BUCKET ASSEMBLY (TLB 220, 225)	
	1	92L004	BUCKET ASSEMBLY (TLB 325, 425, 535)	
2	8	046035	1/4 - 20 NC X 2 GRADE 5 BOLT	
3	4	92L004M	BUCKET PIN	
4	12	044023	1/4 - 20 NC NYLON INSERT NUT	
5	2	930224	BUCKET CYLINDER (TLB 220, 225)	
	2	92L007	BUCKET CYLINDER (TLB 325, 425, 535)	
6	4	930226	LOADER PIN (TLB 220, 225)	
	4	92L001M	LOADER PIN (TLB 325, 425, 535)	
7	1	930200	LD-TLB LOADER WELDMENT (TLB 220, 225)	
	1	92L001	LOADER WELDMENT (TLB 325, 425, 535)	
8	2	930092	LOADER PIVOT PIN WELDMENT	
9	2	046038	1/4 - 20 NC X 3 GRADE 5 BOLT	
10	2	92L002	CYLINDER PIVOT PIN	
11	2	930225	LOADER LIFT CYLINDER (TLB 220, 225)	
	2	92L006	LOADER LIFT CYLINDER (TLB 325, 425, 535)	
12	2	046036	1/4 - 20 NC X 2-1/2 GRADE 5 BOLT	
NS	12	401256	14 - 28 NF GREASE ZERK, STRAIGHT	
NS		930431	LOADER CYLINDER SEAL KIT (TLB 220, 225 BUCKET AND LOADER)	
NS		92L006K	LOADER CYLINDER SEAL KIT (TLB 325, 425, 535 BUCKET AND LOADER)	
		92L007G	BUCKET AND LOADER CYLINDER GLAND (TLB 325, 425, 535)	
NS		92L007P	BUCKET AND LOADER CYLINDER PISTON (TLB 325, 425, 535)	
NS		92L007R	BUCKET CYLINDER ROD (TLB 325, 425, 535)	
NS		92L006R	LOADER CYLINDER ROD (TLB 325, 425, 535)	
NS		92L004F	GRADER BLADE, 1/2 YARD BUCKET	
NS		92L004H	SIDE LIP GRADER BLADE, PAIR	
NS		920126B	QUICKATTACH BUCKET HITCH	
NS		920129	QUICKATTACH BUCKET	
NS		920128	QUICKATTACH BUCKET FORKS	

LEGEND: NS= Not Shown
** =Purchase locally

COLUMN AND FLOOR PLATE ASSEMBLY

TLB 220, 225, 325, 425, and 535

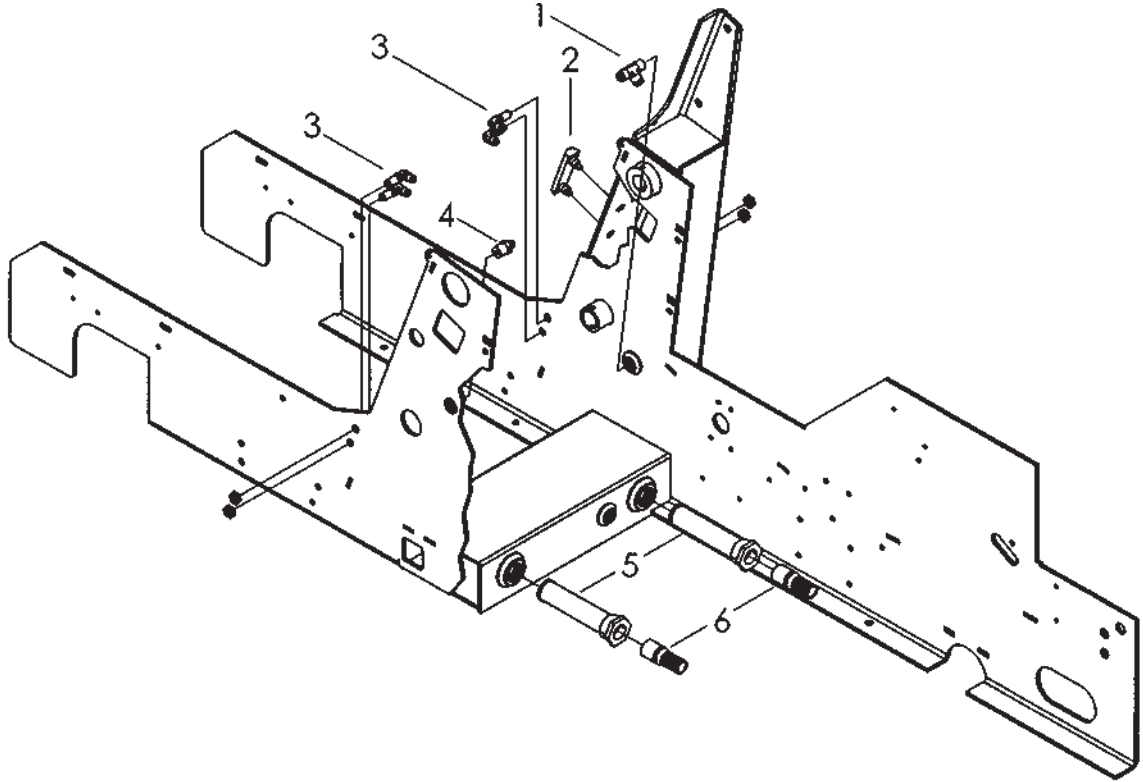


COLUMN AND FLOOR PLATE ASSEMBLY PARTS

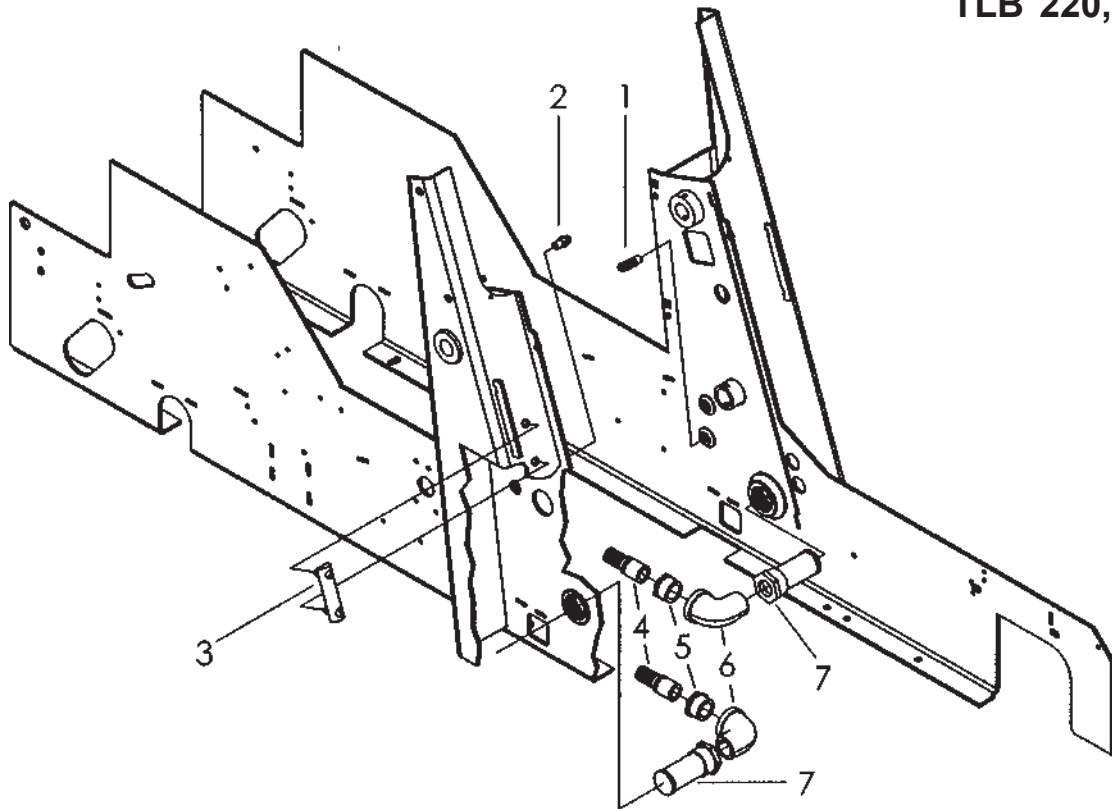
A-36B

NO	REQ'D	PART NO	DESCRIPTION	TLB 220, 225, 325, 425, and 535
1	7	047005	1/4 FLAT WASHER (ALL MODELS)	
2	7	046015	1/4 - 20 NC X 1 GRADE 5 BOLT (ALL MODELS)	
3	1	15-000028	FLOOR PLATE (ALL MODELS)	
4	6	920190	1/4 - 20 NC "J" NUT (ALL MODELS)	
5	1	045216	1/4 - 20 NC TINNERMAN NUT (ALL MODELS)	
6	1	930082	COLUMN COVER (TLB 220, 225, 325)	
	1	15-000030	COLUMN COVER (TLB 425, 535)	
7	1	920010	PLASTIC MANUAL BOX (ALL MODELS)	
8	1	920008	1/2 SCALE OPERATOR'S MANUAL (ALL MODELS)	
9	4	041021	#10 - 24 NC X 1/2 FLAT HEAD SCREW (ALL MODELS)	
10	4	033072	#8 FLAT WASHER (ALL MODELS)	
11	4	041018	#10 - 24 NC NYLON INSERT NUT (ALL MODELS)	
NS	36"	030053	TRIM LOCK (ALL MODELS, EDGE OF INSTRUMENT PANEL)	

LEGEND: NS= Not Shown
** =Purchase locally



TLB 220, 225, 325



STRAINER AND FITTING ASSEMBLY

B-1B

TLB 425, 535

NO	REQ'D	PART NO	DESCRIPTION
1	1	920671	HYDRAULIC TEE FITTING, 8-8-8 RTX
2	1	920195	SIGHT GLASS, LHA
3	4	920669	HYDRAULIC FITTING, 2701-LN-06-06-FG
4	1	920666	HYDRAULIC FITTING, 2404-06-08
5	2	920325	SUCTION STRAINER
6	2	052183	STRAINER NIPPLE

TLB 220, 225, 325

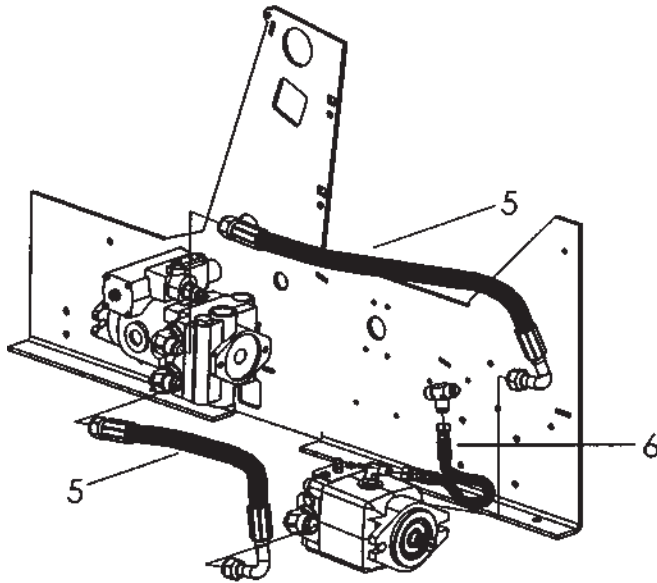
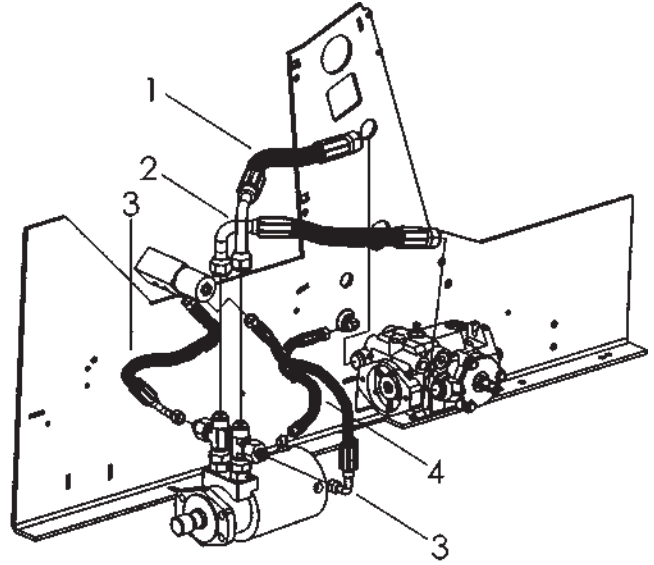
NO	REQ'D	PART NO	DESCRIPTION
1	1	920692	HYDRAULIC ADAPTER ELBOW, 6CTX-S (TLB 220, 225, 325)
2	1	320080	HYDRAULIC ADAPTER, 6 FTX-S (TLB 220)
	1	920823	HYDRAULIC ADAPTER ELBOW, 6CTX-S (TLB 225)
	1	920823	HYDRAULIC ADAPTER, 2402-06-04 (TLB 325)
3	1	920195	SIGHT GLASS, LHA
4	1	052183	STRAINER NIPPLE (TLB 220, 225)
	2	052183	STRAINER NIPPLE (TLB 325)
5	1	052182	REDUCER BUSHING, 1-1/4 X 1" (TLB 220, 225)
	2	052182	REDUCER BUSHING, 1-1/4 X 1" (TLB 325)
6	1	930139	1-1/4 STREET ELBOW (TLB 220, 225)
	2	930139	1-1/4 STREET ELBOW (TLB 220, 225)
7	1	930113	SUCTION STRAINER (TLB 220, 225)
	2	930113	SUCTION STRAINER (TLB 325)
NS	1	10-000100	2" PIPE PLUG (TLB 220)

LEGEND: NS= Not Shown
** =Purchase locally

DRIVE MOTOR HOSE ASSEMBLY

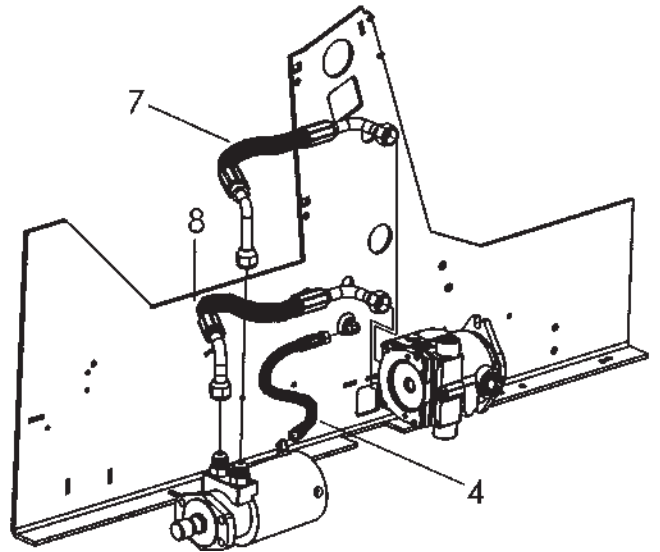
TLB 220, 225, 325, 425, and 535

TLB 220, TLB 325



TLB 425, TLB 535

TLB 225



DRIVE MOTOR HOSE ASSEMBLY

B-2B

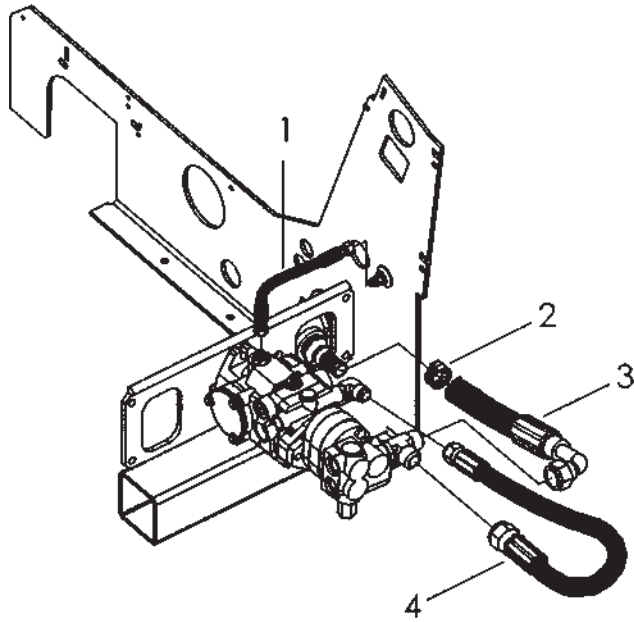
NO	REQ'D	PART NO	DESCRIPTION	TLB 220, 225, 325, 425, and 535
1	1	930137	HOSE ASSEMBLY 3/4 X 17" (TLB 220, 325) 12FJX-12FJX90L	
2	1	930136	HOSE ASSEMBLY 3/4 X 16" (TLB 220, 325) 12FJX-12FJX90M	
3	2	920839	HOSE ASSEMBLY 3/8 X 14.5" (TLB 220, 325) 6FJX-6FJX	
4	1	930166	HOSE ASSEMBLY 3/8 X 19" (TLB 220, 225, 325) 6FJX-6FJX	
5	2	922441	HOSE ASSEMBLY 3/4 X 20" (TLB 425, 535) 12FJX-12FJX90M	
6	1	921202	HOSE ASSEMBLY 3/8 X 14" (TLB 425, 535) 6FJX-10FJX	
7	1	15-000242	HOSE ASSEMBLY 3/4 X 21.5" (TLB 225) 12FJX90M-12FJX90L-90°	
8	1	15-000243	HOSE ASSEMBLY 3/4 X 20" (TLB 225) 12FJX90M-12FJX90M-90°	

LEGEND: NS= Not Shown
** =Purchase locally

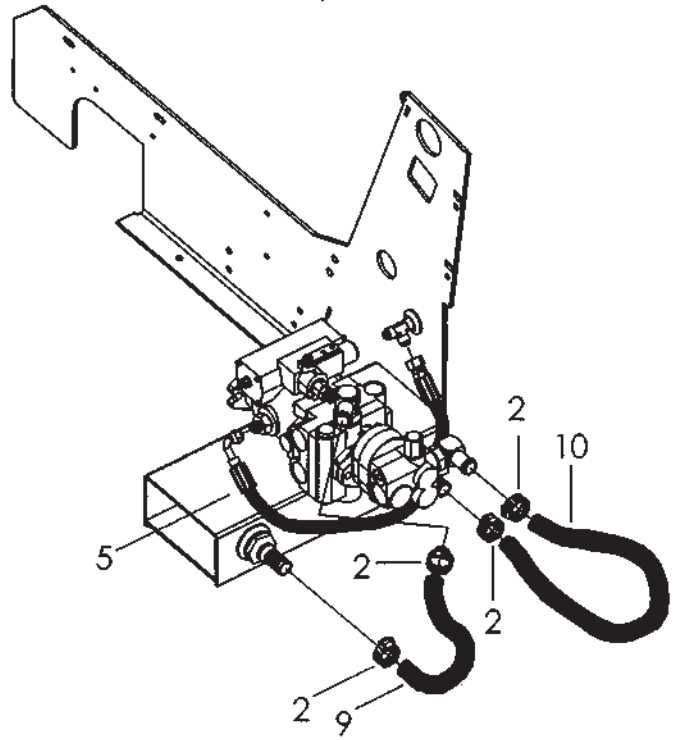
SUCTION HOSE ASSEMBLY

TLB 220, 225, 325, 425, and 535

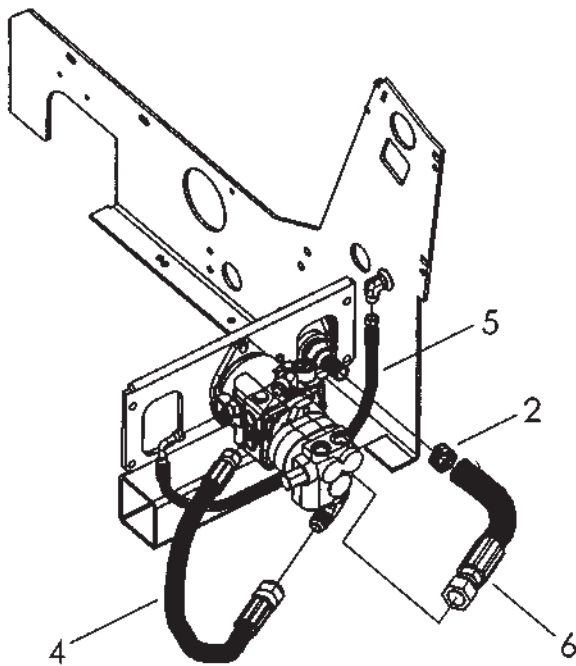
TLB 220



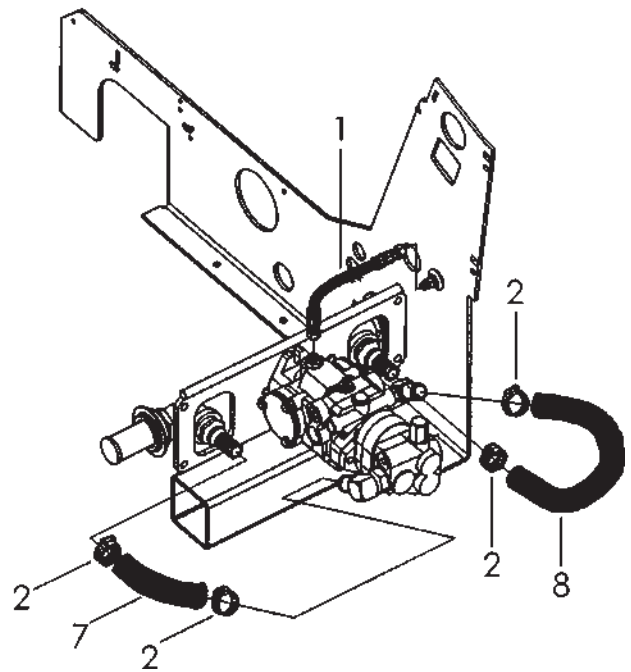
TLB 425, TLB 535



TLB 225



TLB 325



TLB 220, 225, 325, 425, and 535

PARTS REFERENCE

SUCTION HOSE ASSEMBLY

B-3B

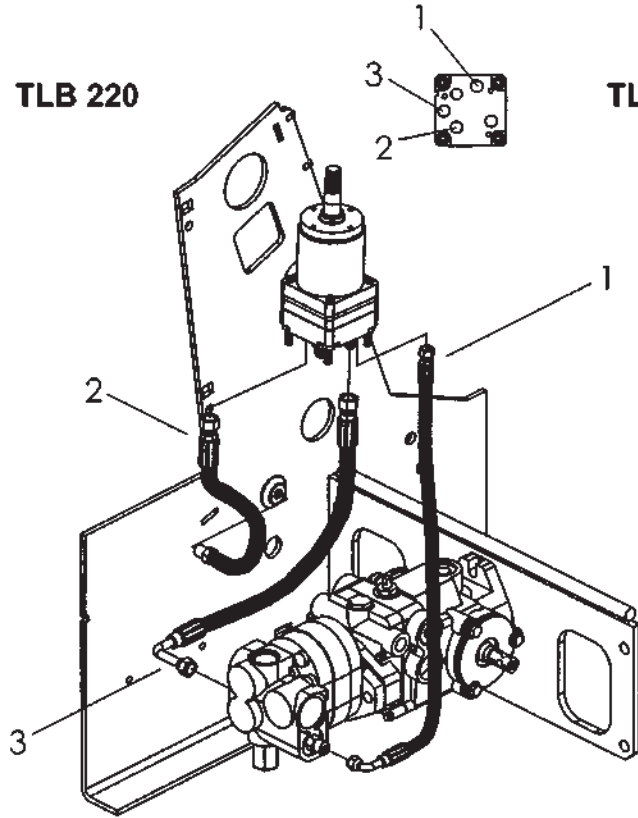
NO	REQ'D	PART NO	DESCRIPTION	TLB 220, 225, 325, 425, and 535
1	1	930165	HOSE ASSEMBLY 3/8 X 18" (TLB 220, 325) 6FJX-6FJX	
2	1	045035	HOSE CLAMP (TLB 225, 325)	
	4	045035	HOSE CLAMP (TLB 325, 425, 535)	
3	1	930341	HOSE ASSEMBLY 1" X 11" (TLB 220) 16FJX90S	
4	1	930340	HOSE ASSEMBLY 3/4 X 22.5" (TLB 220, 225) 12FJX-12-16FJX	
5		921199	HOSE ASSEMBLY 1/2 X 30" (TLB 225, 425, 535) 8FJX-8FJX90S	
6	1	15-000248	HOSE ASSEMBLY 1" X 12.5" (TLB 225) 16FJX	
7	1	921185	HOSE ASSEMBLY 16G4H X 12" (TLB 325)	
8	1	921186	HOSE ASSEMBLY 16G4H X 32" (TLB 325)	
9	1	921206	HOSE ASSEMBLY 16G4H X 26" (TLB 425, 535)	
10	1	921207	HOSE ASSEMBLY 16G4H X 20" (TLB 425, 535)	

LEGEND: NS= Not Shown
** =Purchase locally

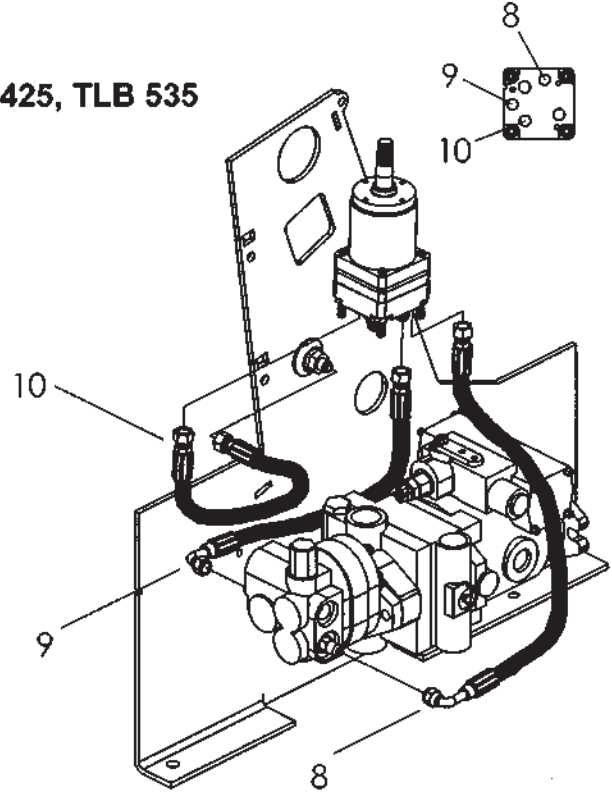
STEERING HOSE ASSEMBLY

TLB 220, 225, 325, 425, and 535

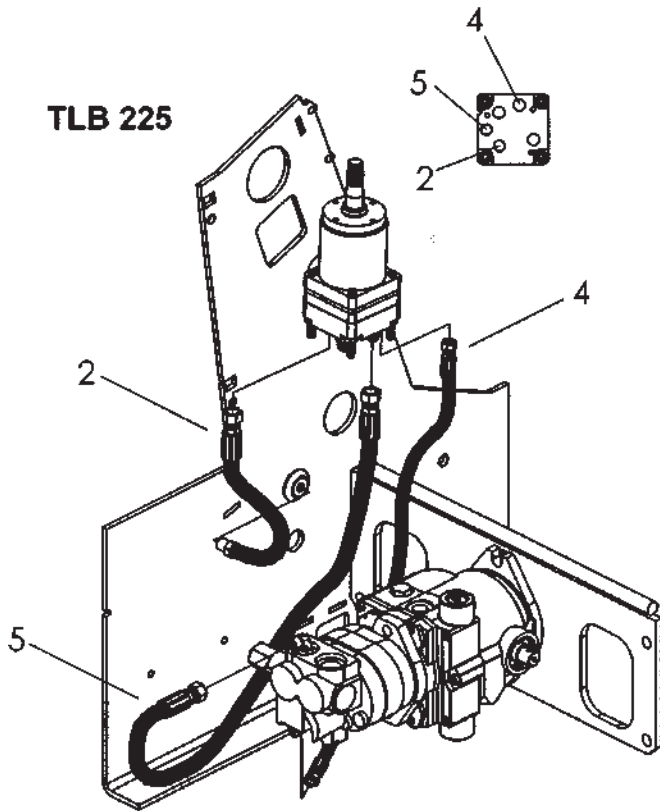
TLB 220



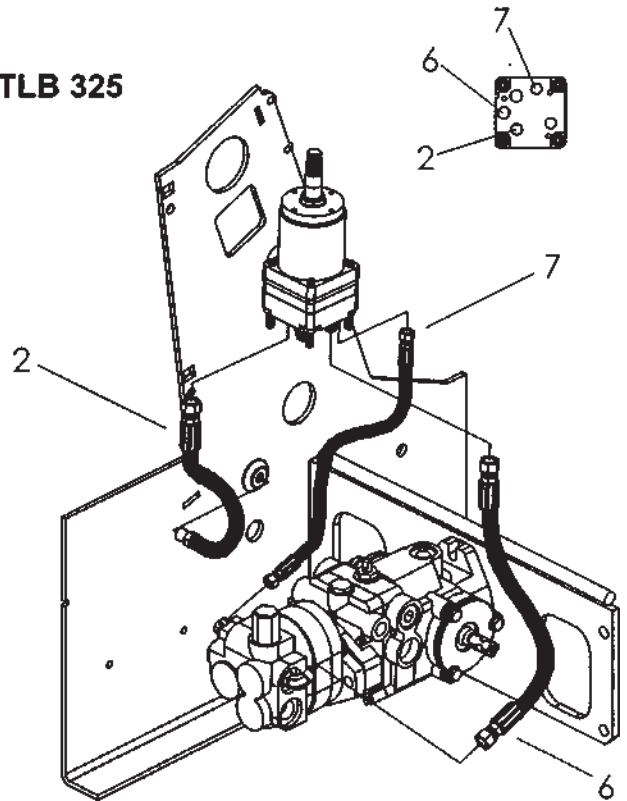
TLB 425, TLB 535



TLB 225



TLB 325



STEERING HOSE ASSEMBLY

B-4B

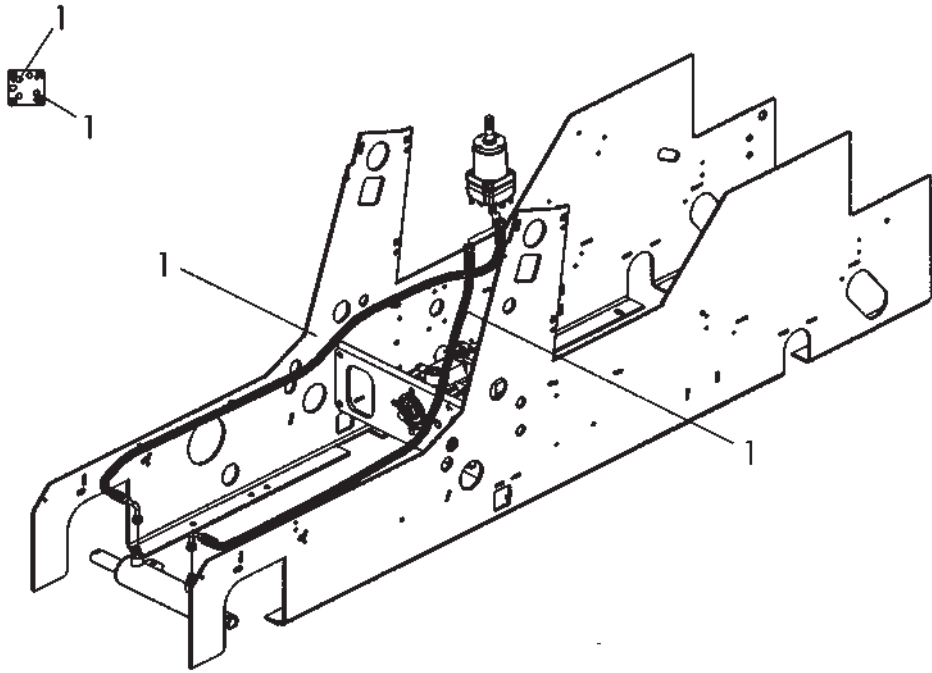
NO	REQ'D	PART NO	DESCRIPTION	TLB 220, 225, 325, 425, and 535
1	1	930165	HOSE ASSEMBLY 1/4 X 34" (TLB 220) 4FJX-4FJX90S	
2	1	930338	HOSE ASSEMBLY 3/8" X 21" (TLB 220, 225, 325) 6FJX-6MP	
3	1	930339	HOSE ASSEMBLY 3/8 X 25.5" (TLB 220) 6FJX-6FJX90L	
4	1	15-000247	HOSE ASSEMBLY 1/4 X 28" (TLB 225) 4FJX-4FJX	
5	1	922842	HOSE ASSEMBLY 3/8" X 39.5" (TLB 225) 6FJX-6FJX	
6	1	921183	HOSE ASSEMBLY 3/8" X 38" (TLB 325) 6FJX-6FJX	
7	1	921182	HOSE ASSEMBLY 1/4" X 20" (TLB 325) 4FJX-4FJX	
8	1	921194	HOSE ASSEMBLY 3/8" X 30" (TLB 425, 535) 6FJX-6FJX90S	
9	1	921195	HOSE ASSEMBLY 3/8" X 29.5" (TLB 425, 535) 6FJX-6FJX90S	
10	1	921196	HOSE ASSEMBLY 3/8" X 18.5" (TLB 425, 535) 6FJX-6FJX	

LEGEND: NS= Not Shown
** =Purchase locally

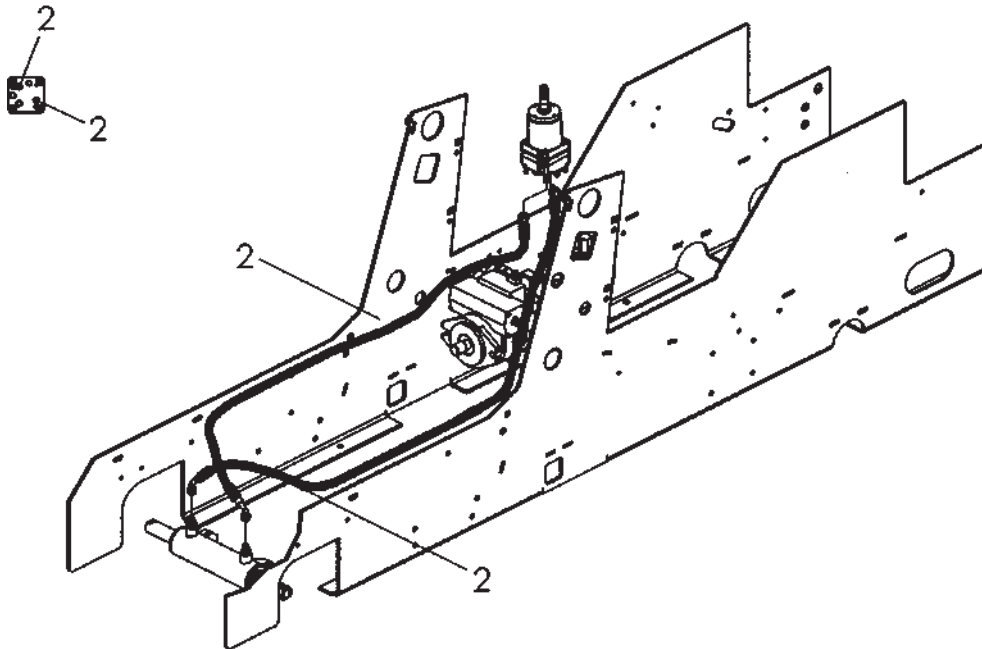
STEERING HOSE ASSEMBLY CONT'D

TLB 220, 225, 325, 425, and 535

TLB 220, TLB 325



TLB 225, TLB 425, TLB 535



STEERING HOSE ASSEMBLY CONT'D

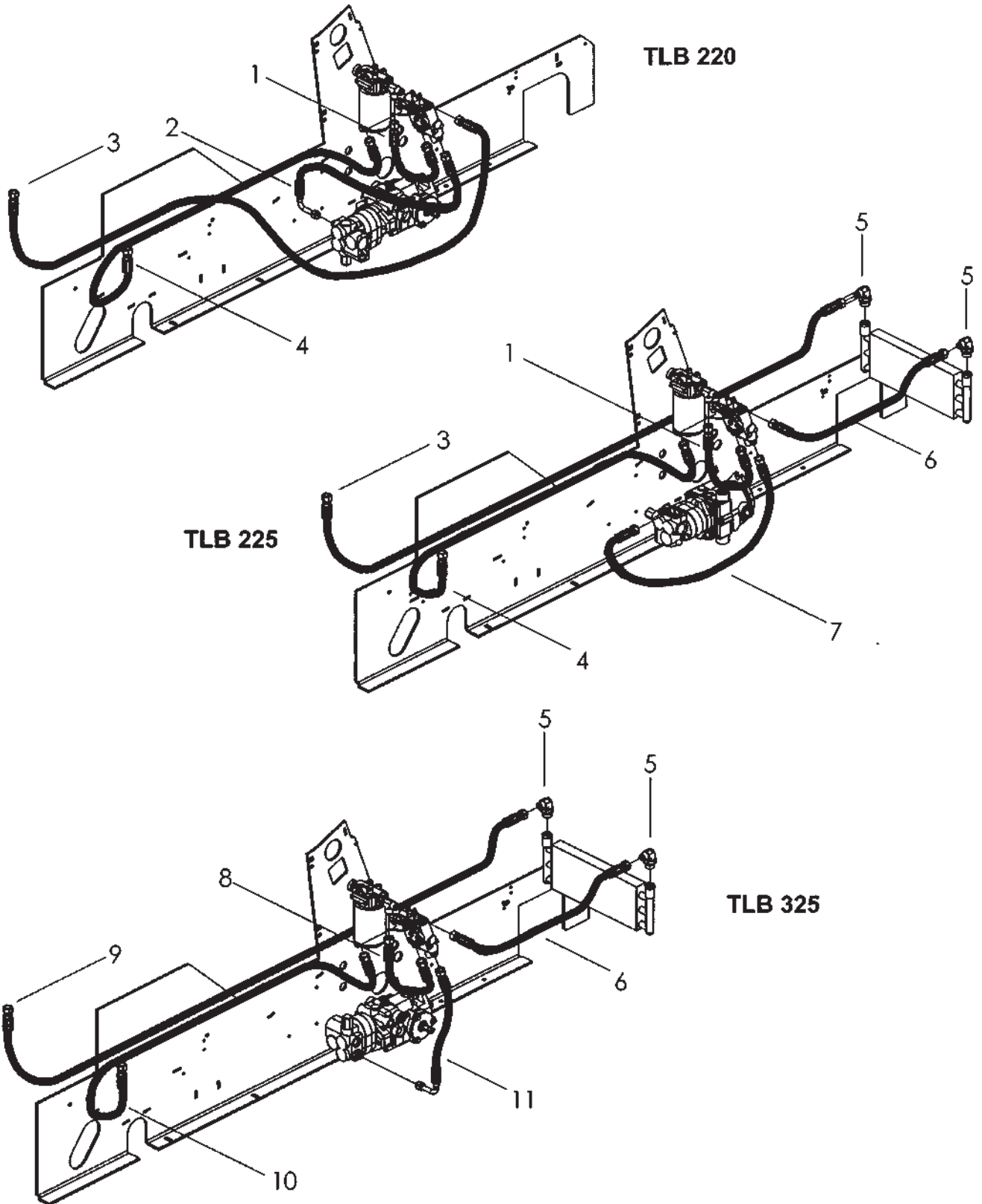
B-4D

NO	REQ'D	PART NO	DESCRIPTION	TLB 220, 225, 325, 425, and 535
1	2	930337	HOSE ASSEMBLY 3/8 X 60" (TLB 220, 325) 6FJX-6FJX90M	
2	2	921197	HOSE ASSEMBLY 3/8" X 69" (TLB 225, 425, 535) 6FJX-6FJX45S	

LEGEND: NS= Not Shown
** =Purchase locally

OIL COOLER AND FILTER ASSEMBLY

TLB 220, 225, and 325



OIL COOLER AND FILTER ASSEMBLY

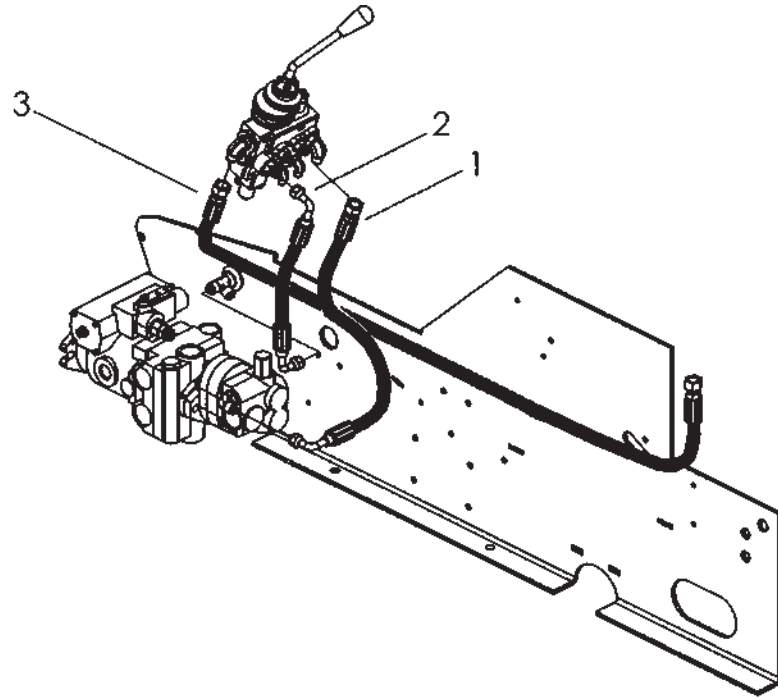
B-5B

NO	REQ'D	PART NO	DESCRIPTION	TLB 220, 225, AND 325
1	1	930127	HOSE ASSEMBLY 1/2" X 20" (TLB 220, 225) 8FJX-8FJX	
2	1	930128	HOSE ASSEMBLY 1/2" X 25" (TLB 220) 8FJX-8FJX90L	
3	1	930135	HOSE ASSEMBLY 1/2" X 104" (TLB 220, 225) 8FJX-8FJX	
4	1	930126	HOSE ASSEMBLY 1/2" X 90" (TLB 220, 225) 8FJX-8FJX	
5	2	920608	HYDRAULIC ADAPTER (TLB 225, 325)	
6	1	15-000246	HOSE ASSEMBLY 1/2" X 48" 8FJX-8FJX (TLB 225)	
		921178	HOSE ASSEMBLY 1/2" X 53.5" 10RLA 10FJX-10FJX (TLB 325)	
7	1	15-000245	HOSE ASSEMBLY 1/2" X 38" (TLB 225) 8FJX-8FJX	
8	1	921180	HOSE ASSEMBLY 1/2" X 20" (TLB 325) 8FJX-10FJX	
9	1	921179	HOSE ASSEMBLY 5/8" X 115" (TLB 325) 10FJX-10FJX	
10	1	921184	HOSE ASSEMBLY 1/2" X 92" (TLB 325) 8FJX-8FJX	
11	1	921181	HOSE ASSEMBLY 1/2" X 40" (TLB 325) 8FJX-8FJX	

LEGEND: NS= Not Shown
** =Purchase locally

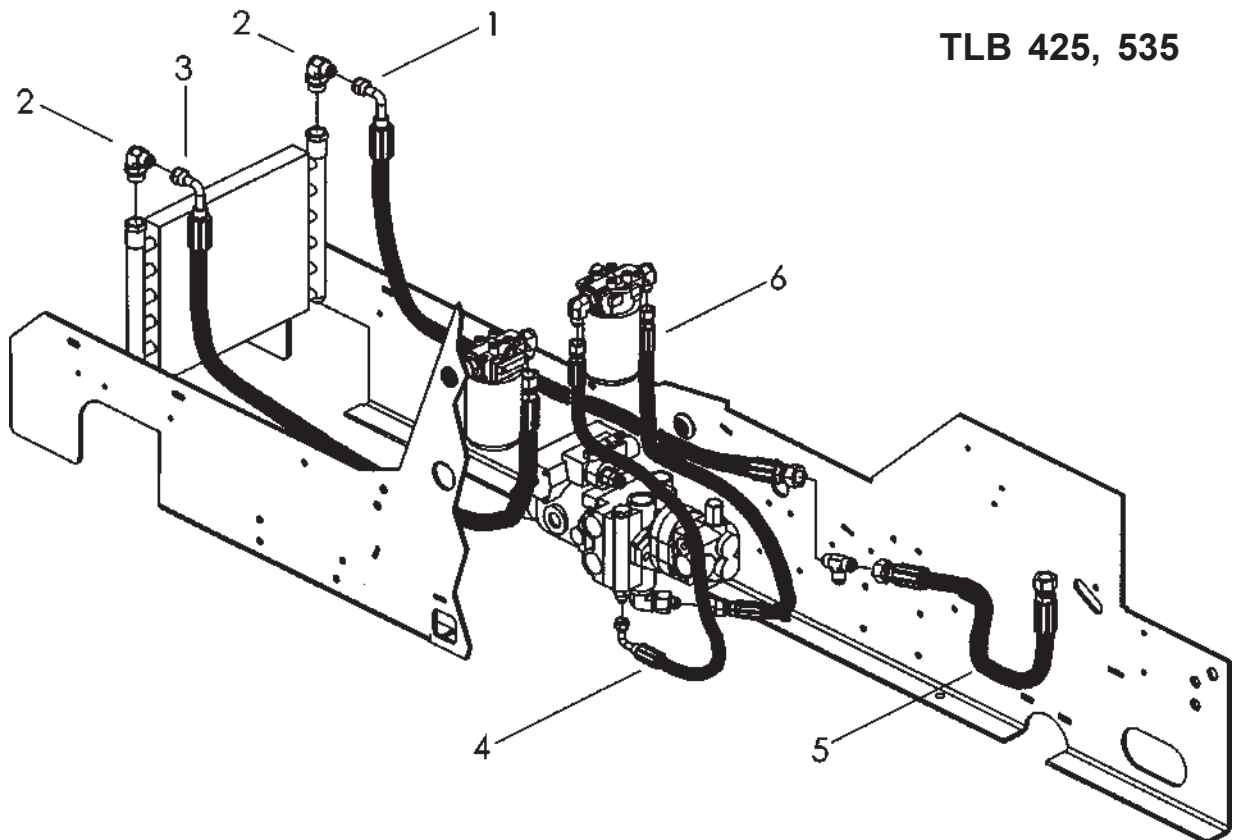
LOADER VALVE HYDRAULIC ASSEMBLY

TLB 425, 535



OIL COOLER AND FILTER ASSEMBLY

TLB 425, 535



LOADER VALVE HYDRAULIC ASSEMBLY PARTS

B-6B

TLB 425, 535

NO	REQ'D	PART NO	DESCRIPTION
1	1	921192	HOSE ASSEMBLY 1/2 X 36" 8FJX90M - 8FJX
2	1	15-000145	HOSE ASSEMBLY 1/2 X 17" ABH8FLXP38FJX90S-8FJX90S-270-17
3	1	921193	HOSE ASSEMBLY 1/2 X 93 8FJX - 8FJX"

OIL COOLER AND FILTER ASSEMBLY

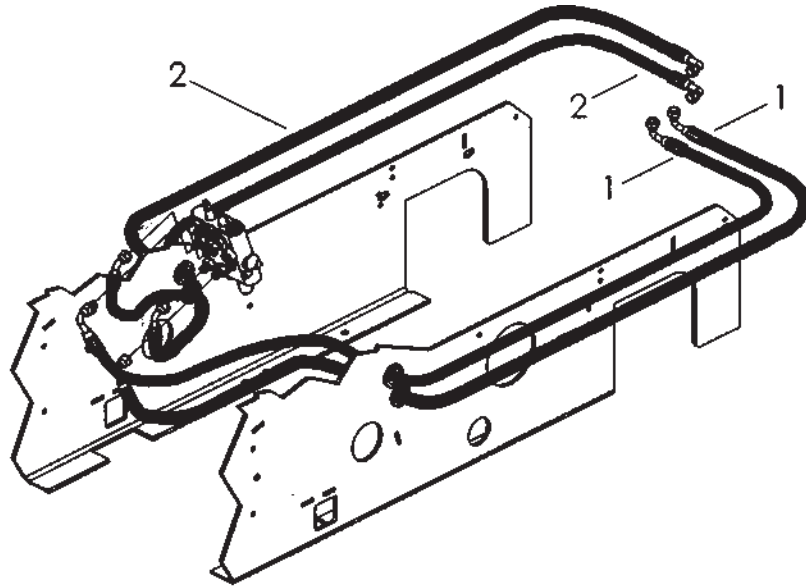
TLB 425, 535

NO	REQ'D	PART NO	DESCRIPTION
1	1	921204	HOSE ASSEMBLY 5/8 X 58" 10FJX - 10FJX90M
2	1	920820	HYDRAULIC ADAPTER
3	1	921205	HOSE ASSEMBLY 5/8 X 55" 10FJX - 10FJX90M
4	1	921200	HOSE ASSEMBLY 1/2 X 35" 8FJX90M - 8FJX
5	1	921203	HOSE ASSEMBLY 5/8 X 55" 10FJX - 10FJX
6	1	921201	HOSE ASSEMBLY 1/2 X 27" 8FJX - 8FJX

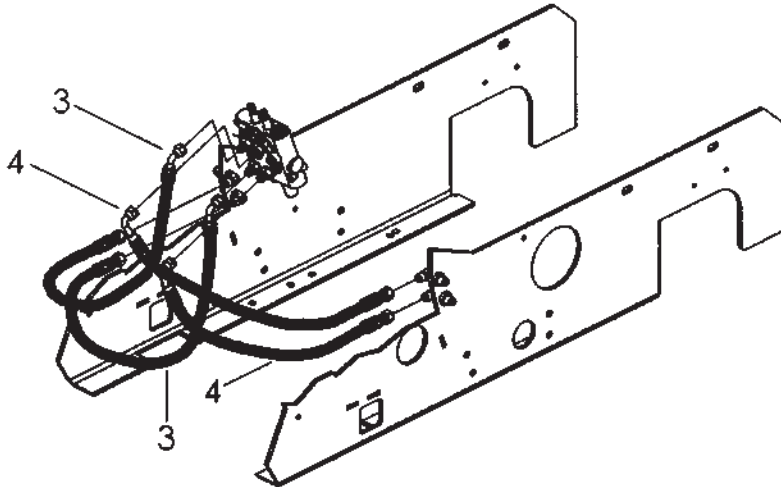
LEGEND: NS= Not Shown
** =Purchase locally

LOADER VALVE HYDRAULIC ASSEMBLY

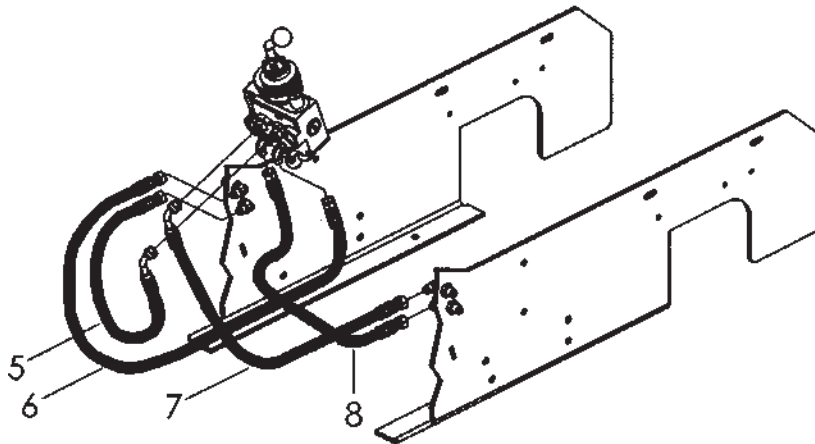
TLB 220, 225, 325, 425, and 535



TLB 220, TLB 325



TLB 225



TLB 425, TLB 535

LOADER VALVE HYDRAULIC ASSEMBLY PARTS

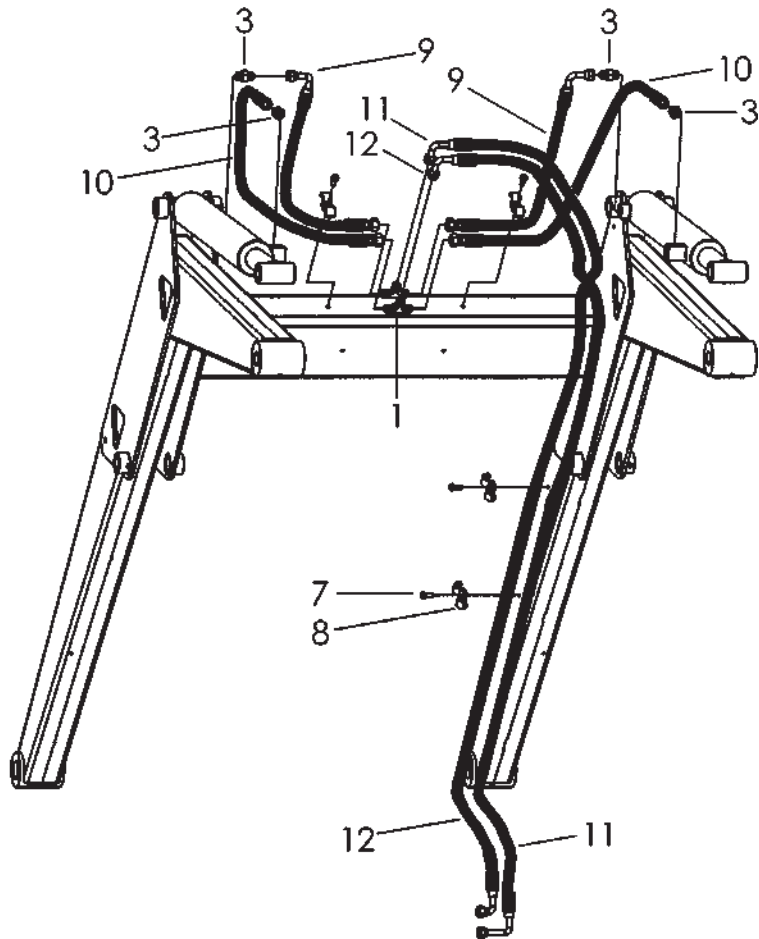
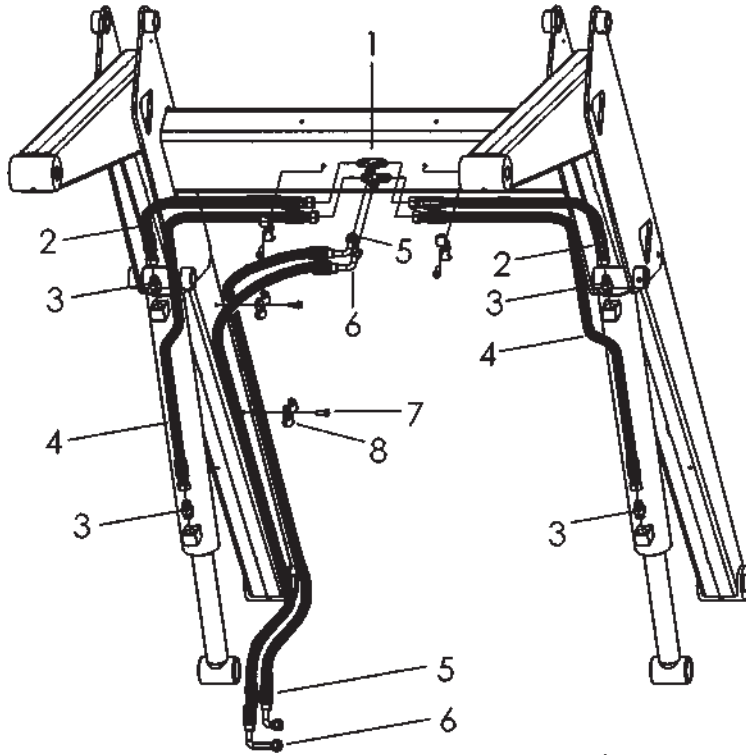
B-7B

NO	REQ'D	PART NO	DESCRIPTION	TLB 220, 225, 325, 425, and 535
1	2	930132	HOSE ASSEMBLY 3/8 X 107" (TLB 220, 325) 6FJX90S - 6FJX90S	
2	2	930129	HOSE ASSEMBLY 3/8 X 112" (TLB 220, 325) 6FJX90S - 6FJX90S	
3	2	15-000250	HOSE ASSEMBLY 3/8 X 30" (TLB 225) 6FJX - 6FJX90M	
4	2	15-000249	HOSE ASSEMBLY 3/8 X 21" (TLB 225) 6FJX - 6FJX90M	
5	1	920841	HOSE ASSEMBLY 3/8 X 42" (TLB 425, 535) 6FJX - 6FJX90S	
6	1	920842	HOSE ASSEMBLY 3/8 X 39.5" (TLB 425, 535) 6FJX - 6FJX	
7	1	920686	HOSE ASSEMBLY 3/8 X 24.5" (TLB 425, 535) 6FJX - 6FJX90S	
8	1	921191	HOSE ASSEMBLY 3/8 X 24" (TLB 425, 535) 6FJX - 6FJX	

LEGEND: NS= Not Shown
** =Purchase locally

LOADER VALVE HOSE ASSEMBLY

TLB 220, 225, 325, 425, and 535

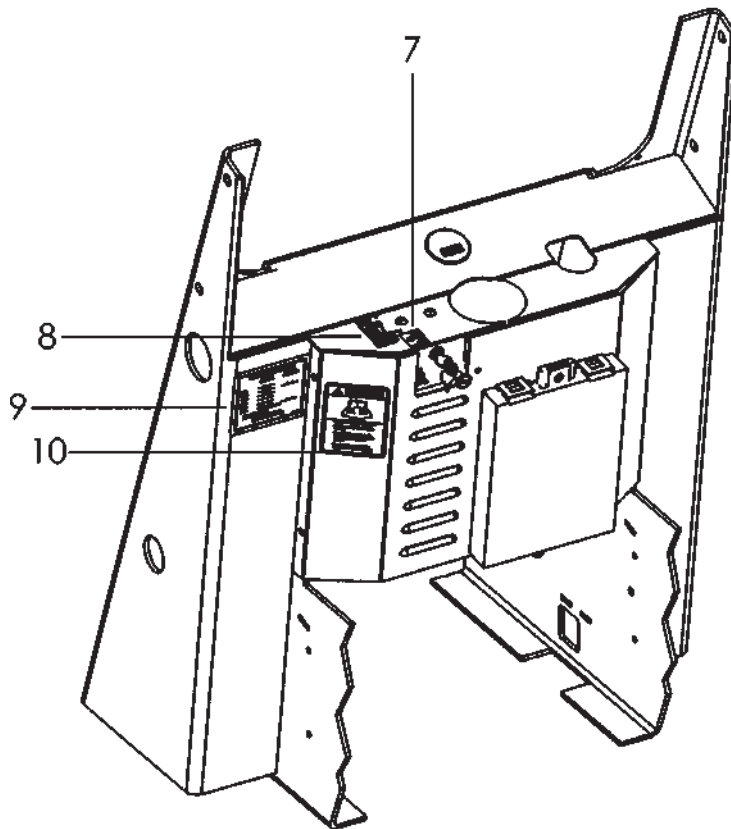
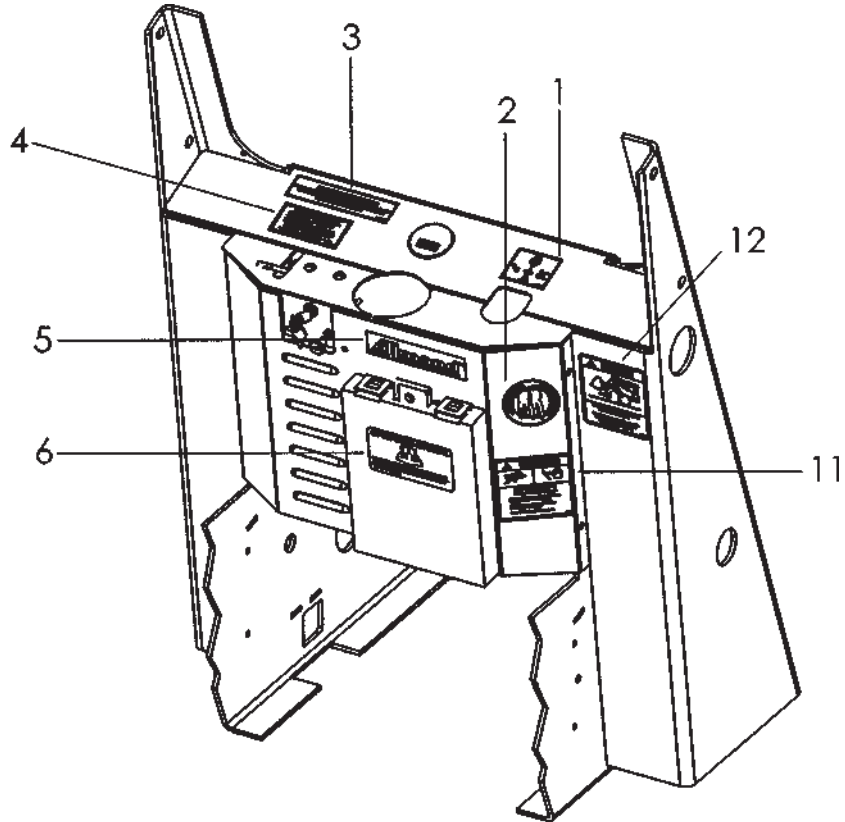


LOADER VALVE HOSE ASSEMBLY PARTS

B-8B

				TLB 220, 225, 325, 425, and 535
NO	REQ'D	PART NO	DESCRIPTION	
1	4	920668	HYDRAULIC ADAPTER 6JTX-S (TLB 220, 225, 325, 425, 535)	
2	2	920623	HOSE ASSEMBLY 3/8 X 23.75" (TLB 220, 225, 325, 425, 535) 6FJX - 6FJX	
3	8	320076	HYDRAULIC ADAPTER 6 ORM - 6 JICM (TLB 220, 225, 325, 425, 535)	
4	2	920621	HOSE ASSEMBLY 3/8 X 41" (TLB 220, 225, 325) 6FJX - 6FJX	
5	1	930132	HOSE ASSEMBLY 3/8 X 107" (TLB 220, 225, 325, 425, 535) 6FJX90S - 6FJX90S-250°	
	1	920647	HOSE ASSEMBLY 3/8 X 79" (TLB 425, 535) 6FJX90S - 6FJX90M-305°	
6	1	930132	HOSE ASSEMBLY 3/8 X 107" (TLB 220, 225, 325) 6FJX90S - 6FJX90S-250°	
	1	920636	HOSE ASSEMBLY 3/8 X 78.5" (TLB 425, 535) 6FJX90L - 6FJX90M-308°	
7	8	041070	1/4 - NC X 3/4 SELF-TAPPING SCREW (TLB 220, 225, 325, 425, 535)	
8	8	920605	TUBE CLIP (TLB 220, 225, 325, 425, 535)	
9	2	930147	HOSE ASSEMBLY 3/8 X 18" (TLB 220, 225, 325) 6FJX - 6FJX90S	
	2	920627	HOSE ASSEMBLY 3/8 X 19.5" (TLB 425, 535) 6FJX - 6FJX90M	
10	2	930146	HOSE ASSEMBLY 3/8 X 31.75" (TLB 220, 225, 325) 6FJX - 6FJX	
	2	920625A	HOSE ASSEMBLY 3/8 X 34.25" (TLB 425, 535) 6FJX - 6FJX	
11	1	930129	HOSE ASSEMBLY 3/8 X 112" (TLB 220, 225, 325) 6FJX90S - 6FJX90S-100°	
	1	920638	HOSE ASSEMBLY 3/8 X 84" (TLB 425, 535) 6FJX90L - 6FJX90M-285°	
12	1	930129	HOSE ASSEMBLY 3/8 X 112" (TLB 220, 225, 325) 6FJX90S - 6FJX90S-100°	
	1	920637	HOSE ASSEMBLY 3/8 X 81" (TLB 425, 535) 6FJX90S - 6FJX90M-305°	
NS	4	930111	HOSE GROMMET (TLB 220, 225, 325)	
NS		92L006K	LOADER SEAL KIT, BUCKET AND LOADER	

LEGEND: NS= Not Shown
** =Purchase locally



OPERATOR AREA DECALS

C-1B

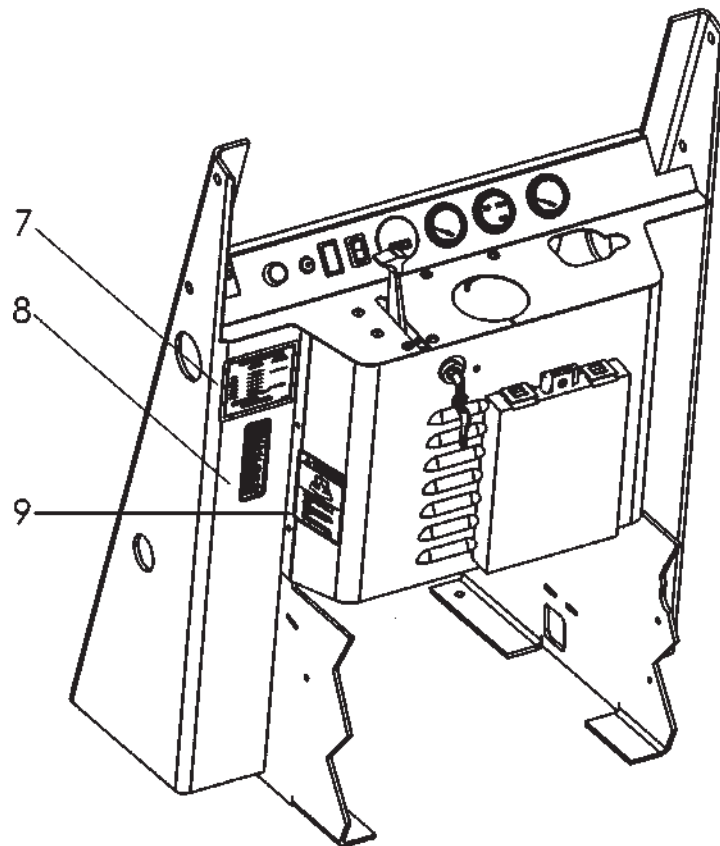
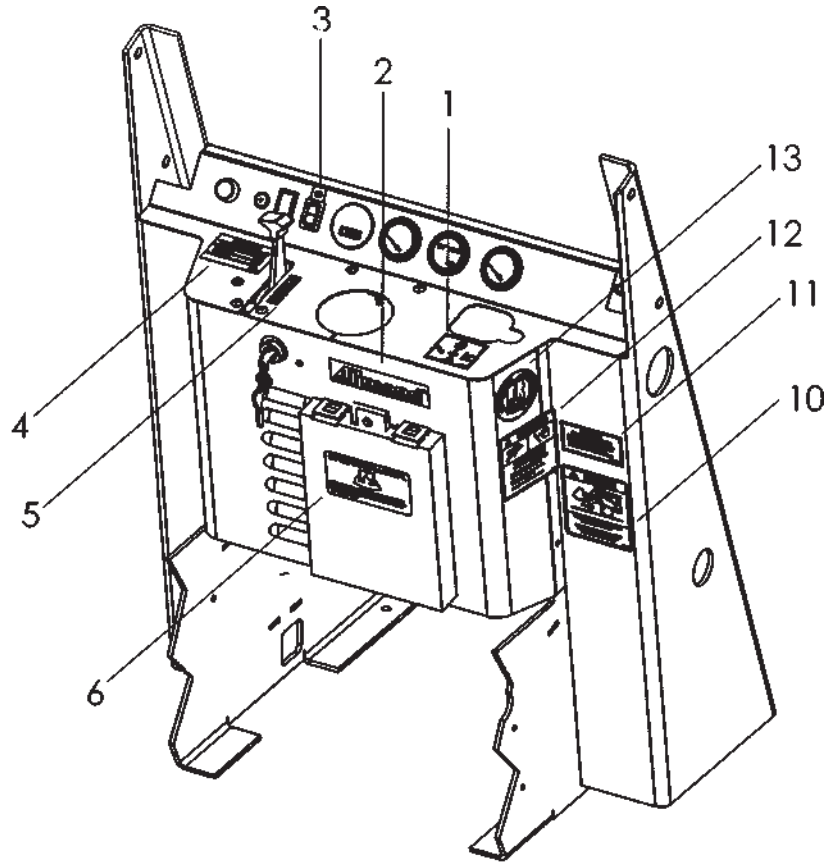
TLB 220, 325

NO	REQ'D	PART NO	DESCRIPTION
1	1	090246	LOADER LEVEL DECAL (TLB 220, 325)
2	1	090322	ALLMAND ASSURANCE DECAL (TLB 220, 325)
3	1	090187	CALIFORNIA PROPOSITION 65 DECAL (TLB 220, 325)
4	1	090313	COLD STARTING INSTRUCTION DECAL (ROBIN ENGINES)
5	1	090270	5 - 1/2" ALLMAND LOGO DECAL (TLB 220, 325)
6	1	090212	OPERATOR'S MANUAL (TLB) DECAL (TLB 220, 325)
7	1	090364	LIGHTS SYMBOL (W/OPTIONAL WORK LIGHTS) (TLB 220, 325)
8	1	090196	SPEED CONTROL DECAL (TLB 220, 325)
9	1	090258	HYDRAULIC FLUID CHECKLIST DECAL (TLB 220, 325)
10	1	090158	OPERATOR'S MANUAL DECAL (TLB 220, 325)
11	1	090191	WARNING HIGH PRESSURE DECAL (TLB 220, 325)
12	1	090189	DANGER TO AVOID DECAL (TLB 220, 325)
NS	1	@@@	STOPPING INSTRUCTIONS (KOHLER ENGINES)

@@@ SEE KOHLER DEALER

LEGEND: NS= Not Shown
** =Purchase locally

TLB 225, 425, and 535



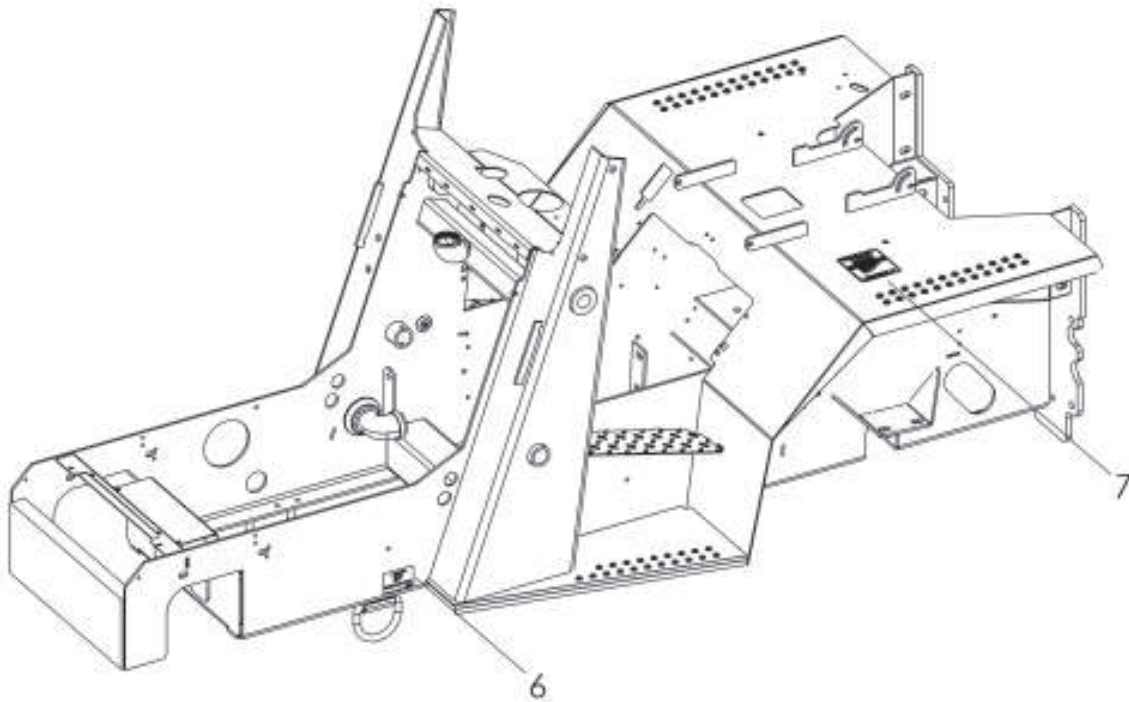
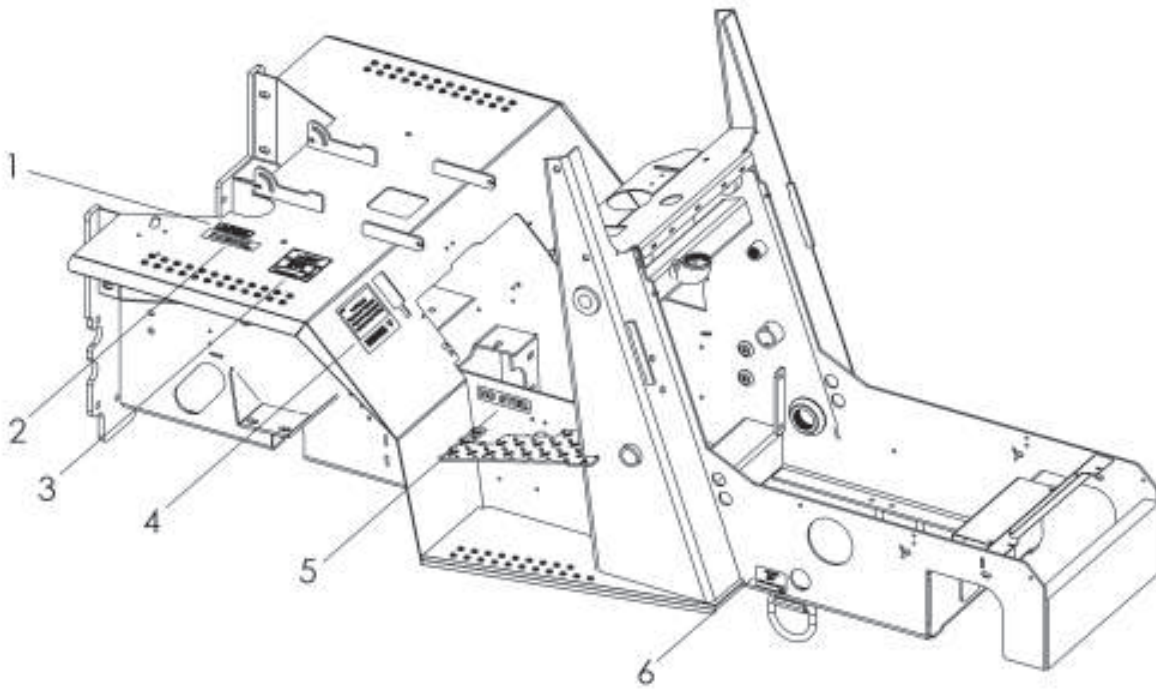
OPERATOR AREA DECALS

C-2B

NO	REQ'D	PART NO	DESCRIPTION	TLB 225, 425, and 535
1	1	090246	LOADER LEVEL DECAL (TLB 225, 425, 535)	
2	1	090270	5 - 1/2" ALLMAND LOGO DECAL (TLB 225, 425, 535)	
3	1	090209	LIGHTS SYMBOL (W/OPTIONAL WORK LIGHTS) (TLB 225, 425, 535)	
4	1	090239	ENGINE START DECAL (TLB 225, 425, 535)	
5	1	090196	SPEED CONTROL DECAL (TLB 225, 425, 535)	
6	1	090212	OPERATOR'S MANUAL (TLB) DECAL (TLB 225, 425, 535)	
7	1	090258	HYDRAULIC FLUID CHECKLIST DECAL (TLB 225, 425, 535)	
8	1	090190	CAUTION DECAL (TLB 225, 425, 535)	
9	1	090158	OPERATOR'S MANUAL DECAL (TLB 225, 425, 535)	
10	1	090189	DANGER TO AVOID DECAL (TLB 225, 425, 535)	
11	1	090179	CALIFORNIA PROPOSITION 65 DECAL (TLB 225, 425, 535)	
12	1	090191	WARNING HIGH PRESSURE DECAL (TLB 225, 425, 535)	
13	1	090322	ALLMAND ASSURANCE DECAL (TLB 225, 425, 535)	

LEGEND: NS= Not Shown
** =Purchase locally

TLB 220, 225, 325, 425, and 535

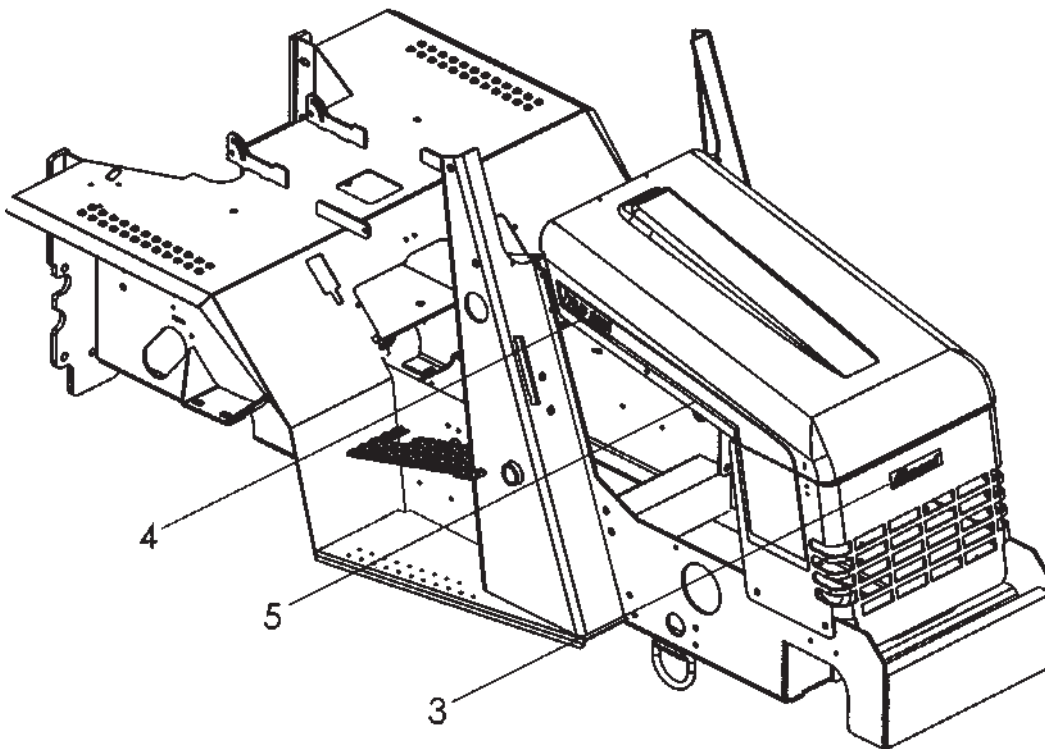
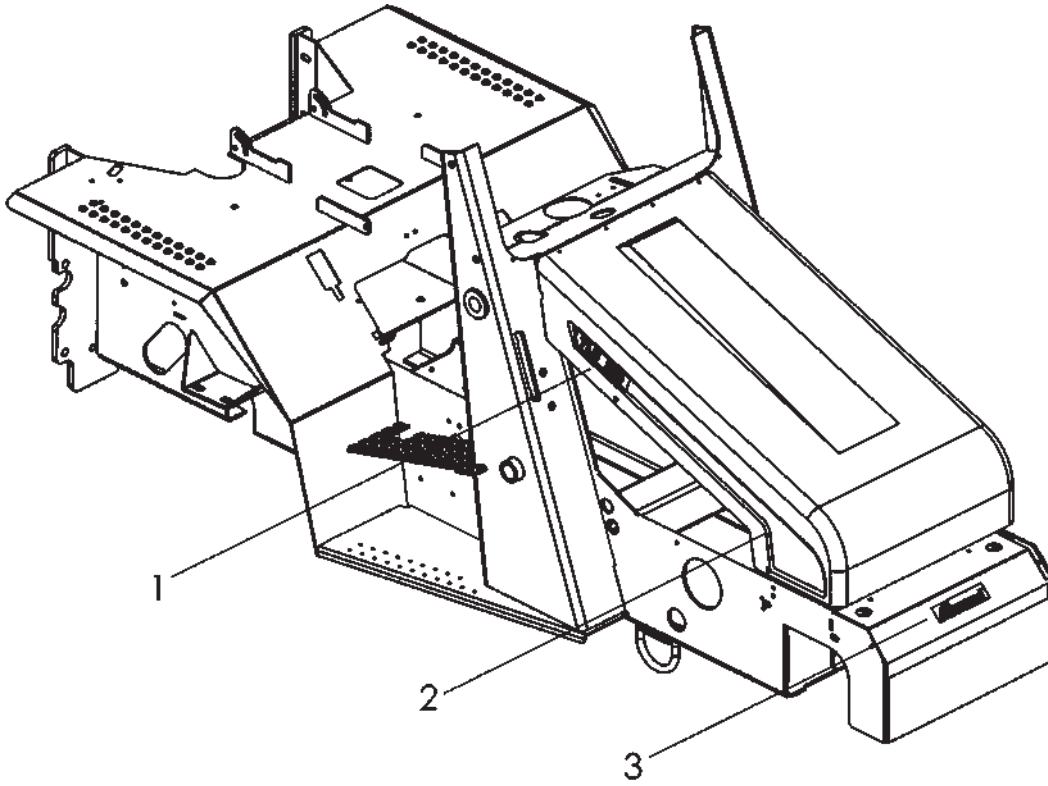


FRAME AREA DECALS

C-3B

NO	REQ'D	PART NO	DESCRIPTION	TLB 220, 225, 325, 425, and 535
1	1	090192	GASOLINE DECAL (TLB 220, 325)	
2	1	090034	DIESEL DECAL (TLB 225, 425, 535)	
3	1	090197	OVERHEAD ELECTROCUTION HAZARD DECAL (TLB 220, 225, 325, 425, 535)	
4	1	090473	WARNING, ENGAGE HAND BRAKE (TLB 220, 225, 325, 425, 535)	
5	1	090147	NO STEP DECAL (TLB 220, 225, 325, 425, 535)	
6	2	090210	TIE DOWN POINT DECAL (TLB 220, 225, 325, 425, 535)	
7	1	090195	UNDERGROUND ELECTROCUTION HAZARD DECAL (TLB 220, 225, 325, 425, 535)	

LEGEND: NS= Not Shown
** =Purchase locally



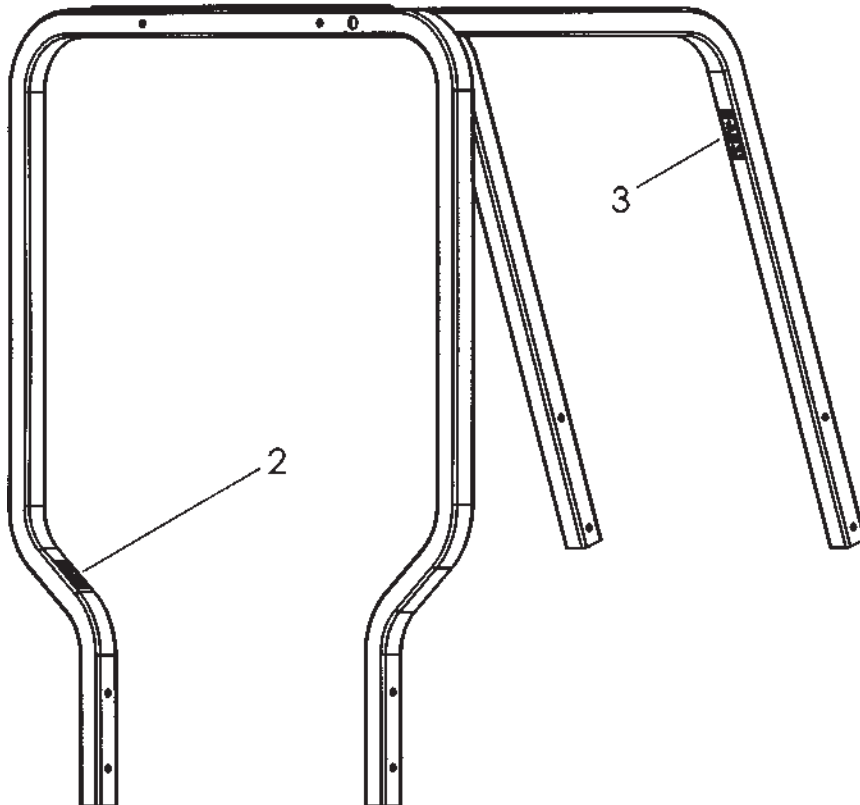
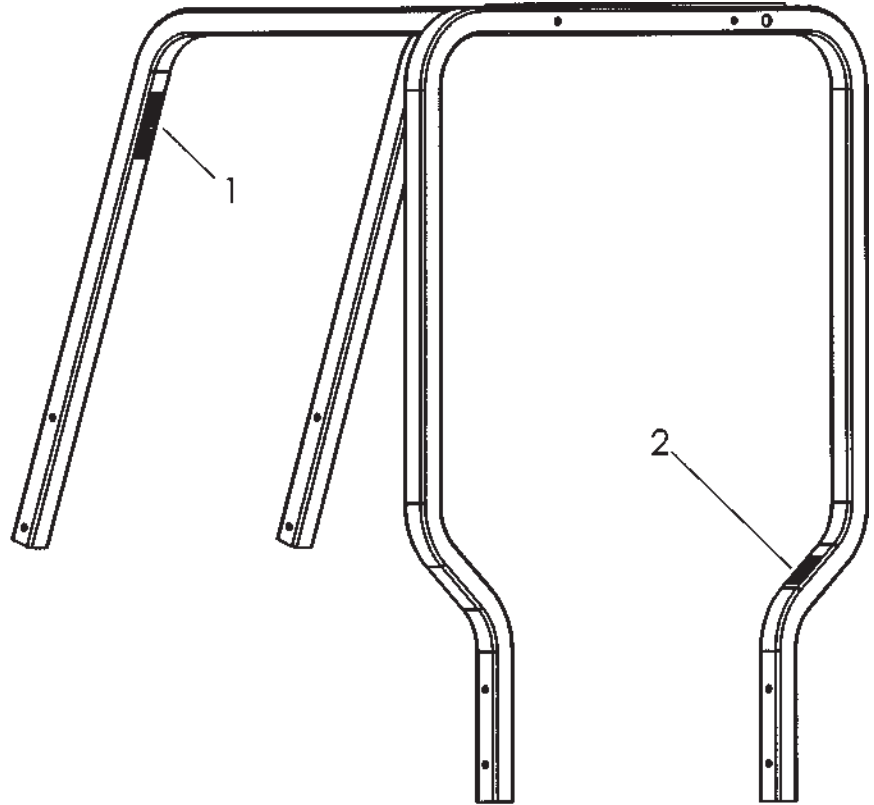
HOOD/NOSE DECALS

C-4B

				TLB 220, 225, 325, 425, and 535
NO	REQ'D	PART NO	DESCRIPTION	
1	2	090360	TLB 220 DECAL (RIGHT AND LEFT SIDE)	
2	1	090308	LD-TLB HOOD STRIPE SET DECAL (TLB 220)	
3	1	090270	ALLMAND 5-1/2 DECAL (TLB 220, 225, 325, 425, 535)	
4	2	090433	TLB 225 DECAL (RIGHT AND LEFT SIDE)	
	2	090361	TLB 325 DECAL (RIGHT AND LEFT SIDE)	
	2	090434	TLB 425 ESL DECAL (RIGHT AND LEFT SIDE)	
	2	090435	TLB 535 ESL DECAL (RIGHT AND LEFT SIDE)	
5	1	090221	LD-TLB HOOD STRIPE SET DECAL (TLB 225, 325)	
	1	090287	NOSE-HOOD SET DECAL (TLB 425, 535)	
NS		10-000101	TLB 220 COMPLETE DECAL SET	
NS		10-000184	TLB 225 COMPLETE DECAL SET	
NS		10-000092	TLB 325 COMPLETE DECAL SET	
NS		10-000102	TLB 425 COMPLETE DECAL SET	
NS		15-000129	TLB 535 COMPLETE DECAL SET	

LEGEND: NS= Not Shown
** =Purchase locally

TLB 220, 225, 325, 425, and 535



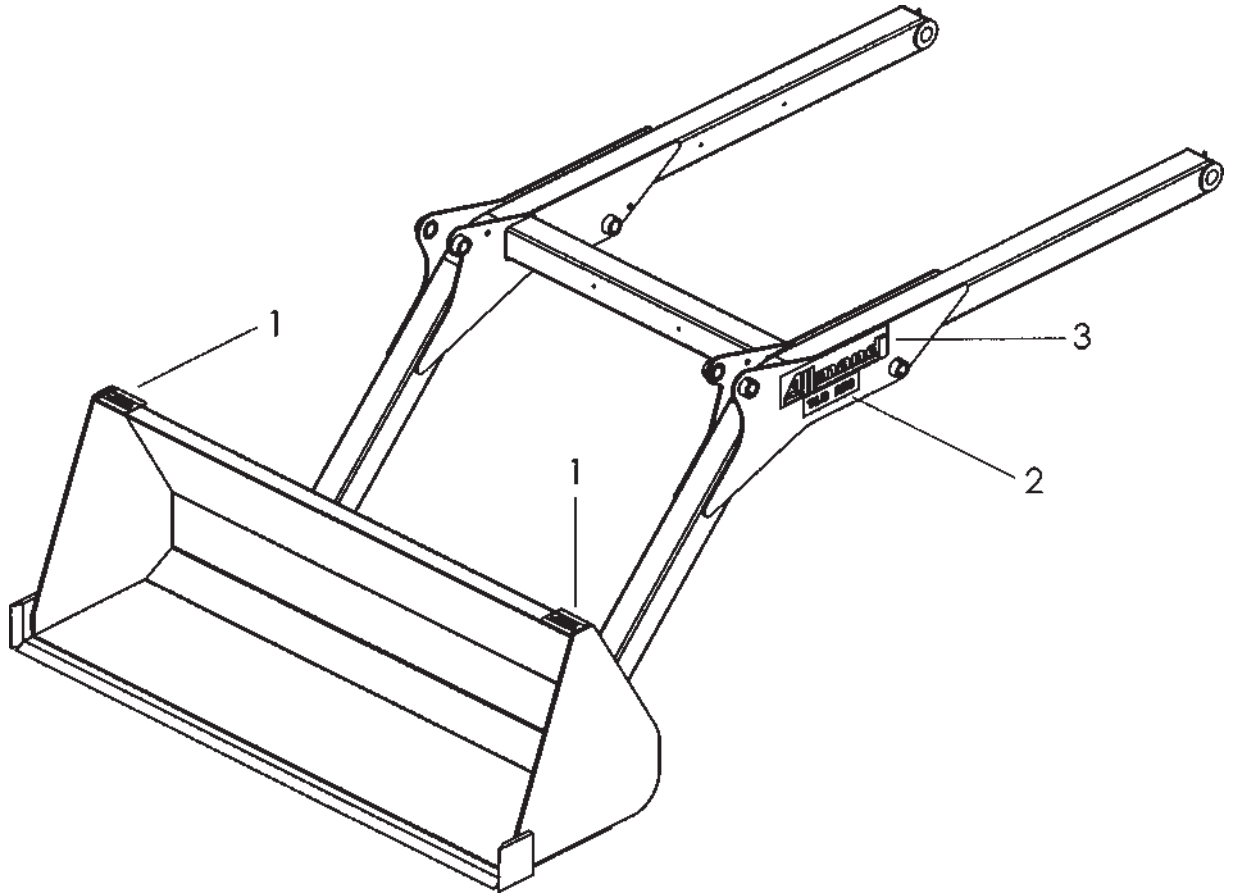
ROPS DECALS

C-5B

				TLB 220, 225, 325, 425, and 535
NO	REQ'D	PART NO	DESCRIPTION	
1	1	090190	AVOID DEATH OR SERIOUS INJURY DECAL	
2	2	090219	PINCH POINT DECAL	
3	1	090194	AVOID CRUSHING DECAL	

LEGEND: NS= Not Shown
** =Purchase locally

TLB 220, 225, 325, 425, and 535

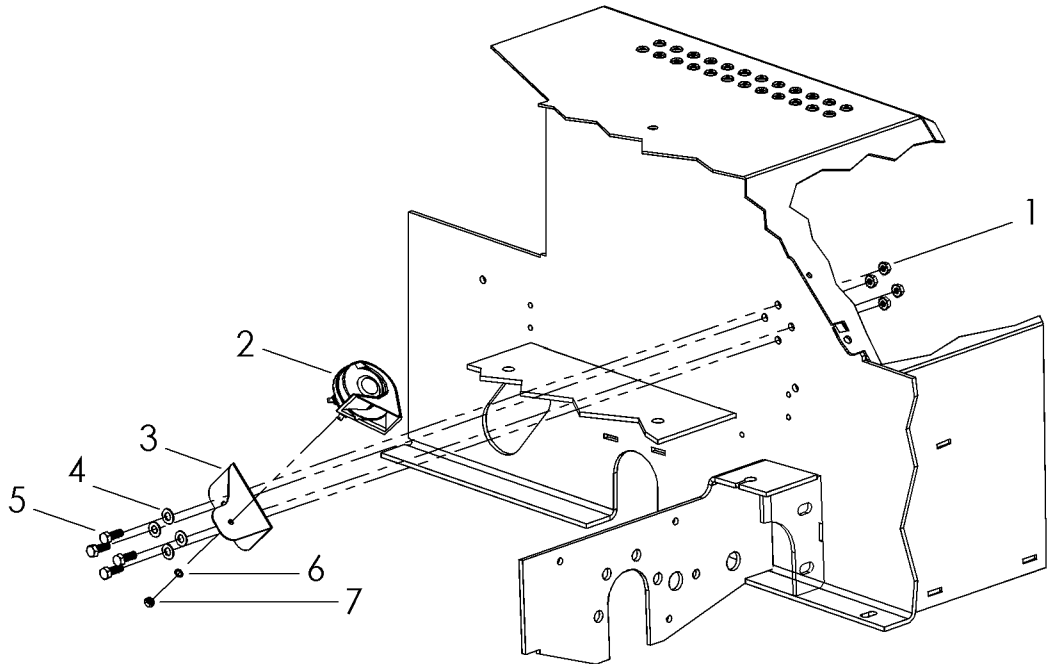


ROPS DECALS

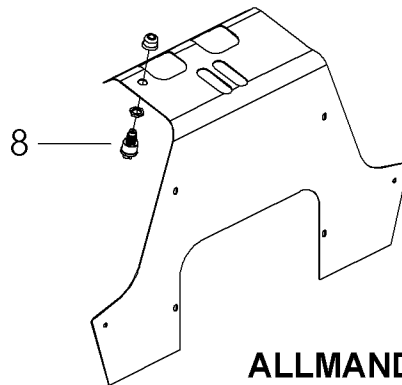
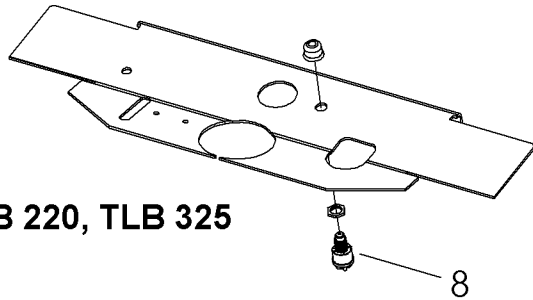
C-6B

NO	REQ'D	PART NO	DESCRIPTION	TLB 220, 225, 325, 425, and 535
1	2	090285	BUCKET LEVEL INDICATOR DECAL (TLB 220, 225, 325, 425, 535)	
2	2	090360	TLB 220 DECAL	
	2	090361	TLB 325 DECAL	
	2	090433	TLB 225 DECAL	
	2	090434	TLB 425 DECAL	
	2	090435	TLB 535 DECAL	
3	2	090269	ALLMAND 11-3/4 DECAL (TLB 220, 225, 325, 425, 535)	

LEGEND: NS= Not Shown
** =Purchase locally

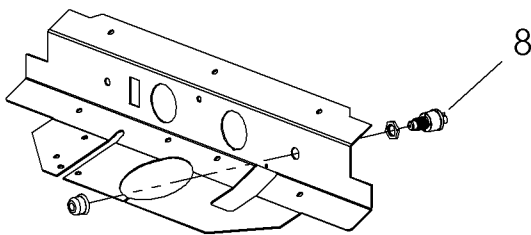


TLB 220, TLB 325

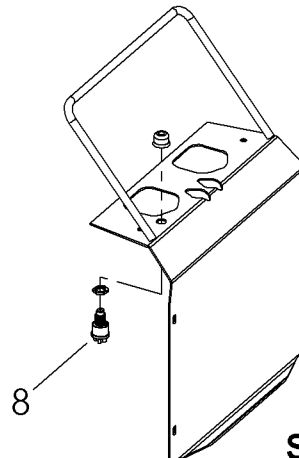
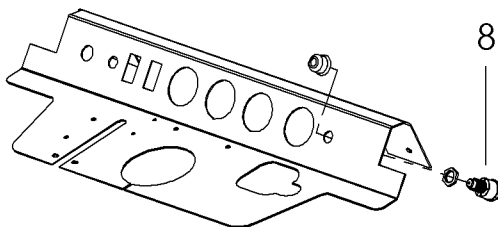


ALLMAND BACKHOE

TLB 225



TLB 425, TLB 535



SMC BACKHOE

12V HORN OPTION

D-1B

NO	REQ'D	PART NO	DESCRIPTION	TLB 220, 225, 325, 425, and 535
1	4	044036	3/8 - 16 NC KEPS NUT PLATED	
2	1	100344	HORN 12 VOLT	
3	1	100200	HORN MOUNT	
4	4	047016	3/8 SAE FLAT WASHER PLATED	
5	4	046110	3/8 - 16 NC X 1 HEX GR 5 BOLT PLATED	
6	1	043050	1/4 INTERNAL TOOTH LOCK WASHER PLATED	
7	1	044025	1/4 - 28 NF HEX NUT PLATED	
8		320024	SWITCH PUSH BUTTON	

LEGEND: NS= Not Shown
** =Purchase locally

ALLMAND TLB LIMITED WARRANTY

THIS WARRANTY IS IN LIEU OF ALL OTHER WARRANTIES, EXPRESS OR IMPLIED INCLUDING WARRANTIES OF MERCHANTABILITY OR OF FITNESS FOR PURPOSE, AND ANY EXCEPTIONS ARE DESCRIBED IN THE PUBLISHED LIMITED WARRANTY ADDENDUM, AVAILABLE UPON REQUEST.

COMPONENTS, SUB-ASSEMBLIES AND DEVICES MANUFACTURED BY OTHER MANUFACTURERS ARE NOT COVERED BY THIS WARRANTY AND ALL WARRANTY INFORMATION FROM SUCH OTHER MANUFACTURERS IS PROVIDED WITHIN OR ACCOMPANY THESE GOODS.

Subject to the foregoing, the manufacturer, Allmand Bros. Inc., hereby warrants all tractor-loader-backhoes manufactured by Allmand Bros. Inc. after June 1, 2001 to be free from defects in material and workmanship for a period of two (2) years after delivery to the original purchaser. The first year warranty would include parts and labor. The second year warranty would be limited to parts manufactured by Allmand Bros. Inc. and components warranted by the original equipment manufacturer for more than 12 months. Additionally, Allmand Bros. Inc., hereby warrants all replacement parts supplied by Allmand Bros. Inc. to be free from defects in material and workmanship for a period of 90 days after date of invoice. Delivery shall be deemed for the purposes of this warranty to have occurred no later than five days following the date of sale agreement or invoice unless the purchase agreement or invoice specifically states a later delivery date in which case such delivery date shall control. The original purchaser shall be deemed to be a person who places the goods or products in actual use, and any person holding such goods solely for wholesale or retail sale purposes shall not constitute an original purchaser. PROVIDED, any leasing of these goods or other use beyond normal demonstration of same shall be deemed to be a use by an original purchaser and all warranty periods shall commence at the time of such use. During the warranty period any defective goods or parts hereof shall be repaired or replaced at manufacturer's discretion. In the event it is necessary to return such goods or parts to the factory, all transportation charges shall be prepaid. The manufacturer shall in no event pay mileage expenses, but will warrant outbound ground freight.

The obligations of the manufacturer is solely to repair or replace defective goods or parts or to refund the cost of the same if it is determined by the manufacturer that repair or replacement will not return the goods to proper working order or utility. **THE REMEDIES SET FORTH HEREIN ARE EXCLUSIVE AND MANUFACTURER SHALL NOT BE LIABLE FOR SPECIAL, INDIRECT OR CONSEQUENTIAL DAMAGES. THE OBLIGATIONS OF THE MANUFACTURER HEREUNDER SHALL IN NO WAY EXCEED THE PRICE OF THE EQUIPMENT OR PART UPON WHICH SUCH LIABILITY IS BASED.**

The warranty shall not extend to tires, lamps and batteries or parts which have been altered, changed, damaged or improperly installed, repaired, operated or maintained. Provided, this exclusion shall not apply to installations, repairs or other work done at the manufacturer's plant or under direct manufacturer's supervision. The Operator's Manual, to the extent covered therein, is deemed to set forth the proper procedures for operation, repair, installation and maintenance of these goods.

No representative, dealer or distributor of the company is authorized to make any changes or exceptions to this warranty unless expressly authorized in writing from the manufacturer. All warranty claims must be filed within forty-five (45) days of failure.

This warranty is subject to change without notice.

ALLMAND BROS. INC., 1502 W 4th Avenue, P.O. BOX 888, HOLDREGE, NE 68949 (308) 995-4495

ALLMAND TLB LIMITED WARRANTY/7.10.01