



TÜMOSAN

6055 | 6065

8 + 8

# 6000 SERIES





## Powerful Engine



High Traction Performance  
Low Fuel Consumption

DOMESTIC ENGINE  
DOMESTIC ENGINEERING



### Battery Circuit Breaker

Long-lasting accumulator use with the **Mechanical Accumulator Circuit Breaker** positioned inside the front body.


6055 55HP

6065 65HP

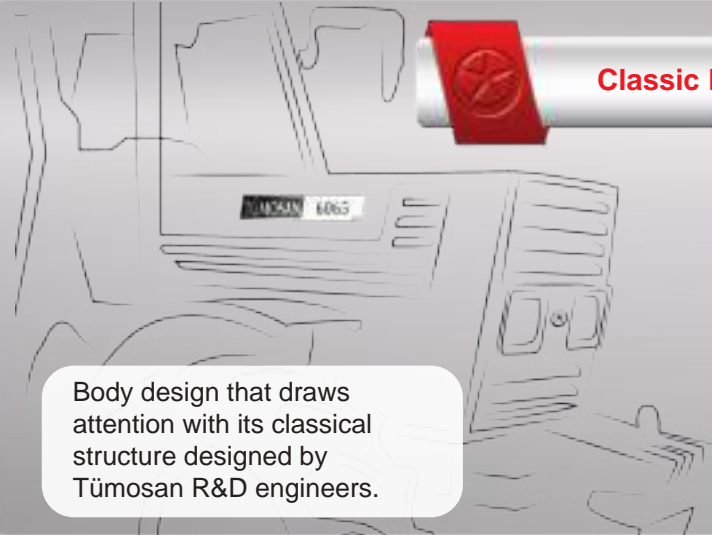


Fuel tank with a capacity of **65 liters** that provides uninterrupted operation throughout the day.





### Classic Body Design



Body design that draws attention with its classical structure designed by Tümosan R&D engineers.



## Large Interior Volume Cabin



### Dashboard

Superior driving control with **Digital Instrument Panel** and **Audible Warning System**.



### Radio/MP Player

Cabin that emphasizes comfort with its **Radio/MP Player** system.





### Comfortable Driving

Operator seat that allows comfortable driving with its suspension system.

### Transmission

Unique use with **8 Forward-8 Reverse gear** options that allow the operator to catch the appropriate speed.

### Hydraulic Control System

Hydraulic Control System that allows ergonomic use positioned right next to the operator.

## Easy to Use Control Panel



### PTO Speed Lever

Effective use with the ergonomic **PTO Speed Lever** positioned on the right side of the operator.



### Control Panel

Ease of use with **Electro-Hydraulic controlled Two-wheel Drive, Front and Rear Differential Lock** offered as standard.

\*If the operator applies the brakes, it automatically switches to two-wheel drive.



### PTO Shaft Control Button

**PTO Control Button** developed for safe PTO shaft use.

\*When the operator leaves the seat while the PTO is in operation, the sensor located under the seat gives a warning within 7 seconds and disables the PTO.





### Hood Lock

Safer use with the **Hood Lock**, which is offered as standard in all our models.



### LED Lighting Group

Uninterrupted operation opportunity thanks to the powerful and dynamic **Lighting Group**.


\*A total of 4 LED lighting headlights, 2 front and 2 rear, are offered as standard on all tractor models.


### PTO Shaft

PTO with **540/540E rpm** dual speed option.


\*In 6000 series models, PTO shaft synchronized to wheel speed is offered as standard.



**Lifting Capacity**  
Hydraulic system with a lifting capacity of **2200 kg** in all models.

**Valve System**  
Thanks to the **4 Hydraulic Power Outputs** offered as standard, it is possible to work uninterruptedly with the equipment that needs hydraulics.



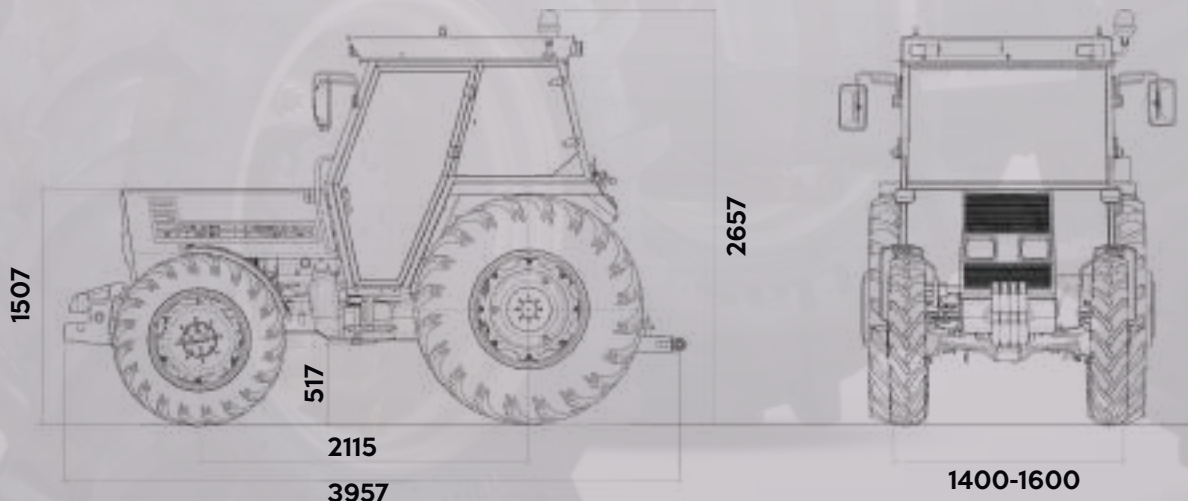
**Tow System**  
Height-adjustable, durable **Elevator Tow System** that provides ease of use to the operator.





# 6000 Series Technical Specifications

MODELS	6055	6065
<b>ENGINE</b>		
Emission Level	Stage IIIA	
Emission Level	55	65
Number of Cylinders / Aspiration	3 / Turbo Intercooler	
Cylinder Volume (liter)	2,9	
Maximum Torque (Nm)	220	260
Maximum Torque Speed (rpm)	1500	
Air Filter Type	Dry	
Fuel Tank Capacity (liter)	65	
Battery Circuit Breaker	Standard	
<b>TRANSMISSION</b>		
Gearbox Type	Mechanical - Synchromesh	
Gear Option	8 forward - 8 reverse	
Forward - Reverse Raceway	Mechanical	
Two-Wheel Control - 4WD	Electro - Hydraulic	
Front Differential Lock - 4WD	Electro - Hydraulic	
Rear Differential Lock	Electro - Hydraulic	
<b>PTO SHAFT</b>		
Type	Independent	
Control Type	Mechanical	
PTO Speed Synchronized to Wheel Speed	Standard	
PTO Speed (rpm)	540-540E	
Engine Speed @540 rpm PTO Speed	2035	
Engine Speed @540E rpm PTO Speed	1586	
<b>HYDRAULIC SYSTEM</b>		
Control Type	Mechanical	
Lift Automatic	Standard	
Hydraulic Power Output (pcs)	4	
Lifting Capacity (kg)	2200	
Tow System	Elevator Tow	
<b>CABIN</b>		
Radio/MP3 Player	Standard	
<b>WEIGHTS</b>		
Total Front Bag Weight (pcs x kg)	4 x 40	
Total Counterweight - With Canopy (pcs x kg)	4 x 50	
Total Counterweight - With Cab (pcs x kg)	4 x 50	
Unladen Mass - 4WD Cab (kg)	3000	
<b>TIRE OPTIONS (4WD)</b>		
Front	320/70R20	
Rear	380/85R30	





/tumosan



/tumosan



/tumosan

[www.tumosan.com.tr](http://www.tumosan.com.tr)

7/24 Müşteri Hizmetleri 0212 467 67 00

<https://tractormanualz.com/>