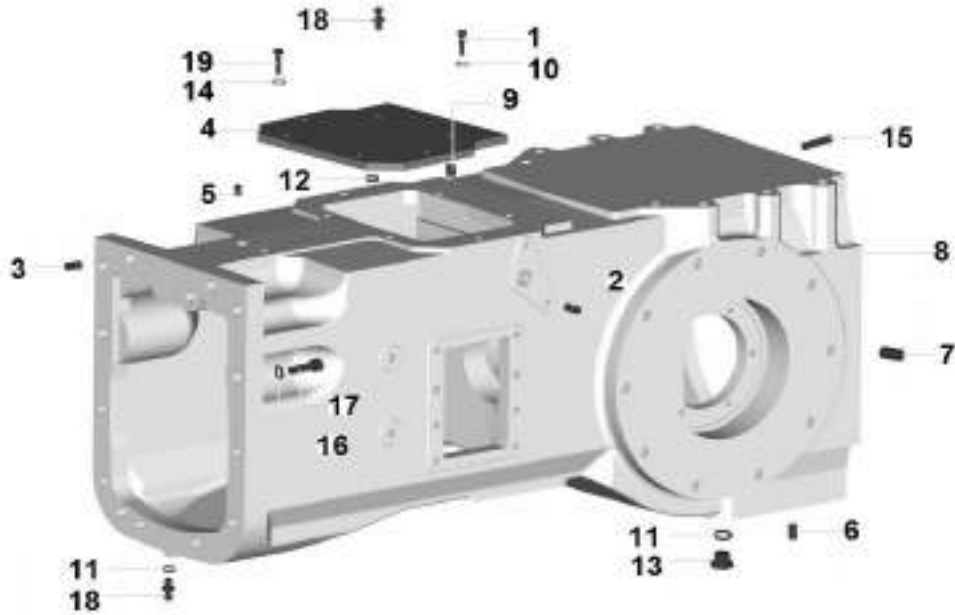


Transmisyon Gövdesi ve Üst Kapağı
Transmission Box and Cover

72.40.0

8175,8185
8195,8105

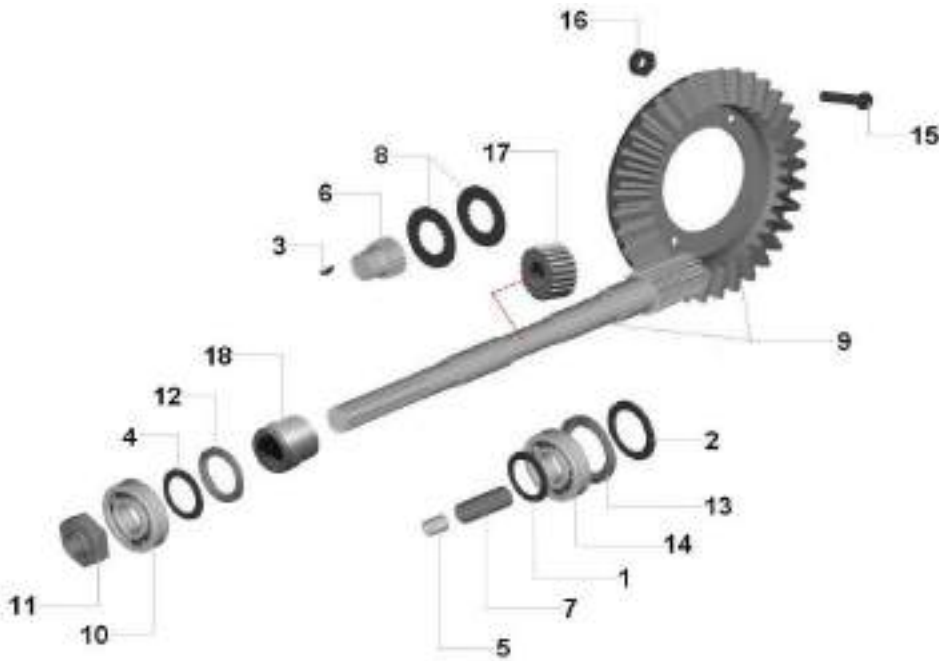


1 0-7253007	M16*1,5/M18*1,5	1 RAKOR	UNION
2 0-7253053		1 BİLEZİK	RING
3 0-7253118		2 PİM	PIN
4 0-7258983		1 ŞANZIMAN KAPAĞI	COVER
5 0-7253425		1 PİM	PIN
6 0-7253679		2 MERKEZLEME PİMİ	PIN
7 0-7253740		4 PİM	PIN
8 1-7259255		1 TRANSMİSYON GÖVDESİ	TRANSMISSION DT
8 1-7259257		1 TRANSMİSYON GÖVDESİ	TRANSMISSION N
8 1-7258735		1 TRANSMİSYON KUTUSU	TRANSMISSION BOX TASLAK
9 0-170158900	D.22	1 TAPA	PLUG
10 0-170263160	D.18*24*1	1 PUL	WASHER
11 0-170263460	D22*28*1,5	2 PUL	WASHER
12 0-170296260	D.28*36*1,5	1 PUL	WASHER
13 0-170304711	M22*1,5	2 TAPA	PLUG
14 0-170516879	10	6 YAYLI RONDELA	WASHER, LOCK
15 0-170839710	D.10	4 MERKEZLEME PİMİ	PIN
16 0-171194179	14*27*3	4 KONİK RONDELA	WASHER
17 0-171422021	M14*1,5*55	4 CIVATA	SCREW
18 0-173413290		1 HAVALAND. SUPABI	VALVE
19 0-175970521	M10x20	6 CIVATA	SCREW

Ayna Mahruti
Bevel Gear/Pinion Set

72.40.1

8175,8185
8195,8105



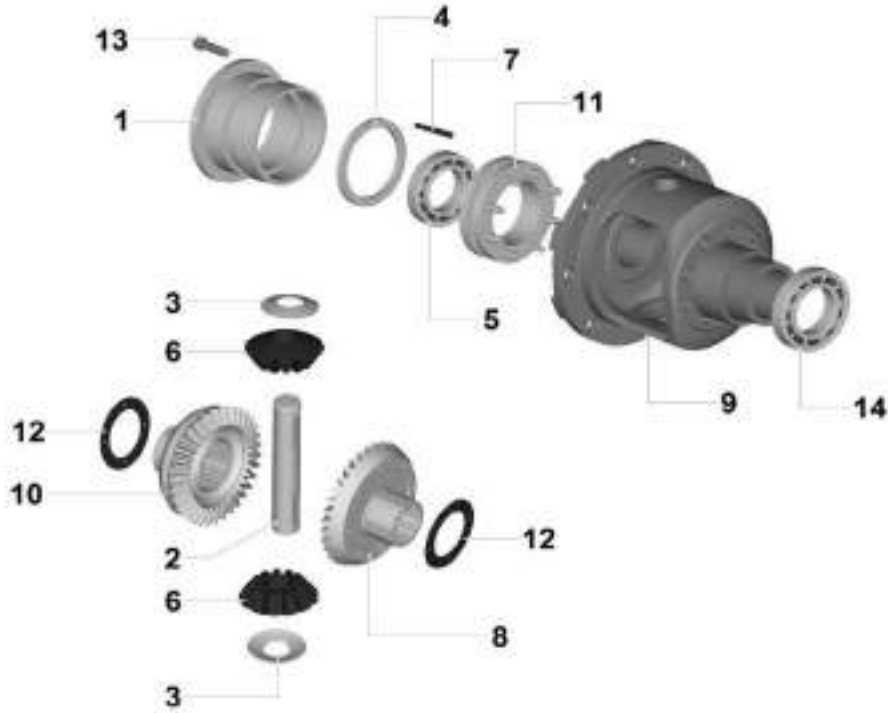
- 1 0-7253058
- 2 0-7253112
- 3 0-7253171
- 4 0-7253280
- 5 0-7253539
- 6 0-7253161
- 7 0-7253539
- 8 0-7257638
- 9 0-7258568
- 10 0-7253843
- 11 0-7253911
- 12 0-7254029
- 13 0-7254504
- 14 0-7253097
- 15 0-175540730
- 16 0-176109221
- 17 0-7253258
- 18 0-7257747

- | | | | |
|-------------|----|--------------|--------------|
| | 1 | BASKI PULU | WASHER |
| 4.6 mm. | 1 | AYAR PULU | WASHER |
| | 1 | KAMA | KEY |
| 1.50 mm. | 1 | AYAR PULU | WASHER |
| | 1 | ARA BURCU | BUSH |
| | 1 | DİŞLİ | GEAR |
| | 1 | ARA BURCU | BUSH |
| | 3 | DİSK | DISC |
| | 1 | AYNA MAHRUTİ | ANNULAR GEAR |
| | 1 | RULMAN | BEARING |
| | 1 | SOMUN | NUT |
| | 1 | KEÇE | SEAL |
| | 1 | ÇANAK | BEARING |
| SKF32310-A | 1 | RULMAN | BEARING |
| M12*1.25*45 | 12 | CIVATA | SCREW |
| M12*1.25 | 12 | SOMUN | NUT |
| | 1 | DİŞLİ | GEAR |
| | 1 | MANŞON | COT |

Diferansiyel Karpuzu ve Istavroz Dişlileri
Differential Case and Cross Gears

72.40.2

8175,8185
8195,8105



- 1 0-7253131
- 2 0-7258857
- 3 0-7258892
- 4 0-7253134
- 4 0-7253135
- 5 0-274903460
- 6 0-7258858
- 7 0-7253138
- 8 0-7253228
- 9 0-7258856
- 10 0-7253230
- 11 0-7253836
- 12 0-7254501
- 13 0-174233621
- 14 0-274903460

0.50 mm.

0.20 mm.

65*100*22

1.2 mm.

M10*30

65*100*22

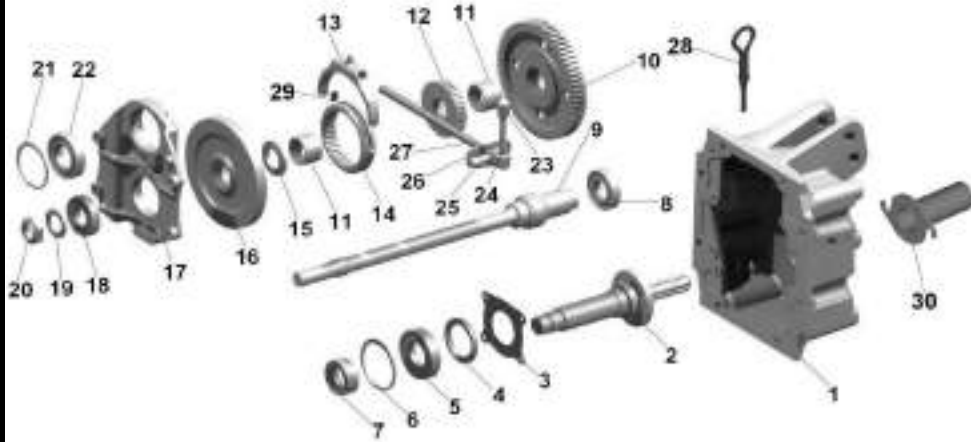
- | | | |
|----|-----------------|--------------|
| 2 | MESNET | SLEEVE |
| 1 | MİL | SHAFT |
| 2 | ÇANAK PUL | WASHER |
| 3 | AYAR PULU | WASHER |
| 3 | AYAR PULU | WASHER |
| 1 | KONİK RULMAN | BEARING |
| 2 | DİŞLİ | GEAR |
| 1 | PİM | PIN |
| 1 | DİŞLİ | GER |
| 1 | DİFERANSİYEL | DIFFERANTIEL |
| 1 | DİŞLİ | GEAR |
| 1 | KAPLİN KOMPLESİ | COUPLER |
| 2 | AYAR PULU | WASHER |
| 12 | | SCREW |
| 1 | KONİK RULMAN | BEARING |

Arka Kapak
Rear Cover


72.40.3

540-750 d/dak
540-750 rpm

8175,8185
8195,8105



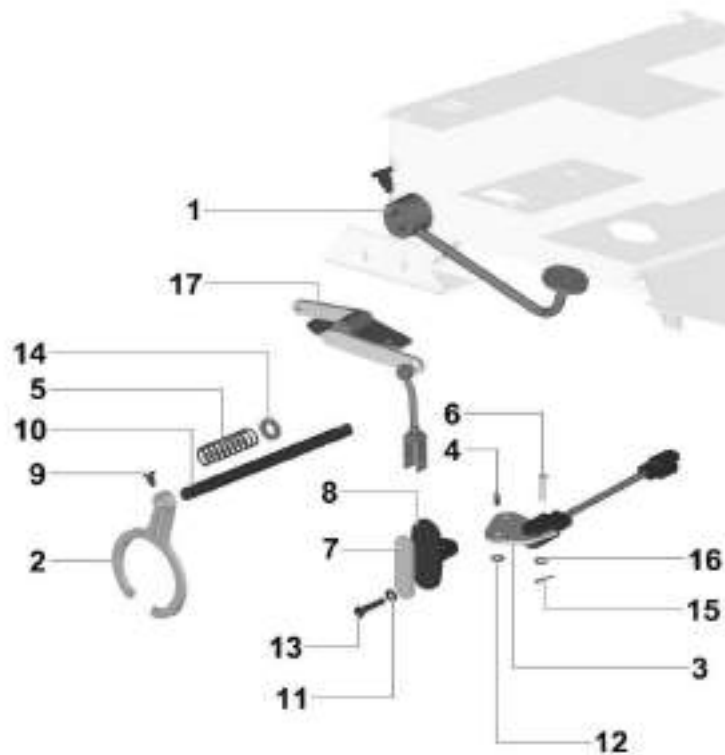
1 1-7251612	1	ARKA KAPAK	BACK COVER
2 0-7257514	1	KUYRUK MİLİ	PTO SHAFT
3 0-7253168	1	KEÇE	SEAL
4 0-7251626	1	KEÇE	SEAL
5 0-270973340	55*100*21	RULMAN	bEARING
6 0-171062976	100	SEGMAN	RING
7 0-7253959	1	PUL	WASHER
8 0-276797970	40*80*18	RULMAN	BEARING
9 0-7257742	1	MİL	SHAFT
10 0-7253610	1	DİŞLİ	GEAR
11 0-7253412	16	BİLEZİK	BRACELET
12 0-7253299	1	KAPLIN	COUPLING
13 0-7252444	1	ÇATAL	FORK
14 0-7253167	1	MANŞON	COT
15 0-7253300	1	PUL	WASHER
16 0-7251614	1	DİŞLİ	GEAR
17 0-7253152	1	MESNET	POST
18 0-270915780	40*80*18	RULMAN	BEARING
19 0-7253301	1	PUL	WASHER
20 0-7253912	1	SOMUN	NUT
21 0-171068376	35	EMNİYET SEGMANI	SAFETY RING
22 0-276794660	50*20	RULMAN	BEARING
23 0-7251617	1	TOPUZ	KNOB
24 0-7251616	1	KUMANDA KOLU	LEVER
25 0-7251618	1	MESNET	POST
26 0-7252588	1	PLAKA	PLATE
27 0-7252445	1	MİL	SHAFT
28 0-7251623	1	YAĞ SEVİYE ÇUBUĞU	DIPSTICK
29 0-7251622	2	PABUÇ	SHOES
30 0-7254326	1	MUHAFAZA	HOUSING

Kuyruk Mili Kumanda Kolu Baęlantısı PTO Connection Control Arm	72.40.4	8175,8185 8195,8105
	1 0-7253580 2 0-7253099	1 MANİVELA KOMPLE LINK, ASSY 1 KAYDIRMA KOLU LEVER

Difransiyel Kilitleme Kumandaları
Differential Lock Controller

72.40.6

8175,8185
8195,8105



- 1 0-7256413
- 2 0-7253140
- 3 0-7253383
- 4 0-7253386
- 5 0-7253480
- 6 0-7253756
- 7 0-7254002
- 8 0-7254036
- 9 0-7254224
- 10 0-7253139
- 11 0-170516879
- 12 0-171066476
- 13 0-171306921
- 14 0-174457581
- 15 0-170733601
- 16 0-173550401
- 17 0-7256414

- | | | |
|------------|--------------------|------------------|
| 1 | DİFERANSİYEL PEDAL | PEDAL |
| 1 | ÇATAL | FORK |
| 1 | PLAKA KOMPLESİ | PLATE |
| 1 | PİM | PIN |
| 1 | YAY | SPRING |
| Ø10*29 | 2 PİM | PIN |
| 2 | AYAR PLAKASI | ADJUSTMENT PLATE |
| 1 | MESNET | BRACKET |
| 1 | TESPİT VİDASI | SCREW |
| 1 | MİL | SHAFT |
| 10 | 2 YAYLI RONDELA | WASHER, LOCK |
| D.16 | 2 SEGMAN | CIRCLIP |
| M10x30 | 2 CIVATA | SCREW |
| 2.62*20.29 | 1 O-RİNG | O-RING |
| 1 | KOPİLYA | PIN |
| 1 | RONDELA | WASHER |
| 1 | MAFSAL | SUPPORT |

PTO İkaz Müşir Mesnedi
PTO Switch Support

540-750 d/dak
540-750 rpm

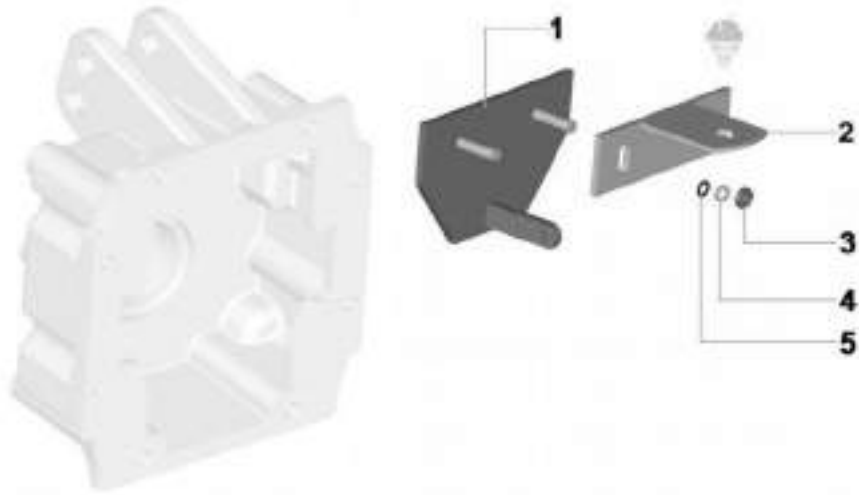
72.40.7

8175,8185
8195,8105

1 0-7252815
2 0-7256776
3 0-175896211
4 0-171197779
5 0-172644401

M6
6*12*1.2
6*15

1 MESNET KOMPLESİ BEARER
1 MESNET SUPPORT
2 SOMUN NUT
2 KONİK RONDELA WASHER
2 PUL WASHER



Power Shift
Power Shift

72.40.8

8175,8185
8195,8105

- 1 0-7257743
- 2 0-7257751
- 3 0-7257739
- 3 0-7259984
- 4 0-7259988
- 5 0-7257750

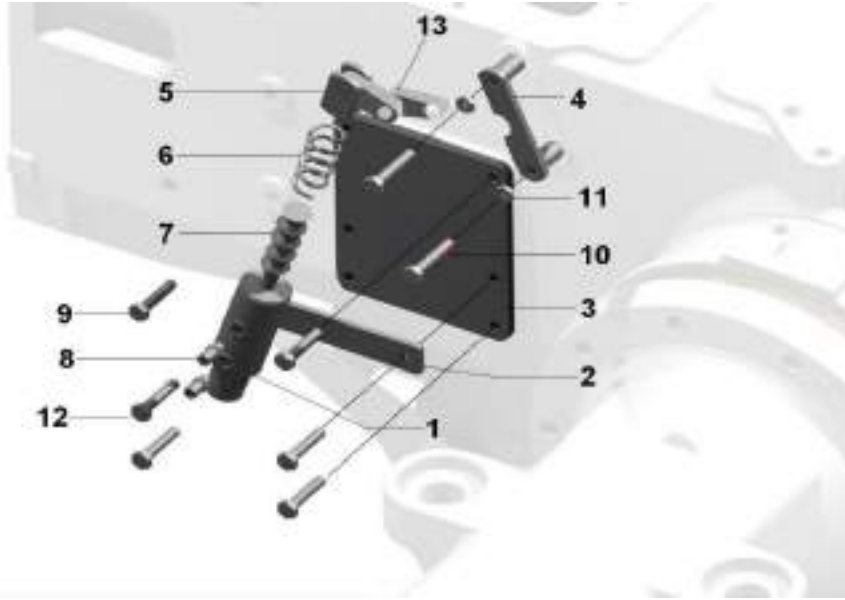
- 1 DİŞLİ GEAR
- 1 POWERSHIFT POWERSHIFT
- 1 KAPLİN COUPLING ESKİ
- 1 KAPLİN COUPLING YENİ
- 1 RULMAN BEARING
- 1 SEGMAN RING



Power Shift
Power Shift

72.40.9

8175,8185
8195,8105



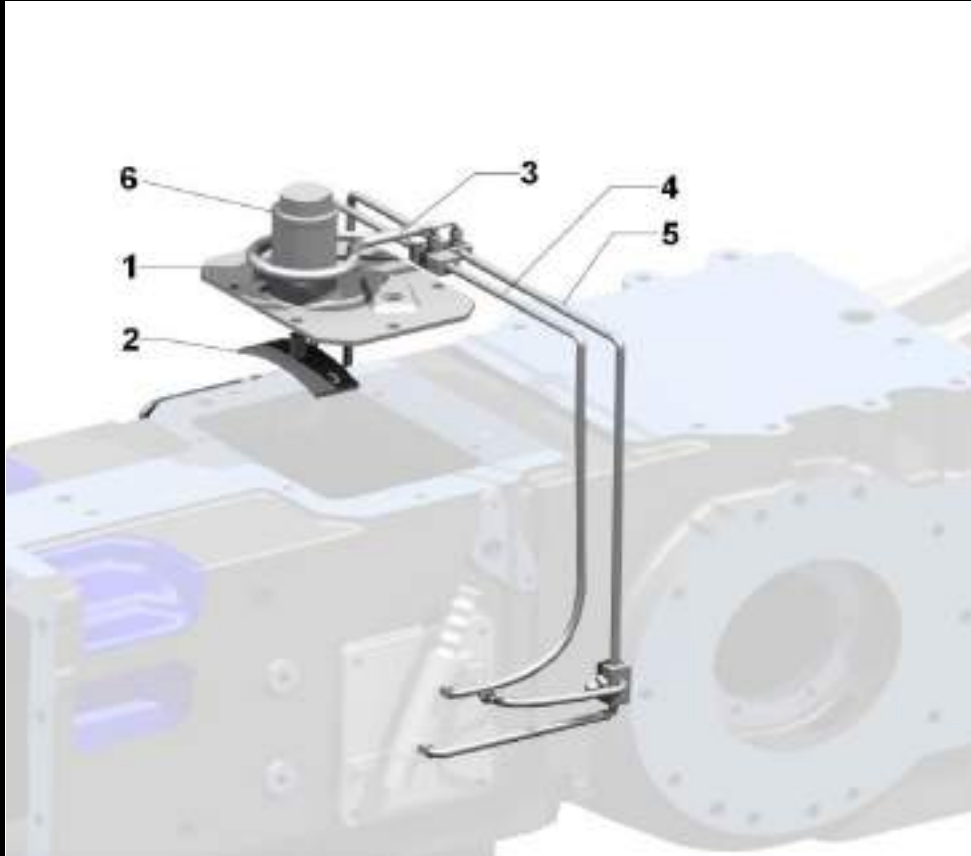
- 1 0-7250679
- 2 0-7258828
- 3 0-7257745
- 4 0-7258876
- 5 0-7258986
- 6 0-7151536
- 7 0-7259087
- 8 0-171212111
- 9 0-175970721
- 10 0-176044121
- 11 0-176100821
- 12 0-175970921
- 13 0-7258827

- 1 LİFTOMATİK SİLİNDİRİ LİFTOMATİK CYLINDER
- 1 LAMA LAMAR
- 1 KAPAK COVER
- 1 MESNET POST
- 1 ÇATAL FORK
- 1 YAY SPRING
- 1 KÖRÜK BELLOWS
- 2 RAKOR UNIONS
- M10x25 4 CİVATA BOLT
- M8*45 2 CİVATA BOLT
- M8 2 SOMUN NUT
- M10*1.25*35 2 CİVATA BOLT
- 1 MANİVELA LEVER

Transmisyon Kapak ve Hortumları
Transmission Cover and Pipes

72.40.10

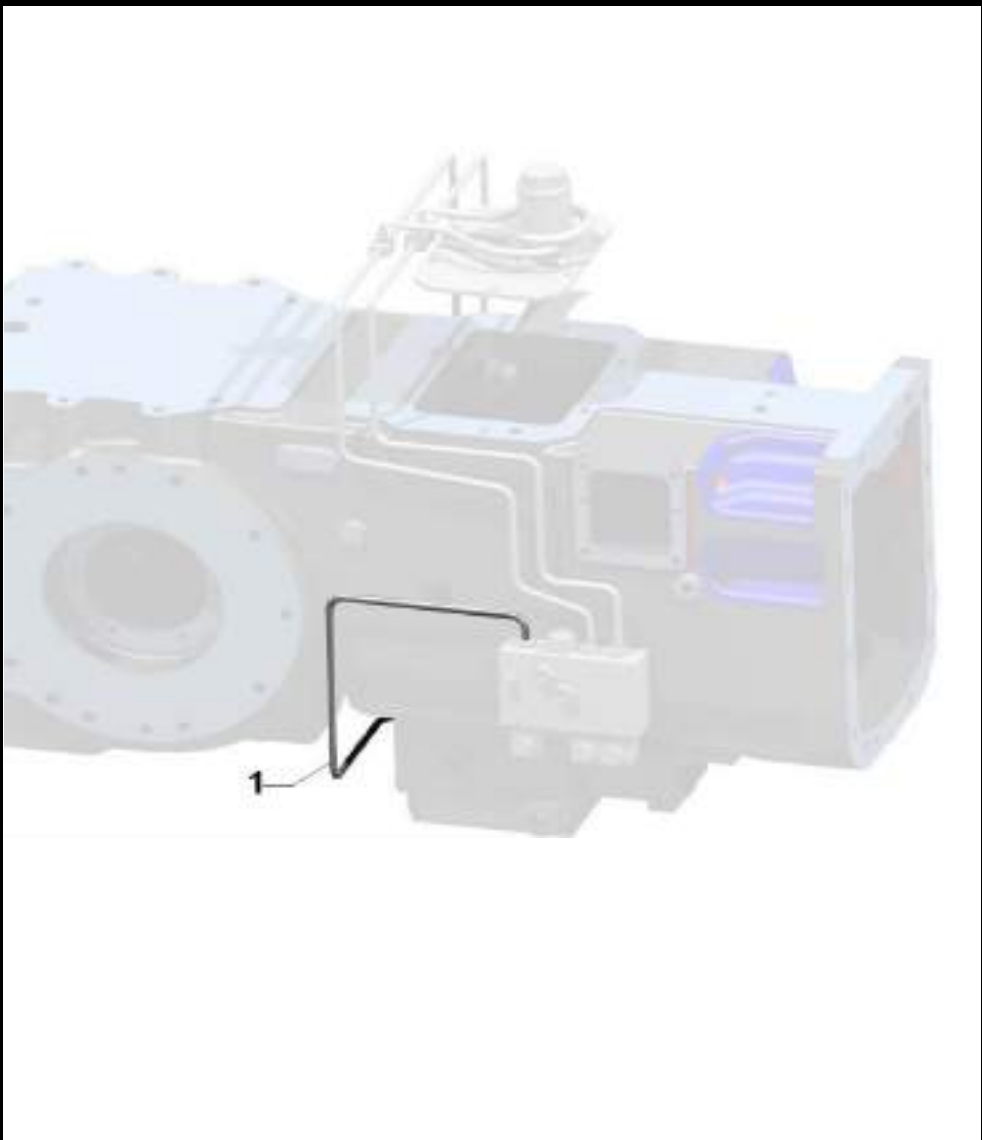
8175,8185
8195,8105



- 1 0-7258983
- 2 0-7258982
- 3 0-7259642
- 4 0-7258888
- 5 0-7258893
- 6 0-7258976

- 1 KAPAK COVER
- 1 TUTUCU HOLDER
- 1 TUTUCU HOLDER
- 2 HORTUM HOSE
- 1 BORU PIPE
- 1 BORU PIPE
- 1 PTO KİLITLEME PTO LOCK

ESKİ
YENİ

Drop Box Hortumu Drop Box Pipe	72.40.11	8175,8185 8195,8105
	1 0-7259029	1 BORU PIPE

Arka Aks Kovanı
Rear Axle Housing

72.41.0

8175,8185
8195,8105

- 1 1-7253949
- 1 1-7259032
- 2 0-7253319
- 3 1-7253841
- 4 0-173558130
- 5 0-7251499

M14*155

M14*1.5

- 2 KOVAN AXLE HOUSING
- 2 KOVAN AXLE HOUSING
- 2 GÜNEŞ DIŞLI ANNULAR GEAR
- 2 ARA PARÇA SPACER
- 20 SAPLAMA STUD
- 20 SOMUN NUT

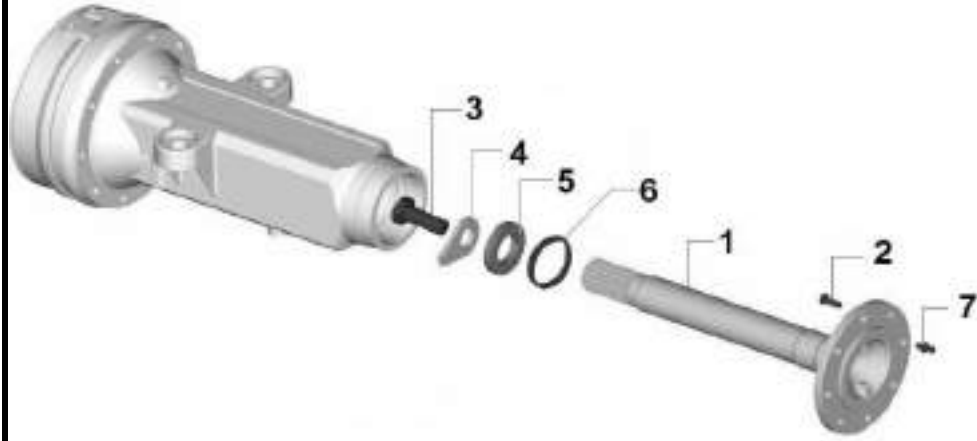
ESKİ
YENİ



Arka Uzun Aks
Rear Long Axle

72.41.1

8175,8185
8195,8105



- 1 0-7253904
- 2 0-7259033
- 2 0-7254221
- 3 0-174258030
- 4 0-7253223
- 5 0-7253222
- 6 0-7253907
- 7 0-173407211

M16*45

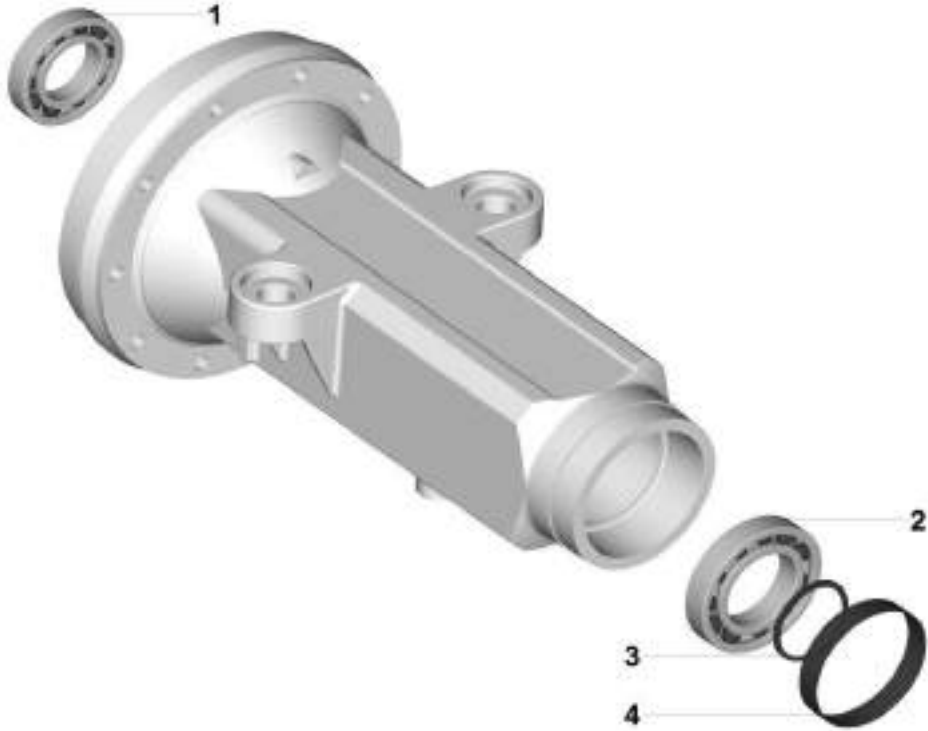
- | | | | |
|----|----------------|----------------|------|
| 2 | ARKA UZUN AKS | REAR LONG AXLE | ESKI |
| 2 | ARKA UZUN AKS | REAR LONG AXLE | YENI |
| 16 | BİJON CIVATASI | BOLT | |
| 2 | CIVATA | BOLT | |
| 2 | PLAKA | PLATE | |
| 2 | DİSK | DISC | |
| 2 | BİLEZİK | BRACELET | |
| 2 | GRESÖRLÜK | NIPPLE | |

Arka Aks Rulmanları
Rear Axle Bearings

72.41.2

8175,8185
8195,8105

1 0-270141040	60*110*22	2	RULMAN	BEARING
2 0-270645490	75*130*25	2	RULMAN	BEARING
3 0-7253906		2	SEGMAN	CIRCLIP
4 0-7253916		2	KEÇE	SEAL



Arka Aks Kovan Dişlileri
Rear Axle Unit Gearing

72.41.3

8175,8185
8195,8105



- 1 0-7253321
- 2 0-7253320
- 3 0-7258922
- 4 0-7253322
- 5 0-7258921
- 6 0-7253221
- 7 0-7253420
- 8 0-7253227
- 9 0-7253224

SAĞ

SOL

- | | | |
|-----|--------------|----------------|
| 2 | MESNET | BEARER |
| 6 | PLANET DİŞLİ | EPICYCLIC GEAR |
| 1 | KISA AKS | AXLE, SHORT |
| 2 | SEGMAN | CIRCLIP |
| 1 | KISA AKS | AXLE, SHORT |
| 12 | DESTEK PULU | WASHER |
| 228 | İÇNE RULMAN | BEARING |
| 6 | BASKI PULU | WASHER |
| 6 | PİM | PIN |

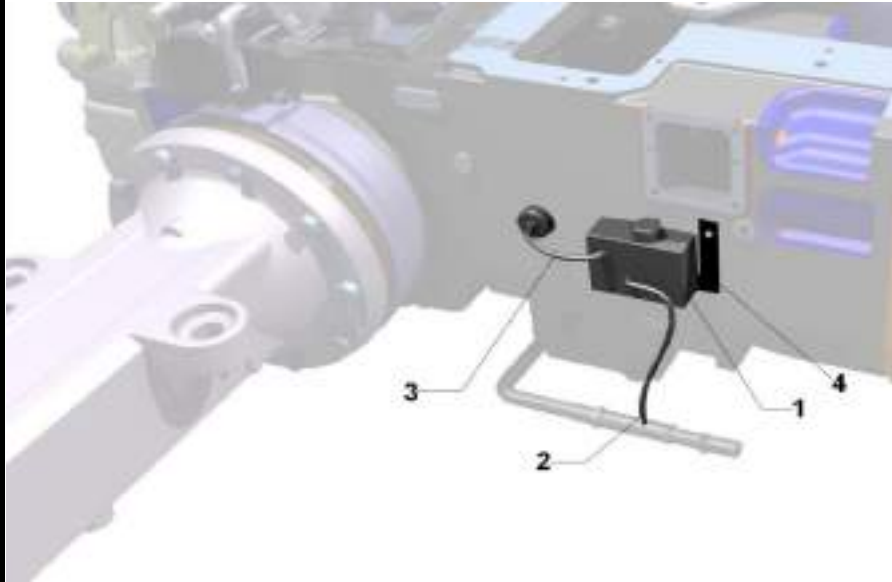
Regülatör Valfi
Regulator Valve

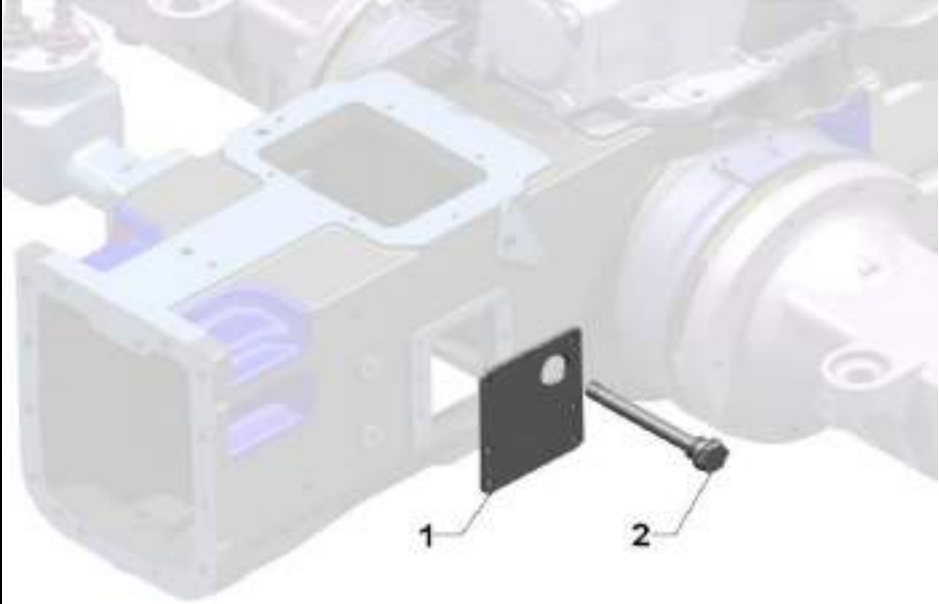
72.41.4

8175,8185
8195,8105

- 1 0-7259471
- 1 0-7258720
- 1 0-7257752
- 2 0-7258322
- 3 0-7258334
- 4 0-7259079
- 4 0-7259510

- | | | | |
|---|-----------------|-----------------|------|
| 1 | REGÜLATÖR VALFI | REGULATOR VALVE | 4'ü |
| 1 | REGÜLATÖR VALFI | REGULATOR VALVE | 3'ü |
| 1 | REGÜLATÖR VALFI | REGULATOR VALVE | 2'li |
| 2 | HORTUM | HOSE | |
| 1 | HORTUM | HOSE | |
| 1 | MESNET | SUPPORT | ESKİ |
| 1 | MESNET | SUPPORT | YENİ |



Yağ Giriş Kapağı ve Mili Regulator Valve	72.41.5	8175,8185 8195,8105
	1 0-7257745 2 0-7257746	1 KAPAK COVER 1 MİL SHAFT