



The new generation
of skid steer loaders.

ELISE 900 ^{MK3}

first.green

**Fully electric,
noiseless,
zero emission.**



Cost **effective,**
nearly no
maintenance.



Powered with technology.

Elise 900. The world's first electric skid steer loader represents the highest technology and years of experience of FIRSTGREEN Industries.



Battery endurance

6+ hours

Dependant on use, conditions and configuration

Hinge pin height

3637 mm

356mm higher reach than the competing average

Side tilt

47°

10° higher tilt angle than competing average



100% electric, extremely low noise, 0 emission

On stock in 3 days

Lithium battery available

Low operational costs

Retrofittable modular construction

Microspeed for precise control

Self-leveling gyro platform

Chassis clearance

262 mm

44 mm higher
than competing average

Remote control

50 m

15 m with
smart app

Loading capacity

900 kg

1200 kg when using 400Ah
capacity extended battery

Technical specs.



GENERAL SPECIFICATIONS

| | |
|----------------------|------------------|
| Rated load capacity | 900 / 1 200 kg |
| Tipping load | 1 800 / 2 400 kg |
| Minimum travel speed | 0.15 km/h |
| Maximum speed | 12 km/h |
| Maximum travel speed | 12 km/h |

MOTOR

| | |
|----------------------|----------|
| Electric engine type | 3xGEW |
| Rated power | 3x10 kW |
| Maximum power | 3x27 kW |
| Maximum torque | 3x120 Nm |

TUNE-UP YOUR MACHINE

Options

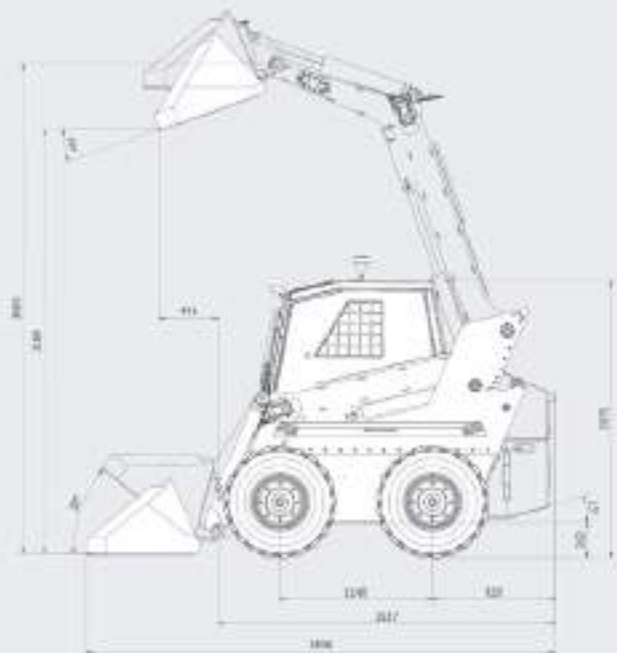
- Windowless cabin re-build set
- Air conditioning
- Hard-mounted display
- Integrated charger for the extended battery option
- 3 phase charger, or twin 1 phase chargers
- Safety open door sensor
- Standard lead-acid battery with 240 Ah capacity
- Extended lead-acid battery with 400 Ah capacity
- Lithium battery options
- Rubber or steel track set for increased traction
- Cable set pre-install for electric attachments

Standard features

- Rear-view camera
- Left and right rear-view mirror
- Mandatory lighting
- Front work light
- Rear work lights
- Orange beacon light
- Reversing alarm
- Off-road wheels
- Safety opening window
- Front roller sunshade
- Tinted glass
- Windshield wiper with sprayer
- Safety reinforced cab
- Seat with safety belt and operator detector system
- Quick coupler – SAE J2513
- ISO joystick control
- Vertical bucket stabilization system
- Electric heater
- Android smartphone with control app
- External battery charger
- User and maintenance manual

Compare technical specifications for this product online at [first.green](#)

ELISE 900



WEIGHTS

Rated operating weight 3 300 / 3 800 kg

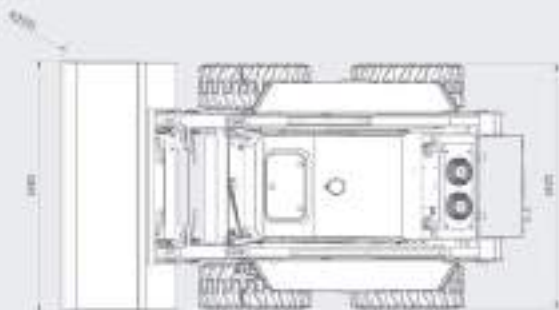
Total weight of the loader 4 200 / 5 000 kg

HYDRAULICS

Hydraulic oil pressure 180 Bar

Hydraulic oil flow 65 l/min

Hydraulic oil reservoir 40 l



Maintenance



Logistics



Construction



Forestry



Agriculture



With a wide range of attachments.



Standard bucket



Concrete mixer



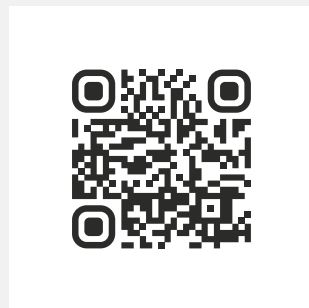
Pallet forks



Hammer



Auger



... plus 34 other attachments
on first.green



For more FIRSTGREEN products, visit
first.green

+420 737 633 733, info@first.green