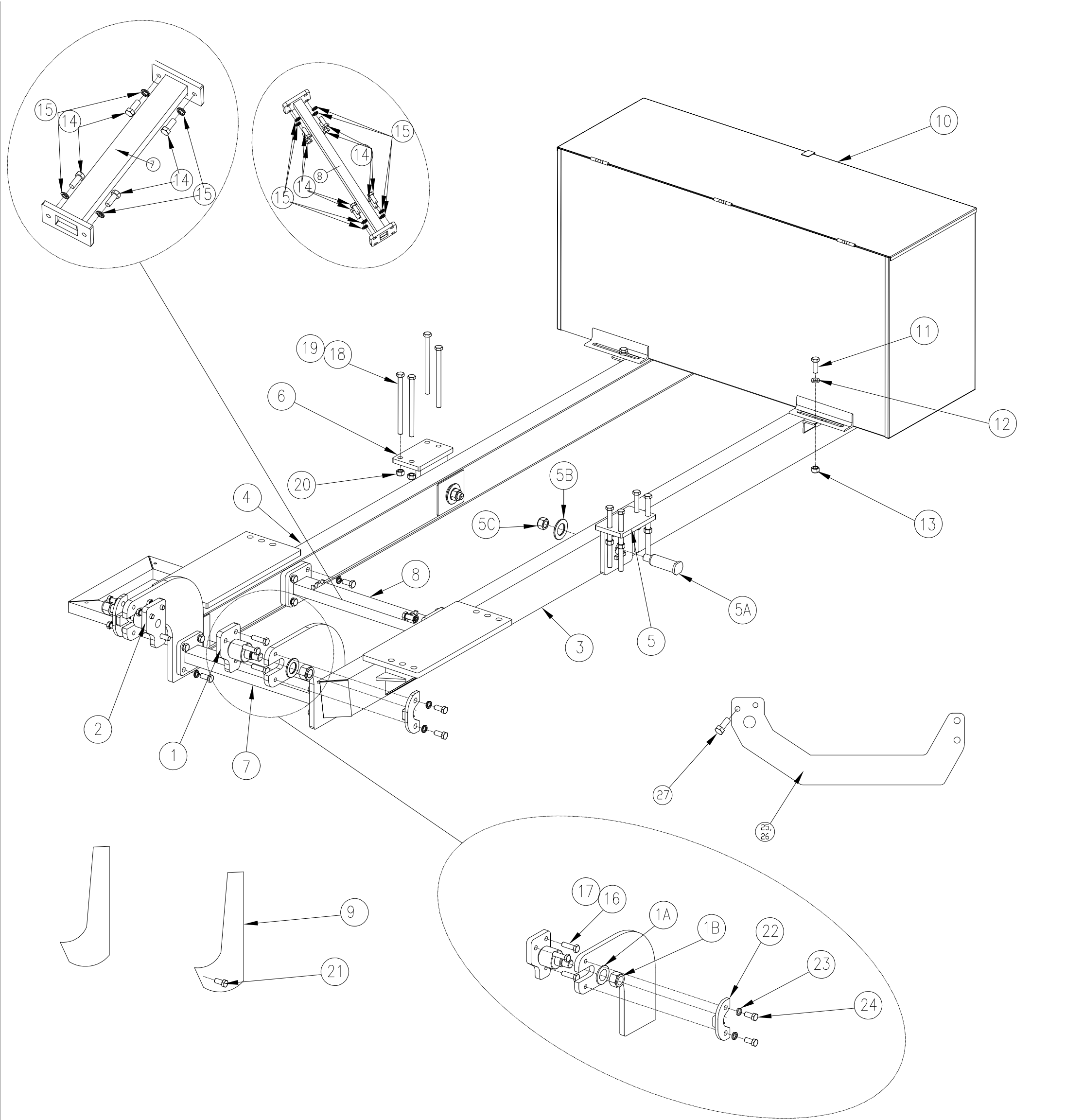




# V3 LOADER

V3 LOADER



<b>M&amp;M ARJN NOVO 4WD V3SCV STR FUL ASY</b>				<b>SCV</b>
<b>ITEM NO</b>	<b>PART NO</b>	<b>DESCRIPTION</b>	<b>QTY</b>	<b>REMARKS</b>
1	S100ABASD0LH	ARJUN NOVO LDR FRONT PLT LH ASY	1	
2	S100ABASD0RH	ARJUN NOVO LDR FRONT PLT RH ASY	1	
3	SU00ABATA0LH	ARJN NOVO 4WD UL STRU LH ASY	1	
4	QF00ABATI0RH	ARJN NOVO 4WD V3 STRU RH ASY	1	
5	S100ABATB0LH	ARJUN NOVO 4WD REAR BRACKET LEFT ASSY	1	
6	S100ABATB0RH	ARJUN NOVO 4WD REAR BRACKET RIGHT ASSY	1	
7	S100ABAIE000	STRU FRONT SUPPORT ASSY ARJUN-605 FEL	1	
8	S100ABARC000	ARJUN605 4WD CENTER SUPPORT ASSY	1	
9	S100ABASQ0LH	NOVO SAFETY GUARD LH ASSY	1	
	S100ABASQ0RH	NOVO SAFETY GUARD RH ASSY	1	
10	AC00AAAB0000	WEIGHT BOX	1	
11	PU01AABAD011	HEX BOLT	4	
12	PU03DAAA0003	M16 MACHINED WASHER	4	
13	PU02CCAF0002	NYLOCK NUT	4	
14	PU01AABAD011	HEX BOLT	16	
15	PU03BCBA0002	M16 SPRINGWASHER	16	
16,17	PU01BAAAE080	HEX SCREW	8	
18,19	PU01AAAAD035	HEX BOLT	8	
20	PU02CCAF0002	NYLOCK NUT	8	
21	PU01BABAE032	HEX SCREW	4	
<b>ARJUN NOVO LDR FRONT PLT LH ASY/RH ASSY</b>				
1A	PU03DAAA0022	WASHER	1	
1B	PU02CCAF0007	NYLOCK NUT	1	
<b>FEL ARJUN NOVA REAR BRACKET LEFT ASSY/RIGHT ASSY</b>				
5A	CP03BB430051	ARJUN REAR BRACKET PIN	1	
5B	PU03DAAA0022	WASHER	1	
5C	PU02CCAF0007	NYLOCK NUT	1	

<b>M&amp;M ARJUN605 NOVO 2WD FEL STRUCTURE</b>				<b>HSS</b>
<b>ITEM NO</b>	<b>PART NO</b>	<b>DESCRIPTION</b>	<b>QTY</b>	<b>REMARKS</b>
1	S100ABASD0LH	ARJUN NOVO LDR FRONT PLT LH ASY	1	
2	S100ABASD0RH	ARJUN NOVO LDR FRONT PLT RH ASY	1	
3	QG00ABASA000	ARJUN 605 NOVO V3FEL STR LH ASY	1	
4	QG00ABASI000	ARJUN 605 NOVO V3FEL STR RH ASY	1	
5	S100ABASB0LH	FEL ARJUN NOVA REAR BRACKET LEFT ASSY	1	
6	S100ABASB0RH	FEL ARJUN NOVA REAR BRACKET RIGHT ASSY	1	
7	S100ABAIE000	STRU FRONT SUPPORT ASSY ARJUN-605 FEL	1	
8	S100ABAHC000	ARJUN605 CENTER SUPPORT ASSY	1	
9	S100ABASQ0LH	NOVO SAFETY GUARD LH ASSY	1	
	S100ABASQ0RH	NOVO SAFETY GUARD RH ASSY	1	
10	AC00AAAB0000	WEIGHT BOX	1	
11	PU01AABAD011	HEX BOLT	4	
12	PU03DAAA0003	M16 MACHINED WASHER	4	
13	PU02CCAF0002	NYLOCK NUT	4	
14	PU01AABAD011	HEX BOLT	16	
15	PU03BCBA0002	M16 SPRINGWASHER	16	
16,17	PU01AABAD025	HEX SCREW	6	
18,19	PU01AAAAD035	HEX BOLT	8	
20	PU02CCAF0002	NYLOCK NUT	8	
21	PU01AABCA042	HEX SCREW	4	
22	S100ABANAB00	STUD STOPPER ASSY ARJUN-605 FEL	2	
23	PU03BCBA0002	M16 SPRINGWASHER	4	
24	PU01AABAD011	HEX BOLT	4	
<b>ARJUN NOVO LDR FRONT PLT LH ASY/RH ASSY</b>				
1A	PU03DAAA0021	WASHER	1	
1B	PU02CCAF0009	NYLOCK NUT	1	
<b>FEL ARJUN NOVA REAR BRACKET LEFT ASSY/RIGHT ASSY</b>				
5A	CP03BB430051	ARJUN REAR BRACKET PIN	1	
5B	PU03DAAA0022	WASHER	1	
5C	PU02CCAF0007	NYLOCK NUT	1	

## JD5310/JD5310SCV/JD5055-E V3 FEL

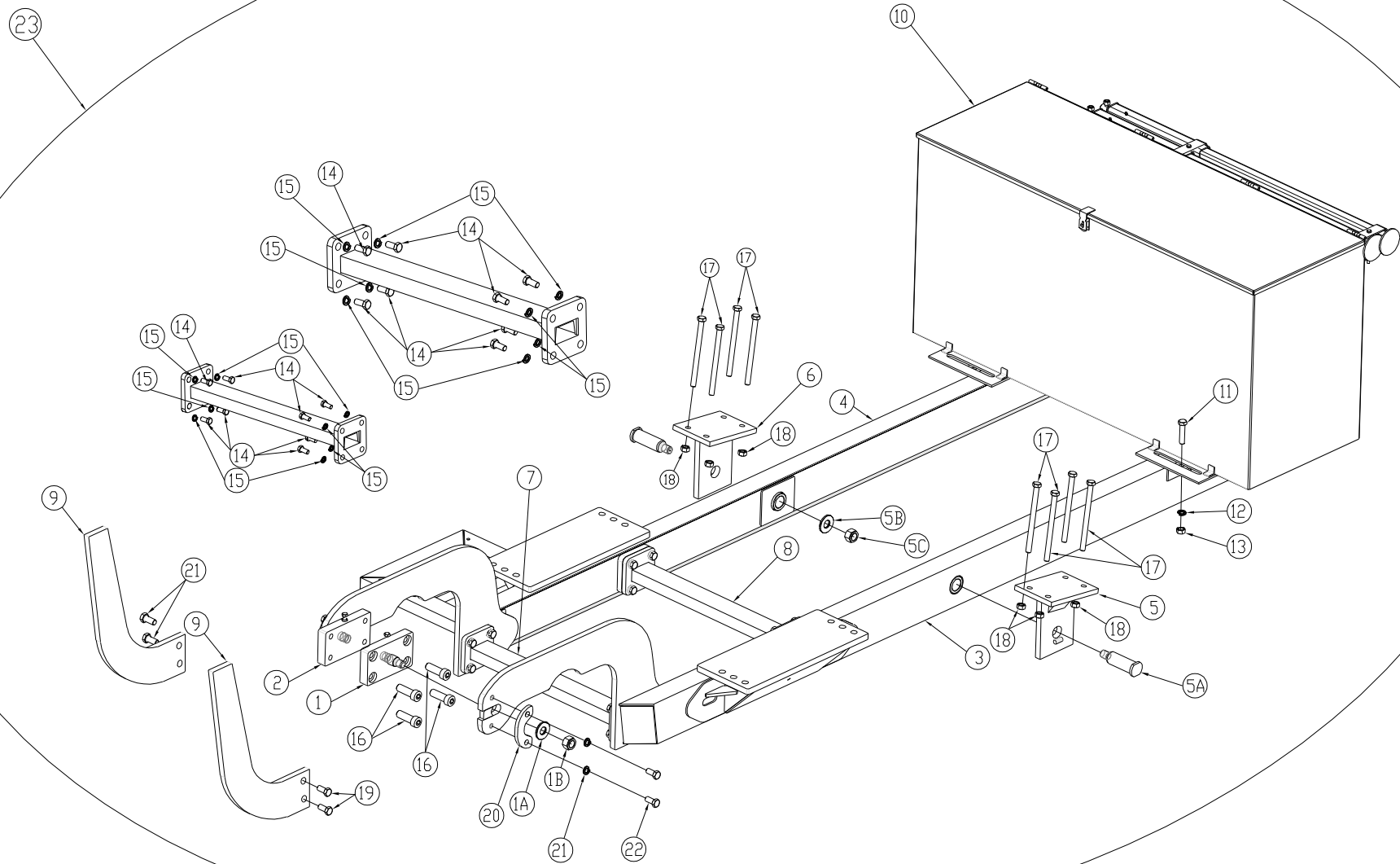
EXTENDED CHASSIS				HSS
ITEM NO	PART NO	DESCRIPTION	QTY	REMARKS
1	S100ABHBD0LH	JD FRONT PLATE LH ASSY	1	
2	S100ABHBD0RH	JD FRONT PLATE ASSY RH	1	
3	QG00ABHBA000	STRUCTURE LEFT ASSY	1	
4	QG00ABHBI000	STRUCTURE RIGHT ASSY	1	
3	S100ABHBD0LH	JD FRONT PLATE LH ASSY	1	
4	S100ABHBD0RH	JD FRONT PLATE ASSY RH	1	
5	S100ABHBB000	JD REAR BRACKET ASSY	1	
6	S100ABHBB000	JD REAR BRACKET ASSY	1	
7	S100ABHBE000	STRU FRONT SUPPORT ASSY	1	
8	S100ABHBE000	STRU FRONT SUPPORT ASSY	1	
9	ST00ACHB0001	JD5310 SAFETY GUARD PLATE	2	
10	AC00AAAB0000	WEIGHT BOX	1	
11	PU01AABAD011	HEX BOLT	4	
12	PU03DAAA0003	M16 MACHINED WASHER	4	
13	PU02CCAF0002	NYLOCK NUT	4	
14	PU01AABAD011	HEX BOLT	16	
15	PU03BCBA0002	M16 SPRINGWASHER	16	
22	S100ABHBAB00	STUD STOPPER ASSY	2	
23	PU03BCBA0002	M16 SPRINGWASHER	4	
24	PU01AABAD011	HEX BOLT	4	
<b>JD FRONT PLATE LH/RH ASSY</b>				
1A	PU03DAAA0021	WASHER	1	
1B	PU02CCAF0009	NYLOCK NUT	1	
<b>JD REAR BRACKET ASSY LH/RH</b>				
5A	CP03BB430001	HMT REAR BRACKET PIN	1	
5B	PU03DAAA0022	WASHER	1	
5C	PU02CCAF0007	NYLOCK NUT	1	
<b>ONLY FOR JD 5310,JD 5055 E(SCV)</b>				
16,17	PU01AABAD025	HEX SCREW	6	
18,19	PU01AAAAD035	HEX BOLT	8	
20	PU02CCAF0002	NYLOCK NUT	8	
21	PU01AABCC042	HEX SCREW	4	
<b>ONLY FOR JD 5310,JD 5055 E(NON SCV)</b>				
16,17	PU01AABAD025	HEX SCREW	6	
18,19	PU01AAAAD035	HEX BOLT	8	
20	PU02CCAF0002	NYLOCK NUT	8	
21	PU01AABAD022	HEX SCREW	4	



## MF9500 2WD V3 FEL

ITEM NO	PART NO	DESCRIPTION	QTY	REMARKS
1,2	S800D0LKD000	MF9500 32MM FNT PLT PIN ASY	1	
3	QH00ABLKA000	MF9500 2WD V3FEL STRUC LH ASSY	1	
4	QH00ABLKI000	MF9500 2WD V3FEL STRUC RH ASSY	1	
5,6	S100D0LKB000	MF9500 FEL REAR BRACKET ASSY	1	
7	SU00D0LKE000	MF9500 STRU FRONT SUPPORT ASSY	1	
8	SU00D0LKC000	MF9500 STRU CENTER SUPPORT ASSY	1	
9	SV00ABLMQ0LH	SAFETY GUARD ASSY LH	1	
	SV00ABLMQ0RH	SAFETY GUARD ASSY RH	1	
10	AC00AAAB0000	WEIGHT BOX	1	
11	PU01AABAD011	HEX BOLT	4	
12	PU03DAAA0003	M16 MACHINED WASHER	4	
13	PU02CCAF0002	NYLOCK NUT	4	
14	PU01AABAD011	HEX BOLT	16	
15	PU03BCBA0002	M16 SPRINGWASHER	16	
16,17	PU01BABAE027	ALLEN SCREW	6	
18,19	PU01AAAAD035	HEX BOLT	8	
20	PU02CCAF0002	NYLOCK NUT	8	
21	PU01BABAE027	ALLEN SCREW	4	
22	QH00ABLKN000	STUD STOPPER ASSY	2	
23	PU03BCBA0002	M16 SPRINGWASHER	4	
24	PU01AABAD011	HEX BOLT	4	
<b>MF9500 32MM FNT PLT PIN ASY</b>				
1A	PU03DAAA0021	WASHER	1	
1B	PU02CCAF0009	NYLOCK NUT	1	
<b>MF9500 FEL REAR BRACKET ASSY</b>				
5A	CP03BB430001	HMT REAR BRACKET PIN	1	
5B	PU03DAAA0022	WASHER	1	
5C	PU02CCAF0007	NYLOCK NUT	1	

# NH3630 V3 LOADER STRUCTURE FULL ASSY

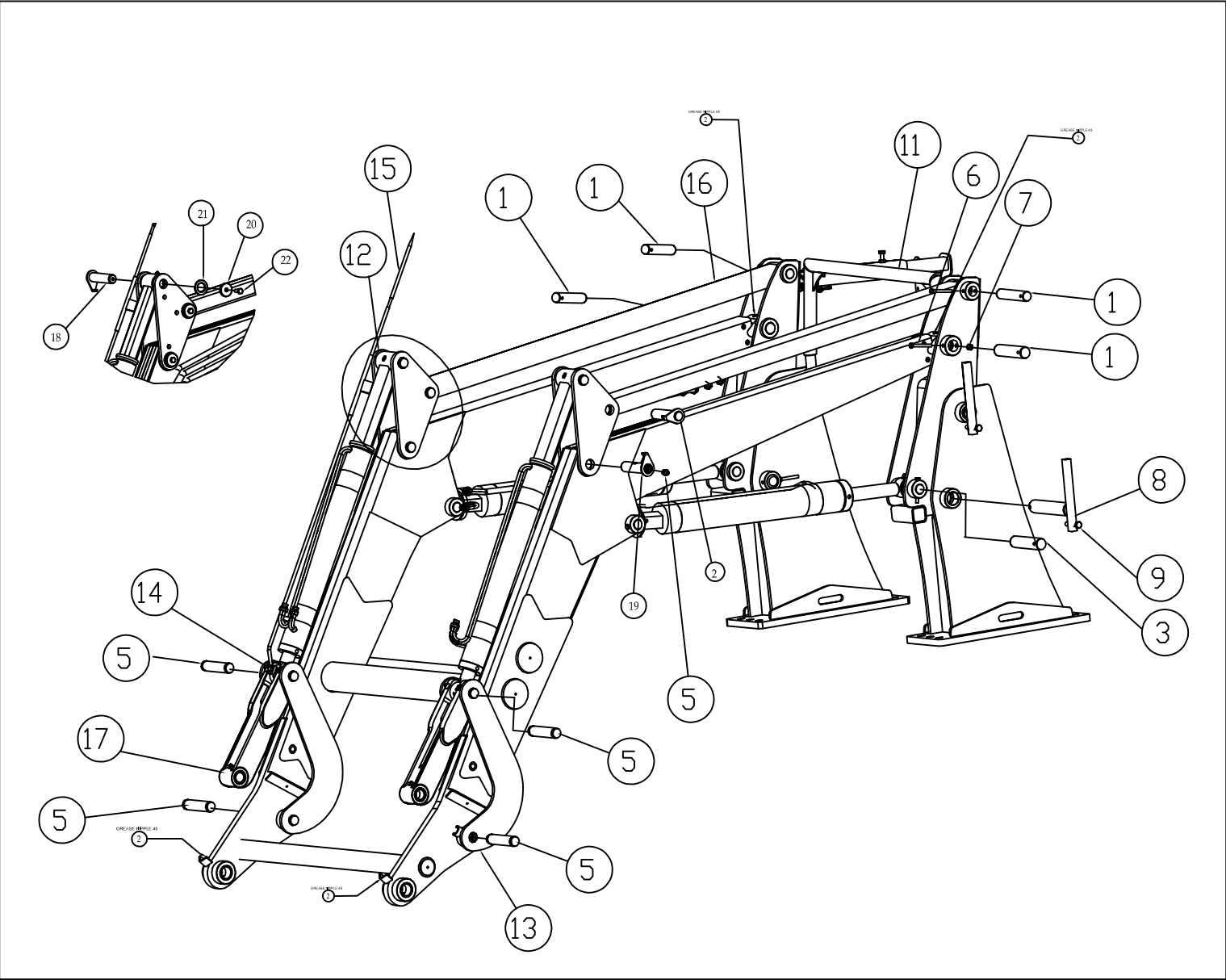




## NH3630 V3 LOADER STRUCTURE

ITEM NO	PART NO	DESCRIPTION	QTY	REMARKS
1,2	S100AIGAD000	FRONT PIN ASSY	2	
3	QH00ABGAA000	NH3630 V3 LDR STRUCTURE LH ASSY	1	
4	QH00ABGAI000	NH3630 V3 LDR STRUCTURE RH ASSY	1	
5	S100ABGAB0LH	REAR BRACKET LH ASSY	1	
6	S100ABGAB0RH	REAR BRACKET RH ASSY	1	
7	S100ABGAE000	FRONT SUPPORT ASSY	1	
8	S100ABGAC000	STRU CENTER SUPPT ASSY	1	
9	S112CAGD0002	NH SAFETY PLATE	2	
10	AC00AAAB0000	WEIGHT BOX	1	
11	PU01AABAD011	HEX BOLT	4	
12	PU03DAAA0003	MACHINED WASHER	4	
13	PU02CCAF0002	NYLOCK NUT	4	
14	PU01AABAD011	HEX BOLT	16	
15	PU03BCBA0002	SPRING WASHER	16	
16	PU01AABAD025	HEX SCREW	8	
17	PU01AAAAD035	HEX BOLT	8	
18	PU02CCAF0002	NYLOCK NUT	8	
19	PU01AABCA042	HEX SCREW	4	
20	S100ABANAB00	STUD STOPPER ASSY	2	
21	PU03BCBA0002	SPRING WASHER	4	
22	PU01AABAD011	HEX BOLT	4	
23	QH00ACGA0000	NH3630 V3 LDR STRUCTURE FULL ASSY	1	
<b>FRONT PIN ASSY</b>				
1A	PU03DAAA0021	WASHER	1	
1B	PU02CCAF0009	NYLOCK NUT	1	
<b>REAR BRACKET LH ASSY/REAR BRACKET RH ASSY</b>				
5A	CP03BB430001	HMT REAR BRACKET PIN	1	
5B	PU03DAAA0022	WASHER	1	
5C	PU02CCAF0007	NYLOCK NUT	1	

BULL V3 LOADER FULL ASSY

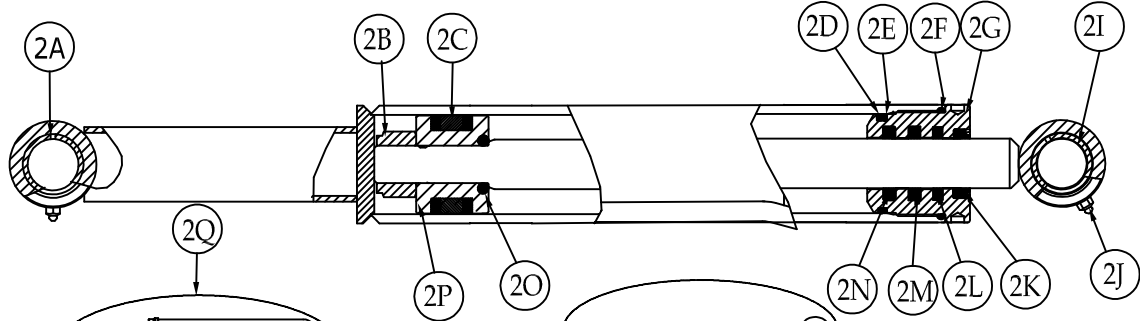


## BULL V3 LOADER (LOADER FULL ASSY)

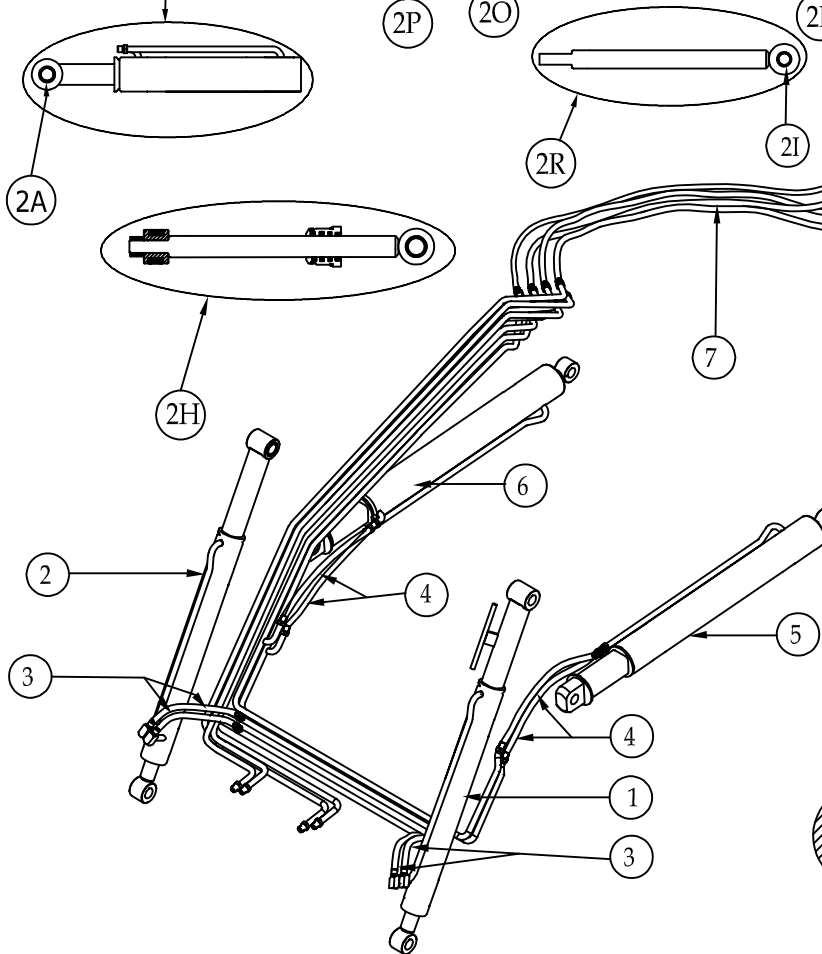
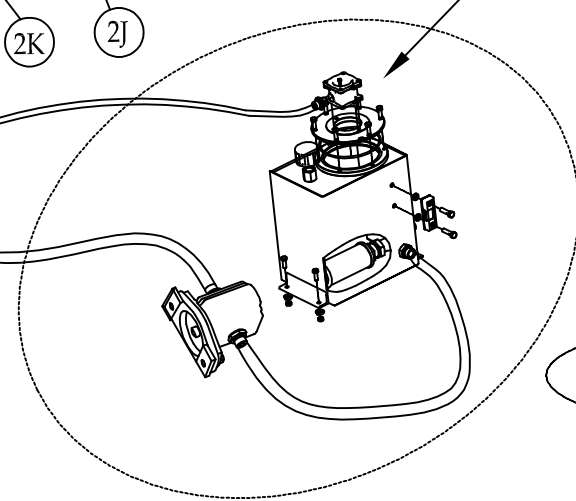
ITEM NO	PART NO	DESCRIPTION	QTY	REMARKS
1	CP05BM020001	PIN	4	
2	PU20AD010001	GREASE NIPPLE	26	
2	PU20AD030001	GREASE_NIPPLE 45	4	
3	CP05BM050003	PIN	8	
5	CP06D0080175	PIN	8	
6	PU02CCAF0004	NYLOCK NUT	12	
7	PU01AAAAE018	HEX BOLT	12	
8	LC00AI310000	PIN40 SQUARE ROD ASSEMBLY	4	
9	PU01AABAB006	HEX BOLT	4	
11	LX00AB322000	BULL V3 1200mm LOADER CONNECTING ROD ASSY	1	
	LX00AB321000	BULL V3 1000mm LOADER CONNECTING ROD ASSY	1	
12	LX12CA020001	BULL V3 TOP LINK 2 PLT	1	
13	LC12CA030001	SIDE BRACKET PLATE	1	
14	PU01AABAB005	HEX BOLT	1	
15	LC00AB300000	LOADER LEVELING ROD ASSEMBLY	1	
16	LE00AC010000	TOP LINK 1 EXT HT ASSEMBLY	2	
17	LC00AC040000	BUCKET CONNECT LEVER ASSEMBLY	2	
18	LX00AB602000	V3 LDR CONNEC PIN ASSLY	8	
19	LX00AB502000	V3 LDR ARM CONNEC PIN ASSY	2	
20	LX12AA070001	PIN LOCK PLATE	10	
21	PU03MAAA0036	RUBBER WASHER 50X31X5	10	
22	PU01AABAB014	HEX BOLT	10	

# EXTRA HEIGHT CYLINDERS

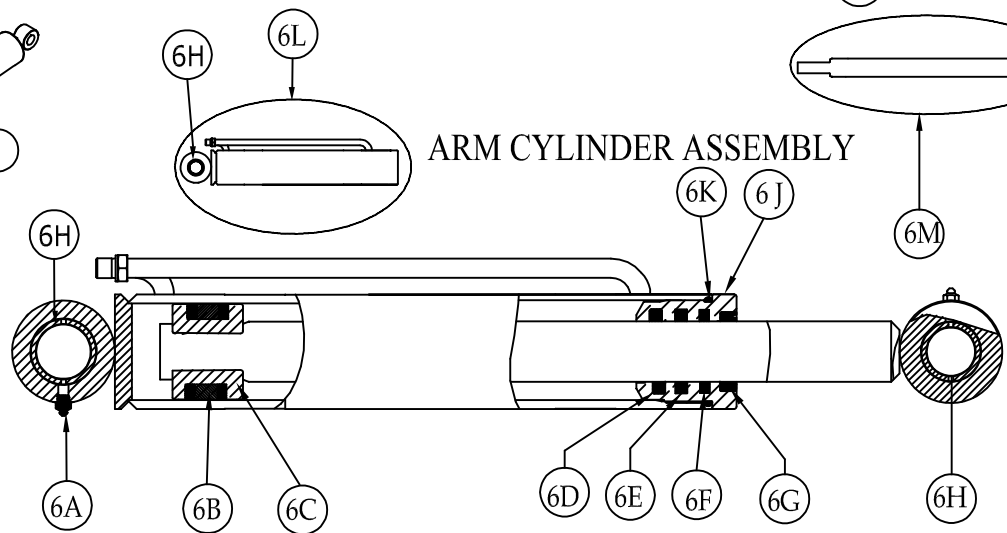
## BUCKET CYLINDER ASSEMBLY



PUMP ASSEMBLY IS BASED ON TRACTOR & LODER MODEL



## ARM CYLINDER ASSEMBLY



## EXTRA HEIGHT LOADER (CYLINDERS)

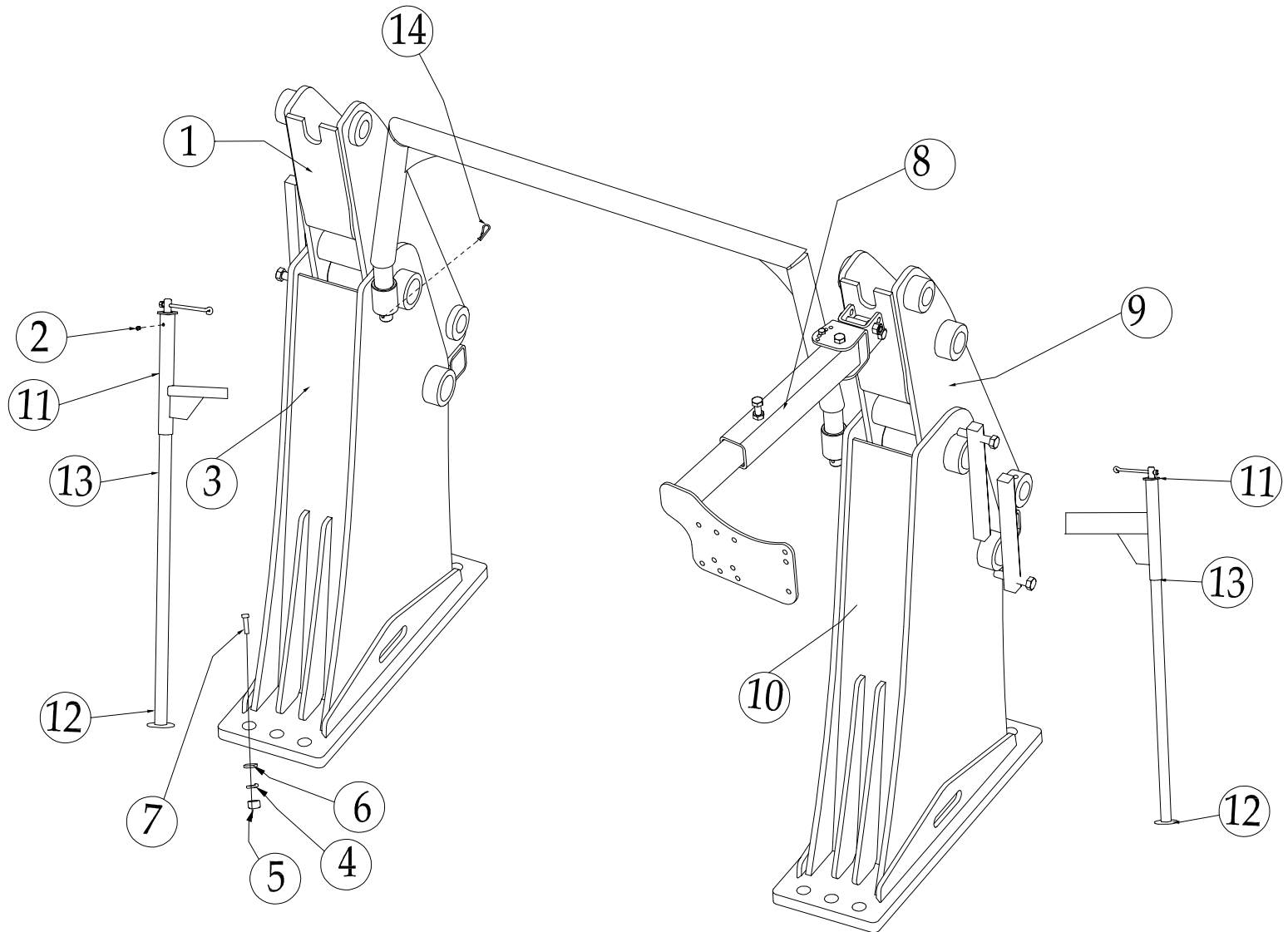
ITEM NO	PART NO	DESCRIPTION	QTY	REMARKS
1	LC00AC0900LH	FEL BKT Ø63 CYLINDER FULL ASSLY LEFT	1	
2	LC00AC0900RH	FEL BKT Ø63 CYLINDER FULL ASSLY RIGHT	1	
2A	CB16BM020026	HARDENBUSH	2	
2B	PU02CCAF0009	NYLOCKNUT	2	
2C	PU0602020003	COMPACT SEAL 63	2	
2D	PU0607000010	O RING	2	
2E	PU0603040002	WHITE RING	2	
2F	PU0607000011	O RING 57	2	
2G	LC01BC091003	Ø63 CYLINDER HEAD	2	
2H	LC00AC092000	Ø63 CYLINDER PISTON ROD FULL ASSEMBLY	2	
2I	CB16BM020024	HARDEN BUSH	2	
2J	PU20AC010002	GREASE NIPPLE	28	
2K	PU0604010002	WIPER 40	2	
2L	PU0603010006	U CUP 40	2	
2M	PU0603020002	STEP SEAL 40	2	
2N	PU0605000004	SLYDRING	2	
2O	PU0607000012	O RING 63	2	
2P	LC01BA092001	Ø63 CYLINDER PISTON	2	
2Q	LC00CC0910LH	BKT CYLINDER ASSY LEFT	1	
	LC00CC0910RH	BKT CYLINDER ASSY RIGHT	1	
2R	LC00CB092100	Ø63 CYLINDER PISTON ROD ASSEMBLY	2	
3	PU12AABBB005	BSP R2 HOSE	4	
4	PU12AABBB013	BSP R2 HOSE	4	
7	PU12AABBB012	BSP R2 HOSE	8	
<b>ONLY FOR 2WD ARM CYLINDER</b>				
5	LE00AC1020RH	EXT HT LGT LDR Ø80 CYL FULL ASSY RHT	1	
6	LE00AC1020LH	EXT HT LGT LDR Ø80 CYL FULL ASSY LHT	1	
6A	PU20AD010001	M10X1P GREASE NIPPLE	4	PU20AC010002
6B	PU0602020002	COMPACT SEAL 80	2	
6C	LC01BA102001	Ø80 CYLINDER PISTON	2	
6D	PU0605000004	SLYDRING	2	
6E	PU0603020002	STEP SEAL 40	2	
6F	PU0603010006	U CUP 40	2	
6G	PU0604010002	WIPER 40	2	
6H	CB16BM020002	HARDENBUSH	2	
6I	LE00AC102200	EXT HT LGT Ø80 CYL PISTON ROD FULL ASSY	2	
6J	LC01BC101003	Ø80 CYLINDER HEAD	2	
6K	PU0607000042	O RING	2	
6L	LE00CC1021LH	ARM CYLINDER ASSY LEFT	1	
	LE00CC1021RH	ARM CYLINDER ASSY RIGHT	1	
6O	LE00CB102210	EXT HT LGT Ø80 CYL PISTON ROD ASSY	2	



## EXTRA HEIGHT LOADER (CYLINDERS)

ITEM NO	PART NO	DESCRIPTION	QTY	REMARKS
<b>ONLY FOR 4WD ARM CYLINDER</b>				
6	LC00AC3400LH	LOADER 90CYLINDER FULL ASSEMBLY LEFT	1	
6A	PU20AD010001	GREASE NIPPLE	4	PU20AC010002
6B	PU0602020001	COMPACT SEAL 90	2	
6C	LC01BA342001	LOADER 90 PISTON	2	
6D	PU0605000001	SLYDRING	2	
6O	PU0605000002	SLYDRING	2	
6E	PU0603020001	STEP SEAL	2	
6F	PU0603010001	U CUP 45	2	
6G	PU0604010001	WIPER 45	2	
6H	CB16D202H028	HARDENBUSH	2	
6I	LC00AC342000	LOADER 90 CYLINDER PISTON ROD FULL ASSEMBLY	2	
6J	LC01BC341004	LOADER 90 CYLINDER HEAD	2	
6K	PU0607000001	O RING	2	
6L	PU0603040001	WHITE RING	2	
6M	PU0607000002	O RING	2	
6N	LC00AI3410LH	LOADER 90 CYLINDER ASSEMBLY LEFT	1	
	LC00AI3410RH	LOADER 90 CYLINDER ASSEMBLY RIGHT	1	
6O	LC00CB342100	LDR 90 CYLINDER PISTON ROD ASSY	2	

# BULL V3 LOADER SUPPORT STAND ASSY

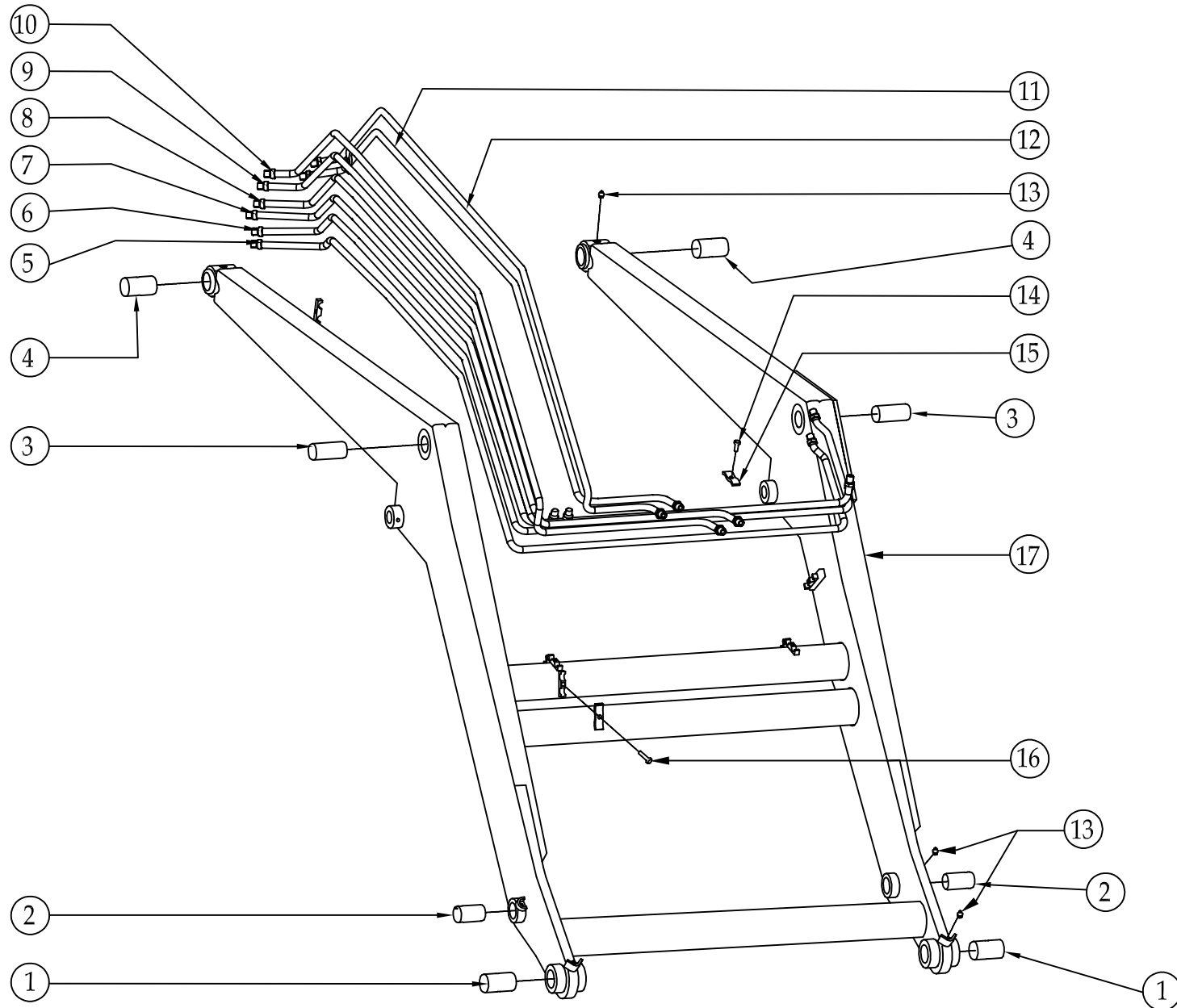




**BULL V3 LOADER (SUPPORT STAND ASSY)**

ITEM NO	PART NO	DESCRIPTION	QTY	REMARKS
1	LX00CB0720LH	BULL V3 LGT ARM SUPPORTING LEFT ASSY	1	
2	PU20AD010001	M10GREASE NIPPLE	2	
3	S100D0APG0LH	9200 SUPP STAND ASSY LH	1	
4	PU03BABA0009	SPRINGWASHER	12	
5	PU02CCAF0003	NYLOCKNUT	12	
6	PU03DAAA0015	MACHINED WASHER	12	
7	PU01AAAAD002	M20 HEX BOLT 1	12	
8	SPECIFY THE TRACTOR MODEL & VALVE TYPE	VALVE STAND FULL ASSY	1	REFER MATRIX
9	LX00CB0720RH	BULL V3 LGT ARM SUPPORTING RIGHT ASSY	1	
10	S100D0APG0RH	9200 SUPP STAND ASSY RH	1	
11	LC00AB131000	LOADER JOCKEY ASSY 1	2	
12	LC00AB133000	LOADER JOCKEY ASSY 2	2	
13	LC00AI130000	LOADER JOCKEY FULL ASSY	2	
14	PU25AB000100	R PIN	2	

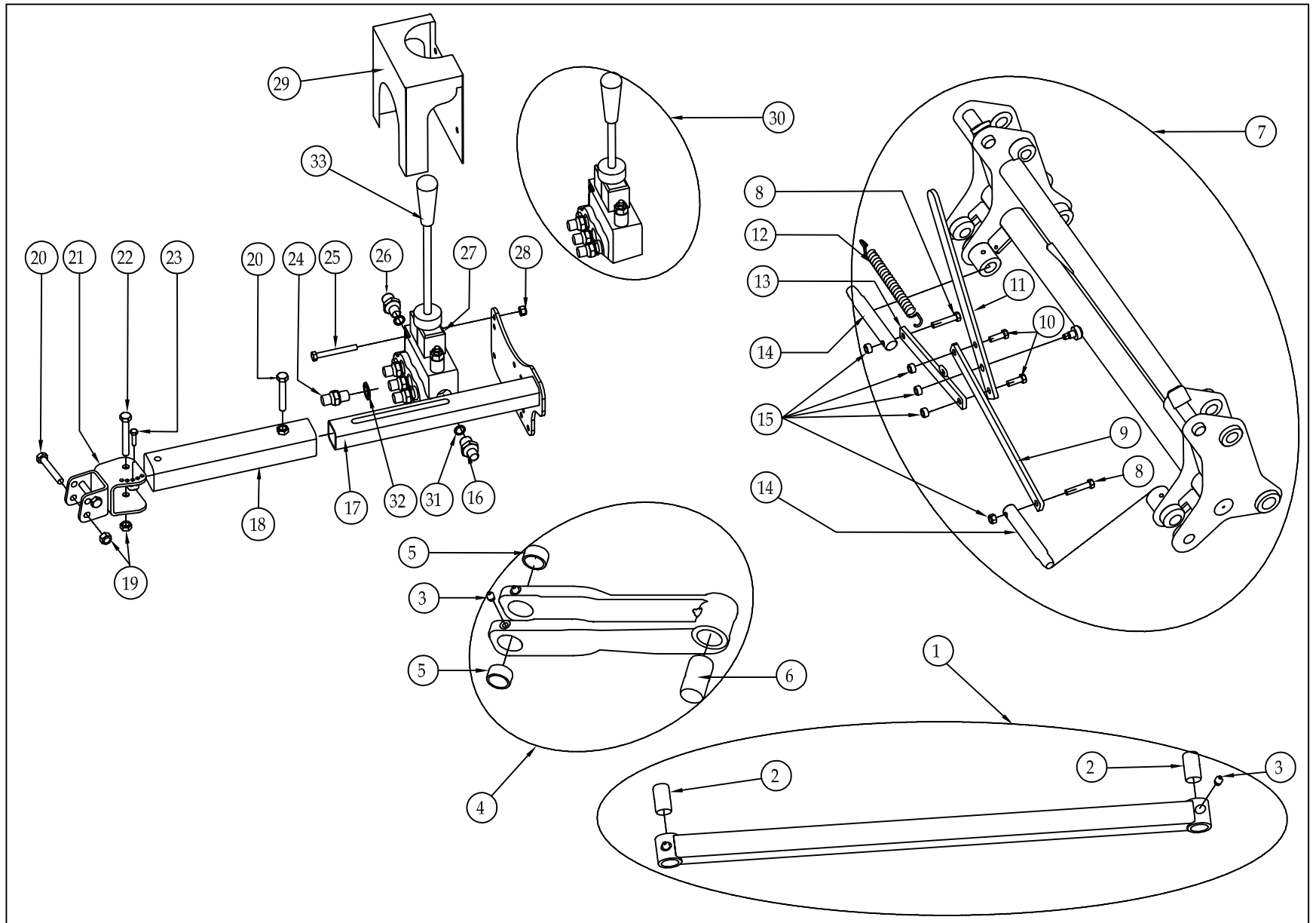
# EXTRA HEIGHT LOADER ARM ASSY



## EXTRA HEIGHT LOADER (ARM ASSY)

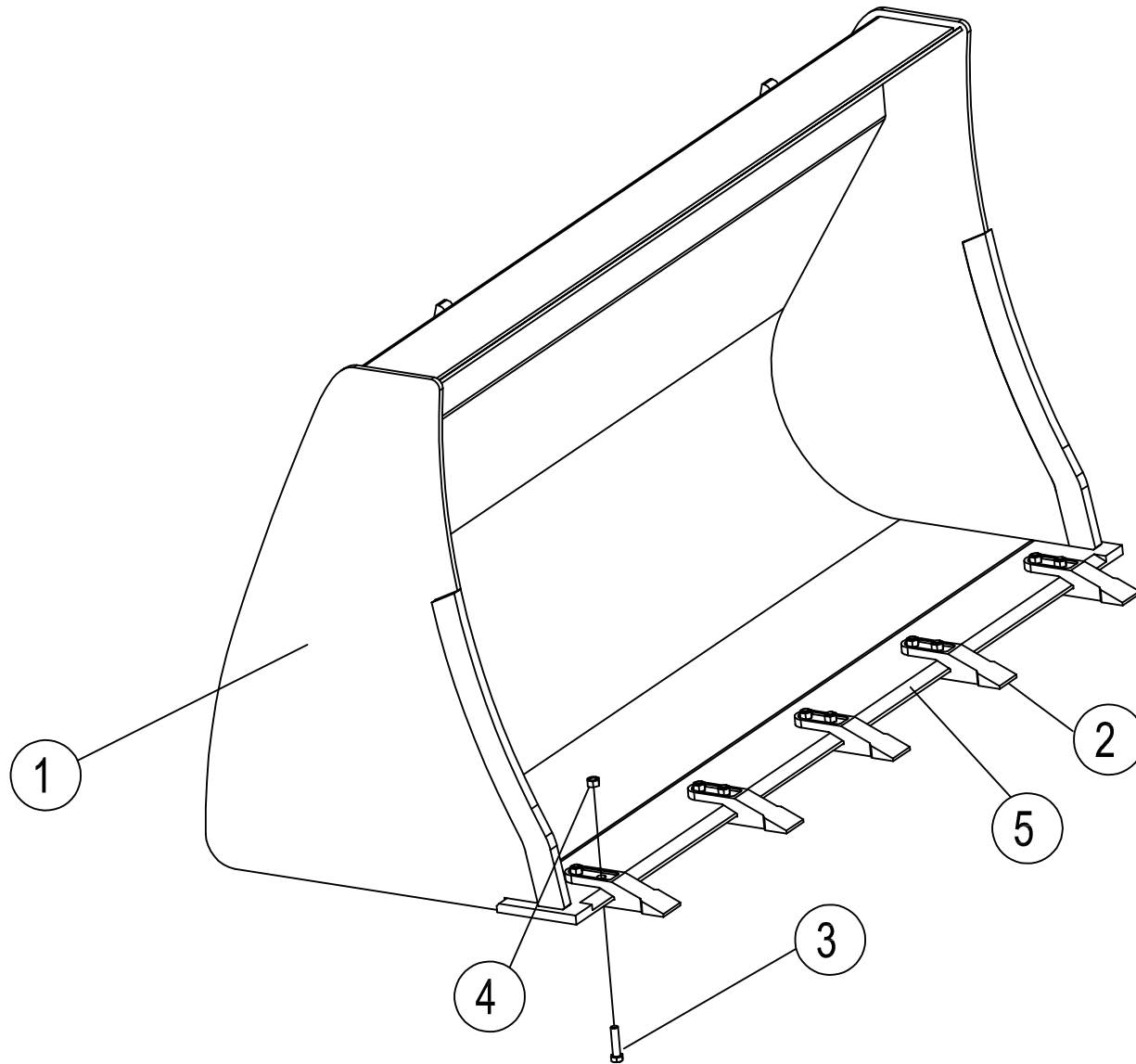
ITEM NO	PART NO	DESCRIPTION	QTY	REMARKS
1	CB16BM020021	HARDENBUSH	2	
2	CB16BM020078	HARDENBUSH	2	
3	CB16BI010208	HARDEN BUSH	2	
4	CB16BM020019	HARDEN BUSH	2	
5	LH00AB47AA00	ARM PIPE LINE 1 EXTRA WIDTH	1	
5	LH00AB47CA00	ARM PIPE LINE 1 STD WIDTH	1	
6	LH00AB47AB00	ARM PIPE LINE 2 EXTRA WIDTH	1	
6	LH00AB47CB00	ARM PIPE LINE 2 STD WIDTH	1	
7	LH00AB47AC00	ARM PIPE LINE 3 EXTRA WIDTH	1	
7	LH00AB47CC00	ARM PIPE LINE 3 STD WIDTH	1	
8	LH00AB47AD00	ARM PIPE LINE 4 EXTRA WIDTH	1	
8	LH00AB47CD00	ARM PIPE LINE 4 STD WIDTH	1	
9	LH00AB47CE00	ARM PIPE LINE 5	1	
10	LH00AB47CF00	ARM PIPE LINE 6	1	
11	LH00AB47CG00	ARM PIPE LINE 7	1	
12	LH00AB47CH00	ARM PIPE LINE 8	1	
13	PU20AD010001	GREASE NIPPLE	28	PU20AC010002
	PU20AD020001	GREASE NIPPLE 45	4	PU20AC030002
14	PU01AABAC007	HEX BOLT	7	
15	C12CA0160202	CLAMP	12	
16	PU01AABAC024	HEX BOLT	3	
17	LH00ABA80000	ARM ASSEMBLY EXTRA WIDTH	1	
17	LH00ABC80000	ARM ASSEMBLY STD WIDTH	1	
17	LH00ABA80000	ARM ASSEMBLY EXTRA WIDTH	1	
17	LH00ABC80000	ARM ASSEMBLY STD WIDTH	1	

# EXT ,STD LDR LINK BRACKET, VALVE STAND, ASSY



EXTRA HEIGHT LOADER (TOP LINK 1, VALVE STAND, BUCKET CONNECTING LEVER ASSY)				
ITEM NO	PART NO	DESCRIPTION	QTY	REMARKS
1	LE00AC010000	TOP LINK 1 EXT HT ASSEMBLY	2	
2	CB16BM020026	HARDENBUSH	2	
3	PU20AD010001	GREASE NIPPLE	28	PU20AC010002
4	LC00AC040000	BUCKET CONNECT LEVER ASSEMBLY	2	
5	CB16BM020030	HARDEN BUSH	2	
6	CB16BM020026	HARDEN BUSH	1	
7	LC00AIA50000	LINK BRACKET ASSEMBLY EXTRA WIDTH	1	
7	LC00AIC50000	LINK BRACKET ASSEMBLY STD WIDTH	1	
8	PU01AABAB006	HEX BOLT	2	
9	LC12CAA50003	LINK BRACKET LEVER 3	1	
9	LC12CAC50003	LINK BRACKET LEVER 3	1	
10	PU01AABAC020	HEX BOLT 8CL	2	
11	LC12CA050009	LINK BRACKET LEVER 2	1	
12	LC67FA050011	LINK BRACKET SPRING	1	
13	LC00AB052000	LINK BRACKET LEVER 1 ASSEMBLY	1	
14	CP05BM610002	LINK BRACKET TAPER PIN	2	
15	PU02CCAF0005	NYLOCKNUT	5	
16	SPECIFY THE TRACTOR MODEL	NIPPLE	1	REFER VALVE ASSY LIST
17	SPECIFY THE TRACTOR MODEL	VALVE ADJUSTABLE PLATE ASSY	1	REFER VALVE ASSY MATRIX
18	SF00ABBEAA00	VALVE SQUARE TUBE ASSEMBLY	1	
19	PU02CCAF0011	NYLOCKNUT	3	
20	PU01AABAC038	HEX BOLT	3	
21	SF00ABBEAC00	VALVE HINGE BRACKET ASSEMBLY	1	
22	PU01AAAAD039	HEX BOLT	1	
23	PU01AABAD040	HEX BOLT	1	
24	SPECIFY THE VALVE TYPE	NIPPLE		REFER VALVE ASSY LIST
25	SPECIFY THE VALVE TYPE	BOLT		REFER VALVE ASSY LIST
26	SPECIFY THE TRACTOR MODEL	NIPPLE		REFER VALVE ASSY LIST
27	SPECIFY THE IMPLEMENT & LOADER TYPE	VALVE		REFER VALVE ASSY LIST
28	SPECIFY THE VALVE TYPE	NUT		REFER VALVE ASSY LIST
29	LC00AB28B000	VALVE COVER	1	VALVE 2PORT SMALL
	LC00AB28D000	VALVE COVER	1	VALVE 3PORT SMALL
30	SPECIFY THE VALVE TYPE	VALVE FULL ASSY	1	REFER VALVE ASSY LIST
31	SPECIFY THE VALVE TYPE	BONDED SEAL WASHER		REFER VALVE ASSY LIST
32	SPECIFY THE VALVE TYPE	BONDED SEAL WASHER		REFER VALVE ASSY LIST
33	SPECIFY THE VALVE TYPE	JOYSTICK		REFER VALVE ASSY LIST

# V3 LOADER CURVE BUCKET



### V3 LOADER CURVE BUCKET ASSY

PART NO	DESCRIPTION	Qty	Remarks
I00ABAIC0000	1000mm V3 LOADER CURVE BUCKET ASSY 0.65CU.M	1	
I00ABAID0000	1000mm V3 LOADER CURVE BUCKET ASSY 0.75CU.M		
I00ABAIJ0000	1200mm V3 LOADER CURVE BUCKET ASSY 0.65CU.M		
I00ABAJJ0000	1200mm V3 LOADER CURVE BUCKET ASSY 0.75CU.M		
PU2601C00030	TEETH	6	
PU01AABAB138	M12X1 75PX45 HEX BOLT 4CL WOC	12	
PU02AAAF0009	M12X1 75P HEXAGONAL NUT	12	

V3 21