

# KOEHRING®

## 6644

hydraulic excavator

Serial No. \_\_\_\_\_



REV 7-91

Litho In USA

<https://tractmanualz.com/>

12261-119

# USING THIS PARTS BOOK

This Parts Manual has been designed for optimum ease of reading and is the key to Customer-Distributor-Factory communication. Genuine replacement parts along with interchangeable product improvements as they become available will keep your machine in a reliable and productive condition.

The following instructions describe the features of the manual and how to use it effectively.

Use this manual also as a supplement to the Operator's Manual and Maintenance Manual when performing service procedures on the machine.



## I M P O R T A N T

This manual lists serviceable parts for EVERY machine built of this model designation. Serial numbers are used to identify parts when a product improvement is made or an alternate component is used. **KNOW THE SERIAL NUMBER OF YOUR MACHINE** before searching for replacement parts.

The **PARTS GROUP INDEX** shows the functional arrangement of associated parts for the machine. A group number identifies the same group of parts regardless of model (Group **25** is always the hydraulic system). The groups which apply to the machine are listed in numerical order. A letter suffix to a group number **25A** is used for variable or optional parts groups.

**PAGE NUMBERS** are in numerical sequence within each parts group. The first number is the group number and the second number is the numerical sequence number. Letter suffixes are used to maintain continuity to the manual as revisions are incorporated (1.1, 1.2, 1.2A, 1.2B, 1.3, etc.).

A **NUMERICAL PARTS LIST** at the front of the manual shows all part numbers in numerical sequence keyed to the pages where they can be found. Also, a part number can be cross referenced to verify whether the part is a valid serviceable part or if there is a current replacement part.

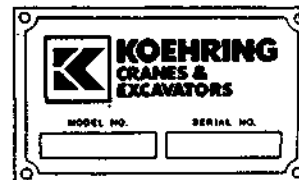
**EXPLODED VIEW ILLUSTRATIONS** show the relationship of assembled parts. The illustrations are keyed to an accompanying parts list on the same page or on the facing page and are positioned for ease in reading the manual.

— INSTRUCTIONS FOR ORDERING PARTS —

When ordering parts, contact your nearest Koehring Crane and Excavator Group distributor and give the following information to assure prompt service:

**MACHINE IDENTIFICATION:**

State the model and serial number. . . . located on a metal plate in the Operator's Cab.



**PART IDENTIFICATION:**

State the part number, description and quantity required. Do not use the item number. Avoid using the words "Pairs" or "Sets."

REF.	PART NO.	DESCRIPTION	QTY.
1	707 6594	Gear.....	1

**SHIPPING INSTRUCTIONS:**

State the invoicing address. Unless otherwise specified, invoices will be mailed to the shipping point.

State the correct shipping address and the means of shipment . . . parcel post, air mail, air freight, UPS, bus, etc.

INVOICE TO: Mid State Equipment Milwaukee, WI	SHIP TO: Ace Construction Co. Madison, WI
---	---

— LOCATING INDIVIDUAL PARTS —

1. Turn to the **PARTS GROUP INDEX** and find the general area of the part in question (Example: Seat would be found in "Operator's Cab & Machine Housings" Group 27).
2. Refer to the parts group and check to see if a subsequent letter-designated group is used. Check the title block on the pages to determine the application of the group to your particular machine.

ENGINE ASSEMBLY Detroit Diesel	14
-----------------------------------	----

ENGINE ASSEMBLY Cummins Diesel	14A
-----------------------------------	-----

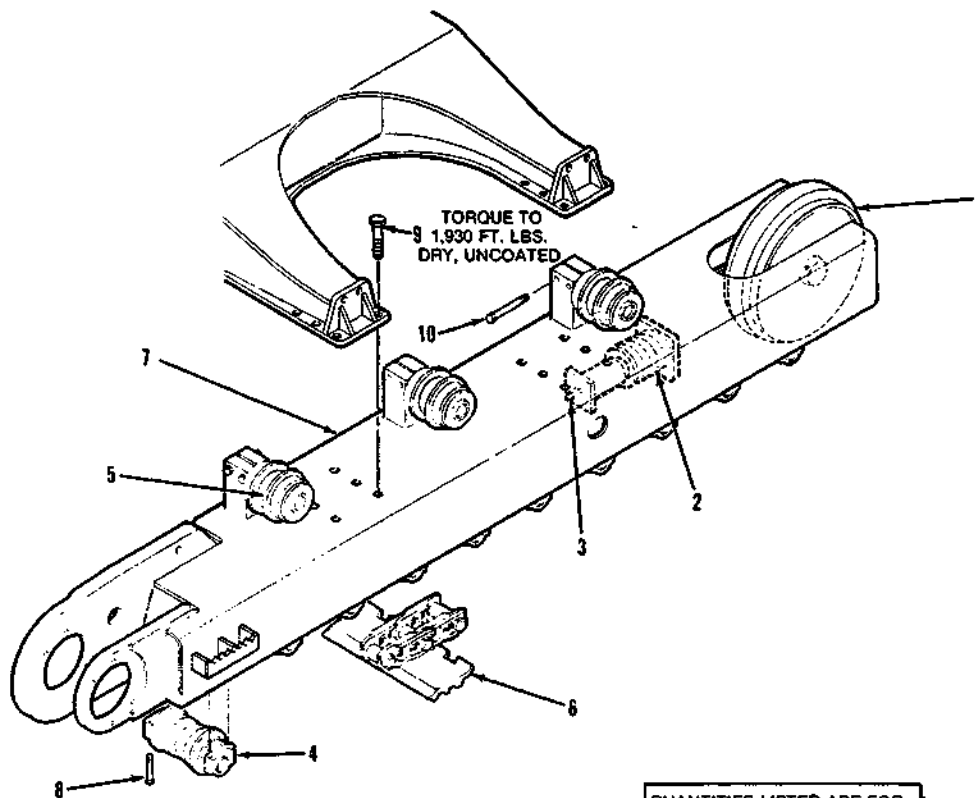
3. Major assemblies are shown at the beginning of each group with page references to component parts breakdowns on the pages which follow. Briefly skim through the group to familiarize yourself with the information included in it. Locate the illustration and parts list which pertain to the assembly or part you desire. Compare the serial number of your machine to those which may appear on the page to be sure you are ordering the correct part.
4. Item numbers on the illustration correspond to those in the parts list. Parts not shown with an item number are the same as identical or symmetrical parts with an item number. Parts keyed with an asterisk (\*) or other symbol (\*\*, ■, ○, ◇,) are included in a repair kit. If no part number is shown, these parts cannot be ordered separately.
5. Quantities are shown as required per component or assembly unless otherwise noted.
6. If an assembly is listed without any serviceable parts, it must be ordered complete. Serviceable parts of components are listed under the component part or on a subsequent page as indicated.
7. All hardware shown without the size listed after the noun name is specially made for the particular application and must not be substituted with standard hardware.

# PARTS GROUPS

DESCRIPTION	GROUP NO.
Crawler & Carbody .....	<b>1</b>
Turntable, Fuel Tank .....	<b>12</b>
Counterweight .....	<b>13</b>
Engine .....	<b>14</b>
Power Take-Off .....	<b>15</b>
Swing System .....	<b>22</b>
Pump Drive Case .....	<b>24</b>
Hydraulic System .....	<b>25</b>
Air System .....	<b>26</b>
Operator's Cab & Machinery Housing .....	<b>27</b>
Operator's Controls, Piping & Linkage .....	<b>28</b>
Guards, Rails, Steps, Mirrors, Catwalks .....	<b>29</b>
Nameplates & Decals .....	<b>30</b>
Heating & Air Conditioning .....	<b>31</b>
Electrical System .....	<b>33</b>
Horn, Wiper, Floodlights, Accessories .....	<b>34</b>
Tools, Paint, Powerluber & Accessories .....	<b>35</b>
Hoe Attachment .....	<b>36</b>
Logger Attachment .....	<b>38</b>

**NOTE.**

*Block numbers correspond to group block numbers on parts pages.*



QUANTITIES LISTED ARE FOR BOTH CRAWLER ASSEMBLIES. RIGHT HAND CRAWLER FRAME PARTS ILLUSTRATED.

REF.	PART NO.	DESCRIPTION	QTY.
1	Page 1.2	Idler Tumbler Assembly.....	2
2	Page 1.2	Spring, Recoil.....	2
3	Page 1.2	Cylinder, Adjusting.....	2
4	Page 1.7	Roller, Lower.....	18
5	Page 1.8	Roller, Carrier.....	6
6	Page 1.9	Track Assembly.....	2
7	U359E9030	Frame, RH Crawler (Shown)...	1
	U359E9031	Frame, LH Crawler.....	1
8	310V3375	Capscrew, 3/4 x 4 Gr 5.....	72
	332V2600	Lockwasher, 3/4.....	72
9	310V4145	Capscrew, Gr 8.....	24
	U334V3401	Washer, Hardened.....	24
10	310V3362	Capscrew, 3/4 x 5-1/2 Gr 5. 12	
	340V3331	Locknut, 3/4 Gr 5.....	12

WHEN ORDERING PARTS, SPECIFY MODEL NUMBER, SERIAL NUMBER AND DESCRIPTION OF PART REQUIRED



CRAWLER ASSEMBLY

DATE: Revised 7-86

MODEL: 6644E

GROUP

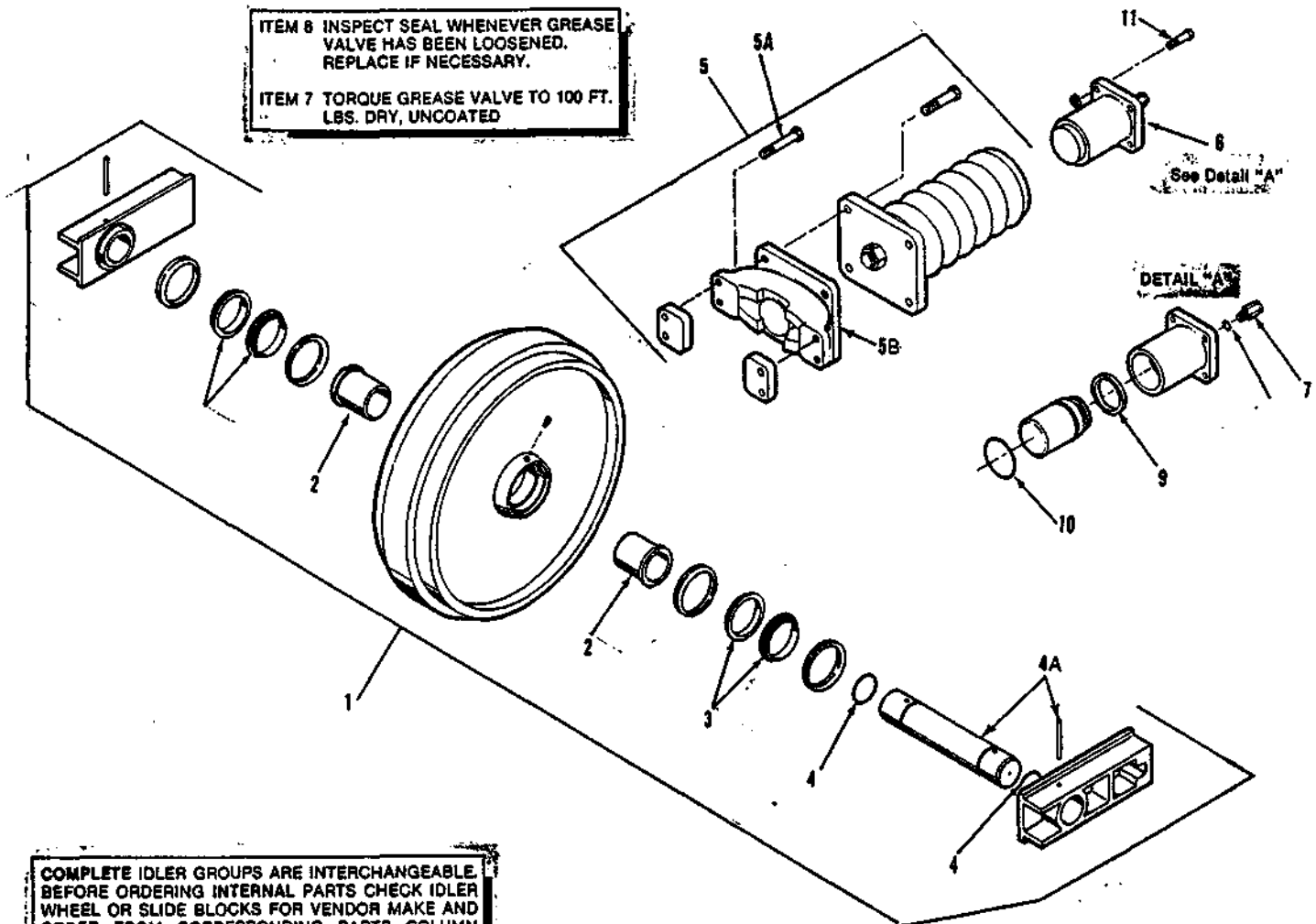
1

PAGE 1.1

⊗ DISCONTINUED PART REFER TO NUMERICAL PARTS LIST FOR REPLACEMENT PART(S)

ITEM 8 INSPECT SEAL WHENEVER GREASE VALVE HAS BEEN LOOSENED. REPLACE IF NECESSARY.

ITEM 7 TORQUE GREASE VALVE TO 100 FT. LBS. DRY, UNCOATED



COMPLETE IDLER GROUPS ARE INTERCHANGEABLE. BEFORE ORDERING INTERNAL PARTS CHECK IDLER WHEEL OR SLIDE BLOCKS FOR VENDOR MAKE AND ORDER FROM CORRESPONDING PARTS COLUMN BELOW.

REF	PART NO. Berco	PART NO. Petti-West ITm or ITs)	PART NO. Intertrack (I) Prior Ser. #21035	PART NO. Intertrack (I) Begin Ser. #21035	DESCRIPTION	QTY.
	U901V3488	U901V3495	U901V3489	U901V3489	Idler & Recoil Group.....	1
	(U359D8995-1)	(U359D8995-2)	(100mm Cyl.)	(U359D8995-3) (125mm Cyl.)	(Incl. Items 1 thru 10)	
1	U422V0137	U422V0080	U901V3490	U901V3490	Wheel w/Slide Bars.....	1
					(incl. Items 2,3 & 4)	
2	901V2094	901V2004	901V1395	901V1395	Bushing.....	2
3	901V3079	901V2006	901V1459	901V1459	Seal Group.....	2
4	901V2096	901V2008	901V1408	901V1408	O-Ring.....	2
4A				901V1406	Shaft.....	1
				29089	Pin, Roll.....	1
5	U901V3487	U901V3246	U901V3491	U901V3491	Spring Group.....	1
5A			901V3858	901V3858	Bolt.....	4
			901V1411	901V1411	Lockwasher.....	4
5B	901V4101			901V4102	Yoke.....	1
6	U901V2234	U901V2792	U901V3492	U422V0098	Adjusting Cylinder Group.....	1
					(incl. Items 7,8,9 & 10)	
7	901V2235	901V2798	901V1294	901V1278	Valve, grease.....	1
8	901V2111	901V2799	901V1277	901V1277	Seal.....	1
9	901V2110	901V2783	901V1297	901V1276	Seal.....	1
10	901V2108	901V2784	901V2795	901V3754	Seal, Wiper.....	1
	310V3239	310V3239			Capscrew, M16 x 65 Gr 8.....	8
11			316V3145	316V3145	Capscrew, 5/8C x 4 Gr 8.....	8
			340V3127	340V3127	Nut, 5/8C Gr 8.....	8

WHEN ORDERING PARTS, SPECIFY MODEL NUMBER, SERIAL NUMBER AND DESCRIPTION OF PART REQUIRED



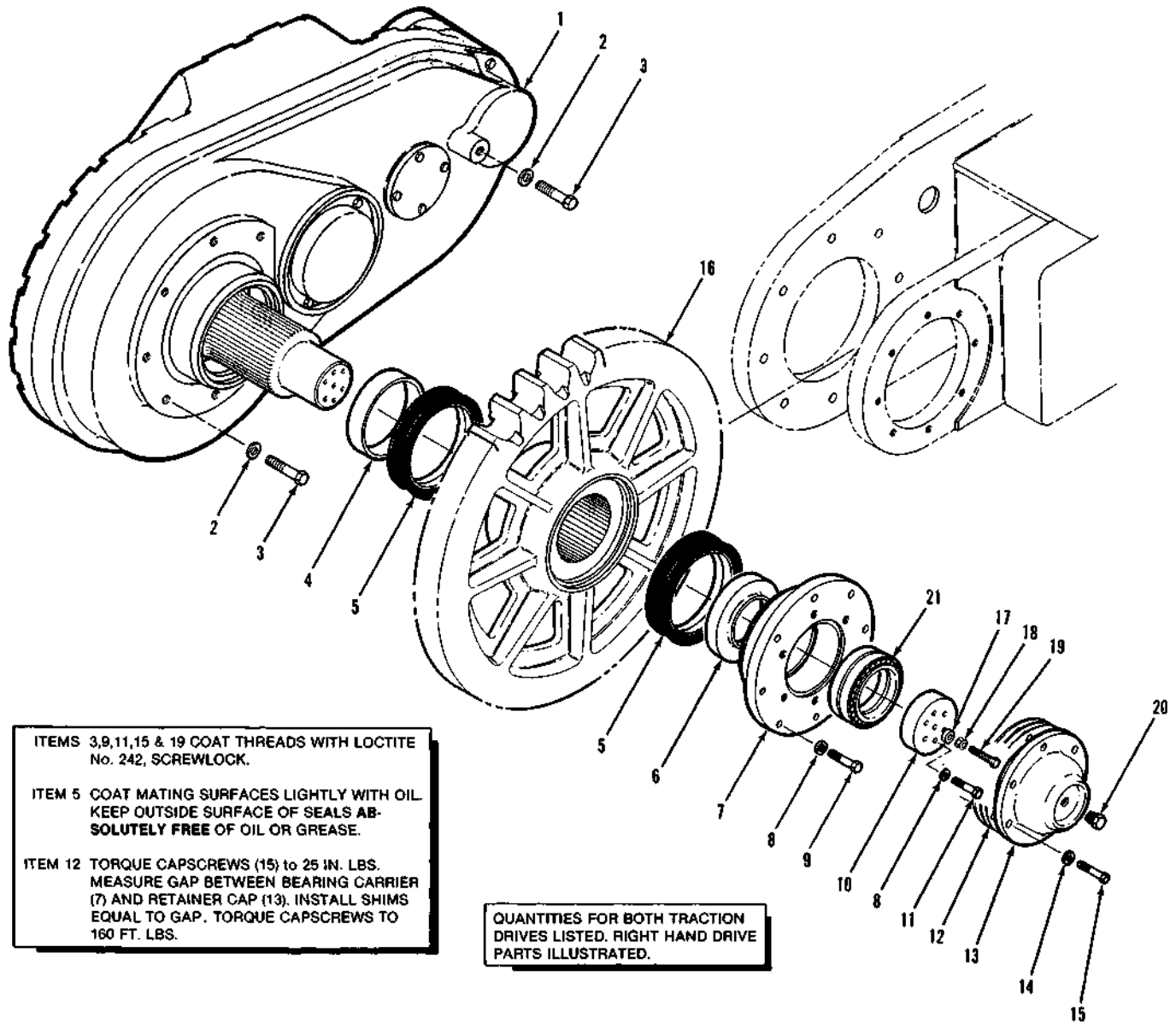
**IDLER TUMBLER ASSEMBLY**

<https://tractormanualz.com/>

DATE: Revised 7-91  
MODEL: 6644E

GROUP  
**1**

⊗ DISCONTINUED PARTS REFER TO NUMERICAL PARTS LIST FOR REPLACEMENT PART(S)



ITEMS 3,9,11,15 & 19 COAT THREADS WITH LOCTITE No. 242, SCREWLOCK.

ITEM 5 COAT MATING SURFACES LIGHTLY WITH OIL. KEEP OUTSIDE SURFACE OF SEALS ABSOLUTELY FREE OF OIL OR GREASE.

ITEM 12 TORQUE CAPSCREWS (15) TO 25 IN. LBS. MEASURE GAP BETWEEN BEARING CARRIER (7) AND RETAINER CAP (13). INSTALL SHIMS EQUAL TO GAP. TORQUE CAPSCREWS TO 160 FT. LBS.

QUANTITIES FOR BOTH TRACTION DRIVES LISTED. RIGHT HAND DRIVE PARTS ILLUSTRATED.

REF.	PART NO.	DESCRIPTION	QTY.	REF.	PART NO.	DESCRIPTION	QTY.
1	U335F1527	Case Ass'y Track Drive ...	2	12	406V4007	Shim (.005")	6
	Spec. Ord.	(For Parts, See Pg. 1.4)			406V4006	Shim (.007")	6
2	334V3002	Washer, Hardened	16		406V4005	Shim (.020")	4
3	310V3721	Cap screw	16	13	361B3384	Retainer, Cap	2
4	359A7413	Spacer	2	14	334V2402	Washer, Hardened	12
5	461V1518	Seal	4	15	310V3175	Cap screw	12
6	361A3381	Spacer	2			(5/8" NC x 2 1/4" - GR.5)	
7	361C3375	Carrier, Bearing	2	16	359D7444	Sprocket, Drive	2
8	334V2664	Washer, Hardened	40	17	361A3382	Ring, Blocker	2
9	316V3315	Cap screw	16	18	371V3300	Washer (Cupped)	2
		(3/4" NC x 2 1/4" - GR.5)		19	310V3394	Cap screw	4
10	361A3377	Retainer	2			(3/4" NC x 2" - GR.5)	
11	316V3335	Cap screw	12	20	360V0417	Plug (3/4")	2
		(3/4" NC x 2 3/4" - GR.8)		21	U404V3321	Bearing	2

WHEN ORDERING PARTS, SPECIFY MODEL NUMBER, SERIAL NUMBER AND DESCRIPTION OF PART REQUIRED



**TRACTION DRIVE SPROCKET & TRANSMISSION**

DATE: Issued: 2-85

MODEL: 6644E

PAGE 1.3

**GROUP 1**

⊗ DISCONTINUED PART! REFER TO NUMERICAL PARTS LIST FOR REPLACEMENT PART(S)



**TRANSMISSION CASE ASS'Y**

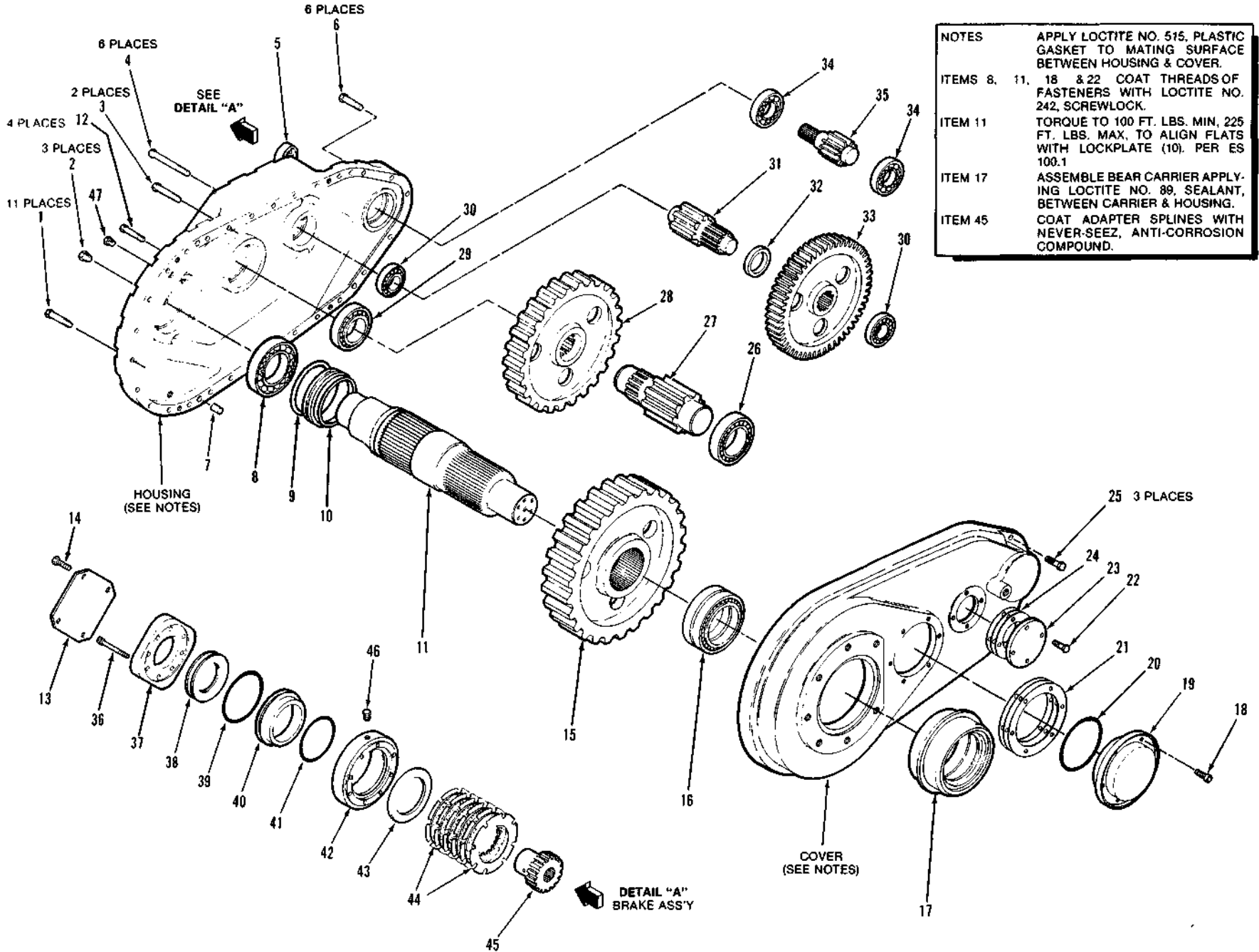
CATEL. Issued: 2-85

MODEL: 6644E

PAGE 1.4

Sheet 1 of 2

WHEN ORDERING PARTS, SPECIFY MODEL NUMBER, SERIAL NUMBER AND DESCRIPTION OF PART REQUIRED



- NOTES**
- APPLY LOCTITE NO. 515, PLASTIC GASKET TO MATING SURFACE BETWEEN HOUSING & COVER.
  - ITEMS 8, 11, 18 & 22 COAT THREADS OF FASTENERS WITH LOCTITE NO. 242, SCREWLOCK.
  - ITEM 11 TORQUE TO 100 FT. LBS. MIN, 225 FT. LBS. MAX, TO ALIGN FLATS WITH LOCKPLATE (10), PER ES 100.1
  - ITEM 17 ASSEMBLE BEAR CARRIER APPLYING LOCTITE NO. 89, SEALANT, BETWEEN CARRIER & HOUSING.
  - ITEM 45 COAT ADAPTER SPLINES WITH NEVER-SEEZ, ANTI-CORROSION COMPOUND.

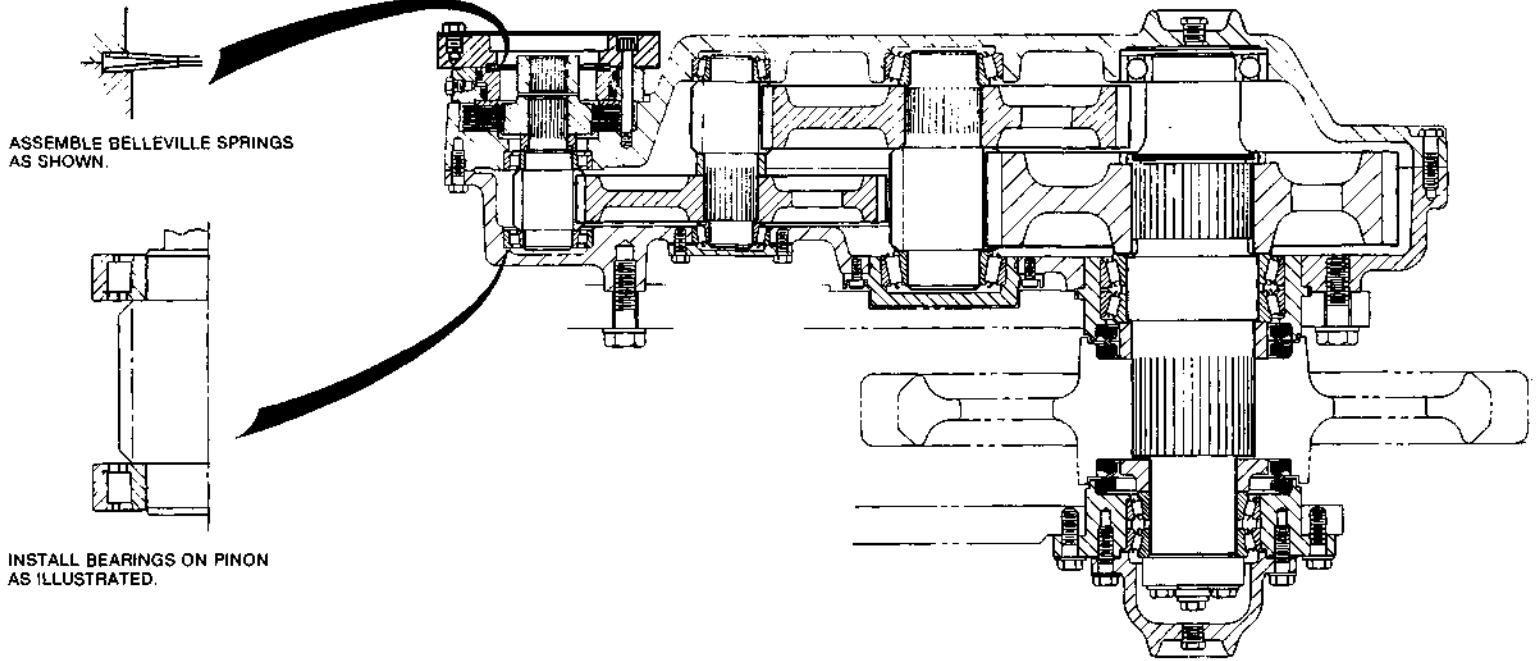


**TRANSMISSION CASE ASS'Y**

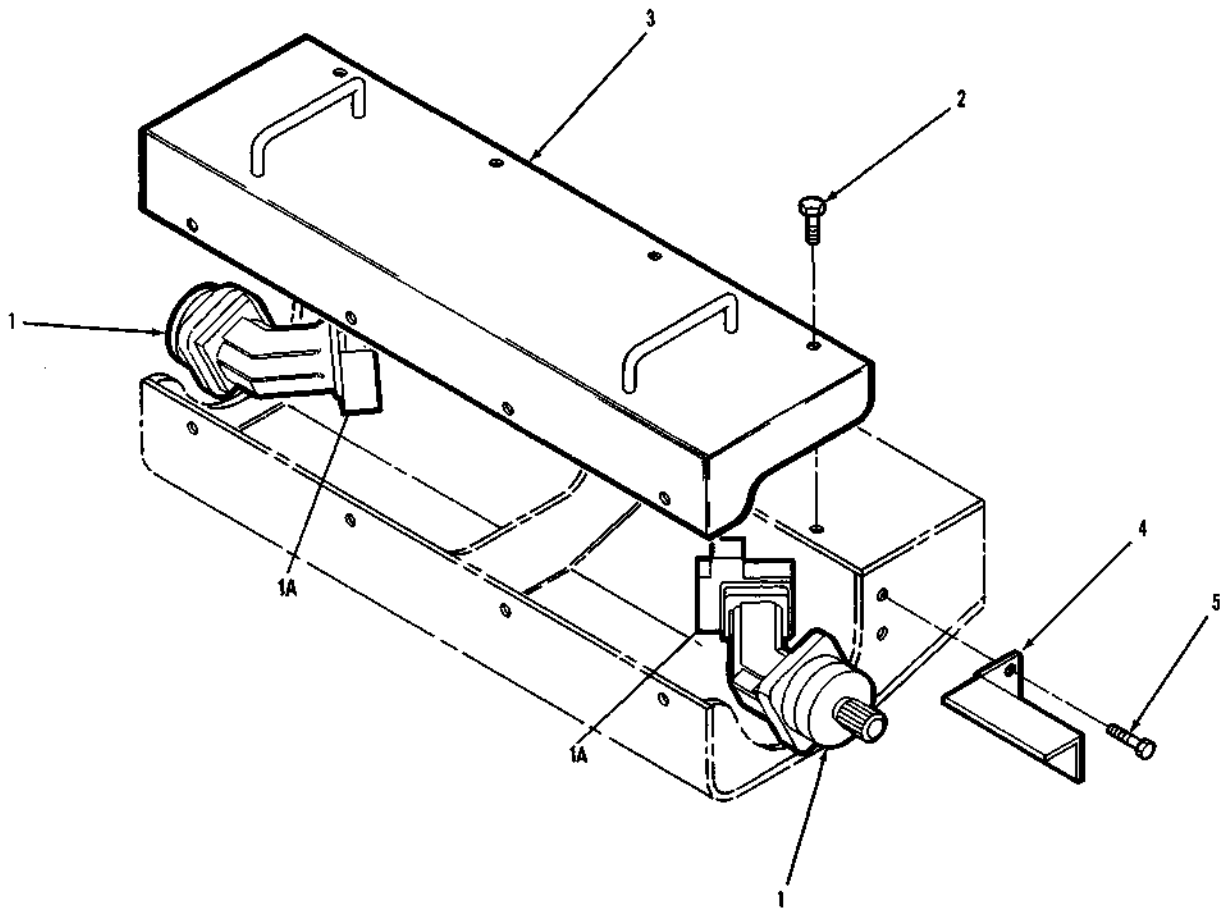
WHEN ORDERING PARTS, SPECIFY MODEL NUMBER, SERIAL NUMBER AND DESCRIPTION OF PART REQUIRED

DATE Issued: 285  
MODEL: 6644E

GROUP 1



REF.	PART NO.	DESCRIPTION	QTY.	REF.	PART NO.	DESCRIPTION	QTY.	REF.	PART NO.	DESCRIPTION	QTY.
—	U335F1527(CF) Spec. Ord.	Case Ass'y, Transmission (Includes All Parts Listed Below)	1	15	359C4108	Gear, 3rd Reduction . . . . .	1	30	404V3111	Bearing . . . . .	2
1	310V2846	Capscrew . . . . . (1/2" NC x 1" - GR.5)	2	16	U404V4014	Bearing Assembly . . . . .	1	31	359C4105	Pinion, 2nd Reduction . . .	1
2	360V0417	Plug, Pipe (3/4") . . . . .	2	17	359C7418	Carrier, Bearing . . . . .	1	32	359B4196	Spacer . . . . .	1
3	316V3104	Capscrew . . . . . (5/8" NC x 3 1/4" - GR.5)	2	18	310V2846	Capscrew, Soc. Hd. . . . . (1/2" NC x 1" - GR.5)	6	33	359C4104	Gear, 1st Reduction . . . . .	1
4	310V3190	Capscrew . . . . . (5/8" NC x 7" - GR.5)	6	19	359B7521	Carrier, Bearing . . . . .	1	34	403V2980	Bearing . . . . .	2
5	364A2892	Spacer . . . . .	1	20	460V0416	O-Ring . . . . .	1	35	359C6527	Pinion, Motor . . . . .	1
6	310V3185	Capscrew . . . . . (5/8" NC x 1 1/2" - GR.5)	6	21	406V4013	Shim (.020) . . . . .	1	36	316V2745	Capscrew, Soc. Hd. . . . . (1/2" NC x 6" - STL.)	8
7	353V5202	Pin, Dowel . . . . .	2	22	406V4012	Shim (.007) . . . . .	3	37	361C1859	Cover . . . . .	1
8	403V2601	Bearing, Ball . . . . .	1	23	406V4011	Shim (.005) . . . . .	3	38	359A4102	Spring . . . . .	2
9	359A5994	Ring, Retainer . . . . .	1	24	316V2728	Capscrew . . . . . (1/2" NC x 1 1/2" - GR.5)	4	39	460V0406	O-Ring . . . . .	1
10	359A5787	Retainer . . . . .	1	25	332V2200	Washer, Lock (1/2" STD.) . .	4	40	359C6263	Piston . . . . .	1
11	359C8681	Shaft . . . . .	1	26	359B4111	Retainer . . . . .	1	41	460V0405	O-Ring . . . . .	1
12	316V3130	Capscrew . . . . . (5/8" x 1" - GR. 5)	4	27	406V2815	Shim (.020) . . . . .	1	42	359C6264	Cylinder . . . . .	1
13	361A1464	Cover . . . . .	1	28	406V2805	Shim (.007) . . . . .	3	43	359B6262	Gasket (1 each) . . . . .	2
14	316V3344	Capscrew . . . . . (3/4" x 1" - GR. 5)	4	29	406V2814	Shim (.005) . . . . .	3	44	359C0020	Plate, Thrust . . . . .	1
					310V3185	Capscrew . . . . . (5/8" NC x 1 1/2" - GR.5)	3	45	372V1311	Plate . . . . .	6
					404V3022	Bearing . . . . .	1	46	359C7216	Disk, Friction . . . . .	5
					404V3107	Pinion, 3rd Reduction . . .	1	47	U353V1624	Adapter . . . . .	1
					359C4106	Gear, 2nd Reduction . . . . .	1		359C7216	Pin . . . . .	1
					404V3922	Bearing . . . . .	1		362V4401	Plug, Pipe (inc. O-Ring) . .	1
									460V0885	Ring, "O" . . . . .	1
									420V3887	Breather . . . . .	1



REF.	PART NO.	DESCRIPTION	QTY.
-	U288C2656-099	Motor, Traction.....	2
		(For Parts See Pg. 1.6, Sheet 1 of 2)	
1	355A2381	Gasket.....	2
	300V2278	Bolt, Lock.....	8
	U334V2664	Washer, Hardened.....	8
1A	U288C2704	Valve, Counterbalance.....	2
		(For Parts See Pg. 1.6, Sheet 2 of 2)	
	316V2306	Capscrew.....	8
2	333V2003	Lockwasher (3/8").....	8
	U359C7908 (CF)	Cover, Motor (Excavator).....	1
3	U359D8631 (CF)	Cover, Motor.....	1
		(Logger & Kane Loader)	
	359A7913-001 (CF)	Guard, RH (Shown).....	1
4	359A7913-002 (CF)	Guard, LH.....	1
	316V2305	Capscrew.....	4
		(3/8"NC x 1-1/2" Gr. 5)	
5	333V2003	Lockwasher (3/8").....	4
	340V2323	Nut, Lock (3/8"NC Gr. A).....	4

WHEN ORDERING PARTS, SPECIFY MODEL NUMBER, SERIAL NUMBER AND DESCRIPTION OF PART REQUIRED



TRACTION MOTORS & COVERS

DATE: Revised 5-85

MODEL: 6644E

PAGE 1.5

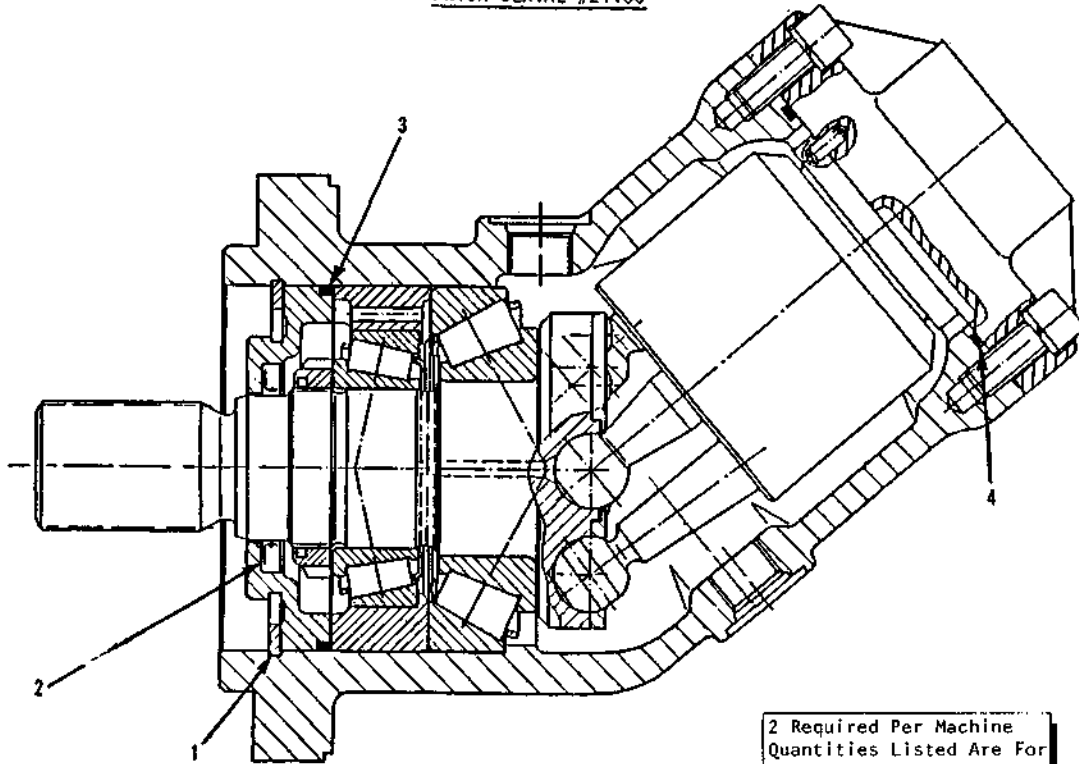
GROUP

1

⊗ DISCONTINUED PART! REFER TO NUMERICAL PARTS LIST FOR REPLACEMENT PART(S)

<https://tractormanualz.com/>

PRIOR SERIAL #21106



2 Required Per Machine  
Quantities Listed Are For  
One Motor Assembly

REF.	PART NO.	DESCRIPTION	QTY.
	U288C2656-099	Motor, Traction.....	1
	901 4089	Kit, Viton(Repl.901 3601).. (Includes All Items Marked With an Asterisk *)	1
1	901 3602	Ring, Retainer.....	1
2	901 4024	*Seal, Viton(Repl.901 3603)..	1
3	460 0330	*O-Ring.....	1
4	460 0352	*O-Ring.....	1
	460 0079	*O-Ring (Tube Fitting)..... (Included In Kit,Not Shown)	2

WHEN ORDERING PARTS, SPECIFY MODEL NUMBER, SERIAL NUMBER AND DESCRIPTION OF PART REQUIRED



TRACTION MOTOR ASSEMBLY

DATE: Revised 11-88

MODEL: 6644E

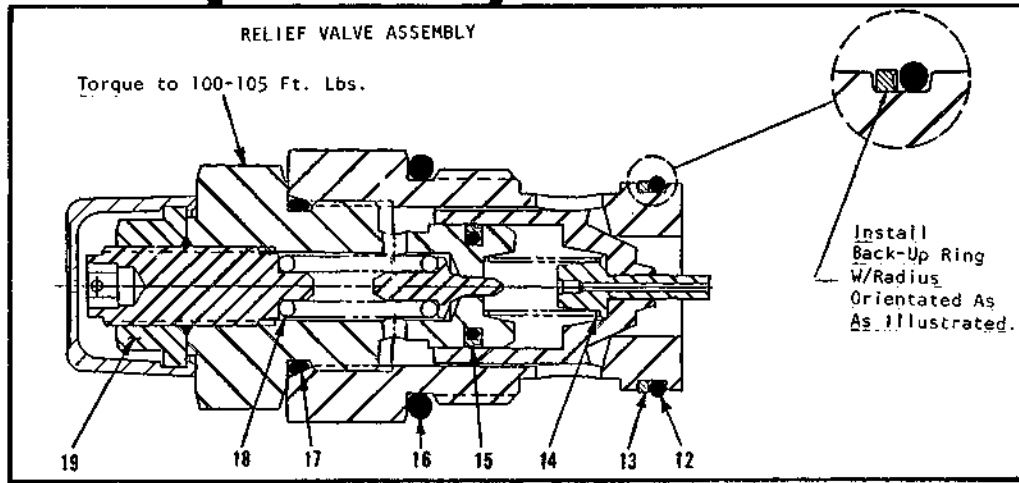
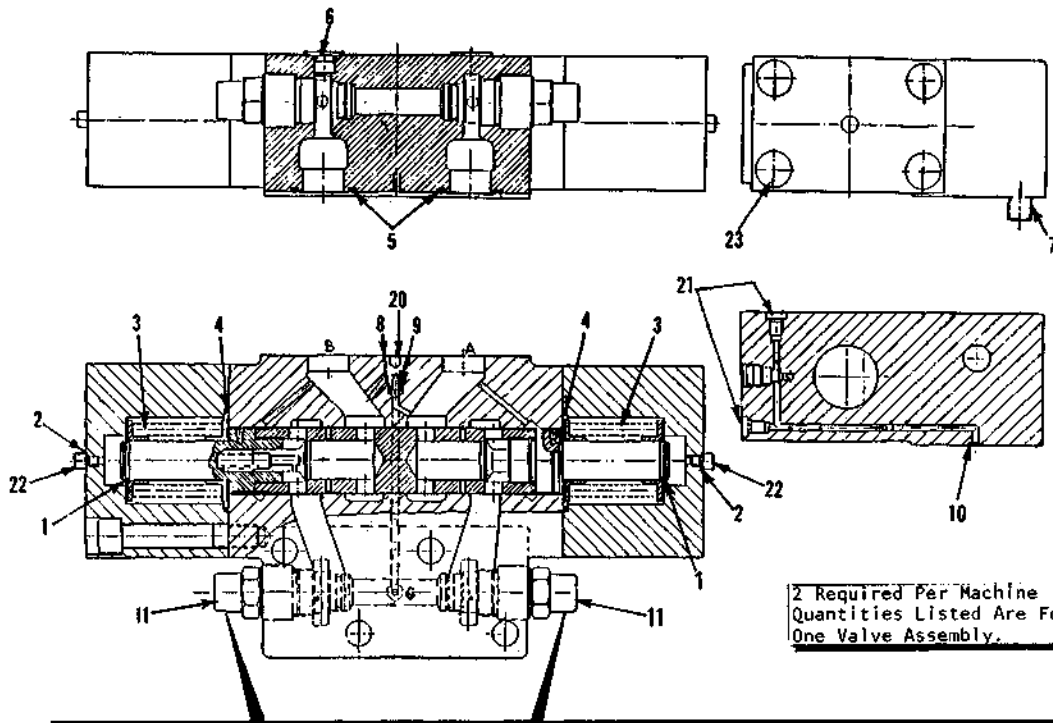
GROUP

1

PAGE 1.6  
Sheet 1 of 2

⊗ DISCONTINUED PART! REFER TO NUMERICAL PARTS LIST FOR REPLACEMENT PART(S)

<https://tractormanualz.com/>



REF.	PART NO.	DESCRIPTION	QTY.	REF.	PART NO.	DESCRIPTION	QTY.
	U288C2704	Valve, Counterbalance..	1	9	901 3627	Ball, Steel.....	1
	901 3619	Kit, Seal.....	1	10	901 3634	*O-Ring.....	1
		(Includes All Parts Marked With An Asterisk *)		11	901 3628	Valve, Relief.....	2
	901 3620	Kit, Relief Valve.....	1	12	460 6003	*O-Ring.....	1
		(Includes All Parts Marked With A Dot °)		13	901 3629	*Ring, Back-Up.....	1
1	901 3621	Ring, Retainer.....	2	14	901 3630	Spring, Pressure.....	1
2	901 3622	*Seal, Ring.....	2	15	901 3631	*Seal, Step w/O-Ring...	1
3	901 3623	Spring, Pressure.....	2	16	901 3670	*O-Ring.....	1
4	460 0208	*O-Ring.....	2	17	460 0812	*O-Ring.....	1
5	460 0120	*O-Ring.....	2	18	901 3632	Spring, Pressure.....	1
6	901 3624	Plug w/O-Ring.....	2	19	901 3633	*Nut, Seal Lock.....	1
7	901 3625	Screw, Sock Hd.....	4	20	901V3851	Screw.....	1
°	901 3626	*O-Ring.....	1	21	901V3861	*Plug.....	2
				22	901V3862	Screw, Sock Hd Metric..	2
				23	901V3863	Screw, Sock Hd Metric..	8
					1218-284	*O-Ring (Tube Fitting)..	2
						(Included in Kit But Not Illustrated)	

WHEN ORDERING PARTS, SPECIFY MODEL NUMBER, SERIAL NUMBER AND DESCRIPTION OF PART REQUIRED



**COUNTERBALANCE VALVE ASSEMBLY**

DATE: Revised 7-86

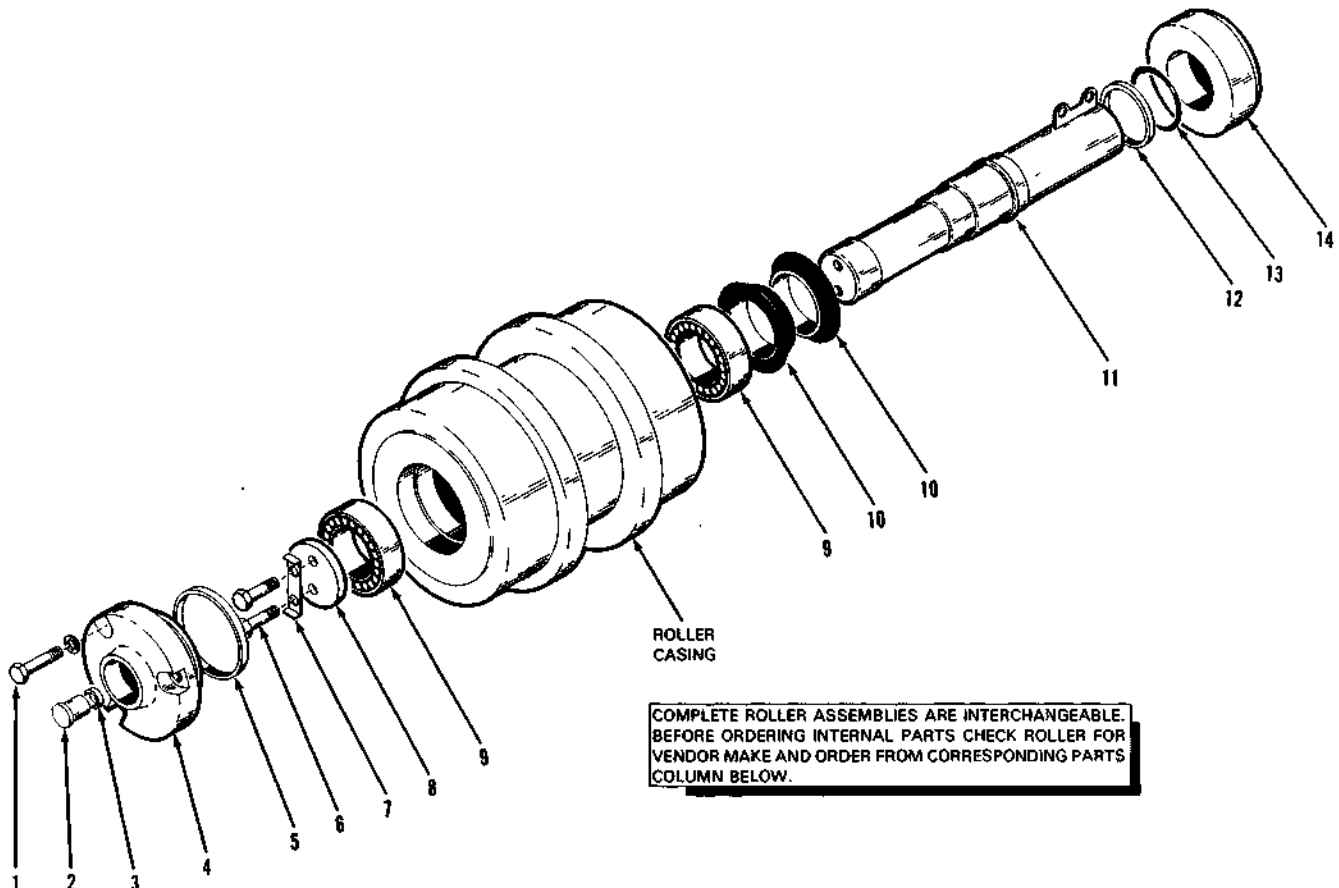
MODEL: 6644E

GROUP 1

PAGE 1.6

Sheet 2 of 2

⊗ DISCONTINUED PART! REFER TO NUMERICAL PARTS LIST FOR REPLACEMENT PART(S)



REF.	PART NO.			DESCRIPTION	
	DS Berco	DS Italtractor ITm or ITs	intertractor		
-	U422V0037	U422V0039	U422V0129	Roller Assembly.....	1
				(Incl. Parts Listed Below)	
1	N/S	N/S	N/S	Bolt.....	3
2	N/S	N/S	N/S	Lockwasher.....	3
3	901V2010	901V2049	901V2240	Plug.....	1
4	N/S	N/S	N/S	Seal.....	1
5	901V2014	901V2047	901V3307	Cover.....	1
6	N/S	N/S	N/S	Seal.....	1
7	-	N/S	-	Bolt.....	2
8	N/S	N/S	N/S	Plate, Lock.....	1
9	N/S	N/S	N/S	Lockwasher.....	2
10	U901V2212	901V2055	901V2229	Retainer.....	1
11	N/S	N/S	N/S	Bearing Ass'y.....	2
12	901V2018	901V2053	901V3301	Seal Group.....	1
13	N/S	N/S	N/S	Shaft.....	1
14	N/S	N/S	N/S	Seal, Shaft.....	1
				Ring, Retainer.....	1
				Collar Assembly.....	1

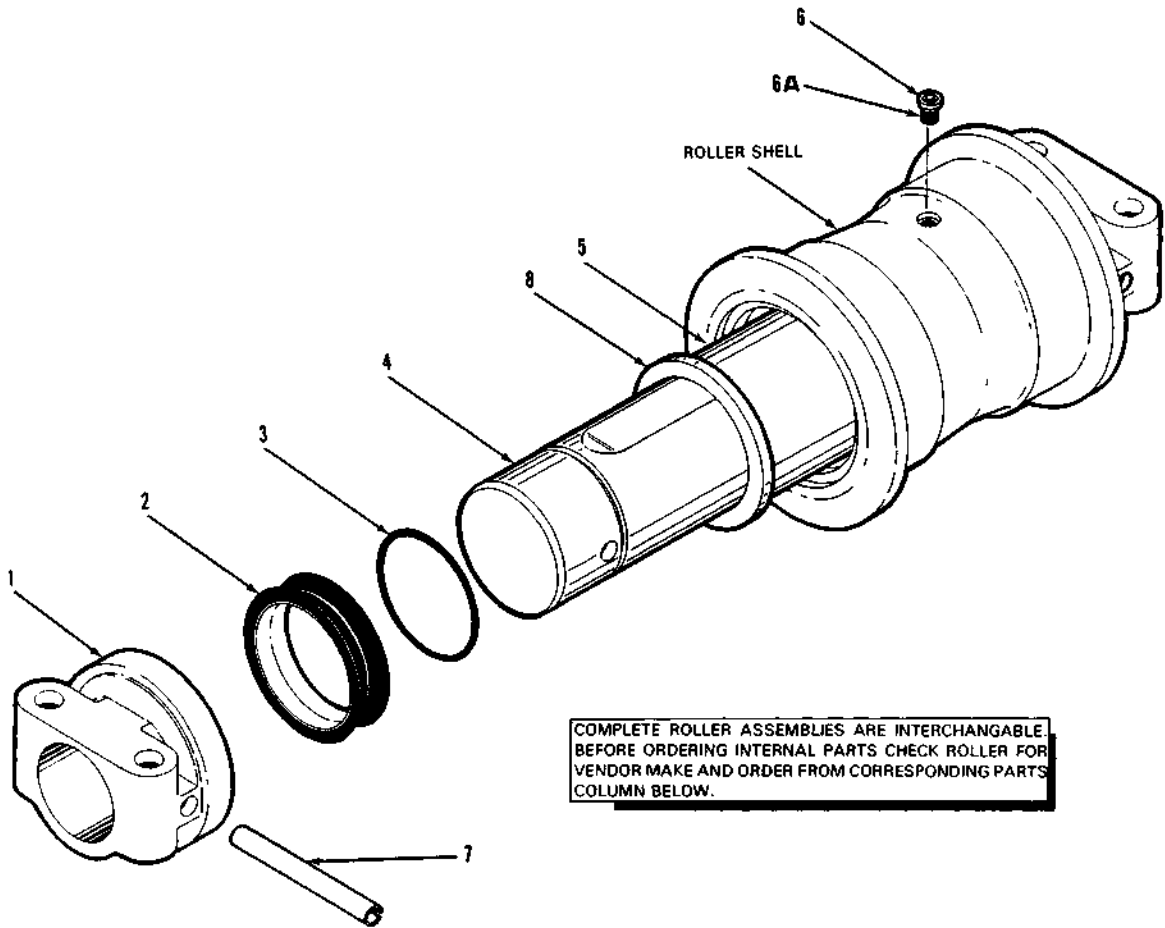
WHEN ORDERING PARTS, SPECIFY MODEL NUMBER, SERIAL NUMBER AND DESCRIPTION OF PART REQUIRED



**CARRIER ROLLER ASSEMBLY**

DATE: Revised 3-87  
MODEL: 6644E

**GROUP**  
**1**



REF.	PART NO.			DESCRIPTION	QTY.
	DS Berco	DS Itaitractor ITm or ITs	Intertractor		
	U422V0035	U422V0036	U412V9222	Roller Assembly.....	1
				(Incl. Parts Listed Below)	
1	N/S	N/S	901V1461	Collar, End.....	2
2	U901V2095	901V2006	29087	Seal Group.....	2
3	901V2032	901V2008	901V1408	O-Ring.....	2
4	N/S	N/S	N/S	Shaft.....	1
5	901V2036	901V2004	901V1395	Bushing.....	2
6	-	901V2003	901V1396	Plug w/Gasket.....	1
6A	901V2029	-	-	Plug.....	1
	901V2028	-	-	Gasket.....	1
7	901V2030	901V2039	3011462	Pin.....	2
8	901V2033	-	-	Ring, Thrust.....	2

WHEN ORDERING PARTS, SPECIFY MODEL NUMBER, SERIAL NUMBER AND DESCRIPTION OF PART REQUIRED



**LOWER ROLLER ASSEMBLY**

DATE: Revised 3-87  
MODEL: 6644E

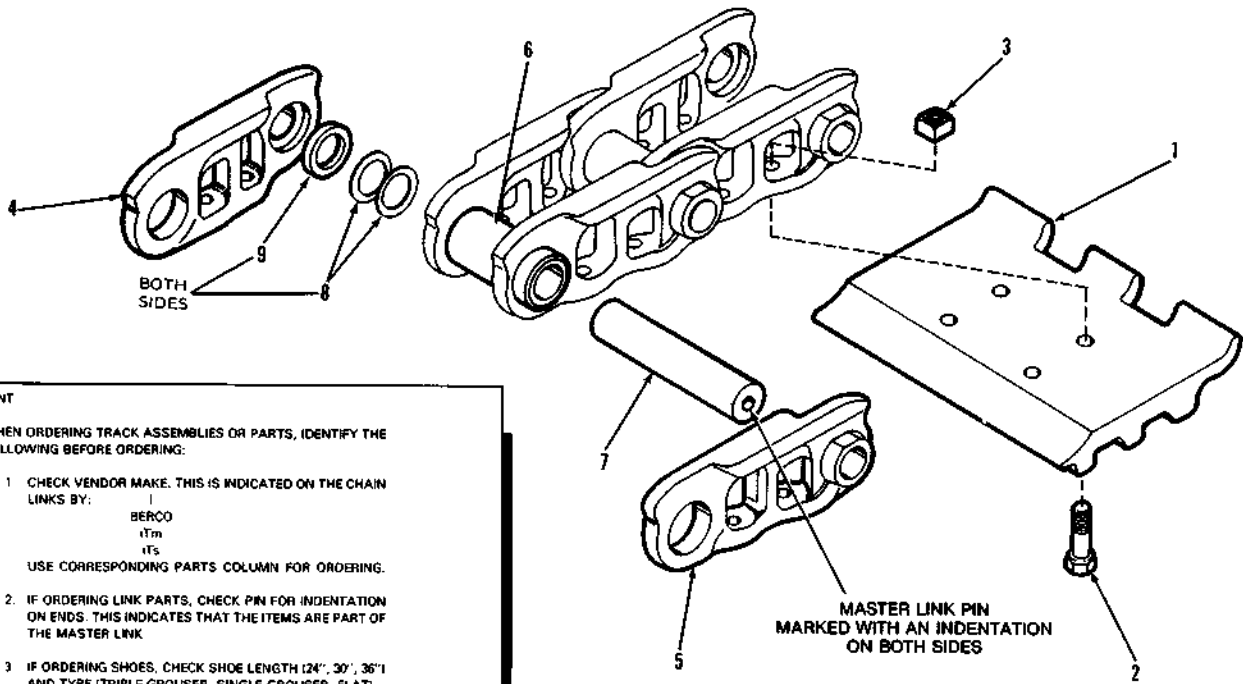
GROUP  
**1**

PAGE 1.8

⊗ DISCONTINUED PART! REFER TO NUMERICAL PARTS LIST FOR REPLACEMENT PART(S)

<https://tractormanualz.com/>

PRIOR SERIAL #21149



**IMPORTANT**

WHEN ORDERING TRACK ASSEMBLIES OR PARTS, IDENTIFY THE FOLLOWING BEFORE ORDERING:

- CHECK VENDOR MAKE. THIS IS INDICATED ON THE CHAIN LINKS BY:  

BERCO	DS
ITM	DS
ITS	DS

 USE CORRESPONDING PARTS COLUMN FOR ORDERING.
- IF ORDERING LINK PARTS, CHECK PIN FOR INDENTATION ON ENDS. THIS INDICATES THAT THE ITEMS ARE PART OF THE MASTER LINK.
- IF ORDERING SHOES, CHECK SHOE LENGTH (24", 30", 36") AND TYPE (TRIPLE GROUSER, SINGLE GROUSER, FLAT).

COMPLETE TRACK GROUPS ARE INTERCHANGEABLE. INTERNAL PARTS MUST BE IDENTIFIED.

MASTER LINK PIN MARKED WITH AN INDENTATION ON BOTH SIDES

REFER TO SERVICE MANUAL FOR CORRECT TORQUING PROCEDURE

REF.	PART NO.				DESCRIPTION	QTY.
	DS	DS	DS	DS		
	Berco	Italtractor	Italtractor	Intertractor		
		(Sealed)				
	U422V0040	U422V0019	U422V0145	U422V0041	Track Ass'y, 36".....	1
	(Incl. Items 1 thru 9)					
1	901V2113	901V1586	901V1586	901V2088	Shoe(36" Triple Grouser)...	50
	U422V0114	U422V0116	U422V0144	U422V0115	Track Ass'y, 30".....	1
	(Incl. Items 1 thru 9)					
1	901V2958	901V2566	901V2566	901V2956	Shoe(30" Triple Grouser)...	50
	U422V0090	U422V0092	U422V0143	U422V0091	Track Ass'y, 24".....	1
	(Incl. Items 1 thru 9)					
1	901V2959	901V2567	901V2567	901V2086	Shoe(24" Triple Grouser)...	50
<b>ITEMS BELOW INCLUDED IN ALL ABOVE TRACK ASSEMBLIES</b>						
2	901V2115	901V1870	901V1870	901V2084	Bolt(3/4").....	200
	-	-	901V3011	-	Bolt (30" only).....	200
3	901V2114	901V2142	901V2142	901V2085	Nut.....	200
	U901V2128	U901V2580		U901V2130	Chain, Link (50 Links)....	1
					(Incl. Items 4 thru 9)	
<b>TRACK LINK PARTS</b>						
4	901V2125	901V2134	901V2134	901V2077	Link, Track (RH).....	49
5	901V2124	901V2135	901V2135	901V2078	Link, Track (LH).....	49
6	901V2120	901V2138	901V2138	901V2081	Bushing, Track.....	49
7	901V2121	901V2140	901V2140	901V2080	Pin, Track.....	49
8	901V2116	901V2145	-	-	Seal, Washer (Cupped).....	196
<b>MASTER LINK PARTS</b>						
4	901V2123	901V2136	901V2134	901V2077	Link, Master (RH).....	1
5	901V2122	901V2137	901V2135	901V2078	Link, Master (LH).....	1
6	901V2118	901V2139	901V2139	901V2079	Bushing, Mster.....	1
7	901V2119	901V2143	901V3752	901V2083	Pin, Master.....	1
8	901V2116	901V2145	-	-	Seal, Washer (Cupped).....	4
9	901V2117	901V2144	901V3753	901V2082	Spacer (Collar).....	2

WHEN ORDERING PARTS, SPECIFY MODEL NUMBER, SERIAL NUMBER AND DESCRIPTION OF PART REQUIRED



**TRACK ASSEMBLY**

DATE Revised 3-87

MODEL: 6644E

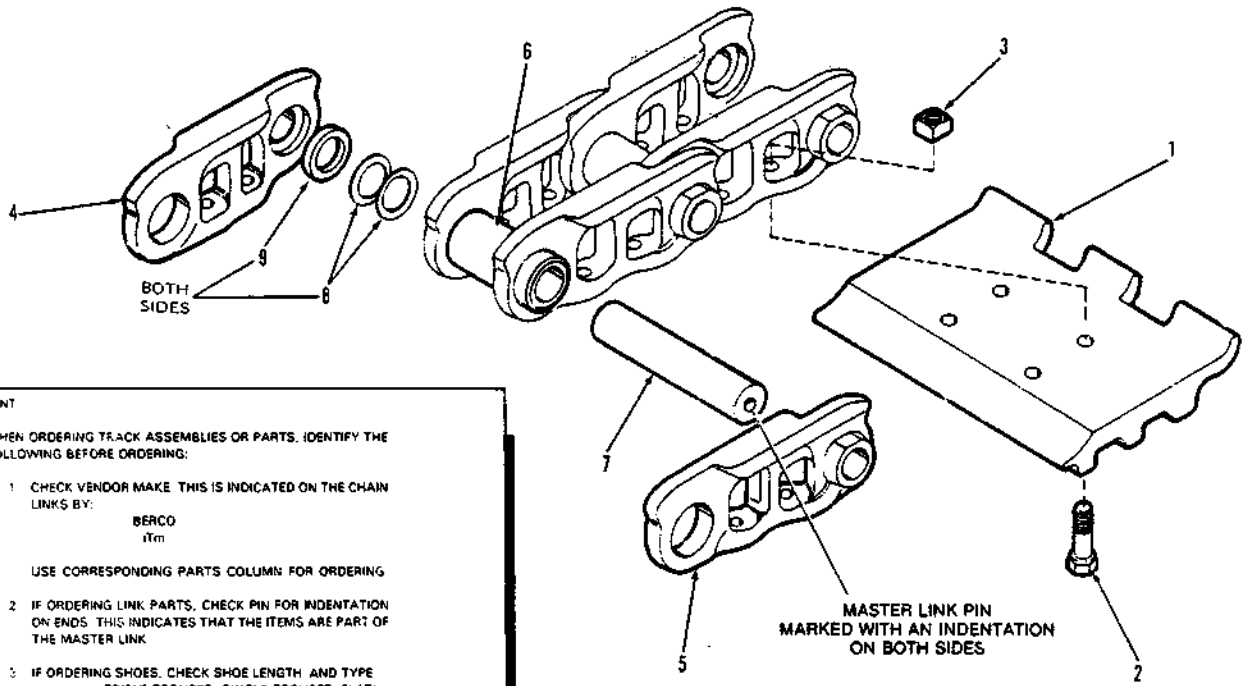
GROU

1

PAGE 1.9

⊗ DISCONTINUED PART REFER TO NUMERICAL PARTS LIST FOR REPLACEMENT PART(S)

<https://tractormanualz.com/>



**IMPORTANT**

WHEN ORDERING TRACK ASSEMBLIES OR PARTS, IDENTIFY THE FOLLOWING BEFORE ORDERING:

- CHECK VENDOR MAKE THIS IS INDICATED ON THE CHAIN LINKS BY:  
BERCO  
Itm
- USE CORRESPONDING PARTS COLUMN FOR ORDERING
- IF ORDERING LINK PARTS, CHECK PIN FOR INDENTATION ON ENDS. THIS INDICATES THAT THE ITEMS ARE PART OF THE MASTER LINK
- IF ORDERING SHOES, CHECK SHOE LENGTH AND TYPE (TRIPLE GROUSER, SINGLE GROUSER, FLAT)

COMPLETE TRACK GROUPS ARE INTERCHANGEABLE. INTERNAL PARTS MUST BE IDENTIFIED.

REFER TO SERVICE MANUAL FOR CORRECT TORQUING PROCEDURE

REF.	DS	PART NO.	DESCRIPTION	QTY.
	DS	DS		
	Berco	Italtractor		
	U422V0164	U422V0165	Track Ass'y, 35.5".....	1
			(Incl. Items 1 thru 9)	
1	901V2113	901V1586	Shoe (35.5" Triple Grouser)...	52
2	901V2115	901V1870	Bolt, 3/4".....	208
3	901V2114	901V2142	Nut.....	208
	U901V2128		Chain, Link (52 links).....	1
			(Incl. Items 4 thru 9)	
<b>TRACK LINK PARTS</b>				
4	901V2125	901V2134	Link, Track (RH).....	51
5	901V2124	901V2135	Link, Track (LH).....	51
6	901V2120	901V2138	Bushing, Track.....	51
7	901V2121	901V2140	Pin, Track.....	51
8	901V2116		Seal, Washer (Cupped).....	204
<b>MASTER LINK PARTS</b>				
4	901V2123	901V2134	Link, Master (RH).....	1
5	901V2122	901V2135	Link, Master (LH).....	1
6	901V2118	901V2139	Bushing, Master.....	1
7	901V2119	901V3752	Pin, Master.....	1
8	901V2116	-	Seal, Washer (Cupped).....	4
9	901V2117	901V3753	Spacer (Collar).....	2

WHEN ORDERING PARTS, SPECIFY MODEL NUMBER, SERIAL NUMBER AND DESCRIPTION OF PART REQUIRED



**TRACK ASSEMBLY**

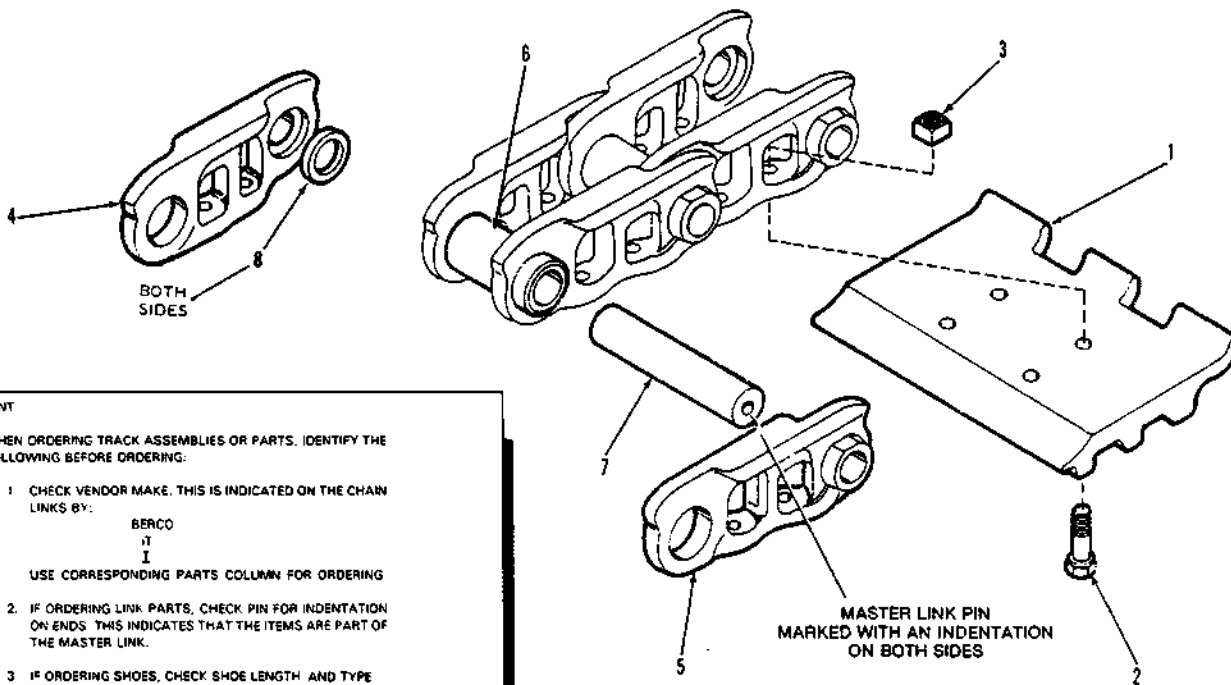
DATE Issued 3-87

MODEL 6644E

PAGE 1.9A

GROUP  
**1**

⊗ DISCONTINUED PART REFER TO NUMERICAL PARTS LIST FOR REPLACEMENT PART(S)



**IMPORTANT**  
 WHEN ORDERING TRACK ASSEMBLIES OR PARTS, IDENTIFY THE FOLLOWING BEFORE ORDERING:

- CHECK VENDOR MAKE. THIS IS INDICATED ON THE CHAIN LINKS BY:  
 BERCO  
 IT  
 I  
 USE CORRESPONDING PARTS COLUMN FOR ORDERING
- IF ORDERING LINK PARTS, CHECK PIN FOR INDENTATION ON ENDS THIS INDICATES THAT THE ITEMS ARE PART OF THE MASTER LINK.
- IF ORDERING SHOES, CHECK SHOE LENGTH AND TYPE (TRIPLE GROUSER, SINGLE GROUSER, FLAT)

COMPLETE TRACK GROUPS ARE INTERCHANGEABLE. INTERNAL PARTS MUST BE IDENTIFIED.

REFER TO SERVICE MANUAL FOR CORRECT TORQUING PROCEDURE

REF.	PART NO.	DESCRIPTION	QTY.
	Berco    It tractor    Intertractor		
1	U422V0158    U422V0159    U422V0160	Track Ass'y, 29.5" STD.....	1
		(Incl. Items 1 thru 8)	
		Shoe (29.5" Double Grouser).	52
1	U422V0161    U422V0162    U422V0163	Track Ass'y, 29.5" STD.....	1
		(Incl. Items 1 thru 8)	
		Shoe (29.5" Triple Grouser).	52
1	U422V0155    U422V0156    U422V0157	Track Ass'y, 29.5" ES.....	1
		(Incl. Items 1 thru 8)	
		Shoe (29.5" Triple Grouser).	52
1	U422V0152    U422V0153    U422V0154	Track Ass'y, 35.4" ES.....	1
		(Incl. Items 1 thru 8)	
		Shoe (35.4" Triple Grouser).	52
<b>ITEMS BELOW INCLUDED IN ALL ABOVE TRACK ASSEMBLIES</b>			
2	901V3980	Bolt, 7/8".....	208
3	901V3981	Nut.....	208
	901V3982	Chain, Link (52 Links).....	1
		(Incl. Items 4 thru 8)	
<b>TRACK LINK PARTS</b>			
4	901V3984	Link, Track (RH).....	51
5	901V3983	Link, Track (LH).....	51
6	901V2081	Bushing, Track.....	51
7	901V2080	Pin, Track.....	51
<b>MASTER LINK PARTS</b>			
4	901V3984	Link, Master (RH).....	1
5	901V3983	Link, Master (LH).....	1
6	901V2079	Bushing, Master.....	1
7	901V2083	Pin, Master.....	1
8	901V2082	Spacer, Collar.....	2

WHEN ORDERING PARTS, SPECIFY MODEL NUMBER, SERIAL NUMBER AND DESCRIPTION OF PART REQUIRED



TRACK ASSEMBLY

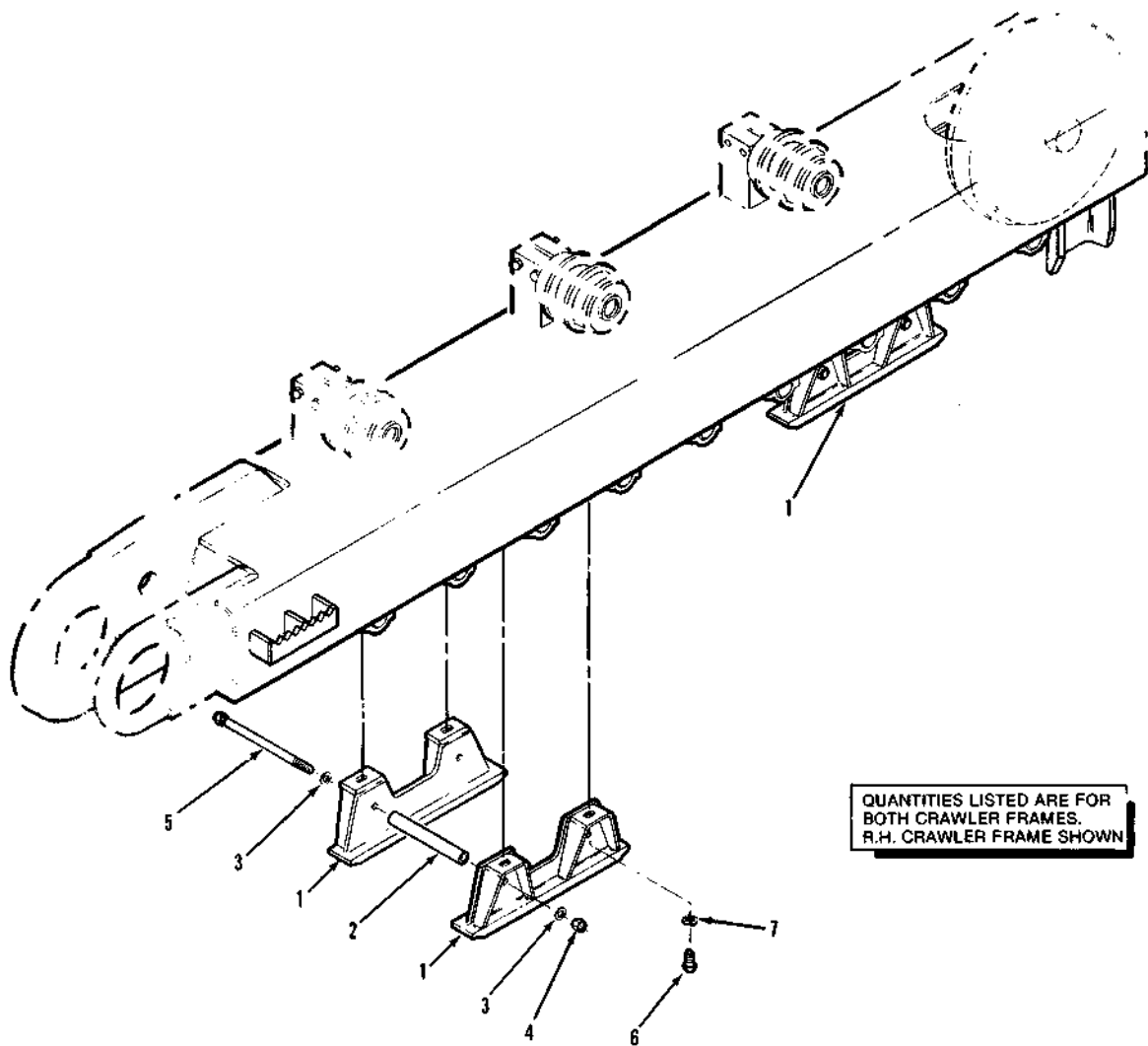
DATE Issued 3-87

MODEL 6644E

PAGE 1.98

GROUP

1



QUANTITIES LISTED ARE FOR  
BOTH CRAWLER FRAMES.  
R.H. CRAWLER FRAME SHOWN

REF.	PART NO.	DESCRIPTION	QTY.
	35908827	Track Guide Assembly..... (Includes Items 1 thru 7)	1
1	U359C7808	Guide, Track.....	16
	U359C8824	Guide, Track, RH Rear.....	2
	U359C8826	Guide, Track, LH Rear.....	2
2	200B2400-065	Spacer.....	20
3	334V3002	Washer, Hardened.....	40
4	340V3726	Locknut, IC Gr. A.....	20
5	U359A7030	Bolt, Track.....	20
6	310V3394	Capscrew, 3/40 x 2 Gr. 5... 40	40
7	334V2664	Washer, Hardened.....	40

WHEN ORDERING PARTS, SPECIFY MODEL NUMBER, SERIAL NUMBER AND DESCRIPTION OF PART REQUIRED



### TRACK GUIDES

DATE Revised 11-88

MODEL 6644E

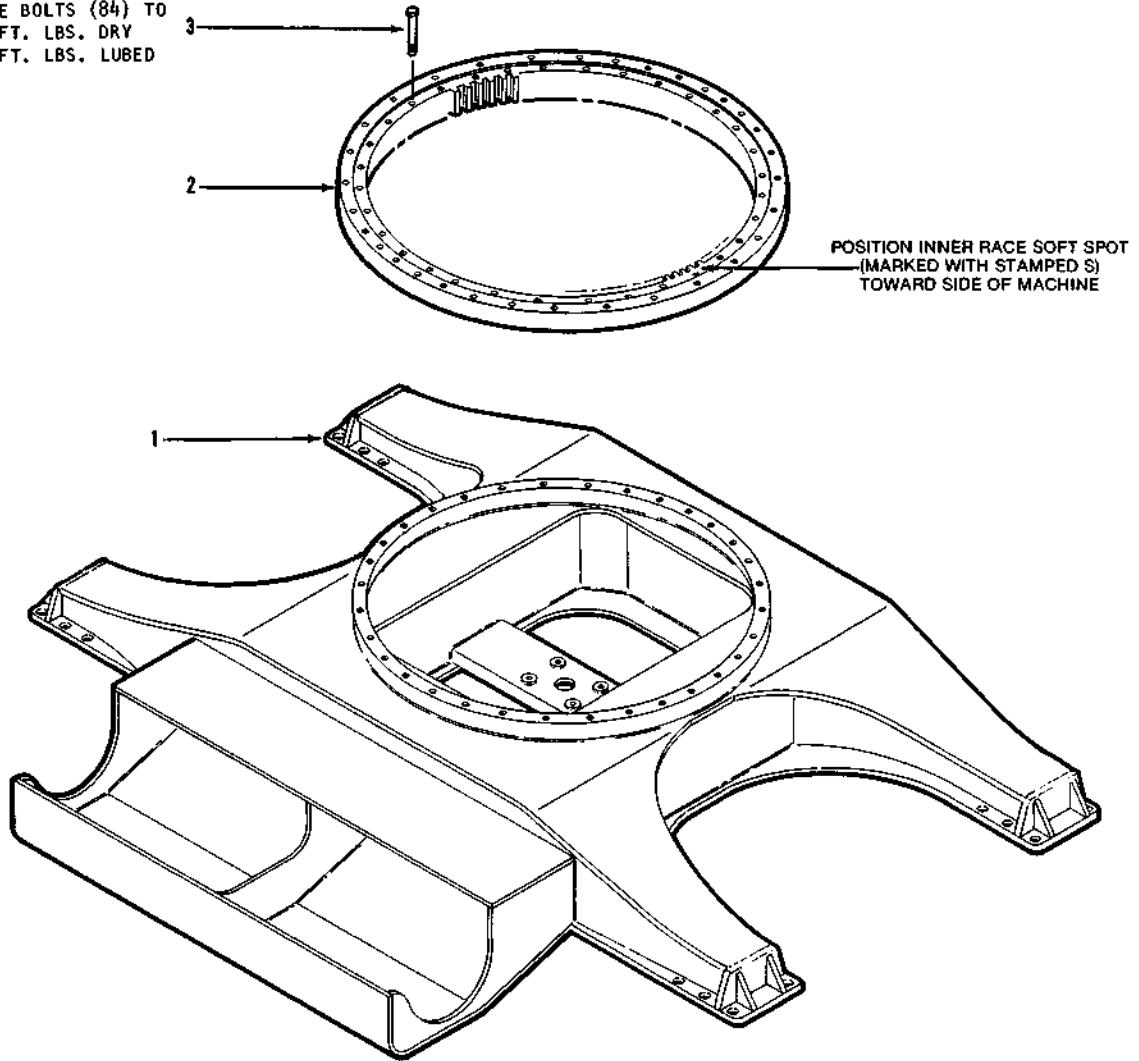
PAGE 1.10

GROUP  
**1**

⊗ DISCONTINUED PART! REFER TO NUMERICAL PARTS LIST FOR REPLACEMENT PART(S)

PRIOR SERIAL #21106

TORQUE BOLTS (84) TO  
970 FT. LBS. DRY  
640 FT. LBS. LUBED



REF.	PART NO.	DESCRIPTION	QTY.
1	U359E7888	Carbody.....	1
2	359D7859	Gear, Ring.....	1
3	310V3915	Capscrew, Gr. 8.....	84
	U334V3002	Washer, Hardened.....	84

WHEN ORDERING PARTS, SPECIFY MODEL NUMBER, SERIAL NUMBER AND DESCRIPTION OF PART REQUIRED



CARBODY & RING GEAR

DATE: Revised 11-88

MODEL: 6644E

PAGE 1.11

GROUP

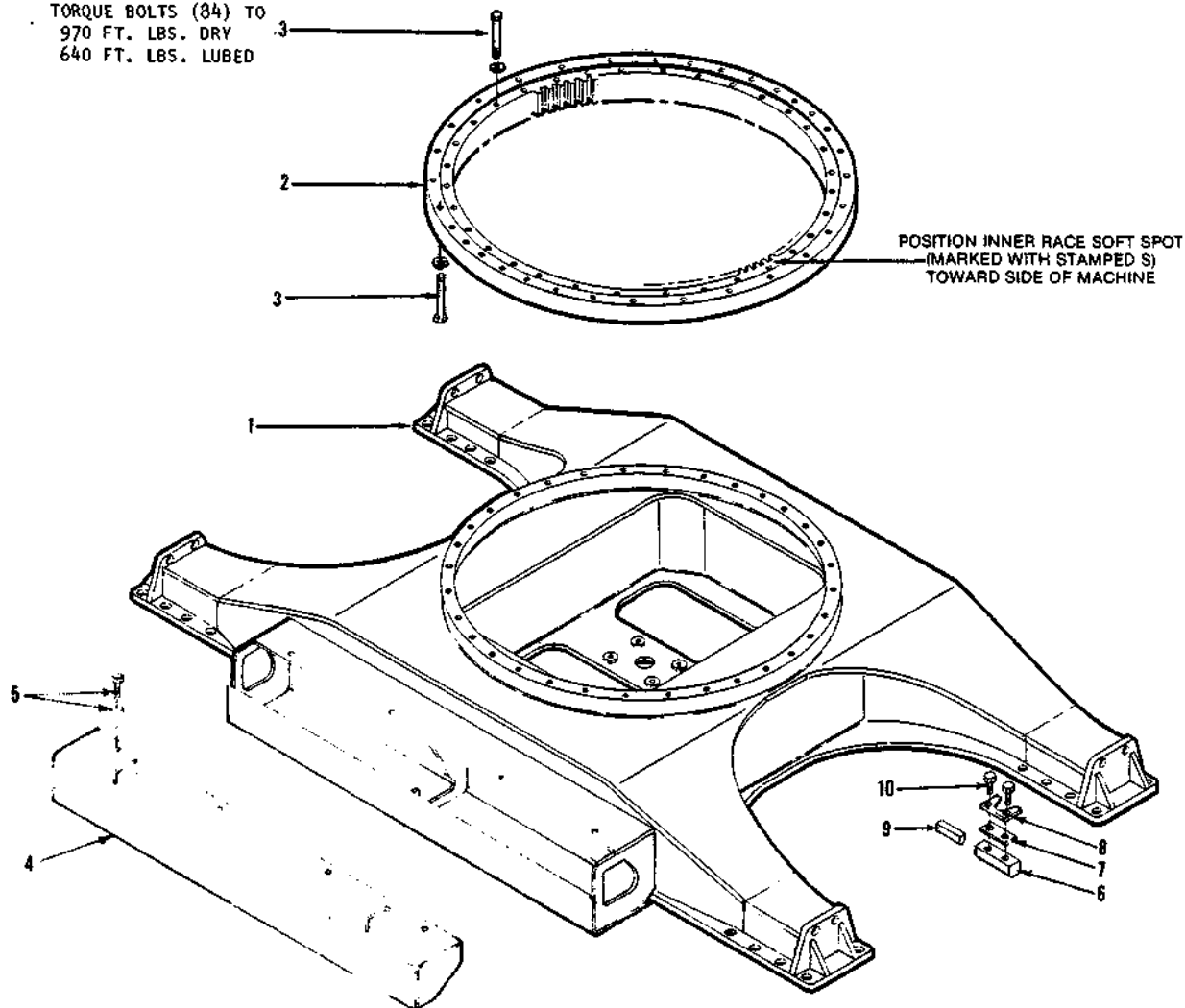
1

⊗ DISCONTINUED PART! REFER TO NUMERICAL PARTS LIST FOR REPLACEMENT PART(S)

<https://tractormanualz.com/>

BEGIN SERIAL #21106

TORQUE BOLTS (84) TO  
970 FT. LBS. DRY  
640 FT. LBS. LUBED



REF.	PART NO.	DESCRIPTION	QTY.
	Prior Ser. #21149	Begin Ser. #21149	
1	U359E9186	U359E9300	Carbody..... 1
2	359D7859	359D7859	Gear, Ring..... 1
2	359D7859	359D7859	Gear, Ring..... 1
	902V0408	902V0408	Seal, Upper & Lower..... 2
3	310V3915	310V3915	Capscrew, 1C x 6 Gr 8..... 84
	334V3002	334V3002	Washer, Hardened..... 84
4	U359C9183	U359C9307	Cover..... 1
5	316V2306	316V2306	Capscrew, 3/8C x 3/4..... 7
	333V2003	333V2003	Lockwasher..... 7
6	-	359A9395	Block, Guide..... 4
7	-	359A9388	Shim..... 4
8	-	35989396	Keeper..... 4
9	-	359A9383	Block, Stop..... 4
10	-	1200-270	Capscrew, 1C x 2-1/2..... 4

WHEN ORDERING PARTS, SPECIFY MODEL NUMBER, SERIAL NUMBER AND DESCRIPTION OF PART REQUIRED



CARBODY & RING GEAR

DATE: Revised 11-88

MODEL: 6644E

GROUP

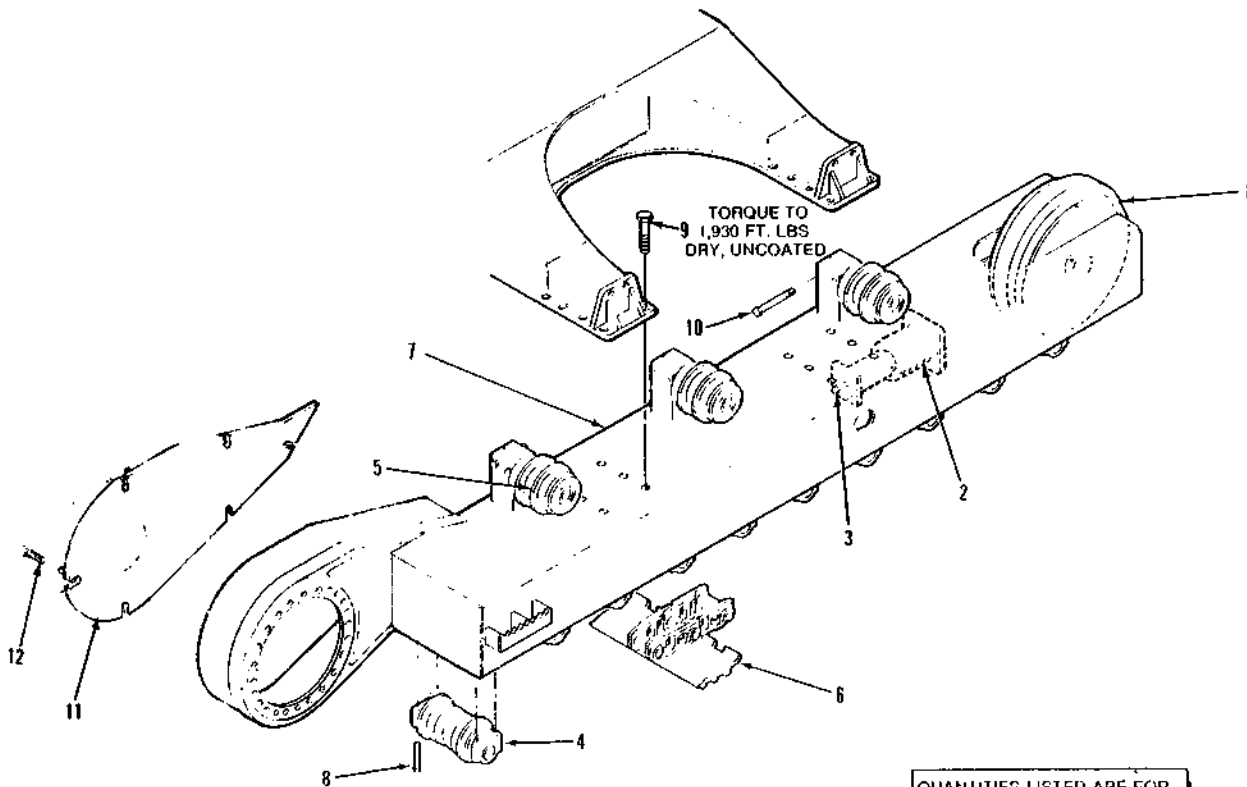
1A

PAGE 1A.1

⊗ DISCONTINUED PART! REFER TO NUMERICAL PARTS LIST FOR REPLACEMENT PART(S)

<https://tractormanualz.com/>

BEGIN SERIAL #21106



QUANTITIES LISTED ARE FOR BOTH CRAWLER ASSEMBLIES. RIGHT HAND CRAWLER FRAME PARTS ILLUSTRATED.

REF.	PART NO.	DESCRIPTION	QTY.
	Prior Ser. #21149   Begin Ser. #21149		
1	See Page 1.2	Idler Tumbler Assembly....	2
2	See Page 1.2	Spring, Recoil.....	2
3	See Page 1.2	Cylinder, Adjusting.....	2
4	See Page 1.7	Roller, Lower.....	18
5	See Page 1.8	Roller, Carrier.....	2
6	See Page 1.9	Track Assembly.....	2
7	U359E9170   U359E9328	Frame, Crawler (LH).....	1
	U359E9171   U359E9329	Frame, Crawler (RH).....	1
8	310V3375   310V3375	Capscrew, 3/4" x 4 Gr 5....	72
	332V2600   332V2600	Lockwasher, 3/4".....	72
9	310V4145   310V4145	Capscrew, Gr 8.....	24
	334V3401   334V3401	Washer, Hardened.....	24
10	310V3362   310V3362	Capscrew, 3/4" x 5-1/2 Gr 5..	12
	340V3331   340V3331	Locknut, 3/4" Gr 5.....	12
11	U359C9201   359C9308	Cover, RH.....	1
	U359C9202   359C9308	Cover, LH.....	1
12	310V3399   310V3399	Capscrew, 3/4" x 1-3/4 G5 5..	12
	334V2664   334V2664	Washer, 3/4".....	12

WHEN ORDERING PARTS, SPECIFY MODEL NUMBER, SERIAL NUMBER AND DESCRIPTION OF PART REQUIRED



CRAWLER ASSEMBLY

DATE Revised 3-87  
 MODEL 6644E

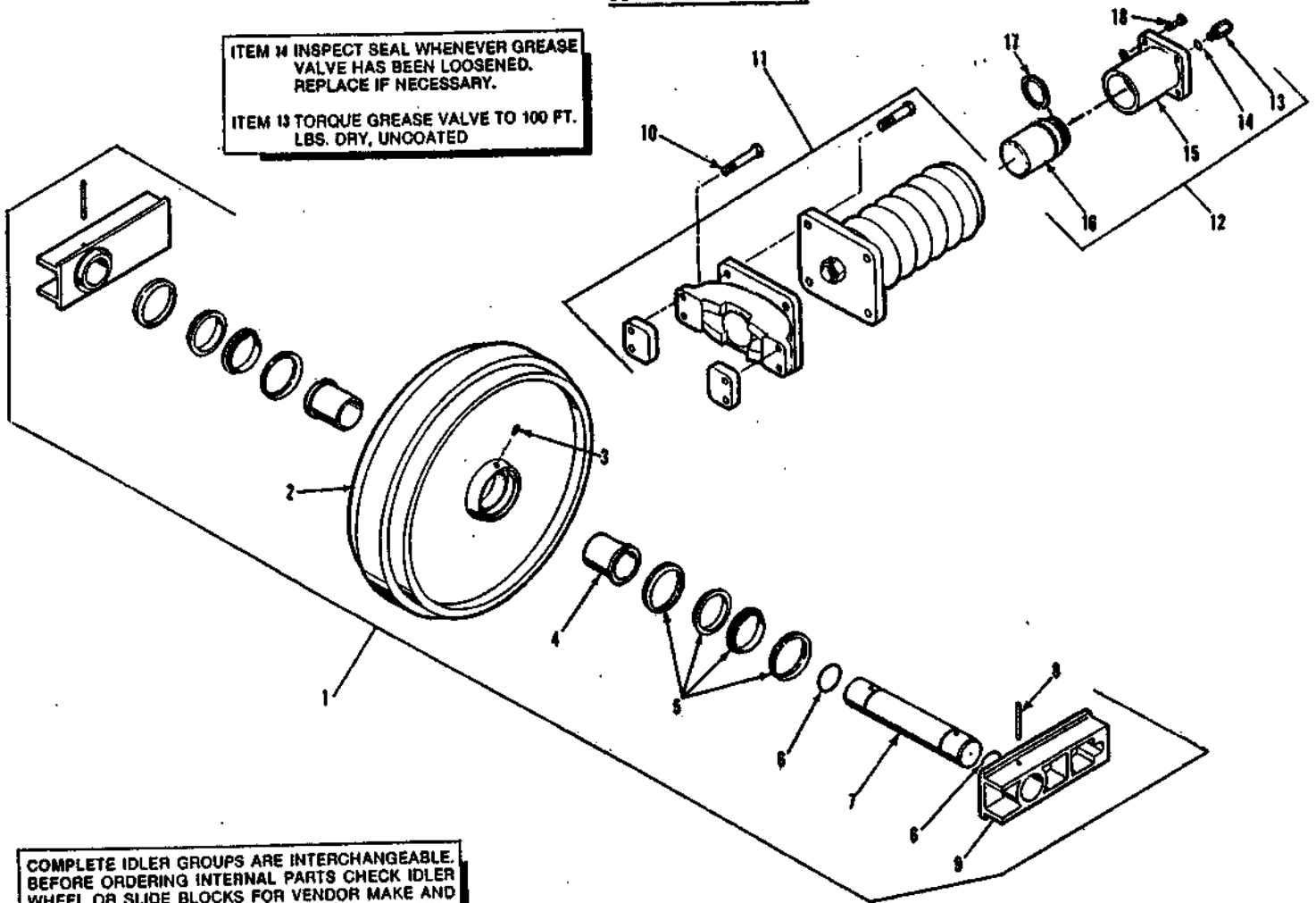
GROUP 1A

PAGE 1A.2

⊗ DISCONTINUED PART! REFER TO NUMERICAL PARTS LIST FOR REPLACEMENT PART(S)

<https://tractormanualz.com/>

ITEM 11 INSPECT SEAL WHENEVER GREASE VALVE HAS BEEN LOOSENED. REPLACE IF NECESSARY.  
 ITEM 13 TORQUE GREASE VALVE TO 100 FT. LBS. DRY, UNCOATED



COMPLETE IDLER GROUPS ARE INTERCHANGEABLE. BEFORE ORDERING INTERNAL PARTS CHECK IDLER WHEEL OR SLIDE BLOCKS FOR VENDOR MAKE AND ORDER FROM CORRESPONDING PARTS COLUMN BELOW.

REF.	PART NO.	DESCRIPTION	QTY.
	(Intertrac)		
	U422V3003	Idler & Recoil Group.....	1
		(Includes Items 1 thru 17)	
1	U901V4056	Wheel w/Slide Bars.....	1
		(Includes Items 1 thru 10)	
2	U901V1392	Wheel Assembly.....	1
		(Includes 3 & 4)	
3	901V1396	Plug.....	1
4	901V1395	Bushing.....	2
5	901V1459	Seal Group.....	2
6	901V1408	O-Ring.....	2
7	901V1406	Shaft.....	2
8	901A1410	Pin, Roll.....	2
9	901V4126	Bar, Slide.....	2
10	[ 901V3858	Bolt.....	4
	[ 901V1411	Lockwasher.....	4
11	U901V4055	Spring Group.....	1
12	U901V4054	Adjusting Cylinder Group....	1
		(Includes Items 13 thru 18)	
13	901V1278	Valve, Grease.....	1
14	901V1277	Seal.....	1
15	901V4085	Cylinder.....	1
16	901V4086	Piston.....	1
17	901V1276	Seal, U-Cup.....	1
18	[ 346V3145	Capscrew, 5/8" x 4 Gr.8.....	8
	[ 340V3127	Nut, 5/8" Gr.8.....	8

WHEN ORDERING PARTS, SPECIFY MODEL NUMBER, SERIAL NUMBER AND DESCRIPTION OF PART REQUIRED



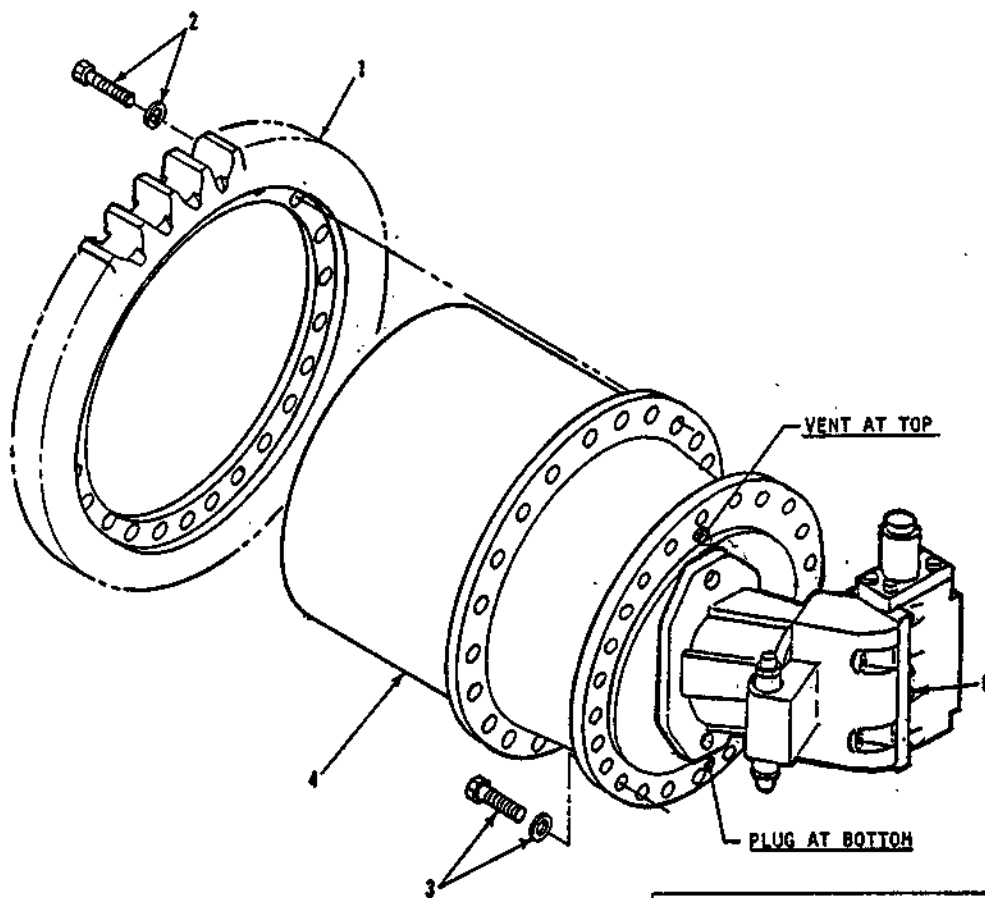
IDLER ASSEMBLY

DATE: Revised 7-91  
 MODEL: 6644E

GROUP

1A

PAGE 1A.2A



QUANTITIES FOR BOTH TRACTION DRIVES LISTED. RIGHT HAND DRIVE PARTS ILLUSTRATED.

REF.	PART NO.	DESCRIPTION	QTY.
	Prior Ser. #21149	Begin Ser. #21149	
1	35909162	35909162 Sprocket.....	2
2	1200-370	319 3503 Capscrew, M20-2.5 x 80/70..	48
	1209-94	1209-94 Plainwasher, M20.....	48
	310 3305	- Capscrew, M20-2.5 x 110...	48
3	-	319 3504 Capscrew, M20-2.5 x 90....	48
	1209-94	1209-94 Plainwasher, M20.....	48
4	Page 1A.4	Page 1A.4 Traction Drive Ass'y.....	2
5	Page 1A.7	Page 1A.7 Valve, Counterbalance.....	2
6	310 3256	310 3256 Capscrew, M12x40 Sock Hd..	16
	460 4112	460 4112 O-Ring.....	16

WHEN ORDERING PARTS, SPECIFY MODEL NUMBER, SERIAL NUMBER AND DESCRIPTION OF PART REQUIRED



TRACTION DRIVE SPROCKET & TRANSMISSION

<https://tractormanz.com/>

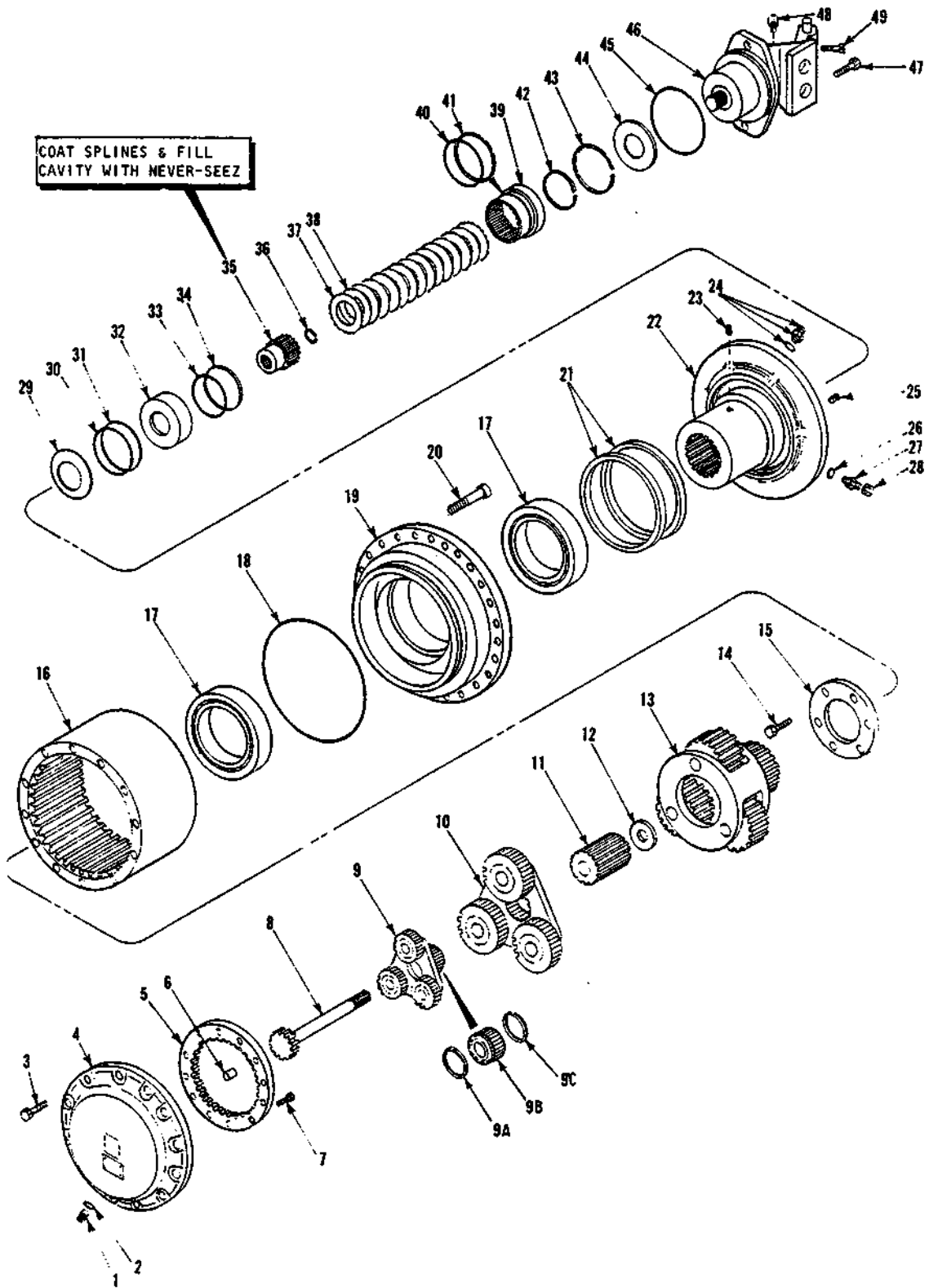
DATE: Revised 7-91  
MODEL: 6644E

GROUP

1A

PAGE 1A.3

BEGIN SERIAL #21106



WHEN ORDERING PARTS, SPECIFY MODEL NUMBER, SERIAL NUMBER AND DESCRIPTION OF PART REQUIRED



TRANSMISSION CASE ASS'Y

DATE: Revised 11-88

MODEL: 6644E

PAGE 1A.4

GRC

1A

⊗ DISCONTINUED PART! REFER TO NUMERICAL PARTS LIST FOR REPLACEMENT PART(S)

<https://tractormanualz.com/>

REF.	PART NO.	DESCRIPTION	QTY.
	Prior Ser. 21198 exc. 21196	Begin Ser. 21198 & 21196	
	U413V8601	U413V8604 (Replaces U413V8601)	TRACTION DRIVE ASS'Y..... 1 (Includes Items 1 thru 49)
		209463	TRACTION DRIVE Less Motor... 1
1	206736	208533	Plug, Screw..... 2
2	208269	208534	Ring, Seal..... 2
3		206732	Bolt, Hex, M16 x 40..... 12
4	206728	208530	Cover, End..... 1
5	206721	208525	Gear, Ring..... 1
6		206727	Button, Thrust..... 1
7		206733	Bolt, Hex, M12 x 35..... 12
8	206759	208535	Shaft, Input..... 1
9	206760	208536	Planet Carrier Ass'y..... 1
9A		208531	Ring, Snap..... 1
9B		208528	Gear, Sun..... 1
9C		208532	Ring, Snap..... 1
10	206723	208526	Planet Carrier Ass'y..... 1
11		206722	Gear, Sun..... 1
12		206726	Washer, Thrust..... 1
13	206724	208527	Planet Carrier Ass'y..... 1
14		206734	Bolt, Socket Head, M16 x 70. 6
15	206725	208529	Spacer..... 1
16	206719	208524	Gear, Ring..... 1
17		206729	Bearing, Roller..... 2
18		206730	Ring, "O"..... 1
19		206720	Ring, Support..... 1
20		206735	Bolt, Socket Head, M24 x 110. 24
21		206731	Seal, Face..... 2
22	206739	208537	Spindle..... 1
23		206757	Plug, Expanding..... 1
24		206761	Vent..... 1
		206762	Plug, Screw..... 2
		206763	Ring, Seal..... 2
25		206758	Plug, Expanding..... 1
26		206765	Ring, Seal..... 1
27		206764	Adapter..... 1
28		206756	Plug, Cap..... 1
29		206746	Spring, Cup..... 1
30		206747	Seal, Piston..... 1
31		206748	Ring, Back-Up..... 2
32		206743	Piston..... 1
33		206749	Seal, Piston..... 1
34		206750	Ring, Back-Up..... 2
35		206742	Coupler..... 1
36		206755	Ring, Snap..... 1
37		206745	Disk, Outer..... 8
38		206744	Disk, Inner..... 7
39		206741	Housing, Disk..... 1
40		206752	Ring, "O"..... 1
41		206751	Ring, Back-Up..... 1
42		206754	Ring, Snap..... 1
43		206753	Ring, Snap..... 1
44		206740	Spacer..... 1
45		206738	Ring, "O"..... 1
46		206766	Motor (See Page 1A.6)..... 1
47		206668	Bolt, Hex, M20 x 45..... 2
		207777	Adapter (also 208268)..... 1
48		207778	Washer, Copper (also 208269). 1
		208495	Plug, Cap..... 1
49		208492	Bolt, Socket Head, M12 x 85.. 2

WHEN ORDERING PARTS, SPECIFY MODEL NUMBER, SERIAL NUMBER AND DESCRIPTION OF PART REQUIRED



TRANSMISSION CASE ASS'Y

<https://tractormanualz.com/>

DATE: Revised 7-91

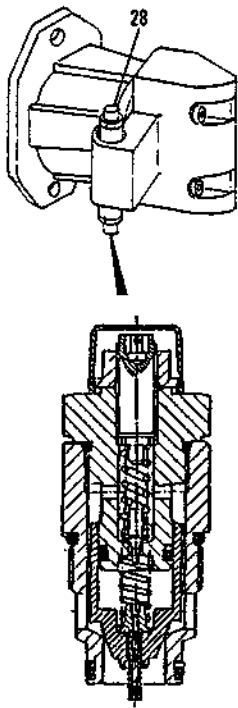
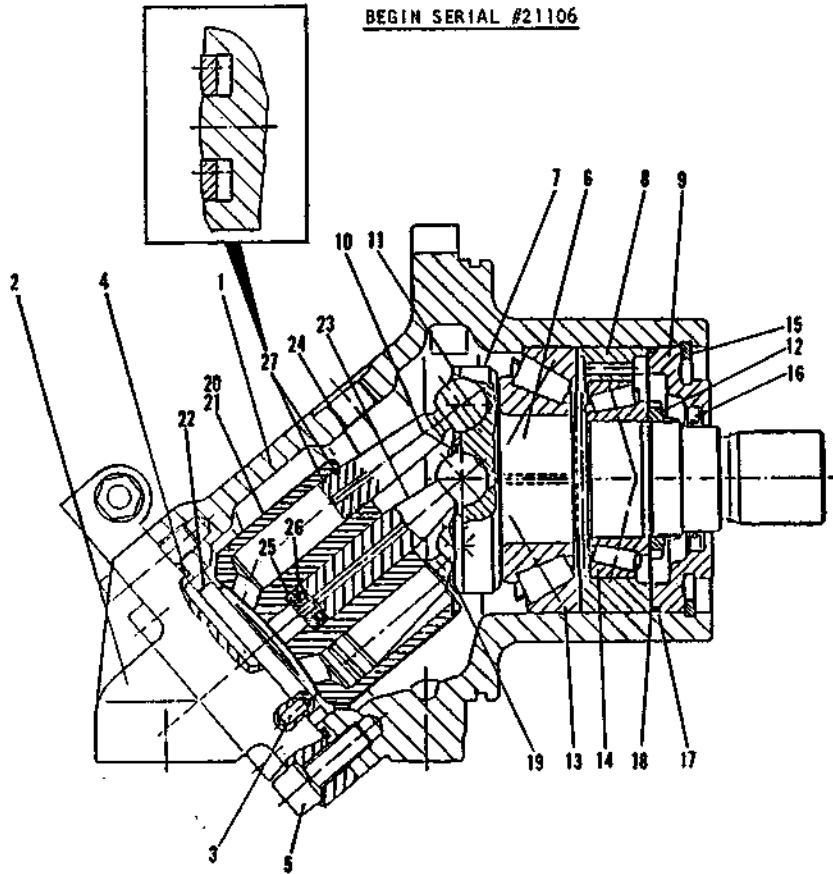
MODEL: 6644E

GROUP

1A

PAGE 1A.5

BEGIN SERIAL #21106



REF.	PART NO.	DESCRIPTION	QTY.
	206766	Motor, Complete.....	1
		(Includes Items 1 thru 27)	
1		Housing.....	1
2	208270	Plate, Port.....	1
3	207725	Pin.....	1
4	208538	O-Ring(Viton) (Repl. 207730).....	1
5	207726	Capscrew, M12x30.....	6
5	207727	Lockwasher.....	6
6	208654	Rotary Group Ass'y (Repl. 207731).. (Includes Items 7 thru 20)	1
7		Shaft, Drive.....	1
8		Ring, Bearing.....	1
9		Cover, Front.....	1
10	207733	Disc.....	1
11		Plate, Retaining.....	1
12	207734	Nut.....	1
13	207735	Bearing, Roller.....	1
14	207736	Bearing, Roller.....	1
15	207737	Ring, Retaining.....	1
16	208539	Seal(Viton) (Repl. 207738).....	1
17	208540	O-Ring(Viton) (Repl. 207739).....	1
18	207740	Shim, .10.....	2
18	207741	Shim, .30.....	1
19	207742	Screw, M6x20.....	7
20	207732	Rotary Group Ass'y..... (Includes Items 21 thru 27)	1
21		Cylinder.....	1
22		Plate, Control.....	1
23		Pin, Central.....	1
24		Piston.....	7
25		Collar, Spring.....	1
26	207743	Spring, Cup.....	4
27	207744	Ring, "F".....	14
28	208655	Valve, Relief (Repl. 207763).....	2
28	208656	Kit, Seal (Repl. 207764).....	2
	12i8-65	O-Ring (Port).....	2

WHEN ORDERING PARTS, SPECIFY MODEL NUMBER, SERIAL NUMBER AND DESCRIPTION OF PART REQUIRED



TRACTION MOTOR

DATE: Revised 11-88

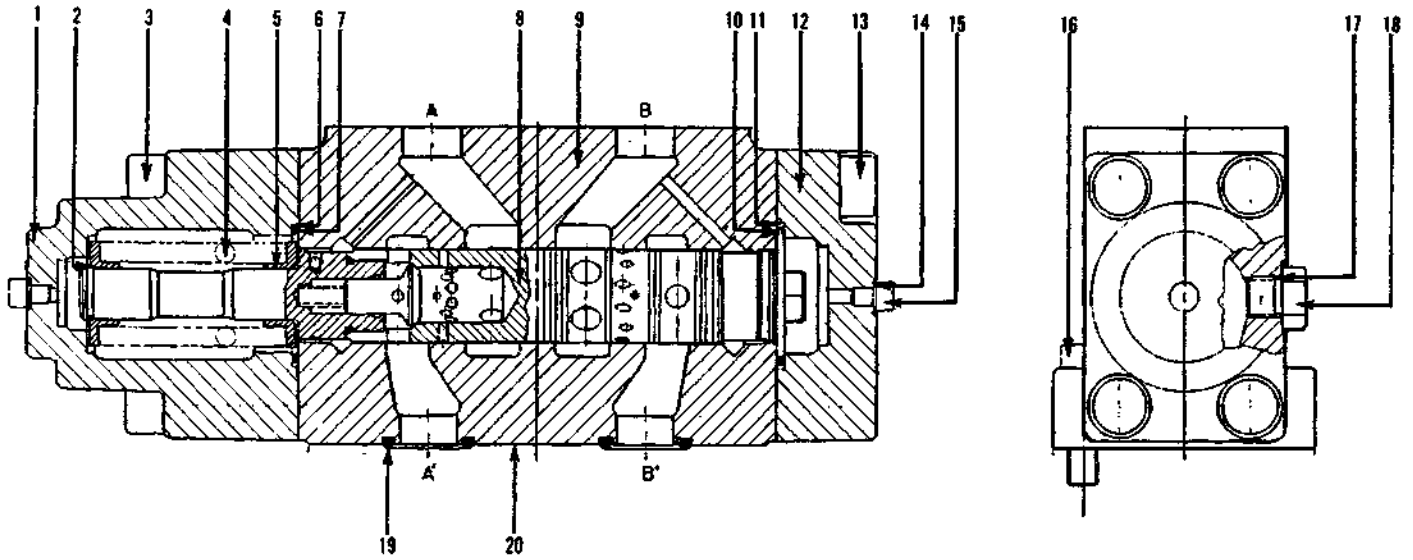
MODEL: 6644E

PAGE 1A.6

GRD  
1A

⊗ DISCONTINUED PART! REFER TO NUMERICAL PARTS LIST FOR REPLACEMENT PART(S)

<https://tractormanualz.com/>



REF.	PART NO.	DESCRIPTION	QTY.
	U430V8321	Valve, Counterbalance..... (Includes Items 1 thru 20)	2
1	NSS	Cover, Long.....	1
2	901V4008	Ring, Rectangular.....	1
3	901V4005	Screw, Socket Head, Metric..	4
4	901V4003	Spring.....	1
5	901V4001	Guide, Spring.....	2
6	901V4010	Ring, Back-Up.....	1
7	901V4007	O-Ring.....	1
8	NSS	Spool.....	1
9	NSS	Housing.....	1
10	901V4009	O-Ring.....	1
11	901V4011	Ring, Back-Up.....	1
12	NSS	Cover, Short.....	1
13	901V4004	Screw, Socket Head, Metric..	4
14	901V3622	Ring, Square.....	2
15	901V4002	Screw, Bleed.....	2
16	901V4012	Screw, Socket Head, Metric..	8
17	460 0075	O-Ring.....	2
18	901V3624	Plug w/O-Ring.....	2
19	901V4006	O-Ring.....	2
20	NSS	Cover, Flange.....	1

WHEN ORDERING PARTS, SPECIFY MODEL NUMBER, SERIAL NUMBER AND DESCRIPTION OF PART REQUIRED



TRACTION MOTOR

DATE Revised 1-88

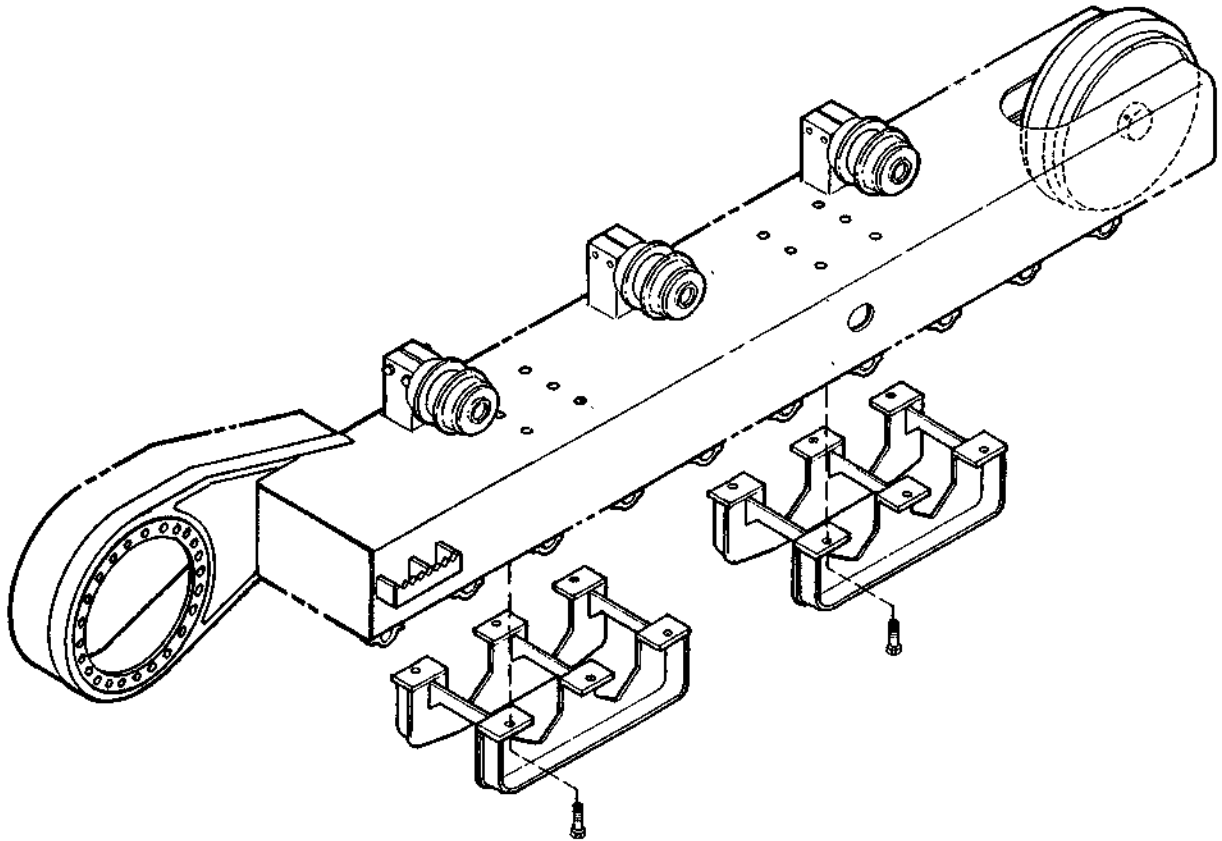
MODEL: 6644E

GROUP

1A

PAGE 1A.7

⊗ DISCONTINUED PART! REFER TO NUMERICAL PARTS LIST FOR REPLACEMENT PART(S)



QUANTITIES LISTED ARE FOR BOTH CRAWLER FRAMES.  
R.H. CRAWLER FRAME SHOWN

REF.	PART NO.	DESCRIPTION	QTY.
	35909346	Double Track Guide Ass'y.....	1
		(Includes Items 1,2)	
1	U359C9345	Guide, Track.....	4
2	1200-188	Capscrew, 3/4" x 2.....	24

WHEN ORDERING PARTS, SPECIFY MODEL NUMBER, SERIAL NUMBER AND DESCRIPTION OF PART REQUIRED



TRACK GUIDES

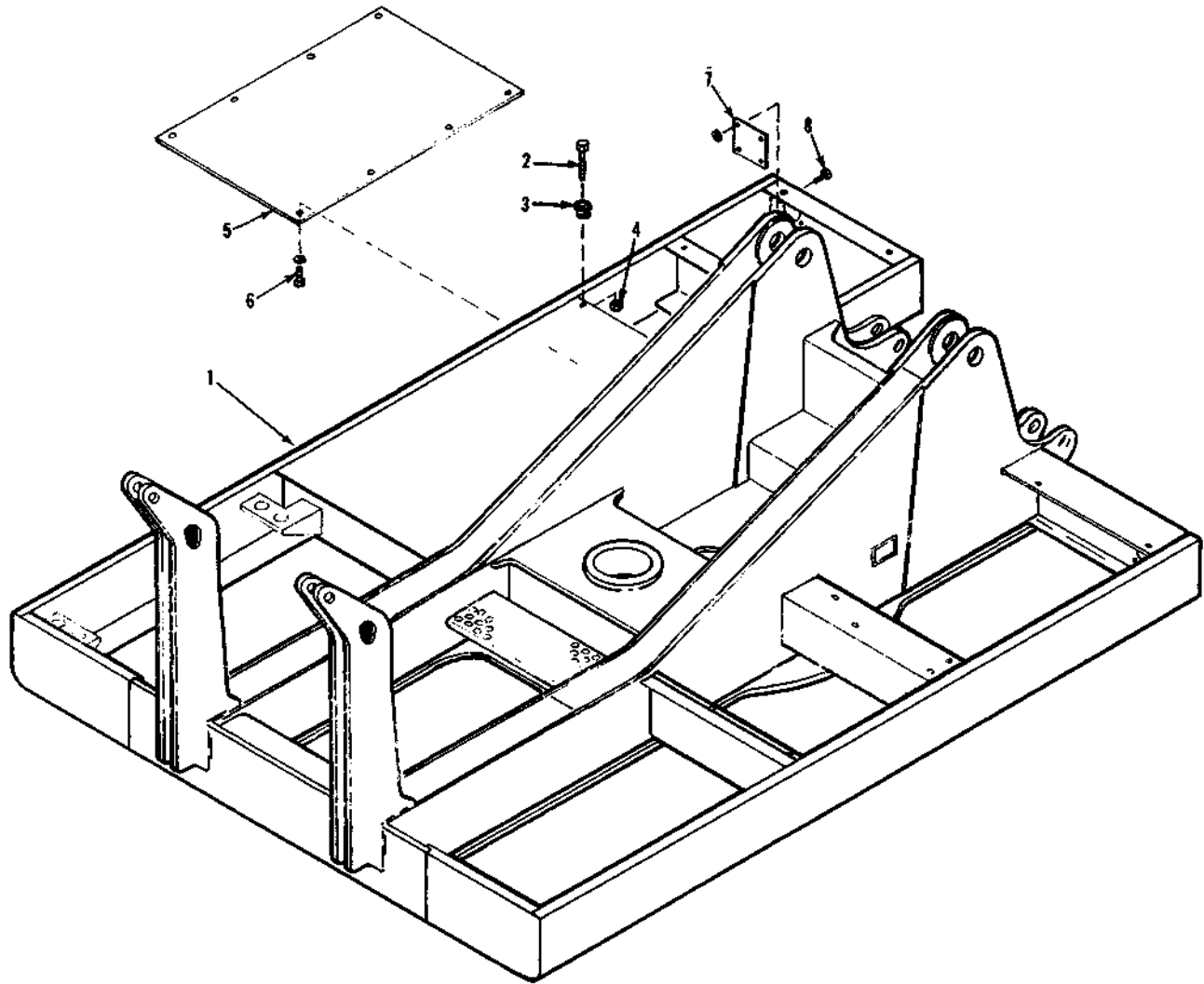
DATE Issued 3-87  
 MODEL 6644E

GROUP  
**1A**

PAGE 1A.8

⊗ DISCONTINUED PART! REFER TO NUMERICAL PARTS LIST FOR REPLACEMENT PART(S)

<https://tractormanualz.com/>



REF.	PART NO.	DESCRIPTION	QTY.
1	U359E8282	Turntable..... (Prior Ser. #21035)	1
1	U359E9017	Turntable..... (Ser. #21035 to #21126)	1
1	U359E9223	Turntable..... (Begin Ser. #21126)	1
2	1200-166	Capscrew, 5/8C x 4-1/2.....	6
3	420V5860	Mount, Cab.....	6
4	340V3125	Locknut, 5/8C.....	6
4	708A6858	Washer.....	6
5	359C8286	Cover.....	1
6	316V2306	Capscrew, 3/8C x 3/4.....	8
6	330V2000	Plainwasher.....	8
6	359C8392	Light Cover Ass'y..... (Includes Items 7 & 8)	1
7	359A8862	Cover.....	2
8	310V2390	Capscrew, 3/8C x 1.....	8
8	340V2323	Locknut, 3/8C.....	8

KIT U335F1602 Includes Boom & Cylinder Pin Lock Capscrews To Replace Prior Turntables

WHEN ORDERING PARTS, SPECIFY MODEL NUMBER, SERIAL NUMBER AND DESCRIPTION OF PART REQUIRED



**TURNTABLE**

DATE: Revised 1-88

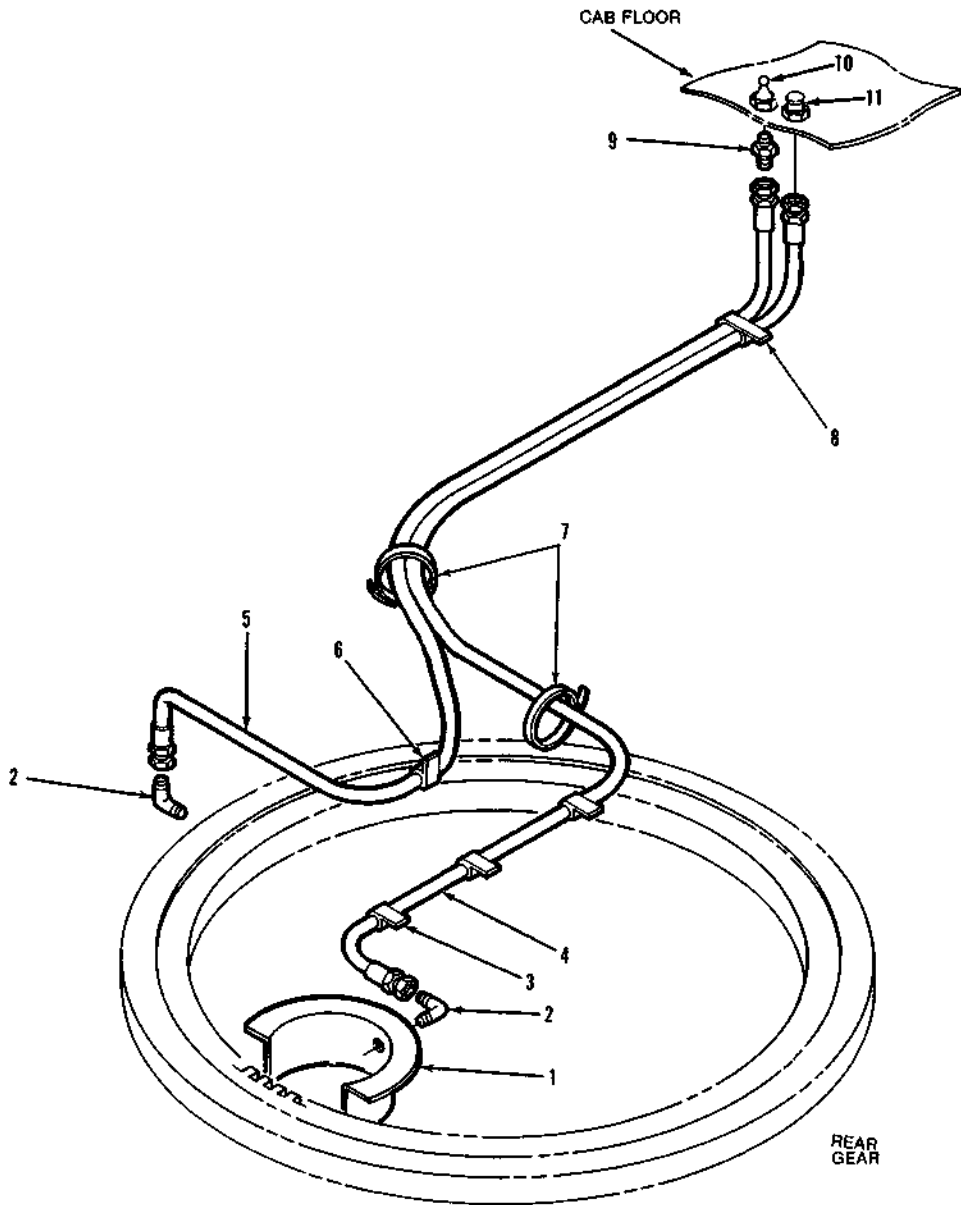
MODEL: 6644

GROUP

12

PAGE 12.1

⊗ DISCONTINUED PART! REFER TO NUMERICAL PARTS LIST FOR REPLACEMENT PART(S)



REF.	PART NO.	DESCRIPTION	QTY.
1	U359C8159	Can, Grease.....	1
	316V2306	Capscrew, 3/8C x 3/4.....	4
	333V2003	Washer.....	4
2	362V1217	Elbow.....	2
	200B2007-39	Clamp, Support.....	3
3	330V2201	Flatwasher, 1/2.....	3
	340V2323	Locknut, 3/8C.....	3
4	200B2117-5	Hose Assembly (96").....	1
5	200B2117-6	Hose Assembly (66").....	1
6	200B2007-39	Clamp, Support.....	1
7	445V2406	Ty-Wrap.....	2
8	200B2007-66	Clamp, Support.....	1
9	362V0231	Connector.....	1
10	364 0014	Fitting, Grease.....	1
11	364 0002	Fitting, Grease.....	1

WHEN ORDERING PARTS, SPECIFY MODEL NUMBER, SERIAL NUMBER AND DESCRIPTION OF PART REQUIRED



**SWING PINION & RING GEAR  
GREASE PIPING**

DATE: Revised 11-88

MODEL 6644E

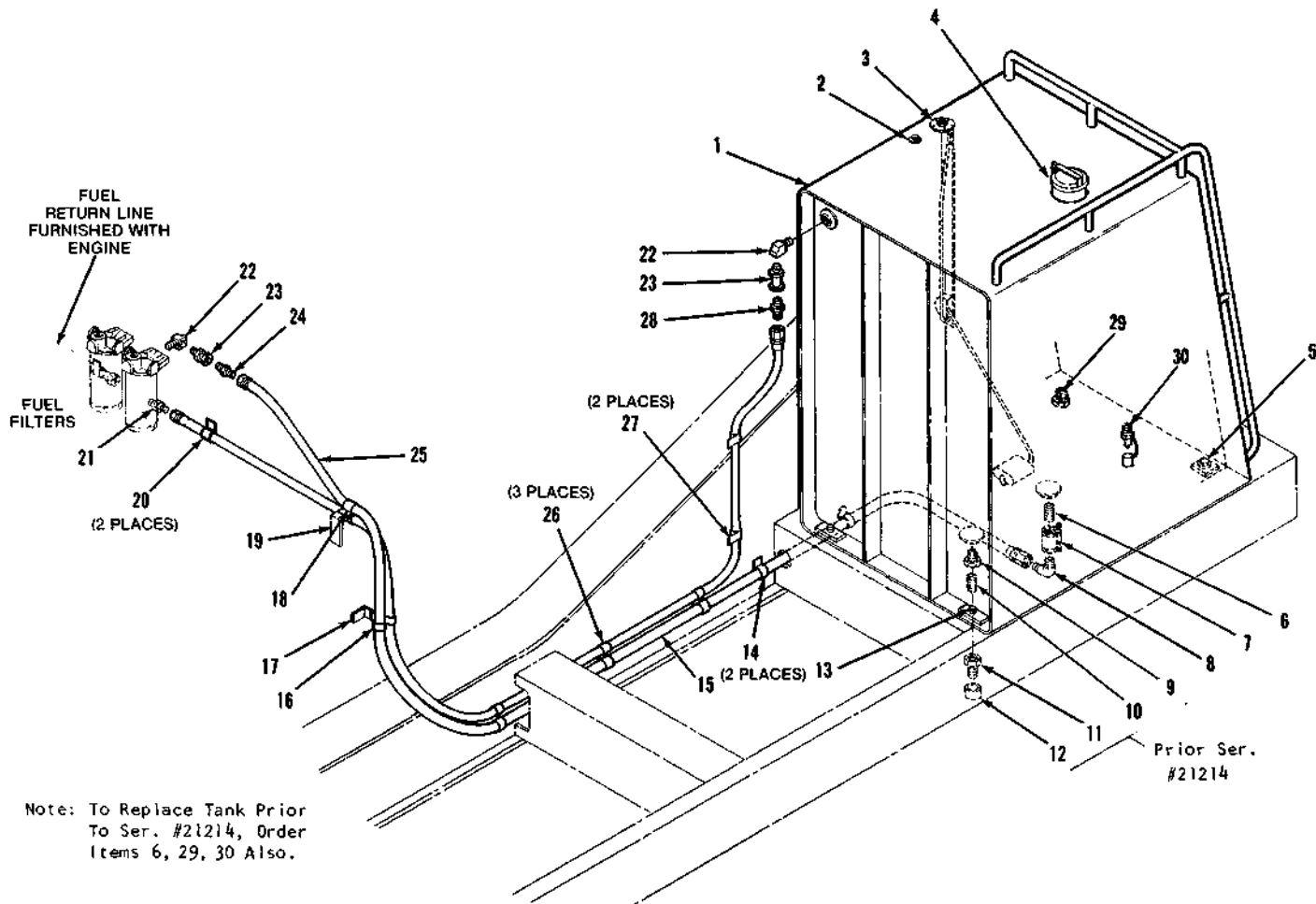
GROUP

**12**

PAGE 12.2

⊗ DISCONTINUED PART! REFER TO NUMERICAL PARTS LIST FOR REPLACEMENT PART(S)

<https://tractormanualz.com/>



Prior Ser. #21214

Note: To Replace Tank Prior To Ser. #21214, Order Items 6, 29, 30 Also.

REF.	PART NO.	DESCRIPTION	QTY.	REF.	PART NO.	DESCRIPTION	QTY.
	359E8427	Fuel Piping Ass'y.....	1				
		(Includes Items 1 thru 22)					
1	U359E8658	Tank, Fuel.....	1	15	200B2076-017	Hose Ass'y (5/8 x 138").....	1
2	316V3344	Capscrew, 3/4C x 1.....	AR		310V2390	Capscrew, 3/8C x 1.....	1
3	331V2600	Plainwasher.....	AR	16	200B2007-006	Clamp.....	1
4	U359C8064	Sender, Fuel.....	1		200B2007-008	Clamp.....	1
	420V3884	Cap, Fuel.....	1	17	340V2323	Locknut, 3/8C.....	2
	420V5593	Strainer.....	Opt.		310V2379	Capscrew, 3/8C x 1-1/4.....	1
	310V3385	Capscrew, 3/4C x 2-1/2.....	2		358A2010	Bracket.....	1
	330V2601	Plainwasher (.812" x 2.0")...	2		310V2390	Capscrew, 3/8C x 1.....	1
5	334V2664	Washer, Hardened.....	4	18	200B2007-006	Clamp.....	1
	359A8063-001	Shim (.16").....	AR		200B2007-008	Clamp.....	1
	359A8063-002	Shim (.20").....	AR		340V2323	Locknut, 3/8C.....	1
	340V3330	Locknut, 3/4C.....	2	19	310V2390	Capscrew, 3/8C x 3/4.....	1
	362V6806	Nipple, Close(Early).....	1		358A0378	Bracket.....	1
6	362 5616	Adapter.....	1		340V2323	Locknut, 3/8C.....	1
	12019-90	Bushing.....	1	20	200B2007-006	Clamp.....	2
7	430V3210	Valve, Ball.....	1		316V2336	Capscrew, 3/8C x 5/8.....	2
8	362V1874	Elbow.....	1	21	362V0414	Connector, Female.....	1
9	360V1610	Bushing, Reducer(1-1/2x1/2)...	1	22	362V1403	Elbow.....	2
10	362V6601	Nipple, Close.....	1	23	12019-484	Valve, Check.....	2
11	420V5597	Nose, Coupler.....	1	24	362V0722	Connector, Male.....	1
12	420V5596	Cap, Dust.....	1	25	200B2074-017	Hose Ass'y (3/8 x 144").....	1
	310V3394	Capscrew, 3/4C x 2.....	2		200B2007-006	Clamp.....	3
	330V2601	Plainwasher (.812" x 2.0")...	2		200B2007-008	Clamp.....	3
13	334V2664	Washer, Hardened.....	2	26	330V2201	Plainwasher, 1/2.....	3
	359A8063-001	Shim (.16").....	AR		340V2323	Locknut, 3/8C.....	3
	359A8063-002	Shim (.20").....	AR	27	316V2336	Capscrew, 3/8C x 5/8.....	2
	200B2007-008	Clamp, Support.....	2		200B2007-006	Clamp, Support.....	2
14	330V2201	Plainwasher, 1/2.....	2	28	362V0402	Connector, Male.....	1
	340V2323	Locknut, 3/8C.....	2	29	1219-873	Plug.....	1
				30	375 0400	Disconnect.....	1
					12019-558	Cap, Dust.....	1

WHEN ORDERING PARTS, SPECIFY MODEL NUMBER, SERIAL NUMBER AND DESCRIPTION OF PART REQUIRED



**FUEL TANK & PIPING**  
- DETROIT DIESEL -

DATE: Revised 11-88

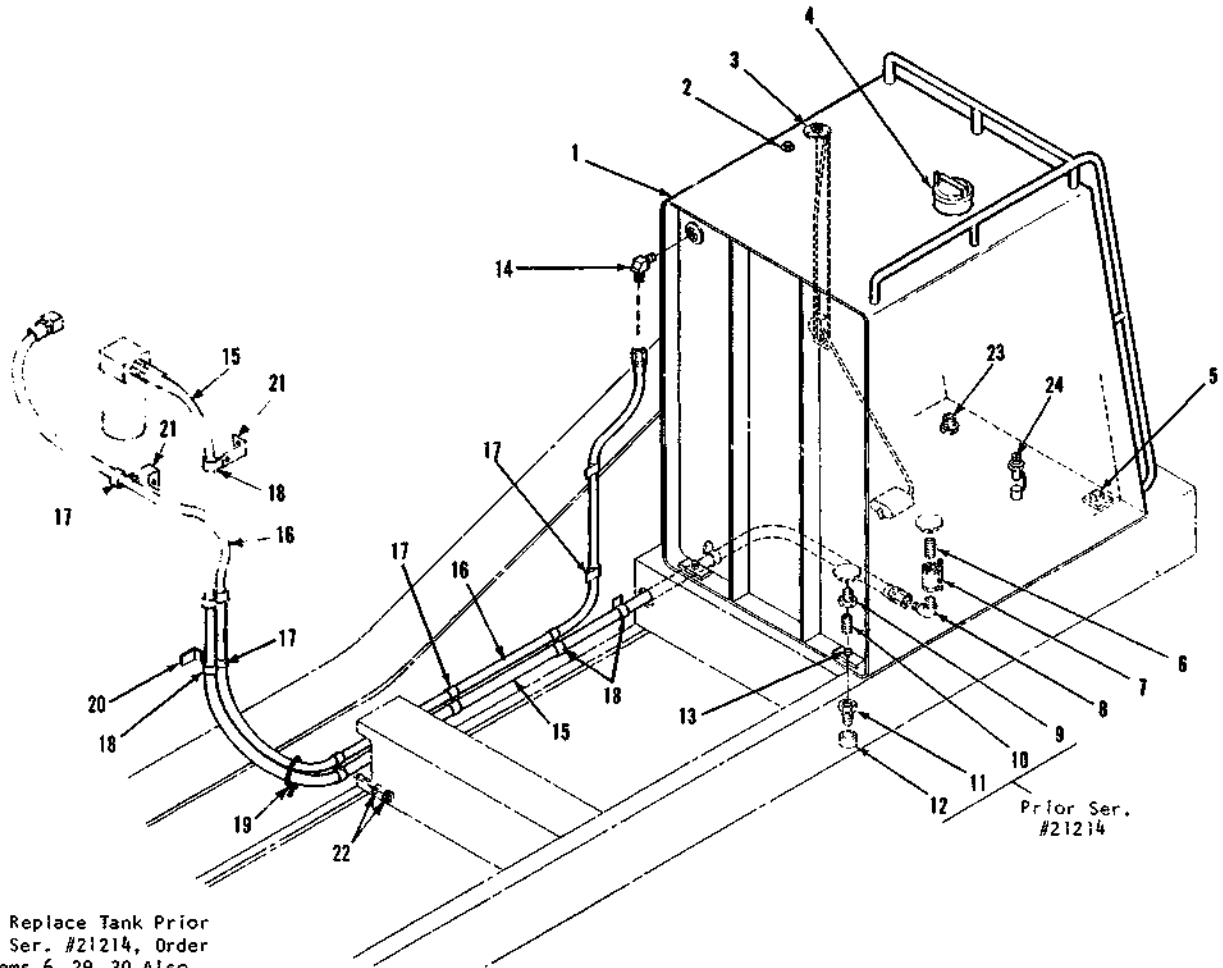
MODEL: 6644E

GROUP

12

PAGE 12.3  
Sheet 1 of 3

⊗ DISCONTINUED PART! REFER TO NUMERICAL PARTS LIST FOR REPLACEMENT PART(S)



Note: To Replace Tank Prior To Ser. #21214, Order Items 6, 29, 30 Also.

REF.	PART NO.	DESCRIPTION	QTY.	REF.	PART NO.	DESCRIPTION	QTY.
	359E8968	Fuel Piping Ass'y.....	1	12	420V5596	Cap, Dust.....	1
		(Includes Items 1 thru 22)			310V3394	Capscrew, 3/4C x 2.....	2
1	U359E8658	Tank, Fuel.....	1		330V2601	Plainwasher(.812" x 2.0")...	2
2	316V3344	Capscrew, 3/4C x 1.....	AR	13	334V2664	Washer, Hardened.....	2
	331V2600	Plainwasher.....	AR		359A8063-001	Shim (.16").....	AR
3	U359C8064	Sender, Fuel.....	1		359A8063-002	Shim (.20").....	AR
4	420V3884	Cap, Fuel.....	1	14	362V1609	Elbow.....	1
	420V5593	Strainer.....	Opt.	15	200B2076-020	Hose Ass'y (5/8 x 174").....	1
	310V3385	Capscrew, 3/4C x 2-1/2.....	2	16	200B2075-020	Hose Ass'y (1/2 x 180").....	1
	330V2601	Plainwasher(.812" x 2.0")...	2	17	200B2007-007	Clamp.....	7
5	334V2664	Washer, Hardened.....	4	18	200B2007-008	Clamp.....	7
	359A8063-001	Shim (.16").....	AR	19	200B2007-058	Clamp.....	2
	359A8063-002	Shim (.20").....	AR		358A2010	Bracket.....	1
	340V3330	Locknut, 3/4C.....	2	20	310V2390	Capscrew, 3/8C x 1.....	4
6	362V6806	Nipple, Close(Early).....	1		340V2323	Locknut, 3/4C.....	4
	362 5616	Adapter.....	1		358A0378	Clip.....	2
	12019-90	Bushing.....	1	21	316V3130	Capscrew, 5/8C x 1.....	1
7	430V3210	Valve, Ball.....	1		332V2400	Lockwasher.....	7
8	362V1874	Elbow.....	1	22	330V2201	Plainwasher.....	5
9	360V1610	Bushing, Reducer(1-1/2x1/2)..	1		340V2323	Locknut, 3/8C.....	5
10	362V6601	Nipple, Close.....	1	23	1219-873	Plug.....	1
11	420V5597	Nose, Coupler.....	1	24	375 0400	Disconnect.....	1
					12019-558	Cap, Dust.....	1

WHEN ORDERING PARTS, SPECIFY MODEL NUMBER, SERIAL NUMBER AND DESCRIPTION OF PART REQUIRED



FUEL TANK & PIPING  
- CUMMINS -

DATE Revised 11-88

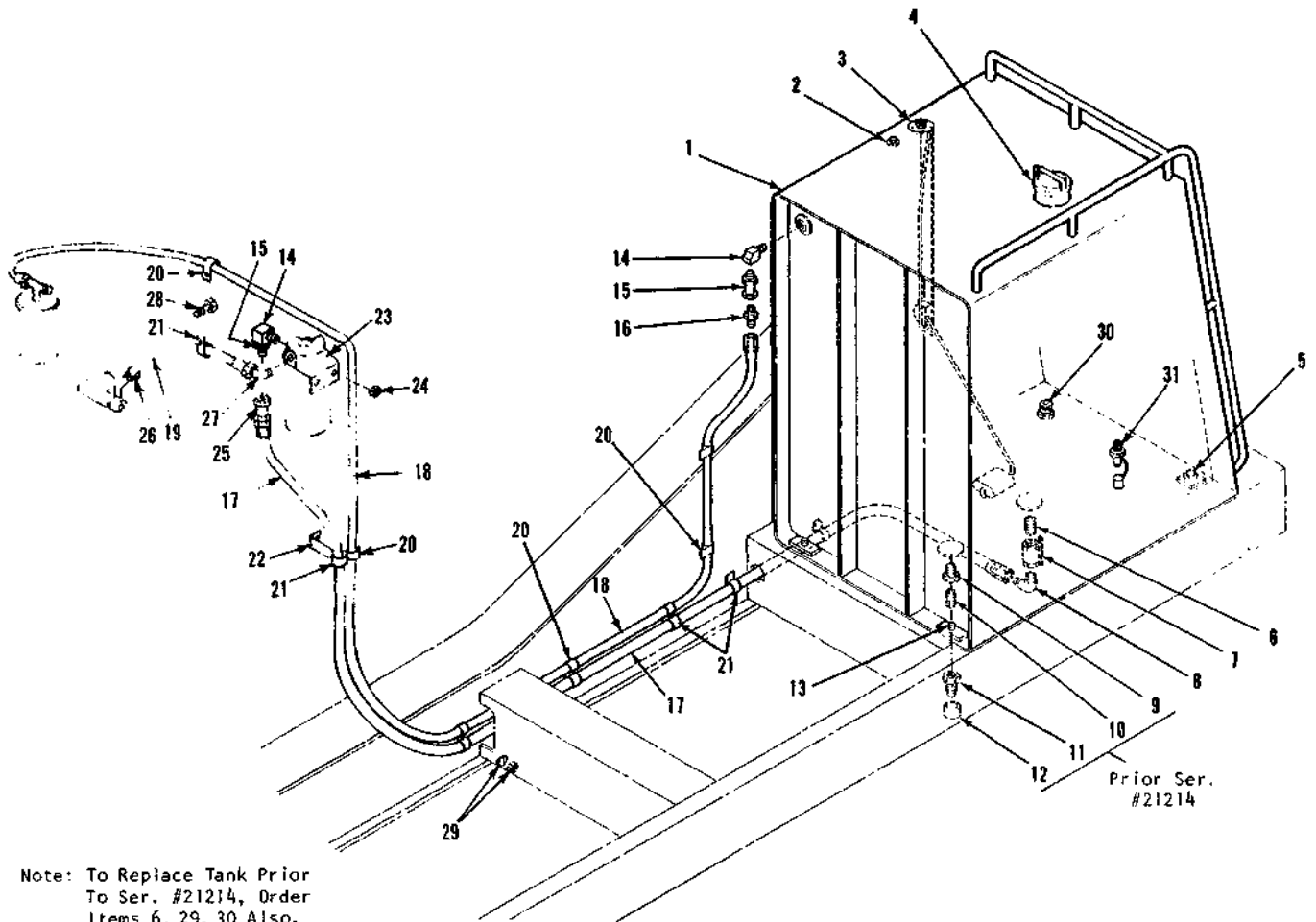
MODEL: 6644E

GROUP  
12

PAGE 12.3  
Sheet 2 of 3

⊗ DISCONTINUED PART! REFER TO NUMERICAL PARTS LIST FOR REPLACEMENT PART(S)

<https://tractormanualz.com/>



Note: To Replace Tank Prior To Ser. #21214, Order Items 6, 29, 30 Also.

REF.	PART NO.	DESCRIPTION	QTY.	REF.	PART NO.	DESCRIPTION	QTY.
	359E9061	Fuel Piping Ass'y.....	1	14	362V1403	Elbow.....	2
		(Includes Items 1 thru 22)		15	12019-484	Valve, Check.....	2
1	U359E8658	Tank, Fuel.....	1	16	362V0402	Connector, Male.....	1
2	316V3344	Capscrew, 3/4 x 1.....	AR	17	200B2076-019	Hose Ass'y(5/8 x 138").....	1
3	331V2600	Plainwasher.....	AR	18	200B2074-1	Hose Ass'y(3/8 x 168").....	1
4	U359C8064	Sender, Fuel.....	1	19	708 8047	Hose Ass'y(3/8 x 28").....	1
	420V3884	Cap, Fuel.....	1	20	200B2007-006	Clamp.....	7
	420V5593	Strainer.....	Opt.	21	200B2007-008	Clamp.....	7
	310V3385	Capscrew, 3/4 x 2-1/2.....	2		358A2010	Bracket.....	1
	330V2601	Plainwasher(.812" x 2.0")... 2		22	310V2390	Capscrew, 3/8 x 1.....	1
	334V2664	Washer, Hardened.....	4		340V2323	Locknut, 3/8C.....	1
	359A8063-001	Shim (.16").....	AR		708 6610	Base, Filter.....	1
	359A8063-002	Shim (.20").....	AR	23	203687	Filter, Spin-On.....	1
	340V3330	Locknut, 3/4C.....	2		310V2379	Capscrew, 3/8C x 1-1/4.....	2
	362V6806	Nipple, Close(Early).....	1		340V2323	Locknut, 3/8C.....	2
	362 5616	Adapter.....	1	24	362V0722	Connector.....	1
	12019-90	Bushing.....	1	25	1240-100	Clamp.....	1
	430V3210	Valve, Ball.....	1	26	1219-799	Elbow.....	1
	362V1874	Elbow.....	1	27	1200-372	Capscrew, M10-1.5 x 20.....	1
	360V1610	Bushing, Reducer(1-1/2x1/2). 1			330V2201	Plainwasher.....	5
	362V6601	Nipple, Close.....	1	29	340V2323	Locknut, 3/8C.....	5
	420V5597	Nose, Coupler.....	1	30	1219-873	Plug.....	1
	420V5596	Cap, Dust.....	1	31	375 0400	Disconnect.....	1
	310V3394	Capscrew, 3/4C x 2.....	2		12019-558	Cap, Dust.....	1
	330V2601	Plainwasher(.812" x 2.0")... 2					
	334V2664	Washer, Hardened.....	2				
	359A8063-001	Shim (.16").....	AR				
	359A8063-002	Shim (.20").....	AR				

WHEN ORDERING PARTS, SPECIFY MODEL NUMBER, SERIAL NUMBER AND DESCRIPTION OF PART REQUIRED



FUEL TANK & PIPING  
- ISUZU -

DATE Revised 11-88

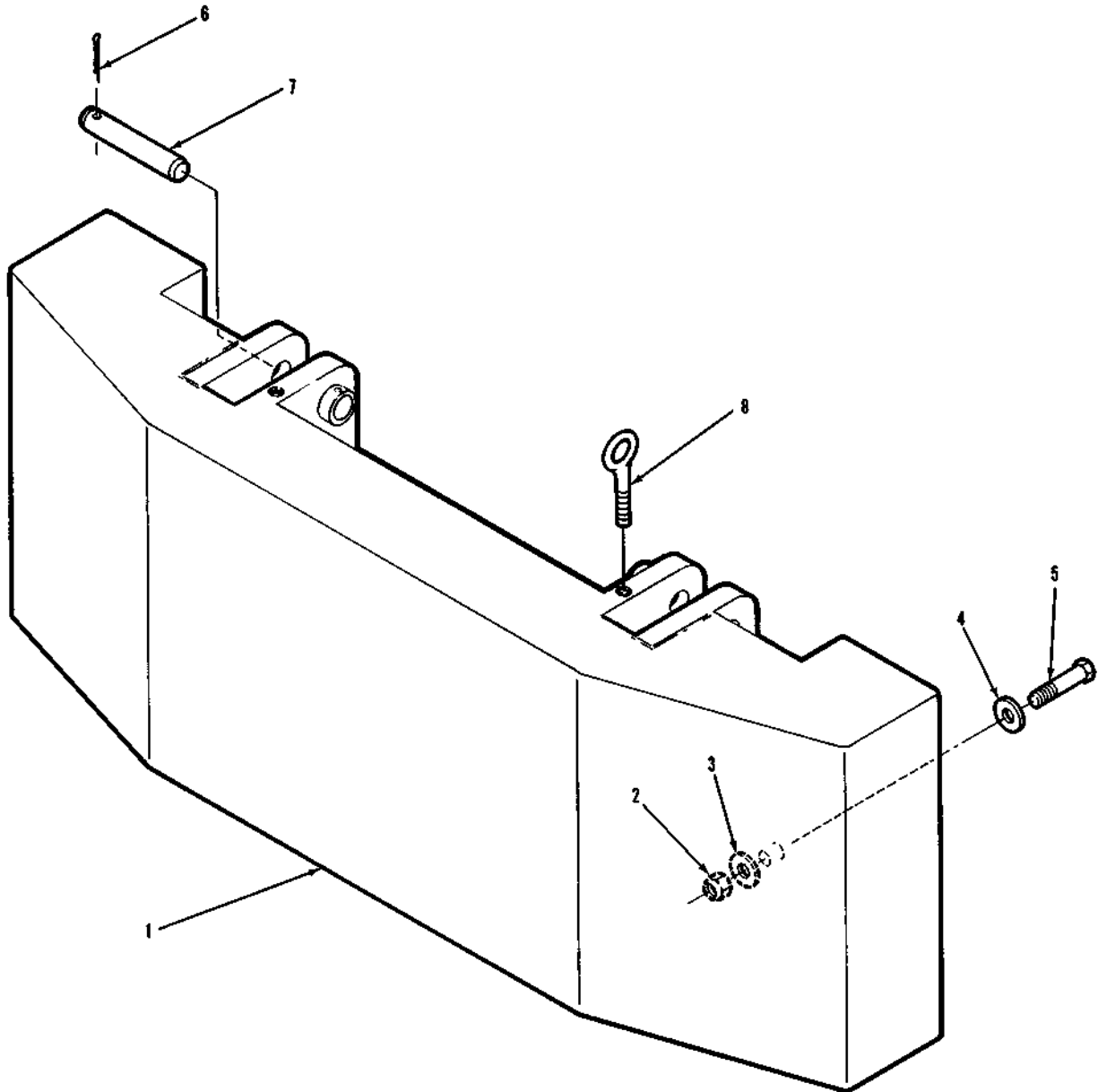
MODEL 6644E

GROUP  
12

PAGE 12.3  
Sheet 3 of 3

⊗ DISCONTINUED PART! REFER TO NUMERICAL PARTS LIST FOR REPLACEMENT PART(S)

<https://tractormanualz.com/>



REF.	PART NO.		DESCRIPTION	QTY.
	Prior To Ser.#21035	Begin W/ Ser.#21035		
1	* 359E8385	359E9010	Counterweight (Excavator)....	1
	* 359E8520	359E9011	Counterweight..... (Logger & Kane Loader)	1
2	340V4116	340V4116	Nut, Lock.....	2
3	* 200B0079-034	200B0079-034	Washer, Flat.....	2
4	334V3401	334V3401	Washer, Hardened.....	2
5	* 310V4150	310V4150	Capscrew.....	2
6	354V3602	354V3602	Pin, Cotter, 1/2 x 3-1/2)....	4
7	* 200B0028-013	359B9019	Pin.....	2
8	* 303V3500	303V3500	Bolt, Eye.....	2

\* Consult Factory

WHEN ORDERING PARTS, SPECIFY MODEL NUMBER, SERIAL NUMBER AND DESCRIPTION OF PART REQUIRED



### COUNTERWEIGHT ASSEMBLY

DATE Revised 10-85

MODEL: 6644E

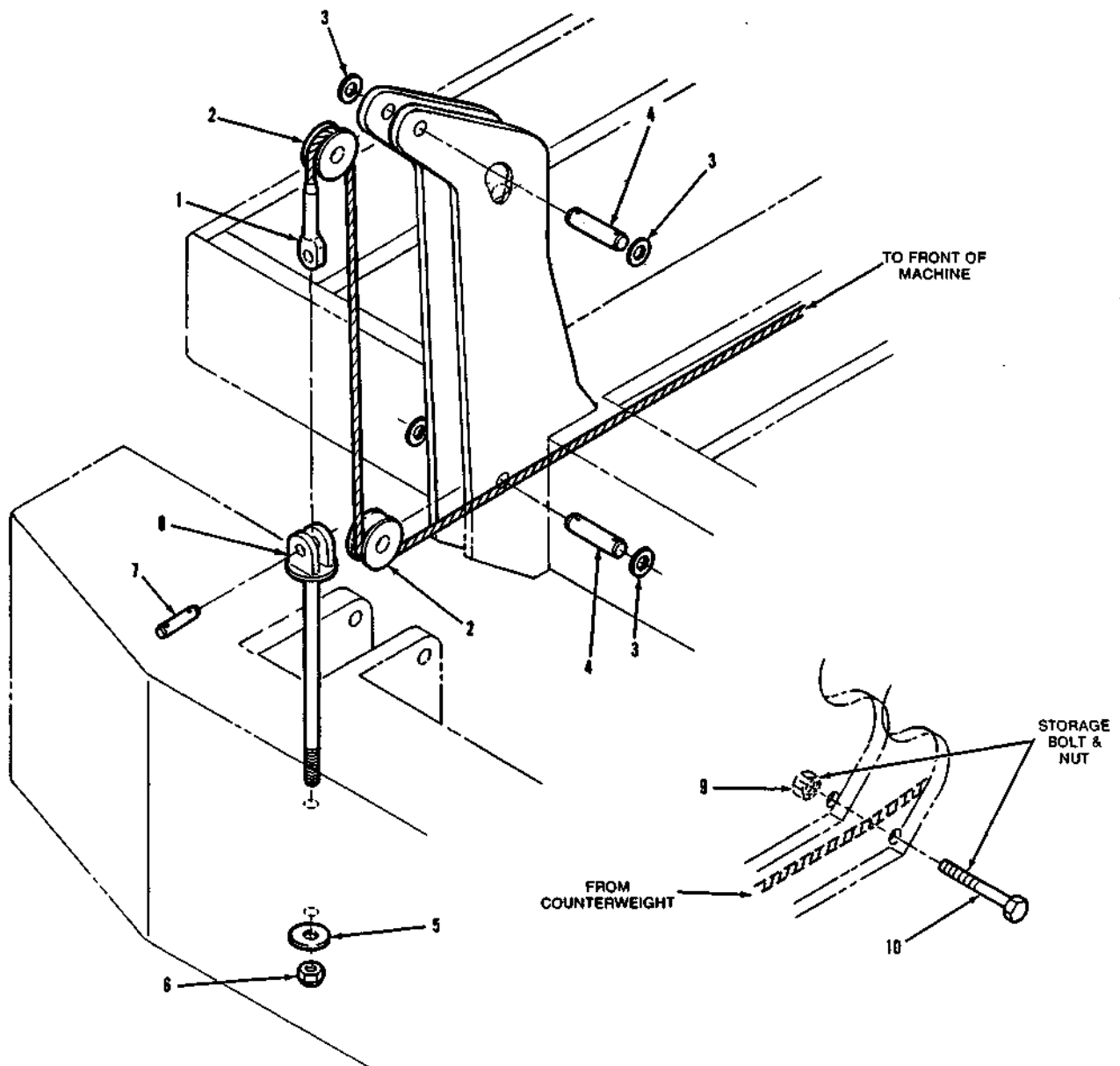
GROUP

13

PAGE 13.1

⊗ DISCONTINUED PART! REFER TO NUMERICAL PARTS LIST FOR REPLACEMENT PART(S)

<https://tractormanualz.com/>



REF.	PART NO.	DESCRIPTION	QTY.
	Prior To Ser. #21035	Begin W/ Ser. #21035	
1	359A8327	359A8327 Pendant (480" Lg).....	1
2	411V3813	411V3813 Sheave.....	4
3	330V3700	330V3700 Washer.....	8
4	200B0024-011	200B0024-011 Pin (1-1/2" x 5-5/16")...	4
	354V2404	254V2404 Pin, Cotter (5/16x2-1/2)..	8
5	200B0078-076	330V4000 Washer, Flat.....	2
6	340V4513	340V4909 Nut, Lock.....	2
7	359A8328	359A8328 Pin.....	2
	354V2010	354V2010 Pin, Cotter (1/4x2-1/4)..	4
8	U355B4043	U359B9020 Eyebolt.....	2
9	340V3911	340V3911 Nut, Lock.....	2
10	310V3908	310V3908 Capscrew.....	2

WHEN ORDERING PARTS, SPECIFY MODEL NUMBER, SERIAL NUMBER AND DESCRIPTION OF PART REQUIRED



### COUNTERWEIGHT REMOVAL ASSEMBLY

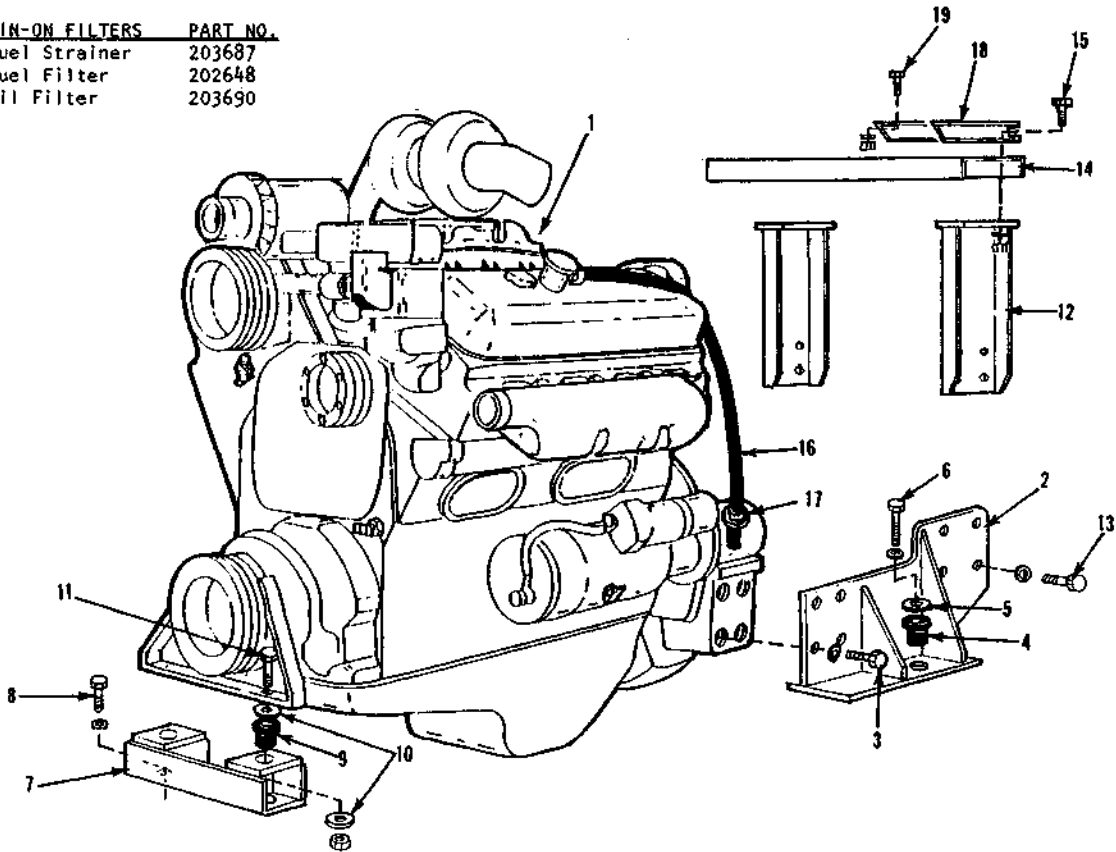
DATE Revised 10-85  
MODEL 6644E

GROUP  
13

PAGE 13.2

⊗ DISCONTINUED PART: REFER TO NUMERICAL PARTS LIST FOR REPLACEMENT PART(S)

SPIN-ON FILTERS	PART NO.
Fuel Strainer	203687
Fuel Filter	202648
Oil Filter	203690



REF.	PART NO.	DESCRIPTION	QTY.	REF.	PART NO.	DESCRIPTION	QTY.
1	U420V1815	Engine, D.D. (6V-71 7063-7600)	1	13	310V3185	Capscrew, 5/8C x 1-1/2	8
2	U35908416	Support, L.H. (Shown)	1		332V2400	Lockwasher	8
	U35908417	Support, R.H.	1		359C8401	Strip (w/o Compressor) (Shown)	1
3	316V3108	Capscrew, 5/8C x 2-3/4	8	14	U359C8803	Support (w/Compressor)	1
	332V2400	Lockwasher	8		310V2525	Capscrew 7/16Cx1-1/4	4
4	420V5855	Mount, Rubber	4	15	334V2300	Lockwasher	4
5	200B0077-50	Flatwasher	4		340V2507	Locknut, 7/16C	4
6	310V3375	Capscrew, 3/4C x 4	2		435V3208	Hose 1-1/4 ID x 60	2
	332V2600	Lockwasher	2	16	200B0087-004	Clamp	2
7	U359C8048	Support	1		200B2007-014	Clamp	2
8	310V3399	Capscrew, 3/4C x 1-3/4	2	17	310V2390	Capscrew, 3/8C x 1	1
	332V2600	Lockwasher	2		340V2323	Locknut, 3/5C	1
9	420V5843	Mount, Rubber	2	18	359A8405	Strip, Air Cleaner	2
10	200B0077-49	Flatwasher	4		310V2525	Capscrew, 7/16C x 1-1/4	4
11	316V3113	Capscrew, 5/8C x 4	2	19	334V2300	Lockwasher	4
	340V3125	Locknut, 5/8C	2		340V2507	Nut, 7/16C	4
12	U359B8402	Support (w/o Compressor)	2	20	420 5665	Heater, Block	Opt.
	U359B83796	Support (w/Compressor)	2				

WHEN ORDERING PARTS, SPECIFY MODEL NUMBER, SERIAL NUMBER AND DESCRIPTION OF PART REQUIRED



ENGINE  
DETROIT DIESEL 6V-71 SAT

DATE: Revised 1-88

MODEL: 6644E

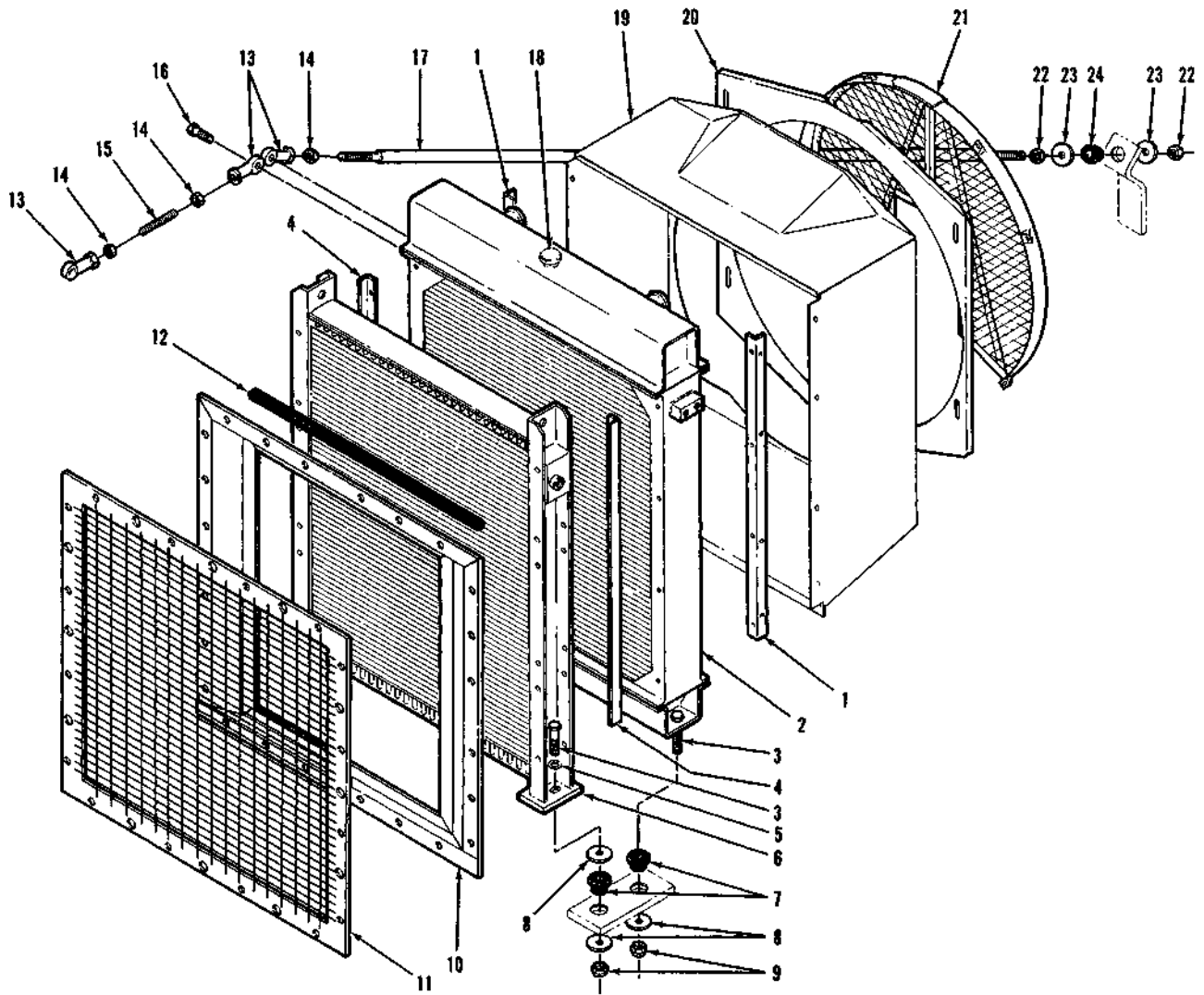
PAGE 14.1

GROUP

14

⊗ DISCONTINUED PART! REFER TO NUMERICAL PARTS LIST FOR REPLACEMENT PART(S)

<https://tractormanualz.com/>



REF.	PART NO.	DESCRIPTION	QTY.	REF.	PART NO.	DESCRIPTION	QTY.
1	U355B5785(CF)	Angle	2	12	U464V1104(CF)	Foam Rubber	160" Lg
	316V2336	Capscrew (3/8" NC x 5/8" - Gr. 5)	8	13	421V1255	End, Rod	6
	333V2003	Washer, Bellville	8	14	340V3201	Nut, Jam (5/8" NC)	4
2	355E6000	Radiator	1	15	306V2039	Stud, Cont. Thread	2
3	310V3397	Capscrew (3/4" NC x 1 3/4" - Gr. 5)	4	16	310V3148	Capscrew (5/8" NC x 1 3/4" - Gr. 5)	6
4	358B0416(CF)	Angle	2	17	U361B2262(CF)	Brace	2
	316V2336	Capscrew (3/8" NC x 5/8" - Gr. 5)	8	18	900V4306	Cap, Radiator	1
	333V2003	Washer, Bellville	8	19	U359E8420(CF)	Shroud	1
5	331V2400	Washer (.656" x 1.312")	2	20	359D7864(CF)	Plate, Oriface	1
6	355E6115	Cooler, Oil	1	21	359D7860(CF)	Guard, L.H.	1
7	420V5843	Mount, Rubber	4		359D7861(CF)	Guard, R.H.	1
8	200B0076-035	Washer, Flat	6		316V2336	Capscrew (3/8" NC x 5/8" - Gr. 5)	6
9	340V3125	Nut, Lock (5/8" NC - Gr. A)	4	310V2390	Capscrew (3/8" NC x 1" - Gr. 5)	2	
10	U359D8458(CF)	Shroud	1	333V2003	Washer, Bellville	2	
	316V2336	Capscrew (3/8" NC x 5/8" - Gr. 5)	8	340V2323	Nut, Lock (3/8" NC - Gr. A)	2	
	331V2000	Washer (.406" x .812")	8	22	340V3101	Nut, Jam (5/8" NC - Gr. 2)	4
11	359C8457(CF)	Grille	1	23	200B0076003	Washer, Flat	4
	316V2336	Capscrew (3/8" NC x 5/8" - Gr. 5)	16	24	420V5804	Mount, Rubber	2
	333V2003	Washer, Bellville	16				

WHEN ORDERING PARTS, SPECIFY MODEL NUMBER, SERIAL NUMBER AND DESCRIPTION OF PART REQUIRED



### RADIATOR & OIL COOLER

DATE: Issued: 2-85

MODEL: 6644E

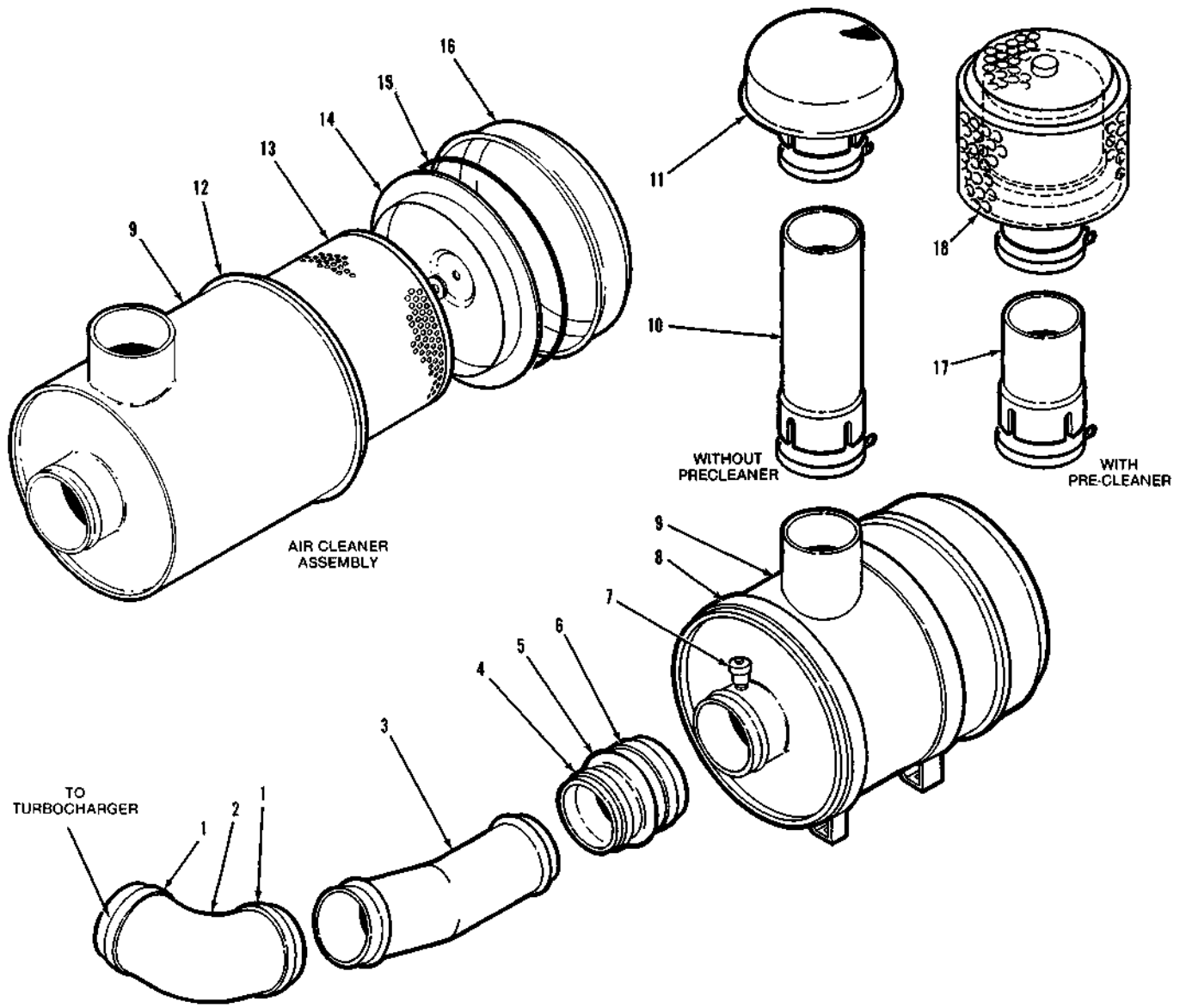
GROUP

14

PAGE 14.2

⊗ DISCONTINUED PART! REFER TO NUMERICAL PARTS LIST FOR REPLACEMENT PART(S)

<https://tractormanualz.com/>



REF.	PART NO.	DESCRIPTION	QTY.	REF.	PART NO.	DESCRIPTION	QTY.
1	378V1500	Clamp (5-1/2")	2	9	420V3875 (CF)	Cleaner, Air	1
2	435V1429	Elbow, Hose	1			(Incl. Items 12 thru 16)	1
3	35988418	Tube (w/o Air Compressor)	1	10	410V6095 (CF)	Extension	1
	359C8815	Tube (w/Air Compressor)	1	11	420V5598 (CF)	Cap	1
4	378V1500	Clamp (5-1/2")	1	12	900V7645 (CF)	Clamp Assembly	1
5	435V1428	Reducer, Hose	1	13	901V1243	Element Assembly	1
6	365V1598	Clamp (7-1/2")	1	14	901V1244 (CF)	Baffle Assembly	1
7	420V3891	Indicator	1	15	900V3232	O-Ring	1
	420V3571 (CF)	Band	2	16	901V1245 (CF)	Cup Assembly	1
8	310V2525	Capscrew, 7/160 x 1-1/4	4	17	420V3688	Extension, Pre-Cleaner	1
	340V2507	Locknut, 7/160	4	18	420V3789	Cap, Pre-Screen	1
					420V3788	Pre-Cleaner	1

WHEN ORDERING PARTS, SPECIFY MODEL NUMBER, SERIAL NUMBER AND DESCRIPTION OF PART REQUIRED



AIR FILTER INSTALLATION

DATE: Revised 1-88

MODEL: 6644E

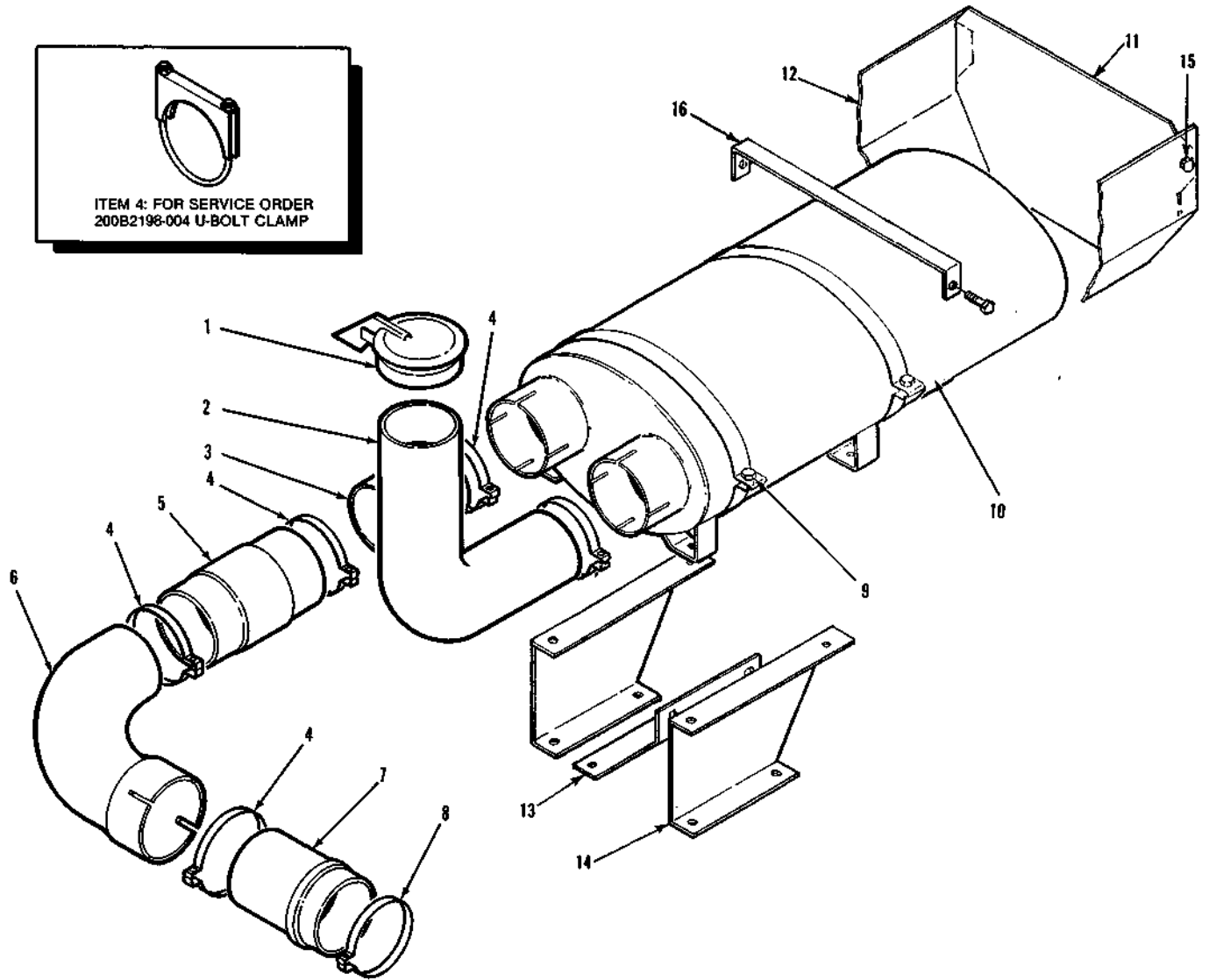
GROUP

14

PAGE 14.3

⊗ DISCONTINUED PART! REFER TO NUMERICAL PARTS LIST FOR REPLACEMENT PART(S)

<https://tractormanualz.com/>



REF.	PART NO.	DESCRIPTION	QTY.
1	420V5535	Cap, Exhaust.....	1
2	200B2282-018	Elbow, Exhaust.....	1
		(w/o Air Pre-Cleaner)	
4	420V3790	Pipe, Exhaust.....	1
		(w/Air Pre-Cleaner)	
	420V3914	Clamp.....	1
3	200B0093-013	Tube.....	1
4	200B2198-004	Clamp.....	1
5	374V8300	Joint, Flex.....	1
6	200B2281-006	Elbow.....	1
7	358C5737	Adapter.....	1
8	378V1501	Clamp.....	1
	355C5020-001	Band.....	2
9	310V2525	Capscrew, 7/16C x 1-1/4.....	4
	340V2507	Nut, Lock, 7/16C.....	4
10	420V6302	Muffler.....	1
11	359C8060	Cover, End.....	1
12	U359C8059	Shield, Heat.....	1
13	359B8407	Strip.....	1
14	359B8408	Strip.....	2
15	316V2336	Capscrew, 3/8C x 5/8.....	3
16	359A8406	Strip.....	1
	316V2336	Capscrew, 3/8C x 5/8.....	2

WHEN ORDERING PARTS, SPECIFY MODEL NUMBER, SERIAL NUMBER AND DESCRIPTION OF PART REQUIRED



**EXHAUST PIPING & MUFFLER**

DATE Revised 12-85

MODEL: 6644E

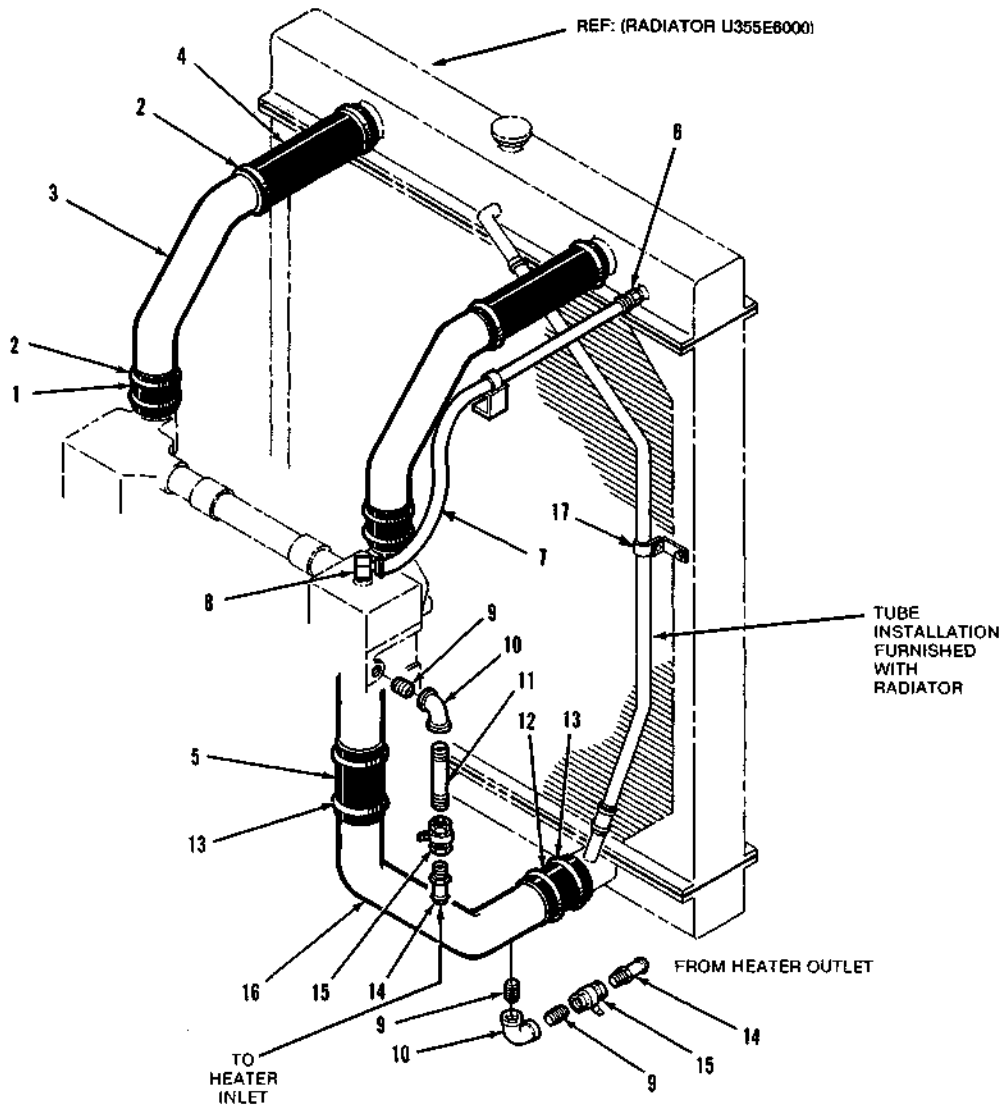
GROUP

14

PAGE 14.4

⊗ DISCONTINUED PART! REFER TO NUMERICAL PARTS LIST FOR REPLACEMENT PART(S)

<https://tractormanualz.com/>



REF.	PART NO.	DESCRIPTION	QTY.	REF.	PART NO.	DESCRIPTION	QTY.
1	200B2170-001	Hose (2 1/4" x 3")	2	12	200B2170-125	Hose (2 3/4" x 4")	1
2	200B0087-005	Clamp	8	13	200B0087-006	Clamp	4
3	355C5440	Tube	2	14	375V0800	Insert, Beaded	2
4	200B2315-010	Hose (2 1/4" x 18 1/2")	2	15	430V3144	Valve	2
5	200B2170-137	Hose (2 3/4" x 7")	1	16	359C8410	Tube	1
6	373V1502	Insert, Beaded	1	17	358A2010(CF)	Bracket	1
7	435V2276	Hose	28" Lg		316V2336	Capscrew	1
	200B0087-020	Clamp	2				
8	373V1501	Elbow, Beaded	1		340V2323	Nut, Lock (3/8" NC)	1
9	360V4316	Nipple (1/2" Close)	3		200B2007-006	Clamp	1
10	360V3301	Elbow (1/2" x 90°)	2		310V2390	Capscrew	1
11	360V4303	Nipple (1/2" x 2")	1			(3/8" NC x 1" - Gr. 5)	

WHEN ORDERING PARTS, SPECIFY MODEL NUMBER, SERIAL NUMBER AND DESCRIPTION OF PART REQUIRED



RADIATOR PIPING

DATE: Issued: 2-85

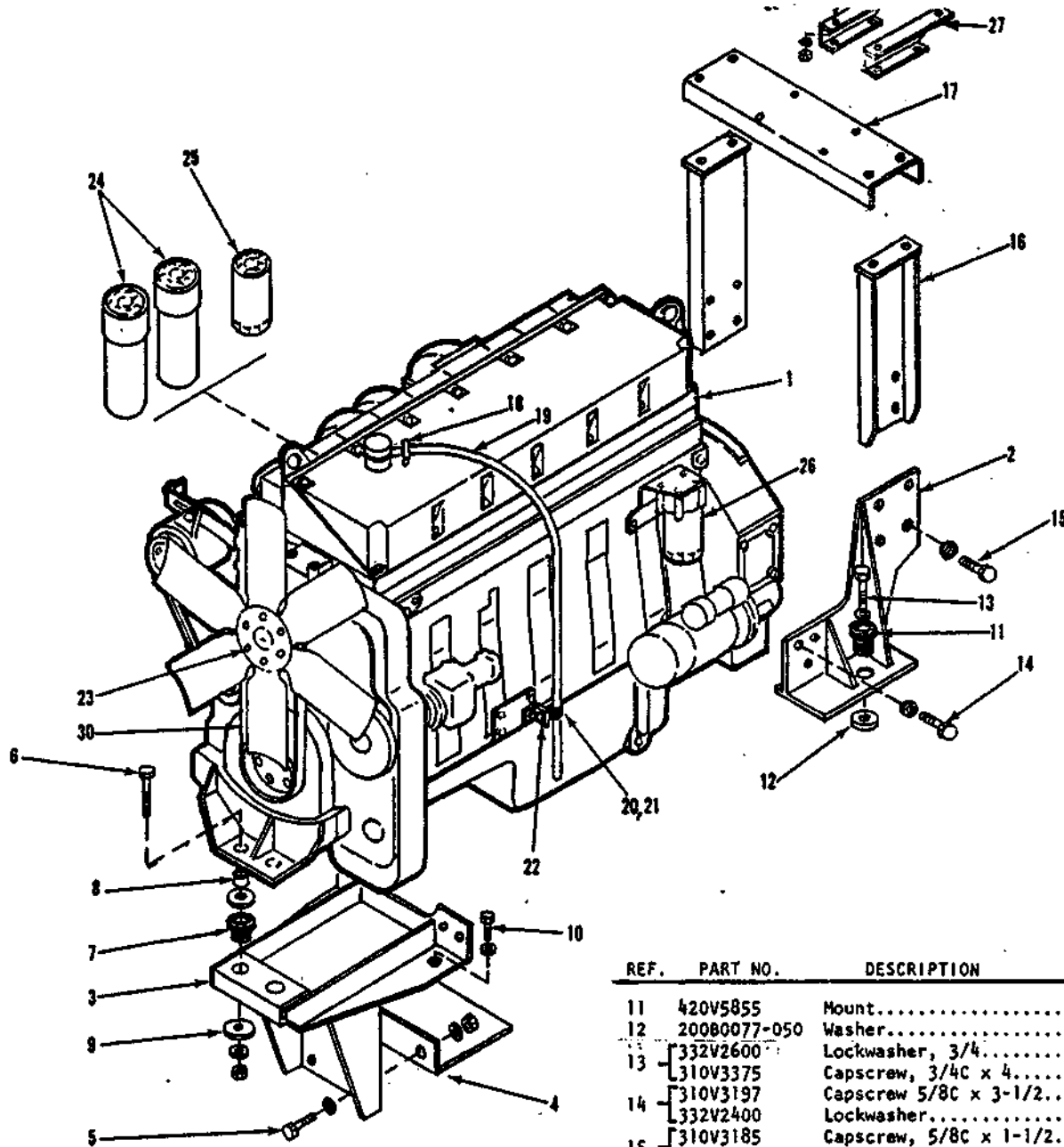
MODEL: 6644E

GROUP

14

PAGE 14.5

⊗ DISCONTINUED PART! REFER TO NUMERICAL PARTS LIST FOR REPLACEMENT PART(S)



REF. PART NO.	DESCRIPTION	QTY.
1	35680385 Engine, 6644 & 6644L.... (LTA-10-C290/CBS-2646, 280 HP - Repl. U420V1818)	1
	35680386 Engine, 6655L..... (LTA-10-C325/CBS-2647, 315 HP - Repl. U420V1819)	1
2	U35908942 Support, LH (Shown)....	1
	U35908946 Support, RH.....	1
3	U35908948 Support, Front.....	1
4	35988949 Plate.....	1
5	310V3148 Capscrew, 5/8C x 2.....	2
	340V3125 Locknut, 5/8C.....	2
	334V2402 Flatwasher.....	4
6	316V3113 Capscrew, 5/8C x 4.....	2
	340V3125 Locknut.....	2
7	334V2402 Flatwasher.....	2
	420V5843 Mount.....	2
8	359A7496 Spacer.....	2
9	20080077-049 Washer.....	4
10	310V3399 Capscrew, 3/4C x 1-3/4..	2
	332V2600 Lockwasher.....	2

REF.	PART NO.	DESCRIPTION	QTY.
11	420V5855	Mount.....	4
12	20080077-050	Washer.....	4
13	332V2600	Lockwasher, 3/4.....	2
	310V3375	Capscrew, 3/4C x 4.....	2
14	310V3197	Capscrew 5/8C x 3-1/2... 6	6
	332V2400	Lockwasher.....	6
15	310V3185	Capscrew, 5/8C x 1-1/2.. 8	8
	332V2400	Lockwasher.....	8
16	U35988402	Support.....	2
17	359C8401	Strip.....	1
18	20080087-003	Clamp.....	1
19	435 3107	Hose.....	1
20	378 1505	Clamp.....	2
21	316V2336	Capscrew, 3/8C x 5/8.... 1	1
	340V2323	Locknut, 3/8C.....	1
22	359A1989	Bracket.....	1
23	1200-79	Capscrew, 3/8C x 3-1/2 Gr8. 6	6
	332V2000	Lockwasher.....	6
24	208591	Oil Filter, Full Flow... 1	1
	203709	Oil Filter, By-Pass.... 1	1
	210757	Oil Filter, Single..... 1	1
25	202665	Fuel Filter w/drain.... 1	1
26	203206	Fuel Filter w/o drain... 1	1
27	359A8927	Bracket, Air Cleaner... 2	2
	310V2525	Capscrew, 7/16C x 1-1/4.. 4	4
28	334V2300	Lockwasher.....	4
	340V2507	Locknut, 7/16C.....	4
29	420 5665	Heater, Block.....	1
30	209987	Belt, Fan (Flat Ribbed).. 1	1

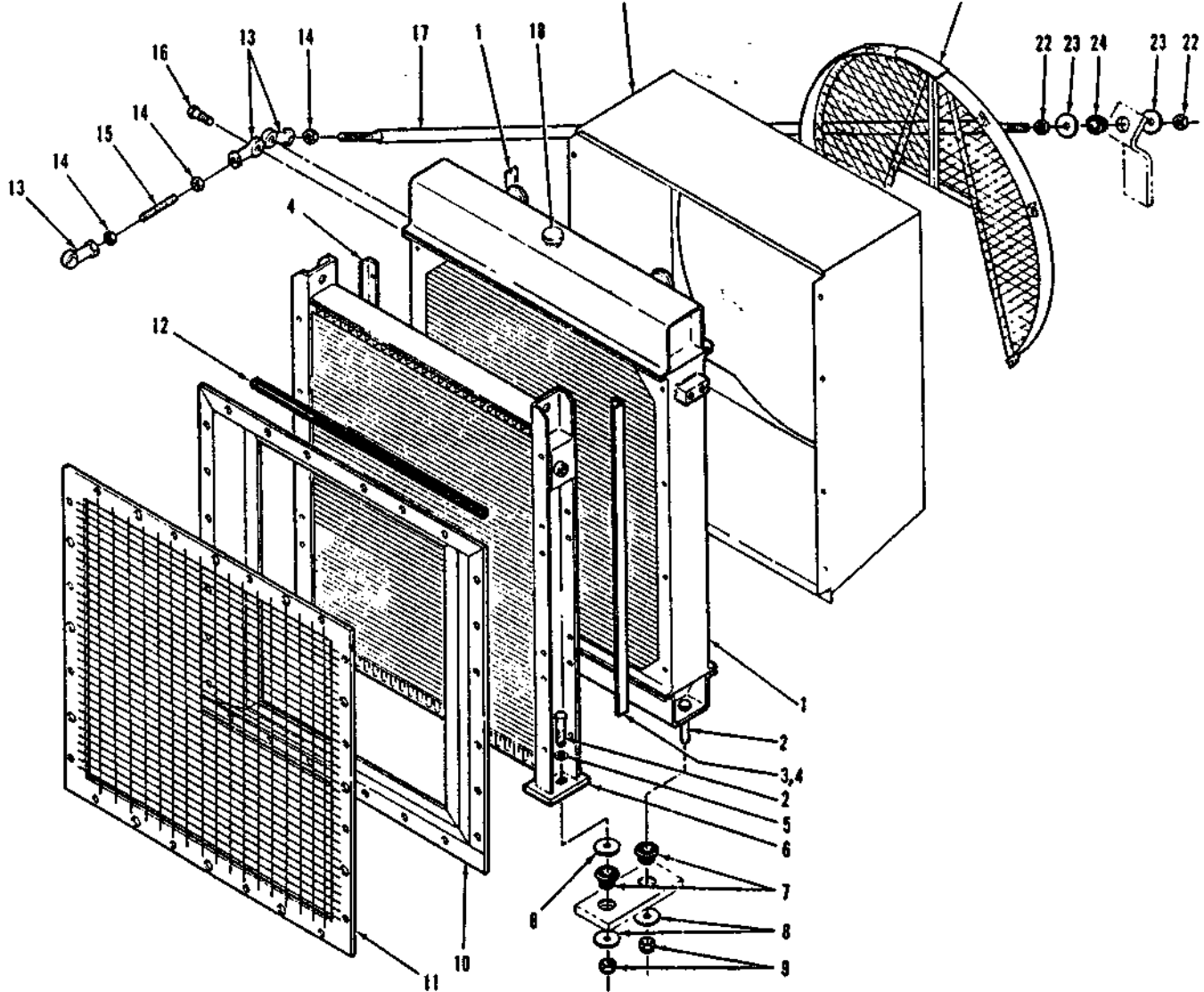
WHEN ORDERING PARTS, SPECIFY MODEL NUMBER, SERIAL NUMBER AND DESCRIPTION OF PART REQUIRED



**ENGINE**  
**CUMMINS LTA-10-C290**

DATE: Revised 7-91	GROUP <b>14A</b>
MODEL: 6644E	

⊗ DISCONTINUED PART! REFER TO NUMERICAL PARTS LIST FOR REPLACEMENT PARTS! <https://tractormanualz.com/>



REF	PART NO.	DESCRIPTION	QTY.
1	355E6000	Radiator.....	1
2	310V3197	Capscrew..... (5/8"NC x 3 1/2" - Gr 5)	4
3	358B0416	Angle.....	2
4	316V2336	Capscrew..... (3/8"NC x 5/8" - Gr 5)	8
	333V2003	Washer, Belleville.....	8
5	331V2400	Washer (.656X1.312")....	2
6	355E6115	Cooler, Oil.....	1
7	420V5843	Mount, Rubber.....	4
8	200B0076-035	Washer, Flat.....	6
9	340V3125	Nut, Lock..... (5/8"NC - Gr A)	4
	U35908458	Shroud.....	1
	316V2336	Capscrew.....	8
10	331V2003	Washer, Belleville.....	8
	359C8457	Grille.....	1
11	316V2336	Capscrew..... (3/8"NC x 5/8" - Gr 5)	16
	333V2003	Washer, Belleville.....	16
12	U464V11A	Foam Rubber.....	160"

REF	PART NO.	DESCRIPTION	QTY.
13	421V1255	End, Rod.....	6
14	340V3201	Nut, Jam (5/8"NF).....	4
	332V2400	Lockwasher, 5/8".....	4
15	306V2039	Stud, Cont Thread.....	2
16	310V3181	Capscrew..... (5/8"NC x 1 3/4 - Gr 5)	6
17	U361B2262	Brace.....	2
18	900V4306	Cap, Radiator.....	1
19	U35908939	Shroud.....	1
20	35907860	Guard, L.H. ....	1
	U359C9073	Guard, R.H. ....	1
	316V2336	Capscrew..... (3/8" NC x 5/8"-Gr 5)	6
21	310 2390	Capscrew..... (3/8" NC x 1 - Gr 5)	2
	333V2003	Lockwasher..... (3/8" Belleville)	6
22	340V3101	Nut, Jam(5/8"NC-Gr 2)...	4
23	200B0076-003	Washer, Flat.....	4
24	420V5804	Mount, Rubber.....	2

WHEN ORDERING PARTS, SPECIFY MODEL NUMBER, SERIAL NUMBER AND DESCRIPTION OF PART REQUIRED



## RADIATOR & OIL COOLER

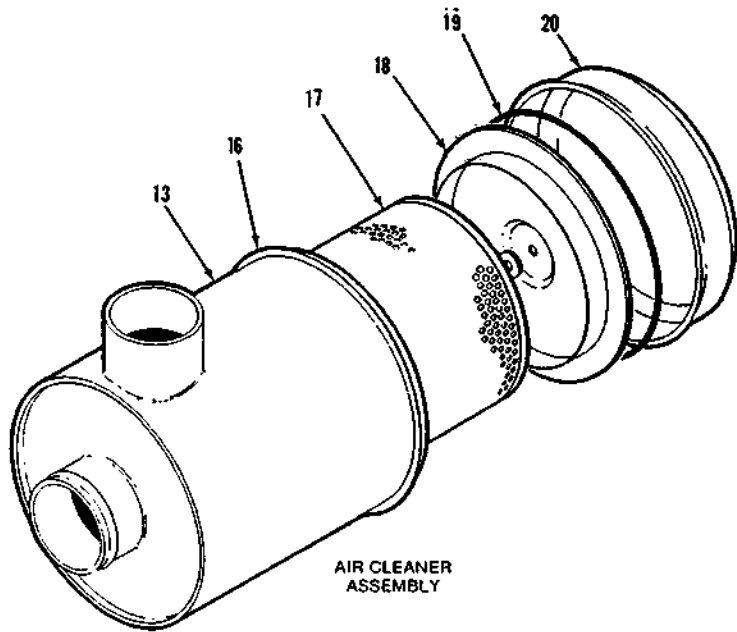
DATE: Revised 7-91

MODEL: 6644E

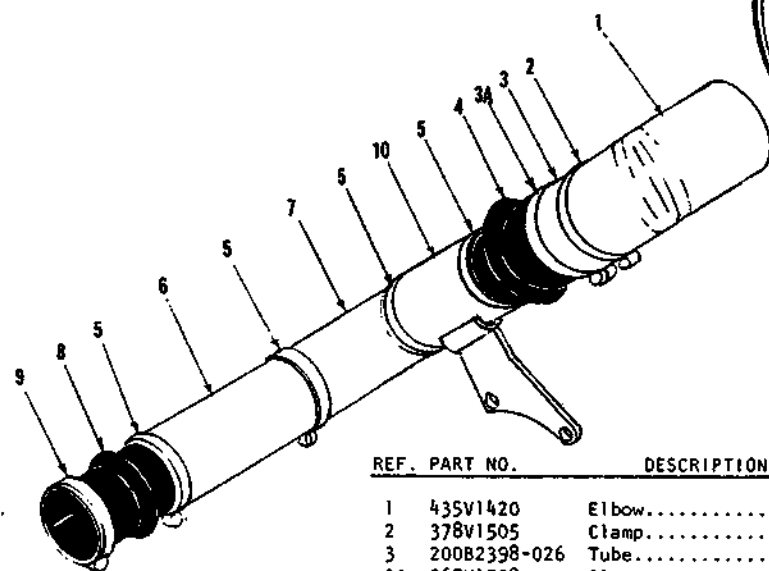
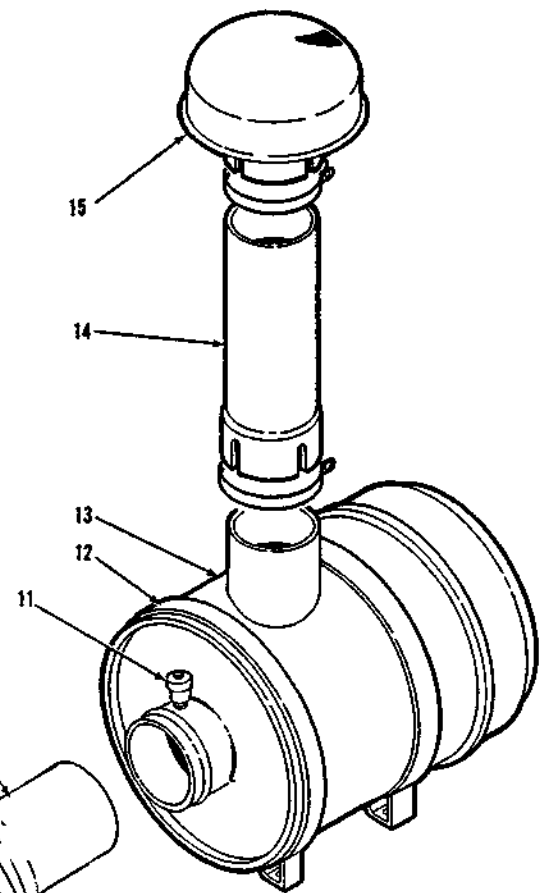
GROUP

14A

PAGE 14A.2



AIR CLEANER ASSEMBLY



REF.	PART NO.	DESCRIPTION	QTY.
1	435V1420	Elbow.....	1
2	378V1505	Clamp.....	1
3	200B2398-026	Tube.....	1
3A	365V1598	Clamp.....	1
4	435V1506	Hump Reducer.....	1
5	365V1596	Clamp.....	4
6	200B2398-016	Tube.....	1
7	435V1411	Elbow.....	1
8	420V3615	Reducer, Hump.....	1
9	378V1504	Clamp.....	1
10	U35989072	Tube.....	1
11	420V3856	Indicator.....	1
	420V3571	Band.....	2
	310V2525	Capscrew.....	4
12		(7/16" NC x 1 1/4" - Gr 5)	
	340V2507	Nut, Lock.....	4
		(7/16" NC - Gr A)	
13	420V3899	Cleaner, Air.....	1
		(Incl. Items 16 thru 20)	
14	410V6095	Extension.....	1
15	420V5598	Cap.....	1
16	900V7645	Clamp Assembly.....	1
17	206411	Element.....	1
	206410	Element, Safety.....	1
18	901V1244	Baffle Assembly.....	1
19	900V3232	O-Ring.....	1
20	901V1245	Cup Assembly.....	1

FOR MODEL-RANGE PARTS SPECIFY MODEL NUMBER, SERIAL NUMBER AND DESCRIPTION OF PART REQUIRED



## AIR FILTER INSTALLATION

DATE Revised 12-85

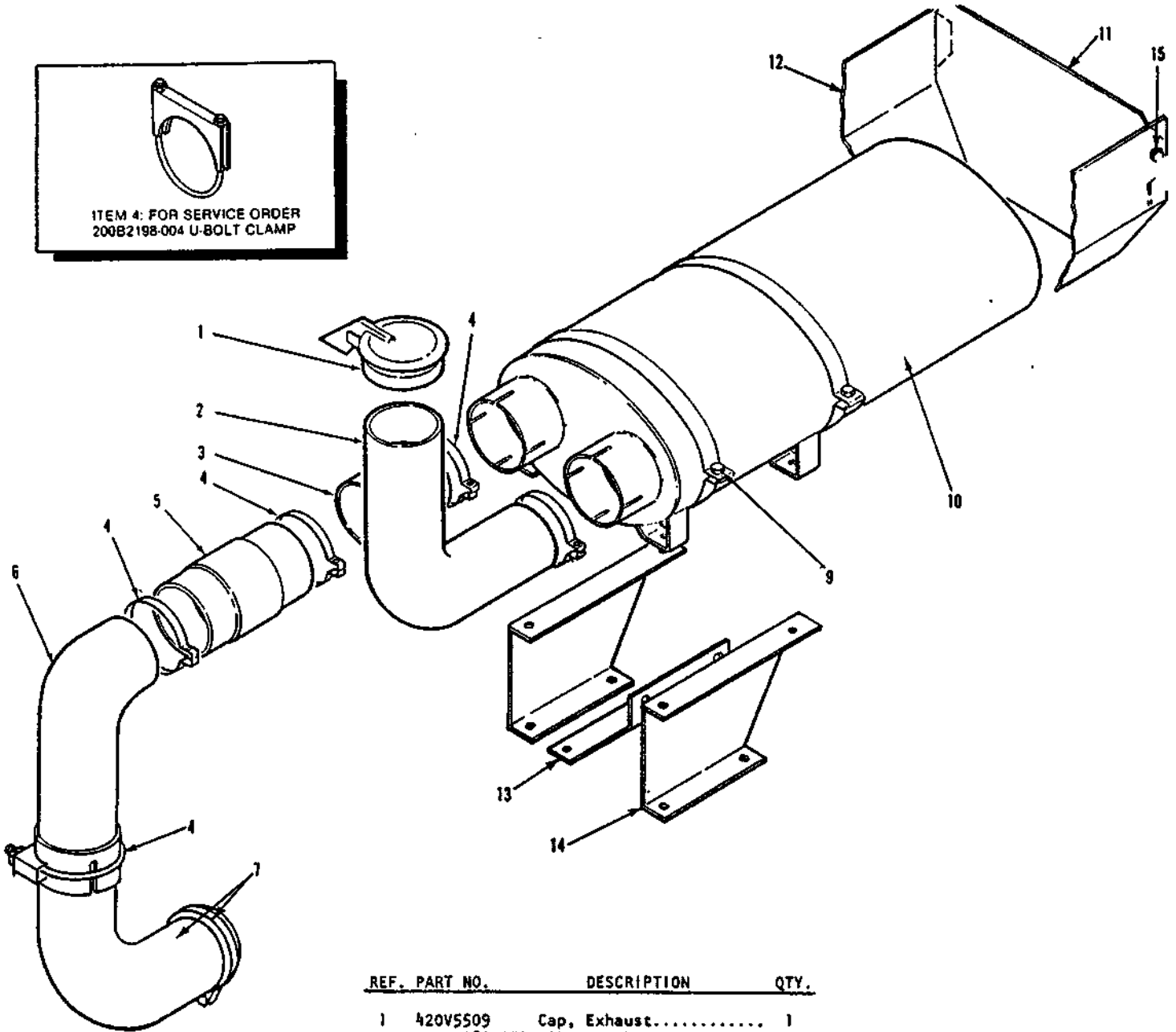
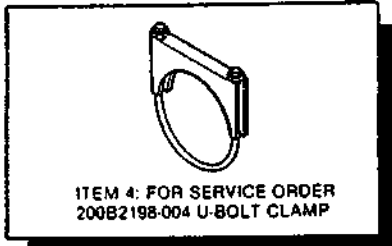
MODL. 6644E

GROUP

14A

PAGE 14A.3

SEE LISTING OF PARTS REFER TO NUMERICAL PARTS LIST FOR REPLACEMENT PART(S)



REF.	PART NO.	DESCRIPTION	QTY.
1	420V5509	Cap, Exhaust.....	1
2	20082282-071	Elbow, Exhaust.....	1
3	20080093-097	Tube 4 OD x 24.5.....	1
4	200B2198-003	Clamp.....	5
5	420V6310	Joint, Flex.....	1
6	20082281-005	Elbow.....	1
7	208826	Adapter, 90°.....	1
	208921	Clamp, V-Band.....	1
9	355C5020-001	Band.....	2
	310V2525	Capscrew.....	4
9	340V2507	Nut, Lock.....	4
		(7/16"NC x 1 1/4" - Gr. 5) (7/16"NC - Gr A)	
10	420V6309	Muffler.....	1
11	359C8060	Cover, End.....	1
12	U359C8059	Shield, Heat.....	1
13	35988407	Strip.....	1
14	35988408	Strip.....	2
15	333V2003	Washer, Belleville.....	3
	20080076-35	Washer, .10 Ga.....	3
	334V2300	Washer.....	6

WHEN ORDERING PARTS, SPECIFY MODEL NUMBER, SERIAL NUMBER AND DESCRIPTION OF PART REQUIRED



EXHAUST PIPING & MUFFLER

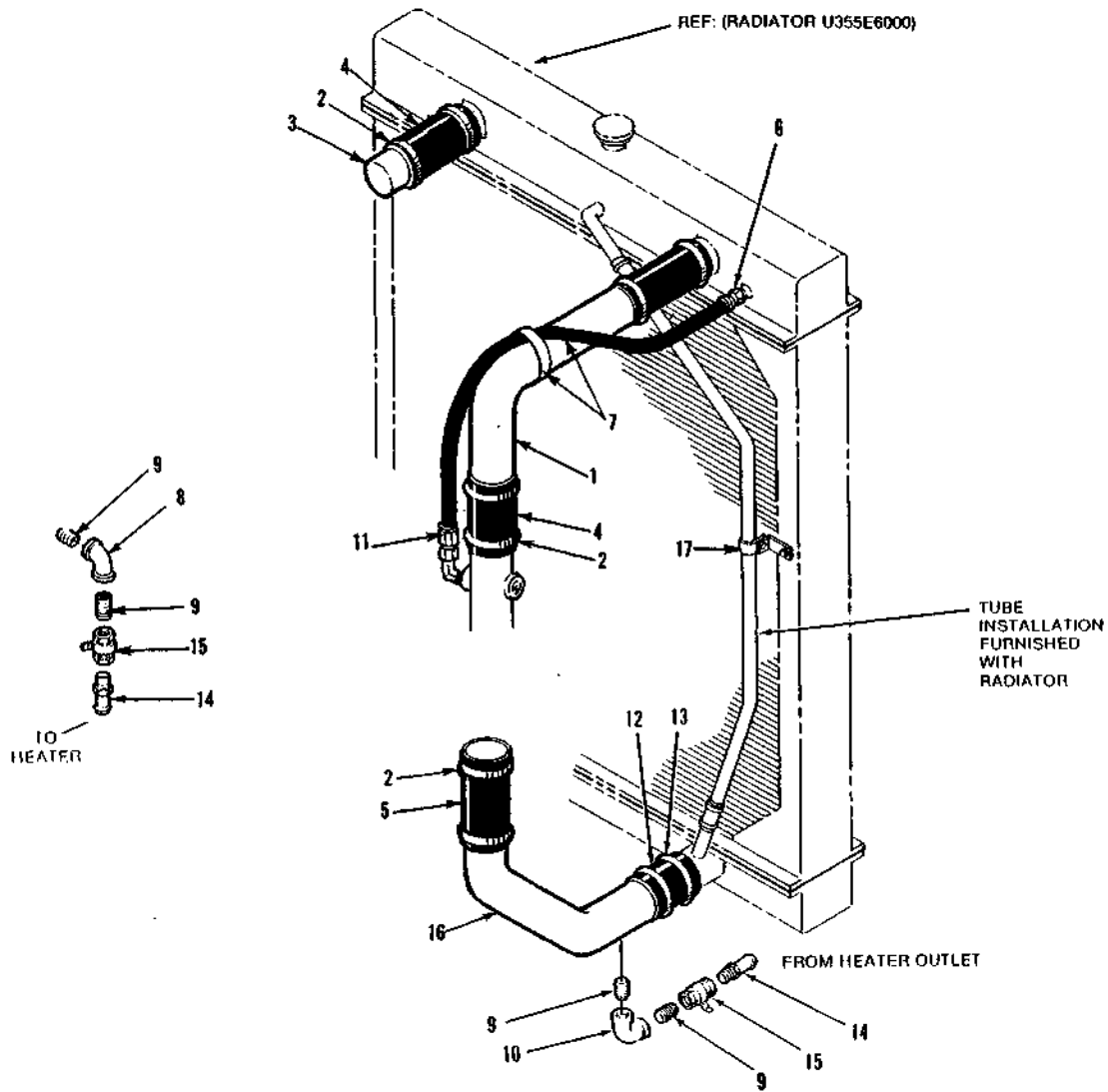
DATE: Revised 7-91

MODEL: 6644E

GROUP

14A

PAGE 14A.4



REF	PART NO.	DESCRIPTION	QTY.
1	359C8937	Tube.....	1
2	300B0087-005	Clamp.....	8
3	359B7530	Adapter.....	1
4	200B2170-005	Hose(2-1/4 x 4).....	3
5	200B2170-065	Hose(2-3/4 x 7).....	1
6	362V0404	Connector.....	1
7	200B2320-009	Hose(5/16).....	28"
	445V2406	Strap.....	1
8	360V3314	Elbow(1/2 x 45°).....	1
9	360V4316	Nipple(1/2"Close).....	4
10	360V3301	Elbow(1/2" x 90°).....	2
11	362V0467	Connector, Male.....	1
12	200B2170-125	Hose(2-3/4 x 4).....	1
13	200B0087-006	Clamp.....	2
14	375V0800	Insert, Beaded.....	2
15	430V3144	Valve.....	2
16	359D8930	Tube.....	1
	358A2010	Bracket.....	1
17	200B2007-006	Clamp.....	1
	310V2390	Capscrew, 3/80 x 1.....	1

WHEN ORDERING PARTS SPECIFY MODEL NUMBER, SERIAL NUMBER AND DESCRIPTION OF PART REQUIRED



### RADIATOR PIPING

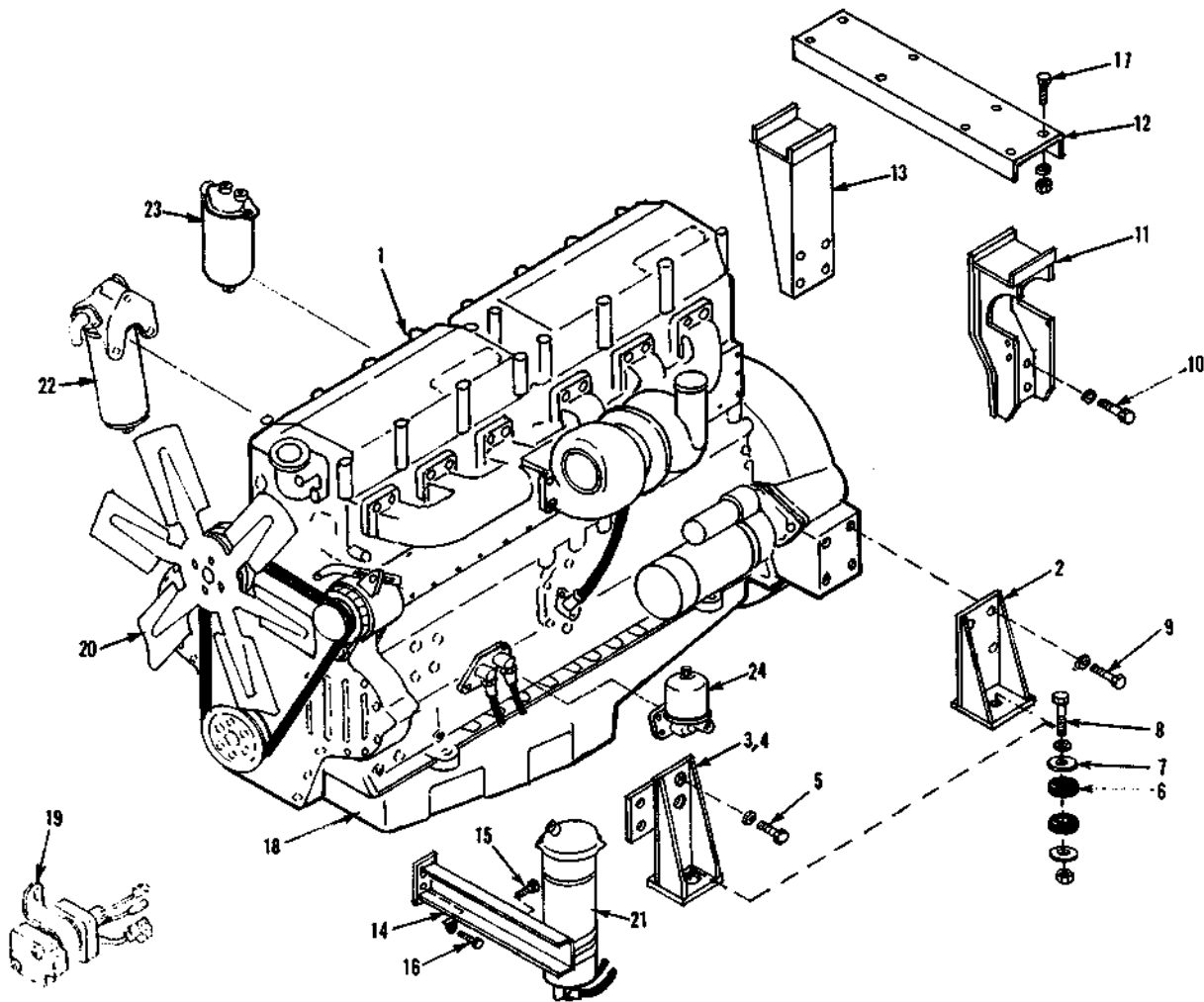
ISSUED 5-85

MODEL 6644E

GROUP  
**14A**

PAGE 14A.5

SEE THE REPAIR MANUAL FOR THE APPROPRIATE PARTS LIST FOR REPLACEMENT PARTS



REF.	PART NO.	DESCRIPTION	QTY.
1	U420V1817	Engine, ISUZU 6RBIT.....	1
2	U359D8529	Support, LH (Shown).....	1
	U359D8530	Support, RH.....	1
3	U359C8570	Support, Front LH.....	1
4	U359C8571	Support, Front RH.....	1
	310V6351	Capscrew, M14 x 45.....	4
5	1200-367	Capscrew.....	4
	332V2205	Lockwasher.....	8
6	420V5855	Mount.....	8
	200B0077-050	Washer, Rear.....	6
7	708 6568	Washer, Front.....	2
8	332V2600	Lockwasher, 3/4.....	4
	310V3375	Capscrew, 3/4 x 4.....	4
	310V2512	Capscrew, M16 x 40.....	AR
9	332V2301	Lockwasher, M16.....	AR
	1200-144	Capscrew, 5/8 x 1-1/2..	8
	1210-32	Lockwasher, 5/8.....	8

REF.	PART NO.	DESCRIPTION	QTY.
10	310V3164	Capscrew, 5/8 x 1 1/4..	8
	332V2400	Lockwasher.....	8
11	U359C8860	Support.....	1
12	U359B8874	Support.....	1
13	U359B8872	Support.....	1
14	U359C9042	Bracket, Oil Filter.....	1
15	1200-360	Capscrew, M12-1.3 x 25..	4
	1210-105	Lockwasher, 12mm.....	4
16	1200-61	Capscrew, 3/8 x 1 1/4..	2
	340V2323	Locknut, 3/8.....	2
17	310V2525	Capscrew, 7/16 x 1 1/4..	8
	334V2300	Lockwasher.....	8
	340V2507	Locknut, 7/16.....	8
18	U359B9080	Pan, Oil (Cast).....	1
19	208208	Relay, Safety (Part of Eng.)	1
		(Also 207351, Ref: A208204)	
20	206491	Blade, Fan (Part of Eng.)	1
21	206577	Filter, Remote Oil.....	Early
22	206578	Filter, Main Oil.....	1
	206579	Filter, Fuel (Cartridge).....	Early
23	203687	Filter, Fuel (Spin-On)...	1
24	A208762	Kit, Seal (Fuel Filter)..	1
		(Centrifugal, Wash Type)	

Not Req'd.  
With Item  
18.

WHEN ORDERING PARTS, SPECIFY MODEL NUMBER, SERIAL NUMBER AND DESCRIPTION OF PART REQUIRED



ENGINE  
ISUZU 6RBI-TPW05

DATE Revised 11-88

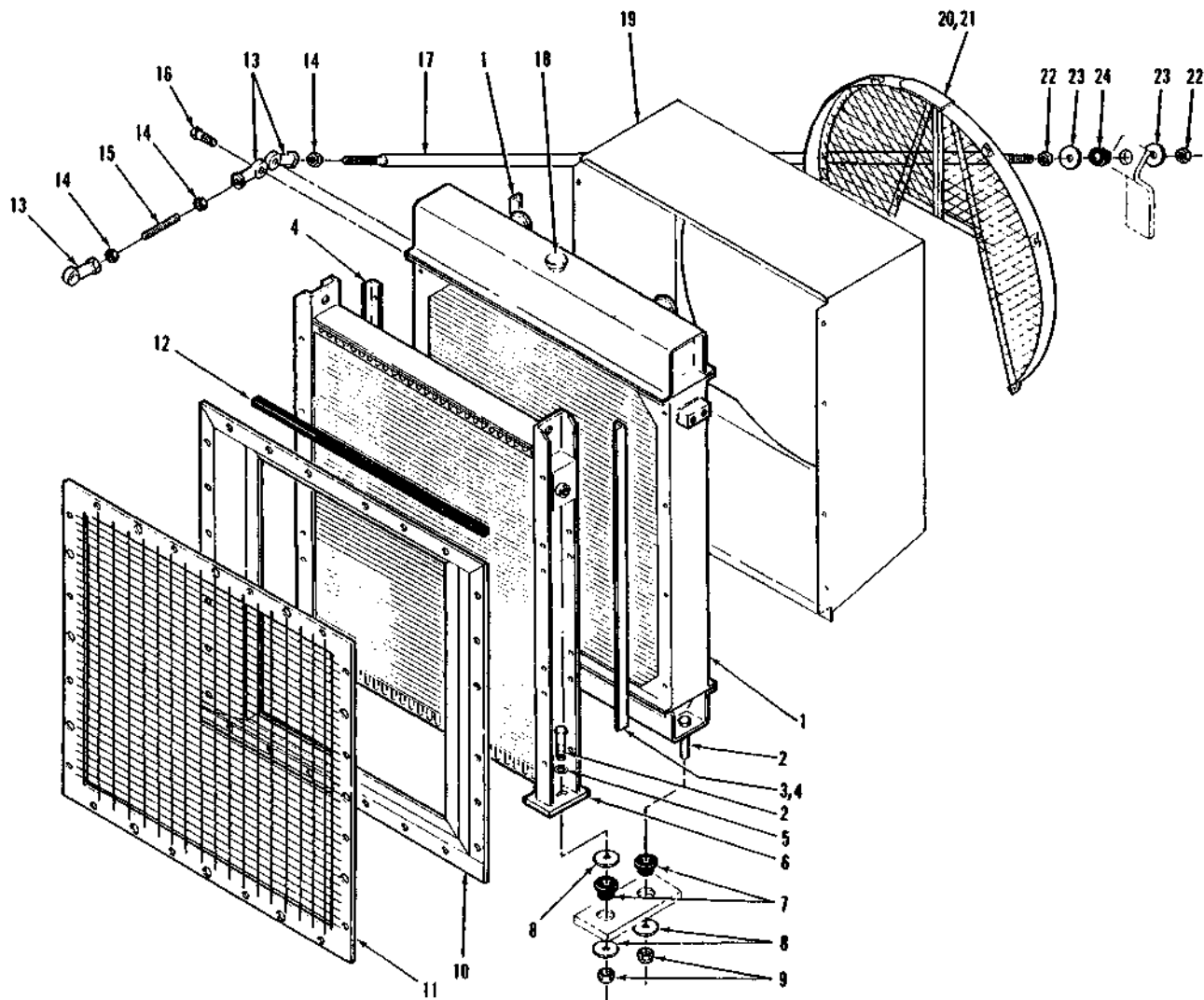
MODEL 6644

PAGE 14B.1

GROUP  
14B

⊗ DISCONTINUED PART! REFER TO NUMERICAL PARTS LIST FOR REPLACEMENT PART(S)

<https://tractormanualz.com/>



REF.	PART NO.	DESCRIPTION	QTY.
1	359E9063	Radiator.....	1
2	310V3197	Capscrew..... (5/8"NC x 3 1/2"-Gr 5)	4
3	358B0416	Angle.....	2
4	316V2336	Capscrew..... (3/8"NC x 5/8"-Gr 5)	8
	333V2003	Washer, Bellville.....	8
5	331V2400	Washer (.656x1.312")....	2
6	355E6115	Cooler, Oil.....	1
7	420V5843	Mount, Rubber.....	4
8	200B0076-035	Washer, Flat.....	6
9	340V3125	Nut, Lock..... (5/8"NC - Gr A)	4
	U359D8458	Shroud.....	1
	316V2336	Capscrew..... (3/8"NC x 5/8"-Gr 5)	8
10	331V2000	Washer, Bellville.....	8
	359C8457	Grille.....	1
11	316V2336	Capscrew..... (3/8"NC x 5/8"-Gr 5)	16
	333V2003	Washer, Bellville.....	16
12	U464V1104	Foam Rubber.....	160"

REF.	PART NO.	DESCRIPTION	QTY.
13	421V1255	End, Rod.....	6
14	340V3201	Nut, Jam (5/8"NF).....	4
	332V2400	Lockwasher, 5/8".....	4
15	306V2039	Stud, Cont Thread.....	2
16	310V3181	Capscrew..... (5/8"NC x 1 3/4"-Gr 5)	6
17	U361B2262	Brace.....	2
18	900V4306	Cap, Radiator.....	1
19	U359E8837	Shroud.....	1
20	359D8854	Guard, L.H. ....	1
	359D7861	Guard, R.H. ....	1
	316V2336	Capscrew..... (3/8"NC x 5/8"-Gr 5)	6
21	310V2390	Capscrew..... (3/8"NC x 1"-Gr 5)	4
	333V2003	Washer, Bellville 3/8"....	4
	340V2323	Nut, 3/8C.....	4
22	340V3101	Nut, Jam(5/8"NC-Gr2)....	4
23	200B0076-003	Washer, Flat.....	4
24	420V5804	Mount, Rubber.....	2

WHEN ORDERING PARTS, SPECIFY MODEL NUMBER, SERIAL NUMBER AND DESCRIPTION OF PART REQUIRED



RADIATOR & OIL COOLER

DATE Issued 5-85

MODEL 6644E

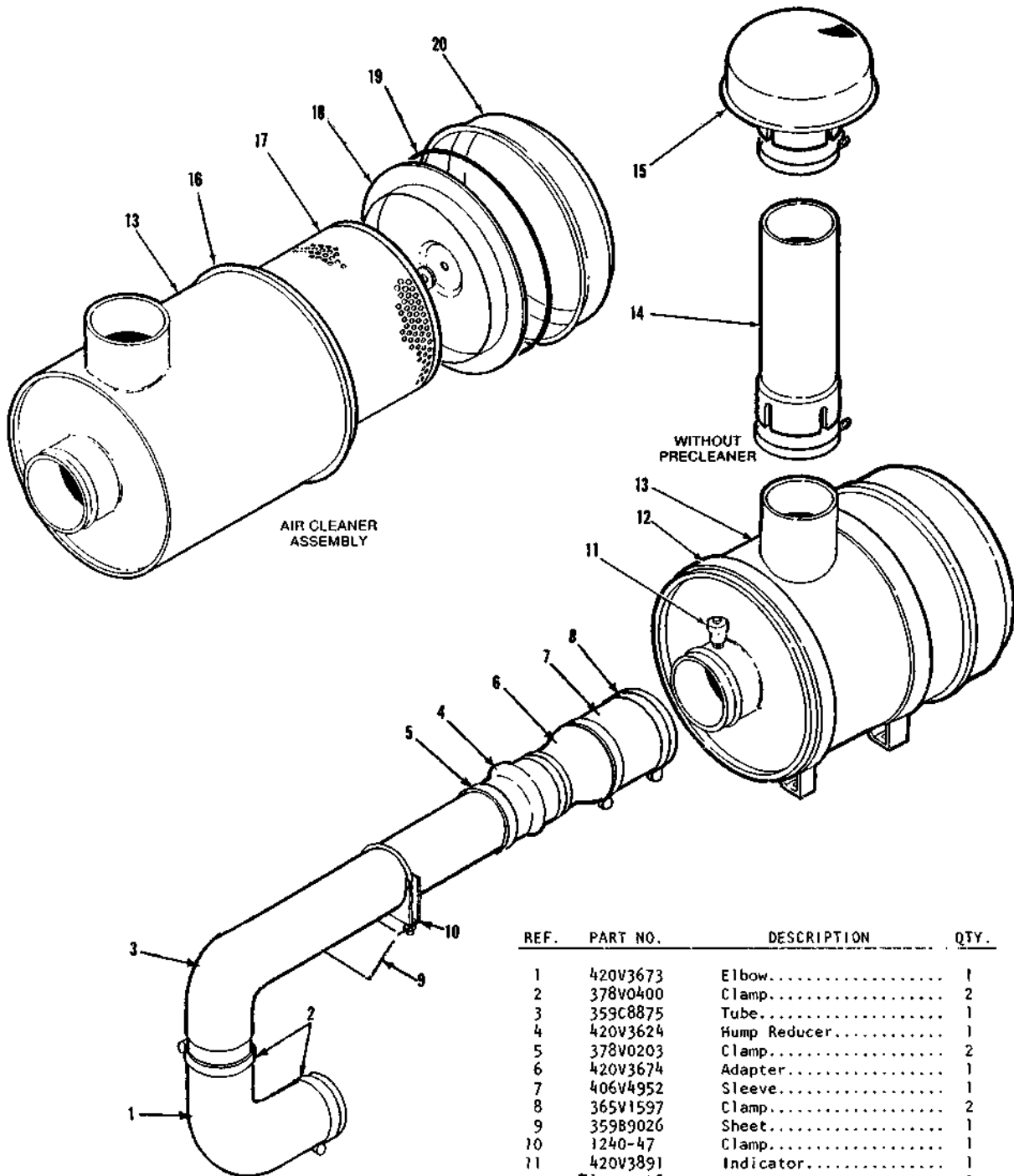
PAGE 14B.2

GROUP

14B

⊗ DISCONTINUED PART! REFER TO NUMERICAL PARTS LIST FOR REPLACEMENT PART(S)

<https://tractormanualz.com/>



REF.	PART NO.	DESCRIPTION	QTY.
1	420V3673	Elbow.....	1
2	378V0400	Clamp.....	2
3	359C8875	Tube.....	1
4	420V3624	Hump Reducer.....	1
5	378V0203	Clamp.....	2
6	420V3674	Adapter.....	1
7	406V4952	Sleeve.....	1
8	365V1597	Clamp.....	2
9	359B9026	Sheet.....	1
10	1240-47	Clamp.....	1
11	420V3891	Indicator.....	1
12	420V3578	Band.....	2
	310V2525	Capscrew.....	4
	340V2507	Nut, Lock.....	4
13	420V3900	Cleaner, Air.....	1
14	420V3777	Extension.....	1
15	420V5523	Cap.....	1
16	201795	Clamp Ass'y.....	1
17	206409	Element.....	1
	901V2992	Element, Safety.....	1
18	201796	Baffle Ass'y.....	1
19	201798	O-Ring.....	1
20	201797	Cup Ass'y.....	1

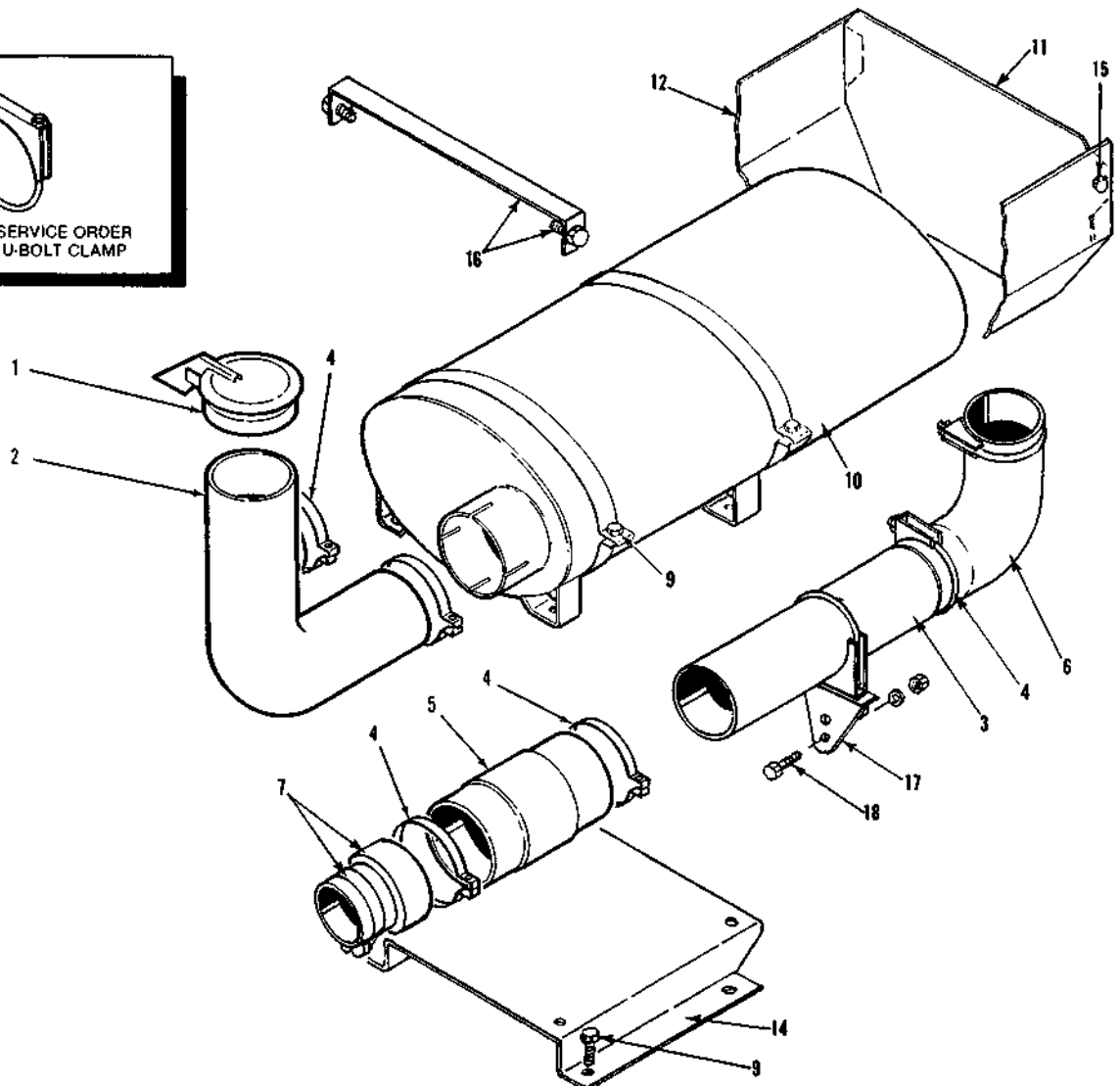
WHEN ORDERING PARTS, SPECIFY MODEL NUMBER, SERIAL NUMBER AND DESCRIPTION OF PART REQUIRED



AIR FILTER INSTALLATION

DATE:	Issued 5-85	<b>GROUP</b> <b>14B</b>
MODEL:	6644E	
PAGE 14B.3		

⊗ DISCONTINUED PART REFER TO NUMERICAL PARTS LIST FOR REPLACEMENT PART(S)



REF.	PART NO.	DESCRIPTION	QTY.
1	420V5535	Cap, Exhaust 5".....	1
2	200B2282-018	Elbow, Exhaust.....	1
3	359B8886	Tube.....	1
4	200B2198-004	Clamp.....	6
5	374V8300	Joint, Flex.....	1
6	200B2281-006	Elbow.....	1
7	359C8851	Adapter.....	1
	378V0306	Clamp.....	1
9	355C5020-001	Band.....	2
	310V2525	Capscrew.....	4
9	340V2507	Nut, Lock.....	4
		(7/16"NC-Gr A)	
10	420V4391	Muffler.....	1
11	359C8060	Cover, End.....	1
12	U359C8878	Shield, Heat.....	1
14	359C8861	Sheet.....	2
15	316V2336	Capscrew.....	3
16	359A8406	Strip.....	1
	316V2336	Capscrew.....	2
17	359A8858	Strip.....	1
	310V2390	Capscrew.....	1
18	333V2003	Washer, Bellville.....	2
	340V2323	Nut, 3/8C.....	2

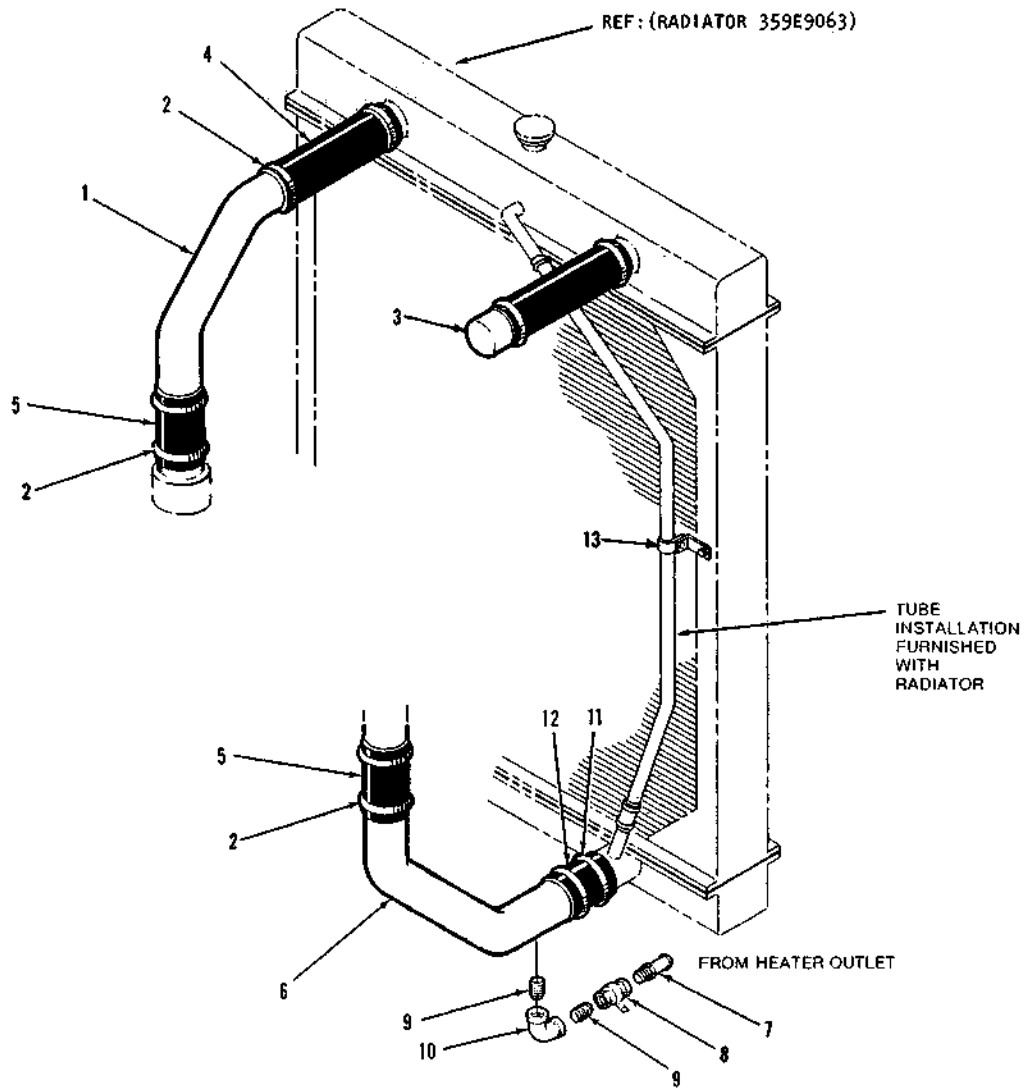
WHEN ORDERING PARTS, SPECIFY MODEL NUMBER, SERIAL NUMBER AND DESCRIPTION OF PART REQUIRED



EXHAUST PIPING & MUFFLER

DATE:	Issued 5-85	<b>GROUP</b> <b>14B</b>
MODEL:	6644E	
PAGE 14B.4		

⊗ DISCONTINUED PART! REFER TO NUMERICAL PARTS LIST FOR REPLACEMENT PART(S)



REF.	PART NO.	DESCRIPTION	QTY.
1	359C8853	Tube.....	1
2	200B0087-005	Clamp.....	8
3	359B7530	Adapter.....	1
4	200B2170-005	Hose (2-1/4 x 4).....	2
5	200B2170-181	Hose (2-3/8 x 4).....	1
6	359C8852	Tube.....	1
7	375V0800	Insert, Beaded.....	1
8	430V3144	Valve.....	1
9	360V4316	Nipple (1/2" Close).....	2
10	360V3301	Elbow (1/2" x 90°).....	1
11	200B0087-006	Clamp.....	2
12	200B2170-125	Hose (2-3/4 x 4).....	1
	353A2010	Bracket.....	1
13	200B2007-006	Clamp.....	1
	310V2390	Capscrew, 3/8 x 1.....	1

WHEN ORDERING PARTS, SPECIFY MODEL NUMBER, SERIAL NUMBER AND DESCRIPTION OF PART REQUIRED



RADIATOR PIPING

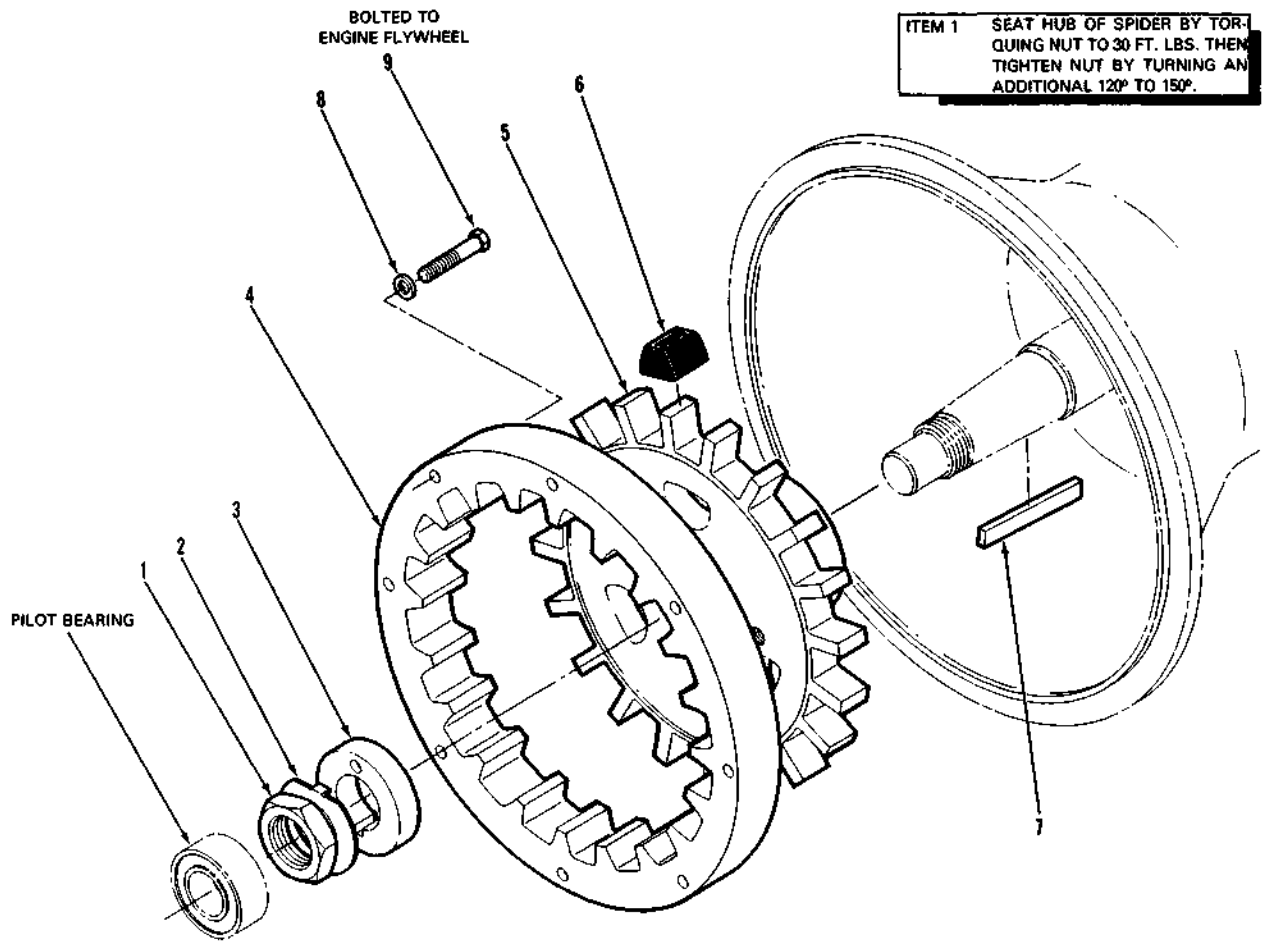
DATE: Issued 5-85

MODEL: 6644E

GROUP  
14B

PAGE 14B.5

⊗ DISCONTINUED PART! REFER TO NUMERICAL PARTS LIST FOR REPLACEMENT PART(S)



REF.	PART NO.	DESCRIPTION	QTY.
—	U421V3361(CF)	Power Take-Off . . . . .	1
		(Inc. Items 1 Thru 6)	
1	900V6358	Nut . . . . .	1
2	900V6359	Lockwasher . . . . .	1
3	N/S	Spacer . . . . .	1
4	N/S	Ring, Driving . . . . .	1
5	N/S	Spider . . . . .	1
6	N/S	Block, Rubber . . . . .	20
7	901V0635	Key . . . . .	1
8	334V2001	Washer, Hardened . . . . .	8
9	316V2328	Capscrew . . . . .	8

WHEN ORDERING PARTS, SPECIFY MODEL NUMBER, SERIAL NUMBER AND DESCRIPTION OF PART REQUIRED



**POWER TAKE-OFF**

DATE Issued: 2-85

MODEL: 6644E

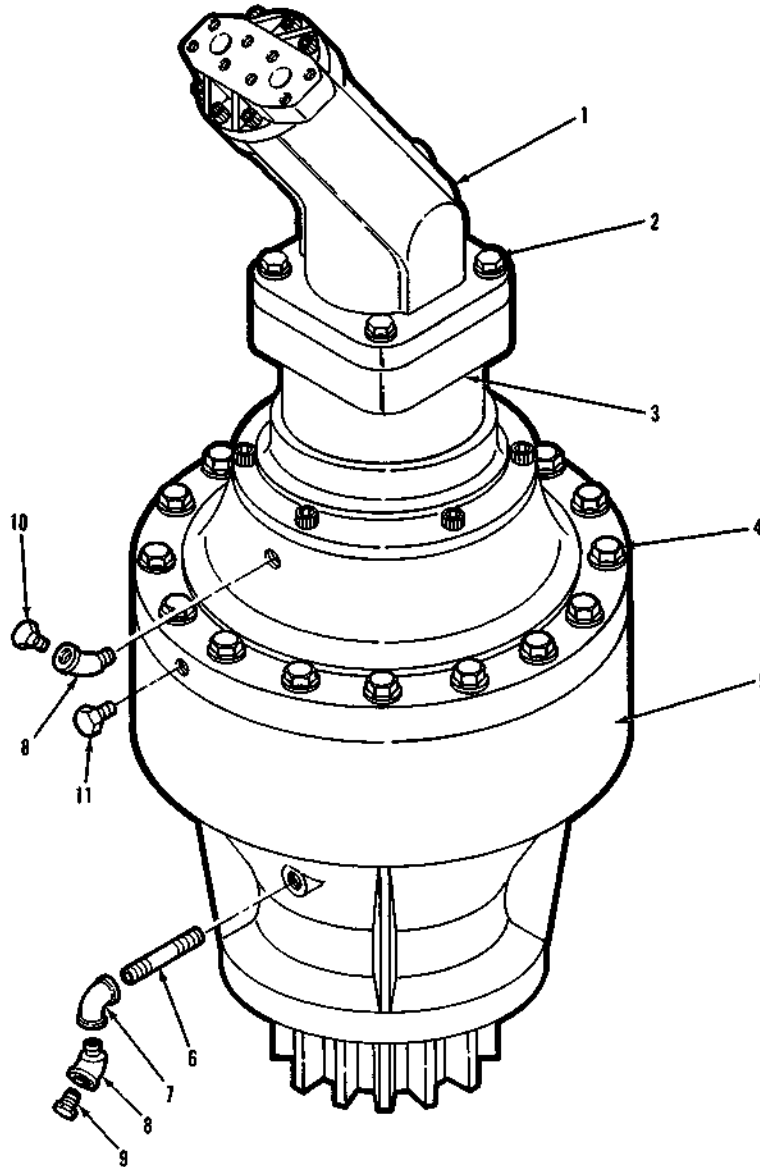
GROUP

15

PAGE 15.1

⊗ DISCONTINUED PART REFER TO NUMERICAL PARTS LIST FOR REPLACEMENT PART(S)

SERIAL NUMBERS  
 21001, 21002  
 21005 Thru 21014  
 21016, 21017  
 21023 Thru 21026



REF.	PART NO.	DESCRIPTION	QTY.	REF.	PART NO.	DESCRIPTION	QTY.
1	U288C2668-099	Motor, Hydraulic . . . . .	1	5	U359D7862	Drive Ass'y, Swing . . . . .	1
		(For Parts See Page 22.2)				(For Parts See Page 22.3)	
2	300V2278	Bolt, Lock (3/4" x 2 1/4") . . .	4	6	360V4414	Nipple, Pipe (3/4" x 7") . . .	1
	334V2664	Washer, Hardened . . . . .	4	7	360V3401	Elbow, 90° (3/4") . . . . .	1
3	355A2381	Gasket . . . . .	1	8	360V3411	Elbow, 45° (3/4") . . . . .	2
4	310V3581	Capscrew . . . . .	16	9	360V0406	Plug, Pipe (3/4") . . . . .	1
	334V2804	Washer, Hardened . . . . .	16	10	360V0417	Plug (3/4") . . . . .	1
				11	360V0109	Plug (1/4") . . . . .	1

WHEN ORDERING PARTS, SPECIFY MODEL NUMBER, SERIAL NUMBER AND DESCRIPTION OF PART REQUIRED



SWING DRIVE & MOTOR  
 INSTALLATION

DATE: Revised 1-88

MODEL: 6644E

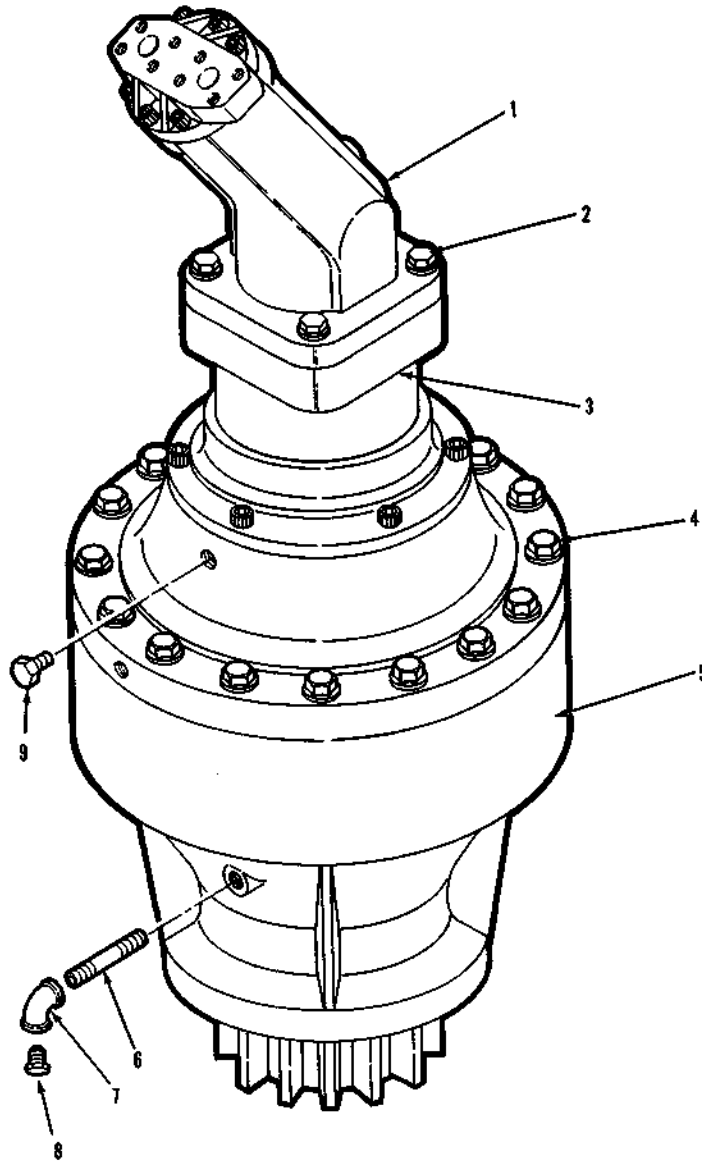
GROUP

22

PAGE 22.1

⊗ DISCONTINUED PART! REFER TO NUMERICAL PARTS LIST FOR REPLACEMENT PART(S)

SERIAL NUMBERS  
 21003, 21004  
 21018 Thru 21021  
 21027 & UP



REF.	PART NO.	DESCRIPTION	QTY.	REF.	PART NO.	DESCRIPTION	QTY.
1	U288C2668-099	Motor, Hydraulic . . . . .	1	5	U359D8924	Drive Ass'y, Swing . . . . .	1
		(For Parts See Page 22.2)				(For Parts See Page 22.3A)	
2	300V2278	Bolt, Lock (3/4" x 2 1/4") . . .	4	6	360V4427	Nipple, Pipe (3/4" x 8") . . .	1
	334V2664	Washer, Hardened . . . . .	4	7	360V3407	Elbow, 90° (3/4") . . . . .	1
3	355A2381	Gasket . . . . .	1	8	360V0406	Plug, Pipe (3/4") . . . . .	1
4	310V3540	Capscrew . . . . .	16	9	360V0417	Plug (3/4") . . . . .	1
	334V2804	Washer, Hardened . . . . .	16				

WHEN ORDERING PARTS, SPECIFY MODEL NUMBER, SERIAL NUMBER AND DESCRIPTION OF PART REQUIRED



**SWING DRIVE & MOTOR  
 INSTALLATION**

DATE Issued: 3-85

MODEL: 6644E

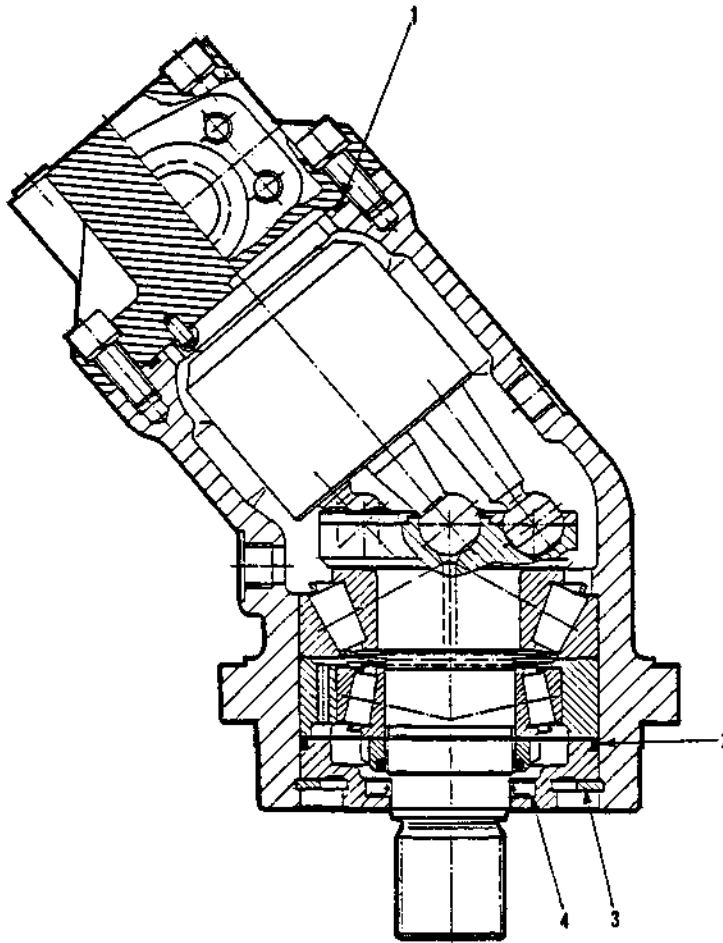
GRQU.

**22**

PAGE 22.1A

⊗ DISCONTINUED PART! REFER TO NUMERICAL PARTS LIST FOR REPLACEMENT PART(S)

<https://tractormanualz.com/>



REF.	PART NO.	DESCRIPTION	QTY.
	U288C2668-099	Motor, Swing.....	1
	901 4089	Kit, Viton(Repl. 901 3601). (Includes All Parts Marked With An Asterisk *)	1
1	460 0352	*O-Ring.....	1
2	460 0330	*O-Ring.....	1
3	901 3602	Ring, Retainer.....	1
4	901 4024	*Seal, Viton(Repl.901 3603).	1
-	460 0079	*O-Ring (Tube Fittings)..... (Included in Kit, Not Shown)	2

WHEN ORDERING PARTS, SPECIFY MODEL NUMBER, SERIAL NUMBER AND DESCRIPTION OF PART REQUIRED



SWING MOTOR ASSEMBLY

DATE: Revised 11-88

MODEL: 6644E

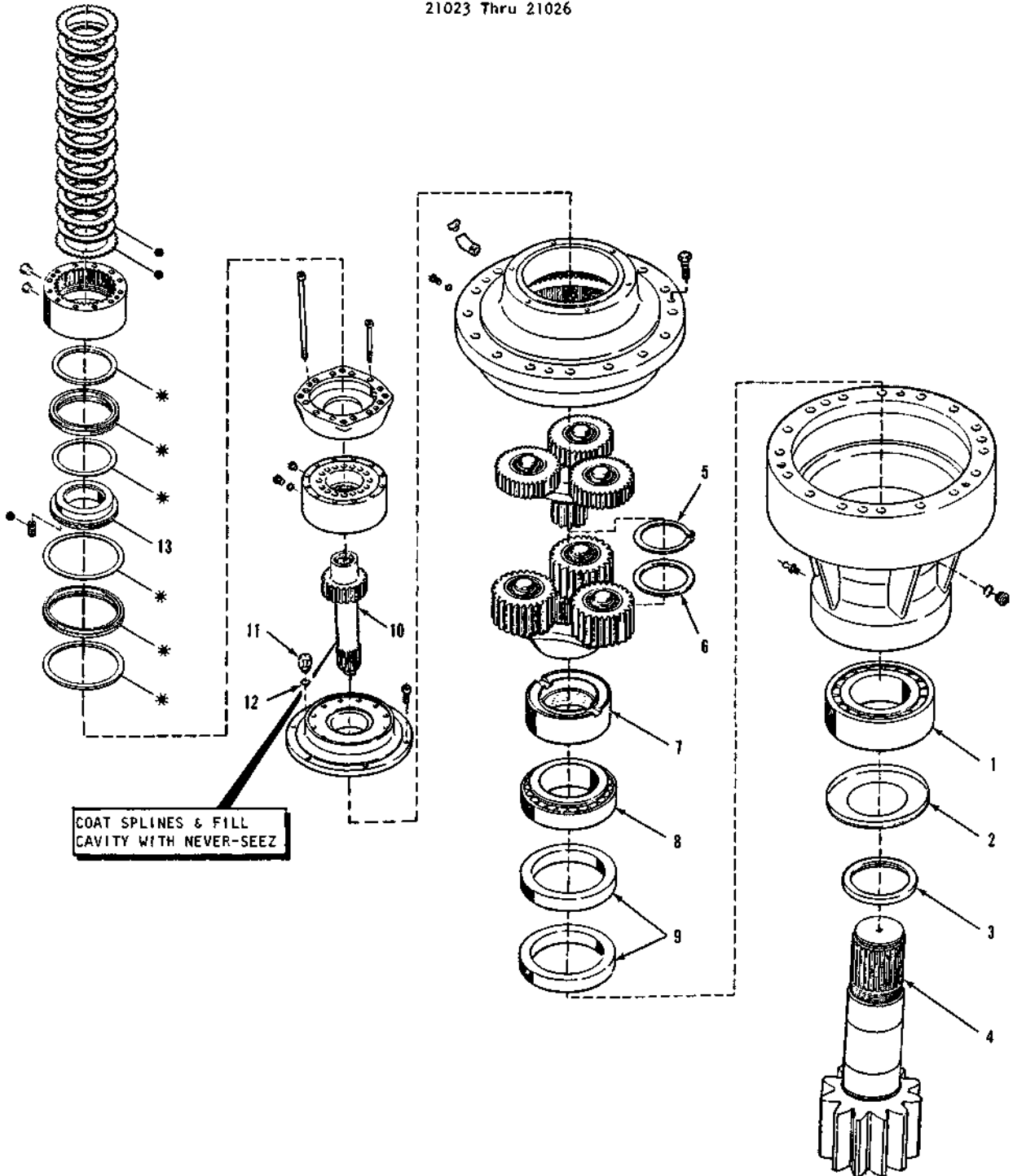
GROUP

22

PAGE 22.2

⊗ DISCONTINUED PART! REFER TO NUMERICAL PARTS LIST FOR REPLACEMENT PART(S)

SERIAL NUMBERS  
 21001, 21002  
 21005 Thru 21014  
 21016, 21017  
 21023 Thru 21026



WHEN ORDERING PARTS, SPECIFY MODEL NUMBER, SERIAL NUMBER AND DESCRIPTION OF PART REQUIRED



VERTICAL SWING DRIVE ASSEMBLY

DATE: Revised 1-88

MODEL: 6644E

GROUP

22

PAGE 22.3

Sheet 1 of 2

⊗ DISCONTINUED PART! REFER TO NUMERICAL PARTS LIST FOR REPLACEMENT PART(S)

<https://tractormanualz.com/>

REF.	PART NO.	DESCRIPTION	QTY.
—	U359D7862	Drive, Swing .....	1
1	403V8872	Bearing, Roller .....	1
2	901V3310	Ring, Seal .....	1
3	901V3313	Plate, Support .....	1
4	901V3306	Shaft, Output .....	1
5	901V3321	Ring, Snap .....	1
6	901V3314	Plate, Support .....	1
7	901V3308	Nut, Shaft .....	1
8	403V8873	Bearing, Roller .....	1
9	901V3309	Seal, Shaft .....	2
10	901V3307	Shaft, Sun Wheel .....	1
11	901V3311	Breather .....	1
12	901V3312	Ring, Seal .....	1
—	U901V3318	Brake Assembly .....	1
		(Inc. All Parts Listed Below)	
13	901V3315	Piston .....	1
—	U901V3316	Kit, Seal .....	1
		(Inc. All Items With *)	
—	U901V3317	Kit, Disc .....	1
		(Inc. All Items With •)	

WHEN ORDERING PARTS, SPECIFY MODEL NUMBER, SERIAL NUMBER AND DESCRIPTION OF PART REQUIRED



**VERTICAL SWING DRIVE ASSEMBLY**

DATE Issued: 2-85

MODEL 6644E

GROUP

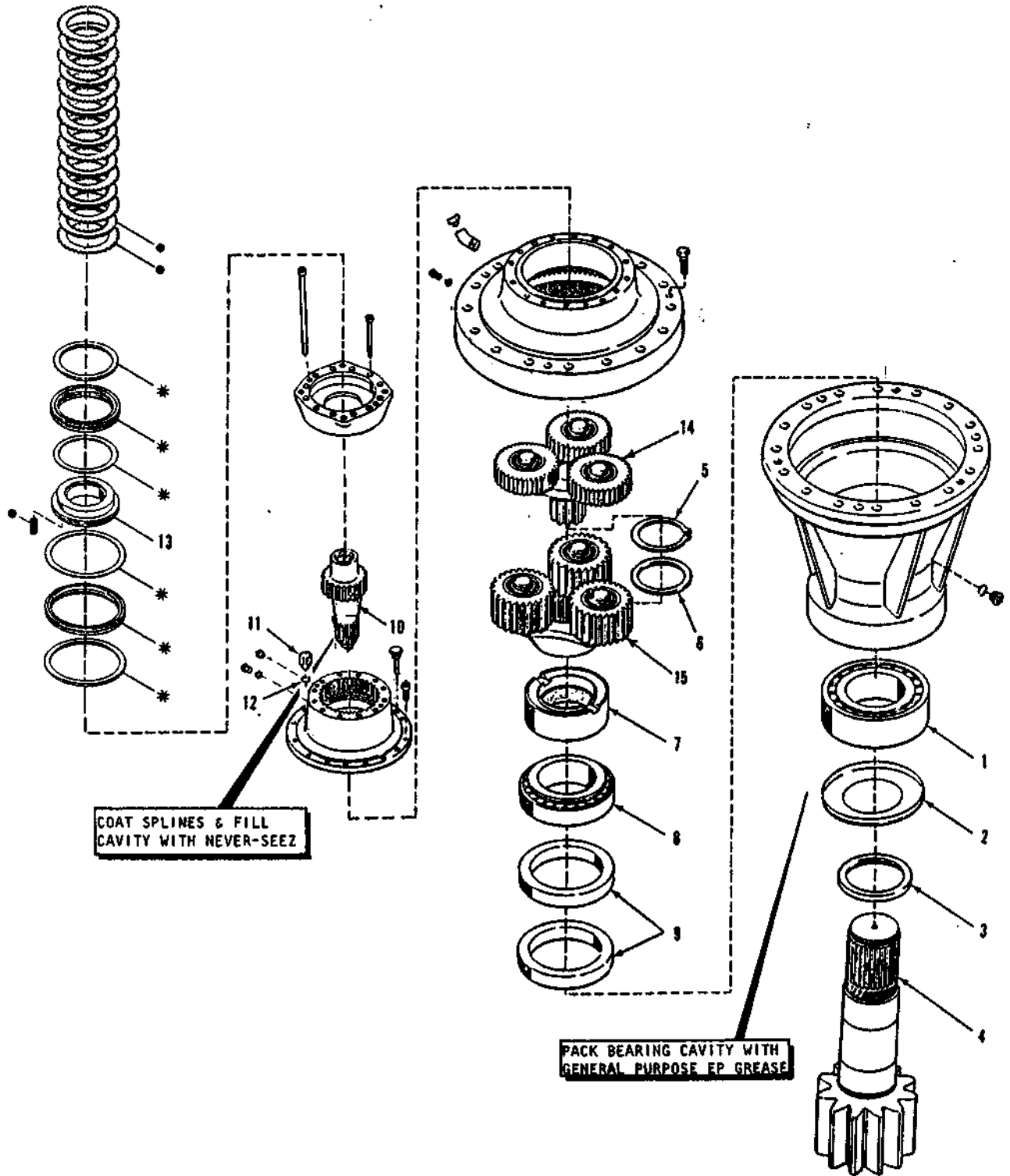
**22**

PAGE 22.3

Sheet 2 of 2

⊗ DISCONTINUED PARTS REFER TO NUMERICAL PARTS LIST FOR REPLACEMENT PART(S)

SERIAL NUMBERS  
 21003, 21004  
 21018 Thru 21021  
 21027 & UP



WHEN ORDERING PARTS, SPECIFY MODEL NUMBER, SERIAL NUMBER AND DESCRIPTION OF PART REQUIRED



VERTICAL SWING DRIVE ASSEMBLY

DATE: Revised 7-91

MODEL: 6644E

GROUP

22

PAGE 22.3A

Sheet 1 of 2

⊗ DISCONTINUED PART! REFER TO NUMERICAL PARTS LIST FOR REPLACEMENT PART(S)

<https://tractormanualz.com/>

REF.	PART NO.	DESCRIPTION	QTY.
—	U359D8924	Drive, Swing .....	1
1	403V8872	Bearing, Roller .....	1
2	901V3310	Ring, Seal .....	1
3	901V3313	Plate, Support .....	1
4	901V3308	Shaft, Output .....	1
5	901V3321	Ring, Snap .....	1
6	901V3314	Plate, Support .....	1
7	901V3308	Nut, Shaft .....	1
8	403V8873	Bearing, Roller .....	1
9	901V3309	Seal, Shaft .....	2
10	901V3504	Shaft, Sun Wheel .....	1
11	901V3311	Breather .....	1
12	901V3312	Ring, Seal .....	1
—	901V3505	Brake Assembly .....	1
		(Inc. All Parts Listed Below)	
13	901V3507	Piston .....	1
—	901V3506	Kit, Seal .....	1
		(Inc. All Items With*)	
—	U901V3317	Kit, Disc .....	1
		(Inc. All Items With •)	
14	901V4098	Planetary .....	1
15	901V4099	Planetary .....	1

WHEN ORDERING PARTS, SPECIFY MODEL NUMBER, SERIAL NUMBER AND DESCRIPTION OF PART REQUIRED



VERTICAL SWING DRIVE ASSEMBLY

DATE: Revised 7-91

MODEL: 56644E

GROUP

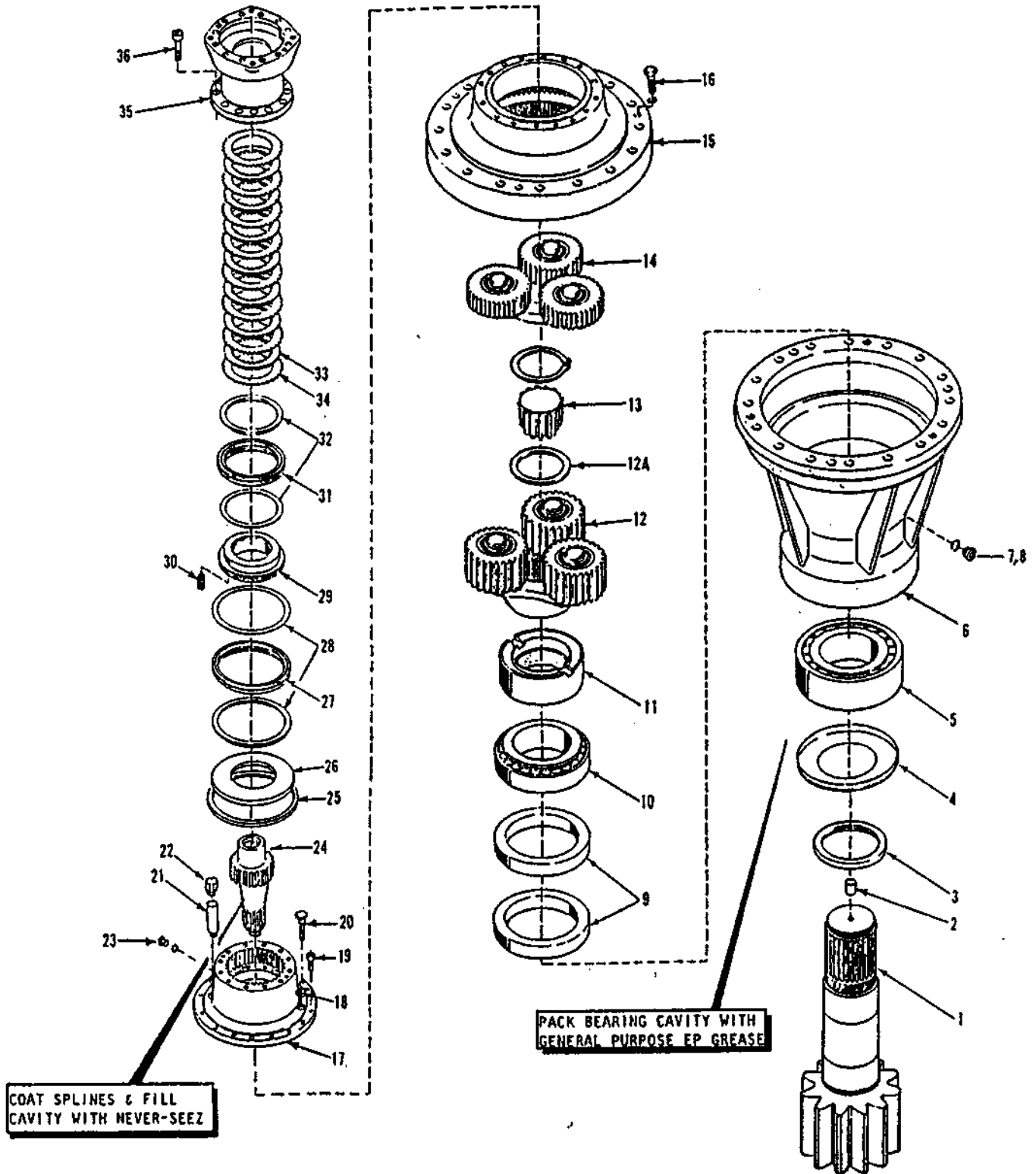
22

PAGE 22.3A  
Sheet 2 of 27

⊗ DISCONTINUED PART! REFER TO NUMERICAL PARTS LIST FOR REPLACEMENT PART(S)

<https://tractormanualz.com/>

Begin Serial # \_\_\_\_\_



WHEN ORDERING PARTS, SPECIFY MODEL NUMBER, SERIAL NUMBER AND DESCRIPTION OF PART REQUIRED



VERTICAL SWING DRIVE ASSEMBLY

DATE: Issued 7-91  
MODEL: 6644

GROUP

22

PAGE 22.38  
Sheet 1 of 2

⊗ DISCONTINUED PART! REFER TO NUMERICAL PARTS LIST FOR REPLACEMENT PART(S)  
<https://tractormanualz.com/>

REF.	PART NO.	DESCRIPTION	QTY.
	413V8609	Swing Drive Ass'y..... (Includes Items 1 thru 36)	1
1	210360	Shaft, Output.....	1
2	206635	Button, Thrust.....	1
3	210130	Ring, Spacer.....	1
4	901V3310	Ring, Seal.....	1
5	403V8872	Bearing, Roller.....	1
6	210125	Case, Cartridge.....	1
	206736	Plug, Screw, M18.....	1
7	208534	O-Ring.....	1
8	210133	Plug, Screw, 3/4 npt...	1
9	901V3309	Seal, Shaft.....	2
10	403V8873	Bearing, Roller.....	1
11	901V3308	Nut.....	1
12	210129	Planet Carrier Ass'y...	1
12A	210132	Ring, Stay.....	1
13	210126	Shaft, Sun Gear.....	1
14	210128	Planet Carrier Ass'y...	1
15	210124	Gear, Twin Ring.....	1
16	210135	Bolt, M16 x 100.....	2
	210134	Washer.....	2
17	210136	Housing, Disk.....	1
18	210146	Plug, Screw, 3/4 npt...	1
19	210144	Bolt, M12 x 45.....	16
20	210148	Dipstick.....	1
	208695	Ring, Seal.....	1
21	210149	Extension.....	1
22	210147	Vent.....	1
	208861	Ring, Seal.....	1
23	210143	Plug, Cap.....	1
24	210361	Shaft, Input.....	1
25	208483	Ring, Snap.....	1
26	210145	Plate, Back-Up.....	1
27	210139	Seal, Piston.....	1
28	210140	Ring, Back-Up.....	2
29	901V3507	Piston.....	1
30	206661	Spring.....	25
31	210141	Seal, Piston.....	1
32	206658	Ring, Back-Up.....	2
33	210138	Disk, Inner.....	7
34	206657	Disk, Outer.....	8
35	210362	Mount, Motor.....	1
36	210363	Bolt, Socket Hd. M10x55 ..	12

WHEN ORDERING PARTS, SPECIFY MODEL NUMBER, SERIAL NUMBER AND DESCRIPTION OF PART REQUIRED



VERTICAL SWING DRIVE ASSEMBLY

DATE: Issued 7-91

MODEL: 6644

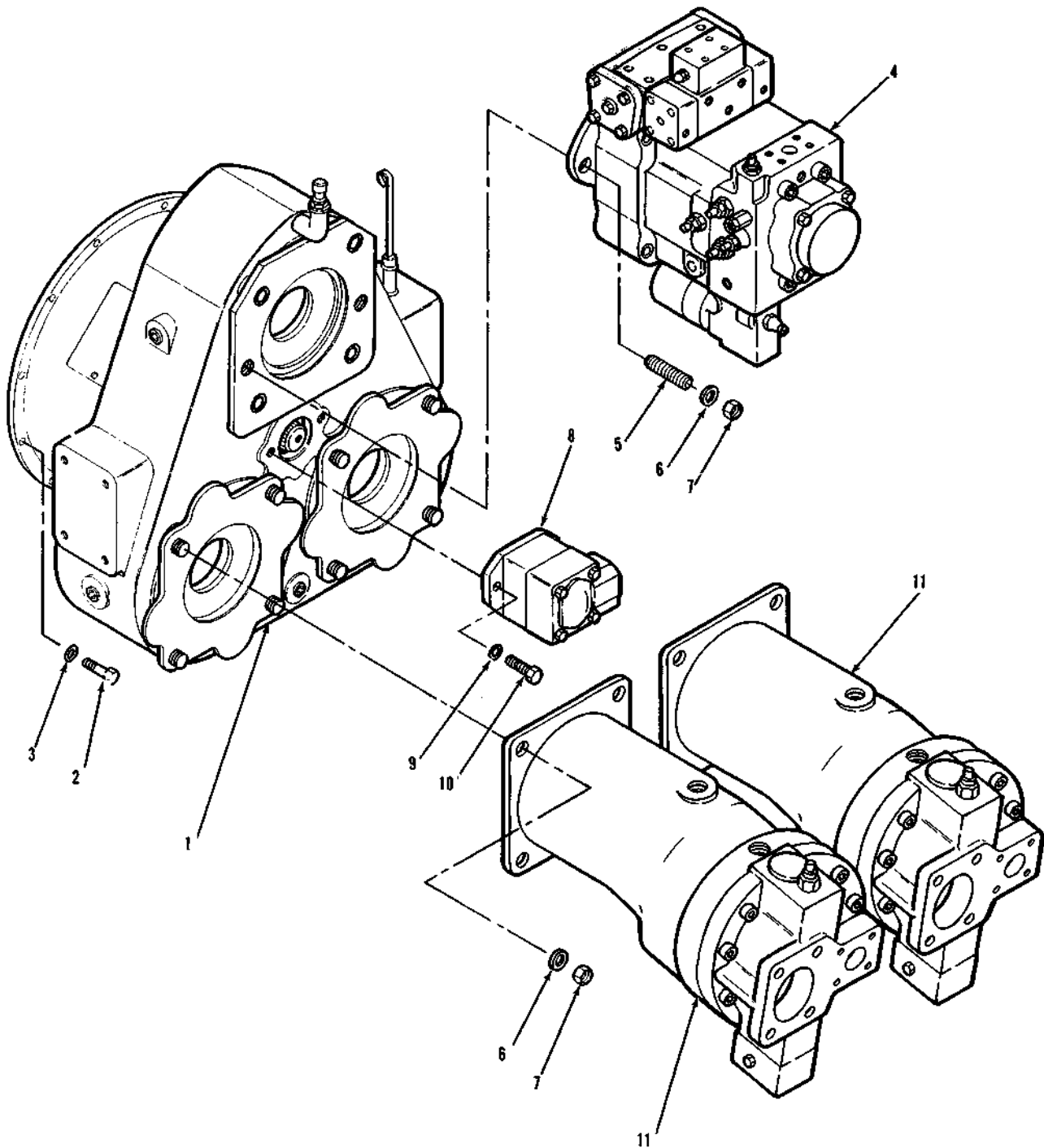
PAGE 22.38  
Sheet 2 of 2

⊗ DISCONTINUED PART! REFER TO NUMERICAL PARTS LIST FOR REPLACEMENT PART(S)

<https://tractormanualz.com/>

6f

22



REF.	PART NO.	DESCRIPTION	QTY.
1	Page 24.2	Pump Drive Case Ass'y.....	1
2	310V2525	Capscrew, 7/16C x 1-1/4.....	12
3	332V2100	Lockwasher, 7/16.....	12
4	Page 24.5	Pump, Swing.....	1
5	306V2229	Stud, 3/4 x 2-3/4 Gr 4.....	2
6	334V2664	Washer, 3/4 Hardened.....	10
7	340V3318	Locknut.....	10
8	Page 24.3	Pump, Control.....	1
9	334V2001	Washer, 3/8 Hardened.....	2
10	300V1146	Bolt, Lock.....	2
11	Page 24.4	Pump, Attachment.....	2

WHEN ORDERING PARTS, SPECIFY MODEL NUMBER, SERIAL NUMBER AND DESCRIPTION OF PART REQUIRED



**PUMP DRIVE CASE & PUMPS**

DATE: Revised 1-88

MODEL: 6644E

GROUP

**24**

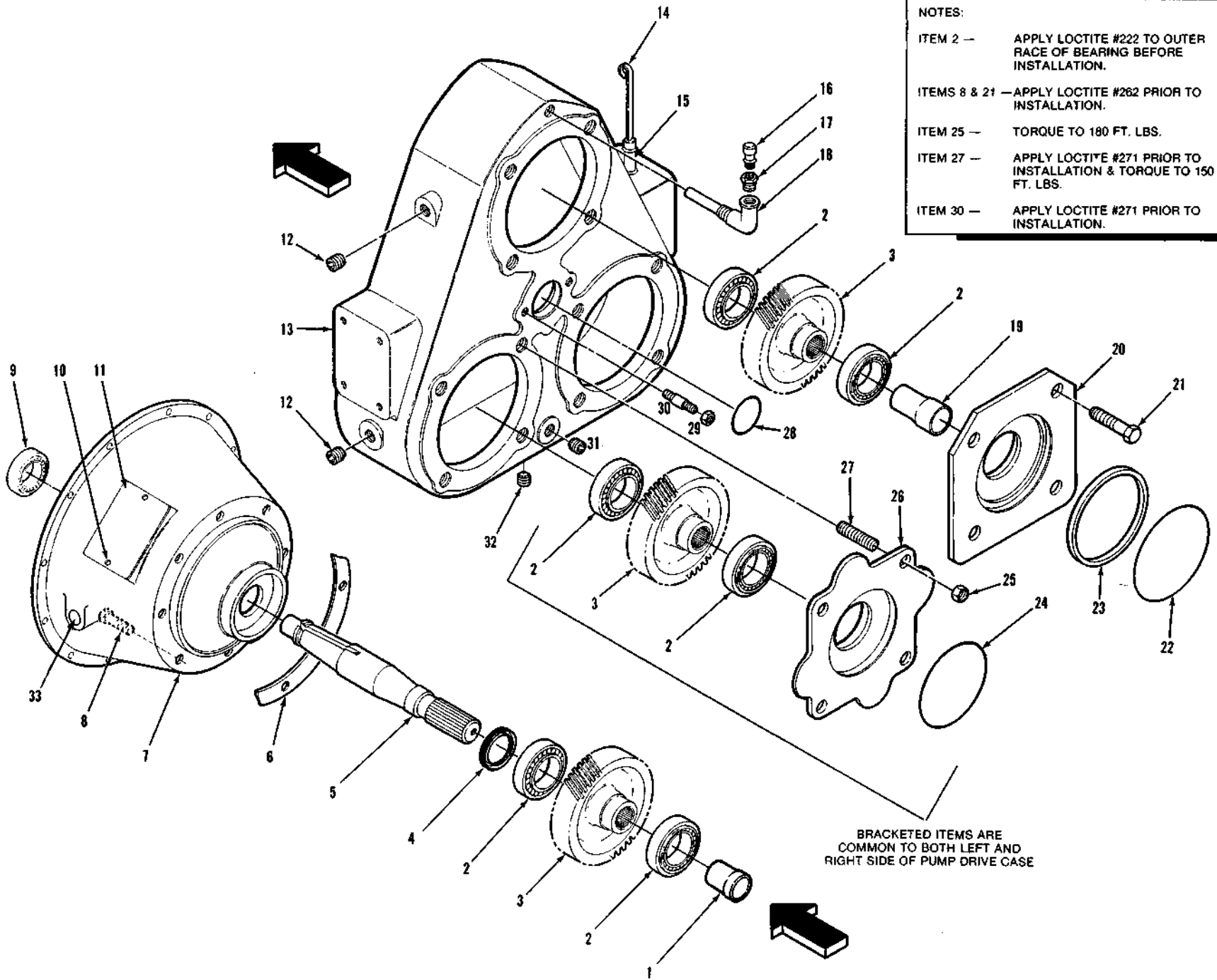
PAGE 24.1

⊗ DISCONTINUED PART! REFER TO NUMERICAL PARTS LIST FOR REPLACEMENT PART(S)



WHEN ORDERING PARTS, SPECIFY MODEL NUMBER, SERIAL NUMBER AND DESCRIPTION OF PART REQUIRED

DATE: Revised 1-88  
MODEL: 664AE

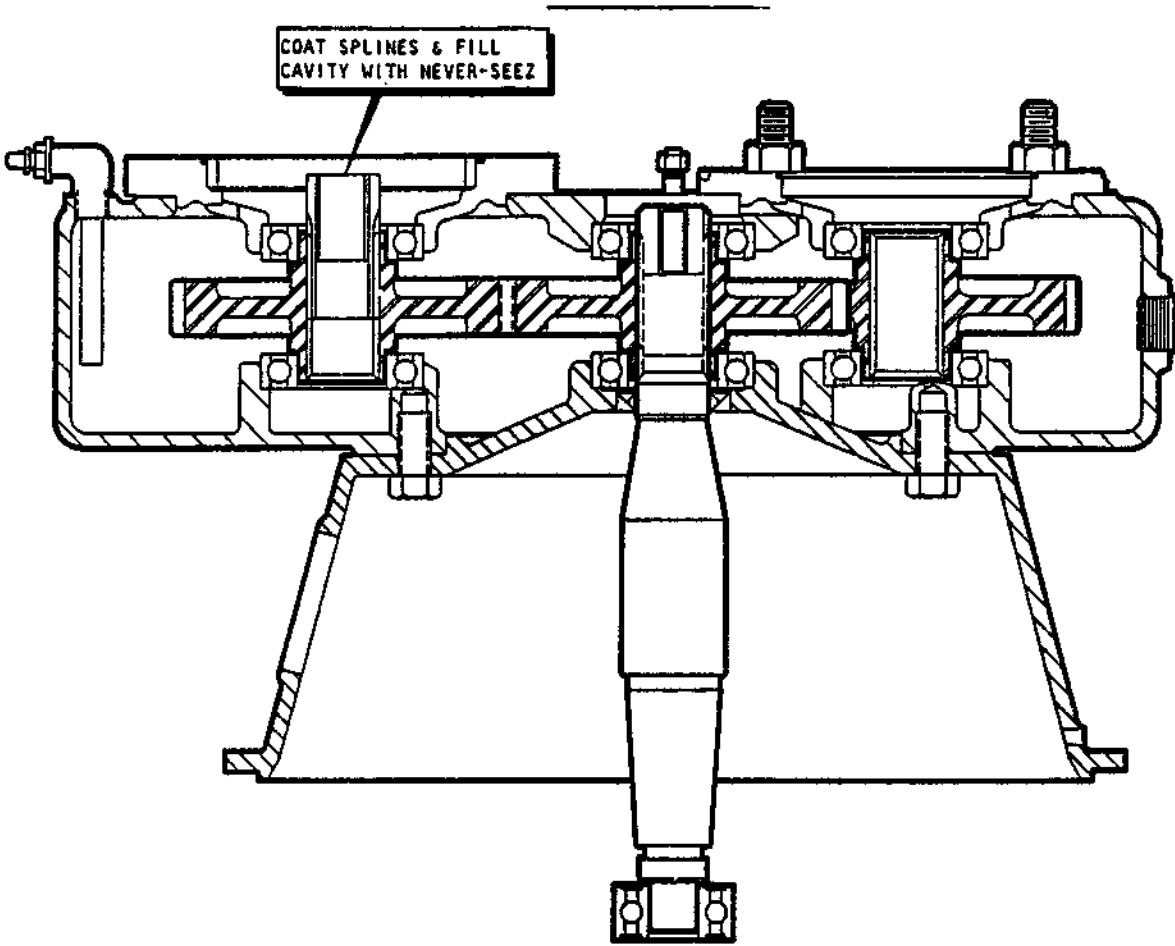


NOTES:

- ITEM 2 — APPLY LOCTITE #222 TO OUTER RACE OF BEARING BEFORE INSTALLATION.
- ITEMS 8 & 21 — APPLY LOCTITE #262 PRIOR TO INSTALLATION.
- ITEM 25 — TORQUE TO 180 FT. LBS.
- ITEM 27 — APPLY LOCTITE #271 PRIOR TO INSTALLATION & TORQUE TO 150 FT. LBS.
- ITEM 30 — APPLY LOCTITE #271 PRIOR TO INSTALLATION.

BRACKETED ITEMS ARE COMMON TO BOTH LEFT AND RIGHT SIDE OF PUMP DRIVE CASE

PRIOR SERIAL #21168



REF.	PART NO.	DESCRIPTION	QTY.	REF.	PART NO.	DESCRIPTION	QTY.
	For Complete Drive Case See 24.2 Sheet 4 of 4	Case, Drive(D.D.,Cummins)..	1	16	420V3326	Breather, Oil.....	1
		Case, Drive(Isuzu).....	1	17	LP	Bushing, Reducer, 1/2-1/8..	1
		(incl. all parts listed below)		18	901V3473	Elbow, Tube Ass'y.....	1
1	901V3465	Adapter, Sleeve.....	1	19	901V3474	Adapter, Sleeve.....	1
2	403V1702	Bearing.....	8	20	901V3475	Adapter, Pump.....	1
3	901V3466	Gear.....	4	21	LP	Capscrew, 5/8C x 1-1/4.....	4
4	461V1519	Seal, Oil.....	1	22	460V0482	Ring, "0".....	1
5	[ 901V3467 A208748	Shaft, Drive(D.D.,Cummins)..	1	23	901V3476	Adapter, Ring.....	1
		Shaft, Drive(Isuzu).....	1	24	460V0481	Ring, "0".....	2
		(Replaces 901V3845)		25	340V3318	Nut, Hex, 3/4.....	8
6	901V3468	Gasket.....	1	26	901V3477	Adapter, Pump.....	2
7	[ 901V3469 901V3846	Housing,Clutch(DD,Cummins)..	1	27	NS	Stud, Adapter.....	4
		Housing,Clutch(Isuzu).....	1	28	460V0366	Ring, "0".....	1
8	LP	Bolt, 3/4C x 1-1/2.....	8	29	LP	Nut, Hex, 3/4C.....	AR
9	403V1241	Bearing, Pilot.....	1	30	NS	Stud.....	AR
10	LP	Screw, 1/4F x 1/2.....	2	31	360V0303	Plug, Pipe, 1/2.....	1
11	NS	Plate, Cover.....	1	32	360V0305	Plug, Magnetic.....	1
12	LP	Plug, Pipe, 1/16.....	4	33	372V1774	Plug, Plastic(DD,Cummins)..	1
13	901V3470	Housing, Pump.....	1				
14	901V3471	Gauge, Dipstick.....	1				
15	901V3472	Tube, Dipstick.....	1				

WHEN ORDERING PARTS, SPECIFY MODEL NUMBER, SERIAL NUMBER AND DESCRIPTION OF PART REQUIRED



**PUMP DRIVE CASE ASSEMBLY**

<https://tractormanualz.com/>

DATE: Revised 7-91

MODEL: 6644E

GROUP

24

PAGE 24.2  
Sheet 2 of 4



**KOEHRING**  
CRANES &  
EXCAVATORS

**PUMP DRIVE CASE ASSEMBLY**

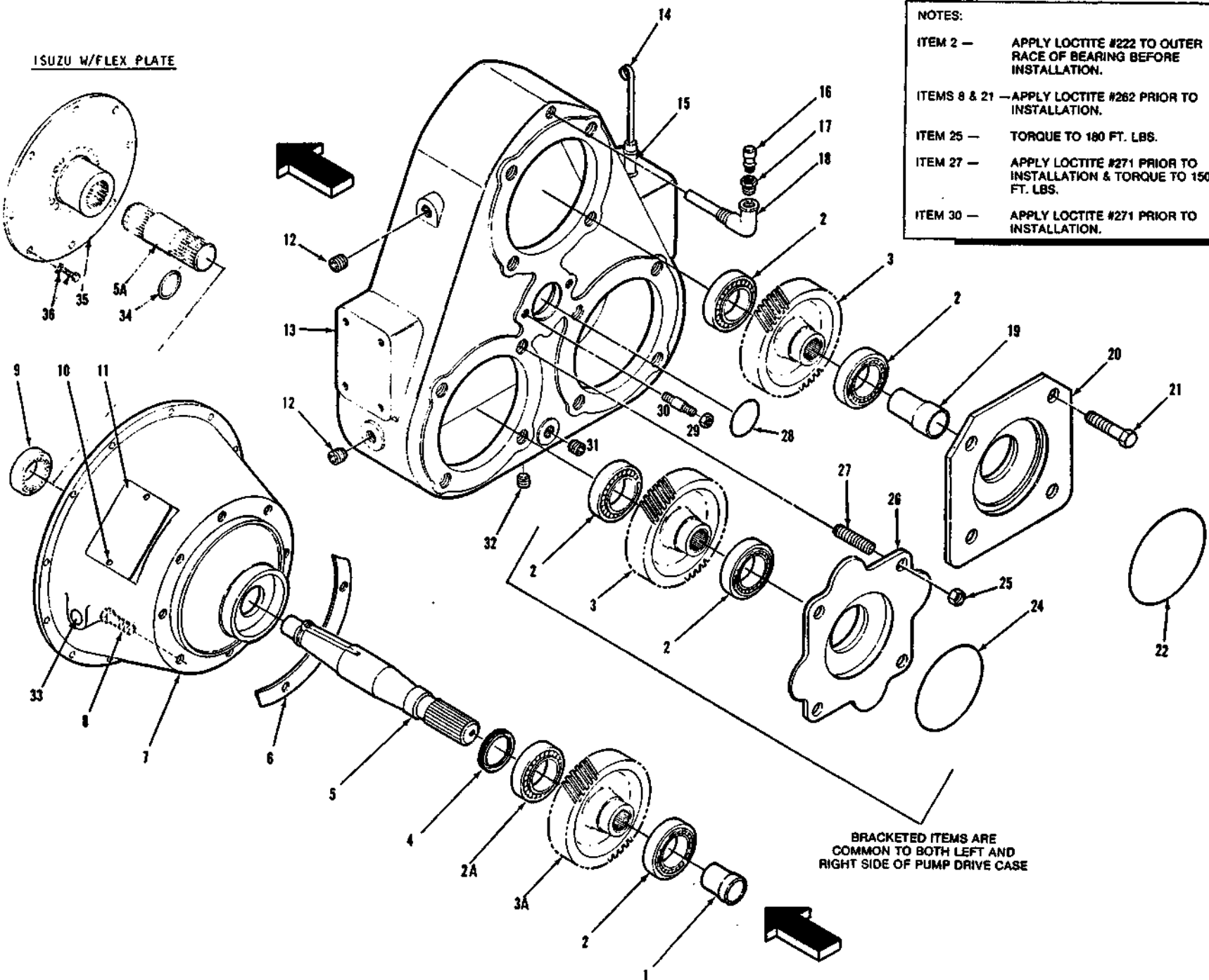
DATE Revised 11-88  
MODEL 664AE

PAGE 24, 2  
Sheet 3 of 4

24

ISUZU W/FLEX PLATE

WHEN ORDERING PARTS, SPECIFY MODEL NUMBER, SERIAL NUMBER AND DESCRIPTION OF PART REQUIRED

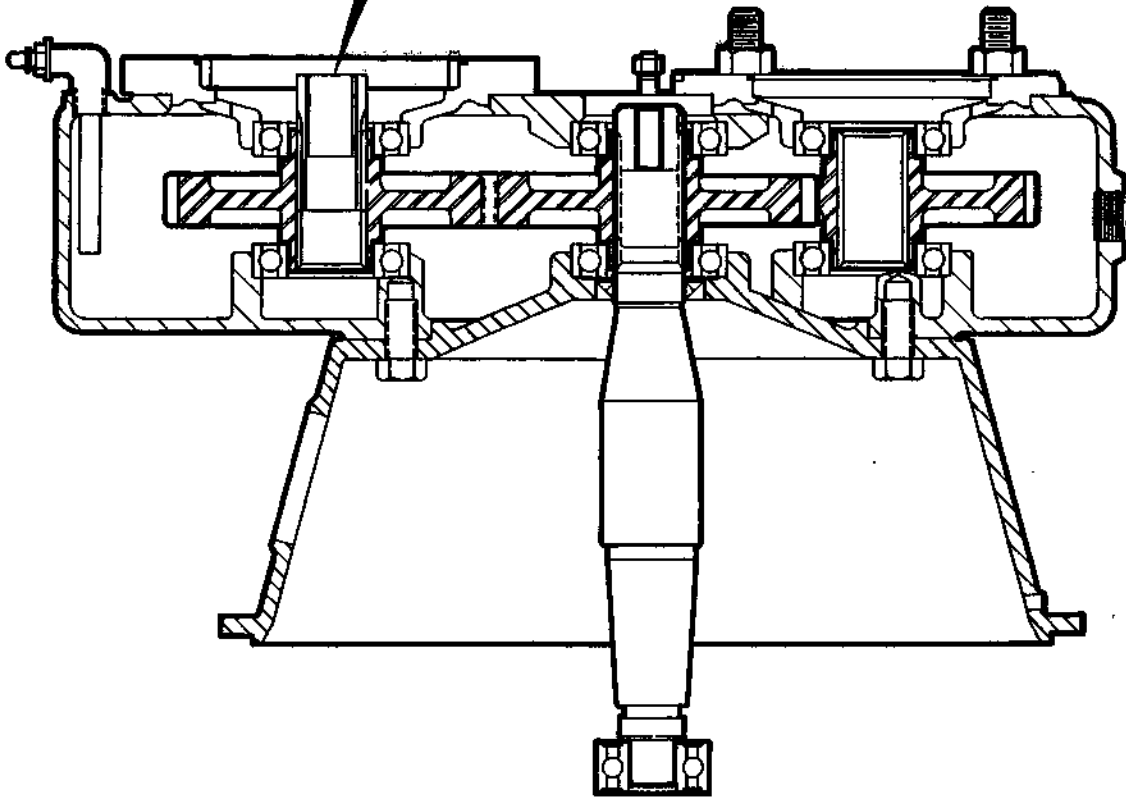


- NOTES:
- ITEM 2 — APPLY LOCTITE #222 TO OUTER RACE OF BEARING BEFORE INSTALLATION.
  - ITEMS 8 & 21 — APPLY LOCTITE #262 PRIOR TO INSTALLATION.
  - ITEM 25 — TORQUE TO 180 FT. LBS.
  - ITEM 27 — APPLY LOCTITE #271 PRIOR TO INSTALLATION & TORQUE TO 150 FT. LBS.
  - ITEM 30 — APPLY LOCTITE #271 PRIOR TO INSTALLATION.

BEGIN SERIAL #21168

BEGIN SERIAL #21168

COAT SPLINES & FILL  
CAVITY WITH NEVER-SEEZ



REF.	PART NO.	DESCRIPTION	QTY.	REF.	PART NO.	DESCRIPTION	QTY.
	U359D8371	Case, Drive(DD, Cummins).....	1	16	420V3326	420V3326 Breather, Oil.....	1
	U359D8928	Case, Drive(Isuzu).....	1	17	LP	LP Bushing, Reducer, 1/2-1/8....	1
	431 3135	Case, Drive(Isuzu/Flex Plate, (Incl. all parts listed below)	1	18	901V3473	901V3473 Elbow, Tube Ass'y.....	1
1	901V3465	901V3465 Adapter, Sleeve.....	1	19	901V3474	901V3474 Adapter, Sleeve.....	1
2	403V1702	403V1702 Bearing.....	7	20	901V4000	901V4000 Adapter, Pump.....	1
2A	901V3996	901V3996 Bearing.....	1	21	LP	LP Capscrew, 5/8C x 1-1/4.....	4
3	901V3466	901V3466 Gear.....	3	22	460V0481	460V0481 O-Ring.....	1
3A	901V3995	901V3995 Gear.....	1	24	460V0481	460V0481 O-Ring.....	2
4	901V3997	901V3997 Seal, Oil.....	1	25	340V3318	340V3318 Nut, Hex, 3/4.....	8
5	901V3994	901V3994 Shaft, Drive (DD, Cummins)...	1	26	901V3477	901V3477 Adapter, Pump.....	2
5A	901V3999	901V3999 Shaft, Drive (Isuzu).....	1	27	NS	NS Stud, Adapter.....	4
6	208756	208756 Shaft, Drive(Isuzu/Flex Pl.)...	1	28	460V0366	460V0366 O-Ring.....	1
6	901V3468	901V3468 Gasket.....	1	29	LP	LP Nut, Hex, 3/4C.....	AR
7	901V3993	901V3993 Housing, Clutch(DD, Cummins)...	1	30	NS	NS Stud.....	AR
7	901V3998	901V3998 Housing, Clutch(Isuzu).....	1	31	360V0303	360V0303 Plug, Pipe, 1/2.....	1
8	LP	LP Bolt, 3/4C x 1-1/2.....	8	32	360V0305	360V0305 Plug, Magnetic.....	1
9	403V1241	- Bearing, Pilot.....	1	33	372V1774	372V1774 Plug, Plastic(DD, Cummins)...	1
10	LP	LP Screw, 1/4F x 1/2.....	2	34	208755	208755 Ring, Retaining.....	1
11	NS	NS Plate, Cover.....	1	35	208757	208757 Drive Plate Ass'y.....	1
12	LP	LP Plug, Pipe, 1/16.....	4	36	310 2349	310 2349 Capscrew, 3/8C x 7/8 Gr. 8...	8
13	901V3470	901V3470 Housing, Pump.....	1		334 2001	334 2001 Flatwasher, 3/8 Hardened....	8
14	901V3471	901V3471 Gauge, Dipstick.....	1				
15	901V3472	901V3472 Tube, Dipstick.....	1				

WHEN ORDERING PARTS, SPECIFY MODEL NUMBER, SERIAL NUMBER AND DESCRIPTION OF PART REQUIRED



PUMP DRIVE CASE ASSEMBLY

DATE: Revised 11-88

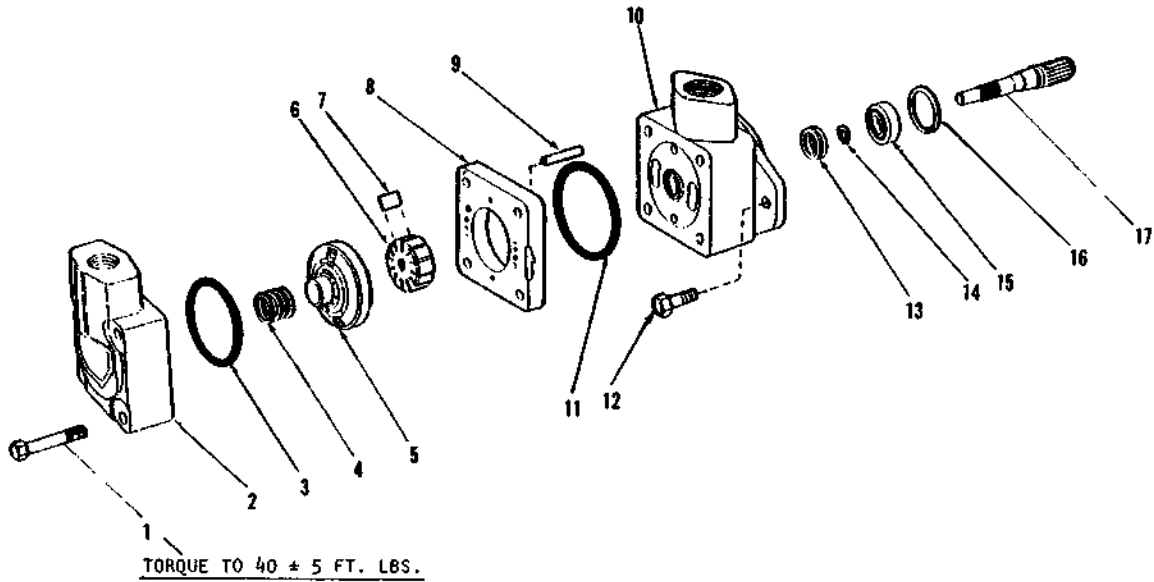
MODEL: 6644E

GROUP  
24

PAGE 24.2  
Sheet 4 of 4

⊗ DISCONTINUED PART! REFER TO NUMERICAL PARTS LIST FOR REPLACEMENT PART(S)

<https://tractormanualz.com/>



REF.	PART NO.	DESCRIPTION	QTY.
	U288B2716   U288B2664	Pump Control.....	1
	901V3944	Kit, Seal..... (Includes Items 3,11,13)	1
	901V3987   901V3986	Kit, Cartridge..... (Includes Items with *)	1
1		Screw.....	4
2		Cover.....	1
3		*O-Ring.....	1
4		Spring.....	1
5		Pressure Plate Ass'y.....	1
6		*Rotor.....	1
7		*Vane Kit (12 Vanes).....	1
8		*Ring.....	1
9		Pin.....	2
10		Body.....	1
11		*O-Ring.....	1
12		Screw.....	2
13	24077	Seal, Shaft.....	1
14		Ring, Retaining.....	1
15	24078	Bearing.....	1
16		Ring, Retaining.....	1
17		Shaft, Splined.....	1

WHEN ORDERING PARTS, SPECIFY MODEL NUMBER, SERIAL NUMBER AND DESCRIPTION OF PART REQUIRED



CONTROL PUMP

DATE Issued 3-87

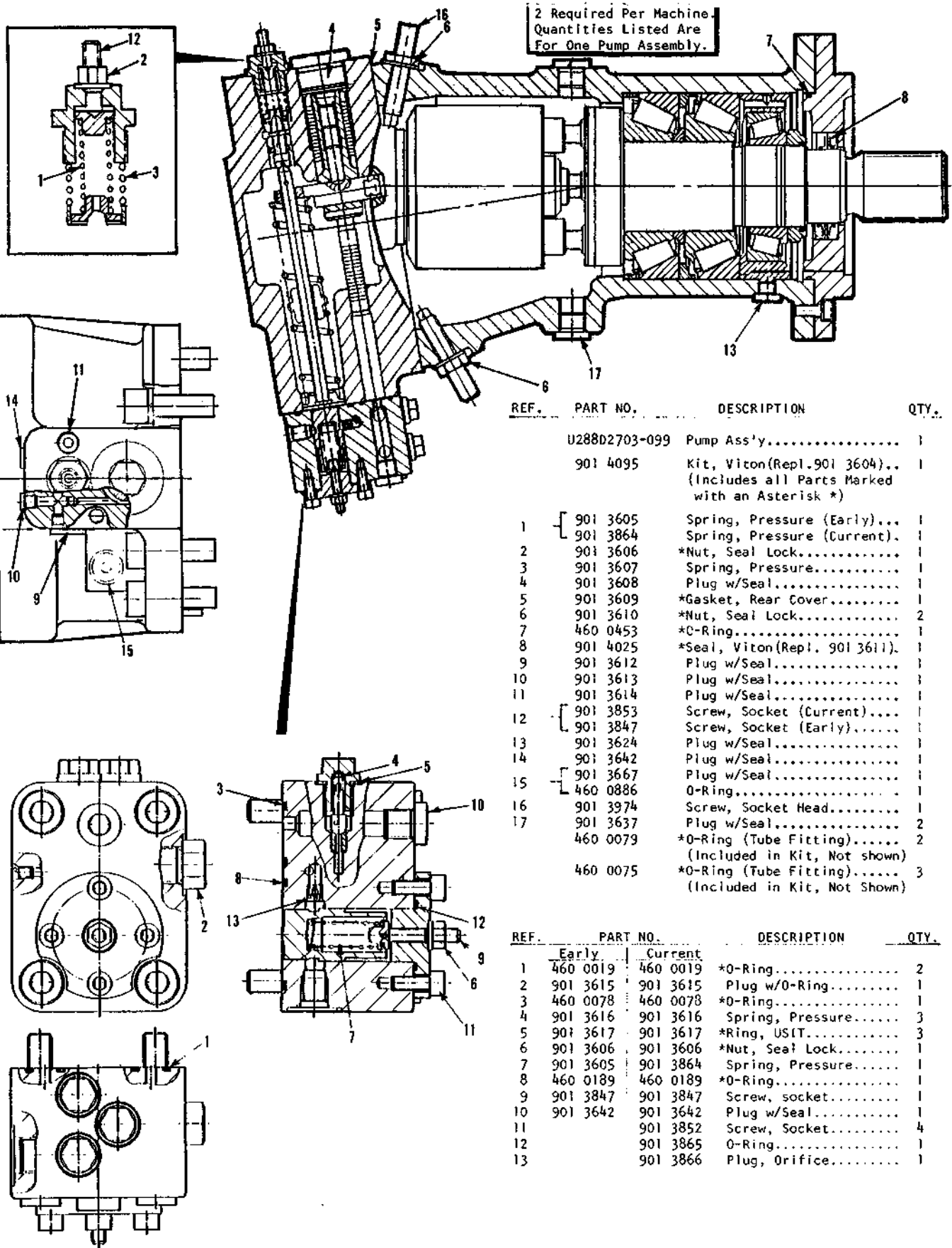
MODEL 6644E

PAGE 24.3

GROUP  
24

⊗ DISCONTINUED PART! REFER TO NUMERICAL PARTS LIST FOR REPLACEMENT PART(S)

<https://tractormanualz.com/>



REF.	PART NO.	DESCRIPTION	QTY.
	U288D2703-099	Pump Ass'y.....	1
	901 4095	Kit, Viton(Repl.901 3604)..	1
		(Includes all Parts Marked with an Asterisk *)	
1	[ 901 3605	Spring, Pressure (Early)...	1
	901 3864	Spring, Pressure (Current)..	1
2	901 3606	*Nut, Seal Lock.....	1
3	901 3607	Spring, Pressure.....	1
4	901 3608	Plug w/Seal.....	1
5	901 3609	*Gasket, Rear Cover.....	1
6	901 3610	*Nut, Seal Lock.....	2
7	460 0453	*O-Ring.....	1
8	901 4025	*Seal, Viton(Repl. 901 3611)..	1
9	901 3612	Plug w/Seal.....	1
10	901 3613	Plug w/Seal.....	1
11	901 3614	Plug w/Seal.....	1
12	[ 901 3853	Screw, Socket (Current)....	1
	901 3847	Screw, Socket (Early).....	1
13	901 3624	Plug w/Seal.....	1
14	901 3642	Plug w/Seal.....	1
15	[ 901 3667	Plug w/Seal.....	1
	460 0886	O-Ring.....	1
16	901 3974	Screw, Socket Head.....	1
17	901 3637	Plug w/Seal.....	2
	460 0079	*O-Ring (Tube Fitting).....	2
		(Included in Kit, Not shown)	
	460 0075	*O-Ring (Tube Fitting).....	3
		(Included in Kit, Not Shown)	

REF.	PART NO.	DESCRIPTION	QTY.	
	Early	Current		
1	460 0019	460 0019	*O-Ring.....	2
2	901 3615	901 3615	Plug w/O-Ring.....	1
3	460 0078	460 0078	*O-Ring.....	1
4	901 3616	901 3616	Spring, Pressure.....	3
5	901 3617	901 3617	*Ring, USIT.....	3
6	901 3606	901 3606	*Nut, Seal Lock.....	1
7	901 3605	901 3864	Spring, Pressure.....	1
8	460 0189	460 0189	*O-Ring.....	1
9	901 3847	901 3847	Screw, socket.....	1
10	901 3642	901 3642	Plug w/Seal.....	1
11		901 3852	Screw, Socket.....	4
12		901 3865	O-Ring.....	1
13		901 3866	Plug, Orifice.....	1

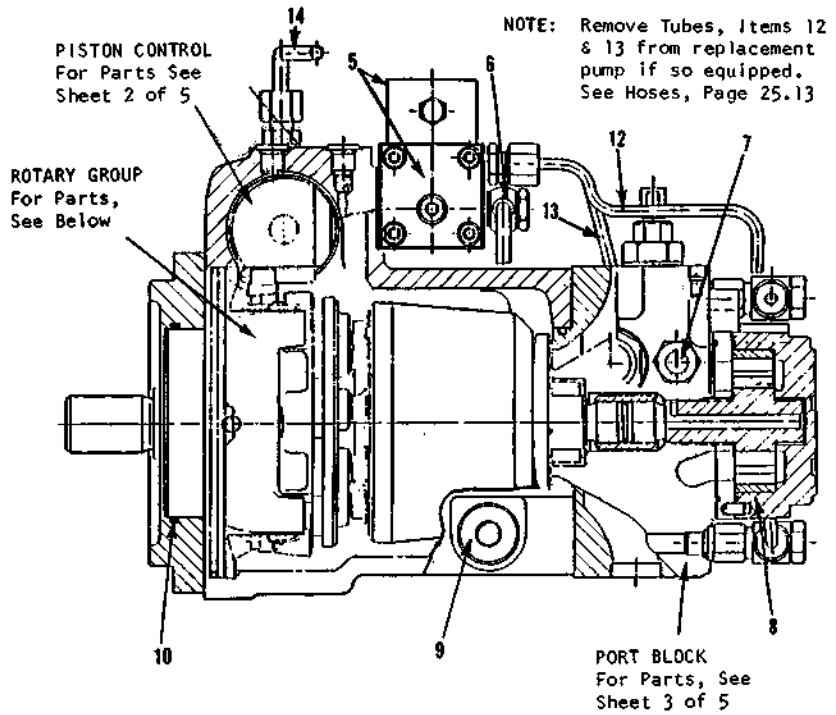
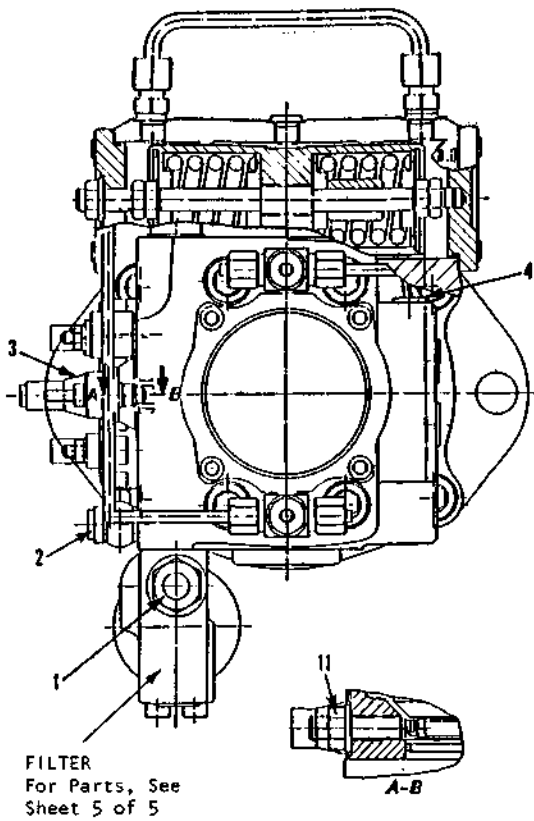
WHEN ORDERING PARTS, SPECIFY MODEL NUMBER, SERIAL NUMBER AND DESCRIPTION OF PART REQUIRED



ATTACHMENT & TRACTION PUMP ASSEMBLY

DATE	Revised 11-88	GROUP <b>24</b>
MODEL	6644E	

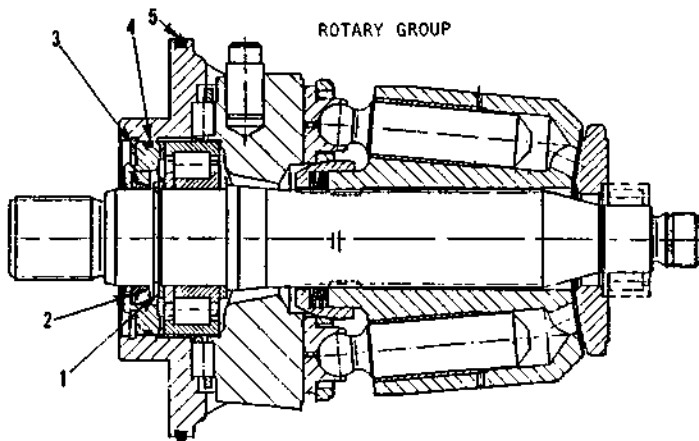
⊗ DISCONTINUED PART! REFER TO NUMERICAL PARTS LIST FOR REPLACEMENT PART(S)



**NOTE:** For Other Seal Kit Parts (\*), Refer to Sheets 2 thru 5 of 5

Equiv. U901V3503 Kit  
(From U288D2714 Pump)

REF.	PART NO.	DESCRIPTION	QTY.
	U288D2702-099	Pump, Swing.....	1
	901 4096	Kit, Viton (Repl. 901 3648) (Includes All Parts Marked With An Asterisk *)	1
1	901 3649	Indicator, Visual.....	1
2	901 3650	Plug w/O-Ring.....	1
3	901 3651	Cartridge, Speed Sense. (For Parts See Sheet 5/5)	1
4	901 3642	Plug w/Seal Ring.....	1
5	901 3652	Valve, Control..... (For Parts See Sheet 4/5)	1
6	901 4028	Hose Ass'y..... (For Parts See Sheet 4/5)	1
7	901 3867	Fitting, Adapter.....	1
8	901 3654	Pump, Charge..... (For Parts See Sheet 5/5)	1
9	901 3655	Plug w/O-Ring.....	1
10	460 0322	*O-Ring.....	1
11	901 3656	*Nut, Seal Lock.....	1
12	See	Tube Ass'y.....	1
13	Note	Tube Ass'y.....	1
14	901 3943	Tube Ass'y.....	1
		Following O-Rings Are Furnished w/Seal Kit But Not Illustrated:	
	460 0061	*O-Ring.....	1
	460 0080	*O-Ring.....	12
	460 0822	*O-Ring.....	1



REF.	PART NO.	DESCRIPTION	QTY.
1	901 3657	Ring, Retainer.....	1
2	901 4097	*Seal, Viton (Repl. 901 3658)	1
3	901 3659	Ring, Retainer.....	1
4	460 0270	*O-Ring.....	1
5	460 0404	*O-Ring.....	1

WHEN ORDERING PARTS, SPECIFY MODEL NUMBER, SERIAL NUMBER AND DESCRIPTION OF PART REQUIRED



**SWING PUMP ASSEMBLY**

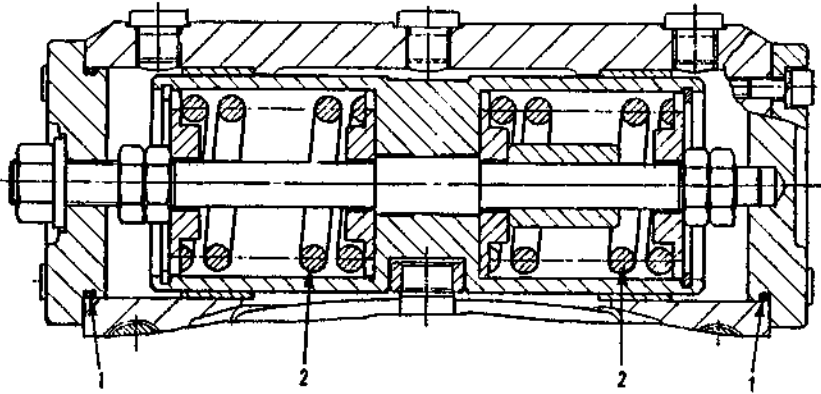
DATE: Revised 11-88  
MODEL: 6644E

**GROUP**  
**24**

PAGE 24.5  
Sheet 1 of 5

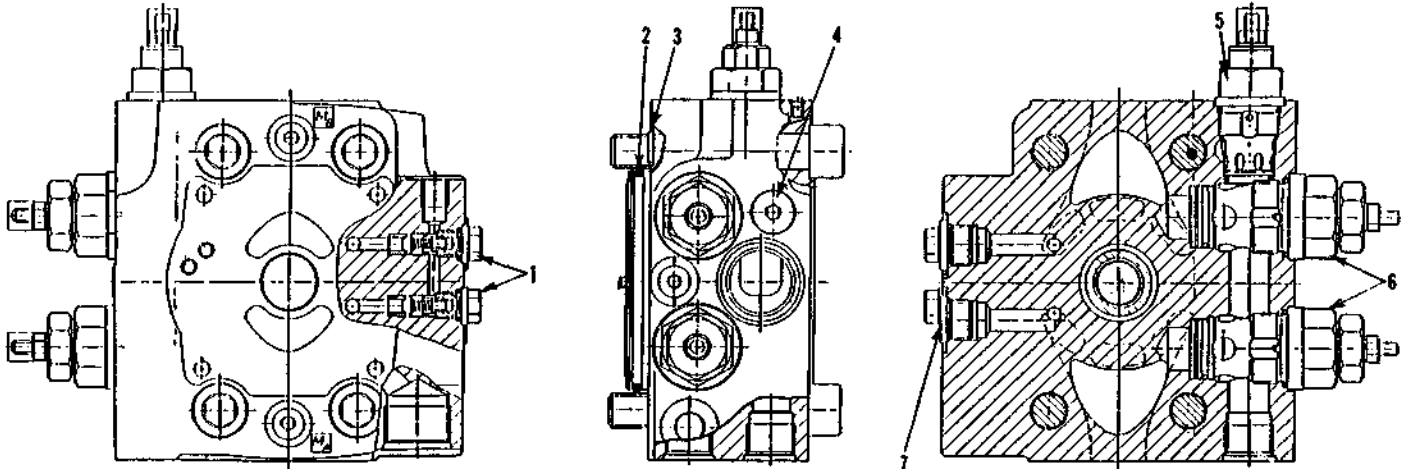
⊗ DISCONTINUED PART! REFER TO NUMERICAL PARTS LIST FOR REPLACEMENT PART(S)

PISTON CONTROL



REF.	PART NO.	DESCRIPTION	QTY.
1	901 3660	*O-Ring.....	2
2	901 3661	Spring, Pressure.....	2

PORT BLOCK



REF	PART NO.	DESCRIPTION	QTY.
1	901 3662	Valve, Check..... (For Parts, See Sheet 3/5)	2
2	460 0327	*O-Ring.....	1
3	901 3663	*Quad-Ring.....	8
4	901 3664	Plug w/Seal Ring.....	1
5	901 3665	Valve, CP Relief..... (For Parts, See Sheet 3/5)	1
6	901 3666	Valve, HP Relief..... (For Parts, See Sheet 3/5)	2
7	901 3667	Plug w/O-Ring.....	2
8	901 3668	Plug w/O-Ring.....	3
9	901 3888	Coupling (Repl. 901V3975).	1
10	901 3976	Ring, Snap.....	1

WHEN ORDERING PARTS, SPECIFY MODEL NUMBER, SERIAL NUMBER AND DESCRIPTION OF PART REQUIRED



SWING PUMP ASSEMBLY

DATE Revised 1-88

MODEL: 6644E

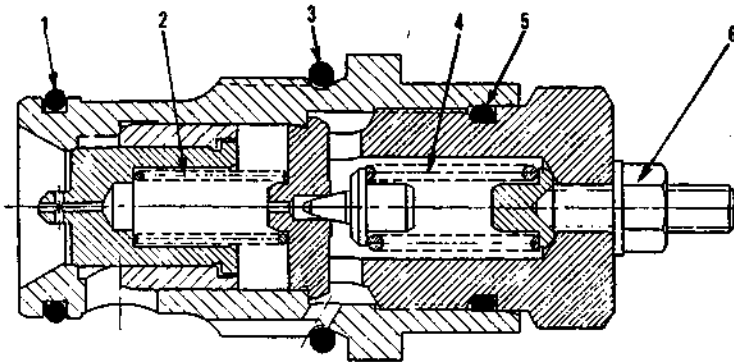
GROUP  
**24**

PAGE 24.5  
Sheet 2 of 5

⊗ DISCONTINUED PART! REFER TO NUMERICAL PARTS LIST FOR REPLACEMENT PART(S)

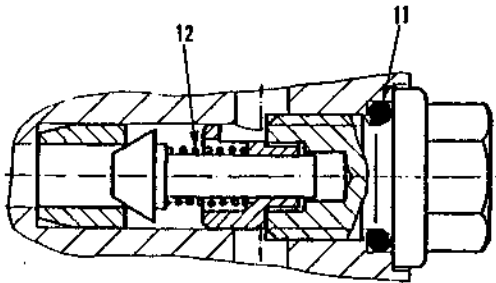
<https://tractormanualz.com/>

HP RELIEF VALVE



Note: Two HP Relief Valves Per Pump. Quantity Listed Are For One Relief Valve.

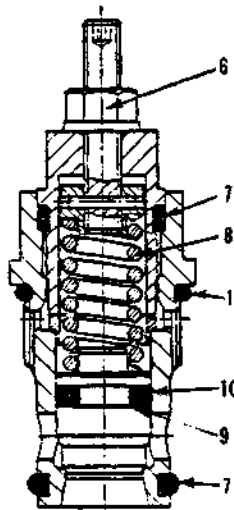
CHECK VALVE



Note: Two Check Valves Per Pump. Quantities Listed Are For One Check Valve.

REF.	PART NO.	DESCRIPTION	QTY.
1	901 3670	*O-Ring.....	2
2	901 3669	Spring, Pressure.....	1
3	460 6100	*O-Ring.....	1
4	901 3674	Spring, Pressure.....	1
5	901 3671	*O-Ring.....	1
6	901 3606	*Nut, Seal Lock.....	2
7	460 6003	*O-Ring.....	2
8	901 3675	Spring, Pressure.....	1
9	901 3672	*O-Ring.....	1
10	901 3676	*Glyd-Ring.....	1
11	901 3673	*O-Ring.....	1
12	901 3677	Spring, Pressure.....	1

CP RELIEF VALVE



WHEN ORDERING PARTS, SPECIFY MODEL NUMBER, SERIAL NUMBER AND DESCRIPTION OF PART REQUIRED



SWING PUMP ASSEMBLY

DATE: Issued 5-85

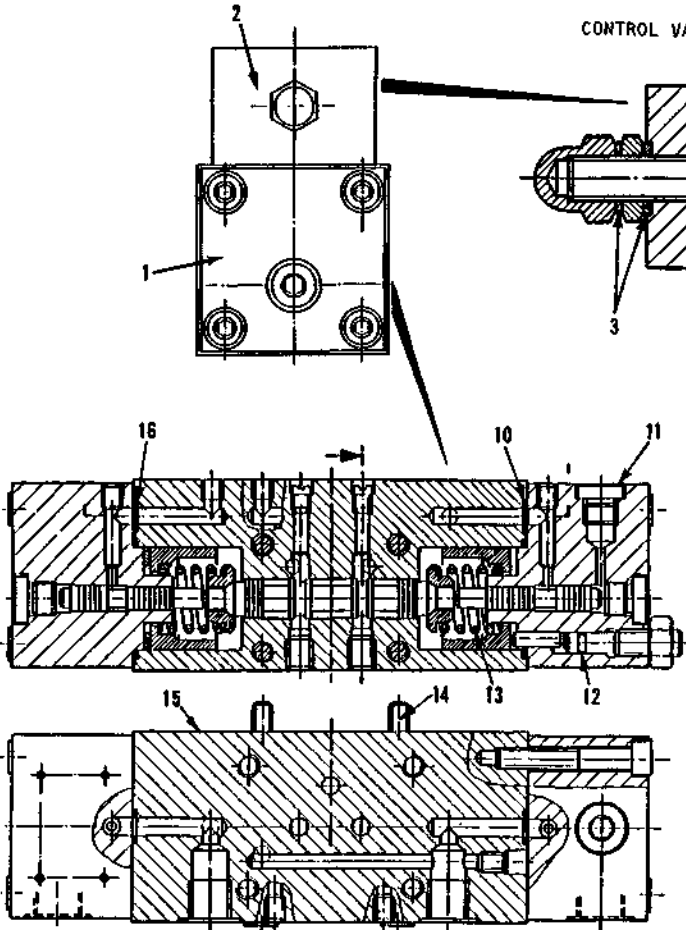
MODEL: 6644E

GROUP  
**24**

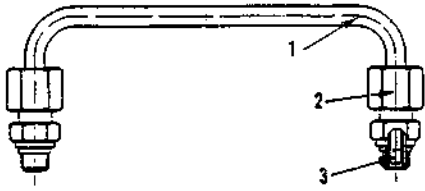
PAGE 24.5  
Sheet 3 of 5

⊗ DISCONTINUED PART! REFER TO NUMERICAL PARTS LIST FOR REPLACEMENT PART(S)

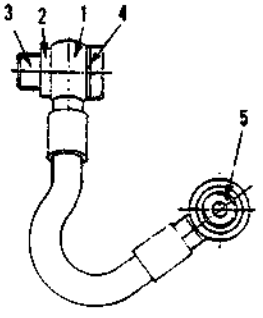
<https://tractormanualz.com/>



REF.	PART NO.	DESCRIPTION	QTY.
	901 3652	Control Valve Ass'y.... (Incl. Items 1 thru 16)	1
1	901 3678	Valve, Spring Control.. (Includes Items 10 thru 16)	1
2	901 3679	Valve, Brake..... (Includes Items 3 thru 9)	1
3	901 3680	*Ring, Dowty.....	2
4	901 3681	Spring, Pressure.....	1
5	901 3682	*Ring, Seal.....	1
6	901 3683	*Nut, Seal Lock.....	1
7	901 3684	Screw, Soc Hd.....	4
8	460 0072	*O-Ring.....	2
9	901 3685	*O-Ring.....	3
10	460 6002	*O-Ring.....	2
11	901 3614	Plug w/Seal.....	3
12	901 3686	*O-Ring.....	1
13	901 3687	Spring, Pressure.....	2
14	901 3688	Screw, Soc Hd.....	4
15	901 3689	*Gasket, Control Module.	1
16	901 3690	*O-Ring.....	2



REF.	PART NO.	DESCRIPTION	QTY.
	901V3943	Tube Ass'y..... (Incl. Items 1 thru 3)	1
1	901V4037	Tube.....	1
2	901V3912	Fitting.....	2
3	901V4038	Plug, Orifice.....	4



REF.	PART NO.	DESCRIPTION	QTY.
	901 4028	Hose Ass'y..... (Incl. Items 1 thru 5)	1
1	901 4029	Hose.....	1
2	901 3692	Ring, Seal.....	2
3	901 3693	Screw, Hollow.....	1
4	901 3694	Ring, Seal.....	2
5	901 3695	Screw, Hollow.....	1

WHEN ORDERING PARTS, SPECIFY MODEL NUMBER, SERIAL NUMBER AND DESCRIPTION OF PART REQUIRED



SWING PUMP ASSEMBLY

DATE: Revised 1-88  
MODEL: 6644E

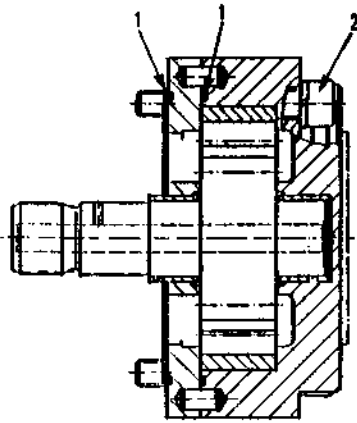
GROUP  
**24**

PAGE 24.5  
Sheet 4 of 5

⊗ DISCONTINUED PART! REFER TO NUMERICAL PARTS LIST FOR REPLACEMENT PART(S)

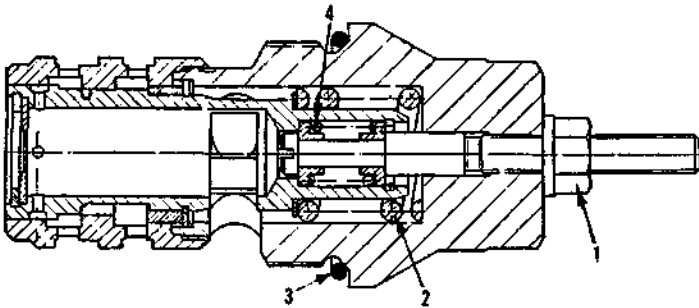
<https://tractormanualz.com/>

CHARGE PUMP



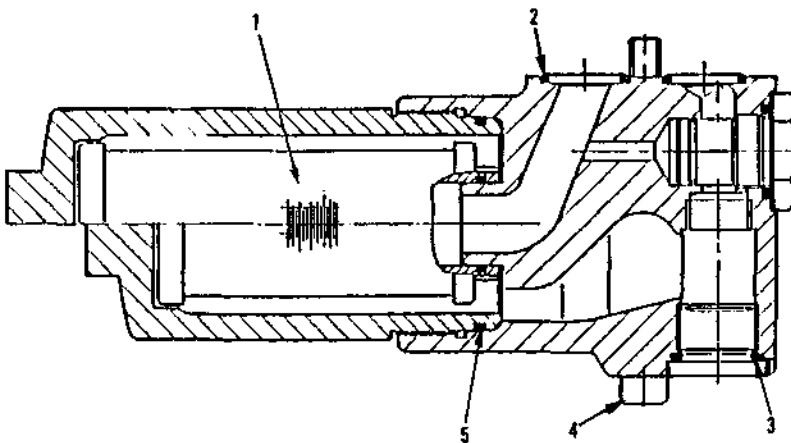
REF.	PART NO.	DESCRIPTION	QTY.
	901 3654	Pump, Charge.....	1
1	901 3696	*O-Ring.....	2
2	901 3697	Screw, Socket Head.....	4

SPEED SENSING CARTRIDGE



REF.	PART NO.	DESCRIPTION	QTY.
	901 3651	Cartridge, Speed Sense..	1
1	901 3683	*Nut, Seal Lock.....	1
2	901 3698	Spring, Pressure.....	1
3	1218-216	*O-Ring.....	1
4	901 3699	Spring, Pressure.....	1

FILTER



REF.	PART NO.		DESCRIPTION	QTY.
	Short	Long		
	901 3991	901 4039	Filter Ass'y.....	1
	(Incl. Items 1 thru 5)			
1	901 3700	901 4040	Element.....	1
2	901 3671	901 3671	*O-Ring.....	2
3	460 0812	460 0812	O-Ring.....	1
4	901 3701	901 3701	Screw, Socket Head.....	2
5	460 0896	460 9896	O-Ring.....	1

WHEN ORDERING PARTS, SPECIFY MODEL NUMBER, SERIAL NUMBER AND DESCRIPTION OF PART REQUIRED



SWING PUMP ASSEMBLY

DATE: Revised 1-88

MODEL: 6644E

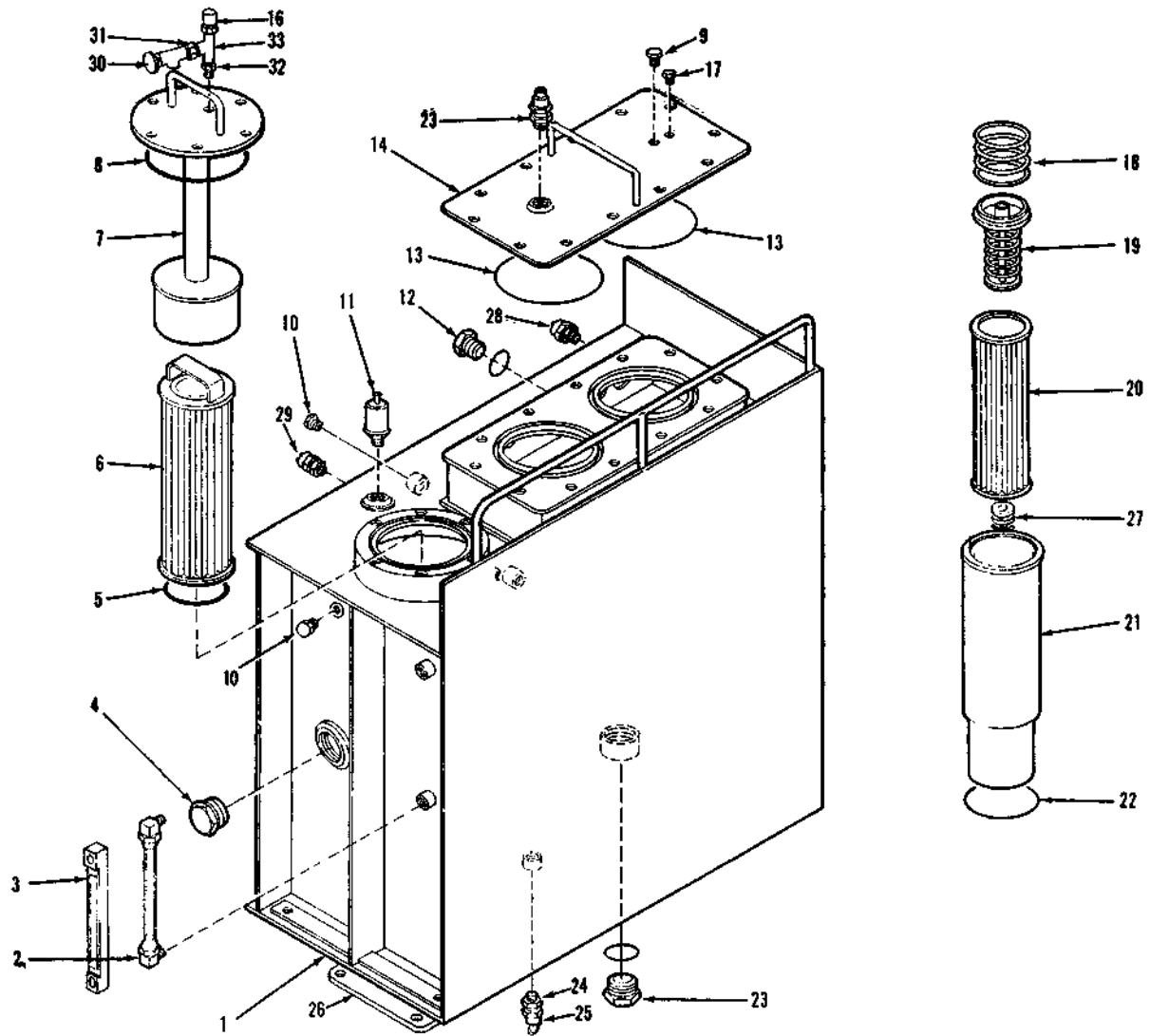
GROUP

24

PAGE 24.5  
Sheet 5 of 5

⊗ DISCONTINUED PART! REFER TO NUMERICAL PARTS LIST FOR REPLACEMENT PART(S)

<https://tractormanualz.com/>



REF.	PART NO.	DESCRIPTION	QTY.	REF.	PART NO.	DESCRIPTION	QTY.
	708F6115	Tank, Hydraulic	1	14	708F6143	Cover	1
	310V3385	Capscrew, 3/4C x 2-1/2 Gr 5	4	15	1200-59	Capscrew, 3/8C x 1	12
	359A8063-001	Shim (16 ga)	AR		1210-20	Washer, Lock	12
1	359A8063-002	Shim (20 ga)	AR	16	375 6801	Disconnect, Quick	1
	330V2601	Washer, Flat (3/4")	4		375 4801	Cap, Dust	1
	334V2664	Washer, Hardened	8	17	1219-38	Plug, Pipe (1/8")	1
	340V3330	Nut, Lock, 3/4C	4	18	708 6584	Spring, Hold-Down	2
2	1219-470	Elbow, 90° (Prior S/N 21037)	2	19	359A8409	Valve, By-Pass	2
	708A6279	Hose Ass'y (Prior S/N 21037)	1	20	708 6449	Filter	2
3	434 4021	Gauge (Begin S/N 21037)	1	21	708F6133	Canister	2
4	1219-869	Plug, 2"	1	22	1218-291	O-Ring	2
5	460V0313	O-Ring	1		1219-872	Plug w/O-Ring	1
6	708 6151	Filter	1	23	1218-133	O-Ring	1
	708F6139	Canister	1	24	375V0603	Reducer	1
7	1200-95	Capscrew, 1/2C x 1	6	25	375V0400	Disconnect, Quick	1
	1210-26	Lockwasher	6		12019-558	Cap, Dust	1
8	1218-143	O-Ring	1		708 6149	Plate, Bottom	1
9	1219-215	Plug, Pipe	1	26	1200-100	Capscrew, 1/2C x 1-1/2	4
	1219-624	Plug w/10" Ring	3		1210-26	Washer, Lock	4
10	1218-34	O-Ring	3	27	708 6585	Magnet	2
	708 6325	Filter/Breather (Beg. #21110)	1	28	12019-331	Adapter	1
11	A207772	Kit (Repl. 430V4201 Relief) (Incl. Items 11,30,31,32,33)	1		1245-144	Sender, Oil Pressure	1
	1219-232	Plug w/O-Ring (-10)	4	29	12019-611	Adapter	AR
	1218-41	O-Ring	4		1245-143	Sender, Temperature	AR
12	1219-873	Plug w/O-Ring (-24)	3	30	708 6307	Valve, Relief (Beg. #21110)	1
	1218-132	O-Ring	3	31	1219-880	Nipple	1
13	1218-195	O-Ring	2	32	362 6203	Nipple	1
				33	362 3208	Tee	1

WHEN ORDERING PARTS, SPECIFY MODEL NUMBER, SERIAL NUMBER AND DESCRIPTION OF PART REQUIRED



### HYDRAULIC TANK & FILTERS

DATE Revised 3-87

MODEL 6644

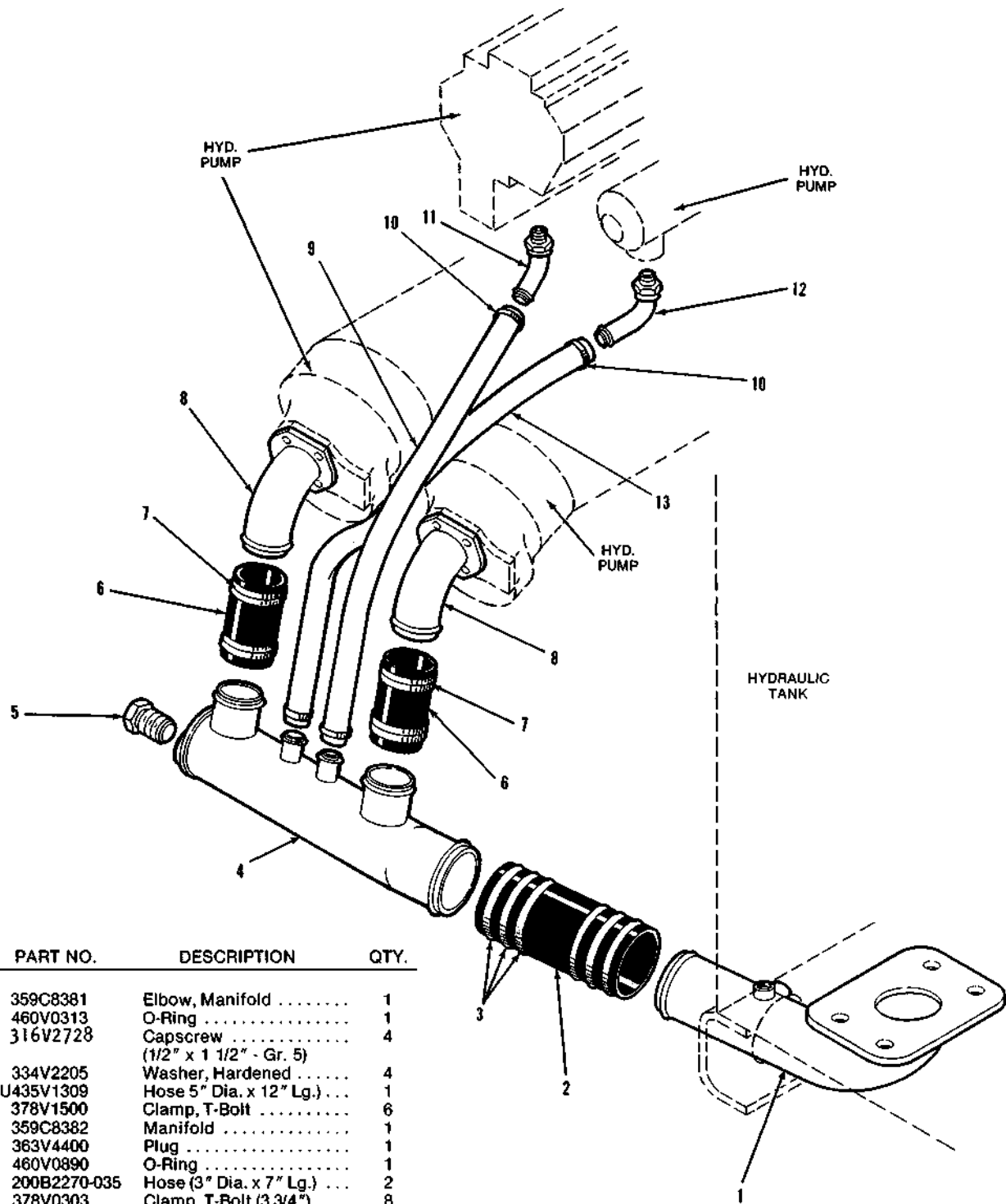
GROUP

25

PAGE 25.1

⊗ DISCONTINUED PART! REFER TO NUMERICAL PARTS LIST FOR REPLACEMENT PART(S)

<https://tractormanualz.com/>



REF.	PART NO.	DESCRIPTION	QTY.
1	359C8381	Elbow, Manifold .....	1
	460V0313	O-Ring .....	1
	316V2728	Capscrew (1/2" x 1 1/2" - Gr. 5)	4
2	334V2205	Washer, Hardened .....	4
3	U435V1309	Hose 5" Dia. x 12" Lg.) ...	1
4	378V1500	Clamp, T-Bolt .....	6
5	359C8382	Manifold .....	1
6	363V4400	Plug .....	1
	460V0890	O-Ring .....	1
7	200B2270-035	Hose (3" Dia. x 7" Lg.) ...	2
8	378V0303	Clamp, T-Bolt (3 3/4") ...	8
	359B8383	Elbow .....	2
	460V4117	Seal, Face .....	2
9	310V3148	Capscrew (5/8" NC x 2" - Gr. 5)	8
	332V2400	Washer, Lock (5/8") .....	8
10	435V3107	Hose .....	28"
11	378V0201	Clamp, T-Bolt (1 1/2") ...	4
12	359A8399	Elbow, 45° .....	1
13	363V1057	Insert, Beaded .....	1
	460V0028	O-Ring .....	1
	435V3107	Hose .....	34"

WHEN ORDERING PARTS, SPECIFY MODEL NUMBER, SERIAL NUMBER AND DESCRIPTION OF PART REQUIRED



### HYDRAULIC SUCTION PIPING

DATE: issued: 2.85

MODEL: 6644E

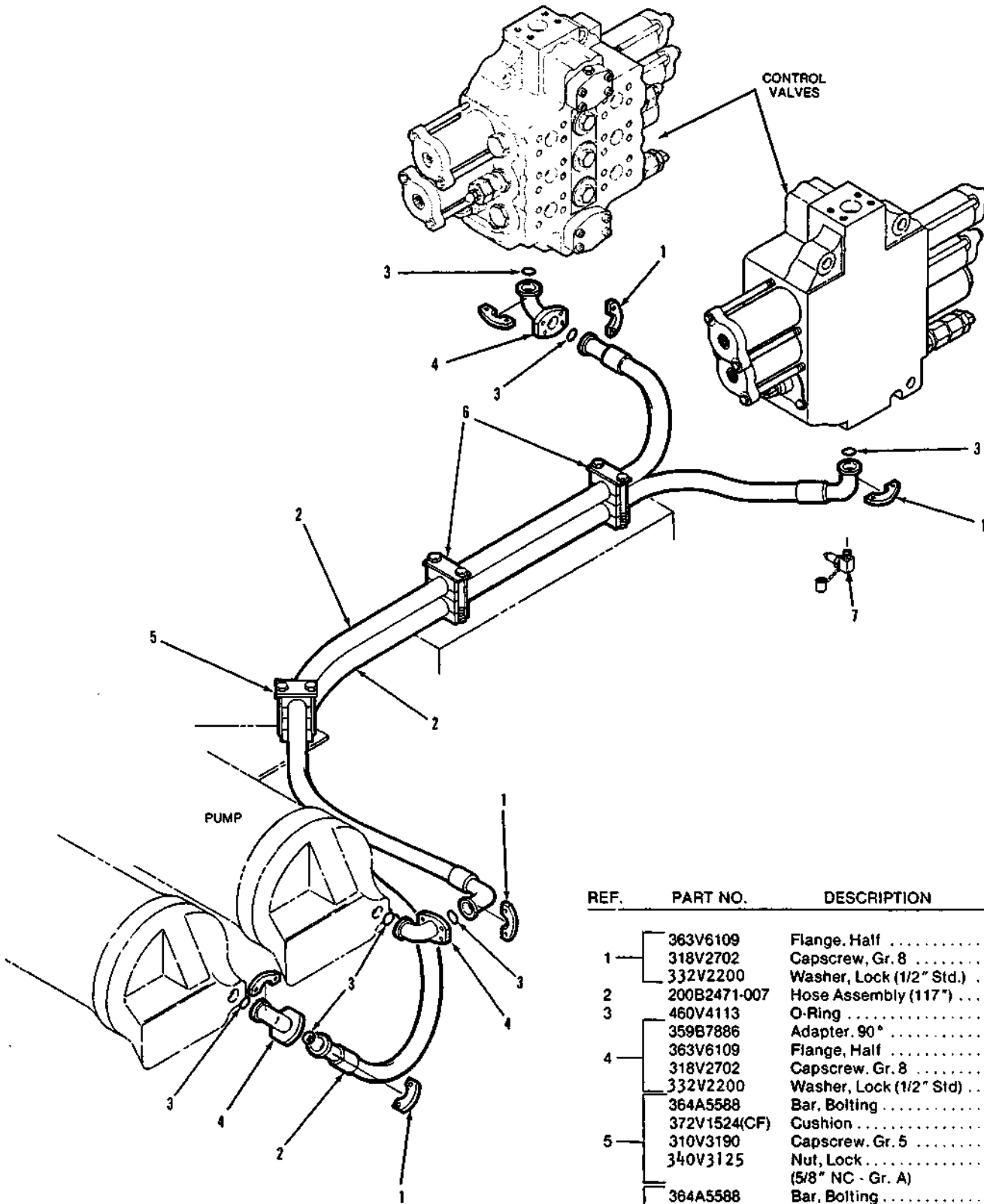
GROUP

25

PAGE 25.2

⊗ DISCONTINUED PART! REFER TO NUMERICAL PARTS LIST FOR REPLACEMENT PART(S)

<https://tractormanualz.com/>



REF.	PART NO.	DESCRIPTION	QTY.
1	363V6109	Flange, Half .....	4
	318V2702	Capscrew, Gr. 8 .....	16
	332V2200	Washer, Lock (1/2" Std.) ..	16
2	200B2471-007	Hose Assembly (117") ...	2
3	460V4113	O-Ring .....	7
	359B7886	Adapter, 90° .....	3
4	363V6109	Flange, Half .....	6
	318V2702	Capscrew, Gr. 8 .....	12
	332V2200	Washer, Lock (1/2" Std) ..	12
5	364A5588	Bar, Bolting .....	1
	372V1524(CF)	Cushion .....	4
	310V3190	Capscrew, Gr. 5 .....	2
	340V3125	Nut, Lock .....	2
		(5/8" NC - Gr. A)	
6	364A5588	Bar, Bolting .....	2
	372V1524(CF)	Cushion .....	8
	316V3131	Capscrew, Gr. 5 .....	4
7	375V5201	Adapter .....	2
	375V6801	Nipple .....	2
	375V4801	Cap, Dust .....	2

WHEN ORDERING PARTS, SPECIFY MODEL NUMBER, SERIAL NUMBER AND DESCRIPTION OF PART REQUIRED



**PRESSURE PIPING  
PUMPS TO CONTROL VALVES**

DATE: Revised 12-85  
MODEL: 6644E

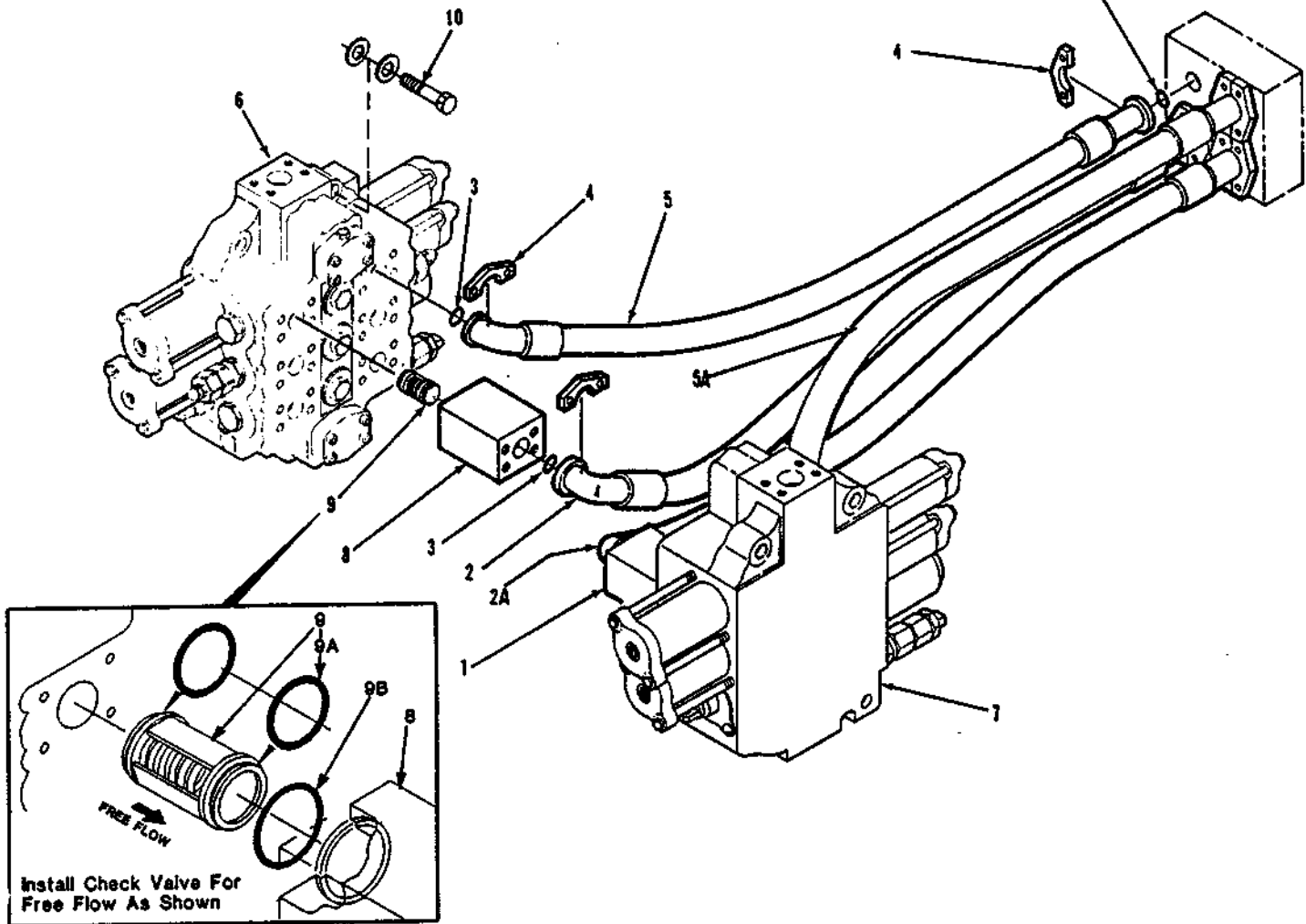
GROUP  
**25**

PAGE 25.3

⊗ DISCONTINUED PART! REFER TO NUMERICAL PARTS LIST FOR REPLACEMENT PART(S)

<https://tractormanualz.com/>

TYPICAL 4 PLACES



REF.	PART NO.	Description	QTY.
	Prior Ser. #21232	Begin Ser. #21232 (Exc. 21235, 21236)	
		HiSpeed Arm	
1	35987887	Spacer.....	1
	363V6109	Flange, Half.....	8
	310V2831	Capscrew, Gr. 8.....	16
	332V2200	Lockwasher.....	16
2	20082491-001	Hose Assembly(39").....	1
2A	20082491-001	Hose Assembly(39").....	1
3	460V4113	O-Ring.....	10
		O-Ring (For Item 1).....	4
	363V6109	Flange, Half.....	12
4	318V2702	Capscrew, 1/2C x 2 Gr 8.....	24
	332V2200	Lockwasher, 1/2.....	24
5	20082474-004	Hose Assembly(34").....	1
5A	20082474-004	Hose Assembly(34").....	1
6	Page 25.5/1	Valve, Control.....	1
7	Page 25.5/3	Valve, Control(3-Spool).....	1
		Valve, Control(4-Spool).....	1
8	35989436	Spacer (Begin Ser. #21189)....	1
9	430 5426	Valve, Check (Bag Ser. #21189).	1
9A	1218-63	O-Ring(Repl. 208452 Quad Ring).	2
9B	460 0848	O-Ring.....	1
	316V3125	Capscrew, 5/8C x 4-1/2.....	4
10	310V3196	Capscrew, 5/8C x 3.....	2
	334V2402	Washer, Hardened.....	12

Order Kit A208290  
Prior Ser. #21189,  
Incl. 8,9,9A,9B -  
Replaces Item 1 on  
LH Valve.

WHEN ORDERING PARTS, SPECIFY MODEL NUMBER, SERIAL NUMBER AND DESCRIPTION OF PART REQUIRED



CONTROL VALVES & PIPING  
TO MANIFOLD

<https://tractormanualz.com/>

DATE: Revised 6-91

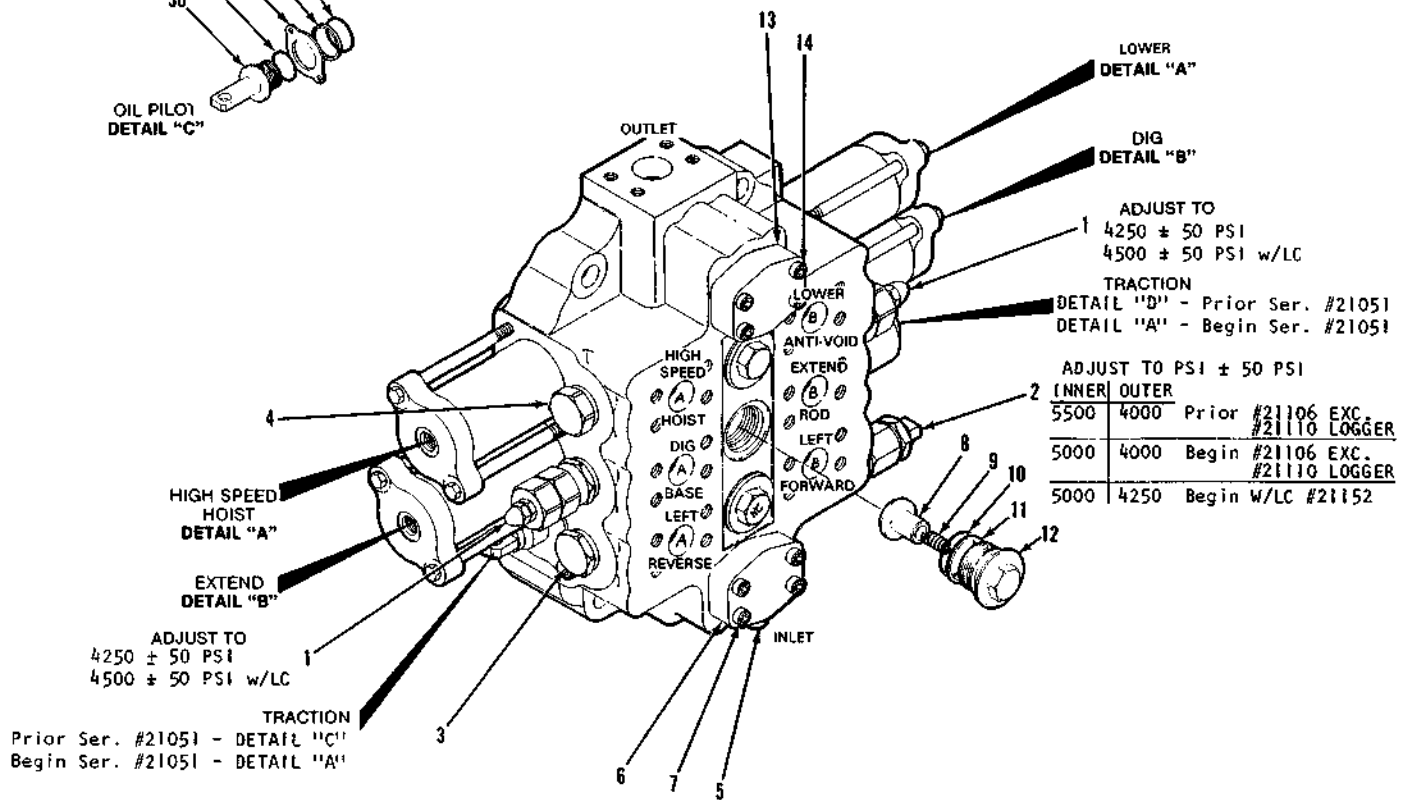
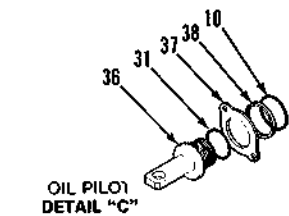
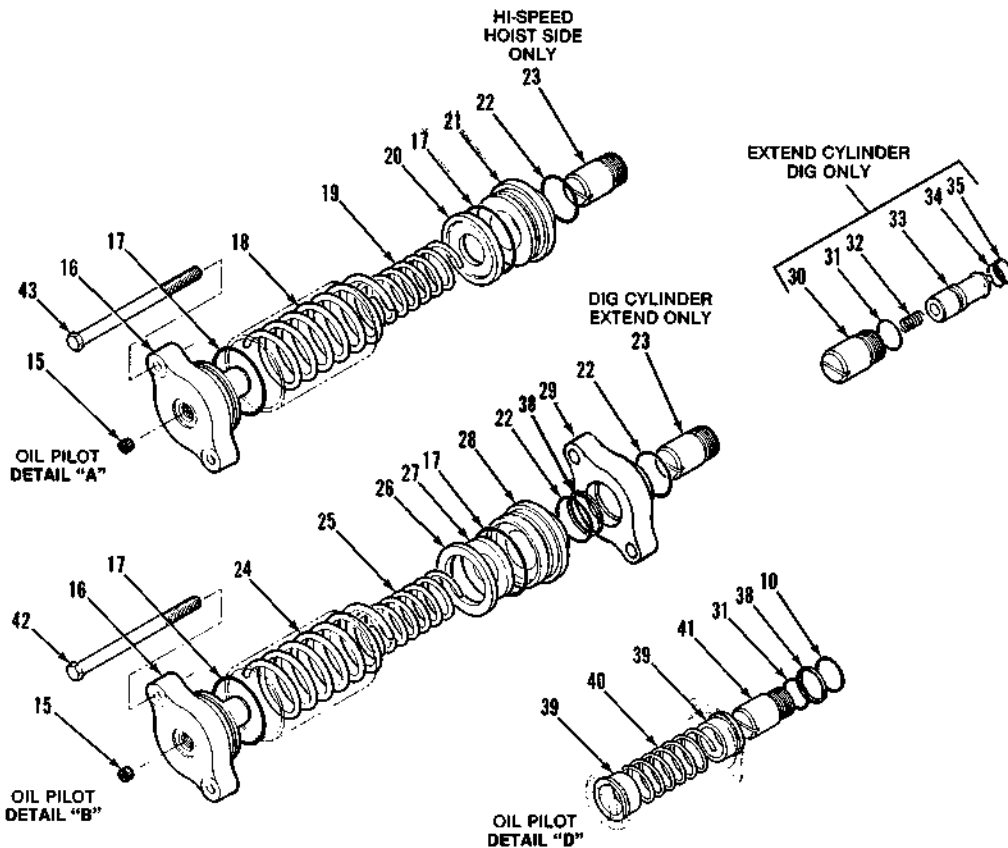
MODEL: 6644E

GROUP

25

PAGE 25.4

DISCONTINUED PARTS REFER TO NUMERICAL PARTS LIST FOR REPLACEMENT PART(S)



**CONTROL VALVE ASSEMBLY  
(LEFTHAND SIDESTAND)**

DATE: Revised 11-88

MODEL: 6644E

GROUP

25

PAGE 25.5  
Sheet 1 of 6

⊗ DISCONTINUED PART! REFER TO NUMERICAL PARTS LIST FOR REPLACEMENT PART(S)

<https://tractormanualz.com/>

REF.	PART NO.	DESCRIPTION	QTY.
	U288D2662	Valve, Control.....	1 -
		(Prior Ser. #21051)	
	U288D2727	Valve, Control.....	- 1
		(Begin Ser. #21051)	
		(Only Parts Listed Below Available For Service)	
1	U901V3063	Valve, Relief.....	2 2
		(For Parts, See Page 25.6)	
2	U901V3499	Valve, Relief(Dual Stage).	1 1
		(For Parts, See Page 25.6)	
3	U901V3022	Valve, Check.....	3 3
		(For Parts, See Page 25.6)	
	U901V1559	Valve, Shut-Off.....	1 1
		(Incl. Following Items)	
4	460V0013	O-Ring.....	2 2
	460V0028	O-Ring.....	2 2
	901V1584	Ring, Back-Up.....	2 2
5	901V3500	Plug(Incl. O-Ring).....	1 1
	901V3501	O-Ring.....	1 1
6	N/S	Cap, Flange.....	1 1
	460V0115	O-Ring.....	1 1
7	N/S	Capscrew.....	4 4
8	900V4214	Poppet.....	2 2
9	900V4205	Spring.....	2 2
10	460V0951	O-Ring.....	5 3
11	901V1042	Ring, Back-Up.....	3 3
12	N/S	Plug.....	3 3
13	N/S	Cap, Flange.....	1 1
	460V0115	O-Ring.....	1 1
14	N/S	Capscrew.....	4 4
15	N/S	Screw, Set(Orifice).....	4 6
16	N/S	Cap.....	4 6
17	460V0952	O-Ring.....	8 12
18	901V3020	Spring.....	2 4
19	901V3021	Spring.....	2 4
20	N/S	Spacer.....	2 4
21	N/S	Plug.....	2 4
22	460V0199	O-Ring.....	6 8
23	N/S	Capscrew, Spool End.....	2 4
24	901V3024	Spring.....	2 2
25	901V3025	Spring.....	2 2
26	N/S	Spacer.....	2 2
27	N/S	Spacer.....	2 2
28	N/S	Plug.....	2 2
29	207853	Spacer.....	2 2
30	N/S	Capscrew, Spool End.....	1 1
31	460V0060	O-Ring.....	3 3
32	901V3019	Spring.....	1 1
33	N/S	Poppet.....	1 1
34	460V6016	O-Ring.....	1 1
35	901V0614	Ring, Back-Up.....	1 1
36	900V8630	Plunger.....	1 -
37	N/S	Spacer.....	1 -
38	900V6960	Ring, Back-Up.....	4 2
39	N/S	Plug.....	2 -
40	901V3502	Spring.....	1 -
41	N/S	Capscrew, Spool End.....	1 -
42	N/S	Capscrew.....	4 4
43	N/S	Capscrew.....	4 6

WHEN ORDERING PARTS, SPECIFY MODEL NUMBER, SERIAL NUMBER AND DESCRIPTION OF PART REQUIRED



**CONTROL VALVE ASSEMBLY  
(LEFTHAND SIDESTAND)**

DATE: Revised 11-88

MODEL: 6C44E

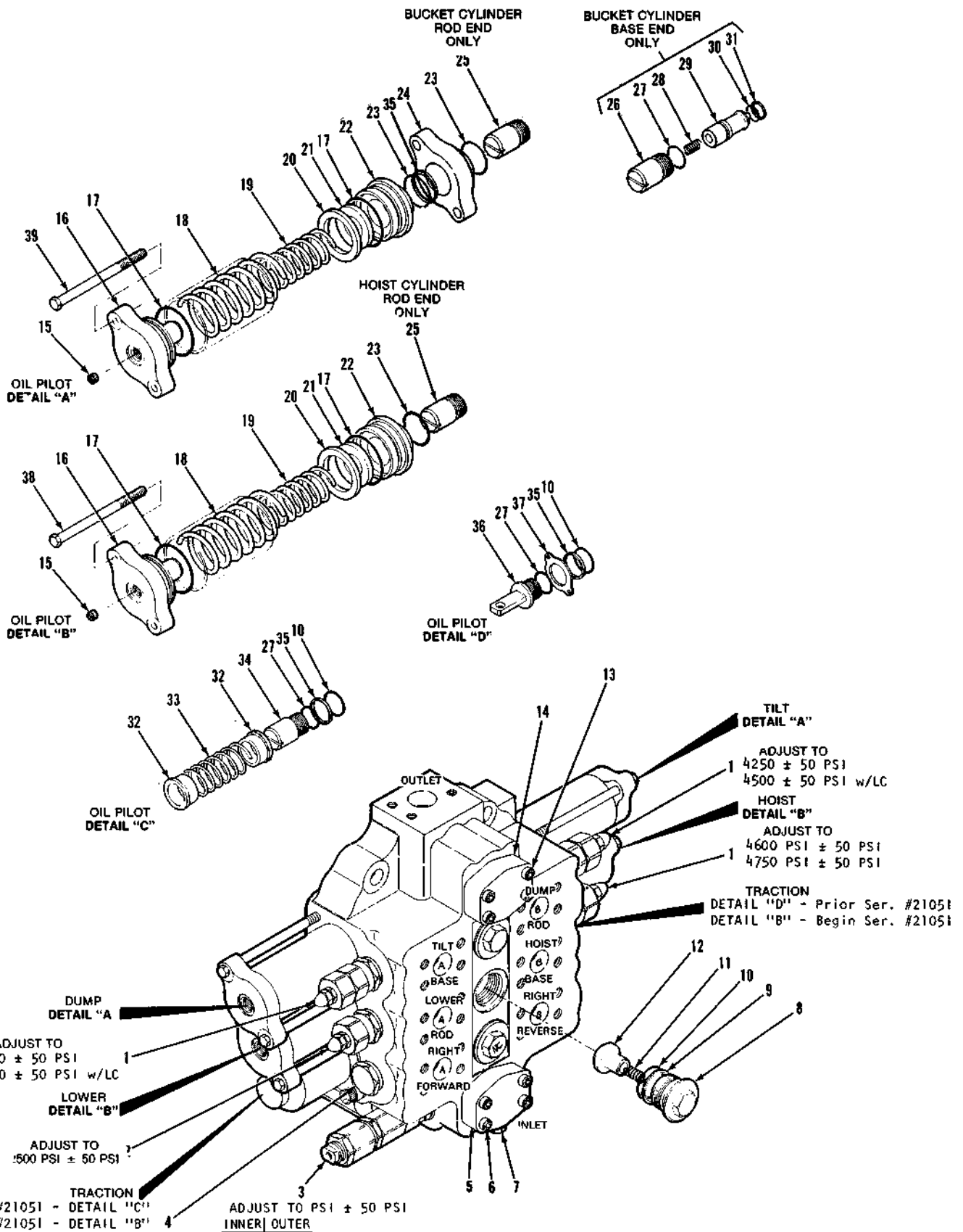
GROUP

**25**

PAGE 25.5  
Sheet 2 of 6

⊗ DISCONTINUED PART! REFER TO NUMERICAL PARTS LIST FOR REPLACEMENT PART(S)

<https://tractormanualz.com/>



Prior Ser. #21051 - DETAIL "C"  
Begin Ser. #21051 - DETAIL "B"

ADJUST TO 4500 PSI ± 50 PSI	
INNER	OUTER
5500	4000
Prior #21106 EXC. #21110 LOGGER	
5000	4000
Begin #21106 EXC. #21110 LOGGER	
5000	4250
Begin W/LC #21152	



### CONTROL VALVE ASSEMBLY (RIGHTHAND SIDESTAND)

3-SP00L

DATE: Revised 11-88

MODEL: 6644E

GROUP

25

PAGE 25.5  
Sheet 3 of 6

⊗ DISCONTINUED PART! REFER TO NUMERICAL PARTS LIST FOR REPLACEMENT PART(S)

<https://tractormanualz.com/>

REF.	PART NO.	DESCRIPTION	QTY.
	U28802663	Valve, Control.....	1 -
		(Prior Ser. #21051)	
	U28802728	Valve, Control.....	- 1
		(Begin Ser. #21051)	
		(Only Parts Listed Below Available For Service)	
1	U901V3063	Valve, Relief.....	3 3
		(For Parts, See Page 25.6)	
2	U901V3026	Valve, Relief.....	1 1
		(For Parts, See Page 25.6)	
3	U901V3499	Valve, Relief (Dual Stage).....	1 1
		(For Parts, See Page 25.6)	
4	U901V3022	Valve, Check.....	2 2
		(For Parts, See Page 25.6)	
5	[ N/S	Cap, Flange.....	1 1
	460V0115	O-Ring.....	1 1
6	N/S	Capscrew.....	4 4
7	[ 901V3500	Plug (Inc. O-Ring).....	1 1
	901V3501	O-Ring.....	1 1
8	N/S	Plug.....	3 3
9	901V1042	Ring, Back-Up.....	3 3
10	460V0951	O-Ring.....	5 3
11	900V4205	Spring.....	2 2
12	900V4214	Poppet.....	2 2
13	N/S	Capscrew.....	4 4
14	[ N/S	Cap, Flange.....	1 1
	460V0115	O-Ring.....	1 1
15	N/S	Screw, Set (Orifice).....	4 6
16	N/S	Cap.....	4 6
17	460V0952	O-Ring.....	8 12
18	901V3024	Spring.....	4 6
19	901V3025	Spring.....	4 6
20	N/S	Spacer.....	4 6
21	N/S	Spacer.....	4 6
22	N/S	Plug.....	4 6
23	460V0199	O-Ring.....	6 8
24	207853	Spacer.....	2 2
25	N/S	Capscrew, Spool End.....	2 4
26	N/S	Capscrew, Spool End.....	1 1
27	460V0060	O-Ring.....	3 3
28	901V3019	Spring.....	1 1
29	N/S	Poppet.....	1 1
30	460V6016	O-Ring.....	1 1
31	901V0614	Ring, Back-Up.....	1 1
32	N/S	Plug.....	2 -
33	901V3502	Spring.....	1 -
34	N/S	Capscrew, Spool End.....	1 -
35	900V6960	Ring, Back-Up.....	4 2
36	900V8630	Plunger.....	1 -
37	N/S	Spacer.....	1 -
38	N/S	Capscrew.....	4 8
39	N/S	Capscrew.....	4 4

WHEN ORDERING PARTS, SPECIFY MODEL NUMBER, SERIAL NUMBER AND DESCRIPTION OF PART REQUIRED

GROUP



**CONTROL VALVE ASSEMBLY  
(RIGHTHAND SIDESTAND)**

3-SP00L

DATE: Revised 11-88

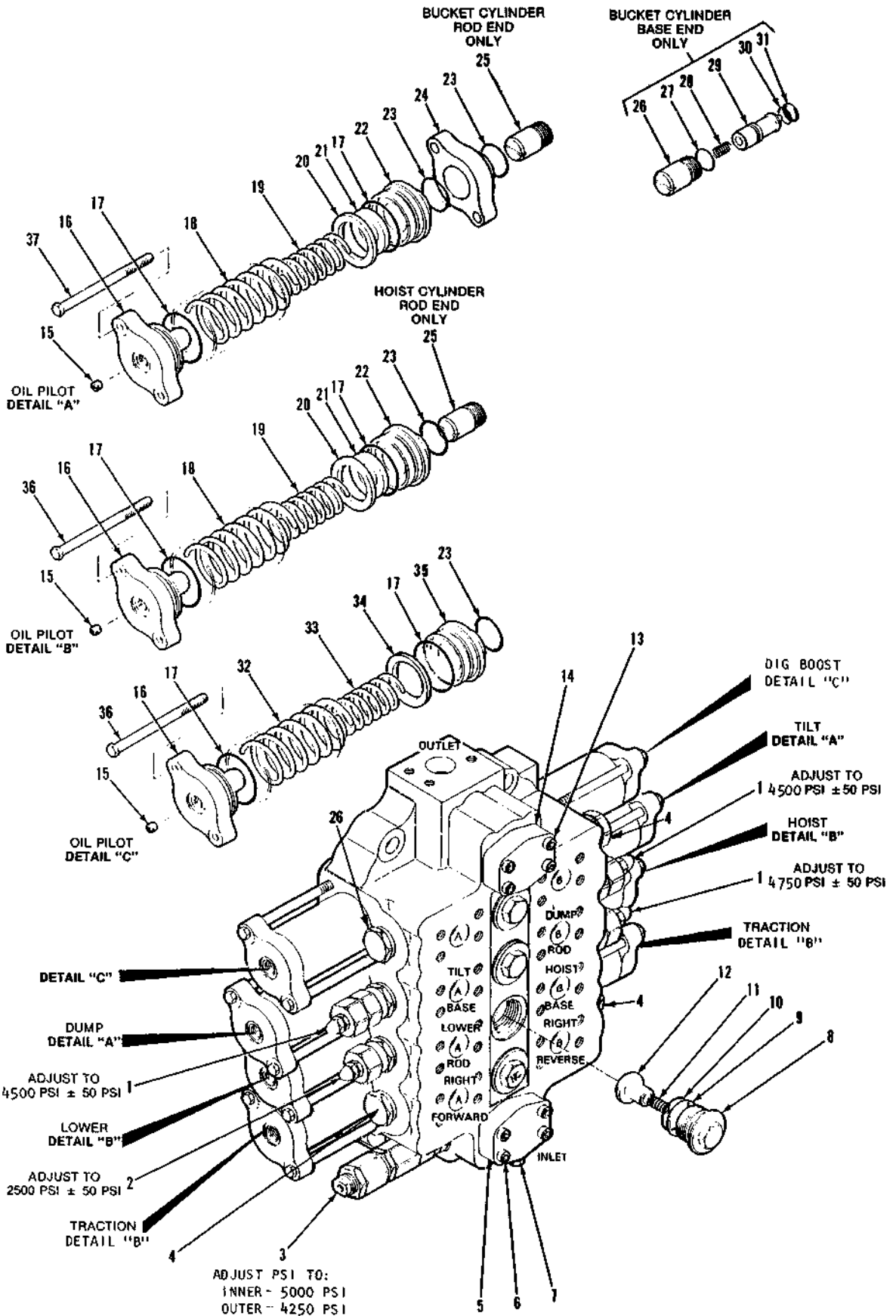
MODEL: 6644E

**25**

PAGE 25.5  
Sheet 4 of 6

⊗ DISCONTINUED PART! REFER TO NUMERICAL PARTS LIST FOR REPLACEMENT PART(S)

<https://tractormanualz.com/>



WHEN ORDERING PARTS, SPECIFY MODEL NUMBER, SERIAL NUMBER AND DESCRIPTION OF PART REQUIRED



**CONTROL VALVE ASSEMBLY  
(RIGHTHAND SIDESTAND)**  
4-SPOOL / HI-SPEED ARM

DATE: Issued 11-88

MODEL: 6644E

GROUP  
**25**

PAGE 25.5  
Sheet 5 of 6

⊗ DISCONTINUED PART! REFER TO NUMERICAL PARTS LIST FOR REPLACEMENT PART(S)

<https://tractormanualz.com/>

REF.	PART NO.	DESCRIPTION	QTY.
	430 8717	Valve, Control(4-Spool)....	1
		(Only Parts Listed Below Available for Service)	
1	U901V3063	Valve, Relief.....	3
		(For Parts, See Page 25.6)	
2	U901V3026	Valve, Relief.....	1
		(For Parts, See Page 25.6)	
3	U901V3499	Valve, Relief(Dual Stage)..	1
		(For Parts, See Page 25.6)	
4	U901V3022	Valve, Check.....	3
		(For Parts, See Page 25.6)	
5	{ N/S	Cap, Flange.....	1
	460V0115	O-Ring.....	1
6	{ N/S	Capscrew.....	4
	901V3500	Plug (Incl. O-Ring).....	1
7	{ 901V3501	O-Ring.....	1
	N/S	Plug.....	4
8	901V1042	Ring, Back-Up.....	4
9	460V0951	O-Ring.....	4
10	900V4205	Spring.....	3
11	900V4214	Poppet.....	3
12	N/S	Capscrew.....	8
13	{ N/S	Cap, Flange.....	2
	460V0115	O-Ring.....	2
14	{ N/S	Screw, Set (Orifice).....	AR
	N/S	Cap.....	8
15	460V0952	O-Ring.....	16
16	901V3024	Spring.....	6
17	901V3025	Spring.....	6
18	N/S	Spacer.....	6
19	N/S	Spacer.....	6
20	N/S	Plug.....	6
21	460V0199	O-Ring.....	10
22	207853	Spacer.....	2
23	N/S	Capscrew, Spool End.....	6
24	{ N/S	Plug.....	1
	460V0148	O-Ring.....	1
25	460V0060	O-Ring.....	3
26	901V3019	Spring.....	1
27	N/S	Poppet.....	1
28	460V6016	O-Ring.....	1
29	901V0614	Ring, Back-Up.....	1
30	205954	Spring.....	2
31	205953	Spring.....	2
32	205952	Spacer.....	2
33	205951	Plug.....	2
34	N/S	Capscrew.....	10
35	N/S	Capscrew.....	4

WHEN ORDERING PARTS, SPECIFY MODEL NUMBER, SERIAL NUMBER AND DESCRIPTION OF PART REQUIRED



**CONTROL VALVE ASSEMBLY  
(RIGHTHAND SIDESTAND)**

4-SPOOL / HI-SPEED ARM

DATE: Issued 11-88

MODEL: 6644E

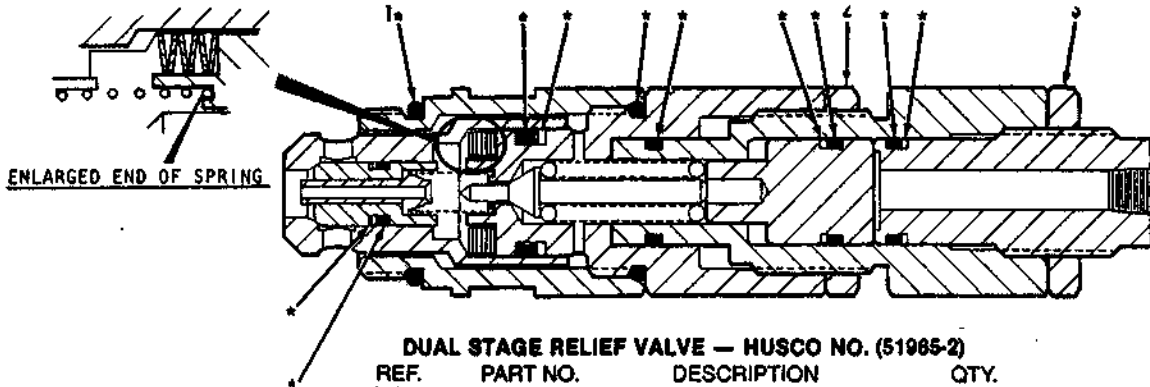
PAGE 25.5  
Sheet 6 of 6

GROU

25

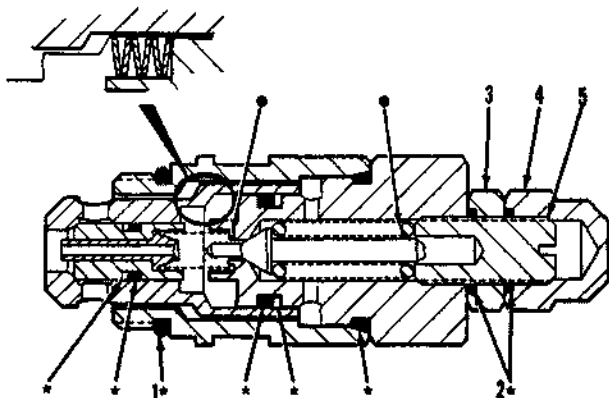
⊗ DISCONTINUED PART! REFER TO NUMERICAL PARTS LIST FOR REPLACEMENT PART(S)

<https://tractormanualz.com/>



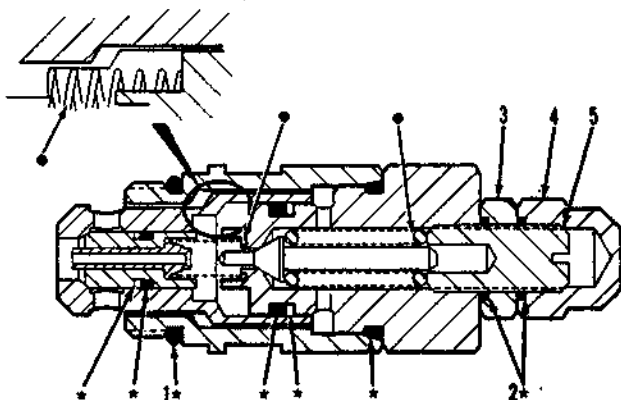
**DUAL STAGE RELIEF VALVE — HUSCO NO. (51965-2)**

REF.	PART NO.	DESCRIPTION	QTY.
-	U901V3499	Valve, Relief ..... 1 (Only Parts Listed Below Available For Service)	1
-	901V3039	Kit, Seal ..... 1 (Incl. Parts Marked ★)	1
-	901V4139	Kit, Spring & Seal ..... 1	1
1	950V2229	O-Ring ..... 1	1
2	901V3038	Nut, Hex ..... 1	1
3	901V2717	Nut, Hex ..... 1	1



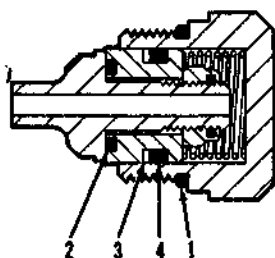
**RELIEF VALVE — HUSCO NO. (50825-3)**

REF.	PART NO.	DESCRIPTION	QTY.
-	U901V3063	Valve, Relief ..... 1 (Only Parts Listed Below Available For Service)	1
-	U901V3144	Kit, Spring & Seal ..... 1 (Inc. All Items In Seal Kit ★ Plus Items Marked ★)	1
-	U901V2943	Kit, Seal ..... 1 (Inc. Parts Marked ★)	1
1	950V2229	O-Ring ..... 1	1
2	901V2840	O-Ring ..... 2	2
3	LP	Nut, Hex (9/16" NF) ..... 1	1
4	LP	Nut, Cap (9/16" NF) ..... 1	1
5	901V1764	Screw ..... 1	1



**RELIEF VALVE — HUSCO NO. (50825-4)**

REF.	PART NO.	DESCRIPTION	QTY.
-	U901V3026	Valve, Relief ..... 1 (Only Parts Listed Below Available For Service)	1
-	U901V3231	Kit, Spring & Seal ..... 1 (Inc. All Items In Seal Kit ★ Plus Items Marked ★)	1
-	U901V2943	Kit, Seal ..... 1 (Inc. Parts Marked ★)	1
1	950V2229	O-Ring ..... 1	1
2	901V2840	O-Ring ..... 2	2
3	LP	Nut, Hex (9/16" NF) ..... 1	1
4	LP	Nut, Cap (9/16" NF) ..... 1	1
5	901V1764	Screw ..... 1	1



**CHECK VALVE — HUSCO NO. (5370B)**

REF.	PART NO.	DESCRIPTION	QTY.
-	901V3022	Valve, Check ..... 1 (Only Parts Listed Below Available For Service)	1
1	950V2229	O-Ring ..... 1	1
2	460V8016	O-Ring ..... 1	1
3	901V0897	Ring, Back-Up ..... 1	1
4	460V0809	O-Ring ..... 1	1

WHEN ORDERING PARTS, SPECIFY MODEL NUMBER, SERIAL NUMBER AND DESCRIPTION OF PART REQUIRED



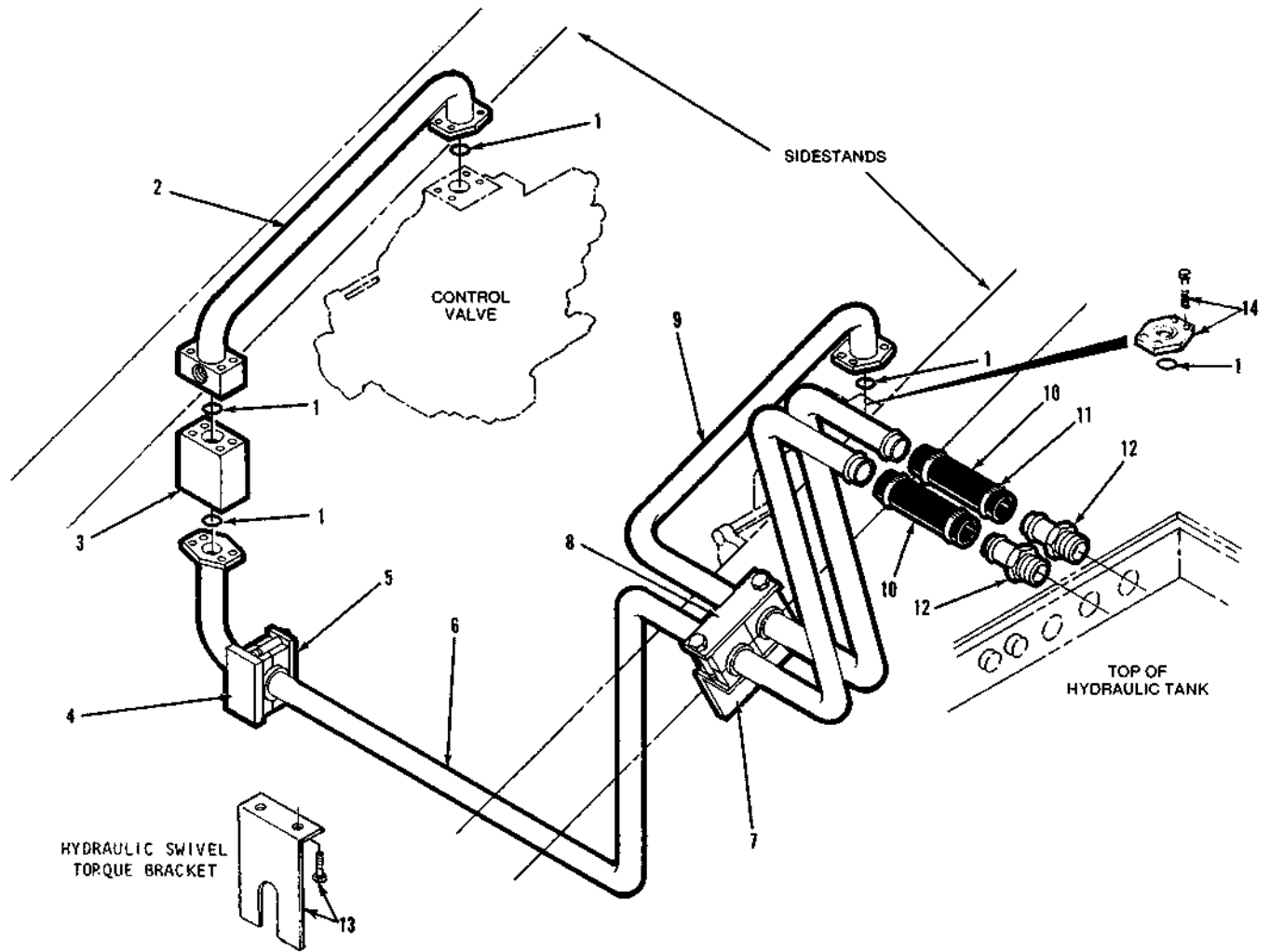
**RELIEF VALVE ASSEMBLIES**

DATE: Revised 7-91  
MODEL: 6644E

GROUP

25

PAGE 25.8



REF.	PART NO.	DESCRIPTION	QTY.
1	460V4115	O-Ring.....	5
	359C8509	Tube Ass'y (Dig Valve)....	1
2	316V2730	Capscrew, 1/2C x 2-3/4.....	4
	316V2728	Capscrew, 1/2C x 1-1/2.....	4
	332V2200	Lockwasher.....	8
3	430V5424	Valve, Check.....	1
4	364A5571	Flat, 2-Hole Tapped.....	1
	364A5588	Bar, Bolting, 2-Hole.....	1
5	372V1524	Cushion.....	2
	358A2413-002	Pad, Cushion.....	1
	310V3180	Capscrew, 5/8C x 3-3/4.....	2
	359B8510	Tube Ass'y (Dig Valve)....	1
6	316V2728	Capscrew, 1/2C x 1-1/2.....	4
	332V2200	Lockwasher.....	4
7	359A8115	Bracket.....	1
	364A5589	Bar, Bolting, 3-Hole.....	1
8	372V1524	Cushion.....	4
	358A2413-002	Pad, Cushion.....	2
	316V3113	Capscrew, 5/8C x 4.....	3
	340V3125	Locknut, 5/8C.....	3

REF.	PART NO.	DESCRIPTION	QTY.
	359B7978	Tube Ass'y (Tilt Valve)....	1
		(For 3-Spool Valve)	
9	356B0140	Tube Ass'y (Tilt Valve)....	1
		(For 4-Spool Valve w/ Hi-Speed Arm)	
	316V2728	Capscrew, 1/2C x 1-1/2.....	4
	332V2200	Lockwasher.....	4
10	200B2270-001	Hose (9").....	2
11	378V0304	Clamp, T-Bolt.....	4
12	363V0227	Insert, Beaded.....	2
	361B1478	Bracket (6644E, 6644L)....	1
13	356B0132	Bracket (6655L).....	1
	310V3185	Capscrew, 5/8C x 1-1/2.....	2
14	356B0173	Plate, Orifice.....	1
	310V2786	Capscrew, 1/2C x 1-3/4 Gr 5.	4

WHEN ORDERING PARTS, SPECIFY MODEL NUMBER, SERIAL NUMBER AND DESCRIPTION OF PART REQUIRED



CONTROL VALVE RETURN PIPING

DATE: Revised 11-88

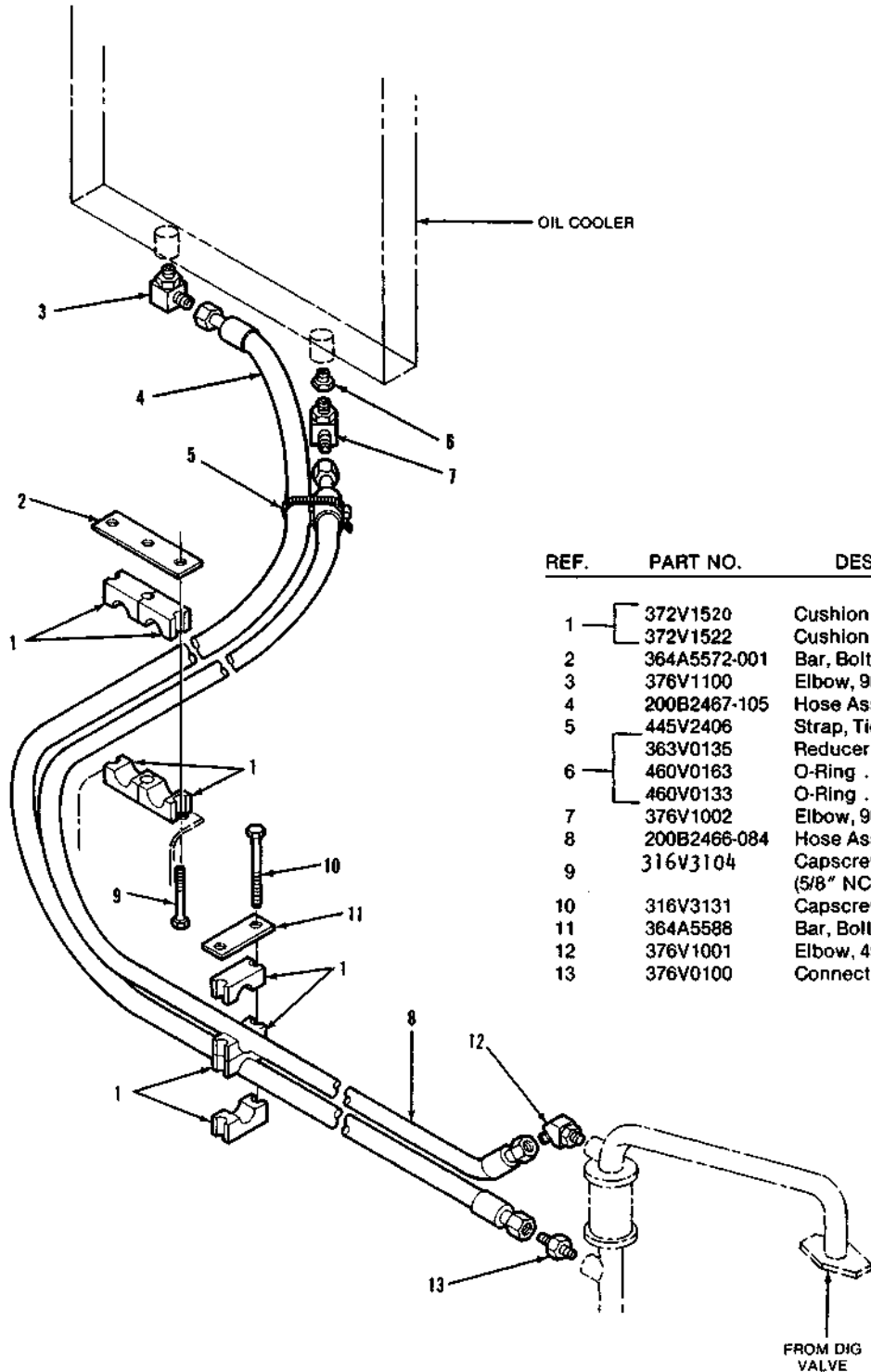
MODEL: 6644E

GROUP

25

PAGE 25.7

⊗ DISCONTINUED PART! REFER TO NUMERICAL PARTS LIST FOR REPLACEMENT PART(S)



REF.	PART NO.	DESCRIPTION	QTY.
1	372V1520	Cushion .....	6
	372V1522	Cushion .....	6
2	364A5572-001	Bar, Bolting .....	1
3	376V1100	Elbow, 90° .....	1
4	200B2467-105	Hose Assembly (105") ...	1
5	445V2406	Strap, Tie .....	2
6	363V0135	Reducer (Inc. O-Rings) ...	1
	460V0163	O-Ring .....	1
	460V0133	O-Ring .....	1
7	376V1002	Elbow, 90° .....	1
8	200B2466-084	Hose Assembly (84") ...	1
9	316V3104	Capscrew .....	3
		(5/8" NC x 3 1/4" - Gr. 5)	
10	316V3131	Capscrew .....	4
11	364A5588	Bar, Bolting .....	2
12	376V1001	Elbow, 45° .....	1
13	376V0100	Connector .....	1

WHEN ORDERING PARTS, SPECIFY MODEL NUMBER, SERIAL NUMBER AND DESCRIPTION OF PART REQUIRED

GROUP



OIL COOLER PIPING

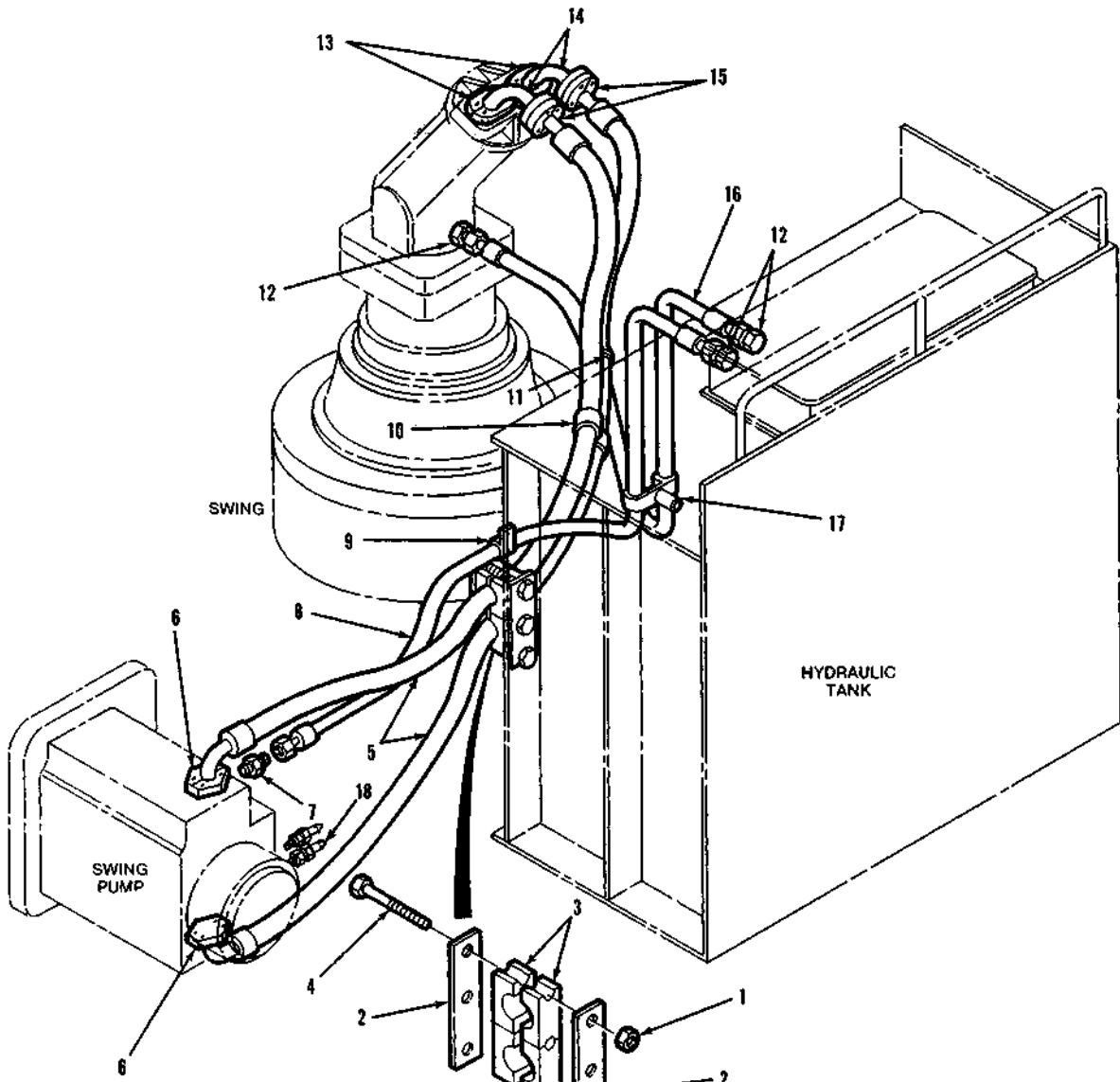
DATE Revised 7-86

MODEL 6644E

25

PAGE 25.3

⊗ DISCONTINUED PART REFER TO NUMERICAL PARTS LIST FOR REPLACEMENT PART(S)



REF.	PART NO.	DESCRIPTION	QTY.
1	340V3125	Nut, Lock (5/8" NC - Gr. A)	3
2	364A5589	Bar, Bolting - 3 Hole	2
3	372V1518	Cushion (1 1/4" Dia.)	4
4	316V3116	Capscrew (5/8" NC x 4 1/2" - Gr. 5)	3
5	200B2357-005	Hose Assembly (74")	2
6	363V6005	Flange, Half	4
	460V4112	Seal, Face	2
	1200-307	Capscrew	8
7	332V2100	Washer, Lock (7/16")	8
	375V0706	Connector	1
8	200B2464-063	Hose Assembly (63")	1
	200B2007-040	Clamp, Support	1
	310V2390	Capscrew (3/8" NC x 1" - Gr. 5)	1
9	331V2000	Washer, Flat (.406" x .812")	1
	340V2323	Nut, Lock (3/8" NC - Gr. A)	1
10	200B2007-010	Clamp, Support	2
	316V2338	Capscrew (3/8" NC x 7/8" - Gr. 5)	1
11	331V2000	Washer, Flat (.406" x .812")	1
	340V2323	Nut, Lock (3/8" NC - Gr. A)	1

REF.	PART NO.	DESCRIPTION	QTY.
11	445V2406	Ty-Wrap	As Re'd
12	375V0700	Connector	3
	363V6109	Flange, Half	4
13	460V4113	Seal, Face	2
	318V2702	Capscrew, Gr. 8	8
14	332V2200	Washer, Lock (1/2")	8
	359B8116	Adapter, 90°	2
15	363V6005	Flange, Half	4
	460V4112	Seal, Face	2
16	310V2551	Capscrew, Gr. 8	8
	332V2100	Washer, Lock (7/16")	8
17	200B2464-052	Hose Assembly (52")	1
	200B2007-040	Clamp, Support	2
18	200B0003-108	Spacer	1
	316V2341	Capscrew	1
19	331V2000	Washer, Flat	1
	362V0529	Reducer	2
	375V68000	Nipple	2
20	375V4801	Cap, Dust	2

WHEN ORDERING PARTS, SPECIFY MODEL NUMBER, SERIAL NUMBER AND DESCRIPTION OF PART REQUIRED



SWING PIPING

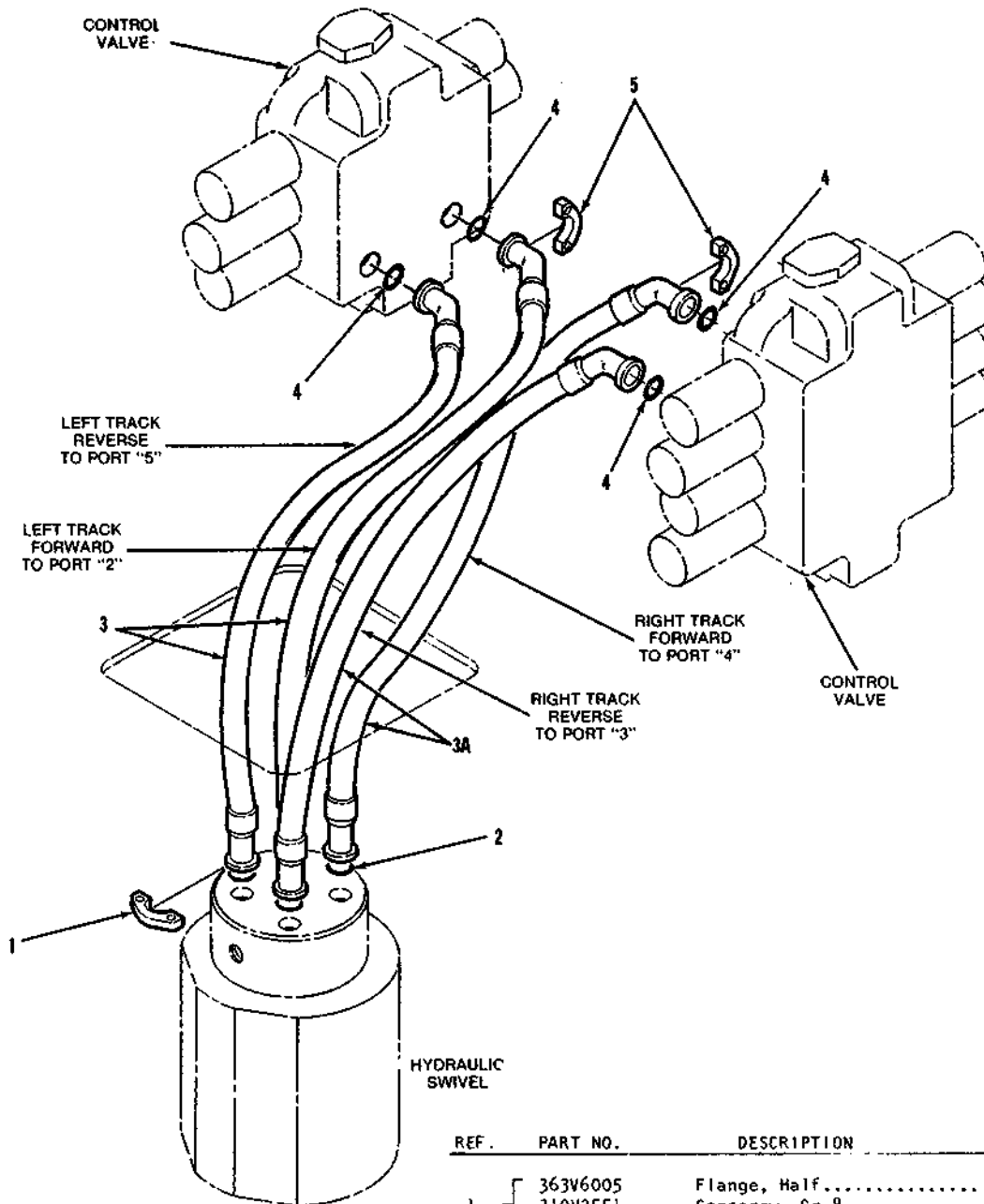
DATE: Revised 12-85

MODEL: 6644E

GROUP  
25

PAGE 25.9

⊗ DISCONTINUED PART! REFER TO NUMERICAL PARTS LIST FOR REPLACEMENT PART(S)



REF.	PART NO.	DESCRIPTION	QTY.
1	363V6005	Flange, Half.....	8
	310V2551	Capscrew, Gr 8.....	16
	332V2100	Lockwasher, 7/16.....	16
2	460V4112	O-Ring.....	4
	200B2472-001	Hose Assy(32'')6644E,6644L..	2
3	200B2472-003	Hose Assy(38'')6655L.....	2
	200B2472-001	Hose Assy(32'')6644E,6644L..	2
3A		(3-Spool Valve)	
	200B2511-32	Hose Assy(32'')6644E,6644L..	2
		(4-Spool Valve/Hi-Sp Arm)	
4	460V4113	O-Ring.....	4
	363V6109	Flange, Half.....	8
5	318V2702	Capscrew, Gr. 8.....	16
	332V2200	Lockwasher.....	16

WHEN ORDERING PARTS, SPECIFY MODEL NUMBER, SERIAL NUMBER AND DESCRIPTION OF PART REQUIRED



UPPER TRACTION PIPING  
(VALVES TO SWIVEL)

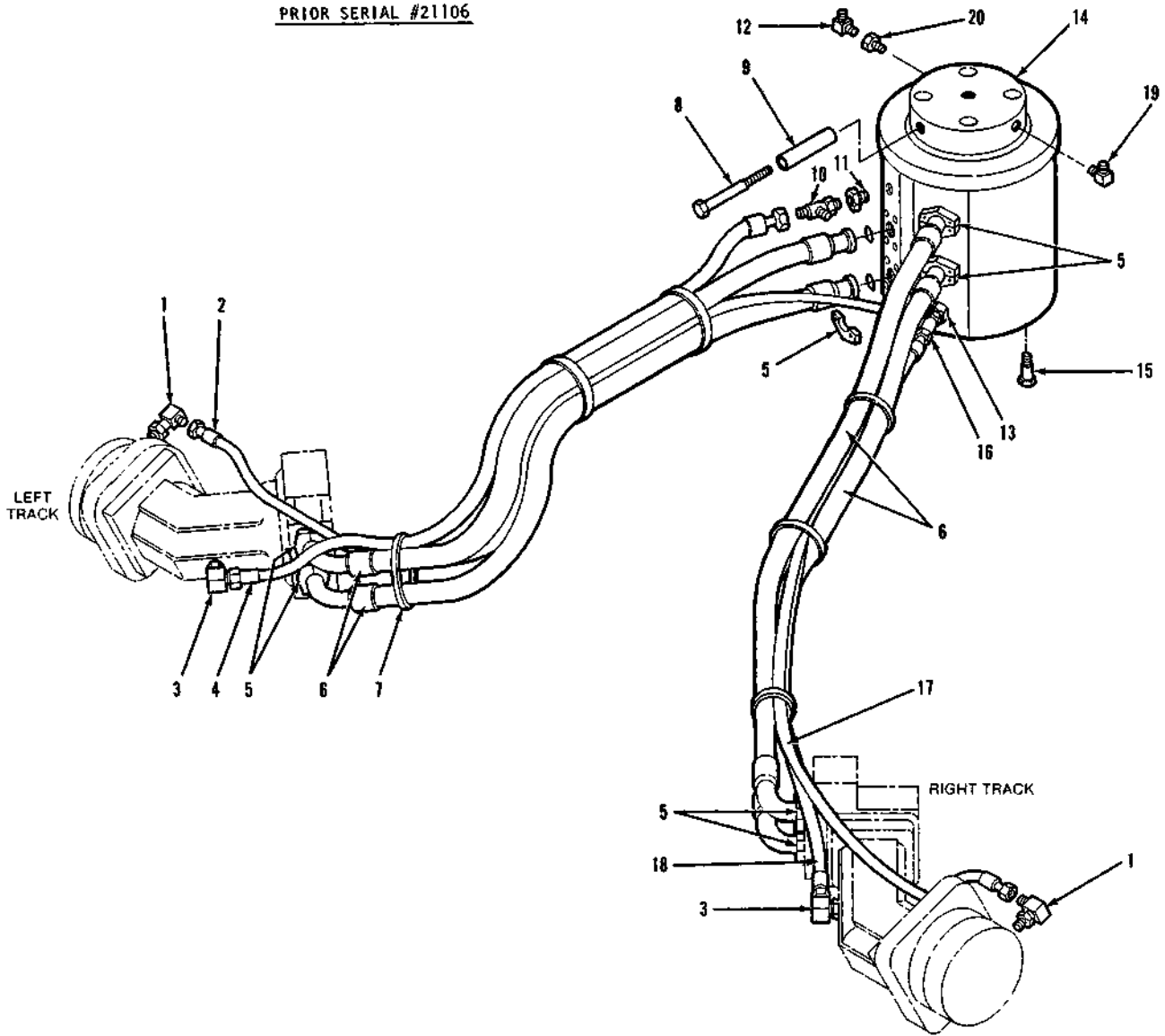
DATE: Revised 11-88  
MODEL: 6644E

GROUP

25

PAGE 25.10

PRIOR SERIAL #21106



REF.	PART NO.	DESCRIPTION	QTY.	REF.	PART NO.	DESCRIPTION	QTY.
1	375V1400	Elbow, 90°.....	2	11	362V0891	Reducer.....	2
2	200B2461-078	Hose Assembly (Excavator).....	1	12	375V5201	Adapter.....	1
	200B2461-087	Hose Assembly (Logger).....	1	13	359A7907	Adapter.....	1
3	375V1704	Elbow, 45°.....	2	14	Page 25.12	Swivel, Hydraulic.....	1
4	200B2464-063	Hose Assembly (Excavator).....	1	15	310V3148	Capscrew, 5/8C x 2.....	4
	200B2464-072	Hose Assembly (Logger).....	1	16	375V3205	Tee.....	1
	363V6005	Flange, Half.....	16	17	200B2461-075	Hose Assembly (Excavator).....	1
5	460V4112	Seal.....	8		200B2461-084	Hose Assembly (Logger).....	1
	310V2551	Capscrew, 7/16 Gr 8.....	32	18	200B2464-066	Hose Assembly (Excavator).....	1
	332V2100	Lockwasher.....	32		200B2464-075	Hose Assembly (Logger).....	1
6	200B2107-024	Hose Assembly (Excavator).....	4	19	375V1806	Elbow, 90°.....	1
	200B2121-007	Hose Assembly (Logger).....	4	20	359A8682	Adapter.....	1
7	445V2406	Ty-Wrap.....	6				
8	310V3910	Capscrew, Gr. 5.....	1				
9	200B0007-143	Spacer.....	1				
10	375V3700	Tee.....	1				

WHEN ORDERING PARTS, SPECIFY MODEL NUMBER, SERIAL NUMBER AND DESCRIPTION OF PART REQUIRED



LOWER TRACTION PIPING  
(SWIVEL TO MOTORS)

DATE: Revised 7-86

MODEL: 6644E

GROUP

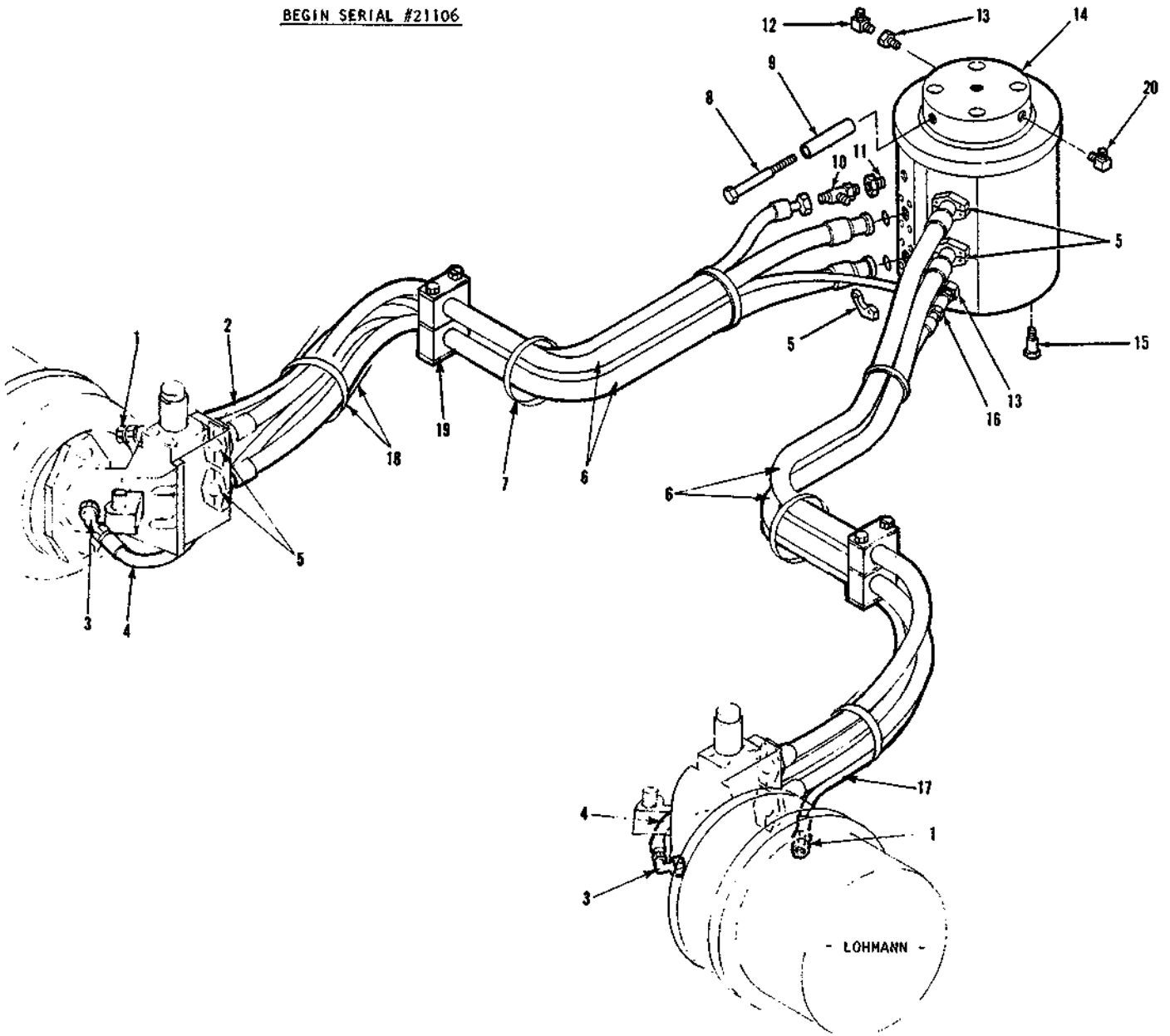
25

PAGE 25.11

⊗ DISCONTINUED PART! REFER TO NUMERICAL PARTS LIST FOR REPLACEMENT PART(S)

<https://tractormanualz.com/>

BEGIN SERIAL #21106



REF.	PART NO.	DESCRIPTION	QTY.	REF.	PART NO.	DESCRIPTION	QTY.
	359E9199	Traction Piping Ass'y.....	1				
		(Includes Items 1 thru 20)					
1	375V1101	Elbow.....	2	11	362V0891	Reducer.....	1
2	200B2461-108	Hose Assembly (Excavator).....	1	12	375V1201	Adapter.....	1
	200B2461-112	Hose Assembly (Logger).....	1	13	359A7907	Adapter.....	2
3	375V1711	Elbow.....	2	14	Page 25.12	Swivel, Hydraulic.....	1
4	200B2464-117	Hose Assembly (Excavator).....	2	15	310V3148	Capscrew, 5/8C x 2.....	4
	200B2464-121	Hose Assembly (Logger).....	2	16	375V3205	Tee.....	1
	363V6005	Flange, Half.....	16	17	200B2461-105	Hose Assembly (Excavator).....	1
5	460V4112	Seal.....	8		200B2461-109	Hose Assembly (Logger).....	1
	310V2551	Capscrew, 7/16 Gr 8.....	32	18	435V6400	Sleeve.....	AR
	332V2100	Lockwasher.....	32		445V2406	Ty-Wrap.....	AR
6	200B2505-1	Hose Assembly (Excavator).....	1		1240-209	Clamp.....	4
	200B2505-2	Hose Assembly (Logger).....	1	19	1240-195	Plate, Cover.....	4
7	445V2406	Ty-Wrap.....	4		310V2394	Capscrew, 3/8C x 5-1/2.....	4
8	310V3910	Capscrew, Gr 5.....	1	20	375V1806	Elbow, 90°.....	1
9	200B0007-143	Spacer.....	1				
10	375V3700	Tee.....	1				

WHEN ORDERING PARTS, SPECIFY MODEL NUMBER, SERIAL NUMBER AND DESCRIPTION OF PART REQUIRED



LOWER TRACTION PIPING  
(SWIVEL TO MOTORS)

DATE: Issued 7-86

MODEL: 6644E

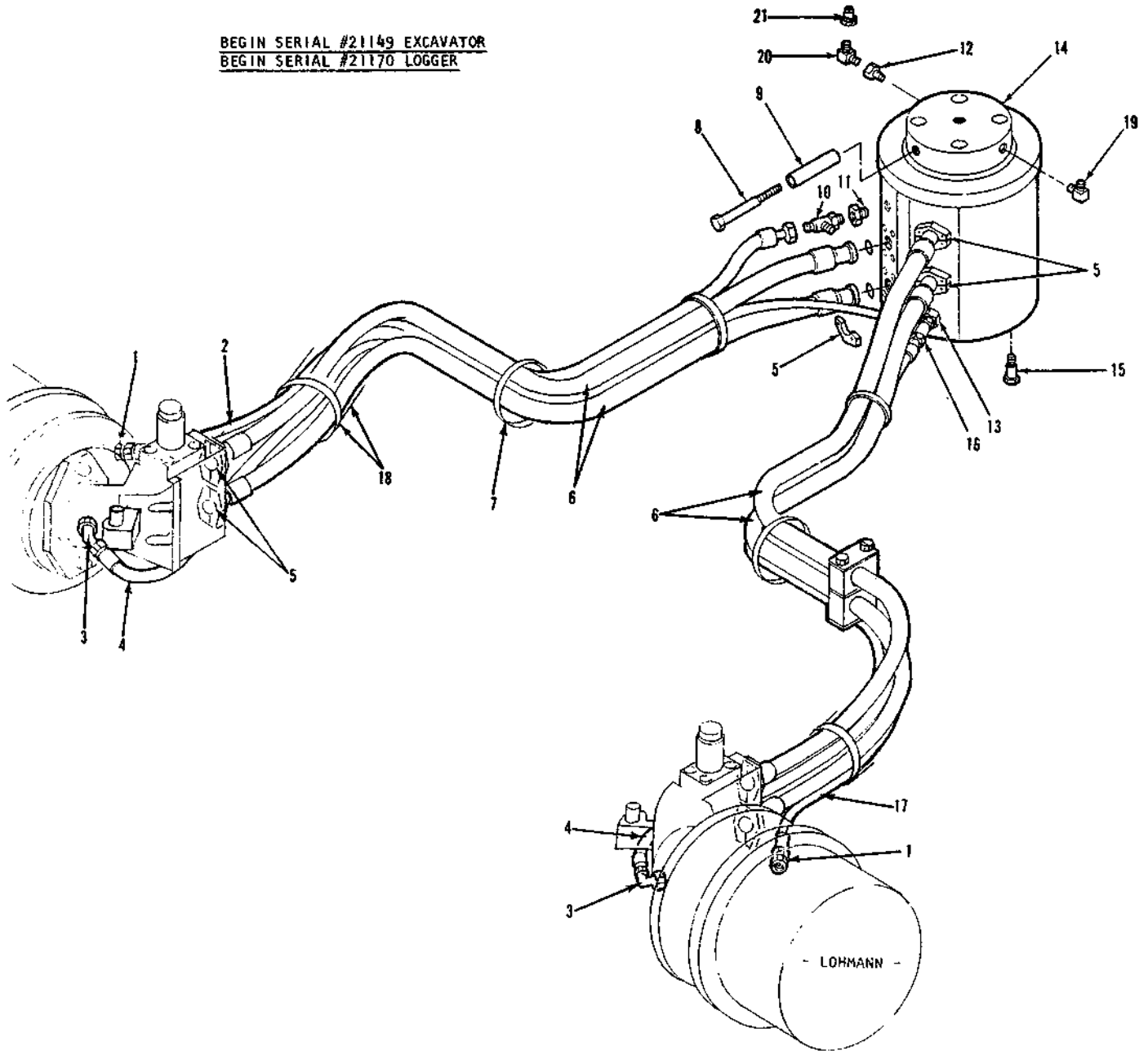
GROUP  
25

PAGE 25.11A

⊗ DISCONTINUED PART! REFER TO NUMERICAL PARTS LIST FOR REPLACEMENT PART(S)

<https://tractormanualz.com/>

BEGIN SERIAL #21149 EXCAVATOR  
BEGIN SERIAL #21170 LOGGER



REF.	PART NO.	DESCRIPTION	QTY.
	359E9312	Traction Piping Ass'y.....	1
		(Excavator)	
	359E9332	Traction Piping Ass'y.....	1
		(Logger)	
1	375V1101	Elbow.....	2
2	[ 200B2461-112	Hose Assembly(Excavator).....	1
	[ 200B2461-117	Hose Assembly(Logger).....	1
3	357V1711	Elbow.....	2
4	[ 200B2464-124	Hose Assembly(Excavator).....	2
	[ 200B2464-128	Hose Assembly(Logger).....	2
	[ 363V6005	Flange, Half.....	16
	[ 460V4112	Seal.....	8
5	[ 310V2551	Capscrew, 7/16C x 1-3/4 Gr 8.	32
	[ 332V2100	Lockwasher.....	32
6	200B2505-3	Hose Assembly.....	4
7	445V2406	Ty-Wrap.....	4

REF.	PART NO.	DESCRIPTION	QTY.
8	310V3910	Capscrew, 1-1/8C x 10-1/2...	1
9	200B0007-143	Spacer.....	1
10	375V3700	Tee.....	1
11	362V0891	Reducer.....	1
12	359A8682	Adapter.....	1
13	359A7907	Adapter.....	1
14	Page 25.12	Swivel, Hydraulic.....	1
15	310V3148	Capscrew, 5/8C x 2.....	4
16	375V3205	Tee.....	1
17	[ 200B2461-112	Hose Assembly(Excavator).....	1
	[ 200B2461-117	Hose Assembly(Logger).....	1
	[ 435V6400	Sleeve.....	2
18	[ 445V2406	Ty-Wrap.....	4
19	275V1806	Elbow, 90°.....	1
20	375V5201	Adapter.....	1
21	375V6801	Disconnect, Male.....	1

WHEN ORDERING PARTS, SPECIFY MODEL NUMBER, SERIAL NUMBER AND DESCRIPTION OF PART REQUIRED



**LOWER TRACTION PIPING  
(SWIVEL TO MOTORS)**

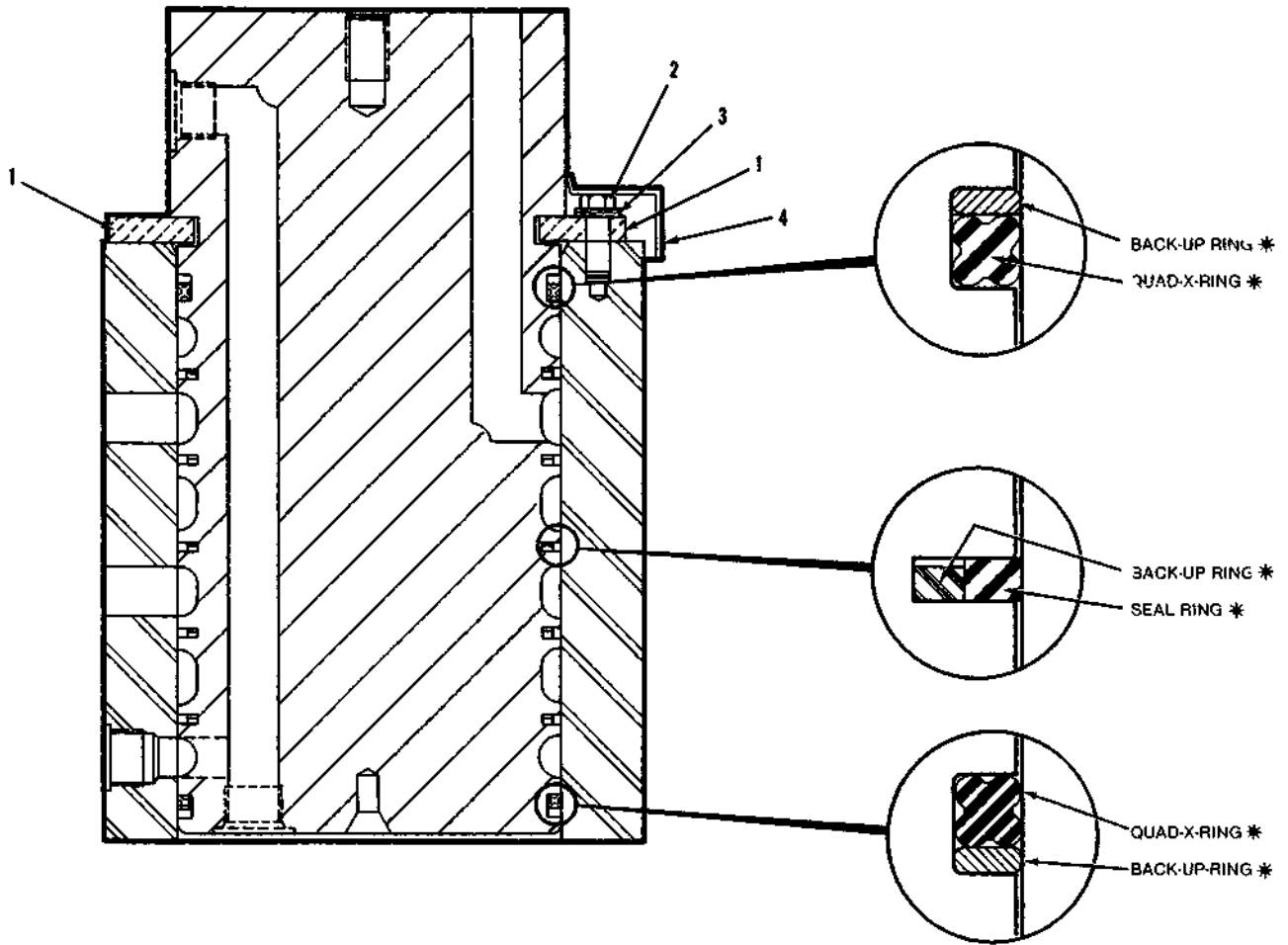
DATE: Revised 11-88  
 MODEL: 6644E

**GROUP  
25**

PAGE 25.11B

⊗ DISCONTINUED PART! REFER TO NUMERICAL PARTS LIST FOR REPLACEMENT PART(S)

<https://tractormanualz.com/>



REF.	PART NO.	DESCRIPTION	QTY.
—	U359D7905	Swivel, Hydrostatic . . . . .	1
(Only Parts Listed Below Available For Service)			
—	U335F1499	Kit, Seal . . . . .	1
(Inc. All Parts Marked With Asterisk *)			
1	N/S	Plate, Thrust (2 Pcs.) . . . . .	1
2	300V1306	Bolt, Lock . . . . .	8
3	LP	Washer, Flat (7/16") . . . . .	16
4	N/S	Cap, Dust . . . . .	1

WHEN ORDERING PARTS, SPECIFY MODEL NUMBER, SERIAL NUMBER AND DESCRIPTION OF PART REQUIRED



**HYDROSTATIC SWIVEL**

DATE: Issued: 2-85

MODEL: 6644E

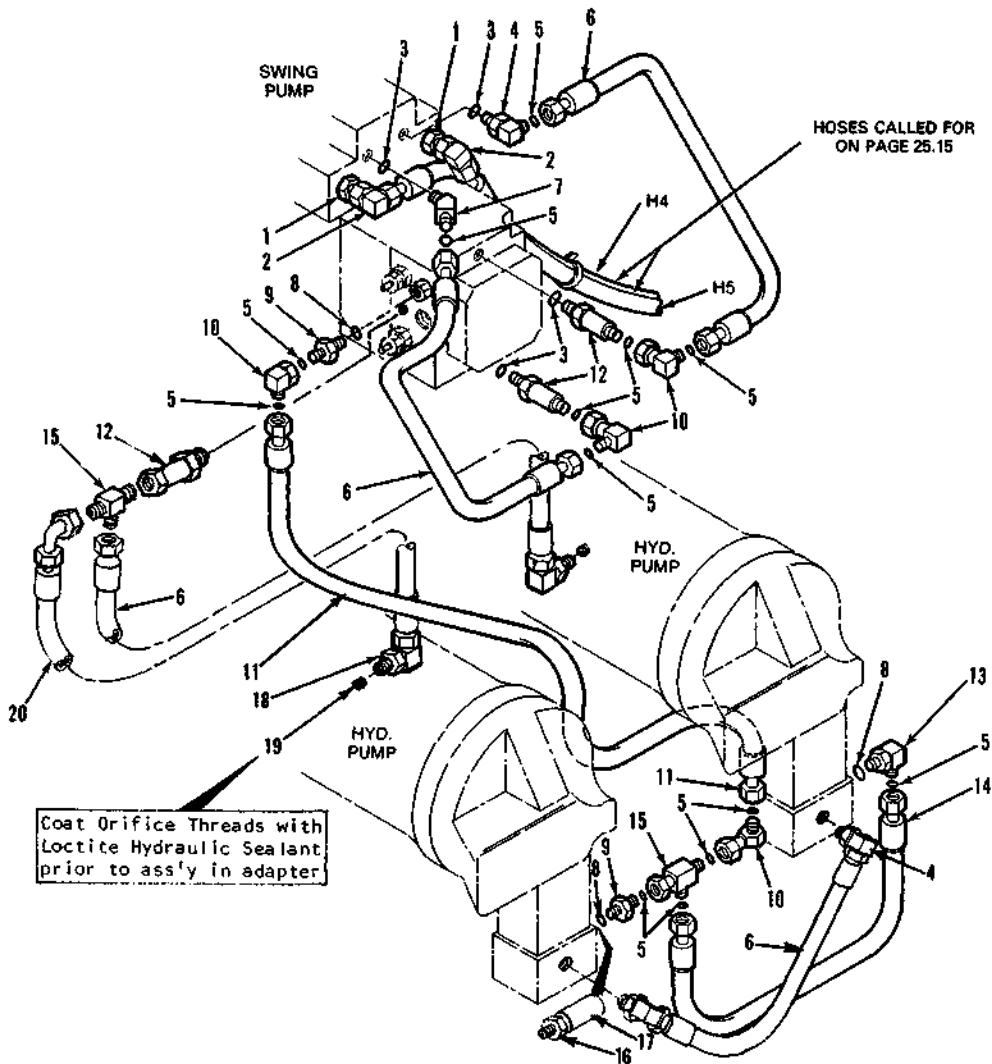
GROUP

25

PAGE 25.12

⊗ DISCONTINUED PART! REFER TO NUMERICAL PARTS LIST FOR REPLACEMENT PART(S)

<https://tractormanualz.com/>



REF.	PART NO.	DESCRIPTION	QTY.
1	375V0401	Connector.....	2
	460V0886	O-Ring (Port).....	2
	460V6011	O-Ring (Hose).....	2
2	375V1100	Elbow, 90°.....	2
	460V0080	O-Ring (Port).....	2
	460V6011	O-Ring (Hose).....	2
3	460V0080	O-Ring.....	4
4	375V1201	Elbow, 90°.....	3
5	460V6011	O-Ring.....	13
6	200B2460-018	Hose Assembly (18").....	4
7	375V1101	Elbow, 45°.....	1
8	460V0885	O-Ring.....	3
9	375V0401	Connector.....	2
10	375V1100	Elbow, 90°.....	4
11	200B2460-024	Hose Assembly (24").....	1
12	375V0001	Connector, Long.....	3
13	375V1400	Elbow, 90°.....	1
14	200B2460-020	Hose Assembly.....	1
15	375V3001	Tee.....	2
16	1219-868	Union.....	1
17	430V5135	Valve, Check.....	1
18	359A9410	Elbow (Special).....	2
19	359A9411	Orifice.....	2
20	708 6550-018	Hose Assembly (18").....	1

Order Kit A208093 Prior  
Ser. #21175 - Incl. Items  
6, 12, 15, 18, 19, 20

WHEN ORDERING PARTS, SPECIFY MODEL NUMBER, SERIAL NUMBER AND DESCRIPTION OF PART REQUIRED



**SWING PUMP &  
HYDRAULIC PUMP PIPING**

DATE: Revised 1-88

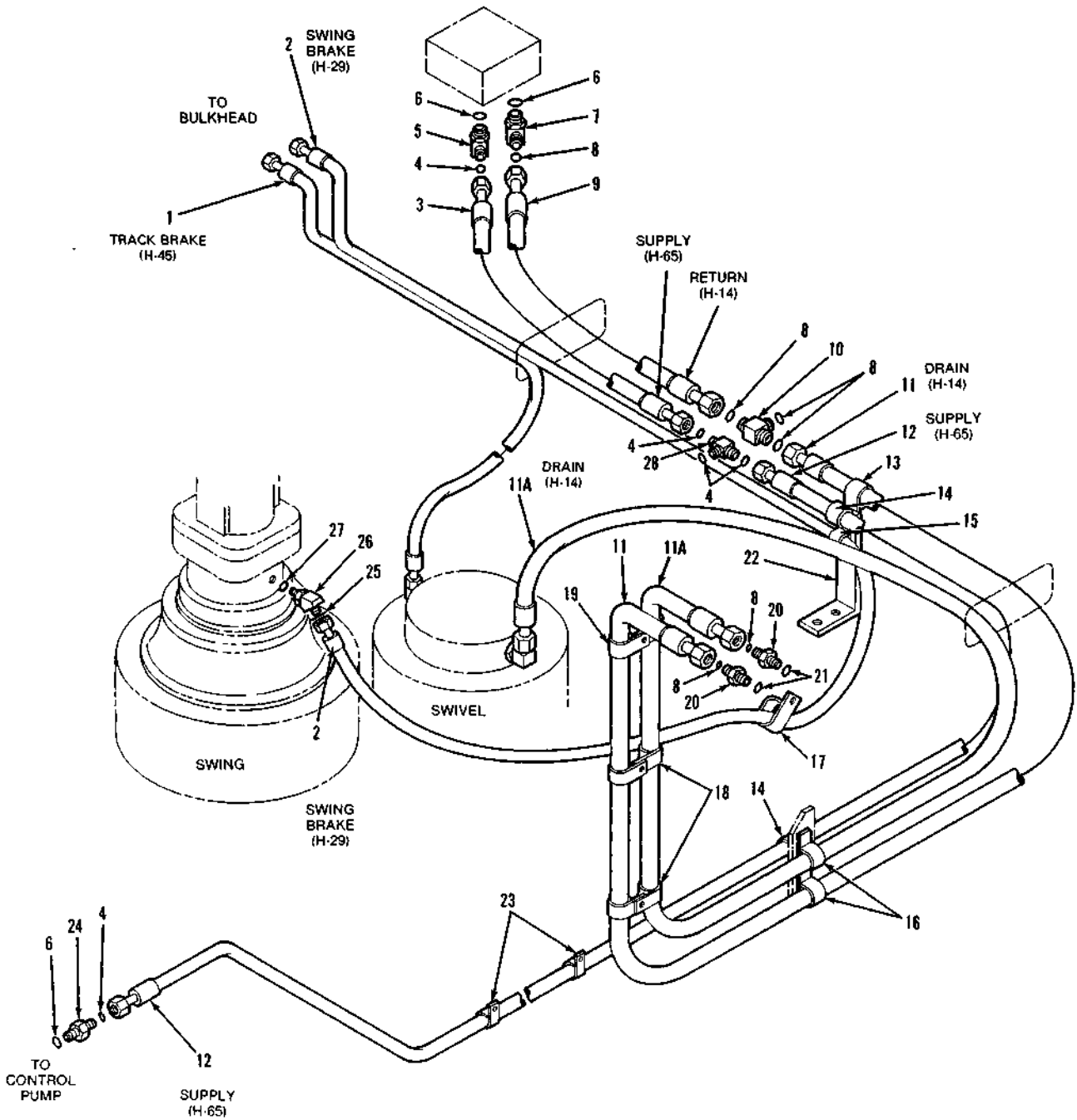
MODEL: 6644E

**GROUP  
25**

PAGE 25.13

⊗ DISCONTINUED PART! REFER TO NUMERICAL PARTS LIST FOR REPLACEMENT PART(S)

<https://tractormanualz.com/>



WHEN ORDERING PARTS, SPECIFY MODEL NUMBER, SERIAL NUMBER AND DESCRIPTION OF PART REQUIRED



**JOYSTICK SUPPLY & RETURN, SWING & SWIVEL BRAKE PIPING**

DATE: Revised 11-88

MODEL: 6644E

**GROUP**  
**25**

PAGE 25.14

Sheet 1 of 2

⊗ DISCONTINUED PART! REFER TO NUMERICAL PARTS LIST FOR REPLACEMENT PART(S)

<https://tractormanualz.com/>

REF.	PART NO.	DESCRIPTION	QTY.
1	[ 200B2461-046	Hose Ass'y(46'') (6644E,L).	1
	200B2461-052	Hose Ass'y(52'') (6655L)...	1
2	200B2461-102	Hose Assembly(102'').....	1
3	200B2463-038	Hose Assembly(38'').....	1
4	460V6001	O-Ring.....	5
5	375V1706	Elbow, 90°.....	1
6	460V0886	O-Ring.....	3
7	375V1711	Elbow, 90°.....	1
8	460V0040	O-Ring.....	6
9	200B2464-038	Hose Assembly(38'').....	1
10	375V3701	Tee.....	1
11	200B2464-114	Hose Ass'y(114'').....	1
11A	[ 200B2464-114	Hose Ass'y(114'') (6644E,L).	1
	200B2464-120	Hose Ass'y(120'') (6655L)...	1
12	200B2463-120	Hose Assembly(120'').....	1
	[ 200B2007-040	Clamp.....	1
13	310V2390	Capscrew, 3/8C x 1 Gr 5..	1
	340V2323	Locknut, 3/8C Gr. A.....	1
14	200B2007-034	Clamp.....	2
15	200B2007-004	Clamp.....	1
	200B2007-040	Clamp.....	2
16	310V2390	Capscrew, 3/8C x 1 Gr 5..	2
	331V2000	Flatwasher, 3/8 SAE.....	2
	340V2323	Locknut, 3/8C Gr. A.....	2
	200B2007-008	Clamp.....	1
17	331V2000	Flatwasher, 1/2".....	1
	340V2323	Locknut, 3/8C Gr. A.....	1
	200B2007-040	Clamp.....	4
18	316V2306	Capscrew, 3/8C x 3/4 Gr5.	2
	331V2000	Flatwasher, 3/8 SAE.....	2
	200B2007-040	Clamp.....	2
19	200B0003-108	Spacer.....	1
	316V2341	Capscrew, 3/8C x 2-1/2....	1
	331V2000	Flatwasher, 3/8 SAE.....	1
20	375V0700	Connector.....	2
21	460V0079	O-Ring.....	2
	361V2478	Bracket.....	AR
22	331V2000	Flatwasher, 3/8 SAE.....	2
	340V2323	Locknut, 3/8C Gr. A.....	2
	200B2007-034	Clamp.....	2
23	316V2338	Capscrew, 3/8C x 7/8 Gr5.	2
	340V2323	Locknut, 3/8C Gr. A.....	2
24	375V5601	Connector.....	1
25	460V6011	O-Ring.....	1
26	375V1403	Elbow, 45°.....	1
27	460V0885	O-Ring.....	1
28	375V3300	Tee.....	1

WHEN ORDERING PARTS, SPECIFY MODEL NUMBER, SERIAL NUMBER AND DESCRIPTION OF PART REQUIRED



JOYSTICK SUPPLY & RETURN, SWING & SWIVEL BRAKE PIPING

DATE: Revised 11-88

MODEL: 6644E

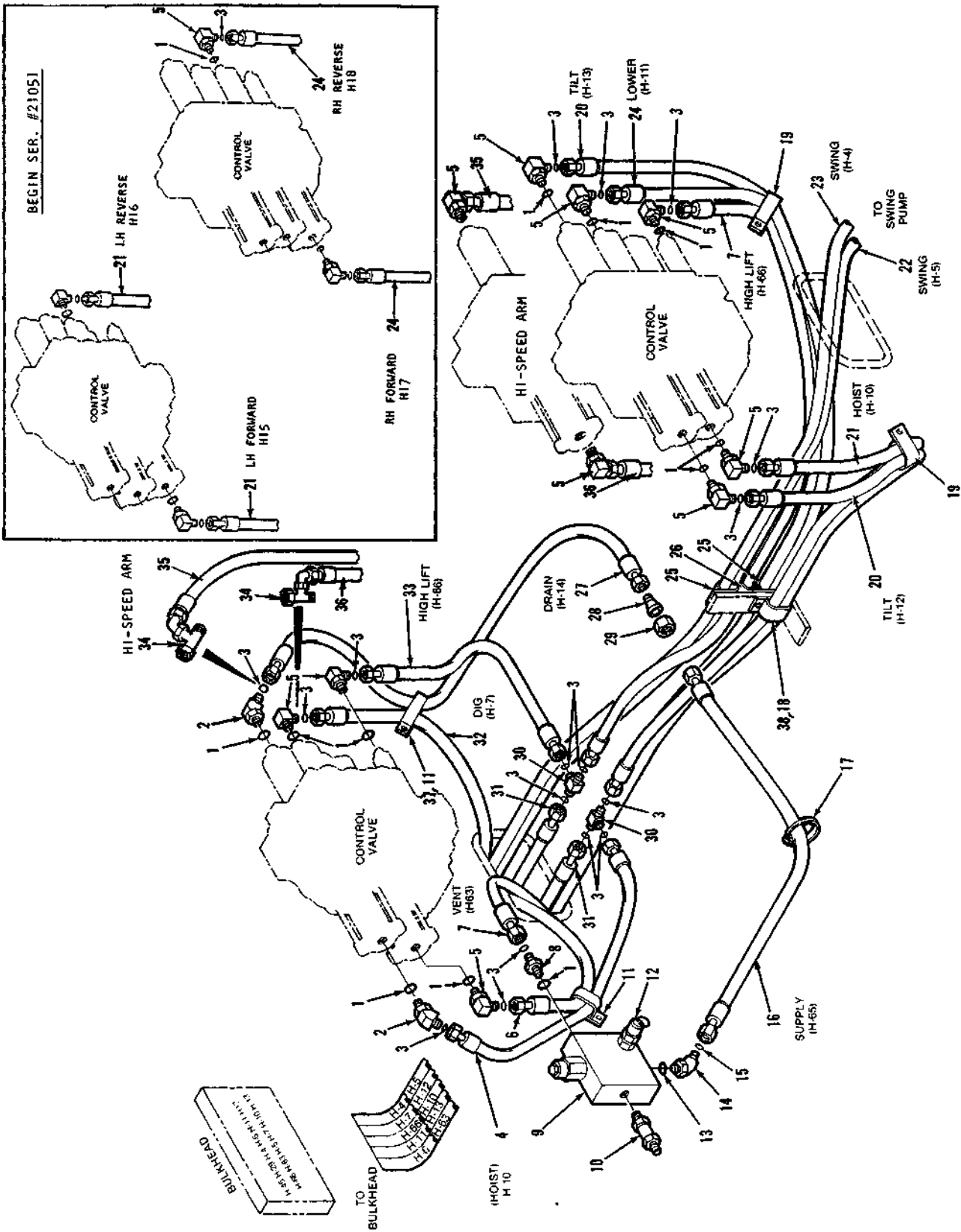
GROUP  
25

PAGE 25.14

Sheet 2 of 2

⊗ DISCONTINUED PART: REFER TO NUMERICAL PARTS LIST FOR REPLACEMENT PART(S)

<https://tractormanualz.com/>



- LOGGER -  
H6 & H7 Opposite  
H12 & H13 Opposite

WHEN ORDERING PARTS, SPECIFY MODEL NUMBER, SERIAL NUMBER AND DESCRIPTION OF PART REQUIRED



**CONTROL PIPING  
CONTROL VALVES TO BULKHEAD**

DATE: Revised 11-88

MODEL: 6644E

GROUP

**25**

PAGE 25.15  
Sheet 1 of 2

⊗ DISCONTINUED PART! REFER TO NUMERICAL PARTS LIST FOR REPLACEMENT PART(S)

<https://tractormanualz.com/>

REF.	PART NO.	DESCRIPTION	QTY.	
1	460V0885	O-Ring .....	11	
2	375V1403	Elbow, 45° .....	2	
3	460V6011	O-Ring .....	17	
4	200B2461-028	Hose Assembly (28") .....	1	
5	375V1400	Elbow, 90° .....	8	
6	200B2461-048	Hose Assembly (48") .....	1	
7	200B2461-040	Hose Assembly (40") .....	2	
8	375V0401	Connector .....	1	
9	U288A2666	Valve, Relief .....	1	
10	375V5700	Union .....	1	
11	200B2007-008	Clamp .....	2	
	330V2201	Washer, Flat (1/2" STD.) ..	2	
	340V2323	Nut, Lock (3/8" - Gr. A) ...	2	
12	375V6800	Nipple .....	1	
	375V4801	Cap, Dust .....	1	
13	460V0079	O-Ring .....	1	
14	375V1710	Elbow, 45° .....	1	
15	460V6001	O-Ring .....	1	
16	200B2463-018	Hose Assembly (18") .....	1	
17	445V2406	Ty-Wrap .....	As Req'd.	
18	200B2007-008	Clamp .....	1	
	310V2390	Capscrew .....	1	
	340V2323	(3/8" NC x 1" - Gr. 5)		
		Nut, Lock .....	1	
19	200B2007-010	Clamp .....	2	
	330V2201	Washer, Flat (1/2" Std.) ..	2	
	340V2323	(3/8" NC - Gr. A)		
		Nut, Lock .....	2	
20	200B2461-081	Hose Assembly (81") .....	2	
21	200B2461-046	Hose Assembly (46") .....	1/3	
22	200B2461-176	Hose Assembly (176") .....	1	
23	200B2461-172	Hose Assembly (172") .....	1	
24	200B2461-078	Hose Assembly (78") .....	1/3	
25	200B2007-056	Clamp .....	2	
26	200B2007-004	Clamp .....	1	
27	200B2461-032	Hose Assembly (32") .....	1	
28	375V0002	Reducer .....	1	
29	362V2707	Nut .....	1	
30	375V3100	Tee .....	2	
31	200B2461-030	Hose Assembly (30") .....	2	
32	200B2461-050	Hose Assembly (50") .....	1	
33	200B2461-014	Hose Assembly (14") .....	1	
34	375V3101	Tee .....	2	
35	708 6551-80	Hose Assembly (80") .....	1	
36	708 6551-76	Hose Assembly (76") .....	1	
37	200B2007-011	Clamp .....	1	
38	200B2007-010	Clamp .....	1 Hi-Sp. Arm	

WHEN ORDERING PARTS, SPECIFY MODEL NUMBER, SERIAL NUMBER AND DESCRIPTION OF PART REQUIRED



**CONTROL PIPING  
CONTROL VALVES TO BULKHEAD**

DATE Revised 11-88

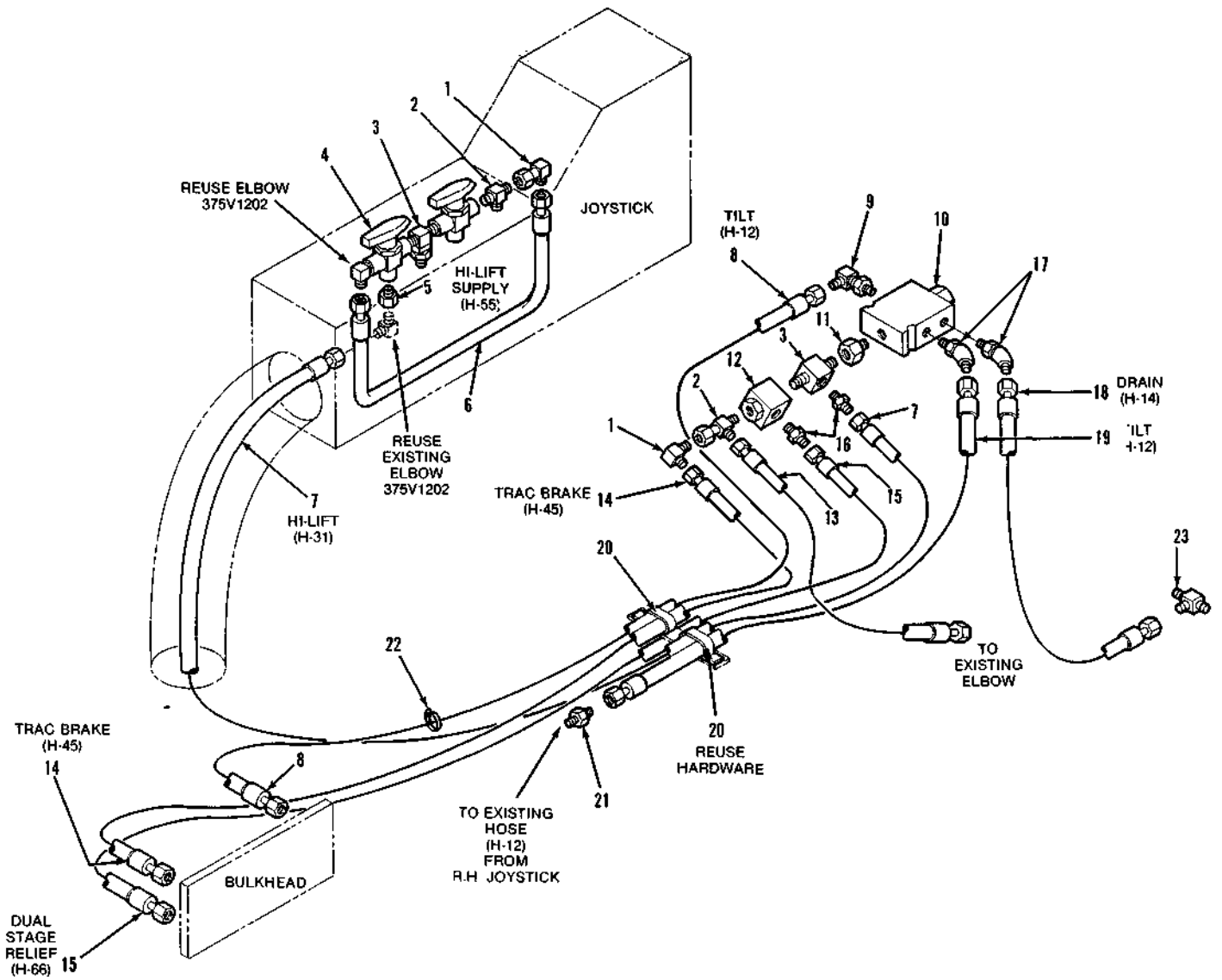
MODEL 6644E

**GROUP  
25**

PAGE 25.15  
Sheet 2 of 2

⊗ DISCONTINUED PART! REFER TO NUMERICAL PARTS LIST FOR REPLACEMENT PART(S)

<https://tractormanualz.com/>



REF.	PART NO.	DESCRIPTION	QTY.	REF.	PART NO.	DESCRIPTION	QTY.
1	375V1100	Elbow, 90°	4	11	362V0455	Adapter	1
	460V6011	O-Ring	6		12	430V5037	Valve, Shuttle
2	375V3210	Tee	3	13		200B2461-015	Hose Assembly (15") H-45
	460V6011	O-Ring	9		14	200B2461-050	Hose Assembly (50") H-45
3	375V3211	Tee	2	15		200B2461-050	Hose Assembly (50") H-66
	460V6011	O-Ring	6		16	375V9204	Connector
4	12019-113	Valve, Ball	1	460V6011		O-Ring (Hose)	3
	359A8768	Decal ("BOOM HEAVY-LIFT")	1	460V0080		O-Ring (Port)	3
5	362V5209	Adapter	1	17	375V1403	Elbow, 45°	2
	460V6011	O-Ring (Hose)	1		460V6011	O-Ring (Hose)	2
	460V0080	O-Ring (Port)	1	460V0885	O-Ring (Port)	2	
6	200B2461-017	Hose Assembly (17") H-55	1	18	200B2461-020	Hose Assembly (20") H-14	1
	200B2461-072	Hose Assembly (72") H-31	1		19	200B2461-020	Hose Assembly (20") H-12
7	200B2461-048	Hose Assembly (48") H-12	1	20		200B2007-056	Clamp, Support
	375V1400	Elbow, 90°	1		21	375V5205	Union
9	460V6011	O-Ring (Hose)	1	460V6011		O-Ring (Hose)	1
	460V0885	O-Ring (Port)	1	460V0080		O-Ring (Port)	1
10	430V8165	Valve	1	22	462V3411	Ty-Wrap	As Req'd
	310V1962	Capscrew (1/4" NC x 1 3/4" - Gr. 5)	2		23	375V3101	Tee
	331V1400	Washer, Flat (1/4" SAE)	2				

WHEN ORDERING PARTS, SPECIFY MODEL NUMBER, SERIAL NUMBER AND DESCRIPTION OF PART REQUIRED



HEAVY-LIFT CIRCUIT PIPING

DATE: Revised 12-85

MODEL: 6644E

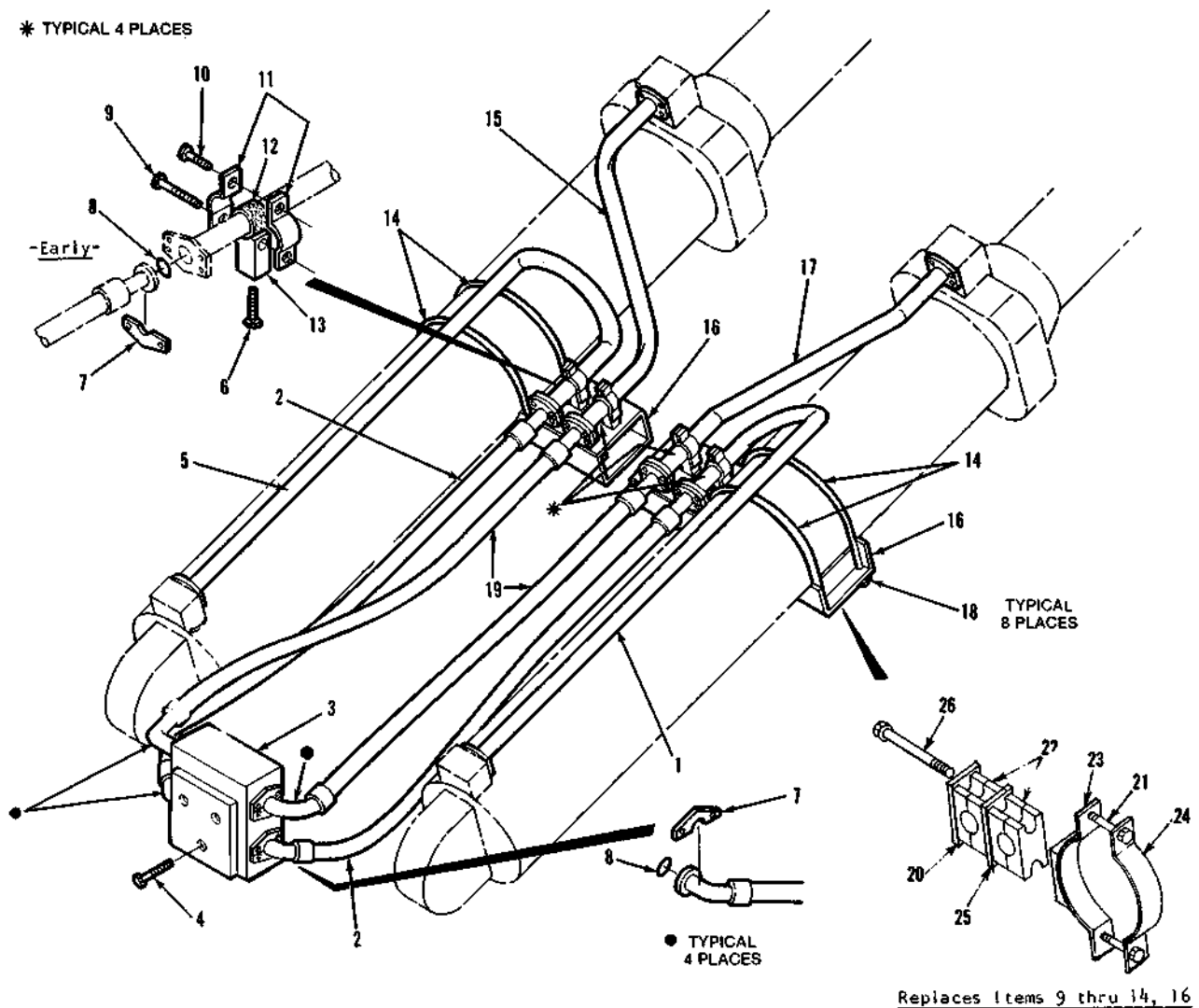
GROUP  
**25**

PAGE 25.16

⊗ DISCONTINUED PART! REFER TO NUMERICAL PARTS LIST FOR REPLACEMENT PART(S)

<https://tractormanualz.com/>

\* TYPICAL 4 PLACES



REF.	PART NO.	DESCRIPTION	QTY.	REF.	PART NO.	DESCRIPTION	QTY.
1	359B8141	Tube Ass'y (Base RH)	1	13	359B8331	Clamp, Support	4
	318V2704	Capscrew, 1/2C x 2-3/4 Gr8	4	14	359B8330	Bolt, U	4
	332V2200	Lockwasher	4	15	359B8149	Tube Ass'y (Rod LH)	1
2	200B2492-1	Hose Ass'y (55")	2		318V2704	Capscrew, 1/2C x 2-3/4 Gr8	4
3	359B8080	Manifold	1	332V2200	Lockwasher	4	
4	310V2787	Capscrew, 1/2C x 1-1/4	3	16	359B8329	Bracket	2
	U334V2205	Washer, Hardened	3	17	359B8148	Tube Ass'y (Rod RH)	1
359B8139	Tube Ass'y (Base LH)	1	318V2704		Capscrew, 1/2C x 2-3/4 Gr8	4	
5	318V2704	Capscrew, 1/2C x 2-3/4 Gr8	4	332V2200	Lockwasher	4	
	332V2200	Lockwasher	4	18	U334V2205	Washer, Hardened	8
6	310V2390	Capscrew, 3/8C x 1	4		340V2728	Locknut, 1/2C	8
	334V2001	Washer, Hardened	4	19	200B2473-4	Hose Ass'y (53")	2
7	363V6109	Flange, Split	16	20	364A5588	Bar	2
	318V2702	Capscrew, 1/2C x 1-3/4	32	21	316V2739	Capscrew, 1/2C x 6	4
8	460V4113	O-Ring	12		U334V2205	Washer, Hardened	4
9	310V2381	Capscrew, 3/8C x 2	4	340V2729	Nut, 1/2C	4	
	340V2323	Locknut, 3/8C	4	22	372V1518	Cushion	8
10	310V2390	Capscrew, 3/8C x 1	4	23	U359B8719	Clamp	2
	340V2323	Locknut, 3/8C	3	24	359B8712	Clamp	2
11	362A0186	Clamp, (1-1/4")	8	25	359A8716	Spacer	2
12	358A2413-1	Pad, Rubber (1-1/4")	4	26	316V3131	Capscrew, 5/8C x 6-1/2	4

WHEN ORDERING PARTS, SPECIFY MODEL NUMBER, SERIAL NUMBER AND DESCRIPTION OF PART REQUIRED



HOIST CYLINDER PIPING

DATE: Revised 11-88

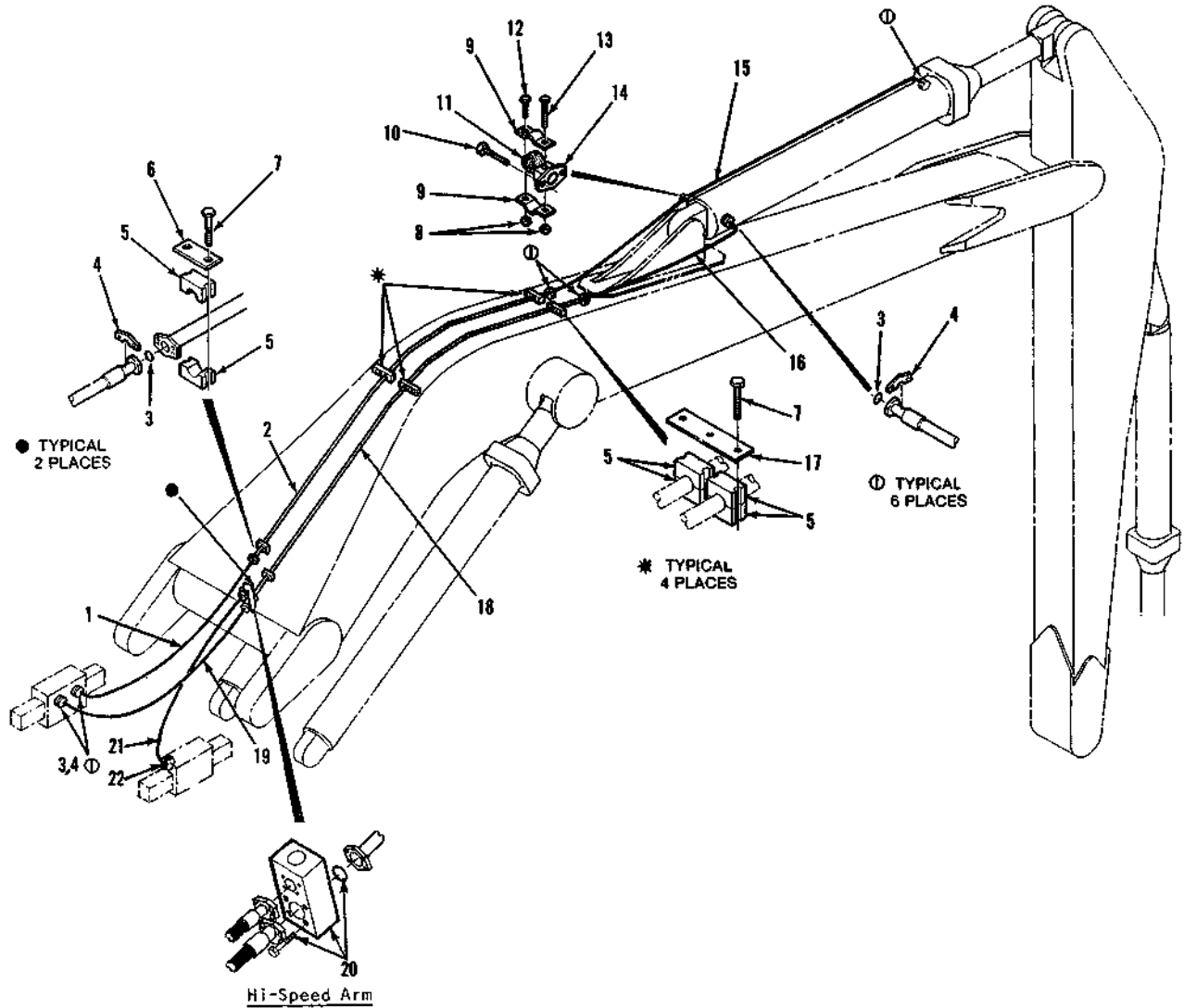
MODEL: 6644E

GROUP  
25

PAGE 25.17

⊗ DISCONTINUED PART! REFER TO NUMERICAL PARTS LIST FOR REPLACEMENT PART(S)

<https://tractormanualz.com/>



REF.	PART NO.	DESCRIPTION	QTY.
1	200B2474-002	Hose Assembly (55")	1
2	359C8153	Tube Assembly (Short)	1
3	460V4113	O-Ring	9
4	363V6109	Flange, Half	16
	318V2702	Capscrew, 1/2C x 2 Gr 8	8
5	332V2200	Lockwasher	32
	372V1520	Cushion	20
6	364A5588	Bar, Clamp	2
7	310V3197	Capscrew, 5/8C x 3-1/2	16
8	340V2323	Locknut, 3/8C	2
9	359A0677	Clamp (1-1/2")	2
10	318V2702	Capscrew, 1/2C x 2 Gr 8	2
	332V2200	Lockwasher	2
11	358A2413-002	Pad, Rubber Shock	1
12	310V2390	Capscrew, 3/8C x 1	1

REF.	PART NO.	DESCRIPTION	QTY.
13	310V2381	Capscrew, 3/8C x 2	1
14	U359A8147	Clamp, Support	1
15	200B2473-006	Hose Assembly (115")	1
16	200B2473-001	Hose Assembly (39")	1
17	364A5589	Bar, Bolting	4
18	359C8152	Tube Assembly (Long)	1
19	200B2473-004	Hose Assembly (53")	1
20	356C0134	Manifold	1
	1200-332	Capscrew, 7/16C x 4-1/2	4
21	460 4113	O-Ring	1
	200B2107-27	Hose Assembly (47")	1
22	363 6005	Flange, Half	8
	460 4112	O-Ring	4
	310 2551	Capscrew	16
	332 2100	Lockwasher	16

WHEN ORDERING PARTS, SPECIFY MODEL NUMBER, SERIAL NUMBER AND DESCRIPTION OF PART REQUIRED



DIG CYLINDER PIPING

DATE: Revised 11-88

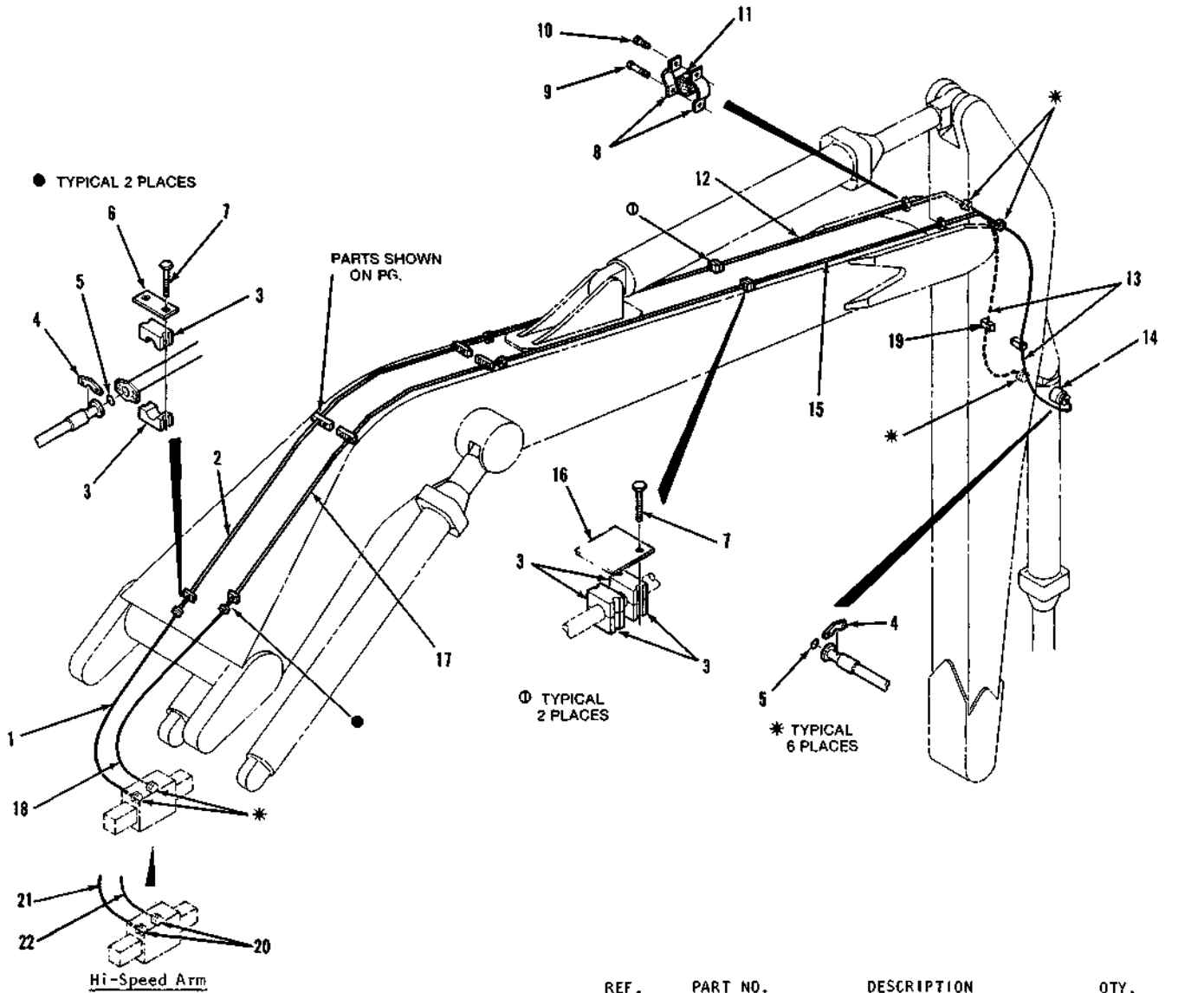
MODEL: 6644E

GROUP  
**25**

PAGE 25.18

⊗ DISCONTINUED PART! REFER TO NUMERICAL PARTS LIST FOR REPLACEMENT PART(S)

<https://tractormanualz.com/>



REF.	PART NO.	DESCRIPTION	QTY.
1	200B2492-001	Hose Assembly(55'').....	1
2	359C8152	Tube Assembly(Long).....	1
3	372V1520	Cushion.....	12
4	363V6109	Flange, Half.....	16
4	318V2702	Capscrew, 1/2C x 2 Gr 8....	32
4	332V2200	Lockwasher.....	32
5	460V4113	O-Ring.....	8
6	364A5588	Clamp, Bar.....	2
7	310V3197	Capscrew, 5/8C x 3-1/2.....	12
8	359A0677	Clamp(1-1/2'').....	4
9	310V2381	Capscrew, 3/8C x 2.....	2
9	340V2323	Locknut, 3/8C.....	2
10	310V2390	Capscrew, 3/8C x 1.....	2
10	340V2323	Locknut, 3/8C.....	2
11	358A2413-002	Pad, Rubber(1-1/2'').....	2
11	359B8151	Tube Assembly(LH).....	1
12	460V4113	O-Ring.....	1
12	318V2702	Capscrew, 1/2C x 2 Gr 8....	4
12	332V2200	Lockwasher.....	4
13	200B2473-003	Hose Assembly(64-1/2'').....	2
13	200B2473-007	Hose Assembly(100-1/2'').....	2
13	200B2473-008	Hose Assembly(46'').....	2
14	359A8354	Spacer.....	1
14	359B8150	Tube Assembly(RH).....	1
15	460V4113	O-Ring.....	1
15	318V2702	Capscrew, 1/2C x 2 Gr 8....	4
15	332V2200	Lockwasher.....	4
16	364A5392	Clamp, Bar.....	2
17	359C8153	Tube Assembly(Short).....	1
18	200B2473-004	Hose Assembly(53'').....	1
19	1240-209	Clamp.....	2
19	1240-195	Plate, Cover.....	2
19	316V2342	Capscrew, 3/8C x 2-3/4.....	4
19	363 6005	Flange, Half.....	4
20	460V4112	O-Ring.....	2
20	310V2551	Capscrew.....	8
20	332V2100	Lockwasher.....	8
21	200B2513-55	Hose Assembly(55'').....	1
22	200B2512-53	Hose Assembly(53'').....	1

WHEN ORDERING PARTS, SPECIFY MODEL NUMBER, SERIAL NUMBER AND DESCRIPTION OF PART REQUIRED



DUMP CYLINDER PIPING

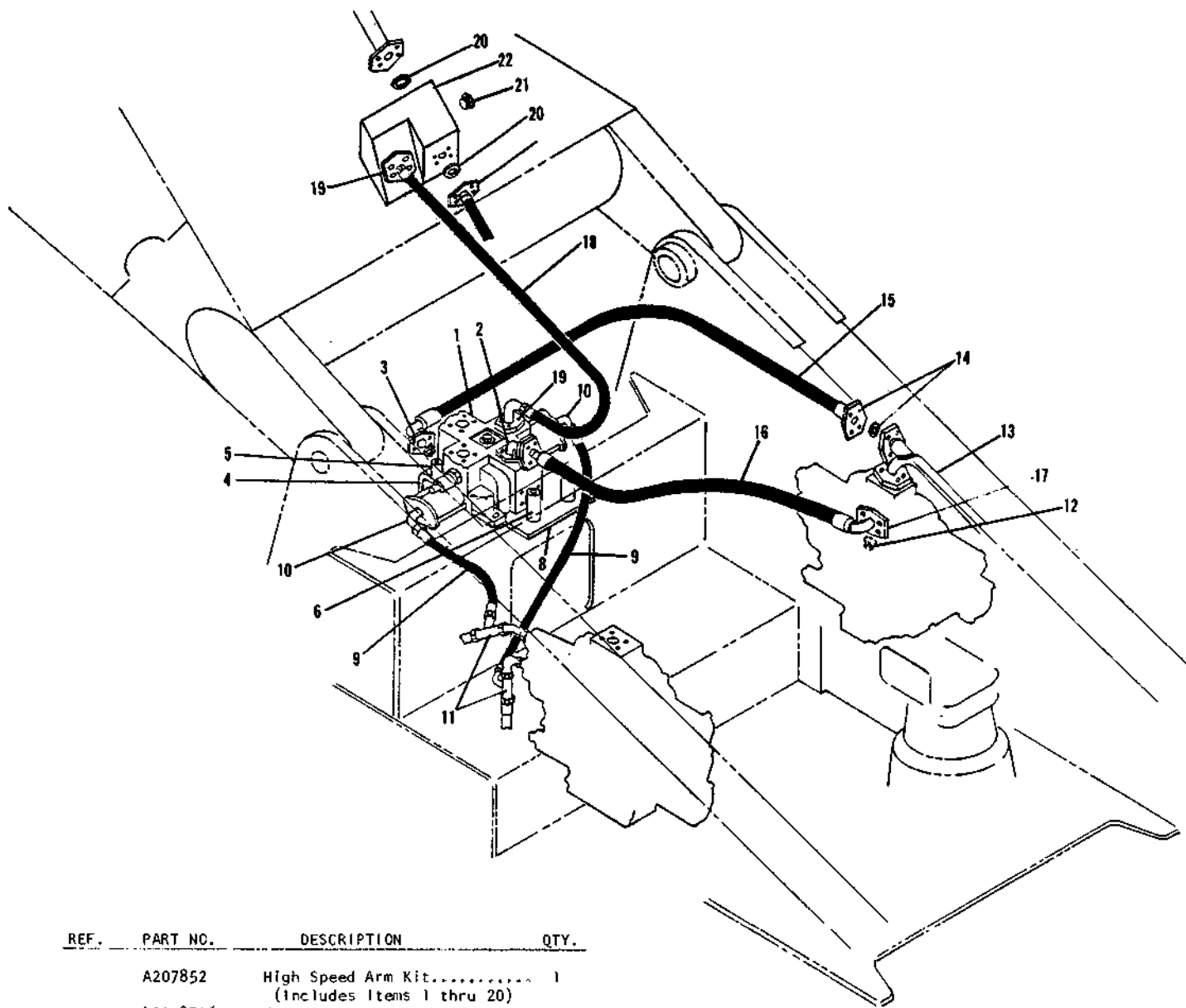
DATE: Revised 11-88

MODEL: 6644E

GROUP  
25

PAGE 25.19

⊗ DISCONTINUED PART! REFER TO NUMERICAL PARTS LIST FOR REPLACEMENT PART(S)



REF.	PART NO.	DESCRIPTION	QTY.
	A207852	High Speed Arm Kit.....	1
		(Includes Items 1 thru 20)	
1	430 8716	Valve.....	1
	35987349	Adapter.....	1
2	363 6005	Clamp, Split Flange.....	2
	460 4112	O-Ring.....	1
	310 2551	Capscrew, 7/16C x 1-3/4 Gr 8..	4
	1210-23	Lockwasher.....	4
3	363 6109	Clamp, Split Flange.....	2
	460 4113	O-Ring.....	1
	1242-133	Capscrew, 1/2C x 2 Gr 8.....	4
	1210-26	Lockwasher.....	4
4	359A9355	Block, Spacer.....	1
	1200-110	Capscrew, 1/2C x 2-3/4.....	2
	1209-64	Plainwasher.....	2
5	1200-152	Capscrew, 5/8C x 2-1/2.....	1
	1200-164	Capscrew, 5/8C x 4.....	2
	1209-48	Plainwasher.....	3
6	359A9355	Tube.....	2
	1200-120	Capscrew, 1/2C x 4.....	2
	1209-64	Plainwasher.....	2
	1205-67	Nut, 1/2C Elastic.....	2
8	35989357	Plate.....	1
9	708 6551-36	Hose.....	2
10	375 1400	Elbow.....	2
11	375 3101	Tee.....	2
12	12019-362	Plug.....	1

REF.	PART NO.	DESCRIPTION	QTY.
13	359C9359	Tube.....	1
	460 4115	O-Ring.....	1
	1219-390	Clamp, Split Flange.....	2
14	460 4114	O-Ring.....	1
	1200-100	Capscrew, 1/2C x 1-1/2.....	4
	1210-26	Lockwasher.....	4
15	20082510-49	Hose.....	1
16	20082509-27	Hose.....	1
	12193-21	Sleeve (21").....	1
	363 6109	Clamp, Split Flange.....	2
17	460 4113	O-Ring.....	2
	1242-133	Capscrew, 1/2C x 2 Gr 8.....	4
	1210-26	Lockwasher.....	4
18	20082107	Hose.....	1
	363 6005	Clamp, Split Flange.....	4
19	460 4112	O-Ring.....	2
	310 2551	Capscrew, 7/16 x 1-3/4 Gr 8..	8
	1210-23	Lockwasher.....	8
20	460 4113	O-Ring.....	2
21	1219-569	Plug.....	1
22	359D9358	Manifold.....	1

WHEN ORDERING PARTS, SPECIFY MODEL NUMBER, SERIAL NUMBER AND DESCRIPTION OF PART REQUIRED

GROUP



HIGH SPEED ARM PIPING

DATE: Issued 1-88

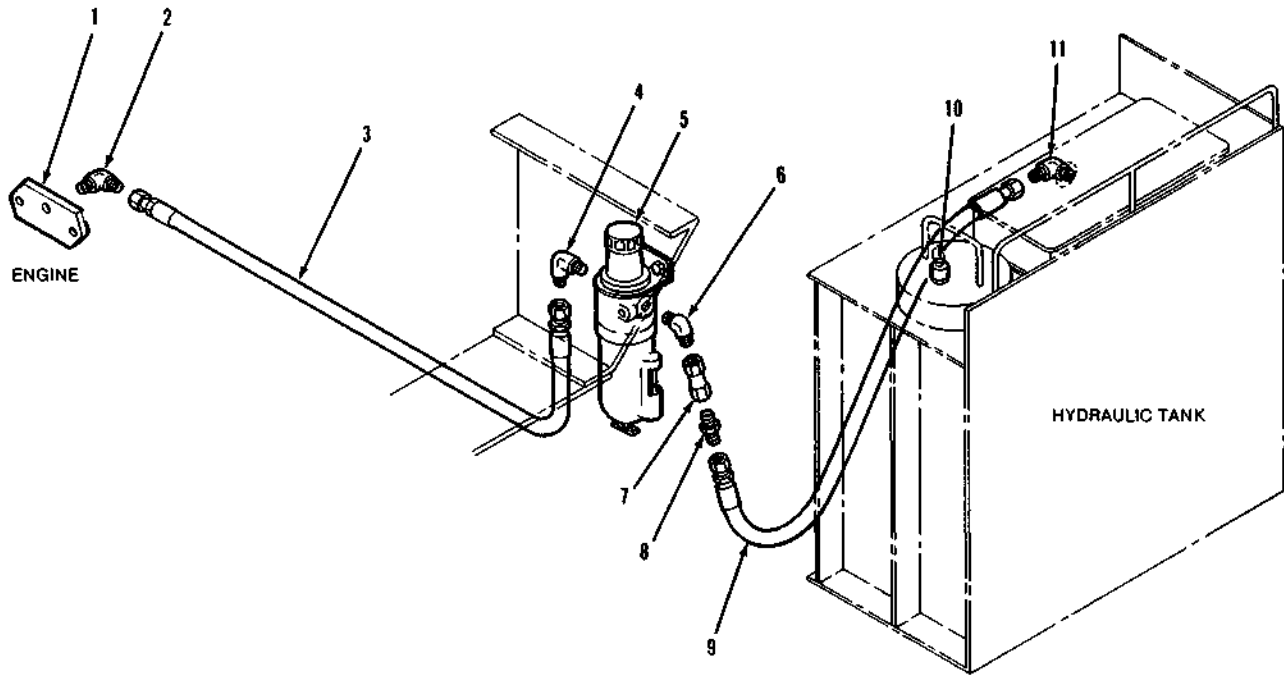
MODEL: 6644E

25

PAGE 25.20

⊗ DISCONTINUED PART! REFER TO NUMERICAL PARTS LIST FOR REPLACEMENT PART(S)

<https://tractormanualz.com/>



REF.	PART NO.	DESCRIPTION	QTY.
1	359B8813	Plate .....	1
	420V3877	Gasket .....	1
2	362V1462	Elbow .....	1
3	200B2320-009	Hose Ass'y (35") .....	1
4	362V1414	Elbow .....	1
	431V2236	Filter (Incl. Element) .....	1
	901V3394	Element .....	1
	420V3918	Bracket .....	1
	420V3919	Nut .....	1
	310V1965	Capscrew (1/4" X 1" NC) ..	2
5	332V1403	Washer .....	2
	340V1918	Nut, Lock (1/4") .....	2
6	375V1601	Elbow .....	1
7	430V5129	Valve .....	1
8	362V0435	Connector .....	1
9	200B2320-010	Hose Ass'y (61") .....	1
10	375V4801	Cap, Dust .....	1
	375V6801	Nipple .....	1
11	362V1468	Elbow .....	1

WHEN ORDERING PARTS, SPECIFY MODEL NUMBER, SERIAL NUMBER AND DESCRIPTION OF PART REQUIRED



### HYDRAULIC TANK PRESSURIZATION

DATE: Issued: 2-85

MODEL: 6644E

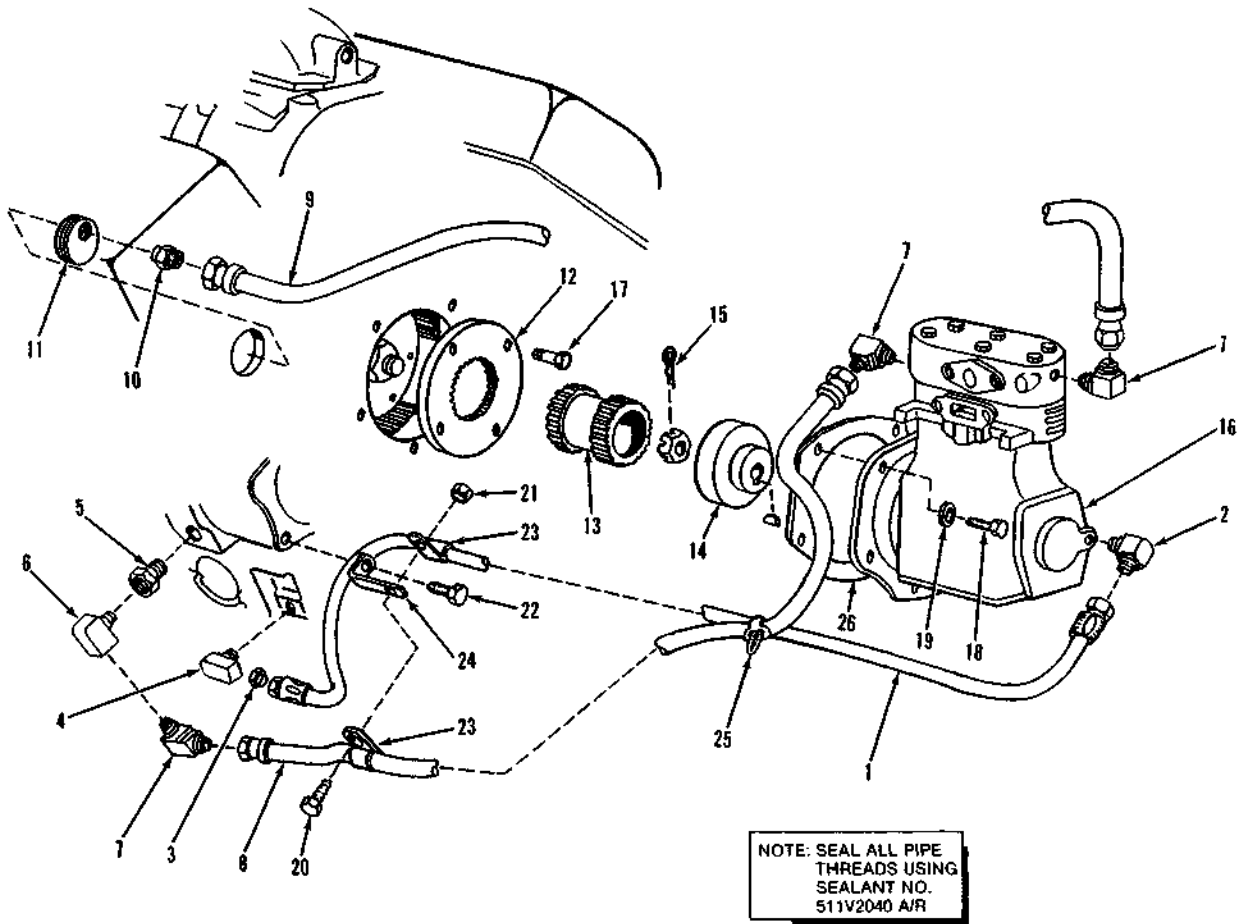
PAGE 26.1

GROUP

26

⊗ DISCONTINUED PART! REFER TO NUMERICAL PARTS LIST FOR REPLACEMENT PART(S)

<https://tractormanualz.com/>



REF.	PART NO.	DESCRIPTION	QTY.	REF.	PART NO.	DESCRIPTION	QTY.
1	U200B2320-001	Hose, Assembly (28")	1	15	354V1002	Pin, Cotter	1
2	362V1451	Elbow, Male	1	16	432V3067	Compressor	1
3	362V0262	Connector, Male	1	17	432V3068	Bolt	4
4	362V1257	Elbow, St	1	18	310V2780	Screw, Cap	4
5	362V0887	Bushing	1			(1/2" NC - Gr. 5)	
6	362V1403	Elbow, St	1	19	332V2220	Washer, Lock	4
7	362V1609	Elbow, Male	3	20	316V2338	Screw, Cap	1
8	U200B2202-028	Hose, Assembly (28")	1			(3/8" NC x 7/8")	
9	U200B2202-021	Hose, Assembly (21")	1	21	340V2323	Nut, Lock (3/8")	1
10	362V0605	Connector, Male	1	22	310V2458	Screw, Cap	1
11	432V3072	Plug	1			(3/8" NF x 5")	
12	432V3071	Disc, Drive	1	23	200B2007-006	Clamp, Support (3/4")	2
13	432V3070	Coupling	1	24	358A2010	Bracket	1
14	432V3069	Hub	1	25	462V3411	Strap, Tie	1
		Key	1	26	432V3073	Gasket	1
		Washer, Lock					

WHEN ORDERING PARTS, SPECIFY MODEL NUMBER, SERIAL NUMBER AND DESCRIPTION OF PART REQUIRED



**AIR COMPRESSOR INSTALLATION  
(AIR PACKAGE OPTION)**

DATE: Issued: 3-85

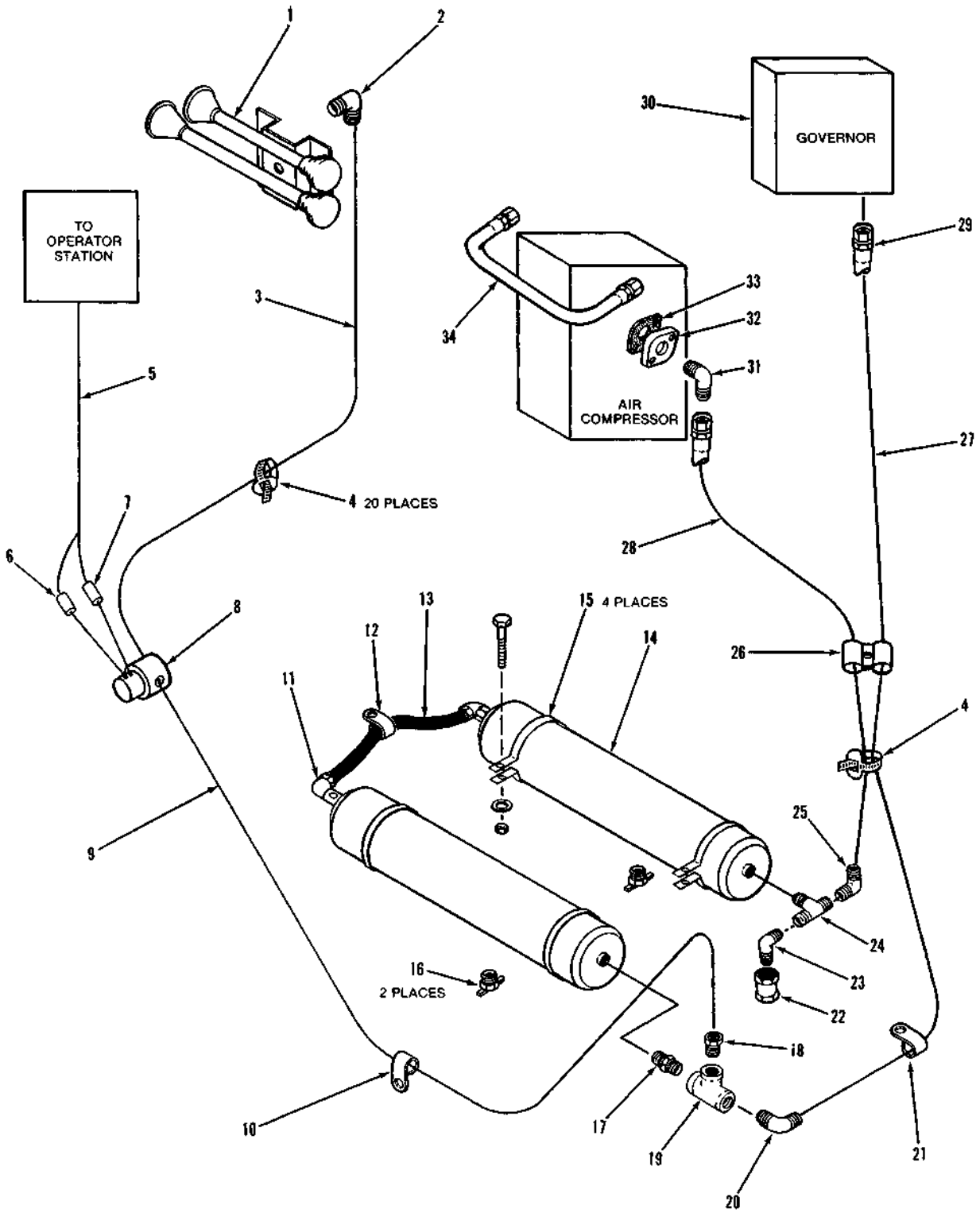
MODEL: 6644E

GROUP

**26**

PAGE 26.2

⊗ DISCONTINUED PART! REFER TO NUMERICAL PARTS LIST FOR REPLACEMENT PART(S)



WHEN ORDERING PARTS, SPECIFY MODEL NUMBER, SERIAL NUMBER AND DESCRIPTION OF PART REQUIRED



**AIR HORN & PIPING**

DATE	Issued: 3-85	<b>GROUP</b> <b>26</b>
MODEL:	6644E	

PAGE 28.3  
Sheet 1 of 2

⊗ DISCONTINUED PART! REFER TO NUMERICAL PARTS LIST FOR REPLACEMENT PART(S)

REF.	PART NO.	DESCRIPTION	QTY.
1	420V2305	Horn, Air .....	1
	310V2140	Capscrew .....	1
2	340V2113	Nut, Lock (5/16" NC) .....	1
	362V1410	Elbow, Male .....	1
3	200B2201-094	Hose Assembly .....	1
4	445V2406	Strap, Tie .....	20
5	359B8773	Harness, Wiring .....	1
6	442V6431	Female Quik Connector .....	2
7	445V1032	Connector .....	2
8	U441V2576	Valve, Solenoid .....	1
	200B2007-003	Clamp .....	1
9	362V0418	Connector .....	2
	200B2201-123	Hose Assembly .....	1
10	200B2007-005	Clamp, Hose .....	4
11	362V0806	Bushing, Reducer .....	1
	362V3859	Tee, Street .....	1
12	U430V4008	Valve, Relief .....	1
	200B2007-007	Clamp, Hose .....	1
13	330V2201	Washer, Flat (1/2") .....	1
	340V2329	Nut, Lock (3/8" NC) .....	1
14	200B2203-024	Hose Assembly .....	1
	362V1874	Elbow, 90° .....	2
15	420V5403	Reservoir .....	2
	U420V5422	Bracket .....	4
16	330V2201	Washer, Flat .....	4
	340V2329	Nut, Lock (3/8" NC) .....	4
17	430V3128	Cock, Drain .....	2
18	362V0402	Connector .....	1
19	362V0879	Bushing, Reducer .....	1
20	362V3421	Tee, Street .....	1
21	362V1230	Elbow, Male .....	1
	200B2007-004	Clamp, Hose .....	1
22	330V2201	Washer, Flat (1/2") .....	1
	340V2329	Nut, Lock (3/8" NC) .....	1
22	420V5597	Coupler, Nose .....	1
	420V5596	Cap, Dust .....	1
	420V5560	Coupler - Ship Loose .....	1
	420V5561	Plug, Dust - Ship Loose .....	1

REF.	PART NO.	DESCRIPTION	QTY.
23	362V1607	Elbow .....	1
	362V3810	Tee .....	1
24	362V6800	Nipple .....	1
	362V6803	Nipple .....	1
25	362V1809	Elbow, 90° .....	1
	200B2007-006	Clamp, Hose .....	1
26	200B2007-004	Clamp, Hose .....	1
	200B0003-116	Spacer .....	1
27	310V2430	Capscrew .....	1
	340V2329	Nut, Lock (3/8") .....	1
28	U200B2200-064	Hose Assembly .....	1
	200B2195-030	Hose Assembly .....	1
29	362V0202	Connector .....	1
	420V3303	Gasket, Governor .....	1
30	310V2177	Capscrew .....	2
	332V1800	Washer, Lock (5/16") .....	2
31	U432V3045	Governor .....	1
	362V1808	Elbow, 90° .....	1
32	420V3304	Fitting Discharge .....	1
	420V3305	GASKet, Discharge .....	1
33	310V2140	Capscrew .....	2
	332V1800	Washer, Lock (5/16") .....	2
34	435V3107	Hose Assembly .....	1
	360V1501	Coupling .....	1
34	363V1054	Elbow .....	1
	432V3066	Adapter .....	1
34	432V3061	Gasket .....	1
	200B0087-003	Clamp .....	2
34	310V2129	Capscrew .....	2
	332V1800	Washer, Lock (5/16") .....	2

WHEN ORDERING PARTS, SPECIFY MODEL NUMBER, SERIAL NUMBER AND DESCRIPTION OF PART REQUIRED



AIR HORN & PIPING

DATE Issued: 3-85

MODEL: 6644E

GROUP

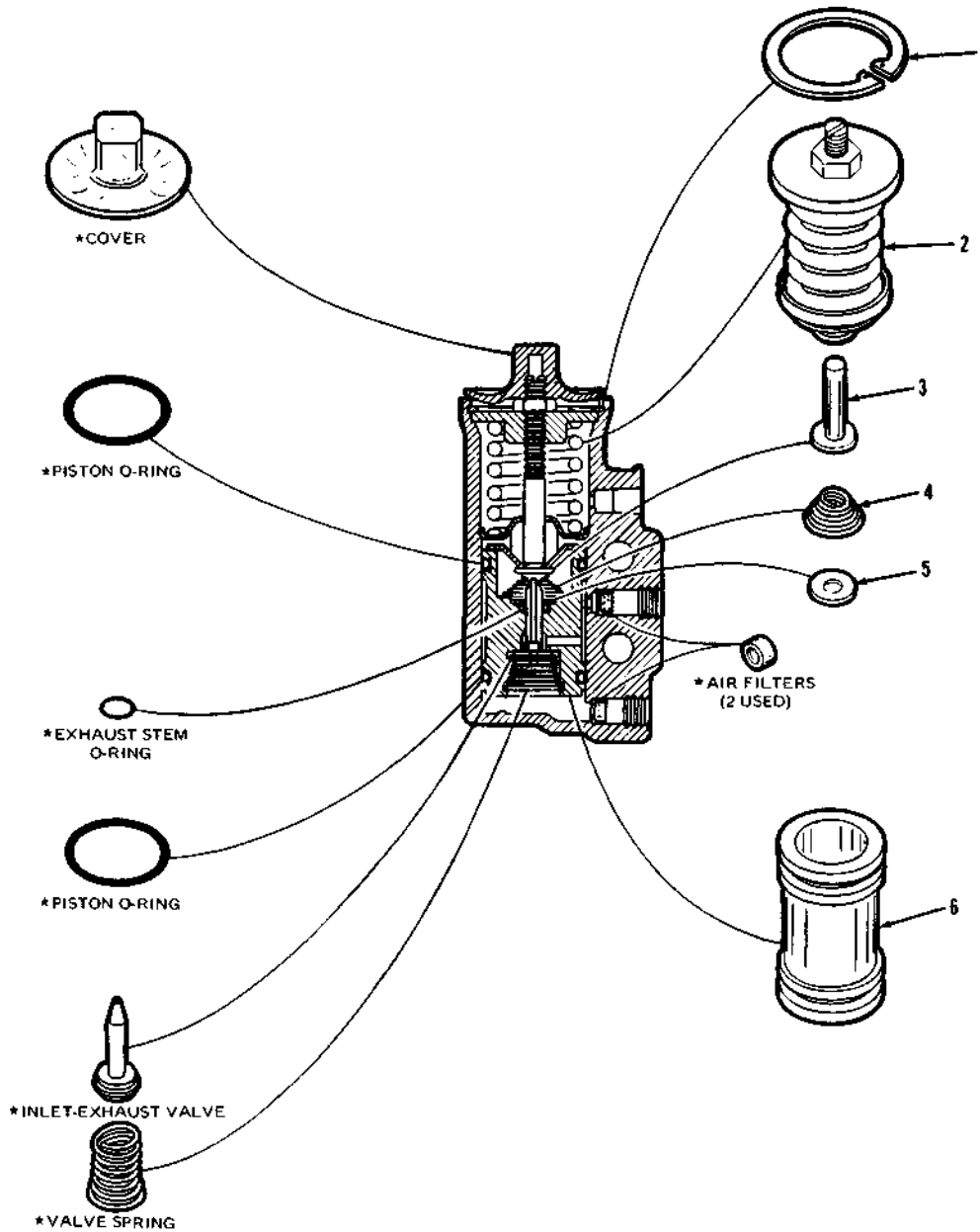
26

PAGE 26.3

Sheet 2 of 2

⊗ DISCONTINUED PART! REFER TO NUMERICAL PARTS LIST FOR REPLACEMENT PART(S)

<https://tractormanualz.com/>



REF.	PART NO.	DESCRIPTION	QTY.
—	U432V3045	Governor Ass'y Complete (Only Parts Listed Below Available For Service)	1
—	900V8591	Kit, Repair . . . . .	As Req'd
		(Includes All Parts Marked With An ★ )	
1	N/S	Ring, Snap . . . . .	1
2	N/S	Screw & Spring Ass'y . . . . .	1
		(Includes Spring, Guide, Seats, Nut & Screw)	
3	N/S	Stem, Exhaust . . . . .	1
4	N/S	Spring, Exhaust Stem . . . . .	1
5	N/S	Washer, Piston . . . . .	1
6	N/S	Piston . . . . .	1

WHEN ORDERING PARTS, SPECIFY MODEL NUMBER, SERIAL NUMBER AND DESCRIPTION OF PART REQUIRED



**AIR COMPRESSOR GOVERNOR**

DATE: August 3, 85

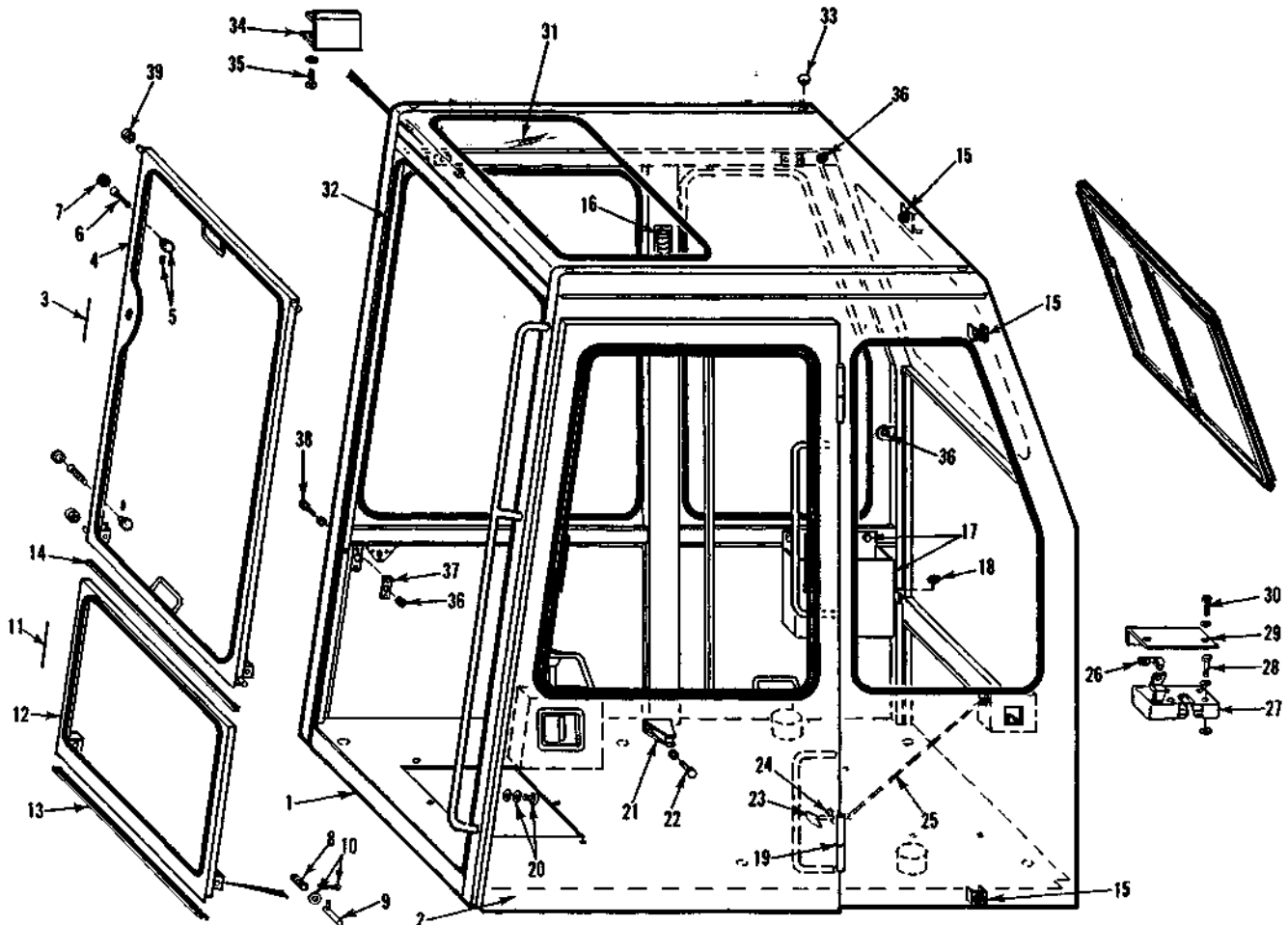
MODEL: 6644E

PAGE 26.4

GROUP

26

⊗ DISCONTINUED PART! REFER TO NUMERICAL PARTS LIST FOR REPLACEMENT PART(S)



REF.	PART NO.	DESCRIPTION	QTY.	REF.	PART NO.	DESCRIPTION	QTY.
—	708 6107	Cab Assembly	1	18	205911	Grommet	2
		(Includes Items 1 thru 39)		19	1209-4	Washer, Hinge	2
1	205888	Body	1	20	204737	Striker	1
2	205889	Door Ass'y (Page 27.2)	1	21	205896	Shim	2
3	205891	Upper Window Ass'y	1	22	205905	Bracket	1
		(Includes Items 4 thru 10)		23	205912	Capscrew	2
4	205918	Frame	1	24	205913	Washer, Hardened	2
5	205921	Knob	2	25	205902	Knob	1
6	205922	Setscrew, 1/4F	2	26	205901	Grommet	1
7	205923	Screw	2	27	205900	Rod	1
8	205924	Cab, Rubber	2		204597	Clip, LH	1
9	205919	Spring	2/4		205897	Latch Ass'y	1
10	205920	Pin	2/4	28	1200-5	Capscrew, 1/4C x 1-1/4	4
	201465	Plainwasher	2/4		1210-14	Lockwasher	4
11	1207-12	Pin, Cotter, 1/8 x 1	2/4		204602	Washer, Flat	4
	205890	Lower Window Ass'y	1	29	205898	Cover	1
		(Includes 8-10 & 12-14)		30	205899	Screw, Pan Head	3
12	205925	Frame	1	31	205903	Glass, Roof	1
13	29818	Gasket (28")	1	32	205904	Gasket (13')	1
14	205644	Seal	1	33	205906	Closure	4
	204604	Bumper	3	34	205914	Cover	2
15	1205-26	Nut, 5/16F	2	35	205915	Screw, 1/4 Pan Head	2
	1210-17	Lockwasher	2		205654	Washer, Conical	2
	205892	Spacer	2	36	205908	Grommet, RH	6
	205935	Light, Dome	1		205909	Grommet, LH	2
16	205651	Screw	4	37	205916	Block	2
	205893	Wire Ass'y	1	38	205936	Capscrew, 1/4F x 5/8 Gr. 8	4
	205894	Box, Manual	1	39	205917	Washer, Hardened	4
17	205895	Screw	2		205910	Roller, Window	4
	205647	Washer, Conical	2				

WHEN ORDERING PARTS, SPECIFY MODEL NUMBER, SERIAL NUMBER AND DESCRIPTION OF PART REQUIRED



CAB ASSEMBLY

DATE Issued: 2-85

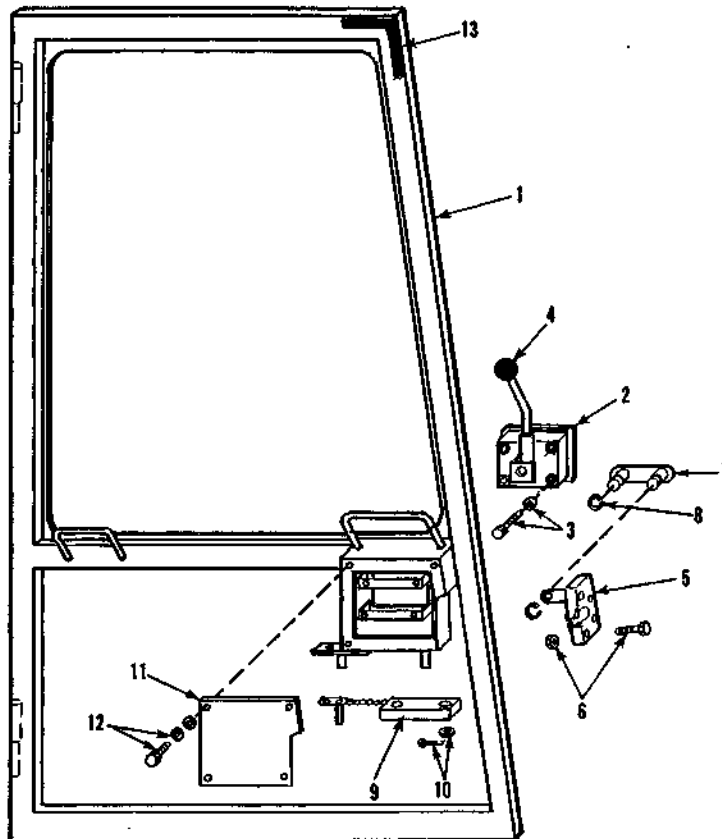
MODEL: 6644E

GROUP

27

PAGE 27.1

⊗ DISCONTINUED PART: REFER TO NUMERICAL PARTS LIST FOR REPLACEMENT PART(S)



REF.	PART NO.	DESCRIPTION	QTY.
	205889	Door Ass'y.....	1
		(Includes Items 1 thru 13)	
1	205926	Door Only .....	1
2	205927	Handle, Paddle .....	1
	200635	Key.....	1
3	205928	Screw, Machine, #10 ....	4
	1210-7	Lockwasher .....	4
4	205929	Knob.....	1
5	204600	Latch .....	1
6	1200-5	Capscrew, 1/4C x 1-1/4 ...	4
	1205-23	Nut, 1/4C Elastic .....	4
7	205930	Link .....	1
8	205931	Ring, Retaining .....	1
9	205932	Bar .....	1
10	1209-4	Plainwasher .....	1
	1207-12	Pin, Cotter, 1/8 x 1 .....	1
11	205933	Cover .....	1
12	205934	Screw, Pan Head .....	4
	1209-2	Plainwasher, 1/4 .....	4
13	204605	Gasket (17') .....	1

WHEN ORDERING PARTS, SPECIFY MODEL NUMBER, SERIAL NUMBER AND DESCRIPTION OF PART REQUIRED



**DOOR ASSEMBLY**

DATE Revised 12-85

MODEL 6644E

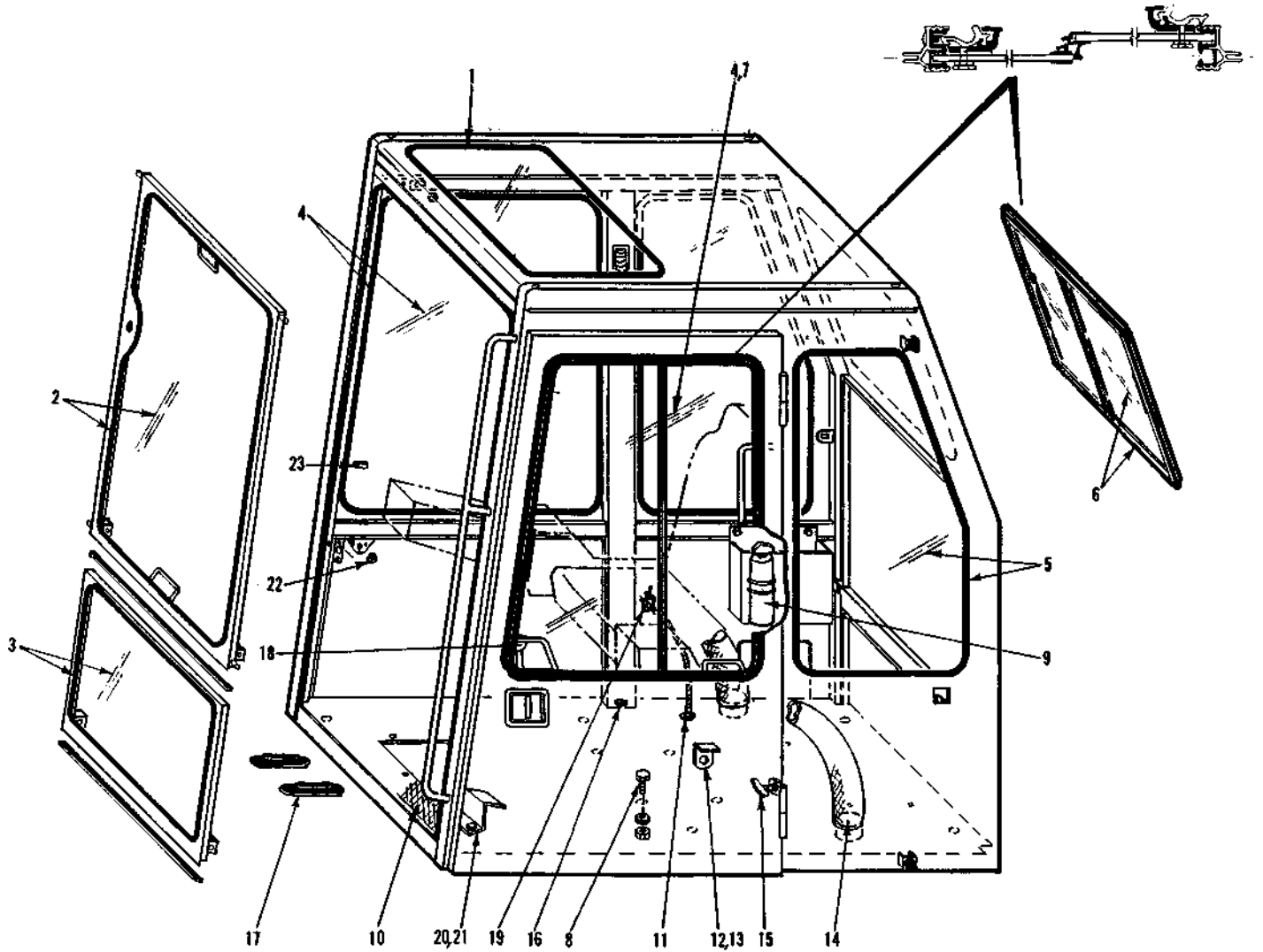
GROUP

27

PAGE 27.2

⊗ DISCONTINUED PART! REFER TO NUMERICAL PARTS LIST FOR REPLACEMENT PART(S)

<https://tractormanualz.com/>



REF.	PART NO.	DESCRIPTION	QTY.	REF.	PART NO.	DESCRIPTION	QTY.
1	12171-86	Weatherstrip, Skylight . . .	1	7	708 6546	Sliding Glass, Clear . . . .	Opt.
	708 6390	Glas, Standard . . . . .	1		708 6280	Sliding Glass, Tinted . . . .	Opt.
	708 6398	Glass, Tinted . . . . .	1	1200-33	Capscrew, 5/16C x 1-1/4 . . .	4	
2	708 6402	Glass, Vandalproof . . . . .	1	8	1210-17	Lockwasher . . . . .	4
	706 6410	Glass, Tinted Vandalproof . .	1		1205-25	Nut, 5/16C . . . . .	4
3	12171-134	Weatherstrip . . . . .	1	9	A49301	Extinguisher, Fire . . . . .	1
	708 6391	Glass, Standard . . . . .	1	10	708 6108	Mat, Floor . . . . .	1
	708 6396	Glass, Tinted . . . . .	1	11	462 0620	Grommet . . . . .	1
	708 6401	Glass, Vandalproof . . . . .	1	12	708 6235	Bracket, Harness . . . . .	1
	708 6406	Glass, Tinted Vandalproof . .	1	13	1200-29	Capscrew, 5/16C x 3/4 . . . .	2
12171-84.5	Weatherstrip . . . . .	1	1205-31		Nut, 5/16C Elastic . . . . .	2	
4	708 6392	Glass, Standard . . . . .	2	14	12159-24	Loom, Hoses . . . . .	2
	708 6399	Glass, Tinted . . . . .	2	15	372 1171	Knob, T . . . . .	1
	708 6404	Glass, Vandalproof . . . . .	2		1205-13	Nut, 1/4C . . . . .	1
	708 6408	Glass, Tinted Vandalproof . .	2	16	442 6316	Grommet, Cab Lt. Wire . . . .	1
5	12171-132	Weatherstrip . . . . .	2	17	1221-97	Cover, Pedal Slot . . . . .	2
	708 6393	Glass, Standard . . . . .	2	18	372 1170	Knob . . . . .	1
	708 6400	Glass, Tinted . . . . .	2	19	1222-202	Wrap, Tie . . . . .	4
	708 6405	Glass, Vandalproof . . . . .	2	20	708 6851	Footrest . . . . .	1
	708 6409	Glass, Tinted Vandalproof . .	2	21	1200-59	Capscrew, 3/8C x 1 . . . . .	4
12171-91	Weatherstrip . . . . .	2	1210-20		Lockwasher . . . . .	4	
6	708 6394	Glass, Standard . . . . .	1	22	442 6315	Grommet . . . . .	3
	708 6397	Glass, Tinted . . . . .	1	23	730 0879	Clip, Wire . . . . .	6
	708 6403	Glass, Vandalproof . . . . .	1				
	708 6407	Glass, Tinted Vandalproof . .	1				
	12171-111	Weatherstrip . . . . .	1				

WHEN ORDERING PARTS, SPECIFY MODEL NUMBER, SERIAL NUMBER AND DESCRIPTION OF PART REQUIRED



CAB

DATE Issued: 2-85

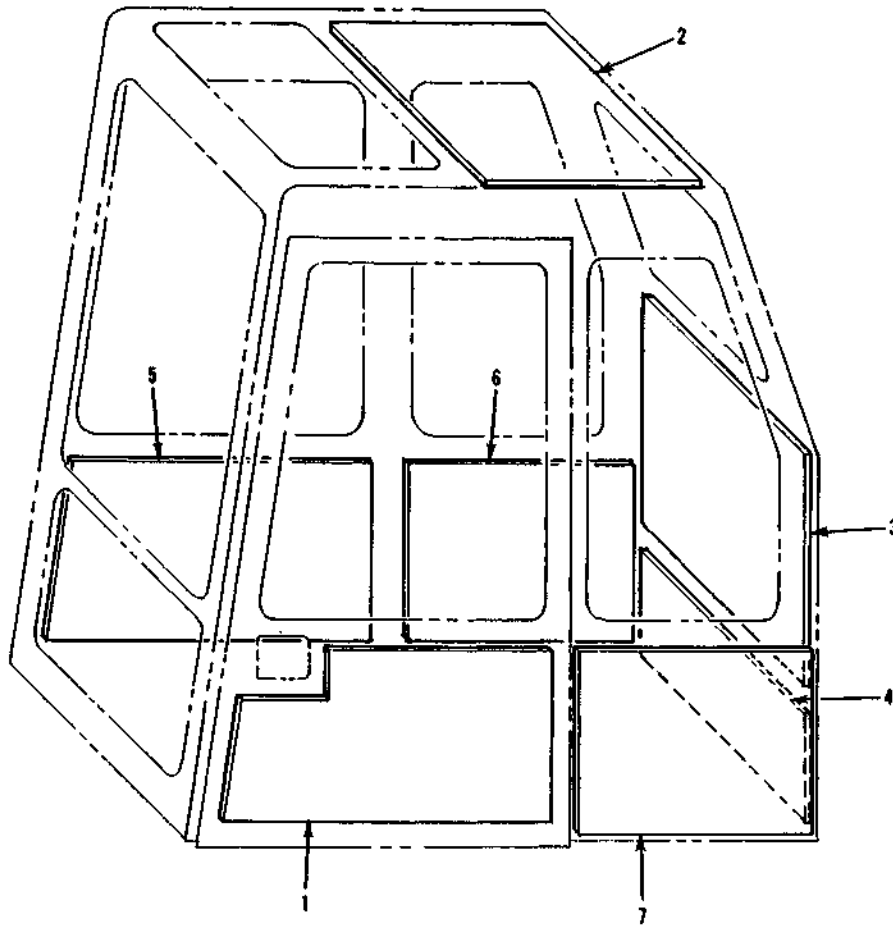
MODEL 6644E

GROUP

27

PAGE 27.3

⊗ DISCONTINUED PART! REFER TO NUMERICAL PARTS LIST FOR REPLACEMENT PART(S)



REF.	PART NO.	DESCRIPTION	QTY.
	708A6233	Insulation Ass'y . . . . .	1
		(Includes Items 1 thru 7)	
1	708 6442	Insulation, Door . . . . .	1
2	708 6443	Insulation, Roof . . . . .	1
3	708 6444	Insulation, Rear Top . . . . .	1
4	708 6445	Insulation, Rear Bottom . . . . .	1
5	708 6446	Insulation, RH Front . . . . .	1
6	708 6447	Insulation, RH Rear . . . . .	1
7	708 6448	Insulation, LH Rear . . . . .	1

WHEN ORDERING PARTS, SPECIFY MODEL NUMBER, SERIAL NUMBER AND DESCRIPTION OF PART REQUIRED

GROUP



**INSULATION**

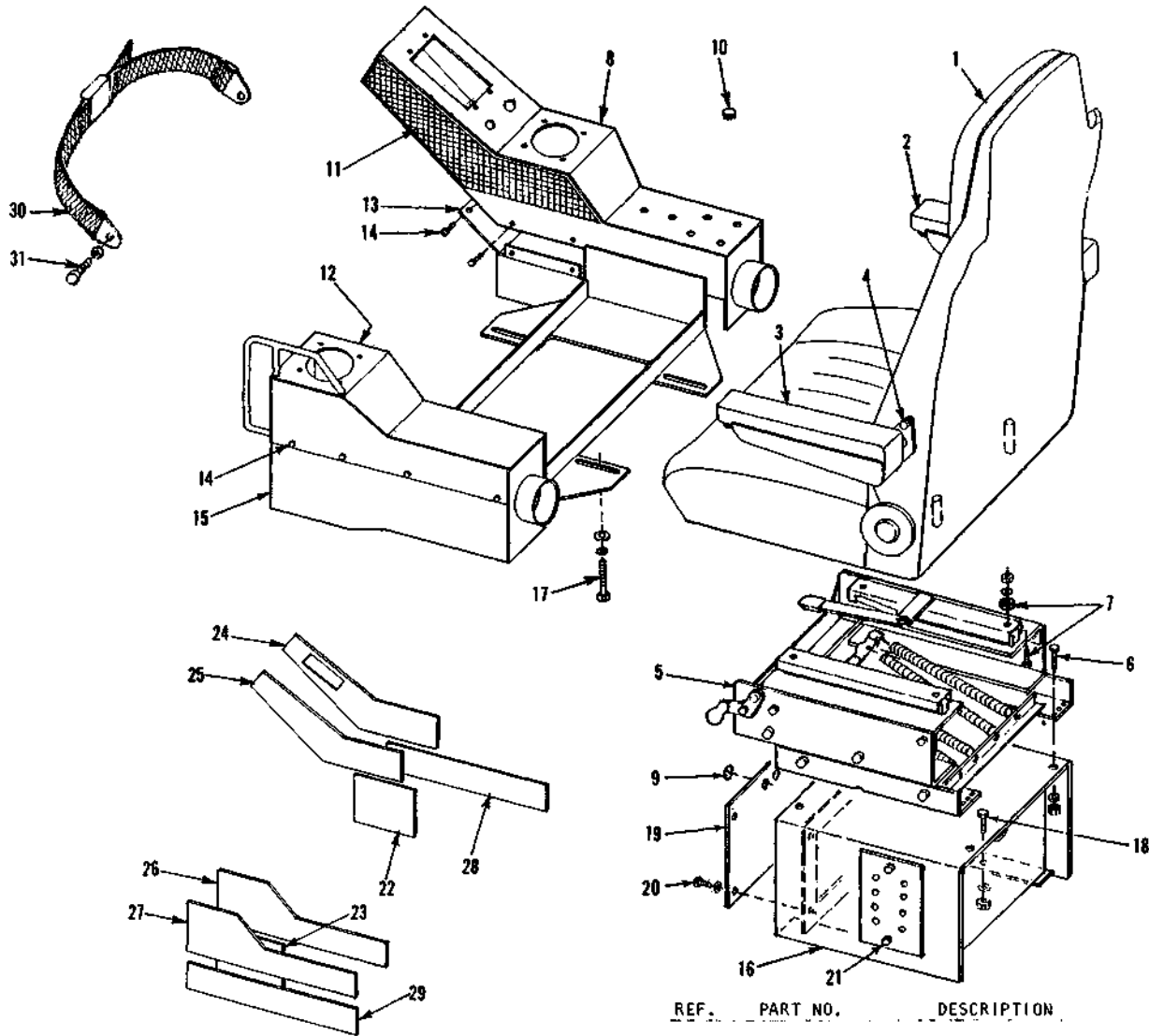
DATE ISSUED: 2-85

MODEL 6644E

**27**

PAGE 27.4

⊗ DISCONTINUED PARTS REFER TO NUMERICAL PARTS LIST FOR REPLACEMENT PART(S)



REF.	PART NO.	DESCRIPTION	QTY.	REF.	PART NO.	DESCRIPTION	QTY.
				13	708 6305	Cover.....	1
				14	1200-309	Capscrew, 1/4C x 1/2.....	9
					1210-14	Lockwasher.....	9
	708A8307	Console Assembly.....	1	15	708 6304	Cover.....	1
		(Includes Items 1 thru 29)		16	708F8297	Support.....	1
1	708 8305	Seat Ass'y.....	1		708F6282	Support(Prior Ser.#21181)....	AR
		Prior Ser.#21181-Order Kit			1200-47	Capscrew, Front, 5/8C x 3.....	2
		A208147 to replace 708F6893		17	1200-43	Capscrew, Rear, 5/8C x 2-1/2..	2
		Seat - Includes Items 1, 5,			1210-17	Lockwasher.....	4
		16, 19, Fasteners			1209-3	Plainwasher.....	4
2	707 6306	Arm Rest, RH.....	1	18	1200-57	Capscrew, 3/8C x 3/4.....	4
3	707 6305	Arm Rest, LH.....	1		1210-20	Lockwasher.....	4
4	1200-31	Capscrew, 5/16C x 1.....	4	19	708 8302	Plate.....	1
	1210-17	Lockwasher.....	4		708 6877	Plate(Prior Ser.#21181)....	AR
5	708 8306	Riser.....	1	20	1202-4	Screw, #10C x 1/2.....	4
	1200-29	Capscrew, 5/16C x 3/4.....	4		1210-7	Lockwasher.....	4
6	1210-17	Lockwasher.....	4	21	1200-29	Capscrew, 5/16C x 3/4.....	2
	1205-25	Nut, 5/16C.....	4		1210-17	Lockwasher.....	2
	708 6841	Spacer.....	4	22	708 6859	Insulation, RH.....	1
7	1200-35	Capscrew, 5/16C x 1-1/2.....	4	23	708 6860	Insulation, LH.....	1
	1209-3	Plainwasher.....	4	24	708 6861	Insulation, RH.....	1
	1210-17	Lockwasher.....	4	25	708 6862	Insulation, LH.....	1
	1205-25	Nut, 5/16C.....	4	26	708 6863	Insulation, RH.....	1
8	708 6540	Console.....	1	27	708 6864	Insulation, LH.....	1
9	1222-205	Button, Plug.....	3	28	708 6865	Insulation, LH.....	1
10	1222-219	Button, Plug.....	AR	29	708 6866	Insulation, RH.....	1
	1222-220	Button, Plug.....	2	30	45528	Belt, Seat.....	Opt.
11	708 6299	Insulation, RH.....	1		1200-95	Capscrew, 1/2C x 1.....	2
12	708 6300	Insulation, LH.....	1	31	1205-67	Nut, 1/2C Elastic.....	2

WHEN ORDERING PARTS, SPECIFY MODEL NUMBER, SERIAL NUMBER AND DESCRIPTION OF PART REQUIRED



CONSOLE

DATE Revised 1-88

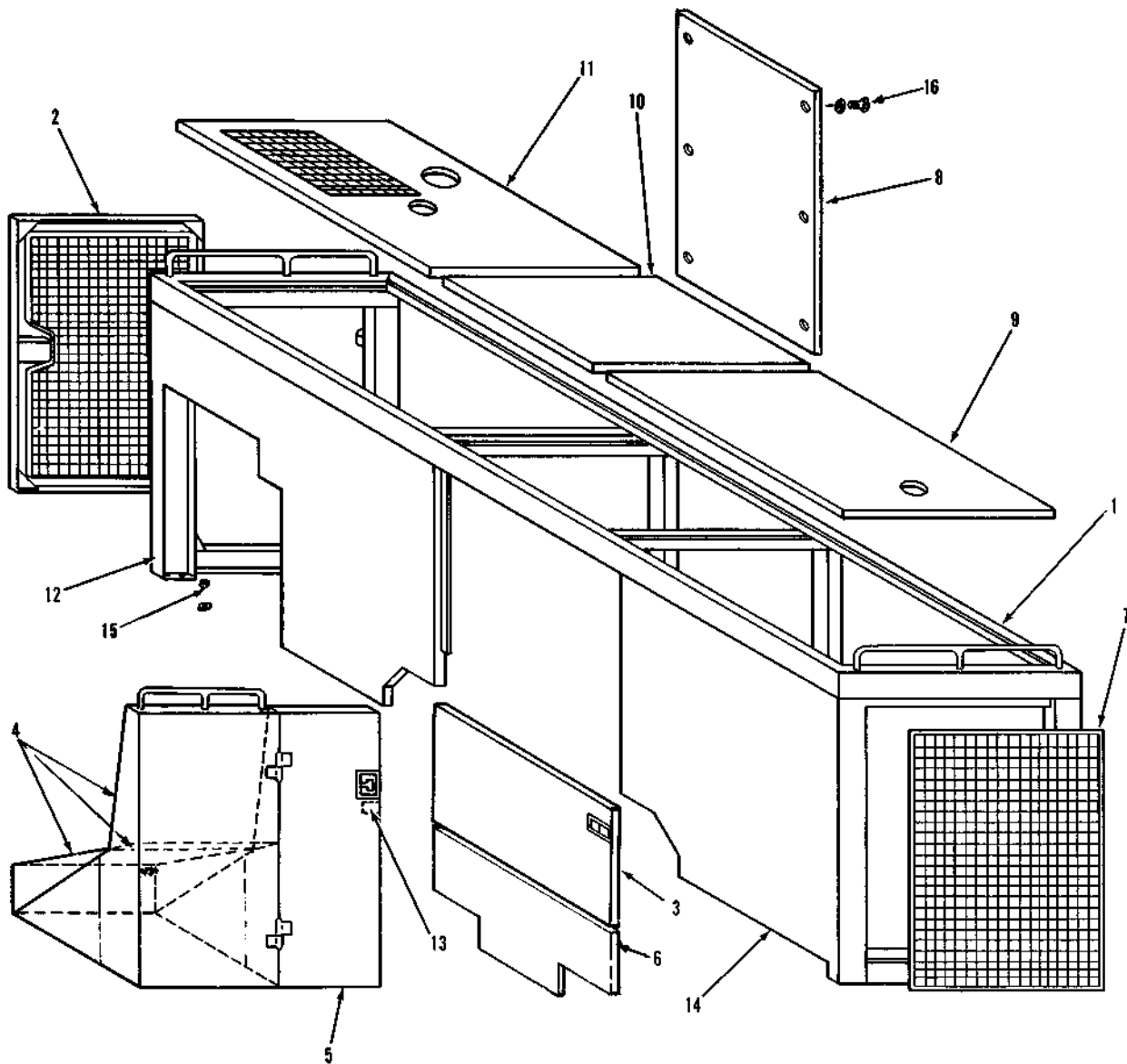
MODEL 6644E

GROUP

27

PAGE 27.5

⊗ DISCONTINUED PART! REFER TO NUMERICAL PARTS LIST FOR REPLACEMENT PART(S)



REF.	PART NO.	DESCRIPTION	QTY.	REF.	PART NO.	DESCRIPTION	QTY.
1	U359E8448	Engine Enclosure.....	1	6	359C8439	Panel.....	1
		(Incl. Items 2,3,7 thru 16)		7	359B8218	Grill.....	1
2	359D8227	Door, Access.....	1	8	359B8431	Panel.....	1
	355D4460	Lock(Incl. cable, bolt)....	1	9	U359C8437	Panel.....	1
	900V7026	Key, Lock.....	1	10	U359C8880	Panel, Isuzu.....	1
3	359B6242	Spring.....	2		U359C8208	Panel, D.D. & Cummins.....	1
	359C8442	Door, Access.....	1		U359D8888	Panel, Isuzu(w/o Air Comp)...	1
		(See Ref. 2 for lock,spring)		11	U359D8958	Panel, Cummins(w/o Air Comp)...	1
	U359C8350	Battery Enclosure.....	1		U359D8877	Panel, D.D. (w/Air Comp).....	1
		(Incl. Items 4 & 5)			U359D8205	Panel, D.D. (w/o Air Comp)...	1
4	U359C8349	Cover, Battery.....	1	12	U359D8446	Panel, Engine Housing.....	1
	372V1236	Plunger.....	1		359A8366	Strip.....	1
	340V2701	Nut, 1/2C Jam.....	2	13	316V2336	Capscrew, 3/8C x 5/8.....	2
5	U359C8347	Cover, Top.....	1		332V2000	Plainwasher.....	2
	359C8351	Panel Assembly.....	1		340V2323	Locknut, 3/8C.....	2
	359D8243	Door, Walkway.....	1	14	U359D8444	Panel, Engine Housing.....	1
	372V1238	Latch.....	1		340V2323	Locknut, 3/8C.....	22
	372V1172	Lock, Flush.....	1	15	330V2000	Plainwasher.....	22
	900V7026	Key.....	1		316V2336	Capscrew, 3/8C x 5/8.....	8
	462V0416	Bumper.....	1	16	331V2000	Plainwasher.....	8
	359B6242	Spring.....	1				

WHEN ORDERING PARTS, SPECIFY MODEL NUMBER, SERIAL NUMBER AND DESCRIPTION OF PART REQUIRED



**ENGINE ENCLOSURE & WALKWAY DOORS**

DATE Revised 7-86

MODEL 6644E

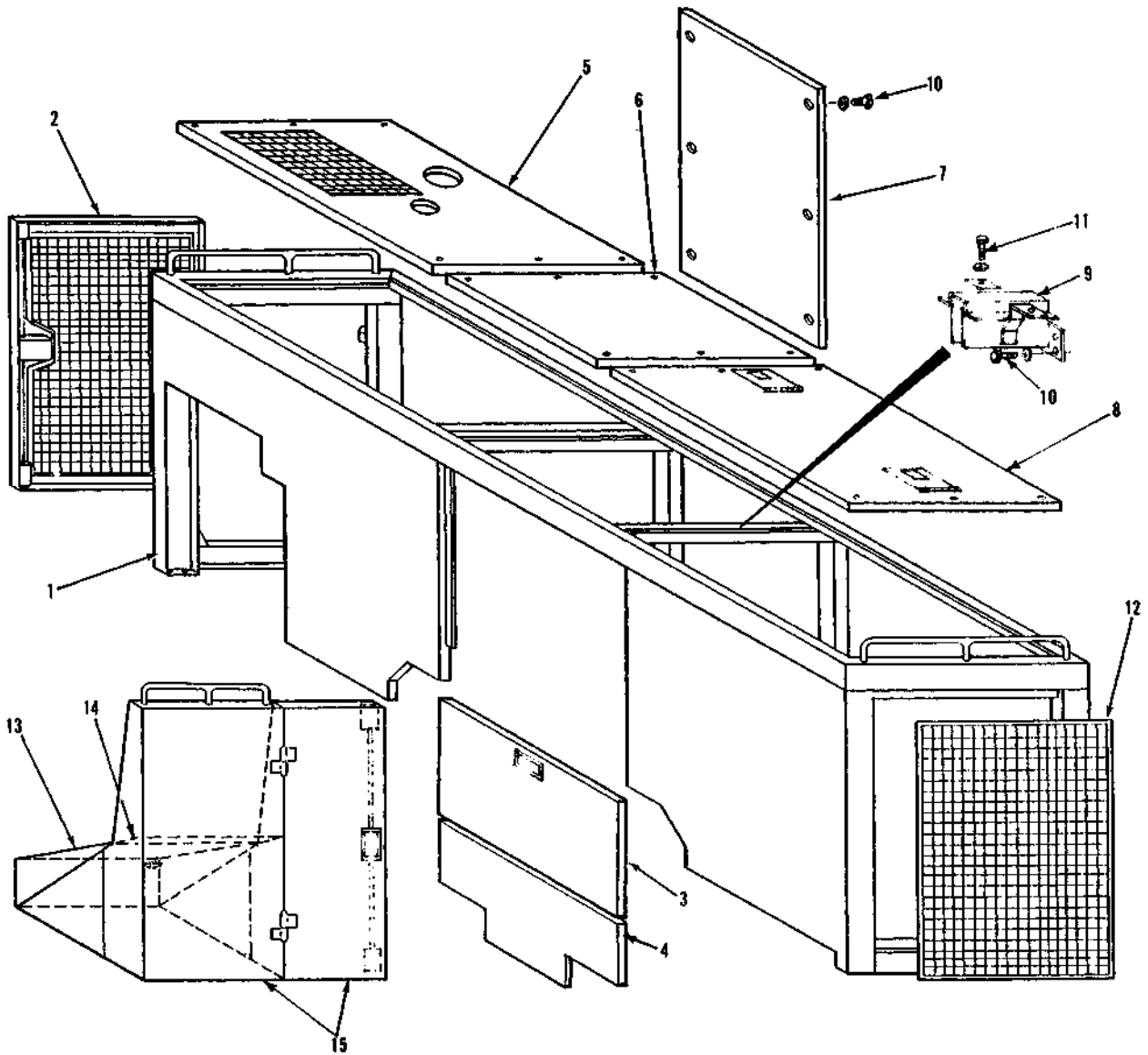
GROUP

27

PAGE 27.6

⊗ DISCONTINUED PART! REFER TO NUMERICAL PARTS LIST FOR REPLACEMENT PART(S)

<https://tractormanualz.com/>



REF.	PART NO.	DESCRIPTION	QTY.	REF.	PART NO.	DESCRIPTION	QTY.
	U359E9425	Engine Enclosure Ass'y.....	1	7	359B8431	Panel, Rear.....	1
		(Includes Items 1 thru 12)		8	U359C9423	Panel.....	1
1	U359E9424	Enclosure.....	1		372 1245	Latch, Door.....	2
	U359D9367	Door (Excavator).....	1	9	U359C9362	Beam.....	2
	U359E9373	Door (Logger).....	1		316V2336	Capscrew, 3/8C x 5/8.....	26
2	372 1246	Lock.....	1	10	331V2000	Plainwasher.....	44
	200635	Key.....	1		1200-59	Capscrew, 3/8C x 1.....	18
	372 1247	Bar.....	2	11	331V2000	Plainwasher.....	18
	372 1243	Latch, RH (Top).....	1	12	359B8218	Grill.....	1
	372 1244	Latch, LH (Bottom).....	1		U359C8350	Battery Enclosure Ass'y.....	1
	359C9368	Door, Access.....	1			(Includes Items 13 thru 16)	
3	372 1176	Latch, Paddle.....	1		U359C8349	Cover, Battery.....	1
	200635	Key.....	1		372V1236	Plunger.....	1
4	359C8439	Panel.....	1	13	340V2701	Nut, 1/2C Jam.....	2
	359D9370	Panel, Isuzu w/o Air Comp.....	1		U359C8347	Cover, Top.....	1
	359D9372	Panel, Cummins w/o Air Comp.....	1	14	U359C8351	Panel & Door Ass'y.....	1
5	359D9369	Panel, D.D. w/Air Comp.....	1		372 1176	Latch, Paddle.....	1
	359D9363	Panel, D.D. w/o Air Comp.....	1		200635	Key.....	1
6	U359C9371	Panel, Isuzu.....	1	15	372 1243	Latch, LH (Bottom).....	1
	U359C9364	Panel, D.D., Cummins.....	1		372 1244	Latch, RH (Top).....	1

WHEN ORDERING PARTS, SPECIFY MODEL NUMBER, SERIAL NUMBER AND DESCRIPTION OF PART REQUIRED



**ENGINE ENCLOSURE & WALKWAY DOORS**

DATE Issued 1-88

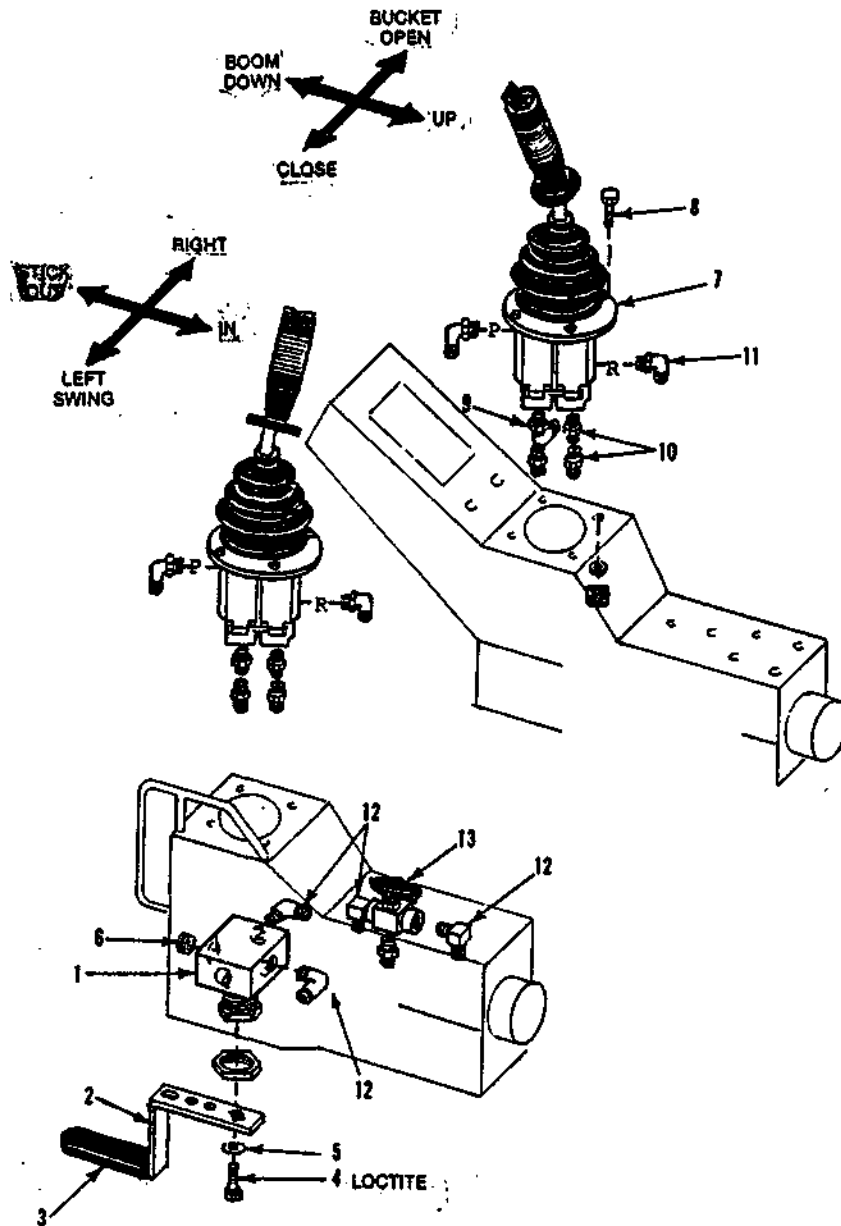
MODEL: 6644E

GROUP

27

PAGE 27.7

⊗ DISCONTINUED PART! REFER TO NUMERICAL PARTS LIST FOR REPLACEMENT PART(S)



REF.	PART NO.	DESCRIPTION	QTY.
	708A6088	Shut-Off Assembly.....1 (Includes Items 1 thru 6)	
1	[ 430 5061 A209227	Valve, Pilot Ventl .....1 Kit, Seal .....1	
2	708 6482	Handle (Prior Ser. #21181) ....1	
	708 8318	Handle (Begin Ser. #21181).....1	
3	708 6844	Cover.....1	
4	[ 1202-5 1209-93	Screw, Machine .....1 Flatwasher .....2	
5	1210-81	Lockwasher, Int-Ext.....1	
6	1219-120	Plug.....1	
7	Page 28.3	Valve, Control .....2	
8	[ 1200-1 1210-14 1204-37	Capcrew, 1/4C x 3/4 .....8 Lockwasher .....8 Nut, "U" Retainer .....8	
9	375 1400	Elbow.....1	
10	375 0401	Adapter .....7	
11	375 0204	Elbow.....4	
12	375 1202	Elbow.....3	
13	[ 12019-113 205156	Valve .....1 Handle, For Above.....1	

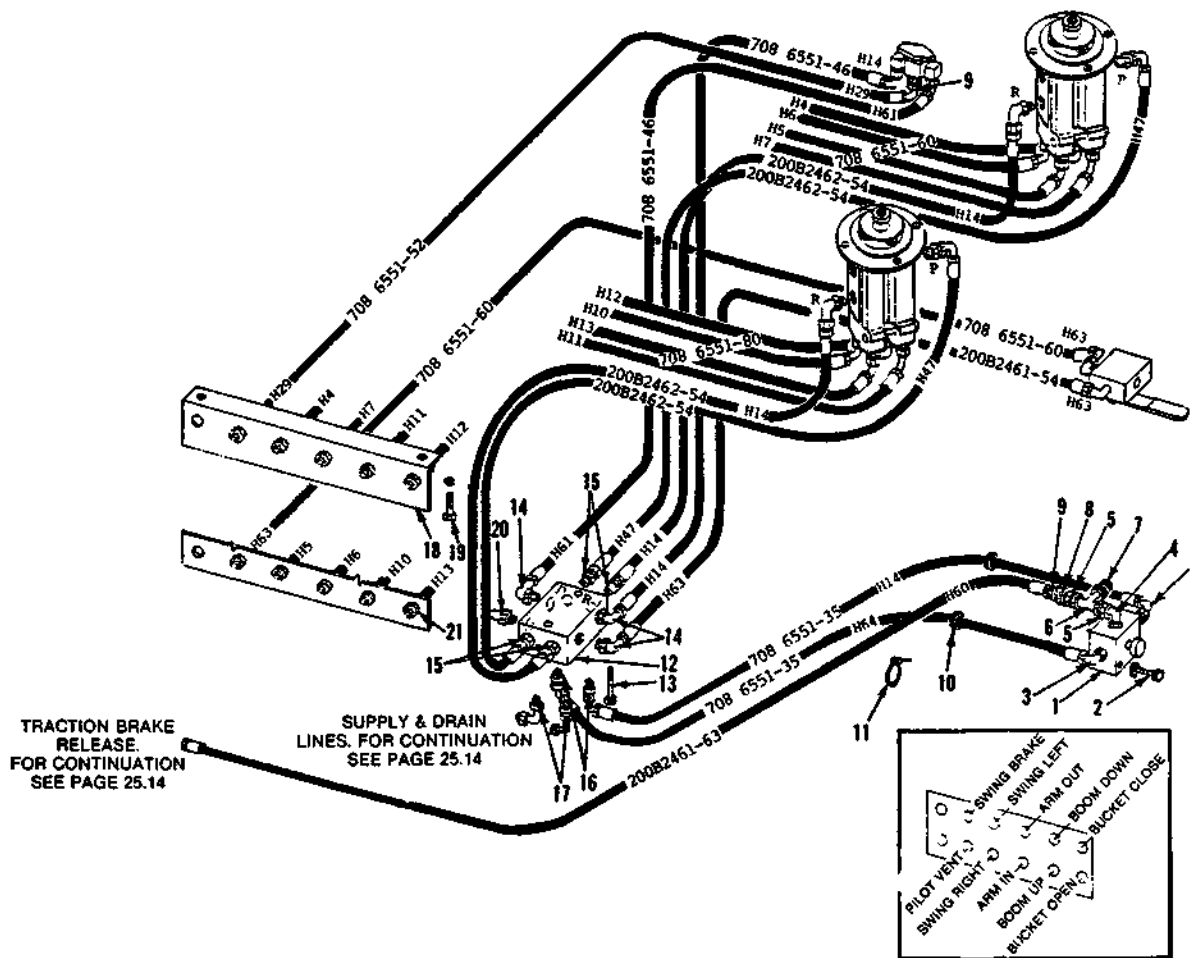
WHEN ORDERING PARTS, SPECIFY MODEL NUMBER, SERIAL NUMBER AND DESCRIPTION OF PART REQUIRED



PILOT CONTROLS  
<https://tractormahualz.com/>

DATE: Revised 7-91  
 MODEL: 6644E

GROUP  
**28**



REF.	PART NO.	DESCRIPTION	QTY.	REF.	PART NO.	DESCRIPTION	QTY.
1	1219-923	Valve, Traction Brake . . . .	1	12	708 6423	Block . . . . .	1
2	1203-12	Capscrew, 1/4C x 1/2 sock	2	13	1200-43	Capscrew, 5/16C x 2-1/2 . .	2
	1210-14	Lockwasher . . . . .	2		1210-17	Lockwasher . . . . .	2
3	375 1202	Elbow . . . . .	2	14	375 1400	Elbow . . . . .	8
4	1219-848	Elbow . . . . .	1	15	375 5401	Adapter . . . . .	4
5	1219-954	Adapter . . . . .	2	16	375 0401	Adapter . . . . .	7
6	1219-849	Tee . . . . .	1	17	375 5601	Adapter . . . . .	2
7	420 2971	Switch, Pressure . . . . .	1	18	708 6424	Bracket . . . . .	1
8	12019-557	Coupling . . . . .	1		12400-90	Decal . . . . .	1
	12019-556	Disconnect . . . . .	1	19	1200-29	Capscrew, 5/16C x 3/4 . . .	2
9	375 9204	Adapter . . . . .	2	20	1210-17	Lockwasher . . . . .	2
10	1221-96	Grommet . . . . .	3		375 0400	Coupling, Test . . . . .	1
11	1222-184	Tie, Plastic . . . . .	10	21	375 5202	Adapter, Bulkhead . . . . .	10

WHEN ORDERING PARTS, SPECIFY MODEL NUMBER, SERIAL NUMBER AND DESCRIPTION OF PART REQUIRED

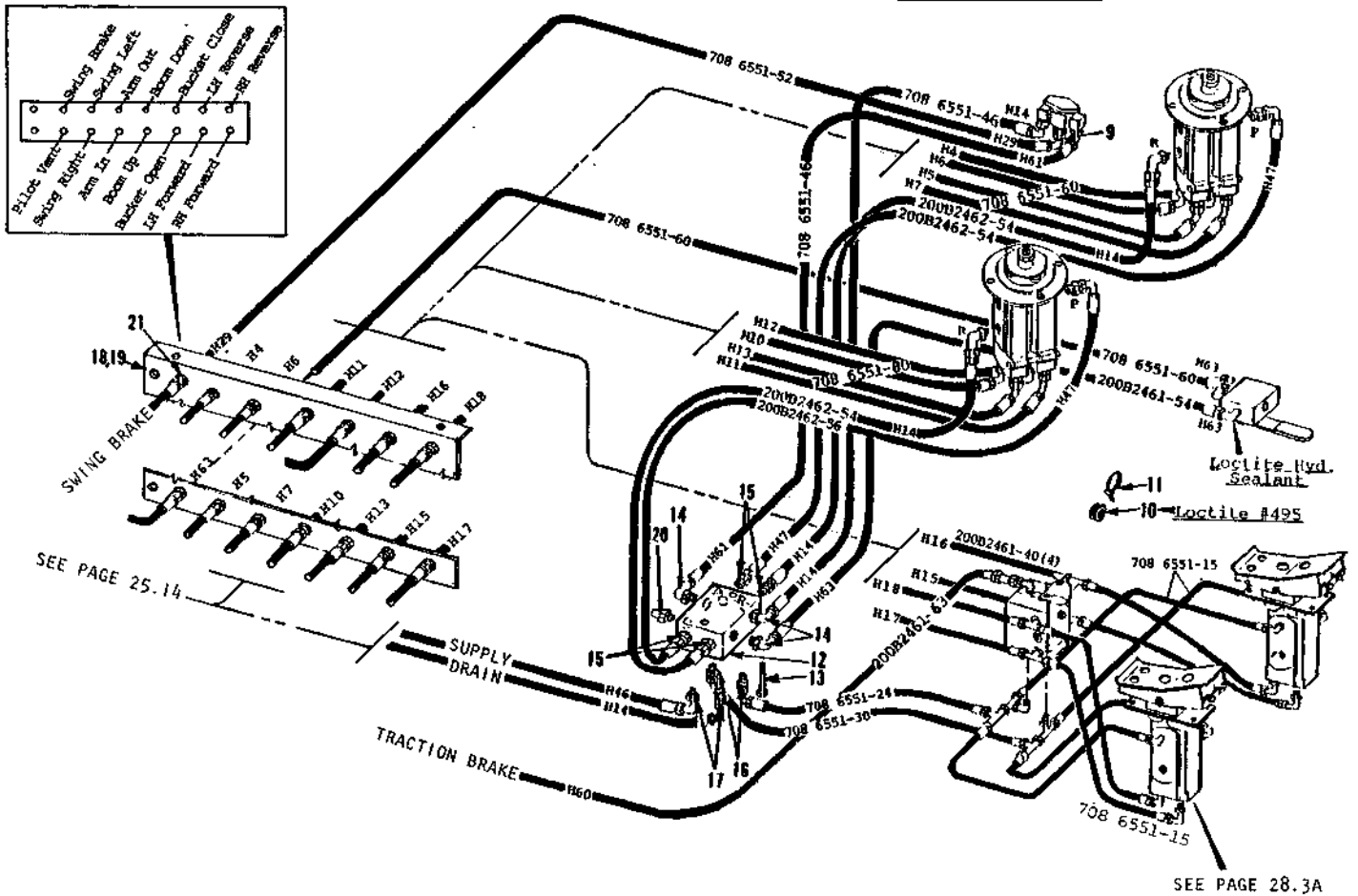


PILOT CONTROLS

DATE: Issued 2-85

MODEL: 6644E

GRD



SEE PAGE 28.3A

REF.	PART NO.	DESCRIPTION	QTY.	HOSE	QTY.	LABEL	QTY.
	708A7411	Pilot Control Ass'y(Cab). (Includes Items 9 thru 21, Hoses & Labels)	1	708 6551-15	4	200B2385-4	4
				708 6551-24	1	200B2385-5	2
				708 6551-30	1	200B2385-6	4
				708 6551-46	2	200B2385-7	4
				708 6551-52	2	200B2385-10	4
				708 6551-60	5	200B2385-11	4
				708 6551-80	4	200B2385-12	4
9	375 9204	Adapter.....	2	200B2461-11	4	200B2385-13	4
10	1221-96	Grommet.....	5	200B2461-40	4	200B2385-14	8
11	1222-184	Tie, Plastic.....	10	200B2461-54	1	200B2385-15	4
12	708 6423	Block.....	1	200B2462-54	3	200B2385-16	4
13	1200-43	Capscrew, 5/16C x 2-1/2.	2	200B2462-56	1	200B2385-17	4
13	1210-17	Lockwasher.....	2			200B2385-18	4
14	375 1400	Elbow.....	4			200B2385-29	4
15	375 5401	Adapter.....	4			200B2385-47	2
16	375 0401	Adapter.....	2			200B2385-48	2
17	375 5601	Adapter.....	4			200B2385-60	4
18	708 6450	Bracket.....	1			200B2385-61	2
18	12400-190	Decal.....	1			200B2385-63	6
19	1200-29	Capscrew, 5/16C x 3/4...	2				
19	1210-17	Lockwasher.....	2				
20	375 0400	Coupling, Test.....	1				
21	375 5202	Adapter, Bulkhead.....	14				

WHEN ORDERING PARTS, SPECIFY MODEL NUMBER, SERIAL NUMBER AND DESCRIPTION OF PART REQUIRED



**PILOT CONTROLS**  
Begin Serial #21051

DATE Issued 12-85

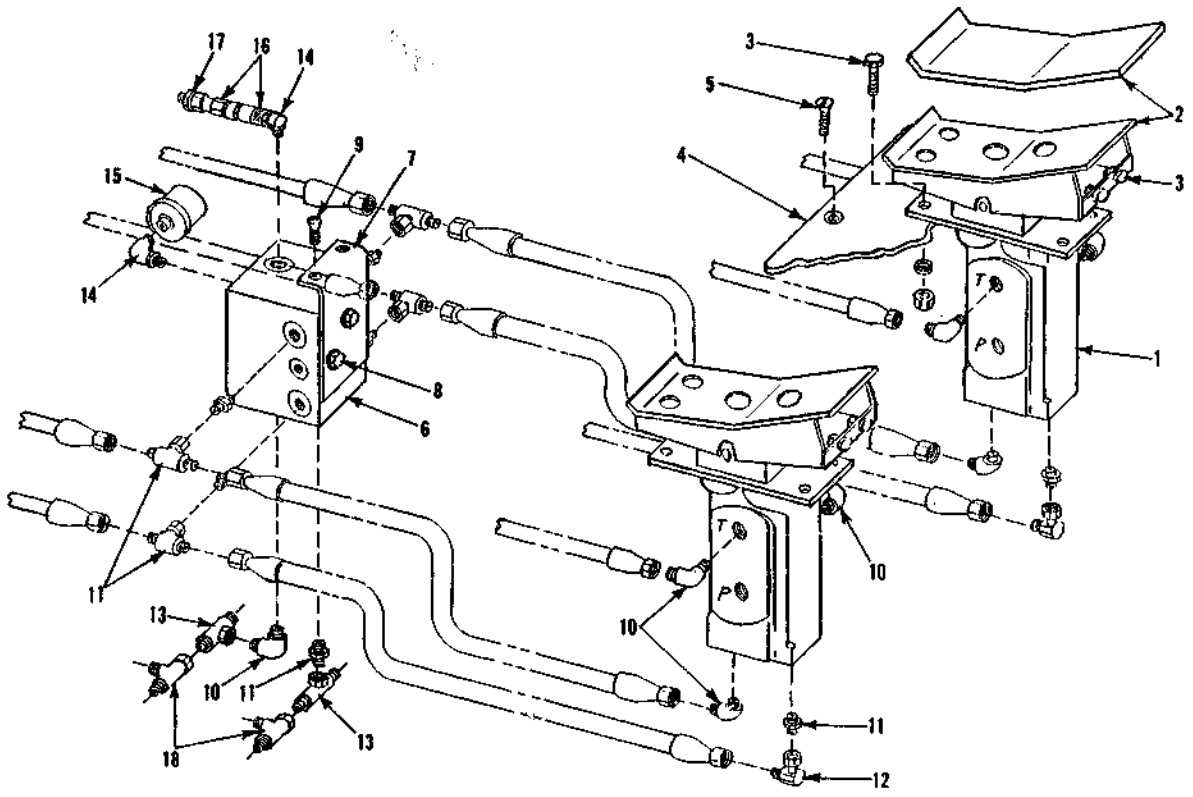
MODEL 6644E

GROUP

28

PAGE 28.2A

⊗ DISCONTINUED PART: REFER TO NUMERICAL PARTS LIST FOR REPLACEMENT PART(S)



REF.	PART NO.	DESCRIPTION	QTY.
1	708 7381	Valve, Traction.....	2
2	708F7369	Pedal.....	2
	420 3794	Boot(Repl. 708 6876).....	2
3	1200-31	Capscrew, 5/16C x 1....	16
	1210-17	Lockwasher.....	16
	1205-25	Nut, 5/16C.....	16
4	708 7372	Plate.....	1
5	311 1560	Screw, 5/16C x 3/4 c'sunk..	6
6	U288C2710	Valve, Brake Release...	1
7	364A5736	Strip.....	1
8	310 1915	Capscrew, M6 x 12.....	2
	1210-14	Lockwasher.....	2
9	311 1560	Screw, 5/16C x 3/4 c'sunk..	2
	1210-17	Lockwasher.....	2
	1205-25	Nut, 5/16C.....	2
10	375 1400	Elbow.....	7
11	375 0401	Adapter.....	7
12	375 1100	Elbow.....	2
13	375 3207	Tee.....	4
14	375 5201	Adapter.....	2
15	420 2971	Switch, Pressure.....	1
16	12019-557	Disconnect.....	1
	12019-556	Disconnect, Male.....	1
17	375 9204	Adapter.....	1
18	375 3101	Tee.....	2

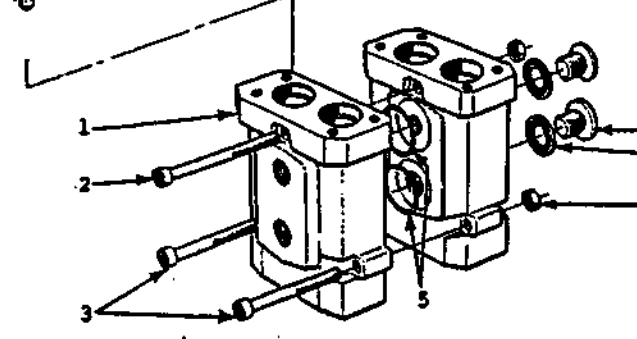
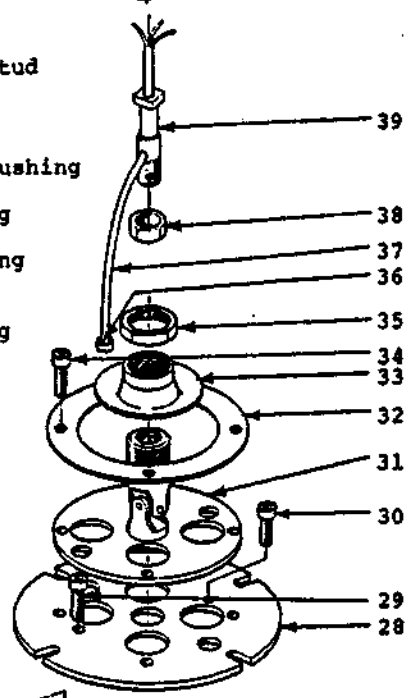
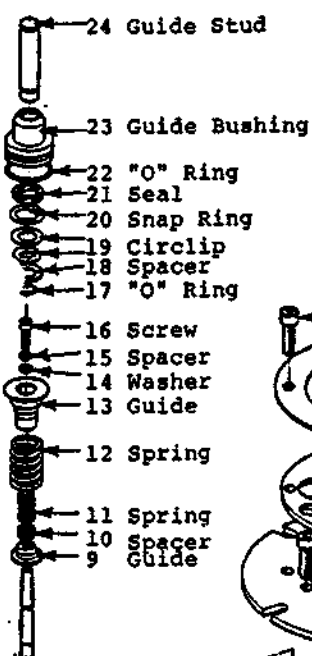
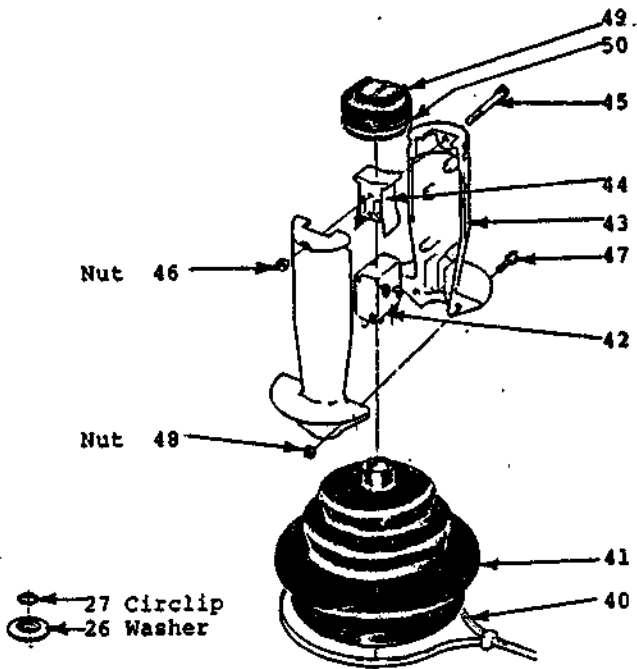
WHEN ORDERING PARTS, SPECIFY MODEL NUMBER, SERIAL NUMBER AND DESCRIPTION OF PART REQUIRED



PILOT CONTROLS

DATE	Revised 1-88	<b>GROUP</b> <b>28</b>
MODEL	6644E	
PAGE 28.28		

⊗ DISCONTINUED PART! REFER TO NUMERICAL PARTS LIST FOR REPLACEMENT PART(S)



REF.	PART NO.	DESCRIPTION	QTY.
	708 6422	VALVE, PILOT CONTROL.... (INCLUDES 1 THRU 50)	2
1	N.S.S.	BODY.....	1
2	206266	SCREW.....	1
3	206267	SCREW.....	2
4	206268	NUT.....	3
5	206269	RING, "O".....	2
6	206270	PLUG 1/4".....	2
	206271	PLUG 9/16"F.....	2
7	206272	RING, SEALING.....	2
	206273	RING, "O".....	2
9-16	206274	KIT, LOWER.....	4
17-27	206275	KIT, UPPER.....	4
	206277	MOUNTING PLATE ASS'Y.... (INCLUDES 28 THRU 35)	1
	U430V9800	LEVER KIT..... (INCLUDES 36 THRU 50)	1
28	N.S.S.	PLATE, MOUNTING.....	1
29	206276	SCREW.....	1
30	206276	SCREW.....	1
31	N.S.S.	PLATE, PRESSURE..... (W/ U JOINT)	1
32	N.S.S.	RING.....	1
33	203260	DISC, PRESSURE.....	1
34	206278	SCREW.....	4
35	206279	NUT.....	1
36	206280	CLAMP, CABLE.....	2
37	206281	WIRE.....	1
38	206282	NUT.....	1
39	N.S.S.	ROD 15".....	1
40	206283	RING, CLAMPING.....	1
41	203258	BELLOWS.....	1
42	205432	SWITCH, MICRO.....	2
43	206284	HANDLE (SPLIT).....	1
44	206285	PUSH BUTTON.....	1
45	206286	SCREW.....	1
46	206287	NUT.....	1
47	206288	SCREW.....	2
48	206287	NUT.....	2
49	205431	CAP, SEALING.....	1
50	206289	RING, LOCK.....	1

WHEN ORDERING PARTS, SPECIFY MODEL NUMBER, SERIAL NUMBER AND DESCRIPTION OF PART REQUIRED

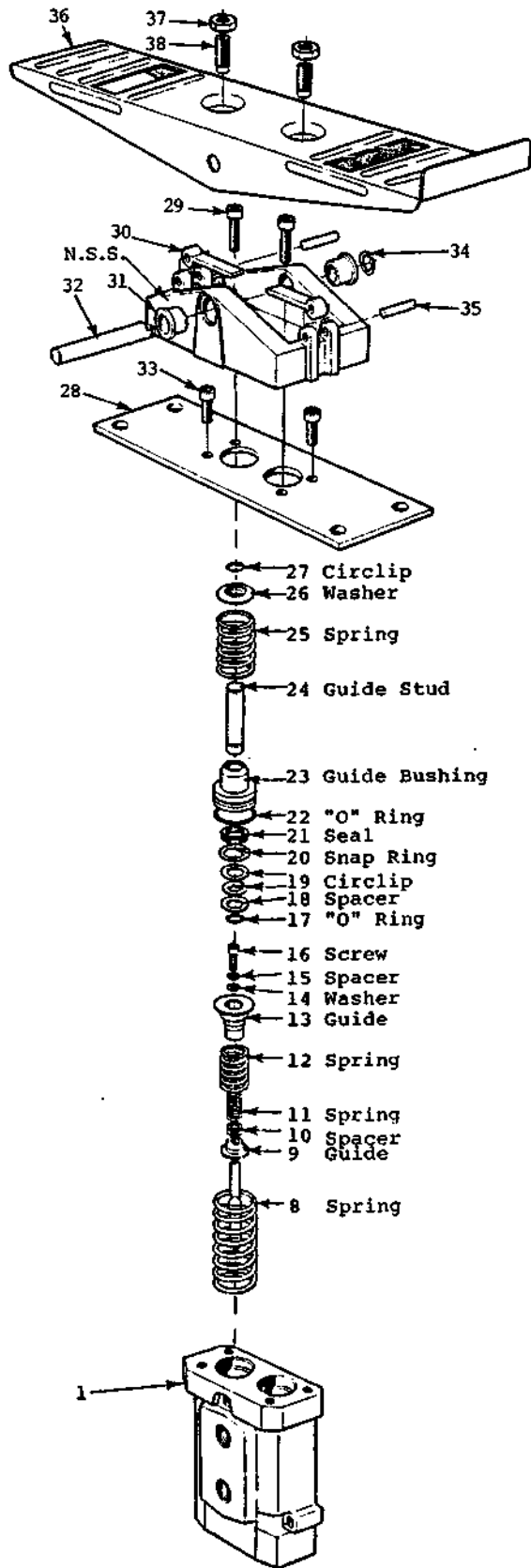


PILOT CONTROL VALVE

<https://tractormanualz.com/>

DATE: Revised 7-91	GROUP <b>28</b>
MODEL: 6644	
PAGE 28.3	

⊗ DISCONTINUED PART! REFER TO NUMERICAL PARTS LIST FOR REPLACEMENT PART(S)



REF.	PART NO.	DESCRIPTION	QTY.
	708 7381	Valve, Pilot Control... (Includes Items 1 thru 38)	1
1	N.S.S.	Body.....	1
8-16	206436	Kit, Lower.....	2
17-27	206767	Kit, Upper.....	2
28	206444	Plate, Mounting..... (Includes Items 29 thru 35)	1
29	206278	Screw.....	2
30	208145	Kit, Rocker Arm (Repl. 206439)	2
31	206440	Bushing.....	2
32	206441	Pin.....	1
33	206276	Screw.....	2
34	206442	Circlip.....	1
35	206443	Pin.....	2
36	206445	Pedal..... (Includes Items 37, 38)	1
37	206437	Nut.....	2
38	206438	Screw.....	2

WHEN ORDERING PARTS, SPECIFY MODEL NUMBER, SERIAL NUMBER AND DESCRIPTION OF PART REQUIRED



**PILOT CONTROL VALVE**

DATE Revised 1-88

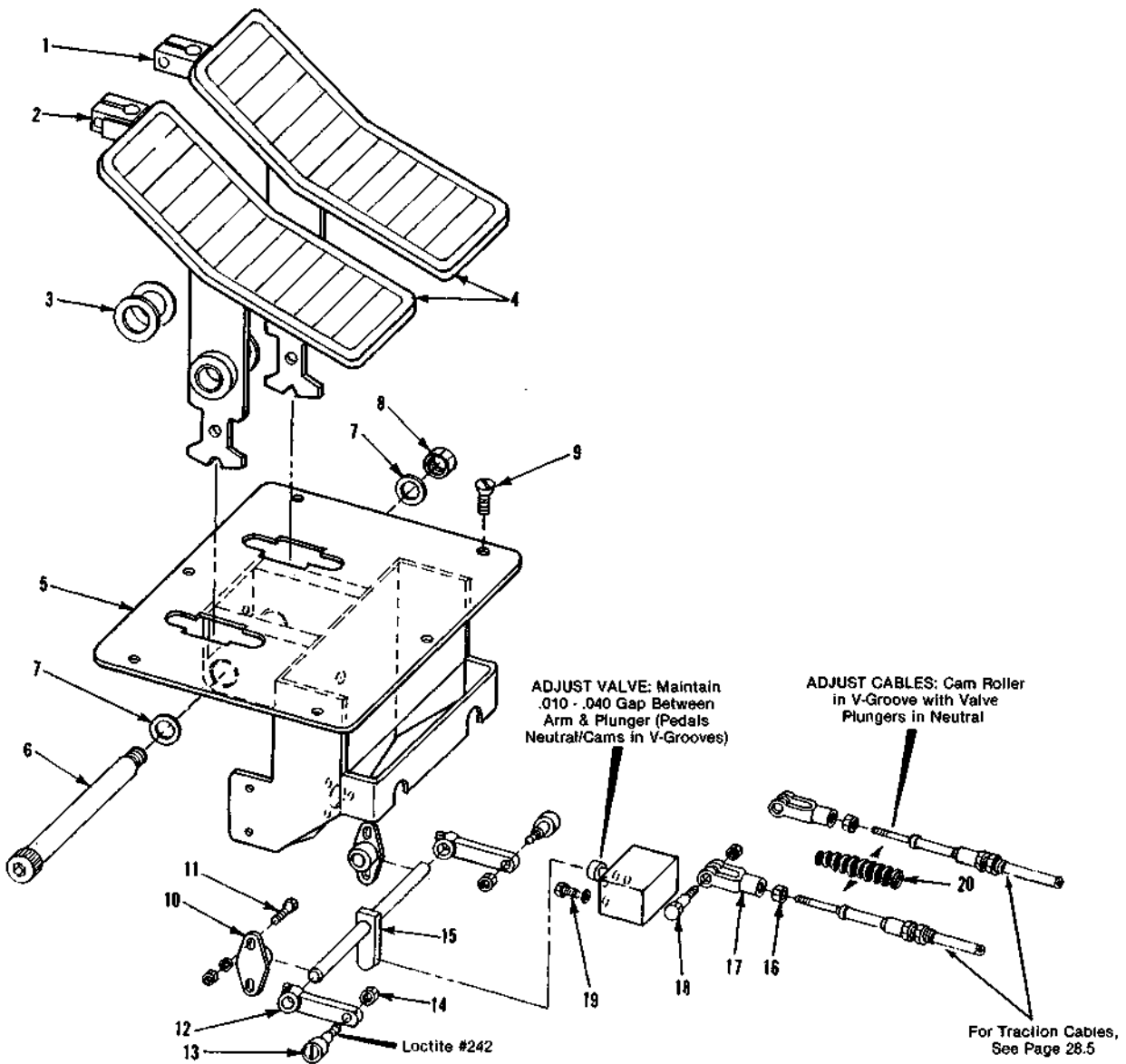
MODEL 6644E

PAGE 28.3A

GR

28

⊗ DISCONTINUED PART! REFER TO NUMERICAL PARTS LIST FOR REPLACEMENT PART(S)



REF.	PART NO.	DESCRIPTION	QTY.
1	708F6763	RH Pedal w/Bushing	1
2	708F6762	LH Pedal w/Bushing	1
	1214-139	Bushing, for above	2
3	1209-83	Washer, Phenolic	2
4	708 6876	Boot, Pedal	2
5	708F6769	Bracket	1
6	1203-231	Bolt, Shoulder	1
7	1208-80	Bushing, Machinery	2
8	1205-212	Nut, Self-Lock 3/4C	1
9	331 1560	Capscrew, 5/16C x 3/4	6
10	1217-347	Bearing	2

REF.	PART NO.	DESCRIPTION	QTY.
11	1200-1	Capscrew, 1/4C x 3/4	4
	1210-14	Lockwasher	4
	1205-13	Nut, 1/4C	4
12	708F6766	Arm w/Setscrew	2
13	1217-337	Roller, Cam	2
14	1205-213	Nut, Self-Lock, 1/4F	2
15	708F6759	Bellcrank	1
16	1205-28	Nut, 5/16F Jam	2
17	56773	Yoke	2
18	1203-186	Bolt, Shoulder	2
	1205-43	Nut, 3/8C Elastic	2
19	1203-12	Capscrew	2
	1210-14	Lockwasher	2
20	1221-97	Boot	2

WHEN ORDERING PARTS, SPECIFY MODEL NUMBER, SERIAL NUMBER AND DESCRIPTION OF PART REQUIRED



### TRACTION CONTROLS

DATE Revised 12-85

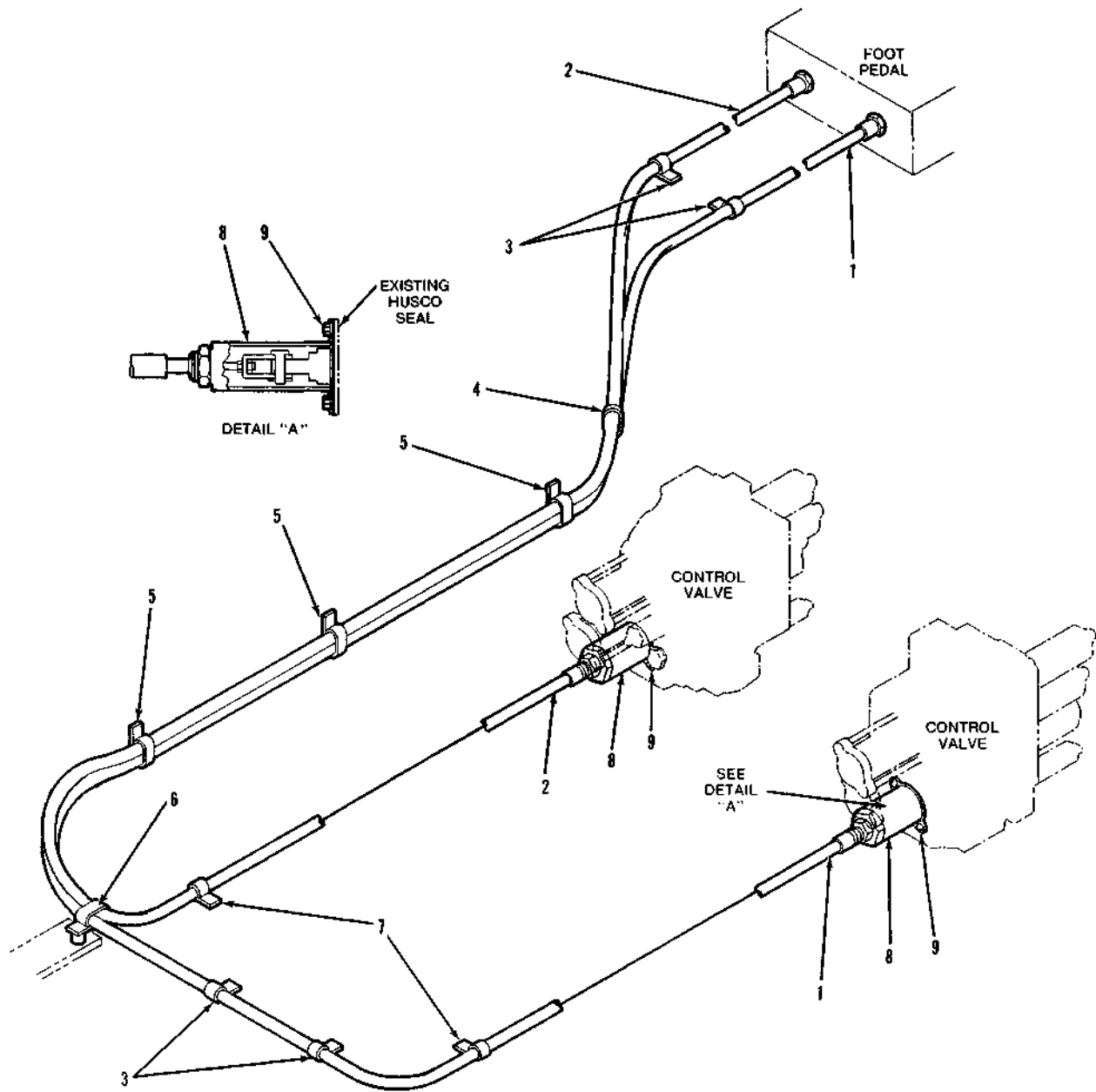
MODEL: 6644E

GROUP

28

PAGE 28.4

⊗ DISCONTINUED PART! REFER TO NUMERICAL PARTS LIST FOR REPLACEMENT PART(S)



REF.	PART NO.	DESCRIPTION	QTY.
1	444V0866	Cable	1
2	444V0865	Cable	1
3	200B2007-005	Clamp	4
	310V2390	Capscrew (3/8" NC x 1" - Gr. 5)	4
4	340V2323	Nut, Lock (3/8" NC - Gr. A)	4
	445V2406	Ty-Wrap	As Req'd
5	200B2007-054	Clamp, Double	3
	310V2390	Capscrew (3/8" NC x 1" - Gr. 5)	3
6	340V2323	Nut, Lock (3/8" NC - Gr. A)	3

REF.	PART NO.	DESCRIPTION	QTY.
6	200B2007-054	Clamp, Double	1
	316V2305	Capscrew (3/8" NC x 1 1/2" - Gr. 5)	1
7	LP	Washer, Flat (3/8" SAE)	1
	200B0003-103	Spacer	1
8	340V2323	Nut, Lock (3/8" NC - Gr. A)	1
	200B2007-005	Clamp	2
9	LP	Washer, Flat (3/8" SAE)	2
	340V2323	Nut, Lock (3/8" NC - Gr. A)	2
8	444V0854	Adapter	2
9	316V2306	Capscrew (3/8" NC x 3/4" - Gr. 5)	4

WHEN ORDERING PARTS, SPECIFY MODEL NUMBER, SERIAL NUMBER AND DESCRIPTION OF PART REQUIRED



TRACTION CABLES

DATE: Revised 10-85

MODEL: 6644E

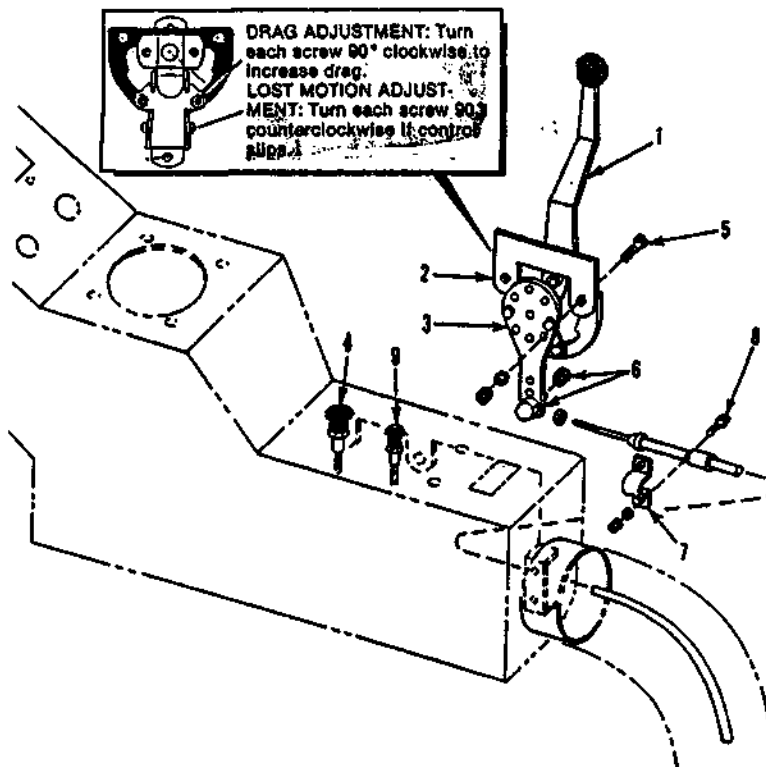
GROU

28

PAGE 28.5

⊗ DISCONTINUED PART! REFER TO NUMERICAL PARTS LIST FOR REPLACEMENT PART(S)

<https://tractormanualz.com/>



REF.	PART NO.	DESCRIPTION	QTY.
	708A6012	Governor Controls Ass'y . . .	1
		(Includes Items 1 thru 9)	
1	708 7284	Lever, Control . . . . .	1
	208713	Knob . . . . .	1
2	707 3243	Control . . . . .	1
3	707 3242	Lever . . . . .	1
4	1291-53	Cable . . . . .	1
	1291-139	Knob . . . . .	1
5	1200-309	Capscrew, 1/4C x 1/2 . . . . .	2
	1205-21	Nut, 1/4C . . . . .	2
6	707 3245	Swivel, "T" . . . . .	1
	1205-18	Nut, 1/4F Jam . . . . .	1
7	1291-117	Clamp, Conduit . . . . .	1
	1202-6	Screw, Machine . . . . .	2
8		#10C x 3/4	
	1210-7	Lockwasher . . . . .	2
	1205-5	Nut, #10C . . . . .	2
9	444 2444	Cable . . . . .	1
	1291-80	Knob . . . . .	1

WHEN ORDERING PARTS, SPECIFY MODEL NUMBER, SERIAL NUMBER AND DESCRIPTION OF PART REQUIRED



**THROTTLE, COLD STARTING AID & ENGINE STOP INSTALLATIONS**

DATE: Revised 7-91

MODEL: 6644E

GROUP

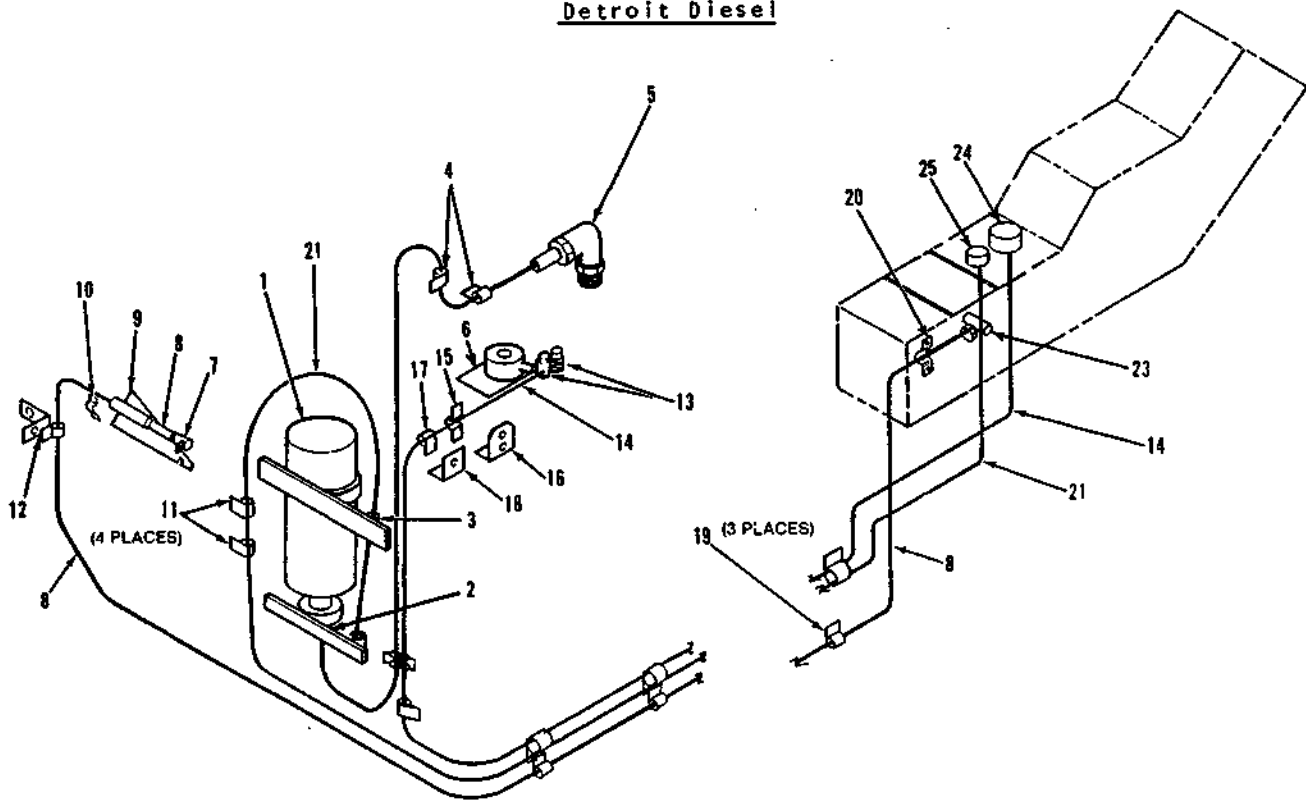
28

PAGE 28.6  
Sheet 1 of 2

⊗ DISCONTINUED PART! REFER TO NUMERICAL PARTS LIST FOR REPLACEMENT PART(S)

<https://tractormanualz.com/>

**Detroit Diesel**



REF.	PART NO.	DESCRIPTION	QTY.
1	420V5413	Cylinder, Ether.....	1
	310V2129	Capscrew..... (5/16"NC x 3/4" - Gr 5)	4
2	332V1800	Lockwasher (5/16").....	4
	U420V3408	Kit, Ether.....	1
3	200B2007-001	Clamp.....	2
	331V1800	Washer, Flat(5/16").....	2
4	200B2007-001	Clamp.....	4
	1200-335	Capscrew..... (3/8" NC x 1/2" - Gr.5)	1
5	420V3404	Atomizer.....	1
	362V0261	Bushing, Reducer..... (Inc. O-Ring)	1
6	364A5639	Strip.....	1
	414V2005	Joint, Ball.....	1
7	340V2002	Nut, Lock.....	1
	444V0861	Cable, Throttle.....	1
9	361B2531 (NS)	Bracket, Throttle Control.....	1
10	421V1259	Clamp, Cable.....	1
	421V1260	Shim.....	4
	311V1549	Screw, Mach. .... (#10NC x 1-1/2")	2
11	340V1504	Nut, lock(#10 NC).....	2
	200B2007-001	Clamp.....	5
	1200-335	Capscrew..... (3/8" NC x 1/2" - Gr.5)	6
12	200B2007-004	Clamp.....	3
	316V2306	Capscrew..... (3/8" NCx3/4" -Gr.5)	2
	340V2323	Nut, Lock(3/8" NC).....	2
	361B2478 (NS)	Bracket.....	1
	330V2000	Washer.....	1

REF.	PART NO.	DESCRIPTION	QTY.
13	420V3234	Pin.....	1
	420V3236	Spring.....	1
14	311V1633	Screw, Mach. (#10NF x 5/16)...	1
	444V2461	Cable, Engine Stop.....	1
	444V2464	Clamp, Cable.....	1
15	311V1544	Screw, Mach. .... (#10 NC x 1")	2
	331V1000	Washer, Flat(#10).....	2
	340V1504	Nut, Lock(#10 NC).....	2
16	359B8117(NS)	Bracket.....	1
	200B2007-001	Clamp.....	1
17	316V2306	Capscrew..... (3/8" NC x 3/4" -Gr.5)	1
	340V2323	Nut, Lock(3/8" NC).....	1
18	358A2010(NS)	Bracket.....	1
	200B2007-004	Clamp.....	3
19	200B2007-053	Clamp.....	3
	1200-59	Capscrew..... (3/8" NC x 1" -Gr.5)	3
	340V2323	Nut, Lock(3/8" NC).....	3
20	421V1259	Clamp, Cable.....	1
	421V1260	Shim.....	2
	311V1506	Screw, Mach. .... (#10 NC x 3/4" - Gr.2)	2
21	340V1504	Nut, Lock(#10 -Gr.2).....	2
	444V2449	Cable, Ether.....	1
23	444V0816	Swivel.....	1
	340V2000	Nut, Hex.....	1
24	444V2457	T-Handle.....	1
25	421V1262	Knob.....	1

WHEN ORDERING PARTS, SPECIFY MODEL NUMBER, SERIAL NUMBER AND DESCRIPTION OF PART REQUIRED



**THROTTLE, COLD STARTING AID,  
ENGINE STOP INSTALLATIONS**

DATE Revised 1-88

MODEL 6644E

GR

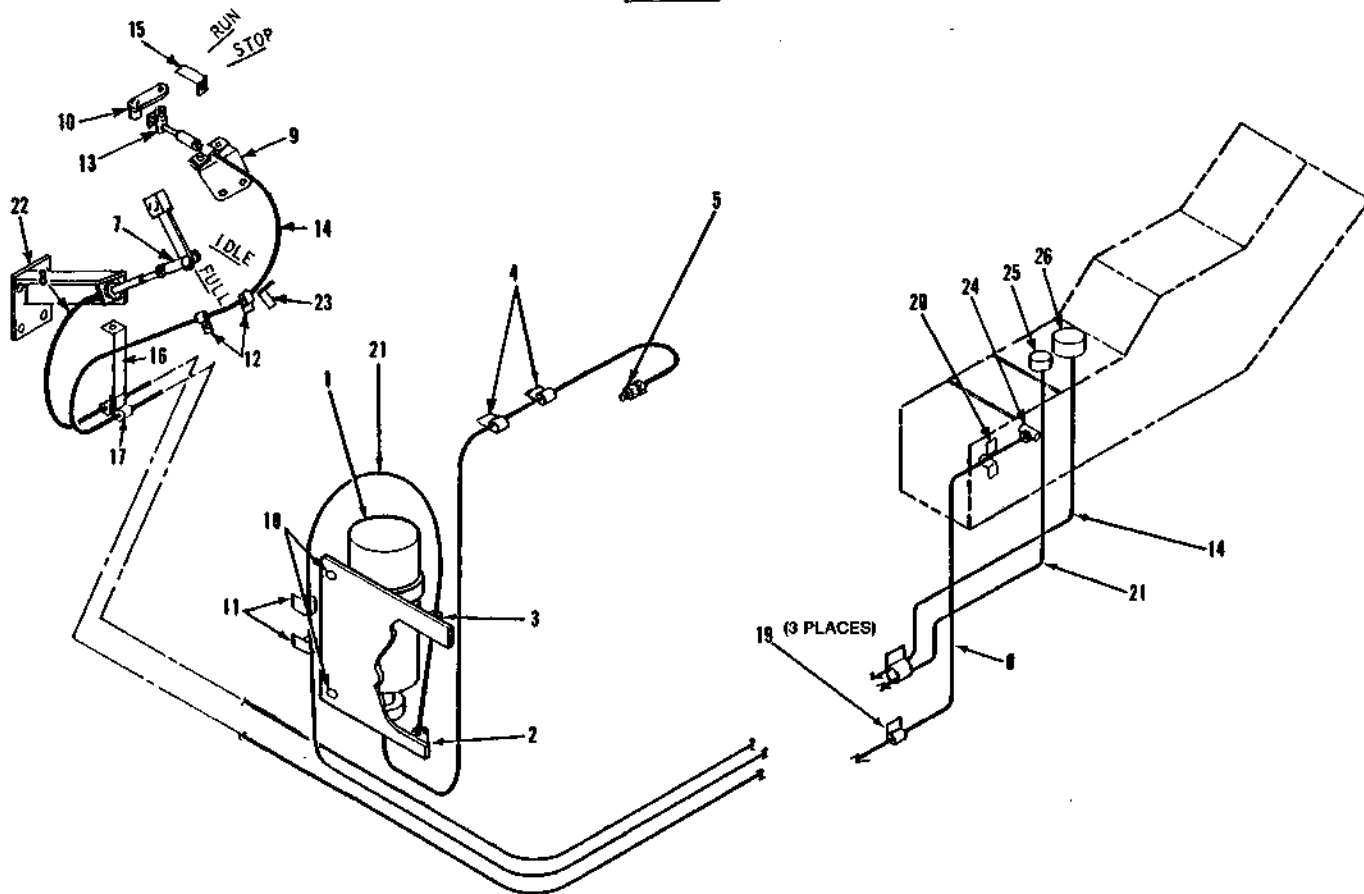
**28**

PAGE 28.6

Sheet 2 of 2

⊗ DISCONTINUED PART! REFER TO NUMERICAL PARTS LIST FOR REPLACEMENT PART(S)

<https://tractormanualz.com/>



REF.	PART NO.	DESCRIPTION	QTY.
1	420V5413	Cylinder, Ether.....	1
	200B0003-103	Spacer.....	2
	310V2140	Capscrew.....	2
2	332V1800	Washer.....	2
	U420V3408	Kit, Ether.....	1
3	200B2007-001	Clamp.....	2
	331V1800	Flatwasher, 5/16.....	2
	340V2113	Locknut.....	2
4	310V2129	Capscrew, 5/16c x 3/4.....	2
	200B2007-001	Clamp.....	2
5	420V3409	Atomizer.....	1
7	414V2005	Joint, Ball.....	1
	340V2002	Locknut.....	1
8	340V2000	Nut.....	1
	444V2450	Cable, Throttle.....	1
9	359A9350	Bracket.....	1
	444V2464	Clamp.....	1
	311V1506	Screw.....	2
	340V1504	Nut, Lock.....	2
10	708 7400	Lever.....	1
	200B2007-001	Clamp.....	4
11	1200-335	Capscrew, 3/8c x 1/2.....	4
	200B2007-001	Clamp.....	2
12	316V2306	Capscrew, 3/8c x 3/4.....	2
	340V2323	Locknut.....	2
13	57667	Stop.....	1
	57668	Retainer.....	1
	1233-1	Screw.....	1
14	1209-2	Washer.....	1
	444V2461	Cable, Stop.....	1

REF.	PART NO.	DESCRIPTION	QTY.
15	708 7379	Clip.....	1
	58652	Spring.....	1
16	359A1989	Bracket.....	1
	316V2306	Capscrew, 3/8c x 3/4.....	1
17	332V2000	Washer.....	1
	200B2007-001	Clamp.....	1
	200B2007-004	Clamp.....	1
	316V2306	Capscrew, 3/8c x 3/4.....	1
18	340V2323	Locknut, 3/8c.....	1
	359B8956	Bracket.....	1
	200B0003-103	Spacer.....	2
19	332V2000	Washer.....	2
	1200-59	Capscrew, 3/8 x 1.00.....	2
	200B2007-004	Clamp.....	3
	200B2007-053	Clamp.....	3
20	316V2306	Capscrew, 3/8c x 3/4.....	3
	340V2323	Locknut.....	3
	421V1259	Clamp.....	1
	421V1260	Shim.....	2
21	311V1506	Screw, #10c x 3/4.....	2
	340V1504	Locknut, #10c.....	2
	444V2452	Cable, Ether.....	1
22	U359C7512	Bracket.....	1
	310V3254	Capscrew.....	3
	310V2353	Capscrew.....	1
24	359A8954	Support.....	1
	330V2000	Washer, Flat.....	2
25	444V0816	Swivel.....	1
	340V2000	Nut, Hex.....	1
	421V1262	Knob.....	1
26	444V2457	T-Handle.....	1

WHEN ORDERING PARTS, SPECIFY MODEL NUMBER, SERIAL NUMBER AND DESCRIPTION OF PART REQUIRED



**THROTTLE, COLD STARTING AID & ENGINE STOP INSTALLATIONS**

DATE: Revised 1-88

MODEL: 6644E

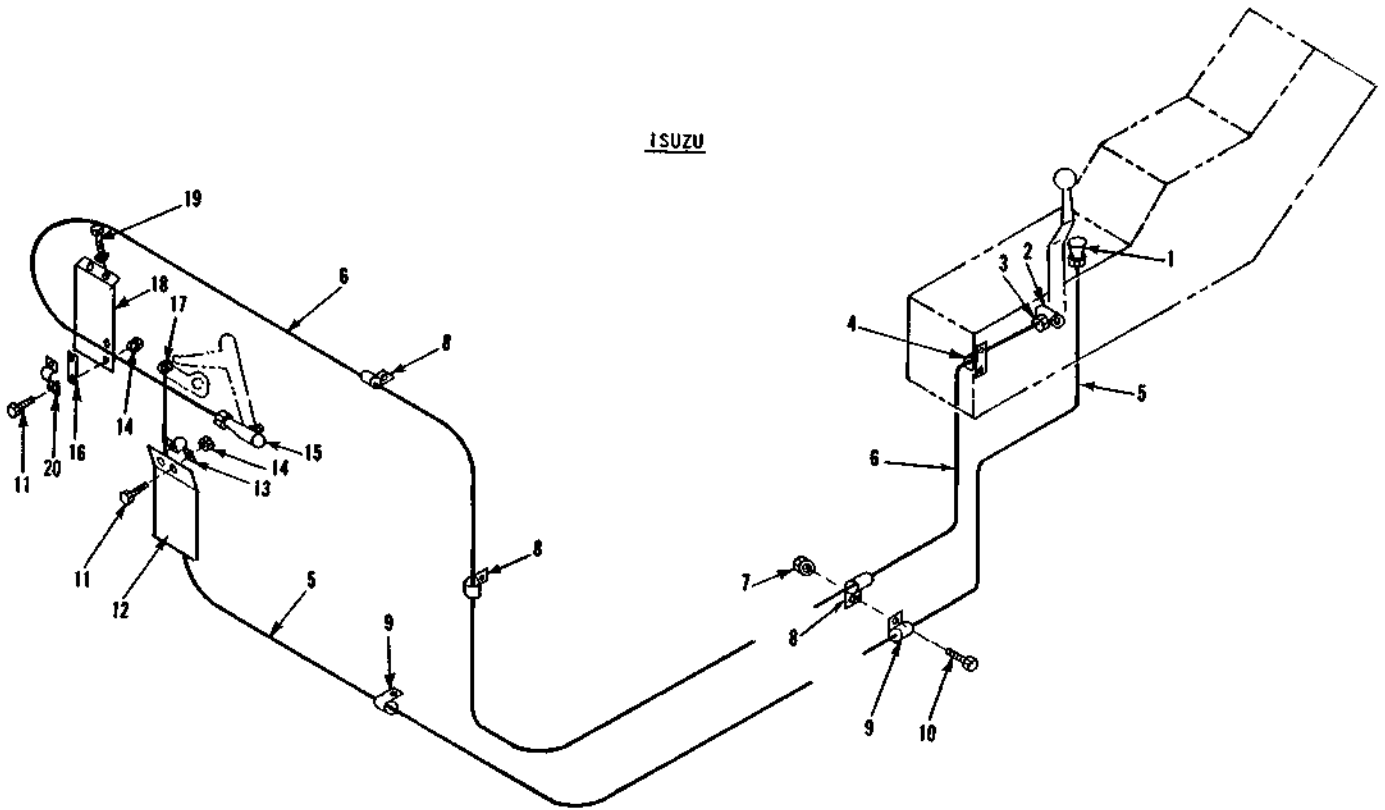
GROUP

28

PAGE 28.7

⊗ DISCONTINUED PART! REFER TO NUMERICAL PARTS LIST FOR REPLACEMENT PART(S)

ISUZU



REF.	PART NO.	DESCRIPTION	QTY.
	359E9361	Engine Controls Assembly (Isuzu)	
1	444V2457	T-Handle.....	1
2	444V0816	Swivel.....	1
3	340V2000	Nut 1/4" F.....	1
4	421V1259	Clamp.....	1
	421V1260	Shim.....	1
	311V1506	Screw, Mach. (#10 NC x 3/4")..	2
	340V1504	Nut (#10).....	2
5	444V2460	Cable, Stop.....	1
6	444V0861	Cable, Throttle.....	1
7	340V2323	Nut 3/8" C.....	3
8	200B2007-4	Clamp.....	7
9	200B2007-1	Clamp.....	4
10	1200-59	Screw (3/8" C x 1").....	3
11	311V1506	Screw, Mach. (#10 NC x 3/4")..	4
12	359B9374	Bracket, Stop.....	1
13	444V2464	Clamp.....	1
14	340V1504	Nut (#10).....	4
15	414V2005	Ball, Joint.....	1
	340V2002	Nut, Lock 1/4" F.....	1
	1205-18	Nut.....	1
16	421V1260	Shim.....	1
17	444V2455	Pivot.....	1
	1206-43	Set Screw.....	1
	1207-4	Cotter Pin.....	1
18	359B9035	Bracket, Throttle.....	1
19	1200-385	Screw M10-1.25 x 36.....	2
	1210-23	Washer.....	2
20	421V1259	Clamp.....	1

WHEN ORDERING PARTS, SPECIFY MODEL NUMBER, SERIAL NUMBER AND DESCRIPTION OF PART REQUIRED



THROTTLE & ENGINE STOP  
INSTALLATION

DATE Revised 1-88

MODEL 6644E

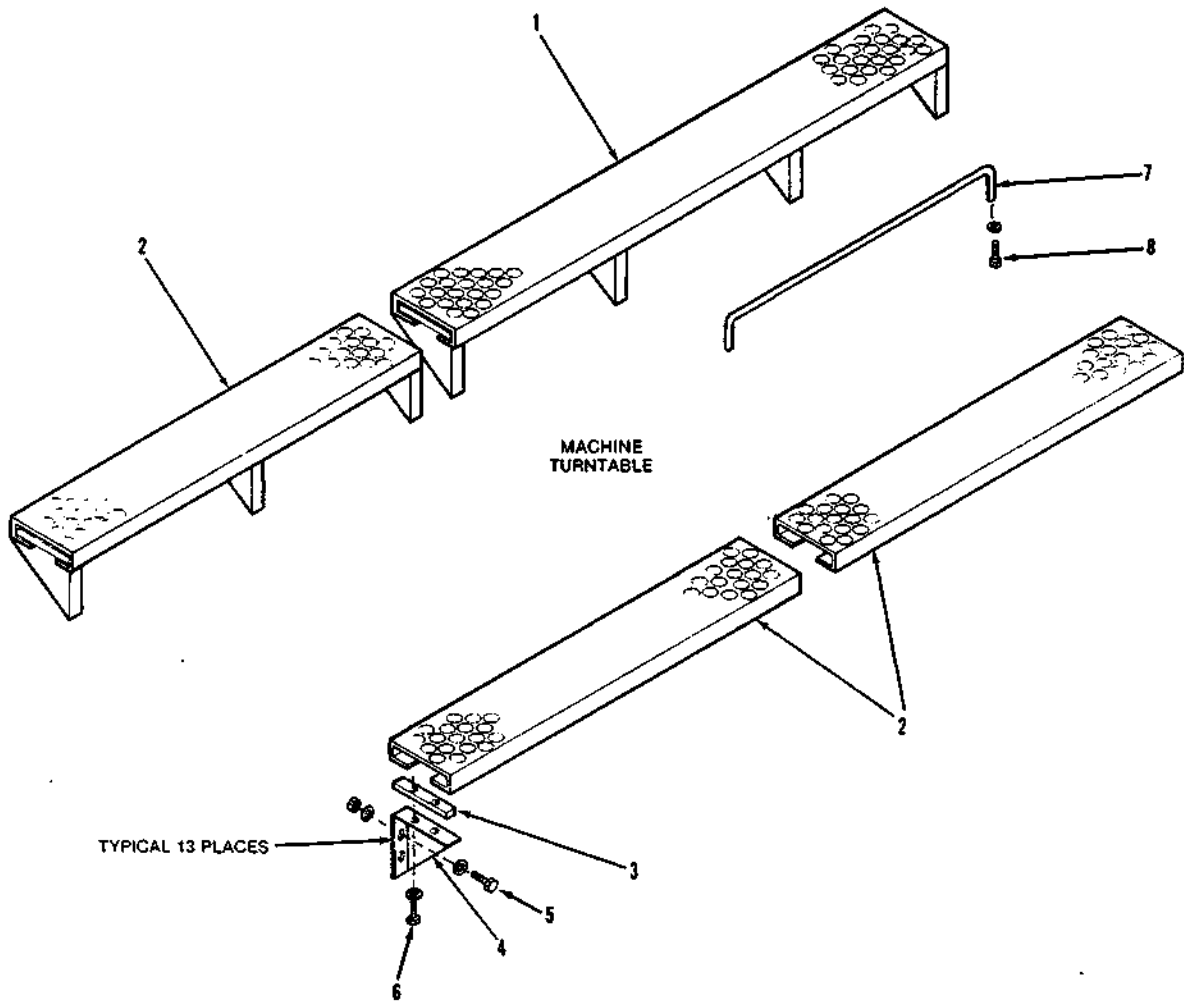
GROUP

28

PAGE 28.8

⊗ DISCONTINUED PART! REFER TO NUMERICAL PARTS LIST FOR REPLACEMENT PART(S)

<https://tractormanualz.com/>



REF.	PART NO.	DESCRIPTION	QTY.
	35908273	Catwalk Ass'y.....	1
		(Includes Items 1 thru 8)	
1	U35988272	Grating Section.....	1
		(Operator's Side)	
2	U35988271	Grating Section.....	3
3	359A8268	Flat.....	13
4	35988269	Bracket.....	13
5	316V2728	Capscrew, 1/20 x 1-1/2.....	26
	330V2201	Washer, Heavy, 1/2.....	52
	340V2728	Locknut, 1/20 Gr. A.....	26
6	310V2787	Capscrew, 1/20 x 1-1/4.....	26
	330V2201	Washer, Heavy, 1/2.....	26
7	708 6783	Handle, Grab.....	1
8	1203-140	Capscrew, 1/20 x 1.....	2
	1209-6	Plainwasher.....	2

WHEN ORDERING PARTS, SPECIFY MODEL NUMBER, SERIAL NUMBER AND DESCRIPTION OF PART REQUIRED



**CATWALK ASSEMBLY**

DATE Revised 11-88

MODEL 6644E

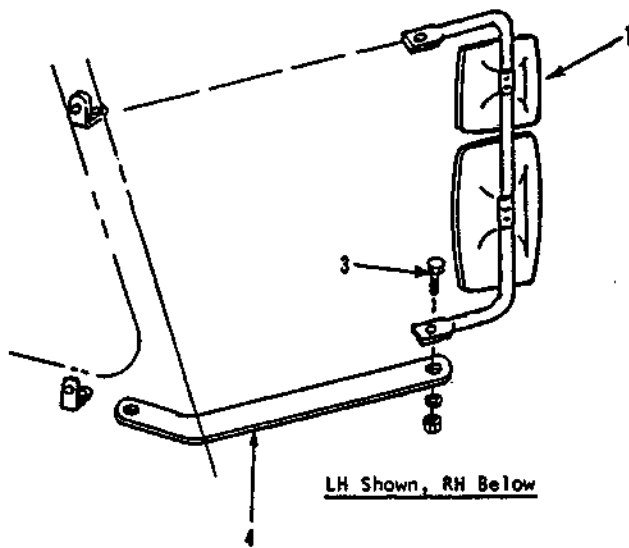
PAGE 29.1

GROUP

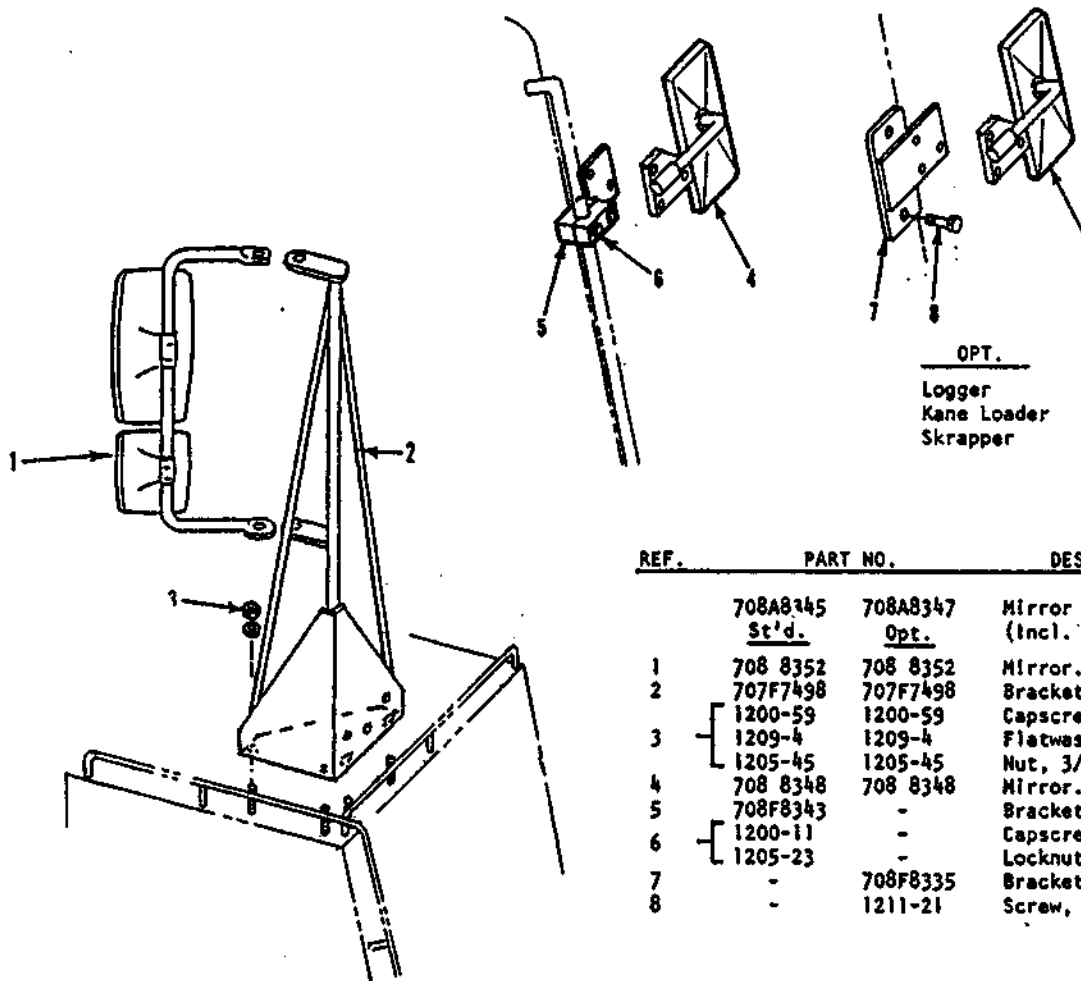
29

⊗ DISCONTINUED PART! REFER TO NUMERICAL PARTS LIST FOR REPLACEMENT PART(S)

<https://tractormanualz.com/>



REF.	PART NO.	DESCRIPTION	QTY.
	359C9208	Mirror Assembly (Early).....	1
		(Incl. Items 1 thru 4)	
1	708 0377	Mirror.....	2
2	707F7498	Bracket.....	1
3	310 2183	Capscrew, 5/16C x 1/2.....	2
	1209-3	Flatwasher.....	6
4	340 2113	Nut, 5/16C.....	6
	708 7456	Bracket.....	2



REF.	PART NO.	DESCRIPTION	QTY.	
	708A8345	708A8347	Mirror Assembly.....	AR
	St'd.	Opt.	(Incl. Items 1 thru 8)	
1	708 8352	708 8352	Mirror.....	1
2	707F7498	707F7498	Bracket.....	1
3	1200-59	1200-59	Capscrew, 3/8C x 1.....	6
	1209-4	1209-4	Flatwasher.....	6
	1205-45	1205-45	Nut, 3/8C Elastic.....	6
4	708 8348	708 8348	Mirror.....	1
5	708F8343	-	Bracket.....	1
6	1200-11	-	Capscrew, 1/4C x 2.....	2
	1205-23	-	Locknut, 1/4C.....	2
7	-	708F8335	Bracket.....	1
8	-	1211-21	Screw, 1/4 x 3/4.....	1

WHEN ORDERING PARTS, SPECIFY MODEL NUMBER, SERIAL NUMBER AND DESCRIPTION OF PART REQUIRED

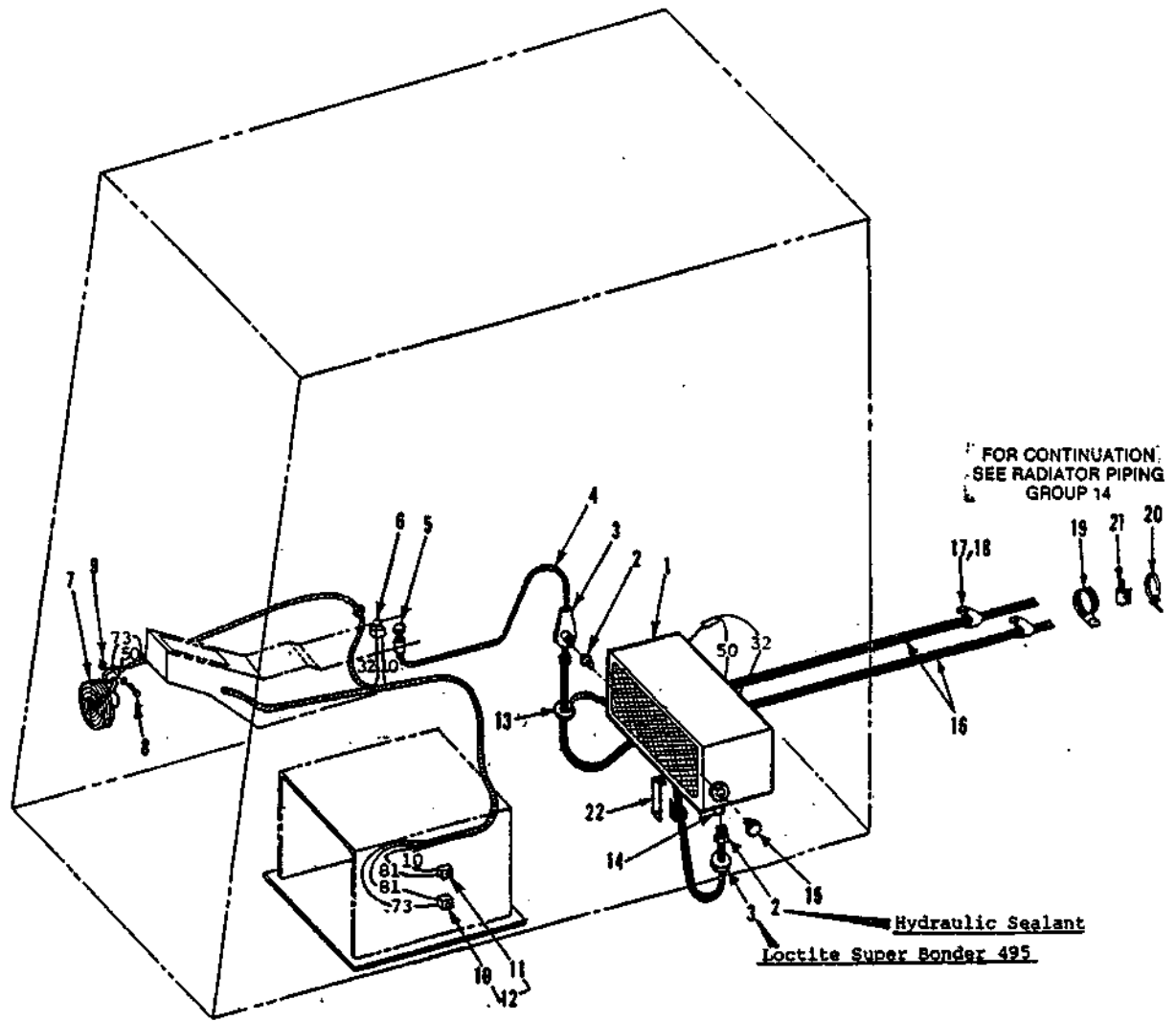


MIRRORS

DATE: Revised 7-91  
MODEL: 6644E

GROUP

29



REF.	PART NO.	DESCRIPTION	QTY.	REF.	PART NO.	DESCRIPTION	QTY.
	359E8426	Heater Piping (DD & Isuzu).....	Opt.	12	442 2399	Boot.....	2
	359E8964	Heater Piping (Cummins).....	Opt.	13	442 6314	Grommet.....	2
	708A7461	Defroster Ass'y (Incl. Items 7,8,9,11, & 12)	Opt.	14	362 0748	Fitting.....	1
1	420 5666	Heater w/Switch (24V,4-Wire) (Repl. 420 5663 2-Wire Heater) Core.....	1	15	1219-463	Plug.....	2
	203086	Motor.....	1	16	435V2106	Hose (Specify Length).....	AR
	207781	Blade.....	1	17	20080087-002	Clamp, Hose.....	4
	25734	Bushing.....	2	18	1240-53	Clamp.....	3
	1219-255	Valve, Control.....	1	19	1200-32	Cap screw, 5/16C x 1.....	3
2	12019-143	Cable.....	1	1210-17	Lockwasher.....	1	
3	444 4101	Knob, Cable.....	1	1209-3	Plainwasher.....	1	
4	1291-60	Switch Kit (for 2-Wire Heater) Switch (for 4-Wire Heater).....	1	1205-25	Nut, 5/16C.....	1	
5	A209004	Knob.....	1	20	20082007-008	Clamp, Single (1").....	4
6	420 2993	Fan, Defroster.....	1	19	20082007-010	Clamp, Single (1-1/4").....	4
7	1223-737	Screw, Machine, #10C x 3/8.....	3	20082007-058	Clamp, Double (1").....	4	
8	1233-17	Lockwasher.....	3	20	445V2406	Strap, Tie.....	AR
9	1210-7	Grommet.....	1	21	1219-190	Shutoff.....	AR
10	442 6315	Breaker, Circuit (10A).....	1	22	359A8175	Bracket (w/o Air Cond).....	1
11	441 4024	Breaker, Circuit (5A).....	1	23	20082398-25	Tube (Logger).....	2

WHEN ORDERING PARTS, SPECIFY MODEL NUMBER, SERIAL NUMBER AND DESCRIPTION OF PART REQUIRED

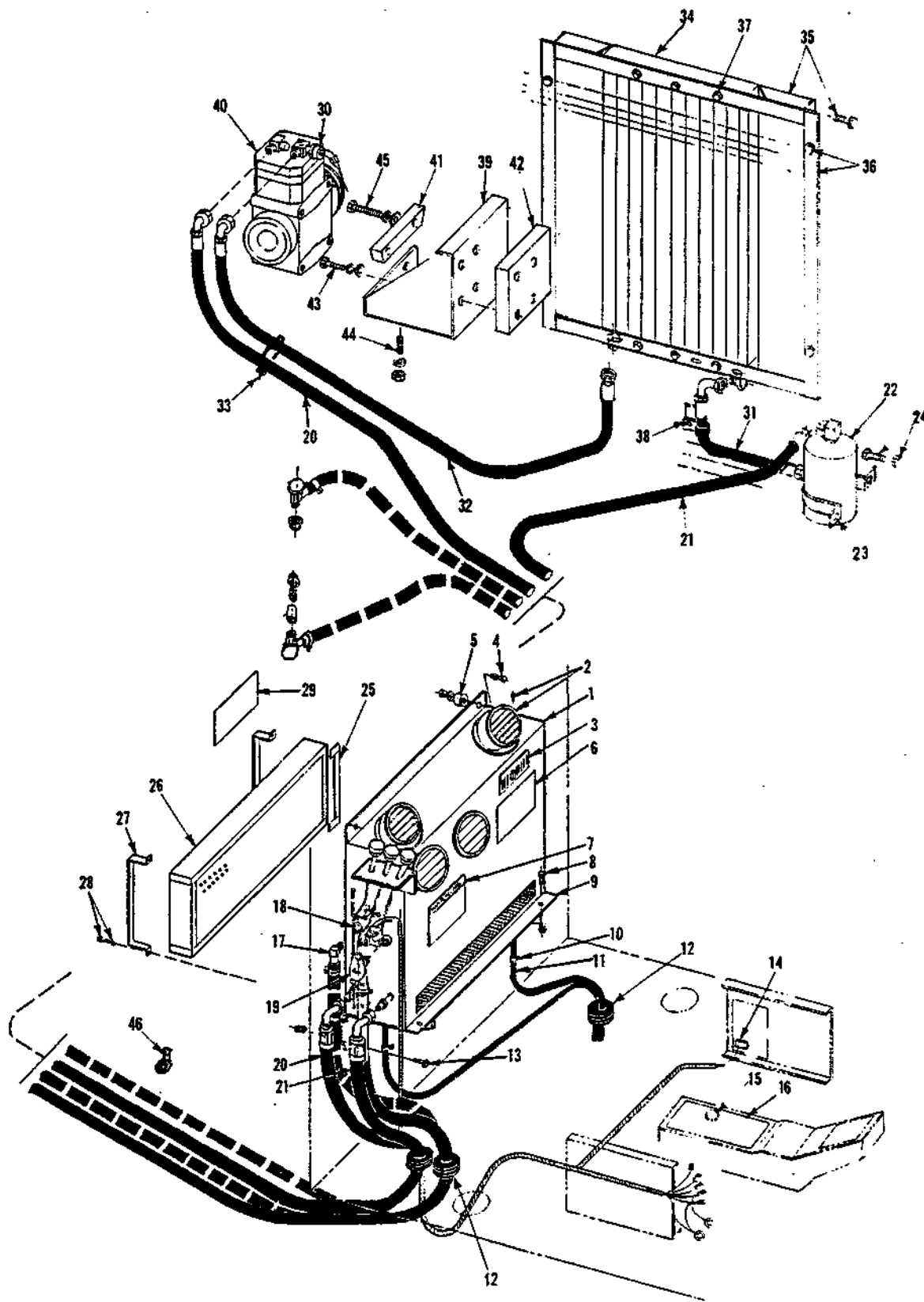


**HEATER PIPING**  
 (WITH OR W/O AIR CONDITIONING)  
<https://tractormanualz.com/>

DATE: Revised 7-91  
 MODEL: 6644E

GROUP

31



WHEN ORDERING PARTS, SPECIFY MODEL NUMBER, SERIAL NUMBER AND DESCRIPTION OF PART REQUIRED



AIR CONDITIONER

DATE: Issued 7-86

MODEL: 6644E

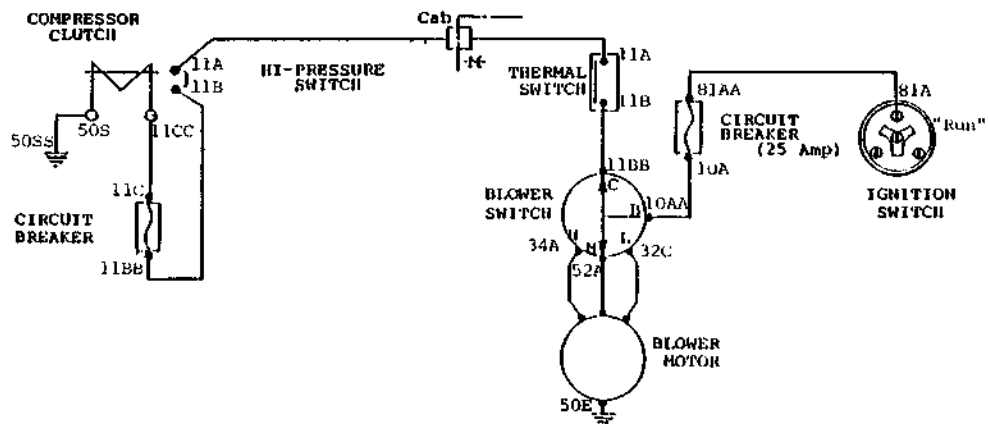
PAGE 31.2

GR  
31

⊗ DISCONTINUED PART! REFER TO NUMERICAL PARTS LIST FOR REPLACEMENT PART(S)

<https://tractormanualz.com/>

REF.	PART NO.	DESCRIPTION	QTY.	REF.	PART NO.	DESCRIPTION	QTY.
	359E8840	Air Conditioner Ass'y.....	Opt.	27	708 6259	Bracket.....	1
1	420 5646	Air Conditioner.....	1	28	1203-212	Capscrew, 5/16C x 1.....	4
		(See Page 31.4)			1210-17	Lockwasher.....	4
2	707 2612	Louver, Round.....	4	29	12260-982	Decal, Filter.....	1
	1211-1	Screw.....	5	30	707 2616	Switch, Hi-Pressure.....	1
3	707 2632	Louver.....	1	31	20082499-1	Hose Ass'y, Freon (5/16").....	1
	1200-63	Capscrew, 3/8C x 1-1/2.....	2	32	20082339-4	Hose Ass'y, Freon (7/16").....	1
4	1210-20	Lockwasher.....	2	33	445V2404	Ty-Wrap.....	3
	1209-4	Plainwasher.....	2	34	707 2601	Condensor.....	1
	1205-36	Nut, 3/8C.....	2		35988839	Bracket.....	2
5	707 2578	Boss.....	2	35	310V2390	Capscrew, 3/8C x 1.....	4
6	12260-978	Decal, Control.....	1		331V2000	Plainwasher, 3/8.....	4
7	12260-980	Decal, Warning.....	1		340V2323	Locknut, 3/8C.....	4
	1200-29	Capscrew, 5/16C x 3/4.....	4	36	35988838	Bracket.....	2
8	1210-17	Lockwasher.....	4		316V2306	Capscrew, 3/8C x 3/4.....	4
	1205-25	Nut, 5/16C.....	4		333V2003	Lockwasher.....	4
9	708F6257	Mount.....	1		358A6113	Strip, Back-Up.....	2
10	1240-100	Clamp.....	2	37	311V1131	Screw, Machine, #6C x 1-3/4.....	6
11	12301-16	Hose, Drain.....	2		331V0600	Plainwasher.....	6
12	442 6314	Grommet.....	3		340V1103	Locknut, #6C.....	6
	1200-59	Capscrew, 3/8C x 1.....	1	38	359A6382	Clip.....	1
13	1210-20	Lockwasher.....	1		200B2007-33	Clamp.....	1
	1205-38	Nut, 3/8C.....	1		316V2306	Capscrew, 3/8C x 3/4.....	1
14	441 4023	Breaker, Circuit (15A).....	1		340V2323	Locknut, 3/8C.....	1
15	1222-219	Button, Plug.....	1	39	U359C9205	Bracket, Compressor.....	1
16	12400-78	Decal, Console.....	1		420V5648	Compressor.....	1
17	12019-376	Elbow, 90°.....	2	40	421V3610	Pulley.....	1
18	1219-97	Bushing.....	2		411V0828	Belt.....	1
19	12019-143	Valve.....	1	41	U359B1922	Plate.....	1
20	20082374-1	Hose Ass'y, Freon (1/2").....	1	42	361A2591	Flat.....	1
21	20082500-1	Hose Ass'y, Freon (5/16").....	1		310V2515	Capscrew, 7/16C x 2-1/2.....	4
22	707 2600	Receiver/Dryer.....	1	43	332V2100	Lockwasher.....	4
23	707 2617	Clamp.....	1		330V2100	Plainwasher.....	4
24	310V1965	Capscrew, 1/4C x 1.....	2		306V1126	Stud.....	1
	340V1916	Locknut, 1/4C.....	2	44	330V2000	Plainwasher.....	4
25	12227-60	Strip, Rubber.....	1		340V2314	Locknut, 3/8C.....	4
26	403 3917	Filter.....	1	45	307V1109	Bolt, 3/8C x 3-1/2.....	1
					330V2000	Plainwasher.....	1
				46	200B2007-6	Clamp, .75".....	3
					200B2007-33	Clamp, .69".....	5
					200B2007-40	Clamp, .94".....	5



WHEN ORDERING PARTS, SPECIFY MODEL NUMBER, SERIAL NUMBER AND DESCRIPTION OF PART REQUIRED



AIR CONDITIONER

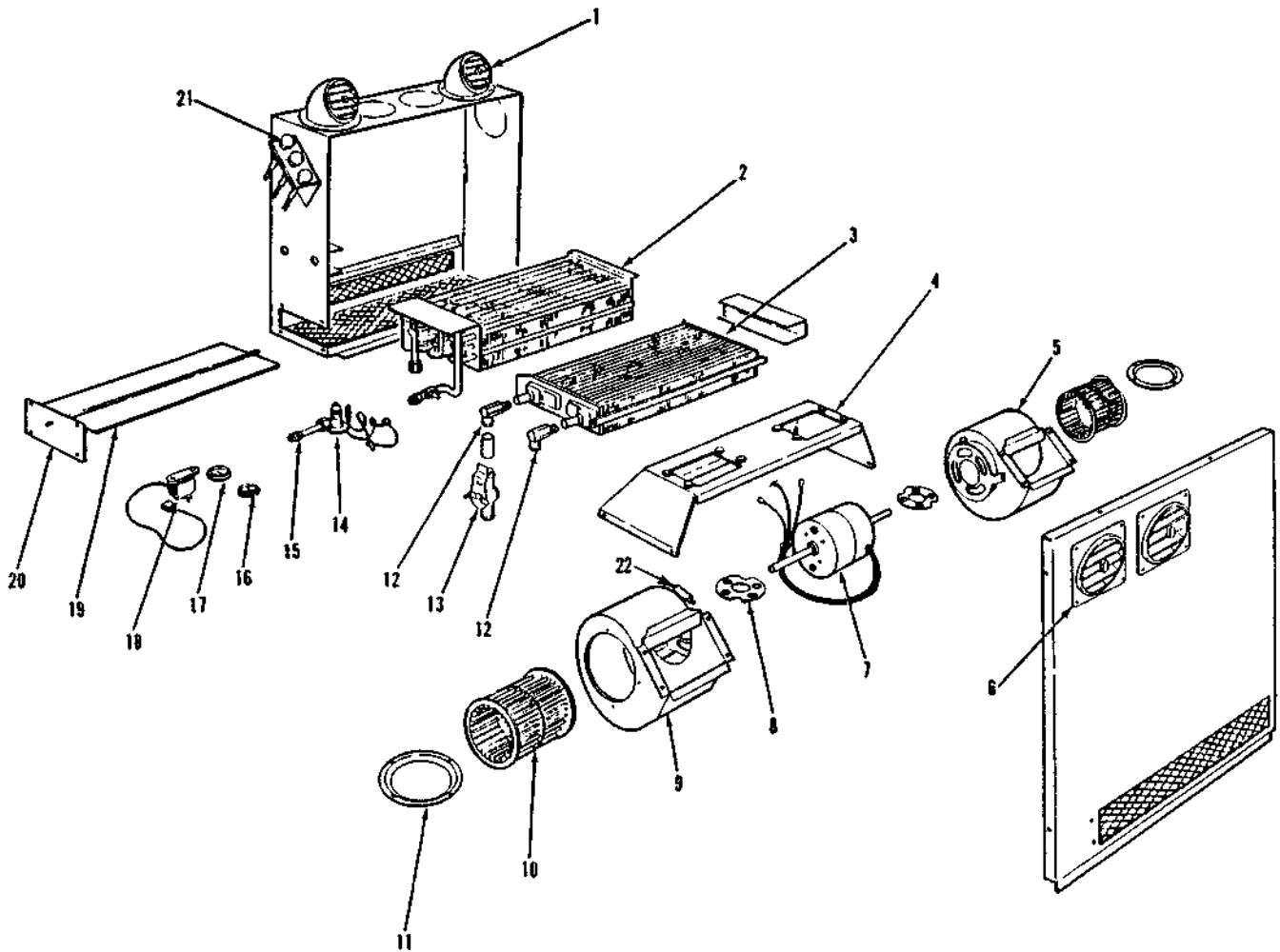
DATE: Issued 7-86

MODEL: 6644E

GROUP  
31

PAGE 31.3

⊗ DISCONTINUED PART! REFER TO NUMERICAL PARTS LIST FOR REPLACEMENT PART(S)



REF.	PART NO.	DESCRIPTION	QTY.
	420 5646	Air Conditioner/Heater. (Includes Items 1 thru 22)	1
1	901V3196	Elbow, Louver.....	2
2	901V3197	Coil, Evaporator(204617).	1
3	901V3198	Core, Water.....	1
4	901V3199	Bracket, Blower.(204614).	1
5	901V3200	Housing, LH.....	1
6	901V3201	Louver.....	2
7	901V3043	Motor.....	2
8	901V3202	Gasket.....	2
9	901V3203	Housing, RH.....	1
10	901V3044	Wheel..... (204612).	2
11	901V3204	Ring, Inlet.... (204611).	2
12	901V3205	Connector.....	2
13	901V3206	Valve, Water.....	1
14	901V3207	Valve, Expander..(204629).	1
15	901V3206	Tube.....(204628).	1
16	901V3209	Grommet.....(204625).	1
17	901V3210	Grommet.....(204624).	1
18	901V3211	Switch, Thermal..(204623).	1
19	901V3212	Damper.....	1
20	901V3213	Closeout, Evap..(204622).	1
21	901V5214	Cable, Control.....	3
22	901V3218	Resistor, 24V.....	1

WHEN ORDERING PARTS, SPECIFY MODEL NUMBER, SERIAL NUMBER AND DESCRIPTION OF PART REQUIRED



AIR CONDITIONER

DATE: Issued 7-86

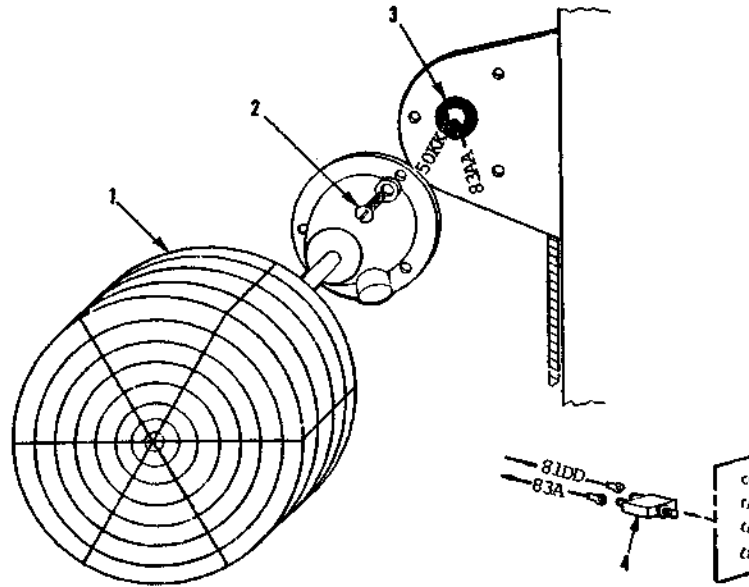
MODEL: 6644E

PAGE 31.4

GROUP  
31

⊗ DISCONTINUED PART! REFER TO NUMERICAL PARTS LIST FOR REPLACEMENT PART(S)

<https://tractormanualz.com/>



REF.	PART NO.	DESCRIPTION	QTY.
	708A6931	Rear Fan Ass'y.....	Opt.
		(Includes Items 1 thru 4)	
1	1223-737	Fan, Defroster.....	1
2	[ 1233-17	Screw, Machine.....	3
	[ 1210-7	Lockwasher.....	3
3	442 6315	Grommet.....	1
4	[ 441 4025	Breaker, Circuit (5A)..	1
	[ 442 2399	Boot.....	1

WHEN ORDERING PARTS, SPECIFY MODEL NUMBER, SERIAL NUMBER AND DESCRIPTION OF PART REQUIRED



REAR FAN

DATE: Issued 1-88

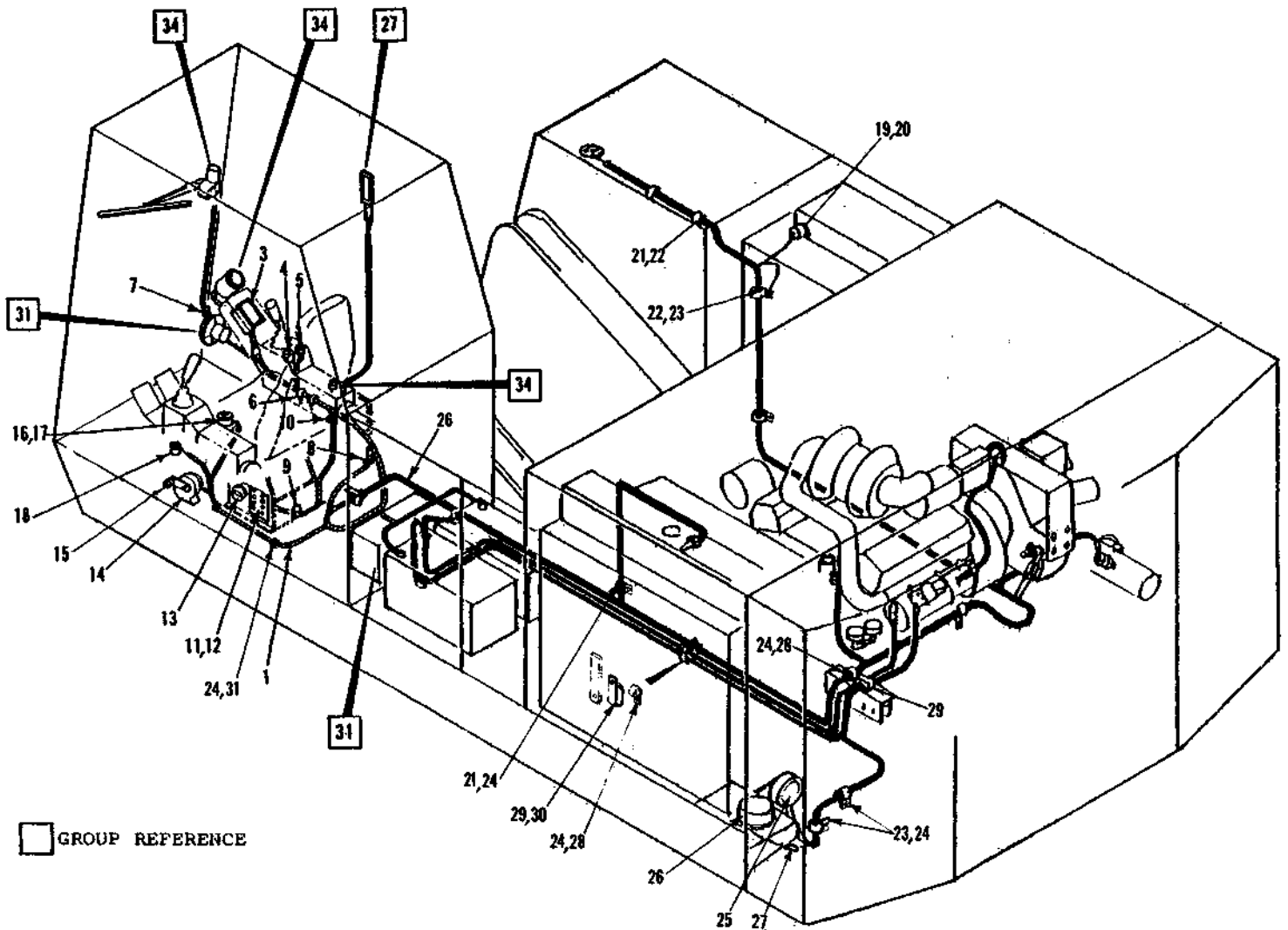
MODEL: 6644E

PAGE 31.5

GROUP

31

⊗ DISCONTINUED PART! REFER TO NUMERICAL PARTS LIST FOR REPLACEMENT PART(S)



REF.	PART NO.	DESCRIPTION	QTY.	REF.	PART NO.	DESCRIPTION	QTY.
1	708 6229	Harness, Cab.....	1	15	1200-31	Capscrew, 5/16C x 1.....	2
2	Page 33.2	Harness, Engine.....	1	15	1210-17	Lockwasher.....	2
3	420 2710	Module, Monitor.....	1	15	1205-30	Nut, 5/16C.....	2
4	420 2975	Switch, Key (D.D.,Cummins)...	1	16	1223-742	Switch, Horn.....	1
	206206	Key.....	1	16	311 1977	Capscrew, 1/4C x 1.....	2
	708 7338	Switch, Key (Isuzu).....	1	17	1210-14	Lockwasher.....	2
	730 2980	Key, Round.....	Early	17	1205-13	Nut, 1/4C.....	2
	208177	Flat Key/Barrel Ass'y.....	1	18	420 2971	Switch, Pressure.....	1
5	442 2613	Switch, Starter.....	1	19	420V2890	Sender, Oil Pressure.....	1
	1223-715	Cover, Switch.....	1	20	375V0207	Connector.....	1
6	1222-184	Wrap, Tie.....	4	21	200B2007-3	Clamp.....	3
7	442 6315	Grommet.....	3	22	316V2336	Capscrew, 3/8C x 5/8.....	6
8	442 6316	Grommet.....	1	23	200B2007-4	Clamp.....	3
9	12177-5	Gasket.....	1	24	340V2323	Nut, 3/8C.....	AR
10	310 2714	Capscrew, 1/2C x 1-1/4 Brass.....	1	24	330V2201	Flatwasher.....	AR
	1205-190	Nut, 1/2C Brass.....	1	25	420V5932	Horn, Hi.....	1
11	441 4025	Breaker, Circuit ( 5A).....	AR	25	474V0002	Alarm, Travel.....	1
	441 4024	Breaker, Circuit (10A).....	AR	26	310V2147	Capscrew, 5/16C x 1-1/4.....	2
	441 4026	Breaker, Circuit (20A).....	AR	26	340V2113	Locknut, 5/16C.....	2
12	442 2399	Boot, Circuit Breaker.....	AR	27	442V6431	Terminal.....	2
	1222-205	Button, Plug.....	4	27	445V1052	Connector.....	2
13	1245-162	Hourmeter.....	1	28	200B2007-7	Clamp.....	6
	420 5932	Horn, Hi.....	1	29	200B2007-5h	Clamp, Double.....	3
14	420 5933	Horn, Lo.....	1	30	316V2306	Capscrew, 3/8C x 3/4.....	3
	1223-388	Bracket.....	1	30	340V2323	Nut, 3/8C.....	3
	1223-389	Nut.....	1	31	200B2007-2	Clamp.....	3

WHEN ORDERING PARTS, SPECIFY MODEL NUMBER, SERIAL NUMBER AND DESCRIPTION OF PART REQUIRED



CAB ELECTRICAL

DATE: Revised 1-88

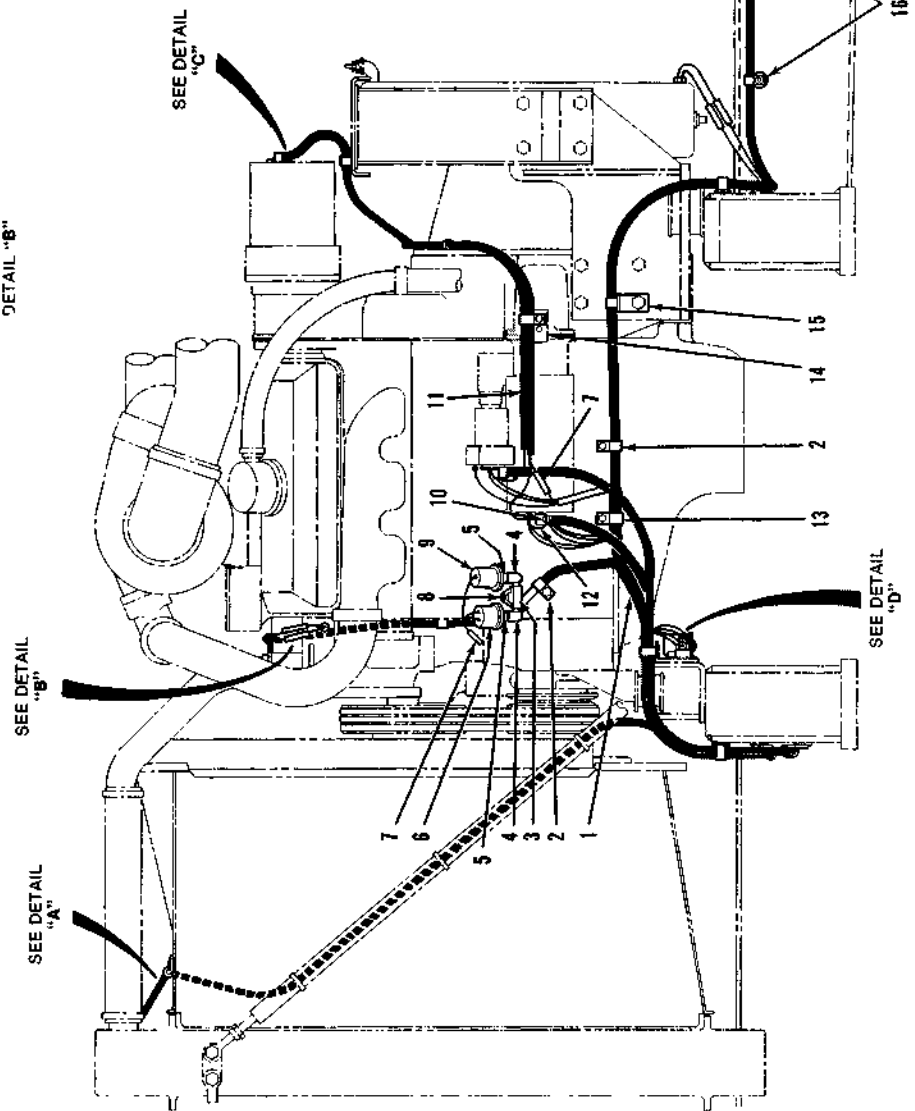
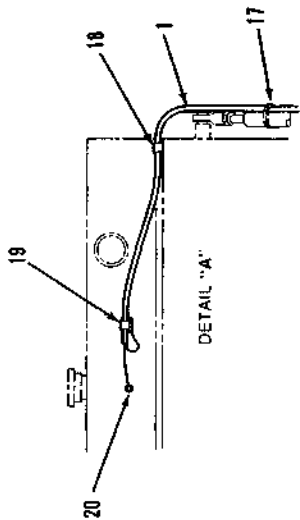
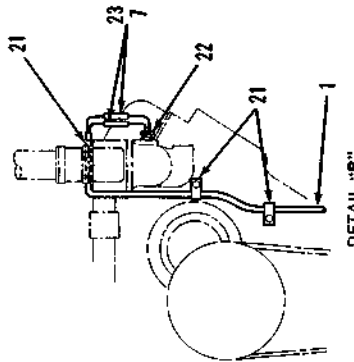
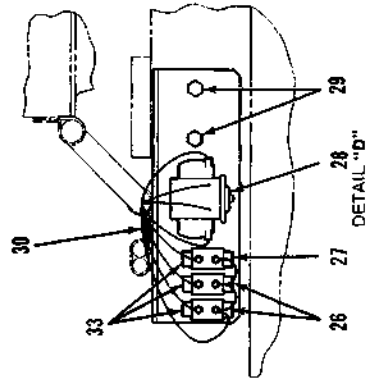
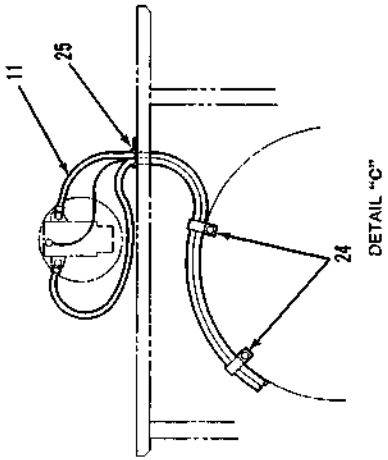
MODEL: 6644E

PAGE: 33.1

GROUP

33

⊗ DISCONTINUED PART! REFER TO NUMERICAL PARTS LIST FOR REPLACEMENT PART(S)



WHEN ORDERING PARTS, SPECIFY MODEL NUMBER, SERIAL NUMBER AND DESCRIPTION OF PART REQUIRED



**ENGINE WIRING**  
(DETROIT DIESEL 7063-7600)

DATE: Issued: 2-85

MODEL: 6644E

GROUP  
**33**

PAGE 33.z  
Sheet 1 of 2

⊗ DISCONTINUED PART! REFER TO NUMERICAL PARTS LIST FOR REPLACEMENT PART(S)

<https://tractormanualz.com/>

REF.	PART NO.	DESCRIPTION	QTY.
1	359E9219	Harness, Wire(Repl.359E8468).	1
2	[ 200B2007-005	Clamp, Support.....	1
	316V2306	Capscrew, 3/8C x 3/4.....	2
3	362V3245	Tee, Male Branch.....	1
4	362V1216	Elbow.....	2
5	362V0261	Bushing.....	2
6	420V2970	Switch.....	1
7	445V1052	Connector.....	6
8	362V0806	Bushing.....	1
9	420V2890	Sender, Oil Pressure.....	1
10	[ 316V2306	Capscrew, 3/8C x 3/4.....	1
	333V2100	Lockwasher.....	1
11	359B8156	Harness, Wire (D.D.).....	1
12	U355B3926	Harness, Wire.....	1
13	[ 200B2007-007	Clamp, Support.....	1
	316V2306	Capscrew, 3/8C x 3/4.....	1
	200B2007-056	Clamp, Support.....	1
14	[ 358A0378	Bracket.....	1
	316V2306	Capscrew, 3/8C x 3/4.....	1
	340V2323	Locknut, 3/8C.....	1
	200B2007-005	Clamp, Support.....	1
15	[ 358A0378	Bracket.....	1
	316V2306	Capscrew, 3/8C x 3/4.....	1
	340V2323	Locknut, 3/8C.....	1
	200B2007-004	Clamp, Support.....	2
16	[ 330V2201	Plainwasher.....	2
	340V2323	Locknut, 3/8C.....	2
17	445V2405	Ty-Wrap.....	AR
18	[ 200B2007-003	Clamp, Support.....	1
	316V2306	Capscrew, 3/8C x 3/4.....	1
	200B2007-003	Clamp, Support.....	1
19	[ 316V2306	Capscrew, 3/8C x 3/4.....	1
	333V2100	Lockwasher.....	1
	340V2323	Locknut, 3/8C.....	1
	420V2706	Probe, Level.....	1
20	[ 362V0261	Bushing.....	1
	340V1605	Nut, #10-32.....	2
21	200B2007-004	Clamp, Support.....	2
22	[ 420V2889	Sender, Temperature.....	1
	360V1326	Bushing, 1/2-1/4.....	1
23	442V6431	Terminal.....	4
24	[ 200B2007-063	Clamp, Support.....	2
	331V2100	Plainwasher.....	2
	200B2007-056	Clamp, Support.....	1
25	[ 316V2306	Capscrew, 3/8C x 3/4.....	1
	340V2323	Locknut, 3/8C.....	1
	441V4026	Breaker, Circuit.....	2
26	[ LP	Screw, Pan, 1/2C.....	4
	340V1605	Nut, 1/2C.....	4
	441V4025	Breaker, Circuit.....	1
27	[ LP	Screw, Pan, 1/2C.....	2
	340V1605	Nut, 1/2C.....	2
	420V2965	Switch, Magnetic.....	1
	LP	Capscrew.....	2
28	[ 310V1968	Capscrew, 1/4C x 1/2.....	2
	330V1400	Plainwasher.....	2
	340V1916	Locknut, 1/4C.....	2
	359B8539	Bracket.....	1
29	[ 310V2379	Capscrew, 3/8C x 1-1/4.....	2
	340V2323	Locknut, 3/8C.....	2
	200B2007-007	Clamp, Support.....	1
30	[ 200B2007-054	Clamp, Support.....	1
	316V2306	Capscrew, 3/8C x 3/4.....	1
	340V2323	Locknut, 3/8C.....	1
31	420V2889	Sender, Temperature.....	2
32	U420V2988	Switch.....	1
33	442V2399	Boot, Breaker.....	3

WHEN ORDERING PARTS, SPECIFY MODEL NUMBER, SERIAL NUMBER AND DESCRIPTION OF PART REQUIRED



**ENGINE WIRING**  
(DETROIT DIESEL 7063-7600)

DATE Revised 1-88

MODEL: 6644E

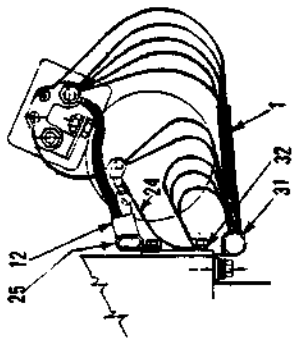
**GROUP**  
**33**

PAGE 33.2

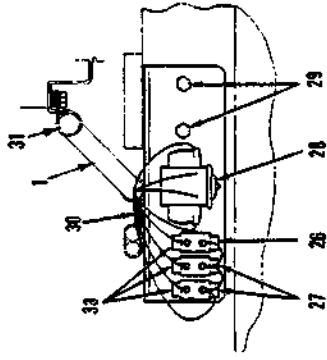
Sheet 2 of 2

⊗ DISCONTINUED PART REFER TO NUMERICAL PARTS LIST FOR REPLACEMENT PART(S)

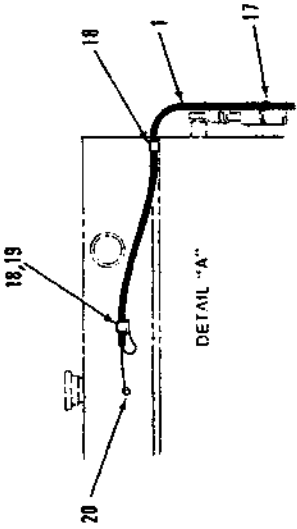
<https://tractormanualz.com/>



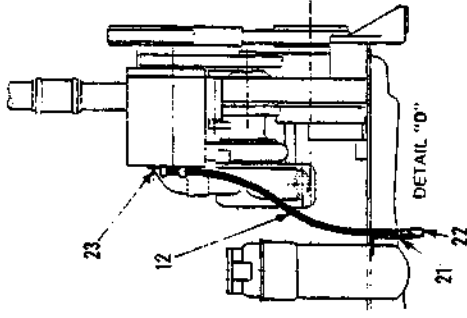
DETAIL "C"



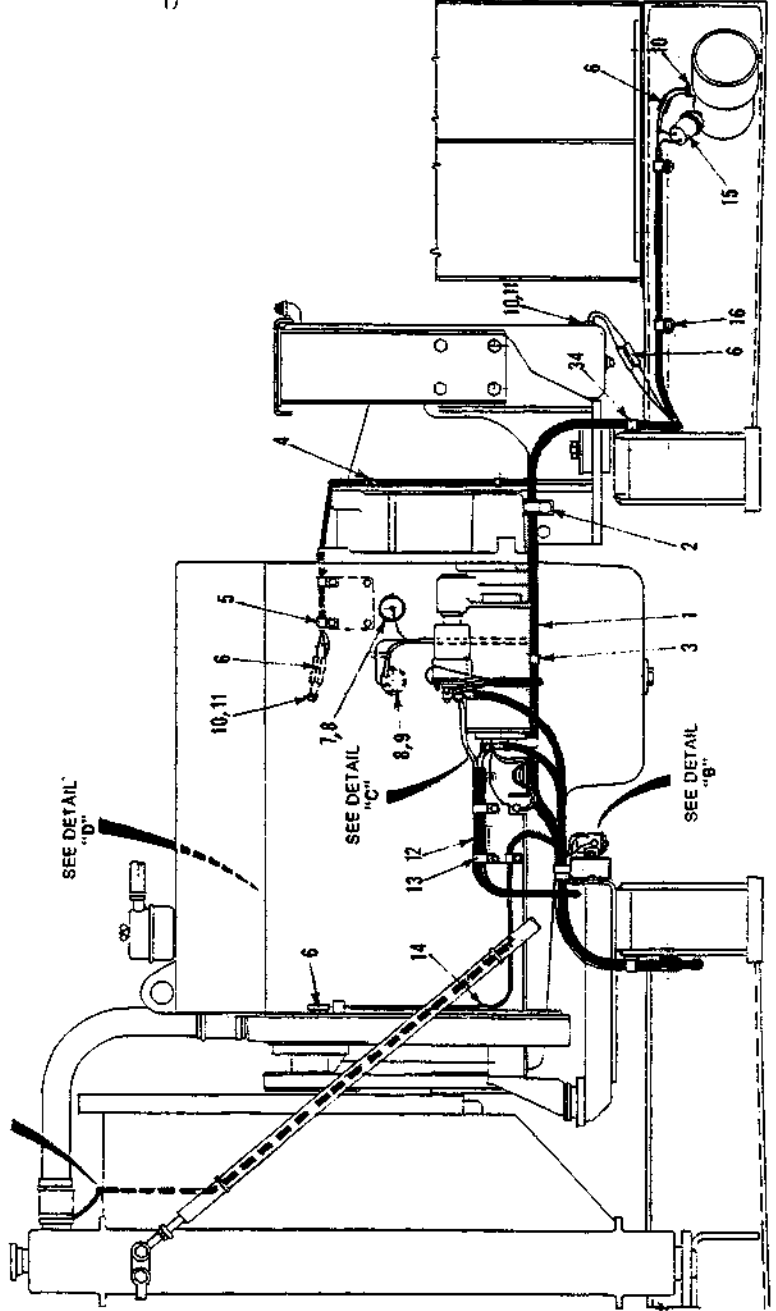
DETAIL "B"



DETAIL "A"



DETAIL "D"



WHEN ORDERING PARTS, SPECIFY MODEL NUMBER, SERIAL NUMBER AND DESCRIPTION OF PART REQUIRED



ENGINE WIRING  
CUMMINS LTA-10-C290

DATE: Issued 7-86

MODEL: 6644E

GROU.  
**33**

PAGE 33.3  
Sheet 1 of 2

⊗ DISCONTINUED PART! REFER TO NUMERICAL PARTS LIST FOR REPLACEMENT PART(S)

<https://tractormanualz.com/>

REF.	PART NO.	DESCRIPTION	QTY.
1	359E9218	Harness, Wire.....	1
2	358A0378	Bracket.....	1
	200B2007-5	Clamp.....	1
	316V2306	Capscrew, 3/8C x 3/4.....	1
3	340V2323	Locknut, 3/8C.....	1
	200B2007-5	Clamp, 5/8".....	6
4	330V2000	Flatwasher, 3/8.....	16
	200B2007-20	Clamp.....	3
5	331V2100	Flatwasher, 7/16.....	3
	200B2007-3	Clamp.....	2
6	442V6431	Terminal.....	8
	445V1052	Connector.....	8
7	420V2890	Sender, Oil Pressure.....	1
8	362V0261	Bushing, Reducing, 1/4-1/8...	2
9	420V2970	Switch, Pressure.....	1
10	420V2889	Sender, Temperature.....	2
11	360V1326	Bushing, Reducing, 1/2-1/4...	2
12	359B4487	Harness, Wire.....	1
13	200B2007-63	Clamp, .....	2
	330V2000	Flatwasher, 3/8.....	2
14	200B2007-27	Clamp.....	2
	330V2000	Flatwasher, 3/8.....	2
15	U420V2988	Switch, Pressure.....	1
16	200B2007-4	Clamp.....	2
	340V2323	Locknut, 3/8C.....	2
	330V2201	Flatwasher, 1/2.....	2
17	445V2405	TyWrap.....	AR
18	200B2007-3	Clamp.....	1
	316V2336	Capscrew, 3/8C x 3/4.....	1
19	333V2100	Lockwasher, 3/8.....	1
	340V2323	Locknut, 3/8C.....	1
20	420V2706	Probe, Level.....	1
	362V0261	Bushing, Reducing, 1/4-1/8...	1
21	359A7525	Strip.....	1
	330V2000	Flatwasher, 3/8.....	1
22	200B2007-63	Clamp.....	4
	316V2306	Capscrew, 3/8C x 1-1/4.....	4
	340V2323	Locknut, 3/8C.....	4
23	330V2000	Flatwasher, 3/8.....	4
	310V2183	Capscrew, 5/16C x 1/2.....	1
24	364B1625	Wire Ass'y.....	1
25	200B2007-63	Clamp.....	1
	330V2000	Flatwasher, 3/8.....	1
26	441V4026	Breaker, Circuit (20 Amp)....	2
27	441V4025	Breaker, Circuit (6 Amp)....	1
28	420V2965	Switch, Magnetic.....	1
	310V1968	Capscrew, 1/4C x 1/2.....	2
	330V1400	Flatwasher, 5/16.....	2
	340V1916	Locknut, 1/4C.....	2
29	359B8539	Bracket.....	1
	310V2379	Capscrew, 3/8C x 1-1/4.....	2
	340V2323	Locknut, 3/8C.....	2
	200B2007-7	Clamp.....	1
30	200B2007-54	Clamp, Double.....	1
	316V2306	Capscrew, 3/8C x 3/4.....	1
	340V2323	Locknut, 3/8C.....	1
31	200B2007-7	Clamp.....	1
	330V2000	Flatwasher, 3/8.....	1
32	333V2100	Lockwasher, Shakeproof.....	2
33	442V2399	Boot, Circuit Breaker.....	3
34	200B2007-5	Clamp.....	3
	340V2323	Locknut, 3/8C.....	3
	330V2201	Flatwasher, 1/2.....	3

WHEN ORDERING PARTS, SPECIFY MODEL NUMBER, SERIAL NUMBER AND DESCRIPTION OF PART REQUIRED



ENGINE WIRING  
CUMMINS LTA-10-C290

DATE: Issued 7-86

MODEL: 6644E

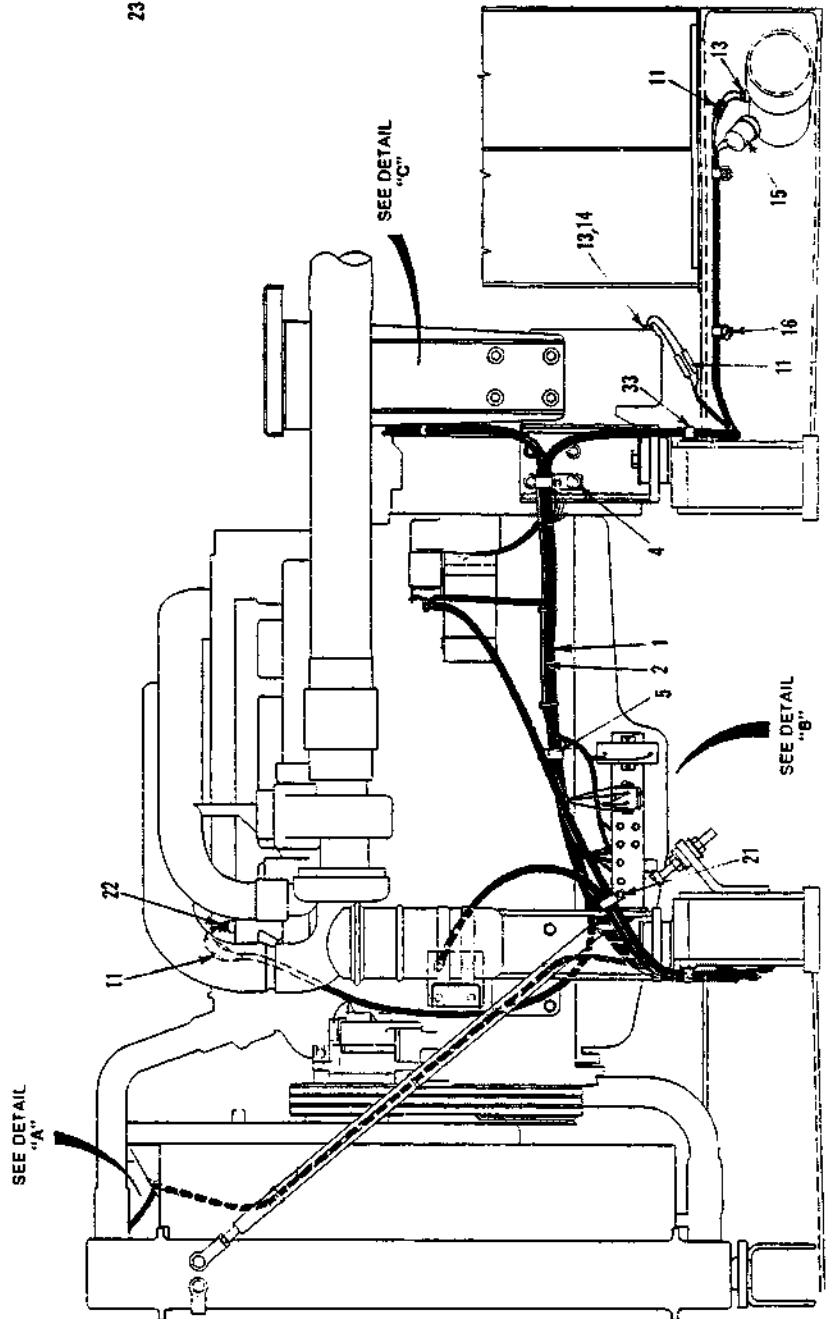
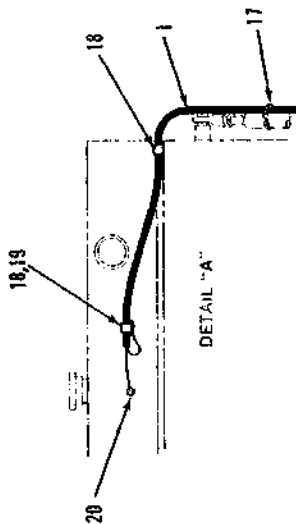
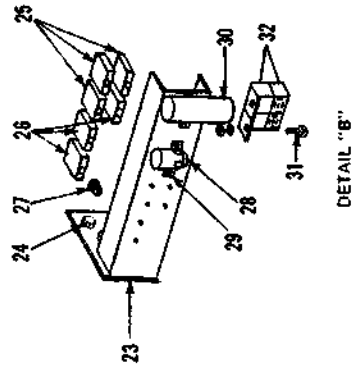
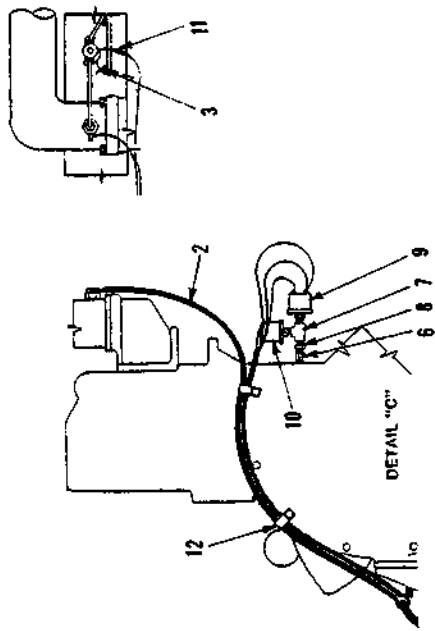
GROUP

33

PAGE 33.3  
Sheet 2 of 2

⊗ DISCONTINUED PART! REFER TO NUMERICAL PARTS LIST FOR REPLACEMENT PART(S)

<https://tractormanualz.com/>



WHEN ORDERING PARTS, SPECIFY MODEL NUMBER, SERIAL NUMBER AND DESCRIPTION OF PART REQUIRED



ENGINE WIRING  
ISUZU 6RB1T

DATE Issued 7-86

MODEL 6644E

PAGE 33.4  
Sheet 1 of 2

GROUP  
**33**

⊗ DISCONTINUED PART! REFER TO NUMERICAL PARTS LIST FOR REPLACEMENT PART(S)

<https://tractormanualz.com/>

REF.	PART NO.	DESCRIPTION	QTY.
1	35909433	Harness, Wire (Bcg.#21194)....	1
		(Repl. 359E8923 & Item 2)	
2	359C9043	Harness, Wire, Air Box Htr...	AR
3	1223-749	Terminal.....	1
4	358A0378	Bracket.....	2
	200B2007-10	Clamp.....	1
	340V2323	Locknut, 3/8C.....	1
	310V2306	Capscrew, 3/8C x 3/4.....	1
5	200B2007-10	Clamp.....	1
	310V3254	Capscrew, M12-1.75 x 25.....	1
	332V2204	Lockwasher.....	1
6	420V2190	Adapter.....	1
7	362V6009	Tee, 1/8.....	1
8	360V2004	Nipple, 1/8.....	1
9	420V2970	Switch.....	1
10	420V2890	Sender, Oil Pressure.....	1
11	445V1052	Connector.....	8
	442V6431	Terminal.....	8
12	200B2007-10	Clamp.....	2
	331V2100	Flatwasher.....	2
13	420V2889	Sender, Temperature.....	2
14	359A9065	Adapter.....	1
15	1223-739	Switch.....	1
	359A9065	Adapter.....	1
16	300B2007-4	Clamp.....	2
	340V2323	Locknut, 3/8C.....	2
	330V2201	Flatwasher, 1/2.....	2
17	445V2405	TyWrap.....	AR
18	200B2007-3	Clamp.....	1
	316V2336	Capscrew, 3/8C x 3/4.....	1
19	333V2100	Lockwasher.....	1
	340V2323	Nut, 3/8C.....	1
20	420V2706	Probe, Level.....	1
	362V0261	Bushing.....	1
21	200B2007-54	Clamp.....	1
	316V2306	Capscrew, 3/8C x 3/4.....	1
	330V2005	Flatwasher.....	1
	332V2005	Lockwasher, 3/8.....	1
22	420V2889	Sender, Temperature.....	1
	362V0462	Bushing, 3/8-1/4.....	1
23	U359B9432	Bracket (Repl. U364B5028)....	1
	1200-29	Capscrew, 5/16C x 3/4.....	2
	1205-32	Nut, 5/16C.....	2
24	310V2379	Capscrew, 3/8C x 1-1/4.....	2
	340V2323	Locknut, 3/8C.....	2
25	441V4025	Breaker, Circuit (6 amp)....	3
26	441V4026	Breaker, Circuit (20 amp)....	3
27	442V2399	Boot, Circuit Breaker.....	6
28	420V2965	Switch, Magnetic.....	1
	310V1968	Capscrew, 1/4C x 1/2.....	2
29	330V1400	Flatwasher, 1/4.....	2
	340V1916	Locknut, 1/4C.....	2
30	208383	Resistor (Part of Engine)....	1
	311V1502	Screw, Machine, #10 x 1/2....	4
31	330V1000	Flatwasher, #10.....	4
	1230-7	Keys, #10C.....	4
32	1246-14	Socket.....	2
	441V3339	Relay.....	2
33	200B2007-5	Clamp.....	2
	340V2323	Locknut, 3/8C.....	2
	330V2201	Flatwasher, 1/2.....	2

Early

WHEN ORDERING PARTS, SPECIFY MODEL NUMBER, SERIAL NUMBER AND DESCRIPTION OF PART REQUIRED



ENGINE WIRING  
ISUZU 6RB1T

DATE: Revised 1-88

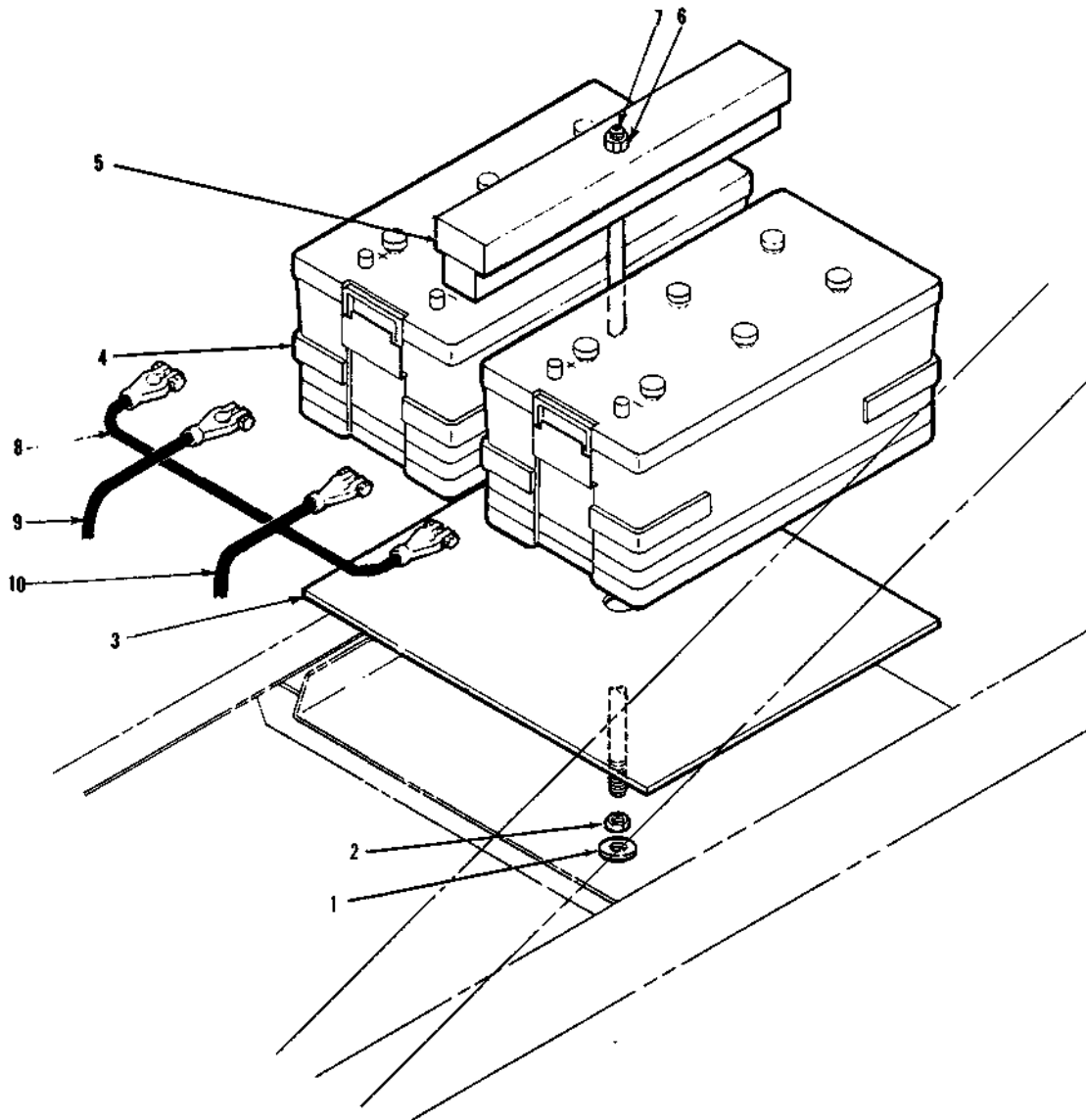
MODEL: 6644E

GROUP

33

PAGE 33.4  
Sheet 2 of 2

⊗ DISCONTINUED PART! REFER TO NUMERICAL PARTS LIST FOR REPLACEMENT PART(S)



REF.	PART NO.	DESCRIPTION	QTY.
1	330V2401	Flatwasher, 5/8.....	2
2	340V3101	Nut, 5/8C Jam.....	1
3	361A0882	Tray.....	1
4	U420V2006	Battery (BC18D).....	2
5	U361A0989	Retainer, Battery.....	1
6	343V3100	Nut, 5/8C.....	1
7	200B0043-012	Stud.....	1
8	200B0073-11	Cable, Jumper.....	1
9	200B0090-23	Cable, Black (-).....	1
10	200B0091-24	Cable, Red (+).....	1

WHEN ORDERING PARTS, SPECIFY MODEL NUMBER, SERIAL NUMBER AND DESCRIPTION OF PART REQUIRED



## BATTERY INSTALLATION

DATE: Revised 7-86

MODEL: 6644E

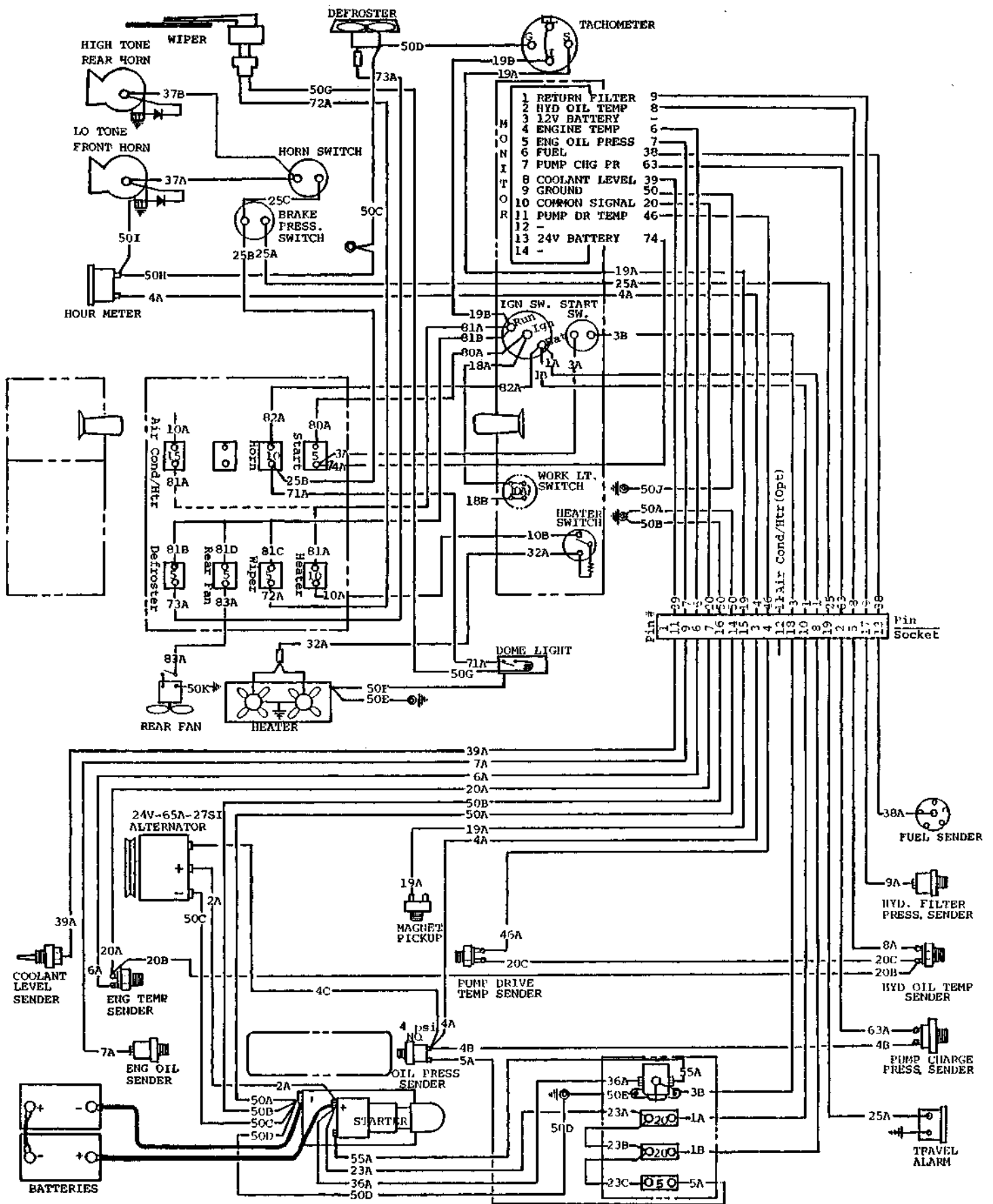
GROUP

33

PAGE 33.5

⊗ DISCONTINUED PART! REFER TO NUMERICAL PARTS LIST FOR REPLACEMENT PART(S)

<https://tractormanualz.com/>



WHEN ORDERING PARTS, SPECIFY MODEL NUMBER, SERIAL NUMBER AND DESCRIPTION OF PART REQUIRED



**WIRING**  
(DETROIT DIESEL 7063-7600)

DATE Revised 7-86

MODEL: 6644E

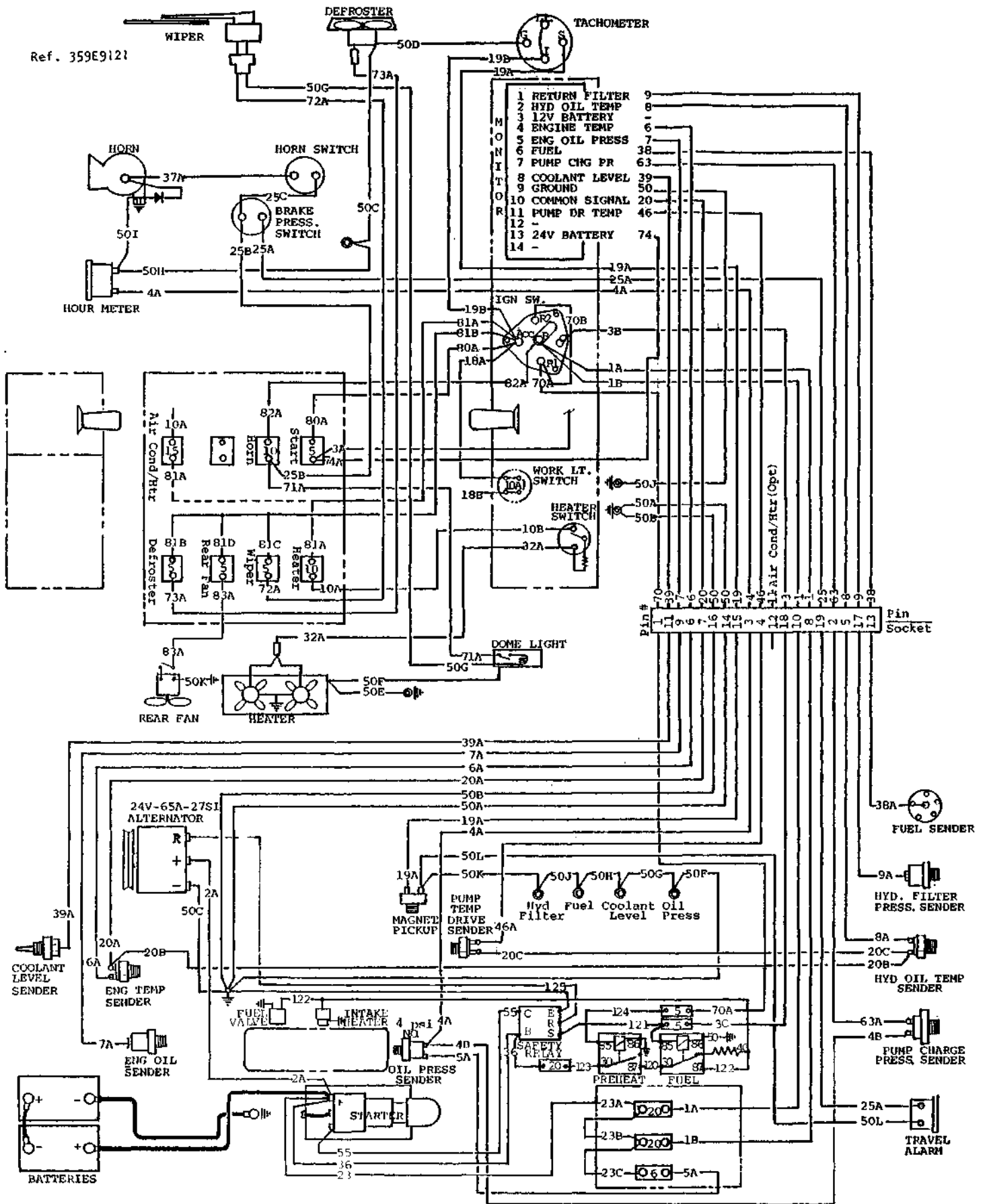
GROUP

33

PAGE 33.6

⊗ DISCONTINUED PART REFER TO NUMERICAL PARTS LIST FOR REPLACEMENT PART(S)

Ref. 359E9121



WHEN ORDERING PARTS, SPECIFY MODEL NUMBER, SERIAL NUMBER AND DESCRIPTION OF PART REQUIRED



**WIRING**  
ISUZU 6RBIT

DATE: Issued 11-88  
MODEL: 6644E

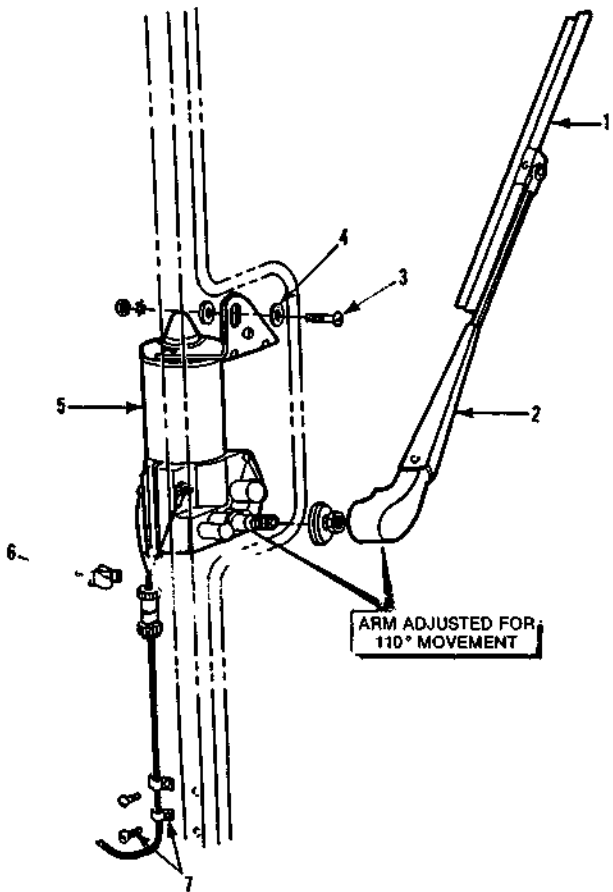
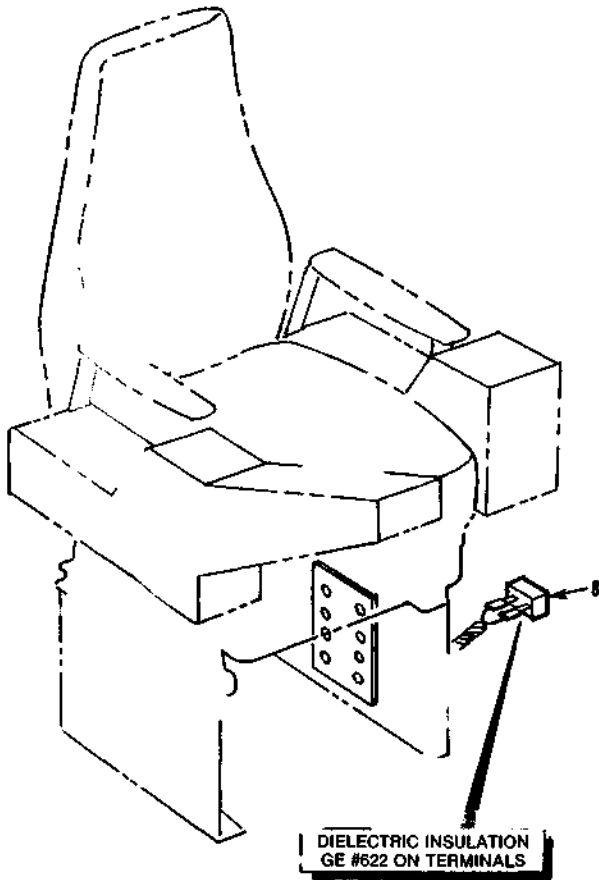
GROUP

33

PAGE 33.7

⊗ DISCONTINUED PART! REFER TO NUMERICAL PARTS LIST FOR REPLACEMENT PART(S)

<https://tractormanualz.com/>



REF.	PART NO.	DESCRIPTION	QTY.
	708A6071	Wiper Assembly .....	1
		(Includes Items 1 Thru 8)	
1	1222-152	Blade .....	1
2	1222-151	Arm .....	1
	LP	Capscrew .....	1
3		(3/16" NC x 1/2")	
	LP	Washer, Lock (3/16") ....	1
	LP	Nut (3/16" NC) .....	1
4	LP	Plainwasher (3/16") .....	2
5	1251-9	Motor, Wiper .....	1
6	1240-31	Clamp, Slip-On .....	2
7	1209-15	Clamp .....	2
	LP	Screw (#6 x 3/8") .....	2
8	441 4027	Breaker, Circuit (3 amp) ..	1

WHEN ORDERING PARTS, SPECIFY MODEL NUMBER, SERIAL NUMBER AND DESCRIPTION OF PART REQUIRED



**WINDSHIELD WIPER**

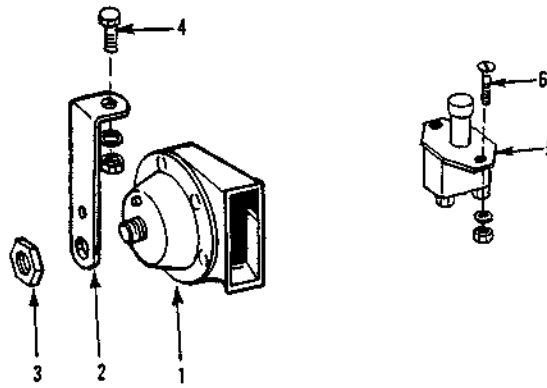
DATE Issued: 2-85

MODEL 6644E

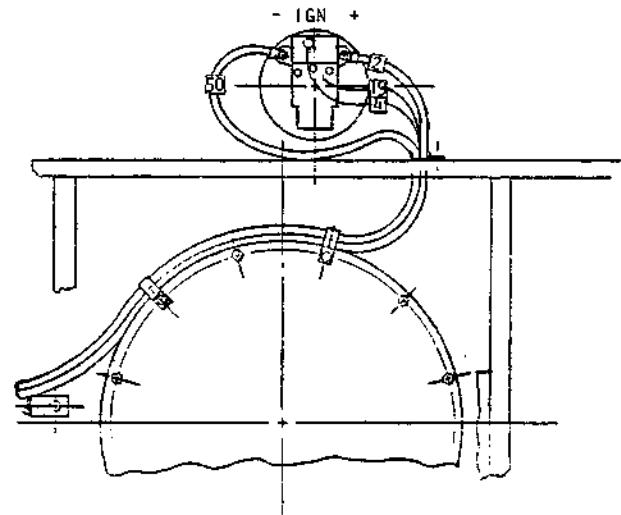
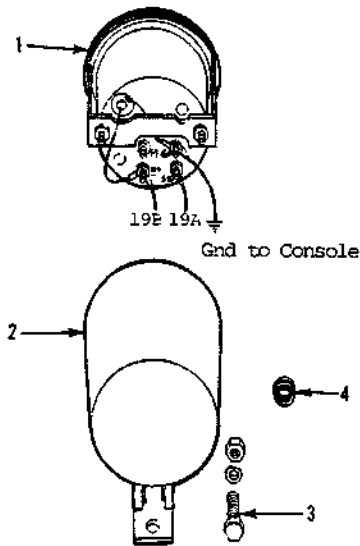
PAGE 34.1

**GROUP**  
**34**

⊗ DISCONTINUED PART! REFER TO NUMERICAL PARTS LIST FOR REPLACEMENT PART(S)



REF.	PART NO.	DESCRIPTION	QTY.
1	420 5932	HORN HI-TONE .....	1
2	1223-388	Bracket.....	AR
3	1223-389	Nut.....	AR
4	1200-31	Capscrew, 5/16C x 1....	1
	1210-17	Lockwasher.....	1
5	1205-30	Nut, 5/16C.....	1
	1223-742	Switch.....	1
6	331 1977	Capscrew.....	2
	1210-14	Lockwasher.....	2
	1205-13	Nut.....	2



REF.	PART NO.	DESCRIPTION	QTY.
	35989213	Tachometer Ass'y.....	1
		(Includes Items 1 thru 4)	
1	420 2896	Tachometer.....	1
2	1245-84	Kit, Mounting.....	1
3	1233-7	Screw, Machine, #10C x 3/4..	2
	1210-8	Lockwasher.....	2
4	1205-5	Nut, #10C.....	2
	1223-292	Grommet.....	1

WHEN ORDERING PARTS, SPECIFY MODEL NUMBER, SERIAL NUMBER AND DESCRIPTION OF PART REQUIRED



HORN / TACHMETER

DATE: Issued 7-86

MODEL: 6644E

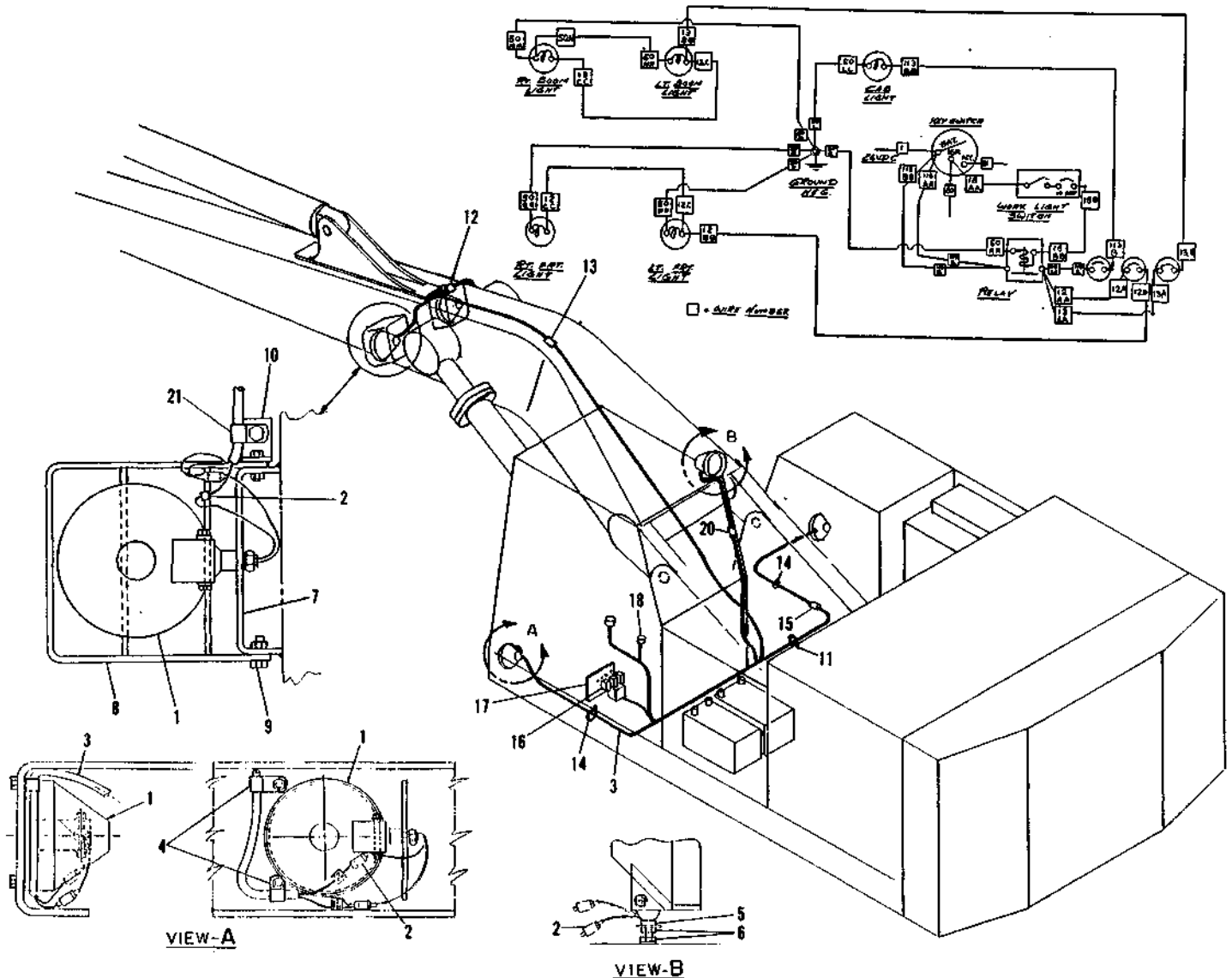
GROUP

34

PAGE 34.2

⊗ DISCONTINUED PART! REFER TO NUMERICAL PARTS LIST FOR REPLACEMENT PART(S)

<https://tractormanualz.com/>



REF	PART NO.	DESCRIPTION	QTY.	REF.	PART NO.	DESCRIPTION	QTY.
	359E8844	Work Light Assembly					
1	709 1056	Light.....	5		200B2007-3	Clamp.....	5
2	1223-747	Connector.....	5	15	330V2201	Washer.....	10
	1223-748	Connector.....	5		340V2323	Locknut.....	5
3	359D8841	Harness.....	1		441V4023	Circuit Brkr. ....	2
	200B2007-4	Clamp.....	2		441V4024	Circuit Brkr. ....	1
4	1200-61	Capscrew.....	4		442V2399	Boot Brkr. ....	3
	340V2323	Locknut.....	4	16	420V2974	Solenoid.....	1
5	709 1878	Spacer.....	1		359B8842	Harness, Wire.....	1
6	1205-61	Jamnut.....	2		310V1929	Capscrew.....	2
7	705 5264	Bracket.....	2		331V1400	Washer.....	2
8	705F5265	Guard.....	2		340V1916	Locknut.....	2
9	1200-61	Capscrew.....	4	17	359A8846	Plate.....	1
	340V2323	Locknut.....	4		359B8845	Decal.....	1
10	358A2010	Bracket.....	2	18	U442V2426	Switch.....	1
11	445V2406	Tie-Wrap.....	3	19	200B2007-3	Clamp.....	1
	364A5586	Clip.....	4		1200-61	Capscrew.....	4
	200B2007-20	Clamp.....	4		340V2323	Locknut.....	4
12	316V2782	Capscrew.....	4	20	200B2007-3	Clamp.....	5
	331V2200	Washer.....	4		323V3005	Screw.....	5
	340V2728	Locknut.....	4		331V1400	Washer.....	5
13	200B2007-3	Clamp.....	7	21	200B2007-4	Clamp.....	2
	316V2782	Capscrew.....	1		316V2306	Capscrew.....	2
14	445V2404	Tie-Wrap.....	11		340V2323	Locknut.....	2

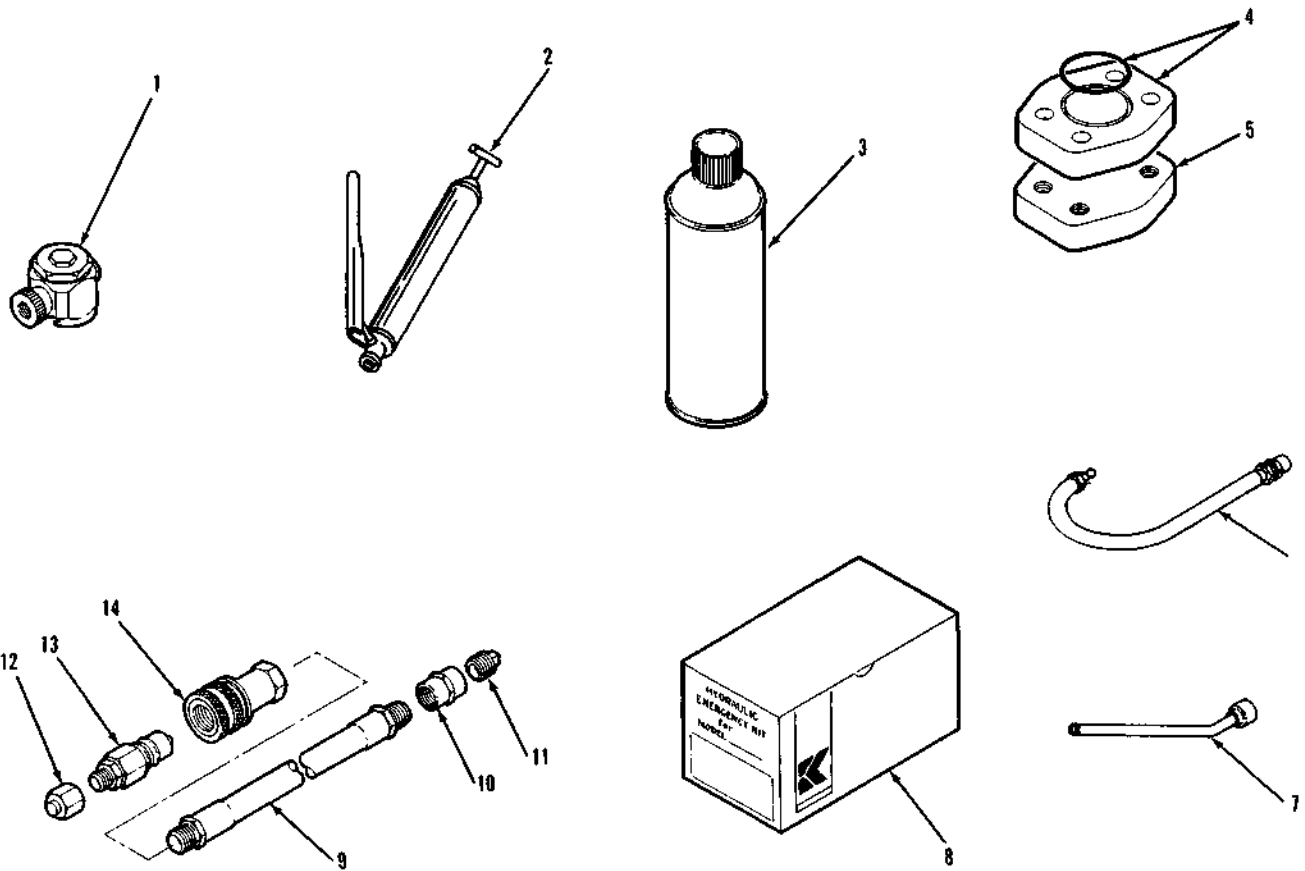
WHEN ORDERING PARTS, SPECIFY MODEL NUMBER, SERIAL NUMBER AND DESCRIPTION OF PART REQUIRED



WORK LIGHT ASSEMBLY

DATE: Revised 1-88  
MODEL: 6644E

GROUP  
**34**



REF.	PART NO.	DESCRIPTION	QTY.	REF.	PART NO.	DESCRIPTION	QTY.
1	U361B1082	Coupler . . . . .	1	6	364V2003	Hose, Grease . . . . .	1
		(For Greasing Ring Gear		7	364V0019	Extension, Nozzle . . . . .	1
		Button Head Fitting in		8	U335F1586	Kit, Hyd. Emergency . . . . .	1
		Operator's Station		—	U288B2670	Hose Ass'y, Gauge . . . . .	1
						(Inc. Items 9-14)	
	U359B5255	Gun, Grease (Incl. 6 & 7) . . . . .	1	9	200B2382-003	Hose Ass'y . . . . .	1
		(For Multi-Purpose Grease)		10	362V1231	Coupling . . . . .	1
2	U355D3234	Gun, Grease . . . . .	1	11	360V0107	Plug, Pipe . . . . .	1
		(For Open Gear Grease)		12	362V7400	Cap . . . . .	1
		(Incl. Decal, Coupler &		13	375V6800	Nipple, Quick Disconnect	1
		Hose)		14	375V0205	Coupler . . . . .	1
	355A3233	Decal . . . . .	1		335F1587	Kit, Customer Care . . . . .	1
	U355A4412	Coupler Ass'y . . . . .	1			(Incl. Item 8 & Parts	
	U355B4413	Hose Ass'y . . . . .	1			Listed Below)	
3	511V3017	Paint, Orange (12 oz.) . . . . .	1		364V0203	Fitting, Grease . . . . .	5
	511V3018	Paint, Mahogany (12 oz.) . . . . .	1		901V1243	Element, Air Cleaner . . . . .	1
	511V3016	Paint, Primer (12 oz.) . . . . .	1		U901V2943	Kit, Seal (Valve) . . . . .	1
4	200B2349-002	Cover (1-1/4" SAE Port) . . . . .	2		901V3394	Element, Air Filter . . . . .	1
	460V4113	Seal (1-1/4" SAE Port) . . . . .	4		708-6449	Element, Hyd. Tank . . . . .	2
5	200B2349-012	Cover . . . . .	4				

WHEN ORDERING PARTS, SPECIFY MODEL NUMBER, SERIAL NUMBER AND DESCRIPTION OF PART REQUIRED



TOOLS & ACCESSORIES

DATE Issued: 3-85

MODEL: 6644E

GROUP

35

PAGE 35.1

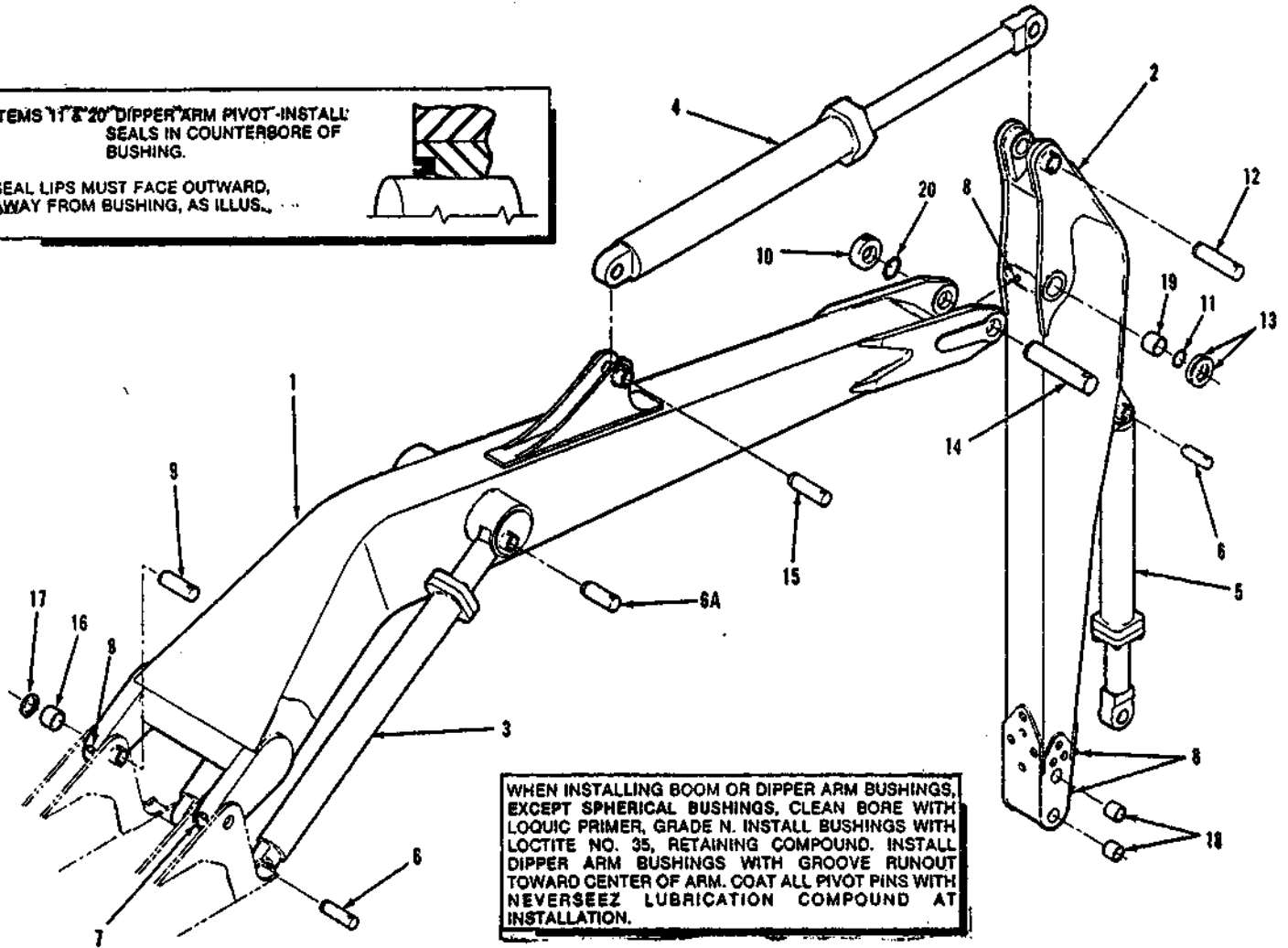
⊗ DISCONTINUED PART! REFER TO NUMERICAL PARTS LIST FOR REPLACEMENT PART(S)

<https://tractormanualz.com/>

ITEMS 17 & 20 DIPPER ARM PIVOT-INSTALL SEALS IN COUNTERBORE OF BUSHING.



SEAL LIPS MUST FACE OUTWARD, AWAY FROM BUSHING, AS ILLUSTRATED.



WHEN INSTALLING BOOM OR DIPPER ARM BUSHINGS, EXCEPT SPHERICAL BUSHINGS, CLEAN BORE WITH LOQUIC PRIMER, GRADE N. INSTALL BUSHINGS WITH LOCTITE NO. 35, RETAINING COMPOUND. INSTALL DIPPER ARM BUSHINGS WITH GROOVE RUNOUT TOWARD CENTER OF ARM. COAT ALL PIVOT PINS WITH NEVERSEEZ LUBRICATION COMPOUND AT INSTALLATION.

REF.	PART NO.	DESCRIPTION	QTY.
	Prior Ser. #21126	Begin Ser. #21126	
1	U359E8389	U356E0168 Boom (incl. 16 & 17)..	1
	*(U335F1600)	(Repl. U359E9140)	
	U359E8386	U359E9141 Arm (12'-0" Std).....	1
	*(U335F1597)		
2	U359E8910	U359E9152 Arm (15'-0" Opt).....	1
	*(U335F1598)		
	U359E8914	U359E9151 Arm ( 9'-9" Opt).....	1
	*(U335F1599)		
3	See Page 36.3	Cylinder, Hoist.....	2
4	See Page 36.4	Cylinder, Dig.....	1
5	See Page 36.5	Cylinder, Dump.....	1
	361A1590	361A1590 Pin(3-1/2" x 10-3/4")..	3
6	316V3319	Capscrew, 3/4C x 6....	3
	340V3318	316V3349 Capscrew, 3/4C x 7-1/2..	3
	361A1590	340V3318 Locknut, 3/4C.....	3
	316V3319	361A1590 Pin(3-1/2" x 10-3/4")..	2
6A	316V3319	Capscrew, 3/4C x 6....	2
	340V3318	316V3350 Capscrew, 3/4C x 9....	2
	200B0077-051	340V3318 Locknut, 3/4C.....	2
7	200B0075-079	Shim (.25").....	AR
	364V0203	Shim (.10").....	AR
8	359A8108	Fitting, Grease.....	7
	310V3380	Pin (4" x 10-1/2")....	2
9	310V3377	Capscrew, 3/4C x 6-1/2.	2
	340V3318	340V3318 Capscrew, 3/4C x 8....	2
		340V3318 Locknut, 3/4C.....	2

REF.	PART NO.	DESCRIPTION	QTY.
	359A8356	359A9135 Tube, Pin Locking.....	1
10	300V3552	Capscrew, 1 1/2C x 9 Gr8.	2
	340V4514	310V4563 Capscrew, 1 1/2C x 10Gr8.	2
11	358A3492	340V4514 Locknut, 1-1/2C.....	2
	359A8114	358A3492 Washer.....	2
12	310V3361	359A8114 Pin (4-1/2 x 16-1/2)..	1
	340V3318	316V3311 Capscrew, 3/4C x 7....	1
	200B0075-040	340V3318 Locknut, 3/4C.....	1
13	359A8398	340V3318 Washer.....	AR
14	358A2324	359A8398 Pin (4-3/4 x 27-7/16)..	1
	310V3361	358A2324 Pin (4-1/2 x 12-3/4)..	1
15	340V3318	316V3311 Capscrew, 3/4C x 7....	1
	403V2790	340V3318 Capscrew, 3/4C x 8-1/2.	1
16	370V4215	340V3318 Locknut, 3/4C.....	1
17	359B7894	403V2790 Bushing.....	2
18	359B8106	370V4215 Ring, Snap.....	2
19	461V1488	359B7894 Bushing.....	4
20		359B8106 Bushing.....	2
		461V1488 Seal.....	2

\*Kit ( ) Includes Current Boom or Arm and Pin Lock Capscrews

WHEN ORDERING PARTS, SPECIFY MODEL NUMBER, SERIAL NUMBER AND DESCRIPTION OF PART REQUIRED



HOE ATTACHMENT & CYLINDER INSTALLATION  
<https://tractormanualz.com/>

DATE: Revised 7-91

MODEL: 6644E

GROUP

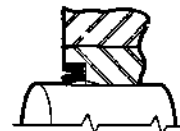
36

PAGE 38.1

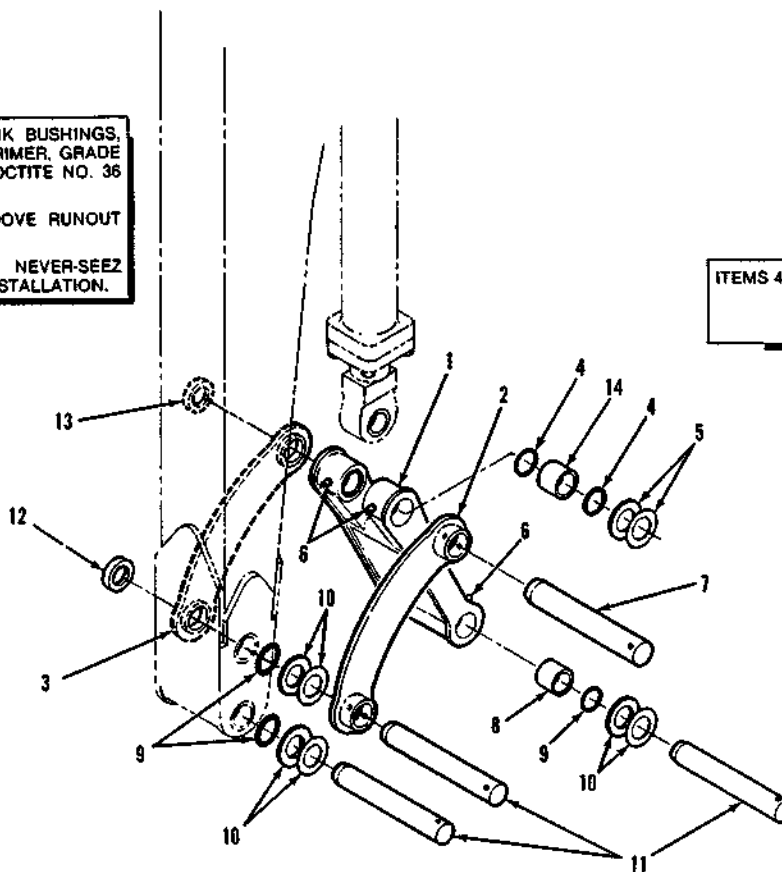
WHEN INSTALLING DIPPER LINK BUSHINGS, CLEAN BORE WITH LOGQUIC PRIMER, GRADE N. INSTALL BUSHINGS WITH LOCTITE NO. 36 RETAINING COMPOUND.

INSTALL BUSHINGS WITH GROOVE RUNOUT TOWARD CENTER OF LINK.

COAT ALL PIVOT PINS WITH NEVER-SEEZ LUBRICATING COMPOUND AT INSTALLATION.



ITEMS 4 & 9 SEALS TO BE SEATED AGAINST BUSHING WITH SEAL LIPS FACING OUTWARD, AWAY FROM BUSHING.



REF.	PART NO.	DESCRIPTION	QTY.	REF.	PART NO.	DESCRIPTION	QTY.	
1	U359C7889	Link (Incl. 8 & 14)...	1	11	359A8396	Pin (3-1/2" x 22-1/2"...	3	
2	U359B7896   U35989136 *(U335F1601)	Link, Guide (RH).....	1		316V3319	Cap screw, 3/4C x 6....	3	
3	359B7895	Link, Guide (LH).....	1	12	316V3349	Cap screw, 3/4C x 7-1/2.	3	
4	461V4465	Seal.....	4		340V3318	340V3318	Locknut, 3/4C.....	3
5	200B0075-029	Shim (.06").....	AR	13	361A1123	359A9397	Tube, Pin Locking.....	1
	200B0075-079	Shim (.10").....	AR		316V3319	316V3349	Cap screw, 3/4C x 6....	1
6	364V0203	Fitting, Grease.....	3	14	316V3319	316V3349	Cap screw, 3/4C x 7-1/2.	1
7	359A8397   359A8397	Pin (4" x 22-1/2")....	1		340V3318	340V3318	Locknut, 3/4C.....	1
	310V3380	Cap screw, 3/4C x 6-1/2.	1	361A0952	359A9131	Tube, Pin Locking.....	1	
8	340V3318	310V3377	Cap screw, 3/4C x 8....	1	310V3380	310V3377	Cap screw, 3/4C x 6-1/2.	1
	340V3318	340V3318	Locknut, 3/4C.....	1	340V3318	340V3318	Cap screw, 3/4C x 8....	1
9	359B7894	Bushing.....	2	10	340V3318	340V3318	Locknut, 3/4C.....	1
10	461V4471	Seal.....	6		359C7893	Bushing.....	2	
	200B0075-036	Shim (.06").....	AR					
	200B0075-086	Shim (.10").....	AR					

\* Kit ( ) Includes Current Link and Pin Lock Cap screw

WHEN ORDERING PARTS, SPECIFY MODEL NUMBER, SERIAL NUMBER AND DESCRIPTION OF PART REQUIRED



BUCKET LINKS

DATE Revised 1-88

MODEL: 6644E

GR

36

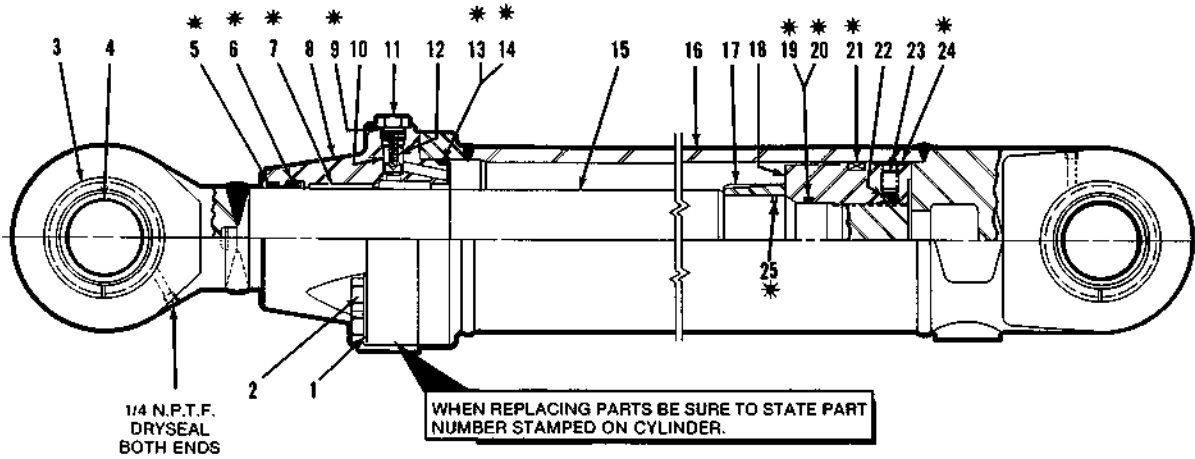
PAGE 36.2

⊗ DISCONTINUED PART! REFER TO NUMERICAL PARTS LIST FOR REPLACEMENT PART(S)

<https://tractormanualz.com/>

**NOTES:**

- ITEM 2 TORQUE TO 400 FT. LBS. - LUBRICATED, (NEVER-SEEZ) 8 PLACES
- ITEM 22 PRESET NYLON PLUG USING GR. 8 CAPSCREW (LUBRICATED W/LOCTITE) TO 150 FT. LBS. THEN TORQUE SET SCREW TO 75 FT. LBS. - 3 PLACES
- ITEM 24 APPLY LOCTITE GR. 242



REF.	PART NO.	DESCRIPTION	QTY.
	Prior Ser. #21188	Begin Ser. #21188	
	U288D2659	708 7632	Cylinder, Hoist..... 2
	U335F1532	U335F1532	Kit, Service..... 2 (Includes Items Marked *)
1	901V3374	901V3374	Washer..... 8
2	901V3375	901V3375	Capscrew..... 8
3	901V3372	901V3372	Ring, Snap..... 4
4	901V3373	901V3373	Bearing..... 2
5	901V3355	901V3355	*Wiper..... 1
6	901V3356	901V3356	*Seal..... 1
7	901V3357	901V3357	*Bearing..... 1
8	901V3358	208299	Head/Flange Cover Ass'y..... 1
9	901V3331	901V3331	*O-Ring..... 1
10	901V3333	204862	Poppet..... 1
11	901V3332	901V3332	Plug..... 1
12	901V3334	901V3334	Spring..... 1
13	901V3441	901V3441	*Back-Up..... 1
14	901V3360	901V3360	*O-Ring..... 1
15	U901V3381	208298	Rod/Bushing Ass'y..... 1 (Incl. Items 3 & 4)
16	U901V3382	208369	Barrel/Bearing Ass'y..... 1 (Incl. Items 3 & 4)
17	901V3363	208368	Plug, Cushion..... 1
18	901V3364	901V3364	Piston..... 1
19	901V3365	901V3365	*O-Ring..... 1
20	901V3446	901V3366	*Back-Up..... 1
21	901V3367	901V3367	*Seal Assembly..... 1
22	901V3344	901V3344	Plug..... 3
23	901V3345	901V3345	Setscrew..... 3
24	901V3368	901V3368	*Bearing..... 3
25	901V3745	208370	*Ring, Piston..... 1
	(item 17)	(item 15)	

Also Order Service Kit

WHEN ORDERING PARTS, SPECIFY MODEL NUMBER, SERIAL NUMBER AND DESCRIPTION OF PART REQUIRED



**HOIST CYLINDER**

DATE: Revised 1-88

MODEL: 6644E

GROUP

**36**

PAGE 36.3

⊗ DISCONTINUED PART! REFER TO NUMERICAL PARTS LIST FOR REPLACEMENT PART(S)

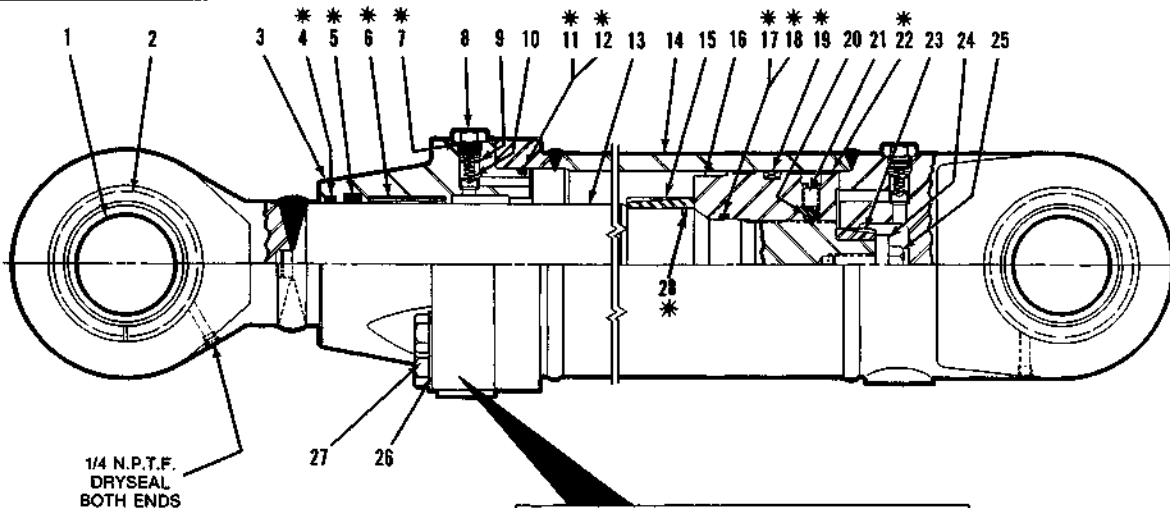
<https://tractormanualz.com/>

**NOTES:**

ITEM 20 PRESET NYLON PLUG USING GR. 8 CAPSCREW TO 150 FT. LBS. THEN TORQUE SET SCREW TO 75 FT. LBS. (LUBRICATED, OIL) - 3 PLACES APPLY LOCTITE - GR. 242

ITEM 25 TORQUE TO 870 FT. LBS. - APPLY LOCTITE GR. 242

ITEM 27 TORQUE TO 670 FT. LBS. - LUBRICATED, (NEVER-SEEZ) - 8 PLACES



WHEN REPLACING PARTS BE SURE TO STATE PART NUMBER STAMPED ON CYLINDER.

REF.	PART NO.	DESCRIPTION	QTY.
	Prior Ser. #21187	Begin Ser. #21187	
	U288D2660	708 7633 Cylinder, Dig.....	1
	U901V3324	U901V3324 Kit, Service.....	1
		(Includes Items Marked *)	
1	901V3325	901V3325 Bearing.....	2
2	901V3326	901V3326 Ring, Snap.....	4
3	901V3327	208374 Head/Flange Cover Ass'y.....	1
4	901V3328	901V3328 *Wiper.....	1
5	901V3329	901V3329 *Seal.....	1
6	901V3330	901V3330 *Bearing.....	1
7	901V3331	901V3331 *O-Ring.....	2
8	901V3332	901V3332 Plug.....	2
9	901V3333	204862 Poppet.....	2
10	901V3334	901V3334 Spring.....	2
11	901V3746	901V3746 *Back-Up.....	1
12	901V3336	901V3336 *O-Ring.....	1
13	U901V3337	208373 Rod/Bearing Ass'y.....	1
		(Incl. Items 1 & 2)	
14	U901V3338	208372 Barrel/Bearing Ass'y.....	1
		(Incl. Items 1 & 2)	
15	901V3747	208371 Plug, Cushion.....	1
16	901V3340	901V3340 Piston.....	1
17	901V3341	901V3341 *O-Ring.....	1
18	901V3748	901V3748 *Back-Up.....	2
19	901V3343	901V3343 *Seal Assembly.....	1
20	901V3344	901V3344 Plug.....	3
21	901V3345	901V3345 Setscrew.....	3
22	901V3346	901V3346 *Bearing.....	3
23	901V3347	901V3347 Plug, Cushion.....	1
24	901V3348	901V3348 Washer.....	1
25	901V3349	901V3349 Capscrew.....	1
26	901V3350	901V3350 Washer.....	8
27	901V3351	205803 Capscrew.....	8
28	901V3749	208375 *Ring, Piston.....	1
29	901V3859	901V3859 Cover, Flange(Shipping).....	1
	901V3860	901V3860 Capscrew.....	4
	201484	201484 O-Ring.....	1

Also Order Service Kit

WHEN ORDERING PARTS, SPECIFY MODEL NUMBER, SERIAL NUMBER AND DESCRIPTION OF PART REQUIRED



**DIG CYLINDER**

DATE: Revised 1-88

MODEL: 6644E

**GROUP 36**

PAGE 36.4

⊗ DISCONTINUED PART! REFER TO NUMERICAL PARTS LIST FOR REPLACEMENT PART(S)

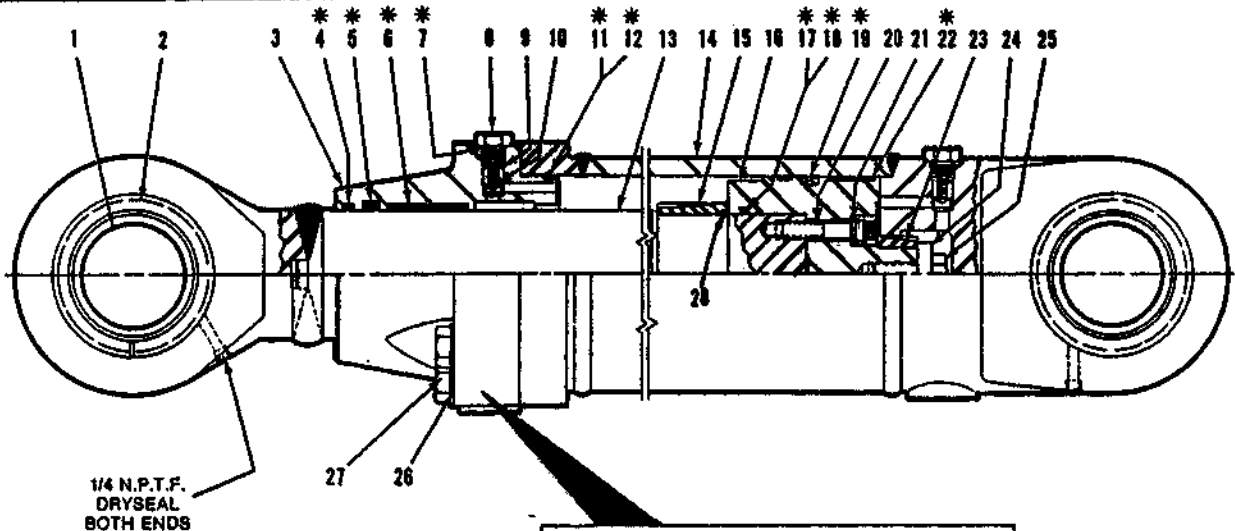
<https://tractormanualz.com/>

**NOTES:**

ITEM 20 TORQUE TO 330 FT. LBS. - APPLY LOCTITE GR. 242

ITEM 25 TORQUE TO 870 FT. LBS. - APPLY LOCTITE GR. 242

ITEM 27 TORQUE TO 870 FT. LBS. - LUBRICATED, (NEVER-SEEZ) - 8 PLACES



**WHEN REPLACING PARTS BE SURE TO STATE PART NUMBER STAMPED ON CYLINDER.**

REF	PART NO. Prior Ser.	PART NO. Begin Ser.	DESCRIPTION	QTY.
	708 7674	708 7901	Cylinder, Dig .....	1
	208720		Kit, Service .....	1
			(Includes Items Marked *)	
1	901V3325		Bearing .....	2
2	901V3328		Ring, Snap .....	4
3	208374		Head/Flange Cover Ass'y .....	1
4	901V3328		• Wiper .....	1
5	901V3329		• Seal .....	1
6	901V3330		• Bearing .....	1
7	901V3331		• O-Ring .....	2
8	901V3332		Plug .....	2
9	204862		Poppet .....	2
10	901V3334		Spring .....	2
11	901V3746		• Back-Up .....	1
12	901V3336		• O-Ring .....	1
13	208714	211654	• Rod & Bearing Ass'y .....	1
			(Includes Items 1 & 2)	
14	208372		Barrel & Bearing Ass'y .....	1
			(Includes Items 1 & 2)	
15	209998	208371	Plug, Cushion .....	1
16	208717	210011	Piston .....	1
17	208718		• O-Ring .....	1
18	208719		• Back-Up .....	2
19	901V3343		• Seal Assembly .....	1
20	208715	211613	• Capcrew, 12 Pt. ....	8
21	208716		Washer .....	8
22	901V3346		• Bearing .....	3
23	209997		Plug, Cushion .....	1
24	901V3348		Washer .....	1
25	901V3346	209994	Capcrew .....	1
26	901V3350	901V3454	Washer .....	8
27	205803		Capcrew .....	8
28	208375		Ring, Piston .....	1
29	901V3859		Cover, Flange (Shipping) .....	1
	901V3860		Capcrew .....	4

Also Order Service Kit

WHEN ORDERING PARTS, SPECIFY MODEL NUMBER, SERIAL NUMBER AND DESCRIPTION OF PART REQUIRED



**DIG CYLINDER**

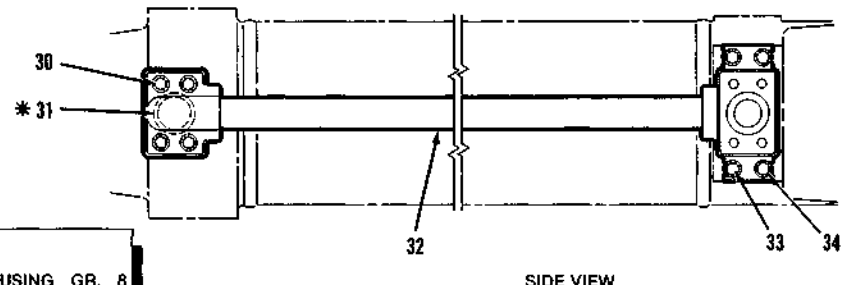
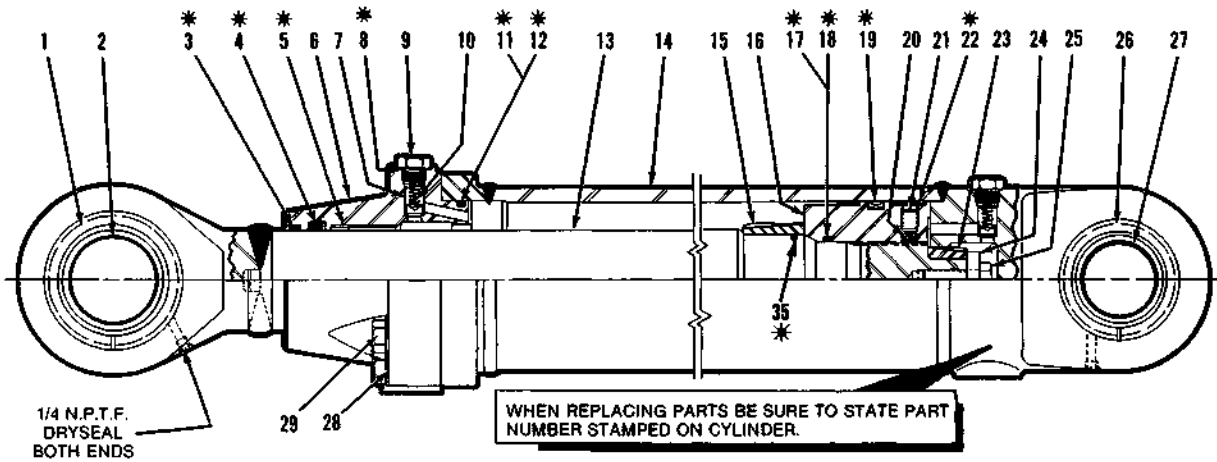
DATE: Revised 7-91

MODEL: 6644E

GROUP

36

PAGE 36.4A



**NOTES:**  
 ITEM 20 PRESET NYLON PLUG USING GR. 8 CAPSCREW (LUBRICATED W/LOCTITE) TO 150 FT. LBS. THEN TORQUE SET SCREW TO 75 FT. LBS. - 3 PLACES  
 ITEM 21 APPLY LOCTITE GR. 242  
 ITEM 25 TORQUE TO 655 FT. LBS. - APPLY LOCTITE GR. 242  
 ITEM 29 TORQUE TO 400 FT. LBS. - LUBRICATED, (NEVER-SEEZ) - 8 PLACES.

REF.	PART NO.	DESCRIPTION	QTY.	REF.	PART NO.	DESCRIPTION	QTY.
	Prior Ser. #21186	Begin Ser. #21186		15	901V3444	208368 Plug, Cushion.....	1
	U288D2661	708 7634 Cylinder, Dump.....	1	16	901V3364	901V3364 Piston.....	1
	U335F1532	U335F1532 Kit, Service.....	1	17	901V3365	901V3365 *O-Ring.....	1
		(Includes Items Marked *)		18	901V3446	901V3446 *Back-Up.....	2
1	901V3353	901V3353 Ring, Snap.....	2	19	901V3367	901V3367 *Seal Assembly.....	1
2	901V3354	901V3354 Bearing.....	1	20	901V3344	901V3344 Plug.....	3
3	901V3355	901V3355 *Wiper.....	1	21	901V3345	901V3345 Setscrew.....	3
4	901V3356	901V3356 *Seal.....	1	22	901V3368	901V3368 *Bearing.....	3
5	901V3357	901V3357 *Bearing.....	1	23	901V3369	901V3369 Plug, Cushion.....	1
6	901V3358	208299 Head/Flange Cover Ass'y.....	1	24	901V3370	901V3370 Washer.....	1
7	901V3333	208378 Poppet.....	2	25	901V3371	901V3371 Capscrew.....	1
8	901V3331	901V3331 *O-Ring.....	2	26	901V3372	901V3372 Ring, Snap.....	2
9	901V3332	901V3332 Plug.....	2	27	901V3373	901V3373 Bearing.....	1
10	901V3334	901V3334 Spring.....	2	28	901V3374	901V3374 Washer.....	8
11	901V3441	203246 *Back-Up.....	1	29	901V3375	901V3375 Capscrew.....	8
12	901V3360	901V3360 *O-Ring.....	1	30	901V3376	901V3376 Screw, 12-Point Flange.....	4
13	U901V3361	208377 Rod/Bearing Ass'y.....	1	31	901V3377	901V3377 *Seal, Static Face.....	1
14	U901V3362	208376 Barrel/Bearing Ass'y.....	1	32	901V3378	901V3378 Tube Assembly.....	1
		(Incl. Items 1,2,28 & 29)		33	901V3379	901V3379 Screw, 12-Point Flange.....	4
				34	901V3380	901V3380 Lockwasher.....	8
				35	901V3745	208370 *Ring, Piston.....	1

WHEN ORDERING PARTS, SPECIFY MODEL NUMBER, SERIAL NUMBER AND DESCRIPTION OF PART REQUIRED

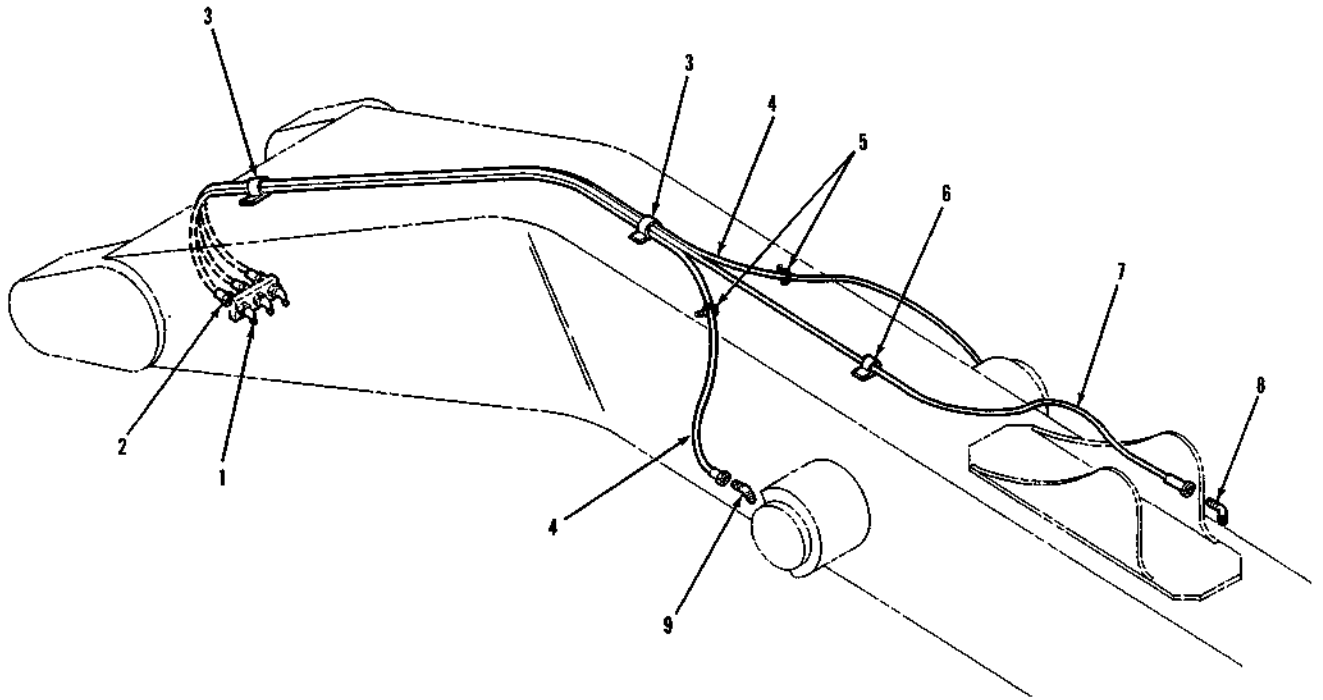


DUMP CYLINDER

DATE: Revised 1-88  
 MODEL: 6644E

GROUP  
**36**

PAGE 36.5



REF.	PART NO.	DESCRIPTION	QTY.
1	364V0215	Fitting, Grease .....	3
2	362V0404	Connector .....	3
3	200B2007-010	Support, Clamp .....	2
	316V2782	Capscrew .....	2
4	200B2068-030	Hose Assembly (150") ...	2
5	445V2406	Wrap, Tie .....	2
6	200B2007-022	Support, Clamp .....	1
	316V2782	Capscrew .....	1
7	200B2068-037	Hose Assembly (194") ...	1
8	362V1418	Elbow, 90° .....	1
9	362V1453	Elbow, 45° .....	2

WHEN ORDERING PARTS, SPECIFY MODEL NUMBER, SERIAL NUMBER AND DESCRIPTION OF PART REQUIRED



**GREASE PIPING (BOOM)**

DATE: Revised 12-85

MODEL: 6644E

GROUP

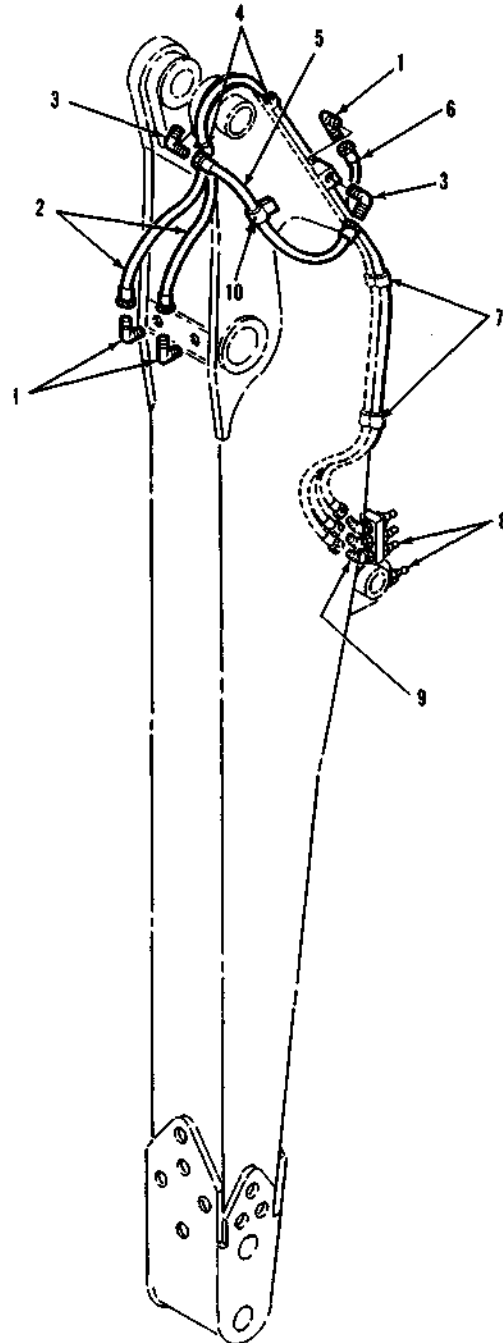
**36**

PAGE 36.6

Sheet 1 of 2

⊗ DISCONTINUED PART! REFER TO NUMERICAL PARTS LIST FOR REPLACEMENT PART(S)

<https://tractormanualz.com/>



REF.	PART NO.	DESCRIPTION	QTY.
1	362V1418	Elbow, 90° .....	3
	200B2068-036	Hose Assembly (130") ... (With 12'-0" Std. Arm)	2
2	200B2068-031	Hose Assembly (172") ... (With 15'-0" Opt. Arm)	2
	200B2068-013	Hose Assembly (115") ... (With 9'-9" Opt. Arm)	2
3	362V1419	Elbow, 90° .....	2
4	200B2007-054	Support, Clamp .....	3
	316V2336	Capscrew .....	3
5	200B2263-015	Hose Assembly (35") .....	1
	200B2068-035	Hose Assembly (64") ... (With 12'-0" Std. Arm)	1
6	200B2068-038	Hose Assembly (104") ... (With 15'-0" Opt. Arm)	1
	200B2068-016	Hose Assembly (50") ... (With 9'-9" Opt. Arm)	1
7	200B2007-010	Support, Clamp .....	2
	316V2336	Capscrew .....	2
8	364V0203	Fitting, Grease .....	4
9	362V1453	Elbow, 45° .....	3
10	300B2007-005	Clamp .....	1
	316V2336	Capscrew .....	1
		(3/8" NC x 5/8"-Gr.5)	

WHEN ORDERING PARTS, SPECIFY MODEL NUMBER, SERIAL NUMBER AND DESCRIPTION OF PART REQUIRED



**GREASE PIPING (ARM)**

DATE: Revised 12-85

MODEL: 6644E

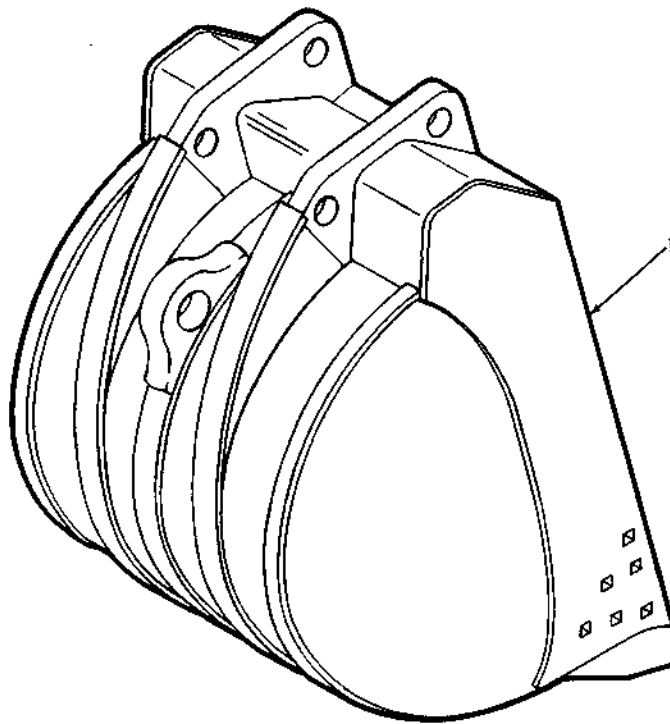
GROUP

**36**

PAGE 36.6  
Sheet 2 of 2

⊗ DISCONTINUED PART! REFER TO NUMERICAL PARTS LIST FOR REPLACEMENT PART(S)

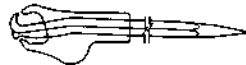
<https://tractormanualz.com/>



NOTES:

1. LOCK & TOOTH REMOVAL TOOL. PART #610V9603 USED FOR 37, 47 & 57 SERIES. OTHER SIZES, CONSULT FACTORY.

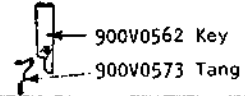
2. OTHER VARIOUS TYPES OF TEETH ARE AVAILABLE. CONSULT FACTORY PARTS DEPT. FOR INFORMATION.



Use Items 5 & 6 as set to replace Key & Tang.

900V0562 Key

900V0573 Tang



BUCKET SIZE LISTED AS HEAPED CAPACITY

CONSULT FACTORY FOR AVAILABILITY OF REPLACEMENT BUCKETS

REF.	PART NO.	DESCRIPTION	QTY.				
			1 YD. 32" C.W.	1-3/8 YD. 37" C.W.	1 5/8 YD. 32" C.W.	1 5/8 YD. 43" C.W.	2 YD. 49" C.W.
			U359E9227 (U359E8616)	U359E9229 (U359E8617)	U359E9232 (U359E8984)	U359E9225 (U359E8829)	U359E9226 (U359E8618)
1	See Chart	Bucket (Incl. 2 thru 6)	1	1	1	1	1
2	410V6938	Lock, Tooth	4	4	4	5	5
3	410V6949	Tooth (Size 47R)	4	4	4	5	5
4	410V6939	Adapter	4	4	4	5	5
5	410 6961	Spool	4	4	4	5	5
6	410 6962	Wedge, St'd	4	4	4	5	5
	410 6963	Wedge, Oversize	4	4	4	5	5
	410 6964	Wedge, Oversize	4	4	4	5	5

Requires pin lock bolt P/M 316 3349 to replace early buckets in ( ).

WHEN ORDERING PARTS, SPECIFY MODEL NUMBER, SERIAL NUMBER AND DESCRIPTION OF PART REQUIRED



BUCKETS (W/CAST LIP)

DATE Issued 2-85

MODEL 6644E

GROUP

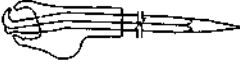
36

PAGE 36.7 Sheet 1 of 3

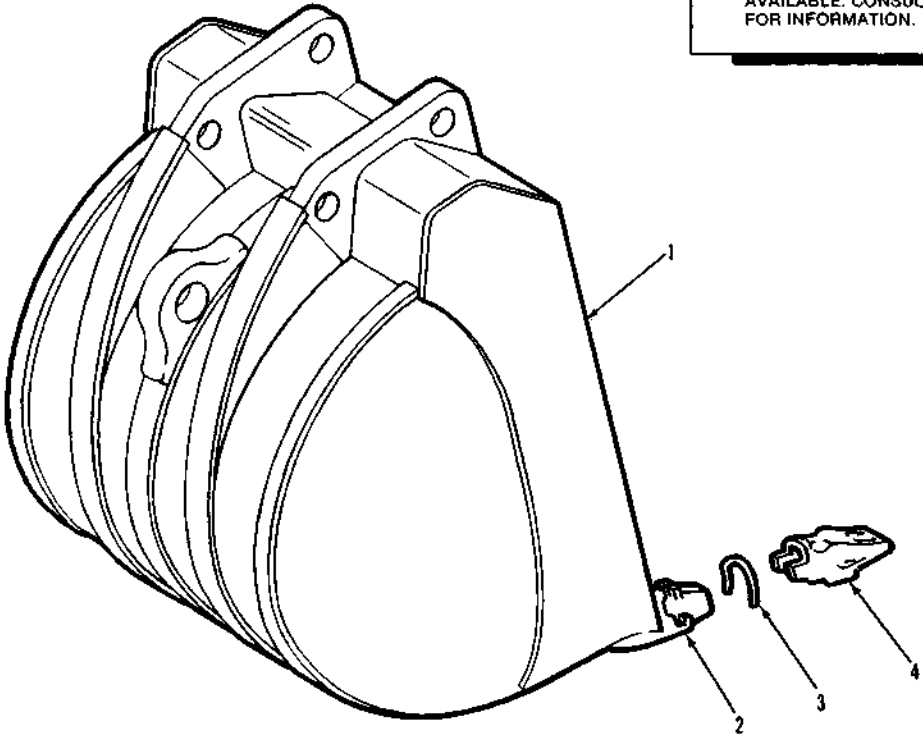
⊗ DISCONTINUED PART! REFER TO NUMERICAL PARTS LIST FOR REPLACEMENT PART(S)

<https://tractormanualz.com/>

**NOTES:**

1.  LOCK & TOOTH REMOVAL TOOL. PART #610V9603 USED FOR 37, 47 & 57 SERIES. OTHER SIZES, CONSULT FACTORY.

2. OTHER VARIOUS TYPES OF TEETH ARE AVAILABLE. CONSULT FACTORY PARTS DEPT. FOR INFORMATION.



**BUCKET SIZE LISTED AS HEAPED CAPACITY**

**CONSULT FACTORY FOR AVAILABILITY OF REPLACEMENT BUCKETS**

REF.	PART NO.	DESCRIPTION	QTY.		
			2 YD. 48" C.W. U359E9224 (U359E8830)	2-3/8 YD. 56" C.W. U359E9228 (U359E8614)	3 YD. 66" C.W. U359E9230 (U359E8615)
1	See Chart	Bucket (Incl. 2 thru 4)	1	1	1
2	410V6954	Adapter	5	5	6
3	410V6948	Lock, Tooth (708 6535)	5	5	6
4	708 6484	Tooth (Size 37SYL)	5	5	6

Requires pin lock bolt P/N 316 3349 to replace early buckets in ( ).

WHEN ORDERING PARTS, SPECIFY MODEL NUMBER, SERIAL NUMBER AND DESCRIPTION OF PART REQUIRED

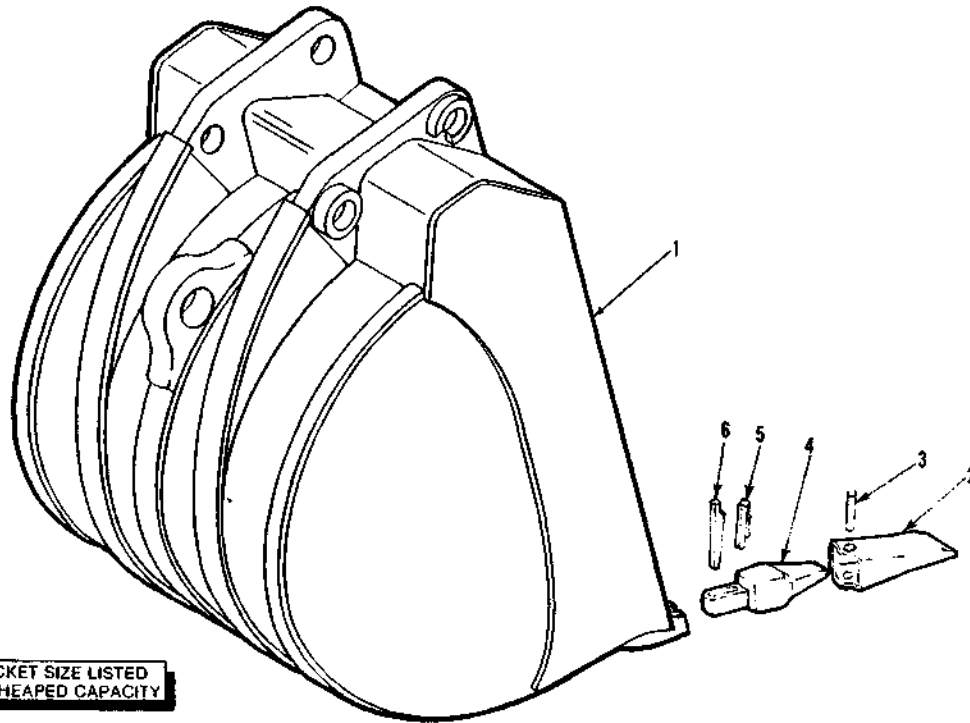


**BUCKETS (W/PLATE LIP)**

DATE Issued: 2-85  
MODEL: 6644E

**GROUP 36**

PAGE 36.7  
Sheet 2 of 3



CONSULT FACTORY FOR AVAILABILITY OF REPLACEMENT BUCKETS

REF.	PART NO.	DESCRIPTION	QTY.
1	See Chart	Bucket (Incl. 2 thru 6)	1
2	900V7638	Tooth (Size 455)	5
3	410V6660	Pin	5
4	900V7639	Adapter	5
5	410 6961	Spool	5
	410 6962	Wedge, St'd.	5
6	410 6963	Wedge, Oversize	5
	410 6964	Wedge, Oversize	5

2-1/8 YD.  
43" C.W.  
U359E9231  
(U359E8935)

Requires pin lock bolt P/N 316 3349 to replace early buckets in ( ).

WHEN ORDERING PARTS, SPECIFY MODEL NUMBER, SERIAL NUMBER AND DESCRIPTION OF PART REQUIRED



BUCKETS  
(W/CAST LIP)

DATE Issued 7-86

MODEL 6644E

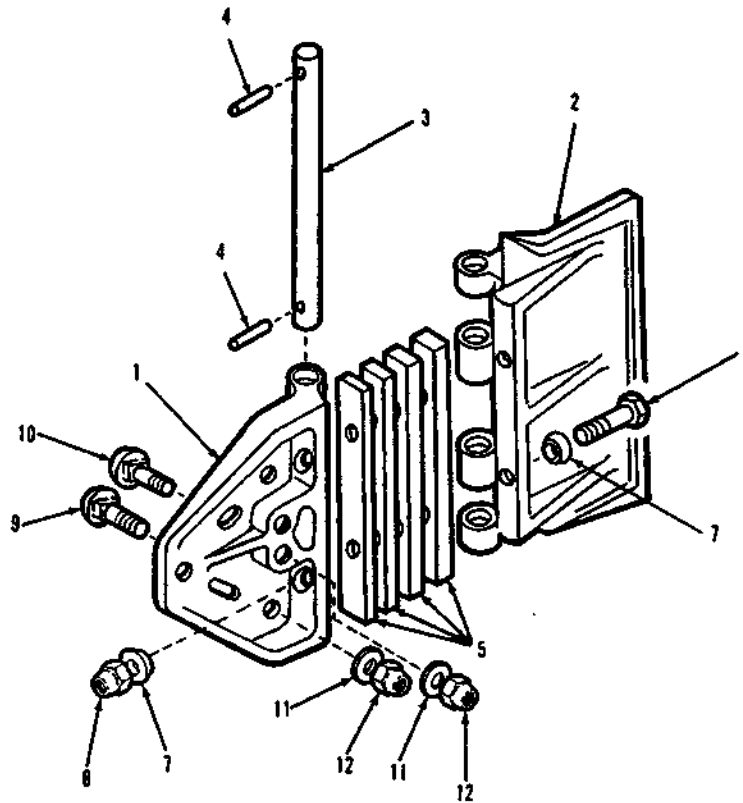
PAGE 36.7  
Sheet 3 of 3

GROUP

36

⊗ DISCONTINUED PART! REFER TO NUMERICAL PARTS LIST FOR REPLACEMENT PART(S)

<https://tractormanualz.com/>



REF.	PART NO	DESCRIPTION	QTY.
	U335B0487	Cutter Set, Side.....	1
		(Includes Items 1 thru 12)	
1	335E0472	Base, Cutter.....	2
2	335E0473	Blade, Cutter.....	2
3	335A0480	Pin, Blade.....	2
4	200B0069-012	Pin, Lock.....	4
5	335A0479	Spacer (1/8").....	2
	335A0476	Spacer (1/4").....	2
	335A0477	Spacer (1/2").....	2
	335A0478	Spacer (1").....	2
6	310V3374	Capscrew, 3/4C x 3-1/2.....	4
	310V3362	Capscrew, 3/4C x 5-1/2.....	4
7	335A0481	Washer .....	8
8	340V3311	Nut, Self-Locking.....	8
9	310 3592	Bolt, Plow, 7/8C x 3-3/4....	10
10	310 3594	Bolt, Plow, 7/8C x 5-1/4....	2
11	331V2800	Washer, Flat, 7/8 SAE.....	12
12	340V3514	Nut, Self-Locking.....	12

WHEN ORDERING PARTS, SPECIFY MODEL NUMBER, SERIAL NUMBER AND DESCRIPTION OF PART REQUIRED



**SIDECUTTERS (ADJUST-A-CUT)**

DATE Revised 1-88

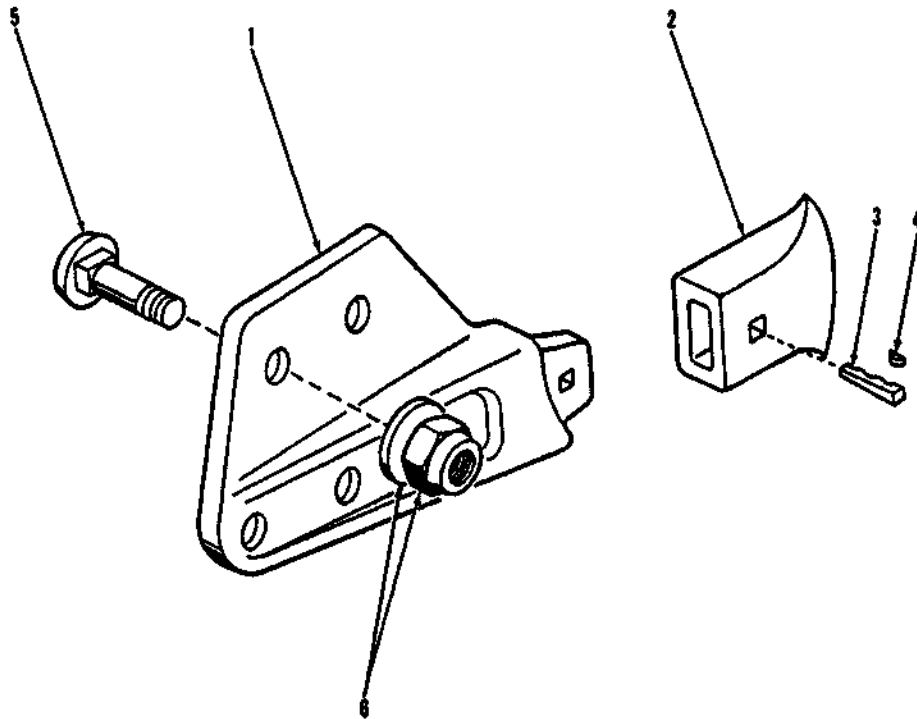
MODEL 6644E

GROUP

**36**

PAGE 36.8

⊗ DISCONTINUED PART REFER TO NUMERICAL PARTS LIST FOR REPLACEMENT PART(S)



REF.	PART NO.	DESCRIPTION	QTY.
	U410V6716	Cutter, LH Side.....	1
	U410V6717	Cutter, RH Side.....	1
		(Each Incl. Items 1 thru 4)	
1	{ 410V6803	Cutter, Blade (LH).....	1
	{ 410V6802	Cutter, Blade (RH).....	1
2	900V8191	Point, Tooth.....	1
3	410V6660	Pin, Point.....	1
4	410V6659	Pin, Lock.....	1
5	310 3592	Capscrew, Socket Head.....	10
		(7/8 x 3-1/2 Gr. 8)	
6	{ 340V3521	Nut, 7/8 Self-Locking.....	10
	{ 331V2800	Flatwasher, 7/8.....	10

WHEN ORDERING PARTS, SPECIFY MODEL NUMBER, SERIAL NUMBER AND DESCRIPTION OF PART REQUIRED



**SIDE CUTTERS  
(ROOTER TYPE)**

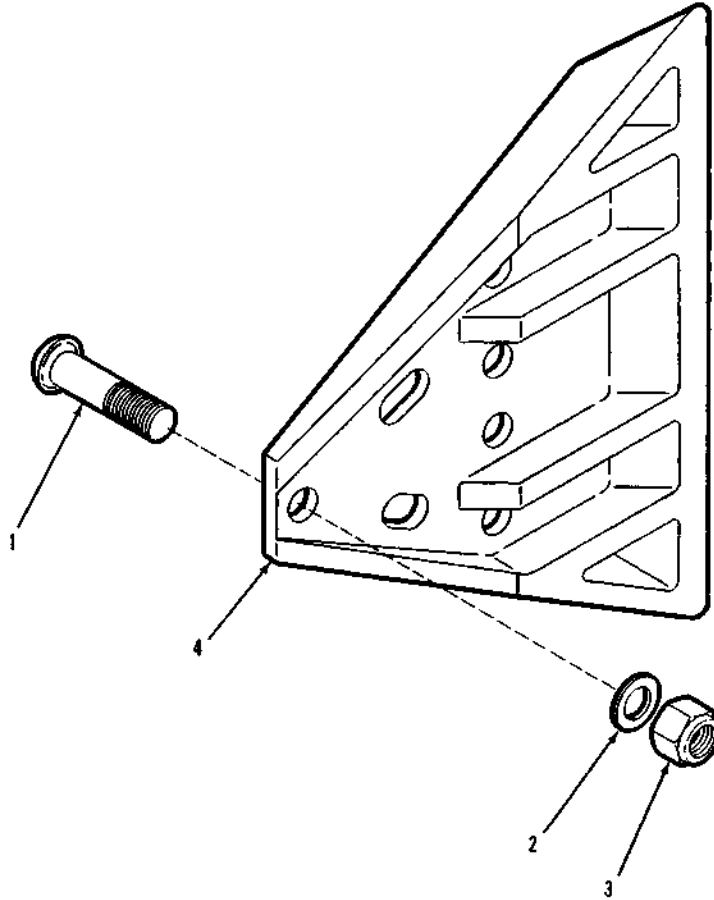
DATE: Revised 7-91

MODEL: 6644E

GROUP

36

PAGE 38.9



REF.	PART NO.	DESCRIPTION	QTY.
1	310 3591	Capscrew, Socket Head..... (7/8C x 3-1/2 Gr. 8)	12
2	331V2800	Plainwasher, 7/8.....	12
3	340V3521	Nut, 7/8C Self-Locking.....	12
4	361C0847	Plate, Wear.....	2

WHEN ORDERING PARTS, SPECIFY MODEL NUMBER, SERIAL NUMBER AND DESCRIPTION OF PART REQUIRED



**WEAR PLATE**

DATE Revised 1-88

MODEL: 6644E

GROUP

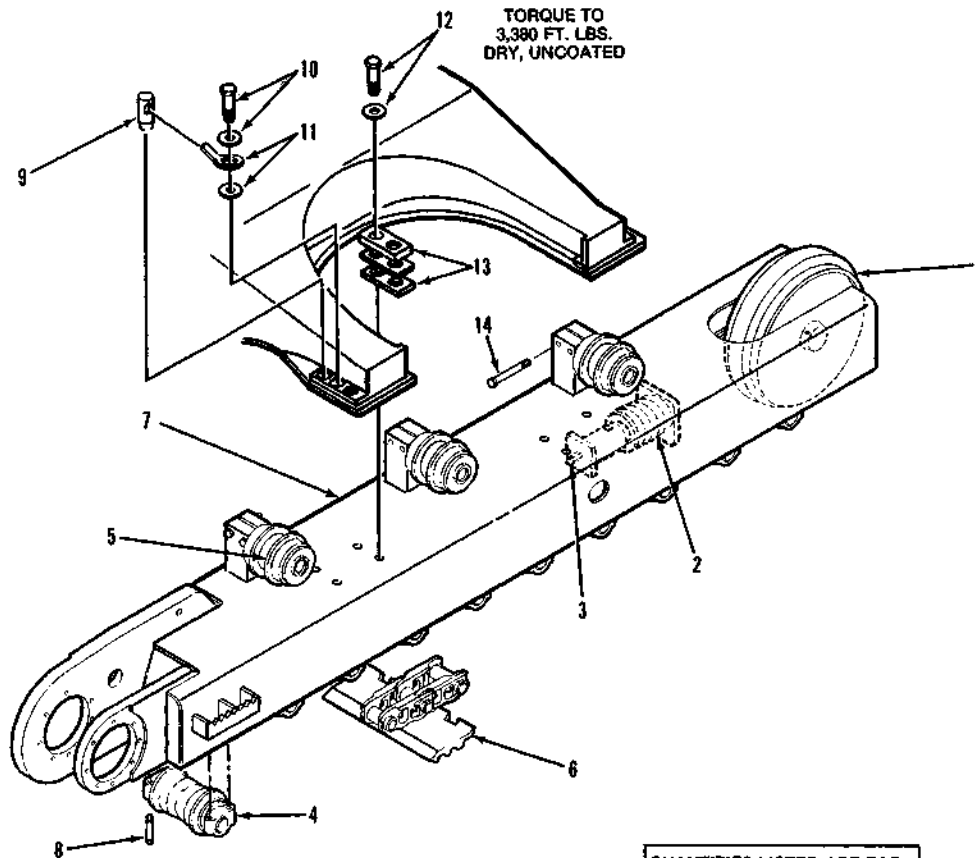
**36**

PAGE 36.10

⊗ DISCONTINUED PART: REFER TO NUMERICAL PARTS LIST FOR REPLACEMENT PART(S)

<https://tractormanualz.com/>

PRIOR SERIAL #21110



QUANTITIES LISTED ARE FOR  
BOTH CRAWLER ASSEMBLIES.  
RIGHT HAND CRAWLER FRAME  
PARTS ILLUSTRATED.

REF.	PART NO.	DESCRIPTION	QTY.
1	See Page 1.2	Idler Tumbler Assembly.....	2
2	See Page 1.2	Spring, Recoil.....	2
3	See Page 1.2	Cylinder, Adjusting.....	2
4	See Page 1.7	Roller, Lower.....	18
5	See Page 1.8	Roller, Carrier.....	6
6	See Page 1.9	Track Assembly.....	2
7	U359E9028	Frame, Crawler (RH Shown)....	1
	U359E9029	Frame, Crawler (LH).....	1
8	[ 310V3375	Capscrew, 3/4C x 4 Gr 5.....	72
	[ 332V2600	Lockwasher, 3/4.....	72
9	359A8624	Pin, Widening.....	4
10	[ 310V3790	Capscrew, 1C x 3 Gr 5.....	4
	[ 331V3000	Washer, SAE (1").....	4
11	[ 359A8625	End, Rod.....	4
	[ 200B0078-3	Washer, Flat.....	4
12	[ 310V4539	Capscrew, 1-1/2C x 6-1/2 Gr 8.	3
	[ 334V3701	Washer, Hardened.....	8
	[ 359A8620	Flat, Widening (6").....	3
	[ 359A8621	Flat, Widening (4-1/2").....	8
	[ 359A8623-1	Shim (16 ga).....	(8)
	[ 359A8623-2	Shim (20 ga).....	(8)
14	[ 310V3362	Capscrew, 3/4C x 5-1/2 Gr 5..	12
	[ 340V3331	Nut, Lock, 3/4C.....	12

WHEN ORDERING PARTS, SPECIFY MODEL NUMBER, SERIAL NUMBER AND DESCRIPTION OF PART REQUIRED



**CRAWLER ASSEMBLY  
(LOGGER & KANE LOADER)**

DATE: Revised 7-86

MODEL: 6644L

GROUP

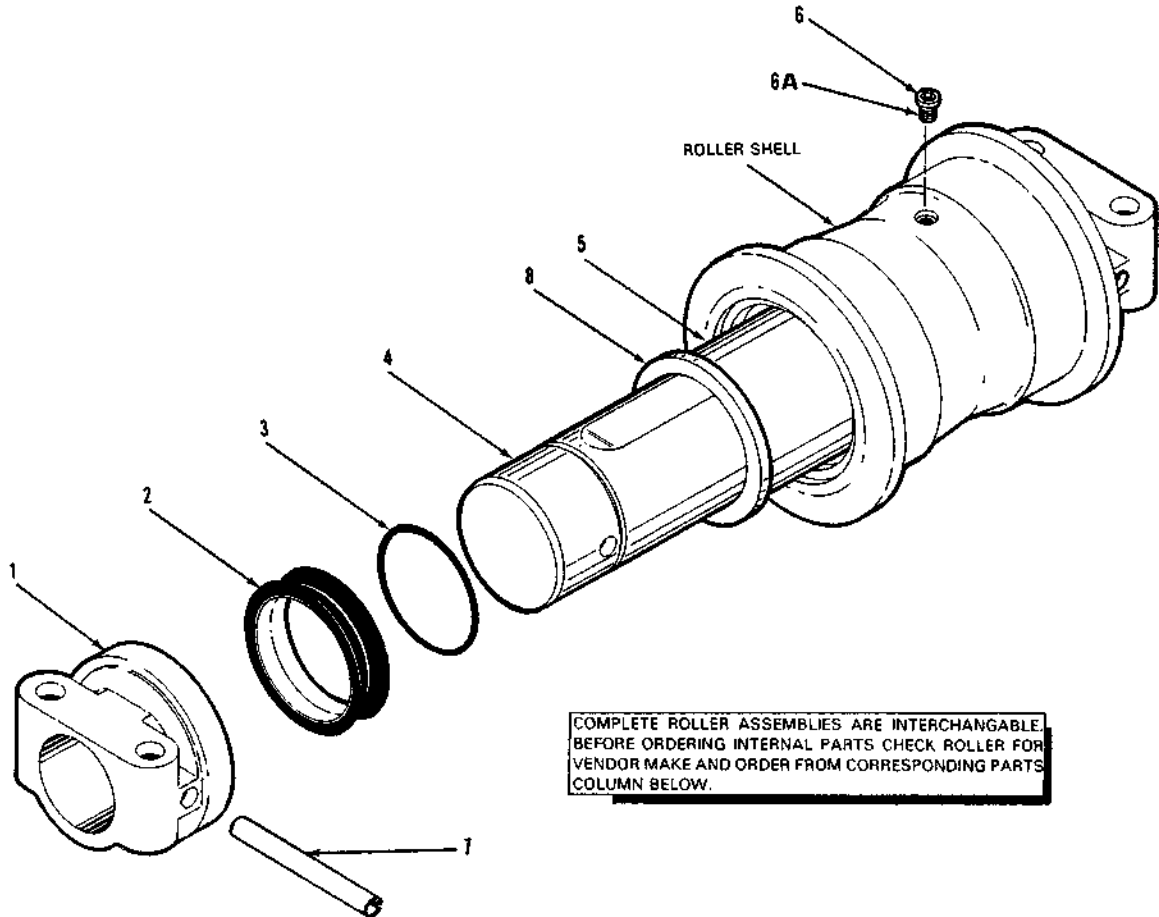
1

PAGE 1.1

⊗ DISCONTINUED PART! REFER TO NUMERICAL PARTS LIST FOR REPLACEMENT PART(S)

<https://tractormanualz.com/>

BEGIN SERIAL #21170



COMPLETE ROLLER ASSEMBLIES ARE INTERCHANGABLE. BEFORE ORDERING INTERNAL PARTS CHECK ROLLER FOR VENDOR MAKE AND ORDER FROM CORRESPONDING PARTS COLUMN BELOW.

REF.	PART NO.			DESCRIPTION	QTY.
	Intertractor	Berco	Italtractor		
—	U422V0053	U422V0052	U422V0054	Roller Assembly . . . . .	1
				(Inc. Parts Listed Below)	
1	N/S	N/S	N/S	Collar, End . . . . .	2
2	901V2208	U901V2211	901V2734	Seal Group . . . . .	2
3	901V1408	901V2201	901V2761	Ring, "O" . . . . .	2
4	N/S	N/S	N/S	Shaft . . . . .	1
5	N/A	901V2181	901V2758	Bushing . . . . .	2
6	901V1396	—	901V2003	Plug (W/Gasket) . . . . .	1
6A	—	901V2029	—	Plug . . . . .	1
	—	901V2028	—	Gasket . . . . .	1
7	901V2209	901V2204	901V2763	Pin . . . . .	2
8	—	901V2202	—	Ring, Thrust . . . . .	2

WHEN ORDERING PARTS, SPECIFY MODEL NUMBER, SERIAL NUMBER AND DESCRIPTION OF PART REQUIRED

GROUP



LOWER ROLLER ASSEMBLY

DATE Issued 3-87

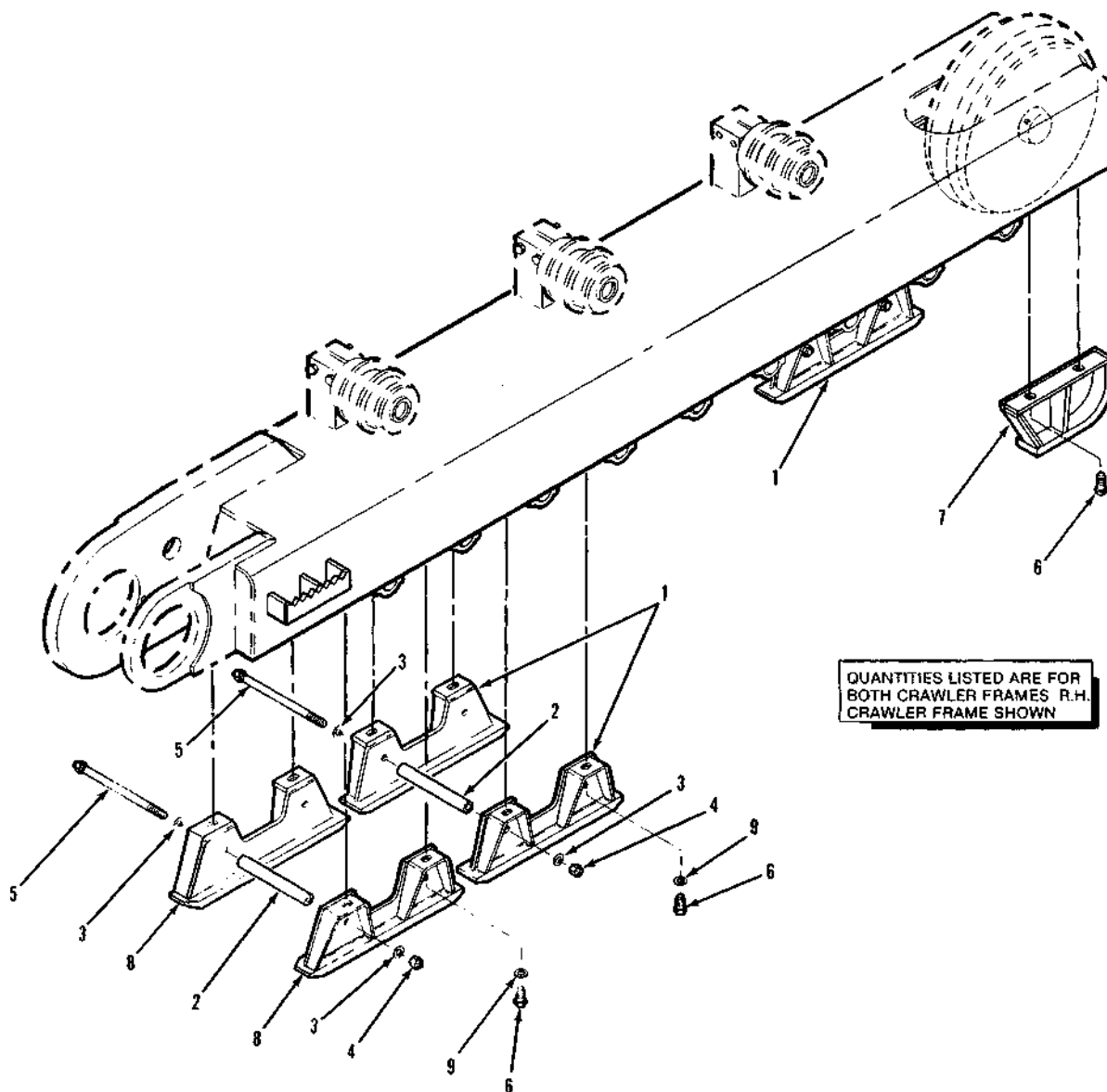
MODEL 6644L

1

PAGE 1.8A

⊗ DISCONTINUED PART! REFER TO NUMERICAL PARTS LIST FOR REPLACEMENT PART(S)

<https://tractormanualz.com/>



REF.	PART NO.	DESCRIPTION	359D8827	359D8779	359D8280
			Full QTY.	Double QTY.	Single QTY.
1	U359C7808	Guide, Track.....	16	12	8
2	200B2400-065	Spacer.....	20	12	8
3	334V3002	Washer, Hardened.....	40	24	16
4	340V3726	Locknut, 1C.....	20	12	8
5	U359A7030	Bolt, Track.....	20	12	8
6	310V3394	Capscrew, 3/4C x 2.....	40	24	16
7	U359B8274	Guide, RH.....	2	-	-
	U359B8275	Guide, LH.....	2	-	-
8	U359C8824	Guide, RH Rear.....	2	-	-
	U359C8826	Guide, LH Rear.....	2	-	-
9	334V2664	Washer, Hardened.....	40	24	16

WHEN ORDERING PARTS, SPECIFY MODEL NUMBER, SERIAL NUMBER AND DESCRIPTION OF PART REQUIRED



TRACK GUIDES

DATE: Revised 7-86

MODEL: 6644L

GROUP

1

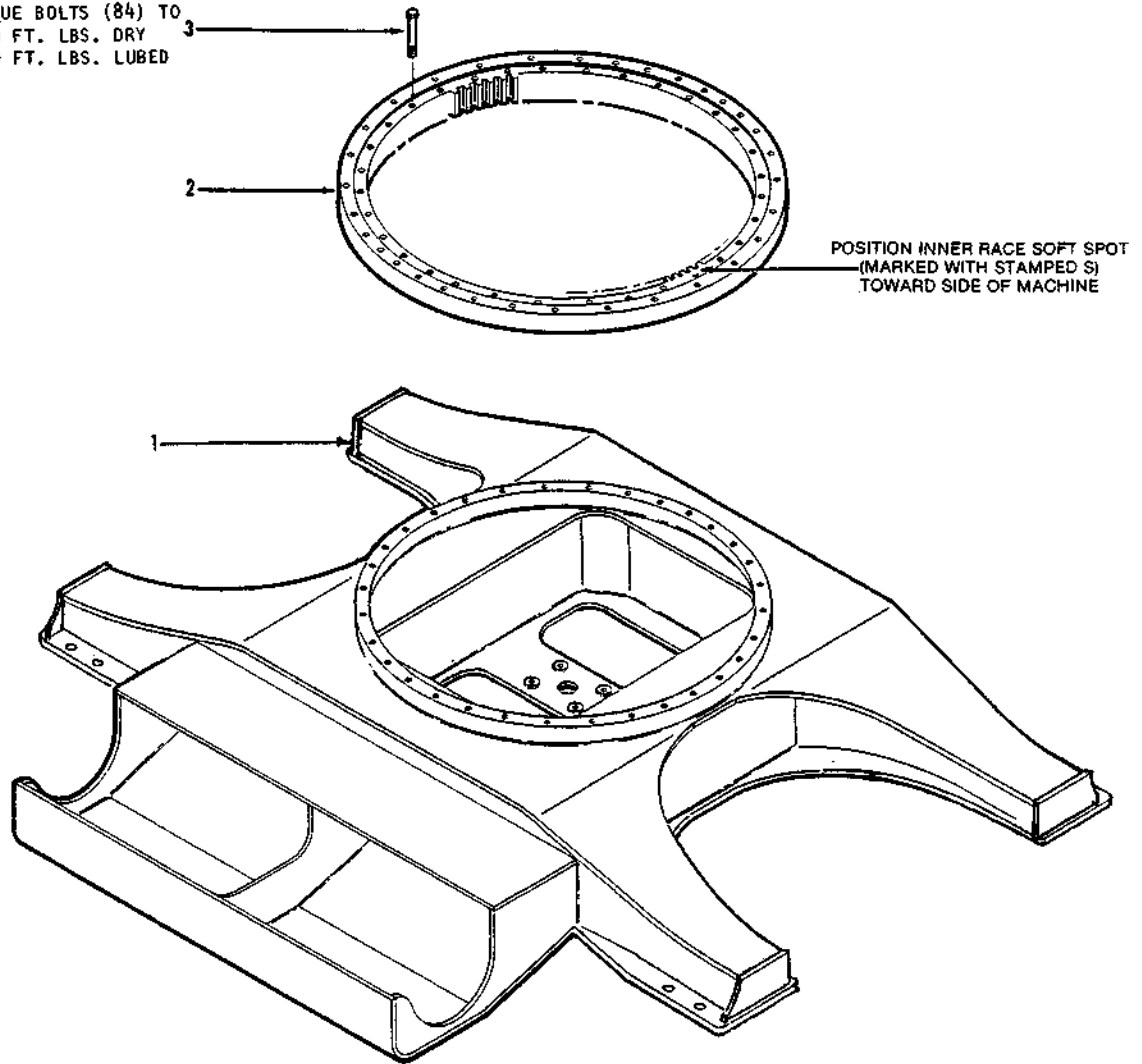
PAGE 1.10

⊗ DISCONTINUED PART! REFER TO NUMERICAL PARTS LIST FOR REPLACEMENT PART(S)

<https://tractormanualz.com/>

PRIOR SERIAL #21110

TORQUE BOLTS (84) TO  
970 FT. LBS. DRY  
640 FT. LBS. LUBED



REF.	PART NO.	DESCRIPTION	QTY.
1	U359E9111	Carbody.....	1
2	35907859	Gear, Ring.....	1
3	310V3915	Capscrew, Gr. 8.....	42
	U334V3002	Washer, Hardened.....	42

WHEN ORDERING PARTS, SPECIFY MODEL NUMBER, SERIAL NUMBER AND DESCRIPTION OF PART REQUIRED



CARBODY & RING GEAR

DATE: Revised 11-88

MODEL: 6644L

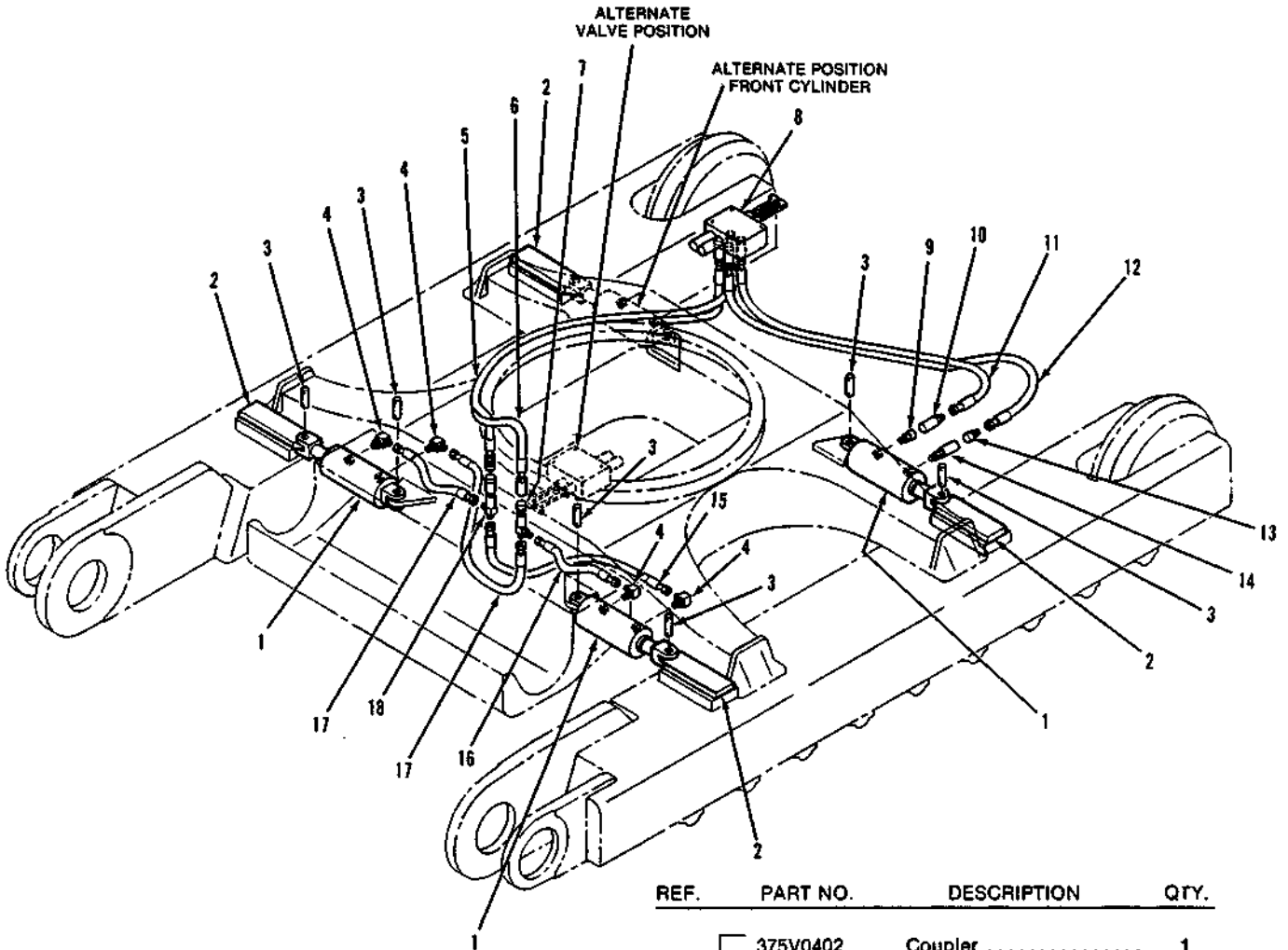
GROUP

1

PAGE 1.11

⊗ DISCONTINUED PART! REFER TO NUMERICAL PARTS LIST FOR REPLACEMENT PART(S)

<https://tractormanualz.com/>



REF.	PART NO.	DESCRIPTION	QTY.
1	U288B2721	Cylinder .....	3
		(For Parts See Pg. 1A.13)	4
2	359A8622	Flat .....	6
3	200B0022-009	Pin .....	12
	354V2019	Pin, Cotter .....	4
	375V1400	Elbow (90°) .....	4
4	460V0885	O-Ring (Port Side) .....	4
	460V6011	O-Ring (Hose Side) .....	4
	200B2461-144	Hose Ass'y (144") .....	1
	375V6402	Nipple .....	2
5	375V0401	Connector .....	2
	460V0885	O-Ring (Port Side) .....	2
	460V6011	O-Ring (Hose Side) .....	2
	375V4401	Cap, Dust .....	2
	200B2461-144	Hose Ass'y (144") .....	1
	375V0402	Coupler .....	2
6	375V0401	Connector .....	2
	460V0885	O-Ring (Port Side) .....	2
	460V6011	O-Ring (Hose Side) .....	2
	375V4400	Plug, Dust .....	2
	375V3210	Tee .....	1
7	375V6402	Nipple .....	1
	375V9400	Connector .....	1
	375V4401	Cap, Dust .....	1
8	U430V8515	Valve .....	1
	375V5404	Union .....	1
9	375V6402	Nipple .....	1
	375V4401	Cap, Dust .....	1

REF.	PART NO.	DESCRIPTION	QTY.
	375V0402	Coupler .....	1
	375V0401	Connector .....	1
10	460V0885	O-Ring (Port Side) .....	1
	460V6011	O-Ring (Hose Side) .....	1
	375V4400	Plug, Dust .....	1
	200B2461-075	Hose Ass'y (75") .....	1
	375V0402	Coupler .....	1
11	375V0401	Connector .....	1
	460V0885	O-Ring (Port Side) .....	1
	460V6011	O-Ring (Hose Side) .....	1
	375V4400	Plug, Dust .....	1
	200B2461-075	Hose Ass'y (75") .....	1
	375V6402	Nipple .....	1
12	375V0401	Connector .....	1
	460V0885	O-Ring (Port Side) .....	1
	460V6011	O-Ring (Hose Side) .....	1
	375V4401	Cap, Dust .....	1
	375V6402	Nipple .....	1
	375V0401	Connector .....	1
13	460V0885	O-Ring (Port Side) .....	1
	460V6011	O-Ring (Hose Side) .....	1
	375V4401	Cap, Dust .....	1
	375V5404	Union .....	1
14	375V0402	Coupler .....	1
	375V4400	Plug, Dust .....	1
15	200B2461-044	Hose Ass'y (44") .....	1
	200B2461-022	Hose Ass'y (22") .....	1
16	200B2461-034	Hose Ass'y (34") .....	2
	375V3210	Tee .....	1
17	375V0402	Coupler .....	1
	375V9400	Connector .....	1
18	375V4400	Plug, Dust .....	1

WHEN ORDERING PARTS, SPECIFY MODEL NUMBER, SERIAL NUMBER AND DESCRIPTION OF PART REQUIRED



**CRAWLER WIDENING  
HYDRAULIC PIPING  
(LOGGER)**

DATE: Revised 7-86

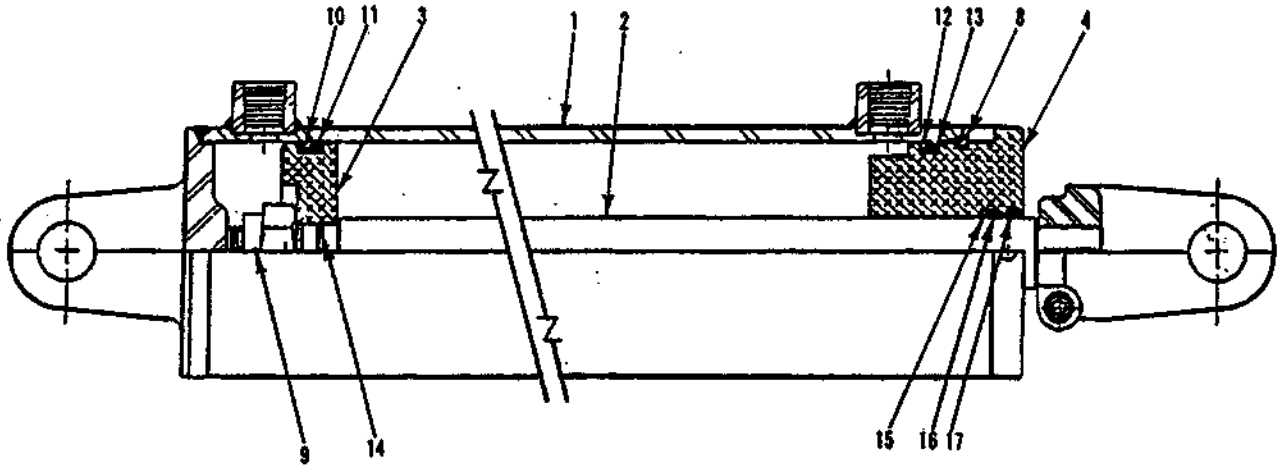
MODEL: 6644L

GROUP  
**1**

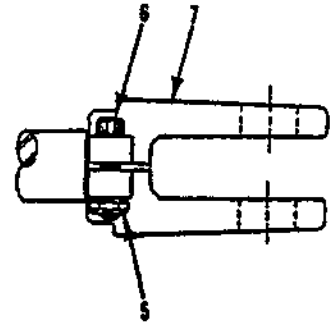
PAGE 1.12

⊗ DISCONTINUED PART! REFER TO NUMERICAL PARTS LIST FOR REPLACEMENT PART(S)

<https://tractormanualz.com/>



Bore.....3.50"  
 Length.....21.88"  
 Stroke.....11.00"  
 Rod.....1.25"



REF.	PART NO.	DESCRIPTION	QTY.
	U288B2721	Cylinder, Widening.....	3
		(Includes Items 1 thru 17)	
	211629	Kit, Seal.....	1
		(Includes Items 10 thru 17)	
1	211630	Tube.....	1
2	211631	Rod.....	1
3	211632	Piston.....	1
4	211633	Head.....	1
5	211634	Locknut, Clevis.....	1
6	211635	Capscrew.....	1
7	211636	Clevis, Rod.....	1
8	211637	Ring, Retaining.....	1
9	211638	Locknut.....	1
10		O-Ring.....	1
11		Back-Up.....	1
12		O-Ring.....	1
13		Back-Up.....	1
14		O-Ring.....	1
15		O-Ring.....	1
16		Back-Up.....	1
17		Wiper.....	1

WHEN ORDERING PARTS, SPECIFY MODEL NUMBER, SERIAL NUMBER AND DESCRIPTION OF PART REQUIRED



CRAWLER WIDENING CYLINDER  
(LOGGER)

DATE: Issued 7-91

MODEL: 6644L

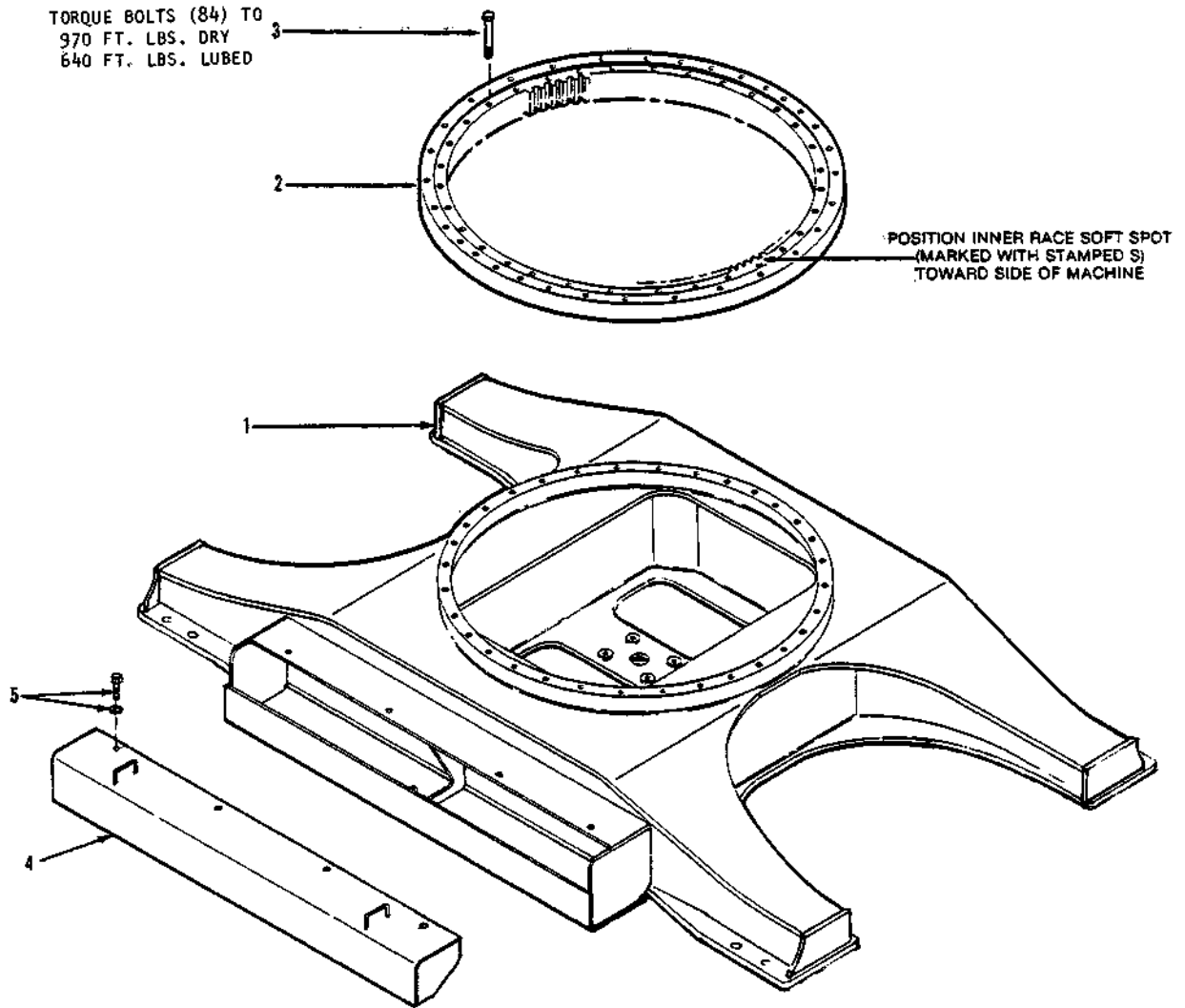
PAGE 1.13

⊗ DISCONTINUED PART! REFER TO NUMERICAL PARTS LIST FOR REPLACEMENT PART(S)

<https://tractormanualz.com/>

BEGIN SERIAL #21110

TORQUE BOLTS (84) TO  
970 FT. LBS. DRY  
640 FT. LBS. LUBED



REF.	PART NO.	DESCRIPTION	QTY.
1	U359E9189	Carbody.....	1
2	359D7859	Gear, Ring.....	1
3	310V3915	Capscrew (Gr 8).....	42
	334V3002	Washer, Hardened.....	42
4	U359C9183	Cover.....	1
5	316V2306	Capscrew, 3/80 x 3/4.....	7
	333V2003	Washer, Lock.....	7

WHEN ORDERING PARTS, SPECIFY MODEL NUMBER, SERIAL NUMBER AND DESCRIPTION OF PART REQUIRED



CARBODY & RING GEAR

DATE: Revised 11-88

MODEL: 6644L

GROUP

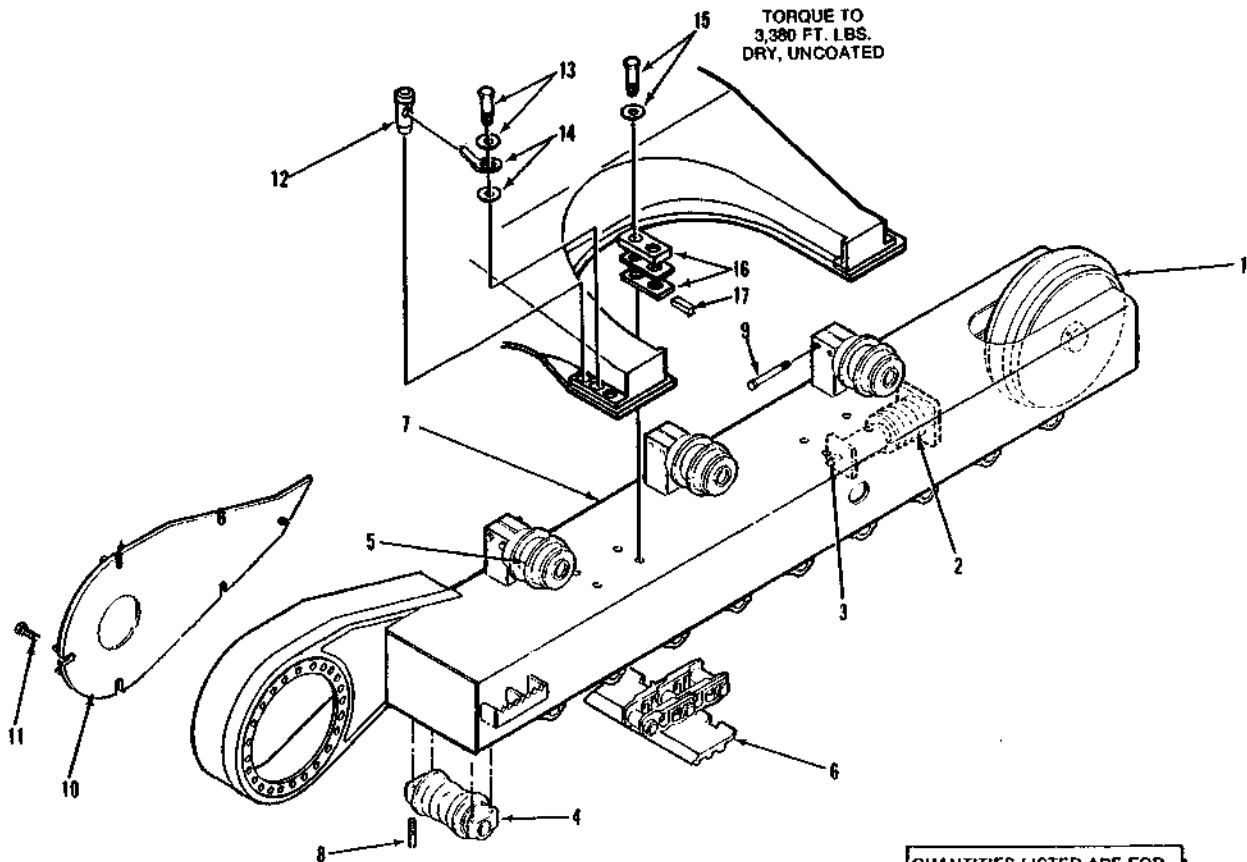
1A

PAGE 1A.1

⊗ DISCONTINUED PART! REFER TO NUMERICAL PARTS LIST FOR REPLACEMENT PART(S)

<https://tractormanualz.com/>

BEGIN SERIAL #21110



QUANTITIES LISTED ARE FOR BOTH CRAWLER ASSEMBLIES. RIGHT HAND CRAWLER FRAME PARTS ILLUSTRATED.

REF.	PART NO.	DESCRIPTION	QTY.	
	Prior Ser. #21170	Begin Ser. #21170		
1	See Page 1.2	Idler Tumbler Assembly....	2	
2	See Page 1.2	Spring, Recoil.....	2	
3	See Page 1.2	Cylinder, Adjusting.....	2	
4	See Page 1.7	Roller, Lower.....	20	
5	See Page 1.8	Roller, Carrier.....	6	
6	See Page 1.9	Track Assembly.....	2	
7	U359E9195	U359E9274	Frame, Crawler (RH Shown).	1
	U359E9196	U359E9275	Frame, Crawler (LH).....	1
	310V3375		Capscrew, 3/4C x 4 Gr 5...	72
8	332V2600	310V3541	Capscrew, 7/8C x 4-1/2 Gr 5.	80
			Lockwasher, 3/4.....	72
		332V2800	Lockwasher, 7/8.....	80
9	310V3362	310V3362	Capscrew, 3/4C x 5-1/2 Gr 5.	12
	340V3331	340V3331	Locknut, 3/4C Gr 5.....	12
10	U359C9201	359C9308	Cover, RH.....	1
	U359C9202	359C9308	Cover, LH.....	1
11	310V3399		Capscrew, 3/4C x 1-3/4 Gr 5.	12
	334V2664		Washer, 3/4.....	12
12	359A8624		Pin, Widening.....	4
	310V3790		Capscrew, 1C x 3 Gr 5....	4
13	331V3000		Washer.....	4
	359A8625		End, Rod.....	4
14	200B0078-3		Washer, Flat.....	4
	310V4518		Capscrew, 1-1/2C x 6 Gr 8..	8/16
15	334V3701		Washer, Hardened.....	8/16
	359A8620		Flat, Widening (6").....	8
	359A8621		Flat, Widening (4-1/2")...	8
16	359A8623-1		Shim (16 ga).....	(8)
	359A8623-2		Shim (20 ga).....	(8)
17	359A8667		Block (Weld).....	8

WHEN ORDERING PARTS, SPECIFY MODEL NUMBER, SERIAL NUMBER AND DESCRIPTION OF PART REQUIRED



**CRAWLER ASSEMBLY  
(LOGGER & KANE LOADER)**

DATE: Revised 3-87

MODEL: 6644L

GROUP

1A

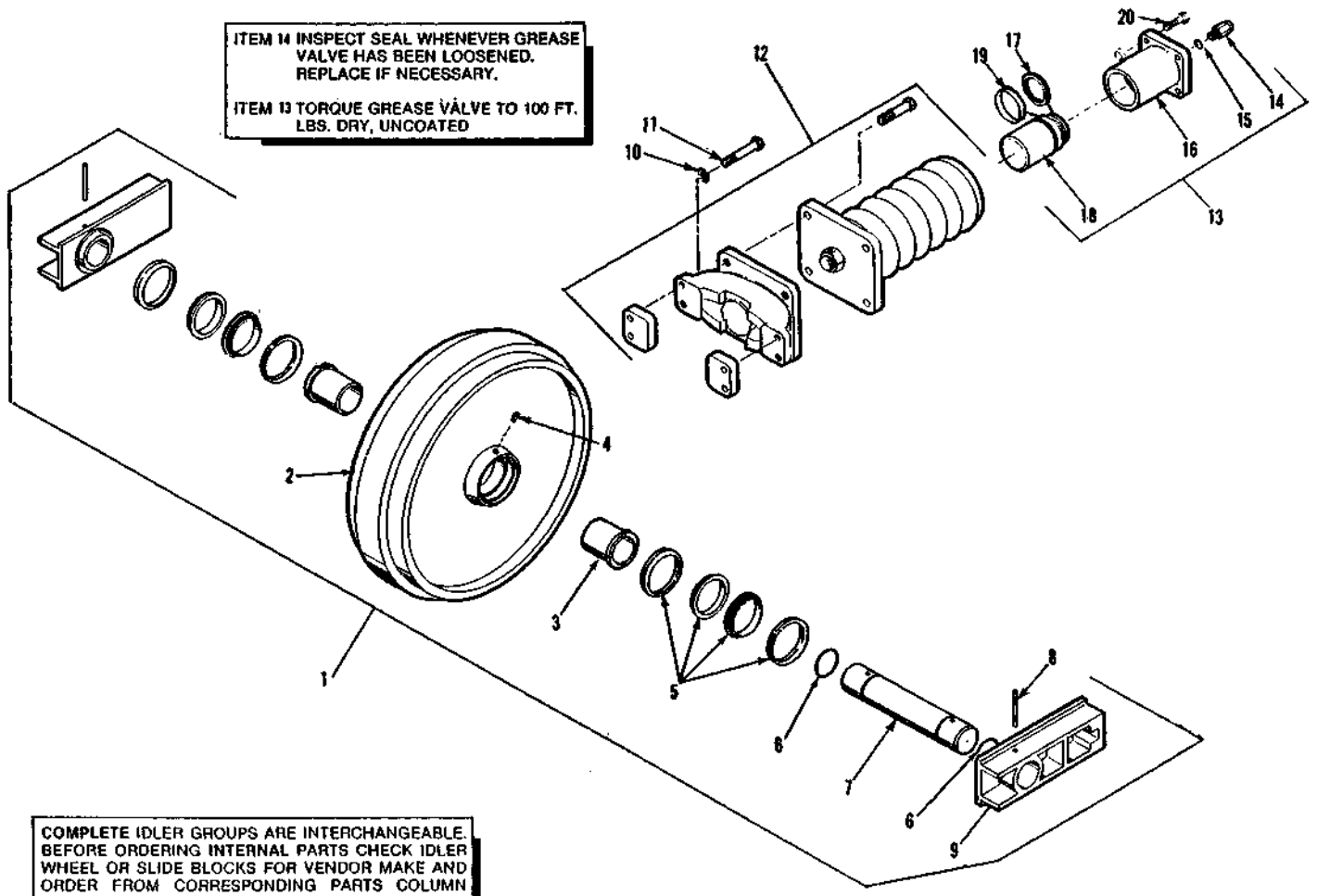
PAGE 1A.2

⊗ DISCONTINUED PART! REFER TO NUMERICAL PARTS LIST FOR REPLACEMENT PART(S)

<https://tractormanualz.com/>

ITEM 14 INSPECT SEAL WHENEVER GREASE VALVE HAS BEEN LOOSENED. REPLACE IF NECESSARY.

ITEM 13 TORQUE GREASE VALVE TO 100 FT. LBS. DRY, UNCOATED



COMPLETE IDLER GROUPS ARE INTERCHANGEABLE. BEFORE ORDERING INTERNAL PARTS CHECK IDLER WHEEL OR SLIDE BLOCKS FOR VENDOR MAKE AND ORDER FROM CORRESPONDING PARTS COLUMN BELOW.

REF.	PART NO.	DESCRIPTION	QTY.	
	Offset Yoke Begin Ser. #21170 U359D9284-3	Begin Ser. #21225 U422V3002		
		Idler & Recoil Group.....	1	
		(Incl. Items 1 thru 19)		
1	U901V4051	U901V4052	Wheel w/Slide Bars.....	1
			(Incl. Items 2 thru 11)	
2	901V4046	901V4046	Wheel w/Bushing & Plug.....	1
3	901V4045	901V4045	Bushing.....	2
4	901V1396	901V1396	Plug.....	1
5	901V4044	901V4044	Seal Group.....	4
6	901V4043	901V4043	O-Ring.....	2
7	901V4047	901V4047	Shaft (95mm).....	1
8	901V4042	901V4042	Roll Pin.....	2
9	901V4048	901V4048	Bar, Slide.....	2
10	901V1758	901V1758	Lockwasher.....	4
11	901V4049		Capscrew, M20 x 65.....	4
11		901V4050	Capscrew, M20 x 140.....	4
12	U901V4057	U901V4053	Spring Group.....	2
13	U422V0098	U901V4054	Adjusting Cylinder Group.....	1
			(Incl. Items 14 thru 17)	
14	901V1278	901V1278	Valve, Grease.....	1
15	901V1277	901V1277	Seal.....	1
16	901V4085	901V4085	Cylinder.....	1
17	901V1276	901V1276	Seal.....	1
18	901V4087	901V4086	Piston.....	1
19	901V4067	-	Ring, Wear.....	1
20	{ 316V3145	316V3145	Capscrew, 5/80 x 4 Gr. 8.....	8
	{ 340V3127	340V3127	Nut, 5/80 Gr 8.....	8

WHEN ORDERING PARTS, SPECIFY MODEL NUMBER, SERIAL NUMBER AND DESCRIPTION OF PART REQUIRED



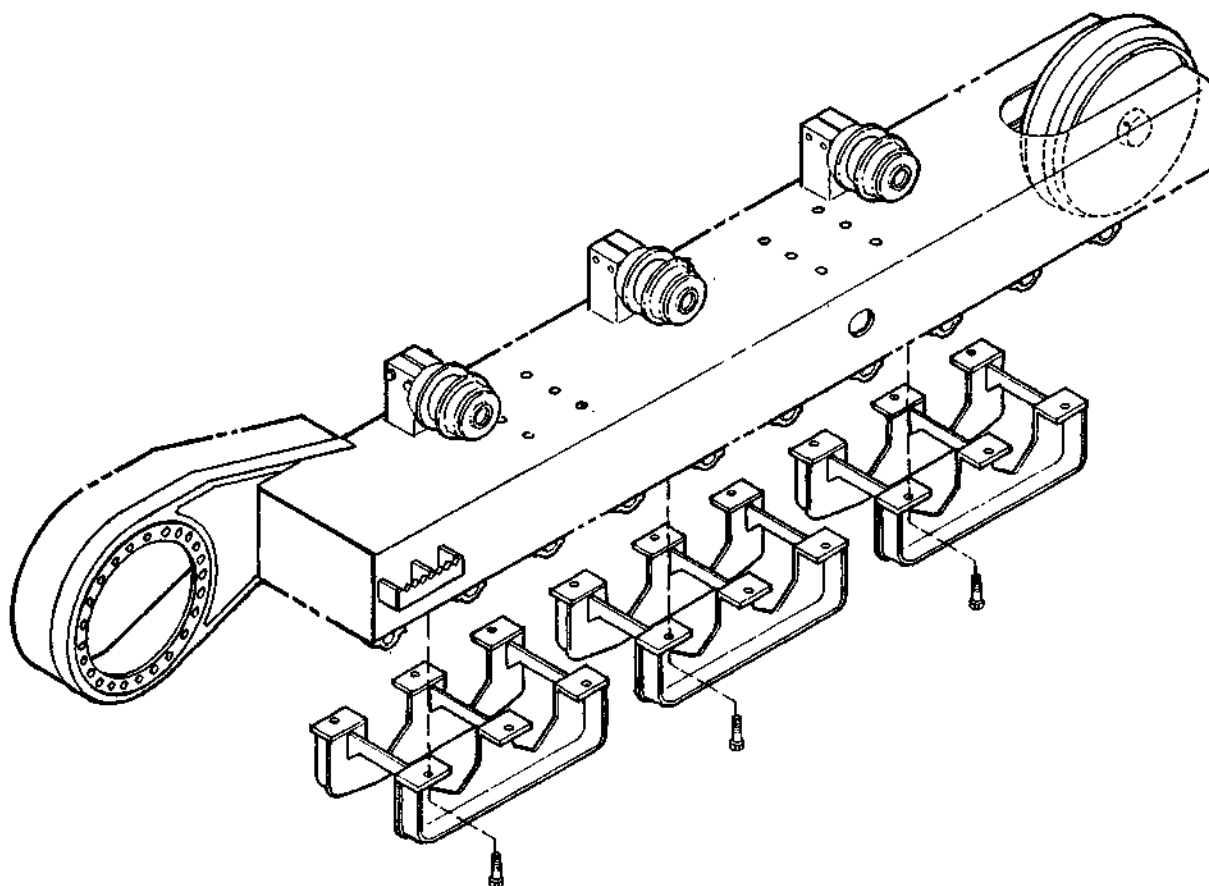
IDLER ASSEMBLY

DATE Issued 11-88  
 MODEL: 6644L  
 PAGE 1A.2A

GROUP  
1

⊗ DISCONTINUED PART! REFER TO NUMERICAL PARTS LIST FOR REPLACEMENT PART(S)

<https://tractormanualz.com/>



QUANTITIES LISTED ARE FOR BOTH CRAWLER FRAMES.  
R.H. CRAWLER FRAME SHOWN

REF.	PART NO.	DESCRIPTION	QTY.
	35909342	Triple Track Guide Ass'y.....	1
1	U359C9341	Guide, Track.....	6
2	1200-230	Capscrew, 7/8" x 2-1/4.....	36

WHEN ORDERING PARTS, SPECIFY MODEL NUMBER, SERIAL NUMBER AND DESCRIPTION OF PART REQUIRED



TRACK GUIDES

DATE Issued 3-87

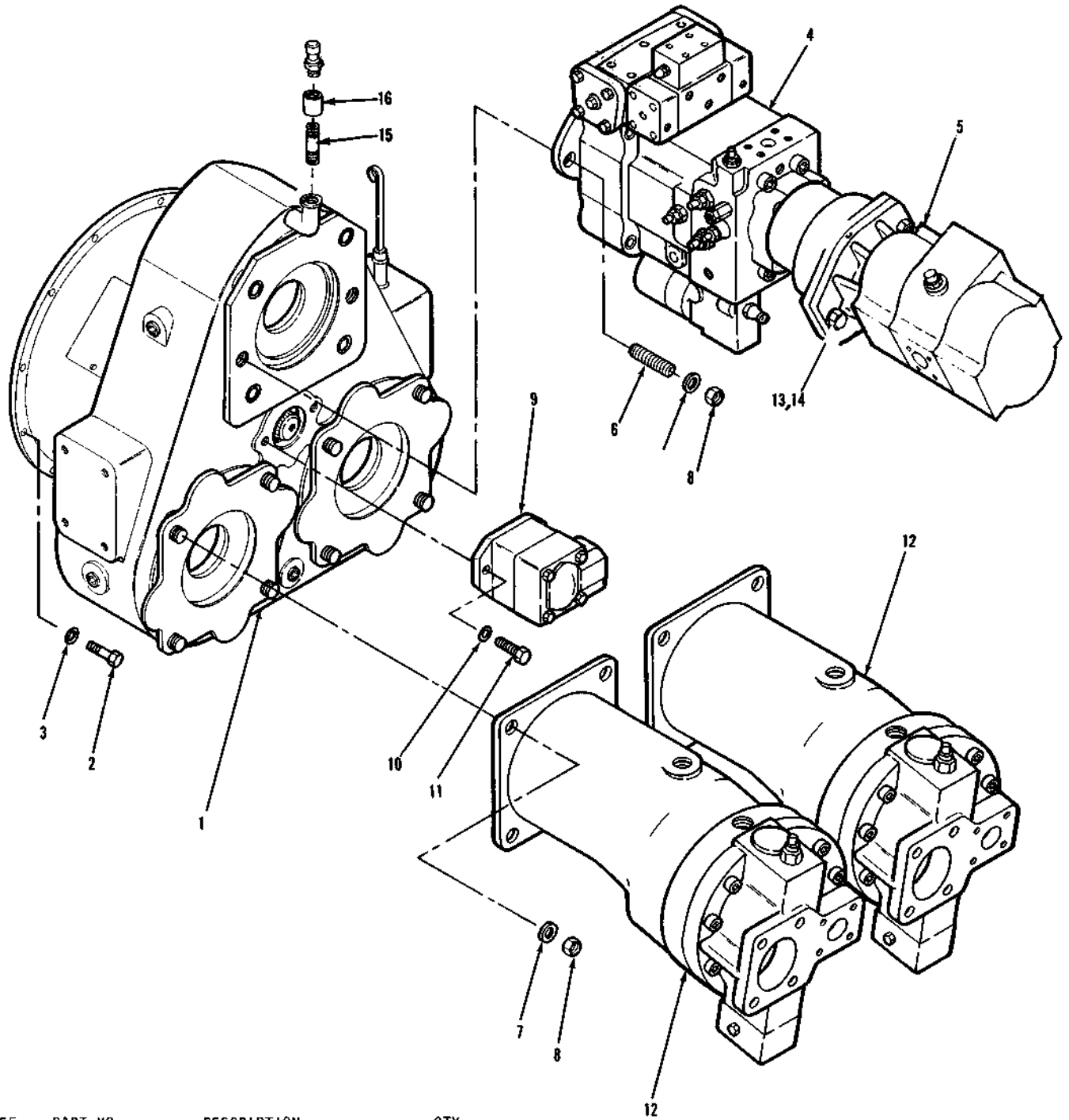
MODEL 6644L

GROUP

1A

PAGE 1A.8

⊗ DISCONTINUED PART! REFER TO NUMERICAL PARTS LIST FOR REPLACEMENT PART(S)



REF.	PART NO.	DESCRIPTION	QTY.
1	Page 24.2	Case, Pump Drive.....	1
2	310V2525	Capscrew, 7/16C x 1-1/4.....	12
3	332V2100	Lockwasher, 7/16.....	12
4	U288D2714	Pump, Swing.....	1
5	U288C2715	Pump, Grapple.....	1
	U431V2603	Pump, Grapple w/Unloader....	1
6	306V2229	Stud, 3/4 x 2-3/4 Gr 4.....	2
7	334V2664	Washer, Hardened, 3/4.....	10
8	340V3318	Locknut.....	10

REF.	PART NO.	DESCRIPTION	QTY.
9	U288B2716	Pump, Control (Early).....	AR
	U288B2664	Pump, Control (Repl. above)..	1
10	334V2001	Washer, Hardened, 3/8.....	2
11	300V1146	Lockbolt.....	2
12	U288D2703	Pump, Attachment.....	2
		(See Page 24.4)	
13	310V3175	Capscrew, 5/8C x 2-1/4 Gr 5..	2
14	332V2400	Lockwasher, 5/8.....	2
15	1219-507	Nipple, 1/2 x 5.....	1
16	1219-18	Coupling, 1/2.....	1

WHEN ORDERING PARTS, SPECIFY MODEL NUMBER, SERIAL NUMBER AND DESCRIPTION OF PART REQUIRED



**PUMP DRIVE CASE & PUMPS  
(LOGGER & CANE LOADER)**

DATE: Revised 3-87

MODEL: 6644L

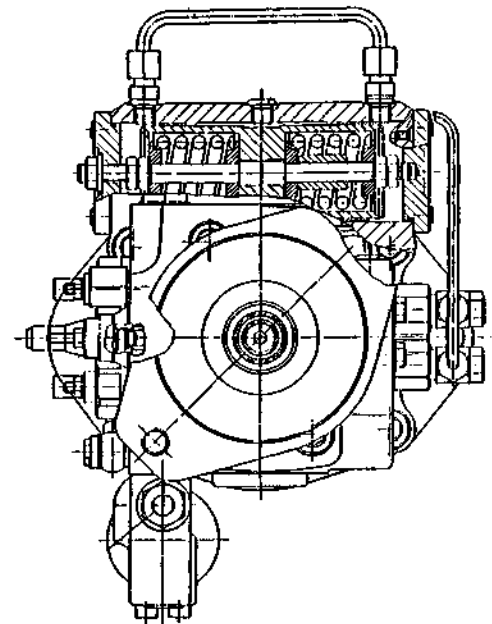
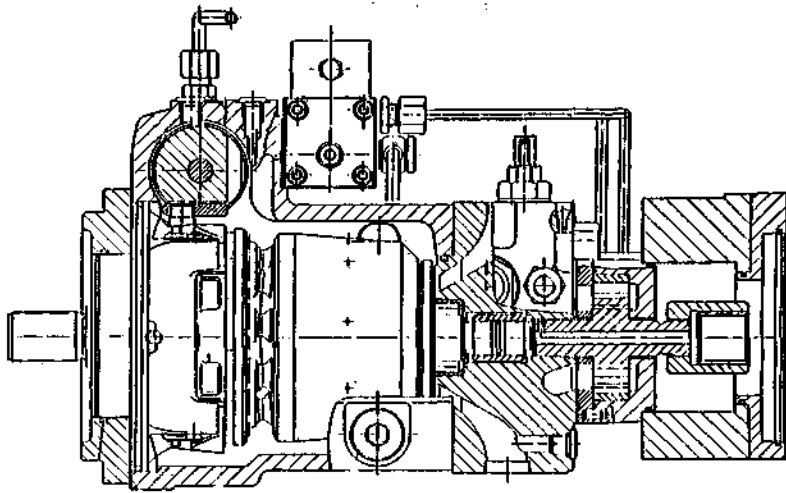
GROUP

**24A**

PAGE 24A.1

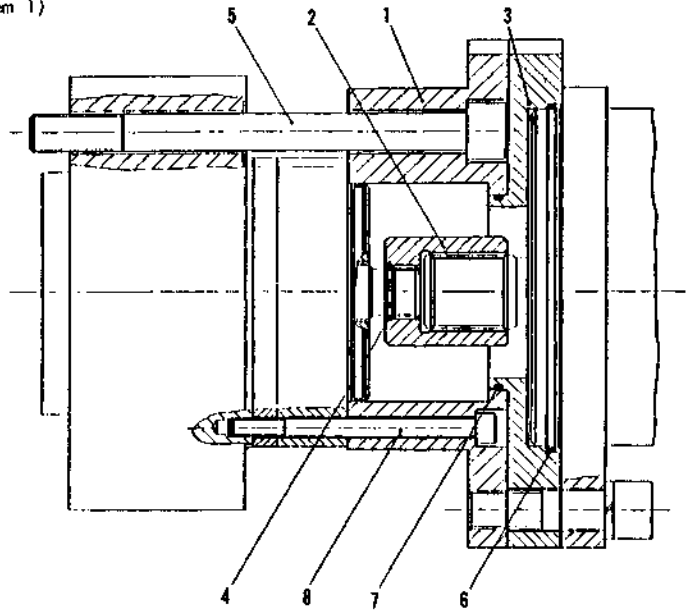
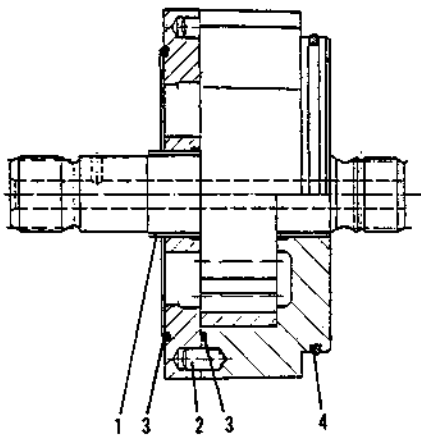
⊗ DISCONTINUED PART! REFER TO NUMERICAL PARTS LIST FOR REPLACEMENT PART(S)

<https://tractormanualz.com/>



REF.	PART NO.	DESCRIPTION	QTY.
	U288D2714	Pump, Swing.....	1
		(Includes Items 1 Thru 3)	
1	U288D2702-099	Pump.....	1
		(See Page 24.5 for Parts Breakdown)	
2	See Below	Kit, Adapter.....	1
3	See Below	Pump, Charge.....	1
	U901V3391	Kit, Adapter & Charge Pump, AR (Includes Items 2 & 3 - For Conversion of Item 1)	

NOTE: Existing Charge Pump (Kit #U901V3503) must be removed for Logger Application.



REF	PART NO.	DESCRIPTION	QTY.
	901V3988	Pump, Charge. (Includes Items 1 thru 4)	1
1	901V4035	Bushing, Bearing	1
2	901V4036	Pin, Dowel (Metric)	1
3	901V3696	O-Ring....	2
4	1218-196	O-Ring...	1

REF	PART NO.	DESCRIPTION	QTY.
	901V3989	Kit, Adapter. (Includes Items 1 thru 8)	1
1	901V4030	Flange..	1
2	901V3756	Coupling, Drive.	1
3	901V4031	Plate, Intermediate	1
4	901V3976	Ring, Retaining (Metric)..	1
5	901V4032	Capscrew, Sock Hd Metric	1
6	901V4033	O-Ring...	1
7	460V0270	O-Ring...	1
8	901V4034	Capscrew, Sock Hd Metric	4

WHEN ORDERING PARTS, SPECIFY MODEL NUMBER, SERIAL NUMBER AND DESCRIPTION OF PART REQUIRED



SWING PUMP  
LOGGER & KANE LOADER

DATE Revised 1-88

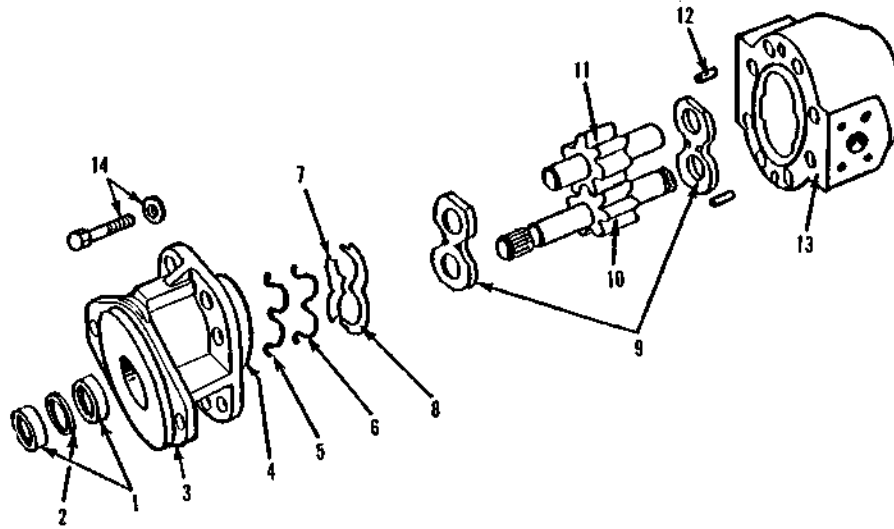
MODEL: 6644L

PAGE 24A.5

GROUP  
**24A**

⊗ DISCONTINUED PART: REFER TO NUMERICAL PARTS LIST FOR REPLACEMENT PART(S)

PRIOR SERIAL #21121



REF.	PART NO.	DESCRIPTION	QTY.
	U288C2715	Pump, Grapple.....	1
		(Includes Items 1 thru 16)	
	204756	Kit, Seal.....	1
		(Includes Items 1,4,5,6)	
1		Seal.....	2
2		Spacer.....	1
3		Flange.....	1
4		O-Ring.....	AR
5		Ring, Back-Up.....	2
6		O-Ring.....	2
7		Isolation Plate(Top).....	1
		Isolation Plate(Bottom)...	1
8		Retainer, Ring.....	2
9		Plate, Pressure.....	2
10		Gear, Drive.....	1
11		Gear, Idler.....	1
12		Pin, Dowel.....	2
13		Body.....	1
14		Capscrew, 1/2 x 1-1/4 Gr 8.	8
		Washer.....	8

WHEN ORDERING PARTS, SPECIFY MODEL NUMBER, SERIAL NUMBER AND DESCRIPTION OF PART REQUIRED



GRAPPLE PUMP  
LOGGER & KANE LOADER

DATE Issued 7-86

MODEL 6644L

GROUP

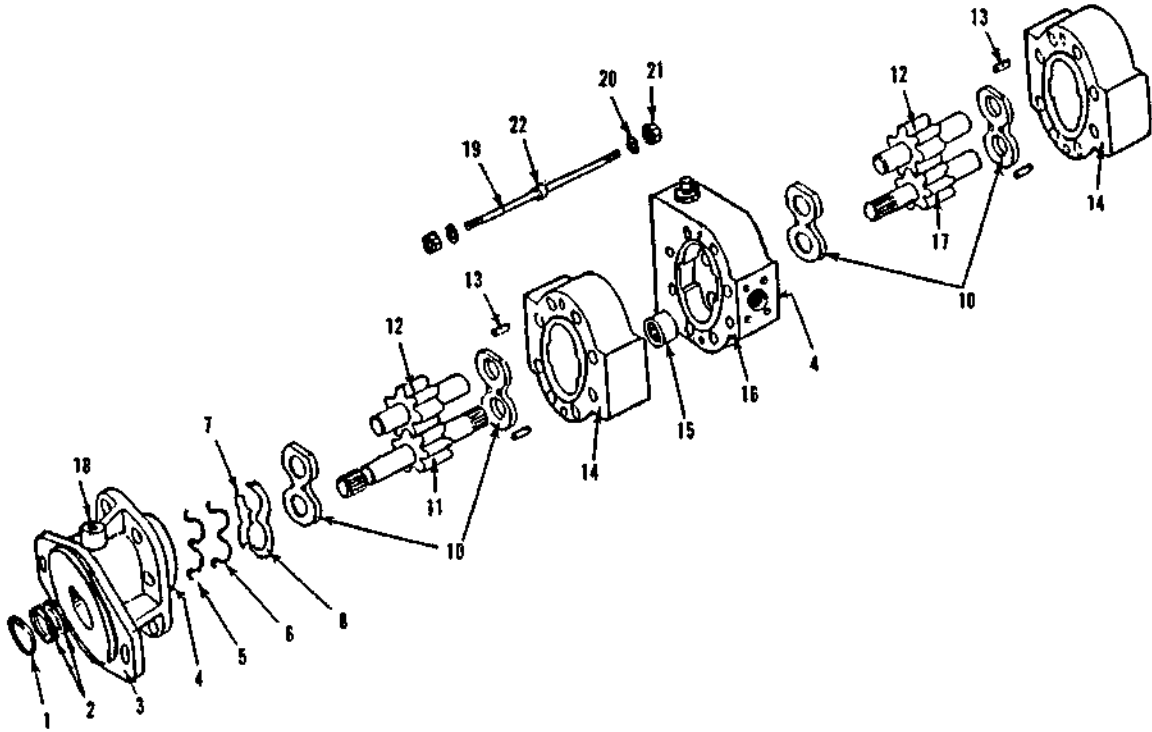
24A

PAGE 24A.6

⊗ DISCONTINUED PART! REFER TO NUMERICAL PARTS LIST FOR REPLACEMENT PART(S)

<https://tractormanualz.com/>

BEGIN SERIAL #21121



REF.	PART NO.	DESCRIPTION	QTY.
	431 2603	Pump, Grapple.....	1
	207846	Kit, Seal..... (Includes Items marked with an asterisk)	1
1		*Ring, Snap.....	1
2		*Seal.....	2
3		Flange.....	1
4		*O-Ring.....	4
5		*Ring, Back-Up.....	4
6		*O-Ring.....	4
7		Plate, Isolation (Top)..	2 (Shown)
8		Plate, Isolation (Bottom)	2
		Retainer, Ring.....	4
10		Plate, Pressure.....	4
11		Gear, Front Drive.....	1
12		Gear, Driven.....	2
13		Pin, Dowel.....	6
14		Body.....	2
15		Coupling, Spline.....	1
16		Bearing Plate & Valve..	1
17		Gear, Rear Drive.....	1
18		Ball.....	1
19		Stud.....	8
20		Washer.....	16
21		Nut.....	16
22		Stabilizer, Stud.....	8

WHEN ORDERING PARTS, SPECIFY MODEL NUMBER, SERIAL NUMBER AND DESCRIPTION OF PART REQUIRED



GRAPPLE PUMP

DATE Issued 1-88

MODEL: 6644L

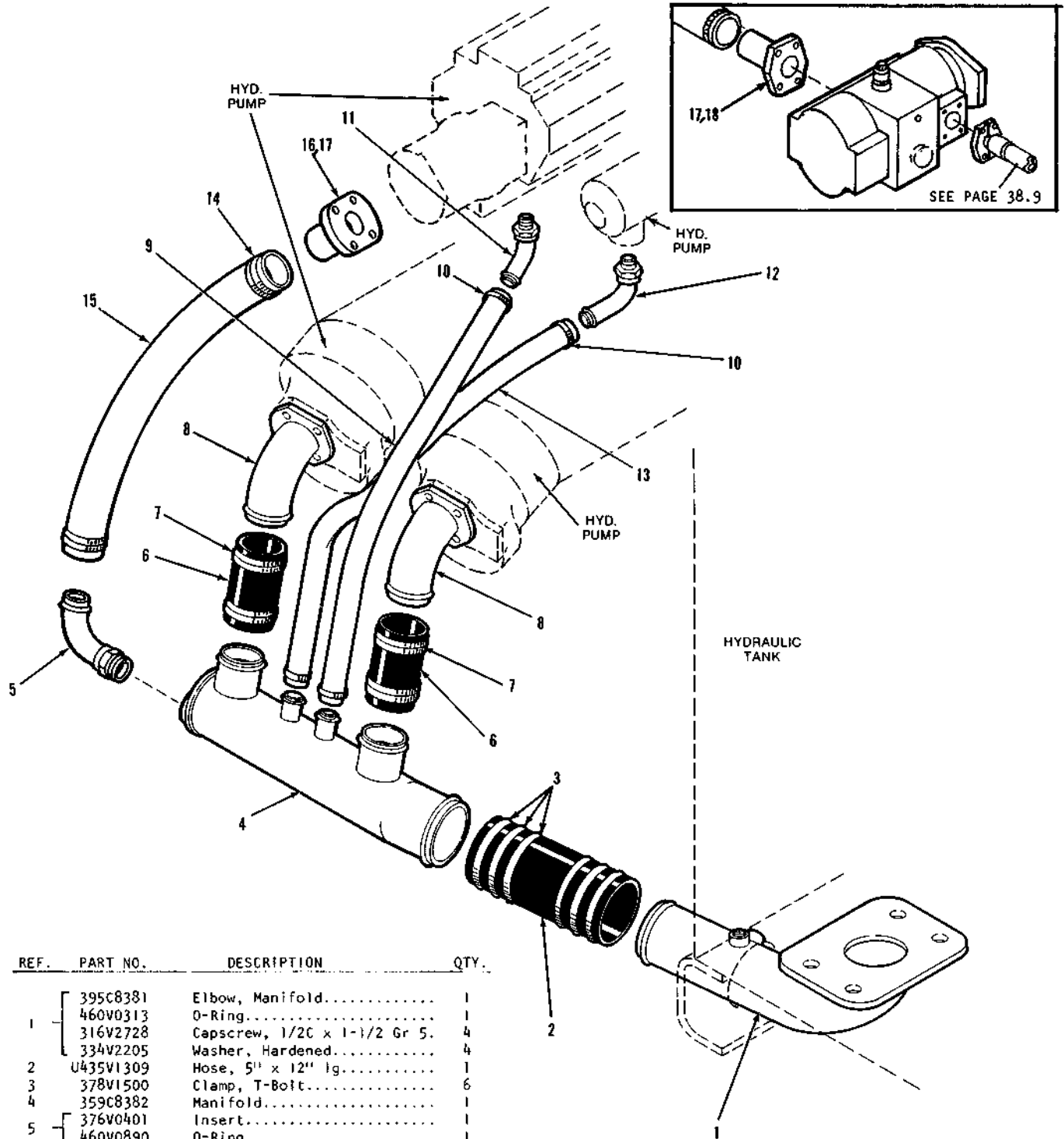
GROUP

24

PAGE 24A.7

⊗ DISCONTINUED PART! REFER TO NUMERICAL PARTS LIST FOR REPLACEMENT PART(S)

<https://tractormanualz.com/>



REF.	PART NO.	DESCRIPTION	QTY.
1	395C8381	Elbow, Manifold.....	1
	460V0313	O-Ring.....	1
	316V2728	Capscrew, 1/2C x 1-1/2 Gr 5.	4
	334V2205	Washer, Hardened.....	4
2	U435V1309	Hose, 5" x 12" lg.....	1
3	378V1500	Clamp, T-Bolt.....	6
4	359C8382	Manifold.....	1
5	376V0401	Insert.....	1
	460V0890	O-Ring.....	1
6	200B2270-035	Hose, 3" x 7" lg.....	2
7	378V0303	Clamp, T-Bolt (3-3/4").....	8
8	359B8383	Elbow.....	2
	460V4117	Seal, Face.....	2
	310V3148	Capscrew, 5/8C x 2 Gr 5.....	8
	332V2400	Lockwasher, 5/8.....	8
9	435V3107	Hose.....	28"
10	378V0201	Clamp, T-Bolt (1-1/2").....	4
11	359A8399	Elbow, 45°.....	1
12	363V1057	Insert, Beaded.....	1
	460V0028	O-Ring.....	1
13	435V3107	Hose.....	34"

REF.	PART NO.	DESCRIPTION	QTY.
14	378V0301	Clamp, T-Bolt (2").....	2
15	435V3211	Hose.....	29"
16	358B6194	Tube Ass'y (Cane Loader)....	1
	460V4114	Seal, Face.....	1
17	316V2728	Capscrew, 1/2C x 1-1/2 Gr 5.	4
	332V2200	Lockwasher, 1/2.....	4
18	375V9600	Insert, Beaded (Logger)....	1
	460V4116	Seal, Face.....	1

WHEN ORDERING PARTS, SPECIFY MODEL NUMBER, SERIAL NUMBER AND DESCRIPTION OF PART REQUIRED



### HYDRAULIC SUCTION PIPING

DATE: Revised 3-87

MODEL 6644L

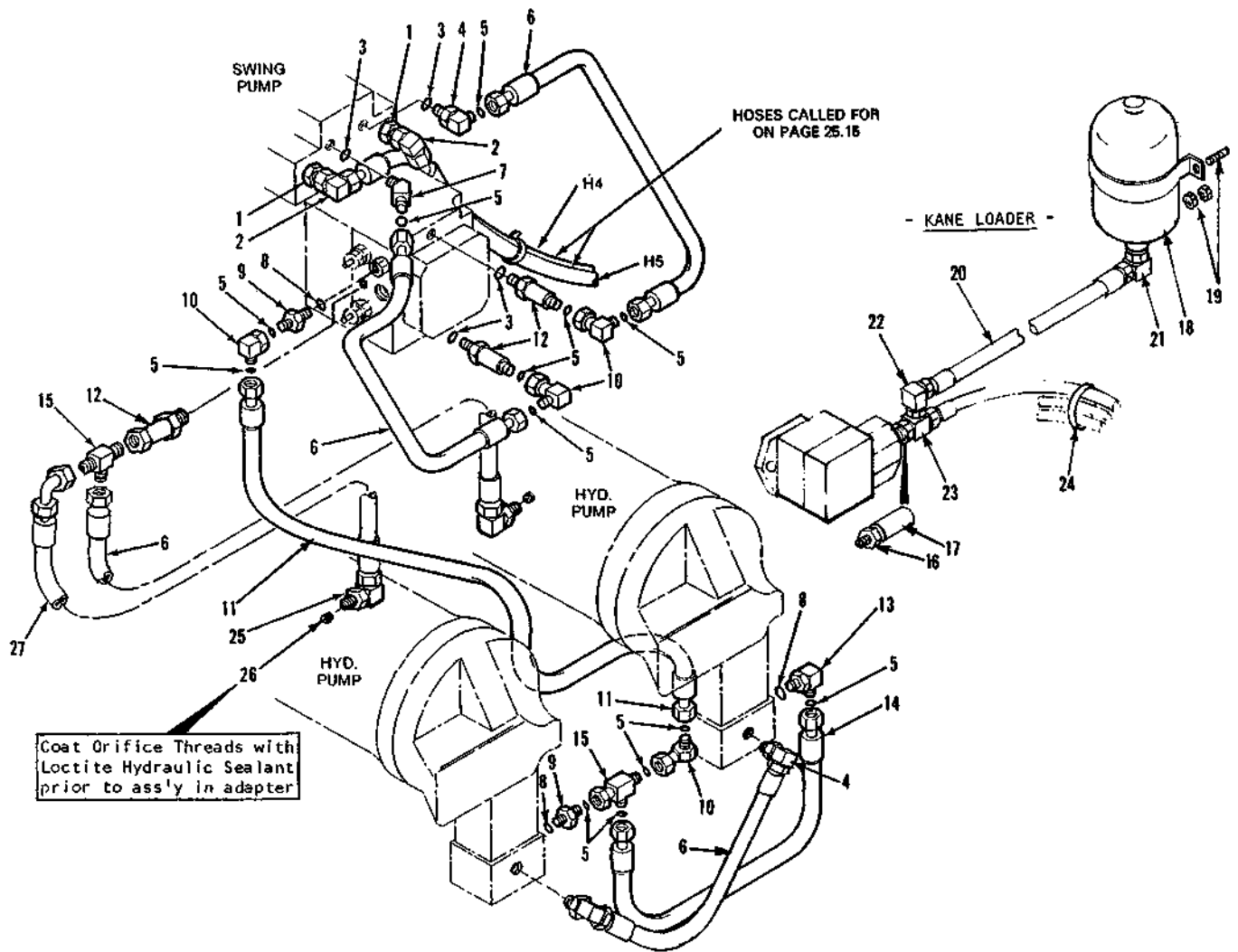
GROUP

25A

PAGE 25A.2

⊗ DISCONTINUED PART! REFER TO NUMERICAL PARTS LIST FOR REPLACEMENT PART(S)

<https://tractormanualz.com/>



REF.	PART NO.	DESCRIPTION	QTY.	REF.	PART NO.	DESCRIPTION	QTY.
1	375V0401	Connector.....	2	18	708 0161	Accumulator.....	1
	460V0886	O-Ring (Port).....	2		708 0159	Strap.....	1
	460V6011	O-Ring (Hose).....	2		1222-134	Webbing.....	1
375V1100	Elbow, 90°.....	2	306V1120		Stud.....	2	
2	460V0080	O-Ring (Port).....	2	19	334V2205	Washer.....	2
	460V6011	O-Ring (Hose).....	2		340V2323	Nut, 3/8C.....	2
3	460V0080	O-Ring.....	4		20	20082463-22	Hose (22'').....
4	375V1201	Elbow, 90°.....	3	21	375V1608	Adapter.....	1
5	460V6011	O-Ring.....	13	22	375V1610	Adapter.....	1
6	20082460-018	Hose Assembly (18'').....	3	23	375V3600	Tee.....	1
7	375V1101	Elbow, 45°.....	1	24	445V2406	Tie, Plastic.....	6
8	460V0885	O-Ring.....	3	25	359A9410	Elbow (Special).....	2
9	375V0401	Connector.....	2	26	359A9411	Orifice.....	2
10	375V1100	Elbow, 90°.....	4	27	708 6550-18	Hose Ass'y (18'').....	1
11	20082460-024	Hose Assembly (24'').....	2				
12	375V0001	Connector, Long.....	2				
13	375V1400	Elbow, 90°.....	1				
14	20082460-020	Hose Assembly.....	1				
15	375V3001	Tee.....	1				
16	1219-868	Union.....	1				
17	430V5135	Valve, Check.....	1				

\* Order Kit A208093 Prior Ser. #21175 - Incl. Items 6, 12, 15, 25, 26, 27

WHEN ORDERING PARTS, SPECIFY MODEL NUMBER, SERIAL NUMBER AND DESCRIPTION OF PART REQUIRED



**SWING PUMP & HYDRAULIC PUMP PIPING**

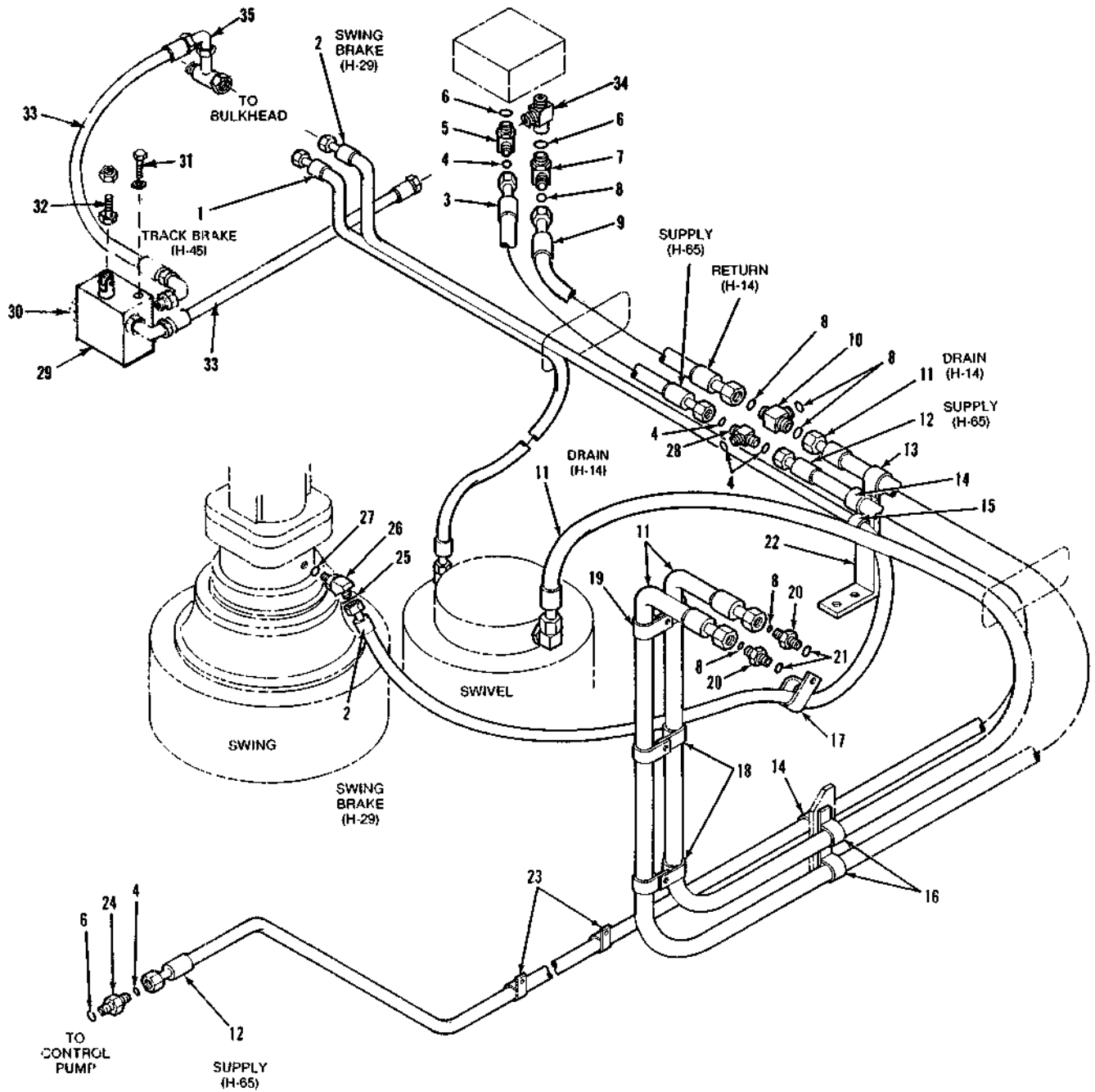
DATE Revised 11-88  
MODEL 6644L

GROUP  
**25A**

PAGE 25A.13

⊗ DISCONTINUED PART! REFER TO NUMERICAL PARTS LIST FOR REPLACEMENT PART(S)

<https://tractormanualz.com/>



WHEN ORDERING PARTS, SPECIFY MODEL NUMBER, SERIAL NUMBER AND DESCRIPTION OF PART REQUIRED



**JOYSTICK SUPPLY & RETURN, SWING & SWIVEL BRAKE PIPING**

DATE Issued 12-85  
MODEL 6644L

GROUP  
**25A**

PAGE 25A.14  
Sheet 1 of 2

⊗ DISCONTINUED PART! REFER TO NUMERICAL PARTS LIST FOR REPLACEMENT PART(S)

<https://tractormanualz.com/>

REF.	PART NO.	DESCRIPTION	QTY.
1	200B2461-052	Hose Assembly (52") . . . .	1
2	200B2461-102	Hose Assembly (102") . . .	1
3	200B2463-038	Hose Assembly (38") . . . .	1
4	460V6001	O-Ring . . . . .	5
5	375V1706	Elbow, 90° . . . . .	1
6	460V0886	O-Ring . . . . .	3
7	375V1711	Elbow, 90° . . . . .	1
8	460V0040	O-Ring . . . . .	6
9	200B2464-038	Hose Assembly (38") . . . .	1
10	375V3701	Tee . . . . .	1
	375V0002	Reducer . . . . .	1
	362V2707	Nut . . . . .	1
11	200B2464-114	Hose Assembly (114") . . .	2
12	200B2463-120	Hose Assembly (120") . . .	1
13	200B2007-040	Clamp . . . . .	1
	310V2390	Capscrew . . . . .	1
	340V2323	Nut, Lock . . . . .	1
		(3/8" NC x 1" - Gr. 5)	
		(3/8" NC - Gr. A)	
14	200B2007-034	Clamp . . . . .	2
15	200B2007-004	Clamp . . . . .	1
16	200B2007-040	Clamp . . . . .	2
	310V2390	Capscrew . . . . .	2
		(3/8" NC x 1" - Gr. 5)	
	331V2000	Washer, Flat (3/8" SAE) . .	2
	340V2323	Nut, Lock . . . . .	2
		(3/8" NC - Gr. A)	
17	200B2007-008	Clamp . . . . .	1
	331V2000	Washer, Flat (1/2" Std.) . .	1
	340V2323	Nut, Lock . . . . .	1
		(3/8" NC - Gr. A)	
18	200B2007-040	Clamp . . . . .	4
	316V2306	Capscrew . . . . .	2
		(3/8" NC x 3/4" - Gr. 5)	
	331V2000	Washer, Flat (3/8" SAE) . .	2
	200B2007-040	Clamp . . . . .	2
19	200B0003-108	Spacer . . . . .	1
	316V2341	Capscrew . . . . .	1
		(3/8" NC x 2 1/2" - Gr. 5)	
	331V2000	Washer, Flat (3/8" SAE) . .	1
20	375V0700	Connector . . . . .	2
21	460V0079	O-Ring . . . . .	2
22	361B2478(CF)	Bracket . . . . .	1
	331V2000	Washer, Flat (3/8" SAE) . .	2
	340V2323	Nut, Lock . . . . .	2
		(3/8" NC - Gr. A)	
23	200B2007-034	Clamp . . . . .	2
	316V2338	Capscrew . . . . .	2
	340V2323	Nut, Lock . . . . .	2
		(3/8" NC x 7/8" - Gr. 5)	
		(3/8" NC - Gr. A)	
24	375V5601	Connector . . . . .	1
25	460V6011	O-Ring . . . . .	1
26	375V1403	Elbow, 45° . . . . .	1
27	460V0885	O-Ring . . . . .	1
28	375V3300	Tee . . . . .	1
29	1219-923	Valve, Shut-Off . . . . .	1
30	1219-551	Plug . . . . .	1
31	1200-3	Capscrew, 1/40 x 1 . . . .	2
	1210-14	Lockwasher . . . . .	2
32	1200-61	Capscrew, 3/80 x 1/4 . . . .	1
	1205-36	Nut, 3/80 . . . . .	1
33	708 6551-25	Hose Assembly (25") . . . .	2
34	375 3101	Tee . . . . .	1
35	375 1202	Elbow . . . . .	1

WHEN ORDERING PARTS, SPECIFY MODEL NUMBER, SERIAL NUMBER AND DESCRIPTION OF PART REQUIRED



**JOYSTICK SUPPLY & RETURN, SWING & SWIVEL BRAKE PIPING**

DATE: Issued 12-85

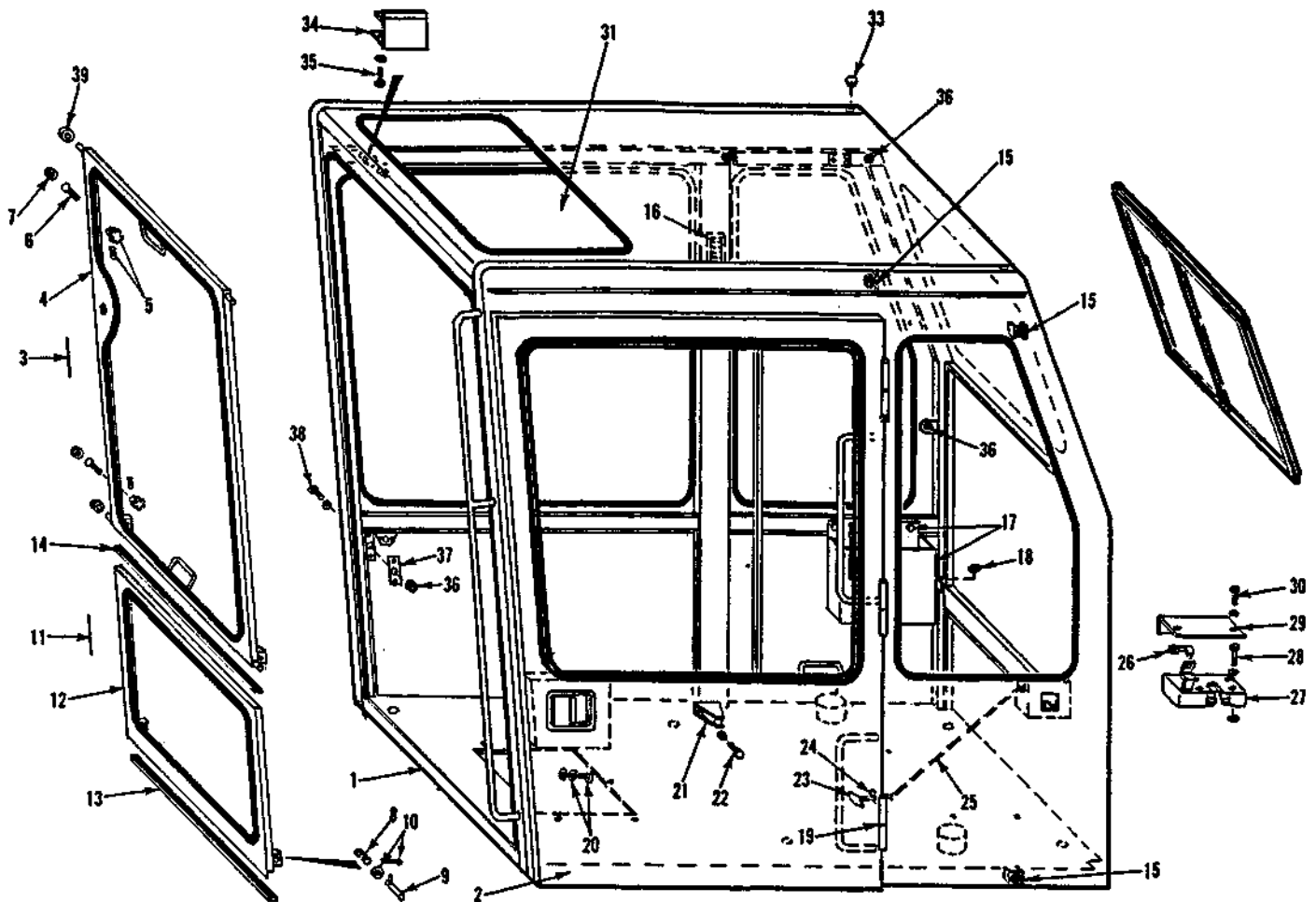
MODEL: 6644L

**GROUP**  
**25A**

PAGE 25A.14  
Sheet 2 of 2

⊗ DISCONTINUED PART! REFER TO NUMERICAL PARTS LIST FOR REPLACEMENT PART(S)

<https://tractormanualz.com/>



REF.	PART NO.	DESCRIPTION	QTY.	REF.	PART NO.	DESCRIPTION	QTY.
	708 6950	Cab Assembly.....	1	19	1209-4	Washer, Hinge.....	2
		(Includes Items 1 thru 39)		20	204737	Striker.....	1
1		Body.....	1	21	205896	Shim.....	2
2		Door Ass'y (Page 27.2)....	1	22	205905	Bracket.....	1
3	205891	Upper Window Ass'y.....	1	23	205912	Capscrew.....	2
		(Includes Items 4 thru 10)		24	205913	Washer, Hardened.....	2
4	205918	Frame.....	1	25	205902	Knob.....	1
5	205921	Knob.....	2	26	205901	Grommet.....	1
6	205922	Setscrew, 1/4F.....	2	27	205900	Rod.....	1
7	205923	Screw.....	2	28	204597	Clip, LH.....	1
8	205924	Cab, Rubber.....	2	29	205897	Latch Ass'y.....	1
9	205919	Spring.....	2/4	30	1200-5	Capscrew, 1/4C x 1-1/4.	4
10	205920	Pin.....	2/4	31	1210-14	Lockwasher.....	4
11	201465	Plainwasher.....	2/4	32	204602	Washer, Flat.....	4
12	1207-12	Pin, Cotter, 1/8 x 1..	2/4	33	205898	Cover.....	1
13	205890	Lower Window Ass'y.....	1	34	205899	Screw, Pan Head.....	3
		(Includes 8-10 & 12-14)		35	205903	Glass, Roof.....	1
14	205925	Frame.....	1	36	205904	Gasket (13').....	1
15	29818	Gasket (28").....	1	37	205906	Closure.....	4
16	205644	Seal.....	1	38	205914	Cover.....	2
17	204604	Bumper.....	3	39	205915	Screw, 1/4 Pan Head....	2
18	1205-26	Nut, 5/16F.....	2		205654	Washer, Conical.....	2
	1210-17	Lockwasher.....	2		205908	Grommet, RH.....	6
	205892	Spacer.....	2		205909	Grommet, LH.....	2
	205935	Light, Dome.....	1		205916	Block.....	2
	205651	Screw.....	4		205936	Capscrew, 1/4F x 5/8 Gr8.	4
	205893	Wire Ass'y.....	1		205917	Washer, Hardened.....	4
	205894	Box, Manual.....	1		205910	Roller, Window.....	4
	205895	Screw.....	2				
	205647	Washer, Conical.....	2				
	205911	Grommet.....	2				

WHEN ORDERING PARTS, SPECIFY MODEL NUMBER, SERIAL NUMBER AND DESCRIPTION OF PART REQUIRED



CAB ASSEMBLY

DATE: Issued 1-86

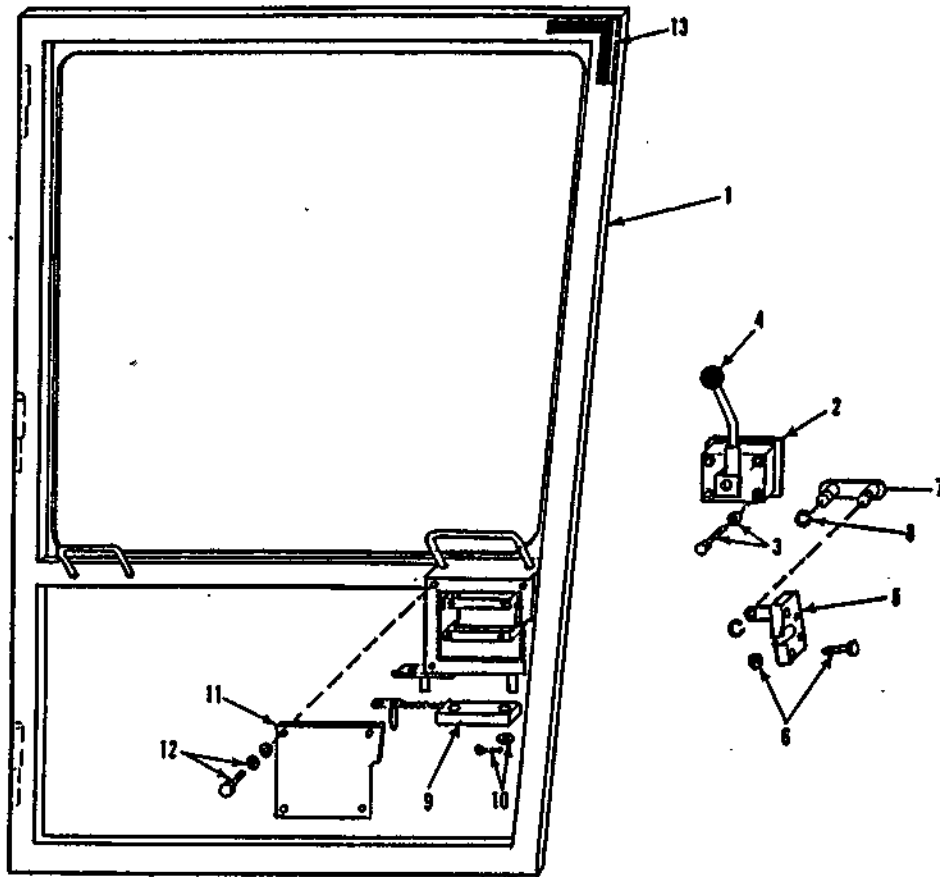
MODEL: 6644L

GROUP  
**27A**

PAGE 27A.1

⊗ DISCONTINUED PART! REFER TO NUMERICAL PARTS LIST FOR REPLACEMENT PART(S)

<https://tractormanualz.com/>



REF.	PART NO.	DESCRIPTION	QTY.
	208651	Door Ass'y.....	1
		(Includes Items 1 thru 13)	
1	208668	Door only.....	1
2	205927	Handle, Paddle.....	1
3	[ 205928	Screw, Machine, #10....	4
	[ 1210-7	Lockwasher.....	4
4	205929	Knob.....	1
5	204600	Latch.....	1
6	[ 1200-5	Capscrew, 1/4C x 1-1/4.	4
	[ 1205-23	Nut, 1/4C Elastic.....	4
7	205930	Link.....	1
8	205931	Ring, Retaining.....	1
9	205932	Bar.....	1
10	[ 1209-4	Plainwasher.....	1
	[ 1207-12	Pin, Cotter, 1/8 x 1...	1
11		Cover.....	1
12	[ 205934	Screw, Pan Head.....	4
	[ 1209-2	Plainwasher, 1/4.....	4
13		Gasket (17').....	1

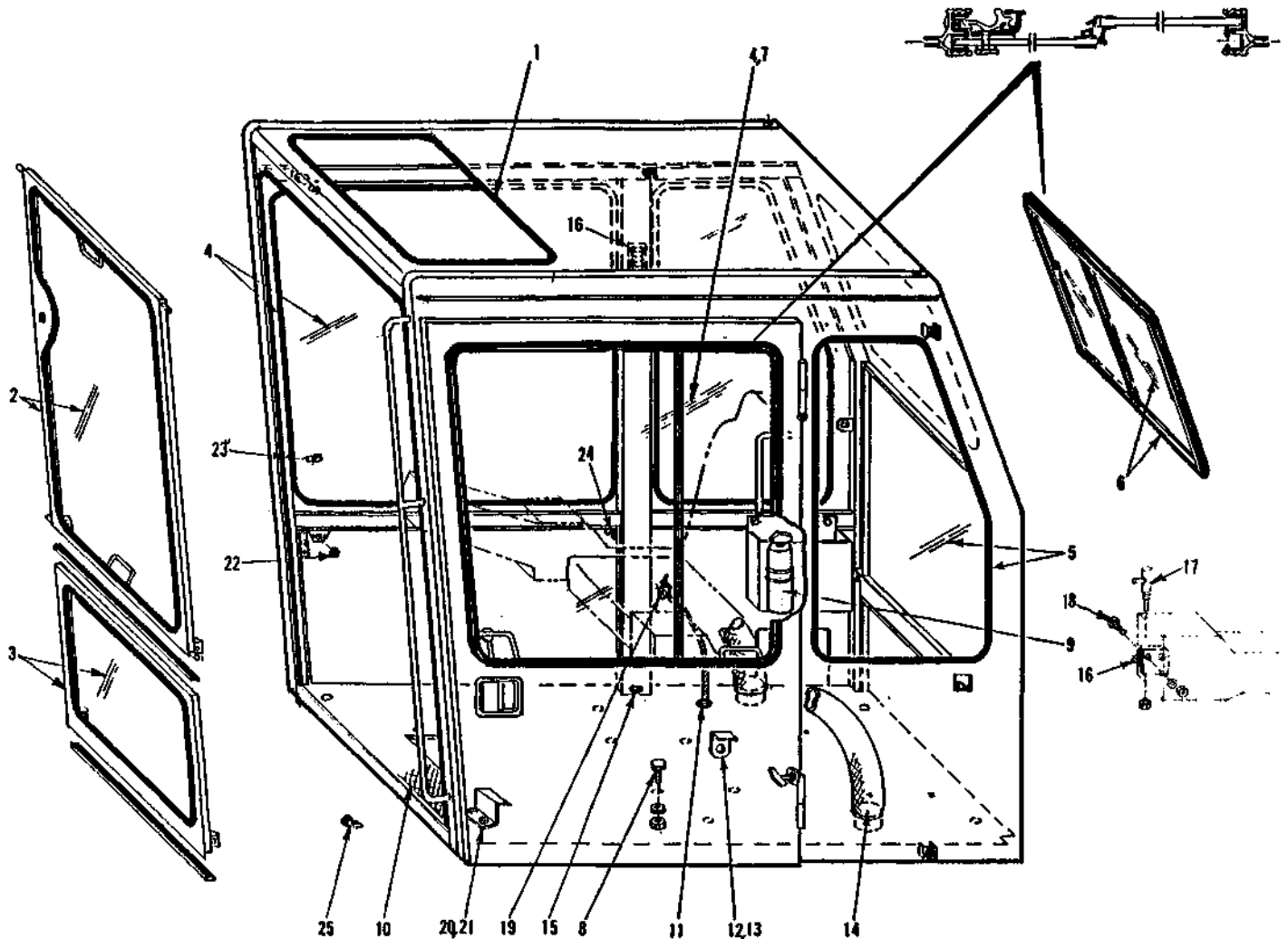
WHEN ORDERING PARTS, SPECIFY MODEL NUMBER, SERIAL NUMBER AND DESCRIPTION OF PART REQUIRED



DOOR ASSEMBLY

DATE:	Revised 7-91	GROUP <b>27A</b>
MODEL:	6644L	

PAGE . 27A.2



REF.	PART NO.	DESCRIPTION	QTY.	REF.	PART NO.	DESCRIPTION	QTY.
1	Page 27.1	Skylight.....	1	7	708 6958	Sliding Glass, Clear...	1
	708 6390	Glass, Standard.....	1		708 7132	Sliding Glass, Tinted..	Opt.
	708 6398	Glass, Tinted.....	1	8	1200-33	Capscrew, 5/16C x 1-1/4.	4
2	708 6402	Glass, Vandalproof.....	1		1210-17	Lockwasher.....	4
	708 6410	Glass, Tinted Vandalproof.	1		1205-25	Nut, 5/16C.....	4
	12171-134	Weatherstrip.....	1	9	A49301	Extinguisher, Fire.....	1
	708 6391	Glass, Standard.....	1	10	708 6108	Mat, Floor (Prior #21181).	1
	708 6396	Glass, Tinted.....	1		708 8308	Mat, Floor (Begin #21181).	1
3	708 6401	Glass, Vandalproof.....	1	11	462 0620	Grommet.....	1
	708 6406	Glass, Tinted Vandalproof.	1	12	708 6235	Bracket, Harness.....	1
	12171-84.5	Weatherstrip.....	1	13	1200-29	Capscrew, 5/16C x 3/4..	2
	708 6959	Glass, Standard.....	1		1205-31	Nut, 5/16C Elastic.....	2
4	708 7131	Glass, Tinted Vandalproof.	1	14	12159-24	Loom, Hoses.....	2
	12171-150.5	Weatherstrip.....	1	15	442 6316	Grommet, Cab Light Wire ..	1
	708 6393	Glass, Standard.....	2	16	708F8321	Bracket.....	1
	708 6400	Glass, Tinted.....	2	17	205618	Latch, Plunger.....	1
5	708 6405	Glass, Vandalproof.....	2	18	1200-1	Capscrew, 1/4C x 3/4..	2
	708 6409	Glass, Tinted Vandalproof.	2		1210-14	Lockwasher.....	2
	12171-91	Weatherstrip.....	2		1205-13	Nut, 1/4C.....	2
	708 6394	Glass, Standard.....	1	19	1222-202	Wrap, Tie.....	4
	708 6397	Glass, Tinted.....	1	20	708 6851	Footrest.....	2
6	708 6403	Glass, Vandalproof.....	1		1200-61	Capscrew, 3/8C x 1-1/4.	4
	708 6407	Glass, Tinted Vandalproof.	1	21	1210-20	Lockwasher.....	4
	12171-111	Weatherstrip.....	1		1205-36	Nut, 3/8C.....	4
	708 7186	Shield, Upper.....	1	22	442 6315	Grommet.....	4
	708 7187	Shield, Lower.....	1	23	730 2168	Clip, Wire.....	6
				24	1204-37	Nut, U Retainer.....	1
					1240-38	Clamp.....	1
				25	1200-29	Capscrew, 5/16C x 3/4..	1
					1240-96	Clamp.....	4

WHEN ORDERING PARTS, SPECIFY MODEL NUMBER, SERIAL NUMBER AND DESCRIPTION OF PART REQUIRED



CAB

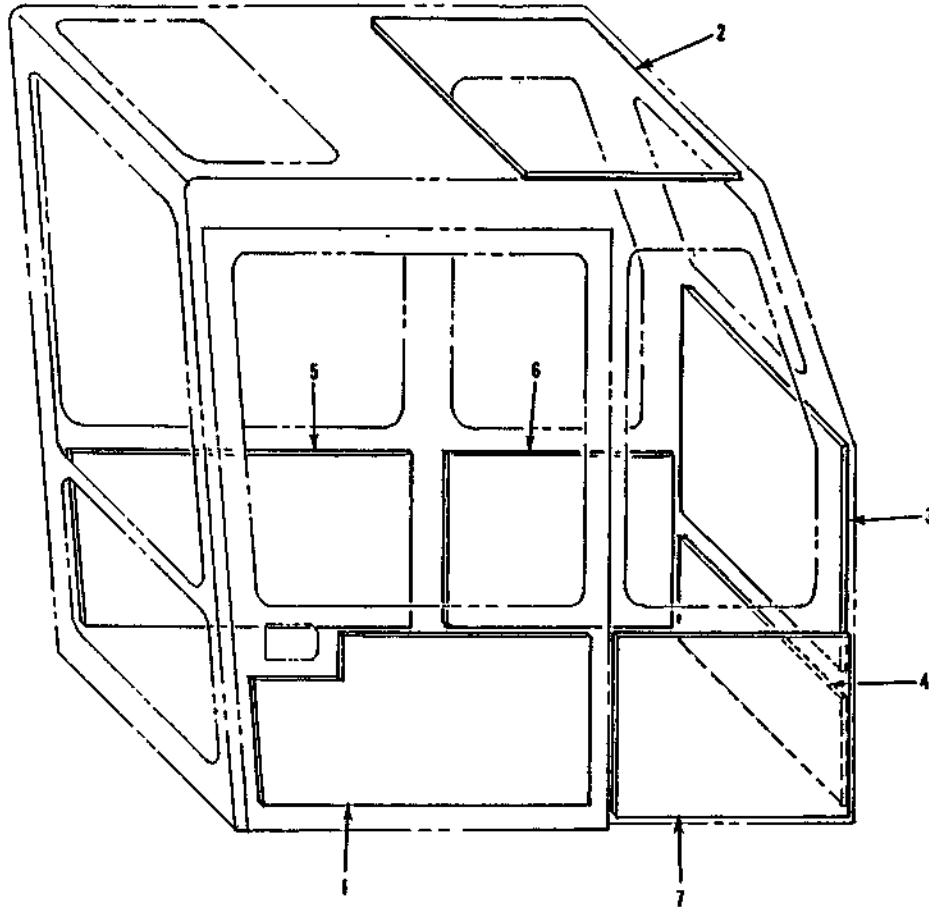
DATE: Revised 1-88

MODEL: 6644L

GROUP  
**27A**

PAGE 27A.3

⊗ DISCONTINUED PART! REFER TO NUMERICAL PARTS LIST FOR REPLACEMENT PART(S)

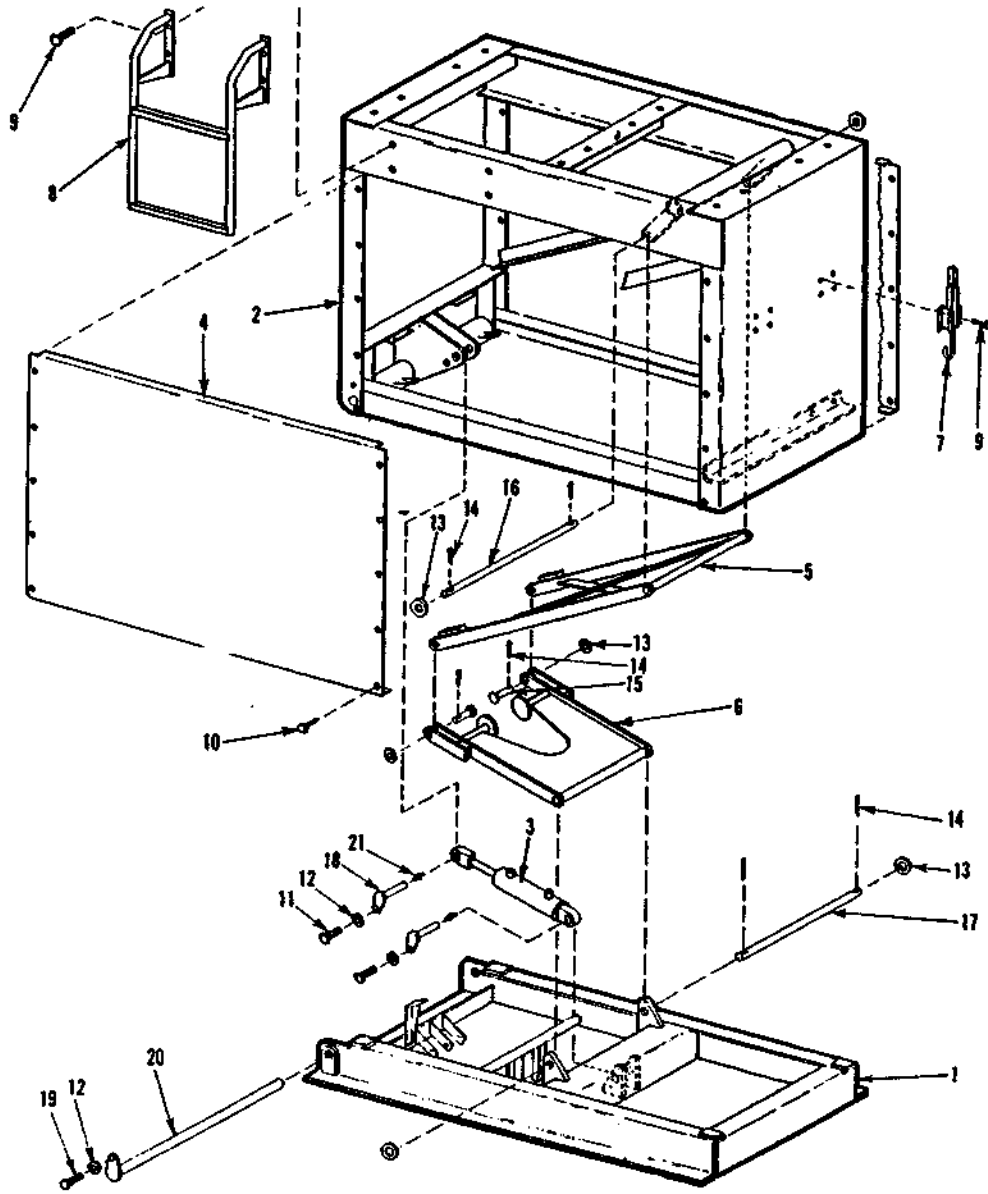


REF.	PART NO.	DESCRIPTION	QTY.
	708A7118	Insulation Ass'y..... (Includes Items 1 thru 7)	1
1	708 6963	Insulation, Door.....	1
2	708 6961	Insulation, Roof.....	1
3	708 6444	Insulation, Rear Top...	1
4	708 6445	Insulation, Rear Bottom..	1
5	708 6962	Insulation, RH Front....	1
6	708 6447	Insulation, RH Rear....	1
7	708 6448	Insulation, LH Rear....	1

WHEN ORDERING PARTS, SPECIFY MODEL NUMBER, SERIAL NUMBER AND DESCRIPTION OF PART REQUIRED

	INSULATION	DATE: Issued 1-86	<b>GROUP</b> <b>27A</b>
		MODEL: 6644L	
		PAGE 27A.4	

⊗ DISCONTINUED PART! REFER TO NUMERICAL PARTS LIST FOR REPLACEMENT PART(S)



REF.	PART NO.	DESCRIPTION	QTY.	REF.	PART NO.	DESCRIPTION	QTY.
	U359E8590	Cab Tilt Assembly . . . . .	1	11	310V2787	Capscrew, 1/2C x 1-1/4 . .	2
		(Includes Items 1 thru 21)		12	330V2201	Plainwasher, 1/2 . . . . .	3
1	U359D8543	Base . . . . .	1	13	331V3000	Plainwasher, 1 . . . . .	6
2	U359D8591	Frame . . . . .	1	14	354V2003	Pin, Cotter . . . . .	6
3	U359A8630	Cylinder Ass'y . . . . .	1	15	708A1345	Pin . . . . .	2
4	U359C8763	Panel . . . . .	2	16	708B1344	Pin . . . . .	1
5	U359C8534	Brace, Front . . . . .	1	17	708B1346	Pin . . . . .	1
6	U359C8554	Brace, Rear . . . . .	1	18	U359A8635	Pin . . . . .	2
7	372V1239	Latch . . . . .	2	19	316V2728	Capscrew, 1/2C x 1-1/2 . . .	1
8	F16357	Ladder . . . . .	1	20	U359B8637	Pin . . . . .	1
9	310V2390	Capscrew, 3/8C x 1 . . . . .	12	21	364V0002	Zerk, Grease . . . . .	2
10	310V2129	Capscrew, 5/16C x 3/4 . . . .	20				

WHEN ORDERING PARTS, SPECIFY MODEL NUMBER, SERIAL NUMBER AND DESCRIPTION OF PART REQUIRED



**CAB TILTING ASSEMBLY**

DATE: Revised 7-86

MODEL: 6644L

GROUP

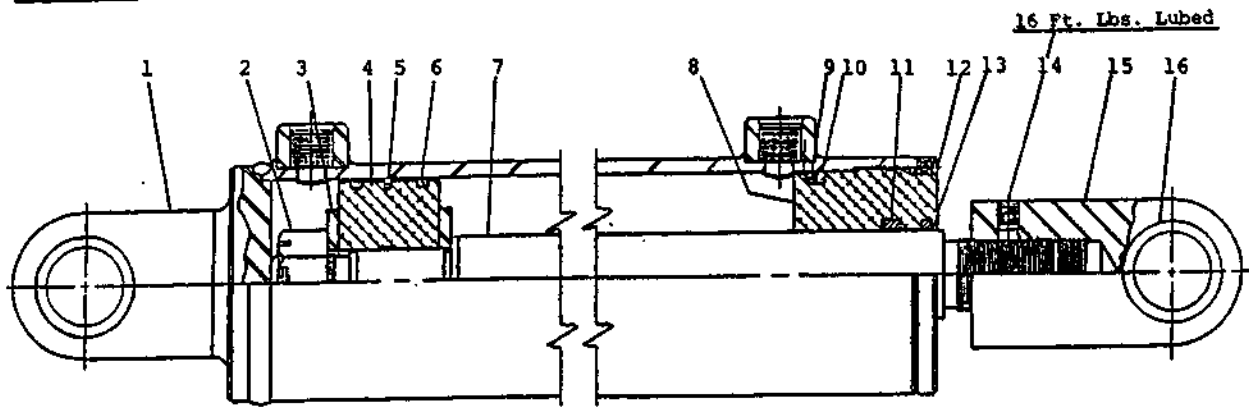
**27A**

PAGE 27A.5

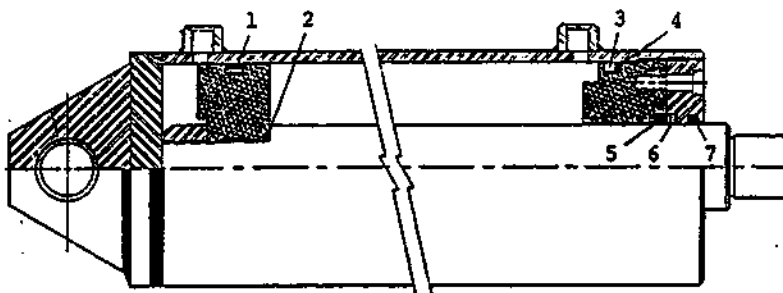
⊗ DISCONTINUED PART! REFER TO NUMERICAL PARTS LIST FOR REPLACEMENT PART(S)

<https://tractormanualz.com/>

LENGTH.....26 3/4"  
 STROKE.....14"  
 BORE.....5"  
 ROD DIA.....2"  
 BUSHINGS.....1-1/4"



REF.	PART NO.	DESCRIPTION	QTY.
	U359A8630	Cylinder..... (Includes Items 1 thru 16)	1
	208057	Kit, Seal.....	1
1		Case.....	1
2		Nut.....	1
		Pin, Cotter.....	1
3		Spacer.....	2
4		Piston.....	1
5		Seal.....	1
6		Ring, Piston.....	1
7		Shaft.....	1
8		Head.....	1
9		Ring, "O".....	1
10		Ring, Back-Up.....	1
11		Seal.....	1
12		Setscrew.....	1
13		Wiper.....	1
14	300V1150	Setscrew.....	1
	288A0861	Plug, Nylon.....	1
15	359A8598	Mount, Rod.....	1
16		Bushing.....	2



REF.	PART NO.	DESCRIPTION	QTY.
	U359C9387	Cylinder.....	1
	209214	Kit, Seal..... (Includes Items 1 thru 7)	1
1		Ring, Piston.....	1
2		O-Ring.....	1
3		O-Ring.....	1
4		Back-Up.....	1
5		Seal, U-Cup.....	1
6		Washer, Aluminum.....	1
7		Wiper, Rod.....	1

WHEN ORDERING PARTS, SPECIFY MODEL NUMBER, SERIAL NUMBER AND DESCRIPTION OF PART REQUIRED

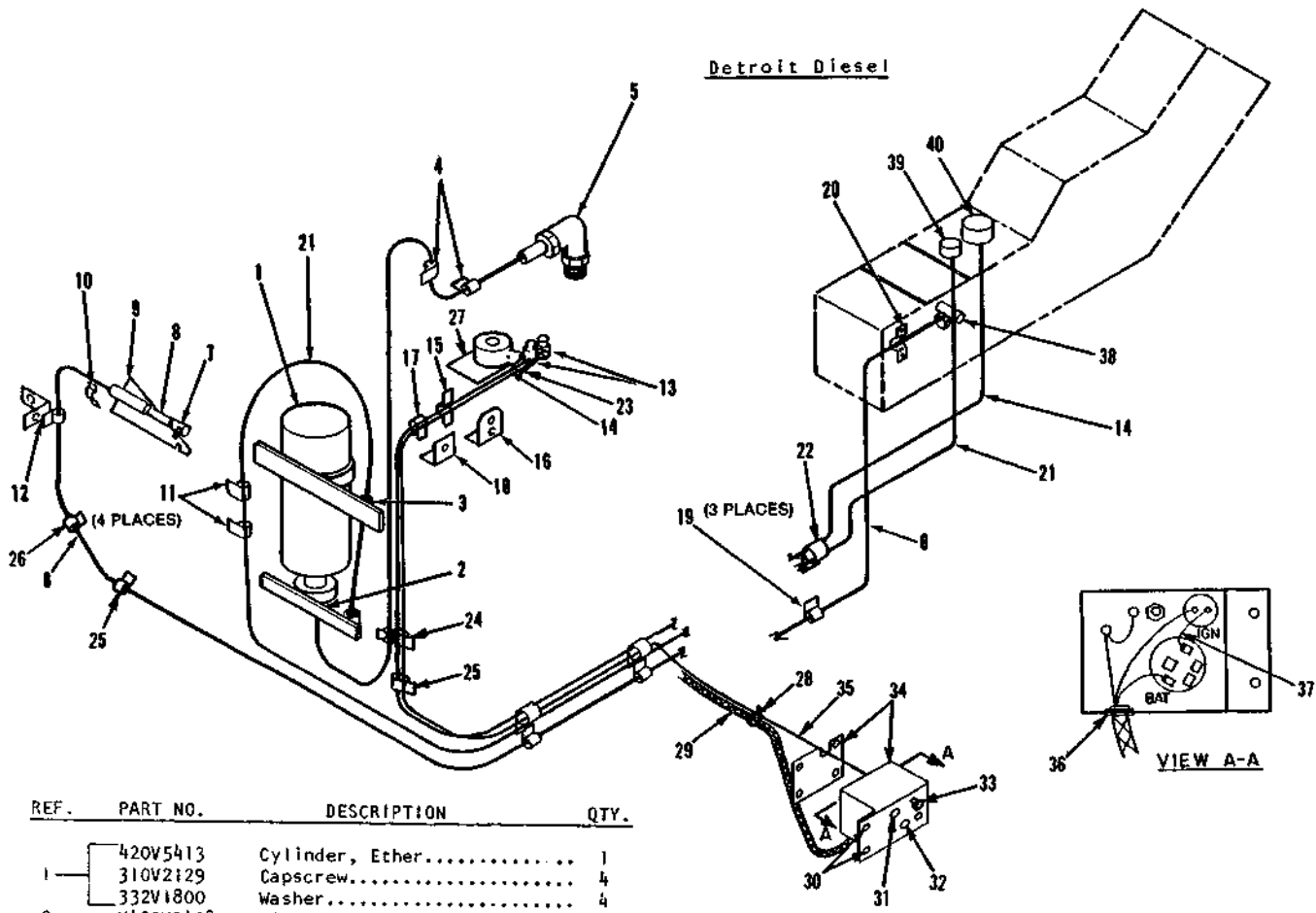


TILTING CAB CYLINDER ASSEMBLY

DATE: Revised 7-91  
 MODEL: 6644L

GROUP  
**27A**

Detroit Diesel



REF.	PART NO.	DESCRIPTION	QTY.
1	420V5413	Cylinder, Ether.....	1
	310V2129	Capscrew.....	4
	332V1800	Washer.....	4
2	U420V3408	Kit, Ether.....	1
3	200B2007-001	Clamp.....	2
	331V1800	Washer.....	2
4	200B2007-001	Clamp.....	2
5	420V3404	Atomizer.....	1
	362V0261	Bushing, Reducer.....	1
7	414V2005	Ball, Joint.....	1
	340V2002	Lock, Nut.....	1
8	444V2448	Cable, Throttle.....	1
9	361B2531	Bracket, Throttle.....	1
10	421V1259	Clamp.....	1
	421V1260	Shim.....	4
	311V1549	Screw, Mach.....	2
	340V1504	Nut, Lock #10NC.....	2
11	200B2007-001	Clamp.....	4
	1200-335	Capscrew.....	4
12	200B2007-004	Clamp.....	1
	316V2306	Capscrew.....	1
	340V2323	Locknut.....	1
	330V2000	Washer.....	1
	361B2478	Bracket.....	1
13	1200-37	Capscrew.....	1
	331V1800	Washer.....	3
	1205-29	Jamnut.....	2
14	444V2465	Cable, Eng. Stop.....	1
	444V2464	Clamp.....	2
15	311V1544	Screw, Mach.....	2
	340V1504	Nut, Lock.....	2
16	331V1000	Washer.....	2
	708 7590	Bracket.....	1
17	200B2007-004	Clamp.....	1
	316V2306	Capscrew.....	1
18	340V2323	Nut, Lock.....	1
	358A2010	Bracket.....	1
19	200B2007-053	Clamp.....	3
	200B2007-005	Clamp.....	2
	1200-59	Capscrew.....	3
	340V2323	Nut, Lock.....	3

REF.	PART NO.	DESCRIPTION	QTY.
20	421V1259	Clamp, Cable.....	1
	421V1260	Shim.....	2
	311V1506	Screw, Mach.....	2
21	340V1504	Nut, Lock.....	2
	444V2446	Cable, Ether.....	1
22	200B2007-004	Clamp.....	1
23	708 7585	Link.....	1
	1206-3	Setscrew.....	1
24	311V1633	Screw, Mach.....	1
	200B2007-001	Clamp.....	1
25	200B2007-004	Clamp.....	1
	1200-335	Capscrew.....	1
26	200B2007-004	Clamp.....	1
	1200-335	Capscrew.....	2
27	200B2007-004	Clamp.....	1
	316V2306	Capscrew.....	1
28	340V2323	Nut, Lock.....	1
29	364A5639	Strip.....	1
30	1222-184	Ty-Wrap.....	12
	708 7593	Harness.....	1
31	1200-59	Capscrew.....	2
	340V2323	Nut, Lock.....	2
32	442V2613	Switch.....	1
33	420V2975	Switch, Key.....	1
34	444V2456	Knob, Red.....	1
	708F7352	Brkt. Remote Start.....	1
	708 7343	Plate.....	1
	1233-38	Screw.....	4
35	1210-7	Washer.....	4
	444V2460	Cable.....	1
36	1221-62	Grommet.....	2
37	708 7638	Wire Unit.....	1
38	444V0816	Swivel.....	1
	340V2000	Nut, Hex.....	1
39	421V1262	Knob.....	1
40	444V2457	T-Handle.....	1

WHEN ORDERING PARTS, SPECIFY MODEL NUMBER, SERIAL NUMBER AND DESCRIPTION OF PART REQUIRED



# THROTTLE, COLD STARTING AID, ENGINE STOP INSTALLATIONS

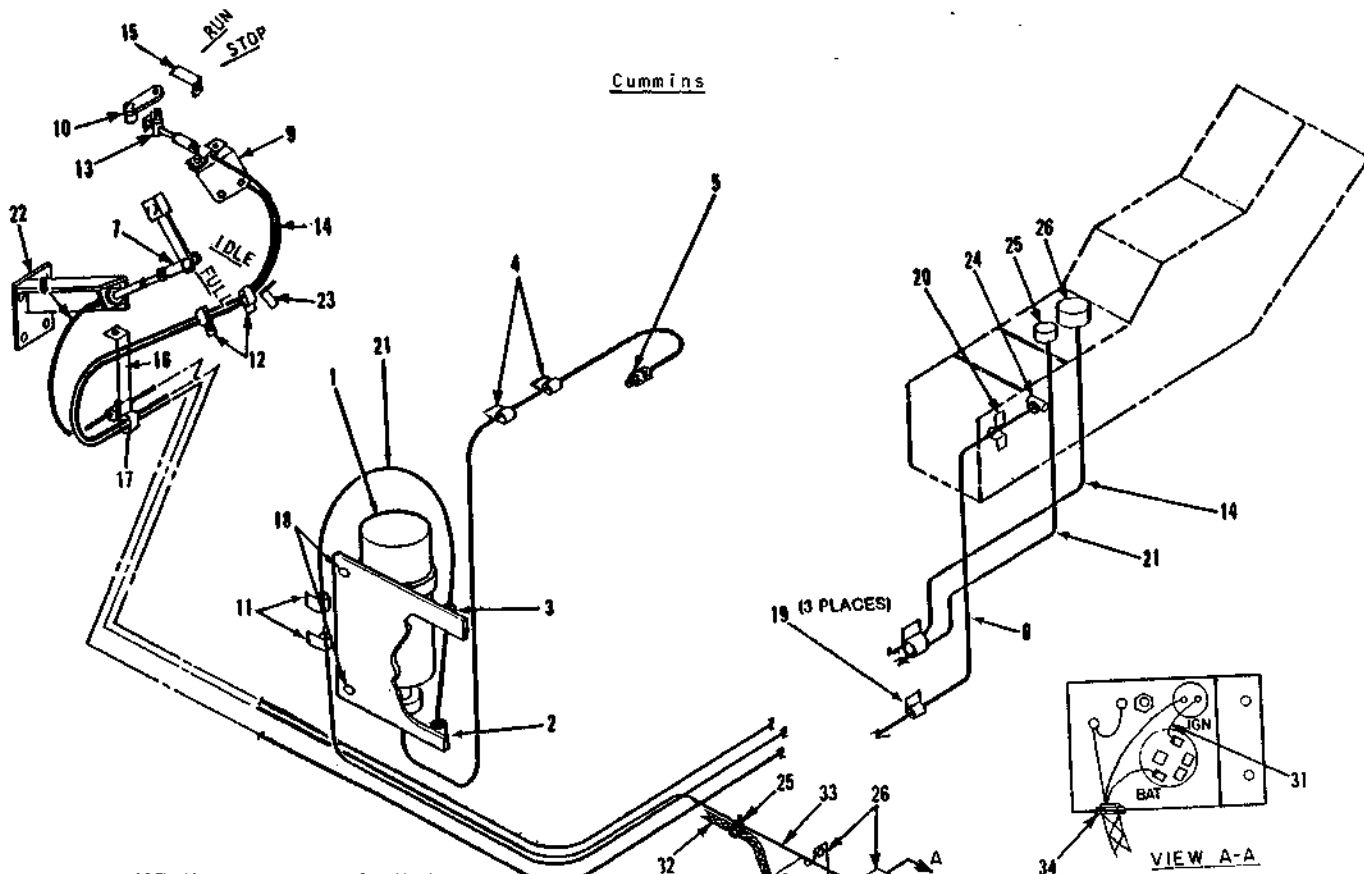
DATE: Revised 1-88  
 MODEL: 6644L  
 PAGE 28A.6

GROUP  
**28**

⊗ DISCONTINUED PART! REFER TO NUMERICAL PARTS LIST FOR REPLACEMENT PART(S)

<https://tractormanualz.com/>

Cummins



REF.	PART NO.	DESCRIPTION	QTY.
1	420V5413	Cylinder, Ether.....	1
	200B0003-103	Spacer.....	2
	310V2140	Capscrew.....	2
2	332V1800	Washer, Lock.....	2
	U420V3408	Kit, Ether.....	1
3	200B2007-001	Clamp.....	2
	331V1800	Washer, Flat 5/16.....	2
	310V2129	Capscrew 5/16c x 3/4.....	2
4	340V2113	Locknut.....	2
	200B2007-001	Clamp.....	2
5	420V3409	Atomizer.....	1
7	414V2005	Joint, Ball.....	1
	340V2002	Locknut.....	1
8	340V2000	Nut.....	1
	4442451	Cable, Throttle.....	1
9	708 7595	Bracket.....	1
	444V2464	Clamp.....	2
	340V1504	Nut, Lock.....	2
10	311V1506	Screw, Mach.....	2
	708 7400	Lever.....	1
11	708 7594	Lever.....	1
	58652	Spring.....	1
12	200B2007-001	Clamp.....	4
	1200-335	Capscrew.....	4
13	200B2007-053	Clamp.....	2
	316V2306	Capscrew 3/8c x 3/4.....	2
	340V2323	Locknut 3/8c.....	2
14	1200-37	Capscrew.....	1
	331V1800	Washer.....	3
15	1205-29	Jamnut.....	2
	444V2485	Cable, Stop.....	1
16	708 7585	Link.....	2
	1206-3	Setscrew.....	2
17	359A1989	Bracket.....	1
	316V2306	Capscrew.....	1
18	332V2000	Washer.....	1
	200B2007-004	Clamp.....	1
	200B2007-053	Clamp.....	1
	316V2306	Capscrew.....	1
19	340V2323	Locknut.....	1
	1221-184	Ty-Wrap.....	12
20	708 7343	Plate.....	1
	1233-38	Screw.....	4
21	1210-7	Washer.....	4
	708F7352	Brkt. Remote start.....	1
22	1200-59	Capscrew.....	2
	340V2323	Locknut.....	2
23	442V2613	Switch.....	1
24	420V2975	Switch, Key.....	1
25	444V2456	Knob.....	1
26	708 7638	Harness.....	1
27	708 7593	Harness.....	1
28	444V2460	Cable.....	1
29	1221-62	Grommet.....	1

REF.	PART NO.	DESCRIPTION	QTY.
18	200B0003-103	Spacer.....	2
	1200-59	Capscrew 3/8 x 1.....	2
	332V2000	Washer.....	2
19	359B8956	Bracket.....	1
	200B2007-004	Clamp.....	3
20	200B2007-022	Clamp.....	2
	200B2007-053	Clamp.....	1
21	316V2306	Capscrew.....	3
	340V2323	Locknut.....	3
	421V1259	Clamp.....	1
22	421V1260	Shim.....	1
	311V1506	Screw, Mach.....	2
23	340V1504	Locknut.....	1
	444V2446	Cable, Ether.....	1
24	359A8954	Support.....	1
	330V2000	Washer.....	2
25	U359C7512	Bracket.....	1
	310V3254	Capscrew.....	3
26	310V2353	Capscrew.....	1
	1222-184	Ty-Wrap.....	12
27	708 7343	Plate.....	1
	1233-38	Screw.....	4
28	1210-7	Washer.....	4
	708F7352	Brkt. Remote start.....	1
29	1200-59	Capscrew.....	2
	340V2323	Locknut.....	2
30	442V2613	Switch.....	1
31	420V2975	Switch, Key.....	1
32	444V2456	Knob.....	1
33	708 7638	Harness.....	1
34	708 7593	Harness.....	1
	444V2460	Cable.....	1
	1221-62	Grommet.....	1

WHEN ORDERING PARTS, SPECIFY MODEL NUMBER, SERIAL NUMBER AND DESCRIPTION OF PART REQUIRED

GROUP



**THROTTLE, COLD STARTING AID & ENGINE STOP INSTALLATIONS**

DATE: Revised 1-88

MODEL: 6644L

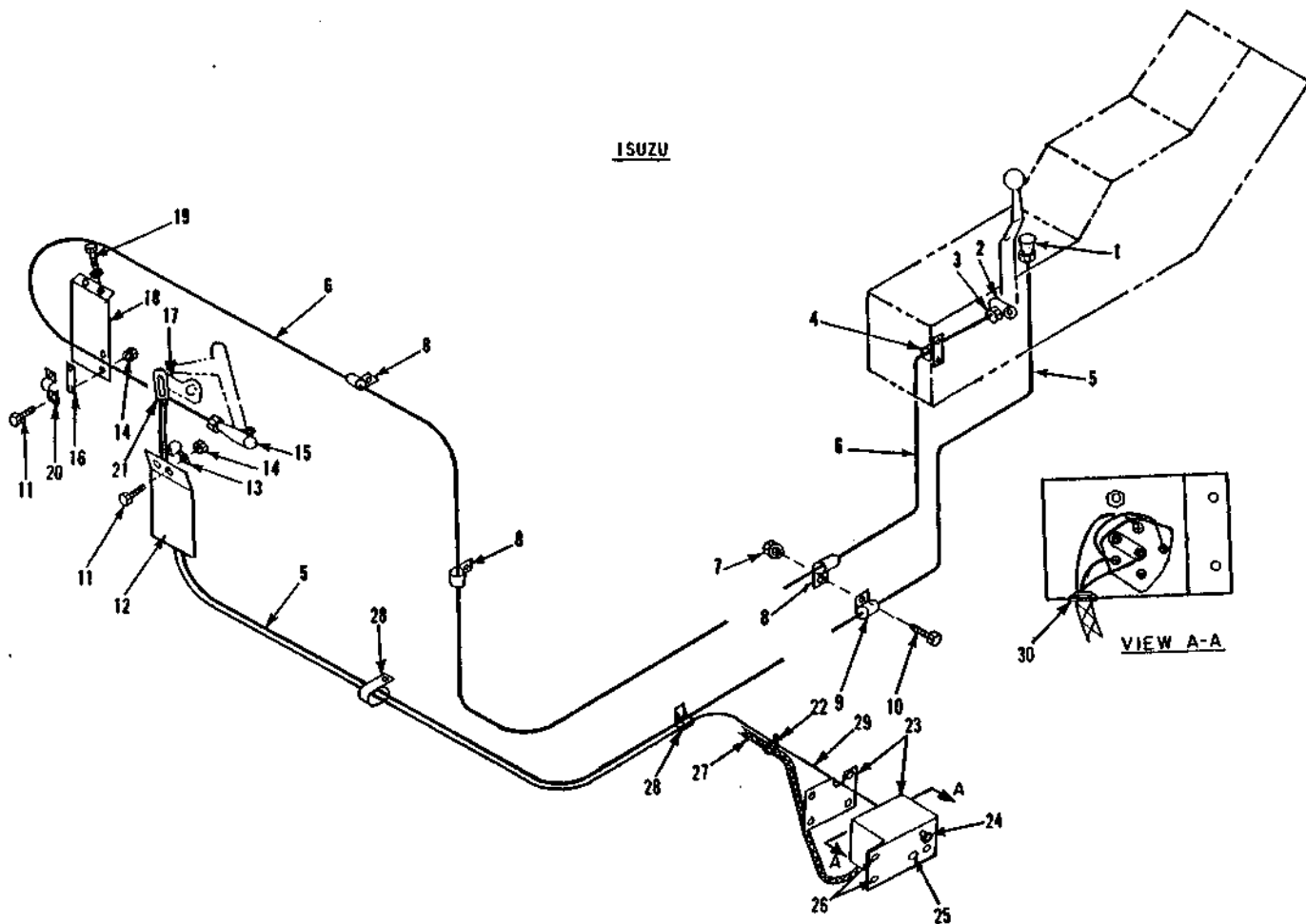
28

PAGE 28A.7

DISCONTINUED PART! REFER TO NUMERICAL PARTS LIST FOR REPLACEMENT PART(S)

<https://tractormanualz.com/>

ISUZU



REF.	PART NO.	DESCRIPTION	QTY.
	708A7607	Engine Controls Assembly (Isuzu)	
1	444V2457	T-Handle.....	1
	444V0816	Swivel.....	1
3	340V2000	Nut 1/4F.....	1
4	421V1259	Clamp.....	1
	421V1260	Shim.....	1
	311V1506	Screw, Mach #10NC x 3/4".....	2
	340V1504	Nut #10.....	2
5	444V2465	Cable, Stop.....	1
6	444V2448	Cable, Throttle.....	1
7	340V2323	Nut, Lock.....	3
8	200B2007-004	Clamp.....	7
9	200B2007-001	Clamp.....	1
10	1200-59	Srew 3/8" x 1".....	3
11	311V1506	Screw, Mach #10NC x 3/4".....	4
12	708 7608	Bracket, Stop.....	1
13	444V2464	Clamp, Cable.....	2
14	340V1504	Nut #10.....	4
	414V2005	Ball, Joint.....	1
15	340V2002	Nut, Lock.....	1
	1205-18	Nut, Jam.....	1
	421V1260	Shim.....	1
17	708 7606	Lever.....	1
	311V1506	Screw, Mach.....	1
	340V1504	Nut, Lock.....	1
	1200-37	Capscrew.....	1
	1209-46	Washer, Plain.....	3
	1205-25	Nut, .31 UNC.....	2

REF.	PART NO.	DESCRIPTION	QTY.
18	359B9035	Bracket, Throttle.....	1
19	1200-385	Capscrew.....	2
	1210-23	Washer.....	2
20	421V1259	Clamp, Cable.....	1
	708 7585	Link.....	2
	1206-3	Setscrew.....	2
22	1222-184	Ty-Wrap.....	12
23	708F7352	Brkt, Remote Start.....	1
	708 7343	Plate.....	1
	1210-37	Lockwasher #10.....	4
	1233-38	Screw 10-32 x .38.....	4
24	444V2456	Knob, Red.....	1
25	708 7338	Switch, Ignition.....	1
	1208-8	Washer.....	2
26	1200-59	Capscrew.....	2
	1205-43	Locknut.....	2
27	708 7593	Harness.....	1
28	200B2007-053	Clamp.....	3
29	444V2460	Cable.....	1
30	1221-62	Grommet.....	1

WHEN ORDERING PARTS, SPECIFY MODEL NUMBER, SERIAL NUMBER AND DESCRIPTION OF PART REQUIRED



THROTTLE & ENGINE STOP  
INSTALLATION

DATE: Revised 1-88

MODEL: 6644L

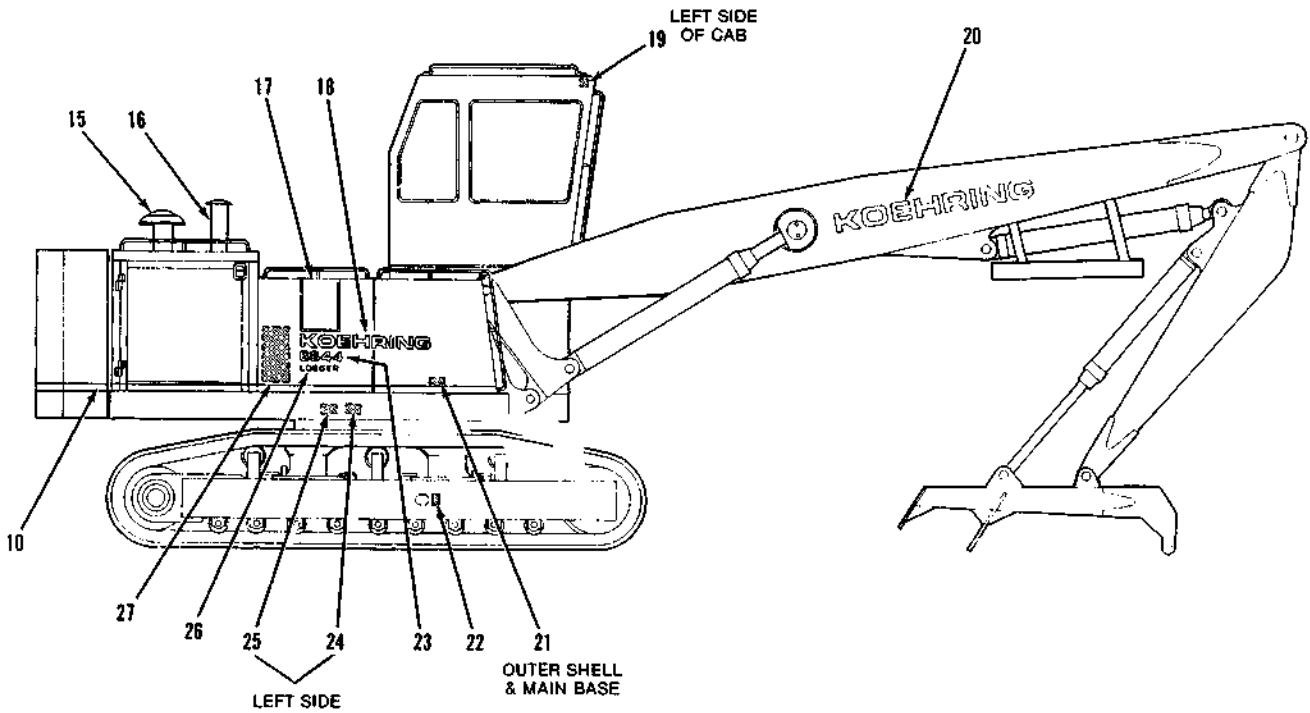
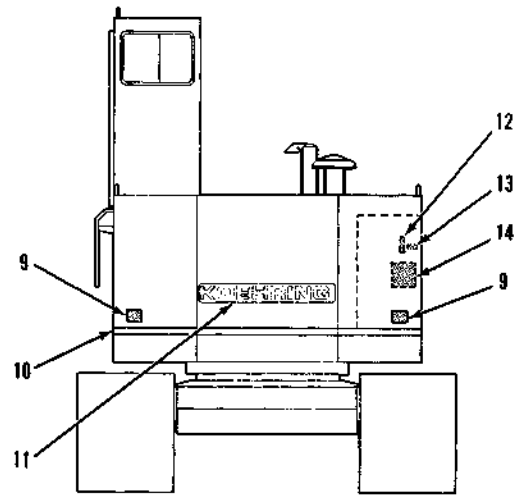
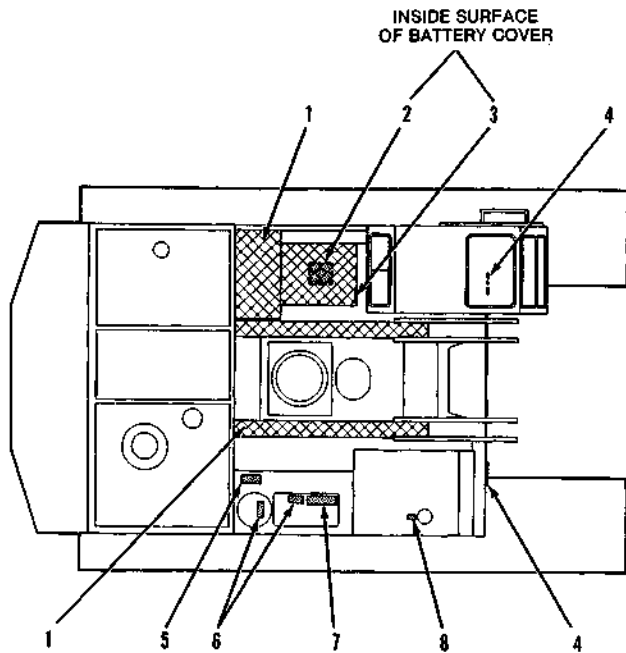
GROUP

28

PAGE 28A.8

⊗ DISCONTINUED PART! REFER TO NUMERICAL PARTS LIST FOR REPLACEMENT PART(S)

<https://tractormanualz.com/>



WHEN ORDERING PARTS, SPECIFY MODEL NUMBER, SERIAL NUMBER AND DESCRIPTION OF PART REQUIRED



**DECALS & PAINT  
(LOGGER & CANE LOADER)**

DATE: Issued: 3-85

MODEL: 6644L

GROUP  
**30**

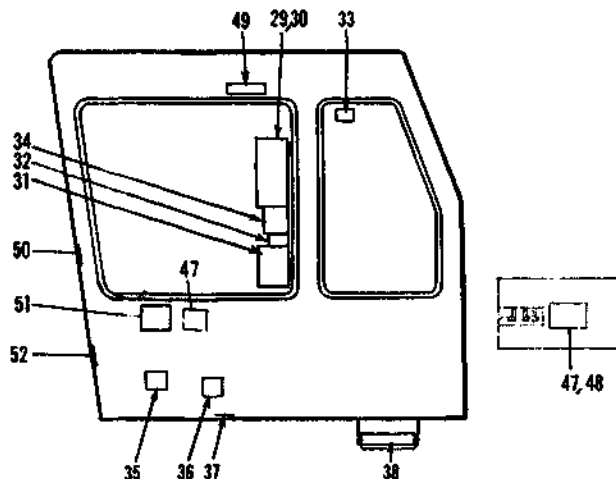
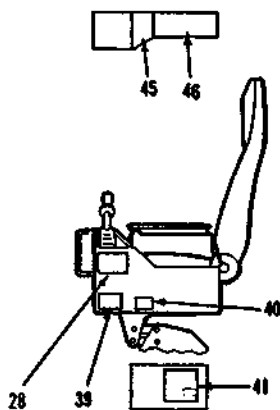
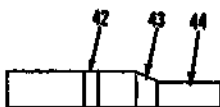
PAGE 30A.1

Sheet 1 of 2

⊗ DISCONTINUED PART! REFER TO NUMERICAL PARTS LIST FOR REPLACEMENT PART(S)

<https://tractormanualz.com/>

Ref: 359E8684  
359E9117



REF.	PART NO.	DESCRIPTION	QTY.
1	511V2075	Sand, Silica.....	2-1/2 LB.
2	12400-3	Decal, Warning.....	1
3	359B8464	Decal, Caution.....	1
4	12400-222	Decal, Warning.....	2
5	359B8318	Decal, Caution.....	1
6	355A4883	Decal, Caution.....	2
7	359B6911	Decal, Hyd.....	1
8	12260-670	Decal, Diesel Fuel.....	1
9	12400-223	Decal, Warning.....	2
10	473V0006	Tape, White(40')	1
11	359B6211-5	Decal, Koehring.....	1
12	359A8291	Decal, Hyd. Tank.....	1
13	359A8289	Decal, Hyd. Tank.....	1
14	359C8290	Decal, Hyd. Tank.....	1
15	U511V0030	Paint, Black.....	AR
16	U511V0093	Paint, Black(high Temp).....	AR
17	12400-61	Decal.....	2
18	359B6211-4	Decal, Koehring.....	2
19	359A4807	Decal, Warning.....	1
20	359B6211-1	Decal, Koehring.....	2
21	12400-49	Decal, Danger (Tilt Cab)....	2
22	359A4044	Decal, Caution.....	2
23	359B6210-18	Decal, Model.....	2
24	359B8743	Decal, Cab Tilt,Crawler Wid.	1
25	359B8745	Decal.....	1
	359C8683	Decal, Logger.....	2
26	359D8808	Decal, Cane Loader.....	2
	359D8810	Decal, Skrapper.....	2
	359B8686	Chart, Lube(Prior #21106)...	1
27	359B9221	Chart, Lube(Begin #21106)...	1
28	12260-809	Plate, Serial Number.....	1
	359C8685	Chart, Logger(Prior #21106).	1
29	359C9214	Chart, Logger(Begin #21106).	1
	359C8929	Chart, Cane Loader(2-Piece).	1
30	359C8806	Chart, Cane Loader(3-Piece).	1
	359C8807	Chart, Skrapper.....	1
31	359D8325	Decal.....	1
32	359A8324	Decal.....	1
	U511V3013	Primer.....	AR
	U511V3012	Paint, Orange.....	AR
	3900-76	Paint, Mahogany.....	AR

REF.	PART NO.	DESCRIPTION	QTY.
33	12260-844	Decal, Emergency Exit.....	1
34	12400-199	Decal, Reservoir.....	1
35	12400-81	Decal, Horn.....	1
36	12400-84	Decal, Clutch.....	1
37	12400-80	Decal, Swing Lube.....	1
38	12400-190	Decal, Bulkhead.....	1
39	12400-116	Decal, Hyd. Control.....	1
40	12400-97	Decal, Door Release.....	1
41	12400-77	Decal, Circuit Breaker.....	1
	12400-141	Decal, Solenoid Valve.....	1
42	12400-79	Decal, Ignition (D.D.).....	1
	12400-179	Decal, Ignition (Isuzu).....	1
43	12400-120	Decal, Control (Logger).....	1
	12400-216	Decal, Control (Cane Loader).	1
44	12400-89	Decal, RH Console.....	1
45	12400-119	Decal, Control.....	1
	12400-136	Decal, Swing Lock.....	1
46	12400-87	Decal, w/o Hvy Lift.....	1
47	12400-174	Decal, Warning.....	2
48	12400-147	Decal, Tilt Cab Control.....	1
49	12400-128	Decal, Window Storage.....	1
50	12400-137	Decal, Wiper.....	1
51	12261-77	Decal, PCSA #5.....	1
52	12400-117	Decal, Pilot Valve.....	1

WHEN ORDERING PARTS, SPECIFY MODEL NUMBER, SERIAL NUMBER AND DESCRIPTION OF PART REQUIRED



**DECALS & PAINT  
(LOGGER & KANE LOADER)**

DATE: Revised 7-86

MODEL: 6644L

GROUP

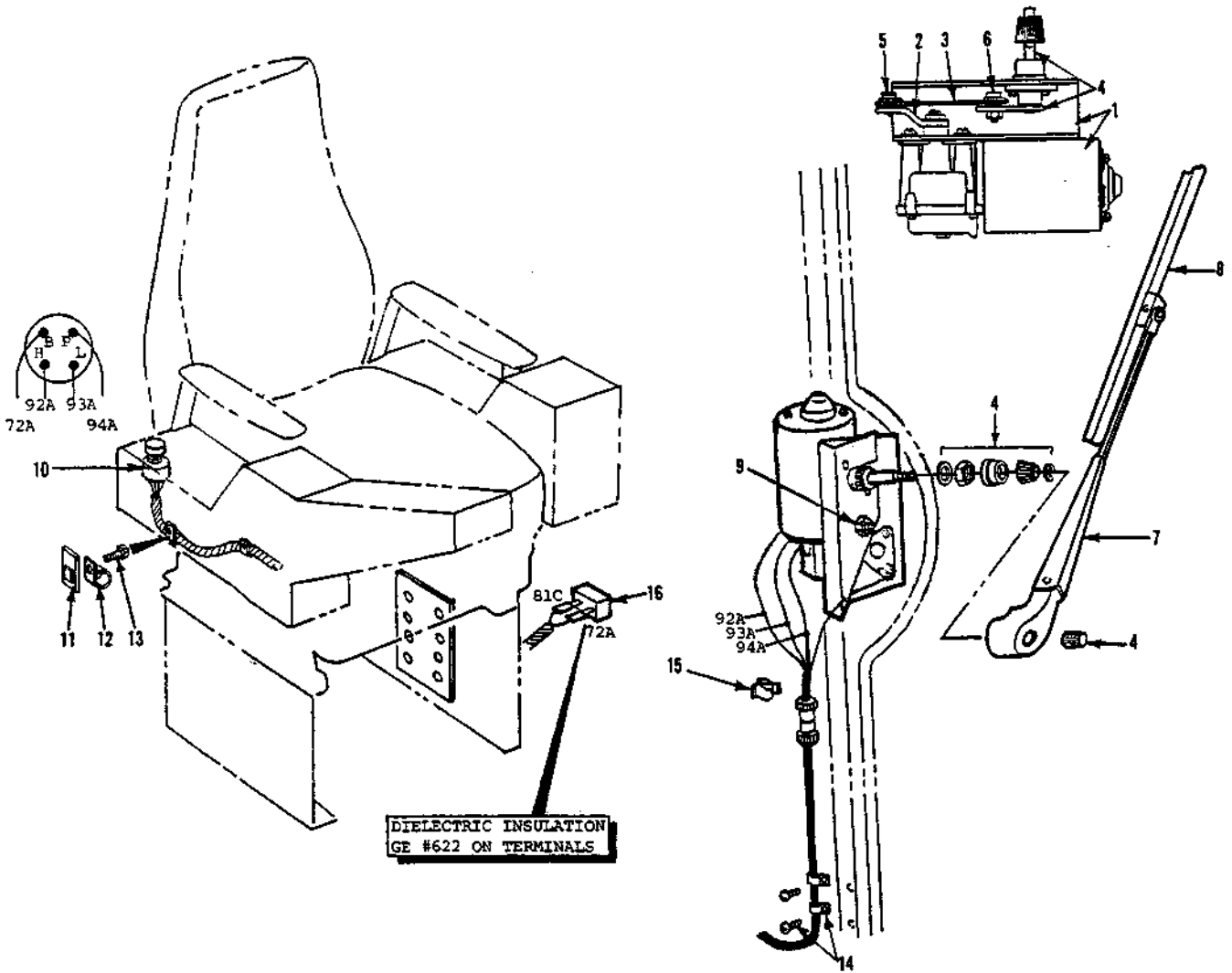
**30**

PAGE 30A.1

Sheet 2 of 2

⊗ DISCONTINUED PART! REFER TO NUMERICAL PARTS LIST FOR REPLACEMENT PART(S)

<https://tractormanualz.com/>



REF.	PART NO.	DESCRIPTION	QTY.
	708A7213	Wiper Assembly.....	1
		(Includes Items 1 thru 16)	
1	708 7212	Motor w/Bracket.....	1
2	1222-288	Arm, Drive.....	1
3	25033	Link, Connecting.....	1
4	1222-316	Shaft, Pilot.....	1
5	1222-250	Pin, Cotter.....	2
6	707 6544	Pin.....	1
7	1222-317	Arm, Wiper.....	1
8	1222-194	Blade, 16".....	1
9	{ 1200-1	Capscrew, 1/4C x 3/4... 1	1
	{ 1210-14	Lockwasher.....	1
10	{ 1223-781	Switch.....	1
	{ 1291-161	Knob.....	1
11	1204-37	Nut, "U" Retainer.....	2
12	1240-38	Clamp.....	2
13	1200-29	Capscrew, 5/16C x 3/4.. 2	2
14	{ 1240-10	Clamp.....	3
	{ 1211-1	Screw, #8 x 1/2.....	3
15	1240-31	Clamp.....	1
16	441 4025	Breaker, Circuit (5A).. 1	1

WHEN ORDERING PARTS, SPECIFY MODEL NUMBER, SERIAL NUMBER AND DESCRIPTION OF PART REQUIRED



WIPER ASSEMBLY

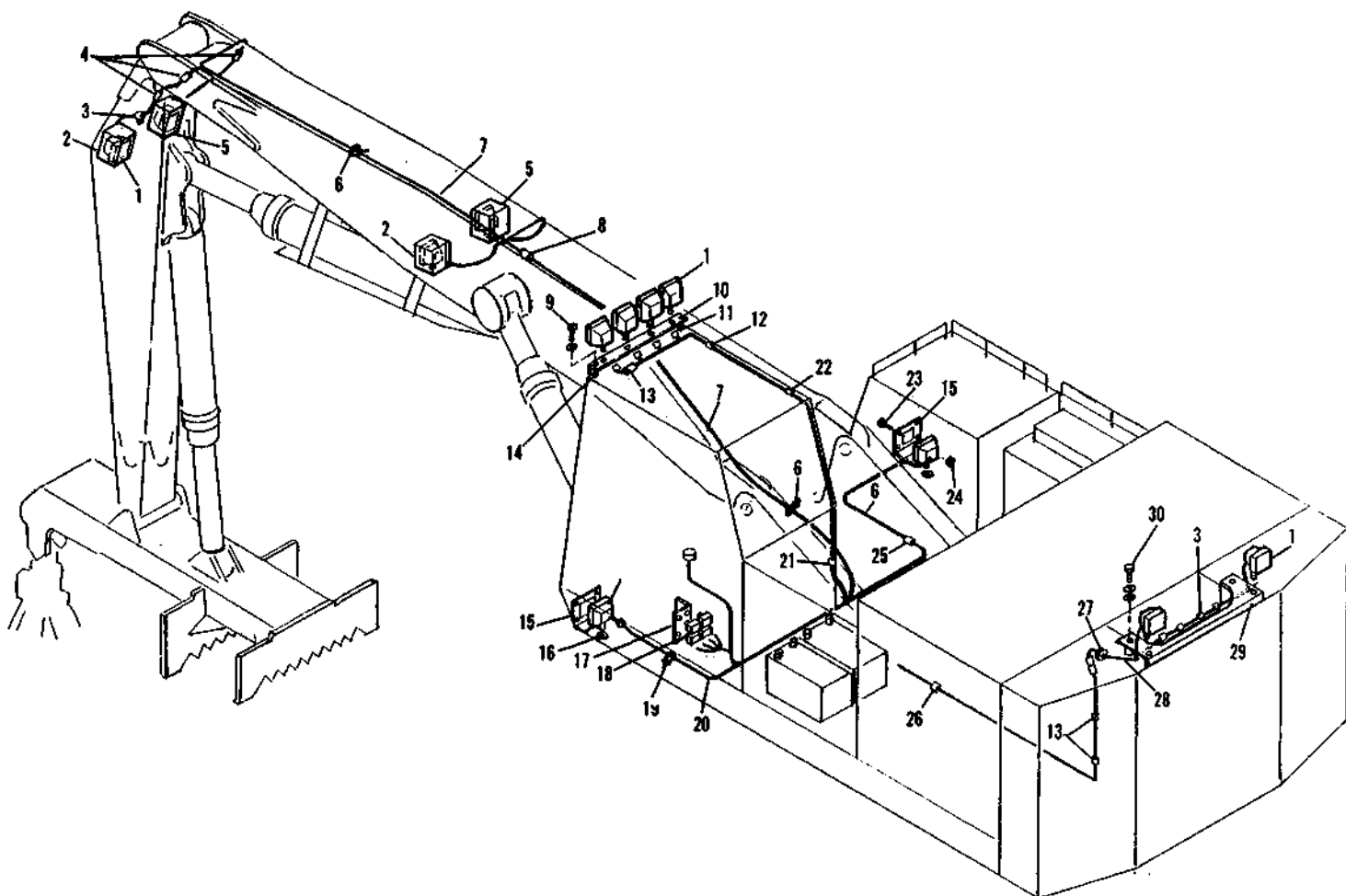
DATE: Revised 7-86

MODEL: 6644L

PAGE 34.1

GROUP  
34

⊗ DISCONTINUED PART! REFER TO NUMERICAL PARTS LIST FOR REPLACEMENT PART(S)



REF.	PART NO.	DESCRIPTION	QTY.	REF.	PART NO.	DESCRIPTION	QTY.
	359E9235	Flood Light Assembly (Includes Keys 1 thru 30)					
1	442V5113	Light	12	18	U442V2426	Switch	4
2	U359B8746	Guard Light	2	19	445V2404	Tie Strap	A/R
3	200B2007-4	Clamp	10	20	359D9238	Wire Harness	1
	316V2306	Cap screw 3/8"NCx3/4"	10	21	200B2007-3	Clamp	5
	340V2323	Nut 3/8"	10		323V3-05	Tapping Screw 1/4"x1/2"	5
4	359A8668	Bracket	3	331V1400	Washer Flat	5	
	200B2007-4	Clamp	3	200B2007-20	Clamp	2	
	316V2306	Cap screw 3/8"NCx3/4"	3	22	316V2782	Cap screw 1/2"NCx3/4"	2
5	340V2323	Nut 3/8"	3	332V2200	Lockwasher	2	
	U359B8749	Guard Light	2	23	310V2390	Cap screw 3/8"NCx1"	8
	445V2406	Tie Strap	A/R	24	340V2323	Nut 3/8"	8
6	359C9237	Wire Harness	1	25	200B2007-3	Clamp	6
	200B2007-25	Clamp	5		330V2201	Washer Flat	6
	7	316V2705	Cap screw 1/2"NCx3	2	340V2323	Nut 3/8"	6
332V2200		Lockwasher	2	26	200B2007-3	Clamp	3
359B9236		Bracket	1	27	462V0548	Grommet	1
8	200B0004-108	Spacer	1	28	359C8818	Wire Harness	1
	200B2007-20	Clamp	2	29	359C8753	Bracket	1
	200B2007-3	Clamp	5	310V4513	Cap screw 1 1/2"NCx3 1/2"	2	
9	200B0004-115	Spacer	1	30	332V3700	Lockwasher	2
	359B8789	Bracket	2		330V3700	Washer	2
	15	359B8789	Bracket	2			
16	330V1802	Washer	A/R				
17	U359B8800	Switch Plate	1				
	359A8795	Decal	1				

WHEN ORDERING PARTS, SPECIFY MODEL NUMBER, SERIAL NUMBER AND DESCRIPTION OF PART REQUIRED



WORKLIGHTS

DATE: Revised 7-86

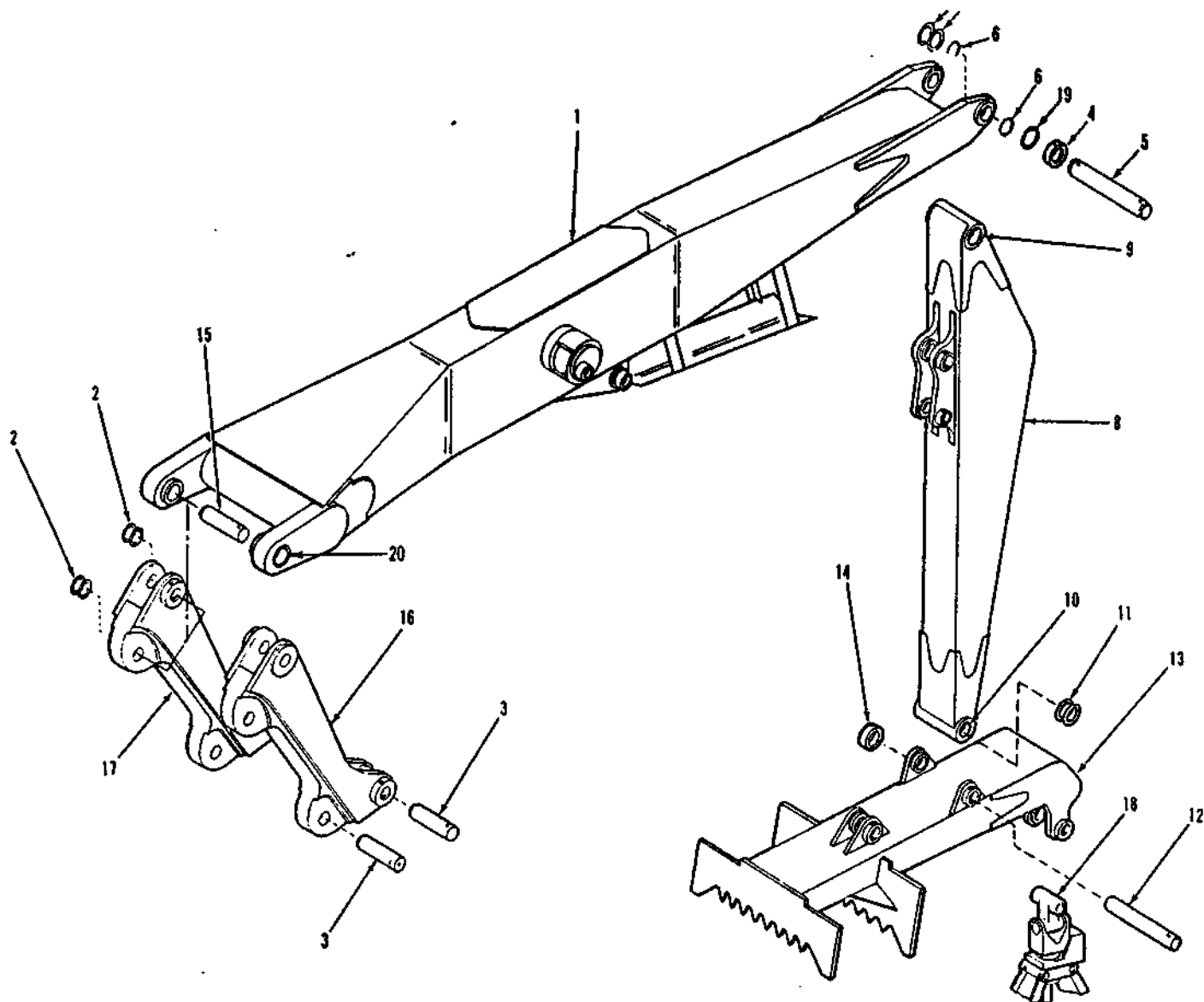
MODEL: 6644L

PAGE 34.3

GROUP

34

⊗ DISCONTINUED PART! REFER TO NUMERICAL PARTS LIST FOR REPLACEMENT PART(S)

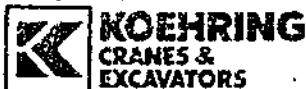


REF.	PART NO.	DESCRIPTION	QTY.
	Prior Ser.   Begin Ser.		
1	U359E8523   U359E9137 *(U335F1607)	Boom, Logger.....	1
	364V0203	Fitting, Grease.....	2
2	200B0075-079	Shim (.10").....	AR
	200B0077-051	Shim (.25").....	AR
	361A1590	Pin (3.75" x 11").....	4
	200B0075-102	Shim (.06").....	AR
	200B0075-101	Shim (.10").....	AR
3	316V3319	Capscrew, 3/4C x 6....	4
	316V3349	Capscrew, 3/4C x 7-1/2.	4
	340V3313   340V3318	Locknut, 3/4C.....	4
	359A8356   359A9135	Tube, Pin Lock.....	1
4	300V3552	Capscrew, 1 1/2C x 9 Gr8.	2
	310V4563	Capscrew, 1 1/2C x 10 Gr8.	2
5	340V4514   340V4514	Locknut, 1-1/2C.....	2
6	359A8398	Pin (6.75" x 27.44")..	1
7	200B0075-040	Shim (.06").....	AR
	358A3492	Washer.....	2
8	U359E8490   U359E9138	Slick, Logger.....	1
	364V0203	Fitting, Grease.....	2
9	35988106	Bushing.....	2

REF.	PART NO.	DESCRIPTION	QTY.
	Prior Ser.   Begin Ser.		
10	359B1879	Bushing.....	2
11	200B0075-022	Shim (.06").....	AR
	200B0075-074	Shim (.10").....	AR
12	359A8941	Pin (2.75" x 20").....	1
	310V3362	Capscrew.....	1
	340V3318	Locknut, 3/4C.....	1
13	U359E8492   U359E9154 *(U335F1608)	Heeler, Logger.....	1
14	359A4013	Cap, End.....	1
	310V3148	Capscrew.....	3
	359A8108   359A8108	Pin (4.25" x 11.00")..	4
15	310V3380	Capscrew, 3/4C x 6-1/2.	4
	310V3377	Capscrew, 3/4C x 8....	4
	340V3318   340V3318	Locknut, 3/4C.....	4
16	U359D8521   U359D9216	Adapter, RH Turntable.	1
17	U359D8515   U359D9217 *(U335F1604)	Adapter, LH Turntable.	1
18	U410V6514	Grapple, Log (50")....	1
	U410V6515	Grapple, Log (64")....	1
19	461V1483	Seal.....	2
20	403V2790	Bushing, Self-Align... 2	2

\*Kit ( ) includes Current Boom, Heeler or Adapter and Pin Lock Capscrews.

WHEN ORDERING PARTS, SPECIFY MODEL NUMBER, SERIAL NUMBER AND DESCRIPTION OF PART REQUIRED



## ATTACHMENT ASSEMBLY (LOGGER)

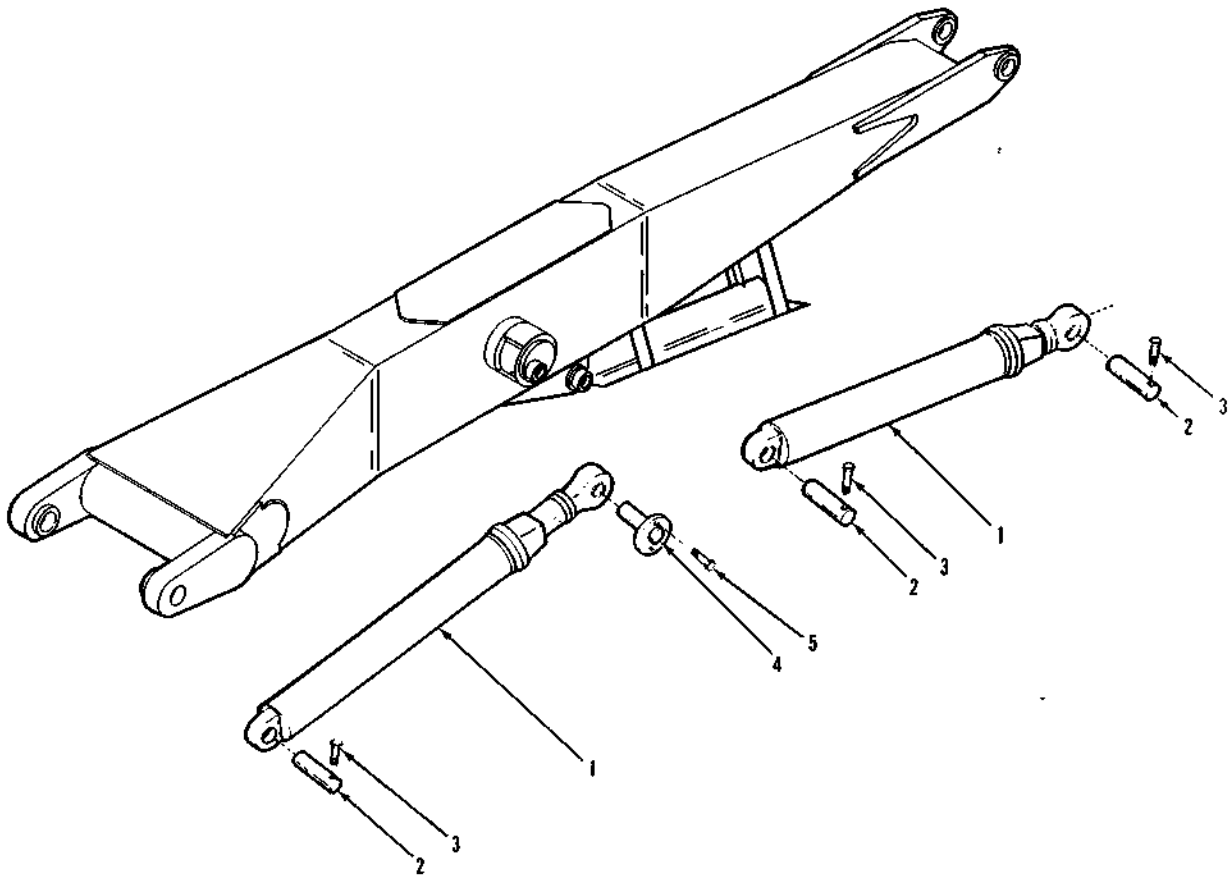
DATE: Revised 7-91

MODEL: 6644L

GROUP

38

PAGE 38.1



REF.	PART NO.	DESCRIPTION	QTY.
1	U288D2708	Cylinder, Hoist & Stick ... (For Parts, See Pg. 38.3)	3
2	361A1590	Pin (3.5' x 10.75")	4
	200B0075-102	Shim (.06")	As Req'd
3	200B0075-101	Shim (.10")	As Req'd
	316V3319	Capscrew	4
4	340V3318	Nut, Lock	4
	U359B8514	Pin (3.5" x 9.8")	2
5	200B0075-102	Shim (.06")	As Req'd
	200B0076-101	Shim (.10")	As Req'd
	316V3339	Capscrew	4

WHEN ORDERING PARTS, SPECIFY MODEL NUMBER, SERIAL NUMBER AND DESCRIPTION OF PART REQUIRED



**HOIST & STICK CYLINDERS  
(LOGGER)**

DATE: Issued 2/15

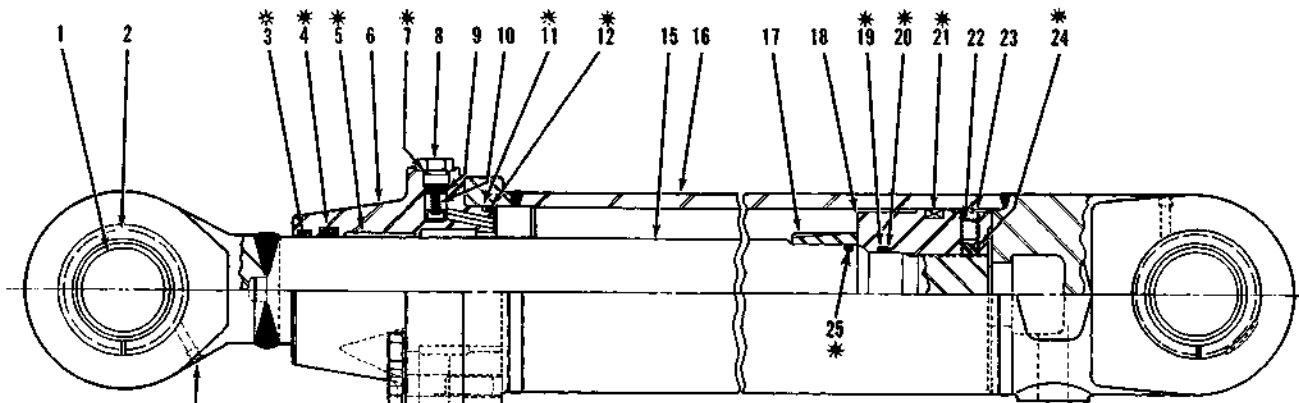
MODEL: 6644L

PAGE 38.2

GR

38

⊗ DISCONTINUED PART! REFER TO NUMERICAL PARTS LIST FOR REPLACEMENT PART(S)



WHEN REPLACING PARTS BE SURE TO STATE PART NUMBER STAMPED ON CYLINDER

1/4 N.P.T.F. (DRYSEAL) BOTH ENDS

**NOTES:**  
 ITEM 14 TORQUE TO 400 FT. LBS. - LUBRICATED (NEVER-SEEZ) 8 PLACES  
 ITEM 22 PRESET NYLON PLUG USING GR 8 CAPSCREW (LUBRICATED WITH LOCTITE) TO 150 FT. LBS. THEN TORQUE SET SCREW TO 75 FT. LBS. - 3 PLACES  
 ITEM 23 APPLY LOCTITE GR 242

REF.	PART NO.	DESCRIPTION	QTY.
	Prior Ser. #	Begin Ser. #	
	U288D2708	708 7635	Cylinder, Boom Hoist & Stick 3
	U335F1532	U335F1532	Kit, Service..... 3 (Includes Items Marked *)
1	901V3373	901V3373	Bushing..... 2
2	901V3372	901V3372	Snap Ring..... 4
3	901V3355	901V3355	*Wiper..... 1
4	901V3356	901V3356	*Seal..... 1
5	901V3357	901V3357	*Bearing..... 1
6	901V3358	208299	Head/Flange Cover Ass'y..... 1
7	901V3331	901V3331	*O-Ring..... 1
8	901V3332	901V3332	Plug..... 1
9	901V3333	204862	*Poppet..... 1
10	901V3334	901V3334	Spring..... 1
11	901V3441	901V3441	*Back-Up..... 1
12	901V3360	901V3360	*O-Ring..... 1
13	901V3374	901V3374	*Washer..... 8
14	901V3375	901V3375	*Capscrew..... 8
15	U901V3442	208381	Rod/Bushing Ass'y..... 1 (Includes Items 1 & 2)
16	U901V3443	208380	Barrel/Bushing Ass'y..... 1 (Includes Items 1 & 2)
17	901V3444	208379	Cushion Plug..... 1
18	901V3364	901V3364	Piston..... 1
19	901V3365	901V3365	*O-Ring..... 1
20	901V3446	901V3366	*Back-Up..... 1
21	901V3367	901V3367	*Seal Ass'y..... 1
22	901V3344	901V3344	Plug..... 3
23	901V3345	901V3345	Setscrew..... 3
24	901V3368	901V3368	*Bearing..... 3
25	901V3745	208370	*Ring, Piston..... 1

Also Order Service Kit

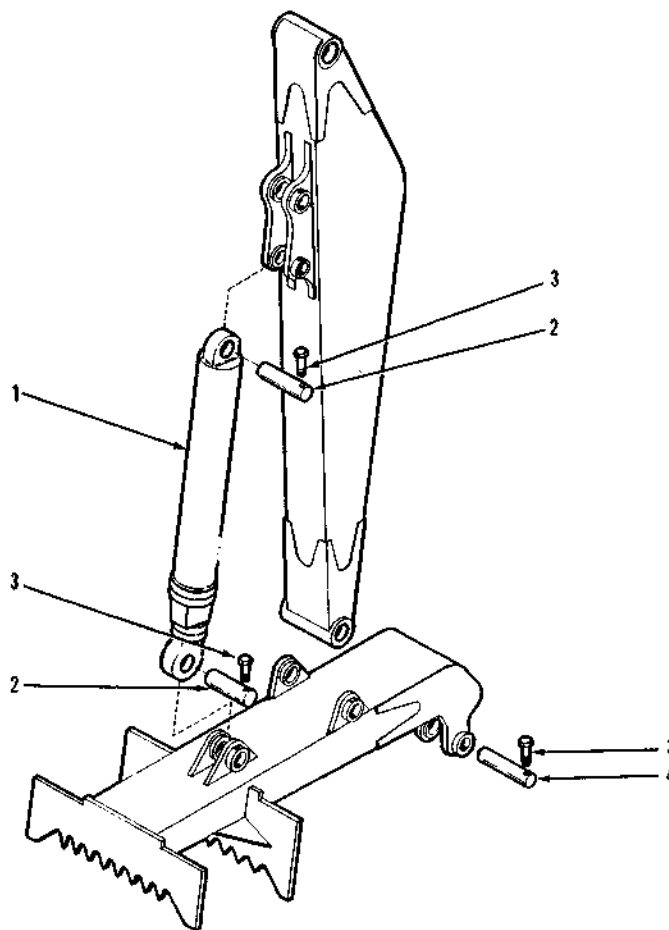
WHEN ORDERING PARTS, SPECIFY MODEL NUMBER, SERIAL NUMBER AND DESCRIPTION OF PART REQUIRED



**BOOM HOIST & STICK CYLINDER**

DATE: Revised 1-88  
 MODEL: 6644L 6644KL

⊗ DISCONTINUED PART! REFER TO NUMERICAL PARTS LIST FOR REPLACEMENT PART(S)



REF.	PART NO.	DESCRIPTION	QTY.
1	U288D2709	Cylinder, Heel . . . . . (For Parts, See Pg. 38.5)	1
2	708B6167	Pin (3.25" x 9.5") . . . . .	2
	200B0075-020	Shim (.06") . . . . .	As Req'd
3	200B0075-065	Shim (.10") . . . . .	As Req'd
	310V3362	Capscrew . . . . .	5
4	340V3318	Nut, Lock . . . . .	5
	359A5246	Pin (2.751" x 11.5") . . . . .	1

WHEN ORDERING PARTS, SPECIFY MODEL NUMBER, SERIAL NUMBER AND DESCRIPTION OF PART REQUIRED



**HEEL CYLINDER  
(LOGGER)**

DATE: Issued. 2-85

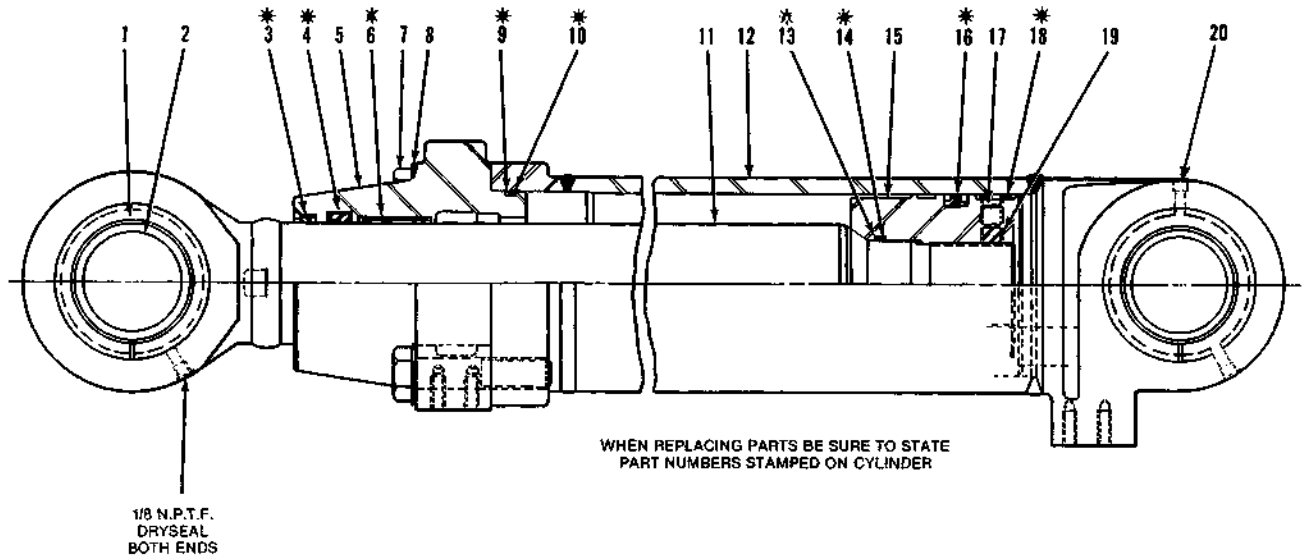
MODEL: 6644L

GROUP

**38**

PAGE 38.4

⊗ DISCONTINUED PART! REFER TO NUMERICAL PARTS LIST FOR REPLACEMENT PART(S)



NOTES:

ITEM 7 TORQUE TO 670 FT. LBS. LUBRICATED (NEVER-SEEZ) 4 PLACES

ITEM 17 APPLY LOCTITE - GR. 242

ITEM 19 PRESET NYLON PLUG USING GR. 8 CAPSCREW (LUBRICATED WITH LOCTITE) TO 150 FT. LBS. THEN TORQUE SET SCREW TO 75 FT. LBS. - 3 PLACES

REF.	PART NO.	DESCRIPTION	QTY.
	Prior Ser. #	Begin Ser. #	
	U288D2709	708 7636	Cylinder, Tip..... 1
	U335F1548	U335F1548	Kit, Service..... 1 (Includes Items Marked *)
1	901V3447	901V3447	Snap Ring..... 4
2	901V3448	901V3448	Bushing..... 2
3	901V3449	901V3449	*Wiper..... 1
4	901V3450	901V3450	*Seal..... 1
5	901V3451	208296	Head/Flange Cover Ass'y..... 1
6	901V3452	901V3452	*Bearing..... 1
7	901V3453	901V3453	Capscrew..... 4
8	901V3454	901V3454	Washer..... 4
9	901V3455	208295	*Back-Up..... 1
10	901V3456	208294	*O-Ring..... 1
11	U901V3457	U901V3457	Rod/Bushing Ass'y..... 1 (Incl. Items 1 & 2)
12	U901V3458	208293	Barrel/Bushing Ass'y..... 1 (incl. Items 1 & 2)
13	901V3459	901V3459	*O-Ring..... 2
14	901V3460	901V3460	*Back-Up..... 2
15	901V3461	901V3461	Piston..... 1
16	901V3462	901V3462	*Seal..... 1
17	901V3463	901V3463	Setscrew..... 3
18	901V3464	901V3464	*Bearing..... 3
19	901V3344	901V3344	Nylon Plug..... 3
20		200046	Plug, Pipe..... 1

} Also Order Service Kit

WHEN ORDERING PARTS, SPECIFY MODEL NUMBER, SERIAL NUMBER AND DESCRIPTION OF PART REQUIRED



HEEL OR TIP CYLINDER

DATE Revised 1-83

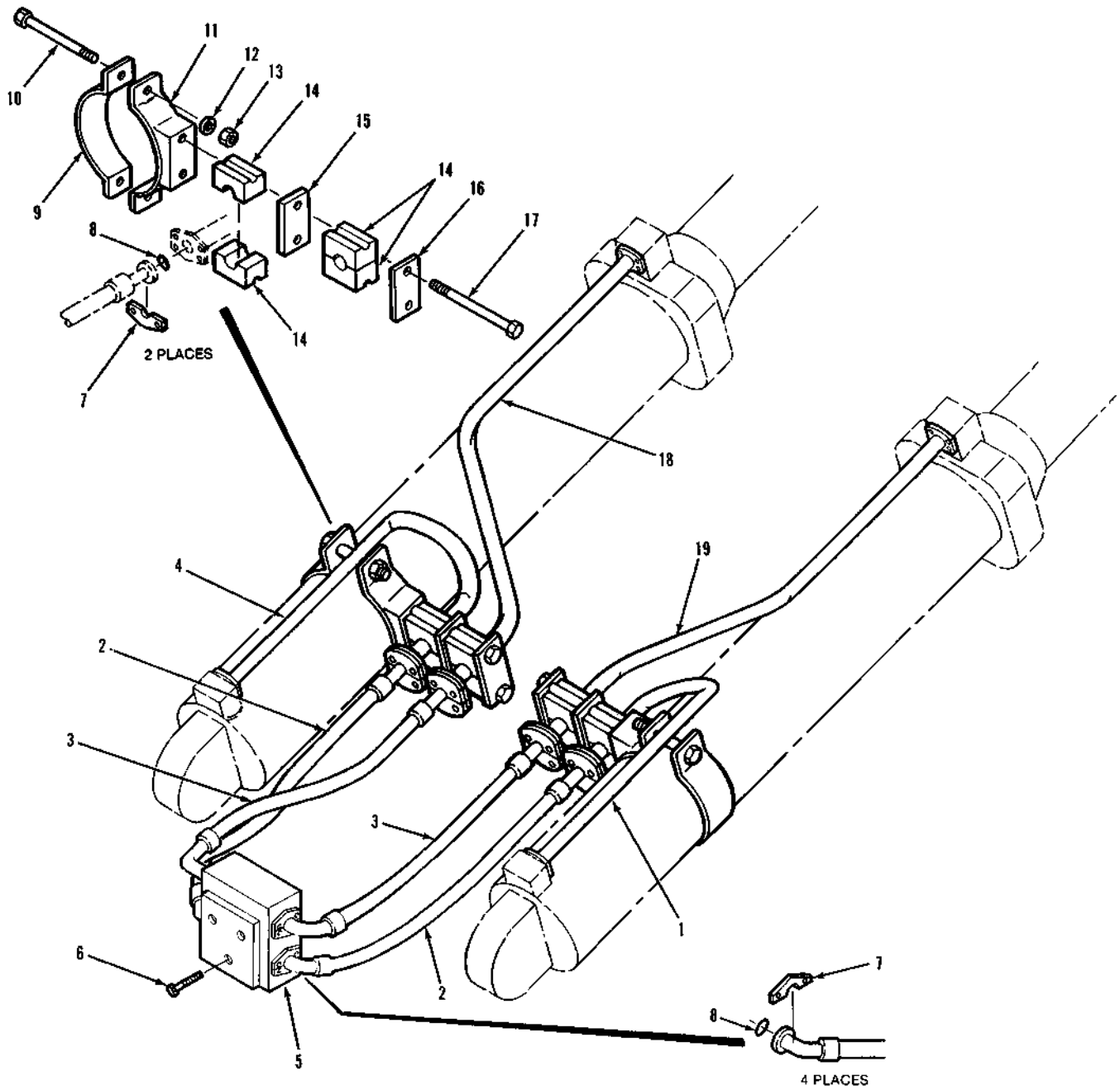
MODEL: 6644L

GROUP  
38

PAGE 38.5

⊗ DISCONTINUED PART! REFER TO NUMERICAL PARTS LIST FOR REPLACEMENT PART(S)

<https://tractormanualz.com/>



REF.	PART NO	DESCRIPTION	QTY.	REF.	PART NO.	DESCRIPTION	QTY.
1	359B8672	Tube Ass'y.....	1	10	316V2739	Capscrew, 1/20 x 6.....	4
2	200B2492-001	Hose Ass'y (55").....	2	11	U359B8719	Clamp.....	2
3	200B2473-004	Hose Ass'y (53").....	2	12	334V2205	Washer, Hardened (1/2").....	4
4	359B8673	Tube Ass'y.....	1	13	340V2729	Nut, Hex (1/2").....	4
5	359B8080	Manifold.....	1	14	372V1518	Cushion.....	8
6	310V2787	Capscrew, 1/20 x 1-1/4.....	3	15	359A8716	Spacer.....	2
	U334V2205	Washer, Hardened (1/2").....	3	16	364A5588	Bar.....	2
	363V6109	Flange, Split.....	16	17	316V3131	Capscrew, 5/80 x 6-1/2.....	4
7	318V2702	Capscrew, 1/20 x 2 Gr. 8.....	32	18	359B8671	Tube Ass'y.....	1
	332V2200	Washer, Lock.....	32	19	395B8670	Tube Ass'y.....	1
8	460V4113	O-Ring.....	12				
9	359B8712	Clamp.....	2				

WHEN ORDERING PARTS, SPECIFY MODEL NUMBER, SERIAL NUMBER AND DESCRIPTION OF PART REQUIRED



**HOIST CYLINDER PIPING  
(LOGGER & CANE LOADER)**

DATE: Revised 1-88

MODEL: 6644L

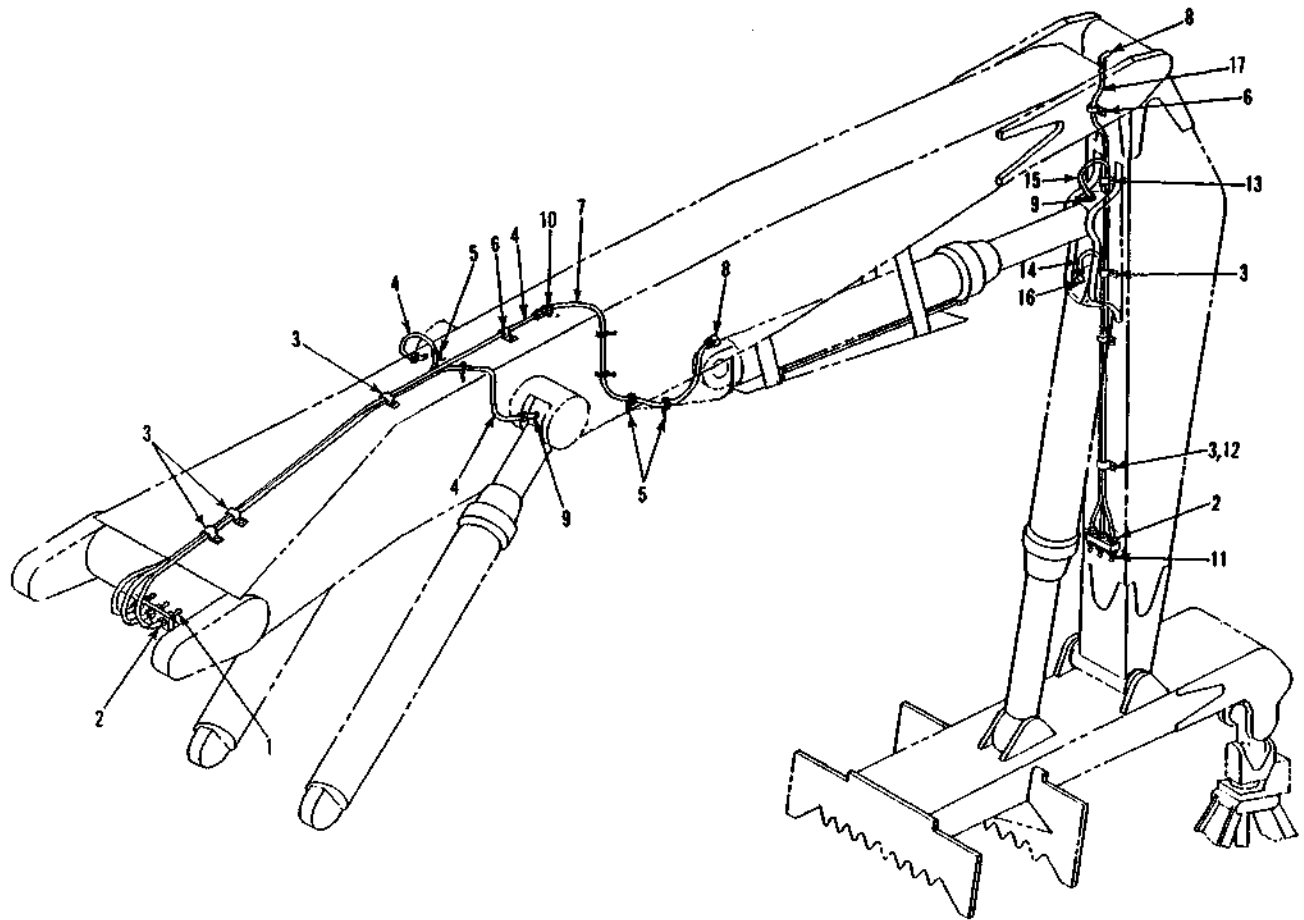
GROUP

**38**

PAGE 38.6

⊗ DISCONTINUED PART! REFER TO NUMERICAL PARTS LIST FOR REPLACEMENT PART(S)

<https://tractormanualz.com/>



REF.	PART NO.	DESCRIPTION	QTY.
	359E8760	Grease Piping Ass'y.....	1
		(Includes Items 1 thru 17)	
1	364V0215	Fitting, Grease.....	3
2	362V0404	Connector.....	6
3	200B2007-010	Support, Clamp.....	6
4	200B2068-036	Hose Assembly(130").....	3
5	445V2406	Wrap, Tie.....	6
6	200B2007-022	Support, Clamp.....	2
7	200B2068-004	Hose Assembly(96").....	1
8	362V1418	Elbow, 90°.....	1
9	362V1453	Elbow, 45°.....	1
10	362V5407	Union.....	1
11	364V0203	Fitting, Grease.....	3
12	{ 334 2205	Washer, 1/2.....	4
	{ 340 2323	Locknut, 3/8C.....	4
13	200B2007-054	Support, Clamp.....	1
14	200B2068-018	Hose Assembly(78").....	1
15	200B2068-19	Hose Assembly(108").....	1
16	360V3222	Elbow.....	1
17	200B2068-13	Hose Assembly(115").....	1

WHEN ORDERING PARTS, SPECIFY MODEL NUMBER, SERIAL NUMBER AND DESCRIPTION OF PART REQUIRED

GROUP



**GREASE PIPING  
(LOGGER ATTACHMENT)**

DATE: Issued 11-88

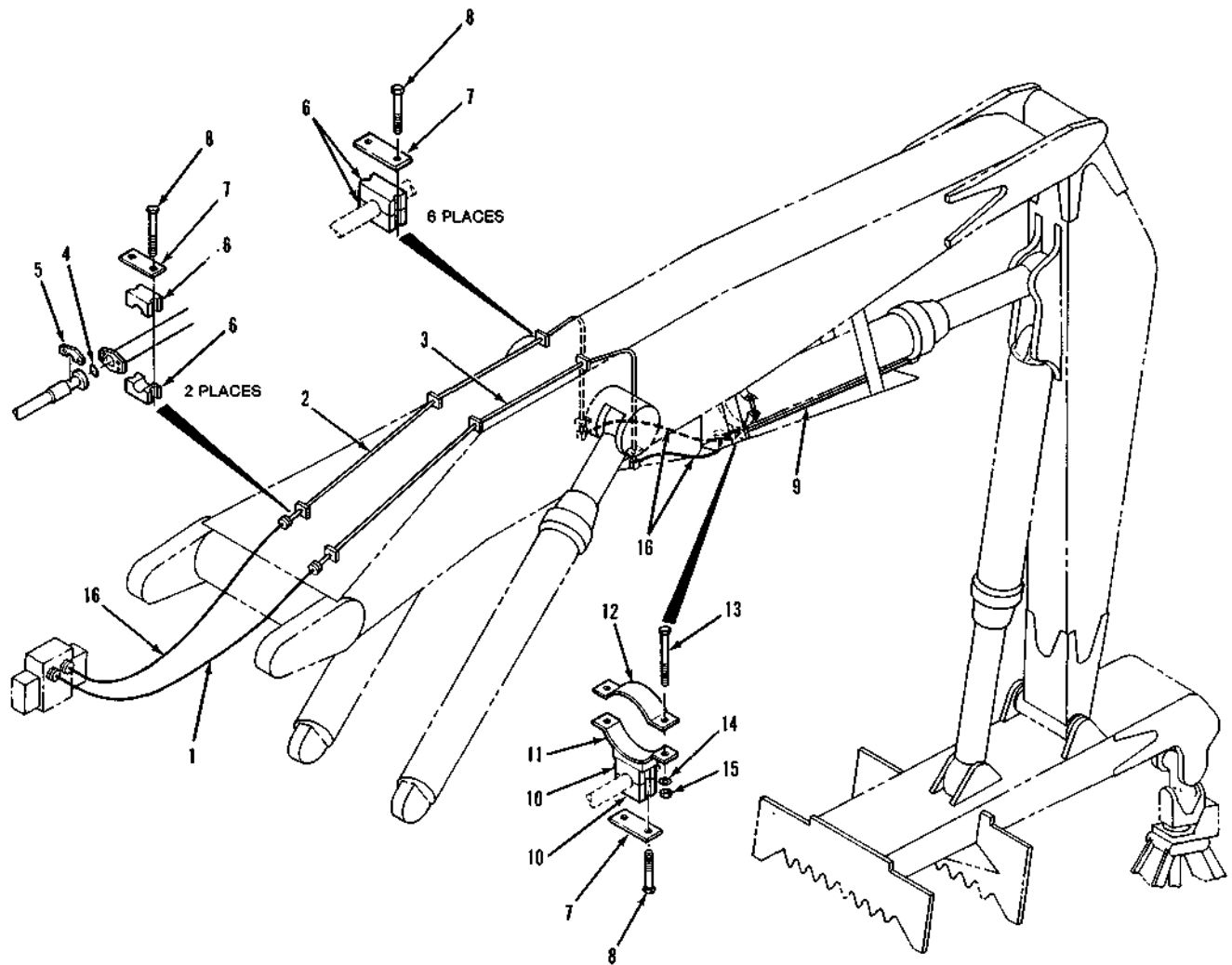
MODEL: 6644L

**38**

PAGE 38.6A

⊗ DISCONTINUED PART! REFER TO NUMERICAL PARTS LIST FOR REPLACEMENT PART(S)

<https://tractormanualz.com/>



REF.	PART NO.	DESCRIPTION	QTY.
1	20082474-005	Hose Ass'y (73").....	1
2	359B8678	Tube Ass'y.....	1
3	359B8679	Tube Ass'y.....	1
4	460V4113	O-Ring.....	8
5	363V6109	Flange, Half.....	16
	318V2702	Capscrew, Gr. 8.....	32
	332V2200	Lockwasher, 1/2.....	32
6	372V1520	Cushion.....	16
7	364A5588	Bar, Clamp.....	7
8	310V3197	Capscrew, 5/8C x 3-1/2.....	18
	359B8688	Tube Ass'y.....	1
9	460V4113	O-Ring.....	1
	318V2703	Capscrew, Gr. 8.....	4
	332V2200	Lockwasher, 1/2.....	4
10	372V1518	Cushion.....	2
11	U359B8718	Clamp.....	1
12	359B8712	Clamp.....	1
13	316V2739	Capscrew, 1/2C x 6.....	2
14	334V2205	Washer, Hardened.....	2
15	340V2729	Nut, 1/2C.....	2
16	20082473-003	Hose Ass'y (64-1/2").....	3

WHEN ORDERING PARTS, SPECIFY MODEL NUMBER, SERIAL NUMBER AND DESCRIPTION OF PART REQUIRED



**STICK CYLINDER PIPING  
(LOGGER ATTACHMENT)**

DATE: Revised 1-88

MODEL: 6644L

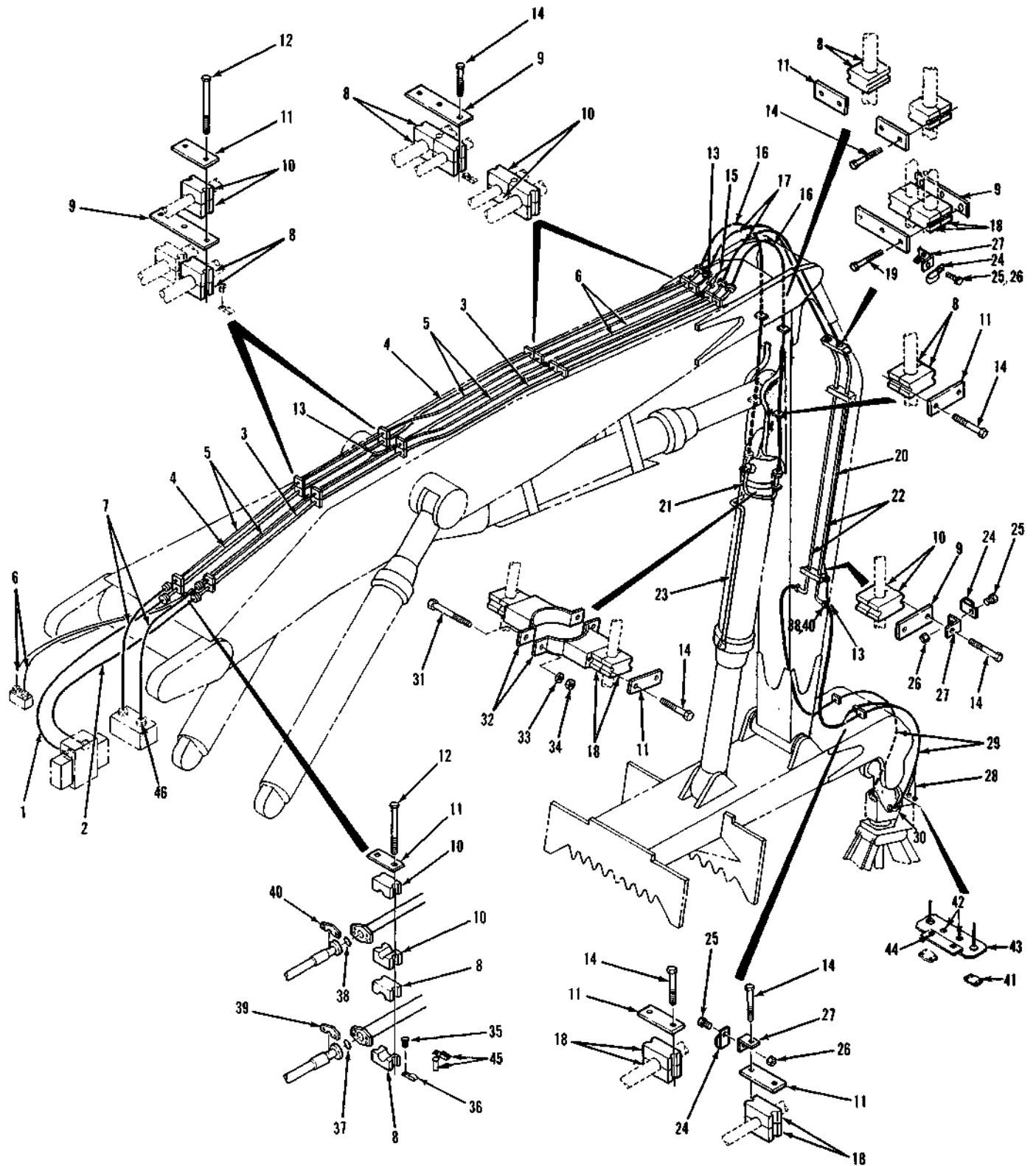
GROUP

**38**

PAGE 38.7

⊗ DISCONTINUED PART! REFER TO NUMERICAL PARTS LIST FOR REPLACEMENT PART(S)

<https://tractormanualz.com/>



WHEN ORDERING PARTS, SPECIFY MODEL NUMBER, SERIAL NUMBER AND DESCRIPTION OF PART REQUIRED



**HEEL & GRAPPLE PIPING  
(LOGGER ATTACHMENT)**

DATE: Revised 12-85

MODEL: 6644L

**GROUP  
38**

PAGE 38.8

Sheet 1 of 2

⊗ DISCONTINUED PART! REFER TO NUMERICAL PARTS LIST FOR REPLACEMENT PART(S)

<https://tractormanualz.com/>

REF.	PART NO.	DESCRIPTION	QTY.
1	200B2474-005	Hose Ass'y(73").....	1
2	200B2473-003	Hose Ass'y(64 1/2").....	1
3	359B8675	Tube Ass'y.....	1
4	359B8674	Tube Ass'y.....	1
5	359B8680	Tube Ass'y.....	2
6	200B2462-160	Hose Ass'y(160").....	4
7	200B2495-001	Hose Ass'y(51").....	2
8	372V1520	Cushion.....	42
9	364A5589	Clamp, Bar.....	15
10	372V1517	Cushion.....	32
11	364A5588	Clamp, Bar.....	19
12	316V3131	Capscrew, 5/8C x 6-1/2.....	16
13	362V5413	Union.....	8
14	310V3197	Capscrew, 5/8C x 3-1/2.....	47
15	200B2462-078	Hose Ass'y(78").....	2
16	200B2475-002	Hose Ass'y(106").....	2
17	200B2501-001	Hose Ass'y(75").....	2
18	372V1518	Cushion.....	18
19	{ 316V3113	Capscrew, 5/8C x 4.....	6
	{ 340V3126	Nut, 5/8C.....	6
20	200B2462-090	Hose Ass'y(90").....	2
	{ 359B8677	Tube Ass'y.....	1
	{ 460V4113	O-Ring.....	1
21	{ 318V2703	Capscrew, 1/2C x 3-1/2 Gr 8.	4
	{ 332V2200	Lockwasher.....	4
22	{ 359B8977	Tube, LH.....	1
	{ 359B8978	Tube, RH.....	1
	{ 359B8676	Tube Ass'y.....	1
23	{ 460V4113	O-Ring.....	1
	{ 318V2703	Capscrew, 1/2C x 3-1/2 Gr 8.	4
	{ 332V2200	Lockwasher.....	4
24	200B2007-054	Clamp.....	5
25	316V2306	Capscrew, 3/8C x 3/4.....	5
26	340V2324	Nut, 3/8C.....	5
27	359A8668	Bracket.....	5
28	{ 200B2502-001	Hose Ass'y(75").....	2
	{ 435V6102	Sleeve.....	4
29	200B2501-001	Hose Ass'y(75").....	2
31	316V2740	Capscrew, 1/2C x 5.....	2
32	U359B8720	Clamp.....	2
33	334V2205	Washer, Hardened (1/2").....	2
34	340V2729	Nut, 1/2C.....	2
35	316V2782	Capscrew, 1/2C x 3/4.....	6
36	200B2007-065	Clamp.....	6
37	460V4113	O-Ring.....	16
38	460V4111	O-Ring.....	8
39	{ 363V6109	Flange, Half (1-1/4").....	48
	{ 319V2702	Capscrew, 1/2C x 2 Gr 8....	96
	{ 332V2200	Lockwasher.....	124
	{ 362V6801	Flange, Half (3/4").....	20
40	{ 310V2379	Capscrew, 3/8C x 1-1/4.....	40
	{ 332V2000	Lockwasher.....	40
	{ 362V6801	Flange, Half (3/4").....	4
	{ 310V2381	Capscrew, 3/8C x 2.....	8
41	{ 332V2000	Lockwasher.....	8
	{ 460V4111	O-Ring.....	2
	{ 200B2077-007	Cover.....	2
42	{ 362V5406	Union.....	2
	{ 362V7400	Cap.....	2
43	359B8981	Flat.....	1
44	{ 316V2728	Capscrew, 1/2C x 1-1/2.....	2
	{ 340V2729	Nut, 1/2C.....	2
45	{ 200B0004	Spacer.....	5
	{ 200B2007-025	Clamp.....	5
	{ 310V2730	Capscrew, 1/2C x 2-1/4.....	5

} Skrapper

WHEN ORDERING PARTS, SPECIFY MODEL NUMBER, SERIAL NUMBER AND DESCRIPTION OF PART REQUIRED



**HEEL & GRAPPLE PIPING  
(LOGGER ATTACHMENT)**

DATE Revised 12-85

MODEL 6644L

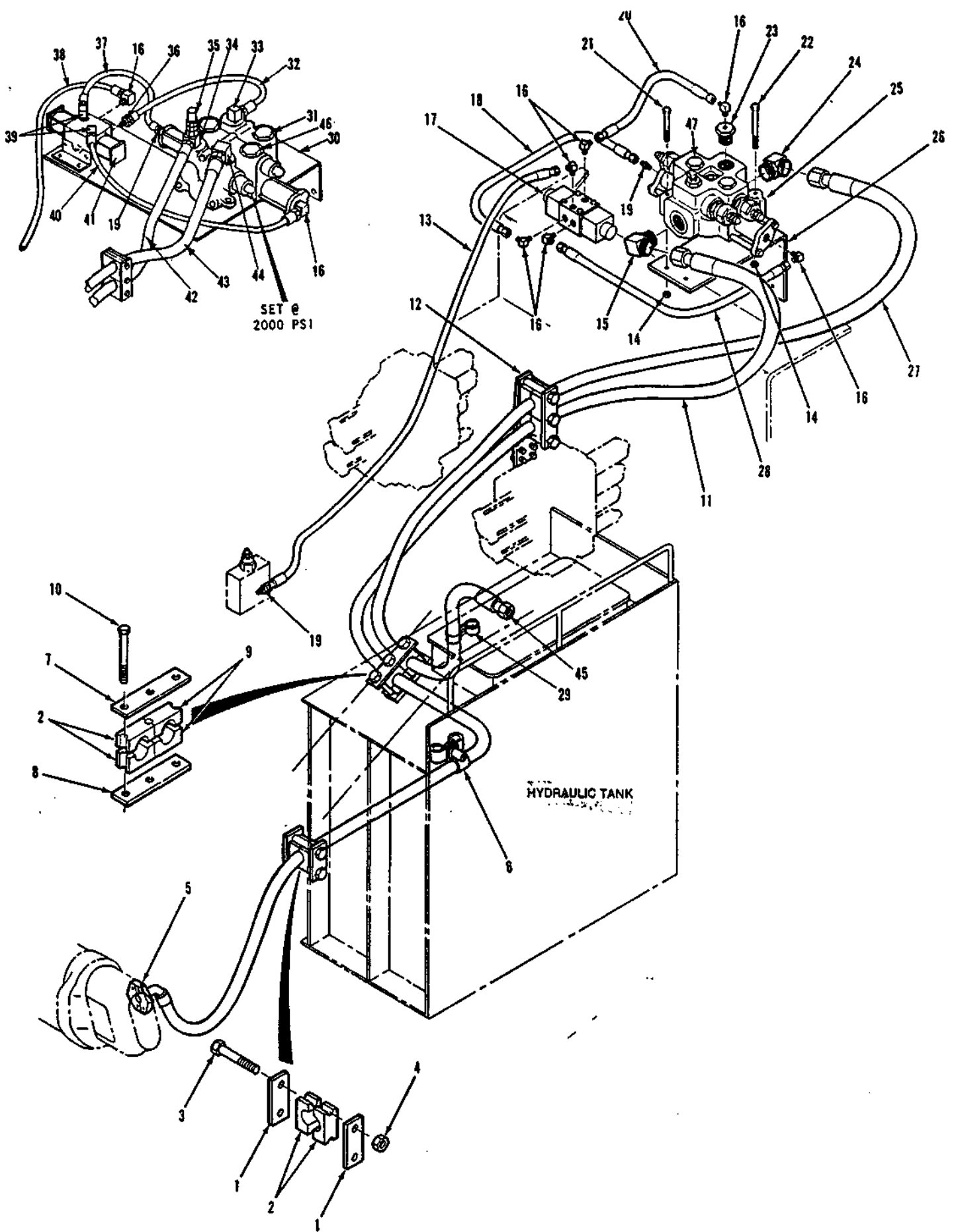
**GROUP  
38**

PAGE 38.8

Sheet 2 of 2

⊗ DISCONTINUED PART REFER TO NUMERICAL PARTS LIST FOR REPLACEMENT PART(S)

<https://tractormanualz.com/>



WHEN ORDERING PARTS, SPECIFY MODEL NUMBER, SERIAL NUMBER AND DESCRIPTION OF PART REQUIRED



**OPEN-CLOSE CONTROL PIPING  
(LOGGER & KANE LOADER)**

DATE: Revised 7-91  
MODEL: 6644L

GROUP

**38**

PAGE 38.9  
Sheet 1 of 2

REF.	PART NO.	PART NO.	PART NO.	DESCRIPTION	QTY.	REF.	PART NO.	PART NO.	PART NO.	DESCRIPTION	QTY.	
	Prior Ser. #21121	Ser.#21121 Thru #	Begin Ser. #			25	Page 38.10	-	Page 38.10	Valve, Control	1	
	Valves 17,25	Valves 31,41	Valves 25,41			26	359B8721	-	359B8721	Bracket	1	
	Pump w/o Unt.	- Pump w/Unloader -				26	316V2739	-	316V2739	Capscrew, 1/2C x 2	4	
1	364A5588	364A5588	364A5588	Bar, Bolting	2	27	340V2728	-	340V2728	Locknut, 1/2C	2	
2	372V1518	372V1518	372V1520	Cushion	4	27	334V2205	-	334V2205	Washer, Hardened	4	
3	316V3125	316V3125	316V3113	Capscrew, 5/8C x 4-1/2	2	28	200B2466-114	-	200B2466-114	Hose Ass'y (114")	1	
4	340V3125	340V3125	340V3125	Locknut, 5/8C	2	29	200B2461-020	-	-	Hose Ass'y (20")	1	
5	363V6013	363V6015	363V6016	Flange, Half	2			1240-91	-	Clamp, 1-1/2	1	
5	460V4113	460V4112	460V4112	Seal, O-Ring	1			200B2007-42	-	Clamp, 1-5/16	1	
5	310V2520	310V2379	310V2379	Capscrew, 7/16C / 3/8C	4			310V2780	-	Capscrew, 1/2C x 1	1	
5	332V2100	332V2000	332V2000	Lockwasher, 7/16 / 3/8	4			340V2728	-	Locknut, 1/2C	1	
6	200B2007-010	200B2007-010	200B2007-012	Clamp	1			359C3209	-	Bracket	1	
6	200B0003-106	200B0003-106	200B0003-106	Spacer	1	30		316V2739	-	Capscrew, 1/2C x 2	4	
6	316V2300	316V2300	316V2300	Capscrew, 3/8C x 1-3/4	1			340V2728	-	Capscrew, 1/2C	2	
7		364A5589		Bar, Bolting	1			334V2205	-	Washer, Hardened	4	
8		364A5572		Bar, Bolting	1			Page 38.14	-	Valve	1	
9	372V1519	372V1519	372V1520	Cushion	2	31		316V2739	-	Capscrew, 1/2C x 2	3	
10	310V3180	310V3180	310V3180	Capscrew, 5/8C x 3-3/4	3			340V2728	-	Locknut, 1/2C	3	
11	200B2494-001	200B2494-002	708 8238-143	Hose Assembly	1			334V2205	-	Washer, Hardened	3	
	143"	138"	143"			32		200B2461-20	-	Hose Ass'y (20")	1	
		359A8764		Bracket	1	33		707 6888	-	Plug	1	
	316V2739	316V2739		Capscrew, 1/2C x 2	4			375V1202	-	Adapter	1	
		316V3113		Capscrew, 5/8C x 4	3	34		376V2000	-	Tee	1	
12		340V3125		Locknut, 5/8C	3			376V8000	-	Reducer	1	
	375V1518	372V1518	375V1520	Cushion	2	35		376V2100	-	Nut	1	
		364A5589		Bar, Bolting	1			375V6803	-	Nipple	1	
	372V1519	372V1520	372V1520	Cushion, 1-3/8 / 1-1/2	AR			375V4801	-	Cap, Dust	1	
13	200B2461-040			Hose Ass'y (40")	1	36		375V5805	-	Adapter	1	
		340V2728		Locknut, 1/2C	3			362V1276	362V1276	Elbow, 45	1	
	376V1007	376V1007	376V1002	Elbow, 90	1	37		200B2461-13	299B2461-13	Hose Ass'y (13")	1	
15	460V0163	460V0163		O-Ring (Port Side SAE)	AR	38		200B2461-46	200B2461-46	Hose Ass'y (46")	1	
	460V0047	460V0047		O-Ring (Hose Side ORS)	AR	39		375V1605	374V1605	Elbow	2	
16		375V1400		Elbow, 90	AR	40		200B2461-22	200B2461-22	Hose Ass'y (22")	1	
		460V0885		O-Ring (Port Side SAE)	AR			Page 38.15	Page 38.15	Valve, Solenoid	1	
		460V6011		O-Ring (Hose side ORS)	AR	41		430 9937	430 9937	Kit, Stacking	1	
17	U441V2584			Valve, Solenoid	1			316V2306	316V2306	Capscrew, 3/8C x 3/4	3	
	310V1990			Capscrew, 1/4C x 3-1/4	4	42		200B2494-002	-	Hose Ass'y (138")	1	
	340V1916			Locknut, 1/4C	4	43		200B2508-100	-	Hose Ass'y (100")	1	
18	200B2461-017			Hose Ass'y (17")	1	44		376V1002	-	Elbow	1	
19		375V0401		Connector	2	45		376V0000	-	Connector	2	
20	200B2461-015			Hose Ass'y (15")	1	46		363V8202	-	Reducer	1	
21	316V2730		316V2730	Capscrew, 1/2C 2-3/4	1	47		375 9800	-	Connector	2	
22	316V2706		316V2706	Capscrew 1/2C x 4-1/2	2					Connector	2	
23	359A8646		359A8646	Adapter	1					376V0001	Connector	2
24	376V1102		376V1102	Elbow, 90	1							
	460V0133		460V0133	O-Ring (Port Side SAE)	1							
	460V0048		460V0048	O-Ring (Hose Side ORS)	1							

WHEN ORDERING PARTS, SPECIFY MODEL NUMBER, SERIAL NUMBER AND DESCRIPTION OF PART REQUIRED



OPEN-CLOSE CONTROL PIPING  
(LOGGER & KANE LOADER)

DATE: Revised 7-91

MODEL: 6644L

GROUP

38

PAGE 38.9

Sheet 2 of 2

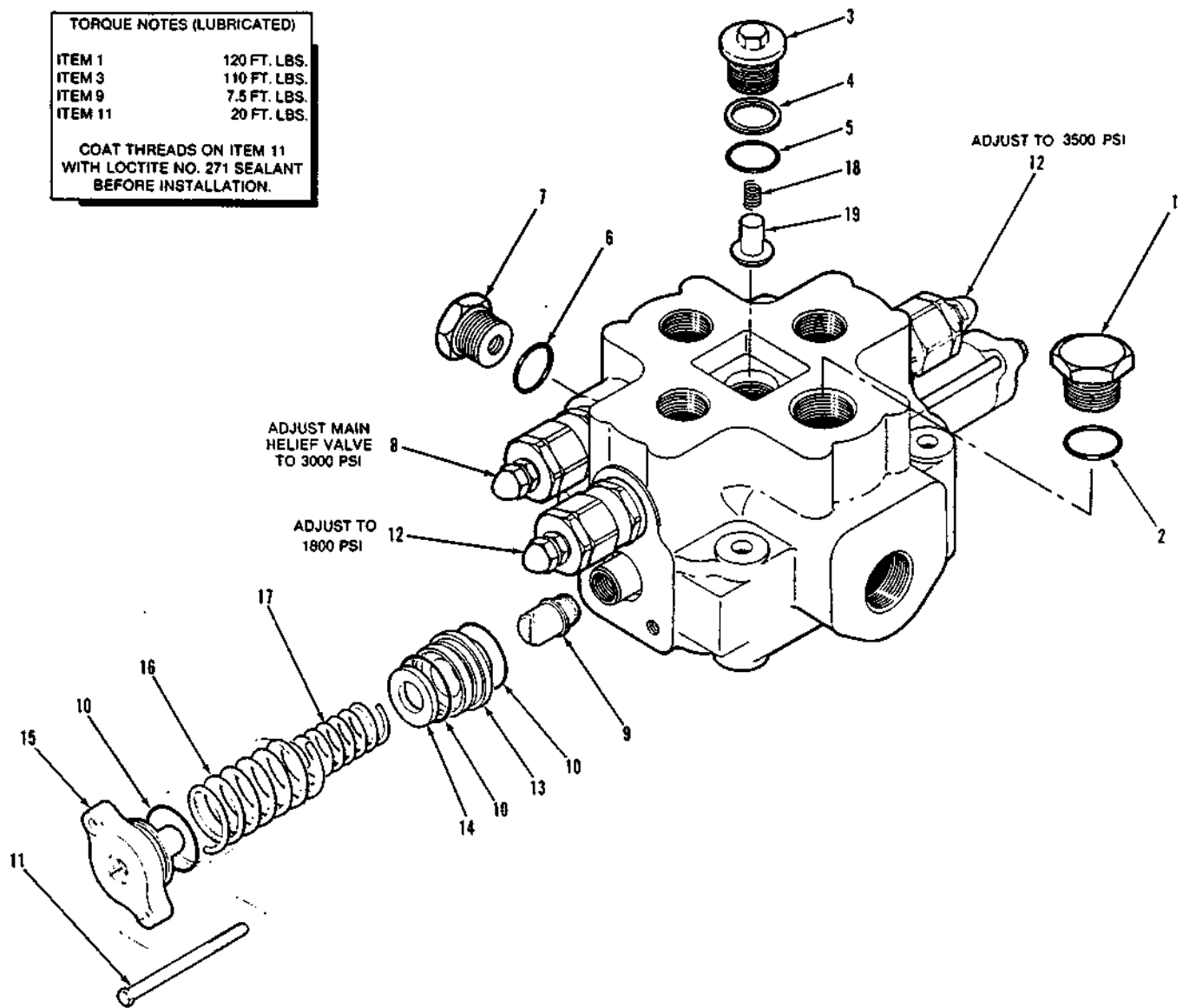
DISCONTINUED PARTS REFER TO NUMERICAL PARTS LIST FOR REPLACEMENT PART(S)

<https://tractormanualz.com/>

**TORQUE NOTES (LUBRICATED)**

ITEM 1            120 FT. LBS.  
 ITEM 3            110 FT. LBS.  
 ITEM 9            7.5 FT. LBS.  
 ITEM 11           20 FT. LBS.

COAT THREADS ON ITEM 11  
 WITH LOCTITE NO. 271 SEALANT  
 BEFORE INSTALLATION.



REF.	PART NO.	DESCRIPTION	QTY.
—	U288C2127	Valve, Control . . . . .	1
		(Only Parts Listed Below Available For Service)	
1	N/S	Plug . . . . .	1
2	460V0133	O-Ring . . . . .	1
3	N/S	Plug . . . . .	1
4	901V1602	Ring, Back-Up . . . . .	1
5	460V0025	O-Ring . . . . .	1
6	460V0163	O-Ring . . . . .	1
7	N/S	Plug . . . . .	1
8	U430V4123	Valve, Relief . . . . .	1

REF.	PART NO.	DESCRIPTION	QTY.
9	N/S	Screw . . . . .	1
10	460V0107	O-Ring . . . . .	6
11	N/S	Capscrew . . . . .	4
12	430V7171	Valve, Relief . . . . .	2
13	N/S	Plug . . . . .	2
14	N/S	Spacer . . . . .	2
15	N/S	Cap . . . . .	2
16	N/S	Spring . . . . .	2
17	N/S	Spring . . . . .	2
18	N/S	Spring . . . . .	1
19	N/S	Poppet . . . . .	1

WHEN ORDERING PARTS, SPECIFY MODEL NUMBER, SERIAL NUMBER AND DESCRIPTION OF PART REQUIRED



**GRAPPLE CONTROL VALVE ASSEMBLY  
(LOGGER & CANE LOADER)**

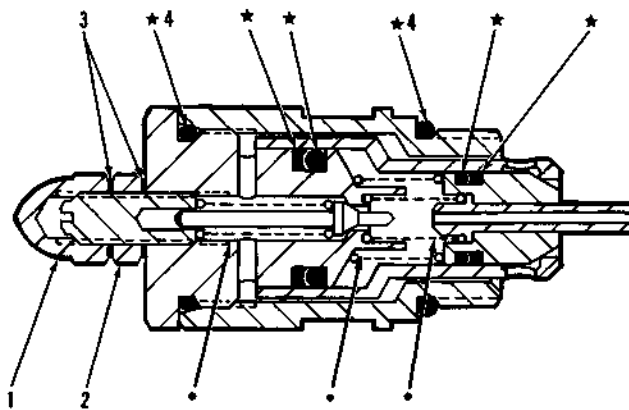
DATE Issued: 2-85

MODEL 6644L

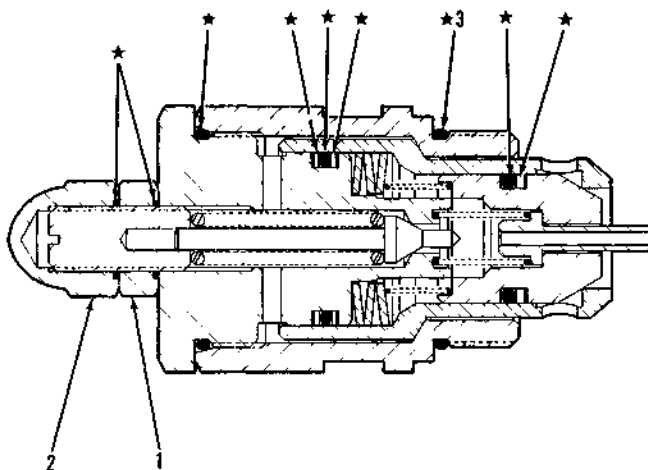
PAGE 38.10  
Sheet 1 of 2

GR  
**38**

⊗ DISCONTINUED PART! REFER TO NUMERICAL PARTS LIST FOR REPLACEMENT PART(S)



RELIEF VALVE — HUSCO NO. (4680G)			
REF.	PART NO.	DESCRIPTION	QTY.
—	U430V7171	Relief Valve . . . . .	1
(Only Parts Listed Below Available For Service)			
—	U901V3232	Kit, Spring & Seal . . . . .	1
(Inc. All Items Contained In Seal Kit *, Plus Items Marked *)			
—	U901V2942	Kit, Seal . . . . .	1
(Inc. Parts Marked *)			
1	342V2400	Nut, Acorn . . . . .	1
2	340V2406	Nut, Hex Jam . . . . .	1
3	901V1239	Washer . . . . .	2
4	460V0284	O-Ring . . . . .	2



RELIEF VALVE — HUSCO NO. (4680R)			
REF.	PART NO.	DESCRIPTION	QTY.
—	U430V4123	Valve, Relief . . . . .	1
(Only Parts Listed Below Available For Service)			
—	U901V2768	Kit, Repair . . . . .	1
(Inc. Parts Marked *)			
1	901V3001	Nut, Hex Jam . . . . .	1
2	901V3002	Nut, Acorn . . . . .	1
3	950V2229	O-Ring . . . . .	1

WHEN ORDERING PARTS, SPECIFY MODEL NUMBER, SERIAL NUMBER AND DESCRIPTION OF PART REQUIRED



**RELIEF VALVE ASSEMBLIES  
(GRAPPLE CONTROL VALVE)**

DATE: Issued: 2-85

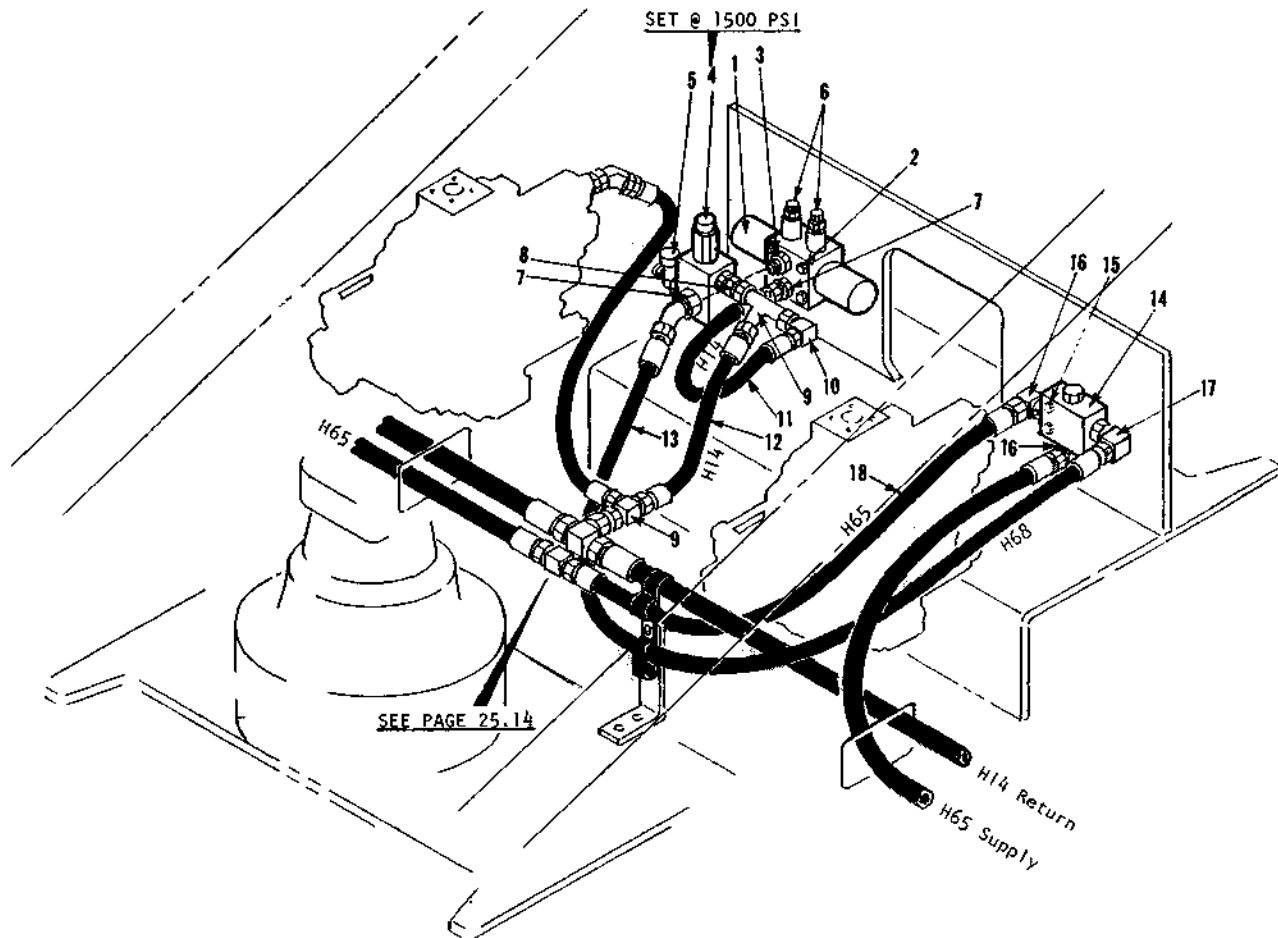
MODEL: 6644L

**GROUP  
38**

PAGE 38.10

Sheet 2 of 2

⊗ DISCONTINUED PART! REFER TO NUMERICAL PARTS LIST FOR REPLACEMENT PART(S)



REF.	PART NO.	DESCRIPTION	QTY.
	359D8750	Grapple Rotate Ass'y.....	1
		(Includes Items 1 thru 18)	
1	U441V2585	Valve.....	1
2	{ 310V1990	Capscrew, 1/4 x 3-1/4.....	4
	{ 340V1916	Locknut, 1/4C.....	4
3	375V5604	Union.....	1
4	U430V4124	Valve, Relief.....	1
5	{ 362V1216	Elbow, Street.....	1
	{ 375V6801	Nipple, Test.....	1
	{ 375V4801	Cap, Dust.....	1
6	{ 375V5401	Connector.....	2
	{ 362V0529	Reducer.....	2
7	{ 375V1403	Elbow, 45°.....	2
	{ 362V0529	Reducer.....	2
8	{ 375V0401	Connector.....	3
	{ 362V0529	Reducer.....	3
9	375V3101	Tee.....	2
10	375V1100	Elbow, Swivel.....	1
11	200B2461-20	Hose Ass'y (20').....	1
12	200B2461-13	Hose Ass'y (20').....	1
13	200B2461-50	Hose Ass'y (50').....	1
14	U430V7506	Valve, Flow Divider.....	1
15	{ 310V2190	Capscrew, 5/16 x 2-1/2.....	2
	{ 340V2113	Locknut, 5/16C.....	2
16	375V1709	Elbow, 90°.....	2
17	375V1400	Elbow, 90°.....	1
18	200B2463-28	Hose Ass'y (28').....	1

WHEN ORDERING PARTS, SPECIFY MODEL NUMBER, SERIAL NUMBER AND DESCRIPTION OF PART REQUIRED



GRAPPLE FOR HYDRAULIC PIPE

DATE: Issued 7-86

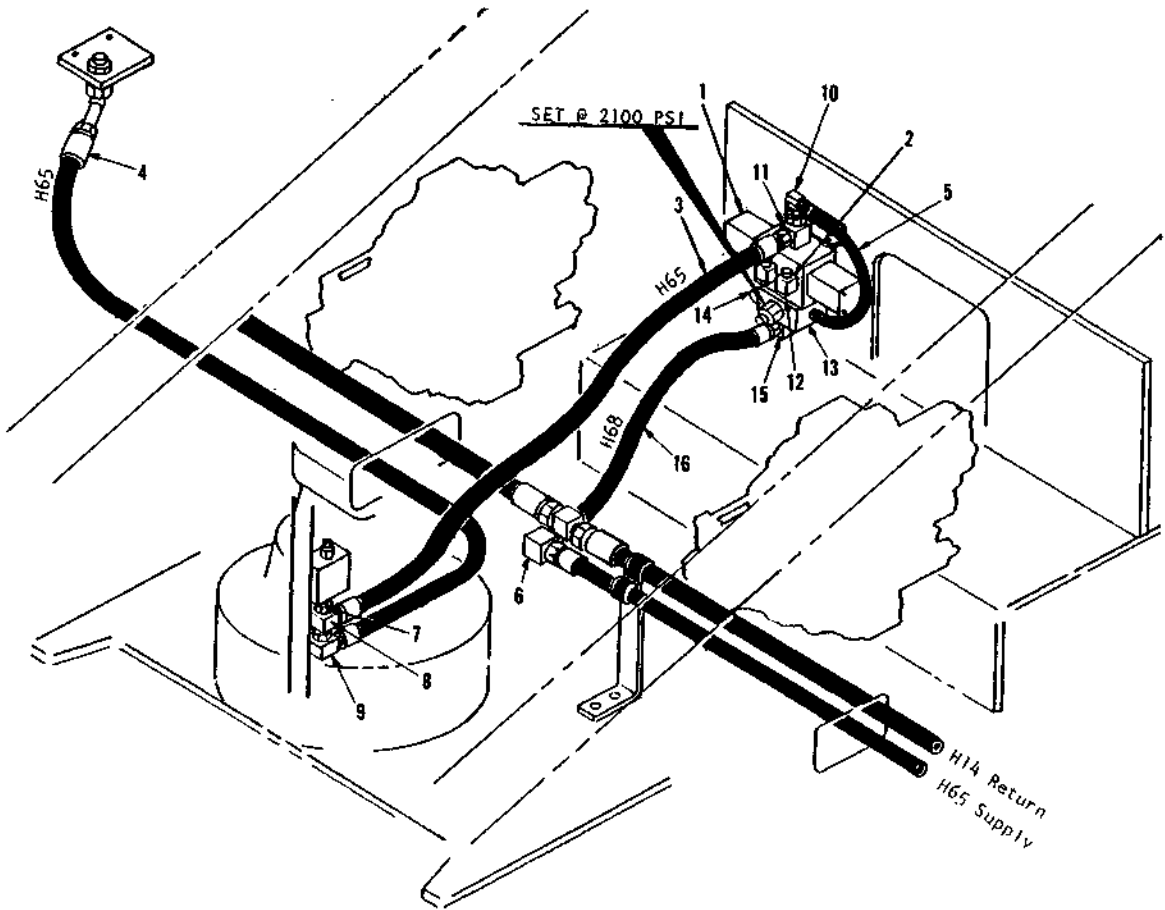
MODEL: 6644L

GROUP  
38

PAGE 38.11

⊗ DISCONTINUED PART! REFER TO NUMERICAL PARTS LIST FOR REPLACEMENT PART(S)

<https://tractormanualz.com/>



REF.	PART NO.	DESCRIPTION	QTY.
	359D9349	Control Piping For Grapple Rotate (Includes Items 1 thru 16)	
1	430V7717	Valve, Solenoid.....	1
	316V2305	Capscrew.....	4
	340V2323	Locknut.....	4
2	375V1603	Elbow.....	2
3	200B2463-34	Hose Assy.....	1
	200B2385-65	Label.....	2
4	200B2463-43	Hose Assy.....	1
	200B2385-65	Label.....	2
5	200B2461-16	Hose Assy.....	1
	200B2385-65	Label.....	2
6	362V1682	Elbow.....	1
7	375V0301	Connector.....	1
8	375V3602	Tee sw. ....	1
9	375V1610	Elbow.....	1
	375V1100	Elbow.....	1
10	375V5204	Reducer.....	1
	375V8600	Nut.....	1
11	375V3600	Tee.....	1
12	375V5604	Union.....	1
	U430V4124	Valve, Relief.....	1
13	360V0108	Plug.....	1
	375V5805	Connector.....	1
	362V1216	Elbow.....	1
14	375V6801	Nipple.....	1
	12019-558	Dust Cap.....	1
15	375V1706	Elbow.....	1
16	200B2463-18	Hose Assy.....	1
	200B2385-68	Label.....	2

WHEN ORDERING PARTS, SPECIFY MODEL NUMBER, SERIAL NUMBER AND DESCRIPTION OF PART REQUIRED



GRAPPLE ROTATE HYDRAULIC PIPING

DATE Revised 2-88

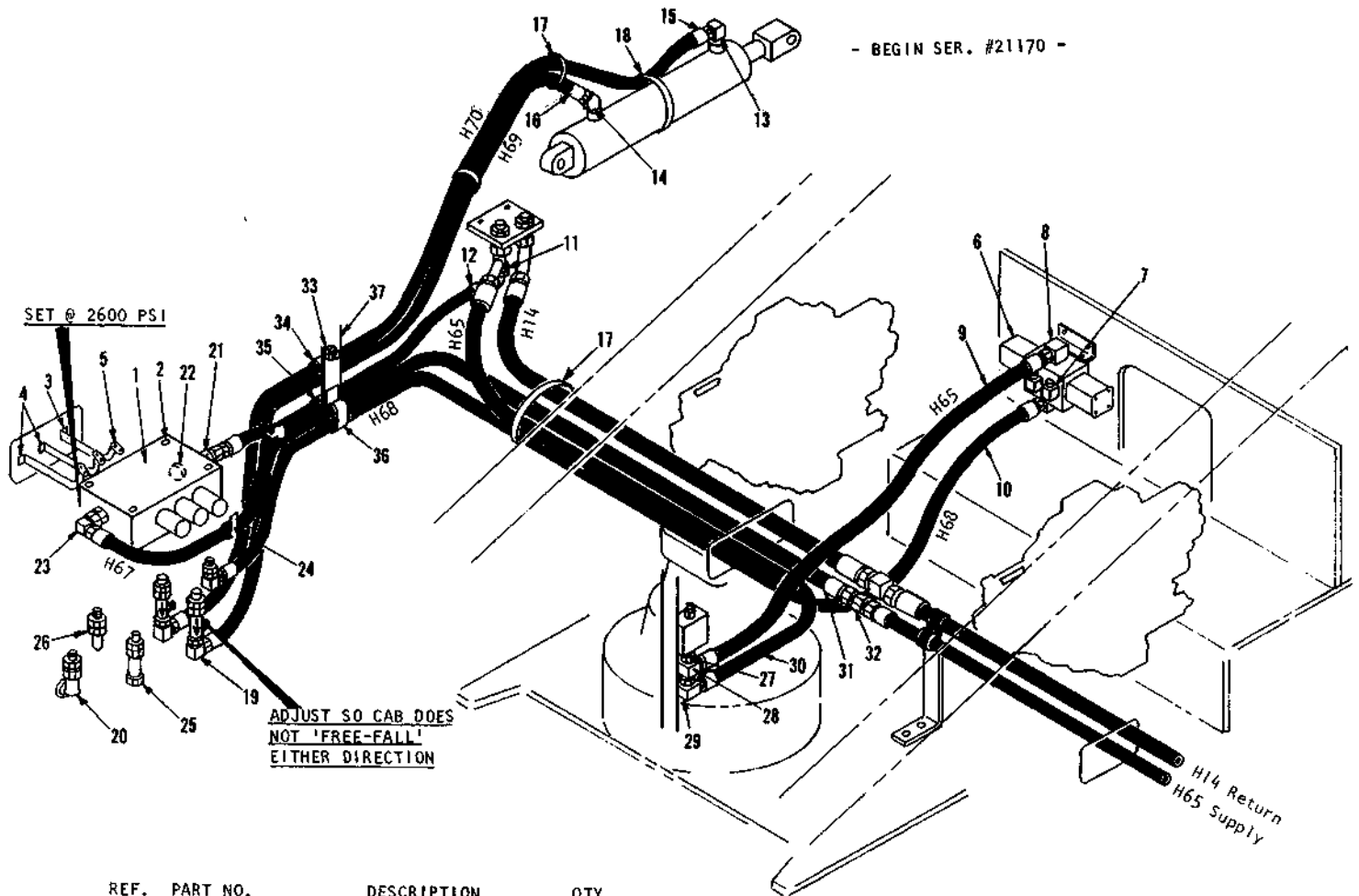
MODEL 6644L

GROUP  
**38**

PAGE 38.11A

⊗ DISCONTINUED PART! REFER TO NUMERICAL PARTS LIST FOR REPLACEMENT PART(S)





REF. PART NO. DESCRIPTION QTY.

REF.	PART NO.	DESCRIPTION	QTY.
	359E9348	Widen, Tilt, Rotate Assy (includes Items 1 thru 37)	
1	U430V8515	Valve.....	1
2	316V2302	Capscrew.....	4
	332V2000	Washer.....	4
	355A4293	Block, Weld.....	4
3	359A8691-1	Lever.....	1
4	359A8691-2	Lever.....	2
5	U430V9925	Kit, Lever Assy.....	3
6	430V7717	Valve, Solenoid.....	1
	316V2305	Capscrew.....	4
7	340V2323	Locknut.....	4
	375V1603	Elbow.....	2
8	375V1706	Elbow.....	2
9	200B2463-34	Hose Assy.....	1
	200B2385-65	Label, Marker.....	2
10	200B2463-82	Hose Assy.....	1
	200B2385-68	Label, Marker.....	2
11	375V5204	Reducer.....	1
	375V8600	Nut.....	1
12	375V1100	Elbow.....	1
	200B2461-46	Hose Assy.....	1
13	200B2385-65	Label, Marker.....	2
	375V1400	Elbow.....	1
14	375V1403	Elbow.....	1
15	200B2461-78	Hose Assy.....	1
	200B2385-70	Label, Marker.....	2
16	200B2461-63	Hose Assy.....	1
	200B2385-69	Label, Marker.....	2
17	462V3411	Tie-Wrap.....	6
18	445V2406	Tie-Wrap.....	2
	359A8682	Adapter.....	2
19	375V9400	Nipple.....	2
	430V5008	Restrictor.....	2
	375V1202	Elbow.....	2

REF. PART NO. DESCRIPTION QTY.

20	359A7907	Adapter.....	1
	375V6203	Nipple.....	1
	12019-558	Dust Cap.....	1
21	375V0401	Connector.....	1
	359A8647	Adapter.....	1
22	375V4802	Plug.....	1
23	373V3500	Elbow.....	2
	200B2007-34	Clamp.....	1
24	306V1125	Weld Stud.....	1
	340V2323	Locknut.....	1
25	375V0402	Coupler, Quick Disc. ....	2
	359A8682	Adapter.....	2
26	375V5404	Union.....	2
	375V4400	Dust Plug.....	2
27	375V6402	Nipple, Quick Disc. ....	2
	359A8682	Adapter.....	2
28	375V5404	Union.....	2
	375V4401	Dust Cap.....	2
29	375V0301	Connector.....	1
30	375V3602	Tee Sw. ....	1
31	200B2463-43	Hose Assy.....	1
	200B2385-65	Label, Marker.....	2
32	200B2463-86	Hose Assy.....	1
	200B2385-67	Label, Marker.....	2
33	362V5618	Union.....	1
	1200-59	Capscrew.....	2
34	340V2323	Locknut.....	2
	200B2007-56	Clamp.....	1
35	200B2077-4	Clamp.....	1
36	200B2007-55	Clamp.....	1
37	359A8105	Strip.....	1

WHEN ORDERING PARTS, SPECIFY MODEL NUMBER, SERIAL NUMBER AND DESCRIPTION OF PART REQUIRED



CRAWLER WIDENING / CAB TILT / GRAPPLE ROTATE  
HYDRAULIC PIPING

DATE: Revised 2-88

MODEL: 6644L

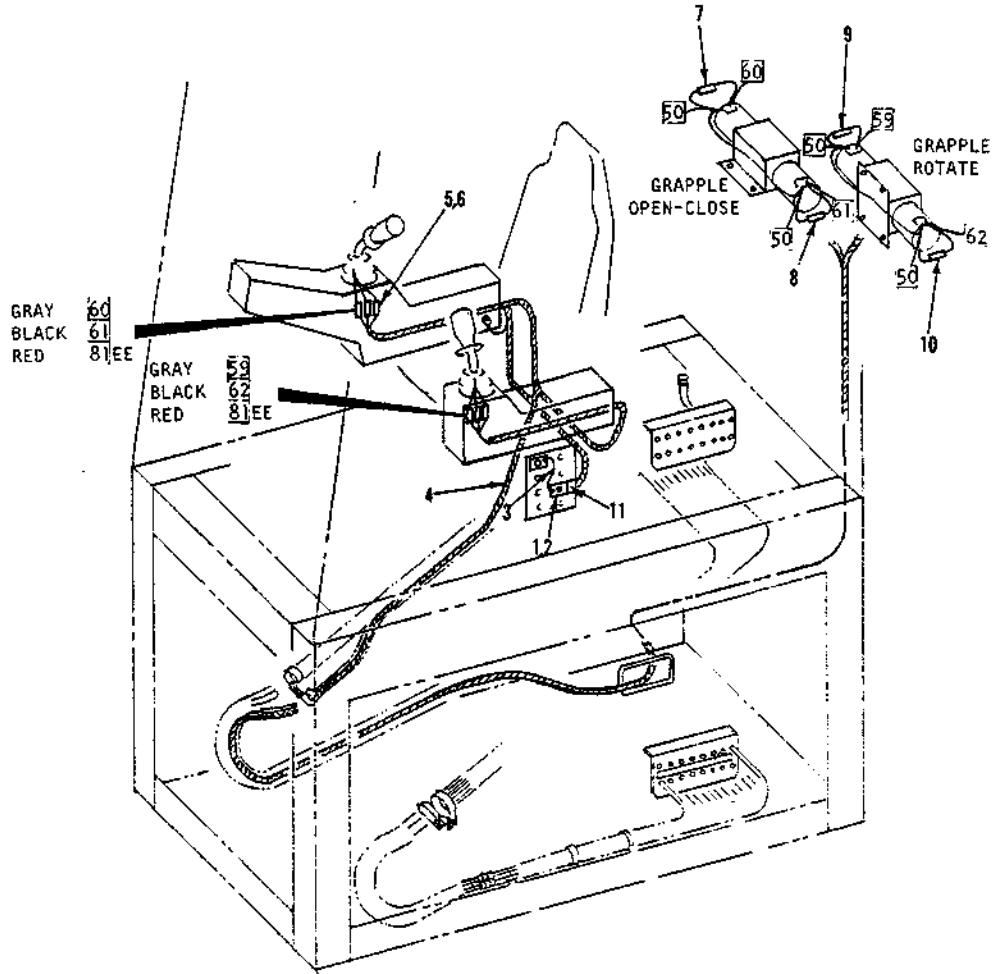
GROUP

38

PAGE 38.12A

⊗ DISCONTINUED PART! REFER TO NUMERICAL PARTS LIST FOR REPLACEMENT PART(S)

<https://tractormanualz.com/>



REF.	PART NO.	DESCRIPTION	QTY.
1	441V4025	Breaker, Circuit(5A).....	1
2	442V2399	Seal, Boot.....	1
3	359B8663	Wire.....	1
4	359D8761	Harness, Wiring.....	1
5	442V6436	Terminal.....	6
6	445V1052	Coupler.....	6
7	U358B6402	Diode Ass'y.....	1
8	U358B6403	Diode Ass'y.....	1
9	U359B7322	Diode Ass'y.....	1
10	U359B7323	Diode Ass'y.....	1
11	359A8762	Decal.....	1

Ref. 359E8770

WHEN ORDERING PARTS, SPECIFY MODEL NUMBER, SERIAL NUMBER AND DESCRIPTION OF PART REQUIRED



GRAPPLE ELECTRICAL

DATE: Issued 7-86

MODEL: 6644L

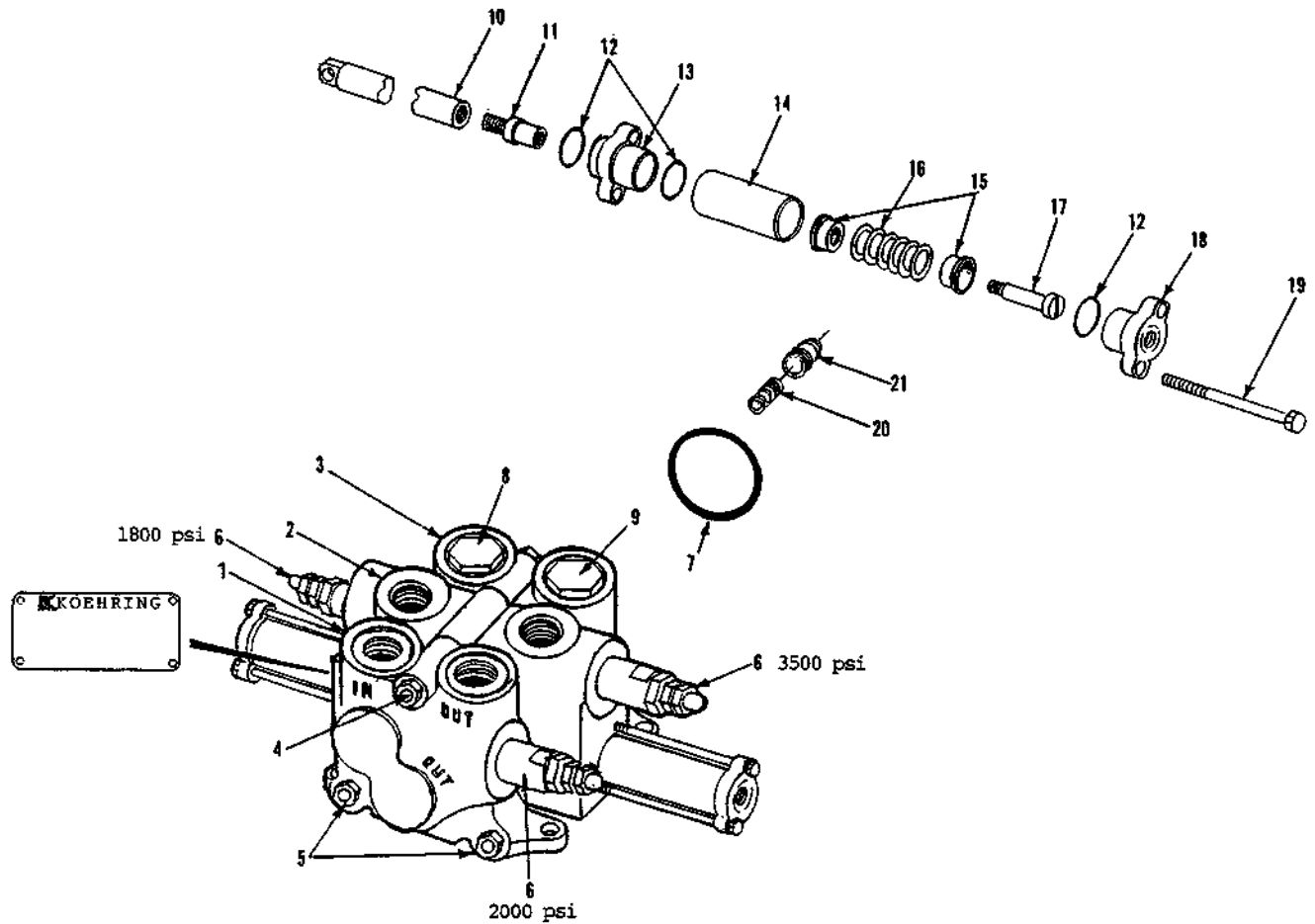
GROUP

38

PAGE 38.13

⊗ DISCONTINUED PART! REFER TO NUMERICAL PARTS LIST FOR REPLACEMENT PART(S)

<https://tractormanualz.com/>



REF.	PART NO.	DESCRIPTION	QTY.
	708 7473	Valve complete..... (Includes Items 1 thru 21)	1
1	207758	Section, Inlet.....	1
2	207759	Section, Plunger.....	1
3	207760	Section, Outlet.....	1
4	207557	Rod, Tie (1/2").....	1
	207558	Nut.....	2
5	207555	Rod, Tie (7/16").....	2
	207556	Nut.....	4
6	* 206537	Valve, Relief.....	3
7	206614	Ring, "O".....	2
8	1219-569	Plug Ass'y.....	1
9	200154	Plug Ass'y.....	1
10	207747	Spool.....	1
11	207755	End, Spool.....	1
12	207748	Ring, "O".....	6
13	207754	Retainer, Cap.....	2
14	207756	Tube.....	2
15	207753	Seat, Spring.....	2
16	207752	Spring.....	1
17	207750	Screw, Shoulder.....	1
18	207757	Cap, End.....	2
19	207751	Capscrew.....	4
20	25177	Spring.....	1
21	207749	Poppet.....	1

\*Adjust Replacement Cartridges to Proper PSI Setting.

WHEN ORDERING PARTS, SPECIFY MODEL NUMBER, SERIAL NUMBER AND DESCRIPTION OF PART REQUIRED



**GRAPPLE CONTROL VALVE ASSEMBLY  
(LOGGER & KANE LOADER)**

DATE: Issued 7-86

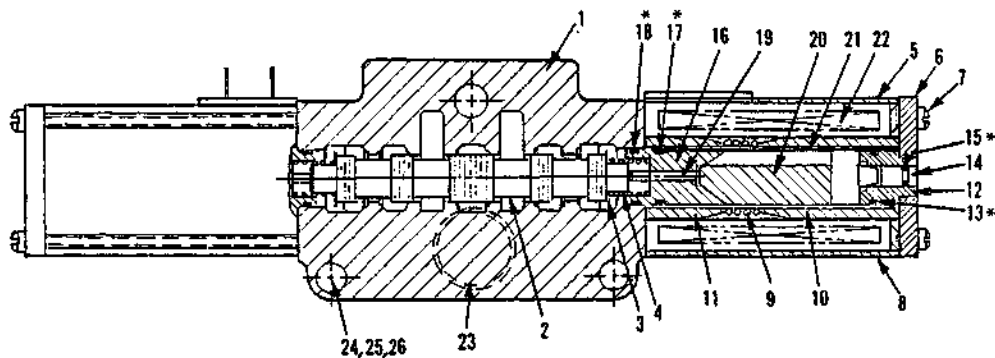
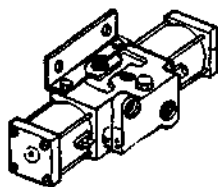
MODEL: 6644L

PAGE 38.14

**GROUP  
38**

⊗ DISCONTINUED PART! REFER TO NUMERICAL PARTS LIST FOR REPLACEMENT PART(S)

<https://tractormanualz.com/>



REF.	PART NO.	DESCRIPTION	QTY.
	708 6943	Valve Assembly.....	1
		(Includes Items 1 thru 44)	
	A29644	Kit, Seal.....	1
		(Includes Items shown with an asterisk *)	
1	-	Body.....	1
2	-	Spool.....	1
3	26841	Washer.....	2
4	29623	Spring.....	2
5	29594	Case & Tube Ass'y.....	2
		(Includes Items 6 thru 21)	
6	26808	Plate, End.....	2
7	26807	Screw.....	4
8	26803	Case.....	2
9	26802	Spring.....	2
10	26804	Sleeve, Outer Flux....	2
11	26801	Sleeve, Inner Flux....	2
12	29599	Guide, Ext. Push Pin...	2
13	29311	Ring, "O".....	2
14	29624	Pin, Actuator Push....	2
15	29310	Ring, Quad.....	2
16	29625	Cone, Female.....	2
17	29311	Ring, "O".....	2
18	29312	Ring, "O".....	2
19	29603	Pin, Push.....	2
20	29604	Plunger.....	2
21	29606	Tube, Guide.....	2
22	26810	Coil, Solenoid.....	2
23	29627	Ring, "O".....	1
24	29626	Bracket, Mounting.....	2
25	29628	Stud, 3/8F x 6.....	3
26	1205-37	Nut, 3/8F.....	3

WHEN ORDERING PARTS, SPECIFY MODEL NUMBER, SERIAL NUMBER AND DESCRIPTION OF PART REQUIRED



GRAPPLE PILOT VALVE

DATE: Issued 7-86

MODEL: 6644L

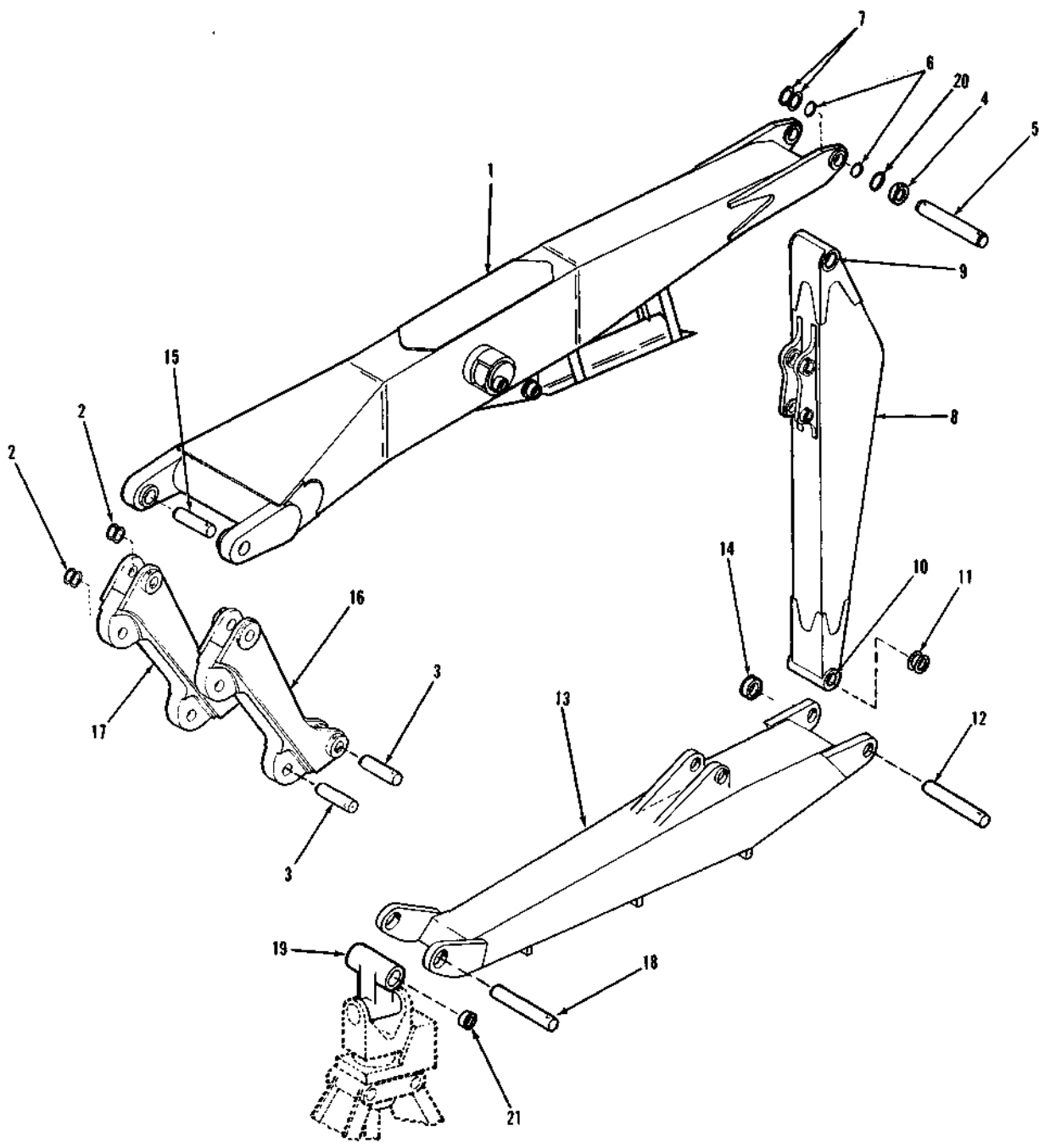
PAGE 38.15

GROUP

38

⊗ DISCONTINUED PART! REFER TO NUMERICAL PARTS LIST FOR REPLACEMENT PART(S)

<https://tractormanualz.com/>



WHEN ORDERING PARTS, SPECIFY MODEL NUMBER, SERIAL NUMBER AND DESCRIPTION OF PART REQUIRED



**ATTACHMENT ASSEMBLY  
(CANE LOADER)**

DATE: Revised 7-86

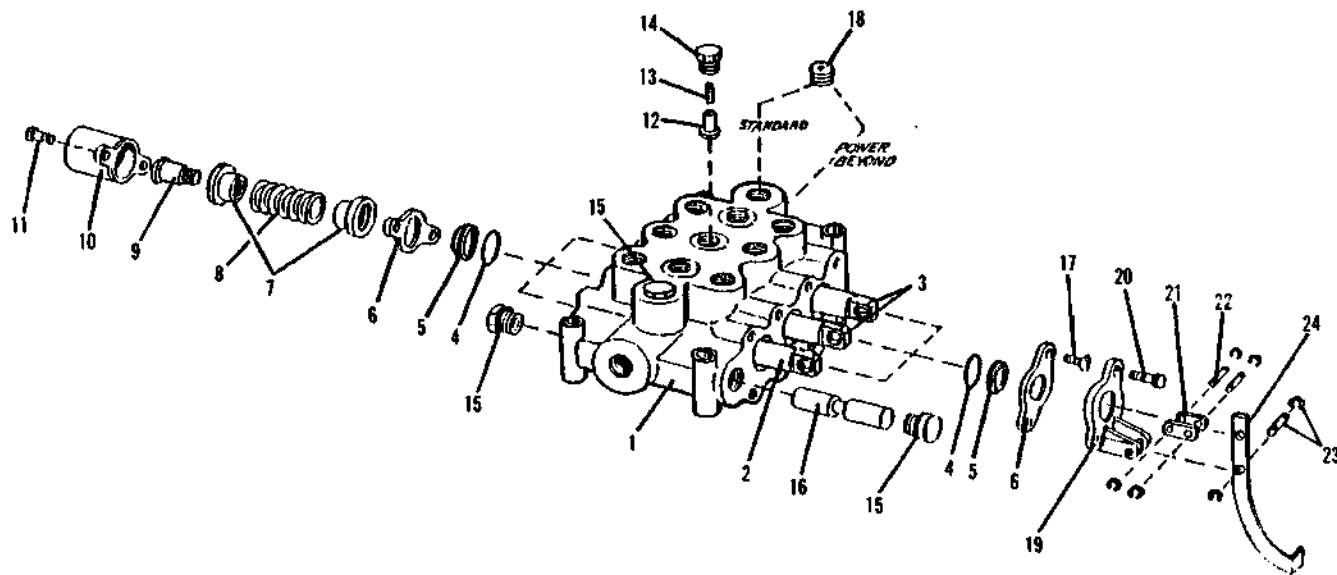
MODEL: 6644KL

**GROUP  
38**

PAGE 38A.1

Sheet 1 of 2

⊗ DISCONTINUED PART! REFER TO NUMERICAL PARTS LIST FOR REPLACEMENT PART(S)



REF.	PART NO.	DESCRIPTION	QTY.
	U430V8515	Valve, Control.....	1
	A200139	Kit, Seal..... (Includes items 4, 5)	1
1	N.S.S.	Body.....	1
2	200141	Plunger.....	1
3	200141	Plunger.....	2
4	200143	O-Ring.....	6
5	200144	Wiper.....	6
6	200145	Plate, Seal.....	6
7	200146	Seat, Spring.....	6
8	207562	Spring.....	3
9	200148	Capscrew.....	3
10	200149	Cap.....	3
11	200150	Capscrew.....	6
12	200151	Poppet.....	3
13	200152	Spring.....	3
14	[ 200153	Plug w/"O" ring.....	3
	[ 25142	O-Ring.....	3
15	[ 200154	Plug w/"O" ring.....	3
	[ 208175	O-Ring.....	3
16	[ 208400	Relief Valve.....	1
	[ 208176	Kit, Seal.....	1
17	200156	Screw, Machine.....	6
18	200157	Plug, 3/4 socket hd pipe... .	1
19	200158	Bracket, Mounting.....	3
	U430V9925	Kit, Lever..... (Incl. Items 20 thru 23)	3
20	200150	Capscrew.....	6
21	200159	Link.....	6
22	200160	Pin w/E-Ring.....	6
23	[ 200162	Pin.....	3
	[ 200163	E-Ring.....	6
24	[ 359A8691-1	Lever.....	1
	[ 359A8691-2	Lever.....	2

WHEN ORDERING PARTS, SPECIFY MODEL NUMBER, SERIAL NUMBER AND DESCRIPTION OF PART REQUIRED



HYDRAULIC VALVE  
CRAWLER WIDENING/GRAPPLE ROTATE/CAB TILT

DATE Issued 1-88

MODEL: 6644L

GROUP  
**38**

PAGE 38.16

⊗ DISCONTINUED PART! REFER TO NUMERICAL PARTS LIST FOR REPLACEMENT PART(S)

<https://tractormanualz.com/>

REF.	PART NO.	DESCRIPTION	QTY.
1	U359E8523	Boom.....	1
2	364V0203	Fitting, Grease.....	2
	200B0075-079	Shim (.10").....	AR
3	200B0077-051	Shim (.25").....	AR
	361A1590	Pin (3.75" x 11").....	4
	200B0075-101	Shim (.06").....	AR
	200B0075-102	Shim (.10").....	AR
4	316V3319	Capscrew, 3/4C x 6....	4
	340V3318	Locknut, 3/4C.....	4
	359A8356	Tube, Pin Lock.....	1
5	300V3552	Bolt.....	2
	340V4514	Locknut.....	2
6	359A8398	Pin (5" x 27.44").....	1
7	200B0075-040	Shim (.06").....	AR
8	358A3492	Washer.....	2
9	U359E8702	Stick(Incl. 9 & 10)...	1
	*(U335F1609)		
10	364V0203	Fitting, Grease.....	2
	359B8106	Bushing.....	2
11	359B1879	Bushing.....	4
	200B0075-022	Shim (.06").....	AR
12	200B0075-074	Shim (.10").....	AR
	359B8941	Pin (2.75" x 20.125")..	1
13	310V3362	Capscrew, 3/4C x 5-1/2..	1
	310V3361	Capscrew, 3/4C x 7....	1
14	340V3318	Locknut, 3/4C.....	1
	U359E8610	Arm.....	1
15	*(U335F1610)		
	U359E9139		
16	359A4013	Cap, End.....	1
	310V3148	Capscrew, 5/8C x 2....	3
17	359A8108	Pin (4.25" x 11.00")..	4
	310V3380	Capscrew, 3/4C x 6-1/2..	4
18	340V3318	Locknut, 3/4C.....	4
	U359D8521	Adapter(RH Turntable)..	1
19	*(U335F1605)		
	U359D9216		
20	U359D8515	Adapter(LH Turntable)..	1
	*(U335F1604)		
21	359B0747	Pin (2.5" x 18.5")....	1
22	U359C8736	Adapter(Incl. Item 21)..	1
23	461V1488	Seal.....	2
24	355B2820	Bushing.....	2

\*Kit ( ) Includes Current Stick, Arm, or Adapter and Pin Lock Capscrews

WHEN ORDERING PARTS, SPECIFY MODEL NUMBER, SERIAL NUMBER AND DESCRIPTION OF PART REQUIRED



**ATTACHMENT ASSEMBLY  
(CANE LOADER)**

DATE Revised 7-86

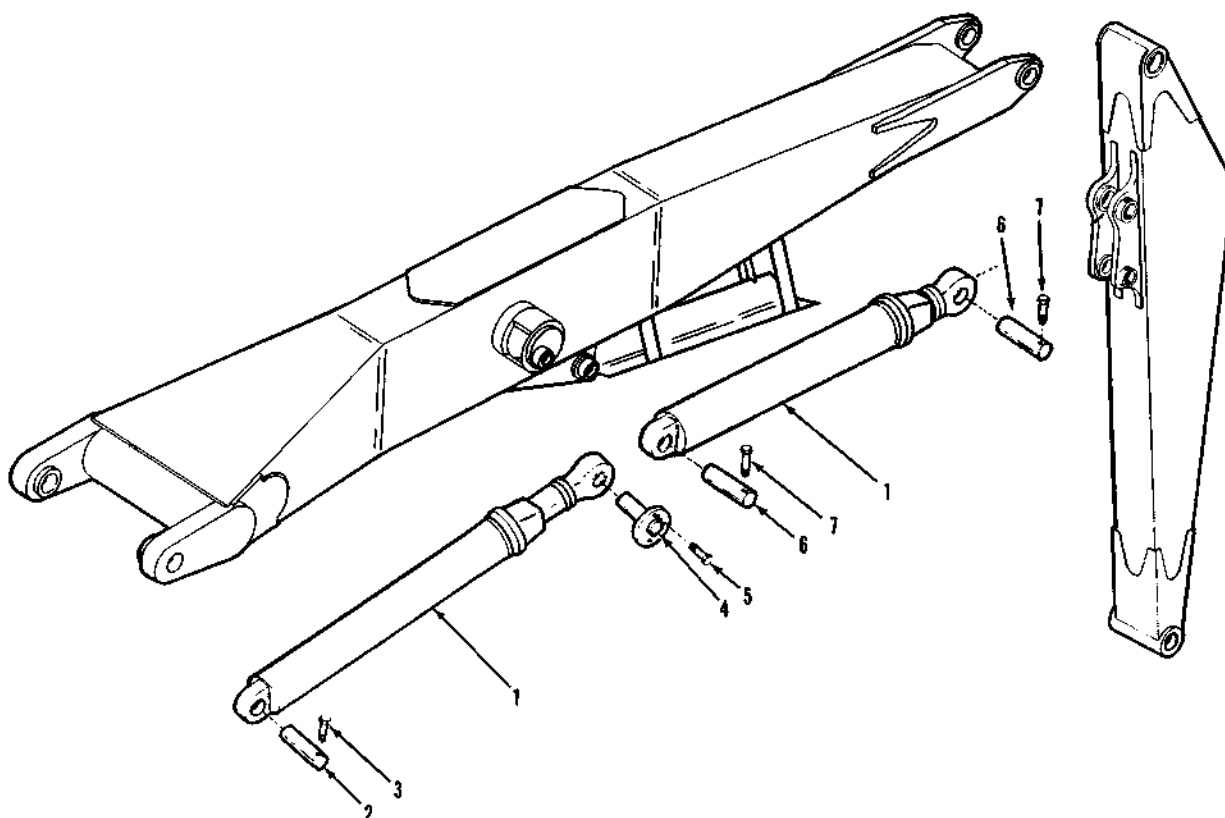
MODEL 6644KL

**GROUP  
38A**

PAGE 38A.1  
Sheet 2 of 2

⊗ DISCONTINUED PART! REFER TO NUMERICAL PARTS LIST FOR REPLACEMENT PART(S)

<https://tractormanualz.com/>



REF.	PART NO.	DESCRIPTION	QTY.
1	U288D2708	Cylinder, Hoist & Stick ... (For Parts, See Pg. 38.3)	3
2	361A1590	Pin (3.75" x 11")	2
	200B0075-102	Shim (.06")	As Req'd
	200B0075-101	Shim (.10")	As Req'd
3	LP	Capscrew	2
		(3/4" NC x 6" - Gr. 5)	
4	340V3318	Nut, Lock	2
	U359B8514	Pin (3.5" x 9.8")	2
	200B0075-102	Shim (.06")	As Req'd
5	200B0075-101	Shim (.10")	As Req'd
	316V3339	Capscrew (Gr. 8)	4
6	708B6167	Pin (3.25" x 9.5")	2
	200B0075-020	Shim (.06")	As Req'd
	200B0075-065	Shim (.10")	As Req'd
7	LP	Capscrew	5
		(3/4" NC x 5 1/2" - Gr. 5)	
	340V3318	Nut, Lock	5

WHEN ORDERING PARTS, SPECIFY MODEL NUMBER, SERIAL NUMBER AND DESCRIPTION OF PART REQUIRED



**HOIST & STICK CYLINDER  
(CANE LOADER)**

DATE: 10/01/2005

MODEL: 664RKL

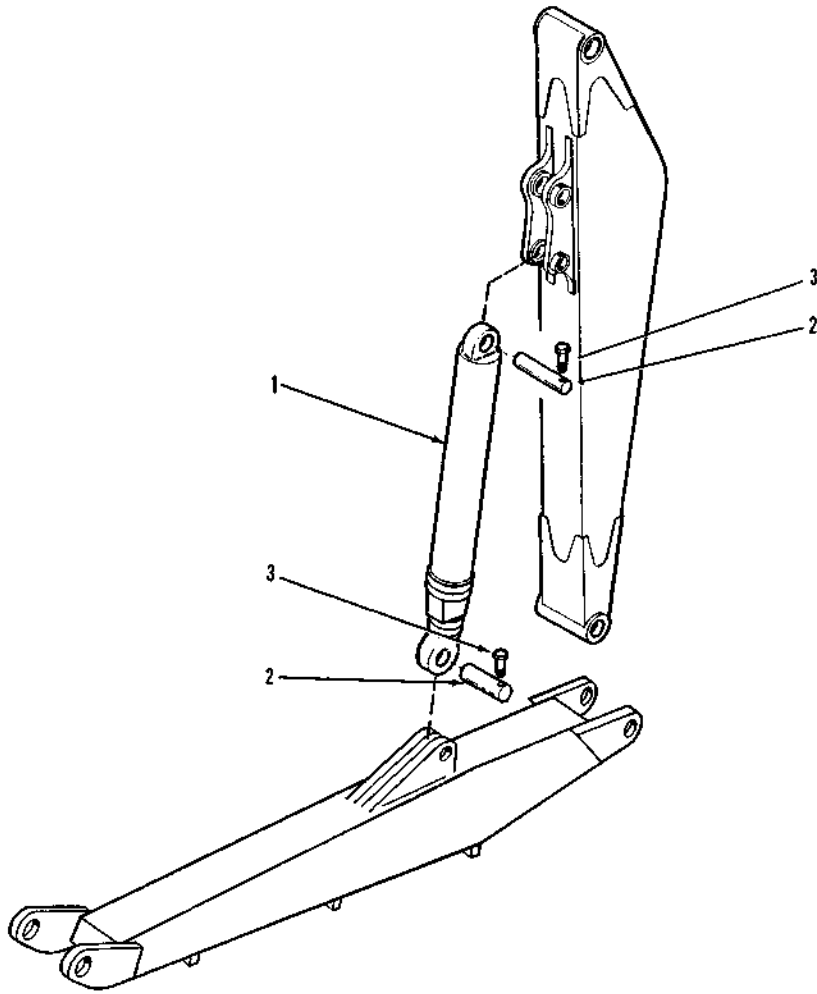
GROUP

**38A**

PAGE 38A.2

DISCONTINUED PART! REFER TO NUMERICAL PARTS LIST FOR REPLACEMENT PART(S)

<https://tractormanualz.com/>



REF.	PART NO.	DESCRIPTION	QTY.
1	U288D2720	Cylinder . . . . .	1
		(For Parts, See Page 38A.4)	
2	708B6167	Pin (3.25" x 9.5") . . . . .	2
	200B0075-020	Shim (0.6") . . . . .	As Req'd
3	200B0075-065	Shim (0.10") . . . . .	As Req'd
	310V3362	Capscrew . . . . .	2
	340V3318	Nut, Lock . . . . .	2

WHEN ORDERING PARTS, SPECIFY MODEL NUMBER, SERIAL NUMBER AND DESCRIPTION OF PART REQUIRED



**ARM CYLINDER  
(CANE LOADER)**

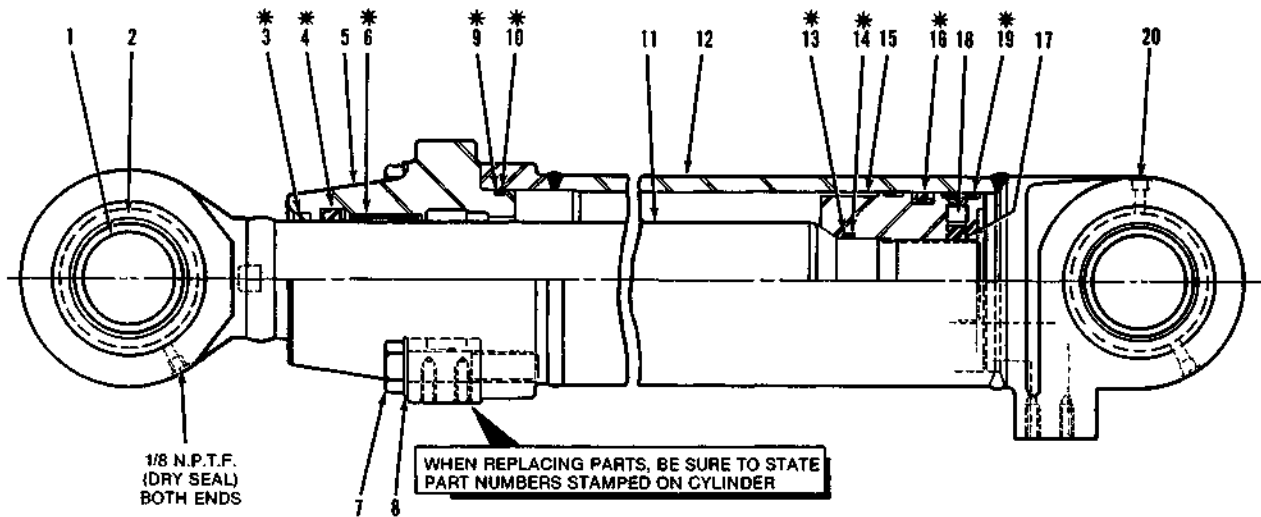
DATE: Issued: 2-85

MODEL: 6644KL

**GROUP  
38A**

PAGE 38A.3

⊗ DISCONTINUED PART! REFER TO NUMERICAL PARTS LIST FOR REPLACEMENT PART(S)



1/8 N.P.T.F.  
(DRY SEAL)  
BOTH ENDS

WHEN REPLACING PARTS, BE SURE TO STATE  
PART NUMBERS STAMPED ON CYLINDER

**NOTES:**  
ITEM 7 TORQUE TO 650 FT. LBS.  
LUBRICATED. (NEVER SEEZ) 4  
PLACES  
ITEM 18 PRESET NYLON PLUG USING GR.  
8 CAPSCREW (LUBRICATED  
W/LOCTITE) TO 150 FT. LBS. 3  
PLACES.  
ITEM 19 APPLY LOCTITE - GR. 242

REF.	PART NO.	DESCRIPTION	QTY.
	Prior Ser. #	Begin Ser. #	
	U288D2720	708 7637	Cylinder, Arm..... 1
	U335F1548	U335F1548	Kit, Service..... 1 (Includes Items Marked *)
1	901V3448	901V3448	Bushing..... 2
2	901V3447	901V3447	Snap Ring..... 4
3	901V3449	901V3449	*Wiper..... 1
4	901V3450	901V3450	*Seal..... 1
5	901V3451	208296	Head/Flange Cover Ass'y..... 1
6	901V3452	901V3452	*Bearing..... 1
7	901V3453	901V3453	CapscREW..... 4
8	901V3454	901V3454	Washer..... 4
9	901V3455	208301	*Back-Up..... 1
10	901V3456	208294	*O-Ring..... 1
11	U901V3478	208382	Rod/Bushing Ass'y..... 1 (Incl. Items 1 & 2)
12	U901V3479	208381	Barrel/Bushing Ass'y..... 1 (Incl. Items 1 & 2)
13	901V3459	901V3459	*O-Ring..... 1
14	901V3460	901V3460	*Back-Up..... 2
15	901V3461	901V3461	Piston..... 1
16	901V3462	901V3462	*Seal..... 1
17	901V3344	901V3344	Nylon Plug..... 3
18	901V3463	901V3463	Setscrew..... 3
19	901V3464	901V3464	*Bearing..... 3
20		200046	Plug, Pipe..... 1

Also Order  
Service Kit

WHEN ORDERING PARTS, SPECIFY MODEL NUMBER, SERIAL NUMBER AND DESCRIPTION OF PART REQUIRED



**ARM CYLINDER  
(CANE LOADER)**

DATE: Revised 1-88

MODEL: 6644KL

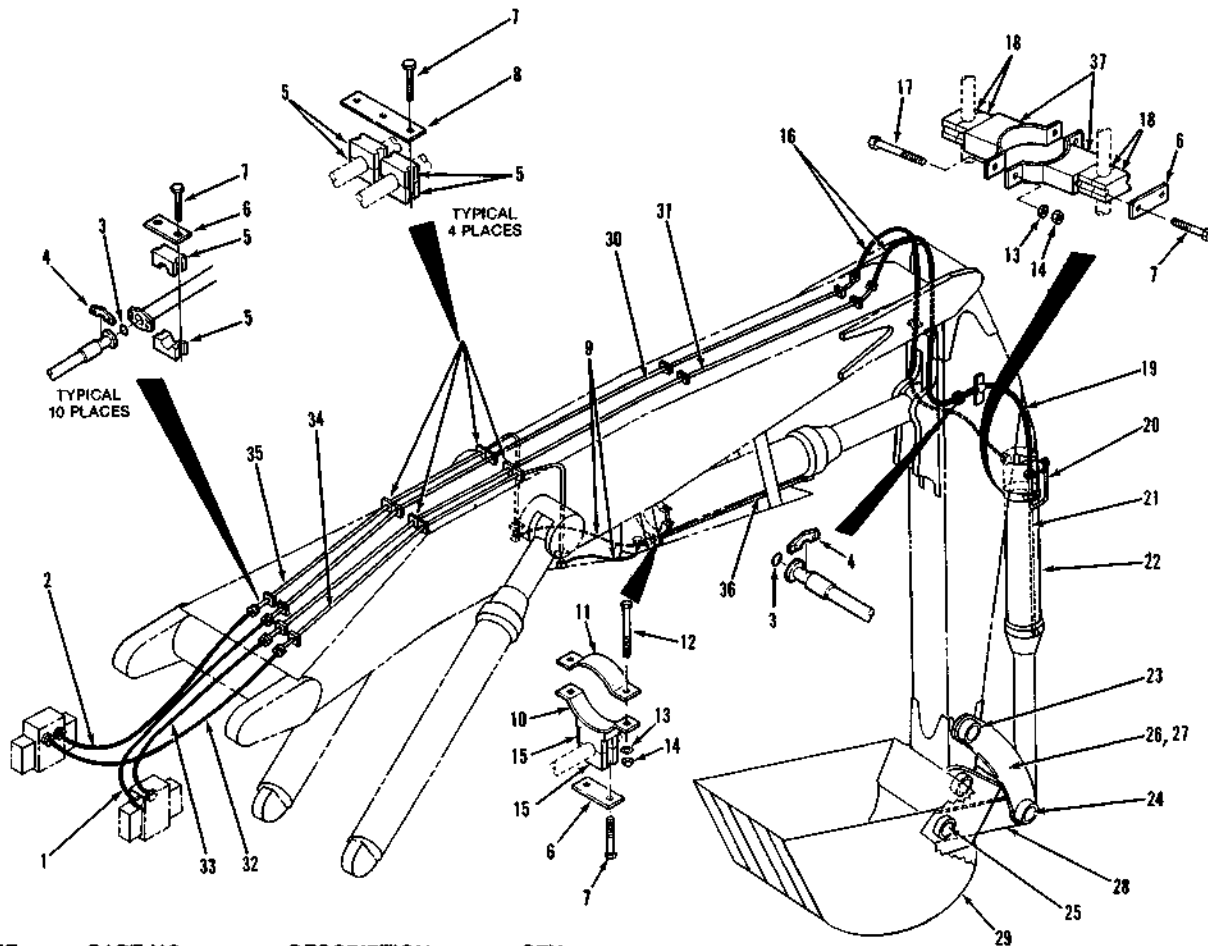
GROUP

38

PAGE 38A.4

⊗ DISCONTINUED PART! REFER TO NUMERICAL PARTS LIST FOR REPLACEMENT PART(S)

<https://tractormanualz.com/>



REF.	PART NO.	DESCRIPTION	QTY.
1	200B2474-005	Hose Assembly (73")	1
2	200B2473-003	Hose Assembly (64-1/2")	1
3	460V4113	O-Ring	16
4	363V6109	Flange, Half	36
	318V2702	Capscrew (1/2" NC x 2" -Gr. 8)	64
	LP	Washer, Lock (1/2")	96
	372V1520(CF)	Cushion	42
5	364A5588(CF)	Clamp, Bar	13
6	LP	Capscrew (5/8" NC x 3-1/2")	39
7			
8	364A5589(CF)	Bar, Bolting	4
9	200B2473-003	Hose Assembly (64-1/2")	2
10	U359B8718	Clamp	1
11	359B8712	Clamp	1
12	316V2739	Capscrew (1/2" x 6" - Gr. 5)	2
13	U334V2205	Washer, Hardened (1/2")	4
14	340V2729	Nut, Lock (1/2" - Gr. 8)	4
15	359A7998	Cushion	2
16	200B2473-005	Hose Assembly (76")	2
17	316V2740	Capscrew (1/2" NC x 5" - Gr. 5)	2
18	372V1518	Cushion	4
19	200B2475-003	Hose Assembly (48")	2
20	359B8798	Tube Assembly	1
21	359B8799	Tube Assembly	1
22	U288D2722	Bucket Cylinder, Tip	1
(For Parts See Pg. 38A.6)			

REF.	PART NO.	DESCRIPTION	QTY.
23	359B8709	Pin (2-3/4")	1
	316V3319	Capscrew (3/4" NC x 6" - Gr. 5)	1
24	340V3318	Nut, Lock (3/4" NC)	1
	359B8710	Pin (3-1/4")	1
25	316V3319	Capscrew (3/4" NC x 6" - Gr. 5)	1
	340V3318	Nut, Lock (3/4" NC)	1
26	708B6275	Pin (3-1/2")	1
	316V3319	Capscrew (3/4" NC x 6" - Gr. 5)	1
27	340V3318	Nut, Lock (3/4" NC)	1
	U359B8708	Link, Guide, R.H.	1
28	U359B8707	Link, Guide, L.H.	1
	U708C6193	Link, Bucket	1
29	U359D8722	Bucket, 1-1/2 Yd.	1
		(For Parts, See Pg. 38A.9)	
30	359D8674	Tube Assembly	1
31	359B8675	Tube Assembly	1
32	200B2474-005	Hose Assembly (73")	1
33	200B2473-003	Hose Assembly (64-1/2")	1
34	359B8679	Tube Assembly	1
35	359B8678	Tube Assembly	1
36	359B8688	Tube Assembly	1
37	U359B8720	Clamp	2

WHEN ORDERING PARTS, SPECIFY MODEL NUMBER, SERIAL NUMBER AND DESCRIPTION OF PART REQUIRED



## BUCKET EXCAVATING ATTACHMENT (CANE LOADER)

DATE: Issued: 2-85

MODEL: 6644KL

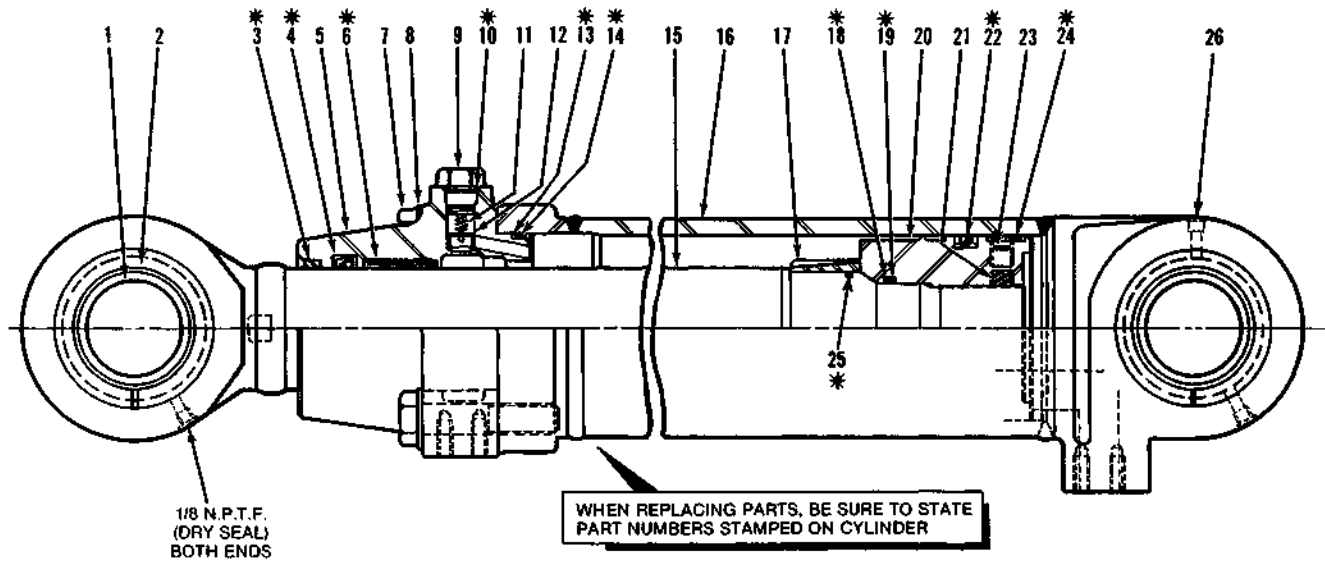
PAGE 38A.5

GROUP

38

⊗ DISCONTINUED PART! REFER TO NUMERICAL PARTS LIST FOR REPLACEMENT PART(S)

<https://tractormanualz.com/>



NOTES:

ITEM 7 TORQUE TO 670 FT. LBS. LUBRICATED. (NEVER SEEZ) 4 PLACES

ITEM 21 PRESET NYLON PLUG USING GR. 8 CAPSCREW (LUBRICATED W/LOCTITE) TO 150 FT. LBS. THEN TORQUE SET SCREW TO 75 FT. LBS. 3 PLACES.

ITEM 24 APPLY LOCTITE - GR. 242

REF.	PART NO.	DESCRIPTION	QTY.
	Prior Ser. #	Begin Ser. #	
	U288D2722	708 7629	Cylinder Assembly..... 1
	U335F1548	205792	Kit, Service..... 1 (Includes Items Marked *)
1	901V3448	901V3448	Bushing..... 2
2	901V3447	901V3447	Snap Ring..... 4
3	901V3449	901V3449	*Wiper..... 1
4	901V3450	901V3450	*Seal..... 1
5	901V3480	208301	Head/Flange Cover Assembly.. 1
6	901V3481	901V3481	*Bearing..... 1
7	901V3482	901V3482	Capscrew..... 4
8	901V3454	901V3454	Washer..... 4
9	901V3332	901V3332	Plug..... 1
10	901V3331	901V3331	*O-Ring..... 1
11	901V3334	901V3334	Spring..... 1
12	901V3483	205844	Poppet..... 1
13	901V3455	208295	*Back-Up..... 1
14	901V3456	208294	*O-Ring..... 1
15	U901V3484	U901V3484	Rod/Bushing Assembly..... 1 (Includes Items 1 & 2)
16	U901V3485	208300	Barrel/Bushing Assembly..... 1 (Includes Items 1 & 2)
17	901V3486	206479	Cushion Plug..... 1
18	901V3459	901V3459	*O-Ring..... 1
19	901V3460	901V3460	*Back-Up..... 2
20	901V3461	901V3461	Piston..... 1
21	901V3344	901V3344	Nylon Plug..... 3
22	901V3462	901V3462	*Seal..... 1
23	901V3463	901V3463	Setscrew..... 3
24	901V3464	901V3464	*Bearing..... 3
25	206476	206476	*Ring, Piston..... 1
26		200046	Plug, Pipe..... 1

Also Order Service Kit

WHEN ORDERING PARTS, SPECIFY MODEL NUMBER, SERIAL NUMBER AND DESCRIPTION OF PART REQUIRED



**BUCKET CYLINDER  
(CANE LOADER)**

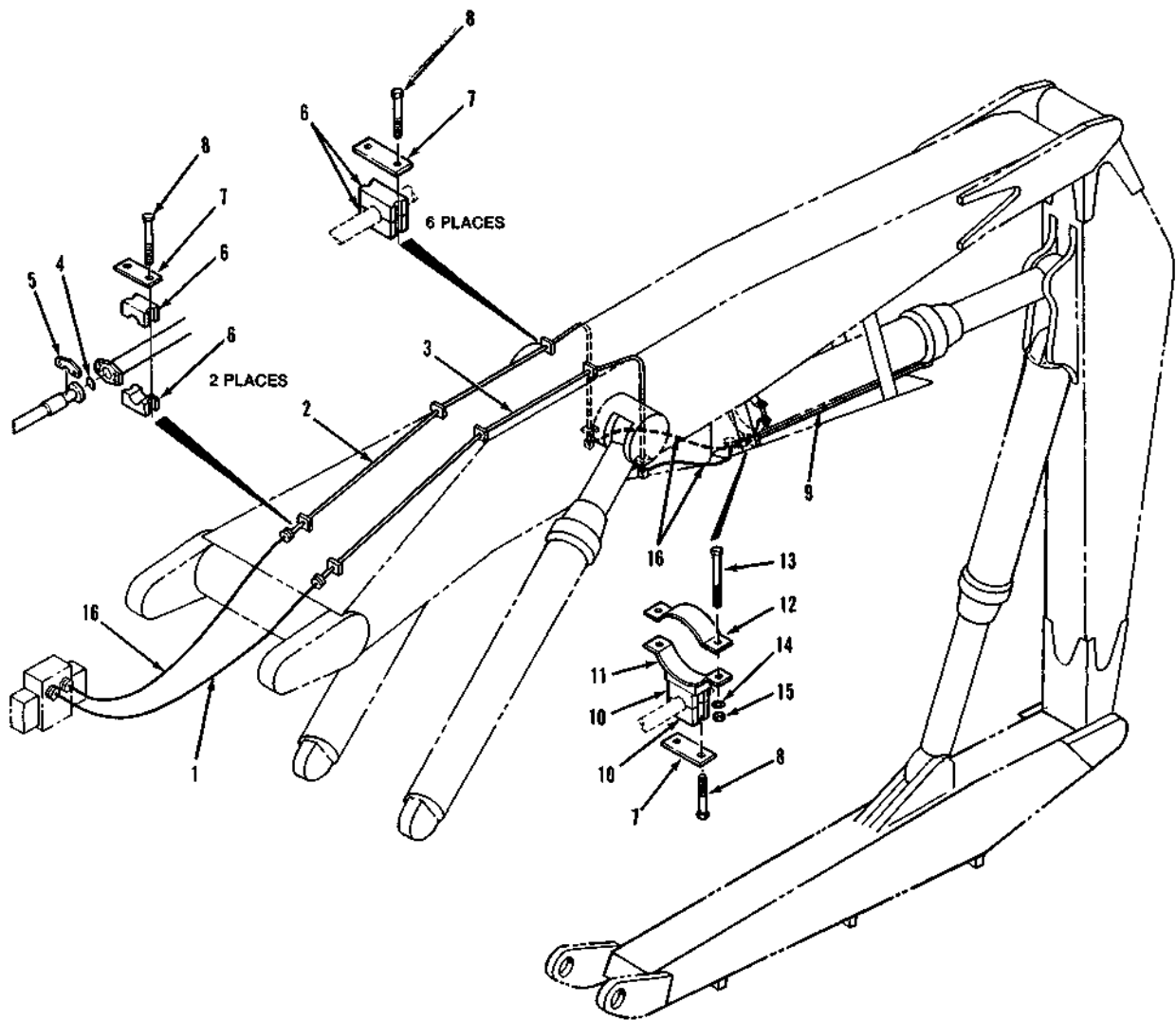
DATE: Revised 1-88

MODEL: 6644KL

GROUP  
**38A**

PAGE 38A.6

⊗ DISCONTINUED PART! REFER TO NUMERICAL PARTS LIST FOR REPLACEMENT PART(S)



REF.	PART NO.	DESCRIPTION	QTY.
1	200B2474-005	Hose Ass'y (73")	1
2	359B8678	Tube Ass'y	1
3	359B8675	Tube Ass'y	1
4	460V4113	O-Ring	4
5	363V6109	Flange, Half	8
	318V2702	Capscrew, Gr. 8	16
6	LP	Washer, Lock (1/2")	16
	372V1520(CF)	Cushion	16
7	364A5588(CF)	Bar, Clamp	7
8	LP	Capscrew (5/8" NC x 3 1/2" - Gr. 5)	18

REF.	PART NO.	DESCRIPTION	QTY.
9	359B8688	Tube Ass'y	1
	460V4113	O-Ring	1
	318V2703	Capscrew, Gr. 8	4
10	LP	Washer, Lock (1/2")	4
	372V1518(CF)	Cushion	2
11	U359B8718(CF)	Clamp	1
12	359B8712(CF)	Clamp	1
13	316V2739	Capscrew (1/2" NC x 6" - Gr. 5)	2
14	334V2205	Washer, Hardened	2
15	LP	Nut, Hex	2
16	200B2473-003	Hose Ass'y (64 1/2")	3

WHEN ORDERING PARTS, SPECIFY MODEL NUMBER, SERIAL NUMBER AND DESCRIPTION OF PART REQUIRED



### STICK CYLINDER PIPING (CANE LOADER)

DATE: Issued: 2-85

MODEL: 6644KL

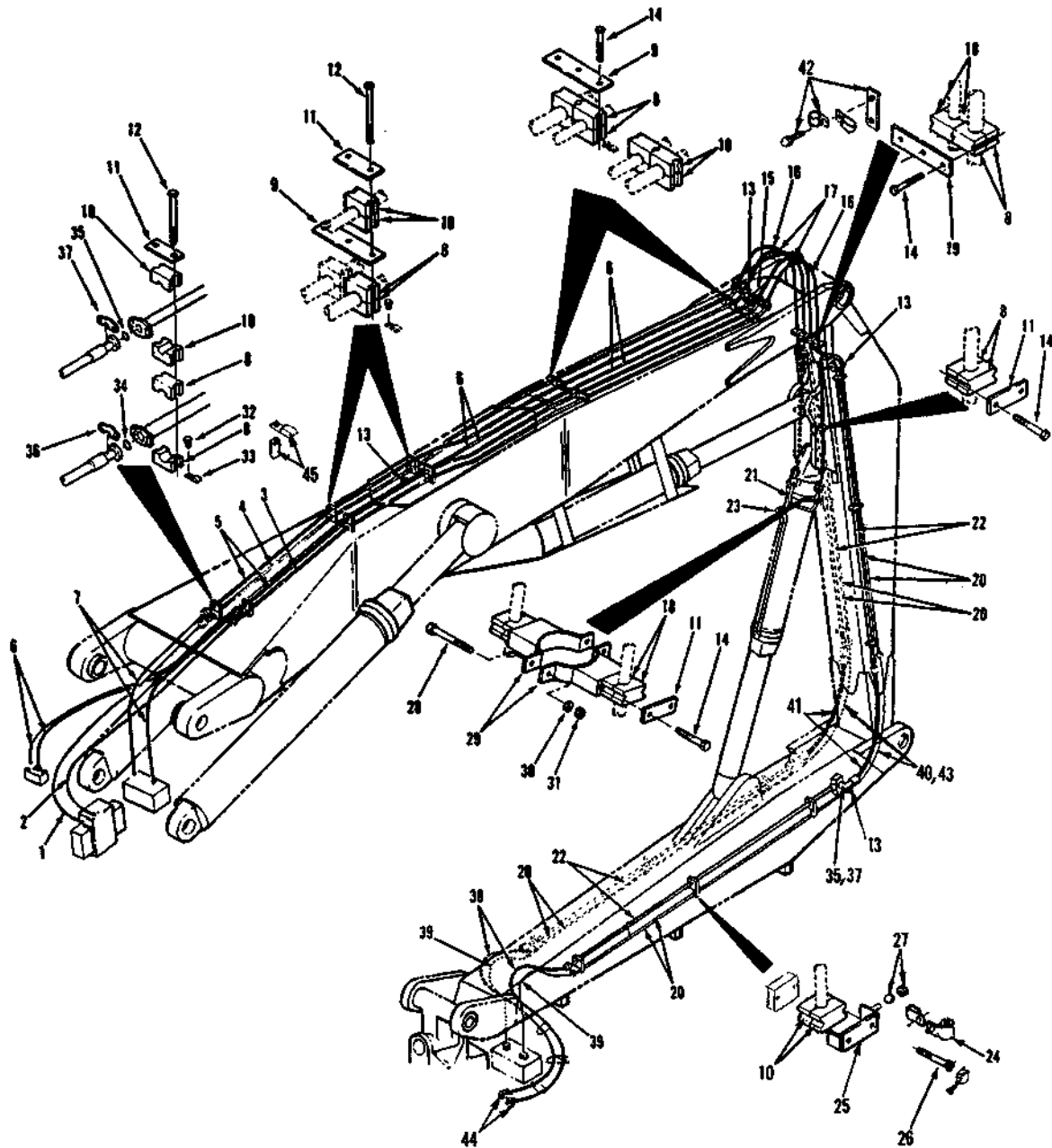
GROUP

38A

PAGE 38A.7

⊗ DISCONTINUED PART! REFER TO NUMERICAL PARTS LIST FOR REPLACEMENT PART(S)

<https://tractormanualz.com/>



WHEN ORDERING PARTS, SPECIFY MODEL NUMBER, SERIAL NUMBER AND DESCRIPTION OF PART REQUIRED



**ATTACHMENT PIPING  
(CANE LOADER)**

DATE: Revised 1-86

MODEL: 6644KL

**GROUP  
38A**

PAGE 38A.8  
Sheet 1 of 2

⊗ DISCONTINUED PART! REFER TO NUMERICAL PARTS LIST FOR REPLACEMENT PART(S)

<https://tractormanualz.com/>

REF.	PART NO.	DESCRIPTION	QTY.
1	200B2474-005	Hose Ass'y(73'').....	2
2	200B2473-003	Hose Ass'y(64-1/2'').....	2
3	359B8675	Tube Ass'y.....	1
4	359B8674	Tube Ass'y.....	1
5	359B8680	Tube Ass'y.....	2
6	200B2461-160	Hose Ass'y(160'').....	4
7	200B2495-001	Hose Ass'y(57'').....	2
8	372V1520	Cushion.....	28
9	364A5589	Clamp, Bar.....	8
10	372V1517	Cushion.....	32
11	364A5588	Clamp, Bar.....	23
12	316V3131	Capscrew, 5/8C x 6.....	12
13	362V5413	Union.....	8
14	310V3197	Capscrew, 5/8C x 3-1/2... 31	
15	200B2462-078	Hose Ass'y(78'').....	2
16	200B2475-002	Hose Ass'y(106'').....	2
17	200B2501-001	Hose Ass'y(75'').....	2
18	372V1518	Cushion.....	10
19	364A5590	Clamp, Bar.....	1
	358A0632	Bar.....	1
20	200B2462-090	Hose Ass'y(90'').....	2
	359B8677	Tube Ass'y.....	1
21	460V4113	O-Ring.....	1
	318V2703	Capscrew, 1/2C x 3-1/2... 8	
	332V2200	Lockwasher.....	4
22	359B8687	Tube Ass'y.....	2
	359B8751	Tube Ass'y.....	1
23	460V4113	O-Ring.....	1
	318V2703	Capscrew, 1/2C x 3-1/2... 4	
	332V2200	Lockwasher.....	4
24	200B2007-025	Clamp.....	4
	200B2007-054	Clamp.....	4
25	U359B9001	Plate.....	2
	359C8997-1	Plate.....	2
	306V2034	Stud.....	4
26	340V3126	Nut.....	4
	334V2402	Washer.....	4
27	340V2324	Nut, 3/8C.....	3
	334V2205	Washer.....	6
28	316V2740	Capscrew, 1/2C x 5.....	2
29	U359B8720	Clamp.....	2
30	U334V2205	Washer, Hardened, 1/2.... 6	
31	340V2729	Locknut, 1/2.....	8
32	316V2782	Capscrew, 1/2C x 3/4.... 6	
33	200B2007-065	Clamp.....	6
34	460V4113	O-Ring.....	16
35	460V4111	O-Ring.....	8
36	363V6109	Flange, Half.....	32
	318V2702	Capscrew, 1/2C x 2 Gr 8.. 64	
	332V2200	Lockwasher, 1/2.....	72
	376V6801	Flange, Half.....	16
37	310V2379	Capscrew, 3/8C x 1-1/4... 32	
	332V2000	Lockwasher, 3/8.....	32
38	200B2497-002	Hose Ass'y(74'').....	2
39	200B2462-075	Hose Ass'y(75'').....	2
40	200B2462-050	Hose Ass'y(50'').....	2
41	200B2496-002	Hose Ass'y(49'').....	2
	200B2007-025	Clamp.....	6
	200B2007-054	Clamp.....	6
42	310V2390	Capscrew, 3/8C x 3/4.... 4	
	340V23000	Nut, 3/8C.....	1
	358A0632	Bracket.....	1
43	445V2406	Strap.....	11
	435V6102	Sleeve.....	2
44	375V0802	connector, Long.....	2
	375V5803	Adapter.....	2
	200B0004-107	Spacer.....	5
45	200B2007-025	Clamp.....	5
	310V2730	Capscrew, 1/2C x 2-1/4... 5	

WHEN ORDERING PARTS, SPECIFY MODEL NUMBER, SERIAL NUMBER AND DESCRIPTION OF PART REQUIRED



**ATTACHMENT PIPING  
(CANE LOADER)**

DATE: Revised 1-86

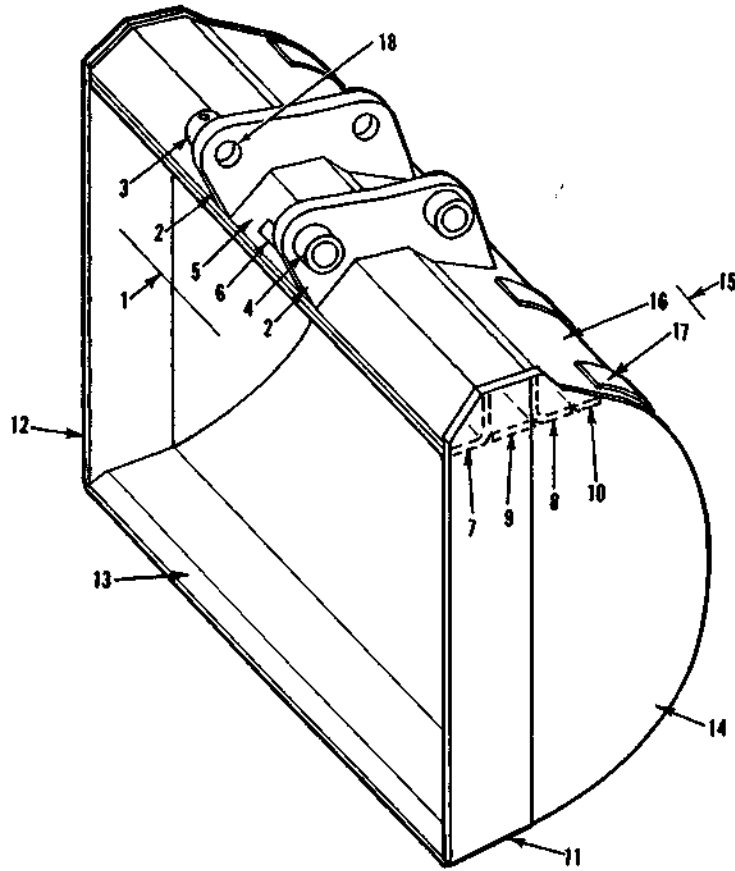
MODEL: 6644KL

GROUP  
**38A**

PAGE **38A.8**  
Sheet 2 of 2

⊗ DISCONTINUED PART! REFER TO NUMERICAL PARTS LIST FOR REPLACEMENT PART(S)

<https://tractormanualz.com/>



REF.	PART NO.	DESCRIPTION	QTY.
	U359D8722	Bucket Ass'y, Cleanout ...	
1	708F6605	Header Ass'y ..... (Includes Items 1 thru 8)	1
2	708 6608	Plate .....	2
3	708 6507	Boss .....	2
4	708 6506	Boss .....	2
5	708 6607	Plate .....	1
6	1222-91	Plate, Part No. ....	1
7	708 6623	Plate .....	1
8	708 6622	Plate .....	1
9	708 6606	Plate .....	1
10	708 6609	Plate .....	1
11	708 6601	Bit, Side .....	1
12	708 6602	Bit, Side .....	1
13	708 6604	Bit, Bottom .....	1
14	708 6603	Plate, Side .....	2
15	708F6598	Wrapper Ass'y ..... (Includes Items 16, 17)	1
16	708 6599	Wrapper.....	1
17	708 6600	Skid .....	5
18	359A8723	Bushing.....	2

WHEN ORDERING PARTS, SPECIFY MODEL NUMBER, SERIAL NUMBER AND DESCRIPTION OF PART REQUIRED



**DITCH CLEANOUT BUCKET**  
(1-1/2 CU. YD. - 60" C.W.)  
(CANE LOADER)

DATE: Issued: 2-85

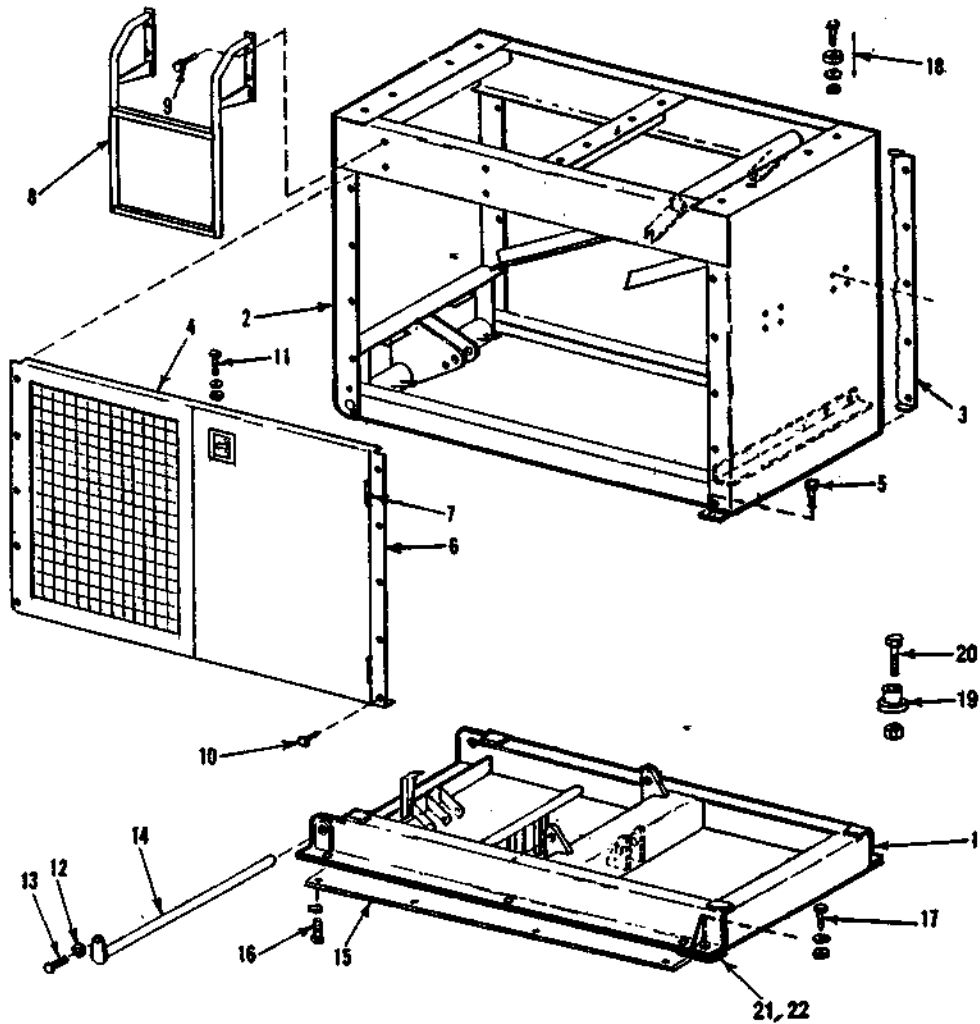
MODEL: 6644KL

GROUP  
**38A**

PAGE 38A.9

⊗ DISCONTINUED PART! REFER TO NUMERICAL PARTS LIST FOR REPLACEMENT PART(S)

<https://tractormanualz.com/>



REF.	PART NO.	DESCRIPTION	QTY.	REF.	PART NO.	DESCRIPTION	QTY.
	U359E9083	Cab Tilt Assembly.....	1	14	U359B8637	Pin.....	1
		(Includes items 1 thru 22)		15	U359C8286	Cover, Bottom.....	1
1	U359D9087	Base.....	1	16	316V2306	Capscrew, 3/8C x 3/4.....	8
2	U359E9086	Frame.....	1		330V2000	Washer.....	8
3	359B9120	Panel.....	1	17	310V3179	Capscrew, 5/8C x 2-1/2.....	6
4	U359C9089	Panel.....	1		331V2400	Plainwasher.....	6
5	310V2780	Capscrew, 1/2C x 1.....	2		359A8769	Round.....	6
6	359B9095	Bracket.....	1		340V3125	Nut, Lock.....	6
	U359C9092	Door.....	1		359A8744	Round.....	6
7	359A8239	Hinge.....	2	18	316V3113	Capscrew, 5/8C x 4.....	6
	206F0095	Spacer.....	2		330V2401	Washer.....	6
8	F16857	Ladder.....	1		340V3125	Locknut, 5/8C.....	6
9	310V2390	Capscrew, 3/8C x 1.....	2	19	708 7098	Spacer.....	4
10	310V2787	Capscrew, 5/16C x 3/4.....	20		1200-156	Capscrew, 5/8C x 3.....	4
	310V2787	Capscrew, 1/2C x 1-1/4.....	2	20	1200-160	Capscrew, 5/8C x 3-1/2.....	6
11	332V1804	Lockwasher.....	2		340V3125	Locknut, 5/8C.....	10
	340V2100	Nut, 5/16C.....	2	21	1209-48	Washer.....	6
12	331V3000	Plainwasher.....	6	22	708 7570	Plate.....	2
13	316V2728	Capscrew, 1/2C x 1-1/2.....	1				

WHEN ORDERING PARTS, SPECIFY MODEL NUMBER, SERIAL NUMBER AND DESCRIPTION OF PART REQUIRED



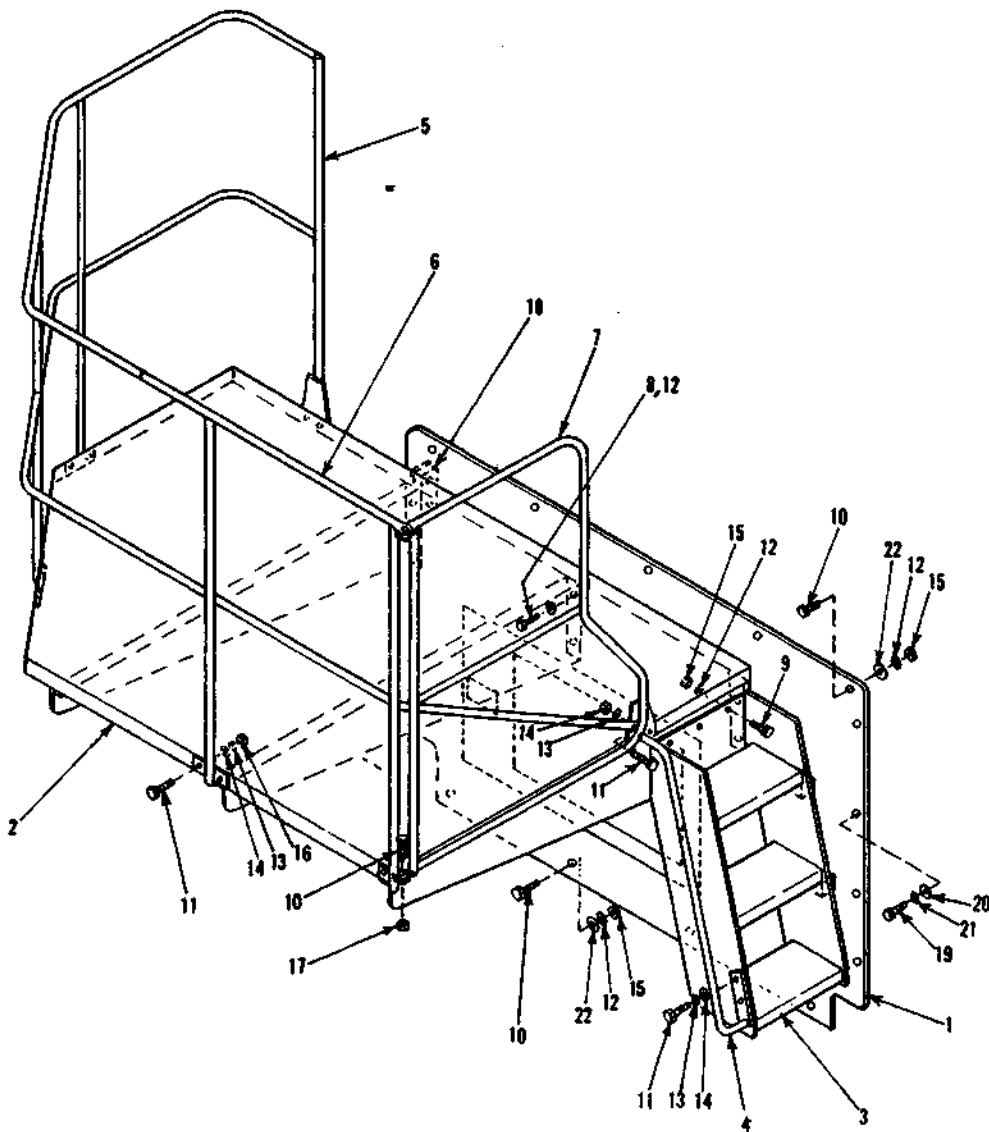
CAB TILT ASSEMBLY

DATE: Revised 10-92  
MODEL: 6644SK

GROUP

27B

PAGE 27B.1



REF.	PART NO.	DESCRIPTION	QTY.
	708A7871	Walkway Assembly.....	1
		(Includes Items 1 thru 22)	
	<u>Young Part No.</u>		
1	389Y288	Plate, Adapter.....	1
2	633X52	Walkway.....	1
3	622W11	Ladder, Step.....	1
4	335W16	Handle, Grip.....	1
5	335X33	Handle, Grip.....	1
6	335W34	Handle, Grip.....	1
7	335W42	Handle, Grip.....	1
8	1608-6AA	Capscrew, 1/20 x 1-1/4 Gr 8.	12
9	1608-7AA	Capscrew, 1/20 x 1-1/2 Gr 8.	3
10	1608-8AA	Capscrew, 1/20 x 1-3/4 Gr 8.	11
11	1606-4AA	Capscrew, 3/80 x 1 Gr 8.....	15
12	1210-8	Lockwasher, 1/2.....	24
13	1210-6	Lockwasher, 3/8.....	15
14	1199-9	Plainwasher, 3/8.....	15
15	1111-8	Nut, 1/20.....	12
16	1111-6	Nut, 3/80.....	12
17	1118-9	Nut, 1/20 Lock.....	2
18	342V47	Block, Mounting.....	1
19	1605-5AA	Capscrew, 5/160 x 1 Gr 8.....	7
20	1199-5	Plainwasher, 5/16.....	7
21	1210-5	Lockwasher, 5/16.....	7
22	1199-11	Plainwasher, 1/2.....	9

WHEN ORDERING PARTS, SPECIFY MODEL NUMBER, SERIAL NUMBER AND DESCRIPTION OF PART REQUIRED



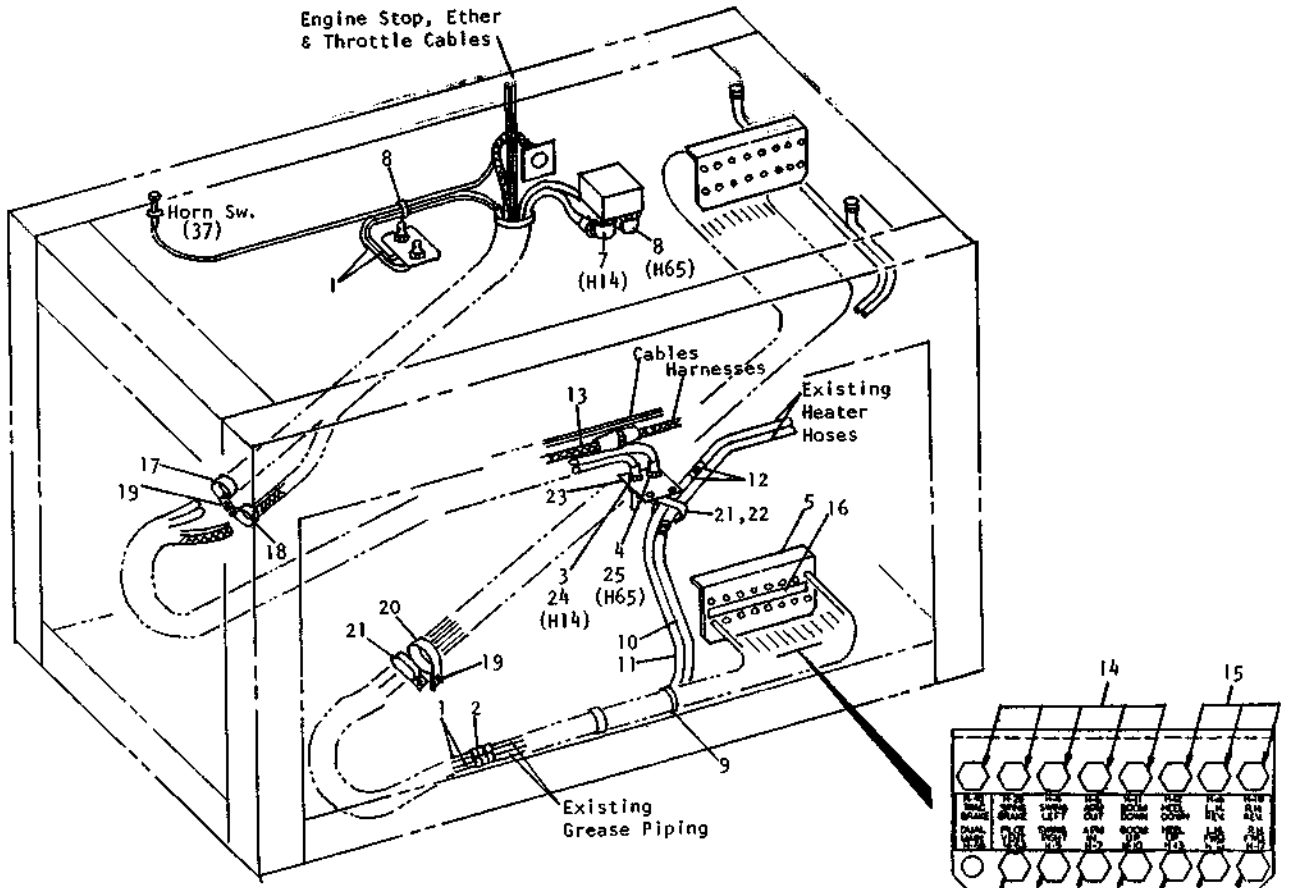
WALKWAY ASSEMBLY  
Elevated Cab

DATE: Issued 8-89  
MODEL: 6644SK

GROUP

27B

PAGE 27B.2



REF.	PART NO.	DESCRIPTION	QTY.
1	200B2117-7	Hose Ass'y(108")	2
2	362V5211	Connector	2
3	200B2464-117	Hose Ass'y(117")	1
4	200B2463-117	Hose Ass'y(117")	1
5	708 6450	Bracket	1
	310V2140	Capscrew, 5/16C x 1	4
	332V1800	Lockwasher	4
	359B8780	Decal	1
6	375V5202	Bulkhead, Union	15
	375V1604	Elbow, 45°	1
7	375V1607	Elbow, 45°	1
8	1222-184	Tie	2
9	445V2406	Strap, Tie	13
10	435V2106	Hose(115")	1
11	435V2106	Hose(140")	1
12	200B0087-002	Clamp	4
	200B2398-025	Tube, Beaded	2
13	359C8740	Harness, Wiring	1
14	200B2461-148	Hose Ass'y(148")	9
15	200B2461-144	Hose Ass'y(144")	6
16	12400-190	Decal	1
17	200B2007-013	Clamp	3
18	200B2007-058	Clamp	4
	310V2390	Capscrew, 3/8C x 1	12
19	330V2000	Washer	12
	340V2000	Nut, 3/8C	12
20	200B2007-009	Clamp	3
21	200B2007-015	Clamp, Double	3
22	310V2140	Capscrew, 3/8C x 1	1
	330V1802	Washer	1
	332V1800	Lockwasher	1
23	359A8695	Strip	1
24	375V3703	Tee, Bulkhead	1
25	362V3644	Elbow, Bulkhead	1

359E9066-1

WHEN ORDERING PARTS, SPECIFY MODEL NUMBER, SERIAL NUMBER AND DESCRIPTION OF PART REQUIRED

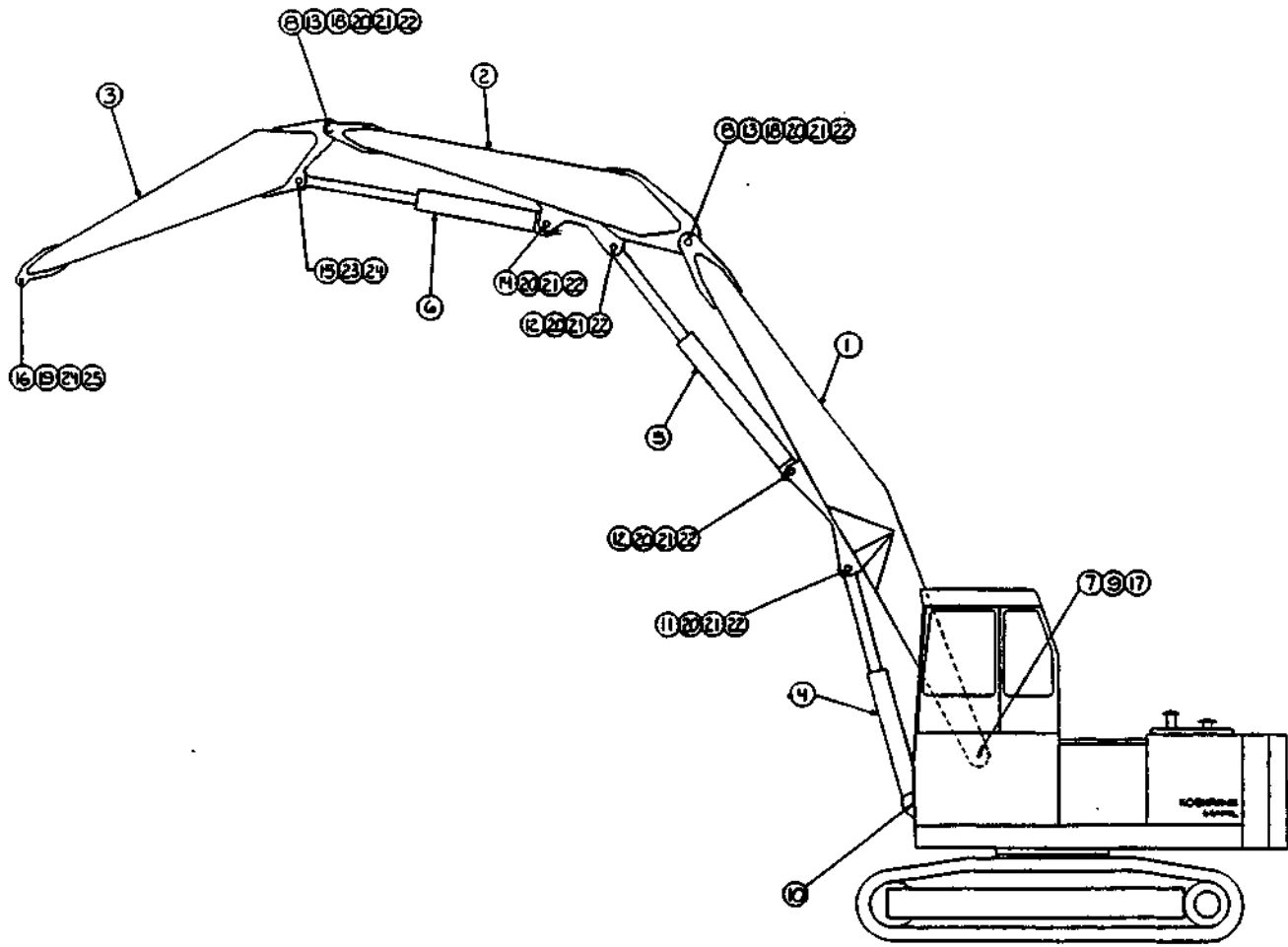


ELEVATED CAB PIPING

DATE:	Issued 8-89	<b>GROUP</b> <b>27B</b>
MODEL:	6644SK	
PAGE 27B.3		

⊗ DISCONTINUED PART! REFER TO NUMERICAL PARTS LIST FOR REPLACEMENT PART(S)

<https://tractormanualz.com/>



REF.	PART NO.	DESCRIPTION	QTY.
	356 0236	Skrapper Attachment ..... 1 (Complete with Hydraulic & Electrical Components)	
1	209339	Boom, Main .....	1
2	209340	Stick .....	1
3	209341	Boom, Jib .....	1
4	Page 38B.10	Cylinder, Boom Hoist .....	2
5	Page 38B.7 & 38B.8A	Cylinder, Stick .....	1
6	Page 38B.8 & 38B.8B	Cylinder, Jib Boom .....	1
7	209344	Bushing .....	2
8	209345	Bushing .....	4
9	Page 38B.10	Pin, Main Boom .....	1
10	Page 38B.10	Pin, Hoist Cylinder .....	2
11	209346	Pin .....	2
12	209347	Pin .....	2
13	209348	Pin .....	4
14	209349	Pin .....	1
15	209350	Pin .....	1
16	209351	Pin, Tool Mounting .....	1
	212155	Collar, Pin Retainer (Weld) AR	
17	209352	Shim .....	2
18	209353	Shim .....	4
19	209354	Shim .....	2
20	316V3355	Capscrew, 3/4C x 1 Gr 8 ..	9
21	1209-9	Plainwasher, 3/4 .....	9
22	1210-38	Lockwasher, 3/8 .....	9
23	316V3360	Capscrew, 3/4C x 7 Gr 8 ..	1
24	1205-102	Locknut, 3/4C .....	2
25	1242-86	Capscrew, 3/4C x 6 Gr 8 ..	1

WHEN ORDERING PARTS, SPECIFY MODEL NUMBER, SERIAL NUMBER AND DESCRIPTION OF PART REQUIRED



SKRAPPER ATTACHMENT  
Three-Piece

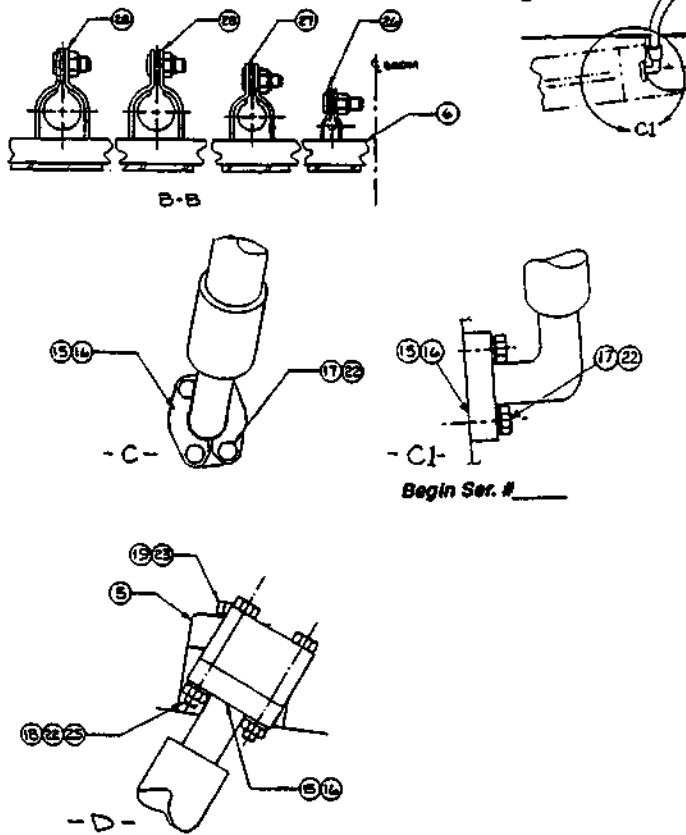
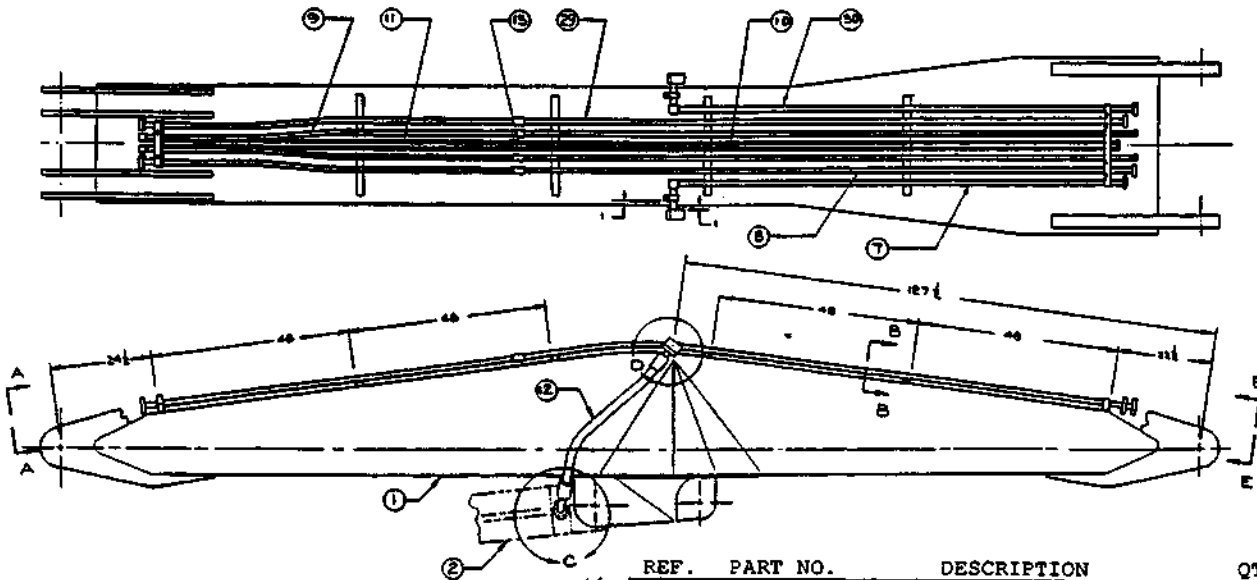
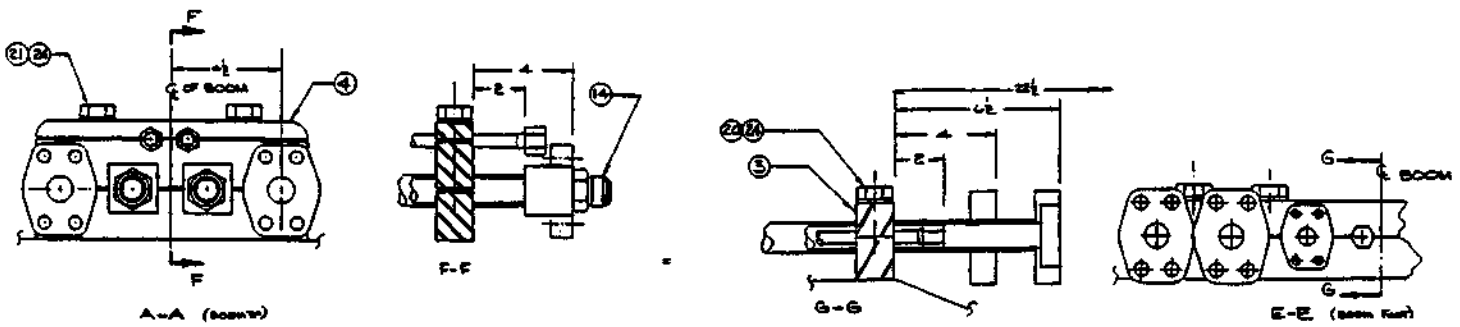
DATE: Revised 10-92

MODEL: 6644SK

GROUP

38B

PAGE 38B.1



REF.	PART NO.	DESCRIPTION	QTY.
1		Boom	Ref.
2		Cylinder	Ref.
3	209355	Clamp	1
4	209356	Clamp	1
5	209357	Clamp	2
6	209358	Channel (24-1/2" Lg)	4
7	209359	Tube Ass'y (Stick)	1
8	209360	Tube Ass'y (Jib)	1
9	209361	Tube Ass'y, RH (Grapple)	1
10	209362	Tube Ass'y, LH (Grapple)	1
11	209363	Tube Ass'y (Rotation)	2
12	209364	Tube Ass'y (Rotation)	2
	209364	Hose Ass'y (45° fitting cyl. side)	2
	212644	Hose Ass'y (90° fitting cyl. end)	2
13	209365	Union	2
14	209366	Connector, Straight Thd	2
15	209367	Seal	4
16	209368	Flange Half (1-1/4, 62)	8
17	1242-133	Capscrew, 1/2C x 2 Gr 8	8
18	209396	Capscrew, 1/2C x 3-3/4 Gr 8	8
19	310V6400	Capscrew, 5/8C x 2-1/2 Gr 8	2
20	209397	Capscrew, 3/4C x 2-1/2 Gr 8	4
21	1242-140	Capscrew, 3/4C x 4-1/2 Gr 8	2
22	1210-26	Lockwasher, 1/2	16
23	1210-32	Lockwasher, 5/8	2
24	1210-38	Lockwasher, 3/4	6
25	1205-58	Nut, 1/2C	8
26	209369	Tube Clamp Ass'y	8
27	209370	Tube Clamp Ass'y	8
28	209371	Tube Clamp Ass'y	12
29	209372	Tube Ass'y (Jib)	1
30	209373	Tube Ass'y (Stick)	1

WHEN ORDERING PARTS, SPECIFY MODEL NUMBER, SERIAL NUMBER AND DESCRIPTION OF PART REQUIRED

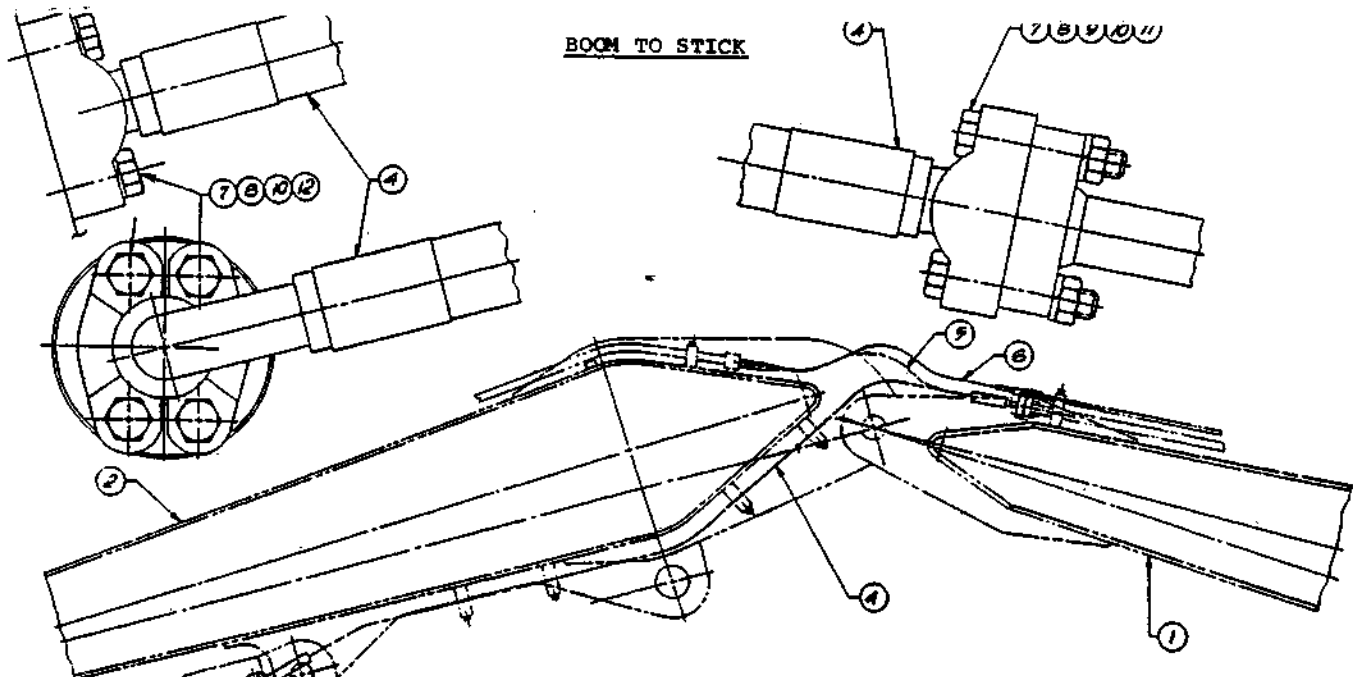


BOOM HYDRAULIC ASSEMBLY

DATE: Revised 10-92  
MODEL: 6644SK

GROUP  
**38B**

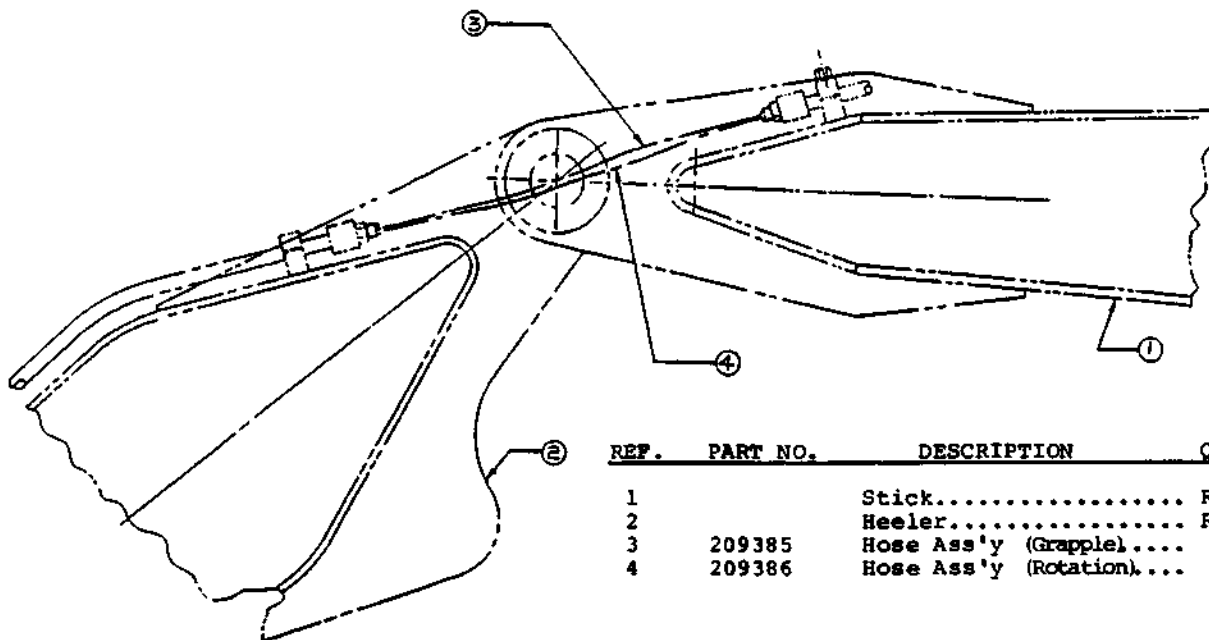
PAGE 38B.2



**BOOM TO STICK**

REF.	PART NO.	DESCRIPTION	QTY.
1		Boom .....	Ref.
2		Stick .....	Ref.
3		Cylinder .....	Ref.
4	209374	Hose (Heeler) (90° Ftg at cyl)...	2
	212645	Hose (Heeler) (St Ftg at Cyl) ....	2
5	209375	Hose Ass'y (Grapple) .....	2
6	209376	Hose Ass'y (Rotation) ....	2
7	209367	O-Ring .....	4
8	210281	Flange Half (1-1/4, 62) .. 8 (Repl. 209368)	
9	209377	Capscrew, 1/2C x 2-3/4 Gr 8..	8
10	1210-26	Lockwasher, 1/2 .....	16
11	1205-58	Nut, 1/2C .....	8
12	1242-133	Capscrew, 1/2C x 2 Gr 8.....	8

**STICK TO JIB**



REF.	PART NO.	DESCRIPTION	QTY.
1		Stick.....	Ref.
2		Heeler.....	Ref.
3	209385	Hose Ass'y (Grapple)....	2
4	209386	Hose Ass'y (Rotation)....	2

WHEN ORDERING PARTS, SPECIFY MODEL NUMBER, SERIAL NUMBER AND DESCRIPTION OF PART REQUIRED



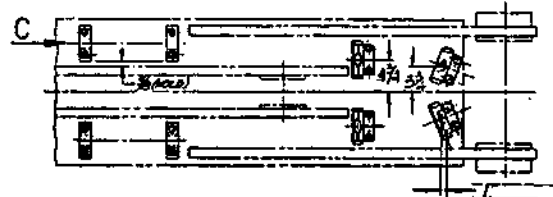
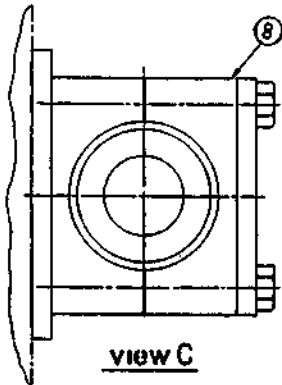
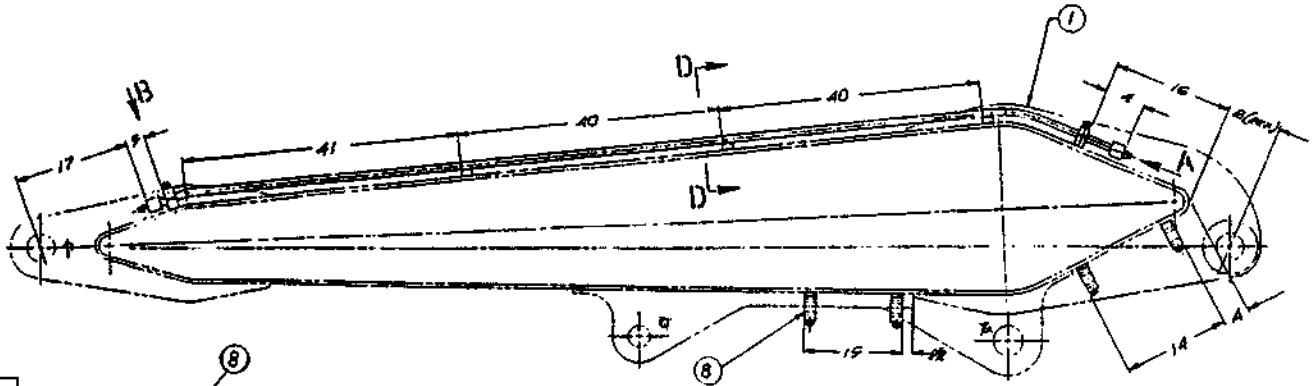
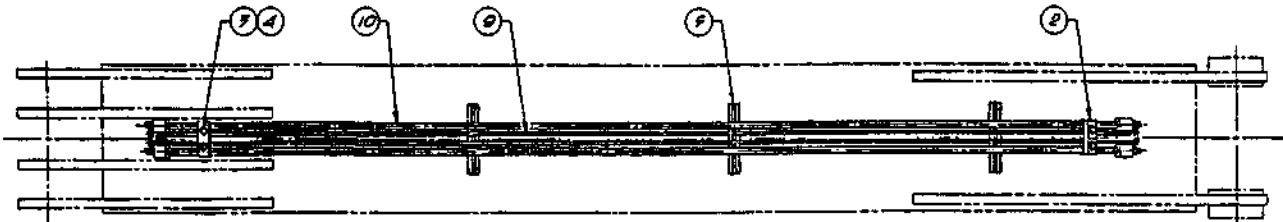
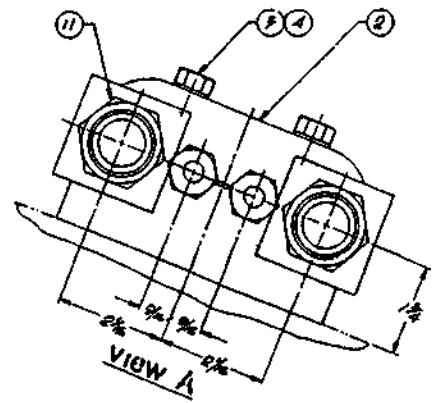
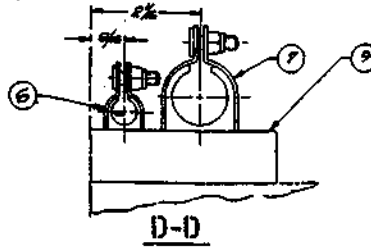
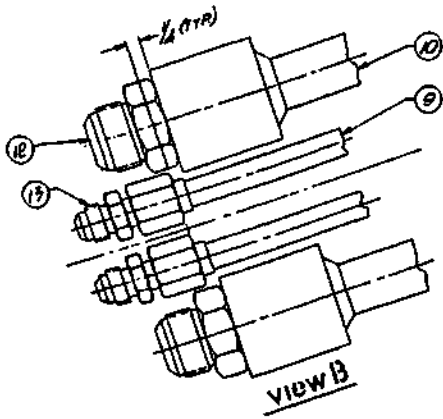
HYDRAULICS

DATE: Revised 10-92  
MODEL: 6644SK

GROUP

38B

PAGE 38B.3



REF.	PART NO.	DESCRIPTION	QTY.
1		Stick.....	Ref.
2	209378	Clamp.....	2
3	209379	Capscrew, 7/16Cx2-1/2Gr 8	4
4	1210-23	Lockwasher, 7/16.....	4
5	209380	Channel (16" Lg).....	3
6	209369	Tube Clamp (1/2").....	6
7	209370	Tube Clamp (1").....	6
8	209381	Clamp w/Rubber Insert..	8
9	209382	Tube Ass'y (Rotation)...	2
10	209383	Tube Ass'y (Grapple)...	2
11	209366	Connector, Straight Thd ..	2
12	209384	Connector, Straight Thd ..	2
13	209365	Union.....	2

WHEN ORDERING PARTS, SPECIFY MODEL NUMBER, SERIAL NUMBER AND DESCRIPTION OF PART REQUIRED



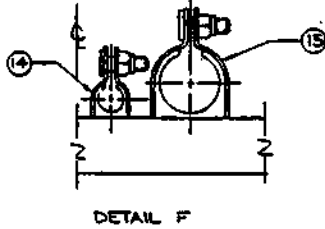
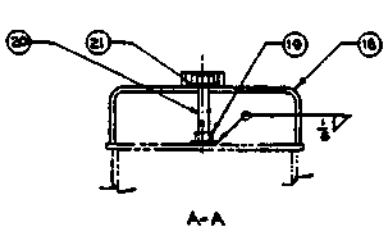
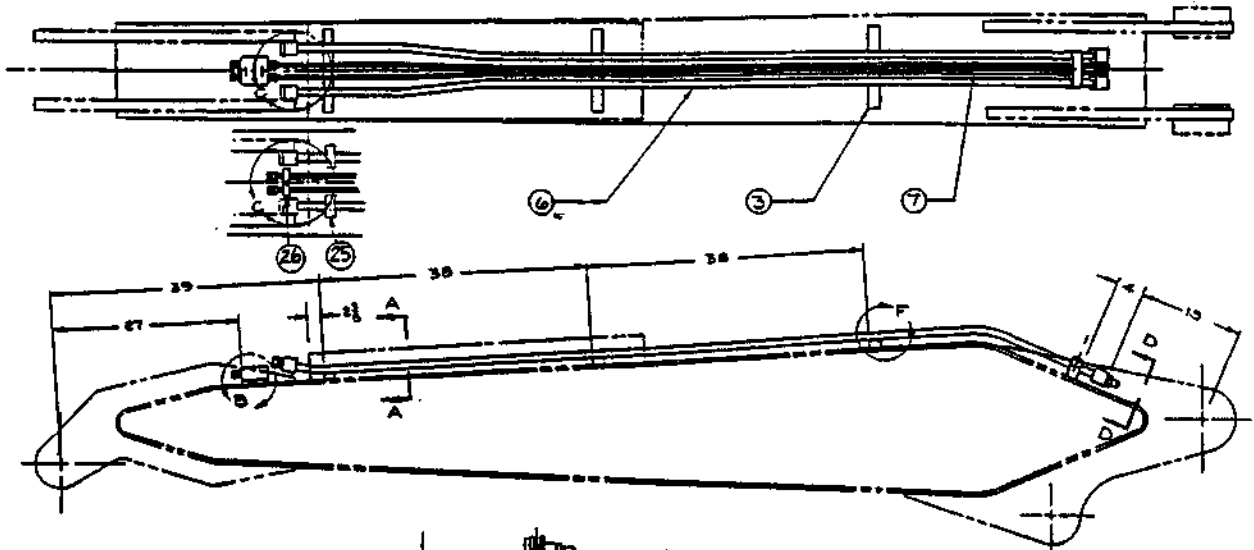
STICK HYDRAULIC ASSEMBLY

DATE: Issued 8-89  
MODEL: 6644SK

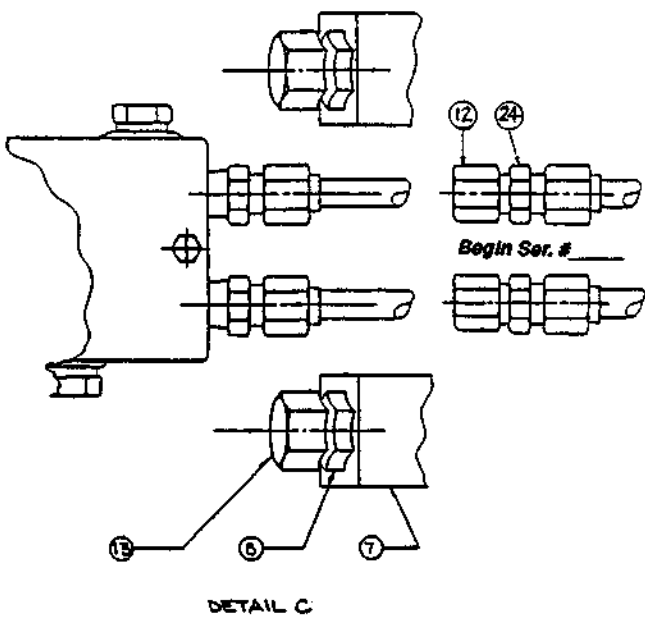
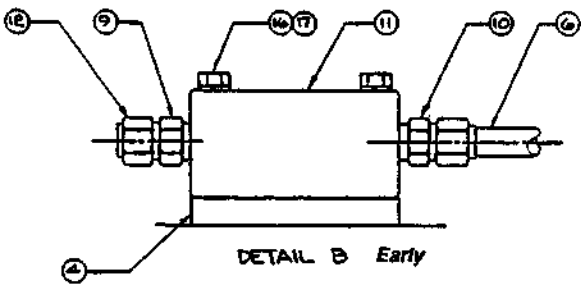
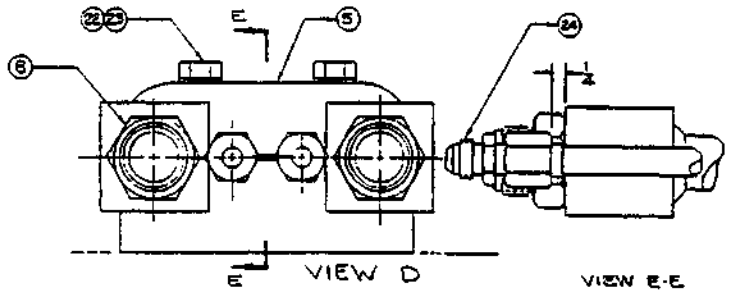
GROUP

388

PAGE 38B.4



1. LOCATE ITEM 23 OUTSIDE AS SHOWN
2. USING ITEM 25 AS A GAGE, LOCATE ITEMS 24 AT TWO PLACES AND TACK WELD BOMBS TO JIB.
3. REMOVE ITEM 25 AND WELD ITEM 24 AS SHOWN, THEN REASSEMBLE



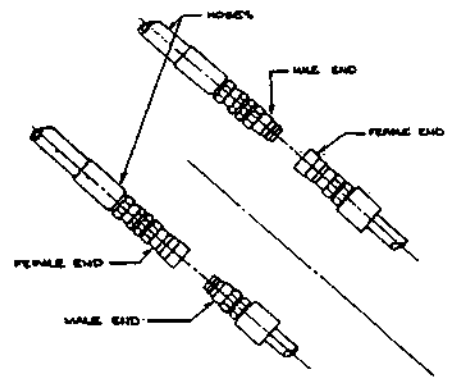
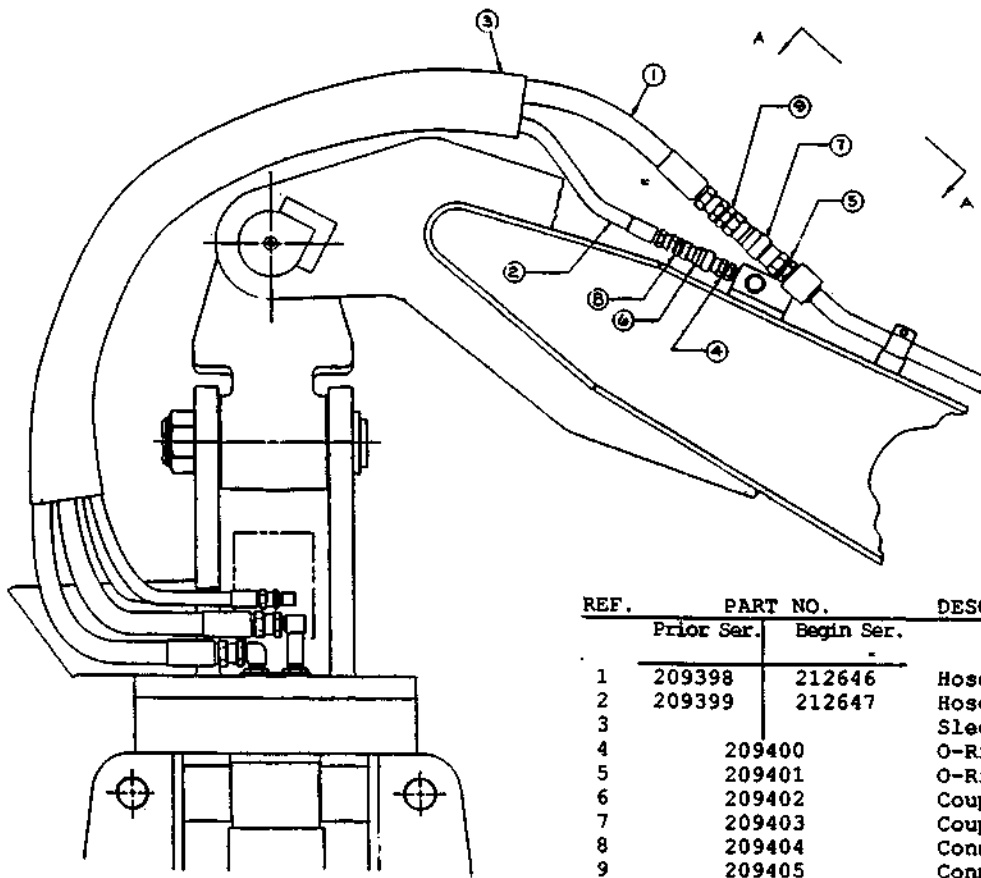
REF.	PART NO.		DESCRIPTION	QTY.
	Prior Ser.	Begin Ser.		
1			Jib	1
2			Not Applicable	
3		209387	Channel	3
4	209388	-	Plate, Mounting	1
5		209378	Clamp	1
6		209389	Tube Ass'y, RH	1
		209666	Tube Ass'y, LH	1
7		209390	Tube Ass'y, RH	1
		209667	Tube Ass'y, LH	1
8		209384	Connector, Straight Thd	4
9	209391	-	Connector, Male	2
10	209392	-	Connector, Male	2
11	209393	-	Valve, Cushion	1
12	1219-777	212648	Cap, 3/8 / 1/2	2
13		1219-736	Cap, 3/4	2
14		209369	Clamp Ass'y	6/4
15		209370	Clamp Ass'y	6/4
16	1200-41	-	Capscrew, 5/16C x 2-1/4	2
17	1210-17	-	Lockwasher, 5/16	2
18		209394	Guard	1
19		209395	Boss	2
20		316V3334	Capscrew, 3/4C x 4 Gr 8	2
21		1210-38	Lockwasher, 3/4	2
22		209379	Capscrew, 7/16C x 2-1/2 Gr 8	2
23		1210-23	Lockwasher, 7/16	2
24		209365	Union	4
25		212649	Clamp	2
26		212650	Clamp	2

WHEN ORDERING PARTS, SPECIFY MODEL NUMBER, SERIAL NUMBER AND DESCRIPTION OF PART REQUIRED

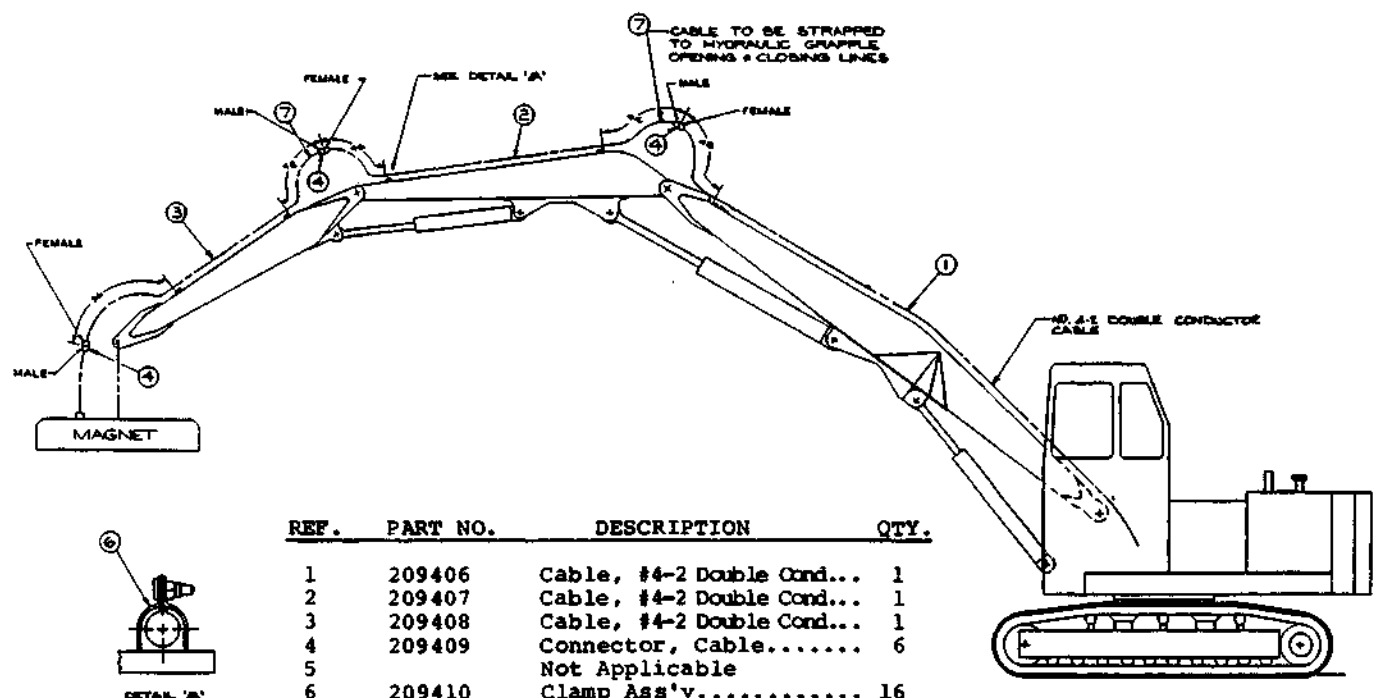


JIB HYDRAULIC ASSEMBLY

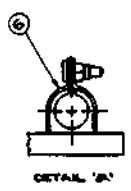
DATE:	Revised 10-92	<b>38B</b>
MODEL:	6644SK	
PAGE 38B.5		



REF.	PART NO.		DESCRIPTION	QTY.
	Prior Ser.	Begin Ser.		
1	209398	212646	Hose Ass'y .....	2
2	209399	212647	Hose Ass'y .....	2
3			Sleeve, Hose .....	Ref.
4	209400		O-Ring .....	2
5	209401		O-Ring .....	2
6	209402		Coupling, Quick Disconnect	2
7	209403		Coupling, Quick Disconnect	2
8	209404		Connector, Straight Thd ..	2
9	209405		Connector, Straight Thd ..	2



REF.	PART NO.	DESCRIPTION	QTY.
1	209406	Cable, #4-2 Double Cond...	1
2	209407	Cable, #4-2 Double Cond...	1
3	209408	Cable, #4-2 Double Cond...	1
4	209409	Connector, Cable.....	6
5		Not Applicable	
6	209410	Clamp Ass'y.....	16
7	1222-202	Cable, Tie.....	9



WHEN ORDERING PARTS, SPECIFY MODEL NUMBER, SERIAL NUMBER AND DESCRIPTION OF PART REQUIRED

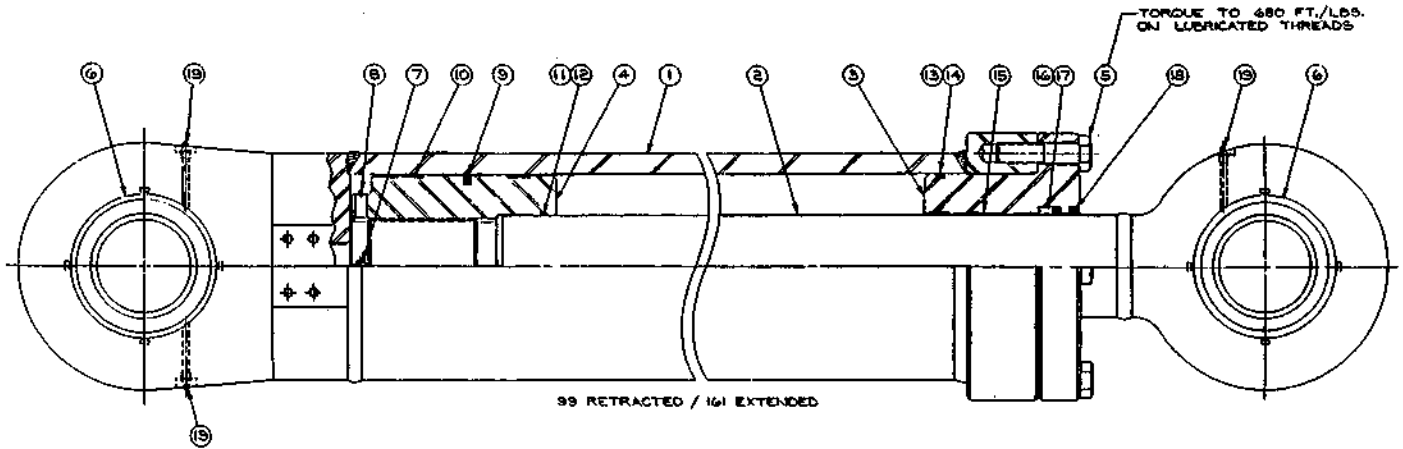


JIB TO GRAPPLE HYDRAULICS / MAGNET WIRING

DATE: Revised 10-92  
MODEL: 6644SK

GROUP  
**38B**

PAGE 38B.6



REF.	PART NO.	DESCRIPTION	QTY.
	209342	Cylinder, Stick.....	1
	209429	Kit, Seal..... (Includes Items 9 thru 18)	1
1	209411	Barrel.....	1
2	209412	Rod.....	1
3	209413	Bearing.....	1
4	209414	Piston.....	1
5	209415	Bolt, Head.....	14
6	209416	Bushing.....	2
7	209417	Pin, Lock.....	1
8	209418	Ring, Retaining.....	1
9	209419	Seal, Piston.....	1
10	209420	Ring, Wear.....	3
11	209421	Seal, Piston.....	1
12	209422	Back-Up.....	2
13	209423	Seal, Head.....	1
14	209424	Back-Up.....	1
15	209425	Ring, Wear.....	3
16	209426	Seal, Rod.....	1
17	209427	Back-Up, Modular.....	1
18	209428	Wiper, Rod.....	1
19	1213-1	Zerk, Grease.....	1

WHEN ORDERING PARTS, SPECIFY MODEL NUMBER, SERIAL NUMBER AND DESCRIPTION OF PART REQUIRED



STICK CYLINDER

DATE: Issued 8-89

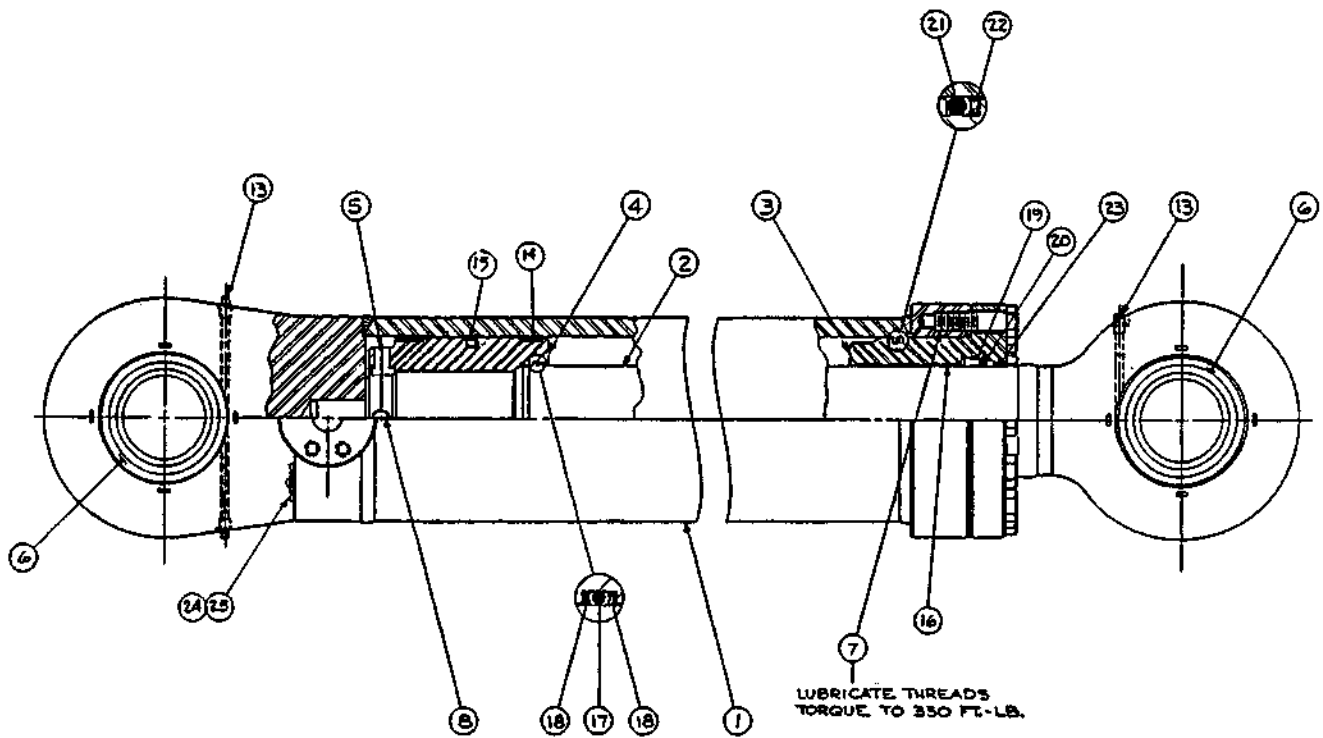
MODEL: 6644SK

GROUP  
**38B**

PAGE 38B.7

⊗ DISCONTINUED PART! REFER TO NUMERICAL PARTS LIST FOR REPLACEMENT PART(S)

<https://tractormanualz.com/>



REF.	PART NO.	DESCRIPTION	QTY.
	209343	Cylinder, Jib.....	1
	209448	Kit, Seal..... (Includes Items 14 thru 23)	1
1	209430	Barrel.....	1
2	209431	Rod.....	1
3	209432	Bearing, Cyl. Head.....	1
4	209433	Piston.....	1
5	209434	Ring, Retainer.....	1
6	209435	Bushing, Ball.....	2
7	209436	Capscrew, 3/4P x 3 Gr 8.	12
8	209437	Pin, Lock.....	1
9-12		Not Applicable	
13	1213-1	Zerk, Grease.....	3
14	209438	Ring, Wear.....	2
15	209439	Seal, Piston.....	1
16	209440	Ring, Wear.....	3
17	209441	Seal, Piston.....	1
18	209442	Back-Up.....	2
19	209443	Seal, Rod.....	1
20	209444	Back-Up, Modular.....	1
21	209445	Seal, Head.....	1
22	209446	Back-Up.....	1
23	209447	Wiper, Rod.....	1
24	-	Plate, Name.....	1
25	-	Screw, "0" x 3/16.....	2
26	-	Cover, Shipping.....	2
27	-	Capscrew, Shipping.....	4

WHEN ORDERING PARTS, SPECIFY MODEL NUMBER, SERIAL NUMBER AND DESCRIPTION OF PART REQUIRED



JIB CYLINDER

DATE: Issued 8-89

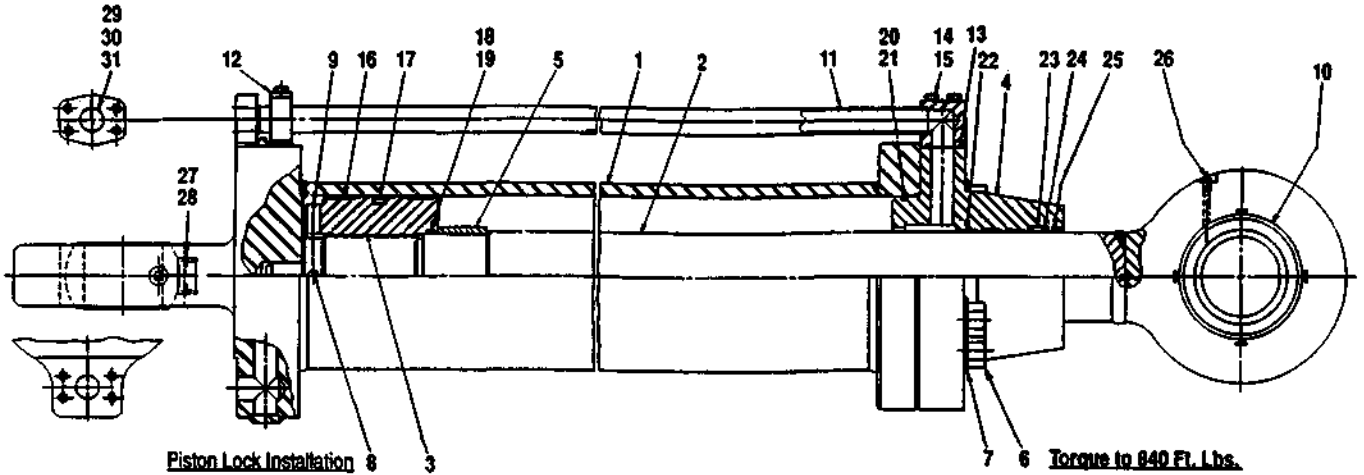
MODEL: 66445K

GROUP  
**38B**

PAGE 38B.8

⊗ DISCONTINUED PART! REFER TO NUMERICAL PARTS LIST FOR REPLACEMENT PART(S)

<https://tractormanualz.com/>



Piston Lock Installation 8 3

6 Torque to 840 Ft. Lbs.  
Lubed Thread

1. Turn piston until shoulder contacts rod.
2. Back piston off to nearest hole alignment.
3. Install lock pin (Item 8)
4. Install retaining ring (Item 9)

Length .....	99"
Stroke .....	62"
Bore .....	9"
Rod .....	5"
Bushings - ID .....	4.5"

REF.	PART NO.	DESCRIPTION	QTY.
	212618	Stick Cylinder .....	1
	212629	Kit, Seal .....	1
		(Incl. Items 16 thru 25)	
1	212619	Barrel .....	1
2	212620	Rod .....	1
3	212621	Piston .....	1
4	212622	Head, Cylinder .....	1
5	212623	Cushion .....	1
6	212624	Bolt, Head .....	8
7	212625	Flatwasher .....	8
8	212626	Pin, Lock .....	1
9	212627	Ring, Retaining .....	1
10	209416	Bearing, Spherical .....	2
11	212628	Tube, Transfer .....	1
12	209381	Clamp .....	1
13	209367	Seal .....	1
14	211759	Bolt .....	4
15	1210-26	Lockwasher .....	4
16	212630	Ring, Wear .....	2
17	212631	Packing, Piston .....	1
18	209422	Seal, Piston .....	1
19	209421	Back-Up .....	2
20	209423	Seal, Head .....	1
21	209424	Back-Up .....	1
22	209425	Ring, Wear .....	3
23	209426	Packing, Rod .....	1
24	212632	Back-Up, Modular .....	1
25	212633	Wiper, Rod .....	1
26	1213-1	Fitting, Grease .....	2
27	-	Tag, Name .....	1
28	-	Screw, Drive .....	2
29	210318	Cover, Shipping .....	2
30	210320	Seal, Port .....	2
31	210319	Bolt, Cover .....	4

WHEN ORDERING PARTS, SPECIFY MODEL NUMBER, SERIAL NUMBER AND DESCRIPTION OF PART REQUIRED



STICK CYLINDER

DATE: Issued 10-92

MODEL: 6644SK

GROUP

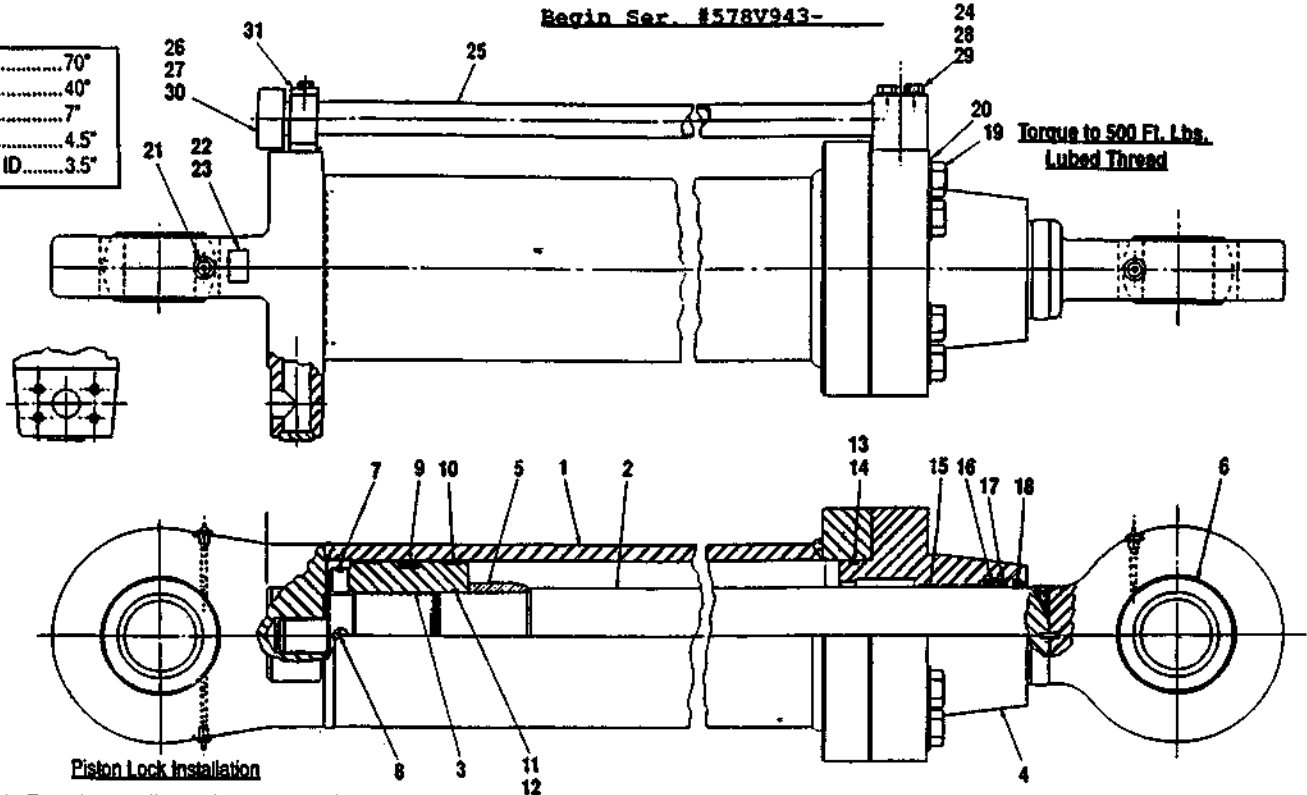
38B

PAGE 38B.8A

⊗ DISCONTINUED PART! REFER TO NUMERICAL PARTS LIST FOR REPLACEMENT PART(S)

Begin Ser. #578V943-

Length .....70"  
 Stroke .....40"  
 Bore .....7"  
 Rod .....4.5"  
 Bushings - ID .....3.5"



**Piston Lock Installation**

1. Turn piston until shoulder contacts rod.
2. Back piston off to nearest hole alignment.
3. Install lock pin (Item 8)
4. Install retaining ring (Item 7)

REF.	PART NO.	DESCRIPTION	QTY.
	212634	Jib Cylinder .....	
	212641	Kit, Seal ..... 1 (Includes Items 9 thru 18)	
1	212635	Barrel ..... 1	
2	212636	Rod ..... 1	
3	212637	Piston ..... 1	
4	212638	Head, Cylinder ..... 1	
5	212293	Cushion ..... 1	
6	209435	Bearing, Spherical ..... 2	
7	212639	Ring, Retaining ..... 1	
8	212640	Pin, Lock ..... 1	
9	212642	Packing, Piston ..... 1	
10	209438	Ring, Wear ..... 2	
11	212296	Seal, Piston ..... 1	
12	212297	Back-Up ..... 2	
13	209445	Seal, Head ..... 1	
14	209446	Back-Up ..... 1	
15	212298	Ring, Wear ..... 3	
16	209443	Packing, Rod ..... 1	
17	212299	Back-Up, Modular ..... 1	
18	212300	Wiper, Rod ..... 1	
19	212302	Bolt, Head ..... 8	
20	212303	Flatwasher ..... 8	
21	1213-1	Fitting, Grease ..... 3	
22	-	Screw, Drive ..... 2	
23	-	Tag, Name ..... 1	
24	211759	Bolt ..... 4	
25	212643	Tube, Transfer ..... 1	
26	210318	Cover, Shipping ..... 2	
27	210319	Bolt ..... 4	
28	1210-17	Lockwasher ..... 4	
29	209367	Seal, Tube ..... 1	
30	210320	Seal, Shipping ..... 2	
31	211757	Clamp ..... 1	

WHEN ORDERING PARTS, SPECIFY MODEL NUMBER, SERIAL NUMBER AND DESCRIPTION OF PART REQUIRED



JIB CYLINDER

DATE: Issued 10-92

MODEL: 6644SK

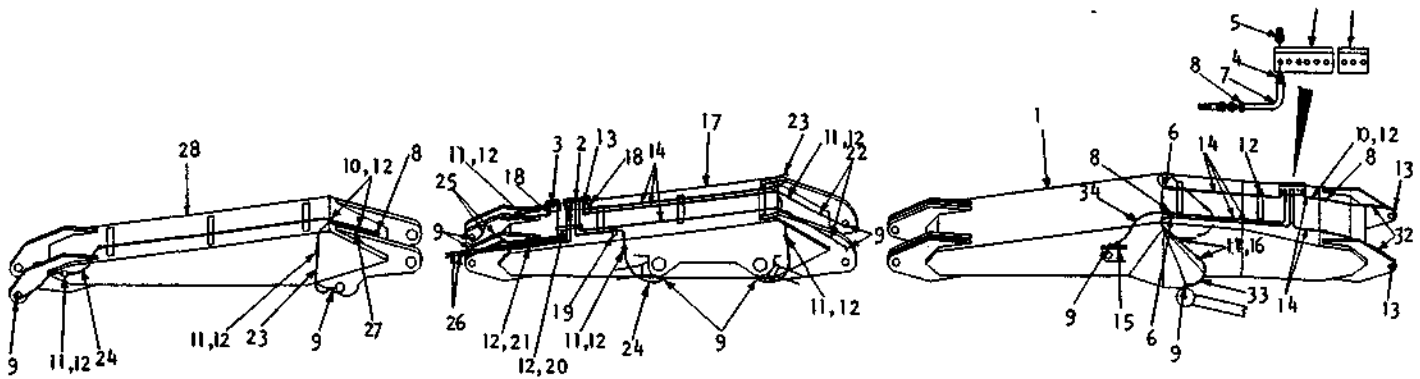
GROUP

38B

PAGE 38B.8B

⊗ DISCONTINUED PART! REFER TO NUMERICAL PARTS LIST FOR REPLACEMENT PART(S)

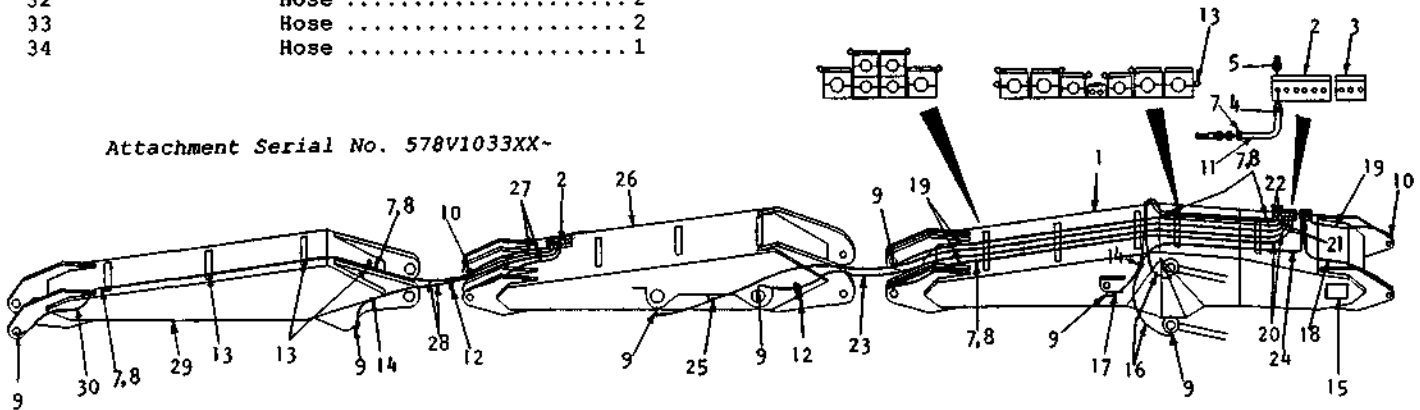
<https://tractormanualz.com/>



Attachment Serial No. 578V943XX-

REF.	PART NO.	DESCRIPTION	QTY.
1	Ref.	Main Boom	1
2	210301	Block, Manifold(6 port)	2
	212322	Spacer, 6-1/4 lg.	1
3	210303	Block, Manifold(3 port)	1
	210303	Spacer, 3-1/8 lg.	1
4	210296	Connector	10
5	1213-1	Fitting, Grease	13
6	211708	Elbow, Swivel	2
7	212323	Nut, 1/4	30
	212324	Sleeve, 1/4	30
8	210302	Union	5
9	210305	Elbow, Male(long)	8
10	212325	Channel, 3"	4
11	210304	Channel, 2"	9
12	210292	Clamp, 1/4 Hydra-Zorb	44
13	210294	Elbow, Male(extra long)	7
14		Tube, 1/4 OD x .035 wall	1
15	1222-202	Tie-Strap	16
16	209369	Clamp, Hydra-Zorb	4
17		Stick	1
18	210293	Elbow, Male	2
19	212328	Channel, 3-1/2"	1
20	212329	Channel, 6"	1
21	212330	Channel, 4"	1
22	212331	Hose	2
23	212327	Hose	1
24	212326	Hose	1
25	212183	Hose	2
26	212332	Hose	2
27	210295	Hose	1
28		Jib	1
29		Hose	2
30		Hose	2
31		Hose	1
32		Hose	2
33		Hose	2
34		Hose	1

REF.	PART NO.	DESCRIPTION	QTY.
1	Ref.	Main Boom	1
2	210301	Block, Manifold(6 port)	2
3	210303	Block, Manifold(3 port)	1
4	210296	Connector	13
5	1213-1	Fitting, Grease	13
6	211708	Elbow, Swivel	2
7	212323	Nut, 1/4	14
	212324	Sleeve, 1/4	14
8	210302	Union	14
9	210305	Elbow, Male(long)	6
10	210294	Elbow, Male(extra long)	2
11		Tube, 1/4OD x .035 wall	AR
12	1222-202	Tie-Strap	20
13	211707	Clip	22
14	212333	Rail, 1-1/2"	3
	212334	Clamp, HydraZorb	3
15	212335	Decal	2
16	212336	Hose, 75"	2
17	212337	Hose, 88"	1
18	212338	Hose, 64"	1
19	212339	Hose, 42"	3
20	212340	Hose, 34"	2
21	212341	Hose, 30"	2
22	212342	Hose, 27"	2
23	212343	Hose, 80"	1
24	212344	Hose, 46"	2
25	212345	Hose, 144"	1
26		Stick	1
27	212346	Hose, 48"	2
28	212347	Hose, 82"	2
29		Jib	1
30	212348	Hose	1



Attachment Serial No. 578V1033XX-

WHEN ORDERING PARTS, SPECIFY MODEL NUMBER, SERIAL NUMBER AND DESCRIPTION OF PART REQUIRED

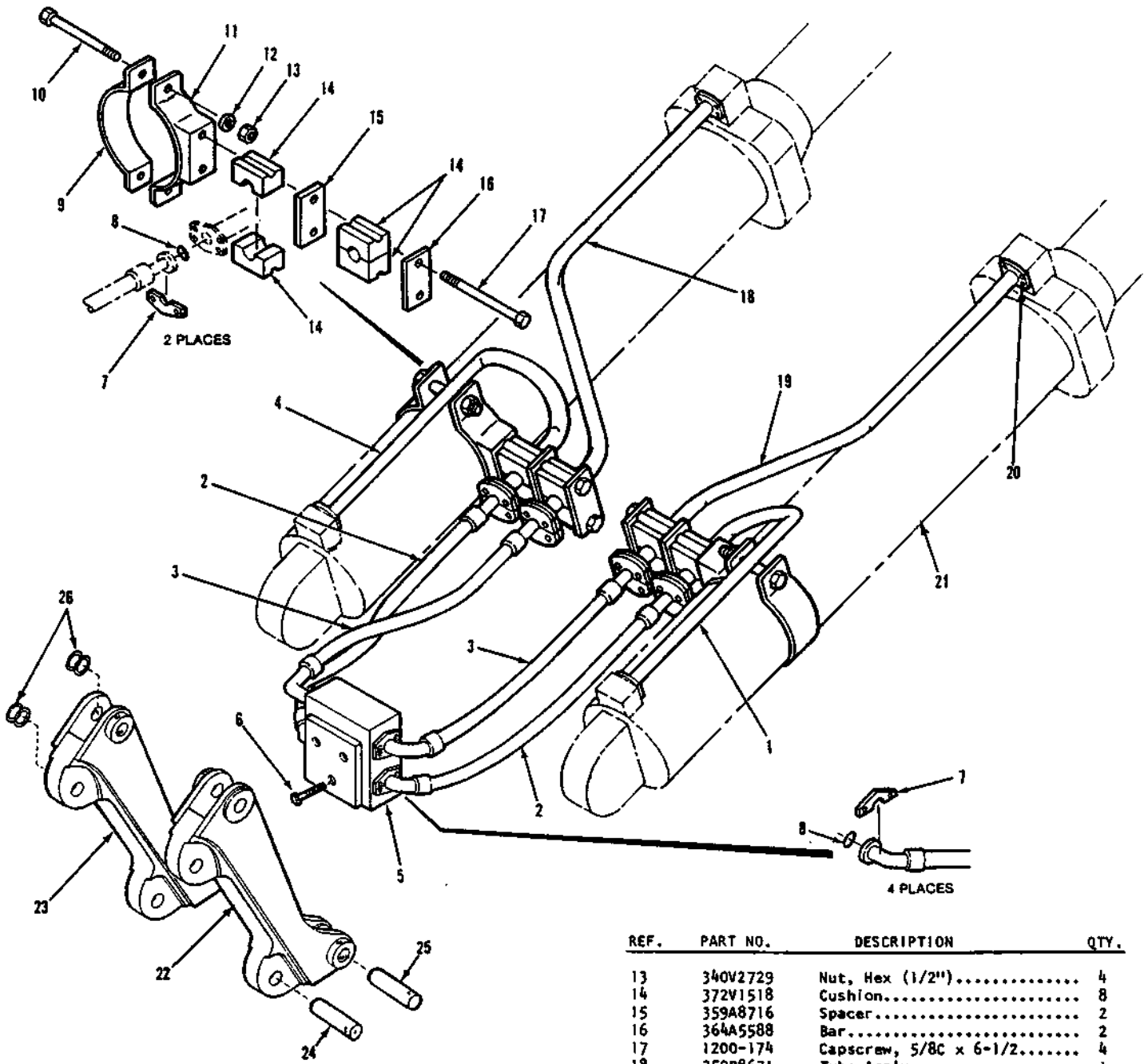


GREASE PIPING ASSEMBLY

DATE:	Revised 1-92	<b>GROUP</b> <b>38B</b>
MODEL:	6644SK	
PAGE	38B.9	

⊗ DISCONTINUED PART! REFER TO NUMERICAL PARTS LIST FOR REPLACEMENT PART(S)

<https://tractormanualz.com/>



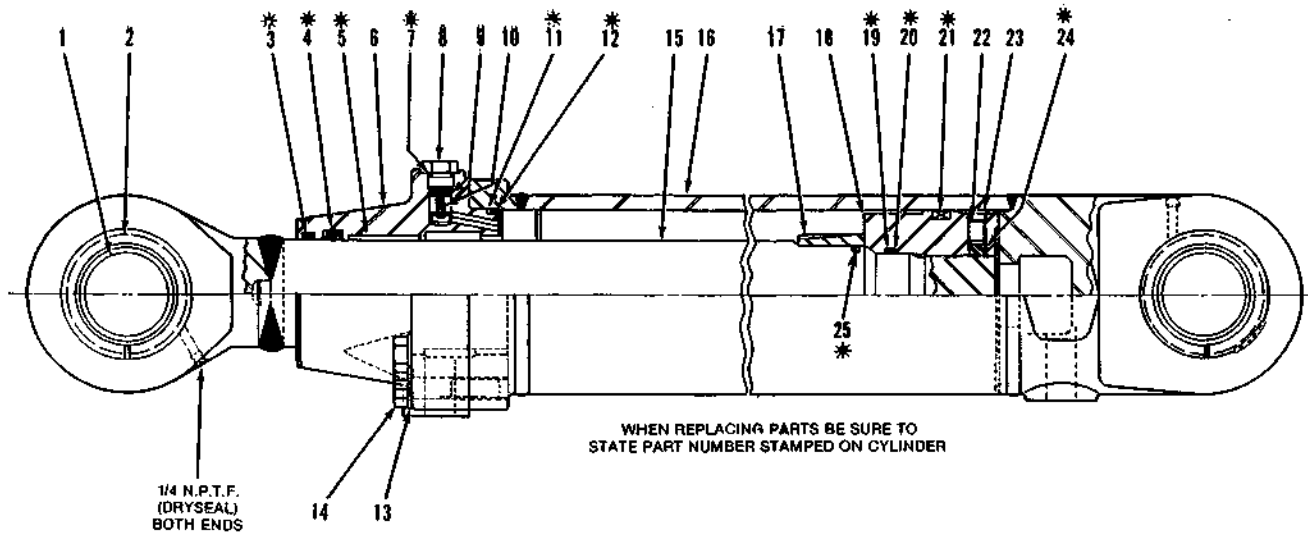
REF.	PART NO.	DESCRIPTION	QTY.
	708A7885	Attachment Saddle & Cyl. Assy. (Includes items 1 thru 26)	1
1	35988672	Tube Ass'y	1
2	20082492-001	Hose Ass'y (55")	2
3	20082473-004	Hose Ass'y (53")	2
4	35988673	Tube Ass'y	1
5	35988080	Manifold	1
6	310V2787	Capscrew, 1/2C x 1-1/4	3
	U334V2205	Washer, Hardened (1/2")	3
	363V6109	Flange, Split	8
7	1242-133	Capscrew, 1/2C x 2 Gr. 8	16
	1210-26	Washer, Lock	16
8	460V4113	O-Ring	32
9	35988712	Clamp	2
10	1200-130	Capscrew, 1/2C x 6	4
11	U35988719	Clamp	2
12	334V2205	Washer, Hardened (1/2")	4

REF.	PART NO.	DESCRIPTION	QTY.
13	340V2729	Nut, Hex (1/2")	4
14	372V1518	Cushion	8
15	359A8716	Spacer	2
16	364A5588	Bar	2
17	1200-174	Capscrew, 5/8C x 6-1/2	4
18	35988671	Tube Ass'y	1
19	39588670	Tube Ass'y	1
20	318V2704	Capscrew, 1/2C x 2-3/4 Gr 8	16
	1210-26	Lockwasher	16
21	708 7635	Cylinder, Boom	2
22	U35909216	Adapter, RH Turntable	1
23	U35909217	Adapter, LH Turntable	1
	359A8108	Pin (4.25" x 11.00")	4
24	310V3377	Capscrew, 3/4C x 8	4
	340V3318	Locknut, 3/4C	4
	361A1590	Pin (3.75" x 11.00")	6
	20080075-102	Shim (.06")	10
25	20080075-101	Shim (.10")	10
	316V3349	Capscrew, 3/4C x 7-1/2	6
	340V3318	Locknut, 3/4C	14
	20080075-29	Washer	8
26	20080075-79	Shim (.10")	8
	20080077-51	Shim (.25")	8

WHEN ORDERING PARTS, SPECIFY MODEL NUMBER, SERIAL NUMBER AND DESCRIPTION OF PART REQUIRED

	<b>HOIST CYLINDER PIPING</b>	DATE: Issued 8-89	<b>388</b>
		MODEL: 66445K	
		PAGE 38B.10	

⊗ DISCONTINUED PART! REFER TO NUMERICAL PARTS LIST FOR REPLACEMENT PART(S)



WHEN REPLACING PARTS BE SURE TO STATE PART NUMBER STAMPED ON CYLINDER

1/4 N.P.T.F. (DRYSEAL) BOTH ENDS

NOTES:  
 ITEM 14 TORQUE TO 400 FT. LBS. - LUBRICATED (NEVER-SEEZ) 8 PLACES  
 ITEM 22 PRESET NYLON PLUG USING GR. 8 CAPSCREW (LUBRICATED WITH LOCTITE) TO 150 FT. LBS. THEN TORQUE SET SCREW TO 75 FT. LBS. - 3 PLACES  
 ITEM 23 APPLY LOCTITE GR. 242

Also Order Service Kit

REF.	PART NO.	DESCRIPTION	QTY.
	708 7635	Cylinder, Boom Hoist & Stick	3
	U335F1532	Kit, Service.....	3
		(Includes Items Marked *)	
1	901V3373	Bushing.....	2
2	901V3372	Snap Ring.....	4
3	901V3355	*Wiper.....	1
4	901V3356	*Seal.....	1
5	901V3357	*Bearing.....	1
6	208299	Head/Flange Cover Ass'y.....	1
7	901V3331	*O-Ring.....	1
8	901V3332	Plug.....	1
9	204862	*Poppet.....	1
10	901V3334	Spring.....	1
11	901V3441	*Back-Up.....	1
12	901V3360	*O-Ring.....	1
13	901V3374	*Washer.....	8
14	901V3375	*Capscrew.....	8
15	208381	Rod/Bushing Ass'y.....	1
		(Includes Items 1 & 2)	
16	208380	Barrel/Bushing Ass'y.....	1
		(Includes Items 1 & 2)	
17	208379	Cushion Plug.....	1
18	901V3364	Piston.....	1
19	901V3365	*O-Ring.....	1
20	901V3366	*Back-Up.....	1
21	901V3367	*Seal Ass'y.....	1
22	901V3344	Plug.....	3
23	901V3345	Setscrew.....	3
24	901V3368	*Bearing.....	3
25	208370	*Ring, Piston.....	1

WHEN ORDERING PARTS, SPECIFY MODEL NUMBER, SERIAL NUMBER AND DESCRIPTION OF PART REQUIRED



BOOM HOIST CYLINDER

DATE: Issued 8-89

MODEL: 6644SK\*

GROUP  
**38B**

PAGE 38B.11

⊗ DISCONTINUED PART! REFER TO NUMERICAL PARTS LIST FOR REPLACEMENT PART(S)


<https://tractormanualz.com/>

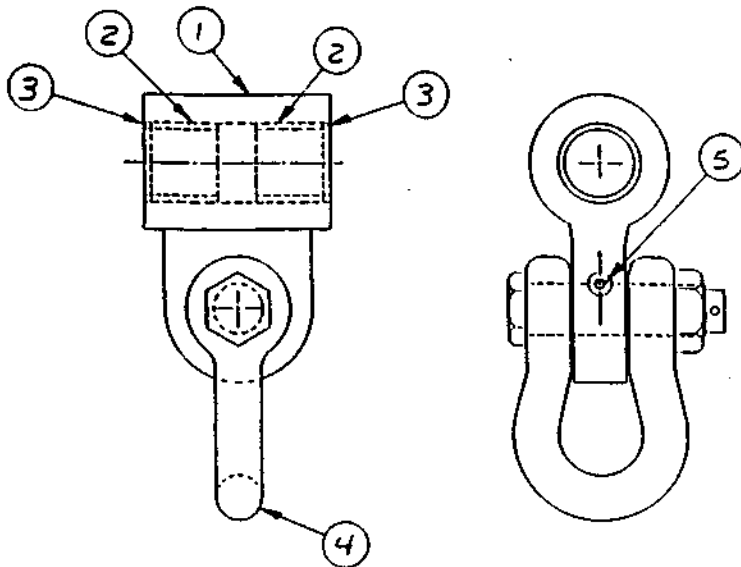
PART NO.	DESCRIPTION	QTY.
209464	Coupling, Magnet Generator.	1
209465	Brush Ring Ass'y.....	1
	(For complete Generator)	
209466	Fuse, 100 Amp Fast Blow....	4

Parts for RD-1A Automatic

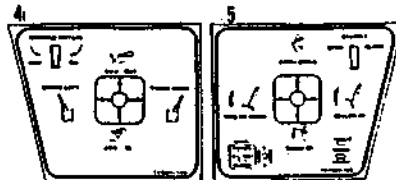
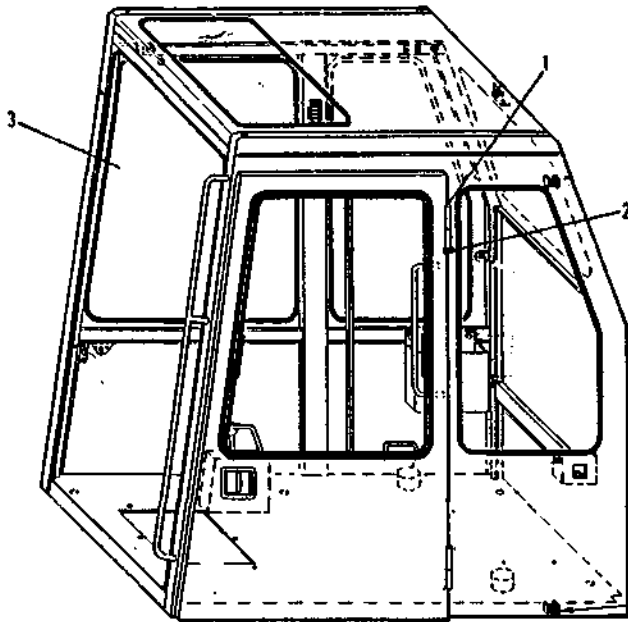
209467	Spring, LH.....	1
209468	Spring, RH.....	1
209469	Tip, Contact.....	4
209470	Spacer.....	1
209471	Insulator, Arm.....	1
209472	Shield, Blowout.....	2
209473	Coil, Main - 230 Volts..	1
209474	Shunt & Insulator Ass'y.	1
209475	Side, Arc Shield.....	2
209476	Tip, Contact.....	2
209477	Pin, Operating.....	1
209478	Spacer, Arc Shield.....	1
209479	Spring, Contact.....	2
209480	RH Blowout Coil Ass'y...	1
209481	LH Blowout Coil Ass'y...	1
209482	Blowout Ass'y.....	1
209483	Coil, Reverse Switch....	1
209484	Resistor, 15 Ohms.....	1

WHEN ORDERING PARTS, SPECIFY MODEL NUMBER, SERIAL NUMBER AND DESCRIPTION OF PART REQUIRED

	GENERATOR	DATE: Issued 1-90	GROUP <b>38B</b>
		MODEL: 6644SK	
Ⓢ DISCONTINUED PART! REFER TO NUMERICAL PARTS LIST FOR REPLACEMENT PART(S)		PAGE 38B.12	



REF.	PART NO.	DESCRIPTION	QTY.
	356A0736	Cross Head Assembly ..... Opt. (Includes Items 1 thru 5)	
1	210165	Cross Head .....	1
2	210166	Bushing .....	2
3	210167	Seal .....	2
4	210168	Shackle, Safety Pin .....	1
5	1213-1	Fitting, Grease .....	1



REF.	PART NO.	DESCRIPTION	QTY.
1	356A0733	Pin, Door Hinge (Beg.#21262) .	1
2	1205-45	Nut, 3/8C Elastic .....	1
3	420 5426	Guard, Front Window .....	1
4	12400-514	Decal, Control .....	1
5	12400-515	Decal, Control .....	1
6	12262-695	Chart, Load (3-Pc Attach) ...	1
	12262-775	Chart, Load (2-Pc Attach) ... (Attachment S/N 578V852~)	1
	12262-910	Chart, Load (2-Pc Attach) ... (Attachment S/N 578V1031~)	1
7	12400-445	Chart, Lubrication .....	1

WHEN ORDERING PARTS, SPECIFY MODEL NUMBER, SERIAL NUMBER AND DESCRIPTION OF PART REQUIRED



SPECIAL ITEMS

DATE: Revised 1-92

MODEL: 6644SK

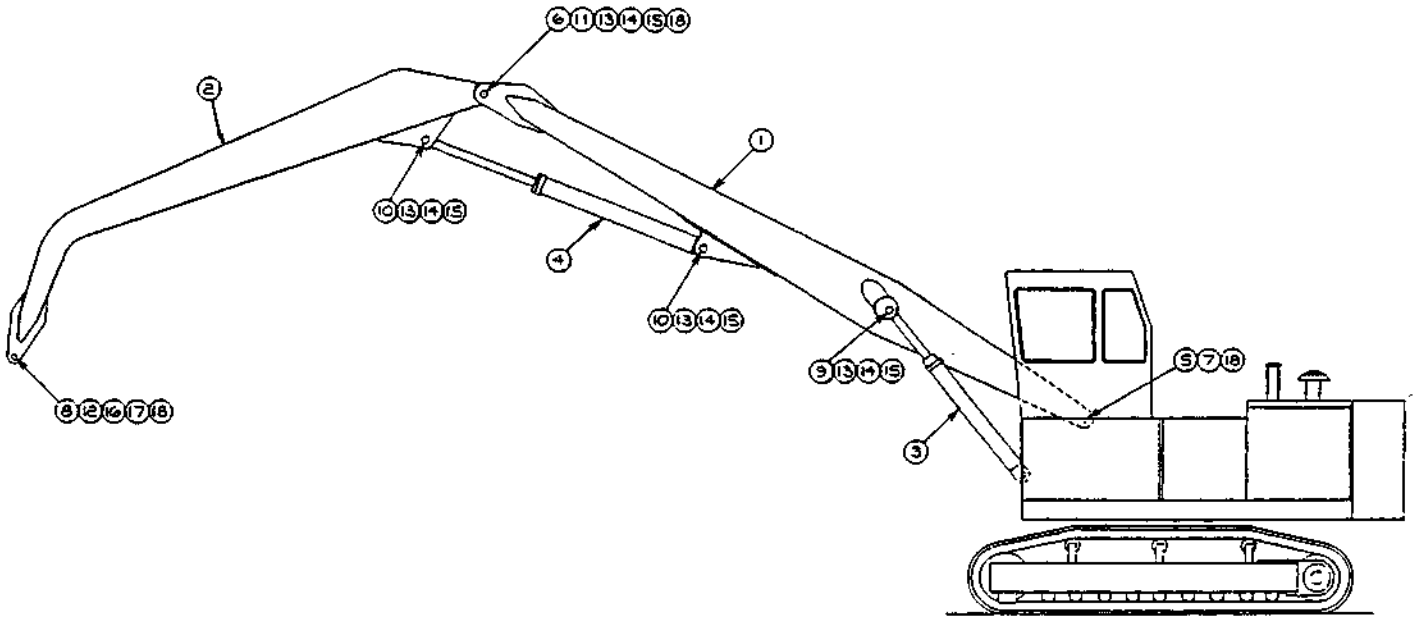
GROUP

38B

PAGE 38B.13

⊗ DISCONTINUED PART! REFER TO NUMERICAL PARTS LIST FOR REPLACEMENT PART(S)

<https://tractormanualz.com/>



REF.	PART NO.	DESCRIPTION	QTY.
	Attach. S/N 578V852~	Attach. S/N 578V1031~	
	410 8802	410 6988	
		Skrapper Attachment.....	1
		(Complete with Hydraulic & Electrical components)	
1	210265	212308	1
2	210266		1
3	Page 38B.11		1
4	Page 38B.20	Page 38B.20A	1
5	209344		2
6	210268	212309	2
7	209352		2
8	209354		2
9	209346		2
10	210269		2
11	210270	212312	1
12	209351		1
13	316V3355		5
14	1209-9		5
15	1210-38		5
16	1242-86		1
17	1205-102		1
18	1213-1		4
19		212310	2
20		211775	2
21	Ref.		2
22	Ref.		2

WHEN ORDERING PARTS, SPECIFY MODEL NUMBER, SERIAL NUMBER AND DESCRIPTION OF PART REQUIRED



SKRAPPER ATTACHMENT  
Two-Piece

DATE: Revised 1-92  
MODEL: 6644SK

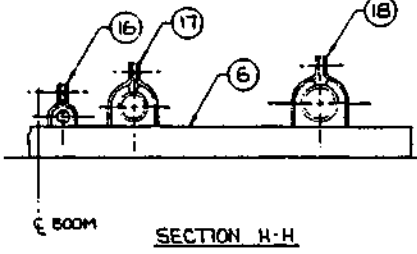
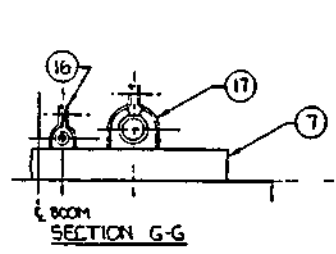
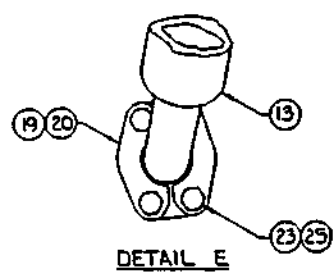
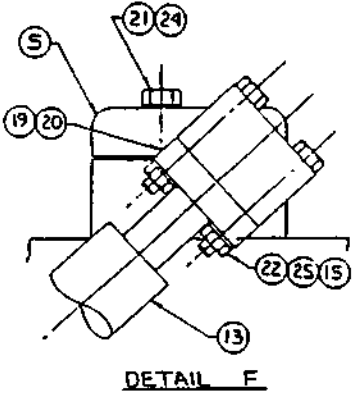
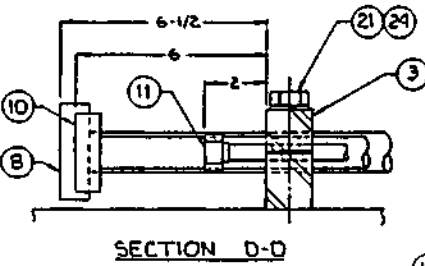
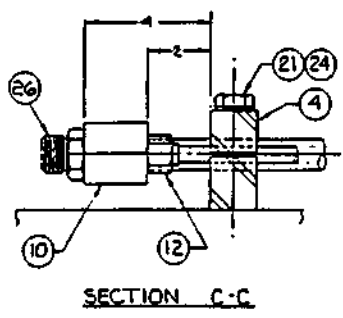
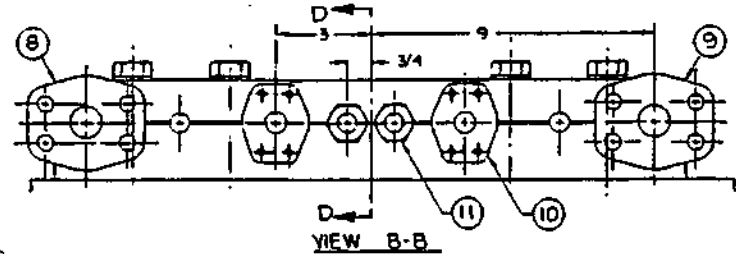
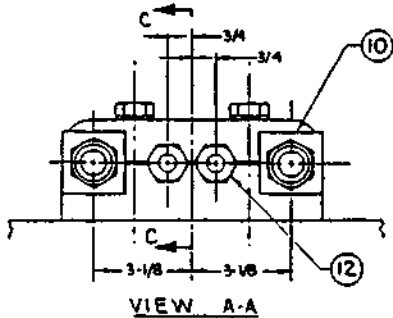
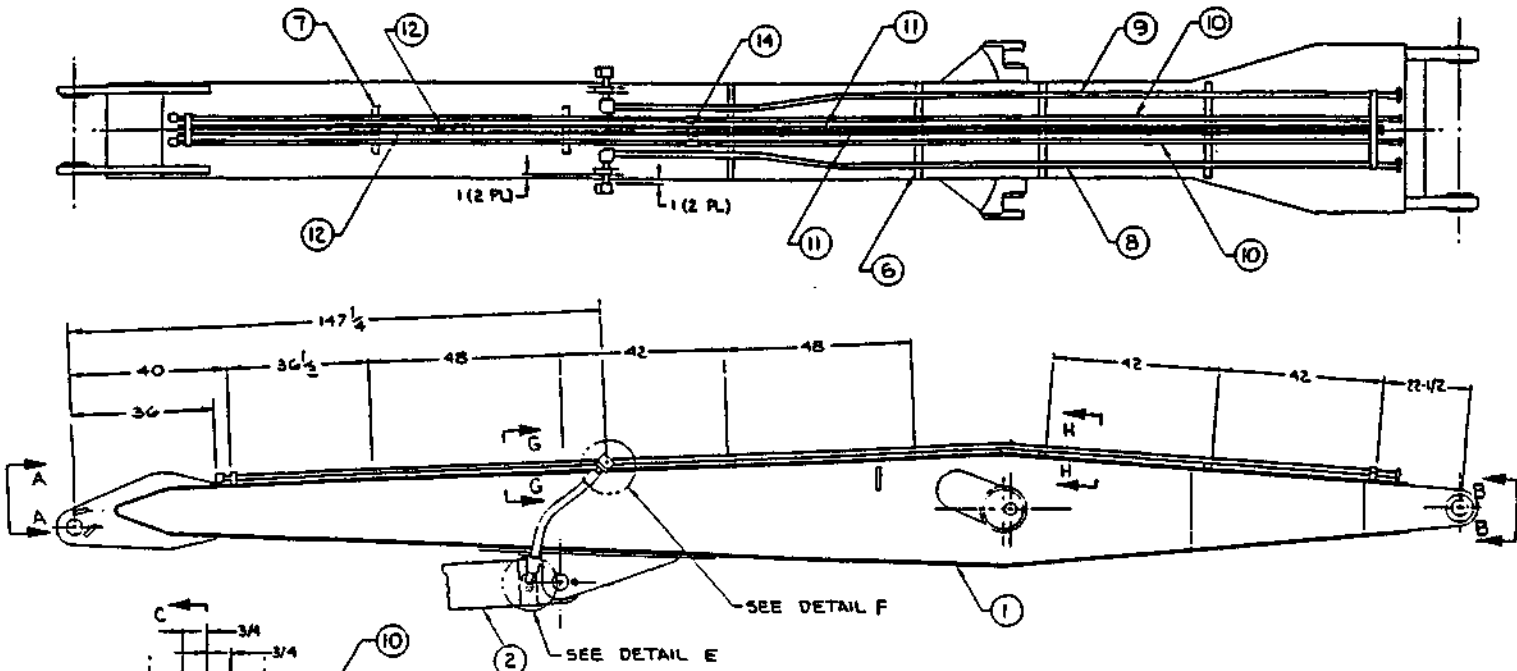
GROUP

38B

PAGE 38B.14

⊗ DISCONTINUED PART! REFER TO NUMERICAL PARTS LIST FOR REPLACEMENT PART(S)

<https://tracmanualz.com/>



REF.	PART NO.	DESCRIPTION	QTY.
	Attach. S/N	Attach. S/N	
	578V852-	578V1031-	
1		Boom	Ref.
2		Cylinder	Ref.
3	209355	Clamp	1
4	210271	Clamp	1
5	210272	212313	2
6	210273	Channel (23-3/4")	4
7	210274	212314	2
8	210275	212315	1
9	210276	212316	1
10	210277	212317	2
11	210278	212318	2
12	210279	212319	2
13	210280	211786	2
14	209365	Union	2
15	1205-58	Nut, 1/2C	8
16	209369	Tube Clamp Ass'y	12
17	209370	Tube Clamp Ass'y	12
18	209371	Tube Clamp Ass'y	8
19	210281	Flange Half (Code 62)	8
20	209367	Seal	4
21	209397	Capscrew, 3/4C x 2-1/2 Gr 8	8/6
22	209396	Capscrew, 1/2C x 3-3/4 Gr 8	8
23	1242-133	Capscrew, 1/2C x 2 Gr 8	8
24	1210-38	Lockwasher, 3/4	8/6
25	1210-26	Lockwasher, 1/2	16
26	209366	Connector, St. Thd.	2

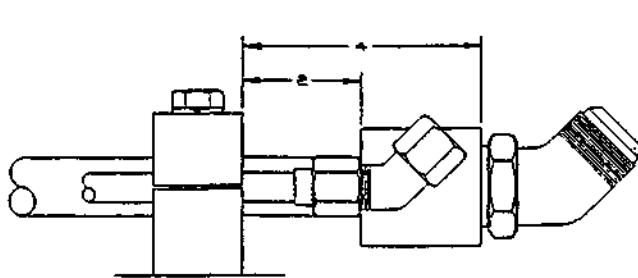
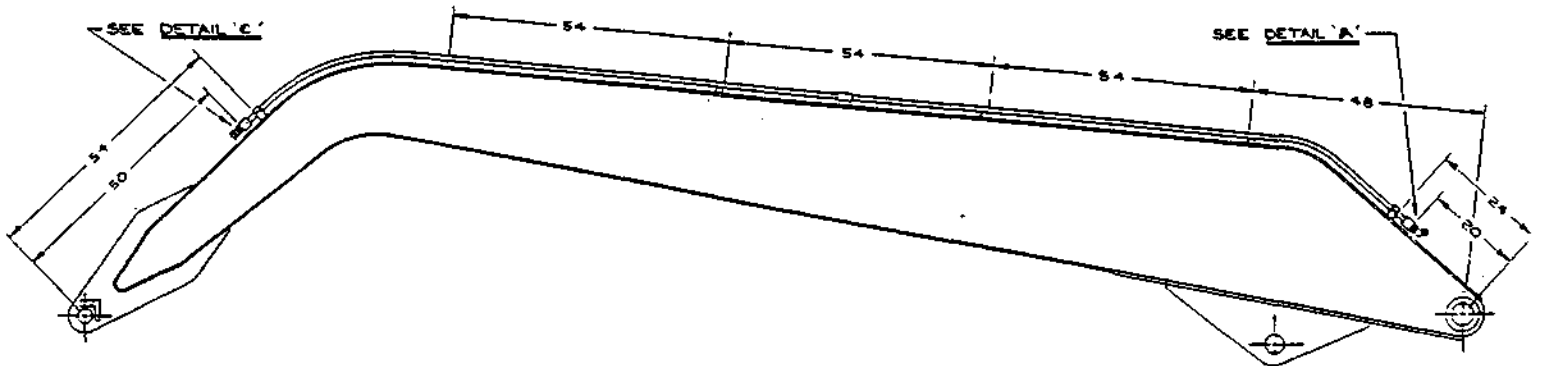
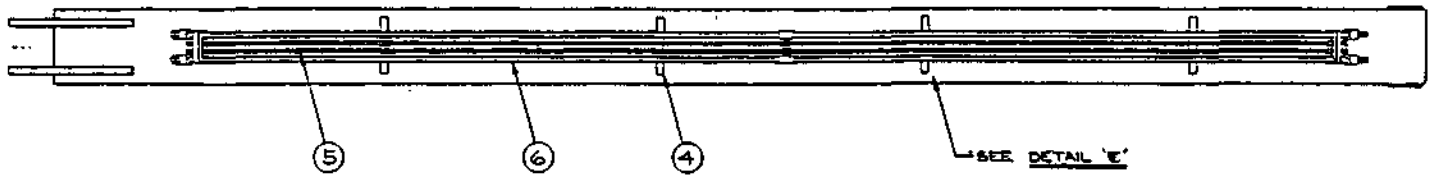
WHEN ORDERING PARTS, SPECIFY MODEL NUMBER, SERIAL NUMBER AND DESCRIPTION OF PART REQUIRED



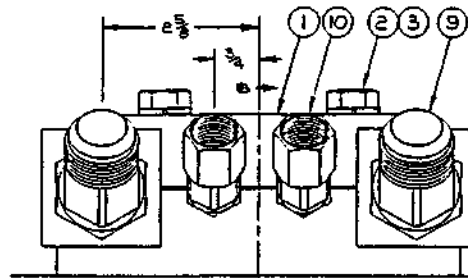
BOOM HYDRAULIC ASSEMBLY

DATE: Revised 1-92  
MODEL: 6644SK

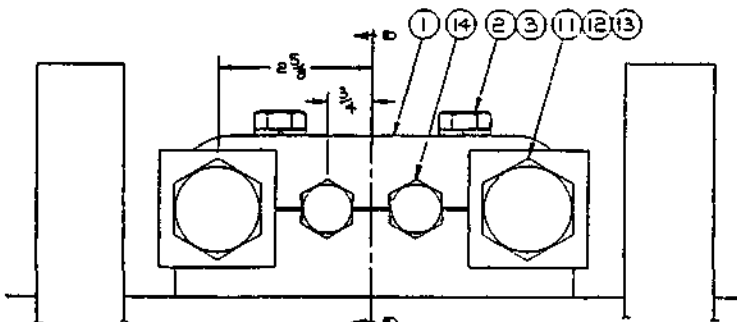
GROUP  
**38B**



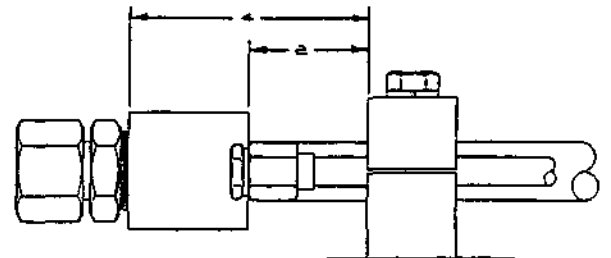
VIEW C-B



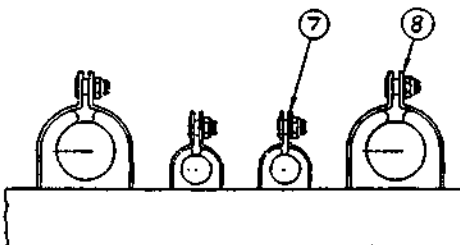
DETAIL A



DETAIL C



VIEW D-D



DETAIL E

REF.	PART NO.	DESCRIPTION	QTY.
1	210285	Clamp	2
2	210286	Capscrew, 1/2C x 2-1/2	4
3	1210-26	Lockwasher, 1/2	4
4	210274	Channel (12"-Early)	4
	212314	Channel (14-1/2")	4
5	210287	Tube Ass'y - Rotation	2
6	210288	Tube Ass'y - Grapple	2
7	209369	Tube Clamp Ass'y	8
8	209370	Tube Clamp Ass'y	8
9	210289	Elbow, 45° Str Thd	2
10	210290	Elbow, 45° Swivel Nut	2
11	209384	Connector, Str Thd	2
12	1218-290	O-Ring	2
13	1219-638	Cap	2
14	1219-839	Plug	2

WHEN ORDERING PARTS, SPECIFY MODEL NUMBER, SERIAL NUMBER AND DESCRIPTION OF PART REQUIRED



STICK HYDRAULIC ASSEMBLY

DATE: Revised 1-92

MODEL: 66445K

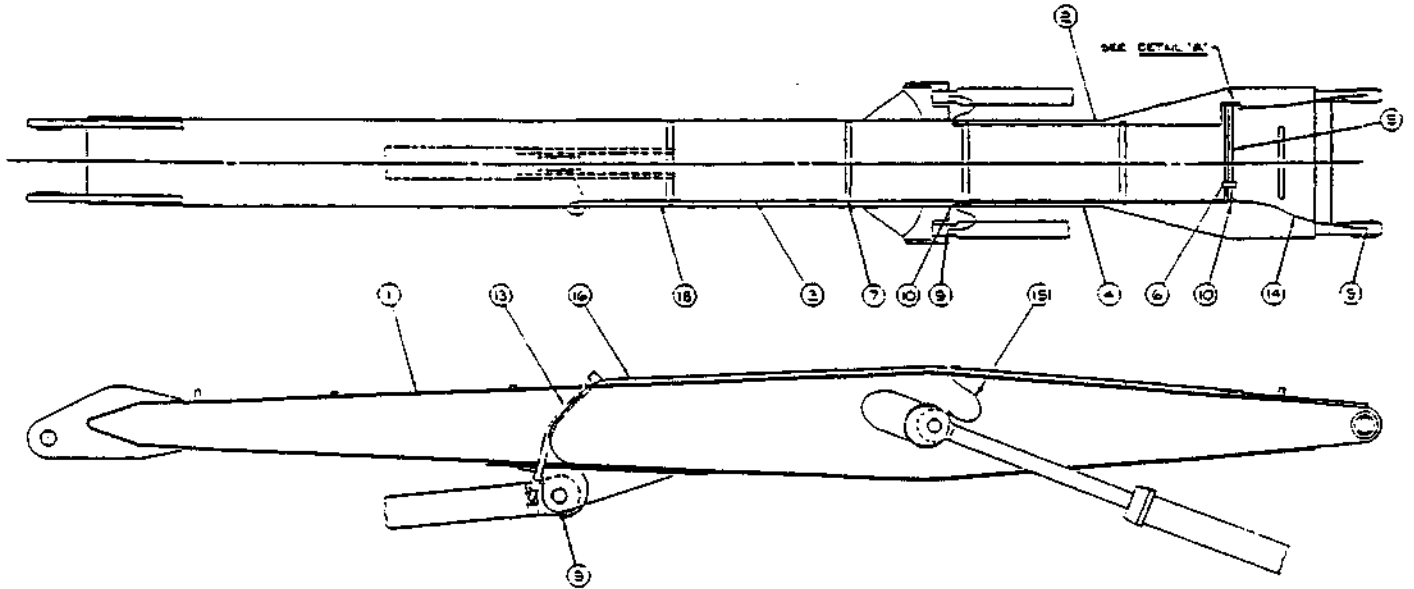
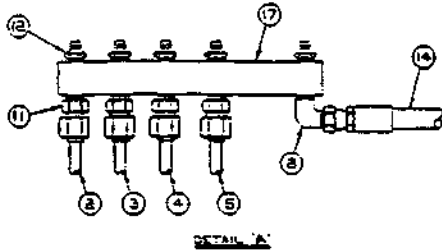
PAGE 38B.16

GROUP

38B

⊗ DISCONTINUED PART! REFER TO NUMERICAL PARTS LIST FOR REPLACEMENT PART(S)

<https://tractormanz.com/>



REF.	PART NO.	DESCRIPTION	QTY.
1		Boom, Main.....	Ref.
2		Tube Assembly.....	Ref.
3		Tube Assembly.....	Ref.
4		Tube Assembly.....	Ref.
5		Tube Assembly.....	Ref.
6	210291	Channel (4").....	1
7	210292	Tube Clamp Ass'y (1/4")..	11
8	210293	Elbow, 90° Male.....	1
9	210294	Elbow, 90° Male X-Long..	5
10	210295	Elbow, 90° Union.....	3
11	210296	Connector, Tube.....	4
12	1213-1	Fitting, Grease.....	5
13	210297	Tie, Cable.....	3
14	210298	Hose Assembly.....	2
15	210299	Hose Assembly.....	2
16	210300	Hose Assembly.....	1
17	210301	Block, Manifold.....	1
18	210302	Union.....	1

WHEN ORDERING PARTS, SPECIFY MODEL NUMBER, SERIAL NUMBER AND DESCRIPTION OF PART REQUIRED



BOOM GREASE PIPING

DATE: Issued 3-90

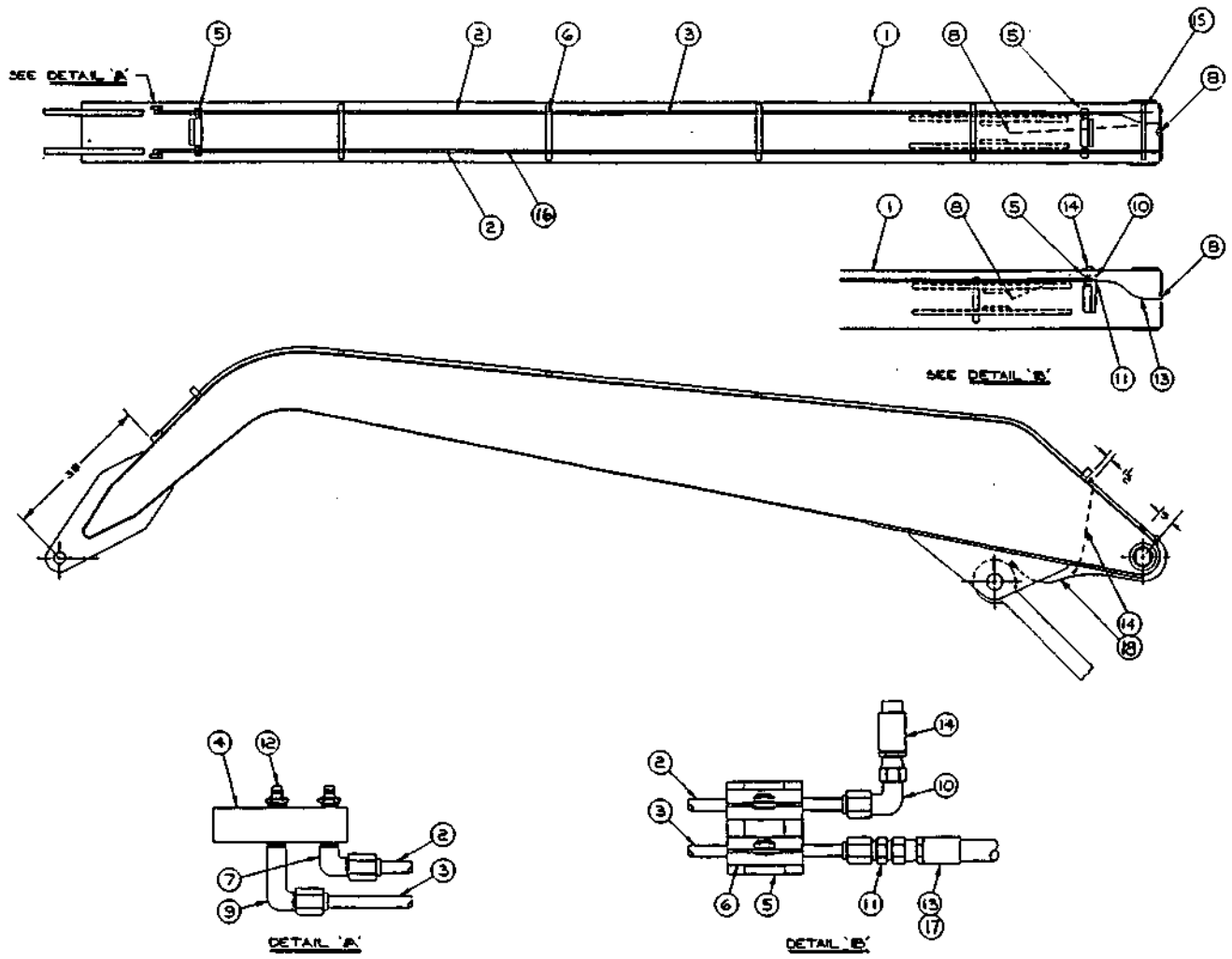
MODEL: 6644SK

GROUP

388

PAGE 38B.17

⊗ DISCONTINUED PART! REFER TO NUMERICAL PARTS LIST FOR REPLACEMENT PART(S)



REF.	PART NO.		DESCRIPTION	QTY.
	Attach. S/N	Attach. S/N		
	578V852~	578V1031~		
1			Boom, Stick.....	Ref.
2			Tube Ass'y.....	Ref.
3			Tube Ass'y.....	Ref.
4	210303		Block, Manifold.....	1/2
5	210304		Channel (2").....	2/5
6	210292		Tube Clamp Ass'y.....	12/28
7	210293		Elbow, 90° Male.....	1/2
8	210305		Elbow, 90° Male Long.....	2/4
9	210294		Elbow, 90° Male X-Long.....	1/2
10	210295		Elbow, 90° Union.....	1/-
11	210302		Union.....	1/-
12		1213-1	Fitting, Grease.....	2/4
13	210306		Hose Ass'y.....	1/-
14	210307		Hose Ass'y.....	1/-
15		212311	Channel.....	-/1
16		212321	Tube Ass'y.....	-/1
17		Ref.	Tube Ass'y.....	-/1
18		212320	Hose Ass'y.....	-/1

WHEN ORDERING PARTS, SPECIFY MODEL NUMBER, SERIAL NUMBER AND DESCRIPTION OF PART REQUIRED



STICK GREASE PIPING

DATE: Revised 1-92

MODEL: 6644SK

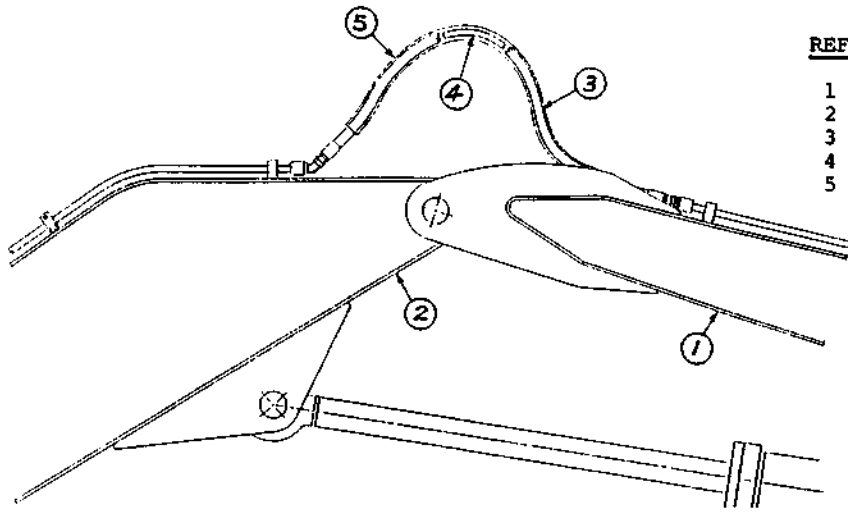
PAGE 38B.18

GROUP

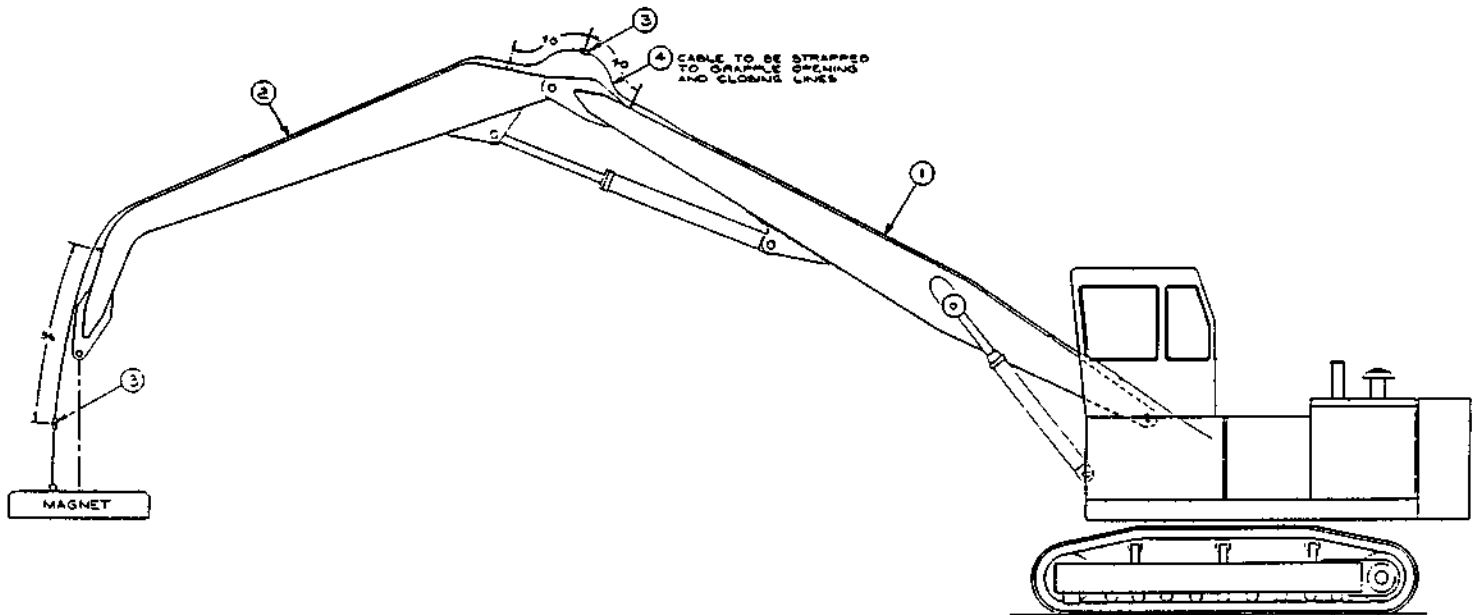
38B

⊗ DISCONTINUED PART! REFER TO NUMERICAL PARTS LIST FOR REPLACEMENT PART(S)

<https://tractormanualz.com/>



REF.	PART NO.	DESCRIPTION	QTY.
1		Boom, Main.....	Ref.
2		Boom, Stick.....	Ref.
3	210282	Hose Assembly, 3/4"....	2
4	210283	Hose Assembly, 3/8"....	2
5	210284	Sleeve, Hose Protection .	1



REF.	PART NO.	DESCRIPTION	QTY.
	Attach. S/N	Attach. S/N	
	578V852~	578V1031~	
1	210308	Cable, Double Conductor 4-2..	1
2	210309   211714	Cable, Double Conductor 4-2..	1
3	209409	Connector, Cable.....	4
4	1222-202	Tie, Cable.....	12

WHEN ORDERING PARTS, SPECIFY MODEL NUMBER, SERIAL NUMBER AND DESCRIPTION OF PART REQUIRED



BOOM-STICK HYDRAULICS / MAGNET WIRING

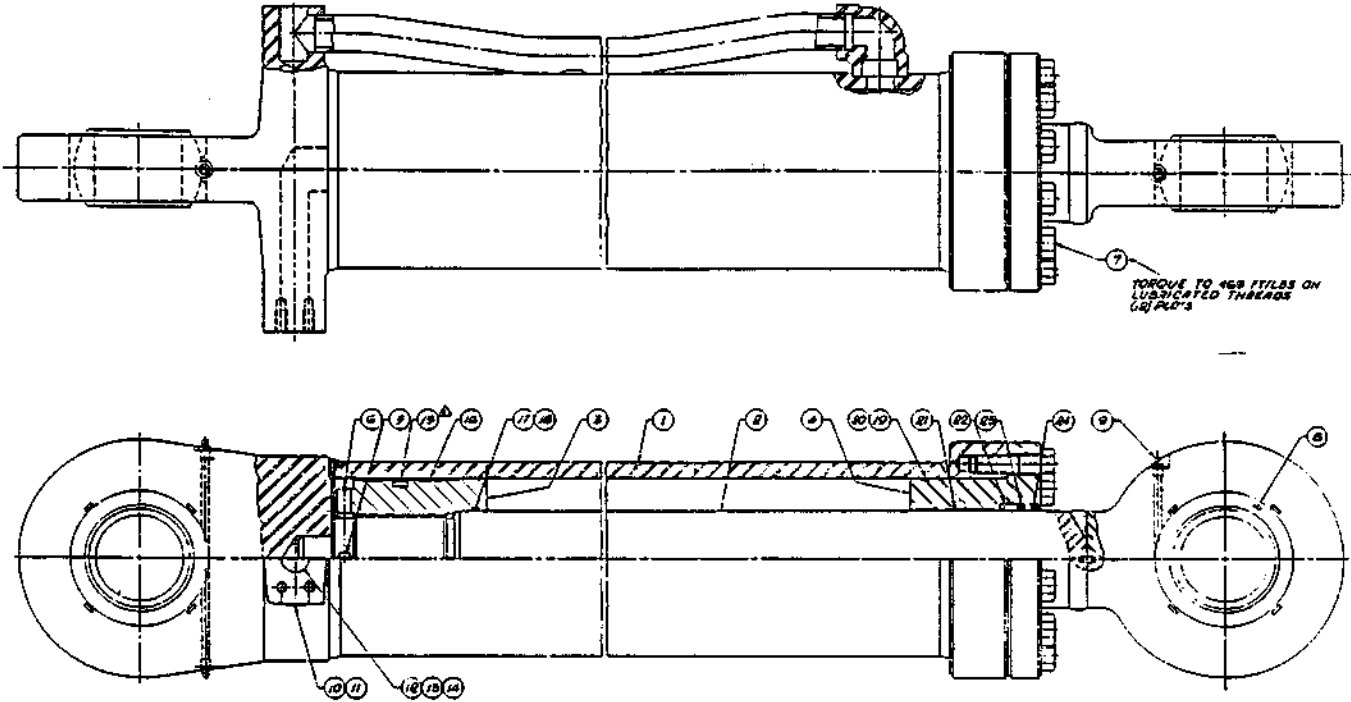
DATE: Revised 1-92

MODEL: 6644SK

GROUP

38B

PAGE 38B.19



**PISTON LOCK INSTALLATION**  
 1. TURN PISTON UNTIL SHOULDER CONTACTS ROD.  
 2. BACK PISTON OFF TO NEAREST HOLE ALIGNMENT.  
 3. INSTALL LOCK PIN (ITEM 5).  
 4. INSTALL RETAINING RING (ITEM 6).

REF.	PART NO.	DESCRIPTION	QTY.
	210267	Cylinder, Stick.....	1
	210331	Kit, Seal.....	1
		(Includes Items 15 thru 24)	
1	210310	Barrel.....	1
2	210311	Rod.....	1
3	210312	Piston.....	1
4	210313	Bearing.....	1
5	210314	Pin, Lock.....	1
6	210315	Ring, Retaining.....	1
7	210316	Bolt, Head.....	12
8	210317	Bushing, Eye.....	2
9	1213-1	Fitting, Grease.....	3
10		Plate, Name.....	1
11		Screw, Drive.....	2
12	210318	Cover (Shipping).....	2
13	210319	Bolt.....	4
14	210320	O-Ring.....	2
15	210321	Packing, Piston.....	1
16	210322	Ring, Wear.....	2
17	210323	Seal, Piston.....	1
18	210324	Back-Up.....	2
19	210325	Seal, Head.....	1
20	210326	Back-Up.....	1
21	210327	Ring, Wear.....	3
22	210328	Packing, Rod.....	1
23	210329	Back-Up, Modular.....	1
24	210330	Wiper, Rod.....	1

WHEN ORDERING PARTS, SPECIFY MODEL NUMBER, SERIAL NUMBER AND DESCRIPTION OF PART REQUIRED



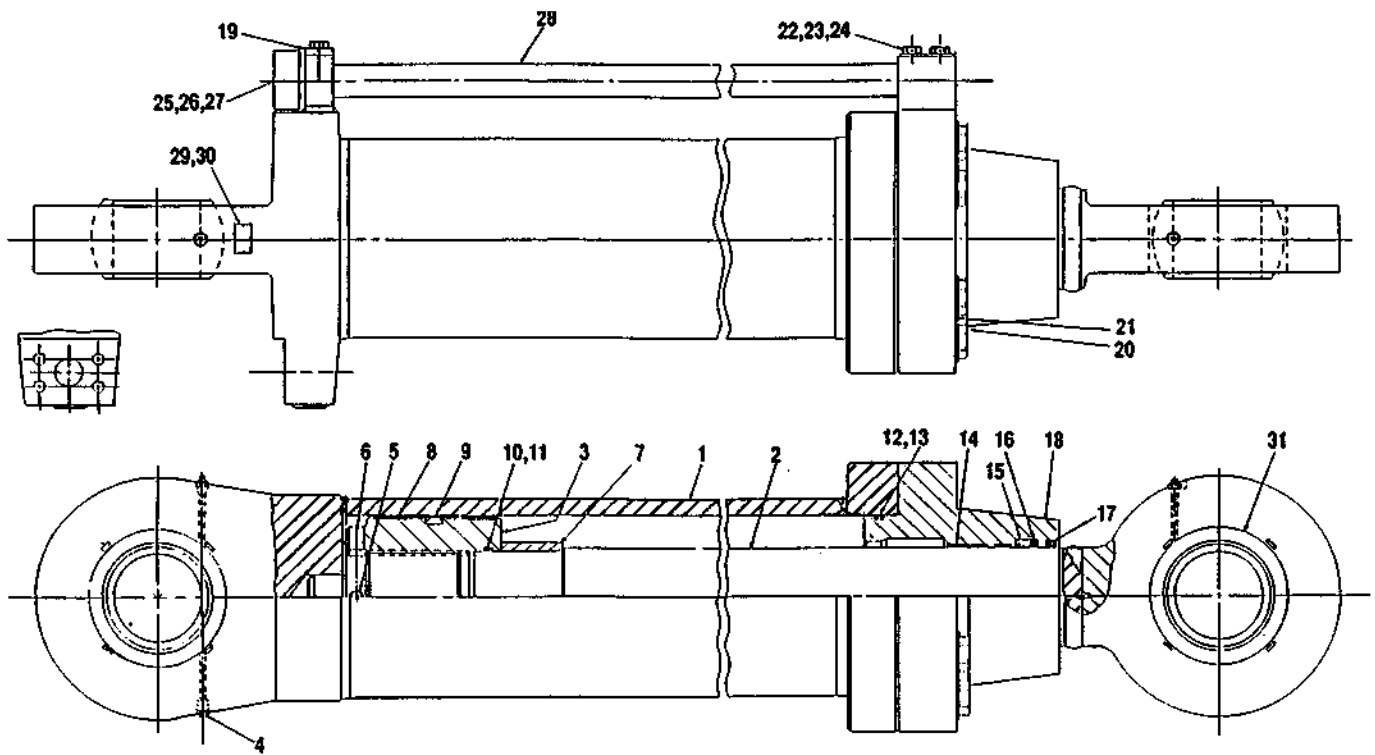
STICK CYLINDER

DATE: Issued 3-90  
 MODEL: 6644SK

GROG  
**38B**

PAGE 38B.20

⊗ DISCONTINUED PART! REFER TO NUMERICAL PARTS LIST FOR REPLACEMENT PART(S)



REF.	PART NO.	DESCRIPTION	QTY.
	212288	Cylinder, Stick .....	1
	212294	Kit, Seal .....	1
		(Incl. Items 8 thru 17)	
1	212289	Barrel .....	1
2	212290	Rod .....	1
3	212291	Piston .....	1
4	1213-1	Fitting, Grease .....	3
5	212292	Pin, Lock .....	1
6	210315	Ring, Retaining .....	1
7	212293	Cushion .....	1
8	212295	Ring, Wear .....	2
9	210321	Packing, Piston .....	1
10	212296	Seal, Piston .....	1
11	212297	Backup, Seal .....	2
12	210325	Seal, Head .....	1
13	210326	Backup, Seal .....	1
14	212298	Ring, Wear .....	3
15	210328	Packing, Rod .....	1
16	212299	Backup, Modular .....	1
17	212300	Wiper, Rod .....	1
18	212301	Head, Cylinder .....	1
19	209381	Clamp .....	1
20	212302	Bolt, Head .....	8
21	212303	Flatwasher .....	8
22	211759	Bolt .....	4
23	1210-26	Lockwasher .....	4
24	209367	Seal, Tube .....	1
25	210319	Bolt, Shipping .....	4
26	210318	Cover, Shipping .....	2
27	210320	Seal, Shipping .....	2
28	212304	Tube, Transfer .....	1
	212305	Tube .....	1
	212306	Block, Manifold .....	1
	212307	Pad, Adapter .....	1
29		Tag, Name .....	1
30		Screw, Drive .....	2
31	210317	Spherical Bearing .....	2

WHEN ORDERING PARTS, SPECIFY MODEL NUMBER, SERIAL NUMBER AND DESCRIPTION OF PART REQUIRED



STICK CYLINDER

DATE: Issued 1-92

MODEL: 6644SK

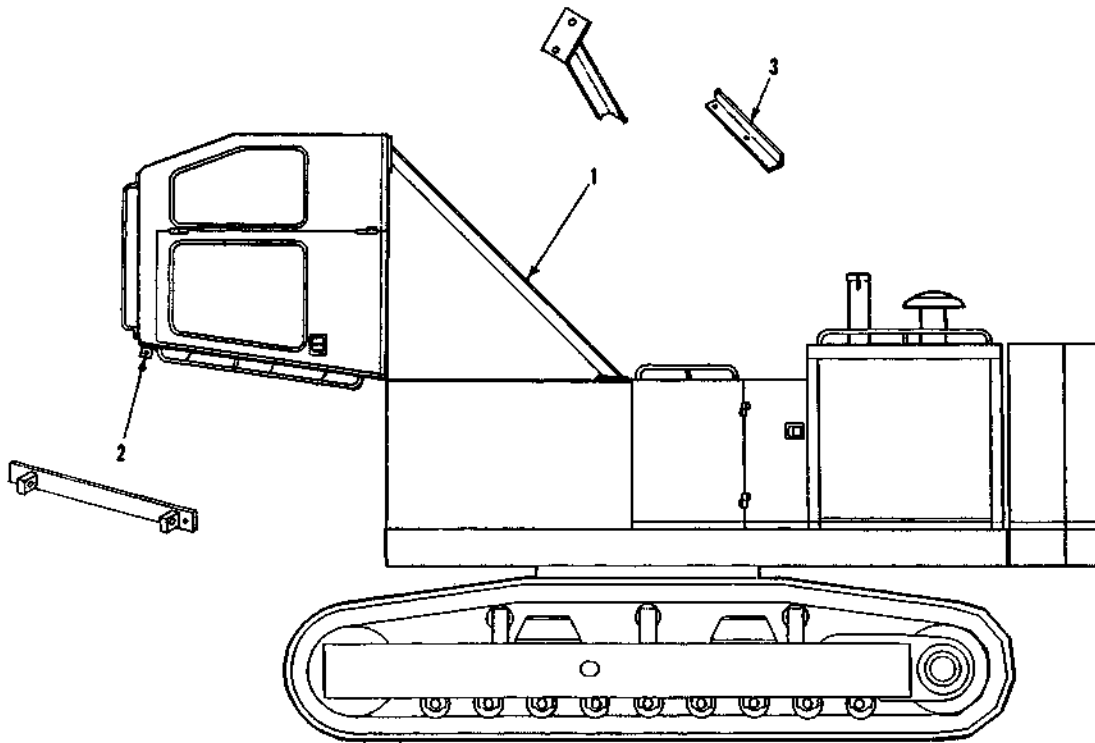
GROUP

38B

PAGE 38B.20A

⊗ DISCONTINUED PART! REFER TO NUMERICAL PARTS LIST FOR REPLACEMENT PART(S)

<https://tractormanualz.com/>



REF.	PART NO.	DESCRIPTION	QTY.
	708A7886	Cab Tilt Support Ass'y. (Includes Items 1 thru 3)	1
1	356B0160	Support.....	2
2	359B9168	Bracket, Lift.....	1
3	359A9144	Angle.....	1

WHEN ORDERING PARTS, SPECIFY MODEL NUMBER, SERIAL NUMBER AND DESCRIPTION OF PART REQUIRED



CAB TILT SUPPORT ASSEMBLY

DATE: Issued 4-90

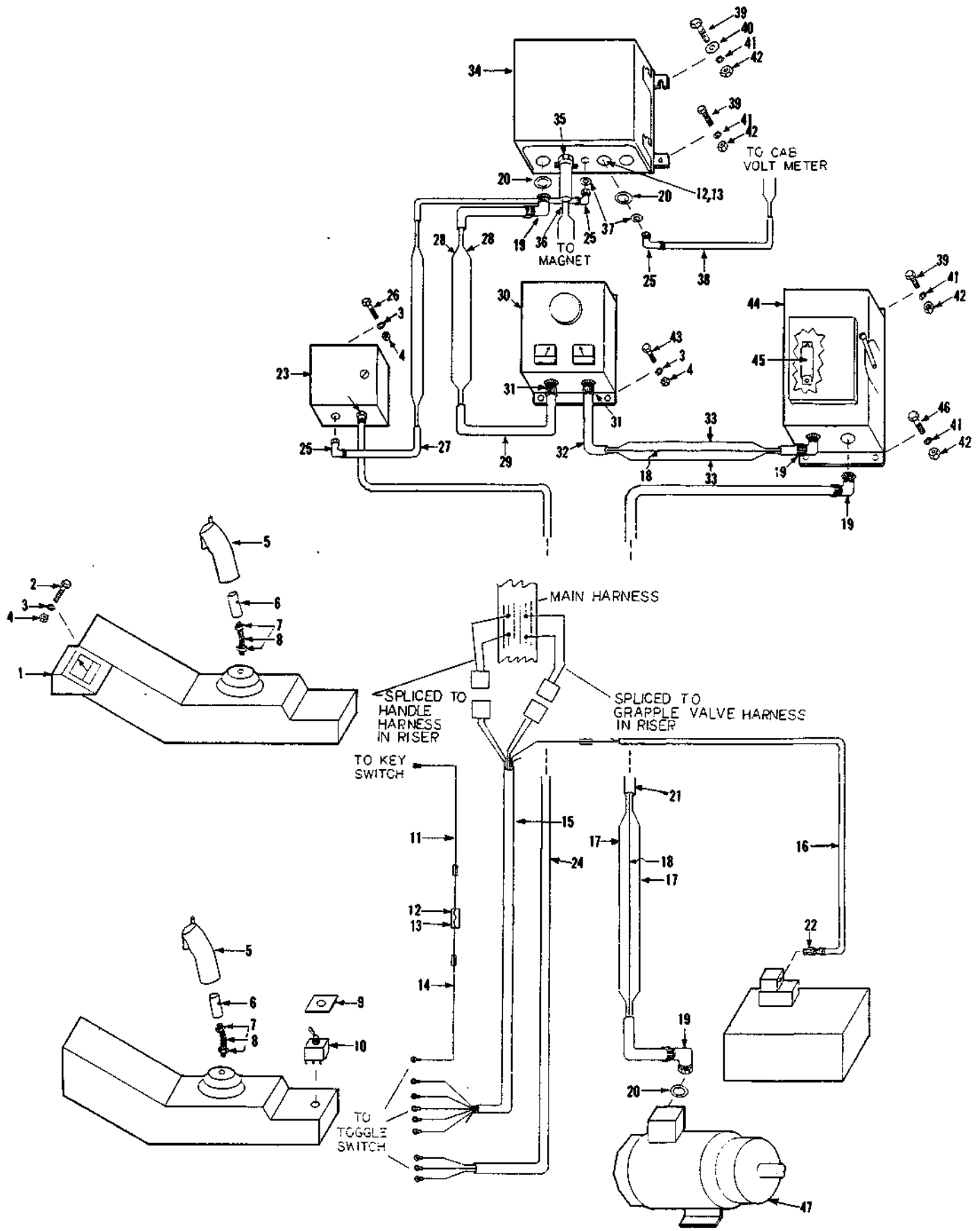
MODEL: 6644SK

PAGE 38B.21

GROUP

38 B

⊗ DISCONTINUED PART! REFER TO NUMERICAL PARTS LIST FOR REPLACEMENT PART(S)



WHEN ORDERING PARTS, SPECIFY MODEL NUMBER, SERIAL NUMBER AND DESCRIPTION OF PART REQUIRED



MAGNET GENERATOR ELECTRICAL

DATE: Issued 4-90

MODEL: 6644SK

GROUP

38B

PAGE 38B.22

⊗ DISCONTINUED PART! REFER TO NUMERICAL PARTS LIST FOR REPLACEMENT PART(S)

<https://tractormanualz.com/>

-12REF. PART NO.	DESCRIPTION	QTY.
708 7893	Magnet Generator System ... 1 (25KW Crane-Systems-Incl. Items on Pages 38B.21 thru 38B.25)	
1	210395 Voltmeter Ass'y ..... 1	
	212166 Voltmeter only ..... 2	
2	210396 Capscrew ..... 2	
3	210397 Lockwasher ..... 10	
4	210398 Nut ..... 10	
	421 1266 Handle Ass'y (Incl. 5-8) .... 1	
	210393 Handle, Control ..... 2	
5	211067 Switch, Trigger ..... 2	
	211068 Switch, Thumb ..... 2	
6	210399 Adapter, Handle' ..... 2	
7	210400 Nut ..... 4	
8	210401 Stem ..... 2	
9	210402 Decal ..... 1	
10	210403 Switch, Toggle ..... 1	
11	210404 Wire Ass'y ..... 1	
12	210405 Holder, Fuse ..... 2	
13	210406 Fuse ..... 2	
14	210407 Wire Ass'y ..... 1	
15	210394 Harness, Wire ..... 1	
16	210408 Harness, Wire ..... 1	
17	210409 Wire Ass'y ..... 2	
18	210410 Wire Ass'y ..... 1	
19	210411 Connector ..... 4	
20	210412 Washer ..... 6	
21	210413 Conduit ..... 1	
22	210414 Connector ..... 2	
23	210415 Relay ..... 1	
24	210416 Harness, Wire ..... 1	
25	210417 Connector ..... 3	
26	210418 Capscrew ..... 4	
27	210419 Harness, Wire ..... 1	
28	210420 Wire ..... 2	
29	210421 Conduit ..... 1	
	210422 Meter Package ..... 1	
30	211625 Rheostat ..... 1	
	211626 Ammeter (0-150) ..... 1	
	211627 Voltmeter (0-300) ..... 1	
31	210423 Connector ..... 2	
32	210424 Conduit ..... 1	
33	210425 Wire ..... 2	
34	210426 Controller ..... 1	
35	210427 Connector ..... 1	
36	210428 Harness, Wire ..... 1	
37	210429 Washer ..... 4	
38	210430 Harness, Wire ..... 1	
39	310431 Capscrew ..... 6	
40	210432 Flatwasher ..... 2	
41	210433 Lockwasher ..... 8	
42	210434 Nut ..... 8	
43	210435 Capscrew ..... 4	
44	210436 Switch, Disconnect ..... 1	
45	210437 Fuse ..... 2	
46	210438 Capscrew ..... 2	
47	210439 Generator, Ohio 25KW ..... 1	

WHEN ORDERING PARTS, SPECIFY MODEL NUMBER, SERIAL NUMBER AND DESCRIPTION OF PART REQUIRED



MAGNET GENERATOR ELECTRICAL

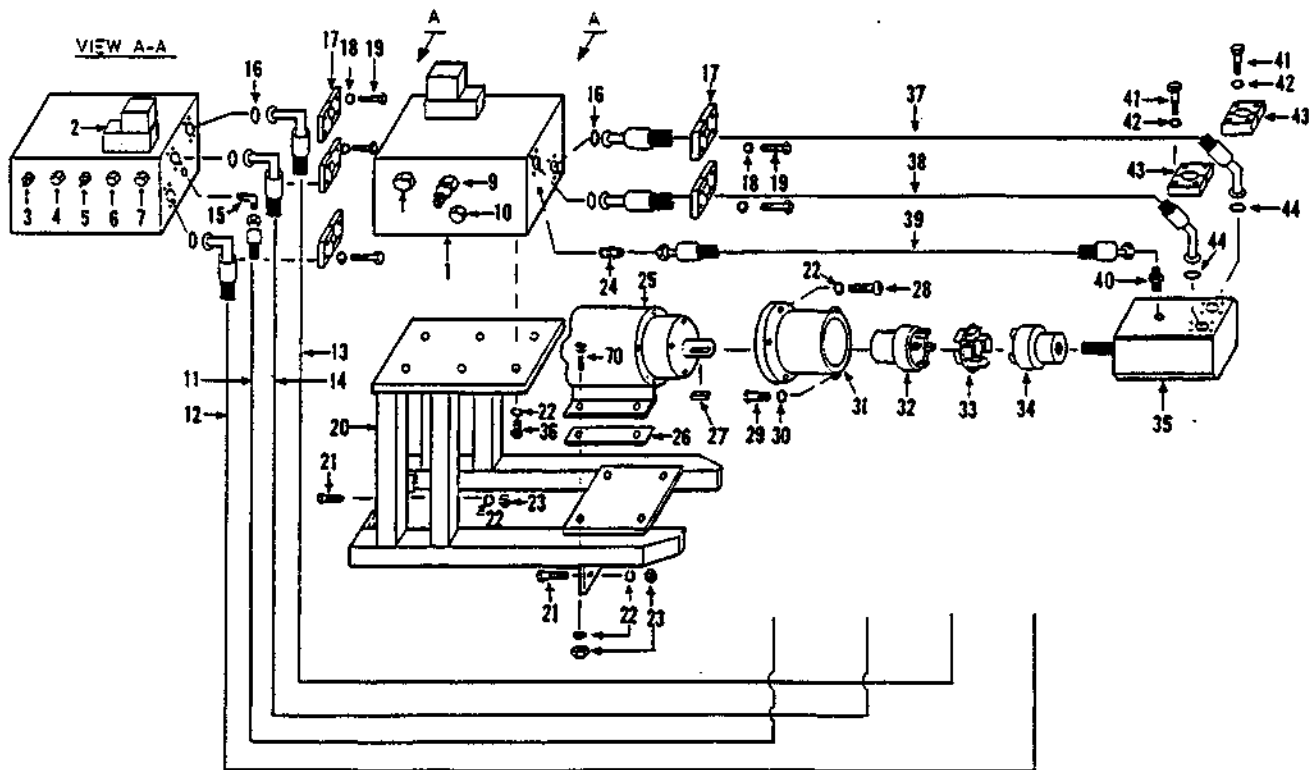
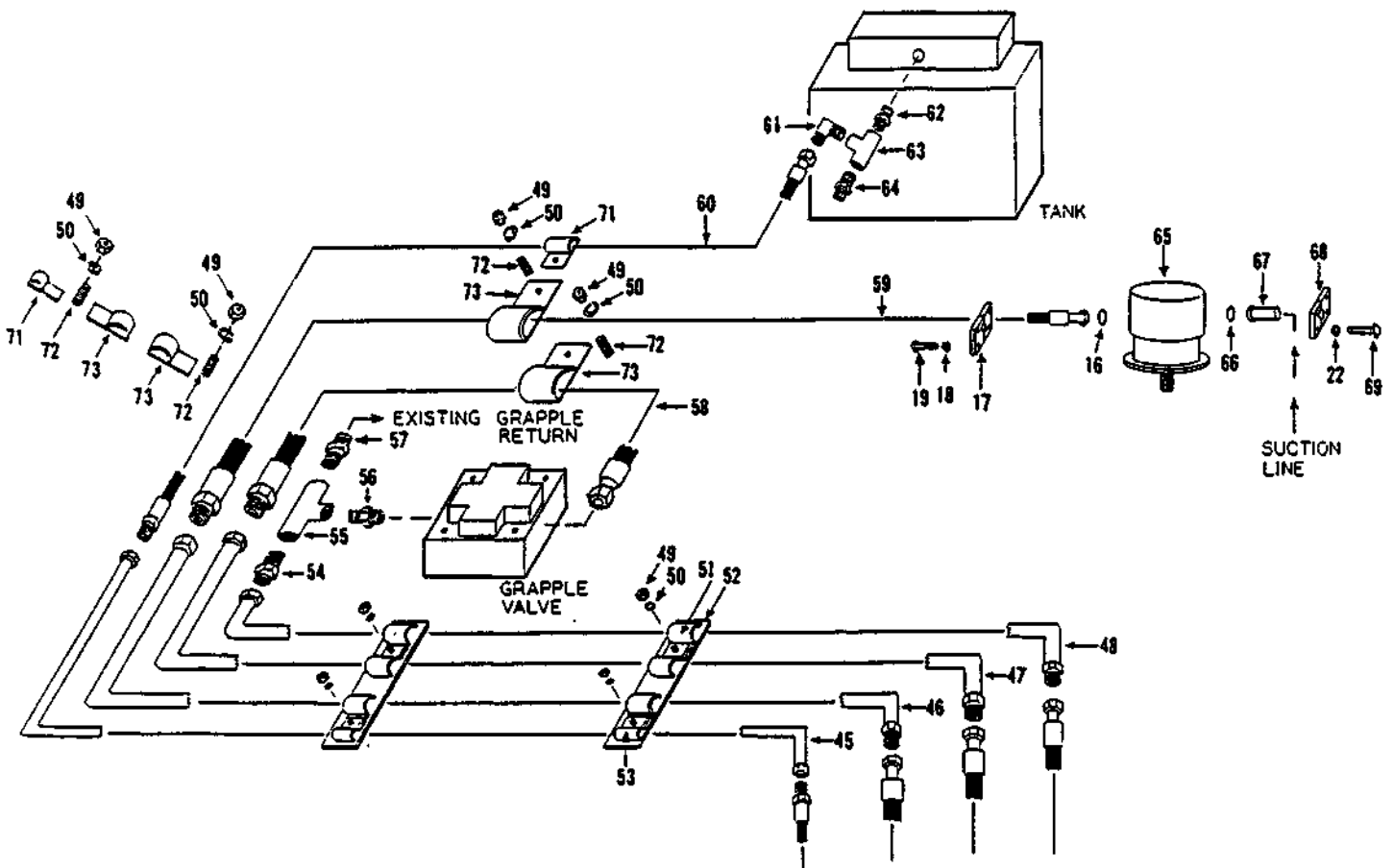
DATE: Revised 1-92

MODEL: 6644SK

GROUP

38B

PAGE 38B.23



WHEN ORDERING PARTS, SPECIFY MODEL NUMBER, SERIAL NUMBER AND DESCRIPTION OF PART REQUIRED

GROUP

**KOHRING**  
CRANES &  
EXCAVATORS

MAGNET GENERATOR HYDRAULICS

DATE: Issued 4-90

WASSEL: 46445X

**38B**

PAGE 38B.24

⊗ DISCONTINUED PART! REFER TO NUMERICAL PARTS LIST FOR REPLACEMENT PART(S)

<https://tractormanualz.com/>

REF.	PART NO.	DESCRIPTION	QTY.
1	210440	Manifold.....	1
2	210441	Solenoid.....	1
3	210442	Valve, Relief.....	1
4	210443	Valve, Check.....	1
5	210444	Valve, Relief.....	1
6	210445	Valve, Logic.....	1
7	210445	Valve, Logic.....	1
8	210446	Valve, Check.....	1
9	210447	Control, Flow.....	1
10	210448	Compensator, Pressure..	1
11	210449	Hose Ass'y.....	1
12	210450	Hose Ass'y.....	1
13	210450	Hose Ass'y.....	1
14	210450	Hose Ass'y.....	1
15	210451	Fitting.....	1
16	210452	O-Ring.....	6
17	210453	Flange Half.....	12
18	120454	Lockwasher.....	24
19	210455	Capscrew.....	24
20	210456	Bracket, Mounting.....	1
21	210457	Capscrew.....	4
22	120458	Lockwasher.....	22
23	210459	Nut.....	8
24	210460	Fitting.....	1
25	210439	Generator, Ohio 25KW...	1
26	210461	Mount, Shock.....	2
27	210462	Key.....	1
28	210463	Capscrew.....	4
29	210464	Capscrew.....	2
30	210465	Lockwasher.....	2
31	210466	Mount, Motor.....	1
32	210467	Coupling Half.....	1
33	210468	Insert.....	1
34	210469	Coupling Half.....	1
35	210470	Motor.....	1
36	210471	Capscrew.....	6
37	210472	Hose Ass'y.....	1
38	210472	Hose Ass'y.....	1
39	210473	Hose Ass'y.....	1
40	210474	Fitting.....	1
41	210475	Capscrew.....	8
42	210476	Lockwasher.....	8
43	210477	Flange Half.....	4
44	210478	O-Ring.....	2
45	210479	Tube Ass'y.....	1
46	210480	Tube Ass'y.....	1
47	210481	Tube Ass'y.....	1
48	210482	Tube Ass'y.....	1
49	210483	Nut.....	8
50	210433	Lockwasher.....	8
51	210484	Clamp.....	6
52	210485	Bracket, Mounting.....	2
53	210486	Clamp.....	2
54	210487	Fitting.....	1
55	210488	Tee.....	1
56	210489	Fitting.....	1
57	210490	Fitting.....	1
58	210491	Hose Ass'y.....	1
59	210492	Hose Ass'y.....	1
60	210493	Hose Ass'y.....	1
61	210494	Fitting.....	1
62	210495	Fitting.....	1
63	210496	Tee.....	1
64	210497	Fitting.....	1
65	210498	Pump.....	1
66	210499	O-Ring.....	1
67	211000	Adapter.....	1
68	211001	Flange Half.....	2
69	211002	Capscrew.....	4
70	211003	Capscrew.....	4
71	211004	Clamp.....	2
72	210431	Stud.....	4
73	211005	Clamp.....	4

WHEN ORDERING PARTS, SPECIFY MODEL NUMBER, SERIAL NUMBER AND DESCRIPTION OF PART REQUIRED



MAGNET GENERATOR HYDRAULICS

DATE: Issued 4-90

MODEL: 6644SK

GROUP

38 B

PAGE 38B.25

⊗ DISCONTINUED PART! REFER TO NUMERICAL PARTS LIST FOR REPLACEMENT PART(S)

<https://tractormanualz.com/>